



16-38XL Lawn Tractor

Model No. 71223 - 240000001 and up.

Parts Catalog

Ordering Replacement Parts

To order replacement parts, please supply the part number, the quantity, and the description of each part desired.

Understanding Reference Numbers

Each Identified part in an illustration has a reference number. The reference number for a part also appears in the parts list, along with other information about the part.

This catalog uses two special reference number formats, one to indicate parts in a service assembly and another to indicate the quantity of a given part in an illustration.

Service Assembly Reference Numbers

Parts in service assemblies have reference numbers in the form a:b. The a represents the reference number of the entire service assembly and the b represents a sequential number unique to each part within the service assembly.

For example, a wheel assembly might be identified by reference number 6, the tire by 6:1, the valve by 6:2, and the wheel by 6:3. When you order the assembly identified by reference number 6, you receive all parts identified by reference numbers 6:1, 6:2, and 6:3. However, you may also order any part individually. Reference numbers of this type appear in illustrations and in part lists.

Reference Numbers Indicating Quantity

In an illustration, if a reference number indicates more than one part, the reference number has the form nX y. The n represents the quantity of the part, the X is the multiplication symbol, and the y represents the reference number.

For example, in an illustration, the reference number 2X 37 means that two of the parts identified by reference number 37 are indicated.

Part Description Abbreviations

Part descriptions in this catalog may include the following abbreviations

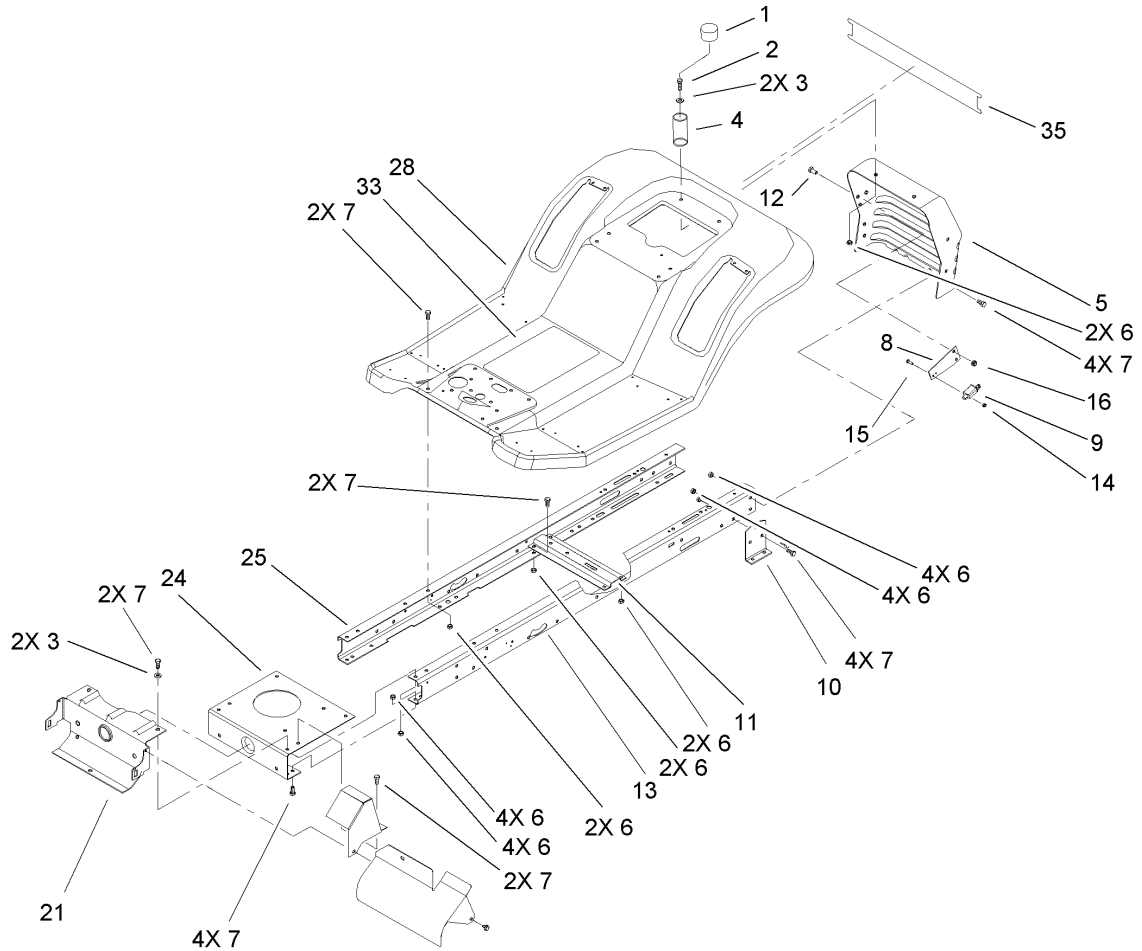
AR.....	as required	HYD.....	hydraulic
ASM.....	assembly	INC.....	incorporated
CARR.....	carriage	LH.....	left hand
DEG.....	degrees	NI.....	nylon insert
FH.....	flat head	PPH.....	phillips pan head
GA.....	gauge	PTH.....	phillips truss head
HF.....	hex flange	PTO.....	power take off
HH.....	hex head	RH.....	right hand
HHF.....	hex head flange	SFH.....	slotted fillister head
HHFTF.....	hex head flange thread forming	SHH.....	slotted hex head
HJ.....	hex jam	SHWH.....	slotted hex washer head
HLH.....	hex lag head	SPH.....	slotted pan head
HOC.....	height-of-cut	SQH.....	square head
HS.....	hex	SRH.....	slotted round head
HSBH.....	hex socket button head	STD.....	standard
HSFH.....	hex socket flat head	TAP.....	self tapping
HSH.....	hex socket head	TTH.....	torx truss head
HWH.....	hex washer head	WH.....	wing head
HWHTF.....	hex washer head thread forming		

Footnote

- | | | | |
|---|---|---|---|
| ❶ | Not illustrated | ❷ | Not serviced separately |
| ❸ | Included in Gasket Set-Ref. 358. | ❹ | Included in Engine Gasket Set-Ref. 358. |
| ❺ | Included in Valve Gasket Set-Ref. 1095. | ❻ | Included in Carburetor Overhaul Kit-Ref. 121. |
| ❽ | Included in Carburetor Gasket Set-Ref. 977. | ❼ | Obtain parts from your local Briggs and Stratton dealer |

Content

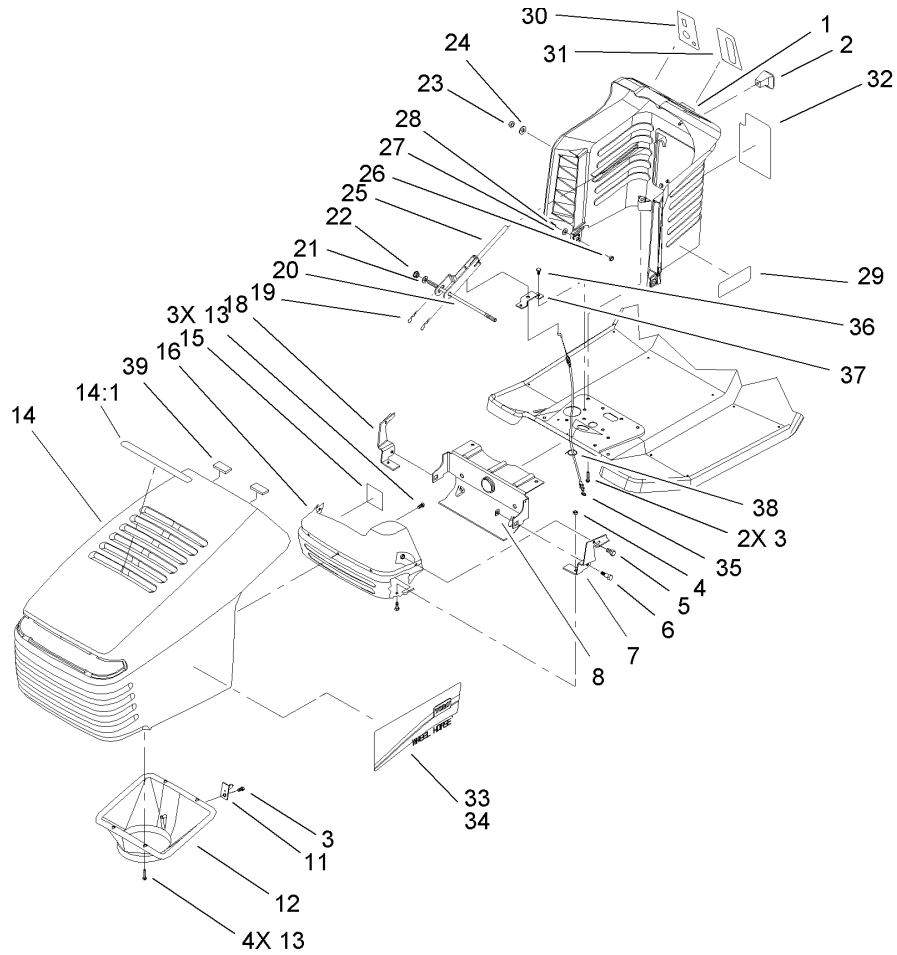
Description	Page	Description	Page
Frame and Body Assembly 3	Oil Filter, Tube and Pump Assembly Briggs and Stratton Model 286h77-0121-e1 21
Hood and Tower Assembly 4	Carburetor Assembly Briggs and Stratton Model 286h77-0121-e1 22
Rear Body and Seat Assembly 5	Air Cleaner Assembly Briggs and Stratton Model 286h77-0121-e1 23
Steering Component Assembly 6	Blower Housing Assembly Briggs and Stratton Model 286h77-0121-e1 24
Steering Assembly 7	Starter Assembly Briggs and Stratton Model 286h77-0121-e1 25
Engine System Component Assembly 8	Governor Assembly Briggs and Stratton Model 286H77-0121-e1 26
Traction Clutching Assembly 9	Gasket Assembly Briggs and Stratton Model 286h77-0121-e1 27
Shift Assembly 10	Carburetor Overhaul Kit Assembly Briggs and Stratton Model 286h77-0121-e1 28
5 Speed Transaxle Assembly 11		
38in Deck Assembly 12		
38in Deck Blade Drive and Braking Assembly 13		
38in Deck Engagement Assembly 14		
Height of Cut Component Assembly 15		
Electrical Assembly 16		
Cylinder Assembly Briggs and Stratton Model 286H77-0121-E1 17		
Cylinder Head Assembly Briggs and Stratton Model 286h77-0121-e1 18		
Crankshaft Assembly Briggs and Stratton Model 286h77-0121-e1 19		
Crankcase Assembly Briggs and Stratton Model 286h77-0121-e1 20		



Frame and Body Assembly

Ref	Part No.	Qty.	Description
1	701178	2	Cap-Protector
2	322-5	2	Screw-HH
3	3256-23	4	Washer-Flat
4	88-6220	2	Spring-Compression
5	99-2957-03	1	Panel-Rear, Hitch
6	3296-29	24	Nut-Lock, NI
7	322-3	22	Screw-HH
8	99-2953-03	1	Plate-Switch
9	95-1653	1	Switch-Pole, Single
10	88-5260-03	2	Bracket-Transaxle, Mounting
11	88-4620-03	1	Bracket-Idler, Pivot
12	322-3	2	Screw-HH
13	99-2958-03	1	Rail-Frame, LH
14	3296-1	2	Nut-Lock, NI
15	3290-392	2	Screw-HHF
16	3296-29	2	Nut-Lock, NI
21	98-3575-03	1	Support-Front, Axle
24	88-4630-03	1	Plate-Engine, Mounting
25	99-2959-03	1	Rail-Frame, RH
28	99-2971	1	Rear Body ASM
33	99-6094	1	Decal-Instruction
35	105-2498	1	Decal-Rear

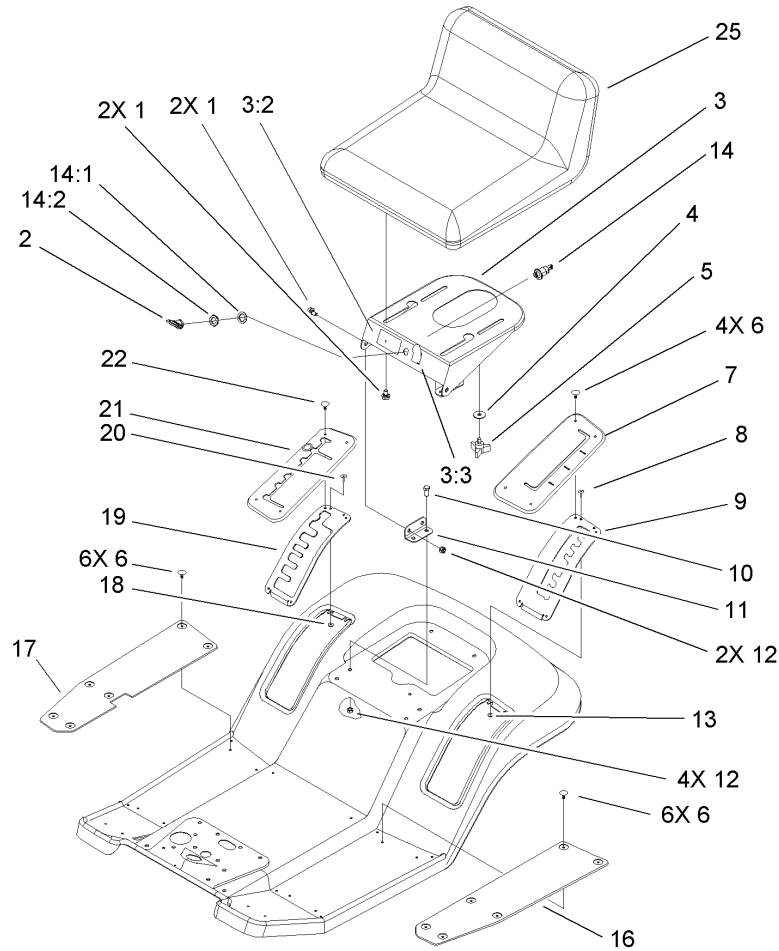
--	--	--	--



Hood and Tower Assembly

Ref	Part No.	Qty.	Description
1	99-1947	1	Tower-Steering
2	94-5565	1	Knob-Shift
3	46-8091	3	Screw-HWH
4	3296-42	4	Nut-Lock, NI
5	321-2	4	Screw-HH
6	28-0540	2	Bolt-Shoulder
7	88-6050-03	1	Bracket-Hinge, LH
8	3290-496	2	Nut-Retainer
11	94-1984	1	Latch-Pin
12	93-3891	1	Duct-Air, Hood
13	46-8090	7	Screw-Plastite
14	92-8650	1	Hood ASM
14:1	92-5748	1	Decal-Duct, Air
15	92-5782	3	Tape-Foil
16	93-3864-03	1	Shield-Heat
18	88-6040-03	1	Bracket-Hinge, RH
19	3290-307	2	Pin-Hair
20	100-7401	1	Rod-Tower, Pivot
21	3256-24	2	Washer-Flat
22	3218-3	2	Nut-Jam
23	100-7402	2	Nut-Cap
24	100-7403	2	Washer-Flat

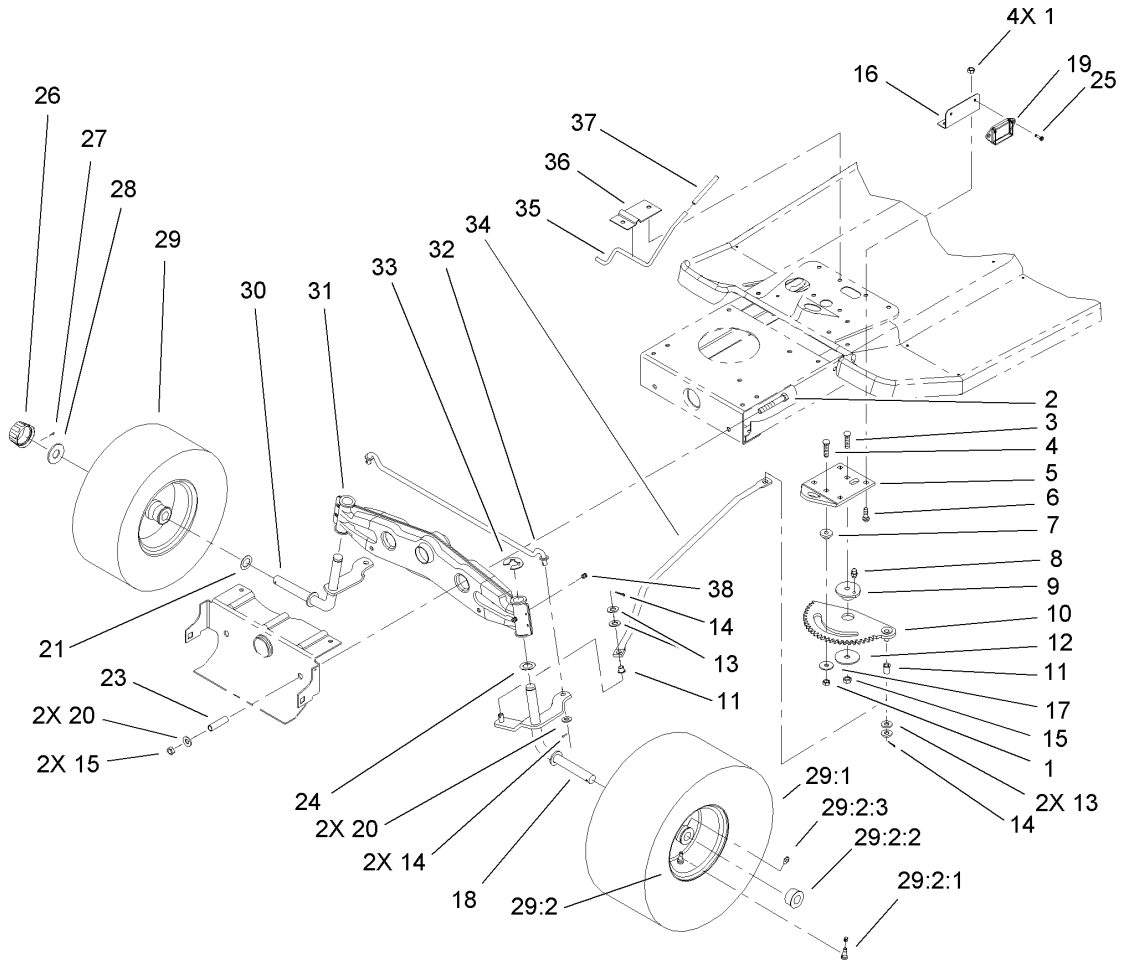
Ref	Part No.	Qty.	Description
25	88-5190-03	1	Lever-Deck, Engage
26	3296-29	2	Nut-Lock, NI
27	3256-23	2	Washer-Flat
28	322-3	2	Screw-HH
29	106-6403	2	Decal-Tower, 1638xl
30	99-8139	1	Decal-Ignition/lights
31	92-2461	1	Decal-Throttle
32	92-2462	1	Decal-Deck, Engage
33	105-2497	1	Decal-Hood, LH
34	105-2496	1	Decal-Hood, RH
35	99-6837	1	Deck Cable ASM
36	9266714	2	Screw-HWH
37	93-3849	1	Bracket-Cable, Upper
38	614249	1	Strap-Tie
39	94-1980	2	Foam-Hood



Rear Body and Seat Assembly

Ref	Part No.	Qty.	Description
1	37-8770	4	Bolt-Shoulder
2	63-8360	1	Key-Ignition
3	106-6436	1	Support ASM-Seat
3:2	99-2985	1	Danger-Decal
3:3	99-5339	1	Decal
4	5-4460	2	Washer-Pivot
5	92-9674	2	Knob
6	3290-479	16	Fastener-Panel
7	88-5170	1	Cover-HOC
8	3290-282	2	Rivet-Pop
9	88-5030-03	1	Gate-HOC
10	322-3	4	Screw-HH
11	88-4820-03	2	Bracket-Hinge, Seat
12	3296-29	6	Nut-Lock, NI
13	3269-26	2	Washer-Flat
14	46-5780	1	Switch-Starter
14:1	3254-5	1	Washer-Tooth
14:2	218-461	1	Nut-HH
16	88-5240	1	Mat-Foot, LH
17	88-5220	1	Mat-Foot, RH
18	3269-26	2	Washer-Flat
19	88-5020-03	1	Plate-Shift Gate

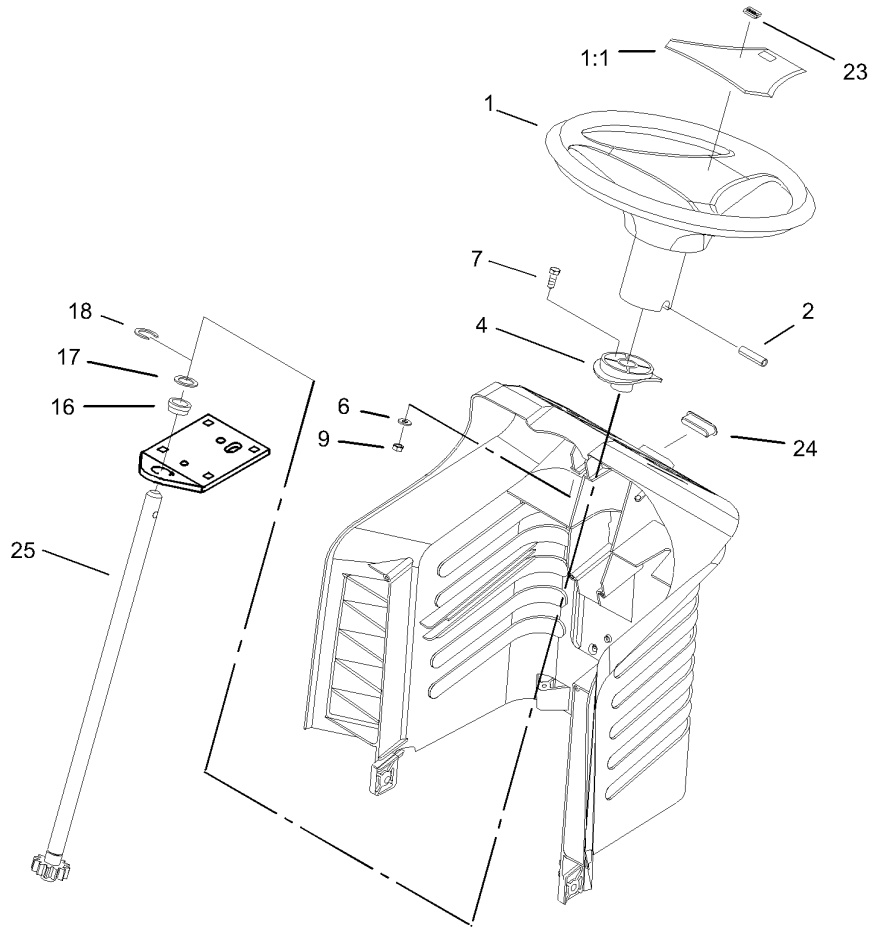
Ref	Part No.	Qty.	Description
20	3290-282	2	Rivet-Pop
21	88-5160	1	Cover-Shift Gate
22	3290-479	4	Fastener-Panel
25	106-6439	1	Seat-11in



Steering Component Assembly

Ref	Part No.	Qty.	Description
1	3296-29	5	Nut-Lock, NI
2	323-13	2	Screw-HH
3	3231-4	1	Screw-CARR
4	3230-3	1	Screw-CARR
5	88-5130-03	1	Bracket-Rack, Steering
6	3230-2	4	Bolt-CARR
7	88-5010	1	Spacer-Rack, Steering
8	302-26	1	Fitting-Grease
9	88-4670	1	Bushing-Eccentric
10	88-5200	1	Rack-Steering
11	52-2891	2	Bushing-Link, Steering
12	111419	1	Washer-Bearing
13	3256-25	4	Washer-Flat
14	3272-10	4	Pin-Cotter
15	3296-39	3	Nut-Lock, NI
16	99-2956-03	1	Bracket-Module
17	5-4460	1	Washer-Pivot
18	92-7890-03	1	Spindle-LH
19	99-3700	1	Module
20	3256-24	4	Washer-Flat
21	3-6498	4	Washer-Thrust
23	88-5470	2	Spacer-Axle, Front

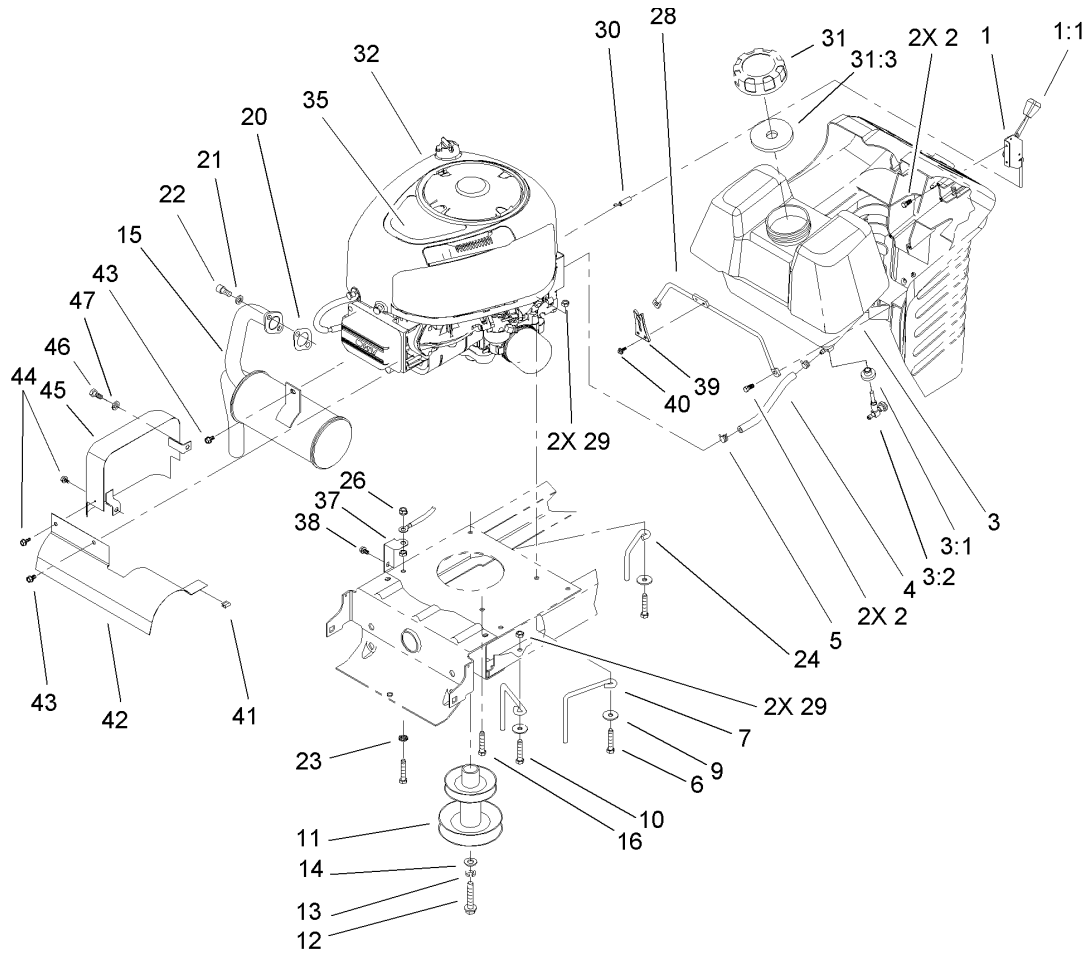
Ref	Part No.	Qty.	Description
24	3-6498	2	Washer-Thrust
25	9266714	2	Screw-HWH
26	61-9780	2	Cap-Hub
27	3272-12	2	Pin-Cotter
28	28-2480	2	Washer
29		2	Front Wheel And Tire ASM
29:1	99-2988	1	Tire
29:2	88-4370	1	Rim ASM
29:2:1	232-27	1	Stem-Valve
29:2:2	110513	2	Bearing-Wheel
29:2:3	302-5	1	Fitting-Grease
29:99	232-39	1	Tube
30	92-7889-03	1	Spindle-RH
31	99-6844-03	1	Axle-Front
32	88-5380	1	Tie Rod-Steering
33	32151-48	2	E-Ring
34	88-4830	1	Link-Drag
35	88-5510	1	Rod-Brake, Parking
36	88-5520-03	1	Bracket-Brake, Parking
37	88-0890	1	Grip-Brake, Parking
38	302-5	2	Fitting-Grease



Steering Assembly

Ref	Part No.	Qty.	Description
1	98-1467	1	Wheel-Steering
1:1	98-1468	1	Cover-Wheel, Steering
2	32121-111	1	Pin-Roll
4	88-4190	1	Bushing-Sliding
6	3256-22	2	Washer-Flat
7	321-4	2	Screw-HH
9	3296-42	2	Nut-Lock, NI
16	88-5150	1	Bearing-Flange
17	3-6498	1	Washer-Thrust
18	32151-48	1	E-Ring
23	98-1459	1	Decal
24	88-4150	1	Plug
25	88-6380	1	Shaft-Steering, Long

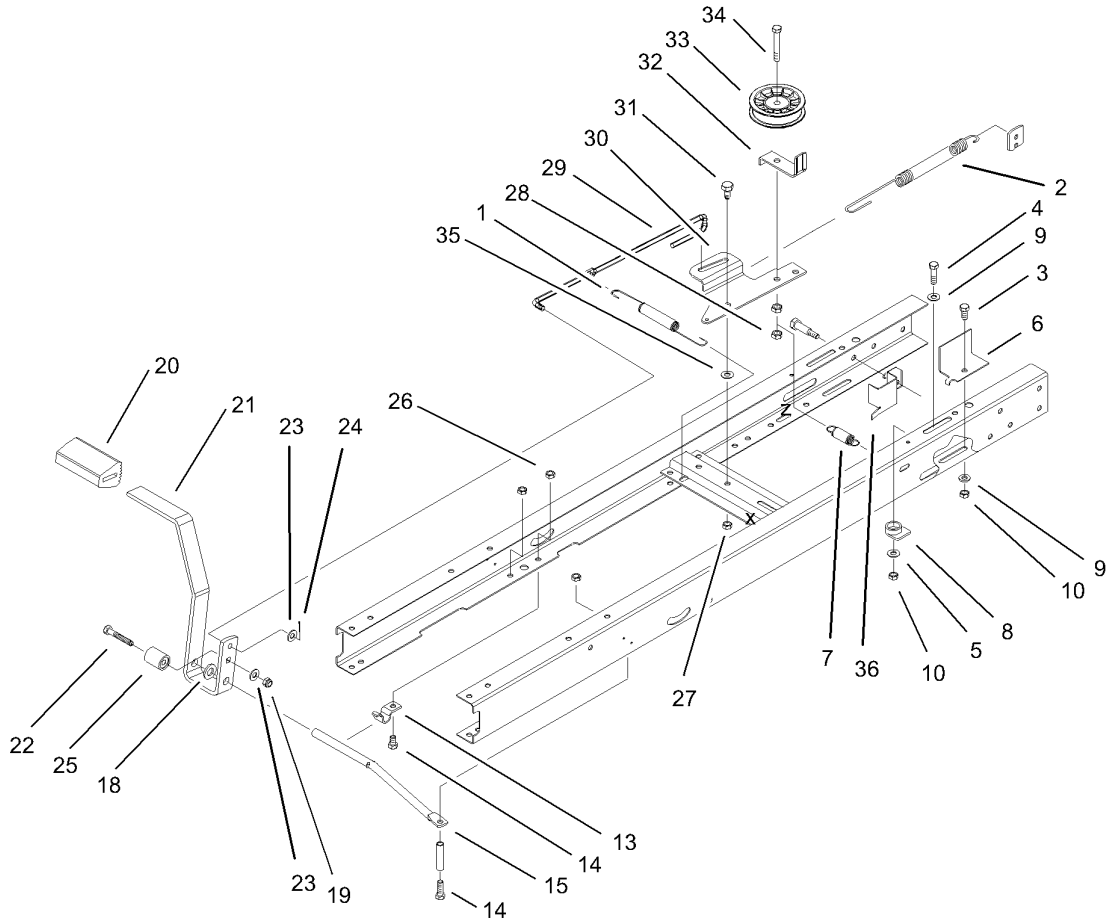
--	--	--	--



Engine System Component Assembly

Ref	Part No.	Qty.	Description
1	88-4340	1	Control-Throttle
1:1	66-0120	1	Knob
2	27-0220	4	Screw-Special
3	88-3880	1	Gas Tank ASM
3:1	46-6560	1	Bushing
3:2	104048	1	Valve-Fuel
4	47-2963	1	Hose-Fuel
5	2412-98	2	Clamp
6	322-9	3	Screw-HH
7	93-3854	3	Guide-Belt, Engine
9	5-4460	4	Washer-Pivot
10	322-5	2	Screw-HH
11	94-1963	1	Pulley-Engine ASM
12	62-3760	1	Screw-HH
13	3253-22	1	Washer-Lock
14	3256-25	1	Washer-Flat
15	94-1953	1	Muffler-Exhaust
16	9267154	1	Screw
20	88-4410	1	Gasket-Muffler
21	3253-4	2	Washer-Lock
22	3274-10	2	Screw-HSH
23	3255-8	1	Washer-Lock

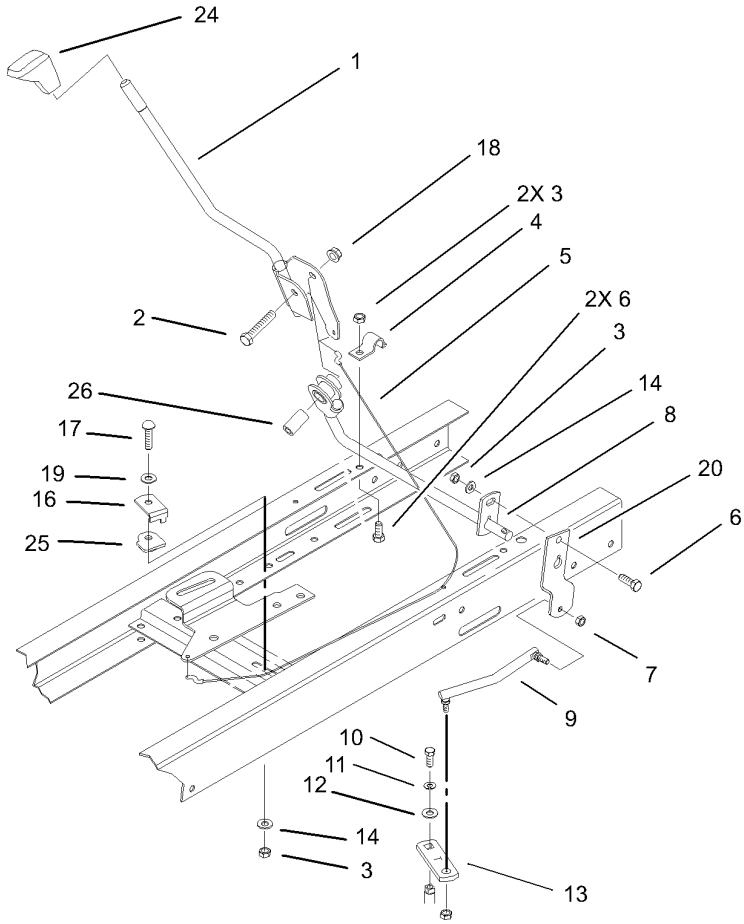
Ref	Part No.	Qty.	Description
24	93-3855	1	Guide-Belt, RH
26	32149-1	2	Nut
28	94-1952	1	Rod-Tank, Gas
29	3296-29	4	Nut-Lock, NI
30	88-4350	1	Cable-Throttle
31	88-3980	1	Gas Cap ASM
31:3	88-4010	1	Gasket-Cap, Gas
32		1	Engine-16 Hp Briggs And Stratton Intec 286h77-0121-E1
35	106-6409	1	Decal-Engine
37	93-3809	1	Bracket-Ground
38	9266714	1	Screw-HWH
39	94-1951	1	Latch-Hood
40	32144-112	2	Screw-HWH
41	93-3882	1	Clip-Tinnerman
42	93-3880-03	1	Shield-Muffler
43	9266714	2	Screw-HWH
44	32104-76	2	Screw
45	93-8450-03	1	Exhaust Shield ASM
46	322-3	1	Screw-HH
47	3253-4	1	Washer-Lock



Traction Clutching Assembly

Ref	Part No.	Qty.	Description
1	27-8890	1	Spring-Return
2	94-4294	1	Spring-Brake
3	322-3	1	Screw-HH
4	322-6	1	Screw-HH
5	5-4460	1	Washer-Pivot
6	94-5433	1	Bracket-Belt, Guide
7	88-6330	1	Spring-Extension
8	84-5610	1	Guide-Cable
9	3256-23	2	Washer-Flat
10	3296-29	2	Nut-Lock, NI
13	88-4810	1	Clamp-Shift, Pivot
14	322-3	2	Screw-HH
15	88-5500	1	Rod-Pedal, Pivot
18	3256-26	1	Washer-Flat
19	3296-47	1	Nut-Lock, NI
20	65-2920	1	Pad-Pedal
21	88-5000-03	1	Pedal-Clutch/brake
22	322-9	1	Screw-HH
23	3256-23	2	Washer-Flat
24	3272-10	1	Pin-Cotter
25	99-6836	1	Spacer-Switch
26	3296-29	2	Nut-Lock, NI

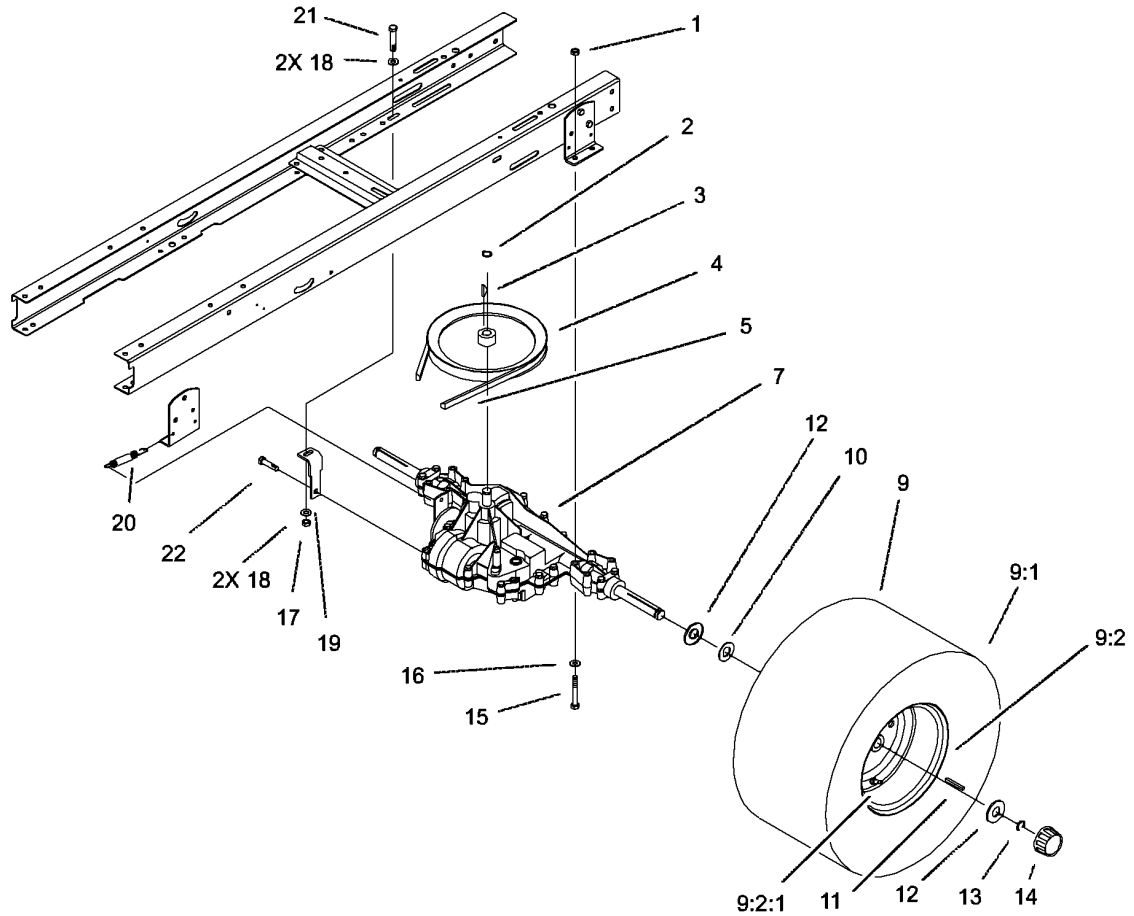
Ref	Part No.	Qty.	Description
27	3296-29	1	Nut-Lock, NI
28	3296-59	2	Nut-Lock, NI
29	88-5270	1	Rod-Clutch/brake
30	88-6070	1	Arm-Idler
31	37-8770	1	Bolt-Shoulder
32	88-5560	1	Guide-Idler, Belt
33	104-4160	1	Pulley-Idler
34	323-10	1	Screw-HH
35	5-4460	1	Washer-Pivot
36	94-4926	1	Bracket-Belt, Guide



Shift Assembly

Ref	Part No.	Qty.	Description
1	94-1991-03	1	Lever-Shift
2	323-10	1	Screw-HH
3	3296-29	4	Nut-Lock, NI
4	88-4810	2	Clamp-Shift, Pivot
5	55-9321	1	Cable-Clutch
6	322-3	3	Screw-HH
7	3296-3	2	Nut-Lock, NI
8	94-1993-03	1	Shift Pivot ASM
9	94-5431	1	Link-Shift
10	329-23	1	Screw-HH
11	3253-3	1	Washer-Lock
12	7-5461	1	Spacer
13	88-5340	1	Lever-Shift
14	3256-23	2	Washer-Flat
16	88-5930	1	Keeper-Cable
17	3230-3	1	Screw-CARR
18	3296-39	1	Nut-Lock, NI
19	3256-25	1	Washer-Flat
20	94-1968	1	Lever-Shift Pivot
24	94-5565	1	Knob-Shift
25	84-5610	1	Guide-Cable
26	94-1997	1	Bushing-Shift, Lever

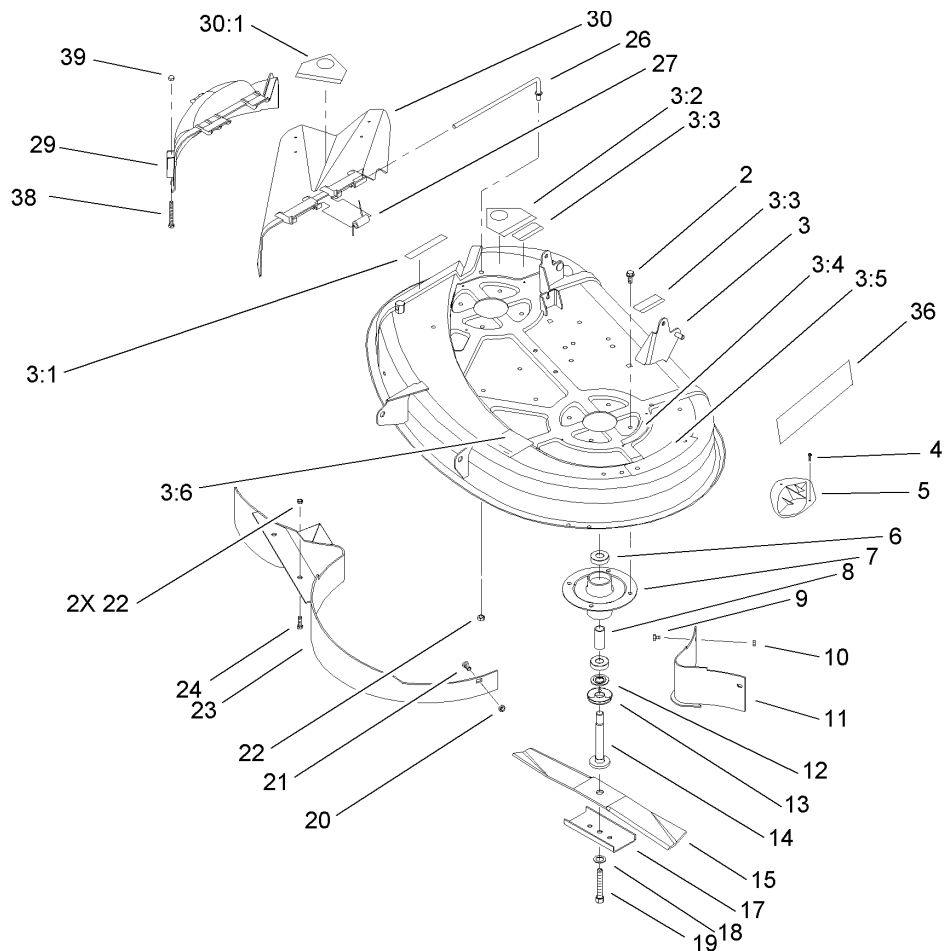
--	--	--	--



5 Speed Transaxle Assembly

Ref	Part No.	Qty.	Description
1	3296-29	4	Nut-Lock, NI
2	32120-64	1	Ring-Snap, External
3	3257-23	1	Key-Woodruff
4	88-4840	1	Pulley-Transmission
5	88-6270	1	V-Belt
7	94-6022	1	Transaxle
9		2	Rear Wheelandtire ASM
9:1	99-2996	1	Tire
9:2	88-4390	1	Rim ASM
9:2:1	232-27	1	Stem-Valve
9:99	232-41	1	Tube
10	3-6498	2	Washer-Thrust
11	7-0036	2	Key-Square
12	28-2480	2	Washer
13	32151-48	2	E-Ring
14	61-9780	2	Cap-Hub
15	322-12	4	Screw-HH
16	3256-23	4	Washer-Flat
17	3296-29	2	Nut-Lock, NI
18	3256-23	4	Washer-Flat
19	94-1969	2	Strap-Torque
20	26-6701	1	Spring-Brake Return

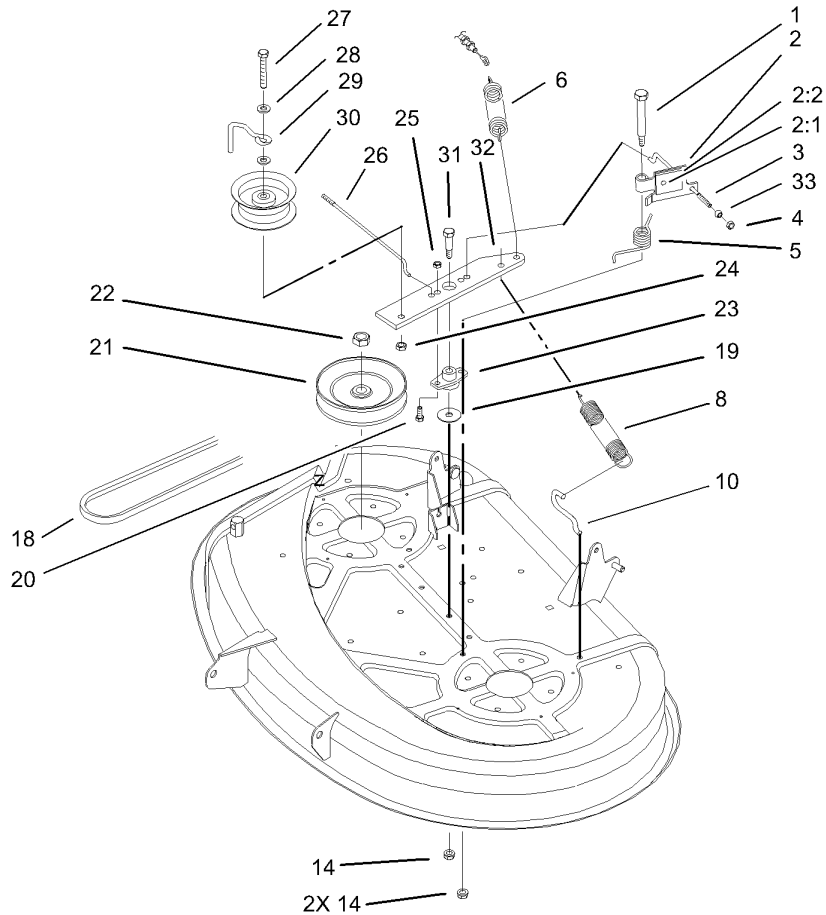
Ref	Part No.	Qty.	Description
21	322-3	2	Screw-HH
22	32144-14	2	Screw-HWH



38in Deck Assembly

Ref	Part No.	Qty.	Description
2	32144-41	8	Screw-Taptite
3	99-5846	1	Deck ASM
3:1	68-3650	1	Decal-Danger, Deflector
3:2	93-1122	1	Decal-Danger
3:3	55-4300	2	Decal-Warning
3:4	68-3660	1	Decal-Danger, Shield
3:5	79-3140	1	Decal-Danger
3:6	93-6679	1	Decal-Routing, Belt
4	32144-111	8	Screw-PPH
5	76-2160	4	Plate-Kicker
6	100-1048	4	Bearing-Ball
7	88-4510	2	Spindle
8	62-3661	2	Spacer-Bearing
9	321-4	2	Screw-HH
10	3296-42	2	Nut-Lock, NI
11	79-1640-03	1	Baffle
12	80-4380	2	Spacer
13	80-4360	2	Shield-Bearing
14	80-4341	2	Spindle-Shaft
15	14-7799	1	Blade Kit
17	80-0510-03	2	Stiffener-Blade
18	3290-465	2	Washer-Belleville

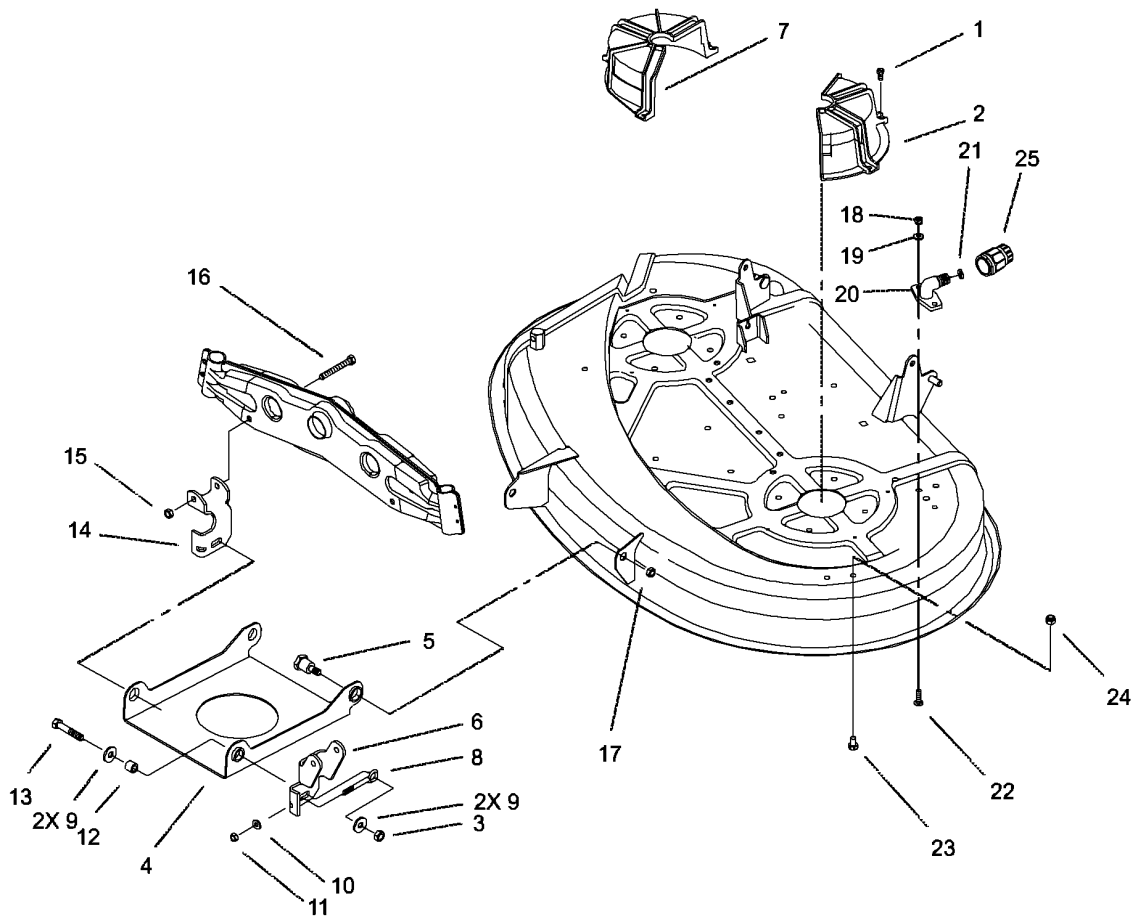
Ref	Part No.	Qty.	Description
19	26-0671	2	Screw-Blade
20	3296-29	1	Nut-Lock, NI
21	3230-1	1	Bolt-CARR
22	3296-39	3	Nut-Lock, NI
23	79-1600-03	1	Baffle
24	323-5	2	Screw-HH
26	95-1661	1	Rod-Pivot
27	57-6950	1	Spring
29	88-4430	1	Recycler Cover
30	93-0317	1	Deflector ASM
30:1	93-1122	1	Decal-Danger
36	106-6407	1	Decal-Recycler, 38"
38	321-14	2	Screw-HH
39	32111-7	2	Nut-Cap



38in Deck Blade Drive and Braking Assembly

Ref	Part No.	Qty.	Description
1	88-4590	2	Bolt-Shoulder
2	88-6100	2	Brake ASM
2:1	3290-282	2	Rivet-Pop
2:2	56-9830	1	Pad-Brake
3	88-5550	1	Rod-Brake, Deck LH
4	3296-42	2	Nut-Lock, NI
5	88-5910	2	Spring-Torsion
6	88-6130	1	Spring-Deck, Engagement
8	92-8934	1	Spring-Extension
10	88-5970	1	Hook-Return, Spring
14	3296-58	3	Nut-Lock NI
18	88-6250	1	V-Belt
19	3256-68	1	Washer-Flat
20	322-5	2	Screw-HH
21	88-5330	2	Pully-Deck
22	3219-6	2	Nut-Hex
23	88-4980	1	Bushing-Idler, Arm
24	3296-39	1	Nut-Lock, NI
25	3296-29	2	Nut-Lock, NI
26	88-5540	1	Rod-Brake, Deck RH
27	323-12	1	Screw-HH
28	3256-24	2	Washer-Flat

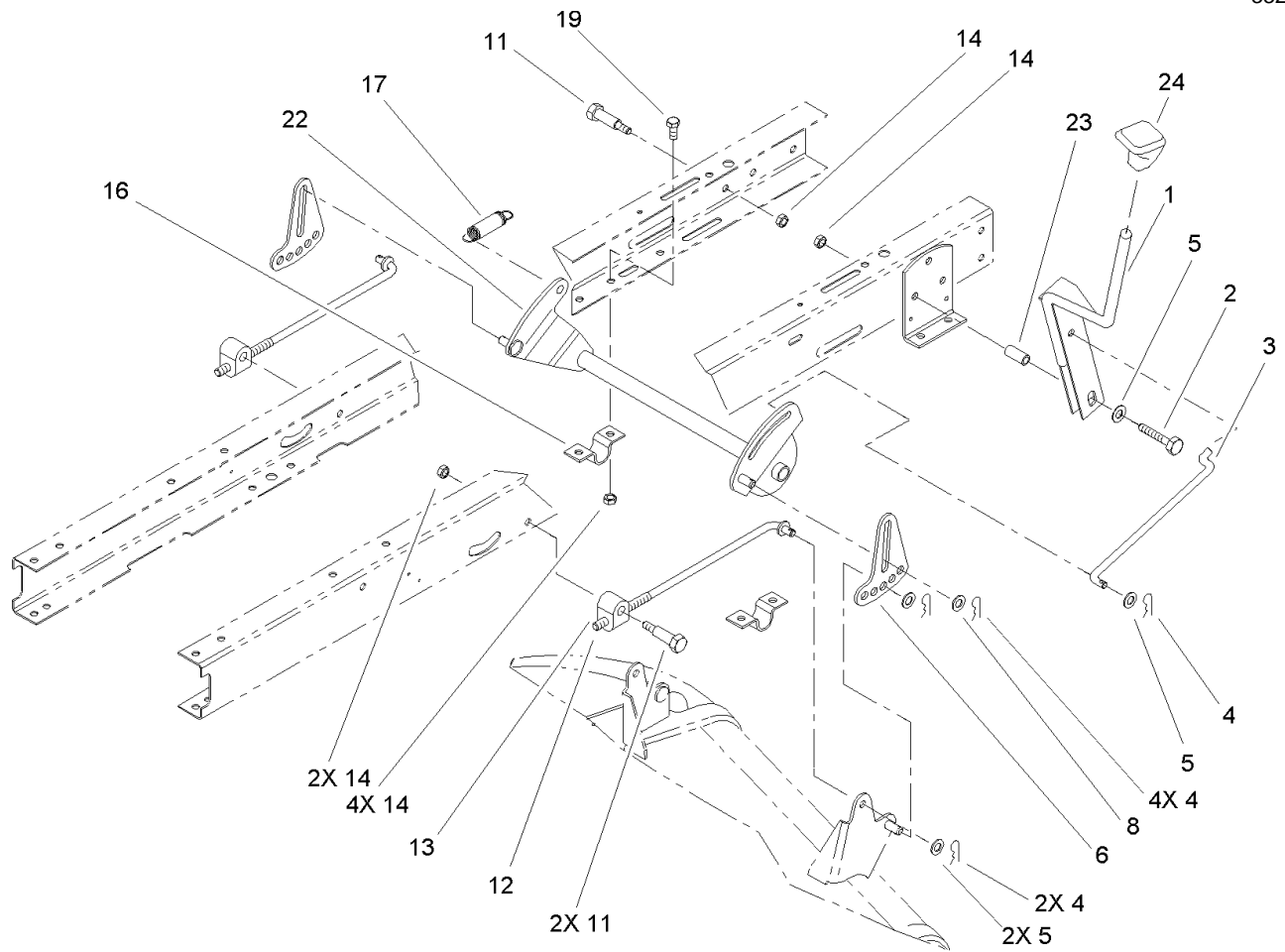
Ref	Part No.	Qty.	Description
29	107-7307	1	Guide-Idler, Belt
30	88-5630	1	Pulley-Idler, Flat
31	7-0030	1	Bolt-Shoulder
32	88-4870-03	1	Arm-Idler, Deck
33	67-0710	2	Ball-Swivel, Stop



38in Deck Engagement Assembly

Ref	Part No.	Qty.	Description
1	32104-76	5	Screw
2	88-4030	1	Guide-Belt, Deck LH
3	3296-39	2	Nut-Lock, NI
4	93-3881-03	1	Pan-Front Deck, Suspension
5	94-5823	2	Bolt-Shoulder
6	94-1971-03	1	Bracket-Deck Suspension, LH
7	88-4020	1	Guide-Belt, Deck RH
8	61-9980	2	Screw-Adjusting
9	80-6990	4	Washer-Hardened
10	3256-22	2	Washer-Flat
11	3296-42	2	Nut-Lock, NI
12	93-9847	2	Spacer
13	323-9	2	Screw-HH
14	94-1970-03	1	Bracket-Suspension, Deck RH
15	3296-29	2	Nut-Lock, NI
16	322-12	2	Screw-HH
17	3296-23	2	Nut-Lock, NI
18	3296-16	2	Nut-Lock, NI
19	3256-1	2	Washer-Flat
20	95-2747	1	Fitting-Washout
21	46-6290	1	O-Ring
22	3229-1	2	Screw-CARR

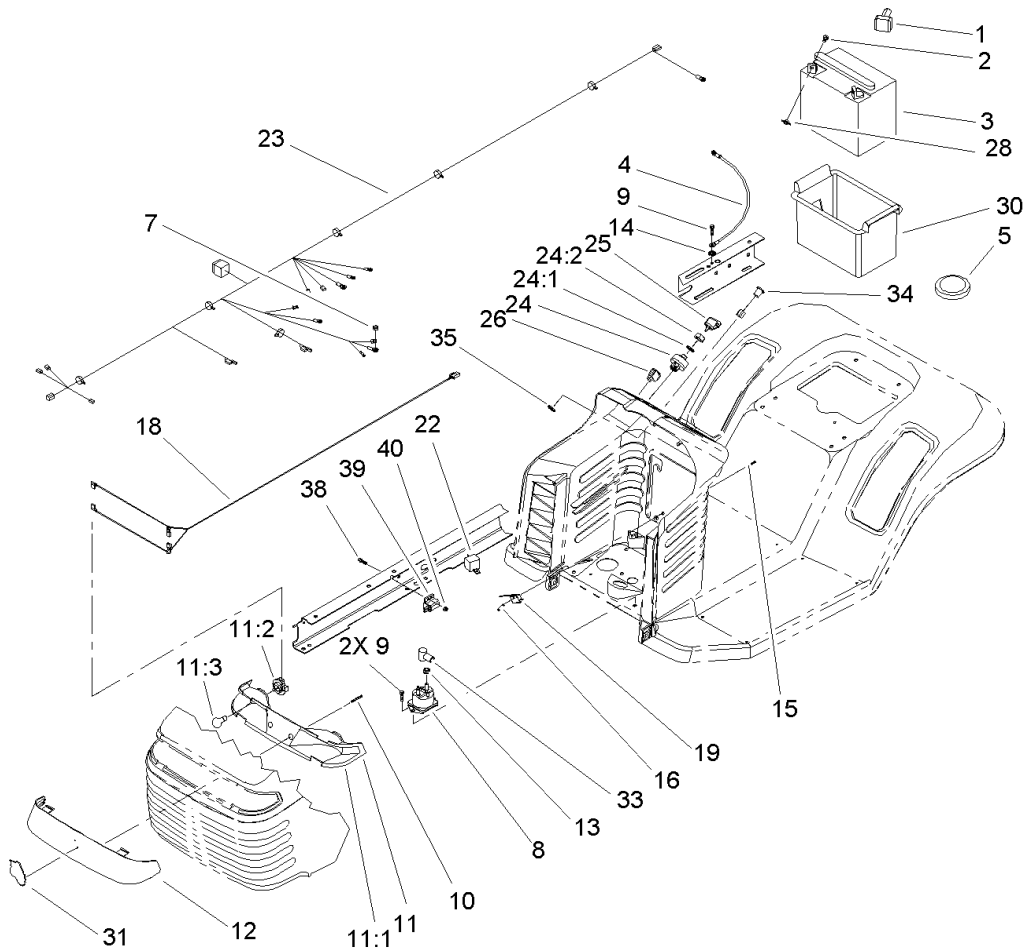
Ref	Part No.	Qty.	Description
23	322-1	2	Screw-HH
24	3296-29	2	Nut-Lock, NI
25	95-3270	1	Connector-Hose



Height of Cut Component Assembly

Ref	Part No.	Qty.	Description
1	93-3822-03	1	Lever
2	322-32	1	Screw-HH
3	88-5900	1	Link-HOC
4	3290-307	7	Pin-Hair
5	3256-24	4	Washer-Flat
6	88-5570-03	2	Link-Adjusting, HOC
8	80-6990	4	Washer-Hardened
11	7-0030	3	Bolt-Shoulder
12	88-5450	2	Rod-Hanger, Rear
13	88-4230	2	Trunnion-HOC
14	3296-29	8	Nut-Lock, NI
16	88-4730	2	Clamp-Hoc, Pivot
17	88-6460	1	Spring-Extension
19	322-3	4	Screw-HH
22	88-5110-03	1	Pivot
23	65-7210	1	Spacer
24	94-5565	1	Knob-Shift

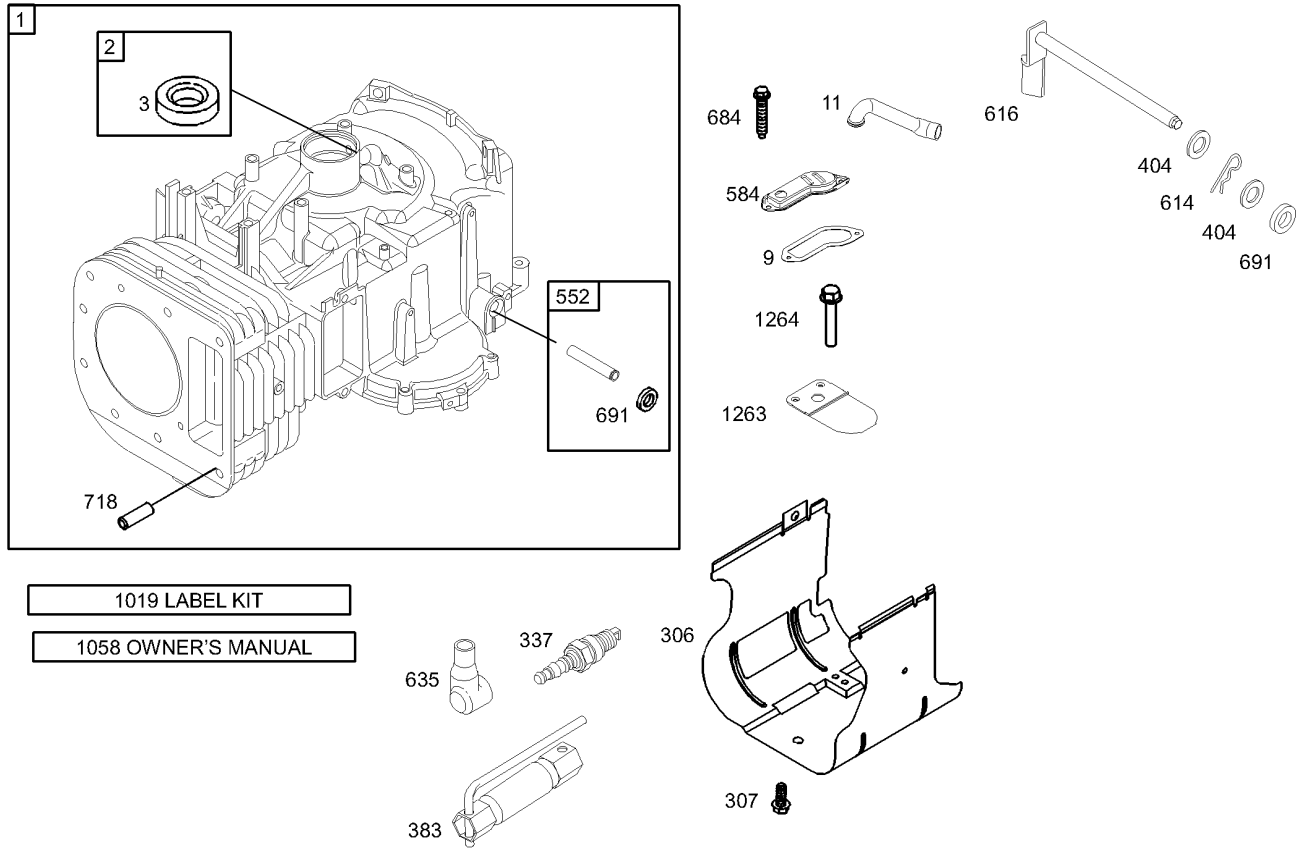
--	--	--	--



Electrical Assembly

Ref	Part No.	Qty.	Description
1	28-8080	1	Boot-Terminal
2	321-4	2	Screw-HH
3	104-1755	1	Battery
4	44-8110	1	Wire ASM
5	100-3524	1	Switch-Seat
7	32149-2	1	Nut
8	106-8245	1	Solenoid
9	9266714	3	Screw-HWH
10	32144-32	2	Screw
11	88-3970	1	Reflector And Lamp ASM
11:1	93-8741	1	Reflector
11:2	116262	2	Socket-Light
11:3	7228	2	Bulb
12	88-3960	1	Lens-Headlight
13	32149-2	2	Nut
14	3255-7	2	Washer-Lock/ext
15	93-0539	2	Screw-HH
16	3290-354	1	Nut-Speed
18	99-1935	1	Harness-Headlight
19	88-9932	1	Switch-Micro
22	98-7249	1	Relay
23	106-6434	1	Wire Harness-Gear

Ref	Part No.	Qty.	Description
24	88-9830	1	Key Switch ASM
24:1	3254-5	1	Washer-Tooth
24:2	218-461	1	Nut-HH
25	63-8360	1	Key-Ignition
26	92-8875	1	Switch-Rocker
28	32103-22	2	Nut-Wing
30	88-4040	1	Box-Battery
31	95-4248	1	Decal
33	93-3190	1	Boot-Insulator, Terminal
34	95-7652	1	Light-Indicator
35	99-6059	1	Clip-Retainer
38	3274-14	2	Screw-HSH
39	65-7410	1	Switch-Pole, Single
40	3296-2	2	Nut-Lock

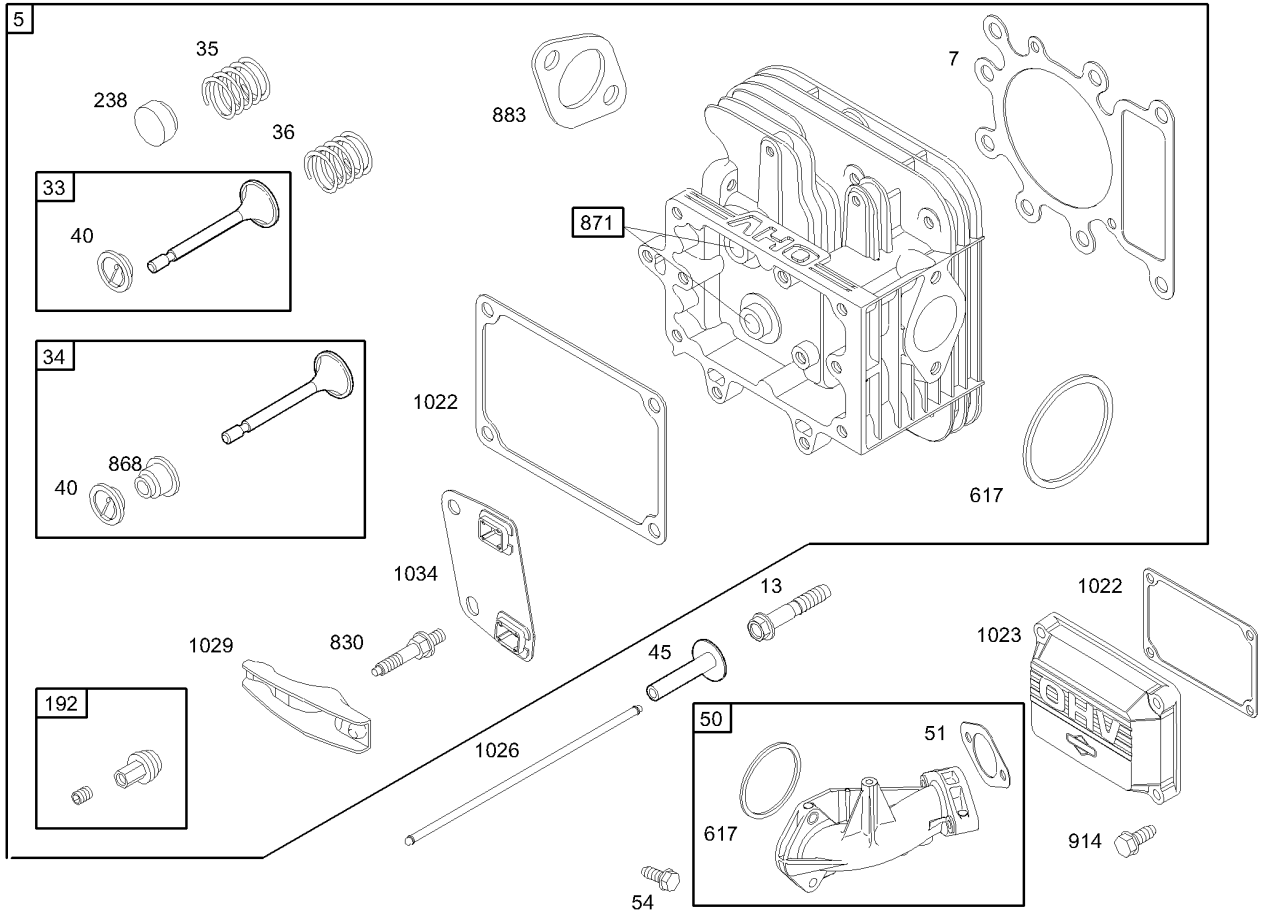


Assemblies include all parts shown in frames.

Cylinder Assembly Briggs and Stratton Model 286H77-0121-E1

Ref	Part No.	Qty.	Description
1	697132	1	Cylinder ASM
2	399265	1	Kit-Bushing/seal (Magneto Side)
3	391086	1	Seal-Oil (Magneto Side)
9	697109	1	Gasket-Breather
11	697113	1	Tube-Breather
306	697107	1	Shield-Cylinder
307	691003	1	Screw (Cylinder Shield)
337	491055	1	Plug-Spark
383	89838	1	Wrench-Spark Plug
404	691691	1	Washer (Governor Crank)
552	697144	1	Bushing-Governor
584	697112	1	Cover-Breather Passage
614	691620	1	Pin-Cotter
616	692012	1	Crank-Governor
635	691909	1	Boot-Spark Plug
684	697157	1	Screw (Breather Passage Cover)
691	692407	1	Seal-Governor Shaft
718	690959	1	Pin-Locating
1019	697143	1	Kit-Label
1058	275038	1	Owner's Manual

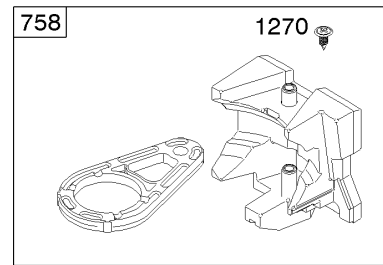
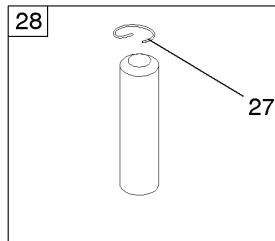
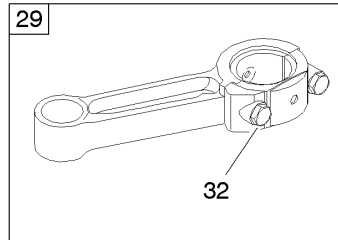
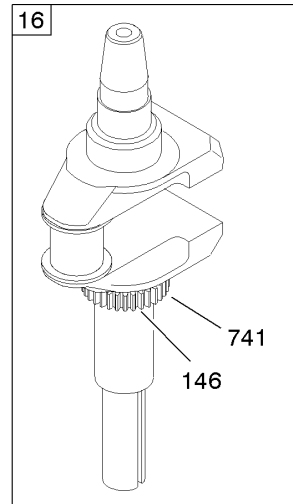
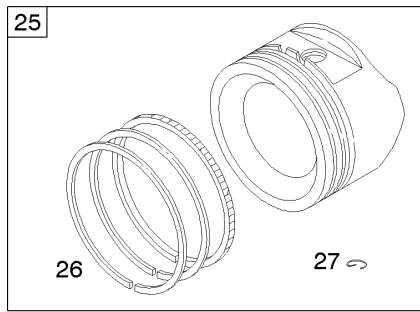
Ref	Part No.	Qty.	Description
1263	697124	1	Reed-Breather
1264	697104	1	Screw (Breather Reed)



Cylinder Head Assembly Briggs and Stratton Model 286h77-0121-e1

Ref	Part No.	Qty.	Description
5	691165	1	Head-Cylinder
7	273280	1	Gasket-Cylinder Head
13	690360	1	Screw (Cylinder Head Gasket)
33	495856	1	Valve-Exhaust
34	495857	1	Valve-Intake
35	691279	1	Spring-Valve (Exhaust)
36	691279	1	Spring-Valve (Exhaust)
40	691752	1	Retainer-Valve
45	690564	1	Tappet-Valve
50	690193	1	Manifold-Intake
51	692137	1	Gasket-Intake
54	691148	1	Screw (Intake Manifold)
192	691986	1	Adjustor-Rocker Arm
238	691843	1	Cap-Valve
617	692138	1	Seal-O Ring (Intake Manifold)
830	691095	1	Stud-Rocker Arm
868	690968	1	Seal-Valve
871	690969	1	Bushing-Valve Guide
883	692236	1	Gasket-Exhaust

Ref	Part No.	Qty.	Description
914	690960	1	Screw (Rocker Cover)
1022	272475	1	Gasket-Rocker Cover
1023	692492	1	Cover-Rocker
1026	692003	1	Rod-Push (Intake)
	692011	1	Rod-Push (Exhaust)
1029	691751	1	Arm-Rocker
1034	690822	1	Guide-Push Rod

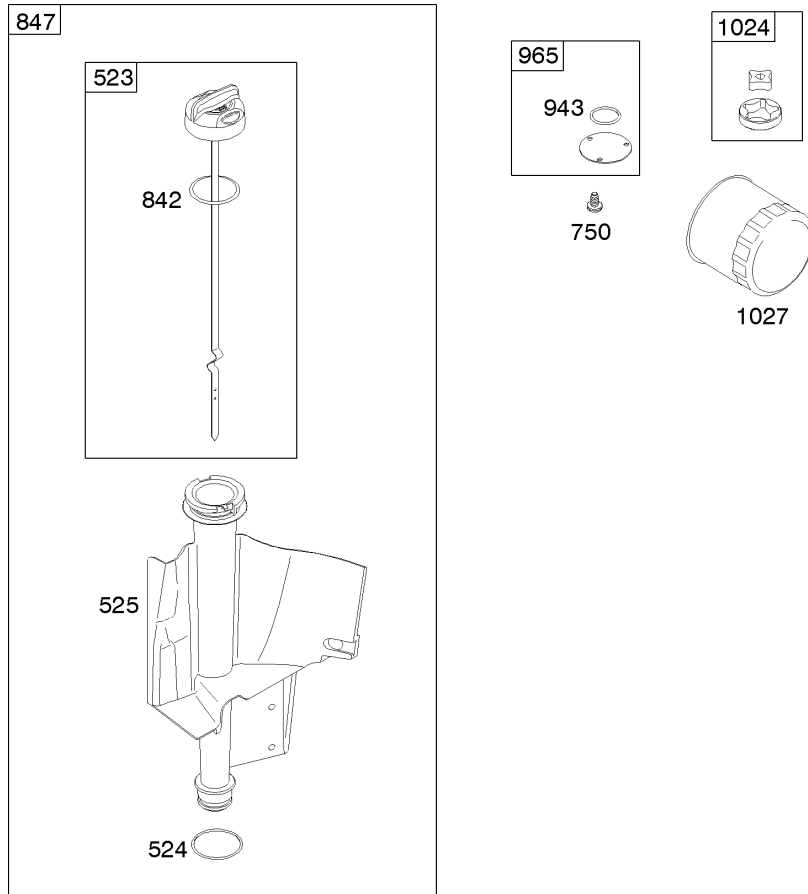


Assemblies include all parts shown in frames.

Crankshaft Assembly Briggs and Stratton Model 286h77-0121-e1

Ref	Part No.	Qty.	Description
Ⓢ 16	697127	1	Crankshaft
Ⓢ 24	222698	1	Key-Flywheel
Ⓢ 25	697114	1	Piston Assembly (Standard)
Ⓢ	697116	1	Piston Assembly (.010" Oversize)
Ⓢ	697117	1	Piston Assembly (.020" Oversize)
Ⓢ	697118	1	Piston Assembly (.030" Oversize)
Ⓢ 26	697115	1	Ring Set (Standard)
Ⓢ	697119	1	Ring Set (.010" Oversize)
Ⓢ	697120	1	Ring Set (.020" Oversize)
Ⓢ		1	Ring Set (.030" Oversize)
Ⓢ 27	697100	1	Lock-Piston Pin
Ⓢ 28	697099	1	Pin-Piston (Standard)
Ⓢ 29	697126	1	Rod-Connecting (Standard)
Ⓢ	697264	1	Rod-Connecting (.020" Undersize)
Ⓢ 32	692852	1	Screw (Connecting Rod)
Ⓢ 146	691639	1	Key-Timing
Ⓢ 741	697128	1	Gear-Timing
Ⓢ 757	697607	1	Link-Counterweight
Ⓢ 758	697134	1	Counterweight

Ref	Part No.	Qty.	Description
Ⓢ 1270	697156	1	Plug-Avs Counterweight

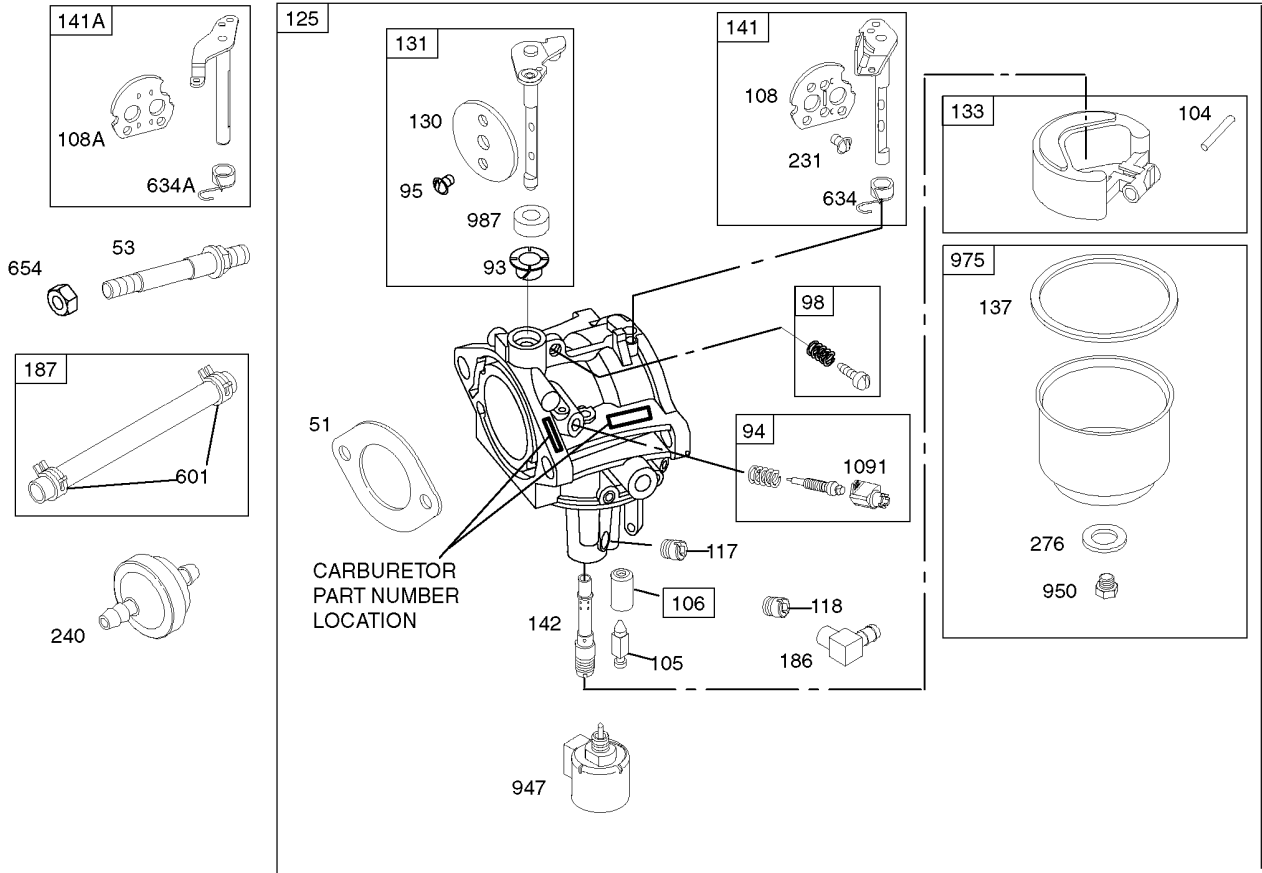


Assemblies include all parts shown in frames.

Oil Filter, Tube and Pump Assembly Briggs and Stratton Model 286h77-0121-e1

Ref	Part No.	Qty.	Description
⑤ 523	697086	1	Dipstick
④ 524	691032	1	Seal-O Ring (Dipstick Tube)
③ 525	697184	1	Tube-Dipstick
③ 750	691033	1	Screw (Oil Pump Cover)
④ 842	691031	1	Seal-O Ring (Dipstick)
④ 943	690589	1	Seal-O Ring (Oil Pump Cover)
③ 965	499613	1	Cover-Oil Pump
③ 1024	499054	1	Pump-Oil
③ 1027	492932	1	Filter-Oil

--	--	--	--

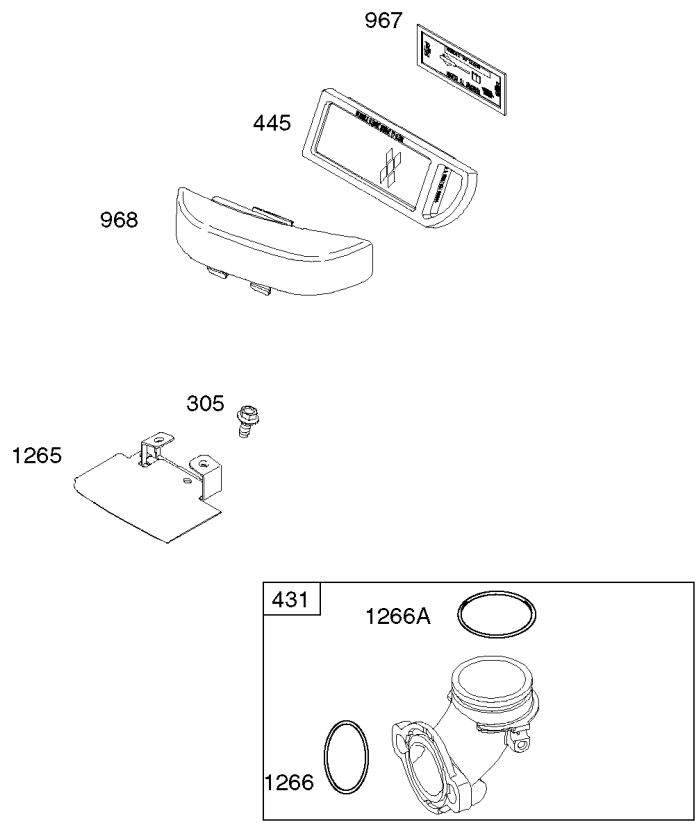


Assemblies include all parts shown in frames.

Carburetor Assembly Briggs and Stratton Model 286h77-0121-e1

Ref	Part No.	Qty.	Description
51	692137	0	Gasket-Intake
53	690227	1	Stud (Carburetor)
93	690602	1	Bushing-Throttle Shaft
94	498030	1	Kit-Idle Mixture
95	691636	1	Screw (Choke Valve)
98	495800	1	Kit-Idle Speed
104	690525	1	Pin-Float Hinge
105	231855	1	Valve-Float Needle
106	690577	1	Seat-Inlet
108	690464	1	Valve-Choke (Manual Choke)
108A	692344	1	Valve-Choke (Choke A Matic)
117	694352	1	Jet-Main (Standard)
118	697228	1	Jet-Main (High Altitude)
125	697190	1	Carburetor
130	691750	1	Valve-Throttle
131	494379	1	Kit-Throttle Shaft
133	494381	1	Float-Carburetor

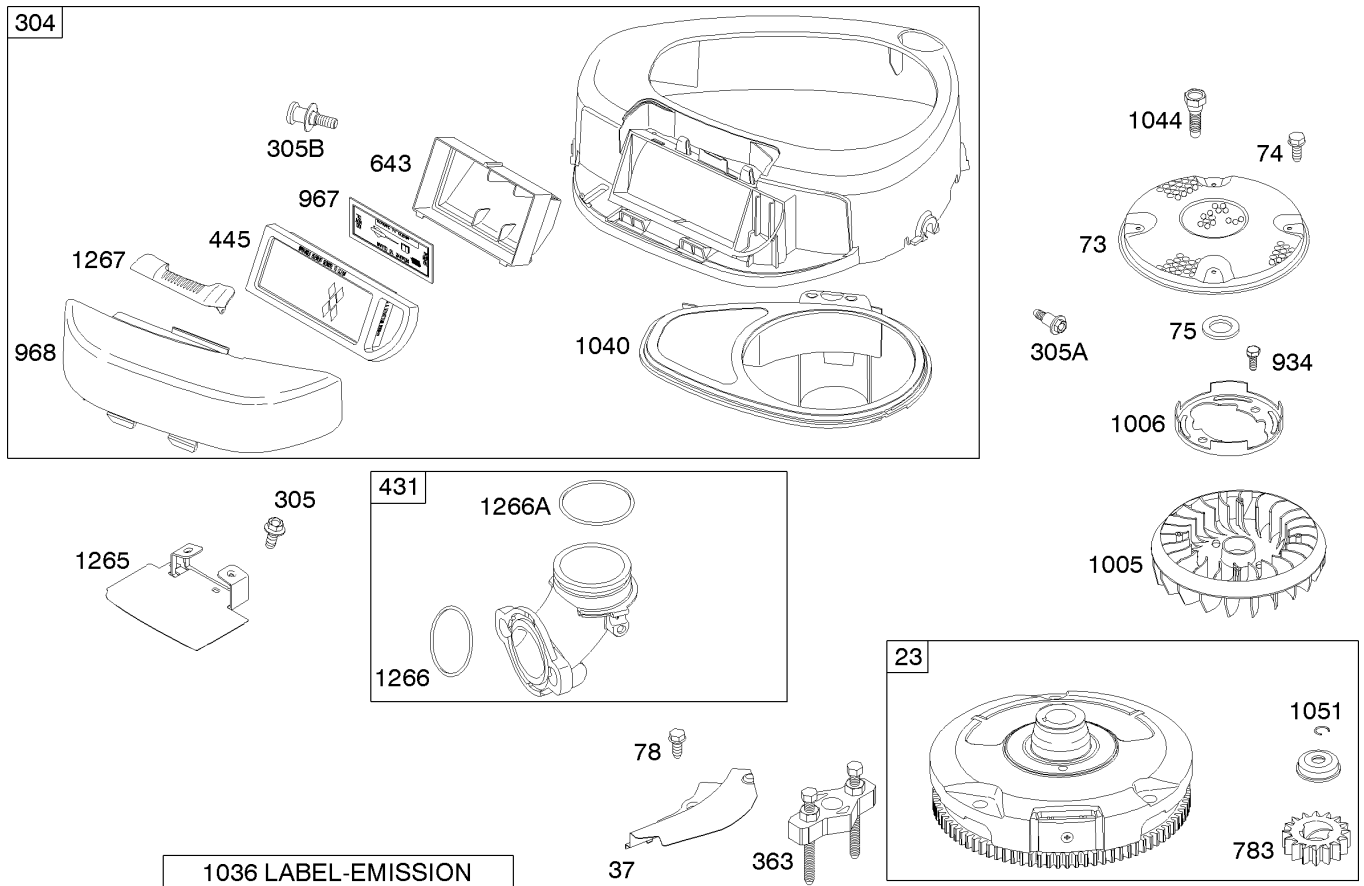
Ref	Part No.	Qty.	Description
137	281165	1	Gasket-Float Bowl
141	495097	1	Kit-Choke Shaft (Manual Choke)
141A	495931	1	Kit-Choke Shaft (Choke A Matic)
142	697140	1	Nozzle-Carburetor
186	692317	1	Connector-Hose
187	691050	1	Line-Fuel (Cut To Required Length)
231	691636	1	Screw (Choke Valve)
240	394358	1	Filter-Fuel
276	692255	1	Sealing Washer
601	95162	1	Clamp-Hose
634	690801	1	Spring/seal ASM
634A	690802	1	Spring/seal ASM
654	690958	1	Nut (Carburetor)
947	694393	1	Solenoid-Fuel
950	691657	1	Screw (Float Bowl)
975	495933	1	Bowl-Float
987	691326	1	Seal-Throttle Shaft



Assemblies include all parts shown in frames.

Air Cleaner Assembly Briggs and Stratton Model 286h77-0121-e1

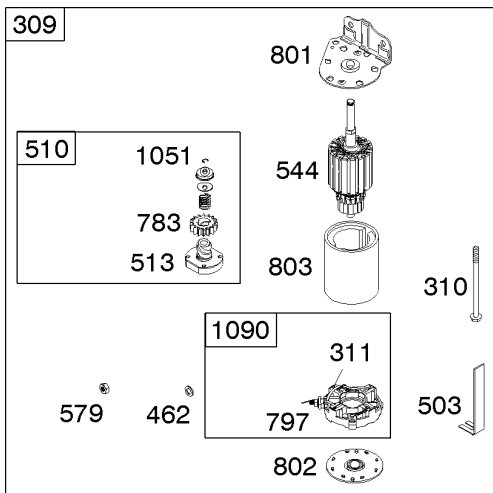
Ref	Part No.	Qty.	Description				
⑤ 305	690960	1	Screw (Rocker Cover)				
⑤ 431	697122	1	Elbow-Intake				
⑤ 445	697014	1	Filter-Air Cleaner Cartridge				
⑤ 967	697015	1	Filter-Pre Cleaner				
⑤ 968	697084	1	Cover-Air Cleaner				
⑤ 1265	697125	1	Support-Blower Housing				
④ 1266	691917	1	Seal-O Ring (Intake Elbow)				
⑤							
④ 1266A	697123	1	Seal-O Ring (Intake Elbow)				
⑤							



Assemblies include all parts shown in frames.

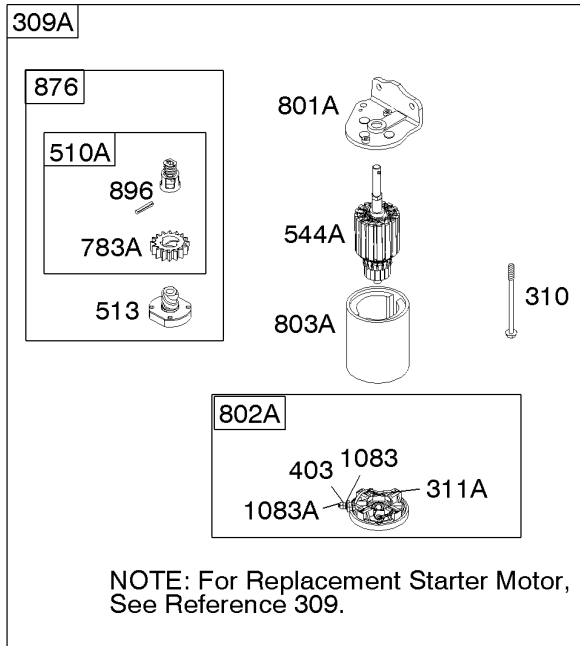
Blower Housing Assembly Briggs and Stratton Model 286h77-0121-e1

Ref	Part No.	Qty.	Description	Ref	Part No.	Qty.	Description
⑤ 23	693557	1	Flywheel	⑤ 1044	691658	1	Screw (Crankshaft Extension)
⑤ 37	697108	1	Guard-Flywheel	⑤ 1051	691265	1	Ring-Retaining
⑤ 73	697133	1	Screen-Rotating	⑤ 1265	697125	1	Support-Blower Housing
⑤ 74	690661	1	Screw (Flywheel Guard)	④ 1266	691917	1	Seal-O Ring (Intake Elbow)
⑤ 75	690582	1	Washer (Flywheel)	⑤			
⑤ 78	690661	1	Screw (Flywheel Guard)	④ 1266A	697123	1	Seal-O Ring (Intake Elbow)
⑤ 304	697137	1	Housing-Blower	⑤			
⑤ 305	690960	1	Screw (Rocker Cover)	⑤ 1267	697135	1	Latch-Blower Housing
⑤ 305A	697102	1	Screw (Blower Housing)				
⑤ 305B	697103	1	Screw (Blower Housing)				
⑤ 363	19203	1	Puller-Flywheel				
⑤ 431	697122	1	Elbow-Intake				
⑤ 445	697014	1	Filter-Air Cleaner Cartridge				
⑤ 643	697155	1	Retainer-Air Filter				
⑤ 783	693713	1	Gear-Pinion				
⑤ 967	697015	1	Filter-Pre Cleaner				
⑤ 968	697084	1	Cover-Air Cleaner				
⑤ 934	691058	1	Screw (Fan Retainer)				
⑤ 1005	697111	1	Fan-Flywheel				
⑤ 1006	690452	1	Retainer-Fan				
⑤ 1036	695700	1	Label-Emission				
⑤ 1040	697142	1	Plate-Trim				



729A
697

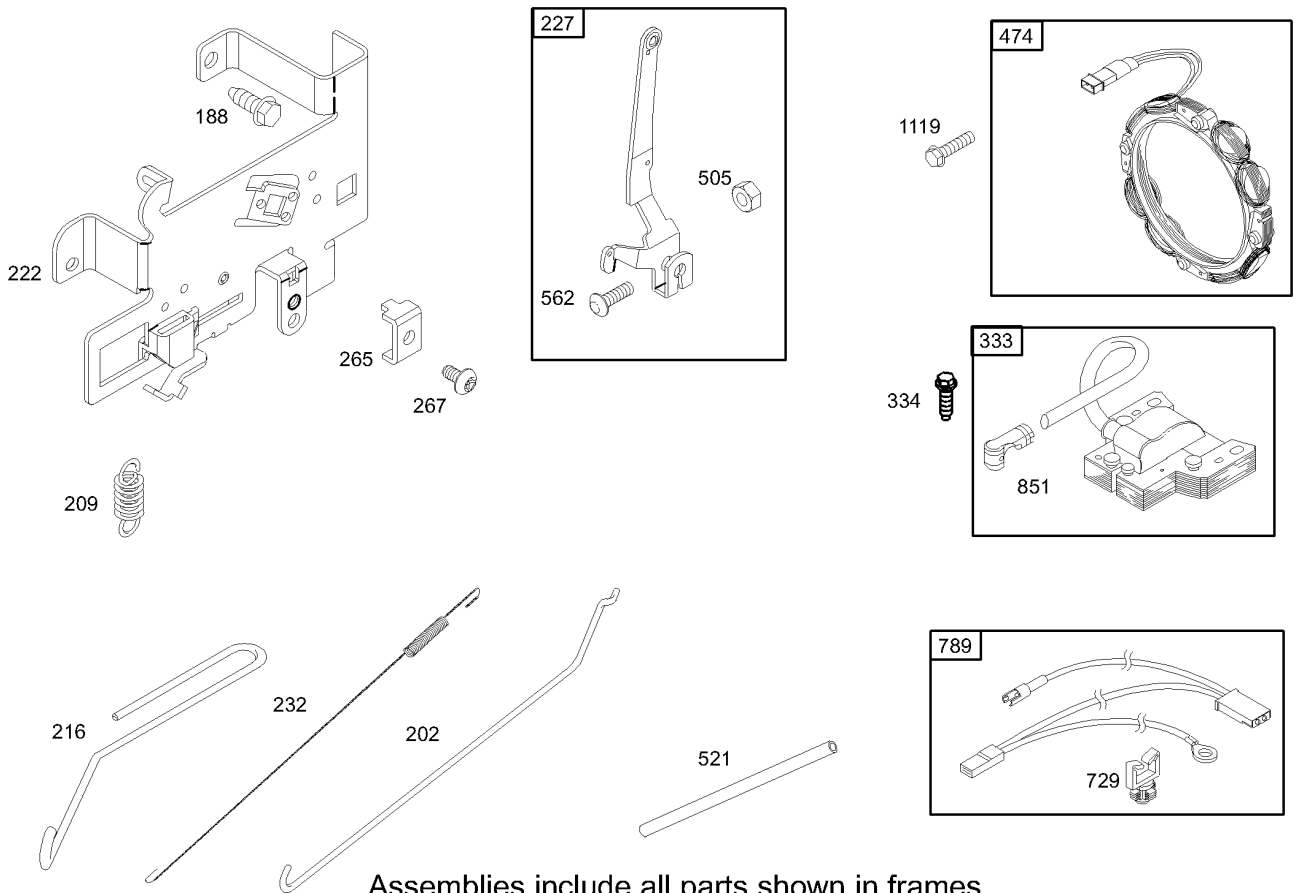
503



Starter Assembly Briggs and Stratton Model 286h77-0121-e1

Ref	Part No.	Qty.	Description
309	693551	1	Motor-Starter
309A		1	Motor-Starter (For Replacement Starter Motor, See Ref. 309)
310	690323	1	Bolt (Starter Motor)
311	497608	1	Brush Set
311A	395538	1	Brush Set
462	691261	1	Washer (Brush Retainer)
503	691532	1	Strap-Starter
510	693699	1	Drive-Starter
510A	495878	1	Drive-Starter
513	692024	1	Drive Clutch
544	692034	1	Armature-Starter
544A	390837	1	Armature-Starter
579	691029	1	Nut (Brush Retainer)
697	690372	1	Screw (Drive Cap)
729A	691224	1	Clip-Wire
783	693713	1	Gear-Pinion
783A	693059	1	Gear-Pinion
797	693167	1	Nut (Brush Retainer)
801	691283	1	Cap-Drive
801A	691429	1	Cap-Drive
802	691286	1	Cap-End

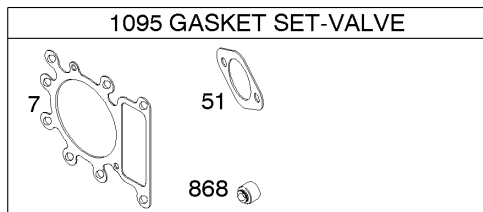
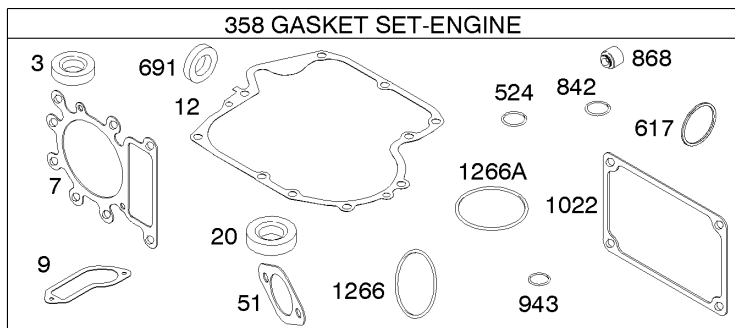
Ref	Part No.	Qty.	Description
802A	395537	1	Cap-End
803	693757	1	Housing-Starter
803A	398159	1	Housing-Starter
876	495877	1	Kit-Gear
896	691641	1	Pin-Drive Retainer
1051	691265	1	Ring-Retaining
1090	691293	1	Retainer-Brush
1083	690958	1	Nut (Carburetor)
1083A	691626	1	Nut (End Cap)



Assemblies include all parts shown in frames.

Governor Assembly Briggs and Stratton Model 286H77-0121-e1

Ref	Part No.	Qty.	Description
⑤ 188	691693	1	Screw (Control Bracket)
⑤ 202	691841	1	Link-Mechanical Governor
⑤ 209	692208	1	Spring-Governor
⑤ 216	691840	1	Link-Choke
⑤ 222	694042	1	Bracket-Control
⑤ 227	691374	1	Lever-Governor Control
⑤ 232	691842	1	Spring-Governor Link
⑤ 265	691024	1	Clamp-Casing
⑤ 267	695134	1	Screw (Casing Clamp)
⑤ 333	492341	1	Armature-Magneto
⑤ 334	691061	1	Screw (Magneto Armature)
⑤ 474	696459	1	Alternator
⑤ 505	691251	1	Nut (Governor Control Lever)
⑤ 521	690581	1	Shield-Cable
⑤ 562	691119	1	Bolt (Governor Control Lever)
⑤ 729	691335	1	Clip-Wire
⑤ 789	692037	1	Wiring-Harness
⑤ 851	493880	1	Terminal-Spark Plug
⑤ 1119	691183	1	Screw (Alternator)

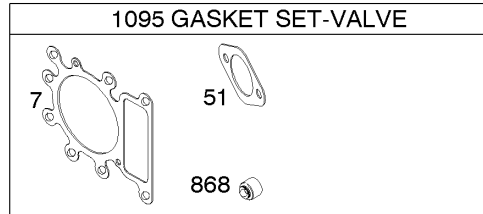
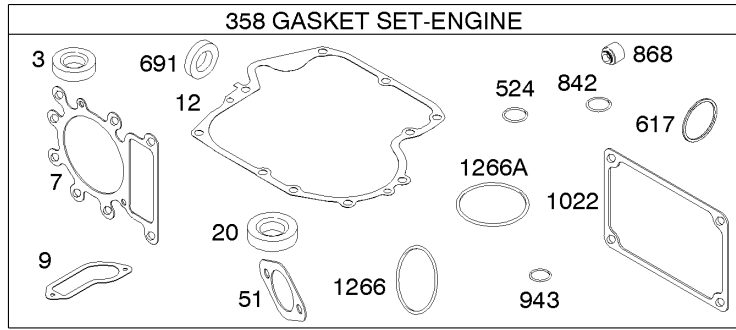


Assemblies include all parts shown in frames.

Gasket Assembly Briggs and Stratton Model 286h77-0121-e1

Ref	Part No.	Qty.	Description
④ 3 ⑤	391086	1	Seal-Oil (Magneto Side)
④ 7 ⑤	273280	1	Gasket-Cylinder Head
④ 9 ⑤	697109	1	Gasket-Breather
④ 12 ⑤	697110	1	Gasket-Crankcase
④ 20 ⑤	690947	1	Seal-Oil (Pto Side)
④ 51 ⑤	692137	1	Gasket-Intake
⑤ 358	697151	1	Gasket Set-Engine
④ 617 ⑤	692138	1	Seal-O Ring (Intake Manifold)
④ 524 ⑤	691032	1	Seal-O Ring (Dipstick Tube)
④ 691 ⑤	692407	1	Seal-Governor Shaft
④ 842 ⑤	691031	1	Seal-O Ring (Dipstick)
④ 868 ⑤	690968	1	Seal-Valve
④ 943 ⑤	690589	1	Seal-O Ring (Oil Pump Cover)
④ 1022 ⑤	272475	1	Gasket-Rocker Cover

Ref	Part No.	Qty.	Description
⑤ 1095	691581	1	Gasket Set-Valve
④ 1266 ⑥	691917	1	Seal-O Ring (Intake Elbow)
④ 1266A ⑥	697123	1	Seal-O Ring (Intake Elbow)

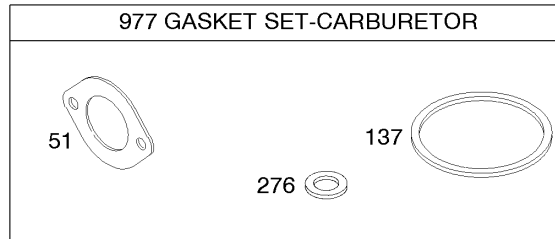
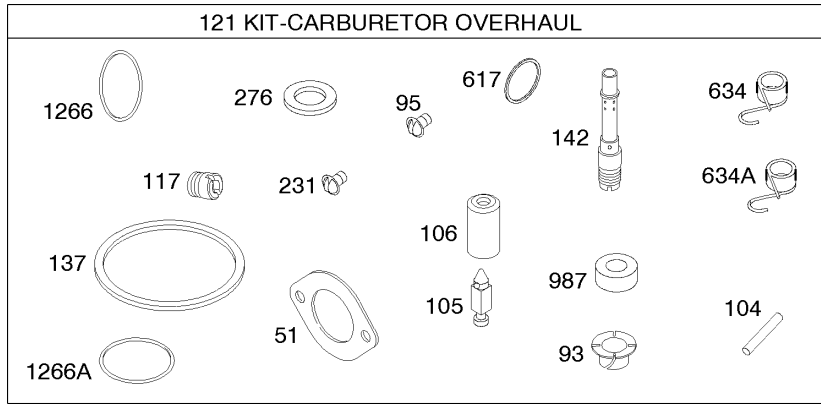


Assemblies include all parts shown in frames.

Gasket Assembly

Briggs and Stratton Model 286h77-0121-e1 (continued)

--	--	--	--	--	--	--	--



Assemblies include all parts shown in frames.
Carburetor Overhaul Kit Assembly
Briggs and Stratton Model 286h77-0121-e1

Ref	Part No.	Qty.	Description
④ 51 ⑤	692137	1	Gasket-Intake
⑥ 93 ⑧	690602	1	Bushing-Throttle Shaft
⑥ 95 ⑧	691636	1	Screw (Choke Valve)
⑥ 104 ⑧	690525	1	Pin-Float Hinge
⑥ 105 ⑧	231855	1	Valve-Float Needle
⑥ 106 ⑧	690577	1	Seat-Inlet
⑥ 117 ⑧	694352	1	Jet-Main (Standard)
⑧ 121	697154	1	Kit-Carburetor Overhaul
⑥ 137 ⑦	281165	1	Gasket-Float Bowl
⑥ 142 ⑧	697140	1	Nozzle-Carburetor
⑥ 231 ⑧	691636	1	Screw (Choke Valve)
⑥ 276 ⑦	692255	1	Sealing Washer
④ 617 ⑥	692138	1	Seal-O Ring (Intake Manifold)
⑥ 634 ⑧	690801	1	Spring/seal ASM

Ref	Part No.	Qty.	Description
⑥ 634A ⑧	690802	1	Spring/seal ASM
⑧ 977	690192	1	Gasket Set-Carburetor
⑥ 987 ⑧	691326	1	Seal-Throttle Shaft
④ 1266 ⑥	691917	1	Seal-O Ring (Intake Elbow)
④ 1266A ⑥	691917	1	Seal-O Ring (Intake Elbow)

NOTES

