



17-44HXL Lawn Tractor

Model No. 71228 - 240000001 and up.

Parts Catalog

Ordering Replacement Parts

To order replacement parts, please supply the part number, the quantity, and the description of each part desired.

Understanding Reference Numbers

Each Identified part in an illustration has a reference number. The reference number for a part also appears in the parts list, along with other information about the part.

This catalog uses two special reference number formats, one to indicate parts in a service assembly and another to indicate the quantity of a given part in an illustration.

Service Assembly Reference Numbers

Parts in service assemblies have reference numbers in the form a:b. The a represents the reference number of the entire service assembly and the b represents a sequential number unique to each part within the service assembly.

For example, a wheel assembly might be identified by reference number 6, the tire by 6:1, the valve by 6:2, and the wheel by 6:3. When you order the assembly identified by reference number 6, you receive all parts identified by reference numbers 6:1, 6:2, and 6:3. However, you may also order any part individually. Reference numbers of this type appear in illustrations and in part lists.

Reference Numbers Indicating Quantity

In an illustration, if a reference number indicates more than one part, the reference number has the form nX y. The n represents the quantity of the part, the X is the multiplication symbol, and the y represents the reference number.

For example, in an illustration, the reference number 2X 37 means that two of the parts identified by reference number 37 are indicated.

Part Description Abbreviations

Part descriptions in this catalog may include the following abbreviations.

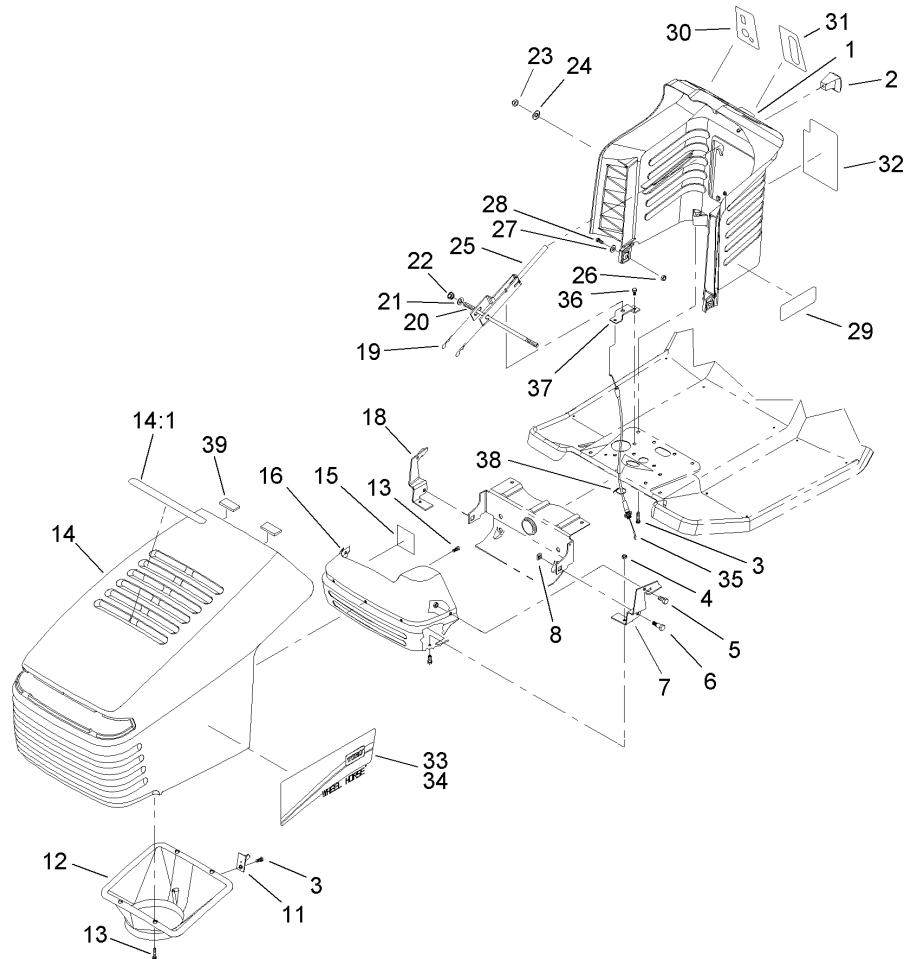
AR.	as required	HYD.	hydraulic
ASM.	assembly	INC.	incorporated
CARR.	carriage	LH.	left hand
DEG.	degrees	NI.	nylon insert
FH.	flat head	PPH.	phillips pan head
GA.	gauge	PTH.	phillips truss head
HF.	hex flange	PTO.	power take off
HH.	hex head	RH.	right hand
HHF.	hex head flange	SFH.	slotted fillister head
HHFTF.	hex head flange thread forming	SHH.	slotted hex head
HJ.	hex jam	SHWH.	slotted hex washer head
HLH.	hex lag head	SPH.	slotted pan head
HOC.	height-of-cut	SQH.	square head
HS.	hex	SRH.	slotted round head
HSBH.	hex socket button head	STD.	standard
HSFH.	hex socket flat head	TAP.	self tapping
HS.	hex socket head	TTH.	torx truss head
HWH.	hex washer head	WH.	wing head
HWHTF.	hex washer head thread forming		

Footnotes

- | | | | |
|---|---|---|---|
| ❶ | Not illustrated | ❷ | Not serviced separately |
| ❸ | Included in Engine Gasket Set-Ref. 358. | ❹ | Included in Valve Gasket Set-Ref. 1095. |
| ❺ | Included in Carburetor Overhaul Kit-Ref. 121. | ❻ | Included in Carburetor Gasket Set-Ref. 977. |
| ❻ | Obtain parts from your local Briggs and Stratton dealer | | |

Contents

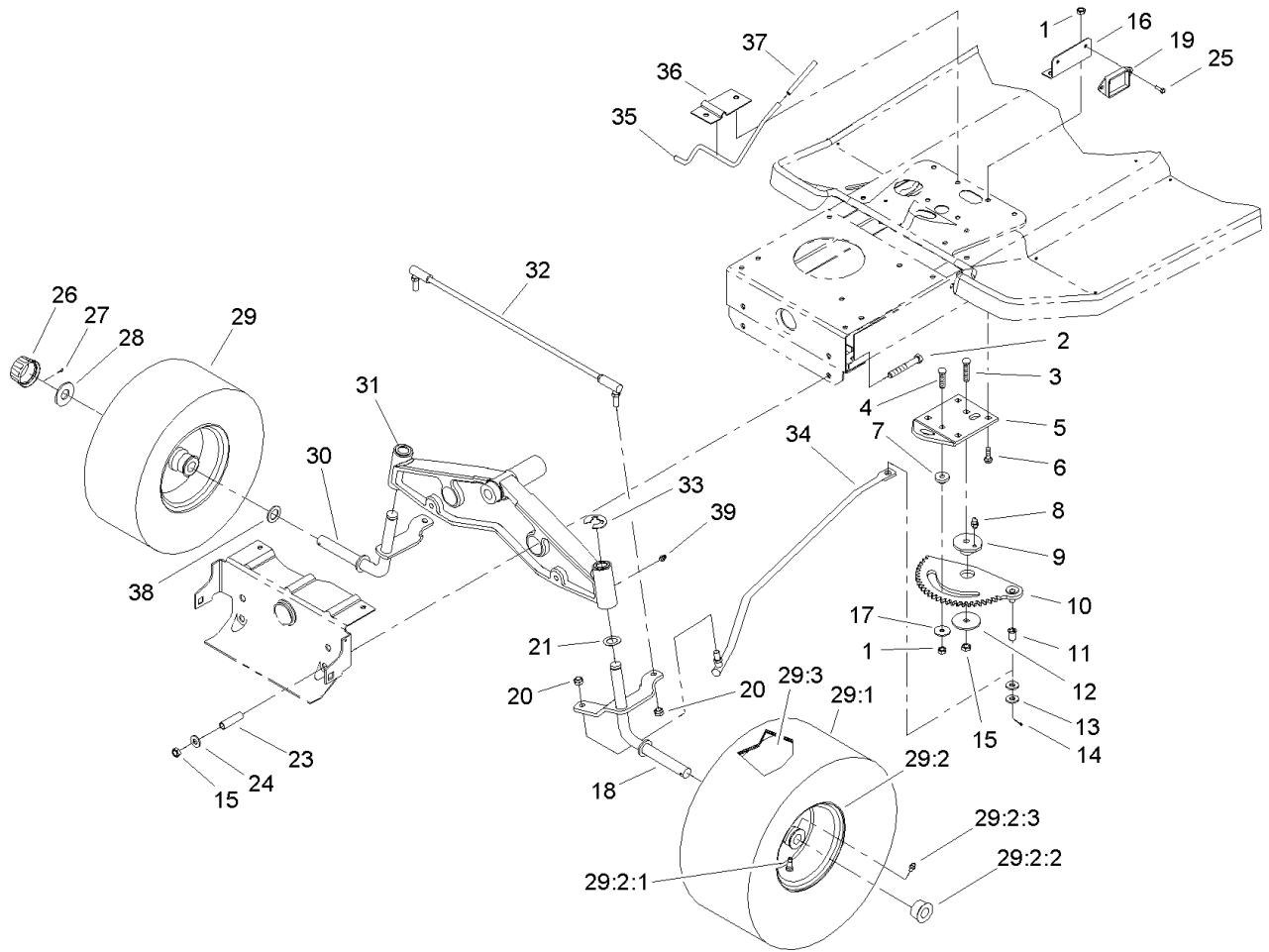
Description	Page	Description	Page
Frame and Body Assembly 3	Crankshaft Assembly Briggs and Stratton 31F777-0123-E1 21
Hood and Tower Assembly 4	Oil Filter, Tube and Pump Assembly Briggs and Stratton 31F777-0123-E1 22
Rear Body and Seat Assembly 5	Carburetor Assembly Briggs and Stratton 31F777-0123-E1 23
Steering Component Assembly 6	Air Cleaner Assembly Briggs and Stratton 31F777-0123-E1 24
Steering Assembly 7	Governor Assembly Briggs and Stratton 31F777-0123-E1 25
Engine System Assembly 8	Blower Housing Assembly Briggs and Stratton 31F777-0123-E1 26
Traction Brake Assembly 9	Starter Assembly Briggs and Stratton 31F777-0123-E1 27
Wheel and Tire Assembly 10	Gasket Assembly Briggs and Stratton 31F777-0123-E1 28
Transaxle Component Assembly 11	Carburetor Overhaul Kit Assembly Briggs and Stratton 31F777-0123-E1 29
Transaxle Side Housing and Bearing Assembly No. 104-1760 12		
Transaxle Gear Assembly No. 104-1760 13		
Transaxle Installation Assembly No. 104-1760 14		
Transaxle Installation Assembly 15		
Height of Cut Assembly 16		
Electrical Component Assembly 17		
Cylinder Assembly Briggs and Stratton 31F777-0123-E1 18		
Cylinder Head Assembly Briggs and Stratton 31F777-0123-E1 19		
Crankcase Assembly Briggs and Stratton 31F777-0123-E1 20		



Hood and Tower Assembly

Ref	Part No.	Qty.	Description
1	99-1947	1	Tower-Steering
2	94-5565	1	Knob-Shift
3	46-8091	3	Screw-HWH
4	3296-42	4	Nut-Lock, NI
5	321-2	4	Screw-HH
6	28-0540	2	Bolt-Shoulder
7	88-6050-03	1	Bracket-Hinge, LH
8	3290-496	2	Nut-Retainer
11	94-1984	1	Latch-Pin
12	93-3891	1	Duct-Air, Hood
13	46-8090	7	Screw-Plastite
14	92-8650	1	Hood ASM
14:1	92-5748	1	Decal-Duct, Air
15	92-5782	3	Tape-Foil
16	93-3864-03	1	Shield-Heat
18	88-6040-03	1	Bracket-Hinge, RH
19	3290-307	2	Pin-Hair
20	100-7401	1	Rod-Tower, Pivot
21	3256-24	2	Washer-Flat
22	3218-3	2	Nut-Jam
23	100-7402	2	Nut-Cap
24	100-7403	2	Washer-Flat
25	88-5190-03	1	Lever-Deck, Engage
26	3296-29	2	Nut-Lock, NI

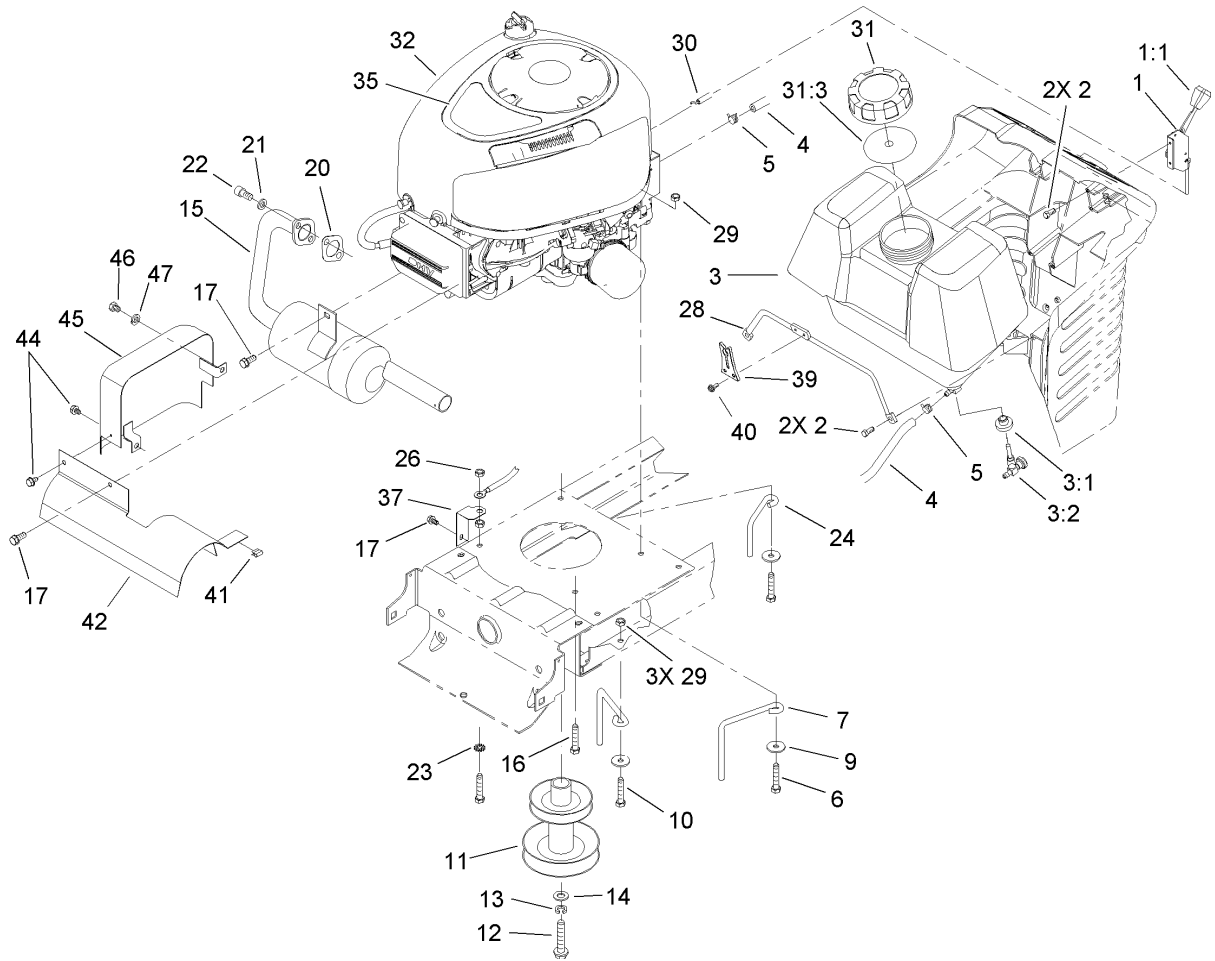
Ref	Part No.	Qty.	Description
27	3256-23	2	Washer-Flat
28	322-3	2	Screw-HH
29	106-6402	2	Decal-Tower
30	99-8139	1	Decal-Ignition/lights
31	92-2461	1	Decal-Throttle
32	92-2462	1	Decal-Deck, Engage
33	105-2497	1	Decal-Hood, LH
34	105-2496	1	Decal-Hood, RH
35	99-6838	1	Deck Cable ASM
36	9266714	2	Screw-HWH
37	93-3849	1	Bracket-Cable, Upper
38	614249	1	Strap-Tie
39	94-1980	2	Foam-Hood



Steering Component Assembly

Ref	Part No.	Qty.	Description
1	3296-29	5	Nut-Lock, NI
2	323-13	2	Screw-HH
3	3231-4	1	Screw-CARR
4	3230-3	1	Screw-CARR
5	88-5130-03	1	Bracket-Rack, Steering
6	3230-2	4	Bolt-CARR
7	88-5010	1	Spacer-Rack, Steering
8	302-26	1	Fitting-Grease
9	88-4670	1	Bushing-Eccentric
10	88-5200	1	Rack-Steering
11	52-2891	1	Bushing-Link, Steering
12	111419	1	Washer-Bearing
13	3256-25	2	Washer-Flat
14	3272-10	1	Pin-Cotter
15	3296-39	3	Nut-Lock, NI
16	99-2956-03	1	Bracket-Module
17	5-4460	1	Washer-Pivot
18	93-3833-03	1	Spindle-LH
19	99-3700	1	Module
20	3296-5	3	Nut-Lock, NI
21	3-6498	2	Washer-Thrust
23	88-5470	2	Spacer-Axle, Front
24	3256-24	2	Washer-Flat
25	9266714	2	Screw-HWH

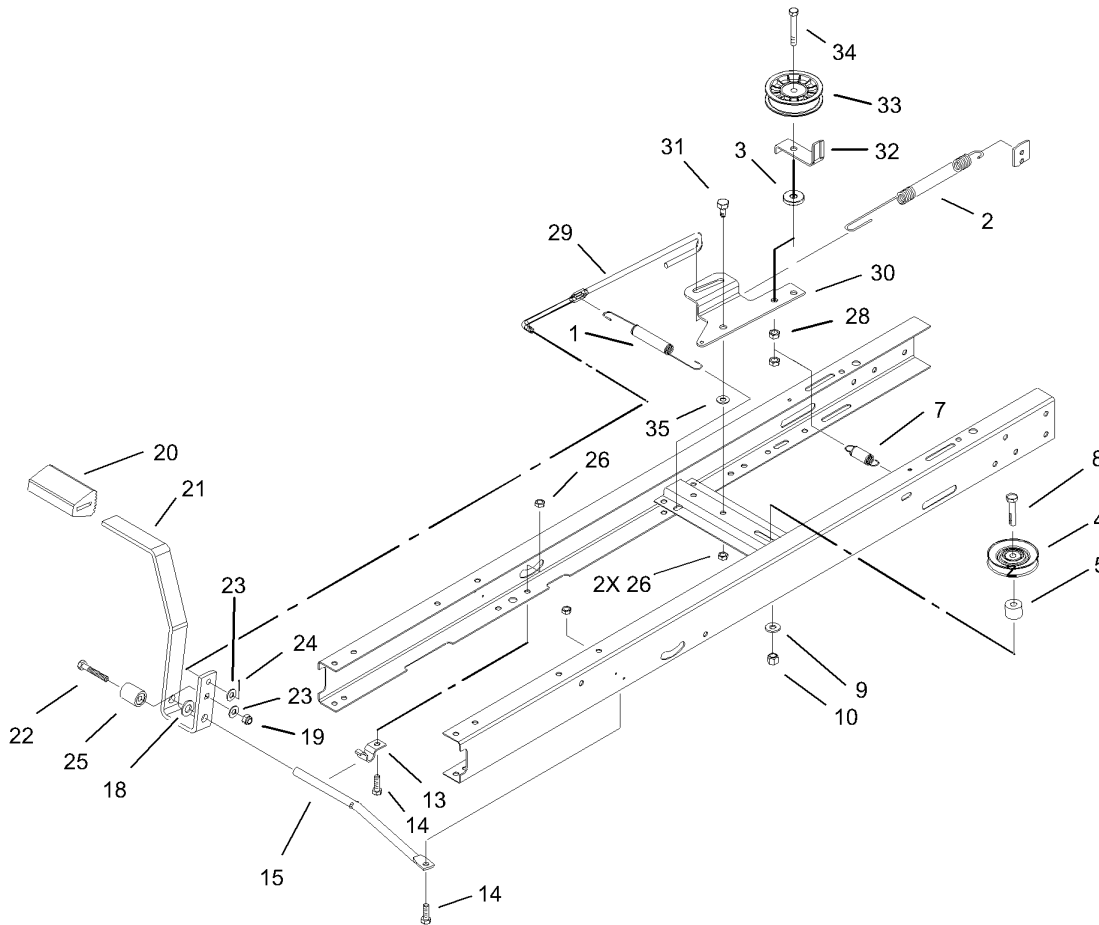
Ref	Part No.	Qty.	Description
26	61-9780	2	Cap-Hub
27	3272-12	2	Pin-Cotter
28	28-2480	2	Washer
29		2	Front Wheel And Tire ASM
29:1	99-2988	1	Tire
29:2	99-6829	1	Rim ASM
29:2:1	232-27	1	Stem-Valve
29:2:2	110513	2	Bearing-Wheel
29:2:3	302-5	1	Fitting-Grease
29:3	232-39	1	Tube
30	92-7889-03	1	Spindle-RH
31	99-2955-03	1	Axle-Front
32	93-3873	1	Tie Rod ASM
33	32151-48	2	E-Ring
34	93-3840	1	Link-Drag
35	88-5510	1	Rod-Brake, Parking
36	88-5520-03	1	Bracket-Brake, Parking
37	88-0890	1	Grip-Brake, Parking
38	3-6498	4	Washer-Thrust
39	302-5	2	Fitting-Grease



Engine System Assembly

Ref	Part No.	Qty.	Description
1	88-4340	1	Control-Throttle
1:1	66-0120	1	Knob
2	27-0220	4	Screw-Special
3	88-3880	1	Gas Tank ASM
3:1	46-6560	1	Bushing
3:2	104048	1	Valve-Fuel
4	47-2963	1	Hose-Fuel
5	2412-98	2	Clamp
6	322-9	3	Screw-HH
7	93-3854	3	Guide-Belt, Engine
9	5-4460	4	Washer-Pivot
10	322-5	2	Screw-HH
11	105-2474	1	Pulley-Engine
12	62-3760	1	Screw-HH
13	3253-22	1	Washer-Lock
14	3256-25	1	Washer-Flat
15	99-6845	1	Muffler
16	9267154	1	Screw
17	9266714	3	Screw-HWH
20	88-4410	1	Gasket-Muffler
21	3253-4	2	Washer-Lock
22	3274-10	2	Screw-HSH
23	3255-8	1	Washer-Lock
24	93-3855	1	Guide-Belt, RH

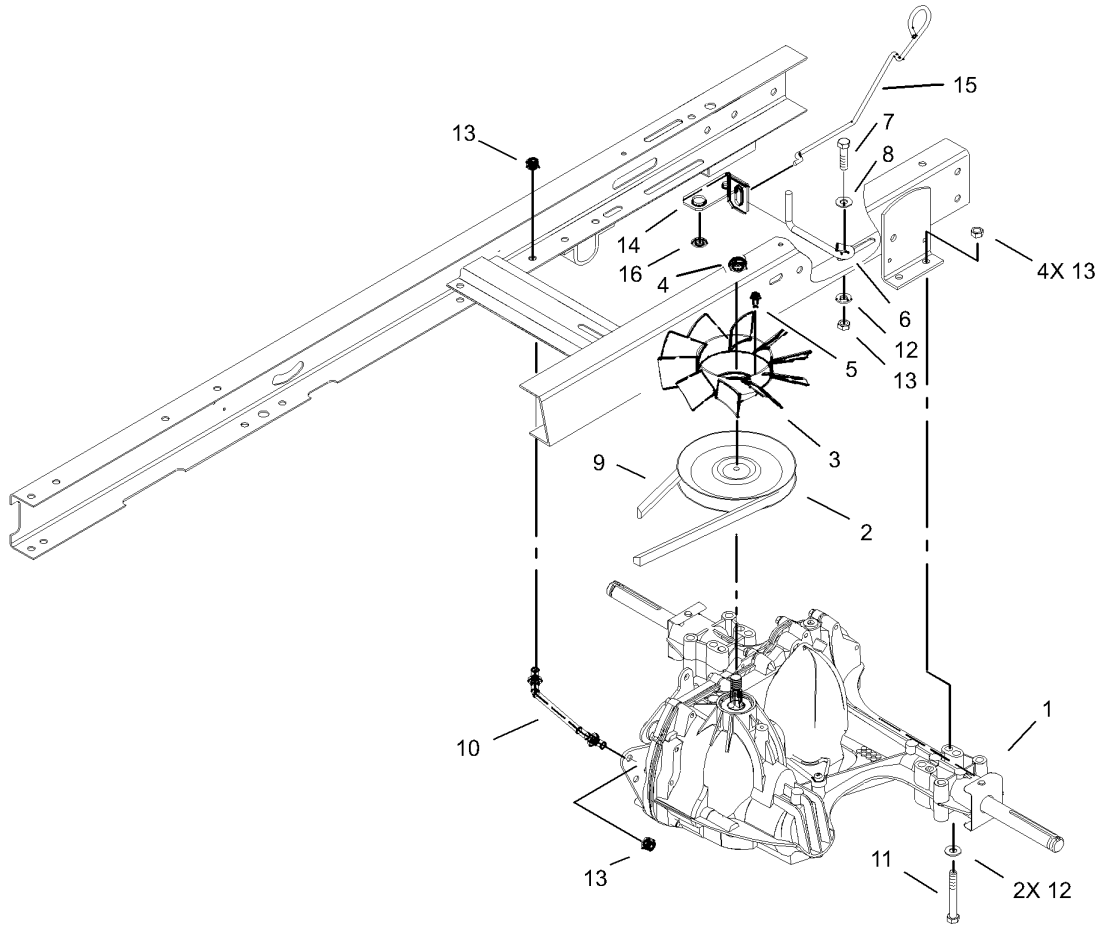
Ref	Part No.	Qty.	Description
26	32149-1	2	Nut
28	94-1952	1	Rod-Tank, Gas
29	3296-29	4	Nut-Lock, NI
30	88-4350	1	Cable-Throttle
31	88-3980	1	Gas Cap ASM
31:3	88-4010	1	Gasket-Cap, Gas
32		1	Engine-17hp, Briggs And Stratton
35	106-6410	1	Decal-Engine
37	93-3809	1	Bracket-Ground
39	94-1951	1	Latch-Hood
40	32144-112	2	Screw-HWH
41	93-3882	1	Clip-Tinnerman
42	93-3880-03	1	Shield-Muffler
44	32104-76	2	Screw
45	93-8450-03	1	Exhaust Shield ASM
46	322-3	1	Screw-HH
47	3253-4	1	Washer-Lock



Traction Brake Assembly

Ref	Part No.	Qty.	Description
1	27-8890	1	Spring-Return
2	100-7422	1	Spring-Brake
3	92-4890	1	Washer-Wheel
4	92-7102	1	Pulley-Idler
5	92-5791	1	Spacer
7	88-6330	1	Spring-Extension
8	323-10	1	Screw-HH
9	3256-3	1	Washer-Flat
10	3296-39	1	Nut-Lock, NI
13	88-4810	1	Clamp-Shift, Pivot
14	322-3	2	Screw-HH
15	88-5500	1	Rod-Pedal, Pivot
18	3256-26	1	Washer-Flat
19	3296-47	1	Nut-Lock, NI
20	65-2920	1	Pad-Pedal
21	88-5000-03	1	Pedal-Clutch/brake
22	322-9	1	Screw-HH
23	3256-23	2	Washer-Flat
24	3272-10	1	Pin-Cotter
25	99-6836	1	Spacer-Switch
26	3296-29	3	Nut-Lock, NI
28	3296-59	2	Nut-Lock, NI
29	88-5270	1	Rod-Clutch/brake
30	88-6070	1	Arm-Idler

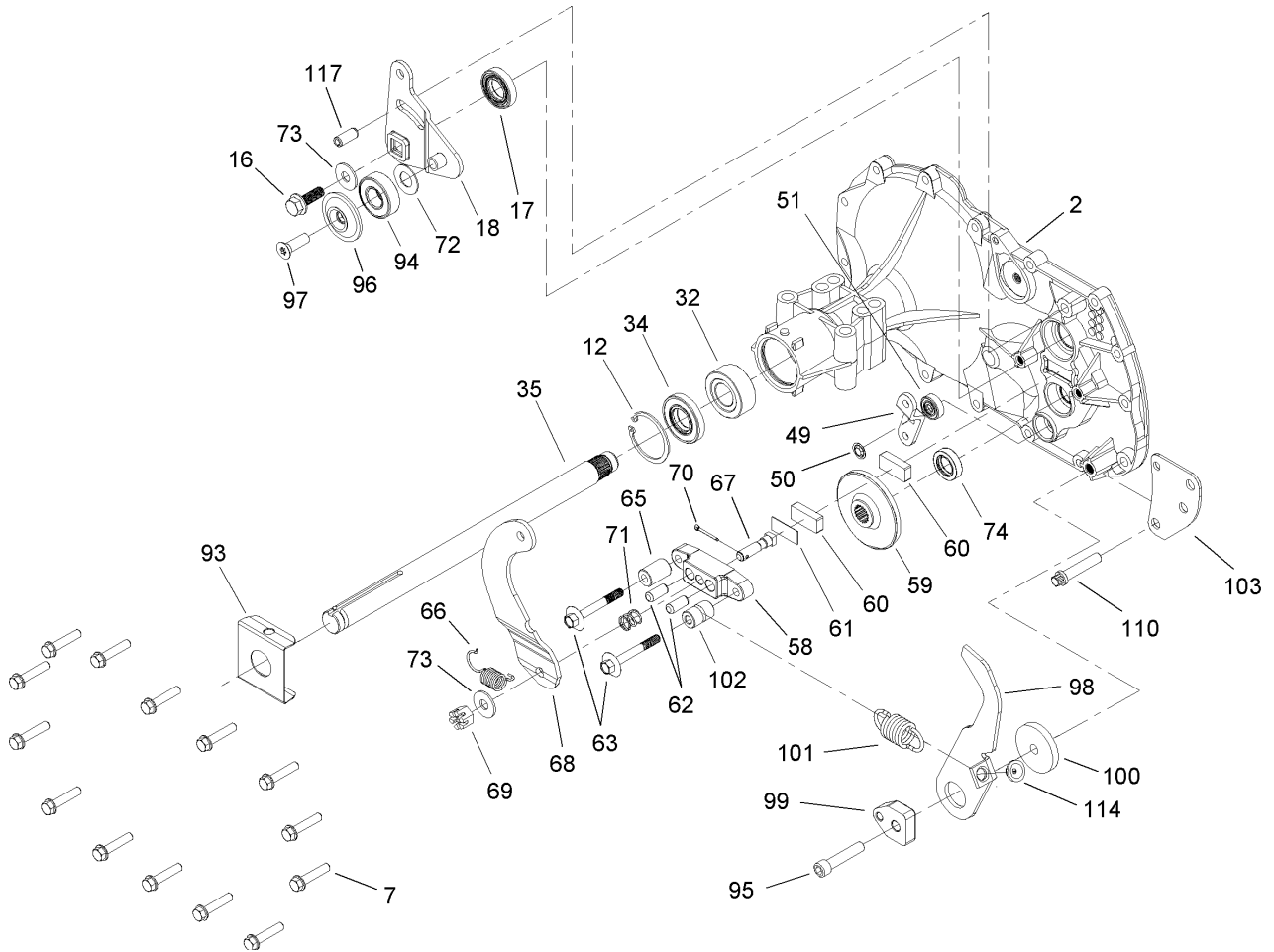
Ref	Part No.	Qty.	Description
31	37-8770	1	Bolt-Shoulder
32	88-5560	1	Guide-Idler, Belt
33	104-4160	1	Pulley-Idler
34	323-11	1	Screw-HH
35	5-4460	1	Washer-Pivot



Transaxle Component Assembly

Ref	Part No.	Qty.	Description
1	104-1760	1	Transaxle ASM
2	104-1753	1	Pulley-5.5in
3	104-2162	1	Fan
4	3296-28	1	Nut-Lock, NI
5	9134304	3	Screw
6	93-3868	1	Guide-Belt, Transmission
7	322-5	1	Screw-HH
8	5-4460	1	Washer-Pivot
9	88-6250	1	V-Belt
10	100-6225	1	Strap-Torque
11	322-13	4	Screw-HH
12	3256-23	3	Washer-Flat
13	3296-29	7	Nut-Lock, NI
14	100-7406	1	Bracket-Bypass
15	100-7407	1	Wire-Bypass
16	3256-3	1	Washer-Flat

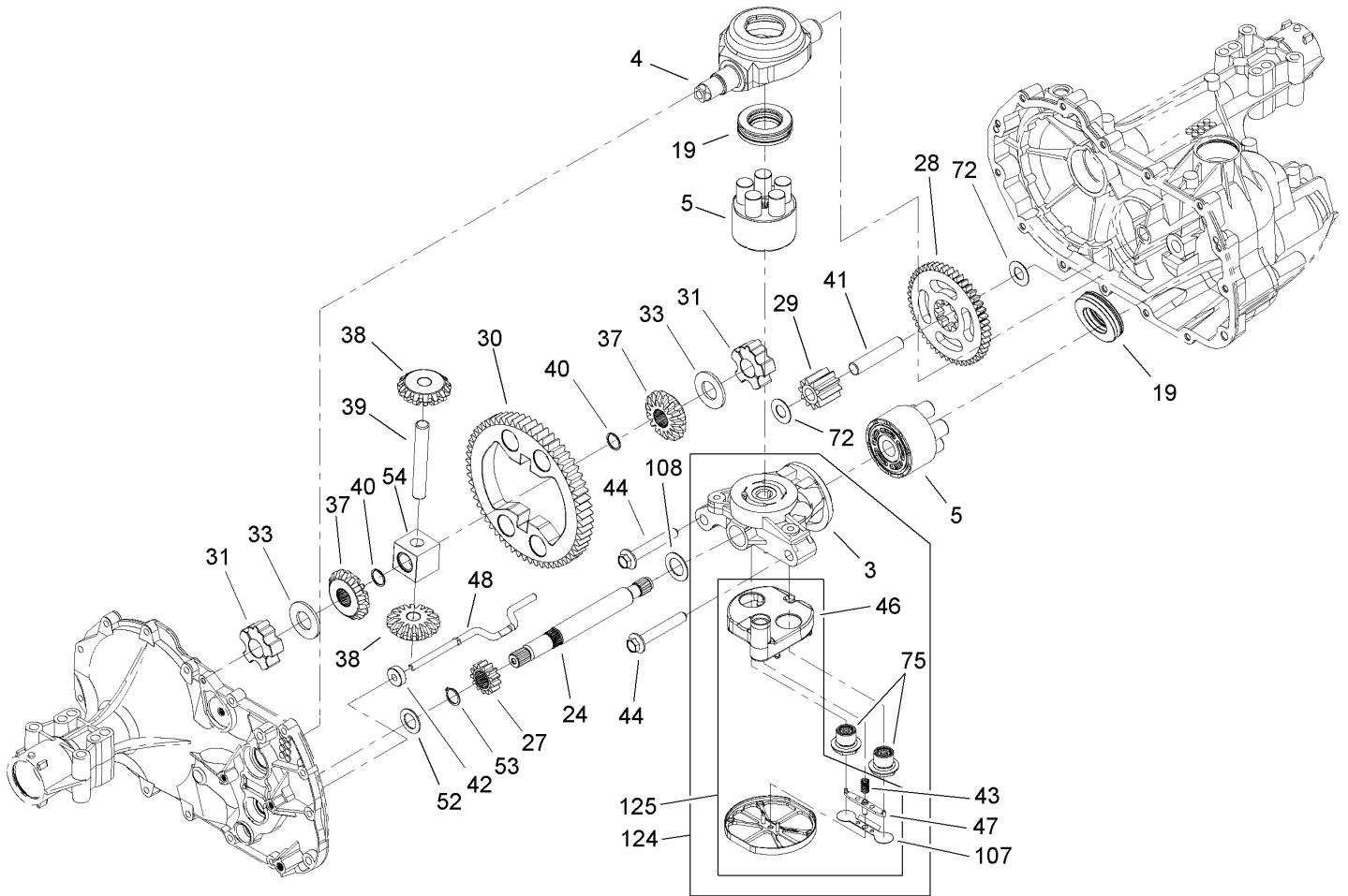
--	--	--	--



Transaxle Side Housing and Bearing Assembly No. 104-1760

Ref	Part No.	Qty.	Description
2	104-5302	1	Side Housing ASM
7	104-5305	14	Screw-HHF
12	104-5309	1	Ring-Retaining
16	104-5312	1	Screw-HF
17	104-5313	1	Seal-Lip
18	104-5314	1	Arm-Control
32	104-5321	1	Bearing-Sleeve, Outboard
34	104-5322	1	Seal-Lip
35	104-5323	1	Shaft-Axle, RH
49	104-5336	1	Arm-Bypass
50	104-5337	1	Ring-Retaining
51	104-5338	1	Seal-Lip
58	104-5343	1	Yoke-Brake
59	104-5344	1	Rotor-Brake
60	104-2171	2	Puck-Brake
61	104-2181	1	Puck-Plate
62	104-2176	2	Pin-Brake
63	104-5345	2	Screw-HF
65	104-2180	1	Spacer
66	104-2184	1	Spring-Arm, Brake
67	104-2174	1	Bolt-SQH
68	104-5346	1	Arm-Brake
69	93-3807	1	Nut-Castle
70	3272-7	1	Pin-Cotter

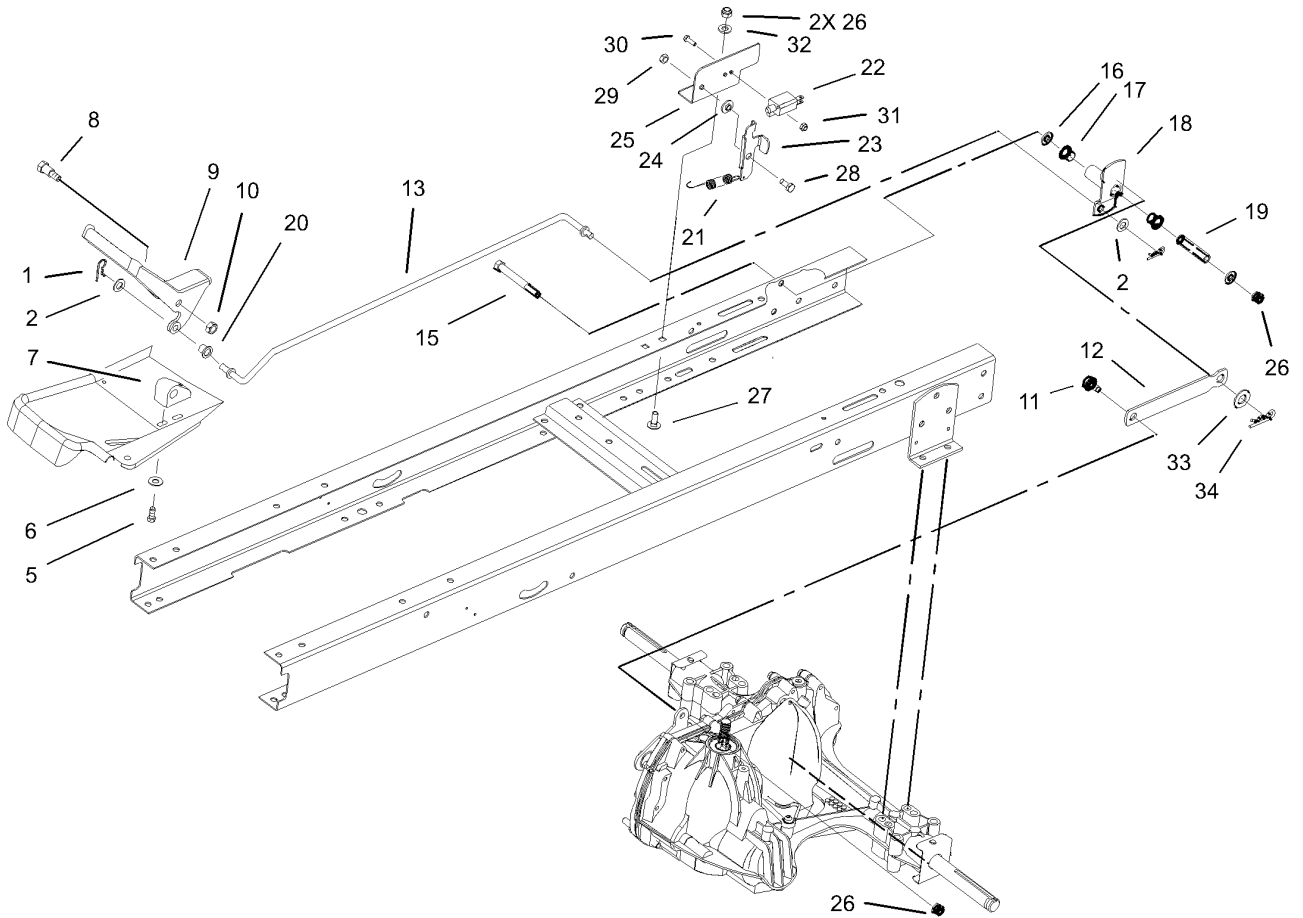
Ref	Part No.	Qty.	Description
71	104-2188	1	Spring-Brake, Anti Drag
72	94-1933	1	Washer
73	5-4460	2	Washer-Pivot
74	104-5347	1	Seal-Oil
93	104-5353	1	Clip-Spring
94	104-2156	1	Bearing
95	104-2155	1	Screw
96	104-2157	1	Spacer-Locating
97	104-2158	1	Screw-Countersunk
98	104-5354	1	Arm-Return
99	104-2119	1	Puck-Adjusting
100	104-5355	1	Washer
101	104-5356	1	Spring-Extension
102	104-5357	1	Spacer
103	104-5358	1	Bracket-Torque
110	104-2148	1	Screw-TTH
114	104-5363	1	Guide-Spring
117	104-5365	1	Pin-Spring



Transaxle Gear Assembly No. 104-1760

Ref	Part No.	Qty.	Description
3	104-5303	1	Center Section ASM
4	104-5304	1	Swashplate-Trunnion
5	104-2106	2	Cylinder Block ASM
19	94-6922	2	Bearing-Thrust
24	104-5315	1	Shaft-Motor
27	104-5316	1	Gear-Pinion, 13t
28	104-5317	1	Gear-10t/48t
29	104-5318	1	Gear-Jackshaft, 10t
30	104-5319	1	Gear-Bull 60t
31	104-5320	2	Bearing-Sleeve
33	94-1943	2	Washer
37	104-5325	2	Gear-Miter
38	104-5326	2	Gear-Miter 15t
39	104-5327	1	Shaft
40	104-5328	2	Ring-Retaining, Spiral
41	104-5329	1	Pin-Jackshaft
42	104-5330	1	Magnet-Ring
43	104-5331	1	Spring-Bypass
44	94-6926	2	Bolt
46	104-5333	1	Base-Filter
47	104-5334	1	Actuator-Bypass
48	104-5335	1	Rod-Actuator, Bypass
52	104-5339	1	Washer-Flat
53	104-5340	1	Ring-Retaining

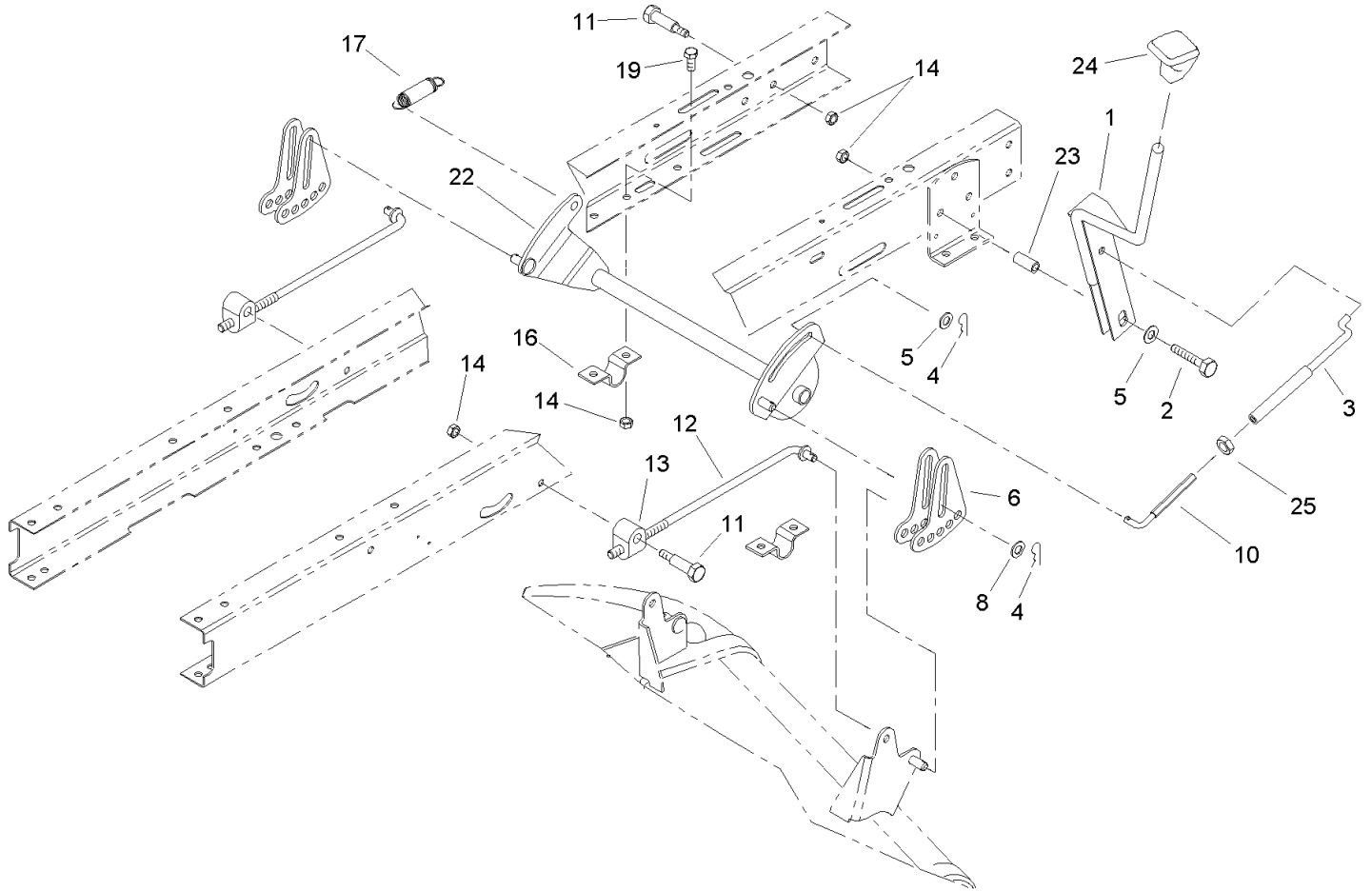
Ref	Part No.	Qty.	Description
54	104-5341	1	Bearing-Block, Center
72	94-1933	2	Washer
75	104-5348	2	Check Plug ASM
107	104-5359	1	Deflector
108	104-5360	1	Washer-Shaft, Motor
124	106-6522	1	Center Section Filter Bypass ASM
125	106-6523	1	Filter ASM
● 127	104-5368	1	Seal Kit
●	104-5332	1	Filter



Transaxle Installation Assembly

Ref	Part No.	Qty.	Description
1	3290-307	2	Pin-Hair
2	3256-38	2	Washer-Flat
5	46-8090	2	Screw-Plastite
6	3256-22	2	Washer-Flat
7	88-4690	1	Block-Pivot
8	23-0310	1	Bolt-Shoulder
9	99-6120-05	1	Pedal-Control, Speed
10	3296-59	1	Nut-Lock, NI
11	37-8770	1	Bolt-Shoulder
12	99-6849	1	Link-Control, Speed
13	99-6839	1	Rod-Control, Speed
15	322-14	1	Screw-HH
16	3256-2	2	Washer-Flat
17	256-257	2	Bushing-Nyliner
18	99-6835-03	1	Pivot ASM
19	99-6832	1	Spacer-Pivot
20	99-6121	1	Bushing
21	99-6805	1	Spring-Extension
22	95-1653	1	Switch-Pole, Single
23	99-6807	1	Bracket-Pivot
24	99-6808	1	Washer-Stepped
25	99-6806	1	Bracket-Adjustment
26	3296-29	4	Nut-Lock, NI
27	3230-18	2	Screw-CARR

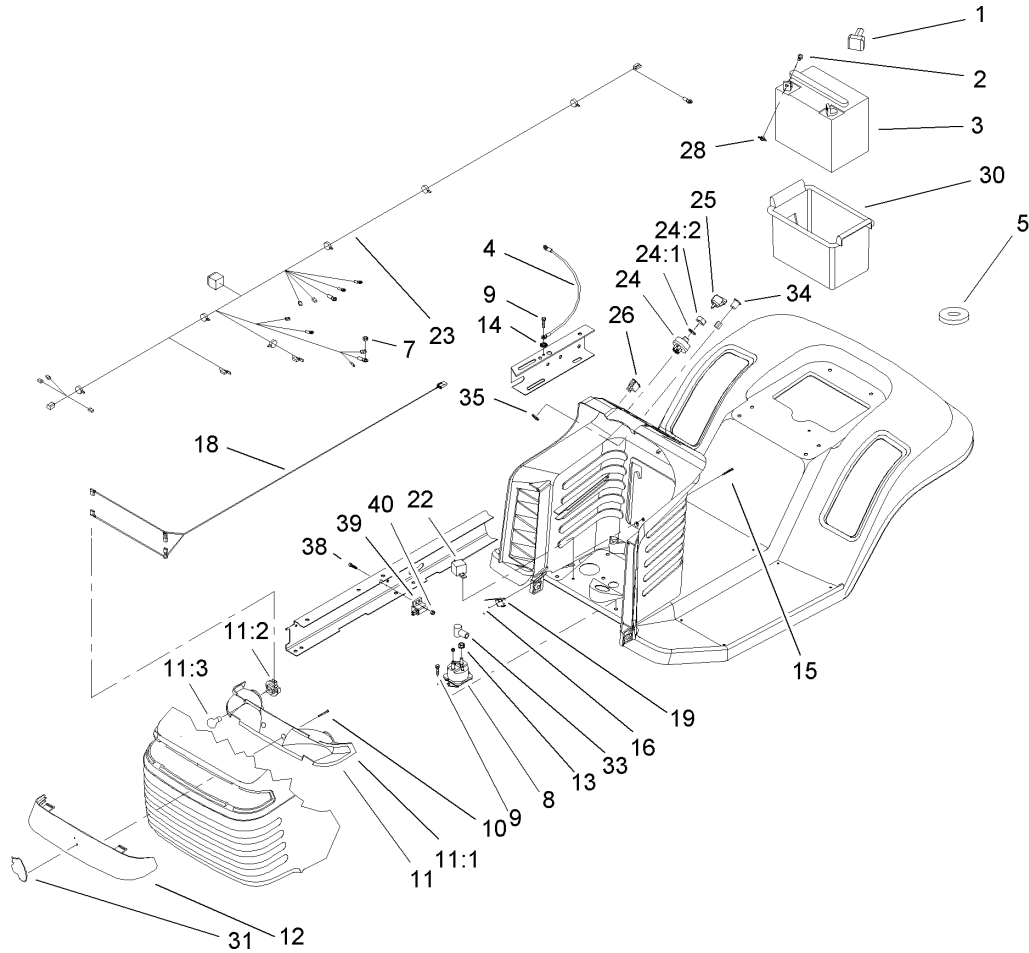
Ref	Part No.	Qty.	Description
28	99-6810	1	Screw-HH
29	3296-42	1	Nut-Lock, NI
30	3290-392	2	Screw-HHF
31	3296-1	2	Nut-Lock, NI
32	3256-23	2	Washer-Flat
33	3256-26	1	Washer-Flat
34	9335054	1	Pin-Hair



Height of Cut Assembly

Ref	Part No.	Qty.	Description
1	93-3822-03	1	Lever
2	322-32	1	Screw-HH
3	93-3885	1	Tube
4	3290-307	3	Pin-Hair
5	3256-24	2	Washer-Flat
6	88-5570-03	4	Link-Adjusting, HOC
8	80-6990	2	Washer-Hardened
10	93-3888	1	Link-HOC
11	7-0030	3	Bolt-Shoulder
12	88-5450	2	Rod-Hanger, Rear
13	88-4230	2	Trunnion-HOC
14	3296-29	8	Nut-Lock, NI
16	88-4730	2	Clamp-Hoc, Pivot
17	93-3808	1	Spring-Extension
19	322-3	4	Screw-HH
22	93-7660-03	1	Pivot-HOC
23	65-7210	1	Spacer
24	94-5565	1	Knob-Shift
25	3218-2	1	Nut-Jam
①99	92-5771	1	Rod-Removal, Spring

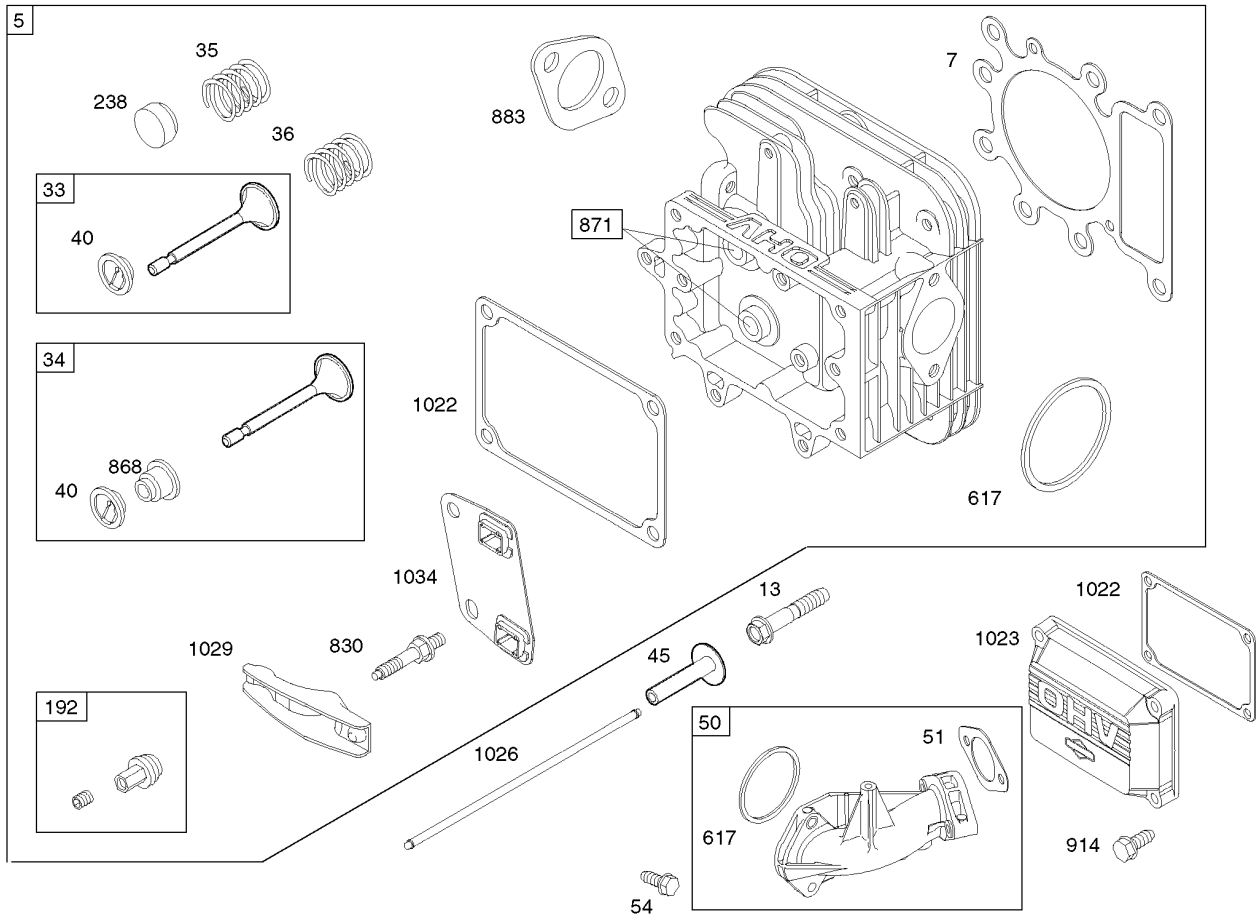
--	--	--	--



Electrical Component Assembly

Ref	Part No.	Qty.	Description
1	28-8080	1	Boot-Terminal
2	321-4	2	Screw-HH
3	104-1755	1	Battery
4	44-8110	1	Wire ASM
5	100-3524	1	Switch-Seat
7	32149-2	1	Nut
8	106-8245	1	Solenoid
9	9266714	3	Screw-HWH
10	32144-32	2	Screw
11	88-3970	1	Reflector And Lamp ASM
11:1	93-8741	1	Reflector
11:2	116262	2	Socket-Light
11:3	7228	2	Bulb
12	88-3960	1	Lens-Headlight
13	32149-2	2	Nut
14	3255-7	2	Washer-Lock/ext
15	93-0539	2	Screw-HH
16	3290-354	1	Nut-Speed
18	99-1935	1	Harness-Headlight
19	88-9932	1	Switch-Micro
22	98-7249	1	Relay
23	106-6435	1	Wire Harness-Hydro
24	88-9830	1	Key Switch ASM
24:1	3254-5	1	Washer-Tooth

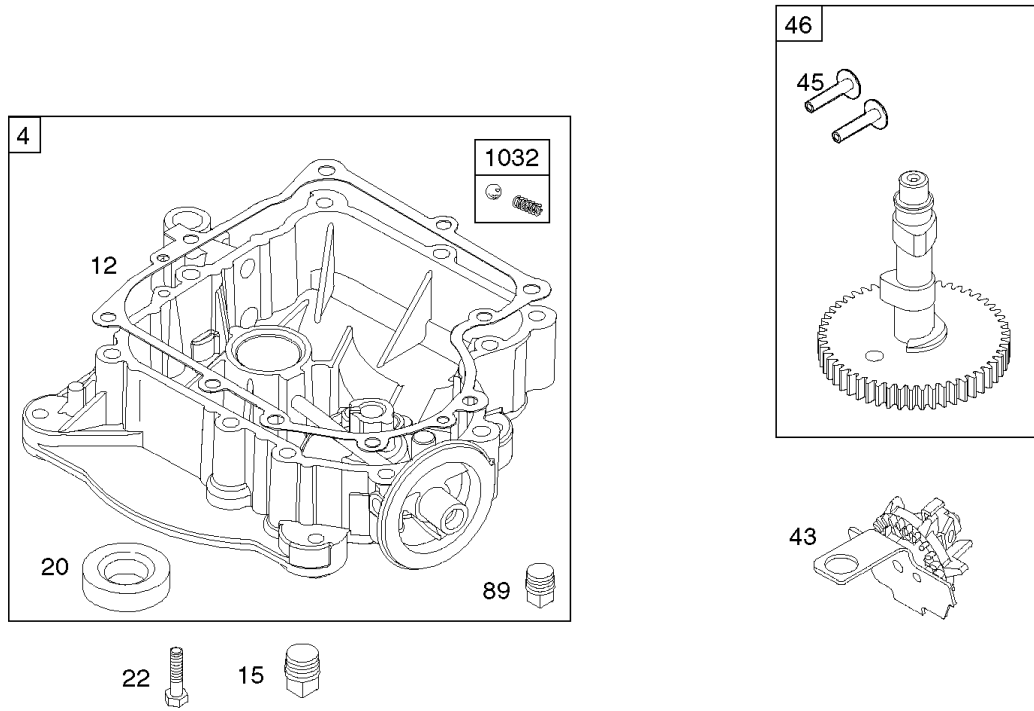
Ref	Part No.	Qty.	Description
24:2	218-461	1	Nut-HH
25	63-8360	1	Key-Ignition
26	92-8875	1	Switch-Rocker
28	32103-22	2	Nut-Wing
30	88-4040	1	Box-Battery
31	95-4248	1	Decal
33	93-3190	1	Boot-Insulator, Terminal
34	95-7652	1	Light-Indicator
35	99-6059	1	Clip-Retainer
38	3274-14	2	Screw-HSH
39	65-7410	1	Switch-Pole, Single
40	3296-2	2	Nut-Lock



Cylinder Head Assembly Briggs and Stratton 31F777-0123-E1

Ref	Part No.	Qty.	Description
5	690188	1	Cylinder Head
3 4 7	692410	1	Cylinder Head Gasket
7	690360	1	Screw (Cylinder Head Gasket)
7 33	495856	1	Valve-Exhaust
7 34	495857	1	Valve-Intake
7 35	691279	1	Spring-Valve (Exhaust)
7 36	691279	1	Spring-Valve (Exhaust)
7 40	691752	1	Retainer-Valve
7 45	690564	1	Tappet-Valve
7 50	690193	1	Manifold-Intake
3 4 5 6	692137	1	Gasket-Intake
7 54	691148	1	Screw (Intake Manifold)
7 192	691986	1	Adjustor-Rocker Arm
7 238	691843	1	Cap-Valve
3 5 6 7	692138	1	Seal-O Ring (Intake Manifold)
7 830	691095	1	Stud-Rocker Arm
3 4 7 868	690968	1	Seal-Valve
7 871	690969	1	Bushing-Valve Guide
7 883	692236	1	Gasket-Exhaust
7 914	690960	1	Screw (Rocker Cover)
3 7 1022	272475	1	Gasket-Rocker Cover

Ref	Part No.	Qty.	Description
7 1023	692492	1	Cover-Rocker
7 1026	692003	1	Rod-Push (Intake)
7	692011	1	Rod-Push (Exhaust)
7 1029	691751	1	Arm-Rocker
7 1034	690822	1	Guide-Push Rod

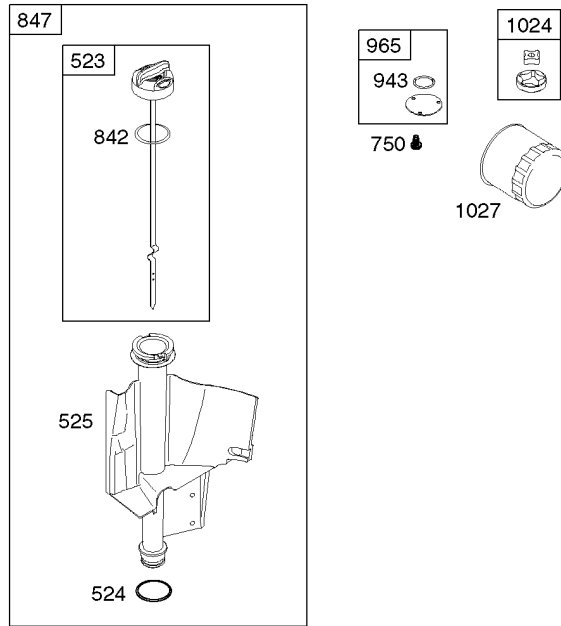


Assemblies include all parts shown in frames.

Crankcase Assembly Briggs and Stratton 31F777-0123-E1

Ref	Part No.	Qty.	Description
④	697188	1	Sump-Engine
⑫	697110	1	Gasket-Crankcase
⑮	690946	1	Plug-Oil Drain
⑳	690947	1	Seal-Oil (Pto Side)
㉒	692125	1	Screw (Engine Sump)
㉓	691968	1	Governor/oil Slinger
㉔	690564	1	Tappet-Valve
㉕	697139	1	Camshaft
㉗	690283	1	Plug-Oil
㉚	491710	1	Ball-Oil Pump

--	--	--	--

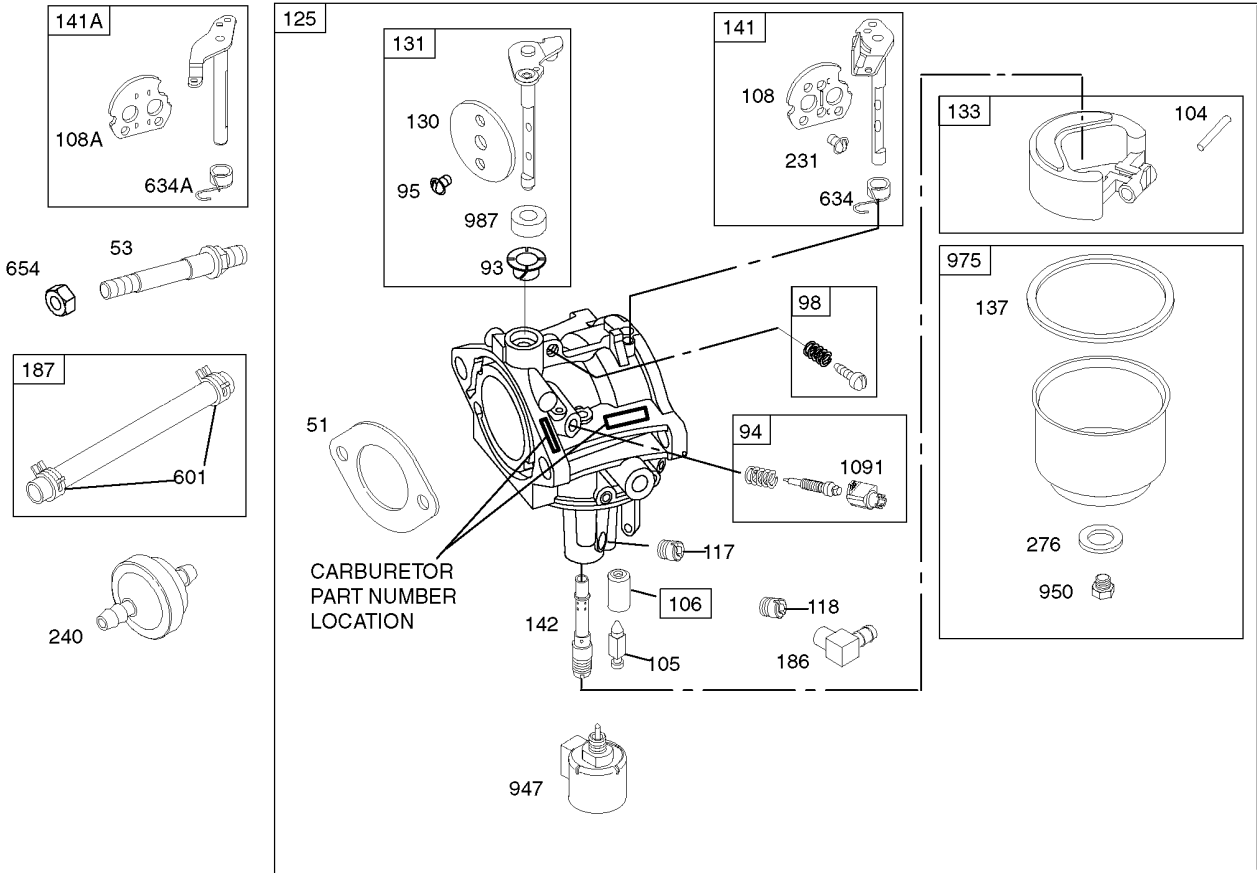


Assemblies include all parts shown in frames.

Oil Filter, Tube and Pump Assembly Briggs and Stratton 31F777-0123-E1

Ref	Part No.	Qty.	Description
⑦523	697086	1	Dipstick
③⑦524	691032	1	Seal-O Ring (Dipstick Tube)
⑦525	697085	1	Tube-Dipstick
⑦750	691033	1	Screw (Oil Pump Cover)
③⑦842	691031	1	Seal-O Ring (Dipstick)
⑦847	697087	1	Dipstick/tube Assembly
③⑦943	690589	1	Seal-O Ring (Oil Pump Cover)
⑦965	499613	1	Cover-Oil Pump
⑦1024	499054	1	Pump-Oil
⑦1027	492932	1	Filter-Oil

--	--	--	--

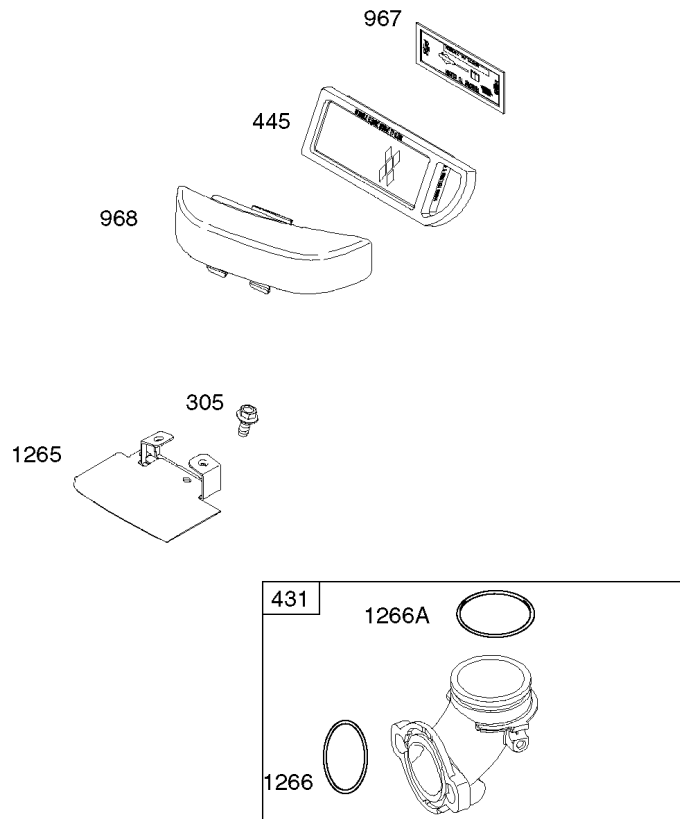


Assemblies include all parts shown in frames.

Carburetor Assembly Briggs and Stratton 31F777-0123-E1

Ref	Part No.	Qty.	Description
5 7 51	692137	1	Gasket-Intake
5 6			
7 53	690227	1	Stud (Carburetor)
5 7 93	690602	1	Bushing-Throttle Shaft
7 94	498030	1	Kit-Idle Mixture
5 7 95	691636	1	Screw (Choke Valve)
7 98	495800	1	Kit-Idle Speed
5 7 104	690525	1	Pin-Float Hinge
5 7 105	231855	1	Valve-Float Needle
5 7 106	690577	1	Seat-Inlet
7 108	690464	1	Valve-Choke (Manual Choke)
7 108A	692344	1	Valve-Choke (Choke A Matic)
5 7 117	694352	1	Jet-Main (Standard)
7 118	697228	1	Jet-Main (High Altitude)
7 125	697190	1	Carburetor
7 130	691750	1	Valve-Throttle
7 131	494379	1	Kit-Throttle Shaft
7 133	494381	1	Float-Carburetor
5 6 137	281165	1	Gasket-Float Bowl
7			
7 141	495097	1	Kit-Choke Shaft (Manual Choke)
7 141A	495931	1	Kit-Choke Shaft (Choke A Matic)
5 7 142	697140	1	Nozzle-Carburetor
7 186	692317	1	Connector-Hose

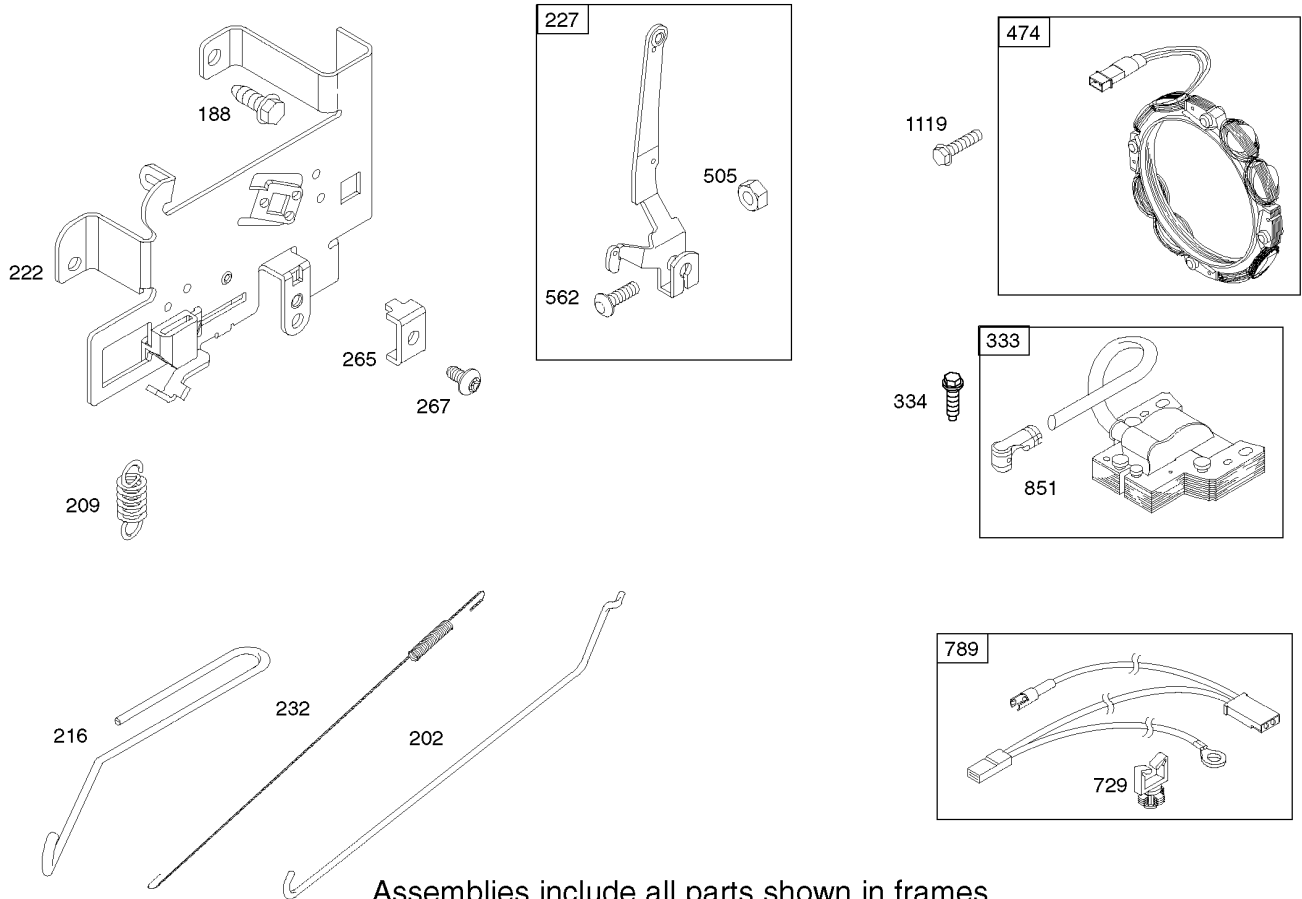
Ref	Part No.	Qty.	Description
7 187	691050	1	Line-Fuel (Cut To Required Length)
5 7 231	691636	1	Screw (Choke Valve)
7 240	394358	1	Filter-Fuel
5 6 276	692255	1	Sealing Washer
7			
7 601	95162	1	Clamp-Hose
5 7 634	690801	1	Spring/seal ASM
5 7 634A	690802	1	Spring/seal ASM
7 654	690958	1	Nut (Carburetor)
7 947	694393	1	Solenoid-Fuel
7 950	691657	1	Screw (Float Bowl)
7 975	495933	1	Bowl-Float
5 7 987	691326	1	Seal-Throttle Shaft
7 1091	691333	1	Cap-Limiter



Assemblies include all parts shown in frames.

Air Cleaner Assembly Briggs and Stratton 31F777-0123-E1

Ref	Part No.	Qty.	Description				
⑦305	690960	1	Screw (Rocker Cover)				
⑦431	697122	1	Elbow-Intake				
⑦445	697014	1	Filter-Air Cleaner Cartridge				
⑦967	697015	1	Filter-Pre Cleaner				
⑦968	697084	1	Cover-Air Cleaner				
⑦1265	697125	1	Support-Blower Housing				
③⑦1266	691917	1	Seal-O Ring (Intake Elbow)				
③⑦1266A	697123	1	Seal-O Ring (Intake Elbow)				

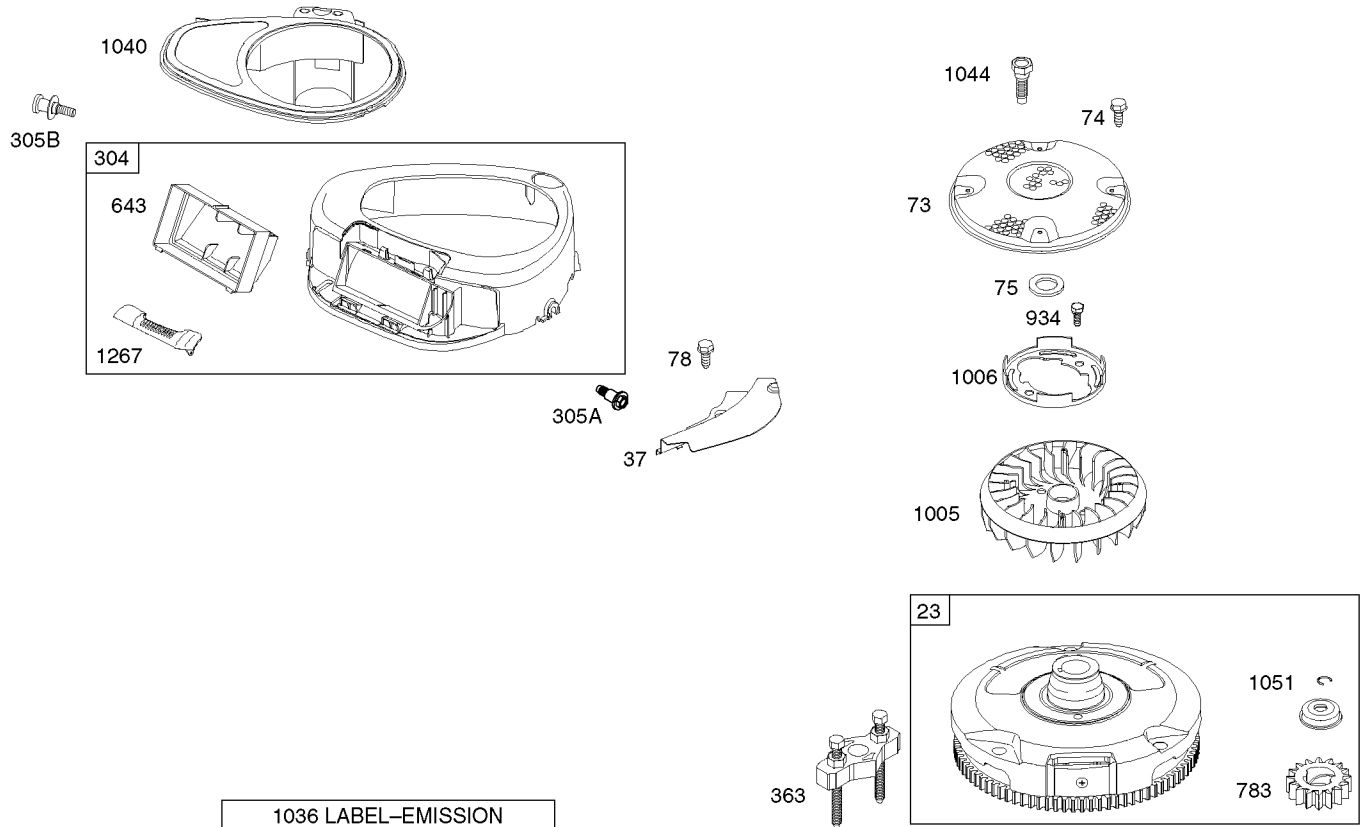


Assemblies include all parts shown in frames.

Governor Assembly Briggs and Stratton 31F777-0123-E1

Ref	Part No.	Qty.	Description
188	691693	1	Screw (Control Bracket)
202	691841	1	Link-Mechanical Governor
209	692208	1	Spring-Governor
216	691840	1	Link-Choke
222	694042	1	Bracket-Control
227	691374	1	Lever-Governor Control
232	691842	1	Spring-Governor Link
265	691024	1	Clamp-Casing
267	695134	1	Screw (Casing Clamp)
333	492341	1	Armature-Magneto
334	691061	1	Screw (Magneto Armature)
474	696459	1	Alternator
505	691251	1	Nut (Governor Control Lever)
562	691119	1	Bolt (Governor Control Lever)
729	691335	1	Clip-Wire
789	692037	1	Wiring-Harness
851	493880	1	Terminal-Spark Plug
1119	691183	1	Screw (Alternator)

--	--	--	--

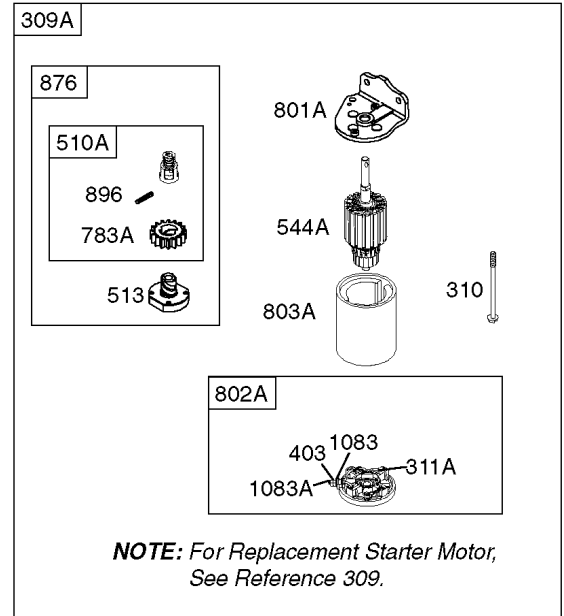
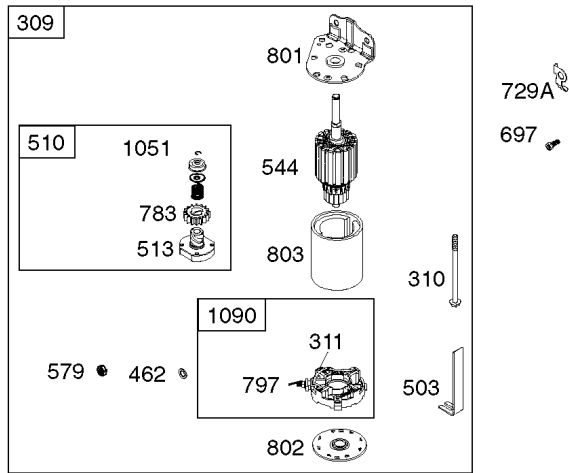


Assemblies include all parts shown in frames.

Blower Housing Assembly Briggs and Stratton 31F777-0123-E1

Ref	Part No.	Qty.	Description
23	693557	1	Flywheel
37	697108	1	Guard-Flywheel
73	697133	1	Screen-Rotating
74	690661	1	Screw (Flywheel Guard)
75	690582	1	Washer (Flywheel)
78	690661	1	Screw (Flywheel Guard)
304	697137	1	Housing-Blower
305A	697102	1	Screw (Blower Housing)
305B	697103	1	Screw (Blower Housing)
363	19203	1	Puller-Flywheel
643	697155	1	Retainer-Air Filter
783	693713	1	Gear-Pinion
934	691058	1	Screw (Fan Retainer)
1005	697111	1	Fan-Flywheel
1006	690452	1	Retainer-Fan
1036	695700	1	Label-Emission
1040	697142	1	Plate-Trim
1044	691658	1	Screw (Crankshaft Extension)
1051	691265	1	Ring-Retaining
1267	697135	1	Latch-Blower Housing

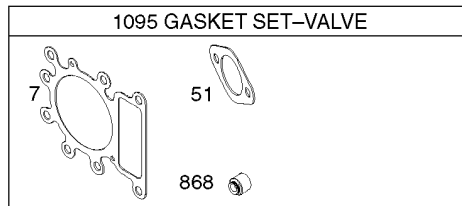
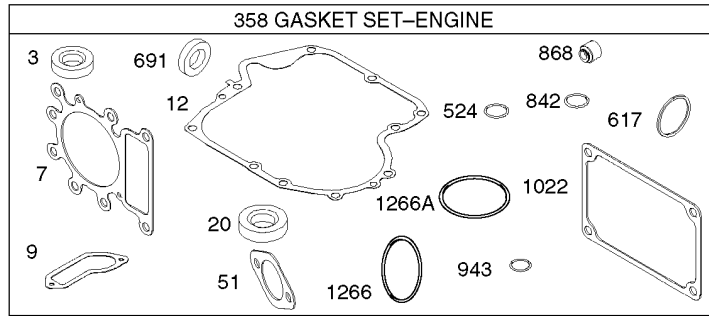
--	--	--	--



Starter Assembly Briggs and Stratton 31F777-0123-E1

Ref	Part No.	Qty.	Description
7309	693551	1	Motor-Starter
7309A		1	Motor-Starter (For Replacement Starter Motor, See Ref. 309)
7310	690323	1	Bolt (Starter Motor)
7311	497608	1	Brush Set
7311A	395538	1	Brush Set
7403	690288	1	Washer (End Cap)
7462	691261	1	Washer (Brush Retainer)
7503	691532	1	Strap-Starter
7510	693699	1	Drive-Starter
7510A	495878	1	Drive-Starter
7513	692024	1	Drive Clutch
7544	692034	1	Armature-Starter
7544A	390837	1	Armature-Starter
7579	691029	1	Nut (Brush Retainer)
7697	690372	1	Screw (Drive Cap)
7729A	691224	1	Clip-Wire
7783	693713	1	Gear-Pinion
7783A	693059	1	Gear-Pinion
7797	693167	1	Nut (Brush Retainer)
7801	691283	1	Cap-Drive
7801A	691429	1	Cap-Drive
7802	691286	1	Cap-End
7802A	395537	1	Cap-End

Ref	Part No.	Qty.	Description
7803	693757	1	Housing-Starter
7803A	398159	1	Housing-Starter
7876	495877	1	Kit-Gear
7896	691641	1	Pin-Drive Retainer
71051	691265	1	Ring-Retaining
71090	691293	1	Retainer-Brush
71083	690958	1	Nut (Carburetor)
71083A	691626	1	Nut (End Cap)



Assemblies include all parts shown in frames.

Gasket Assembly Briggs and Stratton 31F777-0123-E1

Ref	Part No.	Qty.	Description				
373	391086	1	Seal-Oil (Magneto Side)				
47	692410	1	Cylinder Head Gasket				
7							
379	697109	1	Gasket-Breather				
3712	697110	0	Gasket-Crankcase				
3720	690947	1	Seal-Oil (Pto Side)				
451	692137	1	Gasket-Intake				
56							
7358	697191	1	Gasket Set-Engine				
5617	692138	1	Seal-O Ring (Intake Manifold)				
7							
37524	691032	1	Seal-O Ring (Dipstick Tube)				
37691	692407	1	Seal-Governor Shaft				
37842	691031	1	Seal-O Ring (Dipstick)				
5868	690968	1	Seal-Valve				
7							
37943	690589	1	Seal-O Ring (Oil Pump Cover)				
371022	272475	1	Gasket-Rocker Cover				
71095	691581	1	Gasket Set-Valve				
51266	691917	1	Seal-O Ring (Intake Elbow)				
7							
51266A	697123	1	Seal-O Ring (Intake Elbow)				
7							

NOTES

NOTES

