



**Count on it.**

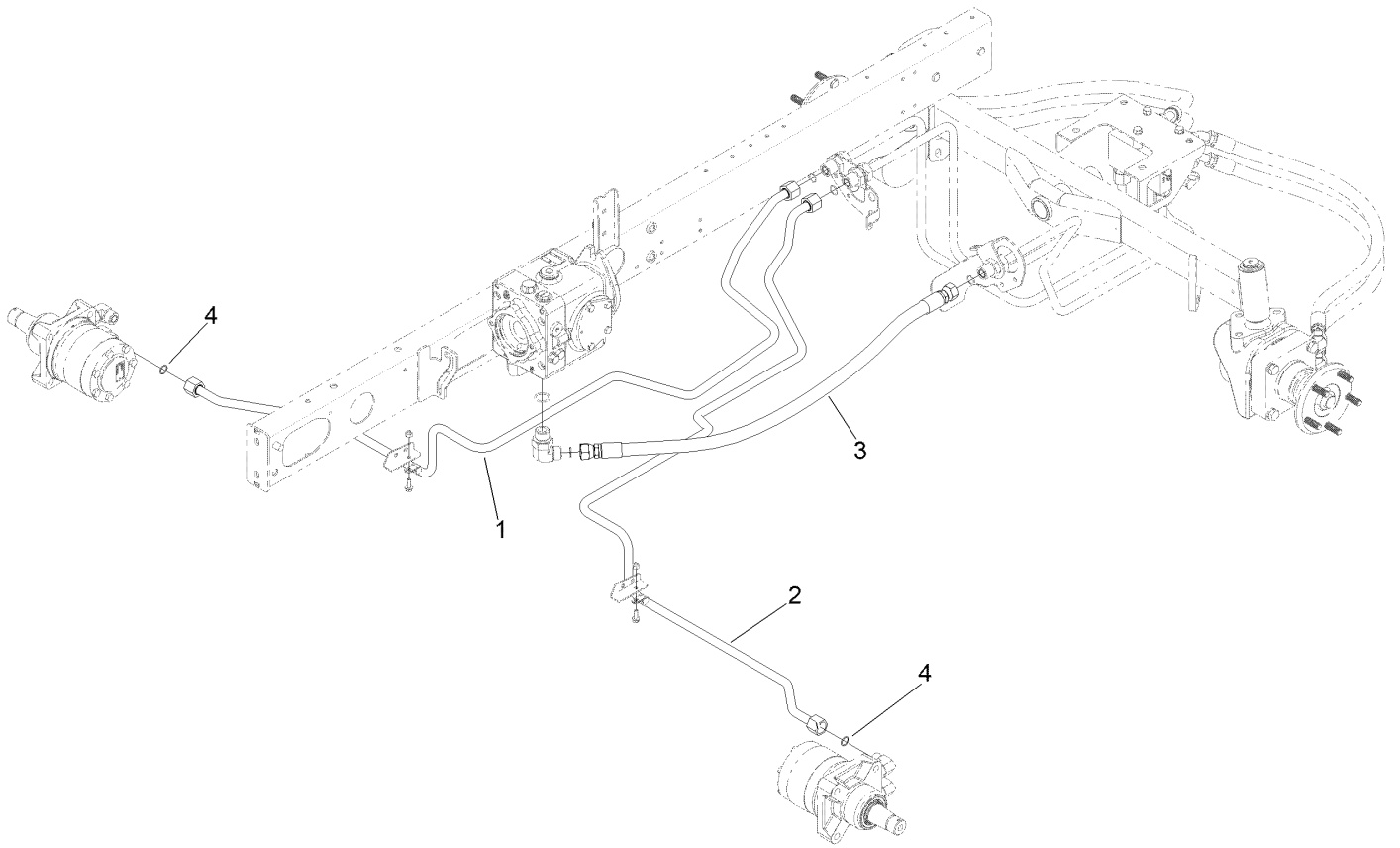
**Parts Catalog**

**CrossTrax<sup>®</sup> All-Wheel Drive  
Finishing Kit**

**2015 and After Reelmaster<sup>®</sup> 5010-H Series  
Traction Unit**

Model No. 03656





## CrossTrax All-Wheel Drive Finishing Kit

| <i>Ref.</i> | <i>Part Number</i> | <i>Qty.</i> | <i>Description</i> |
|-------------|--------------------|-------------|--------------------|
| 1           | 127-2566           | 1           | Tube ASM           |
| 2           | 125-1492           | 1           | Tube ASM           |
| 3           | 125-1526           | 1           | Hose ASM           |
| 4           | 237-65             | 2           | O-Ring             |