



Count on it.

Parts Catalog

Polar Trac® Kit

Groundsmaster® 7200 Series Mower

Model No. 30675—Serial No. 315000001 and Up



Ordering Replacement Parts

To order replacement parts, please supply the part number, the quantity, and the description of each part desired.

Understanding Reference Numbers

Each identified part in an illustration has a reference number. The reference number for a part also appears in the parts list, along with other information about the part.

This catalog uses two special reference number formats, one to indicate parts in a service assembly and another to indicate the quantity of a given part in an illustration.

Service Assembly Reference Numbers

Parts in service assemblies have reference numbers in the form a:b. The a represents the reference number of the entire service assembly and the b represents a sequential number unique to each part within the service assembly.

For example, a wheel assembly might be identified by reference number 6, the tire by 6:1, the valve by 6:2, and the wheel by 6:3. When you order the assembly identified by reference number 6, you receive all parts identified by reference numbers 6:1, 6:2, and 6:3. However, you may also order any part individually. Reference numbers of this type appear in illustration and in parts lists.

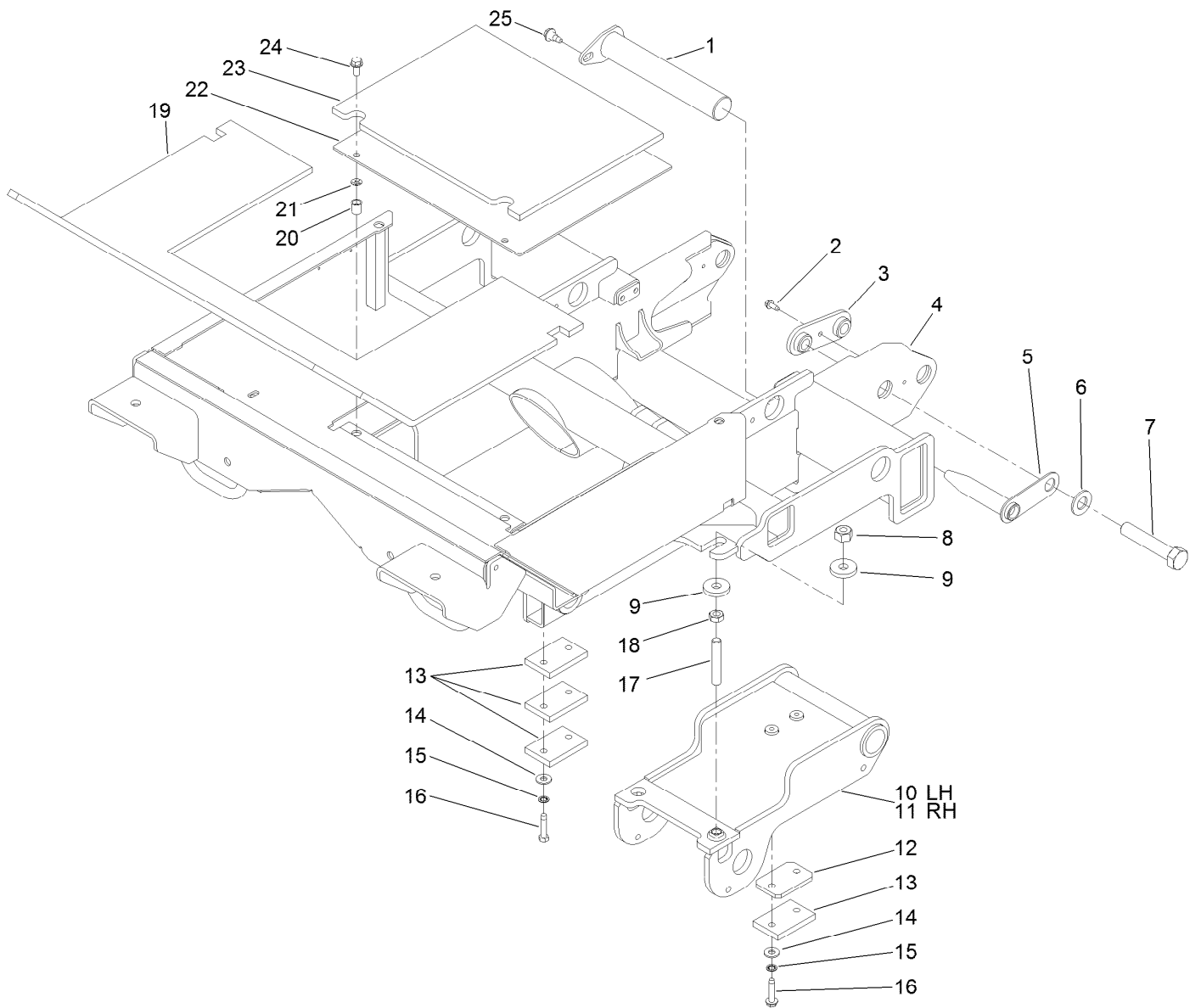
Reference Numbers Indicating Quantity

In an illustration, if a reference number indicates more than one part, the reference number has the form nX y. The n represents the quantity of the part, the X is the multiplication symbol, and the y represents the reference number.

For example, in an illustration, the reference number 2X 37 means that two of the parts identified by reference number 37 are indicated.

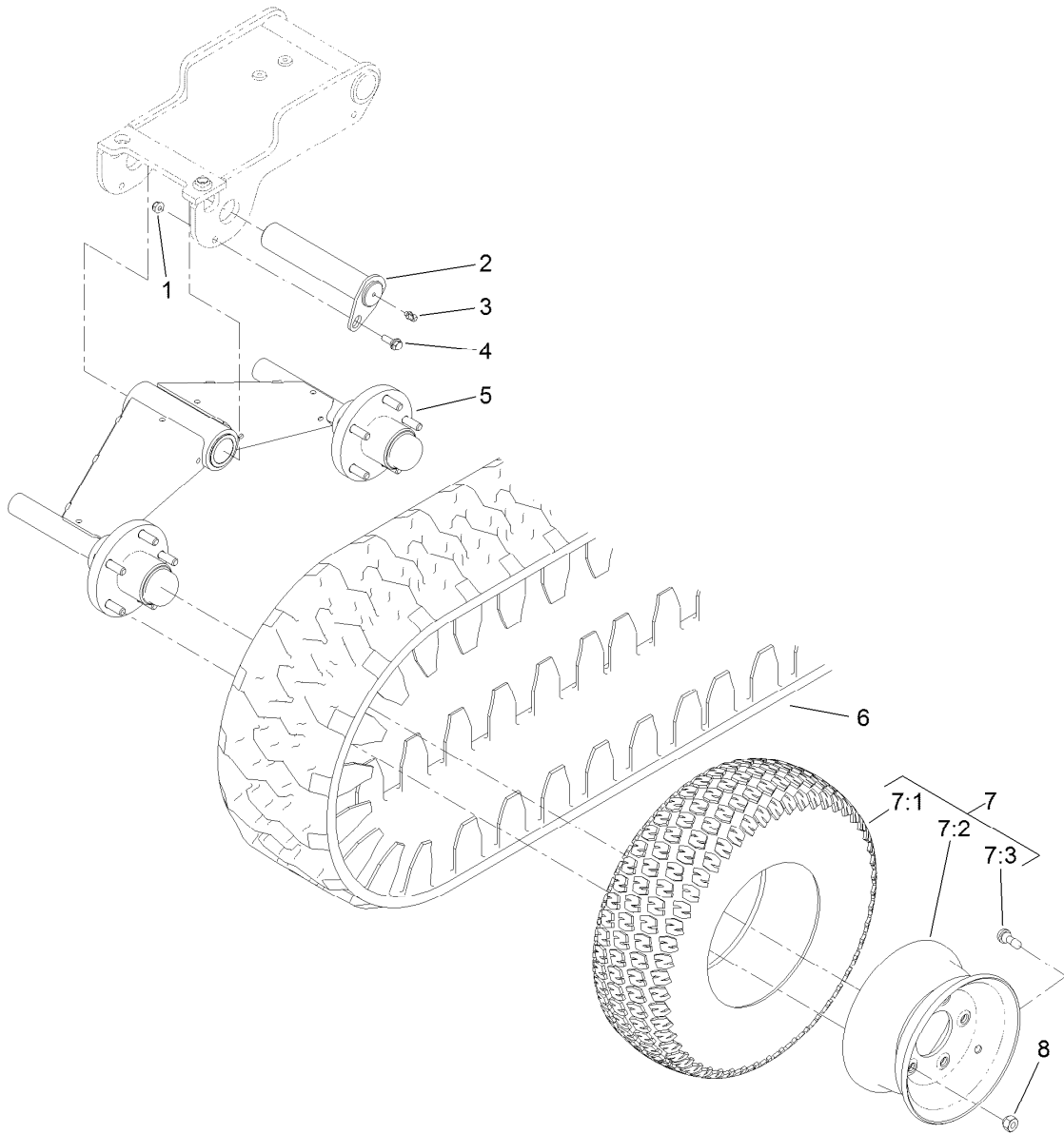
Contents

Frame and Pivot Assembly	4
Bogie, Track and Wheel Assembly	5
Bogie Assembly No. 112-1693	6
Drive Track Assembly No. 108-5164	7
Control Valve and Pedal Assembly	8
2-Spool Hydraulic Valve Assembly No. 110-3588	9
Lift Arm Assembly	10
Hydraulic Cylinder Assembly No. 117-9227	12
Coupler and Gage Wheel Assembly	13
Skid Plate, Radiator Fitting and Temperature Switch Assembly	14



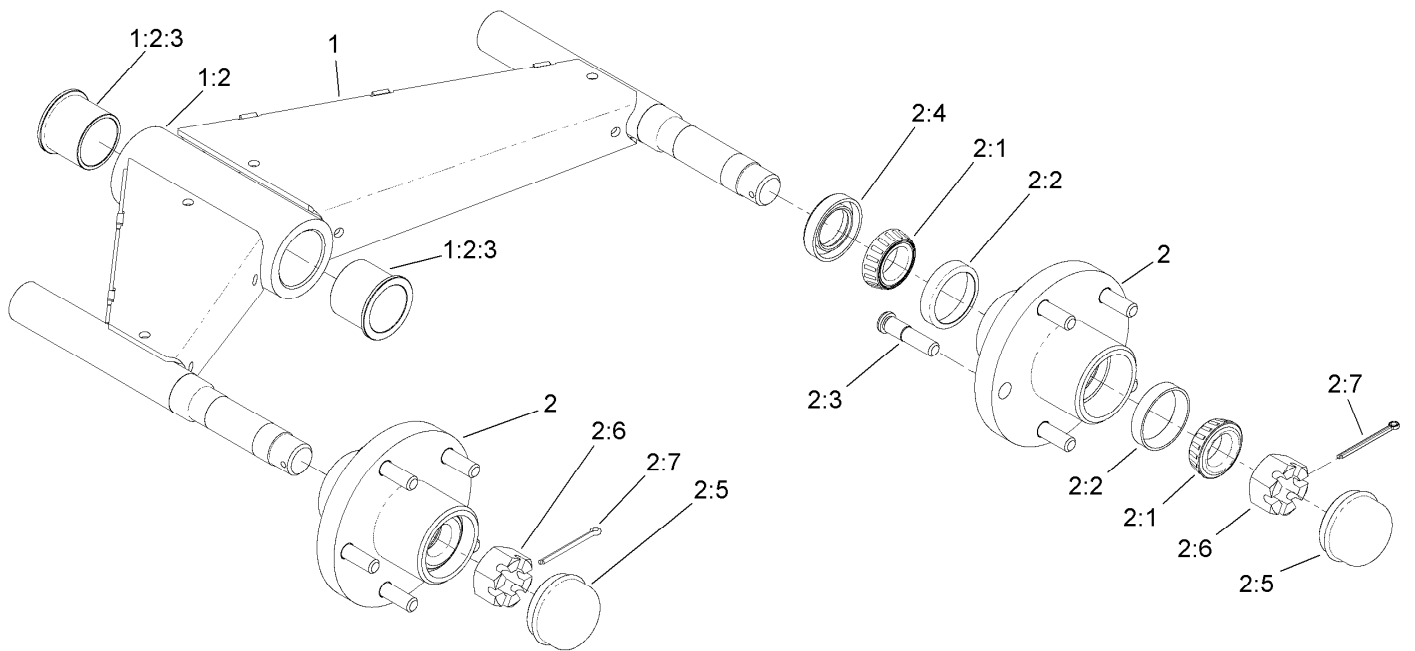
Frame and Pivot Assembly

<i>Ref.</i>	<i>Part Number</i>	<i>Qty.</i>	<i>Description</i>	<i>Ref.</i>	<i>Part Number</i>	<i>Qty.</i>	<i>Description</i>
1	110-9765	2	Pin-Pivot, Upper	14	3256-3	8	Washer-Flat
2	32144-10	2	Screw-HWH	15	3254-2	8	Washer-Lock, Internal
3	110-9785	2	Plate-Retainer	16	32144-57	8	Screw
4	110-9767-03	1	Frame	17	105-1088	2	Stud
5	108-9870	2	Pin-Coupler	18	3218-5	2	Nut-Jam
6	92-5836	2	Washer	19	112-9556	1	Floormat-Platform
7	328-7	2	Screw-HH	20	32148-7	2	Nut-Clinch
8	3296-25	2	Nut-Lock, NI	21	117-2749	2	Nut-Push
9	30-8770	4	Washer	22	108-9866-03	1	Plate-Cover
10	108-5195-03	1	Pivot-LH	23	112-9555	1	Panel-Access, Floor
11	110-9793-03	1	Pivot-RH	24	3234-5	2	Screw-HHF
12	110-5454	2	Plate-Spacer	25	99-5105	2	Screw-Shoulder
13	69-9290	8	Pad-Bumper				



Bogie, Track and Wheel Assembly

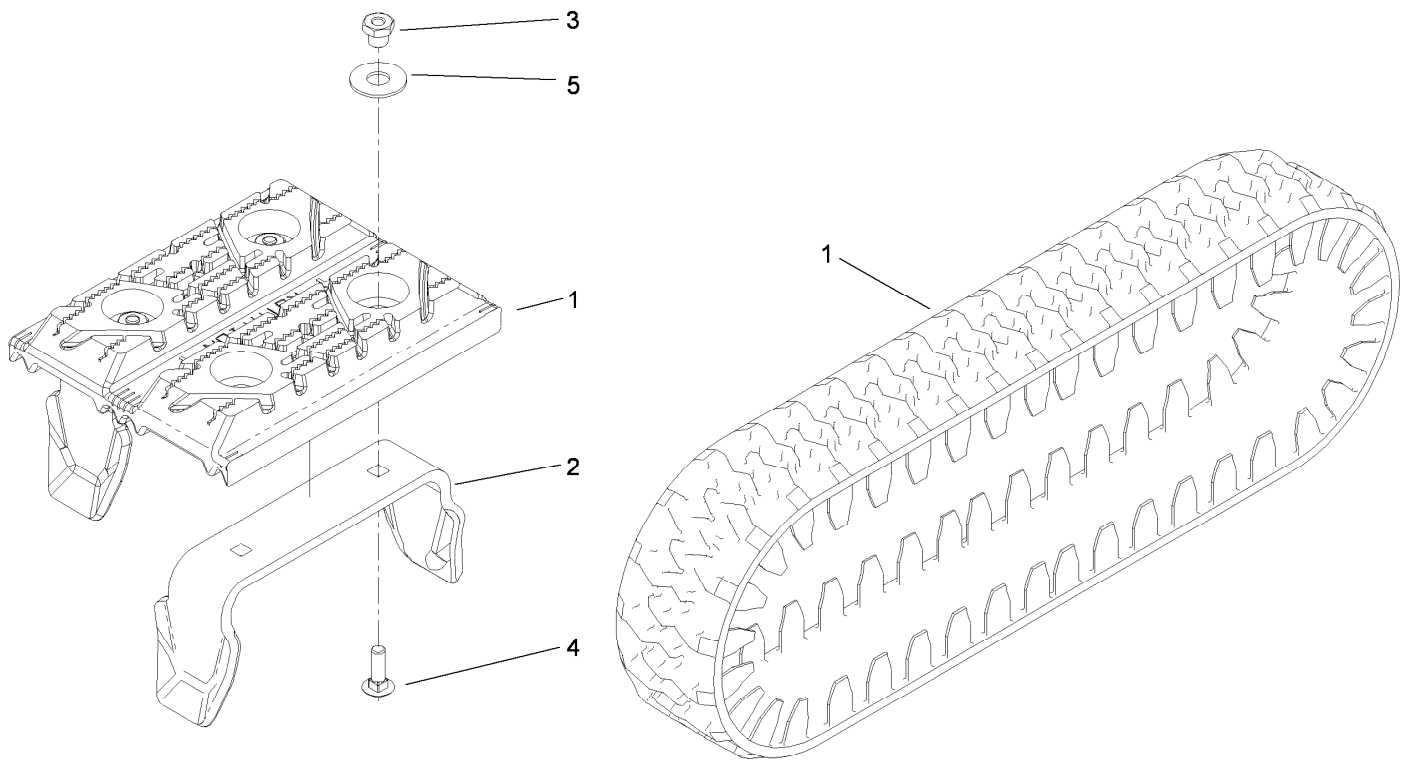
Ref.	Part Number	Qty.	Description
1	104-8300	2	Nut-HF, NI
2	108-9857	2	Pin-Pivot, Lower
3	302-60	2	Fitting-Grease
4	27-0410	2	Screw-Shoulder
5	112-1693	2	Bogie ASM
6	108-5164	2	Drive Track ASM
7	110-5465	6	Wheel And Tire ASM
7:1	98-2662	1	Tire
7:2	110-5466	1	Wheel
7:3	232-27	1	Stem-Valve
8	23-7270	20	Nut-Lug



Bogie Assembly No. 112-1693

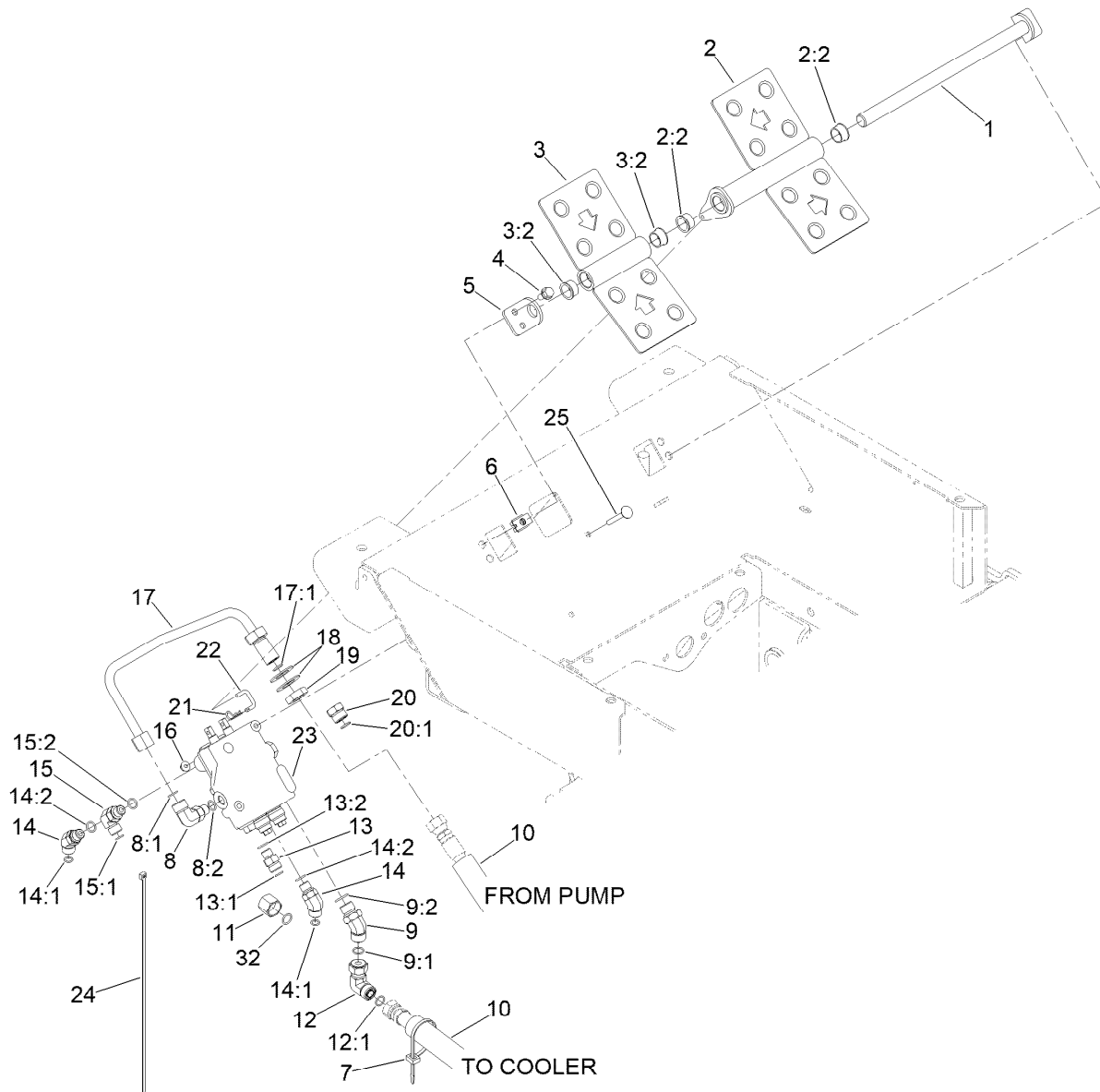
Ref.	Part Number	Qty.	Description
1		1	Pivot Arm ASM ●
1:2		1	Hub ASM ●
1:2:3	95-8805	2	Bushing
2	107-2615	2	Hub ASM
2:1	254-92	2	Cone-Bearing, Outer
2:2	254-72	2	Bearing-Cup, Tapered
2:3	127-6476	5	Stud-Wheel (Silver)
2:3	69-2990	5	Stud-Wheel
2:4	112-1690	1	Seal-Oil
2:5	112-1494	1	Cap-Dust
2:6	32136-11	1	Nut-Hex, Slot
2:7	3272-20	1	Pin-Cotter

● Not serviced separately



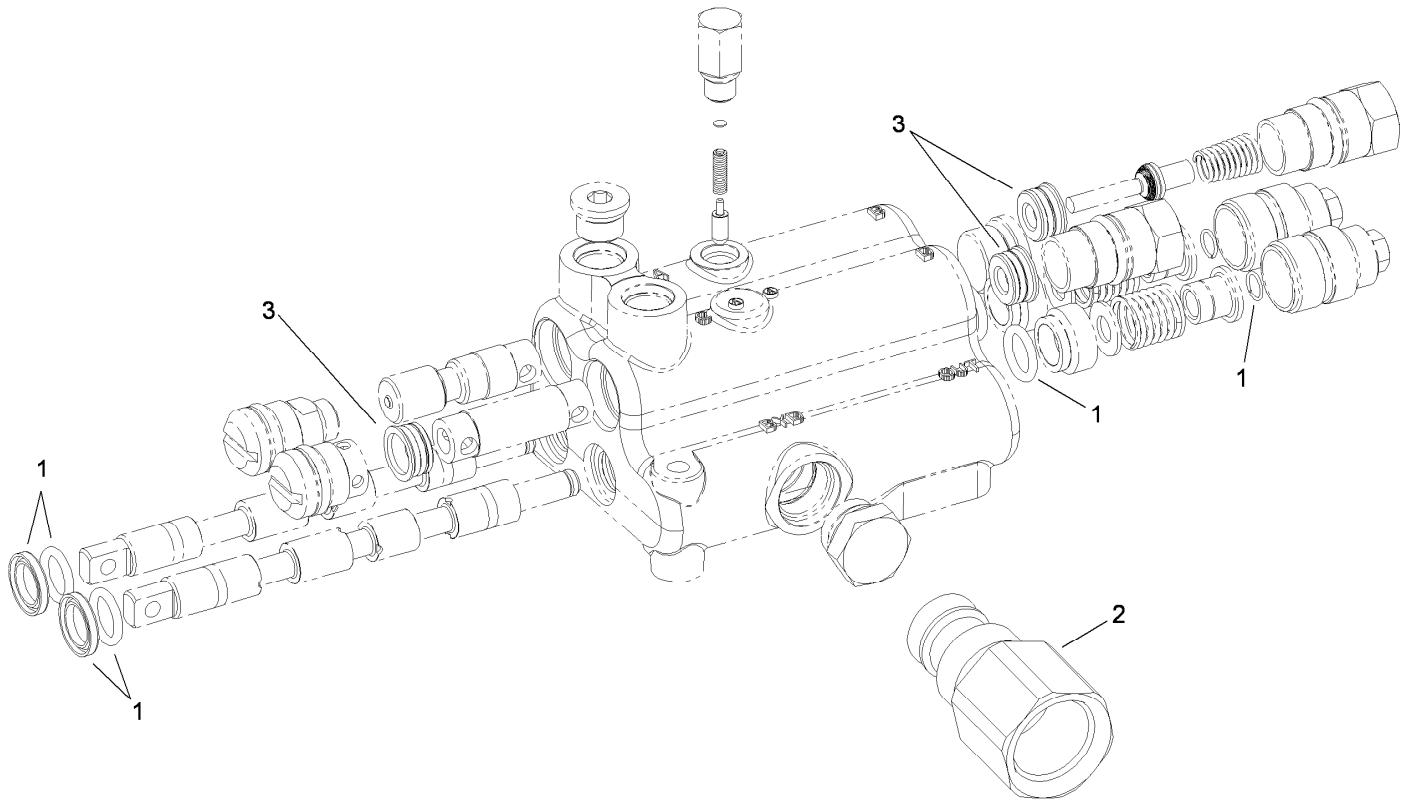
Drive Track Assembly No. 108-5164

<i>Ref.</i>	<i>Part Number</i>	<i>Qty.</i>	<i>Description</i>
1	110-9786	1	Track-Rubber, Molded
2	110-9787	40	Guide-Track
3	110-9788	80	Nut-T, Plated
4	3230-2	80	Bolt-CARR
5	110-9789	80	Washer-Flat



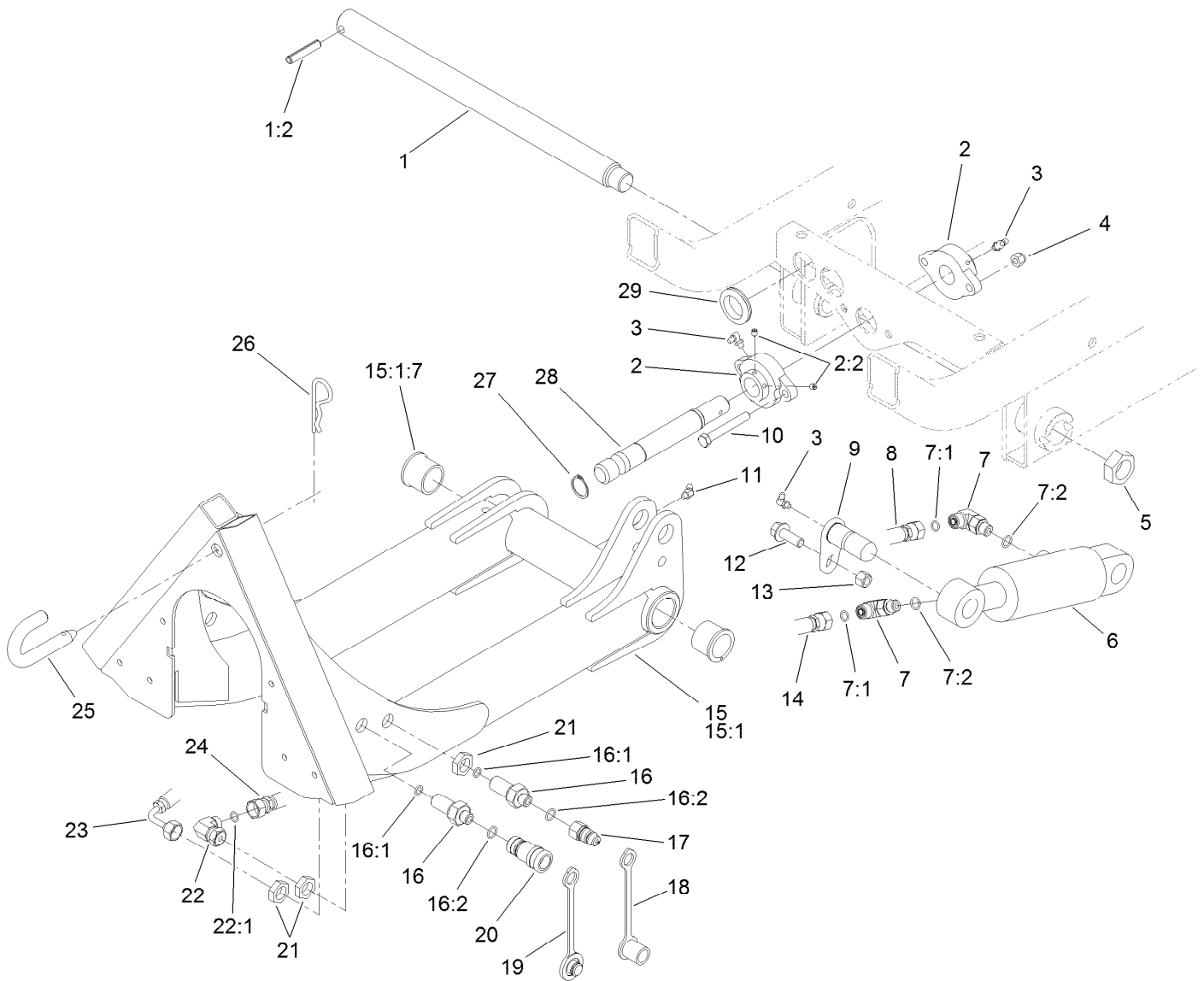
Control Valve and Pedal Assembly

Ref.	Part Number	Qty.	Description	Ref.	Part Number	Qty.	Description
1	108-5181	1	Shaft-Control, Pivot	13:2	237-42	1	O-Ring
2	112-9587	1	RH Pedal ASM	14	340-87	2	Fitting-Elbow, 45 DEG
2:2	256-252	2	Bearing-Flange	14:1	237-22	1	O-Ring
3	112-9588	1	LH Pedal ASM	14:2	237-42	1	O-Ring
3:2	256-252	2	Bearing-Flange	15	340-77	1	Fitting-Elbow, 90 DEG
4	3234-5	4	Screw-HHF	15:1	237-22	1	O-Ring
5	108-5178	1	Ear-Pivot	15:2	237-42	1	O-Ring
6	110-3510	4	Nut-Retainer	16	104-7201	2	Nut-HF, NI
7	3290-378	8	Tie-Cable	17	112-9590	1	Tube-HYD
8	340-99	1	Fitting-HYD, 90 DEG	17:1	237-30	1	O-Ring
8:1	237-30	1	O-Ring	18	69-8930	2	Washer
8:2	237-42	1	O-Ring	19	340-127	1	Nut-Bulkhead
9	340-101	1	Fitting-HYD, 45 DEG	20	106-8100	2	Plug-HYD
9:1	237-30	1	O-Ring	20:1	237-79	1	O-Ring
9:2	237-79	1	O-Ring	21	9335044	2	Pin-Hair
10	112-1685	2	Cover-Hose	22	108-9871	2	Link-Lever, Valve
11	340-152	2	Cap-HYD	23	110-3588	1	2 Spool Hydraulic Valve ASM
12	94-6031	1	Elbow-90	24	3290-379	4	Tie-Cable
12:1	237-30	1	O-Ring	25	3230-33	2	Screw-CARR
13	340-2	1	Fitting-Straight	32	237-30	2	O-Ring
13:1	237-22	1	O-Ring				



2-Spool Hydraulic Valve Assembly No. 110-3588

<i>Ref.</i>	<i>Part Number</i>	<i>Qty.</i>	<i>Description</i>
1	99-3530	1	Seal Kit
2	110-5490	1	Power Beyond Sleeve Kit
3	117-9228	3	Seat-Hardened

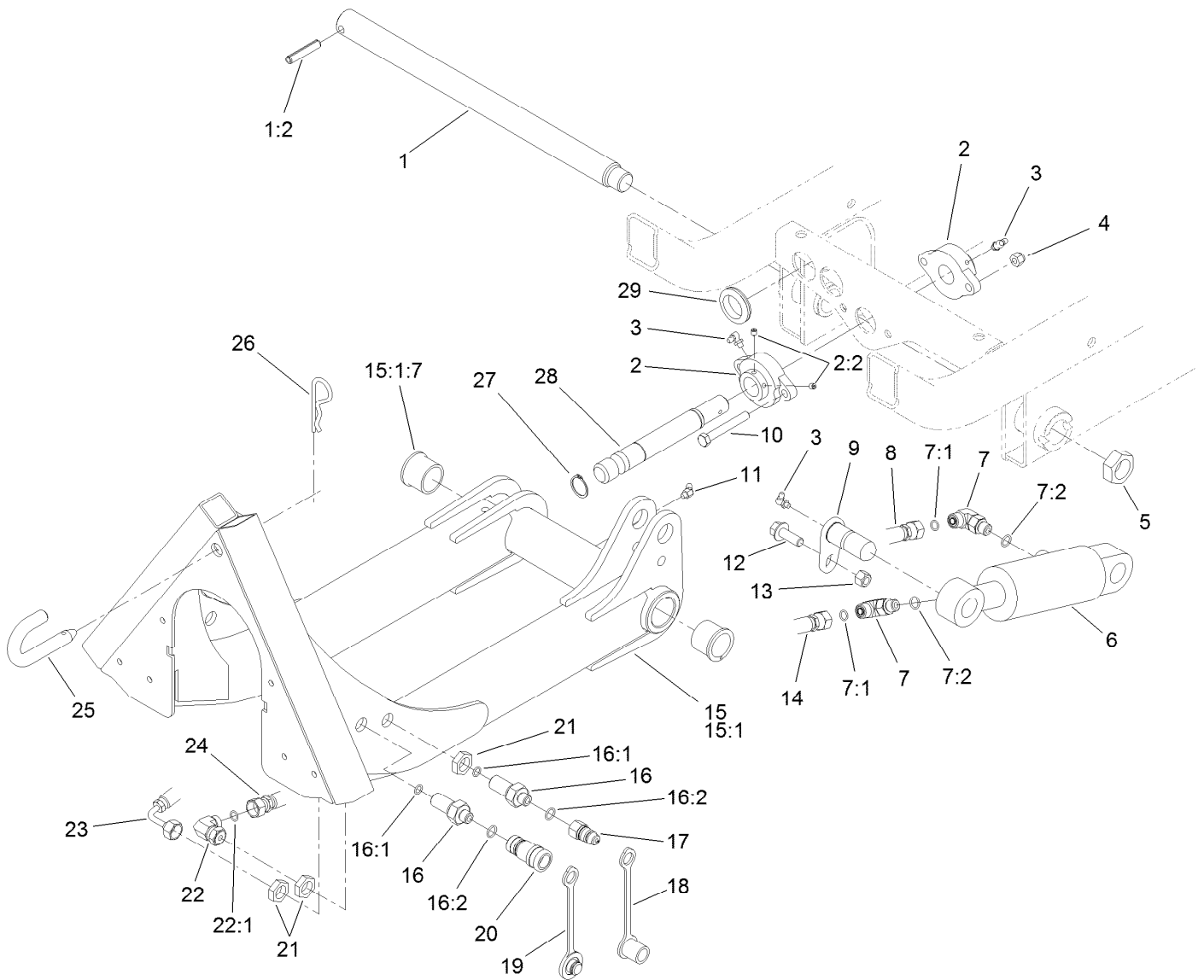


Lift Arm Assembly

Ref.	Part Number	Qty.	Description	Ref.	Part Number	Qty.	Description
1	117-9239	1	Pin ASM	13	3296-48	2	Nut-Hex
1:2	32121-110	1	Pin-Roll, Slotted	14	110-8223	1	Hose-HYD
2	107-7851	2	Bearing-Flange, 2 Bolt	15	112-6370-03	1	Lift Arm ASM
2:1	302-5	1	Fitting-Grease (Not Used In This Application) ●	15:1		1	Arm-Lift ■
2:2	3245-35	2	Screw-Set, HSH	15:1:7	104-0015	2	Bushing-Flange
3	302-60	4	Fitting-Grease	16	108-9800	2	Fitting-Bulkhead
4	3296-39	2	Nut-Lock, NI	16:1	237-22	1	O-Ring
5	3296-49	1	Nut-Lock, NI	16:2	237-42	1	O-Ring
6	117-9227	1	HYD Cylinder ASM	17	63-1240	1	Nipple-Disconnect, Quick
7	340-77	2	Fitting-Elbow, 90 DEG	18	353-985	1	Cap-Dust
7:1	237-22	1	O-Ring	19	353-984	1	Plug-Dust
7:2	237-42	1	O-Ring	20	63-1220	1	Coupler-Disconnect, Quick
8	110-8224	1	Hose-HYD	21	340-70	3	Nut-Lock
9	125-1910	2	Pin-Pivot	22	340-159	1	Elbow-90
10	323-13	2	Screw-HH	22:1	237-22	2	O-Ring
11	302-11	1	Fitting-Lube, 45 DEG	23	110-8225	1	Hose-HYD
12	3234-15	2	Screw-HHF	24	110-8222	1	Hose-HYD
				25	110-9792	1	Pin-Lock

● Not illustrated

■ Not serviced separately

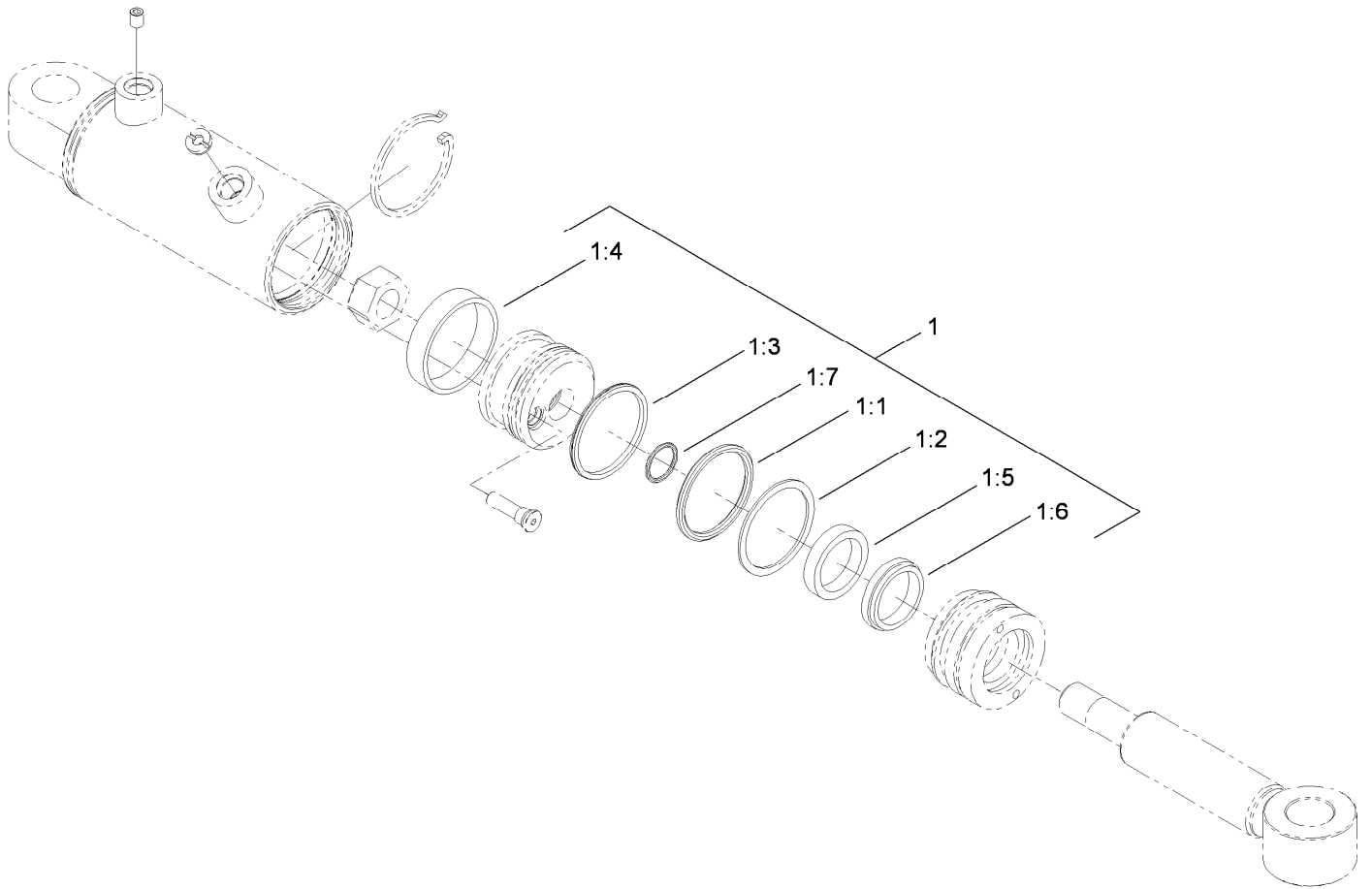


Lift Arm Assembly (continued)

<i>Ref.</i>	<i>Part Number</i>	<i>Qty.</i>	<i>Description</i>	<i>Ref.</i>	<i>Part Number</i>	<i>Qty.</i>	<i>Description</i>
26	3290-256	1	Pin-Hair	28	107-2604	1	Shaft
27	32151-29	2	Ring-Retaining	29	240-3	4	Grommet-Rubber

● Not illustrated

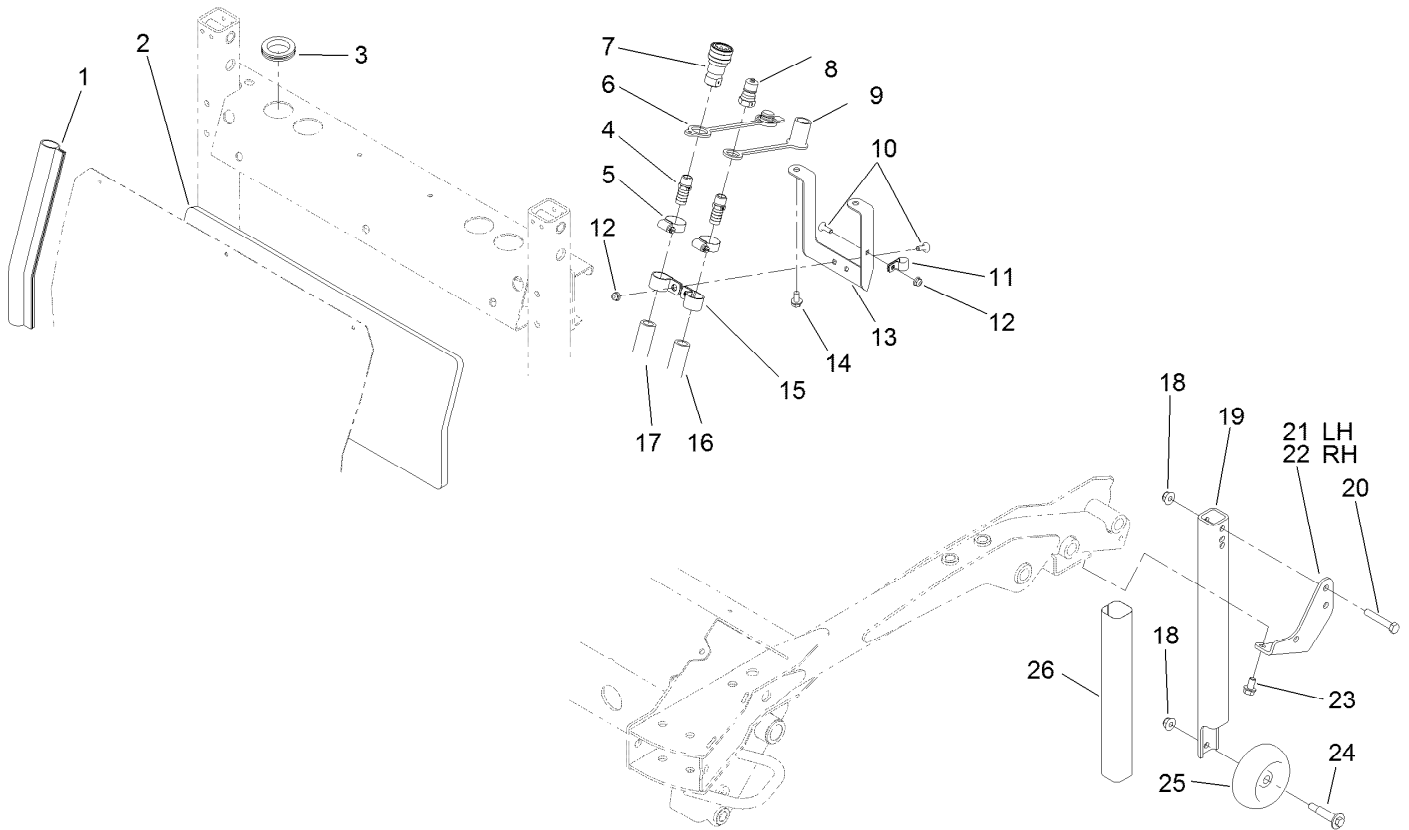
■ Not serviced separately



Hydraulic Cylinder Assembly No. 117-9227

<i>Ref.</i>	<i>Part Number</i>	<i>Qty.</i>	<i>Description</i>
1	114-4049	1	Seal Kit
1:1		1	O-Ring ●
1:2		1	Backup ●
1:3		1	Seal-Bp ●
1:4		1	Ring-Wear ●
1:5		1	Polypak ●
1:6		1	Seal-Dust ●
1:7		1	O-Ring ●

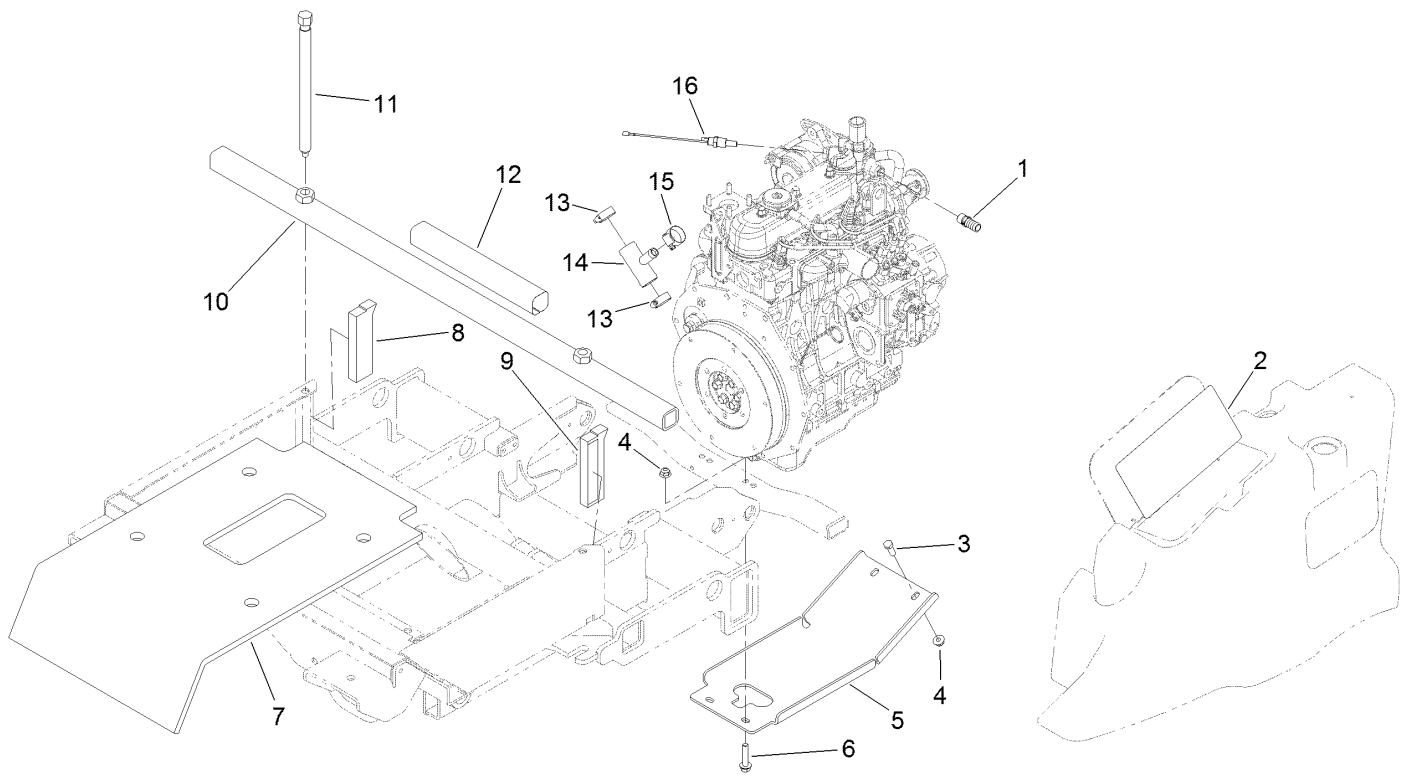
● Not serviced separately



Coupler and Gage Wheel Assembly

<i>Ref.</i>	<i>Part Number</i>	<i>Qty.</i>	<i>Description</i>
1	130-6113	2	Trim-Seal, Bulb
2	131-6078	1	Foam
3	240-7	3	Grommet-Rubber
4	117-9410	2	Fitting-Straight
5	2412-129	4	Clamp-Hose
6	105-7962	1	Plug-Dust
7	125-9679	1	Coupler-Female
8	125-9680	1	Coupler-Male
9	105-7963	1	Cap-Dust
10	1-807512	3	Bolt-CARR
11	2412-73	1	Clamp-R
12	104-7201	3	Nut-HF, NI
13	130-5818-03	1	Bracket-Coupler
14	32144-14	2	Screw-HWHTF

<i>Ref.</i>	<i>Part Number</i>	<i>Qty.</i>	<i>Description</i>
15	2412-39	2	Clamp-R
16	131-6067	1	Hose-Heater
16	131-6090	2	Hose-Heater
17	131-6068	1	Hose-Heater
18	104-8301	4	Nut-HF, NI
19	110-5491-03	2	Tube-Upright, Deck Removal
20	323-11	4	Screw-HH
21	121-3357-01	1	Bracket-Conversion, LH
22	121-3358-01	1	Bracket-Conversion, RH
23	32144-15	4	Screw-HHFTF
24	56-6591	2	Screw-Shoulder, HWH
25	701756	2	Wheel-Gage
26	112-6312	2	Decal-Warning



Skid Plate, Radiator Fitting and Temperature Switch Assembly

<i>Ref.</i>	<i>Part Number</i>	<i>Qty.</i>	<i>Description</i>
1	117-9410	1	Fitting-Straight
2	114-4043	1	Decal-Instructions, Service
2	131-3367	1	Decal-Instructions, Service
3	323-6	2	Screw-HH
4	104-8301	6	Nut-HF, NI
5	110-5516-03	1	Plate-Skid
6	3234-19	2	Screw-HHF
7	127-6456	1	Foam-Seat
8	130-6110	1	Seal-Foam, LH

<i>Ref.</i>	<i>Part Number</i>	<i>Qty.</i>	<i>Description</i>
9	130-6111	1	Seal-Foam, RH
10	110-5456-03	1	Tube
11	112-6358	2	Screw
12	112-6312	1	Decal-Warning
13	2412-34	2	Clamp-Hose
14	93-5052	1	Fitting-Radiator
15	2412-129	2	Clamp-Hose
16	112-6347	1	Switch-Temp, Dual

Notes:



Count on it.