



# Brush Kit

## Turf Pro™ 300 and 500 Series Robotic Mower

Model No. 163-3929

Model No. 163-3930

### Installation Instructions

These instructions contains images and parts from the **163-3929** kit. The steps are identical for installing the **163-3930** kit, but some parts may look different.

## Preparing the Machine

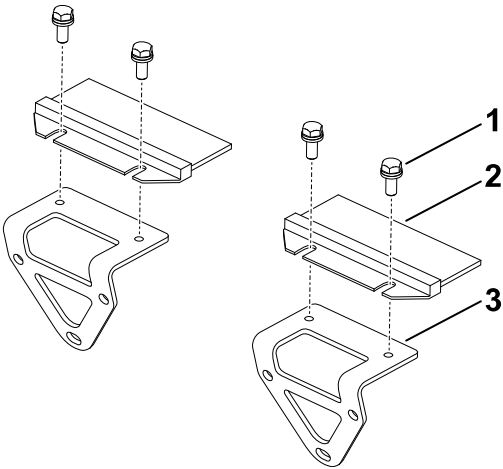
1. Press the red STOP button on the rear of the machine.
2. Lift up the front of the machine and stand the machine on its rear.
3. Set the power switch to the OFF position.

## Installing the Brush Kit

### Parts Required

2	Wheel brush
2	Brush bracket
10	Washer-head bolt (M6 x 12.8 mm)

1. Assemble the wheel brushes (2) to the brush brackets (3) using 4 washer-head bolts (1).

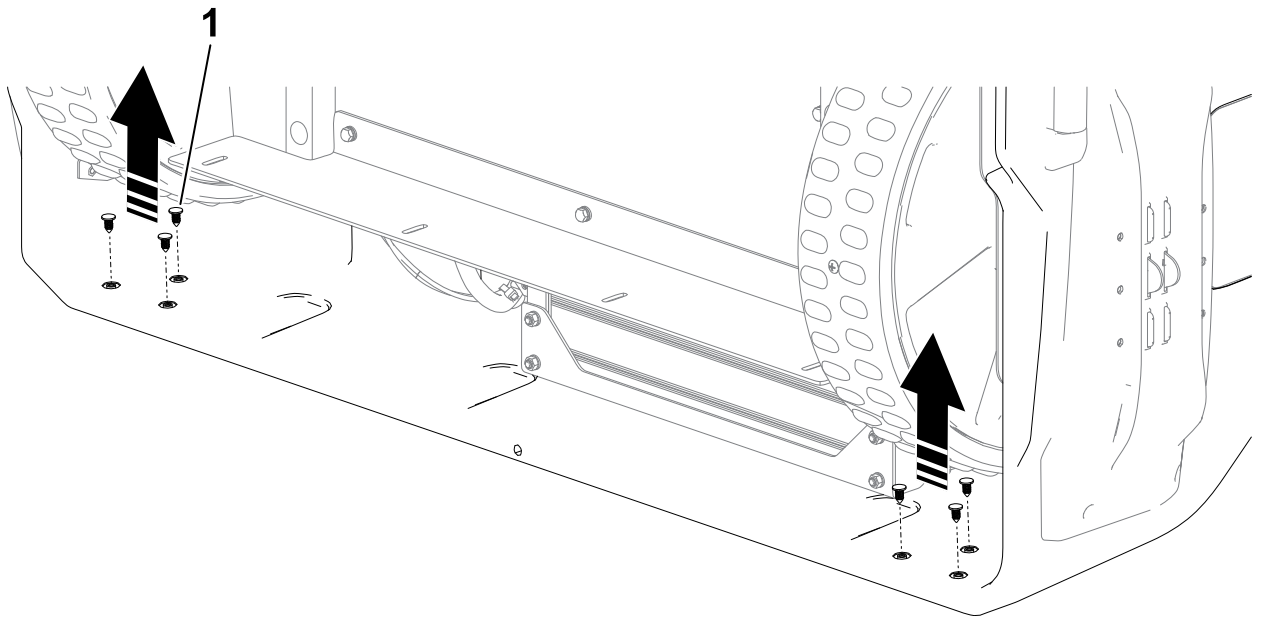


- (1) Washer-head bolt (4)
- (2) Wheel brush (2)

- (3) Brush bracket (2)



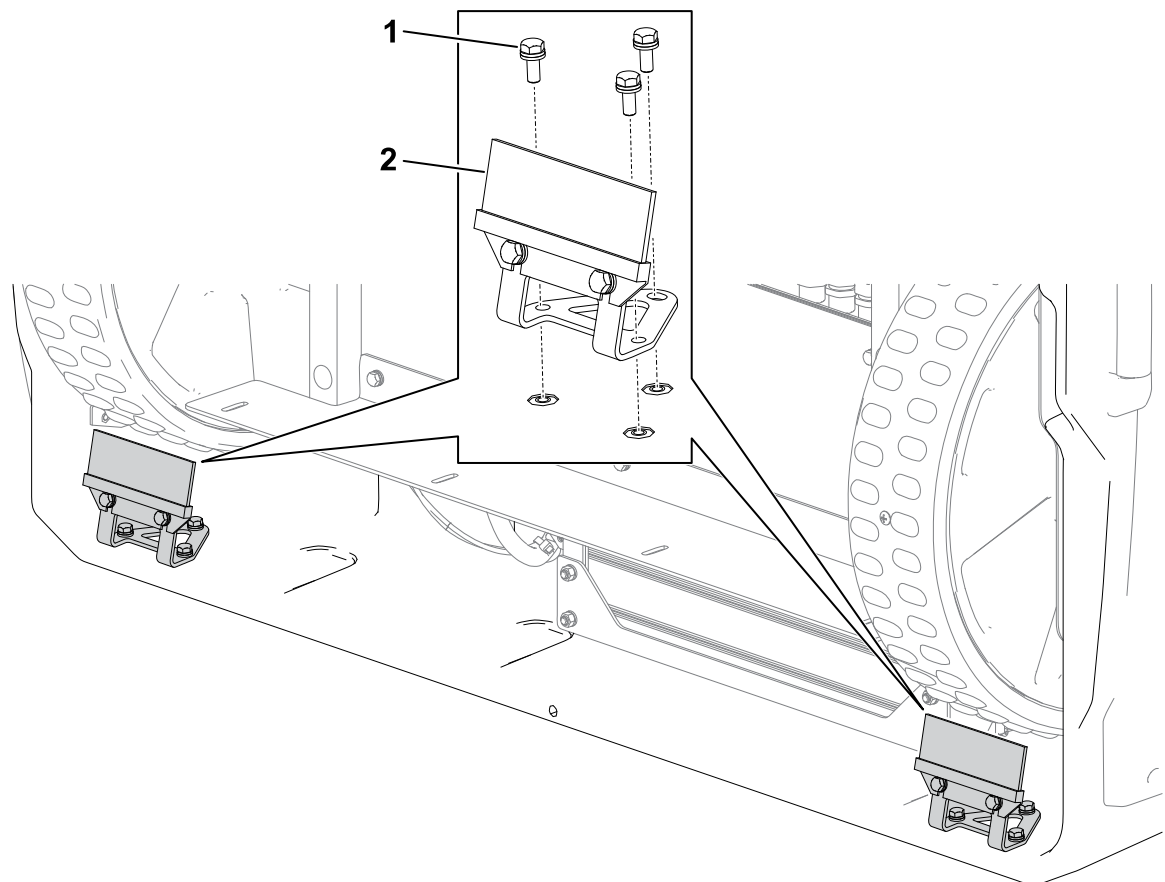
2. Remove and discard the 6 push-in fasteners at the bottom of the machine.



G550852

- ① Push-in fastener

3. Secure the brushes to the machine using 6 washer-head bolts.

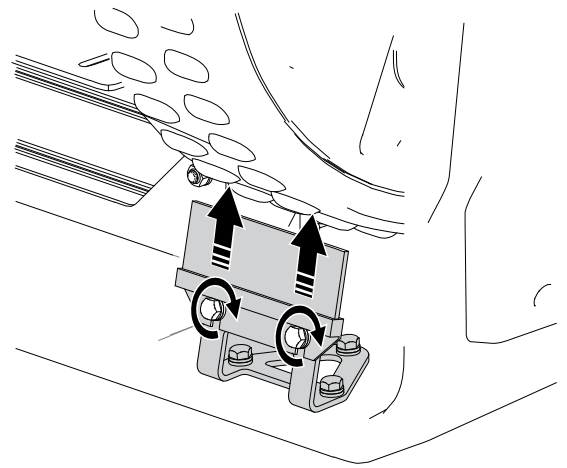


G550856

- ① Washer-head bolt (6)

- ② Wheel brush (2)

4. Adjust the brushes so that they contact the wheels. Tighten the bolts.



G568743

