



Manual Clutch Kit

Self-Powered Rake-O-Vac[®] Sweepers

Model No. 107-1133

Parts Catalog

Ordering Replacement Parts

To order replacement parts, please supply: the part number, the quantity, and the description of each part desired.

Understanding Reference Numbers

Each identified part in an illustration has a reference number. The reference number for a part also appears in the parts list, along with other information about the part.

This catalog uses two special reference number formats, one to indicate parts in a service assembly and another to indicate the quantity of a given part in an illustration.

Service Assembly Reference Numbers

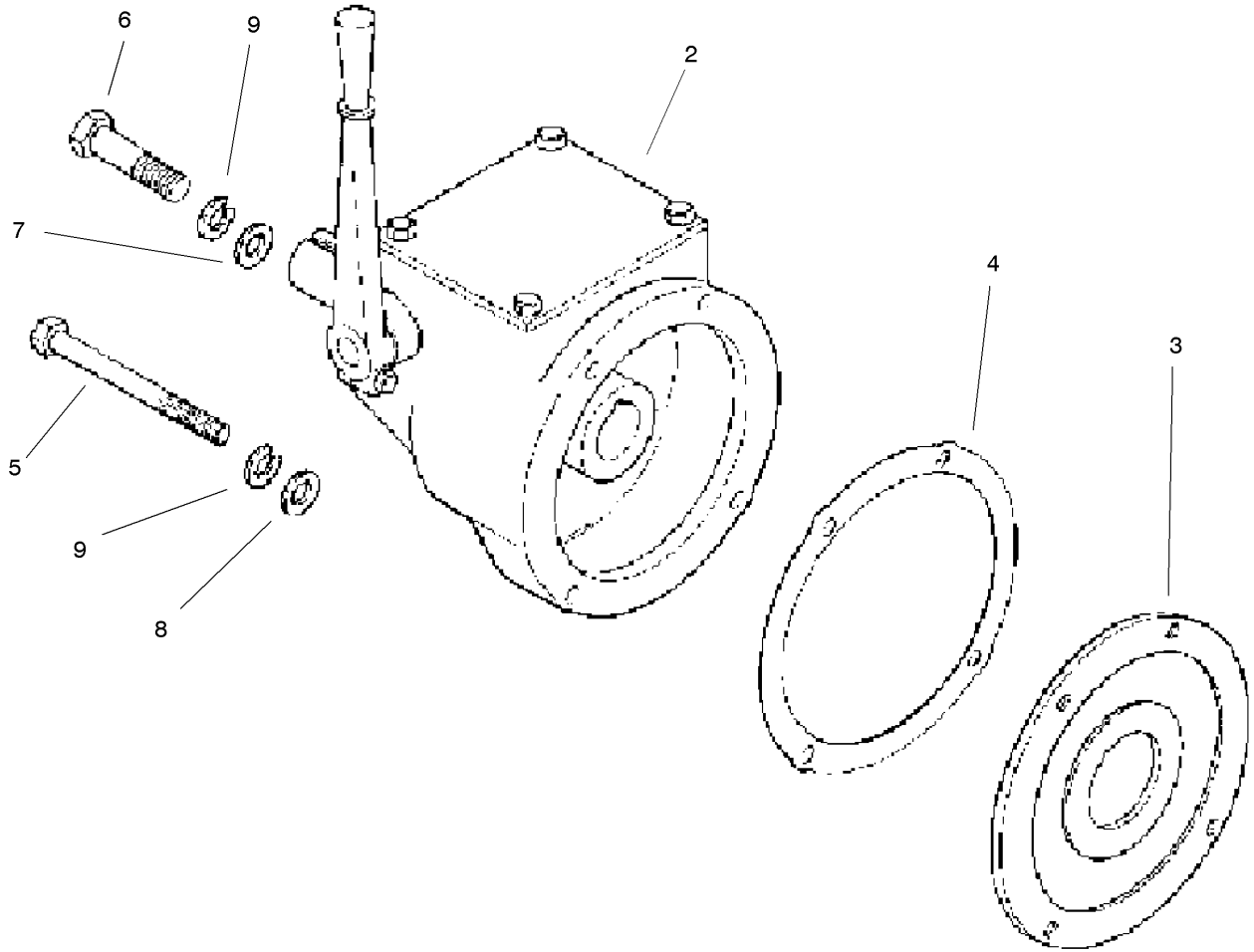
Parts in service assemblies have reference numbers in the form **a:b**. The **a** represents the reference number of the entire service assembly and the **b** represents a sequential number unique to each part within the service assembly.

For example, a wheel assembly might be identified by reference number 6, the tire by **6:1**, the valve by **6:2**, and the wheel by **6:3**. When you order the assembly identified by reference number 6, you receive all parts identified by reference numbers 6:1, 6:2, and 6:3. However, you may also order any part individually. Reference numbers of this type appear in illustrations and in part lists.

Reference Numbers Indicating Quantity

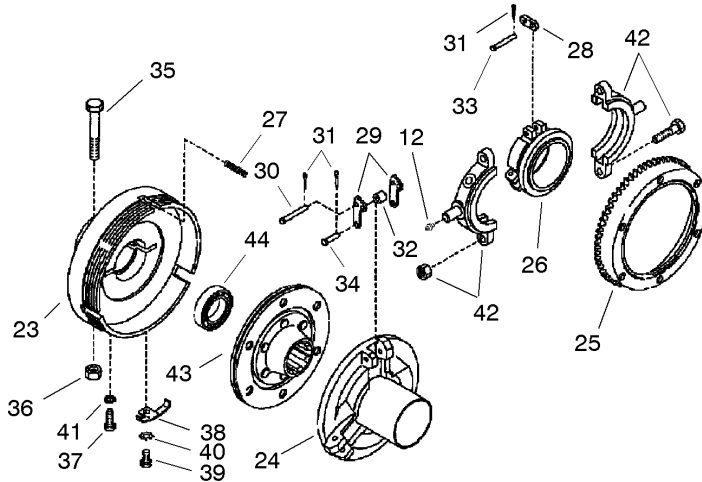
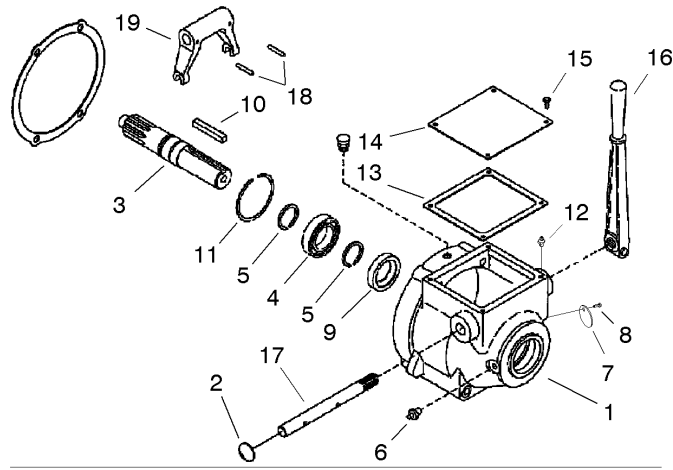
In an illustration, if a reference number indicates more than one part, the reference number has the form **nX y**. The **n** represents the quantity of the part, the **X** is the multiplication symbol, and the **y** represents the reference number.

For example, in an illustration, the reference number **2X 37** means that two of the parts identified by reference number 37 are indicated.



Clutch Kit Assembly

Ref	Part No.	Qty.	Description
2	107-1092	1	Clutch-Manual
3	100-8166	1	Plate-Adapter
4	100-8167	1	Gasket-Housing, Clutch
5	324-31	2	Screw-HH
6	324-12	2	Screw-HH
7	3256-5	2	Washer-Flat
8	37-4700	2	Spacer-Wheel
9	3253-6	4	Washer-Lock



Manual Clutch Assembly No. 107-1092

Ref	Part No.	Qty.	Description
1	107-1093	1	Housing-PTO
2	107-1094	1	Plug-Expansion
3	107-1095	1	Shaft-Drive
4	107-1096	1	Bearing-Main
5	107-1097	2	Ring-Retaining, External
6	107-1098	1	Zerk-Grease
7		1	Instruction Plate (Not Serviced Separately)
8		1	Screw (Not Serviced Separately)
9	107-1099	1	Seal-Oil
10	107-1100	1	Key-Square
11	107-1101	1	Ring-Retaining, Internal
12	107-1102	2	Zerk-Grease
13	107-1103	1	Gasket-Cover, Housing
14	107-1104	1	Cover-Housing
15	321-4	4	Screw-HH
16	107-1105	1	Lever-Shifting
17	107-1106	1	Shaft-Cross
18	107-1107	2	Pin-Roll
19	107-1108	1	Yoke-Clutch
23	107-1110	1	Body-Clutch
24	107-1111	1	Plate-Pressure
25	107-1112	1	Ring-Adjusting
26	107-1113	1	Sleeve-Release

Ref	Part No.	Qty.	Description
27	107-1114	3	Spring-Separator
28	107-1115	6	Link-Connecting
29	107-1116	6	Lever-Pressure Plate
30	107-1117	3	Pin-Lever
31	107-1118	9	Pin-Cotter
32	107-1119	3	Roller-Pressure Plate
33	107-1120	3	Pin-Clevis
34	107-1121	3	Pin-Clevis
35	323-7	2	Screw-HH
36	3217-7	2	Nut-Hex
37	107-1122	1	Screw-Set
38	107-1123	1	Lock-Adjustment
39	321-7	1	Screw-HH
40	3255-7	1	Washer-Lock/ext
41	3253-4	1	Washer-Lock
42	107-1124	1	Release Bearing ASM
43	107-1125	1	Friction Disc
44	107-1126	1	Bearing-Pilot

