



53cm Super Recycler[®] Lawnmower

Model No. 20783-230002004 and Up

Model No. 20784-230000001 and Up

Parts Catalog

Ordering Replacement Parts

To order replacement parts, please supply: the part number, the quantity, and the description of each part desired.

Understanding Reference Numbers

Each identified part in an illustration has a reference number. The reference number for a part also appears in the parts list, along with other information about the part.

This catalog uses two special reference number formats, one to indicate parts in a service assembly and another to indicate the quantity of a given part in an illustration.

Service Assembly Reference Numbers

Parts in service assemblies have reference numbers in the form **a:b**. The **a** represents the reference number of the entire service assembly and the **b** represents a sequential number unique to each part within the service assembly.

For example, a wheel assembly might be identified by reference number **6**, the tire by **6:1**, the valve by **6:2**, and the wheel by **6:3**. When you order the assembly identified by reference number **6**, you receive all parts identified by reference numbers **6:1**, **6:2**, and **6:3**. However, you may also order any part individually.

Reference numbers of this type appear in illustrations and in part lists.

Reference Numbers Indicating Quantity

In an illustration, if a reference number indicates more than one part, the reference number has the form **nX y**. The **n** represents the quantity of the part, the **X** is the multiplication symbol, and the **y** represents the reference number.

For example, in an illustration, the reference number **2X 37** means that two of the parts identified by reference number **37** are indicated.

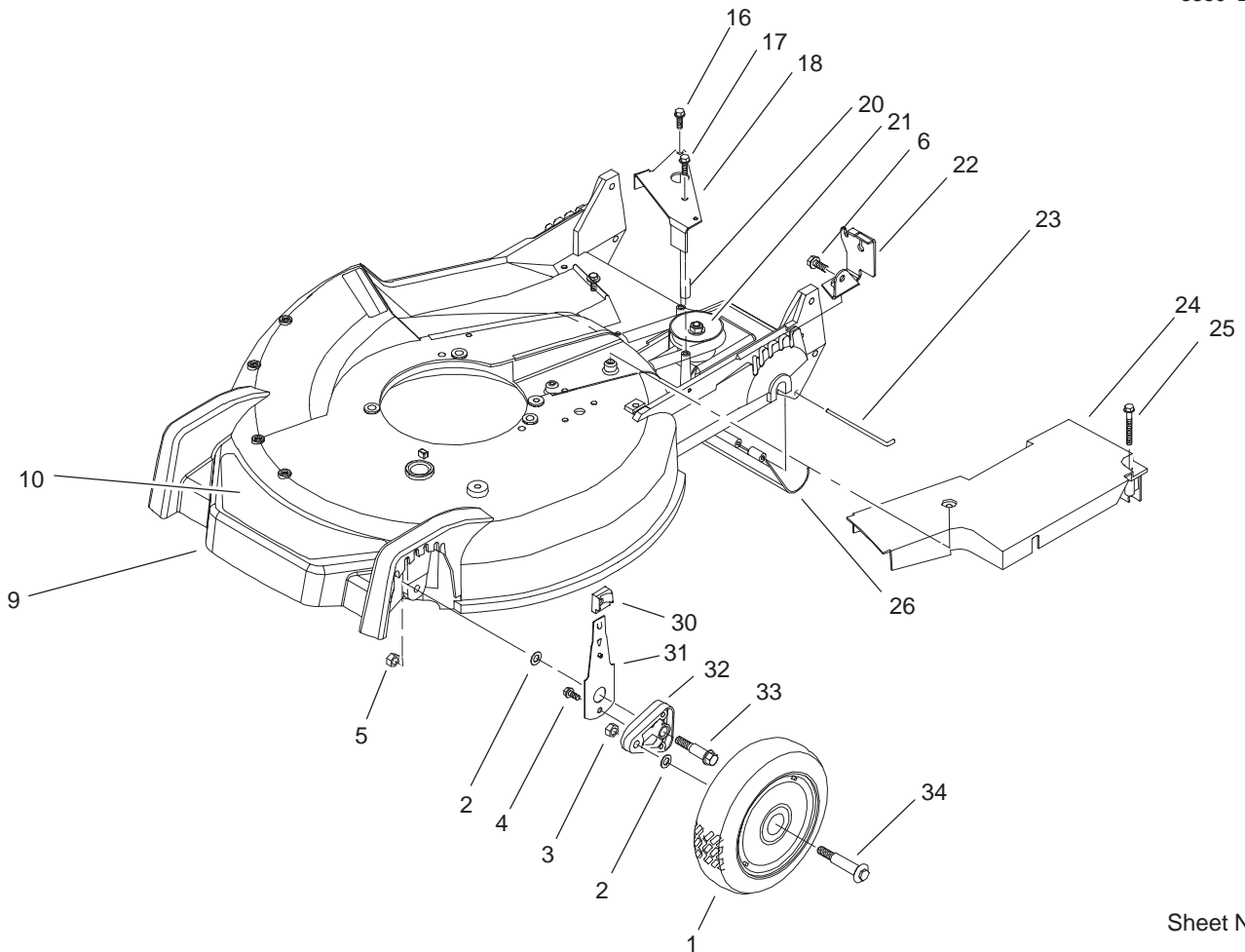
Contents

Description	Page	Description	Page
Housing, Handle Brackets and Wheel Assembly	3	Starter Assembly Briggs and Stratton Model 122607–0116–E1 . .	22
Housing, Kicker, and Washout Assembly No. 105–1309	4	Gasket Assembly Briggs and Stratton Model 122607–0116–E1 . .	23
Gear Case Assembly No. 104–7674	5	Carburetor Overhaul Kit Assembly Briggs and Stratton Model 122607–0116–E1 . .	24
Gearcase and Wheel Assembly	6	Cylinder Assembly Briggs and Stratton Model 122602–0120–E1 . .	25
Engine Assembly	7	Cylinder Head Assembly Briggs and Stratton Model 122602–0120–E1 . .	26
Handle and Control Assembly	8	Crankshaft Assembly Briggs and Stratton Model 122602–0120–E1 . .	27
Battery and Switch Assembly	9	Crankcase Assembly Briggs and Stratton Model 122602–0120–E1 . .	28
Rear Bag Discharge Chute Assembly	10	Carburetor Assembly Briggs and Stratton Model 122602–0120–E1 . .	29
Rear Bagger Assembly No. 11–0189	11	Air Cleaner Assembly Briggs and Stratton Model 122602–0120–E1 . .	30
Cylinder Assembly Briggs and Stratton Model 122607–0116–E1 . .	12	Governor Assembly Briggs and Stratton Model 122602–0120–E1 . .	31
Cylinder Head Assembly Briggs and Stratton Model 122607–0116–E1 . .	13	Muffler and Fuel Tank Assembly Briggs and Stratton Model 122602–0120–E1 . .	32
Crankshaft Assembly Briggs and Stratton Model 122607–0116–E1 . .	14	Blower Housing Assembly Briggs and Stratton Model 122602–0120–E1 . .	33
Crankcase Assembly Briggs and Stratton Model 122607–0116–E1 . .	15	Starter Assembly Briggs and Stratton Model 122602–0120–E1 . .	34
Carburetor Assembly Briggs and Stratton Model 122607–0116–E1 . .	16	Gasket Assembly Briggs and Stratton Model 122602–0120–E1 . .	35
Air Cleaner Assembly Briggs and Stratton Model 122607–0116–E1 . .	17	Carburetor Overhaul Kit Assembly Briggs and Stratton Model 122602–0120–E1 . .	36
Governor Assembly Briggs and Stratton Model 122607–0116–E1 . .	18		
Muffler and Fuel Tank Assembly Briggs and Stratton Model 122607–0116–E1 . .	19		
Blower Housing Assembly Briggs and Stratton Model 122607–0116–E1 . .	20		
Starter Assembly Briggs and Stratton Model 122607–0116–E1 . .	21		

Part Description Abbreviations

Part descriptions in this catalog may include the following abbreviations.

Abbreviation	Meaning	Abbreviation	Meaning
AR	as required	HYD	hydraulic
ASM	assembly	INC	incorporated
CARR	carriage	LH	left hand
DEG	degrees	NI	nylon insert
FH	flat head	PPH	Phillips pan head
GA	gauge	PTH	Phillips truss head
HF	hex flange	PTO	power take off
HH	hex head	RH	right hand
HHF	hex head flange	SFH	slotted fillister head
HLH	hex lag head	SHH	slotted hex head
HJ	hex jam	SQH	square head
HOC	height-of-cut	SHWH	slotted hex washer head
HS	hex socket	SPH	slotted pan head
HSBH	hex socket button head	SRH	slotted round head
HSFH	hex socket flat head	STD	standard
HSH	hex socket head	TAP	self tapping
HWH	hex washer head	TTH	Torx truss head
HWHTF	hex washer head thread forming	WH	wing head

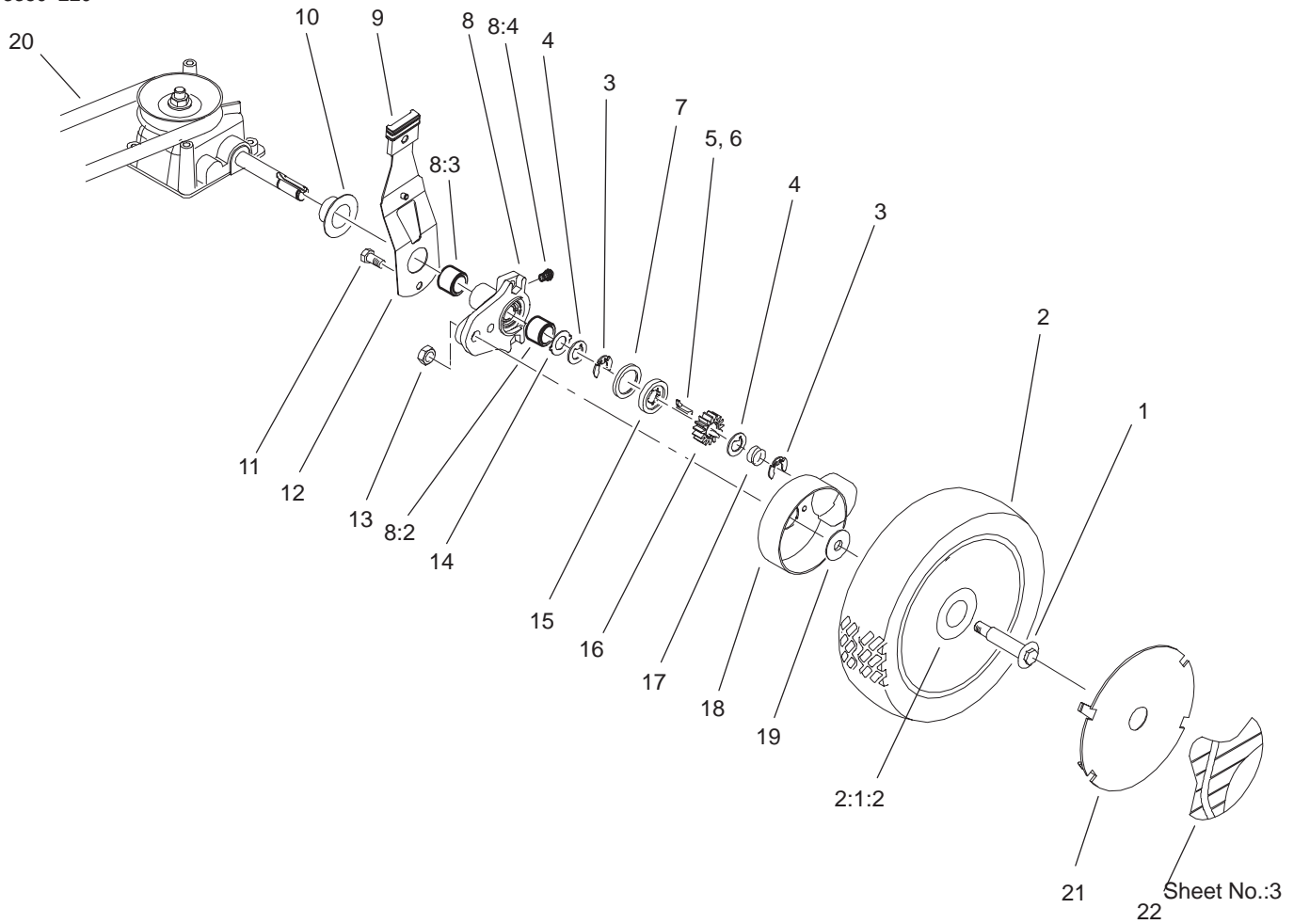


Sheet No.:2

Housing, Handle Bracket and Wheel Assembly

Ref. No.	Part No.	Qty.	Description
1	100-1516	2	Wheel ASM
1:2	27-6250	2	Bushing
2	40-1940	4	Washer
3	603773	2	Nut
4	32144-85	2	Screw-HWH
5	3296-6	2	Nut-Lock, NI
6	32144-70	5	Screw-HH
9	105-1309	1	Housing ASM
10	100-5953	1	Decal-Deck
16	49-2040	1	Screw-Tapping
17	92-1616	1	Screw-HWH, Thd Form
18	99-1513-03	1	Bracket-Transmission Actuator
20	614673	1	Bushing-Plate, Actuator
21	104-7674	1	Gear Case ASM
22	99-1512-03	1	Bracket-Cable, Traction
23	33-3208	1	Rod-Shield
24	104-7906	1	Cover-Belt
25	37-7260	1	Screw-HH (only on: 20784)
25	37-7260	2	Screw-HH (only on: 20783)
26	44-0580	1	Shield-Trailing

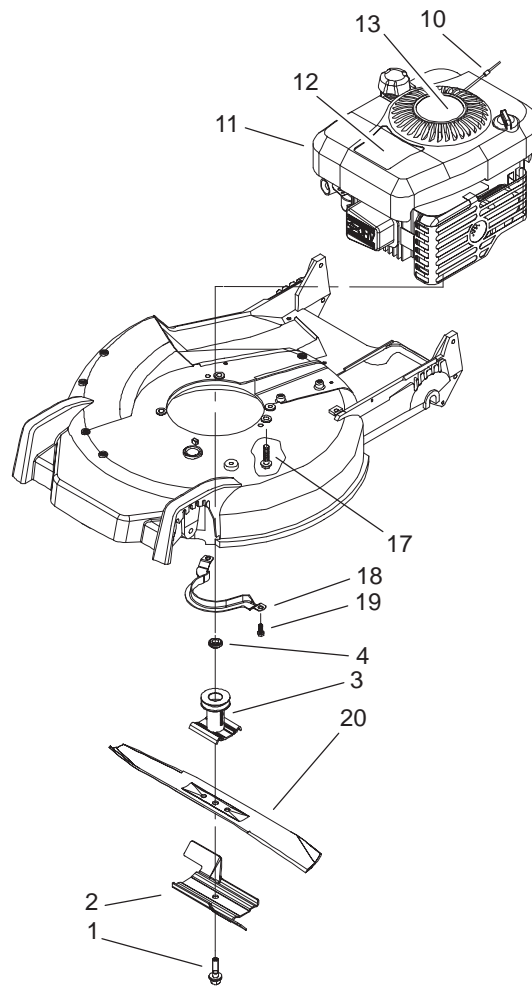
Ref. No.	Part No.	Qty.	Description
30	25-7740	2	Knob-Arm
31	66-0541	2	Front Spring Arm ASM
32	66-0580	2	Arm-Pivot, Front
33	66-0560	2	Bolt-Shoulder
34	92-1057	2	Bolt-Shoulder



Gearcase and Wheel Assembly

Ref. No.	Part No.	Qty.	Description
1	92-1057	2	Bolt-Shoulder
2	100-5955	2	Wheel ASM
2:1:2	27-6250	2	Bushing
3	65-2720	4	Klipring-Locking
4	65-4740	4	Washer-Thrust, Keyed
5	66-6040	1	Key-Rocking, RH
6	66-6050	1	Key-Rocking, LH
7	65-4710	2	Ring-Friction
8	100-8774	2	Pivot Arm ASM
8:2	47-2900	1	Bushing
8:3	70-9760	1	Bushing
8:4	302-56	1	Fitting-Grease
9	25-7740	2	Knob-Arm
10	42-3520	2	Cap-End
11	32144-85	2	Screw-HWH
12	63-8721	2	Spring Arm ASM
13	603773	2	Nut
14	65-4730	2	Washer-Arm, Pivot
15	65-4760	2	Washer-Clutch
16	65-4750	2	Gear-Pinion
17	65-4720	2	Spring-Compression
18	74-1660	2	Cover-Wheel
19	74-1671	2	Spacer-Cover, Wheel
20	91-2258	1	V-Belt

Ref. No.	Part No.	Qty.	Description
21	100-6351	1	Cover-Wheel
22	100-1519	1	Label-Wheel, Smart

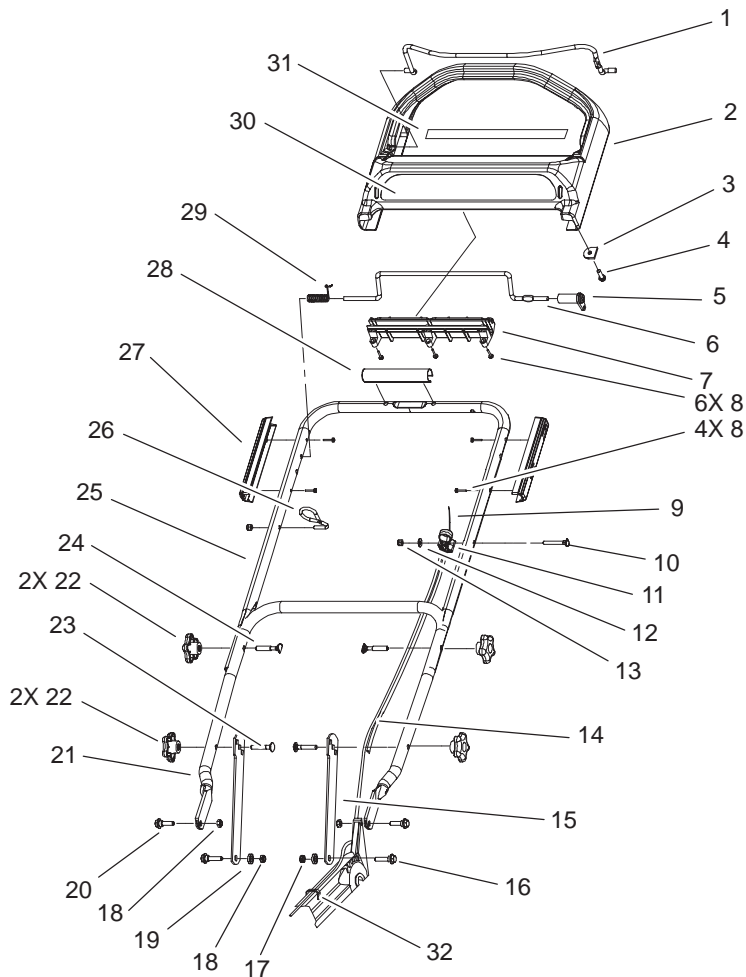


Sheet No.:4

Engine Assembly

Ref. No.	Part No.	Qty.	Description	Ref. No.	Part No.	Qty.	Description
1	105-8579	1	Bolt-Blade				
2	105-6848-03	1	Accelerator-Blade				
3	106-3987	1	Driver-Blade, ASM				
4	106-3999	1	Spacer-Driver				
10	2210-316	1	Stop-Rope				
☆11		1	Engine-B & S Model 122602-0120-E1 (only on: 20783)				
☆11		1	Engine-B & S Model 122607-0116-E1 (only on: 20784)				
12	99-6015	1	Decal-Recoil				
13	105-8573	1	Decal-Recoil				
17	32144-102	3	Screw-HWH				
18	66-0570-03	1	Bracket-Guide, Belt				
19	32144-70	2	Screw-HH				
20	93-4106-03	1	Blade-Recycler				

☆ Not serviced separately

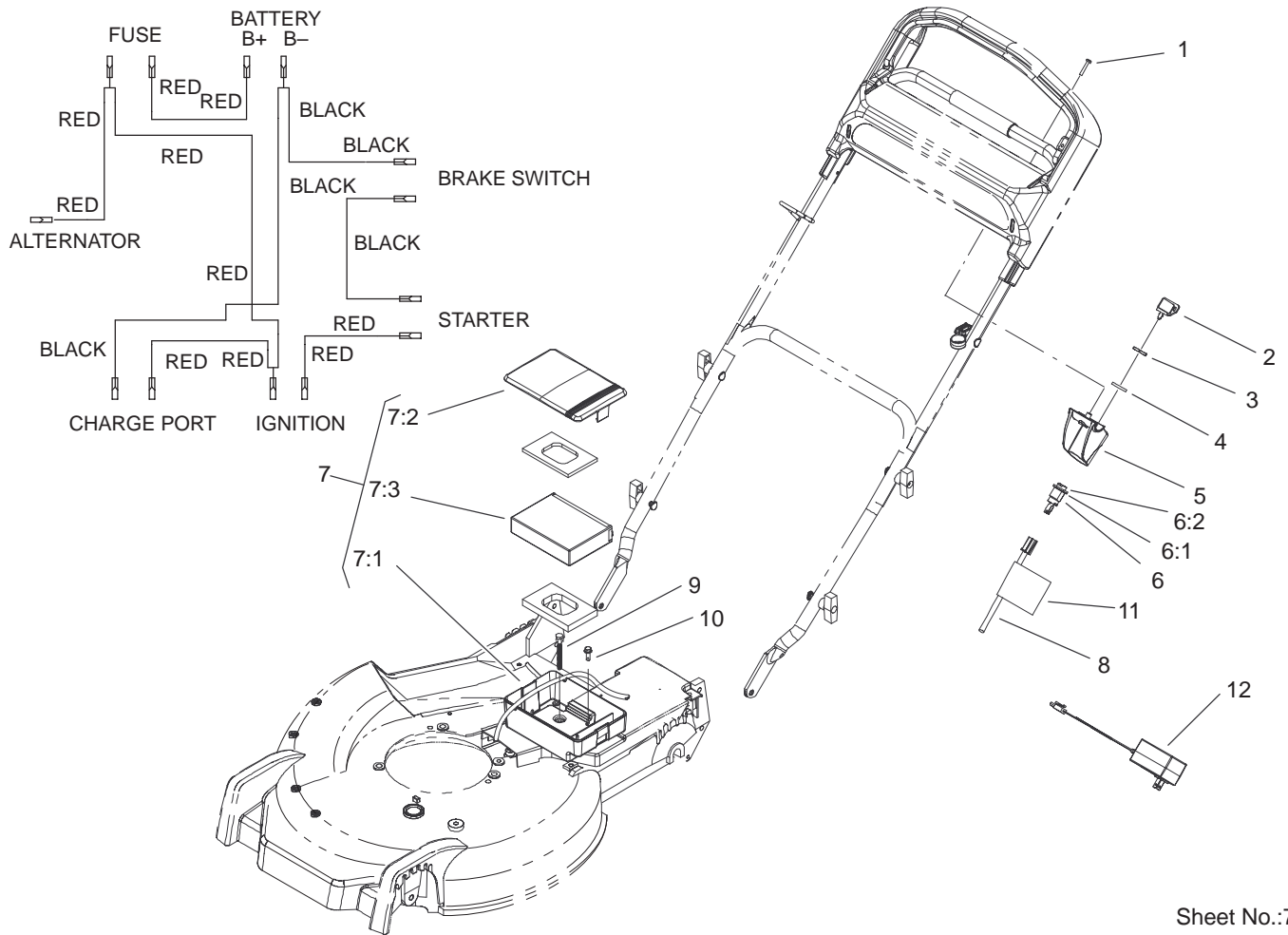


Sheet No.:5

Handle and Control Assembly

Ref. No.	Part No.	Qty.	Description
1	99-1593-03	1	Bail-Brake
2	99-1582	1	Handle-Control
3	106-2662	1	Retainer-Cable
4	98-2682	1	Screw
5	99-1589	1	Lever-Traction
6	99-1588	1	Bar-Control, Traction
7	99-6008	1	Retainer-Control Rod, Traction
8	94-4496	10	Screw-PPH
9	100-1186	1	Cable-Brake
10	95-4453	1	Screw
11	99-5239	1	Anchor-Cable
12	3256-1	1	Washer-Flat
13	3296-73	2	Nut-Lock, NI
14	106-8300	1	Cable-Traction
15	99-5248-03	2	Latch-Handle
16	27-7210	2	Screw-Shoulder
17	3296-47	1	Nut-Lock, NI
18	3296-72	3	Nut-Lock, NI
19	3-3287	2	Spacer-Latch, Handle
20	27-7211	2	Screw-Shoulder
21	99-5249-05	1	Handle-Lower
22	106-4161	4	Knob-Handle
23	99-6019	2	Screw-CARR
24	92-2260	2	Screw-Handle
25	99-1596-05	1	Handle-Upper

Ref. No.	Part No.	Qty.	Description
26	86-9671	1	Guide-Rope
27	99-1590	2	Guide-Handle, Control
28	100-5970	1	Cover-Handle
29	99-1592	1	Spring-Torsion, RH
30	100-5950	1	Decal-Automatic
31	93-6655	1	Decal-Panel, Rear
32	100-2894	1	Tie-Cable



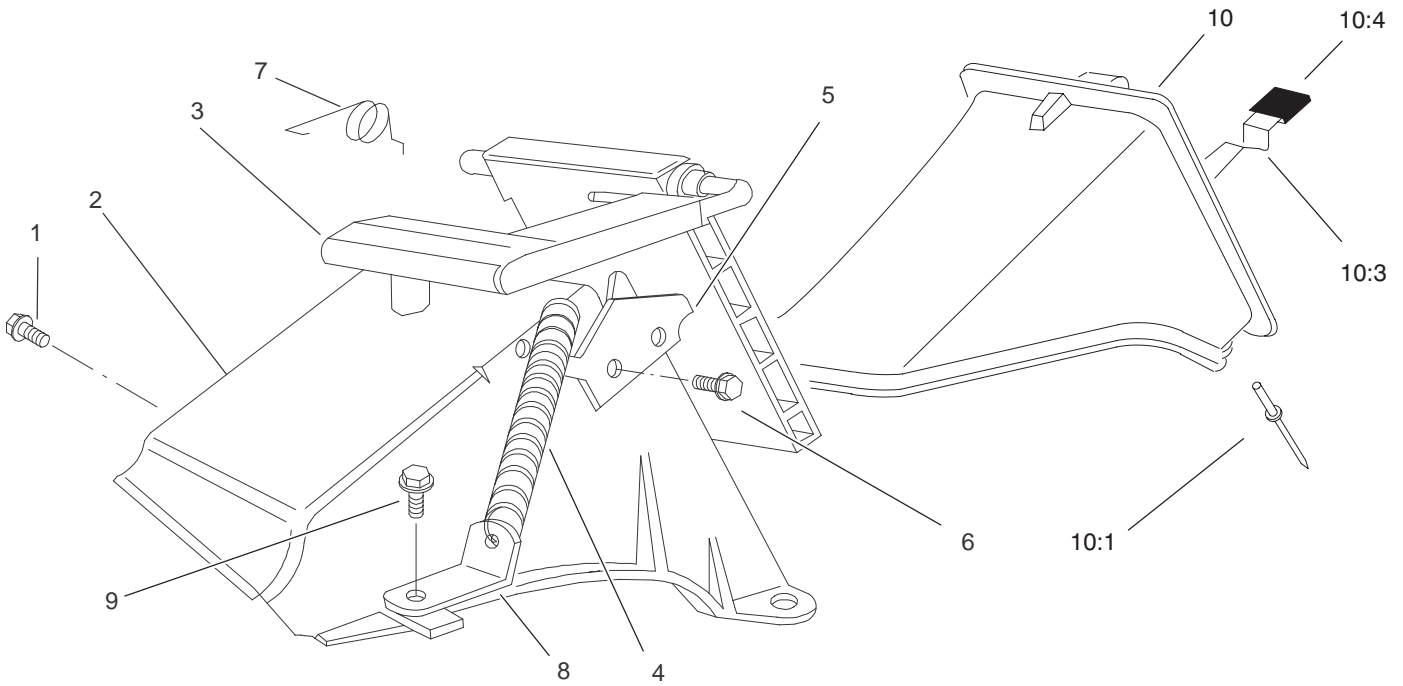
Sheet No.:7

Battery and Switch Assembly

Ref. No.	Part No.	Qty.	Description
1	32144-97	1	Screw
2	63-8360	1	Key-Ignition
5	99-6006	1	Switch-Holder
6	46-5780	1	Switch-Starter
6:1	3254-5	1	Washer-Tooth
6:2	218-461	1	Nut-HH
*7	105-6845	1	Battery ASM-Panasonic
7:1	105-6843	1	Box-Battery
7:2	105-6844	1	Cover-Battery
7:3	104-7903	1	Battery-Panasonic, 12v
8	100-1040	1	Harness-Wire, Tc
9	37-7262	1	Screw-Special
10	32144-32	1	Screw
11	104-7953	1	Decal-Harness
12	98-2391	1	Charger-European, 12v Dc
*13	99-6124	2	Fuse-40 Amp

Ref. No.	Part No.	Qty.	Description

* Not illustrated

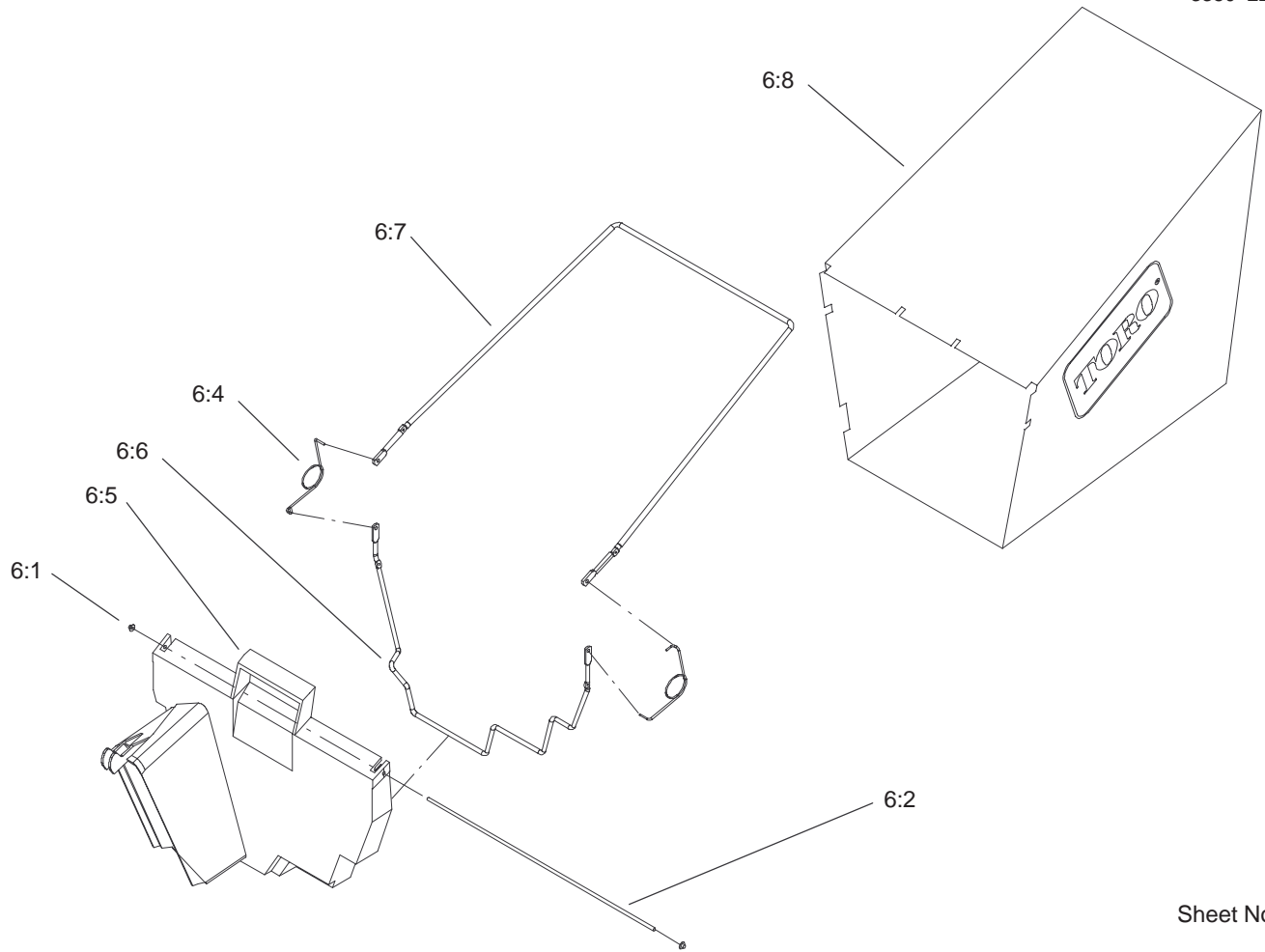


Sheet No.:8

Rear Bag Discharge Chute Assembly

Ref. No.	Part No.	Qty.	Description
1	46-6810	1	Screw And Washer ASM
2	82-9151	1	Tunnel-Discharge
3	106-8336	1	ASM-Door, Discharge
4	76-4660	1	Spring-Door
5	106-8334	1	Plate-Latch
6	46-8090	2	Screw-Plastite
7	80-3770	1	Retainer-Door
8	71-9350	1	Bracket-Spring
9	46-6811	3	Screw-HWH
10	77-0502	1	Discharge Plug ASM
10:1	3295-35	1	Rivet-Head, Flat
10:3	76-4640	1	Latch-Plug, Discharge
10:4	76-4650	1	Grip-Latch

Ref. No.	Part No.	Qty.	Description



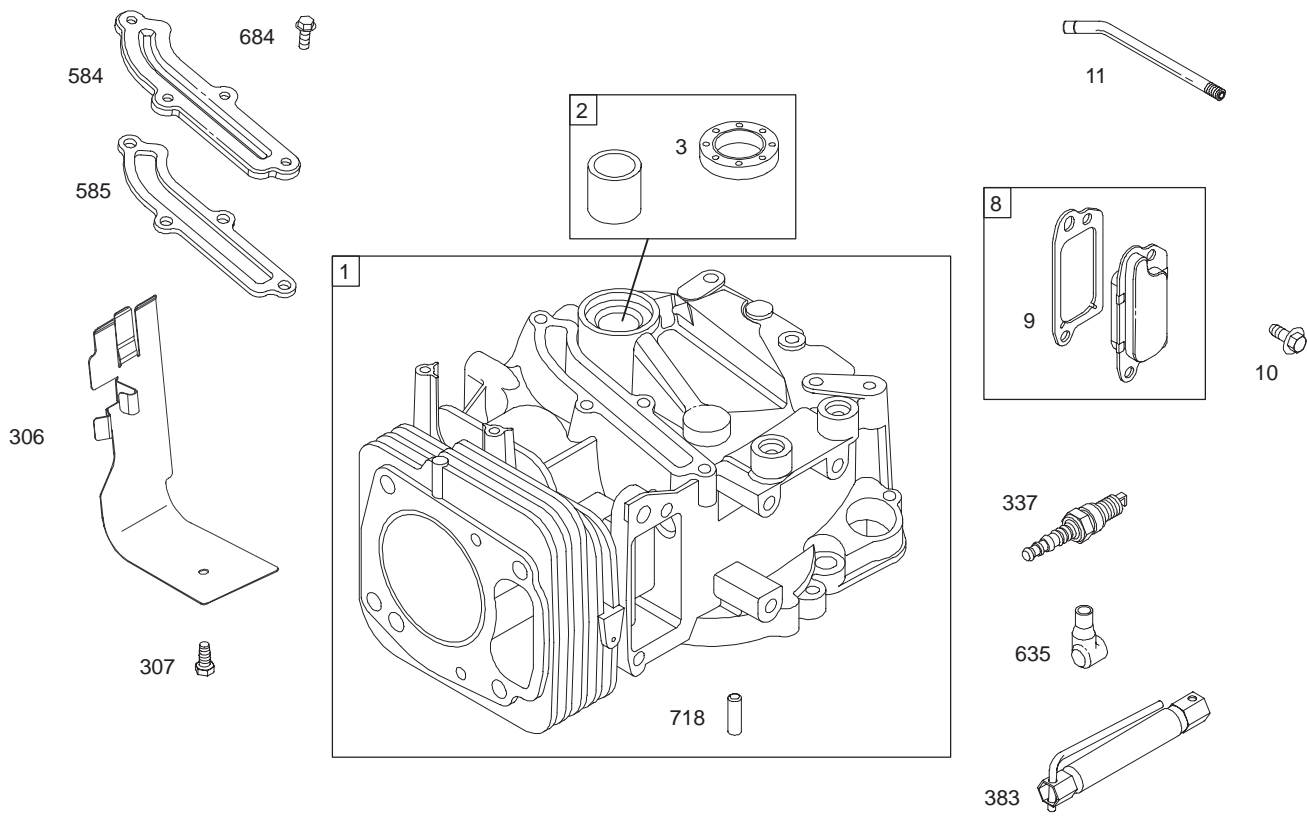
Sheet No.:9

Rear Bagger Assembly No. 11-0189

Ref. No.	Part No.	Qty.	Description
*6	11-0189	1	Grass Bag ASM
6:1	3290-422	2	Nut-Push
6:2	33-4820	1	Hinge-Door, Bag
6:4	36-6910	2	Spring
6:5	37-1393	1	Door-Bag
6:6	42-4020	1	Frame-Bag
6:7	42-4030	1	Frame-Bag, Upper
6:8	44-0522	1	Bag-Grass

Ref. No.	Part No.	Qty.	Description

* Not illustrated



Assemblies include all parts shown in frames.

Cylinder Assembly Briggs and Stratton Model 122607-0116-E1

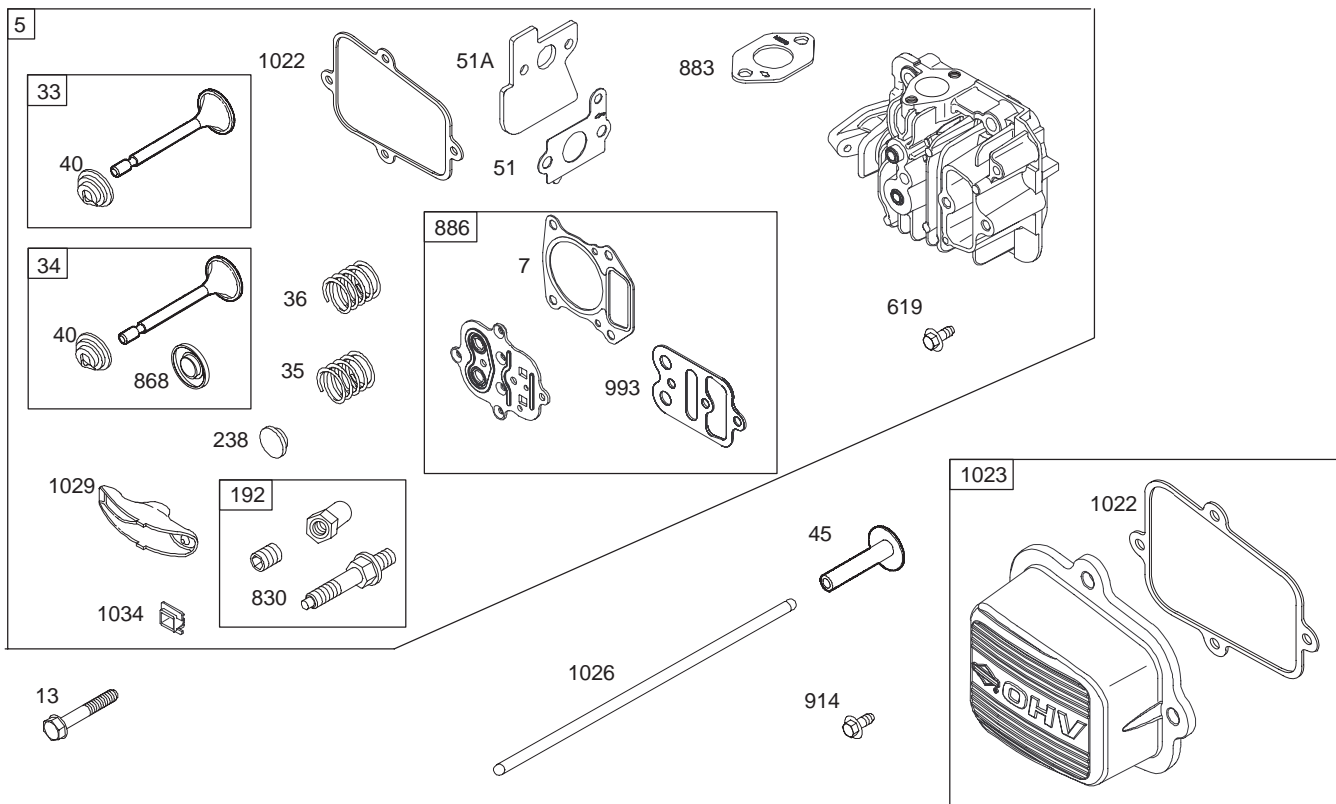
Ref. No.	Part No.	Qty.	Description
1	499678	1	Cylinder Assembly
2	399269	1	Kit-Bushing/Seal (Magneto Side)
★3	299819	1	Seal-Oil (Magneto Side)
8	495786	1	Breather Assembly
△★9	272481	1	Gasket-Breather
10	691125	1	Screw (Breather Assembly)
11	691260	1	Tube-Breather
306	691232	1	Shield-Cylinder
307	690345	1	Screw (Cylinder Shield)
337	692051	1	Sparkplug
383	19374	1	Wrench-Sparkplug
584	692342	1	Cover-Breather Passage
★585	691879	1	Gasket-Breather Passage
635	66538	1	Boot-Sparkplug
684	690345	1	Screw (Breather Passage Gasket)
718	690959	1	Pin-Locating

Ref. No.	Part No.	Qty.	Description
1058	274979	1	Owner's Manual

△ Included in Valve Gasket Set-Ref. 1095.

Obtain Parts from Briggs and Stratton

★ Included in Engine Gasket Set-Ref. 358.



Assemblies include all parts shown in frames.

Cylinder Head Assembly Briggs and Stratton Model 122607-0116-E1

Ref. No.	Part No.	Qty.	Description
5	695276	1	Head-Cylinder
Δ★7	695166	1	Gasket-Cylinder Head
13	691137	1	Screw
33	499642	1	Valve-Exhaust
34	499641	1	Valve-Intake
35	691304	1	Spring-Valve (Intake)
36	691304	1	Spring-Valve (Exhaust)
40	692194	1	Retainer-Valve
45	690977	1	Tappet-Valve
Δ★◆51	692668	1	Gasket-Intake
Δ★◆51A	692799	1	Gasket-Intake
192	694543	1	Adjuster-Rocker Arm
238	691300	1	Cap-Valve
619	691108	1	Screw (Cylinder Head Plate)
830	694544	1	Stud-Rocker Arm
Δ★868	692044	1	Seal-Valve
Δ★883	691893	1	Gasket-Exhaust
886	696268	1	Gasket Kit-Cylinder Head/Plate

Ref. No.	Part No.	Qty.	Description
914	691127	1	Screw (Rocker Cover)
Δ★993	694088	1	Gasket-Cylinder Head Plate
Δ★1022	691890	1	Gasket-Rocker Cover
1023	692694	1	Cover-Rocker
1026	692045	1	Rod-Push
1029	691230	1	Arm-Rocker
1034	691343	1	Guide-Push Rod

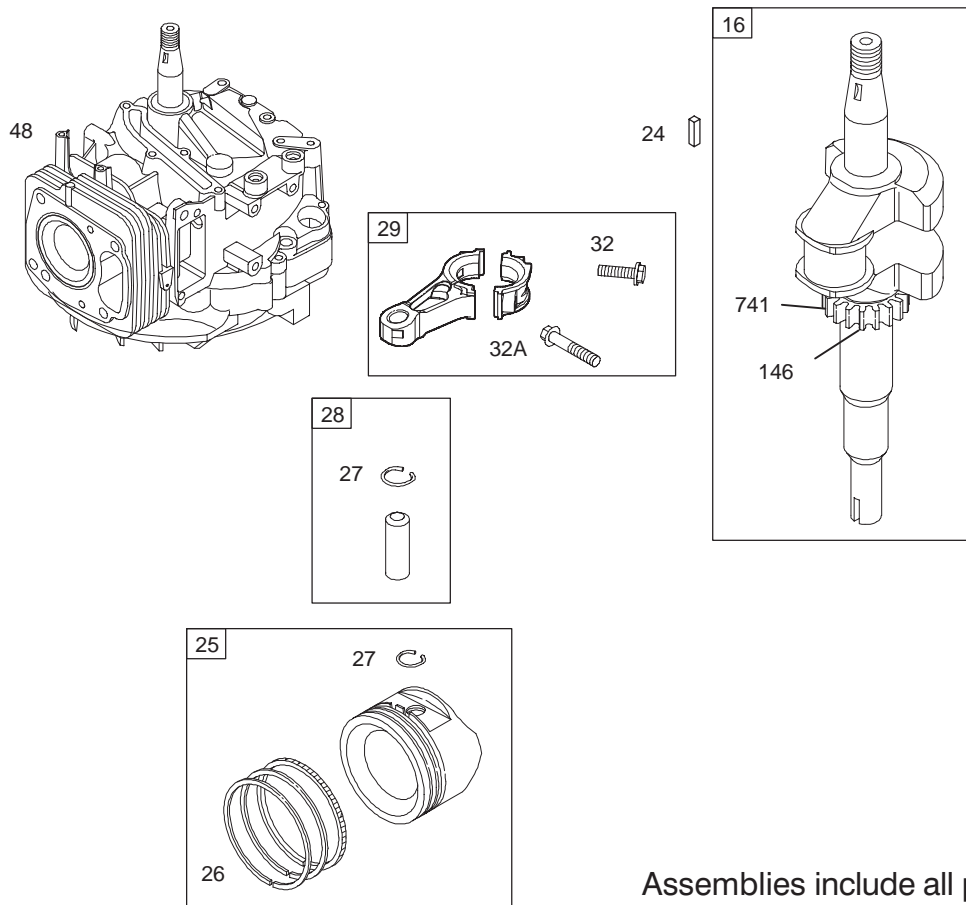
Δ Included in Valve Gasket Set-Ref. 1095.

◆ Included in Carburetor Overhaul Kit-Ref. 121.

★ Included in Engine Gasket Set-Ref. 358.

◆ Included in Carburetor Gasket Set-Ref. 977.

Obtain Parts from Briggs and Stratton



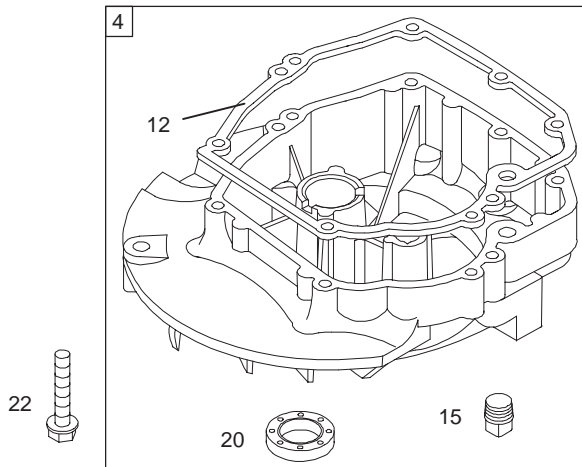
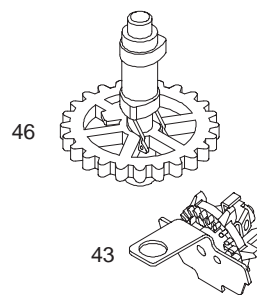
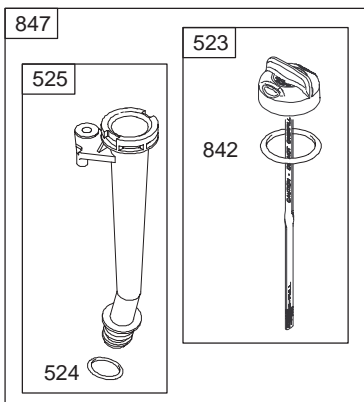
Assemblies include all parts shown in frames.

Crankshaft Assembly Briggs and Stratton Model 122607-0116-E1

Ref. No.	Part No.	Qty.	Description
16	695950	1	Crankshaft
24	222698	1	Key-Flywheel
25	499627	1	Piston Assembly (Standard)
	692788	1	Piston Assembly (.010" Oversize)
	692789	1	Piston Assembly (.020" Oversize)
	692790	1	Piston Assembly (.030" Oversize)
26	499631	1	Ring Set (Standard)
	692785	1	Ring Set (.010" Oversize)
	692786	1	Ring Set (.020" Oversize)
	692787	1	Ring Set (.030" Oversize)
27	691866	1	Lock-Piston Pin
28	499423	1	Pin-Piston
29	499424	1	Rod-Connecting
32	691664	1	Screw (Connecting Rod)

Ref. No.	Part No.	Qty.	Description
32A	695759	1	Screw (Connecting Rod)
48	694898	1	Short Block
146	690979	1	Key-Timing
741	691830	1	Gear-Timing

Obtain Parts from Briggs and Stratton



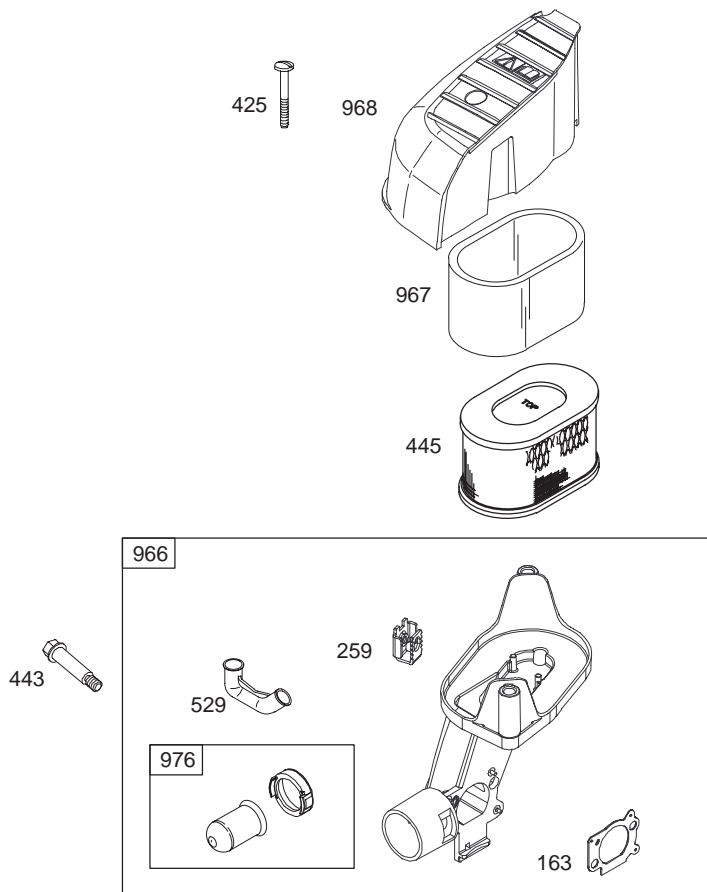
Assemblies include all parts shown in frames.

Crankcase Assembly Briggs and Stratton Model 122607-0116-E1

Ref. No.	Part No.	Qty.	Description
4	499619	1	Sump-Engine
★12	692232	1	Gasket-Crankcase
15	691680	1	Plug-Oil Drain
★20	399781	1	Seal-Oil (PTO Side)
22	691092	1	Screw (Engine Sump)
43	691997	1	Slinger-Governor/Oil
46	694039	1	Camshaft
287	690940	1	Screw (Dipstick Tube)
523	499621	1	Tube-Dipstick
★524	692296	1	Seal-Dipstick Tube
525	495265	1	Tube-Dipstick
★842	691031	1	Seal-O Ring (Dipstick Tube)
847	692047	1	Assembly-Dipstick/ Tube

Ref. No.	Part No.	Qty.	Description

★ Included in Engine Gasket Set-Ref. 358.
Obtain Parts from Briggs and Stratton



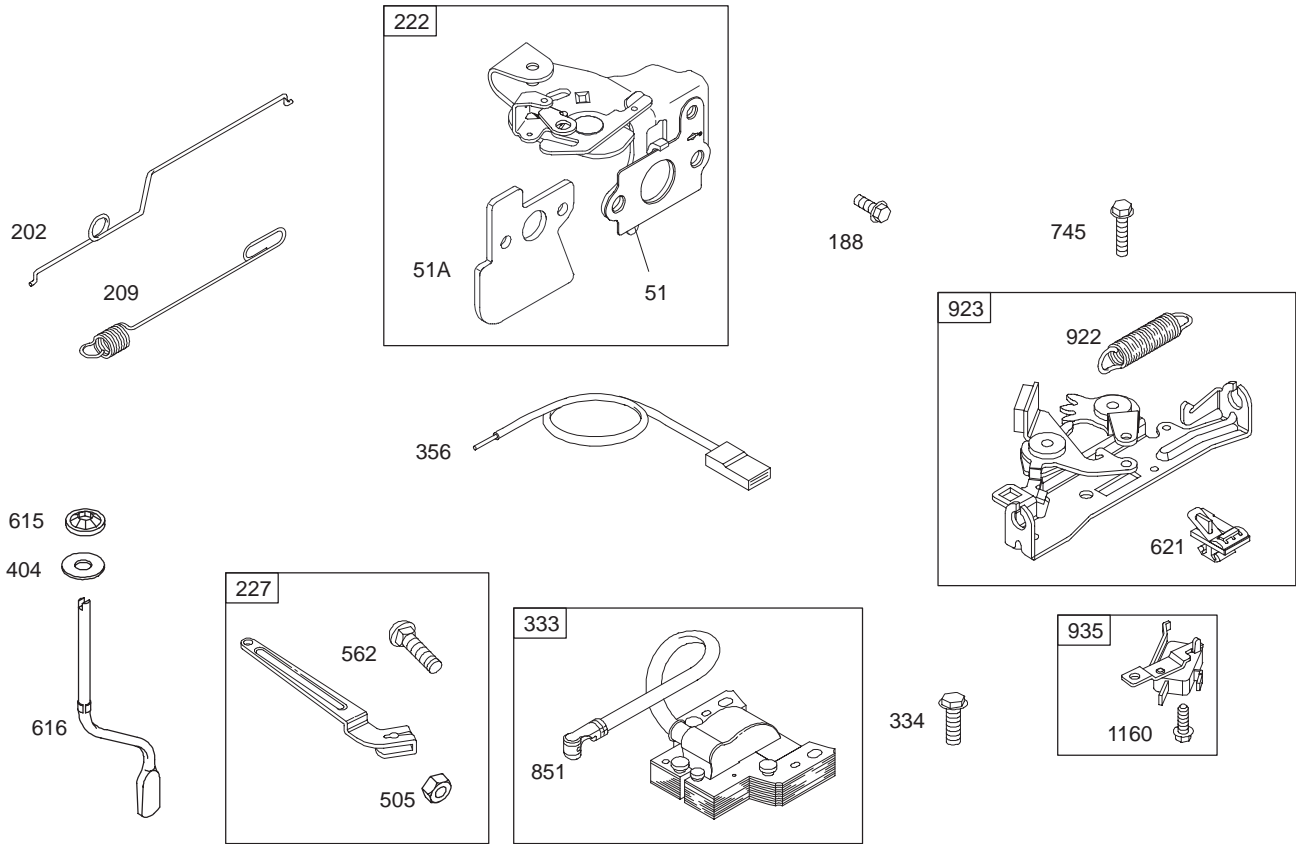
Assemblies include all parts shown in frames.

Air Cleaner Assembly Briggs and Stratton Model 122607-0116-E1

Ref. No.	Part No.	Qty.	Description		Ref. No.	Part No.	Qty.	Description
Δ★◆163	691894	1	Gasket-Air Cleaner					
	259	1	Bracket-Casing Clamp					
	425	1	Screw					
	690244	1	(Air Cleaner Cover)					
443	690255	1	Screw					
	690255	1	(Air Cleaner Primer Bracket)					
445	690610	1	Filter-Air Cleaner Cartridge					
529	692937	1	Grommet					
966	690243	1	Base-Air Cleaner Primer					
967	273356	1	Filter-Pre Cleaner					
968	692692	1	Cover-Air Cleaner					
976	694395	1	Primer-Carburetor					

Δ Included in Valve Gasket Set-Ref. 1095.
 ★ Included in Engine Gasket Set-Ref. 358.
Obtain Parts from Briggs and Stratton

◆ Included in Carburetor Overhaul Kit-Ref. 121.
 ◆ Included in Carburetor Gasket Set-Ref. 977.



Assemblies include all parts shown in frames.

Governor Assembly Briggs and Stratton Model 122607-0116-E1

Ref. No.	Part No.	Qty.	Description
△★◆51	692668	1	Gasket-Intake
△★◆51A	692799	1	Gasket-Intake
188	693168	1	Screw (Control Bracket)
202	691303	1	Link-Mechanical Governor
209	691292	1	Spring-Governor
222	692723	1	Bracket-Control
227	691467	1	Lever-Governor Control
333	802574	1	Armature-Magneto
334	691061	1	Screw (Magneto Armature)
356	692390	1	Wire-Stop
404	690272	1	Washer (Governor Crank)
505	231082	1	Nut (Governor Control Lever)
562	94852	1	Screw (Governor Control Lever)
615	690340	1	Retainer-Governor Shaft

Ref. No.	Part No.	Qty.	Description
616	691308	1	Crank-Governor
621	692310	1	Switch-Stop
745	691648	1	Screw (Brake)
851	493880	1	Terminal-Sparkplug
922	691831	1	Spring-Brake
923	691994	1	Brake Assembly
935	499421	1	Switch-Interlock
1160	691627	1	Screw (Interlock Switch)

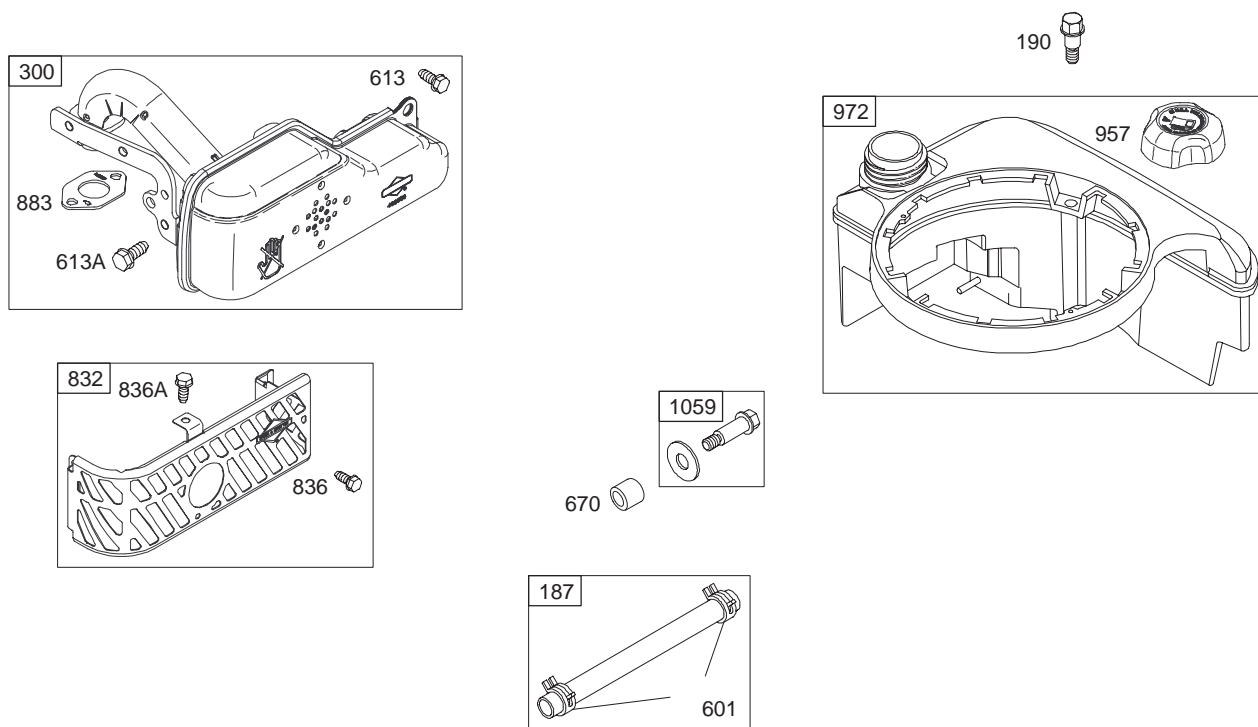
△ Included in Valve Gasket Set-Ref. 1095.

★ Included in Engine Gasket Set-Ref. 358.

◆ Included in Carburetor Overhaul Kit-Ref. 121.

◆ Included in Carburetor Gasket Set-Ref. 977.

Obtain Parts from Briggs and Stratton



Assemblies include all parts shown in frames.

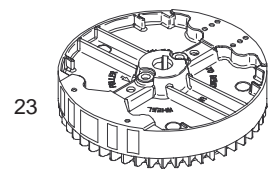
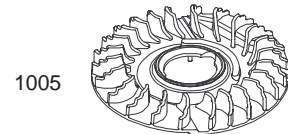
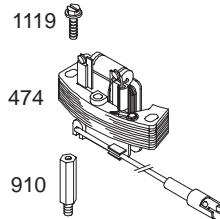
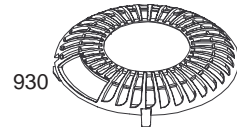
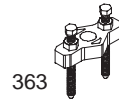
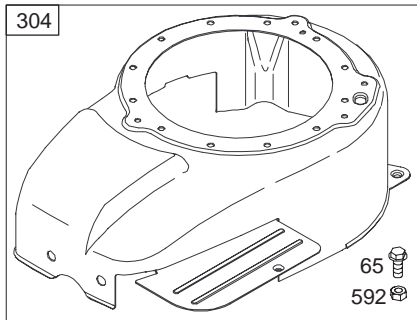
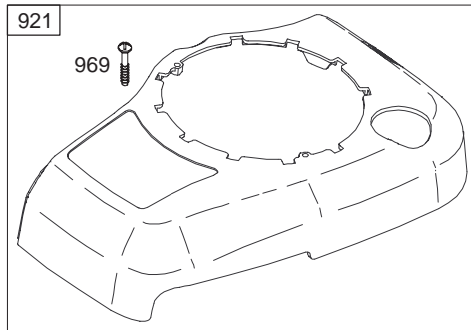
Muffler and Fuel Tank Assembly Briggs and Stratton Model 122607-0116-E1

Ref. No.	Part No.	Qty.	Description	Ref. No.	Part No.	Qty.	Description
187	691050	1	Line-Fuel				
190	690940	1	Screw				
			(Fuel Tank)				
300	694248	1	Muffler				
601	95162	1	Clamp-Hose				
613	691108	1	Screw				
			(Muffler)				
613A	691140	1	Screw				
			(Muffler)				
670	692294	1	Spacer-Fuel Tank				
832	691466	1	Guard-Muffler				
836	690960	1	Screw				
			(Muffler Guard)				
836A	691147	1	Screw				
			(Muffler Guard)				
△883	691893	1	Gasket-Exhaust				
957	692046	1	Cap-Fuel Tank				
972	499618	1	Tank-Fuel				
1059	692311	1	Kit-Screw/Washer				

△ Included in Valve Gasket Set-Ref. 1095.

★ Included in Engine Gasket Set-Ref. 358.

Obtain Parts from Briggs and Stratton



1036 Emission Label

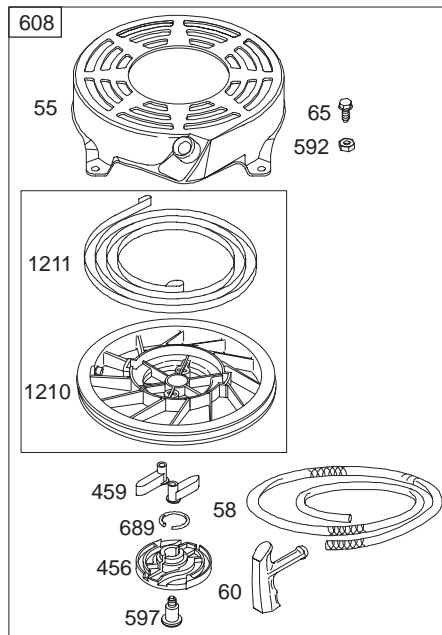
Assemblies include all parts shown in frames.

Blower Housing Assembly Briggs and Stratton Model 122607-0116-E1

Ref. No.	Part No.	Qty.	Description
23	696569	1	Flywheel
65	690837	1	Screw (Rewind Starter)
304	499677	1	Housing-Blower
305	690960	1	Screw (Blower Housing)
332	690662	1	Nut (Flywheel)
363	19069	1	Puller-Flywheel
455	695161	1	Cup-Flywheel
474	691991	1	Alternator
592	690800	1	Nut (Rewind Starter)
910	691094	1	Stud (Alternator)
921	692699	1	Cover-Blower Housing
930	692691	1	Guard-Rewind
969	691138	1	Screw (Blower Housing Cover)
1005	691346	1	Fan-Flywheel
1036	696767	1	Label-Emission
1119	691648	1	Screw (Alternator)

Ref. No.	Part No.	Qty.	Description

Obtain Parts from Briggs and Stratton



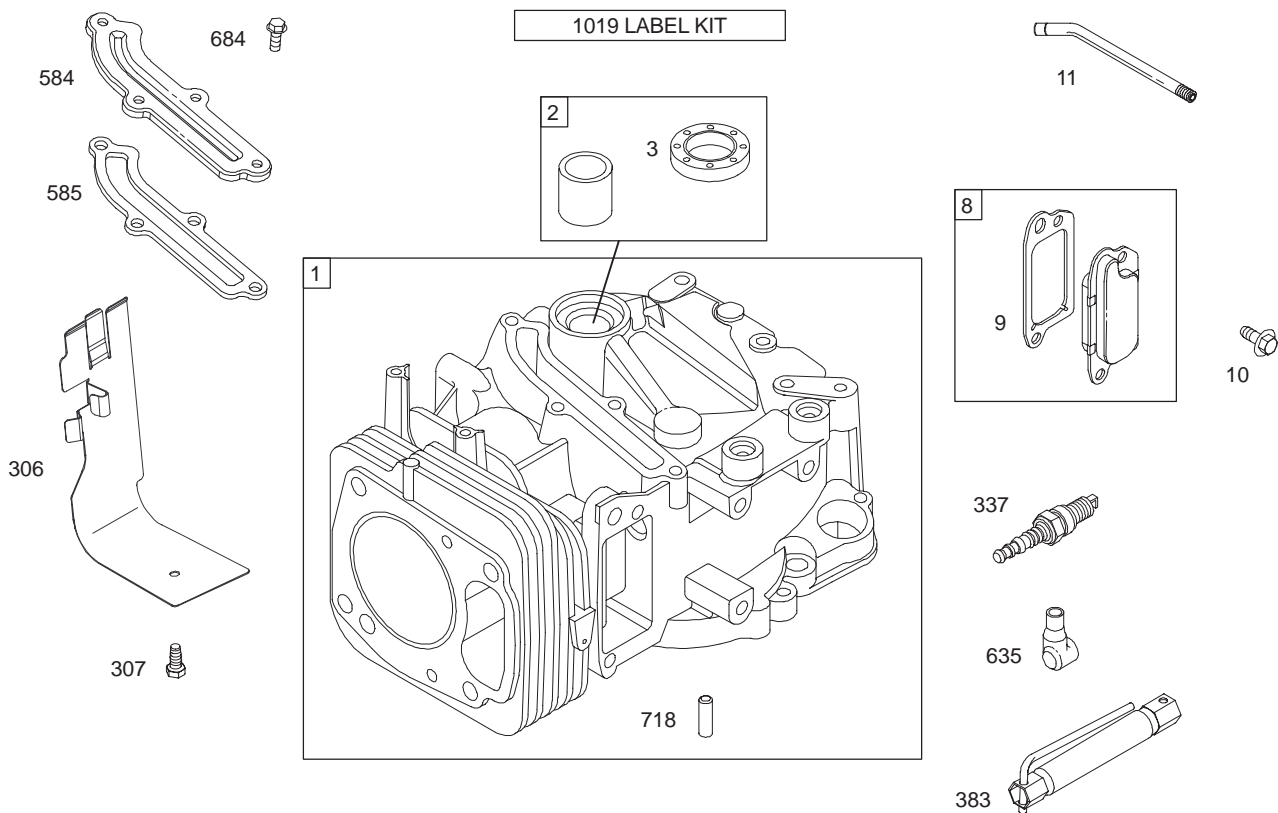
Assemblies include all parts shown in frames.

Starter Assembly Briggs and Stratton Model 122607-0116-E1

Ref. No.	Part No.	Qty.	Description	Ref. No.	Part No.	Qty.	Description
55	691421	1	Housing-Rewind Starter				
58	280399	1	Rope-Starter (Cut to Required Length)				
60	281434	1	Grip-Starter Rope				
65	690837	1	Screw (Rewind Starter)				
456	692299	1	Plate-Pawl Friction				
459	281505	1	Pawl-Ratchet				
592	690800	1	Nut (Rewind Starter)				
597	691696	1	Screw (Pawl Friction Plate)				
608	497680	1	Starter-Rewind				
689	691855	1	Spring-Friction				
1210	498144	1	Pulley/Spring Assembly (Pulley)				
1211	498144	1	Pulley/Spring Assembly (Spring)				

Obtain Parts from Briggs and Stratton

1058 OWNER'S MANUAL
1019 LABEL KIT



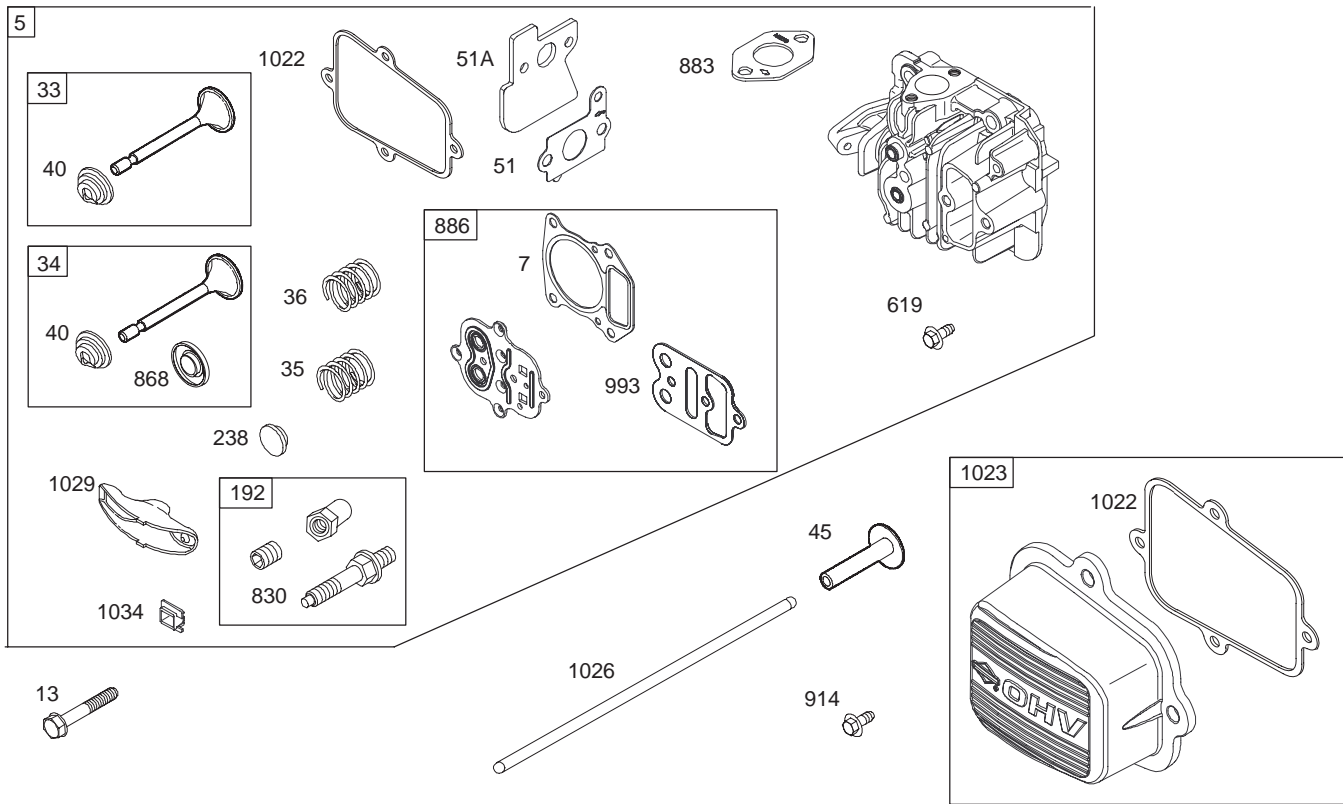
Assemblies include all parts shown in frames.

Cylinder Assembly Briggs and Stratton Model 122602-0120-E1

Ref. No.	Part No.	Qty.	Description	Ref. No.	Part No.	Qty.	Description
1	499678	1	Cylinder Assembly	1019	695811	1	Kit-Label
2	399269	1	Kit-Bushing/Seal (Magneto Side)	1058	274979	1	Owner's Manual
★3	299819	1	Seal-Oil (Magneto Side)				
8	495786	1	Breather Assembly				
△★9	272481	1	Gasket-Breather				
10	691125	1	Screw (Breather Assembly)				
11	691260	1	Tube-Breather				
306	691232	1	Shield-Cylinder				
307	690345	1	Screw (Cylinder Shield)				
337	692051	1	Sparkplug				
383	19374	1	Wrench-Sparkplug				
584	692342	1	Cover-Breather Passage				
★585	691879	1	Gasket-Breather Passage				
635	66538	1	Boot-Sparkplug				
684	690345	1	Screw (Breather Passage Gasket)				
718	690959	1	Pin-Locating				

△ Included in Valve Gasket Set-Ref. 1095. **Obtain Parts from Briggs and Stratton**

★ Included in Engine Gasket Set-Ref. 358.



Assemblies include all parts shown in frames.

Cylinder Head Assembly Briggs and Stratton Model 122602-0120-E1

Ref. No.	Part No.	Qty.	Description
5	695276	1	Head-Cylinder
Δ★7	695166	1	Gasket-Cylinder Head
13	691137	1	Screw
33	499642	1	Valve-Exhaust
34	499641	1	Valve-Intake
35	691304	1	Spring-Valve (Intake)
36	691304	1	Spring-Valve (Exhaust)
40	692194	1	Retainer-Valve
45	690977	1	Tappet-Valve
Δ★◆51	692668	1	Gasket-Intake
Δ★◆51A	692799	1	Gasket-Intake
192	694543	1	Adjuster-Rocker Arm
238	691300	1	Cap-Valve
619	691108	1	Screw (Cylinder Head Plate)
830	694544	1	Stud-Rocker Arm
Δ★868	692044	1	Seal-Valve
Δ★883	691893	1	Gasket-Exhaust
886	696268	1	Gasket Kit-Cylinder Head/Plate

Ref. No.	Part No.	Qty.	Description
914	691127	1	Screw (Rocker Cover)
Δ★993	694088	1	Gasket-Cylinder Head Plate
Δ★1022	691890	1	Gasket-Rocker Cover
1023	692694	1	Cover-Rocker
1026	692045	1	Rod-Push
1029	691230	1	Arm-Rocker
1034	691343	1	Guide-Push Rod

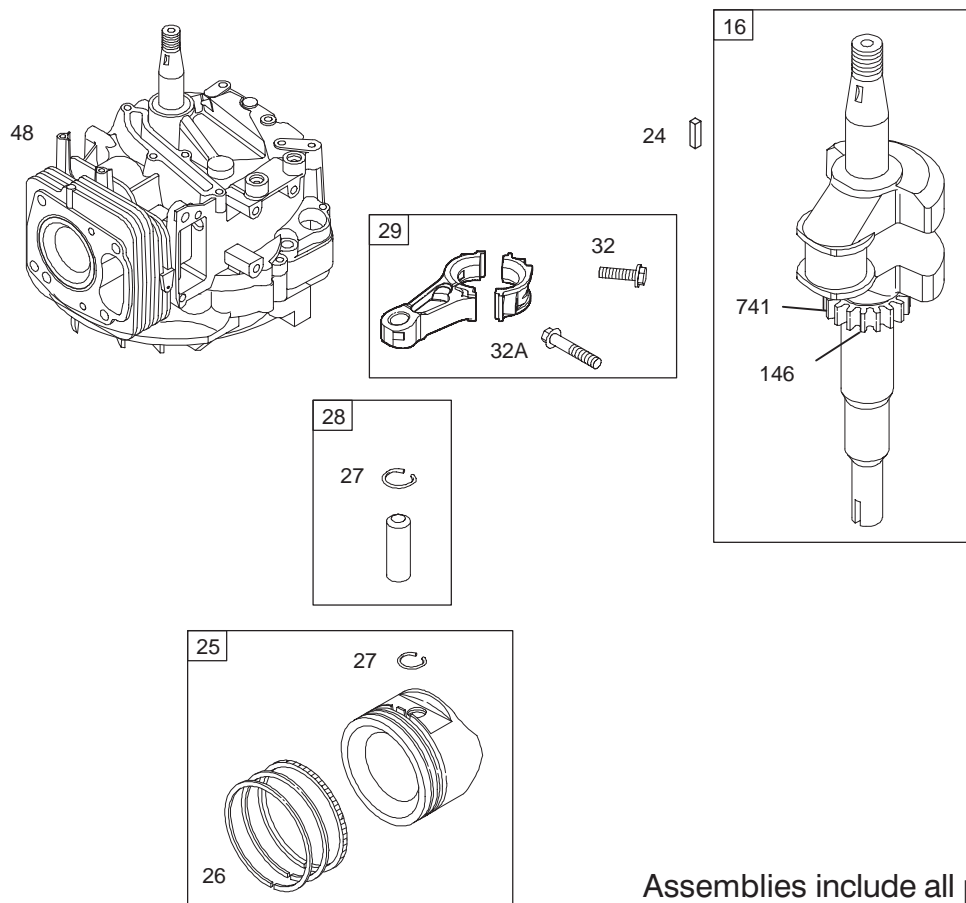
Δ Included in Valve Gasket Set-Ref. 1095.

● Included in Carburetor Overhaul Kit-Ref. 121.

★ Included in Engine Gasket Set-Ref. 358.

◆ Included in Carburetor Gasket Set-Ref. 977.

Obtain Parts from Briggs and Stratton



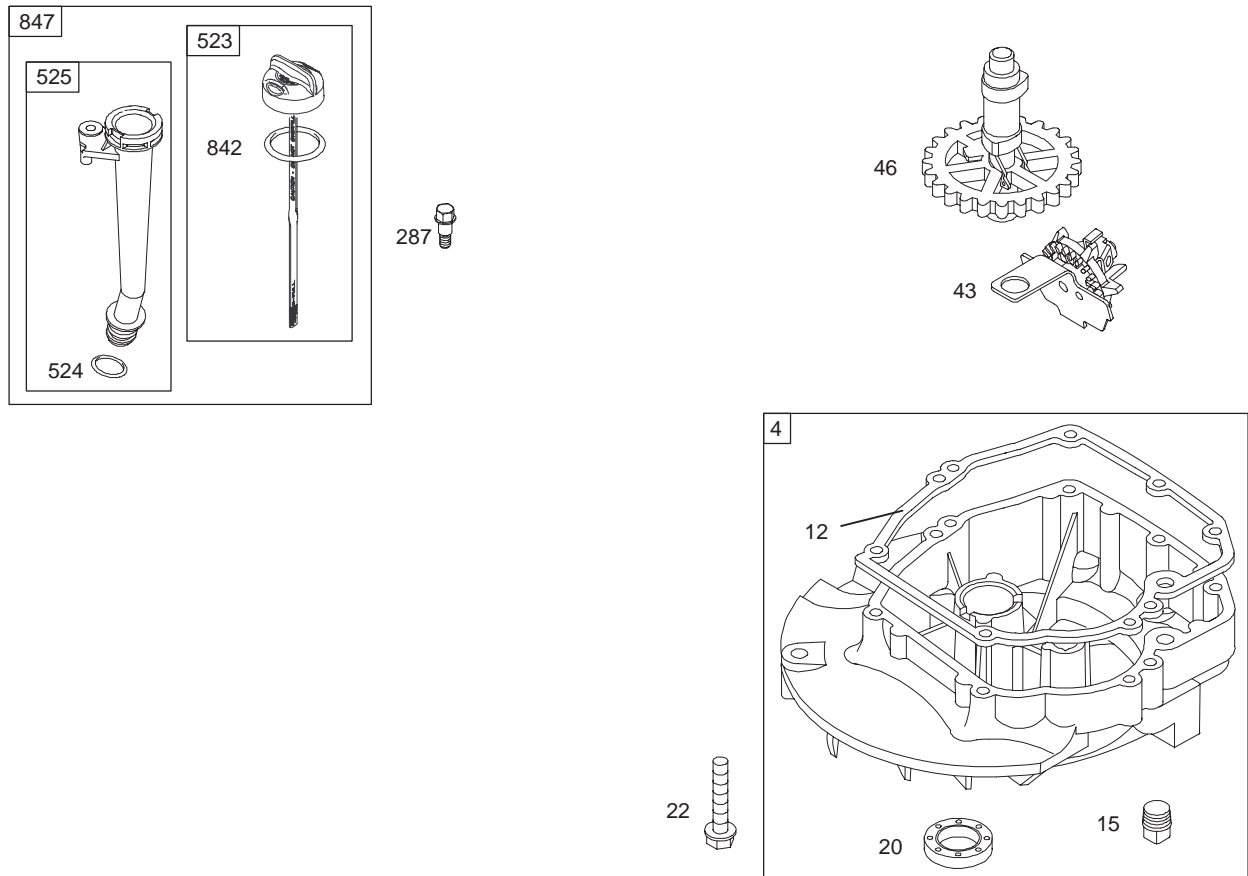
Assemblies include all parts shown in frames.

Crankshaft Assembly Briggs and Stratton Model 122602-0120-E1

Ref. No.	Part No.	Qty.	Description
16	695950	1	Crankshaft
24	222698	1	Key-Flywheel
25	499627	1	Piston Assembly (Standard)
	692788	1	Piston Assembly (.010" Oversize)
	692789	1	Piston Assembly (.020" Oversize)
	692790	1	Piston Assembly (.030" Oversize)
26	499631	1	Ring Set (Standard)
	692785	1	Ring Set (.010" Oversize)
	692786	1	Ring Set (.020" Oversize)
	692787	1	Ring Set (.030" Oversize)
27	691866	1	Lock-Piston Pin
28	499423	1	Pin-Piston
29	499424	1	Rod-Connecting
32	691664	1	Screw (Connecting Rod)

Ref. No.	Part No.	Qty.	Description
32A	695759	1	Screw (Connecting Rod)
48	694898	1	Short Block
146	690979	1	Key-Timing
741	691830	1	Gear-Timing

Obtain Parts from Briggs and Stratton



Assemblies include all parts shown in frames.

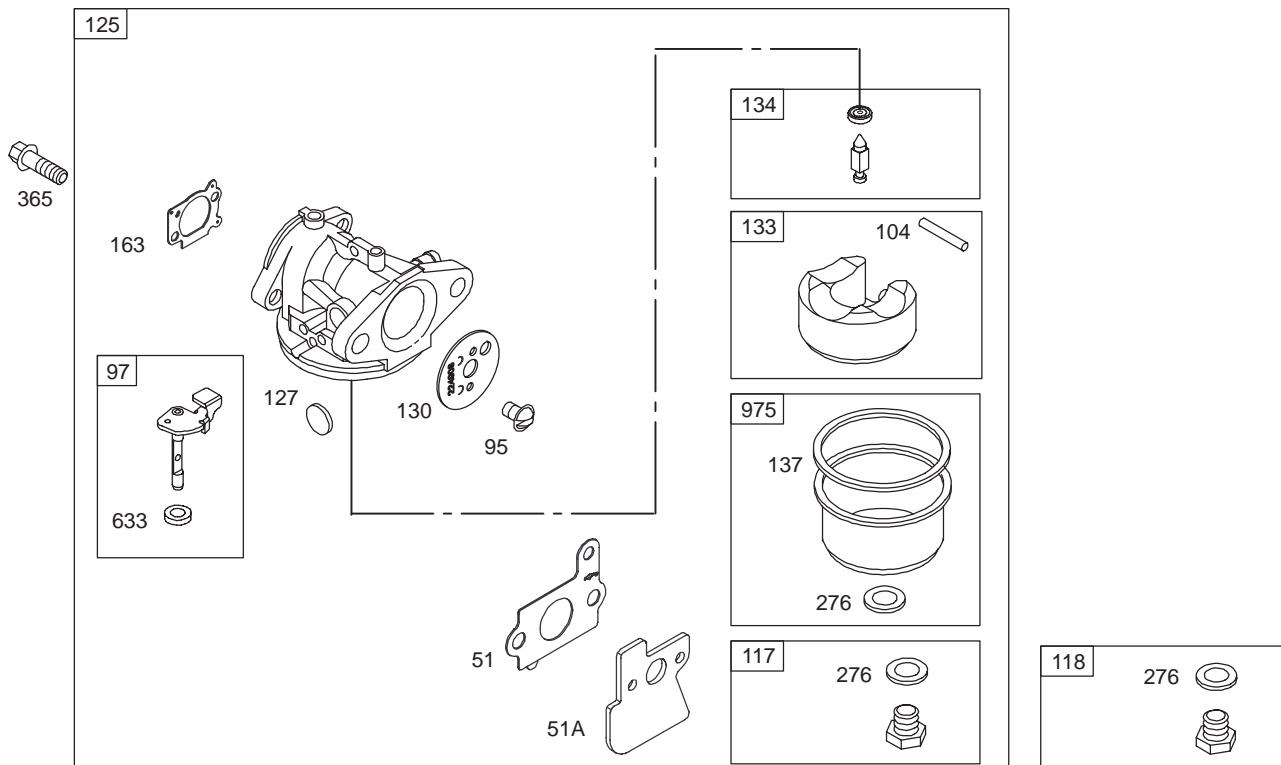
Crankcase Assembly Briggs and Stratton Model 122602-0120-E1

Ref. No.	Part No.	Qty.	Description
4	499619	1	Sump-Engine
★12	692232	1	Gasket-Crankcase
15	691680	1	Plug-Oil Drain
★20	399781	1	Seal-Oil (PTO Side)
22	691092	1	Screw (Engine Sump)
43	691997	1	Slinger-Governor/Oil
46	694039	1	Camshaft
287	690940	1	Screw (Dipstick Tube)
523	499621	1	Tube-Dipstick
★524	692296	1	Seal-Dipstick Tube
525	495265	1	Tube-Dipstick
★842	691031	1	Seal-O Ring (Dipstick Tube)
847	692047	1	Assembly-Dipstick/ Tube

Ref. No.	Part No.	Qty.	Description

★ Included in Engine Gasket Set-Ref. 358.

Obtain Parts from Briggs and Stratton



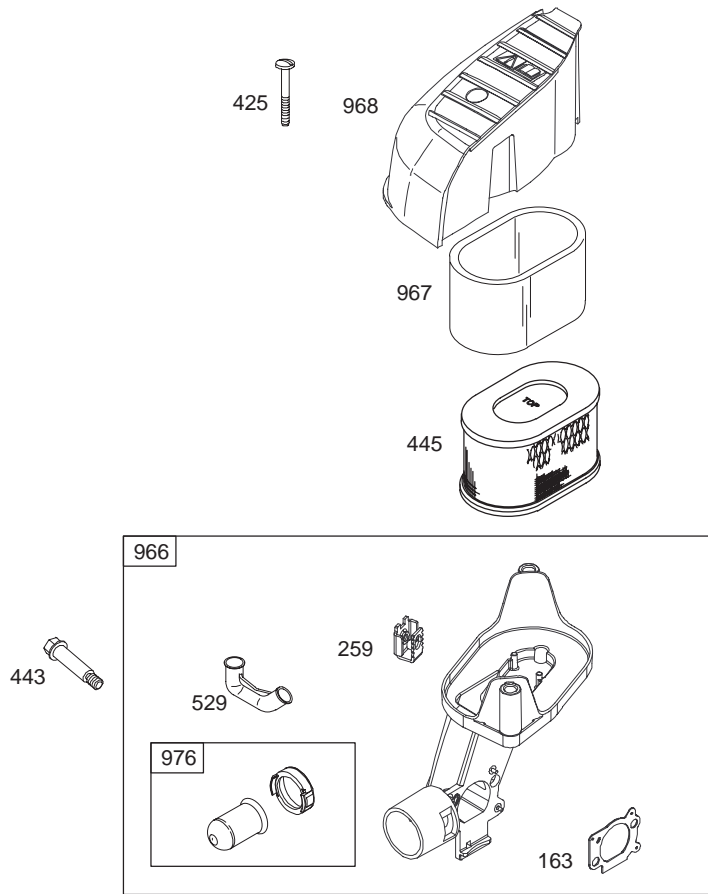
Carburetor Assembly Briggs and Stratton Model 122602-0120-E1

Ref. No.	Part No.	Qty.	Description
△★◆51	692668	1	Gasket-Intake
△★◆51A	692799	1	Gasket-Intake
95	691636	1	Screw (Throttle Valve)
97	499682	1	Shaft-Throttle
●104	691242	1	Pin-Float Hinge
117	498978	1	Jet-Main (Standard)
118	498975	1	Jet-Main (High Altitude)
125	694202	1	Carburetor
●127	694468	1	Plug-Welch
130	691203	1	Valve-Throttle
133	398187	1	Float-Carburetor
●134	398188	1	Kit-Needle/Seat
●◆137	693981	1	Gasket-Float Bowl
△★◆163	691894	1	Gasket-Air Cleaner
●◆276	271716	1	Washer-Sealing
365	691136	1	Screw (Carburetor)
●◆633	691321	1	Seal-Choke/Throttle Shaft
975	493640	1	Bowl-Float

Ref. No.	Part No.	Qty.	Description

△ Included in Valve Gasket Set-Ref. 1095.
 ★ Included in Engine Gasket Set-Ref. 358.
Obtain Parts from Briggs and Stratton

● Included in Carburetor Overhaul Kit-Ref. 121.
 ◆ Included in Carburetor Gasket Set-Ref. 977.



Assemblies include all parts shown in frames.

Air Cleaner Assembly Briggs and Stratton Model 122602-0120-E1

Ref. No.	Part No.	Qty.	Description
Δ★◆163	691894	1	Gasket-Air Cleaner
259	691189	1	Bracket-Casing Clamp
425	690244	1	Screw (Air Cleaner Cover)
443	690255	1	Screw (Air Cleaner Primer Bracket)
445	690610	1	Filter-Air Cleaner Cartridge
529	692937	1	Grommet
966	690243	1	Base-Air Cleaner Primer
967	273356	1	Filter-Pre Cleaner
968	692692	1	Cover-Air Cleaner
976	694395	1	Primer-Carburetor

Ref. No.	Part No.	Qty.	Description

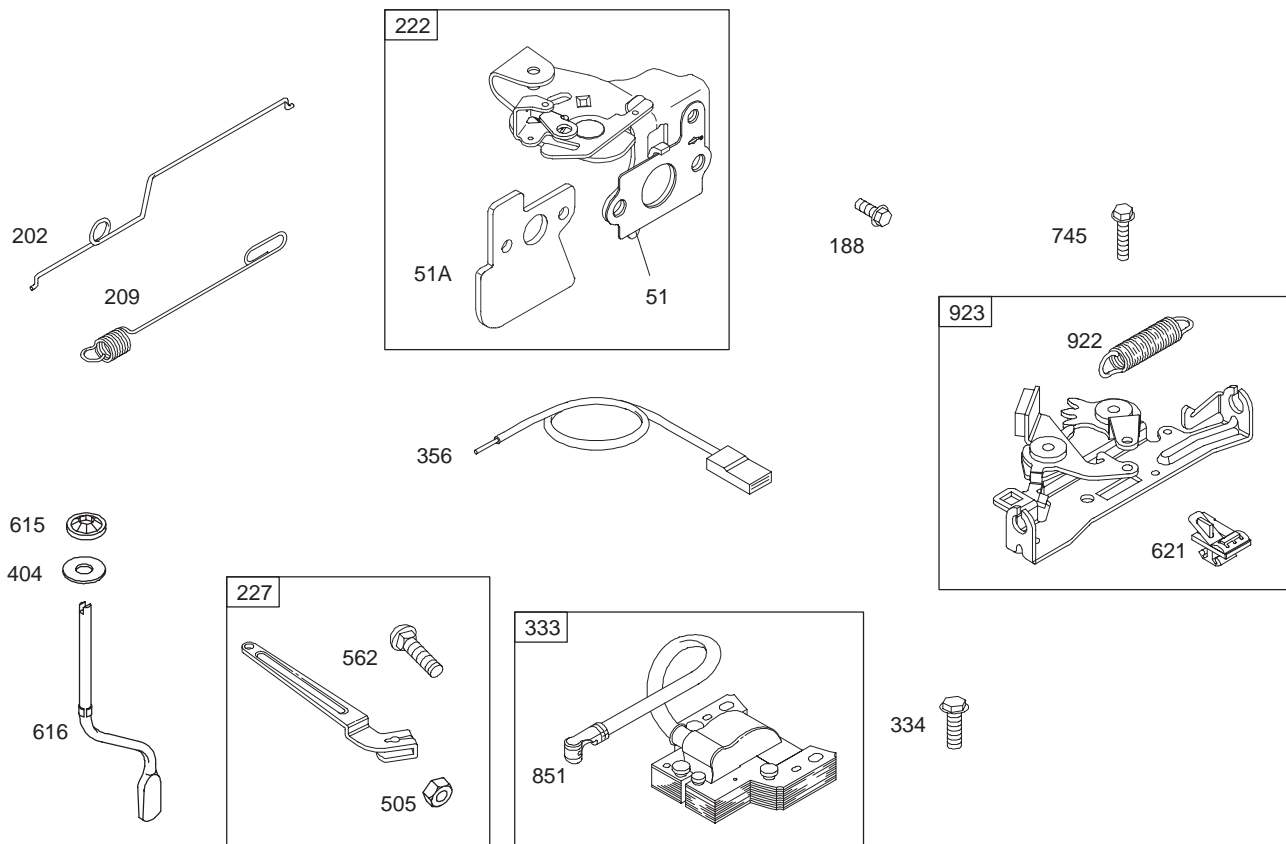
Δ Included in Valve Gasket Set-Ref. 1095.

★ Included in Engine Gasket Set-Ref. 358.

● Included in Carburetor Overhaul Kit-Ref. 121.

◆ Included in Carburetor Gasket Set-Ref. 977.

Obtain Parts from Briggs and Stratton



Assemblies include all parts shown in frames.

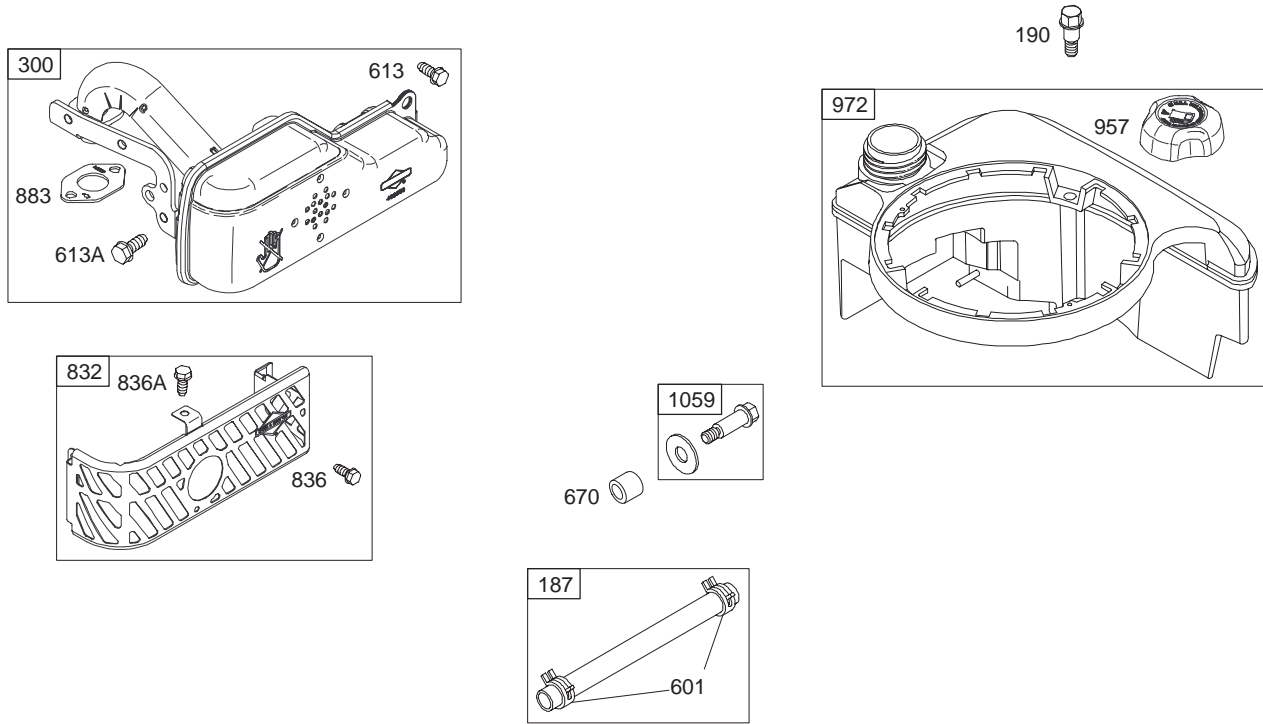
Governor Assembly Briggs and Stratton Model 122602-0120-E1

Ref. No.	Part No.	Qty.	Description	Ref. No.	Part No.	Qty.	Description
△★◆51	692668	1	Gasket-Intake	616	691308	1	Crank-Governor
△★◆51A	692799	1	Gasket-Intake	621	692310	1	Switch-Stop
188	693168	1	Screw (Control Bracket)	745	691648	1	Screw (Brake)
202	691303	1	Link-Mechanical Governor	851	493880	1	Terminal-Sparkplug
209	691292	1	Spring-Governor	922	691831	1	Spring-Brake
222	692723	1	Bracket-Control	923	691994	1	Brake Assembly
227	690783	1	Lever-Governor Control				
333	802574	1	Armature-Magneto				
334	691061	1	Screw (Magneto Armature)				
356	692390	1	Wire-Stop				
404	690272	1	Washer (Governor Crank)				
505	231082	1	Nut (Governor Control Lever)				
562	92613	1	Screw (Governor Control Lever)				
615	690340	1	Retainer-Governor Shaft				

△ Included in Valve Gasket Set-Ref. 1095.
★ Included in Engine Gasket Set-Ref. 358.

◆ Included in Carburetor Overhaul Kit-Ref. 121.
◆ Included in Carburetor Gasket Set-Ref. 977.

Obtain Parts from Briggs and Stratton



Assemblies include all parts shown in frames.

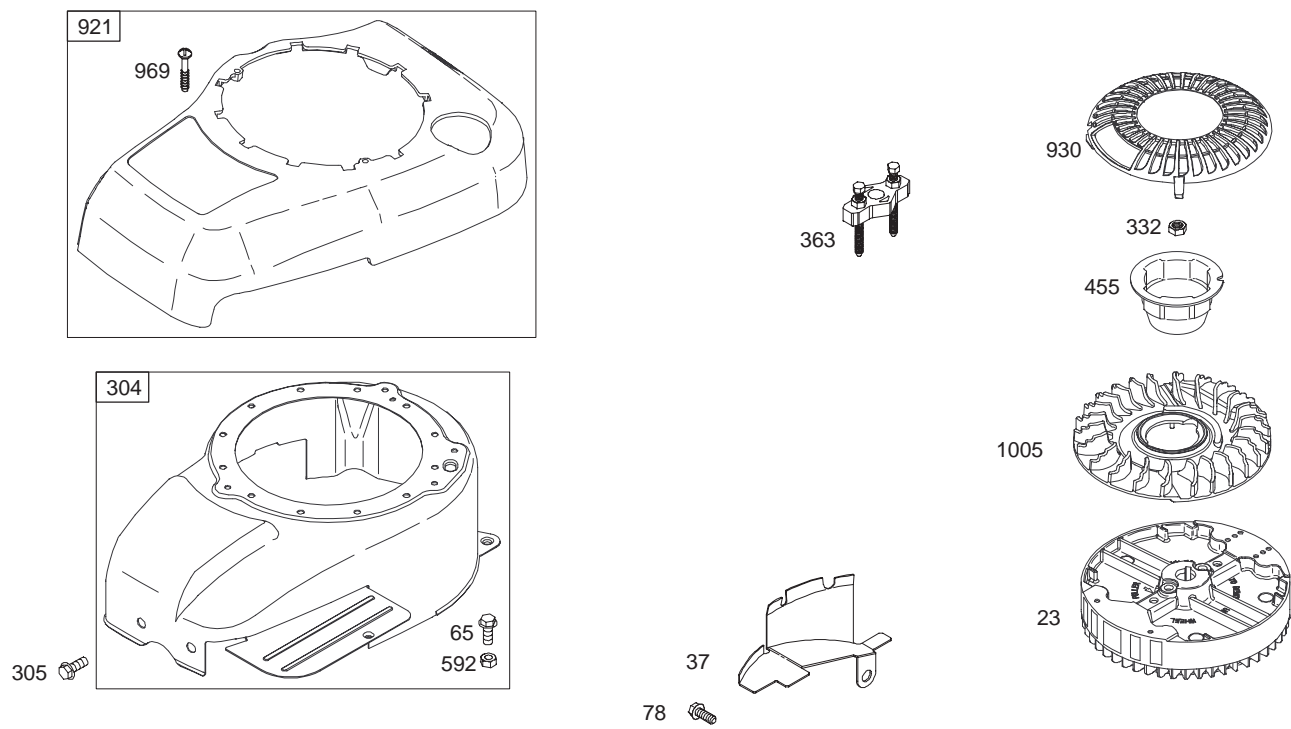
Muffler and Fuel Tank Assembly Briggs and Stratton Model 122602-0120-E1

Ref. No.	Part No.	Qty.	Description
187	691050	1	Line-Fuel
190	690940	1	Screw (Fuel Tank)
300	694248	1	Muffler
601	95162	1	Clamp-Hose
613	691108	1	Screw (Muffler)
613A	691140	1	Screw (Muffler)
670	692294	1	Spacer-Fuel Tank
832	691466	1	Guard-Muffler
836	690960	1	Screw (Muffler Guard)
836A	691147	1	Screw (Muffler Guard)
Δ★883	691893	1	Gasket-Exhaust
957	692046	1	Cap-Fuel Tank
972	499618	1	Tank-Fuel
1059	692311	1	Kit-Screw/Washer

Ref. No.	Part No.	Qty.	Description

Δ Included in Valve Gasket Set-Ref. 1095. ★ Included in Engine Gasket Set-Ref. 358.

Obtain Parts from Briggs and Stratton



1036 Emission Label

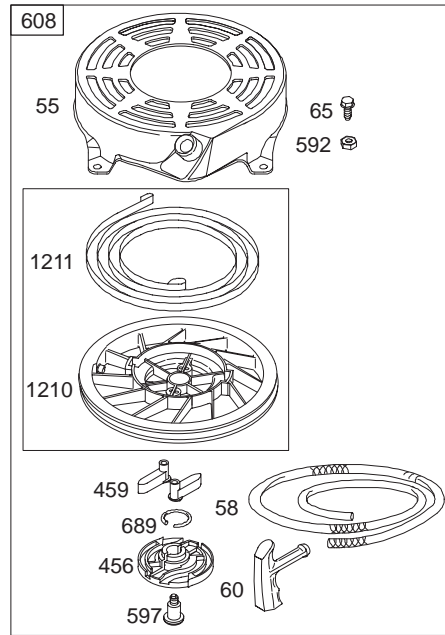
Assemblies include all parts shown in frames.

Blower Housing Assembly Briggs and Stratton Model 122602-0120-E1

Ref. No.	Part No.	Qty.	Description
23	696569	1	Flywheel
37	694086	1	Guard-Flywheel
65	690837	1	Screw (Rewind Starter)
78	691108	1	Screw (Flywheel Guard)
304	499677	1	Housing-Blower
305	690960	1	Screw (Blower Housing)
332	690662	1	Nut (Flywheel)
363	19069	1	Puller-Flywheel
455	695161	1	Cup-Flywheel
592	690800	1	Nut (Rewind Starter)
921	692699	1	Cover-Blower Housing
930	692691	1	Guard-Rewind
969	691138	1	Screw (Blower Housing Cover)
1005	691346	1	Fan-Flywheel
1036	696767	1	Label-Emission

Ref. No.	Part No.	Qty.	Description

Obtain Parts from Briggs and Stratton



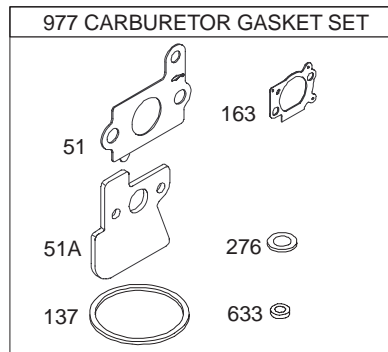
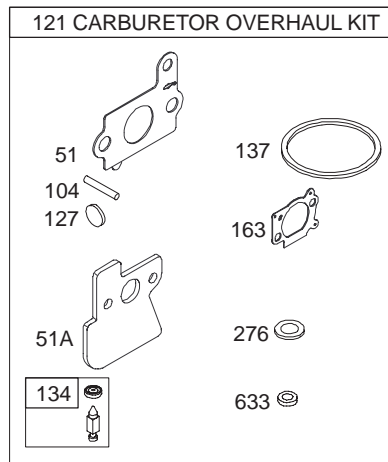
Assemblies include all parts shown in frames.

Starter Assembly Briggs and Stratton Model 122602-0120-E1

Ref. No.	Part No.	Qty.	Description
55	691421	1	Housing-Rewind Starter
58	280399	1	Rope-Starter (Cut to Required Length)
60	281434	1	Grip-Starter Rope
65	690837	1	Screw (Rewind Starter)
456	692299	1	Plate-Pawl Friction
459	281505	1	Pawl-Ratchet
592	690800	1	Nut (Rewind Starter)
597	691696	1	Screw (Pawl Friction Plate)
608	497680	1	Starter-Rewind
689	691855	1	Spring-Friction
1210	498144	1	Pulley/Spring Assembly (Pulley)
1211	498144	1	Pulley/Spring Assembly (Spring)

Ref. No.	Part No.	Qty.	Description

Obtain Parts from Briggs and Stratton



Assemblies include all parts shown in frames.

Carburetor Overhaul Kit Assembly Briggs and Stratton Model 122602-0120-E1

Ref. No.	Part No.	Qty.	Description
Δ★◆51	692668	1	Gasket-Intake
Δ★◆51A	692799	1	Spacer-Carburetor
●104	691242	1	Pin-Float Hinge
121	692703	1	Kit-Carburetor Overhaul
●127	694468	1	Plug-Welch
●134	398188	1	Kit-Needle/Seat
◆137	693981	1	Gasket-Float Bowl
Δ★◆163	691894	1	Gasket-Air Cleaner
◆276	271716	1	Washer-Sealing
◆633	691321	1	Seal-Choke/Throttle Shaft
977	692704	1	Gasket Set-Carburetor

Ref. No.	Part No.	Qty.	Description

Δ Included in Valve Gasket Set-Ref. 1095.

★ Included in Engine Gasket Set-Ref. 358.

● Included in Carburetor Overhaul Kit-Ref. 121.

◆ Included in Carburetor Gasket Set-Ref. 977.

Obtain Parts from Briggs and Stratton

