

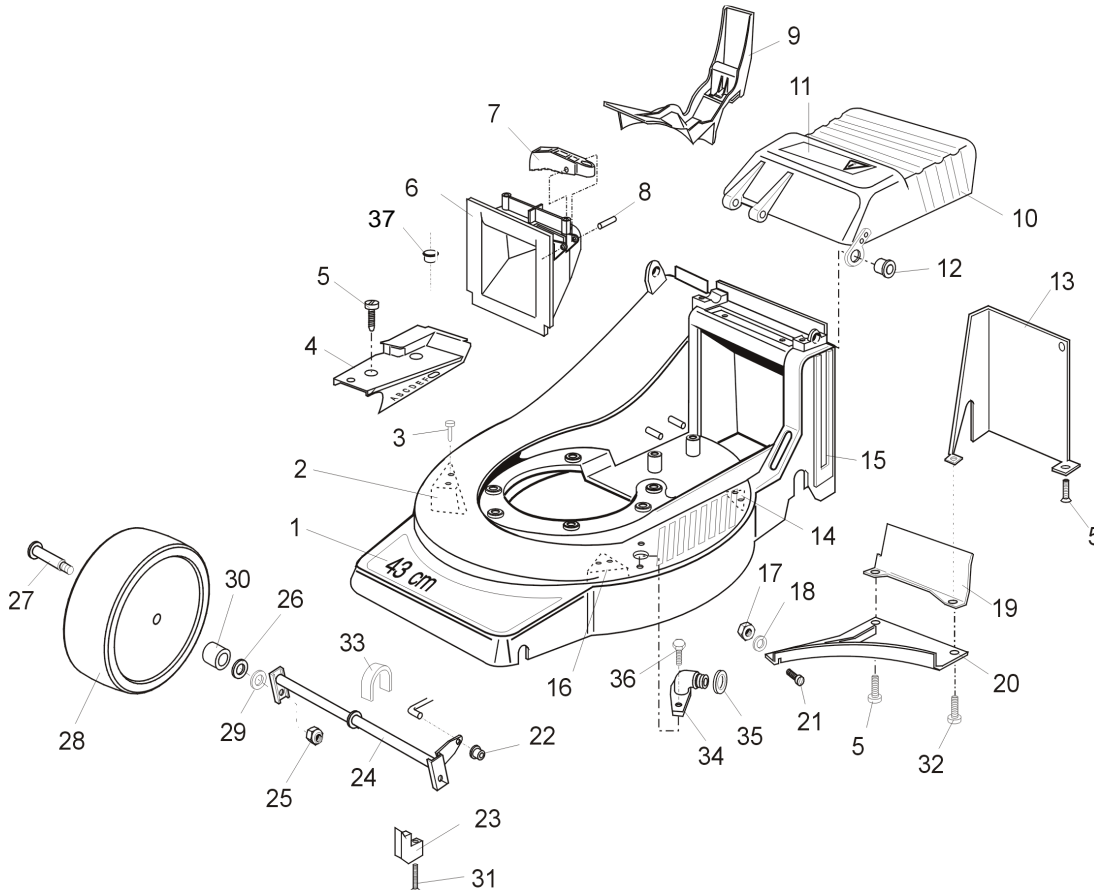


Model-No.: 21012  
Serial-No.: 23000001 & up

# Teileliste

**Recycler®**  
**43cm Mower HP**

## Housing Assembly



Ref.No.	Part-No.	Description	Qty.
1	95-6839	Decal -Deck	1
2	93-3730	Kicker – Right Front	1
3	32144-111	Screw - Kicker	6
4	106-4750	Cover - Belt	1
5	93-4095	Screw - Baffle	4
6	93-4054	Grip - Lower	1
7	98-3236	Trigger - HOC	1
8	3284-5	Pin - Groove	1
9	93-3790	Plug	1
10	99-1700	Door Discharge	1
11	99-1708	Decal - Danger	1
12	93-3794	Bushing - Door	1
13	98-1429	Cover - Shield	1
14	93-3750	Deflektor – Left Rear	1
15	106-4751	Housing-Deck (Incl. Ref # 2,14 + 16)	1
16	93-3740	Kicker – Left Front	1
17	3296-2	Nut - Lock	1
18	3256-21	Washer - Flat	1
19	93-4110	Baffle - Chute	1

Ref.No.	Part-No.	Description	Qty.
20	93-3720	Baffle	1
21	3250-13	Screw PPH	1
22	32112-11	Cap	1
23	98-3216	Retainer - Axle	2
24	93-4080	Axle - Front	1
25	99-1711	Nut - Lock	2
26	40-1940	Washer	4
27	99-1712	Bolt - Wheel	2
28	93-4081	<b>Wheel – Front (incl. Ref. No. 30)</b>	2
29	99-1713	Washer - Wave	2
30	93-7024	Bushing	4
31	93-3793	Screw - Retainer	2
32	94-1864	Screw - Baffle	1
33	98-3222	Cap – Front Axle	2
34	95-2747	Fitting- Washout	1
35	46-6290	O-Ring	1
36	46-6811	Screw - HWH	2
37	95-6908	Cap - Cover	2

# Rear Axle Assembly

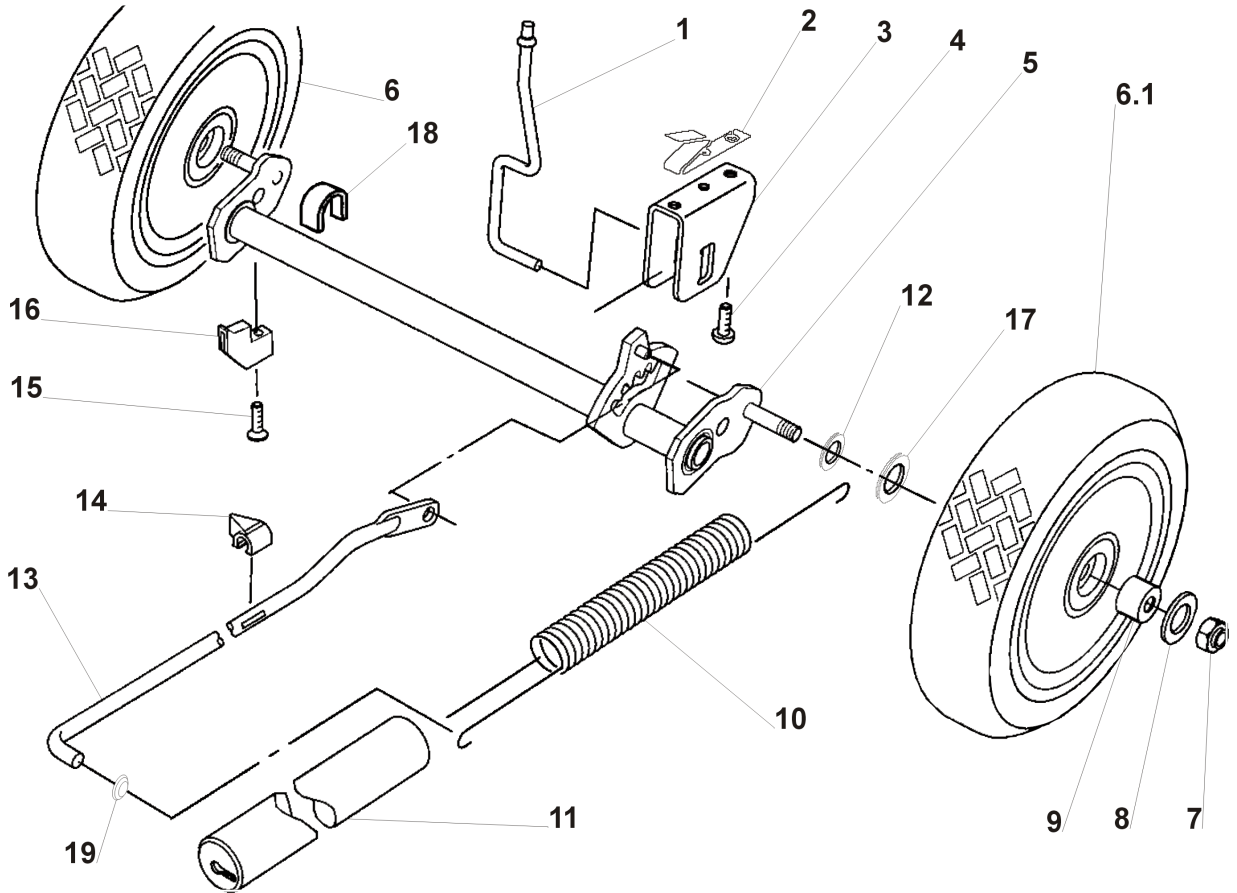
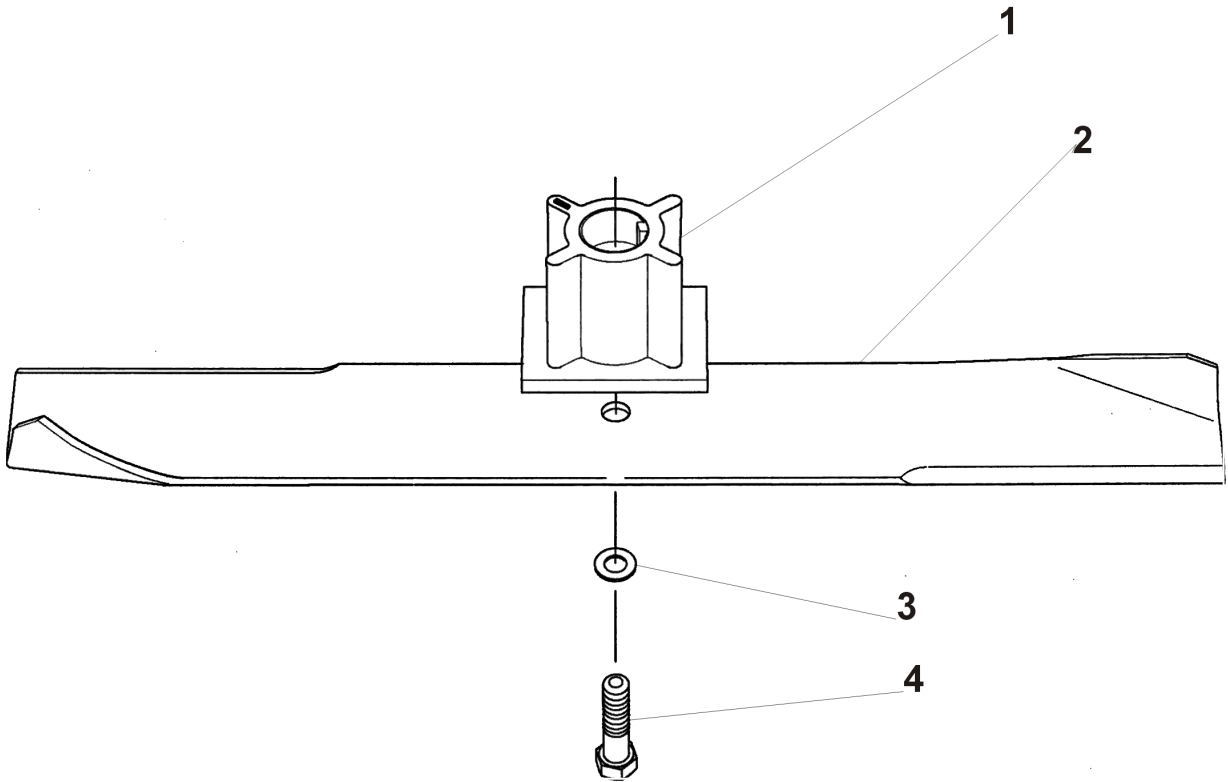


Bild	Teile-Nr.	Bezeichnung	St.
1	98-3232	Rod-Trigger	1
2	93-4062	Spring-Trigger Return	1
3	93-4066	Saddle-HOC	1
4	93-4095	Screw-Baffle	2
5	93-4079	Axle- Rear	1
6	93-8492	Wheel-Rear (incl. Ref.# 9)	1
6.1	94-3313	Smartwheel-Rear (incl. Ref.#9)	1
7	93-4098	Nut-Wheel	2
8	93-4097	Washer-Wheel	2
9	93-7023	Bushing-Wheel	4

Bild	Teile-Nr.	Bezeichnung	St.
10	71-7740	Spring	1
11	71-8450	Cover-Spring	1
12	94-6723	Cuppedwasher	2
13	93-4065	Rod-Link	1
14	71-7980	Indicator-HOC	1
15	93-3793	Screw-Retainer	2
16	98-3116	Retainer-Axle	2
17	94-6722	Washer-Wave	2
18	98-3226	Cap-rear Axle	2
19	32112-11	Safety Cap	1

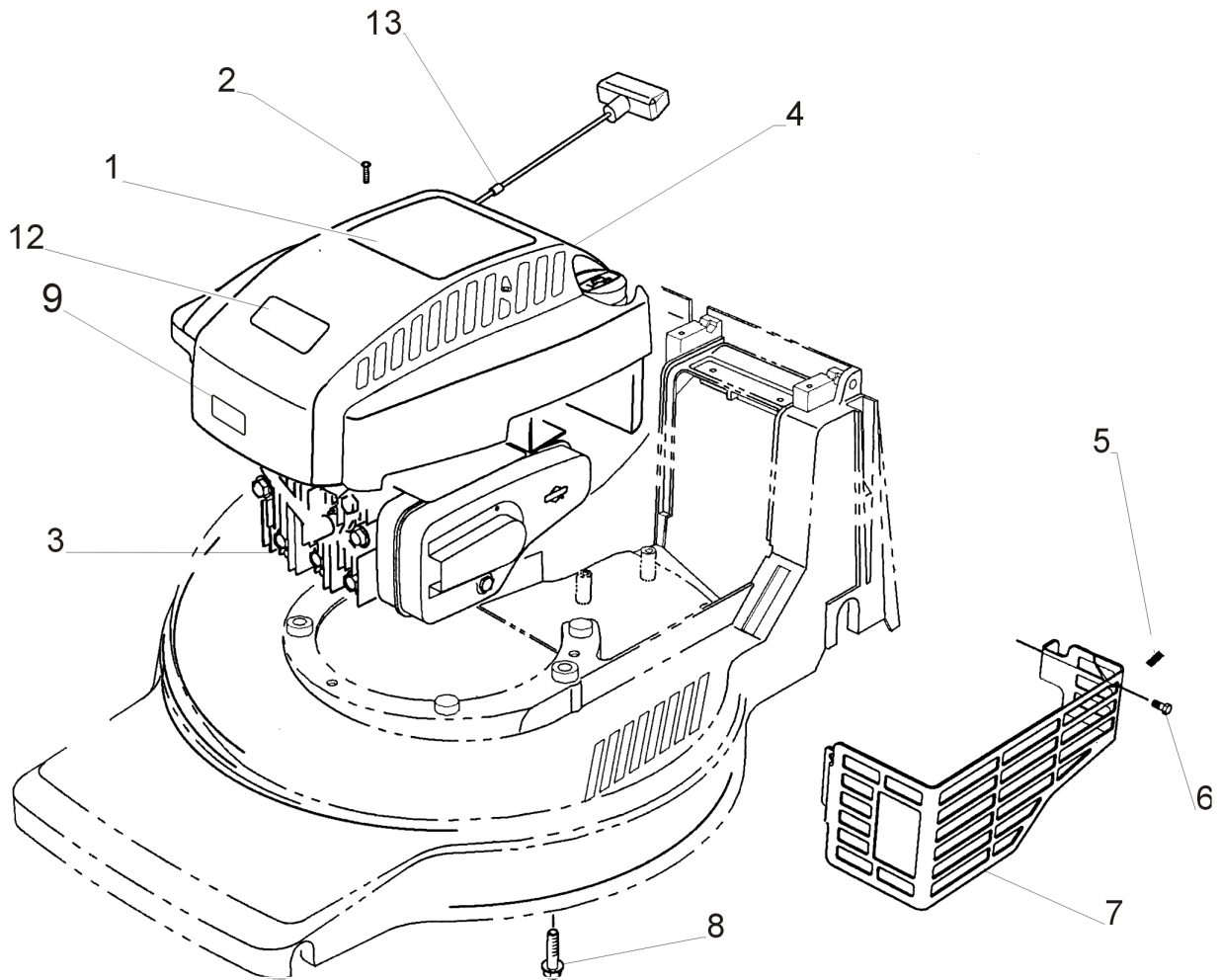
# Blade Assembly



Ref.No.	Part-No.	Description	Qty.
1	93-4091	Retainer - Blade	1
2	98-1430	Blade - 43 cm	1

Ref.No.	Part-No.	Description	Qty.
3	3253-22	Washer - Lock	1
4	26-0672	Bolt - Blade	1

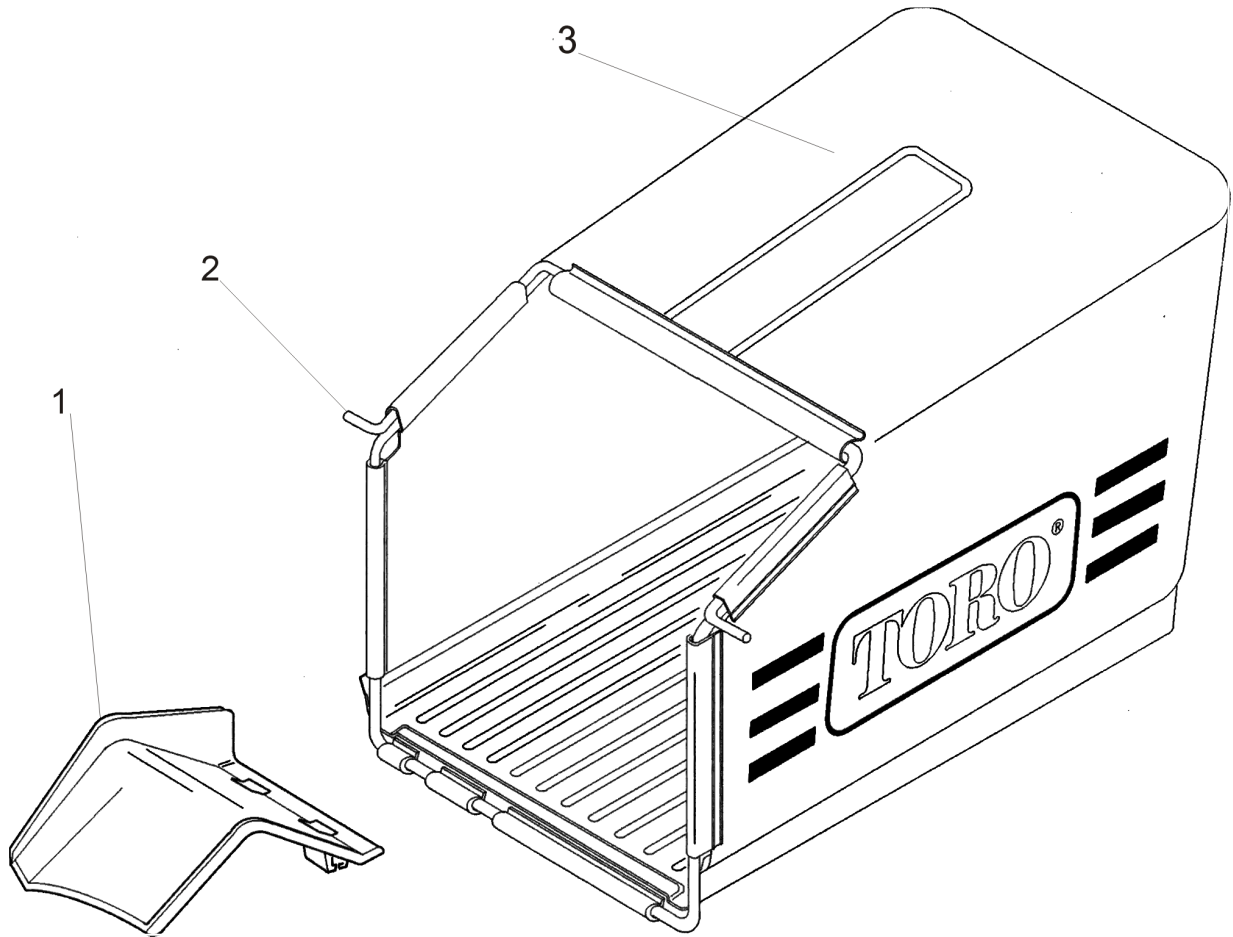
# Engine Assembly



Ref-No.	Part-No.	Description	Qty.
1	95-6838	Decal - Shroud	1
2	32144-121	Screw	2
3	95-6923	Engine B&S Quantum X50	1
4	93-0243	Shroud - Engine	1
5	3290-378	Tie - Cable	1
6	32144-73	Screw	

Ref-No.	Part-No.	Description	Qty.
7	82-8550	Shield - Muffler	
8	32144-102	Screw	3
9	92-2289	Plate - Logo	1
12	92-2289	Plate-Logo	1
13	2210-316	Rope-Stop	1

# Grass Bag Assembly



Ref.No.	Part No.	Description	Qty.
1	93-4087	Grass Bag-Remover	1
2	93-4085	Frame-Bag	1

Ref.No	Part No.	Description	Qty.
3	93-4086	Bag-grass	1

# Führungsholm

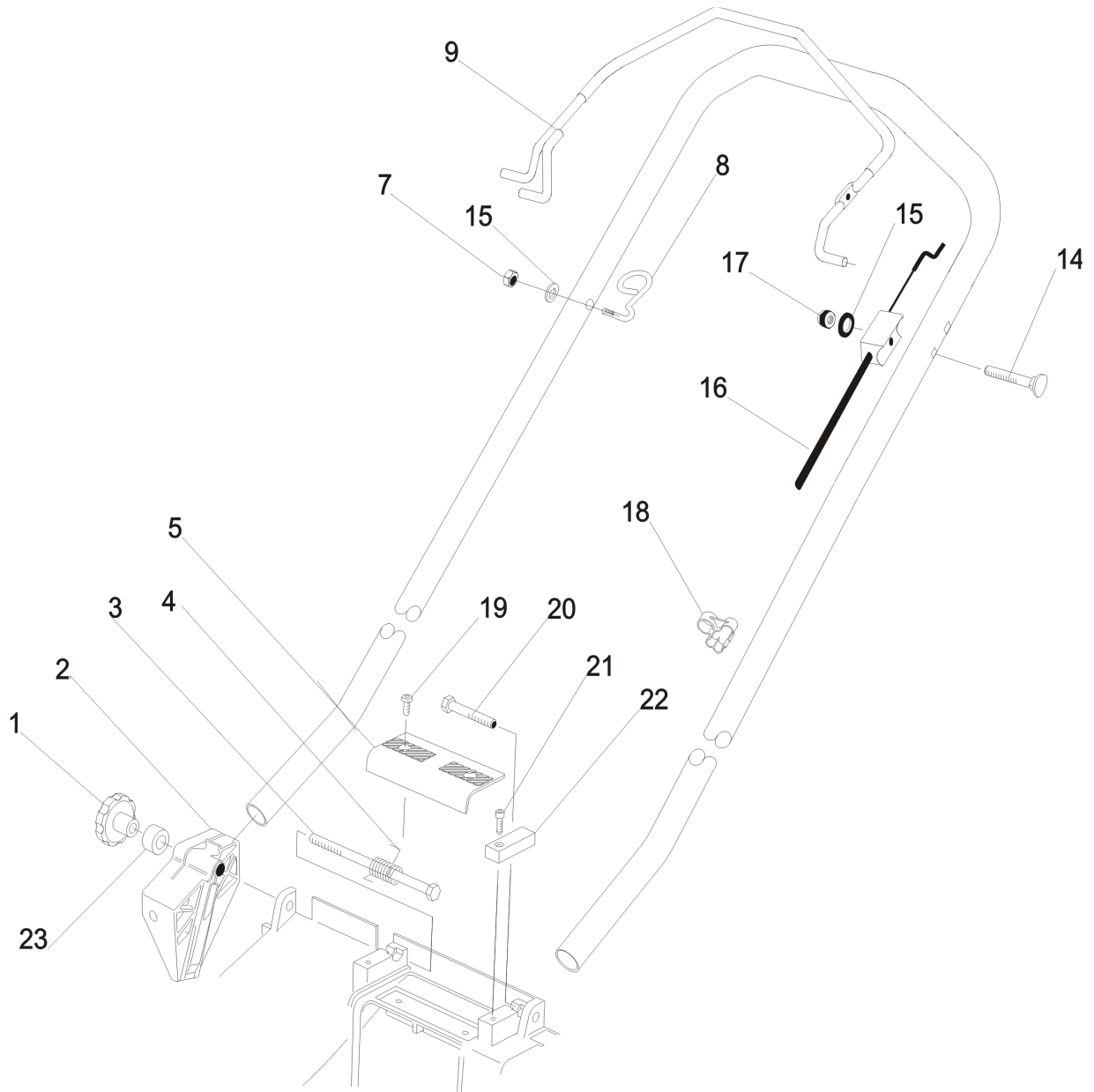


Bild	Teile-Nr.	Bezeichnung	St.
1	19-4050	Knob	2
2	99-1710	Mount-Handle R.H.	1
*	99-1705	Mount-Handle L.H.	1
3	93-4058	Bolt-Long	1
4	93-4057	Spring -Door	1
5	71-7860	Grip-Upper	1
6	95-6924	Handle	1
7	3296-73	Nut-Lock	3
8	95-4457	Rope-Guide	1
9	98-1431	Bail-Brake	1

Bild	Teile-Nr.	Bezeichnung	St.
14	19217	Screw	1
15	3256-1	Washer	3
16	99-1724	Cable-Brake	1
17	3296-73	Nut-Lock	1
18	93-4084	Retainer-Cable	2
19	32144-97	Screw-PPH	2
20	93-4060	Bolt-Short	1
21	93-4094	Screw-Cap Hinge	2
22	93-4056	Cap-Bolt	2
23	99-1717	Spacer	2