



Greensmaster[®] 1000

Model No. 04052 - 240000001 and up.

Parts Catalog

Ordering Replacement Parts

To order replacement parts, please supply: the part number, the quantity, and the description of each part desired.

Understanding Reference Numbers

Each identified part in an illustration has a reference number. The reference number for a part also appears in the parts list, along with other information about the part.

This catalog uses two special reference number formats, one to indicate parts in a service assembly and another to indicate the quantity of a given part in an illustration.

Service Assembly Reference Numbers

Parts in service assemblies have reference numbers in the form **a:b**. The **a** represents the reference number of the entire service assembly and the **b** represents a sequential number unique to each part within the service assembly.

For example, a wheel assembly might be identified by reference number 6, the tire by **6:1**, the valve by **6:2**, and the wheel by **6:3**. When you order the assembly identified by reference number 6, you receive all parts identified by reference numbers 6:1, 6:2, and 6:3. However, you may also order any part individually. Reference numbers of this type appear in illustrations and in part lists.

Reference Numbers Indicating Quantity

In an illustration, if a reference number indicates more than one part, the reference number has the form **nX y**. The **n** represents the quantity of the part, the **X** is the multiplication symbol, and the **y** represents the reference number.

For example, in an illustration, the reference number **2X 37** means that two of the parts identified by reference number 37 are indicated.

Part Description Abbreviations

Part descriptions in this catalog may include the following abbreviations.

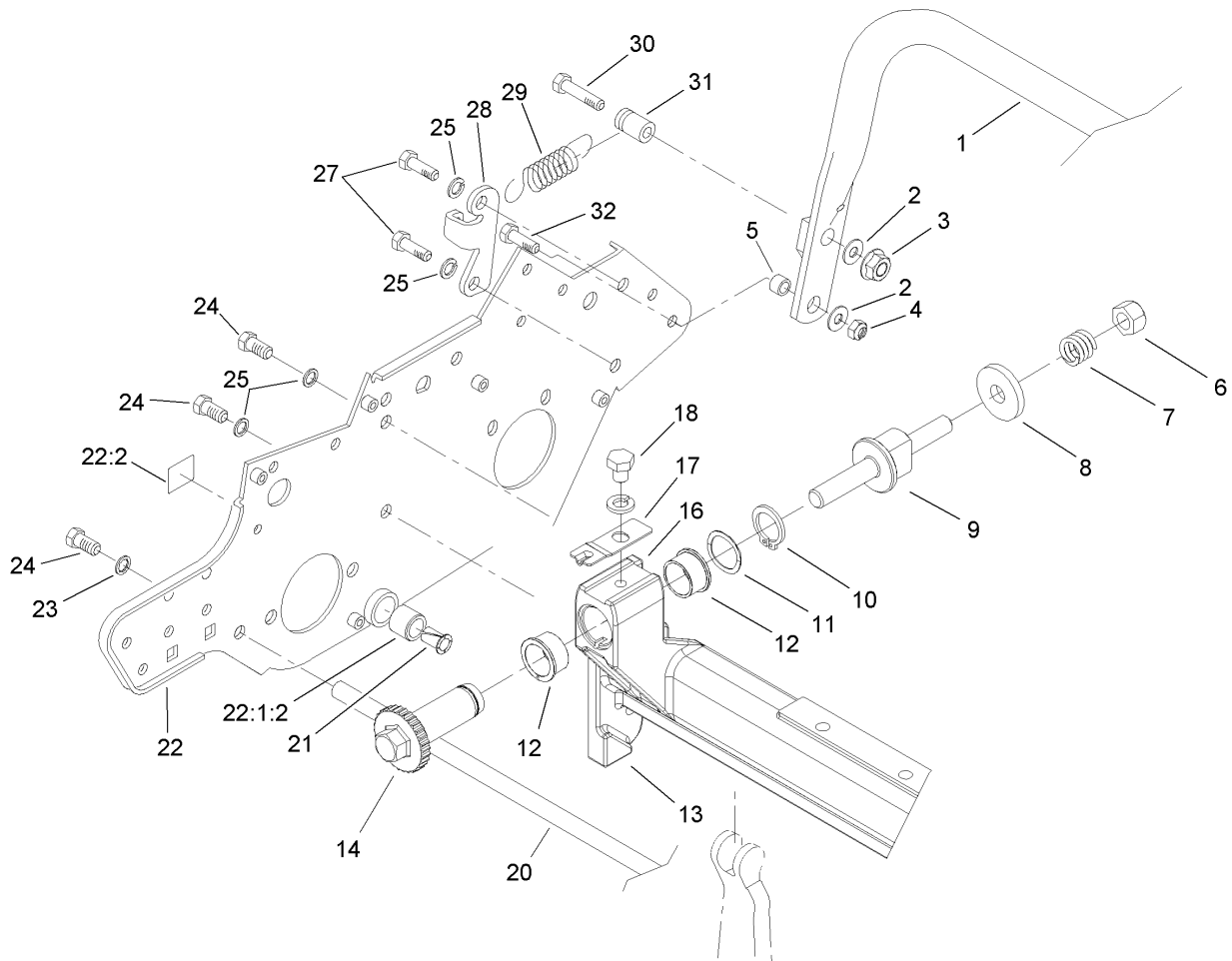
AR.	as required	HYD.	hydraulic
ASM.	assembly	INC.	incorporated
CARR.	carriage	LH.	left hand
DEG.	degrees	NI.	nylon insert
FH.	flat head	PPH.	phillips pan head
GA.	gauge	PTH.	phillips truss head
HF.	hex flange	PTO.	power take off
HH.	hex head	RH.	right hand
HHF.	hex head flange	SFH.	slotted fillister head
HHFTF.	hex head flange thread forming	SHH.	slotted hex head
HJ.	hex jam	SHWH.	slotted hex washer head
HLH.	hex lag head	SPH.	slotted pan head
HOC.	height-of-cut	SQH.	square head
HS.	hex	SRH.	slotted round head
HSBH.	hex socket button head	STD.	standard
HSFH.	hex socket flat head	TAP.	self tapping
HS.	hex socket head	TTH.	torx truss head
HWH.	hex washer head	WH.	wing head
HWHTF.	hex washer head thread forming		

Footnotes

- ❶ Not illustrated
- ❷ Obtain these items directly from OTC 2013 4th St. Owatonna, MN. 55060 1-800-533-0492 (in Minnesota and Canada 1-507-455-7050) Fax. 507-455-7011.
- ❸ Not serviced separately

Contents

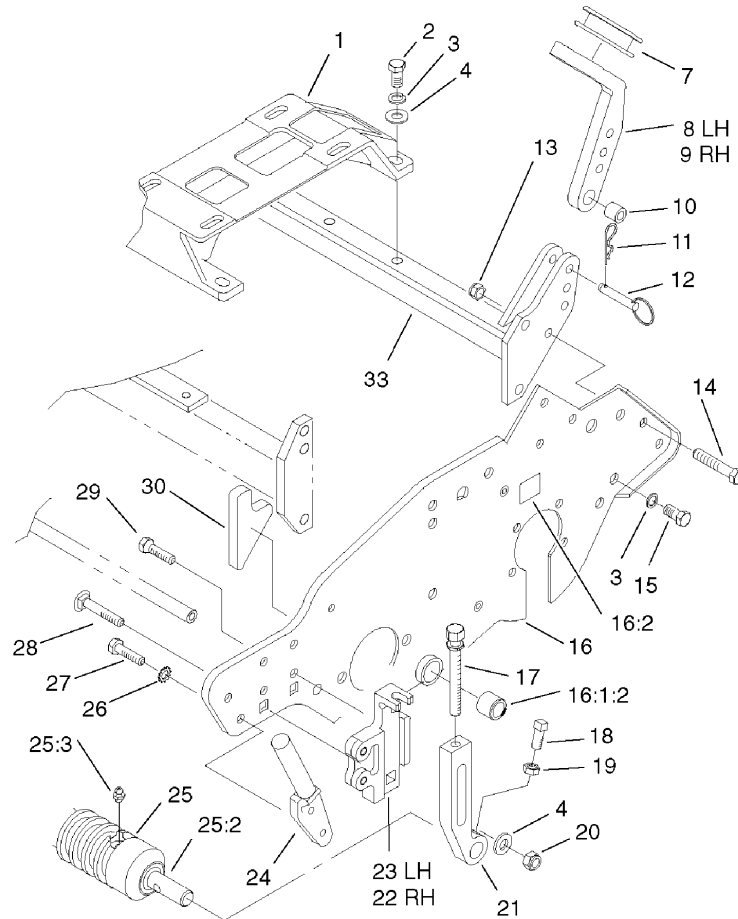
Description	Page	Description	Page
Frame Assembly 3	Ignition Assembly 20
Engine Mount and Frame Assembly 4	Governor Assembly Kawasaki FE120D-CS02 21
Reel Drive Assembly 5	Carburetor Assembly 22
Reel Assembly 7	Air Cleaner and Muffler Assembly 23
Drum Drive Assembly 8	Fuel Tank Assembly 24
Drum and Basket Assembly 9	Decals 25
Differential Assembly No. 93-6055 10	Special Tools Bedknife Screw Tool No. *TOR510880 26
Inner Crankshaft Assembly 11	Special Tools Backlapping Bruch Assembly No. *TOR299100 27
Outer Crankshaft Assembly 12		
Engine Assembly 13		
Bellcrank Assembly 14		
Handle and Controls Assembly 15		
Roller and Scraper Option Assemblies 16		
Height-Of-Cut Bar Assembly 17		
Crankcase Assembly 18		
Camshaft and Valve Assembly 19		



Frame Assembly

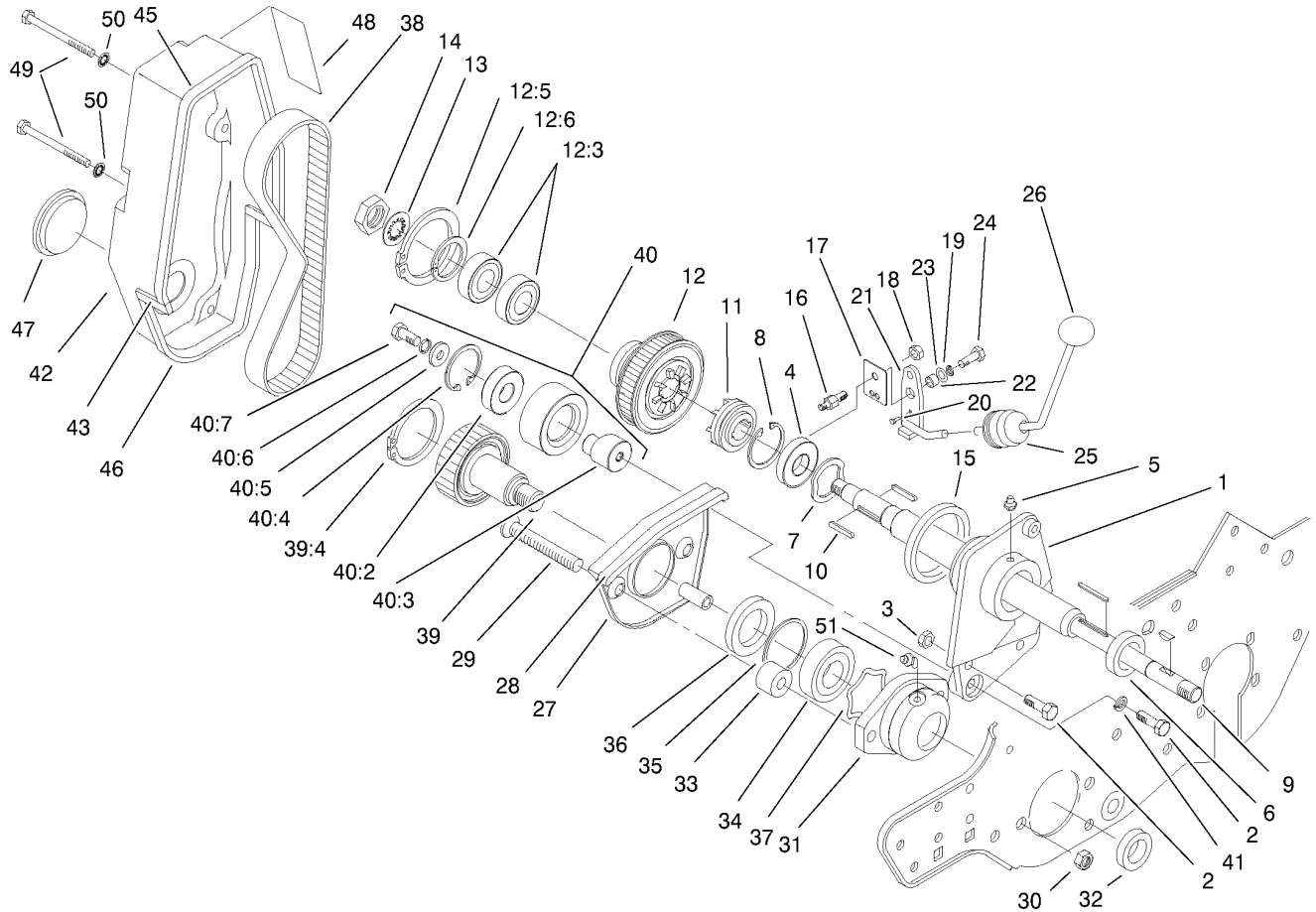
Ref	Part No.	Qty.	Description
1	65-7850-03	1	Kickstand
2	3256-2	3	Washer-Flat
3	32128-25	1	Nut-Flange
4	3296-29	2	Nut-Lock, NI
5	65-7910	2	Spacer
6	33025-00	2	Nut-Lock
7	99-3755	2	Spring-Compression
8	99-2098	2	Washer
9	99-2096	2	Screw-Adjuster, Bedbar
10	32120-93	2	Ring-Retaining
11	106-5335	2	Washer-Wave
12	106-5344	4	Bushing-Flange, Keyed
13	105-5386-01	1	Crossmember-Front
14	106-5363	2	Shaft-Adjuster
16	99-2097	2	Detent
17	3253-4	2	Washer-Lock
18	322-26	2	Screw-HH
20	88-7110	1	Rod-Support, Frame
21	52-2890	2	Bushing-Nylon
22	93-6093	1	RH Side Plate ASM
22:1:2	63-9510	1	Bushing
22:2	93-9356	2	Decal-Warning, Belt
22:2	93-9389	2	Decal-Warning, Belt (Japan)
23	3254-6	2	Washer-Lock, Internal

Ref	Part No.	Qty.	Description
24	323-4	6	Screw-HH
25	3253-21	6	Washer-Lock
27	323-5	2	Screw-HH
28	65-7890	1	Bracket
29	65-7880	1	Spring-Extension
30	322-10	1	Screw-HH
31	65-7900	1	Retainer-Spring
32	322-5	2	Screw-HH



Engine Mount and Frame Assembly

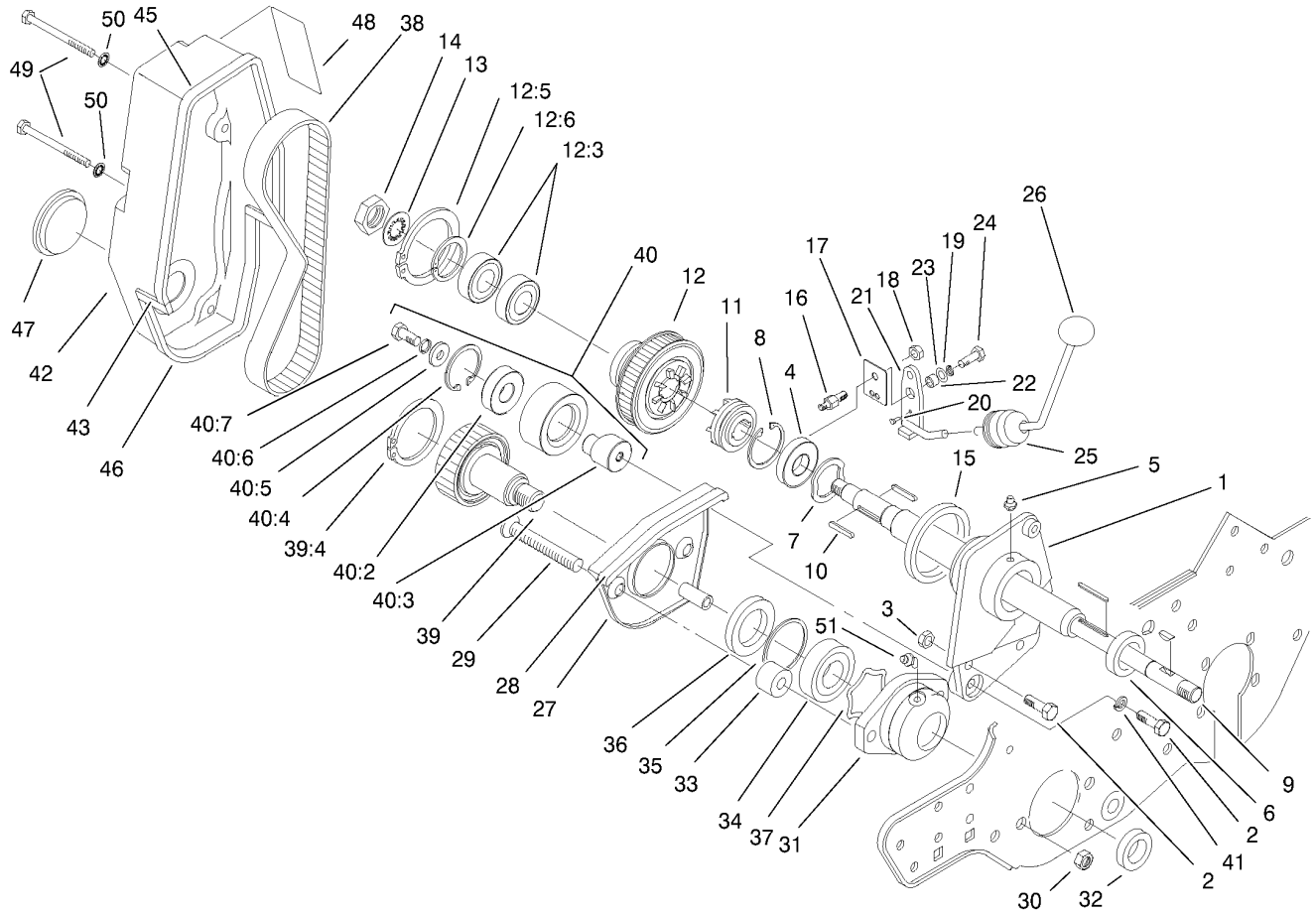
Ref	Part No.	Qty.	Description	Ref	Part No.	Qty.	Description
1	88-7670	1	Mount-Engine	23	93-6049	1	Bracket-Hoc, LH
2	323-5	4	Screw-HH	24	65-8570	2	Rod-Mounting
3	3253-21	6	Washer-Lock	25	99-6241	1	Wihle Roller Asm, .20 Spacing
4	3256-24	6	Washer-Flat	25:2	52-3180	2	Bearing-Roller, Front
7	65-7510	2	Grommet-Handle	25:3	302-5	2	Fitting-Grease
8	93-6038	1	Arm-Handle Support, LH	26	3255-8	4	Washer-Lock
9	93-6037	1	Arm-Handle Support, RH	27	322-2	4	Screw-HH
10	93-6024	2	Bushing-Support, Handle	28	3231-5	2	Screw-CARR
11	3290-467	2	Pin-Hair	29	92-8914	4	Bolt-Face, Tapered
12	93-6029	2	Pin-Clevis, Ring	30	93-6064	1	Seal-Catcher, Grass
13	3296-29	2	Nut-Lock, NI	33	93-6025-01	1	Tube-Frame, Rear
14	322-9	2	Screw-HH				
15	323-4	4	Screw-HH				
16	93-6094	1	LH Side Plate ASM				
16:1		1	LH Sideplate/bushing ASM				
16:1:2	63-9510	1	Bushing				
16:2	93-9356	1	Decal-Warning, Belt				
16:2	93-9389	1	Decal-Warning, Belt (Japan)				
17	93-6051	2	Screw-HOC				
18	3242-4	2	Screw-Set, SQH				
19	3218-2	2	Nut-Jam				
20	32128-21	2	Nut-HF				
21	93-6090	2	Arm-HOC				
22	93-6048	1	Bracket-Hoc, RH				



Reel Drive Assembly

Ref	Part No.	Qty.	Description
1	92-8013	1	Housing-Clutch
2	322-5	3	Screw-HH
3	3296-29	2	Nut-Lock, NI
4	251-318	1	Bearing
5	302-5	1	Fitting-Grease
6	253-118	1	Seal-Oil
7	88-7720	1	Spring-Wave
8	32151-75	1	Ring-Retaining
9	93-6056	1	Shaft-Power
10	88-7150	2	Key
11	65-6940	1	Clutch-Slider, Jaw
12	88-7830	1	Clutch And Pulley ASM
12:3	251-336	2	Bearing-Ball
12:5	32151-95	1	Ring-Retaining
12:6	32151-89	1	Ring-Retaining, Bowed
13	3254-4	1	Washer-Lock/int
14	3220-5	1	Nut-Jam
15	65-6970	1	Seal-Felt
16	93-9014	1	Pin-Clutch, Actuator
17	65-6290	1	Spring-Detent, Clutch
18	3296-42	1	Nut-Lock, NI
19	3253-3	1	Washer-Lock
20	95-5731	1	Screw-Drive
21	88-7170	1	Lever-Clutch

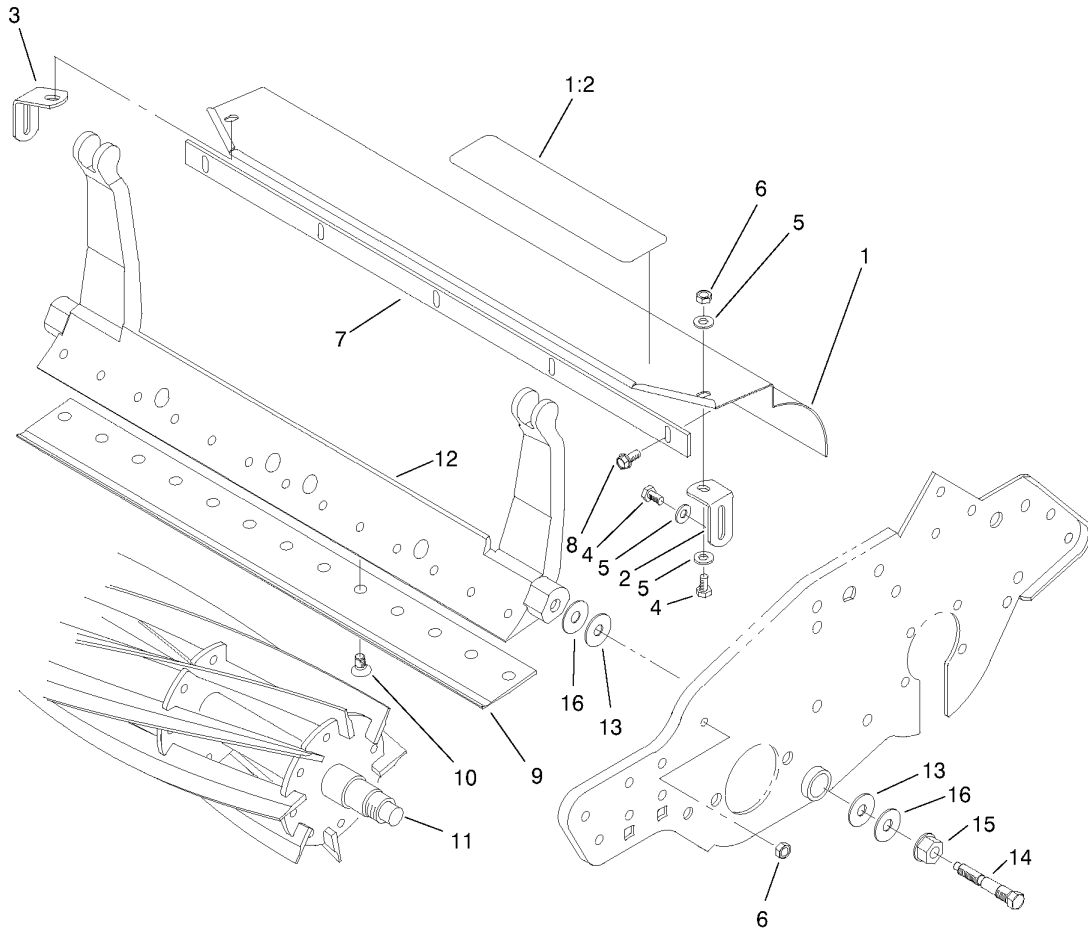
Ref	Part No.	Qty.	Description
22	88-7860	1	Spacer-Clutch
23	3290-414	1	Washer-Belleville
24	321-4	1	Screw-HH
25	65-8960	1	Boot-Clutch
26	233-69	1	Knob
27	65-7190-01	1	Cover-Arm, Groomer
28	65-7131	1	Seal-Cover, Strip
29	3289-23	2	Capscrew
30	3296-39	2	Nut-Lock, NI
31	65-8640	1	Housing-Bearing
32	253-96	1	Seal-Oil
33	65-8290	2	Standoff-Cover
34	251-342	1	Bearing-Ball
35	32151-92	1	Ring-Retaining
36	253-163	1	Seal
37	3290-485	1	Washer-Wave
38	65-6200	1	Belt
39	88-7840	1	Pulley And Drive ASM
39:4	32151-95	1	Ring-Retaining
40	88-7850	1	Idler Pulley ASM
40:2	38-7820	1	Bearing-Ball
40:3	88-7190	1	Spacer
40:4	32120-42	1	Ring-Retaining
40:5	88-7200	1	Washer-Flat



Reel Drive Assembly (continued)

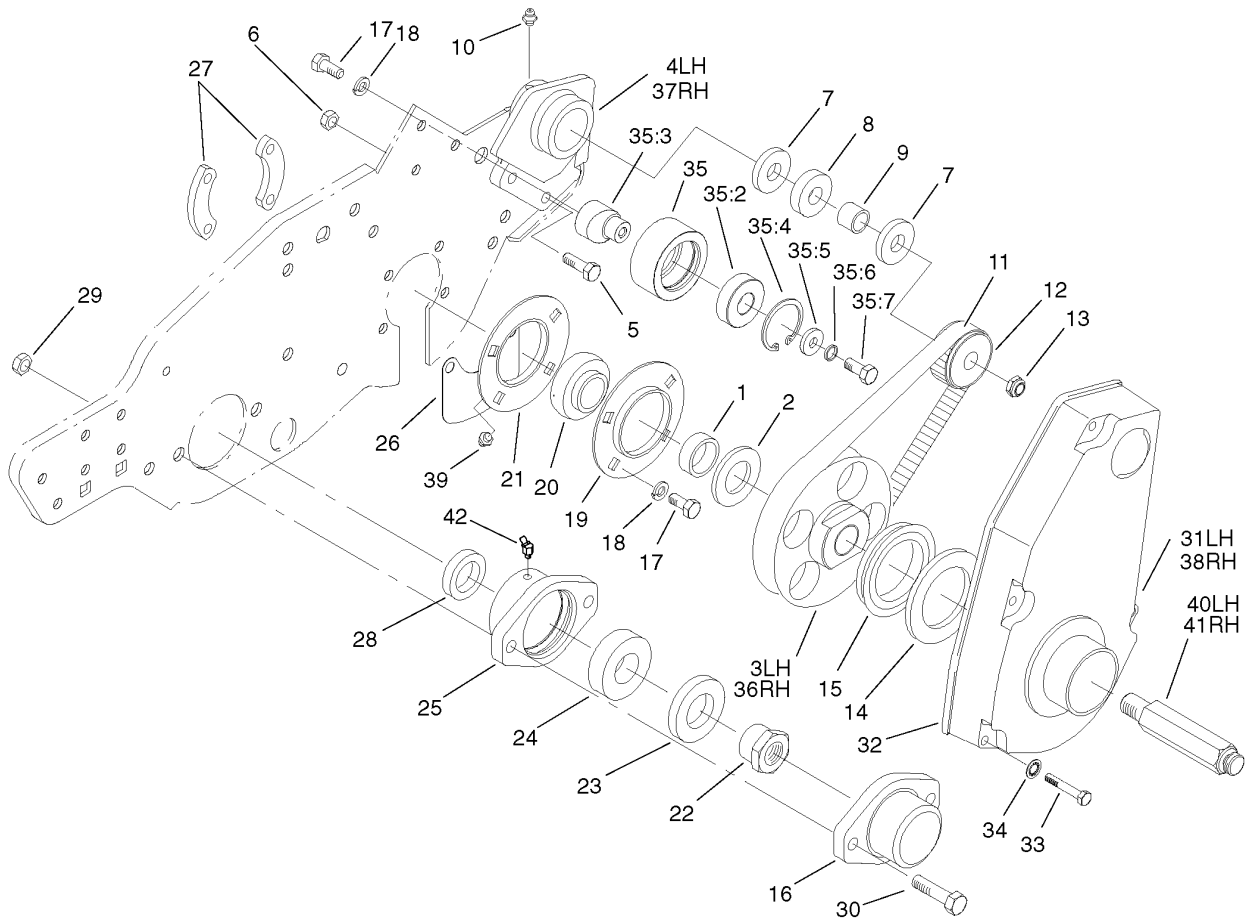
Ref	Part No.	Qty.	Description
40:6	3253-4	1	Washer-Lock
40:7	322-3	1	Screw-HH
41	3253-4	1	Washer-Lock
42	88-7700-01	1	Cover-Reel, Drive
43	88-7770	2	Strip-Seal, Front
45	88-7790	1	Strip-Seal, Upper
46	88-7800	1	Strip-Seal, Lower
47	237-160	1	Plug-Rubber
48	92-4817	1	Decal-Engagement, Reel (Japan)
48	93-7346	1	Decal-Engagement, Reel
49	321-20	4	Screw-HH
50	3254-8	4	Washer-Lock
51	302-11	1	Fitting-Lube, 45 DEG

--	--	--	--



Reel Assembly

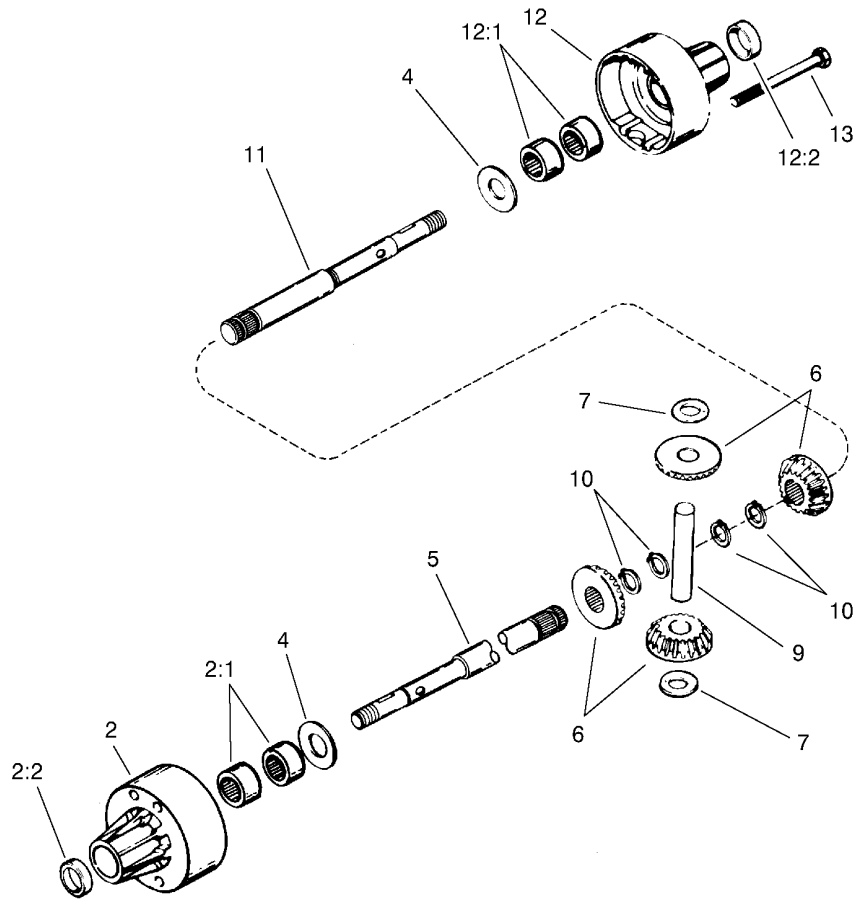
Ref	Part No.	Qty.	Description
1	106-5343	1	Grass Shield ASM
1:2	84-6560	1	Decal-Warning (Japan)
1:2	93-8064	1	Decal-Danger, Ce
2	65-6450	1	Bracket-LH
3	65-6460	1	Bracket-RH
4	321-3	4	Screw-HH
5	3256-22	6	Washer-Flat
6	3296-42	4	Nut-Lock, NI
7	36-7260	1	Bar-Off, Cut
8	104-2065	5	Screw-HWH
①9	93-4262	1	Bedknife-Microcut
①9	93-4263	1	Bedknife-Tournament Cut
9	93-4264	1	Bedknife-Low Cut
10	57-4910	13	Screw
11	93-6087	1	8 Blade Reel ASM
①11	93-6097	1	11 Blade Reel ASM
①12	92-9204-03	1	Bedbar-Special
12	93-6053-01	1	Bedbar-Standard
13	52-2900	4	Washer
14	65-6270	2	Bolt-Bedbar
15	32128-48	2	Nut-HHF
16	52-2860	4	Washer



Drum Drive Assembly

Ref	Part No.	Qty.	Description
1	88-7530	2	Spacer
2	88-7540	2	Washer-Backup
3	105-5365	1	Pulley-Drum, LH
4	88-7470	1	Housing-LH
5	322-5	4	Screw-HH
6	3296-29	4	Nut-Lock, NI
7	253-160	4	Seal-Grease
8	251-338	2	Bearing-Ball
9	86-7130	2	Spacer-Pulley
10	302-5	2	Fitting-Grease
11	65-6210	2	Belt
12	65-6660	2	Pulley
13	3296-57	2	Nut-Lock, NI
14	94-9018	2	Washer-Plastic
15	253-161	2	Seal-V-Ring
16	65-6220-01	1	Cover-End, Reel
17	322-3	10	Screw-HH
18	3253-4	10	Washer-Lock
19	65-6590	2	Flangette-Bearing
20	88-7880	2	Bearing
21	95-0923	2	Flangette
22	92-7302	1	Nut-Bearing, Lock
23	253-163	1	Seal
24	251-342	1	Bearing-Ball

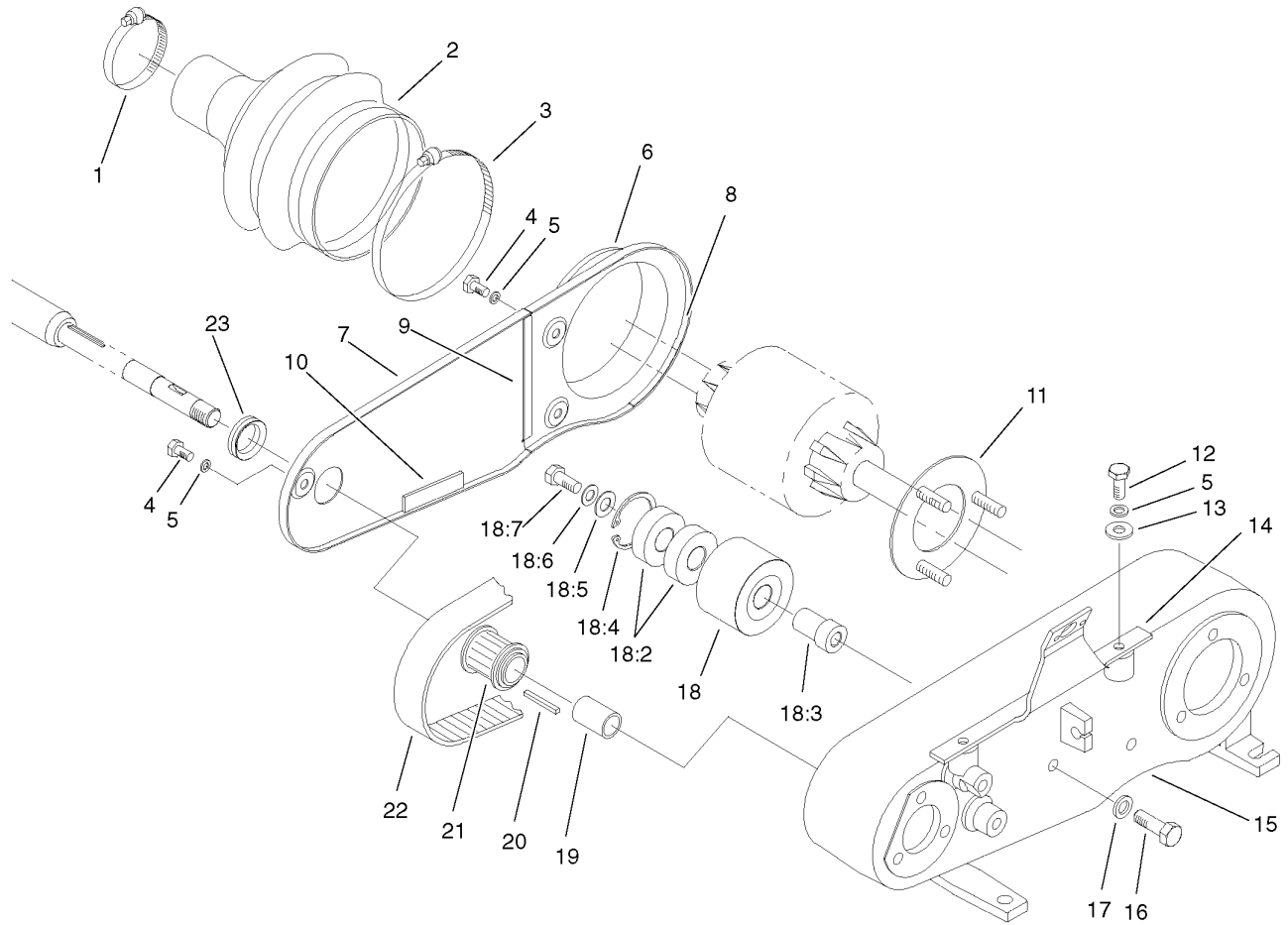
Ref	Part No.	Qty.	Description
25	65-8640	1	Housing-Bearing
26	65-8720	2	Closure-Plate, Side
27	65-8730	4	Clamp-Bearing
28	253-96	1	Seal-Oil
29	3296-39	2	Nut-Lock, NI
30	323-7	2	Screw-HH
31	88-7680-01	1	Cover-Belt Drum, LH
32	88-7810	2	Seal-Strip, Drum Cover
33	321-11	8	Screw-HH
34	3254-8	8	Washer-Lock
35	88-7850	2	Idler Pulley ASM
35:2	38-7820	1	Bearing-Ball
35:3	88-7190	1	Spacer
35:4	32120-42	1	Ring-Retaining
35:5	88-7200	1	Washer-Flat
35:6	3253-4	1	Washer-Lock
35:7	322-3	1	Screw-HH
36	105-5364	1	Pulley-Drum, RH
37	88-7490	1	Housing-RH
38	88-7690-01	1	Cover-Drum Belt, RH
39	302-40	2	Fitting-Grease
40	88-7580	1	Shaft-Wheel, Transport LH
41	88-7590	1	Shaft-Wheel, Transport RH
42	302-11	1	Fitting-Lube, 45 DEG



Differential Assembly No. 93-6055

Ref	Part No.	Qty.	Description
2	95-5741	1	Carrier-Differential
2:1	95-5738	4	Bearing-Needle
2:2	95-5737	2	Seal-Oil
4	95-5745	4	Washer
5	95-5736	1	Axle (Long)
6	104-0503	1	Gear Set-Differential
7	95-5744	2	Washer-Flat
9	95-5747	1	Pin-Drive
10	95-5746	4	Ring-Retaining
11	95-5735	1	Axle (Short)
12	95-5740	1	Carrier-Differential
12:1	95-5738	4	Bearing-Needle
12:2	95-5737	2	Seal-Oil
13	95-5739	4	Screw
● 14	95-5734	1	Grease

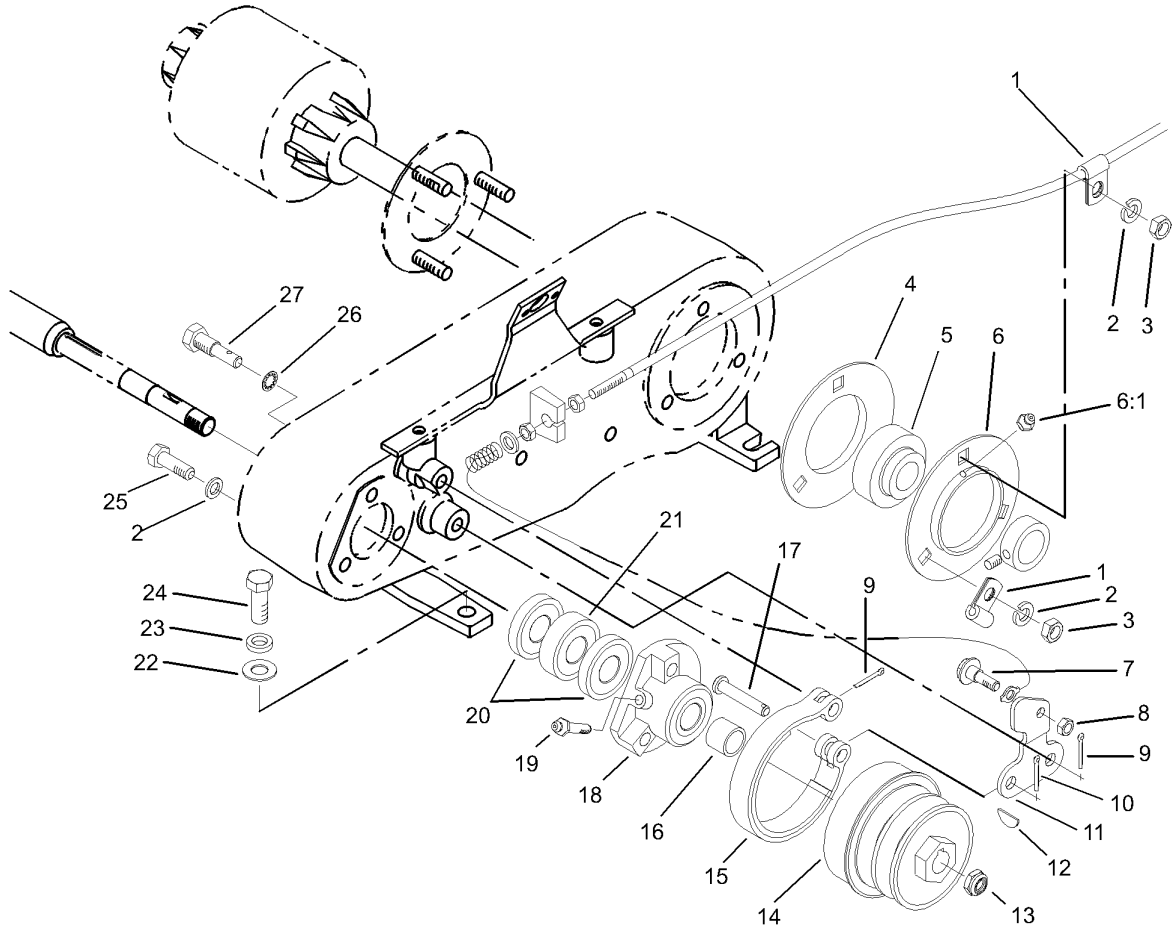
--	--	--	--



Inner Crankshaft Assembly

Ref	Part No.	Qty.	Description
1	2412-139	1	Clamp-Hose
2	65-6800	1	Boot-Differential
3	2412-140	1	Clamp-Hose
4	321-2	3	Screw-HH
5	3253-3	5	Washer-Lock
6	88-7250-03	1	Cover-Box, Rear
7	88-7240-03	1	Cover-Box, Front
8	65-6902	1	Strip-Seal, Cover
9	65-6903	1	Strip-Seal, Cover
10	65-6901	1	Strip-Seal, Cover
11	65-6720	1	Plate-Screw
12	321-3	2	Screw-HH
13	3256-22	2	Washer-Flat
14	93-1448	1	Bracket Cover ASM
15	88-7230	1	Housing-Shaft, Counter
16	322-5	1	Screw-HH
17	3253-4	1	Washer-Lock
18	88-7870	1	Idler Pulley ASM
18:2	38-7820	2	Bearing-Ball
18:3	88-7380	1	Spacer-Pulley
18:4	32120-42	1	Ring-Retaining
18:5	88-7200	1	Washer-Flat
18:6	3253-4	1	Washer-Lock
18:7	322-3	1	Screw-HH

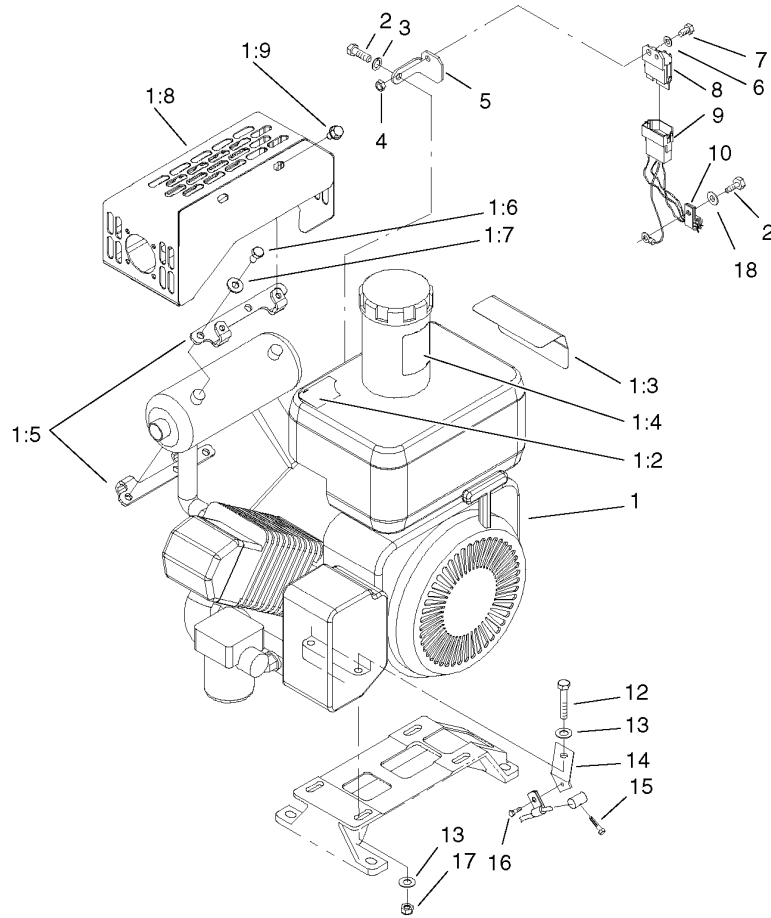
Ref	Part No.	Qty.	Description
19	86-7140	1	Spacer
20	65-6850	1	Key-Square
21	65-8910	1	Pulley-Countershaft
22	65-9080	1	Belt
23	88-7710	1	Seal-V-Ring



Outer Crankshaft Assembly

Ref	Part No.	Qty.	Description
1	88-7970	2	Clip
2	3253-4	6	Washer-Lock
3	3218-2	3	Nut-Jam
4	65-6710	1	Flangette-Bearing
5	251-343	1	Bearing-Ball
6	65-6700	1	Flangette-Lube
6:1	302-65	1	Zerk
7	11-9030	1	Screw-Shoulder
8	3296-42	1	Nut-Lock, NI
9	3272-6	2	Pin-Cotter
10	3272-8	1	Pin-Cotter
11	65-8610	1	Lever-Brake
12	3257-30	1	Key-Woodruff
13	3296-57	1	Nut-Lock, NI
14	92-9212	1	Pulley-Shaft, Input
15	65-8700	1	Band-Brake
16	86-7130	1	Spacer-Pulley
17	283-75	1	Pin-Clevis
18	65-6760	1	Housing-Bearing
19	302-64	1	Fitting-Grease
20	253-160	2	Seal-Grease
21	251-338	1	Bearing-Ball
22	3256-24	4	Washer-Flat
23	3253-21	4	Washer-Lock

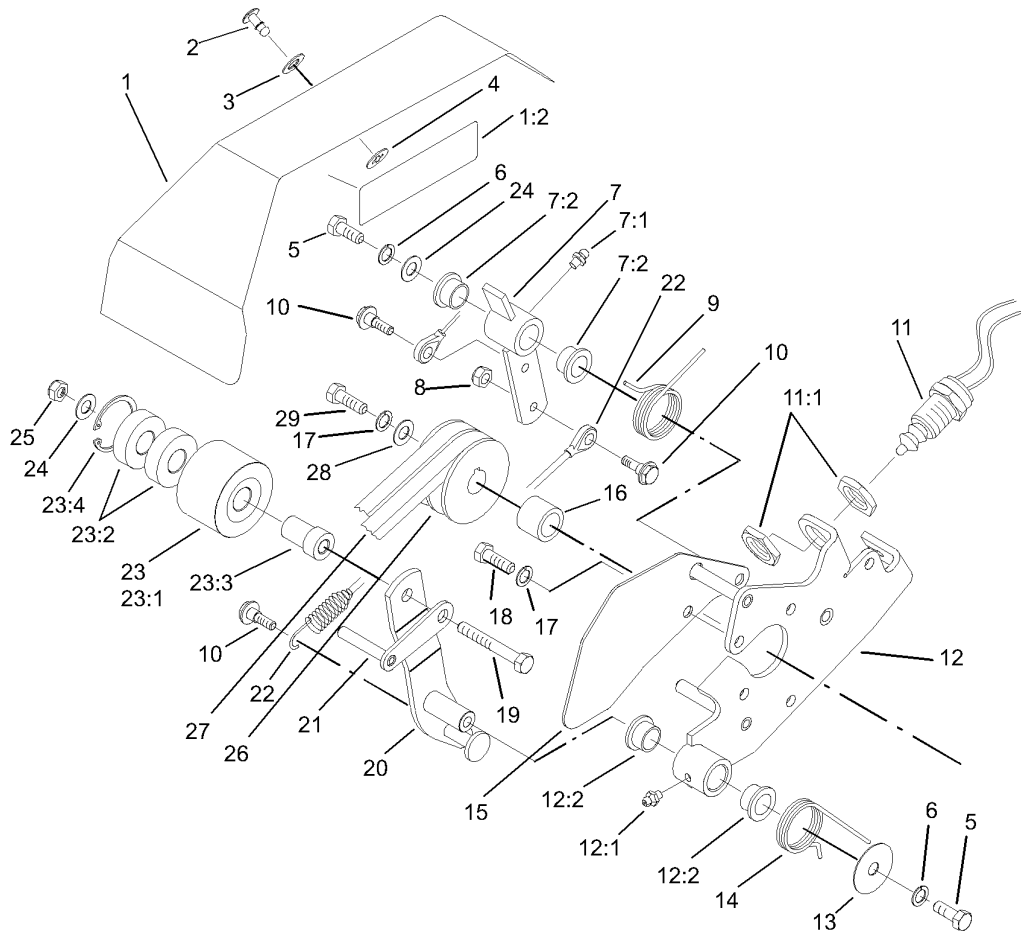
Ref	Part No.	Qty.	Description
24	323-5	4	Screw-HH
25	322-5	3	Screw-HH
26	3254-6	2	Washer-Lock, Internal
27	65-6810	2	Support-Brake



Engine Assembly

Ref	Part No.	Qty.	Description
1	105-5355	1	Engine ASM
1:2	105-5309	1	Decal-Surface, Hot
1:2	83-2560	1	Decal-Surface, Hot (Japan)
1:3	92-4813	1	Decal-Danger (Japan)
1:3	93-7348	1	Decal-Danger
1:4	93-9886	1	Decal-Fuel
1:5	104-9771	2	Bracket-Guard, Muffler
1:6	33113-012	4	Screw-HH
1:7	3256-22	4	Washer-Flat
1:8	104-9784-03	1	Guard-Muffler
1:9	104-2628	4	Screw-HWH
2	33114-016	2	Screw-HH
3	3253-4	1	Washer-Lock
4	33023-00	1	Nut-Lock
5	94-5861	1	Bracket-Module
6	3256-22	1	Washer-Flat
7	33113-016	1	Screw-HH
8	94-3431	1	Module-Interlock
9	105-5351	1	Harness-Wire, Module
10	2412-93	1	Clamp-R
12	322-9	4	Screw-HH
13	3256-56	5	Washer-Flat
14	88-7960	1	Bracket-Cable, Throttle
15	94-9015	1	Screw-HH

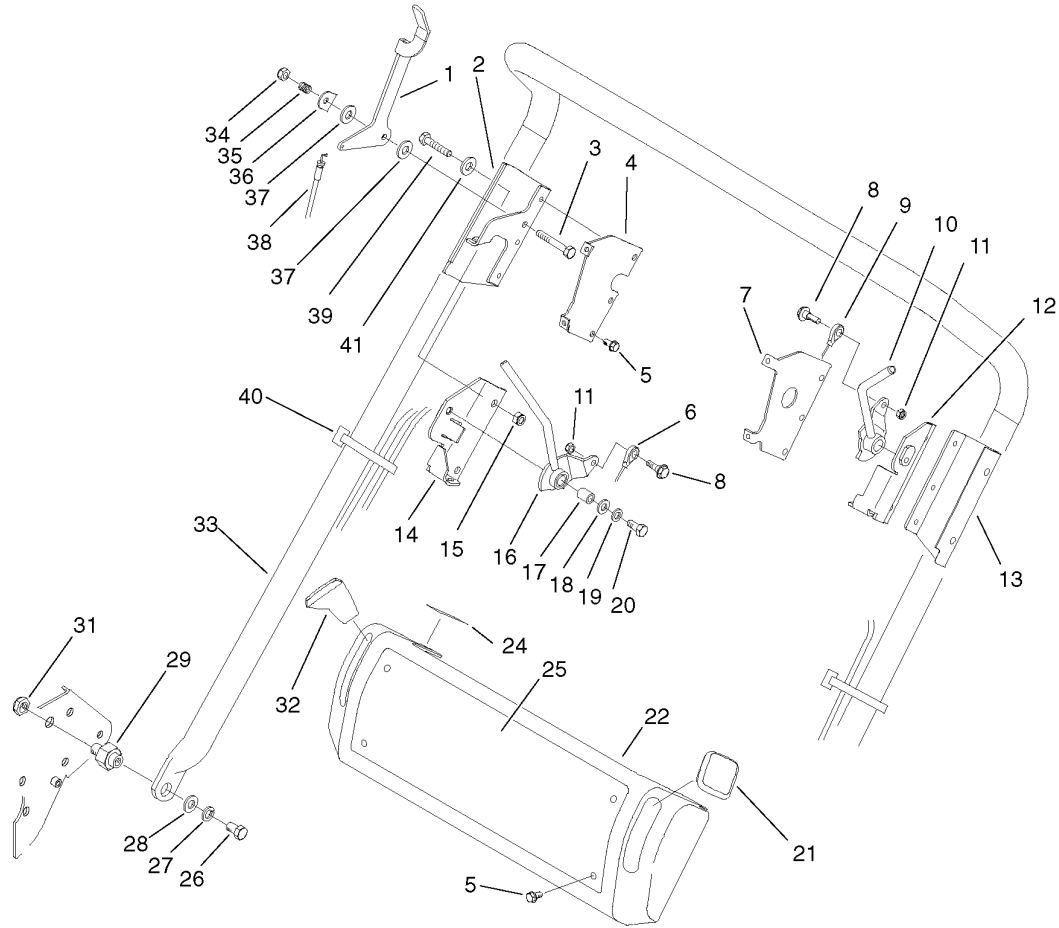
Ref	Part No.	Qty.	Description
16	104-2065	1	Screw-HWH
17	3296-29	4	Nut-Lock, NI
18	33094-00	1	Washer-Flat



Bellcrank Assembly

Ref	Part No.	Qty.	Description
1	94-9007	1	Bellcrank Cover ASM
1:2	84-7280	1	Decal-Danger, Japan
1:2	93-7273	1	Decal-Danger
2	93-6074	1	Stud
3	3256-2	1	Washer-Flat
4	93-6073	1	Retainer
5	323-4	2	Screw-HH
6	3253-21	2	Washer-Lock
7	93-6014	1	Lever ASM
7:1	302-5	1	Fitting-Grease
7:2	65-8770	2	Bushing-Bellcrank
8	3296-42	3	Nut-Lock, NI
9	93-6011	1	Spring-Torsion
10	11-9030	3	Screw-Shoulder
11	87-5490	1	Switch-Clutch
11:1	3218-20	2	Nut-Jam
12	93-6015	1	Clutch Bracket ASM
12:1	302-5	1	Fitting-Grease
12:2	65-8770	2	Bushing-Bellcrank
13	93-6099	1	Washer
14	93-6012	1	Spring-Torque, Clutch Lever
15	93-6013-03	1	Shield-Belt
16	65-8260	1	Spacer-Shaft, Engine
17	3253-4	6	Washer-Lock

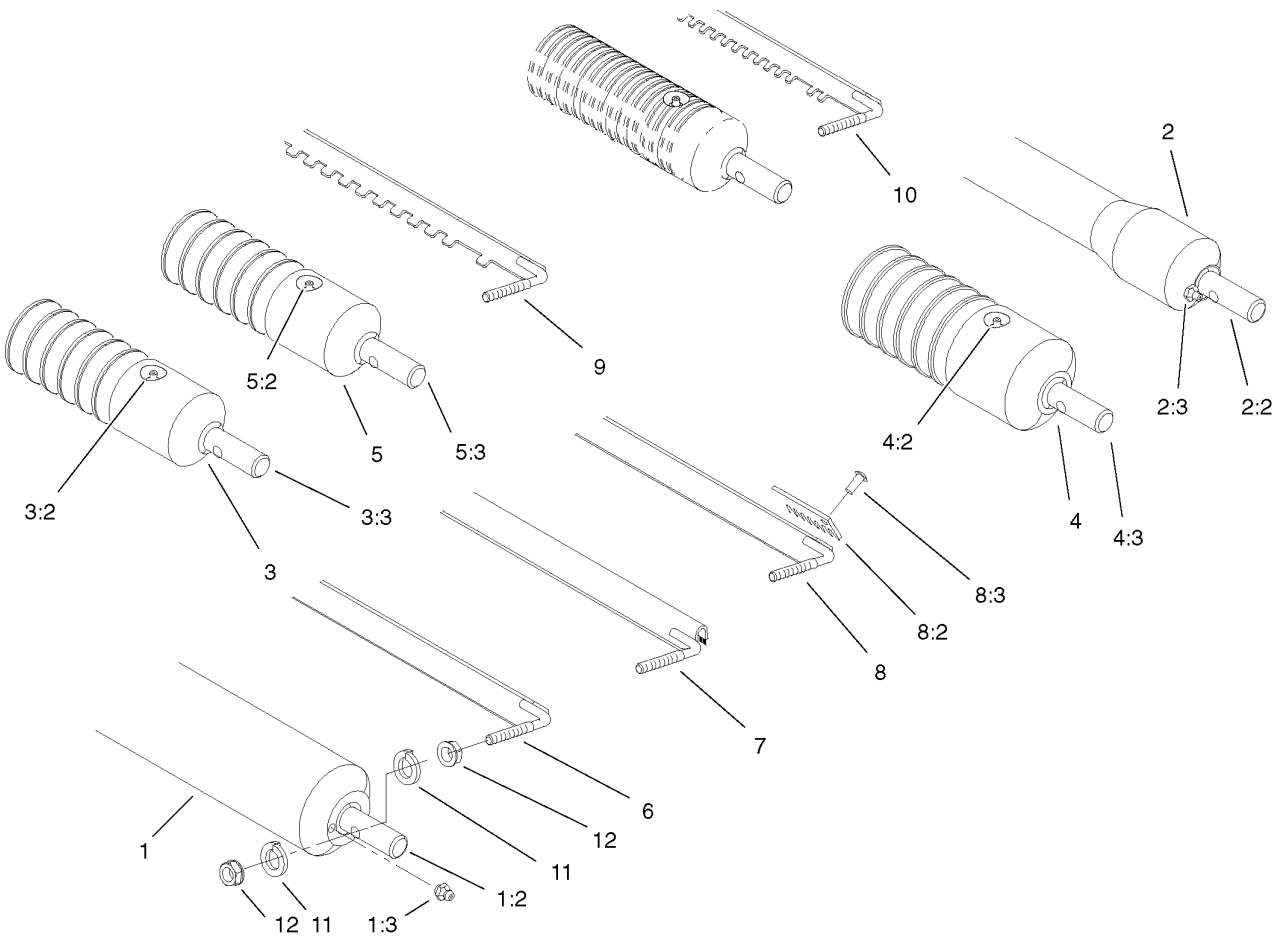
Ref	Part No.	Qty.	Description
18	33114-016	5	Screw-HH
19	323-11	1	Screw-HH
20	93-6003-03	1	Lever-Clutch
21	95-0922	1	Guide-Belt
22	93-9024	1	Cable Link ASM
23	98-7296	1	Idler Pulley ASM
23:1	98-7297	1	Pulley-Idler
23:2	38-7820	2	Bearing-Ball
23:3	88-7350	1	Bushing-Pulley
23:4	32120-42	1	Ring-Retaining
24	3256-56	5	Washer-Flat
25	3296-39	1	Nut-Lock, NI
26	92-9216	1	Pulley-Drive, Input
27	92-9218	1	V-Belt (Matched Set)
28	65-8270	1	Washer
29	33114-025	1	Screw-HH



Handle and Controls Assembly

Ref	Part No.	Qty.	Description
1	93-6017	1	Lever-Throttle
2	95-0908-03	1	Bracket-Clutch, Skid
3	321-8	1	Screw-HH
4	93-6046-03	1	Bracket-Console, RH
5	93-6083	10	Screw-HWH
6	94-5870	1	Cable Clutch ASM
7	93-6047-03	1	Bracket-Console, LH
8	11-9030	2	Screw-Shoulder
9	94-5871	1	Cable Brake ASM
10	106-5348	1	Brake Lever ASM
11	3296-42	2	Nut-Lock, NI
12	93-6022	1	Bracket-Brake
13	95-0907-03	1	Bracket-Brake, Skid
14	93-6019	1	Bracket
15	3296-29	4	Nut-Lock, NI
16	106-5347	1	Clutch Lever ASM
17	47-4701	2	Bushing-Bronze
18	3256-71	2	Washer-Flat
19	3254-2	2	Washer-Lock, Int
20	3210-7	2	Screw-HH
21	65-8971	1	Knob-Shift
22	93-6036	1	Cover-Console
24	93-6085	1	Decal-Throttle
25	105-5360	1	Decal-Console

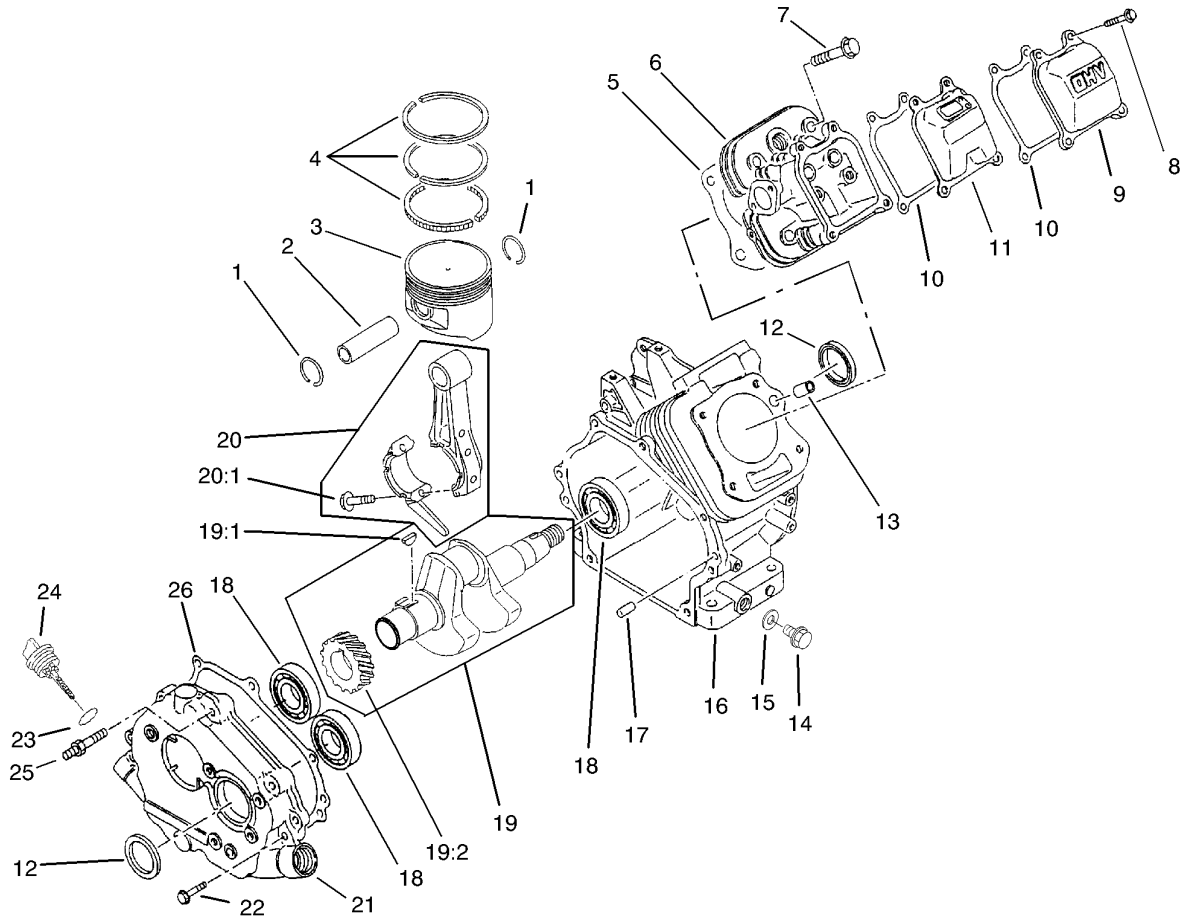
Ref	Part No.	Qty.	Description
26	323-34	2	Screw-HH
27	3253-21	2	Washer-Lock
28	3256-24	2	Washer-Flat
29	93-6000	2	Pin-Pivot, Handle
31	3296-28	2	Nut-Lock, NI
32	65-8970	1	Knob-Shift
33	93-6001	1	Handle
34	3296-56	1	Nut-Lock, NI
35	3-5787	1	Spring-Compression
36	93-6016	1	Washer-Retaining
37	66-2921	2	Washer-Friction
38	94-5869	1	Throttle Cable ASM
39	322-9	4	Screw-HH
40	3290-378	2	Tie-Cable
41	3256-23	4	Washer-Flat



Roller and Scraper Option Assemblies

Ref	Part No.	Qty.	Description
1	104-2642	1	Full Roller Asm, 21 Inch
1:2	52-3180	2	Bearing-Roller, Front
1:3	302-5	2	Fitting-Grease
2	52-3590	1	Swaged Roller ASM
2:2	52-3180	2	Bearing-Roller, Front
2:3	302-5	2	Fitting-Grease
3	71-1550	1	Wiehle Roller Asm, Cast Iron
3:2	302-5	2	Fitting-Grease
3:3	52-3180	2	Bearing-Roller, Front
4	93-9045	1	Wiehle Roller Asm, 2.5in Dia
4:2	302-5	2	Fitting-Grease
4:3	52-3180	2	Bearing-Roller, Front
5	88-6790	1	Wiehle Roller Asm, .43 Spacing
5:2	302-5	2	Fitting-Grease
5:3	52-3180	2	Bearing-Roller, Front
6	65-8360-01	1	Scraper-Smooth
7	33-1000	1	Scraper Brush ASM
8	11-0070	1	Scraper Comb ASM
8:2	8-2530	1	Comb
8:3	3295-2	11	Rivet-Semi
9	65-8340-01	1	Scraper-Wiehle, .43 Spacing
10	104-0509-01	1	Scraper-Wiehle, .20 Spacing
11	3254-8	4	Washer-Lock
12	3219-1	4	Nut-Hex

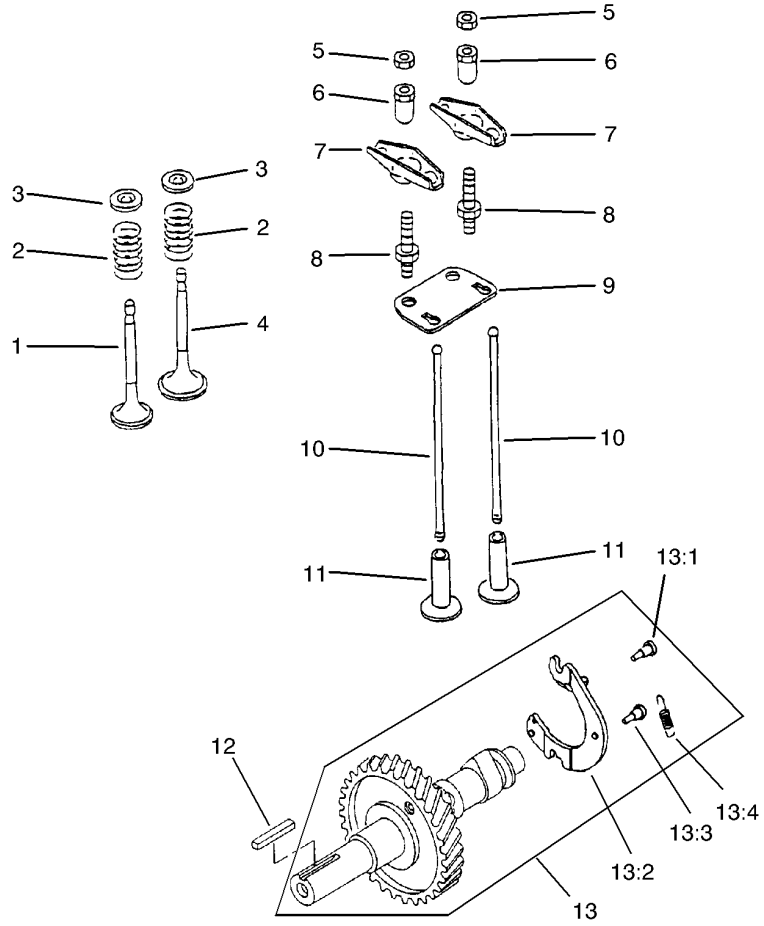
--	--	--	--



Crankcase Assembly

Ref	Part No.	Qty.	Description
1	93-8500	2	Ring-Retaining
2	93-8501	1	Pin-Piston
3	93-8502	1	Piston
3	94-6836	1	Piston-0.5 O/s
4	93-8503	1	Set-Ring, Piston
4	94-6837	1	Set-Ring, Piston (.05mm)
5	93-8504	1	Gasket-Head
6	93-8505	1	Head-Cylinder
7	93-8506	4	Bolt-Flanged
8	94-6838	4	Bolt-Flanged
9	93-8508	1	Case-Rocker
10	93-8509	2	Gasket-Rocker
11	93-8510	1	Breather
12	93-8511	2	Seal-Oil
13	93-8512	2	Pin
14	93-8513	2	Plug-Drain
15	93-8514	2	Gasket-Plug, Drain
16	93-8515	1	Crankcase
17	93-8516	2	Pin
18	93-8517	2	Bearing-Ball
19	93-8518	1	Crankshaft ASM
19:1	93-8526	1	Key
19:2	94-9043	1	Gear-Helical
20	93-8528	1	Connecting Rod ASM

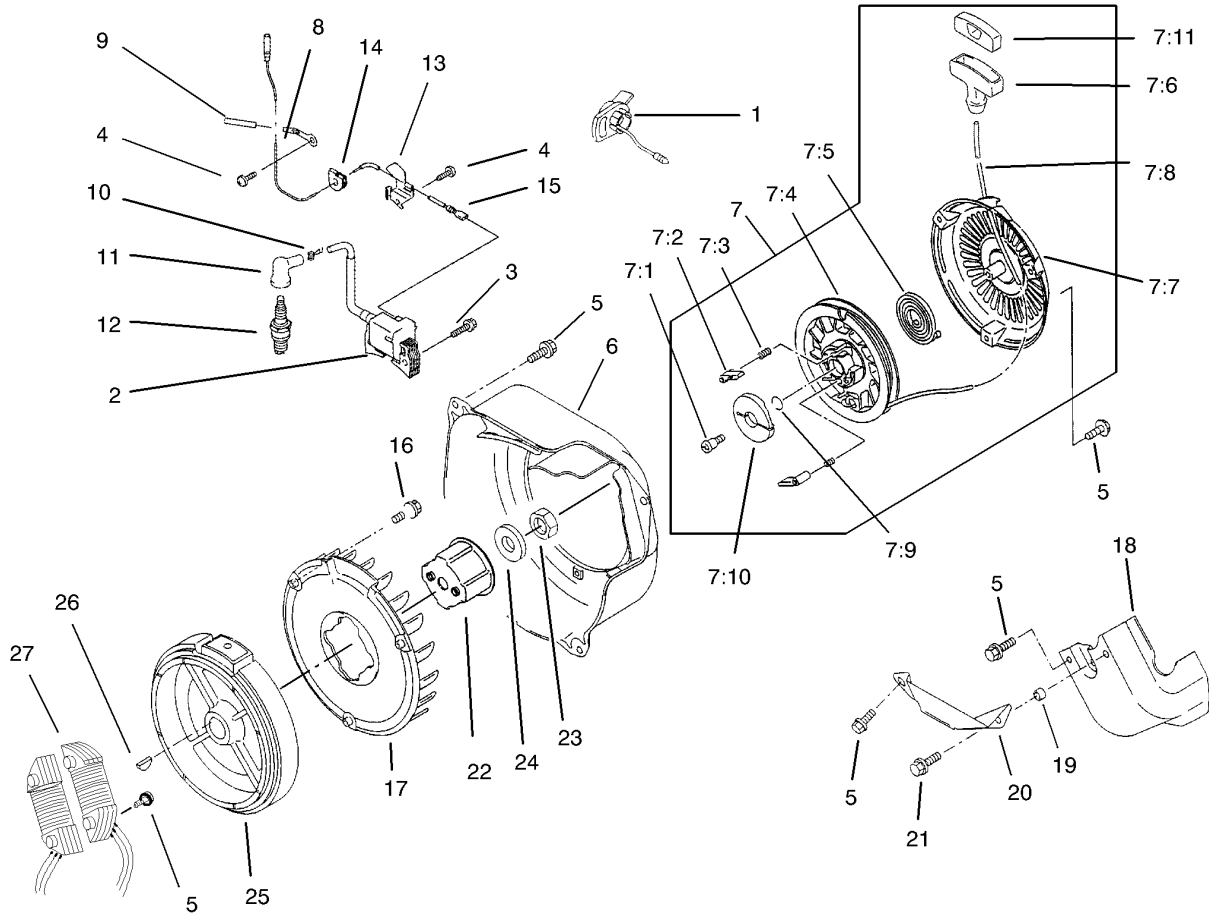
Ref	Part No.	Qty.	Description
20:1	93-8527	2	Bolt-Rod
21	93-8520	1	Cover-Crankcase
22	93-8521	7	Bolt-Flanged
23	94-9041	2	O-Ring
24	93-8523	2	Cap-Filter, Oil
25	93-8524	1	Stud
26	93-8525	1	Gasket-Crankcase



Camshaft and Valve Assembly

Ref	Part No.	Qty.	Description
1	93-8529	1	Valve-Exhaust
2	93-8530	2	Spring-Valve
3	93-8531	2	Retainer-Spring
4	93-8532	1	Valve-Intake
5	93-8533	2	Nut
6	93-8534	2	Nut
7	93-8535	2	Arm-Rocker
8	93-8536	2	Bolt
9	93-8537	1	Guide
10	93-8538	2	Rod-Push
11	93-8539	2	Tappet
12	93-8545	1	Key
13	93-8544	1	Camshaft ASM
13:1	93-8540	1	Pin
13:2	93-8543	1	Decompressor
13:3	93-8542	1	Pin
13:4	93-8541	1	Spring

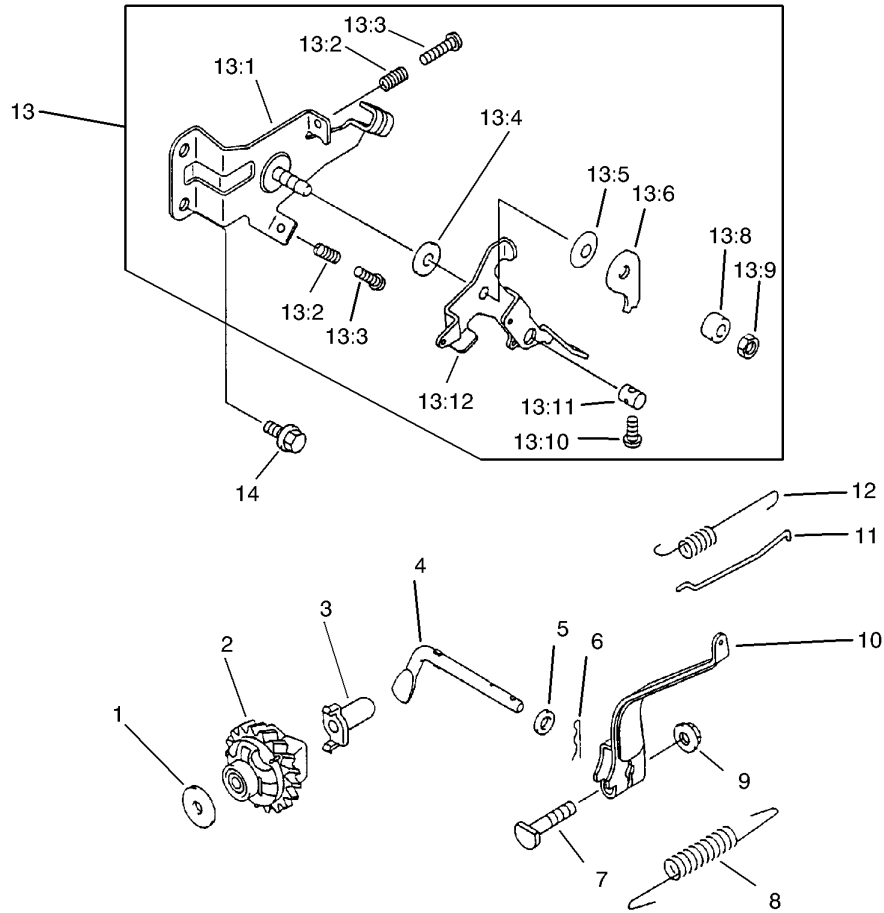
--	--	--	--



Ignition Assembly

Ref	Part No.	Qty.	Description
1	93-8546	1	Switch
2	94-9031	1	Ignition Coil ASM
3	93-8548	6	Bolt-Flanged
4	93-8549	2	Screw
5	93-8550	10	Bolt-Flanged
6	94-9047	1	Housing-Fan
7	93-8552	1	Recoil Starter ASM
7:1	93-8553	1	Screw
7:2	93-8554	2	Pawl-Recoil
7:3	93-8555	2	Spring-Return
7:4	93-8556	1	Reel-Recoil
7:5	93-8557	1	Spring
7:6	94-9045	1	Grip-Starter, Recoil
7:7	94-9046	1	Case-Recoil
7:8	93-8560	1	Rope
7:9	93-8561	1	Ring-Retaining
7:10	93-8562	1	Guide-Pawl
7:11	94-9044	1	Cap-Grip
8	94-9039	1	Clamp
9	94-9040	1	Tube
10	94-9049	1	Spring-Terminal
11	93-8585	1	Cap-Plug, Spark
12	93-8584	1	Spark Plug
13	93-8583	1	Clamp

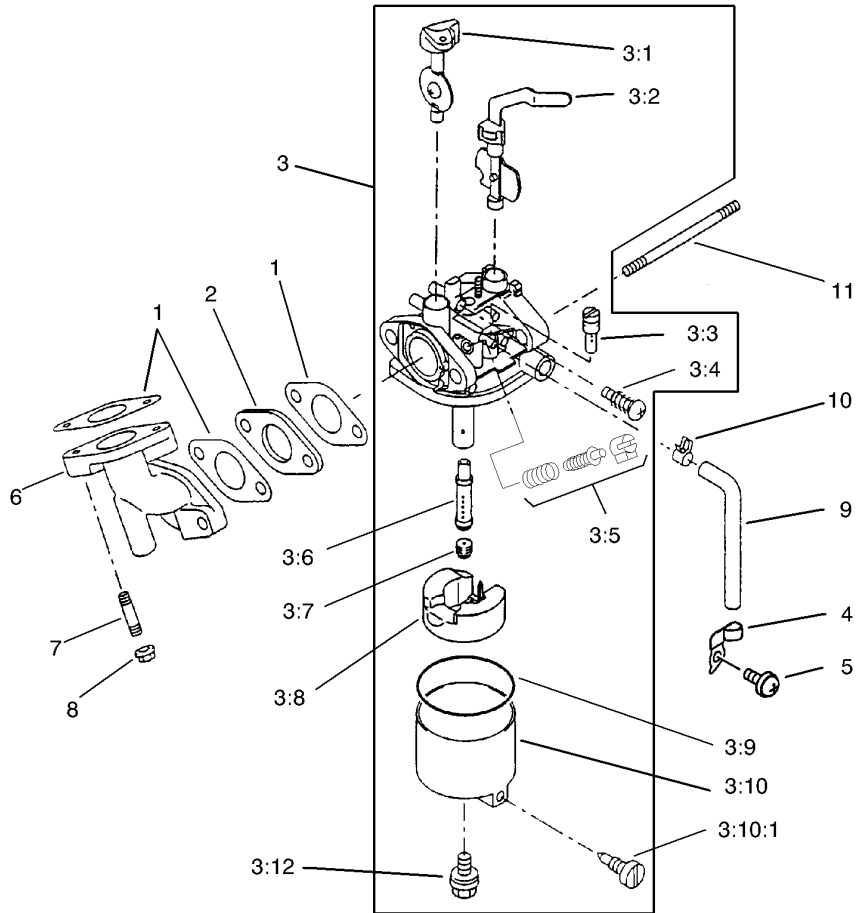
Ref	Part No.	Qty.	Description
14	93-8582	1	Grommet
15	94-9038	1	Wire-Lead
16	94-6840	3	Bolt-Flanged
17	93-8572	1	Fan
18	93-8563	1	Shroud-Engine
19	93-8564	1	Collar
20	93-8565	1	Shroud-Engine
21	93-8566	1	Bolt-Flanged
22	93-8567	1	Pulley-Recoil
23	93-8568	1	Nut
24	93-8569	1	Washer
25	99-6237	1	Flywheel ASM
26	93-8571	1	Key
27	99-4267	1	Coil-Lighting



Governor Assembly Kawasaki FE120D-CS02

Ref	Part No.	Qty.	Description
1	94-6842	1	Washer
2	94-6841	1	Governor ASM
3	93-8610	1	Sleeve
4	93-8609	1	Arm-Pivot
5	93-8608	1	Washer
6	93-8607	1	Pin-Snap
7	93-8606	1	Bolt
8	94-9030	1	Spring-Governor
9	93-8631	1	Nut
10	93-8603	1	Arm-Governor
11	93-8602	1	Rod-Governor
12	93-8601	1	Spring
13	93-8599	1	Control ASM
13:1	93-8587	1	Bracket
13:2	93-8588	2	Spring
13:3	93-8589	2	Bolt
13:4	93-8590	1	Washer
13:5	93-8591	1	Spring
13:6	93-8592	1	Plate
13:8	93-8594	1	Spacer
13:9	93-8595	1	Nut
13:10	93-8596	1	Screw-Head, Pan
13:11	93-8597	1	Nut
13:12	93-8598	1	Lever

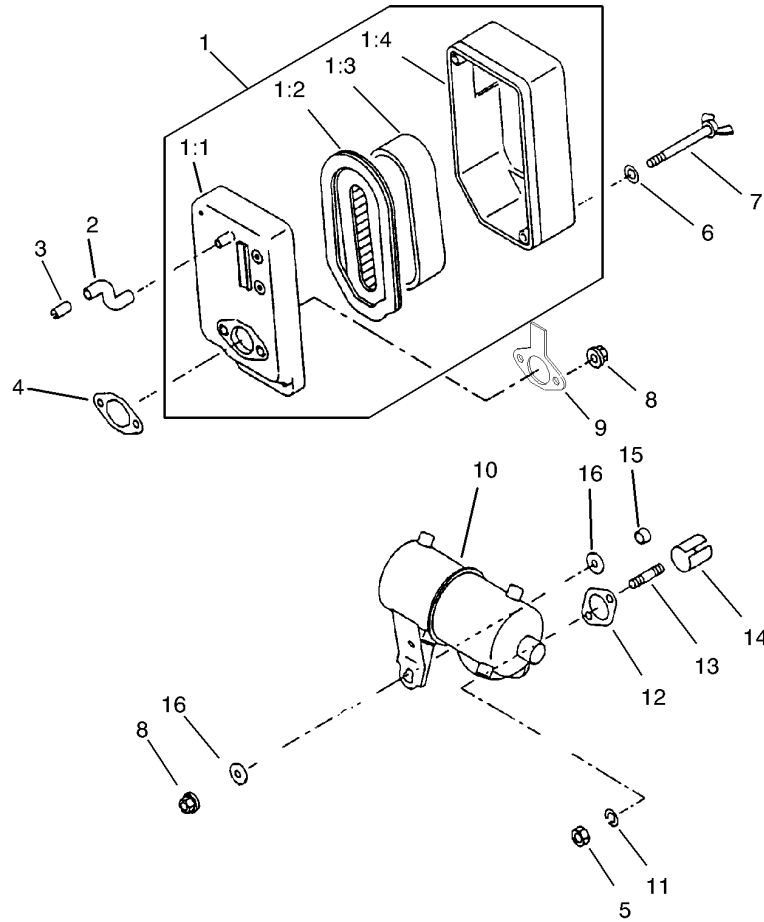
Ref	Part No.	Qty.	Description
14	93-8600	2	Bolt-Flanged



Carburetor Assembly

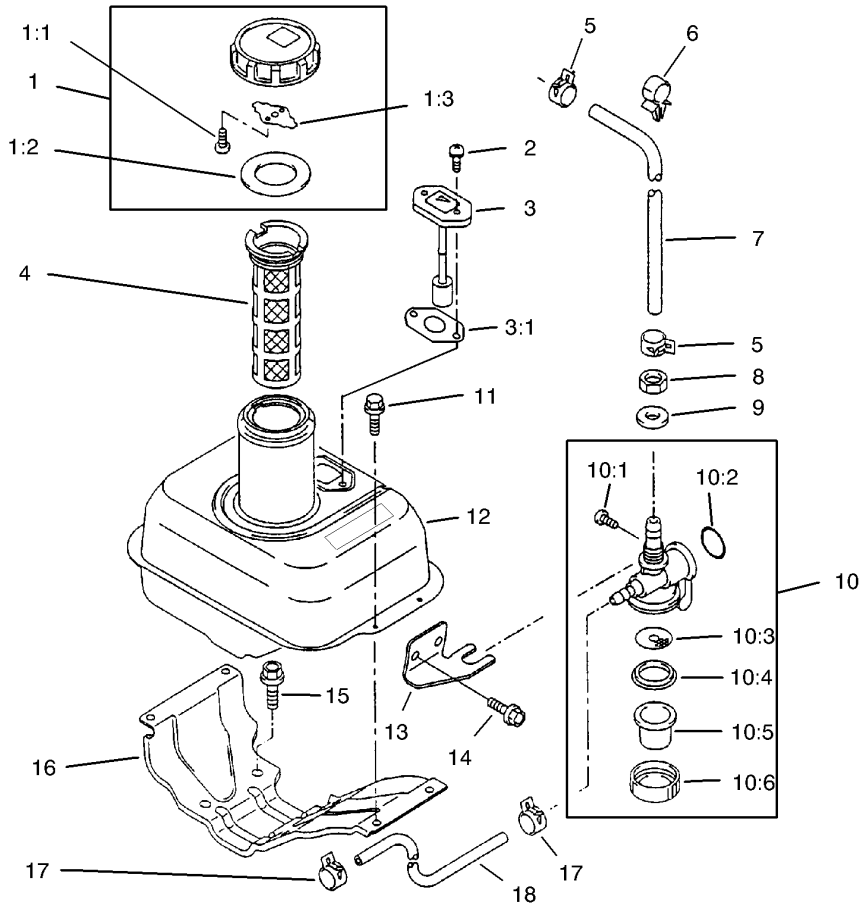
Ref	Part No.	Qty.	Description
1	93-8613	3	Gasket
2	94-9048	1	Insulator
3	94-9032	1	Carburetor ASM
3:1	94-9033	1	Throttle Valve ASM
3:2	93-8617	1	Valve-Choke
3:3	94-9037	1	Jet-Pilot, #40
3:4	93-8619	1	Screw ASM
3:5	94-9034	1	Limiter
3:6	94-9035	1	Nozzle-Main
3:7	94-9036	1	Jet-Main, #65
3:7	98-8735	1	Jet-Main, #62 High Alt
3:7	98-8736	1	Jet-Main, #60 High Alt
3:8	94-6844	1	Float ASM
3:9	93-8624	1	Gasket
3:10	93-8625	1	Float Chamber ASM
3:10:1	93-8626	1	Screw ASM
3:12	93-8627	1	Bolt
4	94-6846	1	Clamp
5	94-6845	1	Screw
6	93-8633	1	Pipe-Intake
7	93-8632	2	Bolt-Stud
8	93-8631	2	Nut
9	93-8630	1	Tube
10	93-8629	1	Clamp

Ref	Part No.	Qty.	Description
11	93-8628	2	Bolt-Stud



Air Cleaner and Muffler Assembly

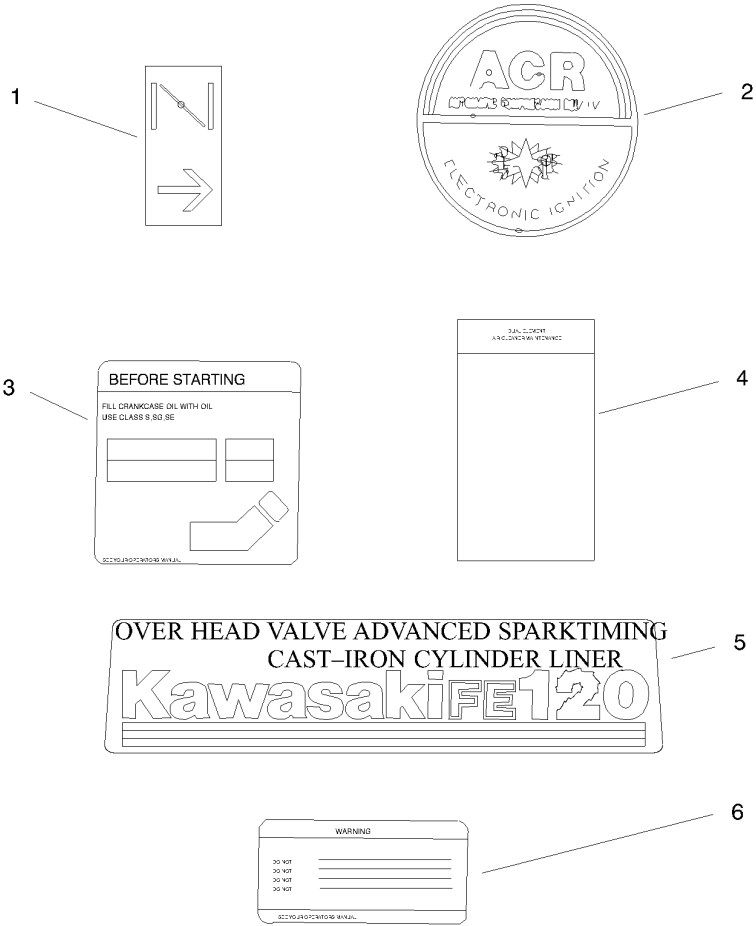
Ref	Part No.	Qty.	Description	
1	93-8634	1	Air Filter ASM	
1:1	93-8635	1	Case Filter ASM	
1:2	93-8636	1	Element-Filter, Air	
1:3	93-8637	1	Element-Filter, Air	
1:4	93-8638	1	Cap-Filter, Air	
2	93-8659	1	Tube	
3	93-8658	1	Pipe	
4	93-8657	1	Gasket-Filter, Air	
5	93-8656	2	Nut-Hex	
6	93-8639	2	Washer	
7	93-8640	2	Bolt	
8	93-8631	3	Nut	
9	93-8642	1	Plate-Filter, Air	
10	98-3427	1	Muffer	
11	93-8655	2	Washer-Spring	
12	93-8654	1	Gasket-Muffler	
13	94-6848	2	Bolt-Stud	
14	93-8652	1	Pipe-Exhaust	
15	93-8651	1	Collar	
16	93-8650	2	Washer	



Fuel Tank Assembly

Ref	Part No.	Qty.	Description
1	93-8660	1	Fuel Cap ASM
1:1	93-8661	2	Screw
1:2	93-8662	1	Gasket
1:3	93-8663	1	Spring
2	93-8686	2	Screw
3	93-8685	1	Gauge-Fuel
3:1	104-2384	1	Gasket-Gauge, Fuel
4	94-6826	1	Filter-Fuel
5	93-8664	2	Clamp
6	93-8665	1	Clamp
7	93-8666	1	Tube
8	94-9042	1	Nut
9	93-8668	1	Washer
10	93-8669	1	TAP ASM
10:1	93-8670	1	Screw
10:2	93-8671	1	O-Ring
10:3	94-6849	1	Filter-TAP
10:4	93-8673	1	Gasket
10:5	93-8674	1	Cup-TAP
10:6	93-8675	1	Nut
11	93-8683	4	Bolt
12	104-2382	1	Tank-Fuel
13	93-8681	1	Bracket
14	93-8680	2	Bolt-Flanged

Ref	Part No.	Qty.	Description
15	94-6825	4	Bolt-Flanged
16	104-2383	1	Bracket-Tank
17	93-8676	2	Clamp
18	93-8677	1	Tube



Decals

Ref	Part No.	Qty.	Description
1	93-8687	1	Decal-Choke
2	94-9027	1	Label-Recoil
3	93-8689	1	Decal-Instructions
4	93-8690	1	Decal-Maintenance
5	94-9028	1	Label-Kawasaki
6	93-8692	1	Decal-Warning

