



## 5-Blade 27in Reel Mower Reelmaster<sup>®</sup> 2000-D and 3100-D

Model No. 03210 - 240000001 and up.

### Parts Catalog

---

#### Ordering Replacement Parts

To order replacement parts, please supply the part number, the quantity, and the description of each part desired.

#### Understanding Reference Numbers

Each Identified part in an illustration has a reference number. The reference number for a part also appears in the parts list, along with other information about the part.

This catalog uses two special reference number formats, one to indicate parts in a service assembly and another to indicate the quantity of a given part in an illustration.

#### Service Assembly Reference Numbers

Parts in service assemblies have reference numbers in the form a:b. The a represents the reference number of the entire service assembly and the b represents a sequential number unique to each part within the service assembly.

For example, a wheel assembly might be identified by reference number 6, the tire by 6:1, the valve by 6:2, and the wheel by 6:3. When you order the assembly identified by reference number 6, you receive all parts identified by reference numbers 6:1, 6:2, and 6:3. However, you may also order any part individually. Reference numbers of this type appear in illustrations and in part lists.

#### Reference Numbers Indicating Quantity

In an illustration, if a reference number indicates more than one part, the reference number has the form nX y. The n represents the quantity of the part, the X is the multiplication symbol, and the y represents the reference number.

For example, in an illustration, the reference number 2X 37 means that two of the parts identified by reference number 37 are indicated.

# Part Description Abbreviations

Part descriptions in this catalog may include the following abbreviations.

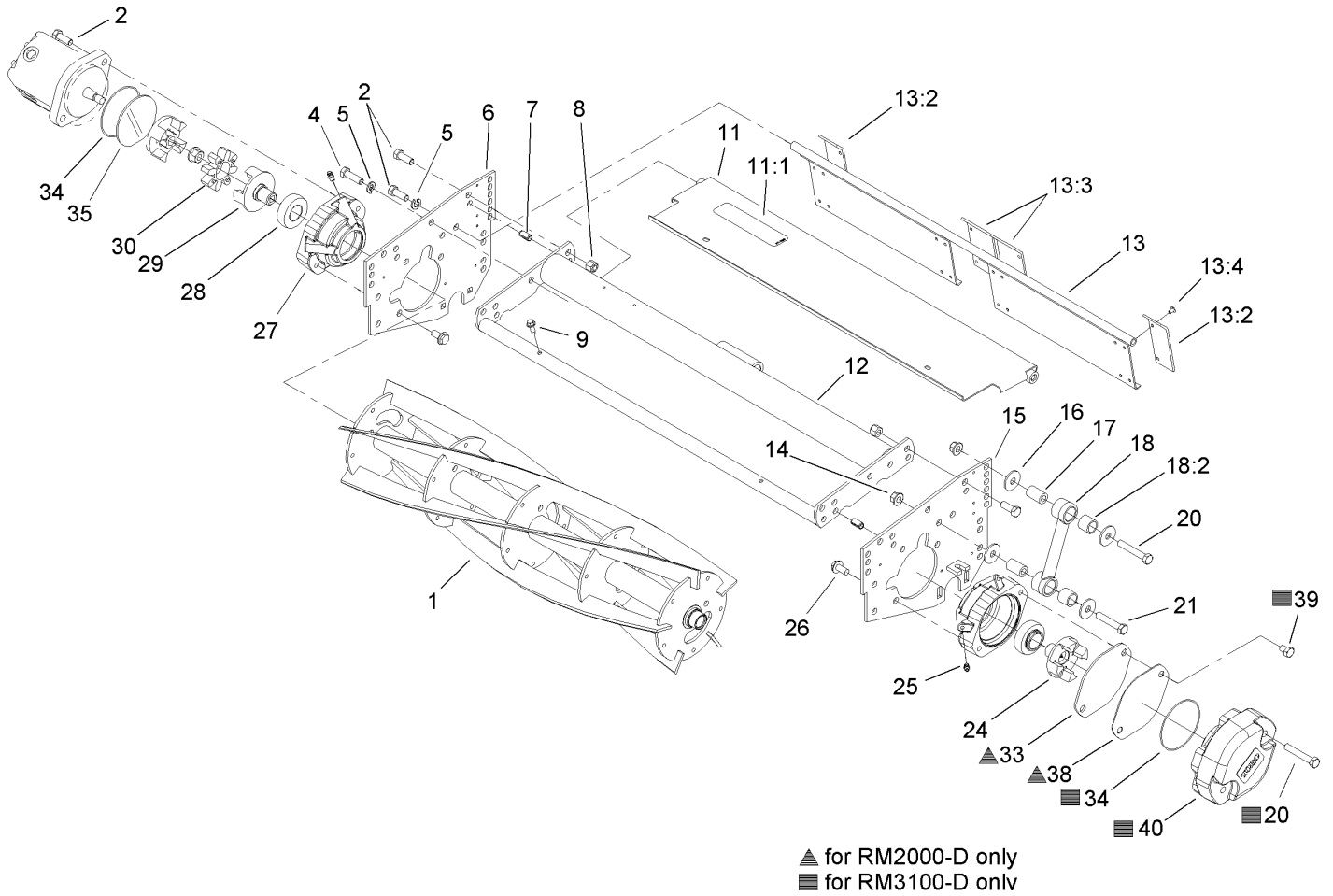
AR. ....	as required	HYD. ....	hydraulic
ASM. ....	assembly	INC. ....	incorporated
CARR. ....	carriage	LH. ....	left hand
DEG. ....	degrees	NI. ....	nylon insert
FH. ....	flat head	PPH. ....	phillips pan head
GA. ....	gauge	PTH. ....	phillips truss head
HF. ....	hex flange	PTO. ....	power take off
HH. ....	hex head	RH. ....	right hand
HHF. ....	hex head flange	SFH. ....	slotted fillister head
HHFTF. ....	hex head flange thread forming	SHH. ....	slotted hex head
HJ. ....	hex jam	SHWH. ....	slotted hex washer head
HLH. ....	hex lag head	SPH. ....	slotted pan head
HOC. ....	height-of-cut	SQH. ....	square head
HS. ....	hex	SRH. ....	slotted round head
HSBH. ....	hex socket button head	STD. ....	standard
HSFH. ....	hex socket flat head	TAP. ....	self tapping
HS. ....	hex socket head	TTH. ....	torx truss head
HWH. ....	hex washer head	WH. ....	wing head
HWHTF. ....	hex washer head thread forming		

## Footnotes

- ❶ Not illustrated
- ❷ Not serviced separately
- ❸ Optional

## Contents

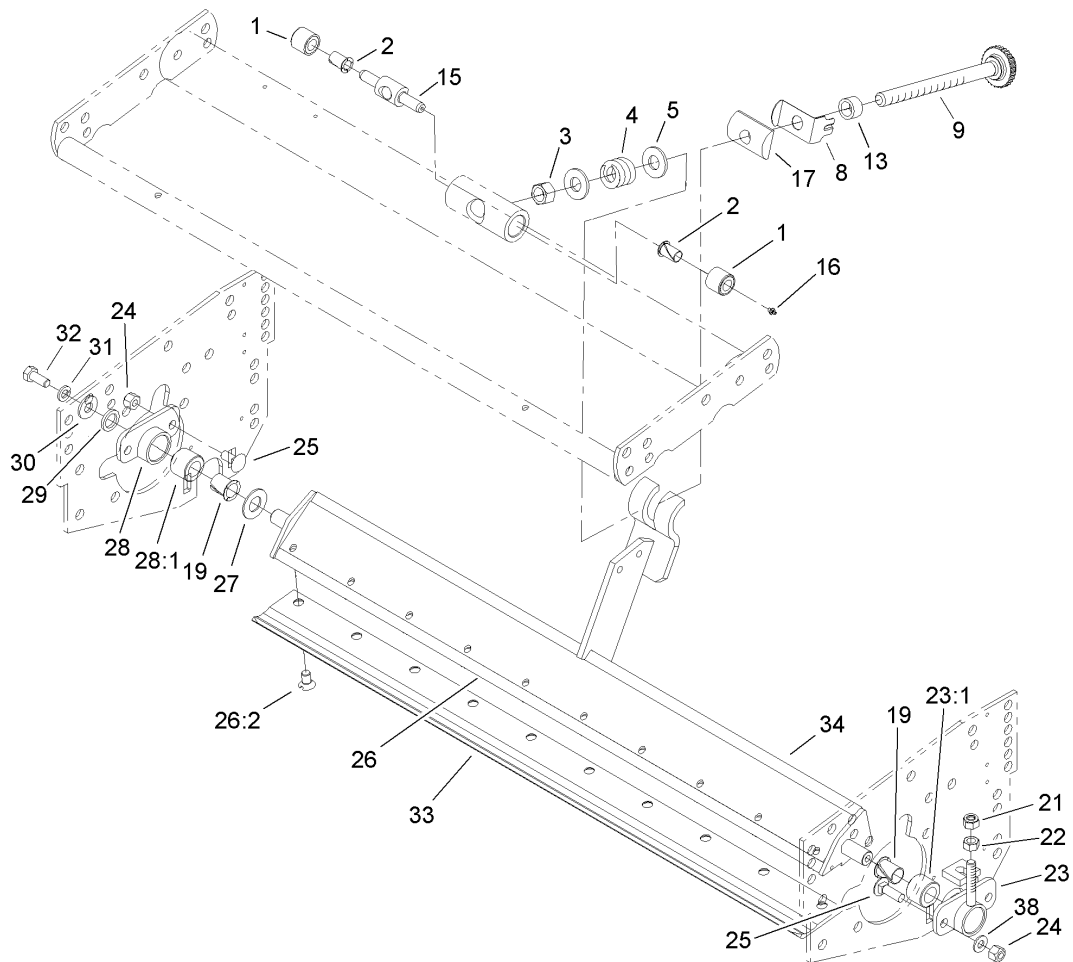
Description	Page
Reel and Frame Assembly	..... 3
Bedbar Assembly	..... 4
Roller Assembly	..... 5
Guage Bar, Angle Indicator, Brush and Handle Assembly	..... 6



## Reel and Frame Assembly

Ref	Part No.	Qty.	Description
1	99-3482	1	Reel-Blade, 5
2	323-6	10	Screw-HH
4	323-7	2	Screw-HH
5	3253-5	4	Washer-Lock
6	94-3695-01	1	Plate-Side Reel, RH
7	32121-36	4	Pin-Spring
8	3296-39	6	Nut-Lock, NI
9	32144-10	2	Screw-HWH
11	94-3621	1	Front Grass Shield ASM
11:1	67-7960	1	Decal-Danger
11:1	93-6688	1	Decal-Danger, Europe
11:1	94-4584	1	Decal-Danger, Japan
12	95-8753-01	1	Reel Frame ASM
13	93-8849	1	Rear Grass Shield ASM
13:2	61-3280	2	Flap-Rubber
13:3	61-3290	2	Flap-Rubber, Middle
13:4	700382	12	Rivet
14	32128-36	8	Nut-HF
15	94-3697-01	1	LH Side Plate ASM
16	93-8806	16	Washer-Hardened
17	93-6981	8	Spacer
18	16-9759	4	Link ASM
18:2	94-8945	2	Bushing
20	323-11	6	Screw-HH

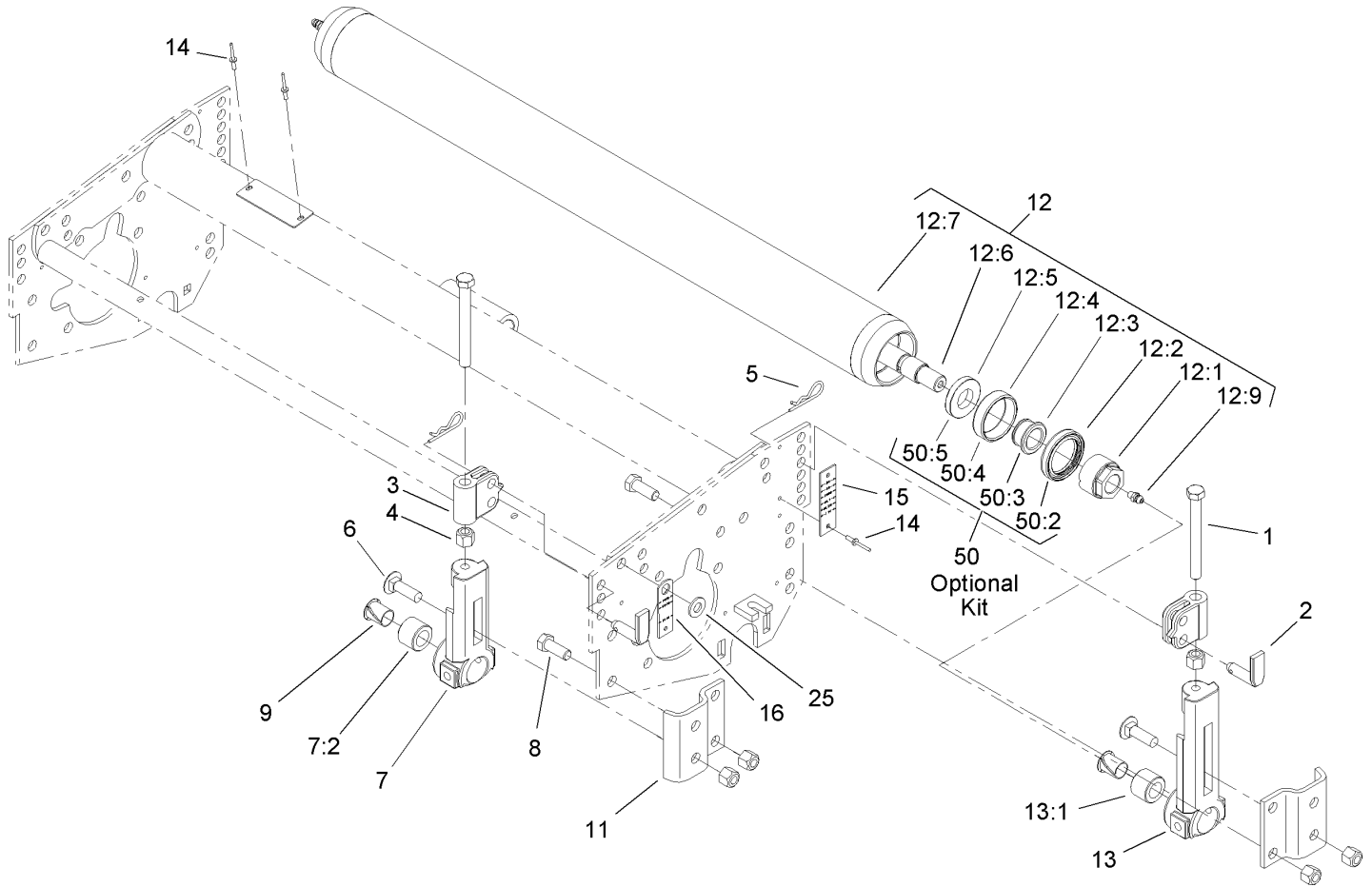
Ref	Part No.	Qty.	Description
21	323-10	4	Screw-HH
24	93-8826	1	Coupler-Reel, LH Thread
25	302-5	4	Fitting-Grease
26	3234-1	4	Screw-HHF
27	99-3404	2	Housing-Bearing
28	100-4926	2	Bearing-Aligning, Self
29	93-8825	1	Coupler-Reel, RH Thread
30	93-8827	1	Spider-Coupler
33	94-5979	1	Gasket
34	353-949	2	O-Ring
35	94-2703	1	Plug
38	93-6960	1	Cover-Holder, Bearing
39	323-2	2	Screw-HH
40	105-0171-03	1	Weight-End



## Bedbar Assembly

Ref	Part No.	Qty.	Description
1	62-5510	2	Bushing-Rubber
2	52-2890	2	Bushing-Nylon
3	3296-62	1	Nut-Lock NI
4	57-5270	1	Spring-Compression
5	29-8910	2	Washer
8	95-8752	1	Arm-Spring
9	106-7536	1	Bedbar Adjuster ASM
13	93-2959	1	Spacer-Adjuster
15	107-7409	1	Pin-Pivot, Bedbar
16	302-18	1	Fitting-Grease
17	93-2892	1	Pivot-Bedbar, Main Adj
19	56-9520	2	Bushing-Flanged
21	3296-4	1	Nut-Lock, NI
22	3219-2	1	Nut-Hex
23	16-9769	1	Bedbar Adj. Housing And Bushing ASM
23:1	56-9510	1	Bushing ASM
24	3296-29	4	Nut-Lock, NI
25	3230-2	4	Bolt-CARR
26	57-4910	1	Bedbar ASM
26:2	57-4910	10	Screw
27	61-1950	1	Washer-Bedbar
28	14-4459	1	Housing-Bedbar
28:1	56-9510	1	Bushing ASM

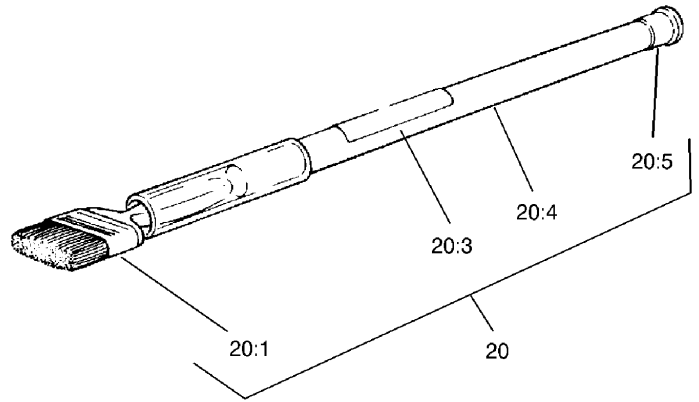
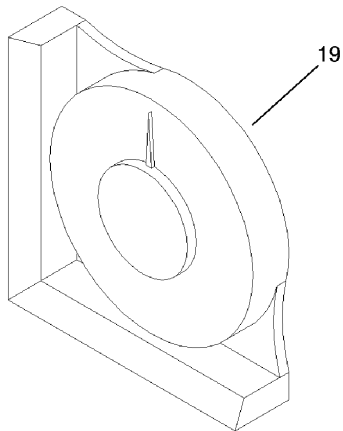
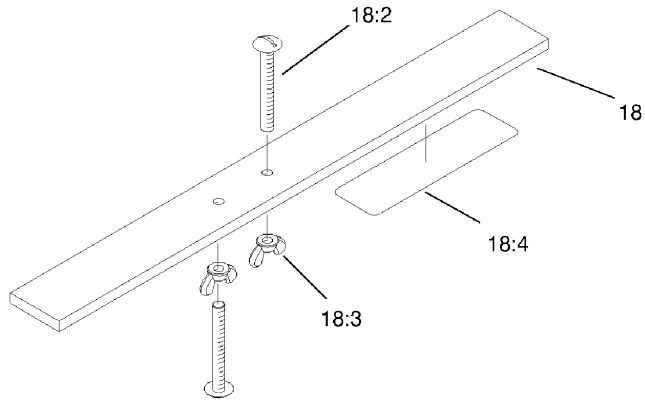
Ref	Part No.	Qty.	Description
29	62-7120	1	Washer
30	3256-56	1	Washer-Flat
31	3253-4	1	Washer-Lock
32	322-3	1	Screw-HH
33	104-1380	1	Bedknife-Highcut
33	62-5180	1	Bedknife-Lowcut
34	95-8739-01	1	Machining-Bedbar
38	3256-74	4	Washer-Flat



## Roller Assembly

Ref	Part No.	Qty.	Description
1	323-57	4	Screw-HH
2	71-3690	4	Spade-Bent
3	61-0420-01	4	Support-HOC
4	3296-39	16	Nut-Lock, NI
5	3290-467	4	Pin-Hair
6	3231-25	4	Screw-CARR
7	14-4489	2	Front HOC Bracket ASM
7:2	56-9510	1	Bushing ASM
8	323-6	8	Screw-HH
9	56-9520	2	Bushing-Flanged
11	61-0910	4	Bracket-Angle
12	61-0410	1	Full Roller ASM
12:1	71-3590	2	Nut-Adjustment
12:2	105-0150	2	Seal-Grease
12:3	254-78	2	Bearing-Cone
12:4	254-79	2	Bearing-Roller, Cup
12:5	253-152	2	Seal-Oil
12:6	105-0156	1	Shaft-Roller
12:7	12-4989-01	1	End Cap And Tube ASM
12:9	302-5	2	Fitting-Grease
13	14-4479	2	Rear HOC Bracket And Bushing ASM
13:1	56-9510	1	Bushing ASM
14	3290-55	8	Rivet-Pop

Ref	Part No.	Qty.	Description
15	61-3800	2	Plate-Rear
16	61-3790	2	Plate-Hoc, Front
25	3256-38	2	Washer-Flat
50	106-9607	1	Full Roller Kit
50:2	105-0150	2	Seal-Grease
50:3	254-78	2	Bearing-Cone
50:4	254-79	2	Bearing-Roller, Cup
50:5	253-152	2	Seal-Oil



## Guage Bar, Angle Indicator, Brush and Handle Assembly

Ref	Part No.	Qty.	Description
18	98-1852	1	Gauge Bar ASM
18:2	32122-54	2	Screw-Head, Truss
18:3	32103-3	2	Nut-Wing
18:4	98-7976	1	Decal-Bar, Gauge
19	99-3503	1	Indicator-Angle
20	29-9100	1	Brush And Handle ASM
20:1	36-4310	1	Brush
20:3	12-9140	1	Decal-Body, Front
20:4	29-9080	1	Handle
20:5	2410-18	1	Cap-Plastic

--	--	--	--

## NOTES

