



Z587L

Z Master[®] with 72in TURBO FORCE Side Discharge Mower

Model No. 74252—240000001 and Up

Parts Catalog

Ordering Replacement Parts

To order replacement parts, please supply: the part number, the quantity, and the description of each part desired.

Understanding Reference Numbers

Each identified part in an illustration has a reference number. The reference number for a part also appears in the parts list, along with other information about the part.

This catalog uses two special reference number formats, one to indicate parts in a service assembly and another to indicate the quantity of a given part in an illustration.

Service Assembly Reference Numbers

Parts in service assemblies have reference numbers in the form **a:b**. The **a** represents the reference number of the entire service assembly and the **b** represents a sequential number unique to each part within the service assembly.

For example, a wheel assembly might be identified by reference number **6**, the tire by **6:1**, the valve by **6:2**, and the wheel by **6:3**. When you order the assembly identified by reference number **6**, you receive all parts identified by reference numbers **6:1**, **6:2**, and **6:3**. However, you may also order any part individually.

Reference numbers of this type appear in illustrations and in part lists.

Reference Numbers Indicating Quantity

In an illustration, if a reference number indicates more than one part, the reference number has the form **nX y**. The **n** represents the quantity of the part, the **X** is the multiplication symbol, and the **y** represents the reference number.

For example, in an illustration, the reference number **2X 37** means that two of the parts identified by reference number **37** are indicated.

Contents

Description	Page	Description	Page
Front Frame Assembly	4	Lever Assembly No. 106-3242	26
Castor and Wheel Assembly	5	Cylinder/Crankcase Assembly	
Main Frame Assembly	6	Kawasaki FD750D-AS03	27
Brake and Wheel Hub Assembly	7	Piston/Crankshaft Assembly	
Steering Control Assembly	8	Kawasaki FD750D-AS03	28
Hydraulic System Assembly	9	Valve/Camshaft Assembly	
Seat and		Kawasaki FD750D-AS03	29
Roll-Over-Protection-System Assembly ...	11	Lubrication Equipment Assembly	
Seat Assembly No. 106-9988	12	Kawasaki FD750D-AS03	30
Deck Connection Assembly	13	Cooling Equipment Assembly	
Drive Idler Assembly	14	Kawasaki FD750D-AS03	31
Z Stand Assembly	15	Electric Equipment Assembly	
Engine, Clutch and Air Cleaner Assembly	16	Kawasaki FD750D-AS03	32
Cooling System Assembly	17	Control Equipment Assembly	
Hood Assembly	18	Kawasaki FD750D-AS03	33
Cooling Mounting Frame Assembly	19	Carburetor Assembly	
Fuel Tank Assembly	20	Kawasaki FD750D-AS03	34
Electrical Assembly	21	Air Filter/Muffler Assembly	
Deck Assembly	22	Kawasaki FD750D-AS03	35
Spindle Assembly No. 106-3217	23	Fuel Tank/Fuel Valve Assembly	
Deck Decal Assembly No. 107-1625	24	Kawasaki FD750D-AS03	36
Rubber Deflector Assembly No. 106-3249	25	Starter Assembly	
		Kawasaki FD750D-AS03	37

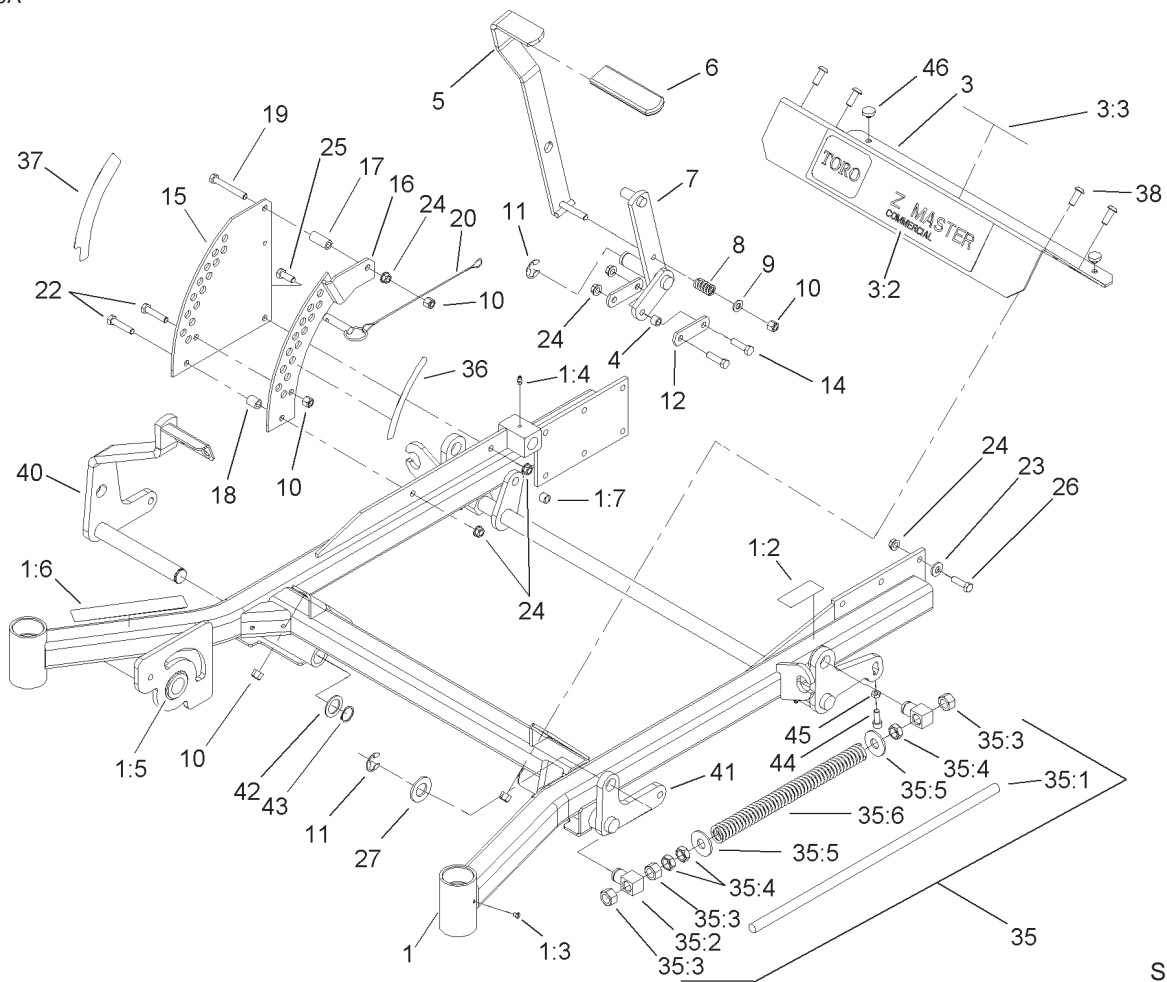
Accessories

Description	Model / Part No.	Description	Model / Part No.
Mid Flow Blade (3 required)	105-7711-03	Atomic Blade (3 required)	105-7719-03
Lo Flow Blade (3 required)	105-7712-03	Recycler Blade (3 required)	105-7778-03

Part Description Abbreviations

Part descriptions in this catalog may include the following abbreviations.

Abbreviation	Meaning	Abbreviation	Meaning
AR	as required	HYD	hydraulic
ASM	assembly	INC	incorporated
CARR	carriage	LH	left hand
DEG	degrees	NI	nylon insert
FH	flat head	PPH	Phillips pan head
GA	gauge	PTH	Phillips truss head
HF	hex flange	PTO	power take off
HH	hex head	RH	right hand
HHF	hex head flange	SFH	slotted fillister head
HLH	hex lag head	SHH	slotted hex head
HJ	hex jam	SQH	square head
HOC	height-of-cut	SHWH	slotted hex washer head
HS	hex socket	SPH	slotted pan head
HSBH	hex socket button head	SRH	slotted round head
HSFH	hex socket flat head	STD	standard
HSH	hex socket head	TAP	self tapping
HWH	hex washer head	TTH	Torx truss head
HWHTF	hex washer head thread forming	WH	wing head



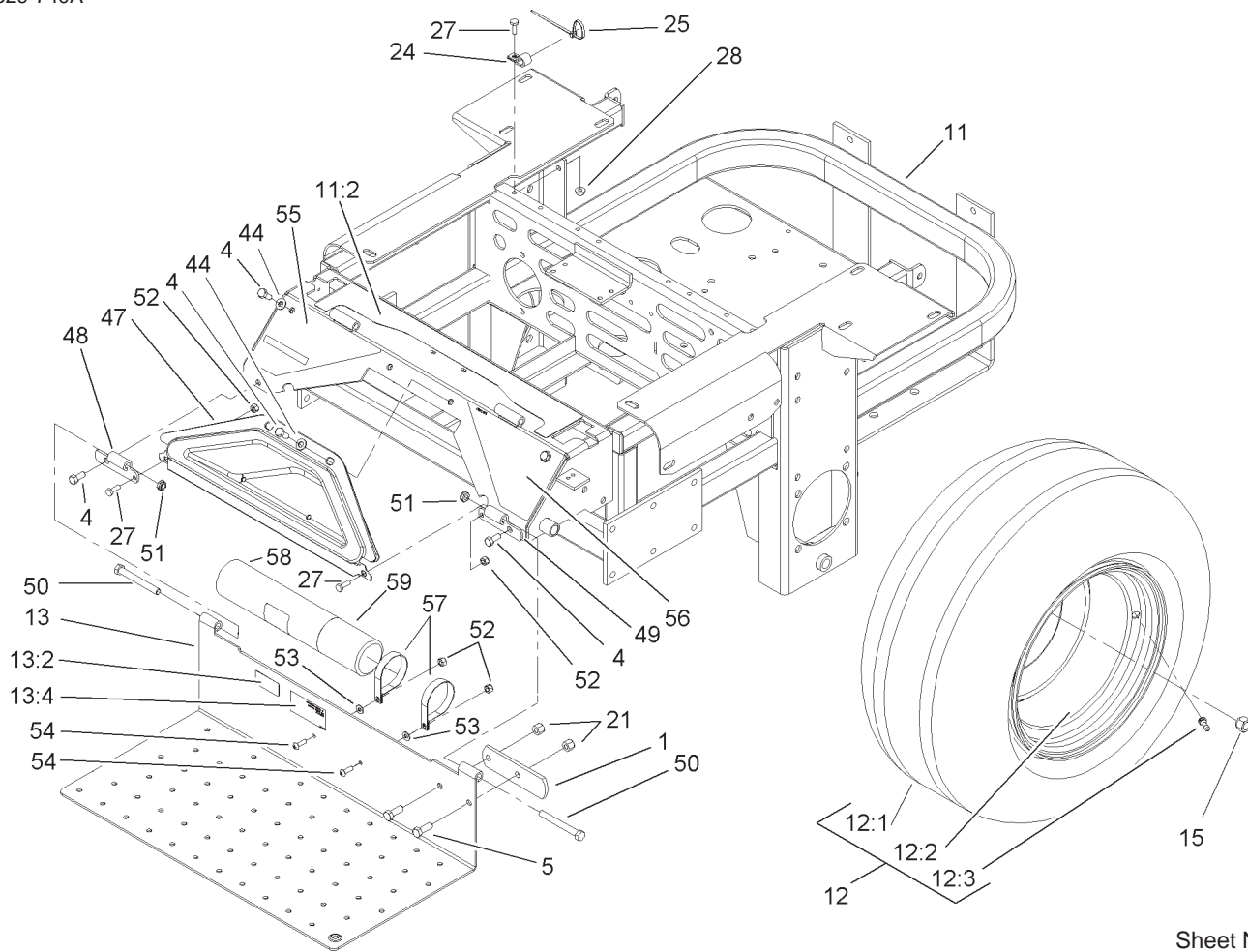
Sheet No.:2

Front Frame Assembly

Ref. No.	Part No.	Qty.	Description
1	106-8999	1	Frame ASM
1:2	107-1857	1	Decal-Brake, Parking
1:3	1-81 1010	2	Plug
1:4	302-19	5	Fitting-Grease
1:5	94-1291	2	Bushing
1:6	104-7759	1	Decal-Warning
1:7	103-1918	1	Bushing
3	106-9981	1	Front Floorpan ASM
3:2	106-7451	1	Decal
3:3	107-21 12	1	Decal-Warning
4	103-1918	1	Bushing
5	103-2083-03	1	Lever-Lift
6	1-633295	1	Grip-Lever, Lift
7	103-2064-03	1	Arm-Lift, Deck
8	1-633325	1	Spring-Compression
9	3256-24	1	Washer-Flat
10	3296-39	9	Nut-Lock, NI
11	32151-103	5	Ring-Snap
12	1-633068	2	Arm-Lift, Deck
14	323-29	2	Screw-HH
15	1-633889-01	1	Plate-Lift, Deck
16	1-632899-01	1	Plate-Lift, Deck
17	1-633082	1	Bushing-Lever, Lift
18	1-633080	1	Bushing-Lever, Lift
19	323-13	1	Screw-HH
20	106-9951	1	Hitch Pin ASM

Ref. No.	Part No.	Qty.	Description
22	323-9	2	Screw-HH
23	98-5975	12	Washer-Belleville
24	3290-357	15	Nut-HHF
25	323-6	1	Screw-HH
26	323-7	12	Screw-HH
27	3256-29	4	Washer-Flat
☆35		2	Front Frame Spring ASM
35:1	1-633096	1	Rod-Lift, Deck
35:2	1-633441	2	Swivel-Deck Mount, Rear
35:3	3217-1 1	3	Nut-Hex
35:4	3218-6	3	Nut-Jam
35:5	3256-7	2	Washer-Flat
35:6	1-643015	1	Spring,Deck Support
36	107-1861	1	Decal-Height, Deck
37	107-1860	1	Decal-Height, Deck
38	3274-94	4	Screw-HSBH
40	106-8983-01	1	RH Deck Lift ASM
41	106-8984-01	1	LH Deck Lift ASM
42	1-523157	2	Washer-Spacer
43	32151-29	2	Ring-Retaining
44	3274-18	2	Screw-HSH
45	3218-2	2	Nut-Jam
46	1-513658	2	Bumper

☆ Not serviced separately

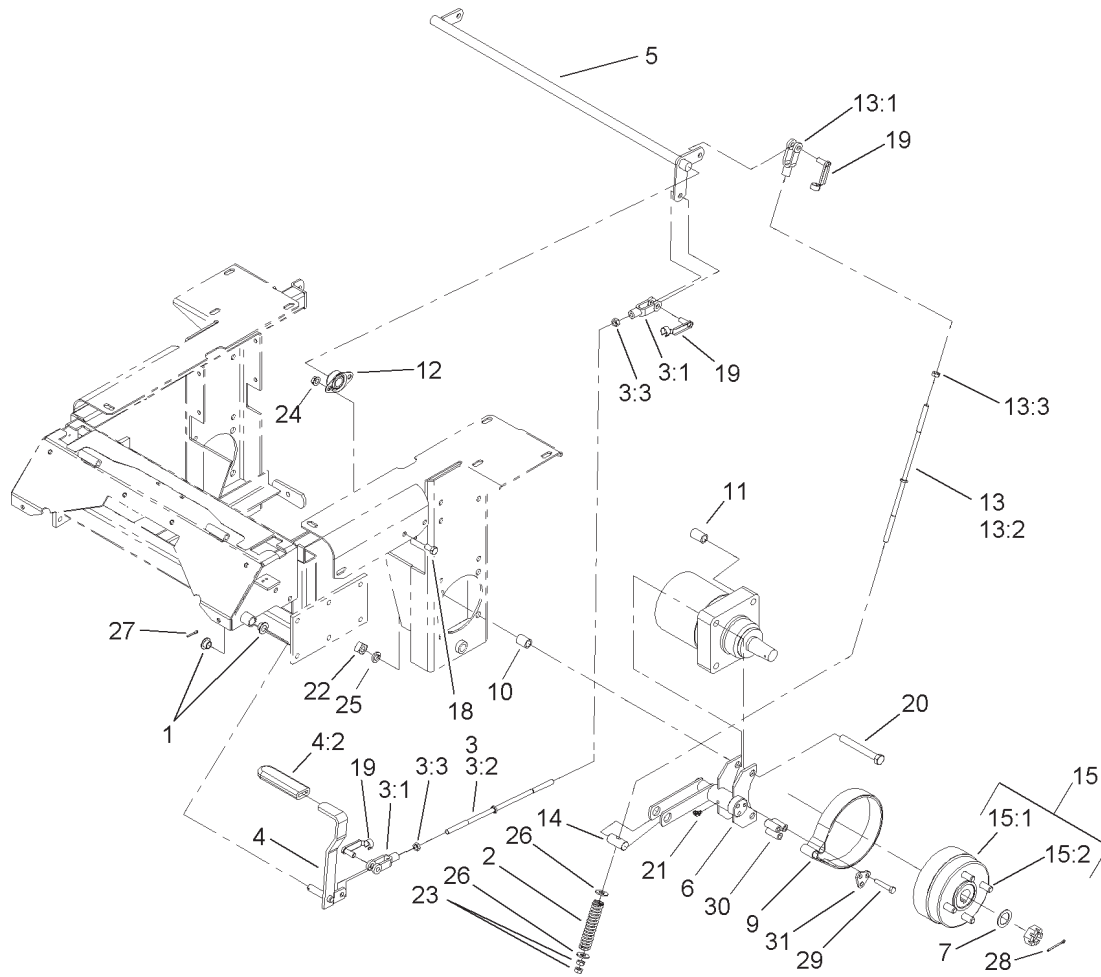


Sheet No.:4

Main Frame Assembly

Ref. No.	Part No.	Qty.	Description
1	1-633964-03	1	Stop-Brake, Park
4	322-43	6	Screw-HH
5	323-6	2	Screw-HH
11	106-6599	1	Main Frame ASM
11:2	103-2433	1	Decal-Console, Top
12	1-633970	2	Wheel And Tire ASM
12:1	1-633993	1	Tire
12:2	1-633992	1	Wheel
12:3	232-27	1	Stem-Valve
13	107-1858	1	Rear Floorpan ASM
13:2	98-4387	1	Decal-Protection, Ear
13:4	107-1864	1	Decal-Location, Manual
15	242-50	8	Nut-Lug
21	3296-39	2	Nut-Lock, NI
24	1-513762	1	Clip-Loom
25	1-303335	1	Tie-Plastic
27	321-4	3	Screw-HH
28	32128-33	1	Nut-HF
44	3256-70	6	Washer-Flat
47	106-7498	1	Pocket
48	106-7488-03	1	Hinge-Floorpan, LH
49	106-7489-03	1	Hinge-Floorpan, RH
50	323-20	2	Screw-HH
51	3296-59	2	Nut-Lock, NI
52	3296-42	4	Nut-Lock, NI

Ref. No.	Part No.	Qty.	Description
53	3256-63	2	Washer-Flat
54	3258-166	2	Screw
55	106-9989	1	Decal-Warning
56	106-7492	1	Decal-Danger
57	107-1865	2	R-Clamp
58	104-7050	1	Housing-Manual
59	104-7048	1	Cap-Housing

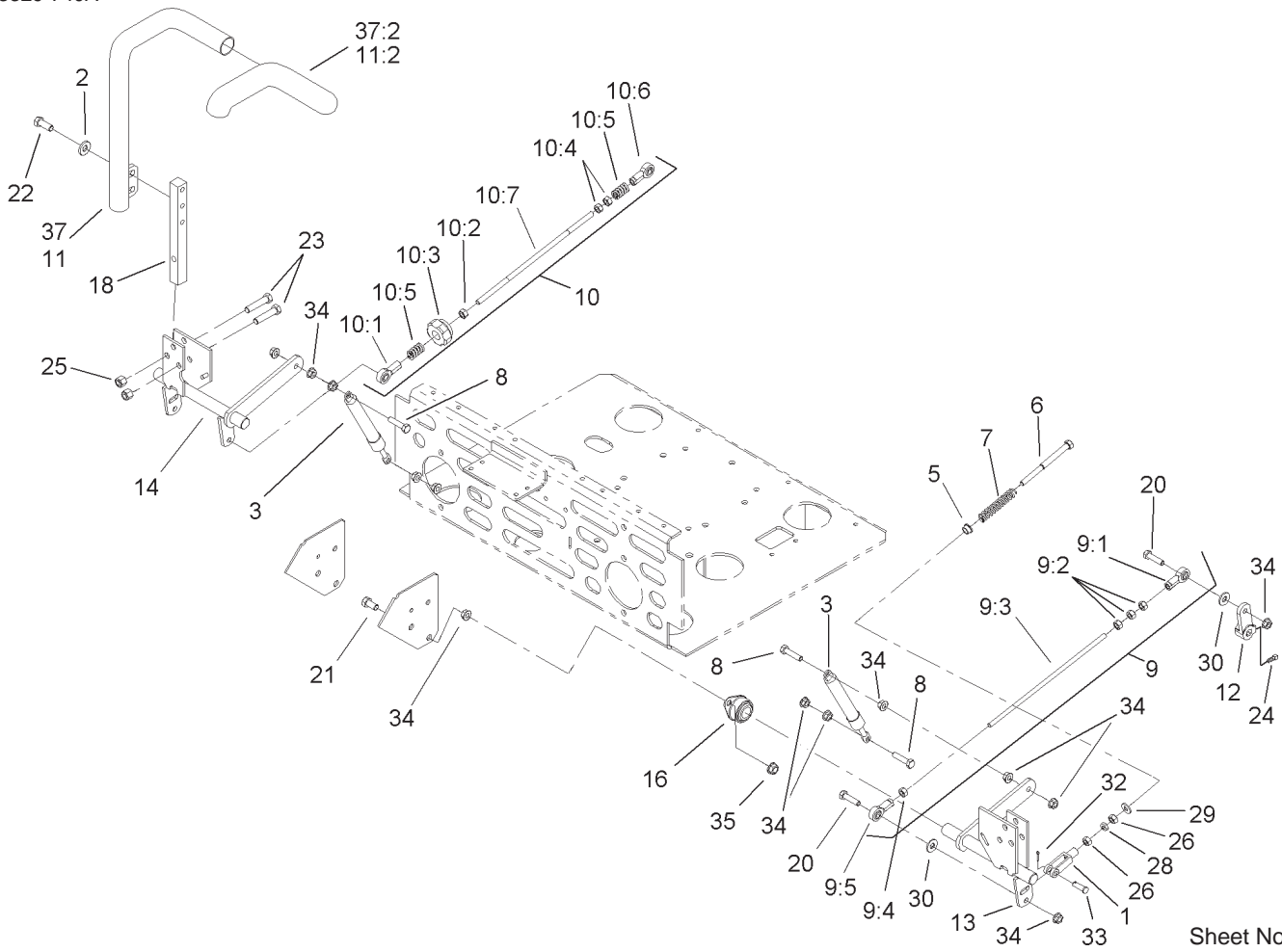


Sheet No.:5

Brake and Wheel Hub Assembly

Ref. No.	Part No.	Qty.	Description
1	1-513140	2	Bearing-Control
2	1-633454	2	Spring-Brake
3	103-4332	1	Brake Rod And Yoke ASM
3:1	1-633131	2	Yoke-Linkage, Brake
3:2	1-633477	1	Rod-Brake
3:3	3219-3	2	Nut-HH
4	1-634500	1	Brake Lever ASM
4:2	1-633268	1	Grip-Lever, Brake
5	1-632217-03	1	Shaft-Brake
6	103-0354-03	2	Bracket-Brake
7	1-523157	2	Washer-Spacer
9	103-0355	2	Band-Brake
10	1-633060	4	Spacer-Wheel, Short
11	1-633062	4	Spacer-Wheel, Long
12	1-633102	2	Bearing-Flange, Side
13	103-4333	2	Brake Rod And Yoke ASM
13:1	1-633131	1	Yoke-Linkage, Brake
13:2	1-633477	1	Rod-Brake
13:3	3219-3	1	Nut-HH
14	1-633144	2	Pin-T runion
15	103-0590	2	Hub-Wheel
15:1	103-0589	1	Wheel Hub ASM
15:2	1-633926	4	Stud-Wheel
18	323-4	4	Screw-HH

Ref. No.	Part No.	Qty.	Description
19	103-2399	4	Pin-Spring, Clevis
20	325-20	8	Screw-HH
21	302-19	2	Fitting-Grease
22	103-0131	8	Nut-Square
23	3219-3	4	Nut-HH
24	3290-357	4	Nut-HHF
25	3253-7	8	Washer-Lock
26	3256-4	4	Washer-Flat
27	3272-10	1	Pin-Cotter
28	1-806800	2	Pin-Cotter
29	322-9	6	Screw-HH
30	103-0384	6	Spacer
31	103-0374	2	Retainer-Band, Brake



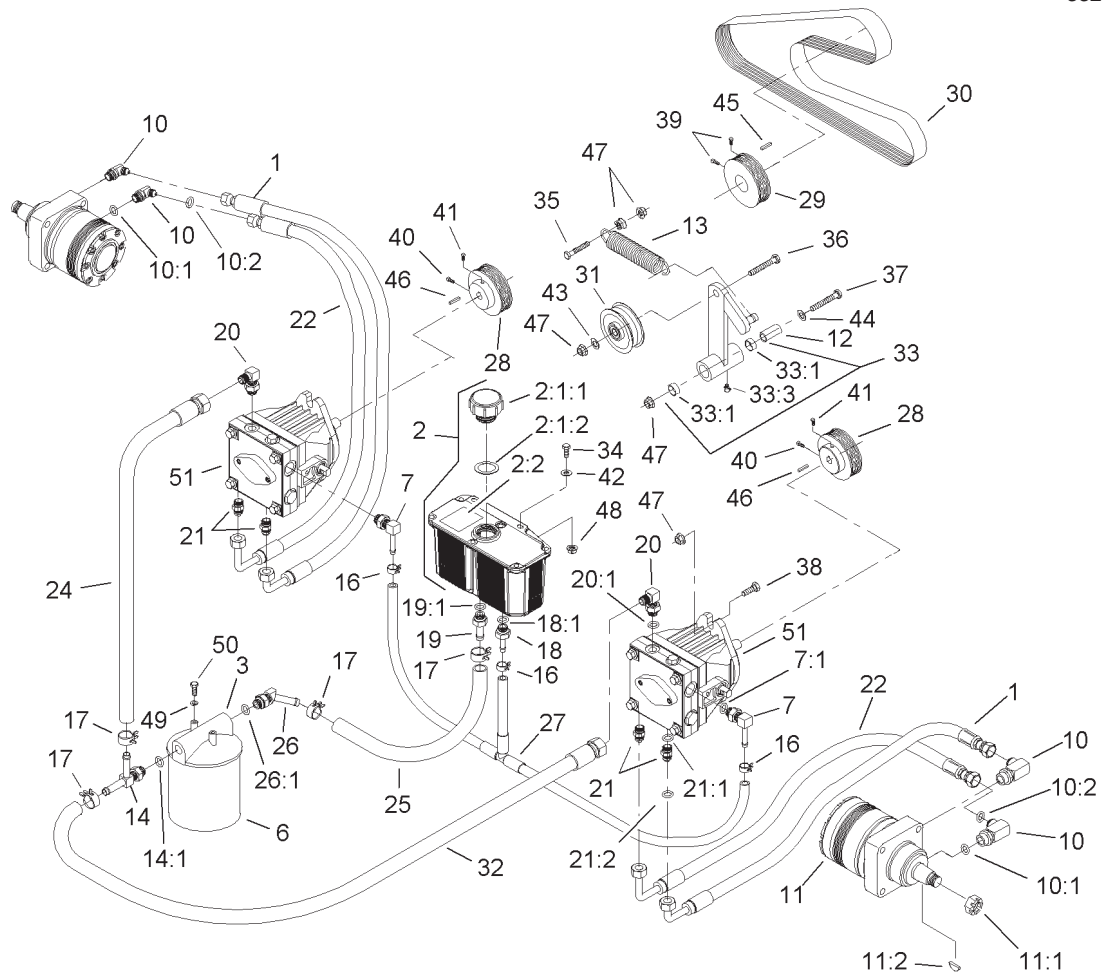
Sheet No.:6

Steering Control Assembly

Ref. No.	Part No.	Qty.	Description
1	1-303105	2	Yoke-Adjustable
2	98-5975	4	Washer-Belleville
3	103-4079	2	Damper-Motion Control
5	1-603735	2	Bushing-Flanged
6	1-603737	2	Bolt-Return, Neutral
7	1-603807	2	Spring-Return, Neutral
8	1-403180	4	Screw-HH
☆9		1	Tracking Rod ASM
9:1	1-543017	1	Balljoint-RH
9:2	3219-2	3	Nut-Hex
9:3	103-3064	1	Link-Rod, Tracking
9:4	1-804524	1	Nut
9:5	1-633152	1	Balljoint-Thread, LH
☆10		1	Tracking Rod ASM
10:1	1-543017	1	Balljoint-RH
10:2	3219-2	1	Nut-Hex
10:3	103-3060	1	Knob-T racking
10:4	1-804524	2	Nut
10:5	1-323245	2	Spring-Compression
10:6	1-633152	1	Balljoint-Thread, LH
10:7	103-3064	1	Link-Rod, Tracking
11	106-9982	1	LH Lever ASM
11:2	106-9987	1	Grip-Control, Motion
12	1-632208	2	Arm-Control, Pump

Ref. No.	Part No.	Qty.	Description
13	103-4781	1	Control-Motion, LH
14	103-4782	1	Control-Motion, RH
16	1-633102	4	Bearing-Flange, Side
18	103-0407	2	Arm-Shaft, Control
20	322-6	4	Screw-HH
21	323-4	8	Screw-HH
22	323-6	4	Screw-HH
23	323-9	6	Screw-HH
24	1-803022	2	Screw-Set
25	3296-39	6	Nut-Lock, NI
26	3219-2	4	Nut-Hex
28	3220-2	2	Nut
29	3256-2	2	Washer-Flat
30	3256-3	4	Washer-Flat
32	3272-5	2	Pin-Cotter
33	1-808280	2	Pin-Clevis
34	32128-20	16	Nut-HF
35	3290-357	8	Nut-HHF
37	106-9983	1	RH Lever ASM
37:2	106-9987	1	Grip-Control, Motion

☆ Not serviced separately

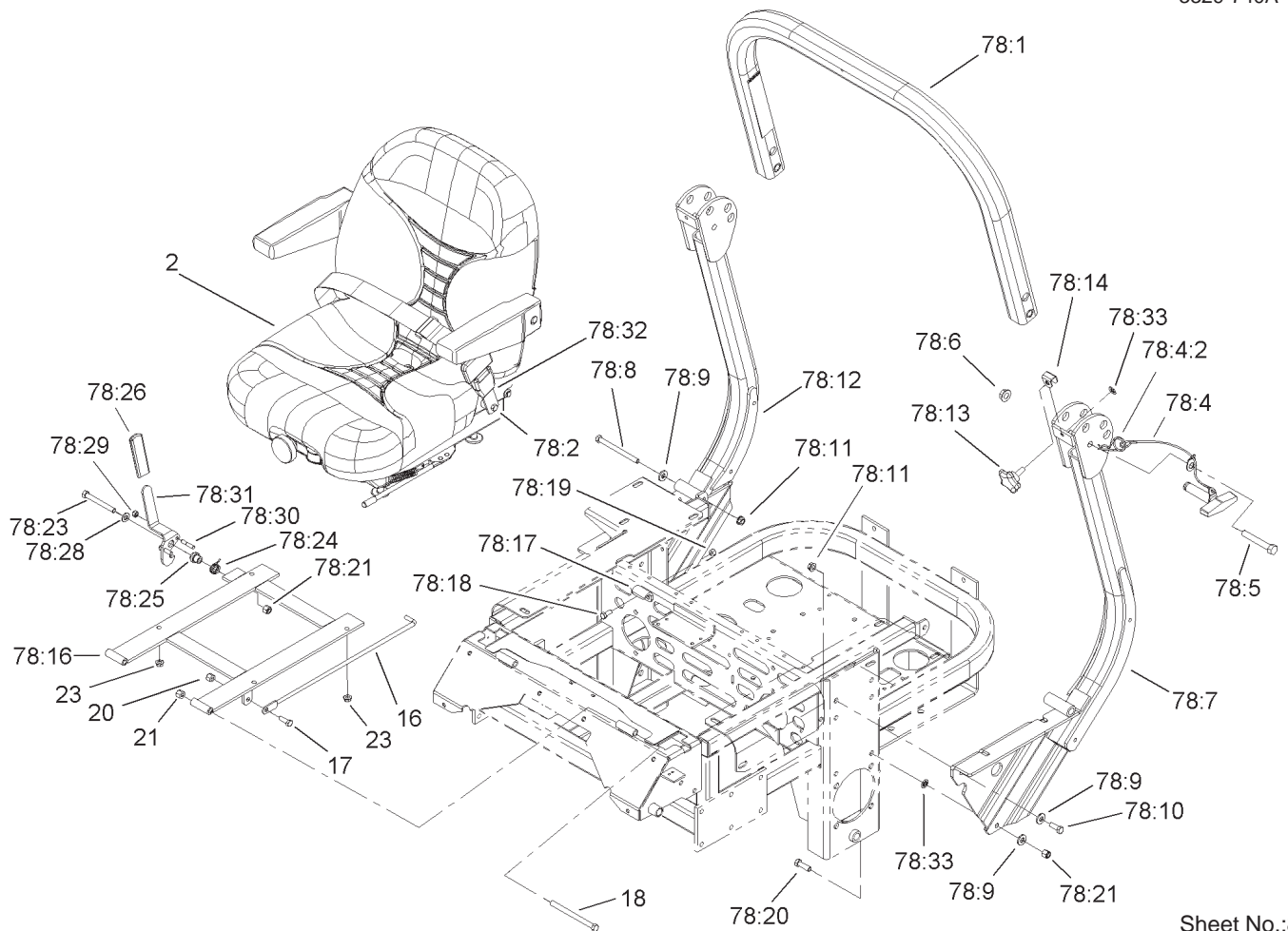


Sheet No.:7

Hydraulic System Assembly

Ref. No.	Part No.	Qty.	Description	Ref. No.	Part No.	Qty.	Description
1	103-3734	2	HYD Hose ASM	18:1	237-42	1	O-Ring
2	103-1947	1	HYD Reservoir ASM	19	103-1912	1	Adapter-Straight
2:1:1	103-1948	1	Cap-Reservoir, HYD	19:1	237-42	1	O-Ring
2:1:2	103-1949	1	Gasket-Cap	20	103-1802	2	Fitting-HYD, 90°
2:2	1-523552	1	Decal-Tank, HYD	20:1	237-42	1	O-Ring
3	104-7836	1	Head-Filter	21	1-603990	4	Fitting-Straight
6	1-633750	1	Filter-HYD	21:1	237-79	1	O-Ring
6	1-633752	1	Filter-HYD, Winter	21:2	1-603992	1	O-Ring
7	103-1799	2	Elbow-90°	22	103-1863	2	Hose-Lower
7:1	237-42	1	O-Ring	24	103-1826	1	HYD Hose ASM
10	1-633786	4	Fitting-90°	25	103-1808	1	Hose-HYD
10:1	237-80	1	O-Ring	26	103-1807	1	Elbow-45°
10:2	1-603992	1	O-Ring	26:1	237-42	1	O-Ring
11	1-523328	2	Motor-Wheel	27	103-1806	1	HYD Hose ASM
11:1	1-809036	1	Nut-HH	28	1-633568	2	Sheave
11:2	3257-42	1	Key-Woodruff	29	1-633567	1	Sheave
*11:99	103-2748	1	Drive Link Kit	30	1-633749	1	Belt-Drive, Pump
*11:99	1-000139	1	Bearing Kit	31	1-633167	1	Sheave-Idler
*11:99	1-000099	1	Seal Kit	32	103-1827	1	HYD Hose ASM
12	1-603384	1	Bushing-Pivot, Idler	33	1-634277	1	Bearing Arm ASM
13	103-3330	1	Spring-Extension	33:1	1-513034	2	Sleeve-Bearing
14	103-1828	1	Adapter-Run, Tee	33:3	302-40	1	Fitting-Grease
14:1	237-42	1	O-Ring	34	321-6	2	Screw-HH
16	103-1716	3	Clamp-Hose	35	323-8	1	Screw-HH
17	103-1988	4	Clamp-Hose	36	323-9	1	Screw-HH
18	103-1801	1	Adapter-Straight	37	1-800805	1	Screw-HH

* Not illustrated



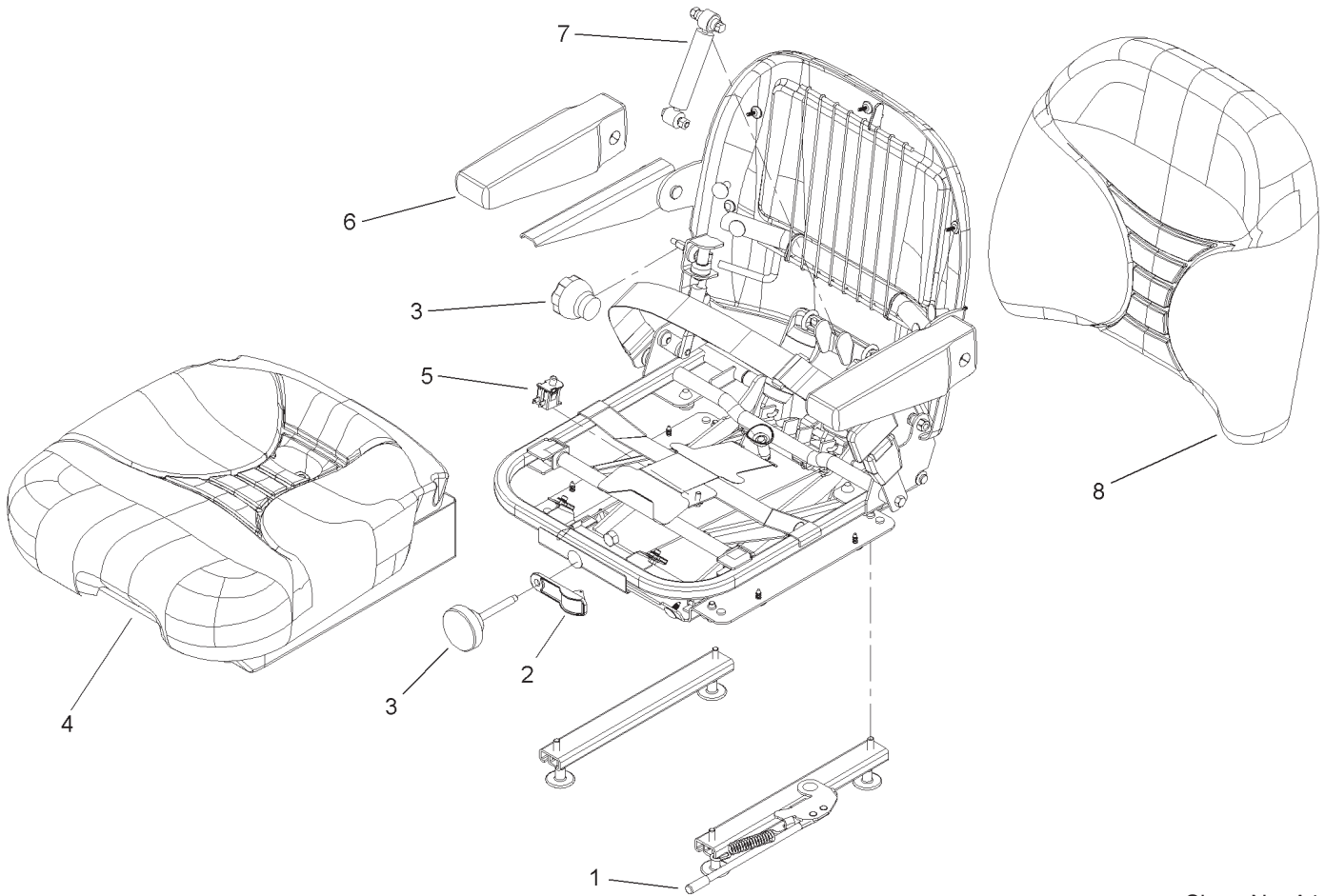
Sheet No.:8

Seat and Roll-Over-Protection-System Assembly

Ref. No.	Part No.	Qty.	Description
2	106-9988	1	Seat-Suspension
16	1-633293	1	Rod-Holdup, Seat
17	322-5	1	Screw-HH
18	323-39	2	Screw-HH
20	3296-29	3	Nut-Lock, NI
21	3296-39	5	Nut-Lock, NI
23	32128-20	4	Nut-HF
78	107-0038	1	Rops
☆78:1		1	Upper Tube ASM
78:2	3212-4	2	Screw-HH
78:3	3296-7	2	Nut-Lock NI
78:4	107-3060	2	Pin Latch ASM
78:4:2	107-3155	1	Hairpin
78:5	325-13	2	Screw-HH
78:6	32128-23	2	Nut-HF
☆78:7		1	LH Rops ASM
78:8	323-23	2	Screw-HH
78:9	98-5975	8	Washer-Belleville
78:10	323-6	4	Screw-HH
78:11	3290-357	6	Nut-HHF
☆78:12		1	RH Rops ASM
78:13	106-0887	2	Knob
78:14	107-3124	2	Clip
78:16	107-3052-03	1	Frame-Support, Seat
78:17	107-3058	1	Catch-Latch, Seat
78:18	322-3	2	Screw-HH

Ref. No.	Part No.	Qty.	Description
78:19	3296-29	2	Nut-Lock, NI
78:20	323-7	2	Screw-HH
78:21	3296-39	3	Nut-Lock, NI
78:23	323-20	1	Screw-HH
78:24	107-0076	1	Spring-Torsion
78:25	107-0075	1	Bushing-Latch, Seat
78:26	62-9130	1	Grip-Handle
78:28	3256-24	1	Washer-Flat
78:29	3296-42	2	Nut-Lock, NI
78:30	107-0095	2	Pin
78:31	107-0094	1	Latch
78:32	103-4317	1	Belt-Seat
78:33	107-3154	4	Nut-Push

☆ Not serviced separately

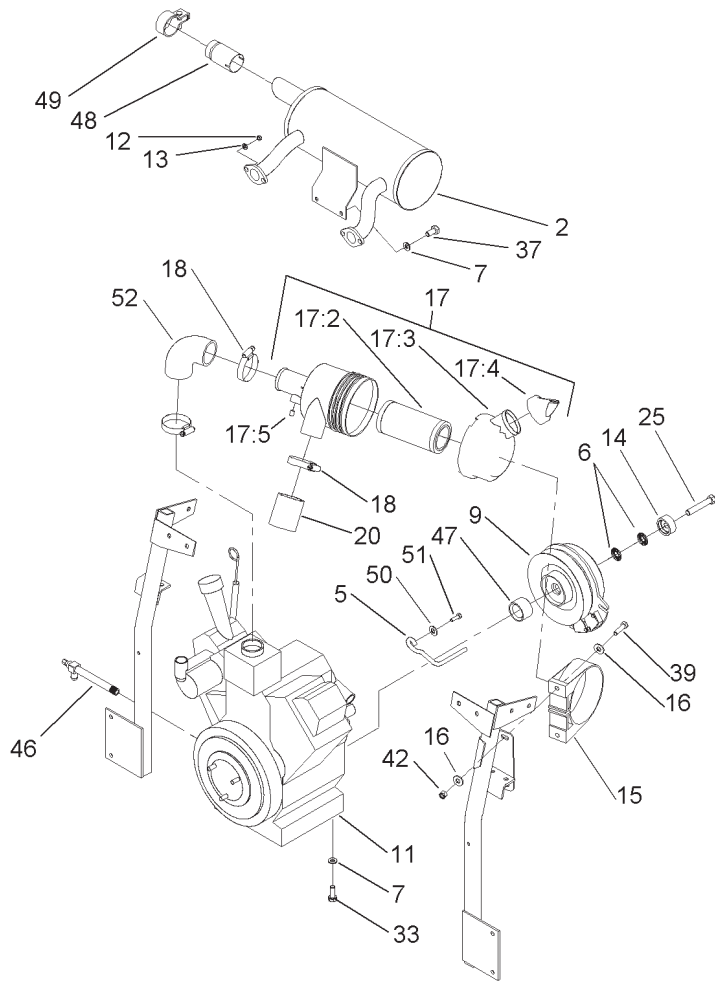


Sheet No.:A1

Seat Assembly No. 106-9988

Ref. No.	Part No.	Qty.	Description
1	107-1880	1	Seat Track Kit
2	107-1885	1	Weight Indicator Kit
3	107-1881	1	Knob Kit
4	107-1883	1	Bottom Cushion Kit
5	107-1886	1	Switch Kit
6	107-1887	1	Armrest Kit
7	107-1884	1	Shock Absorber Kit
8	107-1882	1	Back Cushion Kit

Ref. No.	Part No.	Qty.	Description



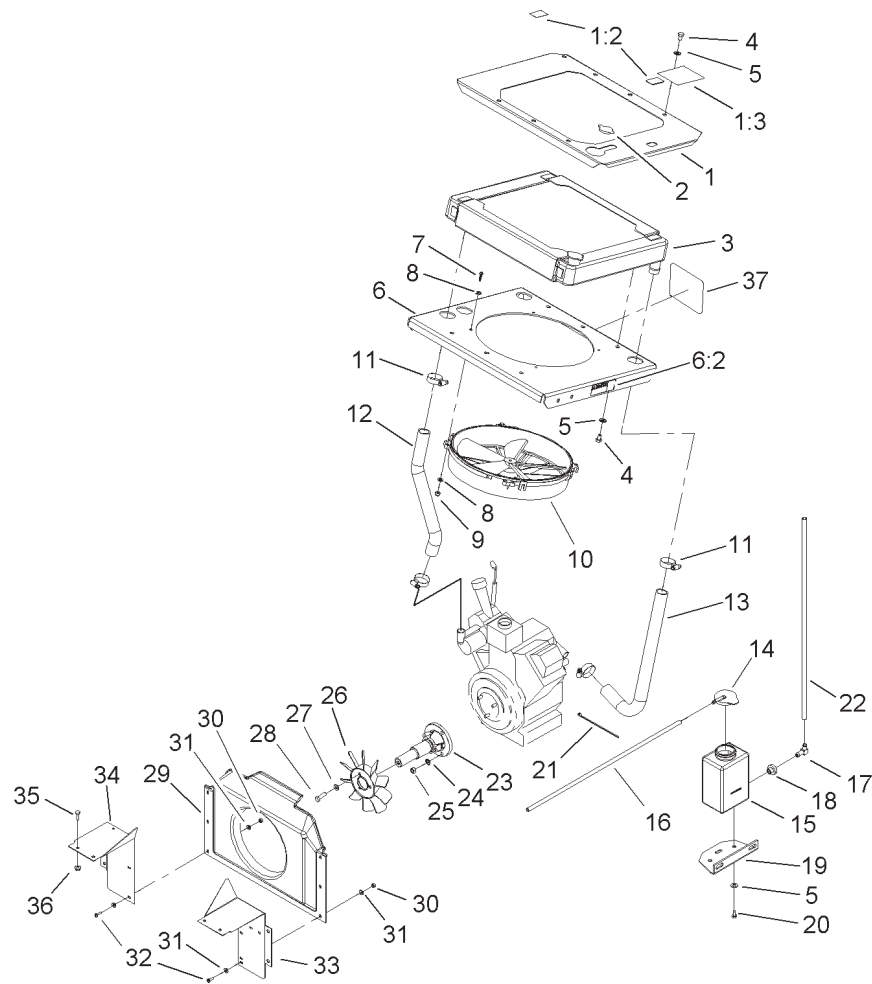
Sheet No.:14

Engine, Clutch and Air Cleaner Assembly

Ref. No.	Part No.	Qty.	Description
2	103-2759	1	Muffler
5	52-4780	1	Rod-Belt
6	1-603610	2	Washer-Spring
7	1-303334	6	Washer-Spring
9	103-2453	1	Clutch
☆11		1	Engine-Kawasaki, Fd750d-As03
12	33013-00	4	Nut-Hex
13	1-805004	4	Washer-Lock
14	103-0152	1	Keeper-Clutch
15	95-5806	1	Bracket-Mounting
16	3256-3	4	Washer-Flat
17	95-5805	1	Air Cleaner ASM
17:2	93-2195	1	Filter
17:3	94-3652	1	Cover ASM
17:4	94-1414	1	Valve-V acuator
17:5	285-17	1	Plug-Pipe
18	1-643009	2	Clamp-Hose
20	1-643084	1	Hose-Inlet, Air
25	48-7570	1	Screw-HH
33	33115-025	4	Screw-HH
37	33115-020	2	Screw-HH
39	322-6	3	Screw-HH
42	3296-29	2	Nut-Lock, NI
46	103-3068	1	Valve-Drain, Oil
47	103-01 14	1	Spacer-Clutch

Ref. No.	Part No.	Qty.	Description
48	103-151 1	1	Arrestor-Spark
49	103-1512	1	Clamp-Muf fler
50	3256-24	1	Washer-Flat
51	48-7630	1	Screw
52	1-643083	1	Hose-Aircleaner

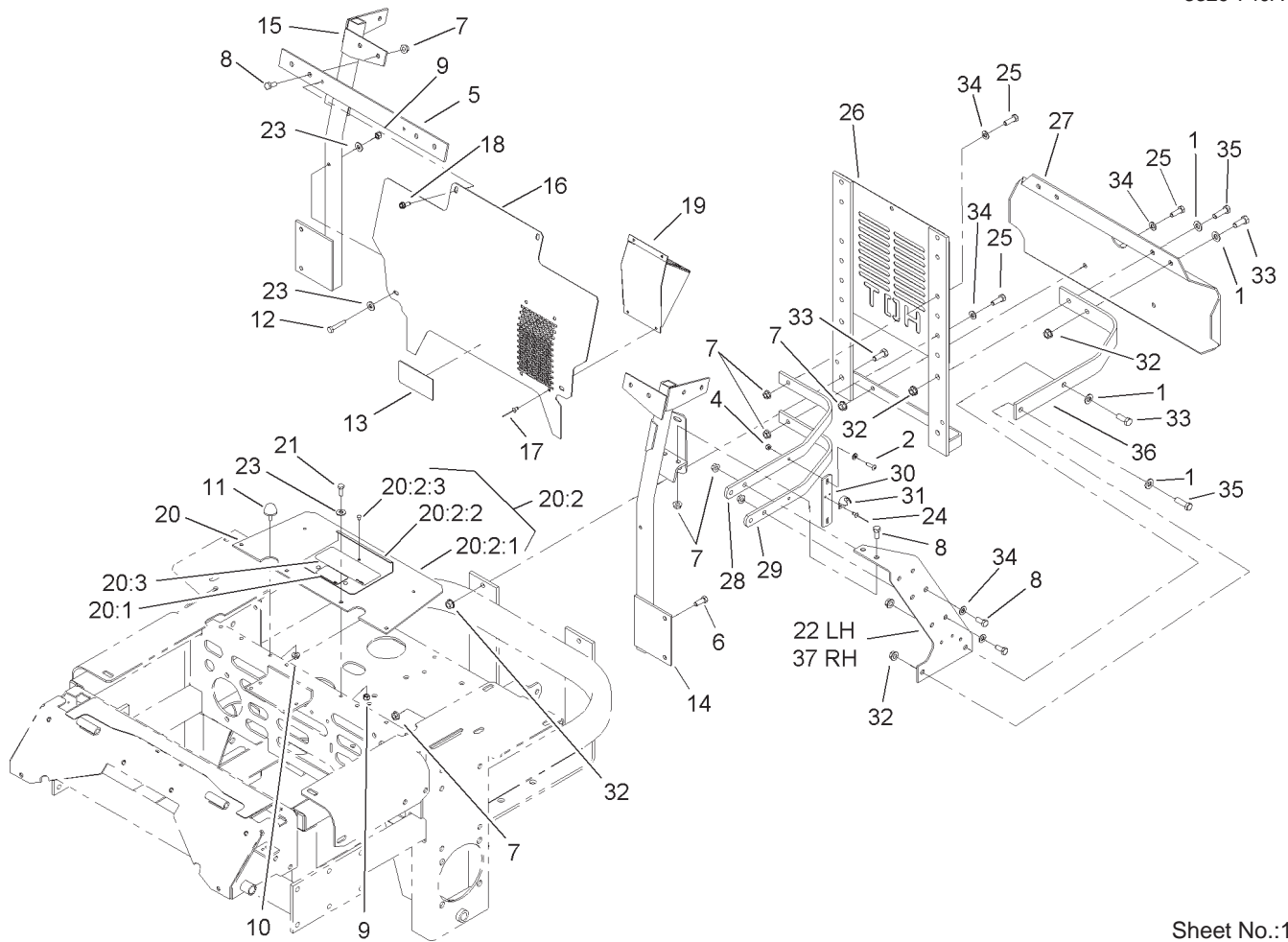
☆ Not serviced separately



Sheet No.:15

Cooling System Assembly

Ref. No.	Part No.	Qty.	Description	Ref. No.	Part No.	Qty.	Description
1	104-7843	1	Radiator Trim Plate ASM	22	1-643129	1	Hose
1:2	65-2690	2	Decal-Surface, Hot	23	1-633851	1	Extension-Crankshaft
1:3	104-2449	1	Decal-Coolant	24	3255-8	3	Washer-Lock
2	1-643161	1	Cap-Radiator	25	33014-00	3	Nut-Hex
3	103-1046	1	Radiator-Mount	26	1-633869	1	Fan-Pump, Cooling
4	322-1	12	Screw-HH	27	3256-22	3	Washer-Flat
5	3256-23	14	Washer-Flat	28	1-809095	3	Screw-HSH
6	100-4301	1	Fan Mounting Plate ASM	29	103-0098	1	Shroud-Fan, HYD
6:2	1-643253	2	Decal-Fan, Radiator	30	3296-2	6	Nut-Lock
7	1-803067	4	Screw	31	3256-14	12	Washer-Flat
8	3256-16	8	Washer-Flat	32	3290-500	6	Screw-PPH
9	1-804254	4	Nut	33	103-0895-03	1	Shield-LH
10	1-633831	1	Fan	34	1-633794-03	1	Shield-RH
11	1-633989	4	Clamp-Hose	35	321-4	6	Screw-HH
12	103-0074	1	Hose-Inlet, Radiator	36	32128-33	6	Nut-HF
13	103-0075	1	Hose-Outlet, Radiator	37	103-3270	1	Decal
14	1-643164	1	Cap-Tank, Overflow				
15	1-643163	1	Tank-Overflow				
16	1-643131	1	Hose				
17	1-643259	1	Fitting-Elbow				
18	1-513645	1	Bushing-V valve, Fuel				
19	103-2603-03	1	Bracket-Bottle				
20	321-2	2	Screw-HH				
21	1-303287	3	Tie-Plastic				

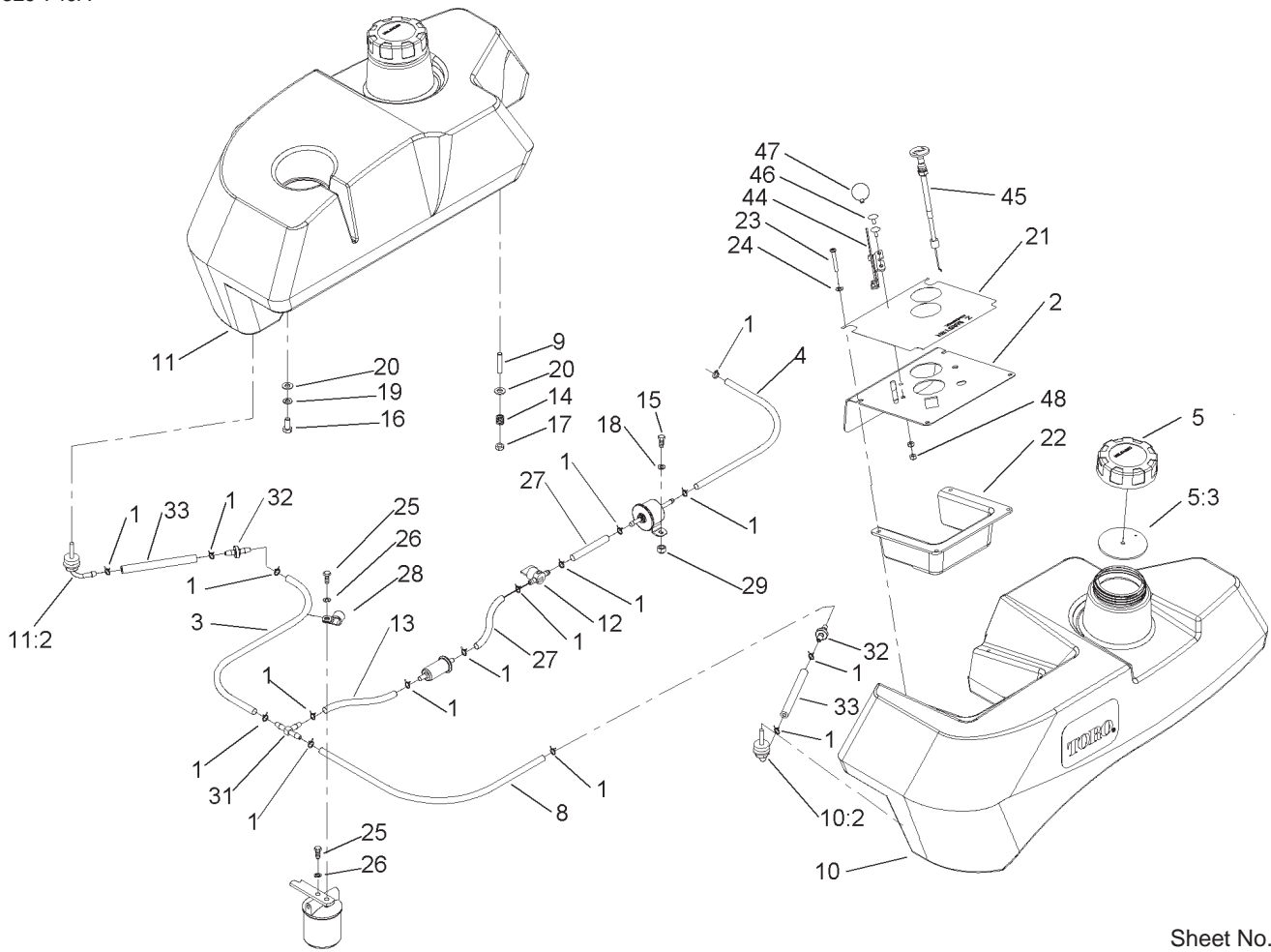


Sheet No.:17

Cooling Mounting Frame Assembly

Ref. No.	Part No.	Qty.	Description
1	3256-24	6	Washer-Flat
2	1-803075	4	Screw-Head, Truss
4	3296-2	4	Nut-Lock
5	1-633878-03	1	Crossbar
6	322-4	4	Screw-HH
7	32128-20	12	Nut-HF
8	322-3	8	Screw-HH
9	3296-42	6	Nut-Lock, NI
10	32128-33	2	Nut-HF
11	1-523420	2	Bumper
12	321-9	2	Screw-HH
13	1-643339	1	Decal-Routing, Belt
14	103-0107-03	1	Brace-Radiator, LH
15	1-632985-03	1	Brace-Radiator, RH
16	103-2870-03	1	Deflector-Air
17	3269-3	4	Rivet-Pop
18	49-2040	2	Screw-Tapping
19	103-0110-03	1	Plenum-Intake, Air
20	1-644276	1	Shield ASM
20:1	1-633462	1	Decal-Important
20:2	1-634308	1	Shield/Lift ASM
20:2:1	103-1308	1	Shield-Engine
20:2:2	1-633300-03	1	Lift-Shield
20:2:3	1-803035	3	Rivet-Pop
20:3	103-0368	1	Decal-Devices, Rotating

Ref. No.	Part No.	Qty.	Description
21	321-4	4	Screw-HH
22	103-0896-03	1	Plate-Side, LH
23	3256-2	6	Washer-Flat
24	923786	4	Rivet-Pop
25	322-5	9	Screw-HH
26	1-632873-03	1	Mount-Radiator, Rear
27	1-633886-03	1	Guard-Bumper
28	1-633897-03	2	Rib-Top
29	1-633898-03	2	Rib-Bottom
30	1-633877-03	2	Bar-Hook, Latch
31	1-643189	2	Keeper-Latch, Rubber
32	3290-357	10	Nut-HHF
33	323-6	6	Screw-HH
34	3256-23	11	Washer-Flat
35	323-7	4	Screw-HH
36	1-633896-03	2	Bar-Mount Frame, Radiator
37	103-0897-03	1	Plate-Side, RH



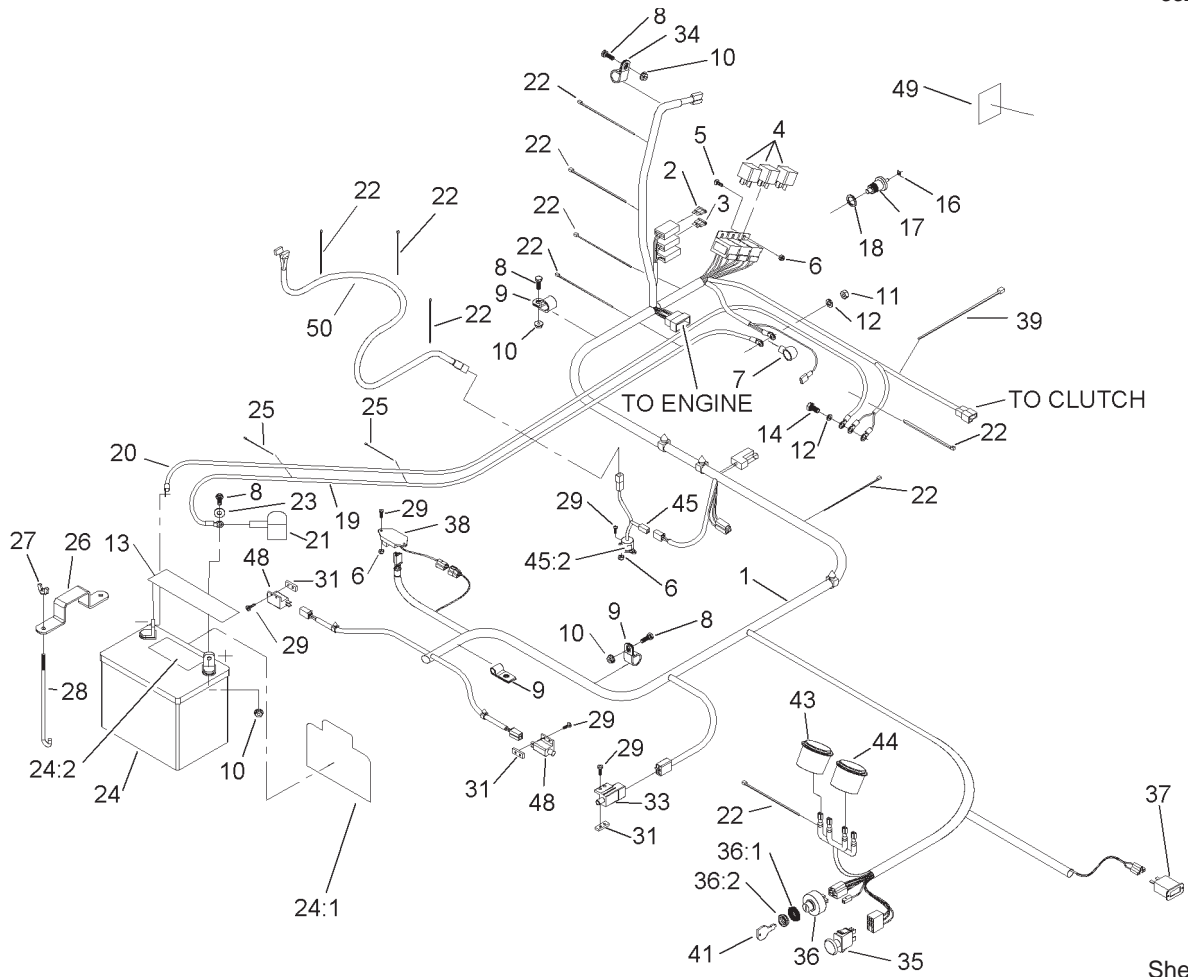
Sheet No.:24

Fuel Tank Assembly

Ref. No.	Part No.	Qty.	Description
1	1-303077	17	Clamp
2	106-7475-03	1	Panel-Control
3	1-543526	1	Hose-Fuel
4	103-1335	1	Hose-Fuel
5	88-3980	2	Gas Cap ASM
5:3	88-4010	1	Gasket-Cap, Gas
8	80-7360	1	Hose-Fuel
9	1-633023	6	Stud
10	106-9980	1	LH Fuel Tank ASM
10:2	103-2605	1	Fitting-Fuel, Bulkhead
11	106-9979	1	RH Fuel Tank ASM
11:2	103-2605	1	Fitting-Fuel, Bulkhead
12	1-603770	1	Valve-Fuel
13	47-2965	1	Hose-Fuel
14	1-633349	6	Spring-Tank, Fuel
15	321-4	2	Screw-HH
16	322-3	2	Screw-HH
17	3296-47	6	Nut-Lock, NI
18	3256-2	2	Washer-Flat
19	1-805005	2	Washer-Lock
20	3256-23	8	Washer-Flat
21	106-9968	1	Decal-Panel, Control
22	99-4940	1	Shield-Panel, Control
23	1-803071	4	Screw
24	1-303435	4	Washer-Spring
25	321-3	2	Screw-HH

Ref. No.	Part No.	Qty.	Description
26	1-805004	2	Washer-Lock
27	47-2965	2	Hose-Fuel
28	1-513762	1	Clip-Loom
29	32128-33	2	Nut-HF
31	99-5005	1	Fitting-Tee, Barbed
32	99-5000	2	Valve-Check, Fuel
33	99-7190	2	Hose-Fuel
44	1-633696	1	Cable-Throttle
45	106-9962	1	Control-Choke, Push/Pull
46	1-807513	2	Bolt-CARR
47	1-513592	1	Knob-Ball
48	3296-2	2	Nut-Lock
*49	1-303335	4	Tie-Plastic

* Not illustrated

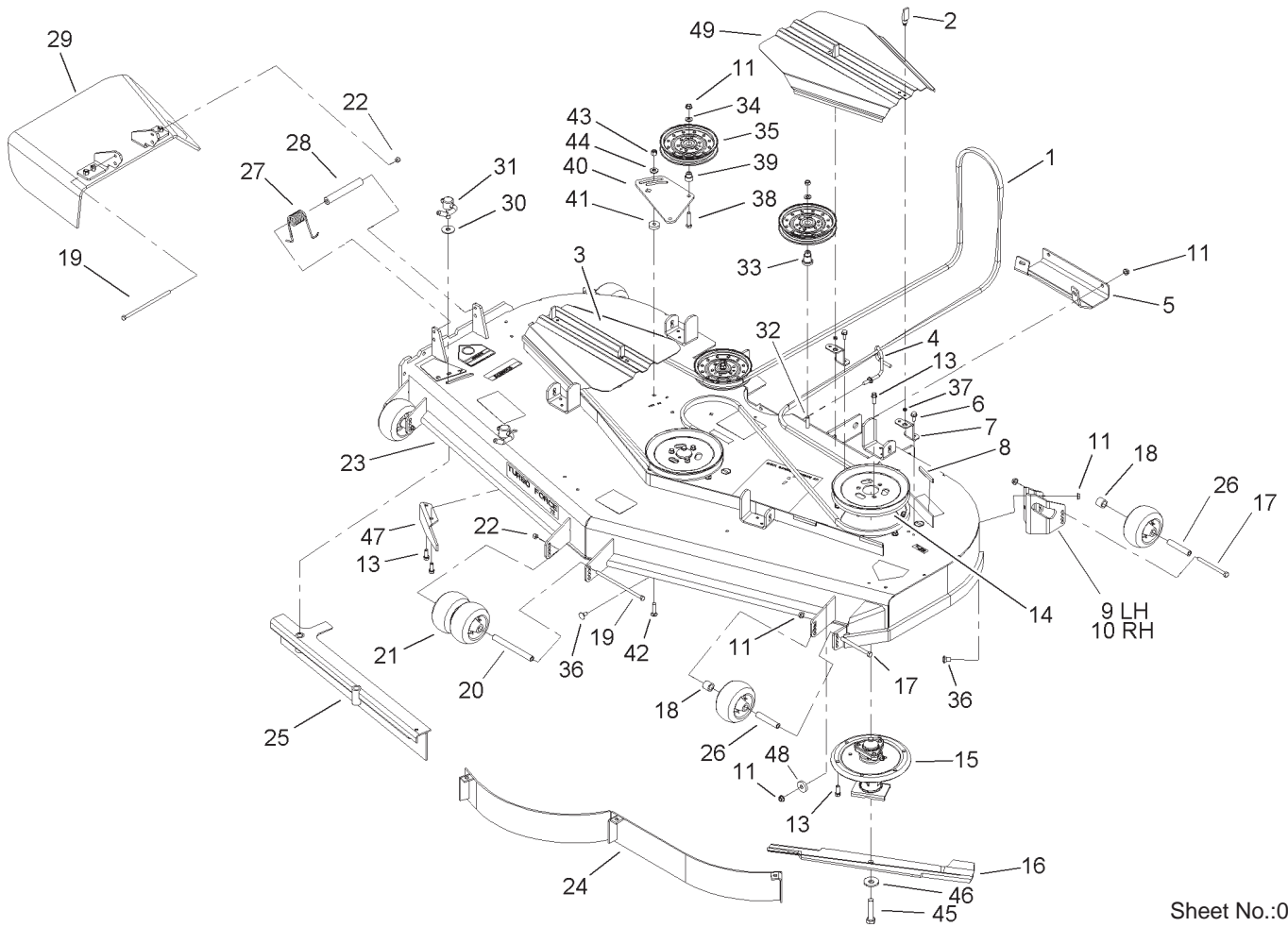


Sheet No.:29

Electrical Assembly

Ref. No.	Part No.	Qty.	Description
1	106-7496	1	Harness-Wire
2	1-816001	1	Fuse-Type, Blade
3	1-816003	1	Fuse-Blade Type, 30 Amp
4	1-643275	3	Relay
5	1-803071	2	Screw
6	3296-2	2	Nut-Lock
7	1-543393	1	Insulator-Solenoid
8	321-4	5	Screw-HH
9	1-633396	3	Clip-Loom
10	32128-33	5	Nut-HF
11	33014-00	1	Nut-Hex
12	3256-23	2	Washer-Flat
13	105-3646	1	Decal-Warning, Battery
14	33114-016	1	Screw-HH
16	1-643145	1	Tab
17	103-0283	1	Sender-Temperature
18	1-643153	1	Washer-Aluminum
19	1-523279	1	Wire-Battery, Positive
20	1-633307	1	Wire-Ground
21	1-543391	1	Insulator-Battery
22	1-303335	10	Tie-Plastic
23	3256-2	2	Washer-Flat
24	105-1692	1	Battery
24:1	104-4163	1	Decal-Battery

Ref. No.	Part No.	Qty.	Description
24:2	104-4164	1	Decal-Battery
25	1-303287	2	Tie-Plastic
26	1-633652-03	1	Strap-Holddown
27	1-543792	2	Wingnut
28	1-633651	2	Bolt-Holddown
29	3290-500	10	Screw-PPH
31	1-633181	3	Plate-Tapped
33	1-633111	1	Switch
34	1-513762	1	Clip-Loom
35	1-633673	1	Switch-Delta
36	88-9830	1	Key Switch ASM
36:1	3254-5	1	Washer-Tooth
36:2	218-461	1	Nut-HH
37	1-513374	1	Meter-Hour
38	100-6186	1	Module-Delay, Seat
39	1-643115	1	Tie-Plastic
41	63-8360	2	Key-Ignition
43	1-643037	1	Gauge-Voltmeter
44	1-643021	1	Gauge-Temperature
45	1-644427	1	Tilt Switch ASM
45:2	1-643401	1	Decal-Switch, Mercury
48	1-513051	2	Switch-Open, Normally
49	103-1027	1	Decal-Relay
50	103-1227	1	Harness-Wiring, Seat

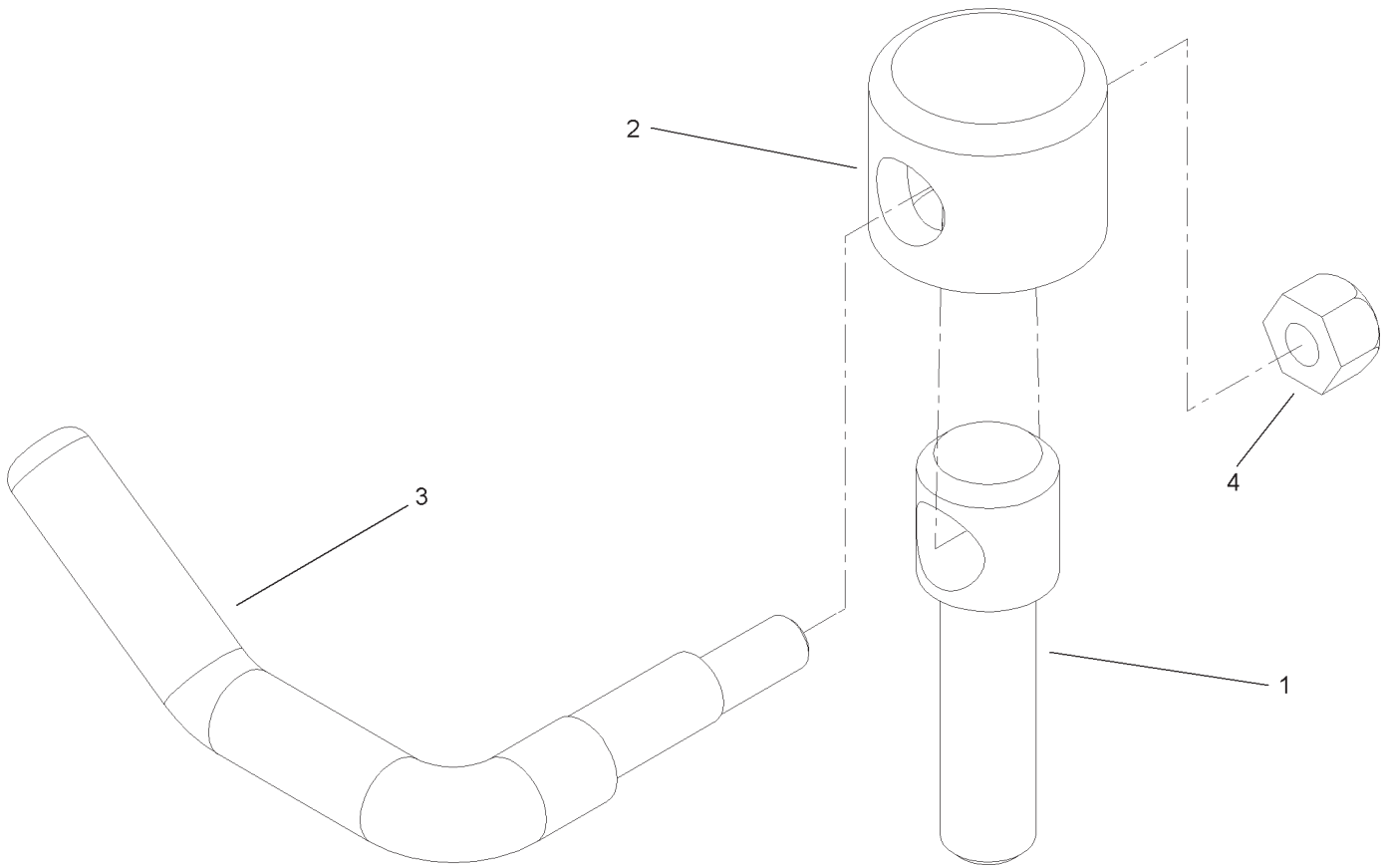


Sheet No.:0

Deck Assembly

Ref. No.	Part No.	Qty.	Description
1	106-7350	1	Belt
2	74-5950	4	Latch-Swell
3	105-8786-01	1	Cover-Belt
4	106-3220	1	Guide-Wire
5	106-3279-01	1	Plate-Skid
6	32144-70	4	Screw-HH
7	105-8787-01	4	Bracket-Cover
8	105-7699	8	Seal-Strip
9	106-7354-01	1	Plate-Roller , LH
10	106-7355-01	1	Plate-Roller , RH
11	3290-357	42	Nut-HHF
13	95-1726	33	Screw-T aptite
14	105-7733	3	Pulley
15	106-3217	3	Spindle ASM
16	105-7784	3	Blade-Rotary , 24.5 High Flow
17	323-23	4	Screw-HH
18	98-7913	4	Tube-Spacer
19	322-50	2	Screw-HH
20	98-5967	1	Spacer
21	1-603299	6	Roller-Anti Scalp
22	3296-29	2	Nut-Lock, NI
23	107-1625	1	Deck ASM
24	105-7730-01	1	Baffle ASM
25	105-7669-01	1	Baffle ASM
26	98-7912	4	Tube-Spacer

Ref. No.	Part No.	Qty.	Description
27	104-8554	1	Spring-Torsion
28	105-4622	1	Spacer
29	106-3249	1	Rubber Deflector ASM
30	105-7697	2	Washer-Plastic
31	106-3242	2	Lever ASM
32	323-12	2	Screw-HH
33	106-3214	2	Support-Pulley
34	3256-24	3	Washer-Flat
35	1-633109	3	Idler-Flat
36	3231-1	10	Screw-CARR
37	99-3058	4	Washer
38	323-9	1	Screw-HH
39	1-603496	1	Bushing-Idler
40	105-7787-01	1	Plate-Idler
41	105-7788	2	Spacer
42	3231-4	2	Screw-CARR
43	3296-39	2	Nut-Lock, NI
44	98-5975	1	Washer-Belleville
45	103-0862	3	Screw-Cap
46	103-0865	3	Washer-Blade Bolt, Heavy
47	106-3216-01	1	Baffle-Discharge
48	112843	1	Washer
49	106-3275-01	1	Cover-Belt

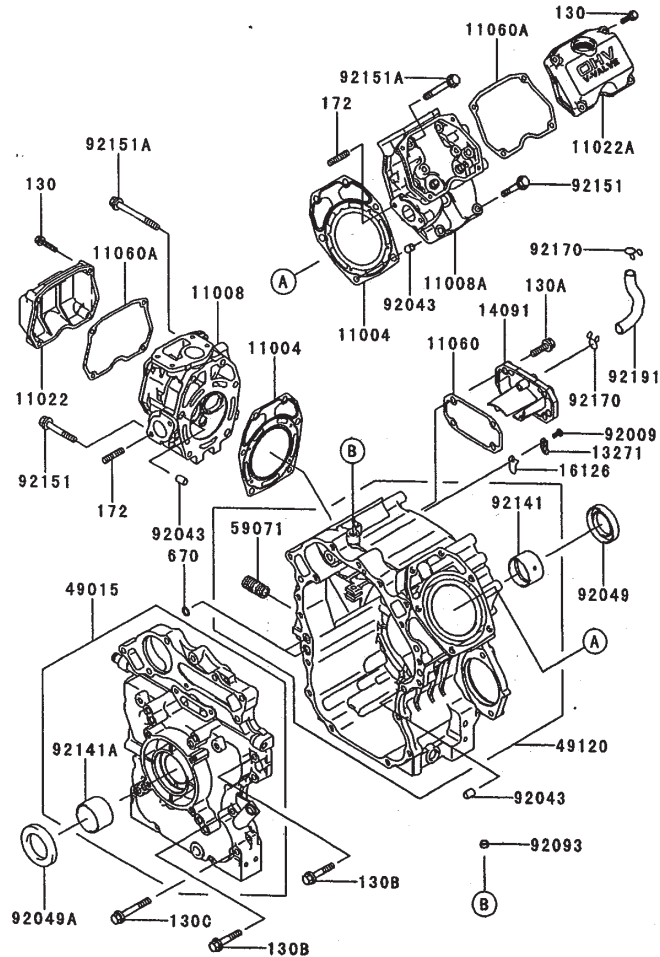


Sheet No.:A4

Lever Assembly No. 106-3242

Ref. No.	Part No.	Qty.	Description
1	106-3239	1	Screw-Lock
2	106-3240	1	Cap-Lock
3	106-3241	1	Lever-Lock
4	3296-29	1	Nut-Lock, NI

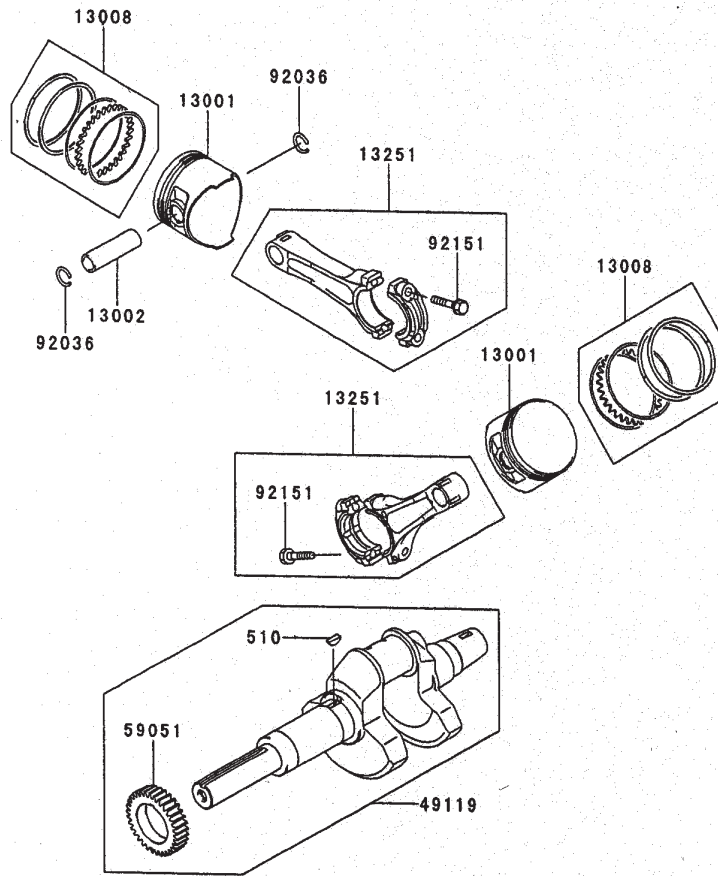
Ref. No.	Part No.	Qty.	Description



Cylinder/Crankcase Assembly Kawasaki FD750D-AS03

Ref. No.	Part No.	Qty.	Description	Ref. No.	Part No.	Qty.	Description
11004	11004-2142	2	Gasket-Head	130	130G0630	8	Bolt-Flanged
11008	11008-2145	1	Head-Comp-Cylinder	130A	130G0830	4	Bolt-Flanged
11008A	11008-2146	1	Head-Comp-Cylinder	130B	130G0845	4	Bolt-Flanged
11022	11022-2072	1	Case-Rocker	130C	310G0860	4	Bolt-Flanged
11022A	11022-2073	1	Case-Rocker	172	172G0822	4	Bolt-Stud
11060	11060-2466	1	Gasket, Breath	670	670B2011	2	O-Ring
11060A	11060-2470	2	Gasket, Rocker, Case				
13271	13271-2105	2	Plate				
14091	14091-2064	1	Cover, Breath				
16126	16126-2225	2	Valve, Breath				
49015	49015-6232	1	Cover-Crankcase				
49120	49120-6127	1	Crankcase-Comp				
59071	59071-2079	1	Joint				
92009	92009-2308	2	Screw				
92043	92043-1037	6	Pin				
92049	92049-2242	1	Seal-Oil				
92049A	92049-2243	1	Seal-Oil				
92093	92093-2086	1	Seal				
92141	92141-21 18	1	Bearing-Plane				
92141A	92141-21 19	1	Bearing-Plane				
92151	92151-2158	4	Bolt				
92151A	92151-2159	8	Bolt				
92170	92170-2002	2	Clamp				
92191	92191-2105	1	Tube				

Obtain Parts from Kawasaki

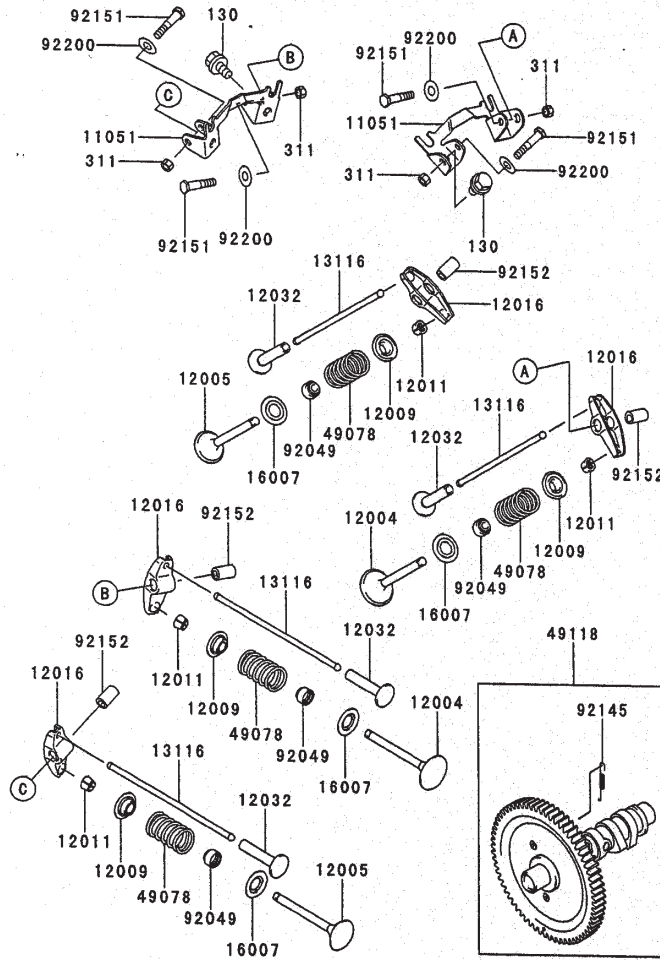


Piston/Crankshaft Assembly Kawasaki FD750D-AS03

Ref. No.	Part No.	Qty.	Description
13001	13001-2125	2	Piston-Engine
13002	13002-2069	2	Pin-Piston
13008	13008-6007	2	Ring-Set-Piston
13251	13251-2058	2	Rod ASM-Connecting
49119	49119-2198	1	Crankshaft ASM
59051	59051-2358	1	Gear-Spur, 33T
92036	92036-008	4	Ring-Snap
92151	92151-2150	4	Bolt
510	510A5100	1	Key-Woodruff

Ref. No.	Part No.	Qty.	Description

Obtain Parts from Kawasaki

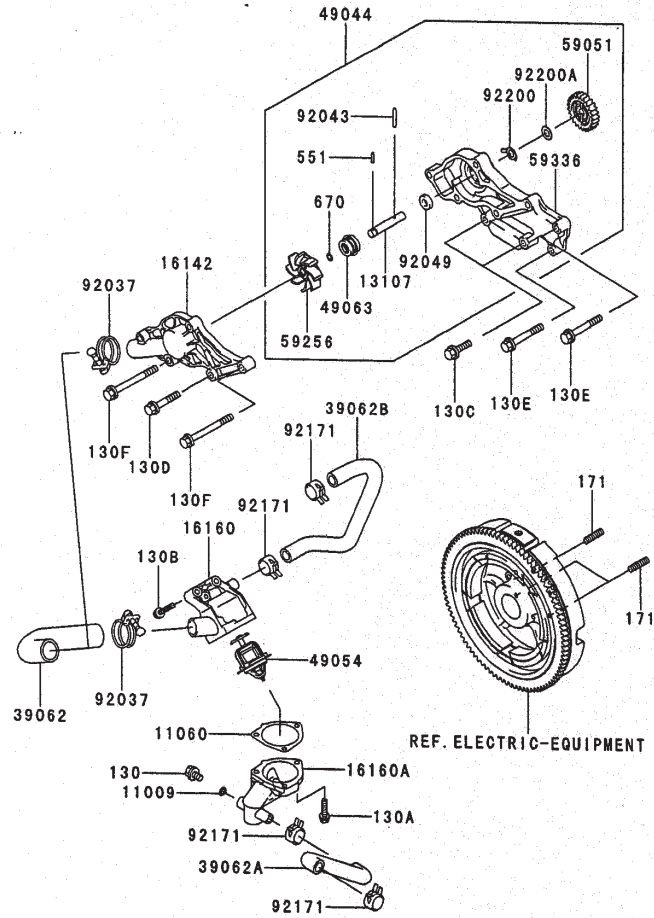


Valve/Camshaft Assembly Kawasaki FD750D-AS03

Ref. No.	Part No.	Qty.	Description
11051	11051-2092	2	Bracket
12004	12004-21 13	2	Valve-Intake
12005	12005-2100	2	Valve-Exhaust
12009	12009-2060	4	Retainer-V valve Spring
12011	12011-2052	8	Collet
12016	12016-2063	4	Arm-Rocker
12032	12032-2060	4	Tappet
13116	13116-2074	4	Rod-Push
16007	16007-2052	4	Seat-Spring
49078	49078-2060	4	Spring-Engine Valve
49118	49118-2138	1	Camshaft
92049	92049-2100	4	Seal-Oil
92145	92145-2085	1	Spring
92151	92151-2134	4	Bolt
92152	92152-2066	4	Collar
92200	92200-2128	4	Washer
130	130G0814	4	Bolt-Flanged
311	311B0600	4	Nut-Hex

Ref. No.	Part No.	Qty.	Description

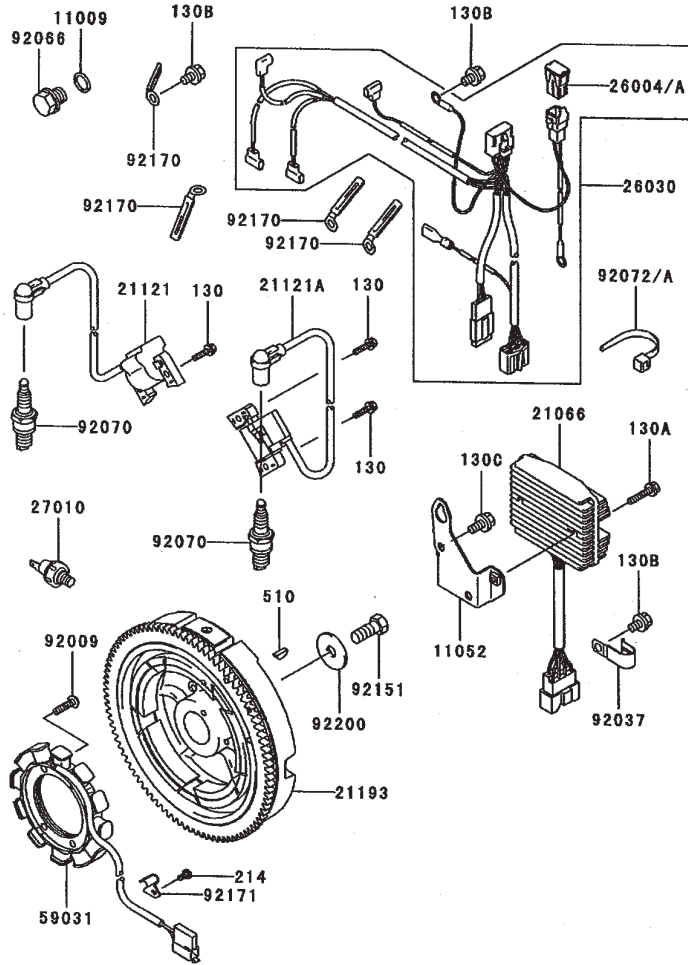
Obtain Parts from Kawasaki



Cooling Equipment Assembly Kawasaki FD750D-AS03

Ref. No.	Part No.	Qty.	Description	Ref. No.	Part No.	Qty.	Description
11009	11009-3028	1	Gasket	130C	130G0830	2	Bolt-Flanged
11060	11060-2475	1	Gasket-Thermostat	130D	130G0845	1	Bolt-Flanged
13107	13107-2097	1	Shaft-Impeller	130E	130G0860	2	Bolt-Flanged
16142	16142-2077	1	Cover-Pump	130F	130G0880	4	Bolt-Flanged
16160	16160-2127	1	Body-Upper	171	171G0818	3	Bolt-Stud
16160A	16160-6002	1	Body-V alve	551	551A0314	1	Pin-Dowel
39062	39062-2080	1	Hose-Cooling	670	670B1507	1	O-Ring
39062A	39062-2083	1	Hose-Cooling				
39062B	39062-2084	1	Hose-Cooling				
49044	49044-2063	1	Pump-W ater				
49054	49054-2058	1	Thermostat				
49063	49063-1054	1	Seal-Mechanical				
59051	59051-2355	1	Gear-Spur , 25T				
59256	59256-2069	1	Impeller				
59336	59336-2078	1	Case-Pump				
92037	92170-1284	2	Clamp				
92043	92043-2237	1	Pin				
92049	92049-21 11	1	Seal-Oil				
92171	92171-2056	4	Clamp				
92200	92200-2134	1	Washer				
92200A	92200-2135	1	Washer				
130	130C0812	1	Bolt-Flanged				
130A	130G0625	3	Bolt-Flanged				
130B	130G0635	2	Bolt-Flanged				

Obtain Parts from Kawasaki

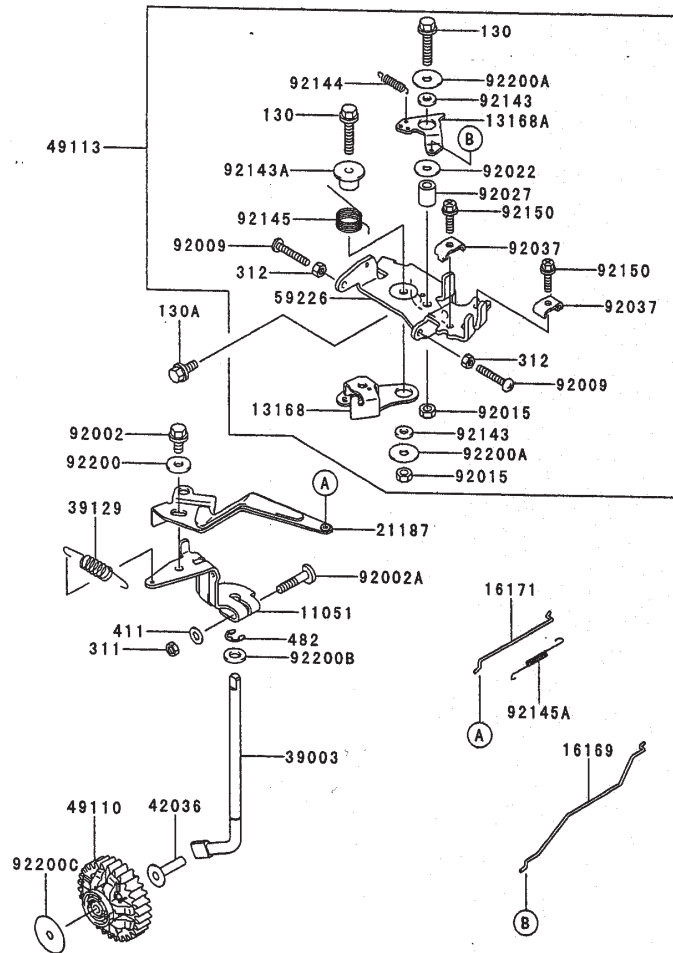


Electric Equipment Assembly Kawasaki FD750D-AS03

Ref. No.	Part No.	Qty.	Description
11009	11009-2766	1	Gasket
11052	11052-2058	1	Bracket
21066	21066-2079	1	Regulator-Voltage
21121	21121-2090	1	Coil-Ignition, No. 1
21121A	21121-2091	1	Coil-Ignition, No. 2
21193	21193-2177	1	Flywheel ASM
26004	26004-1093	1	Fuse ASM
26030	26030-2320	1	Harness
27010	27010-7001	1	Switch
59031	59031-2127	1	Coil-Charging
92009	92009-2273	4	Scerw
92037A	92037-2101	1	Clamp
92066	92066-2099	1	Plug-Drain
92070	92070-2110	2	Plug-Spark, BPR2ES
92072	92072-1195	1	Band
92151	92151-2097	1	Bolt
92170	92170-2060	4	Clamp
92171	92171-2060	1	Clamp
92200	92200-2119	1	Washer
130	130G0520	1	Bolt-Flanged
130A	130G0630	2	Bolt-Flanged
130B	130G0812	3	Bolt-Flanged
130C	130G0816	2	Bolt-Flanged
214	214B0510	1	Screw-Pan+-

Ref. No.	Part No.	Qty.	Description
510	510A5100	1	Key-Woodruff

Obtain Parts from Kawasaki

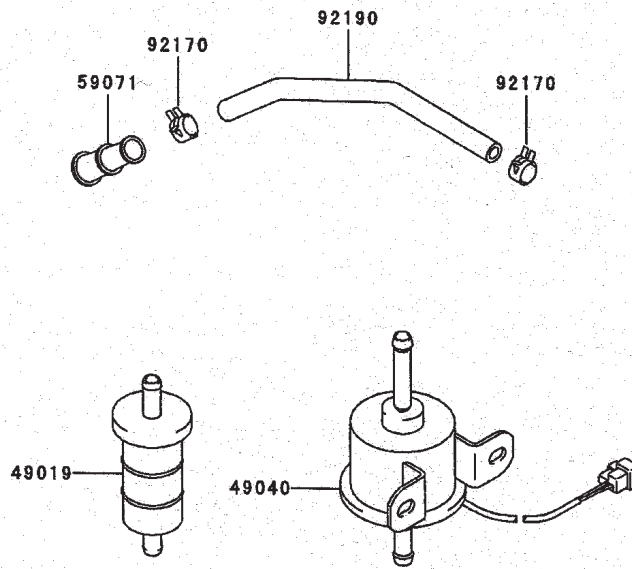


Control Equipment Assembly Kawasaki FD750D-AS03

Ref. No.	Part No.	Qty.	Description
11051	11051-21 13	1	Bracket
13168	13168-2466	1	Lever-Throttle
13168A	13168-2467	1	Lever-Choke
16169	16169-2142	1	Link-Choke
16171	16171-2091	1	Link
21187	21187-2073	1	Arm ASM
39003	39003-2091	1	Arm-Pivot
39129	39129-2099	1	Spring-Governor
42036	42036-2060	1	Sleeve
49110	49110-2094	1	Governor ASM
49113	49113-2170	1	Panel-Comp-Control
59226	59226-2328	1	Panel-Control
92002	92002-1902	1	Bolt
92002A	92002-2269	1	Bolt
92009	92009-2381	2	Screw
92015	92015-2051	2	Nut
92022	92002-2372	1	Washer
92027	92027-1461	1	Collar
92037	92037-2209	2	Clamp
92143	92143-2135	2	Collar
92143A	92143-2148	1	Collar
92144	92144-2052	1	Spring
92145	92145-2058	1	Spring
92145A	92145-2095	1	Spring

Ref. No.	Part No.	Qty.	Description
92150	92150-2182	2	Bolt
92200	92200-2035	1	Washer
92200A	92200-2108	2	Washer
92200B	92200-2120	1	Washer
92200C	92200-2122	1	Washer
130	130B0630	2	Bolt-Flanged
130A	130G0614	2	Bolt-Flanged
311	311B0600	2	Nut-Hex
312	312G0500	2	Nut-Hex
411	411B0600	1	Washer
482	482J7000	1	Circlip-T type E

Obtain Parts from Kawasaki

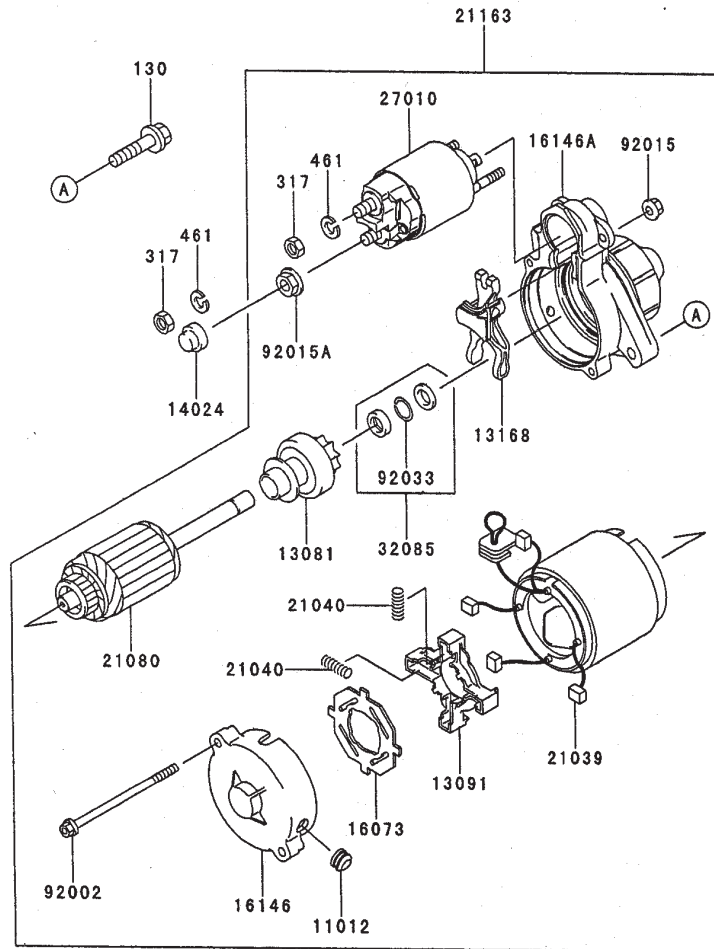


Fuel Tank/Fuel Valve Assembly Kawasaki FD750D-AS03

Ref. No.	Part No.	Qty.	Description
49019	49019-1055	1	Filter-Fuel
49040	49040-2065	1	Pump-Fuel
59071	59071-21 19	1	Joint
92170	92170-2042	2	Clamp
92190	92190-2095	1	Tube

Ref. No.	Part No.	Qty.	Description

Obtain Parts from Kawasaki



Starter Assembly Kawasaki FD750D-AS03

Ref. No.	Part No.	Qty.	Description	Ref. No.	Part No.	Qty.	Description
	11012	1	Cap				
	13081	1	Clutch ASM				
	13091	1	Holder-Brush				
	13168	1	Lever-Shift				
	14024	1	Cover				
	16073	1	Insulator				
	16146	1	Cover ASM				
	16146A	1	Cover ASM				
	21039	4	Brush				
	21040	4	Spring-Brush				
	21080	1	Armature				
	21163	1	Starter-Electric				
	27010	1	Switch				
	32085	1	Stopper				
	92002	2	Bolt				
	92015	2	Nut				
	92015A	1	Nut				
	92033	1	Ring-Snap				
	130	2	Bolt-Flanged				
	317	2	Nut-Hex				
	461	2	Washer-Spring				

Obtain Parts from Kawasaki

