



## Z500

### Z Master<sup>®</sup> with 52in TURBO FORCE Side Discharge Mower

Model No. 74242—240000001 and Up

## Parts Catalog

---

### Ordering Replacement Parts

To order replacement parts, please supply: the part number, the quantity, and the description of each part desired.

### Understanding Reference Numbers

Each identified part in an illustration has a reference number. The reference number for a part also appears in the parts list, along with other information about the part.

This catalog uses two special reference number formats, one to indicate parts in a service assembly and another to indicate the quantity of a given part in an illustration.

### Service Assembly Reference Numbers

Parts in service assemblies have reference numbers in the form **a:b**. The **a** represents the reference number of the entire service assembly and the **b** represents a sequential number unique to each part within the service assembly.

For example, a wheel assembly might be identified by reference number **6**, the tire by **6:1**, the valve by **6:2**, and the wheel by **6:3**. When you order the assembly identified by reference number **6**, you receive all parts identified by reference numbers **6:1**, **6:2**, and **6:3**. However, you may also order any part individually.

Reference numbers of this type appear in illustrations and in part lists.

### Reference Numbers Indicating Quantity

In an illustration, if a reference number indicates more than one part, the reference number has the form **nX y**. The **n** represents the quantity of the part, the **X** is the multiplication symbol, and the **y** represents the reference number.

For example, in an illustration, the reference number **2X 37** means that two of the parts identified by reference number **37** are indicated.

## Contents

<b>Description</b>	<b>Page</b>	<b>Description</b>	<b>Page</b>
Front Frame Assembly .....	4	Group 2 – Crankcase Assembly	
Caster and Wheel Assembly .....	5	Kohler CH20S-64684 .....	25
Main Frame Assembly .....	6	Group 3 – Oil Pan/Lubrication Assembly	
Brake and Wheel Hub Assembly .....	7	Kohler CH20S-64684 .....	26
Steering Control Assembly .....	8	Group 4 – Head/Valve/Breather Assembly	
Hydraulic System Assembly .....	9	Kohler CH20S-64684 .....	27
Seat and Roll-Over-Protection-System Assembly .....	11	Group 5 – Ignition/Electrical Assembly	
Seat Assembly No. 107-1867 .....	12	Kohler CH20S-64684 .....	29
Deck Connection Assembly .....	13	Group 6 – Blower Housing Assembly	
Drive Idler Assembly .....	14	Kohler CH20S-64684 .....	30
Engine and Clutch Assembly .....	15	Group 7 – Starter Assembly	
Guard Assembly .....	16	Kohler CH20S-64684 .....	31
Fuel System Assembly .....	17	Group 8 – Fuel System Assembly	
Electrical System Assembly .....	18	Kohler CH20S-64684 .....	32
Deck Assembly .....	19	Group 9 – Engine Control Assembly	
Spindle Assembly No. 106-3217 .....	20	Kohler CH20S-64684 .....	33
Deck Decal Assembly No. 107-1623 .....	21	Group 10 – Air Intake/Filtration Assembly	
Deflector Assembly No. 106-3249 .....	22	Kohler CH20S-64684 .....	34
Lever Assembly No. 106-3242 .....	23	Group 11 – Exhaust Assembly	
Group 1 – Crankshaft Assembly		Kohler CH20S-64684 .....	35
Kohler CH20S-64684 .....	24		

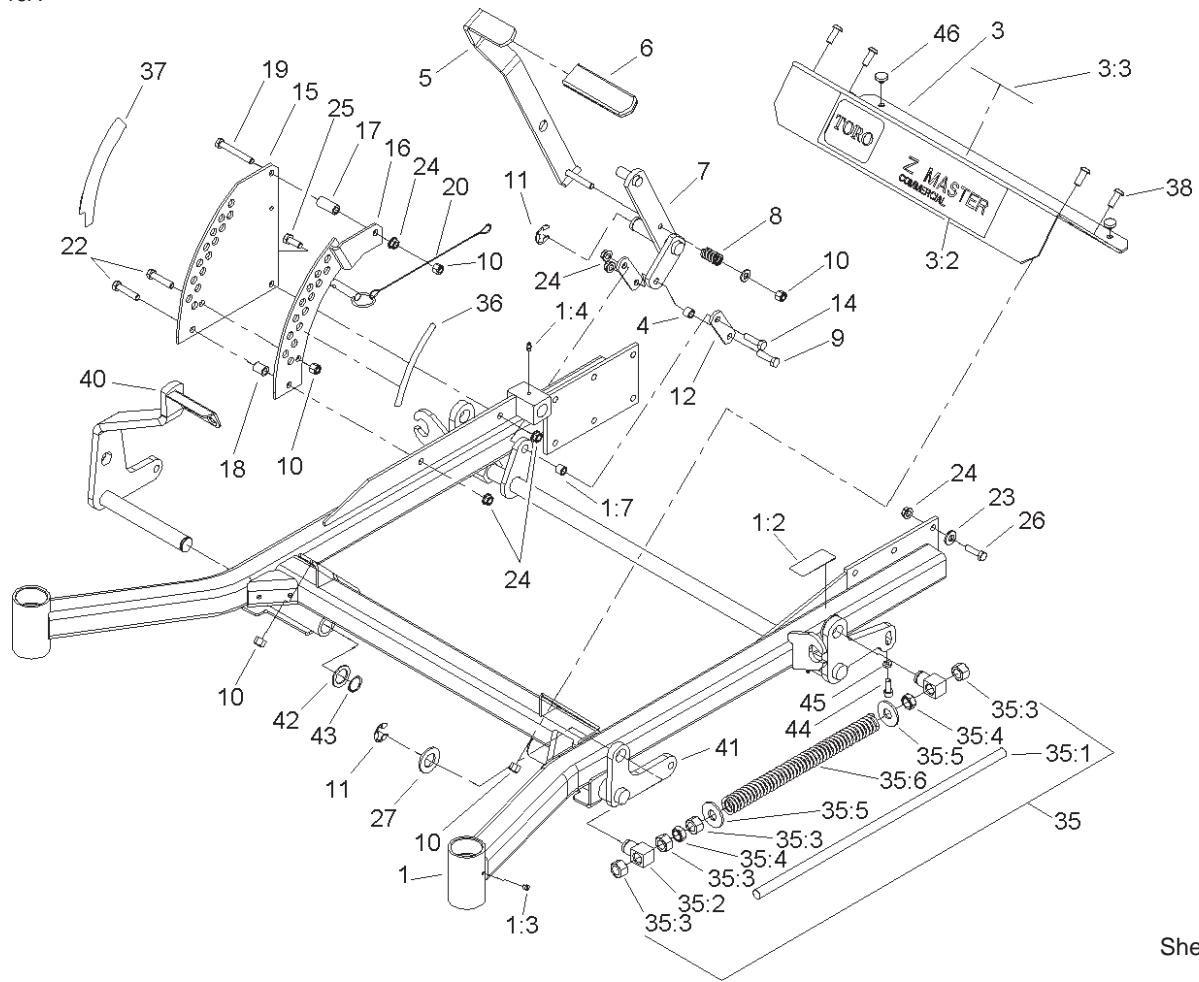
## Accessories

<b>Description</b>	<b>Model / Part No.</b>	<b>Description</b>	<b>Model / Part No.</b>
Suspension Seat Kit .....	99-8522	Recycler Kit .....	107-1610
Deck Lift Assist .....	100-4336	Blade-Hi Flow .....	105-7781-03
Hitch Kit .....	99-8925	Blade-Recycler .....	105-7779-03
Spark Arrester Kit .....	105-1672	Blade-Mid Flow .....	105-7774-03
Filter Minder .....	99-4664	Blade-Low Flow .....	105-7795-03
Z-Stand Kit .....	105-1622	Blade-Atomic .....	105-7796-03

## Part Description Abbreviations

Part descriptions in this catalog may include the following abbreviations.

<b>Abbreviation</b>	<b>Meaning</b>	<b>Abbreviation</b>	<b>Meaning</b>
AR .....	as required	HYD .....	hydraulic
ASM .....	assembly	INC .....	incorporated
CARR .....	carriage	LH .....	left hand
DEG .....	degrees	NI .....	nylon insert
FH .....	flat head	PPH .....	Phillips pan head
GA .....	gauge	PTH .....	Phillips truss head
HF .....	hex flange	PTO .....	power take off
HH .....	hex head	RH .....	right hand
HHF .....	hex head flange	SFH .....	slotted fillister head
HLH .....	hex lag head	SHH .....	slotted hex head
HJ .....	hex jam	SQH .....	square head
HOC .....	height-of-cut	SHWH .....	slotted hex washer head
HS .....	hex socket	SPH .....	slotted pan head
HSBH .....	hex socket button head	SRH .....	slotted round head
HSFH .....	hex socket flat head	STD .....	standard
HSH .....	hex socket head	TAP .....	self tapping
HWH .....	hex washer head	TTH .....	Torx truss head
HWHTF .....	hex washer head thread forming	WH .....	wing head



Sheet No.: 2

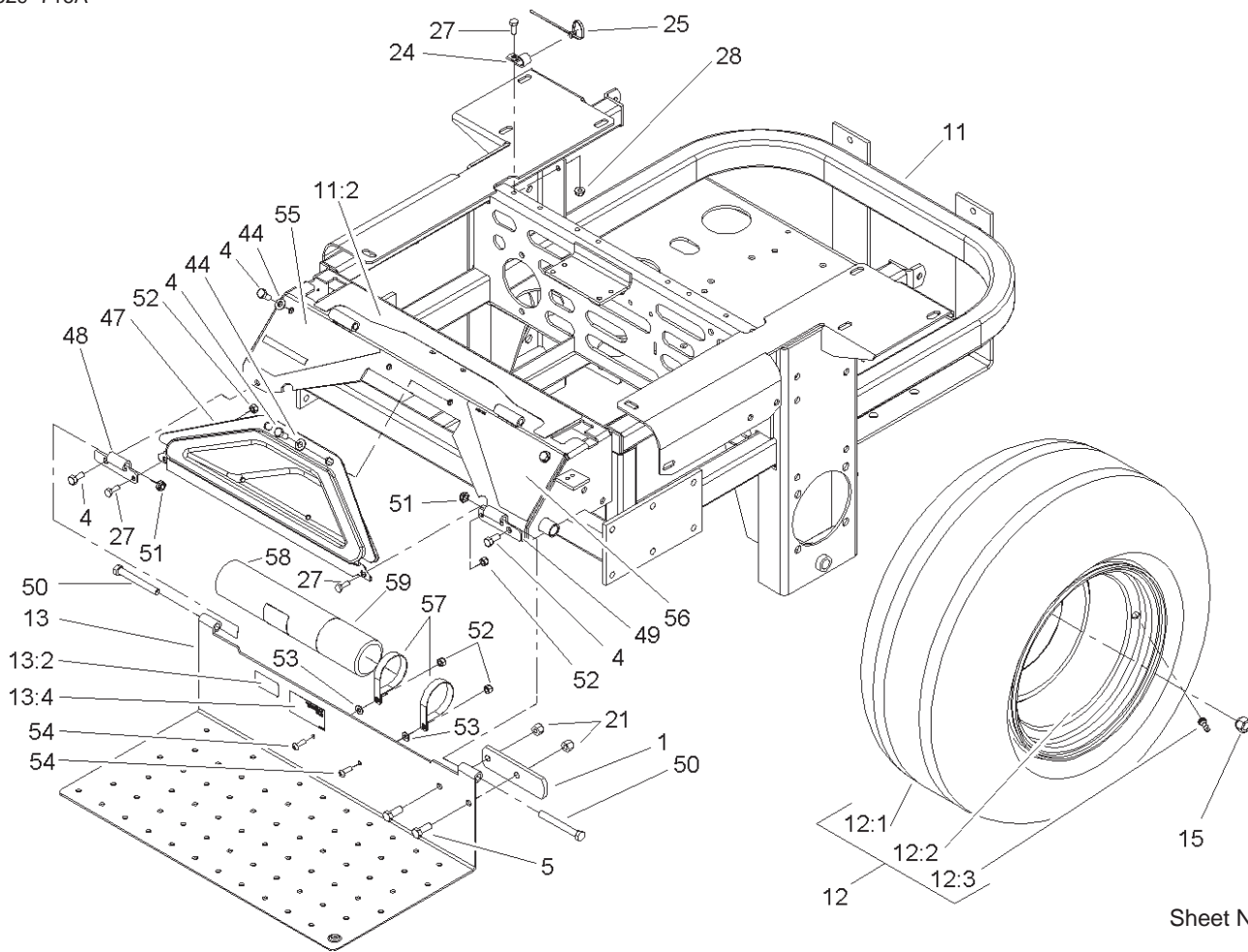
## Front Frame Assembly

Ref. No.	Part No.	Qty.	Description
1	106-8978	1	Frame ASM
1:2	107-1857	1	Decal-Brake, Parking
1:3	1-811010	2	Plug
1:4	302-19	5	Fitting-Grease
1:7	103-1918	1	Bushing
3	106-9981	1	Front Floorpan ASM
3:2	106-7451	1	Decal
3:3	107-2112	1	Decal-Warning, Slope Rops
4	103-1918	1	Bushing
5	103-2083-03	1	Lever-Lift
6	1-633295	1	Grip-Lever, Lift
7	103-2064-03	1	Arm-Lift, Deck
8	1-633325	1	Spring-Compression
9	3256-24	1	Washer-Flat
10	3296-39	9	Nut-Lock, NI
11	32151-103	5	Ring-Snap
12	1-633068	2	Arm-Lift, Deck
14	323-29	2	Screw-HH
15	1-633889-01	1	Plate-Lift, Deck
16	1-632899-01	1	Plate-Lift, Deck
17	1-633082	1	Bushing-Lever, Lift
18	1-633080	1	Bushing-Lever, Lift
19	323-13	1	Screw-HH
20	106-9951	1	Hitch Pin ASM
22	323-9	2	Screw-HH

Ref. No.	Part No.	Qty.	Description
23	98-5975	12	Washer-Belleville
24	3290-357	15	Nut-HHF
25	323-6	1	Screw-HH
26	323-7	12	Screw-HH
27	3256-29	4	Washer-Flat
☆35		2	Front Frame Spring ASM
35:1	1-633096	1	Rod-Lift, Deck
35:2	1-633441	2	Swivel-Deck Mount, Rear
35:3	3217-11	4	Nut-Hex
35:4	3218-6	2	Nut-Jam
35:5	3256-7	2	Washer-Flat
35:6	1-633064	1	Spring-Support, Deck
36	107-1861	1	Decal-Height, Deck
37	107-1860	1	Decal-Height, Deck
38	3274-94	4	Screw-HSBH
40	106-8983-01	1	RH Deck Lift ASM
41	106-8984-01	1	LH Deck Lift ASM
42	1-523157	2	Washer-Spacer
43	32151-29	2	Ring-Retaining
44	3274-18	2	Screw-HSH
45	3218-2	2	Nut-Jam
46	1-513658	2	Bumper

☆ Not serviced separately



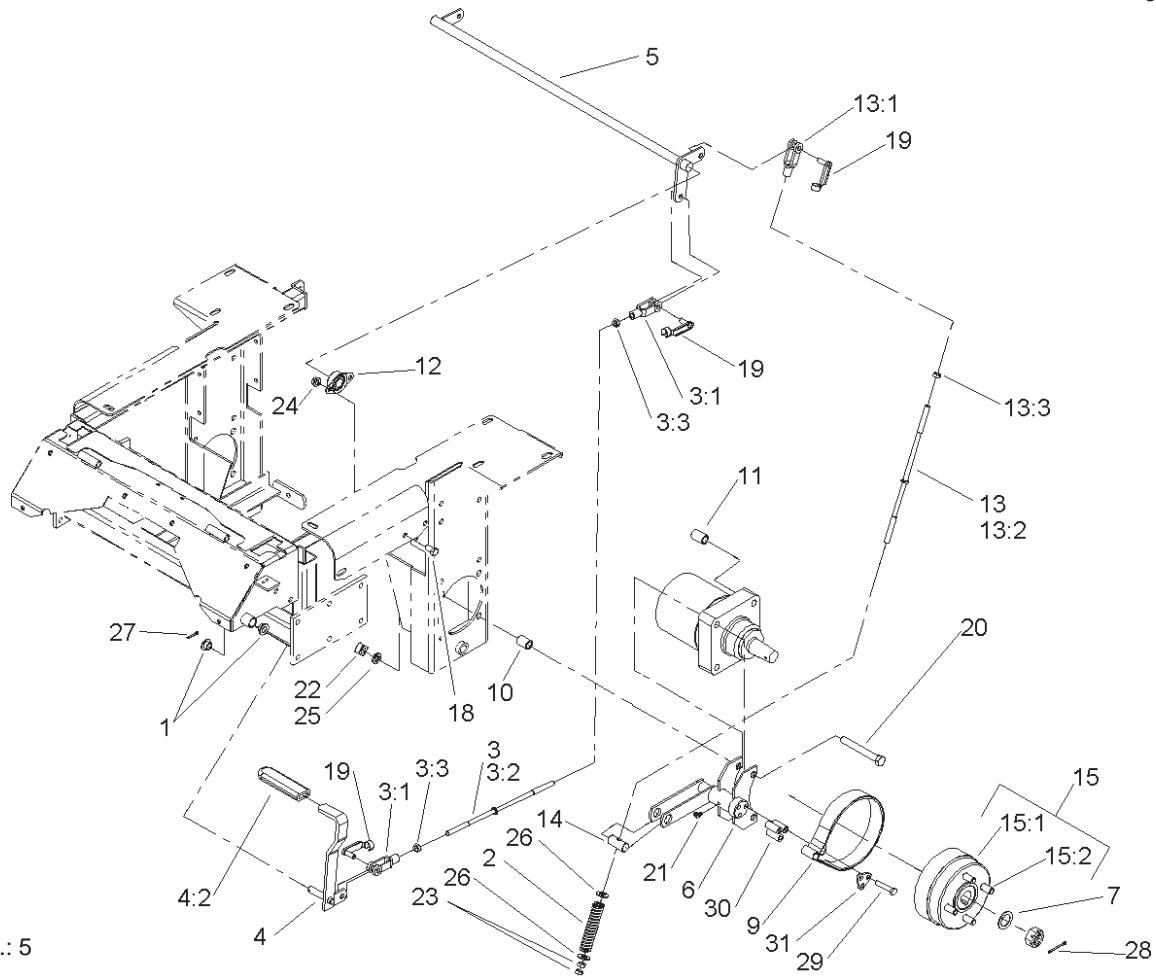


Sheet No.: 4

## Main Frame Assembly

Ref. No.	Part No.	Qty.	Description
1	1-633964-03	1	Stop-Brake, Park
4	322-43	6	Screw-HH
5	323-6	2	Screw-HH
11	106-6599	1	Main Frame ASM
11:2	103-2433	1	Decal-Console, Top
12	1-653010	2	Wheel And Tire ASM
12:1	1-653160	1	Tire
12:2	1-653158	1	Wheel
12:3	232-27	1	Stem-Valve
13	107-1858	1	Rear Floorpan ASM
13:2	98-4387	1	Decal-Protection, Ear
13:4	107-1864	1	Decal-Location, Manual
15	242-50	8	Nut-Lug
21	3296-39	2	Nut-Lock, NI
24	1-513762	1	Clip-Loom
25	1-303335	1	Tie-Plastic
27	321-4	3	Screw-HH
28	32128-33	1	Nut-HF
44	3256-70	6	Washer-Flat
47	106-7498	1	Pocket
48	106-7488-03	1	Hinge-Floorpan, LH
49	106-7489-03	1	Hinge-Floorpan, RH
50	323-20	2	Screw-HH
51	3296-59	2	Nut-Lock, NI
52	3296-42	4	Nut-Lock, NI

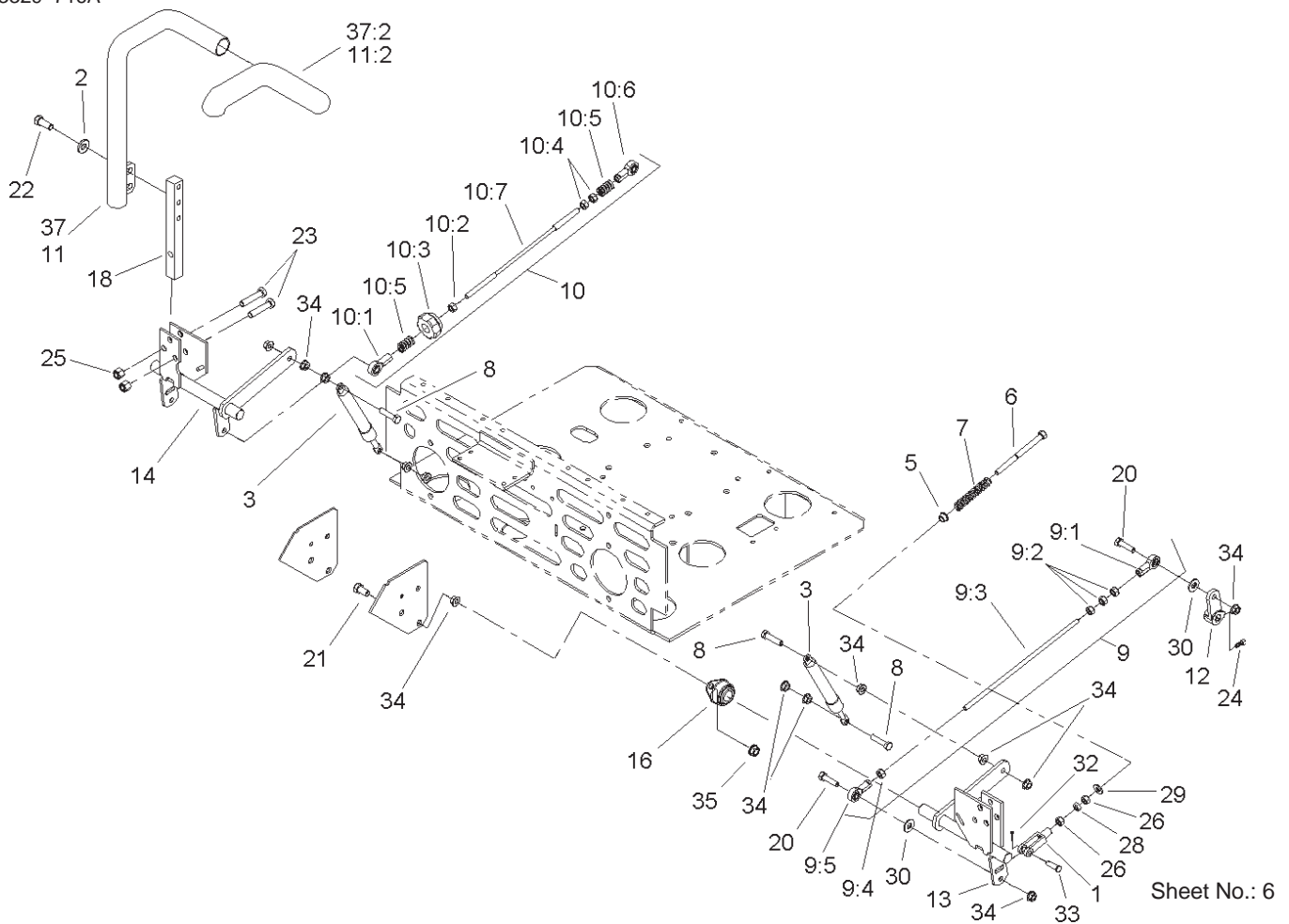
Ref. No.	Part No.	Qty.	Description
53	3256-63	2	Washer-Flat
54	3258-166	2	Screw
55	106-9989	1	Decal-Warning
56	106-7492	1	Decal-Danger
57	107-1865	2	R-Clamp
58	104-7050	1	Housing-Manual
59	104-7048	1	Cap-Housing



Sheet No.: 5

## Brake and Wheel Hub Assembly

Ref. No.	Part No.	Qty.	Description	Ref. No.	Part No.	Qty.	Description
1	1-513140	2	Bearing-Control	19	103-2399	4	Pin-Spring, Clevis
2	1-633454	2	Spring-Brake	20	325-17	8	Screw-HH
3	103-4332	1	Brake Rod And Yoke ASM	21	1481	2	Fitting-Grease
3:1	1-633131	2	Yoke-Linkage, Brake	22	103-0131	8	Nut-Square
3:2	1-633477	1	Rod-Brake	23	3219-3	4	Nut-HH
3:3	3219-3	2	Nut-HH	24	3290-357	4	Nut-HHF
4	1-634500	1	Brake Lever ASM	25	3253-7	8	Washer-Lock
4:2	1-633268	1	Grip-Lever, Brake	26	3256-4	4	Washer-Flat
5	1-632217-03	1	Shaft-Brake	27	3272-10	1	Pin-Cotter
6	103-0352-03	2	Bracket-Brake	28	1-806800	2	Pin-Cotter
7	1-523157	2	Washer-Spacer	29	322-9	6	Screw-HH
9	103-0355	2	Band-Brake	30	103-0384	6	Spacer
10	1-633380	4	Spacer-Wheel, Short	31	103-0374	2	Retainer-Band, Brake
11	1-633382	4	Spacer-Wheel, Long				
12	1-633102	2	Bearing-Flange, Side				
13	103-4333	2	Brake Rod And Yoke ASM				
13:1	1-633131	1	Yoke-Linkage, Brake				
13:2	1-633477	1	Rod-Brake				
13:3	3219-3	1	Nut-HH				
14	1-633144	2	Pin-Trunion				
15	103-0590	2	Hub-Wheel				
15:1	103-0589	1	Wheel Hub ASM				
15:2	1-633926	4	Stud-Wheel				
18	323-4	4	Screw-HH				

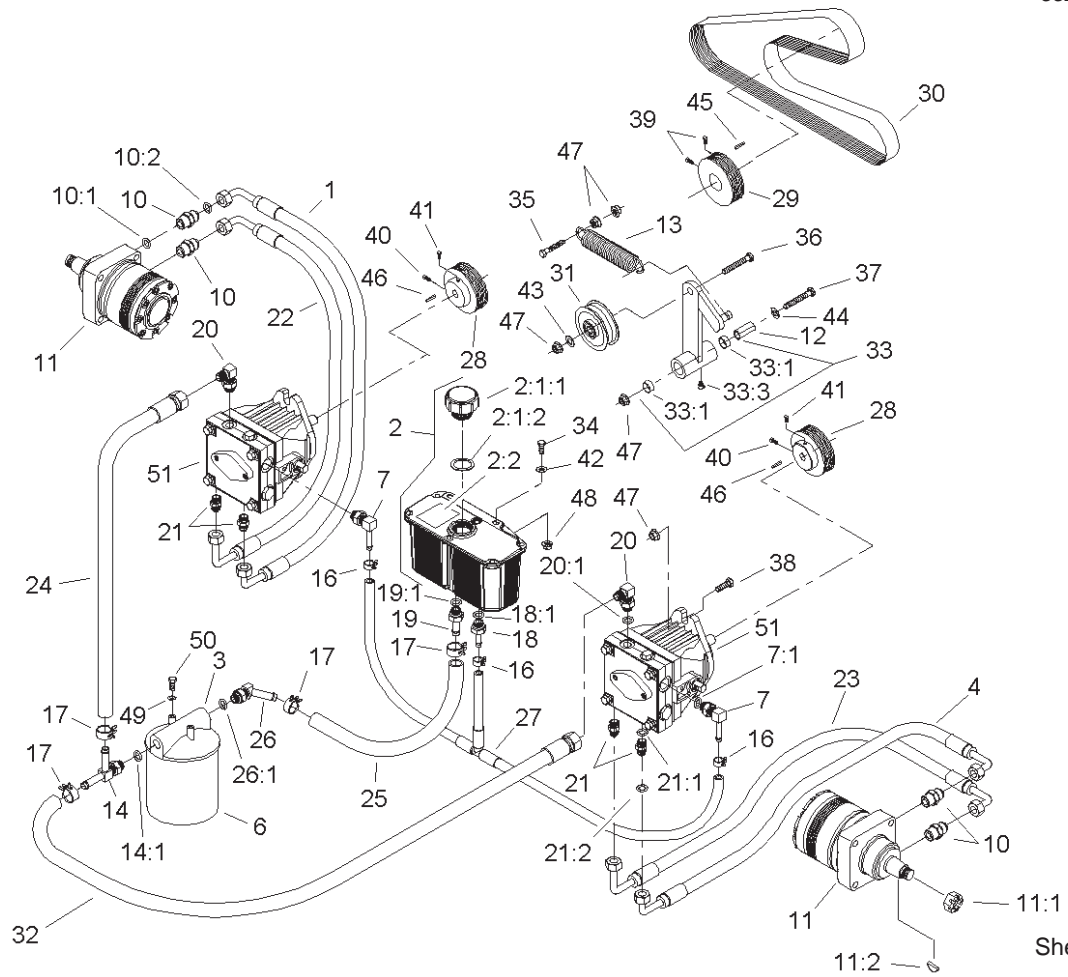


Sheet No.: 6

## Steering Control Assembly

Ref. No.	Part No.	Qty.	Description
1	1-303105	2	Yoke-Adjustable
2	98-5975	4	Washer-Belleville
3	103-4079	2	Damper-Motion Control
5	1-603735	2	Bushing-Flanged
6	1-603737	2	Bolt-Return, Neutral
7	1-603807	2	Spring-Return, Neutral
8	1-403180	4	Screw-HH
9	103-4331	1	Tracking Rod ASM
9:1	1-543017	1	Balljoint-RH
9:2	3219-2	3	Nut-Hex
9:3	103-3064	1	Link-Rod, Tracking
9:4	1-804524	1	Nut
9:5	1-633152	1	Balljoint-Thread, LH
10	103-4330	1	Tracking Rod ASM
10:1	1-543017	1	Balljoint-RH
10:2	3219-2	1	Nut-Hex
10:3	103-3060	1	Knob-Tracking
10:4	1-804524	2	Nut
10:5	1-323245	2	Spring-Compression
10:6	1-633152	1	Balljoint-Thread, LH
10:7	103-3064	1	Link-Rod, Tracking
11	106-9982	1	LH Lever ASM
11:2	106-9987	1	Grip-Control, Motion
12	1-632208	2	Arm-Control, Pump

Ref. No.	Part No.	Qty.	Description
13	103-4781	1	Control-Motion, LH
14	103-4782	1	Control-Motion, RH
16	1-633102	4	Bearing-Flange, Side
18	103-0407	2	Arm-Shaft, Control
20	322-6	4	Screw-HH
21	323-4	8	Screw-HH
22	323-6	4	Screw-HH
23	323-9	6	Screw-HH
24	1-803022	2	Screw-Set
25	3296-39	6	Nut-Lock, NI
26	3219-2	4	Nut-Hex
28	3220-2	2	Nut
29	3256-2	2	Washer-Flat
30	3256-3	4	Washer-Flat
32	3272-5	2	Pin-Cotter
33	1-808280	2	Pin-Clevis
34	32128-20	16	Nut-HF
35	3290-357	8	Nut-HHF
37	106-9983	1	RH Lever ASM
37:2	106-9987	1	Grip-Control, Motion



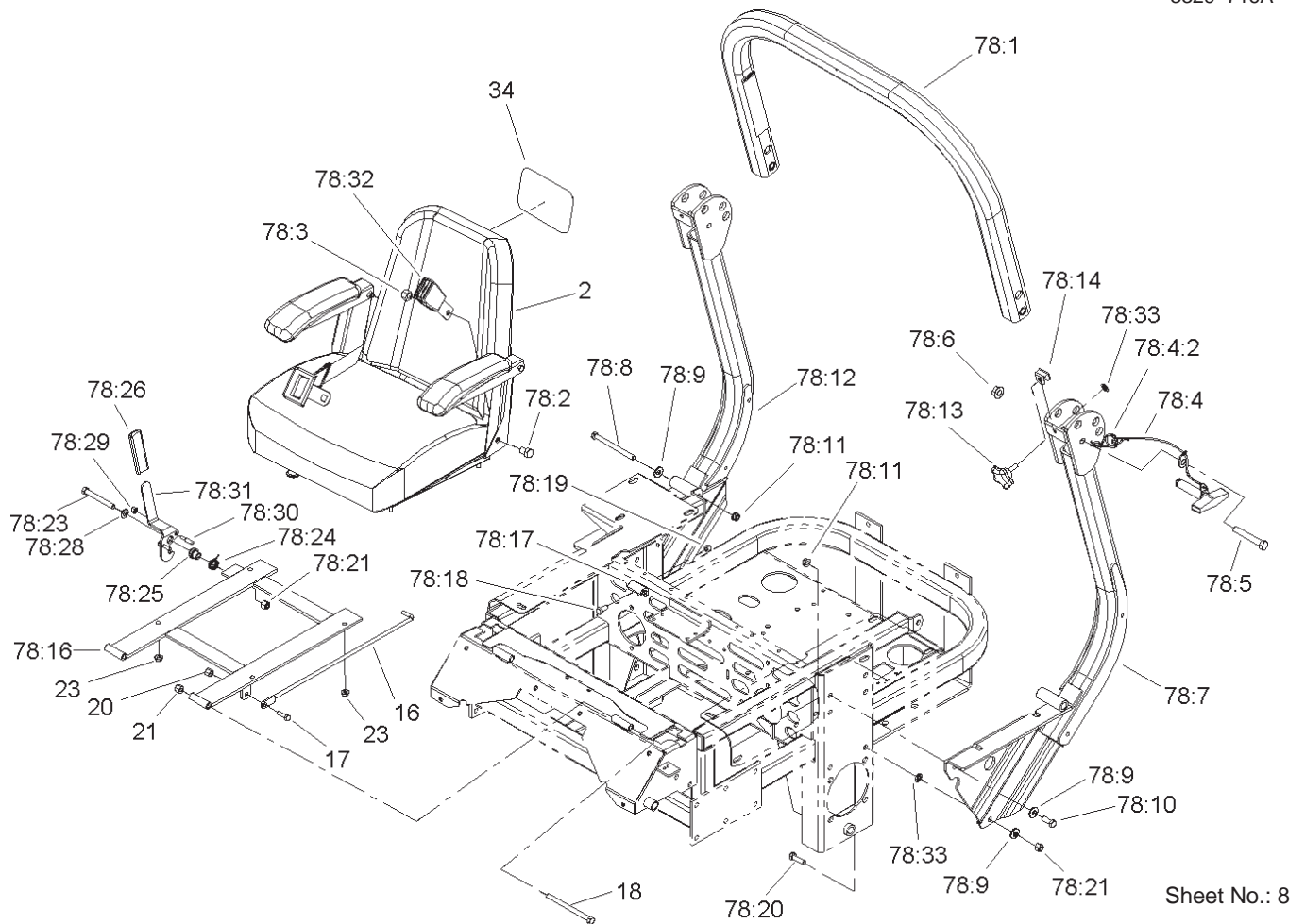
Sheet No.: 7

## Hydraulic System Assembly

Ref. No.	Part No.	Qty.	Description	Ref. No.	Part No.	Qty.	Description
1	103-3736	1	HYD Hose ASM	18	103-1801	1	Adapter-Straight
2	103-1947	1	HYD Reservoir ASM	18:1	237-42	1	O-Ring
2:1:1	103-1948	1	Cap-Reservoir, HYD	19	103-1912	1	Adapter-Straight
2:1:2	103-1949	1	Gasket-Cap	19:1	237-42	1	O-Ring
2:2	1-523552	1	Decal-Tank, HYD	20	103-1802	2	Fitting-HYD, 90°
3	104-7836	1	Head-Filter	20:1	237-42	1	O-Ring
4	103-3733	1	HYD Hose ASM	21	1-603990	4	Fitting-Straight
6	1-633750	1	Filter-HYD	21:1	237-79	1	O-Ring
6	1-633752	1	Filter-HYD, Winter	21:2	1-603992	1	O-Ring
7	103-1799	2	Elbow-90°	22	103-3737	1	HYD Hose ASM
7:1	237-42	1	O-Ring	23	103-3735	1	HYD Hose ASM
10	1-603991	4	Fitting-Straight	24	103-1826	1	HYD Hose ASM
10:1	237-80	1	O-Ring	25	103-1808	1	Hose-HYD
10:2	1-603992	1	O-Ring	26	103-1807	1	Elbow-45°
11	1-523328	2	Motor-Wheel	26:1	237-42	1	O-Ring
11:1	1-809036	1	Nut-HH	27	103-1806	1	HYD Hose ASM
11:2	3257-42	1	Key-Woodruff	28	1-633568	2	Sheave
*11:99	1-000099	1	Seal Kit	29	1-633567	1	Sheave
*11:99	1-000139	1	Bearing Kit	30	1-633749	1	Belt-Drive, Pump
*11:99	103-2748	1	Drive Link Kit	31	1-633167	1	Sheave-Idler
12	1-603384	1	Bushing-Pivot, Idler	32	103-1827	1	HYD Hose ASM
13	103-3330	1	Spring-Extension	33	1-634277	1	Bearing Arm ASM
14	103-1828	1	Adapter-Run, Tee	33:1	1-513034	2	Sleeve-Bearing
14:1	237-42	1	O-Ring	33:3	302-40	1	Fitting-Grease
16	103-1716	3	Clamp-Hose	34	321-6	2	Screw-HH
17	103-1988	4	Clamp-Hose	35	323-8	1	Screw-HH

\* Not illustrated





Sheet No.: 8

## Seat and Roll-Over-Protection-System Assembly

Ref. No.	Part No.	Qty.	Description	Ref. No.	Part No.	Qty.	Description
2	107-1867	1	Seat ASM	78:18	322-3	2	Screw-HH
16	1-633293	1	Rod-Holdup, Seat	78:19	3296-29	2	Nut-Lock, NI
17	322-5	1	Screw-HH	78:20	323-7	2	Screw-HH
18	323-39	2	Screw-HH	78:21	3296-39	3	Nut-Lock, NI
20	3296-29	3	Nut-Lock, NI	78:23	323-20	1	Screw-HH
21	3296-39	5	Nut-Lock, NI	78:24	107-0076	1	Spring-Torsion
23	32128-20	4	Nut-HF	78:25	107-0075	1	Bushing-Latch, Seat
34	99-4693	1	Decal	78:26	62-9130	1	Grip-Handle
78	107-0038	1	Rops	78:28	3256-24	1	Washer-Flat
☆78:1		1	Upper Tube ASM	78:29	3296-42	2	Nut-Lock, NI
78:2	3212-4	2	Screw-HH	78:30	107-0095	2	Pin
78:3	3296-7	2	Nut-Lock NI	78:31	107-0094	1	Latch
78:4	107-3060	2	Pin Latch ASM	78:32	103-4317	1	Belt-Seat
78:4:2	107-3155	1	Hairpin	78:33	107-3154	4	Nut-Push
78:5	325-13	2	Screw-HH				
78:6	32128-23	2	Nut-HF				
☆78:7		1	LH Rops ASM				
78:8	323-23	2	Screw-HH				
78:9	98-5975	8	Washer-Belleville				
78:10	323-6	4	Screw-HH				
78:11	3290-357	6	Nut-HHF				
☆78:12		1	RH Rops ASM				
78:13	106-0887	2	Knob				
78:14	107-3124	2	Clip				
78:16	107-3052-03	1	Frame-Seat Support				
78:17	107-3058	1	Catch-Latch, Seat				

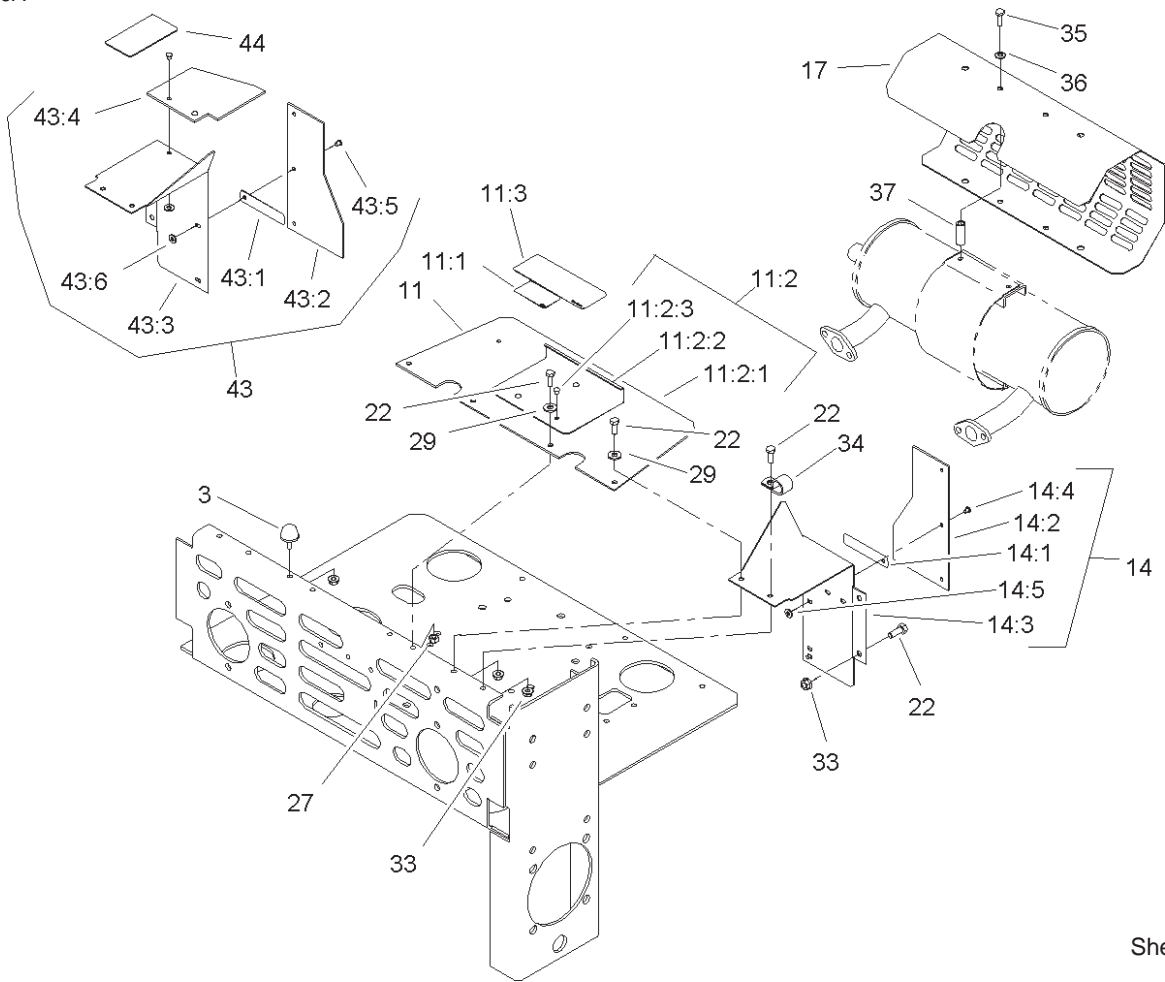
☆ Not serviced separately









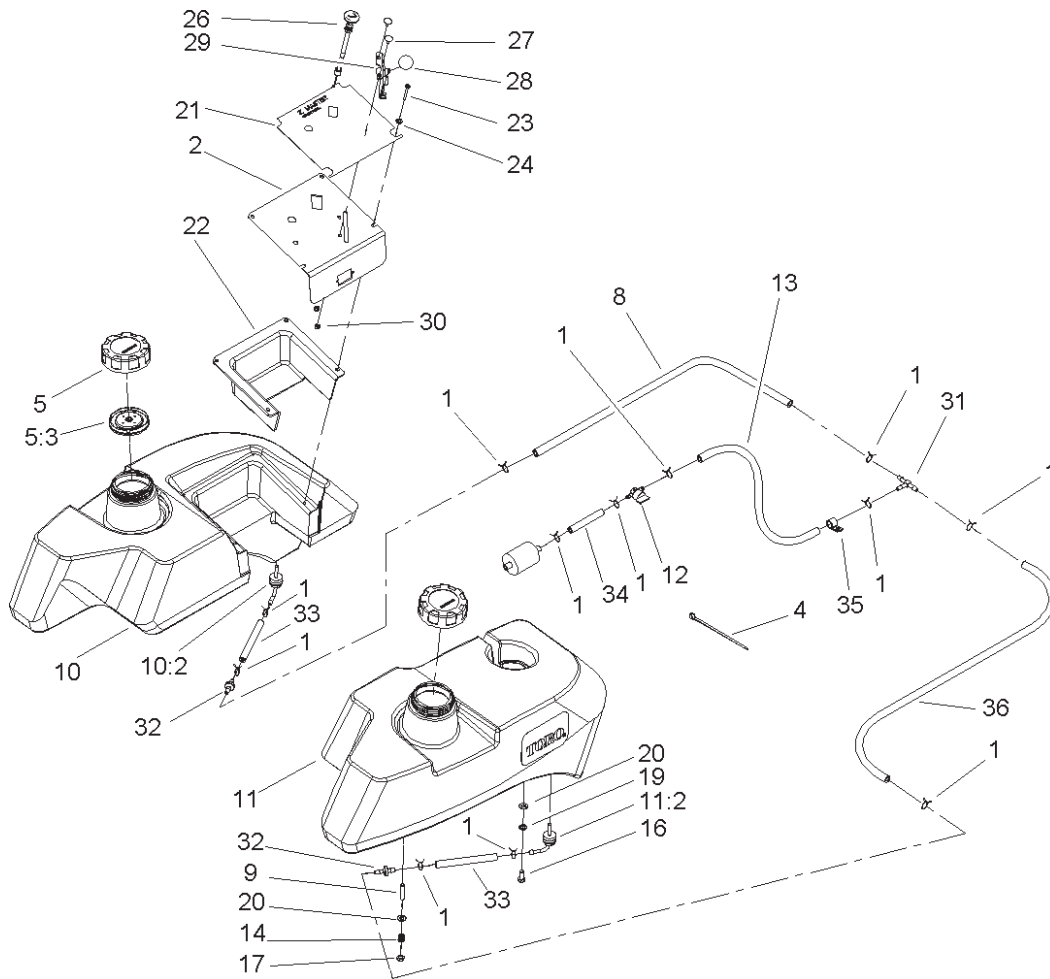


Sheet No.: 13

## Guard Assembly

Ref. No.	Part No.	Qty.	Description
3	1-523420	2	Bumper
11	1-644276	1	Shield ASM
11:1	1-633462	1	Decal-Important
11:2	1-634308	1	Shield/Lift ASM
11:2:1	103-1308	1	Shield-Engine
11:2:2	1-633300-03	1	Lift-Shield
11:2:3	1-803035	3	Rivet-Pop
11:3	103-0368	1	Decal-Devices, Rotating
14	1-634796	1	LH Shield ASM
14:1	1-523285	1	Clip-Baffle, Rear
14:2	1-633301	1	Shield-Engine
14:3	1-633795-03	1	Baffle-Engine Shield, LH
14:4	1-803035	3	Rivet-Pop
14:5	3256-63	3	Washer-Flat
17	1-643313-03	1	Guard-Muffler
22	321-4	10	Screw-HH
27	3296-42	6	Nut-Lock, NI
29	3256-2	4	Washer-Flat
33	32128-33	5	Nut-HF
34	1-633396	1	Clip-Loom
35	1-809076	2	Screw
36	1-323235	2	Washer-Spring
37	1-323236	2	Spacer
43	1-644316	1	RH Shield ASM

Ref. No.	Part No.	Qty.	Description
43:1	1-523285	1	Clip-Baffle, Rear
43:2	1-633301	1	Shield-Engine
43:3	1-633794-03	1	Shield-RH
43:4	1-643315	1	Baffle-Cooler, Engine
43:5	1-803035	5	Rivet-Pop
43:6	3256-63	5	Washer-Flat
44	1-643339	1	Decal-Routing, Belt

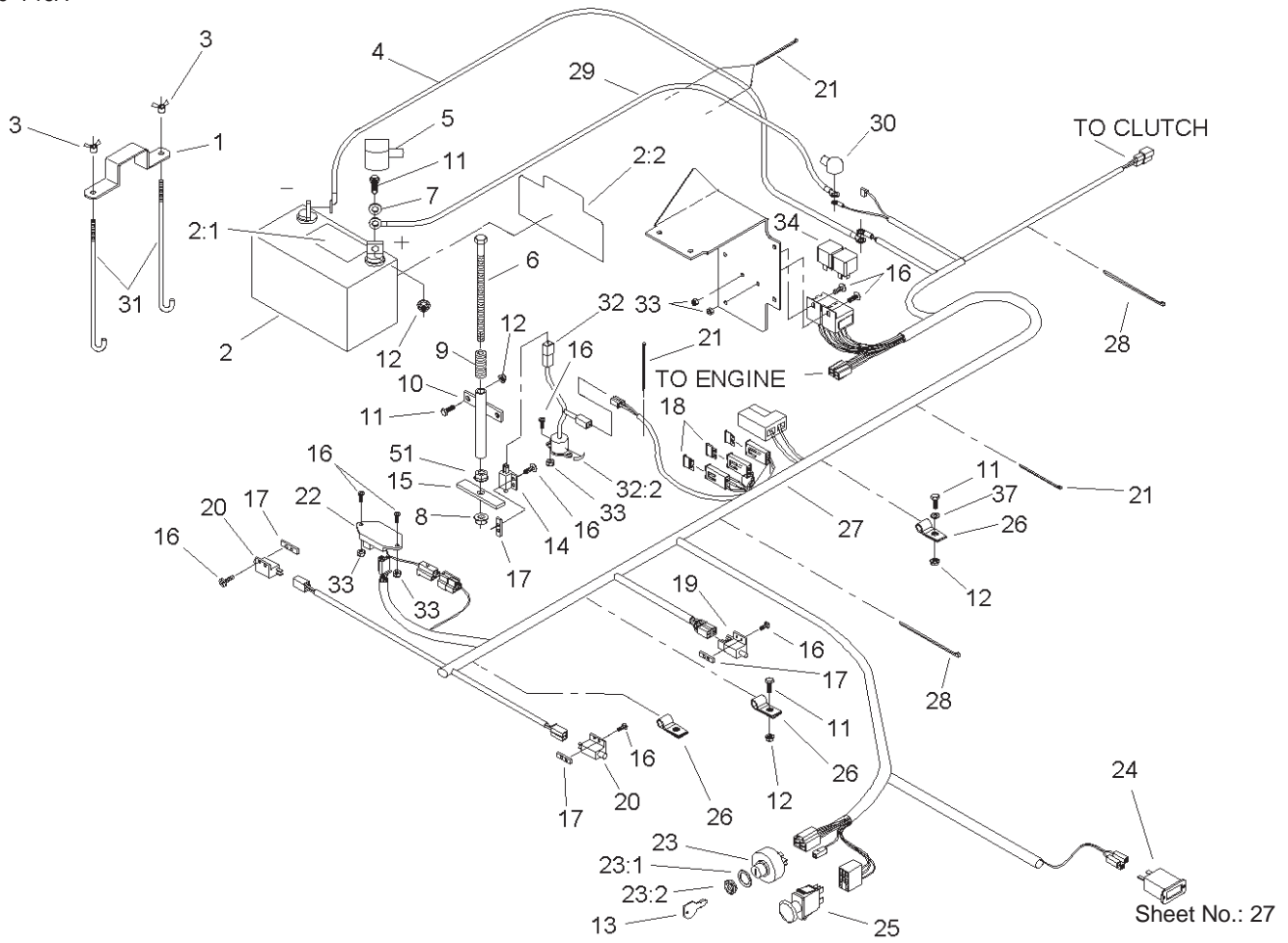


Sheet No.: 22

## Fuel System Assembly

Ref. No.	Part No.	Qty.	Description
1	1-303077	13	Clamp
2	106-9966-03	1	Panel-Control
4	1-303335	4	Tie-Plastic
5	88-3980	2	Gas Cap ASM
5:3	88-4010	1	Gasket-Cap, Gas
8	94-7420	2	Hose-Fuel
9	1-633023	6	Stud
10	106-9980	1	LH Fuel Tank ASM
10:2	103-2605	1	Fitting-Fuel, Bulkhead
11	106-9979	1	RH Fuel Tank ASM
11:2	103-2605	1	Fitting-Fuel, Bulkhead
12	1-603770	1	Valve-Fuel
13	107-2119	1	Hose-Fuel
14	1-633349	6	Spring-Tank, Fuel
16	322-3	2	Screw-HH
17	3296-47	6	Nut-Lock, NI
19	1-805005	2	Washer-Lock
20	3256-23	8	Washer-Flat
21	106-9969	1	Decal-Panel, Control
22	99-4940	1	Shield-Panel, Control
23	1-803071	4	Screw
24	1-303435	4	Washer-Spring
26	106-9962	1	Control-Choke, Push/Pull
27	1-807513	2	Bolt-CARR
28	1-513592	1	Knob-Ball

Ref. No.	Part No.	Qty.	Description
29	1-633696	1	Cable-Throttle
30	3296-2	2	Nut-Lock
31	99-5005	1	Fitting-Tee, Barbed
32	99-5000	2	Valve-Check, Fuel
33	99-7190	2	Hose-Fuel
34	105-8342	1	Hose-Fuel
35	1-513762	1	Clip-Loom
36	1-543526	1	Hose-Fuel

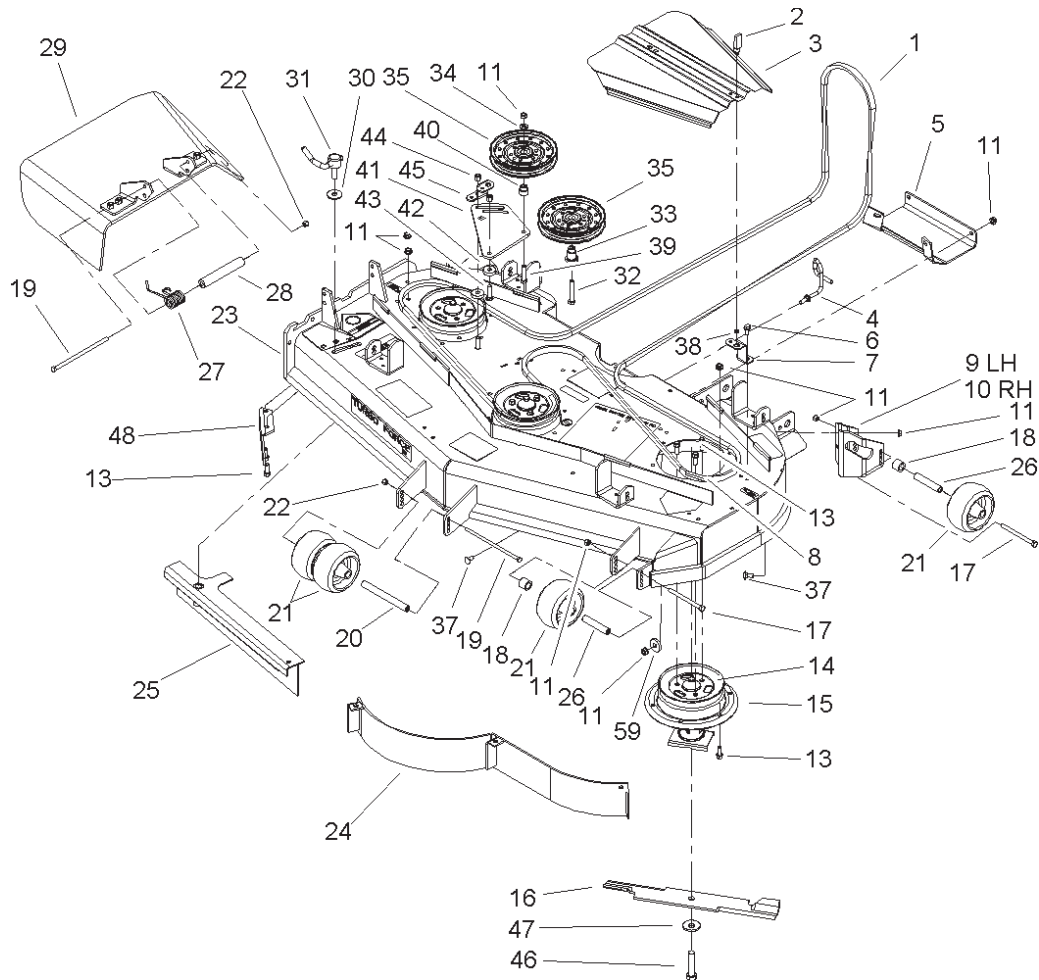


Sheet No.: 27

## Electrical System Assembly

Ref. No.	Part No.	Qty.	Description
1	1-633652-03	1	Strap-Holddown
2	105-1692	1	Battery
2:1	104-4163	1	Decal-Battery
2:2	104-4164	1	Decal-Battery
3	1-543792	2	Wingnut
4	1-633307	1	Wire-Ground
5	1-543391	1	Insulator-Battery
6	1-800282	1	Screw-HH
7	3256-2	2	Washer-Flat
8	3296-29	1	Nut-Lock, NI
9	1-523415	1	Spring-Switch, Seat
10	1-522424-03	1	Mount-Spring, Seat
11	321-4	6	Screw-HH
12	32128-33	6	Nut-HF
13	63-8360	2	Key-Ignition
14	1-513152	1	Switch-Closed, Normally
15	1-513180	1	Plate-Switch, Seat
16	3290-500	14	Screw-PPH
17	1-633181	4	Plate-Tapped
18	1-816001	2	Fuse-Type, Blade
19	1-633111	1	Switch
20	1-513051	2	Switch-Open, Normally
21	1-303287	5	Tie-Plastic
22	100-6186	1	Module-Delay, Seat

Ref. No.	Part No.	Qty.	Description
23	88-9830	1	Key Switch ASM
23:1	3254-5	1	Washer-Tooth
23:2	218-461	1	Nut-HH
24	1-513374	1	Meter-Hour
25	1-633673	1	Switch-Delta
26	1-633396	3	Clip-Loom
27	106-7497	1	Harness-Wire
28	1-303335	2	Tie-Plastic
29	1-523281	1	Wire-Starter
30	1-543393	1	Insulator-Solenoid
31	1-633651	2	Bolt-Holddown
32	1-644427	1	Tilt Switch ASM
32:2	1-643401	1	Decal-Switch, Mercury
33	3296-2	6	Nut-Lock
34	1-643275	2	Relay
37	3256-22	1	Washer-Flat
51	3217-6	1	Nut-Hex

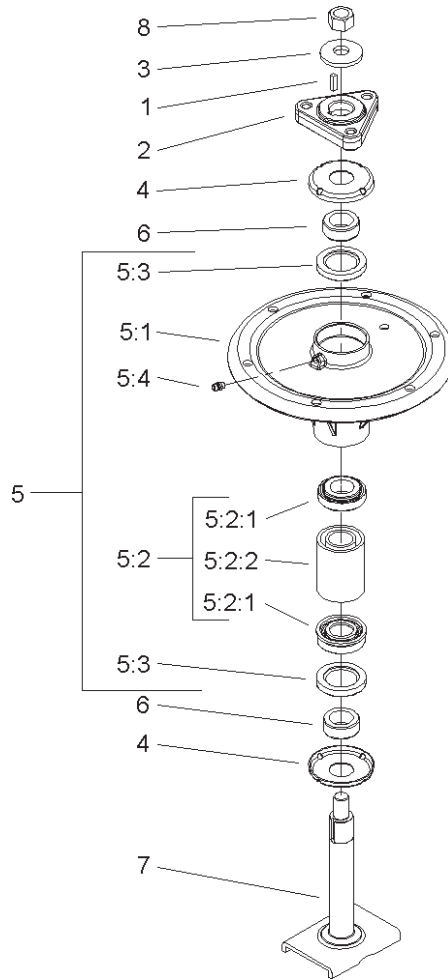


Sheet No.: 0

## Deck Assembly

Ref. No.	Part No.	Qty.	Description
1	105-7790	1	Belt
2	74-5950	4	Latch-Swell
3	105-8786-01	2	Cover-Belt
4	106-3220	1	Guide-Wire
5	106-7358-01	1	Plate-Skid
6	32144-70	4	Screw-HH
7	105-8787-01	3	Bracket-Cover
8	105-7699	8	Seal-Strip
9	106-7354-01	1	Plate-Roller, LH
10	106-7355-01	1	Plate-Roller, RH
11	3290-357	42	Nut-HHF
13	95-1726	33	Screw-Taptite
14	105-7735	3	Pulley
15	106-3217	3	Spindle ASM
16	105-7781	3	Blade-High Flow
17	323-23	3	Screw-HH
18	98-7913	3	Tube-Spacer
19	322-50	2	Screw-HH
20	98-5967	1	Spacer
21	1-603299	5	Roller-Anti Scalp
22	3296-29	2	Nut-Lock, NI
23	107-1623	1	52in Deck ASM
24	105-7754-01	1	Baffle ASM-Welded (Red)
25	105-7755-01	1	Baffle ASM
26	98-7912	3	Tube-Spacer

Ref. No.	Part No.	Qty.	Description
27	104-8554	1	Spring-Torsion
28	105-4622	1	Spacer
29	106-3249	1	Rubber Deflector ASM
30	105-7697	1	Washer-Plastic
31	106-3242	1	Lever ASM
32	323-12	2	Screw-HH
33	106-3214	2	Support-Pulley
34	3256-24	3	Washer-Flat
35	1-633109	3	Idler-Flat
37	3231-1	10	Screw-CARR
38	99-3058	4	Washer
39	323-9	1	Screw-HH
40	1-603496	1	Bushing-Idler
41	105-7787-01	1	Plate-Idler
42	105-7788	2	Spacer
43	3231-4	2	Screw-CARR
44	3296-39	2	Nut-Lock, NI
45	105-7789-01	1	Bracket-Cover, Belt
46	103-0862	3	Screw-Cap
47	103-0865	3	Washer-Blade Bolt, Heavy
48	106-3216-01	1	Baffle-Discharge
59	112843	1	Washer



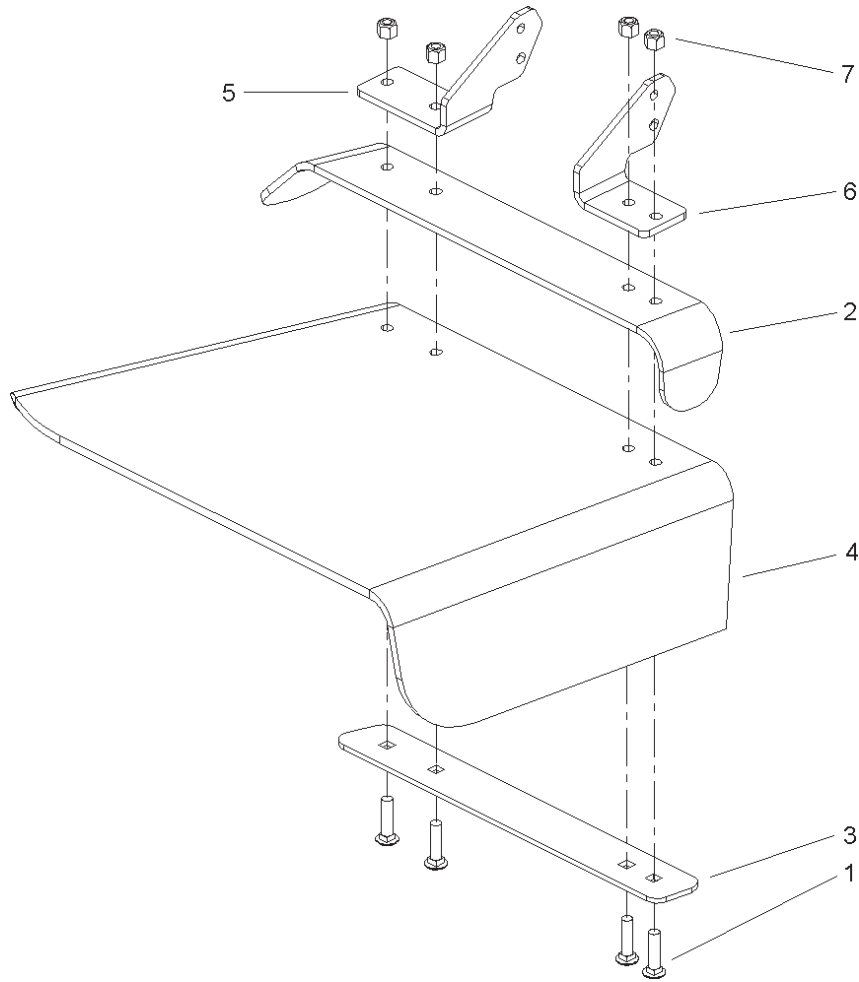
Sheet No.: A1

### Spindle Assembly No. 106-3217

Ref. No.	Part No.	Qty.	Description
1	10-8040	1	Key-Square
2	106-3277	1	Hub-Pulley
3	103-0865	1	Washer-Blade Bolt, Heavy
4	106-3204	2	Shield-Bearing
5	107-1627	1	Spindle Bearing ASM
5.1	106-3211	1	Housing-Spindle
5.2	106-3207	1	Bearing ASM
5:2:1	27-0960	1	Bearing ASM
5:2:2	106-3206	1	Spacer-Set, Matched
5.3	253-133	2	Seal-Oil
5.4	302-5	1	Fitting-Grease
6	106-3218	2	Spacer-Seal
7	106-3233	1	Spindle Shaft ASM
8	3219-6	1	Nut-Hex

Ref. No.	Part No.	Qty.	Description



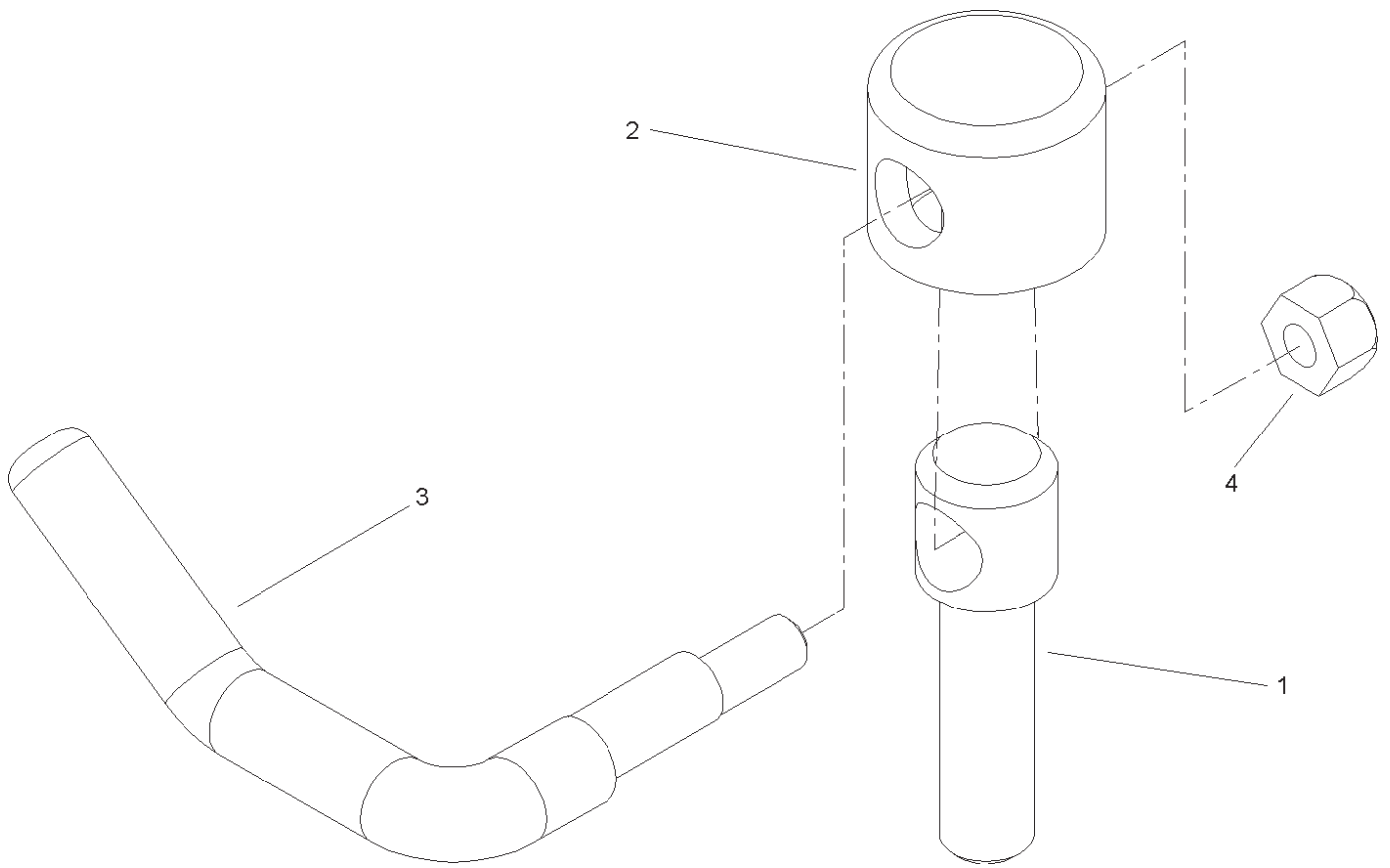


Sheet No.: A3

### Deflector Assembly No. 106-3249

Ref. No.	Part No.	Qty.	Description
1	3231-4	4	Screw-CARR
2	106-3246-01	1	Deflector
3	106-3248-03	1	Strap-Discharge
4	107-1617	1	Deflector-Rubber
5	106-3252-01	1	Plate-Hinge, Rear
6	106-3253-01	1	Plate-Hinge, Front
7	3296-39	4	Nut-Lock, NI

Ref. No.	Part No.	Qty.	Description

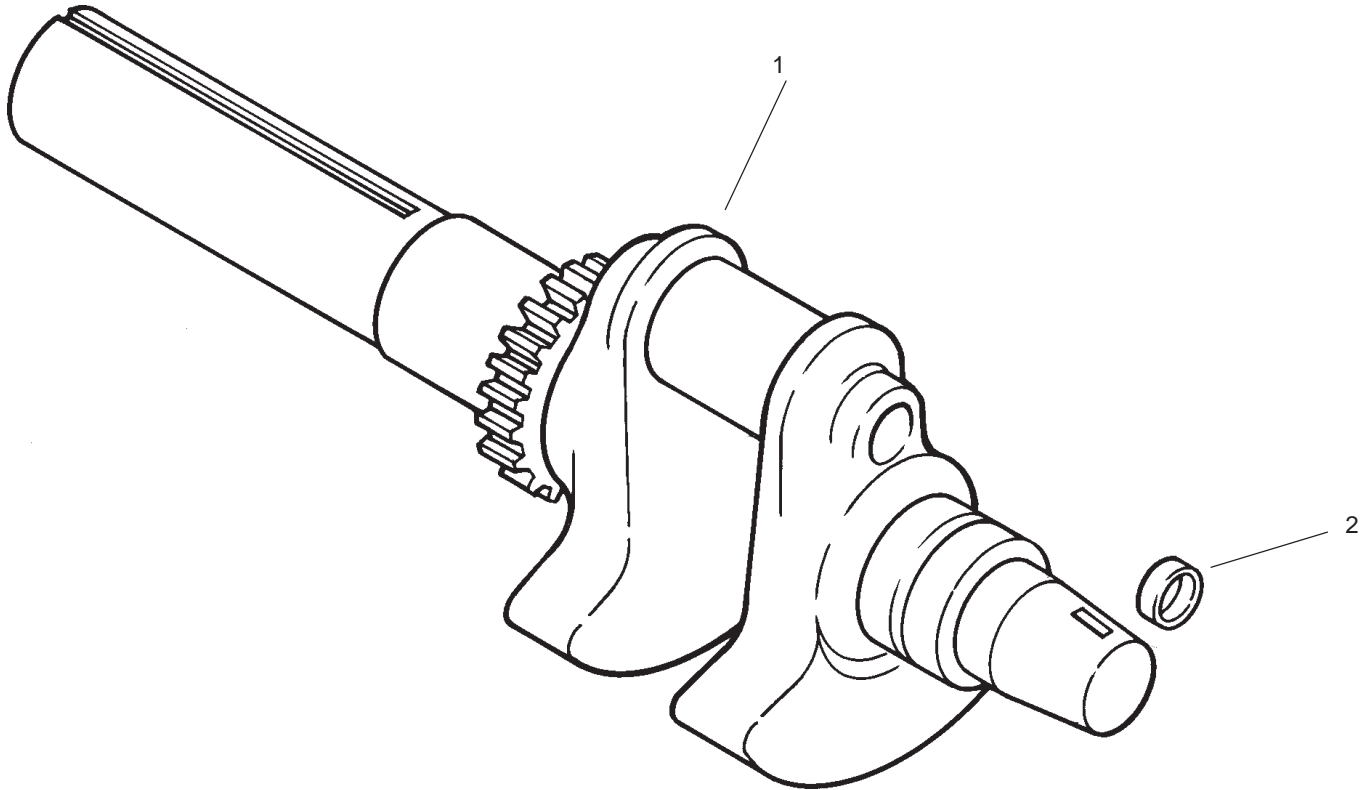


Sheet No.: A4

### Lever Assembly No. 106-3242

Ref. No.	Part No.	Qty.	Description
1	106-3239	1	Screw-Lock
2	106-3240	1	Cap-Lock
3	106-3241	1	Lever-Lock
4	3296-29	1	Nut-Lock, NI

Ref. No.	Part No.	Qty.	Description

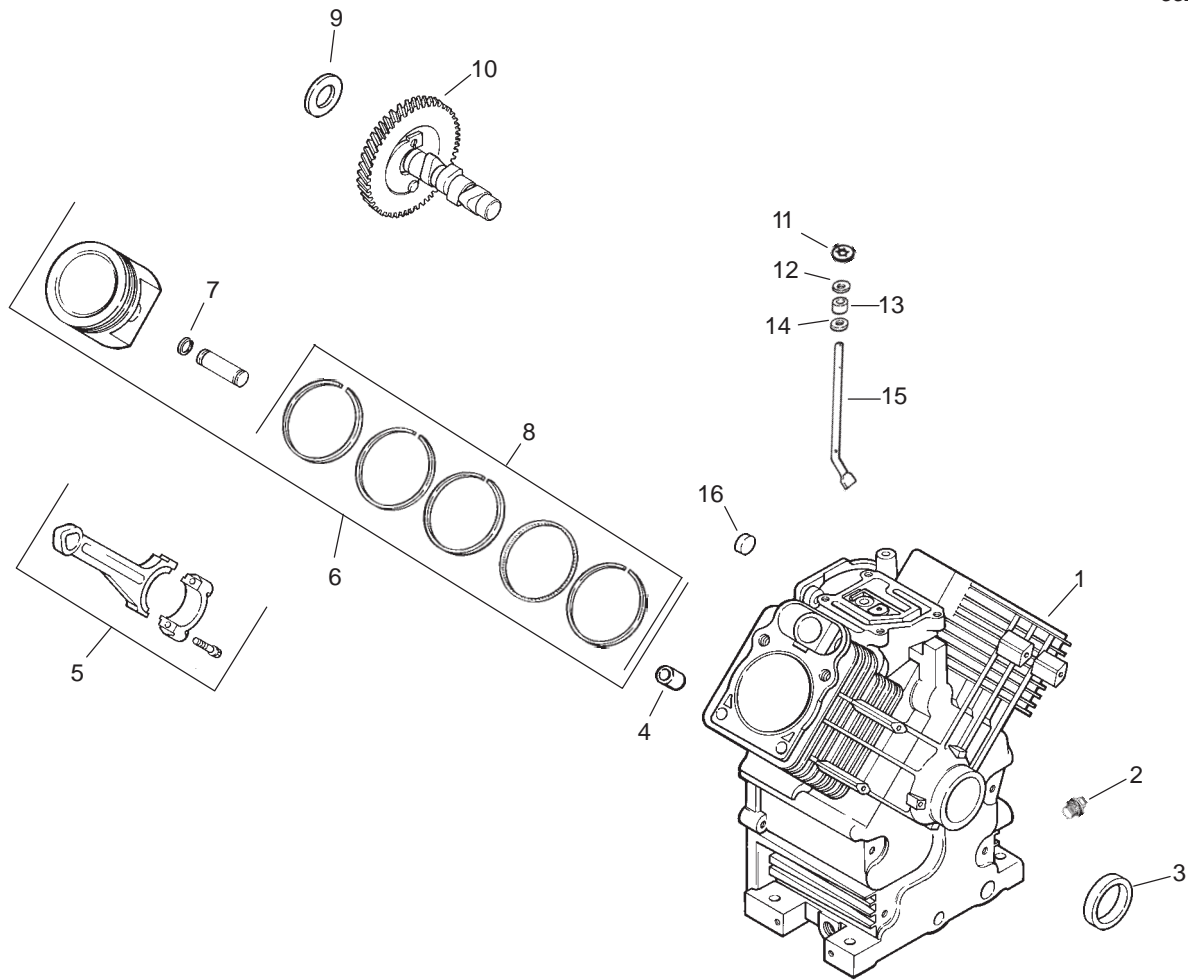


### Group 1 – Crankshaft Assembly Kohler CH20S-64684

Ref. No.	Part No.	Qty.	Description
1	24 014 84-S	1	Crankshaft (Includes 2)
2	52 139 09-S	1	Plug, cup

Ref. No.	Part No.	Qty.	Description

Obtain Parts from Kohler

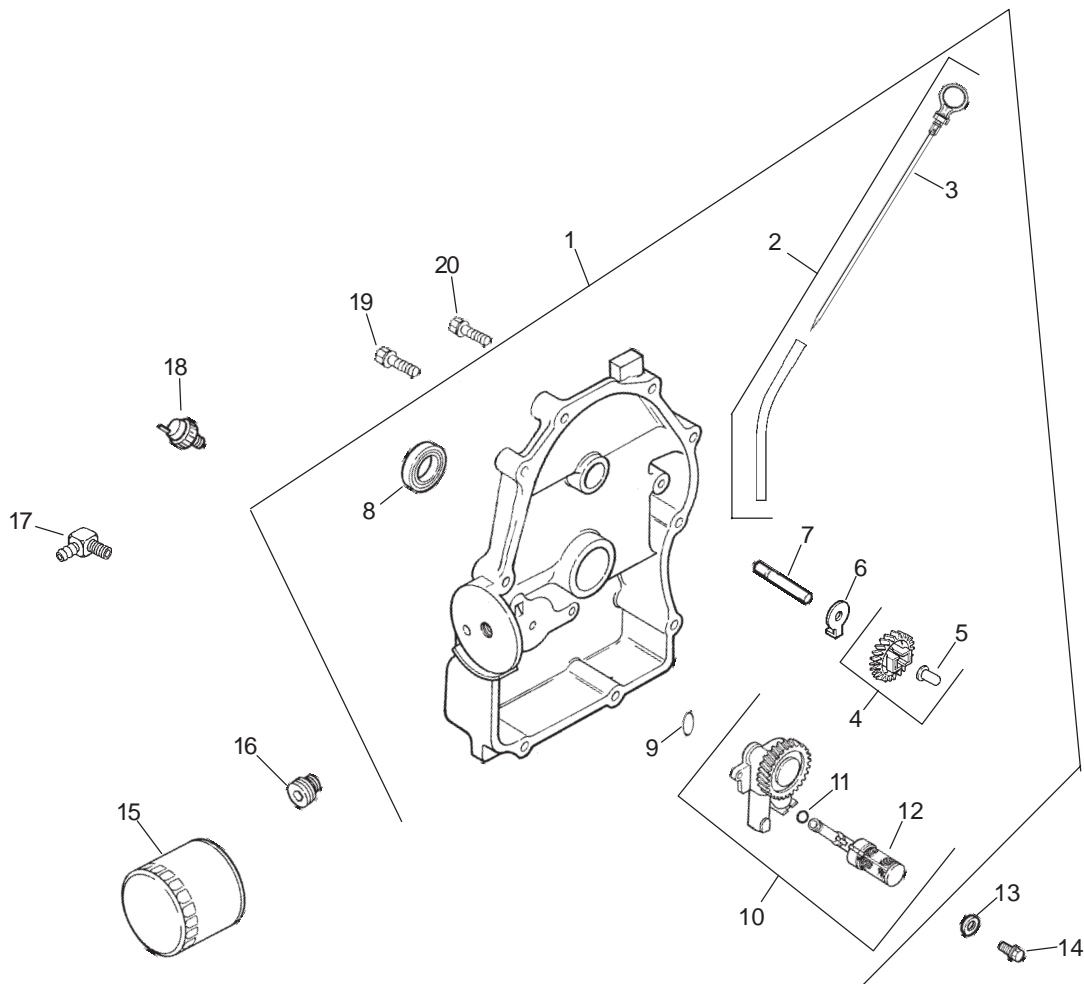


## Group 2 – Crankcase Assembly Kohler CH20S-64684

Ref. No.	Part No.	Qty.	Description
1		1	Crankcase (USE: Miniblock 24 782 15)
2	25 139 57-S	2	Plug, square hd. 3/8" N.P.T.F
3	24 032 01-S	1	Seal, front oil
4	24 380 13-S	6	Pin, locating
5	24 067 13-S	2	Connecting Rod (Std.)
	24 067 14-S	2	Connecting Rod (.25)
6	24 874 17-S	2	Piston w/Ring Set (Std.) (Includes 7, 8)
	24 874 14-S	2	Piston w/Ring Set (.08)
	24 874 18-S	2	Piston w/Ring Set (.25)
	24 874 19-S	2	Piston w/Ring Set (.50)
7	24 018 01-S	4	Retainer, piston pin
8	24 108 11-S	2	Ring Set (Std. & .08)
	24 108 12-S	2	Ring Set (.25)
	24 108 13-S	2	Ring Set (.50)
9	12 422 09-S	A.R.	Shim, camshaft – red
	12 422 13-S	A.R.	Shim, camshaft – black
	12 422 07-S	A.R.	Shim, camshaft – white
	12 422 08-S	A.R.	Shim, camshaft – blue
	12 422 10-S	1	Shim, camshaft – yellow

Ref. No.	Part No.	Qty.	Description
	12 422 11-S	A.R.	Shim, camshaft – green
	12 422 12-S	A.R.	Shim, camshaft – gray
10	24 012 10-S	1	Camshaft
11	24 018 09-S	1	Retainer, ring
12	M-931010-S	1	Washer, nylon (top)
13	28 032 09-S	1	Seal, governor cross shaft
14	24 468 15-S	1	Washer (bottom)
15	24 144 38-S	1	Shaft, governor cross
16	52 139 09-S	1	Plug, cup

Obtain Parts from Kohler

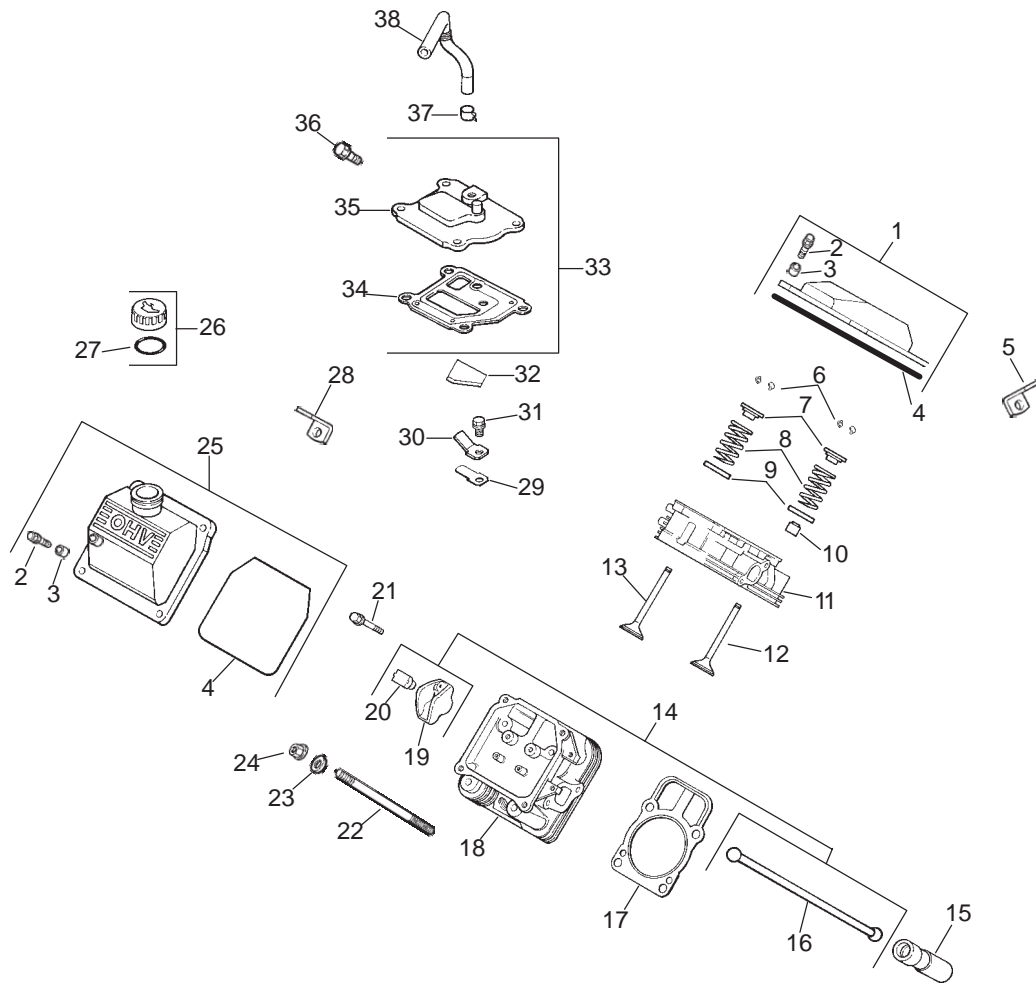


### Group 3 – Oil Pan/Lubrication Assembly Kohler CH20S-64684

Ref. No.	Part No.	Qty.	Description
1	24 009 83-S	1	Kit, closure plate (Includes 2-12,19,20)
2	24 755 121-S	1	Kit, dipstick & tube (Includes 3)
3	24 038 10-S	1	Dipstick
4	24 043 12-S	1	Kit, governor gear w/pin (Includes 5)
5	12 380 01-S	1	Pin, governor regulating
6	52 448 02-S	1	Tab, locking
7	12 144 02-S	1	Shaft, governor gear
8	52 032 08-S	1	Seal, oil (PTO end)
9	24 153 08-S	1	O-Ring
10	24 393 10-S	1	Oil pump assembly (Includes 11,12)
11	24 153 01-S	1	O-Ring, oil pick-up
12	24 381 04-S	1	Pick-up, oil
13	M-631005-S	2	Washer, plain 6 mm
14	M-645025-S	2	Screw, hex. flange M6x1.0x25
15	52 050 02-S	1	Filter, oil
16	24 136 01-S	1	Nipple, oil filter
17	25 155 02-S	1	Connector, hose 45(
18	24 099 03-S	1	Switch, oil pressure

Ref. No.	Part No.	Qty.	Description
19	24 086 16-S	9	Screw, hex. flange M8x1.25x45
20	24 086 17-S	1	Screw, hex. flange M8x1.25x45

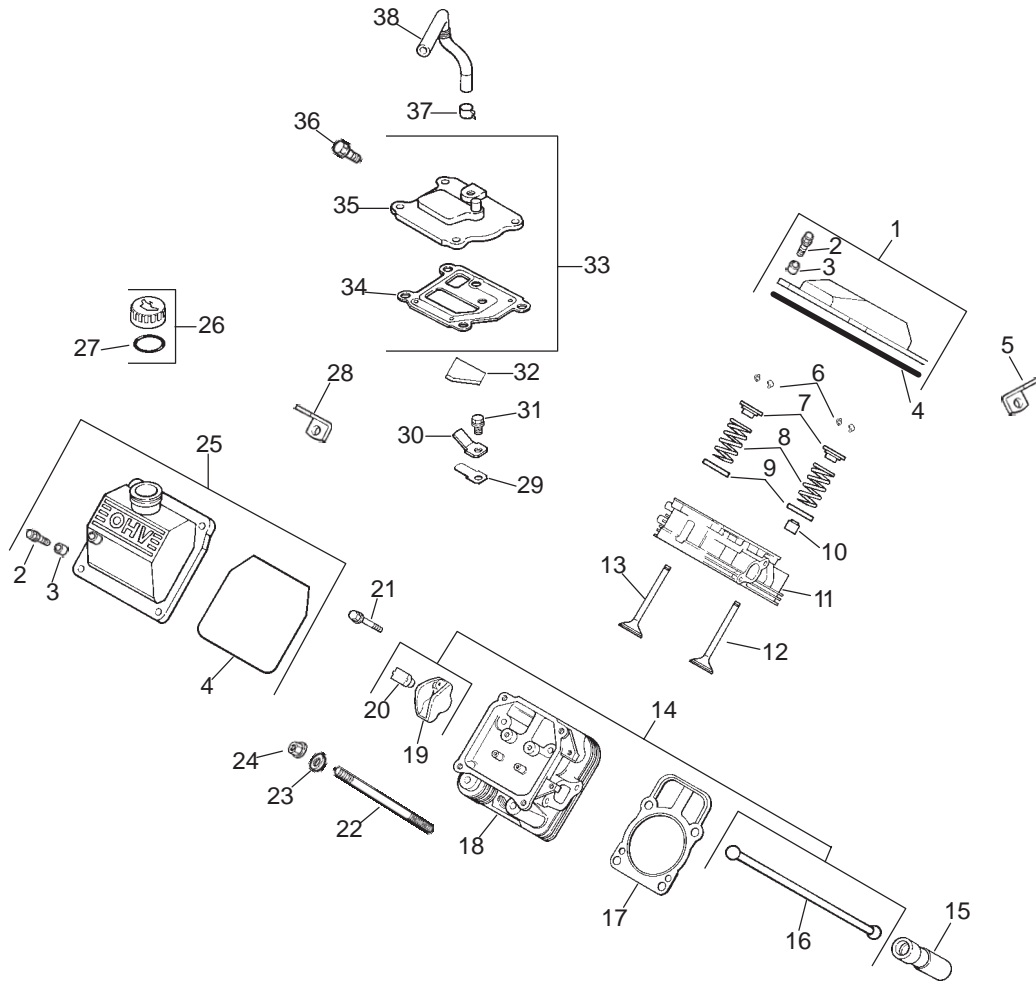
Obtain Parts from Kohler



## Group 4 – Head/Valve/Breather Assembly Kohler CH20S-64684

Ref. No.	Part No.	Qty.	Description	Ref. No.	Part No.	Qty.	Description
1	24 755 74-S	1	Kit, valve cover – plain (Includes 2-4)	18	24 318 71-S	1	Head assembly, #2 cylinder
2	M-651030-S	4	Screw, hex. flange M6x1.0x30	19	25 186 01-S	4	Arm, rocker
3	24 112 08-S	4	Spacer	20	24 599 01-S	4	Pivot, rocker arm
4	24 153 23-S	1	O-Ring, valve cover	21	M-640034-S	4	Screw, hex. flange M6x1.0x34
5	12 445 05-S	1	Strap, lifting	22	24 072 09-S	8	Stud, cylinder head M8x1.25x20, M10x1.5x33, 105 mm long
6	12 755 03-S	4	Kit, retainer	23	24 468 16-S	8	Washer, flat 8 mm
7	12 173 01-S	4	Cap, valve spring	24	24 100 10-S	8	Nut, hex. flange M8x1.25
8	24 089 02-S	4	Spring, valve	25	24 755 75-S	1	Kit, valve cover – oil fill (Includes 2-4)
9	235011-S	4	Retainer, spring	26	25 755 13-S	1	Kit, oil fill cap (Includes 27)
10	66 032 05-S	2	Seal, valve stem	27	25 153 02-S	1	O-Ring
11	24 318 68-S	1	Head assembly, #1 cylinder	28	24 445 01-S	1	Strap, lifting
12	24 017 01-S	2	Valve, intake (Std.)	29	24 402 03-S	1	Reed, breather
	24 017 02-S	2	Valve, intake (.25)	30	12 018 01-S	1	Retainer, breather reed
13	24 016 01-S	2	Valve, exhaust (Std.)	31	M-545010-S	1	Screw, hex. flange M5x0.8x10
	24 016 02-S	2	Valve, exhaust (.25)	32	24 050 01-S	1	Filter, breather
14	24 755 66-S	1	Kit, valve train (Includes 16,19,20)				
15	25 351 01-S	4	Lifter, valve				
16	24 411 05-S	4	Rod, push				
17	24 041 08-S	2	Gasket, cylinder head				

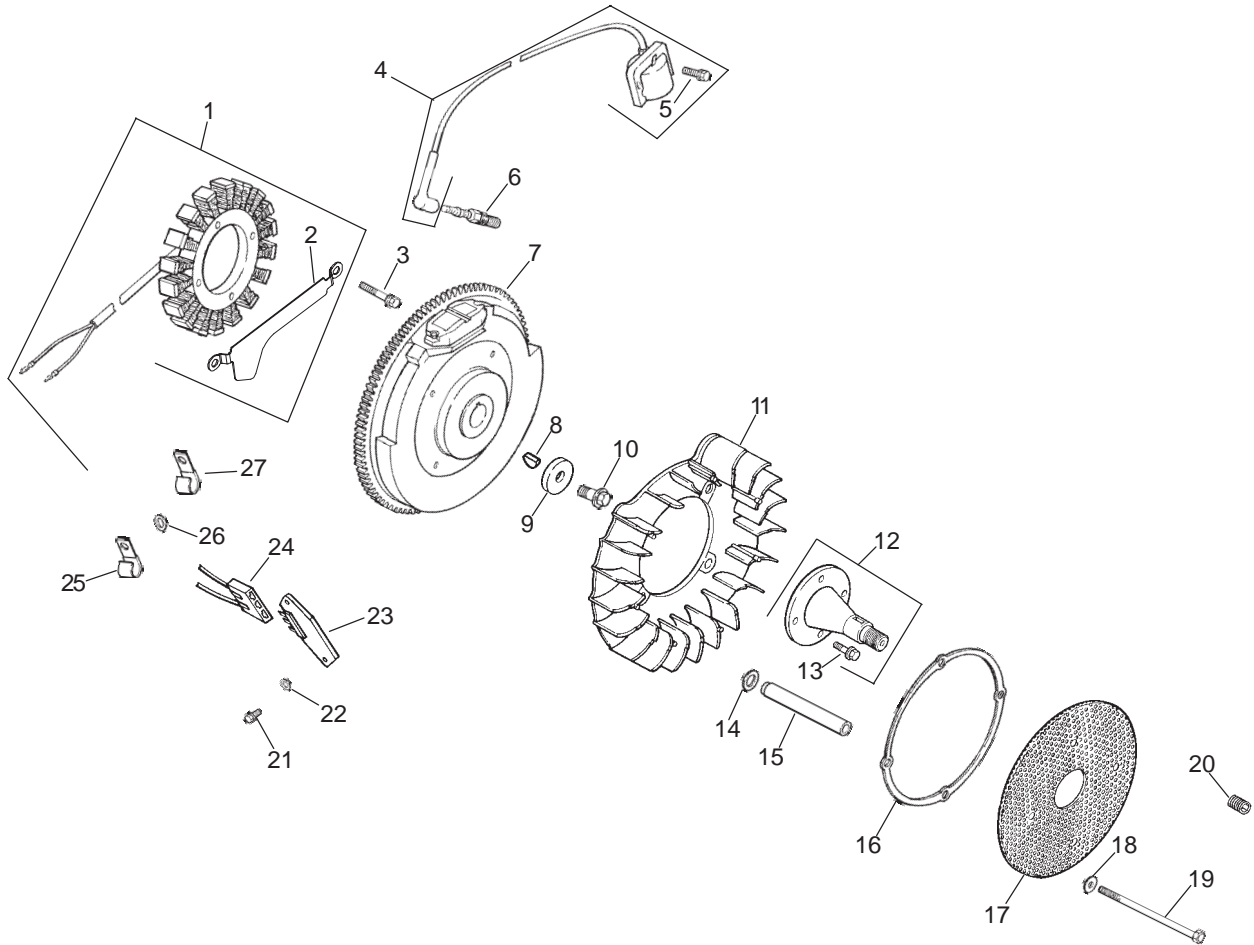
Obtain Parts from Kohler



## Group 4 – Head/Valve/Breather Assembly (Continued) Kohler CH20S-64684

Ref. No.	Part No.	Qty.	Description	Ref. No.	Part No.	Qty.	Description
32	24 050 01-S	1	Filter, breather				
33	24 033 01-S	1	Kit, breather (Includes 34,35)				
34	24 041 23-S	1	Gasket, breather				
35	24 096 86-S	1	Cover, breather				
36	M-645020-S	4	Screw, hex. flange M6x1.0x20				
37	25 237 08-S	2	Clamp, breather				
38	24 326 31-S	1	Hose, breather				

Obtain Parts from Kohler

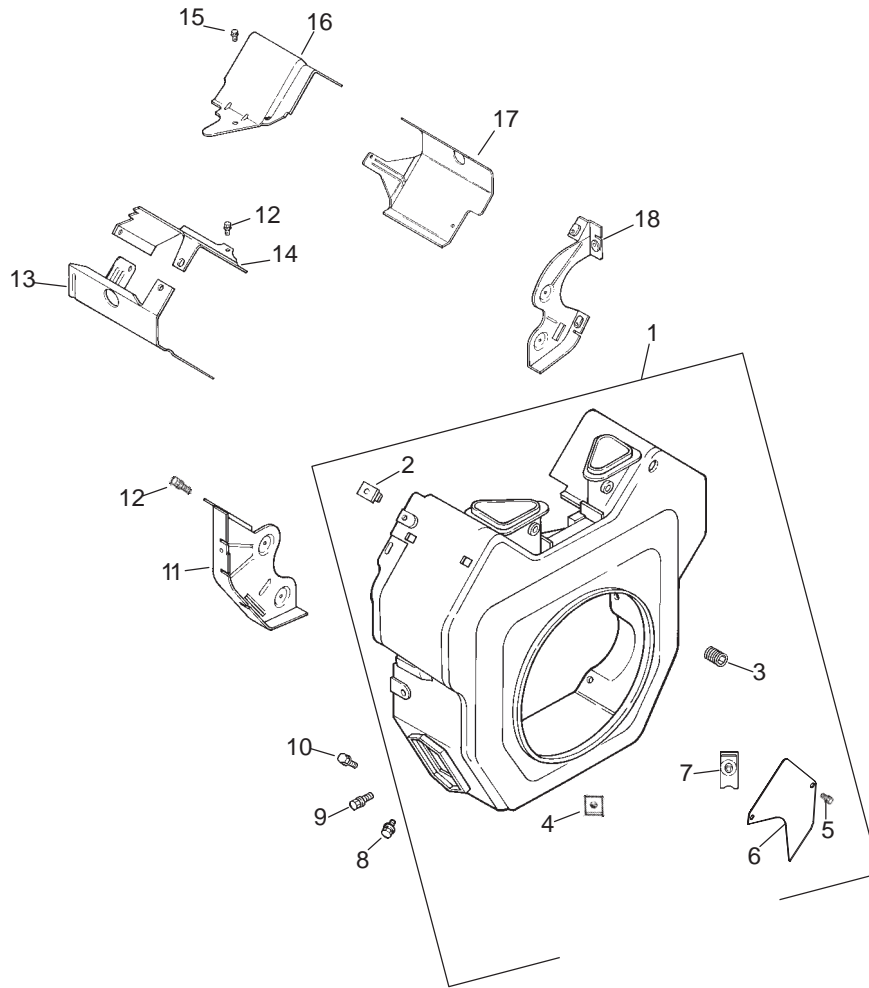


## Group 5 – Ignition/Electrical Assembly Kohler CH20S-64684

Ref. No.	Part No.	Qty.	Description	Ref. No.	Part No.	Qty.	Description
1	54 755 09-S	1	Kit, 15 amp stator (Includes 2)	18	X-25-53-S	4	Washer, plain 1/4"
2	24 126 71-S	1	Bracket, stator wire	19	M-603100-S	4	Screw, hex. hd. M6x1.0x100
3	M-548025-S	2	Screw, hex. cap M5x0.8x25	20	25 086 43-S	1	Screw, set
4	24 584 25-S	2	Kit, ignition module (Includes 5)	21	24 086 18-S	2	Screw, phillips hd. 11-16x7/8"
5	M-561025-S	4	Screw, hex. flange M5x0.8x25	22	X-25-92-S	2	Washer, plain 3/16"
6	12 132 06-S	2	Spark Plug	23	25 403 03-S	1	Rectifier-regulator 15 amp
7	24 025 01-S	1	Flywheel	24	236602-S	1	Connector 3 contact
8	X-42-15-S	1	Key	25	235173-S	1	Clip, cable
9	12 468 03-S	1	Washer, plain 3/8"	26	X-25-63-S	1	Washer, plain 1/4"
10	12 086 14-S	1	Screw, hex. flange M10x1.5x46	27	48 154 02-S	1	Clip, cable
11	24 157 01-S	1	Fan	*	24 518 12-S	1	Lead, black, (5" - 12 gauge - insulated grip barrel eyelet terminals)
12	24 755 08-S	1	Kit, front drive shaft (Includes 13)	*	24 176 109-S	1	Harness, wiring
13	M-839025-S	4	Screw, hex. flange M8x1.25x25	*	25 454 03-S	2	Tie, cable
14	24 468 11-S	4	Washer, spring 10 mm	*	X-22-11-S	1	Washer, lock (used to ground rectifier-regulator)
15	24 112 14-S	4	Spacer				
16	24 141 06-S	1	Ring, support				
17	24 162 22-S	1	Screen, grass				

Obtain Parts from Kohler

\* Not Illustrated



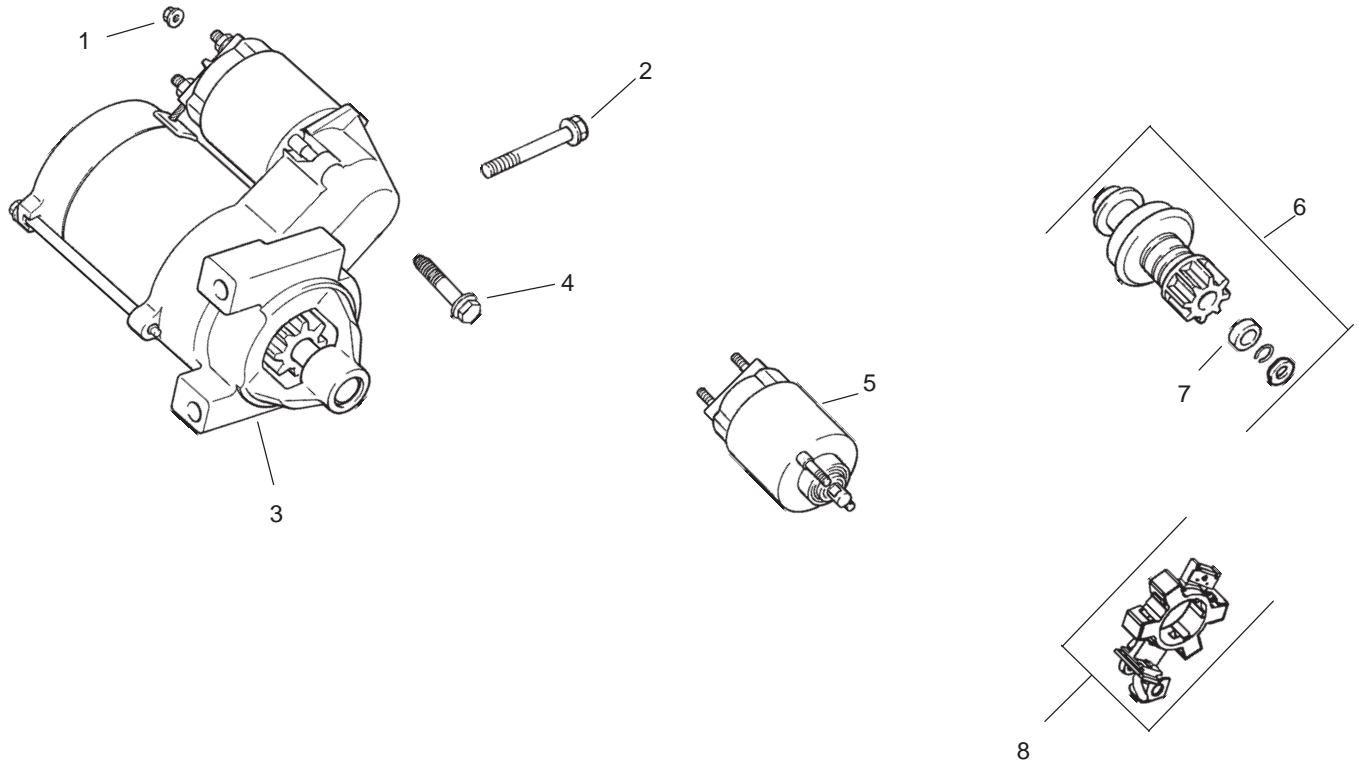
## Group 6 – Blower Housing Assembly Kohler CH20S-64684

Ref. No.	Part No.	Qty.	Description
1	54 027 93-S	1	Housing, blower assembly (Includes 2-7)
2	24 100 01-S	2	Nut, plastic
3	25 086 43-S	1	Screw, set
4	24 100 02-S	2	Nut, plastic (2)
5	M-645016-S	4	Screw, hex. flange M6x1.0x16
6	24 096 64-S	2	Cover, access panel
7	25 154 02-S	4	Clip, mounting
8	M-551016-S	1	Screw, hex. flange M5x0.8x16
9	M-545016-S	3	Screw, hex. flange M5x0.8x16
10	M-545020-S	4	Screw, hex. flange M5x0.8x20
11	24 146 16-S	1	Plate, backing – #2 side
12	M-645016-S	6	Screw, hex. flange M6x1.0x16
13	24 063 20-S	1	Baffle, cylinder barrel – #2 side
14	24 063 17-S	1	Baffle, valley – #2 side

Ref. No.	Part No.	Qty.	Description
15	M-545010-S	2	Screw, hex. flange M5x0.8x10
16	24 063 59-S	1	Baffle, valley – #1 side
17	24 063 58-S	1	Baffle, cylinder barrel – #1 side
18	24 146 20-S	1	Plate, backing – #1 side
*	24 113 114-S	1	Decal, 20 HP

Obtain Parts from Kohler

\* Not Illustrated

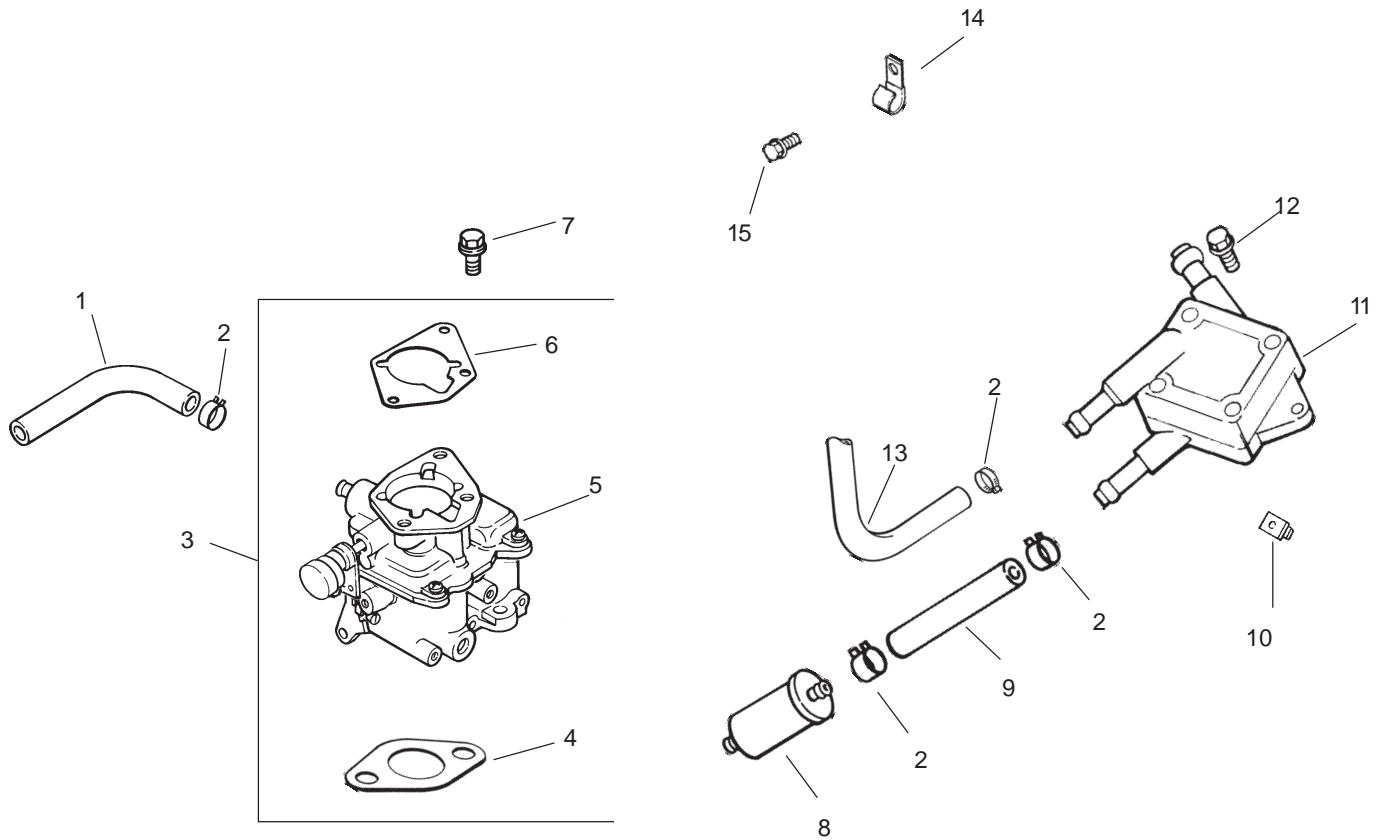


## Group 7 – Starter Assembly Kohler CH20S-64684

Ref. No.	Part No.	Qty.	Description
1	M-841080-S	1	Nut, hex flange M8x1.25
2	M-839080-S	2	Screw, hex. flange M8x1.25x80
3	25 098 09-S	1	Starter, solenoid shift assembly (Includes 4-8)
4	25 086 113-S	3	Screw, external torx hd.
5	25 435 05-S	1	Kit, solenoid (Includes 4)
6	25 755 33-S	1	Kit, pinion drive (Includes 7)
7	25 141 05-S	1	Ring
8	25 221 01-S	1	Kit, brush

Ref. No.	Part No.	Qty.	Description

Obtain Parts from Kohler



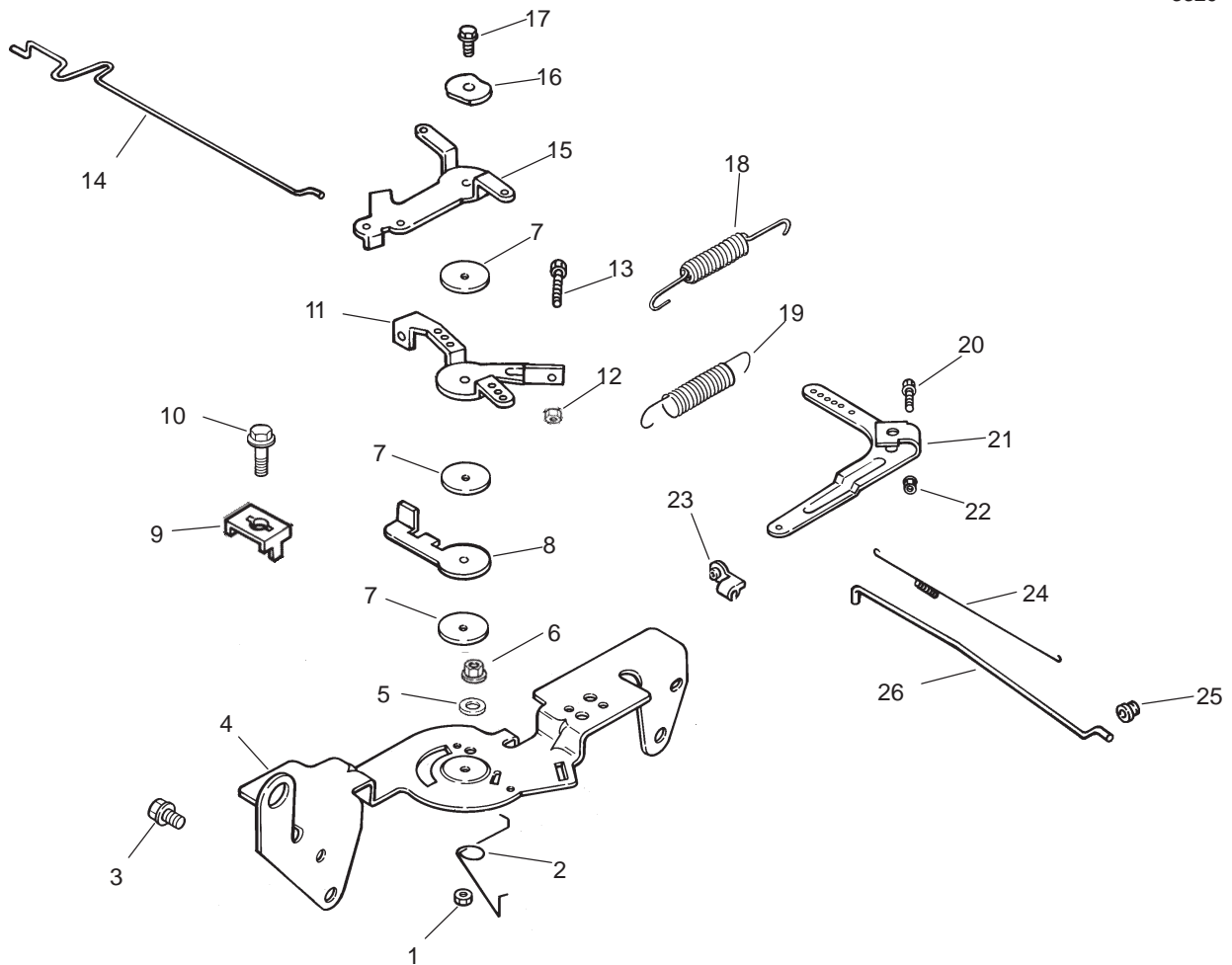
## Group 8 – Fuel System Assembly Kohler CH20S-64684

Ref. No.	Part No.	Qty.	Description
1	25 353 32-S	1	Line, fuel 9"
2	25 237 14-S	6	Clamp, hose
3	24 853 32-S	1	Kit, carburetor w/gaskets (Includes 4-6)
4	24 041 06-S	1	Gasket, air cleaner base
5	24 053 32	1	Carburetor assembly (For information only, not available separately) (Service with kits 24 757 01-S, 24 757 02-S, 24 757 03-S, 24 757 07-S, & 24 755 125-S)
6	24 041 17-S	1	Gasket, carburetor
7	M-651030-S	2	Screw, hex. flange M6x1.0x30
8	24 050 02-S	1	Filter, fuel
9	25 353 15-S	1	Line, fuel 3-1/2"
10	24 100 01-S	2	Nut, plastic
11	24 393 16-S	1	Pump, fuel – pulse

Ref. No.	Part No.	Qty.	Description
12	24 086 12-S	2	Screw, hex. cap M6x1.7x18
13	24 353 02-S	1	Line, fuel 15-1/2"
14	47 154 01-S	1	Clip, cable
15	M-650012-S	1	Screw, hex. flange M6x1.0x12
*	24 757 01-S	1	Kit, solenoid
*	24 757 02-S	1	Kit, float
*	24 757 03-S	1	Kit, carburetor repair
*	24 757 07-S	1	Kit, choke repair
*	24 755 125-S	1	Kit, high altitude w/gaskets

Obtain Parts from Kohler

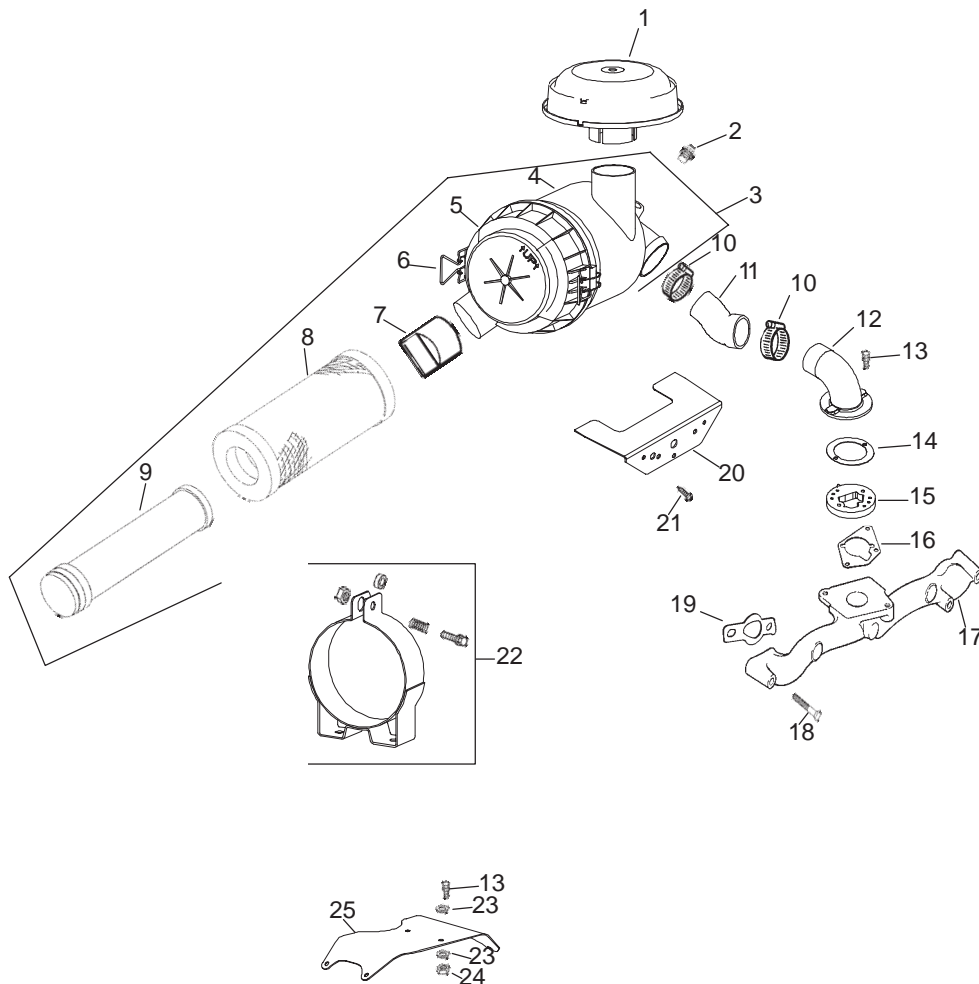
\* Not Illustrated



## Group 9 – Engine Control Assembly Kohler CH20S-64684

Ref. No.	Part No.	Qty.	Description	Ref. No.	Part No.	Qty.	Description
1	M-547050-S	1	Nut, hex. lock M5x0.8	20	24 211 03-S	1	Bolt round head, square neck
2	24 089 03-S	1	Spring, choke return	21	24 090 33-S	1	Lever, governor
3	M-645016-S	4	Screw, hex. flange M6x1.0x16	22	M-641060-S	1	Nut, hex. flange M6x1.0
4	24 126 56-S	1	Bracket, control	23	25 158 11-S	1	Bushing, linkage retaining
5	X-20-1-S	1	Washer, lock 1/4	24	24 089 01-S	1	Spring, linkage
6	M-541050-S	1	Nut, hex. flange M5x0.8	25	25 158 08-S	1	Bushing, linkage retaining
7	24 468 01-S	3	Washer, plain 5.5 mm	26	24 079 01-S	1	Linkage, throttle
8	24 090 07-S	1	Lever, throttle actuator				
9	12 237 01-S	2	Clamp, cable				
10	M-545016-S	3	Screw, hex. flange M5x0.8x16				
11	24 090 03-S	1	Lever, throttle control				
12	M-446030-S	1	Nut, hex M4x0.7				
13	M-401030-S	1	Screw, hex. cap M4x0.7x30				
14	24 079 21-S	1	Linkage, choke				
15	24 090 05-S	1	Lever, choke				
16	41 468 03-S	1	Washer, spring 1/4"				
17	M-545020-S	1	Screw, hex. flange M5x0.8x20				
18	24 089 51-S	1	Spring, throttle limiter				
19	24 089 48-S	1	Spring, governor				

Obtain Parts from Kohler



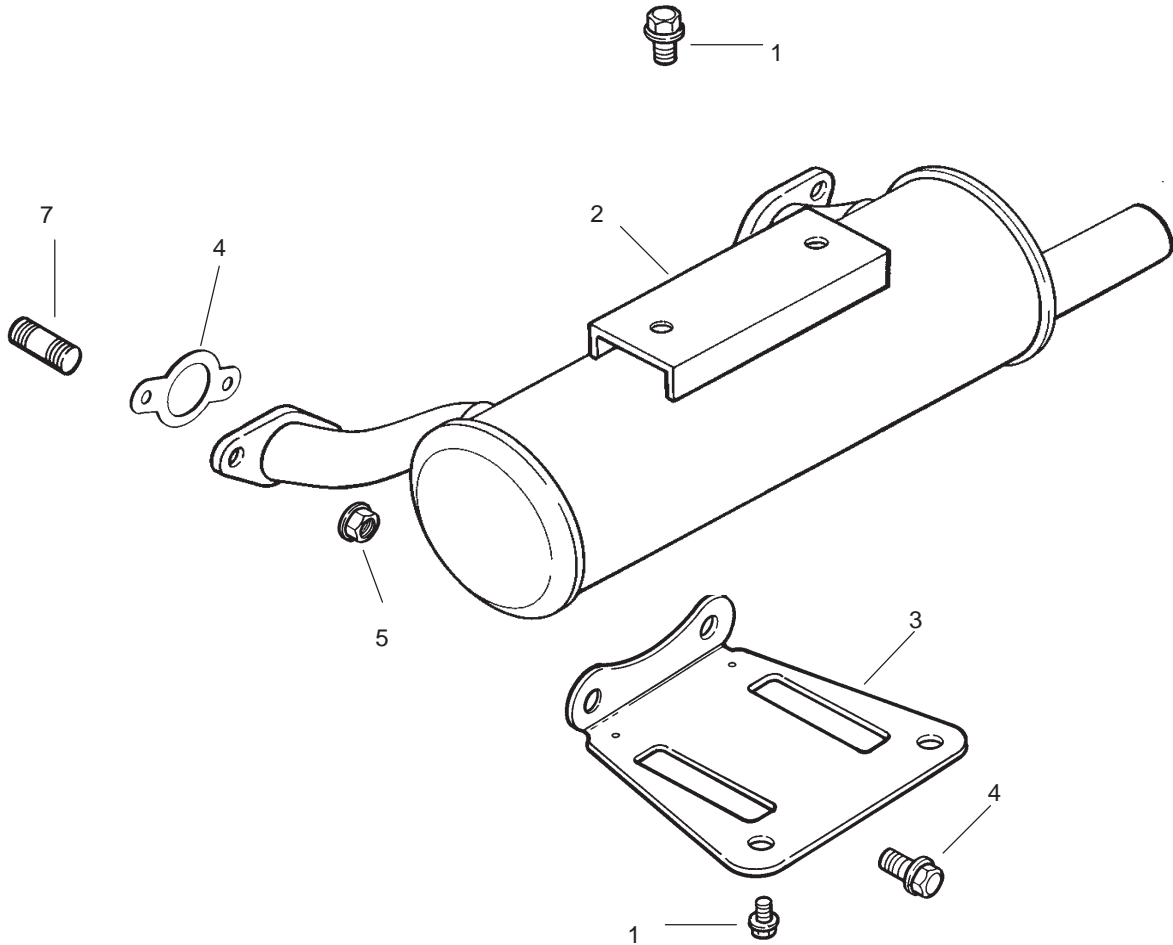
## Group 10 – Air Intake/Filtration Assembly Kohler CH20S-64684

Ref. No.	Part No.	Qty.	Description
1	25 324 02-S	1	Hood, air cleaner
2	25 139 20-S	1	Plug, pipe
3	25 048 07-S	1	Cleaner, heavy duty air (Includes 4-9)
4	25 081 01-S	1	Housing, heavy duty air cleaner
5	25 096 06-S	1	Cover, heavy duty air cleaner
6	25 154 05-S	2	Clip
7	24 462 07-S	1	Valve, dust ejector
8	25 083 01-S	1	Element – primary
9	25 083 04-S	1	Element □ safety filter
10	25 237 07-S	2	Clamp, hose
11	24 326 32-S	1	Hose, air cleaner
12	24 029 21-S	1	Adapter, remote air cleaner
13	M-639016-S	6	Screw, hex. flange M6x1.0x16
14	24 041 34-S	1	Gasket, adapter
15	24 029 26-S	1	Adapter
16	24 041 06-S	1	Gasket, air cleaner base
17	24 164 14-S	1	Manifold, intake

Ref. No.	Part No.	Qty.	Description
18	25 086 84-S	4	Screw, hex. flange M6x1.0x55
19	24 041 01-S	2	Gasket, intake manifold
20	24 314 25-S	1	Shield, debris
21	24 086 06-S	2	Screw, phillips hd. 11-16x3/4"
22	25 126 02-S	1	Bracket, air cleaner
23	X-25-73-S	4	Washer, plain 1/4"
24	M-647060-S	2	Nut, hex. lock M6x0.8
25	24 126 98-S	1	Bracket, air cleaner
*	25 113 27-S	1	Decal, air cleaner

Obtain Parts from Kohler

\* Not Illustrated



### Group 11 – Exhaust Assembly Kohler CH20S-64684

Ref. No.	Part No.	Qty.	Description
1	M-650012-S	4	Screw, hex. flange M6x1.0x12
2	24 068 18-S	1	Muffler, canister – oil filter side outlet
3	24 126 12-S	1	Bracket, muffler – low mount
4	M-839020-S	2	Screw, hex. flange M8x1.25x80
5	M-841080-S	4	Nut, hex. flange M8x1.25
6	24 041 49-S	2	Gasket, exhaust
7	25 072 04-S	4	Stud M8x1.25x33
*	24 522 167	1	Shortblock
*	24 782 15	1	Miniblock
*	24 755 107-S	1	Gasket Set

Ref. No.	Part No.	Qty.	Description

Obtain Parts from Kohler

