



Z557

Z Master[®] with 60in TURBO FORCE Side Discharge Mower

Model No. 74246—240000001 and Up

Parts Catalog

Ordering Replacement Parts

To order replacement parts, please supply: the part number, the quantity, and the description of each part desired.

Understanding Reference Numbers

Each identified part in an illustration has a reference number. The reference number for a part also appears in the parts list, along with other information about the part.

This catalog uses two special reference number formats, one to indicate parts in a service assembly and another to indicate the quantity of a given part in an illustration.

Service Assembly Reference Numbers

Parts in service assemblies have reference numbers in the form **a:b**. The **a** represents the reference number of the entire service assembly and the **b** represents a sequential number unique to each part within the service assembly.

For example, a wheel assembly might be identified by reference number **6**, the tire by **6:1**, the valve by **6:2**, and the wheel by **6:3**. When you order the assembly identified by reference number **6**, you receive all parts identified by reference numbers **6:1**, **6:2**, and **6:3**. However, you may also order any part individually.

Reference numbers of this type appear in illustrations and in part lists.

Reference Numbers Indicating Quantity

In an illustration, if a reference number indicates more than one part, the reference number has the form **nX y**. The **n** represents the quantity of the part, the **X** is the multiplication symbol, and the **y** represents the reference number.

For example, in an illustration, the reference number **2X 37** means that two of the parts identified by reference number **37** are indicated.

Contents

Description	Page	Description	Page
Front Frame Assembly	4	Group 1 – Crankshaft Assembly	
Castor and Wheel Assembly	5	Kohler CH740–0007	25
Main Frame Assembly	6	Group 2 – Crankcase Assembly	
Brake and Wheel Hub Assembly	7	Kohler CH740–0007	26
Steering Control Assembly	8	Group 3 – Oil Pan/Lubrication Assembly	
Hydraulic System Assembly	9	Kohler CH740–0007	27
Seat and Roll–Over–Protection–System Assembly	11	Group 4 – Head/Valve/Breather Assembly	
Seat Assembly No. 107–1867	12	Kohler CH740–0007	28
Deck Mounting Assembly	13	Group 5 – Ignition/Electrical Assembly	
Drive Idler Assembly	14	Kohler CH740–0007	30
Z–Stand Assembly	15	Group 6 – Blower Housing Assembly	
Engine and Clutch Assembly	16	Kohler CH740–0007	31
Muffler and Guards Assembly	17	Group 7 – Starter Assembly	
Fuel Tank Assembly	18	Kohler CH740–0007	32
Electrical Components Assembly	19	Group 8 – Fuel System Assembly	
60in Deck Assembly	20	Kohler CH740–0007	33
Spindle Assembly No. 106–3217	21	Group 9 – Engine Control Assembly	
Deck Assembly No. 107–1624	22	Kohler CH740–0007	34
Rubber Deflector Assembly No. 106–3249 ...	23	Group 10 – Air Intake/Filtration Assembly	
Lever Assembly No. 106–3242	24	Kohler CH740–0007	35
		Group 11 – Exhaust Assembly	
		Kohler CH740–0007	36

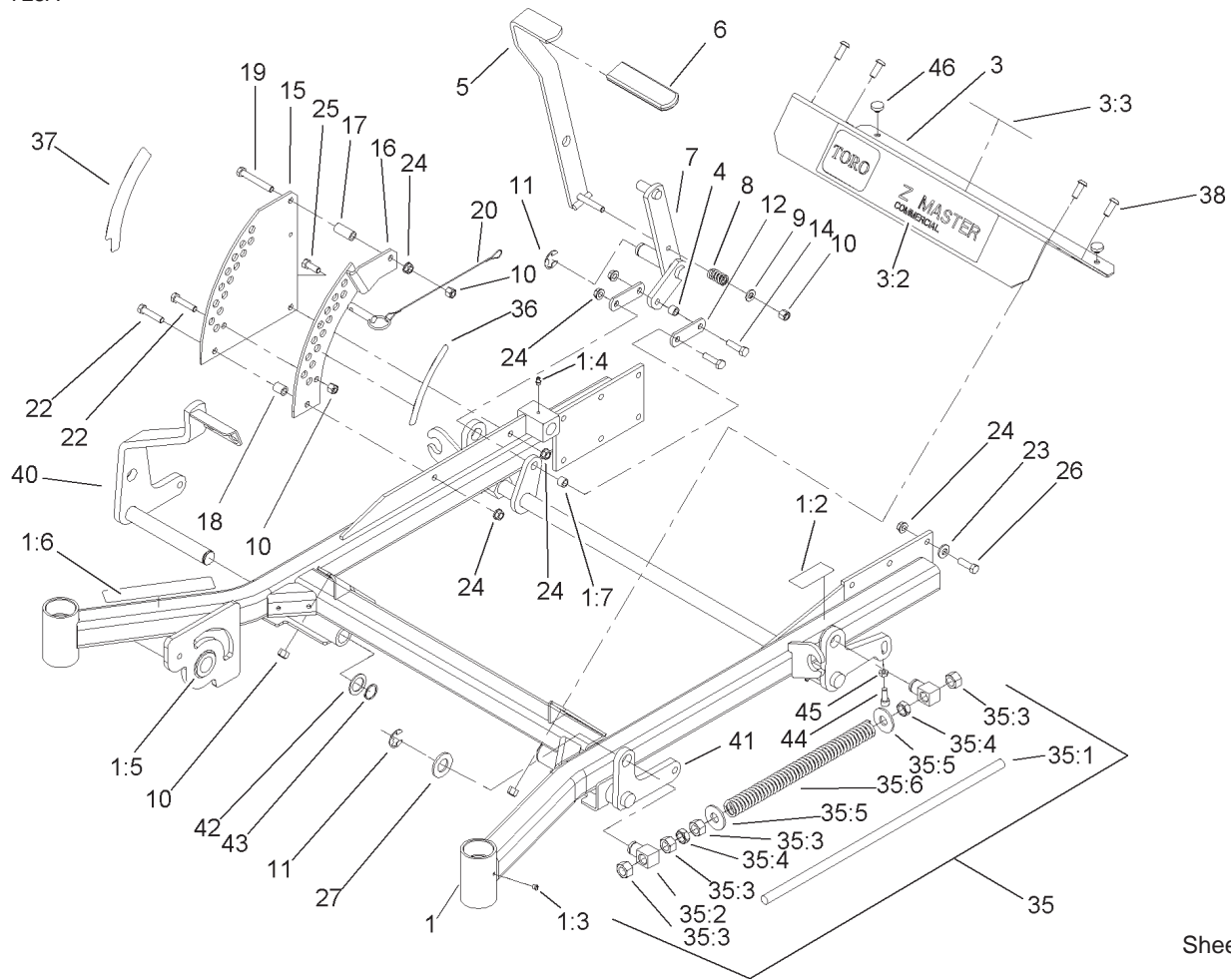
Accessories

Description	Model / Part No.	Description	Model / Part No.
Mid Flow Blade	105-7715-03	Recycler Blade	105-7777-03
Lo Flow Blade	105-7716-03	Atomic Blade	105-8777-03

Part Description Abbreviations

Part descriptions in this catalog may include the following abbreviations.

Abbreviation	Meaning	Abbreviation	Meaning
AR	as required	HYD	hydraulic
ASM	assembly	INC	incorporated
CARR	carriage	LH	left hand
DEG	degrees	NI	nylon insert
FH	flat head	PPH	Phillips pan head
GA	gauge	PTH	Phillips truss head
HF	hex flange	PTO	power take off
HH	hex head	RH	right hand
HHF	hex head flange	SFH	slotted fillister head
HLH	hex lag head	SHH	slotted hex head
HJ	hex jam	SQH	square head
HOC	height-of-cut	SHWH	slotted hex washer head
HS	hex socket	SPH	slotted pan head
HSBH	hex socket button head	SRH	slotted round head
HSFH	hex socket flat head	STD	standard
HSH	hex socket head	TAP	self tapping
HWH	hex washer head	TTH	Torx truss head
HWHTF	hex washer head thread forming	WH	wing head



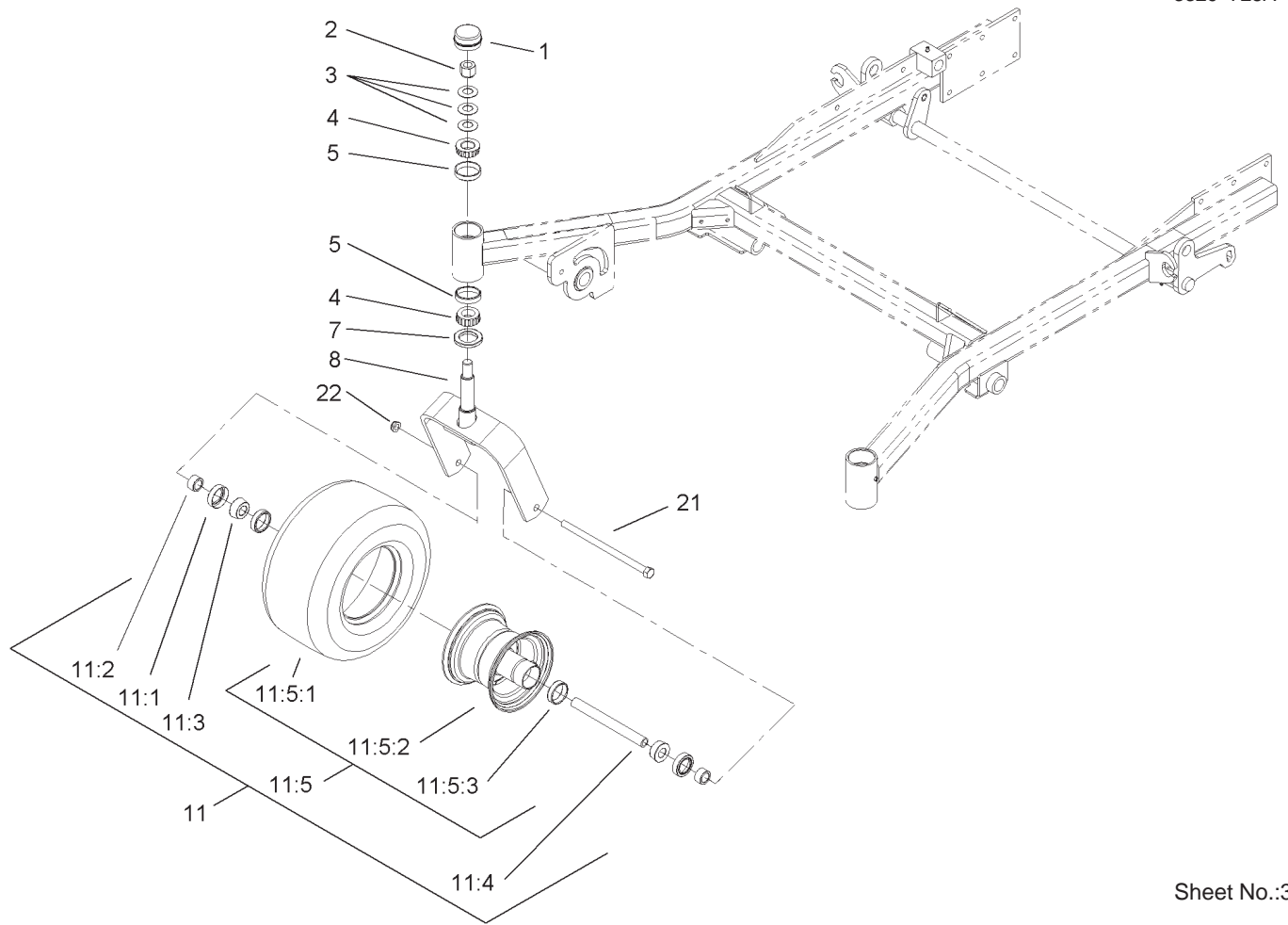
Sheet No.:2

Front Frame Assembly

Ref. No.	Part No.	Qty.	Description
1	106-8998	1	Frame ASM
1:2	107-1857	1	Decal-Brake, Parking
1:3	1-811010	2	Plug
1:4	302-19	5	Fitting-Grease
1:5	94-1291	2	Bushing
1:6	104-7759	1	Decal-Warning
1:7	103-1918	1	Bushing
3	106-9981	1	Front Floorpan ASM
3:2	106-7451	1	Decal
3:3	107-2112	1	Decal-Warning, Slope Rops
4	103-1918	1	Bushing
5	103-2083-03	1	Lever-Lift
6	1-633295	1	Grip-Lever, Lift
7	103-2064-03	1	Arm-Lift, Deck
8	1-633325	1	Spring-Compression
9	3256-24	1	Washer-Flat
10	3296-39	9	Nut-Lock, NI
11	32151-103	5	Ring-Snap
12	1-633068	2	Arm-Lift, Deck
14	323-29	2	Screw-HH
15	1-633889-01	1	Plate-Lift, Deck
16	1-632899-01	1	Plate-Lift, Deck
17	1-633082	1	Bushing-Lever, Lift
18	1-633080	1	Bushing-Lever, Lift
19	323-13	1	Screw-HH

Ref. No.	Part No.	Qty.	Description
20	106-9951	1	Hitch Pin ASM
22	323-9	2	Screw-HH
23	98-5975	12	Washer-Belleville
24	3290-357	15	Nut-HHF
25	323-6	1	Screw-HH
26	323-7	12	Screw-HH
27	3256-29	4	Washer-Flat
☆35		2	Front Frame Spring ASM
35:1	1-633096	1	Rod-Lift, Deck
35:2	1-633441	2	Swivel-Deck Mount, Rear
35:3	3217-11	4	Nut-Hex
35:4	3218-6	2	Nut-Jam
35:5	3256-7	2	Washer-Flat
35:6	1-633064	1	Spring-Support, Deck
36	107-1861	1	Decal-Height, Deck
37	107-1860	1	Decal-Height, Deck
38	3274-94	4	Screw-HSBH
40	106-8983-01	1	RH Deck Lift ASM
41	106-8984-01	1	LH Deck Lift ASM
42	1-523157	2	Washer-Spacer
43	32151-29	2	Ring-Retaining
44	3274-18	2	Screw-HSH
45	3218-2	2	Nut-Jam
46	1-513658	2	Bumper

☆ Not serviced separately

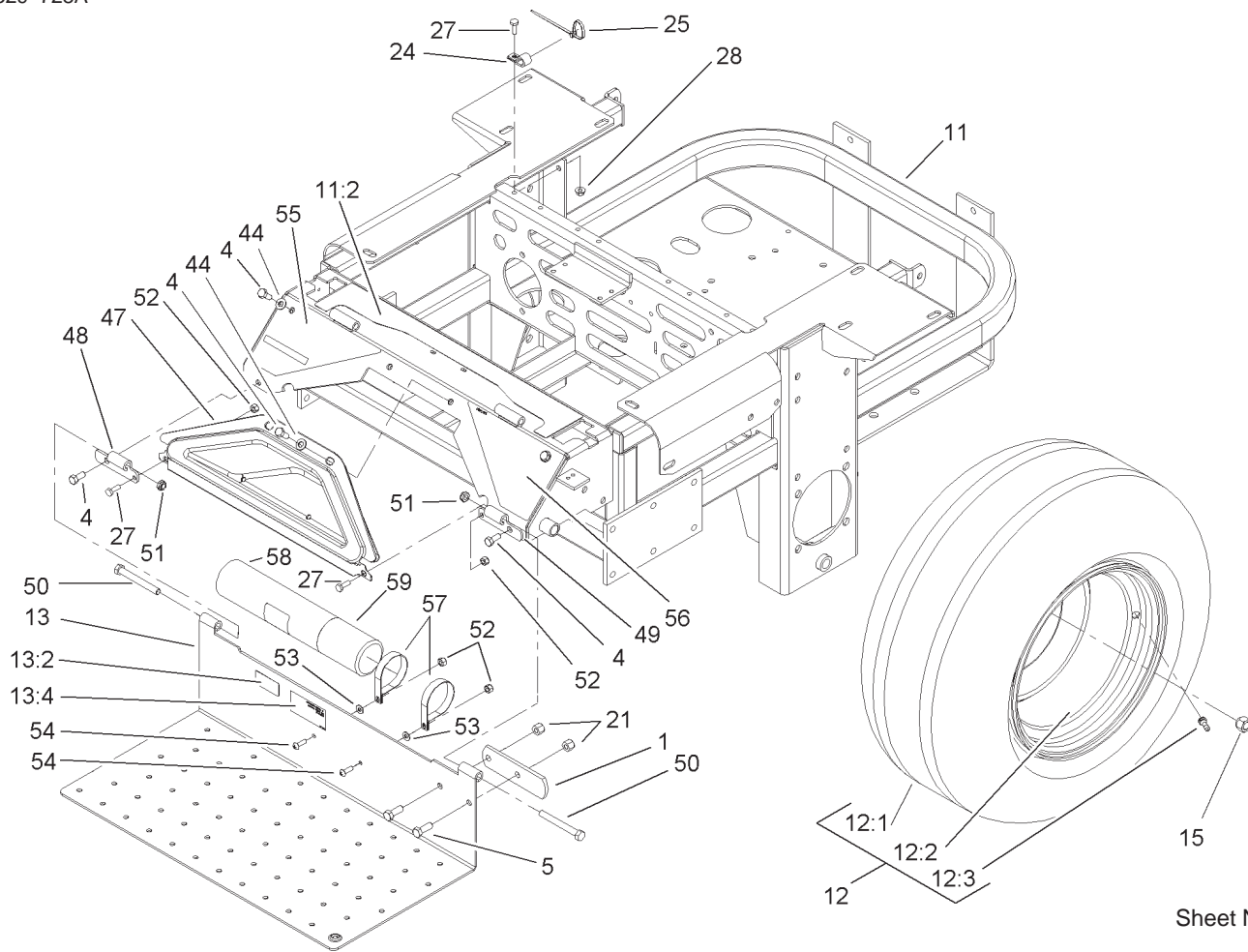


Castor and Wheel Assembly

Ref. No.	Part No.	Qty.	Description
1	1-543513	2	Cap-Grease
2	3296-51	2	Nut-Lock, NI
3	1-633508	6	Washer-Bellville
4	254-94	4	Bearing-Cone, Taper
5	254-72	4	Bearing-Cup, Tapered
7	1-543511	2	Seal-Grease
8	103-1474-01	2	Fork-Caster
11	1-644251	2	Caster Wheel ASM
11:1	1-633580	2	Seal-Bearing
11:2	1-633581	2	Spacer-Bearing
11:3	1-633585	2	Bearing-Cone, Taper
11:4	1-633959	1	Spacer-Caster, Front
☆11:5		1	Wheel And Tire ASM
11:5:1	1-523009	1	Tire
11:5:2	1-633987	1	Wheel
11:5:3	1-633584	2	Bearing-Cup
21	325-39	2	Screw-HH
22	3296-45	2	Nut-Lock, NI

Ref. No.	Part No.	Qty.	Description

☆ Not serviced separately

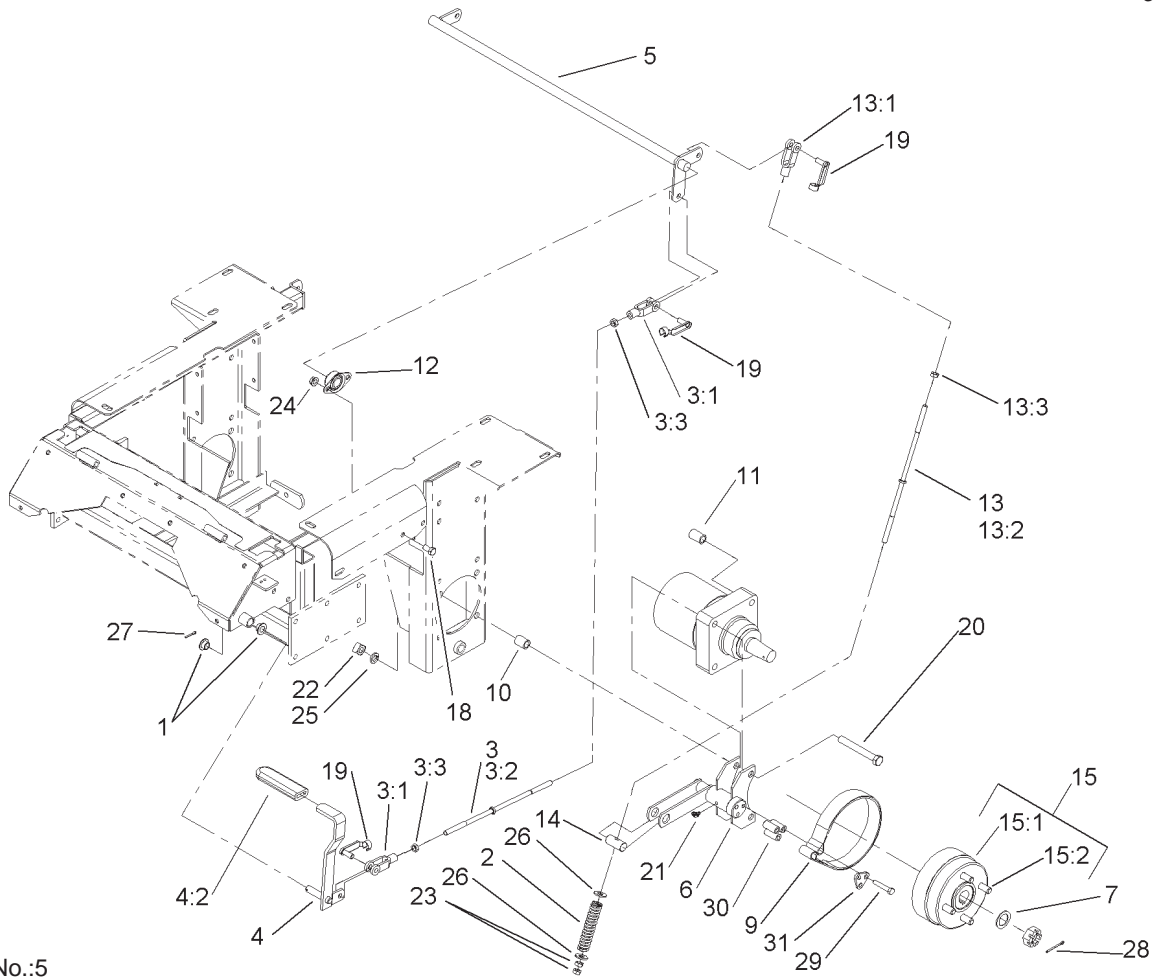


Sheet No.:4

Main Frame Assembly

Ref. No.	Part No.	Qty.	Description
1	1-633964-03	1	Stop-Brake, Park
4	322-43	6	Screw-HH
5	323-6	2	Screw-HH
11	106-6599	1	Main Frame ASM
11:2	103-2433	1	Decal-Console, Top
12	1-633970	2	Wheel And Tire ASM
12:1	1-633993	1	Tire
12:2	1-633992	1	Wheel
12:3	232-27	1	Stem-Valve
13	107-1858	1	Rear Floorpan ASM
13:2	98-4387	1	Decal-Protection, Ear
13:4	107-1864	1	Decal-Location, Manual
15	242-50	8	Nut-Lug
21	3296-39	2	Nut-Lock, NI
24	1-513762	1	Clip-Loom
25	1-303335	1	Tie-Plastic
27	321-4	3	Screw-HH
28	32128-33	1	Nut-HF
44	3256-70	6	Washer-Flat
47	106-7498	1	Pocket
48	106-7488-03	1	Hinge-Floorpan, LH
49	106-7489-03	1	Hinge-Floorpan, RH
50	323-20	2	Screw-HH
51	3296-59	2	Nut-Lock, NI
52	3296-42	4	Nut-Lock, NI

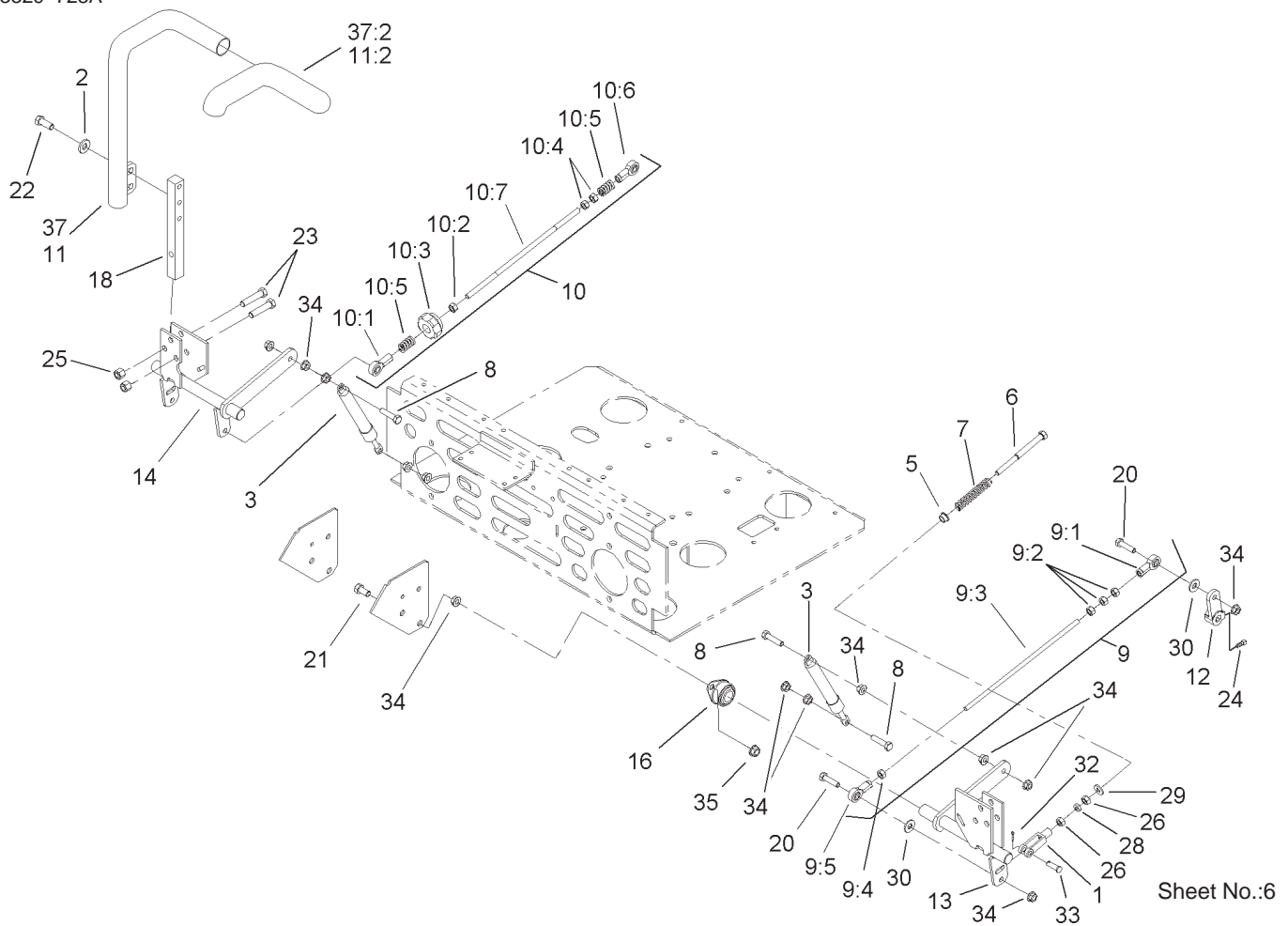
Ref. No.	Part No.	Qty.	Description
53	3256-63	2	Washer-Flat
54	3258-166	2	Screw
55	106-9989	1	Decal-Warning
56	106-7492	1	Decal-Danger
57	107-1865	2	R-Clamp
58	104-7050	1	Housing-Manual
59	104-7048	1	Cap-Housing



Sheet No.:5

Brake and Wheel Hub Assembly

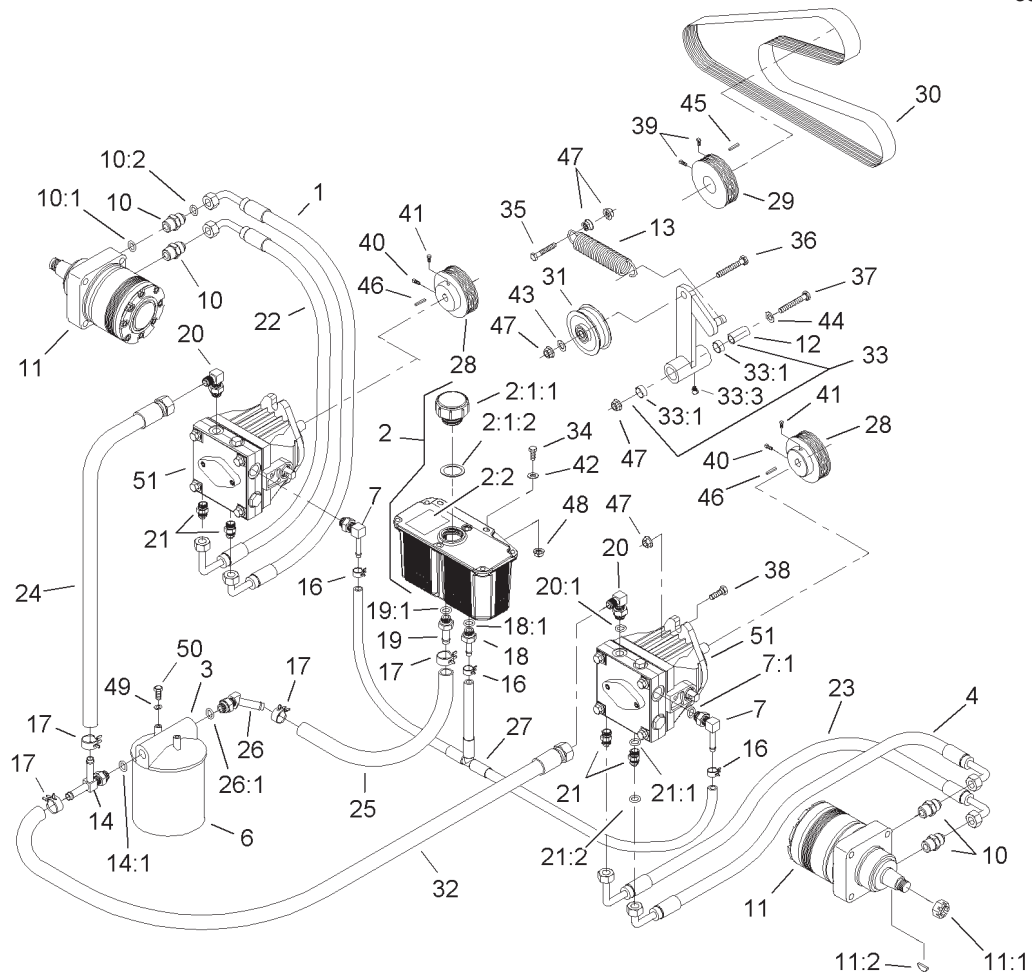
Ref. No.	Part No.	Qty.	Description	Ref. No.	Part No.	Qty.	Description
1	1-513140	2	Bearing-Control	19	103-2399	4	Pin-Spring, Clevis
2	1-633454	2	Spring-Brake	20	325-17	8	Screw-HH
3	103-4332	1	Brake Rod And Yoke ASM	21	1481	2	Fitting-Grease
3:1	1-633131	2	Yoke-Linkage, Brake	22	103-0131	8	Nut-Square
3:2	1-633477	1	Rod-Brake	23	3219-3	4	Nut-HH
3:3	3219-3	2	Nut-HH	24	3290-357	4	Nut-HHF
4	1-634500	1	Brake Lever ASM	25	3253-7	8	Washer-Lock
4:2	1-633268	1	Grip-Lever, Brake	26	3256-4	4	Washer-Flat
5	1-632217-03	1	Shaft-Brake	27	3272-10	1	Pin-Cotter
6	103-0352-03	2	Bracket-Brake	28	1-806800	2	Pin-Cotter
7	1-523157	2	Washer-Spacer	29	322-9	6	Screw-HH
9	103-0355	2	Band-Brake	30	103-0384	6	Spacer
10	1-633380	4	Spacer-Wheel, Short	31	103-0374	2	Retainer-Band, Brake
11	1-633382	4	Spacer-Wheel, Long				
12	1-633102	2	Bearing-Flange, Side				
13	103-4333	2	Brake Rod And Yoke ASM				
13:1	1-633131	1	Yoke-Linkage, Brake				
13:2	1-633477	1	Rod-Brake				
13:3	3219-3	1	Nut-HH				
14	1-633144	2	Pin-Trunion				
15	103-0590	2	Hub-Wheel				
15:1	103-0589	1	Wheel Hub ASM				
15:2	1-633926	4	Stud-Wheel				
18	323-4	4	Screw-HH				



Steering Control Assembly

Ref. No.	Part No.	Qty.	Description
1	1-303105	2	Yoke-Adjustable
2	98-5975	4	Washer-Belleville
3	103-4079	2	Damper-Motion Control
5	1-603735	2	Bushing-Flanged
6	1-603737	2	Bolt-Return, Neutral
7	1-603807	2	Spring-Return, Neutral
8	1-403180	4	Screw-HH
9	103-4331	1	Tracking Rod ASM
9:1	1-543017	1	Balljoint-RH
9:2	3219-2	3	Nut-Hex
9:3	103-3064	1	Link-Rod, Tracking
9:4	1-804524	1	Nut
9:5	1-633152	1	Balljoint-Thread, LH
10	103-4330	1	Tracking Rod ASM
10:1	1-543017	1	Balljoint-RH
10:2	3219-2	1	Nut-Hex
10:3	103-3060	1	Knob-Tracking
10:4	1-804524	2	Nut
10:5	1-323245	2	Spring-Compression
10:6	1-633152	1	Balljoint-Thread, LH
10:7	103-3064	1	Link-Rod, Tracking
11	106-9982	1	LH Lever ASM
11:2	106-9987	1	Grip-Control, Motion
12	1-632208	2	Arm-Control, Pump

Ref. No.	Part No.	Qty.	Description
13	103-4781	1	Control-Motion, LH
14	103-4782	1	Control-Motion, RH
16	1-633102	4	Bearing-Flange, Side
18	103-0407	2	Arm-Shaft, Control
20	322-6	4	Screw-HH
21	323-4	8	Screw-HH
22	323-6	4	Screw-HH
23	323-9	6	Screw-HH
24	1-803022	2	Screw-Set
25	3296-39	6	Nut-Lock, NI
26	3219-2	4	Nut-Hex
28	3220-2	2	Nut
29	3256-2	2	Washer-Flat
30	3256-3	4	Washer-Flat
32	3272-5	2	Pin-Cotter
33	1-808280	2	Pin-Clevis
34	32128-20	16	Nut-HF
35	3290-357	8	Nut-HHF
37	106-9983	1	RH Lever ASM
37:2	106-9987	1	Grip-Control, Motion

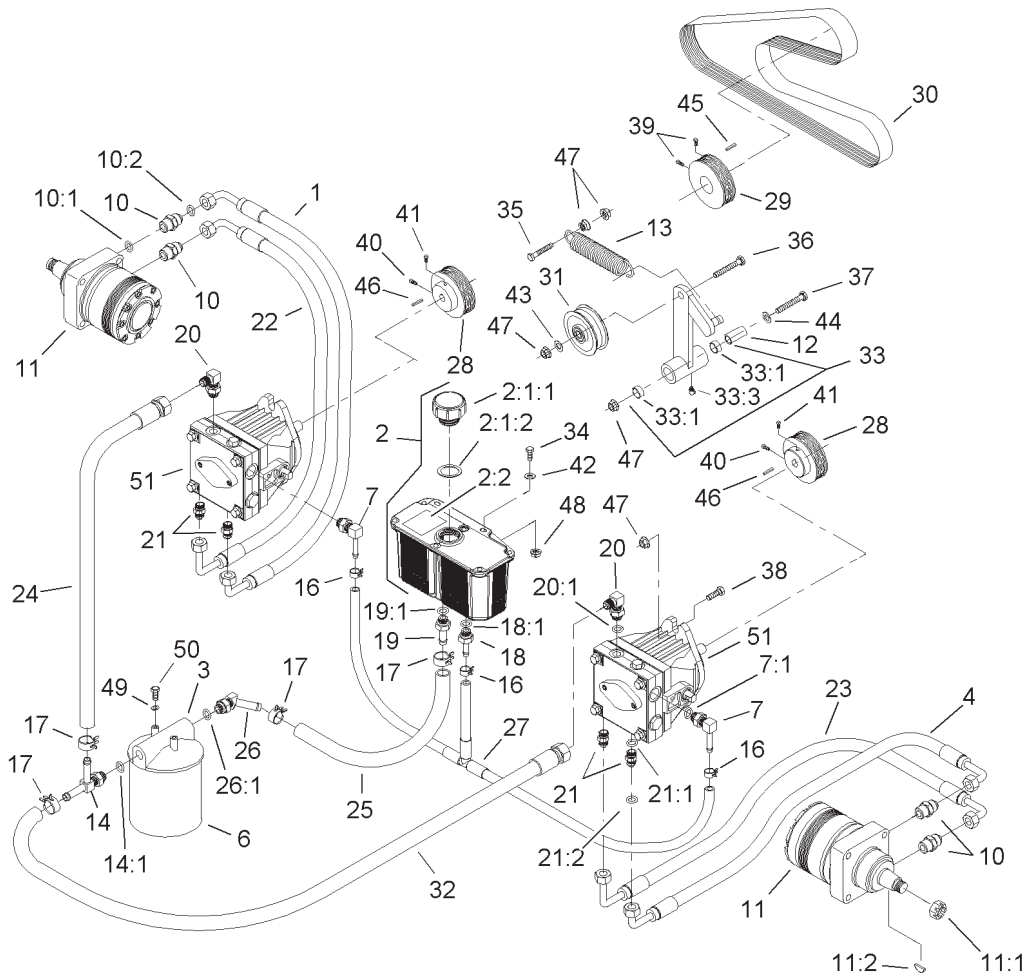


Sheet No.:7

Hydraulic System Assembly

Ref. No.	Part No.	Qty.	Description	Ref. No.	Part No.	Qty.	Description
1	103-3736	1	HYD Hose ASM	18	103-1801	1	Adapter-Straight
2	103-1947	1	HYD Reservoir ASM	18:1	237-42	1	O-Ring
2:1:1	103-1948	1	Cap-Reservoir, HYD	19	103-1912	1	Adapter-Straight
2:1:2	103-1949	1	Gasket-Cap	19:1	237-42	1	O-Ring
2:2	1-523552	1	Decal-Tank, HYD	20	103-1802	2	Fitting-HYD, 90°
3	104-7836	1	Head-Filter	20:1	237-42	1	O-Ring
4	103-3733	1	HYD Hose ASM	21	1-603990	4	Fitting-Straight
6	1-633750	1	Filter-HYD	21:1	237-79	1	O-Ring
6	1-633752	1	Filter-HYD, Winter	21:2	1-603992	1	O-Ring
7	103-1799	2	Elbow-90°	22	103-3737	1	HYD Hose ASM
7:1	237-42	1	O-Ring	23	103-3735	1	HYD Hose ASM
10	1-603991	4	Fitting-Straight	24	103-1826	1	HYD Hose ASM
10:1	237-80	1	O-Ring	25	103-1808	1	Hose-HYD
10:2	1-603992	1	O-Ring	26	103-1807	1	Elbow-45°
11	1-523328	2	Motor-Wheel	26:1	237-42	1	O-Ring
11:1	1-809036	1	Nut-HH	27	103-1806	1	HYD Hose ASM
11:2	3257-42	1	Key-Woodruff	28	1-633568	2	Sheave
*11:99	103-2748	1	Drive Link Kit	29	1-633567	1	Sheave
*11:99	1-000139	1	Bearing Kit	30	1-633749	1	Belt-Drive, Pump
*11:99	1-000099	1	Seal Kit	31	1-633167	1	Sheave-Idler
12	1-603384	1	Bushing-Pivot, Idler	32	103-1827	1	HYD Hose ASM
13	103-3330	1	Spring-Extension	33	1-634277	1	Bearing Arm ASM
14	103-1828	1	Adapter-Run, Tee	33:1	1-513034	2	Sleeve-Bearing
14:1	237-42	1	O-Ring	33:3	302-40	1	Fitting-Grease
16	103-1716	3	Clamp-Hose	34	321-6	2	Screw-HH
17	103-1988	4	Clamp-Hose	35	323-8	1	Screw-HH

* Not illustrated

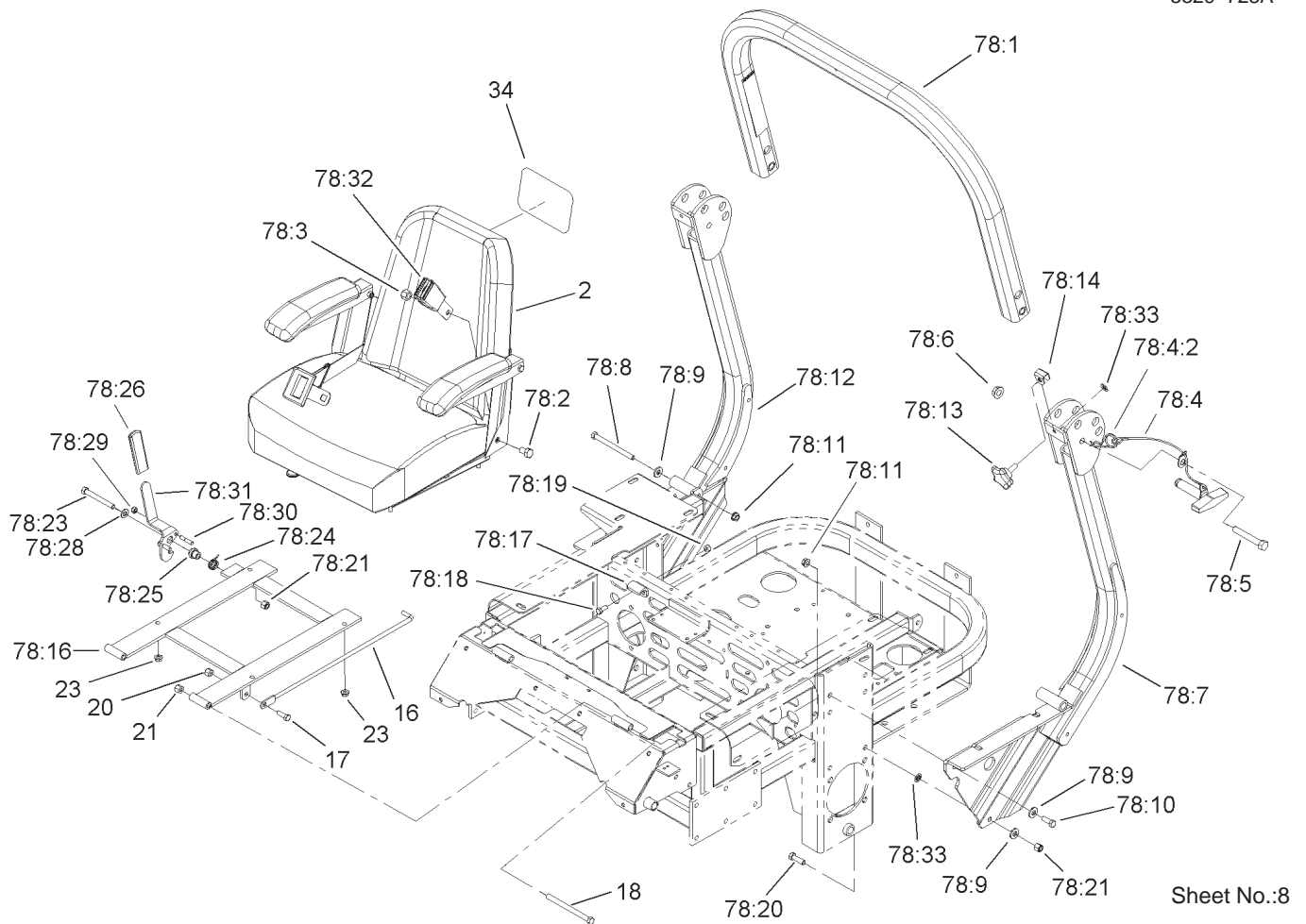


Sheet No.:7

Hydraulic System Assembly (Continued)

Ref. No.	Part No.	Qty.	Description	Ref. No.	Part No.	Qty.	Description
36	323-9	1	Screw-HH				
37	1-800805	1	Screw-HH				
38	323-7	4	Screw-HH				
39	1-803022	2	Screw-Set				
40	30-1710	2	Screw				
41	1-803050	2	Screw-Set				
42	3256-22	2	Washer-Flat				
43	3256-3	1	Washer-Flat				
44	3256-4	1	Washer-Flat				
45	13-2840	1	Key-Square				
46	1-807272	2	Key				
47	3290-357	8	Nut-HHF				
48	32128-33	2	Nut-HF				
49	1-805004	2	Washer-Lock				
50	321-3	2	Screw-HH				
51	103-2675	2	Pump-HYD				
*51:1	103-2664	1	Input Shaft Kit				
*51:2	94-6922	1	Bearing-Thrust				
*51:3	103-2666	1	Cylinder Block Kit				
*51:4	105-6185	1	Plate-Valve				
*51:5	105-6184	1	Seal Overhaul Kit				
*51:7	106-2053	1	Shock Valve Kit				

* Not illustrated

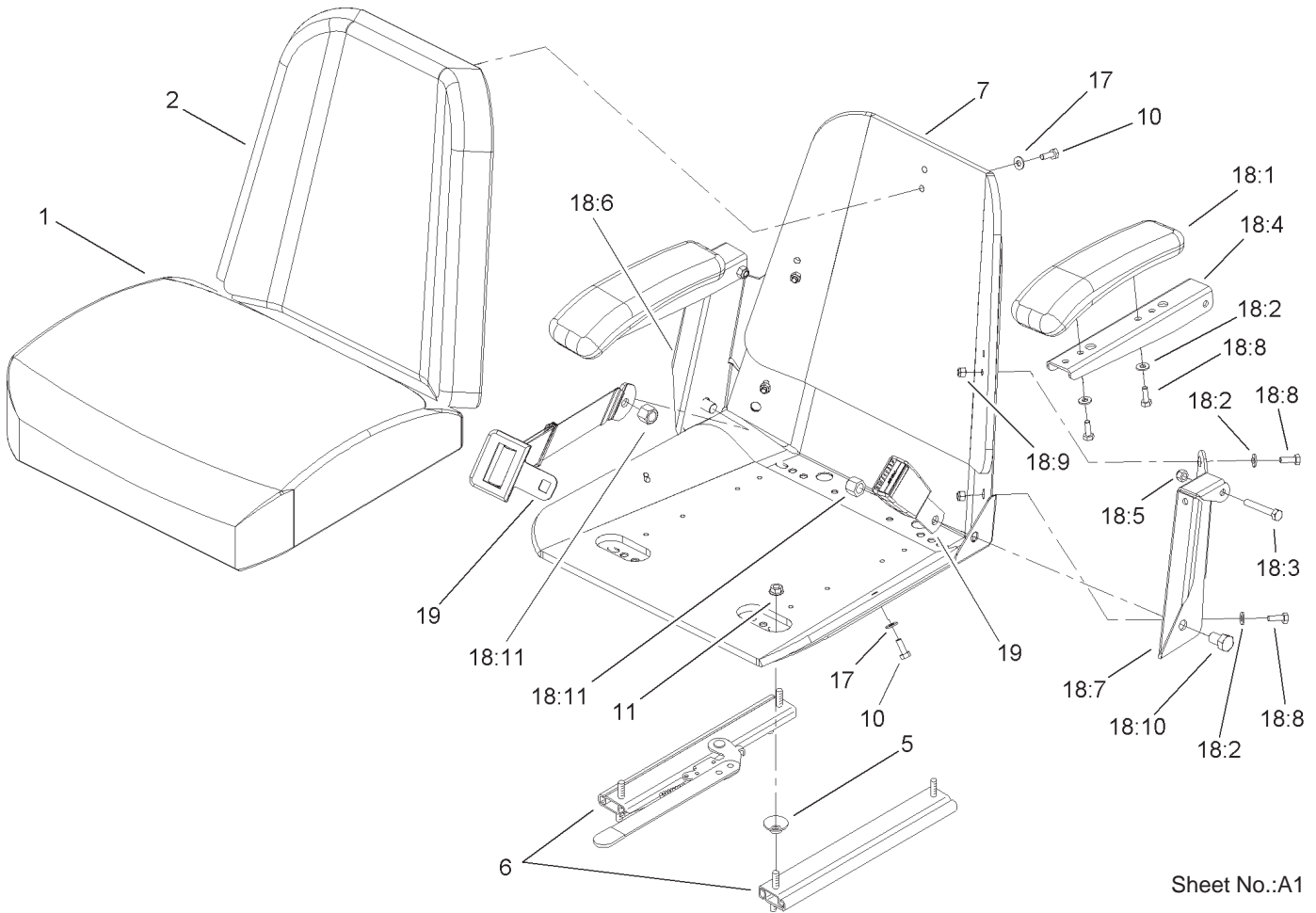


Sheet No.:8

Seat and Roll-Over-Protection-System Assembly

Ref. No.	Part No.	Qty.	Description	Ref. No.	Part No.	Qty.	Description
2	107-1867	1	Seat ASM	78:17	107-3058	1	Catch-Latch, Seat
16	1-633293	1	Rod-Holdup, Seat	78:18	322-3	2	Screw-HH
17	322-5	1	Screw-HH	78:19	3296-29	2	Nut-Lock, NI
18	323-39	2	Screw-HH	78:20	323-7	2	Screw-HH
20	3296-29	3	Nut-Lock, NI	78:21	3296-39	3	Nut-Lock, NI
21	3296-39	5	Nut-Lock, NI	78:23	323-20	1	Screw-HH
23	32128-20	4	Nut-HF	78:24	107-0076	1	Spring-Torsion
34	99-4693	1	Decal	78:25	107-0075	1	Bushing-Latch, Seat
78	107-0038	1	Rops	78:26	62-9130	1	Grip-Handle
☆78:1		1	Upper Tube ASM W/Decals	78:28	3256-24	1	Washer-Flat
78:2	3212-4	2	Screw-HH	78:29	3296-42	2	Nut-Lock, NI
78:3	3296-7	2	Nut-Lock NI	78:30	107-0095	2	Pin
78:4	107-3060	2	Pin Latch ASM	78:31	107-0094	1	Latch
78:4:2	107-3155	1	Hairpin	78:32	103-4317	1	Belt-Seat
78:5	325-13	2	Screw-HH	78:33	107-3154	4	Nut-Push
78:6	32128-23	2	Nut-HF				
☆78:7		1	LH Rops ASM				
78:8	323-23	2	Screw-HH				
78:9	98-5975	8	Washer-Belleville				
78:10	323-6	4	Screw-HH				
78:11	3290-357	6	Nut-HHF				
☆78:12		1	RH Rops ASM				
78:13	106-0887	2	Knob				
78:14	107-3124	2	Clip				
78:16	107-3052-03	1	Frame-Seat Support				

☆ Not serviced separately

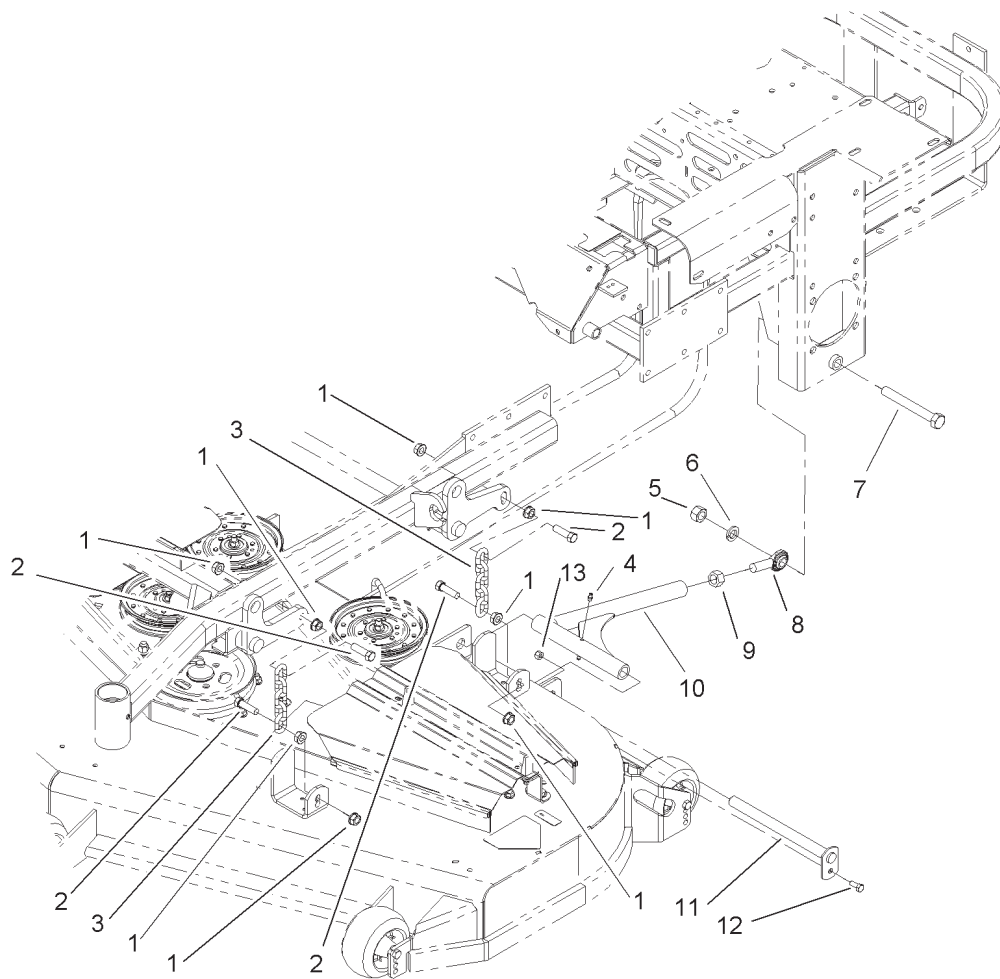


Sheet No.:A1

Seat Assembly No. 107-1867

Ref. No.	Part No.	Qty.	Description
1	103-0290	1	Cushion-Seat, Bottom
2	104-7754	1	Cushion-Seat, Back
5	1-543401	4	Spacer-Track
6	1-643255	1	Track-Seat
7	1-633859	1	Frame-Seat
10	321-30	11	Screw-HH
11	32128-20	4	Nut-HF
17	3256-22	11	Washer-Flat
18	105-3620	1	Armrest Kit
18:1	1-633710	2	Cushion-Armrest
18:2	3256-22	4	Washer-Flat
18:3	322-10	2	Screw-HH
18:4	105-3623	2	Channel-Armrest
18:5	32153-3	2	Nut-Lock
18:6	105-3621	1	Bracket-Armrest, RH
18:7	105-3622	1	Bracket-Armrest, LH
18:8	321-30	6	Screw-HH
18:9	3296-42	4	Nut-Lock, NI
18:10	325-2	2	Screw-HH
18:11	3296-23	2	Nut-Lock, NI
19	103-4317	1	Belt-Seat

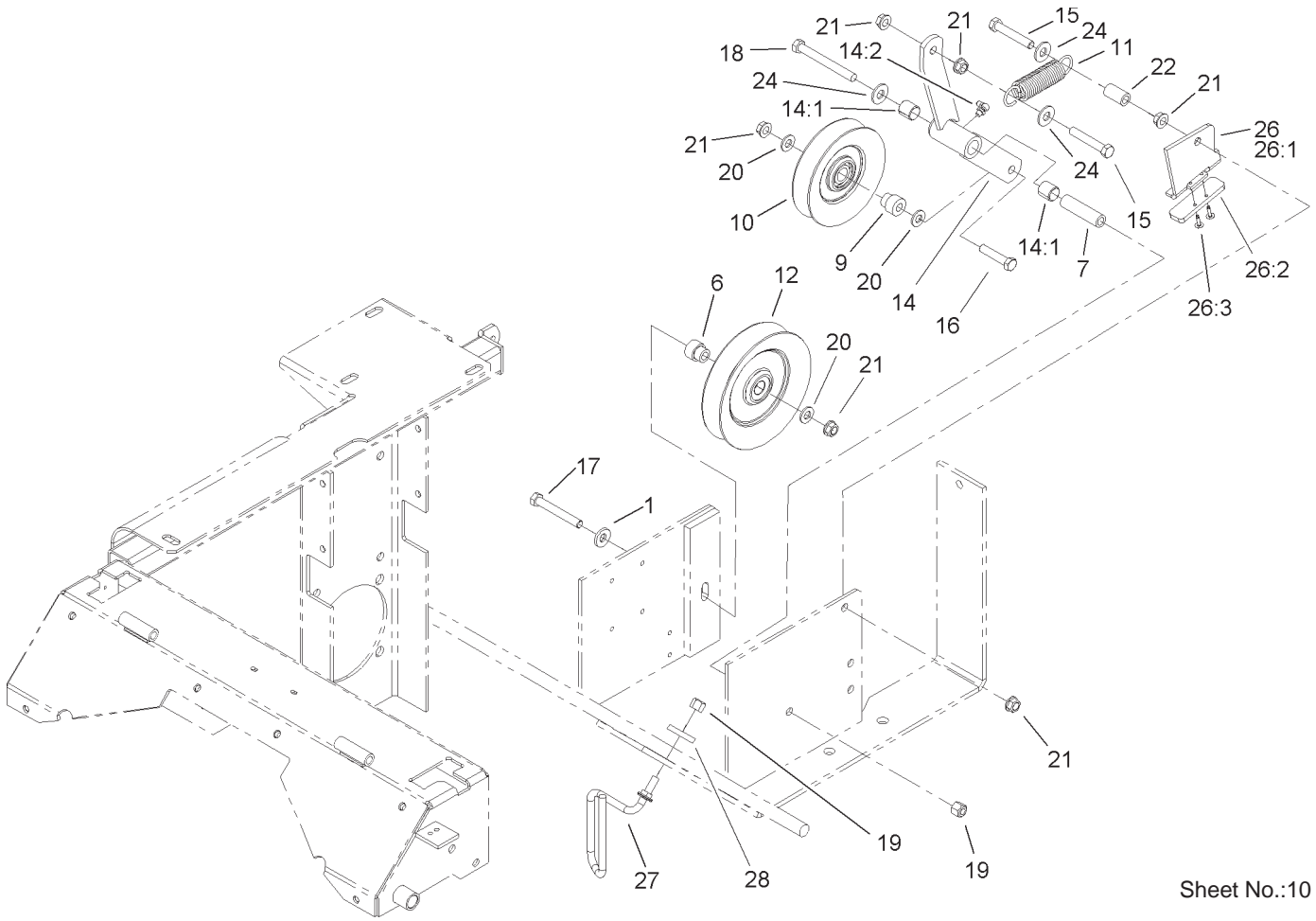
Ref. No.	Part No.	Qty.	Description



Sheet No.:9

Deck Mounting Assembly

Ref. No.	Part No.	Qty.	Description	Ref. No.	Part No.	Qty.	Description
1	32128-37	16	Nut-HF				
2	1-800811	8	Screw-Cap, HH				
3	1-633447	4	Chain-Lift, Deck				
4	302-19	4	Fitting-Grease				
5	3217-11	2	Nut-Hex				
6	3253-8	2	Washer-Lock				
7	327-11	2	Screw-HH				
8	1-633029	2	Balljoint-Spherical				
9	3219-6	2	Nut-Hex				
10	103-1072-01	2	Strut				
11	1-632199-01	2	Pin-Strut				
12	322-3	2	Screw-HH				
13	3296-29	2	Nut-Lock, NI				

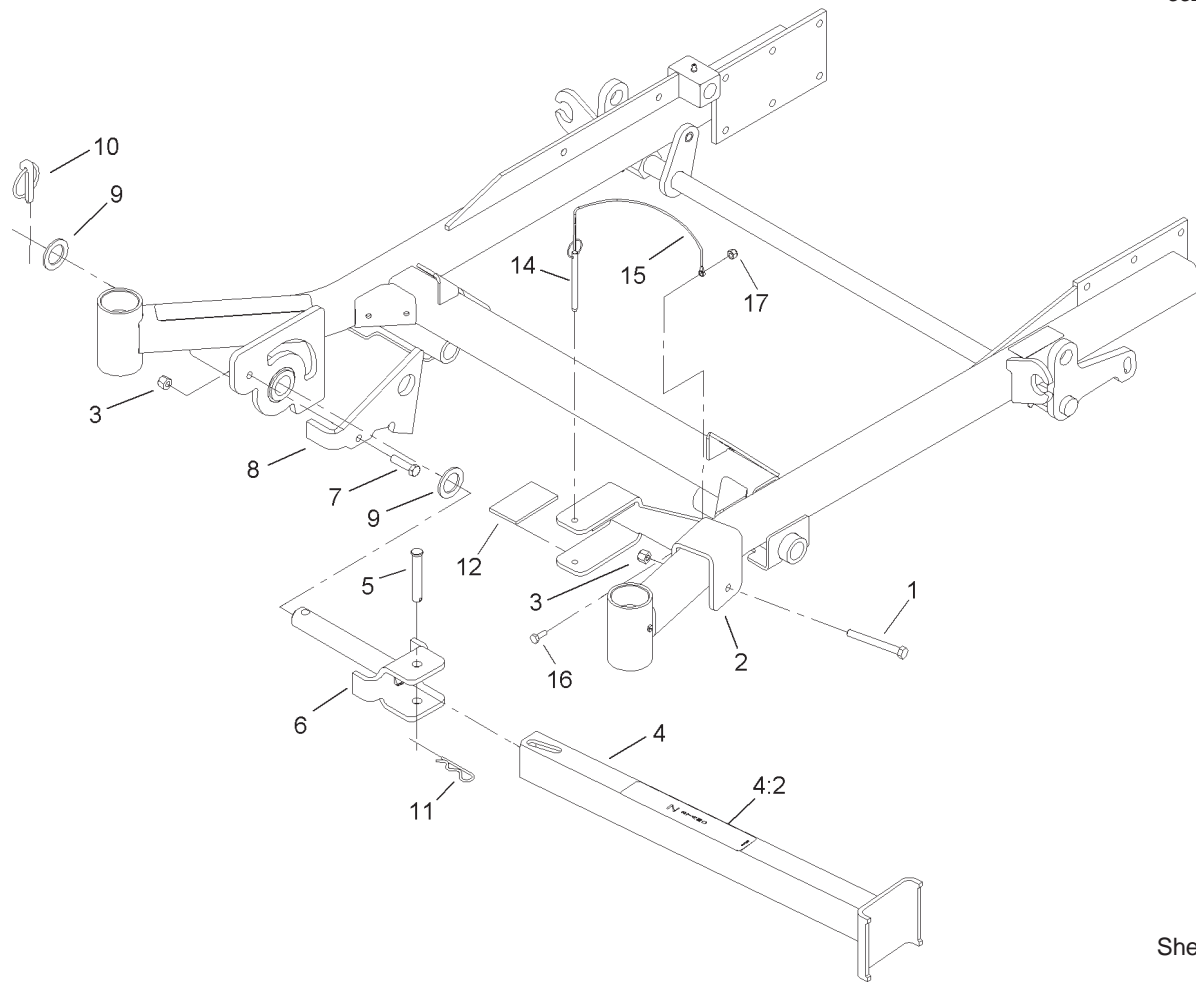


Sheet No.:10

Drive Idler Assembly

Ref. No.	Part No.	Qty.	Description
1	98-5975	1	Washer-Belleville
6	103-2627	1	Bushing-Idler
7	1-603384	1	Bushing-Pivot, Idler
9	1-603496	1	Bushing-Idler
10	99-4638	1	Idler
11	1-603402	1	Spring-Extension
12	1-633166	1	Pulley-Idler
14	103-3147	1	Arm ASM
14:1	1-513034	2	Sleeve-Bearing
14:2	302-40	1	Fitting-Grease
15	323-12	2	Screw-HH
16	323-9	1	Screw-HH
17	323-13	1	Screw-HH
18	1-800805	1	Screw-HH
19	3296-39	2	Nut-Lock, NI
20	3256-24	3	Washer-Flat
21	3290-357	6	Nut-HHF
22	1-603401	1	Spacer-Fender
24	3256-4	3	Washer-Flat
26	106-3271	1	Travel Limiter ASM
26:1	106-3228-03	1	Plate-Limiter, Pulley
26:2	106-3229	1	Pad-Bumber
26:3	3269-24	2	Rivet
27	105-7772	1	Guide-Belt
28	112843	1	Washer

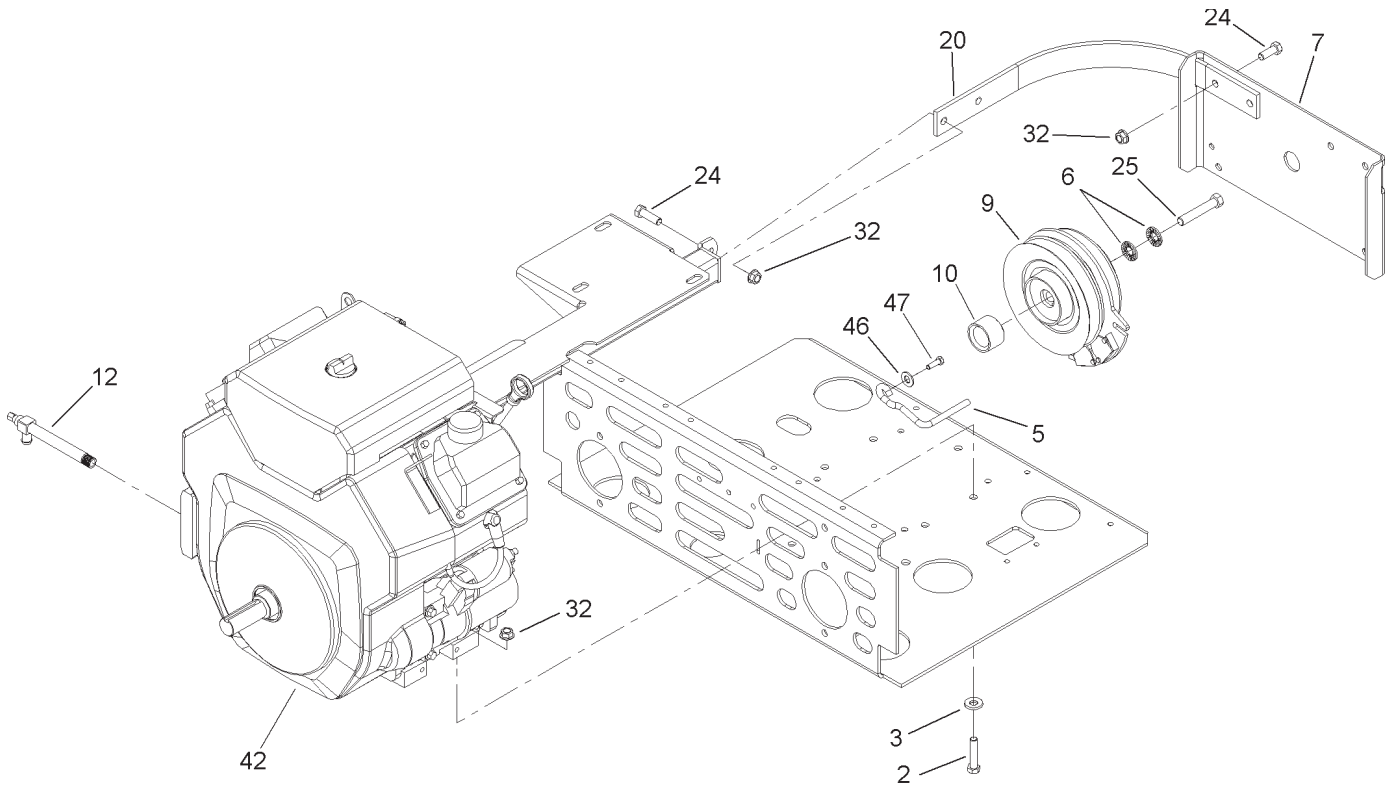
Ref. No.	Part No.	Qty.	Description



Sheet No.:11

Z-Stand Assembly

Ref. No.	Part No.	Qty.	Description	Ref. No.	Part No.	Qty.	Description
1	323-20	1	Screw-HH				
2	100-6542-01	1	Bracket-Cradle				
3	3296-39	2	Nut-Lock, NI				
4	107-1874	1	Leg ASM				
4:2	106-7464	1	Decal				
5	283-55	1	Pin-Clevis				
6	100-9692-01	1	Pivot Pin ASM				
7	323-8	1	Screw-HH				
8	100-9686-01	1	Bracket-Latch				
9	3-6781	2	Washer-Thrust				
10	283-71	1	Pin-Lynch				
11	3290-355	1	Pin-Hair				
12	100-6547	2	Cushion-Rubber				
14	105-1647	1	Pin-Hitch, Cotterless				
15	100-9385	1	Lanyard-Nylon				
16	321-4	1	Screw-HH				
17	3296-42	1	Nut-Lock, NI				



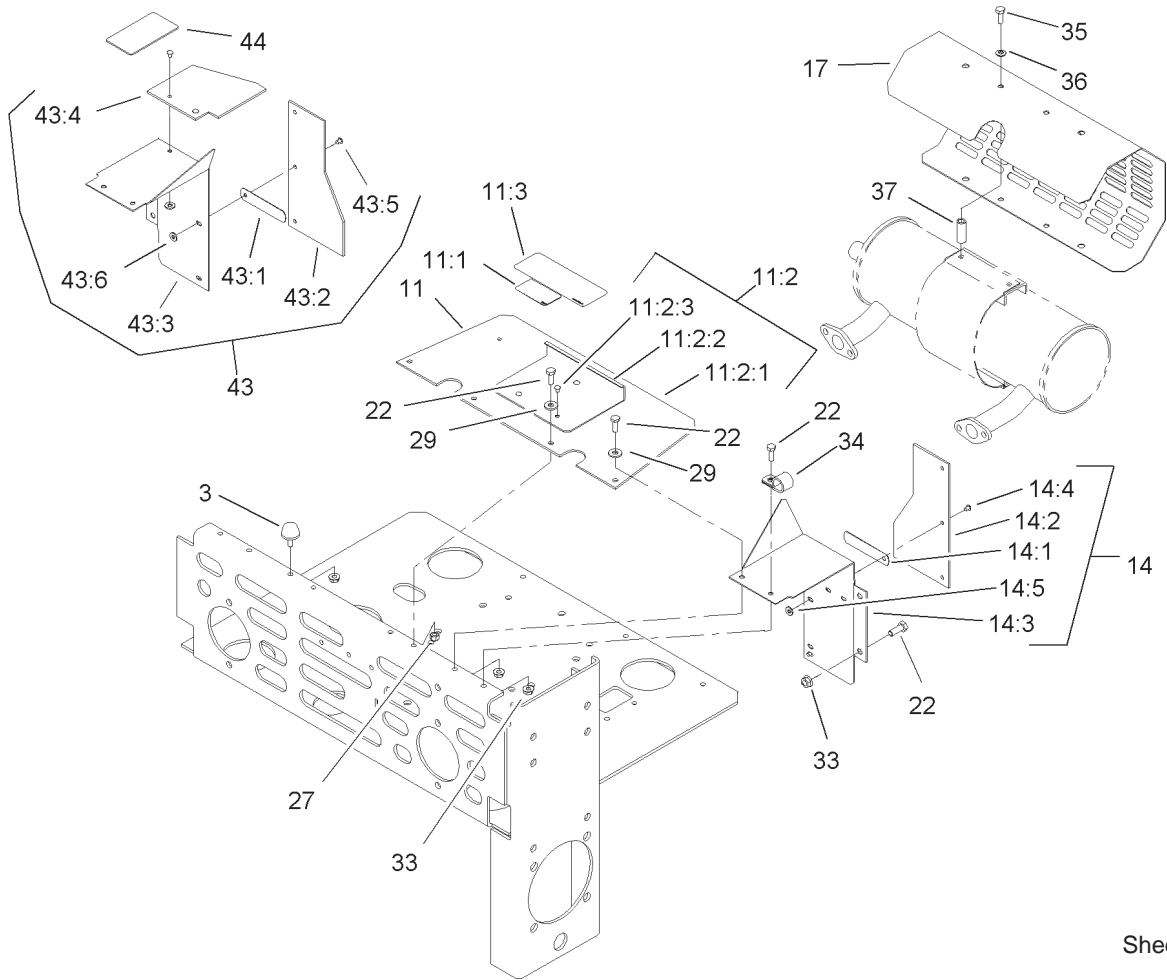
Sheet No.:12

Engine and Clutch Assembly

Ref. No.	Part No.	Qty.	Description
2	323-9	4	Screw-HH
3	98-5975	4	Washer-Belleville
5	52-4780	1	Rod-Belt
6	1-603610	2	Washer-Spring
7	1-633615-03	1	Guard-Clutch
9	103-3132	1	Clutch
10	1-633179	1	Spacer-Clutch
12	103-1996	1	Valve-Oil Drain, Long
19	103-3270	1	Decal
20	1-643264-03	2	Bracket-Guard, Top
24	323-6	6	Screw-HH
25	3212-10	1	Screw-HH
32	3290-357	8	Nut-HHF
☆42		1	Engine-Kohler, Ch740-0007
46	3256-24	1	Washer-Flat
47	323-4	1	Screw-HH

Ref. No.	Part No.	Qty.	Description

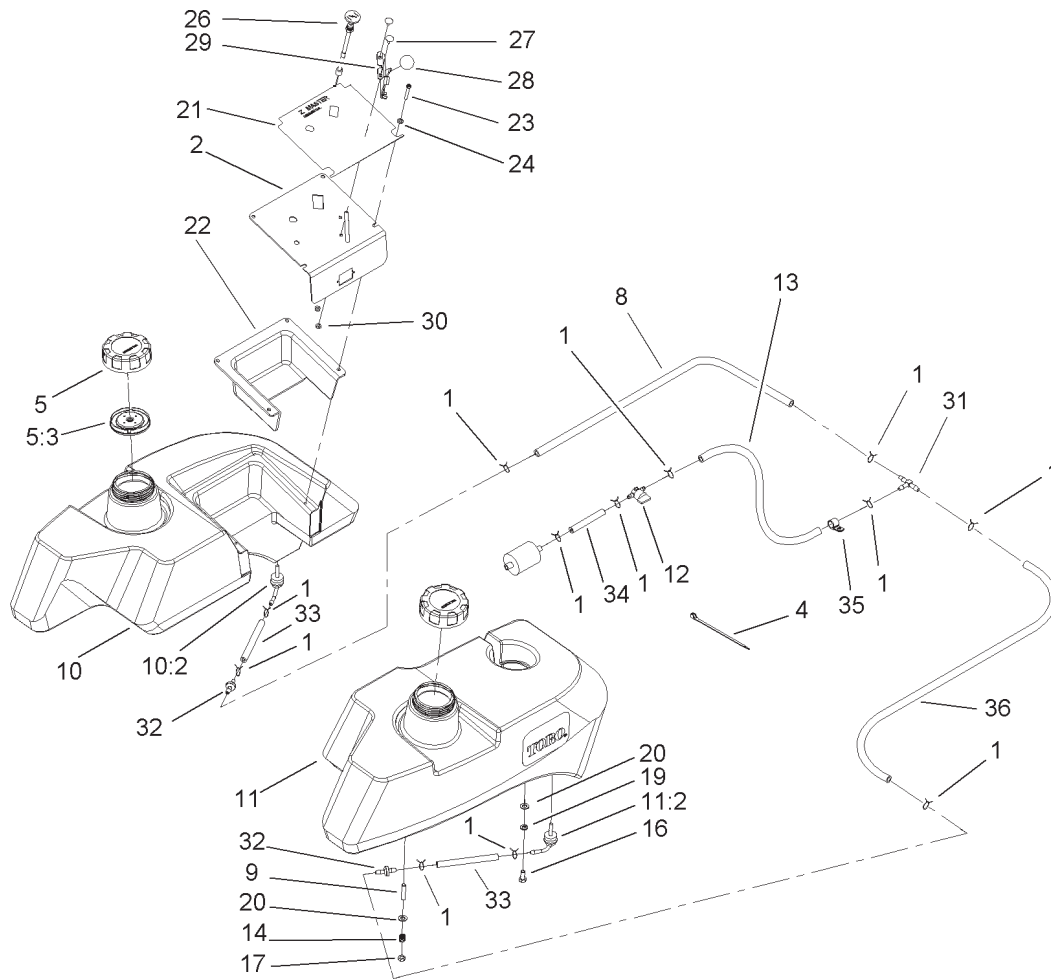
☆ Not serviced separately



Sheet No.:13

Muffler and Guards Assembly

Ref. No.	Part No.	Qty.	Description	Ref. No.	Part No.	Qty.	Description
3	1-523420	2	Bumper	43:1	1-523285	1	Clip-Baffle, Rear
11	1-644276	1	Shield ASM	43:2	1-633301	1	Shield-Engine
11:1	1-633462	1	Decal-Important	43:3	1-633794-03	1	Shield-RH
11:2	1-634308	1	Shield/Lift ASM	43:4	1-643315	1	Baffle-Cooler, Engine
11:2:1	103-1308	1	Shield-Engine	43:5	1-803035	5	Rivet-Pop
11:2:2	1-633300-03	1	Lift-Shield	43:6	3256-63	5	Washer-Flat
11:2:3	1-803035	3	Rivet-Pop	44	1-643339	1	Decal-Routing, Belt
11:3	103-0368	1	Decal-Devices, Rotating				
14	1-634796	1	LH Shield ASM				
14:1	1-523285	1	Clip-Baffle, Rear				
14:2	1-633301	1	Shield-Engine				
14:3	1-633795-03	1	Baffle-Engine Shield, LH				
14:4	1-803035	3	Rivet-Pop				
14:5	3256-63	3	Washer-Flat				
17	1-643313-03	1	Guard-Muffler				
22	321-4	10	Screw-HH				
27	3296-42	6	Nut-Lock, NI				
29	3256-2	4	Washer-Flat				
33	32128-33	5	Nut-HF				
34	1-633396	1	Clip-Loom				
35	1-809076	2	Screw				
36	1-323235	2	Washer-Spring				
37	1-323236	2	Spacer				
43	1-644316	1	RH Shield ASM				

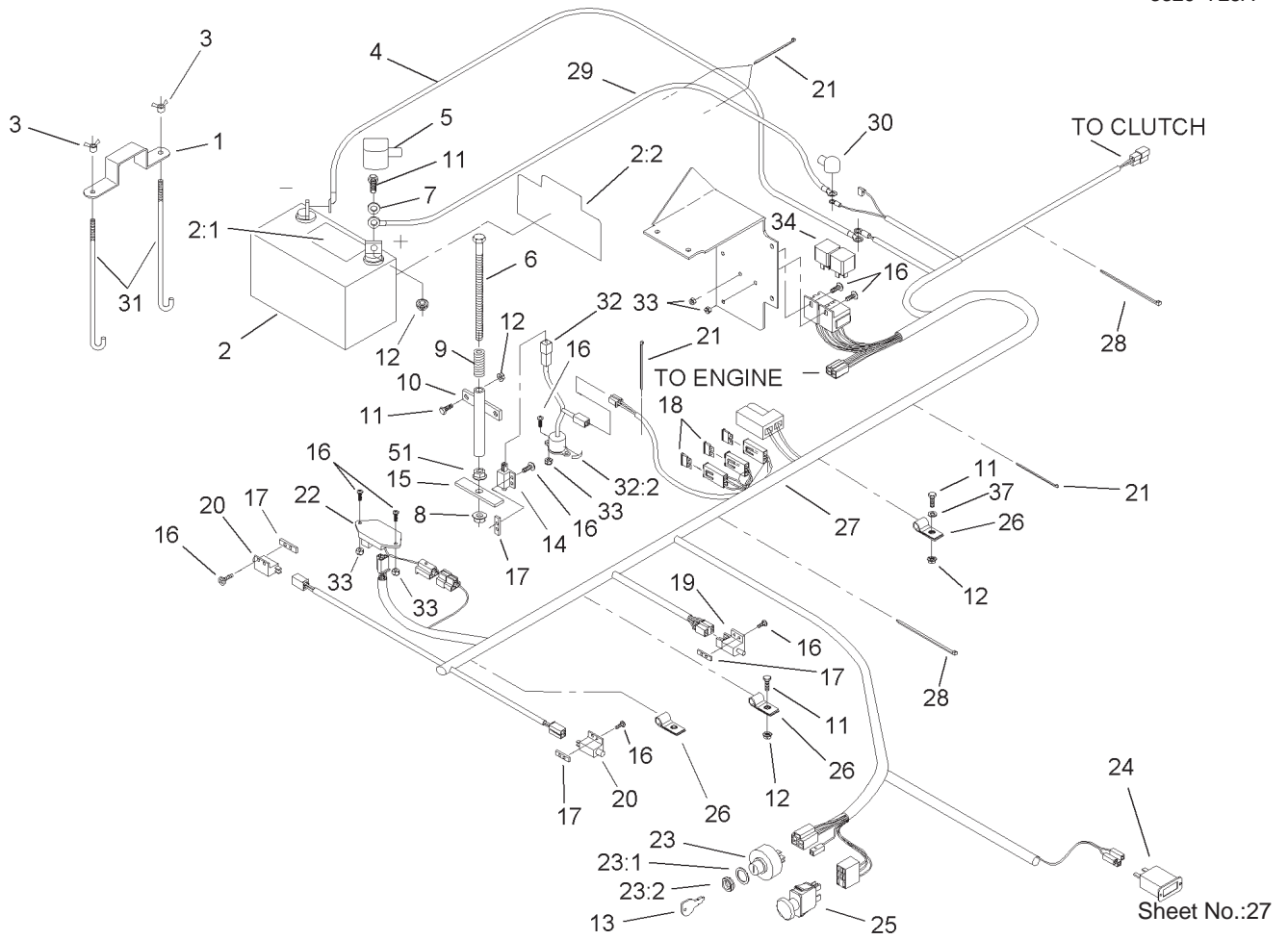


Sheet No.:22

Fuel Tank Assembly

Ref. No.	Part No.	Qty.	Description
1	1-303077	13	Clamp
2	106-9966-03	1	Panel-Control
4	1-303335	4	Tie-Plastic
5	88-3980	2	Gas Cap ASM
5:3	88-4010	1	Gasket-Cap, Gas
8	94-7420	1	Hose-Fuel
9	1-633023	6	Stud
10	106-9980	1	LH Fuel Tank ASM
10:2	103-2605	1	Fitting-Fuel, Bulkhead
11	106-9979	1	RH Fuel Tank ASM
11:2	103-2605	1	Fitting-Fuel, Bulkhead
12	1-603770	1	Valve-Fuel
13	107-2119	1	Hose-Fuel
14	1-633349	6	Spring-Tank, Fuel
16	322-3	2	Screw-HH
17	3296-47	6	Nut-Lock, NI
19	1-805005	2	Washer-Lock
20	3256-23	8	Washer-Flat
21	106-9969	1	Decal-Panel, Control
22	99-4940	1	Shield-Panel, Control
23	1-803071	4	Screw
24	1-303435	4	Washer-Spring
26	106-9962	1	Control-Choke, Push/Pull
27	1-807513	2	Bolt-CARR
28	1-513592	1	Knob-Ball

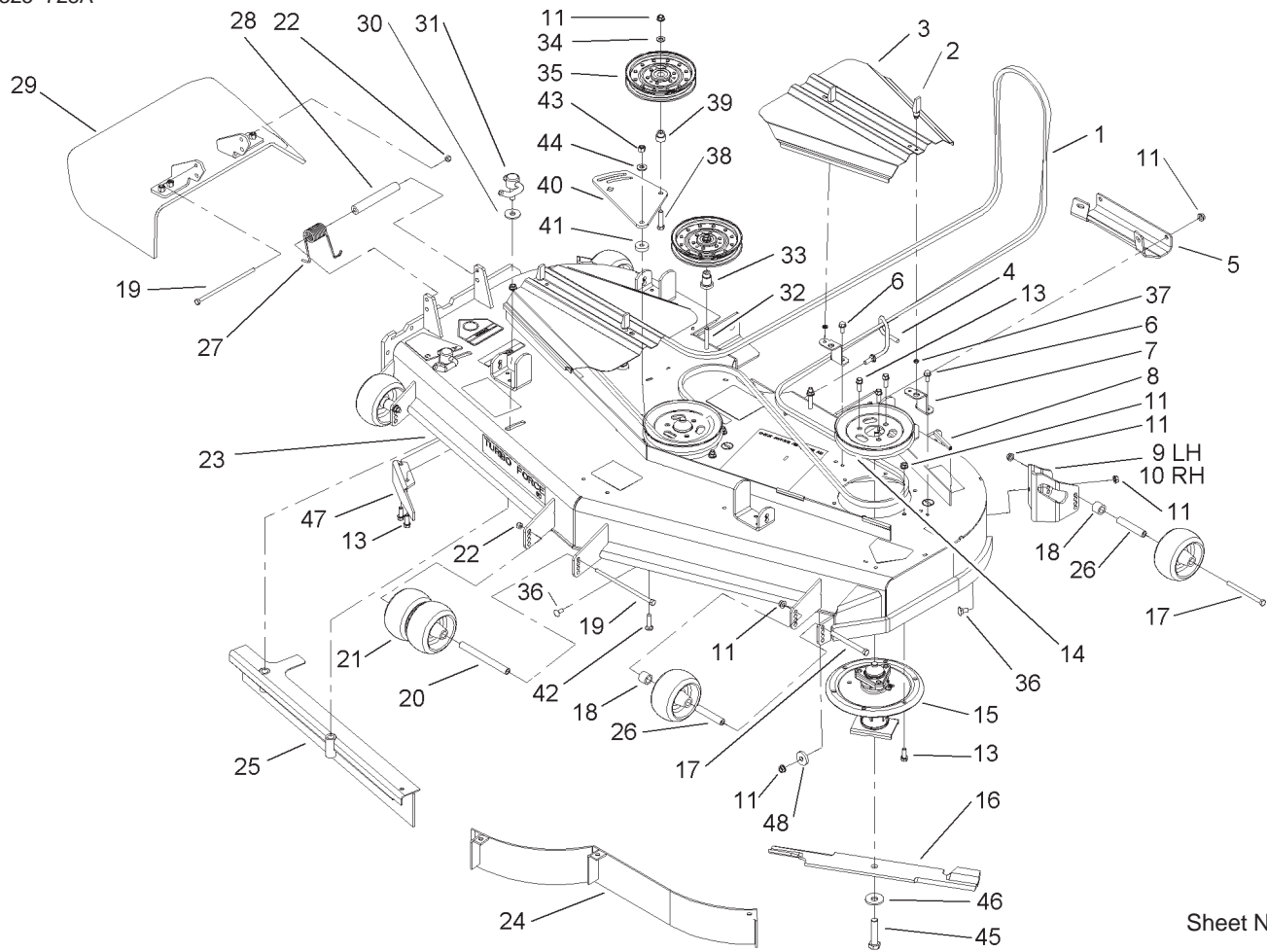
Ref. No.	Part No.	Qty.	Description
29	1-633696	1	Cable-Throttle
30	3296-2	2	Nut-Lock
31	99-5005	1	Fitting-Tee, Barbed
32	99-5000	2	Valve-Check, Fuel
33	99-7190	2	Hose-Fuel
34	105-8342	1	Hose-Fuel
35	1-513762	1	Clip-Loom
36	1-543526	1	Hose-Fuel



Electrical Components Assembly

Ref. No.	Part No.	Qty.	Description
1	1-633652-03	1	Strap-Holddown
2	105-1692	1	Battery
2:1	104-4163	1	Decal-Battery
2:2	104-4164	1	Decal-Battery
3	1-543792	2	Wingnut
4	1-633307	1	Wire-Ground
5	1-543391	1	Insulator-Battery
6	1-800282	1	Screw-HH
7	3256-2	2	Washer-Flat
8	3296-29	1	Nut-Lock, NI
9	1-523415	1	Spring-Switch, Seat
10	1-522424-03	1	Mount-Spring, Seat
11	321-4	6	Screw-HH
12	32128-33	6	Nut-HF
13	63-8360	2	Key-Ignition
14	1-513152	1	Switch-Closed, Normally
15	1-513180	1	Plate-Switch, Seat
16	3290-500	14	Screw-PPH
17	1-633181	4	Plate-Tapped
18	1-816001	2	Fuse-Type, Blade
19	1-633111	1	Switch
20	1-513051	2	Switch-Open, Normally
21	1-303287	5	Tie-Plastic
22	100-6186	1	Module-Delay, Seat

Ref. No.	Part No.	Qty.	Description
23	88-9830	1	Key Switch ASM
23:1	3254-5	1	Washer-Tooth
23:2	218-461	1	Nut-HH
24	1-513374	1	Meter-Hour
25	1-633673	1	Switch-Delta
26	1-633396	3	Clip-Loom
27	106-7497	1	Harness-Wire
28	1-303335	2	Tie-Plastic
29	1-523281	1	Wire-Starter
30	1-543393	1	Insulator-Solenoid
31	1-633651	2	Bolt-Holddown
32	1-644427	1	Tilt Switch ASM
32:2	1-643401	1	Decal-Switch, Mercury
33	3296-2	6	Nut-Lock
34	1-643275	2	Relay
37	3256-22	1	Washer-Flat
51	3217-6	1	Nut-Hex

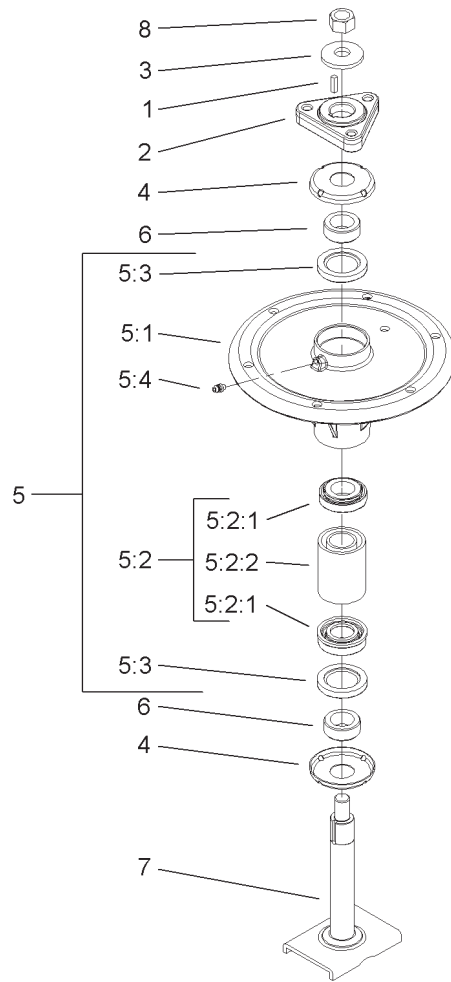


Sheet No.:0

60in Deck Assembly

Ref. No.	Part No.	Qty.	Description
1	105-8783	1	Belt
2	74-5950	4	Latch-Swell
3	105-8786-01	2	Cover-Belt
4	106-3220	1	Guide-Wire
5	105-8792-01	1	Plate-Skid
6	32144-70	4	Screw-HH
7	105-8787-01	4	Bracket-Cover
8	105-7699	8	Seal-Strip
9	106-7354-01	1	Plate-Roller, LH
10	106-7355-01	1	Plate-Roller, RH
11	3290-357	42	Nut-HHF
13	95-1726	33	Screw-Taptite
14	105-7734	3	Pulley
15	106-3217	3	Spindle ASM
16	105-7718	3	Blade-Rotary, High Flow
17	323-23	4	Screw-HH
18	98-7913	4	Tube-Spacer
19	322-50	2	Screw-HH
20	98-5967	1	Spacer
21	1-603299	6	Roller-Anti Scalp
22	3296-29	2	Nut-Lock, NI
23	107-1624	1	Deck ASM
24	105-7657-01	1	Baffle ASM
25	105-7669-01	1	Baffle ASM
26	98-7912	4	Tube-Spinner

Ref. No.	Part No.	Qty.	Description
27	104-8554	1	Spring-Torsion
28	105-4622	1	Spacer
29	106-3249	1	Rubber Deflector ASM
30	105-7697	2	Washer-Plastic
31	106-3242	2	Lever ASM
32	323-12	2	Screw-HH
33	106-3214	2	Support-Pulley
34	3256-24	3	Washer-Flat
35	1-633109	3	Idler-Flat
36	3231-1	10	Screw-CARR
37	99-3058	4	Washer
38	323-9	1	Screw-HH
39	1-603496	1	Bushing-Idler
40	105-7787-01	1	Plate-Idler
41	105-7788	2	Spacer
42	3231-4	2	Screw-CARR
43	3296-39	2	Nut-Lock, NI
44	98-5975	1	Washer-Belleville
45	103-0862	3	Screw-Cap
46	103-0865	3	Washer-Blade Bolt, Heavy
47	106-3216-01	1	Baffle-Discharge
48	112843	1	Washer

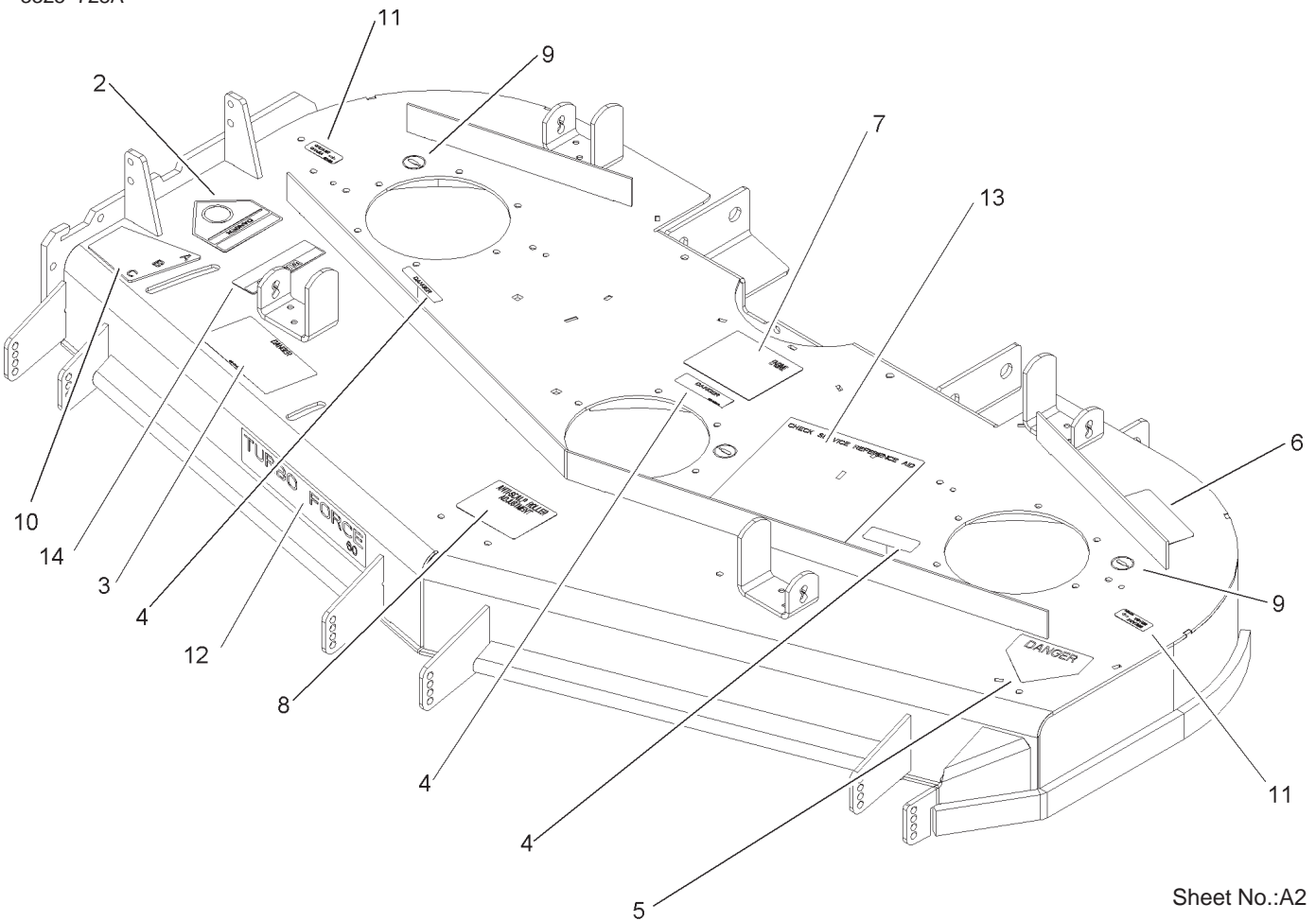


Sheet No.:A1

Spindle Assembly No. 106-3217

Ref. No.	Part No.	Qty.	Description
1	10-8040	1	Key-Square
2	106-3277	1	Hub-Pulley
3	103-0865	1	Washer-Blade Bolt, Heavy
4	106-3204	2	Shield-Bearing
5	107-1627	1	Spindle Bearing ASM
5:1	106-3211	1	Housing-Spindle
5:2	106-3207	1	Bearing ASM
5:2:1	27-0960	1	Bearing ASM
5:2:2	106-3206	1	Spacer-Set, Matched
5:3	253-133	2	Seal-Oil
5:4	302-5	1	Fitting-Grease
6	106-3218	2	Spacer-Seal
7	106-3233	1	Spindle Shaft ASM
8	3219-6	1	Nut-Hex

Ref. No.	Part No.	Qty.	Description

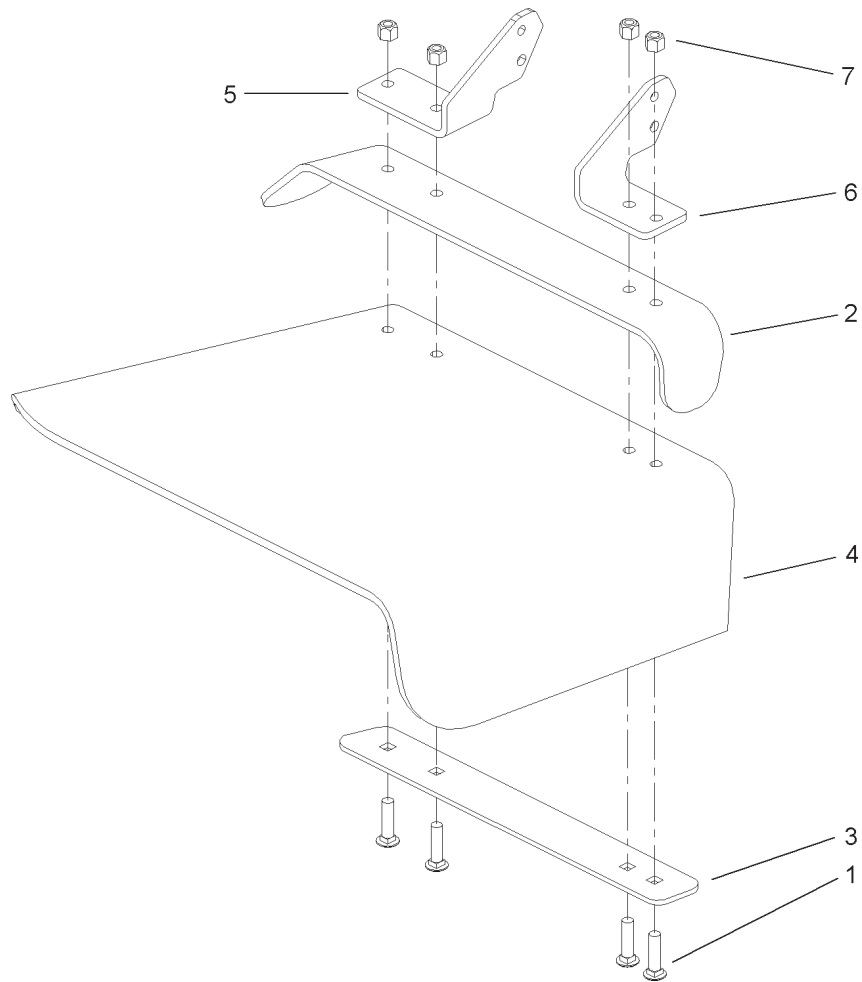


Sheet No.:A2

Deck Assembly No. 107-1624

Ref. No.	Part No.	Qty.	Description
2	54-9220	1	Decal-Danger
3	66-1340	1	Decal-Danger
4	98-5954	3	Decal-Missing, Cover
5	43-8480	1	Decal-Danger
6	68-8340	1	Decal-Torque
7	105-7797	1	Decal-Routing, Belt
8	105-7798	1	Decal-Anti Scalp
9	58-6520	3	Decal-Grease
10	107-1622	1	Decal-Adjustment, Baffle
11	107-1613	2	Decal-Grease
12	107-1619	1	Decal-Turbo Force 60
13	107-1621	1	Decal-Service, Check
14	104-8569	1	Decal-Warning

Ref. No.	Part No.	Qty.	Description

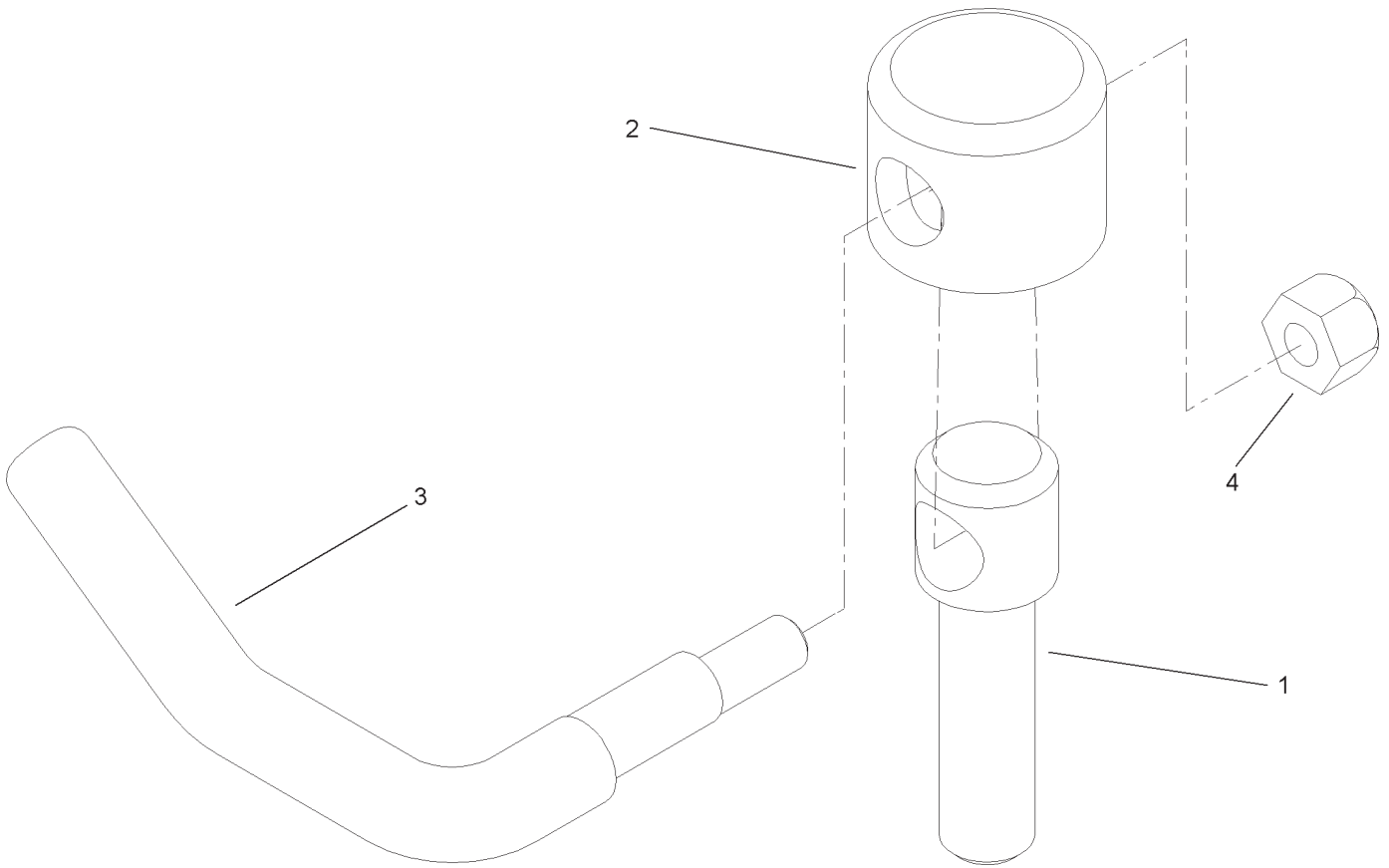


Sheet No.:A3

Rubber Deflector Assembly No. 106-3249

Ref. No.	Part No.	Qty.	Description
1	3231-4	4	Screw-CARR
2	106-3246-01	1	Deflector
3	106-3248-03	1	Strap-Discharge
4	107-1617	1	Deflector-Rubber
5	106-3252-01	1	Plate-Hinge, Rear
6	106-3253-01	1	Plate-Hinge, Front
7	3296-39	4	Nut-Lock, NI

Ref. No.	Part No.	Qty.	Description

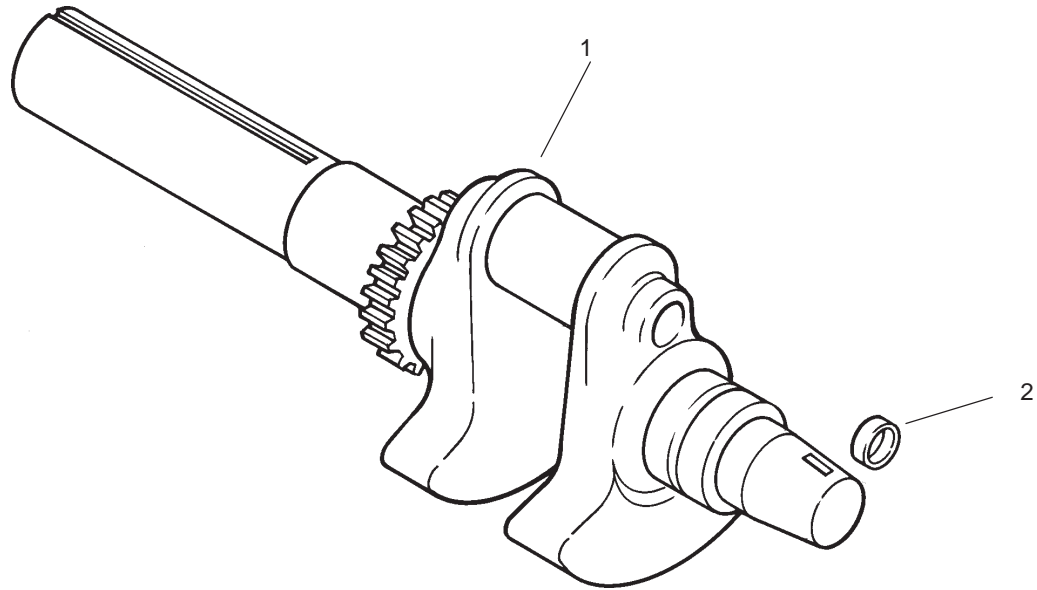


Sheet No.:A4

Lever Assembly No. 106-3242

Ref. No.	Part No.	Qty.	Description
1	106-3239	1	Screw-Lock
2	106-3240	1	Cap-Lock
3	106-3241	1	Lever-Lock
4	3296-29	1	Nut-Lock, NI

Ref. No.	Part No.	Qty.	Description

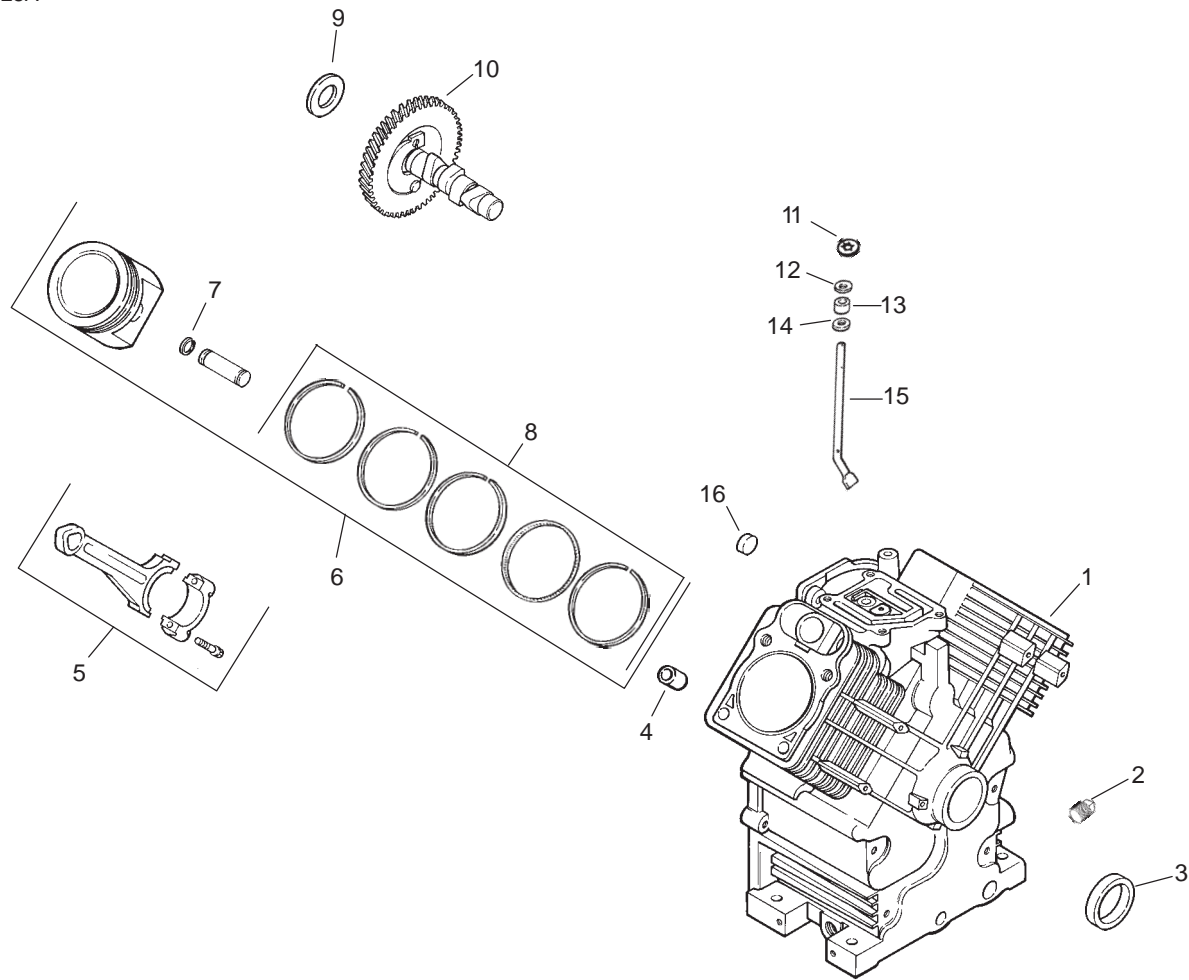


Group 1 – Crankshaft Assembly Kohler CH740-0007

Ref. No.	Part No.	Qty.	Description
1	24 014 06-S	1	Crankshaft (Includes 2)
2	52 139 09-S	1	Plug, cup

Ref. No.	Part No.	Qty.	Description

Obtain Parts from Kohler

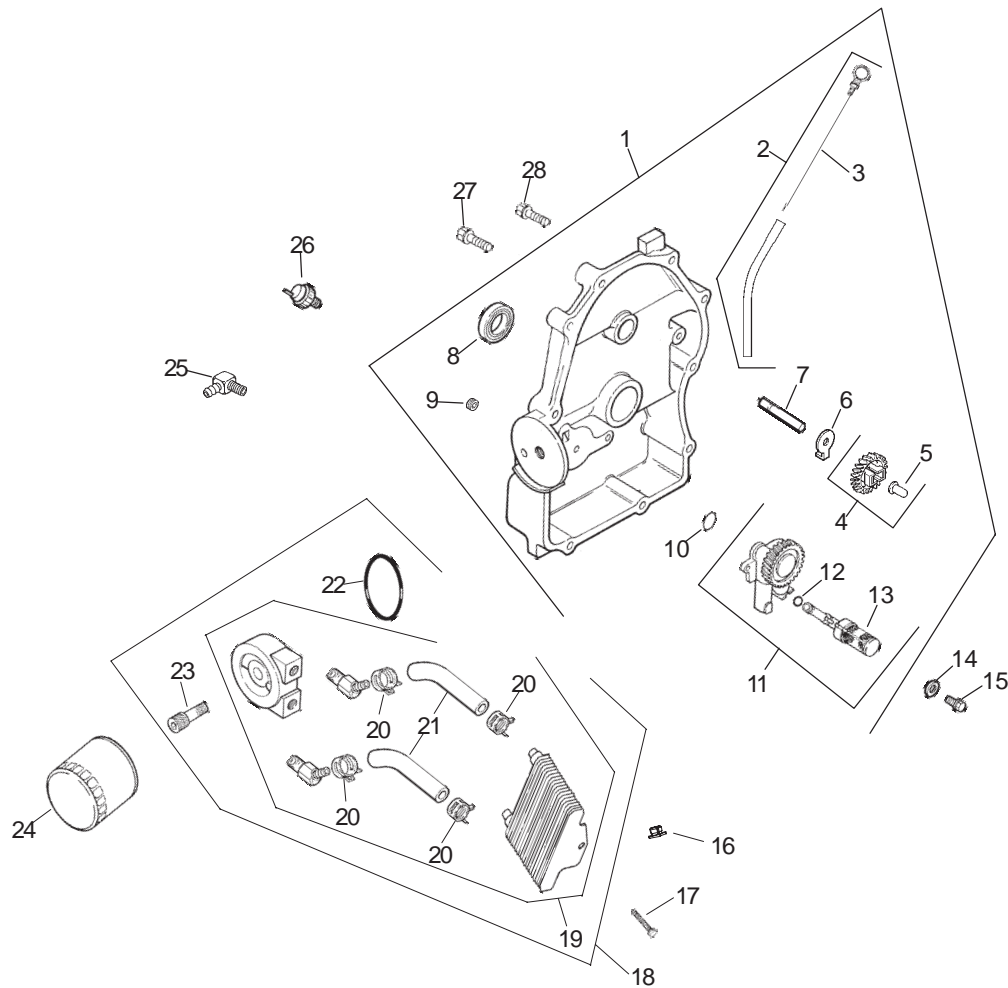


Group 2 – Crankcase Assembly Kohler CH740-0007

Ref. No.	Part No.	Qty.	Description
1	N/A	1	Crankcase (Use Short Block or Miniblock)
2	25 139 57-S	2	Plug, sq. hd. 3/8" N.P.T.F. (2)
3	24 032 01-S	1	Seal, oil front
4	24 380 13-S	6	Pin, locating
5	24 067 13-S	2	Connecting Rod (Std.)
	24 067 14-S	2	Connecting Rod (.25)
6	24 874 08-S	2	Piston w/Ring Set (Std.) (Includes 7,8)
	24 874 16-S	2	Piston w/Ring Set (.08)
7	24 018 01-S	4	Retainer, piston pin
8	24 108 04-S	2	Ring Set (Std. & .08)
9	12 422 09-S	1	Shim, camshaft (A.R.) red
	12 422 13-S	1	Shim, camshaft (A.R.) black
	12 422 07-S	1	Shim, camshaft (A.R.) white
	12 422 08-S	1	Shim, camshaft (A.R.) blue
	12 422 10-S	1	Shim, camshaft – yellow

Ref. No.	Part No.	Qty.	Description
	12 422 11-S	1	Shim, camshaft (A.R.) green
	12 422 12-S	1	Shim, camshaft (A.R.) gray
10	24 012 18-S	1	Camshaft
11	24 018 09-S	1	Retainer, ring
12	M-931010-S	1	Washer, plain 9 mm
13	28 032 09-S	1	Seal, governor cross shaft
14	24 468 15-S	1	Washer, flat 1/4"
15	24 144 38-S	1	Shaft, governor cross
16	52 139 09-S	1	Plug, cup

Obtain Parts from Kohler

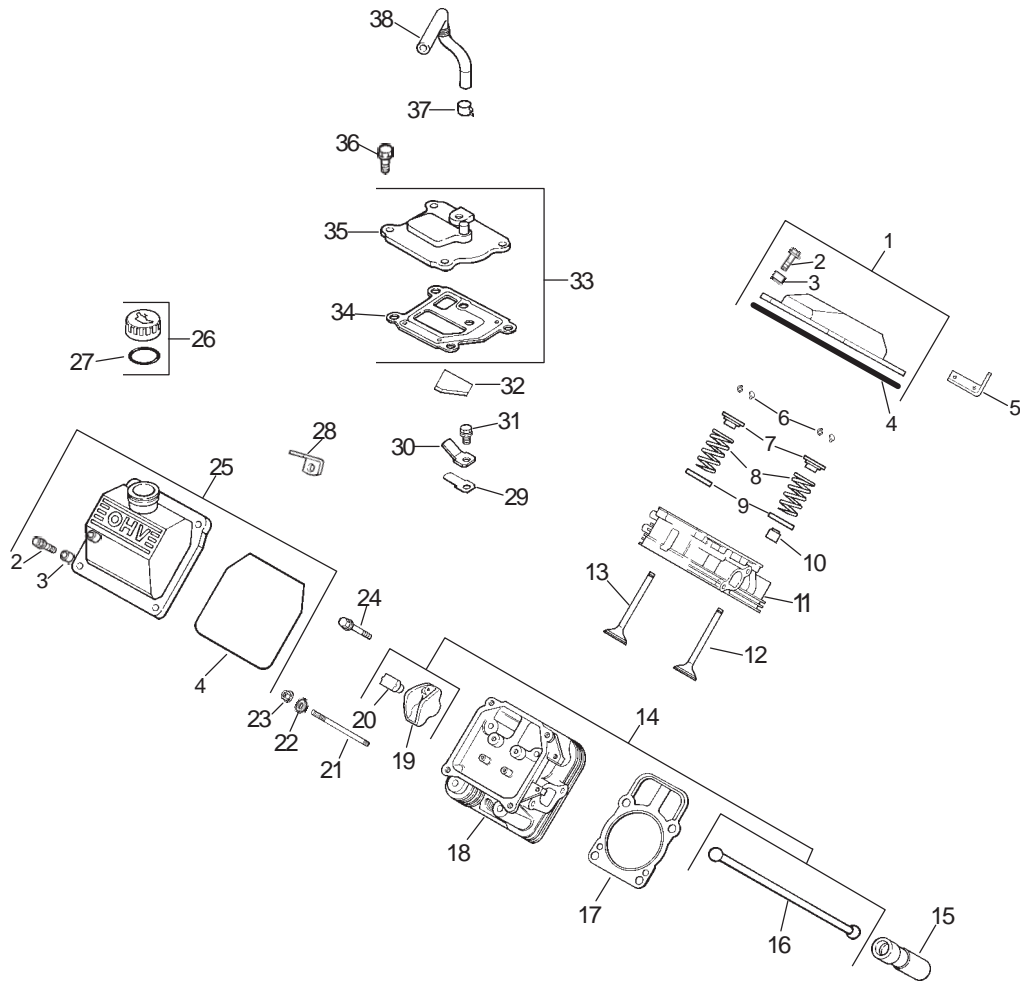


Group 3 – Oil Pan/Lubrication Assembly Kohler CH740-0007

Ref. No.	Part No.	Qty.	Description	Ref. No.	Part No.	Qty.	Description
1	24 009 83-S	1	Plate, closure assembly (Includes 2-13)	17	25 086 49-S	2	Screw, tapping 1/4-10x3/4
2	24 755 121-S	1	Tube assembly, dipstick (Includes 3)	18	54 755 21-S	1	Kit, oil cooler (Includes 19-23)
3	24 038 10-S	1	Dipstick	19	24 594 09-S	1	Cooler assembly, oil (Includes 20,21)
4	24 043 12-S	1	Kit, governor gear (Includes 5)	20	24 237 10-S	4	Clamp, oil cooler hose
5	12 380 01-S	1	Pin, governor regulating	21	24 326 15-S	2	Hose, oil cooler
6	52 448 02-S	1	Tab, locking	22	24 153 13-S	1	O-Ring
7	12 144 02-S	1	Shaft, governor gear	23	28 136 01-S	1	Nipple, oil filter
8	52 032 08-S	1	Seal, oil (PTO end)	24	52 050 02-S	1	Filter, oil
9	25 139 60-S	1	Plug, pipe hex. ctsk. 1/8"	25	25 155 02-S	1	Connector
10	24 153 08-S	1	O-Ring	26	24 099 03-S	1	Switch, pressure
11	24 393 10-S	1	Oil pump assembly (Includes 12,13)	27	24 086 16-S	9	Screw, hex. flange M8x1.25x45
12	24 153 01-S	1	O-Ring, oil pick-up	28	24 086 17-S	1	Screw, hex. flange M8x1.25x45
13	24 381 04-S	1	Pick-up, oil	*	24 113 25-S	1	Decal, oil cooler
14	M-631005-S	2	Washer, plain 6 mm				
15	M-645025-S	2	Screw, hex. flange M6x1.0x25				
16	24 100 01-S	2	Nut, plastic				

Obtain Parts from Kohler

* Not Illustrated

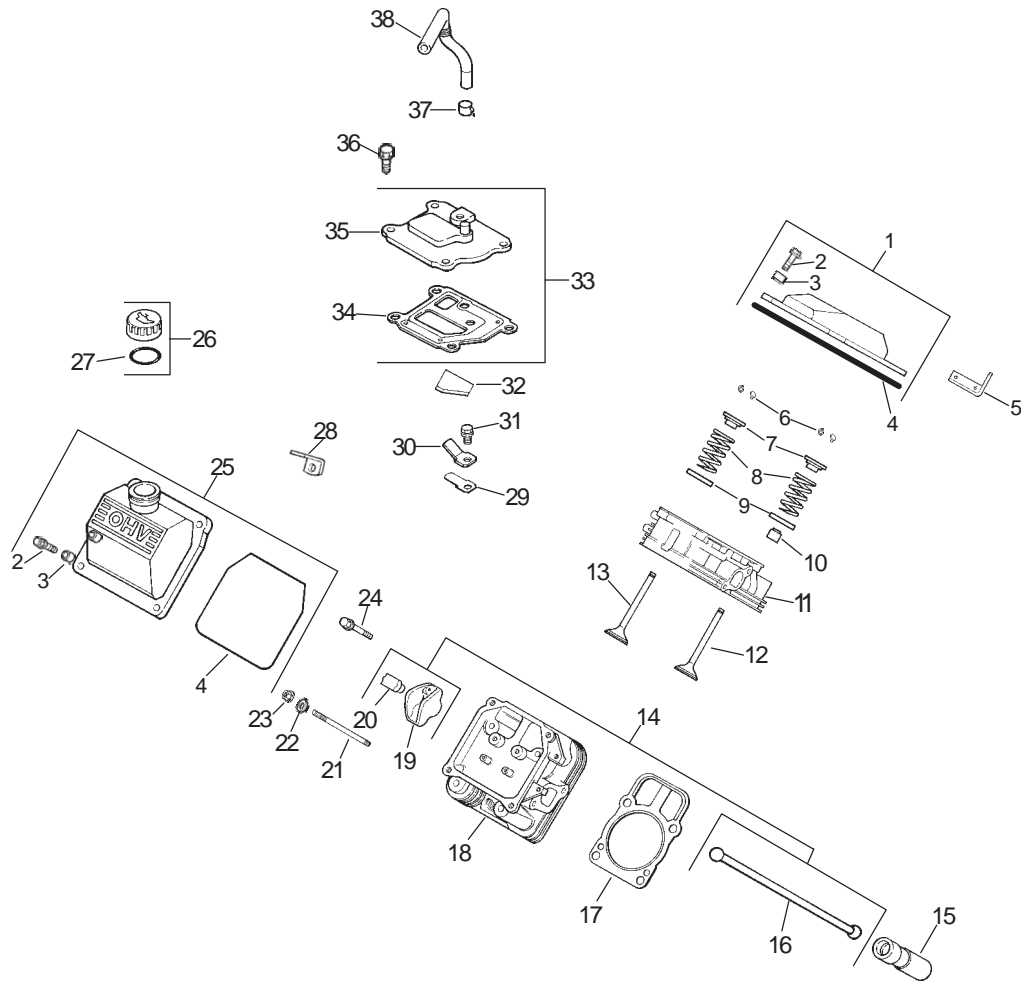


Group 4 – Head/Valve/Breather Assembly Kohler CH740-0007

Ref. No.	Part No.	Qty.	Description
1	24 755 74-S	1	Kit, valve cover-plain (Includes 2-4)
2	M-651030-S	4	Screw, hex. flange M6x1.0x30
3	24 112 08-S	4	Spacer
4	24 153 23-S	1	O-Ring, valve cover
5	24 445 01-S	1	Strap, lifting
6	12 755 03-S	4	Kit, retainer
7	12 173 01-S	4	Cap, valve spring
8	24 089 02-S	4	Spring, valve
9	235011-S	4	Retainer, spring
10	66 032 05-S	2	Seal, valve stem
11	24 318 65-S	1	Head assembly, #1 cylinder
12	24 017 01-S	2	Valve, intake (Std.)
	24 017 02-S	2	Valve, intake (.25)
13	24 016 01-S	2	Valve, exhaust (Std.)
	24 016 02-S	2	Valve, exhaust (.25)
14	24 755 66-S	1	Kit, valve train (Includes 16,19,20)
15	25 351 01-S	4	Lifter, valve
16	24 411 05-S	4	Rod, push
17	24 041 37-S	2	Gasket, cylinder head

Ref. No.	Part No.	Qty.	Description
18	24 318 66-S	1	Head assembly, #2 cylinder
19	25 186 01-S	4	Arm, rocker
20	24 599 01-S	4	Pivot, rocker arm
21	24 072 09-S	8	Stud, cylinder head M8x1.25x20
			105 mm long
22	24 468 16-S	8	Washer, flat 8 mm
23	24 100 10-S	8	Nut, hex. flange M8x1.25
24	M-640034-S	4	Screw, hex. flange M6x1.0x34
25	24 755 75-S	1	Kit, valve cover-oil fill (Includes 2-4)
26	24 755 46-S	1	Kit, oil fill cap (Includes 27)
27	25 153 02-S	1	O-Ring
28	12 445 05-S	1	Strap, lifting
29	24 402 03-S	1	Reed, breather
30	12 018 01-S	1	Retainer, breather reed
31	M-545010-S	1	Screw, hex. flange M5x0.8x10
32	24 050 01-S	1	Filter, breather

Obtain Parts from Kohler

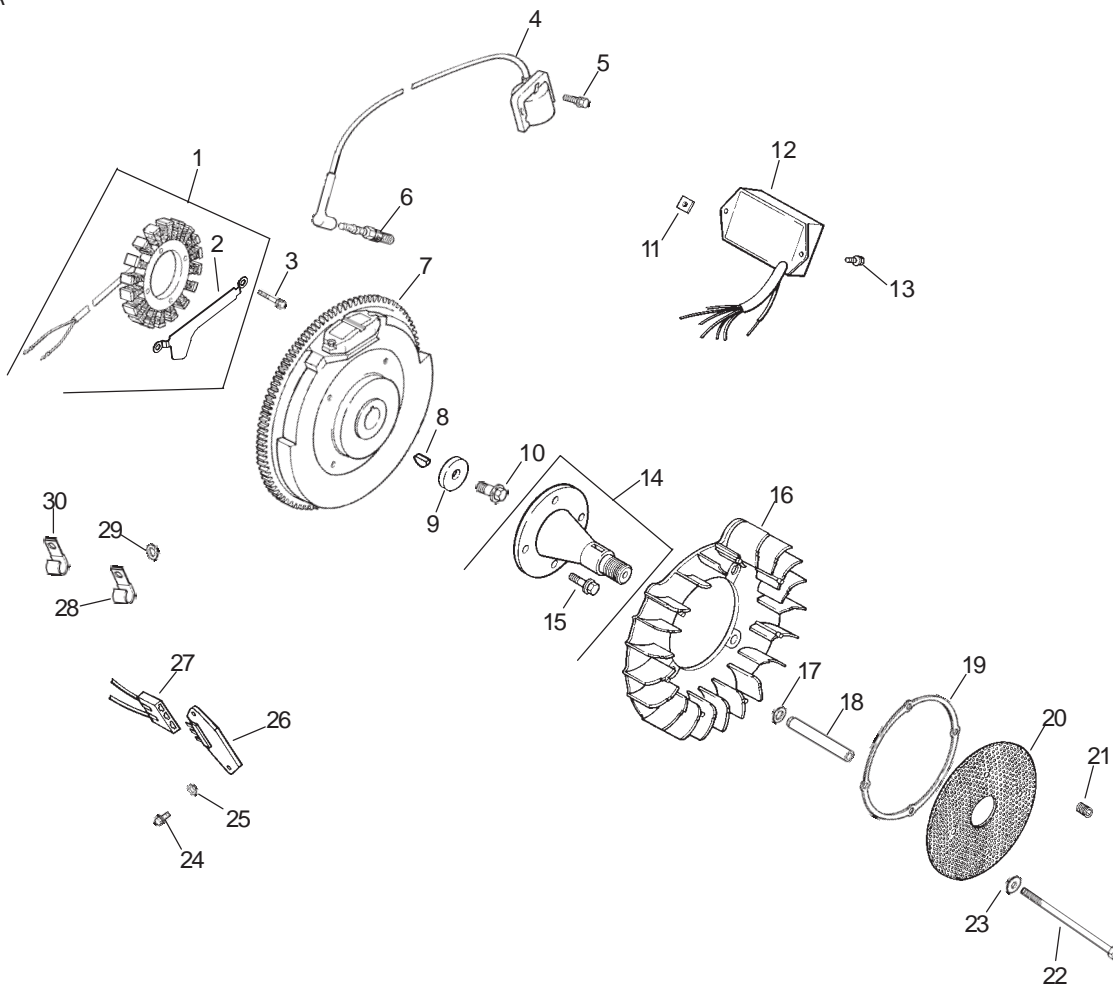


Group 4 – Head/Valve/Breather Assembly (Continued) Kohler CH740-0007

Ref. No.	Part No.	Qty.	Description
33	24 033 01-S	1	Kit, breather (Includes 34,35)
34	24 041 23-S	1	Gasket, breather
35	24 096 86-S	1	Cover, breather
36	M-645020-S	4	Screw, hex. flange M6x1.0x20
37	25 237 08-S	2	Clamp, breather
38	24 326 31-S	1	Hose, breather

Ref. No.	Part No.	Qty.	Description

Obtain Parts from Kohler



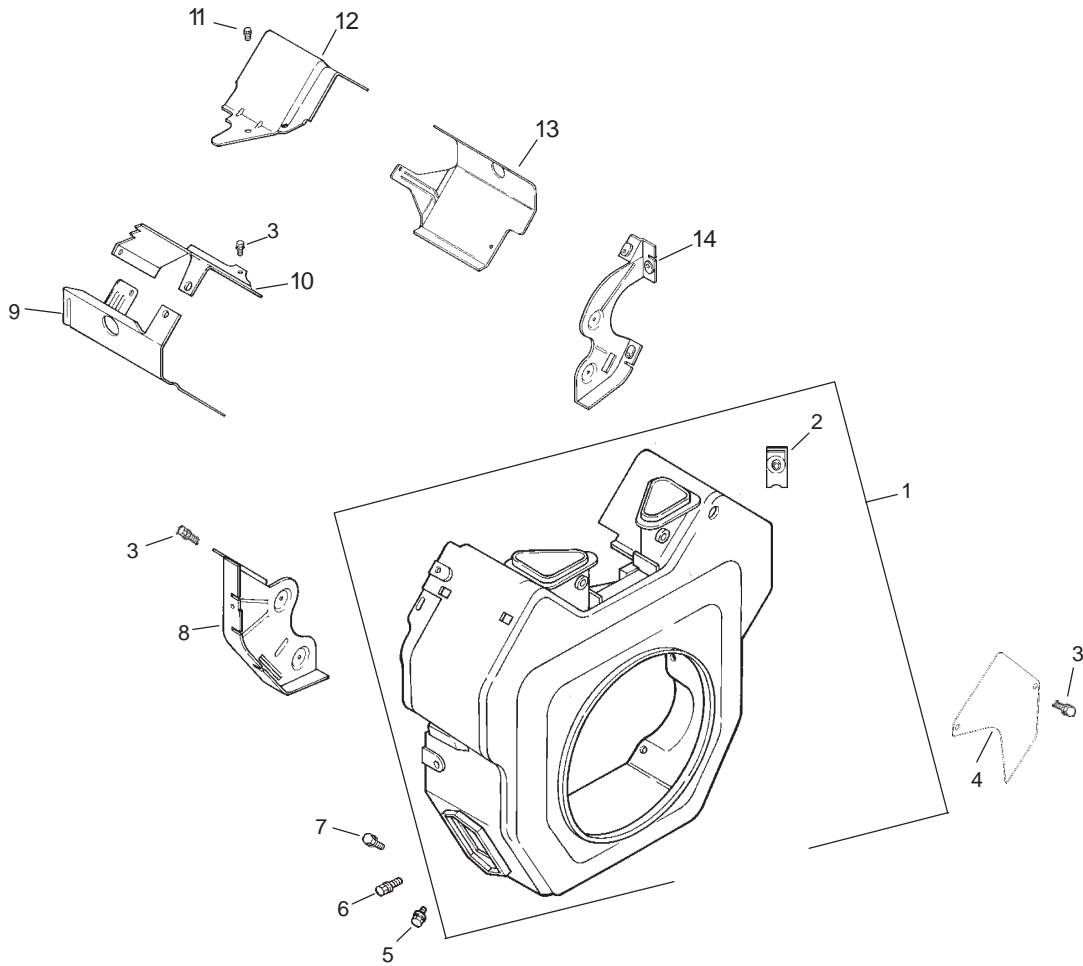
Group 5 – Ignition/Electrical Assembly Kohler CH740-0007

Ref. No.	Part No.	Qty.	Description
1	54 755 09-S	1	Kit, stator (Includes 2)
2	24 126 71-S	1	Bracket, stator wire
3	M-548025-S	2	Screw, hex. cap M5x0.8x25
4	24 584 15-S	2	Module, ignition
5	M-561025-S	4	Screw, thread forming M5x0.8x16
6	12 132 06-S	2	Spark Plug
7	24 025 25-S	1	Flywheel
8	X-42-15-S	1	Key
9	12 468 03-S	1	Washer, plain 3/8"
10	12 086 14-S	1	Screw, hex. flange M10x1.5x46
11	24 100 02-S	2	Nut, plastic
12	24 584 27-S	1	Module, spark advance
13	24 086 41-S	2	Screw, phillips hd. 11-16x1/2"
14	24 755 08-S	1	Kit, front drive shaft (Includes 15)
15	M-839025-S	4	Screw, hex. flange M8x1.25x25
16	24 157 07-S	1	Fan
17	24 468 11-S	4	Washer, spring
18	24 112 14-S	4	Spacer, grass screen

Ref. No.	Part No.	Qty.	Description
19	24 141 06-S	1	Ring, support
20	24 162 22-S	1	Screen, grass
21	25 086 43-S	1	Screw, set
22	M-603100-S	4	Screw, hex. cap M6x1.0x100
23	X-25-53-S	4	Washer, plain 1/4"
24	24 086 18-S	2	Screw, phillips hd. 11-16x7/8
25	X-25-92-S	2	Washer, plain 3/16"
26	25 403 03-S	1	Rectifier-regulator 15 amp
27	236602-S	1	Connector (3 contact)
28	47 154 01-S	1	Clip, cable
29	X-25-63-S	1	Washer, plain 1/4"
30	48 154 02-S	1	Clip, cable
*	24 518 12-S	1	Lead, black, (5" – 12 gauge – insulated grip barrel eyelet terminals)
*	X-22-11-S	1	Washer, lock 1/4" (for ground screw & wire)
*	24 176 98-S	1	Harness, wiring
*	25 454 03-S	2	Tie, cable

Obtain Parts from Kohler

* Not Illustrated



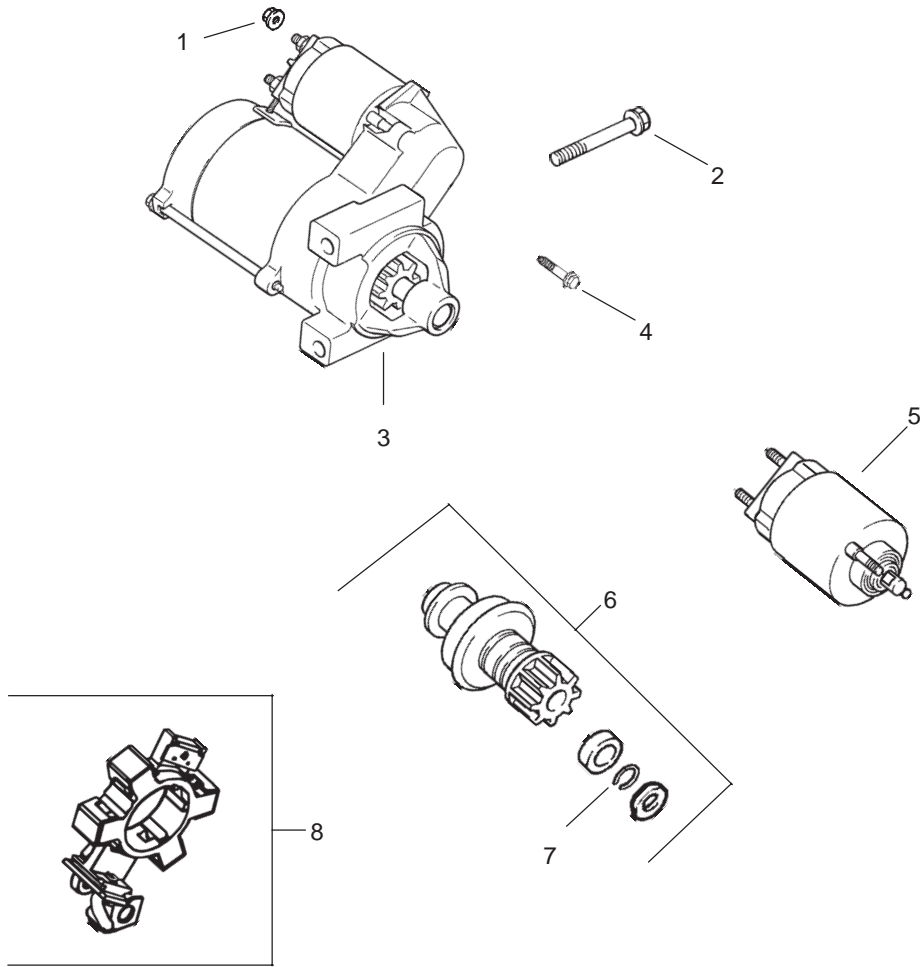
Group 6 – Blower Housing Assembly Kohler CH740-0007

Ref. No.	Part No.	Qty.	Description
1	84 027 13-S	1	Housing, blower (Includes 2)
2	25 154 02-S	4	Clip
3	M-645016-S	10	Screw, hex. flange M6x1.0x16
4	24 096 63-S	2	Cover, access
5	M-551016-S	1	Screw, hex. flange M5x0.8x16
6	M-545016-S	2	Screw, hex. flange M5x0.8x16
7	M-545020-S	4	Screw, hex. flange M5x0.8x20
8	24 146 19-S	1	Plate, backing – #2 side
9	24 063 39-S	1	Baffle, cylinder barrel-#2 side
10	24 063 17-S	1	Baffle, valley – #2 side
11	M-545010-S	2	Screw, hex. flange M5x0.8x10
12	24 063 59-S	1	Baffle, valley – #1 side
13	24 063 58-S	1	Baffle, cylinder barrel-#1 side

Ref. No.	Part No.	Qty.	Description
14	24 146 20-S	1	Plate, backing – #1 side
*	24 113 124-S	1	Decal, 27 HP

Obtain Parts from Kohler

* Not Illustrated

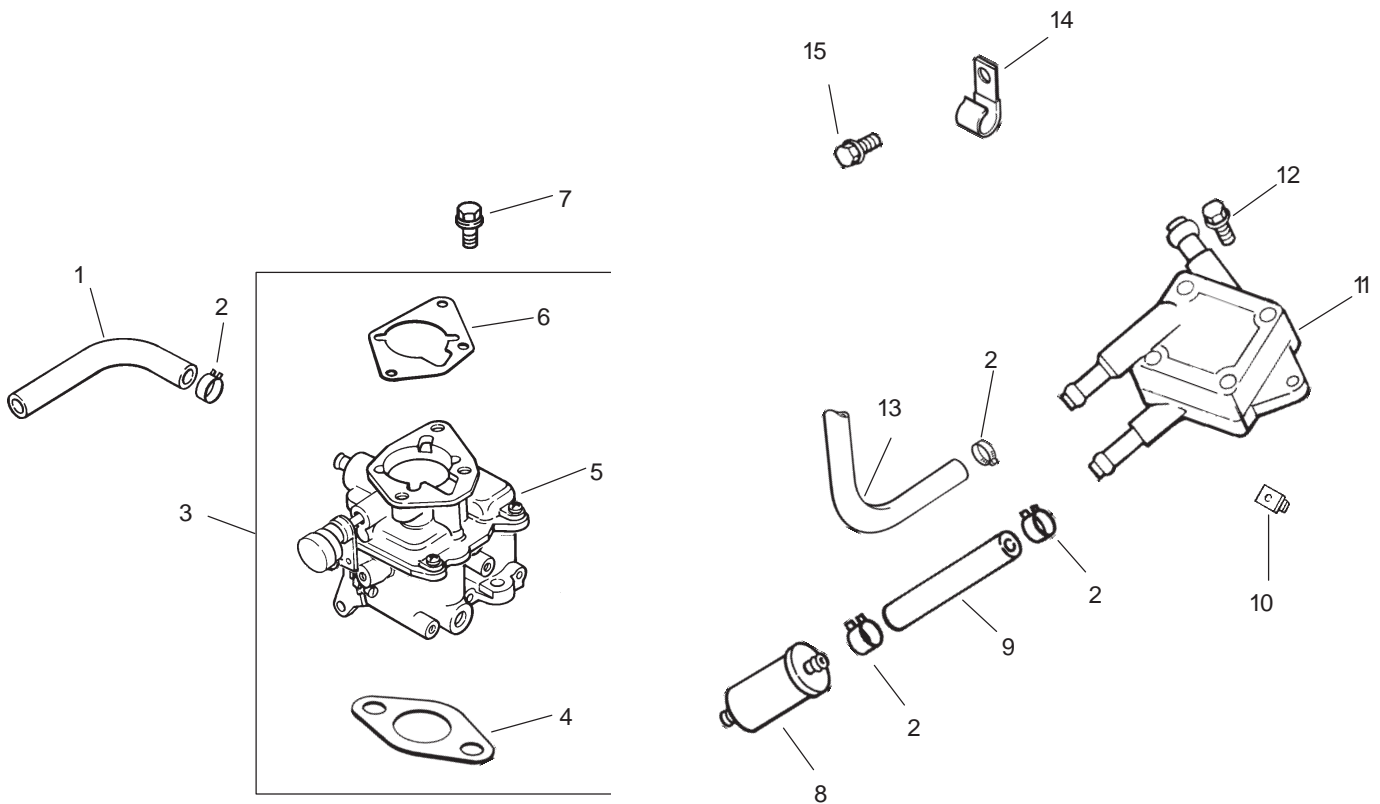


Group 7 – Starter Assembly Kohler CH740-0007

Ref. No.	Part No.	Qty.	Description
1	M-841080-S	1	Nut, hex flange M8x1.25
2	M-839080-S	2	Screw, hex. flange M8x1.25x80
3	25 098 09-S	1	Starter, solenoid shift assembly (Includes 4-8)
4	25 086 113-S	3	Screw, external Torx head
5	25 435 05-S	1	Kit, solenoid (Includes 4)
6	25 755 33-S	1	Kit, pinion drive (Includes 7)
7	25 141 05-S	1	Ring
8	25 225 01-S	1	Kit, brush

Ref. No.	Part No.	Qty.	Description

Obtain Parts from Kohler



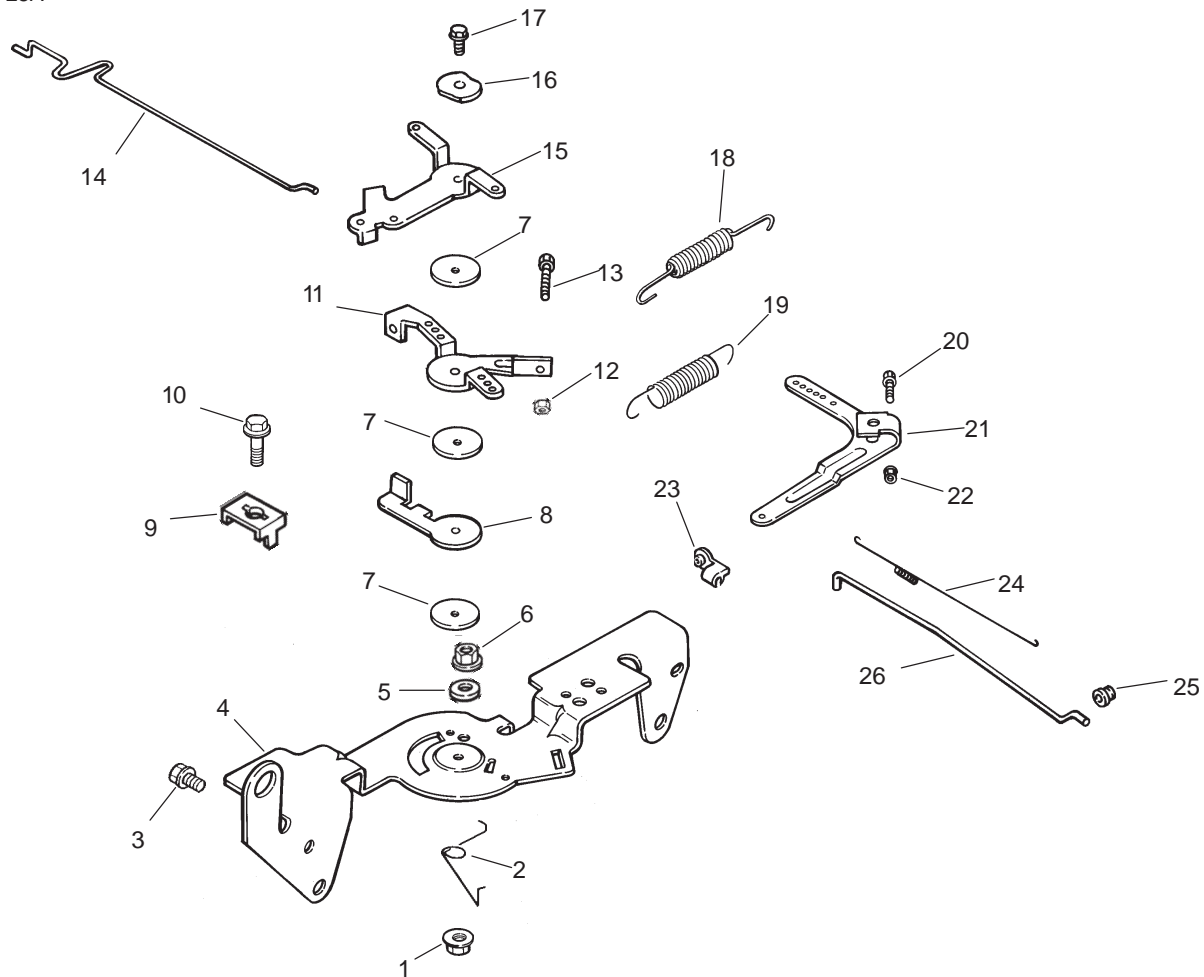
Group 8 – Fuel System Assembly Kohler CH740-0007

Ref. No.	Part No.	Qty.	Description
1	25 353 32-S	1	Line, fuel 9-1/4"
2	25 237 14-S	6	Clamp, hose
3	24 853 93-S	1	Kit, carburetor w/gasket (Includes 4-6)
4	24 041 17-S	1	Gasket, carburetor
5	24 053 93	1	Carburetor assembly (For information only, not available separately) (Service with kits 24 757 01-S, 24 757 02-S, 24 757 03-S, 24 757 07-S, 24 757 08-S, and 24 757 09-S)
6	24 041 06-S	1	Gasket, air cleaner base
7	M-651030-S	2	Screw, hex. flange
8	24 050 02-S	1	Filter, fuel
9	25 353 15-S	1	Line, fuel 3-1/2
10	24 100 01-S	2	Nut, plastic
11	24 393 16-S	1	Pump, fuel

Ref. No.	Part No.	Qty.	Description
12	24 086 12-S	2	Screw, hex. cap M6x1.7x18
13	24 353 02-S	1	Line, fuel 15"
14	47 154 01-S	1	Clip, cable
15	M-650012-S	1	Screw, hex. flange M6x1.0x12
*	24 757 01-S	1	Kit, solenoid
*	24 757 02-S	1	Kit, float repair
*	24 757 03-S	1	Kit, carburetor repair
*	24 757 07-S	1	Kit, choke repair
*	24 757 08-S	1	Kit, accelerator pump diaphragm repair
*	24 757 09-S	1	Kit, accelerator pump seal and bushing kit

Obtain Parts from Kohler

* Not Illustrated

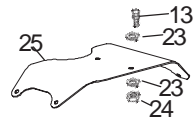
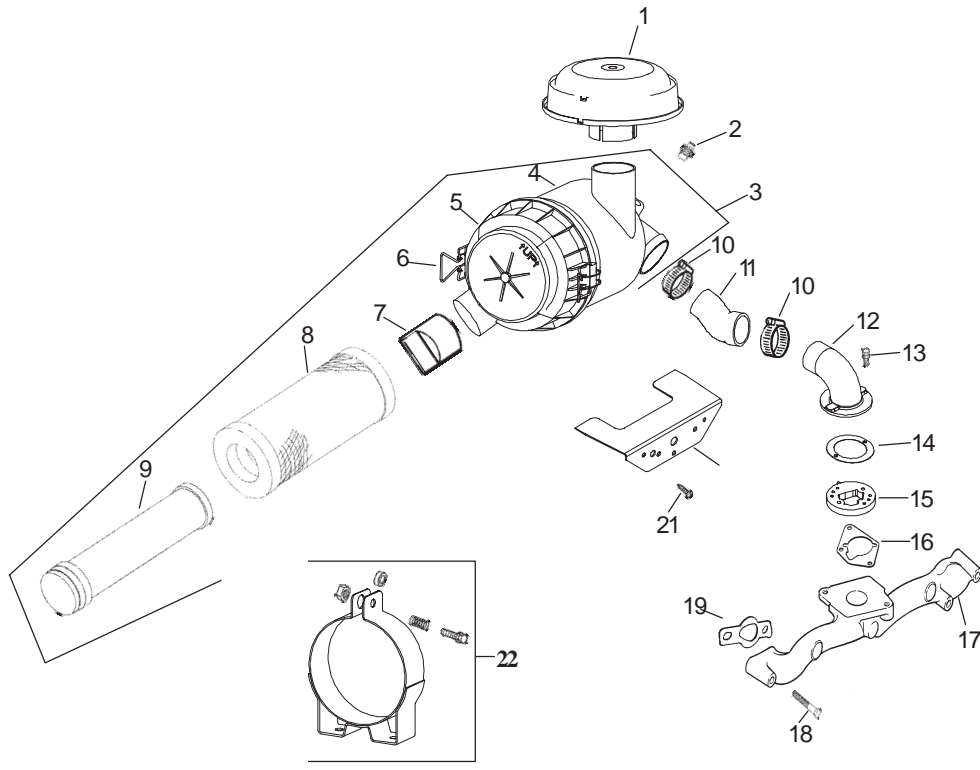


Group 9 – Engine Control Assembly Kohler CH740-0007

Ref. No.	Part No.	Qty.	Description
1	M-547050-S	1	Nut, hex. lock M5x0.8
2	24 089 03-S	1	Spring, choke return
3	M-645016-S	4	Screw, hex. flange M6x1.0x16
4	24 126 56-S	1	Bracket, control
5	X-20-1-S	1	Washer, lock 1/4
6	M-541050-S	1	Nut, hex. flange M5x0.8
7	24 468 01-S	3	Washer, plain 1/4
8	24 090 07-S	1	Lever, throttle actuator
9	12 237 01-S	2	Clamp, cable
10	M-545016-S	3	Screw hex. flange M5x0.8x16
11	24 090 03-S	1	Lever, throttle control
12	M-446030-S	1	Nut, hex. flange M4x0.7
13	M-401030-S	1	Screw, hex. flange M4x0.7x30
14	24 079 21-S	1	Linkage, choke
15	24 090 05-S	1	Lever, choke
16	41 468 03-S	1	Washer, spring 1/4
17	M-545020-S	1	Screw, hex. flange M5x0.8x20
18	24 089 51-S	1	Spring, throttle limiter

Ref. No.	Part No.	Qty.	Description
19	24 089 46-S	1	Spring, governor
20	24 211 03-S	1	Bolt, rd. hd. sq. neck M6x1.0x25
21	24 090 33-S	1	Lever, governor
22	M-641060-S	1	Nut, hex. flange M6x1.0
23	25 158 11-S	1	Bushing, linkage retaining
24	24 089 01-S	1	Spring, linkage
25	25 158 08-S	1	Bushing, throttle linkage
26	24 079 01-S	1	Linkage, throttle

Obtain Parts from Kohler

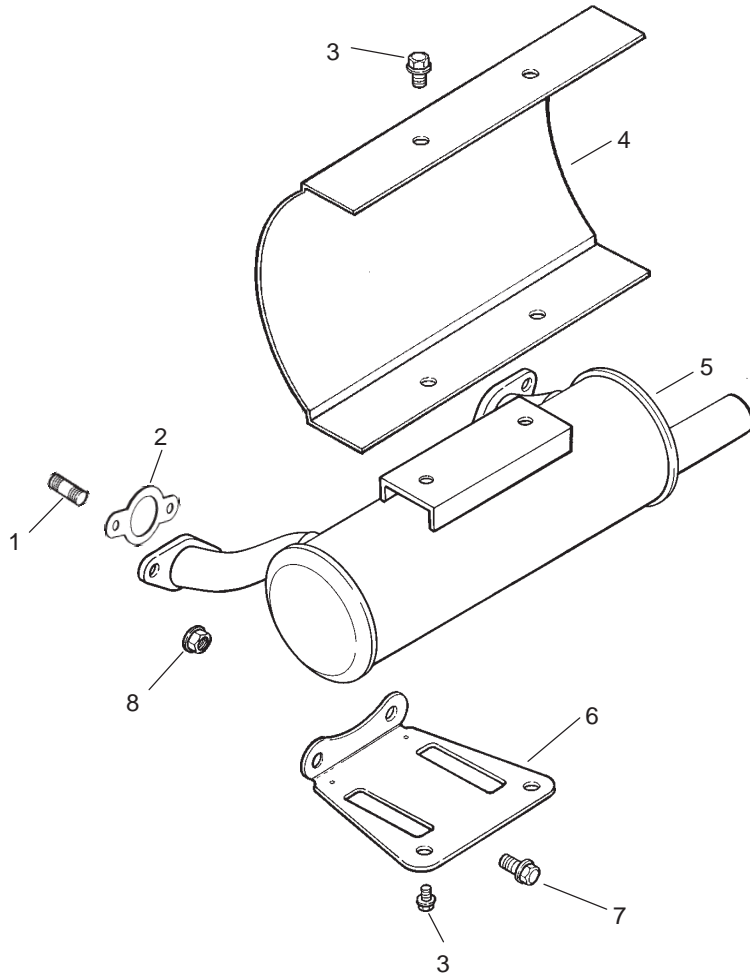


Group 10 – Air Intake/Filtration Assembly Kohler CH740-0007

Ref. No.	Part No.	Qty.	Description
1	25 324 02-S	1	Hood, air cleaner
2	25 139 20-S	1	Plug, pipe
3	25 048 07-S	1	Cleaner, heavy duty air (Includes 4-9)
4	25 081 01-S	1	Housing, heavy duty air cleaner
5	25 096 06-S	1	Cover, heavy duty air cleaner
6	25 154 05-S	2	Clip
7	24 462 07-S	1	Valve, dust ejector
8	25 083 01-S	1	Element – primary
9	25 083 04-S	1	Element safety filter
10	25 237 07-S	2	Clamp, hose
11	24 326 32-S	1	Hose, air cleaner
12	24 029 21-S	1	Adapter, remote air cleaner
13	M-639016-S	6	Screw, hex. flange M6x1.0x16
14	24 041 34-S	1	Gasket, adapter
15	24 029 26-S	1	Adapter
16	24 041 06-S	1	Gasket, air cleaner base
17	24 164 14-S	1	Manifold, intake

Ref. No.	Part No.	Qty.	Description
18	25 086 84-S	4	Screw, hex. flange M6x1.0x55
19	24 041 01-S	2	Gasket, intake manifold
20	24 314 25-S	1	Shield, debris
21	24 086 06-S	2	Screw, phillips hd. 11-16x3/4"
22	25 126 02-S	1	Bracket, air cleaner
23	X-25-73-S	4	Washer, plain 1/4"
24	M-647060-S	2	Nut, hex. lock M6x0.8
25	24 126 98-S	1	Bracket, air cleaner

Obtain Parts from Kohler



Group 11 – Exhaust Assembly Kohler CH740-0007

Ref. No.	Part No.	Qty.	Description
1	25 072 04-S	4	Stud M8x1.25x33
2	24 041 49-S	2	Gasket, exhaust
3	M-650012-S	4	Screw, hex. flange M6x1.0x12
4	24 314 04-S	1	Shield, heat
5	24 068 18-S	1	Muffler, canister oil filter outlet
6	24 126 12-S	1	Bracket, muffler
7	M-839020-S	2	Screw, hex. flange M8x1.25x20
8	M-841080-S	4	Nut, hex. flange M8x1.25
*	24 755 113-S		Gasket Set

Ref. No.	Part No.	Qty.	Description

Obtain Parts from Kohler

* Not Illustrated

