



## Z553

### Z Master<sup>®</sup> with 60in TURBO FORCE Side Discharge Mower

Model No. 74244—240000001 and Up

## Parts Catalog

---

### Ordering Replacement Parts

To order replacement parts, please supply: the part number, the quantity, and the description of each part desired.

### Understanding Reference Numbers

Each identified part in an illustration has a reference number. The reference number for a part also appears in the parts list, along with other information about the part.

This catalog uses two special reference number formats, one to indicate parts in a service assembly and another to indicate the quantity of a given part in an illustration.

### Service Assembly Reference Numbers

Parts in service assemblies have reference numbers in the form **a:b**. The **a** represents the reference number of the entire service assembly and the **b** represents a sequential number unique to each part within the service assembly.

For example, a wheel assembly might be identified by reference number **6**, the tire by **6:1**, the valve by **6:2**, and the wheel by **6:3**. When you order the assembly identified by reference number **6**, you receive all parts identified by reference numbers **6:1**, **6:2**, and **6:3**. However, you may also order any part individually.

Reference numbers of this type appear in illustrations and in part lists.

### Reference Numbers Indicating Quantity

In an illustration, if a reference number indicates more than one part, the reference number has the form **nX y**. The **n** represents the quantity of the part, the **X** is the multiplication symbol, and the **y** represents the reference number.

For example, in an illustration, the reference number **2X 37** means that two of the parts identified by reference number **37** are indicated.

## Contents

<b>Description</b>	<b>Page</b>	<b>Description</b>	<b>Page</b>
Front Frame Assembly .....	4	Group 1 – Crankshaft Assembly	
Castor and Wheel Assembly .....	5	Kohler CH23S-76569 .....	25
Main Frame Assembly .....	6	Group 2 – Crankcase Assembly	
Brake and Wheel Hub Assembly .....	7	Kohler CH23S-76569 .....	26
Steering Control Assembly .....	8	Group 3 – Oil Pan/Lubrication Assembly	
Hydraulic System Assembly .....	9	Kohler CH23S-76569 .....	27
Seat and Roll-Over-Protection-System Assembly .....	11	Group 4 – Head/Valve/Breather Assembly	
Seat Assembly No. 107-1867 .....	12	Kohler CH23S-76569 .....	28
Deck Mounting Assembly .....	13	Group 5 – Ignition/Electrical Assembly	
Drive Idler Assembly .....	14	Kohler CH23S-76569 .....	30
Z-Stand Assembly .....	15	Group 6 – Blower Housing Assembly	
Engine and Clutch Assembly .....	16	Kohler CH23S-76569 .....	31
Muffler and Guard Assembly .....	17	Group 7 – Starter Assembly	
Fuel Tank Assembly .....	18	Kohler CH23S-76569 .....	32
Electrical Components Assembly .....	19	Group 8 – Fuel System Assembly	
60in Deck Assembly .....	20	Kohler CH23S-76569 .....	33
Spindle Assembly No. 106-3217 .....	21	Group 9 – Engine Control Assembly	
Deck Assembly No. 107-1624 .....	22	Kohler CH23S-76569 .....	34
Rubber Deflector Assembly No. 106-3249 ...	23	Group 10 – Air Intake/Filtration Assembly	
Lever Assembly No. 106-3242 .....	24	Kohler CH23S-76569 .....	35
		Group 11 – Exhaust Assembly	
		Kohler CH23S-76569 .....	36

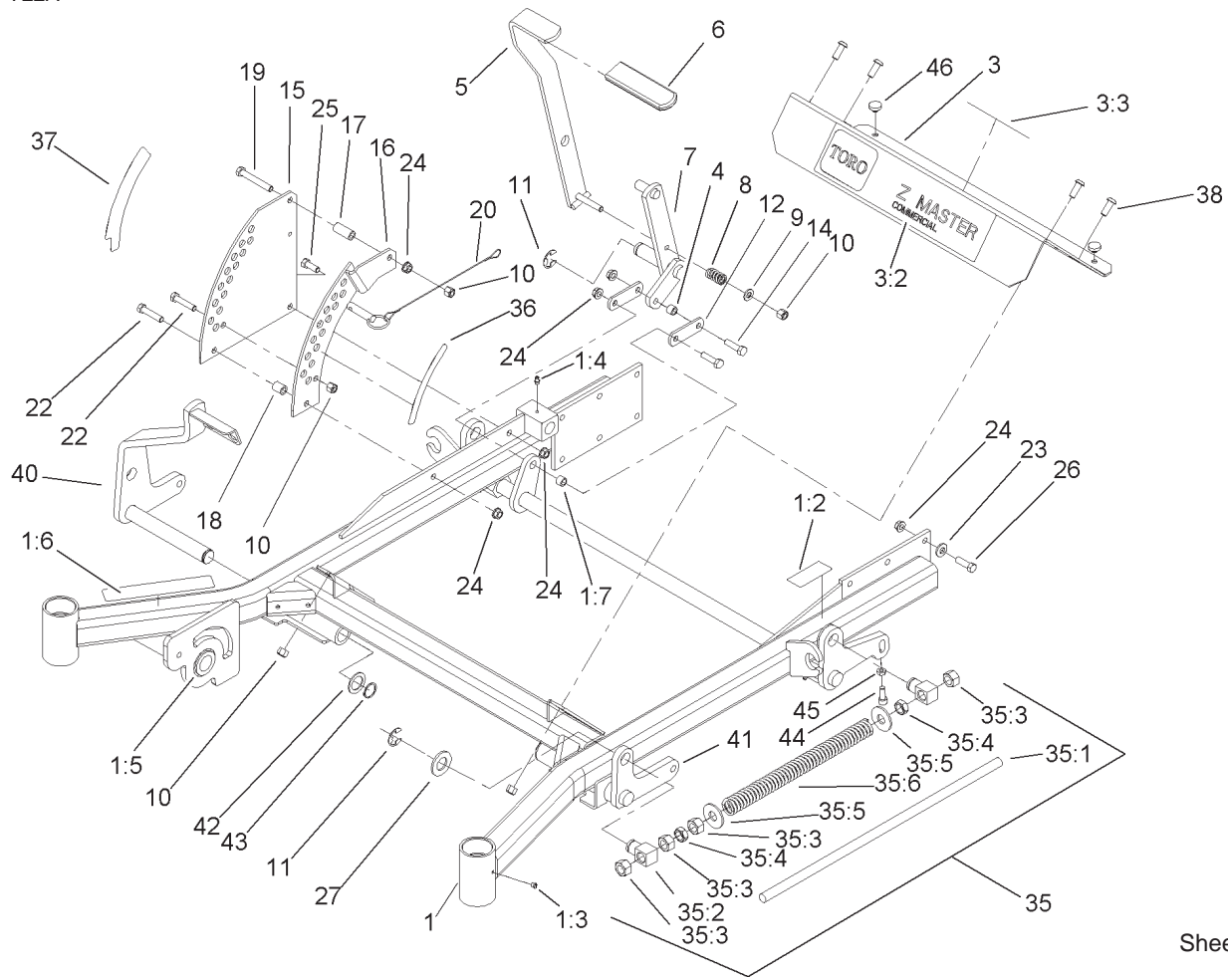
## Accessories

Description	Model / Part No.	Description	Model / Part No.
Mid Flow Blade .....	105-7715-03	Recycler Blade .....	105-7777-03
Lo Flow Blade .....	105-7716-03	Atomic Blade .....	105-8777-03

## Part Description Abbreviations

Part descriptions in this catalog may include the following abbreviations.

Abbreviation	Meaning	Abbreviation	Meaning
AR .....	as required	HYD .....	hydraulic
ASM .....	assembly	INC .....	incorporated
CARR .....	carriage	LH .....	left hand
DEG .....	degrees	NI .....	nylon insert
FH .....	flat head	PPH .....	Phillips pan head
GA .....	gauge	PTH .....	Phillips truss head
HF .....	hex flange	PTO .....	power take off
HH .....	hex head	RH .....	right hand
HHF .....	hex head flange	SFH .....	slotted fillister head
HLH .....	hex lag head	SHH .....	slotted hex head
HJ .....	hex jam	SQH .....	square head
HOC .....	height-of-cut	SHWH .....	slotted hex washer head
HS .....	hex socket	SPH .....	slotted pan head
HSBH .....	hex socket button head	SRH .....	slotted round head
HSFH .....	hex socket flat head	STD .....	standard
HSH .....	hex socket head	TAP .....	self tapping
HWH .....	hex washer head	TTH .....	Torx truss head
HWHTF .....	hex washer head thread forming	WH .....	wing head

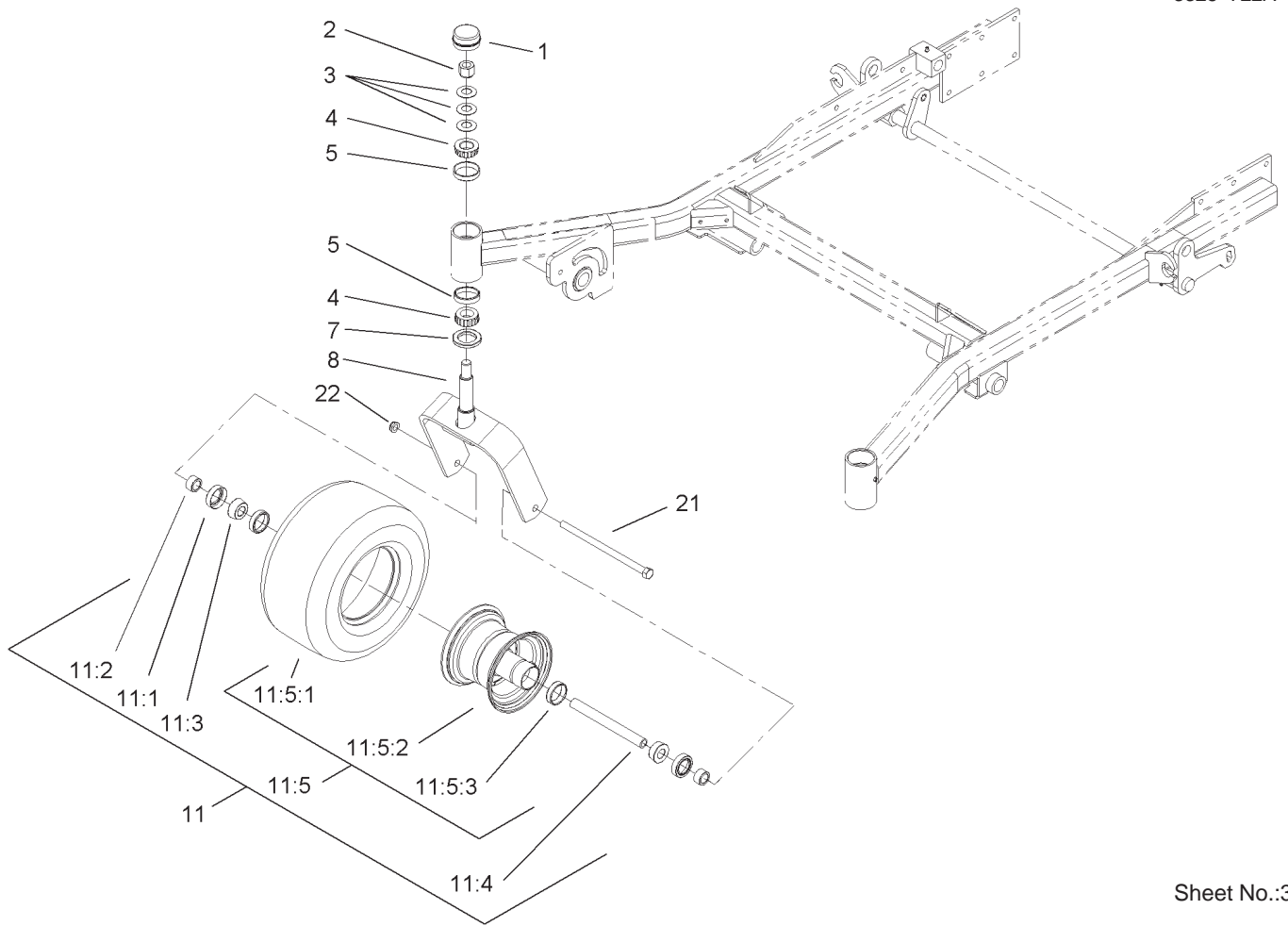


## Front Frame Assembly

Ref. No.	Part No.	Qty.	Description
1	106-8998	1	Frame ASM
1:2	107-1857	1	Decal-Brake, Parking
1:3	1-811010	2	Plug
1:4	302-19	5	Fitting-Grease
1:5	94-1291	2	Bushing
1:6	104-7759	1	Decal-Warning
1:7	103-1918	1	Bushing
3	106-9981	1	Front Floorpan ASM
3:2	106-7451	1	Decal
3:3	107-2112	1	Decal-Warning, Slope Rops
4	103-1918	1	Bushing
5	103-2083-03	1	Lever-Lift
6	1-633295	1	Grip-Lever, Lift
7	103-2064-03	1	Arm-Lift, Deck
8	1-633325	1	Spring-Compression
9	3256-24	1	Washer-Flat
10	3296-39	9	Nut-Lock, NI
11	32151-103	5	Ring-Snap
12	1-633068	2	Arm-Lift, Deck
14	323-29	2	Screw-HH
15	1-633889-01	1	Plate-Lift, Deck
16	1-632899-01	1	Plate-Lift, Deck
17	1-633082	1	Bushing-Lever, Lift
18	1-633080	1	Bushing-Lever, Lift
19	323-13	1	Screw-HH

Ref. No.	Part No.	Qty.	Description
20	106-9951	1	Hitch Pin ASM
22	323-9	2	Screw-HH
23	98-5975	12	Washer-Belleville
24	3290-357	15	Nut-HHF
25	323-6	1	Screw-HH
26	323-7	12	Screw-HH
27	3256-29	4	Washer-Flat
☆35		2	Front Frame Spring ASM
35:1	1-633096	1	Rod-Lift, Deck
35:2	1-633441	2	Swivel-Deck Mount, Rear
35:3	3217-11	4	Nut-Hex
35:4	3218-6	2	Nut-Jam
35:5	3256-7	2	Washer-Flat
35:6	1-633064	1	Spring-Support, Deck
36	107-1861	1	Decal-Height, Deck
37	107-1860	1	Decal-Height, Deck
38	3274-94	4	Screw-HSBH
40	106-8983-01	1	RH Deck Lift ASM
41	106-8984-01	1	LH Deck Lift ASM
42	1-523157	2	Washer-Spacer
43	32151-29	2	Ring-Retaining
44	3274-18	2	Screw-HSH
45	3218-2	2	Nut-Jam
46	1-513658	2	Bumper

☆ Not serviced separately



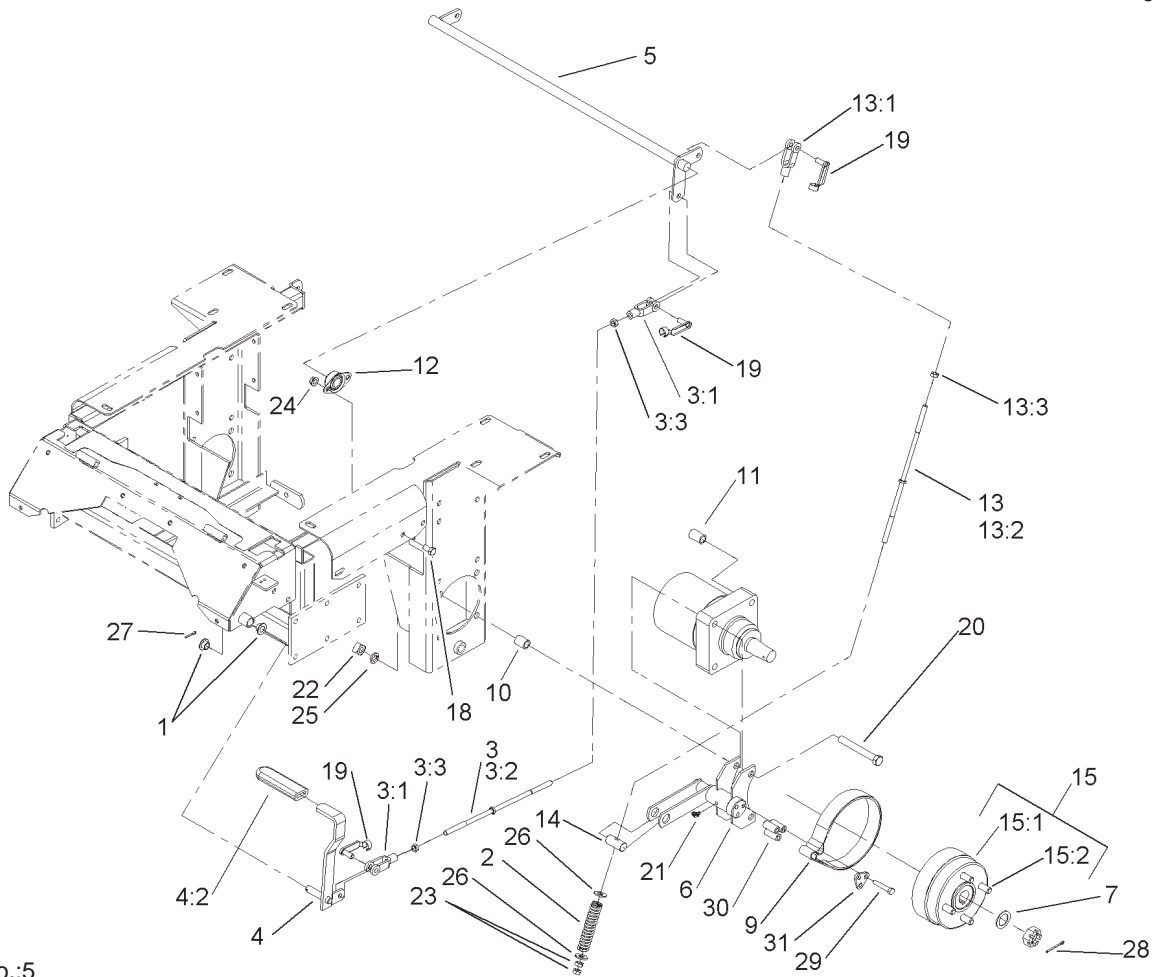
### Castor and Wheel Assembly

Ref. No.	Part No.	Qty.	Description
1	1-543513	2	Cap-Grease
2	3296-51	2	Nut-Lock, NI
3	1-633508	6	Washer-Bellville
4	254-94	4	Bearing-Cone, Taper
5	254-72	4	Bearing-Cup, Tapered
7	1-543511	2	Seal-Grease
8	103-1474-01	2	Fork-Caster
11	1-644251	2	Caster Wheel ASM
11:1	1-633580	2	Seal-Bearing
11:2	1-633581	2	Spacer-Bearing
11:3	1-633585	2	Bearing-Cone, Taper
11:4	1-633959	1	Spacer-Caster, Front
☆11:5		1	Wheel And Tire ASM
11:5:1	1-523009	1	Tire
11:5:2	1-633987	1	Wheel
11:5:3	1-633584	2	Bearing-Cup
21	325-39	2	Screw-HH
22	3296-45	2	Nut-Lock, NI

Ref. No.	Part No.	Qty.	Description

☆ Not serviced separately

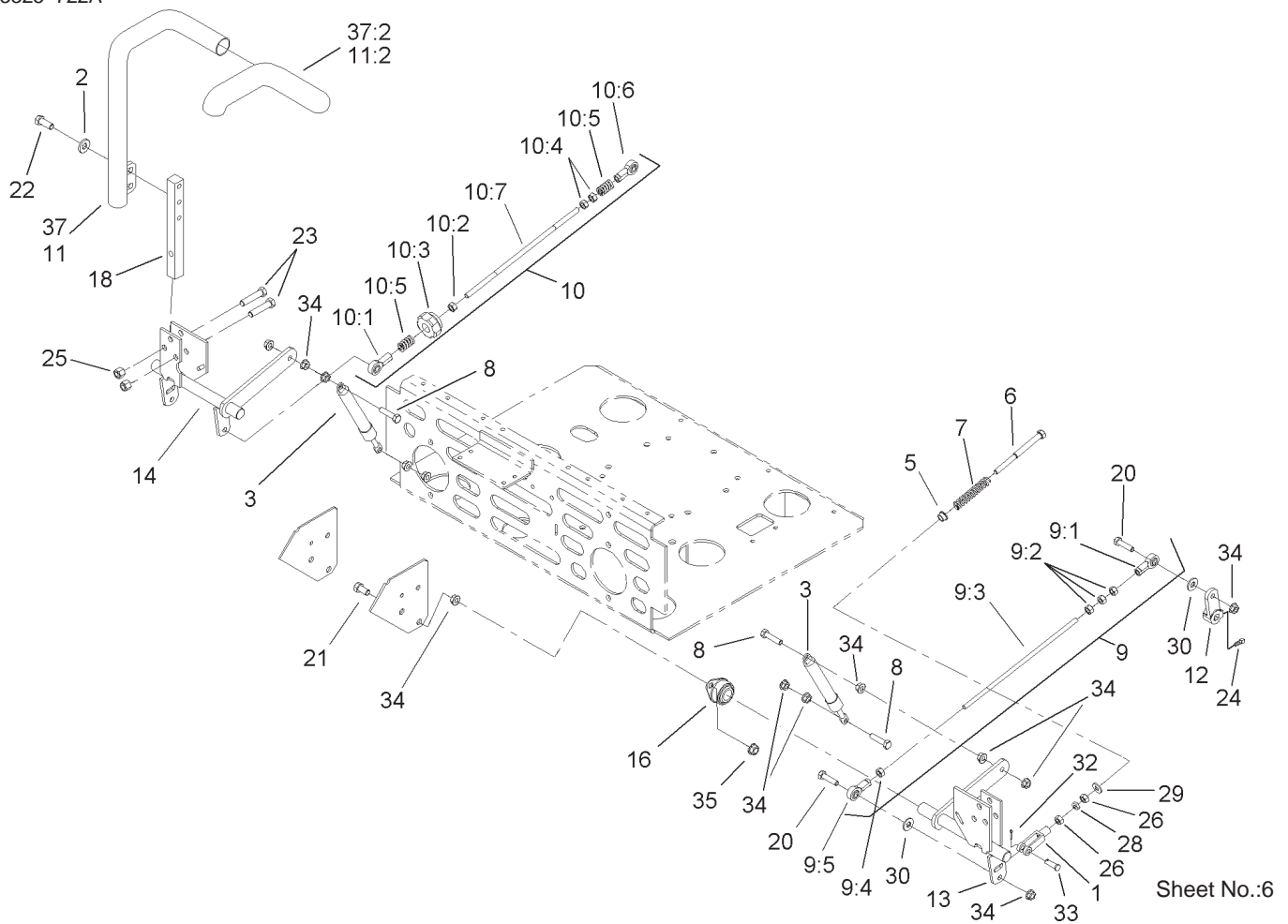




Sheet No.:5

## Brake and Wheel Hub Assembly

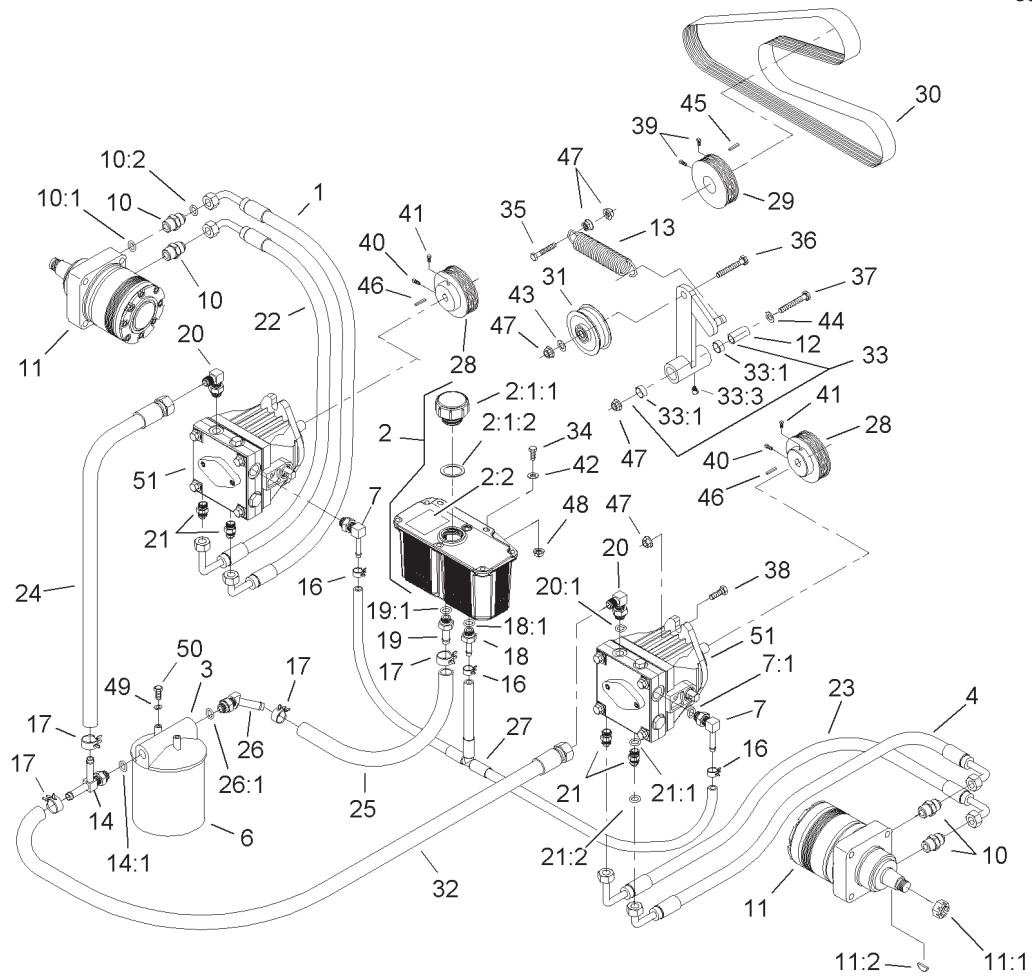
Ref. No.	Part No.	Qty.	Description	Ref. No.	Part No.	Qty.	Description
1	1-513140	2	Bearing-Control	19	103-2399	4	Pin-Spring, Clevis
2	1-633454	2	Spring-Brake	20	325-17	8	Screw-HH
3	103-4332	1	Brake Rod And Yoke ASM	21	1481	2	Fitting-Grease
3:1	1-633131	2	Yoke-Linkage, Brake	22	103-0131	8	Nut-Square
3:2	1-633477	1	Rod-Brake	23	3219-3	4	Nut-HH
3:3	3219-3	2	Nut-HH	24	3290-357	4	Nut-HHF
4	1-634500	1	Brake Lever ASM	25	3253-7	8	Washer-Lock
4:2	1-633268	1	Grip-Lever, Brake	26	3256-4	4	Washer-Flat
5	1-632217-03	1	Shaft-Brake	27	3272-10	1	Pin-Cotter
6	103-0352-03	2	Bracket-Brake	28	1-806800	2	Pin-Cotter
7	1-523157	2	Washer-Spacer	29	322-9	6	Screw-HH
9	103-0355	2	Band-Brake	30	103-0384	6	Spacer
10	1-633380	4	Spacer-Wheel, Short	31	103-0374	2	Retainer-Band, Brake
11	1-633382	4	Spacer-Wheel, Long				
12	1-633102	2	Bearing-Flange, Side				
13	103-4333	2	Brake Rod And Yoke ASM				
13:1	1-633131	1	Yoke-Linkage, Brake				
13:2	1-633477	1	Rod-Brake				
13:3	3219-3	1	Nut-HH				
14	1-633144	2	Pin-Trunion				
15	103-0590	2	Hub-Wheel				
15:1	103-0589	1	Wheel Hub ASM				
15:2	1-633926	4	Stud-Wheel				
18	323-4	4	Screw-HH				



## Steering Control Assembly

Ref. No.	Part No.	Qty.	Description
1	1-303105	2	Yoke-Adjustable
2	98-5975	4	Washer-Belleville
3	103-4079	2	Damper-Motion Control
5	1-603735	2	Bushing-Flanged
6	1-603737	2	Bolt-Return, Neutral
7	1-603807	2	Spring-Return, Neutral
8	1-403180	4	Screw-HH
9	103-4331	1	Tracking Rod ASM
9:1	1-543017	1	Balljoint-RH
9:2	3219-2	3	Nut-Hex
9:3	103-3064	1	Link-Rod, Tracking
9:4	1-804524	1	Nut
9:5	1-633152	1	Balljoint-Thread, LH
10	103-4330	1	Tracking Rod ASM
10:1	1-543017	1	Balljoint-RH
10:2	3219-2	1	Nut-Hex
10:3	103-3060	1	Knob-Tracking
10:4	1-804524	2	Nut
10:5	1-323245	2	Spring-Compression
10:6	1-633152	1	Balljoint-Thread, LH
10:7	103-3064	1	Link-Rod, Tracking
11	106-9982	1	LH Lever ASM
11:2	106-9987	1	Grip-Control, Motion
12	1-632208	2	Arm-Control, Pump

Ref. No.	Part No.	Qty.	Description
13	103-4781	1	Control-Motion, LH
14	103-4782	1	Control-Motion, RH
16	1-633102	4	Bearing-Flange, Side
18	103-0407	2	Arm-Shaft, Control
20	322-6	4	Screw-HH
21	323-4	8	Screw-HH
22	323-6	4	Screw-HH
23	323-9	6	Screw-HH
24	1-803022	2	Screw-Set
25	3296-39	6	Nut-Lock, NI
26	3219-2	4	Nut-Hex
28	3220-2	2	Nut
29	3256-2	2	Washer-Flat
30	3256-3	4	Washer-Flat
32	3272-5	2	Pin-Cotter
33	1-808280	2	Pin-Clevis
34	32128-20	16	Nut-HF
35	3290-357	8	Nut-HHF
37	106-9983	1	RH Lever ASM
37:2	106-9987	1	Grip-Control, Motion



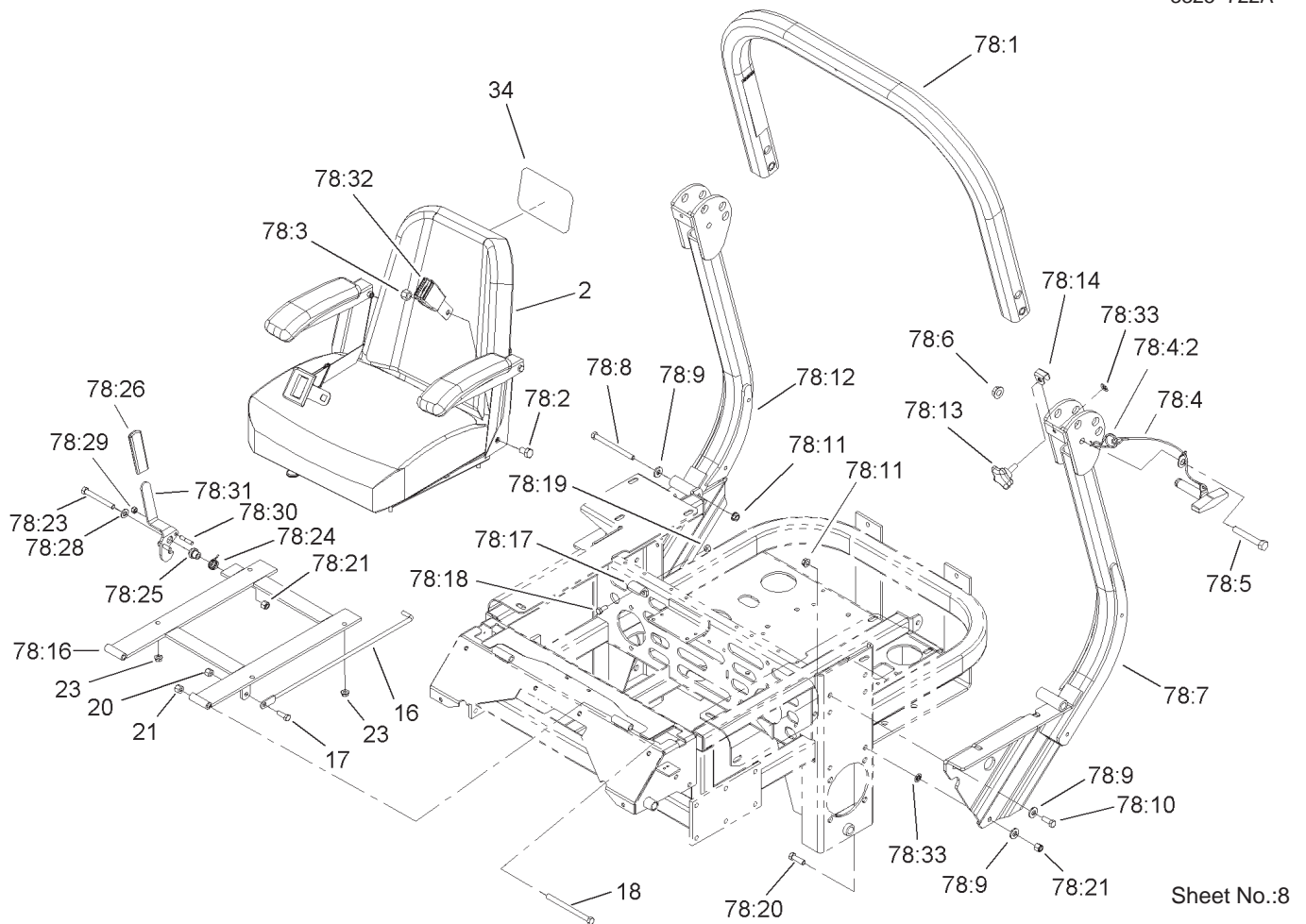
Sheet No.:7

## Hydraulic System Assembly

Ref. No.	Part No.	Qty.	Description	Ref. No.	Part No.	Qty.	Description
1	103-3736	1	HYD Hose ASM	18	103-1801	1	Adapter-Straight
2	103-1947	1	HYD Reservoir ASM	18:1	237-42	1	O-Ring
2:1:1	103-1948	1	Cap-Reservoir, HYD	19	103-1912	1	Adapter-Straight
2:1:2	103-1949	1	Gasket-Cap	19:1	237-42	1	O-Ring
2:2	1-523552	1	Decal-Tank, HYD	20	103-1802	2	Fitting-HYD, 90°
3	104-7836	1	Head-Filter	20:1	237-42	1	O-Ring
4	103-3733	1	HYD Hose ASM	21	1-603990	4	Fitting-Straight
6	1-633750	1	Filter-HYD	21:1	237-79	1	O-Ring
6	1-633752	1	Filter-HYD, Winter	21:2	1-603992	1	O-Ring
7	103-1799	2	Elbow-90°	22	103-3737	1	HYD Hose ASM
7:1	237-42	1	O-Ring	23	103-3735	1	HYD Hose ASM
10	1-603991	4	Fitting-Straight	24	103-1826	1	HYD Hose ASM
10:1	237-80	1	O-Ring	25	103-1808	1	Hose-HYD
10:2	1-603992	1	O-Ring	26	103-1807	1	Elbow-45°
11	1-523328	2	Motor-Wheel	26:1	237-42	1	O-Ring
11:1	1-809036	1	Nut-HH	27	103-1806	1	HYD Hose ASM
11:2	3257-42	1	Key-Woodruff	28	1-633568	2	Sheave
*11:99	103-2748	1	Drive Link Kit	29	1-633567	1	Sheave
*11:99	1-000139	1	Bearing Kit	30	1-633749	1	Belt-Drive, Pump
*11:99	1-000099	1	Seal Kit	31	1-633167	1	Sheave-Idler
12	1-603384	1	Bushing-Pivot, Idler	32	103-1827	1	HYD Hose ASM
13	103-3330	1	Spring-Extension	33	1-634277	1	Bearing Arm ASM
14	103-1828	1	Adapter-Run, Tee	33:1	1-513034	2	Sleeve-Bearing
14:1	237-42	1	O-Ring	33:3	302-40	1	Fitting-Grease
16	103-1716	3	Clamp-Hose	34	321-6	2	Screw-HH
17	103-1988	4	Clamp-Hose	35	323-8	1	Screw-HH

\* Not illustrated





Sheet No.:8

## Seat and Roll-Over-Protection-System Assembly

Ref. No.	Part No.	Qty.	Description
2	107-1867	1	Seat ASM
16	1-633293	1	Rod-Holdup, Seat
17	322-5	1	Screw-HH
18	323-39	2	Screw-HH
20	3296-29	3	Nut-Lock, NI
21	3296-39	5	Nut-Lock, NI
23	32128-20	4	Nut-HF
34	99-4693	1	Decal
78	107-0038	1	Rops
☆78:1		1	Upper Tube ASM W/Decals
78:2	3212-4	2	Screw-HH
78:3	3296-7	2	Nut-Lock NI
78:4	107-3060	2	Pin Latch ASM
78:4:2	107-3155	1	Hairpin
78:5	325-13	2	Screw-HH
78:6	32128-23	2	Nut-HF
☆78:7		1	LH Rops ASM
78:8	323-23	2	Screw-HH
78:9	98-5975	8	Washer-Belleville
78:10	323-6	4	Screw-HH
78:11	3290-357	6	Nut-HHF
☆78:12		1	RH Rops ASM
78:13	106-0887	2	Knob
78:14	107-3124	2	Clip
78:16	107-3052-03	1	Frame-Seat Support

Ref. No.	Part No.	Qty.	Description
78:17	107-3058	1	Catch-Latch, Seat
78:18	322-3	2	Screw-HH
78:19	3296-29	2	Nut-Lock, NI
78:20	323-7	2	Screw-HH
78:21	3296-39	3	Nut-Lock, NI
78:23	323-20	1	Screw-HH
78:24	107-0076	1	Spring-Torsion
78:25	107-0075	1	Bushing-Latch, Seat
78:26	62-9130	1	Grip-Handle
78:28	3256-24	1	Washer-Flat
78:29	3296-42	2	Nut-Lock, NI
78:30	107-0095	2	Pin
78:31	107-0094	1	Latch
78:32	103-4317	1	Belt-Seat
78:33	107-3154	4	Nut-Push

☆ Not serviced separately

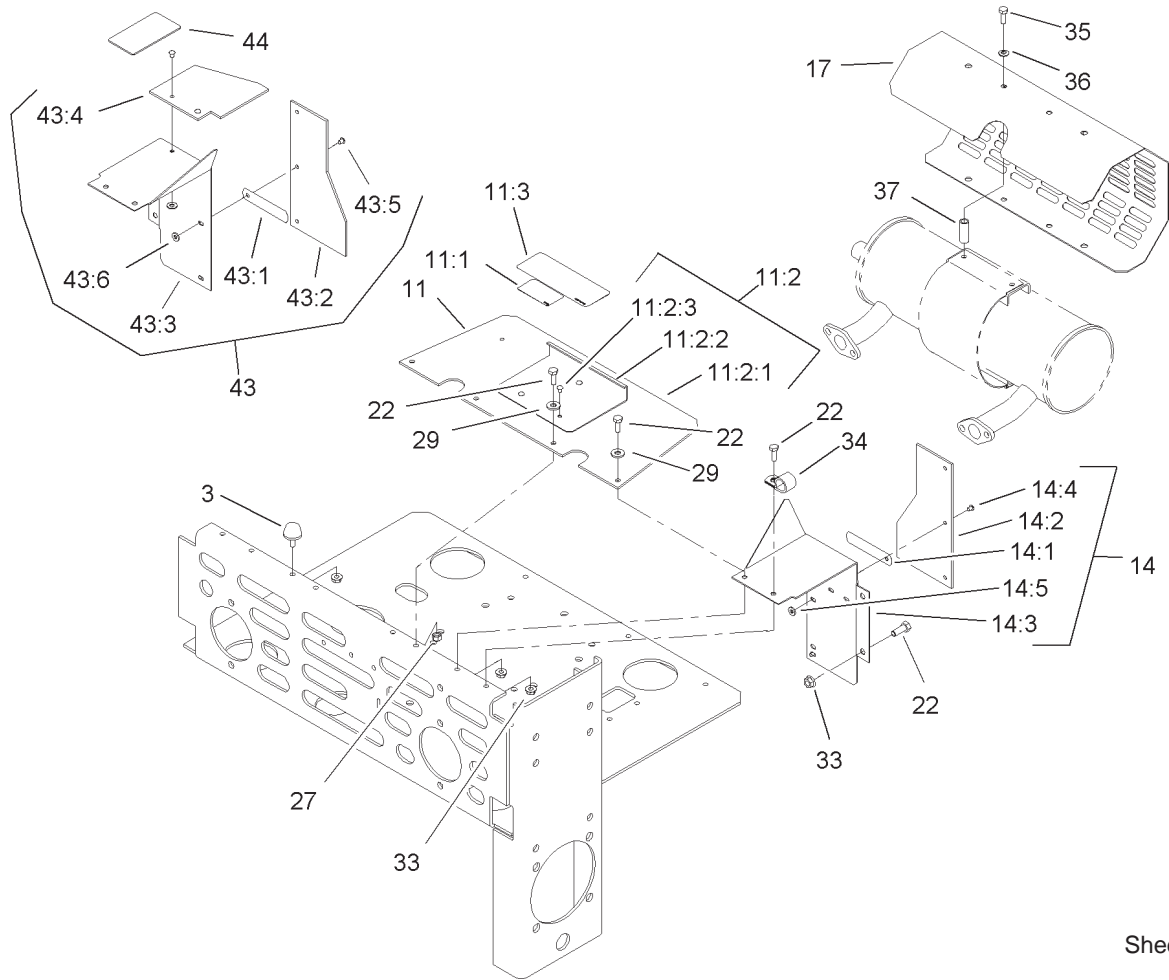








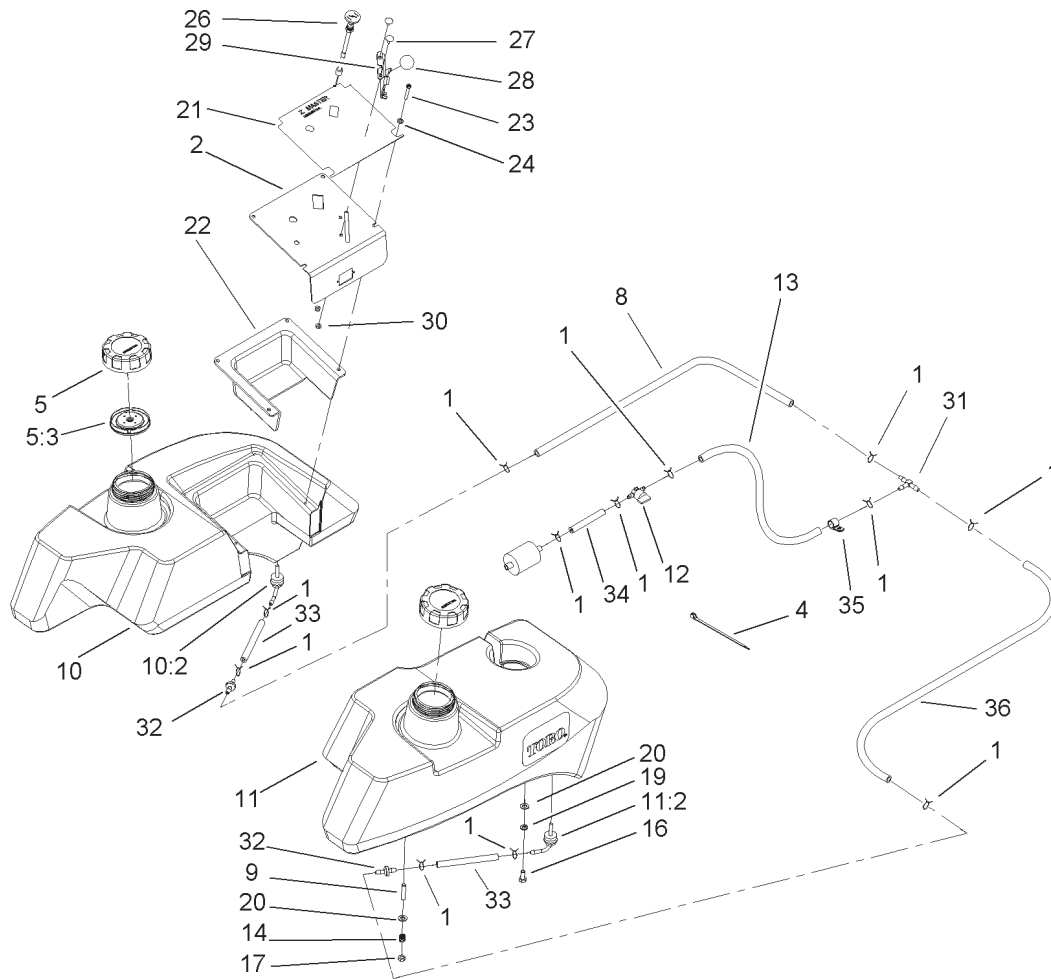




Sheet No.:13

## Muffler and Guard Assembly

Ref. No.	Part No.	Qty.	Description	Ref. No.	Part No.	Qty.	Description
3	1-523420	2	Bumper	43:1	1-523285	1	Clip-Baffle, Rear
11	1-644276	1	Shield ASM	43:2	1-633301	1	Shield-Engine
11:1	1-633462	1	Decal-Important	43:3	1-633794-03	1	Shield-RH
11:2	1-634308	1	Shield/Lift ASM	43:4	1-643315	1	Baffle-Cooler, Engine
11:2:1	103-1308	1	Shield-Engine	43:5	1-803035	5	Rivet-Pop
11:2:2	1-633300-03	1	Lift-Shield	43:6	3256-63	5	Washer-Flat
11:2:3	1-803035	3	Rivet-Pop	44	1-643339	1	Decal-Routing, Belt
11:3	103-0368	1	Decal-Devices, Rotating				
14	1-634796	1	LH Shield ASM				
14:1	1-523285	1	Clip-Baffle, Rear				
14:2	1-633301	1	Shield-Engine				
14:3	1-633795-03	1	Baffle-Engine Shield, LH				
14:4	1-803035	3	Rivet-Pop				
14:5	3256-63	3	Washer-Flat				
17	1-643313-03	1	Guard-Muffler				
22	321-4	10	Screw-HH				
27	3296-42	6	Nut-Lock, NI				
29	3256-2	4	Washer-Flat				
33	32128-33	5	Nut-HF				
34	1-633396	1	Clip-Loom				
35	1-809076	2	Screw				
36	1-323235	2	Washer-Spring				
37	1-323236	2	Spacer				
43	1-644316	1	RH Shield ASM				

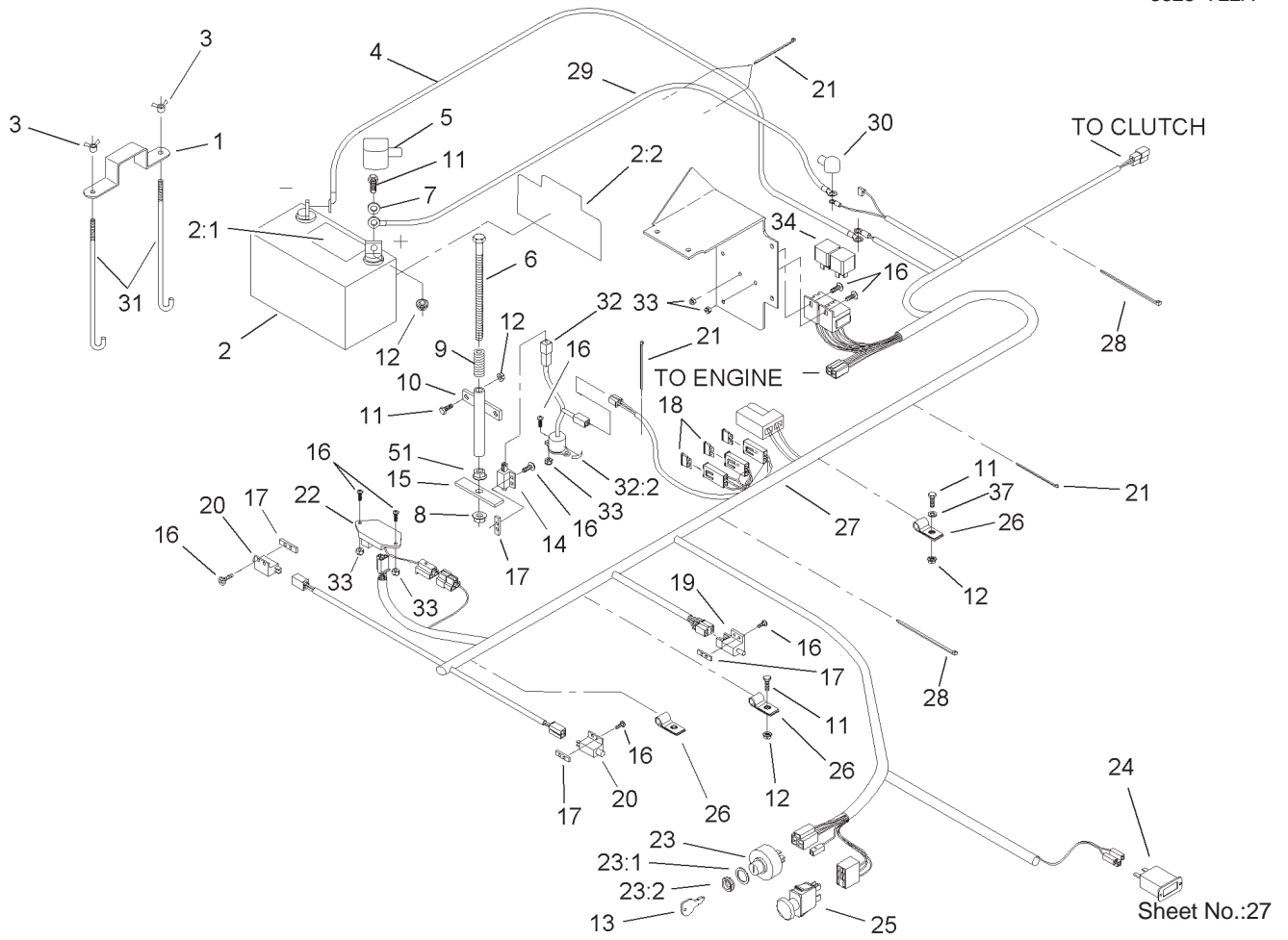


Sheet No.:22

## Fuel Tank Assembly

Ref. No.	Part No.	Qty.	Description
1	1-303077	13	Clamp
2	106-9966-03	1	Panel-Control
4	1-303335	4	Tie-Plastic
5	88-3980	2	Gas Cap ASM
5:3	88-4010	1	Gasket-Cap, Gas
8	94-7420	1	Hose-Fuel
9	1-633023	6	Stud
10	106-9980	1	LH Fuel Tank ASM
10:2	103-2605	1	Fitting-Fuel, Bulkhead
11	106-9979	1	RH Fuel Tank ASM
11:2	103-2605	1	Fitting-Fuel, Bulkhead
12	1-603770	1	Valve-Fuel
13	107-2119	1	Hose-Fuel
14	1-633349	6	Spring-Tank, Fuel
16	322-3	2	Screw-HH
17	3296-47	6	Nut-Lock, NI
19	1-805005	2	Washer-Lock
20	3256-23	8	Washer-Flat
21	106-9969	1	Decal-Panel, Control
22	99-4940	1	Shield-Panel, Control
23	1-803071	4	Screw
24	1-303435	4	Washer-Spring
26	106-9962	1	Control-Choke, Push/Pull
27	1-807513	2	Bolt-CARR
28	1-513592	1	Knob-Ball

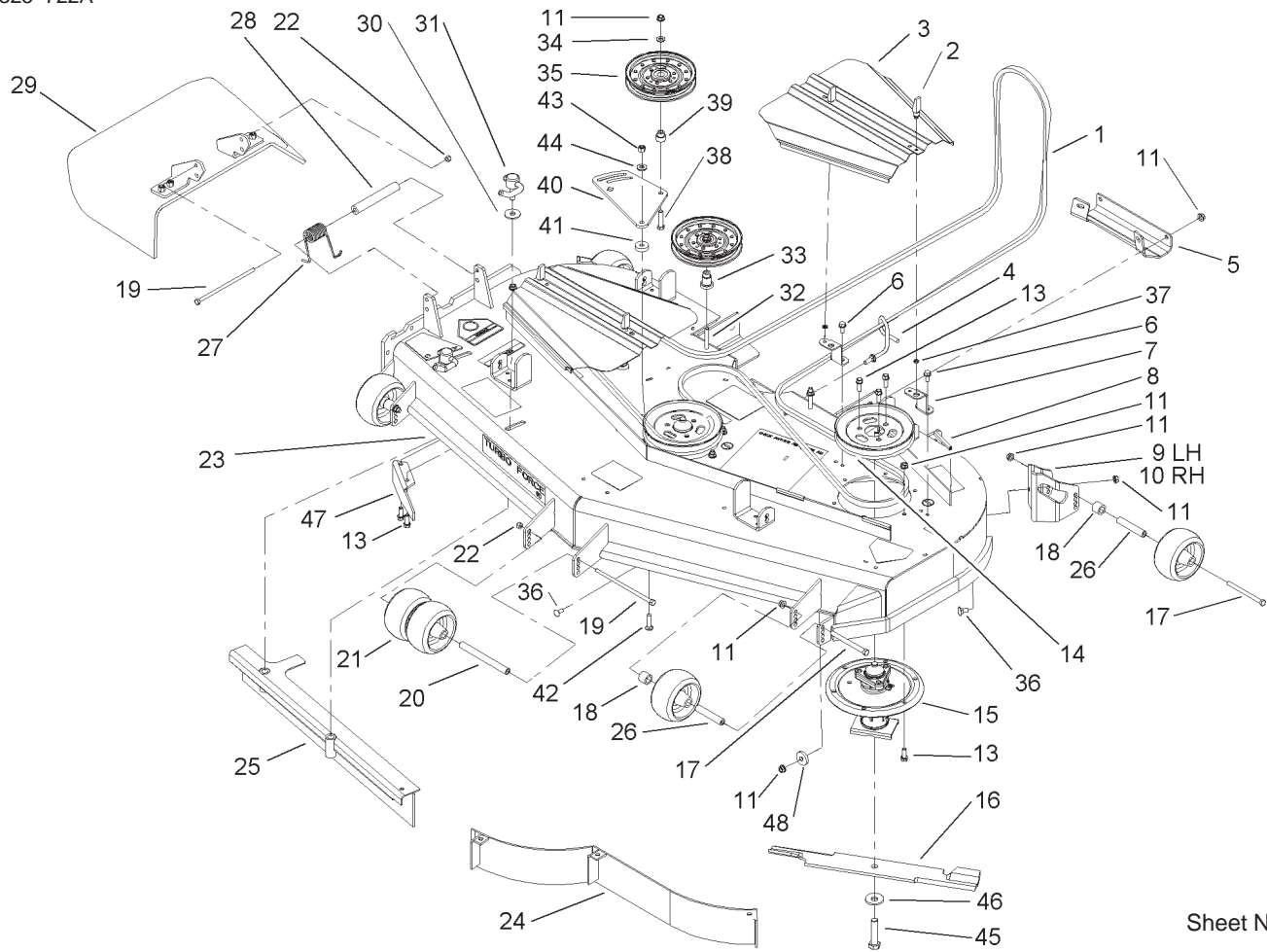
Ref. No.	Part No.	Qty.	Description
29	1-633696	1	Cable-Throttle
30	3296-2	2	Nut-Lock
31	99-5005	1	Fitting-Tee, Barbed
32	99-5000	2	Valve-Check, Fuel
33	99-7190	2	Hose-Fuel
34	105-8342	1	Hose-Fuel
35	1-513762	1	Clip-Loom
36	1-543526	1	Hose-Fuel



## Electrical Components Assembly

Ref. No.	Part No.	Qty.	Description
1	1-633652-03	1	Strap-Holddown
2	105-1692	1	Battery
2:1	104-4163	1	Decal-Battery
2:2	104-4164	1	Decal-Battery
3	1-543792	2	Wingnut
4	1-633307	1	Wire-Ground
5	1-543391	1	Insulator-Battery
6	1-800282	1	Screw-HH
7	3256-2	2	Washer-Flat
8	3296-29	1	Nut-Lock, NI
9	1-523415	1	Spring-Switch, Seat
10	1-522424-03	1	Mount-Spring, Seat
11	321-4	6	Screw-HH
12	32128-33	6	Nut-HF
13	63-8360	2	Key-Ignition
14	1-513152	1	Switch-Closed, Normally
15	1-513180	1	Plate-Switch, Seat
16	3290-500	14	Screw-PPH
17	1-633181	4	Plate-Tapped
18	1-816001	2	Fuse-Type, Blade
19	1-633111	1	Switch
20	1-513051	2	Switch-Open, Normally
21	1-303287	5	Tie-Plastic
22	100-6186	1	Module-Delay, Seat

Ref. No.	Part No.	Qty.	Description
23	88-9830	1	Key Switch ASM
23:1	3254-5	1	Washer-Tooth
23:2	218-461	1	Nut-HH
24	1-513374	1	Meter-Hour
25	1-633673	1	Switch-Delta
26	1-633396	3	Clip-Loom
27	106-7497	1	Harness-Wire
28	1-303335	2	Tie-Plastic
29	1-523281	1	Wire-Starter
30	1-543393	1	Insulator-Solenoid
31	1-633651	2	Bolt-Holddown
32	1-644427	1	Tilt Switch ASM
32:2	1-643401	1	Decal-Switch, Mercury
33	3296-2	6	Nut-Lock
34	1-643275	2	Relay
37	3256-22	1	Washer-Flat
51	3217-6	1	Nut-Hex



Sheet No.:0

## 60in Deck Assembly

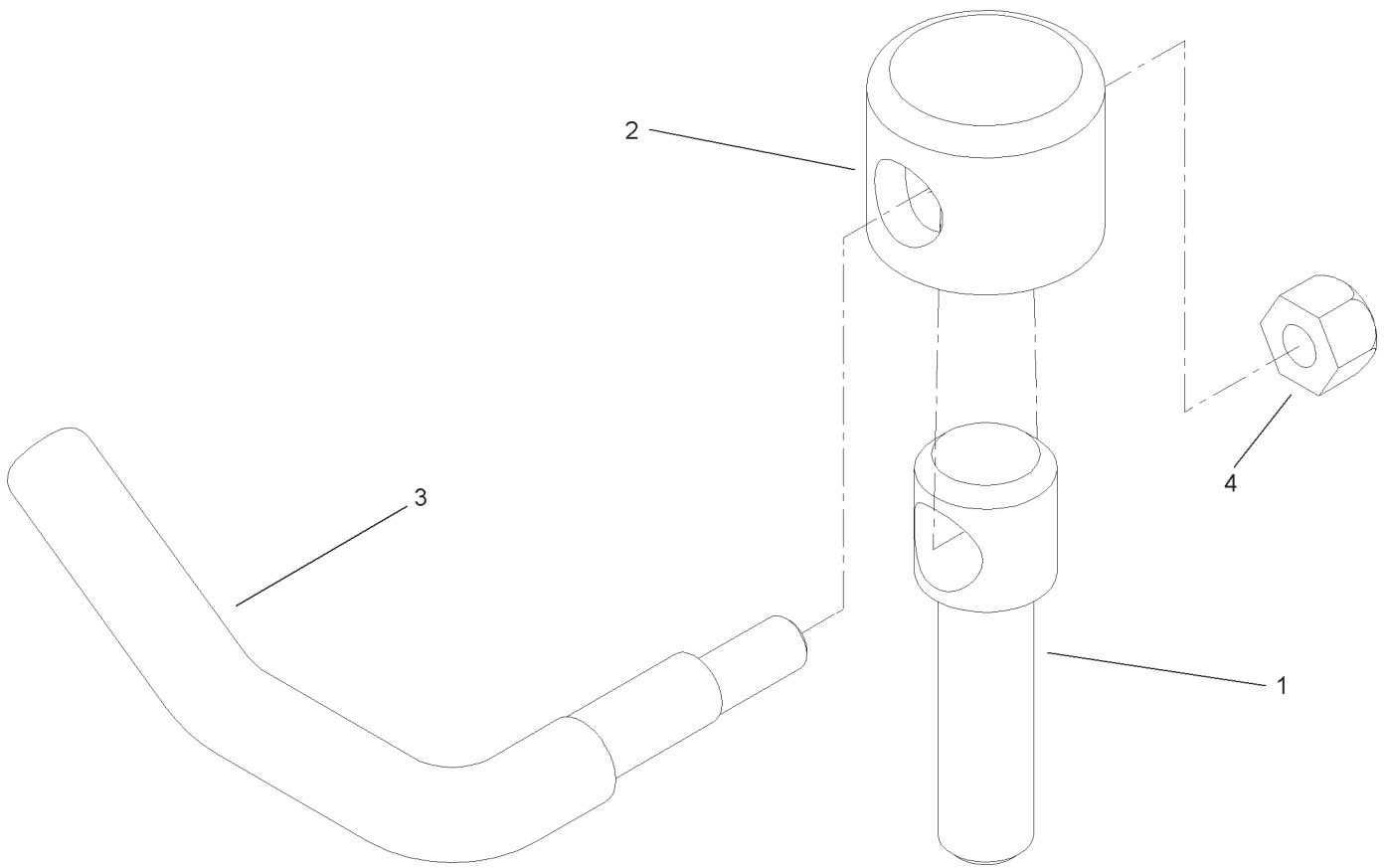
Ref. No.	Part No.	Qty.	Description
1	105-8783	1	Belt
2	74-5950	4	Latch-Swell
3	105-8786-01	2	Cover-Belt
4	106-3220	1	Guide-Wire
5	105-8792-01	1	Plate-Skid
6	32144-70	4	Screw-HH
7	105-8787-01	4	Bracket-Cover
8	105-7699	8	Seal-Strip
9	106-7354-01	1	Plate-Roller, LH
10	106-7355-01	1	Plate-Roller, RH
11	3290-357	42	Nut-HHF
13	95-1726	33	Screw-Taptite
14	105-7734	3	Pulley
15	106-3217	3	Spindle ASM
16	105-7718	3	Blade-Rotary, High Flow
17	323-23	4	Screw-HH
18	98-7913	4	Tube-Spacer
19	322-50	2	Screw-HH
20	98-5967	1	Spacer
21	1-603299	6	Roller-Anti Scalp
22	3296-29	2	Nut-Lock, NI
23	107-1624	1	Deck ASM
24	105-7657-01	1	Baffle ASM
25	105-7669-01	1	Baffle ASM
26	98-7912	4	Tube-Spanner

Ref. No.	Part No.	Qty.	Description
27	104-8554	1	Spring-Torsion
28	105-4622	1	Spacer
29	106-3249	1	Rubber Deflector ASM
30	105-7697	2	Washer-Plastic
31	106-3242	2	Lever ASM
32	323-12	2	Screw-HH
33	106-3214	2	Support-Pulley
34	3256-24	3	Washer-Flat
35	1-633109	3	Idler-Flat
36	3231-1	10	Screw-CARR
37	99-3058	4	Washer
38	323-9	1	Screw-HH
39	1-603496	1	Bushing-Idler
40	105-7787-01	1	Plate-Idler
41	105-7788	2	Spacer
42	3231-4	2	Screw-CARR
43	3296-39	2	Nut-Lock, NI
44	98-5975	1	Washer-Belleville
45	103-0862	3	Screw-Cap
46	103-0865	3	Washer-Blade Bolt, Heavy
47	106-3216-01	1	Baffle-Discharge
48	112843	1	Washer







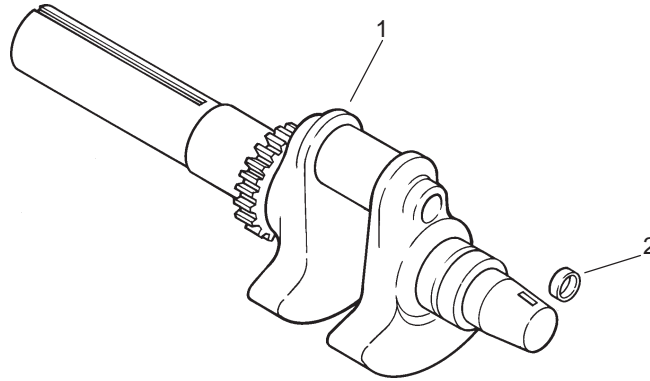


Sheet No.:A4

### Lever Assembly No. 106-3242

Ref. No.	Part No.	Qty.	Description
1	106-3239	1	Screw-Lock
2	106-3240	1	Cap-Lock
3	106-3241	1	Lever-Lock
4	3296-29	1	Nut-Lock, NI

Ref. No.	Part No.	Qty.	Description

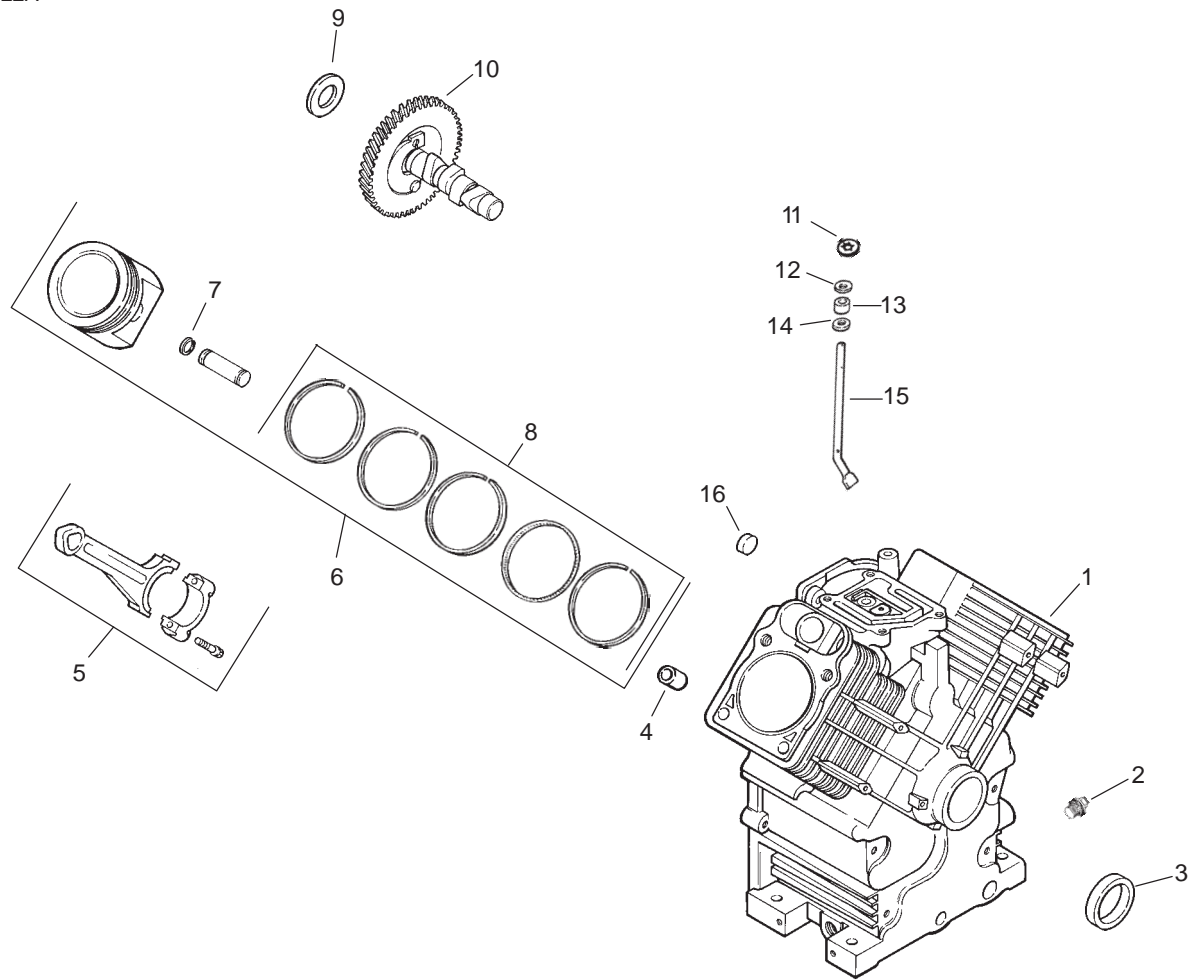


### Group 1 – Crankshaft Assembly Kohler CH23S-76569

Ref. No.	Part No.	Qty.	Description
1	24 014 84-S	1	Crankshaft assembly (Includes 2)
2	52 139 09-S	1	Plug, cup

Ref. No.	Part No.	Qty.	Description

Obtain Parts from Kohler

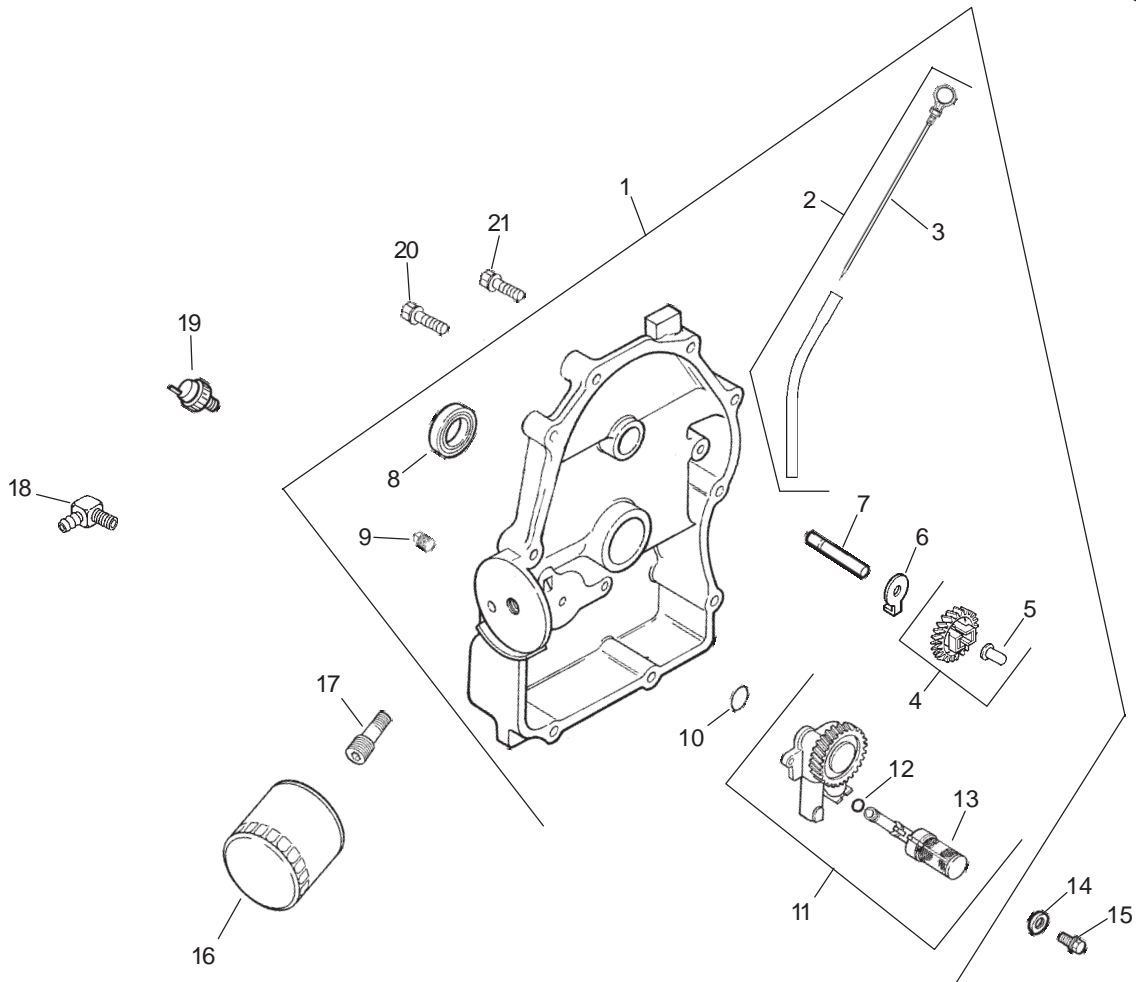


## Group 2 – Crankcase Assembly Kohler CH23S-76569

Ref. No.	Part No.	Qty.	Description
1		1	Crankcase (USE: Short Block or Miniblock)
2	25 139 57-S	2	Plug, solid sq. hd. 3/8 N.P.T.F.
3	24 032 01-S	1	Seal, front oil
4	24 380 13-S	6	Pin, locating
5	24 067 13-S	2	Connecting Rod (Std.)
	24 067 14-S	2	Connecting Rod (.25)
6	24 874 09-S	2	Piston w/Ring Set (Std.) (Includes 7, 8)
	24 874 10-S	2	Piston w/Ring Set (.25) (Includes 7, 8)
	24 874 11-S	2	Piston w/Ring Set (.50) (Includes 7, 8)
	24 874 15-S	2	Piston w/Ring Set (.080) (Includes 7, 8)
7	24 018 01-S	4	Retainer, piston pin
8	24 108 08-S	2	Ring Set (Std.)
	24 108 09-S	2	Ring Set (.25)
	24 108 10-S	2	Ring Set (.50)
9	12 422 09-S	A.R.	Shim, camshaft
	12 422 13-S	A.R.	Shim, camshaft
	12 422 07-S	A.R.	Shim, camshaft

Ref. No.	Part No.	Qty.	Description
	12 422 08-S	A.R.	Shim, camshaft
	12 422 10-S	1	Shim, camshaft
	12 422 11-S	A.R.	Shim, camshaft
	12 422 12-S	A.R.	Shim, camshaft
10	24 012 10-S	1	Camshaft
11	24 018 09-S	1	Ring, retainer
12	M-931010-S	1	Washer, nylon (top)
13	28 032 09-S	1	Seal, governor cross shaft
14	24 468 15-S	1	Washer, (bottom)
15	24 144 38-S	1	Shaft, governor cross
16	52 139 09-S	1	Plug, cup

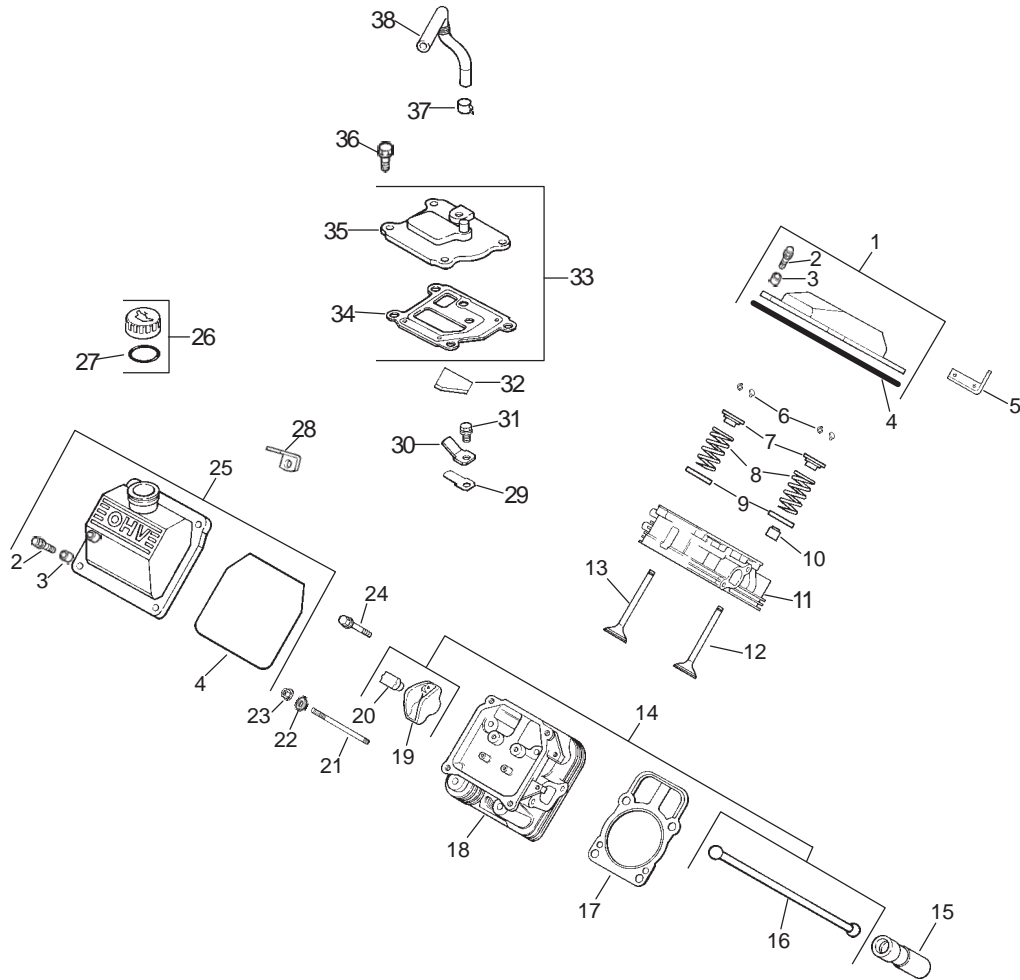
Obtain Parts from Kohler



### Group 3 – Oil Pan/Lubrication Assembly Kohler CH23S-76569

Ref. No.	Part No.	Qty.	Description	Ref. No.	Part No.	Qty.	Description
1	24 009 83-S	1	Kit, closure plate (Includes 2-13)	19	24 099 03-S	1	Switch, oil pressure
2	24 755 121-S	1	Kit, dipstick & tube (Includes 3)	20	24 086 16-S	9	Screw, hex. flange M8x1.25x45
3	24 038 10-S	1	Dipstick	21	24 086 17-S	1	Screw, hex. flange M8x1.25x45
4	24 043 12-S	1	Kit, governor gear w/pin (Includes 5)				
5	12 380 01-S	1	Pin, governor regulating				
6	52 448 02-S	1	Tab, locking				
7	12 144 02-S	1	Shaft, governor gear				
8	52 032 08-S	1	Seal, oil (PTO end)				
9	25 139 60-S	2	Plug, allen hd. 1/8 pipe				
10	24 153 08-S	1	O-Ring				
11	24 393 10-S	1	Oil pump assembly (Includes 12, 13)				
12	24 153 01-S	1	O-Ring, oil pick-up				
13	24 381 04-S	1	Pick-up, oil				
14	M-631005-S	2	Washer, plain 6 mm				
15	M-645025-S	2	Screw, hex. flange M6x1.0x25				
16	52 050 02-S	1	Filter, oil				
17	24 136 01-S	1	Nipple, oil filter				
18	25 155 02-S	1	Connector				

Obtain Parts from Kohler



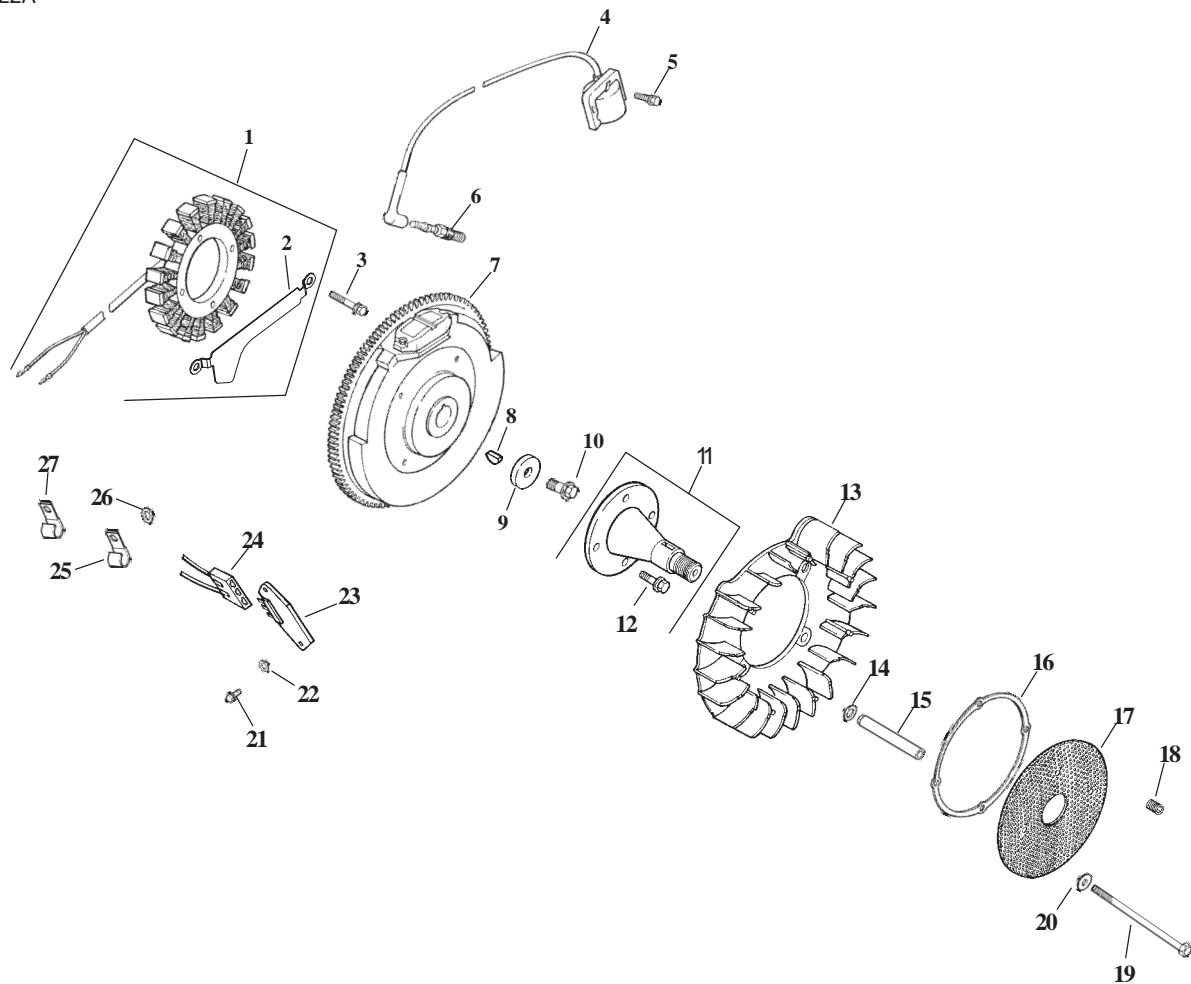
## Group 4 – Head/Valve/Breather Assembly Kohler CH23S-76569

Ref. No.	Part No.	Qty.	Description
1	24 755 74-S	1	Kit, valve cover – plain (Includes 2-4)
2	M-651030-S	4	Screw, hex. flange M6x1.0x30
3	24 112 08-S	4	Spacer
4	24 153 23-S	1	O-Ring
5	24 445 01-S	1	Strap, lifting
6	12 755 03-S	4	Kit, retainer
7	12 173 01-S	4	Cap, valve spring
8	24 089 02-S	4	Spring, valve
9	235011-S	4	Retainer, spring
10	66 032 05-S	2	Seal, valve stem
11	24 318 68-S	1	Head assembly, #1 cylinder
12	24 017 01-S	2	Valve, intake (Std.)
	24 017 02-S	2	Valve, intake (.25)
13	24 016 01-S	2	Valve, exhaust (Std.)
	24 016 02-S	2	Valve, exhaust (.25)
14	24 755 66-S	1	Kit, valve train (Includes 16, 19,20)
15	25 351 01-S	4	Lifter, valve
16	24 411 05-S	4	Rod, push
17	24 041 40-S	2	Gasket, cylinder head

Ref. No.	Part No.	Qty.	Description
18	24 318 71-S	1	Head assembly, #2 cylinder
19	25 186 01-S	4	Arm, rocker
20	24 599 01-S	4	Pivot, rocker arm
21	24 072 09-S	8	Stud M10x1.5x90
22	24 468 16-S	8	Washer, flat
23	24 100 10-S	8	Nut, hex. flange M8x1.25
24	M-640034-S	4	Screw, hex. flange M6x1.0x34
25	24 755 75-S	1	Kit, valve cover – oil fill (Includes 2-4)
26	24 755 46-S	1	Kit, oil fill cap (Includes 27)
27	25 153 02-S	1	O-Ring, oil fill cap
28	12 445 05-S	1	Strap, lifting
29	24 402 03-S	1	Reed, breather
30	12 018 01-S	1	Retainer, breather reed
31	M-545010-S	1	Screw, hex. flange M5x0.8x10
32	24 050 01-S	1	Filter, breather
33	24 033 01-S	1	Kit, breather (Includes 34,35)
34	24 041 23-S	1	Gasket, breather

Obtain Parts from Kohler





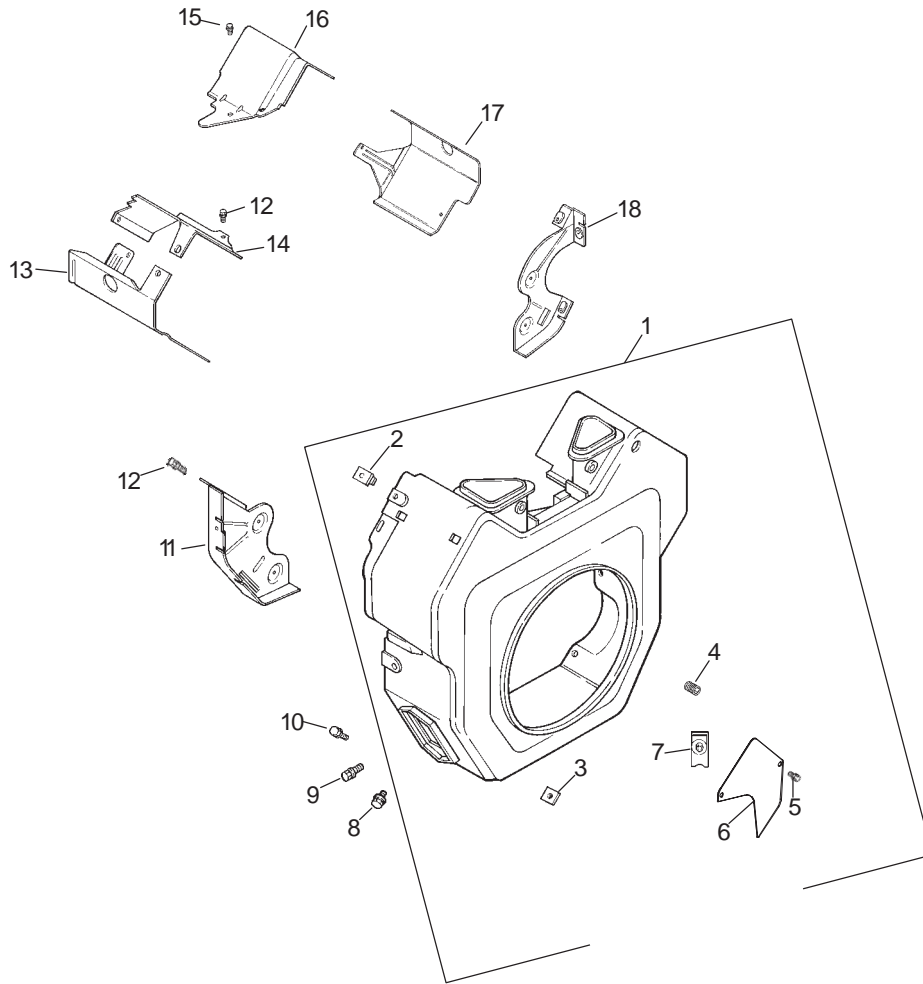
## Group 5 – Ignition/Electrical Assembly Kohler CH23S-76569

Ref. No.	Part No.	Qty.	Description
1	54 755 09-S	1	Kit, 15 amp stator (Includes 2)
2	24 126 71-S	1	Bracket, stator wire
3	M-548025-S	2	Screw, hex. cap M5x0.8x25
4	24 584 25-S	2	Module, ignition
5	M-561025-S	4	Screw, thread forming M5x0.8x25
6	12 132 06-S	2	Spark Plug
7	24 025 01-S	1	Flywheel
8	X-42-15-S	1	Key
9	12 468 03-S	1	Washer, plain 3/8
10	12 086 14-S	1	Screw, hex. flange M10x1.5x46
11	24 755 08-S	1	Kit, front drive shaft (Includes 12)
12	M-839025-S	4	Screw, hex. flange M8x1.25x25
13	24 157 07-S	1	Fan
14	24 468 11-S	4	Washer, spring
15	24 112 14-S	4	Spacer
16	24 141 06-S	1	Support, ring
17	24 162 22-S	1	Screen, grass
18	25 086 43-S	1	Screw, set

Ref. No.	Part No.	Qty.	Description
19	M-603100-S	4	Screw, hex. cap M6x1.0x100
20	X-25-53-S	4	Washer, plain 1/4"
21	24 086 18-S	2	Screw, phillips hd. 11-16x7/8
22	X-25-92-S	2	Washer, plain 3/16"
23	25 403 03-S	1	Rectifier-regulator 15 amp
24	236602-S	1	Connector
25	235173-S	1	Clip, cable (clamps wires to intake manifold)
26	X-25-63-S	1	Washer, plain 1/4
27	48 154 02-S	1	Clip, cable (B+ lead)
*	X-22-11-S	1	Washer, lock 1/4"
*	24 176 109-S	1	Harness, wiring
*	24 518 12-S	1	Lead, black (5" – 12 gauge – insulated grip barrel eyelet terminals)
*	25 454 03-S	2	Tie

Obtain Parts from Kohler

\* Not Illustrated



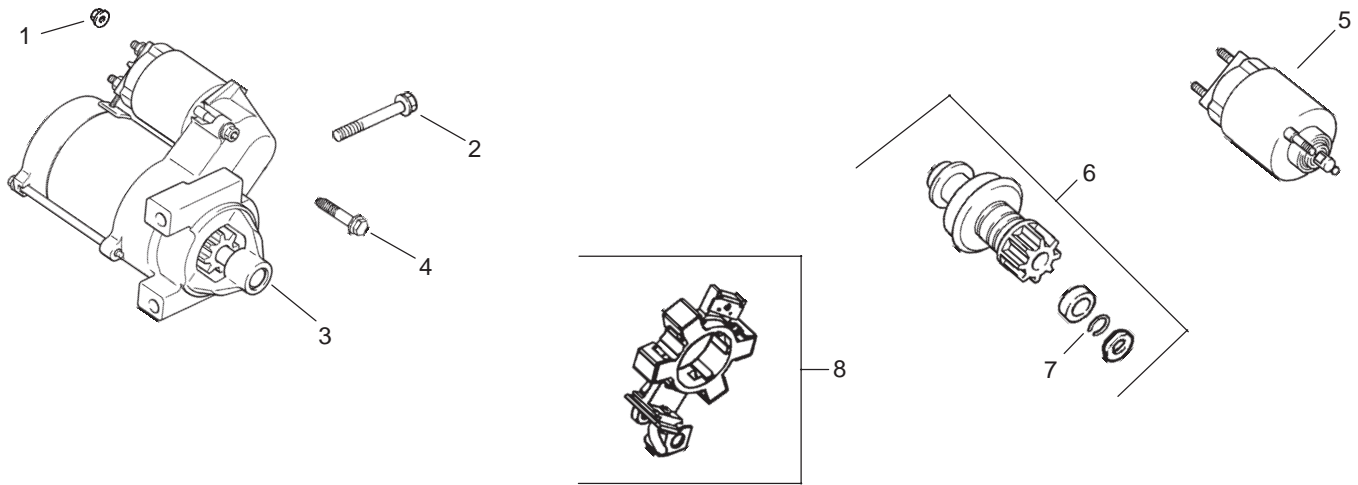
## Group 6 – Blower Housing Assembly Kohler CH23S-76569

Ref. No.	Part No.	Qty.	Description
1	54 027 93-S	1	Housing, blower assembly (Includes 2-7)
2	24 100 01-S	2	Nut, plastic
3	24 100 02-S	2	Nut, plastic
4	25 086 43-S	1	Screw, set
5	M-645016-S	4	Screw, hex. flange M6x1.0x16
6	24 096 64-S	2	Cover, access
7	25 154 02-S	4	Clip
8	M-551016-S	1	Screw, hex. flange M5x0.8x16
9	M-545016-S	3	Screw, hex flange M5x0.8x16
10	M-545020-S	4	Screw, hex flange M5x0.8x20
11	24 146 16-S	1	Plate, backing – #2 side
12	M-645016-S	6	Screw, hex. flange M6x1.0x16
13	24 063 20-S	1	Baffle, cylinder barrel – #2 side
14	24 063 17-S	1	Baffle, valley – #2 side

Ref. No.	Part No.	Qty.	Description
15	M-545010-S	2	Screw, hex. flange M5x0.8x10
16	24 063 59-S	1	Baffle, valley – #1 side
17	24 063 58-S	1	Baffle, cylinder barrel – #1 side
18	24 146 20-S	1	Plate, backing – #1 side
*	24 113 116-S	1	Decal, 23 HP

**Obtain Parts from Kohler**

\* Not Illustrated

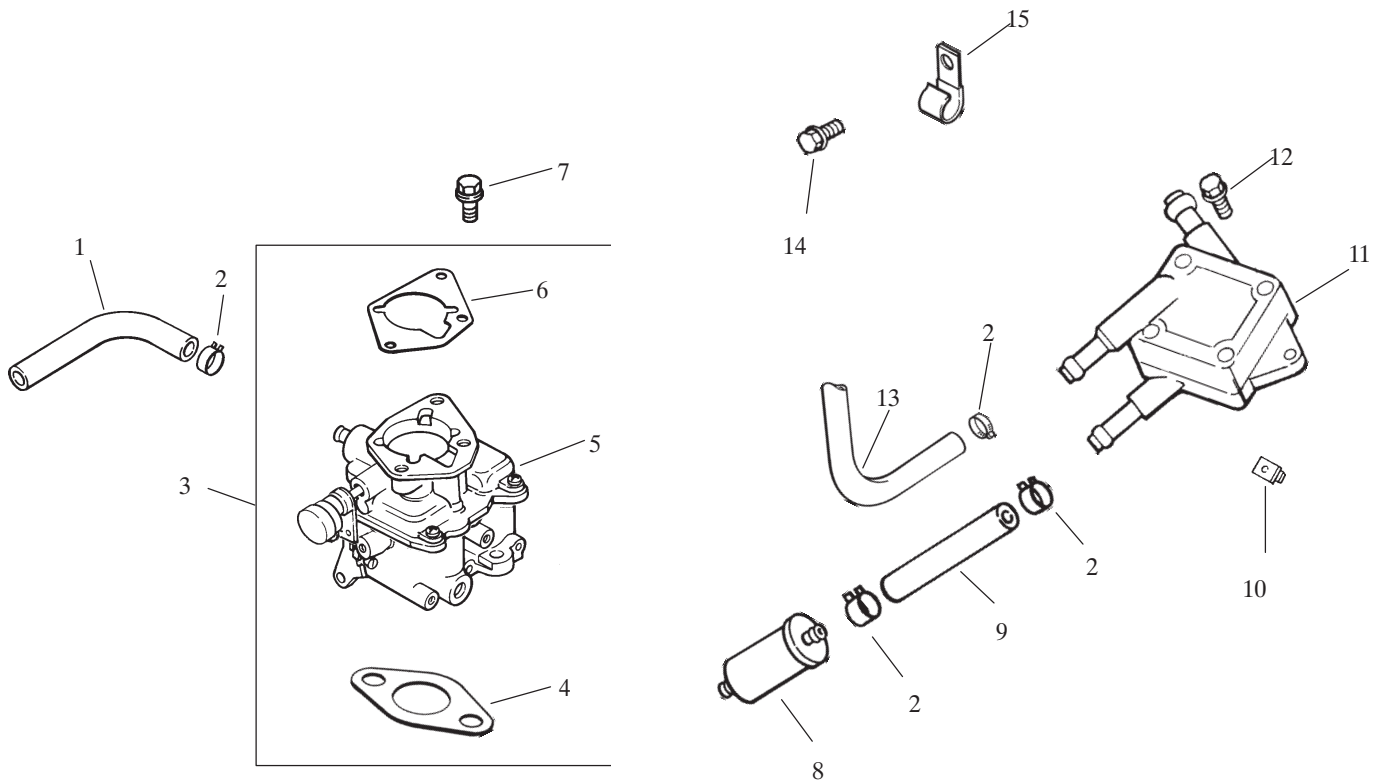


## Group 7 – Starter Assembly Kohler CH23S-76569

Ref. No.	Part No.	Qty.	Description
1	M-841080-S	1	Nut, hex. flange M8x1.25
2	M-839080-S	2	Screw, hex. flange M8x1.25x80
3	25 098 08-S	1	Starter, solenoid shift assembly (Includes 4-8)
4	25 086 113-S	3	Screw, external torx hd.
5	25 435 04-S	1	Kit, solenoid (Includes 4)
6	25 755 33-S	1	Kit, pinion drive (Includes 7)
7	25 141 05-S	1	Ring
8	25 221 01-S	1	Kit, brush

Ref. No.	Part No.	Qty.	Description

Obtain Parts from Kohler



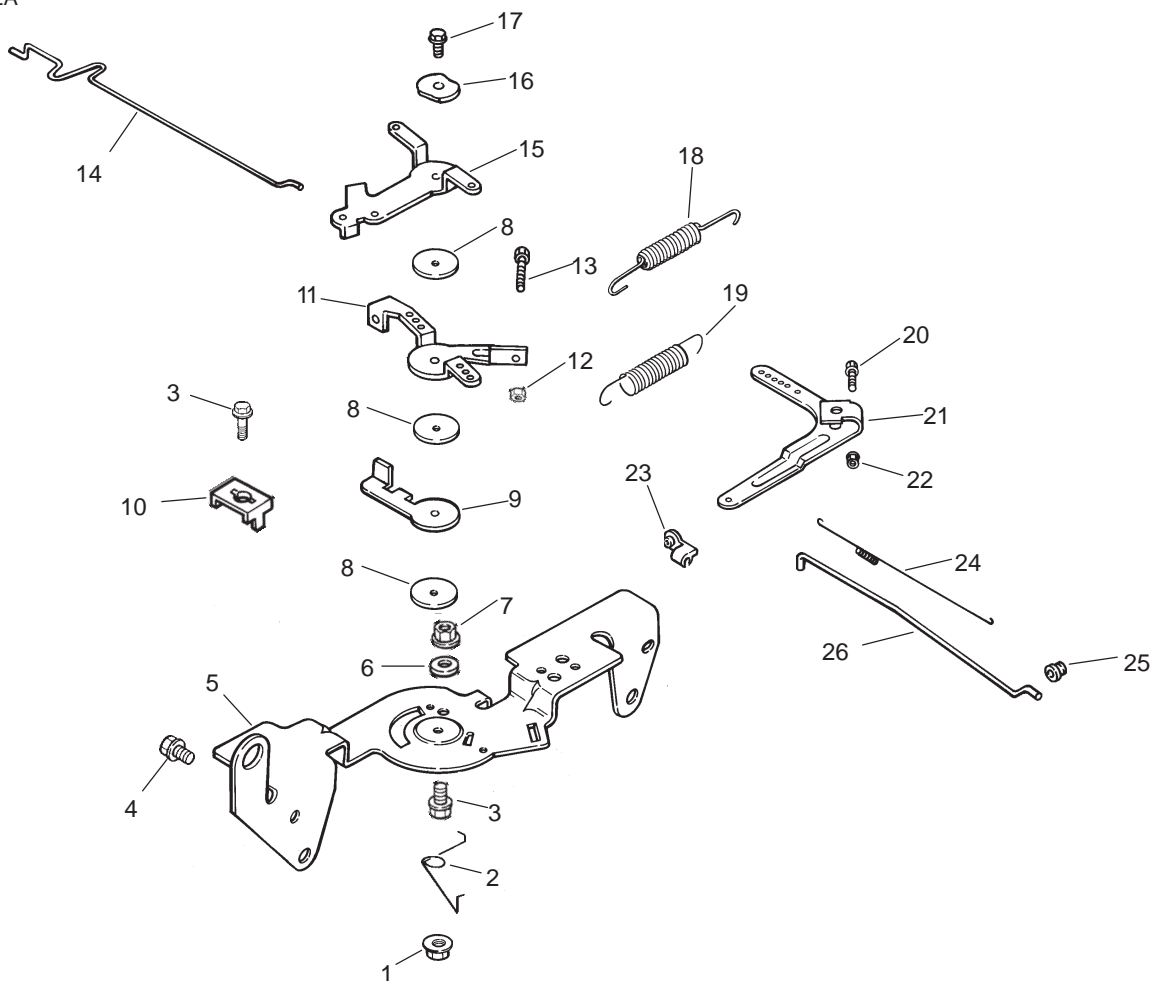
## Group 8 – Fuel System Assembly Kohler CH23S-76569

Ref. No.	Part No.	Qty.	Description
1	25 353 32-S	1	Line, fuel 9-1/4"
2	25 237 14-S	6	Clamp, hose
3	24 853 58-S	1	Kit, carburetor w/gasket (Includes 4-6)
4	24 041 17-S	1	Gasket, carburetor
5	24 053 58	1	Carburetor assembly (For information only, not available separately) (Service with: 24 757 01-S, 24 757 02-S, 24 757 03-S, 24 757 07-S, 24 757 08-S, 24 757 09-S, 24 755 125-S)
6	24 041 06-S	1	Gasket, air cleaner
7	M-651030-S	2	Screw, hex. flange M6x1.0x30
8	24 050 02-S	1	Filter, fuel
9	25 353 15-S	1	Line, fuel 3-1/2"
10	24 100 01-S	2	Nut, plastic

Ref. No.	Part No.	Qty.	Description
11	24 393 16-S	1	Pump, fuel – pulse
12	24 086 12-S	2	Screw, hex. cap 18 mm
13	24 353 02-S	1	Line, fuel 15-1/2"
14	M-650012-S	1	Screw, hex. flange M6x1.0x10
15	47 154 01-S	1	Clip, cable
*	24 757 01-S	1	Kit, solenoid
*	24 757 02-S	1	Kit, float
*	24 757 03-S	1	Kit, carburetor repair
*	24 757 07-S	1	Kit, choke repair
*	24 757 08-S	1	Kit, repair – accelerator pump seal & bushing
*	24 757 09-S	1	Kit, repair – accelerator pump diaphragm
*	24 755 125-S	1	Kit, high altitude w/gaskets

Obtain Parts from Kohler

\* Not Illustrated

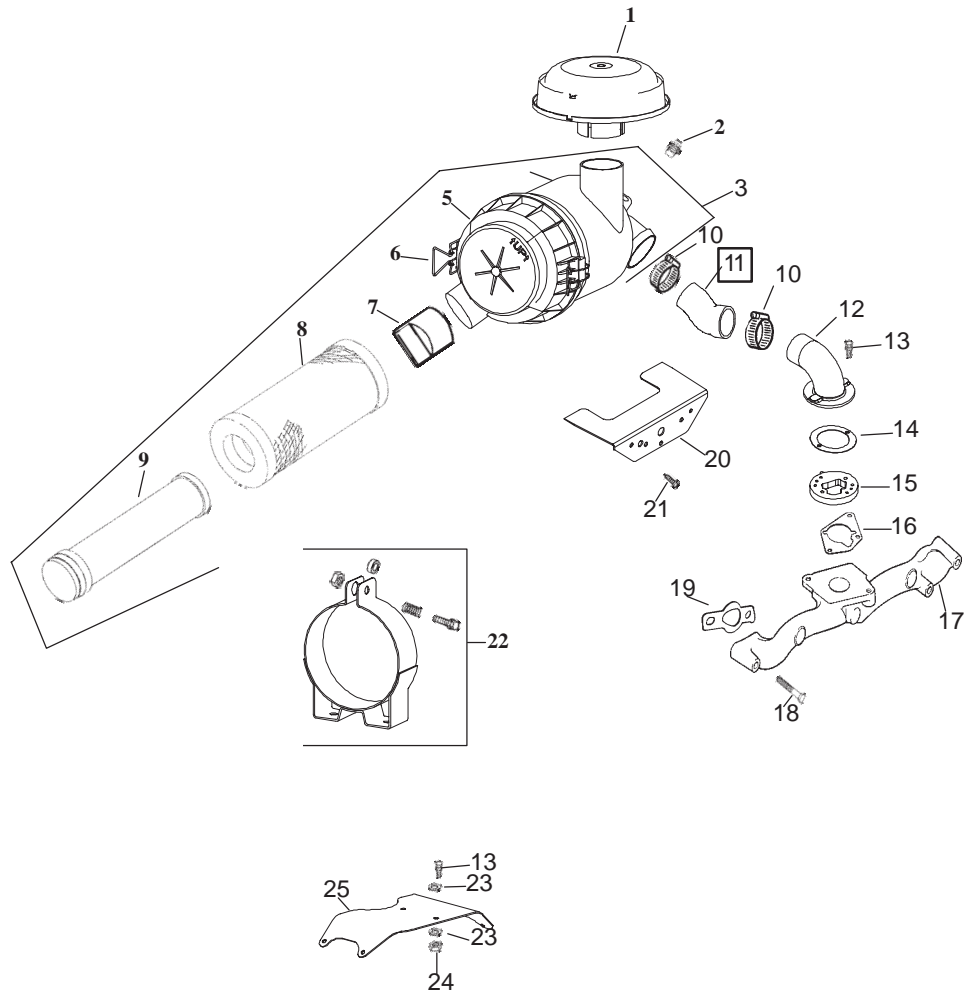


## Group 9 – Engine Control Assembly Kohler CH23S-76569

Ref. No.	Part No.	Qty.	Description
1	M-547050-S	1	Nut, hex. lock M5x0.8
2	24 089 03-S	1	Spring, choke return
3	M-545016-S	3	Screw hex. flange M5x0.8x16
4	M-645016-S	4	Screw, hex. flange M6x1.0x16
5	24 126 56-S	1	Bracket, control
6	X-20-1-S	1	Washer, lock 1/4
7	M-541050-S	1	Nut, hex. flange M5x0.8
8	24 468 01-S	3	Washer, plain 1/4
9	24 090 07-S	1	Lever, throttle actuator
10	12 237 01-S	2	Clamp, cable
11	24 090 03-S	1	Lever, throttle control
12	M-446030-S	1	Nut, hex. flange M4x0.7
13	M-401030-S	1	Screw, hex. flange M4x0.7x30
14	24 079 21-S	1	Linkage, choke
15	24 090 05-S	1	Lever, choke
16	41 468 03-S	1	Washer, spring 1/4
17	M-545020-S	1	Screw, hex. flange M5x0.8x20
18	24 089 51-S	1	Spring, throttle limiter

Ref. No.	Part No.	Qty.	Description
19	24 089 46-S	1	Spring, governor
20	24 211 03-S	1	Bolt, rd. hd. sq. neck M6x1.0x25
21	24 090 33-S	1	Lever, governor
22	M-641060-S	1	Nut, hex. flange M6x1.0
23	25 158 11-S	1	Bushing, linkage retaining
24	24 089 01-S	1	Spring, linkage
25	25 158 08-S	1	Bushing, throttle linkage
26	24 079 01-S	1	Linkage, throttle

Obtain Parts from Kohler

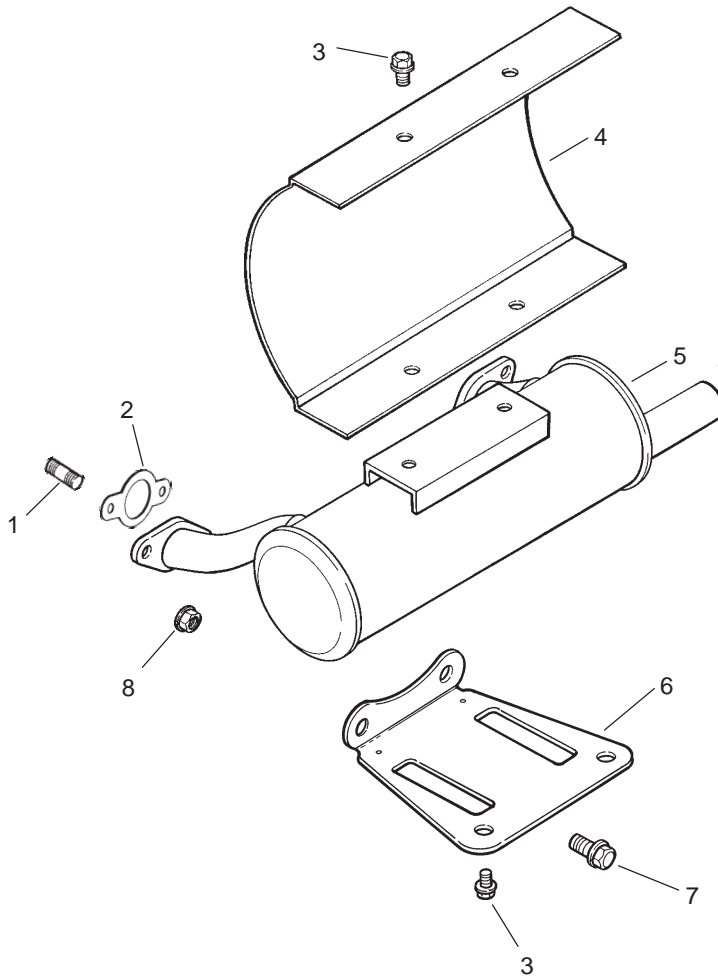


## Group 10 – Air Intake/Filtration Assembly Kohler CH23S-76569

Ref. No.	Part No.	Qty.	Description	Ref. No.	Part No.	Qty.	Description
1	25 324 02-S	1	Hood, air cleaner	18	25 086 84-S	4	Screw, hex. flange M6x1.0x55
2	25 139 20-S	1	Plug, pipe	19	24 041 01-S	2	Gasket, intake manifold
3	25 048 07-S	1	Cleaner, heavy duty air (Includes 4-9)	20	24 314 25-S	1	Shield, debris
4	25 081 01-S	1	Housing, heavy duty air cleaner	21	24 086 06-S	2	Screw, phillips hd. 11-16x3/4"
5	25 096 06-S	1	Cover, heavy duty air cleaner	22	25 126 02-S	1	Bracket, air cleaner
6	25 154 05-S	2	Clip	23	X-25-73-S	4	Washer, plain 1/4"
7	24 462 07-S	1	Valve, dust ejector	24	M-647060-S	2	Nut, hex. lock M6x0.8
8	25 083 01-S	1	Element – primary	25	24 126 98-S	1	Bracket, air cleaner
9	25 083 04-S	1	Element safety filter	*	25 113 27-S	1	Decal, air cleaner
10	25 237 07-S	2	Clamp, hose				
11	24 326 32-S	1	Hose, air cleaner				
12	24 029 21-S	1	Adapter, remote air cleaner				
13	M-639016-S	6	Screw, hex. flange M6x1.0x16				
14	24 041 34-S	1	Gasket, adapter				
15	24 029 31-S	1	Adapter				
16	24 041 06-S	1	Gasket, air cleaner base				
17	24 164 14-S	1	Manifold, intake				

Obtain Parts from Kohler

\* Not Illustrated



## Group 11 – Exhaust Assembly Kohler CH23S-76569

Ref. No.	Part No.	Qty.	Description
1	25 072 04-S	4	Stud, M8x1.25x33
2	24 041 49-S	2	Gasket, exhaust
3	M-650012-S	4	Screw, hex. flange M6x1.0x12
4	24 314 04-S	1	Shield, heat
5	24 068 18-S	1	Muffler
6	24 126 12-S	1	Bracket, muffler
7	M-839020-S	2	Screw, hex. flange M8x1.25x20
8	M-841080-S	4	Nut, hex. flange M8x1.25
*	24 522 252	1	Short Block
*	24 782 27	1	Miniblock
*	24 755 113-S	1	Gasket Set

Ref. No.	Part No.	Qty.	Description

**Obtain Parts from Kohler**

\* Not Illustrated







