



## Z555

### Z Master<sup>®</sup> with 60in TURBO FORCE Side Discharge Mower

Model No. 74245—240000001 and Up

## Parts Catalog

---

### Ordering Replacement Parts

To order replacement parts, please supply: the part number, the quantity, and the description of each part desired.

### Understanding Reference Numbers

Each identified part in an illustration has a reference number. The reference number for a part also appears in the parts list, along with other information about the part.

This catalog uses two special reference number formats, one to indicate parts in a service assembly and another to indicate the quantity of a given part in an illustration.

### Service Assembly Reference Numbers

Parts in service assemblies have reference numbers in the form **a:b**. The **a** represents the reference number of the entire service assembly and the **b** represents a sequential number unique to each part within the service assembly.

For example, a wheel assembly might be identified by reference number **6**, the tire by **6:1**, the valve by **6:2**, and the wheel by **6:3**. When you order the assembly identified by reference number **6**, you receive all parts identified by reference numbers **6:1**, **6:2**, and **6:3**. However, you may also order any part individually.

Reference numbers of this type appear in illustrations and in part lists.

### Reference Numbers Indicating Quantity

In an illustration, if a reference number indicates more than one part, the reference number has the form **nX y**. The **n** represents the quantity of the part, the **X** is the multiplication symbol, and the **y** represents the reference number.

For example, in an illustration, the reference number **2X 37** means that two of the parts identified by reference number **37** are indicated.

## Contents

<b>Description</b>	<b>Page</b>	<b>Description</b>	<b>Page</b>
Front Frame Assembly .....	4	Piston/Crankshaft Assembly	
Castor and Wheel Assembly .....	5	Kawasaki FH721D-AS05 .....	26
Main Frame Assembly .....	6	Valve/Camshaft Assembly	
Brake and Wheel Hub Assembly .....	7	Kawasaki FH721D-AS05 .....	27
Steering Control Assembly .....	8	Lubrication Equipment Assembly	
Hydraulic System Assembly .....	9	Kawasaki FH721D-AS05 .....	28
Seat and Roll-Over-Protection-System Assembly .....	11	Cooling Equipment Assembly	
Seat Assembly No. 107-1867 .....	12	Kawasaki FH721D-AS05 .....	29
Deck Mounting Assembly .....	13	Electric Equipment Assembly	
Drive Idler Assembly .....	14	Kawasaki FH721D-AS05 .....	30
Z-Stand Assembly .....	15	Control Equipment Assembly	
Engine and Clutch Assembly .....	16	Kawasaki FH721D-AS05 .....	31
Muffler and Guard Assembly .....	17	Carburetor Assembly	
Fuel Tank Assembly .....	18	Kawasaki FH721D-AS05 .....	32
Electrical Components Assembly .....	19	Air Filter/Muffler Assembly	
60in Deck Assembly .....	20	Kawasaki FH721D-AS05 .....	33
Spindle Assembly No. 106-3217 .....	21	Fuel Tank/Fuel Valve Assembly	
Deck Assembly No. 107-1624 .....	22	Kawasaki FH721D-AS05 .....	34
Rubber Deflector Assembly No. 106-3249 ...	23	Starter Assembly	
Lever Assembly No. 106-3242 .....	24	Kawasaki FH721D-AS05 .....	35
Cylinder/Crankcase Assembly		P.T.O. Equipment Assembly	
Kawasaki FH721D-AS05 .....	25	Kawasaki FH721D-AS05 .....	36
		Label Assembly	
		Kawasaki FH721D-AS05 .....	37

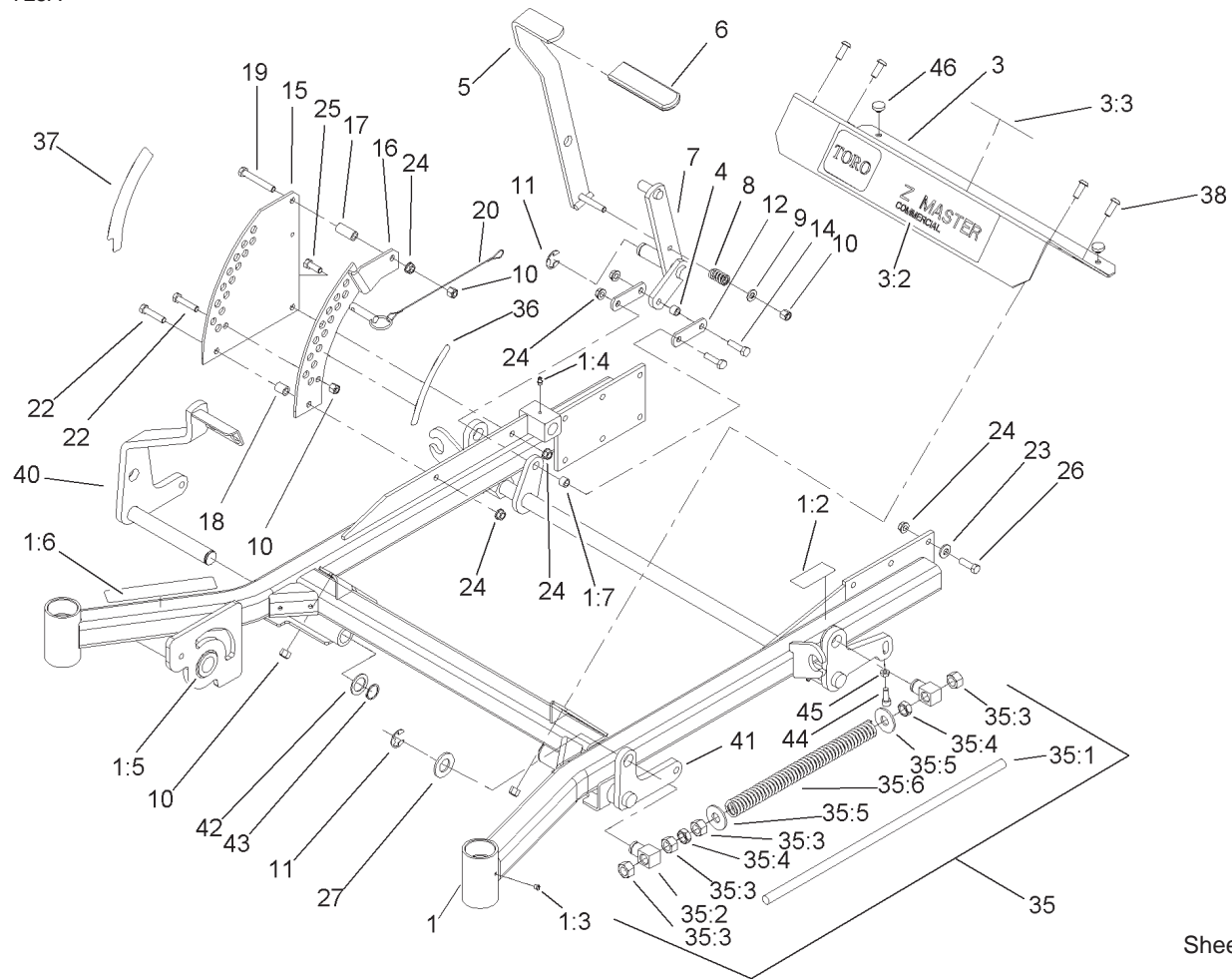
## Accessories

Description	Model / Part No.	Description	Model / Part No.
Mid Flow Blade .....	105-7715-03	Recycler Blade .....	105-7777-03
Lo Flow Blade .....	105-7716-03	Atomic Blade .....	105-8777-03

## Part Description Abbreviations

Part descriptions in this catalog may include the following abbreviations.

Abbreviation	Meaning	Abbreviation	Meaning
AR .....	as required	HYD .....	hydraulic
ASM .....	assembly	INC .....	incorporated
CARR .....	carriage	LH .....	left hand
DEG .....	degrees	NI .....	nylon insert
FH .....	flat head	PPH .....	Phillips pan head
GA .....	gauge	PTH .....	Phillips truss head
HF .....	hex flange	PTO .....	power take off
HH .....	hex head	RH .....	right hand
HHF .....	hex head flange	SFH .....	slotted fillister head
HLH .....	hex lag head	SHH .....	slotted hex head
HJ .....	hex jam	SQH .....	square head
HOC .....	height-of-cut	SHWH .....	slotted hex washer head
HS .....	hex socket	SPH .....	slotted pan head
HSBH .....	hex socket button head	SRH .....	slotted round head
HSFH .....	hex socket flat head	STD .....	standard
HSH .....	hex socket head	TAP .....	self tapping
HWH .....	hex washer head	TTH .....	Torx truss head
HWHTF .....	hex washer head thread forming	WH .....	wing head



Sheet No.:2

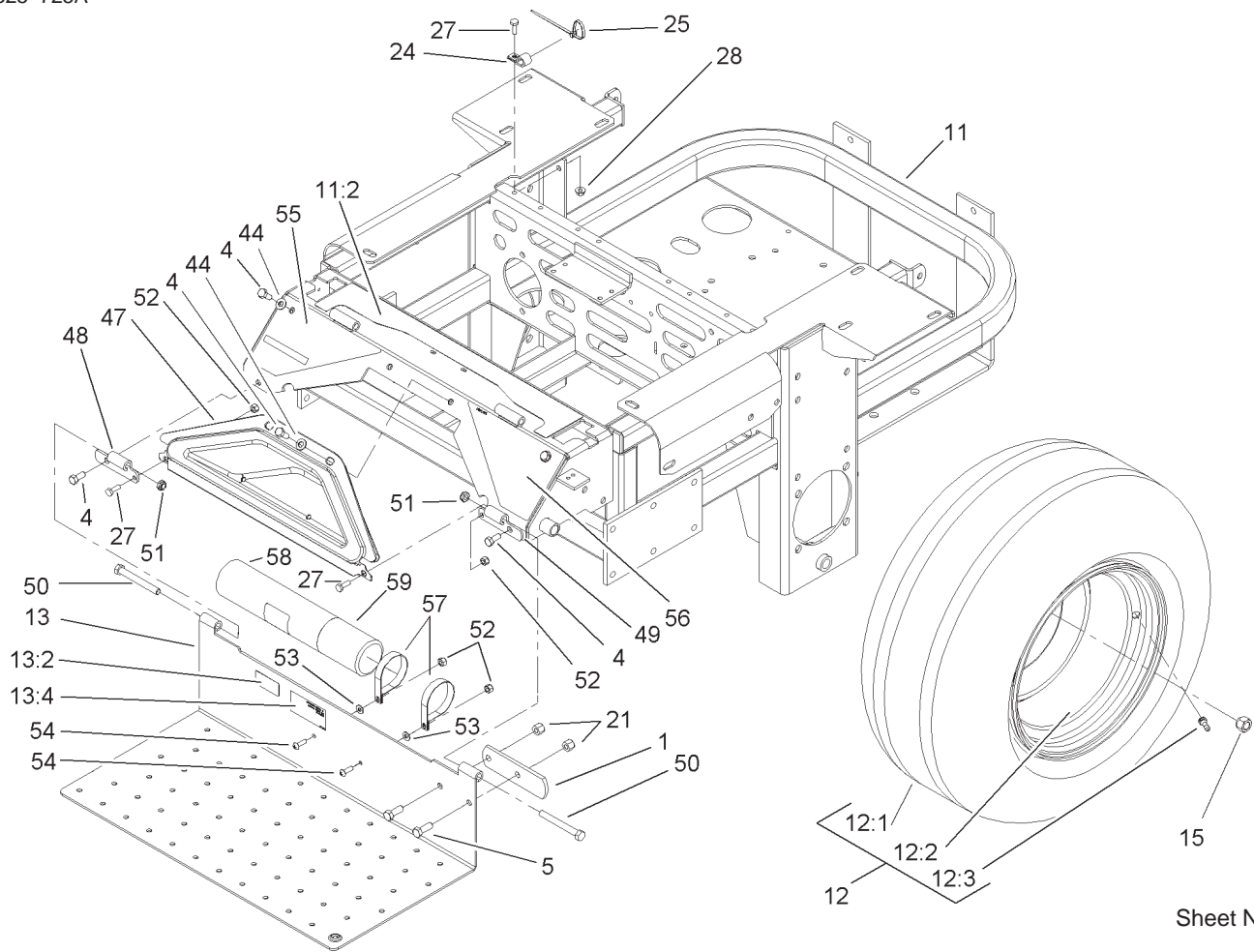
## Front Frame Assembly

Ref. No.	Part No.	Qty.	Description
1	106-8998	1	Frame ASM
1:2	107-1857	1	Decal-Brake, Parking
1:3	1-811010	2	Plug
1:4	302-19	5	Fitting-Grease
1:5	94-1291	2	Bushing
1:6	104-7759	1	Decal-Warning
1:7	103-1918	1	Bushing
3	106-9981	1	Front Floorpan ASM
3:2	106-7451	1	Decal
3:3	107-2112	1	Decal-Warning, Slope Rops
4	103-1918	1	Bushing
5	103-2083-03	1	Lever-Lift
6	1-633295	1	Grip-Lever, Lift
7	103-2064-03	1	Arm-Lift, Deck
8	1-633325	1	Spring-Compression
9	3256-24	1	Washer-Flat
10	3296-39	9	Nut-Lock, NI
11	32151-103	5	Ring-Snap
12	1-633068	2	Arm-Lift, Deck
14	323-29	2	Screw-HH
15	1-633889-01	1	Plate-Lift, Deck
16	1-632899-01	1	Plate-Lift, Deck
17	1-633082	1	Bushing-Lever, Lift
18	1-633080	1	Bushing-Lever, Lift
19	323-13	1	Screw-HH

Ref. No.	Part No.	Qty.	Description
20	106-9951	1	Hitch Pin ASM
22	323-9	2	Screw-HH
23	98-5975	12	Washer-Belleville
24	3290-357	15	Nut-HHF
25	323-6	1	Screw-HH
26	323-7	12	Screw-HH
27	3256-29	4	Washer-Flat
☆35		2	Front Frame Spring ASM
35:1	1-633096	1	Rod-Lift, Deck
35:2	1-633441	2	Swivel-Deck Mount, Rear
35:3	3217-11	4	Nut-Hex
35:4	3218-6	2	Nut-Jam
35:5	3256-7	2	Washer-Flat
35:6	1-633064	1	Spring-Support, Deck
36	107-1861	1	Decal-Height, Deck
37	107-1860	1	Decal-Height, Deck
38	3274-94	4	Screw-HSBH
40	106-8983-01	1	RH Deck Lift ASM
41	106-8984-01	1	LH Deck Lift ASM
42	1-523157	2	Washer-Spacer
43	32151-29	2	Ring-Retaining
44	3274-18	2	Screw-HSH
45	3218-2	2	Nut-Jam
46	1-513658	2	Bumper

☆ Not serviced separately



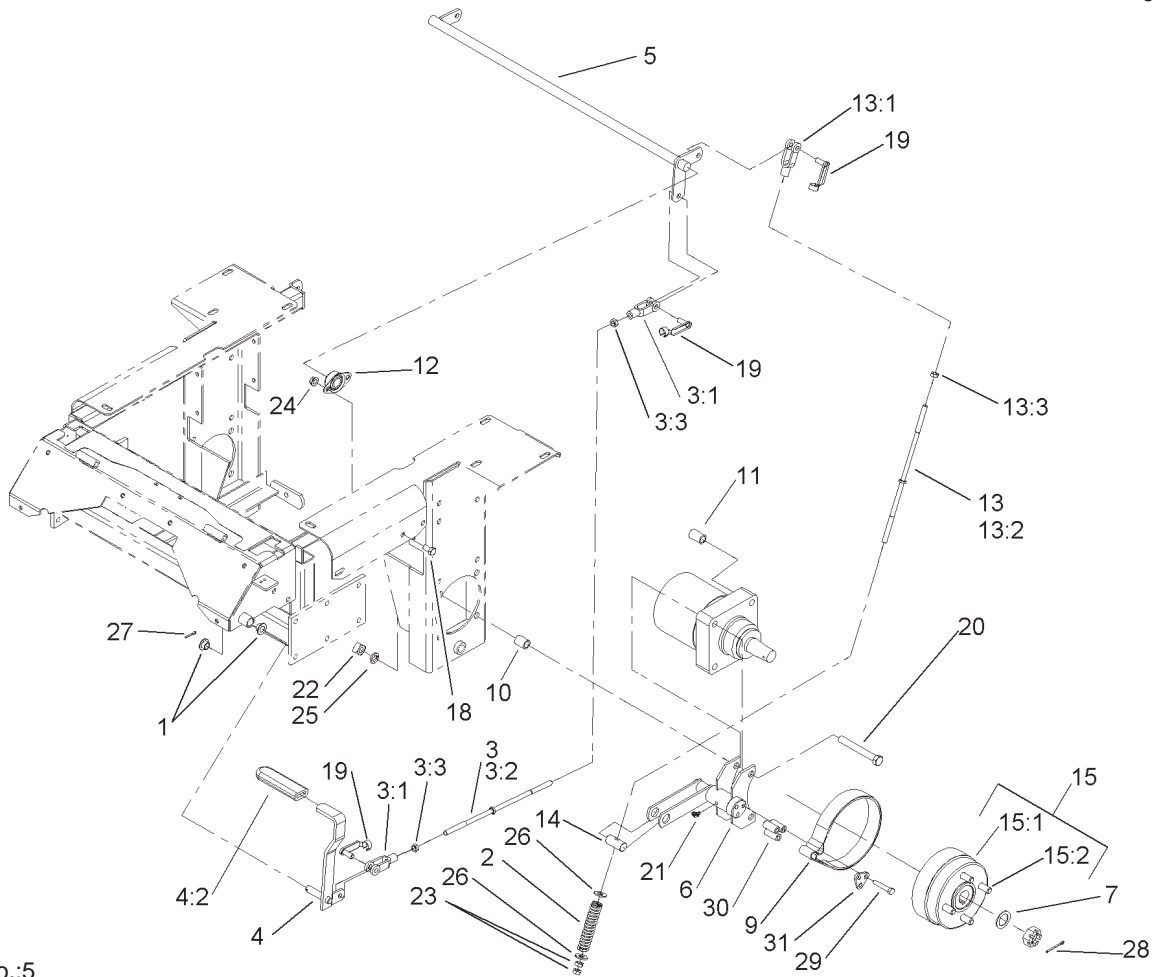


Sheet No.:4

## Main Frame Assembly

Ref. No.	Part No.	Qty.	Description
1	1-633964-03	1	Stop-Brake, Park
4	322-43	6	Screw-HH
5	323-6	2	Screw-HH
11	106-6599	1	Main Frame ASM
11:2	103-2433	1	Decal-Console, Top
12	1-633970	2	Wheel And Tire ASM
12:1	1-633993	1	Tire
12:2	1-633992	1	Wheel
12:3	232-27	1	Stem-Valve
13	107-1858	1	Rear Floorpan ASM
13:2	98-4387	1	Decal-Protection, Ear
13:4	107-1864	1	Decal-Location, Manual
15	242-50	8	Nut-Lug
21	3296-39	2	Nut-Lock, NI
24	1-513762	1	Clip-Loom
25	1-303335	1	Tie-Plastic
27	321-4	3	Screw-HH
28	32128-33	1	Nut-HF
44	3256-70	6	Washer-Flat
47	106-7498	1	Pocket
48	106-7488-03	1	Hinge-Floorpan, LH
49	106-7489-03	1	Hinge-Floorpan, RH
50	323-20	2	Screw-HH
51	3296-59	2	Nut-Lock, NI
52	3296-42	4	Nut-Lock, NI

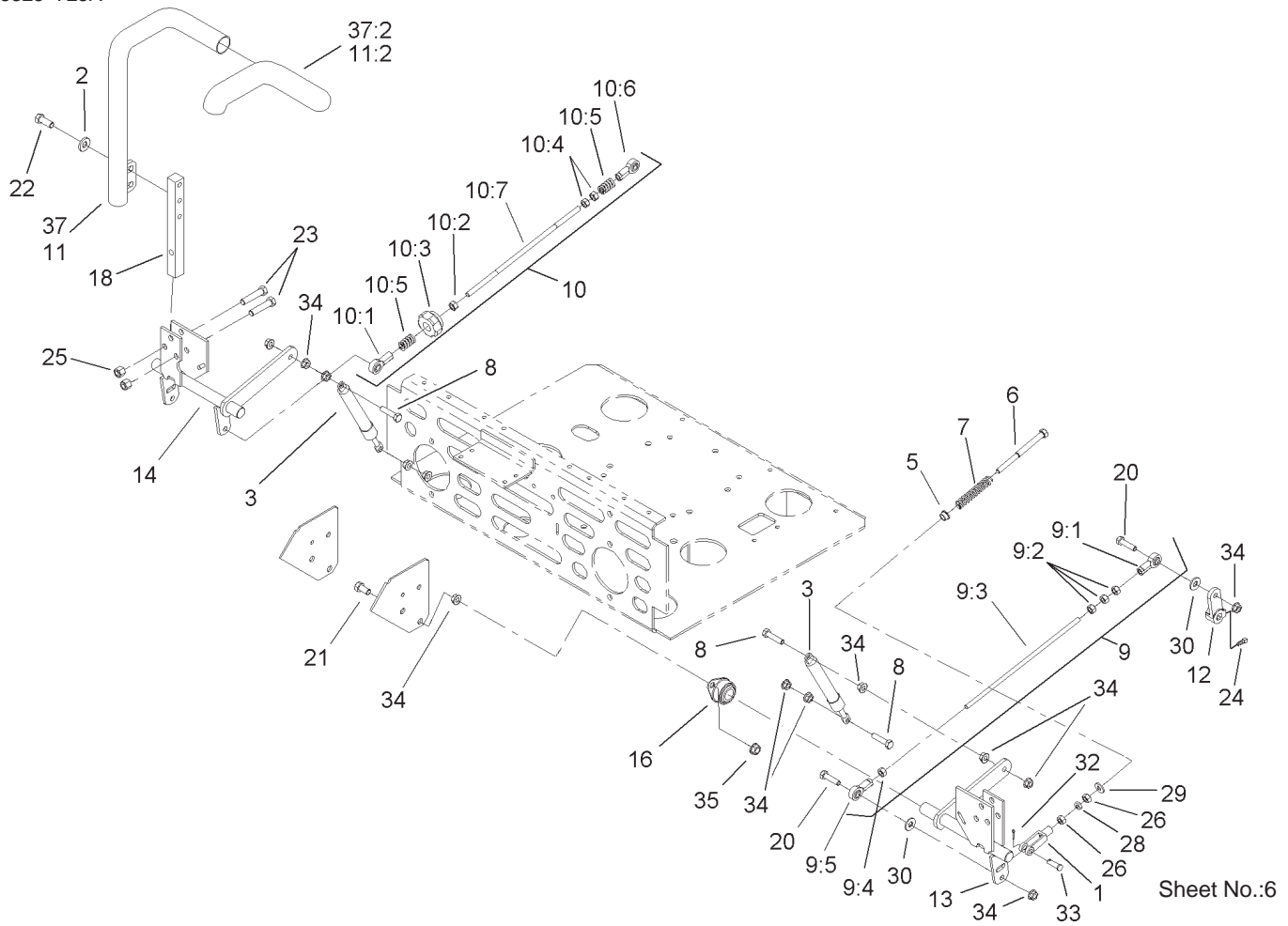
Ref. No.	Part No.	Qty.	Description
53	3256-63	2	Washer-Flat
54	3258-166	2	Screw
55	106-9989	1	Decal-Warning
56	106-7492	1	Decal-Danger
57	107-1865	2	R-Clamp
58	104-7050	1	Housing-Manual
59	104-7048	1	Cap-Housing



Sheet No.:5

## Brake and Wheel Hub Assembly

Ref. No.	Part No.	Qty.	Description	Ref. No.	Part No.	Qty.	Description
1	1-513140	2	Bearing-Control	19	103-2399	4	Pin-Spring, Clevis
2	1-633454	2	Spring-Brake	20	325-17	8	Screw-HH
3	103-4332	1	Brake Rod And Yoke ASM	21	1481	2	Fitting-Grease
3:1	1-633131	2	Yoke-Linkage, Brake	22	103-0131	8	Nut-Square
3:2	1-633477	1	Rod-Brake	23	3219-3	4	Nut-HH
3:3	3219-3	2	Nut-HH	24	3290-357	4	Nut-HHF
4	1-634500	1	Brake Lever ASM	25	3253-7	8	Washer-Lock
4:2	1-633268	1	Grip-Lever, Brake	26	3256-4	4	Washer-Flat
5	1-632217-03	1	Shaft-Brake	27	3272-10	1	Pin-Cotter
6	103-0352-03	2	Bracket-Brake	28	1-806800	2	Pin-Cotter
7	1-523157	2	Washer-Spacer	29	322-9	6	Screw-HH
9	103-0355	2	Band-Brake	30	103-0384	6	Spacer
10	1-633380	4	Spacer-Wheel, Short	31	103-0374	2	Retainer-Band, Brake
11	1-633382	4	Spacer-Wheel, Long				
12	1-633102	2	Bearing-Flange, Side				
13	103-4333	2	Brake Rod And Yoke ASM				
13:1	1-633131	1	Yoke-Linkage, Brake				
13:2	1-633477	1	Rod-Brake				
13:3	3219-3	1	Nut-HH				
14	1-633144	2	Pin-Trunion				
15	103-0590	2	Hub-Wheel				
15:1	103-0589	1	Wheel Hub ASM				
15:2	1-633926	4	Stud-Wheel				
18	323-4	4	Screw-HH				

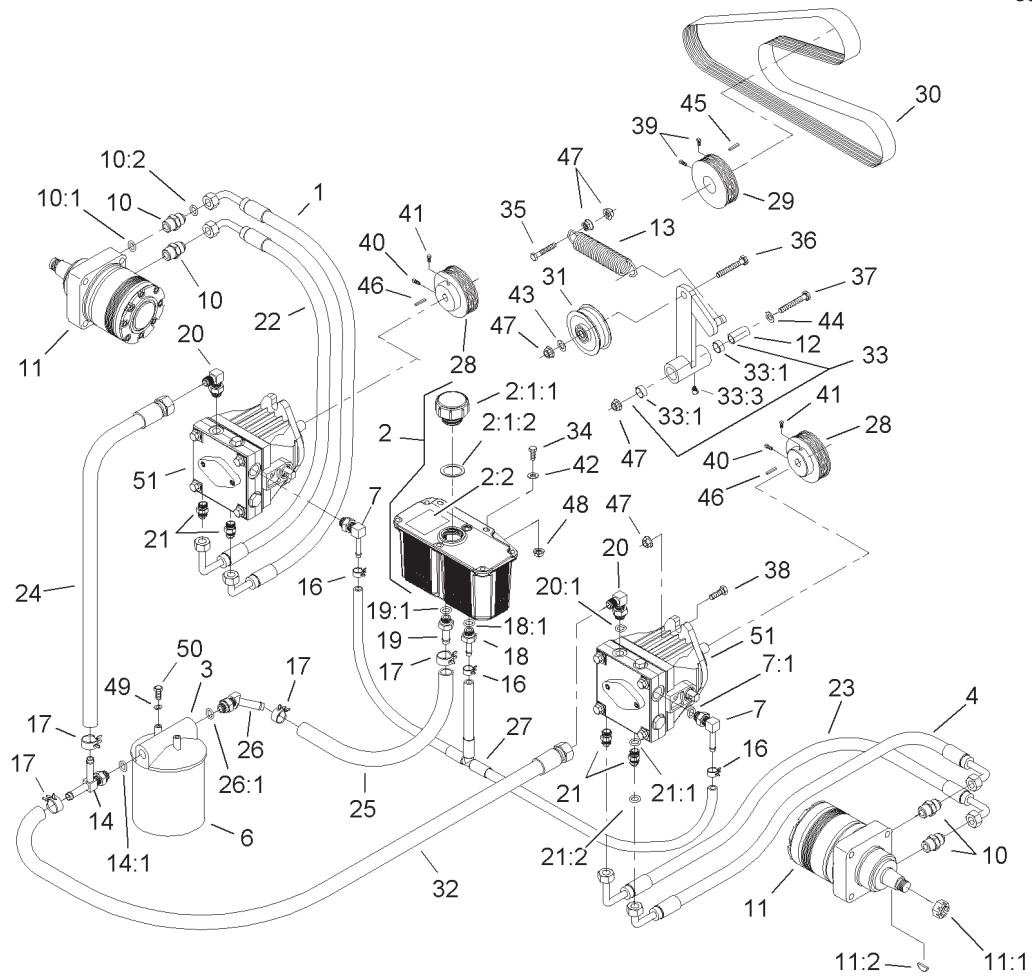


Sheet No.:6

## Steering Control Assembly

Ref. No.	Part No.	Qty.	Description
1	1-303105	2	Yoke-Adjustable
2	98-5975	4	Washer-Belleville
3	103-4079	2	Damper-Motion Control
5	1-603735	2	Bushing-Flanged
6	1-603737	2	Bolt-Return, Neutral
7	1-603807	2	Spring-Return, Neutral
8	1-403180	4	Screw-HH
9	103-4331	1	Tracking Rod ASM
9:1	1-543017	1	Balljoint-RH
9:2	3219-2	3	Nut-Hex
9:3	103-3064	1	Link-Rod, Tracking
9:4	1-804524	1	Nut
9:5	1-633152	1	Balljoint-Thread, LH
10	103-4330	1	Tracking Rod ASM
10:1	1-543017	1	Balljoint-RH
10:2	3219-2	1	Nut-Hex
10:3	103-3060	1	Knob-Tracking
10:4	1-804524	2	Nut
10:5	1-323245	2	Spring-Compression
10:6	1-633152	1	Balljoint-Thread, LH
10:7	103-3064	1	Link-Rod, Tracking
11	106-9982	1	LH Lever ASM
11:2	106-9987	1	Grip-Control, Motion
12	1-632208	2	Arm-Control, Pump

Ref. No.	Part No.	Qty.	Description
13	103-4781	1	Control-Motion, LH
14	103-4782	1	Control-Motion, RH
16	1-633102	4	Bearing-Flange, Side
18	103-0407	2	Arm-Shaft, Control
20	322-6	4	Screw-HH
21	323-4	8	Screw-HH
22	323-6	4	Screw-HH
23	323-9	6	Screw-HH
24	1-803022	2	Screw-Set
25	3296-39	6	Nut-Lock, NI
26	3219-2	4	Nut-Hex
28	3220-2	2	Nut
29	3256-2	2	Washer-Flat
30	3256-3	4	Washer-Flat
32	3272-5	2	Pin-Cotter
33	1-808280	2	Pin-Clevis
34	32128-20	16	Nut-HF
35	3290-357	8	Nut-HHF
37	106-9983	1	RH Lever ASM
37:2	106-9987	1	Grip-Control, Motion



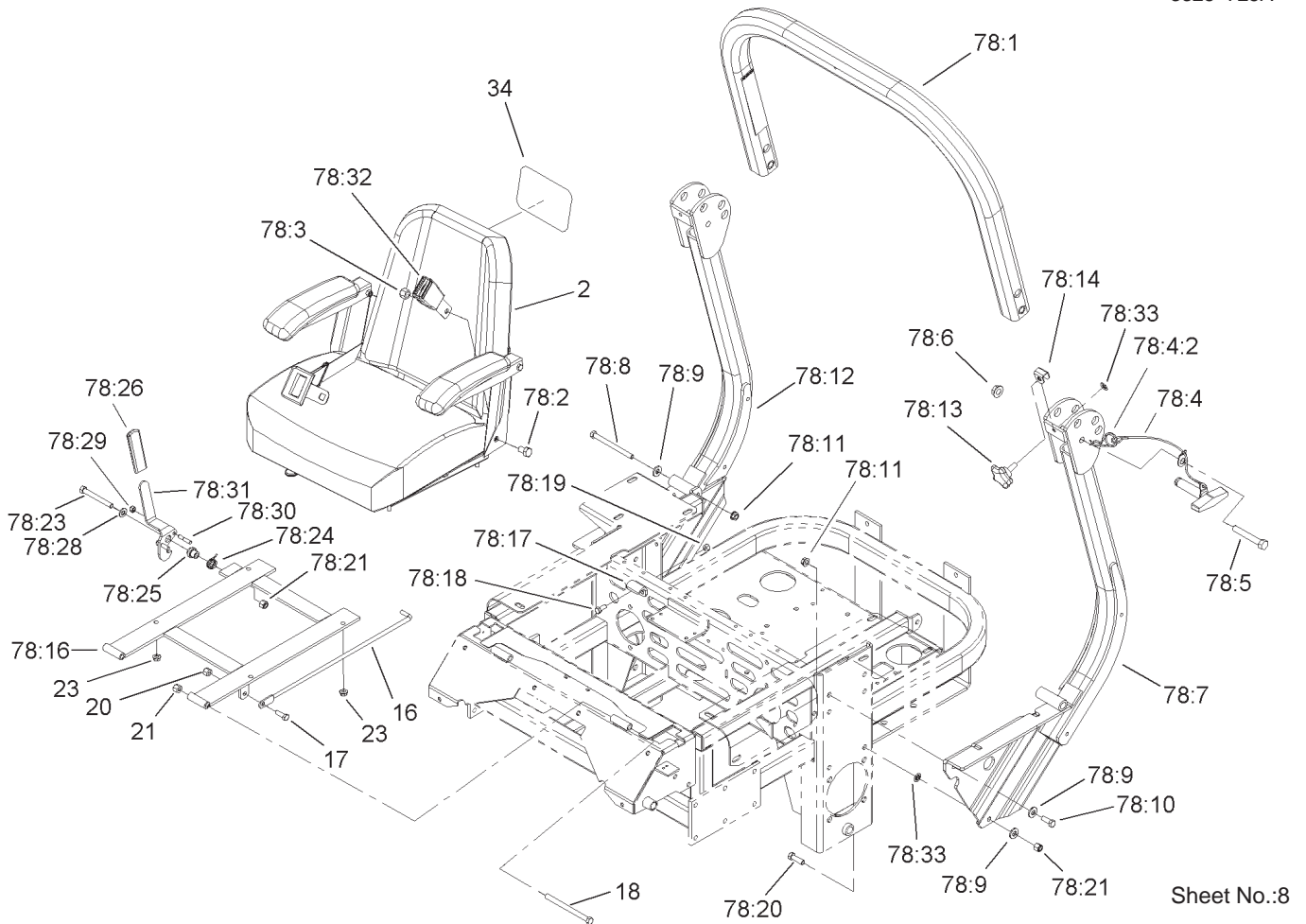
Sheet No.:7

## Hydraulic System Assembly

Ref. No.	Part No.	Qty.	Description	Ref. No.	Part No.	Qty.	Description
1	103-3736	1	HYD Hose ASM	18	103-1801	1	Adapter-Straight
2	103-1947	1	HYD Reservoir ASM	18:1	237-42	1	O-Ring
2:1:1	103-1948	1	Cap-Reservoir, HYD	19	103-1912	1	Adapter-Straight
2:1:2	103-1949	1	Gasket-Cap	19:1	237-42	1	O-Ring
2:2	1-523552	1	Decal-Tank, HYD	20	103-1802	2	Fitting-HYD, 90°
3	104-7836	1	Head-Filter	20:1	237-42	1	O-Ring
4	103-3733	1	HYD Hose ASM	21	1-603990	4	Fitting-Straight
6	1-633750	1	Filter-HYD	21:1	237-79	1	O-Ring
6	1-633752	1	Filter-HYD, Winter	21:2	1-603992	1	O-Ring
7	103-1799	2	Elbow-90°	22	103-3737	1	HYD Hose ASM
7:1	237-42	1	O-Ring	23	103-3735	1	HYD Hose ASM
10	1-603991	4	Fitting-Straight	24	103-1826	1	HYD Hose ASM
10:1	237-80	1	O-Ring	25	103-1808	1	Hose-HYD
10:2	1-603992	1	O-Ring	26	103-1807	1	Elbow-45°
11	1-523328	2	Motor-Wheel	26:1	237-42	1	O-Ring
11:1	1-809036	1	Nut-HH	27	103-1806	1	HYD Hose ASM
11:2	3257-42	1	Key-Woodruff	28	1-633568	2	Sheave
*11:99	103-2748	1	Drive Link Kit	29	1-633567	1	Sheave
*11:99	1-000139	1	Bearing Kit	30	1-633749	1	Belt-Drive, Pump
*11:99	1-000099	1	Seal Kit	31	1-633167	1	Sheave-Idler
12	1-603384	1	Bushing-Pivot, Idler	32	103-1827	1	HYD Hose ASM
13	103-3330	1	Spring-Extension	33	1-634277	1	Bearing Arm ASM
14	103-1828	1	Adapter-Run, Tee	33:1	1-513034	2	Sleeve-Bearing
14:1	237-42	1	O-Ring	33:3	302-40	1	Fitting-Grease
16	103-1716	3	Clamp-Hose	34	321-6	2	Screw-HH
17	103-1988	4	Clamp-Hose	35	323-8	1	Screw-HH

\* Not illustrated





Sheet No.:8

## Seat and Roll-Over-Protection-System Assembly

Ref. No.	Part No.	Qty.	Description
2	107-1867	1	Seat ASM
16	1-633293	1	Rod-Holdup, Seat
17	322-5	1	Screw-HH
18	323-39	2	Screw-HH
20	3296-29	3	Nut-Lock, NI
21	3296-39	5	Nut-Lock, NI
23	32128-20	4	Nut-HF
34	99-4693	1	Decal
78	107-0038	1	Rops
☆78:1		1	Upper Tube ASM W/Decals
78:2	3212-4	2	Screw-HH
78:3	3296-7	2	Nut-Lock NI
78:4	107-3060	2	Pin Latch ASM
78:4:2	107-3155	1	Hairpin
78:5	325-13	2	Screw-HH
78:6	32128-23	2	Nut-HF
☆78:7		1	LH Rops ASM
78:8	323-23	2	Screw-HH
78:9	98-5975	8	Washer-Belleville
78:10	323-6	4	Screw-HH
78:11	3290-357	6	Nut-HHF
☆78:12		1	RH Rops ASM
78:13	106-0887	2	Knob
78:14	107-3124	2	Clip
78:16	107-3052-03	1	Frame-Seat Support

Ref. No.	Part No.	Qty.	Description
78:17	107-3058	1	Catch-Latch, Seat
78:18	322-3	2	Screw-HH
78:19	3296-29	2	Nut-Lock, NI
78:20	323-7	2	Screw-HH
78:21	3296-39	3	Nut-Lock, NI
78:23	323-20	1	Screw-HH
78:24	107-0076	1	Spring-Torsion
78:25	107-0075	1	Bushing-Latch, Seat
78:26	62-9130	1	Grip-Handle
78:28	3256-24	1	Washer-Flat
78:29	3296-42	2	Nut-Lock, NI
78:30	107-0095	2	Pin
78:31	107-0094	1	Latch
78:32	103-4317	1	Belt-Seat
78:33	107-3154	4	Nut-Push

☆ Not serviced separately

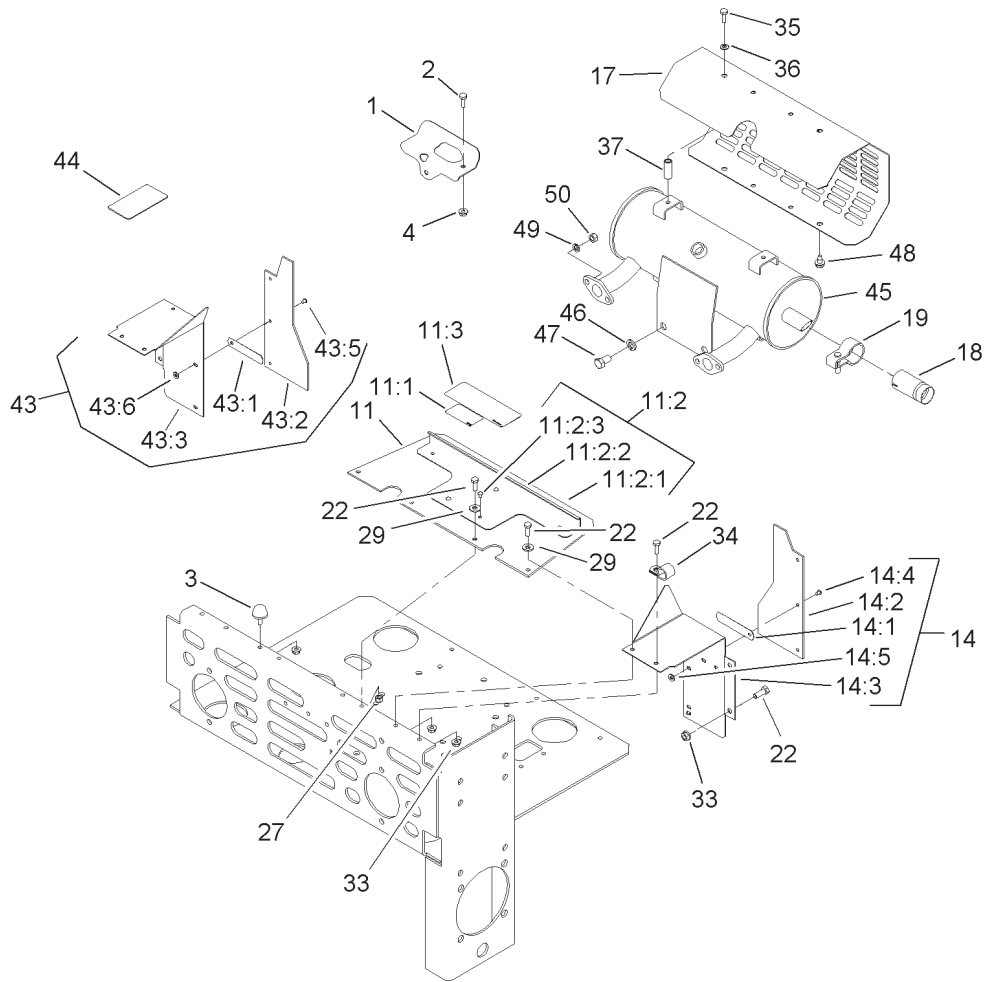








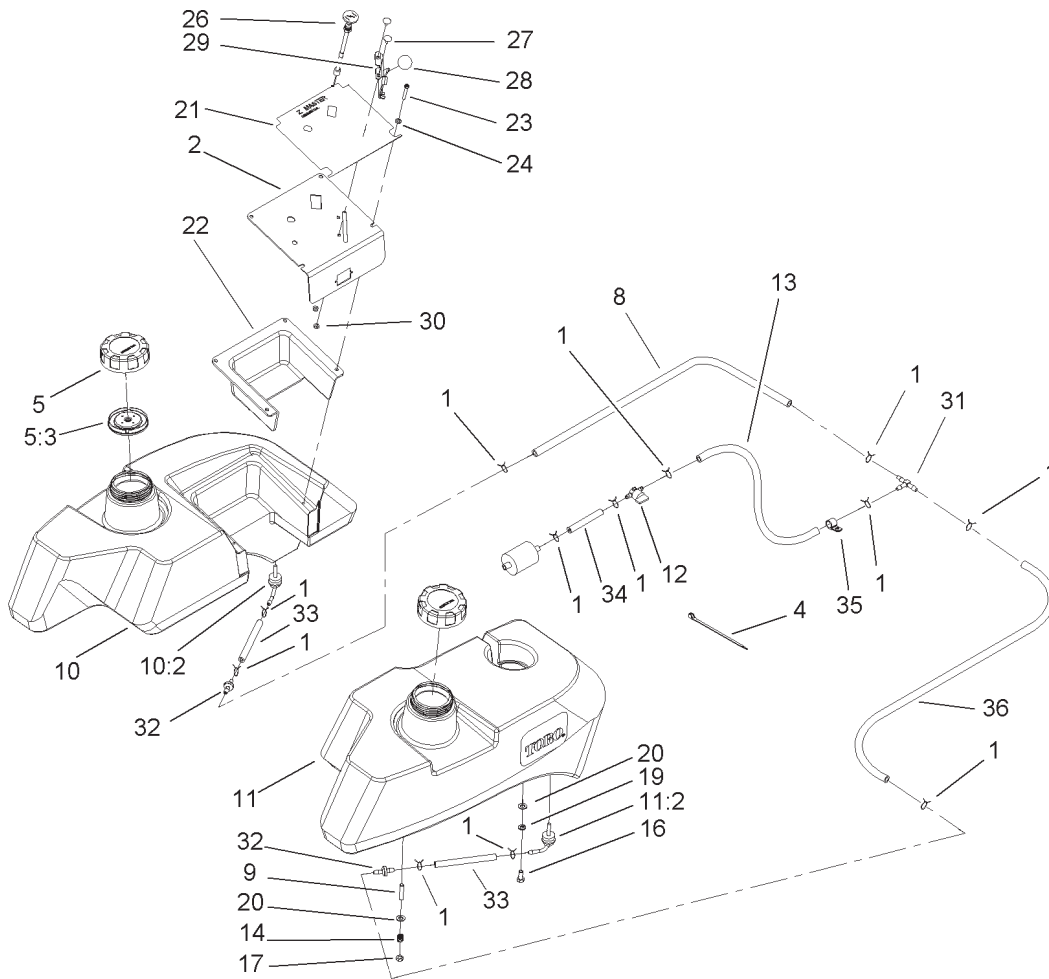




Sheet No.:13

## Muffler and Guard Assembly

Ref. No.	Part No.	Qty.	Description	Ref. No.	Part No.	Qty.	Description
3	1-523420	2	Bumper	43	103-0242	1	RH Extended Shield ASM
11	105-6196	1	Shield ASM	43:1	1-523285	2	Clip-Baffle, Rear
11:1	1-633462	1	Decal-Important	43:2	103-0243	1	Shield
11:2	103-1301	1	Drive Cover ASM	43:3	1-633794-03	1	Shield-RH
11:2:1	103-1308	1	Shield-Engine	43:5	1-803035	3	Rivet-Pop
11:2:2	103-1304-03	1	Plate-Cover, Drive	43:6	3256-63	3	Washer-Flat
11:2:3	1-803035	5	Rivet-Pop	44	1-643339	1	Decal-Routing, Belt
11:3	103-0368	1	Decal-Devices, Rotating	45	103-2758	1	Muffler
14	103-0241	1	LH Extended Shield ASM	46	3253-6	2	Washer-Lock
14:1	1-523285	2	Clip-Baffle, Rear	47	324-2	2	Screw-HH
14:2	103-0243	1	Shield	48	9266934	2	Screw
14:3	1-633795-03	1	Baffle-Engine Shield, LH	49	1-805005	4	Washer-Lock
14:4	1-803035	3	Rivet-Pop	50	33014-00	4	Nut-Hex
14:5	3256-63	3	Washer-Flat				
17	1-643313-03	1	Guard-Muffler				
22	321-4	10	Screw-HH				
27	3296-42	6	Nut-Lock, NI				
29	3256-2	4	Washer-Flat				
33	32128-33	5	Nut-HF				
34	1-633396	1	Clip-Loom				
35	1-809108	2	Screw-HWH				
37	1-323236	2	Spacer				

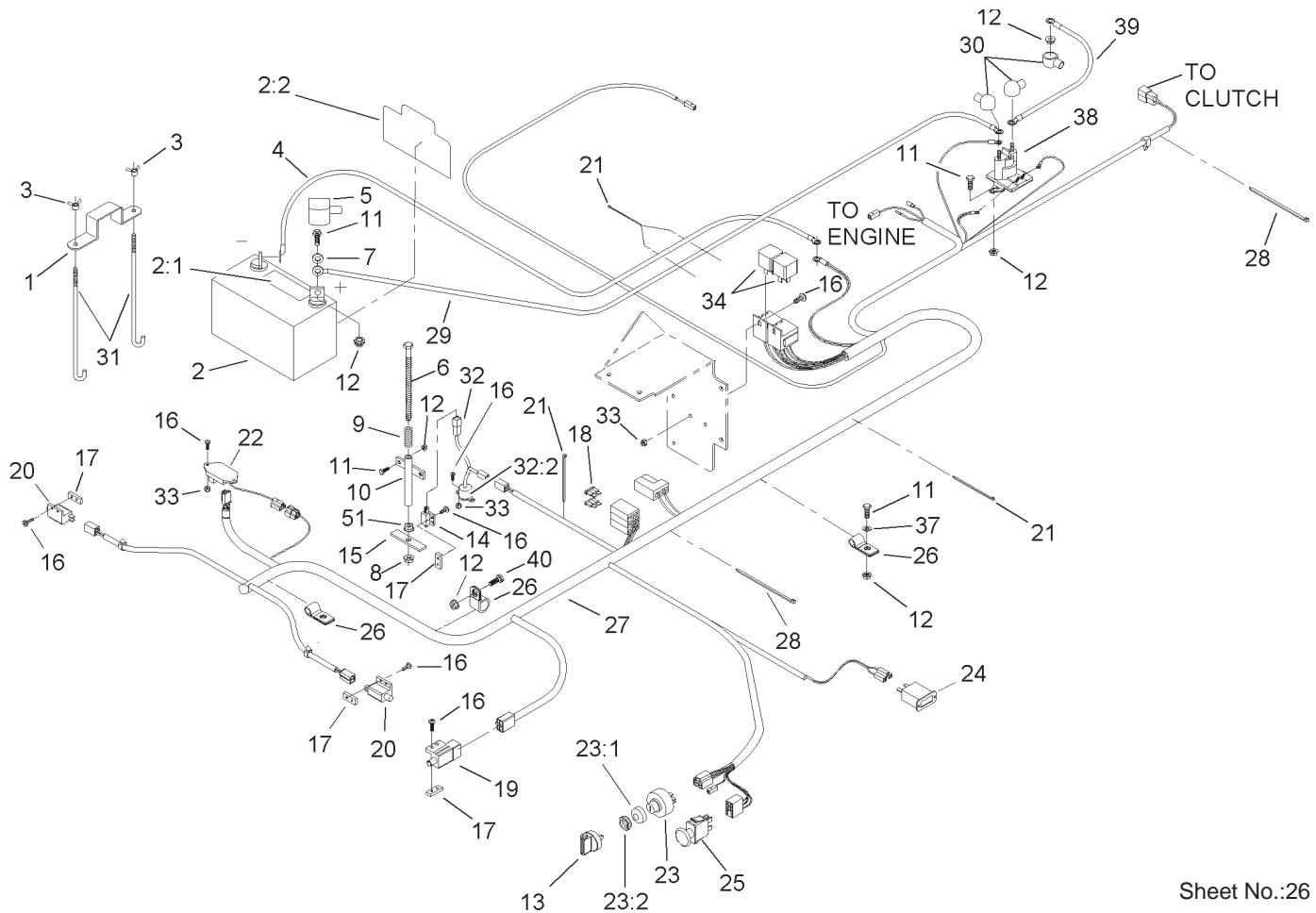


Sheet No.:22

## Fuel Tank Assembly

Ref. No.	Part No.	Qty.	Description
1	1-303077	13	Clamp
2	106-9966-03	1	Panel-Control
4	1-303335	4	Tie-Plastic
5	88-3980	2	Gas Cap ASM
5:3	88-4010	1	Gasket-Cap, Gas
8	94-7420	1	Hose-Fuel
9	1-633023	6	Stud
10	106-9980	1	LH Fuel Tank ASM
10:2	103-2605	1	Fitting-Fuel, Bulkhead
11	106-9979	1	RH Fuel Tank ASM
11:2	103-2605	1	Fitting-Fuel, Bulkhead
12	1-603770	1	Valve-Fuel
13	107-2119	1	Hose-Fuel
14	1-633349	6	Spring-Tank, Fuel
16	322-3	2	Screw-HH
17	3296-47	6	Nut-Lock, NI
19	1-805005	2	Washer-Lock
20	3256-23	8	Washer-Flat
21	106-9969	1	Decal-Panel, Control
22	99-4940	1	Shield-Panel, Control
23	1-803071	4	Screw
24	1-303435	4	Washer-Spring
26	106-9962	1	Control-Choke, Push/Pull
27	1-807513	2	Bolt-CARR
28	1-513592	1	Knob-Ball

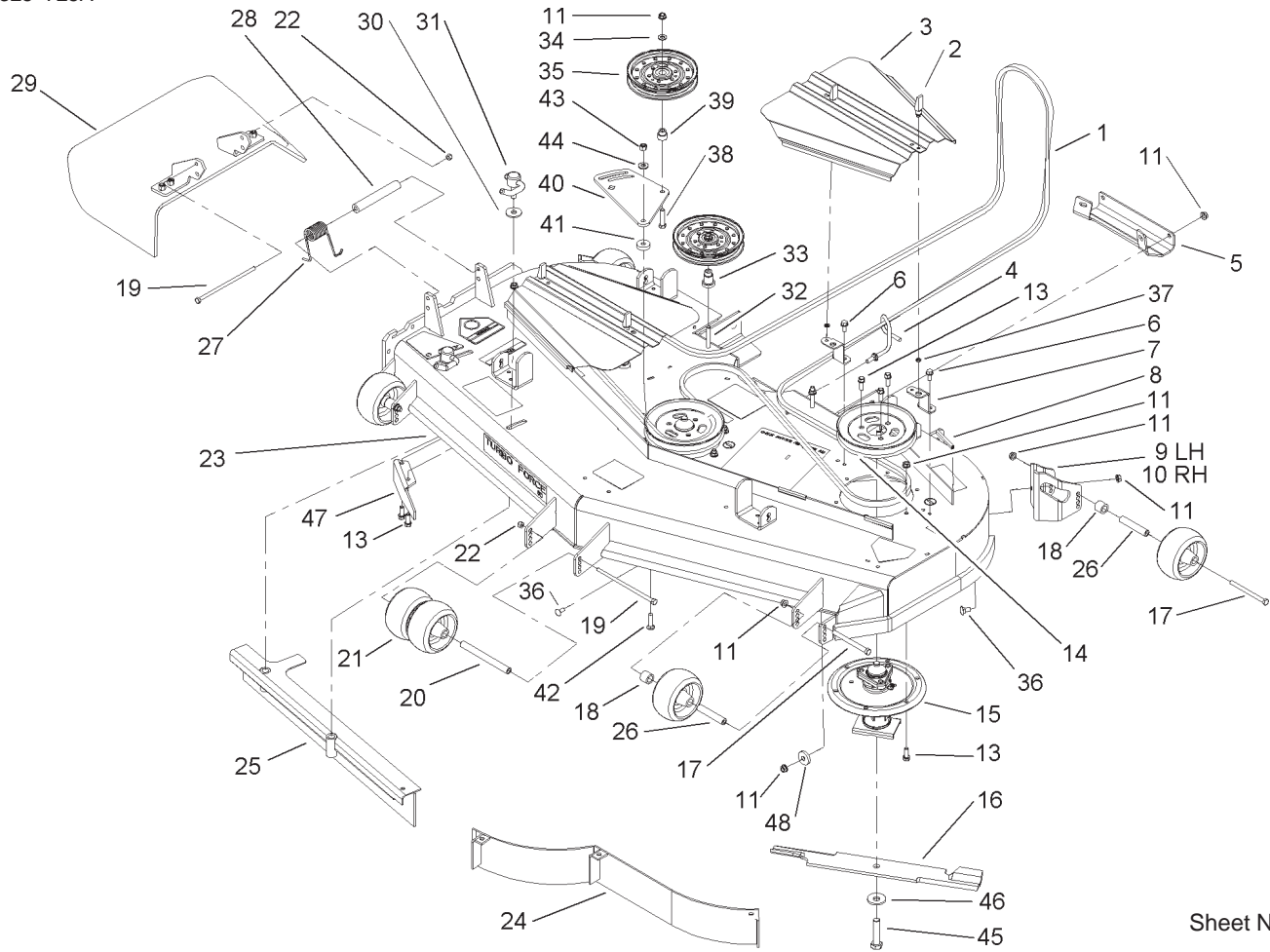
Ref. No.	Part No.	Qty.	Description
29	1-633696	1	Cable-Throttle
30	3296-2	2	Nut-Lock
31	99-5005	1	Fitting-Tee, Barbed
32	99-5000	2	Valve-Check, Fuel
33	99-7190	2	Hose-Fuel
34	105-8342	1	Hose-Fuel
35	1-513762	1	Clip-Loom
36	1-543526	1	Hose-Fuel



## Electrical Components Assembly

Ref. No.	Part No.	Qty.	Description
1	1-633652-03	1	Strap-Holddown
2	105-1692	1	Battery
2:1	104-4163	1	Decal-Battery
2:2	104-4164	1	Decal-Battery
3	1-543792	2	Wingnut
4	1-633307	1	Wire-Ground
5	1-543391	1	Insulator-Battery
6	1-800282	1	Screw-HH
7	3256-2	2	Washer-Flat
8	3296-29	1	Nut-Lock, NI
9	1-523415	1	Spring-Switch, Seat
10	1-522424-03	1	Mount-Spring, Seat
11	321-4	8	Screw-HH
12	32128-33	8	Nut-HF
13	63-8360	2	Key-Ignition
14	1-513152	1	Switch-Closed, Normally
15	1-513180	1	Plate-Switch, Seat
16	3290-500	14	Screw-PPH
17	1-633181	4	Plate-Tapped
18	1-816001	2	Fuse-Type, Blade
19	1-633111	1	Switch
20	1-513051	2	Switch-Open, Normally
21	1-303287	5	Tie-Plastic
22	100-6186	1	Module-Delay, Seat

Ref. No.	Part No.	Qty.	Description
23	88-9830	1	Key Switch ASM
23:1	3254-5	1	Washer-Tooth
23:2	218-461	1	Nut-HH
24	1-513374	1	Meter-Hour
25	1-633673	1	Switch-Delta
26	1-633396	3	Clip-Loom
27	106-7494	1	Harness-Wire
28	1-303335	2	Tie-Plastic
29	1-523281	1	Wire-Starter
30	1-543393	3	Insulator-Solenoid
31	1-633651	2	Bolt-Holddown
32	1-644427	1	Tilt Switch ASM
32:2	1-643401	1	Decal-Switch, Mercury
33	3296-2	6	Nut-Lock
34	1-643275	2	Relay
37	3256-22	1	Washer-Flat
38	1-513075	1	Switch-Solenoid
39	1-633306	1	Wire-Starter
40	321-2	1	Screw-HH
51	3217-6	1	Nut-Hex



Sheet No.:0

## 60in Deck Assembly

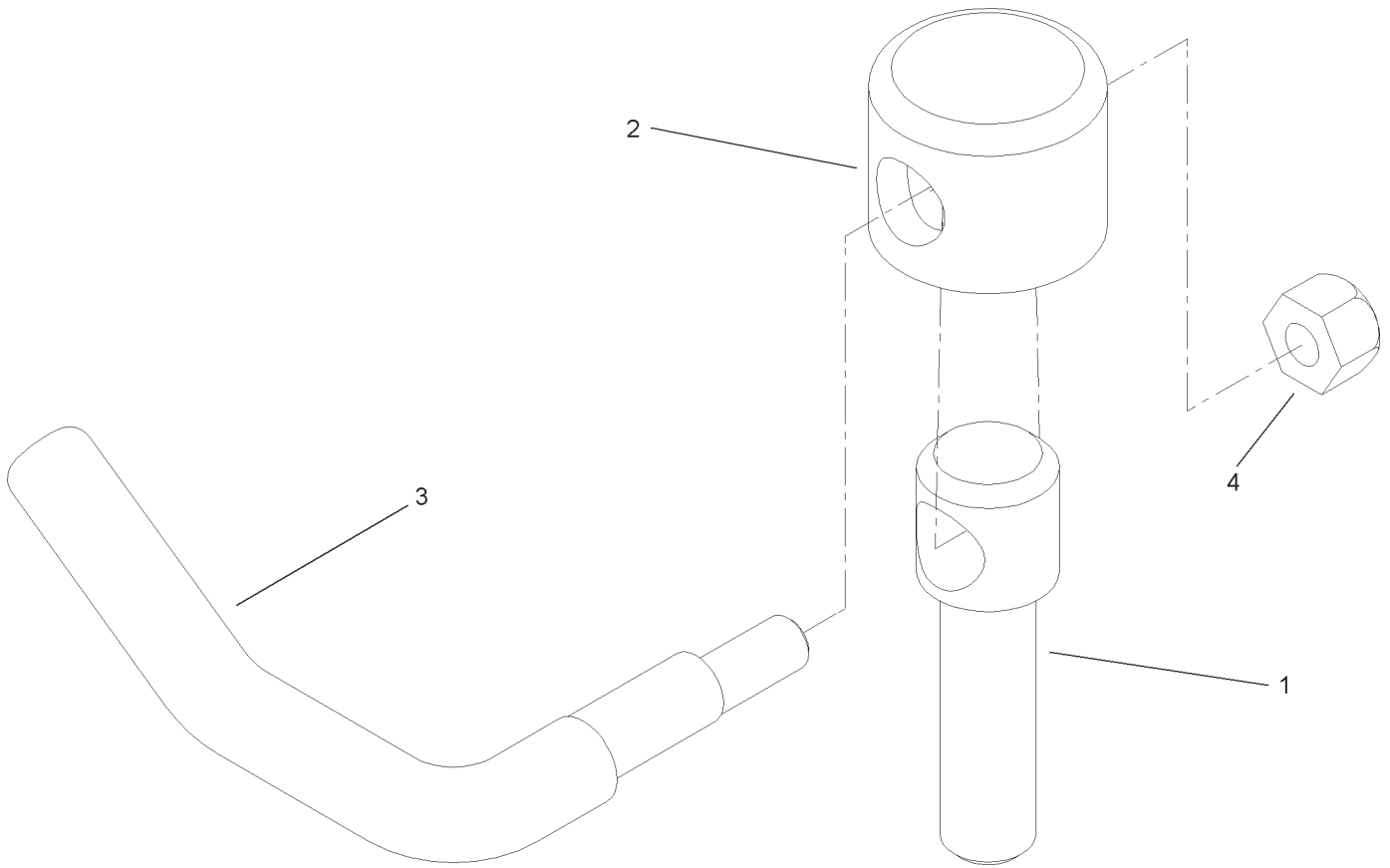
Ref. No.	Part No.	Qty.	Description
1	105-8783	1	Belt
2	74-5950	4	Latch-Swell
3	105-8786-01	2	Cover-Belt
4	106-3220	1	Guide-Wire
5	105-8792-01	1	Plate-Skid
6	32144-70	4	Screw-HH
7	105-8787-01	4	Bracket-Cover
8	105-7699	8	Seal-Strip
9	106-7354-01	1	Plate-Roller, LH
10	106-7355-01	1	Plate-Roller, RH
11	3290-357	42	Nut-HHF
13	95-1726	33	Screw-Taptite
14	105-7734	3	Pulley
15	106-3217	3	Spindle ASM
16	105-7718	3	Blade-Rotary, High Flow
17	323-23	4	Screw-HH
18	98-7913	4	Tube-Spacer
19	322-50	2	Screw-HH
20	98-5967	1	Spacer
21	1-603299	6	Roller-Anti Scalp
22	3296-29	2	Nut-Lock, NI
23	107-1624	1	Deck ASM
24	105-7657-01	1	Baffle ASM
25	105-7669-01	1	Baffle ASM
26	98-7912	4	Tube-Spanner

Ref. No.	Part No.	Qty.	Description
27	104-8554	1	Spring-Torsion
28	105-4622	1	Spacer
29	106-3249	1	Rubber Deflector ASM
30	105-7697	2	Washer-Plastic
31	106-3242	2	Lever ASM
32	323-12	2	Screw-HH
33	106-3214	2	Support-Pulley
34	3256-24	3	Washer-Flat
35	1-633109	3	Idler-Flat
36	3231-1	10	Screw-CARR
37	99-3058	4	Washer
38	323-9	1	Screw-HH
39	1-603496	1	Bushing-Idler
40	105-7787-01	1	Plate-Idler
41	105-7788	2	Spacer
42	3231-4	2	Screw-CARR
43	3296-39	2	Nut-Lock, NI
44	98-5975	1	Washer-Belleville
45	103-0862	3	Screw-Cap
46	103-0865	3	Washer-Blade Bolt, Heavy
47	106-3216-01	1	Baffle-Discharge
48	112843	1	Washer







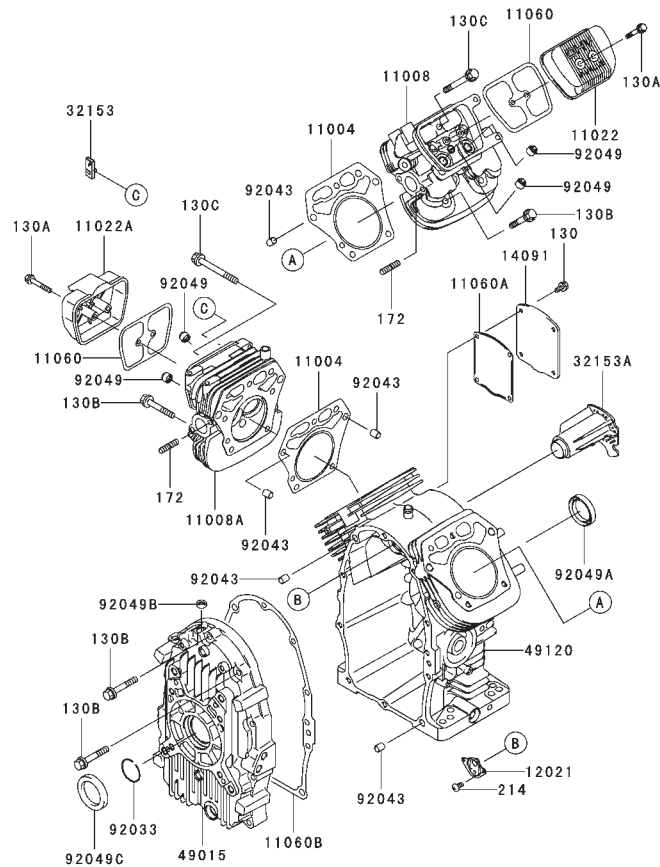


Sheet No.:A4

### Lever Assembly No. 106-3242

Ref. No.	Part No.	Qty.	Description
1	106-3239	1	Screw-Lock
2	106-3240	1	Cap-Lock
3	106-3241	1	Lever-Lock
4	3296-29	1	Nut-Lock, NI

Ref. No.	Part No.	Qty.	Description

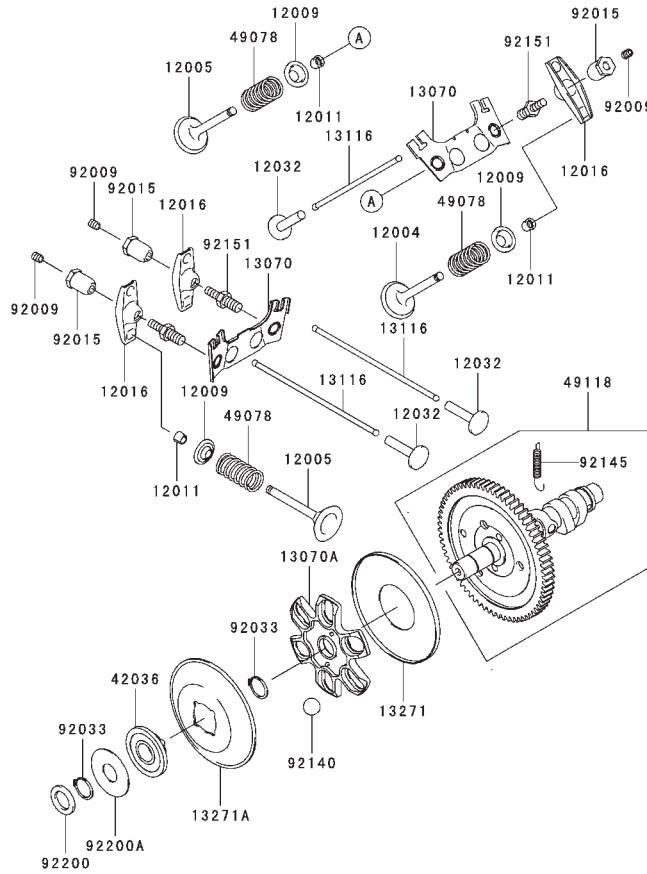


## Cylinder/Crankcase Assembly Kawasaki FH721D-AS05

Ref. No.	Part No.	Qty.	Description	Ref. No.	Part No.	Qty.	Description
11004	11004-7004	2	Gasket-Head	130A	130B0640	4	Bolt-Flanged
11008	11008-7004	1	Head-Comp Cylinder #2	130B	130T0850	18	Bolt-Flanged
11008A	11008-7007	1	Head-Comp Cylinder #1	130C	130T0875	2	Bolt-Flanged
11022	11022-7002	1	Case-Rocker	172	172G0818	4	Bolt-Stud
11022A	11022-7004	1	Case-Rocker	214	214B0408	2	Screw-Pan
11060	11060-7013	2	Gasket-Rocker, Case				
11060A	11060-7014	1	Gasket-Breather				
11060B	11060-7023	1	Gasket-Crankcase				
12021	12021-7002	1	Reed Valve ASM				
14091	14091-7004	1	Cover				
32153	32153-7003	1	Pipe				
32153A	32153-7004	1	Pipe				
49015	49015-6234	1	Cover-Crankcase				
49120	49120-6135	1	Crankcase-Comp				
92033	92033-7004	1	Ring-Snap				
92043	92043-7001	6	Pin				
92049	92049-7001	4	Seal-Oil				
92049A	92049-7002	1	Seal-Oil				
92049B	92049-7005	1	Seal-Oil				
92049C	92049-7007	1	Seal-Oil				
130	130B0612	4	Bolt-Flanged				
130A	130B0640	4	Bolt-Flanged				

Obtain Parts From Kawasaki



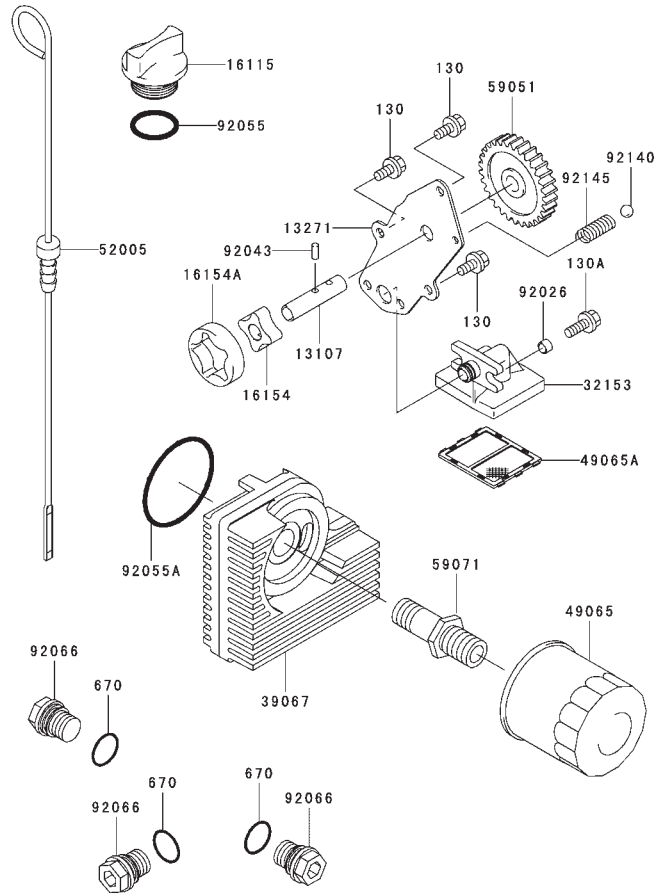


## Valve/Camshaft Assembly Kawasaki FH721D-AS05

Ref. No.	Part No.	Qty.	Description
12004	12004-7002	2	Valve-Intake
12005	12005-7002	2	Valve-Exhaust
12009	12009-7001	4	Retainer-Valve Spring
12011	12011-2056	8	Collet
12016	12016-7006	4	Arm-Rocker
12032	12032-7001	4	Tappet
13070	13070-7007	2	Guide
13070A	13070-7008	1	Arm-Rocker
13116	13116-7002	4	Rod-Push
13271	13271-7007	1	Plate
13271A	13271-7021	1	Plate
42036	42036-7001	1	Sleeve
49078	49078-7002	4	Spring-Engine Valve
49118	49118-7007	1	Camshaft-Comp
92009	92009-2341	4	Screw
92015	92015-2253	4	Nut
92033	92033-7001	2	Ring-Snap
92140	92140-7002	6	Ball
92145	92145-7001	1	Spring
92151	92151-7019	4	Bolt
92200	92200-7001	1	Washer
9200A	92200-7009	1	Washer

Ref. No.	Part No.	Qty.	Description

Obtain Parts From Kawasaki

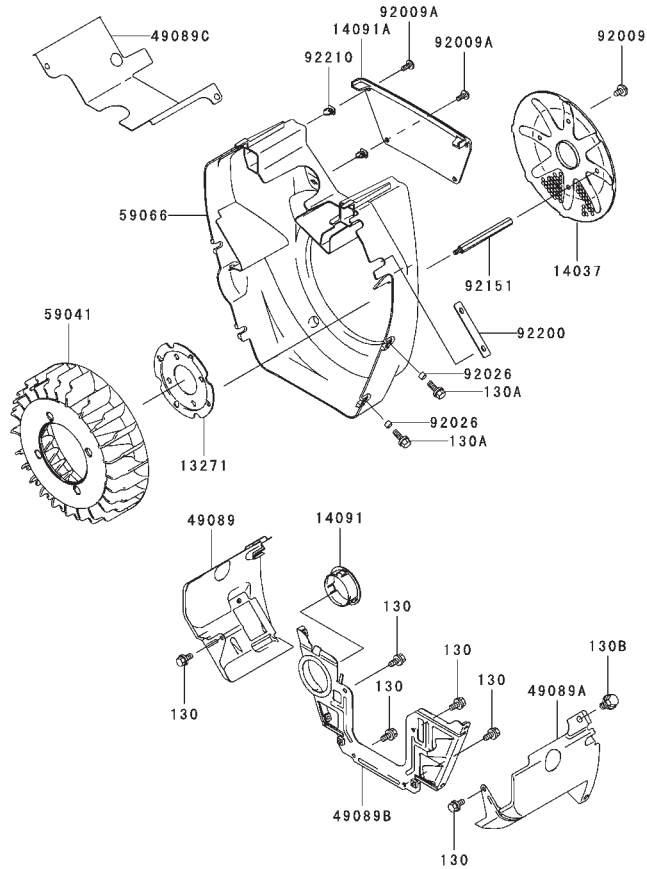


## Lubrication Equipment Assembly Kawasaki FH721D-AS05

Ref. No.	Part No.	Qty.	Description
13107	13107-7009	1	Shaft
13271	13271-7014	1	Plate
16115	16115-7001	1	Cap-Oil Filter
16154	16154-2053	1	Rotor-Pump, In
16154A	16154-2054	1	Rotor-Pump, Out
32153	32153-7002	1	Pipe
39067	39067-7001	1	Cooler-Oil
49065	49065-2078	1	Filter-Oil
49065A	49065-7005	1	Filter-Oil
52005	52005-7003	1	Guage
59051	59051-7004	1	Gear-Spur
59071	59071-7009	1	Joint
92026	92026-7001	2	Spacer
92043	92043-7003	1	Pin
92055	92055-7004	1	O-Ring
92055A	92055-7006	1	O-Ring
92066	92066-7003	3	Plug
92140	92140-7003	1	Ball
92145	92145-7002	1	Spring
130	130B0612	3	Bolt-Flanged
130A	130B0616	2	Bolt-Flanged
670	670D2016	3	O-Ring, 16mm

Ref. No.	Part No.	Qty.	Description

Obtain Parts From Kawasaki



## Cooling Equipment Assembly Kawasaki FH721D-AS05

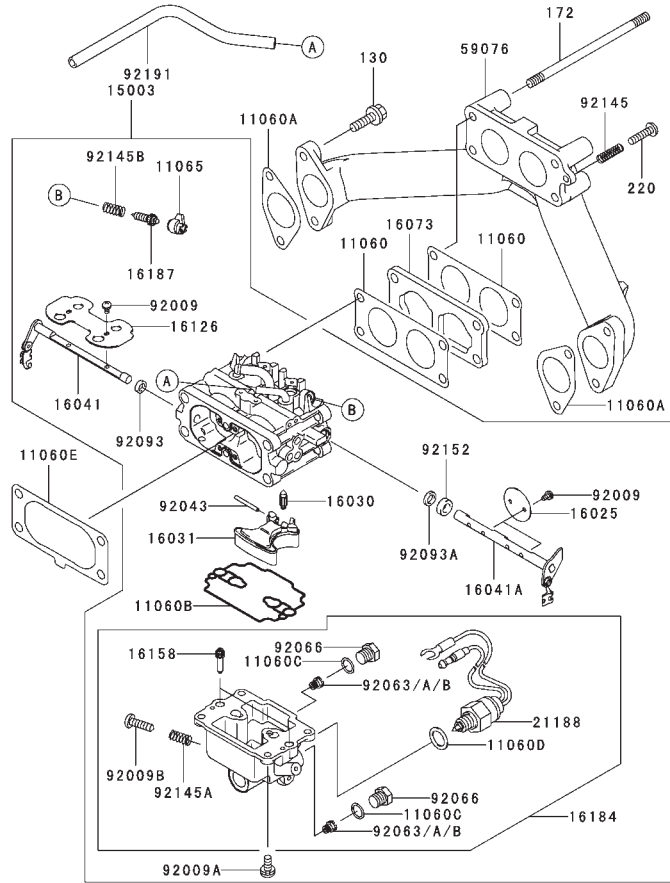
Ref. No.	Part No.	Qty.	Description
13271	13271-7015	1	Plate
14037	14037-7014	1	Screen
14091	14091-7002	1	Cover
14091A	14091-7005	1	Cover
49089	49089-7004	1	Shroud-Engine
49089A	49089-7005	1	Shroud-Engine
49089B	49089-7015	1	Shroud-Engine
49089C	49089-7019	1	Shroud-Engine
59041	59041-7004	1	Fan
59066	59066-7005	1	Housing-Fan
92009	92009-7008	4	Screw
92009	92009-7009	4	Screw
92026	92026-7001	4	Spacer
92151	92151-7018	4	Bolt
92200	92200-7011	1	Washer
92210	92210-7011	4	Nut
130	130B0612	2	Bolt-Flanged
130A	130B616	4	Bolt-Flanged
130B	130B0816	2	Bolt-Flanged

Ref. No.	Part No.	Qty.	Description

Obtain Parts From Kawasaki





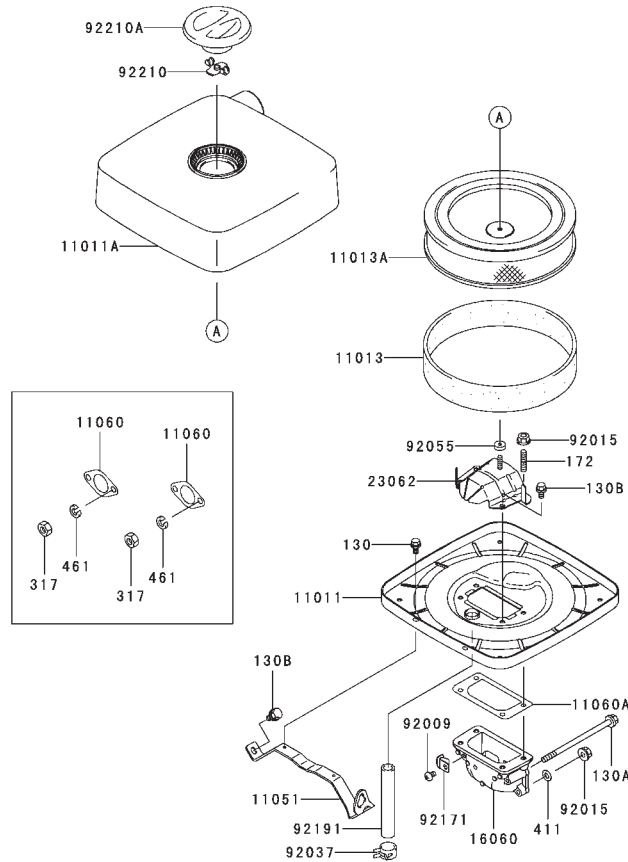


## Carburetor Assembly Kawasaki FH721D-AS05

Ref. No.	Part No.	Qty.	Description
11060	11060-7010	2	Gasket-Carburetor
11060A	11060-7011	2	Gasket-Manifold
11060B	11060-7018	1	Gasket-Float Chamber
11060C	11060-7019	2	Gasket-Main Plug
11060D	11060-7020	1	Gasket-Solenoid
11060E	11060-7025	1	Gasket-Air Filter
11065	11065-7004	2	Cap-Limiter
15003	15003-7042	1	Carburetor ASM
16025	16025-7002	2	Valve-Throttle
16030	16030-7002	1	Valve-Float
16031	16031-7001	1	Float
16041	16041-7011	1	Shaft-Carburetor
16041A	16041-7012	1	Shaft-Carburetor
16073	16073-7003	1	Insulator
16126	16126-7004	1	Valve-Choke
16158	16158-7003	2	Jet-Slow #56
16184	16184-7005	1	Float Chamber ASM
16187	16187-7003	2	Needle-Jet
21188	21188-7001	1	Solenoid
59076	59076-7003	1	Manifold-Intake
92009	92009-7003	6	Screw
92009A	92009-7005	4	Screw
92009B	92009-7006	1	Screw-Drain
92043	92043-7004	2	Pin-Float

Ref. No.	Part No.	Qty.	Description
92063	92063-7012	2	Jet-Main #108
92063A	92063-7013	2	Jet-Main #105
92063B	92063-7014	2	Jet-Main #102
92066	92066-7008	2	Plug-Main Jet
92093	92093-7001	1	Seal
92093A	92093-7002	1	Seal
92145	92145-7005	1	Spring
92145A	92145-7011	1	Spring
92145B	92145-7013	2	Spring
92152	92152-7002	1	Collar
92191	92191-7010	1	Tube
130	130B0620	4	Bolt-Flanged
172	172G06105	2	Bolt-Stud
220	220B0520	1	Screw-Pan

Obtain Parts From Kawasaki



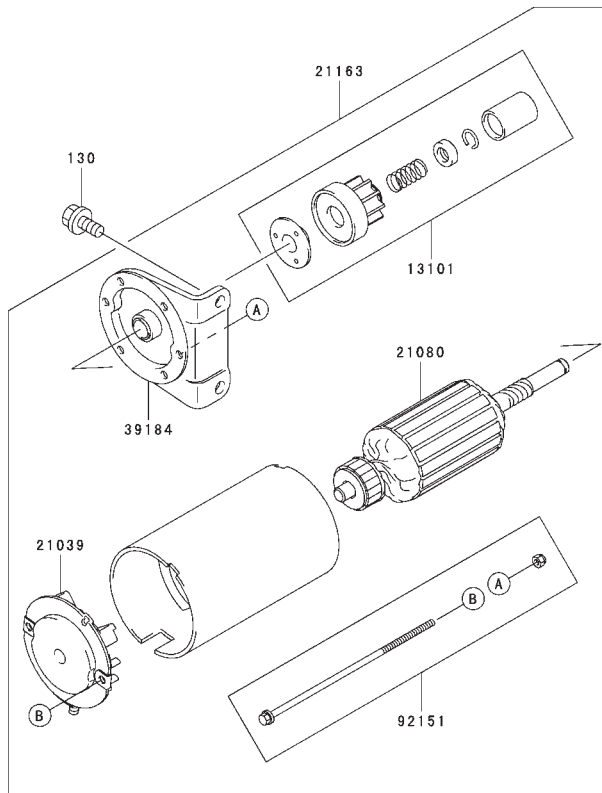
## Air Filter/Muffler Assembly Kawasaki FH721D-AS05

Ref. No.	Part No.	Qty.	Description
11011	11011-7004	1	Case-Air Filter
11011A	11011-7005	1	Case-Air Filter
11013	11013-7007	1	Element-Air Filter
11013A	11013-7011	1	Element-Air Filter
11051	11051-7007	1	Bracket
11060	11060-7016	2	Gasket-Muffler
11060A	11060-7022	1	Gasket-A/C Case
16060	16060-7002	1	Pipe-Intake
23062	23062-7006	1	Bracket-Comp
92009	92009-2166	1	Screw
92015	92015-1193	4	Nut
92037	92037-2079	1	Clamp
92055	92055-7005	1	O-Ring
92171	92171-7003	1	Clamp
92191	92191-7020	1	Tube
92210	92210-7004	1	Nut
92210A	92210-7010	1	Nut
130	130B0510	2	Bolt-Flanged
130A	130B0615	2	Bolt-Flanged
130B	130B0612	4	Bolt-Flanged
172	172G0612	2	Bolt-Stud
317	317R0800	4	Nut-Hex
411	411B0600	1	Washer
461	461F0800	4	Washer-Spring

Ref. No.	Part No.	Qty.	Description

Obtain Parts From Kawasaki





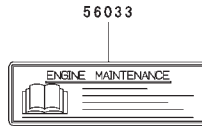
## Starter Assembly Kawasaki FH721D-AS05

Ref. No.	Part No.	Qty.	Description
13101	13101-7001	1	Gear ASM
21039	21039-7001	1	Brush
21080	21080-7001	1	Armature
211636	21163-7001	1	Starter-Electric
39184	39184-7001	1	Bracket ASM
92151	92151-7013	1	Bolt
130	130B0816	2	Bolt-Flanged

Ref. No.	Part No.	Qty.	Description

Obtain Parts From Kawasaki





## Label Assembly Kawasaki FH721D-AS05

Ref. No.	Part No.	Qty.	Description
56033	56033-7001	1	Label-Manual
56070	56070-7001	1	Label-Warning
56080	56080-7013	1	Label-Brand

Ref. No.	Part No.	Qty.	Description

Obtain Parts From Kawasaki





