



Count on it.

Parts Catalog

**Multi Pro[®] 5800 Turf Sprayer
with GeoLink[®] Precision Spray
System**

Model No. 41394GK—Serial No. 419000000 and Up



Ordering Replacement Parts

To order replacement parts, please supply the part number, the quantity, and the description of each part desired.

Understanding Reference Numbers

Each identified part in an illustration has a reference number. The reference number for a part also appears in the parts list, along with other information about the part.

This catalog uses two special reference number formats, one to indicate parts in a service assembly and another to indicate the quantity of a given part in an illustration.

Service Assembly Reference Numbers

Parts in service assemblies have reference numbers in the form a:b. The a represents the reference number of the entire service assembly and the b represents a sequential number unique to each part within the service assembly.

For example, a wheel assembly might be identified by reference number 6, the tire by 6:1, the valve by 6:2, and the wheel by 6:3. When you order the assembly identified by reference number 6, you receive all parts identified by reference numbers 6:1, 6:2, and 6:3. However, you may also order any part individually. Reference numbers of this type appear in illustration and in parts lists.

Reference Numbers Indicating Quantity

In an illustration, if a reference number indicates more than one part, the reference number has the form nX y. The n represents the quantity of the part, the X is the multiplication symbol, and the y represents the reference number.

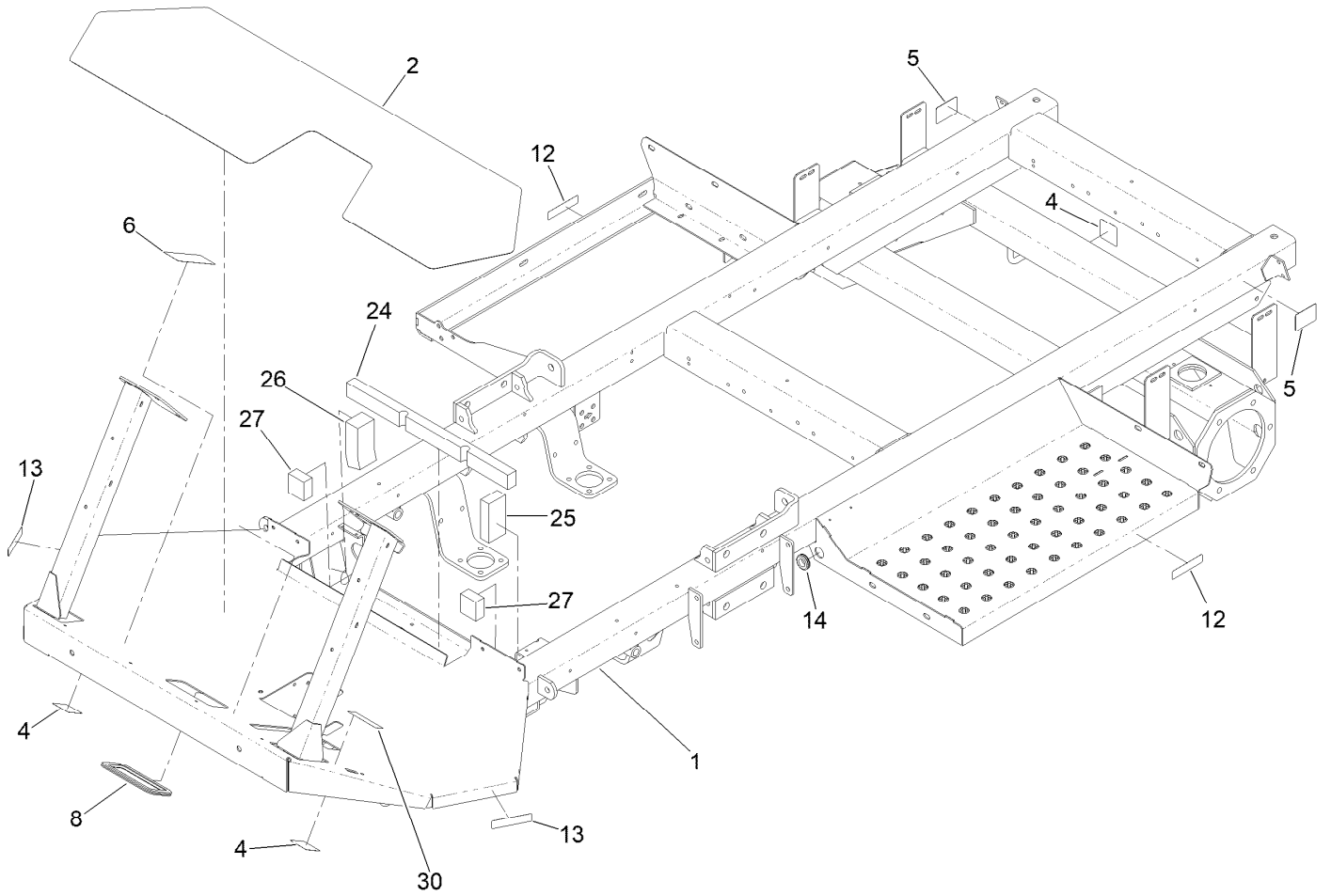
For example, in an illustration, the reference number 2X 37 means that two of the parts identified by reference number 37 are indicated.

Contents

| | |
|--|----|
| Frame Assembly | 5 |
| Front Axle Assembly | 6 |
| Cylinder Assembly No. 138-6102 | 7 |
| Hub Assembly No. 119-6003 | 8 |
| Wheel and Tire Assembly No. 127-1100 | 9 |
| Front Suspension Assembly | 10 |
| Seat Base Assembly | 11 |
| Seat, Fresh Water Tank and Roll-Over Protection System Assembly. | 12 |
| Control Console Assembly | 14 |
| Brake Pedal Assembly | 16 |
| Traction Pedal Assembly. | 17 |
| Throttle Assembly. | 18 |
| Dash Panel Assembly | 20 |
| Control Console and Manifold Mount Assembly | 22 |
| Engine Mounting and Bell Housing | 23 |
| Muffler and Air Cleaner Assembly | 24 |
| Air Cleaner Assembly No. 106-5277. | 26 |
| Engine and Shroud Assembly | 27 |
| Fuel Tank Assembly. | 28 |
| Radiator Assembly. | 29 |
| Hydraulic Pump and Filter Assembly. | 30 |
| Piston Pump Assembly No. 117-0685 | 32 |
| Control Assembly No. 115-4446 | 34 |
| Tandem Pump Assembly No. 138-6193. | 35 |
| Hydraulic Tank Assembly | 36 |
| Hydraulic Hose Assembly | 37 |
| Pump Control Valve Assembly No. 117-0708 | 39 |
| Steering Hydraulic Assembly | 40 |
| Steering Valve Assembly No. 137-7509. | 41 |
| Hydraulic Valve Assembly No. 137-4076 | 42 |
| Boom Lift Assembly | 44 |
| Hydraulic Cylinder Assembly No. 117-0701. | 45 |
| On-Off Boom Lift Valve Assembly No. 136-2400 | 46 |
| Rear Drive Assembly | 47 |
| Planetary Assembly No. 136-2913 | 49 |
| RH Brake Assembly No. 100-3069 | 50 |
| LH Brake Assembly No. 100-3070 | 51 |
| Hydraulic Motor Assembly No. 132-5631. | 52 |
| Hydraulic Motor Assembly No. 136-2373. | 53 |
| Electrical Assembly | 54 |
| Wire Harness Assembly No. 122-3653. | 56 |
| Tank and Saddle Assembly. | 57 |
| Tank Assembly No. 117-8005 | 58 |
| Spray Tank Lid Assembly No. 138-6283 | 59 |
| Tank Mounting and Filter Assembly. | 60 |
| Filter Assembly No. 130-7096 | 61 |
| Spray System Hose Assembly. | 62 |
| Spray Pump and Valve Assembly | 64 |
| Pump Assembly No. 145-3382 | 66 |
| Agitation Hose Assembly No. 139-3093. | 68 |
| Hydraulic Motor Assembly No. 117-0706 | 69 |
| On/Off 2-Way Valve Kit No. 131-0249 | 70 |
| Manifold Connection Assembly | 72 |
| ASC-10 Mounting Assembly. | 74 |

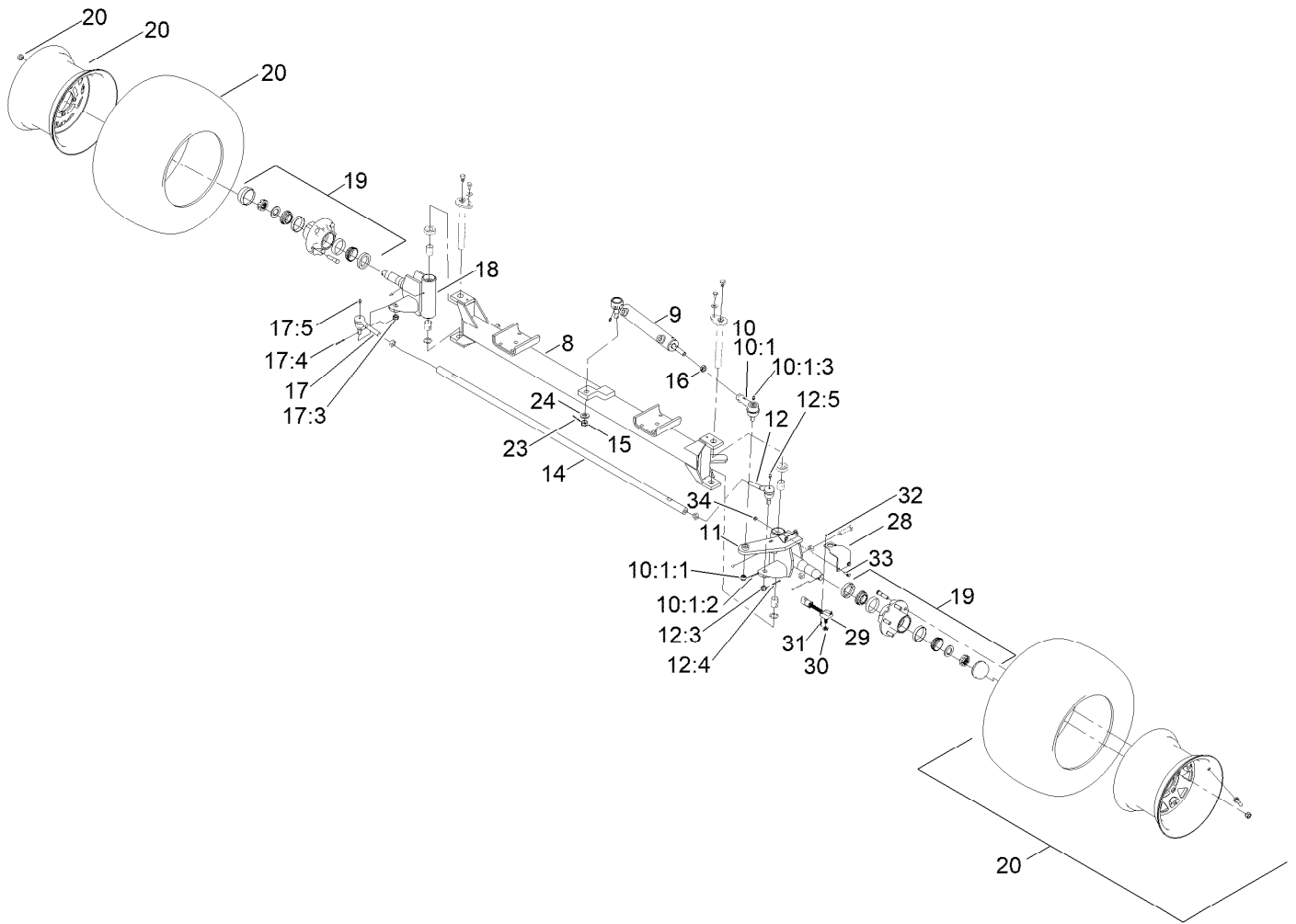
Contents (continued)

| | |
|---|-----|
| Crankcase Assembly | 76 |
| Oil Pan Assembly | 77 |
| Cylinder Head Assembly | 78 |
| Gear Case and Oil Filter Cartridge Assembly | 79 |
| Cylinder Head Cover Assembly | 80 |
| Oil Dipstick and Guide Assembly | 81 |
| Main Bearing Case Assembly | 82 |
| Cam Shaft and Idle Gear Assembly | 83 |
| Piston and Crankshaft Assembly | 84 |
| Flywheel and Sensor Switch Assembly | 85 |
| Ignition Coil and Delivery Pipe Assembly | 86 |
| Engine Covers Assembly | 87 |
| Solenoid Cover and Hydraulic Pump Cover | 88 |
| Alternator, Pulley and Fan Assembly | 89 |
| Alternator Assembly No. 131-9567 | 90 |
| Starter Installation Assembly | 91 |
| Starter Components Assembly | 92 |
| Water Flange and Thermostat Assembly | 93 |
| Water Pump Assembly | 94 |
| Valve and Rocker Arm Assembly | 95 |
| Inlet Manifold Assembly | 96 |
| Exhaust Manifold Assembly | 97 |
| Wire Harness Assembly | 98 |
| Electronic Control Unit Assembly | 99 |
| Miscellaneous Engine Parts | 100 |
| Attachments and Accessories | 101 |



Frame Assembly

| <i>Ref.</i> | <i>Part Number</i> | <i>Qty.</i> | <i>Description</i> |
|-------------|--------------------|-------------|------------------------|
| 1 | 130-7070-03 | 1 | Frame |
| 2 | 104-8863 | 1 | Tread-Floor |
| 4 | 120-0623 | 3 | Decal-Tie Down, Towing |
| 5 | 107-8667 | 2 | Decal-Jacking |
| 6 | 107-8724 | 1 | Decal-Traction |
| 8 | 119-0599 | 1 | Trim-Seal |
| 12 | 107-8732 | 2 | Decal-Torque (CE) |
| 13 | 107-8731 | 2 | Decal-Torque (CE) |
| 14 | 240-6 | 1 | Grommet-Rubber |
| 24 | 131-5751 | 1 | Foam-Seal |
| 25 | 131-5752 | 1 | Foam-Seal |
| 26 | 131-5753 | 1 | Foam-Seal |
| 27 | 131-5754 | 2 | Foam-Seal |
| 30 | 136-2351 | 1 | Decal-Brake, Parking |

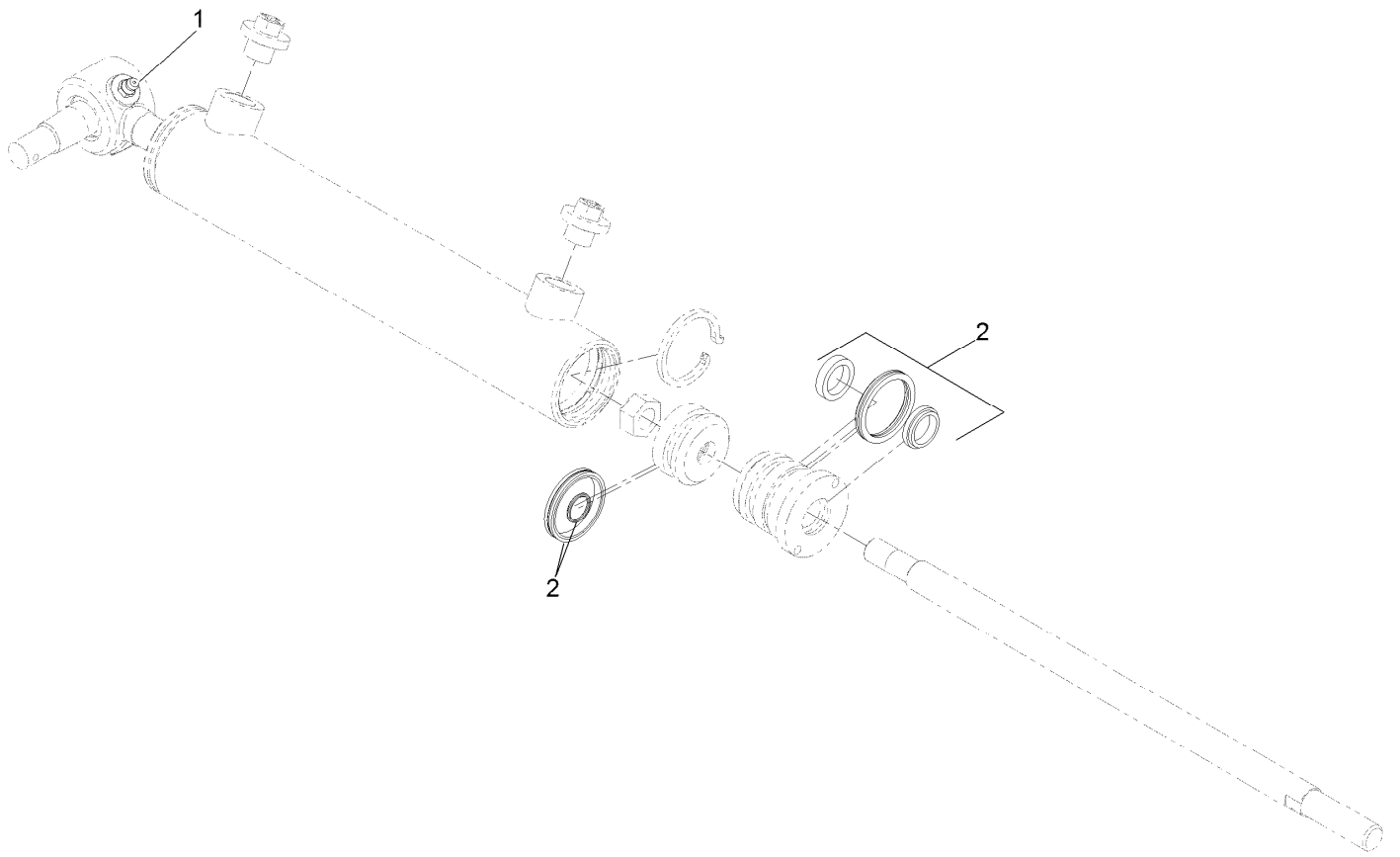


Front Axle Assembly

| Ref. | Part Number | Qty. | Description | Ref. | Part Number | Qty. | Description |
|--------|-------------|------|------------------|------|-------------|------|--------------------|
| 8 | 138-9615-03 | 1 | Axle-Front | 17:3 | 32136-3 | 1 | Nut-SHH |
| 9 | 138-6102 | 1 | Cylinder ASM | 17:4 | 3272-12 | 1 | Pin-Cotter |
| 10 | 93-6509-03 | 1 | Tie Rod End ASM | 17:5 | 302-5 | 1 | Fitting-Grease |
| 10:1 | | 1 | End-Tie Rod ■ | 17:6 | 107-1587 | 1 | Seal ● |
| 10:1:1 | 137-4176 | 1 | Nut-Hex, Slotted | 18 | 117-5897-03 | 1 | Spindle-RH |
| 10:1:2 | 3272-12 | 1 | Pin-Cotter | 19 | 119-6003 | 2 | Hub ASM |
| 10:1:3 | 302-5 | 1 | Fitting-Grease | 20 | 127-1100 | 2 | Wheel And Tire ASM |
| 11 | 138-6244-03 | 1 | Spindle-LH | 23 | 3272-12 | 2 | Pin-Cotter |
| 12 | 87-1470-03 | 1 | End-Tie Rod, LH | 24 | 119-1868 | 1 | Washer |
| 12:3 | 32136-3 | 1 | Nut-SHH | 28 | 138-6178-03 | 1 | Bracket-Sensor |
| 12:4 | 3272-12 | 1 | Pin-Cotter | 29 | 138-6252 | 1 | Sensor-Rotary |
| 12:5 | 302-5 | 1 | Fitting-Grease | 30 | 112-8617 | 1 | Nut-Hex |
| 12:6 | 107-1587 | 1 | Seal | 31 | 140-8959 | 2 | Screw-Fht |
| 14 | 93-6588-03 | 1 | Rod-Steering | 32 | 3296-52 | 2 | Nut-Lock, NI |
| 15 | 32136-13 | 1 | Nut-SHH | 33 | 3234-4 | 2 | Screw-HHF |
| 16 | 3220-11 | 1 | Nut-Jam | 34 | 119-6921 | 2 | Nut-Hex, Flange |
| 17 | 87-1480-03 | 1 | End-Tie Rod, RH | 99 | 138-6179 | 1 | Tool-Alignment ● |

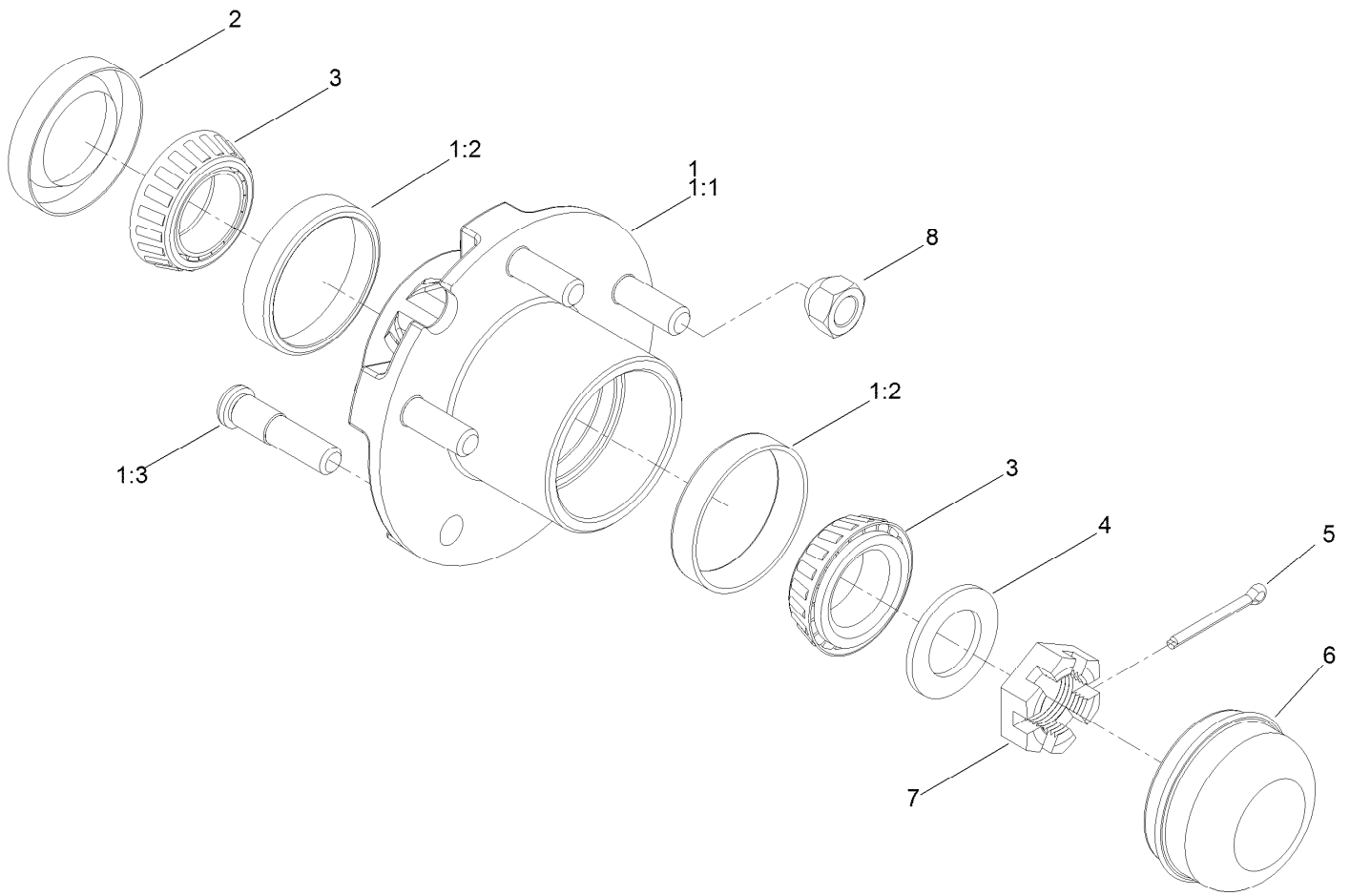
● Not illustrated

■ Not serviced separately



Cylinder Assembly No. 138-6102

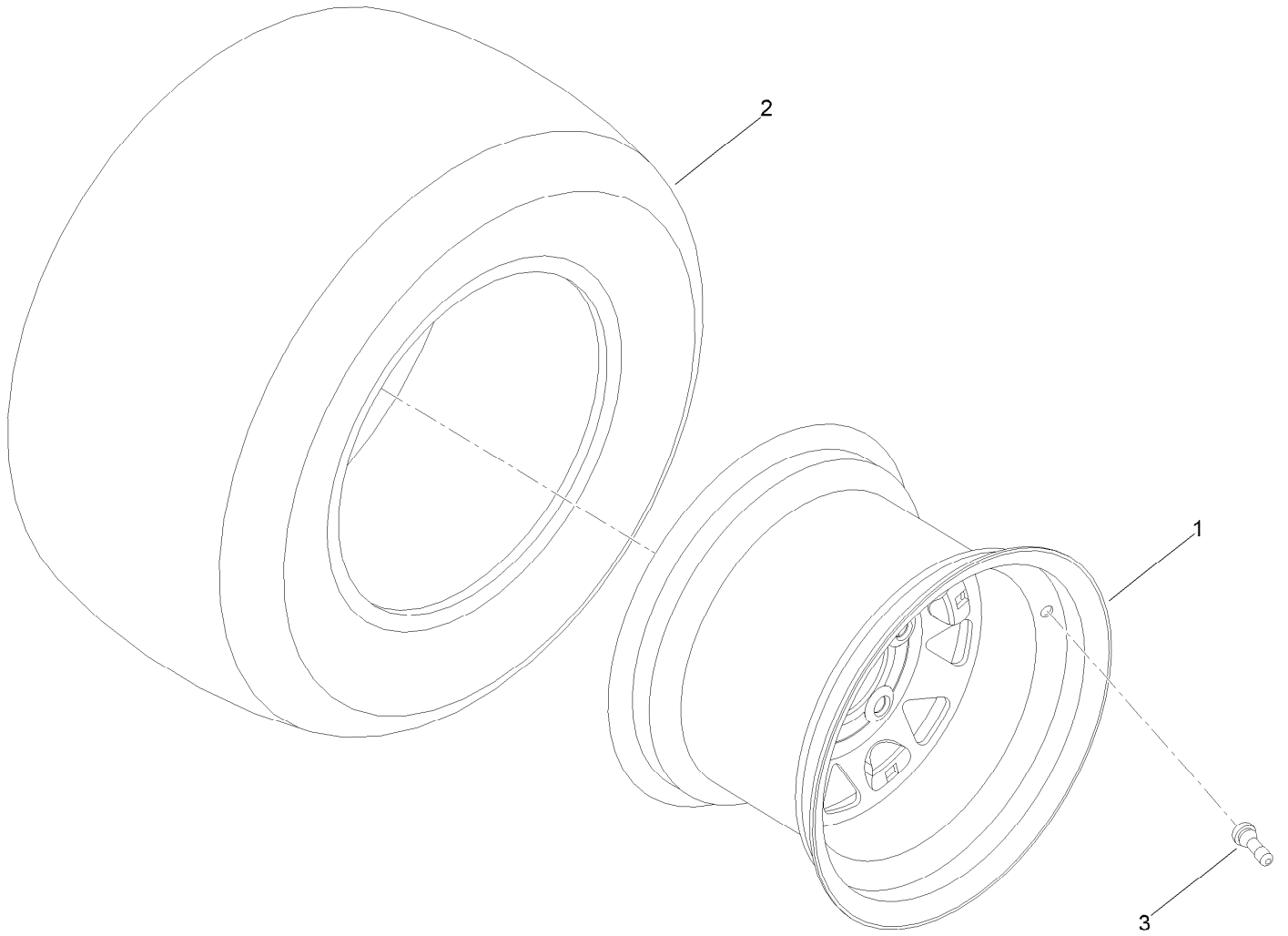
| <i>Ref.</i> | <i>Part Number</i> | <i>Qty.</i> | <i>Description</i> |
|-------------|--------------------|-------------|----------------------|
| 1 | 302-5 | 1 | Fitting-Grease |
| 2 | 139-3099 | 1 | Repair Kit, Cylinder |



Hub Assembly No. 119-6003

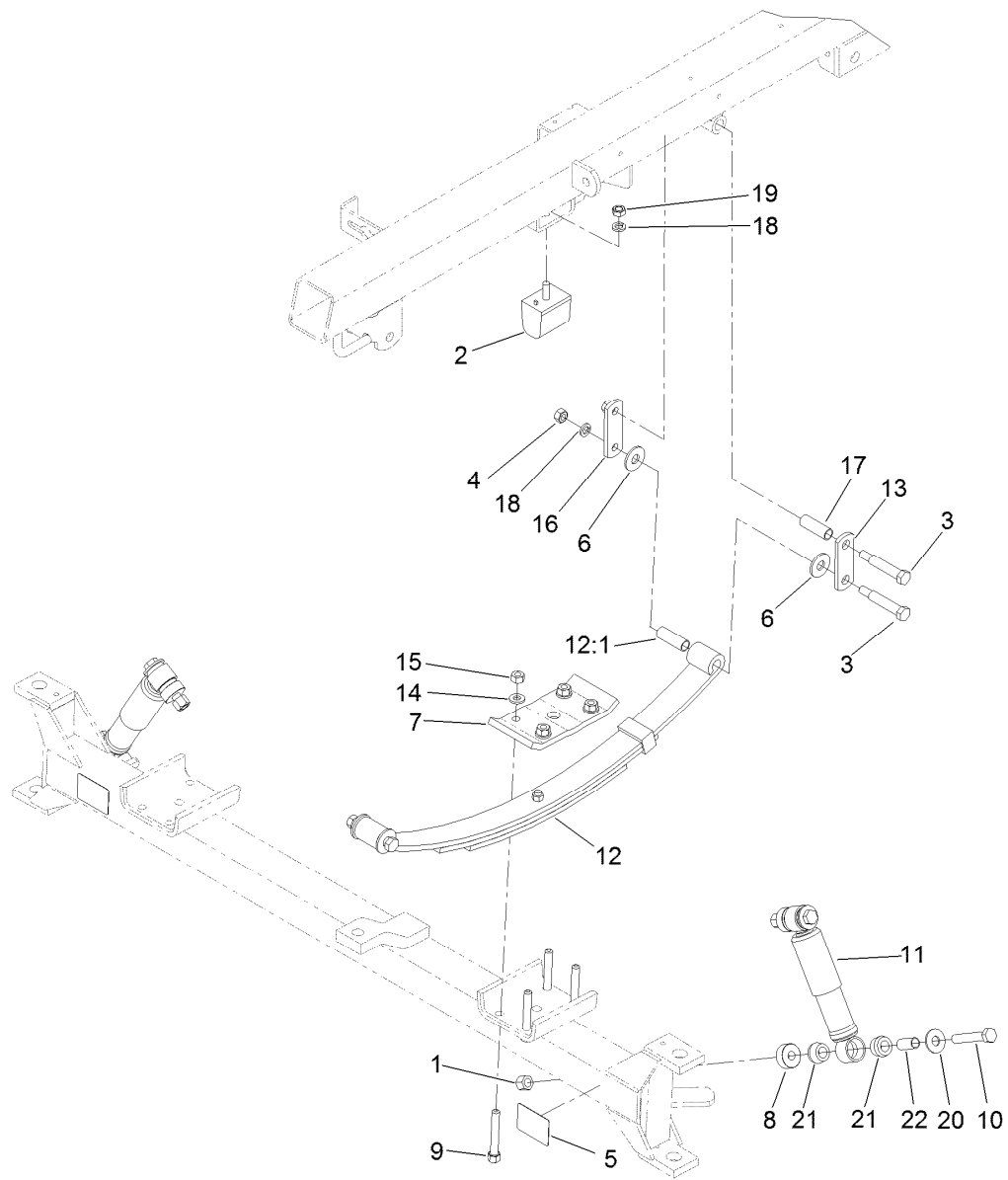
| Ref. | Part Number | Qty. | Description |
|------|-------------|------|----------------------------------|
| 1 | 119-6001 | 1 | Hub ASM |
| 1:1 | | 1 | Hub ● |
| 1:2 | 115-9471 | 2 | Bearing-Cup |
| 1:3 | 69-2990 | 5 | Stud-Wheel |
| 2 | 94-7285 | 1 | Seal |
| 3 | 254-62 | 2 | Bearing-Roller, Cone |
| 4 | HDW01814 | 1 | Washer, Flat, 1.06X1.75X.12, YZN |
| 5 | 3272-18 | 1 | Pin-Cotter |
| 6 | 119-6004 | 1 | Cap-Dust |
| 7 | 119-6005 | 1 | Nut-Slotted, Hex |
| 8 | 242-35 | 5 | Nut-Wheel |

● Not serviced separately



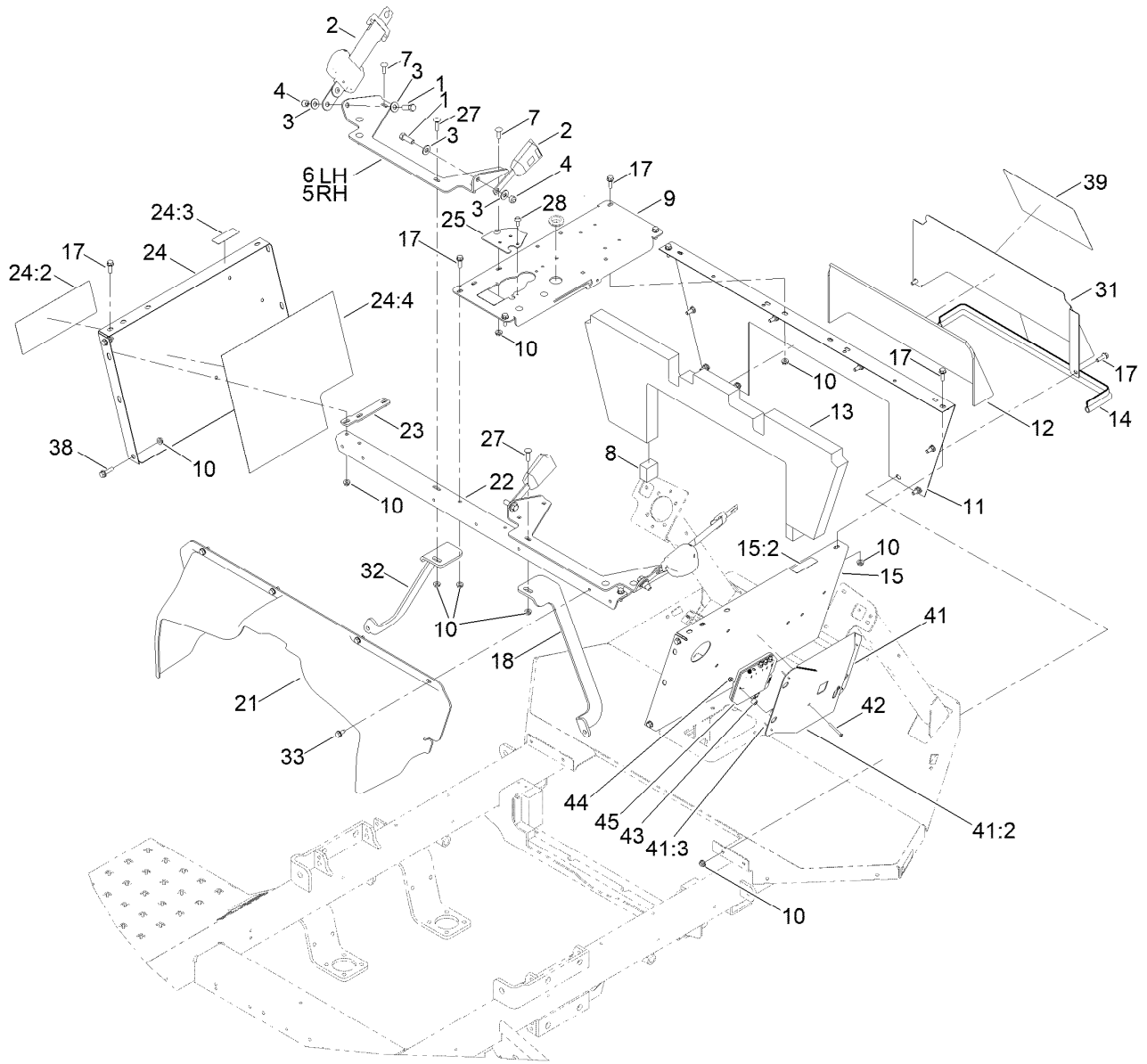
Wheel and Tire Assembly No. 127-1100

| <i>Ref.</i> | <i>Part Number</i> | <i>Qty.</i> | <i>Description</i> |
|-------------|--------------------|-------------|--------------------|
| 1 | 125-5899 | 1 | Wheel |
| 2 | 120-2114 | 1 | Tire-Smooth |
| 3 | 232-27 | 1 | Stem-Valve |



Front Suspension Assembly

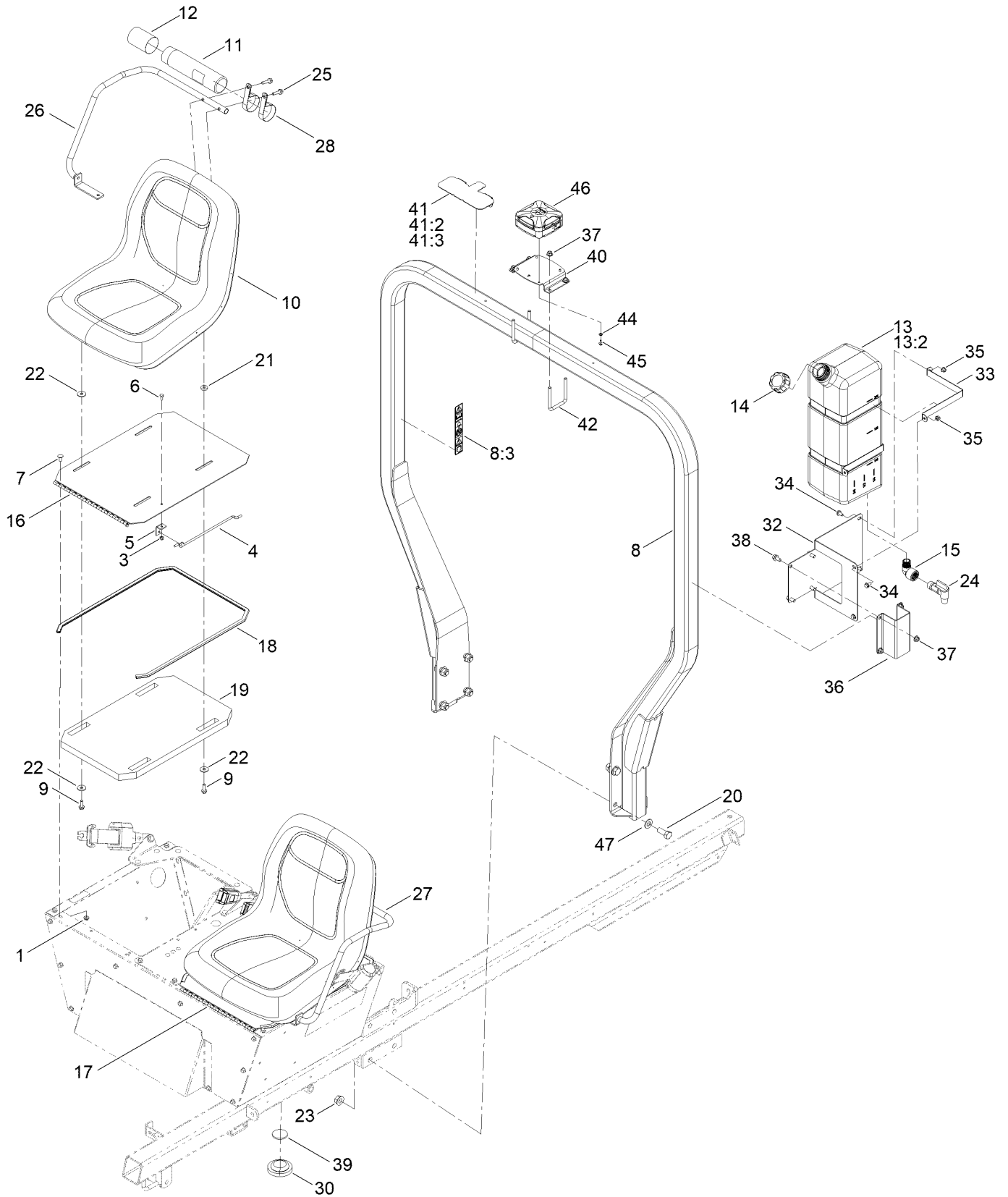
| Ref. | Part Number | Qty. | Description | Ref. | Part Number | Qty. | Description |
|------|-------------|------|-------------------|------|-------------|------|----------------------|
| 1 | 3296-23 | 4 | Nut-Lock, NI | 12:1 | 119-9437 | 2 | Bushing-Spring, Leaf |
| 2 | 87-3470 | 2 | Bumper | 13 | 42574 | 2 | Shackel-Outside |
| 3 | 110-5072 | 6 | Bolt-Shoulder | 14 | 87-7480 | 8 | Washer |
| 4 | 3217-8 | 6 | Nut-Hex | 15 | 106-0327 | 8 | Nut-Hex |
| 5 | 107-8667 | 2 | Decal-Jacking | 16 | 42576 | 2 | Shackel-Inside |
| 6 | 93-6161 | 8 | Washer | 17 | 42592 | 2 | Bushing-Shackle |
| 7 | 121-5089-03 | 2 | Plate-Top, Spring | 18 | 3253-6 | 8 | Washer-Lock |
| 8 | 127-2913 | 4 | Spacer | 19 | 93-6166 | 2 | Nut-Hex |
| 9 | 26-0672 | 8 | Bolt-Blade | 20 | 3256-6 | 4 | Washer-Flat |
| 10 | 325-12 | 4 | Screw-HH | 21 | 87-3920 | 8 | Bushing |
| 11 | 121-9774 | 2 | Absorber-Shock | 22 | 127-2925 | 4 | Sleeve |
| 12 | 99-0569 | 2 | Spring Leaf | | | | |



Seat Base Assembly

| <i>Ref.</i> | <i>Part Number</i> | <i>Qty.</i> | <i>Description</i> | <i>Ref.</i> | <i>Part Number</i> | <i>Qty.</i> | <i>Description</i> |
|-------------|--------------------|-------------|------------------------------|-------------|--------------------|-------------|---------------------------------|
| 1 | 324-5 | 4 | Screw-HH | 24 | 131-5788 | 1 | LH Seat Box Panel ASM |
| 2 | 110-0413 | 2 | Seatbelt-Retractable | 24:2 | 120-0619 | 1 | Decal-Warning |
| 3 | 3256-4 | 8 | Washer-Flat | 24:3 | 120-0625 | 1 | Decal-Warning |
| 4 | 3296-48 | 4 | Nut-Hex | 24:4 | 131-5806 | 1 | Shield-Heat Tape, Seatbase (LH) |
| 5 | 121-5071-03 | 1 | Bracket-Seat Belt, RH | 25 | 132-7705-03 | 1 | Retainer-Harness, Base |
| 6 | 121-5072-03 | 1 | Bracket-Seat Belt, LH | 27 | 3230-3 | 2 | Screw-CARR |
| 7 | 3230-22 | 10 | Screw-CARR | 28 | 119-4012 | 2 | Screw-HWHTF |
| 8 | 144-6168 | 2 | Strip-Foam, Noise Barrier | 31 | 130-7119-01 | 1 | Panel-Access, Seatbase |
| 9 | 163-2922-03 | 1 | Base-Console | 32 | 107-8730-0P | 1 | Support-LH |
| 10 | 32128-20 | 34 | Nut-HF | 33 | 32144-70 | 4 | Screw-HWHTF |
| 11 | 130-7107-01 | 1 | Panel-Front, Seatbase | 38 | 3234-36 | 2 | Screw-HHF |
| 12 | 130-7132 | 1 | Barrier-Noise, Access Panel | 39 | 139-3065 | 1 | Decal-Service |
| 13 | 144-6240 | 1 | Barrier - Noise, Front Panel | 41 | 140-7381 | 1 | Modem-Mount ASM |
| 14 | 131-3282 | 1 | Trim | 41:2 | 140-7369 | 4 | Magnet |
| 15 | 130-7104 | 1 | Panel-Seatbase, RH | 41:3 | 3290-55 | 4 | Rivet-Pop |
| 15:2 | 120-0625 | 1 | Decal-Warning | 42 | 3290-424 | 2 | Screw-SHH |
| 17 | 3234-17 | 20 | Screw-HHF | 43 | 138-9250 | 2 | Spacer |
| 18 | 107-8729-0P | 1 | Support-RH | 44 | 138-0719 | 2 | Nut-HF |
| 21 | 132-7660 | 1 | Cover-Engine | 45 | 147-4687 | 1 | Modem-CI55, Universal |
| 22 | 119-5025-0P | 1 | Angle-Seat Box | | | | |
| 23 | 95-2264 | 2 | Strap | | | | |

Seat, Fresh Water Tank and Roll-Over Protection System Assembly

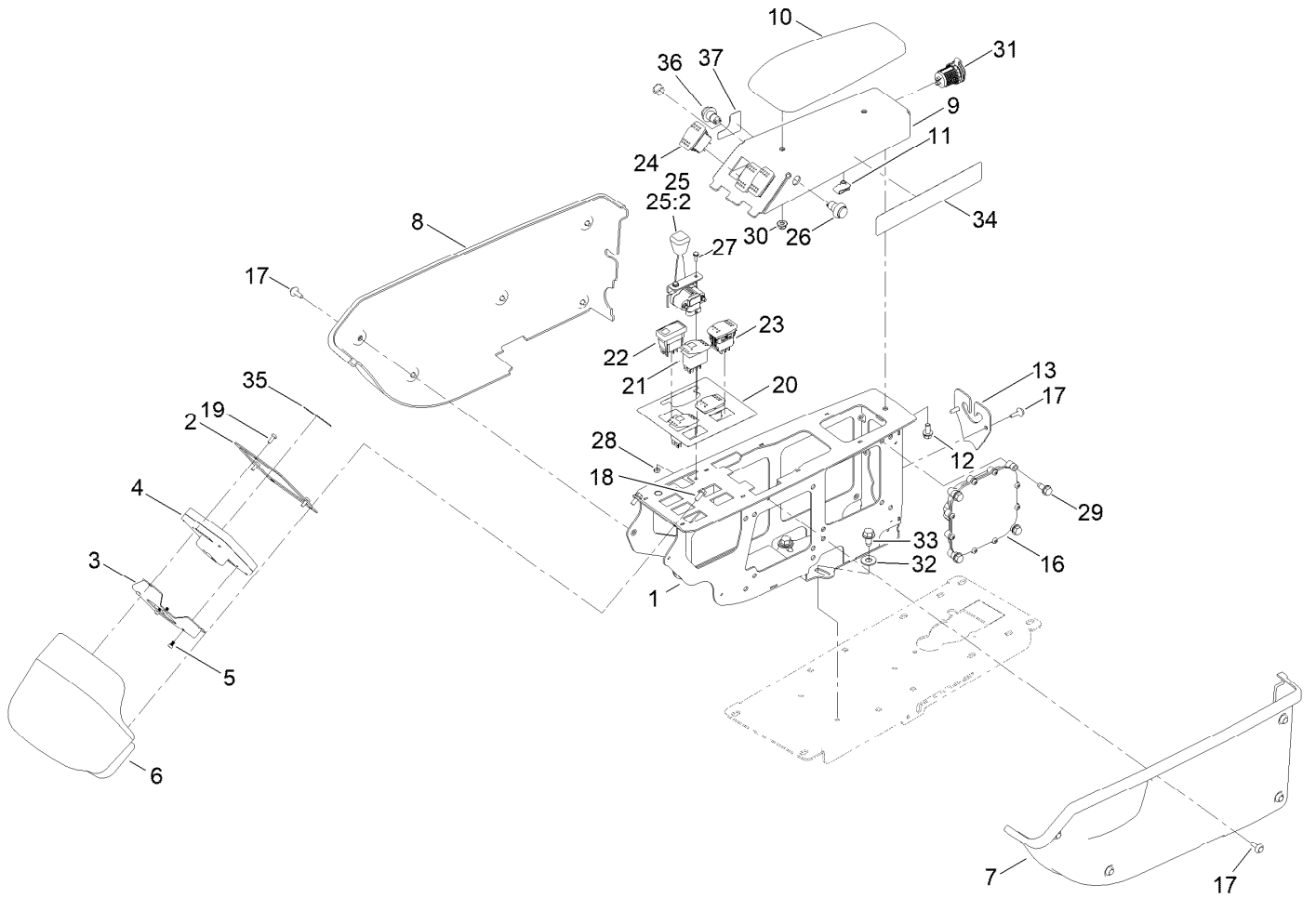


Seat, Fresh Water Tank and Roll-Over Protection System Assembly (continued)

| <i>Ref.</i> | <i>Part Number</i> | <i>Qty.</i> | <i>Description</i> | <i>Ref.</i> | <i>Part Number</i> | <i>Qty.</i> | <i>Description</i> |
|-------------|--------------------|-------------|-------------------------|-------------|--------------------|-------------|---------------------------------|
| 1 | 32128-20 | 4 | Nut-HF | 25 | 33104-035 | 4 | Screw-HHF |
| 3 | 3296-42 | 2 | Nut-Lock, NI | 26 | 140-6360 | 1 | Armrest-RH |
| 4 | 94-7204 | 2 | Rod-Prop, Seat | 27 | 140-6359 | 1 | Armrest LH |
| 5 | 94-7203 | 2 | Bracket | 28 | 2412-133 | 2 | Clamp-R |
| 6 | 321-3 | 2 | Screw-HH | 29 | 132-7666 | 1 | Barrier-Noise, Seat ● |
| 7 | 137-3061 | 4 | Bolt-CARR | 30 | 100-3524 | 1 | Switch-Seat |
| 8 | 119-0589 | 1 | ROPS ASM | 32 | 132-5619-03 | 1 | Mount-Tank, Eye Wash |
| 8:3 | 117-4955 | 1 | Decal-Danger, ROPS (CE) | 33 | 132-7628-03 | 2 | Band-Tank, Eye Wash |
| 9 | 33104-025 | 8 | Screw-HHF | 34 | 3234-7 | 4 | Screw-HHF |
| 10 | 112-2923 | 2 | Seat ASM | 35 | 119-4041 | 4 | Nut-HF |
| 11 | 104-7050 | 1 | Tube-Manual | 36 | 132-7627-03 | 1 | Clamp-Bracket, Fresh Water Tank |
| 12 | 104-7048 | 1 | Cap-Housing | 37 | 119-4042 | 8 | Nut-HF, NI |
| 13 | 132-7745 | 1 | Fresh Water Tank ASM | 38 | 3234-1 | 4 | Screw-HHF |
| 13:2 | 120-0616 | 3 | Decal-Water, Fresh | 39 | 133-2797 | 1 | Disc-Plunger |
| 14 | 106-5052 | 1 | Cap-Water, Fresh | 40 | 144-6009-03 | 1 | Bracket-Mount, Agi2 |
| 15 | 132-7706 | 1 | Elbow-90 DEG | 41 | 147-3178 | 1 | Antenna Mount, ASM |
| 16 | 108-3289-03 | 1 | Panel-Seat, RH | 41:2 | 140-7369 | 2 | Magnet |
| 17 | 132-7664-03 | 1 | Panel-Seat, LH | 41:3 | 3290-55 | 2 | Rivet-Pop |
| 18 | 94-7085 | 2 | Trim | 42 | 47-3460 | 2 | U-Bolt |
| 19 | 108-3290 | 1 | Barrier-Noise, Seat | 44 | 43-5930 | 4 | Washer-Lock, Spring |
| 20 | 327-4 | 8 | Screw-HH | 45 | 120-4579 | 4 | Screw-HHF |
| 21 | 7-0081 | 6 | Washer-Flat | 46 | 140-7378 | 1 | Kit, Ags-2 Reciver +rtk Oaf |
| 22 | 52-2861 | 10 | Washer | 47 | 3256-27 | 8 | Washer-Flat |
| 23 | 32128-50 | 8 | Nut-Flange | | | | |
| 24 | 100-7011 | 1 | Spigot-90 DEG | | | | |

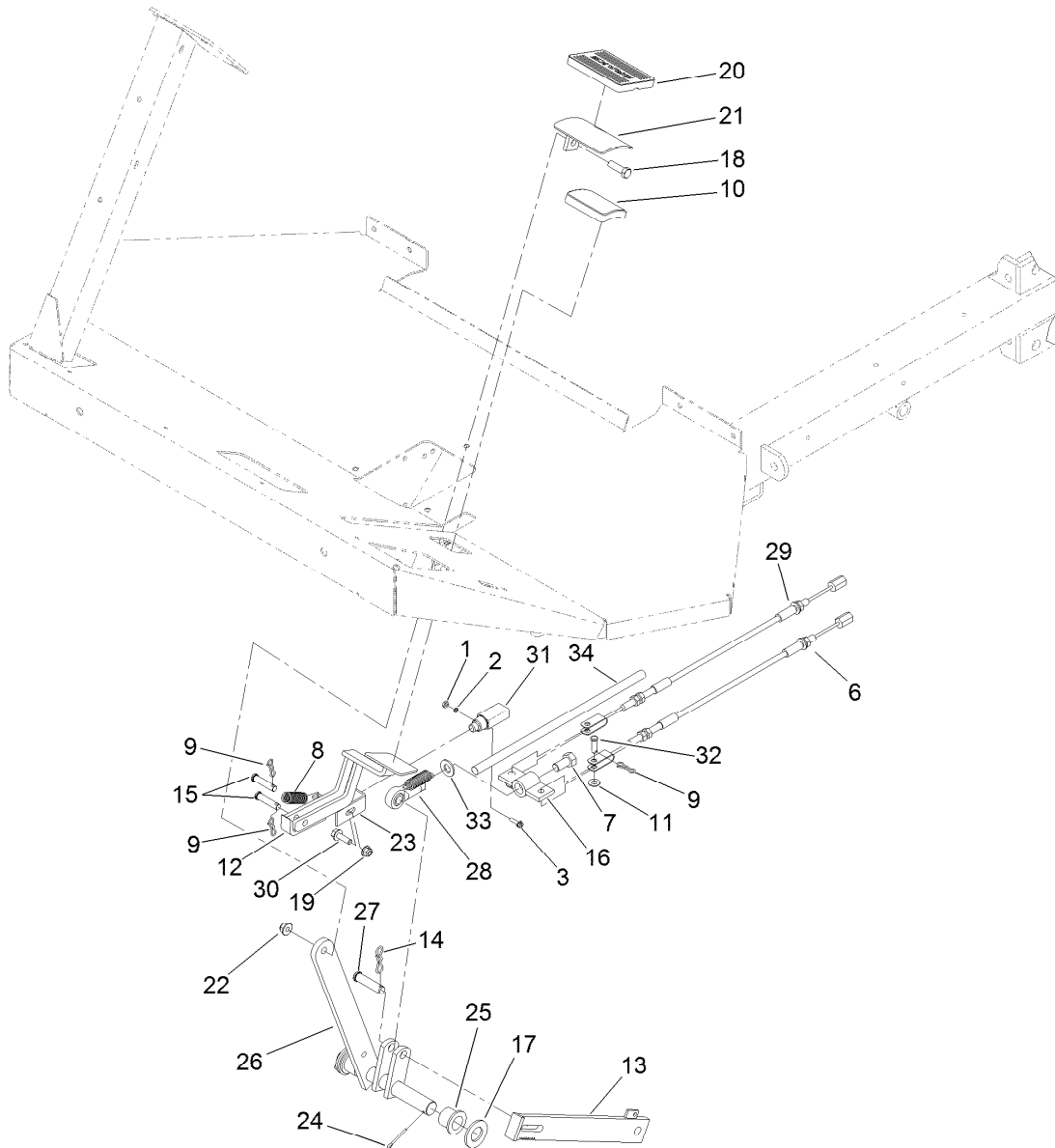
● Not illustrated

Control Console Assembly



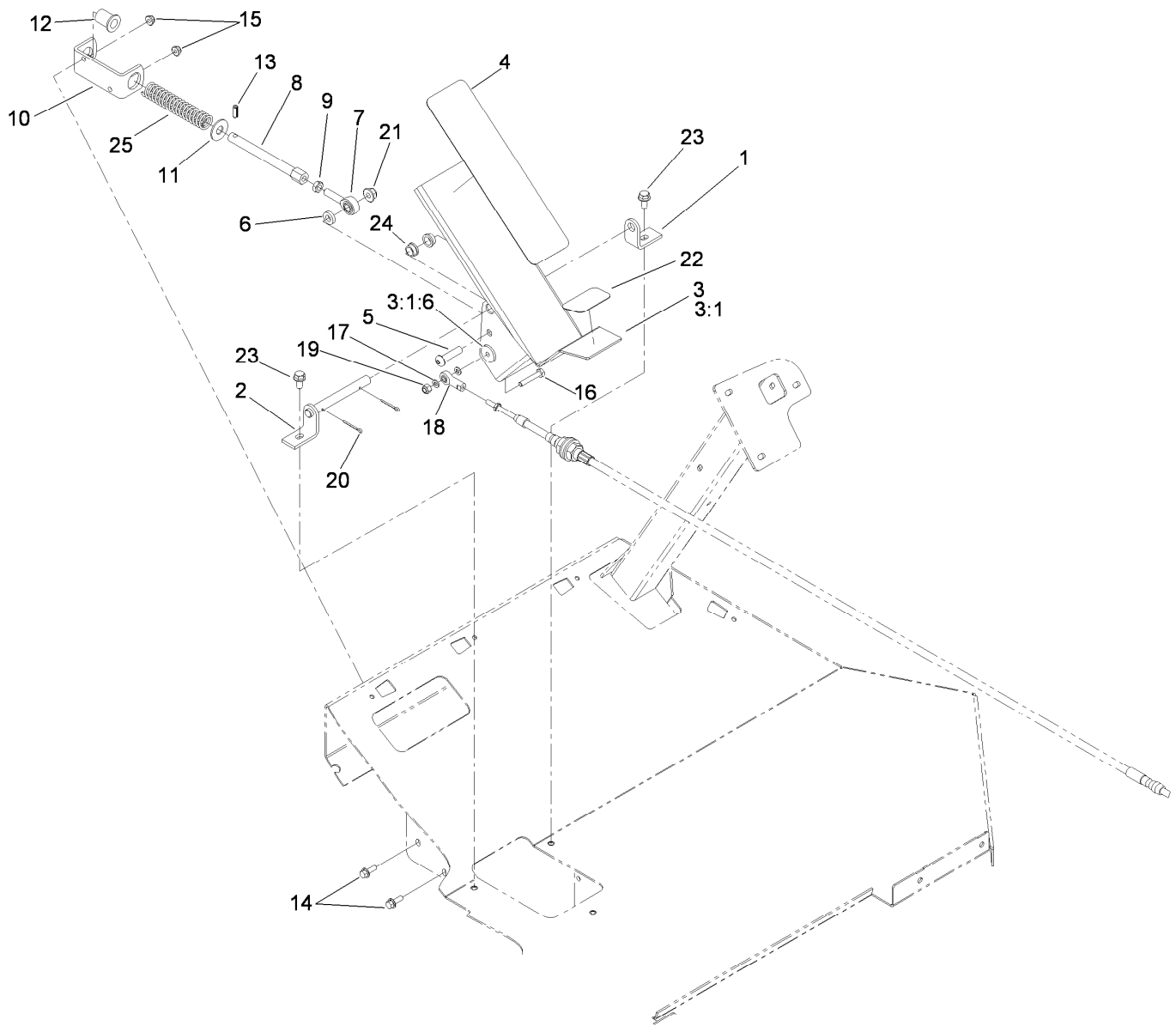
Control Console Assembly (continued)

| <i>Ref.</i> | <i>Part Number</i> | <i>Qty.</i> | <i>Description</i> | <i>Ref.</i> | <i>Part Number</i> | <i>Qty.</i> | <i>Description</i> |
|-------------|--------------------|-------------|------------------------------|-------------|--------------------|-------------|---------------------------------|
| 1 | 132-5640-03 | 1 | Frame-Console | 22 | 104-9007 | 1 | Switch-Rocker |
| 2 | 163-7140-03 | 1 | Plate - Display | 23 | 100-1535 | 2 | Switch-Rocker, (On)-Off-(On) |
| 3 | 164-1074-0P | 1 | Retainer-Monitor | 24 | 95-8999 | 3 | Switch-Rocker, On-None-On |
| 4 | 161-1701 | 1 | Display-LCD | 25 | 122-0111 | 1 | Throttle-Electronic |
| 5 | 132-7668 | 4 | Screw-PPH | 25:2 | 66-0120 | 1 | Knob |
| 6 | 132-7617 | 1 | Hood-Console | 26 | 125-7996 | 1 | Switch-Pb, Momentary |
| 7 | 132-7611 | 1 | Cover-LH | 27 | 3290-321 | 2 | Screw-HWH |
| 8 | 132-7612 | 1 | Cover-RH | 28 | 3296-2 | 2 | Nut-Lock, NI |
| 9 | 163-7050-03 | 1 | Panel-Arm | 29 | 32144-70 | 4 | Screw-HWHTF |
| 10 | 131-9637 | 1 | Armrest-Quick Find | 30 | 119-4041 | 2 | Nut-HF |
| 11 | 112-3306 | 1 | Nut | 31 | 131-8388 | 1 | Socket-USB |
| 12 | 3234-14 | 1 | Screw-HHF | 32 | 3256-4 | 3 | Washer-Flat |
| 13 | 132-7704-03 | 1 | Retainer-Harness, Console | 33 | 110-9380 | 3 | Screw-HWH |
| 16 | 122-3375 | 1 | Controller-Tec | 34 | 132-7786 | 1 | Decal-Quickfind |
| 17 | 119-4012 | 12 | Screw-HWHTF | 35 | 114-5554 | 1 | Decal-Center, Info |
| 18 | 32144-85 | 2 | Screw-HWH Thd Form | 36 | 125-7996 | 1 | Switch-Pb, Momentary |
| 19 | 3250-12 | 3 | Screw-PPH | 37 | 138-6278 | 1 | Decal-Engage Autoguide |
| 20 | 132-7695 | 1 | Decal-Console | | | | |
| 21 | 100-8490 | 2 | Switch-Rocker, On-None-On | | | | |



Brake Pedal Assembly

| Ref. | Part Number | Qty. | Description | Ref. | Part Number | Qty. | Description |
|------|-------------|------|------------------------|------|-------------|------|-----------------------|
| 1 | 3217-26 | 2 | Nut-Hex | 19 | 119-4041 | 1 | Nut-HF |
| 2 | 3253-17 | 2 | Washer-Lock | 20 | 7-3900 | 1 | Pad-Brake |
| 3 | 32105-13 | 2 | Screw-HWH | 21 | 100-8422-0P | 1 | Bracket-Pedal, Welded |
| 6 | 119-9364 | 1 | Cable-Brake, LH | 22 | 119-4042 | 1 | Nut-HF, NI |
| 7 | 3213-1 | 1 | Screw-HH | 23 | 93-6592 | 1 | Bracket |
| 8 | 92-0417 | 2 | Spring-EXT | 24 | 3272-12 | 2 | Pin-Cotter |
| 9 | 119-1415 | 4 | Pin-Cotter, Locking | 25 | 94-7164 | 2 | Bearing |
| 10 | 42719 | 1 | Pad-Pedal | 26 | 93-6589 | 1 | Shaft-Brake |
| 11 | 3256-23 | 2 | Washer-Plain | 27 | 42195 | 1 | Pin-Clevis |
| 12 | 93-6599-03 | 1 | Catch | 28 | 522087 | 1 | Rod-End |
| 13 | 93-6598-0P | 1 | Strap-Brake, Emergency | 29 | 119-9365 | 1 | Cable-Brake, RH |
| 14 | 119-1416 | 1 | Pin-Cotter, Locking | 30 | 3234-17 | 1 | Screw-HHF |
| 15 | 283-15 | 2 | Pin-Clevis | 31 | 99-7407 | 1 | Switch |
| 16 | 93-6595 | 1 | Equalizer-Brake | 32 | 283-58 | 2 | Pin-Clevis |
| 17 | 3256-29 | 5 | Washer-Flat | 33 | 3256-26 | 1 | Washer-Flat |
| 18 | 323-7 | 1 | Screw-HH | 34 | 130-7176 | 1 | Sleeve-Thermal, Wrap |

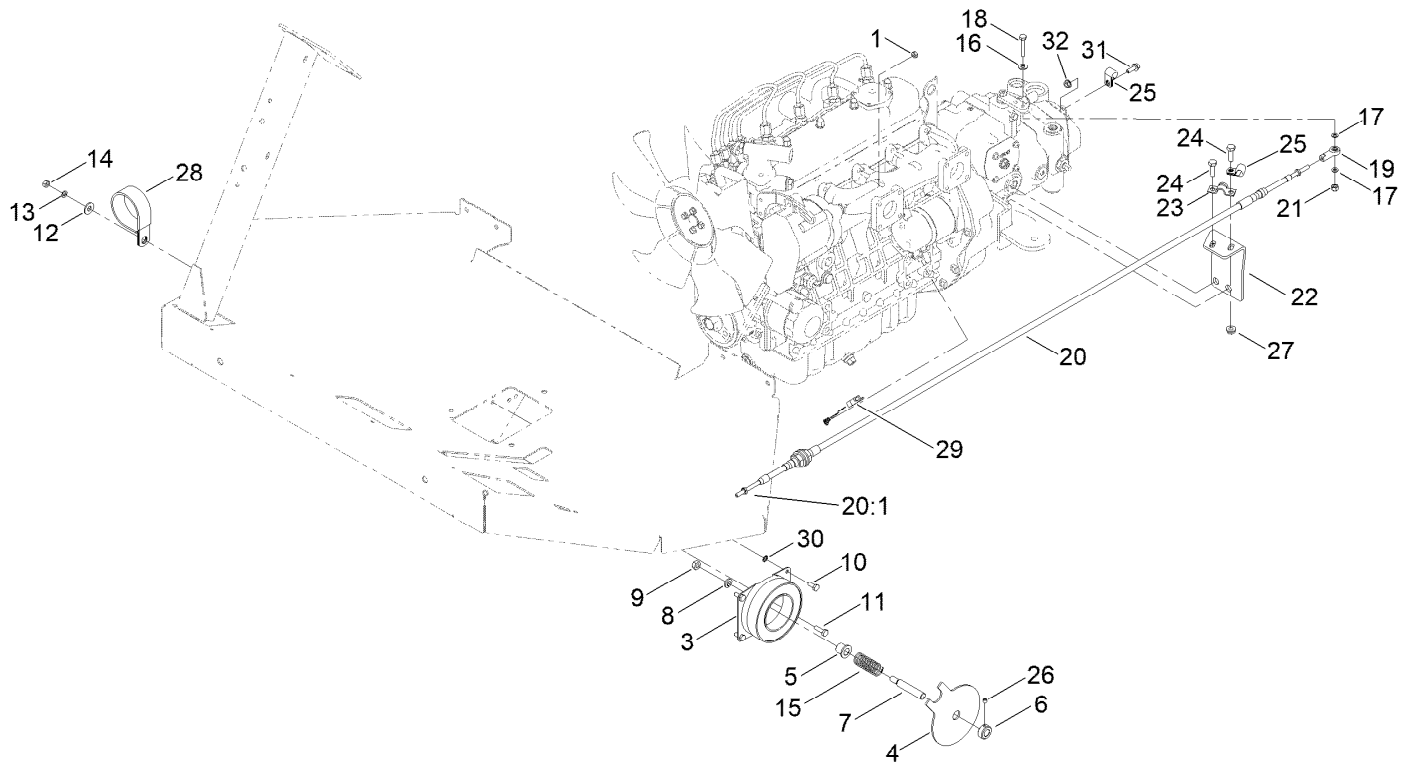


Traction Pedal Assembly

| Ref. | Part Number | Qty. | Description | Ref. | Part Number | Qty. | Description |
|-------|-------------|------|--------------------|------|-------------|------|----------------------|
| 1 | 92-0450 | 1 | Bracket Pin | 13 | 32121-11 | 1 | Pin-Roll |
| 2 | 92-0448 | 1 | Pin-Pivot | 14 | 3234-4 | 2 | Screw-HHF |
| 3 | 106-5247-03 | 1 | Traction Pedal ASM | 15 | 104-7201 | 2 | Nut-HF, NI |
| 3:1 | | 1 | Pedal-Traction ● | 16 | 321-9 | 1 | Screw-HH |
| 3:1:6 | 106-5248 | 1 | Spacer | 17 | 33093-00 | 2 | Washer-Flat |
| 4 | 71-0440 | 1 | Abrasive-Pedal | 18 | 2411-41 | 1 | Rod End-Ball Joint |
| 5 | 95-3857 | 1 | Screw-HSBH | 19 | 3296-42 | 1 | Nut-Lock, NI |
| 6 | 80-7730 | 1 | Spacer | 20 | 3272-7 | 2 | Pin-Cotter |
| 7 | 2411-36 | 1 | Bearing-End, Rod | 21 | 119-4042 | 1 | Nut-HF, NI |
| 8 | 92-7609 | 1 | Shaft-Spring | 22 | 71-0450 | 1 | Abrasive-Pedal, Rear |
| 9 | 3220-3 | 1 | Nut-HJ | 23 | 3234-14 | 2 | Screw-HHF |
| 10 | 92-7608-03 | 1 | Bracket-Spring | 24 | 256-156 | 2 | Bushing-Flange |
| 11 | 3256-5 | 1 | Washer-Flat | 25 | 84-9100 | 1 | Spring |
| 12 | 92-7610 | 1 | Retainer-Spring | | | | |

● Not serviced separately

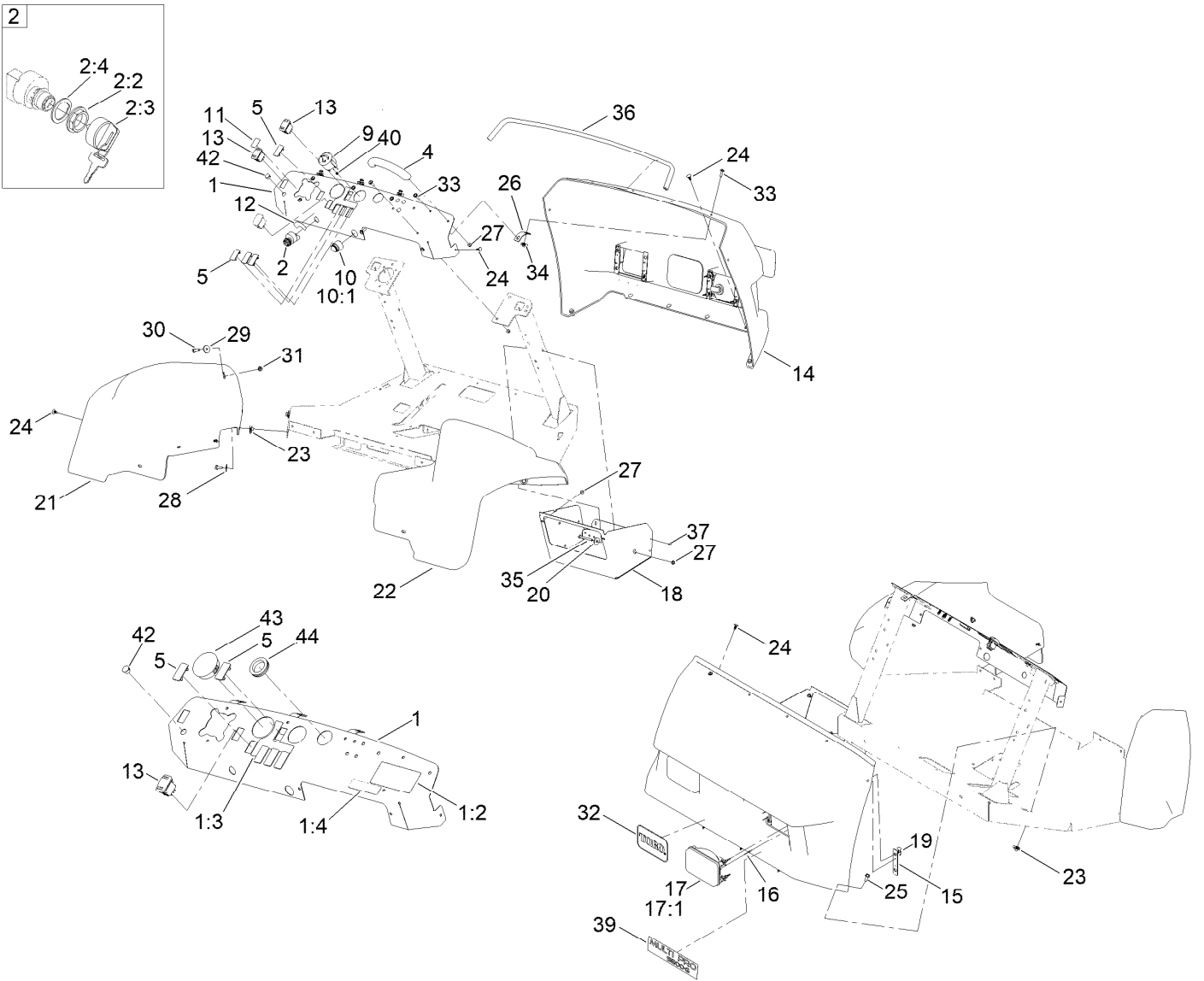
Throttle Assembly



Throttle Assembly (continued)

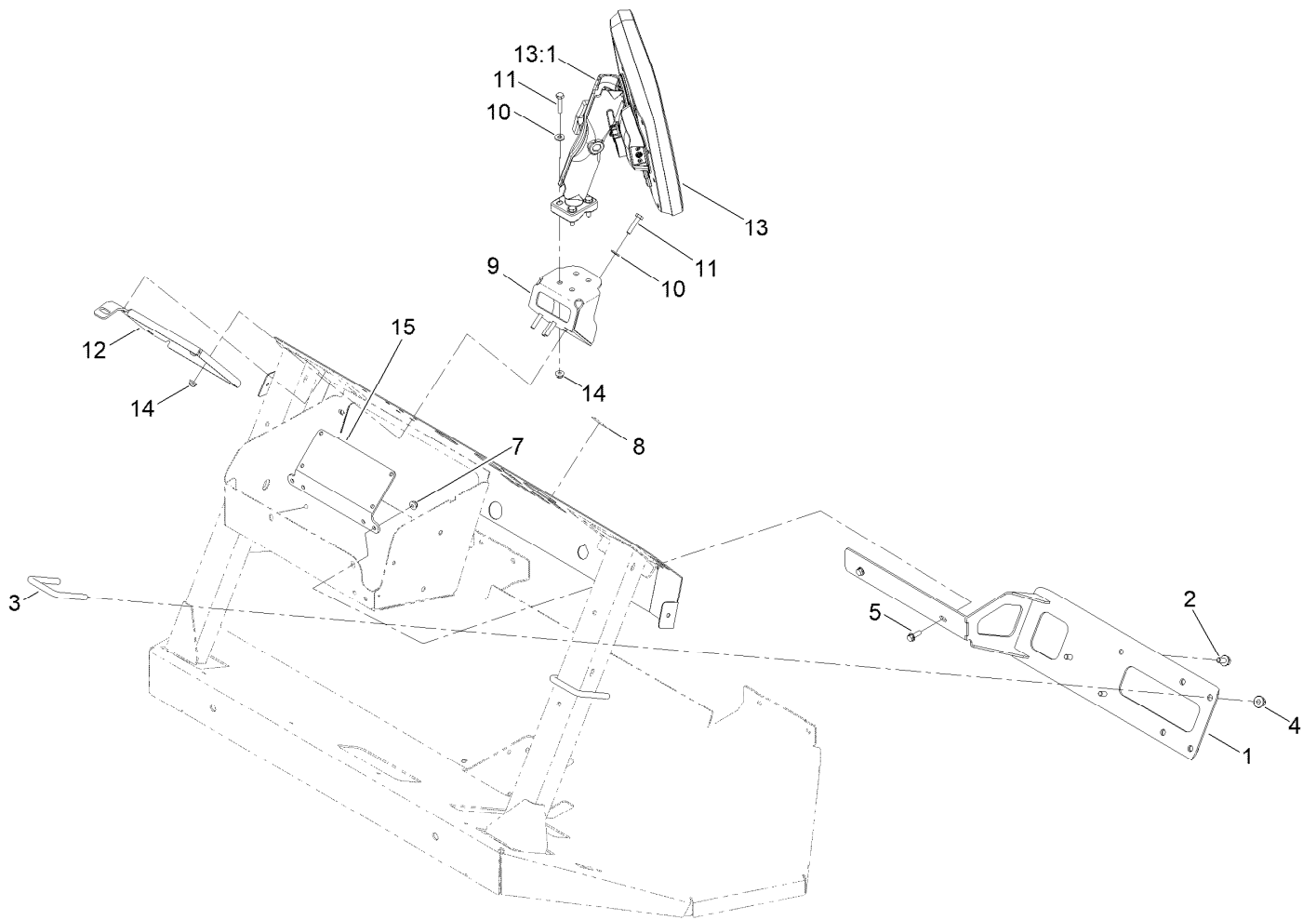
| <i>Ref.</i> | <i>Part Number</i> | <i>Qty.</i> | <i>Description</i> | <i>Ref.</i> | <i>Part Number</i> | <i>Qty.</i> | <i>Description</i> |
|-------------|--------------------|-------------|--------------------|-------------|--------------------|-------------|----------------------------|
| 1 | 33013-00 | 1 | Nut-Hex | 18 | 321-9 | 1 | Screw-HH |
| 3 | 42-1720 | 1 | Core-Field, Coil | 19 | 2411-41 | 1 | Rod End-Ball Joint |
| 4 | 144-6182 | 1 | Plate-Clutch | 20 | 106-5233 | 1 | Cable-Traction |
| 5 | 256-273 | 1 | Bushing-Flange | 20:1 | 3220-1 | 2 | Nut-Jam |
| 6 | 43-6320 | 1 | Collar | 21 | 3296-42 | 1 | Nut-Lock, NI |
| 7 | 69-9170 | 1 | Shaft-Cruise | 22 | 119-9359 | 1 | Bracket-Cable, Rear |
| 8 | 3253-5 | 1 | Washer-Lock | 23 | 93-2092 | 1 | Clamp-Cable |
| 9 | 3217-7 | 1 | Nut-Hex | 24 | 322-5 | 2 | Screw-HH |
| 10 | 321-3 | 2 | Screw-HH | 25 | 2412-93 | 2 | Clamp-R |
| 11 | 321-5 | 2 | Screw-HH | 26 | 3245-32 | 1 | Screw-HSH |
| 12 | 3256-3 | 2 | Washer-Flat | 27 | 32128-20 | 2 | Nut-HF |
| 13 | 3253-3 | 4 | Washer-Lock | 28 | 2412-102 | 2 | Clamp-R |
| 14 | 3217-5 | 4 | Nut-Hex | 29 | 108-9455 | 1 | Harness-Wire, Fusible Link |
| 15 | 43-6200 | 1 | Spring-Compression | 30 | 3255-7 | 4 | Washer-Lock/EXT |
| 16 | 3256-22 | 1 | Washer-Flat | 31 | 3234-4 | 1 | Screw-HHF |
| 17 | 33093-00 | 2 | Washer-Flat | 32 | 32128-33 | 1 | Nut-HF |

Dash Panel Assembly



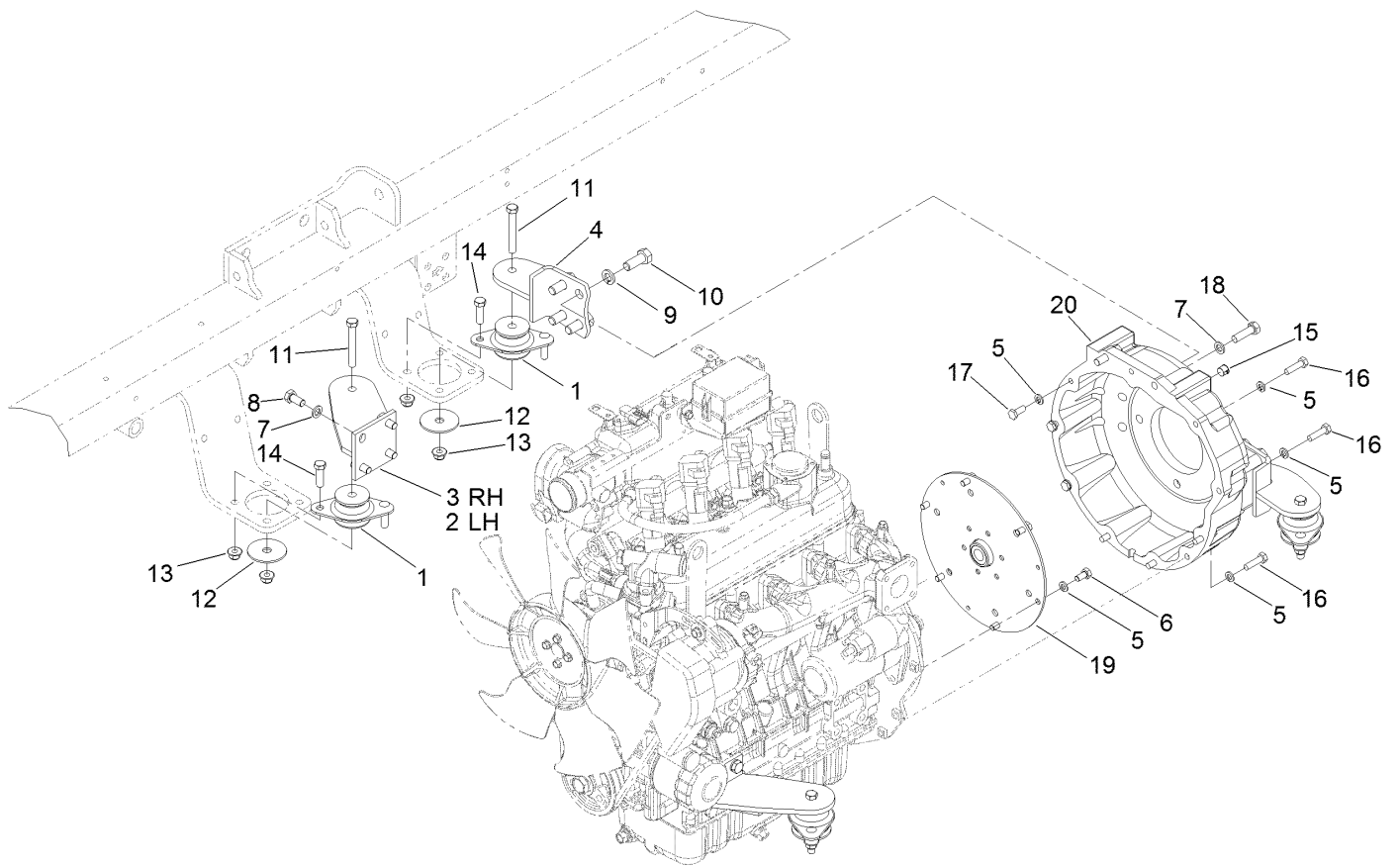
Dash Panel Assembly (continued)

| <i>Ref.</i> | <i>Part Number</i> | <i>Qty.</i> | <i>Description</i> | <i>Ref.</i> | <i>Part Number</i> | <i>Qty.</i> | <i>Description</i> |
|-------------|--------------------|-------------|------------------------------|-------------|--------------------|-------------|--------------------|
| 1 | 163-2925 | 1 | Dash Panel ASM | 20 | 52-2860 | 2 | Washer |
| 1:2 | 120-0624 | 1 | Decal-Warning, Passenger | 21 | 119-0417 | 1 | Fender |
| 1:3 | 132-7689 | 1 | Decal-Switch | 22 | 119-0418 | 1 | Fender |
| 1:4 | 133-8062 | 1 | Decal-Spark Arrestor | 23 | 94-2413 | 6 | Nut-U |
| 2 | 106-5269 | 1 | Ignition Switch ASM | 24 | 117-2382 | 10 | Plug-Plastic |
| 2:2 | 108-8660 | 1 | Nut-Mounting | 25 | 3234-47 | 6 | Screw-HHF |
| 2:3 | 106-5270 | 1 | Ignition Key Set | 26 | 163-2927 | 3 | Bracket-Hood |
| 2:4 | 108-8659 | 1 | Washer-Backup | 27 | 104-7201 | 7 | Nut-HF, NI |
| 4 | 117-4948 | 1 | Handle-Grab | 28 | 3256-82 | 4 | Washer-Flat |
| 5 | 99-7420 | 5 | Plug-Hole | 29 | 63-8410 | 2 | Washer |
| 9 | 132-7614 | 1 | Gauge-Fuel | 30 | 322-5 | 2 | Screw-HH |
| 10 | 80-9330 | 1 | Audio Alarm ASM | 31 | 32128-20 | 2 | Nut-HF |
| 10:1 | 104-5107 | 1 | Nut-Plastic, Knurled | 32 | 62-5550 | 1 | Decal |
| 11 | 132-7708 | 1 | Decal-Lights, Horn | 33 | 110-9361 | 12 | Screw-PPH |
| 12 | 132-7783 | 1 | Decal-Ignition Switch, Gas | 34 | 107069 | 8 | Clip |
| 13 | 95-8999 | 2 | Switch-Rocker, On-None-On | 35 | 321-15 | 1 | Screw-HH |
| 14 | 117-0793 | 1 | Hood | 36 | 119-0504 | 1 | Trim-Hood |
| 15 | 117-5832 | 4 | Bracket-Headlight | 37 | 3290-271 | 3 | Rivet-Pop |
| 16 | 3290-274 | 8 | Rivet-Pop | 39 | 163-2970 | 1 | Decal |
| 17 | 132-6703 | 2 | Headlight ASM | 40 | 363-1483 | 3 | Nut-Hex, K Lock |
| 17:1 | 115-2395 | 1 | Bulb-Light | 42 | 127-1843 | 1 | Plug-Dome |
| 18 | 136-0426-03 | 1 | Compartment-Storage | 43 | 136-9791 | 1 | Plug-Panel |
| 19 | 115-2408 | 6 | Clip-Speed | 44 | 240-7 | 1 | Grommet-Rubber |



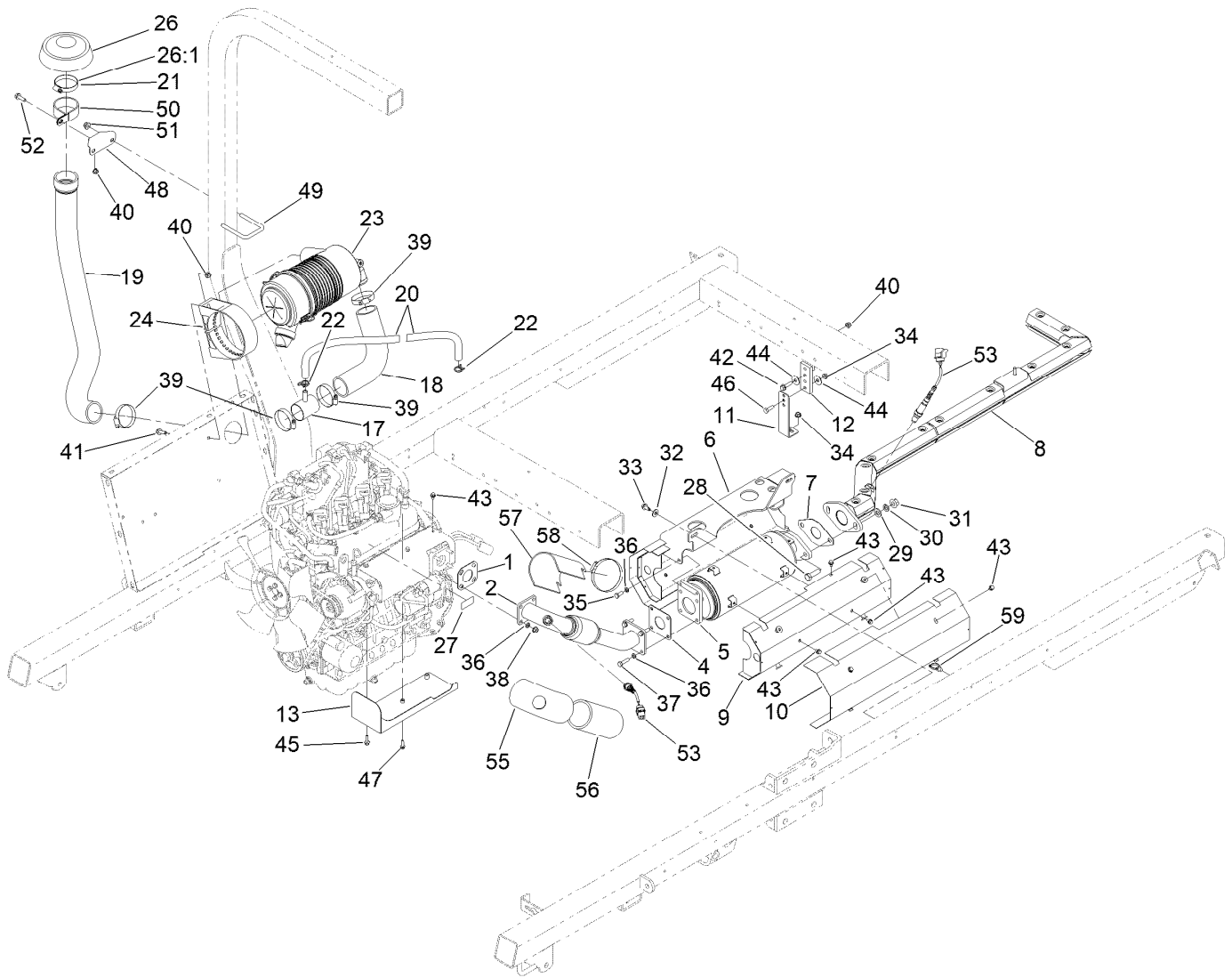
Control Console and Manifold Mount Assembly

| Ref. | Part Number | Qty. | Description |
|------|-------------|------|-----------------------------|
| 1 | 138-6159-03 | 1 | Mount-Manifold |
| 2 | 33104-016 | 3 | Screw-HHF |
| 3 | 133-9682 | 2 | Screw-Hfh |
| 4 | 119-4042 | 2 | Nut-HF, NI |
| 5 | 115-5103 | 2 | Screw-HHF |
| 7 | 119-6921 | 2 | Nut-Hex, Flange |
| 8 | 161-4186 | 1 | Decal-Transportation Switch |
| 9 | 147-0617-03 | 1 | Mount-Monitor |
| 10 | 3256-22 | 8 | Washer-Flat |
| 11 | 114-0282 | 8 | Screw-HH |
| 12 | 136-0378-03 | 1 | Bracket-Stiffener |
| 13 | 147-0615 | 1 | Control Console-Xd |
| 13:1 | 133-0374 | 1 | Arm-Mount, Console |
| 14 | 104-7201 | 8 | Nut-HF, NI |
| 15 | 144-7060-0P | 1 | Bracket-Scp Mounting |



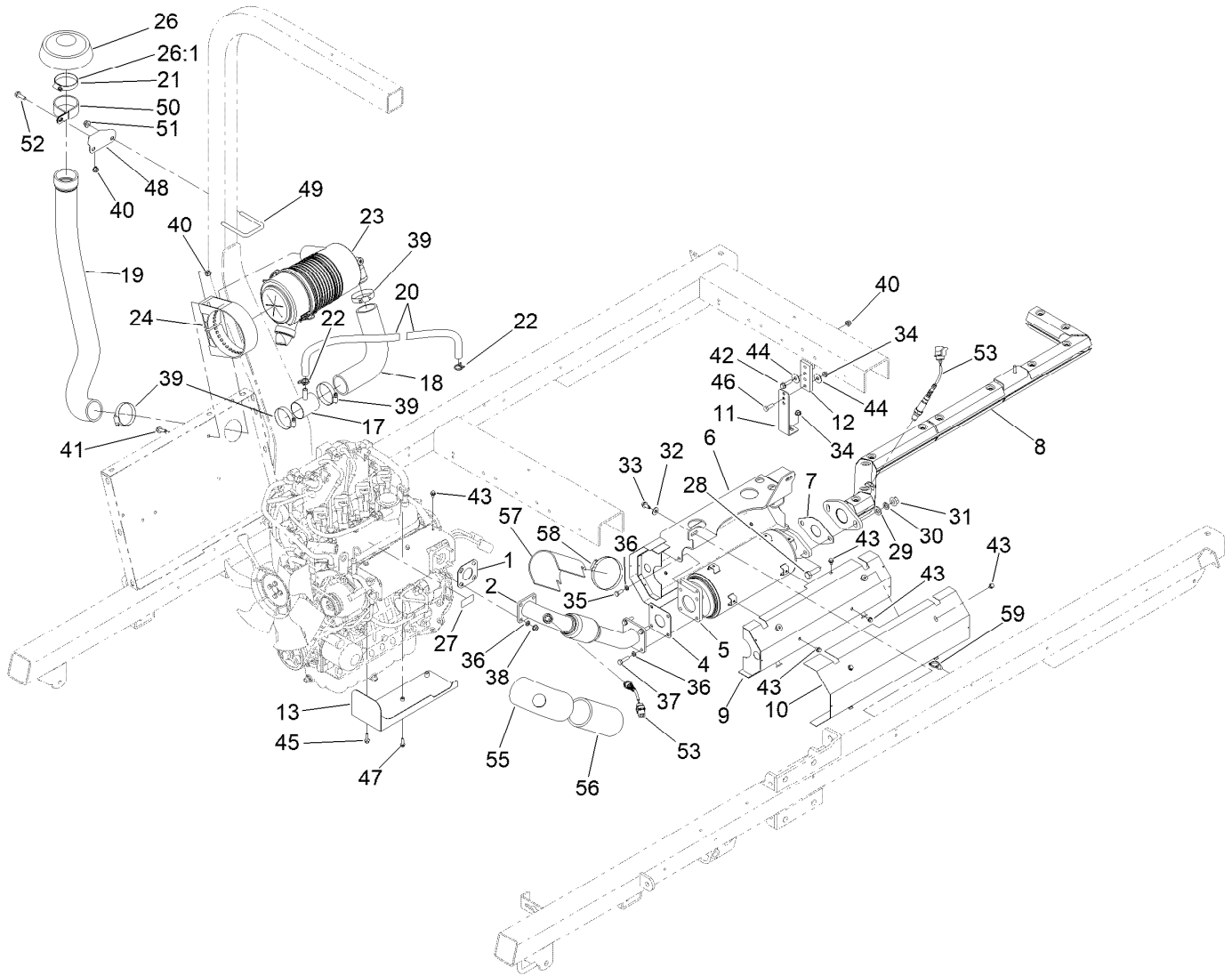
Engine Mounting and Bell Housing

| <i>Ref.</i> | <i>Part Number</i> | <i>Qty.</i> | <i>Description</i> | <i>Ref.</i> | <i>Part Number</i> | <i>Qty.</i> | <i>Description</i> |
|-------------|--------------------|-------------|---------------------|-------------|--------------------|-------------|--------------------|
| 1 | 131-1821 | 4 | Mount-Engine | 11 | 323-13 | 4 | Screw-HH |
| 2 | 117-0667-0P | 1 | Bracket-LH | 12 | 87-5100 | 4 | Washer-Snubbing |
| 3 | 117-0666-0P | 1 | Bracket-RH | 13 | 119-4042 | 12 | Nut-HF, NI |
| 4 | 117-0669-0P | 2 | Bracket-Mount, Rear | 14 | 323-7 | 8 | Screw-HH |
| 5 | 3253-4 | 15 | Washer-Lock | 15 | 119-6039 | 2 | Plug-Plastic |
| 6 | 139-9940 | 6 | Screw-HH, Patch | 16 | 33114-030 | 6 | Screw-HH |
| 7 | 48-9590 | 10 | Washer-Lock | 17 | 33114-020 | 3 | Screw-HH |
| 8 | 63-7790 | 8 | Screw-Cap | 18 | 56-2140 | 2 | Screw-HH |
| 9 | 3253-7 | 8 | Washer-Lock | 19 | 92-0285 | 1 | Coupling ASM |
| 10 | 325-5 | 8 | Screw-HH | 20 | 105-0100 | 1 | Housing-Flywheel |



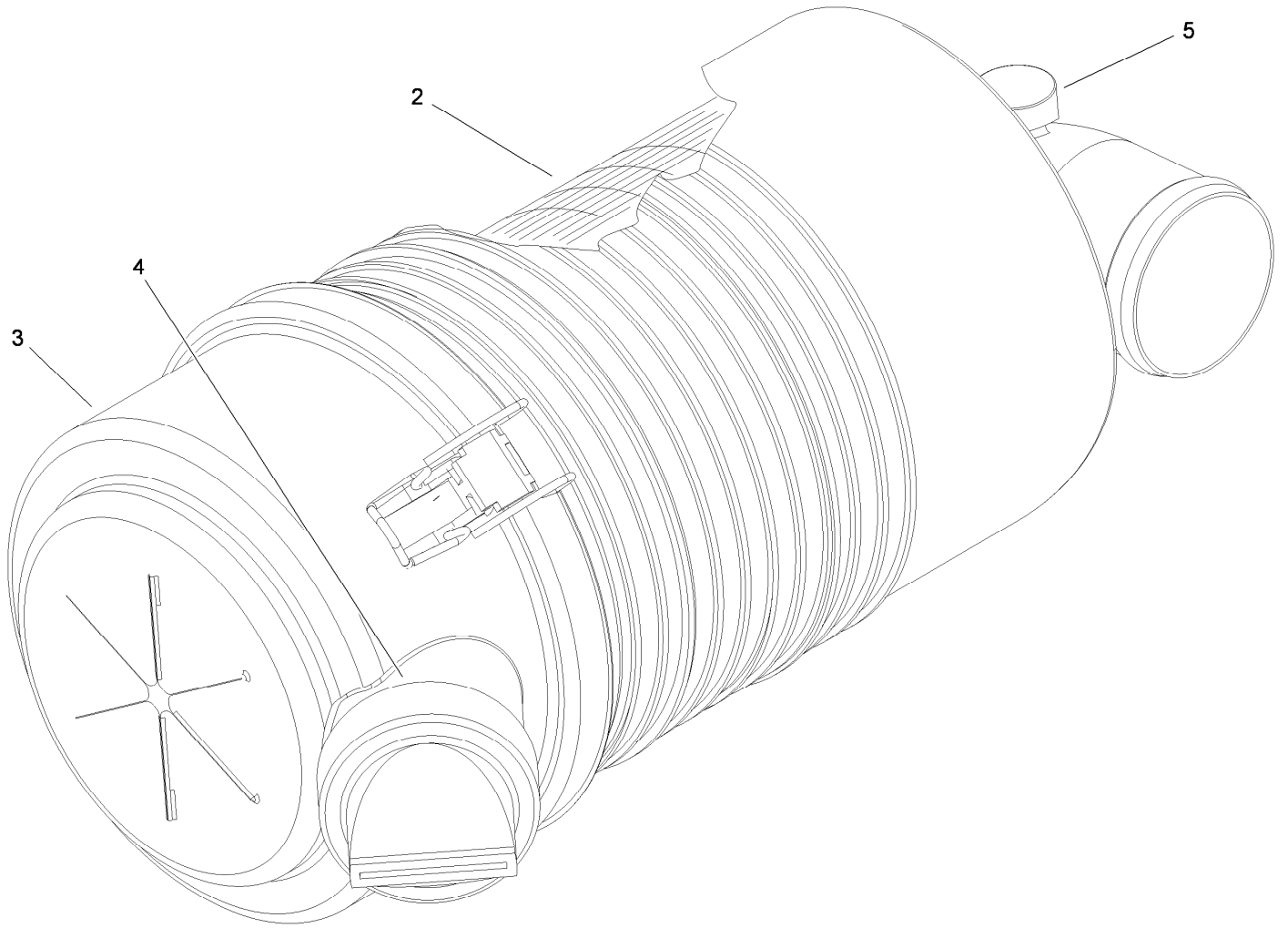
Muffler and Air Cleaner Assembly

| Ref. | Part Number | Qty. | Description | Ref. | Part Number | Qty. | Description |
|------|-------------|------|-------------------------|------|-------------|------|---------------|
| 1 | 125-9108 | 1 | Gasket-Muffler | 26:1 | 2412-130 | 1 | Clamp-Hose |
| 2 | 131-5773 | 1 | Pipe-Header | 27 | 106-5517 | 1 | Decal-Warning |
| 4 | 121-5590 | 1 | Gasket-Manifold, Outlet | 28 | 33116-040 | 2 | Screw-HH |
| 5 | 133-2788 | 1 | Catalyst | 29 | 33096-00 | 2 | Washer-Flat |
| 6 | 127-8935 | 1 | Bracket-Mount, Exhaust | 30 | 48-8070 | 2 | Washer-Lock |
| 7 | 121-5591 | 1 | Gasket-Outlet, Catalyst | 31 | 33006-00 | 2 | Nut-HF |
| 8 | 130-7333 | 1 | Pipe-Tail | 32 | 3256-3 | 2 | Washer-Flat |
| 9 | 130-7228 | 2 | Shield-Muffler, Inner | 33 | 32104-32 | 2 | Screw-HWH |
| 10 | 130-7208 | 2 | Shield-Muffler, Outer | 34 | 32128-25 | 2 | Nut-HF |
| 11 | 120-8557 | 1 | Bracket-Hanger | 35 | 33114-020 | 4 | Screw-HH |
| 12 | 117-0744 | 1 | Hanger-Muffler | 36 | 3253-4 | 12 | Washer-Lock |
| 13 | 130-7206 | 1 | Shield-Manifold, Bottom | 37 | 33114-030 | 4 | Screw-HH |
| 17 | 120-5552 | 1 | Vent | 38 | 33004-00 | 8 | Nut-HF |
| 18 | 130-7098 | 1 | Hose-Intake | 39 | 2412-130 | 4 | Clamp-Hose |
| 19 | 136-2267 | 1 | Hose-Air Cleaner | 40 | 119-4041 | 5 | Nut-HF |
| 20 | 138-6269 | 2 | Hose-Overflow | 41 | 3234-17 | 2 | Screw-HHF |
| 21 | 2412-42 | 1 | Clamp-Hose | 42 | 119-4036 | 1 | Screw-HHF |
| 22 | 117-1193 | 2 | Clamp-Hose | 43 | 81-1280 | 16 | Screw-HHF |
| 23 | 106-5277 | 1 | Air Cleaner ASM | 44 | 52-2860 | 2 | Washer |
| 24 | 98-4525 | 1 | Bracket-Cleaner, Air | 45 | 33103-025 | 2 | Screw-HHF |
| 26 | 139-0686 | 1 | Rain Cap ASM | 46 | 322-5 | 1 | Screw-HH |



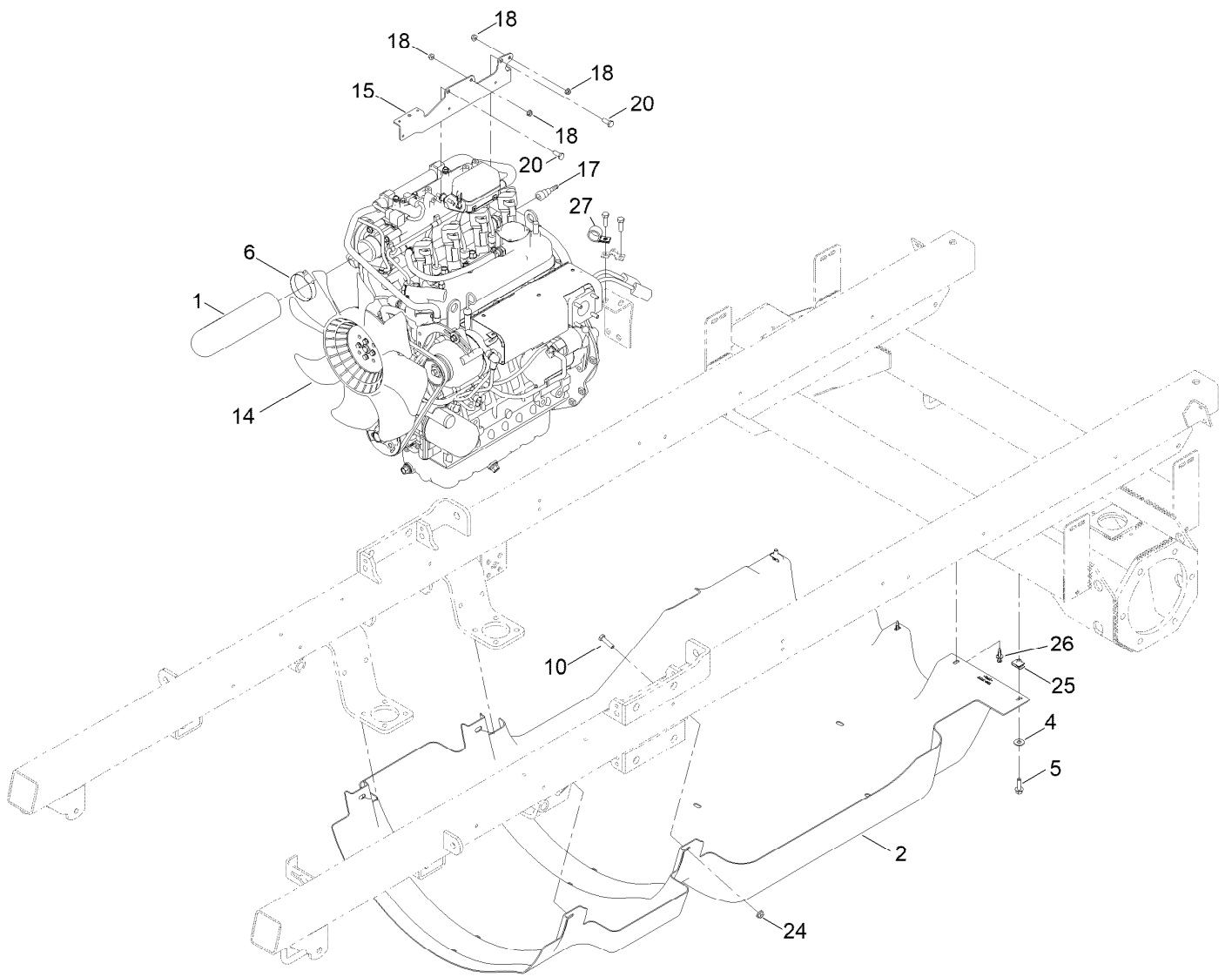
Muffler and Air Cleaner Assembly (continued)

| <i>Ref.</i> | <i>Part Number</i> | <i>Qty.</i> | <i>Description</i> | <i>Ref.</i> | <i>Part Number</i> | <i>Qty.</i> | <i>Description</i> |
|-------------|--------------------|-------------|---------------------------|-------------|--------------------|-------------|----------------------|
| 47 | 110-3986 | 1 | Screw | 53 | 120-3832 | 2 | Sensor-Oxygen |
| 48 | 131-3319-03 | 1 | Bracket-Mount, Air Intake | 55 | 131-9600 | 1 | Jacket-Upper, Header |
| 49 | 47-3460 | 1 | U-Bolt | 56 | 131-9601 | 1 | Jacket-Lower, Header |
| 50 | 2412-102 | 1 | Clamp-R | 57 | 131-9598 | 1 | Shield-Composite |
| 51 | 119-4042 | 2 | Nut-HF, NI | 58 | 2412-110 | 1 | Clamp-Band/Screw |
| 52 | 3234-29 | 1 | Screw-HHF | 59 | 32180-030 | 4 | Clip-Tie |



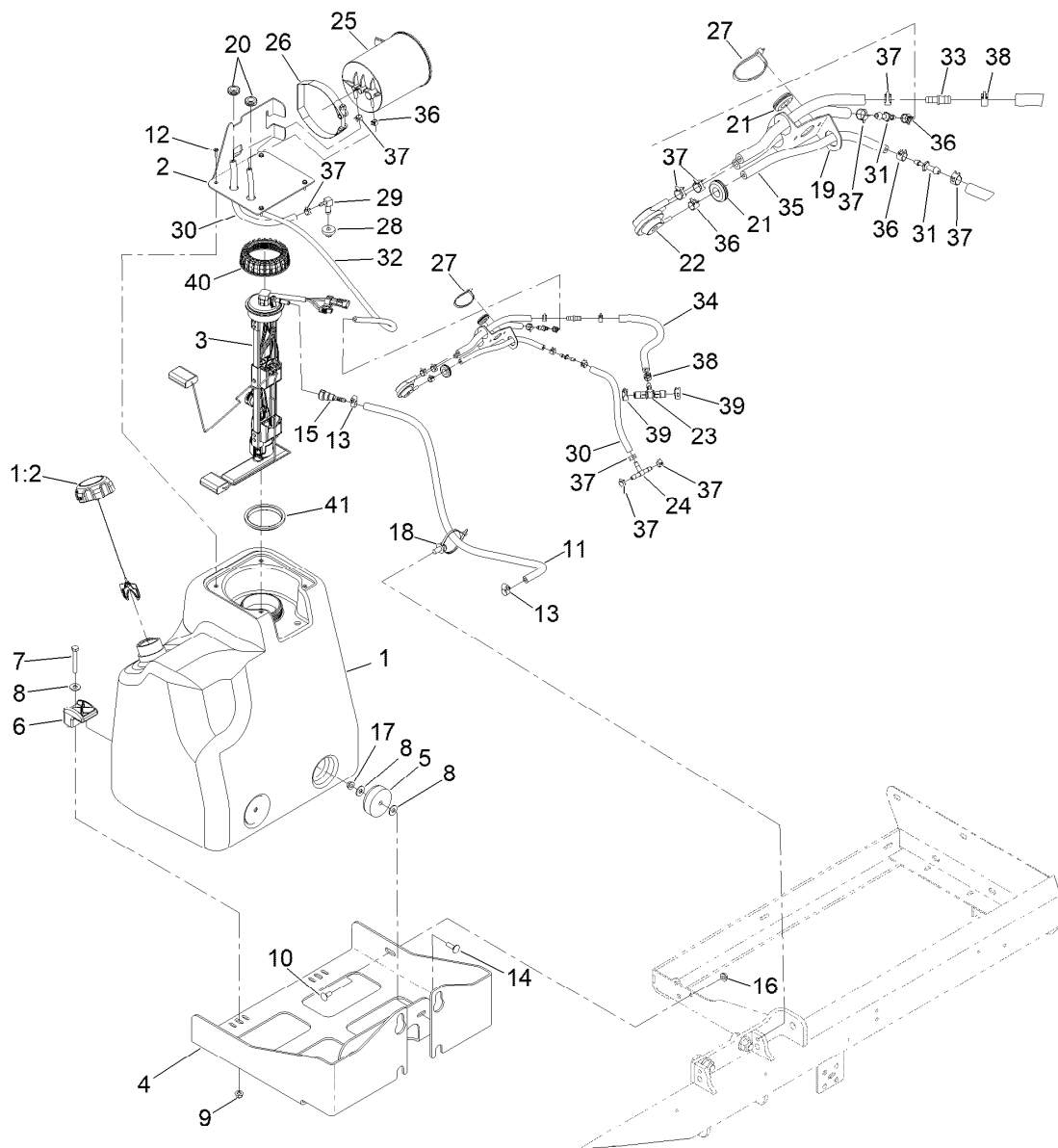
Air Cleaner Assembly No. 106-5277

| <i>Ref.</i> | <i>Part Number</i> | <i>Qty.</i> | <i>Description</i> |
|-------------|--------------------|-------------|--------------------|
| 2 | 108-3810 | 1 | Filter-Air |
| 3 | 98-9771 | 1 | Cover ASM |
| 4 | 87-9400 | 1 | Valve-Vacuator |
| 5 | 285-17 | 1 | Plug-Pipe |



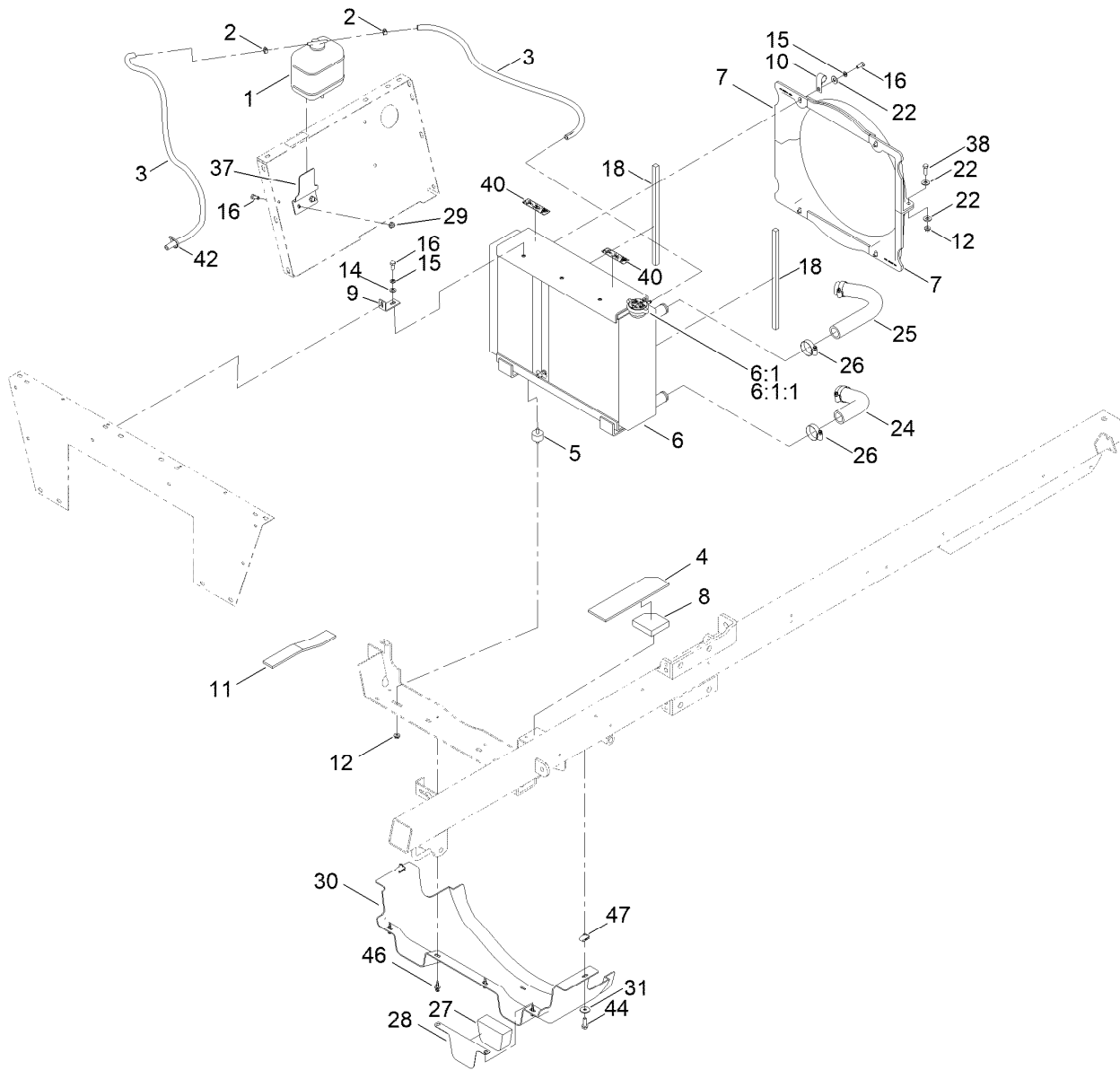
Engine and Shroud Assembly

| Ref. | Part Number | Qty. | Description |
|------|-------------|------|-----------------------|
| 1 | 120-3841 | 1 | Hose-Cleaner, Air |
| 2 | 164-1064 | 1 | Shroud-Undercarriage |
| 4 | 3256-3 | 2 | Washer-Flat |
| 5 | 3234-29 | 2 | Screw-HHF |
| 6 | 2412-130 | 1 | Clamp-Hose |
| 10 | 322-6 | 1 | Screw-HH |
| 14 | 138-9622 | 1 | Engine-Kubota, Wg1605 |
| 15 | 145-3386-03 | 1 | Mount-Fuse Box |
| 17 | 125-2921 | 1 | Fitting-Fuel |
| 18 | 139-2619 | 4 | Nut-HF |
| 20 | 33114-020 | 2 | Screw-HH |
| 24 | 32128-20 | 1 | Nut-HF |
| 25 | 115-7721 | 2 | Nut-Clip, U |
| 26 | 125-9622 | 3 | Rivet-Blind |
| 27 | 110-0824 | 1 | R-Clamp |



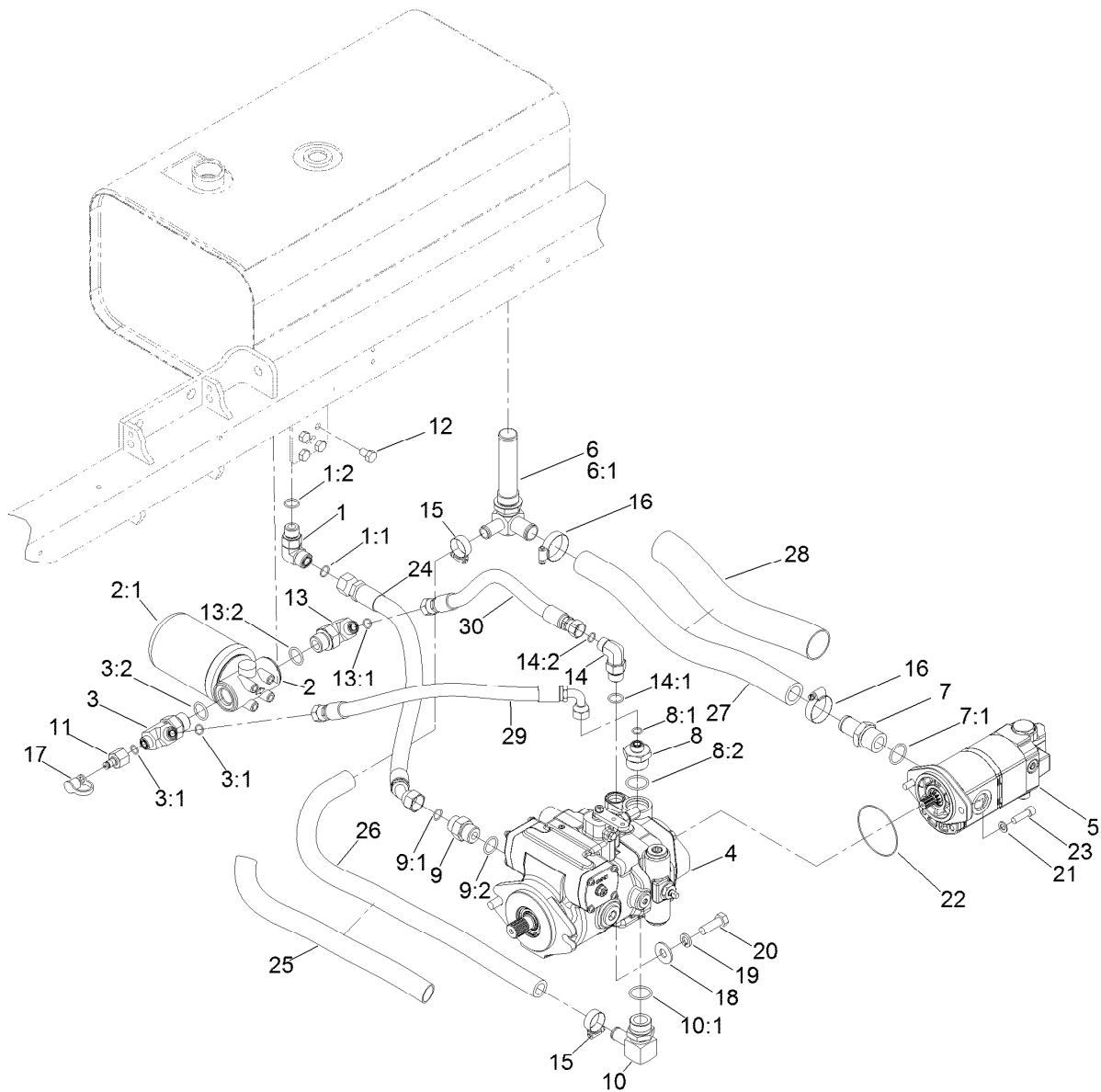
Fuel Tank Assembly

| Ref. | Part Number | Qty. | Description | Ref. | Part Number | Qty. | Description |
|------|-------------|------|-------------------------|------|-------------|------|-------------------------|
| 1 | 138-6267 | 1 | Fuel Tank ASM | 21 | 112-9559 | 4 | Grommet |
| 1:2 | 137-4127 | 1 | Cap-Fuel | 22 | 116-2232 | 1 | Valve-Control, Vacuum |
| 2 | 138-8268-03 | 1 | Bracket-Canister | 23 | 138-6282 | 1 | Fitting-Tee |
| 3 | 144-6210 | 1 | Pump-Fuel | 24 | 99-5005 | 1 | Fitting-Tee, Barbed |
| 4 | 131-9550-03 | 1 | Bracket-Tank, Fuel Tank | 25 | 116-1442 | 1 | Canister-Carbon, 1200Cc |
| 5 | 108-1605 | 2 | Bumper-Recess | 26 | 116-2228 | 1 | Clamp, T-Bolt |
| 6 | 107-4543 | 2 | Clamp | 27 | 3290-378 | 1 | Tie-Cable |
| 7 | 322-11 | 2 | Screw-HH | 28 | 46-6560 | 1 | Bushing |
| 8 | 3256-3 | 6 | Washer-Flat | 29 | 104-5228 | 1 | Fitting-Elbow, 90 DEG |
| 9 | 119-4041 | 2 | Nut-HF | 30 | 109-0294 | 4 | Hose-Fuel |
| 10 | 3230-1 | 1 | Bolt-CARR | 31 | 106-8150 | 2 | Fitting-Straight |
| 11 | 121-6321 | 1 | Hose-Fuel | 32 | 119-6074 | 1 | Hose-Fuel |
| 12 | 98-1375 | 4 | Screw-HWH | 33 | 103-2595 | 1 | Connector |
| 13 | 2412-36 | 2 | Clamp-Hose | 34 | 130-9191 | 1 | Hose-Fuel |
| 14 | 3230-2 | 2 | Bolt-CARR | 35 | 121-3003 | 1 | Hose-Fuel |
| 15 | 125-2921 | 1 | Fitting-Fuel | 36 | 2412-80 | 4 | Clamp-Hose |
| 16 | 32128-20 | 1 | Nut-HF | 37 | 2412-98 | 10 | Clamp-Hose |
| 17 | 32128-25 | 2 | Nut-HF | 38 | 92-2379 | 2 | Clamp-Hose |
| 18 | 32180-031 | 1 | Clip-Tree (W/Tie) | 39 | 2412-143 | 2 | Clamp-Hose |
| 19 | 138-8269 | 1 | Bracket-Valve | 40 | 140-6245 | 1 | Cap-Pump, Fuel |
| 20 | MSC14544 | 2 | Grommet | 41 | 140-6246 | 1 | Gasket-Pump, Fuel, |



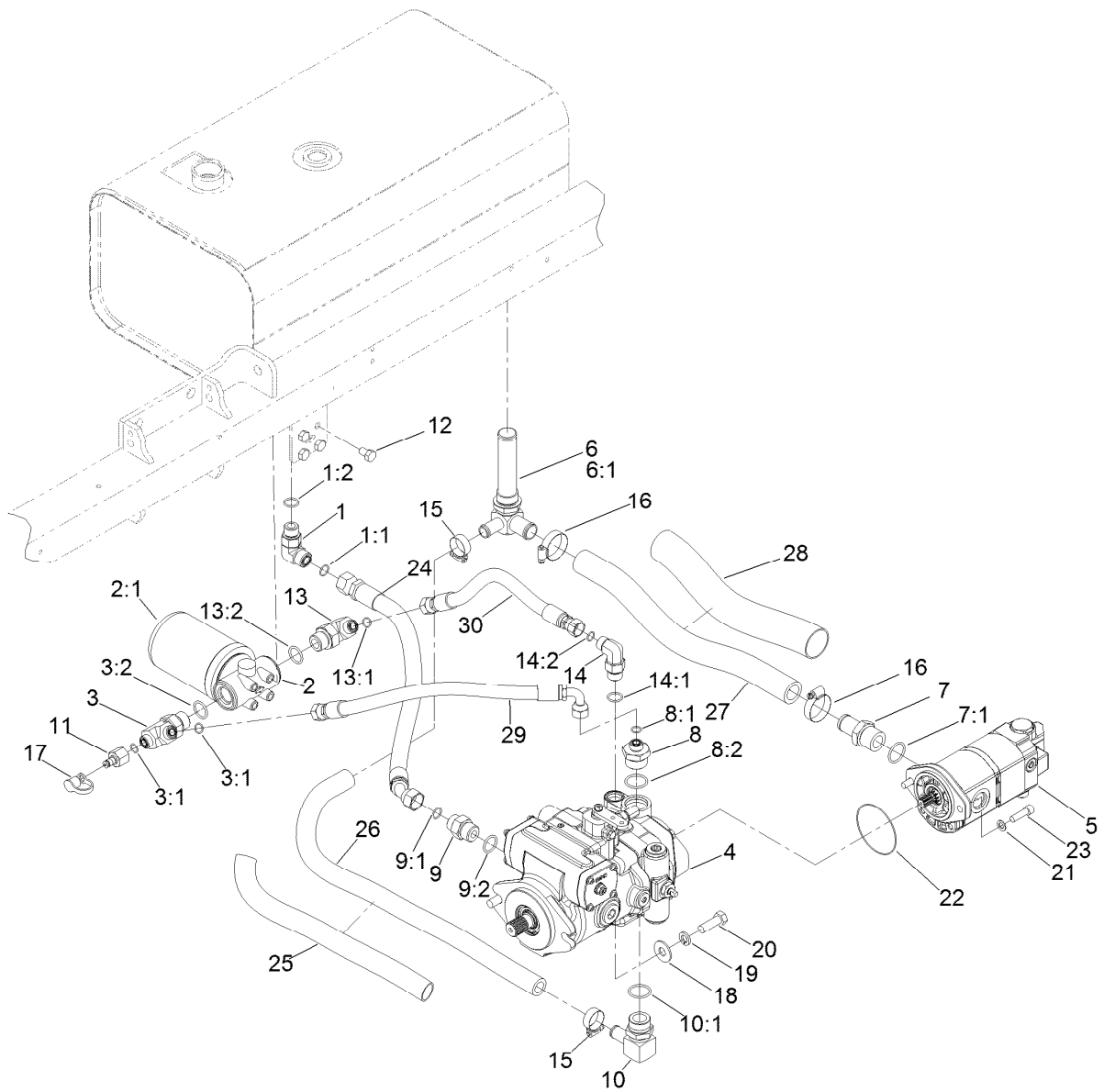
Radiator Assembly

| Ref. | Part Number | Qty. | Description | Ref. | Part Number | Qty. | Description |
|-------|-------------|------|--------------------------------|------|-------------|------|---------------------------|
| 1 | 108-0638 | 1 | Bottle-Overflow | 16 | 322-3 | 8 | Screw-HH |
| 2 | 92-2379 | 3 | Clamp-Hose | 18 | 144-6189 | 2 | Strip-Foam, Radiator Side |
| 3 | 109-0309 | 2 | Hose-Fuel | 22 | 3256-56 | 8 | Washer-Flat |
| 4 | 144-6167 | 1 | Baffle-Foam, Radiator Upper | 24 | 119-4992 | 1 | Hose-Radiator |
| 5 | 62-5480 | 2 | Isolater-Seat | 25 | 106-5239 | 1 | Hose-Radiator, Upper |
| 6 | 140-7344 | 1 | Radiator/Oil Cooler ASM | 26 | 2412-111 | 4 | Clamp-Hose, W/Liner |
| 6:1 | 117-5138 | 1 | Cap-Radiator | 27 | 144-6165 | 1 | Baffle-Foam, Heat Shield |
| 6:1:1 | 117-3276 | 1 | Decal-Danger | 28 | 144-6164-0P | 1 | Plate-Baffle |
| 7 | 131-5779 | 2 | Shroud-Fan | 29 | 119-4041 | 2 | Nut-HF |
| 8 | 144-6166 | 1 | Baffle-Foam, Radiator Lower | 30 | 119-9393 | 1 | Shield-Front Heat, Engine |
| 9 | 140-7352 | 2 | Bracket-Radiator | 31 | 3256-82 | 2 | Washer-Flat |
| 10 | 2412-150 | 1 | Clip-J | 37 | 130-7102-0P | 1 | Bracket-Reservoir |
| 11 | 144-6169 | 1 | Baffle-Foam, Radiator Upper LH | 38 | 322-5 | 2 | Screw-HH |
| 12 | 32128-20 | 4 | Nut-HF | 40 | 120-0627 | 2 | Decal-Warning |
| 14 | 3256-23 | 2 | Washer-Plain | 42 | 3290-378 | 1 | Tie-Cable |
| 15 | 3253-4 | 6 | Washer-Lock | 44 | 3234-29 | 2 | Screw-HHF |
| | | | | 46 | 125-9622 | 4 | Rivet-Blind |
| | | | | 47 | 115-7721 | 2 | Nut-Clip, U |



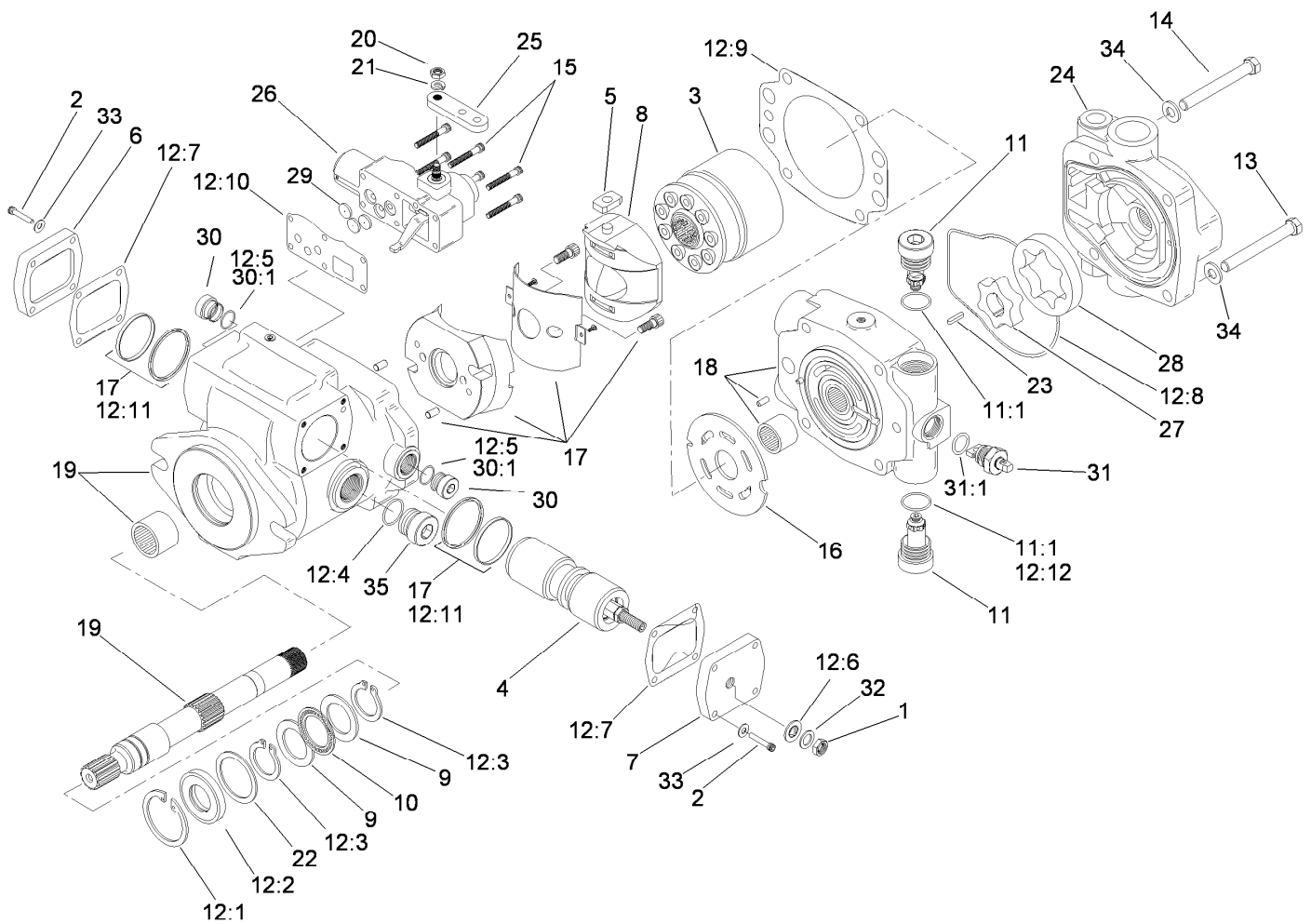
Hydraulic Pump and Filter Assembly

| Ref. | Part Number | Qty. | Description | Ref. | Part Number | Qty. | Description |
|------|-------------|------|-----------------------|------|-------------|------|-----------------------|
| 1 | 340-17 | 1 | Fitting-Elbow, 90 DEG | 10:1 | 237-117 | 1 | O-Ring |
| 1:1 | 237-65 | 1 | O-Ring | 11 | 100-5616 | 1 | Fitting |
| 1:2 | 237-80 | 1 | O-Ring | 12 | 33115-016 | 4 | Screw-HH |
| 2 | 93-2242 | 1 | Oil Filter ASM | 13 | 340-131 | 1 | Fitting-HYD, 90 DEG |
| 2:1 | 75-1310 | 1 | Filter-HYD | 13:1 | 237-30 | 1 | O-Ring |
| 3 | 117-0676 | 1 | Fitting-Tee | 13:2 | 237-81 | 1 | O-Ring |
| 3:1 | 237-30 | 2 | O-Ring | 14 | 340-105 | 1 | Fitting-Elbow, 90 DEG |
| 3:2 | 237-81 | 1 | O-Ring | 14:1 | 237-80 | 1 | O-Ring |
| 4 | 117-0685 | 1 | Piston Pump ASM | 14:2 | 237-30 | 1 | O-Ring |
| 5 | 138-6193 | 1 | Pump-Tandem | 15 | 2412-129 | 2 | Clamp-Hose |
| 6 | 117-0684 | 1 | Strainer-Tee | 16 | 2412-111 | 2 | Clamp-Hose, W/Liner |
| 6:1 | 237-146 | 1 | O-Ring | 17 | 354-79 | 1 | Cap-Dust |
| 7 | 354-78 | 1 | Fitting-STR | 18 | 3256-6 | 2 | Washer-Flat |
| 7:1 | 237-146 | 1 | O-Ring | 19 | 3253-7 | 2 | Washer-Lock |
| 8 | 104-9178 | 1 | Fitting-STR | 20 | 325-6 | 2 | Screw-HH |
| 8:1 | 237-30 | 1 | O-Ring | 21 | 60-3540 | 2 | Washer |
| 8:2 | 237-146 | 1 | O-Ring | 22 | 60-3520 | 1 | O-Ring |
| 9 | 340-8 | 1 | Fitting-Straight | 23 | 3274-1 | 2 | Screw-HSH |
| 9:1 | 237-65 | 1 | O-Ring | 24 | 112-2561 | 1 | Hose-HYD |
| 9:2 | 237-81 | 1 | O-Ring | 25 | 94-3688 | 1 | Sleeve-Protective |
| 10 | 98-0971 | 1 | Fitting-Elbow, 90 | 26 | 119-5045 | 1 | Hose-Suction |



Hydraulic Pump and Filter Assembly (continued)

| <i>Ref.</i> | <i>Part Number</i> | <i>Qty.</i> | <i>Description</i> | <i>Ref.</i> | <i>Part Number</i> | <i>Qty.</i> | <i>Description</i> |
|-------------|--------------------|-------------|--------------------|-------------|--------------------|-------------|--------------------|
| 27 | 117-0681 | 1 | Hose ASM | 29 | 117-0686 | 1 | Hose-HYD |
| 28 | 107-3589 | 1 | Sleeve-Hose | 30 | 117-0729 | 1 | Hose ASM |

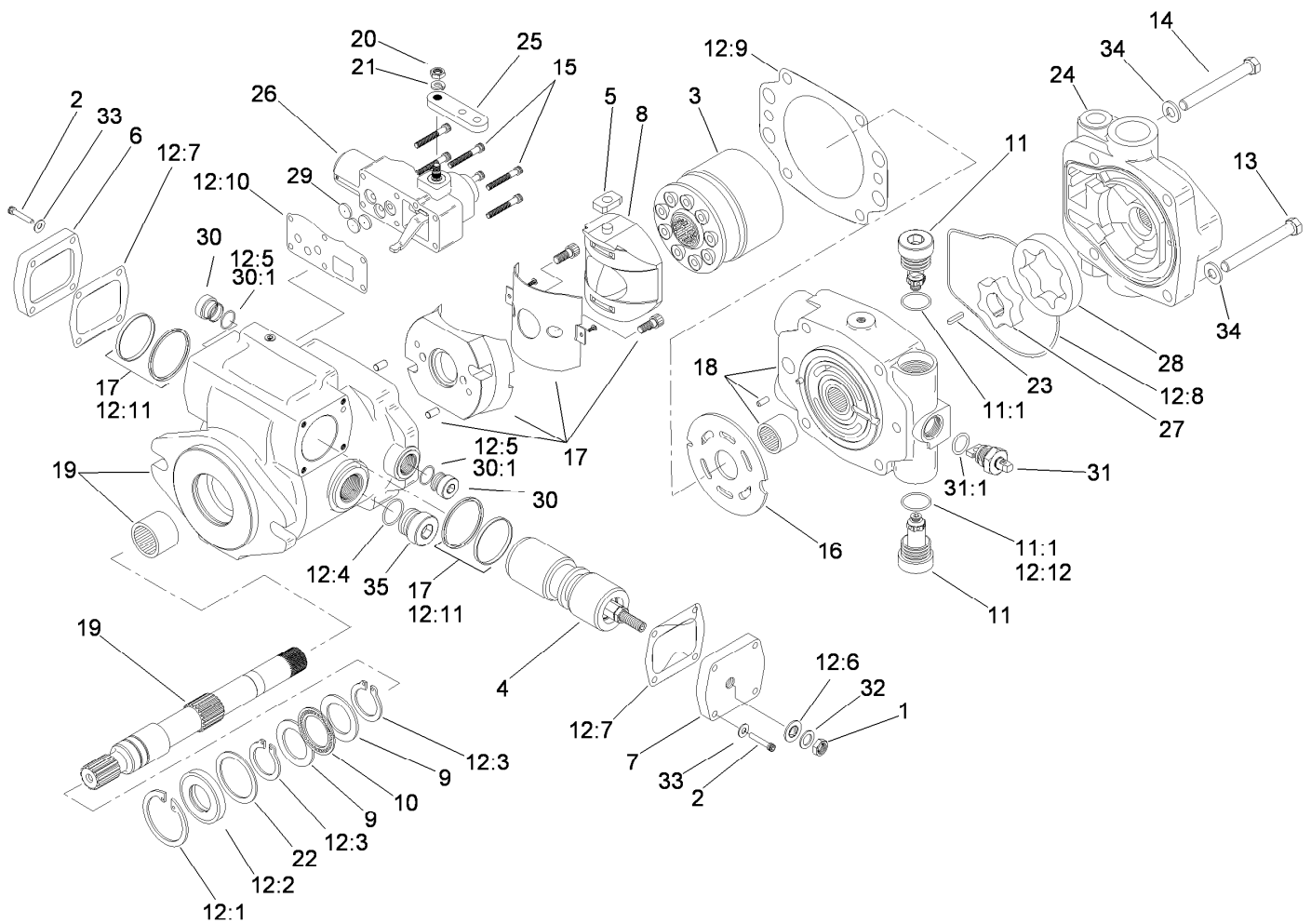


Piston Pump Assembly No. 117-0685

| Ref. | Part Number | Qty. | Description | Ref. | Part Number | Qty. | Description |
|------|-------------|------|-----------------|-------|-------------|------|-------------------------|
| 1 | 3220-3 | 1 | Nut-HJ | 12:6 | 94-3027 | 1 | Washer-Seal |
| 2 | 93-6337 | 8 | Screw | 12:7 | 93-6339 | 2 | Gasket |
| 3 | 99-8701 | 1 | Rotating Kit | 12:8 | 105-2905 | 1 | O-Ring ● |
| 4 | 105-2856 | 1 | Piston-Servo | 12:9 | 105-2900 | 1 | Gasket-Housing |
| 5 | 94-3032 | 1 | Follower-Piston | 12:10 | 105-2901 | 1 | Gasket-Housing, Control |
| 6 | 94-3033 | 1 | Plate-Cover | 12:11 | | 2 | Seal ASM ■ |
| 7 | 105-9853 | 1 | Plate-Cover | 12:12 | 74-9380 | 1 | O-Ring ● |
| 8 | 94-3026 | 1 | Camplate ASM | 13 | 323-15 | 2 | Screw-HH |
| 9 | 76-6950 | 2 | Race-Thrust | 14 | 323-16 | 2 | Screw-HH |
| 10 | 76-6960 | 1 | Bearing-Thrust | 15 | 93-6324 | 6 | Screw |
| 11 | 105-2858 | 2 | Valve-Relief | 16 | 99-8704 | 1 | Plate-Valve |
| 11:1 | | 1 | O-Ring ■ | 17 | | 1 | Housing ■ |
| 12 | 107-1561 | 1 | Seal Kit ● | 18 | 105-2904 | 1 | Backplate |
| 12:1 | 60-6260 | 1 | Ring | 19 | 93-6344 | 1 | Driveshaft |
| 12:2 | 105-3331 | 1 | Seal-Shaft | 20 | 3217-5 | 1 | Nut-Hex |
| 12:3 | 76-7000 | 2 | Ring-Retaining | 21 | 3253-3 | 1 | Washer-Lock |
| 12:4 | | 2 | O-Ring ■ | 22 | 60-6240 | 1 | Washer |
| 12:5 | 93-6314 | 2 | O-Ring ● | 23 | 93-6375 | 1 | Key |

● Not illustrated

■ Not serviced separately

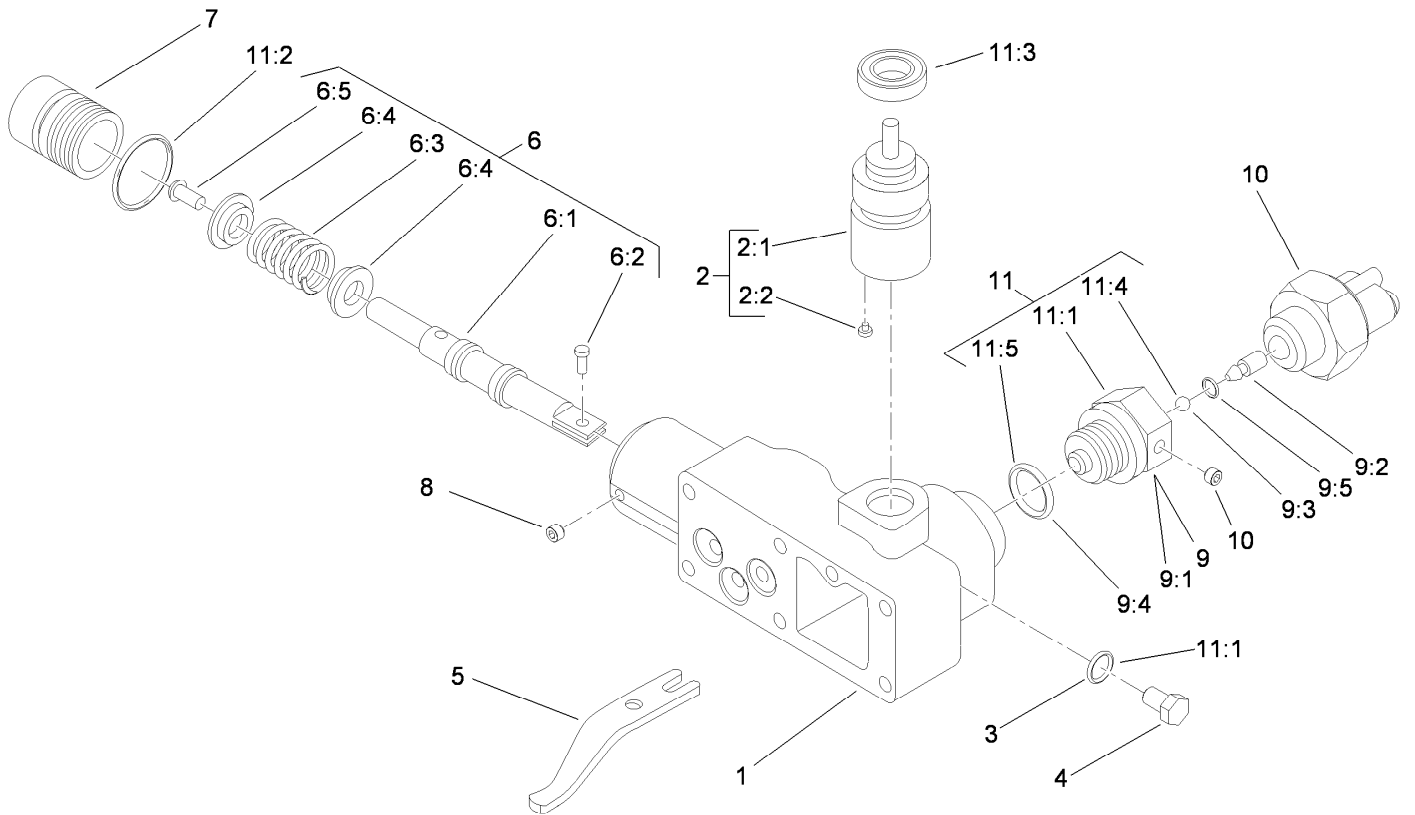


Piston Pump Assembly No. 117-0685 (continued)

| Ref. | Part Number | Qty. | Description | Ref. | Part Number | Qty. | Description |
|------|-------------|------|----------------------------|------|-------------|------|--------------|
| 24 | 95-2110 | 1 | Adaptor | 30:1 | | 1 | O-Ring ■ |
| 25 | 105-2862 | 1 | Arm-Control | 31 | 105-2913 | 1 | Valve-Bypass |
| 26 | 115-4446 | 1 | Control-Servo, Manual | 31:1 | | 1 | O-Ring ■ |
| 27 | 93-6365 | 1 | Geroter-Inner | 32 | 94-3030 | 1 | Washer |
| 28 | 93-6364 | 1 | Geroter-Outer | 33 | 93-6336 | 8 | Washer |
| 29 | 94-3041 | 3 | Orifice-Control (.028 DIA) | 34 | 3256-24 | 4 | Washer-Plain |
| 30 | 74-9280 | 2 | Plug ASM | 35 | | 1 | Plug ASM ■ |

● Not illustrated

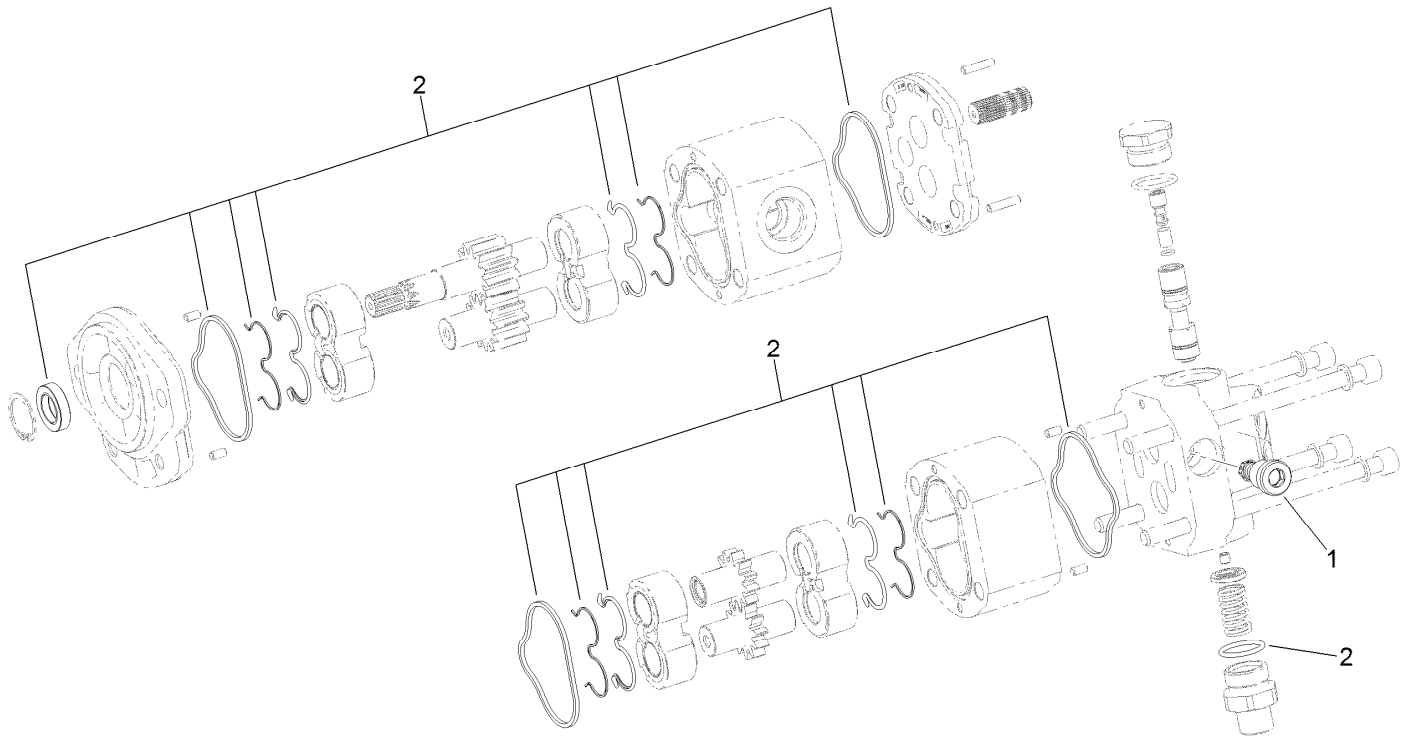
■ Not serviced separately



Control Assembly No. 115-4446

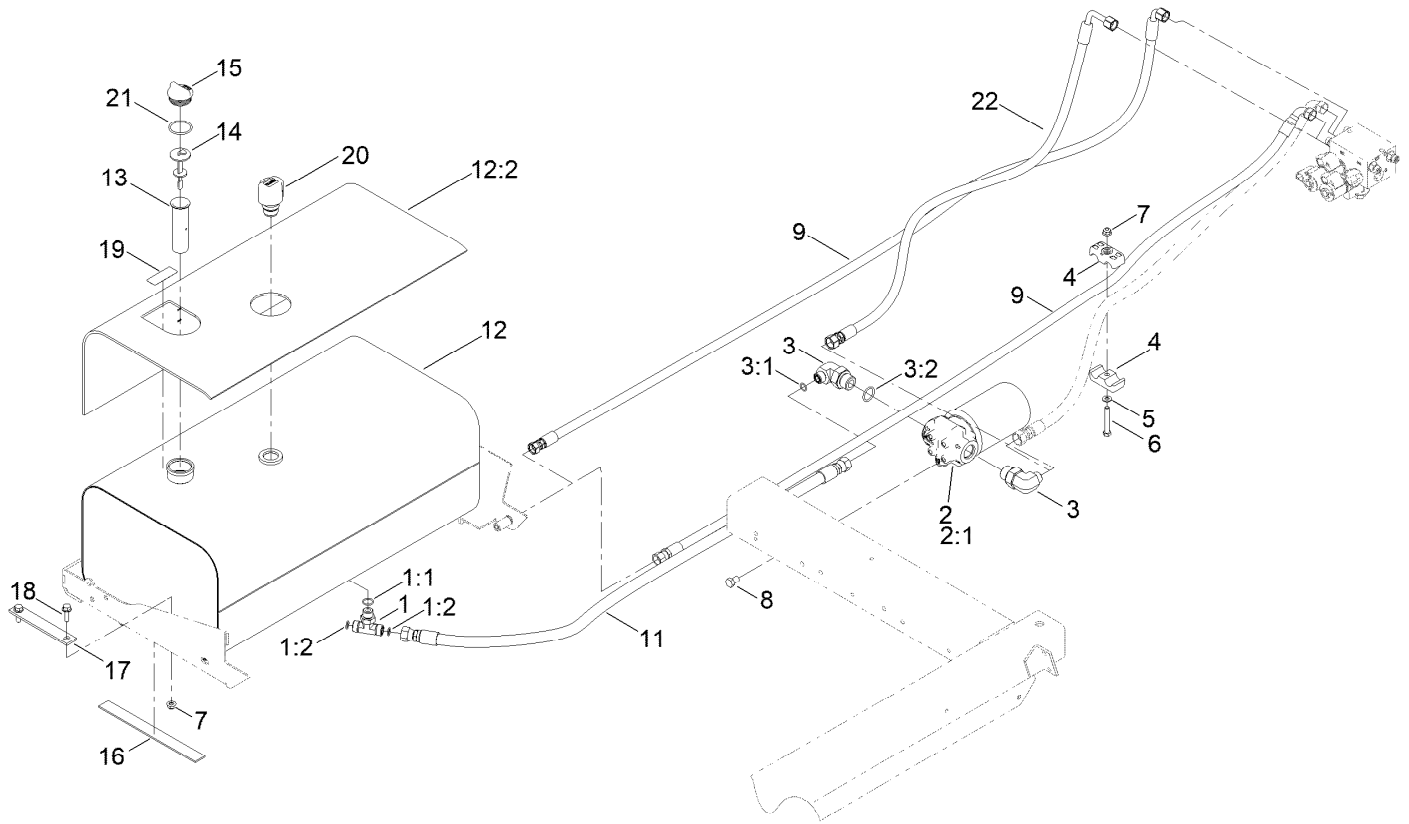
| Ref. | Part Number | Qty. | Description | Ref. | Part Number | Qty. | Description |
|------|-------------|------|-------------------------|------|-------------|------|----------------------------|
| 1 | | 1 | Housing-Control ● | 8 | | 2 | Screw-Set ● |
| 2 | 108-7099 | 1 | Input Control Shaft ASM | 9 | 108-8003 | 1 | Adaptor ASM |
| 2:1 | | 1 | Shaft ● | 9:1 | | 1 | Adaptor-Lockout, Neutral ● |
| 2:2 | | 1 | Pin ● | 9:2 | | 1 | Pin ● |
| 3 | | 1 | O-Ring ● | 9:3 | | 1 | Ball ● |
| 4 | | 1 | Plug ● | 9:4 | | 1 | O-Ring ● |
| 5 | | 1 | Link-Feedback ● | 9:5 | | 1 | O-Ring ● |
| 6 | 108-7098 | 1 | Valve Spool ASM | 10 | 115-3795 | 1 | Switch-Neutral |
| 6:1 | | 1 | Valve-Spool ● | 11 | 94-3044 | 1 | Seal Kit |
| 6:2 | | 1 | Pin-Dowel ● | 11:1 | 117-8979 | 1 | Seal-Shaft |
| 6:3 | | 1 | Spring ● | 11:2 | 105-2901 | 1 | Gasket-Housing, Control |
| 6:4 | | 2 | Retainer ● | 11:3 | | 1 | O-Ring ● |
| 6:5 | | 1 | Screw ● | 11:4 | | 1 | O-Ring ● |
| 7 | | 1 | Plug ● | 11:5 | | 1 | Seal-Wiper ● |

● Not serviced separately



Tandem Pump Assembly No. 138-6193

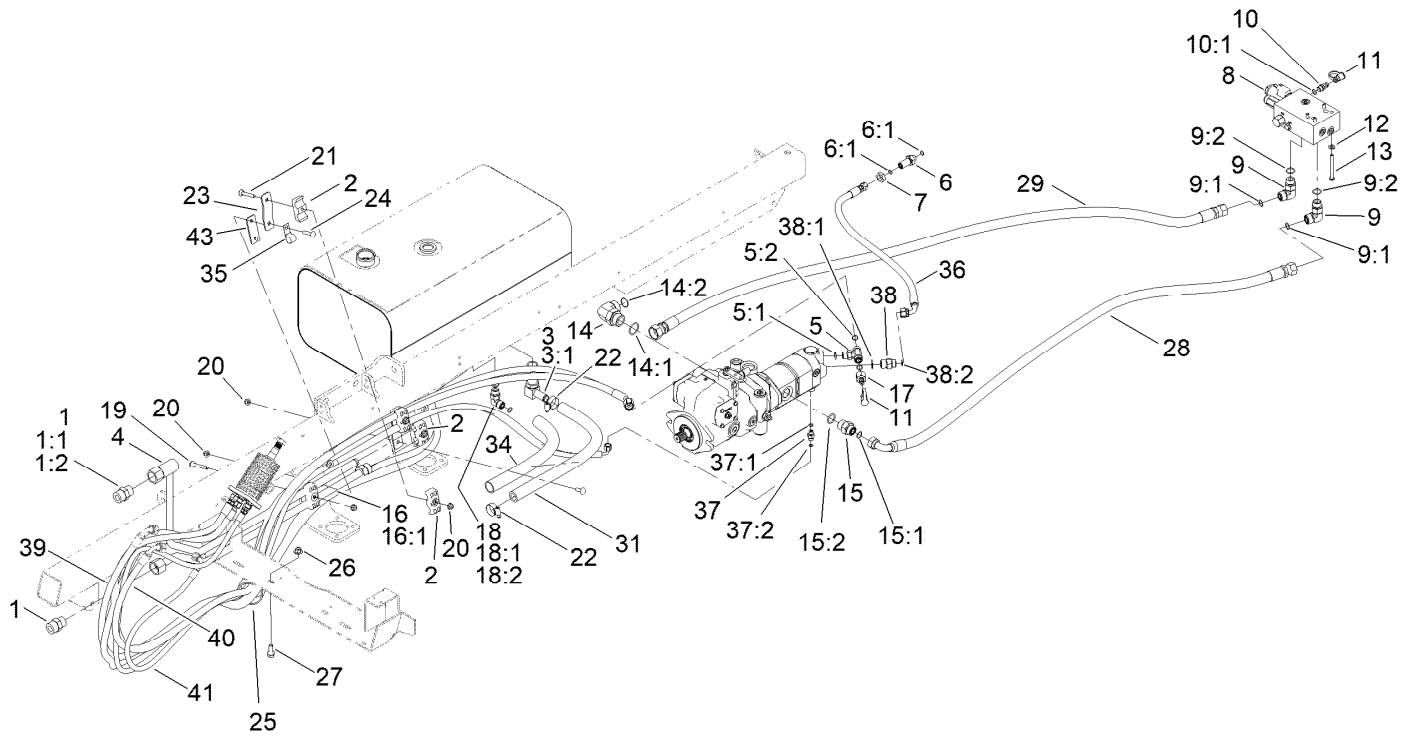
| <i>Ref.</i> | <i>Part Number</i> | <i>Qty.</i> | <i>Description</i> |
|-------------|--------------------|-------------|--------------------|
| 1 | 138-6257 | 1 | Valve-Relief |
| 2 | 138-6258 | 1 | Seal Kit |



Hydraulic Tank Assembly

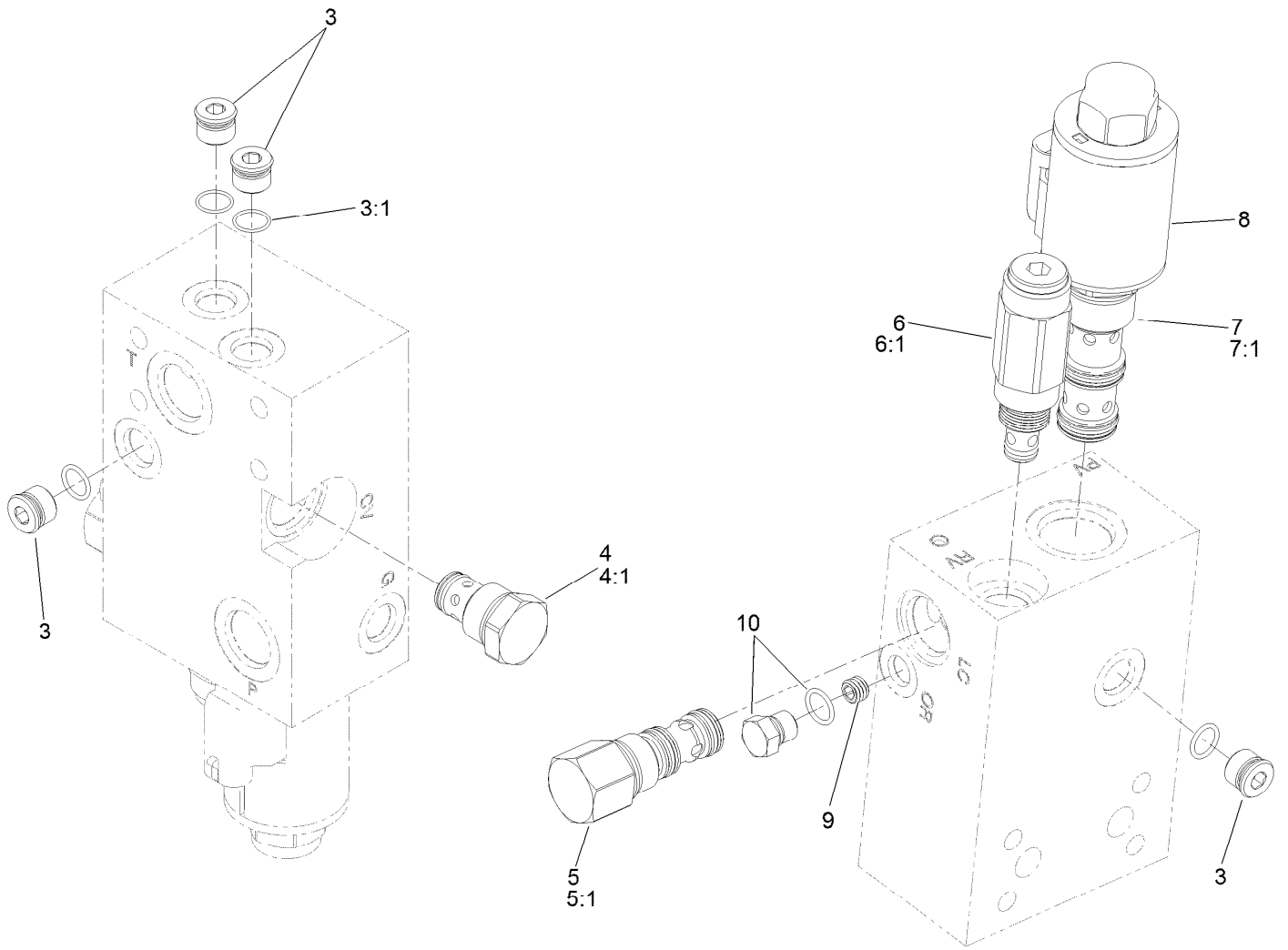
| <i>Ref.</i> | <i>Part Number</i> | <i>Qty.</i> | <i>Description</i> | <i>Ref.</i> | <i>Part Number</i> | <i>Qty.</i> | <i>Description</i> |
|-------------|--------------------|-------------|---------------------|-------------|--------------------|-------------|-----------------------|
| 1 | 340-157 | 1 | Fitting-HYD, Tee | 11 | 106-3672 | 1 | HYD Hose ASM |
| 1:1 | 237-79 | 1 | O-Ring | 12 | 131-5799 | 1 | Hydraulic Tank ASM |
| 1:2 | 237-30 | 2 | O-Ring | 12:2 | 131-5787 | 1 | Cover-Tank, Hydraulic |
| 2 | 93-2242 | 1 | Oil Filter ASM | 13 | 92-1705 | 1 | Filter-Screen |
| 2:1 | 75-1310 | 1 | Filter-HYD | 14 | 105-2812 | 1 | Dipstick |
| 3 | 340-131 | 2 | Fitting-HYD, 90 DEG | 15 | 93-7498 | 1 | Plug-Plastic |
| 3:1 | 237-30 | 1 | O-Ring | 16 | 41995 | 2 | Strip-Armflex |
| 3:2 | 237-81 | 1 | O-Ring | 17 | 94-7068 | 2 | Strap |
| 4 | 94-8105 | 2 | Clamp-Tube | 18 | 3234-17 | 4 | Screw-HHF |
| 5 | 3256-23 | 1 | Washer-Plain | 19 | 93-6686 | 1 | Decal-Oil, HYD |
| 6 | 322-11 | 1 | Screw-HH | 20 | 115-9793 | 1 | Breather |
| 7 | 119-4041 | 5 | Nut-HF | 21 | 237-101 | 1 | O-Ring |
| 8 | 33115-016 | 4 | Screw-HH | 22 | 161-4135 | 1 | HYD Hose ASM ● |
| 9 | 119-0588 | 1 | HYD Hose ASM | | | | |

● Not illustrated



Hydraulic Hose Assembly (continued)

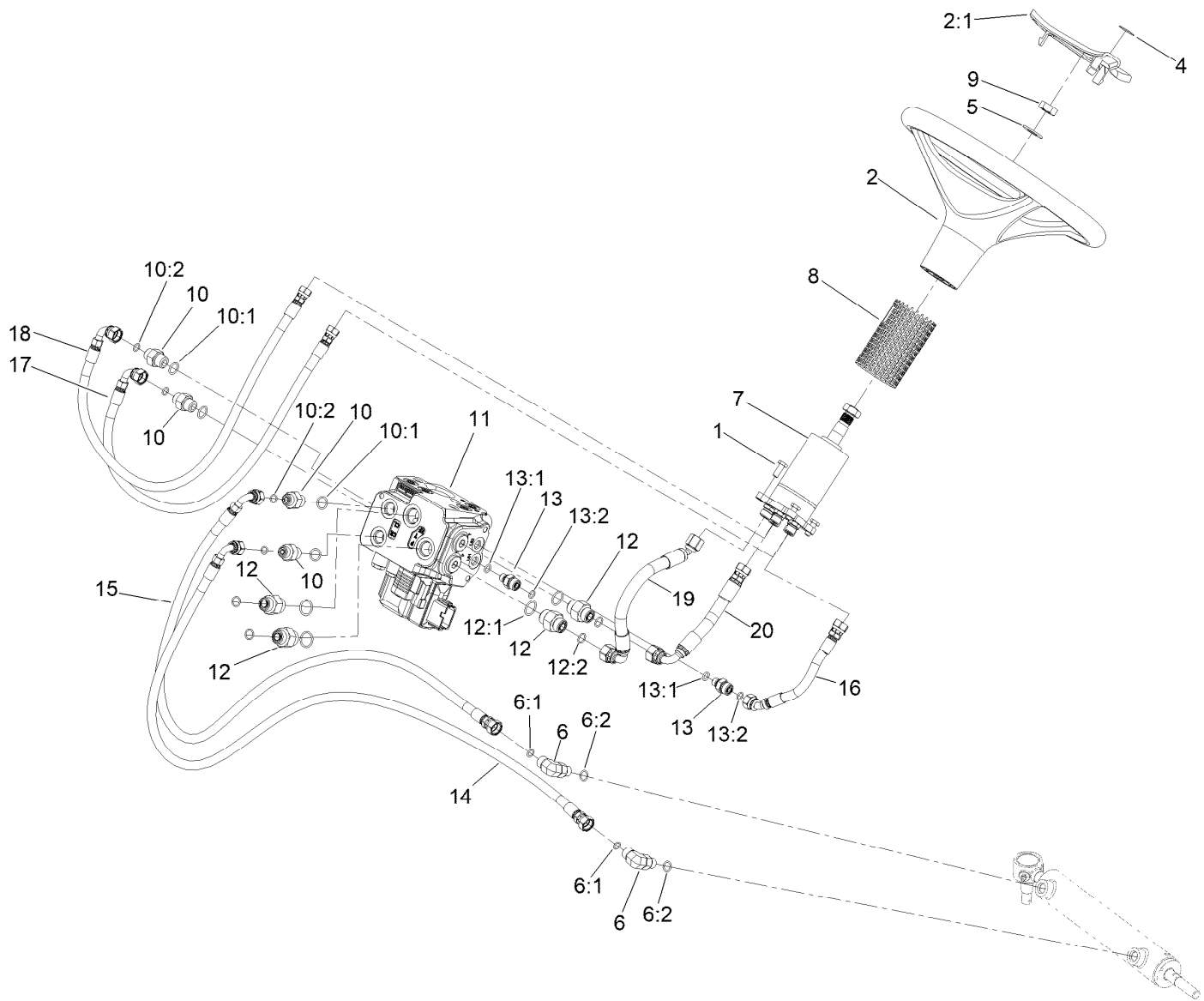
| <i>Ref.</i> | <i>Part Number</i> | <i>Qty.</i> | <i>Description</i> | <i>Ref.</i> | <i>Part Number</i> | <i>Qty.</i> | <i>Description</i> |
|-------------|--------------------|-------------|--------------------|-------------|--------------------|-------------|---------------------|
| 27 | 3234-11 | 1 | Screw-HHF | 37:2 | 237-21 | 1 | O-Ring |
| 28 | 117-0680 | 1 | Hose ASM | 38 | 340-6 | 1 | Fitting-Straight |
| 29 | 117-0682 | 1 | Hose ASM | 38:1 | 237-30 | 1 | O-Ring |
| 31 | 119-5045 | 1 | Hose-Suction | 38:2 | 237-80 | 1 | O-Ring |
| 34 | 94-3688 | 1 | Sleeve-Protective | 39 | 138-6256 | 1 | Hose ASM |
| 35 | 2412-150 | 1 | Clip-J | 40 | 138-6250 | 1 | Hose ASM |
| 36 | 138-6196 | 1 | Hose ASM | 41 | 138-6194 | 1 | Hose ASM |
| 37 | 340-92 | 1 | Fitting-Straight | 43 | 164-1036-03 | 2 | Mount-Undercarriage |
| 37:1 | 237-78 | 1 | O-Ring | | | | |



Pump Control Valve Assembly No. 117-0708

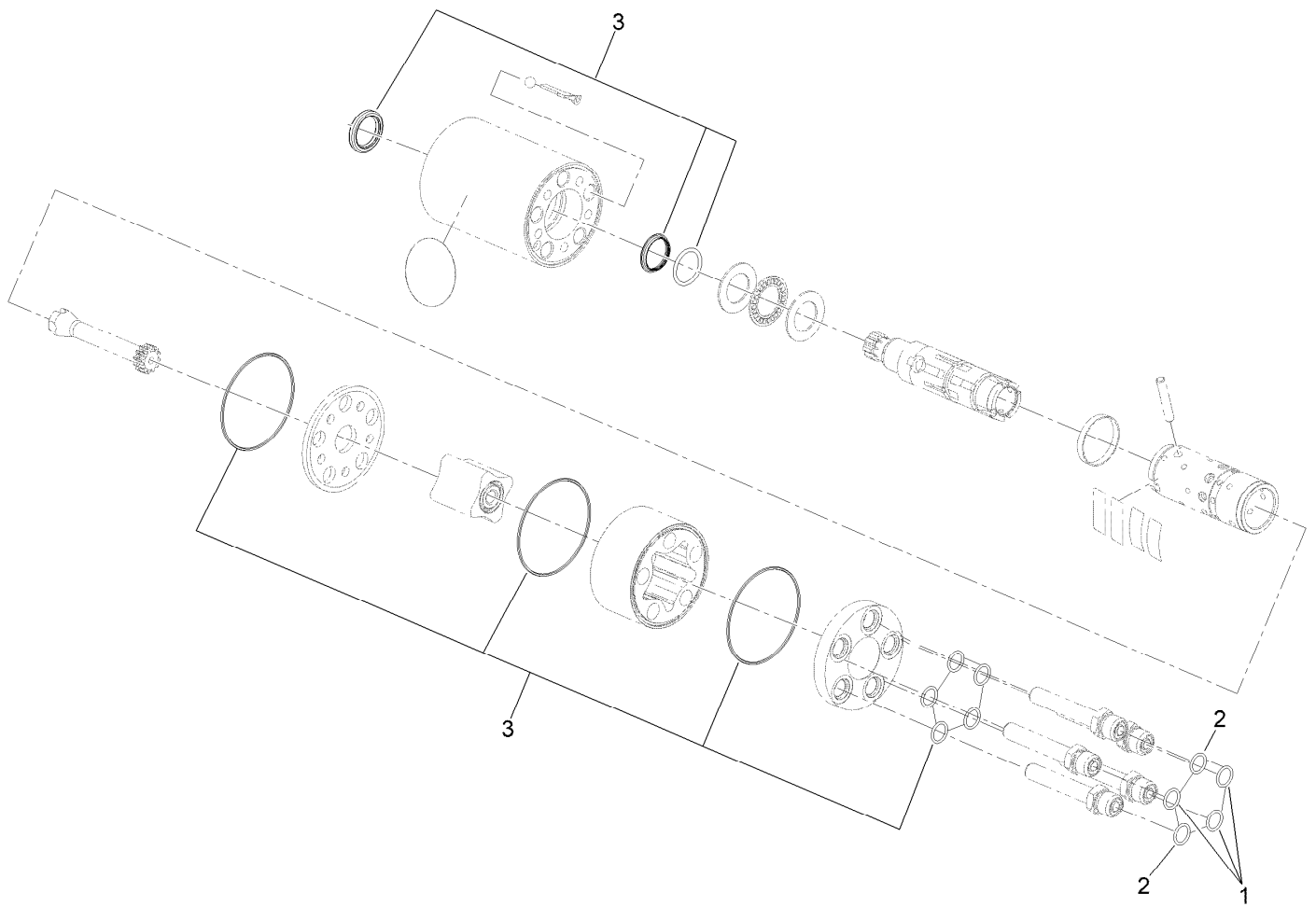
| Ref. | Part Number | Qty. | Description |
|------|-------------|------|----------------------|
| 3 | 353-512 | 4 | Plug |
| 3:1 | 237-78 | 1 | O-Ring |
| 4 | 110-8881 | 1 | Valve-Check |
| 4:1 | 105-9159 | 1 | Seal Kit ● |
| 5 | 120-1660 | 1 | Compensator-Pressure |
| 5:1 | 107-7813 | 1 | Seal Kit ● |
| 6 | 117-8312 | 1 | Valve-Relief |
| 6:1 | 105-9156 | 1 | Seal Kit |
| 7 | 120-2590 | 1 | Valve-Flow Control |
| 7:1 | 114-5515 | 1 | Seal Kit |
| 8 | 120-2589 | 1 | Coil-12Vdc |
| 9 | 107-1987 | 1 | Orifice-0.040 |
| 10 | 117-0115 | 1 | Plug |

● Not illustrated



Steering Hydraulic Assembly

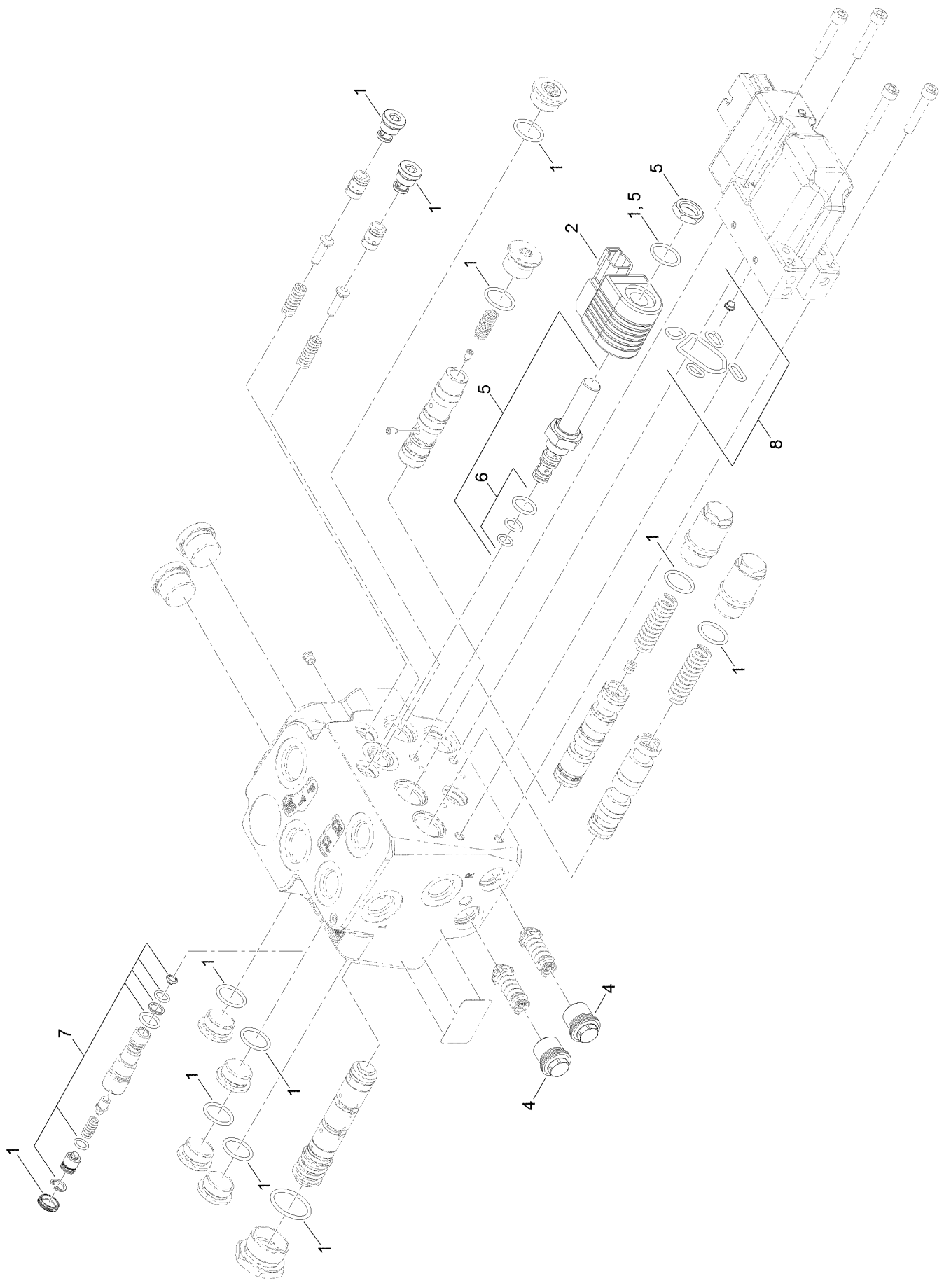
| <i>Ref.</i> | <i>Part Number</i> | <i>Qty.</i> | <i>Description</i> | <i>Ref.</i> | <i>Part Number</i> | <i>Qty.</i> | <i>Description</i> |
|-------------|--------------------|-------------|-----------------------|-------------|--------------------|-------------|--------------------|
| 1 | 33114-020 | 4 | Screw-HH | 11 | 137-4076 | 1 | Valve-Steering Ehi |
| 2 | 98-1471 | 1 | Wheel-Steering | 12 | 137-4294 | 4 | Fitting-STR |
| 2:1 | 98-1468 | 1 | Cover-Wheel, Steering | 12:1 | 138-6249 | 1 | O-Ring M22 |
| 4 | 98-1459 | 1 | Decal | 12:2 | 237-30 | 1 | O-Ring |
| 5 | 3256-27 | 1 | Washer-Flat | 13 | 138-6187 | 2 | Fitting-STR |
| 6 | 340-77 | 2 | Fitting-Elbow, 90 DEG | 13:1 | 138-6247 | 1 | Seal-Oring |
| 6:1 | 237-22 | 1 | O-Ring | 13:2 | 237-22 | 1 | O-Ring |
| 6:2 | 237-42 | 1 | O-Ring | 14 | 138-6170 | 1 | Hose ASM |
| 7 | 137-7509 | 1 | Valve-Steering | 15 | 138-6171 | 1 | Hose ASM |
| 8 | 130-8296 | 1 | Sleeve-Steering Cover | 16 | 138-6188 | 1 | Hose ASM |
| 9 | 3296-33 | 1 | Nut-Lock, NI | 17 | 138-6191 | 1 | Hose ASM |
| 10 | 137-4295 | 4 | Fitting-STR | 18 | 138-6245 | 1 | Hose ASM |
| 10:1 | 138-6248 | 1 | O-Ring M18 | 19 | 138-6153 | 1 | Hose ASM |
| 10:2 | 237-22 | 1 | O-Ring | 20 | 138-6154 | 1 | Hose ASM |



Steering Valve Assembly No. 137-7509

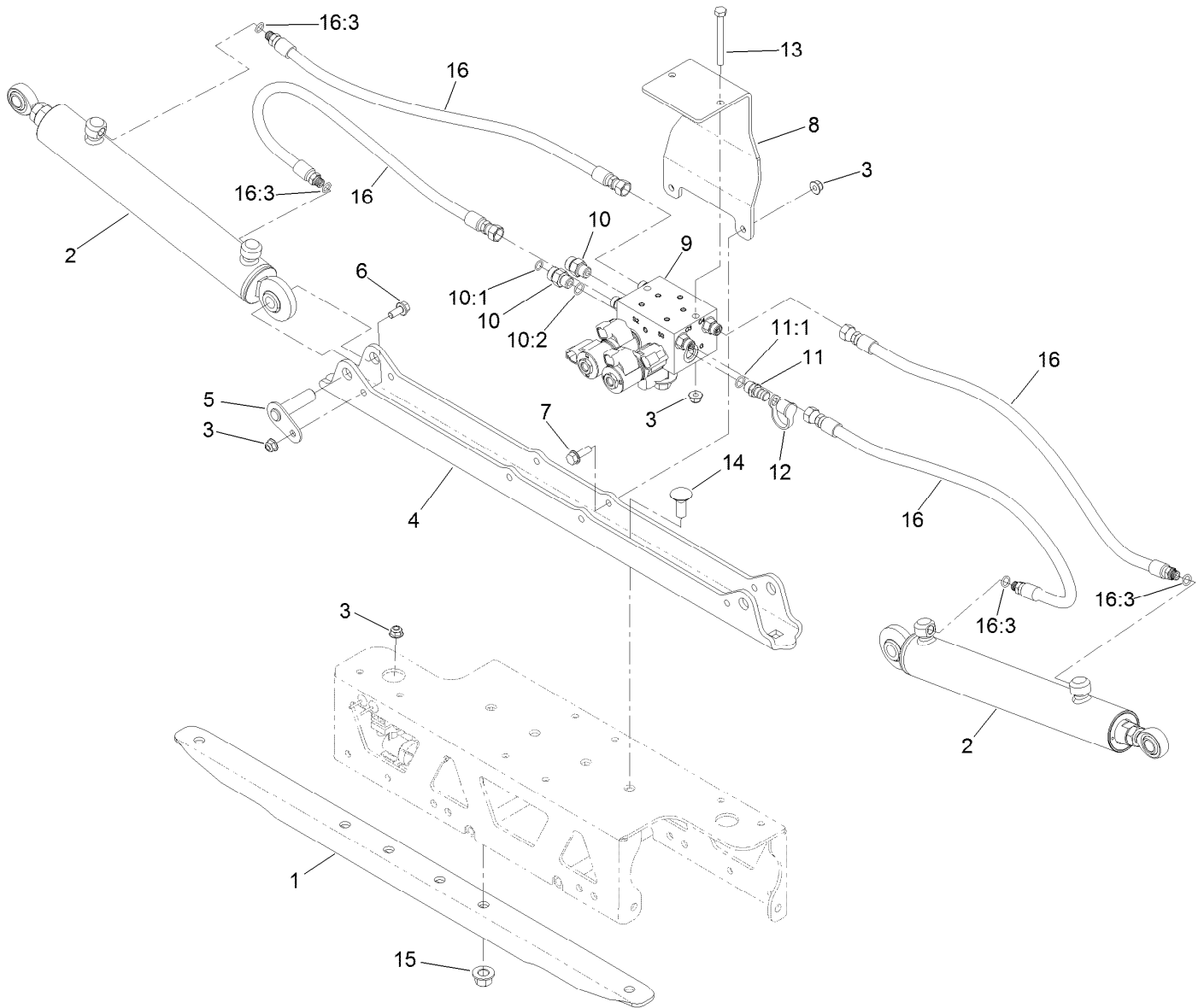
| <i>Ref.</i> | <i>Part Number</i> | <i>Qty.</i> | <i>Description</i> |
|-------------|--------------------|-------------|--------------------|
| 1 | 237-21 | 3 | O-Ring |
| 2 | 237-22 | 2 | O-Ring |
| 3 | 106-6716 | 1 | Seal Kit |

Hydraulic Valve Assembly No. 137-4076



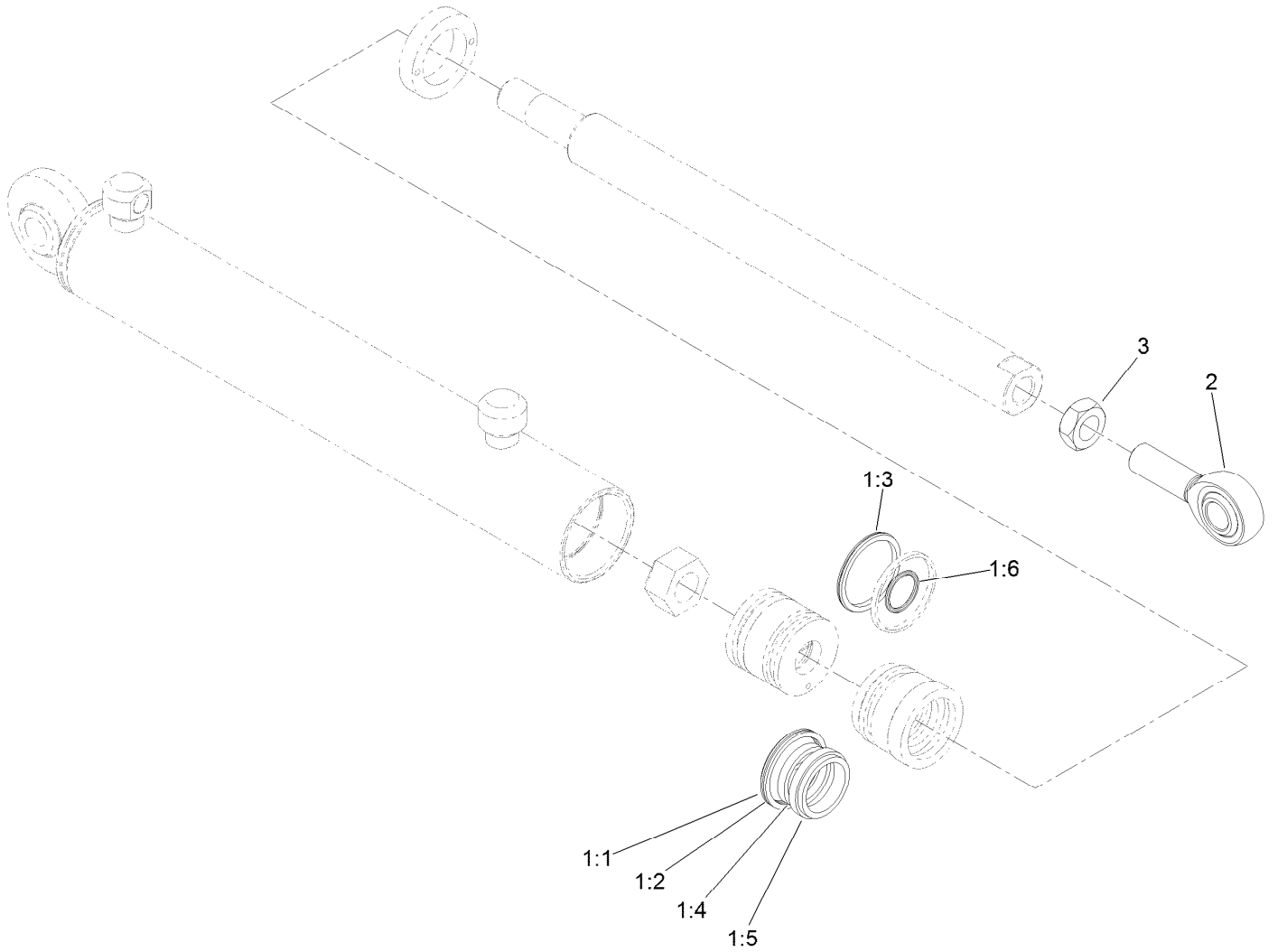
Hydraulic Valve Assembly No. 137-4076 (continued)

| <i>Ref.</i> | <i>Part Number</i> | <i>Qty.</i> | <i>Description</i> | <i>Ref.</i> | <i>Part Number</i> | <i>Qty.</i> | <i>Description</i> |
|-------------|--------------------|-------------|--------------------|-------------|--------------------|-------------|--------------------|
| 1 | 138-6270 | 1 | Seal Kit | 6 | 138-6275 | 1 | Spool Kit |
| 2 | 138-6271 | 1 | Coil Kit | 7 | 138-6276 | 1 | Relief Valve Kit |
| 4 | 138-6273 | 1 | Shock Valve Kit | 8 | 138-6277 | 1 | Pve Kit |
| 5 | 138-6274 | 1 | Cartridge Kit | | | | |



Boom Lift Assembly

| <i>Ref.</i> | <i>Part Number</i> | <i>Qty.</i> | <i>Description</i> | <i>Ref.</i> | <i>Part Number</i> | <i>Qty.</i> | <i>Description</i> |
|-------------|--------------------|-------------|----------------------------|-------------|--------------------|-------------|--------------------|
| 1 | 131-0285-03 | 1 | Stiffener-Channel | 10:1 | 237-22 | 1 | O-Ring |
| 2 | 117-0701 | 2 | Hydraulic Cylinder ASM | 10:2 | 237-42 | 1 | O-Ring |
| 3 | 119-4041 | 7 | Nut-HF | 11 | 59-7410 | 1 | Fitting-Diagnostic |
| 4 | 131-0275-03 | 1 | Plate-Mount | 11:1 | 237-42 | 1 | O-Ring |
| 5 | 112-7884 | 2 | Pin-Pivot | 12 | 354-79 | 1 | Cap-Dust |
| 6 | 110-5053 | 2 | Screw-HHF | 13 | 322-14 | 2 | Screw-HH |
| 7 | 3234-29 | 2 | Screw-HHF | 14 | 110-5067 | 4 | Screw-CARR |
| 8 | 130-8201-03 | 1 | Mount-Valve | 15 | 139-1689 | 4 | Nut-HF |
| 9 | 136-2400 | 1 | On-Off Boom Lift Valve ASM | 16 | 131-0276 | 4 | Hose ASM |
| 10 | 340-2 | 2 | Fitting-Straight | 16:3 | 237-78 | 1 | O-Ring |

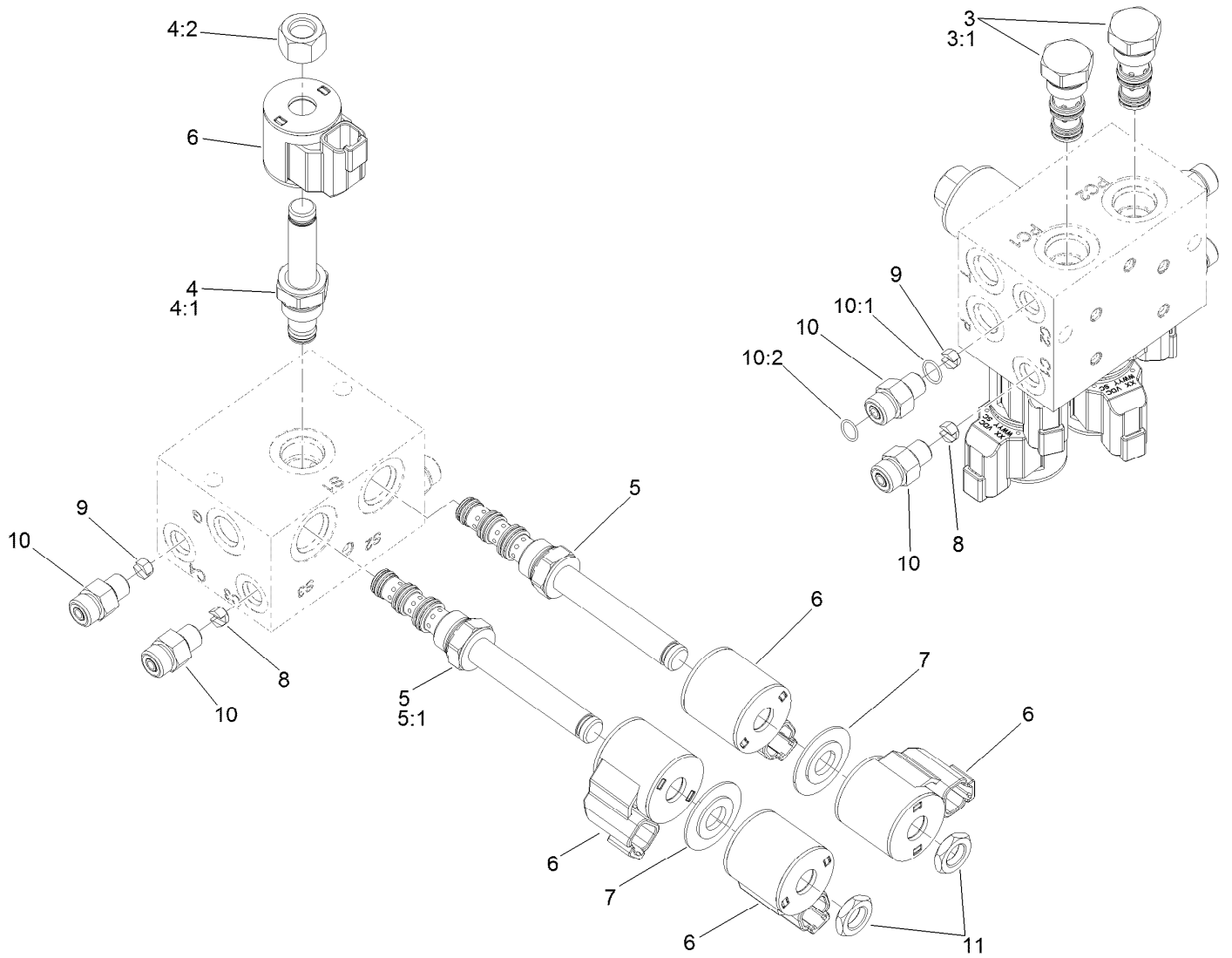


Hydraulic Cylinder Assembly No. 117-0701

| Ref. | Part Number | Qty. | Description |
|------|-------------|------|---------------|
| 1 | 119-8026 | 1 | Seal Kit ● |
| 1:1 | | 1 | O-Ring ■ |
| 1:2 | | 1 | Ring-Backup ■ |
| 1:3 | | 1 | Bp Seal ■ |
| 1:4 | | 1 | Bs Seal ■ |
| 1:5 | | 1 | Dust Seal ■ |
| 1:6 | | 1 | O-Ring ■ |
| 2 | 119-8027 | 1 | Rod End |
| 3 | 3220-6 | 1 | Nut-Jam |

● Not illustrated

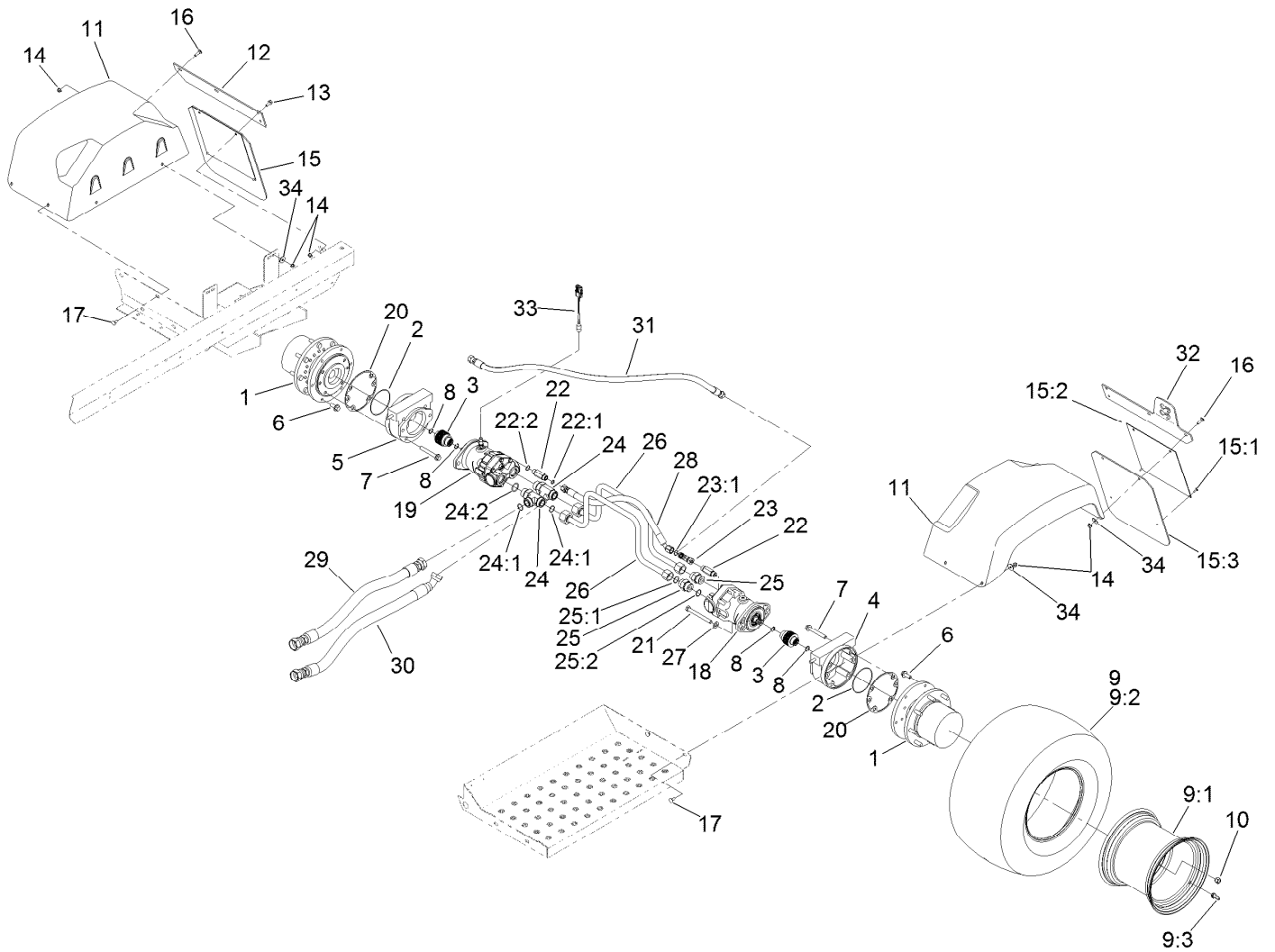
■ Not serviced separately



On-Off Boom Lift Valve Assembly No. 136-2400

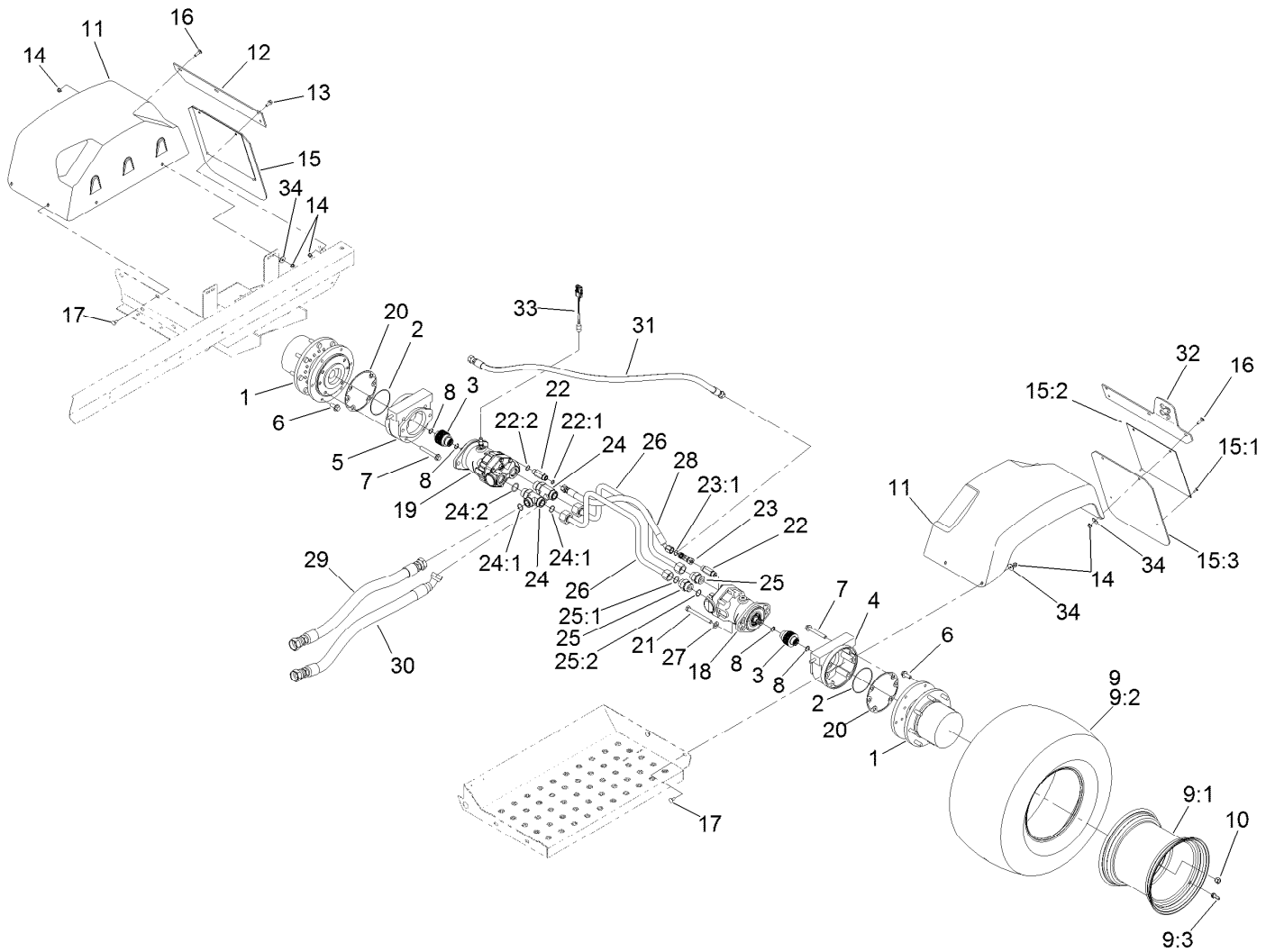
| Ref. | Part Number | Qty. | Description |
|------|-------------|------|-------------------------------|
| 3 | 136-2430 | 2 | Valve-Check, Po |
| 3:1 | 120-0886 | 1 | Seal Kit |
| 4 | 107-7517 | 1 | Valve-Solenoid |
| 4:1 | 105-9156 | 1 | Seal Kit |
| 4:2 | 107-7812 | 1 | Nut-Solenoid |
| 5 | 120-2587 | 2 | Valve-Solenoid |
| 5:1 | 112-6520 | 1 | Seal Kit ● |
| 6 | 119-8036 | 5 | Coil |
| 7 | 120-2586 | 2 | Spacer-Coil |
| 8 | 110-8903 | 2 | Orifice-Control, Flow (0.055) |
| 9 | 125-8849 | 2 | Orifice-Flow Control |
| 10 | 340-92 | 4 | Fitting-Straight |
| 10:1 | 237-78 | 1 | O-Ring |
| 10:2 | 237-21 | 1 | O-Ring |
| 11 | 110-2634 | 2 | Nut-Coil |

● Not illustrated



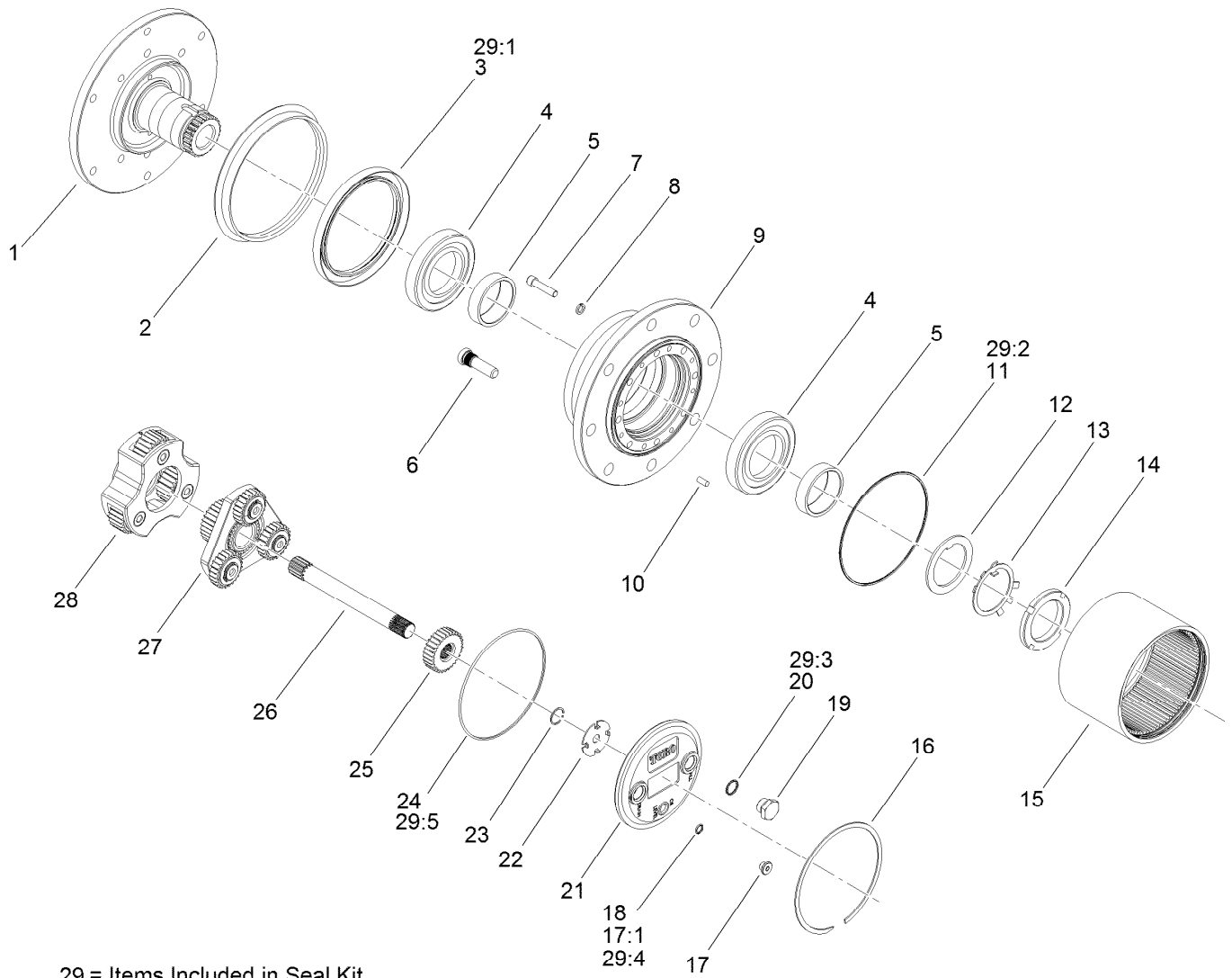
Rear Drive Assembly

| Ref. | Part Number | Qty. | Description | Ref. | Part Number | Qty. | Description |
|------|-------------|------|--------------------------|------|-------------|------|----------------------------------|
| 1 | 136-2913 | 2 | Planetary ASM | 16 | 3230-2 | 4 | Bolt-CARR |
| 2 | 237-166 | 2 | O-Ring | 17 | 3230-1 | 8 | Bolt-CARR |
| 3 | 100-3046 | 2 | Shaft-Brake, Splined | 18 | 132-5631 | 1 | HYD Motor ASM |
| 4 | 100-3069 | 1 | RH Brake ASM | 19 | 136-2373 | 1 | Motor-Hydraulic (W/Speed Sensor) |
| 5 | 100-3070 | 1 | LH Brake ASM | 20 | 93-7984 | 2 | Gasket |
| 6 | 33106-030 | 12 | Screw-HHF | 21 | 33116-110 | 4 | Screw-HH |
| 7 | 33106-080 | 8 | Screw-HHF | 22 | 119-4854 | 2 | Fitting-STR |
| 8 | 93-7972 | 4 | Ring-Retaining, Internal | 22:1 | 237-30 | 1 | O-Ring |
| 9 | 145-3376 | 2 | Tire/Wheel ASM | 22:2 | 237-79 | 1 | O-Ring |
| 9:1 | 133-2723 | 1 | Wheel | 23 | 340-104 | 1 | Fitting-Tee |
| 9:2 | 145-3377 | 1 | Tire 26.5/14-12, 6 Ply | 23:1 | 237-30 | 2 | O-Ring |
| 9:3 | 232-27 | 1 | Stem-Valve | 24 | 104-3795 | 2 | Fitting-Tee |
| 10 | 139-2564 | 16 | Nut-Lug | 24:1 | 340-65 | 2 | O-Ring |
| 11 | 93-6498 | 2 | Fender-Rear | 24:2 | 237-146 | 1 | O-Ring |
| 12 | 93-6528-03 | 1 | Strap-Mount, Fender | 25 | 340-91 | 2 | Fitting-STR |
| 13 | 3234-5 | 4 | Screw-HHF | 25:1 | 237-58 | 1 | O-Ring |
| 14 | 119-4041 | 16 | Nut-HF | 25:2 | 237-146 | 1 | O-Ring |
| 15 | 94-7127 | 2 | Splash Guard ASM | 26 | 117-0674 | 2 | Tube-Traction |
| 15:1 | 114439 | 2 | Rivet-Blind | 27 | 33096-00 | 4 | Washer-Flat |
| 15:2 | 94-7128-03 | 1 | Plate-Guard, Splash | 28 | 131-9634 | 1 | Hydraulic Hose ASM |
| 15:3 | 94-7129 | 1 | Guard-Splash | | | | |



Rear Drive Assembly (continued)

| <i>Ref.</i> | <i>Part Number</i> | <i>Qty.</i> | <i>Description</i> | <i>Ref.</i> | <i>Part Number</i> | <i>Qty.</i> | <i>Description</i> |
|-------------|--------------------|-------------|--------------------|-------------|--------------------|-------------|-----------------------|
| 29 | 120-8563 | 1 | Hose ASM | 32 | 136-2308-03 | 1 | Support-Mount, Drain |
| 30 | 120-8564 | 1 | Hose ASM | 33 | 136-2339 | 1 | Harness-Wire, Adaptor |
| 31 | 119-0582 | 1 | Hose ASM | 34 | 3256-82 | 12 | Washer-Flat |

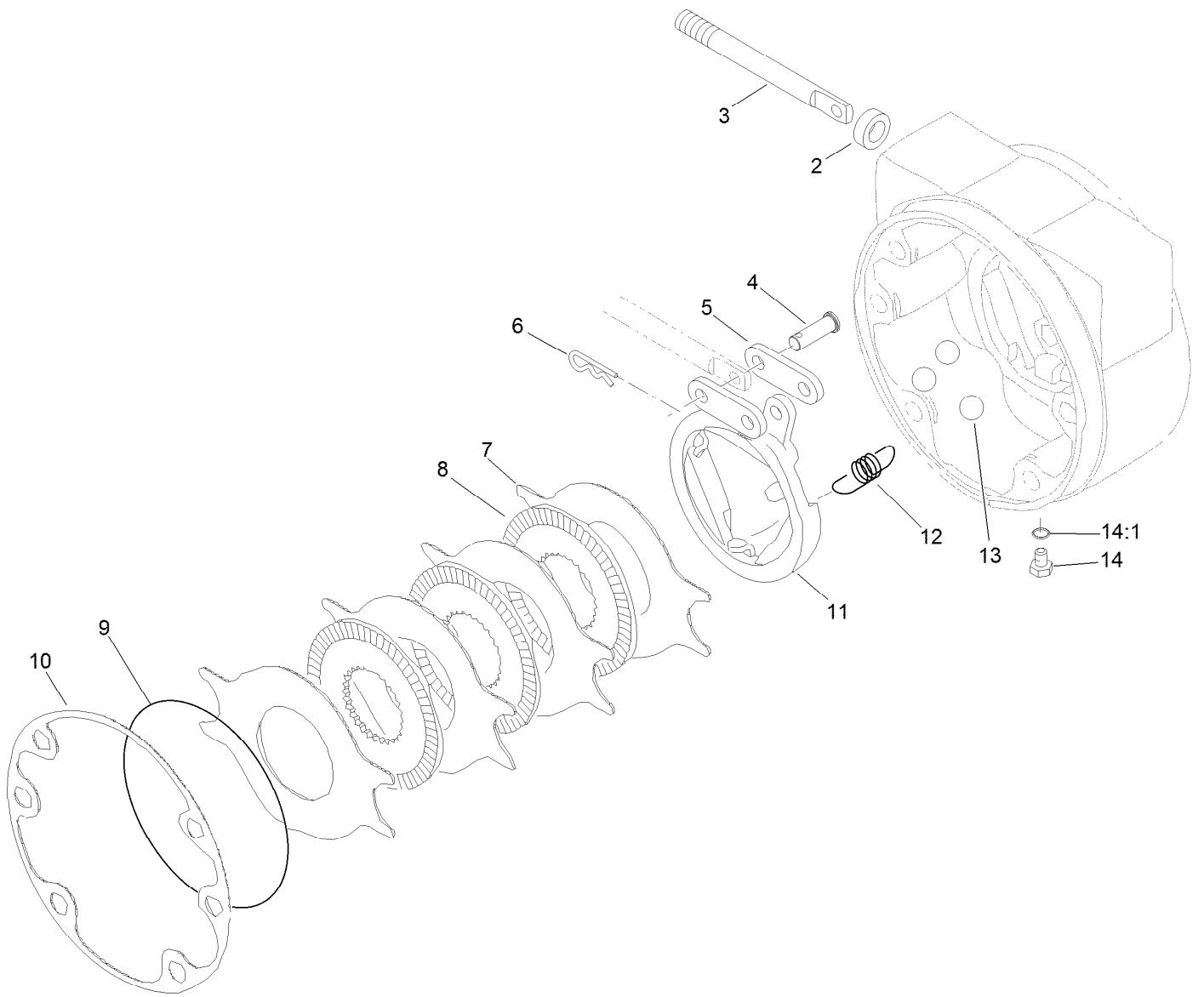


29 = Items Included in Seal Kit

Planetary Assembly No. 136-2913

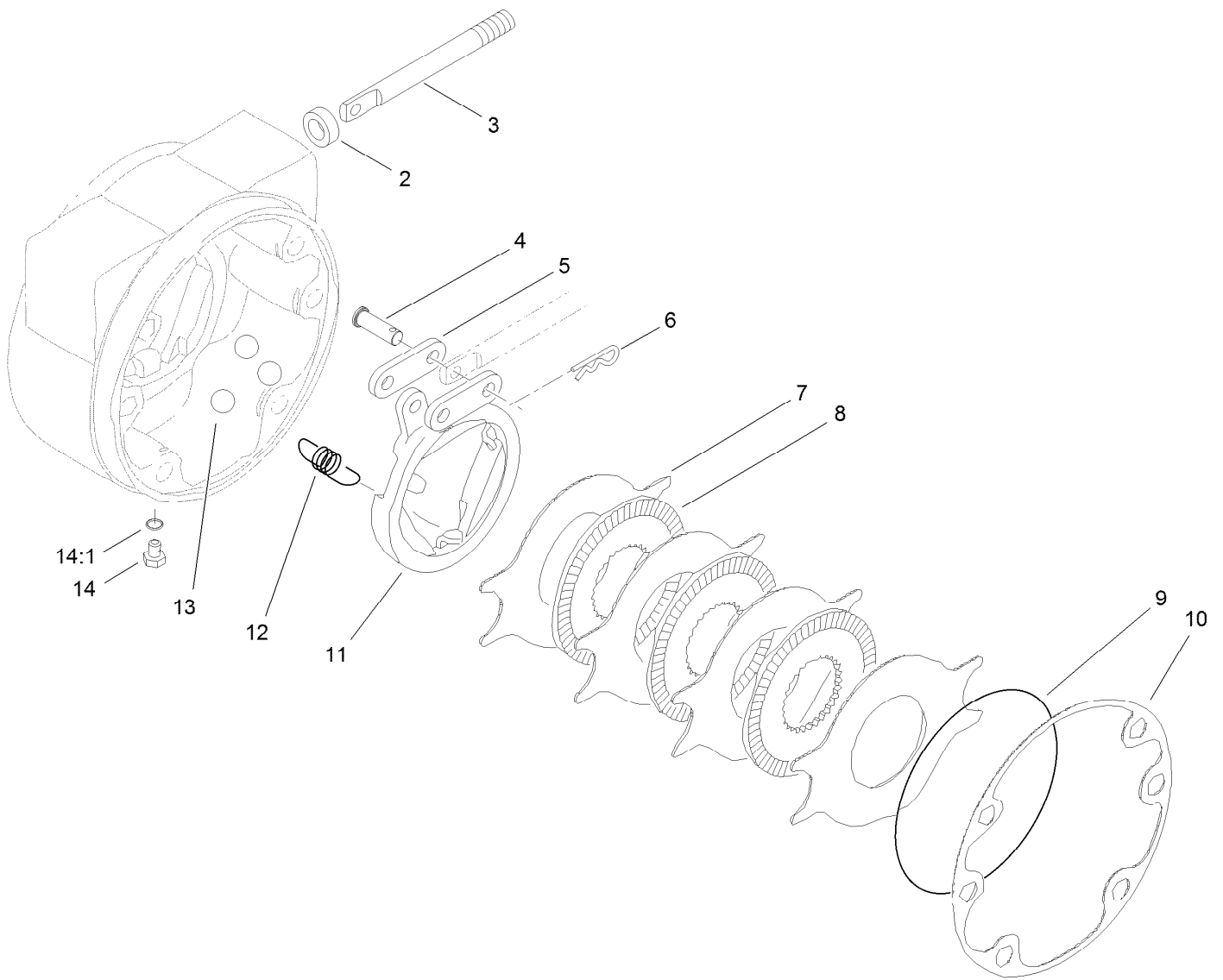
| Ref. | Part Number | Qty. | Description | Ref. | Part Number | Qty. | Description |
|------|-------------|------|-------------------|------|-------------|------|-----------------------|
| 1 | | 1 | Spindle ● | 18 | 237-78 | 1 | O-Ring |
| 2 | 138-1204 | 1 | Seal-Boot | 19 | 138-1211 | 2 | Plug-Flange, Magnetic |
| 3 | | 1 | Seal-Lip ● | 20 | 138-1212 | 2 | O-Ring |
| 4 | 138-1205 | 2 | Bearing-Cup | 21 | 138-1213 | 1 | Cap-End |
| 5 | 138-1206 | 2 | Bearing-Cone | 22 | 138-1214 | 1 | Washer-Thrust, Sun |
| 6 | 105-8124 | 8 | Stud-Wheel | 23 | 105-8131 | 2 | Ring-Retaining |
| 7 | 138-1207 | 8 | Screw-Socket Head | 24 | | 1 | O-Ring ● |
| 8 | 138-1208 | 8 | Washer-Lock | 25 | 138-1215 | 1 | Gear-Primary, Sun |
| 9 | | 1 | Housing ● | 26 | 138-1216 | 1 | Shaft-Drive |
| 10 | 105-8121 | 4 | Pin-Dowel | 27 | 138-1217 | 1 | Primary Carrier ASM |
| 11 | | 1 | O-Ring ● | 28 | 138-1218 | 1 | Secondary Carrier ASM |
| 12 | 138-6928 | 1 | Spacer | 29 | 138-1219 | 1 | Seal Kit |
| 13 | 138-6929 | 1 | Washer | 29:1 | | 1 | Seal-Lip ● |
| 14 | 138-6930 | 1 | Nut-Lock | 29:2 | | 1 | O-Ring ● |
| 15 | 138-1209 | 1 | Gear-Ring | 29:3 | | 1 | O-Ring ● |
| 16 | 138-1210 | 1 | Ring-Snap | 29:4 | | 1 | O-Ring ● |
| 17 | 353-990 | 1 | Plug ASM | 29:5 | | 1 | O-Ring ● |
| 17:1 | 237-78 | 1 | O-Ring | | | | |

● Not serviced separately



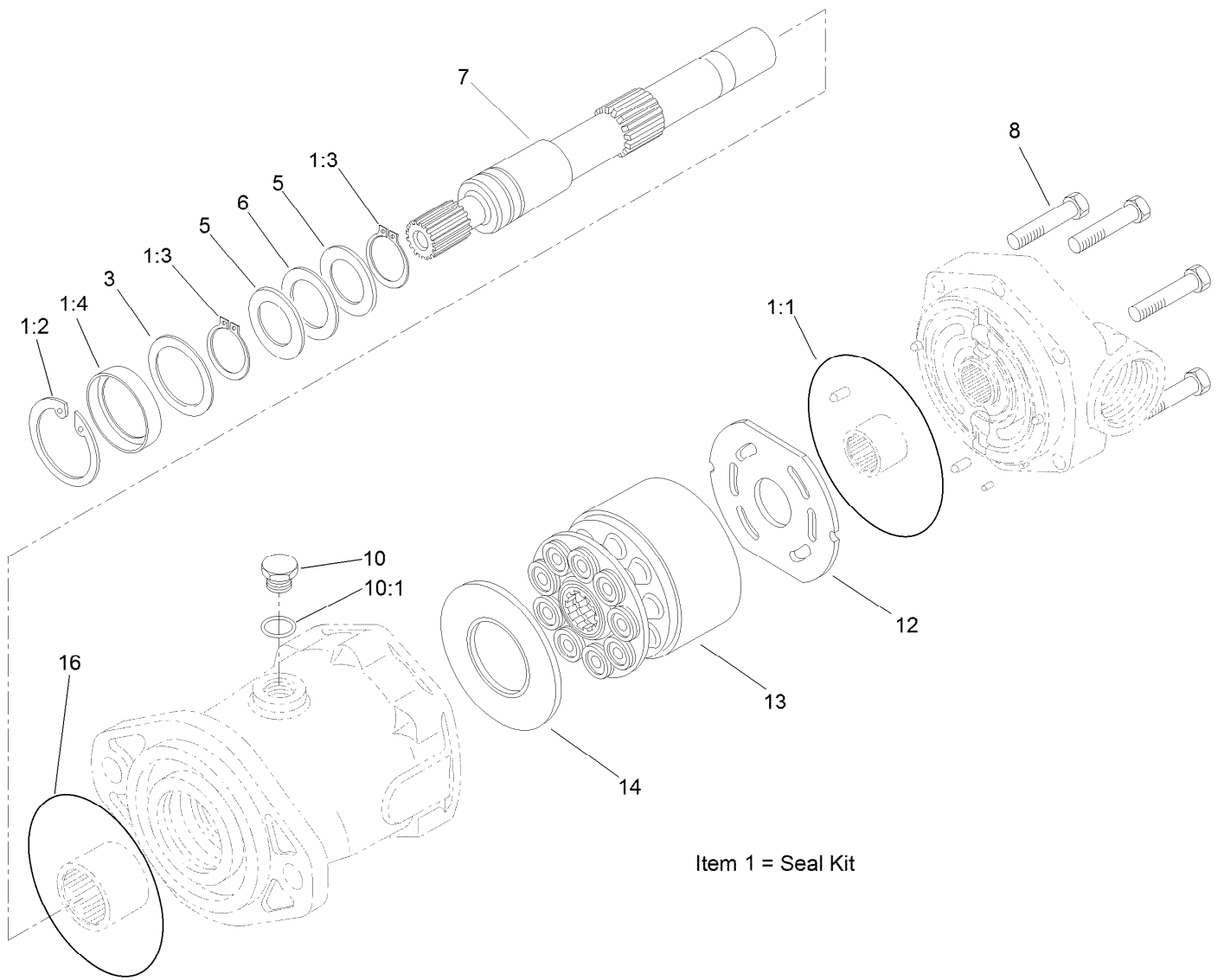
RH Brake Assembly No. 100-3069

| <i>Ref.</i> | <i>Part Number</i> | <i>Qty.</i> | <i>Description</i> |
|-------------|--------------------|-------------|--------------------|
| 2 | 93-7977 | 1 | Seal |
| 3 | 93-7978 | 1 | Rod-Pull |
| 4 | 93-7983 | 2 | Pin-Clevis |
| 5 | 93-7980 | 2 | Link |
| 6 | 93-7979 | 2 | Pin-Hitch |
| 7 | 93-7986 | 4 | Disc-Stationary |
| 8 | 104-4278 | 3 | Disc-Rotating |
| 9 | 93-7976 | 1 | Ring-Retaining |
| 10 | 93-7984 | 1 | Gasket |
| 11 | 104-4280 | 1 | Actuator-Rotating |
| 12 | 93-7987 | 3 | Spring-Extension |
| 13 | 93-7985 | 3 | Ball |
| 14 | 353-990 | 2 | Plug ASM |
| 14:1 | 237-78 | 1 | O-Ring |



LH Brake Assembly No. 100-3070

| <i>Ref.</i> | <i>Part Number</i> | <i>Qty.</i> | <i>Description</i> |
|-------------|--------------------|-------------|--------------------|
| 2 | 93-7977 | 1 | Seal |
| 3 | 93-7978 | 1 | Rod-Pull |
| 4 | 93-7983 | 2 | Pin-Clevis |
| 5 | 93-7980 | 2 | Link |
| 6 | 93-7979 | 2 | Pin-Hitch |
| 7 | 93-7986 | 4 | Disc-Stationary |
| 8 | 104-4278 | 3 | Disc-Rotating |
| 9 | 93-7976 | 1 | Ring-Retaining |
| 10 | 93-7984 | 1 | Gasket |
| 11 | 104-4279 | 1 | Actuator-Rotating |
| 12 | 93-7987 | 3 | Spring-Extension |
| 13 | 93-7985 | 3 | Ball |
| 14 | 353-990 | 2 | Plug ASM |
| 14:1 | 237-78 | 1 | O-Ring |

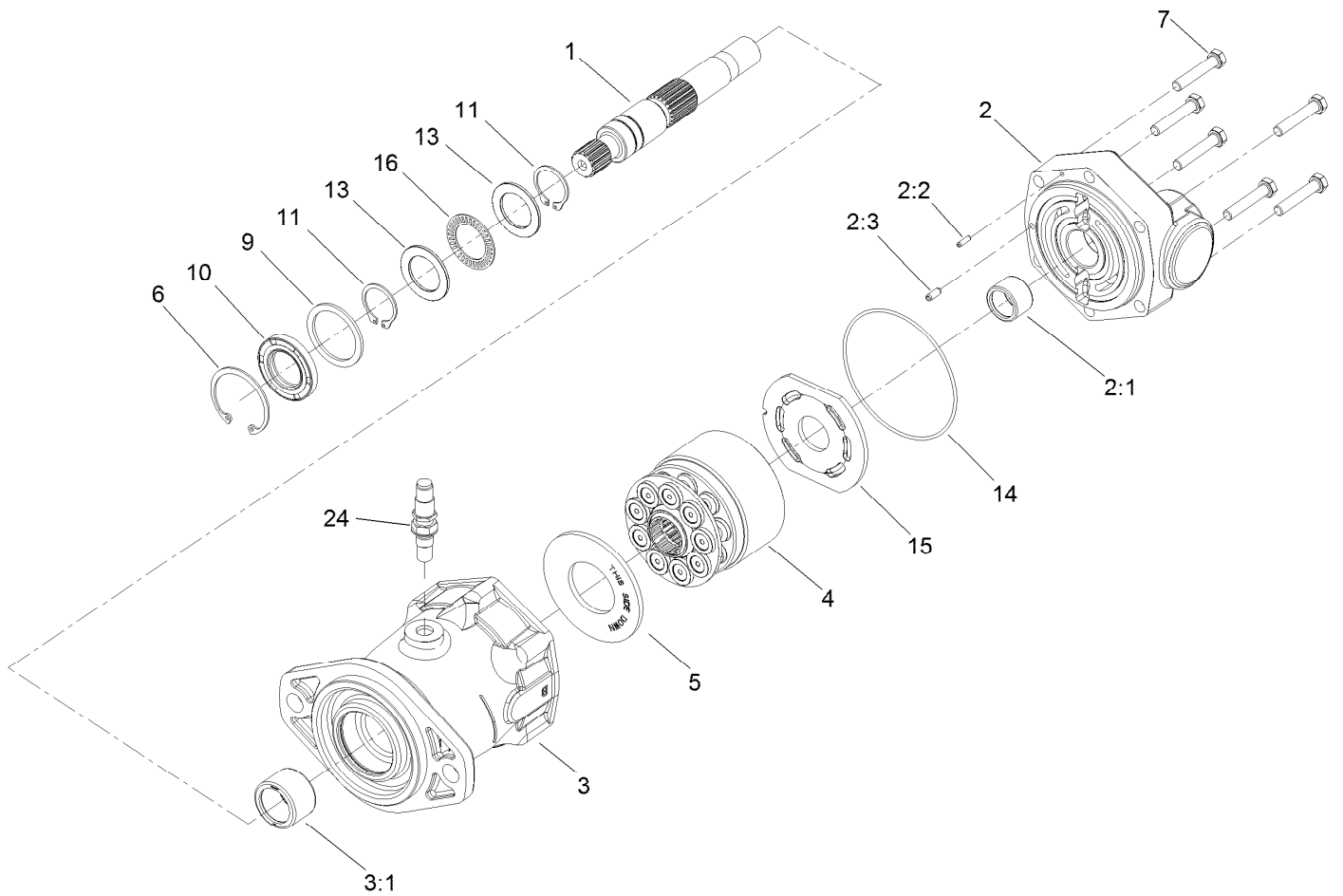


Hydraulic Motor Assembly No. 132-5631

| Ref. | Part Number | Qty. | Description | Ref. | Part Number | Qty. | Description |
|------|-------------|------|------------------|------|-------------|------|----------------------|
| 1 | 106-6876 | 1 | Seal Kit | 7 | 94-3004 | 1 | Shaft-Drive, Splined |
| 1:1 | | 1 | O-Ring ●■ | 8 | 94-3002 | 6 | Screw-Cap |
| 1:2 | 76-7010 | 1 | Ring-Retaining ● | 10 | 94-3009 | 1 | Plug |
| 1:3 | 76-7000 | 2 | Ring-Retaining ● | 10:1 | | 1 | O-Ring ■ |
| 1:4 | | 1 | Seal-Shaft ●■ | 12 | 94-3003 | 1 | Plate-Valve |
| 3 | 60-6240 | 1 | Washer | 13 | 76-6910 | 1 | Rotating Kit |
| 5 | 76-6950 | 2 | Race-Thrust | 14 | 76-6970 | 1 | Insert-Plate, Cam |
| 6 | 76-6960 | 1 | Bearing-Thrust | 16 | 237-166 | 1 | O-Ring |

● Not illustrated

■ Not serviced separately

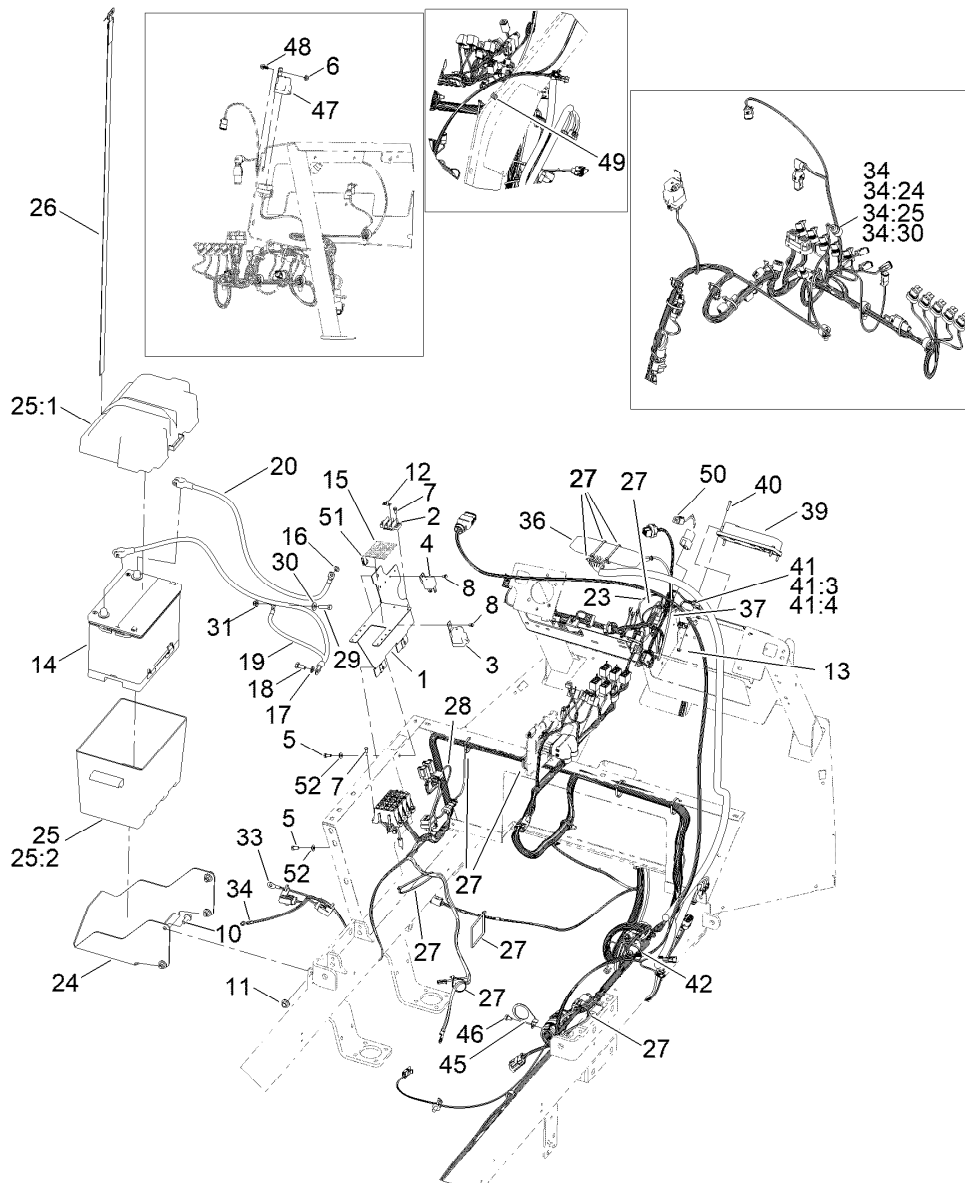


Hydraulic Motor Assembly No. 136-2373

| Ref. | Part Number | Qty. | Description | Ref. | Part Number | Qty. | Description |
|------|-------------|------|----------------------|------|-------------|------|---------------------|
| 1 | 94-3004 | 1 | Shaft-Drive, Splined | 10 | 106-6876 | 1 | Seal Kit |
| 2 | 136-2366 | 1 | Backplate ASM | 10:1 | | 1 | O-Ring ■● |
| 2:1 | 136-2367 | 1 | Bearing | 10:2 | 76-7010 | 1 | Ring-Retaining ● |
| 2:2 | 136-2369 | 1 | Pin-Roll | 10:3 | 76-7000 | 2 | Ring-Retaining ● |
| 2:3 | 136-2370 | 1 | Pin-Roll | 10:4 | | 1 | Seal-Shaft ■● |
| 3 | 136-2365 | 1 | Housing ASM | 11 | 76-7000 | 2 | Ring-Retaining |
| 3:1 | 136-2368 | 1 | Bearing | 13 | 76-6950 | 2 | Race-Thrust |
| 4 | 76-6910 | 1 | Rotating Kit | 14 | 76-6980 | 1 | O-Ring |
| 5 | 76-6970 | 1 | Insert-Plate, Cam | 15 | 94-3003 | 1 | Plate-Valve |
| 6 | 76-7010 | 1 | Ring-Retaining | 16 | 76-6960 | 1 | Bearing-Thrust |
| 7 | 94-3002 | 6 | Screw-Cap | 24 | 136-2270 | 1 | Sensor-Speed, Wheel |
| 9 | 60-6240 | 1 | Washer | | | | |

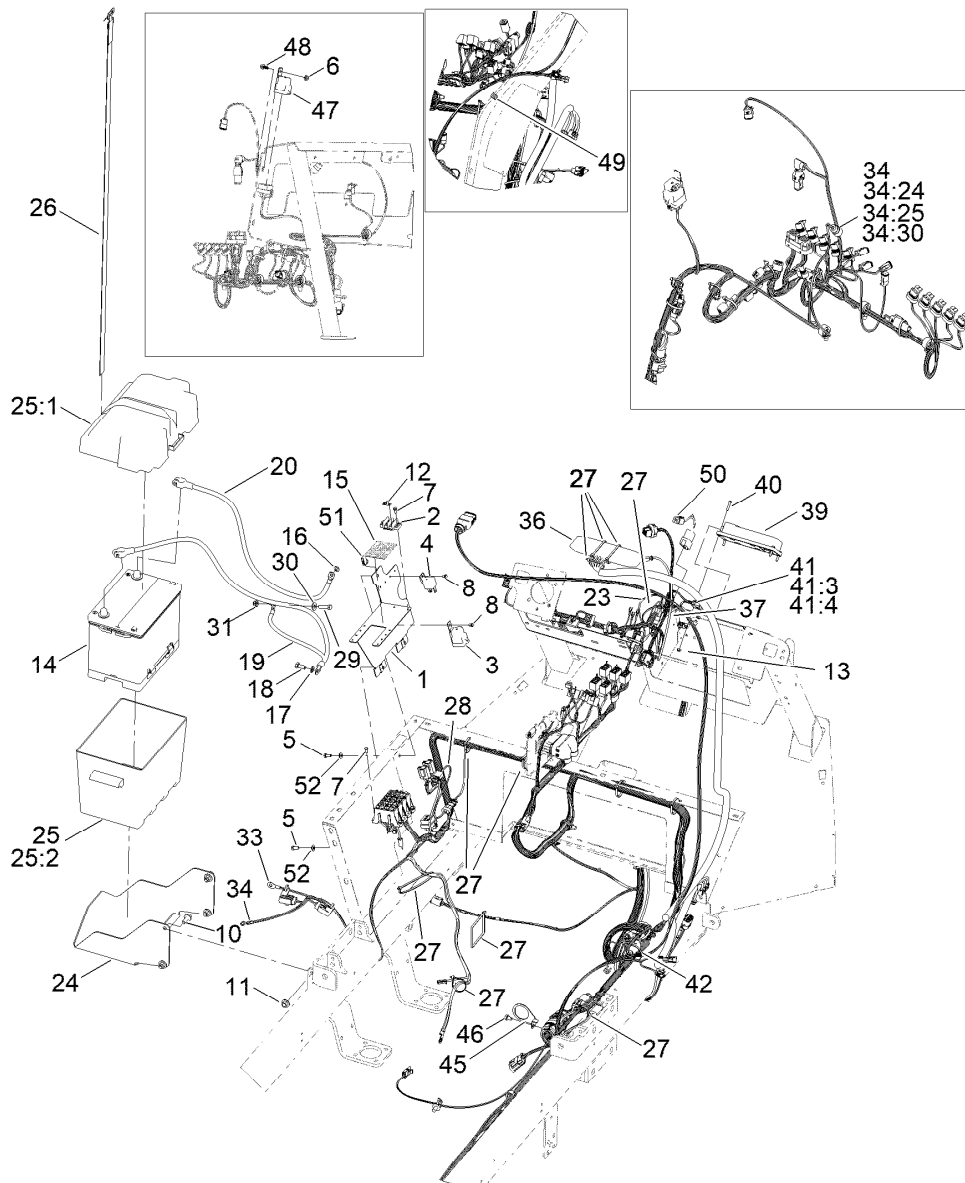
● Not illustrated

■ Not serviced separately



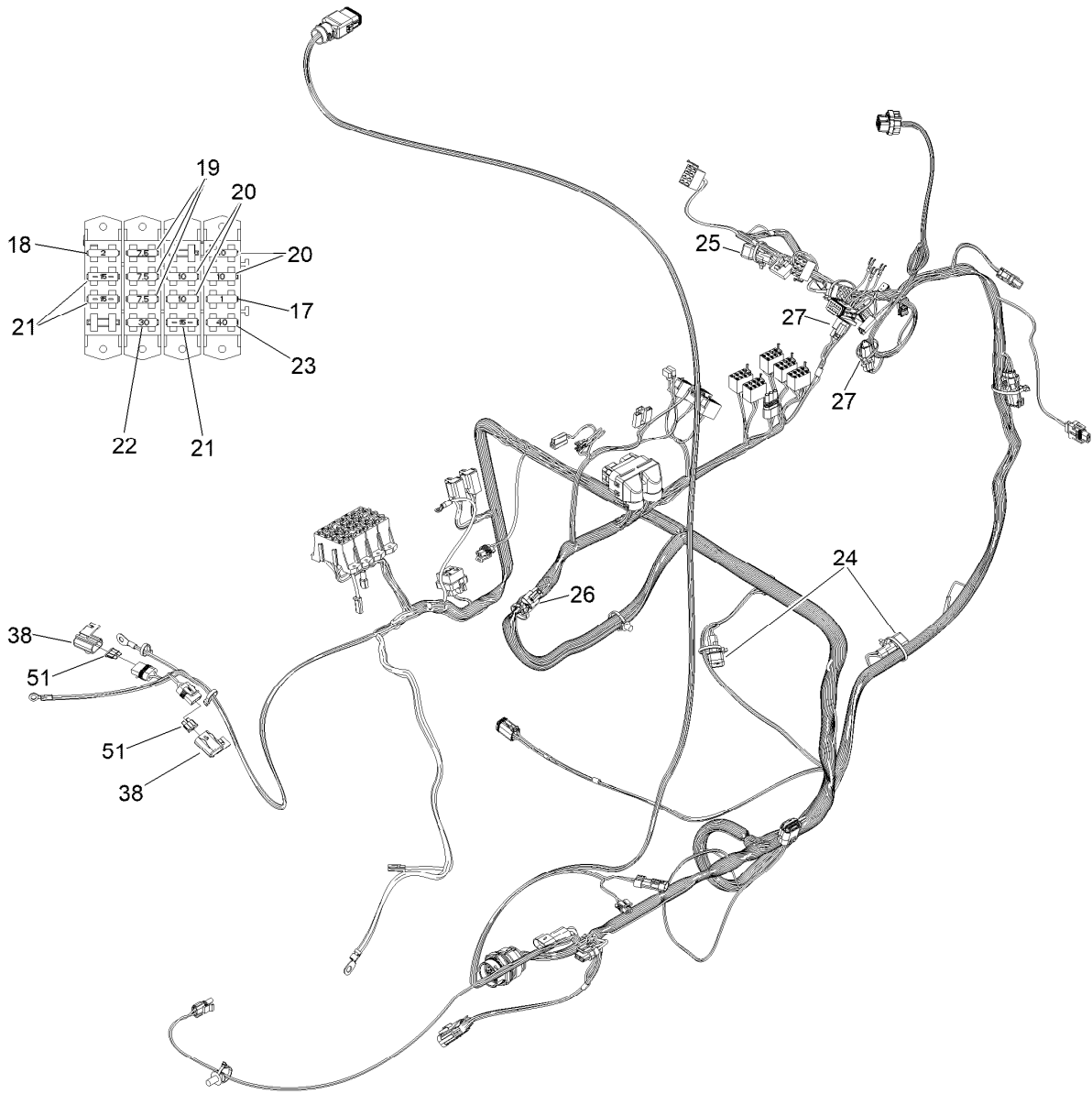
Electrical Assembly

| Ref. | Part Number | Qty. | Description | Ref. | Part Number | Qty. | Description |
|------|-------------|------|----------------------------------|-------|-------------|------|------------------------------------|
| 1 | 163-7141-0P | 1 | Panel-Electrical | 23 | 122-0695 | 1 | Harness-Wire, Auto/MAN |
| 2 | 42862 | 1 | Block-Terminal, Ground | 24 | 119-5049-03 | 1 | Bracket-Battery |
| 3 | 99-7430 | 1 | Relay-Mini | 25 | 93-7595 | 1 | Battery Box ASM |
| 4 | 99-7435 | 1 | Relay | 25:1 | 105-2914 | 1 | Top-Battery Box |
| 5 | 321-3 | 3 | Screw-HH | 25:2 | 105-2915 | 1 | Bottom-Battery Box |
| 6 | 104-7201 | 1 | Nut-HF, NI | 26 | 3339-175 | 1 | Strapping-Web |
| 7 | 32144-1 | 6 | Screw-Taptite | 27 | 3290-379 | 12 | Tie-Cable |
| 8 | 104-2065 | 2 | Screw-HWH | 28 | 108-8657 | 1 | Harness-Wire, Seat |
| 10 | 3234-11 | 4 | Screw-HHF | 29 | 322-6 | 1 | Screw-HH |
| 11 | 32128-43 | 4 | Nut-Flange | 30 | 3256-3 | 1 | Washer-Flat |
| 12 | 42863 | 1 | Strip-Jumper | 31 | 119-4041 | 1 | Nut-HF |
| 13 | 3296-2 | 4 | Nut-Lock, NI | 33 | 122-3653 | 1 | Harness-Wire, Front |
| 14 | 106-5190 | 1 | Battery, 660 CCA W/O Electrolyte | 34 | 122-3655 | 1 | Harness-Wire, Mp5800 Rear, Geolink |
| 15 | 163-2971 | 1 | Decal-Fuse, Mp5800 Geolink | 34:24 | 32180-043 | 1 | Resistor-120 Ohm |
| 16 | 3255-8 | 1 | Washer-Lock | 34:25 | 100-4918 | 4 | Diode |
| 17 | 48-9590 | 1 | Washer-Lock | 34:30 | 32180-089 | 1 | Cap-Plug, 3 Way |
| 18 | 63-7790 | 1 | Screw-Cap | 36 | 139-6148 | 1 | Antenna ASM, CI55 |
| 19 | 105-0115 | 1 | Cable-Battery, Negative | 37 | 147-3180 | 1 | Harness-Xd To Modem, CI55 |
| 20 | 105-0114 | 1 | Cable-Battery, Positive | 39 | 161-9001 | 1 | Gateway-Telematics |



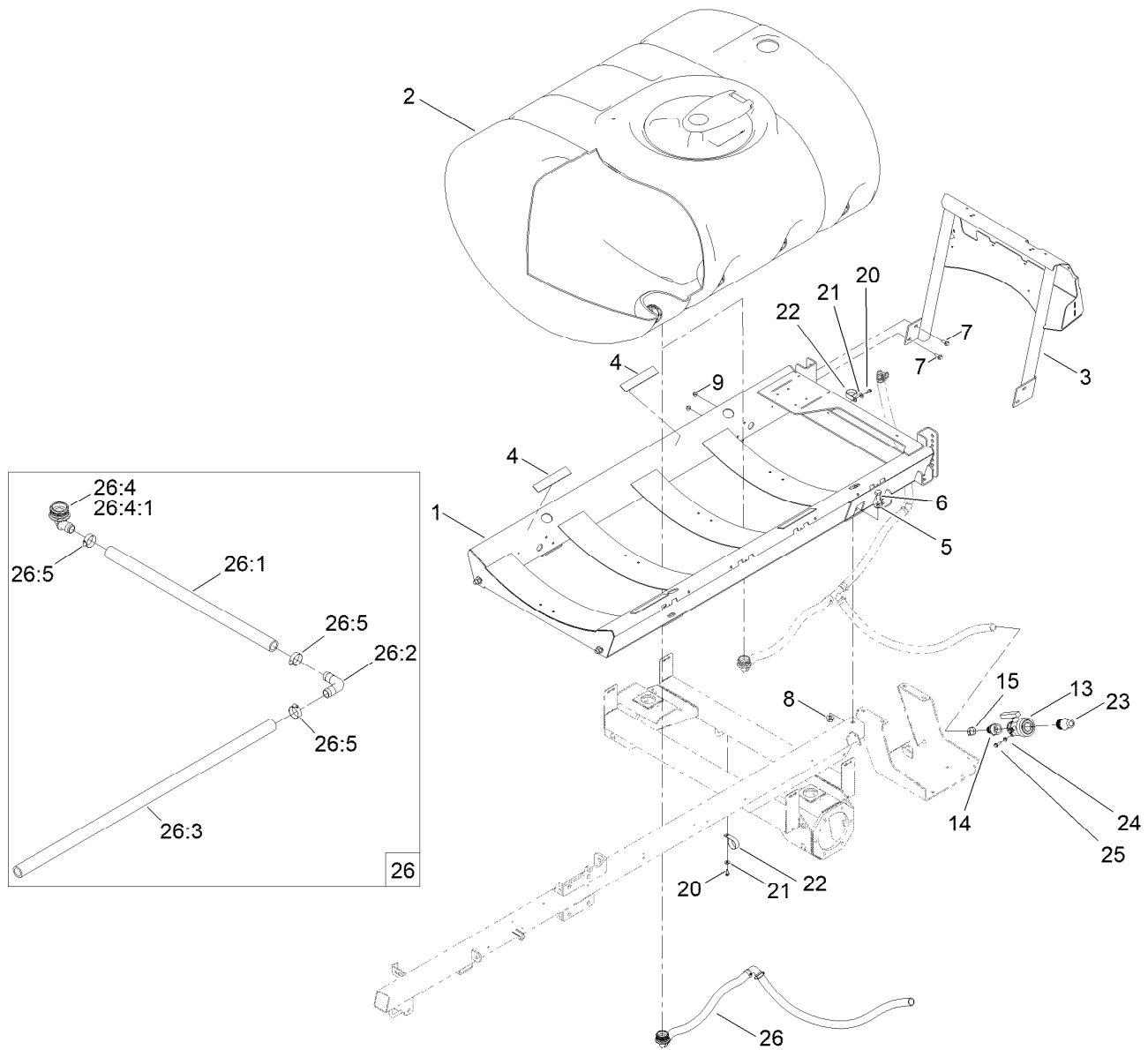
Electrical Assembly (continued)

| <i>Ref.</i> | <i>Part Number</i> | <i>Qty.</i> | <i>Description</i> | <i>Ref.</i> | <i>Part Number</i> | <i>Qty.</i> | <i>Description</i> |
|-------------|--------------------|-------------|------------------------|-------------|--------------------|-------------|--------------------------------------|
| 40 | 131-6456 | 4 | Screw-HWH | 48 | 99-6810 | 1 | Screw-HHF |
| 41 | 122-2163 | 1 | Harness-Wire | 49 | 32180-119 | 1 | Clip-Edge, W/Tie, Side Mount |
| 41:3 | 121-8861 | 1 | Fuse-Mini Blade, 2 Amp | 50 | 122-4266 | 1 | Harness-Wire, Jumper Dt-6S To Dt-12P |
| 41:4 | 32180-101 | 1 | Cover-Fuse, Single | 51 | 107069 | 3 | Clip |
| 42 | 3290-378 | 3 | Tie-Cable | 52 | 120-9679 | 3 | Washer-Flat |
| 45 | 163-2924-03 | 1 | Mount-Connector | | | | |
| 46 | 32104-82 | 1 | Screw-HHF | | | | |
| 47 | 99-7430 | 1 | Relay-Mini | | | | |



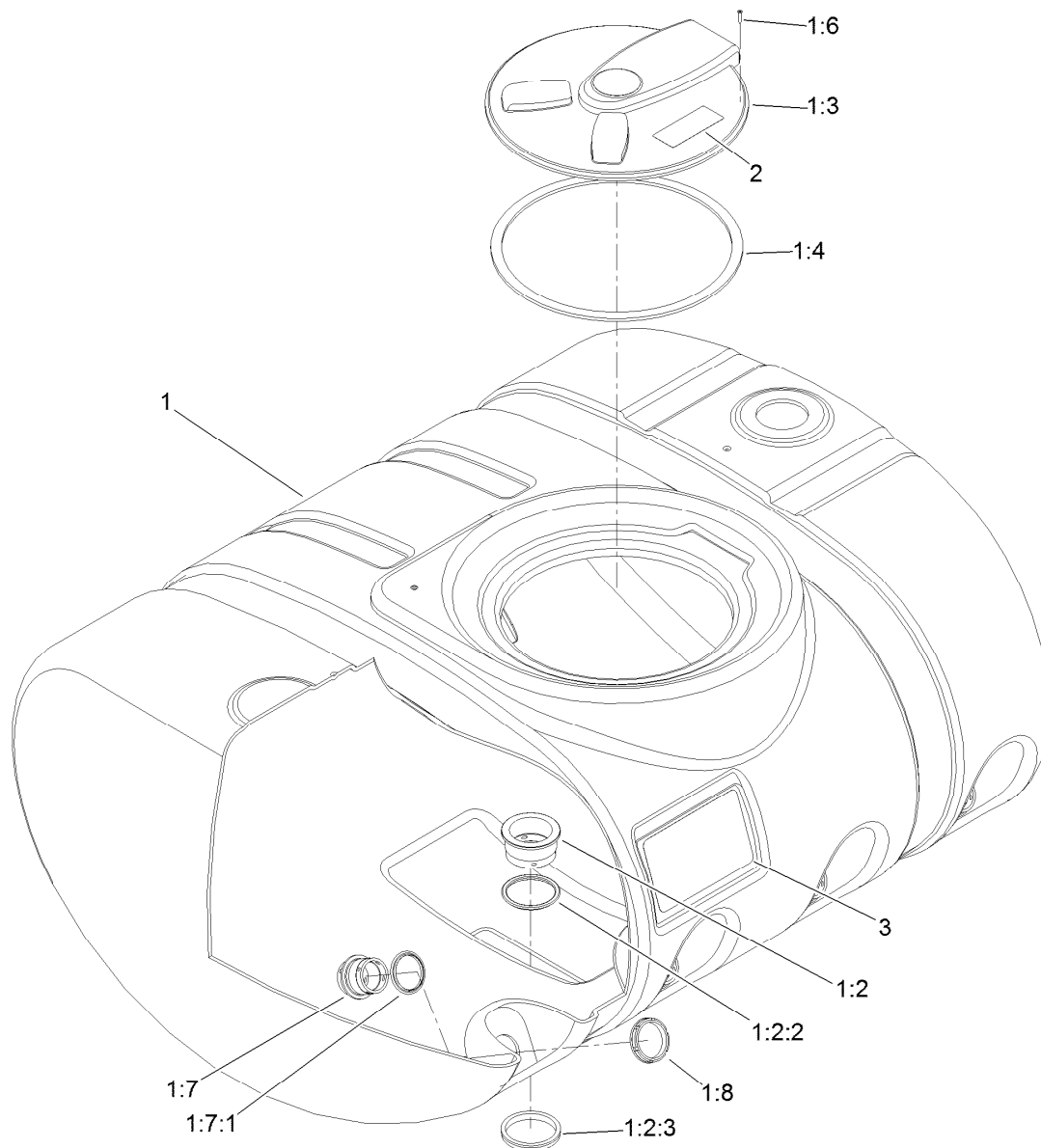
Wire Harness Assembly No. 122-3653

| Ref. | Part Number | Qty. | Description |
|------|-------------|------|---------------------|
| 17 | 104-9055 | 1 | Fuse-Blade, 1 Amp |
| 18 | 94-6710 | 1 | Fuse-2 Amp |
| 19 | 114241 | 3 | Fuse-Blade, 7.5 Amp |
| 20 | 218-578 | 5 | Fuse-Blade, 10 Amp |
| 21 | 109355 | 3 | Fuse-Blade, 15 Amp |
| 22 | 109103 | 1 | Fuse-Blade, 30 Amp |
| 23 | 99-6124 | 1 | Fuse-40 Amp |
| 24 | 100-4918 | 2 | Diode |
| 25 | 104-4022 | 1 | Resistor-75 Ohm |
| 26 | 32180-089 | 1 | Cap-Plug, 3 Way |
| 27 | 32180-043 | 2 | Resistor-120 Ohm |
| 38 | 32180-019 | 2 | Cover-Fuse, Single |
| 51 | 109101 | 1 | Fuse-Blade, 20 Amp |



Tank and Saddle Assembly

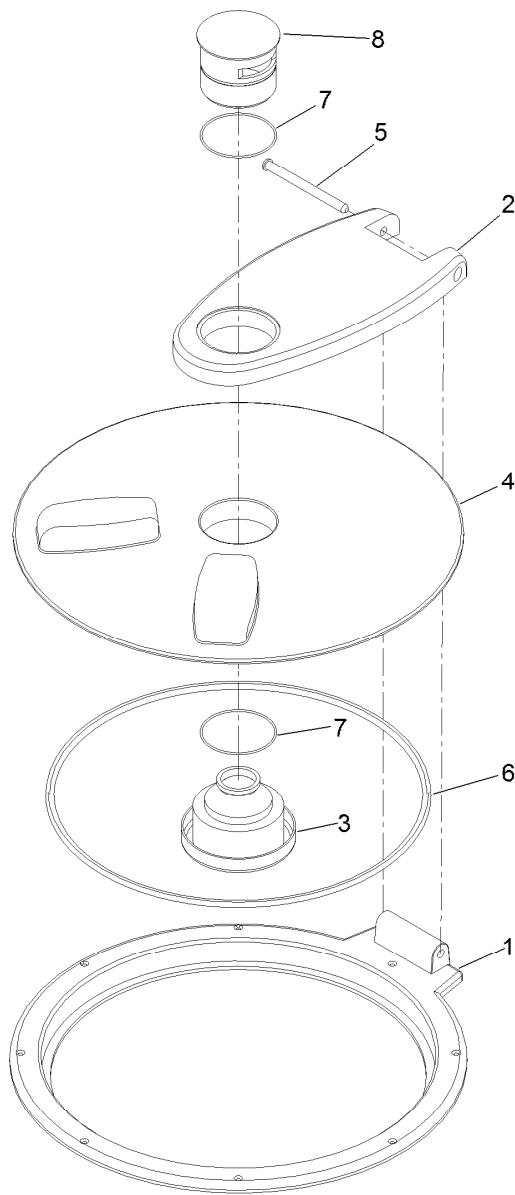
| <i>Ref.</i> | <i>Part Number</i> | <i>Qty.</i> | <i>Description</i> | <i>Ref.</i> | <i>Part Number</i> | <i>Qty.</i> | <i>Description</i> |
|-------------|--------------------|-------------|--------------------------|-------------|--------------------|-------------|--------------------|
| 1 | 130-7092-03 | 1 | Saddle-Tank | 21 | 3256-3 | 1 | Washer-Flat |
| 2 | 117-8005 | 1 | Tank ASM | 22 | 2412-147 | 1 | Clamp-R |
| 3 | 147-4669-03 | 1 | Mount-Vavle | 23 | 132-7787 | 1 | Coupler-Quick |
| 4 | 104-7102 | 4 | Pad-Battery | 24 | 32128-26 | 2 | Nut-HF |
| 5 | 3256-27 | 4 | Washer-Flat | 25 | 3234-29 | 2 | Screw-HHF |
| 6 | 327-4 | 4 | Screw-HH | 26 | 161-4149 | 1 | Hose-ASM, Drain |
| 7 | 3234-11 | 4 | Screw-HHF | 26:1 | 131-5775 | 1 | Hose-Drain |
| 8 | 32128-50 | 4 | Nut-Flange | 26:2 | 117-7867 | 1 | Elbow-Hosebarb |
| 9 | 119-4042 | 4 | Nut-HF, NI | 26:3 | 131-5777 | 1 | Hose-Drain |
| 13 | 108-0069 | 1 | Valve-Ball | 26:4 | 106-4933 | 1 | Hosebarb ASM |
| 14 | 110-5224 | 1 | Fitting-Barbed, Straight | 26:4:1 | 100-8637 | 1 | O-Ring |
| 15 | 2412-34 | 1 | Clamp-Hose | 26:5 | 2412-34 | 3 | Clamp-Hose |
| 20 | 9264964 | 1 | Screw-HWH, Thread Cut | | | | |



Tank Assembly No. 117-8005

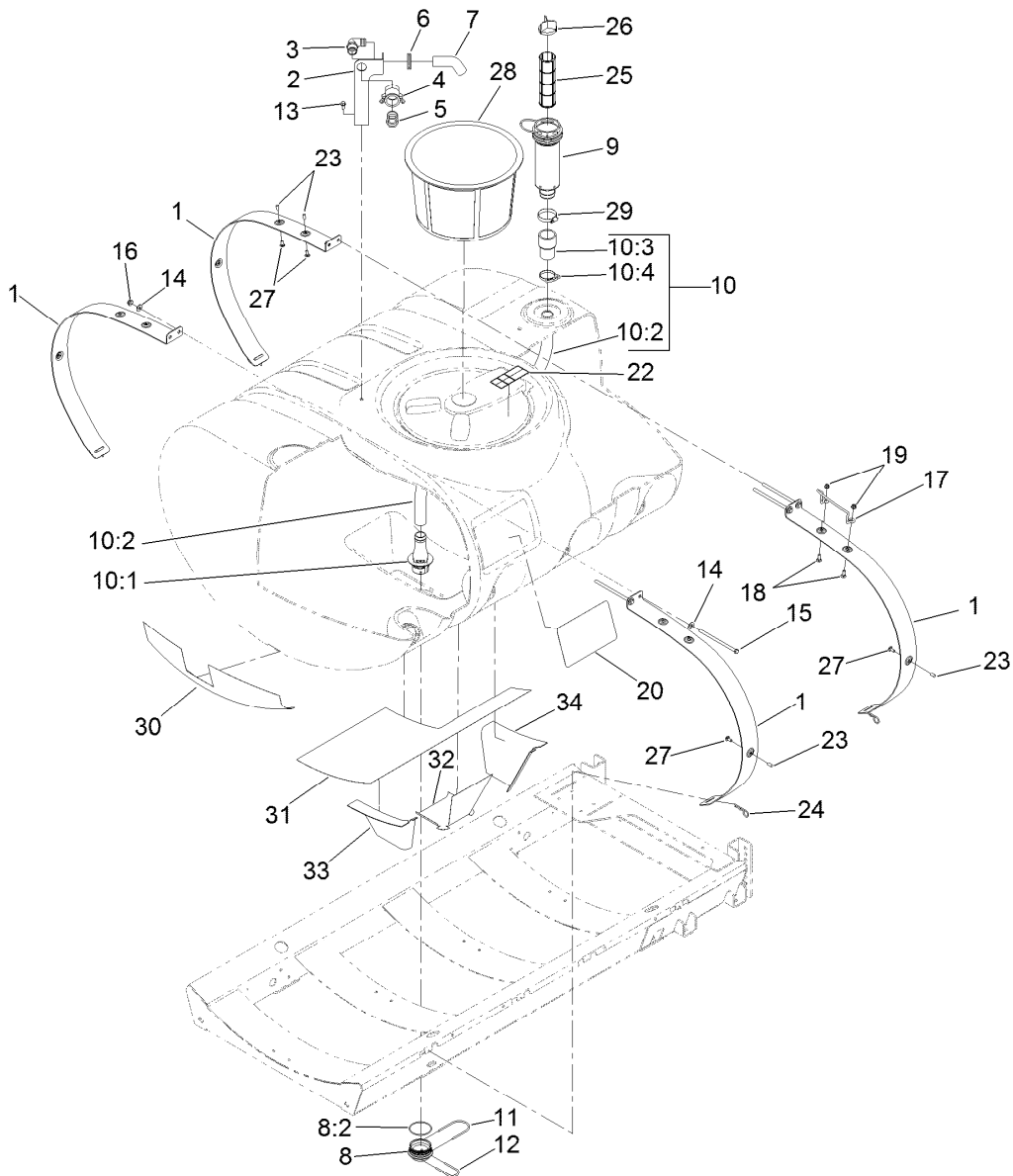
| <i>Ref.</i> | <i>Part Number</i> | <i>Qty.</i> | <i>Description</i> |
|-------------|--------------------|-------------|------------------------|
| 1 | | 1 | Tank ASM ● |
| 1:2 | 117-7851 | 1 | Bulkhead ASM |
| 1:2:2 | 100-8646 | 1 | Gasket-Bulkhead |
| 1:2:3 | 100-8647 | 1 | Nut-Bulkhead |
| 1:3 | 138-6283 | 1 | Lid ASM - Sprayer Tank |
| 1:4 | 119-9378 | 1 | Gasket-Lid, Tank |
| 1:6 | 107-8635 | 8 | Screw-PFH |
| 1:7 | 108-3358 | 4 | Fitting-Bulkhead |
| 1:7:1 | 107-2864 | 1 | Gasket-Bulkhead |
| 1:8 | 100-7051 | 4 | Nut-Bulkhead |
| 2 | 120-0622 | 1 | Decal-Warning |
| 3 | 119-5042 | 2 | Decal-Tank |

● Not serviced separately



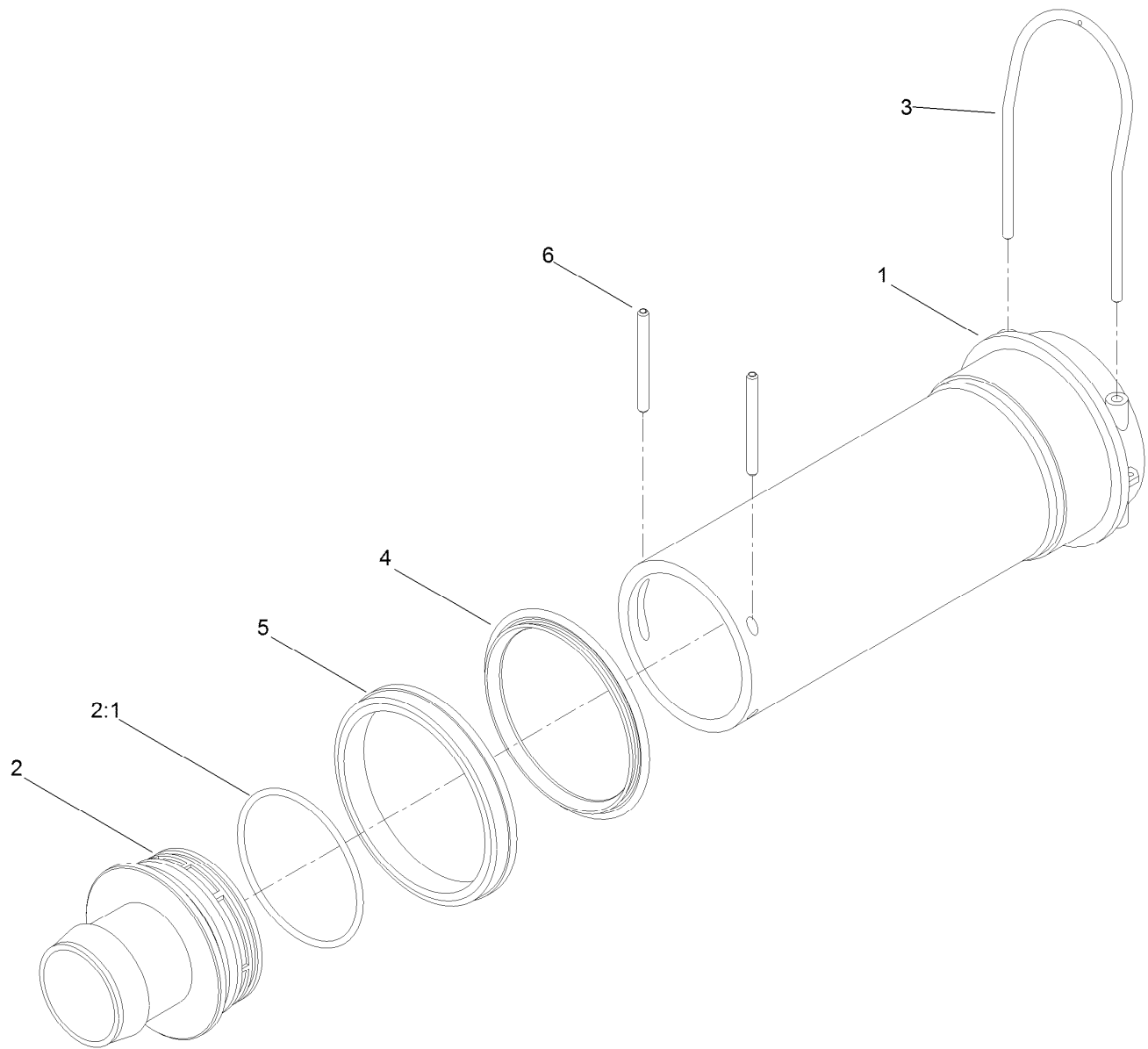
Spray Tank Lid Assembly No. 138-6283

| <i>Ref.</i> | <i>Part Number</i> | <i>Qty.</i> | <i>Description</i> |
|-------------|--------------------|-------------|--------------------|
| 1 | 119-9381 | 1 | Ring-Lid |
| 2 | 119-9382 | 1 | Arm-Lid |
| 3 | 119-9383 | 1 | Vent-Lid |
| 4 | 119-9384 | 1 | Cover-Lid |
| 5 | 119-9385 | 1 | Pin-Pivot |
| 6 | 138-6281 | 1 | Seal - Tank Lid |
| 7 | 119-9386 | 2 | O-Ring |
| 8 | 119-9387 | 1 | Cap-Lid |



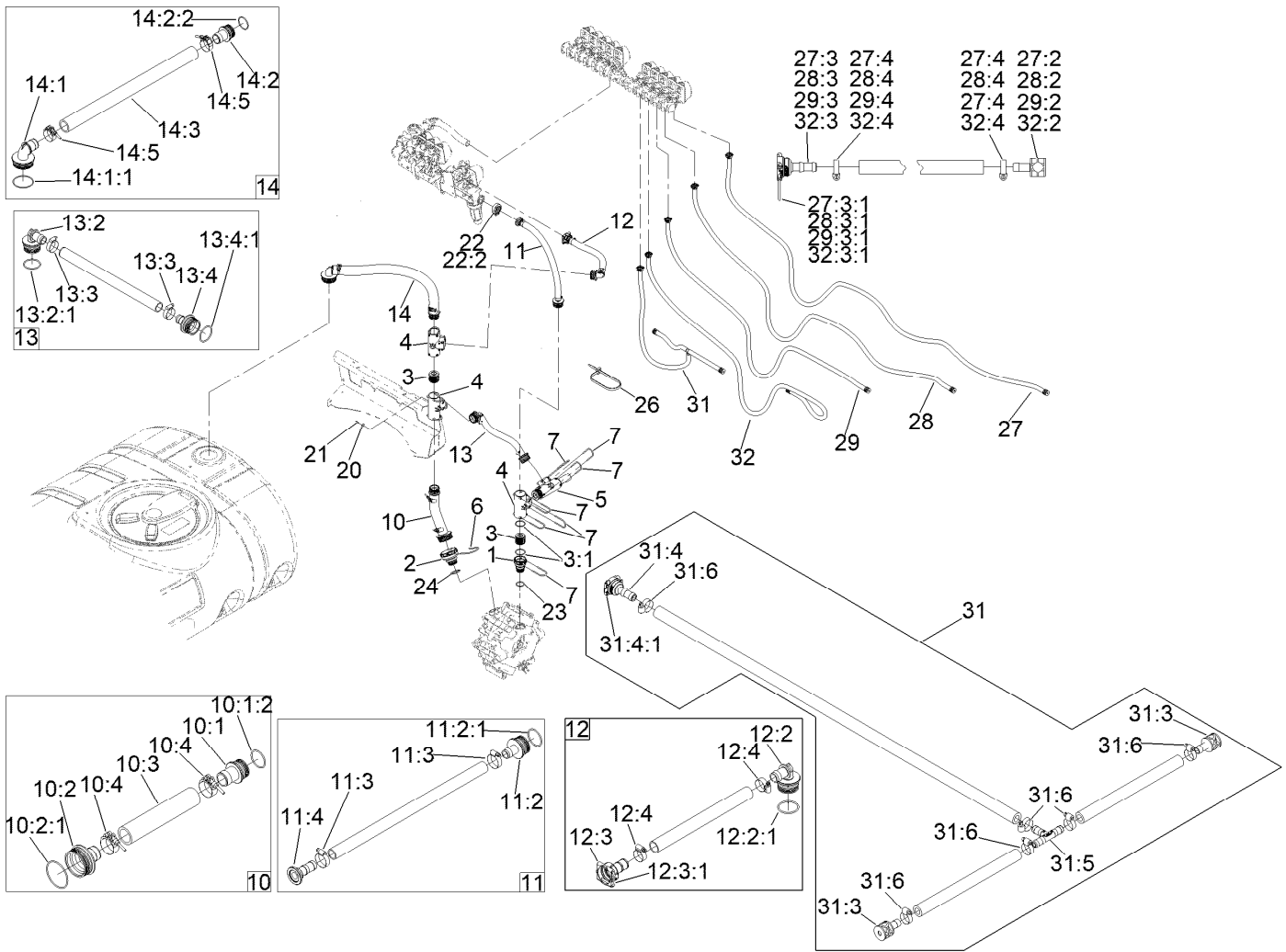
Tank Mounting and Filter Assembly

| Ref. | Part Number | Qty. | Description | Ref. | Part Number | Qty. | Description |
|------|-------------|------|---------------------|------|-------------|------|-------------------------------|
| 1 | 117-8029-03 | 4 | Band-Tank | 17 | 119-5019 | 1 | Stop-Lid |
| 2 | 110-5082-03 | 1 | Bracket-Anti Siphon | 18 | 3230-2 | 2 | Bolt-CARR |
| 3 | 41140 | 1 | Elbow | 19 | 119-4041 | 2 | Nut-HF |
| 4 | 100-6779 | 1 | Coupling-Female | 20 | 131-3316 | 2 | Decal-Tank |
| 5 | 41316 | 1 | Adapter-Quick | 22 | 120-0622 | 1 | Decal-Warning |
| 6 | 110-5090 | 1 | Grommet | 23 | 42452 | 5 | Cap-Protective |
| 7 | 110-5088 | 1 | Hose-Fill | 24 | 3290-343 | 4 | Pin-Hair |
| 8 | 117-7928 | 1 | Adapter ASM | 25 | 100-6991 | 1 | Element-Filter, Green |
| 8:2 | 100-6989 | 1 | O-Ring | 25 | 100-6992 | 1 | Element-Filter, Red |
| 9 | 130-7096 | 1 | Filter ASM | 25 | 100-8642 | 1 | Screen-Suction |
| 10 | 121-5003 | 1 | Suction Tube ASM | 26 | 100-8641 | 1 | Vane-Screen |
| 10:1 | 121-5008 | 1 | Foot-Suction | 27 | 3230-1 | 5 | Bolt-CARR |
| 10:2 | 121-5030 | 1 | Tube-Suction | 28 | 119-9419 | 1 | Basket-Filter |
| 10:3 | 121-5031 | 1 | Connector-Suction | 29 | 2412-130 | 1 | Clamp-Hose |
| 10:4 | 121-5047 | 1 | Clamp-Nylon | 30 | 130-7139 | 1 | Shield-Heat Tape, Front |
| 11 | 117-7996 | 1 | Fork | 31 | 130-7140 | 1 | Shield-Heat Tape, Bottom |
| 12 | 100-8635 | 1 | Fork | 32 | 130-7141 | 1 | Shield-Heat Tape, Sump |
| 13 | 3234-5 | 1 | Screw-HHF | 33 | 131-3298 | 1 | Shield-Heat Tape, Sump, Front |
| 14 | 3256-4 | 8 | Washer-Flat | 34 | 131-3299 | 1 | Shield-Heat Tape, Sump, Rear |
| 15 | 120-0649 | 4 | Bolt-TAP HH | | | | |
| 16 | 119-4042 | 4 | Nut-HF, NI | | | | |



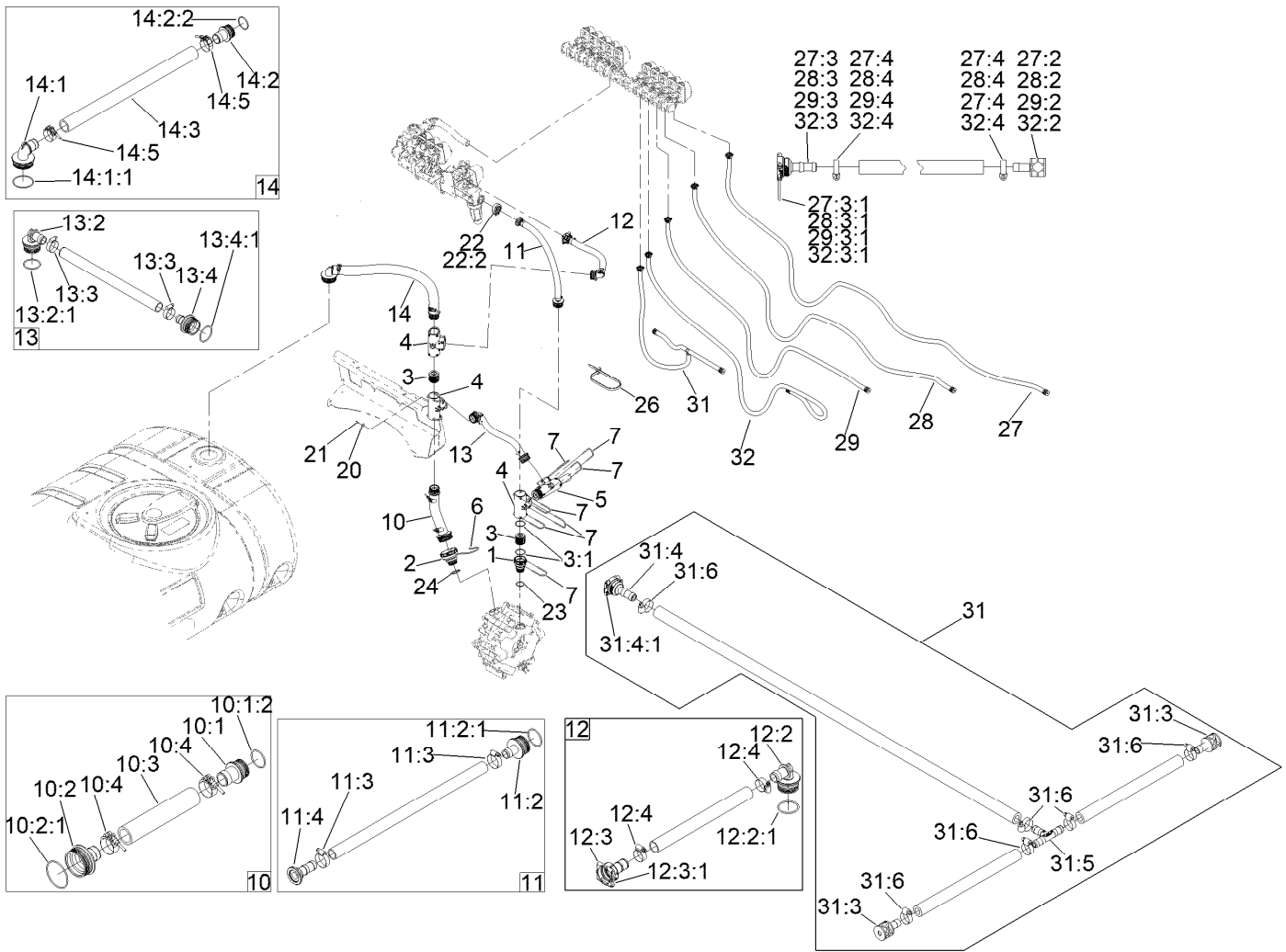
Filter Assembly No. 130-7096

| <i>Ref.</i> | <i>Part Number</i> | <i>Qty.</i> | <i>Description</i> |
|-------------|--------------------|-------------|--------------------|
| 1 | 100-8643 | 1 | Housing-Filter |
| 2 | 106-4942 | 1 | Hosebarb-Straight |
| 2:1 | 100-6989 | 1 | O-Ring |
| 3 | 100-8636 | 1 | Fork-Special |
| 4 | 100-8646 | 1 | Gasket-Bulkhead |
| 5 | 100-8647 | 1 | Nut-Bulkhead |
| 6 | 100-8644 | 2 | Pin-Expansion |



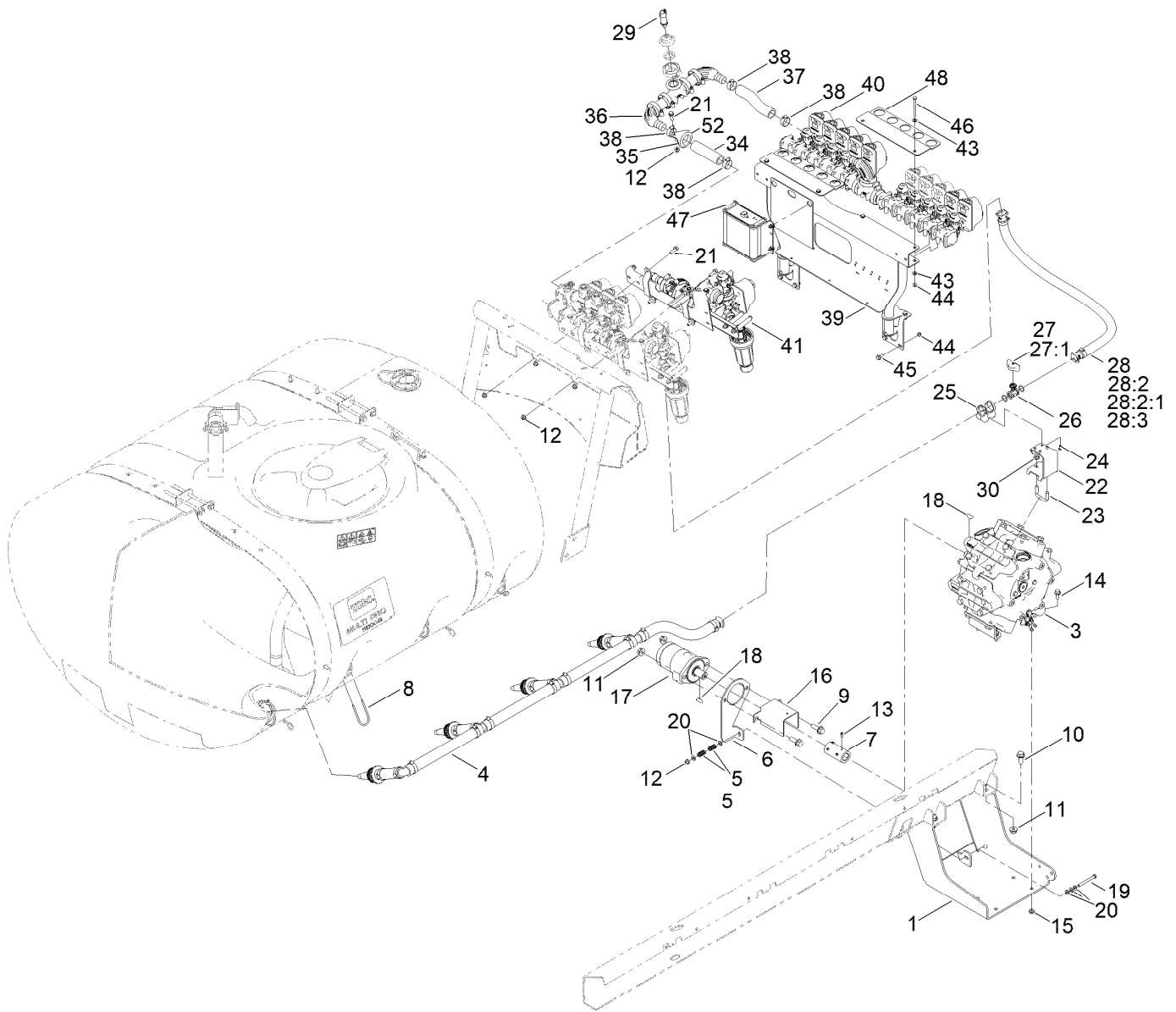
Spray System Hose Assembly

| Ref. | Part Number | Qty. | Description | Ref. | Part Number | Qty. | Description |
|--------|-------------|------|------------------------|--------|-------------|------|----------------------------------|
| 1 | 133-2881 | 1 | Fitting | 12 | 161-4166 | 1 | Hose ASM,Agitation Bypass Mp5800 |
| 2 | 133-2883 | 1 | Fitting | 12:2 | 106-4933 | 1 | Hosebarb ASM |
| 3 | 106-4947 | 2 | Connector | 12:2:1 | 100-8637 | 1 | O-Ring |
| 3:1 | 100-8637 | 2 | O-Ring | 12:3 | 161-4117 | 1 | Kit-Fitting, Qf 1" Barb Female |
| 4 | 100-6704 | 3 | Tee | 12:3:1 | 147-3186 | 1 | Pin-Fork, Qf Large |
| 5 | 117-7874 | 1 | Relief Valve ASM | 12:4 | 2412-129 | 2 | Clamp-Hose |
| 6 | 117-7996 | 1 | Fork | 13 | 117-7963 | 1 | Pressure Relief Hose ASM |
| 7 | 100-8635 | 13 | Fork | 13:2 | 106-4933 | 2 | Hosebarb ASM |
| 10 | 130-7128 | 1 | Lower Suction Hose ASM | 13:2:1 | 100-8637 | 1 | O-Ring |
| 10:1 | 117-7982 | 1 | Hosebarb ASM | 13:3 | 2412-3 | 2 | Clamp-Hose |
| 10:1:2 | 100-8637 | 1 | O-Ring | 13:4 | 106-4932 | 1 | Hosebarb-Straight |
| 10:2 | 117-7965 | 1 | Hosebarb ASM | 13:4:1 | 100-8637 | 1 | O-Ring |
| 10:2:1 | 100-6989 | 1 | O-Ring | 14 | 130-7127 | 1 | Upper Suction Hose ASM |
| 10:3 | 127-8982 | 1 | Hose-Suction, Lower | 14:1 | 106-4952 | 1 | Hosebarb-90 DEG |
| 10:4 | 130-7125 | 2 | Clamp, T-Bolt | 14:1:1 | 100-6989 | 1 | O-Ring |
| 11 | 132-4295 | 1 | Supply Hose ASM | 14:2 | 117-7982 | 1 | Hosebarb ASM |
| 11:2 | 106-4932 | 1 | Hosebarb-Straight | 14:2:2 | 100-8637 | 1 | O-Ring |
| 11:2:1 | 100-8637 | 1 | O-Ring | 14:3 | 127-8981 | 1 | Hose-Suction, Upper |
| 11:3 | 2412-3 | 2 | Clamp-Hose | 14:5 | 130-7125 | 2 | Clamp, T-Bolt |
| 11:4 | 127-1142 | 1 | Fitting-STR | | | | |



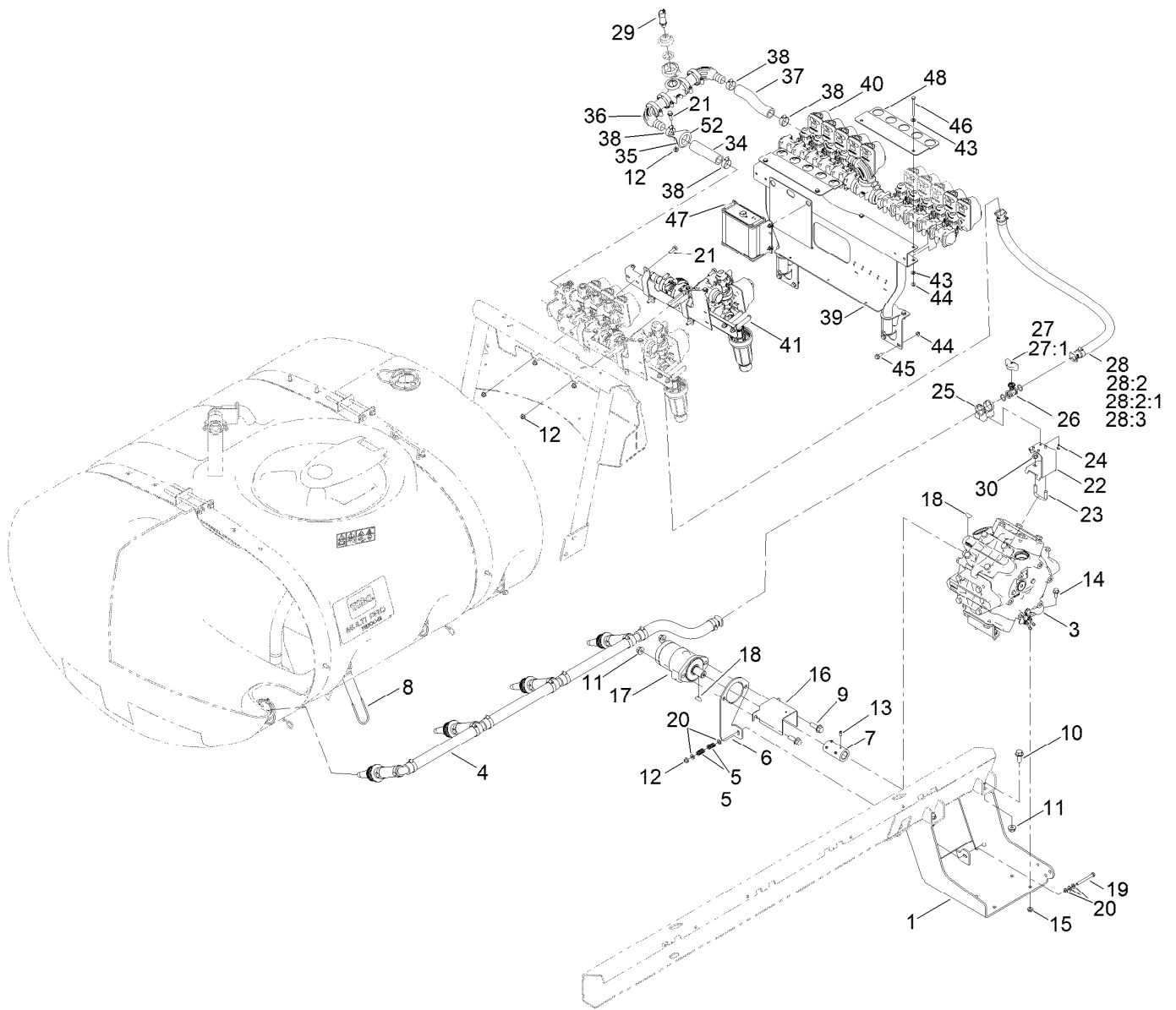
Spray System Hose Assembly (continued)

| Ref. | Part Number | Qty. | Description | Ref. | Part Number | Qty. | Description |
|--------|-------------|------|-------------------------------|--------|-------------|------|-------------------------------|
| 20 | 3256-61 | 2 | Washer-Flat | 29 | 131-7290 | 2 | Hose Nozzle ASM |
| 21 | 32144-32 | 2 | Screw-PPH | 29:2 | 130-7265 | 1 | Shank-Nozzle, Single |
| 22 | 127-9829 | 2 | Clamp/Gasket Kit | 29:3 | 139-3088 | 1 | Kit-Fitting, Qc 1/2" STR Barb |
| 22:2 | 127-1145 | 1 | Gasket-Flange | 29:3:1 | 133-0398 | 1 | Pin-Fork |
| 23 | 133-2882 | 1 | O-Ring | 29:4 | 2412-36 | 2 | Clamp-Hose |
| 24 | 133-2884 | 1 | O-Ring | 31 | 131-7292 | 2 | Hose Nozzle ASM |
| 26 | 3290-378 | 8 | Tie-Cable | 31:3 | 130-7265 | 2 | Shank-Nozzle, Single |
| 27 | 131-7288 | 2 | Hose Nozzle ASM | 31:4 | 139-3088 | 1 | Kit-Fitting, Qc 1/2" STR Barb |
| 27:2 | 130-7265 | 1 | Shank-Nozzle, Single | 31:4:1 | 133-0398 | 1 | Pin-Fork |
| 27:3 | 139-3088 | 1 | Kit-Fitting, Qc 1/2" STR Barb | 31:5 | 131-3736 | 1 | Fitting-Tee, Barb |
| 27:3:1 | 133-0398 | 1 | Pin-Fork | 31:6 | 2412-36 | 6 | Clamp-Hose |
| 27:4 | 2412-36 | 2 | Clamp-Hose | 32 | 163-2955 | 2 | Hose ASM, Nozzle |
| 28 | 131-7289 | 2 | Hose Nozzle ASM | 32:2 | 130-7265 | 1 | Shank-Nozzle, Single |
| 28:2 | 130-7265 | 1 | Shank-Nozzle, Single | 32:3 | 139-3088 | 1 | Kit-Fitting, Qc 1/2" STR Barb |
| 28:3 | 139-3088 | 1 | Kit-Fitting, Qc 1/2" STR Barb | 32:3:1 | 133-0398 | 1 | Pin-Fork |
| 28:3:1 | 133-0398 | 1 | Pin-Fork | 32:4 | 2412-36 | 2 | Clamp-Hose |
| 28:4 | 2412-36 | 2 | Clamp-Hose | | | | |



Spray Pump and Valve Assembly

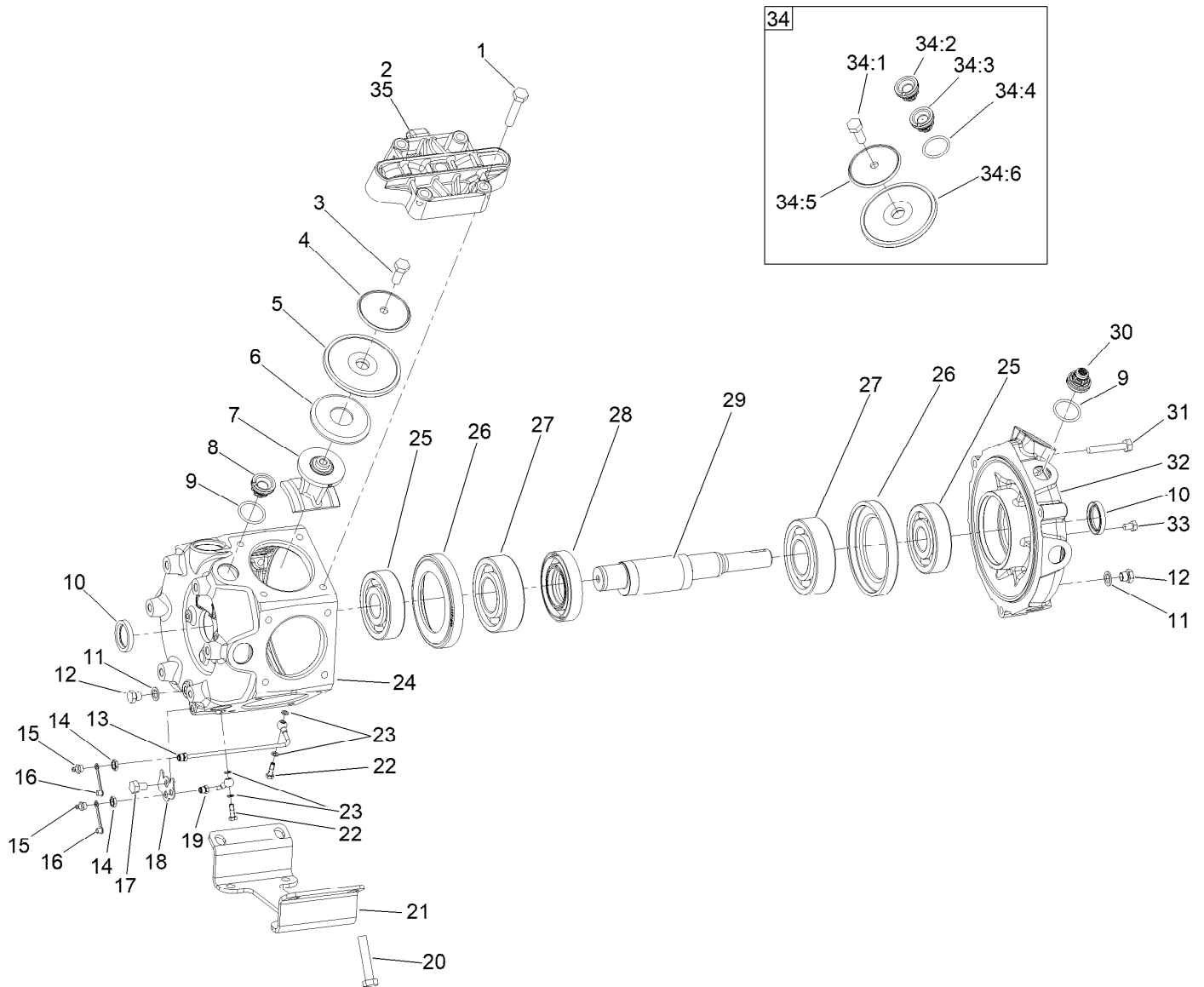
| Ref. | Part Number | Qty. | Description | Ref. | Part Number | Qty. | Description |
|------|-------------|------|--------------------------|--------|-------------|------|---------------------------------|
| 1 | 117-0655-03 | 1 | Bracket-Pump | 23 | 107-3073 | 1 | U-Bolt |
| 3 | 145-3382 | 1 | Pump ASM | 24 | 33113-012 | 4 | Screw-HH |
| 4 | 139-3093 | 1 | Agitation Hose ASM | 25 | 132-4302 | 1 | Mount-Valve |
| 5 | 110-5331 | 2 | Spring-Compression | 26 | 131-0249 | 1 | On/Off 2-Way Valve Kit |
| 6 | 117-8040-03 | 1 | Plate-Mount, Motor | 27 | 131-0264 | 1 | Agitation Throttling Handle Kit |
| 7 | 117-8045 | 1 | Coupler | 27:1 | 131-0263 | 1 | Screw-Handle |
| 8 | 100-8635 | 4 | Fork | 28 | 132-4310 | 1 | Agitation Supply Hose ASM |
| 9 | 100-6116 | 2 | Screw-HHF | 28:2 | 127-9806 | 2 | Fitting Kit |
| 10 | 110-5057 | 4 | Capscrew-HHF | 28:2:1 | 133-0398 | 1 | Pin-Fork |
| 11 | 139-1689 | 6 | Nut-HF | 28:3 | 2412-34 | 2 | Clamp-Hose |
| 12 | 119-4041 | 6 | Nut-HF | 29 | 130-8202 | 1 | Transducer-Pressure |
| 13 | 3241-7 | 4 | Screw-Set, Sqhd | 30 | 119-4042 | 2 | Nut-HF, NI |
| 14 | 3234-11 | 4 | Screw-HHF | 34 | 119-0441 | 1 | Hose-Agitation |
| 15 | 3290-357 | 4 | Nut-HSF | 35 | 163-2923-03 | 1 | Holder-Hose |
| 16 | 120-0628-03 | 1 | Guard-Shaft, Pump | 36 | 161-4139 | 1 | Manifold-Connection ASM |
| 17 | 117-0706 | 1 | HYD Motor ASM | 37 | 125-0665 | 1 | Nozzle-Hose, Agitation |
| 18 | 106-1990 | 1 | Key-Woodruff | 38 | 2412-3 | 4 | Clamp-Hose |
| 19 | 322-14 | 1 | Screw-HH | 39 | 147-4683-03 | 1 | Mount-Valve, GPS [black] |
| 20 | 3256-23 | 5 | Washer-Plain | 40 | 147-4679 | 1 | Manifold ASM-Geolink, Mp5800 |
| 21 | 3234-29 | 5 | Screw-HHF | | | | |
| 22 | 136-0376-03 | 1 | Bracket-Valve, Agitation | | | | |



Spray Pump and Valve Assembly (continued)

| Ref. | Part Number | Qty. | Description |
|------|-------------|------|-------------------------------|
| 41 | 161-4133 | 1 | Agitation ASM-Geolink, Mp5800 |
| 43 | 3256-22 | 8 | Washer-Flat |
| 44 | 104-7201 | 12 | Nut-HF, NI |
| 45 | 3234-47 | 8 | Screw-HHF |

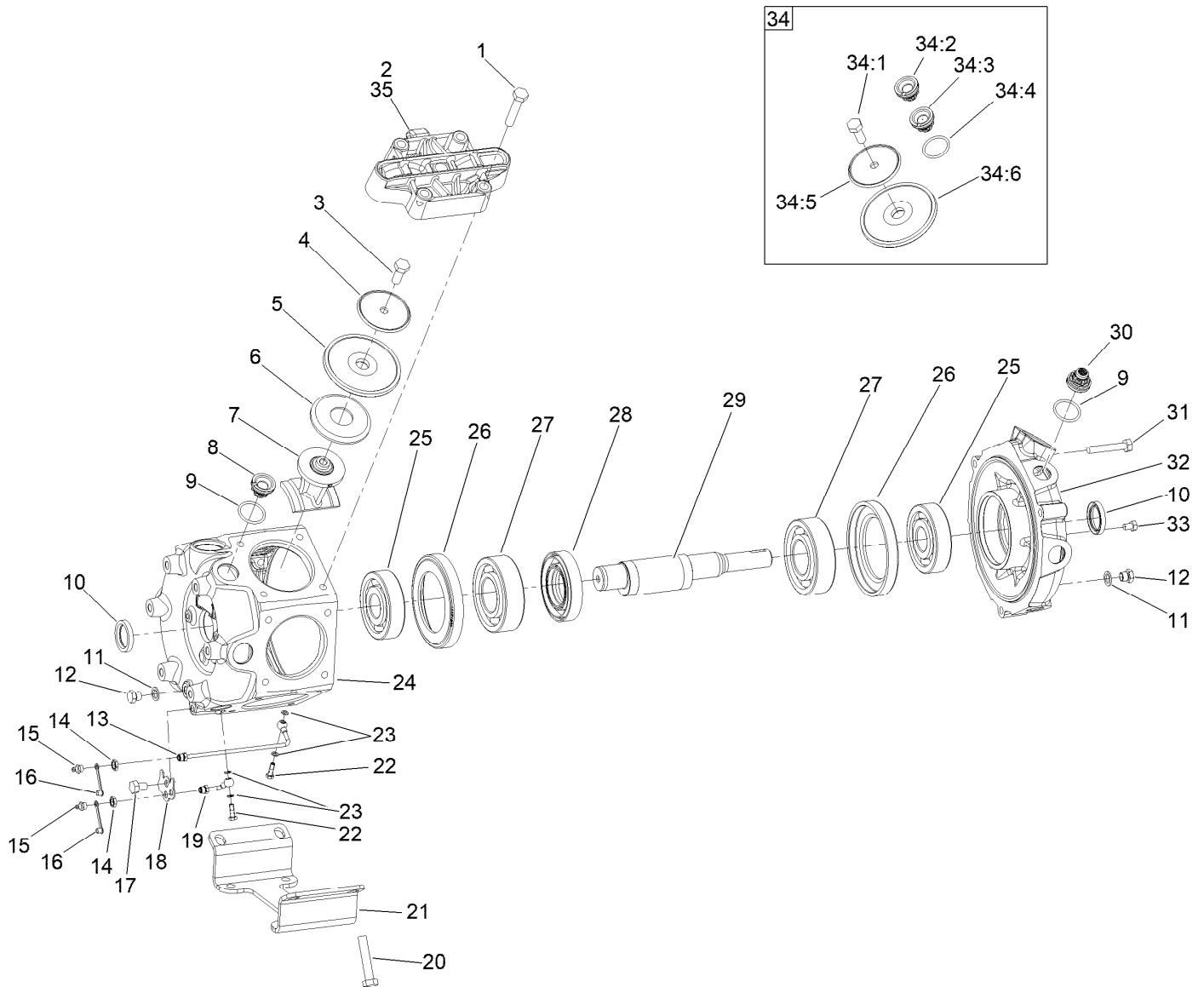
| Ref. | Part Number | Qty. | Description |
|------|-------------|------|----------------------|
| 46 | 321-23 | 4 | Screw-HH |
| 47 | 161-4168 | 1 | Asc-10, Mounting ASM |
| 48 | 161-4185-03 | 2 | Bracket-Bypass |
| 52 | 110-5090 | 1 | Grommet |



Pump Assembly No. 145-3382

| Ref. | Part Number | Qty. | Description | Ref. | Part Number | Qty. | Description |
|------|-------------|------|---------------------------|------|-------------|------|---------------------|
| 1 | 120-0773 | 20 | Bolt-Hex | 19 | 133-2876 | 1 | Tube-Banjo, Short |
| 2 | | 6 | Cover-Pump ● | 20 | 120-0774 | 4 | Bolt-Hex |
| 3 | 120-0777 | 6 | Bolt-Hex | 21 | 120-0787 | 1 | Foot-Pump |
| 4 | 120-0778 | 6 | Disc-Diaphragm | 22 | 133-2830 | 2 | Bolt-Banjo |
| 5 | 120-0779 | 6 | Diaphragm | 23 | 136-2251 | 4 | Gasket |
| 6 | 120-0780 | 6 | Disc-Backing, Diaphragm | 24 | 133-2821 | 1 | Housing-Pump, Main |
| 7 | 120-0781 | 6 | Rod-Connecting | 25 | 120-0788 | 2 | Bearing-Ball |
| 8 | 99-0861 | 10 | Valve-Pump | 26 | 133-2820 | 2 | Spacer-Metal |
| 9 | 100-6651 | 12 | O-Ring | 27 | 120-0791 | 2 | Bearing-Ball |
| 10 | 120-0783 | 2 | Seal-Oil | 28 | 133-2827 | 1 | Distance Ring |
| 11 | 120-0786 | 2 | Seal | 29 | 133-2825 | 1 | Shaft-Crank |
| 12 | 120-0785 | 2 | Plug | 30 | 120-0793 | 2 | Valve W/Hole |
| 13 | 133-2877 | 1 | Tube-Banjo, Long | 31 | 120-0794 | 3 | Bolt-Hex |
| 14 | 133-2878 | 2 | Nut | 32 | 133-2822 | 1 | Housing-Pump, Front |
| 15 | 133-2879 | 2 | Nipple-Grease | 33 | 120-0784 | 4 | Bolt-Hex |
| 16 | 133-2880 | 2 | Cap-Grease Nipple, Yellow | 34 | 120-0796 | 1 | Pump Kit |
| 17 | 136-2252 | 1 | Bolt-Hex | 34:1 | 120-0777 | 6 | Bolt-Hex |
| 18 | 133-2875 | 1 | Plate-Nipple, Grease | 34:2 | 99-0861 | 10 | Valve-Pump |

● Not serviced separately

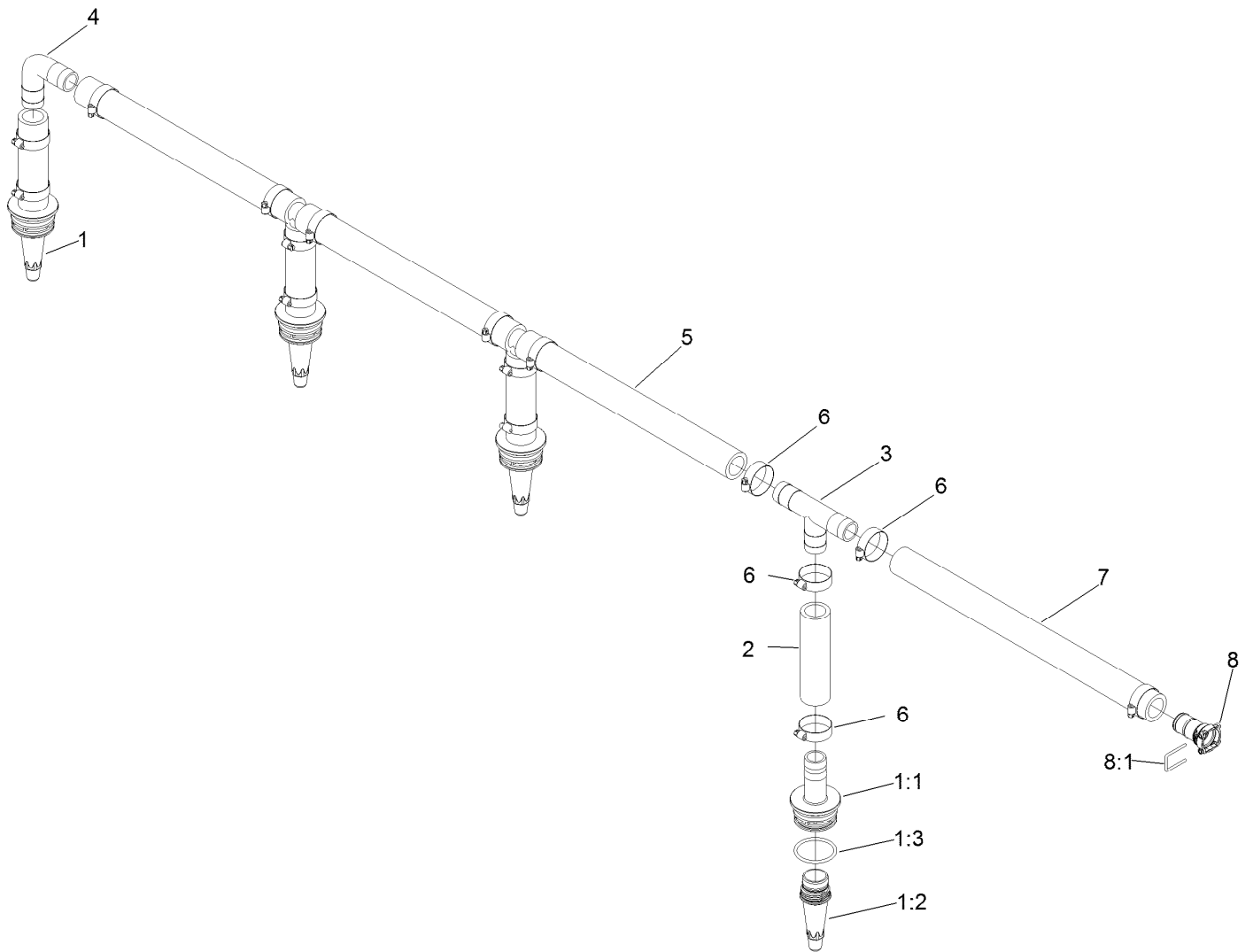


Pump Assembly No. 145-3382 (continued)

| Ref. | Part Number | Qty. | Description |
|------|-------------|------|----------------|
| 34:3 | 120-0793 | 2 | Valve W/Hole |
| 34:4 | 100-6651 | 12 | O-Ring |
| 34:5 | 120-0778 | 6 | Disc-Diaphragm |

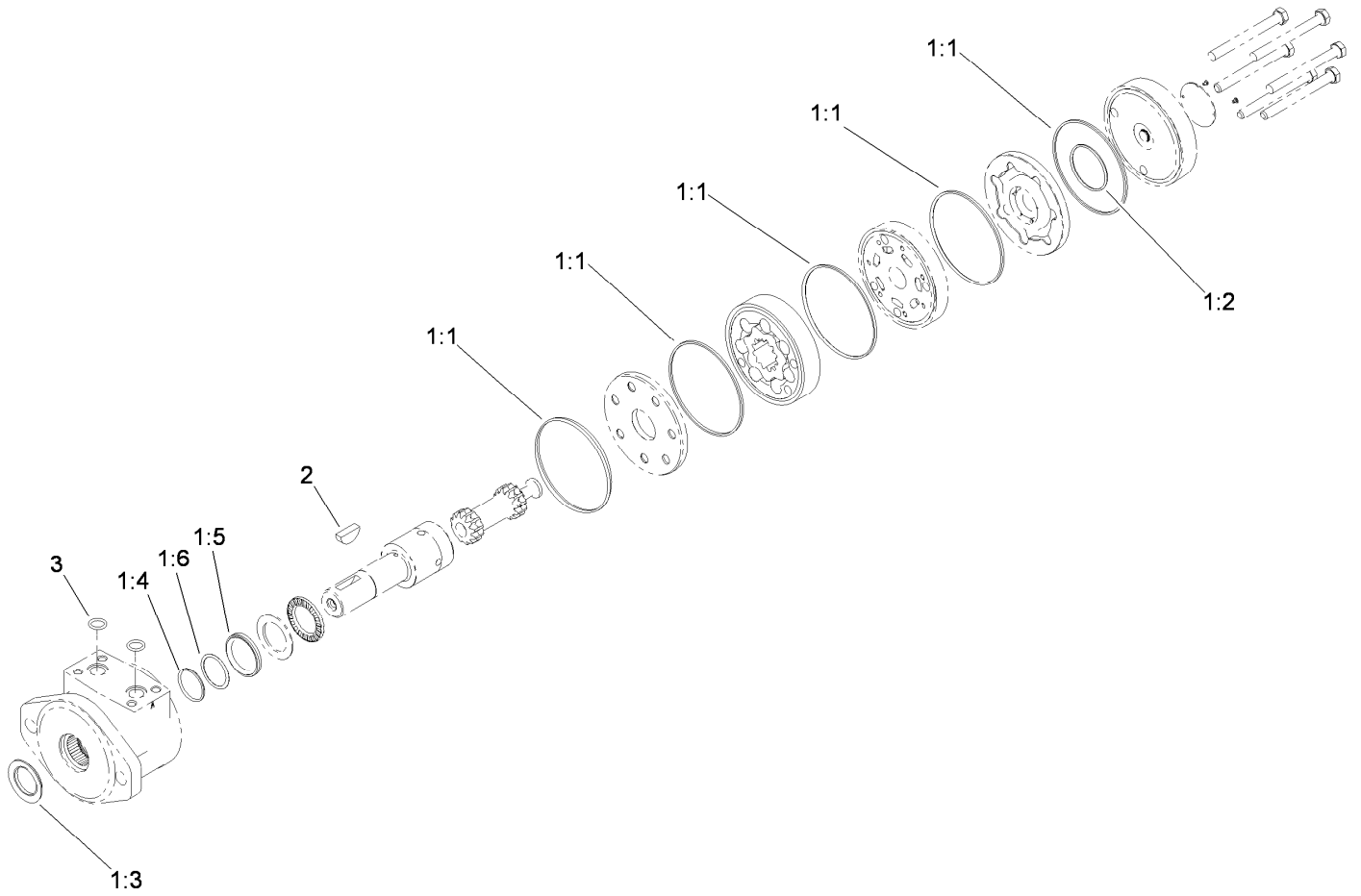
| Ref. | Part Number | Qty. | Description |
|------|-------------|------|---------------|
| 34:6 | 120-0779 | 6 | Diaphragm |
| 35 | 145-3399 | 1 | Pump Head Kit |

● Not serviced separately



Agitation Hose Assembly No. 139-3093

| Ref. | Part Number | Qty. | Description |
|------|-------------|------|----------------------|
| 1 | 131-3731 | 4 | Agitation Nozzle ASM |
| 1:1 | 131-3732 | 1 | Fitting-Barb |
| 1:2 | 120-8579 | 1 | Nozzle-Agitation |
| 1:3 | 121-4996 | 1 | O-Ring |
| 2 | 119-0441 | 4 | Hose-Agitaiton |
| 3 | 117-7866 | 3 | Tee-Hosebarb |
| 4 | 117-7867 | 1 | Elbow-Hosebarb |
| 5 | 117-7862 | 3 | Hose-Main Agitation |
| 6 | 2412-34 | 16 | Clamp-Hose |
| 7 | 137-4181 | 1 | Hose-Agitation |
| 8 | 127-9806 | 1 | Fitting Kit |
| 8:1 | 133-0398 | 1 | Pin-Fork |



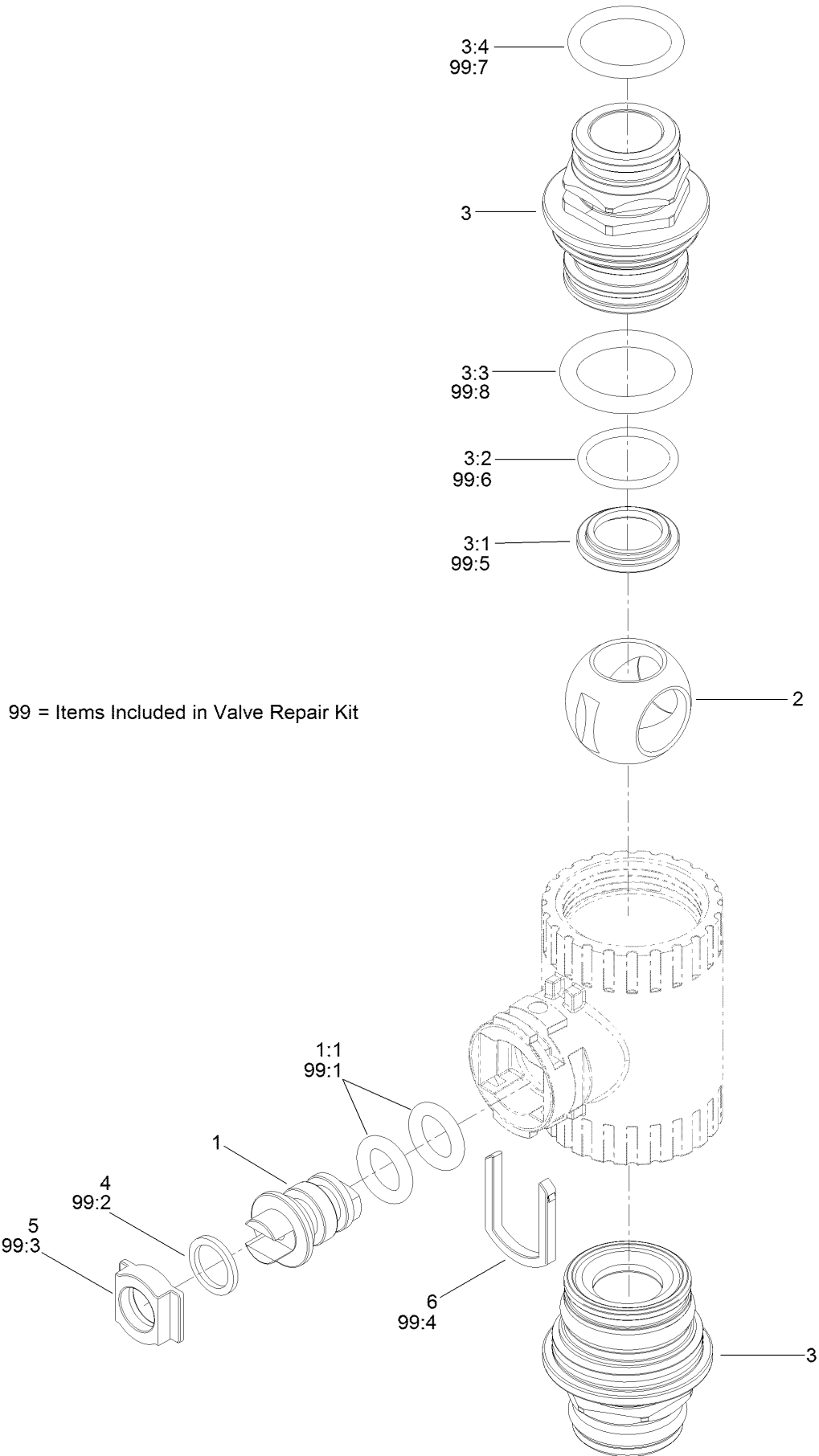
Hydraulic Motor Assembly No. 117-0706

| <i>Ref.</i> | <i>Part Number</i> | <i>Qty.</i> | <i>Description</i> |
|-------------|--------------------|-------------|------------------------|
| 1 | 119-0433 | 1 | Wheel Motor Seal Kit ● |
| 1:1 | | 5 | Seal-Ring ■ |
| 1:2 | | 1 | Seal-Commutator ■ |
| 1:3 | | 1 | Seal-Dirt And Water ■ |
| 1:4 | | 1 | Ring-Backing ■ |
| 1:5 | | 1 | Seal-Shaft ■ |
| 1:6 | | 1 | Washer-Backup ■ |
| 2 | 3257-8 | 1 | Key-Woodruff |
| 3 | 120-0691 | 2 | O-Ring |

● Not illustrated

■ Not serviced separately

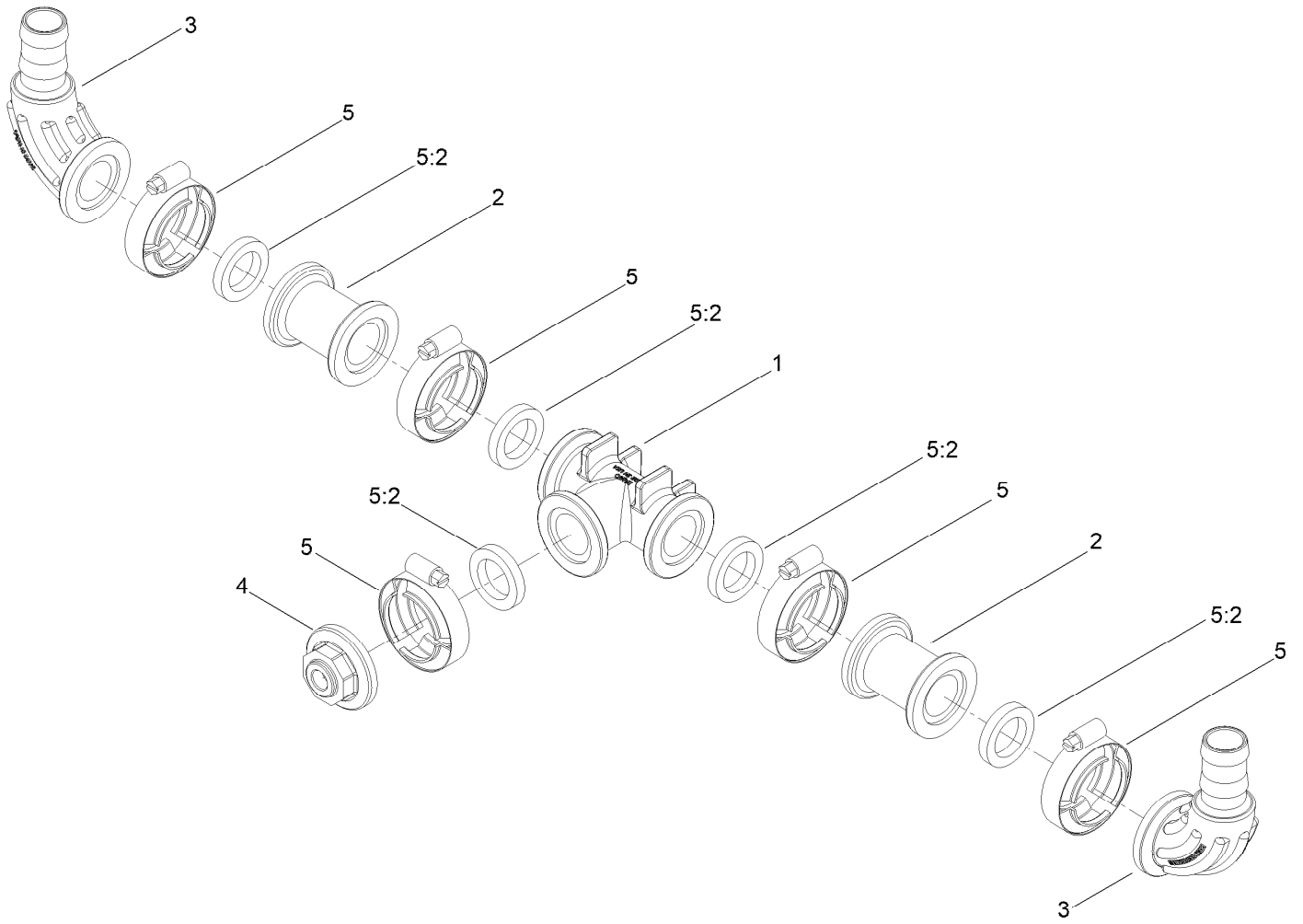
On/Off 2-Way Valve Kit No. 131-0249



On/Off 2-Way Valve Kit No. 131-0249 (continued)

| <i>Ref.</i> | <i>Part Number</i> | <i>Qty.</i> | <i>Description</i> | <i>Ref.</i> | <i>Part Number</i> | <i>Qty.</i> | <i>Description</i> |
|-------------|--------------------|-------------|---------------------|-------------|--------------------|-------------|---------------------|
| 1 | 130-8248 | 1 | Valve Stem Kit | 6 | 127-1190 | 1 | Fork-Stem, Valve |
| 1:1 | 127-1197 | 2 | O-Ring-Stem | 99 | 130-7304 | 1 | Valve Repair Kit |
| 2 | 131-0252 | 1 | Ball-2-Way | 99:1 | 127-1197 | 2 | O-Ring-Stem |
| 3 | 130-7317 | 2 | Endcap Kit | 99:2 | 127-1196 | 2 | Washer-Stem, Valve |
| 3:1 | 127-1192 | 1 | Seat-Ball | 99:3 | 127-1195 | 1 | Seat-Stem, Valve |
| 3:2 | 127-1188 | 1 | O-Ring, Seat (Ball) | 99:4 | 127-1190 | 1 | Fork-Stem, Valve |
| 3:3 | 127-1189 | 1 | O-Ring, Endcap | 99:5 | 127-1192 | 2 | Seat-Ball |
| 3:4 | 127-1187 | 1 | O-Ring, Endcap | 99:6 | 127-1188 | 2 | O-Ring, Seat (Ball) |
| 4 | 127-1196 | 1 | Washer-Stem, Valve | 99:7 | 127-1187 | 2 | O-Ring, Endcap |
| 5 | 127-1195 | 1 | Seat-Stem, Valve | 99:8 | 127-1189 | 2 | O-Ring, Endcap |

Manifold Connection Assembly

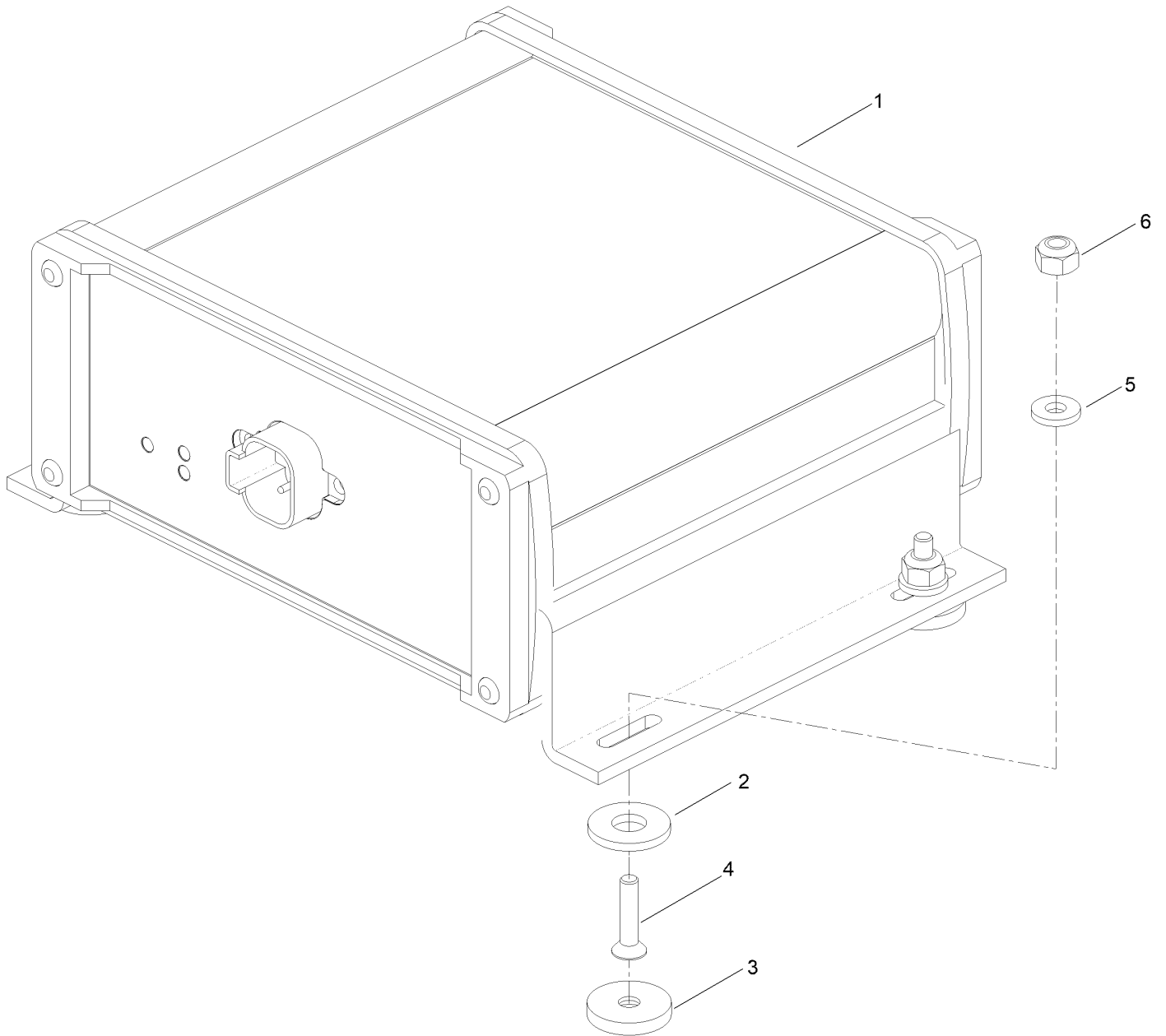


Manifold Connection Assembly (continued)

| <i>Ref.</i> | <i>Part Number</i> | <i>Qty.</i> | <i>Description</i> |
|-------------|--------------------|-------------|--------------------|
| 1 | 127-9834 | 1 | Fitting-Tee |
| 2 | 127-9814 | 2 | Fitting-Adapter |
| 3 | 131-0241 | 2 | Fitting-Elb 90 |

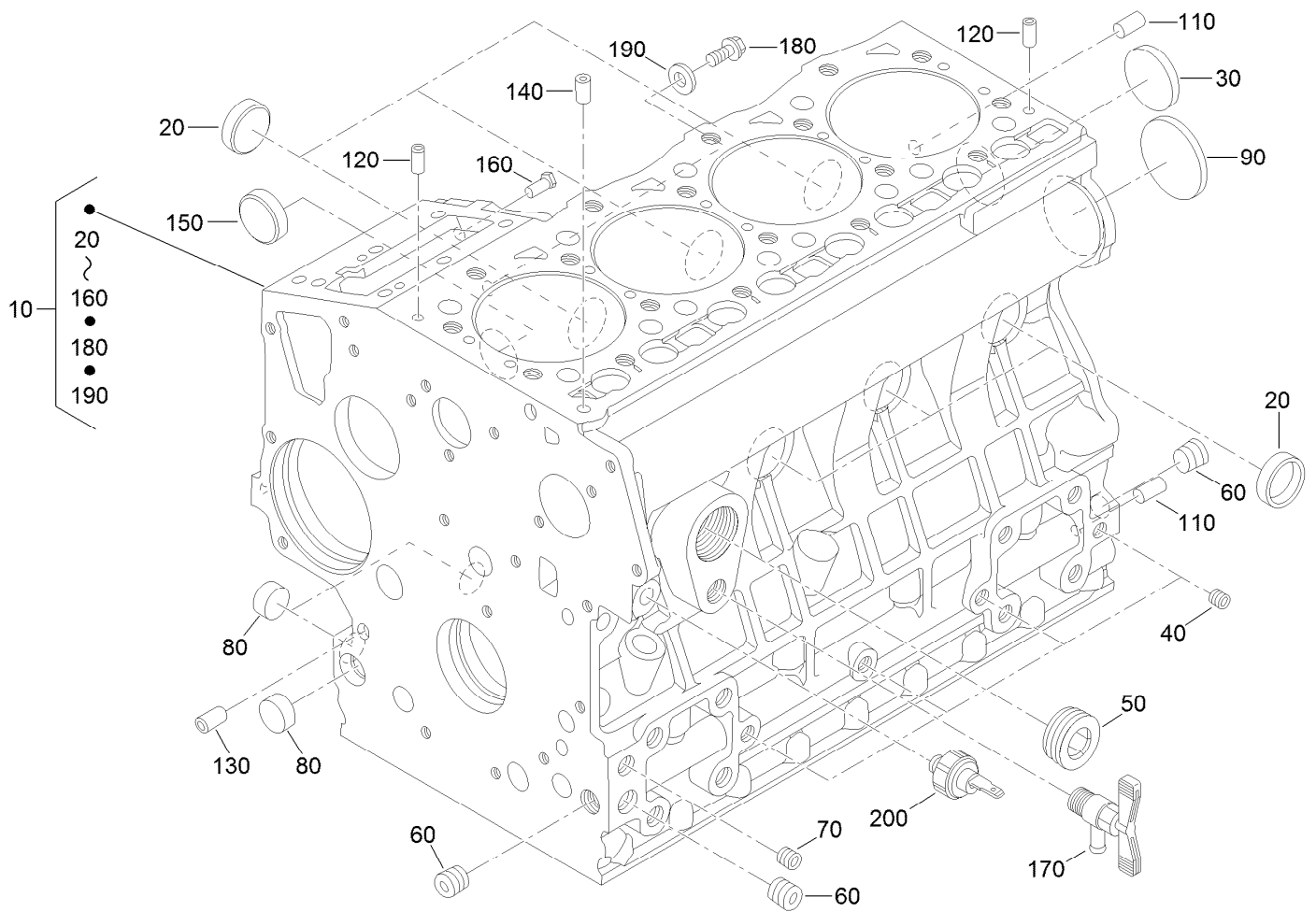
| <i>Ref.</i> | <i>Part Number</i> | <i>Qty.</i> | <i>Description</i> |
|-------------|--------------------|-------------|--------------------|
| 4 | 127-1185 | 1 | Fitting-Cap, Port |
| 5 | 127-9829 | 5 | Clamp/Gasket Kit |
| 5:2 | 127-1145 | 1 | Gasket-Flange |

ASC-10 Mounting Assembly



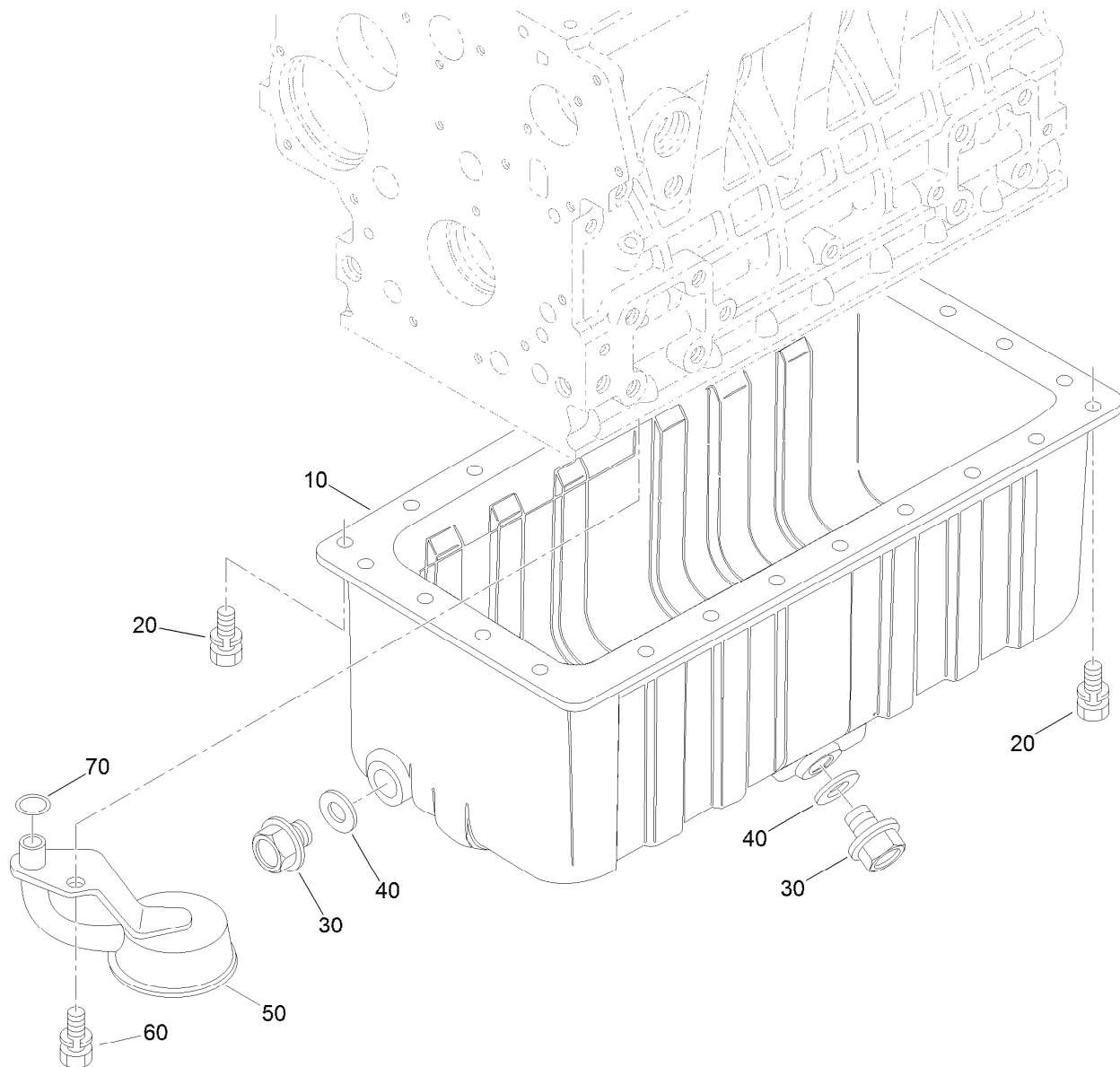
ASC-10 Mounting Assembly (continued)

| <i>Ref.</i> | <i>Part Number</i> | <i>Qty.</i> | <i>Description</i> | <i>Ref.</i> | <i>Part Number</i> | <i>Qty.</i> | <i>Description</i> |
|-------------|--------------------|-------------|---|-------------|--------------------|-------------|--------------------|
| 1 | 137-4258 | 1 | Controller - Rate/Auto-Section, Asc-10 | 4 | 147-4691 | 4 | Screw-PFH |
| 2 | 3256-2 | 2 | Washer-Flat | 5 | 3256-21 | 4 | Washer-Flat |
| 3 | 140-7369 | 4 | Magnet | 6 | 3296-1 | 4 | Nut-Lock |



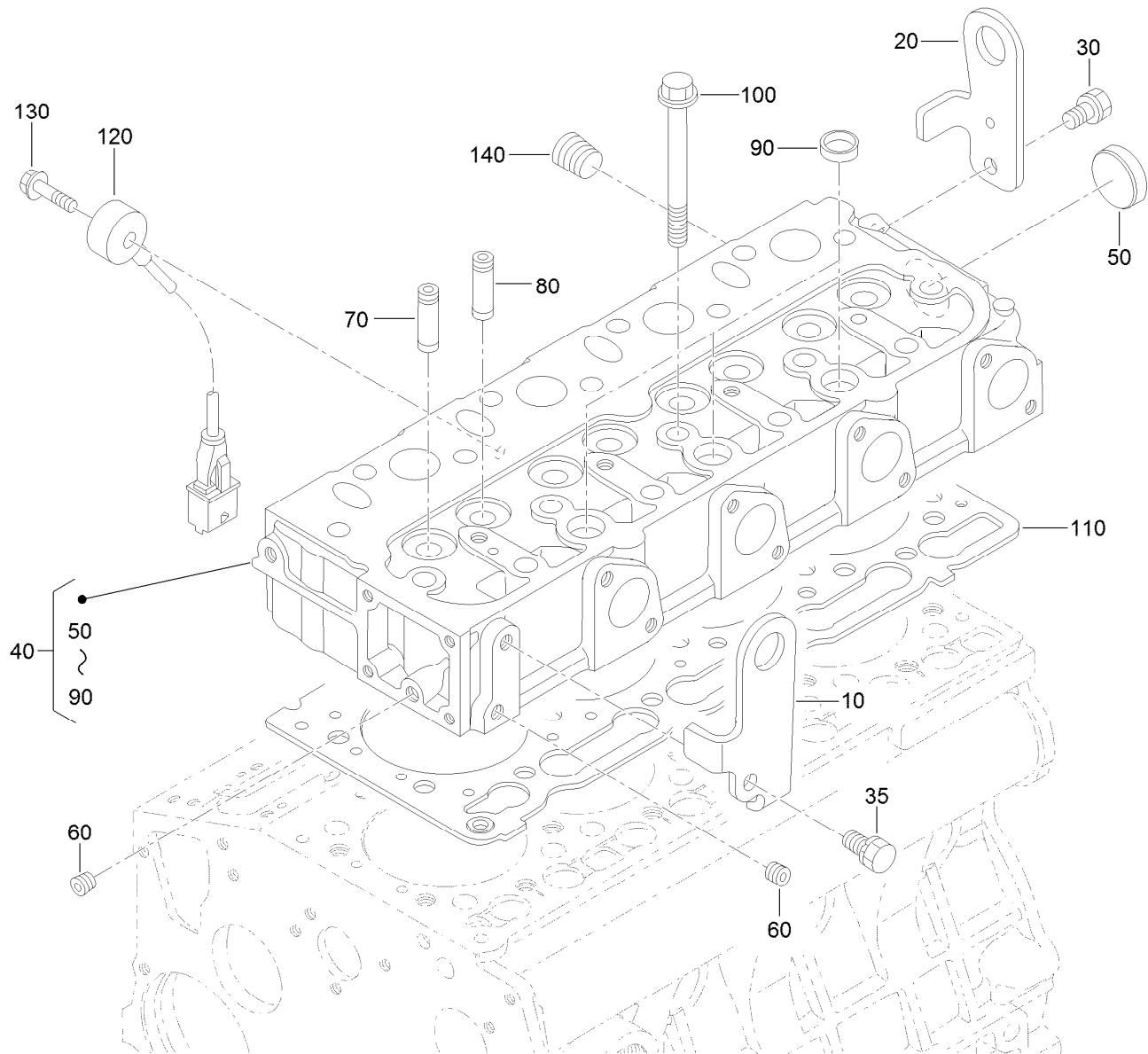
Crankcase Assembly

| <i>Ref.</i> | <i>Part Number</i> | <i>Qty.</i> | <i>Description</i> | <i>Ref.</i> | <i>Part Number</i> | <i>Qty.</i> | <i>Description</i> |
|-------------|--------------------|-------------|--------------------|-------------|--------------------|-------------|--------------------|
| 10 | 127-0451 | 1 | Crankcase ASM | 120 | 98-9376 | 2 | Pin-Straight |
| 20 | 98-9398 | 6 | Cap-Sealing | 130 | 98-9387 | 2 | Pin-Pipe |
| 30 | 98-7539 | 1 | Cap-Sealing | 140 | 98-9539 | 1 | Pin-Pipe |
| 40 | 98-9687 | 4 | Plug | 150 | 98-9599 | 1 | Plug |
| 50 | 105-3779 | 1 | Plug | 160 | 105-3796 | 1 | Pin-Spring, Start |
| 60 | 98-9597 | 3 | Plug | 170 | 120-3121 | 1 | Draincock ASM |
| 70 | 98-7487 | 2 | Plug | 180 | 99-8363 | 1 | Bolt-Flange |
| 80 | 98-9379 | 3 | Plug-Expansion | 190 | 98-7654 | 1 | Gasket |
| 90 | 98-9668 | 1 | Plug-Expansion | 200 | 98-9416 | 1 | Switch-Oil |
| 110 | 98-9377 | 2 | Pin-Straight | | | | |



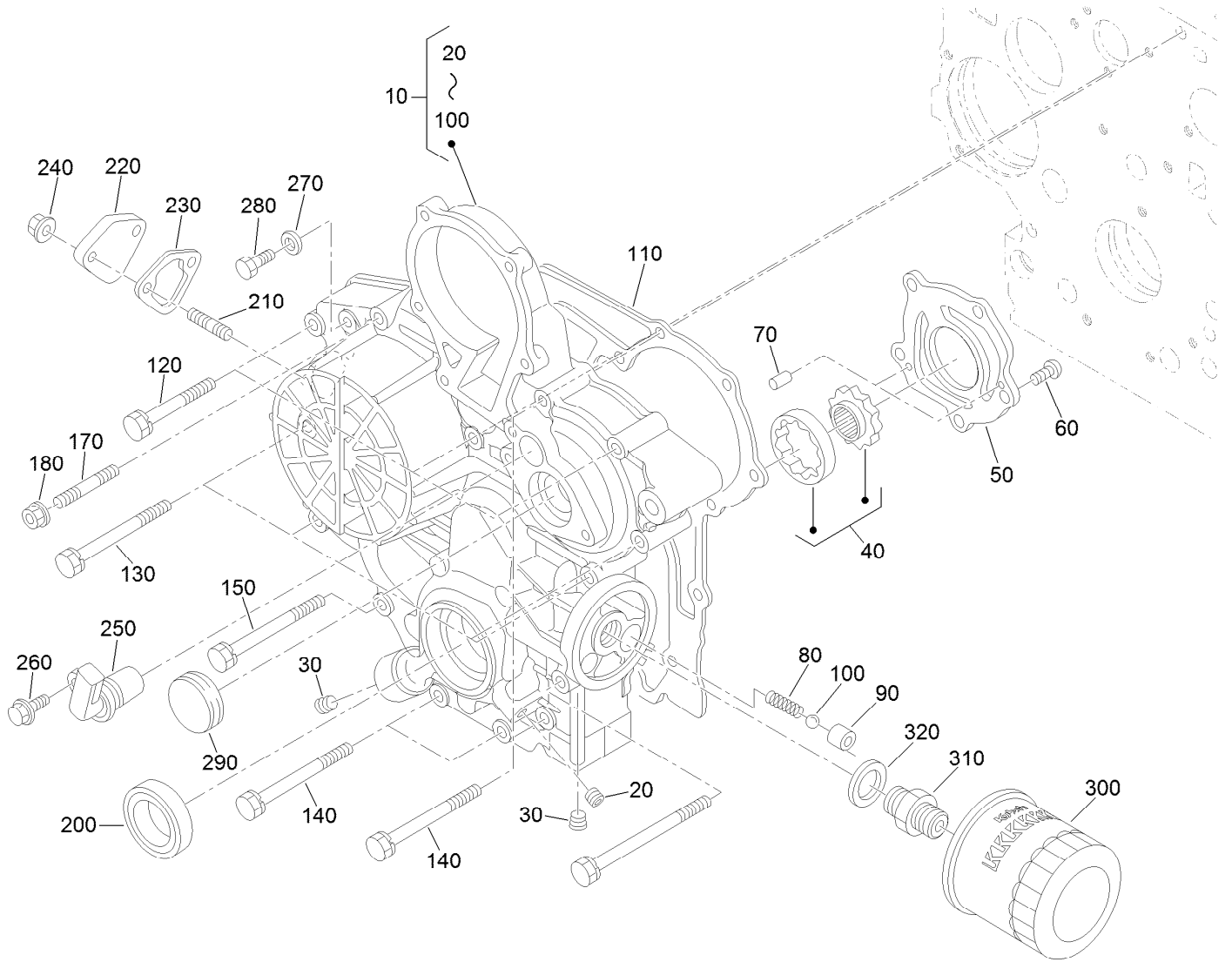
Oil Pan Assembly

| <i>Ref.</i> | <i>Part Number</i> | <i>Qty.</i> | <i>Description</i> |
|-------------|--------------------|-------------|--------------------|
| 10 | 108-2852 | 1 | Oil Pan ASM |
| 20 | 98-9351 | 26 | Bolt |
| 30 | 114-8151 | 2 | Plug-Drain |
| 40 | 98-7524 | 2 | Gasket |
| 50 | 112-7003 | 1 | Head-Filter, Oil |
| 60 | 98-7526 | 1 | Bolt |
| 70 | 105-3776 | 1 | O-Ring |



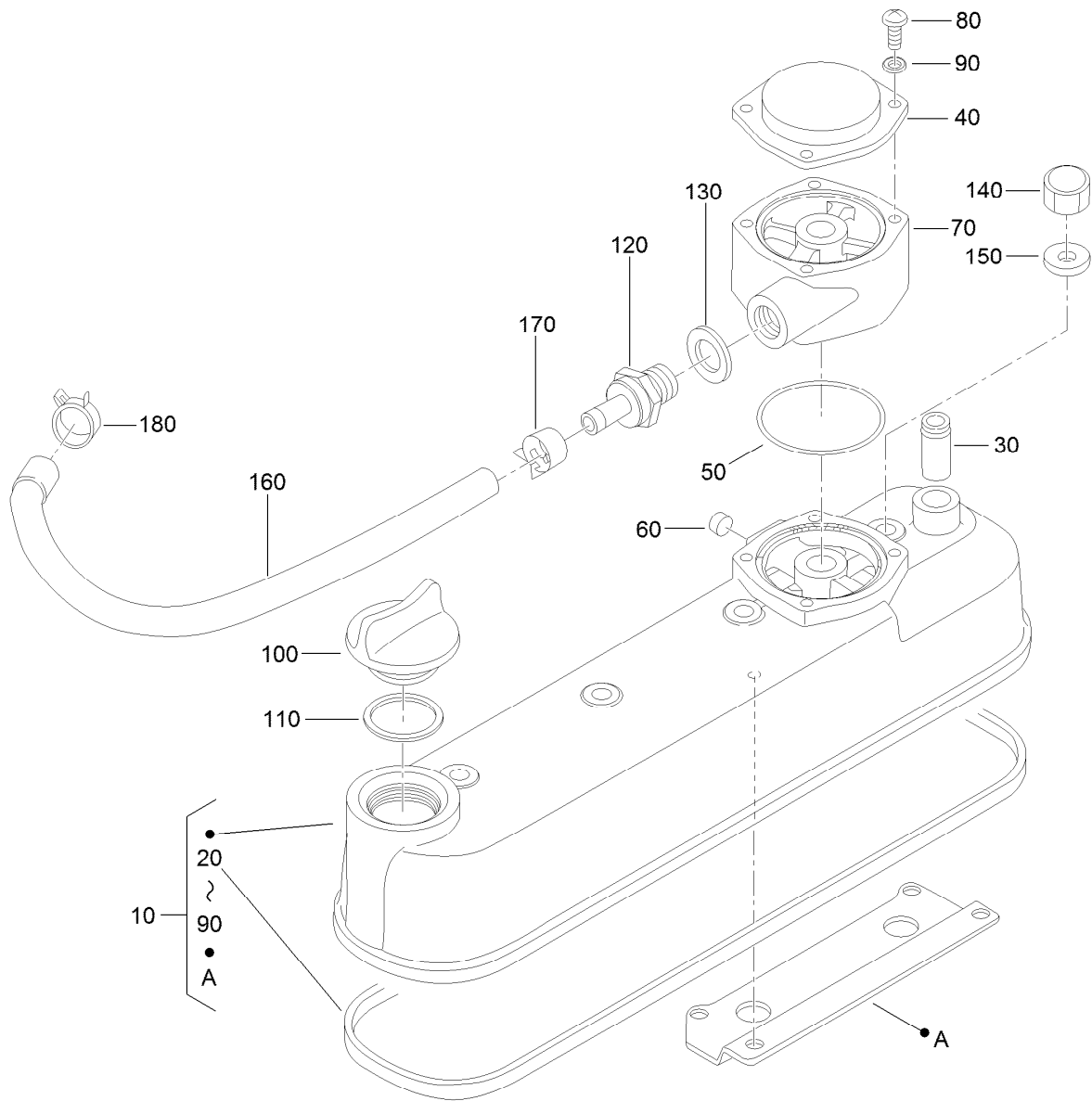
Cylinder Head Assembly

| <i>Ref.</i> | <i>Part Number</i> | <i>Qty.</i> | <i>Description</i> |
|-------------|--------------------|-------------|-----------------------|
| 10 | 127-0463 | 1 | Hook-Engine |
| 20 | 127-0464 | 1 | Hook-Engine |
| 30 | 100-9195 | 1 | Bolt |
| 35 | 98-7526 | 1 | Bolt |
| 40 | 127-0452 | 1 | Cylinder Head ASM |
| 50 | 105-3705 | 1 | Cap-Sealing |
| 60 | 98-9687 | 2 | Plug |
| 70 | 107-9066 | 4 | Guide-Valve, Inlet |
| 80 | 127-0478 | 4 | Guide-Valve, Exhaust |
| 90 | 98-9389 | 3 | Cap-Sealing |
| 100 | 98-9479 | 9 | Bolt-Head, Cylinder |
| 110 | 127-0434 | 1 | Gasket-Head, Cylinder |
| 120 | 127-0467 | 1 | Sensor-Knock |
| 130 | 127-0506 | 1 | Bolt-Sensor, Knock |
| 140 | 98-9444 | 1 | Plug |



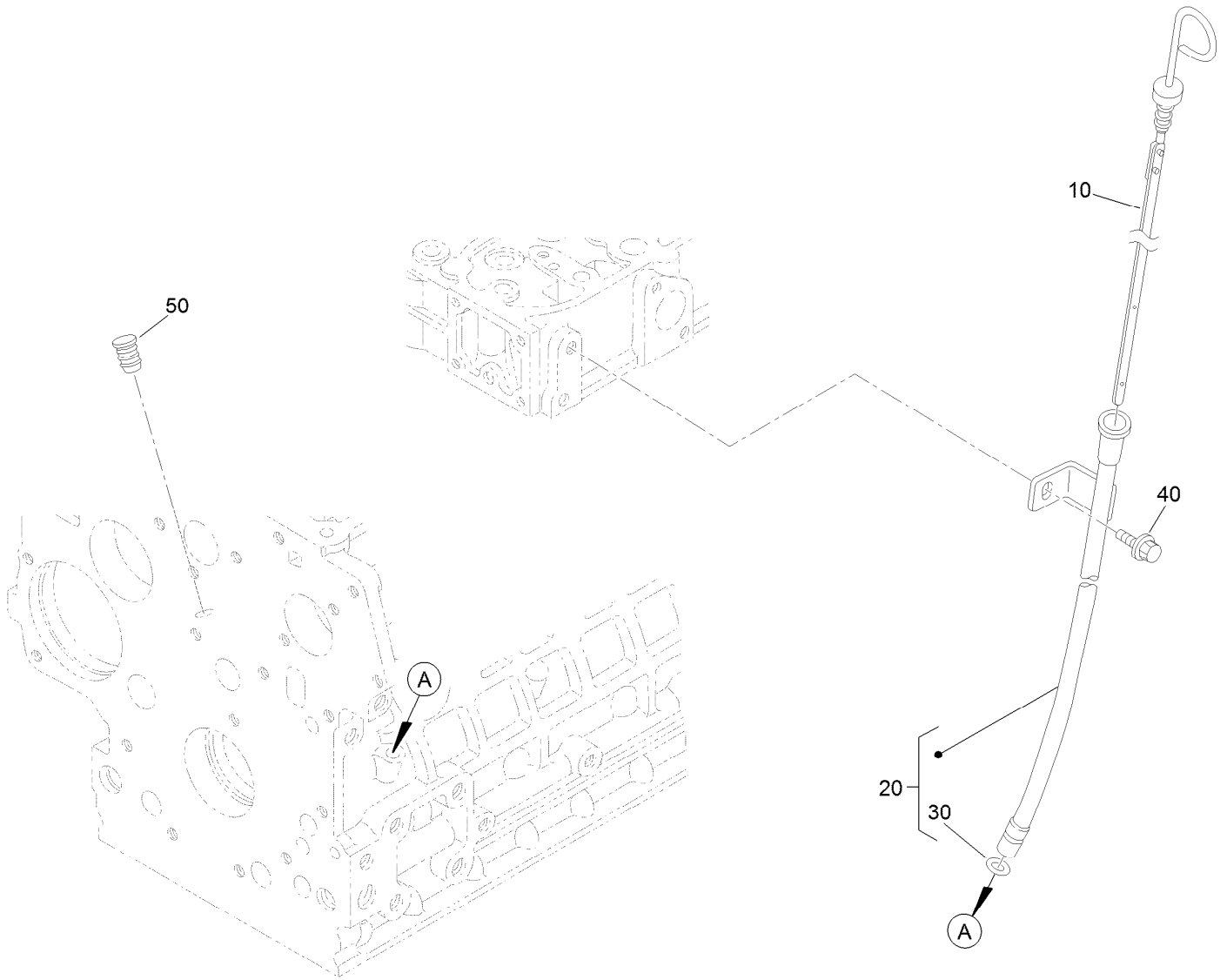
Gear Case and Oil Filter Cartridge Assembly

| Ref. | Part Number | Qty. | Description | Ref. | Part Number | Qty. | Description |
|------|-------------|------|--------------------|------|-------------|------|-------------------|
| 10 | 127-0453 | 1 | Gear Case ASM | 170 | 105-3709 | 1 | Stud |
| 20 | 98-7487 | 1 | Plug | 180 | 100-2203 | 1 | Nut-Flange |
| 30 | 127-0425 | 2 | Plug | 200 | 119-8038 | 1 | Seal-Oil |
| 40 | 98-9540 | 1 | Oil Pump Rotor ASM | 210 | 105-3710 | 2 | Stud |
| 50 | 107-9069 | 1 | Cover-Pump, Oil | 220 | 99-3514 | 1 | Cover |
| 60 | 107-9071 | 5 | Screw | 230 | 117-7562 | 1 | Gasket-Pump, Fuel |
| 70 | 107-9072 | 2 | Pin-Straight | 240 | 100-2203 | 2 | Nut-Flange |
| 80 | 98-9544 | 1 | Spring | 250 | 127-0504 | 1 | Sensor-Revolution |
| 90 | 98-9543 | 1 | Seat-Valve | 260 | 99-8363 | 1 | Bolt-Flange |
| 100 | 98-9380 | 1 | Ball | 270 | 98-7654 | 1 | Gasket |
| 110 | 98-9633 | 1 | Gasket-Case, Gear | 280 | 127-0400 | 1 | Bolt-Hex |
| 120 | 100-1765 | 3 | Bolt | 290 | 99-3515 | 1 | Plug-Gearcase |
| 130 | 105-3797 | 4 | Bolt | 300 | 108-3841 | 1 | Filter-Oil |
| 140 | 98-9356 | 4 | Bolt | 310 | 98-9388 | 1 | Joint-Pipe |
| 150 | 107-9074 | 1 | Bolt | 320 | 98-7562 | 1 | Washer-Plain |



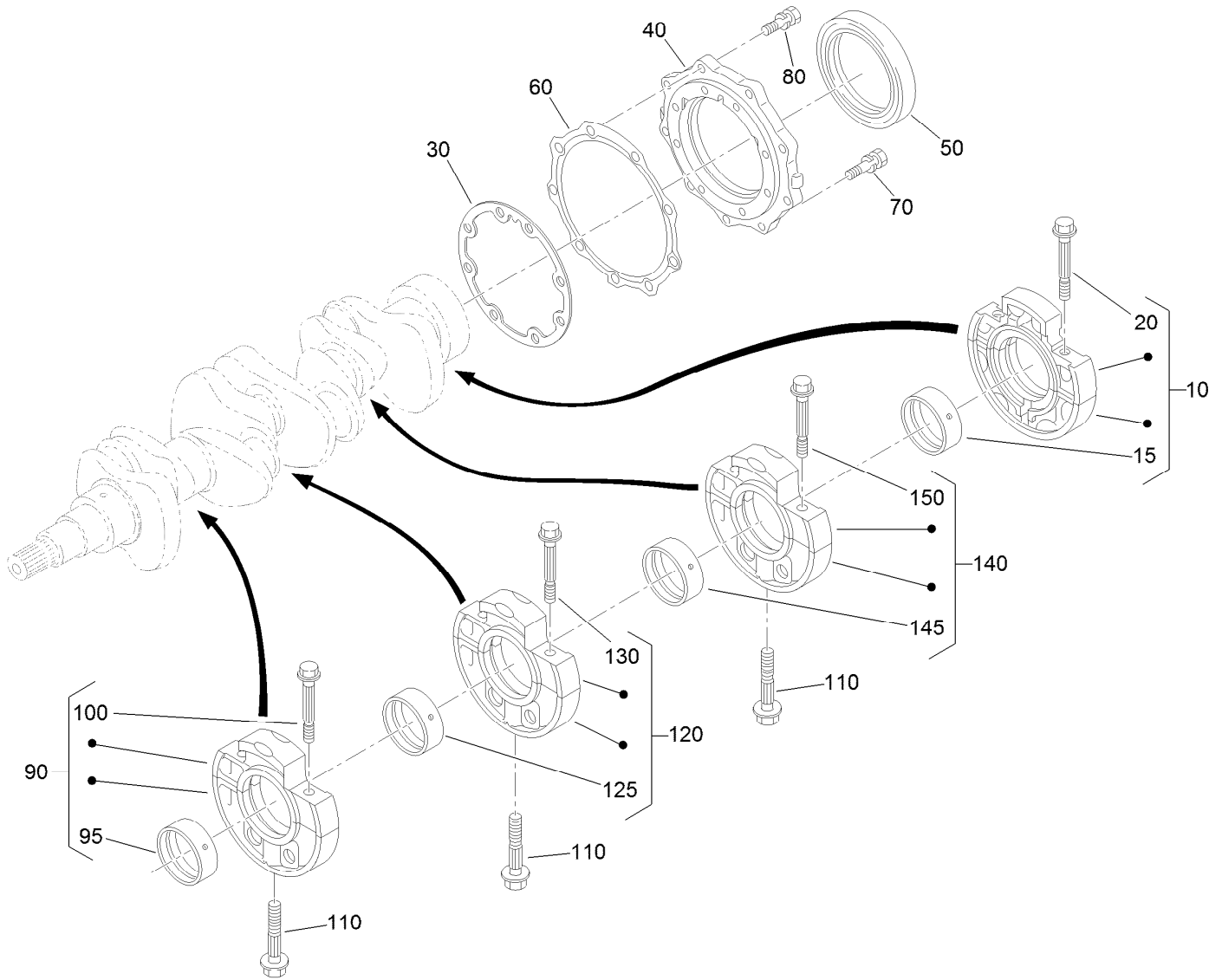
Cylinder Head Cover Assembly

| Ref. | Part Number | Qty. | Description | Ref. | Part Number | Qty. | Description |
|------|-------------|------|-------------------------|------|-------------|------|------------------|
| 10 | 127-0479 | 1 | Cylinder Head Cover ASM | 100 | 107-9075 | 1 | Plug-Filler, Oil |
| 20 | 105-3712 | 1 | Gasket-Cover, Head | 110 | 99-3446 | 1 | O-Ring |
| 30 | 98-7766 | 1 | Pipe-Return, Water | 120 | 127-0468 | 1 | Valve-Pcv |
| 40 | 108-7060 | 1 | Cover-Breather | 130 | 98-7528 | 1 | O Ring-Copper |
| 50 | 110-3846 | 2 | O Ring-Breather | 140 | 98-9455 | 4 | Nut-Cap |
| 60 | 115-3042 | 1 | Cap-Sealing | 150 | 98-9454 | 4 | Gasket |
| 70 | 127-0480 | 1 | Spacer-Breather | 160 | 127-0469 | 1 | Tube-Breather |
| 80 | 115-3044 | 4 | Screw-Pan Head | 170 | 127-0491 | 1 | Clamp-Hose |
| 90 | 127-0408 | 4 | Washer-Lock, Spring | 180 | 98-9579 | 1 | Band-Pipe |



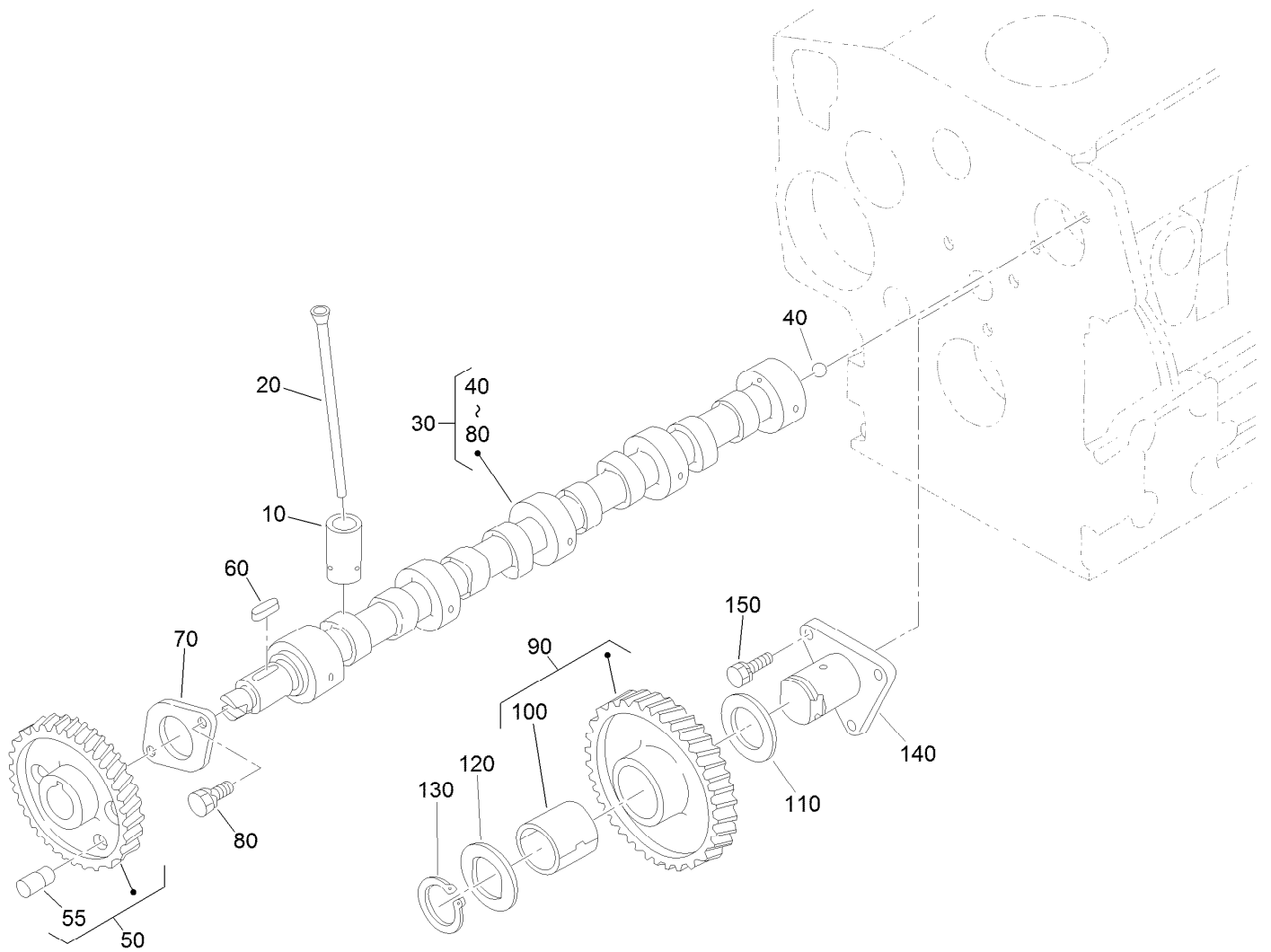
Oil Dipstick and Guide Assembly

| <i>Ref.</i> | <i>Part Number</i> | <i>Qty.</i> | <i>Description</i> |
|-------------|--------------------|-------------|---------------------|
| 10 | 98-9670 | 1 | Gauge-Oil |
| 20 | 98-9672 | 1 | Oil Gauge Guide ASM |
| 30 | 98-9722 | 1 | O-Ring |
| 40 | 115-8504 | 1 | Bolt-Flange |
| 50 | 110-3720 | 1 | Plug-Gauge, Oil |



Main Bearing Case Assembly

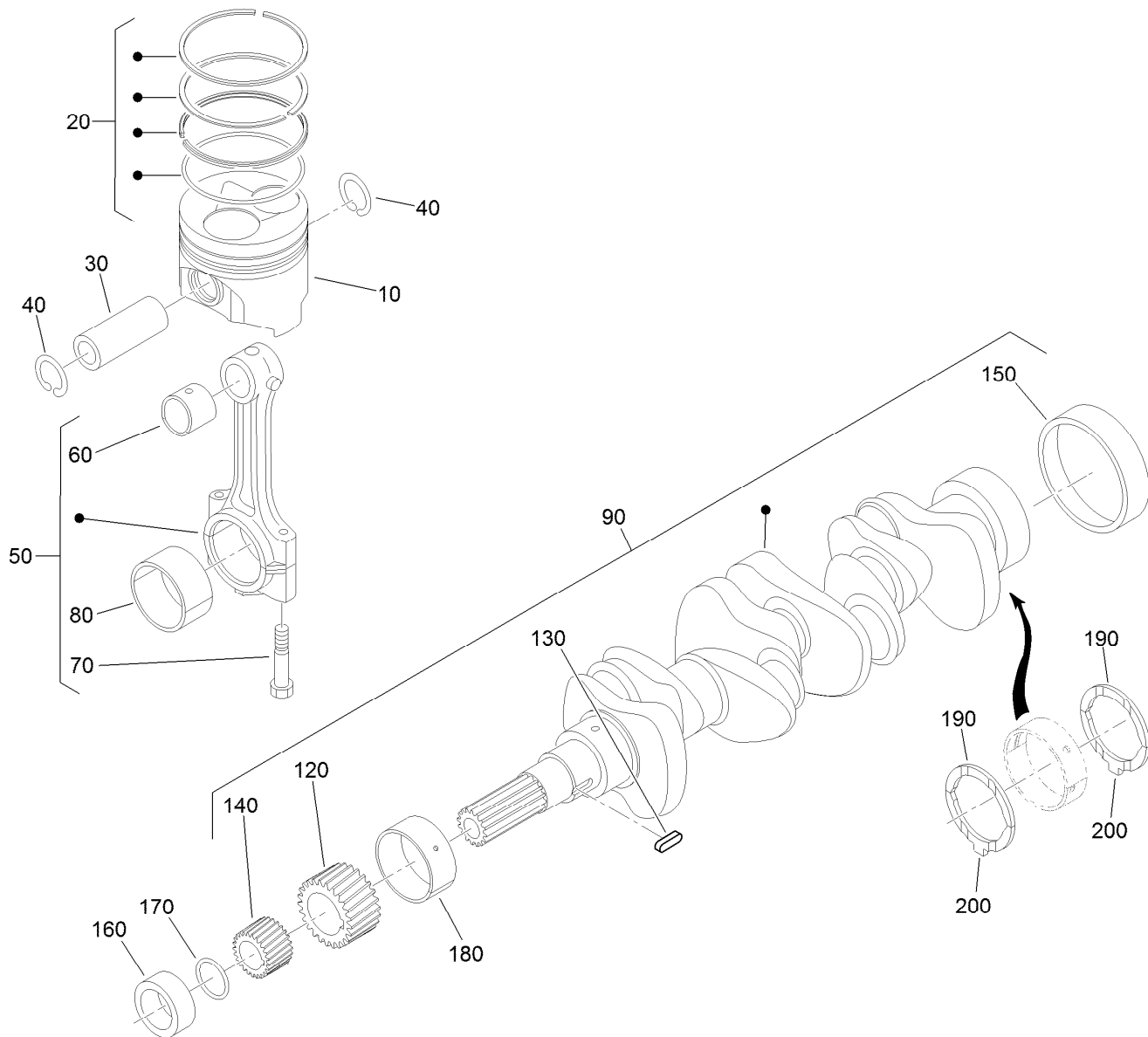
| <i>Ref.</i> | <i>Part Number</i> | <i>Qty.</i> | <i>Description</i> | <i>Ref.</i> | <i>Part Number</i> | <i>Qty.</i> | <i>Description</i> |
|-------------|--------------------|-------------|----------------------------|-------------|--------------------|-------------|----------------------------|
| 10 | 112-7026 | 1 | Wheel Bearing Case ASM | 95 | 98-9524 | 2 | Metal-Crankshaft (STD Set) |
| 15 | 98-9525 | 1 | Metal-Crankshaft (STD Set) | 100 | 98-9484 | 2 | Bolt-Case, Bearing |
| 20 | 98-9484 | 2 | Bolt-Case, Bearing | 110 | 98-9485 | 3 | Bolt-Case, Bearing |
| 30 | 131-6554 | 1 | Gasket-Case, Bearing | 120 | 127-0428 | 1 | Main Bearing Case ASM |
| 40 | 112-7046 | 1 | Cover-Case, Bearing | 125 | 98-9524 | 1 | Metal-Crankshaft (STD Set) |
| 50 | 112-0180 | 1 | Seal-Oil | 130 | 98-9484 | 2 | Bolt-Case, Bearing |
| 60 | 112-7037 | 1 | Gasket-Cover, Case | 140 | 127-0429 | 1 | Bearing Case ASM |
| 70 | 127-0441 | 8 | Bolt | 145 | 98-9524 | 1 | Metal-Crankshaft (STD Set) |
| 80 | 127-0442 | 9 | Bolt | 150 | 98-9484 | 2 | Bolt-Case, Bearing |
| 90 | 127-0427 | 1 | Main Bearing Case ASM | | | | |



Cam Shaft and Idle Gear Assembly

| Ref. | Part Number | Qty. | Description |
|------|-------------|------|------------------|
| 10 | 112-0185 | 8 | Tappet |
| 20 | 127-0421 | 8 | Rod-Push |
| 30 | 127-0481 | 1 | Camshaft ASM |
| 40 | 110-3729 | 1 | Ball |
| 50 | 127-0482 | 1 | Cam Gear ASM |
| 55 | 127-0483 | 1 | Pin-Gear, Cam |
| 60 | 98-9378 | 1 | Key-Feather |
| 70 | 98-9510 | 1 | Stopper-Camshaft |

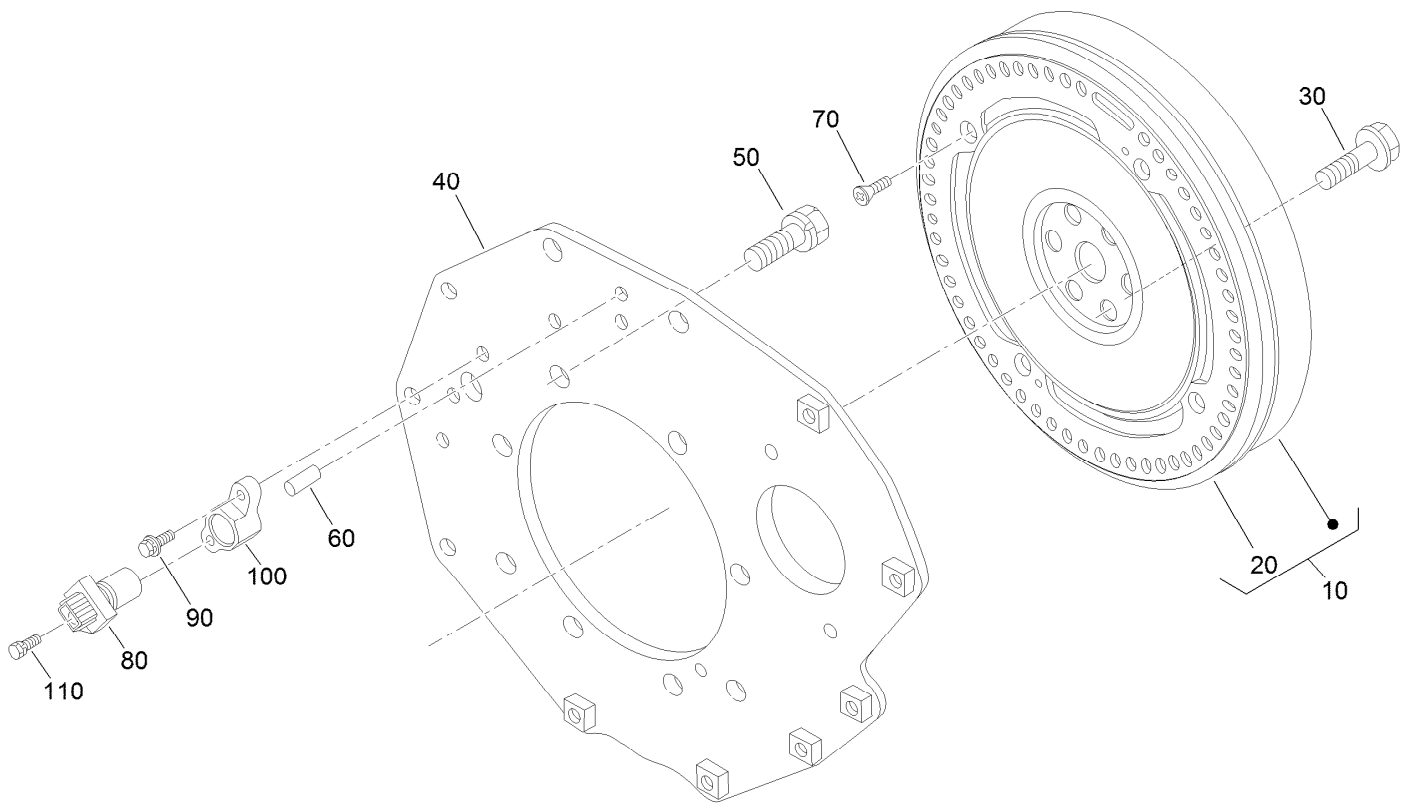
| Ref. | Part Number | Qty. | Description |
|------|-------------|------|--------------------|
| 80 | 98-7692 | 2 | Bolt |
| 90 | 117-7584 | 1 | Idler Gear ASM |
| 100 | 117-7585 | 1 | Bushing-Gear, Idle |
| 110 | 98-9535 | 1 | Collar-Gear, Idle |
| 120 | 98-9536 | 1 | Collar-Gear, Idle |
| 130 | 98-9534 | 1 | Circlip-Gear, Idle |
| 140 | 98-9533 | 1 | Shaft-Gear, Idle |
| 150 | 98-7692 | 3 | Bolt |



Piston and Crankshaft Assembly

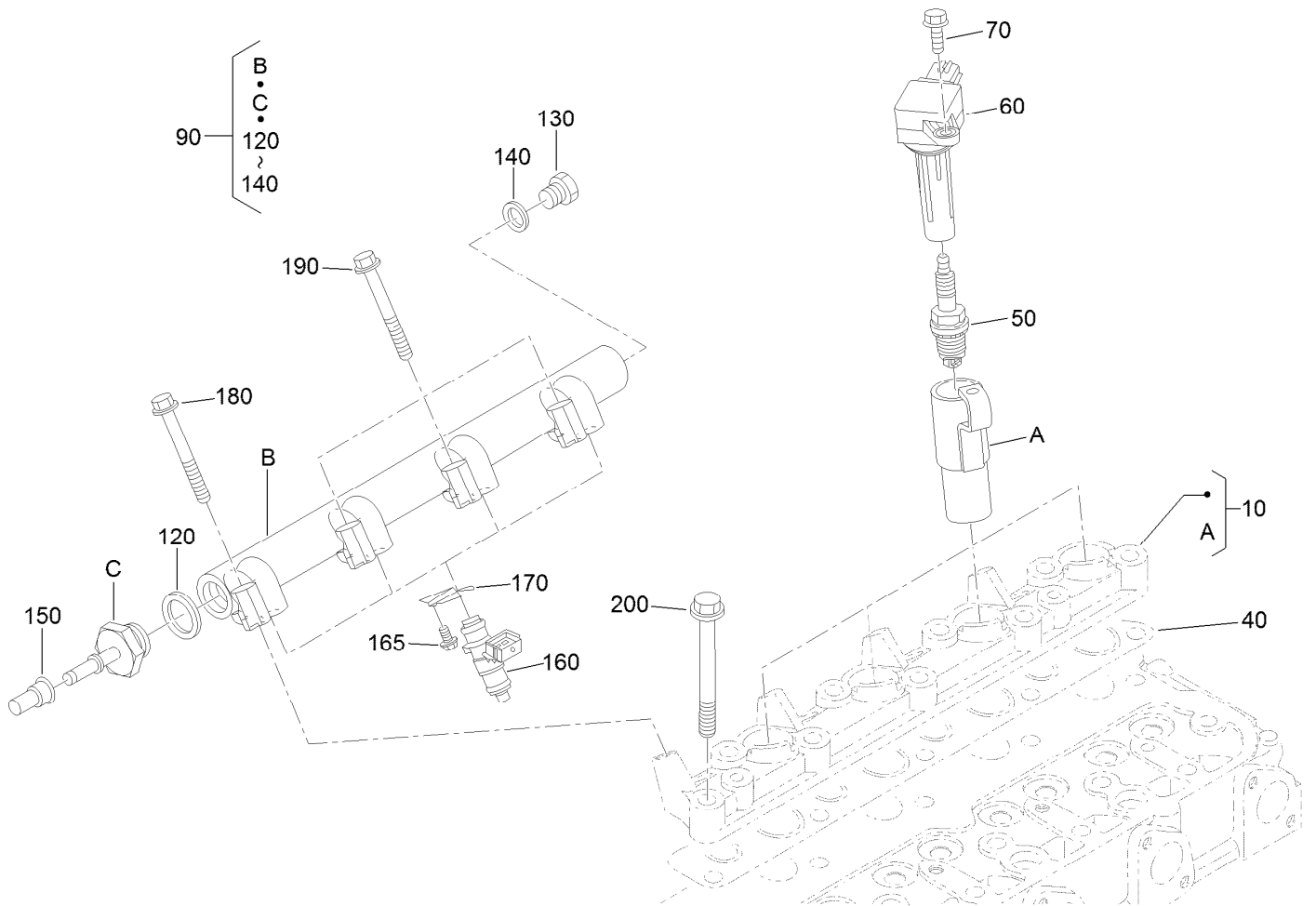
| Ref. | Part Number | Qty. | Description |
|------|-------------|------|---------------------------|
| 10 | 127-0487 | 4 | Piston (STD) |
| 10 | 127-0488 | 4 | Piston (+0.50MM) |
| 20 | 127-0485 | 4 | Piston Ring ASM (STD) |
| 20 | 127-0486 | 4 | Piston Ring ASM (+0.50MM) |
| 30 | 98-9513 | 4 | Pin-Piston |
| 40 | 98-9514 | 8 | Circlip-Pin, Piston |
| 50 | 117-7586 | 4 | Connecting Rod ASM |
| 60 | 115-3014 | 4 | Bushing-Pin, Piston |
| 70 | 98-9517 | 8 | Bolt-Rod, Connecting |
| 80 | 98-9553 | 4 | Bearing-Rod (STD) |
| 80 | 98-9519 | 4 | Bearing-Rod (-0.2MM) |
| 80 | 117-7588 | 4 | Metal-Crankpin (-0.4MM) |
| 90 | 127-0433 | 1 | Metal-Crankshaft (-0.2MM) |
| 120 | 117-7561 | 1 | Gear-Crankshaft |

| Ref. | Part Number | Qty. | Description |
|------|-------------|------|----------------------------|
| 130 | 98-9666 | 1 | Key |
| 140 | 127-0445 | 1 | Gear-Drive, Oil Pump |
| 150 | 98-9522 | 1 | Sleeve-Crankshaft |
| 160 | 127-0444 | 1 | Collar-Crankshaft |
| 170 | 105-3783 | 1 | O-Ring |
| 180 | 98-9524 | 3 | Metal-Crankshaft (STD Set) |
| 180 | 127-0433 | 3 | Metal-Crankshaft (-0.2MM) |
| 180 | 127-0432 | 1 | Metal-Crankshaft (-0.4MM) |
| 190 | 98-9413 | 2 | Bearing-Thrust (STD) |
| 190 | 127-0416 | 2 | Metal-Side (+0.2Mm) |
| 190 | 127-0417 | 2 | Metal-Side (+0.40Mm) |
| 200 | 98-9688 | 2 | Bearing-Thrust (STD) |
| 200 | 127-0437 | 2 | Metal-Side (+0.2MM) |
| 200 | 127-0438 | 2 | Metal-Side (+0.40MM) |



Flywheel and Sensor Switch Assembly

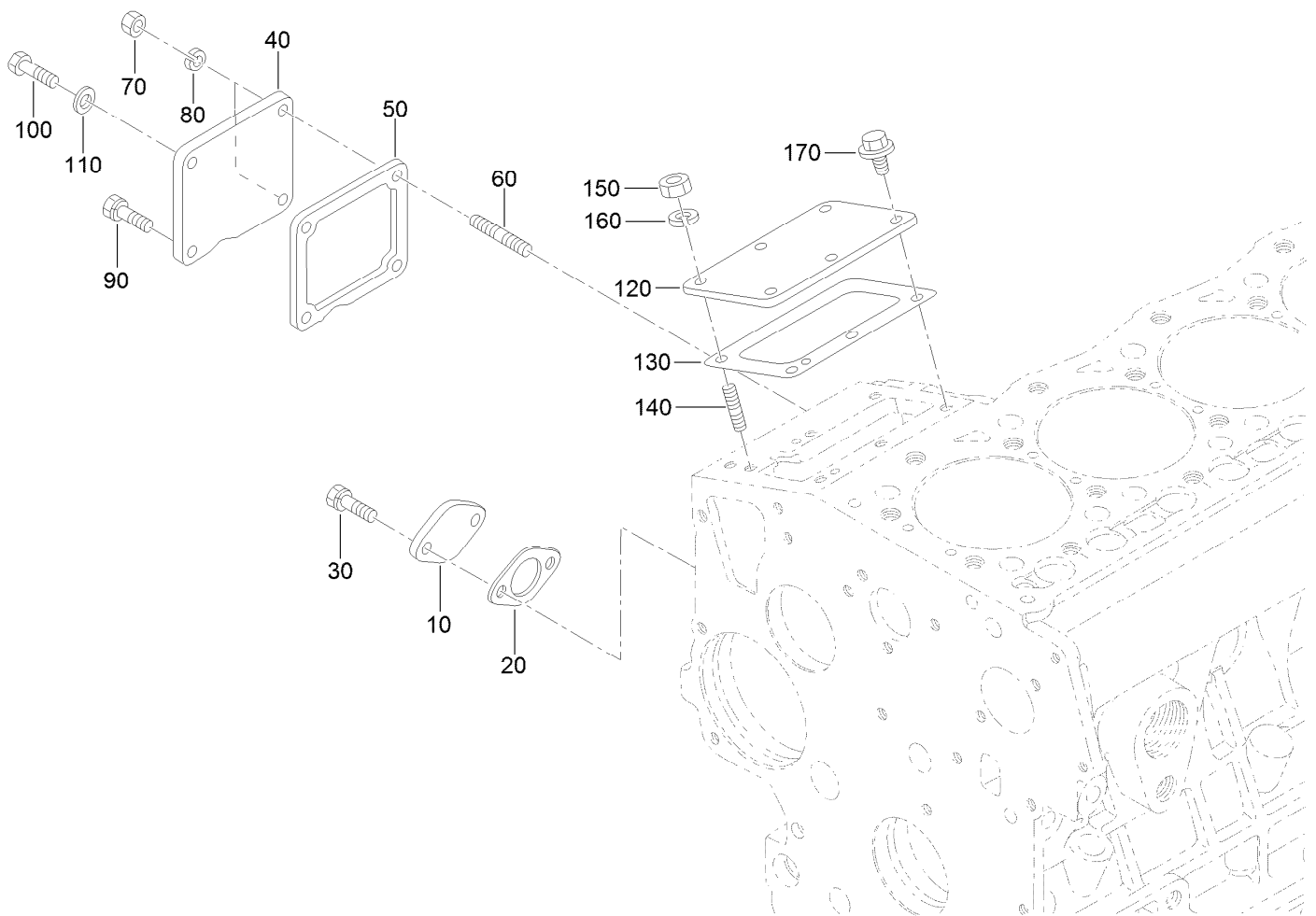
| <i>Ref.</i> | <i>Part Number</i> | <i>Qty.</i> | <i>Description</i> |
|-------------|--------------------|-------------|--------------------|
| 10 | 127-0489 | 1 | Flywheel ASM |
| 20 | 115-3015 | 1 | Gear-Ring |
| 30 | 98-9537 | 6 | Bolt-Flywheel |
| 40 | 127-0454 | 1 | Plate-End, Rear |
| 50 | 98-9392 | 8 | Bolt |
| 60 | 127-0412 | 2 | Pin-Straight |
| 70 | 127-0407 | 4 | Screw-Head, Flat |
| 80 | 125-9103 | 1 | Sensor Stick ASM |
| 90 | 127-0403 | 1 | Bolt-Flange |
| 100 | 127-0494 | 1 | Holder-Sensor |
| 110 | 127-0404 | 1 | Bolt-Flange |



Ignition Coil and Delivery Pipe Assembly

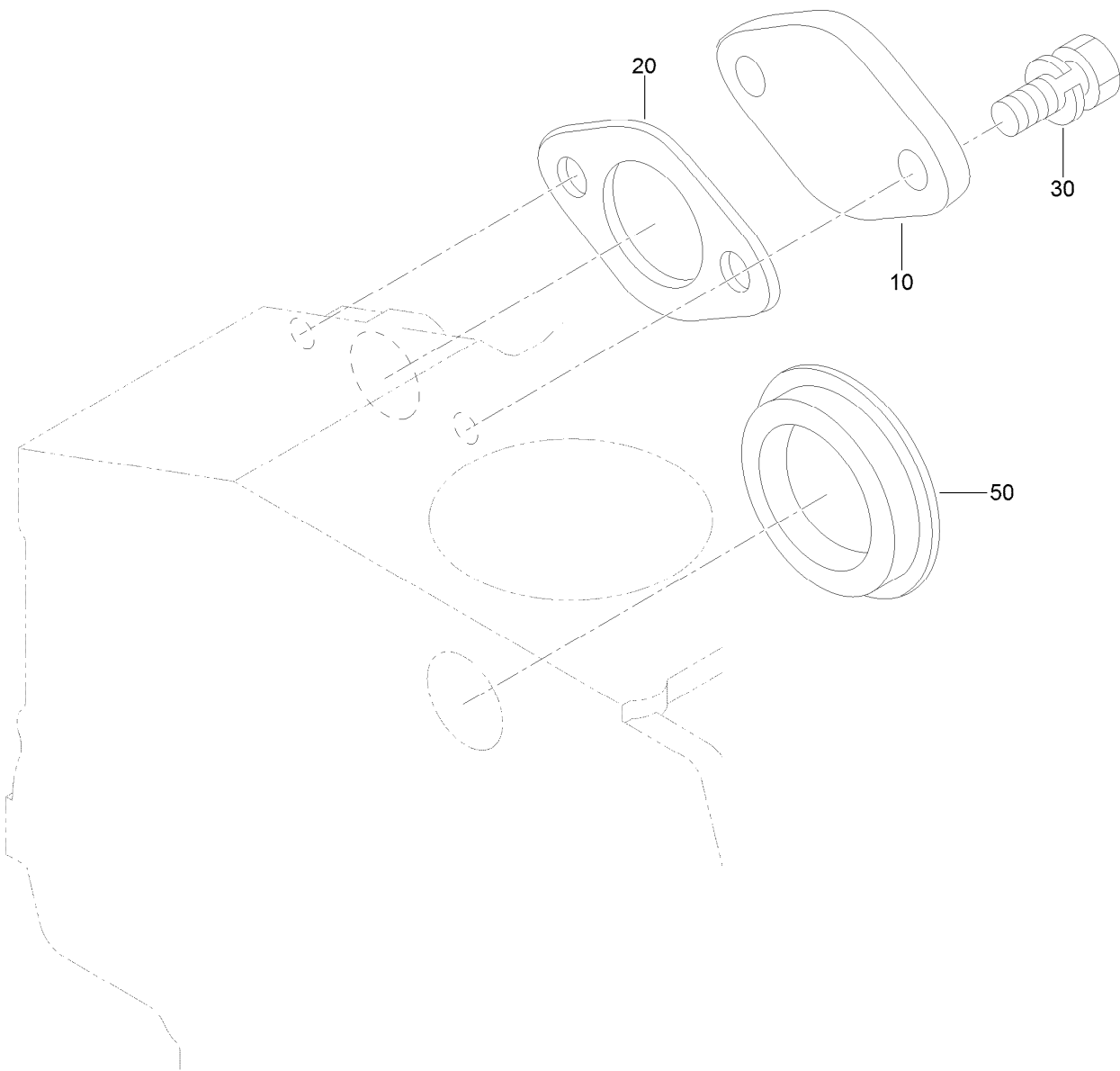
| Ref. | Part Number | Qty. | Description |
|------|-------------|------|-------------------|
| 10 | 127-0459 | 1 | Flange-Injector |
| 40 | 127-0460 | 1 | Gasket-Flange |
| 50 | 127-0499 | 4 | Spark Plug |
| 60 | 127-0498 | 4 | Coil-Ignition |
| 70 | 99-8363 | 4 | Bolt-Flange |
| 90 | 127-0509 | 1 | Delivery Pipe ASM |
| 120 | 127-0411 | 1 | Packing |
| 130 | 127-0413 | 1 | Plug |

| Ref. | Part Number | Qty. | Description |
|------|-------------|------|---------------------|
| 140 | 125-9096 | 1 | Gasket |
| 150 | 127-0456 | 1 | Cap-Fuel |
| 160 | 125-9107 | 4 | Injector |
| 165 | 100-1774 | 4 | Bolt-Flange |
| 170 | 127-0458 | 4 | Stopper-Injector |
| 180 | 127-0404 | 1 | Bolt-Flange |
| 190 | 127-0405 | 3 | Bolt-Flange |
| 200 | 127-0466 | 9 | Bolt-Head, Cylinder |



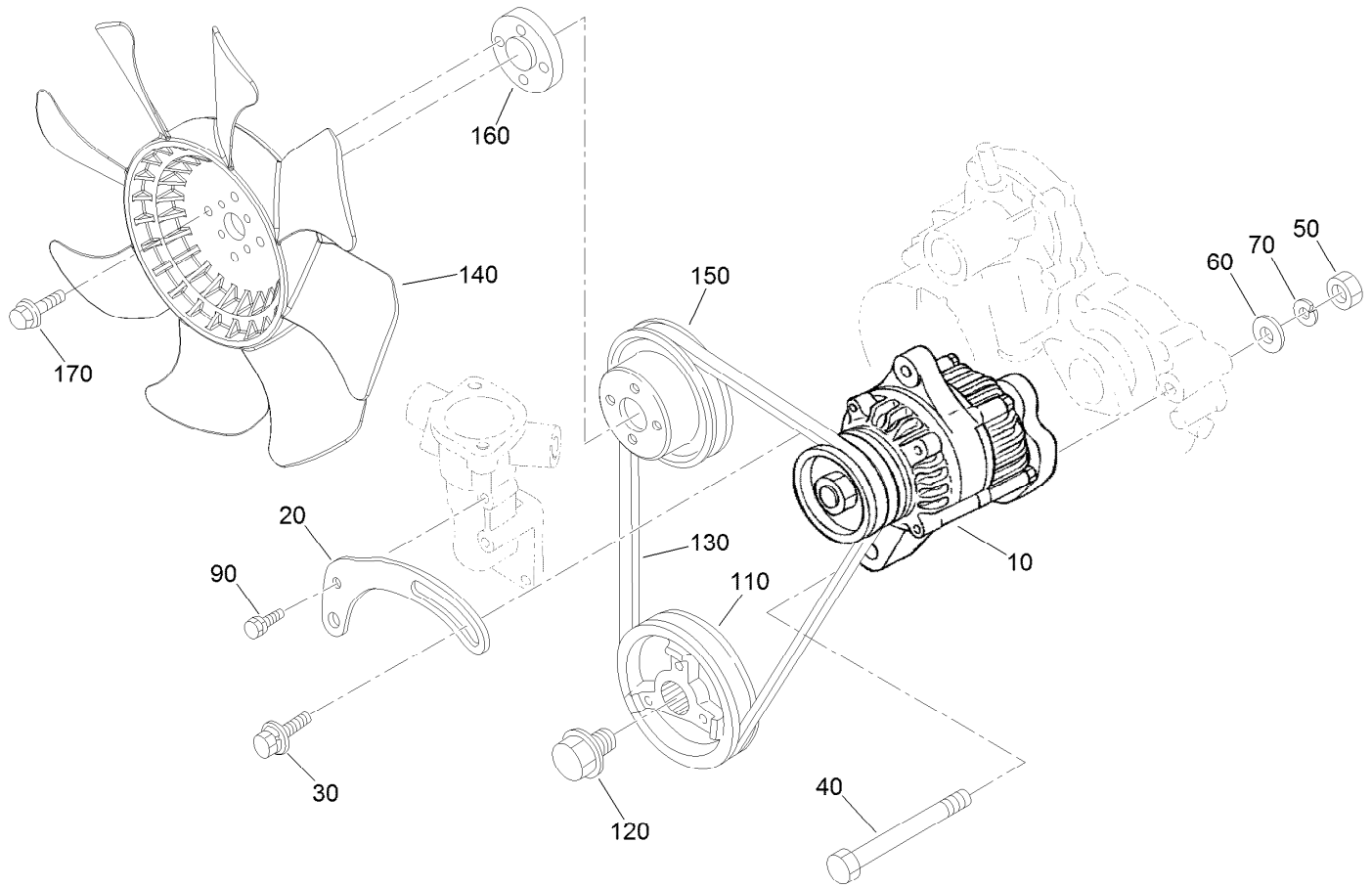
Engine Covers Assembly

| <i>Ref.</i> | <i>Part Number</i> | <i>Qty.</i> | <i>Description</i> | <i>Ref.</i> | <i>Part Number</i> | <i>Qty.</i> | <i>Description</i> |
|-------------|--------------------|-------------|-------------------------|-------------|--------------------|-------------|---------------------------------|
| 10 | 115-4122 | 1 | Cover-Shaft, Fork Lever | 100 | 127-0401 | 1 | Bolt-Hex |
| 20 | 98-9682 | 1 | Gasket | 110 | 98-7654 | 1 | Gasket |
| 30 | 98-9350 | 2 | Bolt | 120 | 127-0465 | 1 | Cover-Pump, Injection |
| 40 | 127-0418 | 1 | Cover | 130 | 105-3728 | 1 | Shim-Pump, Injection (.20MM) |
| 50 | 98-9637 | 1 | Gasket | 140 | 98-9438 | 3 | Stud |
| 60 | 105-3710 | 2 | Stud | 150 | 100-1776 | 3 | Nut |
| 70 | 98-7572 | 2 | Nut | 160 | 98-7699 | 3 | Washer-Spring |
| 80 | 98-7699 | 2 | Washer-Spring | 170 | 100-1774 | 3 | Bolt-Flange |
| 90 | 98-9350 | 1 | Bolt | | | | |



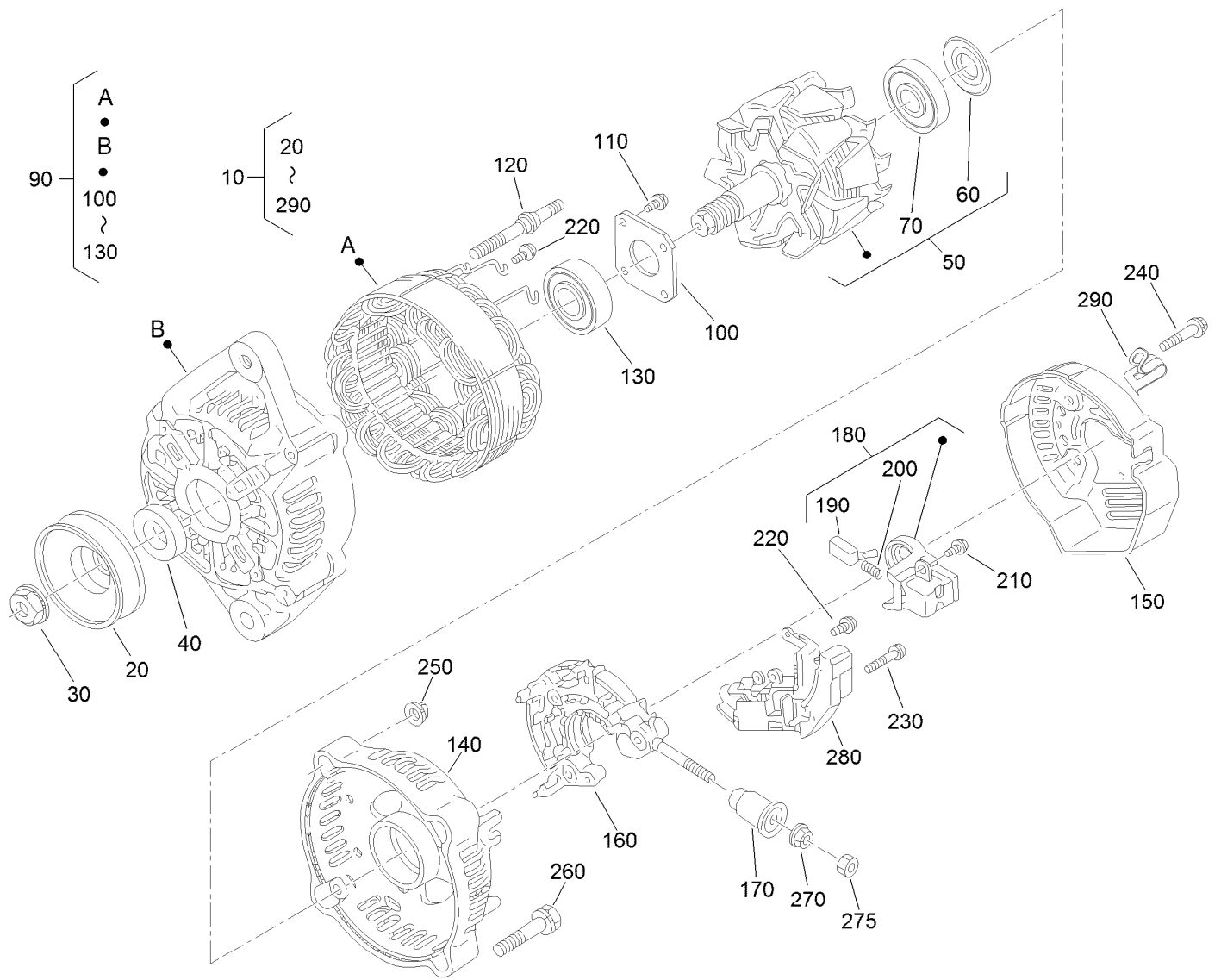
Solenoid Cover and Hydraulic Pump Cover

| <i>Ref.</i> | <i>Part Number</i> | <i>Qty.</i> | <i>Description</i> |
|-------------|--------------------|-------------|------------------------|
| 10 | 127-0419 | 1 | Cover-Solenoid |
| 20 | 98-9683 | 1 | Gasket-Cover, Solenoid |
| 30 | 98-7692 | 2 | Bolt |
| 50 | 112-7016 | 1 | Cover-Pump |



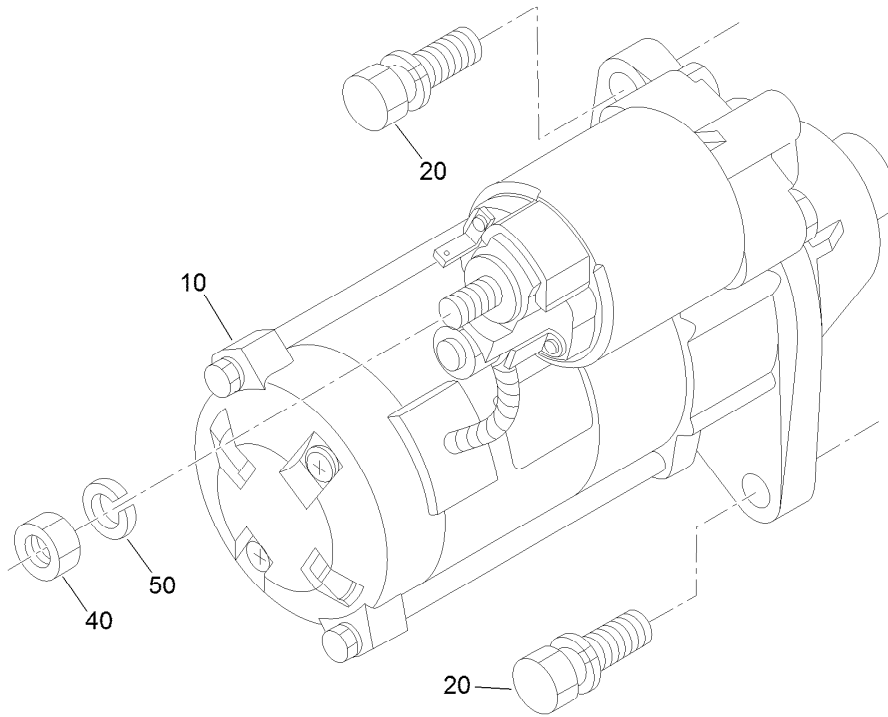
Alternator, Pulley and Fan Assembly

| Ref. | Part Number | Qty. | Description |
|------|-------------|------|-----------------------|
| 10 | 131-9567 | 1 | 60 Amp Alternator ASM |
| 20 | 117-5542 | 1 | Bracket |
| 30 | 108-7088 | 1 | Bolt |
| 40 | 98-9360 | 1 | Bolt |
| 50 | 98-7737 | 1 | Nut |
| 60 | 98-9366 | 1 | Washer-Plain |
| 70 | 98-7738 | 1 | Washer-Spring |
| 90 | 98-7692 | 1 | Bolt |
| 110 | 105-3745 | 1 | Pulley-Drive, Fan |
| 120 | 98-9585 | 1 | Bolt |
| 130 | 104-3494 | 1 | Belt-V |
| 140 | 131-5803 | 1 | Fan |
| 150 | 98-9584 | 1 | Pulley-Fan |
| 160 | 108-2872 | 1 | Collar-Fan |
| 170 | 114-8414 | 4 | Screw-HHF |



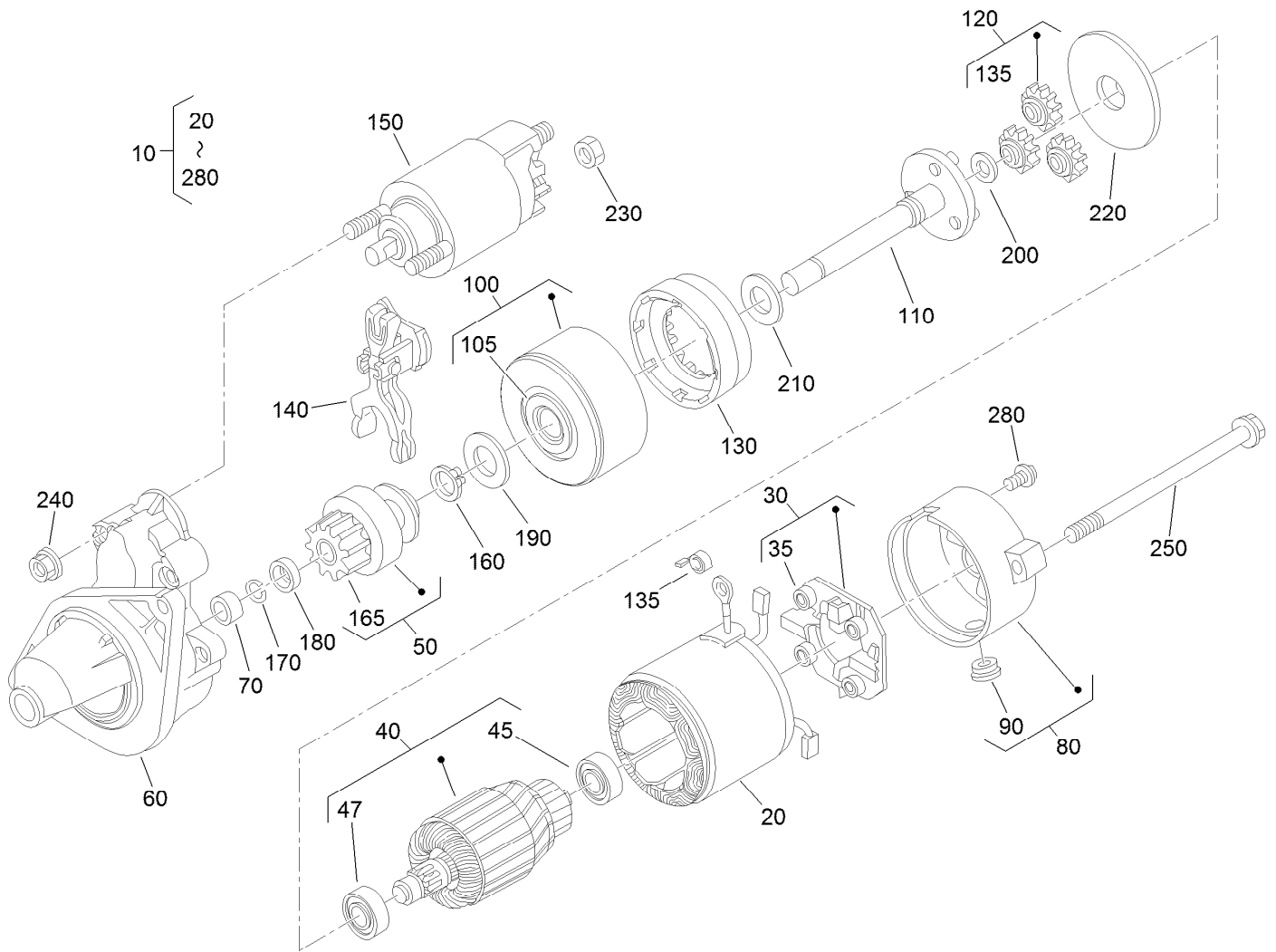
Alternator Assembly No. 131-9567

| Ref. | Part Number | Qty. | Description | Ref. | Part Number | Qty. | Description |
|------|-------------|------|-----------------------|------|-------------|------|-------------------|
| 10 | 131-9567 | 1 | 60 Amp Alternator ASM | 170 | 117-0321 | 1 | Insulation-Brush |
| 20 | 98-9453 | 1 | Pulley-Dynamo | 180 | 107-0141 | 1 | Brush Holder ASM |
| 30 | 98-7708 | 1 | Nut | 190 | 98-7724 | 2 | Brush |
| 40 | 98-7709 | 1 | Collar | 200 | 98-7725 | 2 | Spring-Brush |
| 50 | 107-0136 | 1 | Rotor ASM | 210 | 98-7726 | 2 | Screw-Head, Round |
| 60 | 98-7711 | 1 | Cover-Bearing | 220 | 98-7727 | 6 | Screw-Head, Round |
| 70 | 107-0138 | 1 | Bearing-Ball | 230 | 98-7728 | 1 | Screw-Head, Round |
| 90 | 131-9573 | 1 | Frame-End, Drive | 240 | 98-7729 | 3 | Bolt |
| 100 | 98-7715 | 1 | Plate-Retainer | 250 | 98-7730 | 2 | Nut |
| 110 | 98-7716 | 4 | Screw-Head, Round | 260 | 98-7731 | 2 | Bolt |
| 120 | 98-7717 | 2 | Bolt-Through | 270 | 98-7732 | 1 | Nut |
| 130 | 133-2811 | 1 | Bearing | 275 | 100-1776 | 1 | Nut |
| 140 | 121-3812 | 1 | Frame-End | 280 | 121-3809 | 1 | Regulator ASM |
| 150 | 121-3813 | 1 | Cover-End | 290 | 120-5841 | 1 | Clamp-Cord |
| 160 | 121-3805 | 1 | Rectifier ASM | | | | |



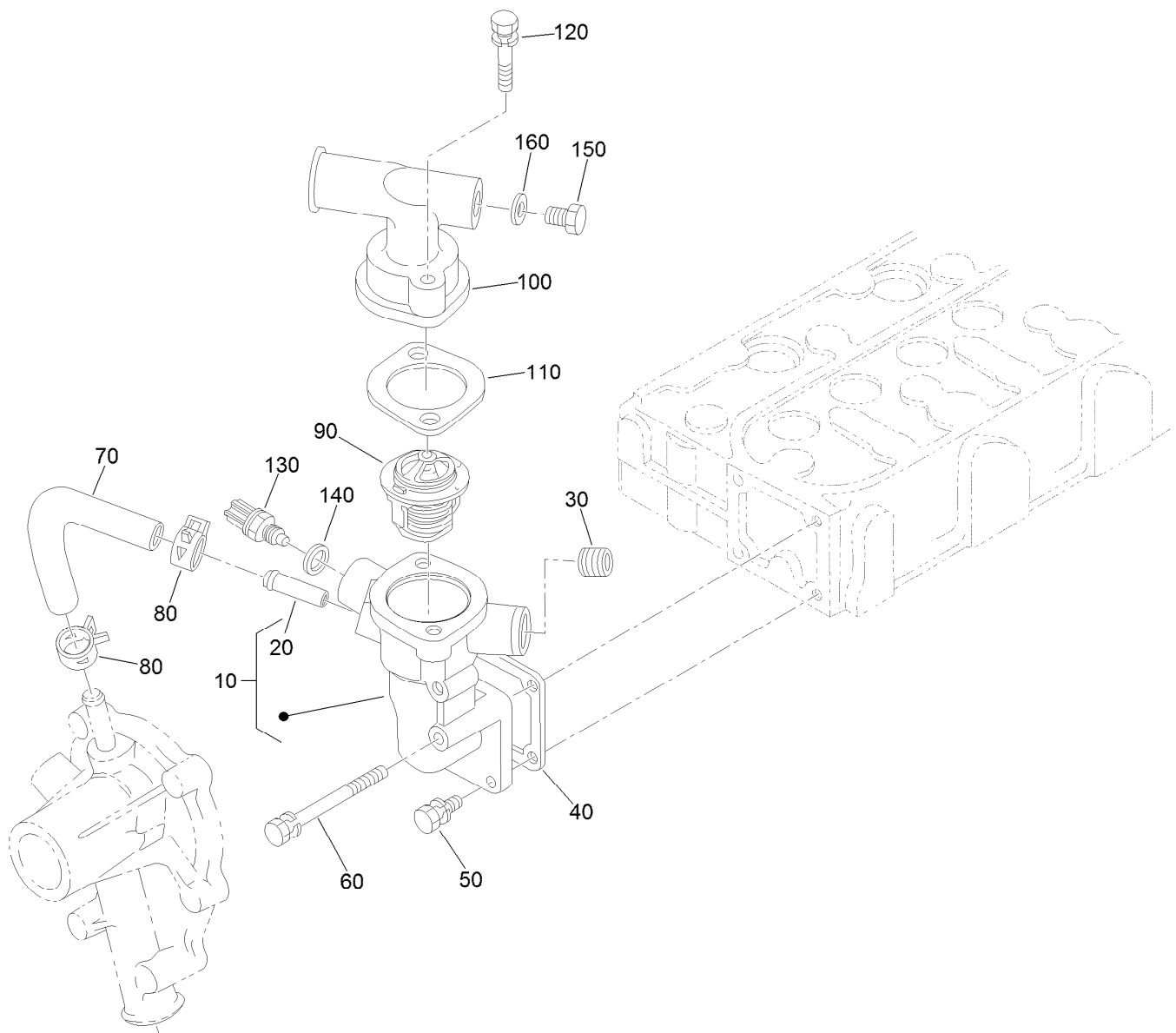
Starter Installation Assembly

| <i>Ref.</i> | <i>Part Number</i> | <i>Qty.</i> | <i>Description</i> |
|-------------|--------------------|-------------|--------------------|
| 10 | 127-0495 | 1 | Starter ASM |
| 20 | 98-7697 | 2 | Bolt |
| 40 | 98-7739 | 1 | Nut |
| 50 | 3253-4 | 1 | Washer-Lock |



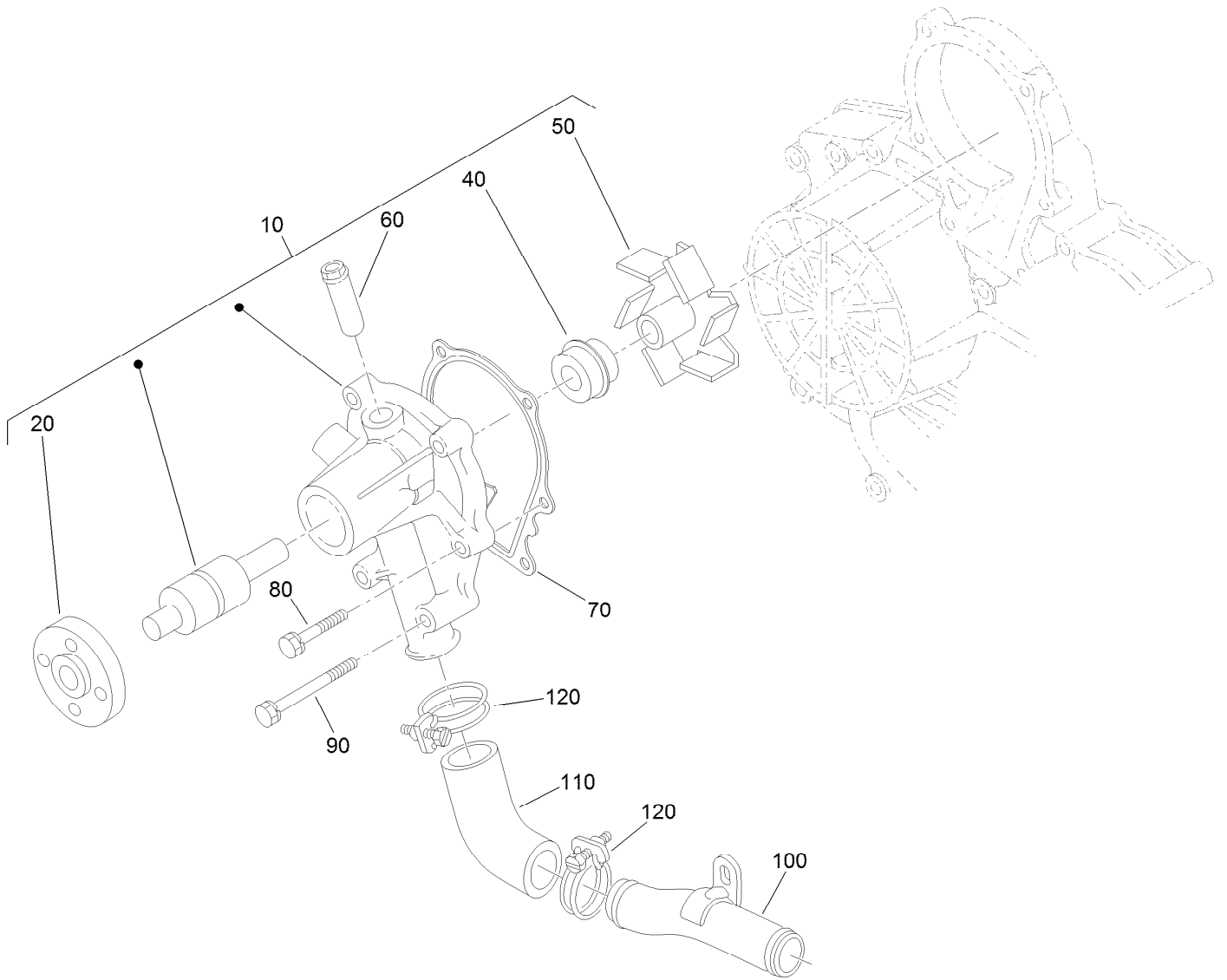
Starter Components Assembly

| Ref. | Part Number | Qty. | Description | Ref. | Part Number | Qty. | Description |
|------|-------------|------|---------------------|------|-------------|------|-----------------|
| 10 | 127-0495 | 1 | Starter ASM | 130 | 100-2221 | 1 | Gear |
| 20 | 100-2181 | 1 | Starter Yoke ASM | 135 | 98-7750 | 4 | Spring-Brush |
| 30 | 100-2222 | 1 | Holder ASM | 140 | 100-2218 | 1 | Lever |
| 35 | 127-0415 | 4 | Spring-Brush | 150 | 127-0448 | 1 | Switch-Magnetic |
| 40 | 100-2182 | 1 | Armature ASM | 160 | 100-2219 | 1 | Ring-Snap |
| 45 | 98-9412 | 1 | Bearing-Ball | 165 | 112-2833 | 1 | Gear-Pinion |
| 47 | 98-9411 | 1 | Bearing-Ball | 170 | 100-2212 | 1 | Ring-Snap |
| 50 | 100-2185 | 1 | Starter Clutch ASM | 180 | 100-2216 | 1 | Collar |
| 60 | 127-0490 | 1 | Starter Housing ASM | 190 | 100-2224 | 1 | Washer-Plain |
| 70 | 100-2183 | 1 | Bearing | 200 | 100-2225 | 1 | Washer-Plain |
| 80 | 127-0449 | 1 | Frame ASM | 210 | 100-2226 | 1 | Washer-Plain |
| 90 | 100-2213 | 1 | Cover | 220 | 100-2227 | 1 | Plate |
| 100 | 100-2223 | 1 | Bearing ASM | 230 | 99-8371 | 1 | Nut-Hex |
| 105 | 127-0414 | 1 | Bearing | 240 | 100-1813 | 2 | Nut |
| 110 | 100-2187 | 1 | Starter Shaft ASM | 250 | 100-2210 | 2 | Bolt-Through |
| 120 | 100-2220 | 3 | Gear | 280 | 100-2188 | 2 | Screw |



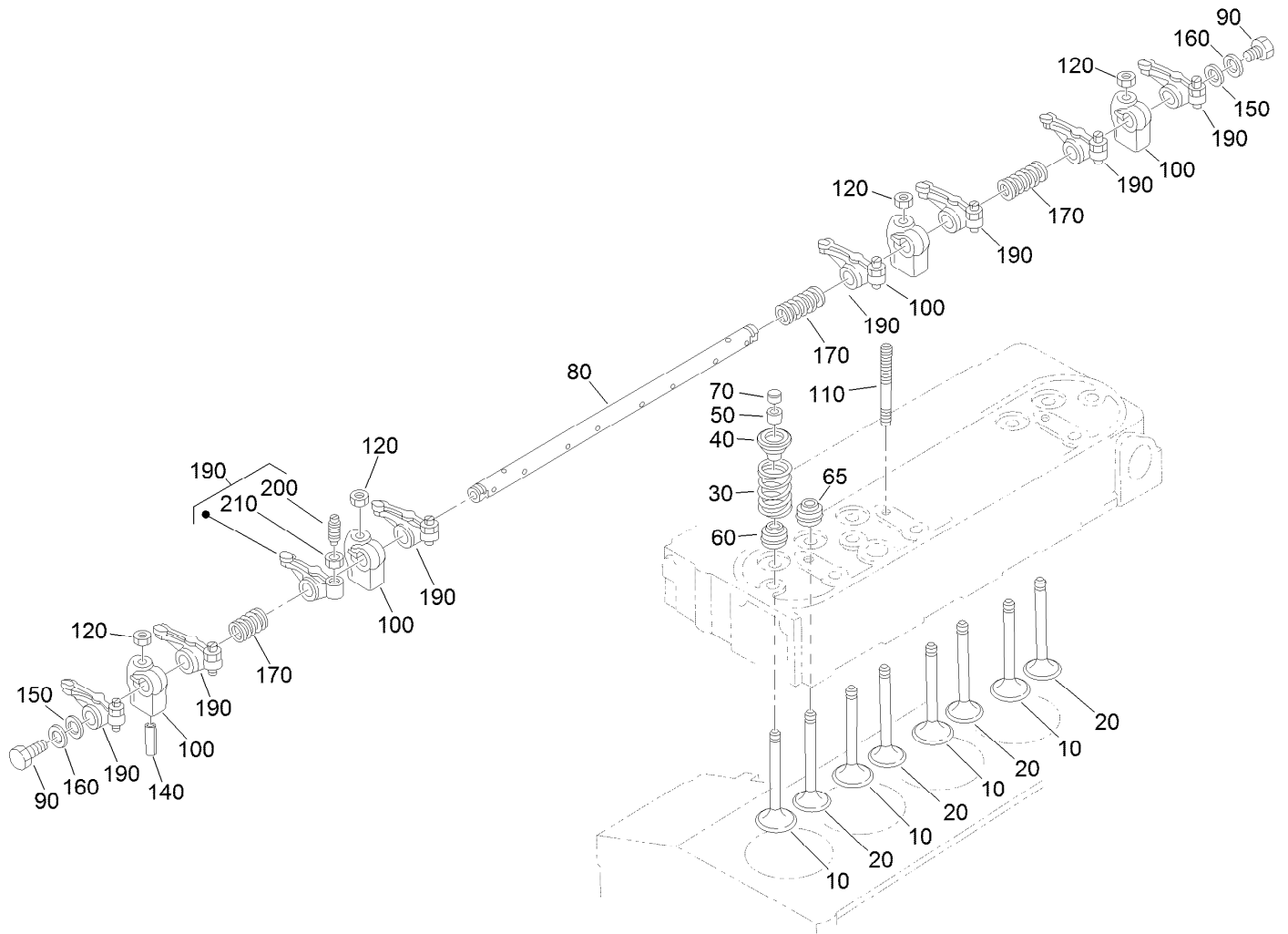
Water Flange and Thermostat Assembly

| <i>Ref.</i> | <i>Part Number</i> | <i>Qty.</i> | <i>Description</i> | <i>Ref.</i> | <i>Part Number</i> | <i>Qty.</i> | <i>Description</i> |
|-------------|--------------------|-------------|----------------------|-------------|--------------------|-------------|---------------------------|
| 10 | 127-0435 | 1 | Water Flange ASM | 90 | 98-7778 | 1 | Thermostat ASM |
| 20 | 98-9580 | 1 | Pipe-Return, Water | 100 | 108-2869 | 1 | Cover-Thermostat |
| 30 | 105-2874 | 1 | Plug | 110 | 105-3748 | 1 | Gasket-Thermostat |
| 40 | 98-9638 | 1 | Gasket-Flange, Water | 120 | 98-7777 | 2 | Bolt |
| 50 | 98-7692 | 3 | Bolt | 130 | 125-9102 | 1 | Sensor-Temperature, Water |
| 60 | 98-9356 | 1 | Bolt | 140 | 127-0410 | 1 | Washer-Seal |
| 70 | 98-9578 | 1 | Pipe-Return, Water | 150 | 108-2870 | 1 | Plug-Drain |
| 80 | 125-9078 | 2 | Clamp-Hose | 160 | 100-9155 | 1 | Gasket |



Water Pump Assembly

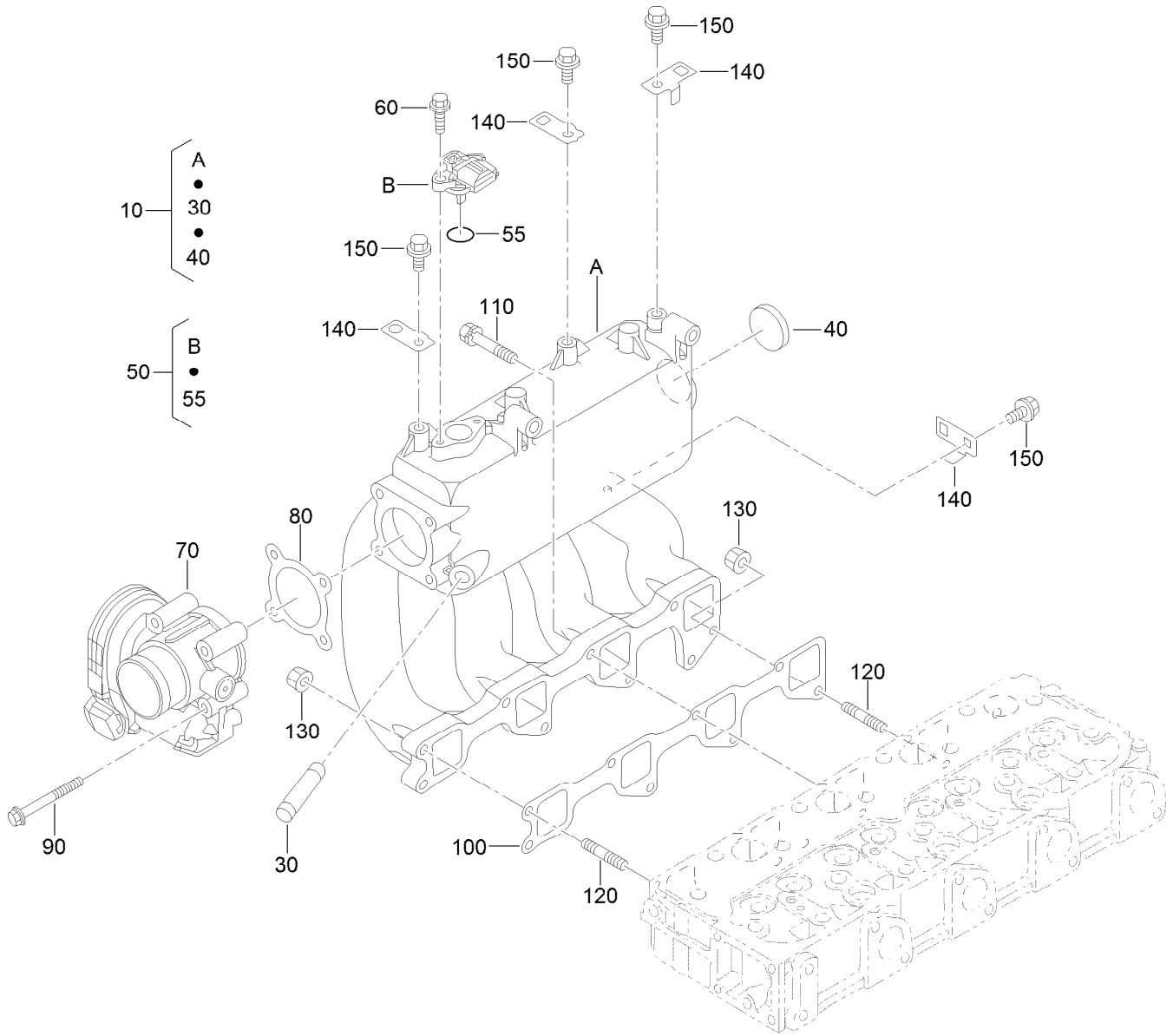
| Ref. | Part Number | Qty. | Description |
|-------------|--------------------|-------------|----------------------|
| 10 | 107-9089 | 1 | Water Pump ASM |
| 20 | 99-3516 | 1 | Flange-Pump, Water |
| 40 | 105-3750 | 1 | Mechanical Seal ASM |
| 50 | 112-7017 | 1 | Impeller-Pump, Water |
| 60 | 100-1932 | 1 | Pipe-Return, Water |
| 70 | 99-3454 | 1 | Gasket-Pump, Water |
| 80 | 98-9353 | 4 | Bolt |
| 90 | 107-9090 | 2 | Bolt |
| 100 | 98-9716 | 1 | Pipe-Water |
| 110 | 107-9091 | 1 | Pipe-Water |
| 120 | 127-0439 | 2 | Clamp-Hose |



Valve and Rocker Arm Assembly

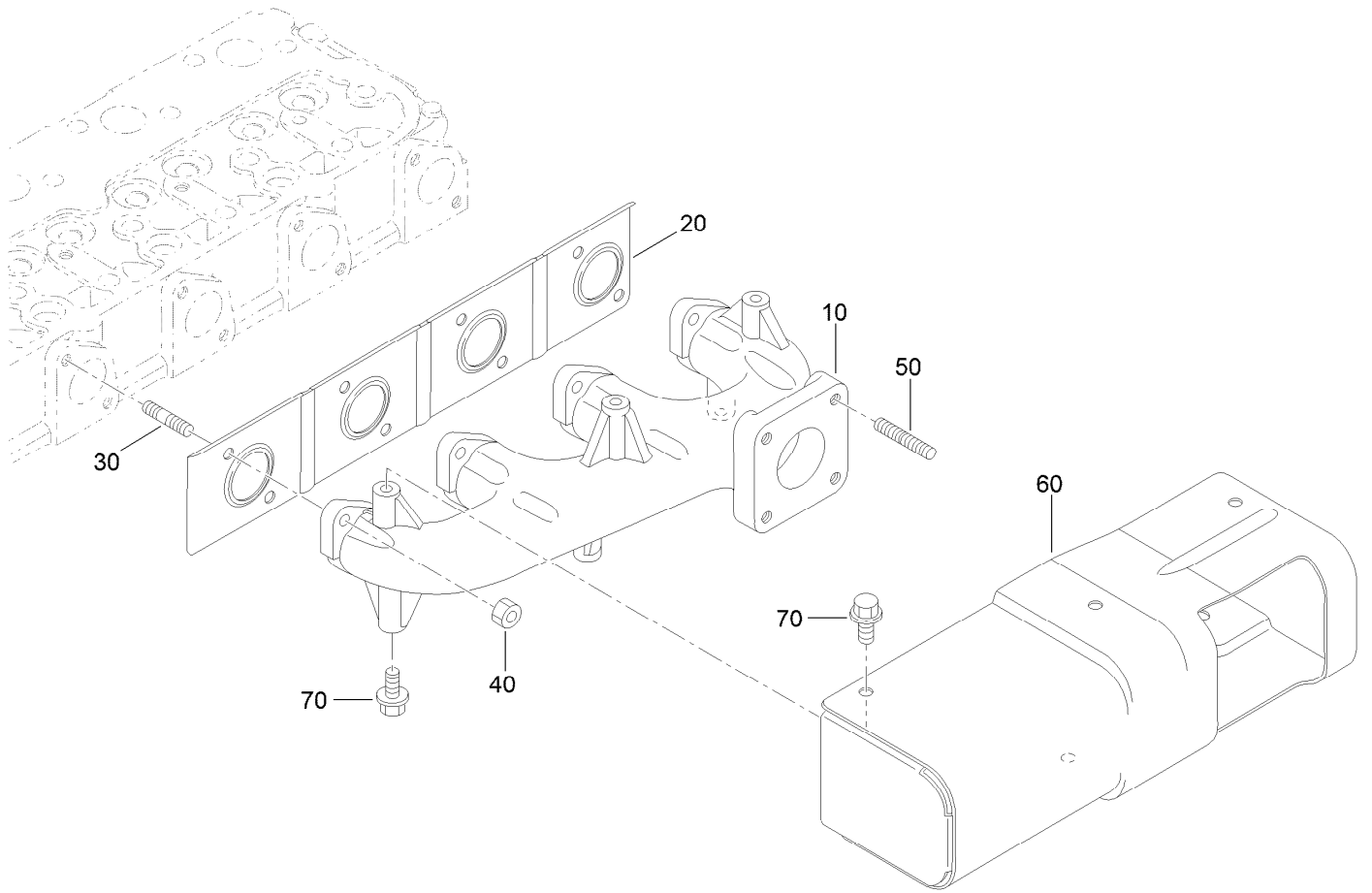
| Ref. | Part Number | Qty. | Description |
|------|-------------|------|----------------------|
| 10 | 127-0475 | 4 | Valve-Intake |
| 20 | 127-0476 | 4 | Valve-Exhaust |
| 30 | 98-9626 | 8 | Spring-Valve |
| 40 | 107-9092 | 8 | Retainer-Spring |
| 50 | 117-7572 | 8 | Collet-Spring, Valve |
| 60 | 99-8385 | 4 | Seal-Stem, Valve |
| 65 | 127-0477 | 4 | Seal-Stem, Valve |
| 70 | 98-9497 | 8 | Cap-Valve |
| 80 | 127-0420 | 1 | Shaft-Arm, Rocker |
| 90 | 99-8363 | 2 | Bolt-Flange |

| Ref. | Part Number | Qty. | Description |
|------|-------------|------|--------------------------|
| 100 | 98-9505 | 4 | Bracket-Arm, Rocker |
| 110 | 98-9506 | 4 | Stud |
| 120 | 131-6563 | 4 | Nut-Flange |
| 140 | 105-3758 | 1 | Pin-Spring |
| 150 | 98-9507 | 2 | Washer-Shaft, Rocker Arm |
| 160 | 110-3832 | 2 | Washer-Plain |
| 170 | 98-9504 | 3 | Spring-Arm, Rocker |
| 190 | 112-7020 | 8 | Rocker Arm ASM |
| 200 | 98-9502 | 8 | Screw-Adjusting |
| 210 | 98-9503 | 8 | Nut |



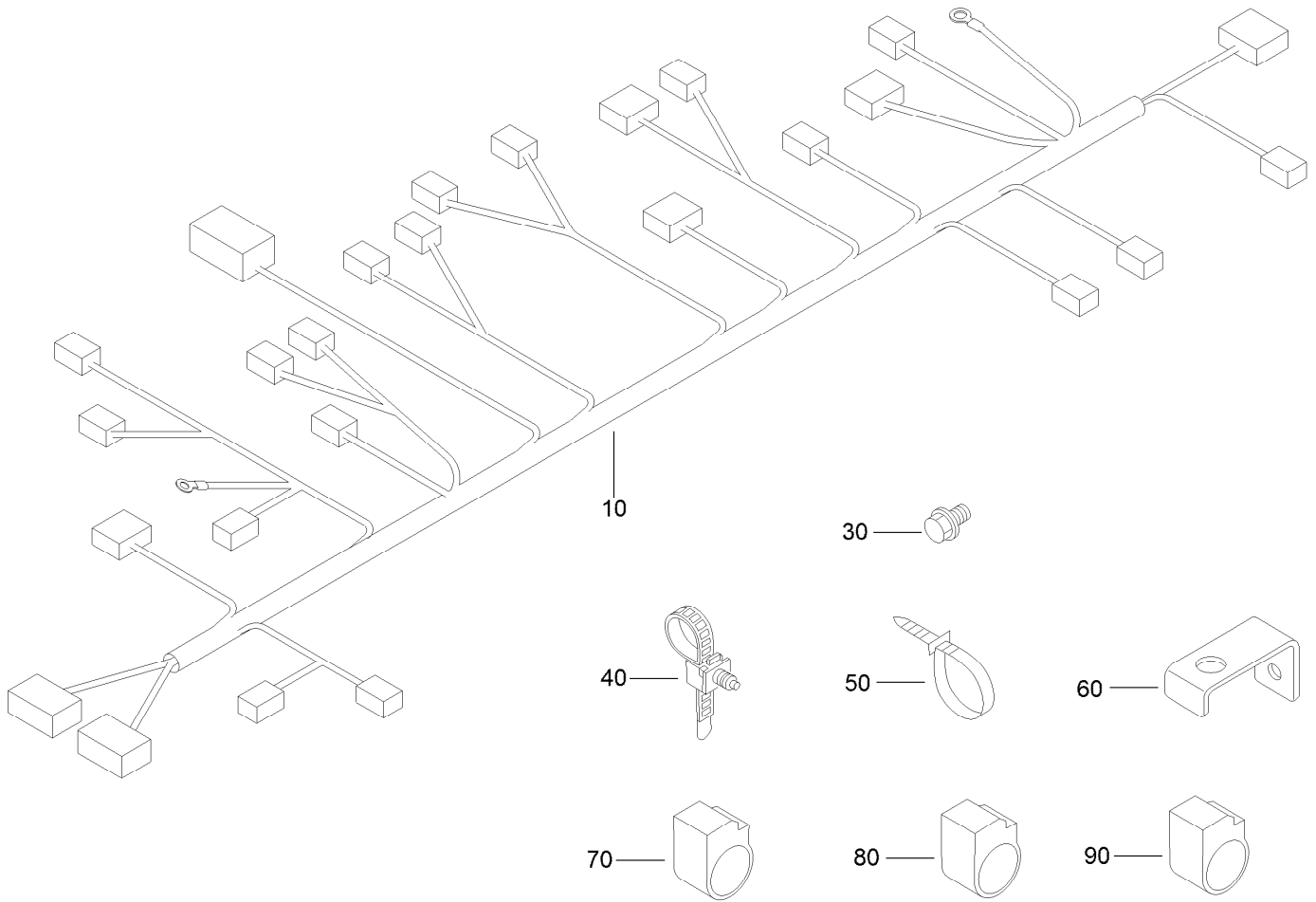
Inlet Manifold Assembly

| <i>Ref.</i> | <i>Part Number</i> | <i>Qty.</i> | <i>Description</i> |
|-------------|--------------------|-------------|----------------------|
| 10 | 127-0471 | 1 | Manifold-Intake |
| 30 | 127-0470 | 1 | Joint-Tube, Breather |
| 40 | 98-7539 | 1 | Cap-Sealing |
| 50 | 125-9110 | 1 | Sensor (Tmap) |
| 55 | 125-9112 | 1 | O Ring |
| 60 | 125-9111 | 2 | Bolt-Flange |
| 70 | 127-0492 | 1 | Throttle Body ASM |
| 80 | 127-0493 | 1 | Gasket-Throttle |
| 90 | 127-0405 | 1 | Bolt-Flange |
| 100 | 127-0472 | 1 | Gasket-Intake |
| 110 | 98-9352 | 6 | Bolt |
| 120 | 125-9092 | 2 | Stud |
| 130 | 100-2203 | 2 | Nut-Flange |
| 140 | 127-0496 | 4 | Bracket-Harness |
| 150 | 100-1774 | 4 | Bolt-Flange |



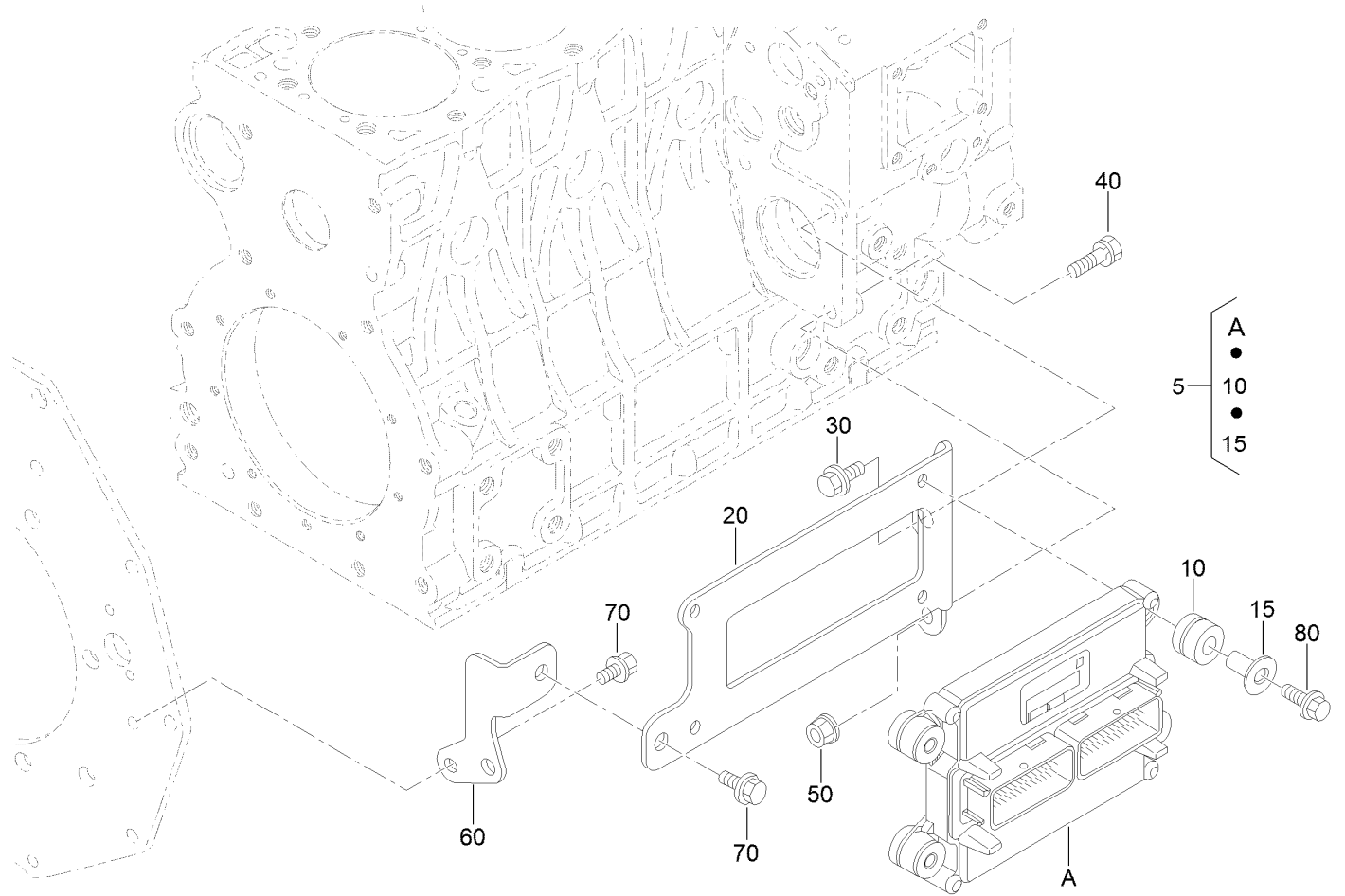
Exhaust Manifold Assembly

| <i>Ref.</i> | <i>Part Number</i> | <i>Qty.</i> | <i>Description</i> |
|-------------|--------------------|-------------|--------------------------|
| 10 | 131-9592 | 1 | Manifold-Exhaust |
| 20 | 127-0474 | 1 | Gasket-Manifold, Exhaust |
| 30 | 127-0507 | 8 | Stud |
| 40 | 98-9665 | 8 | Nut |
| 50 | 127-0446 | 4 | Stud |
| 60 | 131-9593 | 1 | Cover-Exhaust |
| 70 | 99-8363 | 6 | Bolt-Flange |



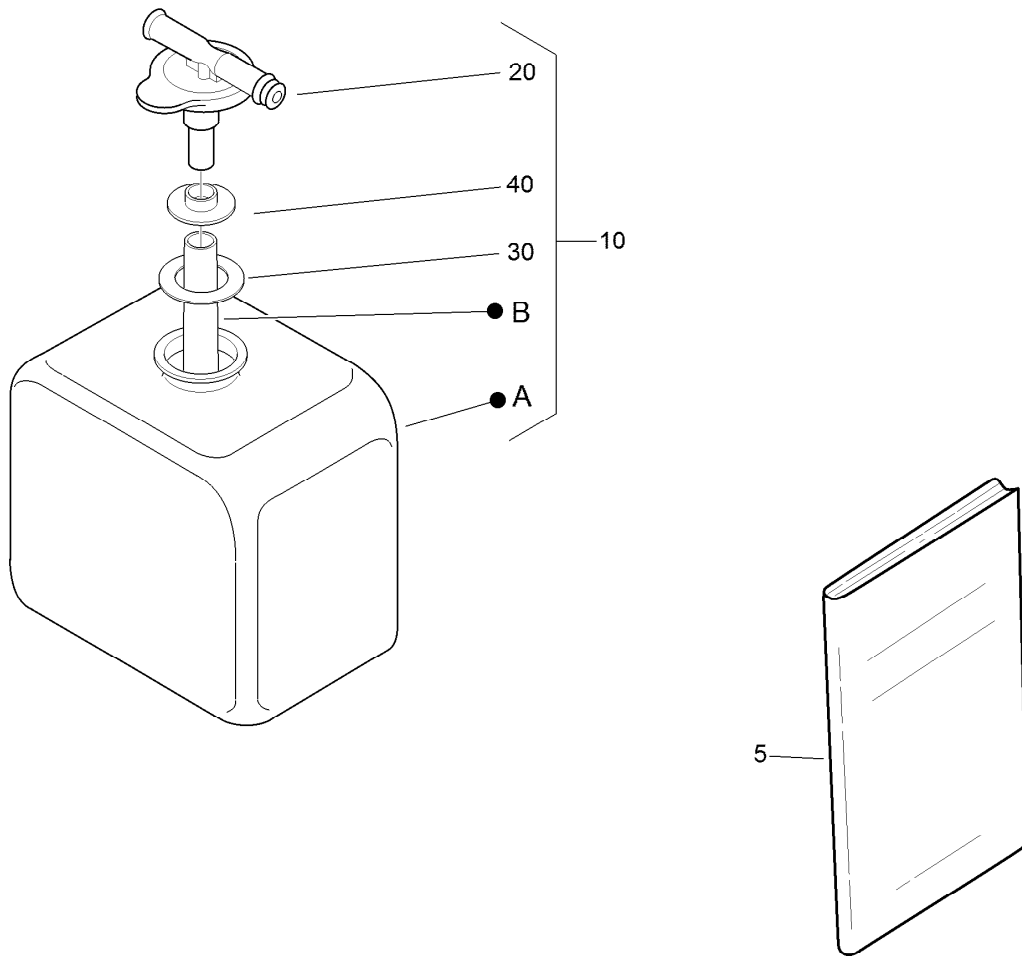
Wire Harness Assembly

| <i>Ref.</i> | <i>Part Number</i> | <i>Qty.</i> | <i>Description</i> |
|-------------|--------------------|-------------|----------------------------|
| 10 | 147-0610 | 1 | Wire Harness & Fusebox ASM |
| 30 | 115-8504 | 1 | Bolt-Flange |
| 40 | 127-0515 | 1 | Clamp |
| 50 | 127-0447 | 4 | Band-Cord |
| 60 | 127-0497 | 1 | Bracket-Harness |
| 70 | 127-0514 | 1 | Clamp |
| 80 | 127-0513 | 2 | Clamp |
| 90 | 127-0512 | 1 | Clamp |



Electronic Control Unit Assembly

| Ref. | Part Number | Qty. | Description |
|------|-------------|------|-----------------------------|
| 5 | 133-2789 | 1 | Electronic Control Unit ASM |
| 10 | 127-0501 | 4 | Rubber-Cushion |
| 15 | 127-0500 | 4 | Spacer (E C U) |
| 20 | 127-0502 | 1 | Stay-E C M |
| 30 | 127-0406 | 1 | Bolt-Flange |
| 40 | 98-7697 | 1 | Bolt |
| 50 | 112-2492 | 1 | Nut-Flange |
| 60 | 127-0503 | 1 | Stay-E C M |
| 70 | 115-8504 | 2 | Bolt-Flange |
| 80 | 125-9094 | 4 | Bolt-Flange |



Miscellaneous Engine Parts

| <i>Ref.</i> | <i>Part Number</i> | <i>Qty.</i> | <i>Description</i> |
|-------------|--------------------|-------------|--------------------|
| 5 | 136-2287 | 1 | Manual-Owners |
| 10 | 108-0638 | 1 | Bottle-Overflow |
| 20 | 105-3754 | 1 | Cap |
| 30 | 105-3755 | 1 | Gasket |
| 40 | 105-3756 | 1 | Plate |

Attachments and Accessories

For 41394GK — Multi Pro 5800 Turf Sprayer with GeoLink Precision Spray System

| Product Name | Model/Part |
|--|-------------------|
| Premium All Season Hydraulic Fluid (55 Gallon Drum) | 108-1177 |
| Premium All Season Hydraulic Fluid (5 Gallon Pail) | 108-1178 |
| Premium Heavy Duty All Season Gear Lube (Pail) | 108-1188 |
| Premium All Purpose Grease (Tube) | 108-1190 |
| Premium Heavy Duty All Season Gear Lube (Quart) | 108-1591 |
| Spark Arrestor | 115-2919 |
| Tire | 119-6021 |
| Beacon Kit | 120-8505 |
| License Plate Kit | 120-8506 |
| Covered Boom Spring Upgrade Kit | 120-8508 |
| Premium Engine Oil 10w30 (55 Gallon Drum) | 121-6392 |
| Premium Engine Oil 10w30 (5 Gallon Pail) | 121-6393 |
| Wheel And Tire Asm | 127-1100 |
| Lance Suction Assembly | 127-9826 |
| Ultra Sonic Boom Finishing Kit | 130-8229 |
| Right Hand Step Kit | 130-8230 |
| Left Hand Step Kit | 130-8231 |
| Finishing Kit, Foam Marker for Serial Number 315000001 and After Multi Pro 5800 Turf Sprayer | 136-0458 |
| CE Kit, Multi Pro 5800-G Turf Sprayer | 144-6200 |
| Rear Work Light Kit | 41010 |
| Single Nozzle Kit | 41023 |
| Hand Spray Wand Kit | 41118 |
| Pro Foam Concentrate (4 x 1 Gallon) | 41157 |
| Nozzalert - Mp Nozzle Flow System | 41166 |
| Ultra Sonic Boom Leveling Kit | 41219 |
| Foam Marker Kit | 41249 |
| Drift Reduction Boom Shroud Kit | 41602 |
| Pro-Foam | 41607 |
| Tank Rinse Kit | 41614 |
| Pivoting Hose Reel Kit | 41621 |
| Eductor Kit | 41622 |
| TNL Reference Antenna Kit, MR-2 | 41635 |

Notes:

Notes:



Count on it.