



Greensmaster® 3150

Model No. 04357 - 240000001 and up.

Parts Catalog

Ordering Replacement Parts

To order replacement parts, please supply the part number, the quantity, and the description of each part desired.

Understanding Reference Numbers

Each Identified part in an illustration has a reference number. The reference number for a part also appears in the parts list, along with other information about the part.

This catalog uses two special reference number formats, one to indicate parts in a service assembly and another to indicate the quantity of a given part in an illustration.

Service Assembly Reference Numbers

Parts in service assemblies have reference numbers in the form a:b. The a represents the reference number of the entire service assembly and the b represents a sequential number unique to each part within the service assembly.

For example, a wheel assembly might be identified by reference number 6, the tire by 6:1, the valve by 6:2, and the wheel by 6:3. When you order the assembly identified by reference number 6, you receive all parts identified by reference numbers 6:1, 6:2, and 6:3. However, you may also order any part individually. Reference numbers of this type appear in illustrations and in part lists.

Reference Numbers Indicating Quantity

In an illustration, if a reference number indicates more than one part, the reference number has the form nX y. The n represents the quantity of the part, the X is the multiplication symbol, and the y represents the reference number.

For example, in an illustration, the reference number 2X 37 means that two of the parts identified by reference number 37 are indicated.

Part Description Abbreviations

Part descriptions in this catalog may include the following abbreviations.

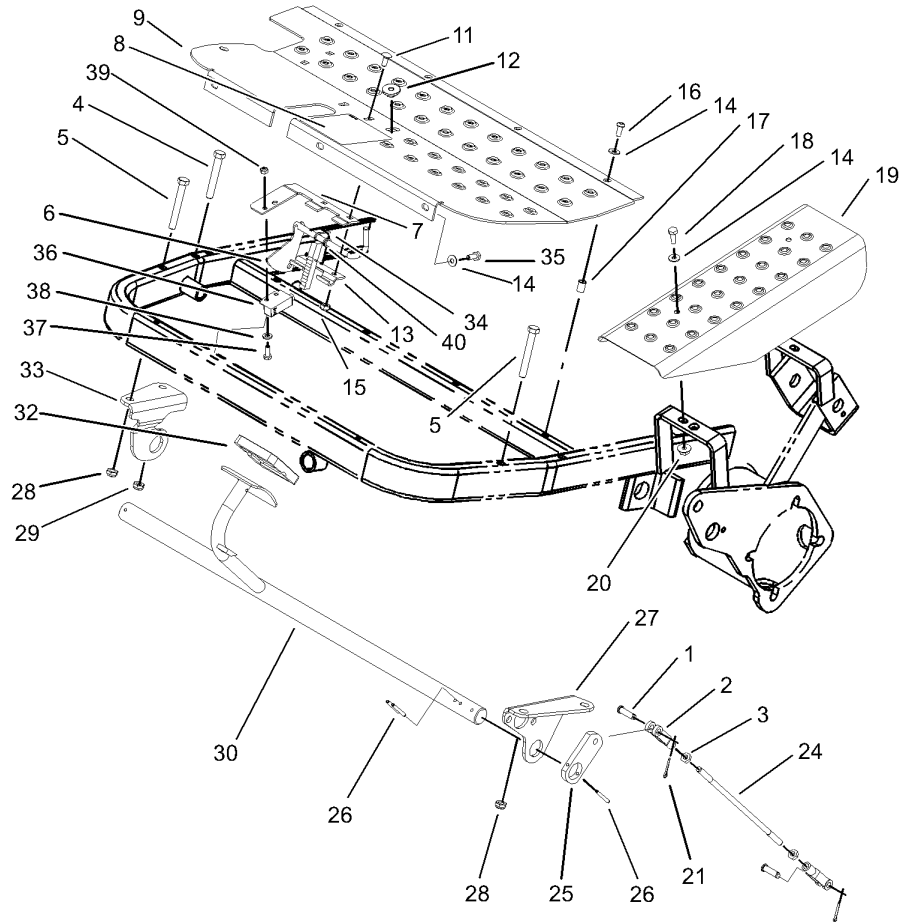
AR.	as required	HYD.	hydraulic
ASM.	assembly	INC.	incorporated
CARR.	carriage	LH.	left hand
DEG.	degrees	NI.	nylon insert
FH.	flat head	PPH.	phillips pan head
GA.	gauge	PTH.	phillips truss head
HF.	hex flange	PTO.	power take off
HH.	hex head	RH.	right hand
HHF.	hex head flange	SFH.	slotted fillister head
HHFTF.	hex head flange thread forming	SHH.	slotted hex head
HJ.	hex jam	SHWH.	slotted hex washer head
HLH.	hex lag head	SPH.	slotted pan head
HOC.	height-of-cut	SQH.	square head
HS.	hex	SRH.	slotted round head
HSBH.	hex socket button head	STD.	standard
HSFH.	hex socket flat head	TAP.	self tapping
HS.	hex socket head	TTH.	torx truss head
HWH.	hex washer head	WH.	wing head
HWHTF.	hex washer head thread forming		

Footnotes

- | | | | |
|---|---|---|--|
| ❶ | Not illustrated | ❷ | Not serviced separately |
| ❸ | Included in Engine Gasket Set-Ref. 358. | ❹ | Included in Valve Gasket Set-Ref. 1095. |
| ❺ | Included in Carburetor Overhaul Kit-Ref. 121. | ❻ | Included in Valve Overhaul Gasket Set-Ref. 1095. |
| ❻ | Obtain parts from your local Briggs and Stratton dealer | | |

Contents

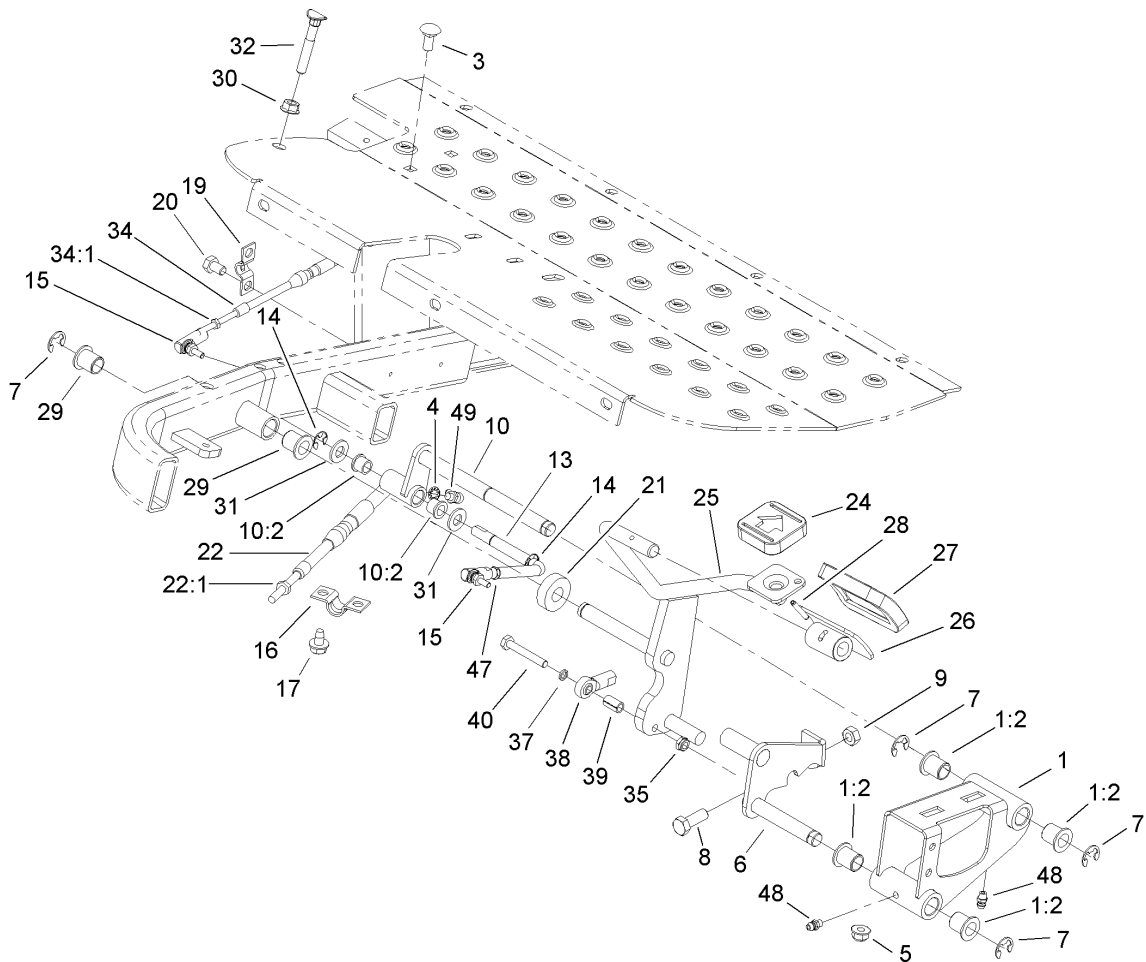
Description	Page	Description	Page
Brake Pedal Assembly 4	Cylinder Assembly Briggs and Stratton Model 350447-1331-E1 42
Traction Pedal Assembly 5	Crankshaft Assembly Briggs and Stratton Model 350447-1331-E1 43
Front Wheel and Brake Assembly 6	Cylinder Head Assembly No. 1 Briggs and Stratton Model 350447-1331-E1 44
Brake Assembly No. 104-7705 7	Cylinder Head Assembly No. 2 Briggs and Stratton Model 350447-1331-E1 45
Hydraulic Wheel Motor Assembly No. 92-9199 8	Intake Manifold and Rocker Cover Assembly Briggs and Stratton Model 350447-1331-E1 46
Steering Arm Assembly 9	Carburetor Assembly Briggs and Stratton Model 350447-1331-E1 47
Steering Control Valve Assembly No. 105-0424 10	Governor Assembly Briggs and Stratton Model 350447-1331-E1 48
Right Hand Pull Frame Assembly 11	Alternator Assembly Briggs and Stratton Model 350447-1331-E1 49
Hydraulic Cylinder Assembly No. 106-9066 13	Fuel Pump, Oil Pump and Dipstick Assembly Briggs and Stratton Model 350447-1331-E1 50
Left Hand Pull Frame Assembly 14	Air Cleaner Assembly Briggs and Stratton Model 350447-1331-E1 51
Center Pull Frame Assembly 16	Blower Housing Assembly Briggs and Stratton Model 350447-1331-E1 52
Hydraulic Cylinder Assembly No. 106-9064 18	Flywheel Assembly Briggs and Stratton Model 350447-1331-E1 53
Seat Assembly 19	Starter Assembly Briggs and Stratton Model 350447-1331-E1 54
Neutral System Assembly 20	Starter Assembly Briggs and Stratton Model 350447-1331-E1 55
Engine Installation Assembly 21	Gasket Assembly Briggs and Stratton Model 350447-1331-E1 56
Hydrostat and Gear Pump Drive Assembly 22	Carburetor Overhaul Kit Assembly Briggs and Stratton Model 350447-1331-E1 57
Hydrostat Assembly No. 105-0494 23		
Gear Pump Assembly No. 104-7737 24		
Frame and Battery Assembly 25		
Rear Wheel Assembly 26		
Steering Cylinder Assembly No. 105-0411 27		
Control Panel Assembly 28		
Hydraulic Reservoir and Leak Detector Assembly 29		
Fuel Tank Assembly 30		
Speed Selector Lever Assembly 31		
Joystick and Console Assembly 32		
Joystick Bracket Assembly No. 106-4167 33		
Hydraulic Manifold Assembly 34		
Manifold Assembly No. 106-9005 35		
Hydraulic Traction Assembly 36		
Hydraulic Reel Drive Assembly 37		
Hydraulic motor Assembly No. 100-6426 38		
Hydraulic Lift Assembly 39		
Hydraulic Steering Assembly 40		
Wire Harness Routing Assembly 41		



Brake Pedal Assembly

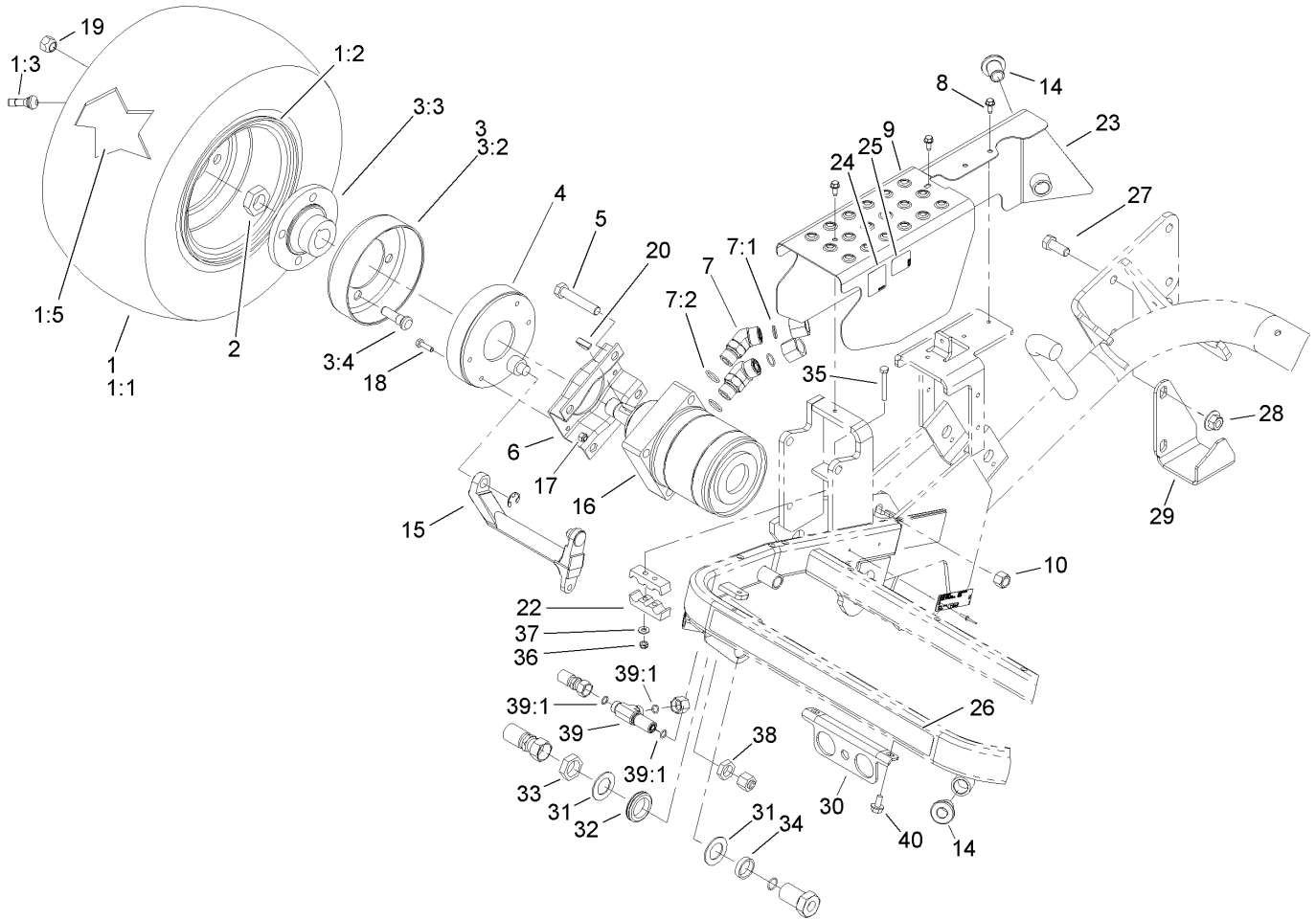
Ref	Part No.	Qty.	Description
1	283-61	4	Pin-Yoke
2	282-2	4	Yoke
3	3220-2	4	Nut
4	323-12	1	Screw-HH
5	323-13	3	Screw-HH
6	100-9819	1	Latch ASM
7	100-9821	1	Plate-Switch, Reed
8	93-8062	1	Decal-Brake, Parking
9	105-0463-01	1	Plate-Footrest
11	3229-11	2	Screw-CARR
12	32141-111	1	Nut-Adjusting
13	95-1629	1	Hinge-Lower
14	3256-1	9	Washer-Flat
15	3296-16	2	Nut-Lock, NI
16	3274-31	4	Screw-HSBH
17	32148-6	7	Insert-Nut
18	321-4	2	Screw-HH
19	83-0200-01	1	Plate-Cover, LH
20	32128-33	2	Nut-HF
21	3272-6	4	Pin-Cotter
24	27-2270	2	Rod-Adjustment, Brake
25	10-8100-01	2	Strap-Shaft, Brake
26	32121-35	4	Pin-Roll
27	88-9640-01	1	Bracket-Lift Pivot, LH

Ref	Part No.	Qty.	Description
28	104-8301	3	Nut-Flange, NI
29	3296-59	1	Nut-Lock, NI
30	83-0160	1	Shaft-Brake
32	93-7629	1	Pad-Foot, Brake
33	105-0440-01	1	Bracket-Brake, RH
34	10-8140	1	Spring-Latch, Brake
35	321-3	3	Screw-HH
36	104-2057	1	Sensor
37	48-7620	2	Screw-HH
38	33093-00	2	Washer-Flat
39	49-7810	2	Nut-Lock
40	75-5470	2	Spacer-Bearing



Traction Pedal Assembly

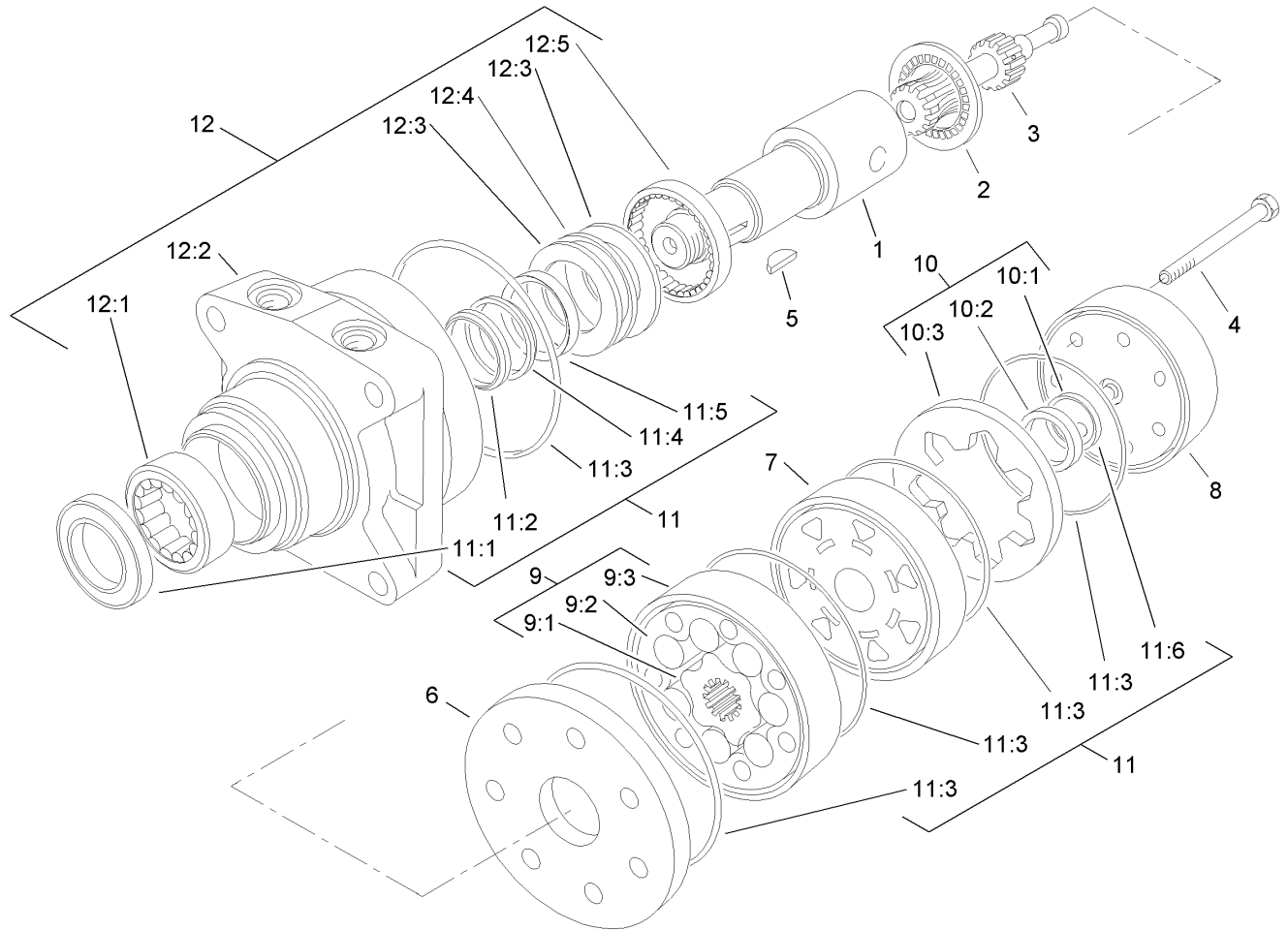
Ref	Part No.	Qty.	Description	Ref	Part No.	Qty.	Description
1	106-4620	1	Pivot Mount ASM	27	74-9100	1	Pad-Pedal, Forward
1:2	256-155	4	Bushing-Flange	28	32121-45	1	Pin-Spring
3	3230-1	2	Bolt-CARR	29	256-155	2	Bushing-Flange
4	3254-8	1	Washer-Lock	30	32128-20	1	Nut-HF
5	104-8300	2	Nut-Flange, NI	31	3256-24	2	Washer-Flat
6	105-5425	1	Lock ASM	32	17-9426	1	Screw-Handle
7	32120-47	4	Ring-Retaining, External	34	105-5444	1	Cable-Lock, Neutral
8	323-6	1	Screw-HH	34:1	3219-14	2	Nut-Hex
9	3217-7	1	Nut-Hex	35	3296-56	1	Nut-Lock, NI
10	106-4621	1	Support ASM	37	105-8318	1	Washer-Flat
10:2	256-116	2	Bushing-Flange	38	2411-41	1	Joint-Ball
13	105-5430	1	Rod-Connecting	39	80-0650	1	Spacer-Tubular
14	32120-18	2	E-Ring	40	321-10	1	Screw-HH
15	2411-38	2	Joint-Ball	47	3219-14	1	Nut-Hex
16	93-2092	1	Clamp-Cable	48	302-5	2	Fitting-Grease
17	9266934	2	Screw	49	302-60	1	Fitting-Grease
19	93-2279	1	Clamp-Cable				
20	322-1	2	Screw-HH				
21	105-5429	1	Spacer-Pedal, Traction				
22	105-5445	1	Cable-Traction				
22:1	3220-1	2	Nut-Jam				
24	74-9110	1	Pad-Pedal, Reverse				
25	105-5421-01	1	Traction Pedal ASM				
26	49-6440-03	1	Pedal-Forward				



Front Wheel and Brake Assembly

Ref	Part No.	Qty.	Description
1		2	Wheel And Tire ASM
1:1	28-3680	1	Tire
1:2	217-60	1	Rim
1:3	232-27	1	Stem-Valve
1:5	232-37	1	Tube
2	26-3790	2	Nut-Lock
3	10-6821	2	Brake Drum ASM
3:2	10-6850	1	Drum-Brake
3:3	10-6870-03	1	Hub-Wheel
3:4	85-6540	4	Stud-Drive
4	104-7705	2	Brake ASM
5	325-11	8	Screw-HH
6	84-2000-03	2	Bracket-Brake
7	340-14	4	Fitting-Hyd, 45 DEG
7:1	237-65	1	O-Ring
7:2	237-80	1	O-Ring
8	32144-10	4	Screw-HWH
9	105-0433-01	1	Channel-Step, RH
10	3296-23	8	Nut-Lock, NI
14	83-1700	3	Bushing-Flange
15	93-2096	2	Lever-Brake
16	92-9199	2	Motor-Wheel, HYD
17	3296-42	8	Nut-Lock, NI
18	321-5	8	Screw-HH

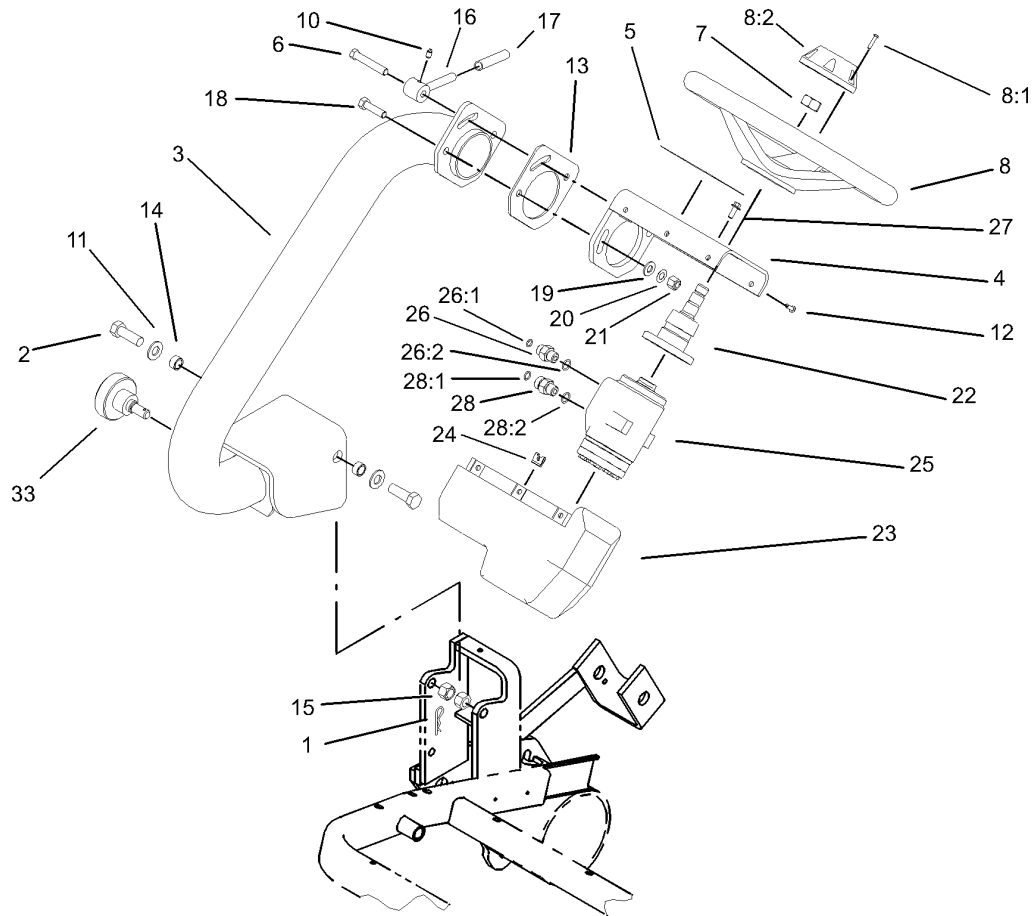
Ref	Part No.	Qty.	Description
19	242-50	8	Nut-Lug
20	3257-42	2	Key-Woodruff
21	3290-378	3	Tie-Cable
22	93-2509	2	Clamp-Tube
23	105-8282-01	1	Side Shield ASM
24	105-4674	1	Decal-Noise, Ce
25	93-7252	1	Decal
26	105-5470	1	Decal
27	325-5	2	Screw-HH
28	32128-52	2	Locknut-Flange
29	105-8263-01	1	Bracket-Rops
30	107-2552-01	1	Bracket-Bulkhead
31	69-9010	2	Washer
32	240-3	1	Grommet-Rubber
33	340-74	1	Locknut-Bulkhead
34	69-9000	1	Spacer
35	321-11	2	Screw-HH
36	3296-56	2	Nut-Lock, NI
37	3256-22	2	Washer-Flat
38	340-70	1	Nut-Lock
39	340-68	1	Fitting-Tee, Bulkhead
39:1	237-22	3	O-Ring
40	32144-14	2	Screw-HWH



Hydraulic Wheel Motor Assembly No. 92-9199

Ref	Part No.	Qty.	Description
1	76-0860	1	Shaft-Coupling
2	76-0850	1	Bearing-Thrust
3	92-9761	1	Link-Drive
4	92-9762	7	Screw-HH
5	3257-42	1	Key-Woodruff
6	76-0870	1	Plate-Wear
7	76-0840	1	Manifold
8	76-0940	1	End Cover ASM
9	92-9763	1	Rotor Set
●9:1		1	Rotor
●9:2		1	Vane
●9:3		1	Stator
10	76-0880	1	Commutator ASM
●10:1		1	Seal-Commutator
●10:2		1	Commutator
●10:3		1	Ring-Commutator
11	94-8178	1	Seal Kit
●11:1		1	Seal-Dirt & Water
●11:2		1	Washer-Backup
●11:3		5	Seal-Ring
●11:4		1	Washer-Backup
●11:5		1	Seal-Inner
●11:6		1	Seal-Commutator
12	76-0810	1	Housing ASM

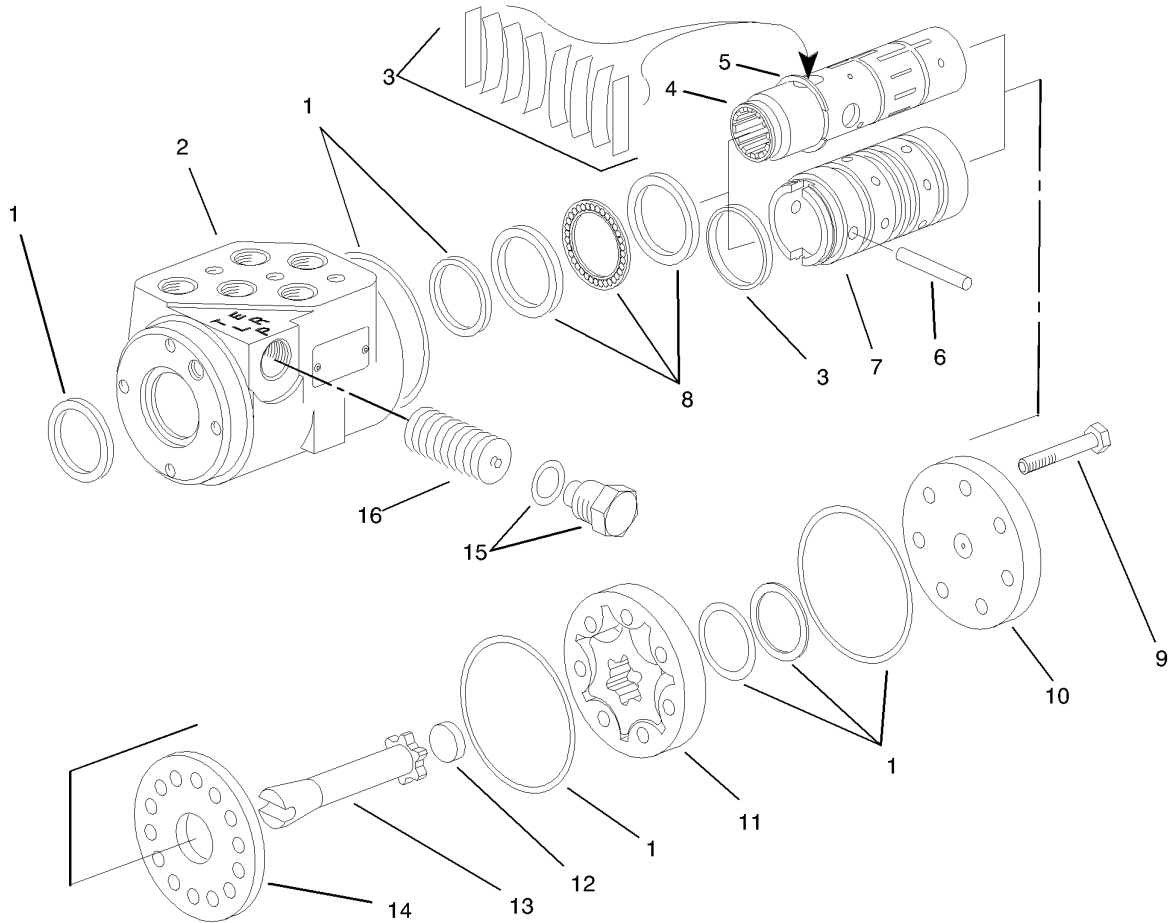
Ref	Part No.	Qty.	Description
●12:1		1	Bearing
●12:2		1	Housing
●12:3		2	Washer-Thrust
●12:4		1	Bearing-Thrust
●12:5		1	Bearing



Steering Arm Assembly

Ref	Part No.	Qty.	Description
1	3290-467	1	Pin-Hair
2	325-6	2	Screw-HH
3	105-0418-01	1	Steering Arm ASM
4	105-4316-03	1	Steering Mount ASM
5	93-8063	1	Decal-Caution, Ce
5	104-2053	1	Decal-Warning
6	105-4326	1	Screw-Hh, LH
7	107-2562	1	Nut-Hex
8	75-0560	1	Wheel-Steering
8:1	32144-21	1	Screw
8:2	68-5140	1	Cap-Wheel, Steering
10	3241-1	1	Screw-Set, SQH
11	3256-26	2	Washer-Flat
12	3274-39	6	Screw-HSBH
13	105-0457	1	Plate-Friction
14	47-2890	2	Bushing
15	3296-23	2	Nut-Lock, NI
16	105-4313	1	Lever ASM
17	92-6798	1	Cap-Rod, Tilt
18	323-29	2	Screw-HH
19	3256-24	2	Washer-Flat
20	3290-477	2	Washer-Curved
21	3296-39	2	Nut-Lock, NI
22	105-0425	1	Steering Column ASM

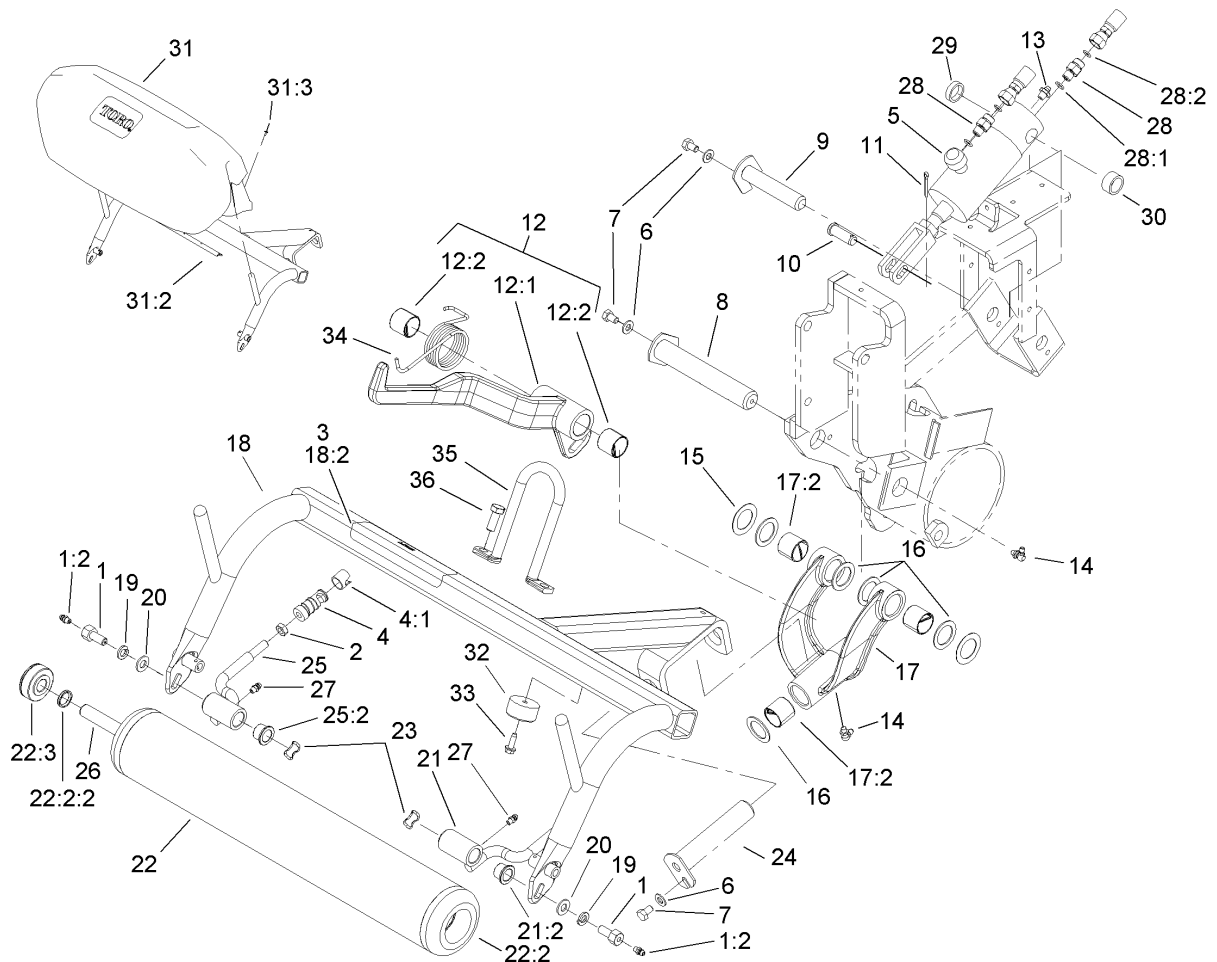
Ref	Part No.	Qty.	Description
23	83-0810	1	Cover-Steering
24	3290-277	6	Nut-Speed
25	105-0424	1	Valve-Control, Steering
26	340-1	3	Adapter
26:1	237-21	1	O-Ring
26:2	237-42	1	O-Ring
27	33103-016	4	Screw-HHF
28	340-2	2	Fitting-Hyd, Straight
28:1	237-22	1	O-Ring
28:2	237-42	1	O-Ring
33	105-0484	1	Knob-Steering



Steering Control Valve Assembly No. 105-0424

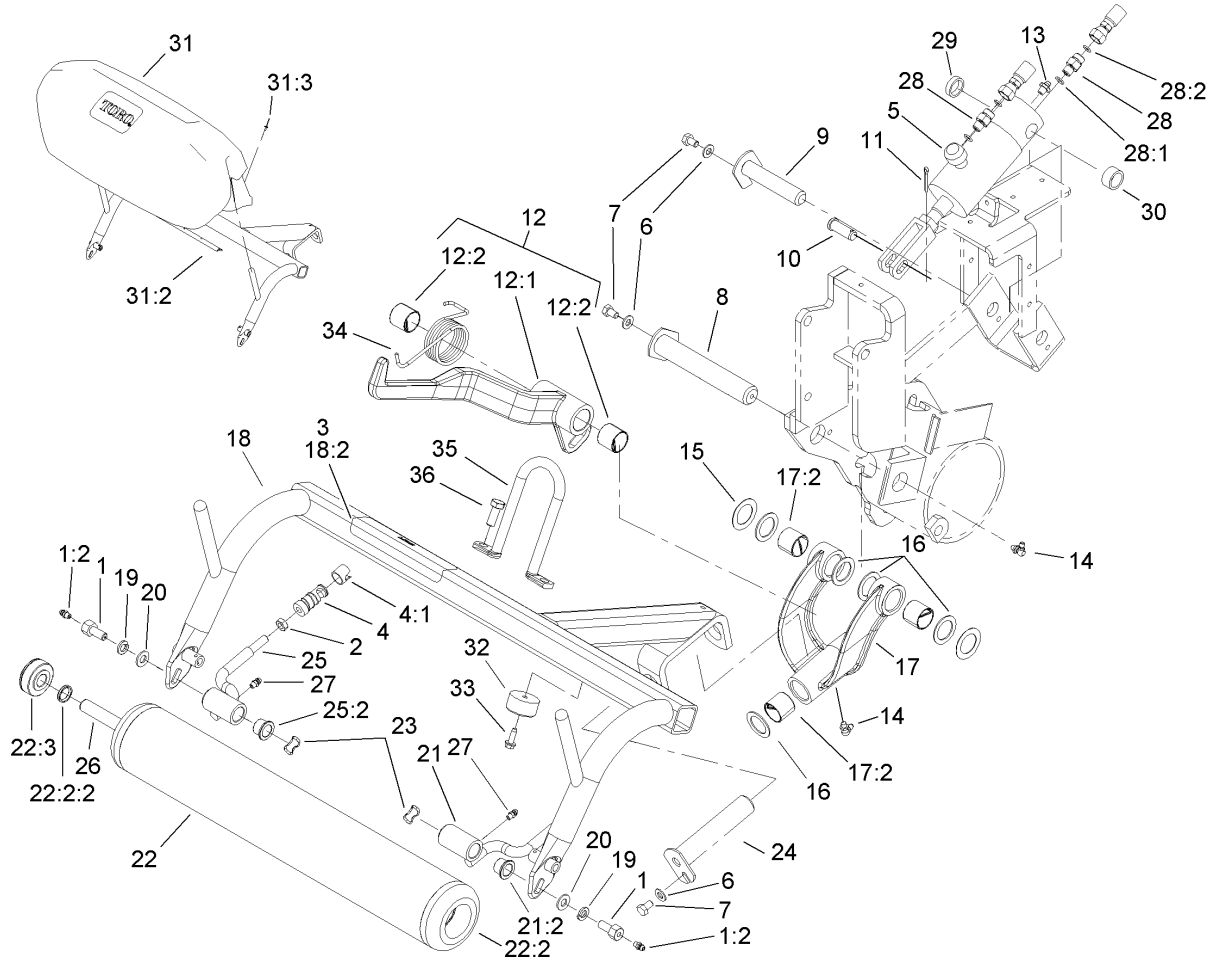
Ref	Part No.	Qty.	Description
1	94-4099	1	Seal Kit
2		1	Housing
3	94-4095	1	Centering Spring Kit
4		1	Spool
5	94-4098	1	Ring-Retaining
6	94-4094	1	Pin
7		1	Sleeve
8	94-4096	1	Bearing Kit
9	105-2938	7	Screw-Cap
10	94-4089	1	Cap-End
11	105-2939	1	Gerotor ASM
12	105-2940	1	Spacer
13	94-4093	1	Drive
14	94-4092	1	Plate-Wear
15	99-5511	1	Plug ASM
16	99-5500	1	Valve-Relief

--	--	--	--



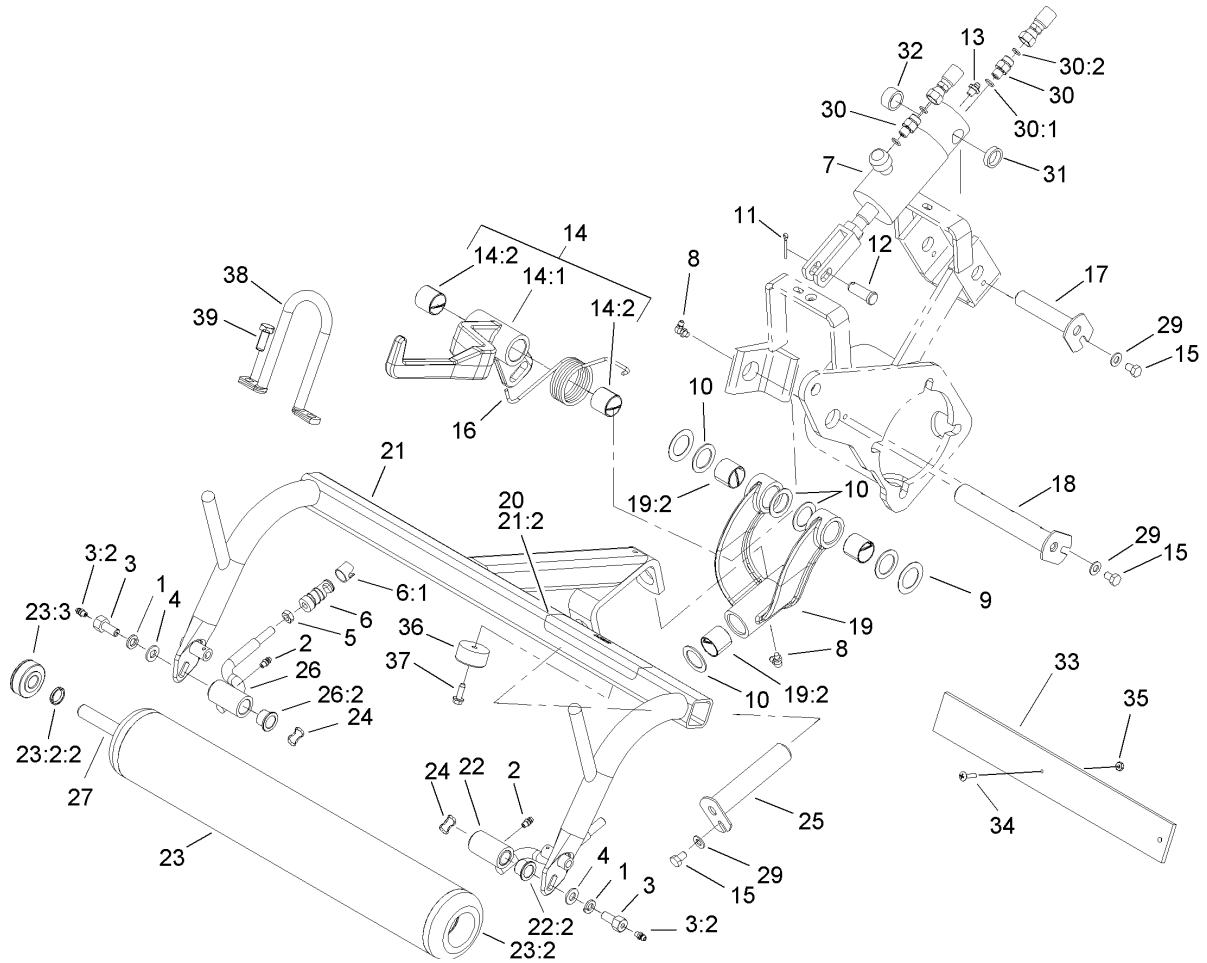
Right Hand Pull Frame Assembly

Ref	Part No.	Qty.	Description	Ref	Part No.	Qty.	Description
1	11-0160	2	Roller Shaft Screw ASM	19	3253-21	2	Washer-Lock
1:2	302-5	1	Fitting-Grease	20	3256-24	2	Washer-Flat
2	3220-3	2	Nut-Jam	21	92-0586	1	Pull Arm ASM
3	93-8064	1	Decal-Danger, Ce	21:2	3-1506	2	Bushing
4	99-1460	2	Ball Joint Receiver ASM	22	99-4277	1	Roller ASM
4:1	99-1461	1	Sleeve-Joint, Ball	22:2		2	Hub Yoke ASM
5	106-9066	1	HYD Cylinder ASM	22:2:2	253-83	1	Seal-Oil
6	3256-23	3	Washer-Flat	22:3	251-141	2	Bearing-Ball
7	322-1	3	Screw-HH	23	3290-317	2	Washer-Spring
8	10-6110	1	Pin-Hinge	24	10-6090	1	Pin-Pivot
9	10-6060	1	Pin-Pivot, Ram	25	92-0585	1	Pull Arm ASM
10	283-8	1	Pin-Clevis	25:2	3-1506	2	Bushing
11	3272-11	1	Pin-Cotter	26	21-8470	1	Shaft-Roller
12	107-2599	1	RH Lift Arm ASM	27	302-5	2	Fitting-Grease
12:1	105-9799-01	1	Arm-Lift, RH	28	340-92	2	Fitting-Hyd, Straight
12:2	3-0348	2	Bushing	28:1	237-78	1	O-Ring
13	302-2	1	Fitting-Grease	28:2	237-21	1	O-Ring
14	302-60	2	Fitting-Grease	29	105-3828	1	Spacer
15	5-1226	4	Washer	30	74-3730	1	Spacer-Spindle, Rear
16	10-8110	6	Washer-Thrust	31	106-4687	3	Grass Basket ASM
17	10-7820	1	Pivot Hinge ASM	31:2	104-2607	1	Strip-Basket
17:2	3-0348	4	Bushing	31:3	3290-382	8	Rivet-Pop
18	104-2055	1	Right Pull Frame ASM	32	94-4548	2	Bumper-Recessed
18:2	62-5070	1	Decal-Warning	33	32144-44	2	Screw-HWH



Right Hand Pull Frame Assembly (continued)

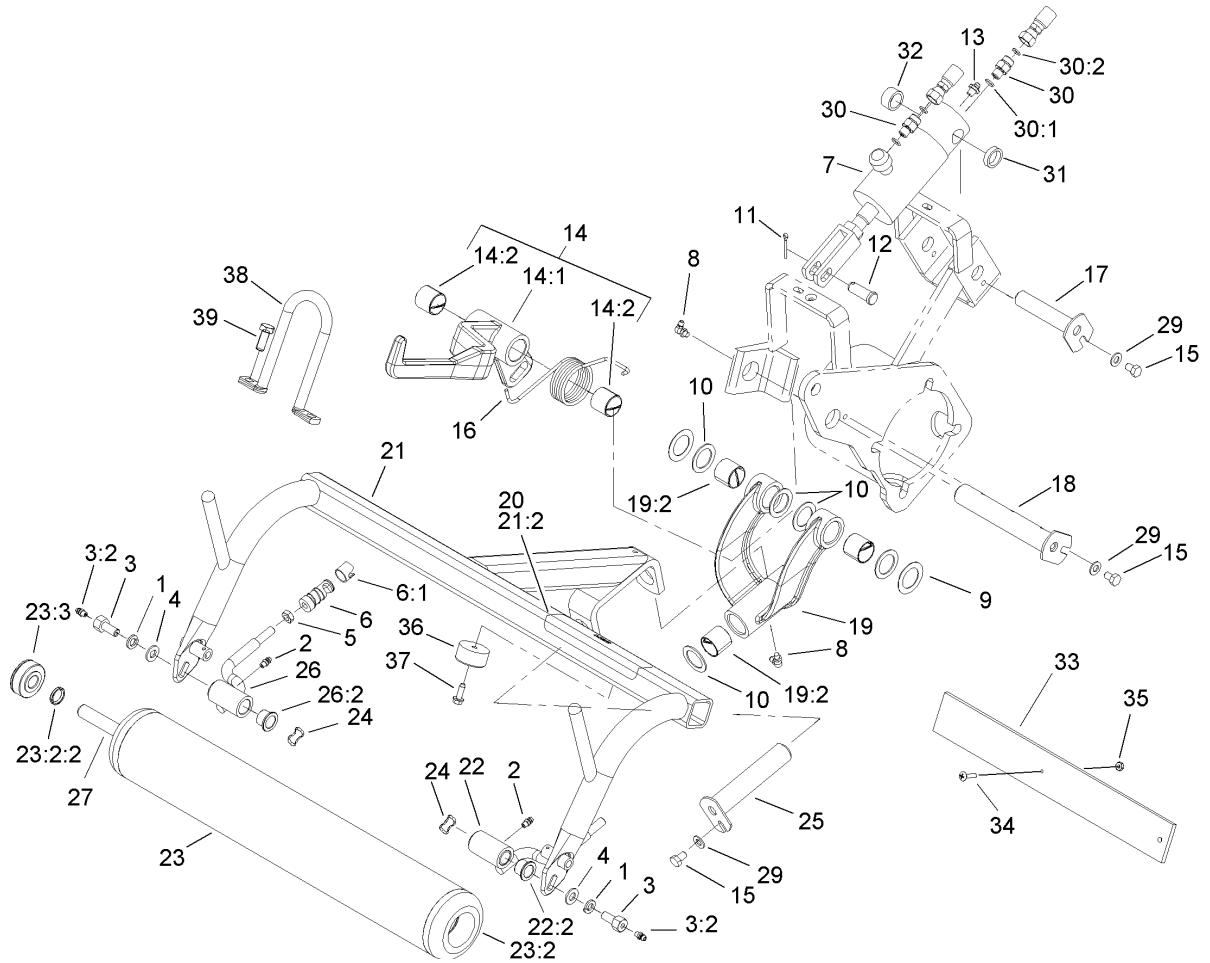
Ref	Part No.	Qty.	Description
34	106-9078	1	Spring-Torsion, RH
35	105-5740	1	Hook-Lift
36	33115-025	2	Screw-HH



Left Hand Pull Frame Assembly

Ref	Part No.	Qty.	Description
1	3253-21	2	Washer-Lock
2	302-5	2	Fitting-Grease
3	11-0160	2	Roller Shaft Screw ASM
3:2	302-5	1	Fitting-Grease
4	3256-24	2	Washer-Flat
5	3220-3	2	Nut-Jam
6	99-1460	2	Ball Joint Receiver ASM
6:1	99-1461	1	Sleeve-Joint, Ball
7	106-9066	1	HYD Cylinder ASM
8	302-60	2	Fitting-Grease
9	5-1226	4	Washer
10	10-8110	6	Washer-Thrust
11	3272-11	1	Pin-Cotter
12	283-8	1	Pin-Clevis
13	302-2	1	Fitting-Grease
14	107-2598	1	LH Lift Arm ASM
14:1	105-9798-01	1	Arm-Lift, LH
14:2	3-0348	2	Bushing
15	322-1	3	Screw-HH
16	106-9079	1	Spring-Torsion, LH
17	10-6060	1	Pin-Pivot, Ram
18	10-6110	1	Pin-Hinge
19	10-7820	1	Pivot Hinge ASM
19:2	3-0348	4	Bushing

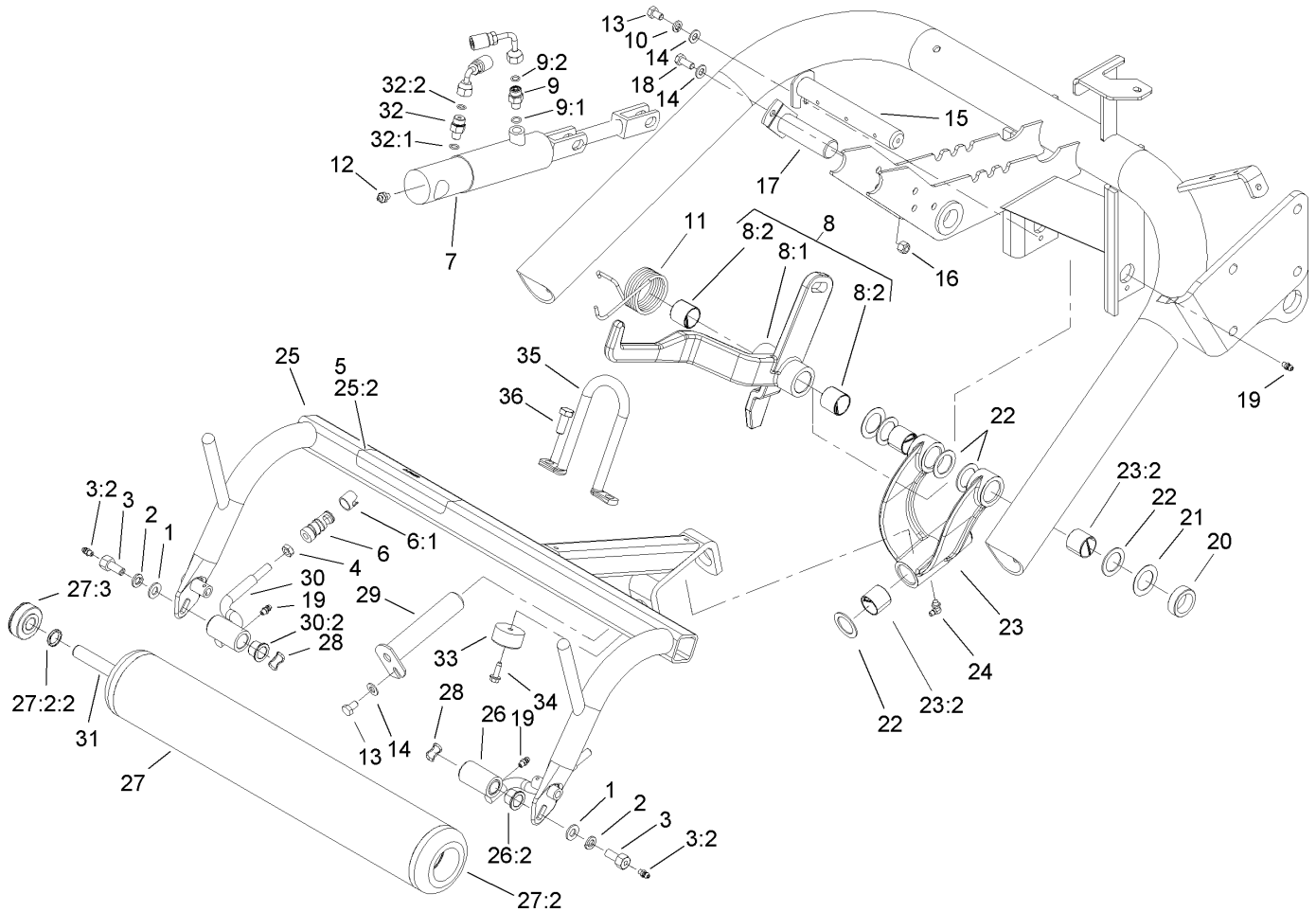
Ref	Part No.	Qty.	Description
20	93-8064	1	Decal-Danger, Ce
21	104-2054	1	Left Pull Frame ASM
21:2	62-5070	1	Decal-Warning
22	92-0586	1	Pull Arm ASM
22:2	3-1506	2	Bushing
23	99-4277	1	Roller ASM
23:2		2	Hub Yoke ASM
23:2:2	253-83	1	Seal-Oil
23:3	251-141	2	Bearing-Ball
24	3290-317	2	Washer-Spring
25	10-6090	1	Pin-Pivot
26	92-0585	1	Pull Arm ASM
26:2	3-1506	2	Bushing
27	21-8470	1	Shaft-Roller
29	3256-23	3	Washer-Flat
30	340-92	2	Fitting-Hyd, Straight
30:1	237-78	1	O-Ring
30:2	237-21	1	O-Ring
31	105-3828	1	Spacer
32	74-3730	1	Spacer-Spindle, Rear
33	65-8320	1	Bar-Gauge
34	32122-22	1	Screw-HH
35	3219-14	1	Nut-Hex
36	94-4548	2	Bumper-Recessed



Left Hand Pull Frame Assembly (continued)

Ref	Part No.	Qty.	Description
37	32144-44	2	Screw-HWH
38	105-5740	1	Hook-Lift
39	33115-025	2	Screw-HH

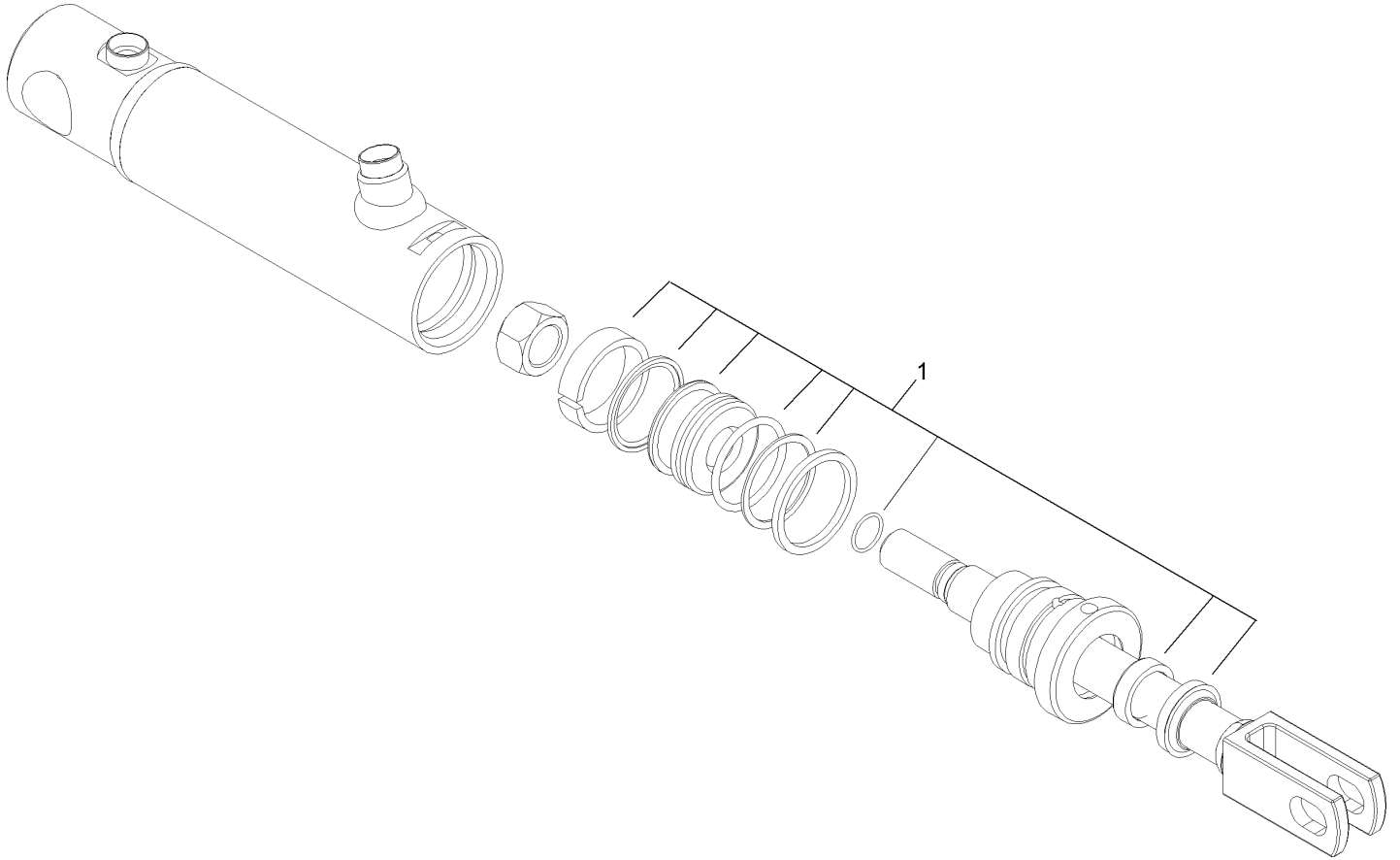
Ref	Part No.	Qty.	Description



Center Pull Frame Assembly

Ref	Part No.	Qty.	Description
1	3256-24	2	Washer-Flat
2	3253-21	2	Washer-Lock
3	11-0160	2	Roller Shaft Screw ASM
3:2	302-5	1	Fitting-Grease
4	3220-3	2	Nut-Jam
5	93-8064	1	Decal-Danger, Ce
6	99-1460	2	Ball Joint Receiver ASM
6:1	99-1461	1	Sleeve-Joint, Ball
7	106-9064	1	HYD Cylinder ASM
8	107-9500	1	Center Lift Arm ASM
8:1	106-6351-01	1	Arm-Lift, Center
8:2	3-0348	2	Bushing
9	340-92	1	Fitting-Hyd, Straight
9:1	237-78	1	O-Ring
9:2	237-21	1	O-Ring
10	3253-4	1	Washer-Lock
11	106-9080	1	Spring-Torsion, Center
12	302-2	1	Fitting-Grease
13	322-1	2	Screw-HH
14	3256-23	3	Washer-Flat
15	27-2550	1	Pin-Hinge
16	3296-29	1	Nut-Lock, NI
17	68-5560	1	Pin-Cylinder, Pivot
18	322-3	1	Screw-HH

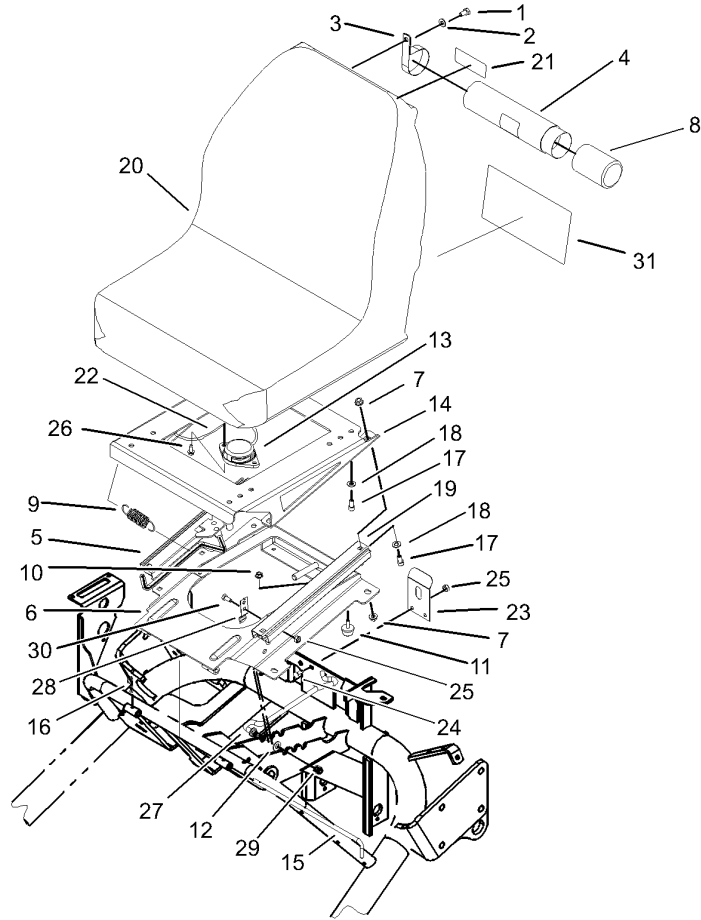
Ref	Part No.	Qty.	Description
19	302-5	3	Fitting-Grease
20	93-2384	1	Spacer-Carrier
21	5-1226	4	Washer
22	10-8110	6	Washer-Thrust
23	105-0452	1	Pivot Hinge ASM
23:2	3-0348	4	Bushing
24	302-60	1	Fitting-Grease
25	105-0451	1	Rear Pull Frame ASM
25:2	62-5070	1	Decal-Warning
26	92-0586	1	Pull Arm ASM
26:2	3-1506	2	Bushing
27	99-4277	1	Roller ASM
27:2		2	Hub Yoke ASM
27:2:2	253-83	1	Seal-Oil
27:3	251-141	2	Bearing-Ball
28	3290-317	2	Washer-Spring
29	10-6090	1	Pin-Pivot
30	92-0585	1	Pull Arm ASM
30:2	3-1506	2	Bushing
31	21-8470	1	Shaft-Roller
32	95-1639	1	Fitting-HYD
32:1	237-78	1	O-Ring
32:2	237-21	1	O-Ring
33	94-4548	2	Bumper-Recessed



Hydraulic Cylinder Assembly No. 106-9064

Ref	Part No.	Qty.	Description
1	107-2563	1	Seal Kit

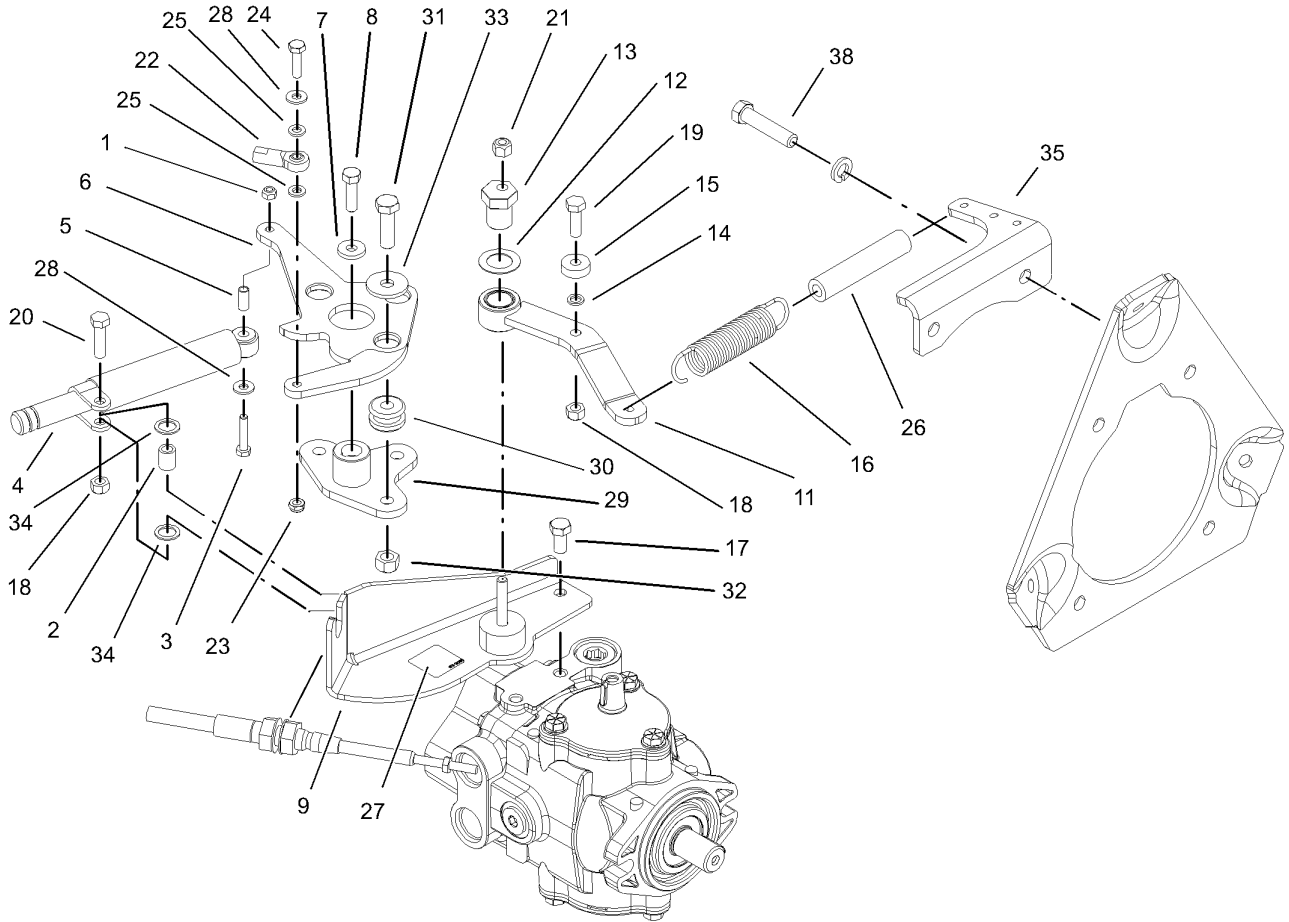
Ref	Part No.	Qty.	Description
-----	----------	------	-------------



Seat Assembly

Ref	Part No.	Qty.	Description
1	322-2	2	Screw-HH
2	3256-23	2	Washer-Flat
3	2412-133	2	R-Clamp
4	104-7050	1	Housing-Manual
5	105-8265	1	Adjuster-Seat
6	105-0464-03	1	Seat Plate ASM
7	32128-25	8	Nut-HF
8	104-7048	1	Cap-Housing
9	88-6330	1	Spring-Extension
10	32128-33	2	Nut-HF
11	1-523420	2	Bumper
12	3256-24	1	Washer-Flat
13	92-6282	1	Switch-Seat
14	105-0466-03	1	Plate-Seat, Upper
15	105-0483	1	Rod-Pivot, Seat
16	3290-467	1	Pin-Hair
17	3274-12	8	Screw-HSH
18	3256-23	8	Washer-Flat
19	51-0780	1	Slider-Seat
20	100-3187	1	Seat ASM
21	93-6686	1	Decal-Oil, HYD
22	105-4319	1	Harness-Wire, Seat
23	66-2630	1	Latch-Seat
24	3229-1	2	Screw-CARR

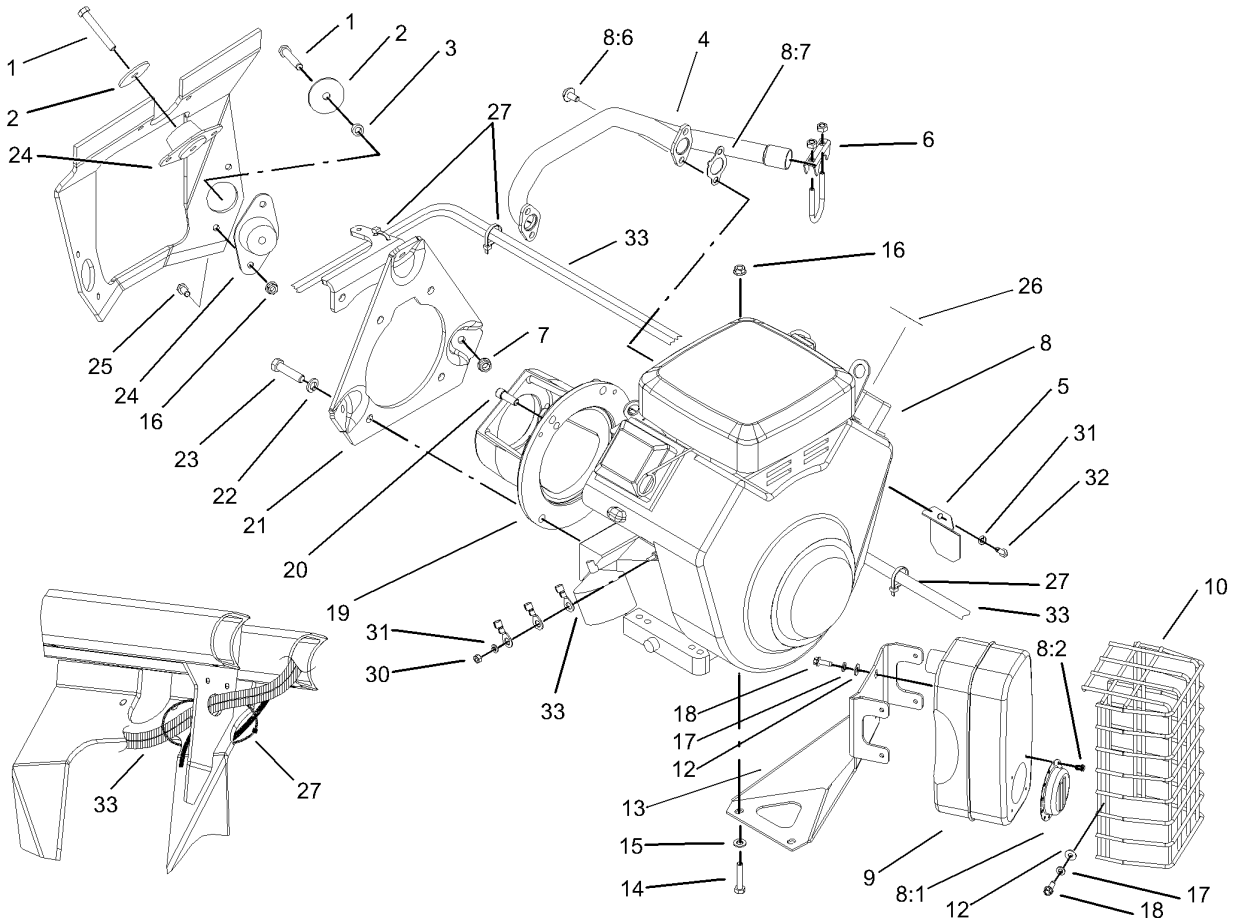
Ref	Part No.	Qty.	Description
25	3296-16	4	Nut-Lock, NI
26	32144-10	2	Screw-HWH
27	106-4643	1	Rod-Prop,seat
28	68-5310	1	Clip-Rod, Prop
29	3296-39	1	Nut-Lock, NI
30	321-3	2	Screw-HH
31	105-8291	1	Decal-Service
31	105-8292	1	Decal-Spanish
31	105-8293	1	Decal-French
31	105-8296	1	Decal-Italian
31	105-8295	1	Decal-Swedish
31	105-8294	1	Decal-German
31	105-8297	1	Decal-Portuguese
31	105-8298	1	Decal-Norwegian
31	105-8299	1	Decal-Finnish
31	105-8300	1	Decal-Danish
31	105-8301	1	Decal-Dutch
31	105-8302	1	Decal-Japan



Neutral System Assembly

Ref	Part No.	Qty.	Description
1	33023-00	1	Nut-Lock
2	94-8197	1	Tube-Pivot
3	33113-035	1	Screw-HH
4	76-8870	1	Lever Damper ASM
5	94-1312	1	Spacer-Pivot
6	105-5477-03	1	Lever-Pump
7	88-7200	1	Washer-Flat
8	3210-6	1	Screw-HH
9	105-5475	1	Cable Support ASM
11	105-4302	1	Neutral Arm ASM
12	3-6498	1	Washer-Thrust
13	93-2111	1	Stud-Traction
14	75-5470	1	Spacer-Bearing
15	251-259	1	Bearing-Ball
16	94-1369	1	Spring-Extension
17	323-4	2	Screw-HH
18	33024-00	2	Nut-Lock
19	33114-025	1	Screw-HH
20	33114-030	1	Screw-HH
21	3296-29	1	Nut-Lock, NI
22	2411-41	1	Joint-Ball
23	3296-56	1	Nut-Lock, NI
24	321-7	1	Screw-HH
25	33093-00	2	Washer-Flat

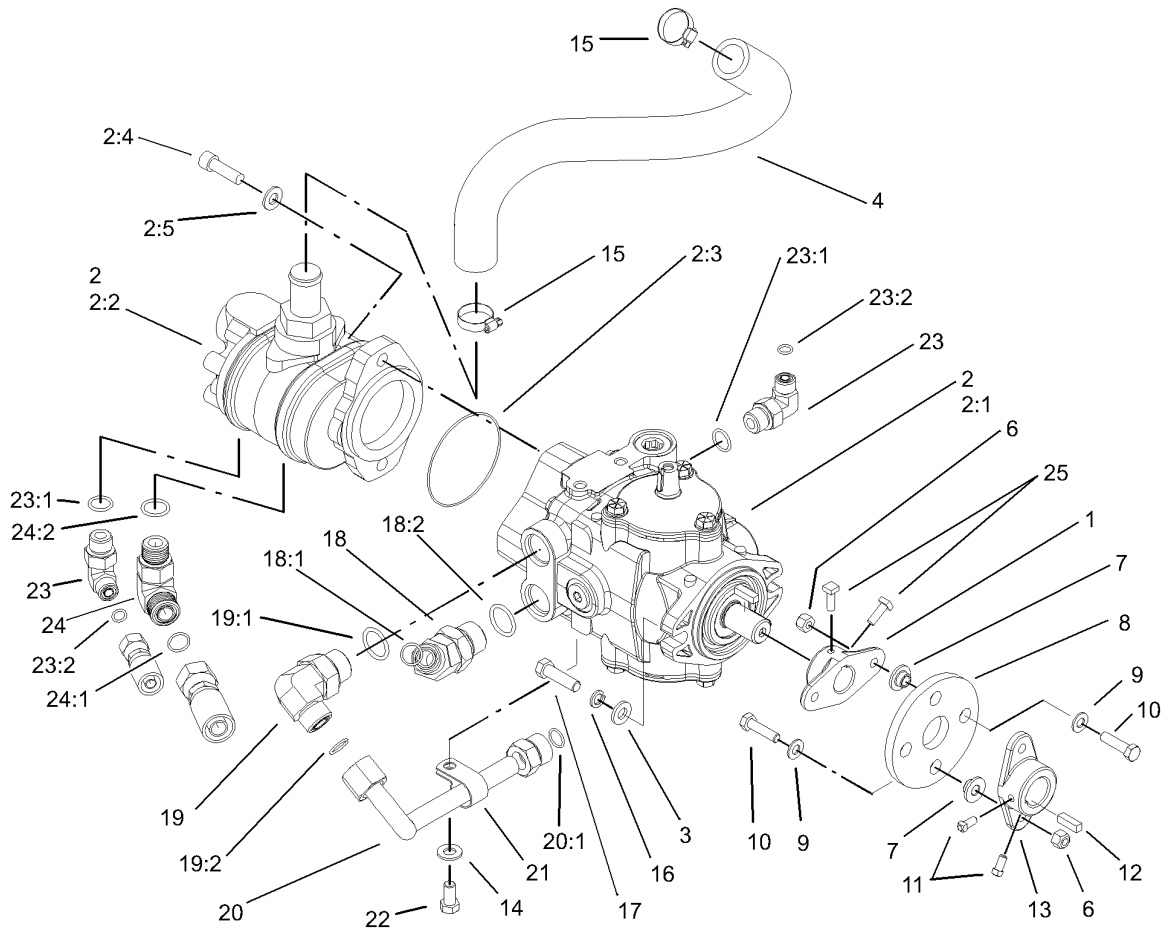
Ref	Part No.	Qty.	Description
26	99-4251	1	Hose-Dampener
27	93-9051	1	Decal-Bolt, Eccentric
28	3256-22	2	Washer-Flat
29	94-3486	1	Plate
30	63-9750	3	Mount
31	33115-035	3	Screw-HH
32	33025-00	3	Nut-Lock
33	2844	3	Washer
34	94-8196	2	Washer-Nylon
35	105-4307-03	1	Bracket-Spring
38	324-8	2	Screw-HH



Engine Installation Assembly

Ref	Part No.	Qty.	Description
1	323-12	3	Screw-HH
2	83-1040	3	Washer-Flat
3	83-1050	2	Spacer
4	83-1080	1	Exhaust Manifold ASM
5	83-2310	1	Shield-Regulator
6	2112-11	1	Clamp-Muffler
7	3290-357	3	Nut-HHF
8	106-4618	1	Engine-18hp, Vanguard
8:1		1	Deflector-Exhaust
8:2		4	Screw-HH
8:6		4	Screw-HHF
8:7		2	Gasket-Manifold, Exhaust
9	98-0616	1	Muffler ASM
10	83-1400-03	1	Shield-Muffler
12	3256-1	8	Washer-Flat
13	83-1630-03	1	Bracket-Support, Muffler
14	322-8	2	Screw-HH
15	3256-23	2	Washer-Flat
16	32128-20	8	Nut-HF
17	3253-3	8	Washer-Lock
18	49-2040	8	Screw-Tapping
19	83-1060-03	1	Adapter-Pump
20	3274-7	2	Screw-HSH
21	85-8120-03	1	Plate-Mount, Engine

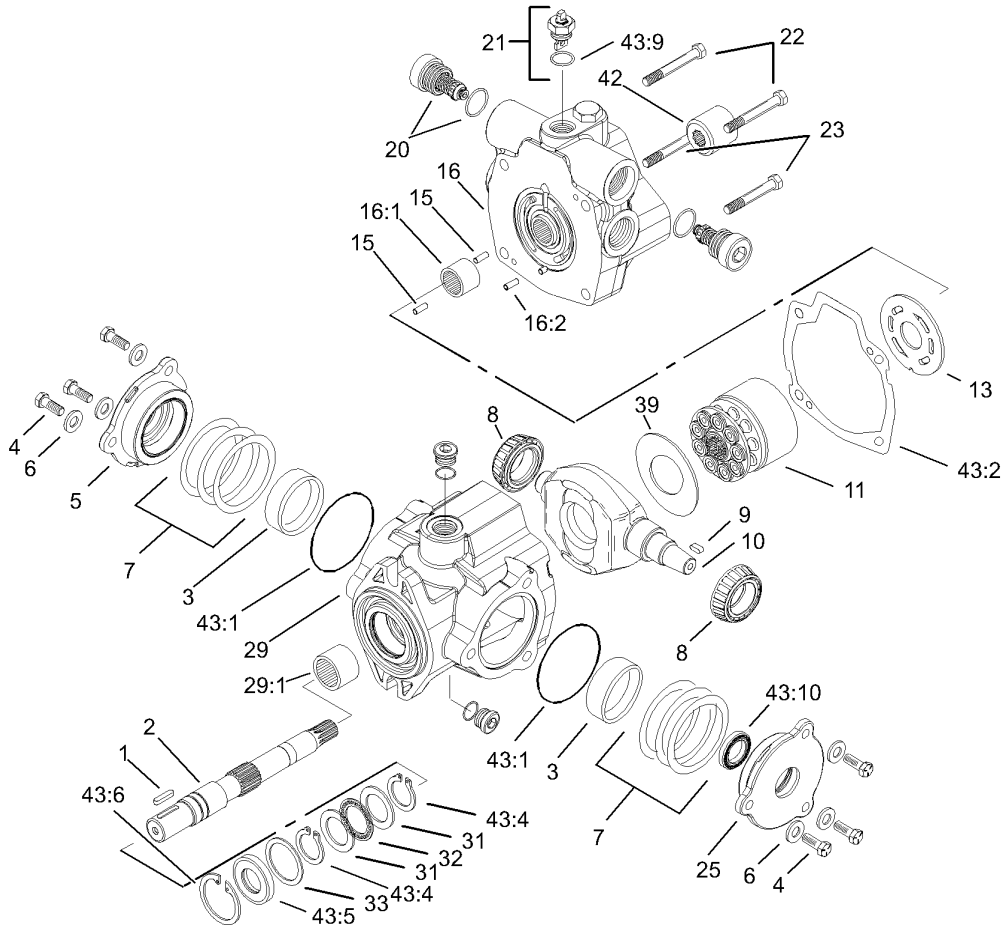
Ref	Part No.	Qty.	Description
22	3253-6	4	Washer-Lock
23	324-7	2	Screw-HH
24	107-2560	3	Mount-Engine
25	322-3	6	Screw-HH
26	93-8069	1	Decal-Surface, Hot
27	3290-379	4	Tie-Cable
30	43-2830	1	Nut-Hex
31	43-5930	2	Washer-Spring
32	33113-016	1	Screw-HH
33	105-8276	1	Harness-Wire, Engine
33:1	106-4642	1	Harness-Wire, Fusible Link



Hydrostat and Gear Pump Drive Assembly

Ref	Part No.	Qty.	Description
1	93-2589	1	Hub-Pump
2	105-0453	1	Hydrostat/gear Pump ASM
2:1	105-0494	1	Hydrostat ASM
2:2	104-7737	1	Gear Pump ASM
2:3	60-3520	1	O-Ring
2:4	3274-1	2	Screw-HSH
2:5	3256-24	2	Washer-Flat
3	100-4852	2	Washer-Flat
4	105-8285	1	Hose-Inlet, Pump
6	3296-29	4	Nut-Lock, NI
7	27-6600	4	Spacer-Coupling
8	44-2230	1	Coupling-Rubber
9	3256-3	4	Washer-Flat
10	322-6	4	Screw-HH
11	3241-2	2	Screw-SQH
12	10-7070	1	Key-Square
13	27-1960	1	Hub-Engine
14	3256-24	1	Washer-Flat
15	2412-34	2	Clamp-Hose
16	3253-21	2	Washer-Lock
17	323-29	2	Screw-HH
18	340-156	1	Fitting-HYD
18:1	237-65	1	O-Ring
18:2	237-81	1	O-Ring

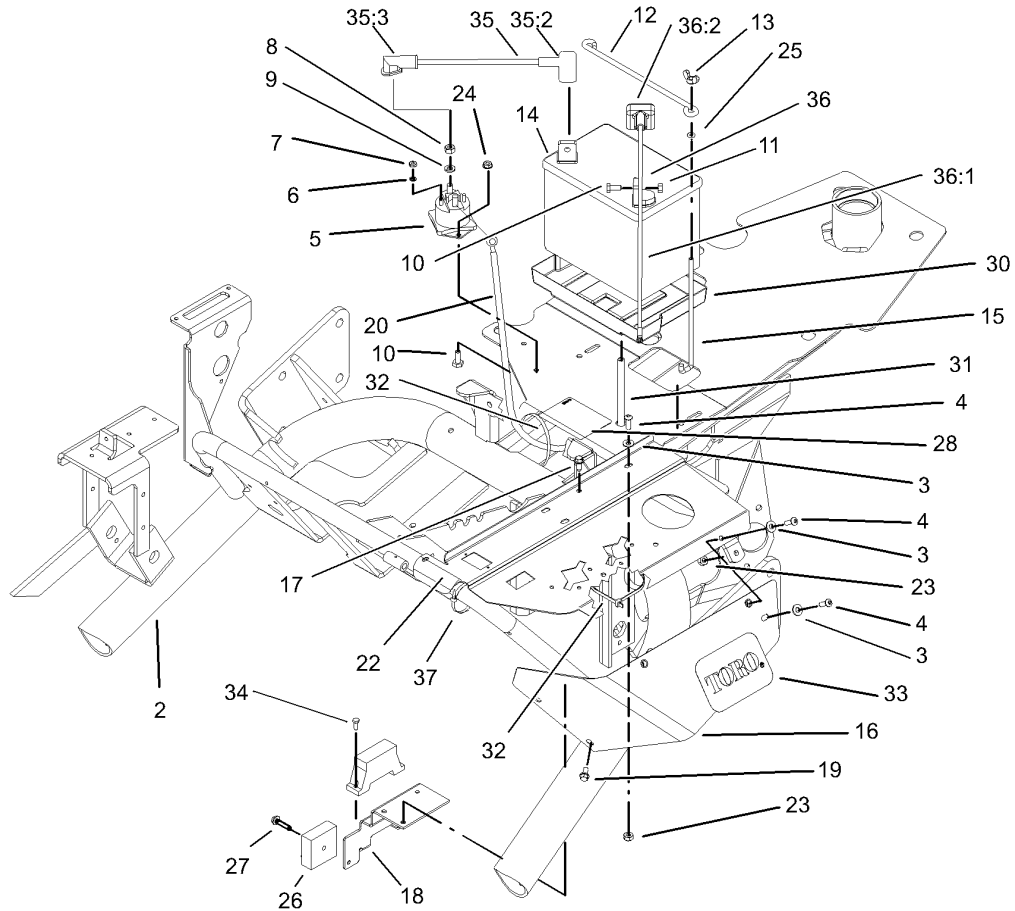
Ref	Part No.	Qty.	Description
19	340-139	1	Fitting-Hyd, 90 DEG
19:1	237-81	1	O-Ring
19:2	237-65	1	O-Ring
20	105-8307	1	Tube-Hyd, Traction
20:1	237-65	1	O-Ring
21	2412-41	1	Clamp
22	323-4	1	Screw-HH
23	340-18	2	Fitting-Hyd, 90 DEG
23:1	237-79	1	O-Ring
23:2	237-22	1	O-Ring
24	340-17	1	Fitting-Hyd, 90 DEG
24:1	237-65	1	O-Ring
24:2	237-80	1	O-Ring
25	3241-6	2	Screw-SQH



Hydrostat Assembly No. 105-0494

Ref	Part No.	Qty.	Description
1	94-3645	1	Key
2	94-6359	1	Shaft-Drive
3	104-4046	2	Bearing-Cup
4	98-4640	6	Screw-Cap
5	98-4644	1	Plate-Cover
6	105-9762	6	Washer
7	100-3182	2	Shim Kit
8	98-4639	2	Bearing-Cone
9	94-3646	1	Key
10	100-3175	1	Camplate
11	76-6070	1	Rotating Kit
13	100-3180	1	Valve-Plate
15	76-6150	2	Pin-Dowel
16	105-3813	1	Endcover Sub ASM
16:1	94-6368	1	Bearing
●16:2		1	Pin-Roll
20	105-3812	2	Valve-Check
21	105-3811	1	Valve-Bypass
22	76-6170	2	Capscrew
23	76-6160	2	Capscrew
25	98-4645	1	Plate-Cover
29	100-3176	1	Housing ASM
29:1	94-6363	1	Bearing
31	252-71	2	Washer-Thrust

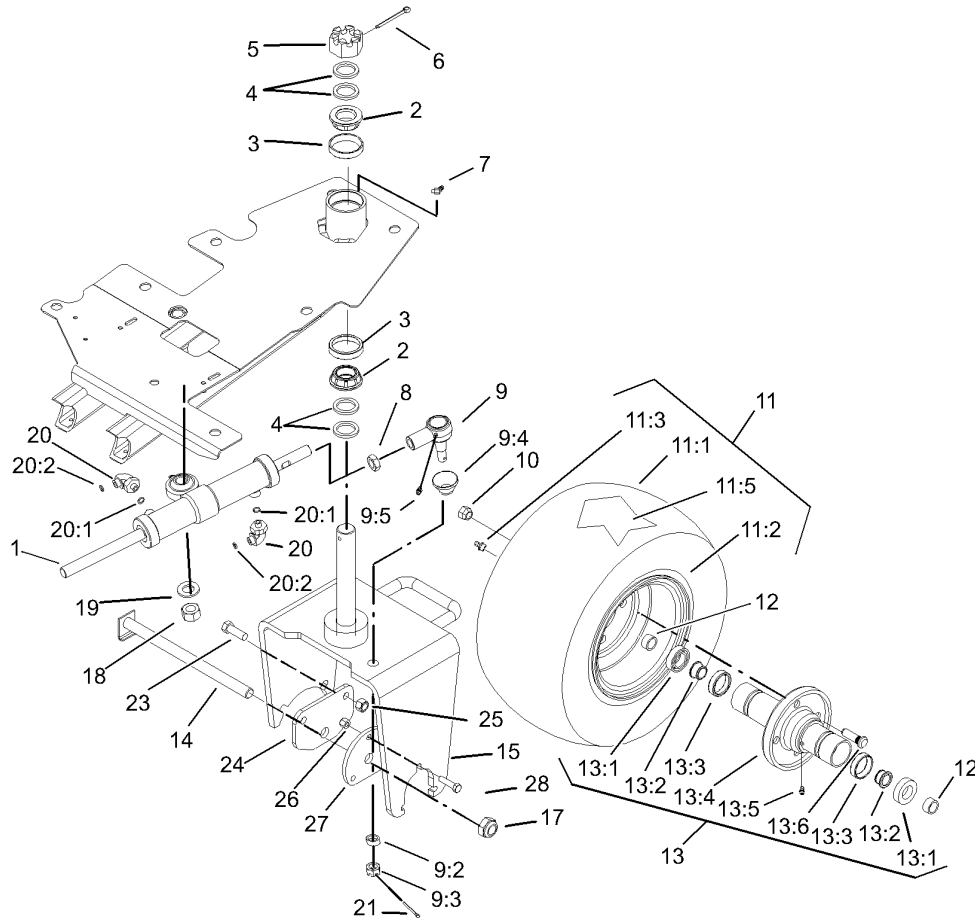
Ref	Part No.	Qty.	Description
32	252-66	1	Bearing-Thrust
33	33-3720	1	Washer
39	98-4635	1	Insert-Plate, Cam
42	74-9040	1	Coupler
43	105-3844	1	Seal Repair Kit
43:1	100-3179	2	O-Ring
43:2	33-4930	1	Gasket-Housing
43:4	32151-29	2	Ring-Retaining
43:5	104-4861	1	Seal-Shaft
43:6	32151-13	1	Ring-Retaining
●43:9		1	O-Ring
●43:10		1	Seal-Shaft



Frame and Battery Assembly

Ref	Part No.	Qty.	Description
2	105-0401-01	1	Frame ASM
3	3256-22	4	Washer-Flat
4	3274-69	4	Screw-HSBH
5	28-4210	1	Solenoid
6	3254-1	2	Washer-Lock, Int
7	3219-14	2	Nut-Hex
8	3218-13	2	Nut-Jam
9	3253-4	2	Washer-Lock
10	321-3	4	Screw-HH
11	3217-5	2	Nut-Hex
12	100-6434	1	Rod-Battery, Hold Down
13	32103-22	2	Nut-Wing
14	104-8162	1	Battery (Dry)
15	100-6435	2	Post-Battery
16	105-5411	1	Valve Cover Shield ASM
17	32144-10	1	Screw-HWH
18	105-4310-01	1	Bracket-Fuse
19	32104-116	2	Screw
20	98-2161	1	Cable-Battery, Positive
22	105-0499-03	1	Panel-Control
23	3296-16	2	Nut-Lock, NI
24	32149-2	2	Nut
25	237-143	2	O-Ring
26	92-2538	1	Module-Timer

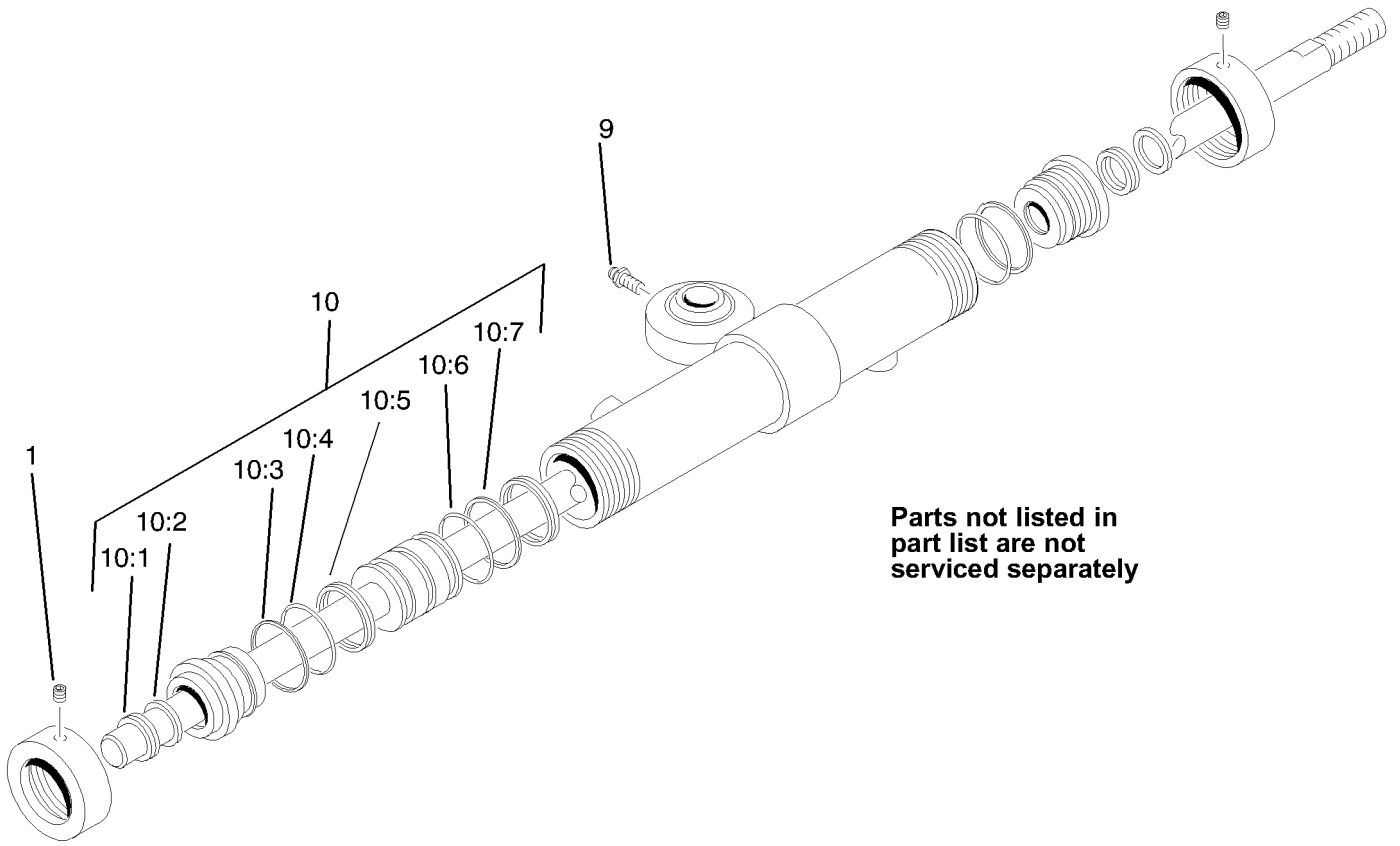
Ref	Part No.	Qty.	Description
27	32144-86	1	Screw-Hwh, Thread Forming
28	93-7276	1	Decal-Danger
30	106948	1	Tray-Battery
31	104-2061	1	Tube-Drain, Battery
32	3290-379	2	Tie-Cable
33	94-2579	1	Decal
34	32144-1	2	Screw-Taptite
35	83-2420	1	Positive Cable ASM
35:2	28-8080	1	Boot-Terminal
35:3	83-2430	1	Boot-Terminal
36	98-2165	1	Negative Cable ASM
36:1	83-1150	1	Engine Ground Wire ASM
36:2	98-0603	1	Boot-Terminal
37	3290-378	1	Tie-Cable



Rear Wheel Assembly

Ref	Part No.	Qty.	Description
1	105-0411	1	Cylinder-Steering
2	254-70	2	Bearing-Cone
3	254-61	2	Bearing-Cup
4	18-6320	4	Washer-Steering
5	32136-9	1	Nut-SHH
6	3272-37	1	Pin-Cotter
7	302-11	1	Fitting-Lube, 45 DEG
8	84-5300	1	Nut-Jam
9	107-2553	1	Rod End ASM
9:2	98-2389	1	Spacer-Link, Pull
9:3	32136-2	1	Nut-SHH
9:4	106-6896	1	Seal
9:5	302-5	1	Fitting-Grease
10	242-50	4	Nut-Lug
11		1	Wheel And Tire ASM
11:1	28-3680	1	Tire
11:2	217-60	1	Rim
11:3	232-27	1	Stem-Valve
11:5	232-37	1	Tube
12	74-3730	2	Spacer-Spindle, Rear
13	72-9710	1	Hub-Tire, Sulky
13:1	253-111	2	Seal-Oil
13:2	254-78	2	Bearing-Cone
13:3	254-79	2	Bearing-Roller, Cup

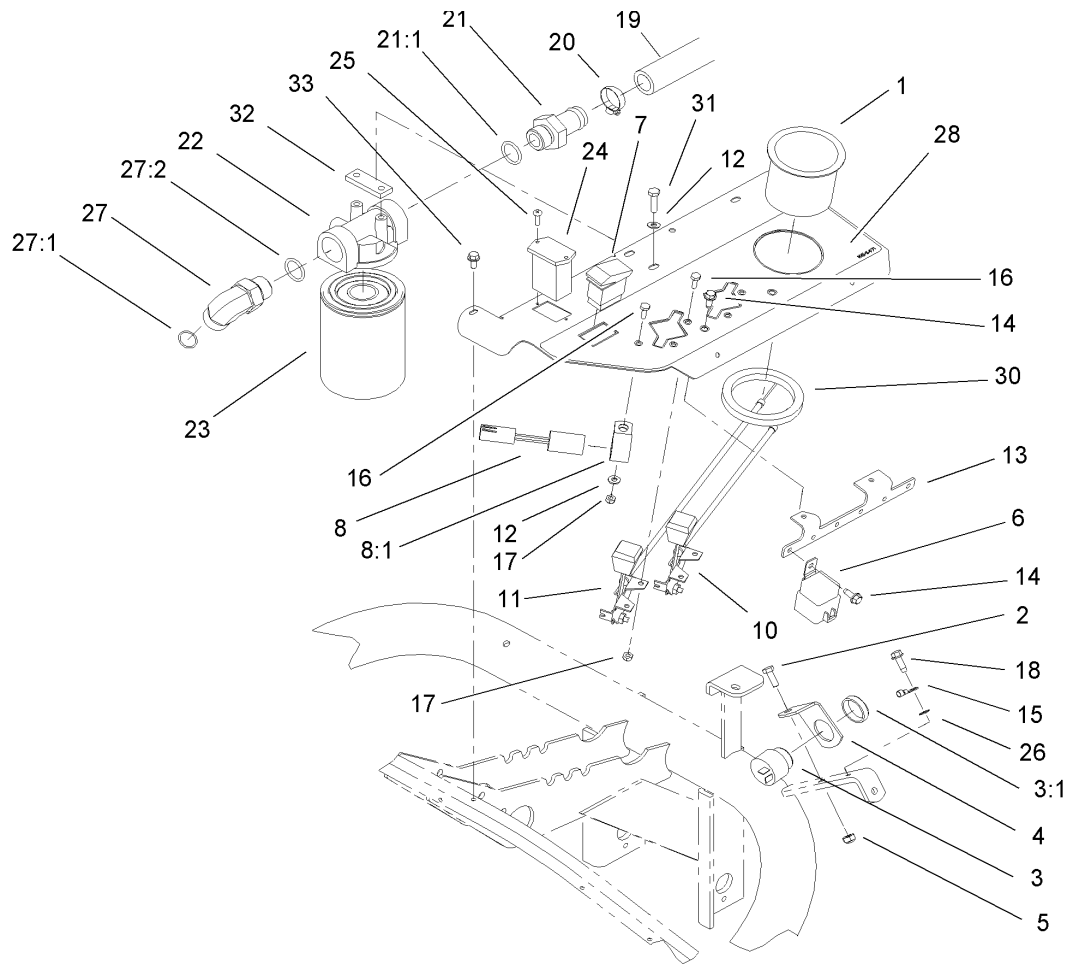
Ref	Part No.	Qty.	Description
13:4	75-9440	1	Hub ASM
13:5	302-11	1	Fitting-Lube, 45 DEG
13:6	10-6830	4	Stud-Type, Drive
14	5-3934	1	Bolt-Caster
15	93-2529-01	1	Fork-Castor
17	3296-67	1	Nut-Lock NI
18	3217-12	1	Nut-Hex
19	3256-28	1	Washer-Flat
20	340-132	2	Fitting-Hyd, 90 DEG
20:1	237-78	1	O-Ring
20:2	237-21	1	O-Ring
21	3272-12	1	Pin-Cotter
23	325-6	2	Screw-HH
24	99-1485-01	1	Plate-Adapter, Motor
25	3296-23	2	Nut-Lock, NI
26	3296-39	3	Nut-Lock, NI
27	99-1486-01	1	Plate-Adapter
28	323-8	3	Screw-HH



Parts not listed in part list are not serviced separately

Steering Cylinder Assembly No. 105-0411

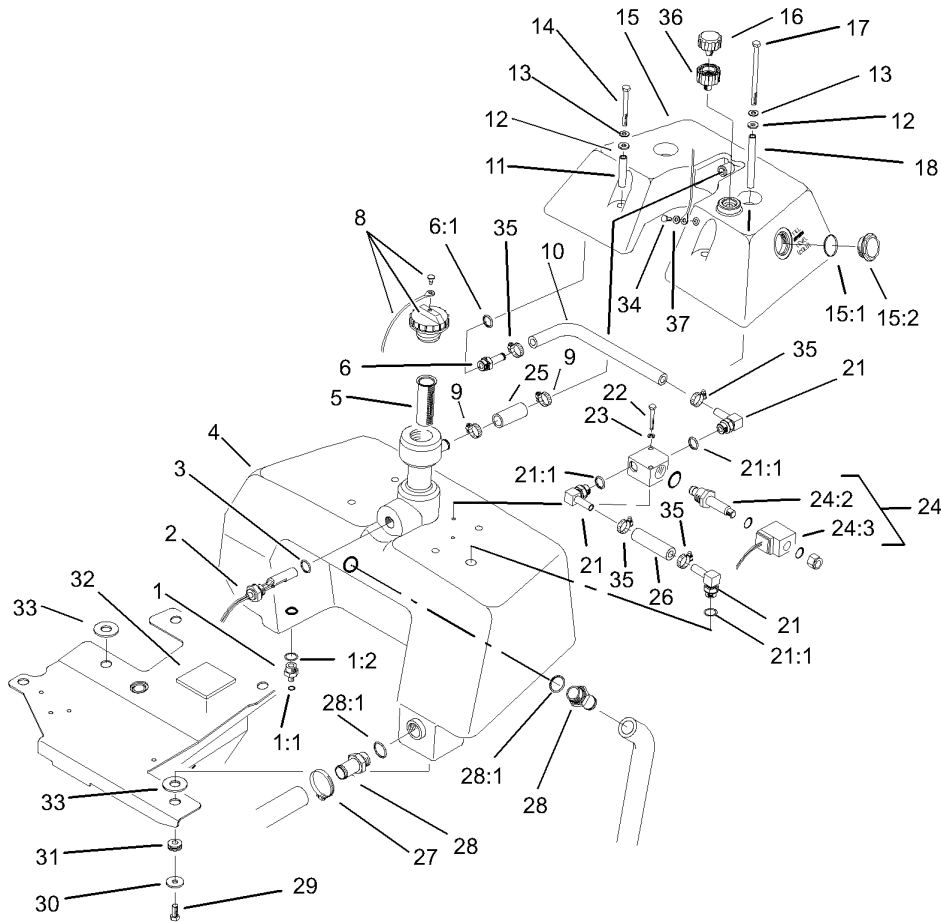
Ref	Part No.	Qty.	Description
1	3245-1	2	Screw-Set, HSH
9	302-5	1	Fitting-Grease
10	83-2380	1	Seal Repair Kit
②10:1		2	Wiper-Rod
②10:2		2	U-Cup-Double Lip
②10:3		2	Ring-Back-Up
②10:4		2	O-Ring
②10:5		2	Ring-Wear
②10:6		1	O-Ring
②10:7		1	O-Ring



Control Panel Assembly

Ref	Part No.	Qty.	Description
1	94-1410	1	Holder-Can, Beverage
2	321-4	1	Screw-HH
3	80-9330	1	Alarm-Audio
3:1	104-5107	1	Nut-Plastic, Knurled
4	83-1530	1	Bracket-Support, Buzzer
5	3296-16	1	Nut-Lock, NI
6	99-7430	6	Relay
7	105-4320	1	Switch
8	83-2280	1	Timer-Delay
8:1	98-4604	1	R-Clamp
10	83-0040	1	Control-Choke
11	83-0030	1	Control-Throttle
12	3256-22	3	Washer-Flat
13	105-4306-03	1	Bracket-Relay
14	32144-10	8	Screw-HWH
15	83-1150	1	Engine Ground Wire ASM
16	3290-134	5	Screw
17	3296-12	5	Nut-Lock
18	32104-95	1	Screw-HWH
19	105-5410	1	Hose ASM
20	2412-34	1	Clamp-Hose
21	99-3017	1	Fitting
21:1	237-81	1	O-Ring
22	92-5821	1	Filter Head ASM

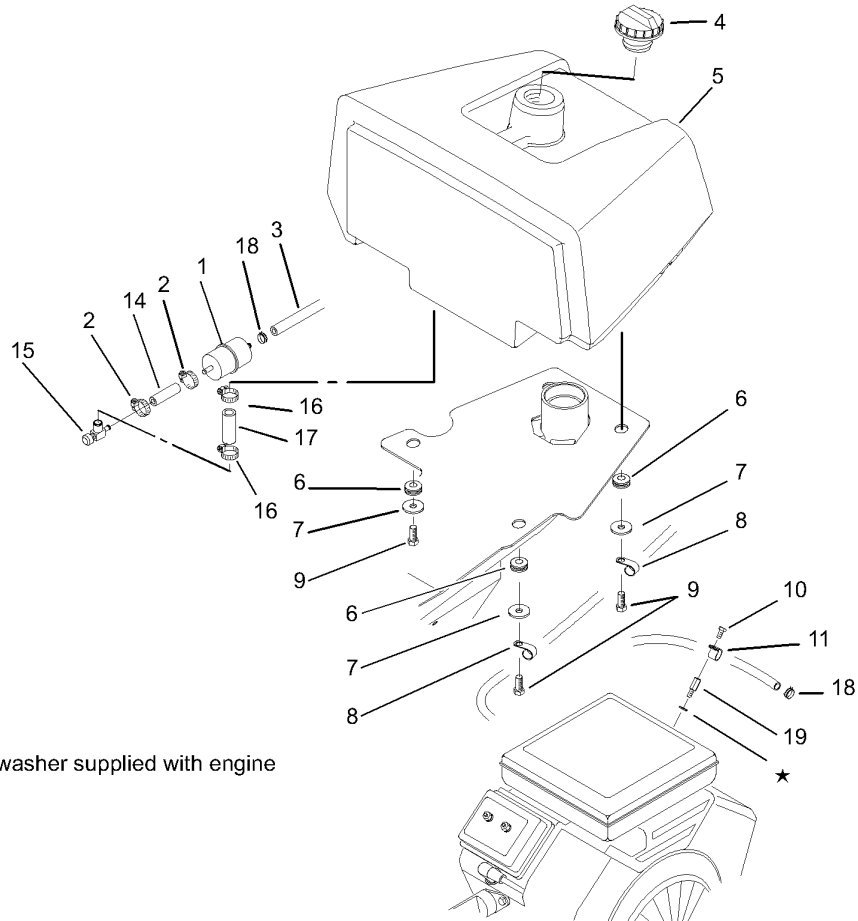
Ref	Part No.	Qty.	Description
23	105-0438	1	Element-Filter
24	75-6820	1	Hourmeter
25	32144-18	2	Screw-HH
26	3255-7	1	Washer-Lock/ext
27	340-142	1	Fitting-Hyd, 90 DEG
27:1	237-58	1	O-Ring
27:2	237-81	1	O-Ring
28	105-5471	1	Decal-Panel, Left Control
30	104-1476	1	Ring-Rubber
31	321-5	2	Screw-HH
32	105-4309	1	Plate-Filter
33	32104-116	1	Screw



Hydraulic Reservoir and Leak Detector Assembly

Ref	Part No.	Qty.	Description
1	340-3	1	Adapter
1:1	237-22	1	O-Ring
1:2	237-79	1	O-Ring
2	83-1450	1	Sensor-Level, Oil
3	237-80	1	O-Ring
4	105-9783	1	Tank-HYD
5	83-1520	1	Screen-Filler
6	354-121	1	Fitting-Hyd, Straight
6:1	237-79	1	O-Ring
8	93-7160	1	Cap-Oil, HYD
9	2412-141	2	Clamp-Drive, Worm
10	83-2070	1	Hose-Valve
11	83-1550	2	Spacer-Tube, Short
12	83-1470	4	Washer-Neoprene
13	3256-71	4	Washer-Flat
14	322-14	2	Screw-HH
15	83-2100	1	Tank-Auxiliary, HYD
15:1	94-8166	1	O-Ring
15:2	83-2250	1	Guage-Sight
16	68-6150	1	Breather
17	322-29	2	Screw-HH
18	83-1560	2	Spacer-Tube, Long
21	354-120	3	Fitting-Hyd, 90 DEG
21:1	237-79	1	O-Ring

Ref	Part No.	Qty.	Description
22	321-11	2	Screw-HH
23	3253-3	2	Washer-Lock
24	83-1460	1	Solenoid Valve ASM
24:2	83-2000	1	Spool-Valve
24:3	83-2010	1	Coil-Valve
25	83-2090	1	Hose-Overflow
26	83-2080	1	Hose-Valve, Tank
27	2412-34	1	Clamp-Hose
28	83-0870	2	Fitting-Hose, Barbed
28:1	237-177	1	O-Ring
29	323-6	3	Screw-HH
30	63-8410	3	Washer
31	240-11	3	Bushing-Flange
32	83-2390	1	Pad-Tank
33	83-2400	2	Spacer
34	321-2	1	Screw-HH
35	2412-36	4	Clamp-Hose
36	92-8020	1	Adapter-Breather
37	3256-22	1	Washer-Flat

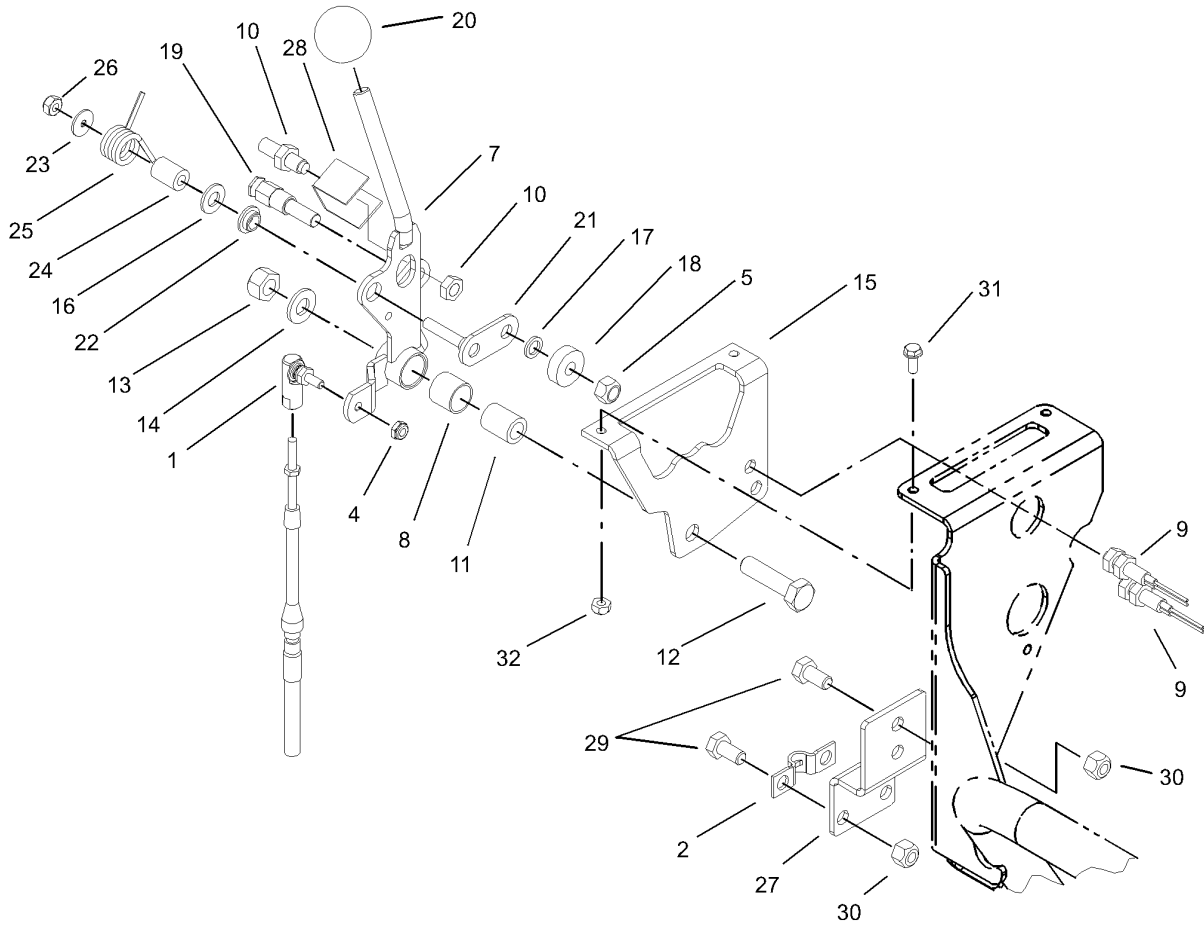


★ Fiber washer supplied with engine

Fuel Tank Assembly

Ref	Part No.	Qty.	Description
1	94-2690	1	Filter-Fuel
2	2412-108	2	Clamp-Worm
3	83-2041	1	Hose-Fuel
4	93-7170	1	Cap-Fuel
5	105-8266	1	Tank-Fuel
6	240-11	4	Bushing-Flange
7	63-8410	4	Washer
8	2412-41	3	Clamp
9	323-6	4	Screw-HH
10	33113-012	1	Screw-HH
11	2412-94	1	Clamp
14	105-8342	1	Hose-Fuel
15	83-1390	1	Valve-Shut-Off, Fuel
16	2412-36	2	Clamp-Hose
17	56-2230	1	Hose-Fuel
18	2412-98	2	Clamp
19	106-4616	1	Screw-Spacer

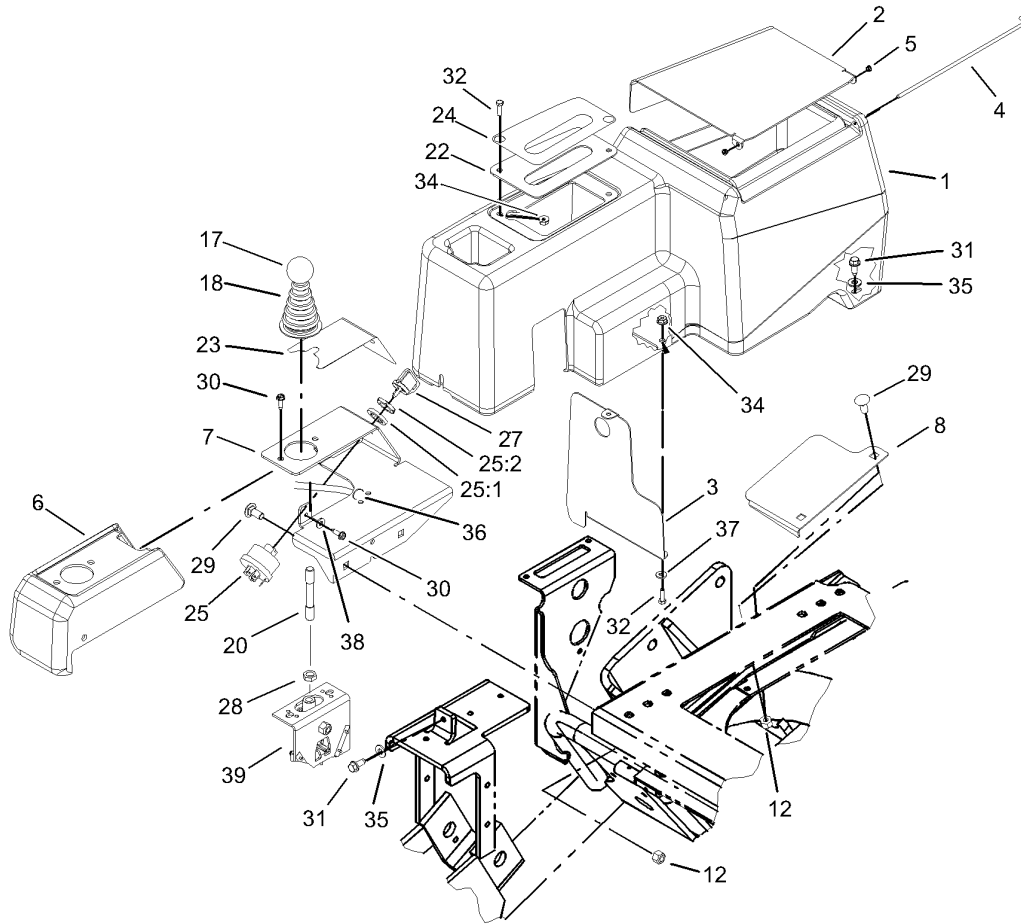
--	--	--	--



Speed Selector Lever Assembly

Ref	Part No.	Qty.	Description
1	2411-38	1	Joint-Ball
2	93-2279	1	Clamp-Cable
4	3296-27	1	Nut-Lock NI
5	33024-00	1	Nut-Lock
7	94-9611	1	Handle
8	256-311	1	Bushing-Split
9	93-2055	2	Sensor-Switch, Reed
10	93-2056	1	Actuator-Switch, Reed
11	94-1378	1	Tube-Pivot, Handle
12	33115-040	1	Screw-HH
13	33025-00	1	Nut-Lock
14	3256-24	1	Washer-Flat
15	94-6398	1	Bracket-Traction
16	3256-23	1	Washer-Flat
17	75-5470	1	Spacer-Bearing
18	251-259	1	Bearing-Ball
19	94-9617	1	Pin-Spring
20	233-42	1	Knob
21	94-9614	1	Pivot-Roller
22	94-9619	1	Bushing
23	3256-67	1	Washer-Flat
24	94-9618	1	Spacer-Spring
25	94-9620	1	Spring-Torsion
26	33023-00	1	Nut-Lock

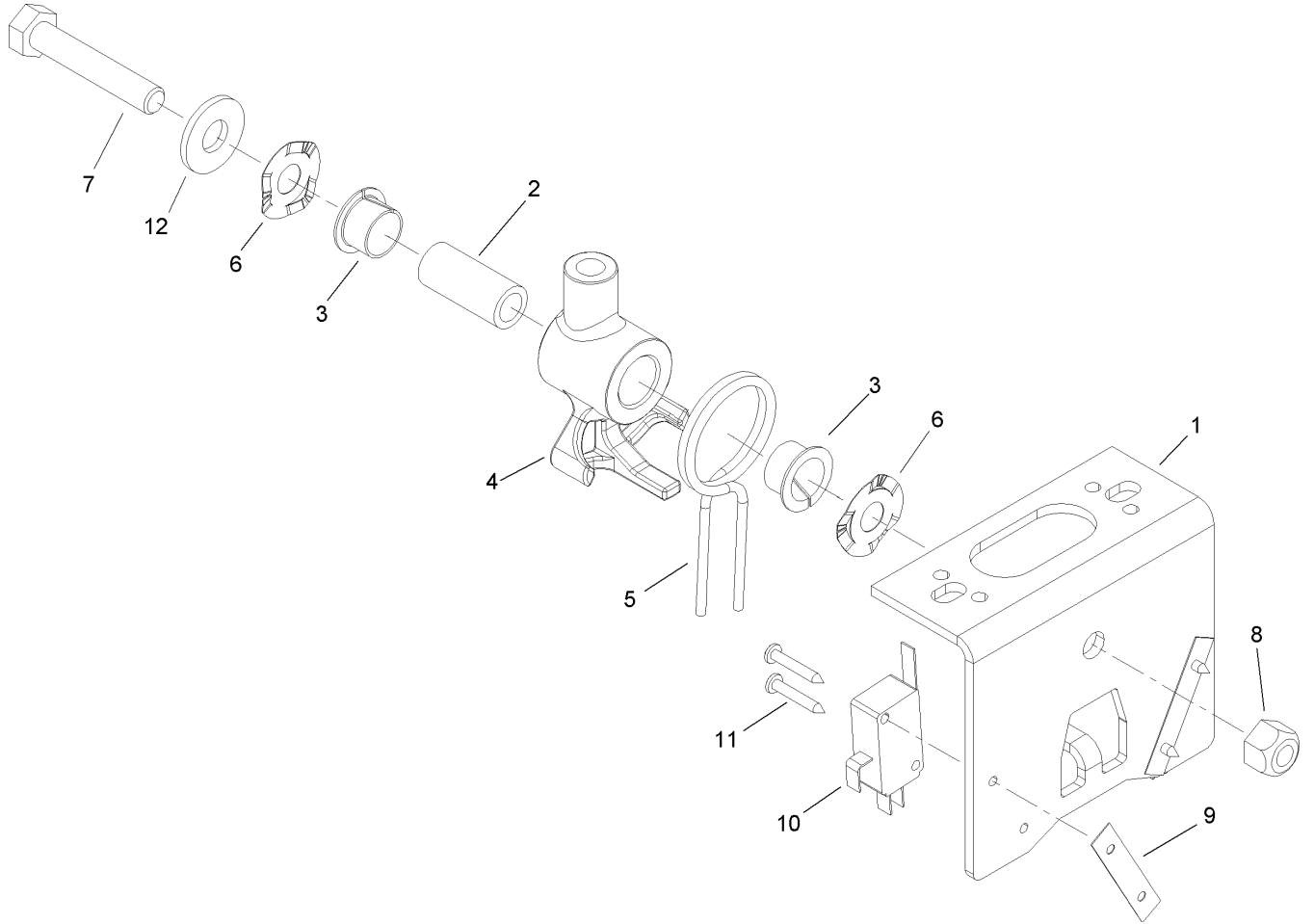
Ref	Part No.	Qty.	Description
27	105-5417-03	1	Bracket-Cable, Shifter
28	106-6356	1	Shield-Switch
29	322-2	4	Screw-HH
30	3296-29	4	Nut-Lock, NI
31	3290-321	2	Screw-HWH
32	3296-12	2	Nut-Lock



Joystick and Console Assembly

Ref	Part No.	Qty.	Description
1	105-8250	1	Console
2	105-8254-03	1	Lid-Console
3	105-8255-03	1	Baffle-Console
4	105-8256	1	Rod-Hinge
5	105-8283	2	Bushing
6	105-8251	1	Pod
7	105-8252-03	1	Bracket-Pod
8	105-8284-03	1	Shield-Valve
12	3296-29	4	Nut-Lock, NI
17	233-42	1	Knob
18	93-5961	1	Boot-Lever
20	105-8288	1	Rod-Joystick
22	105-8280-03	1	Plate-Console
23	105-8305	1	Decal-Panel, Control
24	105-8306	1	Decal-Selector, Speed
25	88-9830	1	Key Switch ASM
25:1	3254-5	1	Washer-Tooth
25:2	218-461	1	Nut-HH
27	63-8360	2	Key-Ignition
28	3218-3	1	Nut-Jam
29	3230-1	4	Bolt-CARR
30	32144-19	4	Screw-SHWH
31	32144-10	3	Screw-HWH
32	3290-134	4	Screw

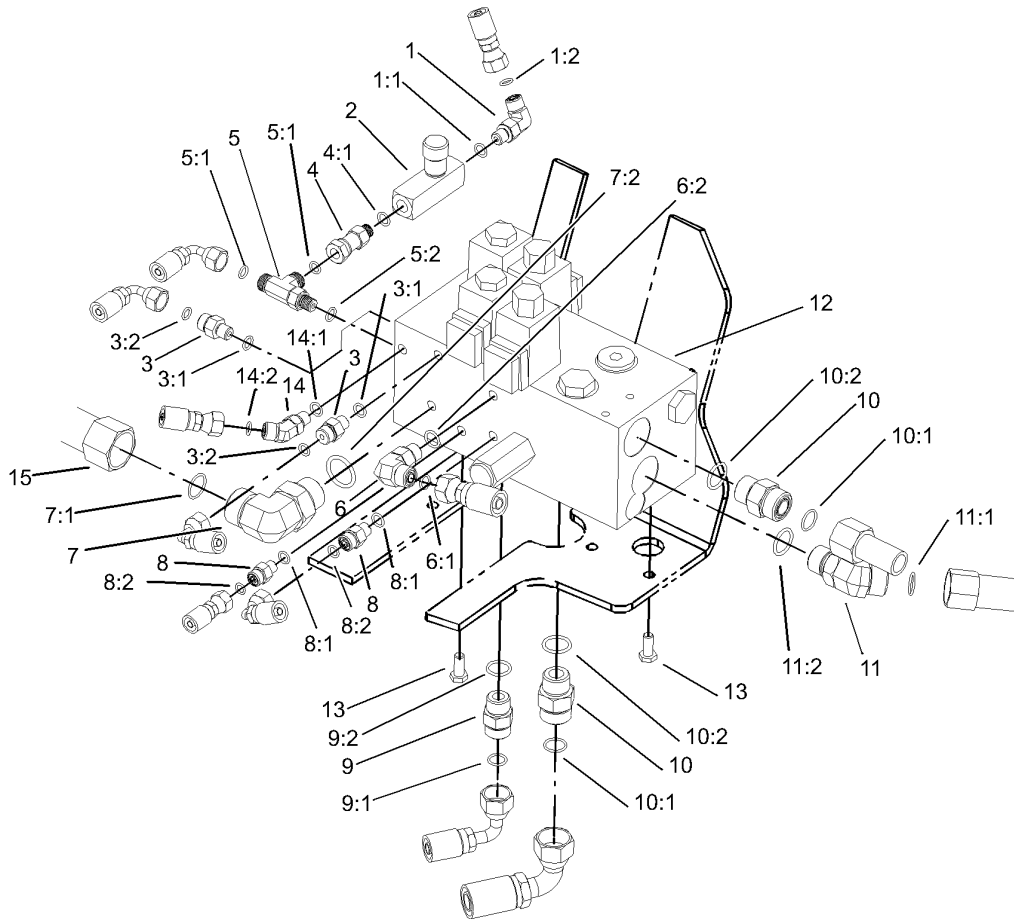
Ref	Part No.	Qty.	Description
34	3290-148	4	Nut-HF
35	3256-22	3	Washer-Flat
36	3290-378	1	Tie-Cable
37	3256-77	2	Washer-Flat
38	3256-14	2	Washer-Flat
39		1	Joystick Bracket ASM



Joystick Bracket Assembly No. 106-4167

Ref	Part No.	Qty.	Description
1	106-4168-03	1	Bracket-Joystick
2	106-4192	1	Spacer
3	93-5547	2	Bushing-Nylon
4	105-7507	1	Hub-Pivot, Joystick
5	105-8289	1	Spring-Torsion
6	106-4193	2	Washer-Finger, Spring
7	322-9	1	Screw-HH
8	3296-29	1	Nut-Lock, NI
9	3290-354	2	Nut-Speed
10	111332	2	Switch
11	95-3003	4	Screw-HH
12	3256-3	1	Washer-Flat

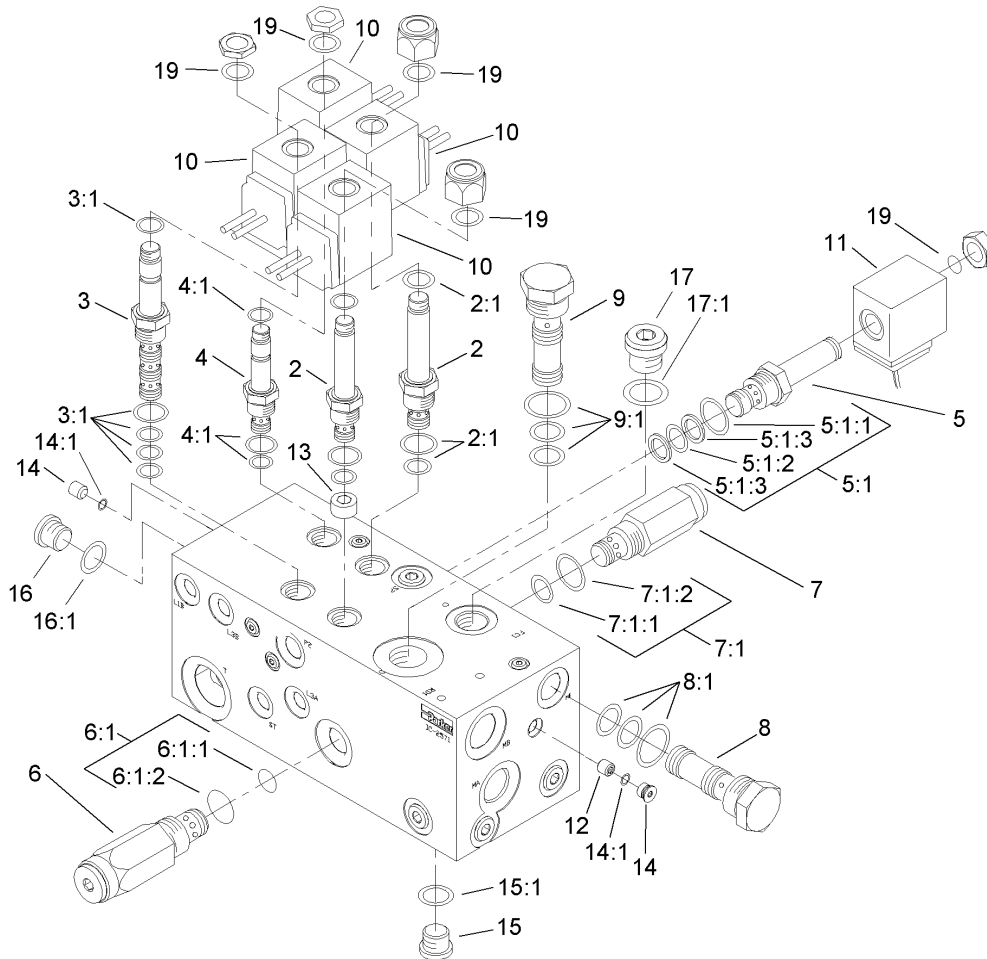
--	--	--	--



Hydraulic Manifold Assembly

Ref	Part No.	Qty.	Description
1	340-132	1	Fitting-Hyd, 90 DEG
1:1	237-78	1	O-Ring
1:2	237-21	1	O-Ring
2	93-7489	1	Orifice Valve ASM
3	95-1639	2	Fitting-HYD
3:1	237-78	1	O-Ring
3:2	237-21	1	O-Ring
4	104-3777	1	Connector-Swivel, Straight
4:1	237-78	1	O-Ring
5	340-140	1	Adapter-Tee
5:1	237-21	2	O-Ring
5:2	237-78	1	O-Ring
6	340-77	1	Fitting-Hyd, 90 DEG
6:1	237-22	1	O-Ring
6:2	237-42	1	O-Ring
7	340-142	1	Fitting-Hyd, 90 DEG
7:1	237-58	1	O-Ring
7:2	237-81	1	O-Ring
8	340-92	2	Fitting-Hyd, Straight
8:1	237-78	1	O-Ring
8:2	237-21	1	O-Ring
9	340-4	1	Fitting-Hyd, Sraight
9:1	237-30	1	O-Ring
9:2	237-79	1	O-Ring

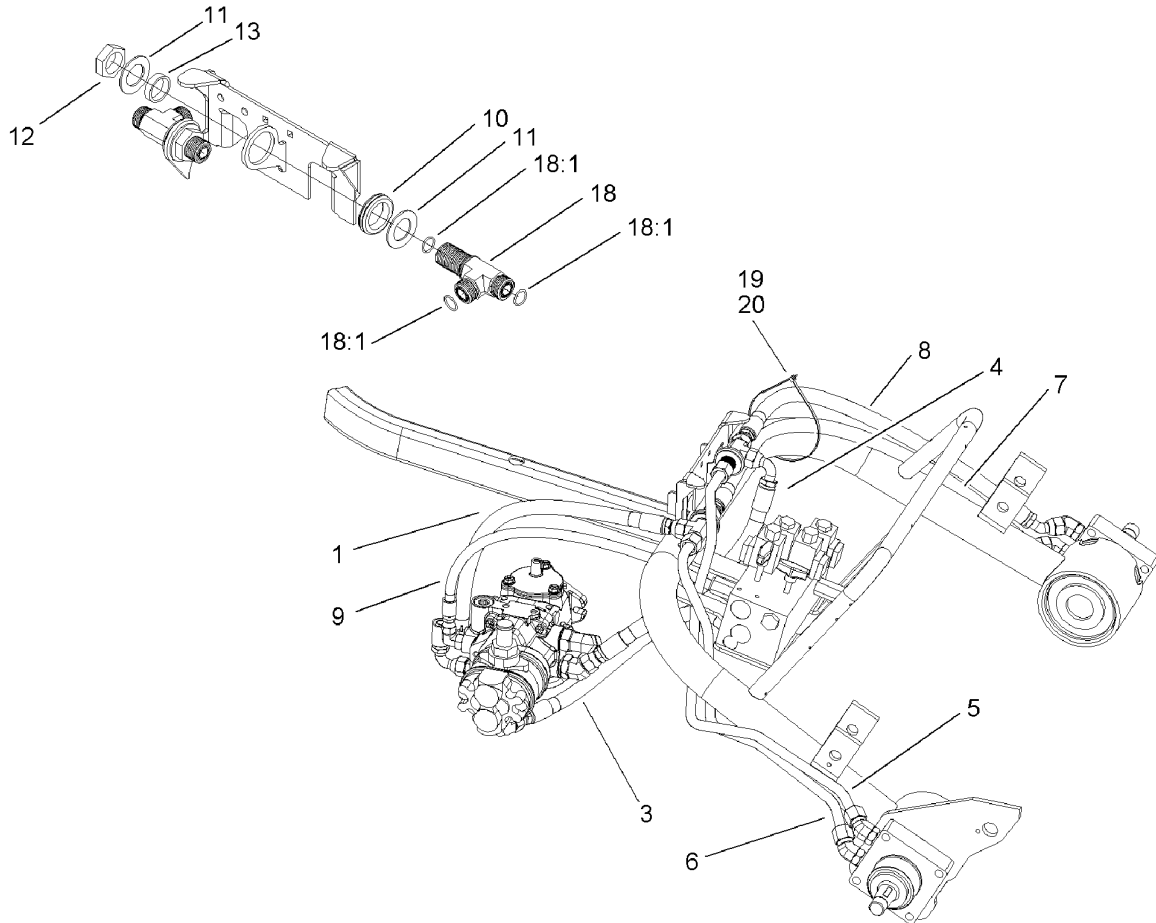
Ref	Part No.	Qty.	Description
10	340-7	2	Adapter
10:1	237-65	1	O-Ring
10:2	237-80	1	O-Ring
11	340-14	1	Fitting-Hyd, 45 DEG
11:1	237-65	1	O-Ring
11:2	237-80	1	O-Ring
12	106-9005	1	Manifold ASM
13	33114-016	2	Screw-HH
14	340-103	1	Fitting-Hyd, 45 DEG
14:1	237-78	1	O-Ring
14:2	237-21	1	O-Ring
15	105-5460	1	Tube-Hyd, Manifold/filter



Manifold Assembly No. 106-9005

Ref	Part No.	Qty.	Description
2	93-7494	2	Cartridge
2:1	95-5645	1	Seal Kit
3	94-2627	1	Cartridge
3:1	95-5642	1	Seal Kit
4	92-6315	1	Cartridge-Poppet, N.c.
4:1	95-5645	1	Seal Kit
5	106-9087	1	Spool-Type, Stem
5:1	105-3334	1	Seal Kit
5:1:1		1	O-Ring
5:1:2		1	O-Ring
5:1:3		2	Ring-Backup
6	95-1601	1	Cartridge-Relief
6:1	95-5645	1	Seal Kit
6:1:1		1	O-Ring
6:1:2		1	O-Ring
7	94-6351	1	Cartridge-Relief
7:1	95-5645	1	Seal Kit
7:1:1		1	O-Ring
7:1:2		1	O-Ring
8	94-6353	1	Plug-Cavity
8:1	69-4240	1	Seal Kit
9	94-6352	1	Plug-Cavity
9:1	104-7730	1	Seal Kit
10	88-9190	4	Solenoid Coil Kit

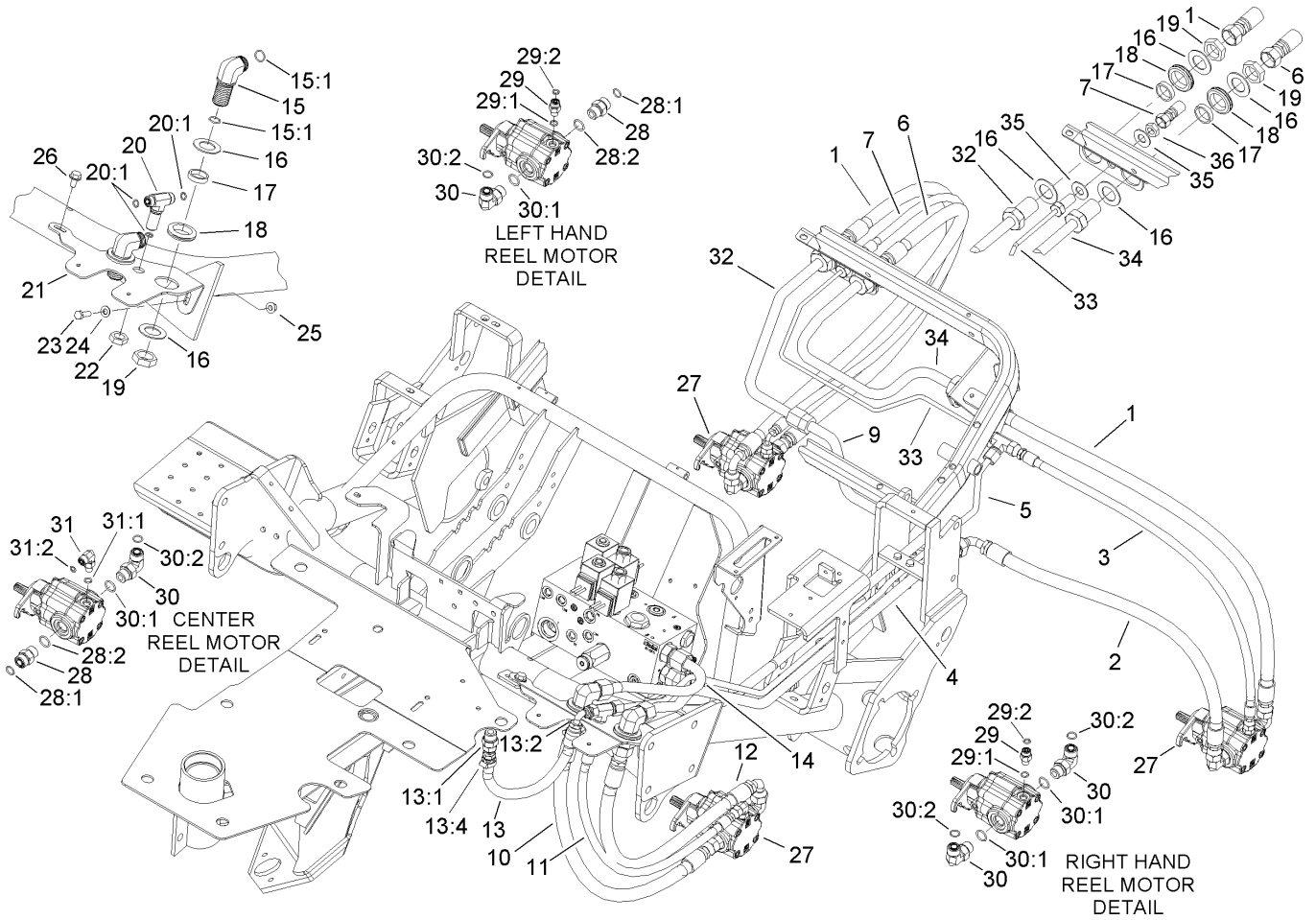
Ref	Part No.	Qty.	Description
11	106-9086	1	Solenoid Coil
12	106-9084	1	Plug-Orifice
13	106-9083	1	Plug-Orifice
14	353-991	8	Plug-Hex, Hollow
14:1	237-156	1	O-Ring
15	353-989	7	Plug-Hex, Hollow
15:1	237-42	1	O-Ring
16	353-988	1	Plug-Hex, Hollow
16:1	237-79	1	O-Ring
17	354-70	1	Plug-Hex, Hollow
17:1	237-80	1	O-Ring
19	94-5438	8	Seal-Solenoid



Hydraulic Traction Assembly

Ref	Part No.	Qty.	Description
1	99-6193	1	Hose ASM
3	105-4342	1	Hose ASM
4	105-4332	1	Hose ASM
5	105-5490	1	Tube-HYD
6	105-5489	1	Tube-HYD
7	105-4333	1	Hose ASM
8	105-4336	1	Hose ASM
9	105-4343	1	Hose ASM
10	240-3	2	Grommet-Rubber
11	69-9010	4	Washer
12	340-74	2	Locknut-Bulkhead
13	69-9000	2	Spacer
18	94-5350	2	Tee-Bulkhead
18:1	237-65	3	O-Ring
19	3290-378	1	Tie-Cable
20	3290-379	1	Tie-Cable

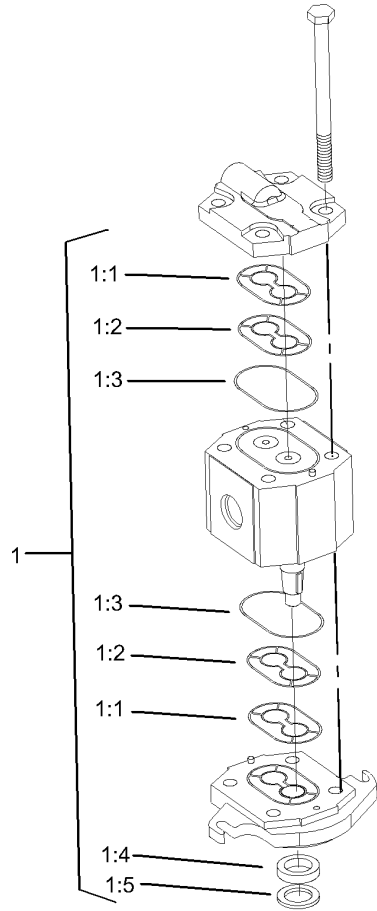
--	--	--	--



Hydraulic Reel Drive Assembly

Ref	Part No.	Qty.	Description
1	95-2908	2	Hose ASM
2	105-5404	1	Hose ASM
3	105-5405	1	Hose ASM
4	105-5493	1	Tube-HYD
5	105-4327	1	Tube-Hyd, Casedrain
6	95-2909	1	Hose ASM
7	93-2264	1	Hose ASM
9	107-2582	1	Tube-HYD
10	105-5400	1	Hose ASM
11	105-5402	1	Hose ASM
12	105-5401	1	Hose ASM
13	105-5409	1	Hose ASM
13:1	105-8311	1	Fitting-HYD
13:2	105-8312	1	Fitting-Hyd, 90
13:4	2412-141	2	Clamp-Drive, Worm
14	105-5482	1	Tube-HYD
15	340-72	2	Fitting-90 DEG Hyd, Bulkhead
15:1	237-65	2	O-Ring
16	69-9010	8	Washer
17	69-9000	4	Spacer
18	240-3	4	Grommet-Rubber
19	340-74	4	Locknut-Bulkhead
20	105-8281	1	Tee-Bulkhead
20:1	237-22	3	O-Ring

Ref	Part No.	Qty.	Description
21	105-8253-01	1	Bracket-Bulkhead
22	340-70	1	Nut-Lock
23	322-5	1	Screw-HH
24	3256-23	1	Washer-Flat
25	32128-20	1	Nut-HF
26	32144-14	3	Screw-HWH
27	100-6426	3	HYD Motor ASM
28	340-4	2	Fitting-Hyd, Sraight
28:1	237-30	1	O-Ring
28:2	237-79	1	O-Ring
29	340-92	2	Fitting-Hyd, Straight
29:1	237-78	1	O-Ring
29:2	237-21	1	O-Ring
30	340-98	4	Fitting-Hyd, 90 DEG
30:1	237-79	1	O-Ring
30:2	237-30	1	O-Ring
31	340-132	1	Fitting-Hyd, 90 DEG
31:1	237-78	1	O-Ring
31:2	237-21	1	O-Ring
32	107-2581	1	Tube-HYD
33	107-2583	1	Tube-HYD
34	107-2580	1	Tube-HYD
35	69-8980	2	Washer
36	340-78	1	Locknut-Bulkhead

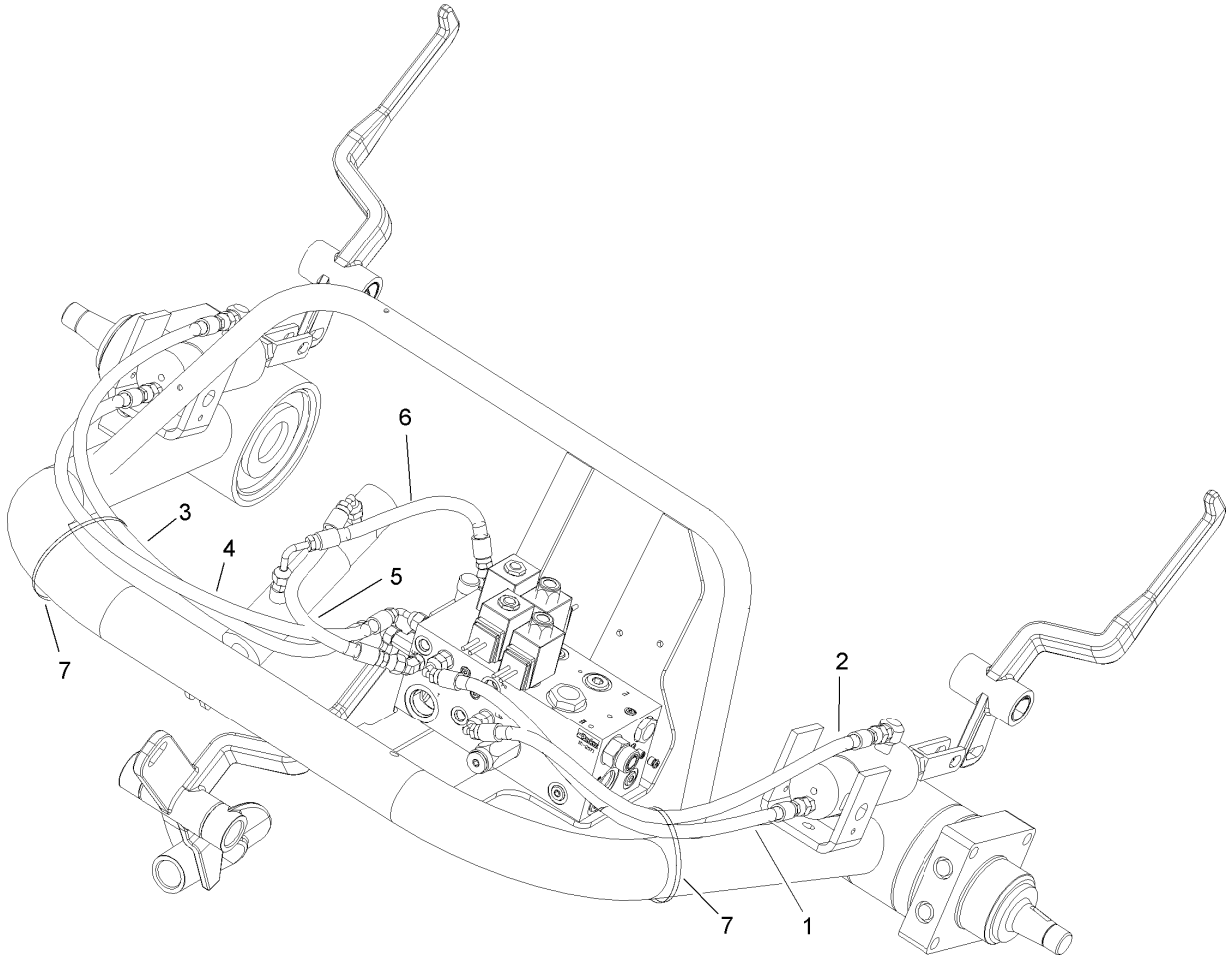


Parts not listed in part list are not serviced separately

Hydraulic motor Assembly No. 100-6426

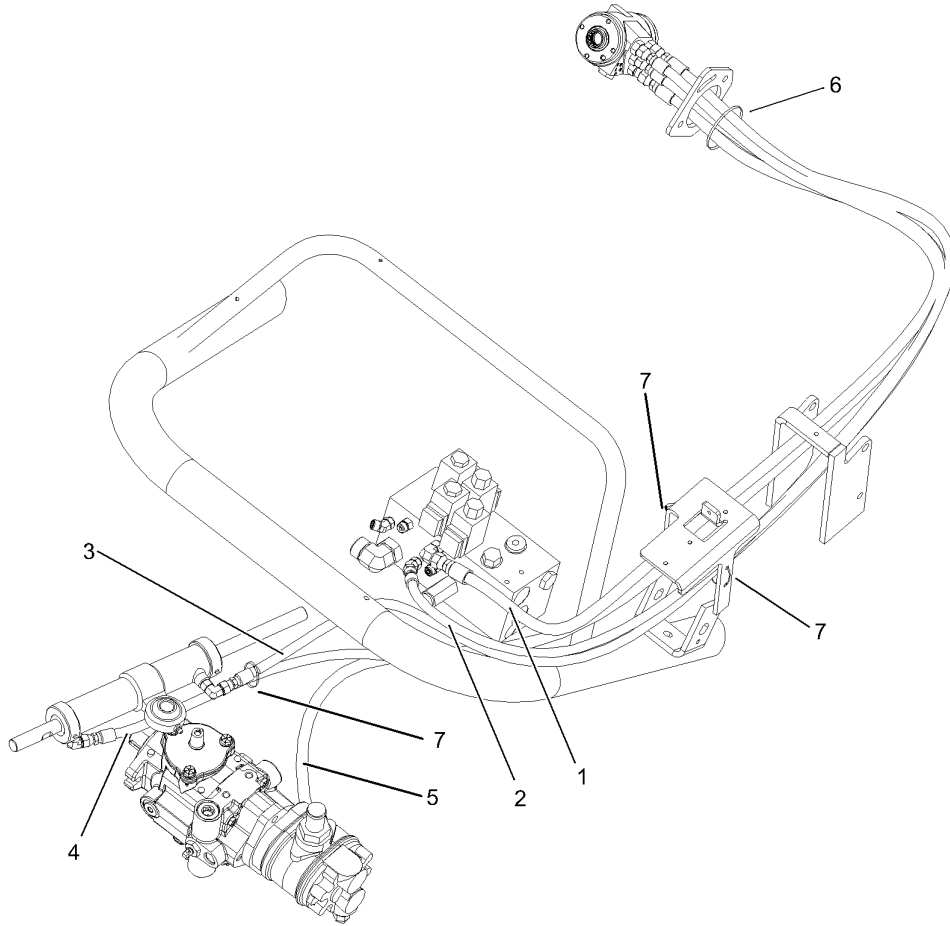
Ref	Part No.	Qty.	Description
1	105-9758	1	Seal Kit
② 1:1		2	Seal-Extrusion, Anti
② 1:2		2	Seal-Pressure
② 1:3		2	O-Ring
② 1:4		1	Seal-Shaft
② 1:5		1	Washer-Backup

--	--	--	--



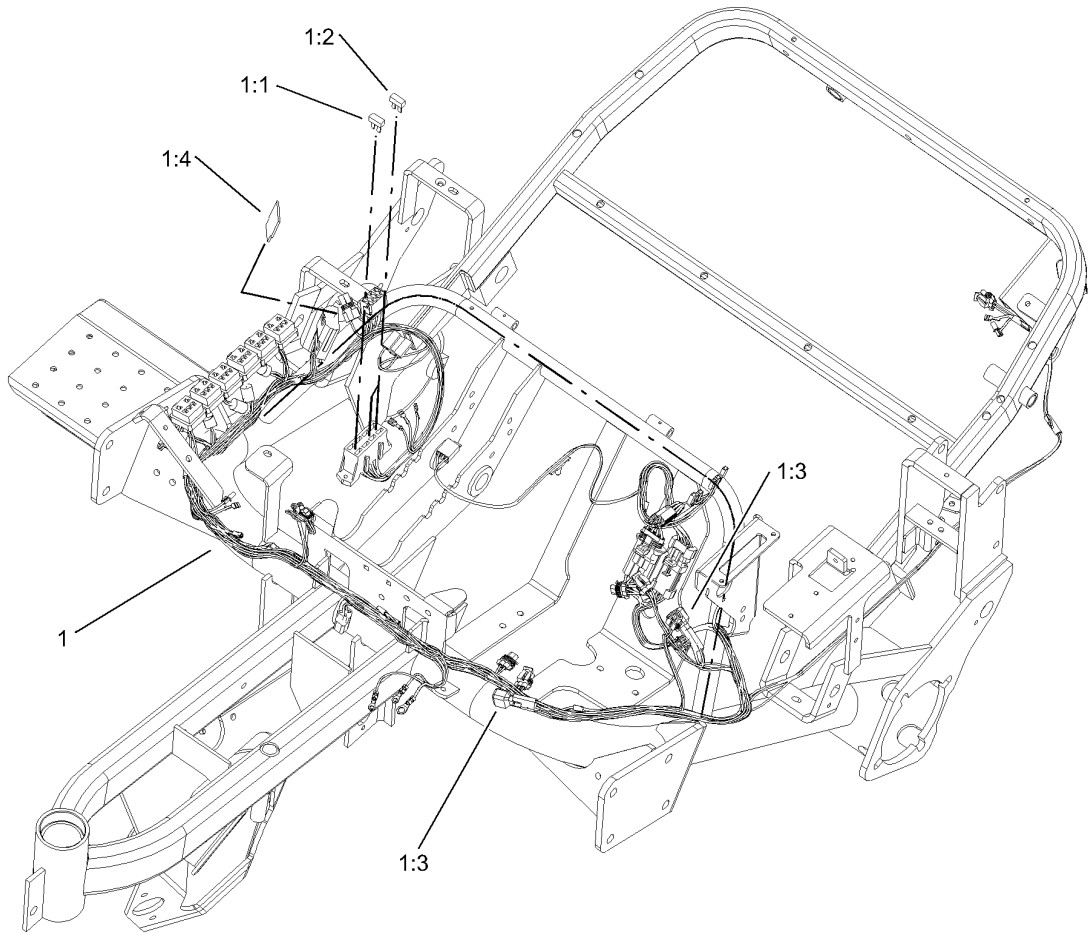
Hydraulic Lift Assembly

Ref	Part No.	Qty.	Description				
1	105-4346	1	Hose ASM				
2	105-4347	1	Hose ASM				
3	100-3833	1	Hose ASM				
4	95-8837	1	Hose ASM				
5	105-4344	1	Hose ASM				
6	105-4345	1	Hose ASM				
7	3290-379	2	Tie-Cable				



Hydraulic Steering Assembly

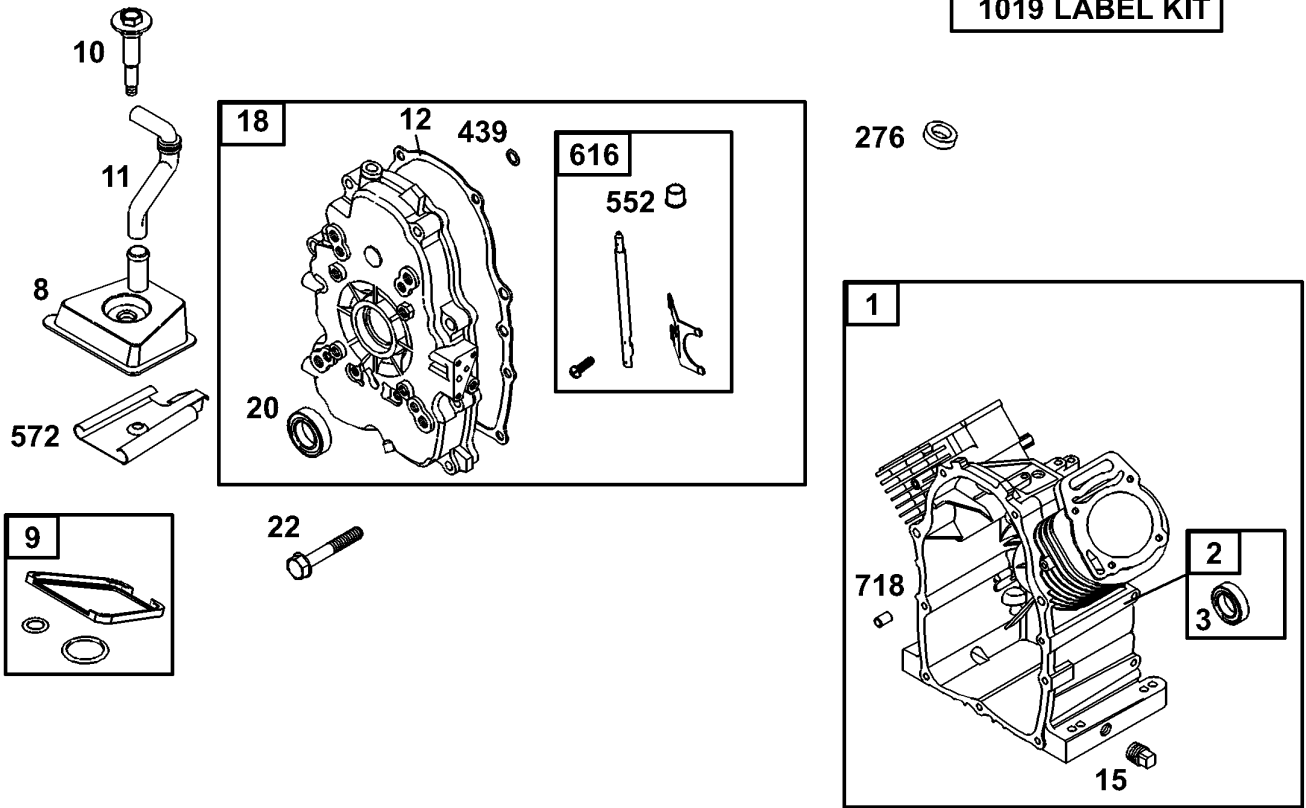
Ref	Part No.	Qty.	Description				
1	105-4339	1	Hose ASM				
2	105-4338	1	Hose ASM				
3	105-4337	1	Hose ASM				
4	100-4892	1	Hose ASM				
5	105-4340	1	Hose ASM				
6	3334-945	1	Tie-Cable				
7	3290-378	3	Tie-Cable				



Wire Harness Routing Assembly

Ref	Part No.	Qty.	Description				
1	106-9006	1	Wire-Harness, Gr3150 Main				
1:1	218-578	2	Fuse-10 Amp				
1:2	109101	1	Fuse-20 Amp				
1:3	100-4918	2	Diode				
1:4	92-3188	1	Diode-Board, Circuit				
1:5	106-4641	1	Harness-Wire, Fusible Link				

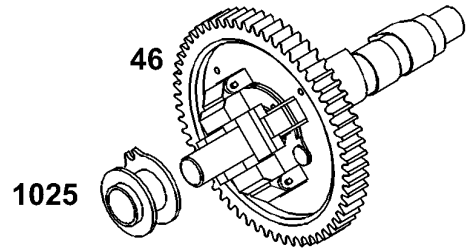
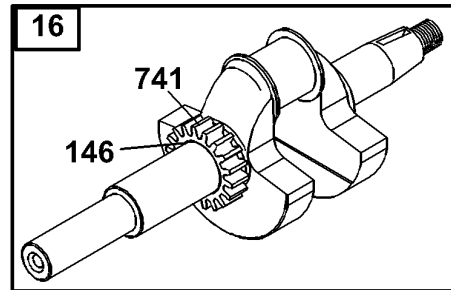
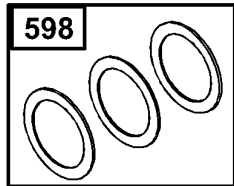
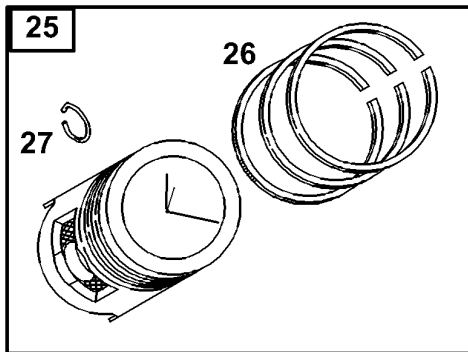
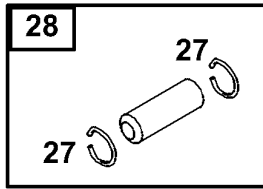
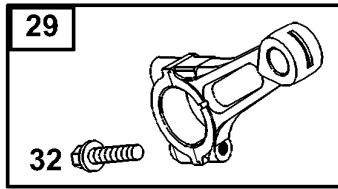
1019 LABEL KIT



Assemblies include all parts shown in frames.

**Cylinder Assembly
Briggs and Stratton Model 350447-1331-E1**

Ref	Part No.	Qty.	Description
1	692544	1	Cylinder Assembly
2	808534	1	Bushing
3	805101	1	Seal-Oil
8	808984	1	Assembly-Breather
4	809094	1	Valve Cover Gasket
7			
10	690751	1	Screw (Breather Assembly)
11	806083	1	Breather Tube
12	691684	1	Crankcase Gasket
15	690946	1	Plug-Oil Drain
18	808847	1	Cover-Crankcase
20	805049	1	Seal-Oil
22	692540	1	Screw
276	690704	1	Washer-Sealing
439	692154	1	O-Ring (Crankcase Cover)
552	806686	1	Bushing-Governor Crank
572	690686	1	Baffle-Breather
616	806685	1	Fork-Governor
718	806469	1	Locating Pin
1019	808036	1	Kit-Label

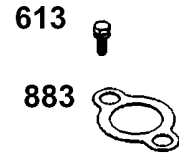
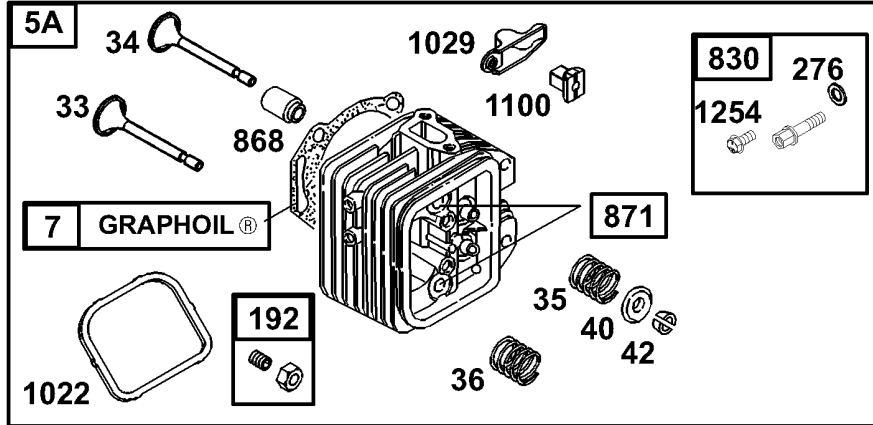
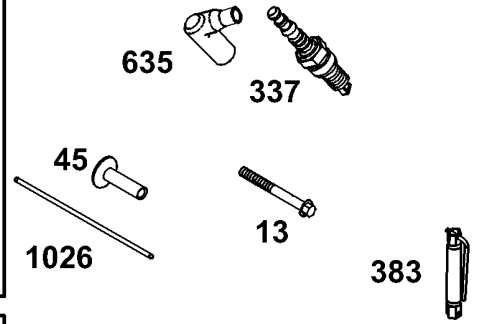
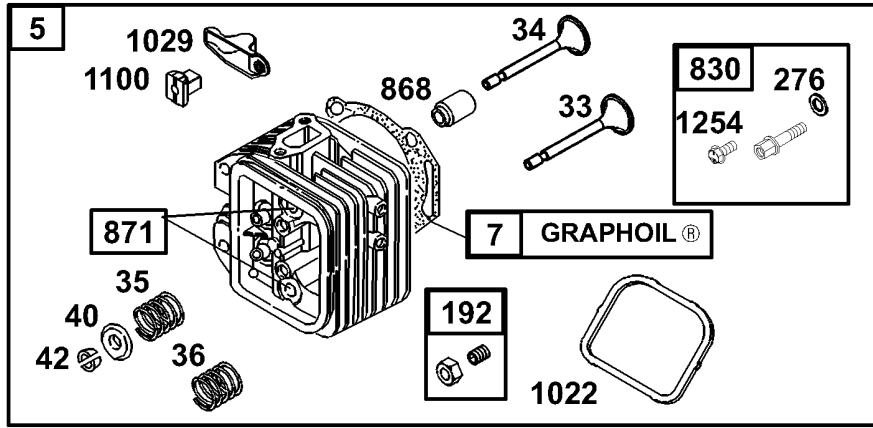


Assemblies include all parts shown in frames.

Crankshaft Assembly Briggs and Stratton Model 350447-1331-E1

Ref	Part No.	Qty.	Description
16	692171	1	Crankshaft
17	690752	1	Bearing-Ball
25	808326	1	Piston Assembly (Standard)
	808336	1	Piston Assembly (.010 O.s.)
	808337	1	Piston Assembly (.020 O.s.)
	808338	1	Piston Assembly (.030 O.s.)
26	807889	1	Ring Set (Standard)
	807994	1	Ring Set (.010 O.s.)
	807995	1	Ring Set (.020 O.s.)
	807996	1	Ring Set (.030 O.s.)
27	690683	1	Lock-Piston Pin
28	807886	1	Pin-Piston
29	807900	1	Rod-Connecting
	807803	1	Pin-Piston (.020" U.s.)
32	690698	1	Screw
46	691557	1	Camshaft
146	691639	1	Key-Timing
377	808095	1	Key-Timing
598	807625	1	Washer Set
741	691530	1	Gear-Timing
1025	690689	1	Spool-Governor

--	--	--	--	--	--	--	--

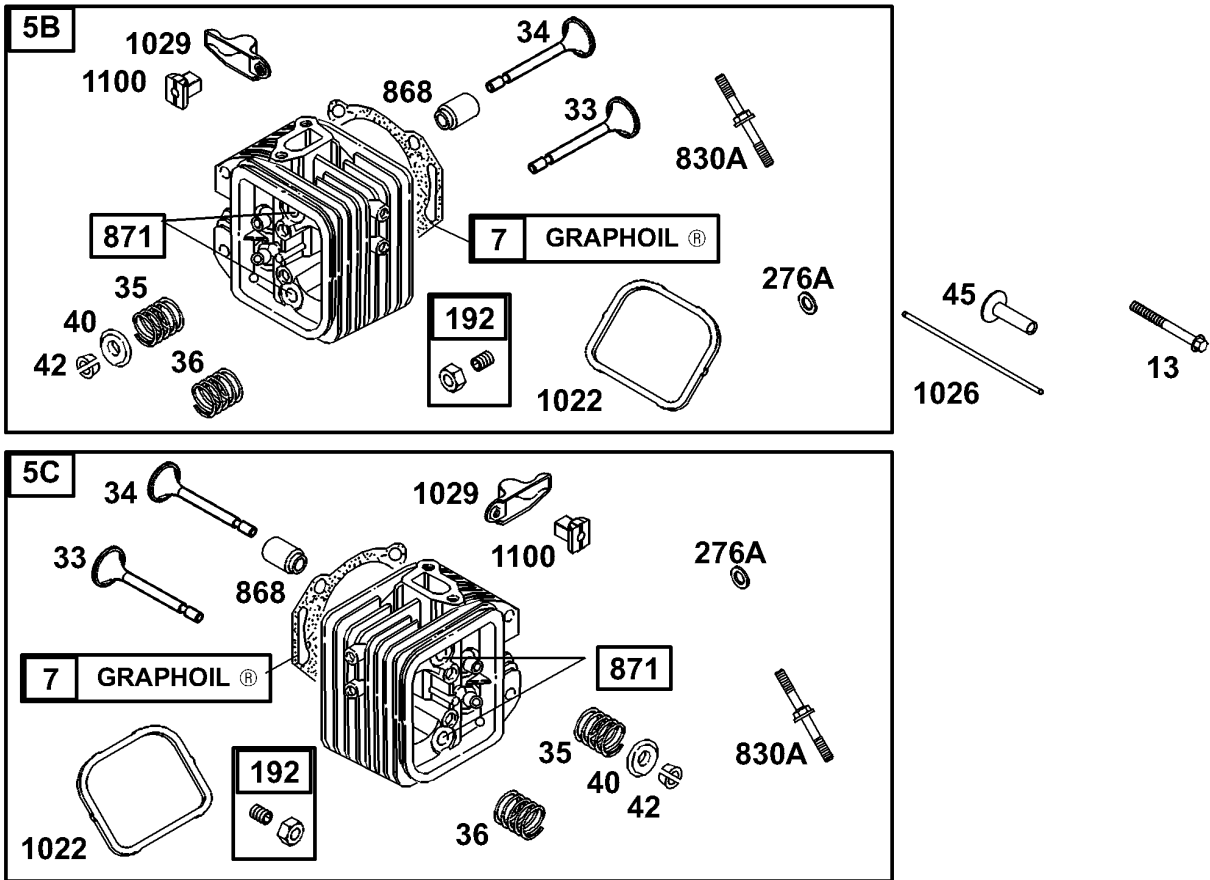


Assemblies include all parts shown in frames.

Cylinder Head Assembly No. 1 Briggs and Stratton Model 350447-1331-E1

Ref	Part No.	Qty.	Description
5	809185	1	Cylinder Head (No. 1)(Used After Date Code 01120200)
5A	809186	1	Cylinder Head (No. 2)(Used After Date Code 01120200)
67	690888	1	Cylinder Head Gasket
13	692059	1	Cylinder Head Screw
33	807681	1	Valve-Exhaust
34	807680	1	Valve-Intake
35	692084	1	Spring-valve(Intake)
36	692084	1	Spring-valve(Intake)
40	692058	1	Retainer-Valve
42	807683	1	Keeper-Valve
45	690977	1	Tappet-Valve
192	807623	1	Screw
276A	807085	1	New Tractor Loose Parts Package 211-5 Only
337	496018	1	Sparkplug
383	19374	1	Wrench-Sparkplug
613	691902	1	Screw (Exhaust Muffler)
635	692076	1	Boot-Sparkplug
830	809157	1	Stud (Rocker Arm)
868	691963	1	Seal-Valve
871	692057	1	Valve Guide
883	691613	1	Exhaust Gasket

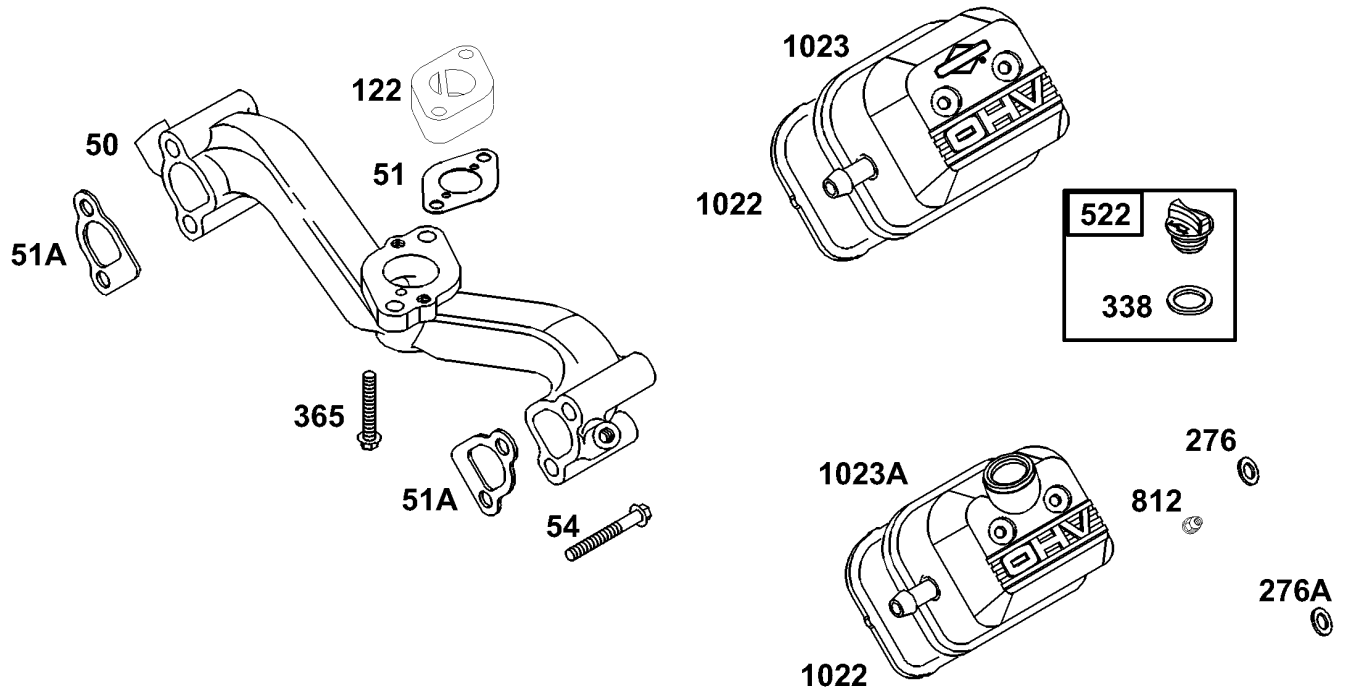
Ref	Part No.	Qty.	Description
61022	806039	1	Gasket-Valve Cover
1026	691836	1	Rod-push(Intake Valve)
	691758	1	Rod-push(Exhaust Valve)
1029	691543	1	Arm-Rocker
1100	690973	1	Pivot-Rocker Arm
1254	807084	1	New Tractor Loose Parts Package 211-3 Only



Assemblies include all parts shown in frames.

Cylinder Head Assembly No. 2 Briggs and Stratton Model 350447-1331-E1

Ref	Part No.	Qty.	Description				
5B	808383	1	Cylinder Head (No. 1)				
5C	808384	1	Cylinder Head (No. 2)				
67	690888	1	Cylinder Head Gasket				
7							
713	692059	1	Cylinder Head Screw				
733	807681	1	Valve-Exhaust				
734	807680	1	Valve-Intake				
735	692084	1	Spring-valve(Intake)				
736	692084	1	Spring-valve(Intake)				
740	692058	1	Retainer-Valve				
742	807683	1	Keeper-Valve				
745	690977	1	Tappet-Valve				
7192	807623	1	Screw				
7276A	691766	1	Sealing Washer				
7830A	691544	1	Stud-Rocker Arm				
7868	691963	1	Seal-Valve				
7871	692057	1	Valve Guide				
61022	806039	1	Gasket-Valve Cover				
7							
71026	691836	1	Rod-push(Intake Valve)				
7	691758	1	Rod-push(Exhaust Valve)				
71029	691543	1	Arm-Rocker				
71100	690973	1	Pivot-Rocker Arm				

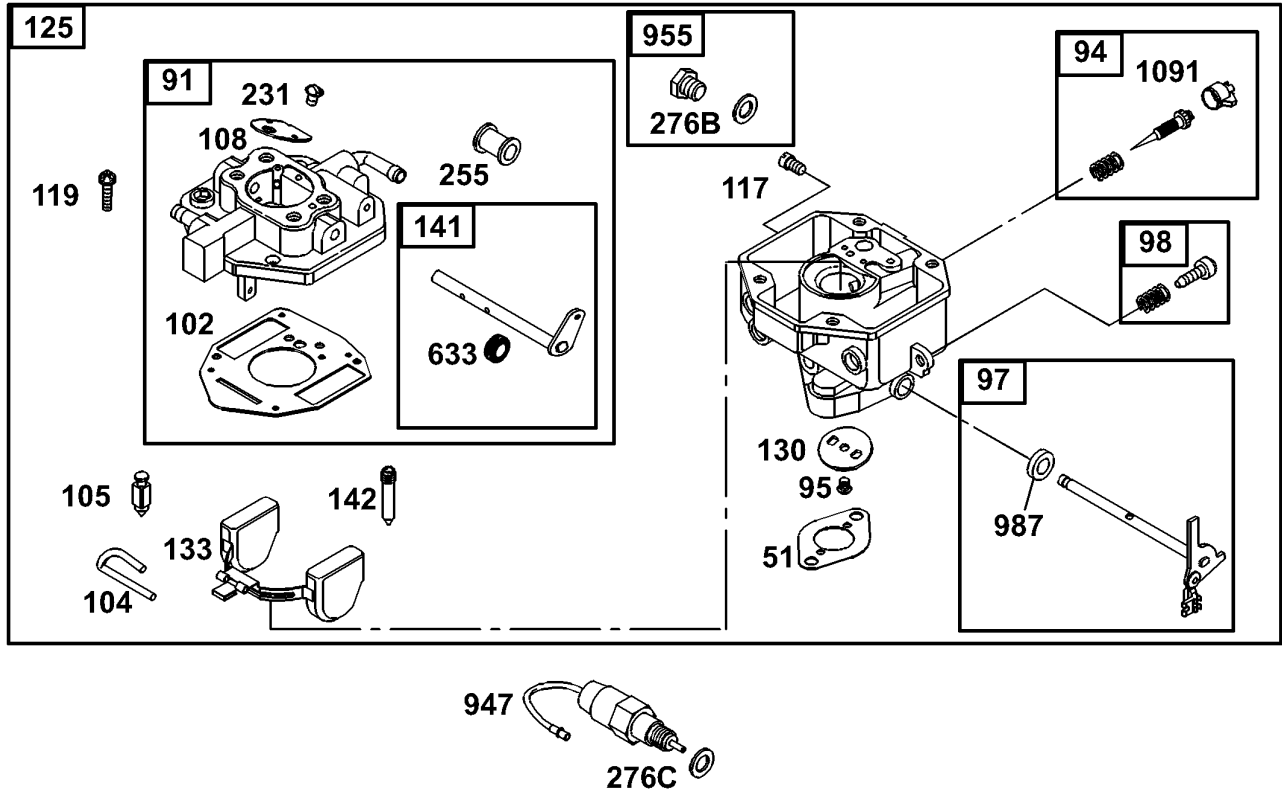


Assemblies include all parts shown in frames.

Intake Manifold and Rocker Cover Assembly Briggs and Stratton Model 350447-1331-E1

Ref	Part No.	Qty.	Description
750	690754	1	Manifold-Intake
751	691694	1	Gasket-Intake
751A	692035	1	Gasket-Intake
754	690676	1	Screw
7122	690691	1	Spacer-Carburetor
7276	807085	1	New Tractor Loose Parts Package 211-5 Only
7276A	691766	1	Sealing Washer
7338	691312	1	Gasket-Dipstick
7365	690711	1	Screw
7522	491832	1	Plug-Oil Filler
7812	692055	1	Nut (Air Cleaner)
71022	806039	1	Gasket-Valve Cover
71023	691494	1	Cover-Valve
71023A	690910	1	Cover-Valve

--	--	--	--

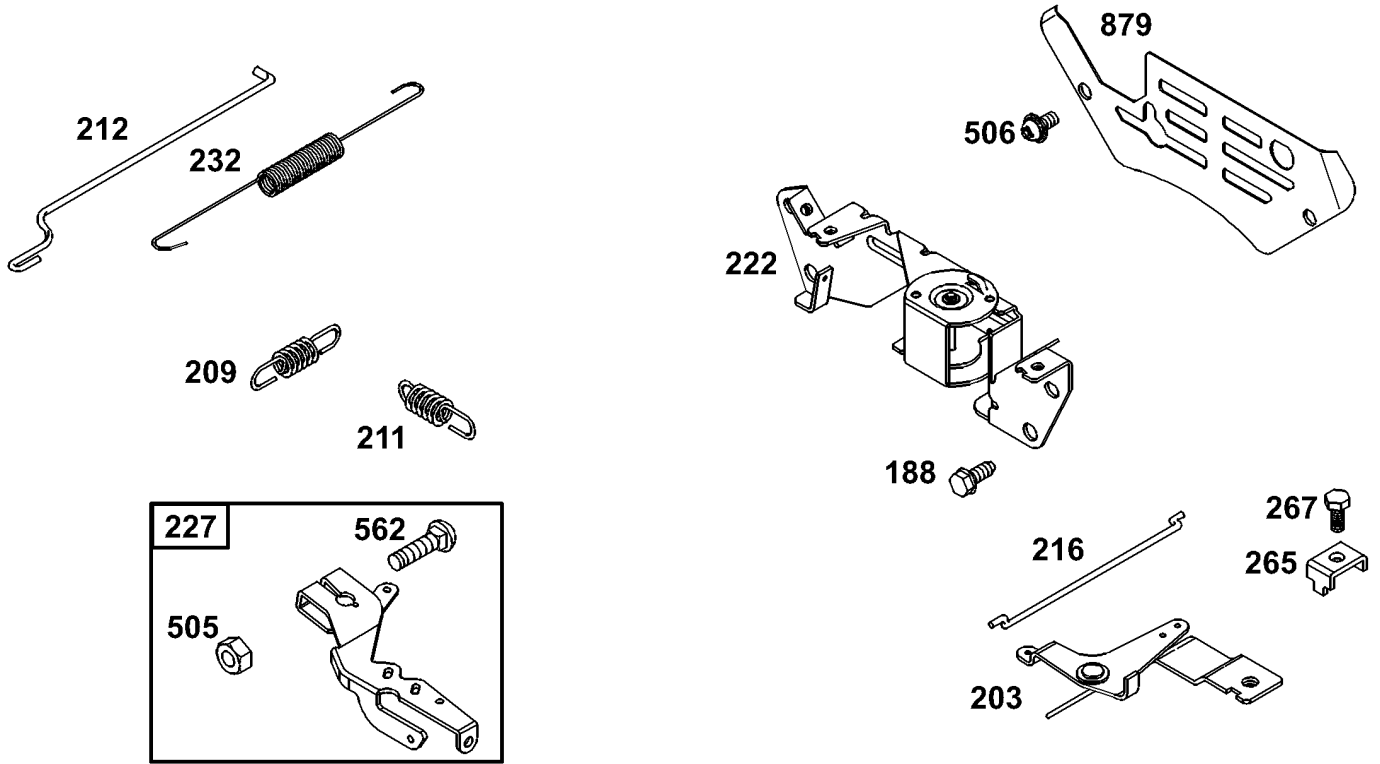


Assemblies include all parts shown in frames.

Carburetor Assembly Briggs and Stratton Model 350447-1331-E1

Ref	Part No.	Qty.	Description
5751	691694	1	Gasket-Intake
791	809208	1	Upper Carburetor Body
5794	808257	1	Idle Mixture Kit
5795	690718	1	Screw (Throttle Valve)
797	808973	1	Throttle Shaft Kit
798	808981	1	Idle Speed Kit
57102	692077	1	Gasket-Carburetorbody
57104	690723	1	Pin-Float Hinge
57105	692078	1	Float Needle Valve
7108	690719	1	Valve-Choke
7109	809096	1	Choke Shaft
57117	808406	1	Main Jet (Standard)
7119	690720	1	Screw
7125	809209	1	Carburetor
7130	690726	1	Valve-Throttle
7133	806961	1	Float-Carburetor
57142	690725	1	Nozzle-Carburetor
57231	690718	1	Screw (Throttle Valve)
57255	690721	1	Bushing-Choke Shaft
57276B	690724	1	Sealing Washer
7276C	806137	1	Washer
57633	690722	1	Seal-Choke Shaft
7947	692094	1	Fuel Solenoid
7955	807723	1	Carburetor Plug

Ref	Part No.	Qty.	Description
57987	806131	1	Seal-Shaft
571091	691516	1	Cap-Limiter

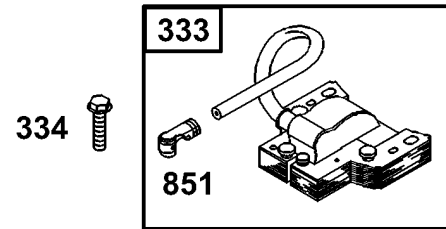
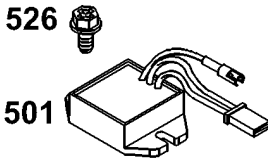
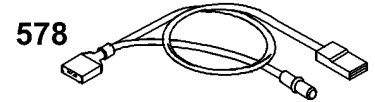
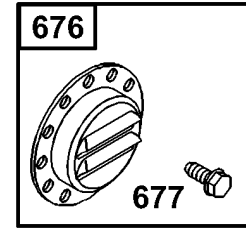
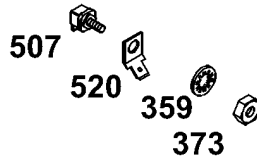
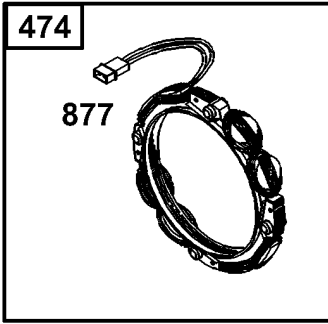


Assemblies include all parts shown in frames.

Governor Assembly Briggs and Stratton Model 350447-1331-E1

Ref	Part No.	Qty.	Description
188	692056	1	Screw (Blower Housing)
203	690923	1	Crank-Bell
209	806872	1	Governor Spring
211	806868	1	Governed Idle Spring
	692068	1	Governed Idle Spring (Secondary)
212	690712	1	Link-Governor
216	690705	1	Link-Choke
222	808454	1	Bracket-Control
227	690236	1	Lever-Governor Control
232	692073	1	Governor Link Spring
265	691024	1	Clamp-Casing
267	692083	1	Screw
505	690238	1	Nut (Governor Control Lever)
506	690677	1	Screw
562	690239	1	Bolt-Carriage
879	690757	1	Cover-Carburetor

--	--	--	--

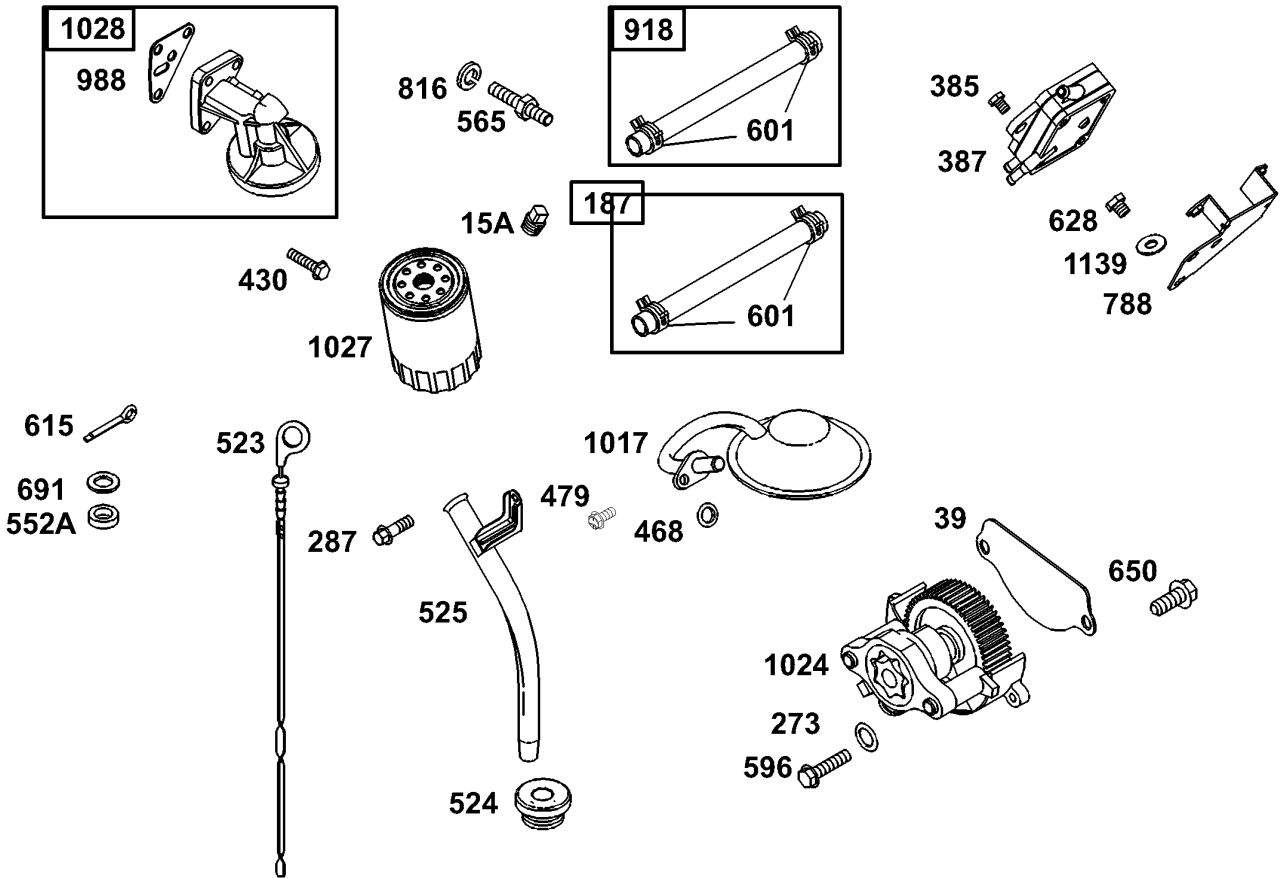


Assemblies include all parts shown in frames.

Alternator Assembly Briggs and Stratton Model 350447-1331-E1

Ref	Part No.	Qty.	Description
333	492341	1	Armature-Magneto
334	692066	1	Screw (Magneto Armature)
359	691077	1	Washer (Groundterminal)
373	691612	1	Nut (Ground Terminal)
474	696458	1	Alternator
501	691185	1	Regulator
507	691972	1	Insulator
520	691084	1	Terminal-Spade
526	692067	1	Screw (Regulator)
529	690744	1	Grommet
578	692319	1	Wire Assembly
676	397630	1	Deflector-Exhaust
677	690661	1	Screw (Flywheel Guard)
729	690586	1	Clip-Wire
851	493880	1	Terminal-Spark Plug
877	399916	1	Wire/connector-Alternator
1054	280275	1	Cable Tie
1119	691552	1	Screw

--	--	--	--

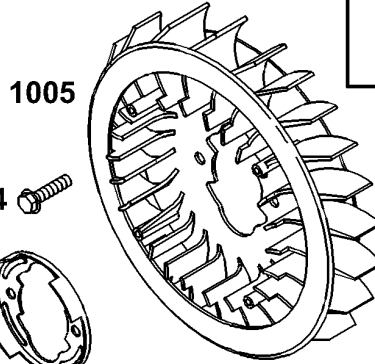
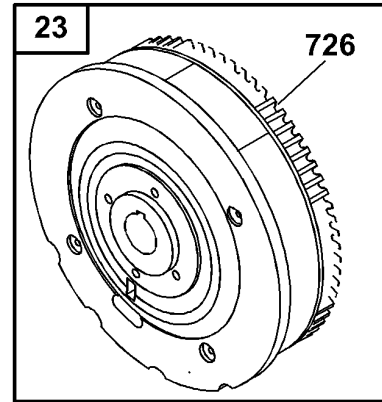
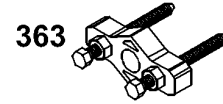
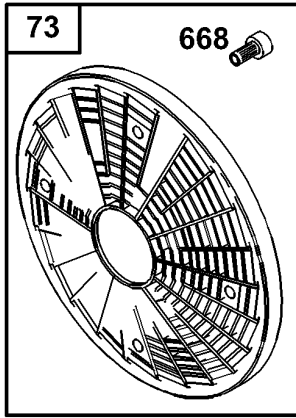


Assemblies include all parts shown in frames.

Fuel Pump, Oil Pump and Dipstick Assembly Briggs and Stratton Model 350447-1331-E1

Ref	Part No.	Qty.	Description
715A	690283	1	Plug-Oil
739	690745	1	Deflector-Oil
7187	691050	1	Line-Fuel (Cut To Required Length)
7273	690681	1	Seal-O Ring (Oil Pump)
7287	692062	1	Screw (Drive Cap)
7385	693169	1	Screw (Fuel Pump)
7387	808969	1	Fuel Pump
7430	690679	1	Bolt (Oil Pump)
7468	690690	1	Screw
7479	807084	1	New Tractor Loose Parts Package 211-3 Only
7523	693175	1	Dipstick
7524	693172	1	Seal-Fill Tube
7525	693174	1	Dipstick Tube
7552A	690701	1	Bushing-Governor Crank
7565	690682	1	Stud (Oil Filter)
7596	691492	1	Screw
7601	691038	1	Clamp-Hose
7615	691550	1	Pin-Cotter
7628	692062	1	Screw (Drive Cap)
7650	692539	1	Screw
7691	690680	1	Seal-Governor Shaft
7788	691559	1	Bracket-Pump
7816	690706	1	Washer

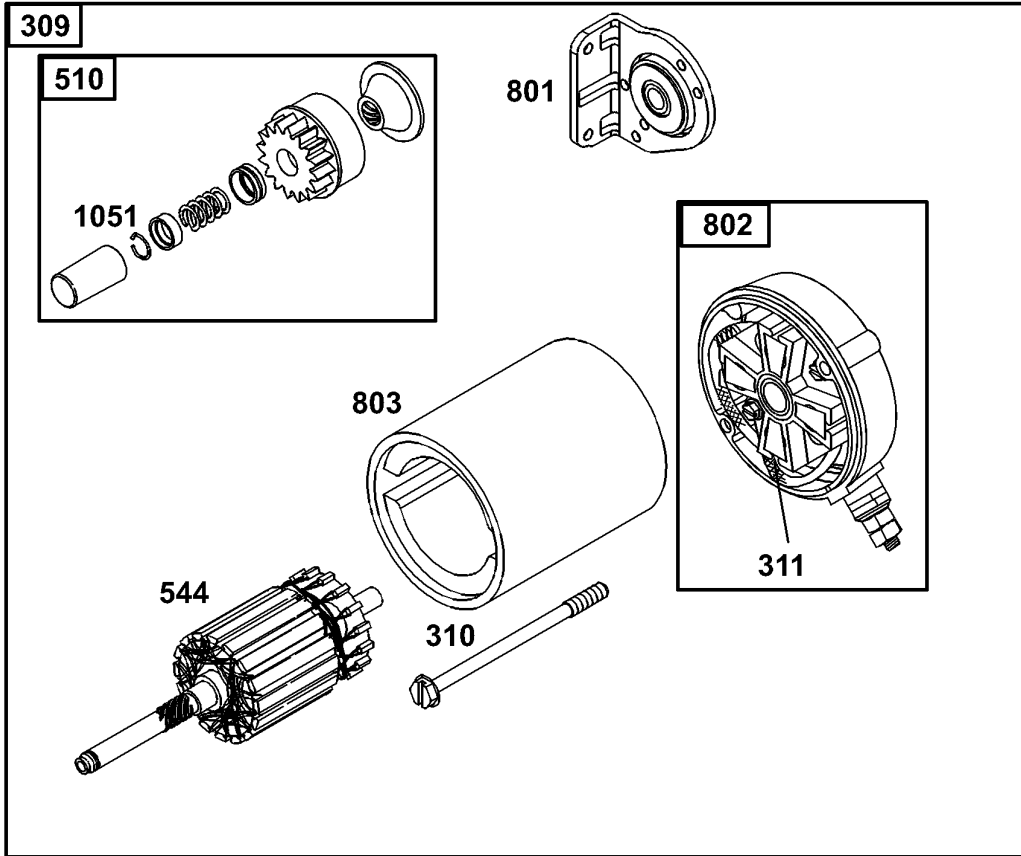
Ref	Part No.	Qty.	Description
7918	393815	1	Hose-Fuel
7988	692063	1	Oil Adapter Gasket
71017	690900	1	Screen-Oil Pump
71024	693185	1	Pump-Oil
71027	492932	1	Filter-Oil
71028	808235	1	Adapter-Oil Filter
71139	806497	1	Washer(Fuel Pump Bracket)



Assemblies include all parts shown in frames.

Flywheel Assembly Briggs and Stratton Model 350447-1331-E1

Ref	Part No.	Qty.	Description
23	808768	1	Flywheel
73	494439	1	Screen-Rotating
74	691647	1	Screw (Rotating Screen)
332	690887	1	Nut
363	19203	1	Puller-Flywheel
668	691500	1	Spacer
726		1	Ring Gear (Sold In Flywheel Kit Only, See Ref. 23)
934	691058	1	Screw (Fan Retainer)
1005	690911	1	Flywheel Fan
1006	690452	1	Retainer-Fan

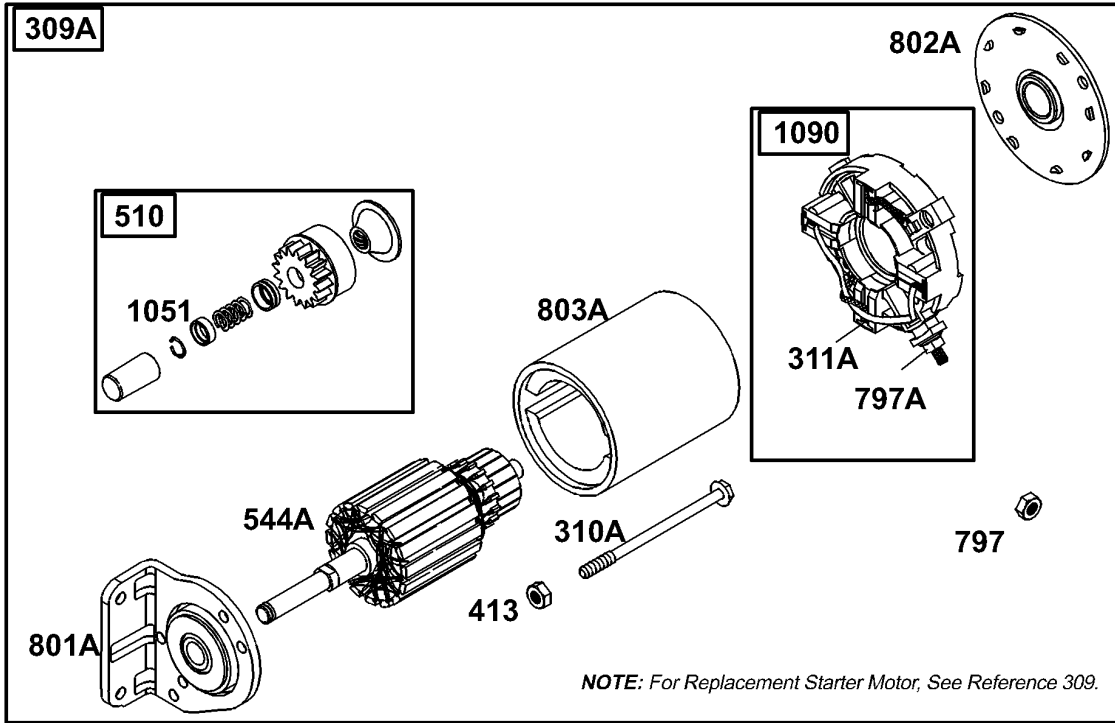


Assemblies include all parts shown in frames.

Starter Assembly Briggs and Stratton Model 350447-1331-E1

Ref	Part No.	Qty.	Description
309	691564	0	Motor-Starter
310	496880	1	Bolt-Thru
311	496887	1	Brush Set
510	496881	1	Drive-Starter
544	690855	1	Armature-Starter
697	692062	1	Screw (Drive Cap)
801	808778	1	Cap-Drive
802	496813	1	Bolt
803	690854	1	Housing-Starter
1051	691124	1	Lock Ring

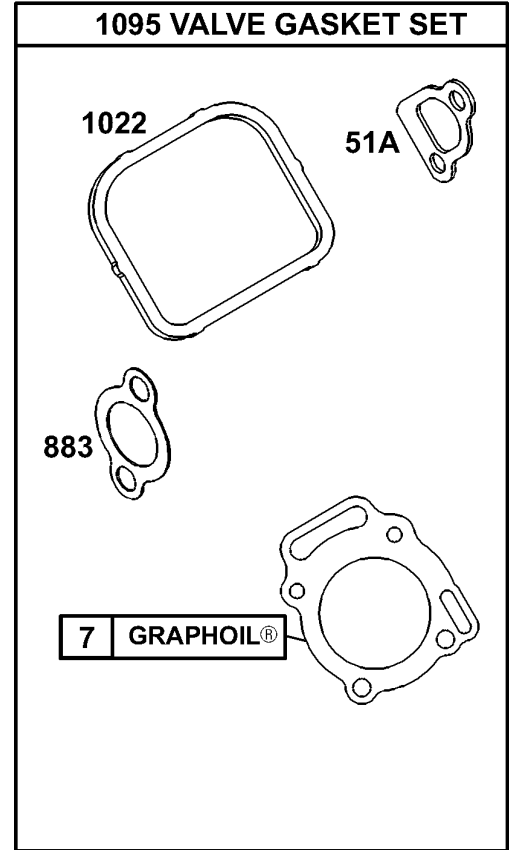
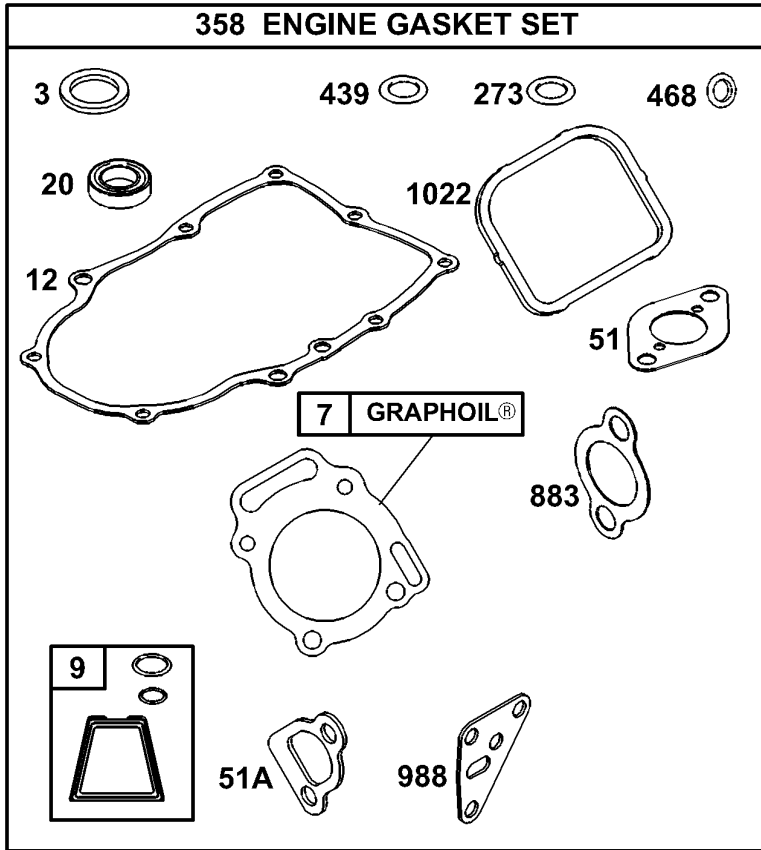
--	--	--	--	--	--	--	--	--	--



Assemblies include all parts shown in frames.

Starter Assembly Briggs and Stratton Model 350447-1331-E1

Ref	Part No.	Qty.	Description
309A		0	Starter Motor (For Replacement Starter Motor, See Ref. 309)
310A	690323	1	Bolt (Starter Motor)
311A	497608	1	Brush Set
413	693587	1	Nut (Starter Motor)
510	496881	1	Drive-Starter
544A	693548	1	Armature-Starter
797	691029	1	Nut (Brush Retainer)
797A	693167	1	Nut (Brush Retainer)
801A	808777	1	Cap-Drive
802A	691286	1	Cap-End
803A	693547	1	Housing-Starter
1051	691124	1	Lock Ring
1090	691293	1	Retainer-Brush

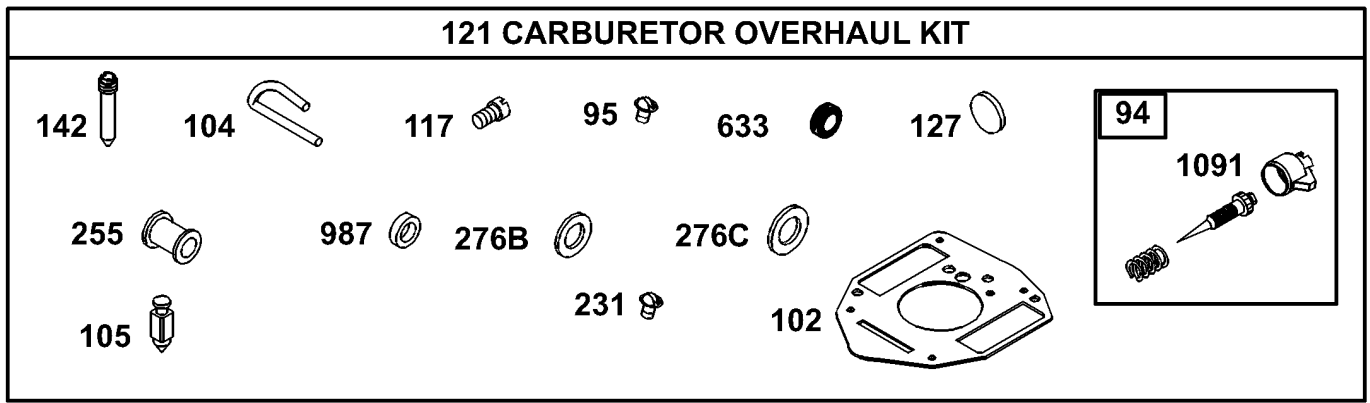


Assemblies include all parts shown in frames.

Gasket Assembly Briggs and Stratton Model 350447-1331-E1

Ref	Part No.	Qty.	Description
③⑦3	805101	1	Seal-Oil
③④⑦ ⑦	690888	1	Cylinder Head Gasket
③⑦9	807688	1	Gasket-Breather
③⑦12	691684	1	Crankcase Gasket
③⑦20	805049	1	Seal-Oil
③⑦51	691694	1	Gasket-Intake
③⑦51A	692035	1	Gasket-Intake
③⑦273	690681	1	Seal-O Ring (Oil Pump)
③④276A ⑦	691766	1	Sealing Washer
⑦358	808389	1	Gasket Set
③⑦439	692154	1	O-Ring (Crankcase Cover)
③⑦468	690960	1	Screw (Blower Housing Support)
③④883 ⑦	691613	1	Exhaust Gasket
③⑦988	692063	1	Oil Adapter Gasket
③④1022 ⑦	806039	1	Gasket-Valve Cover
⑦1095	808391	1	Kit-Valve Overhaul

--	--	--	--



Assemblies include all parts shown in frames.

Carburetor Overhaul Kit Assembly Briggs and Stratton Model 350447-1331-E1

Ref	Part No.	Qty.	Description
94	808257	1	Idle Mixture Kit
95	690718	1	Screw (Throttle Valve)
102	692077	1	Gasket-Carburetorbody
104	690723	1	Pin-Float Hinge
105	692078	1	Float Needle Valve
117	806126	1	Jet-Main
121	808395	1	Carburetor Kit
127	690727	1	Plug-Welch
142	806128	1	Carburetor Nozzle
231	690718	1	Screw (Throttle Valve)
255	690721	1	Bushing-Choke Shaft
276B	690724	1	Sealing Washer
276C	806137	1	Washer
633	690722	1	Seal-Choke Shaft
987	806131	1	Seal-Shaft
1091	691516	1	Cap-Limiter

NOTES

NOTES

