



## 44in and 52in Twin Soft Bagger Z100 Z Master®

Model No. 78507 - 240000001 and up.

### Parts Catalog

---

#### Ordering Replacement Parts

To order replacement parts, please supply the part number, the quantity, and the description of each part desired.

#### Understanding Reference Numbers

Each Identified part in an illustration has a reference number. The reference number for a part also appears in the parts list, along with other information about the part.

This catalog uses two special reference number formats, one to indicate parts in a service assembly and another to indicate the quantity of a given part in an illustration.

#### Service Assembly Reference Numbers

Parts in service assemblies have reference numbers in the form a:b. The a represents the reference number of the entire service assembly and the b represents a sequential number unique to each part within the service assembly.

For example, a wheel assembly might be identified by reference number 6, the tire by 6:1, the valve by 6:2, and the wheel by 6:3. When you order the assembly identified by reference number 6, you receive all parts identified by reference numbers 6:1, 6:2, and 6:3. However, you may also order any part individually. Reference numbers of this type appear in illustrations and in part lists.

#### Reference Numbers Indicating Quantity

In an illustration, if a reference number indicates more than one part, the reference number has the form nX y. The n represents the quantity of the part, the X is the multiplication symbol, and the y represents the reference number.

For example, in an illustration, the reference number 2X 37 means that two of the parts identified by reference number 37 are indicated.

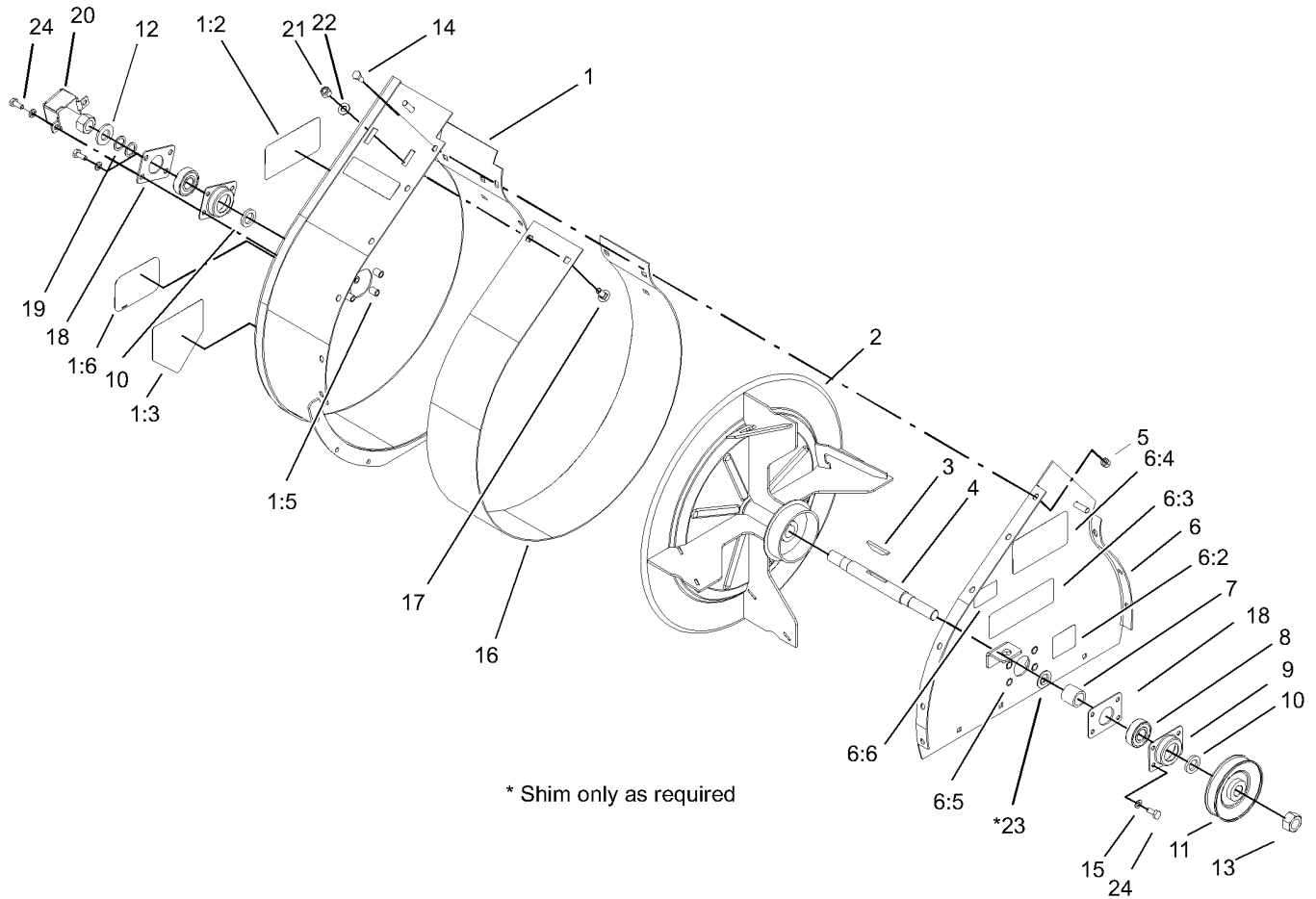
# Contents

| <b>Description</b>           | <b>Page</b> | <b>Description</b>            | <b>Page</b> |
|------------------------------|-------------|-------------------------------|-------------|
| Blower Housing Assembly      | ..... 3     | Bag Support and Hood Assembly | ..... 6     |
| Blower and Mounting Assembly | ..... 4     | Bag Assembly                  | ..... 7     |
| Bagger Mount Assembly        | ..... 5     |                               |             |

## Part Description Abbreviations

Part descriptions in this catalog may include the following abbreviations.

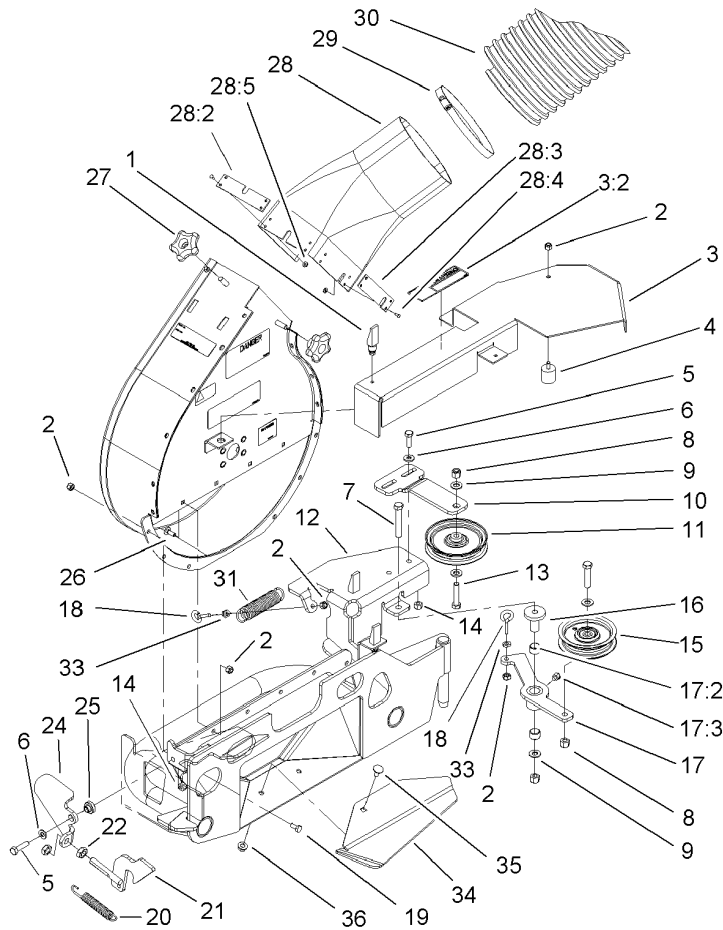
|             |                                |            |                         |
|-------------|--------------------------------|------------|-------------------------|
| AR. ....    | as required                    | HYD. ....  | hydraulic               |
| ASM. ....   | assembly                       | INC. ....  | incorporated            |
| CARR. ....  | carriage                       | LH. ....   | left hand               |
| DEG. ....   | degrees                        | NI. ....   | nylon insert            |
| FH. ....    | flat head                      | PPH. ....  | phillips pan head       |
| GA. ....    | gauge                          | PTH. ....  | phillips truss head     |
| HF. ....    | hex flange                     | PTO. ....  | power take off          |
| HH. ....    | hex head                       | RH. ....   | right hand              |
| HHF. ....   | hex head flange                | SFH. ....  | slotted fillister head  |
| HHFTF. .... | hex head flange thread forming | SHH. ....  | slotted hex head        |
| HJ. ....    | hex jam                        | SHWH. .... | slotted hex washer head |
| HLH. ....   | hex lag head                   | SPH. ....  | slotted pan head        |
| HOC. ....   | height-of-cut                  | SQH. ....  | square head             |
| HS. ....    | hex                            | SRH. ....  | slotted round head      |
| HSBH. ....  | hex socket button head         | STD. ....  | standard                |
| HSFH. ....  | hex socket flat head           | TAP. ....  | self tapping            |
| HSH. ....   | hex socket head                | TTH. ....  | torx truss head         |
| HWH. ....   | hex washer head                | WH. ....   | wing head               |
| HWHTF. .... | hex washer head thread forming |            |                         |



## Blower Housing Assembly

| Ref | Part No.    | Qty. | Description           |
|-----|-------------|------|-----------------------|
| 1   | 106-8016    | 1    | Blower Housing ASM    |
| 1:2 | 79-0360     | 1    | Decal-Danger          |
| 1:3 | 93-1122     | 1    | Decal-Danger          |
| 1:5 | 32148-6     | 4    | Insert-Nut            |
| 1:6 | 99-2385     | 1    | Decal                 |
| 2   | 106-8022-03 | 1    | Impeller ASM          |
| 3   | 3257-40     | 1    | Key-Hi Pro            |
| 4   | 105-5893    | 1    | Shaft-Blower          |
| 5   | 3296-42     | 9    | Nut-Lock, NI          |
| 6   | 106-8019    | 1    | Cover Plate ASM       |
| 6:2 | 88-8950     | 1    | Decal-Warning         |
| 6:3 | 79-0350     | 1    | Decal-Danger          |
| 6:4 | 79-0360     | 1    | Decal-Danger          |
| 6:5 | 32148-6     | 4    | Insert-Nut            |
| 6:6 | 98-4387     | 1    | Decal-Protection, Ear |
| 7   | 106-2097    | 1    | Spacer                |
| 8   | 38-7820     | 2    | Bearing-Ball          |
| 9   | 37-6730     | 2    | Cup-Bearing           |
| 10  | 63-9710     | 2    | Spacer-Bearing        |
| 11  | 105-5992    | 1    | Pulley ASM            |
| 12  | 9202604     | 1    | Washer-Flat           |
| 13  | 3217-11     | 2    | Nut-Hex               |
| 14  | 321-3       | 9    | Screw-HH              |
| 15  | 3253-3      | 8    | Washer-Lock           |

| Ref | Part No.    | Qty. | Description   |
|-----|-------------|------|---------------|
| 16  | 106-3425    | 1    | Strip-Wear    |
| 17  | 3230-1      | 5    | Bolt-CARR     |
| 18  | 63-9700-03  | 2    | Cover-Plate   |
| 19  | 9202154     | 2    | Washer        |
| 20  | 106-3076-03 | 1    | Cover-Shaft   |
| 21  | 3296-29     | 5    | Nut-Lock, NI  |
| 22  | 3256-23     | 5    | Washer-Flat   |
| 23  | 1535        | 1    | Washer-Thrust |
| 24  | 321-4       | 8    | Screw-HH      |

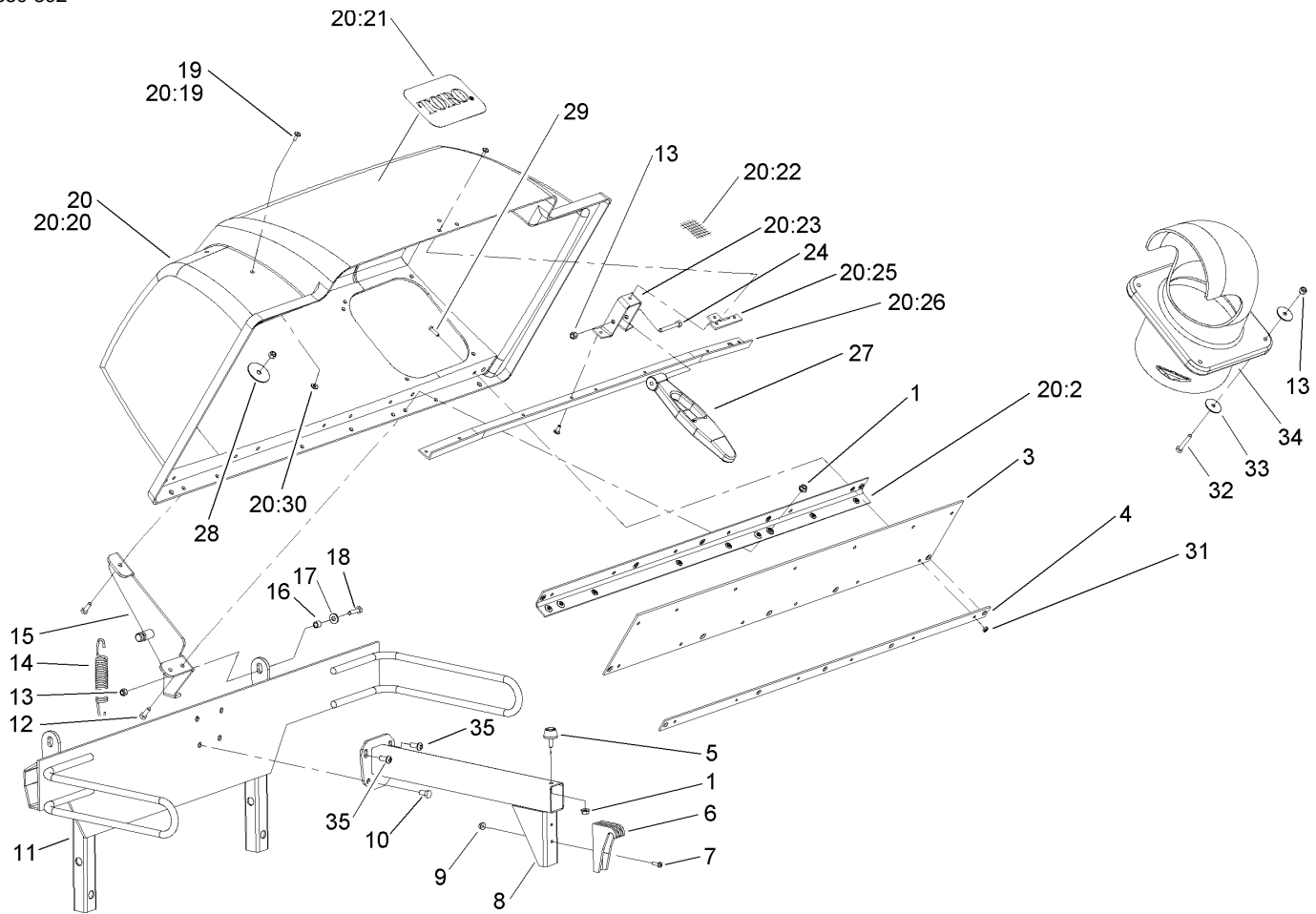


## Blower and Mounting Assembly

| Ref  | Part No.    | Qty. | Description          |
|------|-------------|------|----------------------|
| 1    | 74-5950     | 3    | Latch-Swell          |
| 2    | 3296-42     | 13   | Nut-Lock, NI         |
| 3    | 105-5990    | 1    | Belt Cover ASM       |
| 3:2  | 80-8040     | 1    | Decal-Warning        |
| 4    | 106-5891    | 1    | Bumper               |
| 5    | 322-6       | 3    | Screw-HH             |
| 6    | 3256-23     | 3    | Washer-Flat          |
| 7    | 323-12      | 1    | Screw-HH             |
| 8    | 3296-39     | 3    | Nut-Lock, NI         |
| 9    | 3256-24     | 4    | Washer-Flat          |
| 10   | 105-5986-03 | 1    | Bracket-Idler        |
| 11   | 92-7099     | 1    | Pulley-Idler         |
| 12   | 106-8014-03 | 1    | Transition ASM       |
| 13   | 323-9       | 2    | Screw-HH             |
| 14   | 3296-29     | 3    | Nut-Lock, NI         |
| 15   | 92-7084     | 1    | Pulley-Idler, Flat   |
| 16   | 106-2057    | 1    | Spacer               |
| 17   | 106-2056    | 1    | Idler Arm ASM        |
| 17:2 | 1-653600    | 2    | Bearing              |
| 17:3 | 302-11      | 1    | Fitting-Lube, 45 DEG |
| 18   | 71-2870     | 2    | Bolt-Eye             |
| 19   | 321-3       | 6    | Screw-HH             |
| 20   | 37-8880     | 1    | Spring-Traction      |
| 21   | 106-3400    | 1    | Latch ASM            |

| Ref  | Part No.    | Qty. | Description               |
|------|-------------|------|---------------------------|
| 22   | 3218-4      | 2    | Nut-Jam                   |
| 24   | 106-3414-01 | 1    | Pedal-Latch               |
| 25   | 105-5996    | 1    | Spacer                    |
| 26   | 3229-1      | 4    | Screw-CARR                |
| 27   | 106-4161    | 2    | Knob-Handle               |
| 28   | 106-2092    | 1    | Blower Outlet Adapter ASM |
| 28:2 | 105-9102    | 1    | Plate-Adapter, Top        |
| 28:3 | 105-9103    | 1    | Plate-Adapter, Side       |
| 28:4 | 106-8000    | 8    | Rivet                     |
| 28:5 | 3256-53     | 8    | Washer-Flat               |
| 29   | 102528      | 1    | Clamp                     |
| 30   | 105-5875    | 1    | Hose-Flexible             |
| 31   | 707451      | 1    | Spring-Extension          |
| 33   | 3218-1      | 2    | Nut-Jam                   |
| 34   | 106-3420-03 | 1    | Shelf-Blower              |
| 35   | 3230-18     | 2    | Screw-CARR                |
| 36   | 32128-25    | 2    | Nut-HF                    |

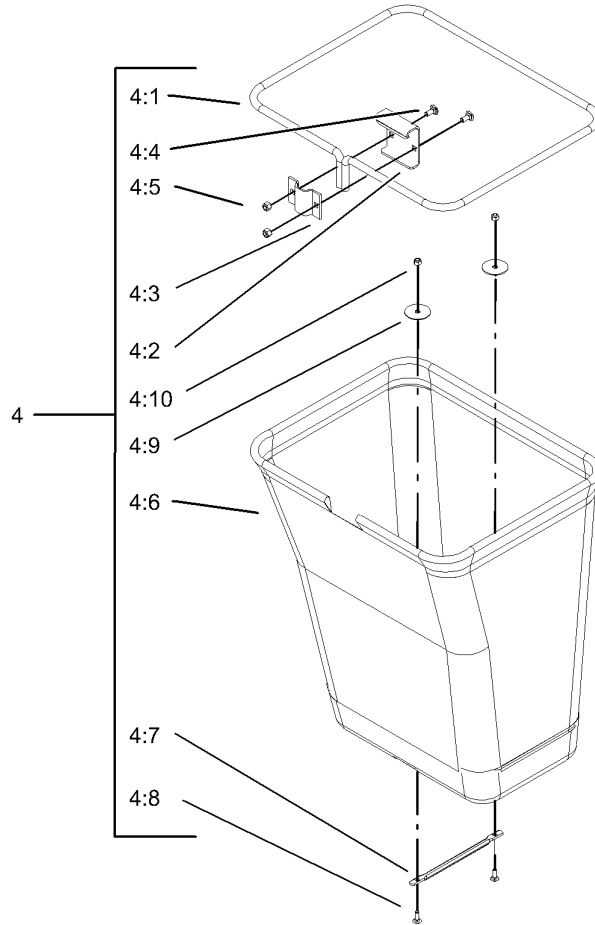




## Bag Support and Hood Assembly

| Ref   | Part No.    | Qty. | Description           |
|-------|-------------|------|-----------------------|
| 1     | 32128-33    | 7    | Nut-HF                |
| 3     | 1-653425    | 1    | Seal                  |
| 4     | 1-653528-03 | 1    | Plate-Backing         |
| 5     | 1-523420    | 1    | Bumper                |
| 6     | 1-653404    | 1    | Catch                 |
| 7     | 3290-500    | 2    | Screw-PPH             |
| 8     | 103-5124-03 | 1    | Support-Bag           |
| 9     | 3290-148    | 2    | Nut-HF                |
| 10    | 322-2       | 2    | Screw-HH              |
| 11    | 103-4738-03 | 1    | Bagger Upright ASM    |
| 12    | 321-4       | 6    | Screw-HH              |
| 13    | 3296-42     | 7    | Nut-Lock, NI          |
| 14    | 1-653544    | 2    | Spring-Extension      |
| 15    | 1-652395-03 | 2    | Hinge ASM             |
| 16    | 1-633545    | 2    | Spacer                |
| 17    | 3256-2      | 2    | Washer-Flat           |
| 18    | 321-6       | 2    | Screw-HH              |
| 19    | 114439      | 7    | Rivet-Pop             |
| 20    | 105-6188    | 1    | Hood ASM              |
| 20:2  | 1-653397-03 | 1    | Stiffener-Bagger, Top |
| 20:19 | 114439      | 31   | Rivet-Pop             |
| 20:20 | 105-9100    | 1    | Top-Bagger            |
| 20:21 | 99-2385     | 1    | Decal                 |
| 20:22 | 114967      | 1    | Screen-Bagger         |

| Ref   | Part No.    | Qty. | Description         |
|-------|-------------|------|---------------------|
| 20:23 | 1-653519    | 1    | Anchor-Latch        |
| 20:25 | 1-653535    | 1    | Reinforcement-Latch |
| 20:26 | 1-653400-03 | 1    | Support-Screen      |
| 20:30 | 3256-14     | 14   | Washer-Flat         |
| 24    | 321-11      | 1    | Screw-HH            |
| 27    | 1-653403    | 1    | Latch               |
| 28    | 1-653036    | 2    | Washer              |
| 29    | 1-803075    | 6    | Screw-Head, Truss   |
| 31    | 32153-1     | 6    | Nut-Lock            |
| 32    | 321-9       | 4    | Screw-HH            |
| 33    | 3256-58     | 8    | Washer-Flat         |
| 34    | 106-3443    | 1    | Adapter-Tube, Upper |
| 35    | 3274-55     | 2    | Screw-HSBH          |



## Bag Assembly

| Ref  | Part No.    | Qty. | Description  |
|------|-------------|------|--------------|
| 4    | 1-654390    | 2    | Bag ASM      |
| 4:1  | 1-653529-03 | 1    | Frame-Bag    |
| 4:2  | 114973-03   | 1    | Hanger-Bag   |
| 4:3  | 114974-03   | 1    | Clamp        |
| 4:4  | 3230-1      | 2    | Bolt-CARR    |
| 4:5  | 3296-29     | 2    | Nut-Lock, NI |
| 4:6  | 1-654389    | 1    | Bag-Cloth    |
| 4:7  | 1-653566    | 1    | Bag-Handle   |
| 4:8  | 3229-1      | 2    | Screw-CARR   |
| 4:9  | 1-653036    | 2    | Washer       |
| 4:10 | 3296-42     | 2    | Nut-Lock, NI |

