



Reelmaster[®] 5200-D 2-Wheel Drive Traction Unit

Model No. 03540 - 230000366 and up.

Parts Catalog

Ordering Replacement Parts

To order replacement parts, please supply: the part number, the quantity, and the description of each part desired.

Understanding Reference Numbers

Each identified part in an illustration has a reference number. The reference number for a part also appears in the parts list, along with other information about the part.

This catalog uses two special reference number formats, one to indicate parts in a service assembly and another to indicate the quantity of a given part in an illustration.

Service Assembly Reference Numbers

Parts in service assemblies have reference numbers in the form **a:b**. The **a** represents the reference number of the entire service assembly and the **b** represents a sequential number unique to each part within the service assembly.

For example, a wheel assembly might be identified by reference number 6, the tire by **6:1**, the valve by **6:2**, and the wheel by **6:3**. When you order the assembly identified by reference number 6, you receive all parts identified by reference numbers 6:1, 6:2, and 6:3. However, you may also order any part individually. Reference numbers of this type appear in illustrations and in part lists.

Reference Numbers Indicating Quantity

In an illustration, if a reference number indicates more than one part, the reference number has the form **nX y**. The **n** represents the quantity of the part, the **X** is the multiplication symbol, and the **y** represents the reference number.

For example, in an illustration, the reference number **2X 37** means that two of the parts identified by reference number 37 are indicated.

Part Description Abbreviations

Part descriptions in this catalog may include the following abbreviations.

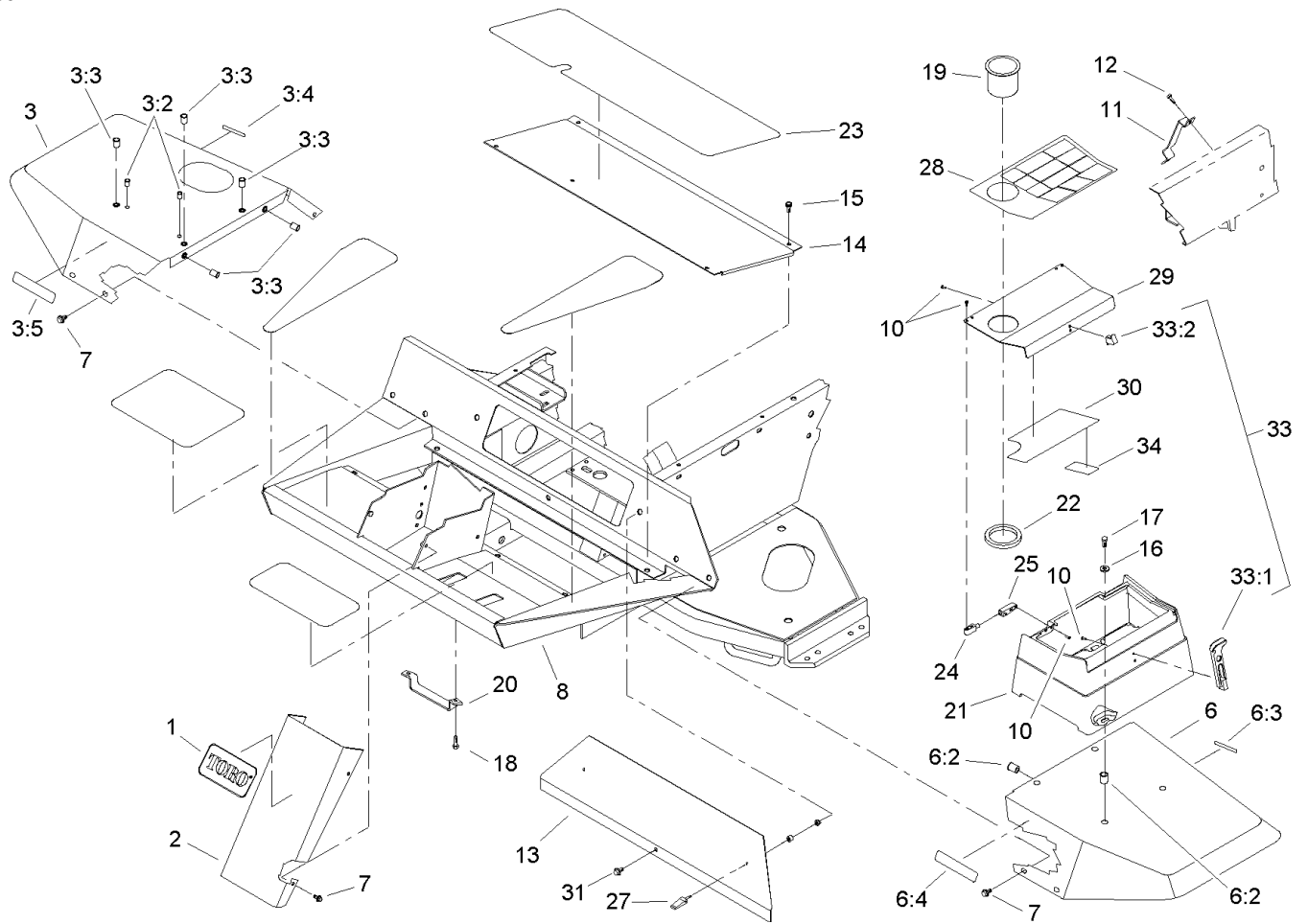
AR.	as required	HYD.	hydraulic
ASM.	assembly	INC.	incorporated
CARR.	carriage	LH.	left hand
DEG.	degrees	NI.	nylon insert
FH.	flat head	PPH.	phillips pan head
GA.	gauge	PTH.	phillips truss head
HF.	hex flange	PTO.	power take off
HH.	hex head	RH.	right hand
HHF.	hex head flange	SFH.	slotted fillister head
HHFTF.	hex head flange thread forming	SHH.	slotted hex head
HJ.	hex jam	SHWH.	slotted hex washer head
HLH.	hex lag head	SPH.	slotted pan head
HOC.	height-of-cut	SQH.	square head
HS.	hex	SRH.	slotted round head
HSBH.	hex socket button head	STD.	standard
HSFH.	hex socket flat head	TAP.	self tapping
HSH.	hex socket head	TTH.	torx truss head
HWH.	hex washer head	WH.	wing head
HWHTF.	hex washer head thread forming		

Footnotes

- ❶ Not illustrated
- ❷ Not serviced separately
- ❸ Obtain these items directly from OTC 2013 4th St.
Owatonna, MN. 55060 1-800-533-0492 (in
Minnesota and Canada 1-507-455-7050) Fax. 507-
455-7011.

Contents

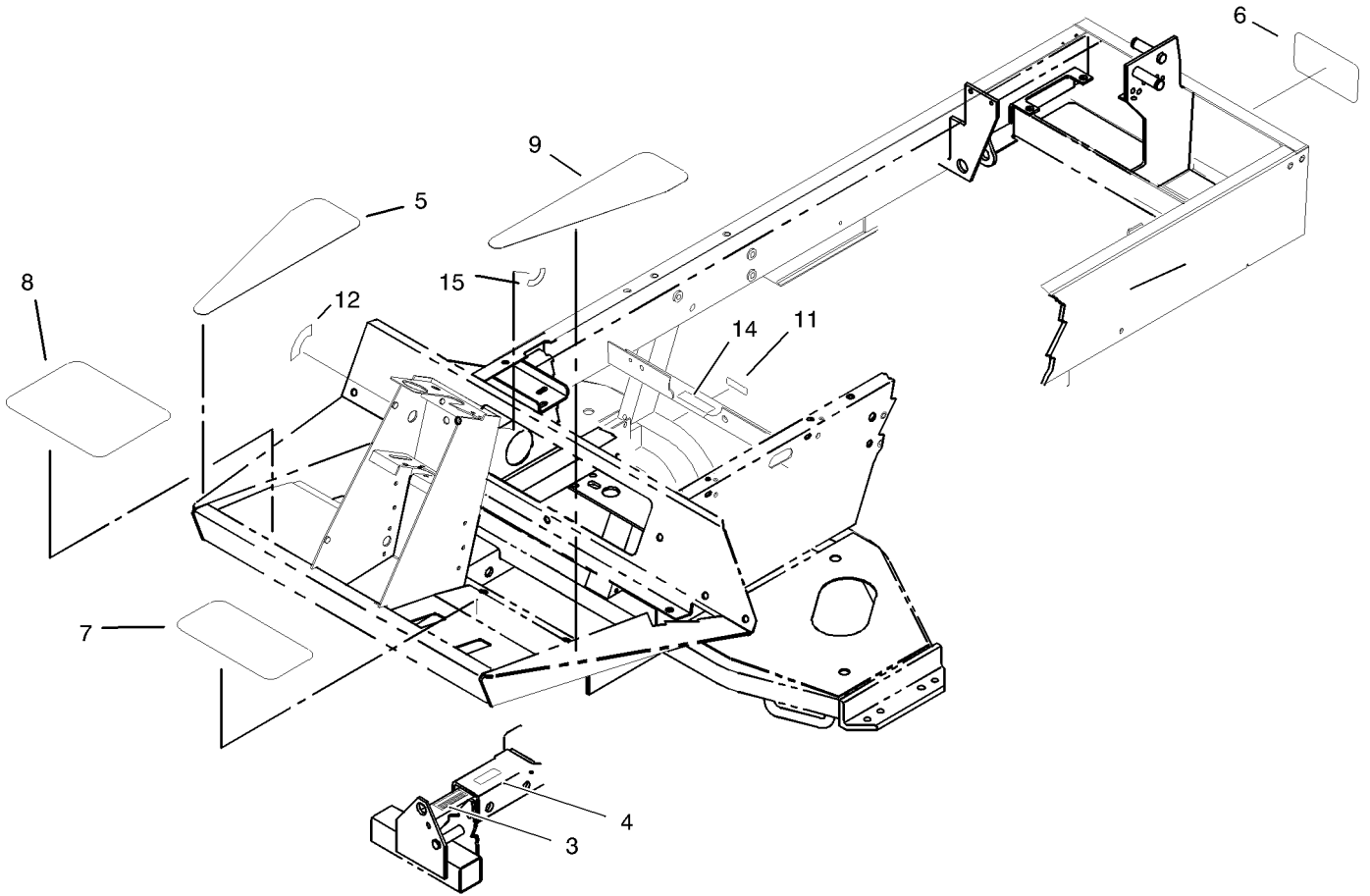
Description	Page	Description	Page
Frame and Body Assembly 4	Rear Lift Arm Assembly 46
Frame Assembly No. 107-1840 5	Rear Axle Support Assembly 47
Steering Tower Assembly 6	Two Wheel Drive Axle Assembly 48
Power Steering Unit No. 75-0600 7	Rear Axle Assembly 49
Traction and Brake Pedals Assembly 8	Hydraulic Steering Cylinder Assembly No. 75-1200 50
Seat Frame and Throttle Assembly 9	Axle Assembly No. 106-9212-03 51
Seat and Suspension Assembly 10	Brake Assembly 53
Seat and Suspension Assembly No. 76-1970 11	Crankcase Assembly 54
Suspension Assembly No. 106-8085 12	Oil Pan Assembly 55
Control Console Assembly 13	Cylinder Head Assembly 56
Hydraulic Filter and Reservoir Assembly 15	Gear Case and Oil Filter Assembly 57
Fuel Tank Assembly 17	Head Cover Assembly 58
Front Axle Assembly 18	Dipstick and Guide Assembly 59
Transmission Assembly 19	Main Bearing Case Assembly 60
Transmission Assembly No. 75-0012 20	Camshaft Assembly 61
Traction Control Assembly 22	Piston and Crankshaft Assembly 62
Gear Pump Installation Assembly 23	Flywheel Assembly 63
Gear Pump Assembly No. 98-9796 24	Fuel Camshaft Assembly 64
Engine Installation Assembly 25	Engine Stop Lever Assembly 65
Muffler and Pump Drive Assembly 26	Stop Solenoid and Fuel Pump Assembly 66
Engine Component Assembly 27	Injection Pump Assembly 67
Air Cleaner Assembly No. 98-4517 28	Injection Pump Assembly No. 98-9643 68
Water/Fuel Filter Assembly No. 98-9305 29	Governor Assembly 69
Fan Drive Assembly 30	Speed Control Plate Assembly 70
Radiator Assembly 31	Nozzle Holder and Glow Plug Assembly 71
Oil Cooler/Radiator Assembly 32	Nozzle Holder Assembly 98-9468 72
Hood Assembly 33	Alternator and Pulley Assembly 73
Hydraulic Control Block and Hoses Assembly 34	Starter Mount Assembly 74
Hydraulic Manifold Assembly No. 98-4579 35	Alternator Assembly No. 98-9474 75
Front Hydraulic Manifold Assembly 36	Starter Assembly No. 98-9705 76
Rear Hydraulic Manifold Assembly 37	Water Flange and Thermostat Assembly 77
Reel Motors Assembly 38	Water Pump Assembly 78
Hydraulic Motor Assembly No. 100-6426 39	Valve and Rocker Arm Assembly 79
Front Lift Circuit Assembly 40	Exhaust Manifold and Gasket Assembly 80
Hydraulic Cylinder Assembly No. 93-9310 41	Special Tools Axle Tool No. *TOR859920 81
Hydraulic Cylinder Assembly No. 99-6986 42		
Front Lift Arm Assembly 43		
Rear Lift Circuit Assembly 44		
Hydraulic Cylinder Assembly No. 93-9311 45		



Frame and Body Assembly

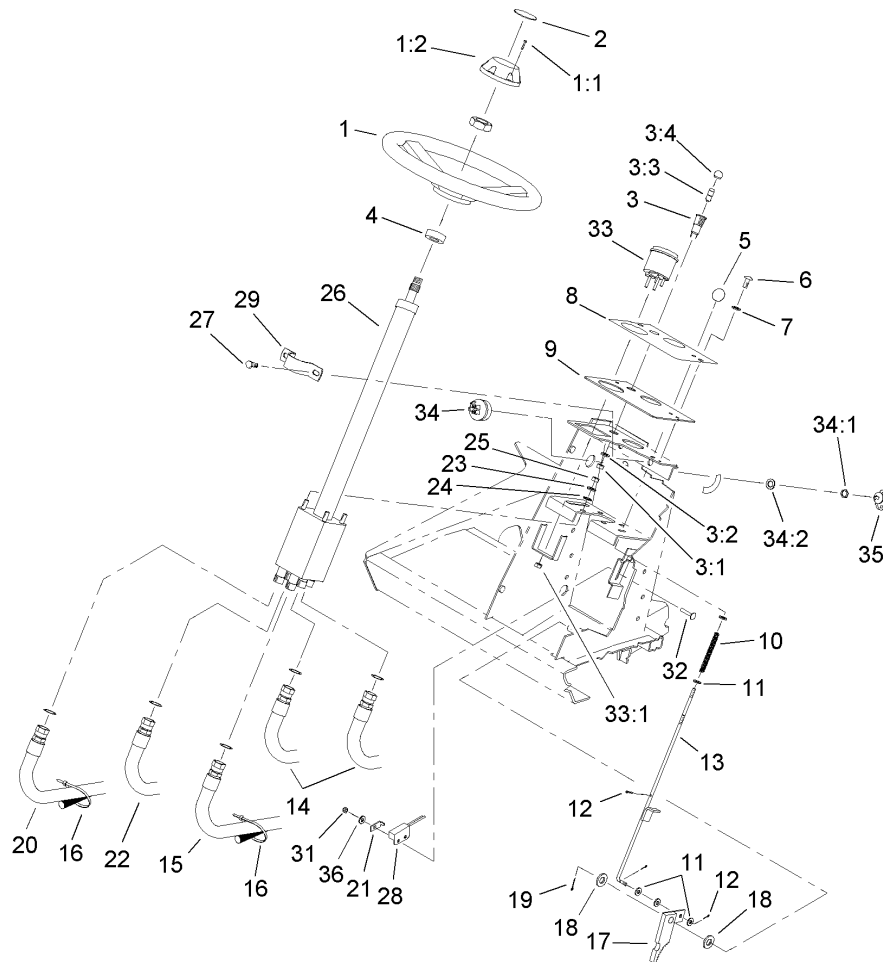
Ref	Part No.	Qty.	Description
1	62-5550	1	Decal-Logo
2	93-7996-01	1	Cover-Tower
3	106-5950	1	RH Fender ASM
3:2	32148-6	2	Insert-Nut
3:3	32148-7	5	Insert-Nut
3:4	93-6686	1	Decal-Oil, HYD
3:5	93-6689	1	Decal-No Riders
6	106-5951	1	LH Fender ASM
6:2	32148-7	6	Insert-Nut
6:3	93-6680	1	Decal-Diesel
6:4	93-6689	1	Decal-No Riders
7	3234-14	14	Screw-HHF
8	107-1840	1	Frame ASM
10	32144-1	11	Screw-Taptite
11	98-4572	1	Bracket-Clamp, Hose
12	32144-14	2	Screw-HWH
13	75-1390-01	1	Cover-Access, Front
14	75-1410-01	1	Plate-Access, Floor
15	75-6840	4	Knob-Knurled
15	3234-7	1	Screw-HHF
16	3256-3	4	Washer-Flat
17	322-5	4	Screw-HH
18	322-4	2	Screw-HH
19	94-1410	1	Holder-Can, Beverage

Ref	Part No.	Qty.	Description
20	93-3626	1	Bracket-Hose
21	104-0026	1	Toolbox
22	104-1476	1	Ring-Rubber
23	75-0630	1	Tread-Foot, Center
24	104-1496	2	Hinge-Pin
25	104-1497	2	Hinge-Receiver
27	74-5950	2	Latch-Swell
28	104-9295	1	Decal-Warning, Ce
28	104-9294	1	Decal-Warning
29	104-1489-03	1	Cover-Toolbox
30	105-7515	1	Decal-Service
30	104-1434	1	Decal-Service, Blank
31	3234-5	1	Screw
33	94-5626	1	Latch-Draw, Flexible
33:1	100-5806	1	Handle-Latch
33:2	100-5807	1	Keeper-Latch
34	105-7527	1	Decal-Numbers, Filter



Frame Assembly No. 107-1840

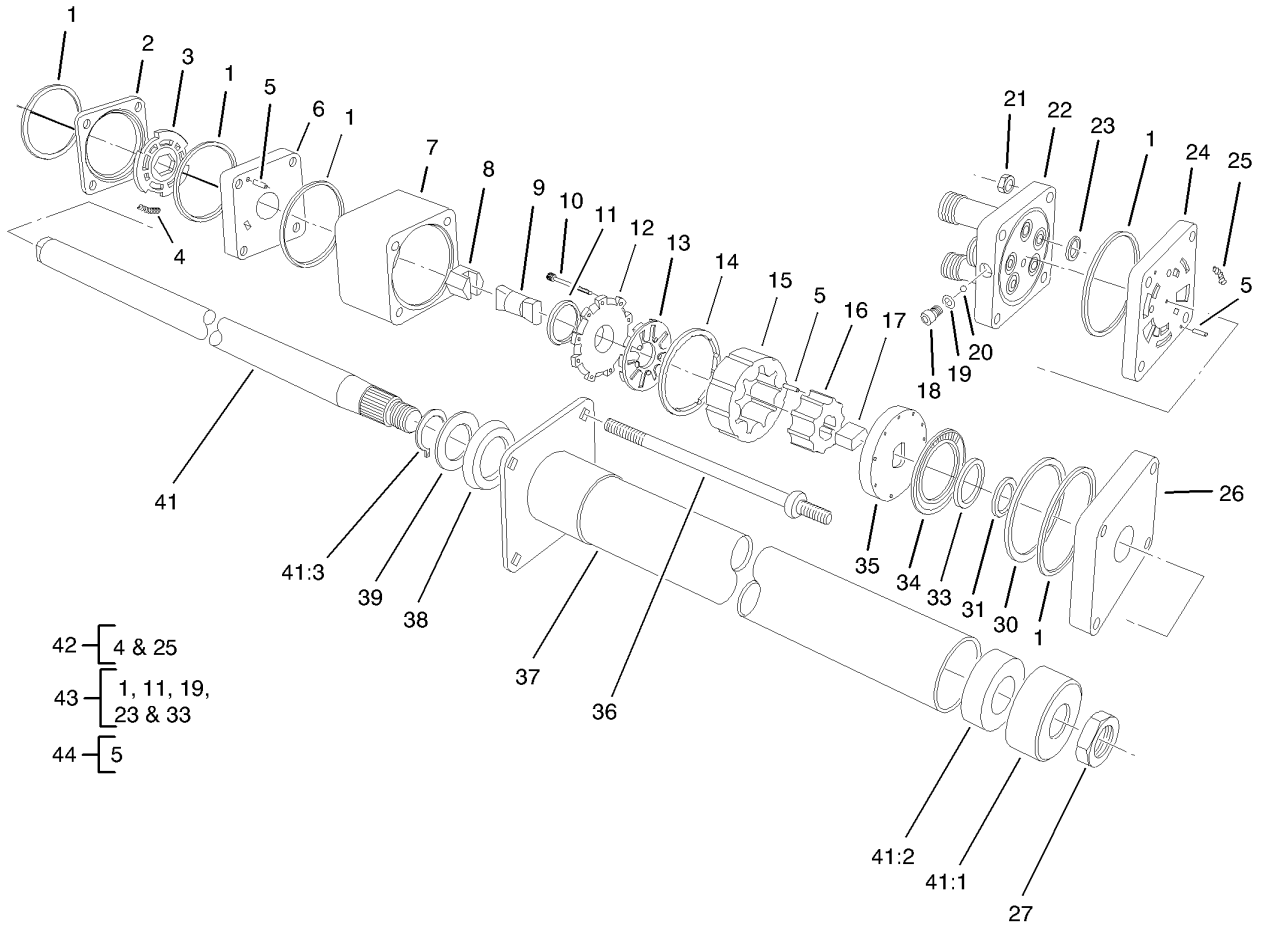
Ref	Part No.	Qty.	Description				
3	93-6693	1	Decal-Plate, Floor				
4	93-6686	1	Decal-Oil, HYD				
5	75-0640	1	Tread-Footrest, RH				
6	62-7400	1	Decal				
7	75-0620	1	Tread-Foot, LH				
8	75-0610	1	Tread-Foot, RH				
9	75-0650	1	Tread-Footrest, LH				
11	93-6691	1	Decal-Bolt, Eccentric				
12	93-6699	1	Decal-Fast/slow				
14	104-2052	1	Decal-Ansi				
15	105-7506	1	Decal-Switch, Key				



Steering Tower Assembly

Ref	Part No.	Qty.	Description
1	75-0560	1	Wheel-Steering
1:1	32144-21	1	Screw
1:2	68-5140	1	Cap-Wheel, Steering
2	68-5370	1	Decal-Toro
3	44-2210	1	Light-Indicator, Red
3:1	218-535	1	Nut-Hex
3:2	218-536	1	Washer-Lock
3:3	218-533	1	Lens
3:4		1	Bulb
4	21-9260	1	Cover-Dust
5	233-17	1	Knob
6	87-6620	2	Screw
7	3256-1	2	Washer-Flat
8	93-1263	1	Decal-Tower
9	93-7998-03	1	Plate-Instrument
10	95-1821-03	1	Spring-Compression
11	3256-22	5	Washer-Flat
12	3272-5	3	Pin-Cotter
13	104-1492	1	Rod ASM
14	75-6230	2	Hose
15	75-6240	1	Hose
16	3290-378	4	Tie-Cable
17	63-7900-03	1	Rack ASM
18	3256-26	2	Washer-Flat

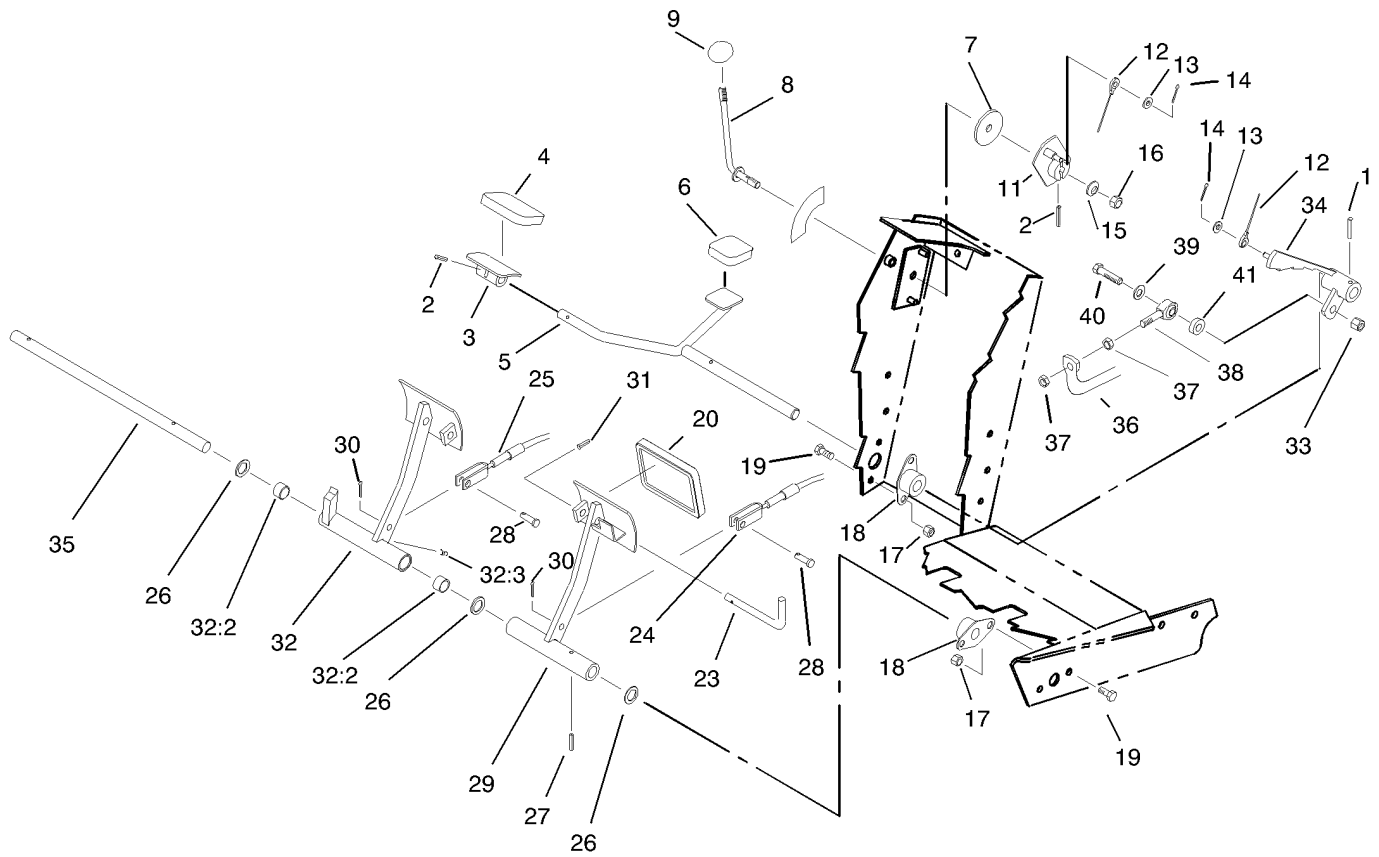
Ref	Part No.	Qty.	Description
19	3272-10	1	Pin-Cotter
20	75-5940	1	Hose
21	100-4872	1	Plate-Switch, Neutral
22	75-6250	1	Hose
23	3256-23	4	Washer-Flat
24	3255-8	1	Washer-Lock
25	3296-20	4	Nut-Lock, NI
26	75-0600	1	Unit-Steering, Power
27	32144-11	2	Screw-TAP
28	100-1270	1	Switch-Proximity
29	75-2810	1	Bracket-Column, Steering
31	3296-2	1	Nut-Lock
32	104-1450	1	Bolt-CARR
33	104-9324	1	Speedometer
33:1	3296-1	4	Nut-Lock, NI
34	104-2541	1	Switch-Key
34:1	218-461	1	Nut-HH
34:2	3254-5	1	Washer-Tooth
35	63-8360	1	Key-Ignition
36	3256-14	1	Washer-Flat



Power Steering Unit No. 75-0600

Ref	Part No.	Qty.	Description
①		5	Ring-Seal
②		1	Ring-Valve
③		1	Plate-Valve
④		3	Spring
⑤		9	Pin-Alignment
⑥		1	Manifold-Isolation
⑦		1	Ring-Metering
⑧		1	Hex Drive ASM
⑨		1	Link-Drive
⑩		11	Screw-HSH
⑪		1	Seal-Commutator
⑫		1	Cover-Commutator
⑬		1	Commutator
⑭		1	Ring-Commutator
⑮		1	Stator
⑯		1	Rotor
⑰		1	Spacer-Drive Link
⑱		1	Plug
⑲		1	O-Ring
⑳		1	Ball
㉑		4	Nut-Hex
㉒		1	Cover-Port
㉓		5	O-Ring
㉔		1	Manifold-Port
㉕		3	Spring

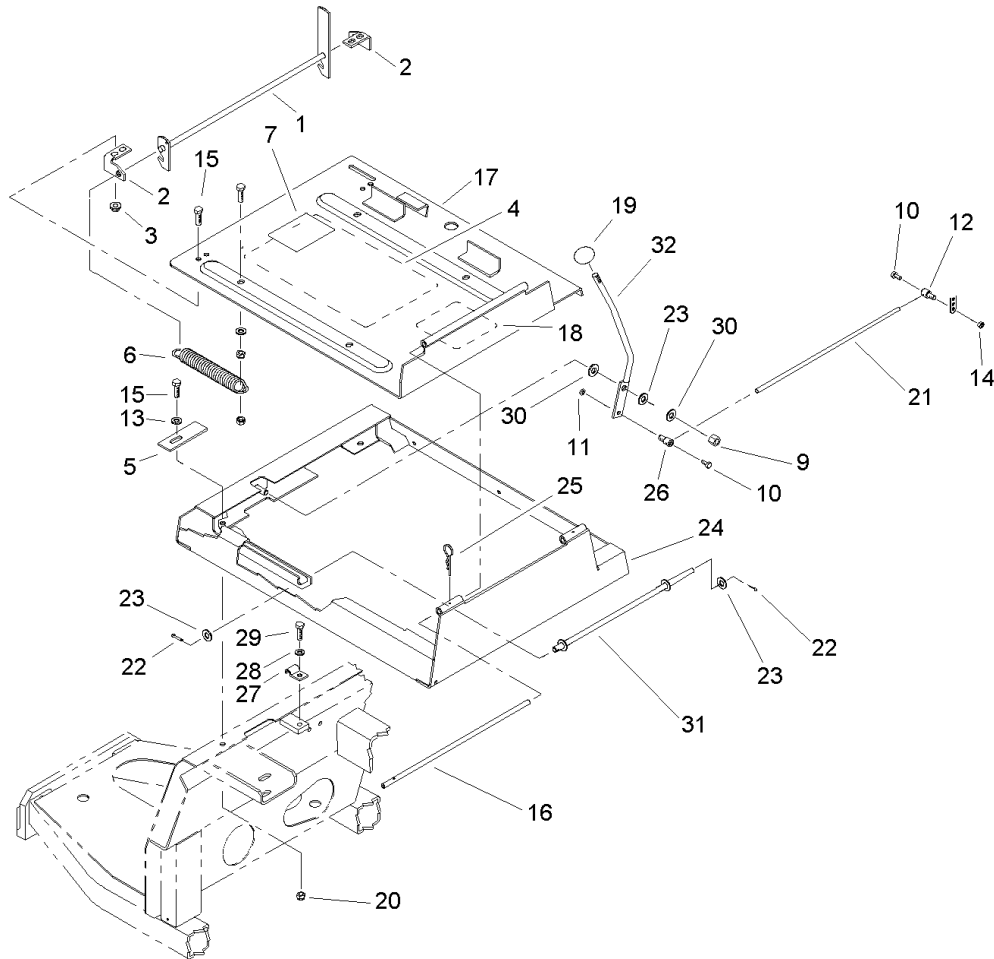
Ref	Part No.	Qty.	Description
㉖		1	Plate-Cover, Upper
27	3220-6	1	Nut-Jam
⑳		1	Spacer-Bearing, Thrust
㉑		1	Spacer-Seal
㉓		1	Seal-Face
㉔		1	Bearing-Thrust
㉕		1	Plate-Drive
36	93-3609	4	Bolt-Special
37	66-9860	1	Cover And Jacket-Upper
38	66-9870	1	Plate-Retaining
39	66-9880	1	Washer-Plate, Retaining
41	66-9900	1	Shaft-Input
41:1	92-7315	1	Seal-Upper
41:2	104-9327	1	Bushing-Column
41:3	66-9890	1	Ring-Retaining
42	66-9970	1	Spring Kit
43	66-9980	1	Seal Kit
44	66-9990	1	Needle Roller Kit



Traction and Brake Pedals Assembly

Ref	Part No.	Qty.	Description
1	32121-6	1	Pin-Roll
2	32121-45	2	Pin-Spring
3	49-6440-03	1	Pedal-Forward
4	74-9100	1	Pad-Pedal, Forward
5	75-2970	1	Pedal-Traction
6	74-9110	1	Pad-Pedal, Reverse
7	75-6550	1	Disc-Friction
8	75-6490	1	Lever
9	233-42	1	Knob
11	75-6510	1	Bracket-Lever
12	75-6580	1	Cable-Pedal
13	3256-22	2	Washer-Flat
14	3272-2	2	Pin-Cotter
15	3290-461	1	Washer-Spring
16	3296-59	1	Nut-Lock, NI
17	3296-29	8	Nut-Lock, NI
18	256-236	4	Bearing-Mount, Flange
19	322-3	8	Screw-HH
20	93-8742	2	Footpad-Brake
23	63-7880	1	Pin-Latch, Brake
24	63-7733	1	LH Brake Cable ASM
25	63-7732	1	RH Brake Cable ASM
26	3256-69	3	Washer-Flat
27	32121-16	1	Pin-Spring

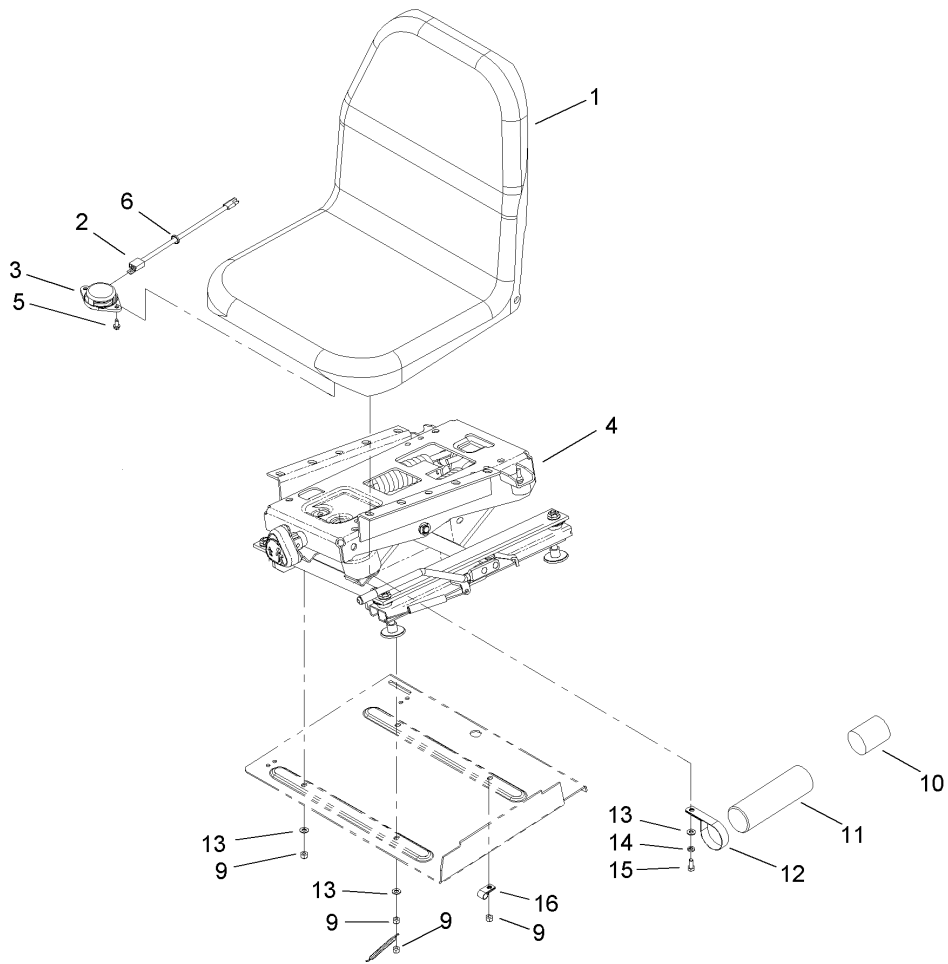
Ref	Part No.	Qty.	Description
28	283-58	2	Pin-Clevis
29	75-1440-03	1	Pedal-Brake, LH
30	3272-10	2	Pin-Cotter
31	32121-50	1	Pin-Spring
32	75-1430	1	Pedal-Brake, RH
32:2	256-42	2	Bushing
32:3	302-5	1	Fitting-Grease
33	3296-39	1	Nut-Lock, NI
34	75-3270-03	1	Hub-Pivot, Traction
35	75-1470	1	Pin-Pivot, Brake
36	75-2170-03	1	Tube-Control, Pump
37	3220-3	2	Nut-Jam
38	2411-36	1	Bearing-End, Rod
39	3256-24	1	Washer-Flat
40	323-9	1	Screw-HH
41	5-0652	1	Spacer



Seat Frame and Throttle Assembly

Ref	Part No.	Qty.	Description
1	98-2354-03	1	Latch-Seat
2	98-2353	2	Bracket-Latch, Seat
3	32128-25	4	Nut-Flange
4	98-9342	1	Decal-Solenoid, Information (Ce)
5	98-9302	1	Plate-Stop, Idler
6	66-4190-03	1	Spring-Idler, Clutch
7	105-4674	1	Decal-Noise, Ce
9	3296-39	1	Nut-Lock, NI
10	25-8640	2	Screw-HH
11	3296-3	1	Nut-Lock, NI
12	98-9311	1	Swivel-Throttle
13	3256-23	1	Washer-Flat
14	3296-20	1	Nut-Lock, NI
15	322-3	8	Screw-HH
16	75-3400	1	Shaft-Pivot, Seat
17	98-2350-03	1	Plate-Seat
18	106-9224	1	Decal-Danger
19	233-42	1	Knob
20	3296-29	4	Nut-Lock, NI
21	98-9303	1	Cable-Throttle
22	3272-10	2	Pin-Cotter
23	3256-24	3	Washer-Flat
24	98-2352-03	1	Frame-Seat
25	3290-467	1	Pin-Hair

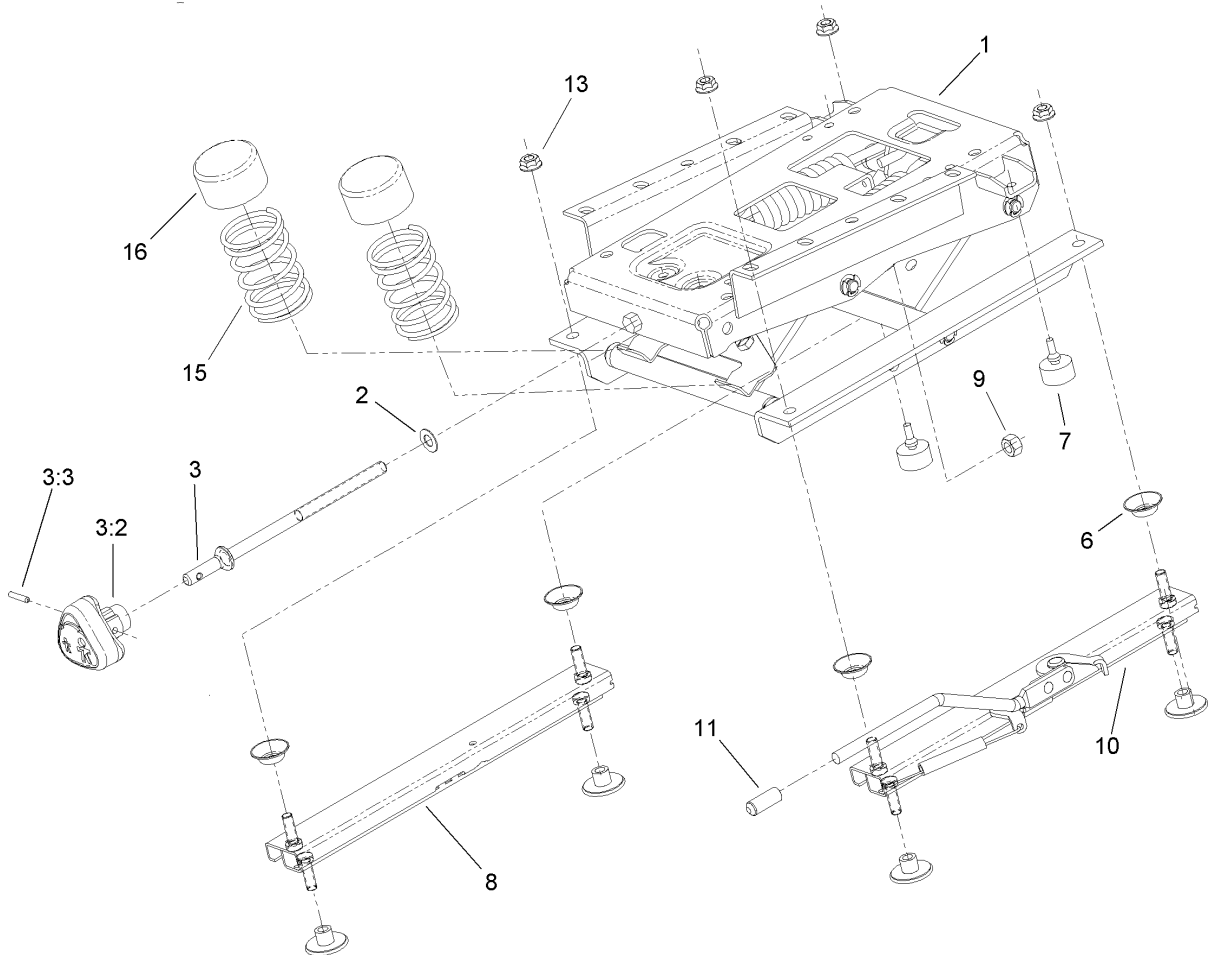
Ref	Part No.	Qty.	Description
26	93-0021	1	Swivel-Cable, Throttle
27	3-6657	1	Clip-Skid
28	3253-3	1	Washer-Lock
29	321-4	1	Screw-HH
30	66-2920	2	Washer-Friction
31	75-3680-03	1	Rod-Seat
32	75-3430-03	1	Lever-Throttle



Seat and Suspension Assembly

Ref	Part No.	Qty.	Description
1	104-4620	1	Seat-Olympic, Toro
2	106-7090	1	Harness-Wire, Seat Switch
3	92-6282	1	Switch-Seat
4	76-1970	1	Seat Suspension ASM
5	32144-10	2	Screw-HWH
6	93-0140	1	Grommet-Rubber
9	3296-29	5	Nut-Lock, NI
10	104-7048	1	Cap-Housing
11	104-7050	1	Housing-Manual
12	2412-133	2	R-Clamp
13	3256-23	8	Washer-Flat
14	3253-4	4	Washer-Lock
15	322-3	4	Screw-HH
16	2412-93	1	Clamp-R

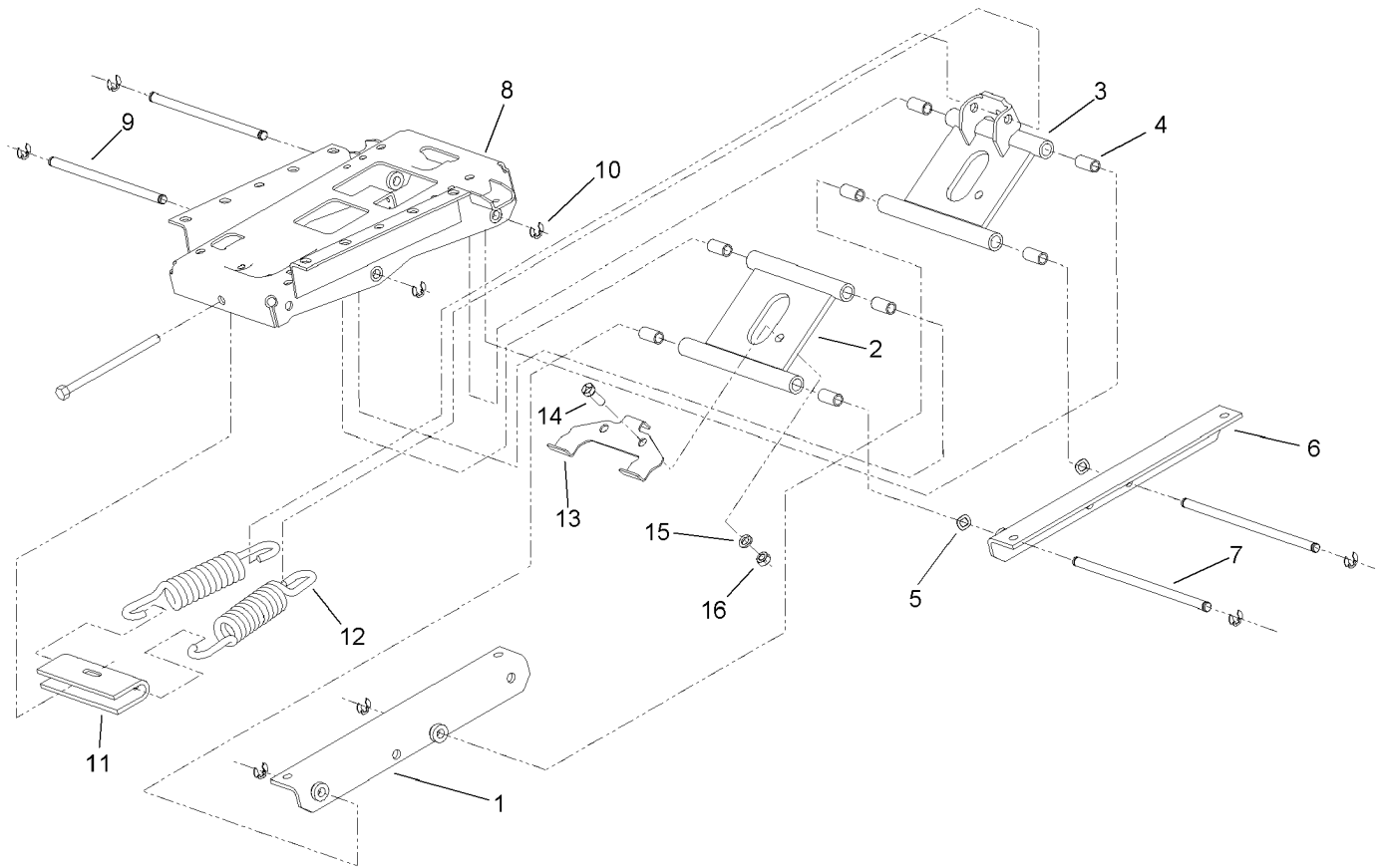
--	--	--	--



Seat and Suspension Assembly No. 76-1970

Ref	Part No.	Qty.	Description
1	106-8085	1	Suspension ASM
2	3256-24	1	Washer-Flat
3	106-1031	1	Tension Adjuster Knob ASM
3:2	106-8093	1	Knob-Adjust, Tension
3:3	32121-45	1	Pin-Spring
6	66-9290	4	Spacer-Suspension
7	76-2940	2	Bumper
8	66-8530	1	Adjuster
9	32153-2	1	Nut-Lock
10	66-8510	1	Adjuster W/handle
11	75-3570	1	Tip-Vinyl
13	32128-25	4	Nut-Flange
15	93-3163	2	Spring
16	93-3164	2	Cap

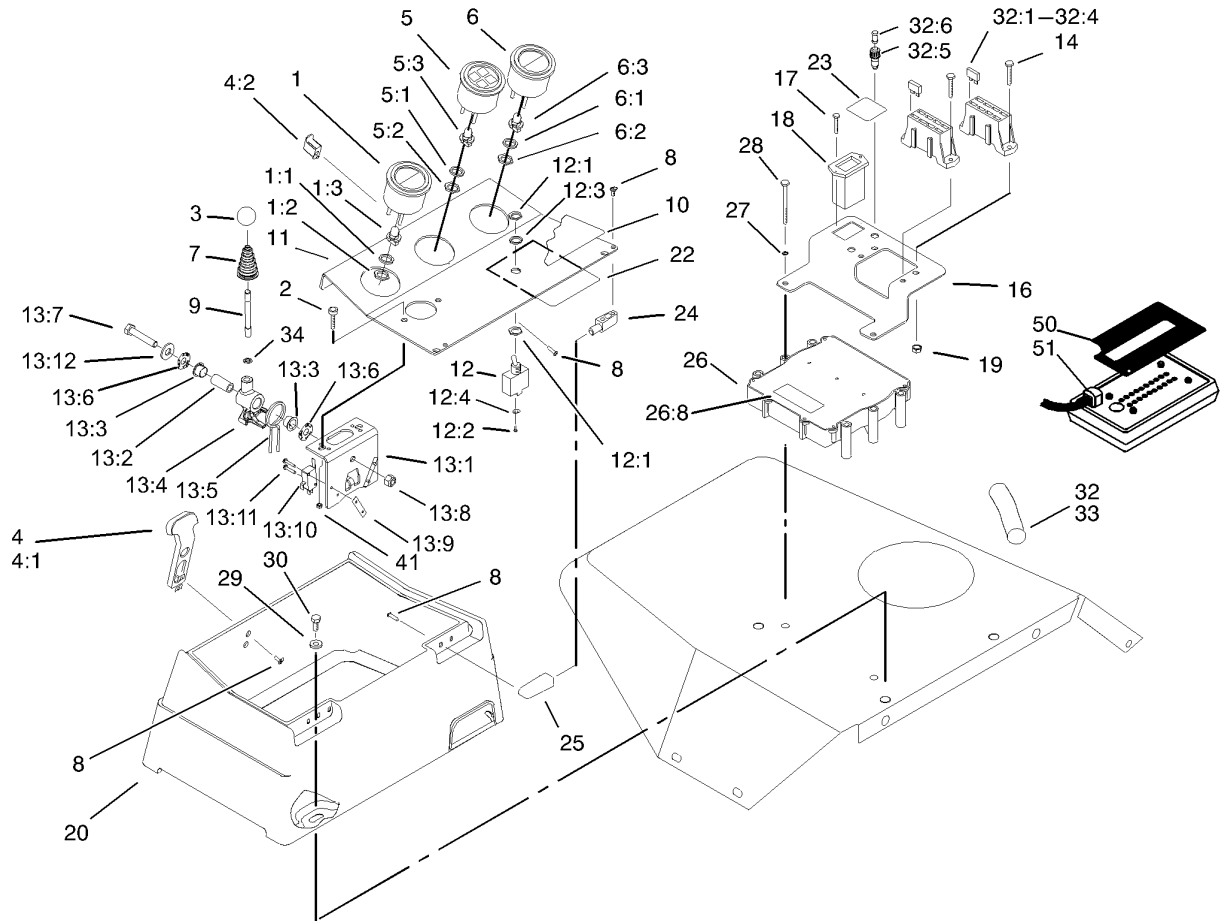
--	--	--	--



Suspension Assembly No. 106-8085

Ref	Part No.	Qty.	Description
1	106-8086	1	Bracket-Mounting, RH
2	106-8087	1	Arm
3	106-8088	1	Bellcrank
4	76-1920	8	Sleeve-Bearing
5	108472	2	Washer-Wave
6	106-8089	1	Mounting Bracket, LH
7	106-8090	2	Shaft-Pivot
8	66-8600	1	Frame-Upper
9	76-1910	2	Shaft-Pivot
10	32151-47	8	Ring-Retaining
11	77-2870	1	Hanger-Spring
12	76-1940	2	Spring-Extension
13	93-3165	1	Bracket
14	322-6	1	Screw-HH
15	3253-33	1	Washer-Lock
16	3217-6	1	Nut-Hex

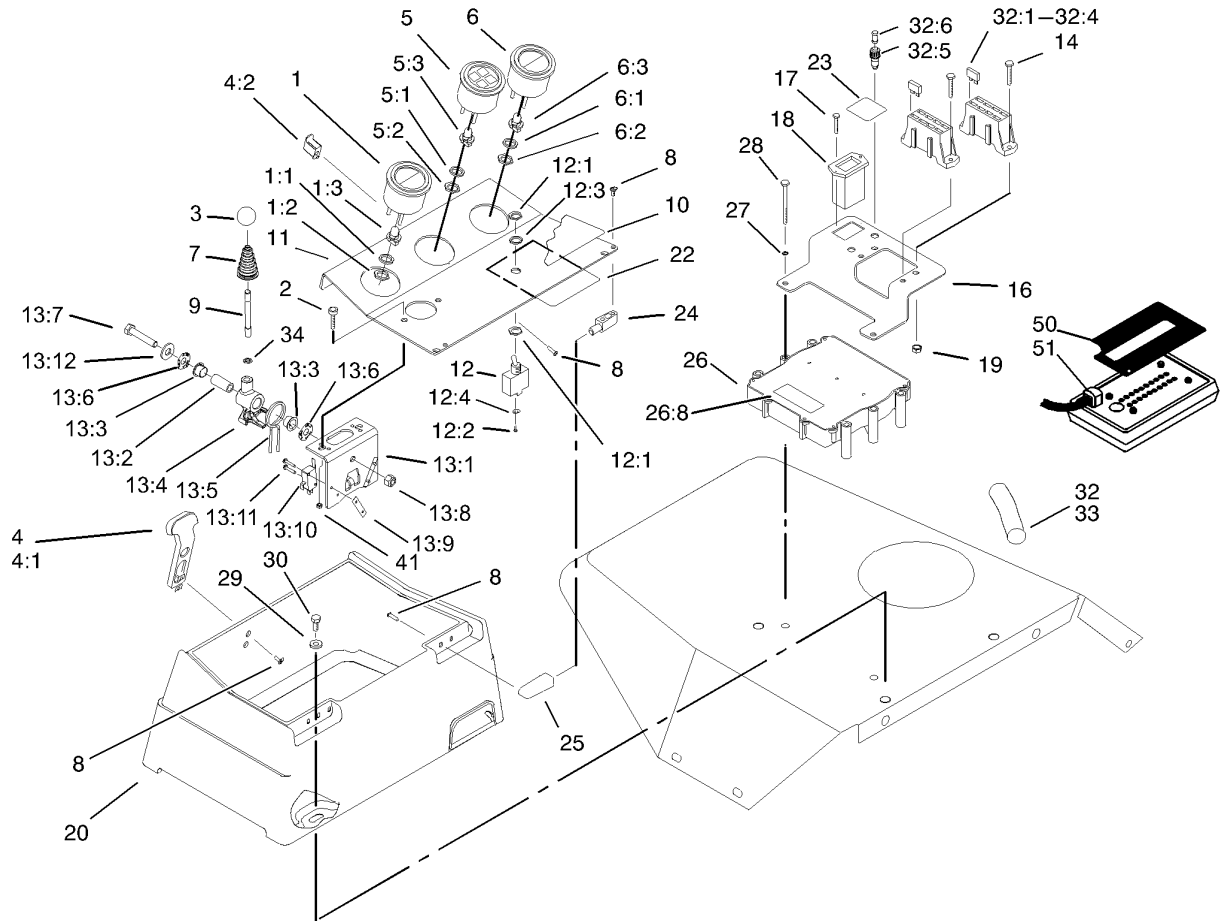
--	--	--	--



Control Console Assembly

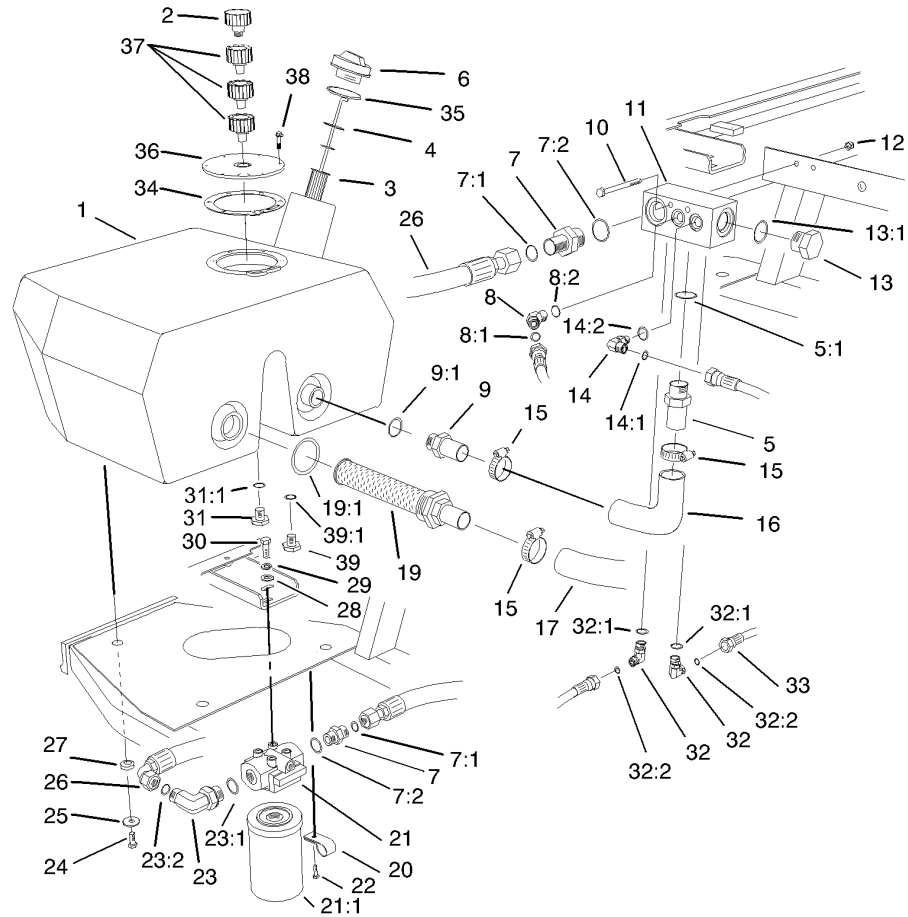
Ref	Part No.	Qty.	Description
1	98-9339	1	Gauge-Fuel
1:1	3254-1	3	Washer-Lock, Int
1:2	3217-27	3	Nut-Hex
1:3	105-9265	1	Bulb And Lamp ASM
2	3258-166	2	Screw
3	233-42	1	Knob
4	94-5626	1	Latch-Draw, Flexible
4:1	100-5806	1	Handle-Latch
4:2	100-5807	1	Keeper-Latch
5	98-9306	1	Light-Warning
5:1	3254-1	1	Washer-Lock, Int
5:2	3217-27	1	Nut-Hex
5:3	105-9264	4	Bulb And Lamp ASM
6	98-9308	1	Gauge-Temperature
6:1	3254-1	3	Washer-Lock, Int
6:2	3217-27	3	Nut-Hex
6:3	105-9265	1	Bulb And Lamp ASM
7	93-5961	1	Boot-Lever
8	32144-1	11	Screw-Taptite
9	105-7508	1	Lever-Joystick
10	104-9296	1	Decal-Control
11	104-9251-03	1	Plate-Instrument
12	99-8352	1	Switch-Backlap, Master
12:1	218-498	2	Locknut

Ref	Part No.	Qty.	Description
12:2	218-588	3	Screw
12:3	218-589	1	Nut/lockwasher
12:4	3253-19	3	Washer-Lock
13	106-4167	1	Joystick Bracket ASM
13:1	106-4168-03	1	Bracket-Joystick
13:2	106-4192	1	Spacer
13:3	93-5547	2	Bushing-Nylon
13:4	105-7507	1	Hub-Pivot, Joystick
13:5	105-8289	1	Spring-Torsion
13:6	106-4193	2	Washer-Finger, Spring
13:7	322-9	1	Screw-HH
13:8	3296-29	1	Nut-Lock, NI
13:9	3290-354	2	Nut-Speed
13:10	111332	2	Switch
13:11	147665	4	Screw-HH
13:12	3256-3	1	Washer-Flat
14	32105-13	4	Screw-SHH
16	104-1499-03	1	Bracket-Block, Fuse
17	32144-18	2	Screw-HH
18	75-6820	1	Hourmeter
19	3296-2	4	Nut-Lock
20	104-0027	1	Box-Control
22	94-6767	1	Decal-Fuses
23	104-9298	1	Decal-Controller



Control Console Assembly (continued)

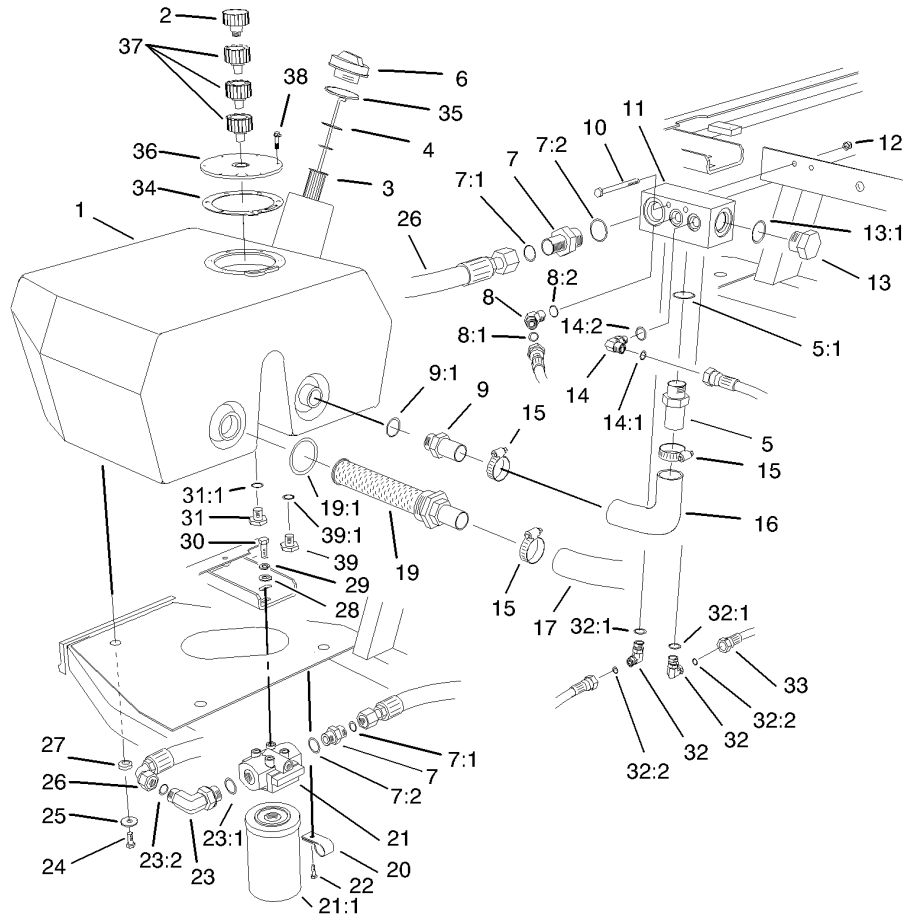
Ref	Part No.	Qty.	Description
24	104-1496	2	Hinge-Pin
25	104-1497	2	Hinge-Receiver
26	92-5720	1	Controller-Electronic
26:8	93-8053	1	Decal
27	3253-3	2	Washer-Lock
28	321-14	2	Screw-HH
29	3256-3	3	Washer-Flat
30	322-5	3	Screw-HH
32	106-5970	1	Harness-Wire
32:1	94-9157	1	Fuse-Blade, 4 Amp
32:2	114241	1	Fuse-7.5 Amp
32:3	218-578	3	Fuse-10 Amp
32:4	109101	1	Fuse-20 Amp
32:5	85-4491	1	Light-Indicator (Includes Lamp)
32:6	219-19	1	Lamp-Green
33	94-6343	1	Decal-Identification, Wire
34	3218-3	1	Nut-Jam
41	32128-33	2	Nut-HF
50	104-9270	1	Decal-Diagnostics
51	85-4750	1	Box-Display, Diagnostic



Hydraulic Filter and Reservoir Assembly

Ref	Part No.	Qty.	Description
1	104-9254	1	Tank-Oil
2	68-6150	1	Breather
3	61-2790	1	Filter-Screen
4	94-9411	1	Dipstick
5	354-73	1	Fitting
5:1	237-81	1	O-Ring
6	93-7498	1	Plug-Plastic
7	340-8	2	Adapter
7:1	237-65	1	O-Ring
7:2	237-81	1	O-Ring
8	340-87	1	Fitting-Hyd, 45 DEG
8:1	237-22	1	O-Ring
8:2	237-42	1	O-Ring
9	99-6932	1	Fitting-Barb, Hose
9:1	237-117	1	O-Ring
10	321-23	2	Screw-HH
11	92-9098	1	Manifold-Tank
12	3296-42	2	Nut-Lock, NI
13	354-74	1	Fitting
13:1	237-81	1	O-Ring
14	340-77	1	Fitting-Hyd, 90 DEG
14:1	237-22	1	O-Ring
14:2	237-42	1	O-Ring
15	2412-34	3	Clamp-Hose

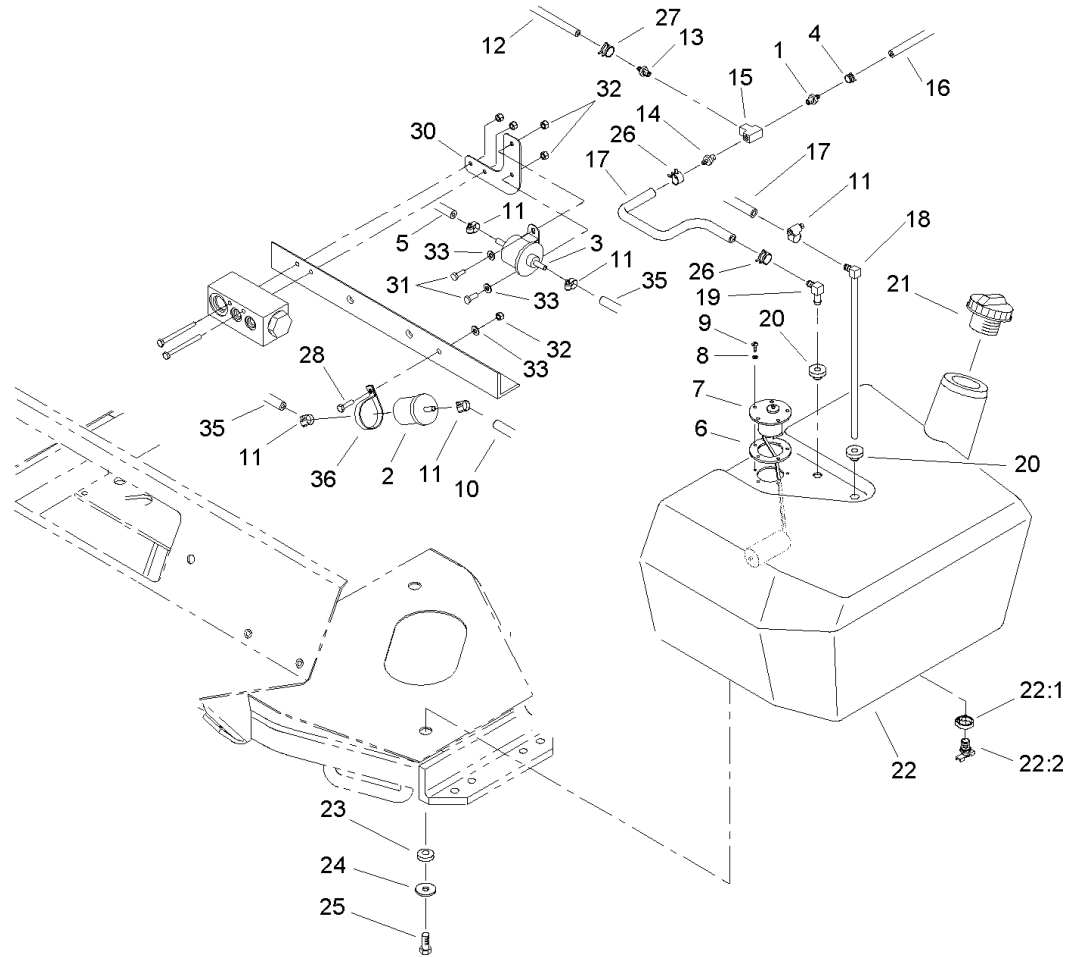
Ref	Part No.	Qty.	Description
16	75-5720	1	Hose-Return
17	75-6870	1	Hose-Inlet, Pump
19	104-7546	1	Strainer-Tank
19:1	340-136	1	O-Ring
20	2412-93	2	Clamp-R
21	75-1300	1	Oil Filter ASM
21:1	75-1310	1	Element-Filter
22	32144-10	2	Screw-HWH
23	340-139	1	Fitting-Hyd, 90 DEG
23:1	237-81	1	O-Ring
23:2	237-65	1	O-Ring
24	33105-025	3	Screw-HHF
25	63-8410	3	Washer
26	75-6130	1	Hose
27	240-11	3	Bushing-Flange
28	3256-24	2	Washer-Flat
29	3253-21	2	Washer-Lock
30	323-4	2	Screw-HH
31	353-550	1	Plug-HYD
31:1	237-79	1	O-Ring
32	340-82	2	Adapter
32:1	237-42	1	O-Ring
32:2	237-21	1	O-Ring
33	100-3739	1	Return Drain Hose ASM



Hydraulic Filter and Reservoir Assembly (continued)

Ref	Part No.	Qty.	Description
34	93-7499	1	Gasket
35	237-101	1	O-Ring
36	93-7588	1	Cover-Tank
37	92-8020	3	Adapter-Breather
38	33104-020	6	Screw-HHF
39	353-508	1	Plug
39:1	237-42	1	O-Ring

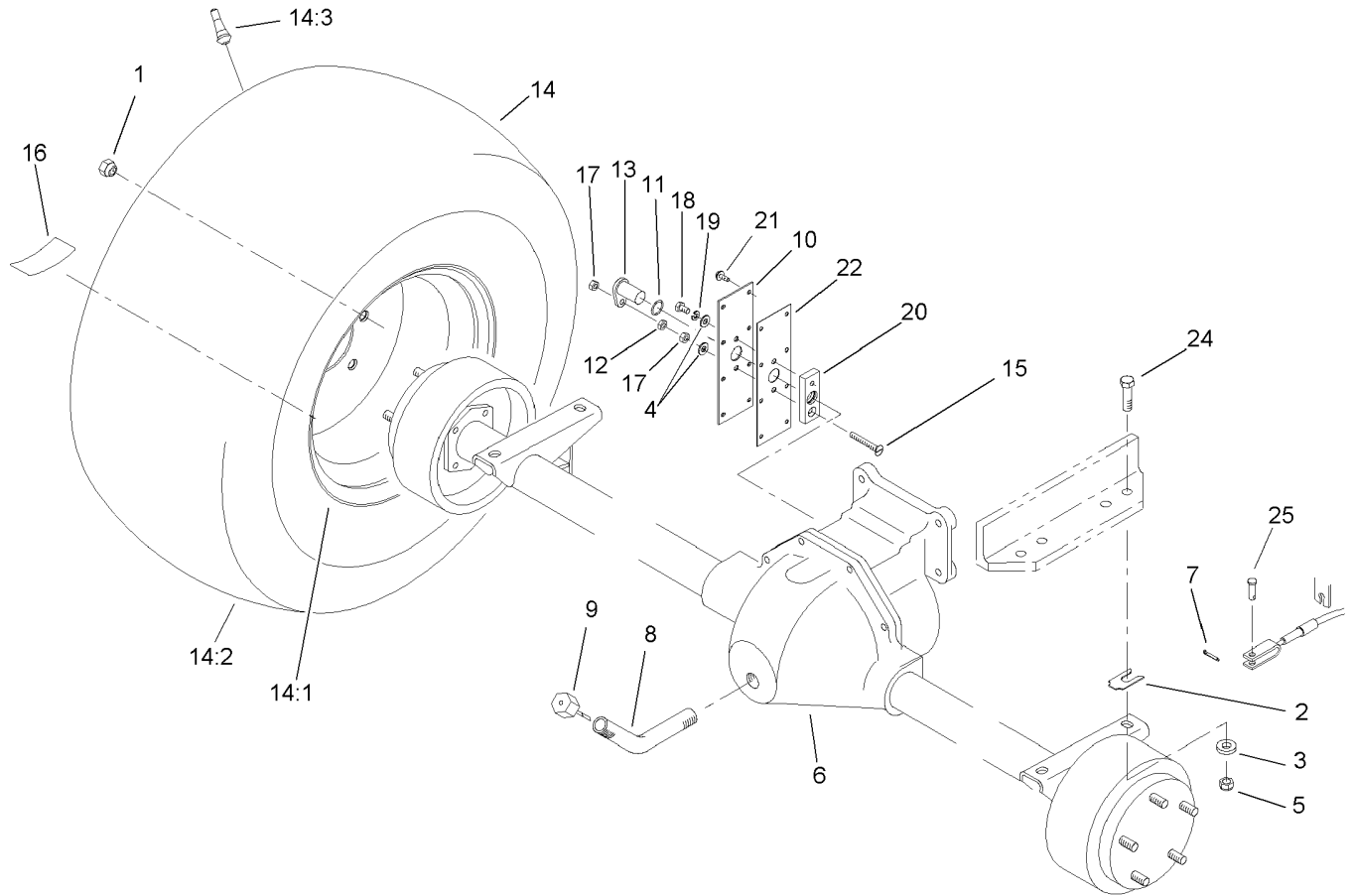
--	--	--	--



Fuel Tank Assembly

Ref	Part No.	Qty.	Description
1	304-73	1	Connector-Hose
2	98-7612	1	Filter-Fuel
3	104-5215	1	Pump-Fuel, Electric
4	2412-98	1	Clamp
5	23-2140	1	Hose-Fuel
6	62-7650	1	Gasket
7	63-7640	1	Sender-Fuel
8	3253-15	5	Washer-Lock/sp
9	32122-24	5	Screw-Pth
10	27-5370	1	Hose-Fuel
11	2412-108	6	Clamp-Worm
12	75-4700	1	Hose-Fuel
13	354-22	1	Fitting-Barb
14	354-21	1	Fitting-Barb
15	354-20	1	Fitting-Tee
16	98-9338	1	Hose-Fuel
17	93-2042	1	Hose-Fuel
18	66-8121	1	Standpipe
19	46-6550	1	Fitting-Hyd, 90 DEG
20	46-6560	2	Bushing
21	93-3102	1	Cap-Fuel
22	105-7933	1	Tank-Fuel
22:1	2412-36	1	Clamp-Hose
22:2	304-46	1	Draincock

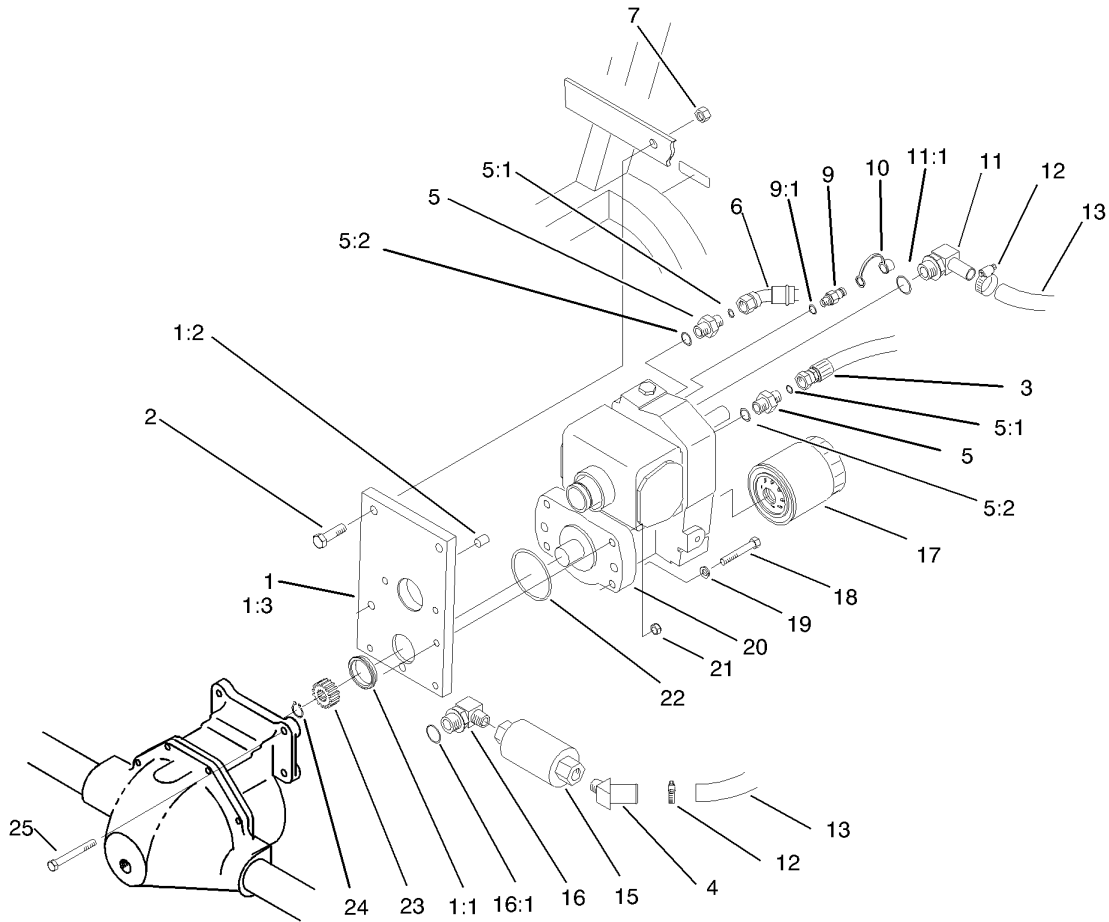
Ref	Part No.	Qty.	Description
23	240-11	3	Bushing-Flange
24	63-8410	3	Washer
25	33105-025	3	Screw-HHF
26	92-2379	2	Clamp-Hose
27	2412-146	2	Clamp-Hose
28	321-6	1	Screw-HH
30	104-9333	1	Bracket-Pump, Fuel
31	321-4	2	Screw-HH
32	3296-42	3	Nut-Lock, NI
33	3256-22	3	Washer-Flat
34	3290-378	1	Tie-Cable
35	27-5360	1	Hose-Fuel
36	2412-148	1	Clamp-R



Front Axle Assembly

Ref	Part No.	Qty.	Description
1	242-50	10	Nut-Lug
2	42-6080	5	Shim-Axle
3	66-6480	4	Washer
4	3256-22	2	Washer-Flat
5	3296-48	4	Nut-Lock, NI
6	106-9212-03	1	Drive Axle ASM
7	3272-10	2	Pin-Cotter
8	75-6850	1	Tube-Fill, Oil
9	27-3710	1	Dipstick
10	85-4330	1	Cover-Gear
11	237-181	1	O-Ring
12	3218-1	1	Nut-Jam
13	85-4350	1	Sensor-Geartooth
14		2	Wheel And Tire ASM
14:1	99-6984	1	Wheel ASM
14:2	98-2373	1	Tire
14:3	232-27	1	Stem-Valve
15	32108-9	1	Screw-FH
16	106-9206	2	Decal-Torque, Wheel
17	3296-56	2	Nut-Lock, NI
18	321-2	1	Screw-HH
19	3253-3	1	Washer-Lock
20	85-4340	1	Plate-Mounting, Sensor
21	32144-112	8	Screw-HWHTF

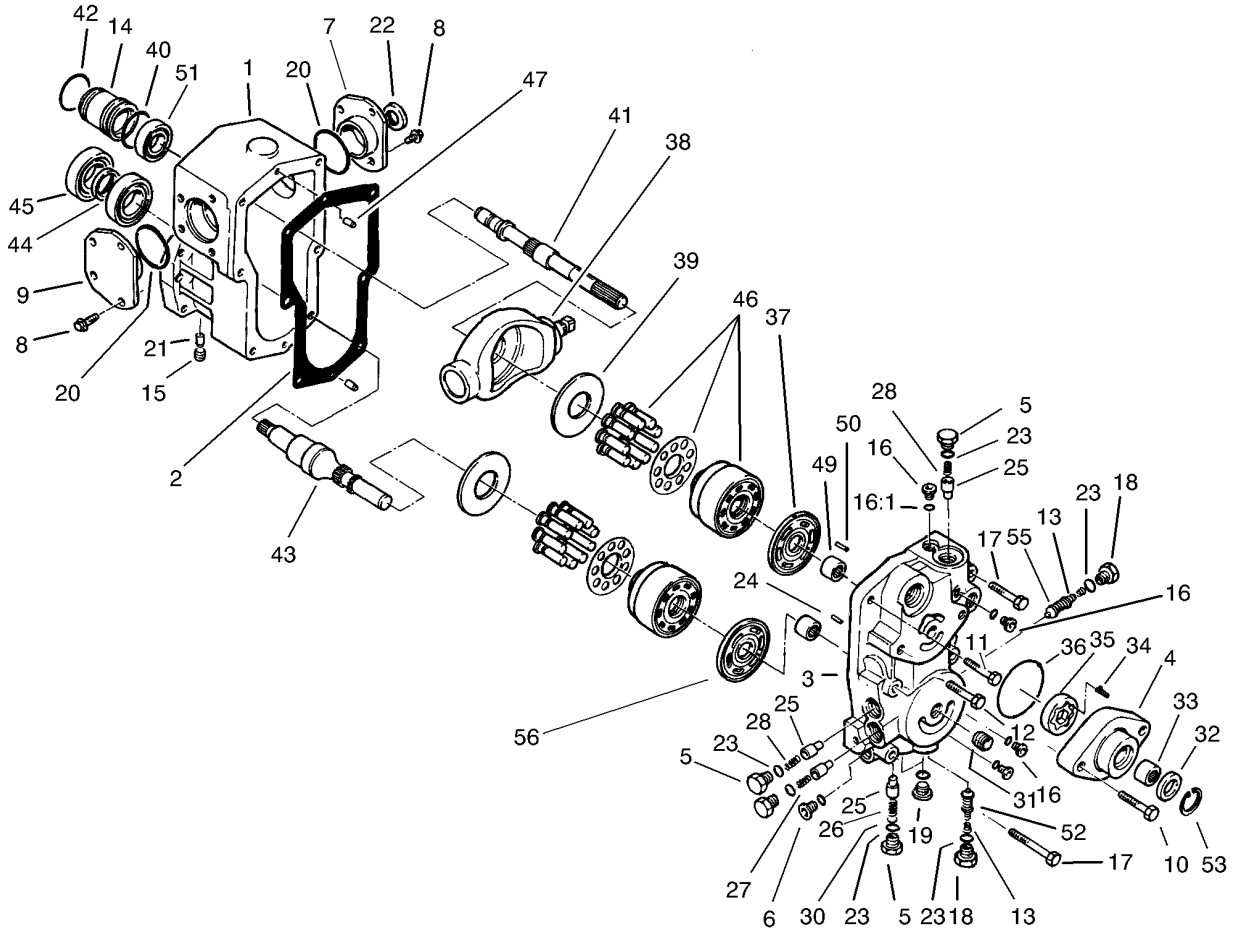
Ref	Part No.	Qty.	Description
22	92-5797	1	Gasket-Axle
24	324-7	4	Screw-HH
25	283-58	2	Pin-Clevis



Transmission Assembly

Ref	Part No.	Qty.	Description
1	92-4846	1	Transmission Support ASM
1:1	75-3110	1	Collar-Transmission
1:2	92-4808	1	Sleeve-Transmission
1:3	92-4809	1	Support-Transmission
2	325-7	2	Screw-HH
3	93-0075	1	Hose ASM
4	354-72	1	Fitting-HYD
5	340-3	2	Adapter
5:1	237-22	1	O-Ring
5:2	237-79	1	O-Ring
6	93-0076	1	Hose ASM
7	3296-23	2	Nut-Lock, NI
9	354-77	1	Fitting-Quick
9:1	237-78	1	O-Ring
10	354-79	1	Cap-Dust
11	75-4720	1	Fitting-Line, Suction
11:1	237-81	1	O-Ring
12	2412-129	2	Clamp-Hose
13	75-6350	1	Hose
15	75-6340-03	1	Filter
16	354-75	1	Fitting-Hyd, 90 DEG
16:1	237-81	1	O-Ring
17	75-1330	1	Element-Filter
18	323-12	2	Screw-HH

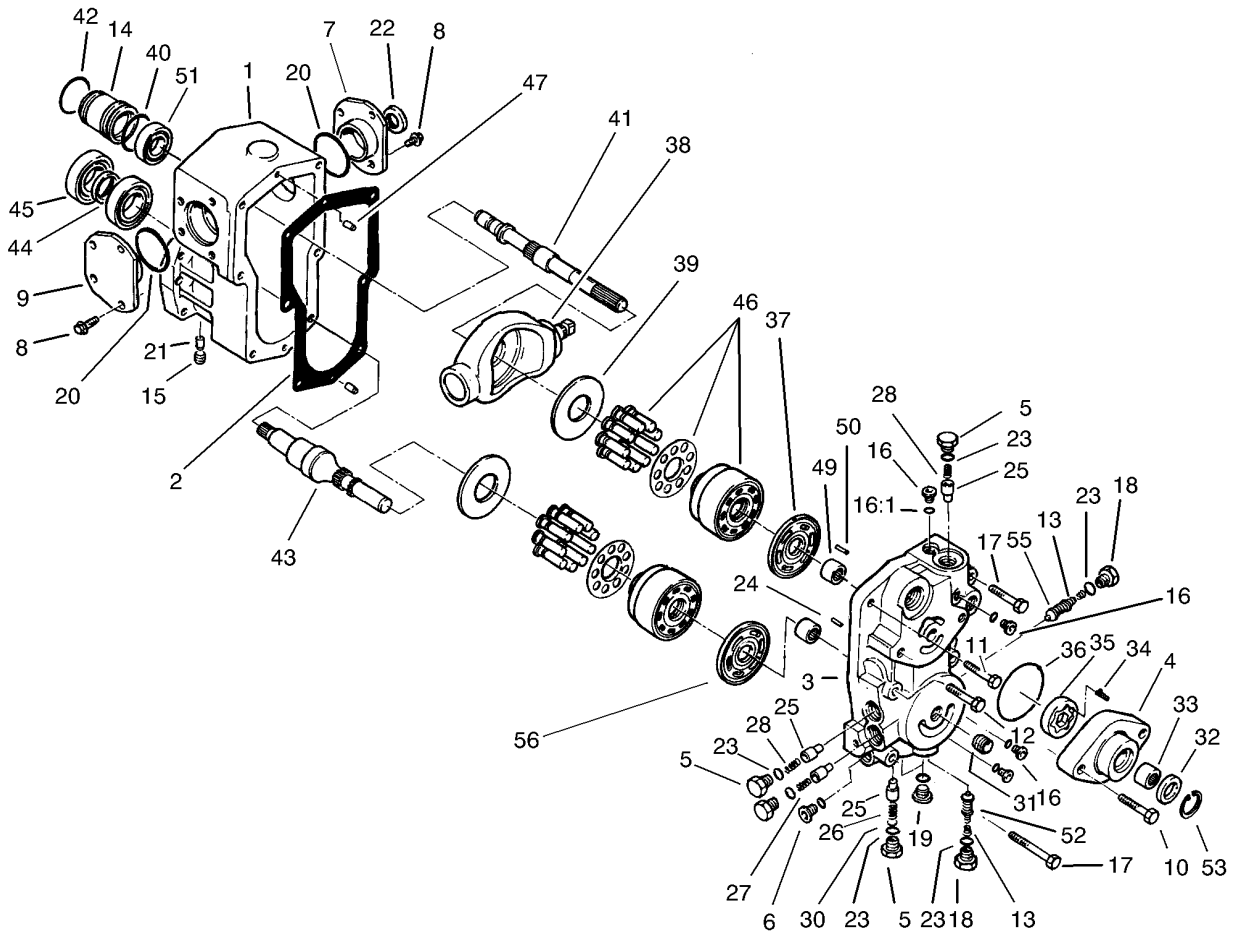
Ref	Part No.	Qty.	Description
19	3253-21	2	Washer-Lock
20	75-0012	1	Transmission
21	3296-39	2	Nut-Lock, NI
22	237-161	1	O-Ring
23	86-7220	1	Gear-Pinion
24	32151-62	1	Ring-Retaining
25	323-20	2	Screw-HH



Transmission Assembly No. 75-0012

Ref	Part No.	Qty.	Description
1	75-0020	1	Housing
2	75-0030	1	Gasket-Housing
3	75-0040	1	Section-Center
4	83-4780	1	Housing-Pump, Charge
5	75-0060	4	Plug
6	75-0070	1	Plug
7	86-7520	1	RH Trunnion Cover ASM
8	75-0090	8	Capscrew-HH
9	86-7530	1	LH Trunnion Cover ASM
10	75-0110	2	Capscrew-HH
11	75-0120	1	Capscrew-HH
12	75-0130	3	Capscrew-HH
13	75-0140	2	Spring-Conical
14	75-0150	1	Guide-Seal
15	75-0160	1	Plug-Pipe
16	75-0170	4	Plug-Thread, Straight
16:1	92-8777	1	O-Ring
17	75-0180	2	Capscrew-HH
18	75-0190	2	Plug-Special
19	75-0200	2	Plug-Thread, Straight
20	75-0210	2	O-Ring
21	75-0220	2	Pin
22	75-0230	1	Seal-Lip
23	75-0240	6	O-Ring

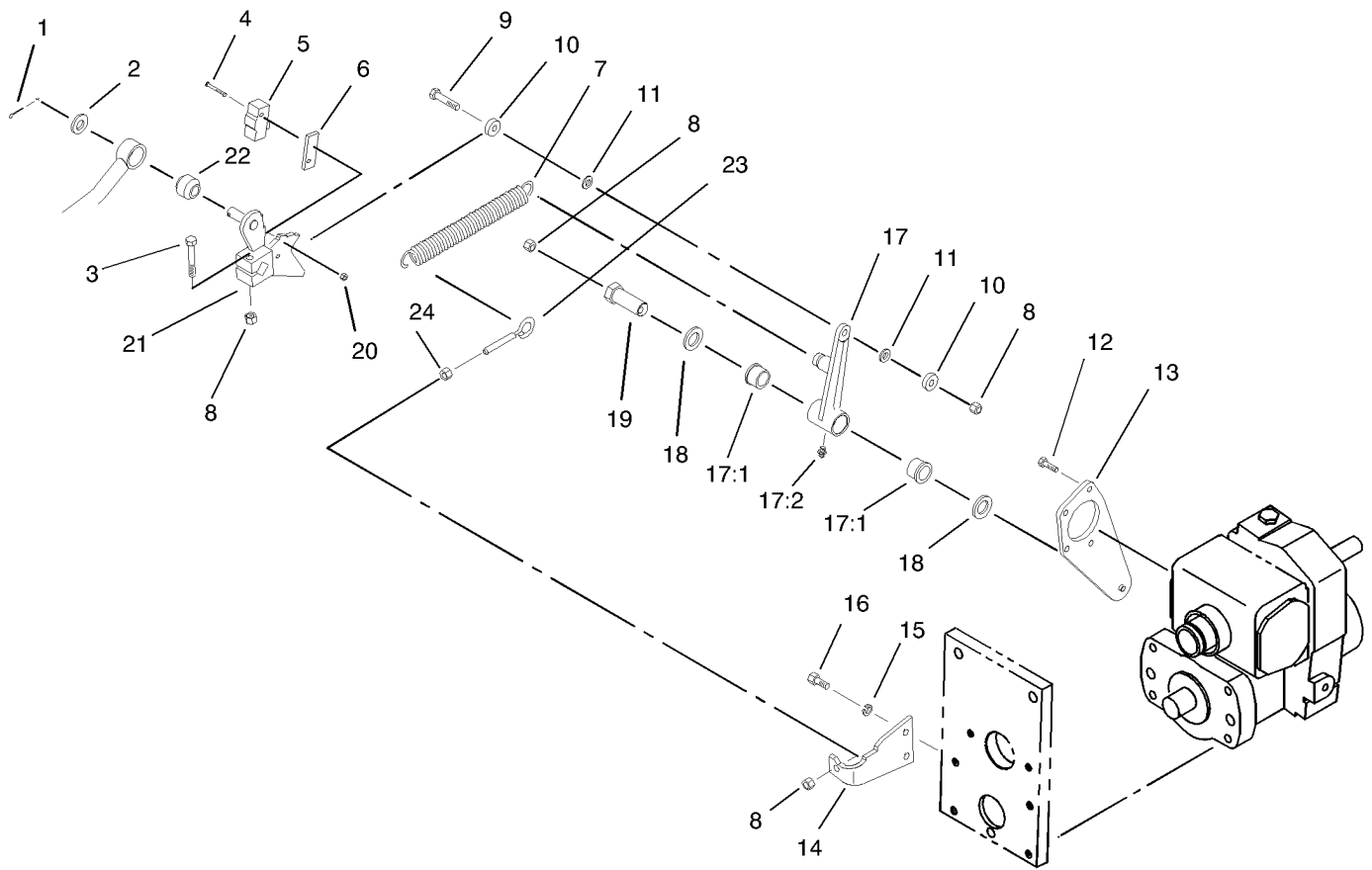
Ref	Part No.	Qty.	Description
24	75-0250	1	Spring
25	75-0260	4	Valve-Relief
26	75-0270	1	Spring
27	75-0280	1	Spring
28	75-0290	2	Spring
30	75-0310	1	Shim
31	75-0320	1	Nipple
32	75-0330	1	Seal-Lip
33	75-0340	1	Bearing-Needle
34	75-0350	1	Pin
35	75-0360	1	Gerotor
36	75-0370	1	O-Ring
37	75-0380	1	Plate-Valve
38	75-0390	1	Plate-Swash
39	75-0400	2	Plate-Thrust
40	75-0410	1	O-Ring
41	86-7540	1	Shaft-Pump
42	75-0430	1	Ring-Retaining
43	75-0440	1	Shaft-Motor
44	75-0450	1	Collar
45	75-0460	2	Bearing-Ball
46	75-0470	2	Cylinder Block Kit
47	75-0480	2	Pin
49	75-0500	2	Bearing-Needle



Transmission Assembly No. 75-0012 (continued)

Ref	Part No.	Qty.	Description
50	75-0510	1	Pin
51	75-0520	1	Bearing-Ball
52	75-6930	1	Valve-Screw
53	32120-74	1	Snap-Ring
55	93-0097	1	Valve-Screw
56	93-0083	1	Plate-Valve

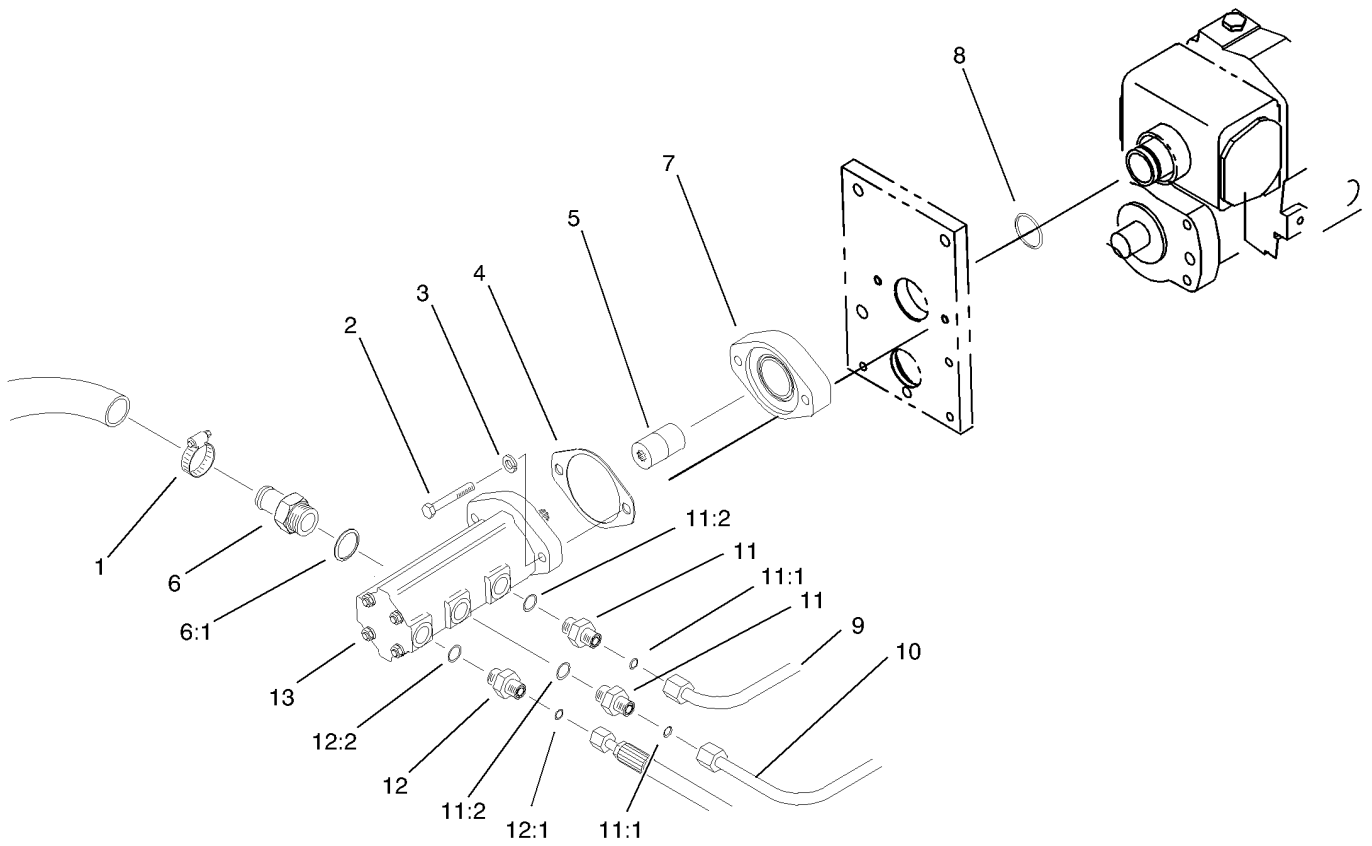
--	--	--	--



Traction Control Assembly

Ref	Part No.	Qty.	Description
1	3272-10	1	Pin-Cotter
2	3256-26	1	Washer-Flat
3	322-10	1	Screw-HH
4	32105-21	2	Screw-HH
5	29-6162	1	Switch-Micro
6	75-4130	1	Plate-Switch
7	76-9430-03	1	Spring-Extention
8	3296-29	4	Nut-Lock, NI
9	322-7	1	Screw-HH
10	251-307	2	Bearing-Ball
11	75-5470	2	Spacer-Bearing
12	321-5	4	Screw-HH
13	104-1480-03	1	Traction Plate ASM
14	85-9900-03	1	Plate-Anchor, Spring
15	3253-4	2	Washer-Lock
16	322-3	2	Screw-HH
17	92-2581	1	Neutral Switch Arm ASM
17:1	256-113	2	Bushing-Flange
17:2	302-5	1	Fitting-Grease
18	3-6498	2	Washer-Thrust
19	76-8640	1	Stud-Traction
20	3296-9	2	Nut-Lock, NI
21	75-4100-03	1	Control-Pump
22	23-2270	1	Bushing-Rubber

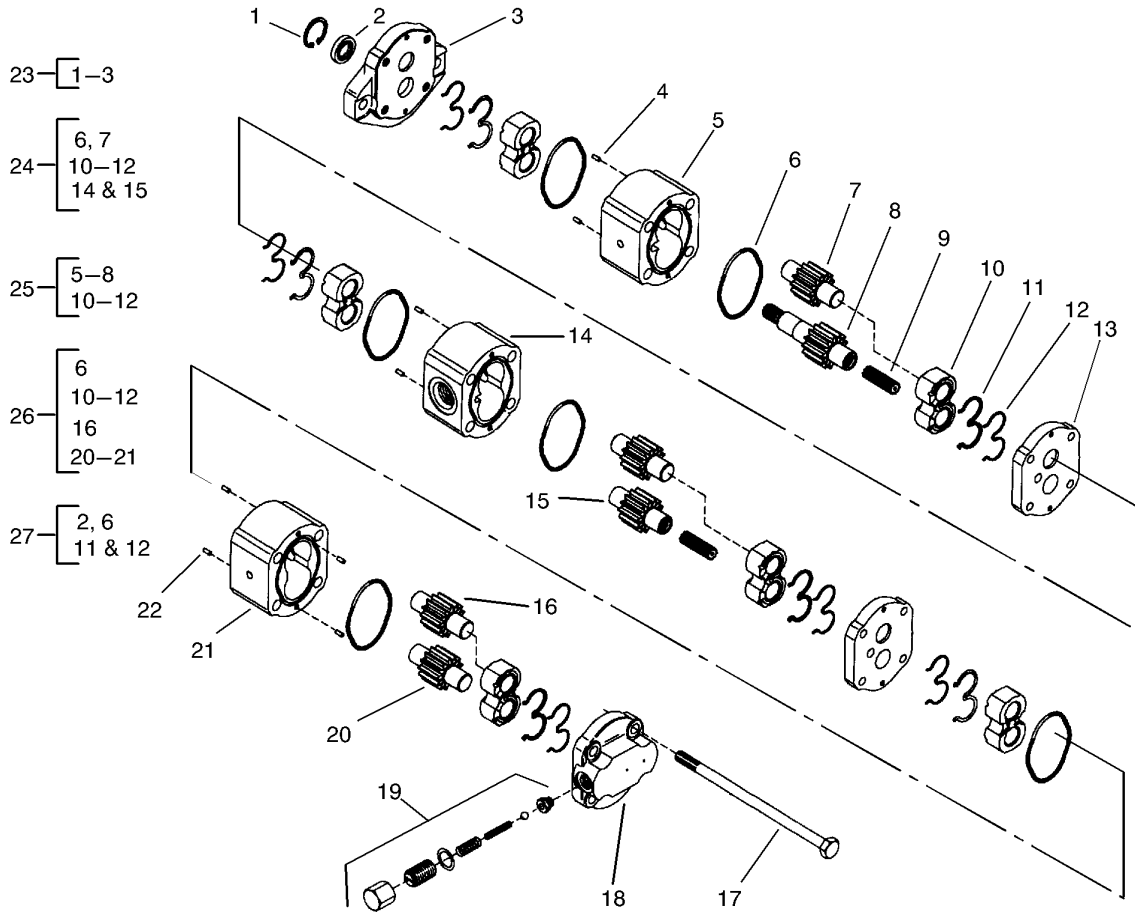
Ref	Part No.	Qty.	Description
23	85-9910	1	Eyebolt
24	3217-6	1	Nut-Hex



Gear Pump Installation Assembly

Ref	Part No.	Qty.	Description
1	2412-34	1	Clamp-Hose
2	323-12	2	Screw-HH
3	3253-5	2	Washer-Lock
4	93-3604	1	Gasket
5	93-1396	1	Coupler
6	354-78	1	Connector-Hose
6:1	237-146	1	O-Ring
7	75-4400-03	1	Adaptor
8	237-163	1	O-Ring
9	93-3642	1	Tube-Pump, Port 1
10	93-3643	1	Tube-Pump, Port 2
11	340-4	2	Fitting-Hyd, Sraight
11:1	237-30	1	O-Ring
11:2	237-79	1	O-Ring
12	340-3	1	Adapter
12:1	237-22	1	O-Ring
12:2	237-79	1	O-Ring
13	98-9796	1	Pump-Gear

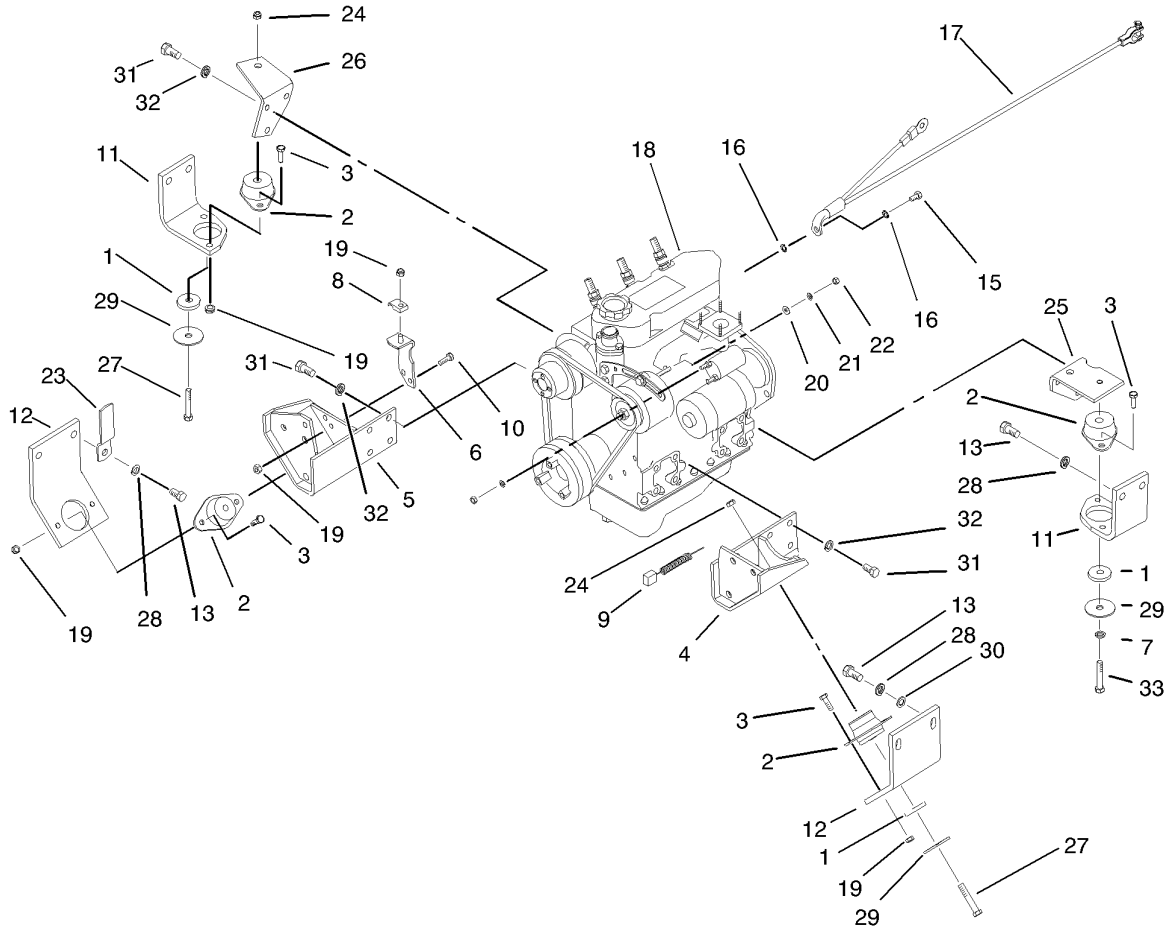
--	--	--	--



Gear Pump Assembly No. 98-9796

Ref	Part No.	Qty.	Description
②1		1	Ring-Retaining
②2		1	Seal-Shaft
②3		1	Flange
4	93-4278	4	Pin-Dowel
②5		1	Housing
②6		2	O-Ring
②7		1	Gear-Idler
②8		1	Gear-Drive
9	93-4280	2	Coupling
②10		2	Bearing
②11		2	E-Seal
②12		2	Ring-Backup
13	93-4279	2	Plate-Distance
②14		1	Housing
②15		1	Gear-Idler
②16		1	Gear-Idler
17	93-4283	4	Bolt
18	93-4282	1	Block-Valve
19	93-4277	1	Valve Kit
②20		1	Gear-Idler
②21		1	Housing
22	93-4281	4	Pin-Dowel
23	93-4268	1	Flange Kit
24	98-9798	1	Section 1 Housing Kit

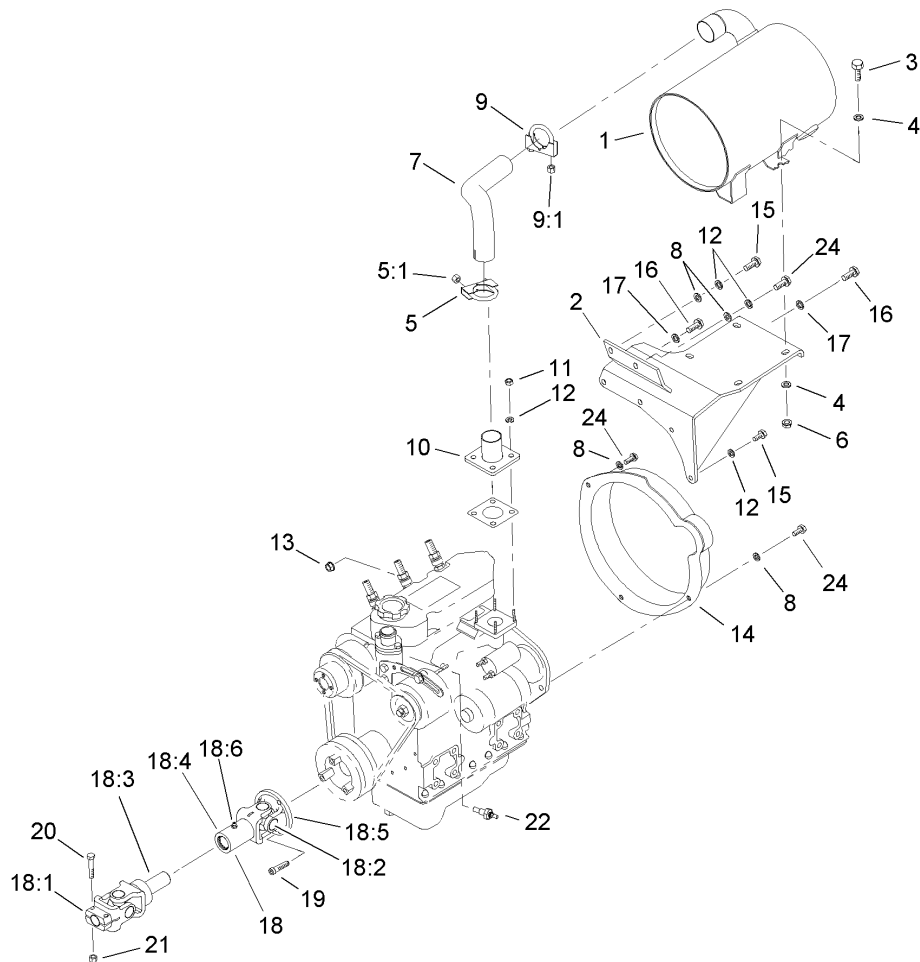
Ref	Part No.	Qty.	Description
25	98-9797	1	Section 2 Housing Kit
26	98-9799	1	Section 3 Housing Kit
27	99-8353	1	Individual Pieces Kit



Engine Installation Assembly

Ref	Part No.	Qty.	Description
1	83-1050	4	Spacer
2	83-1030	4	Mount-Engine
3	322-5	8	Screw-HH
4	98-4539-03	1	Bracket-Engine Mount, LH
5	98-4543-03	1	Bracket-Engine Mount, RH
6	98-9749	1	Plate-Throttle
7	3253-21	1	Washer-Lock
8	3-6657	1	Clip-Skid
9	99-3441	1	Harness-Wire, Fusible Link
10	322-4	2	Screw-HH
11	98-4513-03	2	Bracket-Engine, Rear
12	93-0095-03	2	Bracket-Engine, Front
13	3213-2	8	Screw-HH
15	98-9322	1	Bolt-Hh, Metric
16	3255-9	2	Washer-Lock, Ext
17	98-4598	1	Cable-Battery, Negative
18	106-7057	1	Engine-Kubota
19	3296-29	11	Nut-Lock, NI
20	3256-78	1	Washer-Flat
21	43-5930	1	Washer-Spring
22	48-7890	1	Nut
23	98-4594	1	Clamp-Retainer
24	32128-36	3	Nut-HF
25	98-4515-03	1	Bracket-Rear Engine, LH

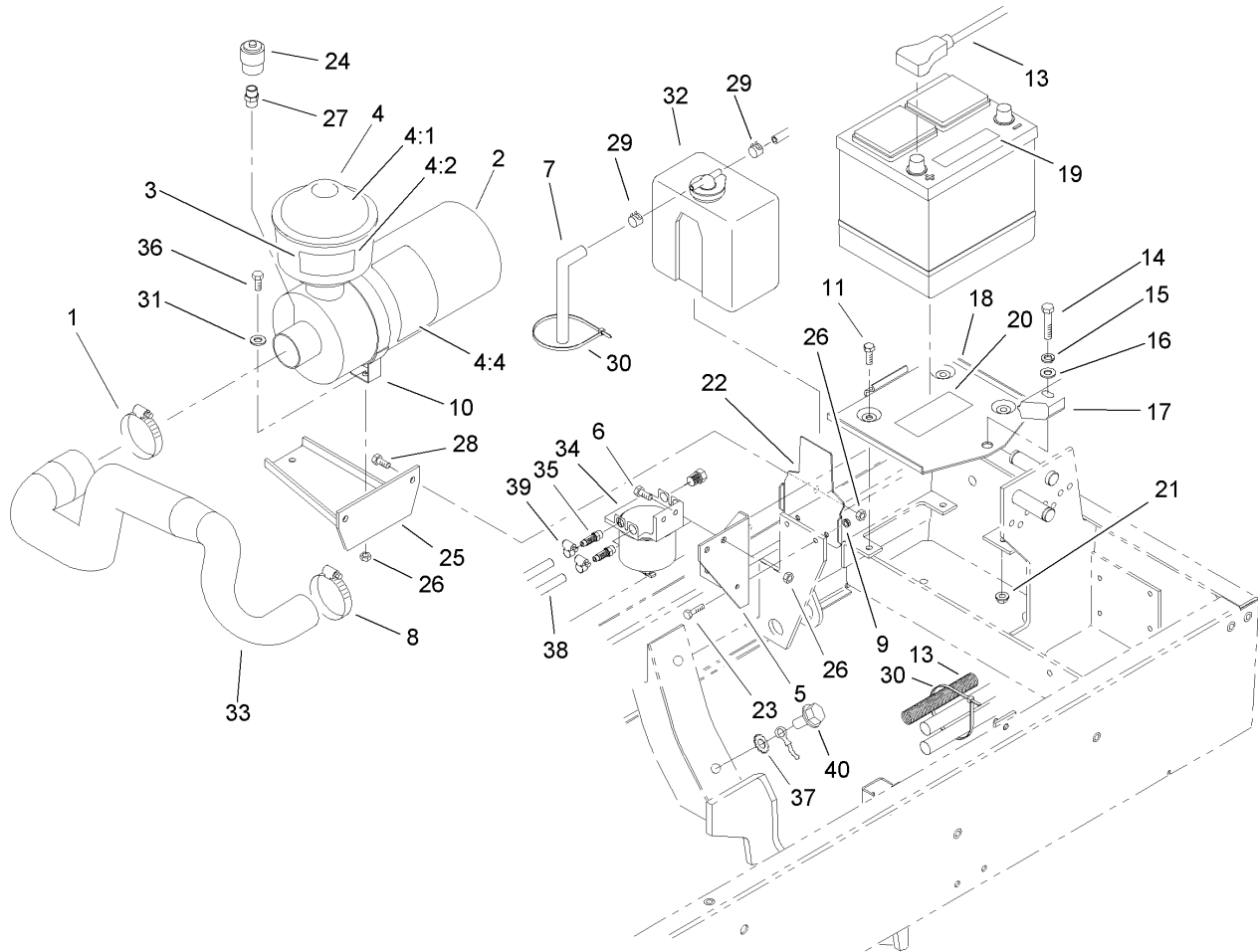
Ref	Part No.	Qty.	Description
26	98-4514-03	1	Bracket-Rear Engine, RH
27	323-12	3	Screw-HH
28	3253-7	8	Washer-Lock
29	87-5100	4	Washer-Snubbing
30	3256-40	4	Washer-Flat
31	43-0090	14	Screw-HH
32	42-9600	14	Lockwasher-Spring
33	323-10	1	Screw-HH



Muffler and Pump Drive Assembly

Ref	Part No.	Qty.	Description
1	107-2379	1	Muffler-Exhaust
2	98-4555-03	1	Bracket-Muffler
3	323-7	4	Screw-HH
4	3256-4	8	Washer-Flat
5	2112-9	1	Clamp
5:1	32128-20	2	Nut-HF
6	3296-39	4	Nut-Lock, NI
7	98-9745	1	Tube-Exhaust
8	3256-23	5	Washer-Flat
9	2112-6	1	Clamp-Muffler
9:1	3218-2	2	Nut-Jam
10	98-4527	1	Pipe-Exhaust, Engine
11	33014-00	4	Nut-Hex
12	42-9850	7	Washer-Lock, Spring
13	33024-00	1	Nut-Lock
14	105-7505	1	Guard-Flywheel
15	33114-025	3	Screw-HH
16	43-0090	2	Screw-HH
17	42-9600	2	Lockwasher-Spring
18	98-4593	1	Driveshaft ASM
18:1	54-9040	1	Yoke-End
18:2	98-9766	2	Universal Joint Kit
18:3	98-9765	1	Yoke And Shaft
18:4	98-9767	1	Tube-Yoke

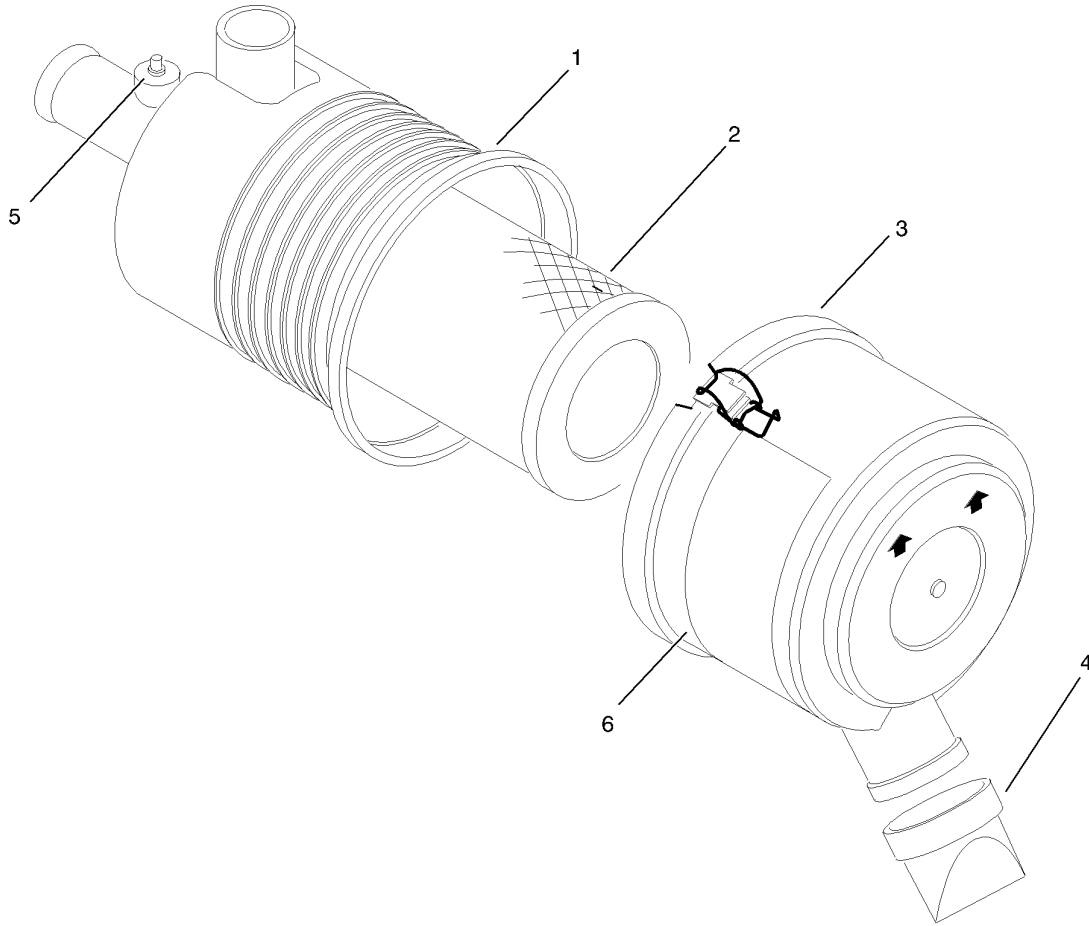
Ref	Part No.	Qty.	Description
18:5	98-9769	1	Flange-Yoke
18:6	302-5	3	Fitting-Grease
19	98-9322	3	Bolt-Hh, Metric
20	322-9	2	Screw-HH
21	3296-29	2	Nut-Lock, NI
22	98-9346	1	Sender-Temperature
24	33114-020	4	Screw-HH



Engine Component Assembly

Ref	Part No.	Qty.	Description
1	2412-42	1	Clamp-Hose
2	98-4517	1	Air Cleaner ASM
3	93-6692	1	Decal-Fluid, Starting
4	48-7430	1	Precleaner
4:1	33-1260	1	Cover ASM
4:2	33-1270	1	Bowl-Clear
4:3	62-6300	1	Sleeve ASM
4:4	94-6873	1	Clamp
5	98-4578-03	1	Bracket-Filter, Fuel
6	3234-29	2	Screw-HHF
7	63-7630	1	Hose-Fuel
8	2412-92	1	Clamp-Hose
9	32128-33	2	Nut-HF
10	98-4525	1	Bracket-Cleaner, Air
11	322-4	3	Screw-HH
13	104-0086	1	Cable-Battery, Positive
14	323-9	1	Screw-HH
15	3253-21	1	Washer-Lock
16	3256-24	1	Washer-Flat
17	66-2490	1	Retainer-Battery
18	94-7343	1	Battery Base ASM
19	93-6668	1	Decal-Battery
20	93-7276	1	Decal-Danger
21	32128-20	1	Nut-HF

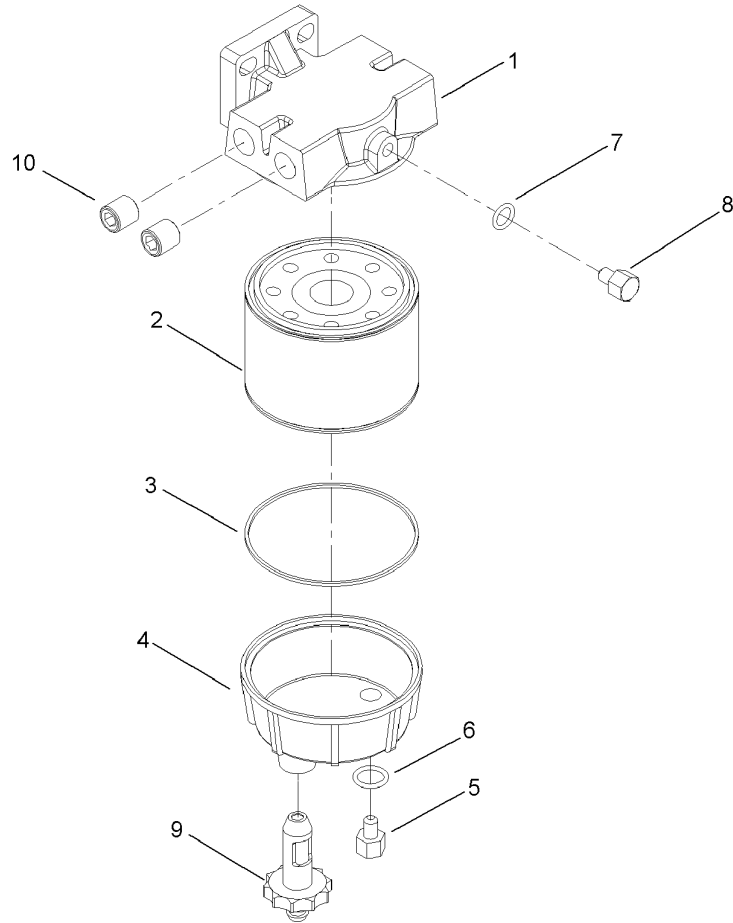
Ref	Part No.	Qty.	Description
22	98-4576-03	1	Bracket-Reservoir, Water
23	321-5	2	Screw-HH
24	93-9164	1	Indicator-Mini
25	98-4518-03	1	Bracket-Cleaner, Air
26	3296-29	6	Nut-Lock, NI
27	94-1416	1	Indicator Adapter ASM
28	322-5	2	Screw-HH
29	92-2379	2	Clamp-Hose
30	3290-378	2	Tie-Cable
31	3256-23	2	Washer-Flat
32	104-9318	1	Bottle-Overflow
33	98-4510	1	Hose-Cleaner, Air
34	98-9305	1	Water/fuel Filter ASM
35	353-783	2	Fitting
36	322-6	2	Screw-HH
37	3255-8	1	Washer-Lock
38	63-7622	1	Hose-Fuel
39	2412-108	4	Clamp-Worm
40	32144-14	1	Screw-HWH
99	3290-379	1	Tie-Cable



Air Cleaner Assembly No. 98-4517

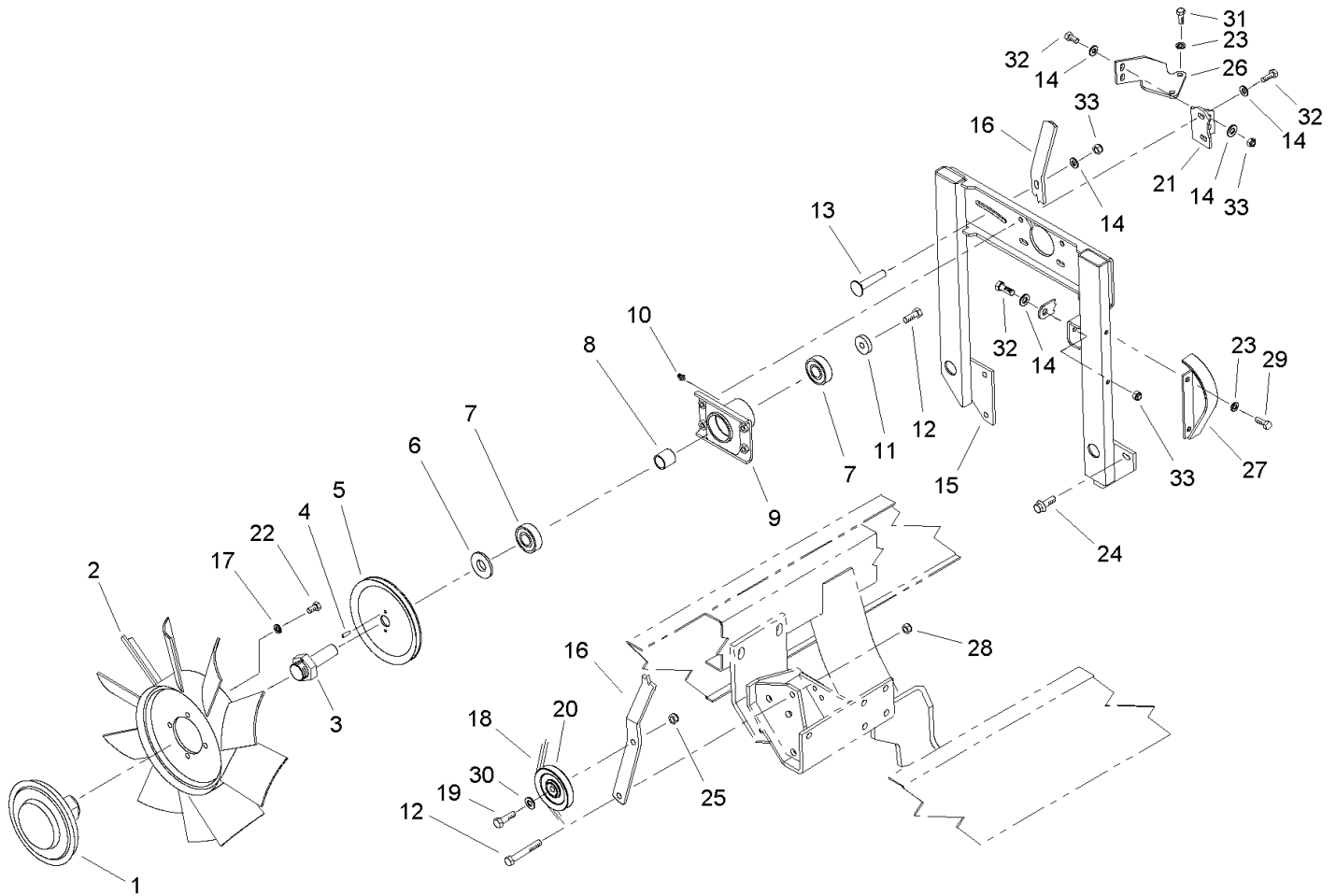
Ref	Part No.	Qty.	Description
①		1	Body ASM
2	98-9763	1	Element ASM
3	98-9771	1	Cover ASM
4	94-1414	1	Valve-Vacuator
⑤		1	Plug
6	98-9788	1	Decal-Instruction

--	--	--	--



Water/Fuel Filter Assembly No. 98-9305

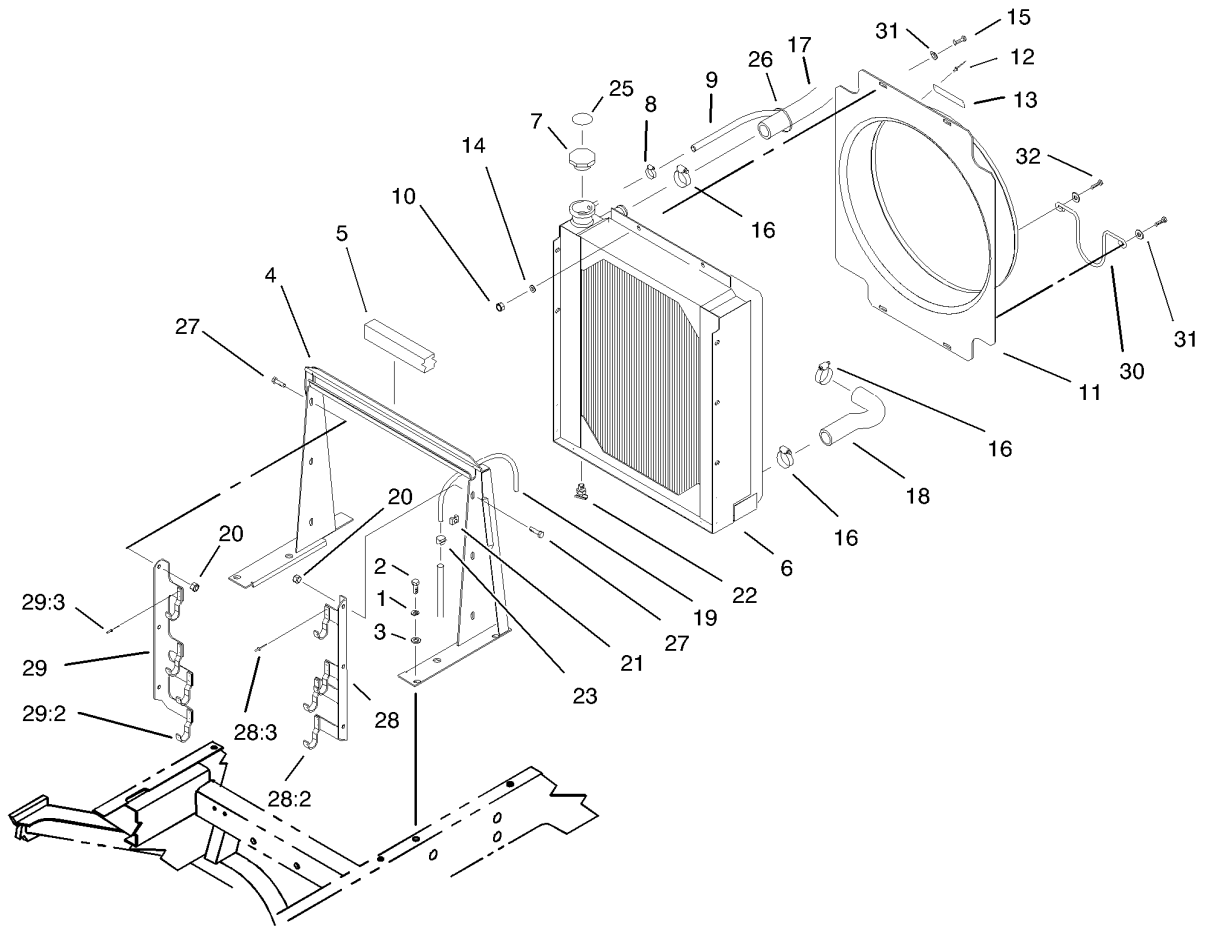
Ref	Part No.	Qty.	Description	
1	98-9772	1	Head-Filter	
2	98-9764	1	Element	
3	98-9774	1	O-Ring-Base, Filter	
4	98-9775	1	Base-Filter	
5	98-9773	1	Plug-Base, Filter	
6	237-42	1	O-Ring	
7	237-78	1	O-Ring	
8	98-9776	1	Plug-Head, Filter	
9	98-9777	1	Drain Valve ASM	
10	285-22	2	Plug-Pipe	



Fan Drive Assembly

Ref	Part No.	Qty.	Description
1	74-5520	1	Clutch-Fan
2	75-3780	1	Fan-Engine
3	75-6380	1	Shaft-Fan
4	104-9312	2	Pin-Grooved
5	98-9313-03	1	Pulley-Fan
6	104-9259	1	Washer-Thrust
7	251-318	2	Bearing
8	104-0001	1	Spacer
9	75-4450-03	1	Hub
10	302-2	1	Fitting-Grease
11	67-1630	1	Spacer
12	323-6	2	Screw-HH
13	3230-2	1	Bolt-CARR
14	3256-23	9	Washer-Flat
15	98-4530-03	1	Support-Fan
16	98-4575-03	1	Lever-Idler, Fan
17	3253-4	4	Washer-Lock
18	98-9312	1	V-Belt
19	323-8	1	Screw-HH
20	63-8140	1	Pulley-Idler
21	98-9740	1	Bracket-Fan, Support
22	322-2	4	Screw-HH
23	42-9850	4	Washer-Lock, Spring
24	3234-29	6	Screw-HHF

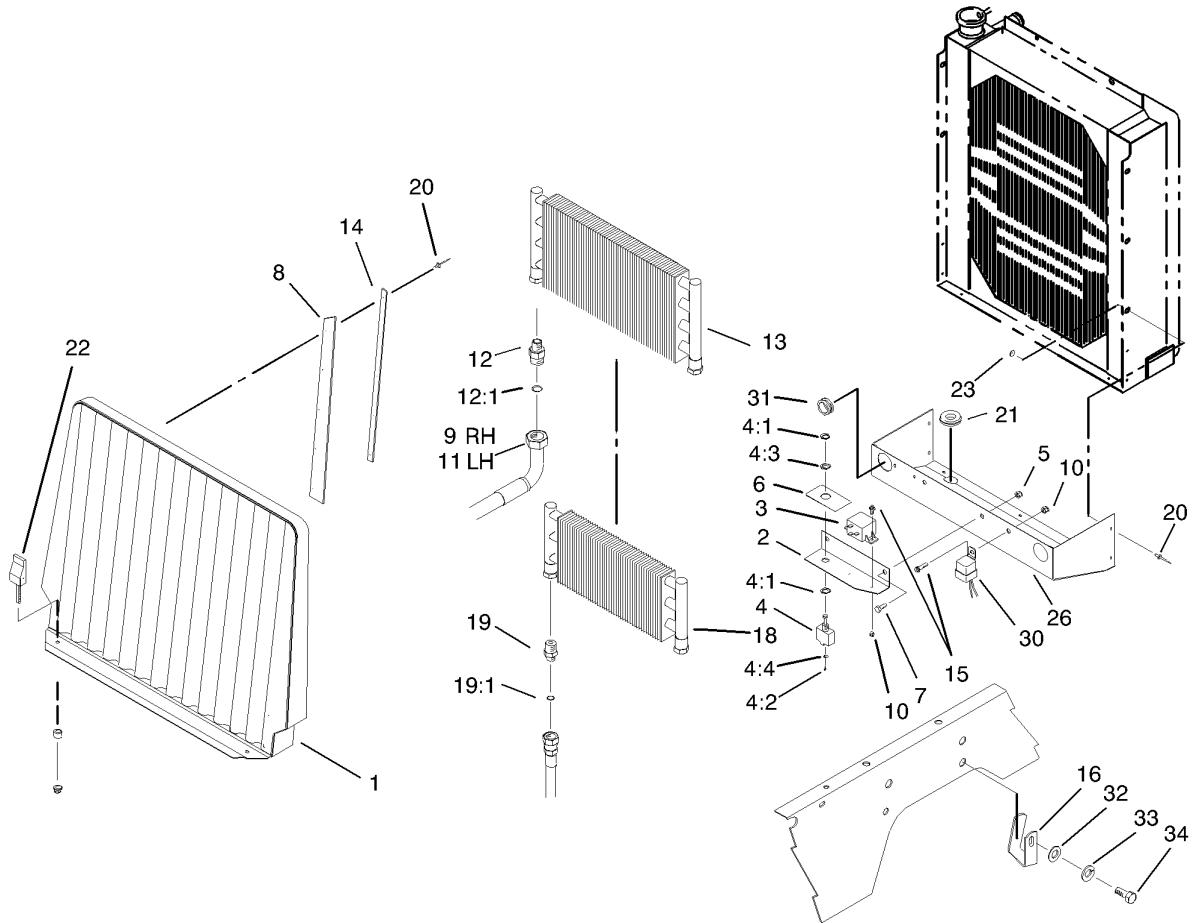
Ref	Part No.	Qty.	Description
25	3296-59	1	Nut-Lock, NI
26	98-9741	1	Bracket-Mount, Fan
27	98-4561-03	1	Shield-Alternator
28	3296-39	1	Nut-Lock, NI
29	32144-14	2	Screw-HWH
30	80-6990	1	Washer-Hardened
31	33114-016	2	Screw-HH
32	322-4	7	Screw-HH
33	3296-29	4	Nut-Lock, NI



Radiator Assembly

Ref	Part No.	Qty.	Description
1	3253-4	4	Washer-Lock
2	322-5	4	Screw-HH
3	3256-23	4	Washer-Flat
4	98-9317-03	1	Support-Radiator
5	93-0005	1	Strip-Foam, Radiator Top
6	98-4507	1	Radiator
7	66-3240	1	Cap-Radiator
8	92-2379	1	Clamp-Hose
9	75-2851	1	Hose-Fuel
10	3296-42	4	Nut-Lock, NI
11	98-4571	1	Shroud-Fan
12	3290-55	2	Rivet-Pop
13	98-9335	1	Plate-Warning, Fan
14	3256-22	4	Washer-Flat
15	321-4	2	Screw-HH
16	2412-34	4	Clamp-Hose
17	98-4511	1	Hose-Radiator, Upper
18	98-4512	1	Hose-Radiator, Lower
19	66-3180	1	Tube-Vent
20	32128-20	6	Nut-HF
21	2412-103	1	Clamp
22	304-46	1	Draincock
23	2412-98	1	Clamp
25	106-5976	1	Decal-Warning

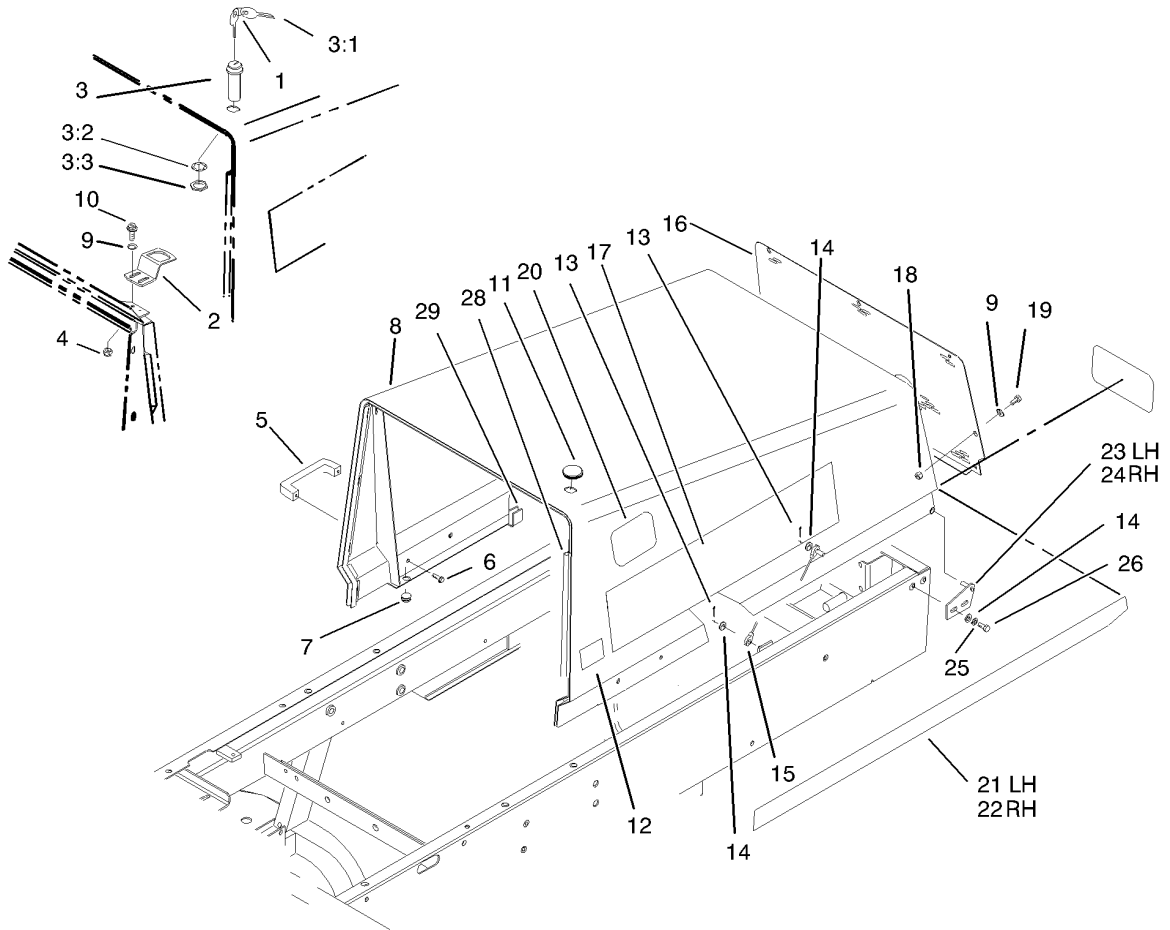
Ref	Part No.	Qty.	Description
26	3290-379	1	Tie-Cable
27	3234-5	6	Screw
28	99-6991	1	LH Cooler Mount ASM
28:2	75-0930	4	Hook-Mount, Cooler
28:3	3269-15	8	Rivet
29	99-6994	1	RH Cooler Mount ASM
29:2	75-0930	4	Hook-Mount, Cooler
29:3	3269-15	8	Rivet
30	104-1448	1	Hoop-Driveline
31	3256-55	4	Washer-Flat
32	321-6	2	Screw-HH



Oil Cooler/Radiator Assembly

Ref	Part No.	Qty.	Description
1	93-0032-03	1	Housing-Screen, Front
2	75-3390-03	1	Bracket-Backlap
3	66-8800	1	Relay
4	99-8352	1	Switch-Backlap, Master
4:1	218-498	2	Locknut
4:2	218-588	3	Screw
4:3	218-589	1	Nut/lockwasher
4:4	3253-19	3	Washer-Lock
5	3296-29	2	Nut-Lock, NI
6	93-6684	1	Decal-Backlap
7	322-2	2	Screw-HH
8	93-3623	2	Strip-Sealing, Radiator
9	93-0077	1	Hose ASM
10	3296-42	3	Nut-Lock, NI
11	93-0078	1	Hose ASM
12	92-4999	2	Fitting
12:1	237-65	1	O-Ring
13	75-1040	1	Cooler-Oil
14	93-3624-03	2	Plate-Retaining
15	321-4	3	Screw-HH
16	98-3928	2	Clamp-Hose
18	24-0760	1	Cooler ASM
19	340-124	2	Adapter
19:1	237-22	1	O-Ring

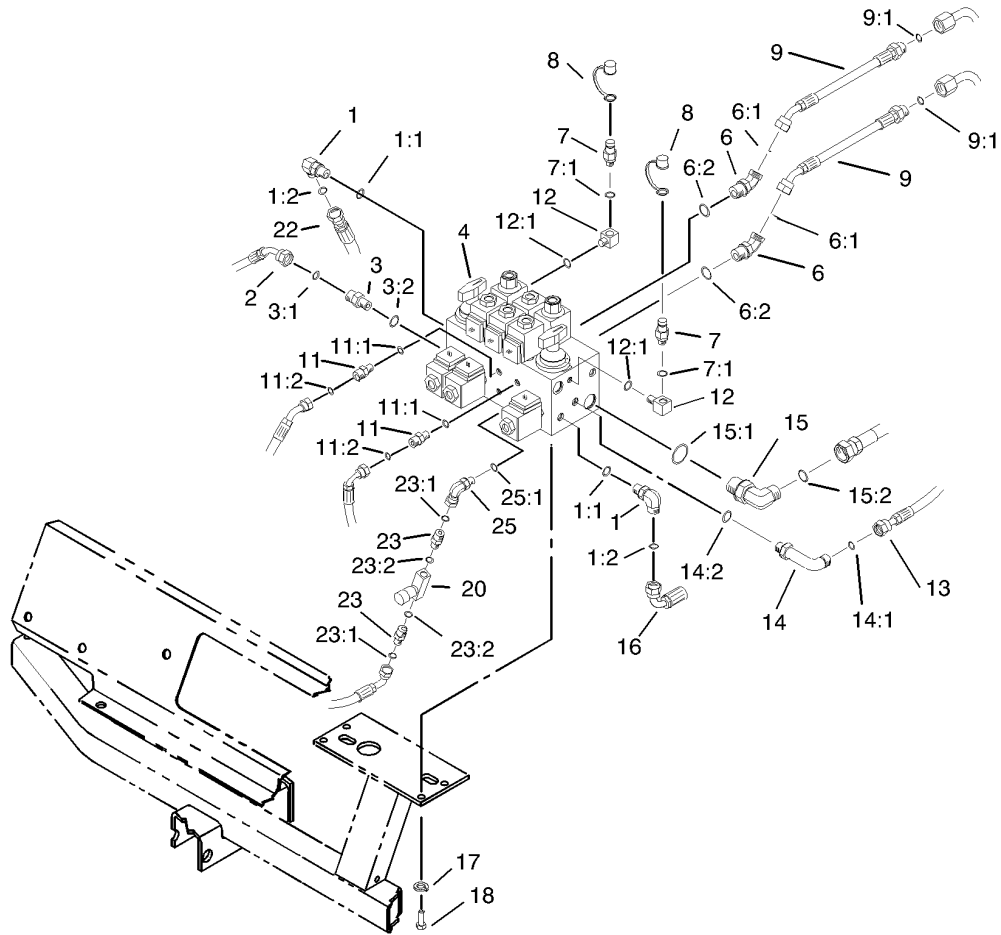
Ref	Part No.	Qty.	Description
20	3269-13	15	Rivet-Pop
21	100-3815	2	Grommet-Rubber
22	93-1374	2	Latch-Swell
23	3269-10	5	Washer-Back
26	104-9257-03	1	Shield-Radiator
30	70-1480	1	Relay
31	240-3	2	Grommet-Rubber
32	3256-26	2	Washer-Flat
33	3253-7	2	Washer-Lock
34	325-5	2	Screw-HH



Hood Assembly

Ref	Part No.	Qty.	Description
1	98-9321	1	Ring-Key
2	98-9316	1	Latch-Hood
3	98-9315	1	Latch-Locking
3:1	99-8350	2	Key-Latch, Locking
3:2		1	Washer-Switch
3:3		1	Nut-Switch
4	3296-16	2	Nut-Lock, NI
5	65-5100	2	Handle-Door
6	46-8091	4	Screw-HWH
7	237-141	2	Grommet-Rubber
8	98-9746	1	Hood ASM
9	3256-1	9	Washer-Flat
10	321-4	2	Screw-HH
11	98-9314	1	Grommet
12	93-7252	1	Decal
13	3272-4	2	Pin-Cotter
14	3256-23	6	Washer-Flat
15	75-0570	1	Cable-Hood
16	98-4573-03	1	Screen-Hood, Rear
17	106-7061	2	Decal
18	3296-42	7	Nut-Lock, NI
19	321-39	7	Screw-HH
20	66-6140	2	Decal
21	92-5751	1	Decal-Hood, LH

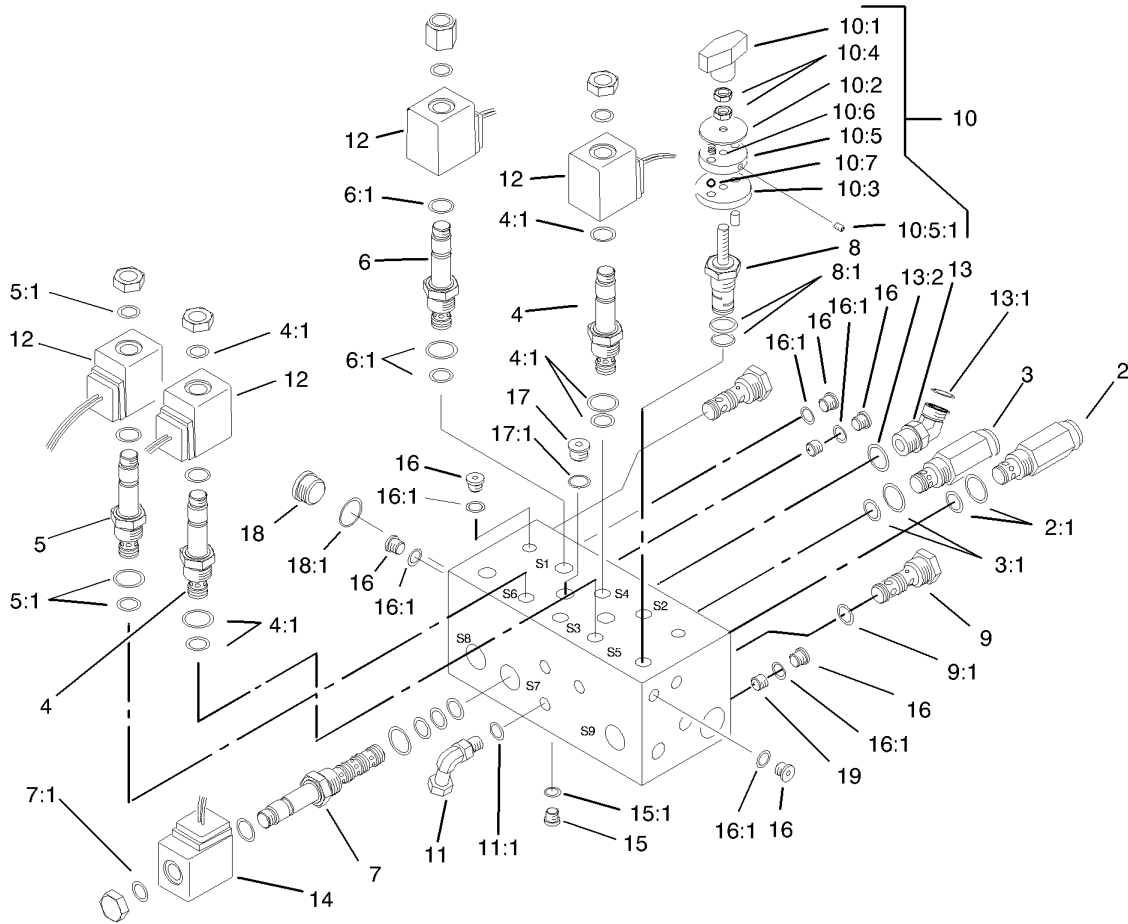
Ref	Part No.	Qty.	Description
22	92-5752	1	Decal-Hood, RH
23	63-6900-01	1	LH Hood Hinge Plate ASM
24	63-6890-01	1	RH Hood Hinge Plate ASM
25	3253-4	4	Washer-Lock
26	322-5	4	Screw-HH
28	93-0081	1	Strip-Seal
29	99-8975	1	Strip-Seal



Hydraulic Control Block and Hoses Assembly

Ref	Part No.	Qty.	Description
1	340-98	2	Fitting-Hyd, 90 DEG
1:1	237-79	1	O-Ring
1:2	237-30	1	O-Ring
2	100-3879	1	HYD Hose ASM
3	340-4	1	Fitting-Hyd, Sraight
3:1	237-30	1	O-Ring
3:2	237-79	1	O-Ring
4	98-4579	1	HYD Manifold ASM
6	340-101	2	Fitting-Hyd, 90 DEG
6:1	237-30	1	O-Ring
6:2	237-79	1	O-Ring
7	354-77	2	Fitting-Quick
7:1	237-78	1	O-Ring
8	354-79	2	Cap-Dust
9	86-9190	2	Hose
9:1	237-30	1	O-Ring
11	340-92	2	Fitting-Hyd, Straight
11:1	237-78	1	O-Ring
11:2	237-21	1	O-Ring
12	75-6640	2	Fitting-Hyd, Special
12:1	237-78	1	O-Ring
13	98-9348	1	HYD Hose ASM
14	98-9781	1	Fitting-Hyd, 90 DEG
14:1	237-30	1	O-Ring

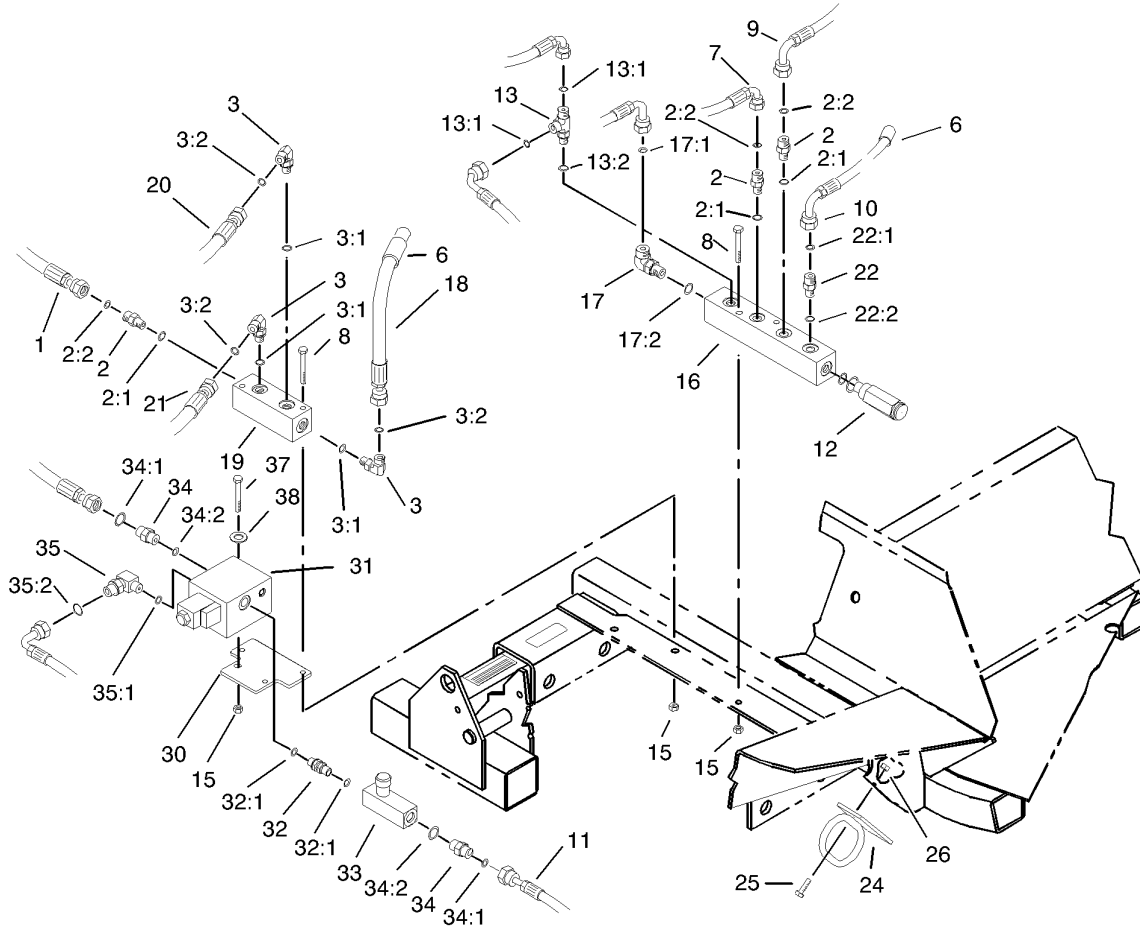
Ref	Part No.	Qty.	Description
14:2	237-79	1	O-Ring
15	340-139	1	Fitting-Hyd, 90 DEG
15:1	237-81	1	O-Ring
15:2	237-65	1	O-Ring
16	98-9347	1	HYD Hose ASM
17	3253-4	4	Washer-Lock
18	322-3	4	Screw-HH
20	98-9742	1	Valve-Control, Flow
22	100-3878	1	HYD Hose ASM
23	340-1	2	Adapter
23:1	237-35	1	O-Ring
23:2	237-42	1	O-Ring
24	3290-378	1	Tie-Cable
25	340-143	1	Elbow-Swivel, 90 DEG
25:1	237-78	1	O-Ring



Hydraulic Manifold Assembly No. 98-4579

Ref	Part No.	Qty.	Description
2	75-2010	1	Cartridge-Relief, Da
2:1	95-5645	1	Seal Kit
3	75-0920	1	Cartridge-Relief
3:1	95-5645	1	Seal Kit
4	94-2685	3	Cartridge-N.c., Spool
4:1	95-5645	1	Seal Kit
5	92-6315	1	Cartridge-N.c., Poppet
5:1	104-0004	1	Cartridge Seal Kit
6	88-7020	2	Cartridge-N.o., Spool
6:1	95-5645	1	Seal Kit
7	88-6960	3	Cartridge
7:1	95-5642	1	Seal Kit
8	98-9779	2	Cartridge-Flow
8:1	95-5645	1	Seal Kit
9	69-4120	2	Cartridge-Logic
9:1	69-4240	1	Seal Kit
10	94-3660	1	Detent Kit
10:1	94-5020	1	Knob ASM
10:2	94-5025	1	Plate-Locating
10:3	94-5026	1	Plate-Indicator
10:4	3218-1	2	Nut-Jam
10:5	94-5023	1	Plate-Detent
10:5:1	3245-36	1	Screw-HSH
10:6	94-5027	2	Spring

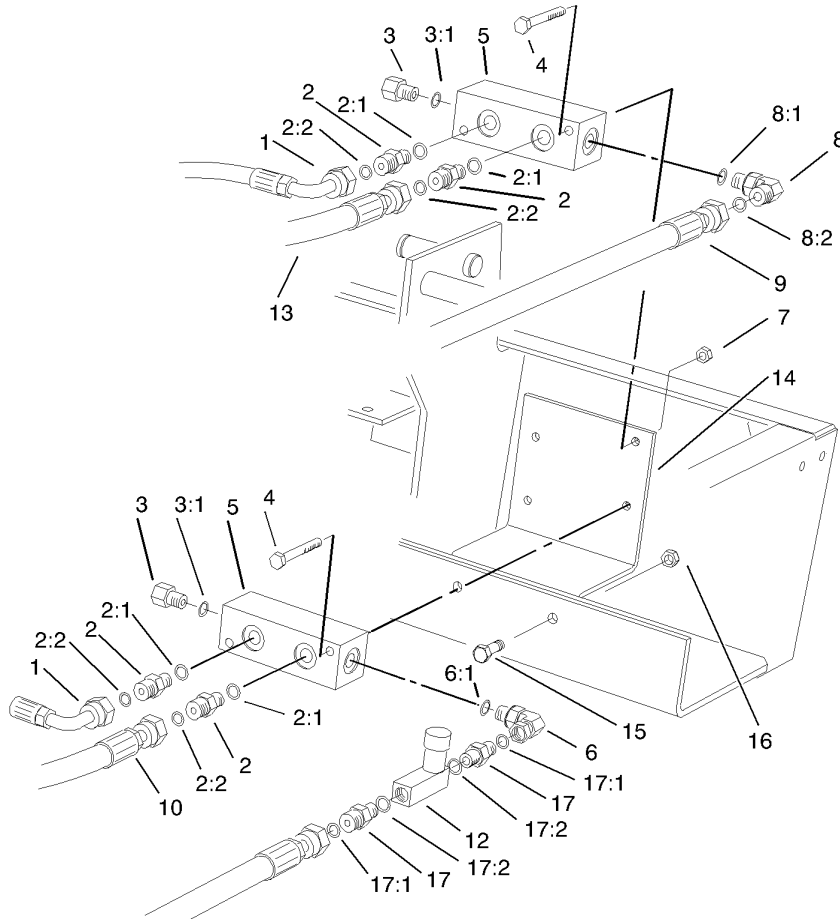
Ref	Part No.	Qty.	Description
10:7	255-13	2	Ball-Steel, Stainless
11	340-143	1	Elbow-Swivel, 90 DEG
11:1	237-78	1	O-Ring
12	88-9190	6	Solenoid Coil Kit
13	340-101	1	Fitting-Hyd, 90 DEG
13:1	237-30	1	O-Ring
13:2	237-79	1	O-Ring
14	88-9200	3	Coil-Solenoid
15	106-1024	10	Plug-Leak, Zero
15:1	237-156	1	O-Ring
16	106-1025	15	Plug-Leak, Zero
16:1	237-78	1	O-Ring
17	106-1026	1	Plug-Leak, Zero
17:1	237-42	1	O-Ring
18	106-1028	1	Plug-Leak, Zero
18:1	237-80	1	O-Ring
19	95-5999	2	Plug-Orifice



Front Hydraulic Manifold Assembly

Ref	Part No.	Qty.	Description
1	98-4584	1	HYD Hose ASM
2	340-92	3	Fitting-Hyd, Straight
2:1	237-78	1	O-Ring
2:2	237-21	1	O-Ring
3	340-132	3	Fitting-Hyd, 90 DEG
3:1	237-78	1	O-Ring
3:2	237-21	1	O-Ring
6	38-3400	2	Guard-Rubber
7	75-5910	1	Hose
8	321-18	4	Screw-HH
9	93-0118	1	Hose ASM
10	93-0119	1	Hose ASM
11	99-5643	1	Hose-HYD
12	93-0143	1	Cartridge-Relief, P.o.
13	340-140	1	Adapter-Tee
13:1	237-21	2	O-Ring
13:2	237-78	1	O-Ring
15	3296-42	6	Nut-Lock, NI
16	93-0139	1	Block-Manifold, 6 Port
17	340-77	1	Fitting-Hyd, 90 DEG
17:1	237-22	1	O-Ring
17:2	237-42	1	O-Ring
18	92-9096	1	Hose
19	75-1180	1	Block-Manifold, 4 Port

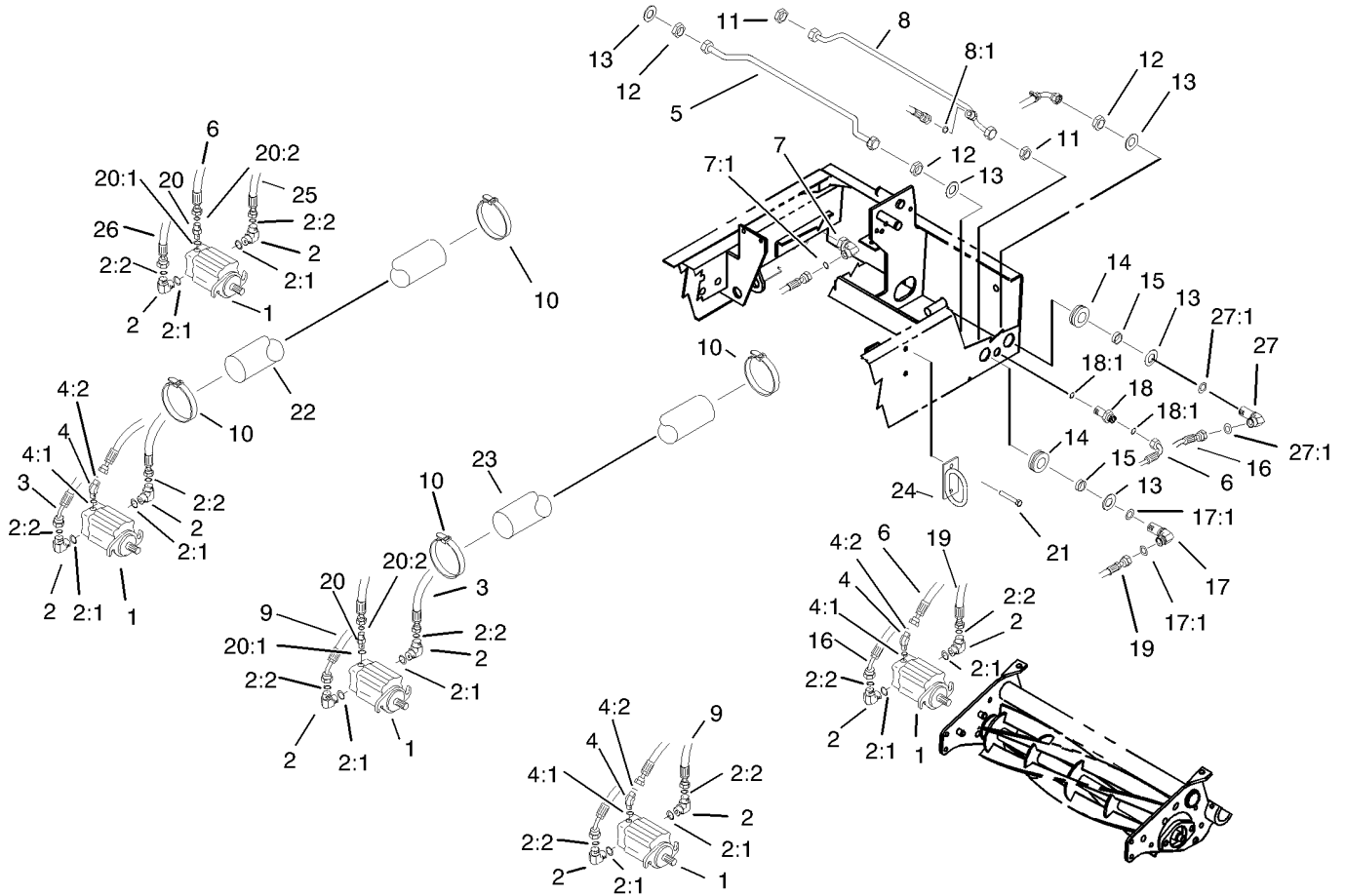
Ref	Part No.	Qty.	Description
20	98-4587	1	HYD Hose ASM
21	104-9323	1	HYD Hose ASM
22	340-2	2	Fitting-Hyd, Straight
22:1	237-22	1	O-Ring
22:2	237-42	1	O-Ring
24	104-0028	2	Guide-Hose
25	322-5	4	Screw-HH
26	3296-29	4	Nut-Lock, NI
30	105-7510	1	Bracket-Mounting
31	105-3303	1	Flow Divider Valve ASM
32	99-5644	1	Fitting-Sae
32:1	237-42	2	O-Ring
33	98-9742	1	Valve-Control, Flow
34	340-1	2	Adapter
34:1	237-35	1	O-Ring
34:2	237-42	1	O-Ring
35	340-82	1	Adapter
35:1	237-42	1	O-Ring
35:2	237-21	1	O-Ring
37	321-23	2	Screw-HH
38	3256-2	2	Washer-Flat



Rear Hydraulic Manifold Assembly

Ref	Part No.	Qty.	Description
1	75-6180	2	Hose
2	340-92	4	Fitting-Hyd, Straight
2:1	237-78	1	O-Ring
2:2	237-21	1	O-Ring
3	353-512	2	Plug
3:1	237-78	1	O-Ring
4	321-11	4	Screw-HH
5	75-1180	2	Block-Manifold, 4 Port
6	340-143	1	Elbow-Swivel, 90 DEG
6:1	237-78	1	O-Ring
7	32128-33	4	Nut-HF
8	340-132	1	Fitting-Hyd, 90 DEG
8:1	237-78	1	O-Ring
8:2	237-21	1	O-Ring
9	93-0118	1	Hose ASM
10	75-6080	1	Hose
12	98-9742	1	Valve-Control, Flow
13	75-6070	1	Hose
14	94-4920-03	1	Plate-Mounting, Valve
15	322-5	2	Screw-HH
16	32128-20	2	Nut-HF
17	340-1	2	Adapter
17:1	237-35	1	O-Ring
17:2	237-42	1	O-Ring

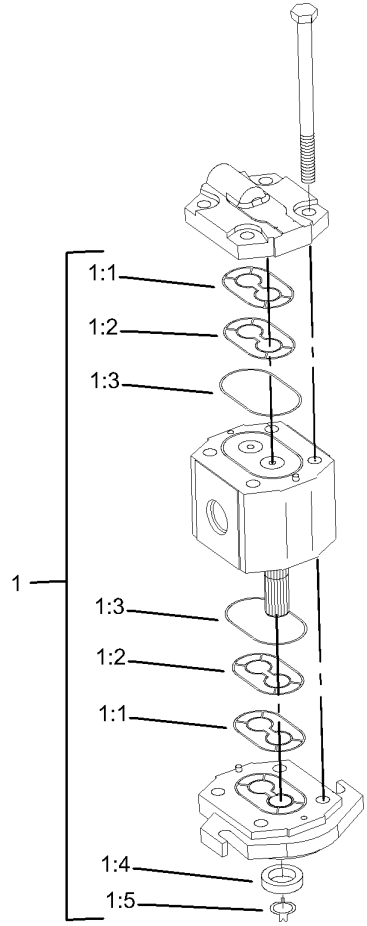
Ref	Part No.	Qty.	Description
18	3290-378	1	Tie-Cable



Reel Motors Assembly

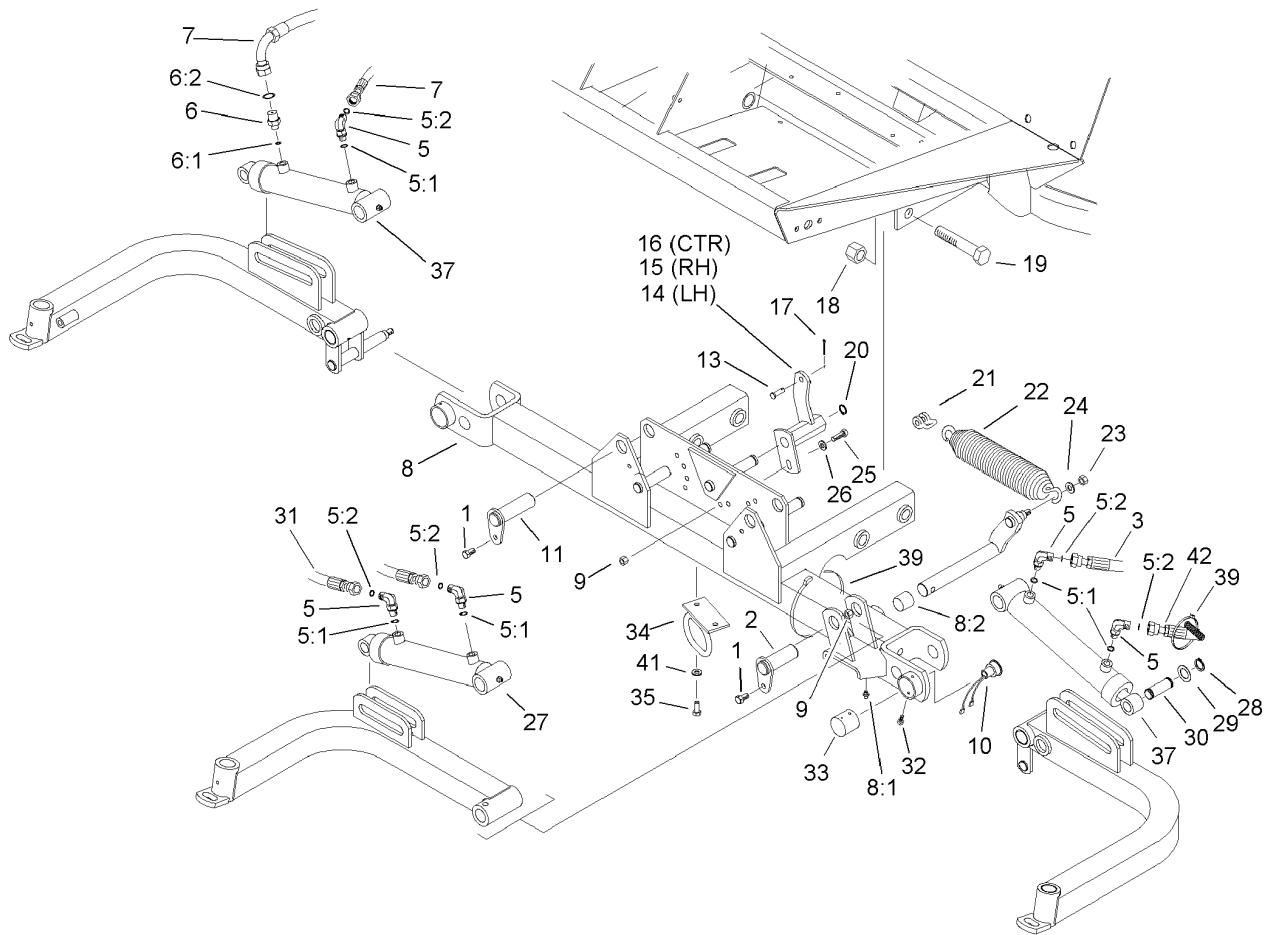
Ref	Part No.	Qty.	Description
1	100-6426	5	HYD Motor ASM
2	340-98	10	Fitting-Hyd, 90 DEG
2:1	237-79	1	O-Ring
2:2	237-30	1	O-Ring
3	104-9322	1	HYD Hose ASM
4	340-103	3	Fitting-Hyd, 45 DEG
4:1	237-78	1	O-Ring
4:2	237-21	1	O-Ring
5	94-4918	1	Tube ASM
6	98-4583	2	HYD Hose ASM
7	94-6031	1	Fitting-HYD
7:1	237-30	1	O-Ring
8	100-3714	1	Drain Tube ASM
8:1	237-21	1	O-Ring
9	104-9321	1	HYD Hose ASM
10	3290-379	10	Tie-Cable
11	340-70	2	Nut-Lock
12	340-127	4	Nut-Bulkhead
13	69-8930	8	Washer
14	240-5	4	Grommet
15	69-8960	4	Spacer
16	100-3876	1	HYD Hose ASM
17	93-9151	3	Fitting-HYD
17:1	237-30	2	O-Ring

Ref	Part No.	Qty.	Description
18	340-71	2	Fitting-Straight, Bulkhead
18:1	237-22	2	O-Ring
19	100-3877	1	HYD Hose ASM
20	340-92	2	Fitting-Hyd, Straight
20:1	237-78	1	O-Ring
20:2	237-21	1	O-Ring
21	32104-32	4	Screw-HH
22	99-5648	4	Sleeve-Protective
23	99-5617	1	Sleeve-Protective
24	104-0028	2	Guide-Hose
25	104-0057	1	HYD Hose ASM
26	104-0069	1	HYD Hose ASM
27	100-3713	1	Fitting-Hyd, 90 DEG
27:1	237-30	2	O-Ring



Hydraulic Motor Assembly No. 100-6426

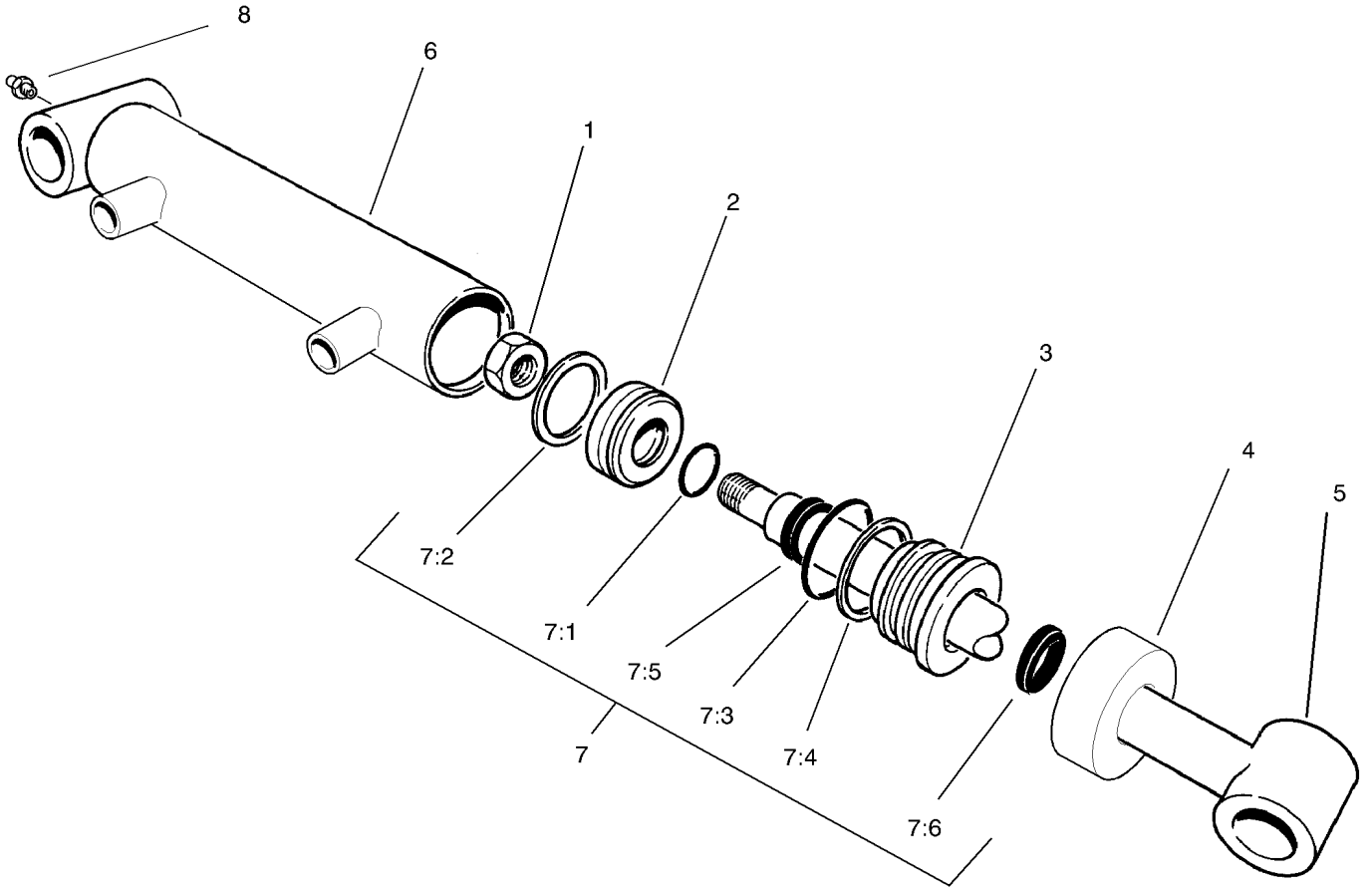
Ref	Part No.	Qty.	Description				
1	105-9758	1	Seal Kit				
1:1		2	Seal-Extrusion, Anti				
1:2		2	Seal-Pressure				
1:3		2	O-Ring				
1:4		1	Seal-Shaft				
1:5		1	Washer-Backup				



Front Lift Circuit Assembly

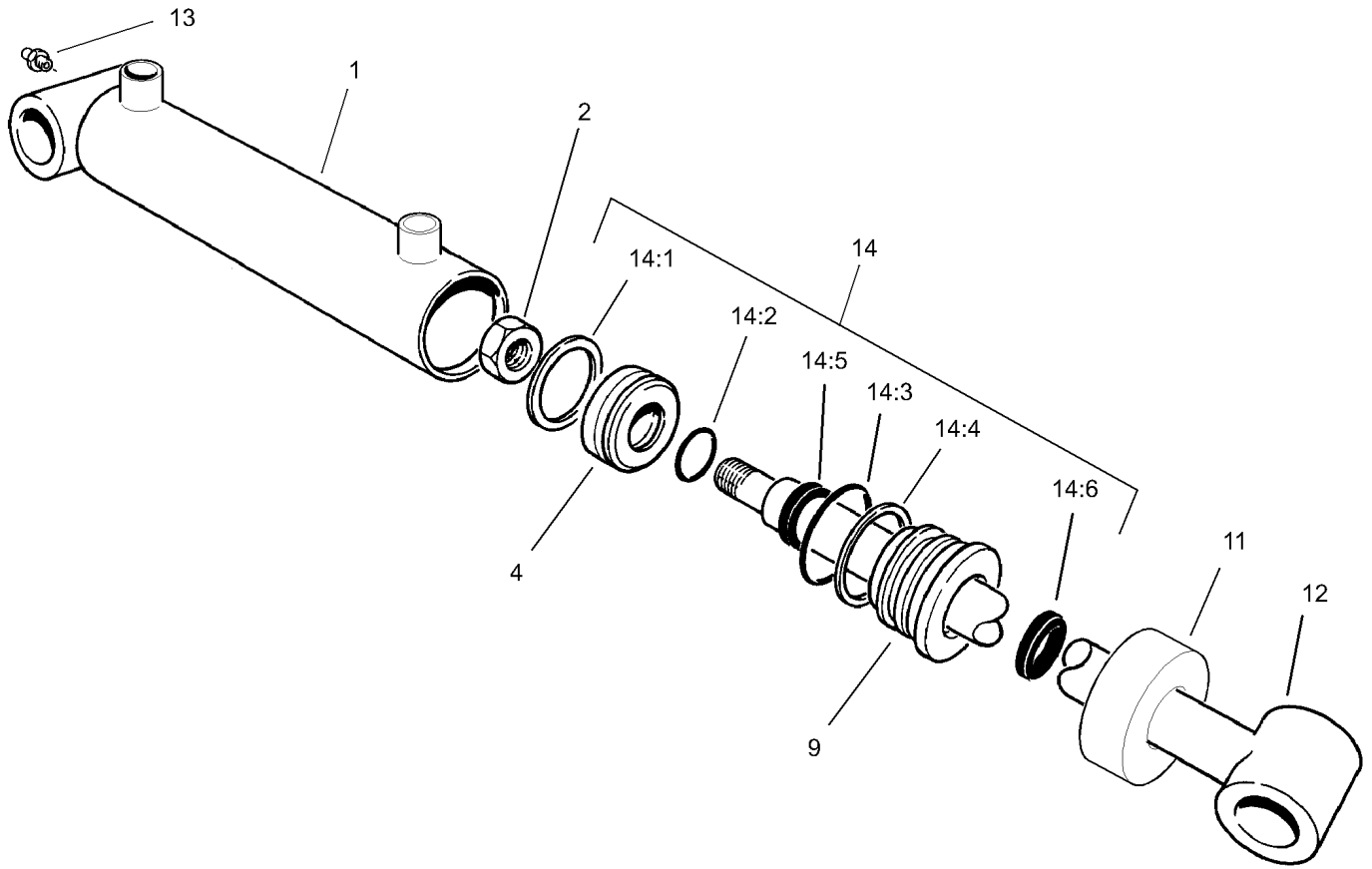
Ref	Part No.	Qty.	Description
1	32144-14	3	Screw-HWH
2	106-9208	1	Short Cylinder Pin ASM
3	99-5643	1	Hose-HYD
5	340-132	5	Fitting-Hyd, 90 DEG
5:1	237-78	1	O-Ring
5:2	237-21	1	O-Ring
6	340-92	1	Fitting-Hyd, Straight
6:1	237-78	1	O-Ring
6:2	237-21	1	O-Ring
7	99-5641	2	Hose-HYD
8	94-5808	1	Frame-Carrier
8:1	302-5	1	Fitting-Grease
8:2	67-1750	2	Bushing
9	3296-29	4	Nut-Lock, NI
10	92-8002	1	Switch-Lift, Back Biased
11	105-9889	2	Cylinder Pin ASM
12	3290-379	4	Tie-Cable
13	283-6	3	Pin-Clevis
14	75-5220-03	1	Bracket-Spring, LH
15	75-5200-03	1	Bracket-Spring, RH
16	75-5210-03	1	Bracket-Spring, Center
17	3272-10	3	Pin-Cotter
18	3296-51	4	Nut-Lock, NI
19	328-7	4	Screw-HH

Ref	Part No.	Qty.	Description
20	32151-48	3	E-Ring
21	282-4	3	Shackle
22	5-0743-03	3	Spring-Mower
23	3296-44	3	Nut-Lock, NI
24	3256-24	3	Washer-Flat
25	322-5	3	Screw-HH
26	3256-23	3	Washer-Flat
27	93-9310	1	Cylinder-HYD
28	32120-93	6	Ring-Retaining
29	3-6498	6	Washer-Thrust
30	104-0046	3	Pin-Slide, Cylinder
31	75-5900	1	Hose
32	32104-76	2	Screw
33	75-6370	1	Cap-Sensor
34	104-0028	1	Guide-Hose
35	322-5	2	Screw-HH
37	99-6986	2	Cylinder-HYD
39	3290-378	2	Tie-Cable
41	3253-4	2	Washer-Lock
42	99-5642	1	Hose-HYD



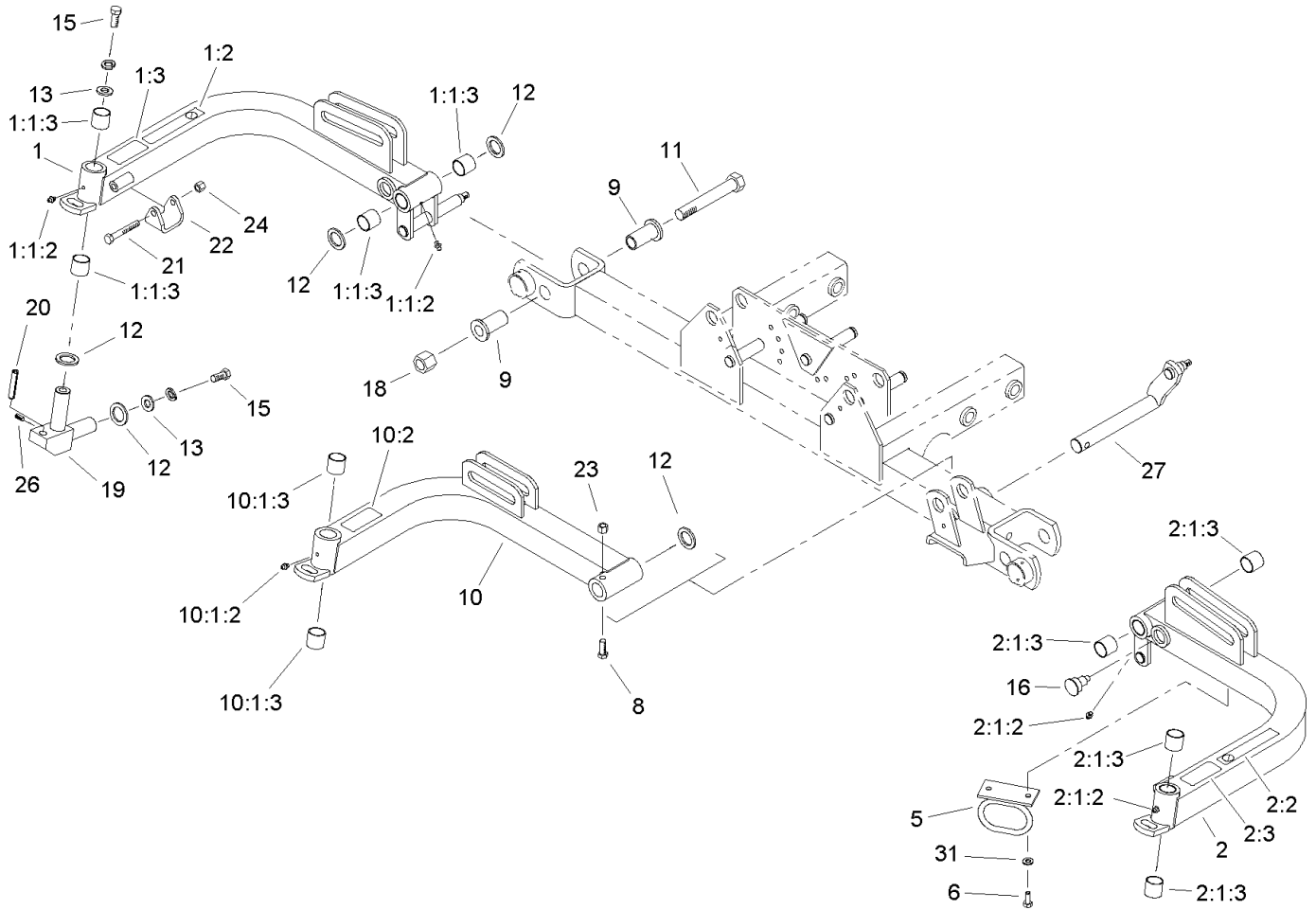
Hydraulic Cylinder Assembly No. 93-9310

Ref	Part No.	Qty.	Description
1		1	Locknut
2		1	Piston
3		1	Head
4		1	Collar
5		1	Shaft W/tube
6		1	Barrel ASM
7	86-7330	1	Seal Kit
7:1		1	O-Ring
7:2		1	Seal-Special
7:3		1	O-Ring
7:4		1	Backup
7:5		1	Seal-Rod
7:6		1	Seal-Dust
8	302-5	1	Fitting-Grease



Hydraulic Cylinder Assembly No. 99-6986

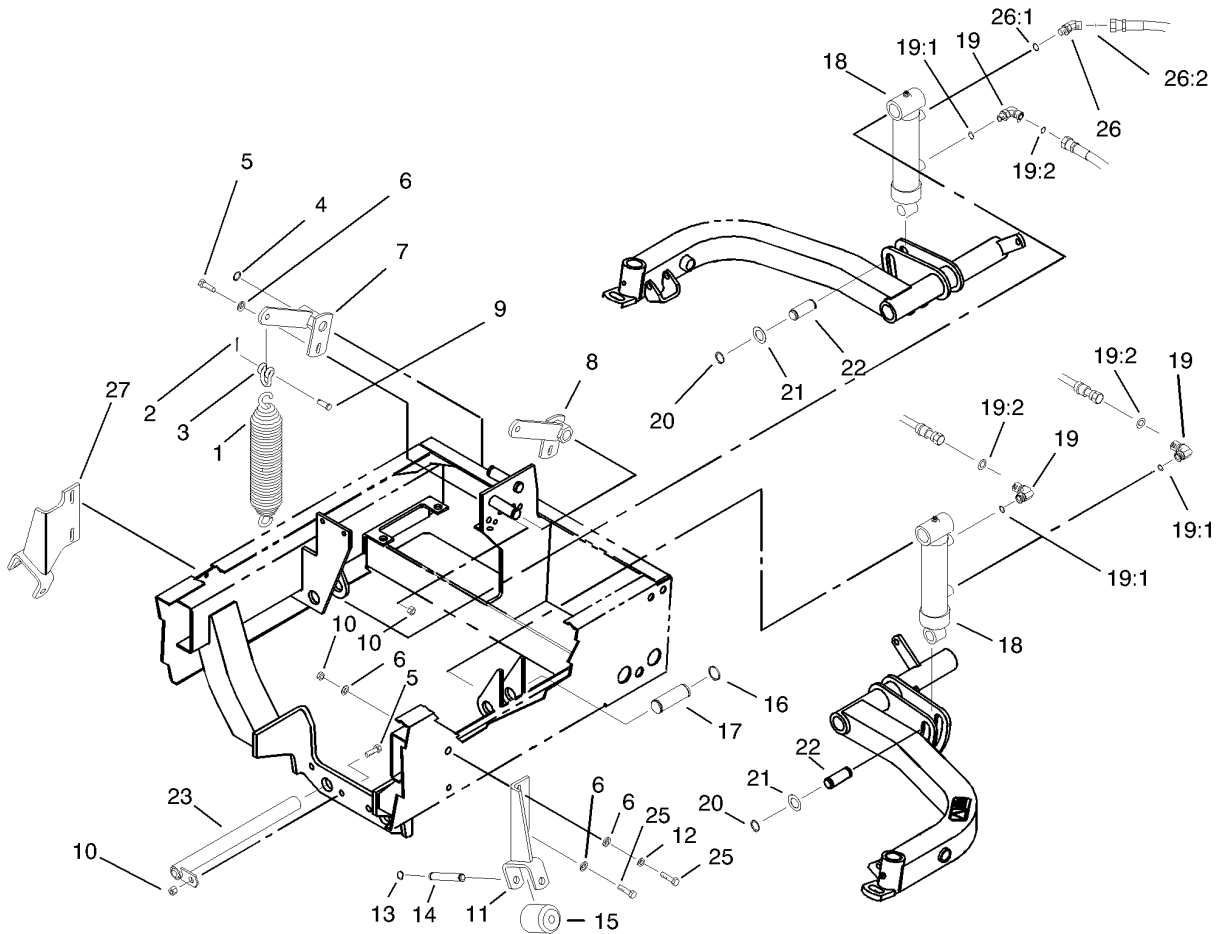
Ref	Part No.	Qty.	Description
1		1	Barrel
2	32152-10	1	Locknut
4		1	Piston
9		1	Head
11		1	Collar
12		1	Shaft W/clevis
13		1	Fitting-Grease
14	100-8023	1	Seal Repair Kit
14:1		1	Seal-Psp
14:2		1	O-Ring
14:3		1	O-Ring
14:4		1	Backup
14:5		1	Seal-Rod
14:6		1	Seal-Dust



Front Lift Arm Assembly

Ref	Part No.	Qty.	Description
1	104-8601	1	RH Lift Arm ASM
1:1:2	302-5	2	Fitting-Grease
1:1:3	67-1750	4	Bushing
1:2	93-6687	1	Decal-No Step
1:3	93-6696	1	Decal-Warning
2	104-8600	1	LH Lift Arm ASM
2:1:2	302-5	2	Fitting-Grease
2:1:3	67-1750	4	Bushing
2:2	93-6687	1	Decal-No Step
2:3	93-6696	1	Decal-Warning
5	104-0028	2	Guide-Hose
6	322-5	4	Screw-HH
8	323-11	1	Screw-HH
9	84-8320	4	Insert-Hinge
10	104-8602	1	Center Lift Arm ASM
10:1:2	302-5	1	Fitting-Grease
10:1:3	67-1750	2	Bushing
10:2	93-6696	1	Decal-Warning
11	328-12	2	Screw-HH
12	256-115	11	Washer-Thrust
13	3256-6	6	Washer-Flat
15	98-7993	6	Screw-HHF
16	92-8754	1	Lug-Reed Switch, Magnet
18	3296-51	2	Nut-Lock, NI

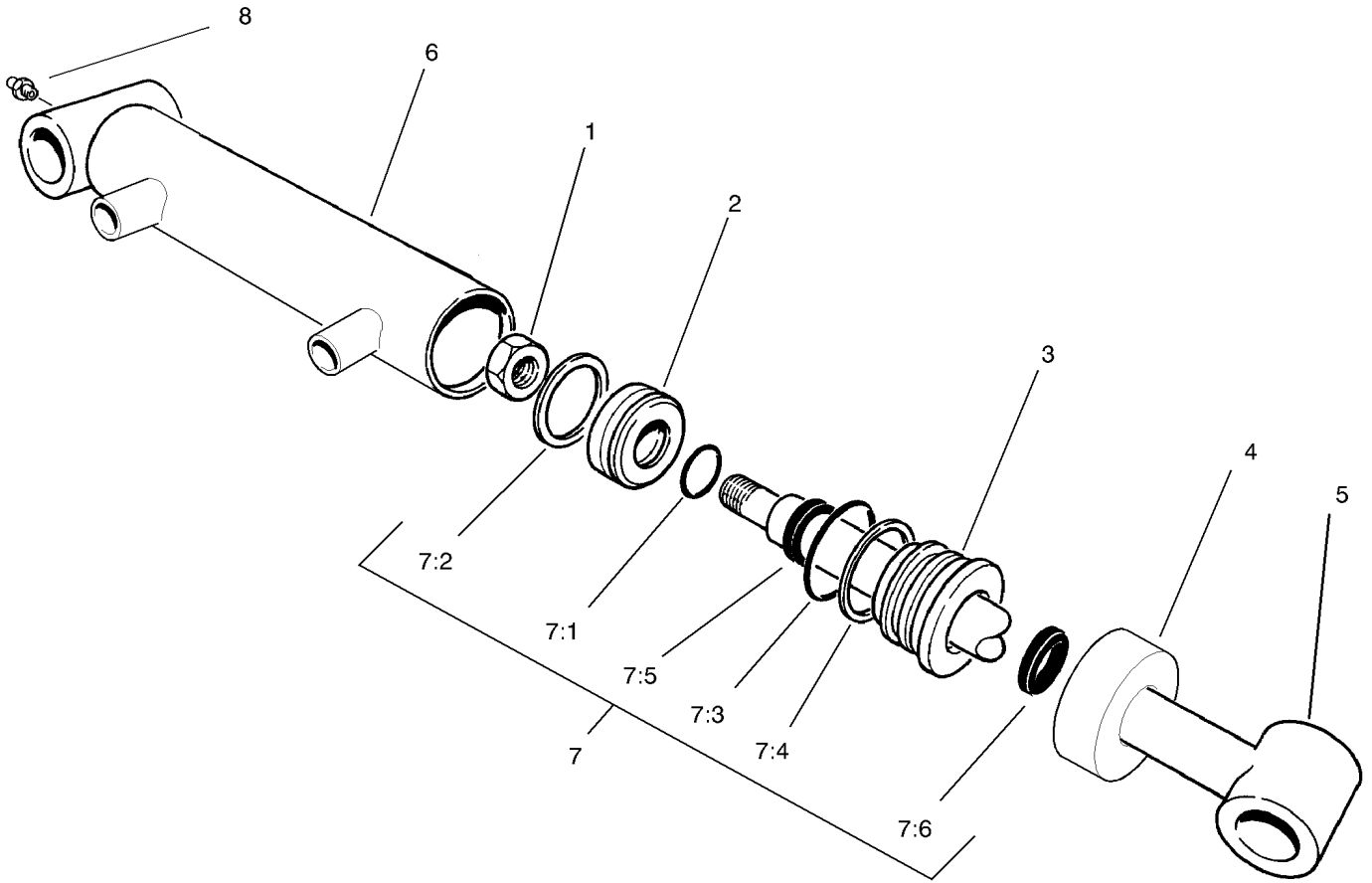
Ref	Part No.	Qty.	Description
19	106-5437-03	3	Joint-Arm
20	104-9319	3	Pin-Grooved
21	323-12	2	Screw-HH
22	75-5410	2	Bracket-Arm
23	3296-44	1	Nut-Lock, NI
24	3296-39	2	Nut-Lock, NI
26	92-9097	3	Screw-HS
27	75-4550-03	1	Shaft-Lift, Center
31	3253-4	4	Washer-Lock



Rear Lift Circuit Assembly

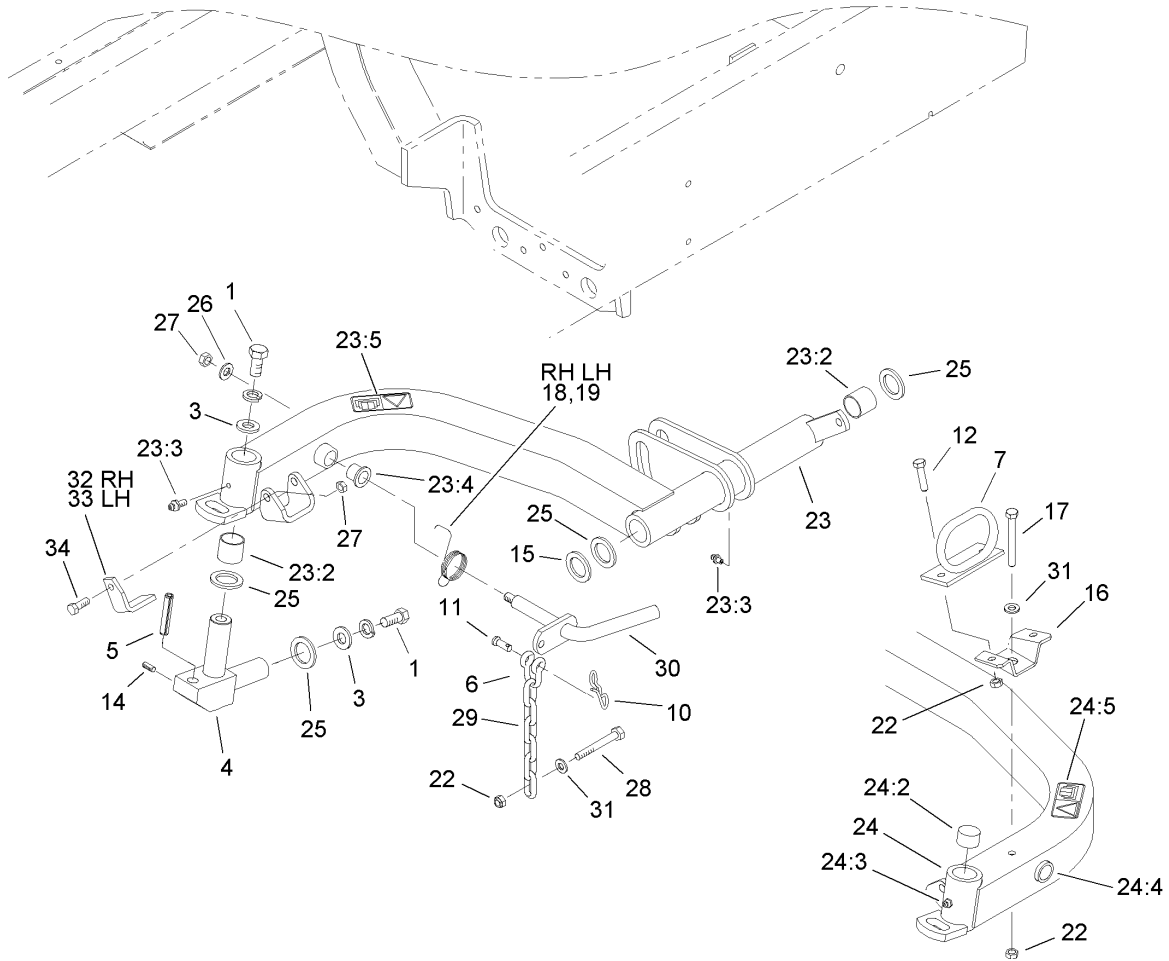
Ref	Part No.	Qty.	Description
1	5-0743-03	2	Spring-Mower
2	3272-10	2	Pin-Cotter
3	282-4	2	Shackle
4	32151-48	2	E-Ring
5	322-5	4	Screw-HH
6	3256-23	9	Washer-Flat
7	98-4548-03	1	Bracket-Spring, RH
8	98-4536-03	1	Bracket-Spring, LH
9	283-6	2	Pin-Clevis
10	3296-29	11	Nut-Lock, NI
11	100-3831-01	1	Bracket-LH Roller
12	3253-4	2	Washer-Lock
13	32151-61	4	Ring-Retaining
14	75-5400	2	Pin-Roller
15	75-5390	2	Roller
16	32151-36	4	Ring-Retaining
17	75-5360	2	Pin-Cylinder
18	93-9311	2	Cylinder-HYD
19	340-132	3	Fitting-Hyd, 90 DEG
19:1	237-78	1	O-Ring
19:2	237-21	1	O-Ring
20	32120-93	4	Ring-Retaining
21	3-6498	4	Washer-Thrust
22	104-0046	2	Pin-Slide, Cylinder

Ref	Part No.	Qty.	Description
23	93-0069-03	2	Pin-Rear
24	3290-379	3	Tie-Cable
25	322-6	4	Screw-HH
26	340-103	1	Fitting-Hyd, 45 DEG
26:1	237-78	1	O-Ring
26:2	237-21	1	O-Ring
27	100-3829-01	1	Bracket-RH Roller



Hydraulic Cylinder Assembly No. 93-9311

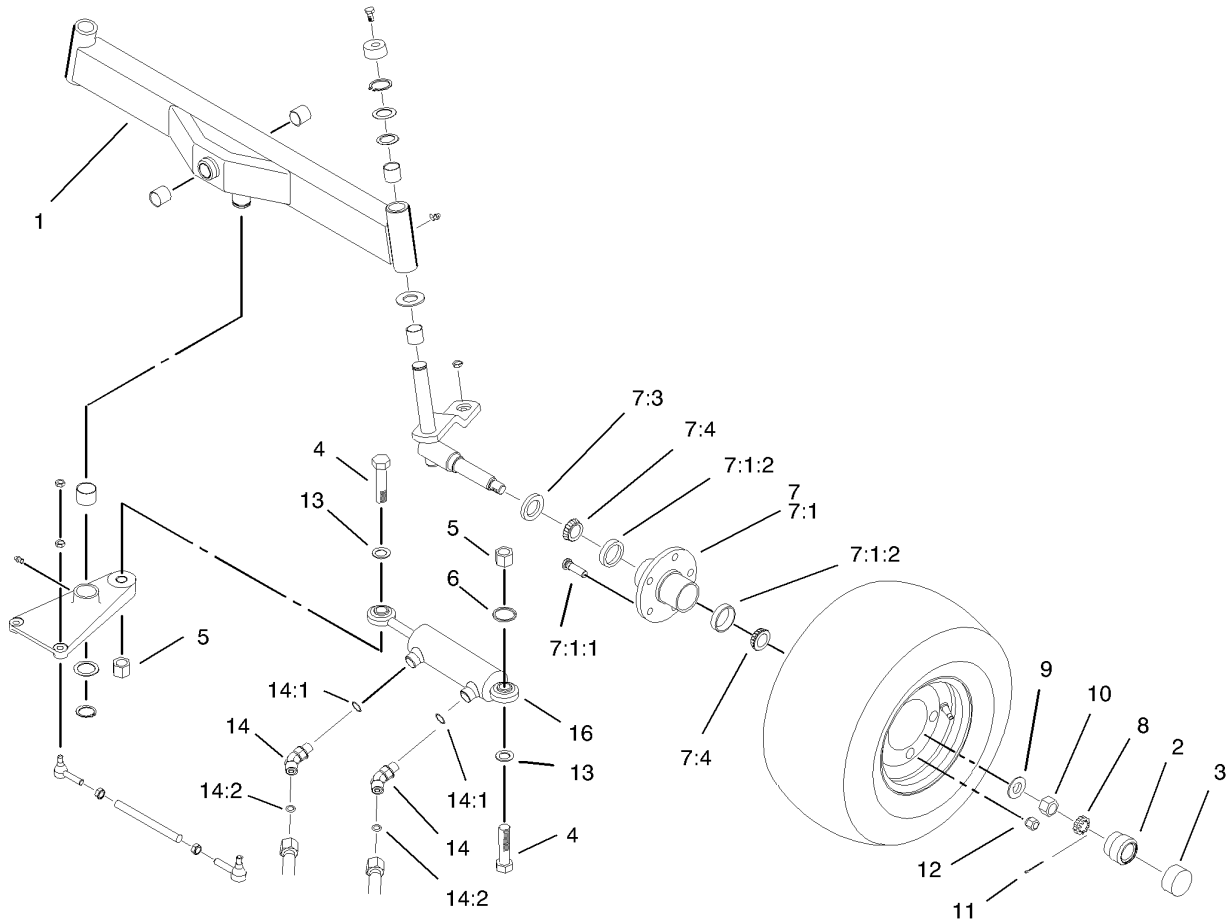
Ref	Part No.	Qty.	Description
1		1	Locknut
2		1	Piston
3		1	Head
4		1	Collar
5		1	Shaft W/tube
6		1	Barrel ASM
7	86-7330	1	Seal Kit
7:1		1	O-Ring
7:2		1	Seal-Special
7:3		1	O-Ring
7:4		1	Backup
7:5		1	Seal-Rod
7:6		1	Seal-Dust
8	302-5	1	Fitting-Grease



Rear Lift Arm Assembly

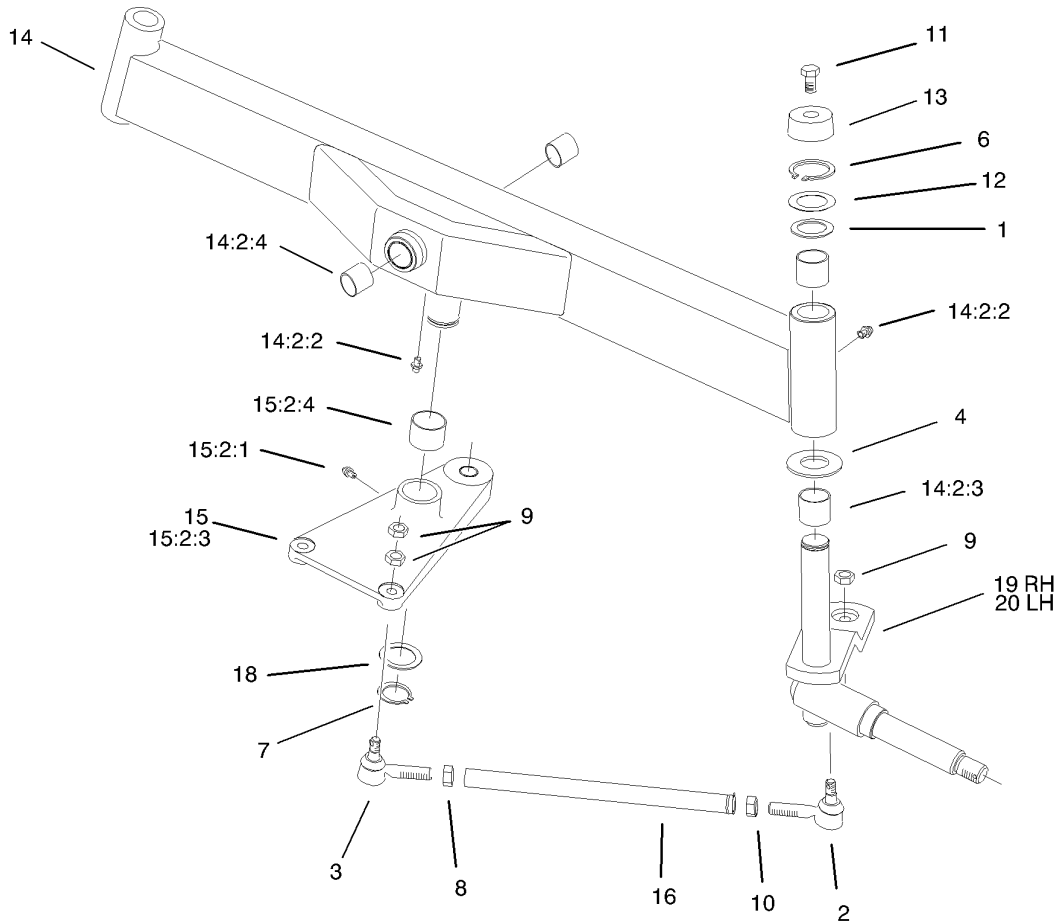
Ref	Part No.	Qty.	Description
1	98-7993	4	Screw-HHF
3	3256-6	4	Washer-Flat
4	106-5437-03	2	Joint-Arm
5	104-9319	2	Pin-Grooved
6	282-4	2	Shackle
7	104-0028	1	Guide-Hose
9	3290-379	1	Tie-Cable
10	105-7512	2	Pin-Tie, Bow
11	283-6	2	Pin-Clevis
12	322-5	2	Screw-HH
14	92-9097	2	Screw-HS
15	93-0142	2	Bushing-Straight
16	94-4919-03	1	Bracket-Clamp, Hose
17	322-13	1	Screw-HH
18	75-4520	1	Spring-Torsion, RH
19	75-4530	1	Spring-Torsion, LH
22	3296-29	4	Nut-Lock, NI
23	100-3828	1	RH Rear Lift Arm ASM
23:2	67-1750	4	Bushing
23:3	302-5	2	Fitting-Grease
23:4	256-287	2	Bushing
23:5	93-6696	1	Decal-Warning
24	100-3827	1	LH Rear Lift Arm ASM
24:2	256-287	2	Bushing

Ref	Part No.	Qty.	Description
24:3	302-5	2	Fitting-Grease
24:4	67-1750	4	Bushing
24:5	93-6696	1	Decal-Warning
25	256-115	12	Washer-Thrust
26	3256-24	2	Washer-Flat
27	3296-39	4	Nut-Lock, NI
28	322-12	2	Screw-HH
29	84-2451	2	Chain-Link, Straight
30	100-3834-03	2	Rod-Pivot
31	3256-23	3	Washer-Flat
32	93-3640	1	Stop-RH
33	83-5170	1	Stop-LH
34	323-6	2	Screw-HH



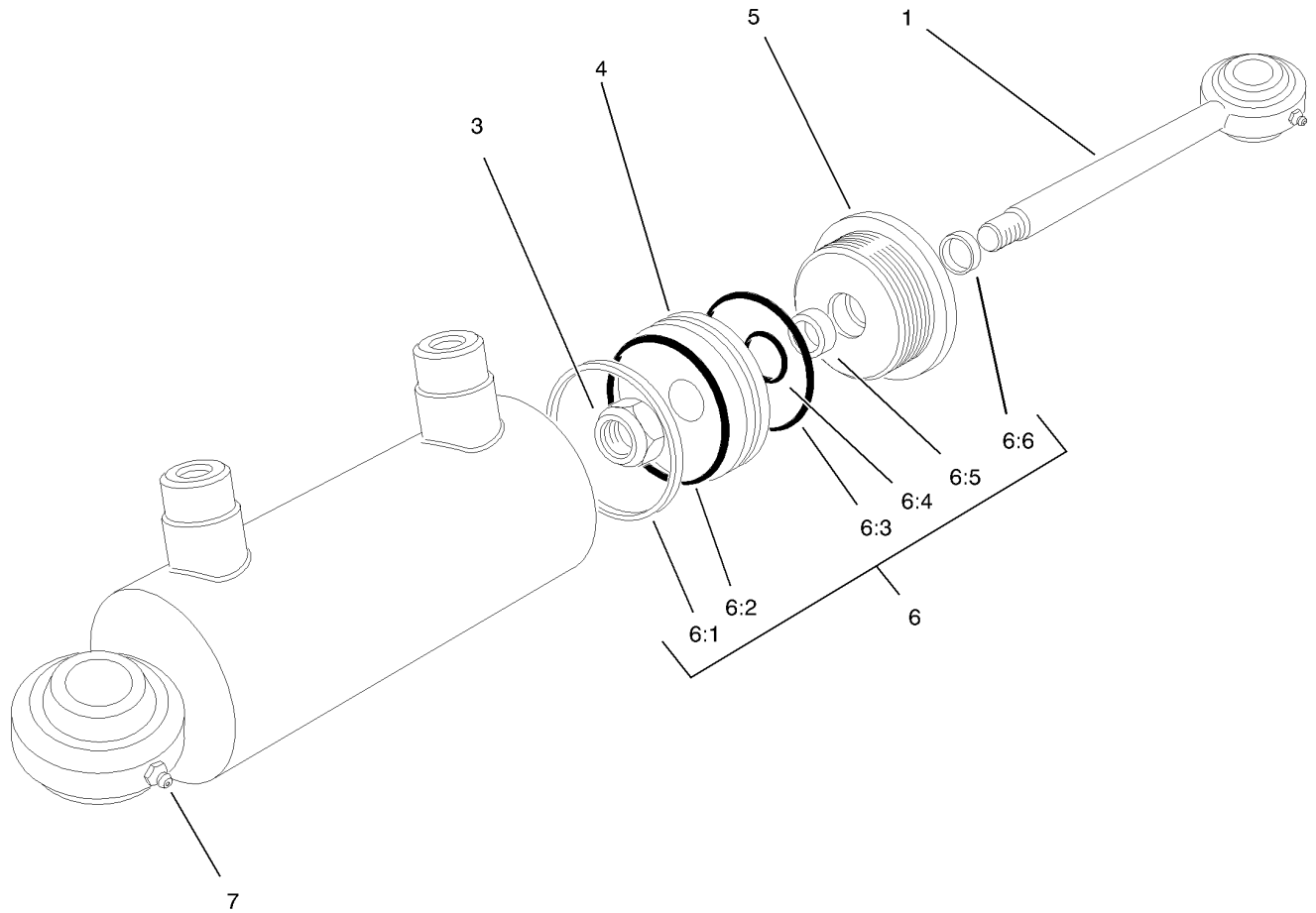
Two Wheel Drive Axle Assembly

Ref	Part No.	Qty.	Description
② 1		1	Rear Axle ASM
2	100-3769	2	Protector-Bearing
3	100-3809	2	Cap-Protector, Bearing
4	328-25	2	Screw-HH
5	32153-6	2	Locknut
6	67-7250	1	Spacer-Ring
② 7		2	Hub ASM
7:1	21-2820	1	Hub ASM
7:1:1	10-6830	5	Stud-Type, Drive
7:1:2	254-72	2	Bearing-Cup, Tapered
7:3	253-129	1	Seal
7:4	254-94	2	Bearing-Cone, Taper
8	93-0307	2	Nut-Lock, Retainer
9	93-0309	4	Washer-Tab
10	3220-7	2	Nut-Jam
11	3272-13	2	Pin-Cotter
12	242-50	10	Nut-Lug
13	67-9410	2	Washer
14	340-103	2	Fitting-Hyd, 45 DEG
14:1	237-78	1	O-Ring
14:2	237-21	1	O-Ring
16	75-1200	1	Cylinder-HYD



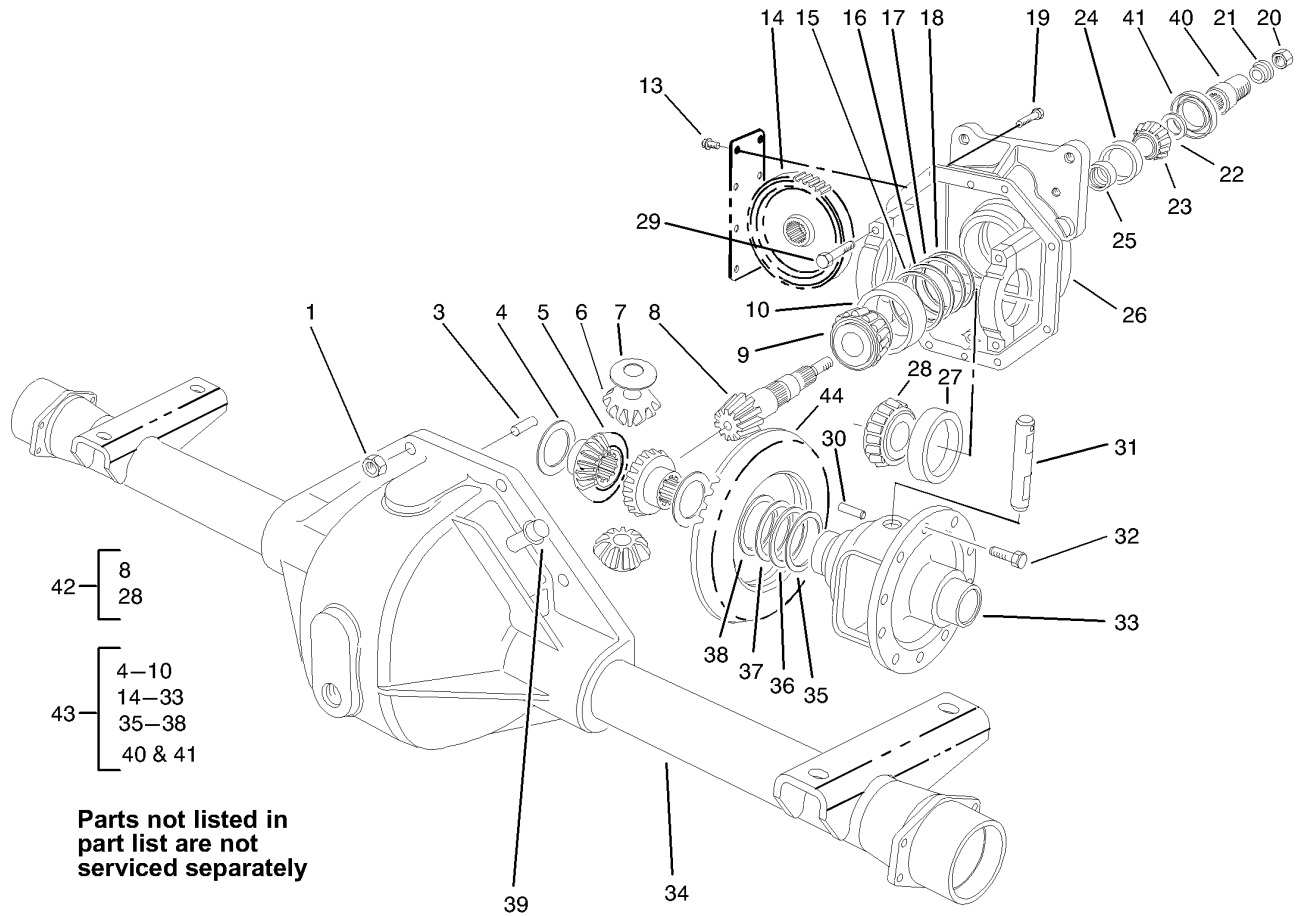
Rear Axle Assembly

Ref	Part No.	Qty.	Description
1	10-8110	2	Washer-Thrust
2	21-0141	2	RH Ball Joint ASM
3	21-0151	2	LH Ball Joint ASM
4	256-121	2	Washer-Thrust
6	32151-36	2	Ring-Retaining
7	32151-77	1	Ring-Retaining, Ext
8	3220-12	2	Nut-Hj, LH Thread
9	3220-3	8	Nut-Jam
10	3220-5	2	Nut-Jam
11	3234-13	2	Screw-HHF
12	5-1226	2	Washer
13	66-2990	2	Cap-Spindle
14	99-6935-03	1	Axle-Rear
14:2:2	302-5	2	Fitting-Grease
14:2:3	67-1750	4	Bushing
14:2:4	99-6964	2	Bushing-Axle
15	75-4410-03	1	Pivot Plate ASM
15:2:1	302-5	1	Fitting-Grease
15:2:3	75-2910	1	Plate-Pivot
15:2:4	76-2970	2	Bushing-Straight
16	75-3130-03	2	Rod-Tie
18	76-2980	1	Washer-Thrust
19	93-7000-03	1	Spindle-RH
20	93-7001-03	1	Splindle-LH



Hydraulic Steering Cylinder Assembly No. 75-1200

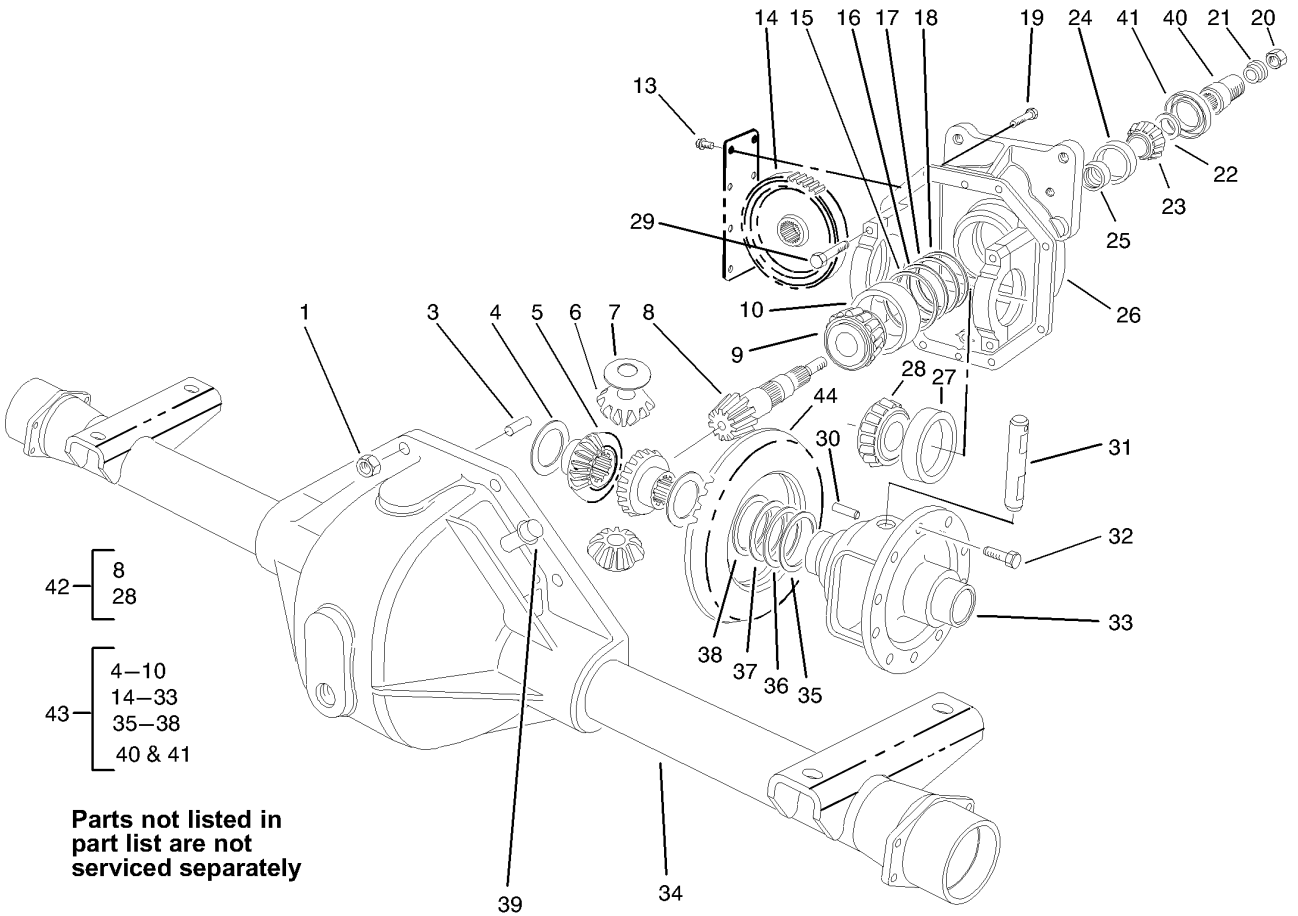
Ref	Part No.	Qty.	Description
1		1	Rod
3		1	Nut
4		1	Piston
5		1	Head
6	75-1250	1	Seal Kit
6:1		1	Ring-Servon
6:2		1	O-Ring
6:3		1	O-Ring
6:4		1	O-Ring
6:5		1	U-Cup
6:6		1	Wiper
7	302-5	2	Fitting-Grease



Axle Assembly No. 106-9212-03

Ref	Part No.	Qty.	Description
1	32149-5	8	Nut
3	21-8270	2	Pin-Dowel
4	21-7720	2	Washer-Thrust
5	24-8790	2	Gear-Differential
6	21-7690	2	Pinion-Differential
7	21-7730	2	Washer-Thrust, Pinion
9	43-6760	1	Bearing-Roller, Cone Taper
10	43-6750	1	Bearing-Taper, Cup
13	32144-112	8	Screw-HWHTF
14	86-7230	1	Gear-Input, Transmission
15	43-6710	1	Shim
16	43-6711	1	Shim
17	43-6712	1	Shim
18	43-6713	1	Shim
19	3210-8	8	Screw-HH
20	71-4350	1	Nut
21	83-5130	1	Spacer-Pinion
22	72-3570	1	Shim-Bearing, Front
22	72-3571	1	Shim-Bearing, Front
22	72-3572	1	Shim-Bearing, Front
22	72-3573	1	Shim-Bearing, Front
22	72-3574	1	Shim-Bearing, Front
22	72-3575	1	Shim-Bearing, Front
22	72-3576	1	Shim-Bearing, Front

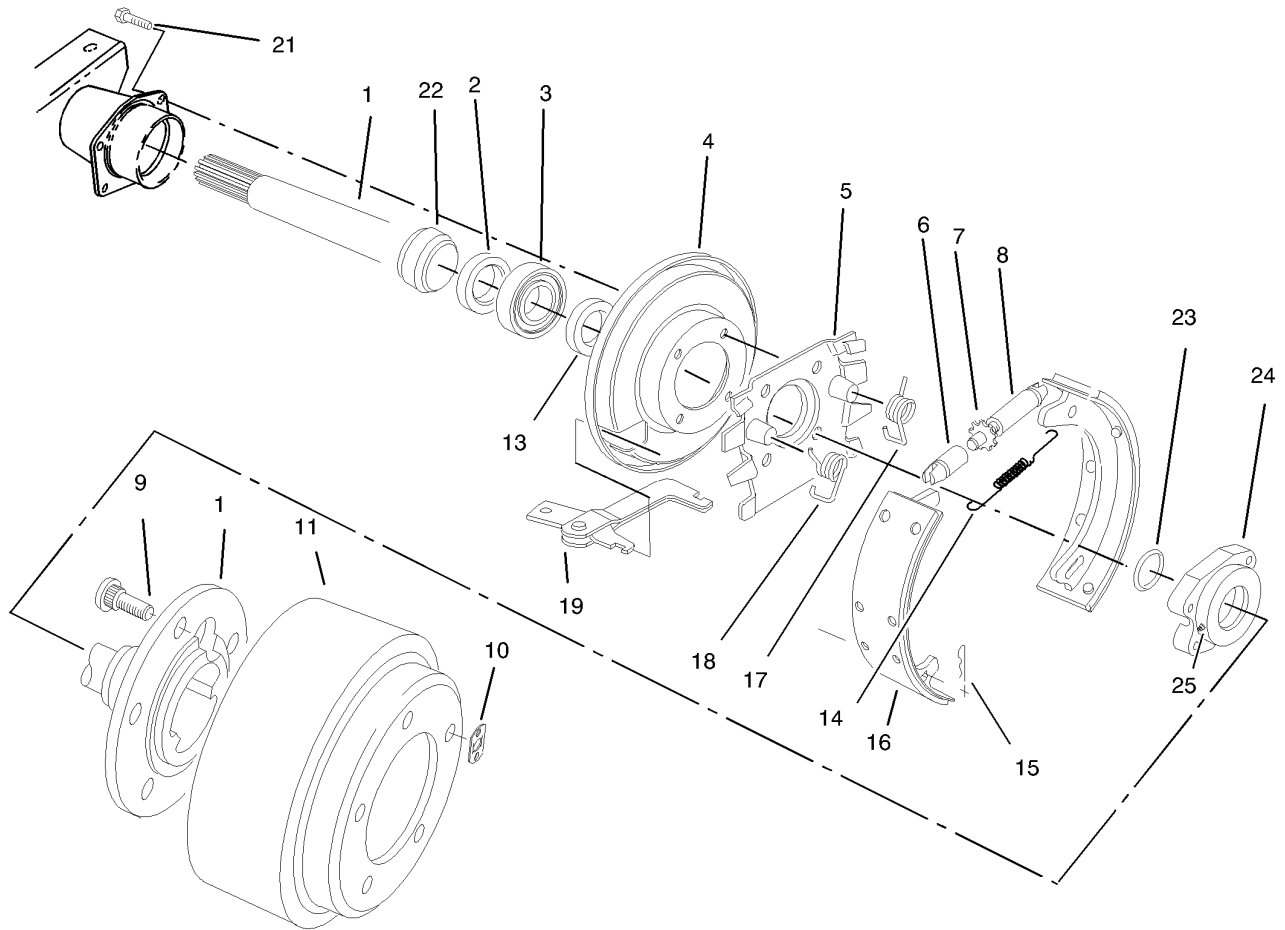
Ref	Part No.	Qty.	Description
22	72-3577	1	Shim-Bearing, Front
22	72-3578	1	Shim-Bearing, Front
22	72-3580	1	Shim-Bearing, Front
22	72-3581	1	Shim-Bearing, Front
22	72-3582	1	Shim-Bearing, Front
22	72-3583	1	Shim-Bearing, Front
22	72-3584	1	Shim-Bearing, Front
22	72-3585	1	Shim-Bearing, Front
22	72-3586	1	Shim-Bearing, Front
22	72-3587	1	Shim-Bearing, Front
22	72-3588	1	Shim-Bearing, Front
22	72-3590	1	Shim-Bearing, Front
22	72-3591	1	Shim-Bearing, Front
22	72-3592	1	Shim-Bearing, Front
22	72-3593	1	Shim-Bearing, Front
22	72-3594	1	Shim-Bearing, Front
22	72-3595	1	Shim-Bearing, Front
22	72-3596	1	Shim-Bearing, Front
22	72-3597	1	Shim-Bearing, Front
22	72-3598	1	Shim-Bearing, Front
22	72-3600	1	Shim-Bearing, Front
23	254-91	1	Cone-Bearing
24	21-8390	1	Cup-Bearing
25	21-8020	1	Spacer-Bearing



Axle Assembly No. 106-9212-03 (continued)

Ref	Part No.	Qty.	Description
26	93-3619	1	Upper Housing ASM
27	254-66	2	Cup-Bearing, Roller
28	254-65	2	Cone-Bearing, Roller
29	92-1773	4	Screw-HHF
30	21-7710	1	Pin-Roll
31	21-7700	1	Shaft-Mate, Pinion
32	21-7770	5	Screw-Gear, Drive
33	21-7670	1	Case-Differential
34	100-3744-03	1	Lower Housing ASM
35	21-8120	1	Shim-Bearing, Diff. (.030)
36	21-8110	1	Shim-Bearing, Diff. (.010)
37	21-8100	1	Shim-Bearing, Diff. (.005)
38	21-8090	1	Shim-Bearing, Diff. (.003)
39	72-9420	1	Vent
40	83-4910	1	Coupler-Pinion
41	71-4330	1	Seal
42	93-3618	1	Gear And Pinion ASM
43	93-3617	1	Cover And Carrier Kit

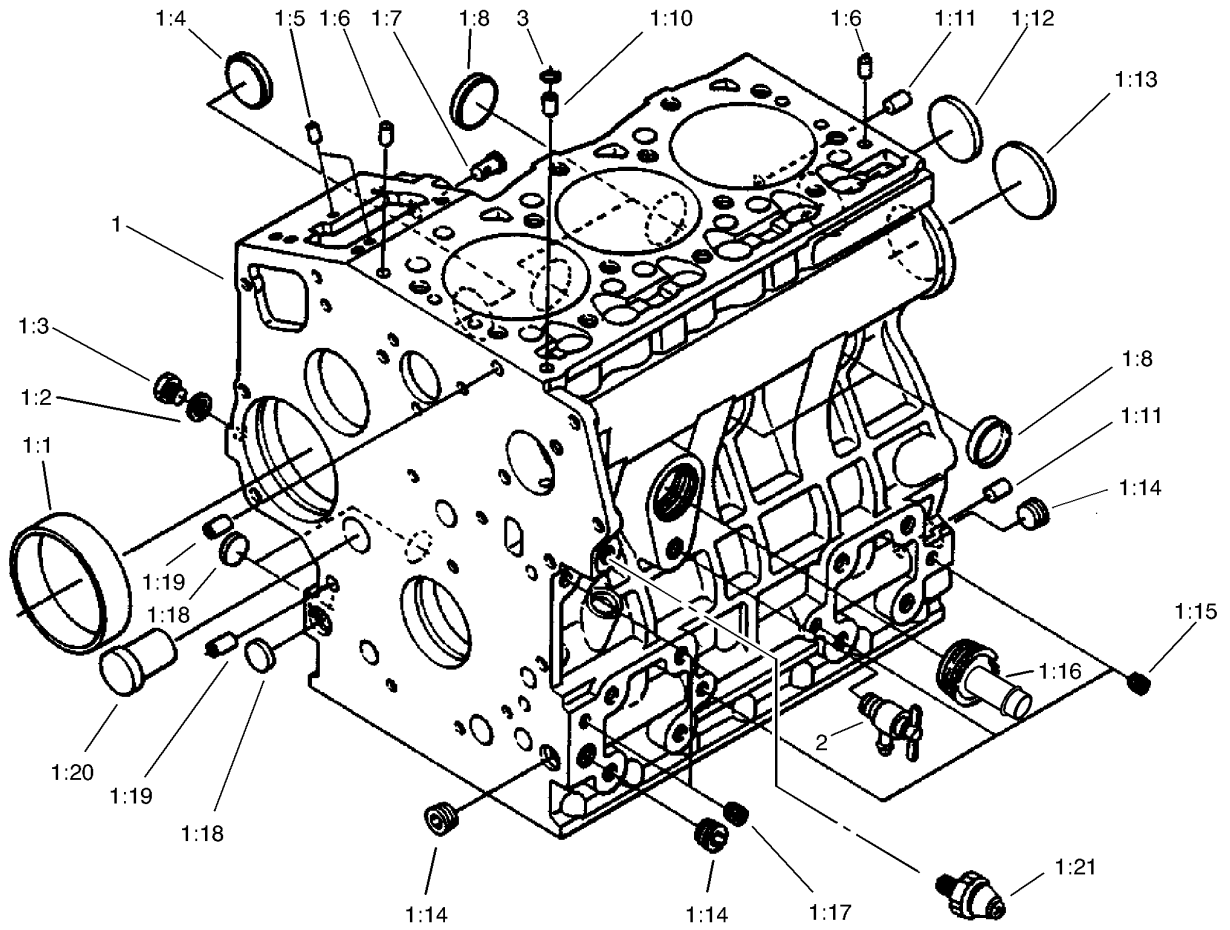
--	--	--	--



Brake Assembly

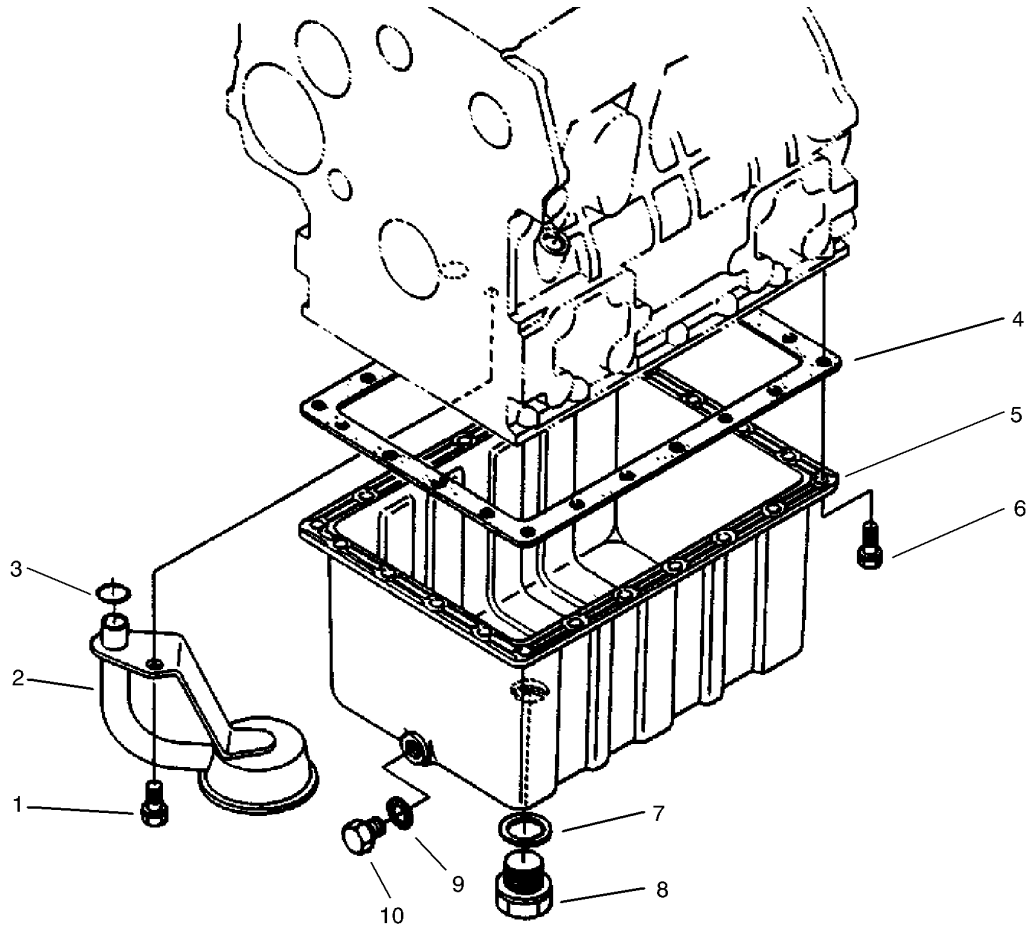
Ref	Part No.	Qty.	Description
1	100-3840	1	Shaft-Axle, LH
1	100-3841	1	Shaft-Axle, RH
2	100-3842	2	Seal-Oil
3	21-8180	2	Bearing ASM
4	100-3843	2	Shield-Dust
5	100-3844	2	Spider-Torque
6	21-9390	2	Socket-Screw, Adjusting
7	21-9370	2	Screw-Adjusting
8	21-9380	2	Nut-Pivot
9	106-9205	10	Stud-Wheel
10	21-8360	2	Locknut
11	106-9209-03	2	Drum-Brake
13	100-3845	2	Seal-Grease
14	21-9440	2	Spring-Screw, Adjusting
15	21-9460	4	Retainer-Lever, Brake
16	84-8590	4	Shoe And Lining ASM
17	21-9420	2	Spring-Return, LH
18	21-9430	2	Spring-Return, RH
19	24-9180	2	Strut And Lever ASM
21	100-3846	8	Screw-Special
22	100-3847	2	Retainer-Bearing
23	100-3848	2	O-Ring
24	100-3849	2	Cap-Bearing
25	100-3850	2	Zerk-Special

Ref	Part No.	Qty.	Description
●26	84-8600	1	Set-Shoes, Lined
●27	92-8775	1	Liquid Gasket Kit



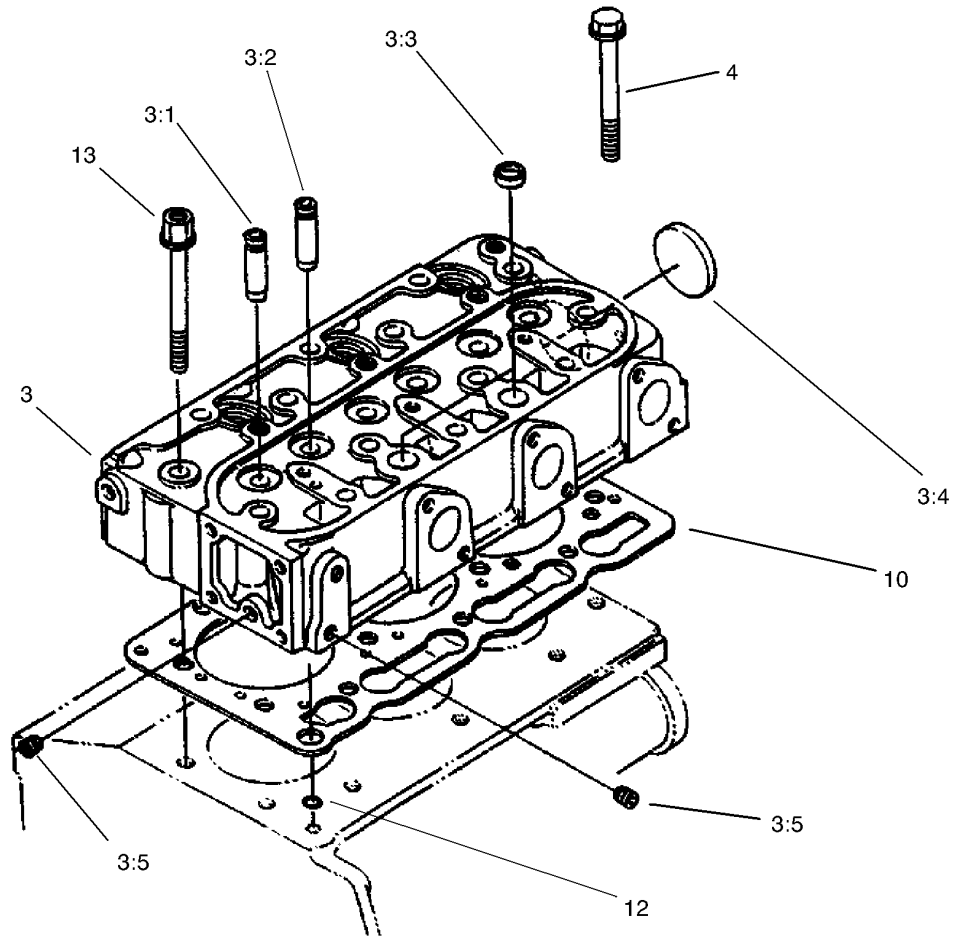
Crankcase Assembly

Ref	Part No.	Qty.	Description
1	98-9604	1	Crankcase ASM
1:1	98-9656	1	Bushing-Governor, Gear
1:2	98-7428	1	Gasket
1:3	98-7507	1	Plug
1:4	98-9599	1	Plug
1:5	98-9375	2	Pin-Straight
1:6	98-9376	2	Pin-Straight
1:7	98-9630	1	Pin-Spring, Start
1:8	98-9398	4	Cap-Sealing
1:10	98-9539	1	Pin-Pipe
1:11	98-9377	2	Pin-Straight
1:12	98-7540	1	Cap-Sealing
1:13	98-9668	1	Plug
1:14	98-9597	3	Plug
1:15	98-7539	3	Cap-Sealing
1:16	98-9667	1	Plug
1:17	98-7487	2	Plug
1:18	98-9379	3	Plug
1:19	98-9387	2	Pin-Pipe
1:20	98-9675	1	Plug
1:21	98-9416	1	Switch-Oil
2	98-9436	1	Drain Cock ASM
3	98-7509	1	O-Ring



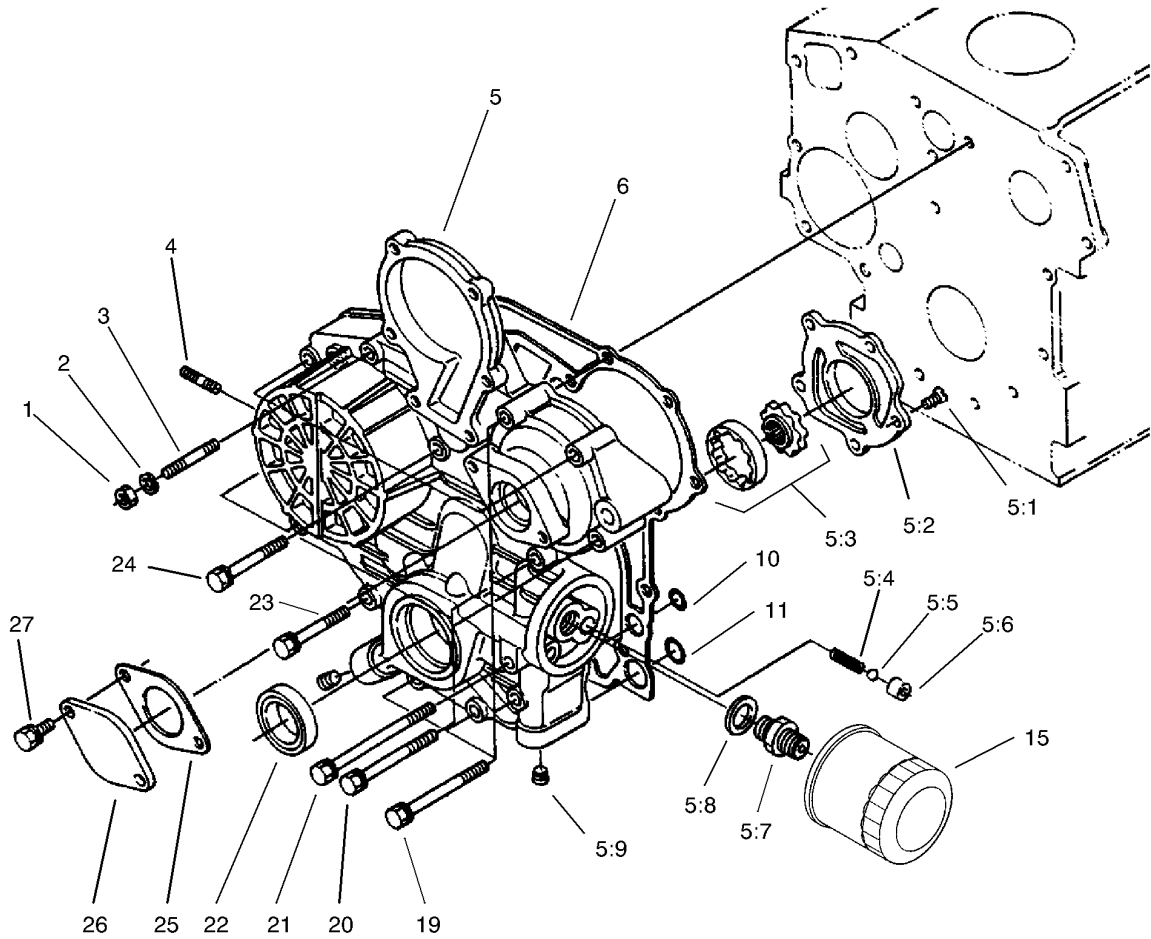
Oil Pan Assembly

Ref	Part No.	Qty.	Description
1	98-9358	1	Bolt
2	98-9538	1	Filter-Oil
3	98-7527	1	O-Ring
4	98-9646	1	Gasket-Pan, Oil
5	98-9685	1	Drain-Oil
6	98-9350	22	Bolt
7	98-9399	1	Gasket
8	98-7523	1	Plug-Drain
9	98-7524	1	Gasket
10	98-9386	1	Plug



Cylinder Head Assembly

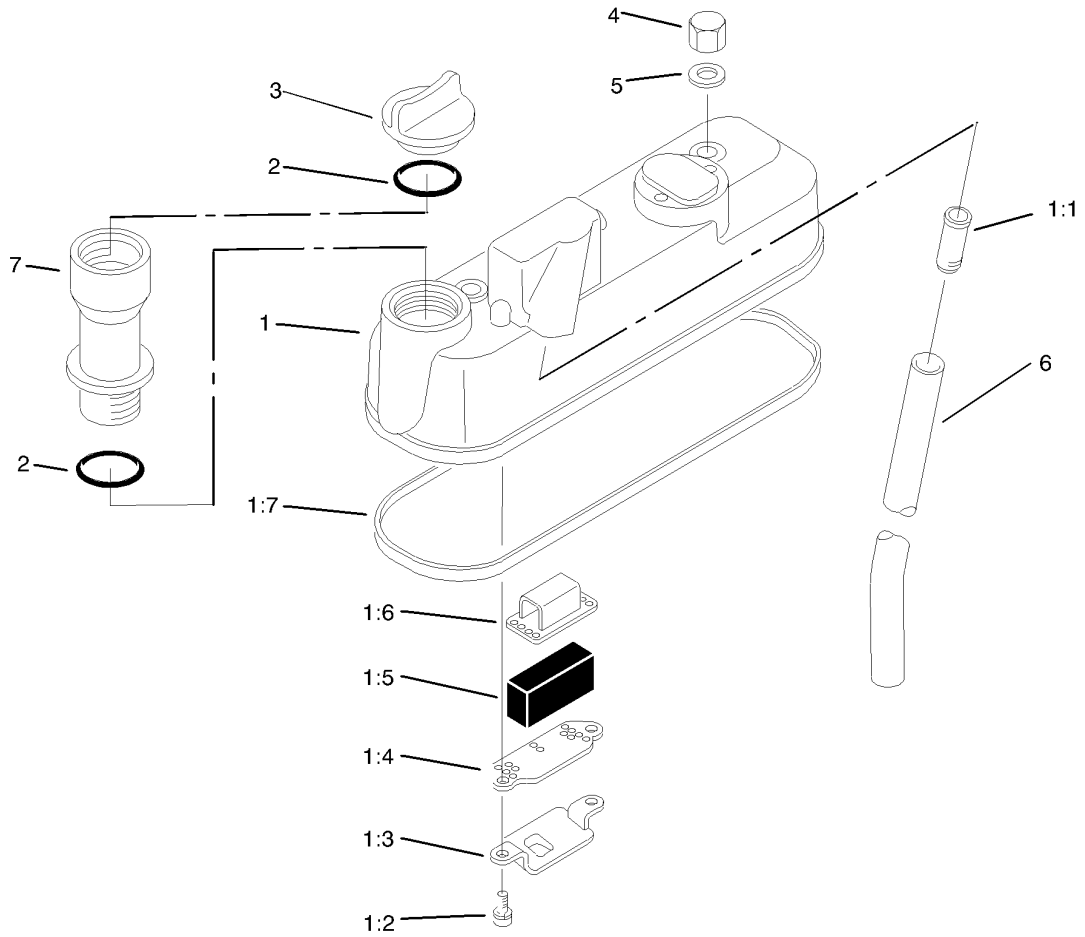
Ref	Part No.	Qty.	Description				
3	98-9460	1	Cylinder Head ASM				
3:1	98-9499	3	Guide-Valve, Inlet				
3:2	98-9500	3	Guide-Valve, Exhaust				
3:3	98-9389	2	Cap-Sealing				
3:4	98-9395	1	Cap-Sealing				
3:5	98-7540	2	Cap-Sealing				
4	98-9479	12	Bolt-Head, Cylinder				
10	98-9613	1	Gasket-Head, Cylinder				
12	98-7509	1	O-Ring				
13	98-9647	2	Bolt-Head, Cylinder				



Gear Case and Oil Filter Assembly

Ref	Part No.	Qty.	Description
1	98-7572	1	Nut
2	98-9367	1	Washer-Spring
3	98-9363	1	Stud
4	98-9362	2	Stud
5	98-9481	1	Gear Case ASM
5:1	98-9592	5	Screw
5:2	98-9541	1	Cover-Pump, Oil
5:3	98-9540	1	Oil Pump Rotor ASM
5:4	98-9544	1	Spring
5:5	98-9380	1	Ball
5:6	98-9543	1	Seat-Valve
5:7	98-9388	1	Joint-Pipe
5:8	98-7562	1	Washer-Plain
5:9	98-9598	2	Plug
6	98-9633	1	Gasket-Case, Gear
10	98-9372	2	O-Ring
11	98-7547	2	O-Ring
15	104-5167	1	Filter-Oil
19	98-9356	2	Bolt
20	98-9355	6	Bolt
21	98-9586	1	Bolt
22	98-9482	1	Seal-Oil
23	98-9437	1	Bolt
24	98-7496	3	Bolt

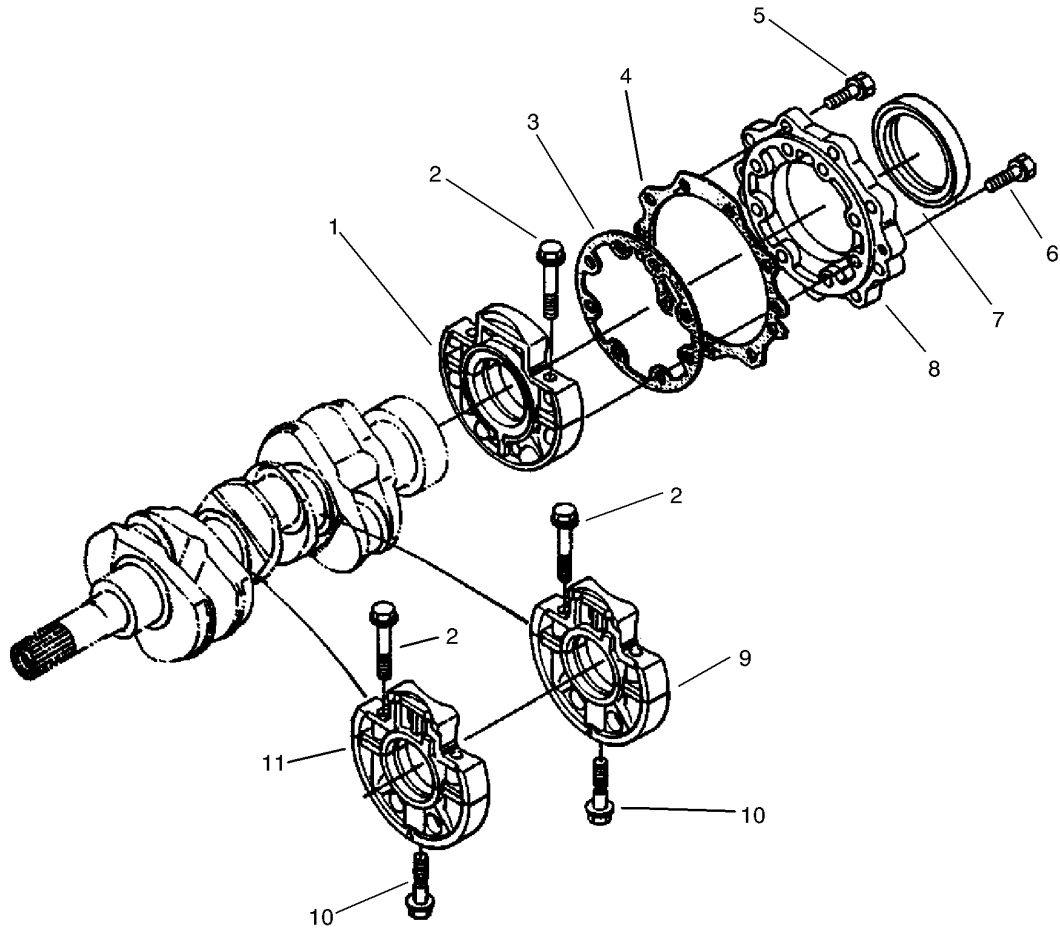
Ref	Part No.	Qty.	Description
25	98-9684	1	Gasket-Case, Gear
26	98-9641	1	Cover
27	98-7692	2	Bolt



Head Cover Assembly

Ref	Part No.	Qty.	Description
1	98-9614	1	Cylinder Head Cover ASM
1:1	98-9492	1	Joint-Pipe, Breather
1:2	98-9364	2	Screw-W/washer
1:3	98-9490	1	Shield-Oil, Breather
1:4	98-9488	1	Plate-Element, Breather
1:5	98-9493	1	Element-Breather
1:6	98-9489	1	Plate-Element, Breather
1:7	98-9615	1	Gasket-Cover, Head
2	98-7430	2	O-Ring
3	98-9449	1	Plug-Filler, Oil
4	98-9455	3	Nut-Cap
5	98-9454	3	Gasket
6	98-9491	1	Pipe-Breather
7	99-8349	1	Extension-Fill, Oil

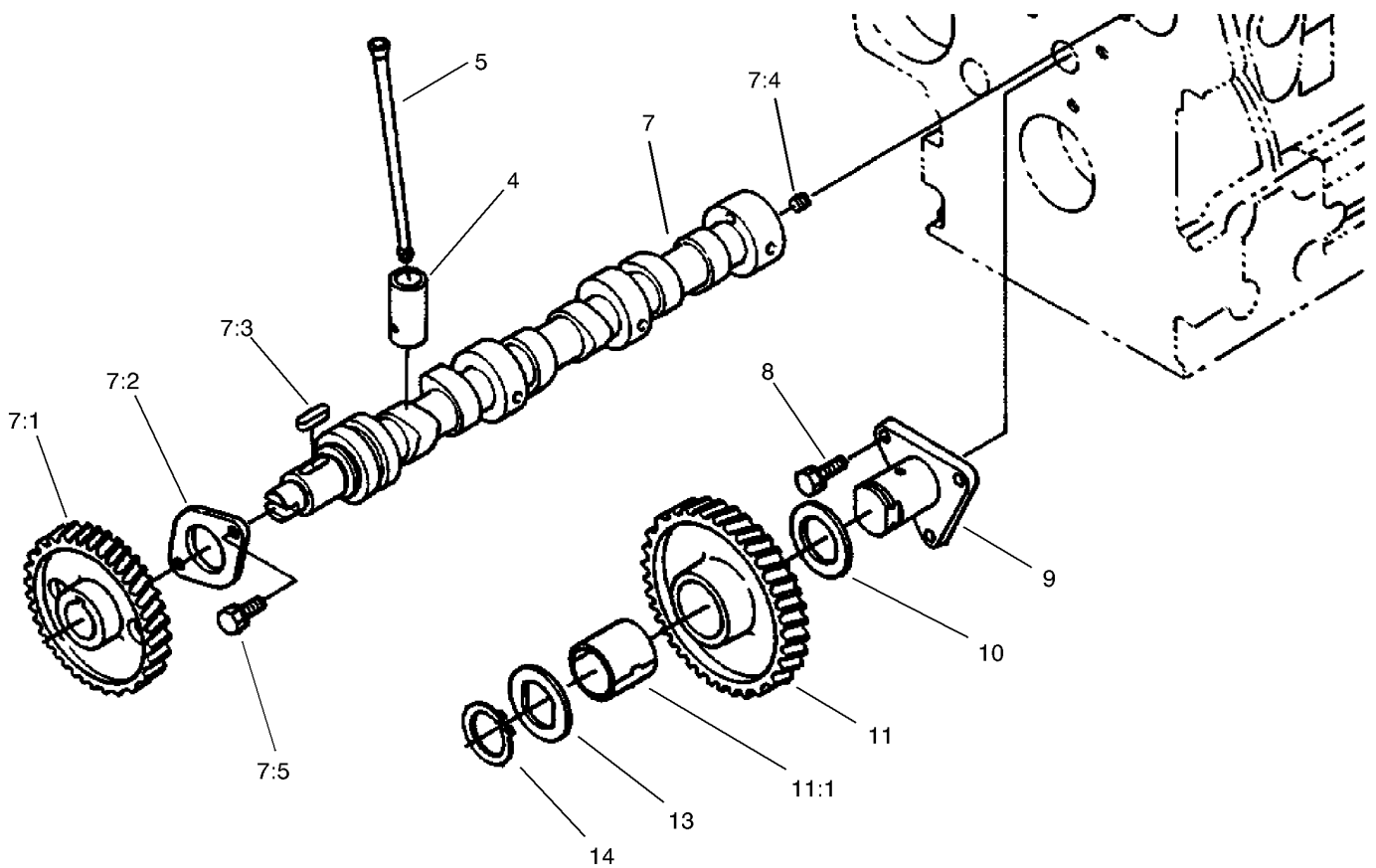
--	--	--	--



Main Bearing Case Assembly

Ref	Part No.	Qty.	Description
1	99-8345	1	Main Bearign Case ASM
2	98-9484	6	Bolt-Case, Bearing
3	98-9634	1	Gasket-Case, Bearing
4	98-9635	1	Gasket-Cover, Bearing Case
5	98-7568	9	Bolt
6	98-9352	8	Bolt
7	98-9483	1	Seal-Oil
8	98-9487	1	Cover-Case, Bearing
9	98-9607	1	Main Bearing Case ASM
10	98-9485	2	Bolt-Case, Bearing
11	98-9606	1	Main Bearing Case ASM

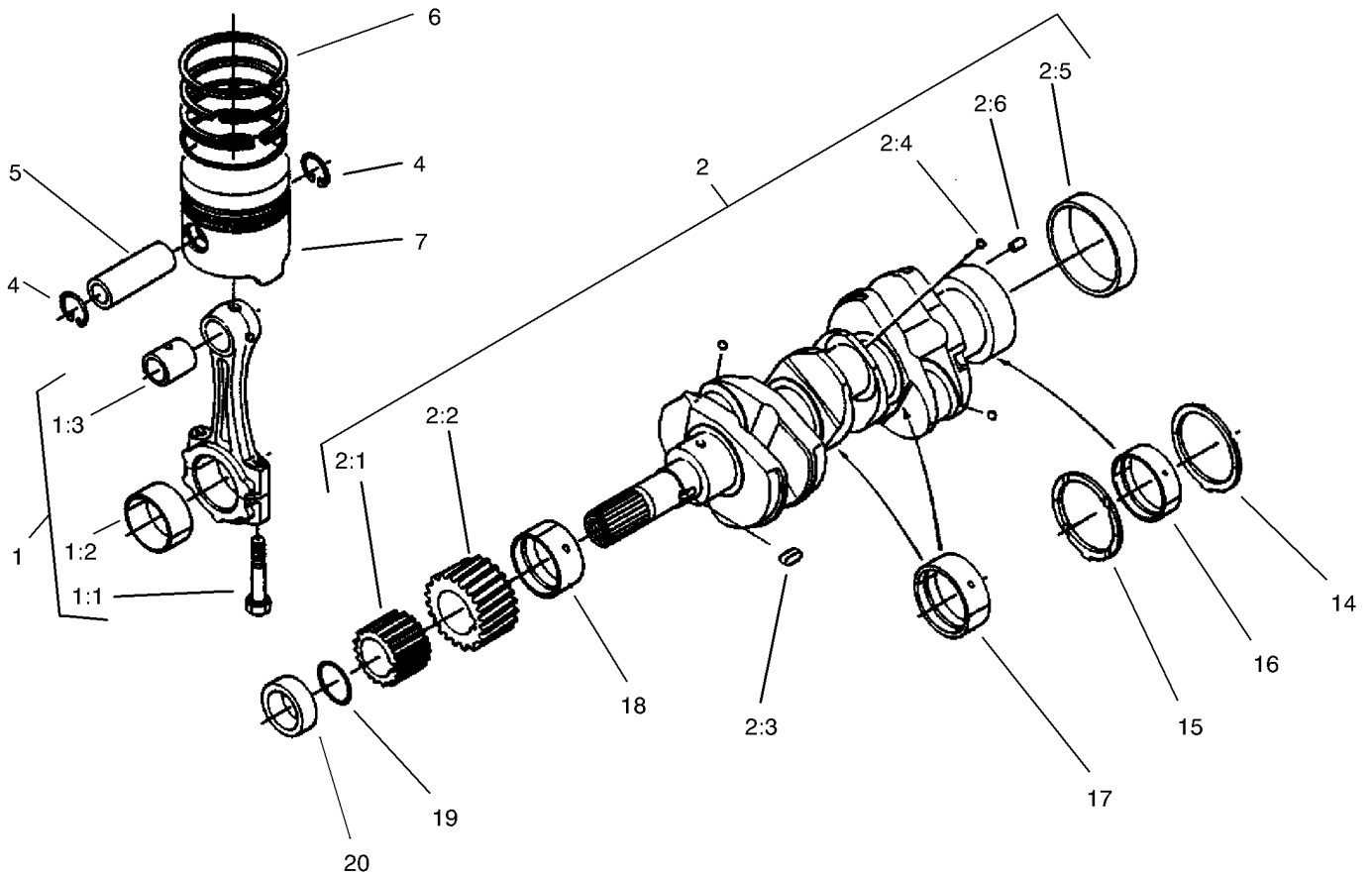
--	--	--	--



Camshaft Assembly

Ref	Part No.	Qty.	Description
4	98-9616	6	Tappet
5	98-9509	6	Rod-Push
7	98-9617	1	Camshaft ASM
7:1	98-9512	1	Gear-Cam
7:2	98-9510	1	Stopper-Camshaft
7:3	98-9378	1	Key-Feather
7:4	98-7449	1	Screw-Set
7:5	98-9351	2	Bolt
8	98-7692	3	Bolt
9	98-9533	1	Shaft-Gear, Idle
10	98-9535	1	Collar-Gear, Idle
11	98-9649	1	Idle Gear ASM
11:1	98-9650	1	Bushing-Gear, Idle
13	98-9536	1	Collar-Gear, Idle
14	98-9534	1	Clip-Circular, Idle Gear

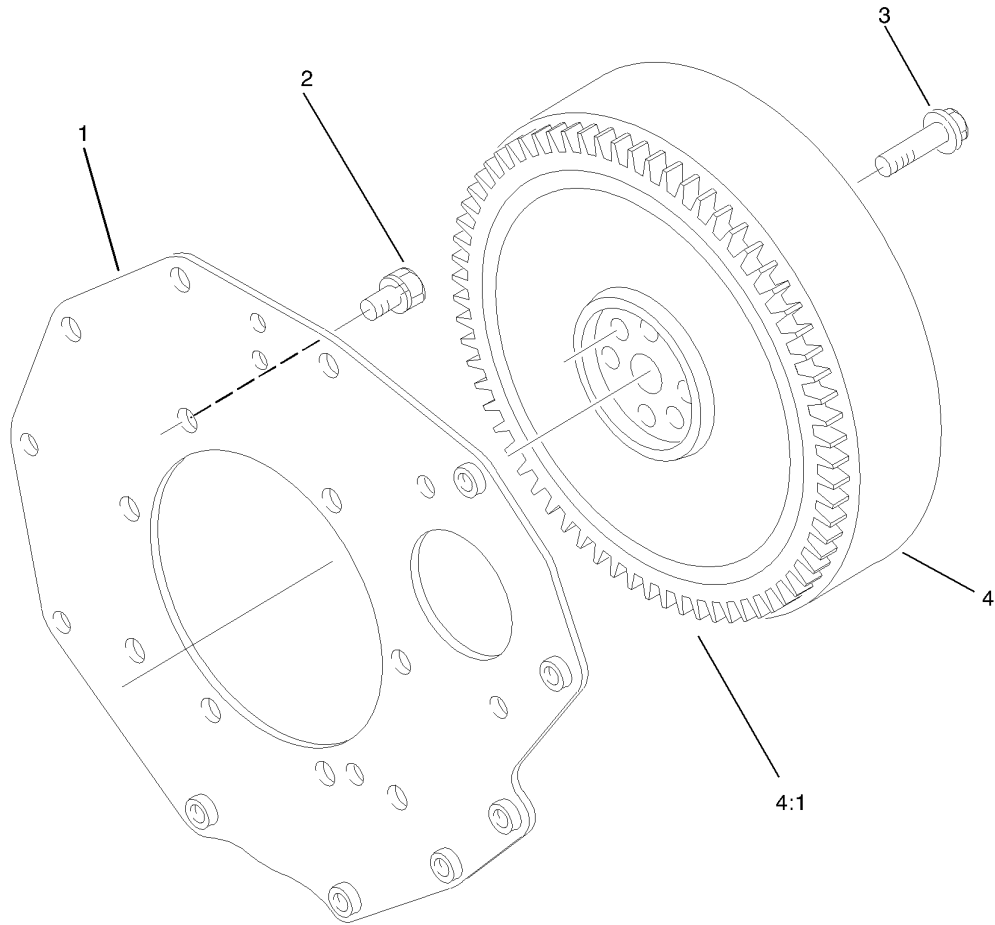
--	--	--	--



Piston and Crankshaft Assembly

Ref	Part No.	Qty.	Description
1	98-9516	3	Connecting Rod ASM
1:1	98-9517	6	Bolt-Rod, Connecting
1:2	98-9518	3	Metal-Crankpin (Std)
1:2	98-9519	3	Bearing-Rod (0.2mm)
1:2	98-9520	3	Bearing-Rod (0.4mm)
1:3	98-9515	3	Bushing-Pin, Piston
2	98-9642	1	Crankshaft ASM
2:1	98-9542	1	Gear-Drive, Oil Pump
2:2	98-9532	1	Gear-Crankshaft
2:3	98-9666	1	Key
2:4	98-7473	3	Ball
2:5	98-9522	1	Sleeve-Crankshaft
2:6	98-9375	1	Pin-Straight
4	98-9514	6	Clip-Circular, Piston Pin
5	98-9513	3	Pin-Piston
6	98-9619	3	Piston Ring ASM (0.5mm)
6	98-9618	3	Piston Ring ASM (Std)
7	98-9470	3	Piston (0.5mm)
7	98-9469	3	Piston (Std)
14	98-9413	2	Bearing-Thrust (Std)
14	98-9414	2	Bearing-Thrust (0.2mm)
14	98-9415	2	Bearing-Thrust (0.4mm)
15	98-9688	2	Bearing-Thrust (Std)
15	98-9689	2	Bearing-Thrust (0.2mm)

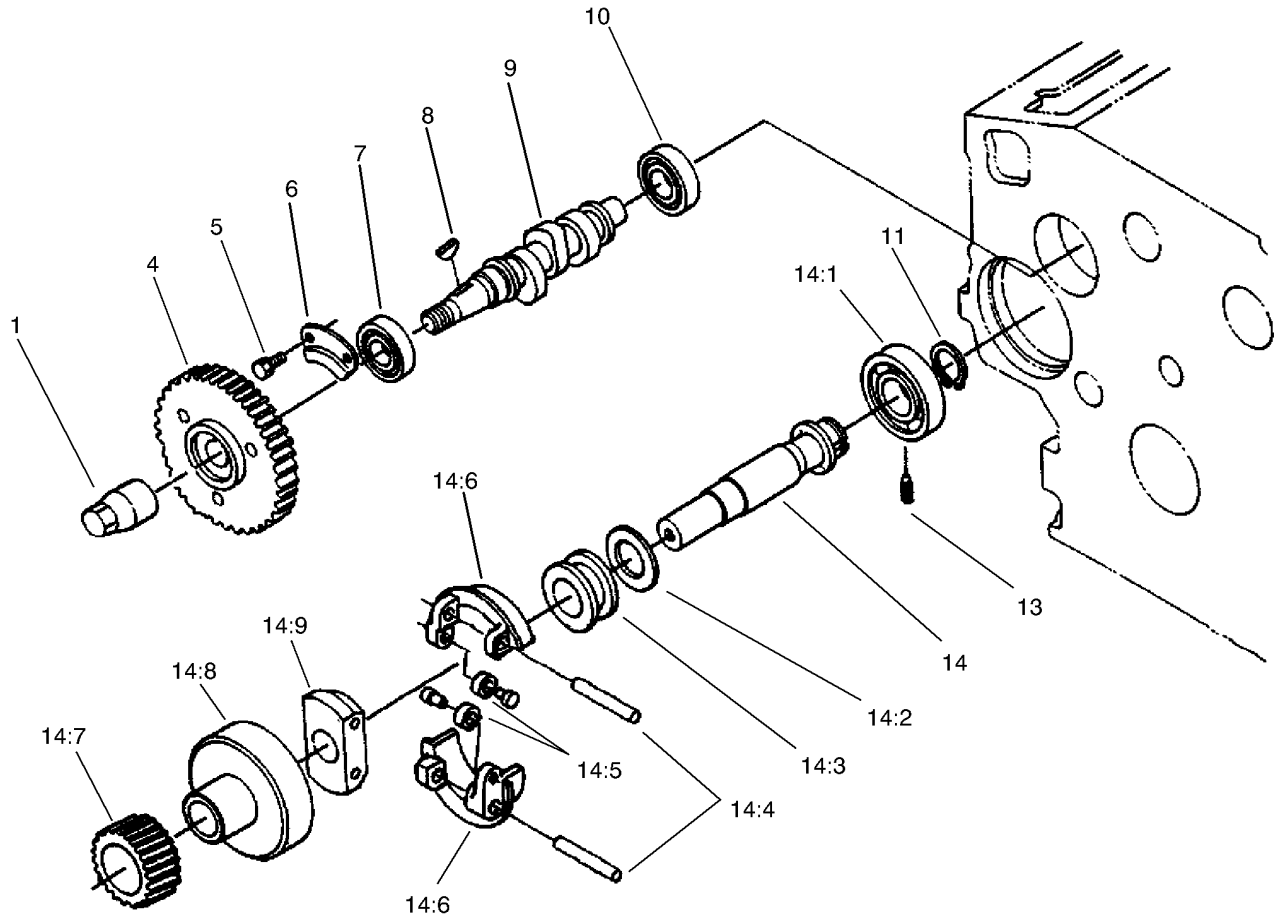
Ref	Part No.	Qty.	Description
15	98-9690	2	Bearing-Thrust (0.4mm)
16	98-9525	1	Metal Crankshaft(Std Set)
16	98-9526	1	Bearing-Main (0.2mm)
16	98-9527	1	Bearing-Main (0.4mm)
17	98-9524	2	Metal-Crankshaft (Std Set)
17	98-9530	2	Bearing-Main (0.2mm)
17	98-9531	2	Bearing-Main (0.4mm)
18	98-9523	1	Metal Crankshaft (Std)
18	98-9528	1	Bearing-Main (0.2mm)
18	98-9529	1	Bearing-Main (0.4mm)
19	98-9373	1	O-Ring
20	98-9521	1	Collar-Crankshaft



Flywheel Assembly

Ref	Part No.	Qty.	Description
1	98-9486	1	Plate-End, Rear
2	98-9392	8	Bolt
3	98-9537	6	Bolt-Flywheel
4	98-9691	1	Flywheel ASM
4:1	98-9394	1	Gear-Ring

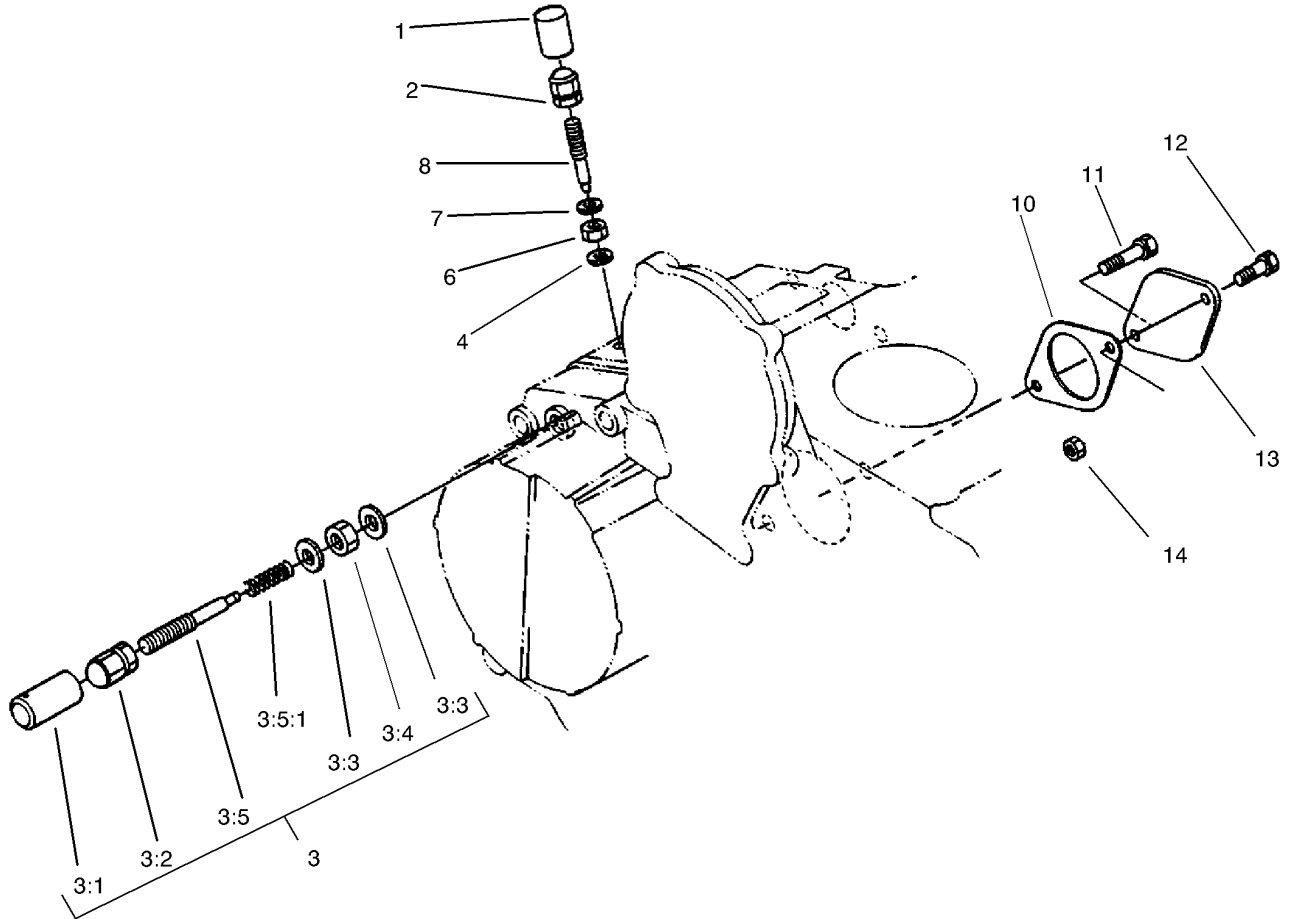
--	--	--	--



Fuel Camshaft Assembly

Ref	Part No.	Qty.	Description
1	98-9590	1	Nut-Cap
4	98-9669	1	Gear-Pump, Injection
5	98-9350	2	Bolt
6	98-9511	1	Stopper-Fuel, Camshaft
7	98-9383	1	Bearing-Ball
8	98-9595	1	Key-Woodruff
9	98-9459	1	Camshaft-Fuel
10	98-9382	1	Bearing-Ball
11	98-9657	1	Clip-Circular, Governor Shaft
13	98-9565	1	Screw-Set
14	98-9644	1	Governor Shaft ASM
14:1	98-9381	1	Bearing-Ball
14:2	98-9564	1	Washer-Thrust
14:3	98-9563	1	Sleeve-Governor
14:4	98-9560	2	Shaft-Weight, Governor
14:5	98-9692	2	Roller
14:6	98-9559	2	Governor Weight ASM
14:7	98-9673	1	Gear-Governor
14:8	98-9562	1	Holder-Gear, Governor
14:9	98-9561	1	Holder-Weight, Governor

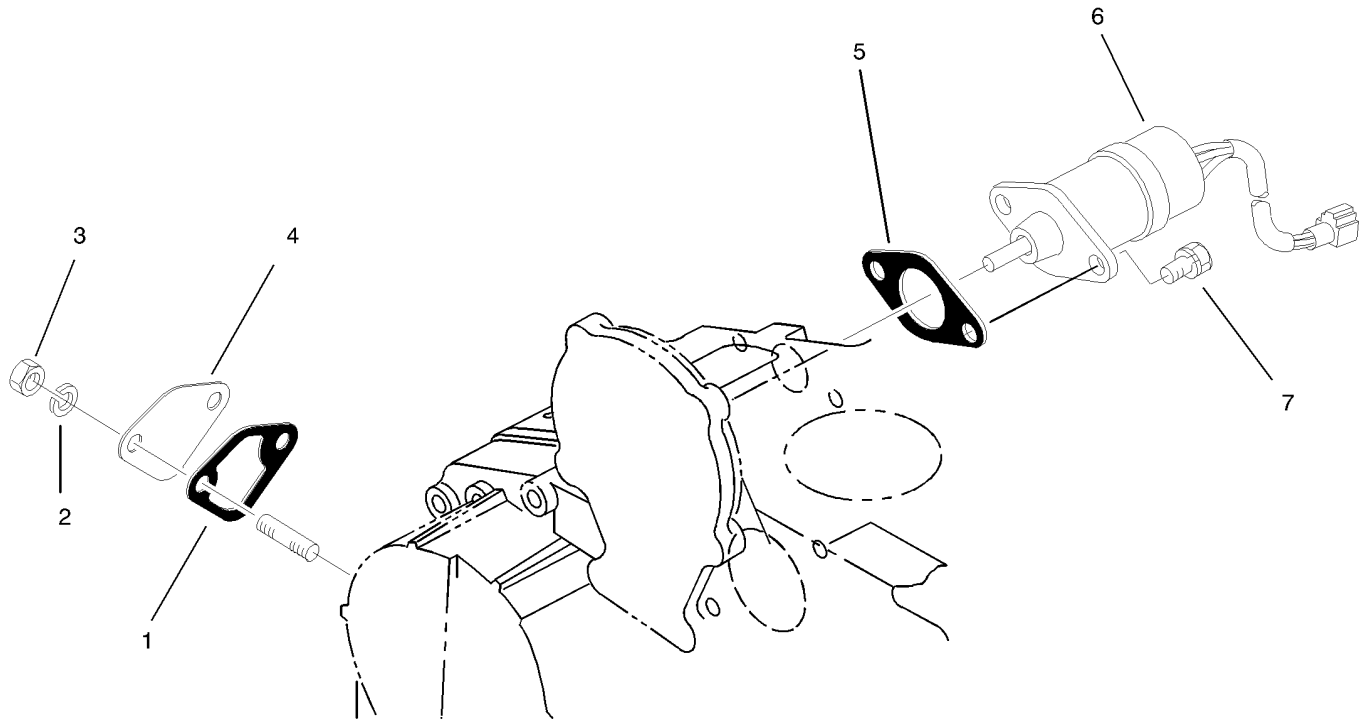
--	--	--	--



Engine Stop Lever Assembly

Ref	Part No.	Qty.	Description
1	99-8390	1	Pipe-Lock, Fuel Adj.
2	99-8387	1	Nut-Cap
3	98-9678	1	Idle Apparatus ASM
3:1	98-9558	1	Cap
3:2	98-9441	2	Nut-Cap
3:3	98-7654	2	Gasket
3:4	98-9439	2	Nut
3:5	98-9679	1	Adjusting Bolt ASM
3:5:1		1	Spring
4	99-8389	1	Gasket
6	99-8386	2	Nut
7	99-8388	1	Gasket
8	98-9557	1	Bolt-Adjusting
10	98-9674	1	Packing
11	98-7645	1	Bolt
12	98-9359	1	Bolt
13	98-9640	1	Cover-Pump
14	98-7534	1	Nut

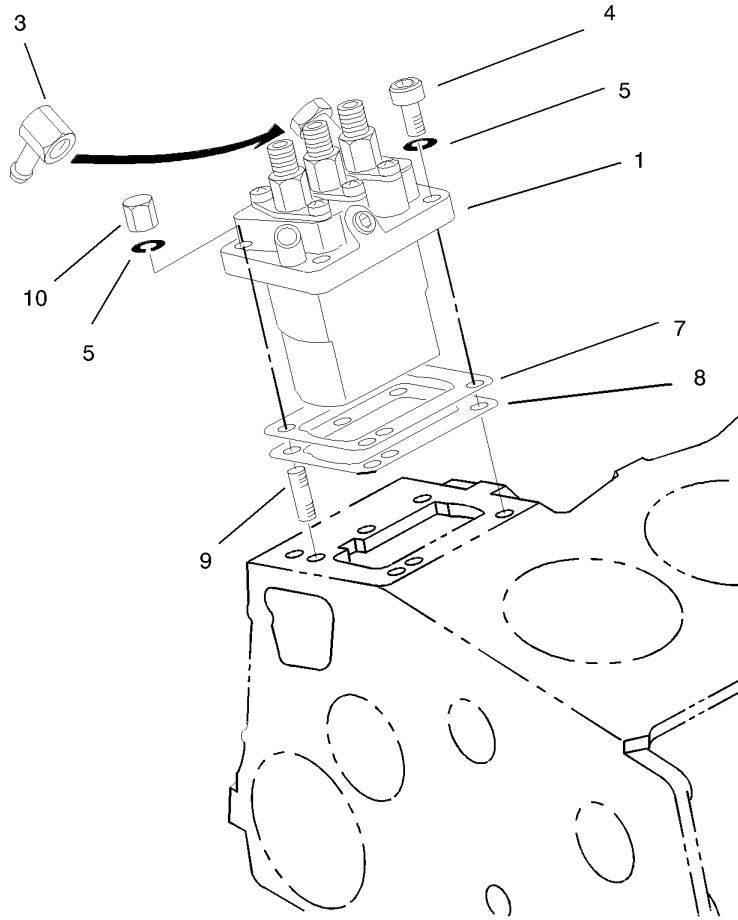
--	--	--	--



Stop Solenoid and Fuel Pump Assembly

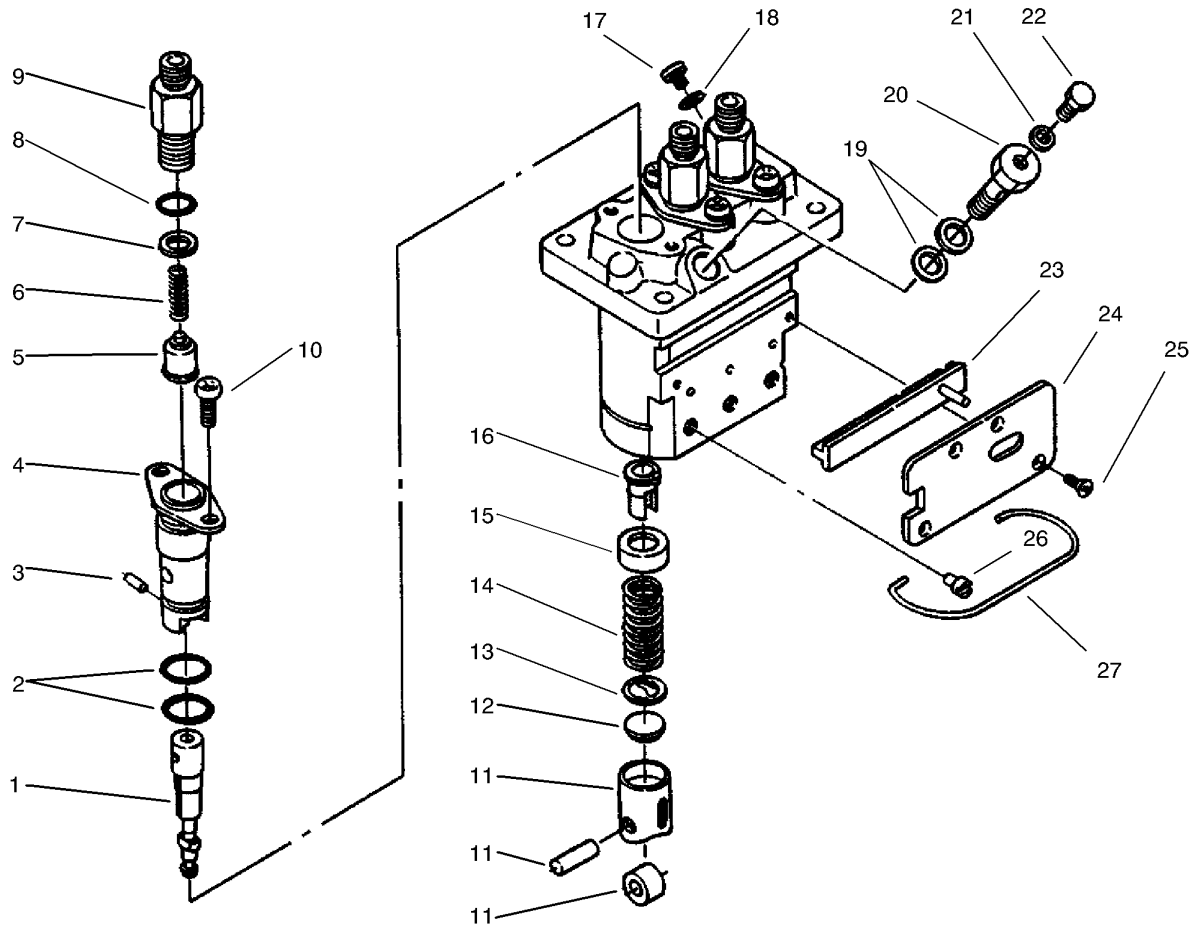
Ref	Part No.	Qty.	Description
1	98-9636	1	Gasket-Pump, Fuel
2	98-9367	2	Washer-Spring
3	98-7572	2	Nut
4	99-3514	1	Cover
5	98-9683	1	Gasket-Cover, Solenoid
6	104-5155	1	Solenoid-Stop
7	98-9351	2	Bolt

--	--	--	--



Injection Pump Assembly

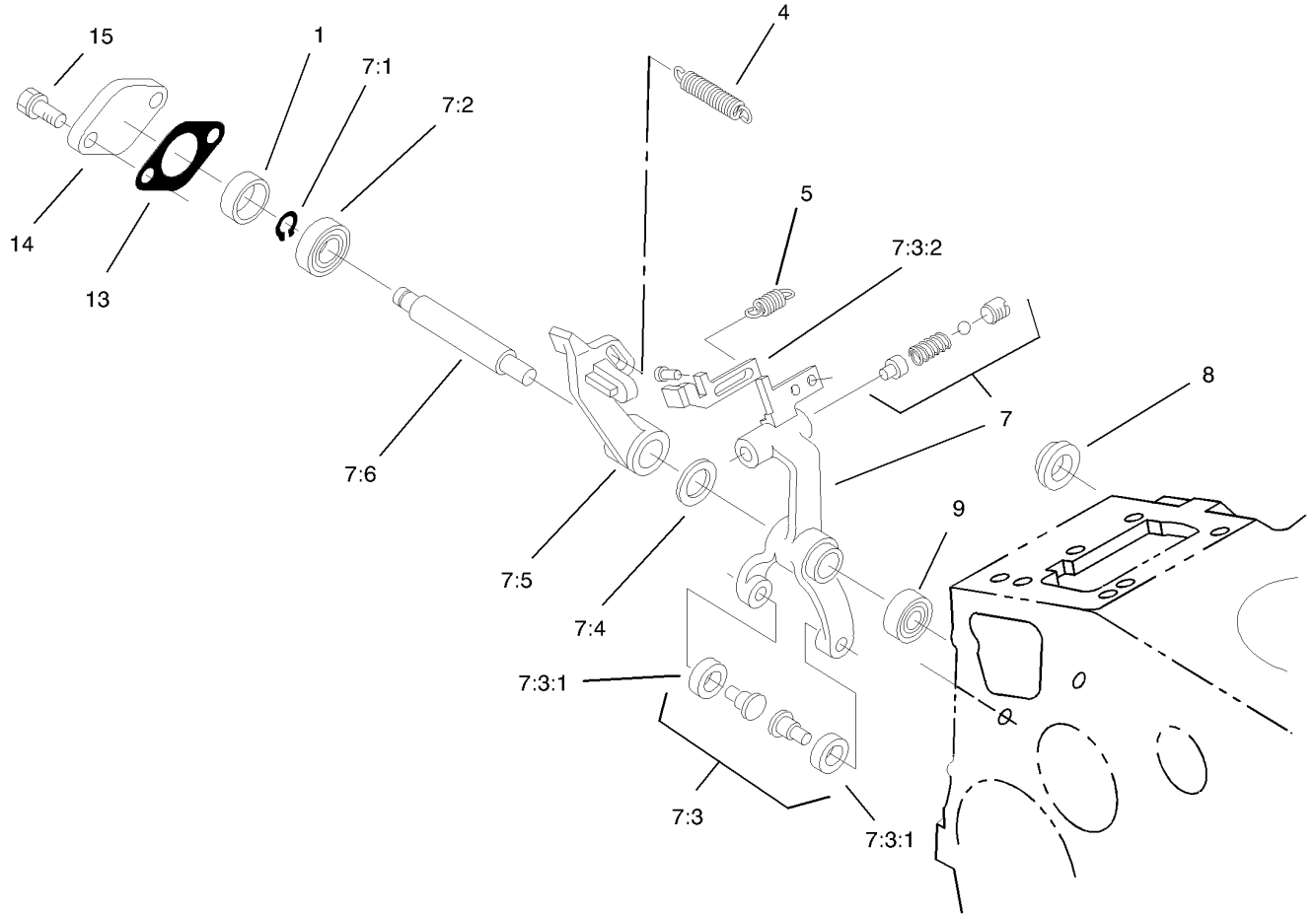
Ref	Part No.	Qty.	Description				
1	98-9643	1	Injection Pump ASM				
3	98-9596	1	Joint-Eye				
4	98-9361	2	Bolt-HSH				
5	98-9367	4	Washer-Spring				
7	98-9457	1	Shim-Injection (0.25mm)				
7	98-9456	1	Shim (0.2mm)				
8	98-9458	1	Shim-Injection (0.30mm)				
9	98-9438	2	Stud				
10	98-9440	2	Nut-Cap				



Injection Pump Assembly No. 98-9643

Ref	Part No.	Qty.	Description
1	98-9462	3	Element-Pump
2	98-9423	6	O-Ring
3	98-9443	3	Pin-Joint
4	98-9434	3	Flange-Sleeve
5	98-9421	3	Valve-Delivery
6	98-9424	3	Spring-Valve, Delivery
7	98-9425	3	Gasket-Valve, Delivery
8	98-9447	3	O-Ring
9	98-9652	3	Holder-Valve, Delivery
10	98-9452	6	Screw
11	98-9422	3	Tappet ASM
12	98-9433	3	Shim
13	98-9429	3	Seat-Spring, Lower
14	98-9428	3	Spring-Plunger
15	98-9427	3	Seat-Spring, Upper
16	98-9432	3	Sleeve-Control
17	98-9466	1	Plug
18	98-9451	1	Gasket
19	98-9445	1	Gasket
20	98-9464	1	Bolt-Joint
21	98-9446	1	Gasket
22	98-9430	1	Screw
23	98-9463	1	Control-Rack
24	98-9465	1	Plate

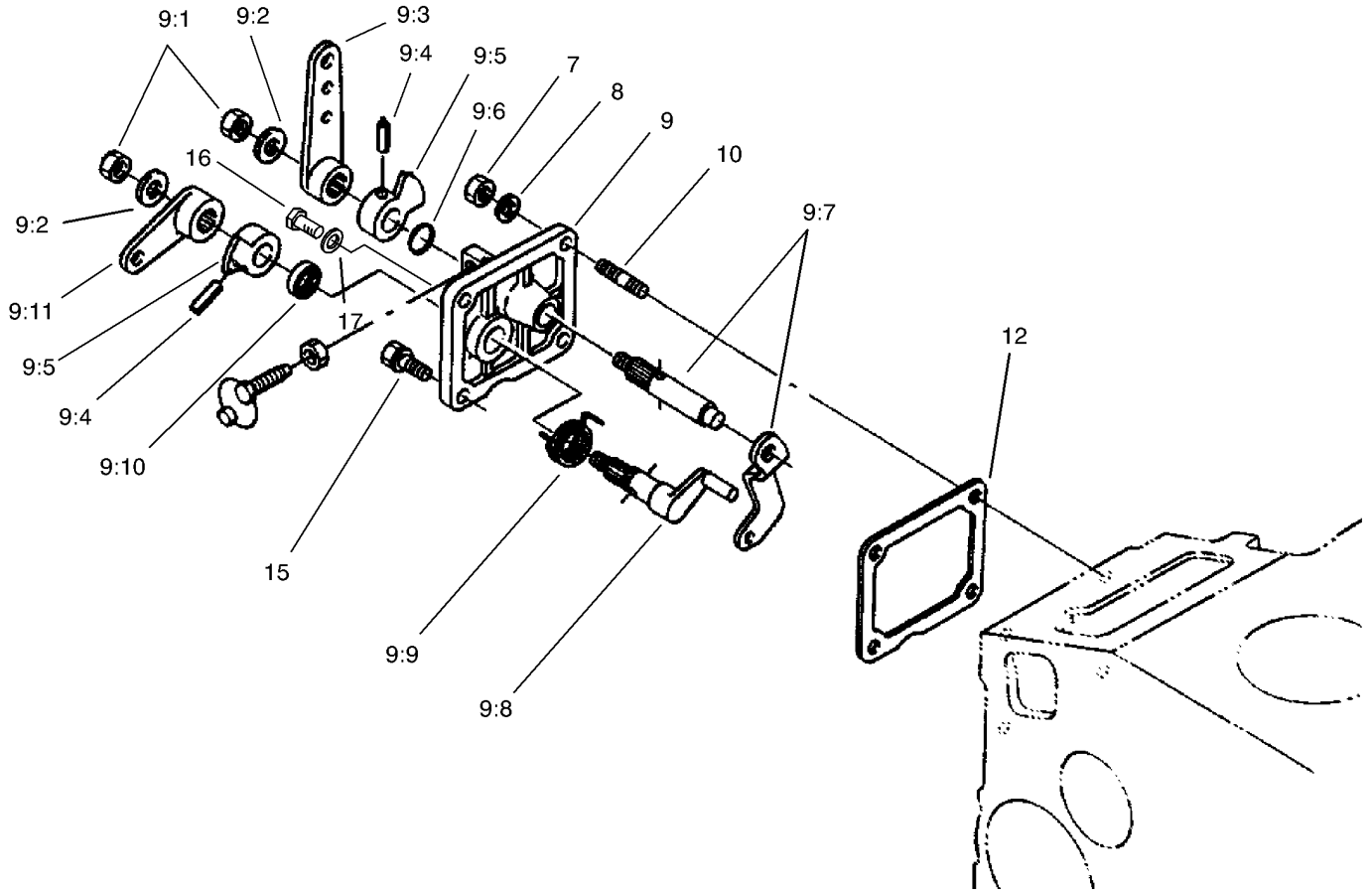
Ref	Part No.	Qty.	Description
25	98-9442	4	Screw
26	98-9426	3	Pin-Guide, Tappet
27	98-9450	1	Pin-Clamp



Governor Assembly

Ref	Part No.	Qty.	Description
1	98-9567	1	Collar
4	98-9681	1	Spring-Governor
5	98-9645	1	Spring-Start
7	98-9680	1	Fork Lever ASM
7:1	98-9369	1	Clip-Circular, External
7:2	98-9570	1	Bearing-Miniaturize
7:3	99-8380	1	Fork Lever ASM
7:3:1	98-9692	2	Roller
7:3:2	98-9660	1	Lever-Thrust
7:4	98-9593	1	Washer-Plain
7:5	98-9659	1	Lever-Fork
7:6	98-9566	1	Shaft-Lever, Fork
8	98-9568	1	Collar
9	98-9571	1	Bearing-Miniaturize
13	98-9682	1	Gasket
14	98-9569	1	Cover-Shaft, Fork Lever
15	98-9351	2	Bolt

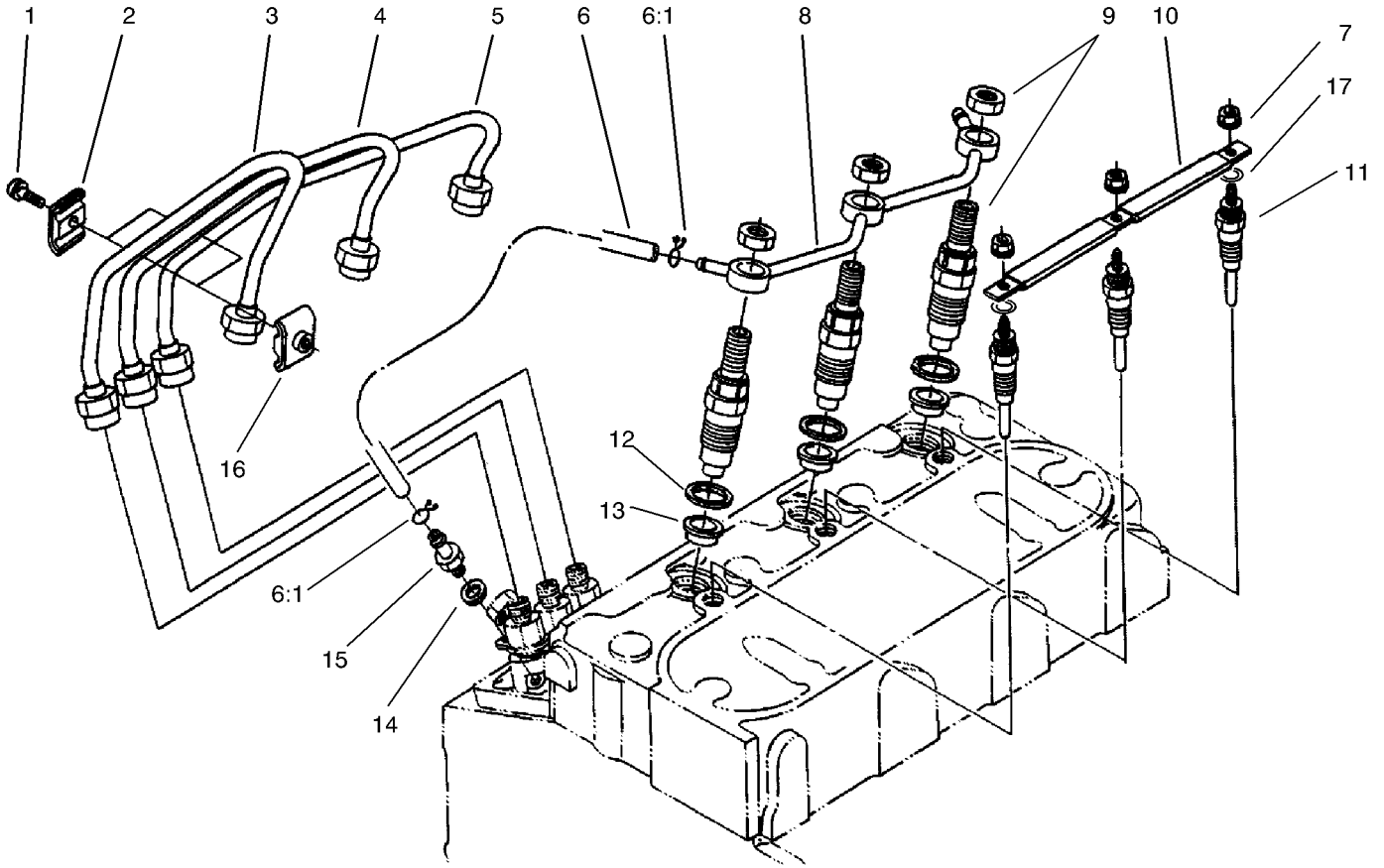
--	--	--	--



Speed Control Plate Assembly

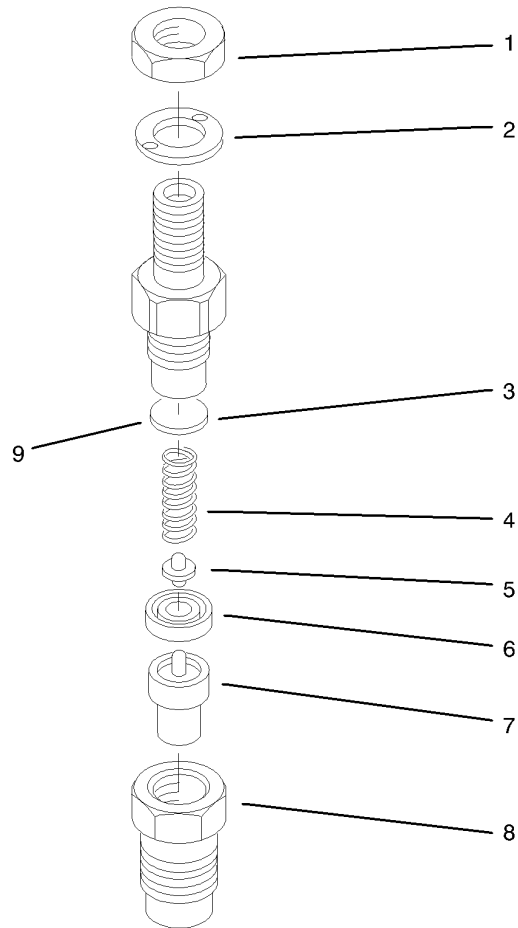
Ref	Part No.	Qty.	Description
7	98-7572	2	Nut
8	98-9367	2	Washer-Spring
9	98-9661	1	Control Plate ASM
9:1	98-9589	2	Nut
9:2	98-9594	2	Washer-Plain
9:3	98-9662	1	Lever-Control, Speed
9:4	98-7602	2	Pin-Spring
9:5	98-9572	2	Lever-Control, Speed
9:6	98-9371	1	O-Ring
9:7	98-9658	1	Governor Lever ASM
9:8	98-9664	1	Shaft-Lever, Stop
9:9	98-9472	1	Spring-Return
9:10	98-7601	1	Seal-Oil
9:11	98-9663	1	Lever-Stop, Engine
10	98-9362	2	Stud
12	98-9637	1	Gasket
15	98-7692	1	Bolt
16	99-8348	1	Bolt
17	98-7654	1	Gasket

--	--	--	--



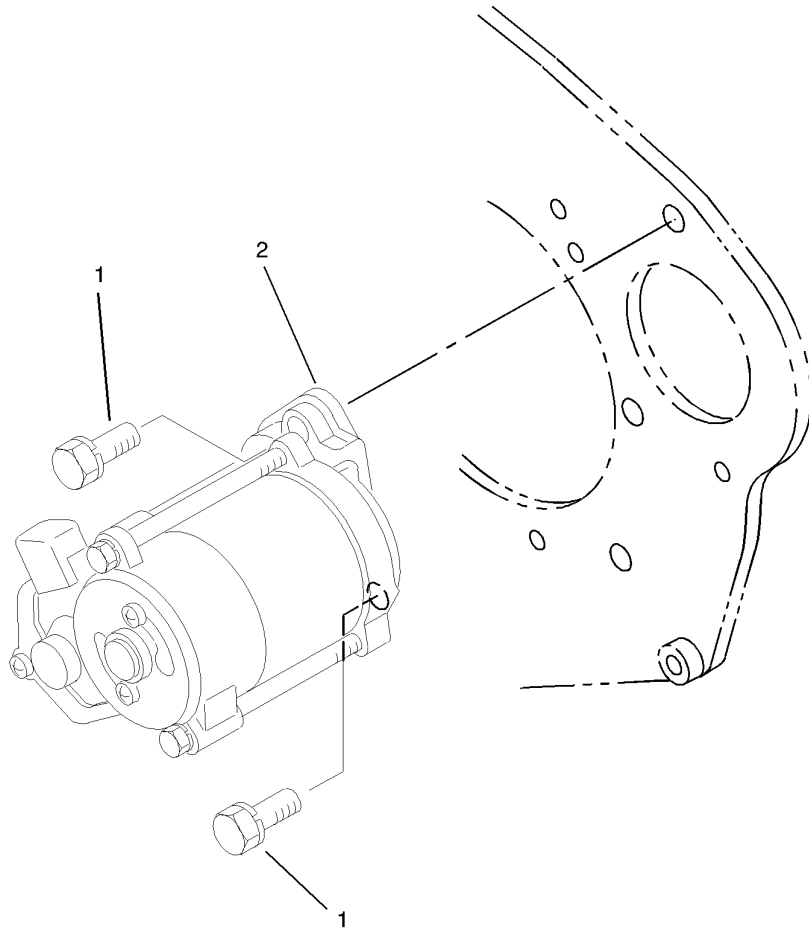
Nozzle Holder and Glow Plug Assembly

Ref	Part No.	Qty.	Description
1	98-7684	2	Screw W/washer
2	98-7683	2	Clamp-Pipe
3	98-9653	1	Pipe-Injection
4	98-9654	1	Pipe-Injection
5	98-9655	1	Pipe-Injection
6	98-9420	1	Over Flow Pipe ASM
6:1	98-7671	1	Clip-Pipe
7	99-8377	3	Nut-Flange
8	98-9620	1	Over Flow Pipe ASM
9	98-9468	3	Nozzle Holder ASM
10	98-9631	3	Cord-Plug, Glow
11	98-9695	3	Plug-Glow
12	98-7676	3	Gasket
13	98-7677	3	Seal
14	98-7654	1	Gasket
15	98-9431	1	Screw-Bleeder
16	98-7682	2	Clamp-Pipe
17	99-8378	3	Washer-Plain



Nozzle Holder Assembly 98-9468

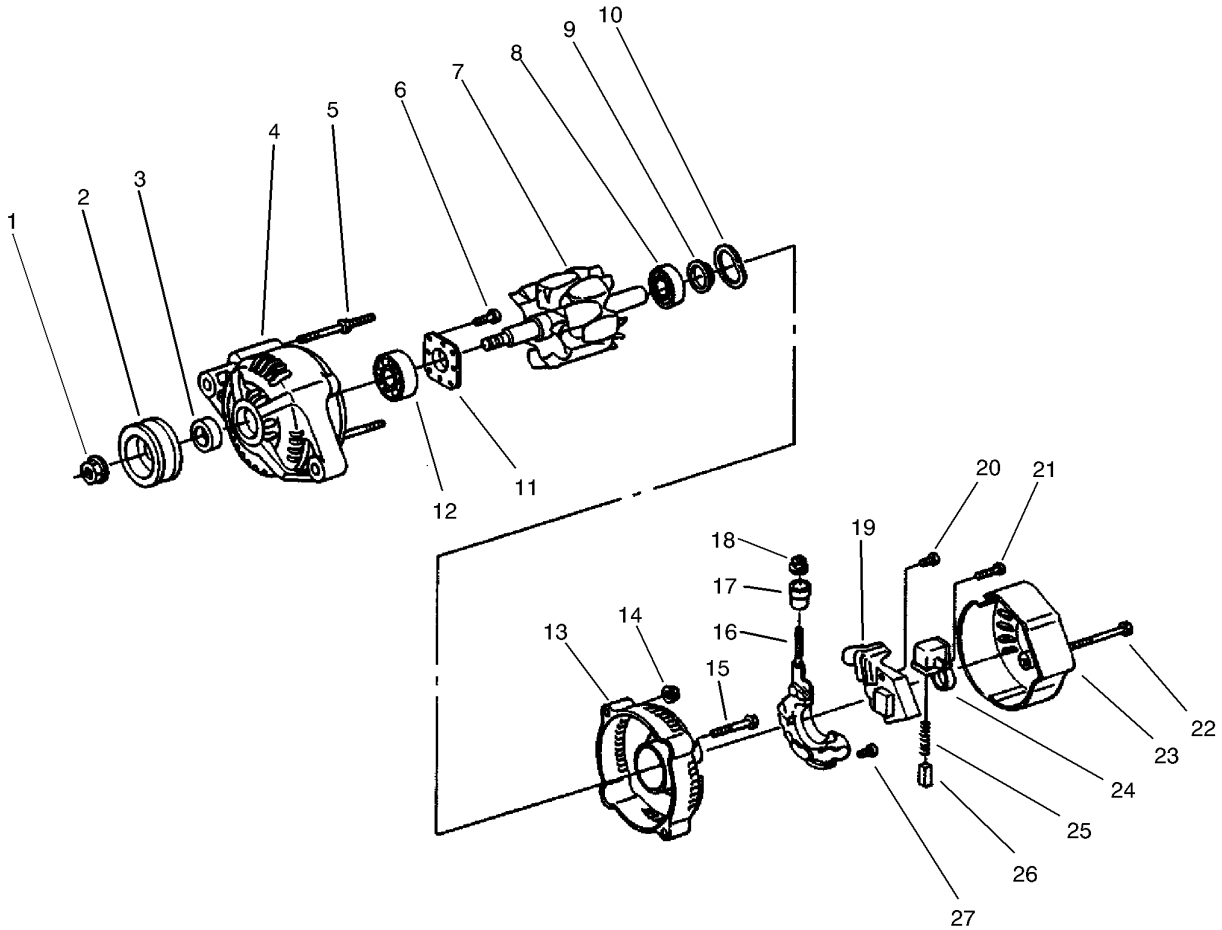
Ref	Part No.	Qty.	Description				
1	99-8301	3	Nut				
2	99-8307	3	Washer-Plain				
3	99-8302	3	Washer-Adjusting				
4	99-8303	3	Spring-Nozzle				
5	99-8305	3	Rod-Push				
6	99-8304	3	Spacer-Distance				
7	99-8308	3	Piece-Nozzle				
8	99-8306	3	Nut-Nozzle				
9	99-8317	3	Washer-Adjust (0.56mm)				
9	99-8318	3	Washer-Adjust (0.58mm)				
9	99-8319	3	Washer-Adjust (0.80mm)				
9	99-8311	3	Washer-Adjust (0.20mm)				
9	99-8310	3	Washer-Adjust (0.10mm)				
9	99-8309	3	Adjusting Washer ASM				
9	99-8316	3	Washer-Adjust (0.54mm)				
9	99-8315	3	Washer-Adjust (0.52mm)				
9	99-8314	3	Washer-Adjust (0.50mm)				
9	99-8313	3	Washer-Adjust (0.40mm)				
9	99-8312	3	Washer-Adjust (0.30mm)				



Starter Mount Assembly

Ref	Part No.	Qty.	Description
1	98-7697	2	Bolt
2	98-9705	1	Starter ASM

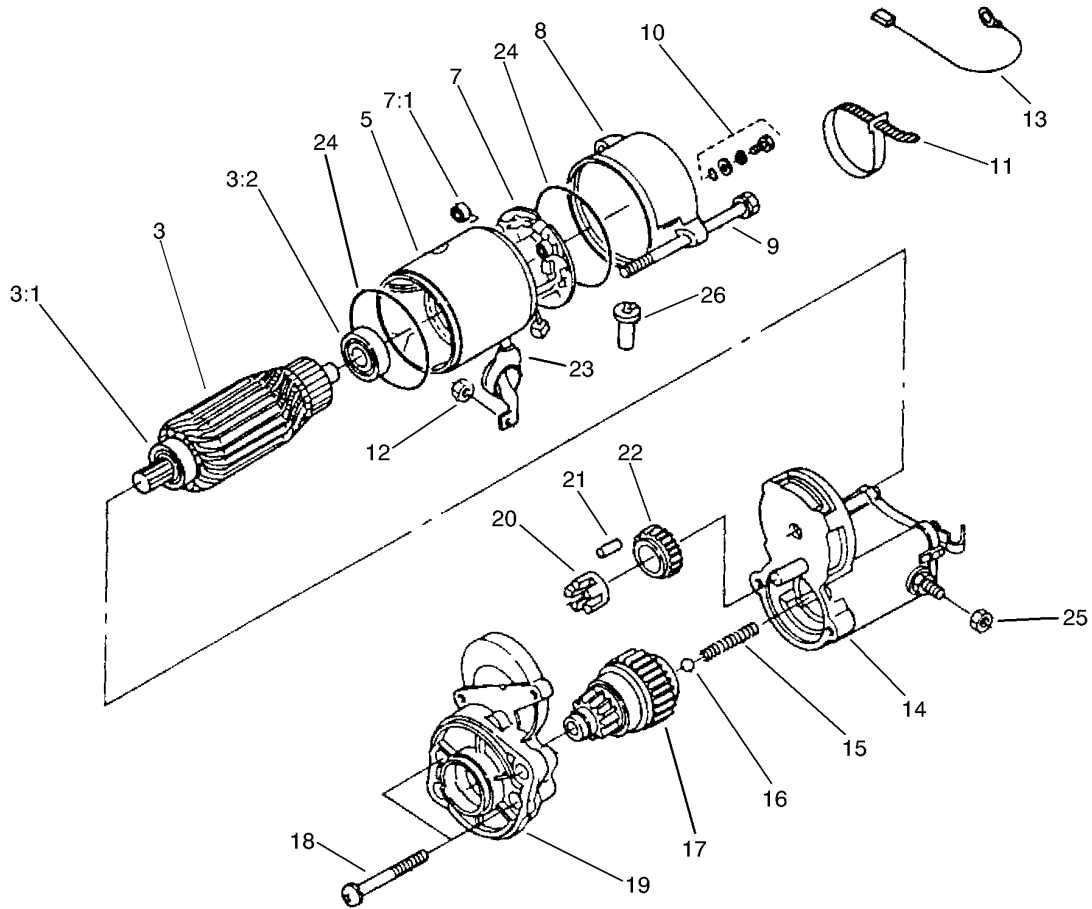
--	--	--	--



Alternator Assembly No. 98-9474

Ref	Part No.	Qty.	Description
1	98-7708	1	Nut
2	98-9453	1	Pulley-Dynamo
3	98-7709	1	Collar
4	98-7714	1	Frame-End, Drive
5	98-7717	2	Bolt-Through
6	98-7716	4	Screw-Head, Round
7	98-7710	1	Rotor
8	98-7712	1	Bearing-Ball
9	98-7711	1	Cover-Bearing
10	98-7713	1	Washer-Thrust
11	98-7715	1	Plate-Retainer
12	98-7718	1	Bearing-Ball
13	98-7719	1	Frame-End
14	98-7730	2	Nut
15	98-7731	2	Bolt
16	98-7721	1	Rectifier ASM
17	98-7722	1	Bushing-Insulation
18	98-7732	1	Nut
19	98-7733	1	Regulator ASM
20	98-7726	2	Screw-Head, Round
21	98-7728	1	Screw-Head, Round
22	98-7729	3	Bolt
23	98-7720	1	Cover-End
24	98-7723	1	Holder-Brush

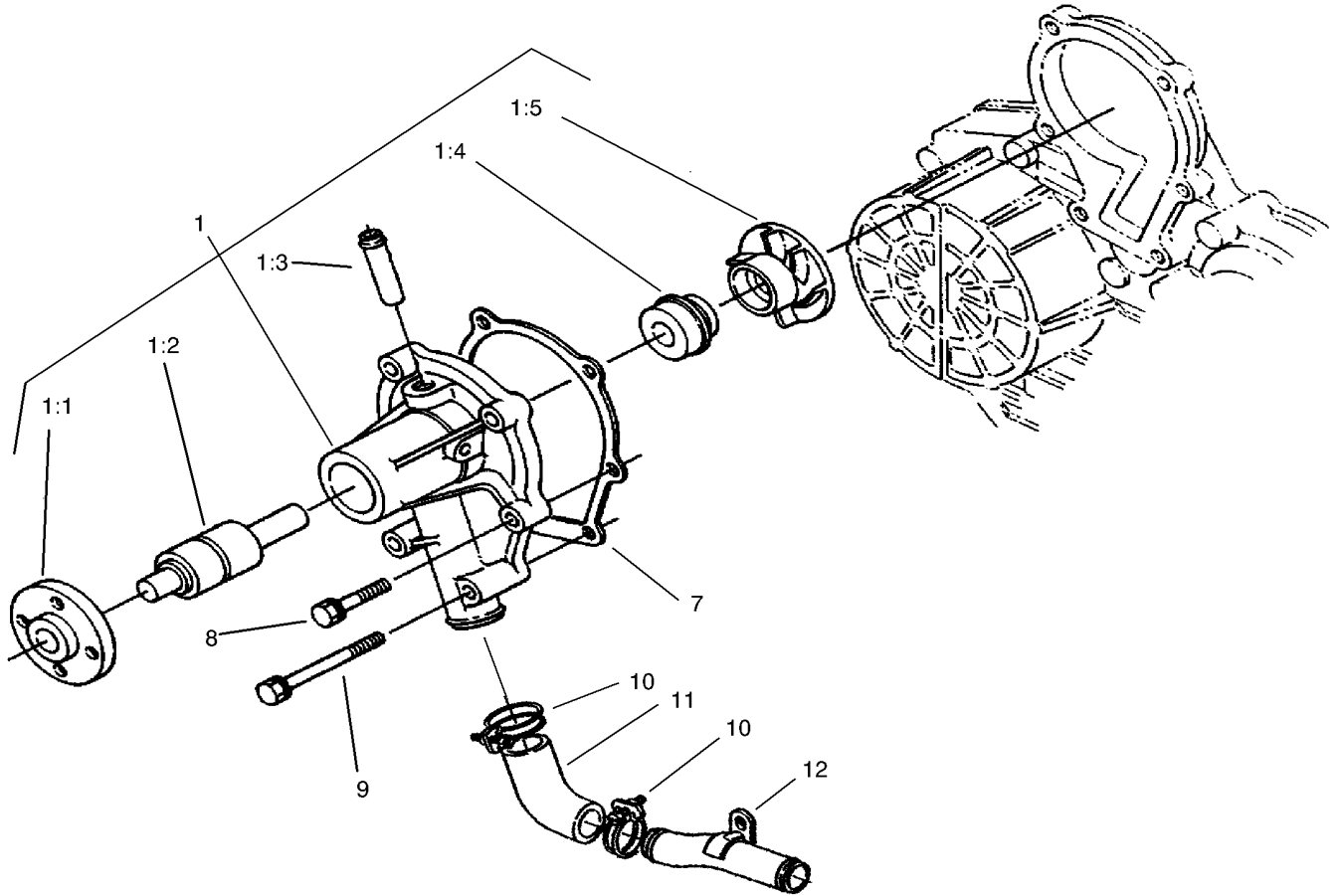
Ref	Part No.	Qty.	Description
25	98-7725	2	Spring-Brush
26	98-7724	2	Brush
27	98-7727	6	Screw-Head, Round



Starter Assembly No. 98-9705

Ref	Part No.	Qty.	Description
3	98-7742	1	Armature ASM
3:1	98-7743	1	Bearing
3:2	98-7744	1	Bearing
5	98-7741	1	Yoke ASM
7	98-7749	1	Brush Holder ASM
7:1	98-7750	4	Spring-Brush
8	99-8370	1	Frame-End
9	98-9549	2	Bolt
10	98-7758	2	Bolt ASM
11	98-9712	1	Band-Cover
12	99-8371	1	Nut-Hex
13	98-9711	1	Cord-Solenoid, Stop
14	99-8372	1	Magnetic Switch ASM
15	98-7754	1	Spring
16	98-7755	1	Ball
17	99-8373	1	Clutch-Running, Over
18	98-7756	2	Bolt
19	99-8374	1	Frame-End, Drive
20	98-7752	1	Retainer
21	98-7753	5	Roller
22	98-7751	1	Gear
23	99-8375	1	Cover
24	98-7757	2	O-Ring
25	99-8376	1	Nut-Hex

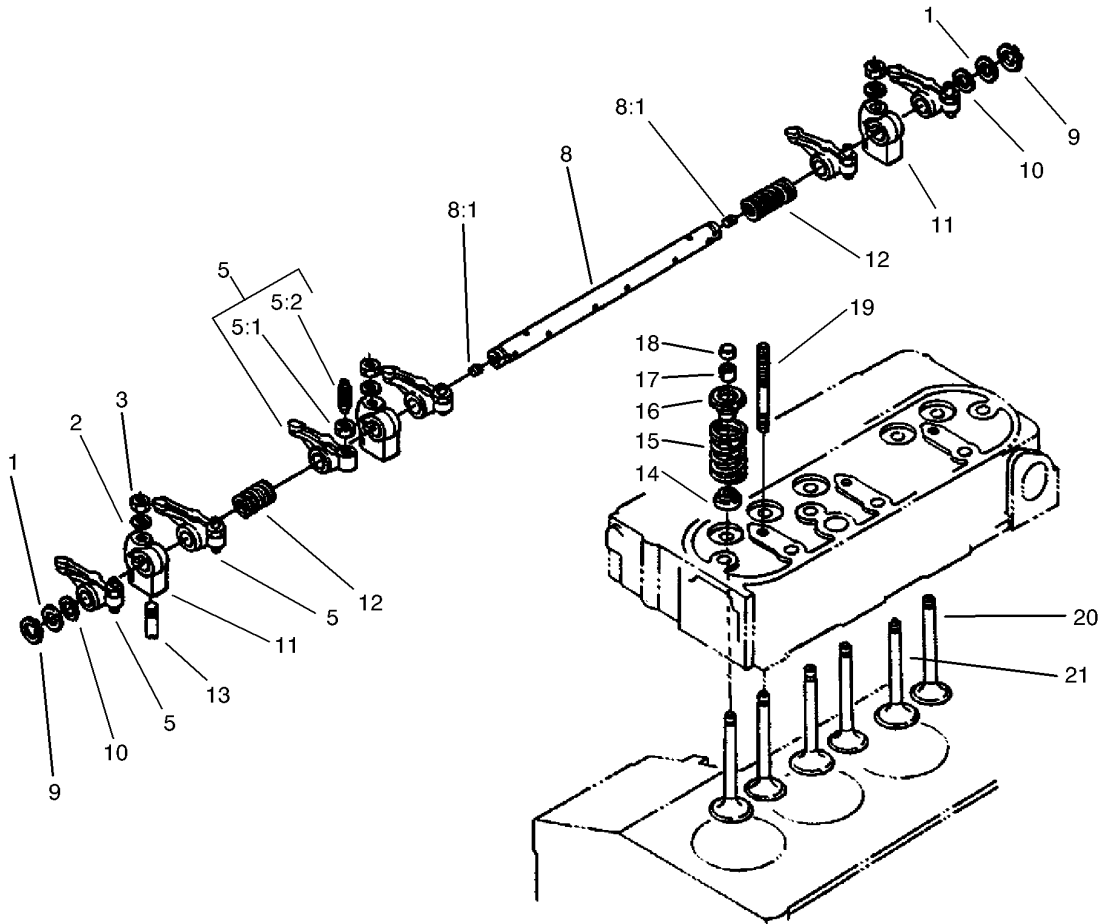
Ref	Part No.	Qty.	Description
26	98-7759	1	Pipe-Drain



Water Pump Assembly

Ref	Part No.	Qty.	Description
1	98-9575	1	Water Pump ASM
1:1	98-9582	1	Flange-Pump, Water
1:2	98-9583	1	Bearing
1:3	98-9577	1	Pipe-Return, Water
1:4	98-9576	1	Mechanical Seal ASM
1:5	98-9581	1	Impeller-Pump, Water
7	98-9632	1	Gasket-Pump, Water
8	98-9353	1	Bolt
9	98-9357	4	Bolt
10	98-9717	2	Clamp
11	98-9574	1	Pipe-Water
12	98-9716	1	Pipe-Water

--	--	--	--



Valve and Rocker Arm Assembly

Ref	Part No.	Qty.	Description
1	98-9508	2	Washer-Shaft, R-Arm
2	98-9385	3	Washer-Flat
3	98-9393	3	Nut
5	98-9501	6	Rocker Arm ASM
5:1	98-9503	6	Nut
5:2	98-9502	6	Screw-Adjusting
8	98-9612	1	R-Arm Shaft ASM
8:1	98-9365	2	Screw-Set
9	98-9370	2	Clip-Circular, External
10	98-9507	2	Washer-Shaft, R-Arm
11	98-9505	3	Bracket-Arm, Rocker
12	98-9504	2	Spring-Arm, Rocker
13	98-9391	1	Screw-Set, Rocker Arm
14	99-8385	6	Seat-Stem, Valve
15	98-9648	6	Spring, valve
16	98-9498	6	Retainer-Valve
17	98-9390	6	Collet-Set, Valve Spring
18	98-9497	6	Cap-Valve
19	98-9506	3	Stud
20	98-9495	3	Valve-Exhaust
21	98-9494	3	Valve-Inlet

--	--	--	--

NOTES

NOTES

