



## 170 DH

### Lawn Tractor

Model No. 74570–20000001 and Up

## Parts Catalog

---

### Ordering Replacement Parts

To order replacement parts, please supply: the part number, the quantity, and the description of each part desired.

### Understanding Reference Numbers

Each identified part in an illustration has a reference number. The reference number for a part also appears in the parts list, along with other information about the part.

This catalog uses two special reference number formats, one to indicate parts in a service assembly and another to indicate the quantity of a given part in an illustration.

### Service Assembly Reference Numbers

Parts in service assemblies have reference numbers in the form **a:b**. The **a** represents the reference number of the entire service assembly and the **b** represents a sequential number unique to each part within the service assembly.

For example, a wheel assembly might be identified by reference number **6**, the tire by **6:1**, the valve by **6:2**, and the wheel by **6:3**. When you order the assembly identified by reference number **6**, you receive all parts identified by reference numbers **6:1**, **6:2**, and **6:3**. However, you may also order any part individually.

Reference numbers of this type appear in illustrations and in part lists.

### Reference Numbers Indicating Quantity

In an illustration, if a reference number indicates more than one part, the reference number has the form **nX y**. The **n** represents the quantity of the part, the **X** is the multiplication symbol, and the **y** represents the reference number.

For example, in an illustration, the reference number **2X 37** means that two of the parts identified by reference number **37** are indicated.

## Contents

Description	Page	Description	Page
Body Assembly .....	3	Electrical Assembly (cont.) .....	20
Body Assembly (cont.) .....	4	Electrical Assembly (cont.) .....	21
Front Axle Assembly .....	5	Electrical Assembly (cont.) .....	22
Steering Assembly .....	6	Control Shaft Assembly .....	23
Body Assembly .....	7	Differential Gear Assembly .....	24
Body Assembly (cont.) .....	8	Final Pinion Assembly .....	25
Engine Assembly .....	9	Axle Shaft Assembly .....	26
Operation (Brake) By-Pass Assembly .....	10	Brake Assembly .....	27
Operation (Travel Pedals) Assembly .....	11	Fan Pulley Assembly .....	28
Transmission Drive Assembly .....	12	Range Shift Assembly .....	29
Transmission Drive Assembly (cont.) .....	13	Center Case Assembly .....	30
Grass Collector Assembly .....	14	Pump Shaft Assembly .....	31
Chute-Collector Assembly .....	15	Motor Shaft Assembly .....	32
Operation-Cutting Pan Assembly .....	16	Transaxle Case Assembly .....	33
Cutting Pan Assembly .....	17	Engine Briggs & Stratton	
Operation (Mower Lift) Assembly .....	18	Model 311777–0151–E1 .....	34–43
Electrical Assembly .....	19		

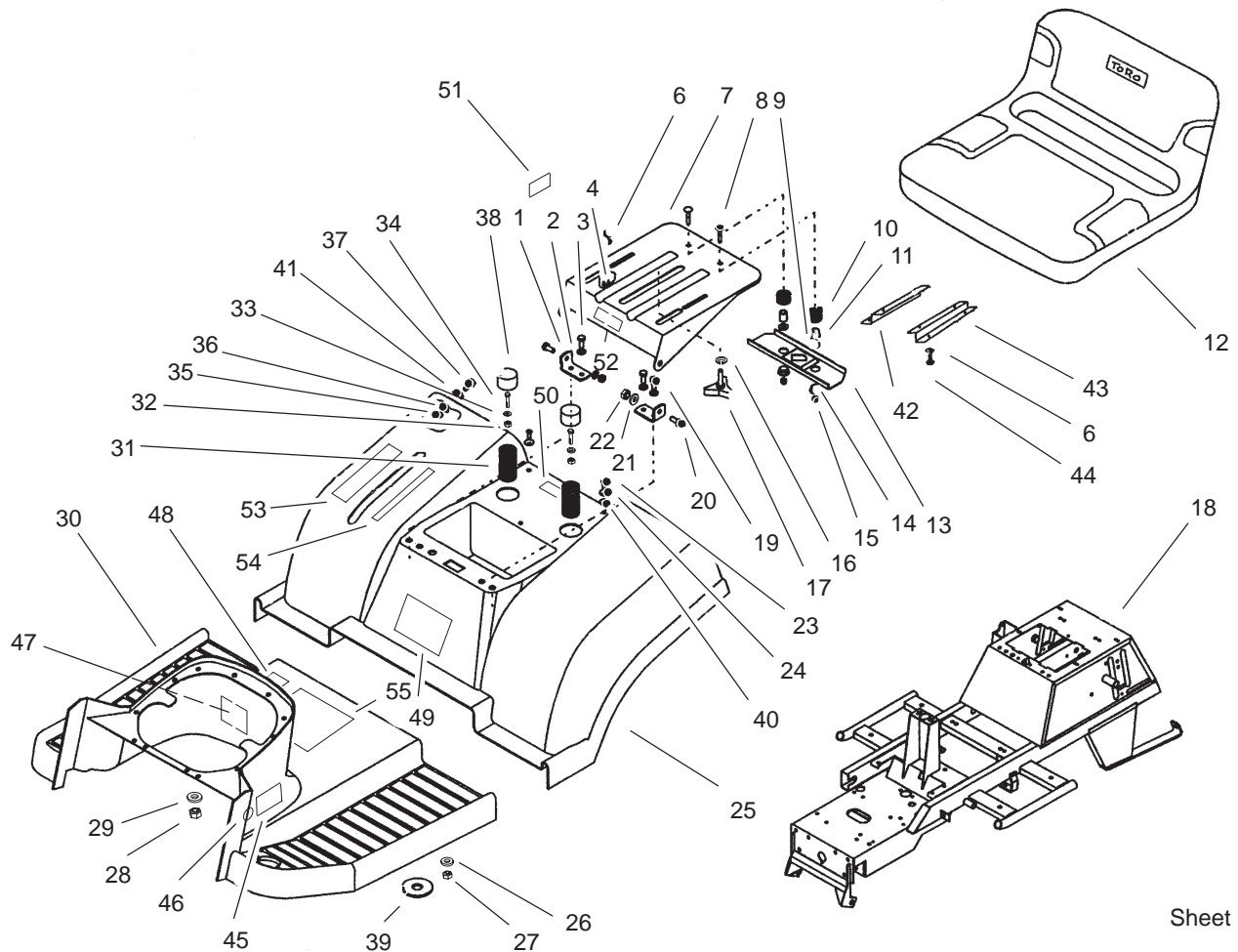
## Accessories

Description	Model / Part No.	Description	Model / Part No.
-------------	------------------	-------------	------------------

## Part Description Abbreviations

Part descriptions in this catalog may include the following abbreviations.

Abbreviation	Meaning	Abbreviation	Meaning
AR .....	as required	INC .....	incorporated
ASM .....	assembly	LH .....	left hand
CARR .....	carriage	NI .....	nylon insert
DEG .....	degrees	PPH .....	Phillips pan head
FH .....	flat head	PTH .....	Phillips truss head
GA .....	gauge	PTO .....	power take off
HF .....	hex flange	RH .....	right hand
HH .....	hex head	SFH .....	slotted fillister head
HHF .....	hex head flange	SHH .....	slotted hex head
HLH .....	hex lag head	SQH .....	square head
HJ .....	hex jam	SHWH .....	slotted hex washer head
HOC .....	height-of-cut	SPH .....	slotted pan head
HS .....	hex socket	SRH .....	slotted round head
HSBH .....	hex socket button head	STD .....	standard
HSFH .....	hex socket flat head	TAP .....	self tapping
HSH .....	hex socket head	TTH .....	Torx truss head
HWH .....	hex washer head	WH .....	wing head
HWHTF .....	hex washer head thread forming		

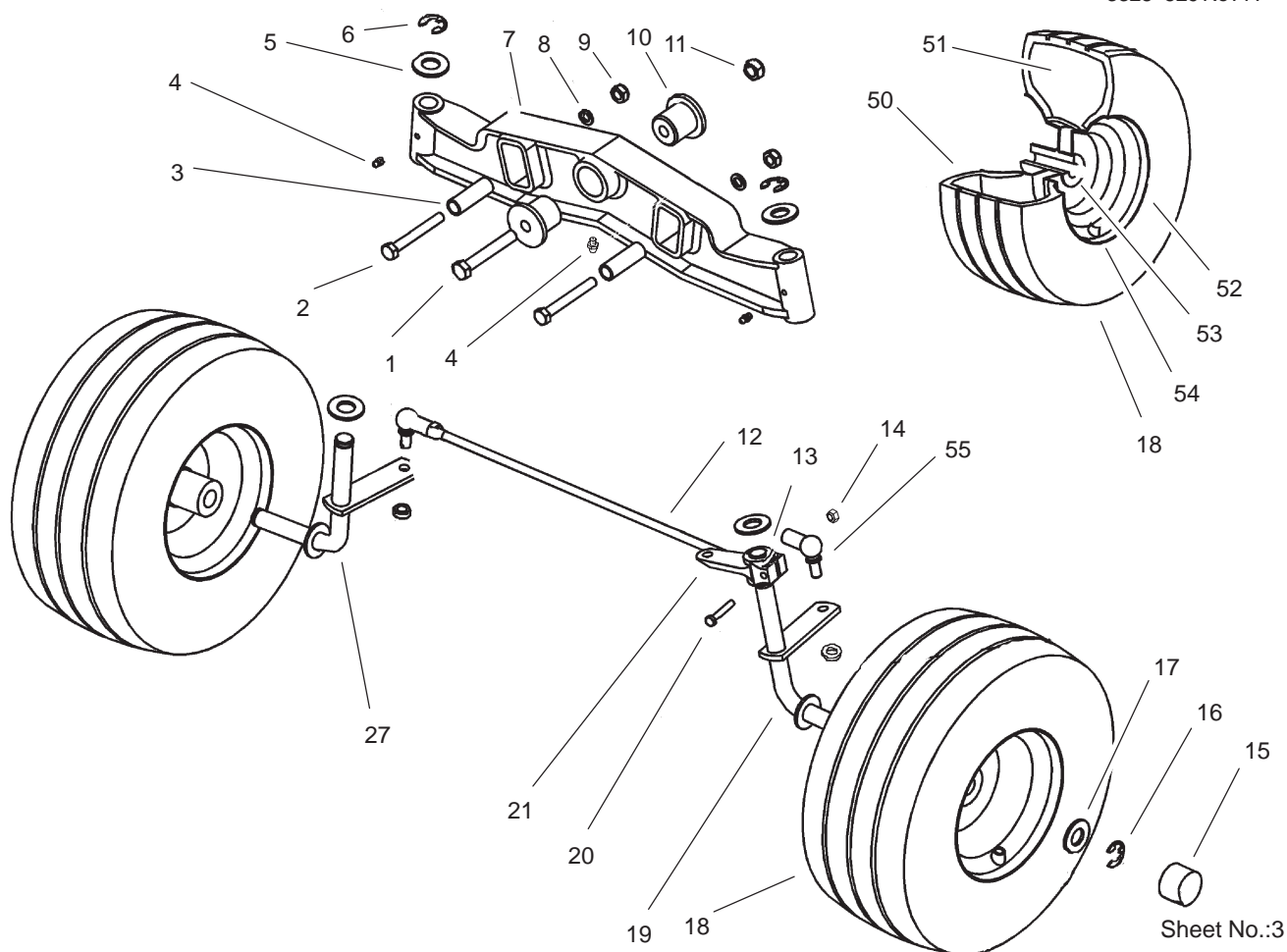


Sheet No.:2

## Body Assembly

Ref. No.	Part No.	Qty.	Description	Ref. No.	Part No.	Qty.	Description
1	104-2926	2	Bracket-Seat Support	28	87-5140	6	Nut-Lock
2	104-2927	4	Washer-Spring	29	104-2943	6	Washer-Flat
3	33114-025	3	Screw-HH	30	104-2944	1	Footrest ASM
4	104-3192	2	Bolt-Hex	31	104-2945	2	Spring-Seat
6	104-2927	4	Washer-Spring	32	33024-00	2	Nut-Lock
7	104-2929	1	Support-Seat	33	104-2946	6	Washer-Flat
8	104-2930	2	Bolt-Carriage	34	33114-020	2	Screw-HH
9	104-2931	2	Washer-Flat	35	87-5140	6	Nut-Lock
10	104-2932	2	Spring-Seat	36	104-2943	6	Washer-Flat
11	104-2933	2	Spacer-Split	37	104-2948	6	Bolt-Carriage
12	88-3950	1	Seat - Medium Back	38	104-2857	2	Cap-Hub
13	104-2934	1	Bracket	39	104-2949	2	Washer-Rubber
14	104-2935	2	Bushing	39	104-2951	2	Washer-Rubber
15	33023-00	2	Nut-Lock	40	104-2952	2	Washer-Rubber
16	104-2936	2	Washer-Spring	41	104-2952	6	Washer-Rubber
17	104-2937	2	Knob-Adj.	42	104-2953	1	Bracket-Right Seat
18	104-2938	1	Frame-Chassis	43	104-2954	1	Bracket-Left Seat
19	33114-030	1	Screw-HH	44	104-3195	4	Screw-Sng
20	104-2939	2	Screw-Seat Support	45	100-9124	2	Decal - Tower 170dh
21	33094-00	6	Washer-Flat	46	104-3237	1	Decal-Parking Brake
22	33024-00	6	Nut-Lock	47	104-3238	1	Decal-Starting
23	104-2940	2	Screw-Flt Hd Socket	48	104-3241	1	Decal-Hydro
24	104-2941	2	Washer-Finish				Operation
25	104-2942	1	Fender	49	104-3244	1	Decal-Hydro
26	33095-00	4	Washer-Flat				Information
27	33025-00	4	Nut-Lock				





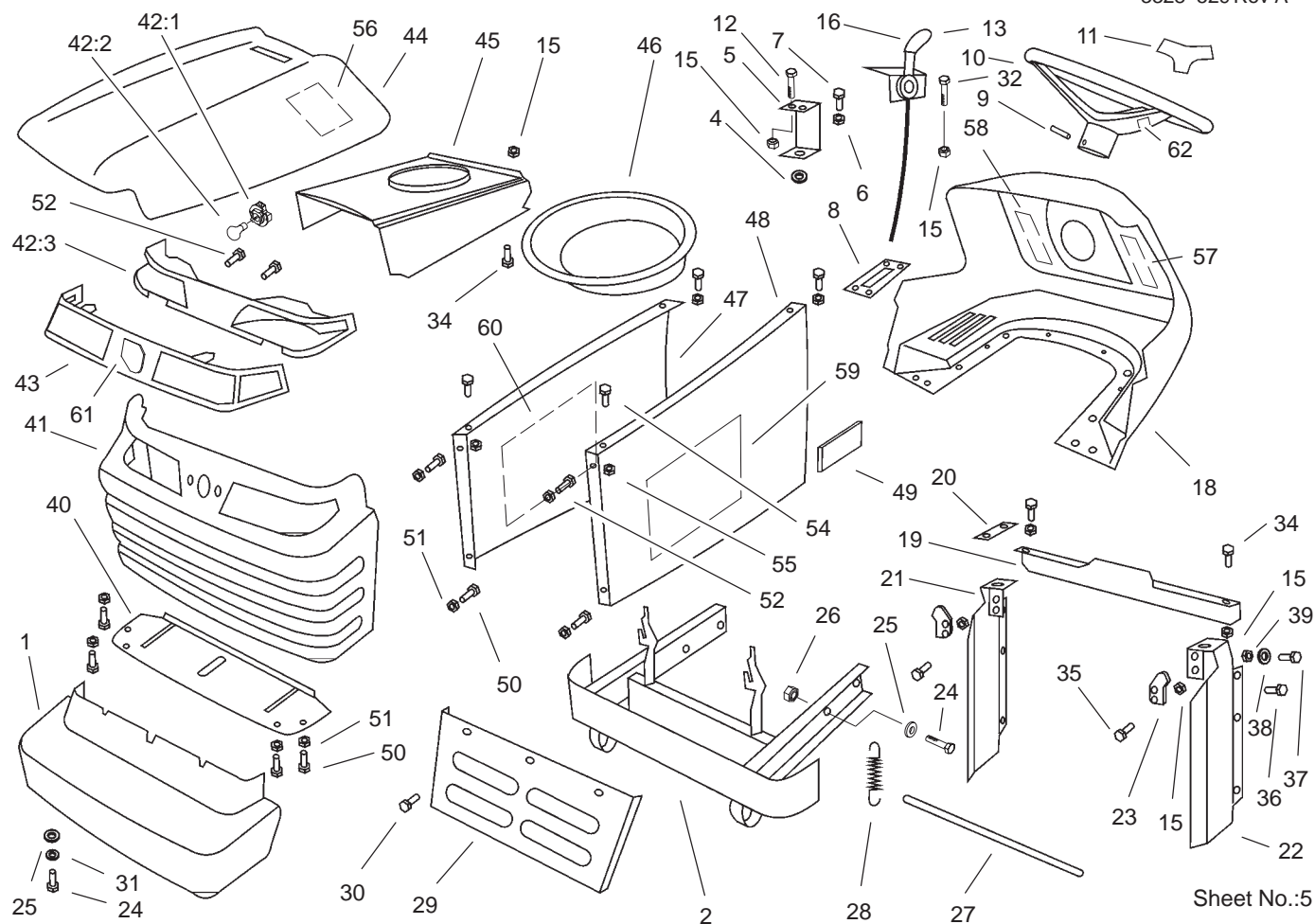
Sheet No.:3

## Front Axle Assembly

Ref. No.	Part No.	Qty.	Description
1	33116-090	1	Screw-HH
2	33115-080	2	Screw-HH
3	104-2851	2	Spacer
4	104-2904	3	Fitting-Grease
5	104-2905	4	Washer-Flat
6	104-2891	2	Clip-Spring
7	104-2852	1	Axle-Front
8	104-2906	2	Washer-Flat
9	33025-00	2	Nut-Lock
10	104-2890	2	Bushing-Front Axle
11	104-2907	1	Nut-Self Locking
12	104-2855	1	Rod-Front Axle Tie
13	104-2856	1	Key-Square
14	33023-00	1	Nut-Lock
15	104-2857	2	Cap-Hub
16	104-2891	2	Clip-Spring
17	104-3206	2	Washer
18	104-2858	2	Front Tire Wheel ASM
19	104-2860	1	Spindle-LH
20	33113-045	1	Screw-HH
21	104-2862	1	Lever-Steering Spindle
27	104-2866	1	Spindle-RH
50	104-2868	2	Tyre -Turf Saver, 2-Ply
51	104-2870	2	Tube

Ref. No.	Part No.	Qty.	Description
52	104-2872	2	Wheel-W/Brgs
53	104-2874	2	Whl-Front W/Brg
54	104-2875	2	Valve-Tyre Compl.
55	104-2876	4	Joint-Ball Angle





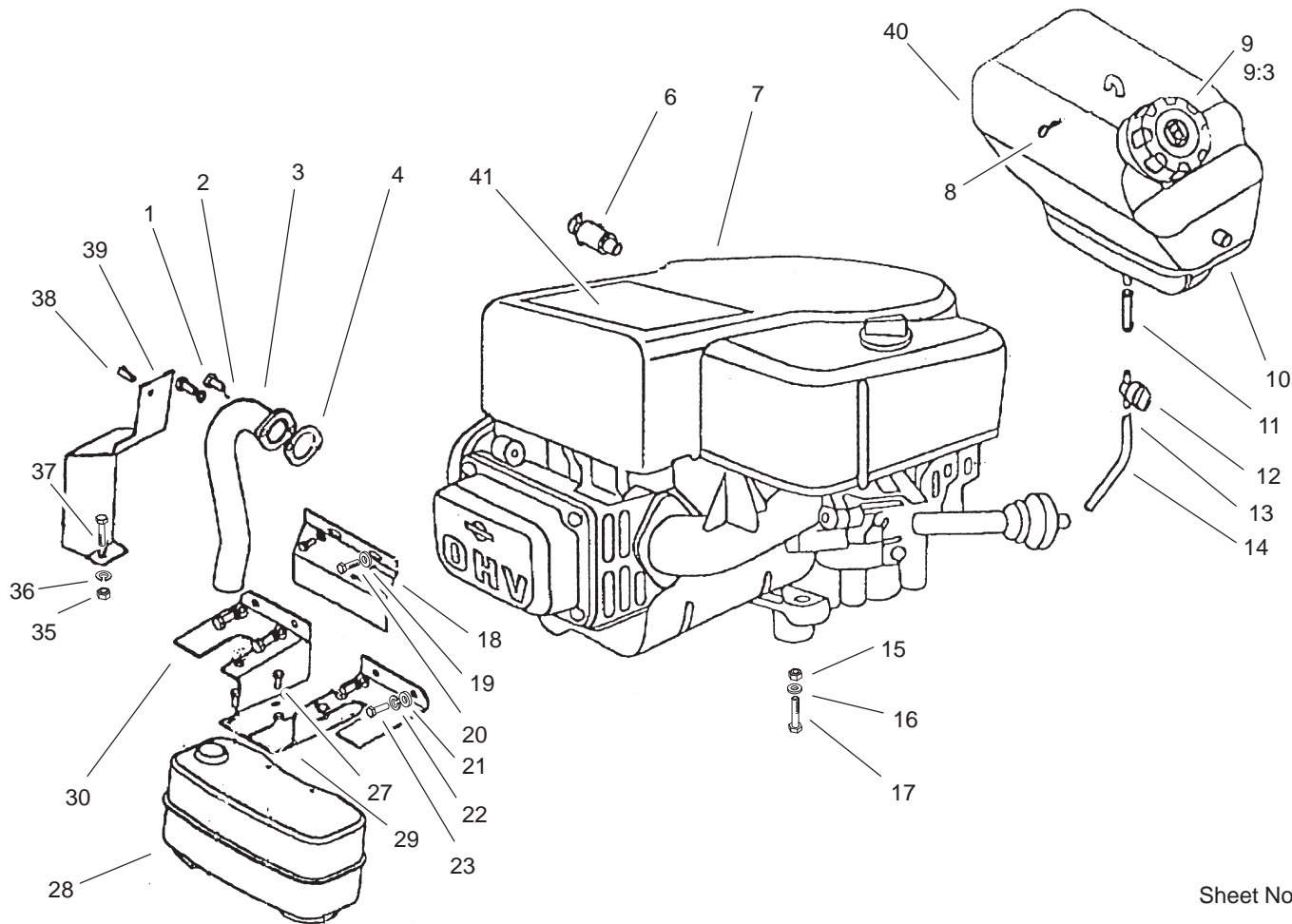
Sheet No.:5

## Body Assembly

Ref. No.	Part No.	Qty.	Description	Ref. No.	Part No.	Qty.	Description
1	104-2955	1	Cover-Bumper	26	33024-00	4	Nut-Lock
2	104-2956	1	Bumper	27	104-2974	1	Bar-Safety
*3	104-2957	1	Hood ASM	28	104-2975	1	Spring-Hood
4	104-2959	1	Bushing	29	104-2976	1	Shield-Heat
5	104-2960	1	Holder-Fuel Tank	30	104-2977	3	Screw-Slf Drl
6	33023-00	2	Nut-Lock	31	104-2927	2	Washer-Spring
7	104-2961	2	Screw	34	104-2980	6	Screw
8	104-2962	1	Brace	35	104-2981	4	Screw
9	104-2963	1	Pin-Spirol	36	104-2982	4	Screw
10	104-2964	1	Wheel-Steering 14"	37	104-2983	2	Screw
11	98-1468	1	Cover - Wheel Steering	38	104-2984	6	Washer
12	104-2966	9	Screw-Flt Hd	39	104-2985	6	Nut-Hex
13	66-0120	1	Knob	40	104-2986	1	Bracket
15	87-5140	15	Nut-Lock	41	100-1344	1	Grill
16	106-4166	1	Control-Throttle Single	*42	88-3970	1	Reflector & Lamp ASM
17	104-2967	1	Brace	42:1	111686	2	Socket-Light
18	104-2968	1	Panel-Dash	42:2	7228	2	Bulb -No. 1156
19	104-2970	1	Brace	42:3	93-8741	1	Reflector
20	104-2971	1	Bracket	43	92-6656	1	Lens - Headlight
21	104-2972	1	Panel-Right	44	92-6658	1	Hood - Top (Toro)
22	104-2973	1	Panel-Left	45	104-3245	1	Hood - Baffle
23	92-6960	2	Latch - Hood	46	104-2988	1	Plenum-Air
24	33114-020	6	Screw-HH	47	92-6652	1	Side-LH Hood
25	104-2946	6	Washer-Flat	48	92-6650	1	Side-RH Hood
				49	92-7148	2	Foam - Sidepanel
				50	104-2990	8	Screw

\* Not illustrated



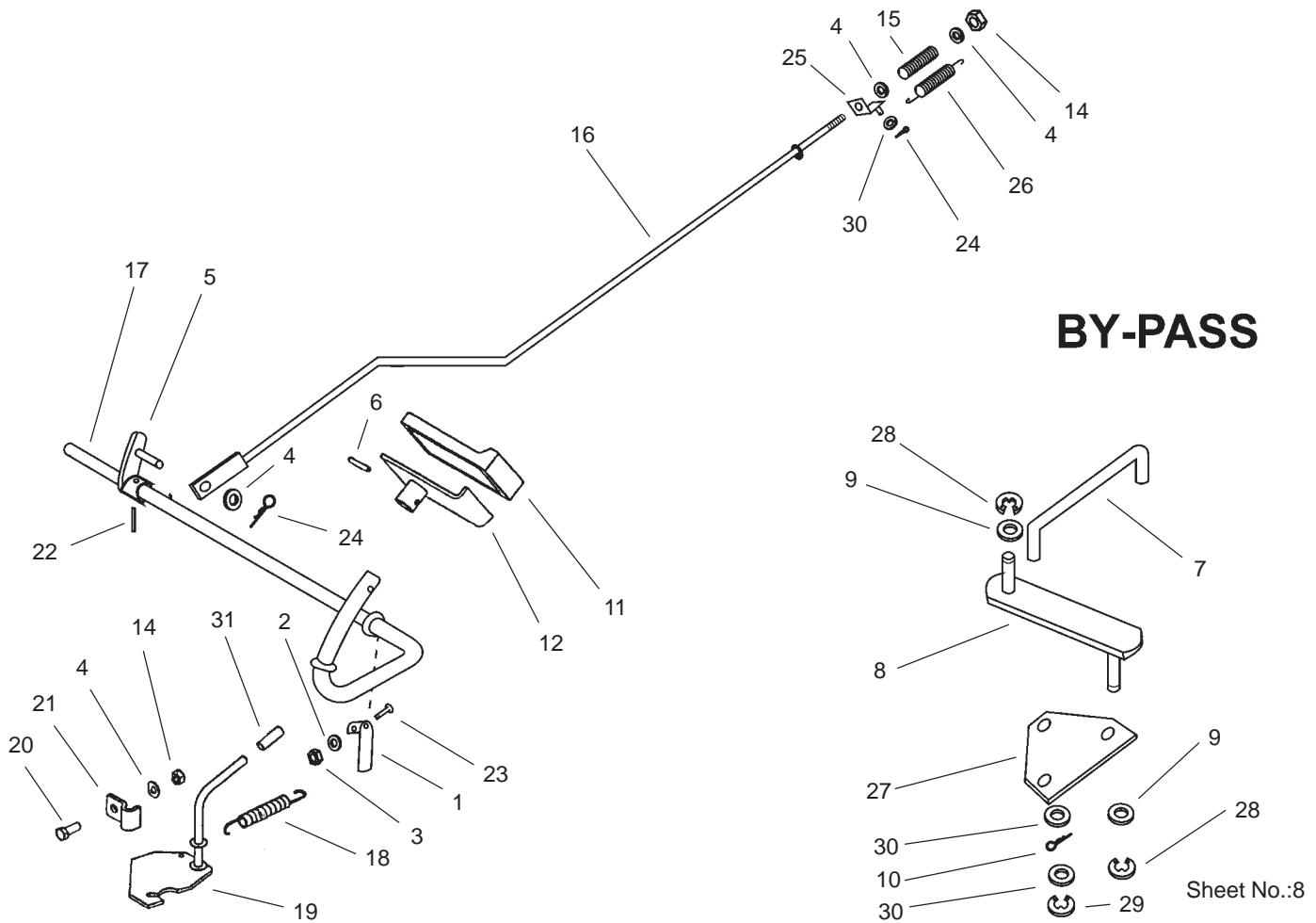


Sheet No.:6

## Engine Assembly

Ref. No.	Part No.	Qty.	Description	Ref. No.	Part No.	Qty.	Description
1	322-3	2	Screw-HH	23	33114-020	4	Screw-HH
2	104-2927	2	Washer-Spring	27	32144-4	4	Screw-HH
3	104-3221	1	Tube-Exhaust	28	104-3229	1	Muffer-17hp
4	88-4410	1	Gasket-Muffler	29	104-3214	1	Guard-LH Muffler Heat
6	104-3208	1	Valve-Oil Drain	30	104-3215	1	Guard-RH Muffler Heat
☆7		2	Engine-Intek, 1cyl Briggs And Stratton Model 311777-0151-E1	35	33013-00	1	Nut-Hex
8	104-3144	1	Pin-Hair	36	104-3186	1	Washer-Spring
9	88-3980	1	Gas Cap ASM	37	33113-016	1	Screw-HH
9:3	88-4010	1	Gasket-Gas Cap	38	32144-4	1	Screw-HH
10	104-3057	1	Tank-Fuel	39	104-3223	1	Cover-Exhaust Manifold
11	104-3211	1	Line-Fuel	40	104-3220	1	Tank-Fuel W/Cap
12	104-3224	1	Valve-Fuel Tank	41	104-2902	1	Decal-Engine 17hp
13	104-3212	4	Clamp-Fuel Line				
14	104-3213	1	Line-Fuel				
15	33024-00	4	Nut-Lock				
16	33094-00	1	Washer-Flat				
17	104-3085	3	Bolt-Hex Flng				
17	48-7740	1	Screw				
18	104-3222	1	Cover-Front				
19	104-2931	2	Washer-Flat				
20	32144-4	2	Screw-HH				
21	104-2979	4	Washer-Flat				
22	104-2927	4	Washer-Spring				

☆ Not serviced separately



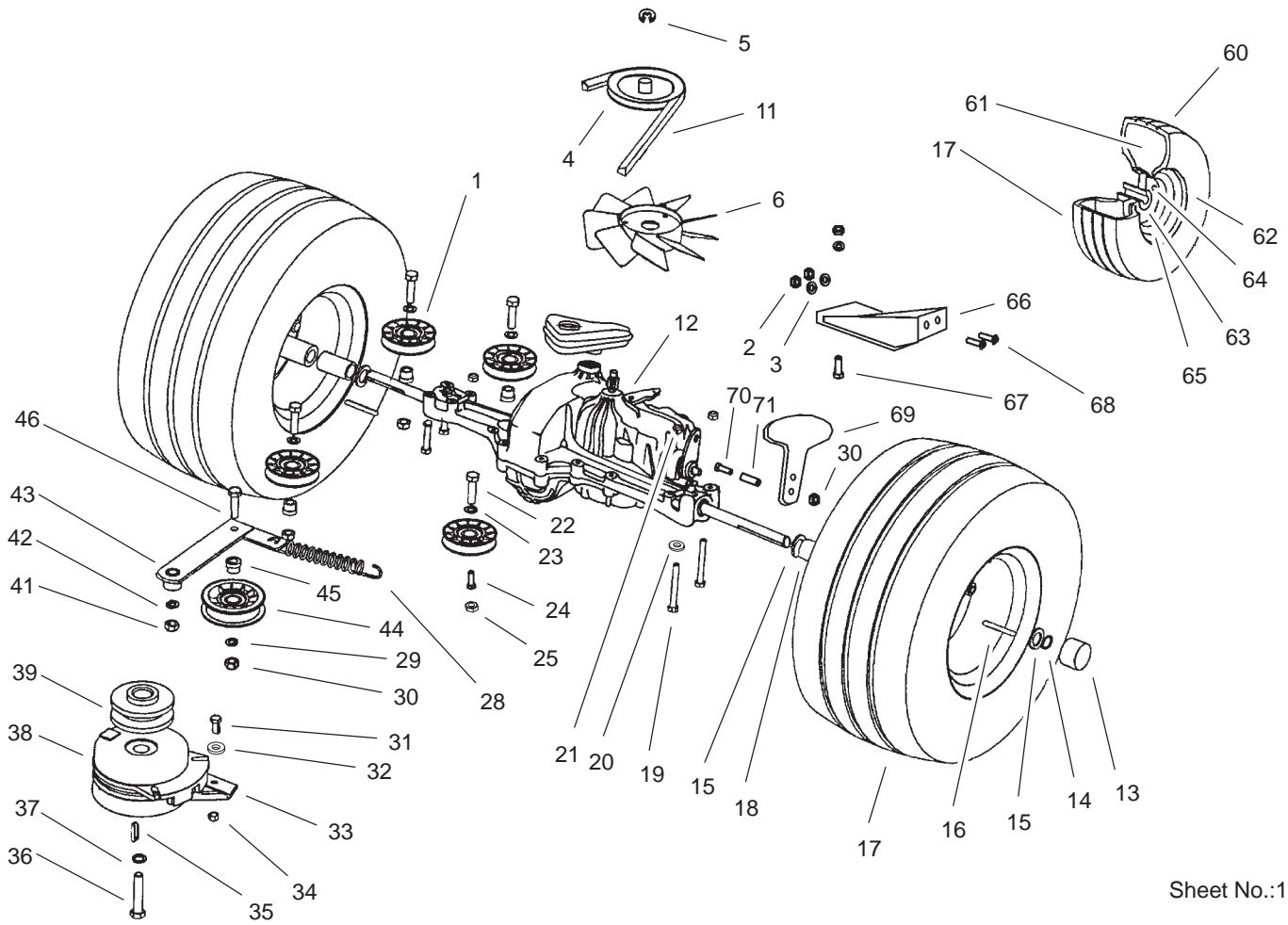
### Operation (Brake) By-Pass Assembly

Ref. No.	Part No.	Qty.	Description
1	104-2992	1	Lever-Spring
2	104-2984	1	Washer
3	104-2985	1	Nut-Hex
4	33094-00	4	Washer-Flat
5	104-2993	1	Bracket-Brake Rod
6	104-2994	1	Pin-Spring
7	104-2995	1	Lever-Bypass
8	104-2996	1	Arm-Bypass Lever
9	104-3193	3	Washer
10	104-2997	1	Pin-Cotter
11	104-2998	1	Pad-Pedal
12	104-2999	1	Pedal
14	33024-00	1	Nut-Lock
15	104-3002	1	Spring-Brake
16	104-3003	1	Rod-Brake Connecting
17	104-3004	1	Shaft-Brake
18	104-3005	1	Spring-Hand Brake
19	104-3006	1	Lever-Hand Brake
20	33114-020	1	Screw-HH
21	104-3007	1	Clamp-Parking Brake Lever
22	104-3008	1	Pin-Spring
23	104-3009	1	Screw-Hex
24	104-3016	2	Pin-Cotter
25	104-3011	1	Bracket-Brake Rod

Ref. No.	Part No.	Qty.	Description
26	104-3012	1	Spring
27	104-3013	1	Plate-By-Pass
28	104-3014	2	Stirrup
29	104-3015	1	Stirrup
30	33095-00	3	Washer-Flat
31	104-3247	1	Cap A281/B1-1/2

Sheet No.:8





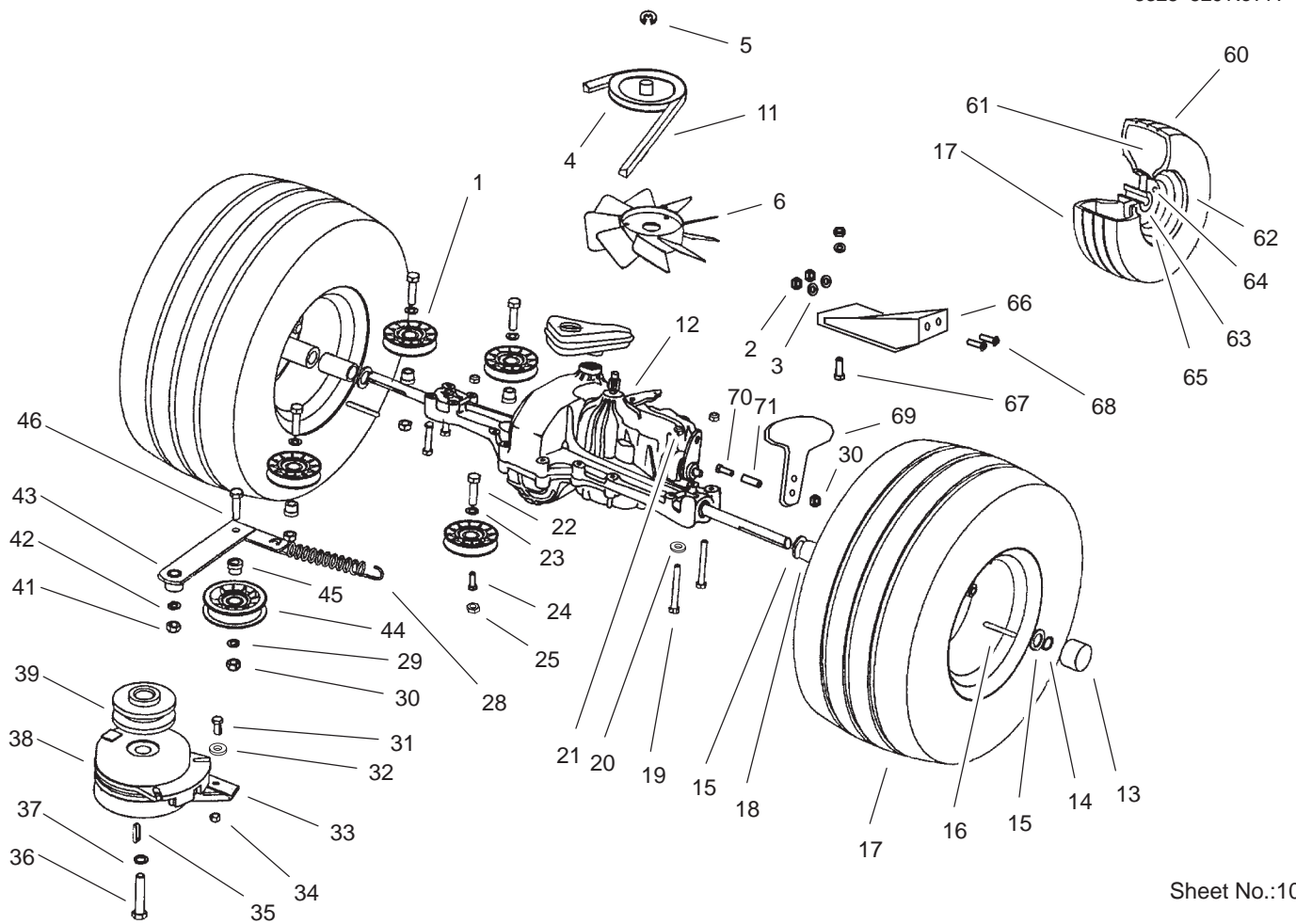
Sheet No.:10

## Transmission Drive Assembly

Ref. No.	Part No.	Qty.	Description
1	104-2887	4	Pully-Idler
2	33024-00	3	Nut-Lock
3	33094-00	3	Washer-Flat
4	104-3197	1	Pulley-Transmission
5	104-3198	1	E-Ring
6	104-3199	1	Fan- Transmission
11	104-2888	1	V-Belt-Traction
12	104-2889	1	Transmission
13	104-2857	2	Cap-Hub
14	104-2891	2	Clip-Spring
15	104-3206	4	Washer
16	104-2892	2	Key-Square
17	104-2893	2	Tyre-Rear Whl ASM
18	104-2895	2	Spacer-Axle
19	60-6690	4	Capscrew
20	33094-00	4	Washer-Flat
21	33024-00	4	Nut-Lock
22	33115-040	4	Screw-HH
23	33095-00	4	Washer-Flat
24	104-2896	4	Bushing-Idler
25	33025-00	4	Nut-Lock
28	104-2897	1	Spring
29	33095-00	1	Washer-Flat
30	33025-00	1	Nut-Lock
31	33114-020	1	Screw-HH
32	33094-00	1	Washer-Flat

Ref. No.	Part No.	Qty.	Description
33	104-2898	1	Retainer
34	33024-00	1	Nut-Lock
35	104-2899	1	Key-Square
36	3212-10	1	Screw-HH
37	93-9043	1	Washer- Belleville Spring
38	104-3334	1	Clutch-Electric
39	104-2911	1	Pulley-Engine
41	33024-00	1	Nut-Lock
42	33094-00	1	Washer-Flat
43	104-2912	1	Arm-Idler
44	104-2913	1	Pulley-Idler
45	104-2896	1	Bushing-Idler
46	33115-040	1	Screw-HH
60	104-2916	2	Tire-Turf Saver
61	104-2918	2	Tube
62	104-2919	2	Rim
*62	104-2920	2	Wheel ASM
63	104-2921	2	Hub-Wheel
64	104-2922	8	Nut-Wheel
65	104-2875	2	Valve-Tyre Compl.
66	104-2923	1	Stabilizer-20" Wheels
67	98-5827	2	Screw-Hex Hd
68	33114-025	2	Screw-HH
69	104-2924	1	Arm-Cruise Control
70	33115-045	1	Screw-HH

\* Not illustrated

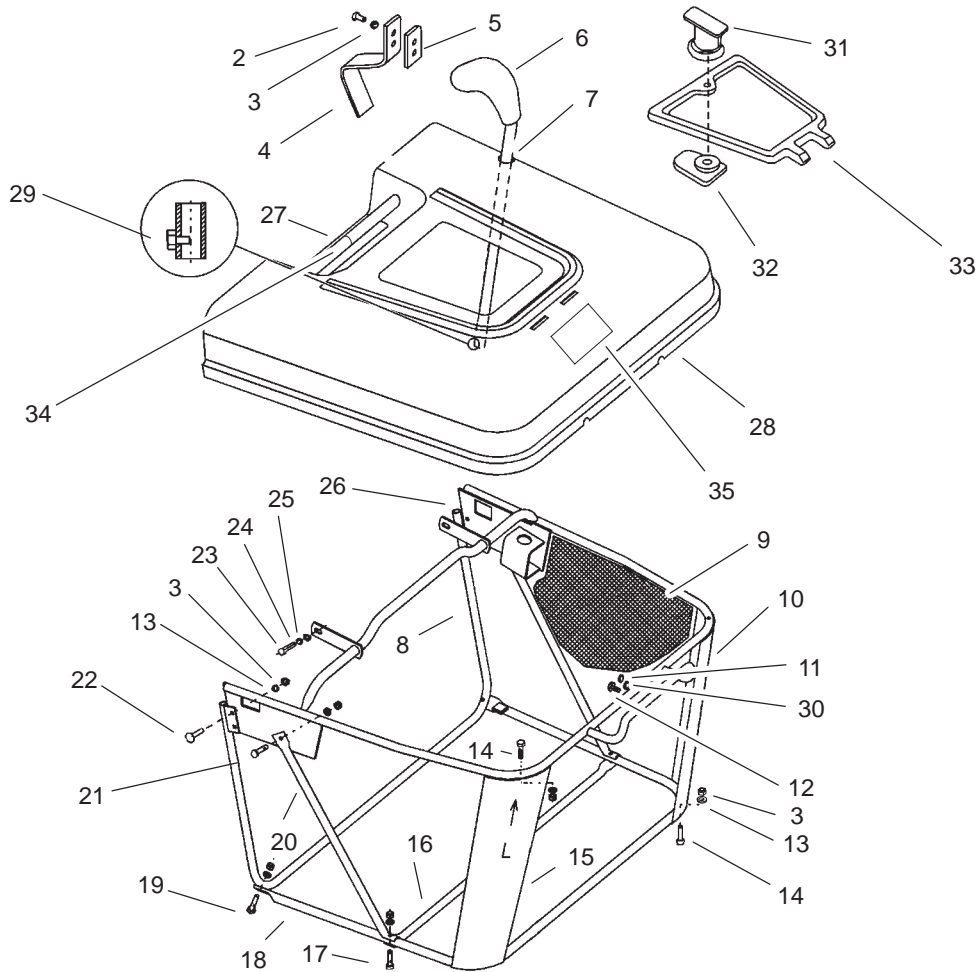


Sheet No.:10

### Transmission Drive Assembly (cont.)

Ref. No.	Part No.	Qty.	Description
71	104-2925	1	Bushing

Ref. No.	Part No.	Qty.	Description



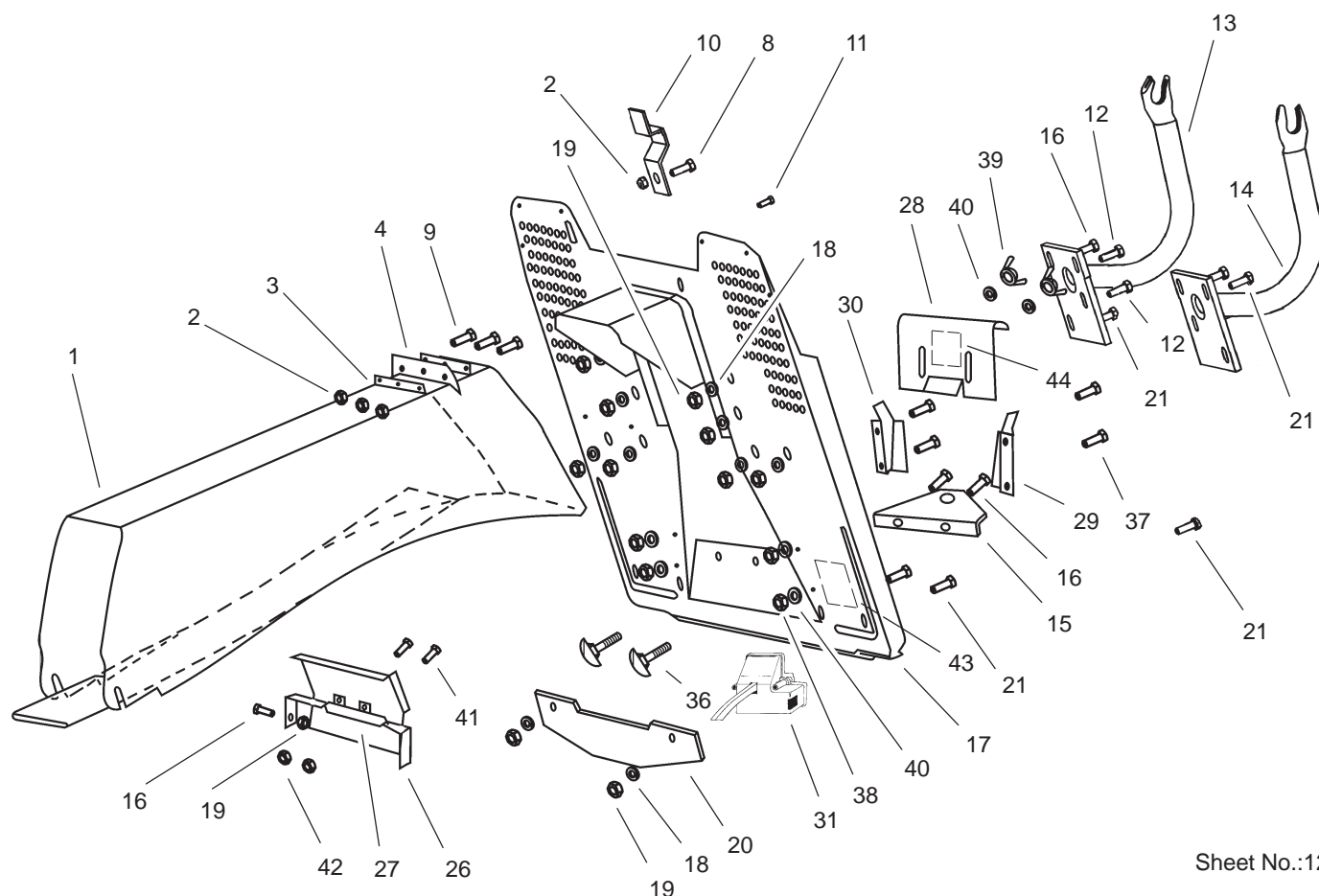
Sheet No.:11

## Grass Collector Assembly

Ref. No.	Part No.	Qty.	Description
*1	104-3032	1	Grass Coll ASM
2	60-6910	2	Screw
3	87-5140	16	Nut-Lock
4	104-3033	1	Spring-Coll Interlock Switch
5	104-3034	1	Washer-Spring
6	104-3035	1	Grip-Dump Lever Handle
7	104-3036	1	Lever-Dumping
8	104-3037	1	Front Frame ASM
9	104-3038	1	Bag-Grass Coll
10	104-3039	1	Support-Right Corner
11	104-2943	7	Washer-Flat
12	104-3040	7	Screw-Tapping
13	52-6430	14	Washer
14	104-3041	4	Screw-Hex
15	104-3042	1	Support-Left Corner
16	104-3043	1	Brace-Connecting
17	104-3044	2	Screw-Hex
18	104-3045	1	Bottom Frame ASM
19	104-3041	2	Screw-Hex
20	104-3046	2	Brace
21	60-6910	2	Screw
22	104-2948	4	Bolt-Carriage
23	33114-020	2	Screw-HH
24	104-2927	2	Washer-Spring

Ref. No.	Part No.	Qty.	Description
25	104-2946	2	Washer-Flat
26	104-3047	1	Top Frame ASM
27	104-3048	1	Handle-Lift
28	104-3049	1	Cover-Coll
29	32144-4	1	Screw-HH
30	104-2952	7	Washer-Rubber
31	104-3051	1	Knob
32	104-3052	1	Arm-Knob
33	104-3053	1	Window-Transparent
34	104-3242	1	Decal-Bag To Frame Mating
35	93-6654	1	Decal-Danger Covers

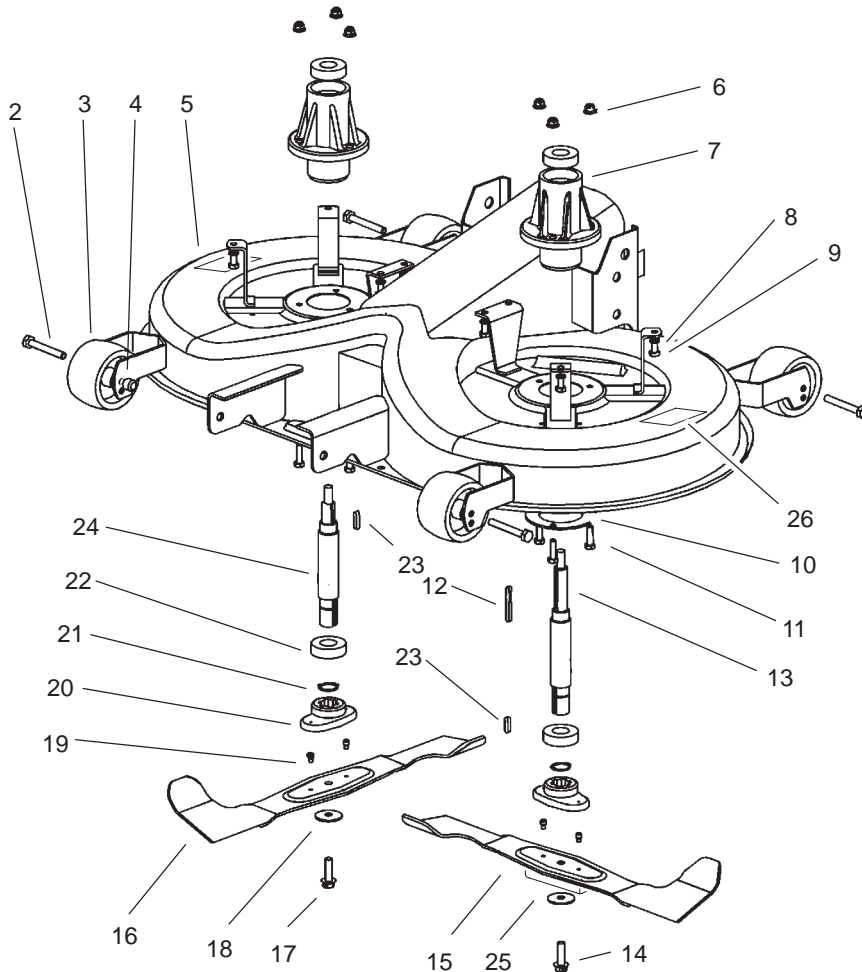
\* Not illustrated



Sheet No.:12

## Chute-Collector Assembly

Ref. No.	Part No.	Qty.	Description	Ref. No.	Part No.	Qty.	Description
1	104-3054	1	Tunnel	31	104-3074	1	Overload Switch ASM, Complete
2	104-2985	6	Nut-Hex	32	104-3075	1	Lever-Overload Switch Actuation
3	104-3055	1	Plate-Support	33	104-3076	1	Housing-Overload Switch Upper
4	104-3056	1	Seal-Rubber	34	104-3077	1	Housing-Overload Switch Lower
8	104-2983	1	Screw	35	104-3078	1	Pin-Overload Switch
9	104-3058	3	Screw-Slit Hd	36	3229-1	2	Screw-CARR
10	104-3059	1	Cover-Switch	37	33113-012	4	Screw-HH
11	104-3060	2	Bolt-Carriage	38	33023-00	4	Nut-Lock
12	104-3061	4	Screw	39	32103-28	2	Nut-Wing
13	104-3062	1	Support-Right Collector	40	33093-00	2	Washer-Flat
14	104-3063	1	Support-Left Collector	41	104-2948	2	Bolt-Carriage
15	104-3064	1	Hitch-Tow	42	87-5140	2	Nut-Lock
16	104-3065	6	Screw-Hex	43	104-3243	1	Decal-Hydro Bypass
17	104-3066	1	Collector Plate ASM	44	104-2853	1	Decal - Bagging Position
18	33095-00	6	Washer-Flat				
19	33024-00	10	Nut-Lock				
20	104-3067	1	Support-Tow Hitch				
21	104-3068	5	Screw-Hex				
26	104-3069	1	Bracket-Protective Shield				
27	104-3070	1	Shield-Protective				
28	104-3071	1	Shield-Adjustable				
29	104-3072	1	Chute-Left Rear Plate				
30	104-3073	1	Chute-Right Rear Plate				



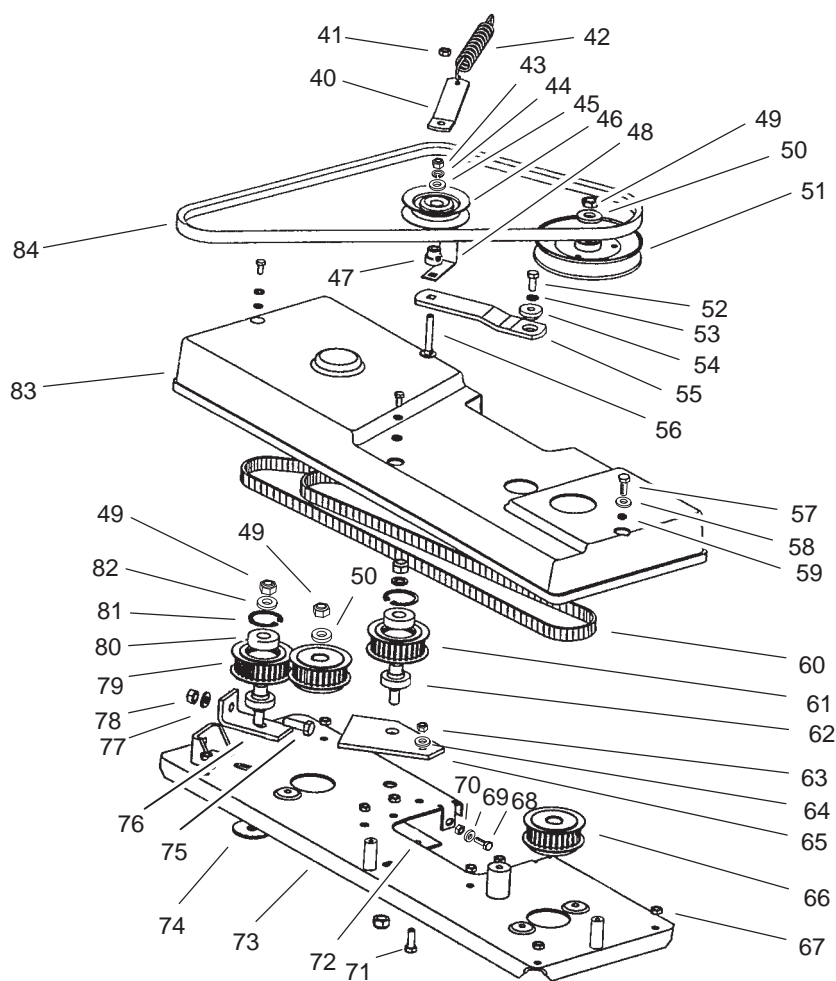
Sheet No.:13

## Operation-Cutting Pan Assembly

Ref. No.	Part No.	Qty.	Description
*1	104-3079	1	Cutting System Complete
2	33115-090	4	Screw-HH
3	104-3080	4	Wheel-Gauge
4	33025-00	4	Nut-Lock
5	104-3081	1	Mower Housing Complete
6	104-3082	6	Nut-Self Lock Flng
7	104-3083	2	Housing-Quill
8	33094-00	8	Washer-Flat
9	33114-020	8	Screw-HH
10	104-3084	2	Support-Ring
11	104-3085	6	Bolt-Hex Flng
12	104-3086	1	Key
13	104-3087	1	Shaft-Left Blade
14	104-3088	1	Screw-Hex
15	104-3089	1	Blade-Right
16	104-3090	1	Blade-Left
17	104-3091	1	Screw-Hex Left
18	104-3092	2	Washer-Belleville
19	104-3093	4	Pin-Grooved Shear
20	104-3094	2	Adapter-Blade
21	104-3095	2	Ring-Locking
22	104-3096	4	Bearing
23	104-3097	3	Key-Square
24	104-3098	1	Shaft-Right Blade

Ref. No.	Part No.	Qty.	Description
25	104-3207	2	Stiffener-Blade
26	93-7824	2	Decal-Danger Int'l

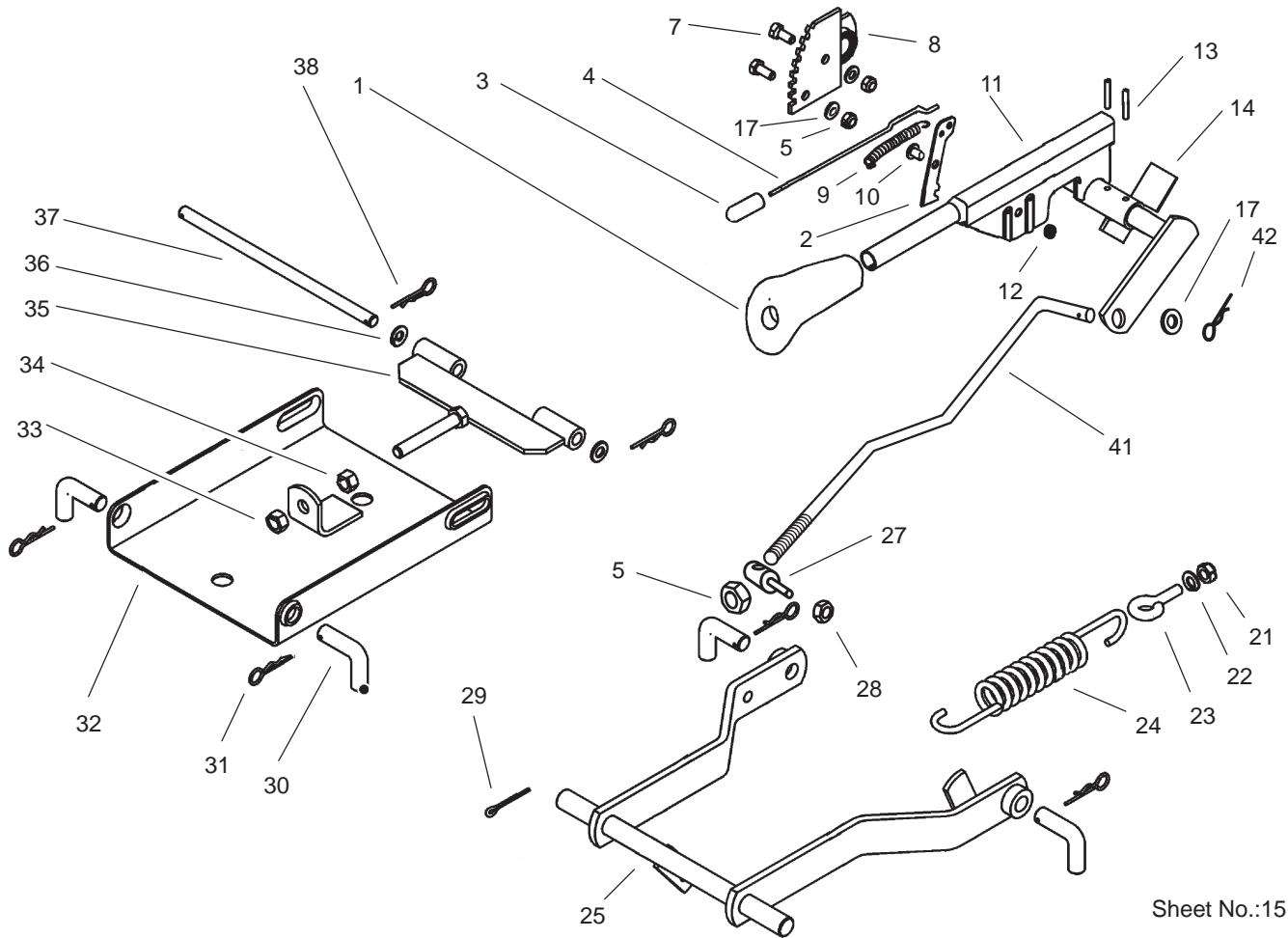
\* Not illustrated



Sheet No.:14

## Cutting Pan Assembly

Ref. No.	Part No.	Qty.	Description	Ref. No.	Part No.	Qty.	Description
40	104-3099	1	Lever-Engagement	66	104-3116	2	Pulley-Drive Cog
41	33024-00	1	Nut-Lock	67	33024-00	8	Nut-Lock
42	104-3101	1	Spring	68	104-2961	1	Screw
43	104-3102	1	Nut-Hex	69	33093-00	1	Washer-Flat
44	104-2927	1	Washer-Spring	70	33023-00	1	Nut-Lock
45	104-2946	1	Washer-Flat	71	33114-025	1	Screw-HH
46	104-3103	1	Pulley-Idler	72	104-3117	1	Washer-Flat
47	104-3104	1	Bushing	73	104-3118	1	Blade Drive Plate ASM
48	104-3105	1	Retainer-Belt	74	104-2909	1	Washer-Eccentric Bolt
49	33026-00	6	Nut-Lock	75	104-3119	1	Screw-Hex
50	104-3106	2	Washer-Flat	76	104-3120	1	Bracket-Idler
51	104-3107	1	Pulley-Drive	77	33095-00	1	Washer-Flat
52	33114-025	1	Screw-HH	78	33025-00	1	Nut-Lock
53	104-2927	1	Washer-Spring	79	104-3121	2	Pulley-Cog
54	104-3108	1	Spacer-Shoulder	80	104-3122	2	Bearing
55	104-3109	1	Arm-Idler	81	104-3123	2	Ring-Locking
56	33114-050	1	Screw-HH	82	104-3124	4	Washer-Flat
57	33113-016	3	Screw-HH	83	104-3125	1	Cover-Belt
58	104-3110	3	Washer-Flat	84	104-3127	1	V-Belt
59	104-3111	3	Washer-Rubber				
60	104-3112	1	Belt-Cog				
61	104-3113	2	Cog Pulley ASM				
62	104-3114	2	Pin-Cog Pulley				
63	33024-00	1	Nut-Lock				
64	33094-00	1	Washer-Flat				
65	104-3115	1	Support-Pulley				



Sheet No.:15

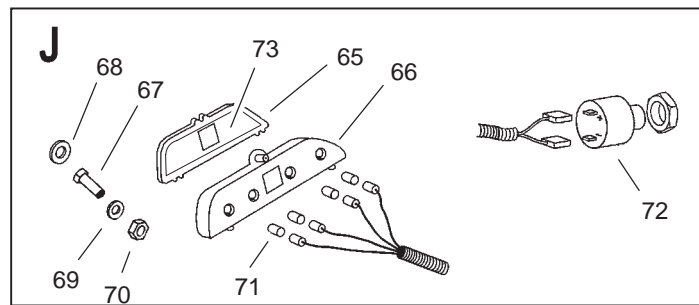
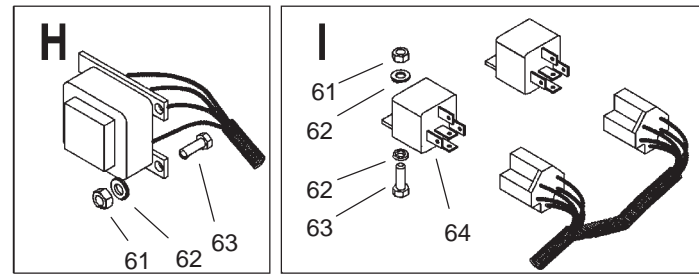
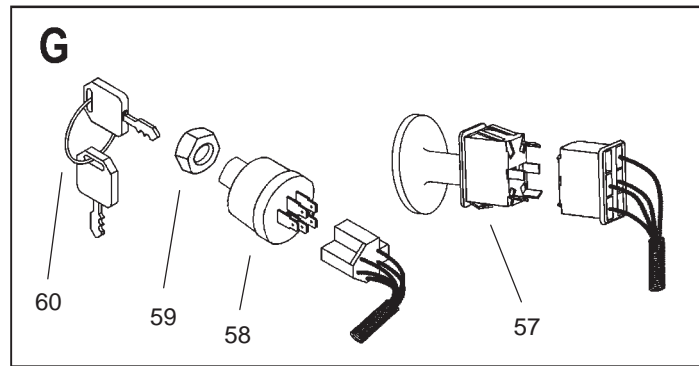
## Operation (Mower Lift) Assembly

Ref. No.	Part No.	Qty.	Description
1	104-3129	1	Grip-Handle
2	104-3130	1	Ratchet-Pivot Plate
3	104-3131	1	Button-Plunger
4	104-3132	1	Rod-Connection
5	33024-00	2	Nut-Lock
7	33114-020	2	Screw-HH
8	104-3133	1	Segment-Gear
9	104-3134	1	Spring
10	104-3135	1	Pin-Arm Lever
11	104-3136	1	Lever-Height Adj. Arm
12	104-3137	1	Clip-Pin
13	104-2994	2	Pin-Spring
14	104-3138	1	Shaft-Height Adj.
17	33094-00	3	Washer-Flat
21	33025-00	1	Nut-Lock
22	33095-00	1	Washer-Flat
23	104-3139	1	Bolt-Eye
24	104-3140	1	Spring-Lift
25	104-3141	1	Pivot Arm ASM
27	104-3142	1	Pin-Lifting
28	33025-00	1	Nut-Lock
29	104-3016	1	Pin-Cotter
30	104-3143	4	Pin-Bent
31	104-3144	5	Pin-Hair
32	104-3145	1	Suspension-Front Mower Deck

Ref. No.	Part No.	Qty.	Description
33	33026-00	1	Nut-Lock
34	33016-00	1	Nut-Hex
35	104-3146	1	Holder-Front
36	104-3124	2	Washer-Flat
37	104-3147	1	Pin
38	104-3148	2	Clip-Hair Pin
41	104-3149	1	Rod-Height Adj.
42	104-3151	1	Pin-Cotter







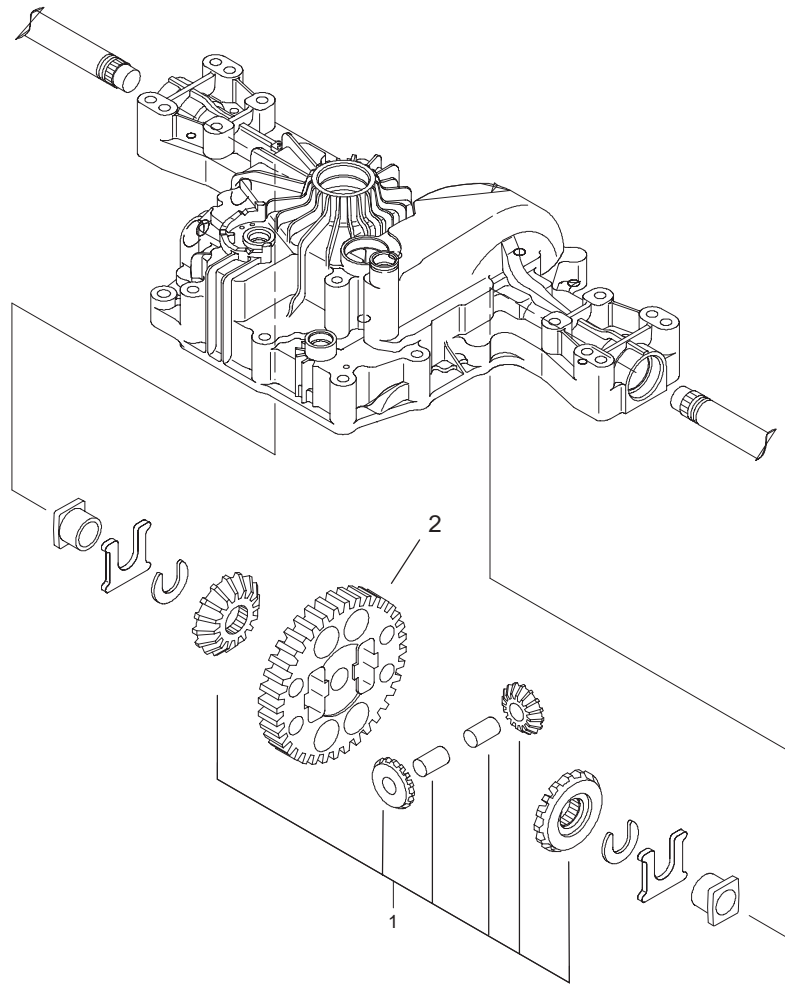
Sheet No.:18

## Electrical Assembly (cont.)

Ref. No.	Part No.	Qty.	Description	Ref. No.	Part No.	Qty.	Description
57	93-9998	1	Switch – PTO Toro				
58	92-6785	1	Switch – Ignition				
59	104-3172	1	Nut-Hex				
60	62-7770	2	Key-Ignition				
61	87-5140	3	Nut-Lock				
62	104-2943	4	Washer-Flat				
63	104-2978	3	Screw-Hex				
64	104-3173	1	Relay				
65	92-6707	1	Lens – Dash Lights				
66	92-6732	1	Hsg – Indicator Light				
67	104-3191	3	Screw				
68	104-3174	1	Screw-Cap				
69	104-3175	3	Washer				
70	104-2985	3	Nut-Hex				
71	104-3176	4	Bulb				
72	104-3177	1	Buzzer				
73	104-3194	1	Decal – Dash 17 HP				







Sheet No.:2

## Differential Gear Assembly

Ref. No.	Part No.	Qty.	Description
1	104-3299	1	Differential Gear Kit
2	104-3301	1	Gear-Final

Ref. No.	Part No.	Qty.	Description
----------	----------	------	-------------





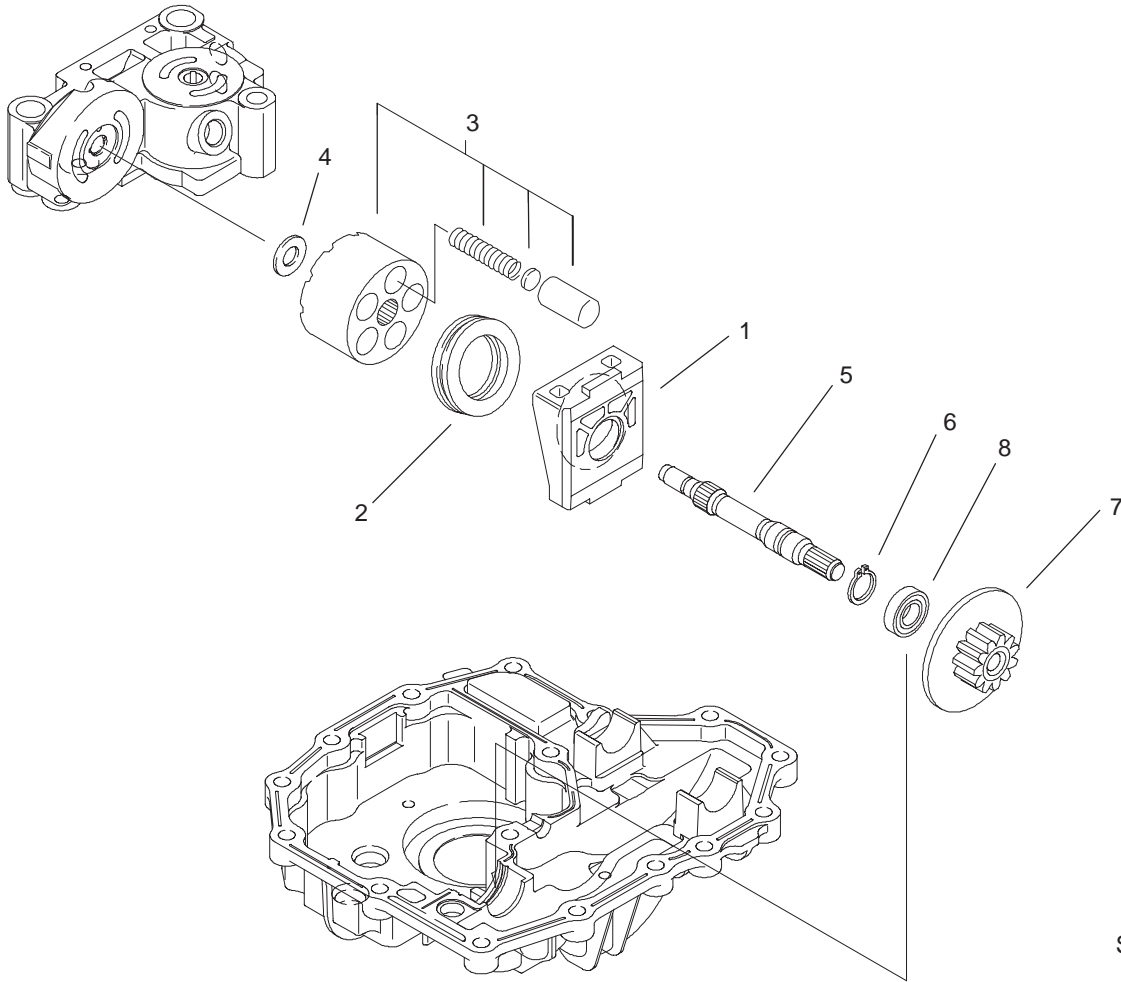












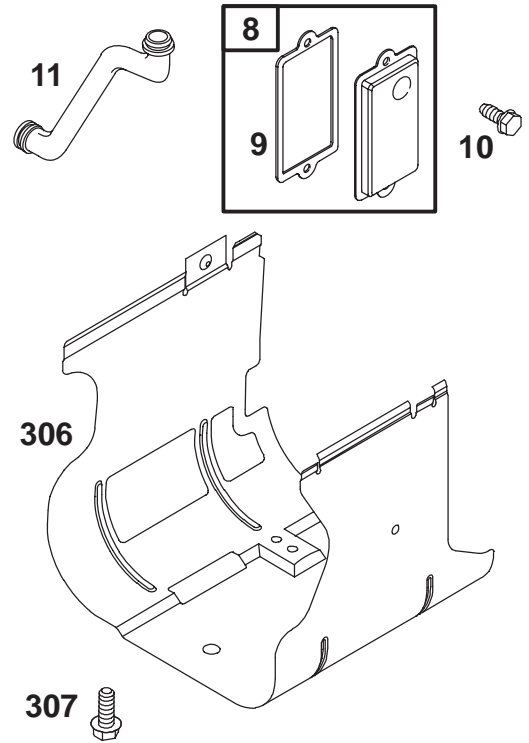
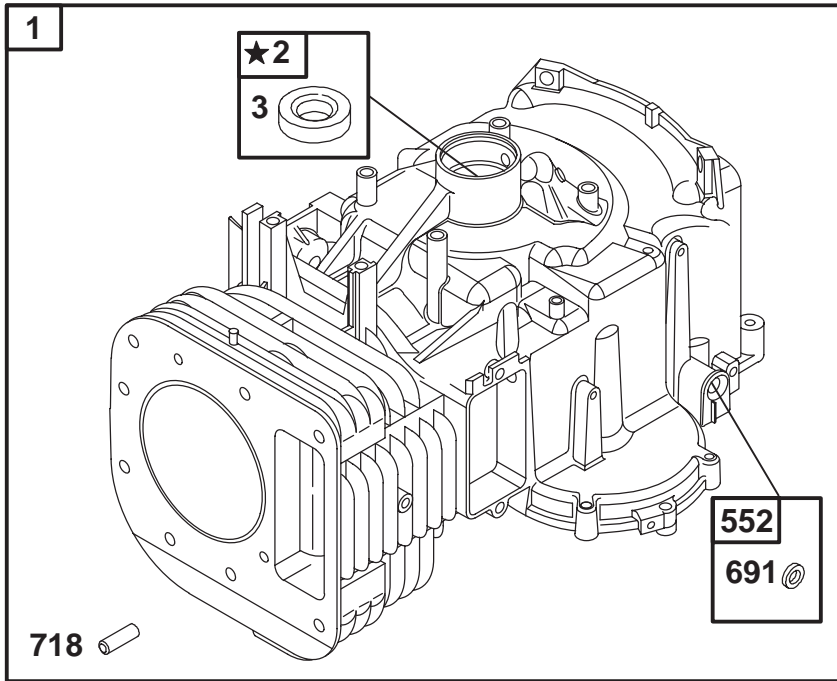
Sheet No.:10

### Motor Shaft Assembly

Ref. No.	Part No.	Qty.	Description
1	104-3279	1	Housing
2	104-3280	1	Bearing
3	104-3281	1	Block-Cylinder, Cmp
4	104-3282	1	Washer
5	104-3283	1	Shaft-Motor
6	93-0373	1	Ring-Snap
7	104-3284	1	Motor-Gear, Us
8	104-3285	1	Bearing

Ref. No.	Part No.	Qty.	Description





★ **REQUIRES SPECIAL TOOLS TO INSTALL. SEE REPAIR INSTRUCTION MANUAL.**

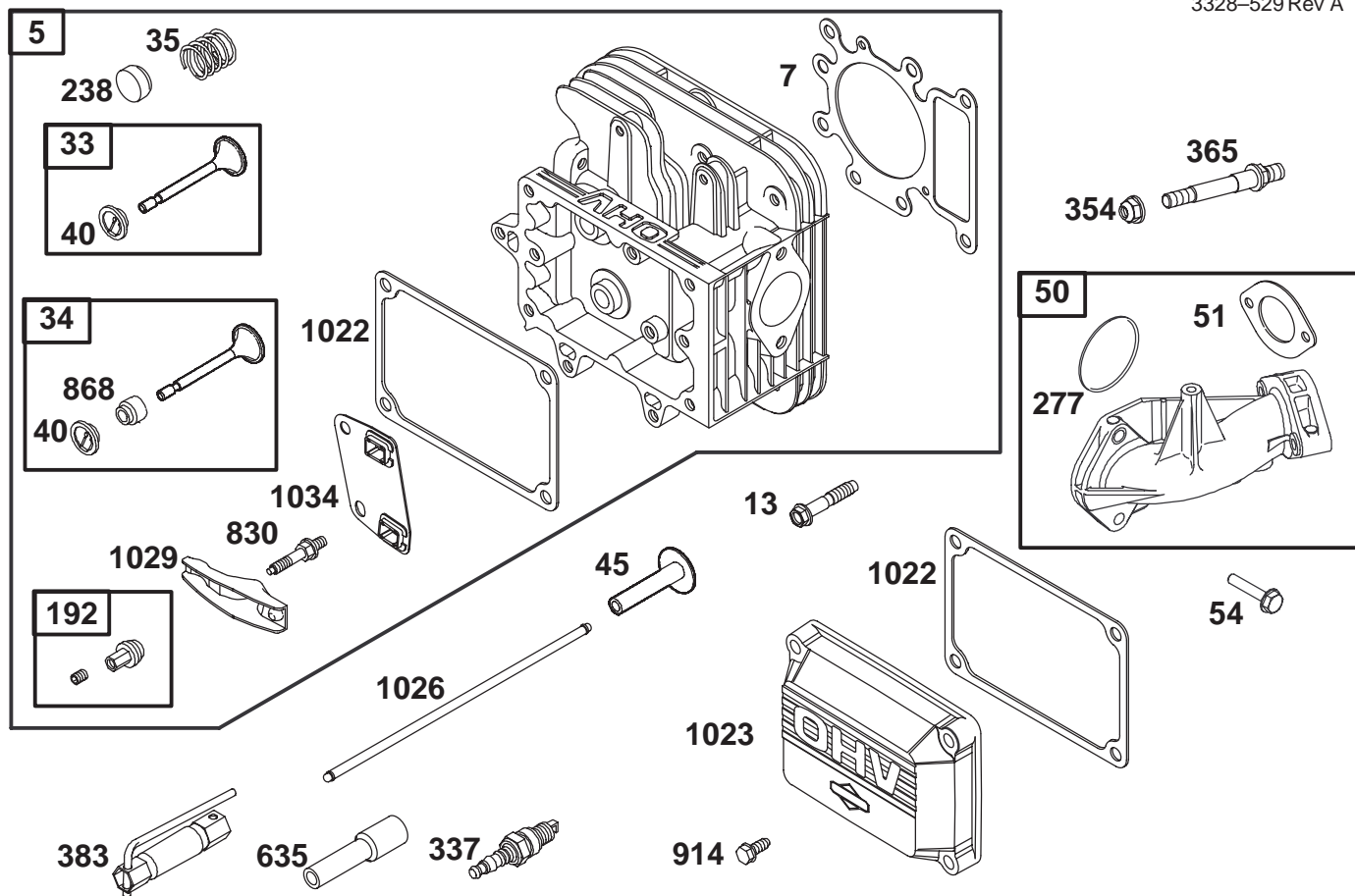
Assemblies include all parts shown in frames.

## Engine Briggs & Stratton Model 311777-0151-E1

Ref. No.	Part No.	Qty.	Description
1	690156	1	Cylinder Assembly
2	399265	1	Bushing/Seal Kit
★3	391086	1	Oil Seal
8	495735	1	Breather Assembly
★9	27803	1	Breather Gasket
10	691666	1	Screw (Breather Assembly)
11	691328	1	Breather Tube
306	690499	1	Cylinder Shield
307	94930	1	Screw (Cylinder Shield)
552	491986	1	Governor Crank Bushing
★691	491323	1	Governor Shaft Seal
718	690959	1	Locating Pin

Ref. No.	Part No.	Qty.	Description

★ Included in Gasket Set-Ref. 358.



Assemblies include all parts shown in frames.

## Engine Briggs & Stratton Model 311777-0151-E1

Ref. No.	Part No.	Qty.	Description
5	690188	1	Cylinder Head
●★7	692410	1	Cylinder Head Gasket
13	690360	1	Screw (Cylinder Head)
33	495856	1	Exhaust Valve
34	495857	1	Intake Valve
35	691279	1	Valve Spring
40	224641	1	Valve Retainer
45	690564	1	Valve Tappet
50	690193	1	Intake Manifold
△★◆51	273650	1	Intake Gasket
54	691148	1	Screw (Intake Manifold)
192	492160	1	Rocker Arm Adjuster
238	691843	1	Valve Cap
△★277	692138	1	O-Ring Seal
337	491055	1	Spark Plug
354	94010	1	Nut (Carburetor)
365	690227	1	Stud (Carburetor)
383	89838	1	Spark Plug Wrench
635	280872	1	Spark Plug Boot
830	696095	1	Stud (Rocker Arm)
△★868	499236	1	Valve Seal
914	690690	1	Screw (Rocker Cover)
△★1022	272475	1	Rocker Cover Gasket
1023	692492	1	Rocker Cover

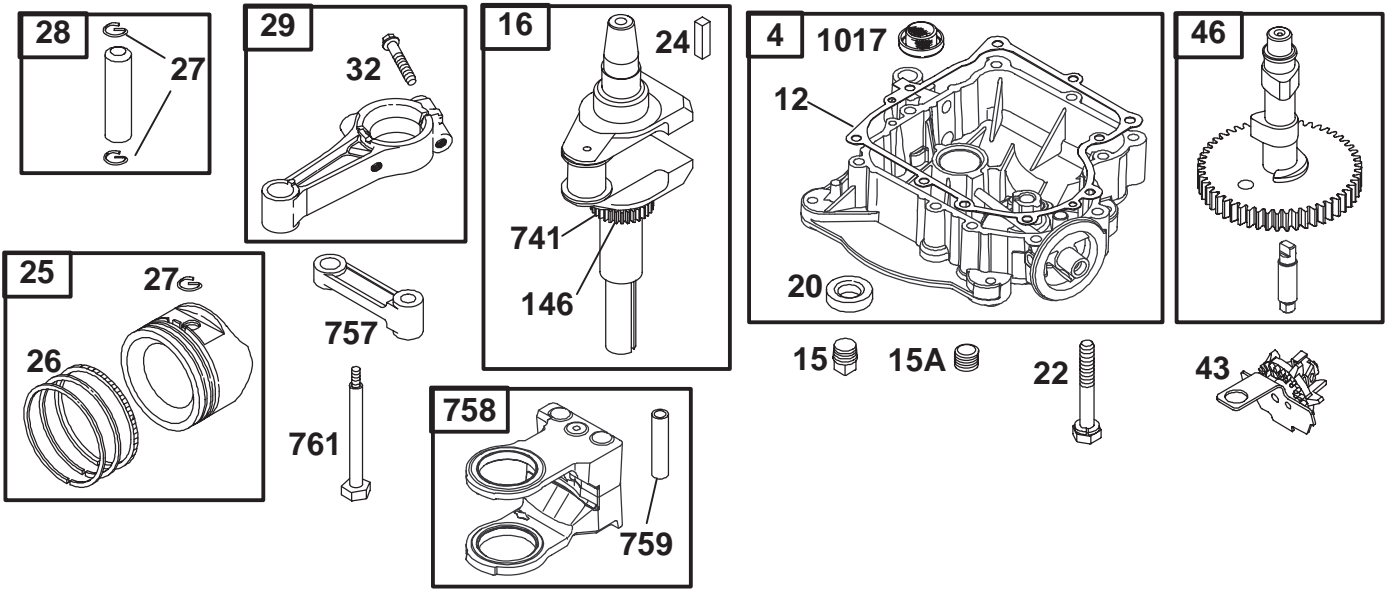
Ref. No.	Part No.	Qty.	Description
1026	494432	1	Push Rod (Intake)
	495136	1	Push Rod (Exhaust)
1029	691751	1	Rocker Arm
1034	495248	1	Push Rod Guide

△ Included in Valve Overhaul Kit-Ref. 1033.

● Included in Carburetor Kit-Ref. 121

★ Included in Gasket Set-Ref. 358.

◆ Included in Carburetor Gasket Set-Ref. 977.



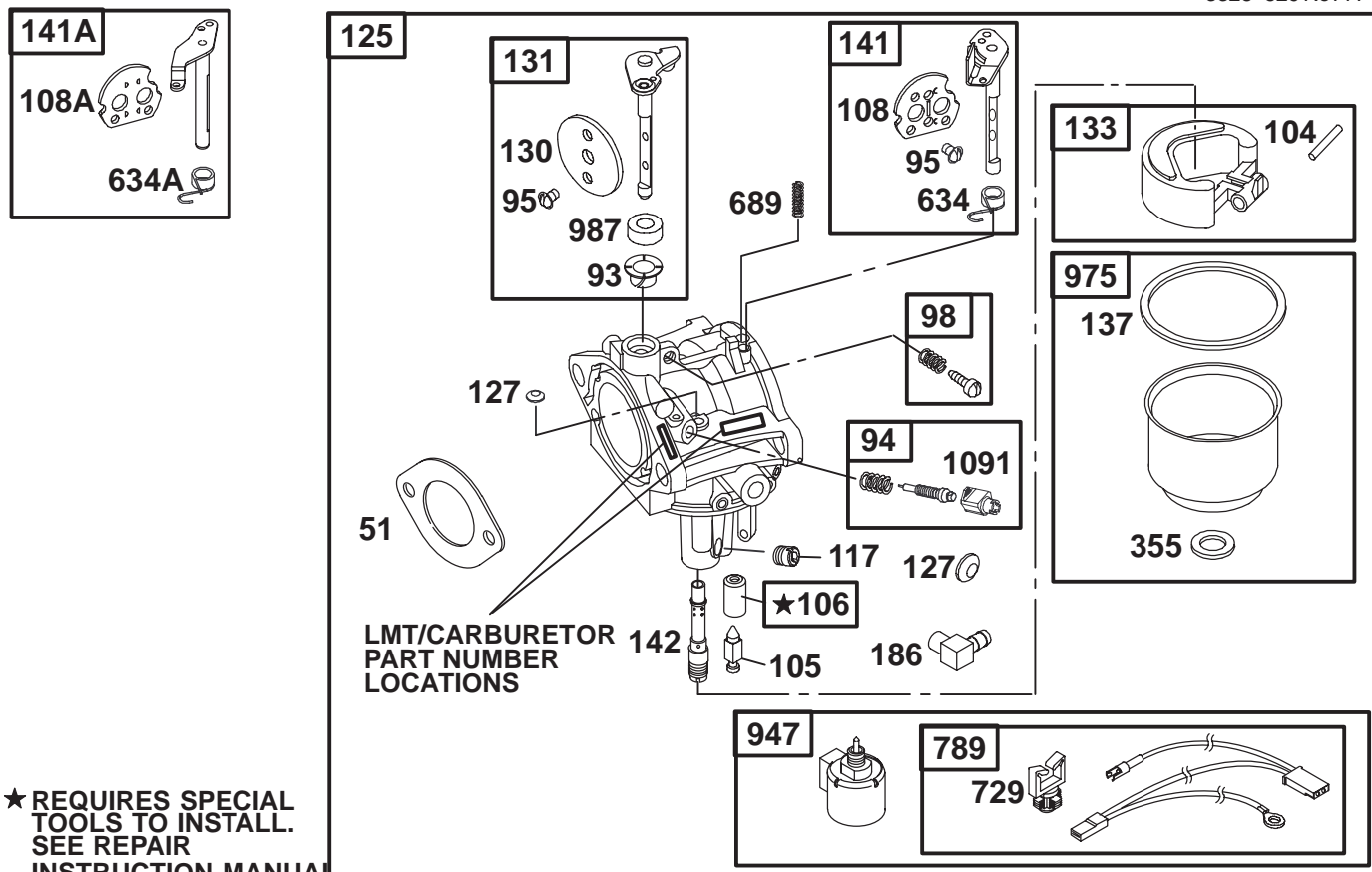
Assemblies include all parts shown in frames.

## Engine Briggs & Stratton Model 311777-0151-E1

Ref. No.	Part No.	Qty.	Description
4	693582	1	Engine Sump
★12	271916	1	Crankcase Gasket (.015" Thick) ————— Note —————
★	271997	1	Crankcase Gasket (.005" Thick)
★	271996	1	Crankcase Gasket (.009" Thick)
15	94239	1	Oil Drain Plug
15A	91488	1	Oil Drain Plug
16	690136	1	Crankshaft
★20	291675	1	Oil Seal
22	692125	1	Screw (Engine Sump)
24	222698	1	Flywheel Key
25	692271	1	Piston Assembly (Standard) ————— Note —————
	692272	1	Piston Assy. (.010" O.S.)
	692273	1	Piston Assy. (.020" O.S.)
	692274	1	Piston Assy. (.030" O.S.)

Ref. No.	Part No.	Qty.	Description
26	690162	1	Ring Set (Std) ————— Note —————
	690164	1	Ring Set (.010" O.S.)
	690166	1	Ring Set (.020" O.S.)
	690168	1	Ring Set (.030" O.S.)
	690168	1	Ring Set (.030" O.S.)
27	691299	1	Piston Pin Lock
28	498319	1	Piston Pin (Std) ————— Note —————
	498320	1	Piston Pin (.005" O.S.)
29	692419	1	Connecting Rod (Std) ————— Note —————
	499940	1	Connecting Rod (.020" Undersize)
32	692852	1	Screw-Connecting Rod
43	490815	1	Governor/Oil Slinger
46	693930	1	Cam Shaft
146	94196	1	Timing Key
741	691284	1	Timing Gear
757	213998	1	Counterweight Link
758	692423	1	Counterweight
759	230787	1	Counterweight Pin
761	691096	1	Screw-Counterweight Link
1017	690770	1	Oil Pump Screen

★ Included in Gasket Set-Ref. 358.



## Engine Briggs & Stratton Model 311777-0151-E1

Ref. No.	Part No.	Qty.	Description
△★◆51	273650	1	Carburetor Gasket
●93	281346	1	Throttle Shaft Bushing
94	498030	1	Idle Adjust Valve
●95	94098	1	Screw (Choke/Throttle)
98	495800	1	Screw (Idle Adjust)
●104	231789	1	Float Hinge Pin
●105	231855	1	Inlet Needle Valve
●106	231854	1	Inlet Seat
108	224558	1	Choke Valve (Manual)
108A	224540	1	Choke Valve (Remote)
●117	232118	1	Main Jet (Standard)
	495136	1	Main Jet (High Altitude)
125	499153	1	Carburetor
●127		1	Welch Plug (Sold in Kit Only)
130	224539	1	Throttle Valve
131	494379	1	Throttle Shaft
133	494381	1	Carburetor Float
◆137	281165	1	Float Bowl Gasket
141	495097	1	Choke Shaft (Manual)
141A	495931	1	Choke Shaft (Remote)
●142	232117	1	Carburetor Nozzle
186	493496	1	Fuel Pipe Elbow
◆355	281164	1	Float Bowl Washer

Ref. No.	Part No.	Qty.	Description
●634	494453	1	Spring Assembly Seal
●634A	494455	1	Spring Assembly Seal
689	262715	1	Friction Spring
729	281390	1	Wire Clip
789	497708	1	Wiring Harness
947	497672	1	Solenoid
975	495933	1	Float Bowl
●987	281166	1	Throttle Shaft Seal
1091	691333	1	Limiter Cap

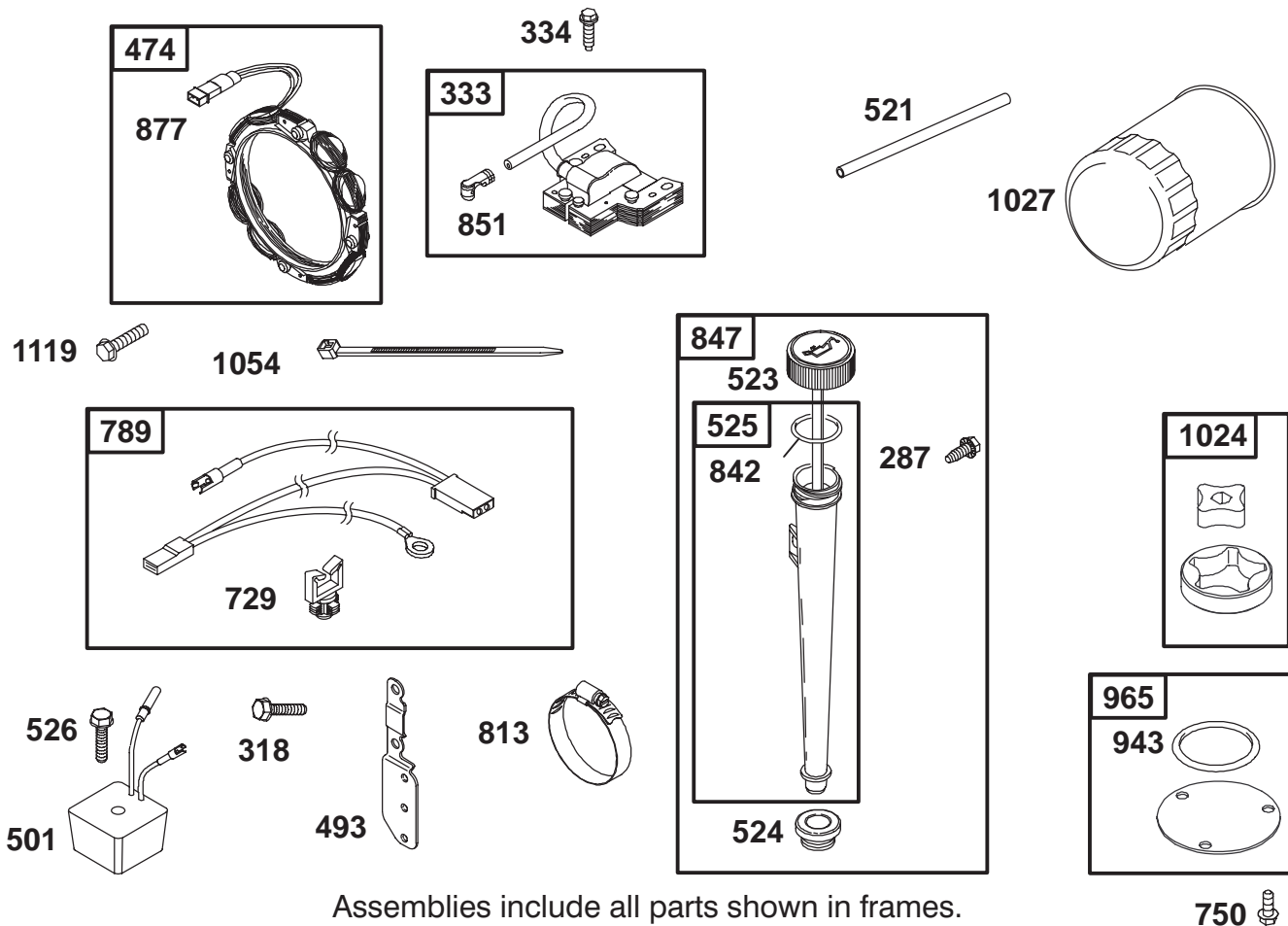
△ Included in Valve Overhaul Kit-Ref. 1033.

● Included in Carburetor Kit-Ref. 121

★ Included in Gasket Set-Ref. 358.

◆ Included in Carburetor Gasket Set-Ref. 977.





Assemblies include all parts shown in frames.

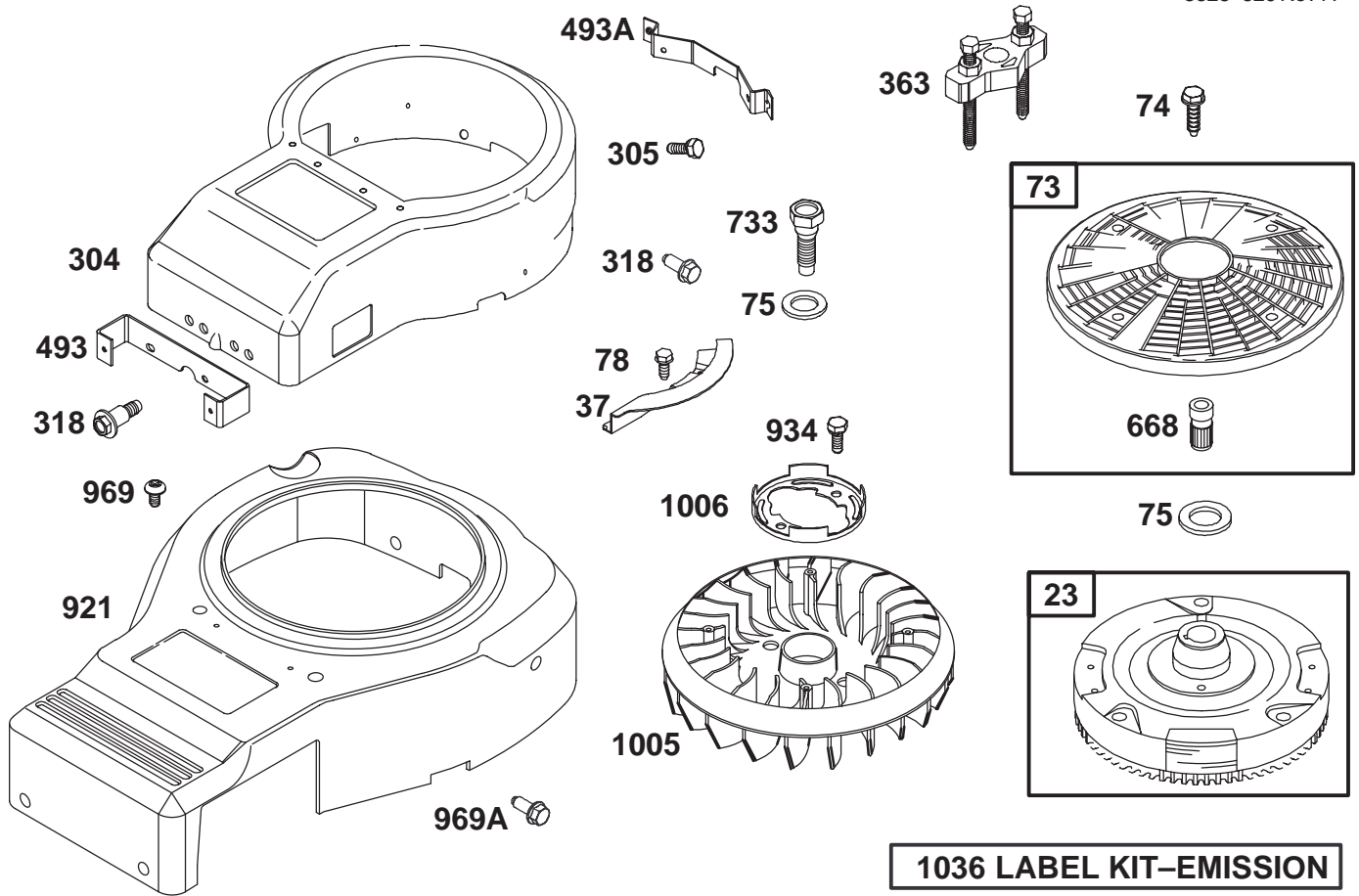
## Engine Briggs & Stratton Model 311777-0151-E1

Ref. No.	Part No.	Qty.	Description
287	94903	1	Screw (Oil Fill Tube)
318	694476	1	Screw (Mounting Bracket)
333	495859	1	Magneto Armature
334	691061	1	Screw (Magneto Armature)
474	691065	1	Alternator
493	694475	1	Mounting Bracket
501	491546	1	Regulator
521	690581	1	Cable Shield
523	692014	1	Dipstick
★524	281370	1	Fill Tube Seal
525	691398	1	Oil Fill Tube
526	690326	1	Screw (Regulator)
729	281390	1	Wire Clip
750	691033	1	Screw (Pump Cover)
789	497708	1	Wiring Harness
813	690635	1	Clamp
★842	270920	1	O-Ring Seal
847	496415	1	Dipstick/Tube Assembly
851	224110	1	Cable Terminal
877	393456	1	Alt. Output Connector
★943	280801	1	O-Ring Seal
965	499613	1	Pump Cover
1024	499054	1	Oil Pump

Ref. No.	Part No.	Qty.	Description
1027	492932	1	Oil Filter
1054	280275	1	Cable Tie
1119	93621	1	Screw (Alternator)

★ Included in Gasket Set-Ref. 358.





**1036 LABEL KIT-EMISSION**

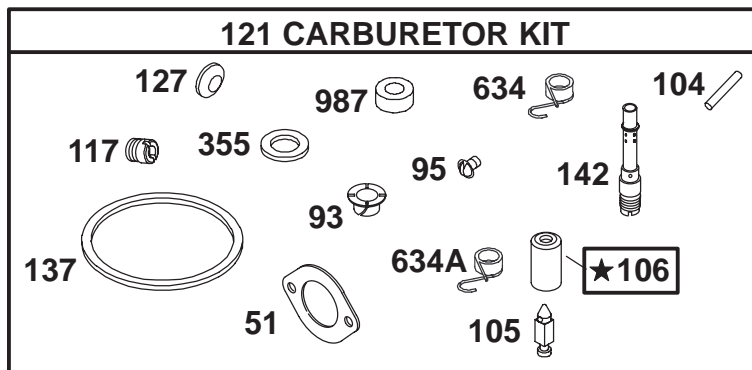
Assemblies include all parts shown in frames.

**Engine Briggs & Stratton Model 311777-0151-E1**

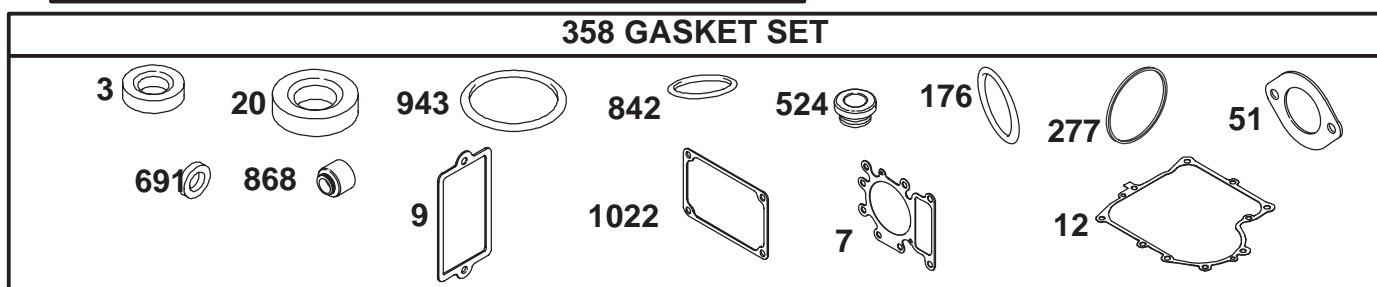
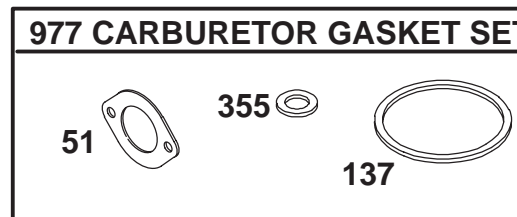
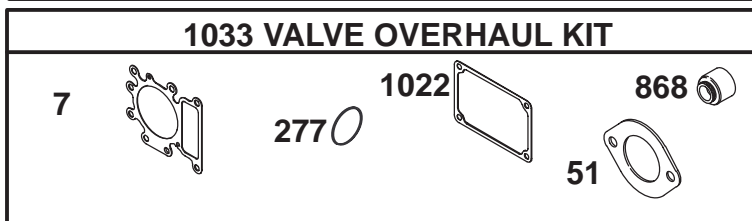
Ref. No.	Part No.	Qty.	Description
23	693557	1	Flywheel
37	690456	1	Flywheel Guard
73	494439	1	Rotating Screen
74	94821	1	Screw (Rotating Screen)
75	225136	1	Flywheel Washer
78	94896	1	Screw (Flywheel Guard)
304	690497	1	Blower Housing
305	690960	1	Screw (Blower Housing)
318	692127	1	Screw (Mounting Bracket)
363	19203	1	Flywheel Puller
493	690493	1	Mounting Bracket (Front)
493A	690494	1	Mounting Bracket (Rear)
668	805402	1	Spacer
733	94673	1	Screw (Flywheel)
921	692679	1	Blower Housing Cover
934	94627	1	Screw (Fan Retainer)
969	690365	1	Screw (Blower Housing Cover)

Ref. No.	Part No.	Qty.	Description
969A	690960	1	Screw (Blower Housing Cover)
1005	281400	1	Flywheel Fan
1006	690452	1	Fan Retainer
1036	694332	1	Emission Label Kit





★ REQUIRES SPECIAL TOOLS TO INSTALL. SEE REPAIR INSTRUCTION MANUAL.



Assemblies include all parts shown in frames.

### Engine Briggs & Stratton Model 311777-0151-E1

Ref. No.	Part No.	Qty.	Description
★3	391086		Oil Seal
△★7	692410		Cylinder Head Gasket
★9	27803		Breather Gasket
★12	271916		Crankcase Gasket (.015" Thick)
			———— Note ————
★	271997		Crankcase Gasket (.005" Thick)
★	271996		Crankcase Gasket (.009" Thick)
★20	291675		Oil Seal
△★◆51	273650		Intake Gasket
●93	281346		Throttle Shaft Bushing
●95	94098		Screw (Choke/Throttle)
●104	231789		Float Hinge Pin
●105	231855		Needle Valve
●106	231854		Inlet Seat
●117	232118		Main Jet
121	690191		Carburetor Kit
●127			Welch Plug
			Sold In Kit Only
◆●137	281165		Float Bowl Gasket
●142	232117		Carburetor Nozzle
★176	281106		Air Cleaner Gasket
△★277	692138		O-Ring Seal

Ref. No.	Part No.	Qty.	Description
◆●355	281164		Washer
358	690189		Gasket Set
★524	281370		Fill Tube Seal
●634	494453		Spring Seal Assembly
			LMT 155
●634A	494455		Spring Seal Assembly
			LMT 154
★691	491323		Governor Shaft Seal
★842	270920		O-Ring Seal
△★868	499236		Valve Seal
★943	280801		O-Ring Seal
977	690192		Carburetor Gasket Set
●987	281166		Throttle Shaft Seal
△★1022	272475		Rocker Cover Gasket
1033	690190		Valve Overhaul Kit

△ Included in Valve Overhaul Kit-Ref. 1033.

● Included in Carburetor Kit-Ref. 121

★ Included in Gasket Set-Ref. 358.

◆ Included in Carburetor Gasket Set-Ref. 977.

