



190 DH

Lawn Tractor

Model No. 74590-20000001 and Up

Parts Catalog

Ordering Replacement Parts

To order replacement parts, please supply: the part number, the quantity, and the description of each part desired.

Understanding Reference Numbers

Each identified part in an illustration has a reference number. The reference number for a part also appears in the parts list, along with other information about the part.

This catalog uses two special reference number formats, one to indicate parts in a service assembly and another to indicate the quantity of a given part in an illustration.

Service Assembly Reference Numbers

Parts in service assemblies have reference numbers in the form **a:b**. The **a** represents the reference number of the entire service assembly and the **b** represents a sequential number unique to each part within the service assembly.

For example, a wheel assembly might be identified by reference number **6**, the tire by **6:1**, the valve by **6:2**, and the wheel by **6:3**. When you order the assembly identified by reference number **6**, you receive all parts identified by reference numbers **6:1**, **6:2**, and **6:3**. However, you may also order any part individually.

Reference numbers of this type appear in illustrations and in part lists.

Reference Numbers Indicating Quantity

In an illustration, if a reference number indicates more than one part, the reference number has the form **nX y**. The **n** represents the quantity of the part, the **X** is the multiplication symbol, and the **y** represents the reference number.

For example, in an illustration, the reference number **2X 37** means that two of the parts identified by reference number **37** are indicated.

Contents

Description	Page	Description	Page
Body Assembly	3	Chute-Collector Assembly	15
Body Assembly (cont.)	4	Operation-Cutting Pan Assembly	16
Front Axle Assembly	5	Cutting Pan Assembly	17
Steering Assembly	6	Operation (Mower Lift) Assembly	18
Body Assembly	7	Electrical Assembly	19
Body Assembly (cont.)	8	Electrical Assembly (cont.)	20
Engine Assembly	9	Electrical Assembly (cont.)	21
Operation (Brake) By-Pass Assembly	10	Electrical Assembly (cont.)	22
Operation (Travel Pedals) Assembly	11	Engine Briggs & Stratton	
Transmission Drive Assembly	12	Model 406777-0157-E1	23-32
Transmission Drive Assembly (cont.)	13	Maintenance	33-35
Grass Collector Assembly	14		

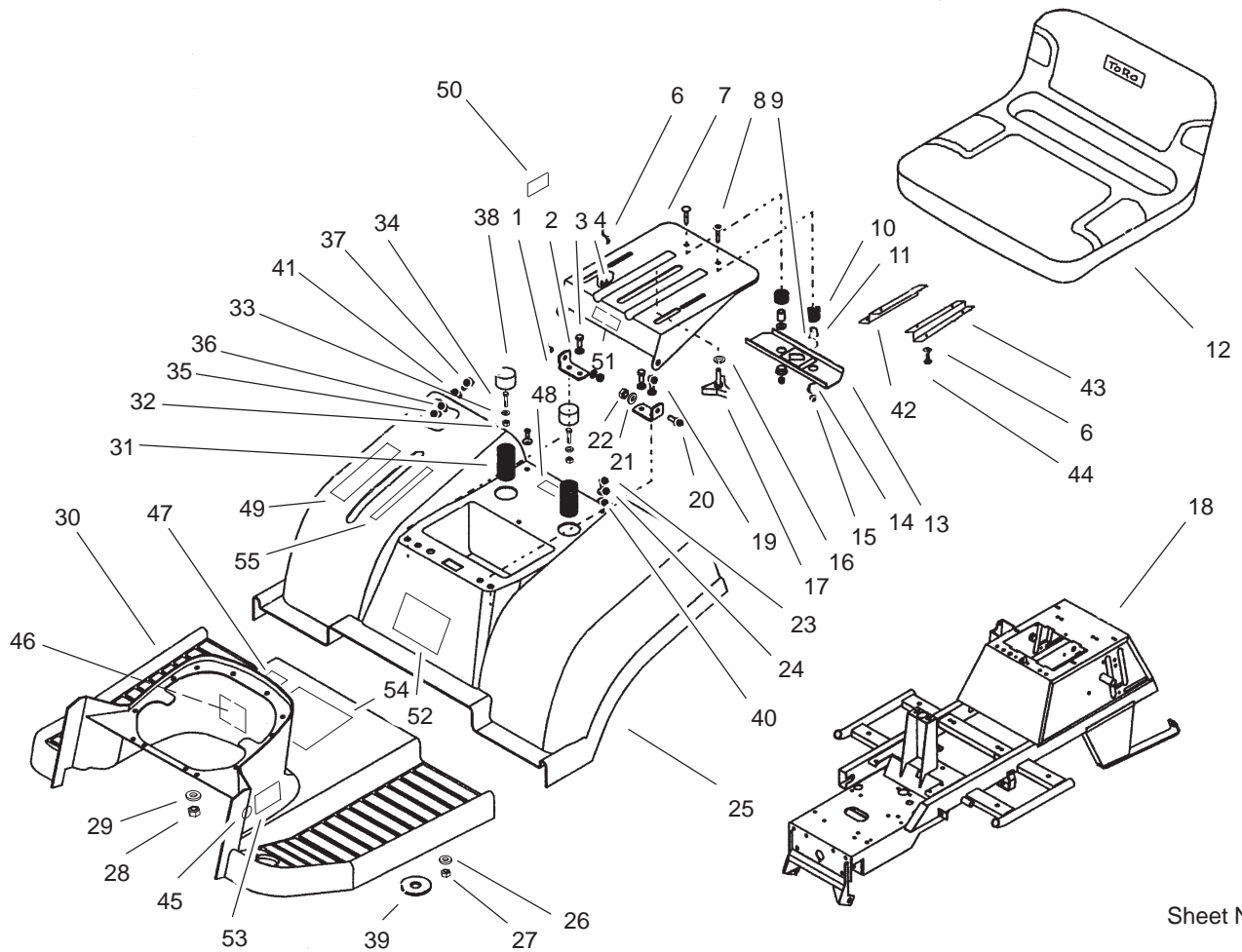
Accessories

Description	Model / Part No.	Description	Model / Part No.
-------------	------------------	-------------	------------------

Part Description Abbreviations

Part descriptions in this catalog may include the following abbreviations.

Abbreviation	Meaning	Abbreviation	Meaning
AR	as required	INC	incorporated
ASM	assembly	LH	left hand
CARR	carriage	NI	nylon insert
DEG	degrees	PPH	Phillips pan head
FH	flat head	PTH	Phillips truss head
GA	gauge	PTO	power take off
HF	hex flange	RH	right hand
HH	hex head	SFH	slotted fillister head
HHF	hex head flange	SHH	slotted hex head
HLH	hex lag head	SQH	square head
HJ	hex jam	SHWH	slotted hex washer head
HOC	height-of-cut	SPH	slotted pan head
HS	hex socket	SRH	slotted round head
HSBH	hex socket button head	STD	standard
HSFH	hex socket flat head	TAP	self tapping
HSH	hex socket head	TTH	Torx truss head
HWH	hex washer head	WH	wing head
HWHTF	hex washer head thread forming		

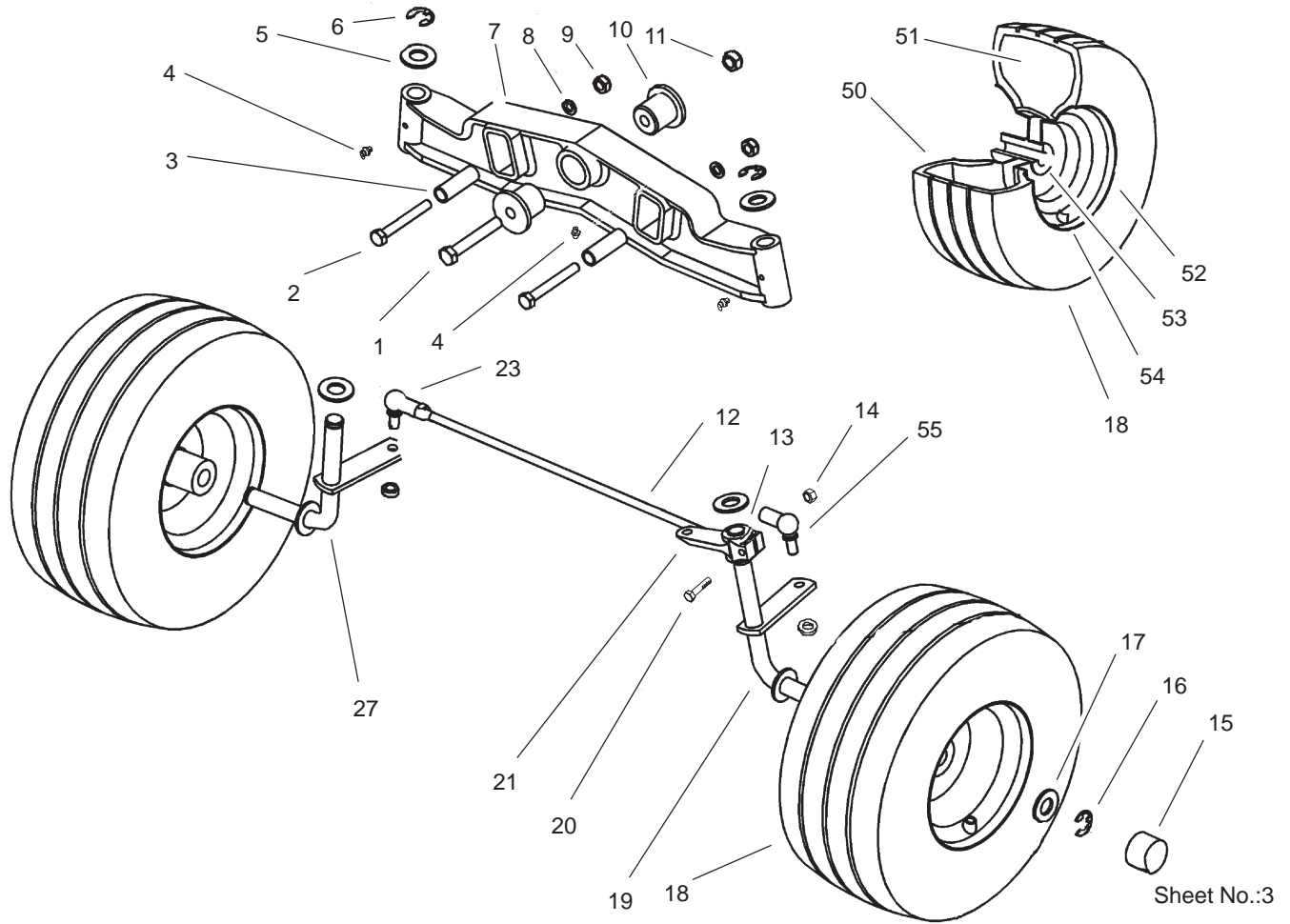


Sheet No.:2

Body Assembly

Ref. No.	Part No.	Qty.	Description
1	104-2926	1	Bracket-Seat Support
2	104-2927	4	Washer-Spring
3	33114-025	3	Screw-HH
4	104-3192	2	Bolt-Hex
6	104-2927	4	Washer-Spring
7	104-2929	1	Support-Seat
8	104-2930	2	Bolt-Carriage
9	104-2931	2	Washer-Flat
10	104-2932	2	Spring-Seat
11	104-2933	2	Spacer-Split
12	92-6511	1	Seat V-511
13	104-2934	1	Bracket
14	104-2935	2	Bushing
15	33023-00	2	Nut-Lock
16	104-2936	2	Washer-Spring
17	104-2937	2	Knob-Adj.
18	104-2938	1	Frame-Chassis
19	33114-030	1	Screw-HH
20	104-2939	2	Screw-Seat Support
21	33094-00	6	Washer-Flat
22	33024-00	6	Nut-Lock
23	104-2940	2	Screw-Flt Hd Socket
24	104-2941	2	Washer-Finish
25	104-2942	1	Fender
26	33095-00	4	Washer-Flat
27	33025-00	4	Nut-Lock

Ref. No.	Part No.	Qty.	Description
28	87-5140	6	Nut-Lock
29	104-2943	6	Washer-Flat
30	104-2944	1	Footrest ASM
31	104-2945	2	Spring-Seat
32	33024-00	2	Nut-Lock
33	104-2946	6	Washer-Flat
34	33114-020	2	Screw-HH
35	87-5140	6	Nut-Lock
36	104-2943	6	Washer-Flat
37	104-2948	6	Bolt-Carriage
38	104-2857	2	Cap-Hub
39	104-2949	2	Washer-Rubber
39	104-2951	2	Washer-Rubber
40	104-2952	2	Washer-Rubber
41	104-2952	6	Washer-Rubber
42	104-2953	1	Bracket-Right Seat
43	104-2954	1	Bracket-Left Seat
44	104-3195	4	Screw-Sng
45	104-3237	1	Decal-Parking Brake
46	104-3238	1	Decal-Starting
47	104-3241	1	Decal-Hydro Operation
48	104-3242	1	Decal-Bag To Frame Mating
49	104-3240	1	Decal-HOC RH
50	99-5340	1	Decal-Nmir Switch Intl

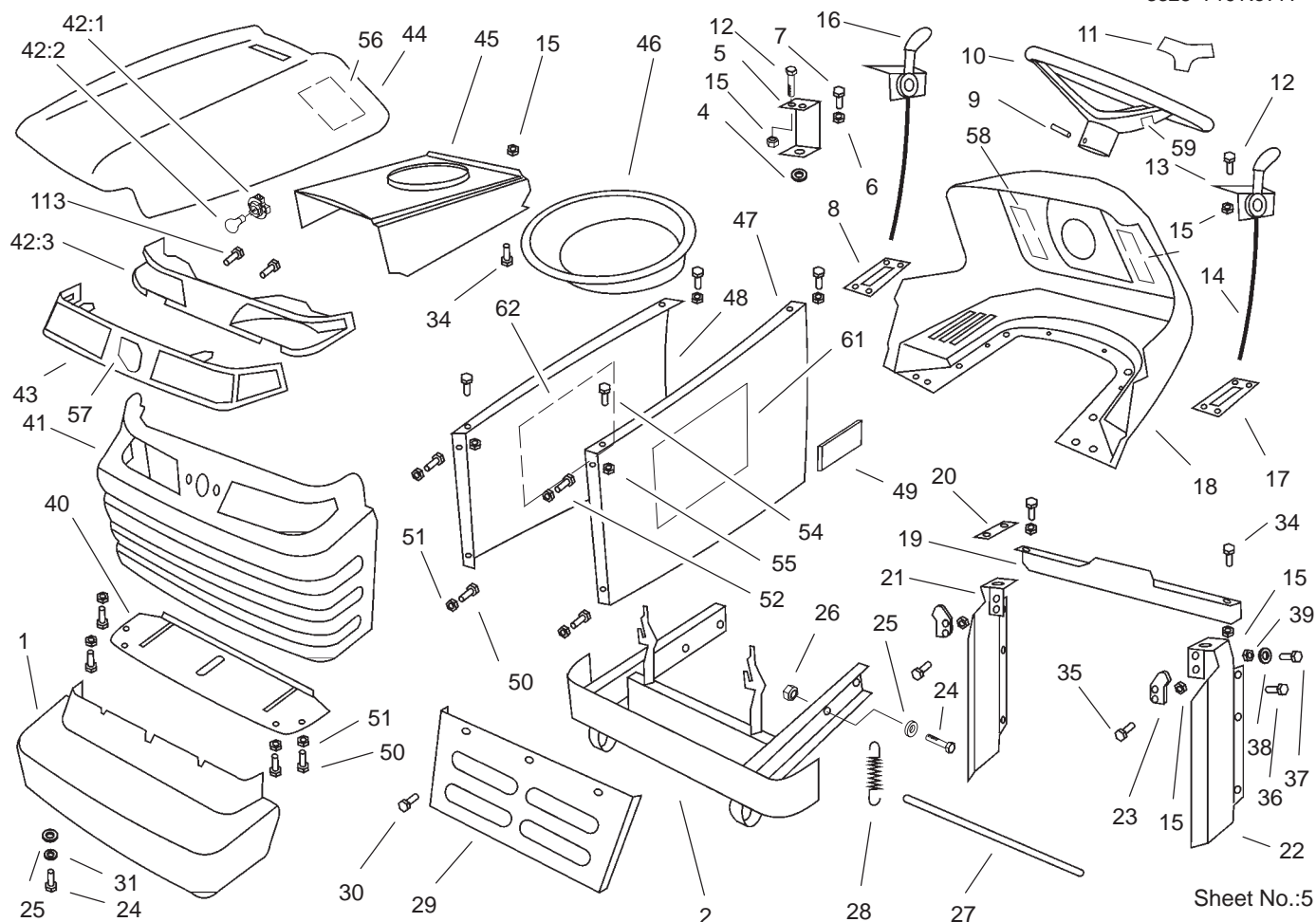


Sheet No.:3

Front Axle Assembly

Ref. No.	Part No.	Qty.	Description
1	33116-090	1	Screw-HH
2	33115-080	2	Screw-HH
3	104-2851	2	Spacer
4	104-2904	3	Fitting-Grease
5	104-2905	4	Washer-Flat
6	104-2891	2	Clip-Spring
7	104-2852	1	Axle-Front
8	104-2906	2	Washer-Flat
9	33025-00	2	Nut-Lock
10	104-2890	2	Bushing-Front Axle
11	104-2907	1	Nut-Self Locking
12	104-2855	1	Rod-Front Axle Tie
13	104-2856	1	Key-Square
14	33023-00	1	Nut-Lock
15	104-2857	2	Cap-Hub
16	104-2891	2	Clip-Spring
17	104-3206	2	Washer
18	104-2859	2	Front Tire Wheel ASM
19	104-2861	1	Spindle-LH
20	33113-045	1	Screw-HH
21	104-2862	1	Lever-Steering Spindle
27	104-2867	1	Spindle-RH For
50	104-2869	2	Tyre- Turf Saver 2 Ply
51	104-2870	2	Tube
52	104-2872	2	Wheel-W/Brgs

Ref. No.	Part No.	Qty.	Description
53	104-2874	2	Whl-Front W/Brg
54	104-2875	2	Valve-Tyre Compl.
55	104-2876	4	Joint-Ball Angle



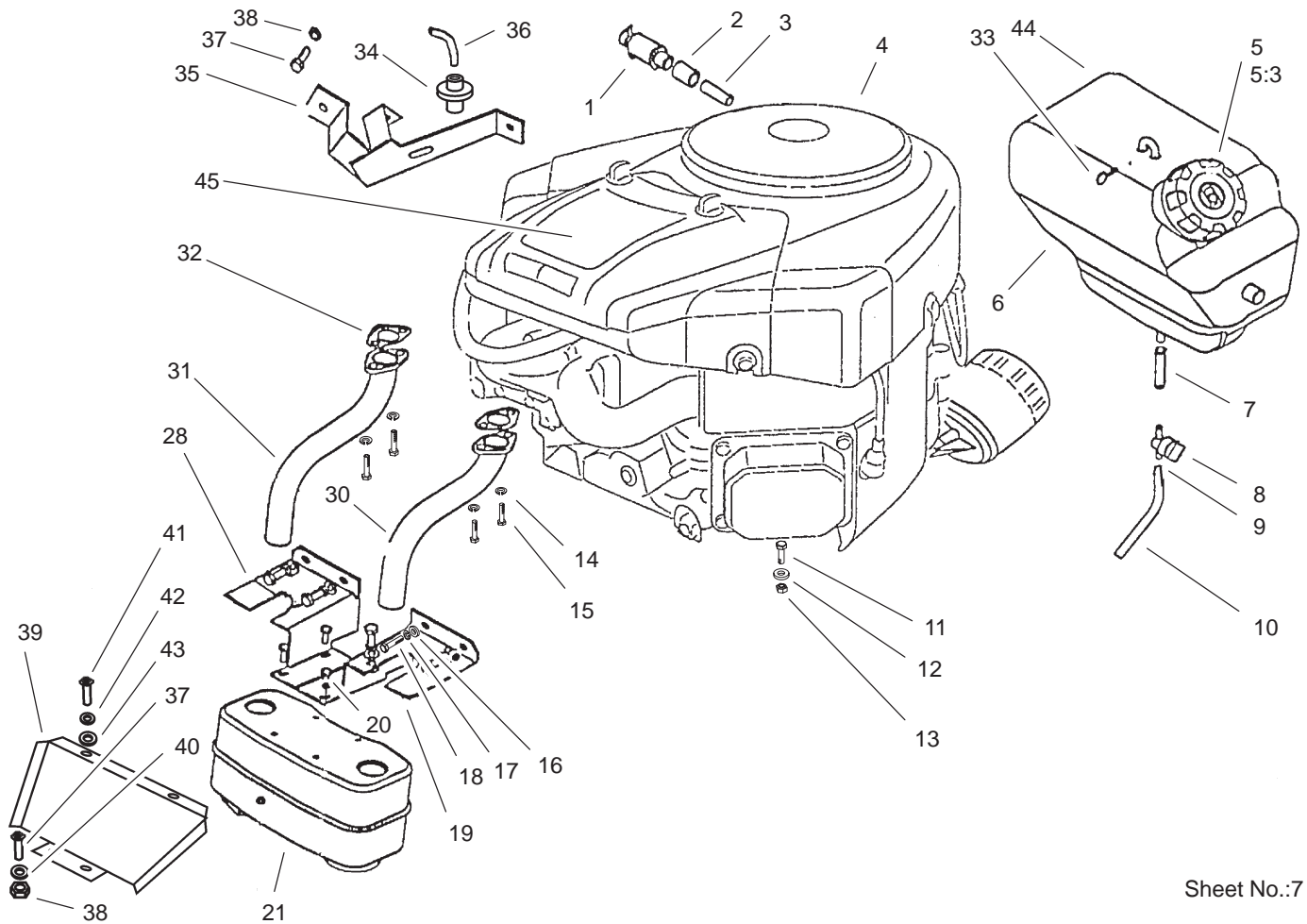
Sheet No.:5

Body Assembly

Ref. No.	Part No.	Qty.	Description
1	104-2955	1	Cover-Bumper
2	104-2956	1	Bumper
*3	104-2958	1	Hood Assembly
4	104-2959	1	Bushing
5	104-2960	1	Holder-Fuel Tank
6	33023-00	2	Nut-Lock
7	104-2961	2	Screw
8	104-2962	1	Brace
9	104-2963	1	Pin-Spirol
10	104-2965	1	Steering Wheel-14"
11	98-1468	1	Cover - Wheel Steering
12	104-2966	9	Screw-Flt Hd
13	66-0120	2	Knob
14	92-6783	1	Control - Choke Twin
15	87-5140	15	Nut-Lock
16	92-6784	1	Control-Throttle Twin
17	104-2967	1	Brace
18	104-2969	1	Panel-Dash
19	104-2970	1	Brace
20	104-2971	1	Bracket
21	104-2972	1	Panel-Right
22	104-2973	1	Panel-Left
23	92-6960	2	Latch - Hood
24	33114-020	6	Screw-HH
25	104-2946	6	Washer-Flat

Ref. No.	Part No.	Qty.	Description
26	33024-00	4	Nut-Lock
27	104-2974	1	Bar-Safety
28	104-2975	1	Spring-Hood
29	104-2976	1	Shield-Heat
30	104-2977	3	Screw-Slf Drl
31	104-2927	2	Washer-Spring
34	104-2980	6	Screw
35	104-2981	4	Screw
36	104-2982	4	Screw
37	104-2983	2	Screw
38	104-2984	6	Washer
39	104-2985	6	Nut-Hex
40	104-2986	1	Bracket
41	100-1344	1	Grill
*42	88-3970	1	Reflector & Lamp ASM
42:1	111686	2	Socket-Light
42:2	7228	2	Bulb -No. 1156
42:3	93-8741	1	Reflector
43	92-6656	1	Lens - Headlight
44	92-6658	1	Hood - Top (Toro)
45	104-2987	1	Hood - Baffle
46	104-2989	1	Plenum-Air
47	92-6650	1	Side-RH Hood
48	92-6652	1	Side-LH Hood
49	92-7148	2	Foam - Sidepanel
50	104-2990	8	Screw

* Not illustrated

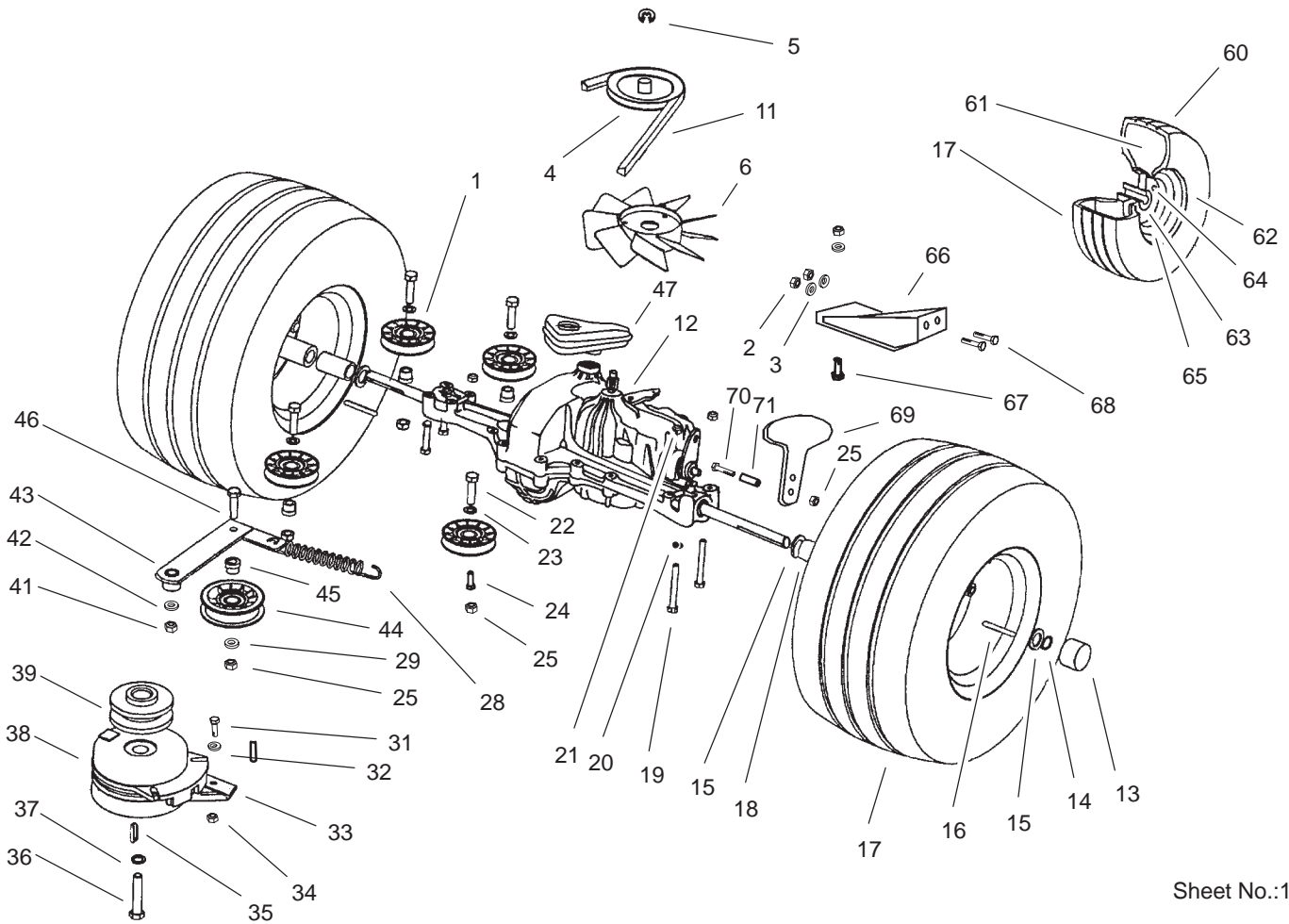


Sheet No.:7

Engine Assembly

Ref. No.	Part No.	Qty.	Description
1	104-3208	1	Valve-Oil Drain
2	104-3209	1	Coupler-Oil Drain
3	104-3210	1	Fitting-Oil Drain
4	100-4192	1	Engine-Briggs, Intek, 2cyl
5	88-3980	1	Gas Cap ASM
5:3	88-4010	1	Gasket-Gas Cap
6	104-3057	1	Tank-Fuel
7	104-3211	1	Line-Fuel
8	104-3224	1	Valve-Fuel Tank
9	104-3212	4	Clamp-Fuel Line
10	104-3213	1	Line-Fuel
11	104-3085	3	Bolt-Hex Flng
11	48-7740	1	Screw
12	33094-00	1	Washer-Flat
13	33024-00	4	Nut-Lock
14	104-2927	4	Washer-Spring
15	322-3	4	Screw-HH
16	33094-00	4	Washer-Flat
17	104-2927	4	Washer-Spring
18	33114-020	4	Screw-HH
19	104-3214	1	Guard-LH Muffler Heat
20	32144-4	4	Screw-HH
21	104-3225	1	Muffler-19hp

Ref. No.	Part No.	Qty.	Description
28	104-3215	1	Guard-RH Muffler Heat
30	104-3216	1	Tube-LH Exhaust Intek
31	104-3217	1	Tube-RH Exhaust Intek
32	104-3226	2	Gasket-Exhaust Intek
33	104-3144	1	Pin-Hair
34	104-3227	1	Filter-Fuel
35	104-3218	1	Bracket
36	104-3228	1	Line-Fuel
37	33113-012	1	Screw-HH
38	33023-00	1	Nut-Lock
39	104-3219	1	Shield-Heat
40	33094-00	2	Washer-Flat
41	104-2980	2	Screw
42	104-2943	2	Washer-Flat
43	87-5140	2	Nut-Lock
44	104-3220	1	Tank-Fuel W/Cap
45	104-2901	1	Decal-Engine 19hp

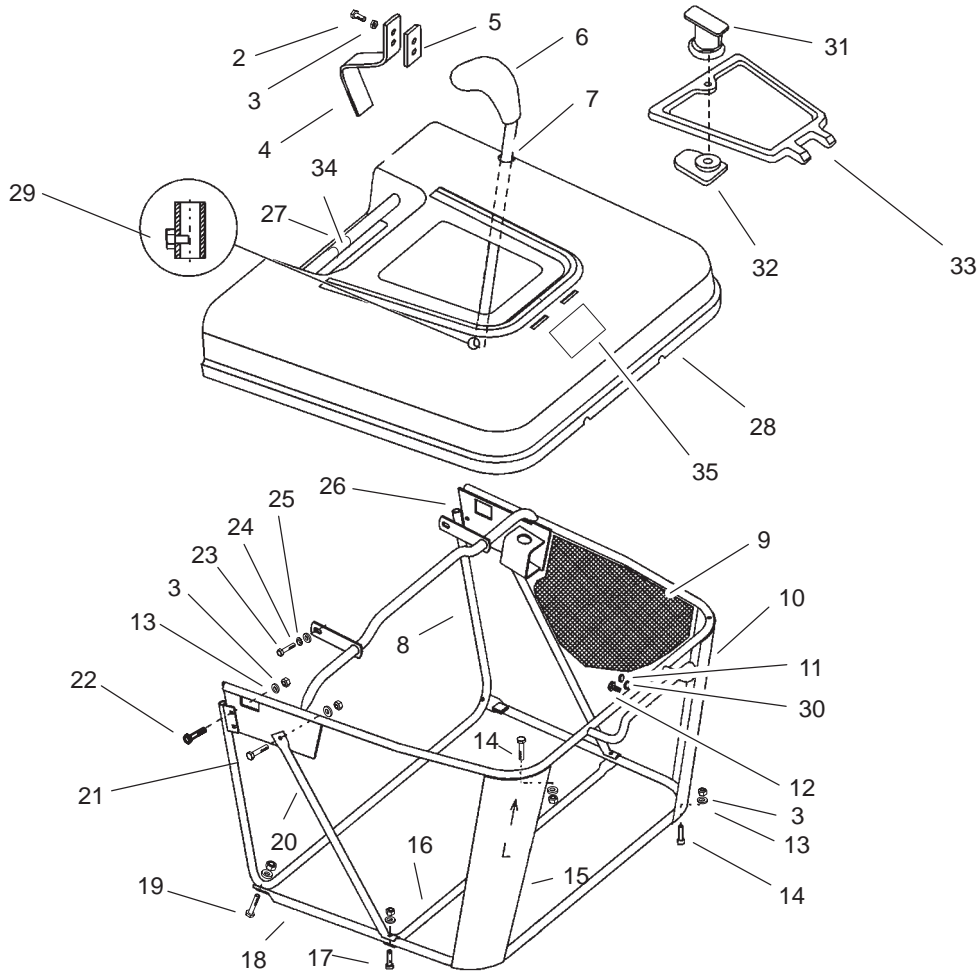


Sheet No.:10

Transmission Drive Assembly

Ref. No.	Part No.	Qty.	Description
1	104-2887	4	Pully-Idler
2	33024-00	3	Nut-Lock
3	33094-00	3	Washer-Flat
4	104-3197	1	Pulley-Transmission
5	104-3198	1	E-Ring
6	104-3199	1	Fan- Transmission
11	104-2888	1	V-Belt-Traction
12	104-2889	1	Transmission-Tuff Torq K46
13	104-2857	2	Cap-Hub
14	104-2891	2	Clip-Spring
15	104-3206	4	Washer
16	104-2892	2	Key-Square
17	104-2894	2	Tire-Rear Whl ASM
18	104-2895	2	Spacer-Axle
19	60-6690	4	Capscrew
20	33094-00	4	Washer-Flat
21	33024-00	4	Nut-Lock
22	33115-040	4	Screw-HH
23	33095-00	4	Washer-Flat
24	104-2896	4	Bushing-Idler
25	33025-00	5	Nut-Lock
28	104-2897	1	Spring
29	33095-00	1	Washer-Flat
31	33114-020	1	Screw-HH
32	33094-00	1	Washer-Flat

Ref. No.	Part No.	Qty.	Description
33	104-2898	1	Retainer
34	33024-00	1	Nut-Lock
35	104-2899	1	Key-Square
36	3212-10	1	Screw-HH
37	93-9043	1	Washer- Belleville Spring
38	104-3334	1	Clutch-Electric
39	104-2911	1	Pulley-Engine
41	33024-00	1	Nut-Lock
42	33094-00	1	Washer-Flat
43	104-2912	1	Arm-Idler
44	104-2913	1	Pulley-Idler
45	104-2896	1	Bushing-Idler
46	33115-040	1	Screw-HH
47	104-2914	1	Res-Tank W/Cap
60	104-2917	2	Tire-Turf Saver 4 Ply
61	104-2918	2	Tube
62	104-2915	2	Rim
62	104-3196	2	Wheel ASM
63	104-2921	2	Hub-Wheel
64	104-2922	8	Nut-Wheel
65	104-2875	2	Valve-Tyre Compl.
66	104-2923	1	Stabilizer-20" Wheels
67	98-5827	2	Screw-Hex Hd
68	33114-025	2	Screw-HH
69	104-2924	1	Arm-Cruise Control



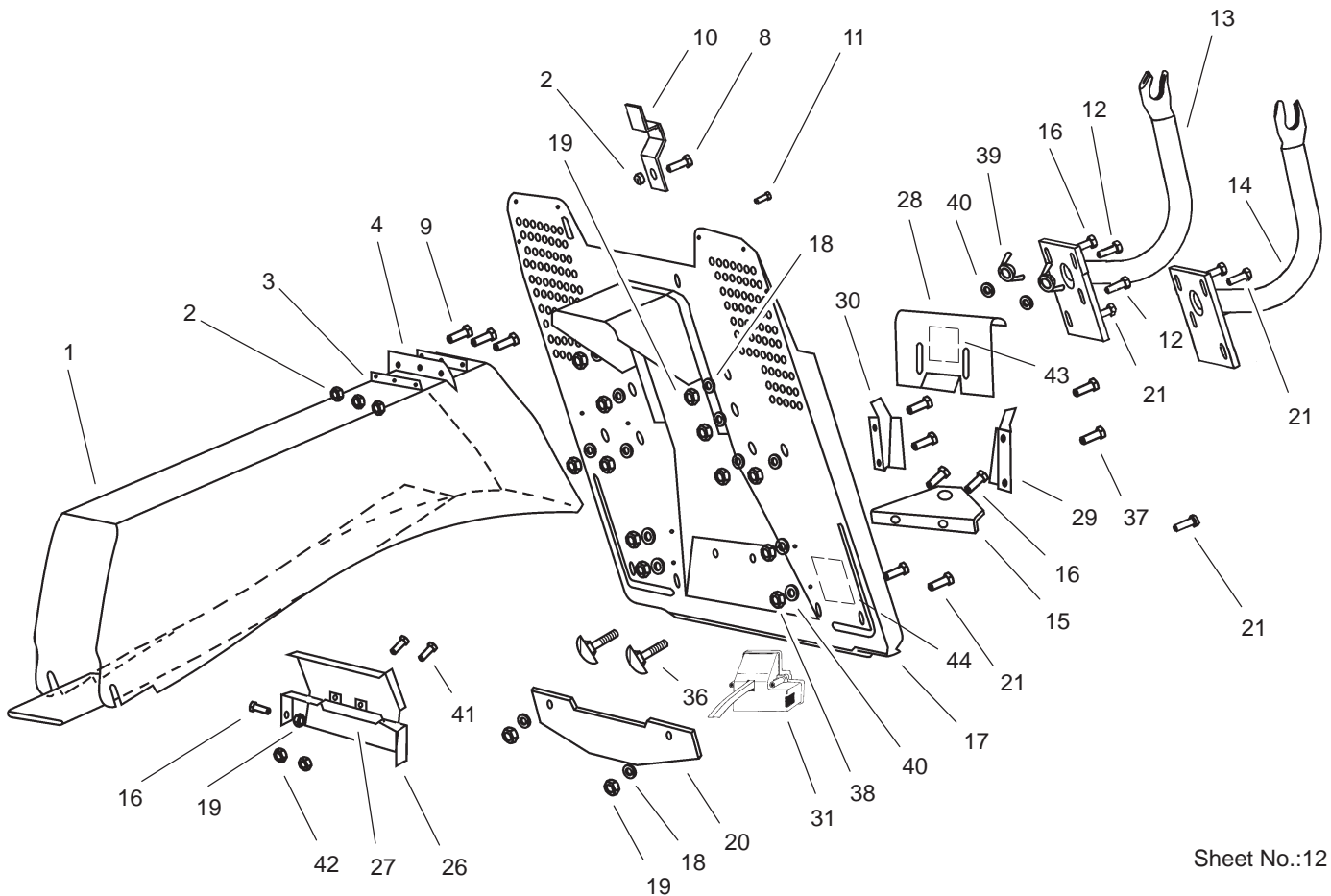
Sheet No.:11

Grass Collector Assembly

Ref. No.	Part No.	Qty.	Description
*1	104-3032	1	Grass Coll ASM
2	60-6910	2	Screw
3	87-5140	16	Nut-Lock
4	104-3033	1	Spring-Coll Interlock Switch
5	104-3034	1	Washer-Spring
6	104-3035	1	Grip-Dump Lever Handle
7	104-3036	1	Lever-Dumping
8	104-3037	1	Front Frame ASM
9	104-3038	1	Bag-Grass Coll
10	104-3039	1	Support-Right Corner
11	104-2943	7	Washer-Flat
12	104-3040	7	Screw-Tapping
13	52-6430	14	Washer
14	104-3041	4	Screw-Hex
15	104-3042	1	Support-Left Corner
16	104-3043	1	Brace-Connecting
17	104-3044	2	Screw-Hex
18	104-3045	1	Bottom Frame ASM
19	104-3041	2	Screw-Hex
20	104-3046	2	Brace
21	60-6910	2	Screw
22	104-2948	4	Bolt-Carriage
23	33114-020	2	Screw-HH
24	104-2927	2	Washer-Spring

Ref. No.	Part No.	Qty.	Description
25	104-2946	2	Washer-Flat
26	104-3047	1	Top Frame ASM
27	104-3048	1	Handle-Lift
28	104-3049	1	Cover-Coll
29	32144-4	1	Screw-HH
30	104-2952	7	Washer-Rubber
31	104-3051	1	Knob
32	104-3052	1	Arm-Knob
33	104-3053	1	Window-Transparent
34	104-3242	1	Decal-Bag To Frame Mating
35	93-6654	1	Decal-Danger Covers

* Not illustrated

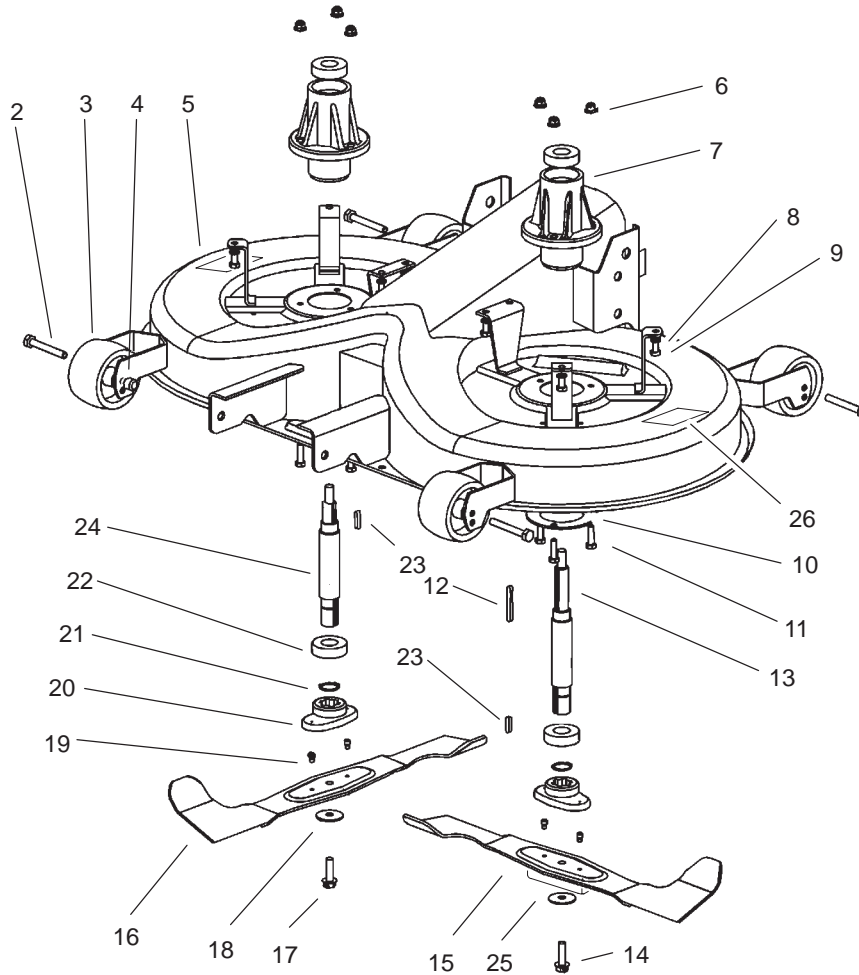


Sheet No.:12

Chute-Collector Assembly

Ref. No.	Part No.	Qty.	Description
1	104-3054	1	Tunnel
2	104-2985	6	Nut-Hex
3	104-3055	1	Plate-Support
4	104-3056	1	Seal-Rubber
8	104-2983	1	Screw
9	104-3058	3	Screw-Slit Hd
10	104-3059	1	Cover-Switch
11	104-3060	2	Bolt-Carriage
12	104-3061	4	Screw
13	104-3062	1	Support-Right Collector
14	104-3063	1	Support-Left Collector
15	104-3064	1	Hitch-Tow
16	104-3065	6	Screw-Hex
17	104-3066	1	Collector Plate ASM
18	33095-00	6	Washer-Flat
19	33024-00	10	Nut-Lock
20	104-3067	1	Support-Tow Hitch
21	104-3068	5	Screw-Hex
26	104-3069	1	Bracket-Protective Shield
27	104-3070	1	Shield-Protective
28	104-3071	1	Shield-Adjustable
29	104-3072	1	Chute-Left Rear Plate
30	104-3073	1	Chute-Right Rear Plate

Ref. No.	Part No.	Qty.	Description
31	104-3074	1	Overload Switch ASM, Complete
36	3229-1	2	Screw-CARR
37	33113-012	4	Screw-HH
38	33023-00	4	Nut-Lock
39	32103-28	2	Nut-Wing
40	33093-00	2	Washer-Flat
41	104-2948	2	Bolt-Carriage
42	87-5140	2	Nut-Lock
43	104-2853	1	Decal - Bagging Position
44	104-3243	1	Decal-Hydro Bypass



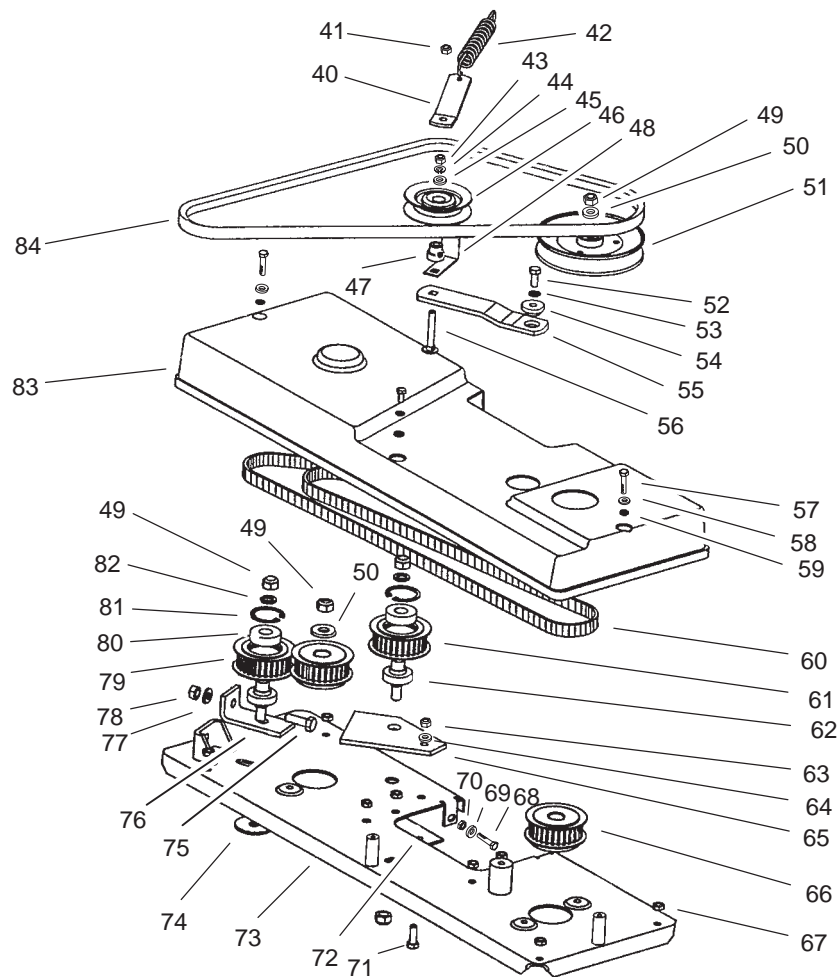
Sheet No.:13

Operation-Cutting Pan Assembly

Ref. No.	Part No.	Qty.	Description
*1	104-3079	1	Cutting System Complete
2	33115-090	4	Screw-HH
3	104-3080	4	Wheel-Gauge
4	33025-00	4	Nut-Lock
5	104-3081	1	Mower Housing Complete
6	104-3082	6	Nut-Self Lock Flng
7	104-3083	2	Housing-Quill
8	33094-00	8	Washer-Flat
9	33114-020	8	Screw-HH
10	104-3084	2	Support-Ring
11	104-3085	6	Bolt-Hex Flng
12	104-3086	1	Key
13	104-3087	1	Shaft-Left Blade
14	104-3088	1	Screw-Hex
15	104-3089	1	Blade-Right
16	104-3090	1	Blade-Left
17	104-3091	1	Screw-Hex Left
18	104-3092	2	Washer-Belleville
19	104-3093	4	Pin-Grooved Shear
20	104-3094	2	Adapter-Blade
21	104-3095	2	Ring-Locking
22	104-3096	4	Bearing
23	104-3097	3	Key-Square
24	104-3098	1	Shaft-Right Blade

Ref. No.	Part No.	Qty.	Description
25	104-3207	2	Stiffener-Blade
26	93-7824	2	Decal-Danger Int'l

* Not illustrated

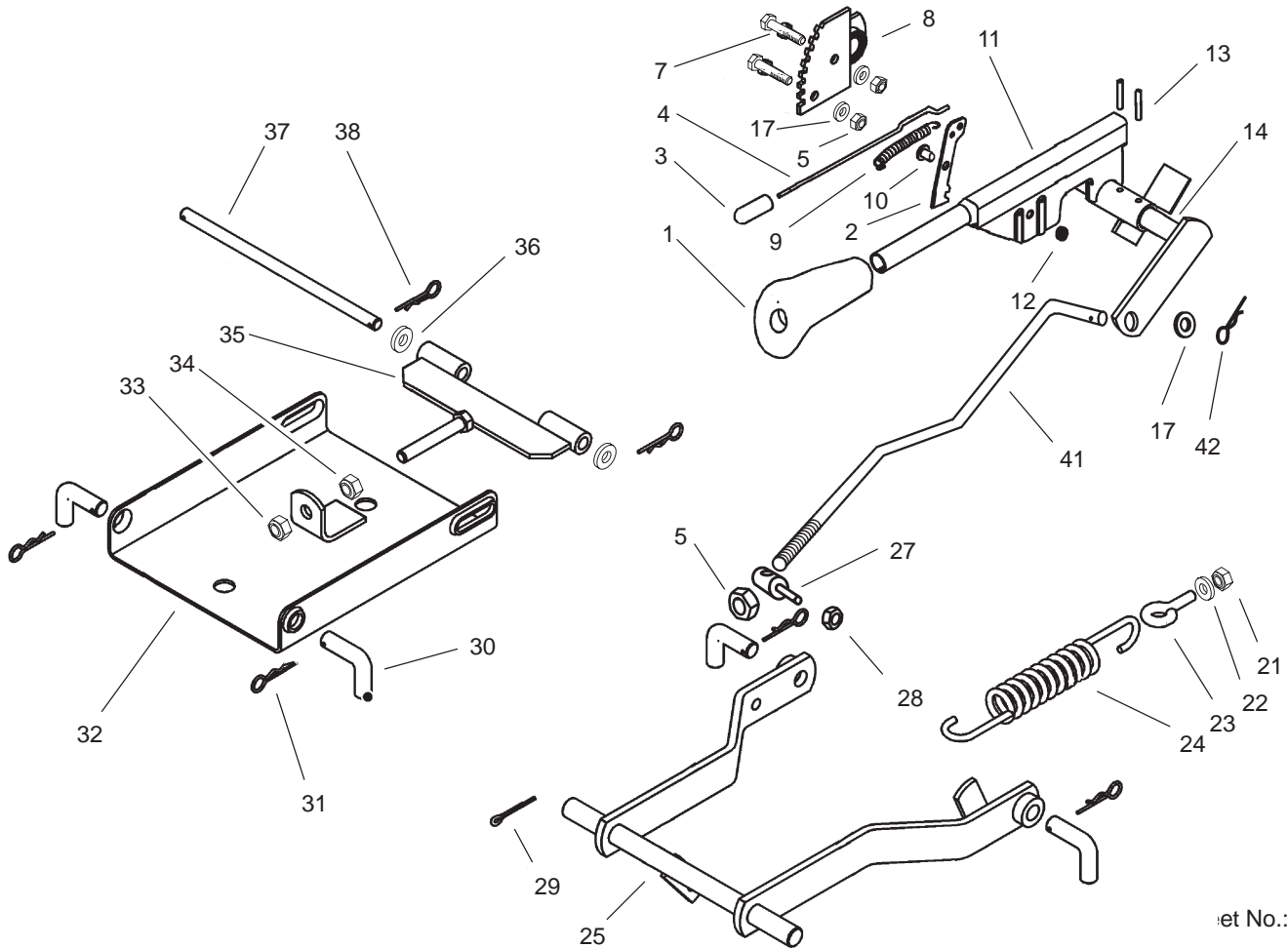


Sheet No.:14

Cutting Pan Assembly

Ref. No.	Part No.	Qty.	Description
40	104-3099	1	Lever-Engagement
41	33024-00	1	Nut-Lock
42	104-3101	1	Spring
43	104-3102	1	Nut-Hex
44	104-2927	1	Washer-Spring
45	104-2946	1	Washer-Flat
46	104-3103	1	Pulley-Idler
47	104-3104	1	Bushing
48	104-3105	1	Retainer-Belt
49	33026-00	6	Nut-Lock
50	104-3106	2	Washer-Flat
51	104-3107	1	Pulley-Drive
52	33114-025	1	Screw-HH
53	104-2927	1	Washer-Spring
54	104-3108	1	Spacer-Shoulder
55	104-3109	1	Arm-Idler
56	33114-050	1	Screw-HH
57	33113-016	3	Screw-HH
58	104-3110	3	Washer-Flat
59	104-3111	3	Washer-Rubber
60	104-3112	1	Belt-Cog
61	104-3113	2	Cog Pulley ASM
62	104-3114	2	Pin-Cog Pulley
63	33024-00	1	Nut-Lock
64	33094-00	1	Washer-Flat
65	104-3115	1	Support-Pulley

Ref. No.	Part No.	Qty.	Description
66	104-3116	2	Pulley-Drive Cog
67	33024-00	8	Nut-Lock
68	104-2961	1	Screw
69	33093-00	1	Washer-Flat
70	33023-00	1	Nut-Lock
71	33114-025	1	Screw-HH
72	104-3117	1	Washer-Flat
73	104-3118	1	Blade Drive Plate ASM
74	104-2909	1	Washer-Eccentric Bolt
75	104-3119	1	Screw-Hex
76	104-3120	1	Bracket-Idler
77	33095-00	1	Washer-Flat
78	33025-00	1	Nut-Lock
79	104-3121	2	Pulley-Cog
80	104-3122	2	Bearing
81	104-3123	2	Ring-Locking
82	104-3124	4	Washer-Flat
83	104-3125	1	Cover-Belt
84	104-3126	1	V-Belt

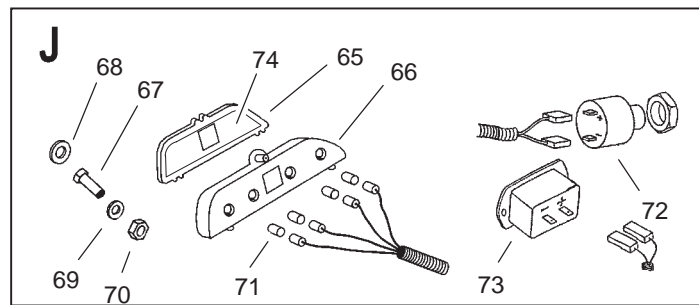
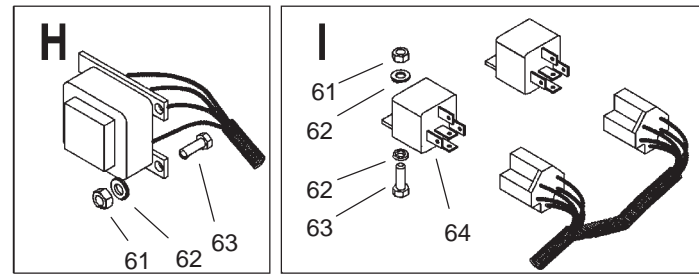
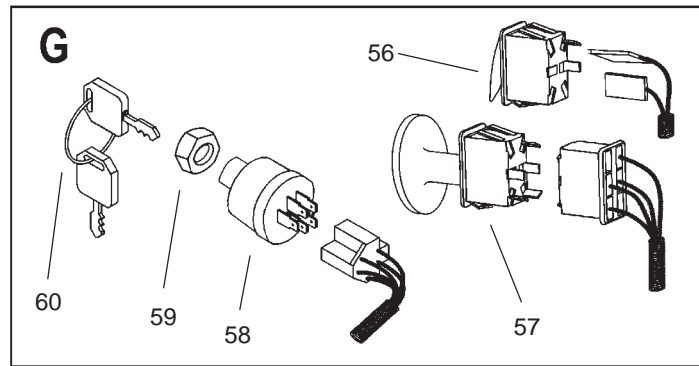


et No.:15

Operation (Mower Lift) Assembly

Ref. No.	Part No.	Qty.	Description
1	104-3129	1	Grip-Handle
2	104-3130	1	Ratchet-Pivot Plate
3	104-3131	1	Button-Plunger
4	104-3132	1	Rod-Connection
5	33024-00	2	Nut-Lock
7	33114-020	2	Screw-HH
8	104-3133	1	Segment-Gear
9	104-3134	1	Spring
10	104-3135	1	Pin-Arm Lever
11	104-3136	1	Lever-Height Adj. Arm
12	104-3137	1	Clip-Pin
13	104-2994	2	Pin-Spring
14	104-3138	1	Shaft-Height Adj.
17	33094-00	3	Washer-Flat
21	33025-00	1	Nut-Lock
22	33095-00	1	Washer-Flat
23	104-3139	1	Bolt-Eye
24	104-3140	1	Spring-Lift
25	104-3141	1	Pivot Arm ASM
27	104-3142	1	Pin-Lifting
28	33025-00	1	Nut-Lock
29	104-3016	1	Pin-Cotter
30	104-3143	4	Pin-Bent
31	104-3144	5	Pin-Hair
32	104-3145	1	Suspension-Front Mower Deck

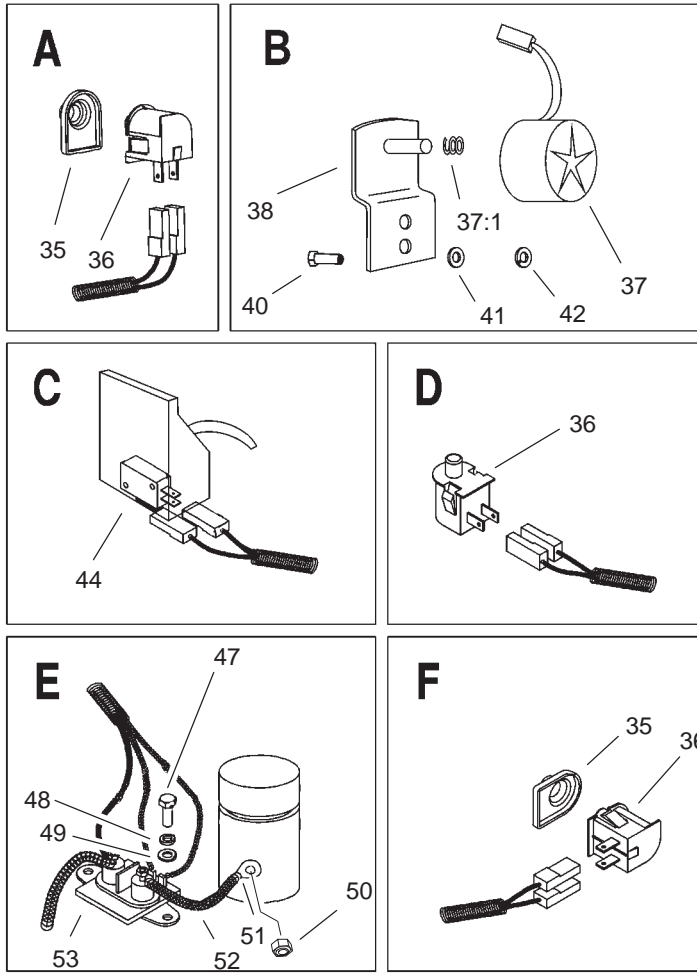
Ref. No.	Part No.	Qty.	Description
33	33026-00	1	Nut-Lock
34	33016-00	1	Nut-Hex
35	104-3146	1	Holder-Front
36	104-3124	2	Washer-Flat
37	104-3147	1	Pin
38	104-3148	2	Clip-Hair Pin
41	104-3149	1	Rod-Height Adj.
42	104-3151	1	Pin-Cotter



Sheet No.:18

Electrical Assembly (cont.)

Ref. No.	Part No.	Qty.	Description	Ref. No.	Part No.	Qty.	Description
56	93-0527	1	Switch – Cruise				
57	93-9998	1	Switch – PTO Toro				
58	92-6785	1	Switch – Ignition				
59	104-3172	1	Nut-Hex				
60	62-7770	2	Key-Ignition				
61	87-5140	4	Nut-Lock				
62	104-2943	6	Washer-Flat				
63	104-2978	4	Screw-Hex				
64	104-3173	2	Relay				
65	92-6705	1	Lens – Dash Hm				
66	92-6732	1	Hsg – Indicator Light				
67	104-3191	3	Screw				
68	104-3174	1	Screw-Cap				
69	104-3175	3	Washer				
70	104-2985	3	Nut-Hex				
71	104-3176	4	Bulb				
72	104-3177	1	Buzzer				
73	94-4208	1	Hourmeter				
74	104-2854	1	Decal – Dash				



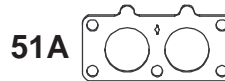
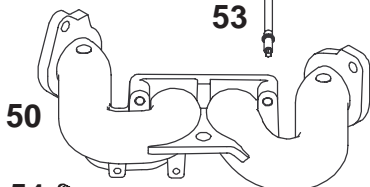
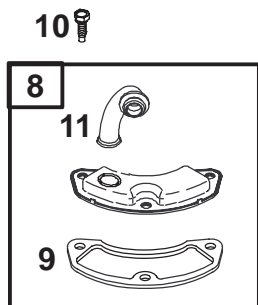
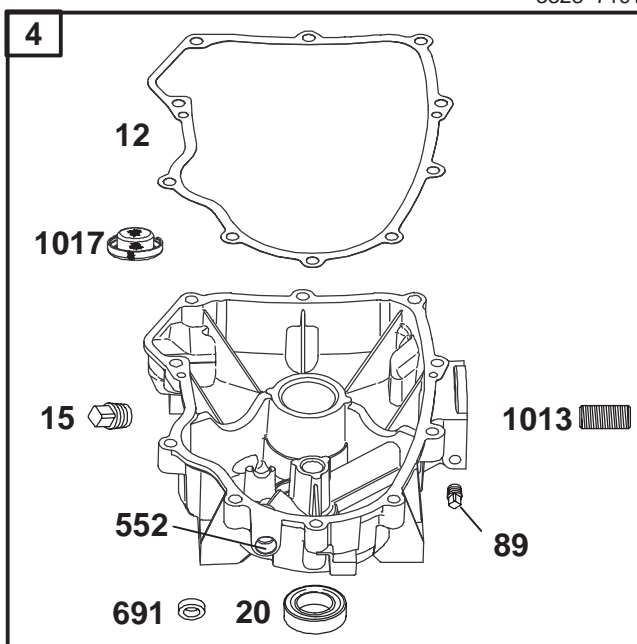
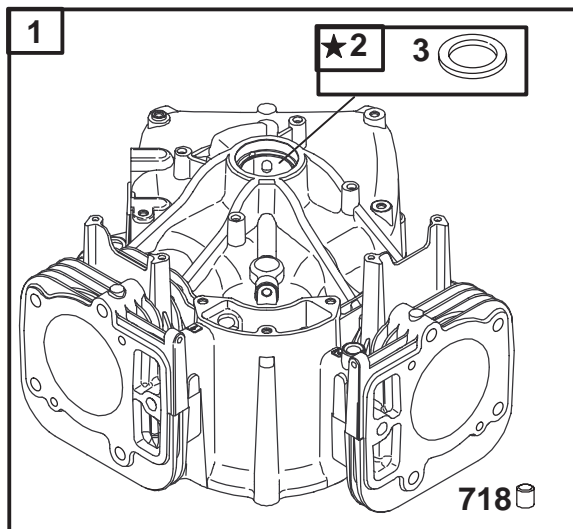
Sheet No.:19

Electrical Assembly (cont.)

Ref. No.	Part No.	Qty.	Description
35	104-3178	4	Cover-Protective
36	104-3179	4	Switch-Delta
36	104-3180	1	Switch-Delta
37	99-8090	1	Magnet ASM
37:1	93-6601	1	Spring - Compression
38	104-3181	1	Bracket-Cruise
40	104-3182	2	Screw
41	104-2946	2	Washer-Flat
42	104-2927	2	Washer-Spring
44	104-3185	1	Switch-Omron
*45	46-5780	1	Switch-Starter
47	33113-012	2	Screw-HH
48	104-3186	2	Washer-Spring
49	33093-00	2	Washer-Flat
50	32128-32	1	Nut-HHF
51	104-3187	1	Boot-Rubber
52	104-3188	1	Lead-Elect Starter
53	104-3189	1	Solenoid

Ref. No.	Part No.	Qty.	Description

* Not illustrated



★ REQUIRES SPECIAL TOOLS TO INSTALL. SEE REPAIR INSTRUCTION MANUAL.

1058 OWNER'S MANUAL

Assemblies include all parts shown in frames.

Engine Briggs & Stratton Model 406777-0157-E1

Ref. No.	Part No.	Qty.	Description
1	690231	1	Cylinder Assembly
2	499585	1	Bushing/Seal Kit (Magneto Side)
★3	391086	1	Oil Seal (Magneto Side)
4	690069	1	Engine Sump
8	499601	1	Breather Assembly
★9	273370	1	Breather Gasket
10	690960	1	Screw (Breather Assembly)
11	690942	1	Breather Tube
★12	273488	1	Crankcase Gasket
15	94239	1	Oil Drain Plug
★20	690947	1	Oil Seal (PTO Side)
22	690308	1	Screw (Crankcase Cover/Sump)
50	690948	1	Intake Manifold
Δ★51	273487	1	Intake Gasket
★◆51A	690950	1	Intake Gasket
53	690951	1	Stud (Carburetor)
54	94913	1	Screw (Intake Manifold)
89	690283	1	Oil Plug

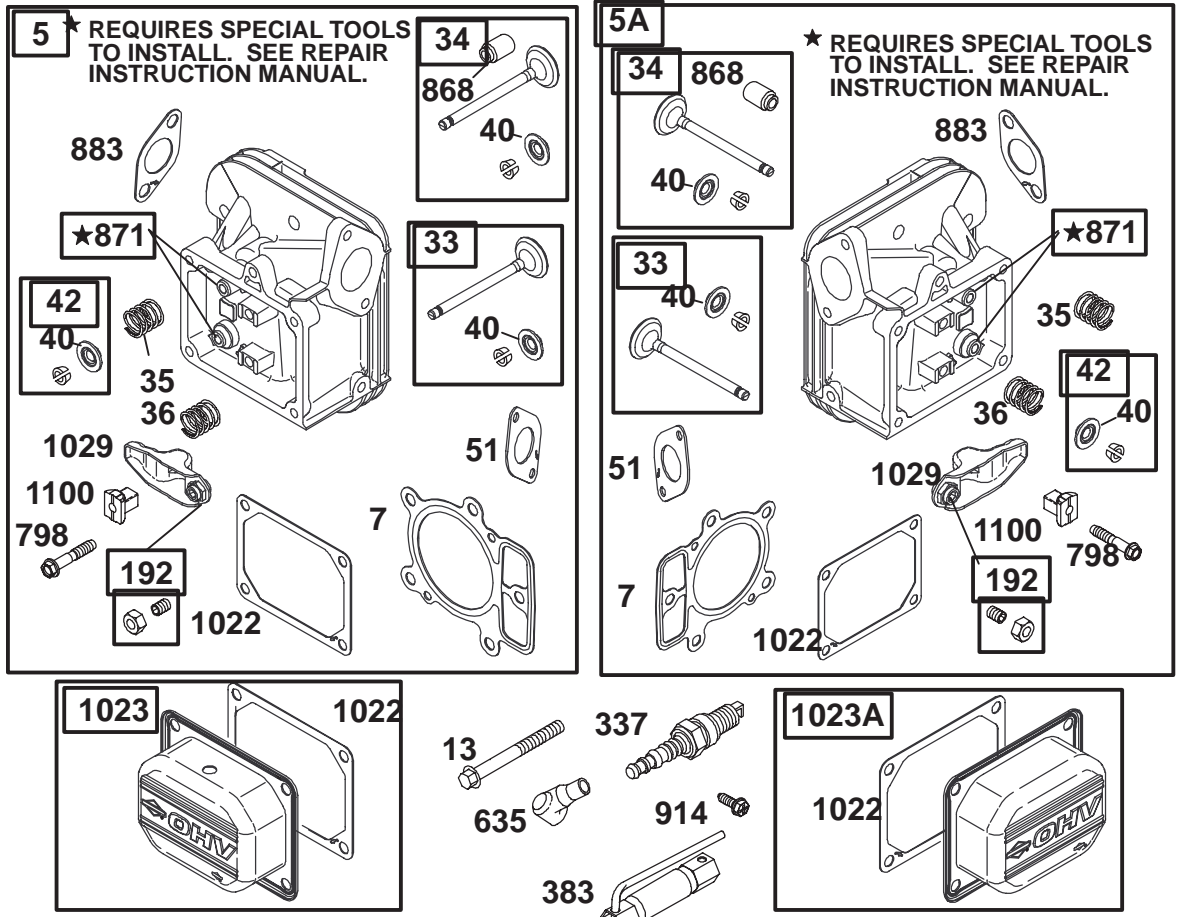
Ref. No.	Part No.	Qty.	Description
122	690952	1	Carburetor Spacer
239	491657	1	Oil Pressure Switch
250	690957	1	Breather Retainer
252	690956	1	Oil Collector
552	690552	1	Governor Crank Bushing
654	94010	1	Nut (Carburetor)
★691	690657	1	Governor Shaft Seal
718	230192	1	Locating Pin
1013	690954	1	Oil Filter Nipple
1017	690770	1	Oil Pump Screen
1058	274277	1	Owner's Manual

Δ Included in Valve Overhaul Kit-Ref. 1033.

● Included in Carburetor Kit-Ref. 121

★ Included in Gasket Set-Ref. 358.

◆ Included in Carburetor Gasket Set-Ref. 977.



Assemblies include all parts shown in frames.

Engine Briggs & Stratton Model 406777-0157-E1

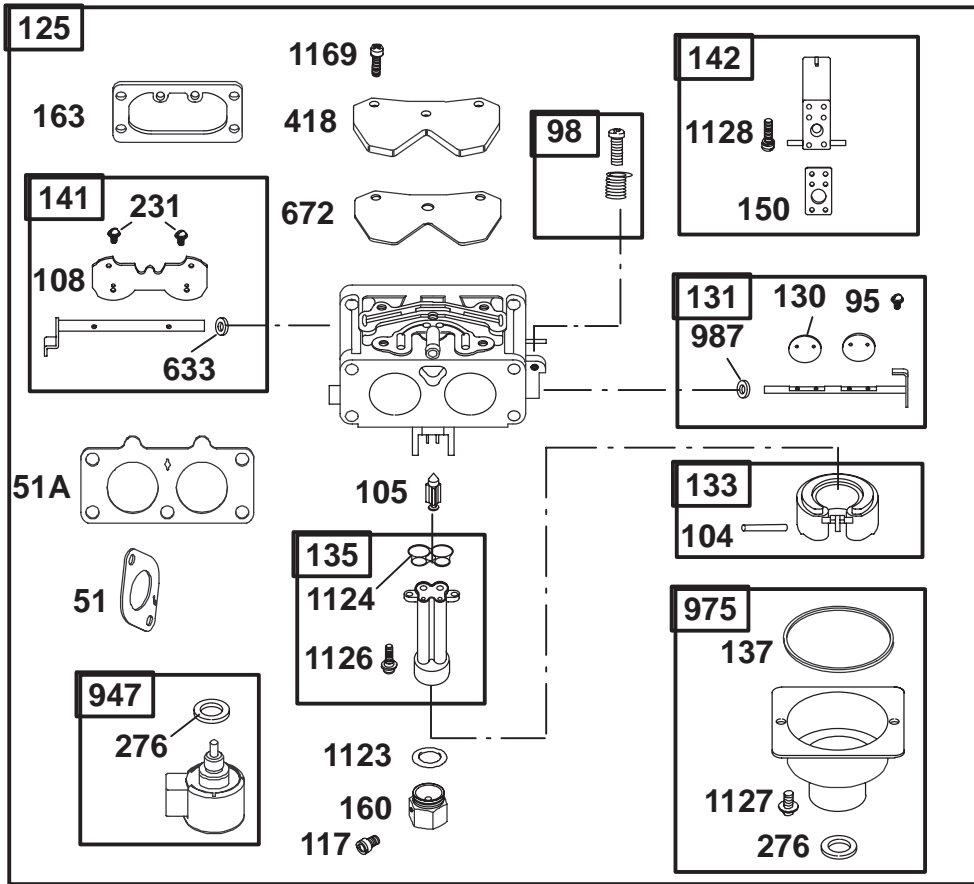
Ref. No.	Part No.	Qty.	Description
5	499587	1	Cylinder Head (Cylinder #1)
5A	499595	1	Cylinder Head (Cylinder #2)
★Δ7	690962	1	Cylinder Head Gasket
13	690360	1	Screw (Cylinder Head)
33	499596	1	Exhaust Valve
34	499597	1	Intake Valve
35	690963	1	Valve Spring (Intake)
36	690963	1	Valve Spring (Exhaust)
40	263215	1	Valve Retainer
42	499586	1	Valve Keeper
●★Δ51	273487	1	Intake Gasket
192	690083	1	Rocker Arm Adjuster
337	691043	1	Spark Plug
383	19374	1	Spark Plug Wrench
635	66538	1	Spark Plug Boot
798	690967	1	Screw (Rocker Arm)
★Δ868	690968	1	Valve Seal
871	690969	1	Guide Bushing
★Δ883	690970	1	Exhaust Gasket

Ref. No.	Part No.	Qty.	Description
914	690960	1	Screw (Rocker Arm Cover)
★Δ1022	273486	1	Rocker Cover Gasket
1023	499599	1	Rocker Arm Cover (Cylinder #1)
1023A	499600	1	Rocker Arm Cover (Cylinder #2)
1029	690972	1	Rocker Arm
1100	690973	1	Rocker Arm Pivot

Δ Included in Valve Overhaul Kit-Ref. 1033.

● Included in Carburetor Kit-Ref. 121

★ Included in Gasket Set-Ref. 358.



Assemblies include all parts shown in frames.

Engine Briggs & Stratton Model 406777-0157-E1

Ref. No.	Part No.	Qty.	Description
●★△51	273487	1	Intake Gasket
★●◆51A	690950	1	Intake Gasket
95	690718	1	Screw (Throttle Valve)
98	499802	1	Idle Speed Kit
●104	690984	1	Float Hinge Pin
●105	690985	1	Float Needle Valve
108	690986	1	Choke Valve
●117	690232	1	Main Jet
	690989	1	Main Jet (High Altitude)
125	499804	1	Carburetor
130	690993	1	Throttle Valve
131	499805	1	Throttle Shaft Kit
133	499806	1	Carburetor Float
135	499803	1	Fuel Transfer Tube
●◆137	690994	1	Float Bowl Gasket
141	499807	1	Choke Shaft Kit
142	D499808	1	Carburetor Nozzle
●◆150	690995	1	Nozzle Gasket
160	690996	1	Solenoid Retainer
★△163	273640	1	Air Cleaner Gasket
231	690718	1	Screw (Choke Valve)
★●◆276	690997	1	Sealing Washer

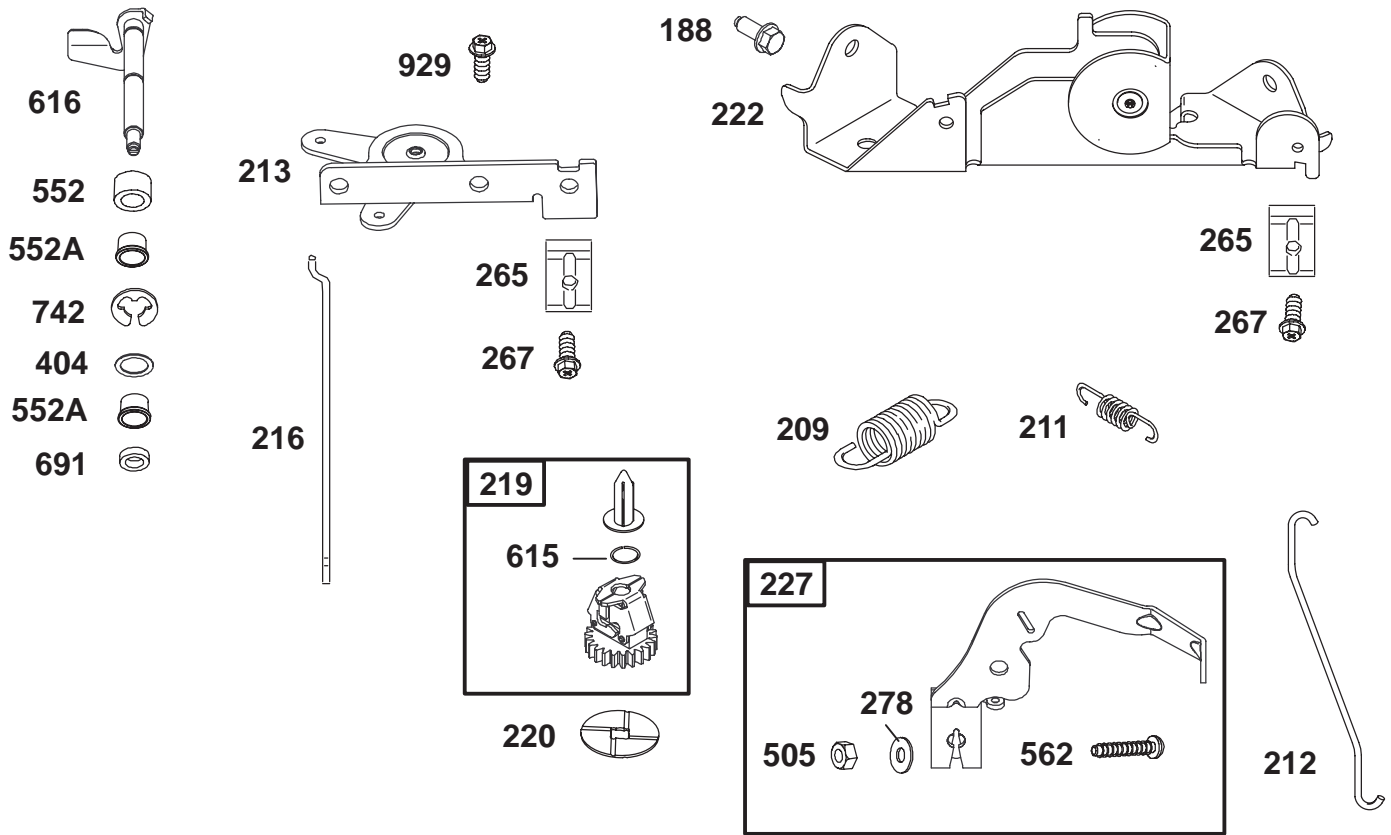
Ref. No.	Part No.	Qty.	Description
418	690999	1	Carburetor Cover Plate
●◆633	690998	1	Choke Shaft Seal
●◆672	690234	1	Carburetor Cover Plate Gasket
947	499809	1	Fuel Solenoid
975	499810	1	Float Bowl
●◆987	691000	1	Throttle Shaft Seal
●◆1123	690987	1	O-Ring Seal (Solenoid Retainer)
●◆1124	690988	1	O-Ring Seal (Fuel Transfer Tube)
1126	690991	1	Screw (Fuel Transfer Tube)
1127	690992	1	Screw (Float Bowl)
●1128	690990	1	Screw (Carburetor Nozzle)
●1169	690990	1	Screw (Carburetor Cover Plate)

△ Included in Valve Overhaul Kit-Ref. 1033.

● Included in Carburetor Kit-Ref. 121

★ Included in Gasket Set-Ref. 358.

◆ Included in Carburetor Gasket Set-Ref. 977.



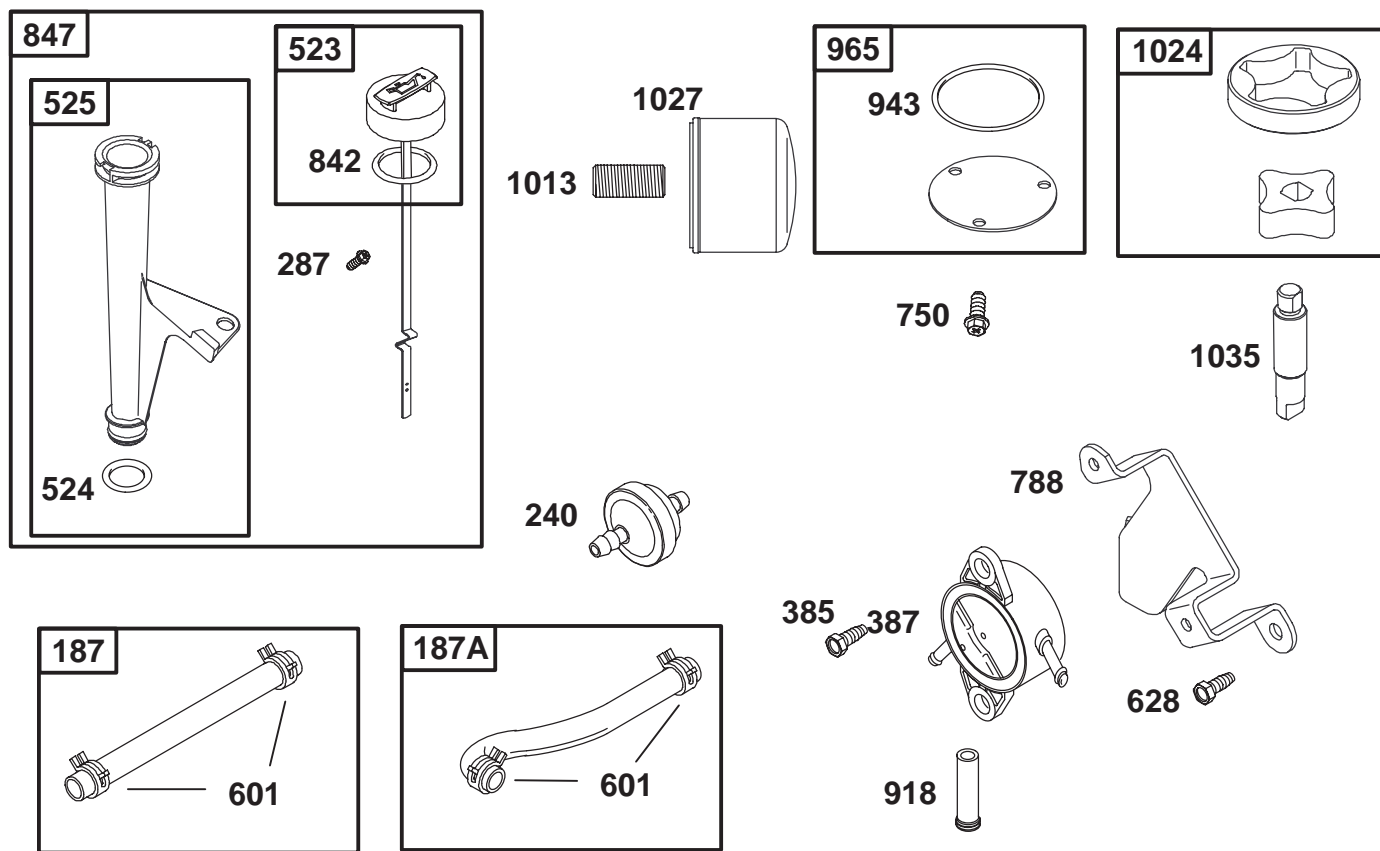
Assemblies include all parts shown in frames.

Engine Briggs & Stratton Model 406777-0157-E1

Ref. No.	Part No.	Qty.	Description
188	690960	1	Screw (Control Bracket)
209	691018	1	Governor Spring
211	691019	1	Governed Idle Spring
212	691020	1	Throttle Link
213	691021	1	Choke Control Bracket
216	691022	1	Choke Link
219	394348	1	Governor Gear
220	690412	1	Washer (Governor Gear)
222	691023	1	Control Bracket
227	691048	1	Governor Control Lever
265	221535	1	Casing Clamp
267	691044	1	Screw (Casing Clamp)
278	94942	1	Washer (Governor Control Lever)
404	690442	1	Washer (Governor Crank)
505	92278	1	Nut (Governor Control Lever)
552	690552	1	Governor Crank Bushing

Ref. No.	Part No.	Qty.	Description
552A	690553	1	Governor Crank Bushing
562	690311	1	Bolt (Governor Control Lever)
615	690317	1	Governor Shaft Retainer
616	691045	1	Governor Crank
★691	690657	1	Governor Shaft Seal
742	690328	1	E-Ring Retainer
929	94930	1	Screw (Choke Control Bracket)

★ Included in Gasket Set-Ref. 358.



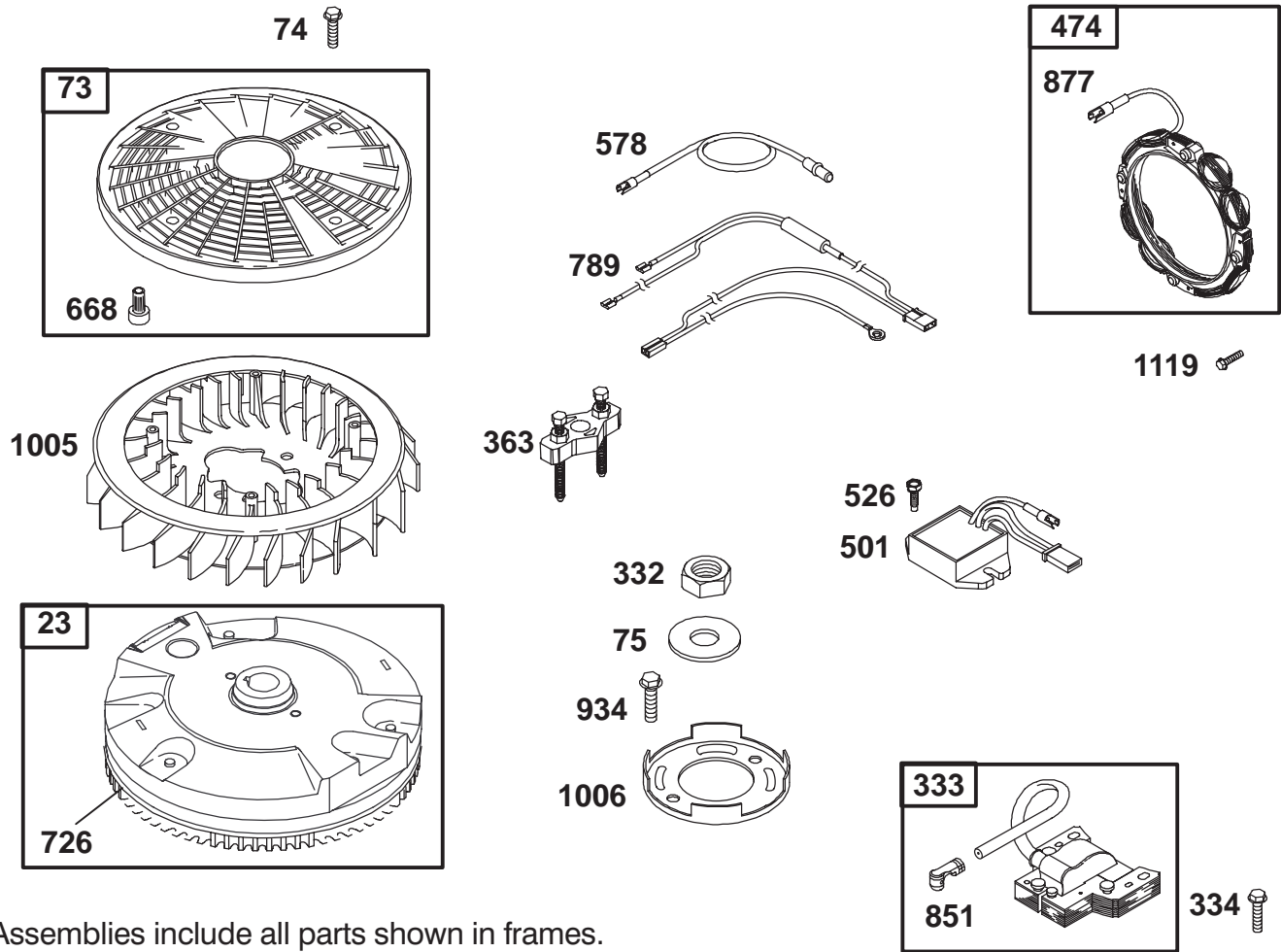
Assemblies include all parts shown in frames.

Engine Briggs & Stratton Model 406777-0157-E1

Ref. No.	Part No.	Qty.	Description
187	398367	1	Fuel Line (Cut to Required Length)
187A	691049	1	Fuel Line
240	691035	1	Fuel Filter
287	690960	1	Screw (Dipstick Tube)
385	690960	1	Screw (Fuel Pump)
387	808656	1	Fuel Pump
523	691036	1	Dipstick
★524	691032	1	Dipstick Tube Seal
525	691037	1	Dipstick Tube
601	95162	1	Hose Clamp
628	690960	1	Screw (Fuel Pump Bracket)
750	691033	1	Screw (Oil Pump Cover)
788	691039	1	Fuel Pump Bracket
★842	280393	1	Dipstick/Tube Seal
847	499602	1	Dipstick/Tube Assembly
918	694000	1	Vacuum Hose
★943	690589	1	O-Ring Seal (Oil Pump Cover)
965	499613	1	Oil Pump Cover

Ref. No.	Part No.	Qty.	Description
1013	690954	1	Oil Filter Nipple
1024	499054	1	Oil Pump
1027	492932	1	Oil Filter
1035	691042	1	Pump Shaft

★ Included in Gasket Set-Ref. 358.

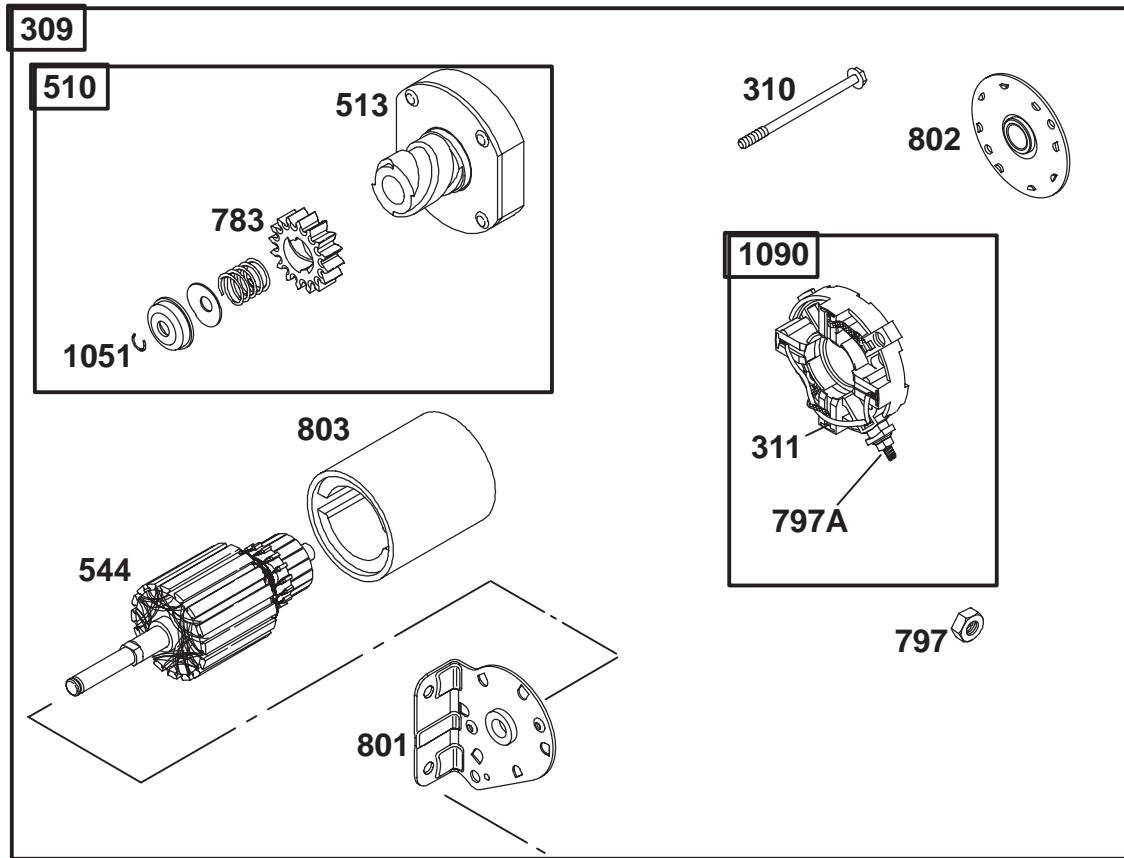


Assemblies include all parts shown in frames.

Engine Briggs & Stratton Model 406777-0157-E1

Ref. No.	Part No.	Qty.	Description
23	691053	1	Flywheel
73	691055	1	Rotating Screen
74	691057	1	Screw (Rotating Screen)
75	691056	1	Washer (Flywheel)
332	230674	1	Nut (Flywheel)
333	691060	1	Magneto Armature
334	691061	1	Screw (Magneto Armature)
363	691062	1	Flywheel Puller
474	392595	1	Alternator (Regulated)
501	491546	1	Regulator (Regulated-16 Amp)
526	691129	1	Screw (Regulator)
578	691208	1	Wire Assembly
668	691215	1	Spacer
726	499612	1	Ring Gear
789	691220	1	Wiring Harness
851	493880	1	Spark Plug Terminal
877	393537	1	Alternator Connector/Wire (Regulated-9 Amp)

Ref. No.	Part No.	Qty.	Description
934	94627	1	Screw (Fan Retainer)
1005	691243	1	Flywheel Fan
1006	691247	1	Fan Retainer
1119	93621	1	Screw (Alternator)



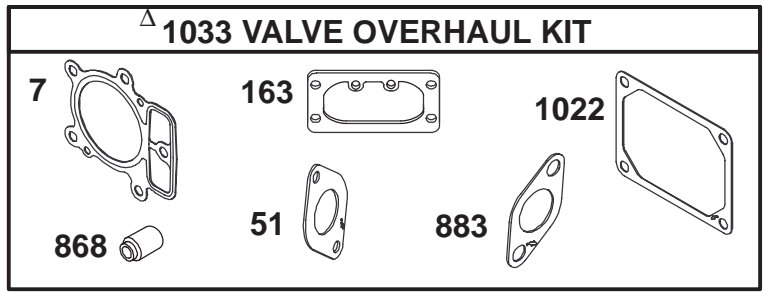
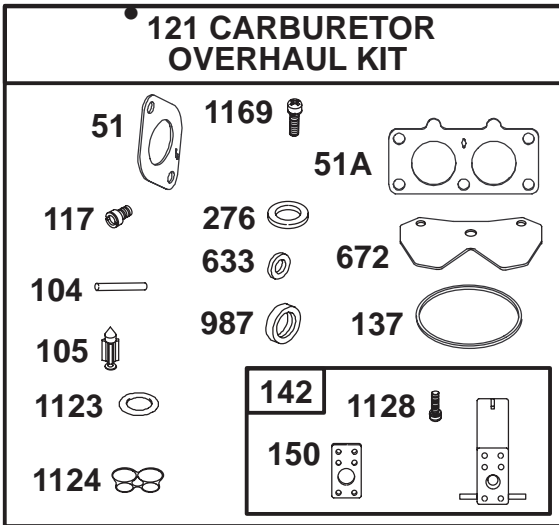
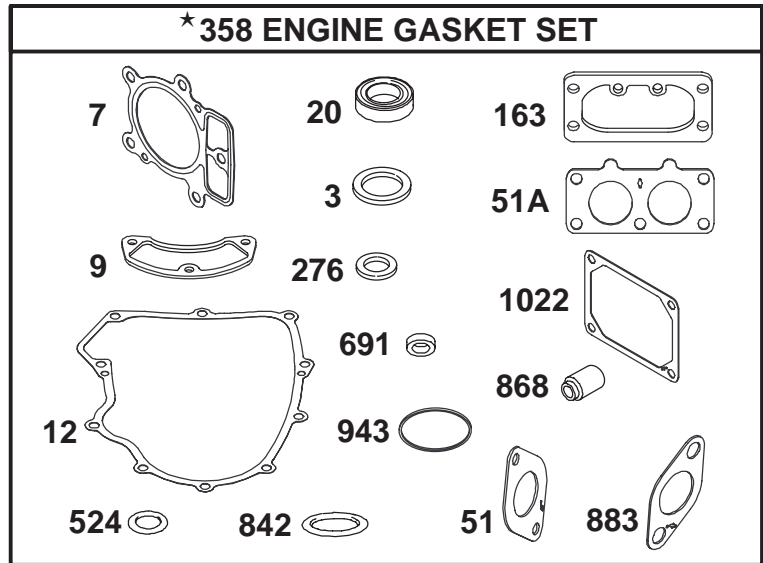
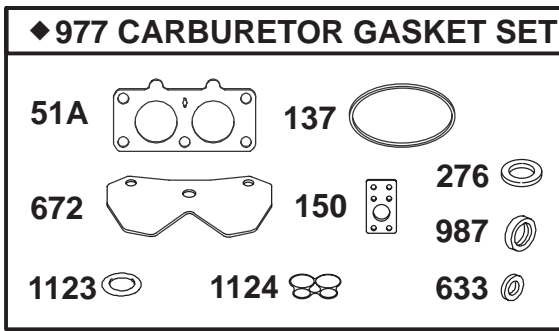
Assemblies include all parts shown in frames.

697 

Engine Briggs & Stratton Model 406777-0157-E1

Ref. No.	Part No.	Qty.	Description
309	691262	1	Starter Motor
310	691263	1	Bolt (Starter Motor)
311	497608	1	Brush Set
510	497606	1	Starter Drive
513	398003	1	Drive Clutch
544		1	Starter Armature (Serviced By 691262 Starter Motor Only)
697	690372	1	Screw (Starter Drive Cap)
783	693058	1	Pinion Gear
797	92278	1	Nut (Brush Retainer)
797A	693167	1	Nut (Brush Retainer)
801	691283	1	Drive Cap
802	497607	1	End Cap
803		1	Starter Housing (Serviced By 691262 Starter Motor Only)
1051	263080	1	Retaining Ring
1090	497605	1	Brush Retainer

Ref. No.	Part No.	Qty.	Description



Assemblies include all parts shown in frames.

Engine Briggs & Stratton Model 406777-0157-E1

Ref. No.	Part No.	Qty.	Description
★3	391086	1	Oil Seal (Magneto Side)
★Δ7	690962	1	Cylinder Head Gasket
★9	273370	1	Breather Gasket
★12	273488	1	Crankcase Gasket
★20	690947	1	Oil Seal (PTO Side)
●★Δ51	273487	1	Intake Gasket
★●◆51A	690950	1	Intake Gasket
●104	690984	1	Float Hinge Pin
●105	690985	1	Float Needle Valve
●117	690232	1	Main Jet
121	499811	1	Carburetor Overhaul Kit
●◆137	690994	1	Float Bowl Gasket
●142	499808	1	Carburetor Nozzle
●◆150	690995	1	Nozzle Gasket
★Δ163	273640	1	Air Cleaner Gasket
★●◆276	690997	1	Sealing Washer
358	499889	1	Engine Gasket Set
★524	691032	1	Dipstick Tube Seal (Dipstick Tube)
●◆633	690998	1	Choke Shaft Seal
●◆672	690234	1	Carburetor Cover Plate Gasket
★691	690657	1	Governor Shaft Seal

Ref. No.	Part No.	Qty.	Description
★842	280393	1	Dipstick/Tube Seal
★Δ868	690968	1	Valve Seal
★Δ883	690970	1	Exhaust Gasket
★943	690589	1	O-Ring Seal (Oil Pump Cover)
977	499812	1	Carburetor Gasket Set
●◆987	691000	1	Throttle Shaft Seal
★Δ1022	273486	1	Rocker Cover Gasket
1033	499890	1	Valve Overhaul Kit
●◆1123	690987	1	O-Ring Seal (Solenoid Retainer)
●◆1124	690988	1	O-Ring Seal (Fuel Transfer Tube)
●1128	690990	1	Screw (Carburetor Nozzle)
●1169	690990	1	Screw (Carburetor Cover Plate)

Δ Included in Valve Overhaul Kit-Ref. 1033.

● Included in Carburetor Kit-Ref. 121

★ Included in Gasket Set-Ref. 358.

◆ Included in Carburetor Gasket Set-Ref. 977.

