



Count on it.

Parts Catalog

Workman® HDX Utility Vehicle

Model No. 07366—Serial No. 311000001 and Up



Ordering Replacement Parts

To order replacement parts, please supply the part number, the quantity, and the description of each part desired.

Understanding Reference Numbers

Each identified part in an illustration has a reference number. The reference number for a part also appears in the parts list, along with other information about the part.

This catalog uses two special reference number formats, one to indicate parts in a service assembly and another to indicate the quantity of a given part in an illustration.

Service Assembly Reference Numbers

Parts in service assemblies have reference numbers in the form a:b. The a represents the reference number of the entire service assembly and the b represents a sequential number unique to each part within the service assembly.

For example, a wheel assembly might be identified by reference number 6, the tire by 6:1, the valve by 6:2, and the wheel by 6:3. When you order the assembly identified by reference number 6, you receive all parts identified by reference numbers 6:1, 6:2, and 6:3. However, you may also order any part individually. Reference numbers of this type appear in illustration and in parts lists.

Reference Numbers Indicating Quantity

In an illustration, if a reference number indicates more than one part, the reference number has the form nX y. The n represents the quantity of the part, the X is the multiplication symbol, and the y represents the reference number.

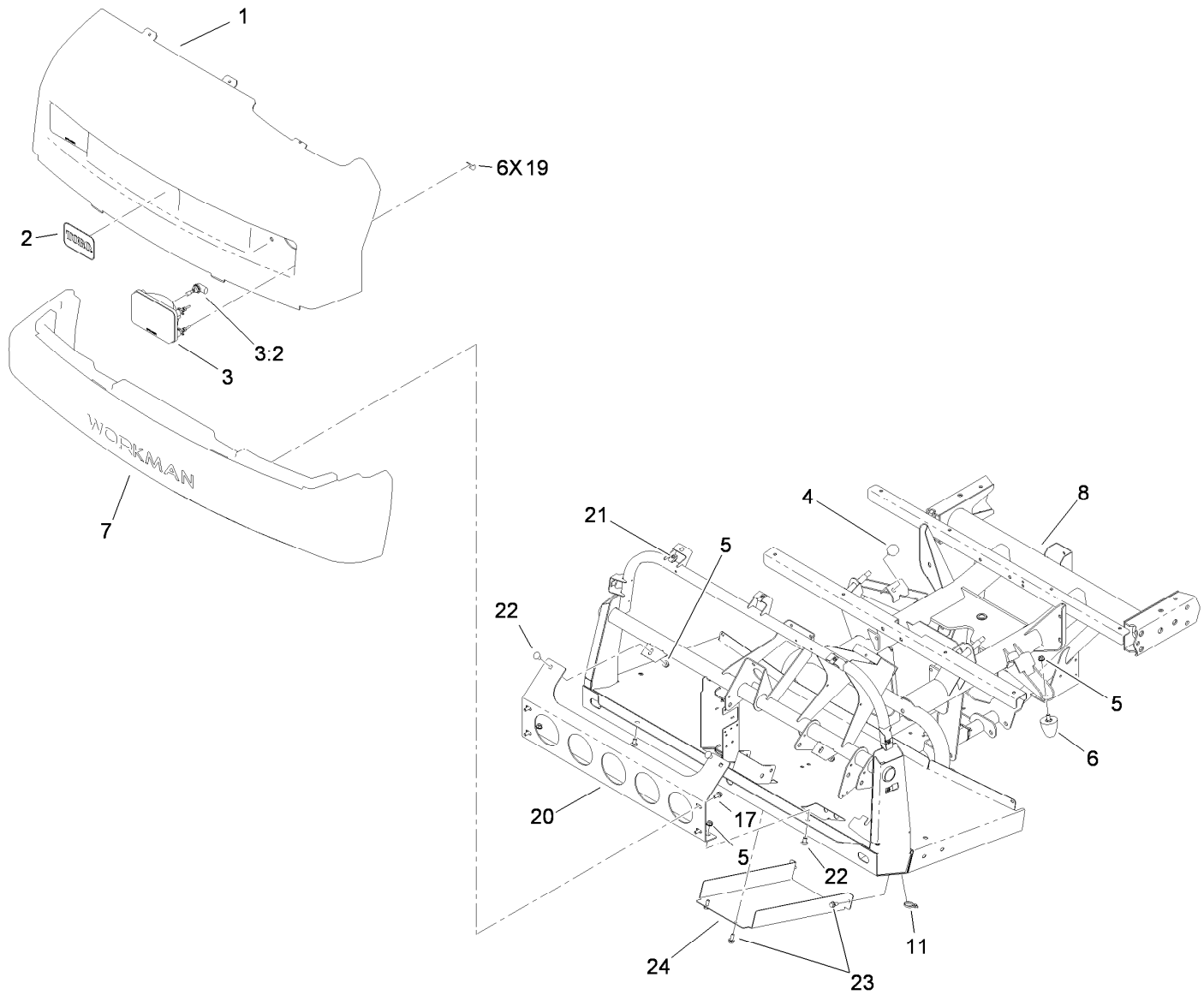
For example, in an illustration, the reference number 2X 37 means that two of the parts identified by reference number 37 are indicated.

Contents

Hood and Bumper Assembly	5
Dash Assembly	6
Pedal Assembly	8
Master Cylinder Assembly No. 104-6782	9
Hydraulic Brake Line Assembly	10
Clutch Linkage Assembly	11
Shroud and Seat Assembly	12
Console Assembly	14
Shift Assembly No. 106-7887	15
Steering Hydraulic Assembly	16
Steering Valve Assembly No. 115-7926	17
Lift Valve and Hydraulic Assembly	18
Control Valve Assembly No. 43-1950	20
Hydraulic Cylinder Assembly No. 106-7939	21
Front Wheel Assembly	22
Hydraulic Cylinder Assembly No. 112-3217	23
Steering Linkage Assembly	24
Front Suspension Assembly	25
Front Control Arm Assembly	26
Rear Frame Assembly	27
Rear Axle Assembly	28
Driveshaft Assembly No. 114-8367	29
Transaxle Assembly	30
Case Assembly Transaxle Assembly No. 115-7783	31
Center Plate Assembly Transaxle Assembly No. 115-7783	32
Main Shaft Assembly Transaxle Assembly No. 115-7783	33
Reduction Shaft Assembly Transaxle Assembly No. 115-7783	34
Reverse Shaft Assembly Transaxle Assembly No. 115-7783	35
Main Shift Assembly Transaxle Assembly No. 115-7783	36
Hi-Lo Shift Assembly Transaxle Assembly No. 115-7783	37
Countershaft Assembly Transaxle Assembly No. 115-7783	38
Differential Gear Assembly Transaxle Assembly No. 115-7783	39
Differential Carrier Assembly Transaxle Assembly No. 115-7783	40
Differential Lock Assembly Transaxle Assembly No. 115-7783	41
Axle Shaft Assembly Transaxle Assembly No. 115-7783	42
Battery Assembly	43
Tail Light and Fender Assembly	44
Roll-Over Protection System Assembly	45
Air Cleaner Assembly	46
Air Cleaner Assembly No. 106-2416	47
Cooling System Assembly	48
Radiator Assembly	49
Engine Support Assembly	50
Hydraulic Gear Pump Assembly No. 114-8302	51
ECM and Relay Assembly	52
Engine Assembly	53
Fuel System Assembly	54
Cylinder Assembly	55
Crankshaft Assembly	56
Cylinder Head Assembly	57
Manifold Assembly	58
Carburetor Assembly	59
Camshaft Assembly	60
Oil Pan Assembly	61

Contents (continued)

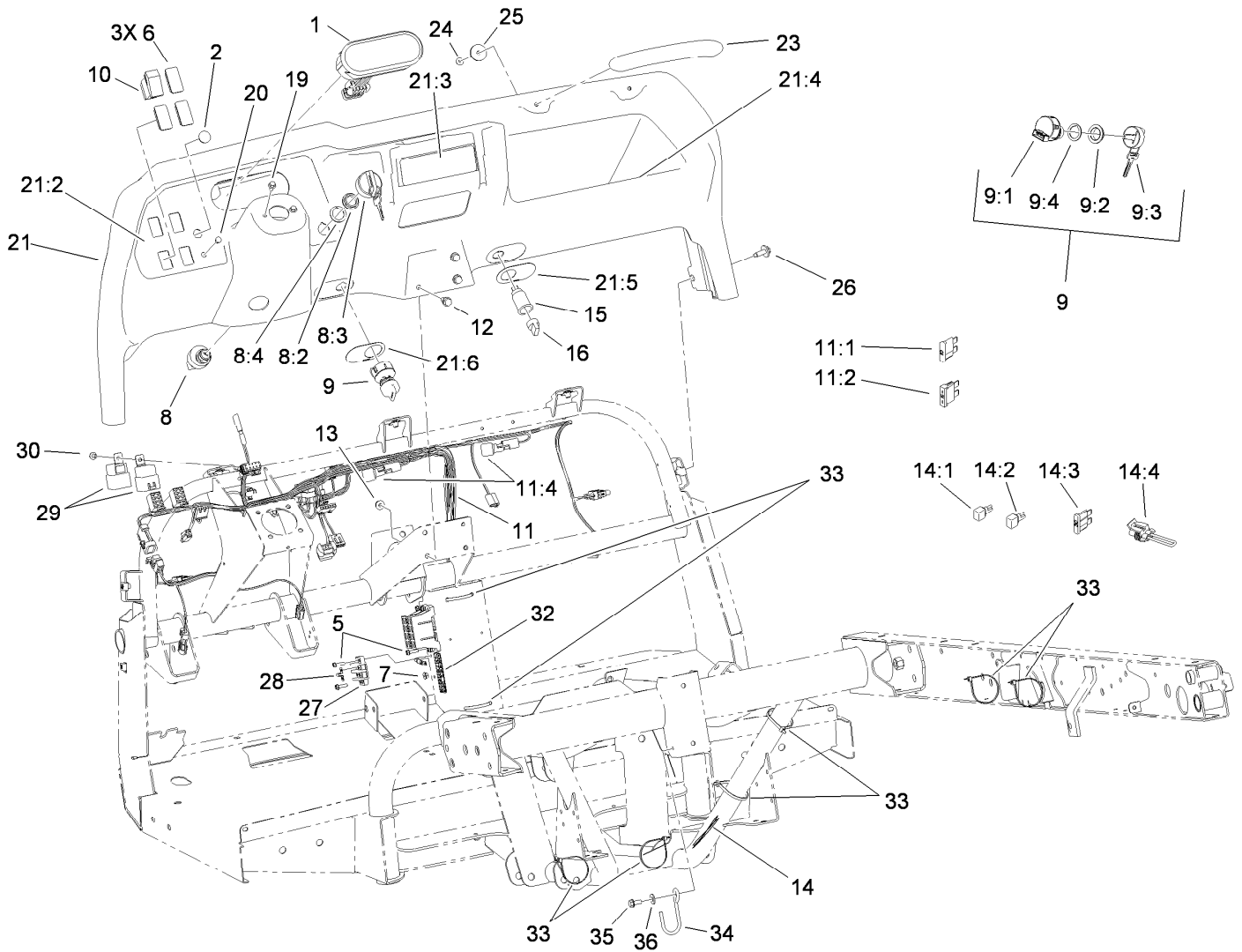
Gear Cover Assembly	62
Gear Housing Assembly	63
Water Pump Assembly	64
Controls Assembly	65
Starter Motor Assembly	66
Alternator Assembly	67
Engine Gasket Set	68
Engine Label Set	69
Attachments and Accessories	70



Hood and Bumper Assembly

Ref.	Part Number	Qty.	Description
1	112-3183	1	Hood
2	117-4950	1	Decal
3	114-8322	2	Headlight ASM
3:2	115-2395	1	Bulb-Light
4	87-2440	2	Bumper-Rubber
5	3290-357	6	Nut-HSF
6	26-0071	2	Snubber-Rubber
7	112-3185	1	Bumper
8	119-0949-03	1	Frame-Front

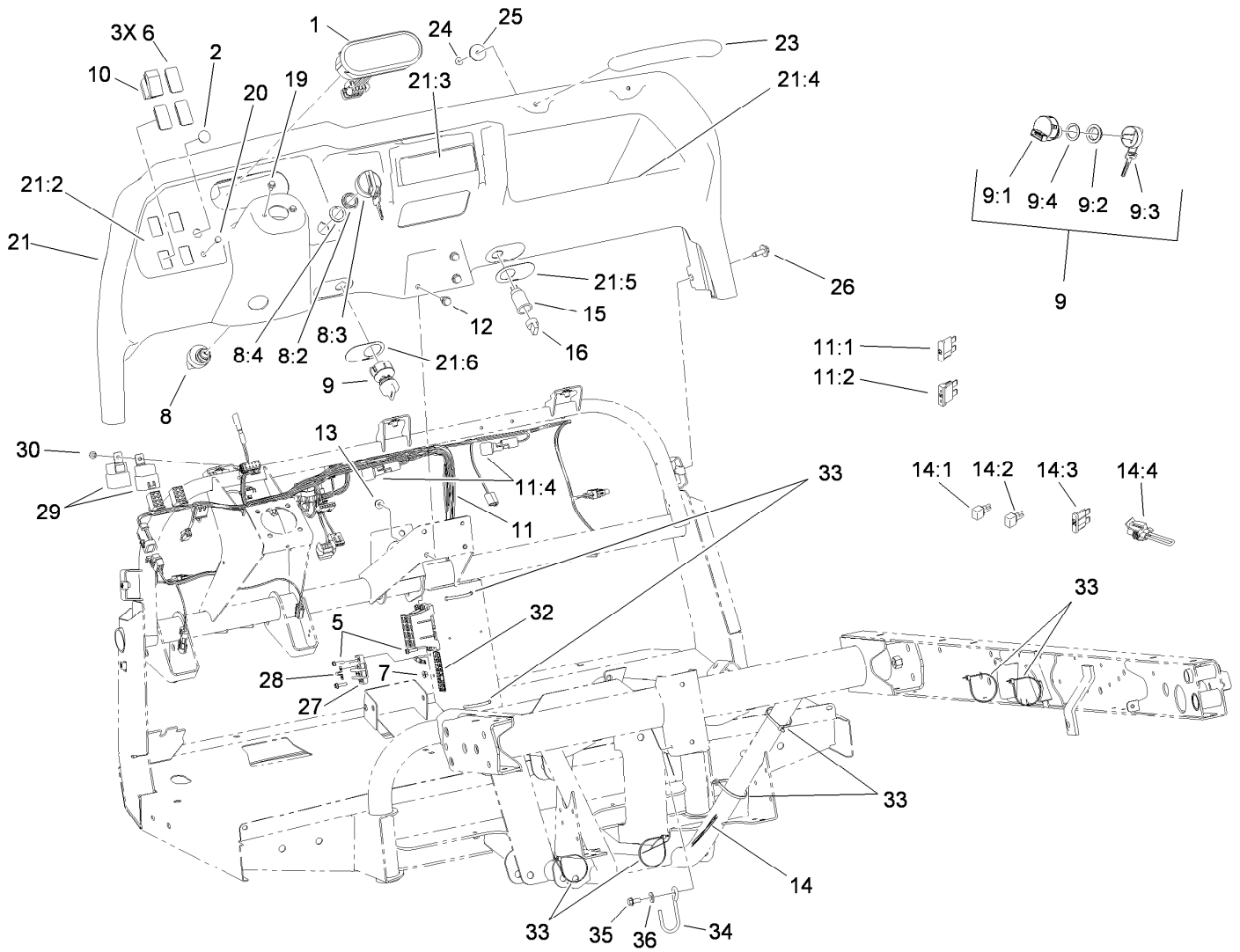
Ref.	Part Number	Qty.	Description
11	3290-379	1	Tie-Cable
17	3234-5	4	Screw-HHF
19	114-8341	6	Clip-Speed
20	114-8272-03	1	Bracket-Bumper
21	94-2413	7	Nut-U
22	3231-21	4	Screw-CARR
23	32144-11	4	Screw-HWH
24	106-2427-03	1	Cover



Dash Assembly

Ref.	Part Number	Qty.	Description	Ref.	Part Number	Qty.	Description
1	114-8284	1	Cluster-Instrument	11:2	109355	2	Fuse-Blade, 15 Amp
2	94-5627	1	Plug	11:4	100-4918	2	Diode
5	32105-13	6	Screw-HWH	12	3234-5	3	Screw-HHF
6	99-7420	3	Plug-Hole	13	104-8300	3	Nut-HF, NI
7	3290-148	6	Nut-HF	14	114-8376	1	Harness-Wire, Rear
8	106-5269	1	Ignition Switch ASM	14:1	100-4918	2	Diode
8:2	108-8660	1	Nut-Mounting	14:2	104-4022	1	Resistor-75 Ohm
8:3	106-5270	1	Ignition Key Set	14:3	109103	1	Fuse-Blade, 30 Amp
8:4	108-8659	1	Washer-Backup	14:4	119-7787	1	Harness-Wire, Vertical Lift Shunt
9	110-2580	1	Switch-Key, Supervisor	15	99-7411	1	Point-Power
9:1		1	Switch-Key ●	16	99-7416	1	Cap
9:2	108-8660	1	Nut-Mounting	19	33103-012	2	Screw-HHF
9:3	110-5221	1	Set-Key, Supervisor	20	104-9368	1	Plug-Dome
9:4	108-8659	1	Washer-Backup	21	115-7912	1	Dash ASM
10	95-8999	1	Switch-Rocker, On-None-On	21:2	115-2281	1	Decal-Dash
11	117-4998	1	Harness-Wire, Front	21:3	115-7746	1	Decal-Danger
11:1	218-578	5	Fuse-Blade, 10 Amp	21:4	115-2282	1	Decal-Warning, Dash

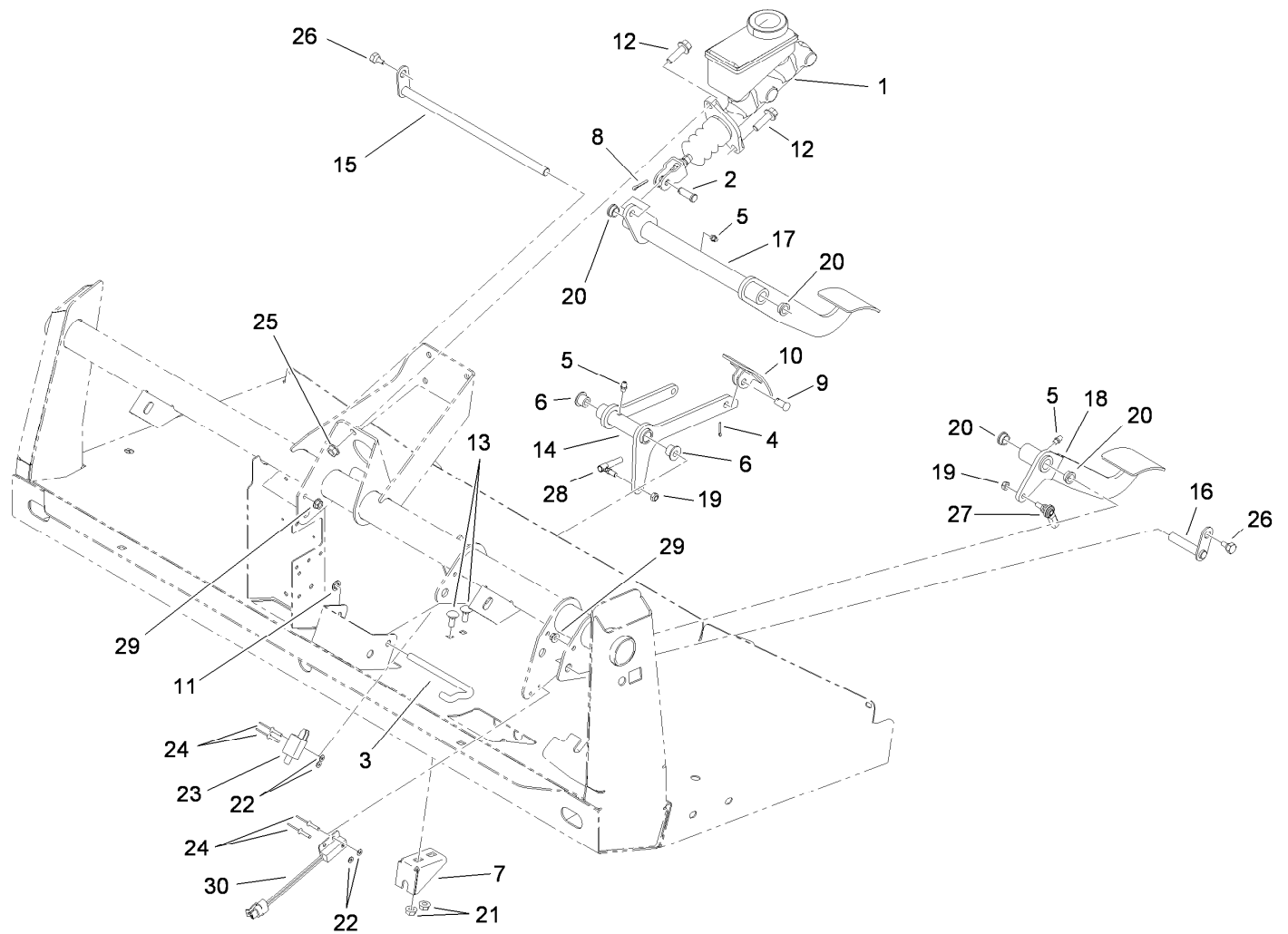
● Not serviced separately



Dash Assembly (continued)

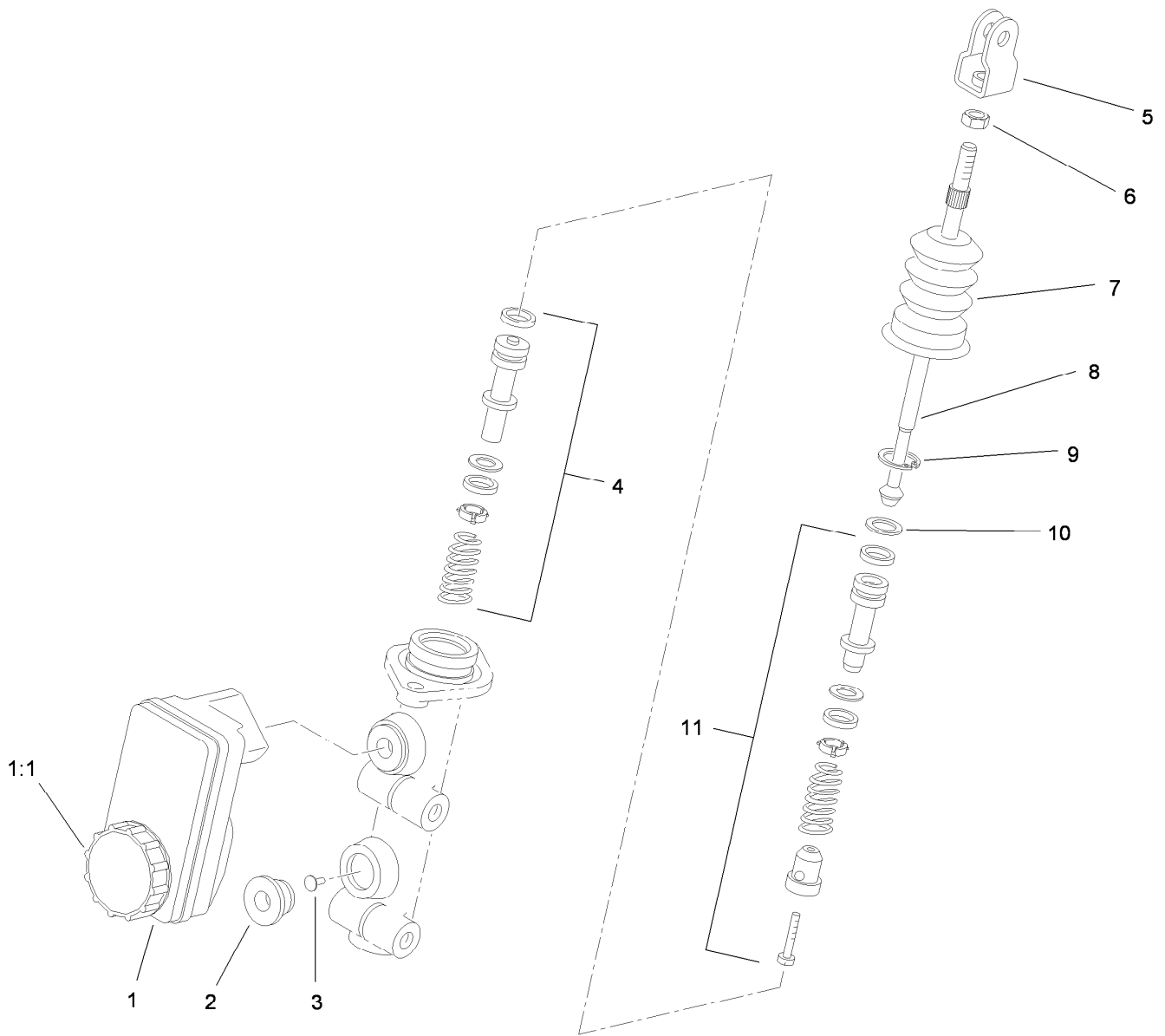
Ref.	Part Number	Qty.	Description	Ref.	Part Number	Qty.	Description
21:5	106-2353	1	Decal-Powerpoint	29	99-7430	1	Relay-Mini
21:6	106-2355	1	Decal-Switch, Supervisor	30	32144-10	1	Screw-HWH
23	117-4948	1	Handle-Grab	32	115-7813	1	Decal-Fuse
24	104-7201	2	Nut-HF, NI	33	3290-379	8	Tie-Cable
25	103995	2	Washer	34	117-4860	1	Guide-Cable
26	114-8418	7	Screw-HWH, Sems	35	32144-11	1	Screw-HWH
27	42862	1	Block-Terminal, Ground	36	3256-71	1	Washer-Flat
28	42863	1	Strip-Jumper				

● Not serviced separately



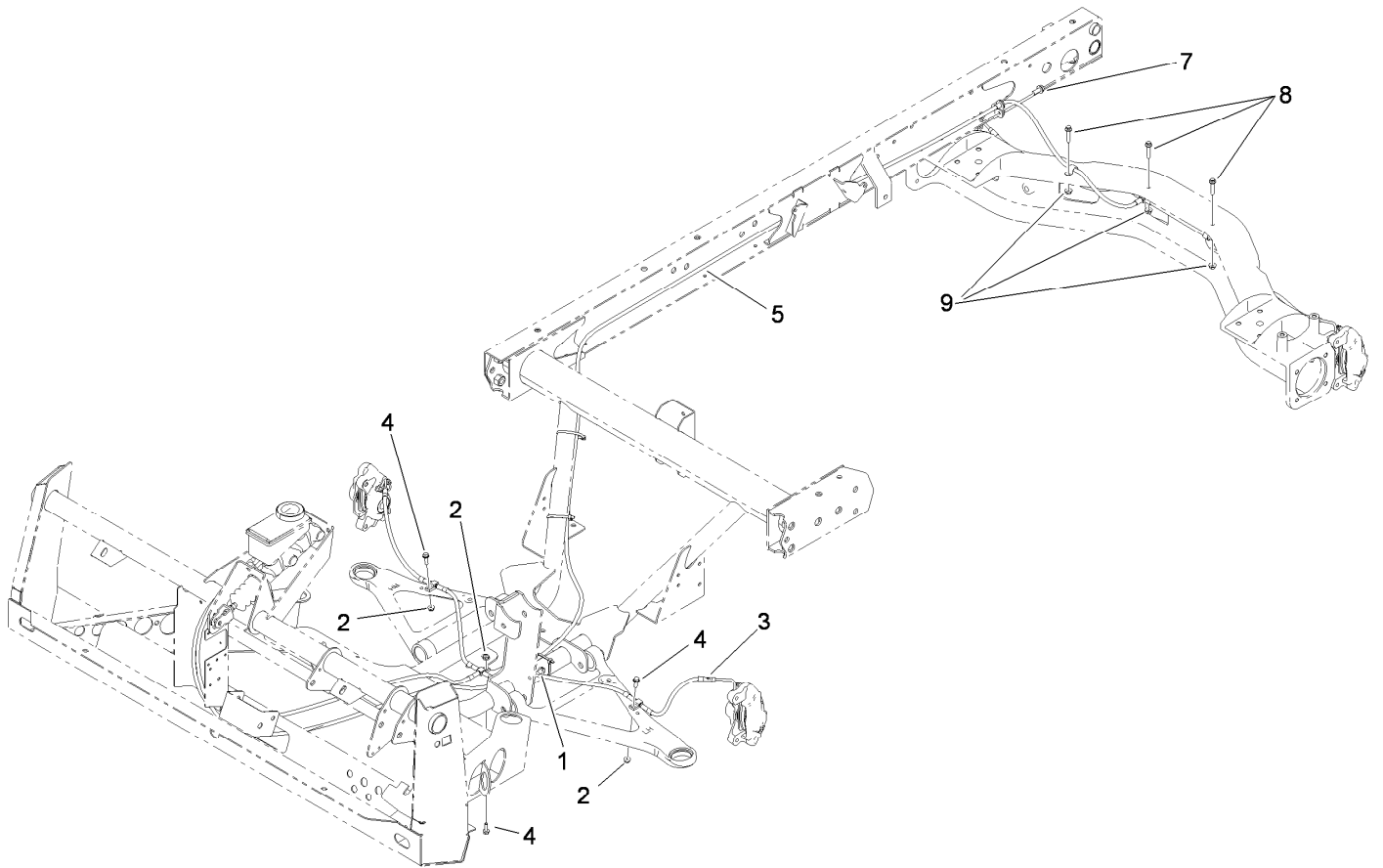
Pedal Assembly

Ref.	Part Number	Qty.	Description	Ref.	Part Number	Qty.	Description
1	104-6782	1	Master Cylinder ASM	16	115-2269	1	Pin-Pivot
2	283-2	1	Pin-Clevis	17	115-2275-03	1	Pedal-Brake
3	87-2880	1	Shaft-Pedal, Accelerator	18	115-2271-03	1	Pedal-Clutch
4	3272-6	1	Pin-Cotter	19	3296-13	2	Nut-Lock, NI
5	302-5	3	Fitting-Grease	20	256-156	4	Bushing-Flange
6	256-259	2	Bushing-Flange	21	32128-20	2	Nut-HF
7	106-2421	1	Bracket-Mount, Cable	22	3256-21	4	Washer-Flat
8	3272-10	1	Pin-Cotter	23	95-1653	1	Switch-Pole, Single
9	283-85	1	Pin-Clevis	24	3269-25	4	Rivet-Pop
10	93-8969-03	1	Pedal	25	3290-357	2	Nut-HSF
11	32151-56	1	Ring-Retaining, External	26	63-3410	2	Screw-Shoulder
12	3234-11	2	Screw-HHF	27	110-2554	1	Rod End-Spherical
13	3230-1	2	Bolt-CARR	28	18-1720	1	Ball Joint
14	106-2471-03	1	Arm-Pedal, Accelerator	29	32128-33	2	Nut-HF
15	106-2475	1	Shaft-Brake	30	105-0023	1	Switch-Proximity



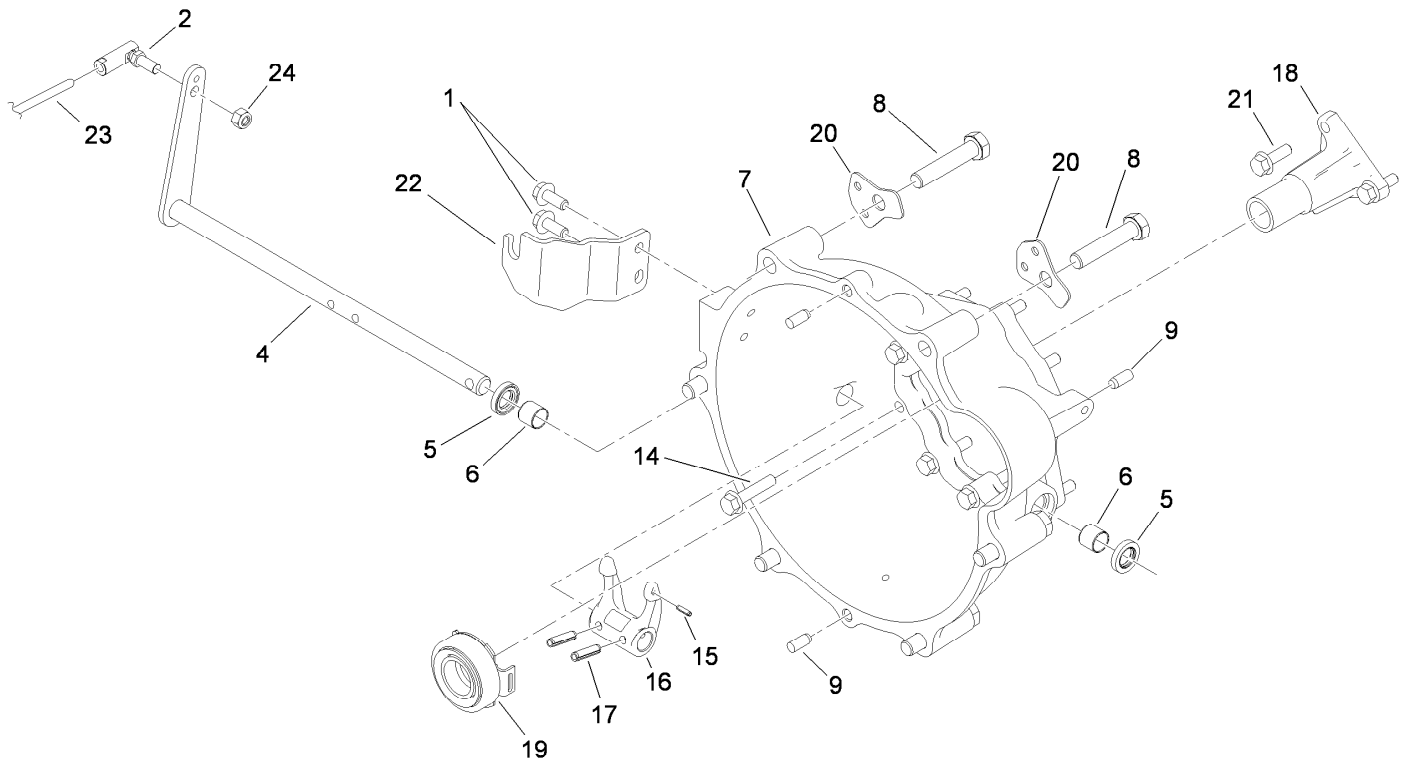
Master Cylinder Assembly No. 104-6782

Ref.	Part Number	Qty.	Description
1	104-6845	1	Reservoir ASM
1:1	92-4112	1	Cap ASM
2	93-8971	2	Seal-Port, Flange
3	92-4103	1	Pin-Stop
4	92-4102	1	Secondary Piston ASM
5	92-4110	1	Clevis
6	21-0360	1	Nut-Hex
7	94-5209	1	Cover-Dust
8	94-5210	1	Rod-Push
9	92-4109	1	Ring-Snap
10	92-4108	1	Retainer-Washer
11	92-4101	1	Primary Piston ASM



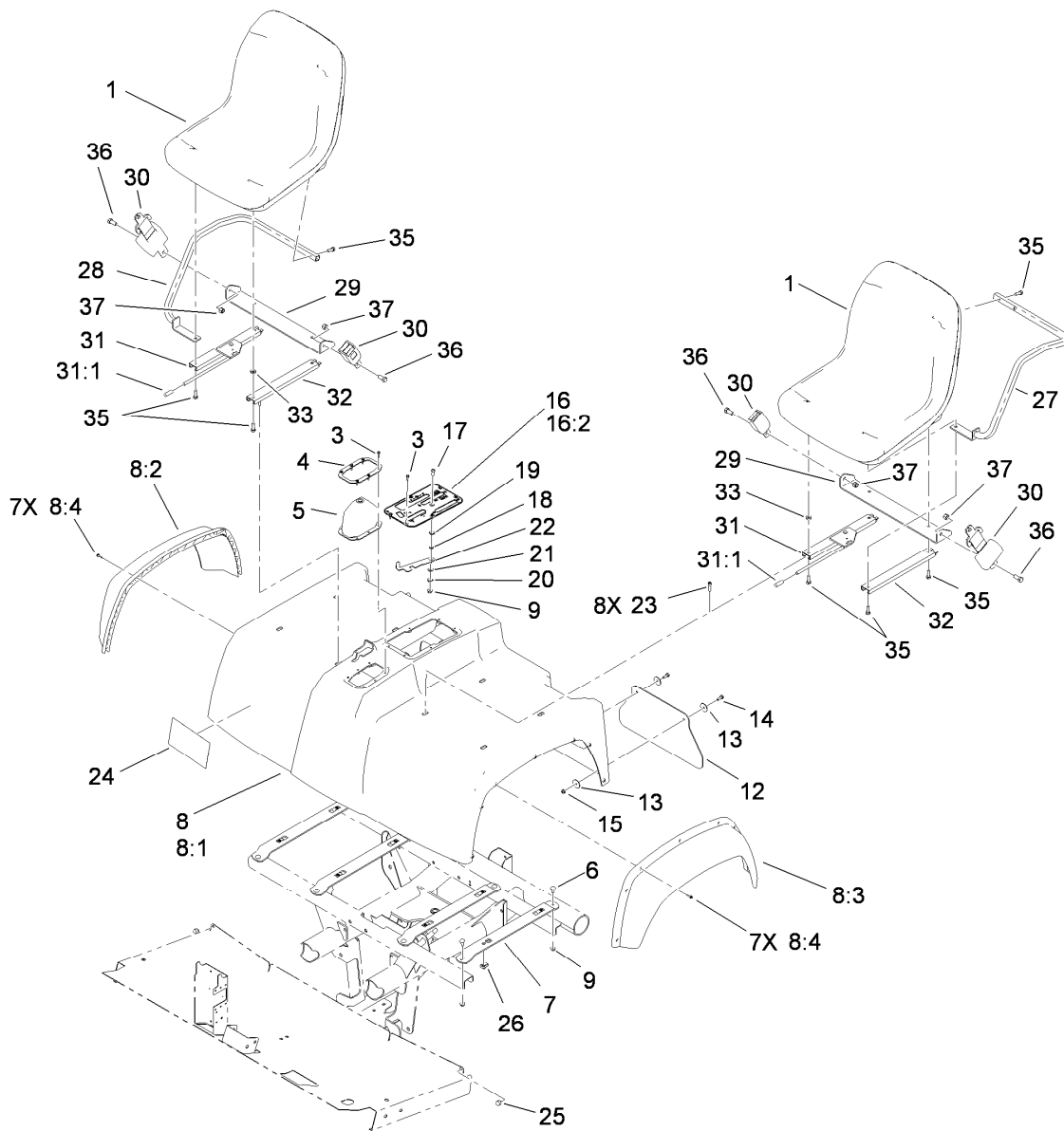
Hydraulic Brake Line Assembly

<i>Ref.</i>	<i>Part Number</i>	<i>Qty.</i>	<i>Description</i>
1	32180-030	2	Clip-Tie
2	104-7201	3	Nut-HF, NI
3	115-2263	1	Line-Brake, Front
4	321-6	3	Screw-HH
5	115-2264	1	Line-Brake, Rear
7	32144-11	1	Screw-HWH
8	3234-21	3	Screw-HHF
9	32128-33	3	Nut-HF



Clutch Linkage Assembly

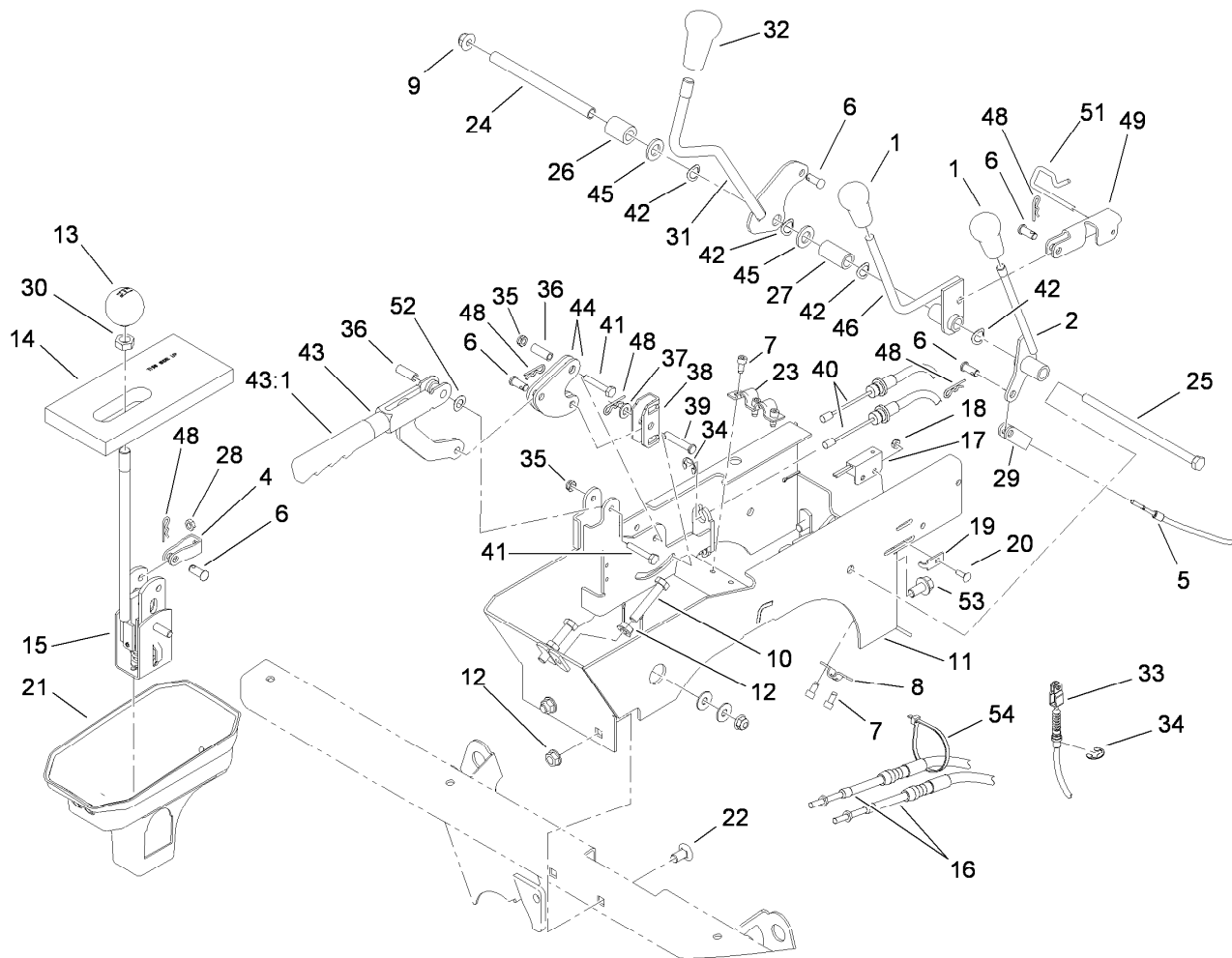
<i>Ref.</i>	<i>Part Number</i>	<i>Qty.</i>	<i>Description</i>	<i>Ref.</i>	<i>Part Number</i>	<i>Qty.</i>	<i>Description</i>
1	98-7977	2	Screw-HHF	16	87-5300	1	Fork-Clutch
2	2411-33	1	Balljoint-RH (W/Grommet)	17	32121-24	2	Pin-Spring
4	115-2311	1	Lever-Clutch	18	115-2259	1	Guide-Release
5	87-1920	2	Seal-Oil	19	110-2538	1	Bearing-Release, Clutch
6	87-3770	2	Bushing-Housing, Bell	20	115-2247	2	Bracket-Harness
7	104-9249	1	Housing-Bell	21	33104-025	3	Screw-HHF
8	3215-2	6	Screw-HH	22	115-2313	1	Bracket-Cable, Clutch
9	87-1910	4	Pin-Dowel	23	115-2284	1	Cable-Clutch
14	33104-040	9	Screw-HHF	24	3296-4	1	Nut-Lock
15	32121-7	1	Pin-Roll, Slotted				



Shroud and Seat Assembly

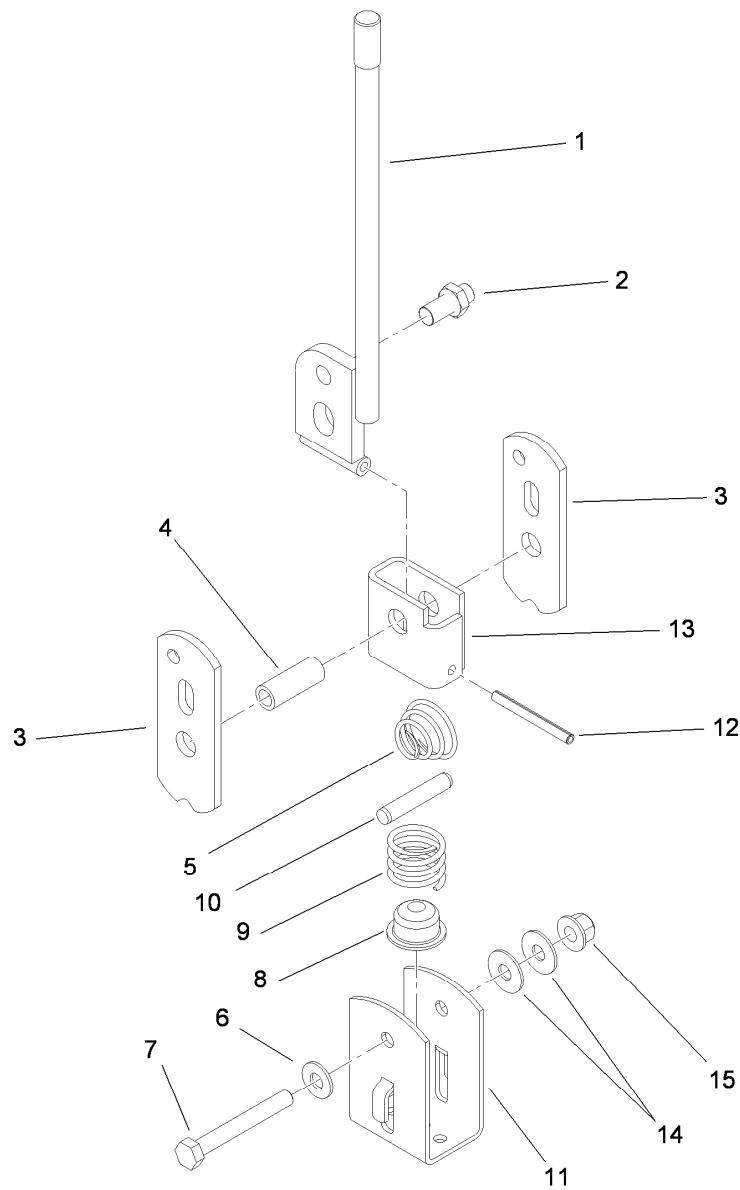
Ref.	Part Number	Qty.	Description	Ref.	Part Number	Qty.	Description
1	112-2923	2	Seat ASM	17	3274-55	1	Screw-HSBH
3	98-1375	12	Screw-HWH	18	82-4240	1	Spacer-Bearing
4	87-3760-03	1	Plate-Boot, Shift	19	94-8196	1	Washer-Nylon
5	87-8620	1	Boot-Shift	20	3290-221	1	Washer-Spring
6	3230-1	8	Bolt-CARR	21	3256-23	1	Washer-Plain
7	115-2435-03	4	Bracket-Seat	22	106-7984	1	Lever-Detent
8		1	Seat Base ASM ●	23	3274-22	8	Screw-HSH
8:1	114-8406	1	Base-Seat	24	115-7814	1	Decal-Reference, Quick
8:2	114-8407	1	Fender-Front, RH	25	107-8042	2	Bumper-Rubber
8:3	114-8408	1	Fender-Front, LH	26	115-7721	8	Nut-Clip, U
8:4	117-5036	14	Screw-Plastic, HWH	27	119-0731-03	1	Armrest-LH
9	104-8300	9	Nut-HF, NI	28	119-0732-03	1	Armrest-RH
12	106-2378	2	Mudflap	29	119-0727-03	2	Bracket-Belt, Seat
13	3256-55	8	Washer-Flat	30	110-0413	2	Seatbelt-Retractable
14	3234-4	4	Screw-HHF	31	119-0654	2	Adjuster-Seat, Locking
15	104-7201	4	Nut-HF, NI	31:1	2410-49	1	Cap-Vinyl
16	106-7886	1	Control Plate ASM	32	119-0655	2	Adjuster-Seat, Non Locking
16:2	106-2377	1	Decal-Console	33	104-7658	2	Spacer

● Not serviced separately



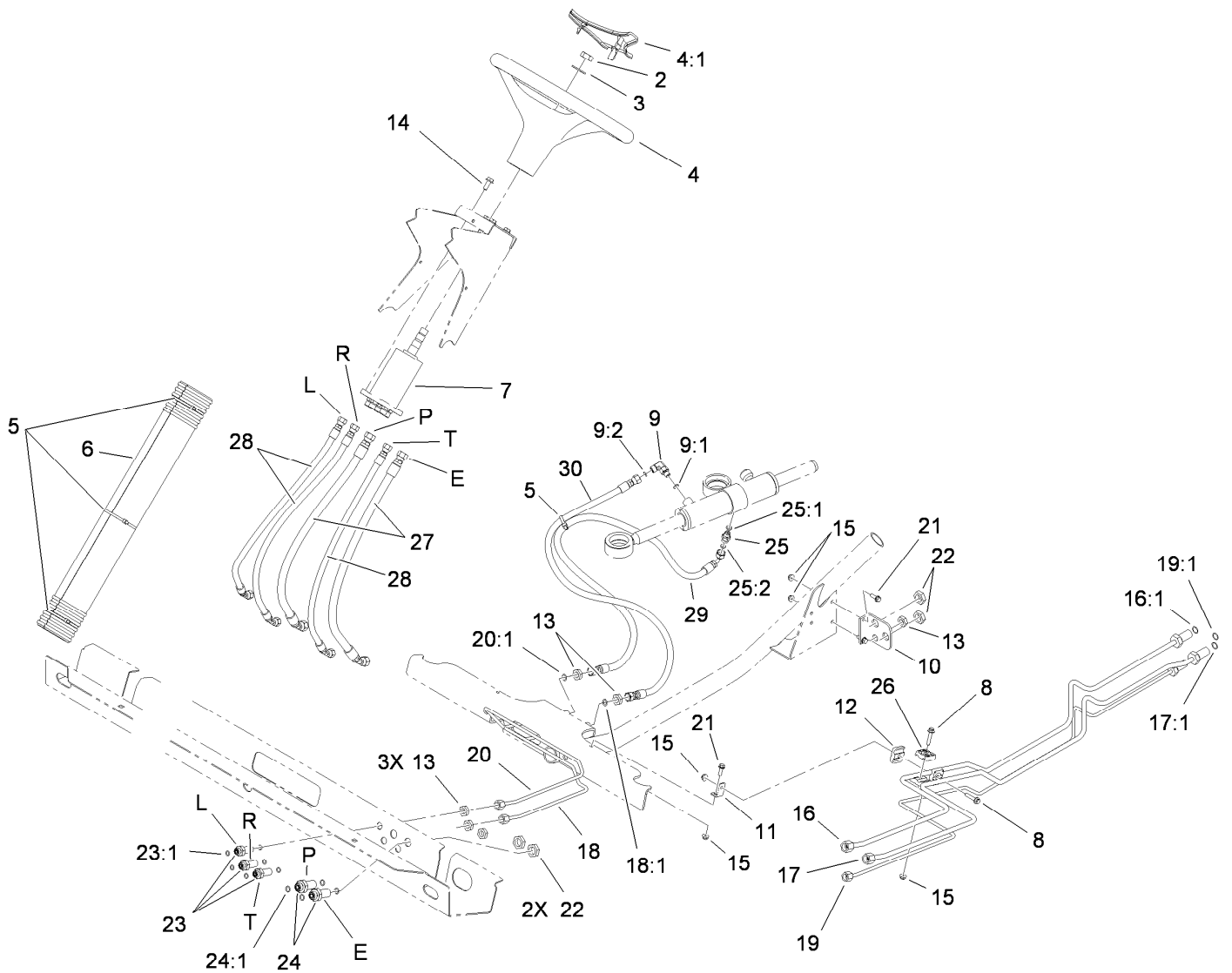
Console Assembly

Ref.	Part Number	Qty.	Description	Ref.	Part Number	Qty.	Description
1	106-7903	2	Knob-Control	28	3220-1	2	Nut-Jam
2	106-7828	1	Lever	29	87-7160	1	Clevis-Cable
4	87-2310	2	Clevis-Cable	30	3218-18	1	Nut-Jam
5	115-7812	1	Cable-Hi Low	31	112-3008	1	Lever-Lock, Differential
6	283-62	6	Pin-Clevis	32	106-7952	1	Knob
7	65-5220	5	Screw-HSH, Thread Forming	33	115-2287	1	Cable-Lock, Differential
8	87-4340	1	Clamp-Cable	34	32120-47	3	Ring-Retaining, External
9	104-8301	1	Nut-HF, NI	35	3296-56	2	Nut-Lock, NI
10	323-10	2	Screw-HH	36	114402	2	Spacer
11	108-6914-03	1	Support-Lever	37	3256-23	1	Washer-Plain
12	3290-357	4	Nut-HSF	38	87-3480	1	Bracket-Equalizer, Cable
13	87-6720	1	Knob-Shift	39	94-3829	1	Pin-Clevis
14	87-6570	1	Seal-Boot, Lower	40	115-2283	2	Cable-Brake, Park
15	106-7887	1	Shift ASM	41	321-9	2	Screw-HH
16	115-7811	2	Cable-Selector, Gear	42	3290-221	4	Washer-Spring
17	100-1270	1	Switch-Proximity	43	104-6842	1	Lever-Brake, Park
18	3296-12	1	Nut-Lock, NI	43:1	106-7972	1	Grip-Handle
19	100-4872	1	Plate-Switch, Neutral	44	106-7814	2	Bellcrank
20	3229-34	1	Screw-CARR	45	33096-00	2	Washer-Flat
21	106-2376	1	Boot-Shift, Lower	46	106-7960	1	Lever-HYD
22	3231-21	2	Screw-CARR	48	3290-307	7	Pin-Cotter
23	87-4960	1	Clamp-Cable	49	115-2250	1	Link
24	106-7833	1	Spacer	51	115-2350	1	Pin-Retainer
25	323-36	1	Screw-HH	52	3290-477	1	Washer-Curved
26	66-6501	1	Spacer-Wheel	53	3234-12	2	Screw-HHF
27	106-7835	1	Spacer	54	3290-379	3	Tie-Cable



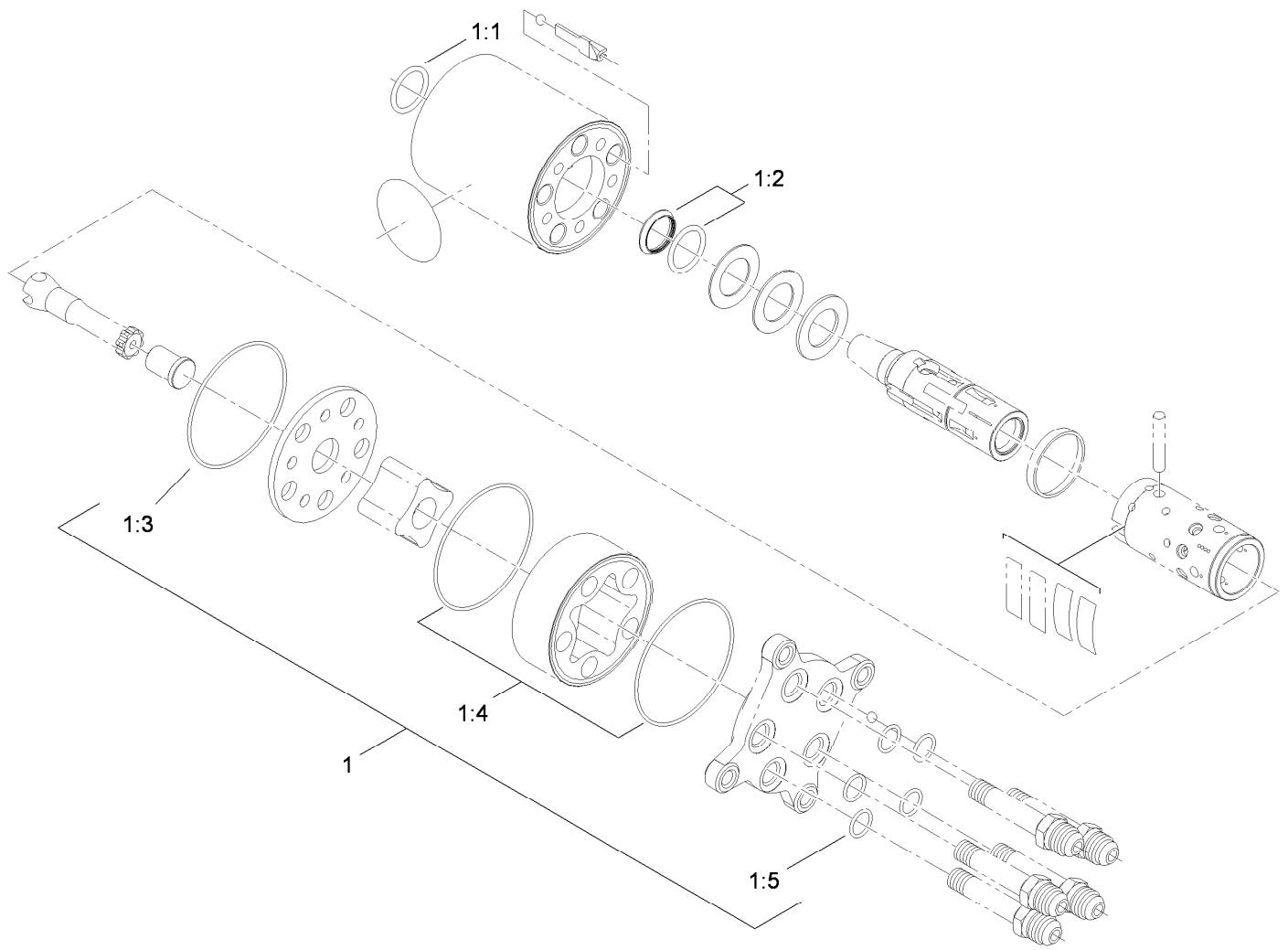
Shift Assembly No. 106-7887

<i>Ref.</i>	<i>Part Number</i>	<i>Qty.</i>	<i>Description</i>
1	87-2040	1	Lever-Shift
2	87-3650	1	Pin-Shift
3	87-3540	2	Link-Shift
4	87-2520	1	Tube-Pivot
5	87-2900	1	Spring-Compression
6	87-8640	1	Washer-Flat
7	322-12	1	Screw-HH
8	87-3530	1	Button-Shifter
9	87-3660	1	Spring-Compression
10	3290-507	1	Pin-Dowel
11	87-3520	1	Clevis
12	32121-48	1	Pin-Spring
13	87-6040	1	Bracket-Shifter
14	3290-456	2	Washer-Belleville
15	104-8300	1	Nut-HF, NI



Steering Hydraulic Assembly

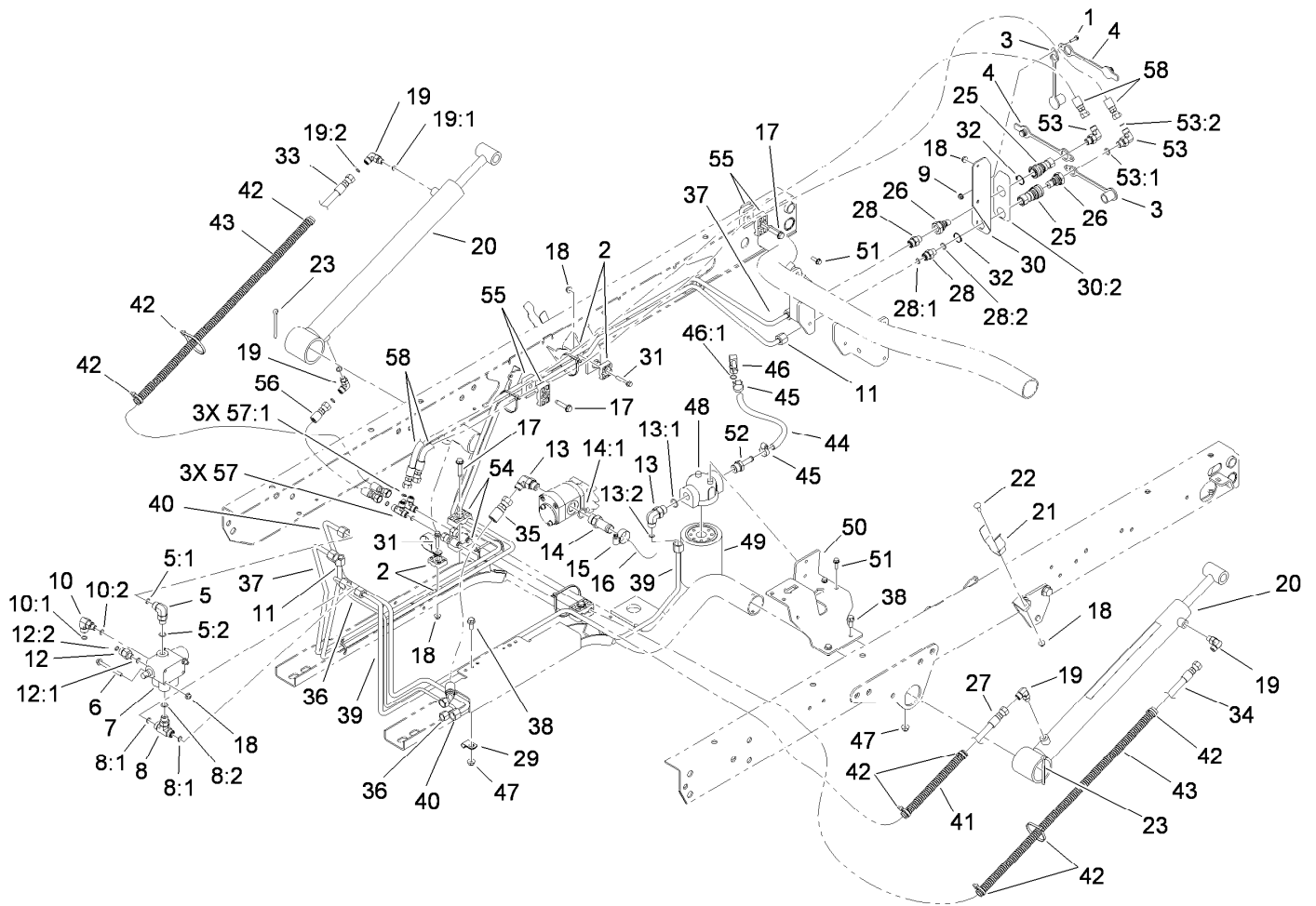
Ref.	Part Number	Qty.	Description	Ref.	Part Number	Qty.	Description
2	3296-33	1	Nut-Lock, NI	18	106-7804	1	Tube-HYD
3	3256-27	1	Washer-Flat	18:1	237-21	1	O-Ring
4	98-1471	1	Wheel-Steering	19	115-7703	1	Tube-HYD
4:1	98-1468	1	Cover-Wheel, Steering	19:1	237-21	1	O-Ring
5	3290-379	4	Tie-Cable	20	106-7806	1	Tube-HYD
6	106-6713	1	Cover-Lines, Steering	20:1	237-21	1	O-Ring
7	115-7926	1	Pump-Steering	21	3234-4	3	Screw-HHF
8	3234-21	2	Screw-HHF	22	340-70	4	Nut-Lock
9	340-132	1	Fitting-Elbow, 90 DEG	23	94-1444	3	Union-Bulkhead
9:1	237-78	1	O-Ring	23:1	237-21	2	O-Ring
9:2	237-21	1	O-Ring	24	340-71	2	Fitting-Straight, Bulkhead
10	106-7801-03	1	Bracket-Line, Steering	24:1	237-22	2	O-Ring
11	106-7807	1	Bracket-Line, Steering	25	340-92	1	Fitting-Straight
12	106-7839	2	Clamp-Tube	25:1	237-78	1	O-Ring
13	3219-10	6	Nut-Hex	25:2	237-21	1	O-Ring
14	98-7977	4	Screw-HHF	26	56-7973	2	Clamp-Tube
15	104-7201	5	Nut-HF, NI	27	106-7975	2	Hose-HYD
16	115-7701	1	Tube-HYD	28	106-7974	3	Hose-HYD
16:1	237-22	1	O-Ring	29	117-4861	1	Hose-HYD
17	115-7702	1	Tube-HYD	30	108-6505	1	Hose-HYD
17:1	237-22	1	O-Ring				



Steering Valve Assembly No. 115-7926

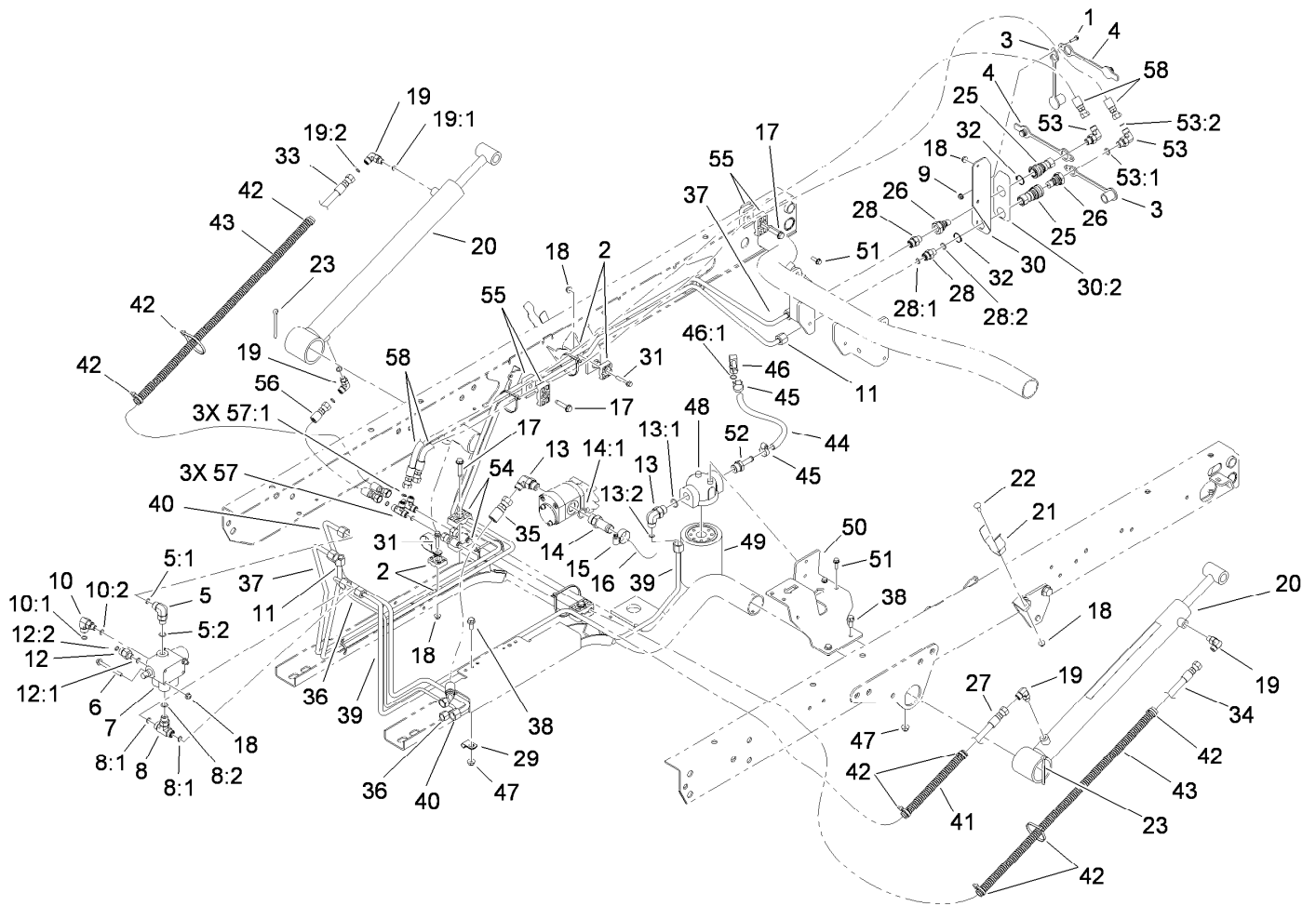
<i>Ref.</i>	<i>Part Number</i>	<i>Qty.</i>	<i>Description</i>
1	106-6716	1	Seal Kit
1:1		1	Ring-Seal, Dust ●
1:2		1	Seal-Shaft ●
1:3		1	Ring-Retaining ●
1:4		2	Ring-Retaining ●
1:5		5	Ring-Retaining ●

● Not serviced separately



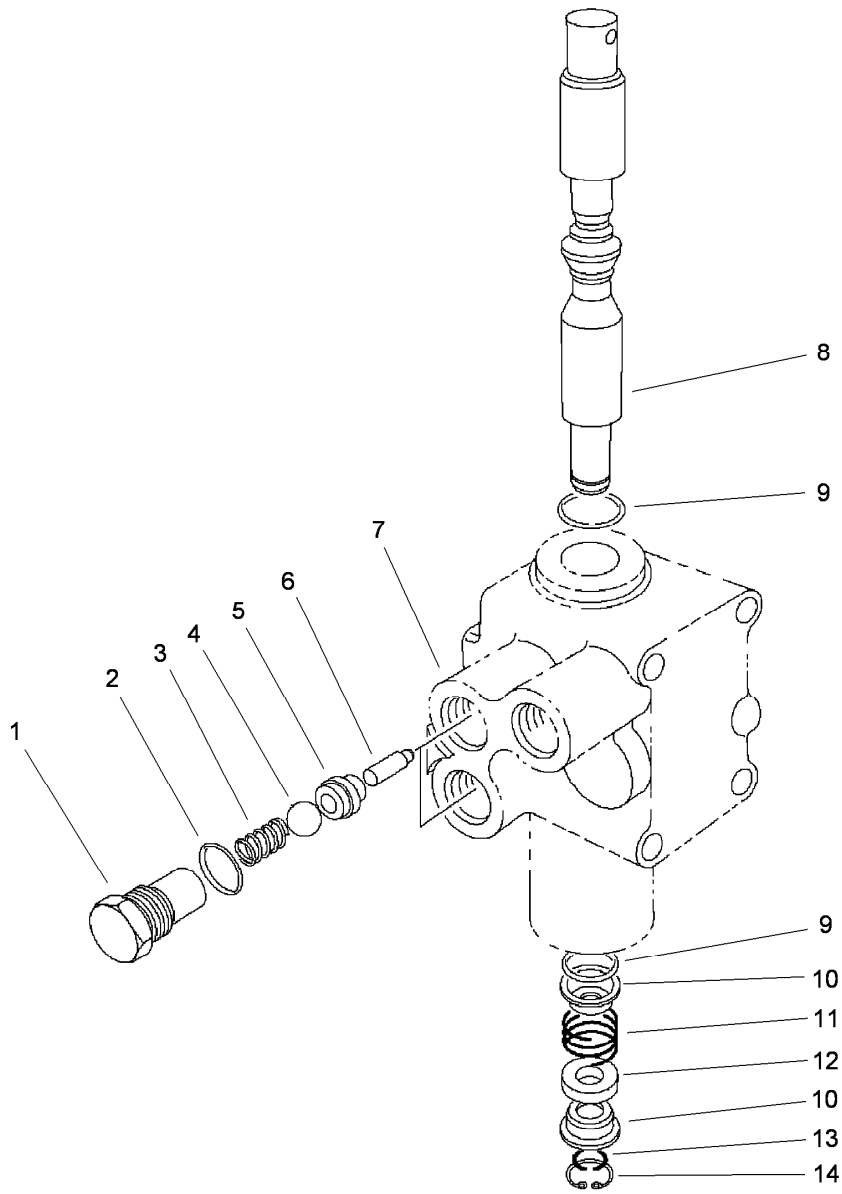
Lift Valve and Hydraulic Assembly

<i>Ref.</i>	<i>Part Number</i>	<i>Qty.</i>	<i>Description</i>	<i>Ref.</i>	<i>Part Number</i>	<i>Qty.</i>	<i>Description</i>
1	32105-13	1	Screw-HWH	13:1	237-79	1	O-Ring
2	56-7973	4	Clamp-Tube	13:2	237-22	1	O-Ring
3	106-7881	2	Cap-Dust, HYD	14	354-136	1	Fitting-STR
4	106-7882	2	Plug-Dust, HYD	14:1	237-80	1	O-Ring
5	340-77	1	Fitting-Elbow, 90 DEG	15	2412-129	1	Clamp-Hose
5:1	237-22	1	O-Ring	16	87-3670	1	Hose-Suction
5:2	237-42	1	O-Ring	17	32144-57	4	Screw
6	114-8410	2	Screw-HHF	18	104-7201	8	Nut-HF, NI
7	43-1950	1	HYD Control Valve ASM	19	340-132	4	Fitting-Elbow, 90 DEG
8	340-94	1	Adapter	19:1	237-78	1	O-Ring
8:1	237-22	2	O-Ring	19:2	237-21	1	O-Ring
8:2	237-42	1	O-Ring	20	106-7939	2	HYD Cylinder ASM
9	3290-148	1	Nut-HF	21	108-3109	2	Retainer-Cylinder
10	340-97	1	Fitting-Elbow, 90 DEG	22	3229-1	2	Screw-CARR
10:1	237-22	1	O-Ring	23	3272-37	2	Pin-Cotter
10:2	237-78	1	O-Ring	25	106-7968	2	Coupler-Quick, Female
11	115-2218	1	Tube-HYD	26	106-7969	2	Coupler-Quick, Male
12	340-88	1	Fitting-Straight	27	115-7711	1	Hose-HYD
12:1	237-22	1	O-Ring	28	340-2	2	Fitting-Straight
12:2	237-78	1	O-Ring	28:1	237-22	1	O-Ring
13	340-18	2	Fitting-HYD, 90 DEG	28:2	237-42	1	O-Ring



Lift Valve and Hydraulic Assembly (continued)

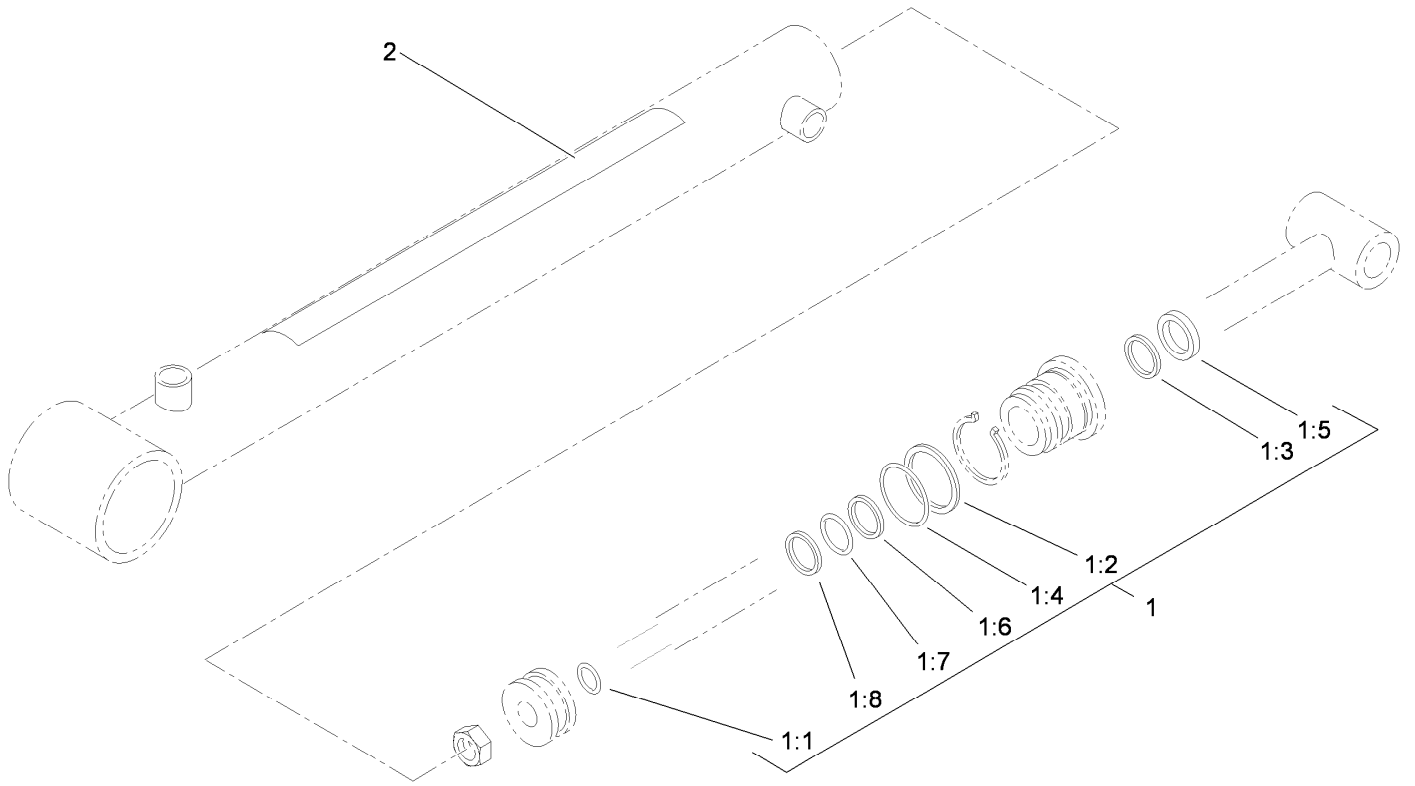
<i>Ref.</i>	<i>Part Number</i>	<i>Qty.</i>	<i>Description</i>	<i>Ref.</i>	<i>Part Number</i>	<i>Qty.</i>	<i>Description</i>
29	2412-113	1	Clamp-R	46	100-4887	1	Fitting-Elbow, 90
30	115-7715	1	Coupler Bracket ASM	46:1	237-42	1	O-Ring
30:2	115-7723	1	Decal-Disconnect, Quick	47	104-8300	3	Nut-HF, NI
31	94-5781	2	Screw-HHF	48	87-8780	1	Head-Filter
32	32151-83	2	Ring-Snap	49	54-0110	1	Filter-Oil, Transmission
33	108-6508	1	Hose-HYD	50	115-2168-03	1	Bracket-Filter
34	104-3716	1	Hose-HYD	51	3234-4	4	Screw-HHF
35	95-0965	1	Hose ASM	52	115-2231	1	Fitting-STR
36	115-2216	1	Tube-HYD	53	340-82	2	Fitting-Elbow, 90 DEG
37	115-2217	1	Tube-HYD	53:1	237-42	1	O-Ring
38	3234-5	3	Screw-HHF	53:2	237-21	1	O-Ring
39	115-2224	1	Tube-HYD	54	56-7971	2	Clamp-Tube
40	115-2223	1	Tube-HYD	55	56-7976	6	Clamp-Tube
41	24-7922	1	Conduit-Convolute, Split	56	110-0931	1	Hose-HYD
42	3290-379	8	Tie-Cable	57	340-21	2	Fitting
43	24-7923	2	Conduit-Convolute, Split	57:1	237-21	3	O-Ring
44	115-2228	1	Hose-HYD	58	106-3680	2	Hose-HYD
45	2412-36	2	Clamp-Hose				



Control Valve Assembly No. 43-1950

Ref.	Part Number	Qty.	Description
1	22-8330	2	Plug
2	237-42	2	O-Ring
3	22-8340	2	Spring
4	22-8350	2	Ball
5	22-8370	2	Seat-Valve
6	22-8360	2	Pin
7		1	Body ●
8	22-8420	1	Spool
9	22-8500	2	O-Ring
10	22-8380	2	Retainer
11	22-8410	1	Spring
12	23-3030	1	Spacer
13	22-8480	1	Ring-Snap
14	22-8490	1	Ring-Snap

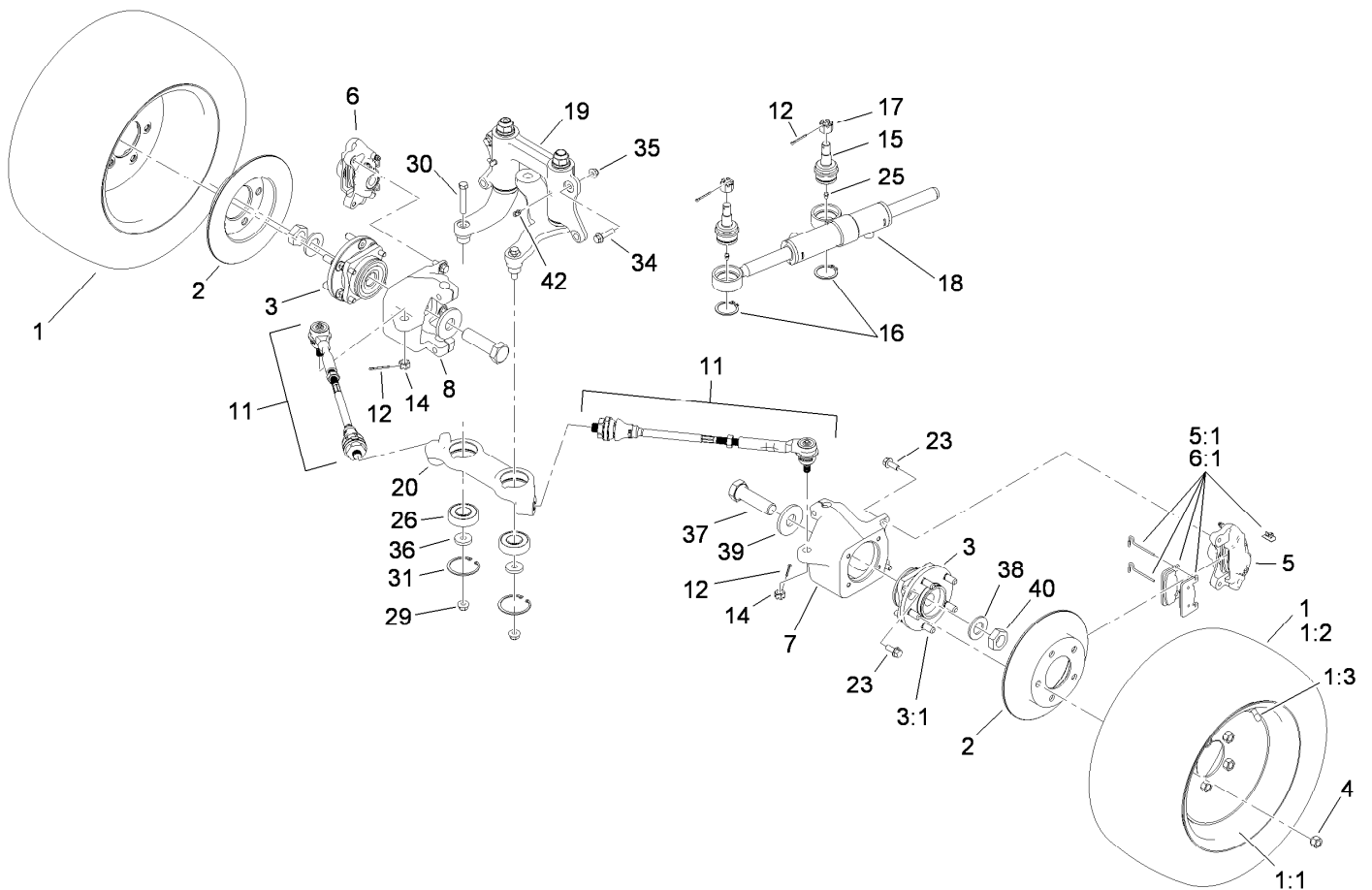
● Not serviced separately



Hydraulic Cylinder Assembly No. 106-7939

<i>Ref.</i>	<i>Part Number</i>	<i>Qty.</i>	<i>Description</i>
1	106-7941	1	Seal Kit
1:1		1	Ring-Retaining ●
1:2		1	Ring-Retaining ●
1:3		1	Seal ●
1:4		1	Back-Up ●
1:5		1	Wiper ●
1:6		1	Seal ●
1:7		1	Ring-Retaining ●
1:8		1	Ring-Wear ●
2	93-9852	1	Decal-Warning

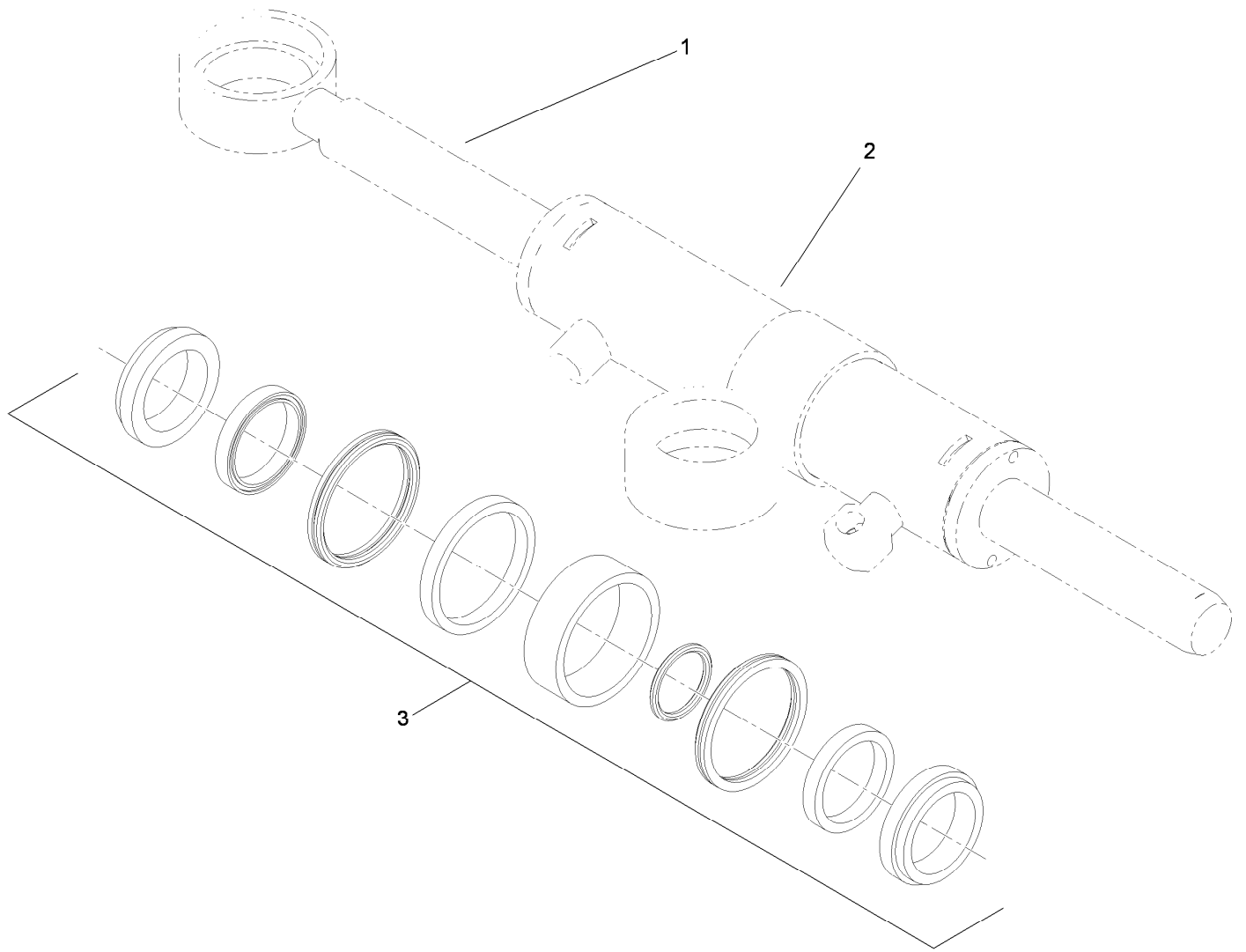
● Not serviced separately



Front Wheel Assembly

Ref.	Part Number	Qty.	Description	Ref.	Part Number	Qty.	Description
1		2	Tire And Wheel ASM ●	17	32136-14	2	Nut-Hst
1:1	115-2245	1	Wheel	18	112-3217	1	HYD Cylinder ASM
1:2	114-8273	1	Tire	19		1	Steering Linkage ASM ●
1:3	232-27	1	Stem-Valve	20	114-8296	1	Link-Center
2	114-8351	2	Rotor-Brake	23	3234-11	12	Screw-HHF
3	112-3214	2	Wheel Hub ASM	25	302-5	2	Fitting-Grease
3:1	114-8299	5	Stud-Wheel	26	119-9548	2	Bearing-Ball
4	242-50	10	Nut-Lug	29	114-8417	2	Nut-HF, NI
5	114-8359	1	Caliper-LH	30	324-10	2	Screw-HH
5:1	115-7846	1	Brake Pad Kit (T108)	31	32120-22	2	Ring-Snap, Internal
6	114-8360	1	Caliper-RH	34	114-4681	2	Screw-HHF
6:1	115-7846	1	Brake Pad Kit (T108)	35	104-8301	2	Nut-HF, NI
7	119-9513	1	Knuckle-LH	36	112843	2	Washer
8	119-9514	1	Knuckle-RH	37	115-2173	2	Screw-HH
11	114-8356	2	Tie Rod ASM	38	3256-62	2	Washer-Flat
12	3272-12	4	Pin-Cotter	39	104-0719	2	Washer-Hardened
14	32136-3	2	Nut-SHH	40	3296-49	2	Nut-Lock, NI
15	106-6774	2	Joint-Ball	42	302-60	2	Fitting-Grease
16	32151-104	2	Ring-Retaining, External				

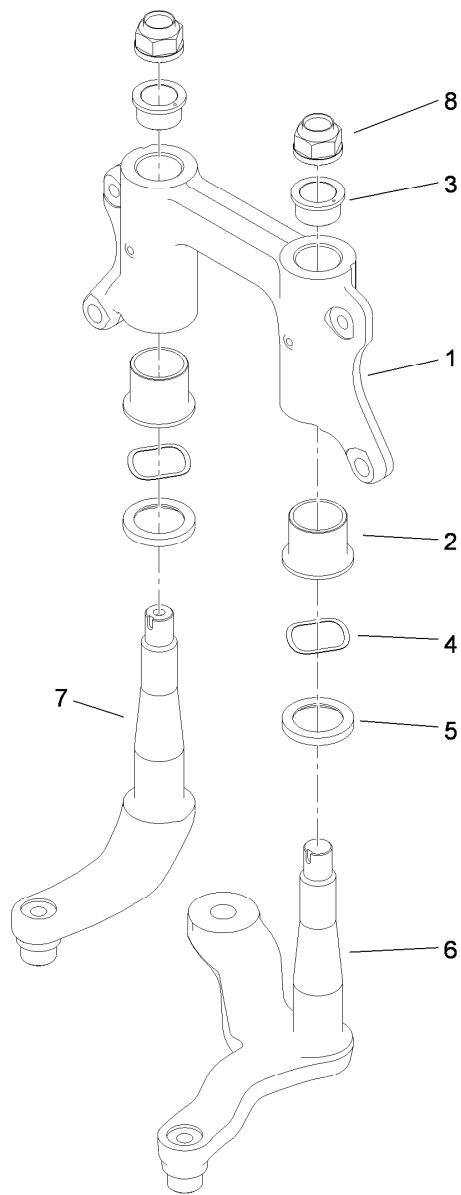
● Not serviced separately



Hydraulic Cylinder Assembly No. 112-3217

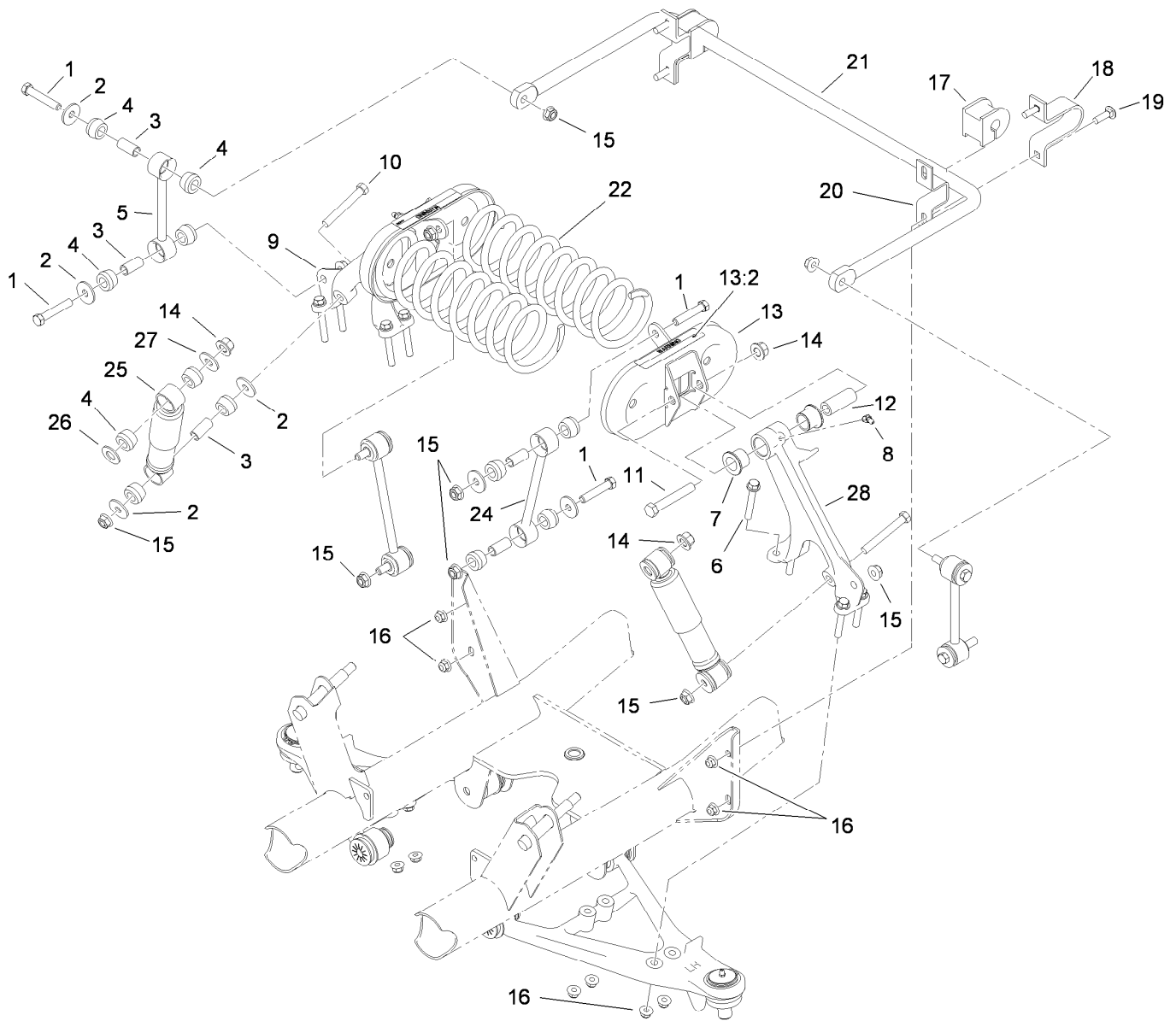
<i>Ref.</i>	<i>Part Number</i>	<i>Qty.</i>	<i>Description</i>
1		1	Rod-Cylinder ●
2		1	Body-Cylinder ●
3	115-2160	1	Cylinder Repair Kit

● Not serviced separately



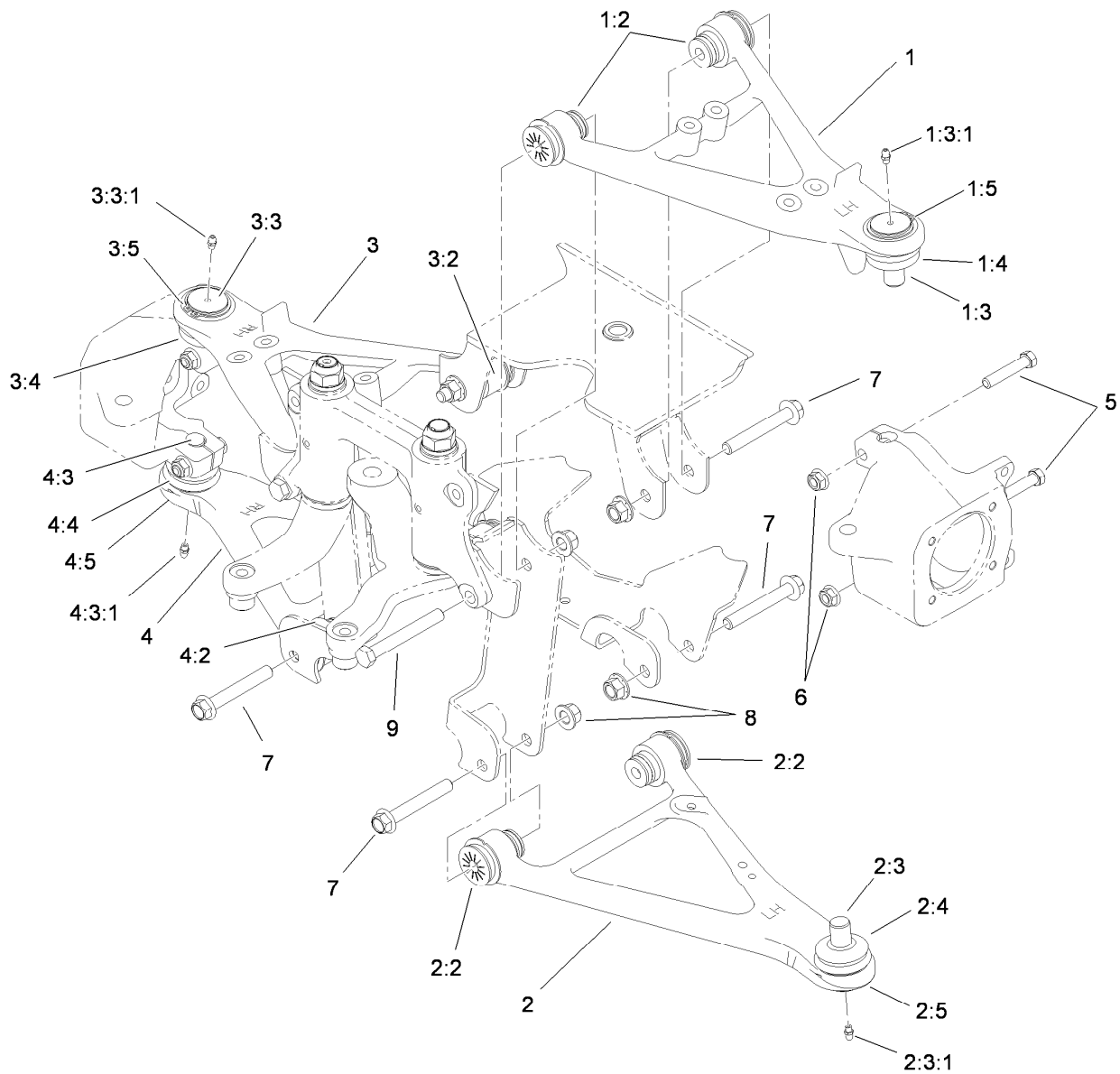
Steering Linkage Assembly

<i>Ref.</i>	<i>Part Number</i>	<i>Qty.</i>	<i>Description</i>
1	114-8389	1	Mount-Pivot
2	69-6470	2	Bushing-Caster
3	112-1626	2	Bushing-Flange
4	93-4632	2	Washer-Wavey
5	86-6560	2	Washer-Thrust
6	114-8256	1	Arm-Pitman
7	114-8298	1	Arm-Idler
8	115-2164	2	Nut-Spindle



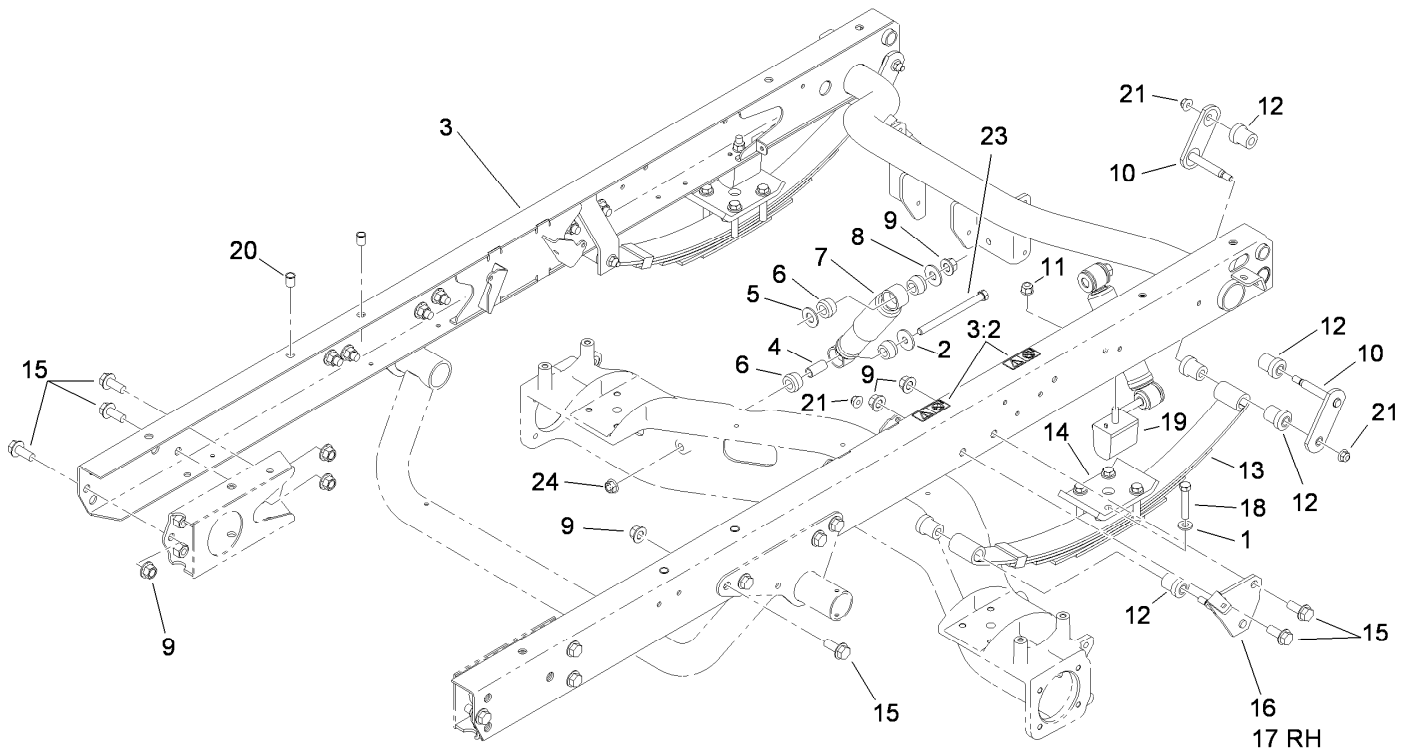
Front Suspension Assembly

Ref.	Part Number	Qty.	Description	Ref.	Part Number	Qty.	Description
1	324-10	8	Screw-HH	14	99-5107	4	Nut-Lock
2	87-5330	12	Washer	15	114-8417	10	Nut-HF, NI
3	87-3600	10	Spacer-Absorber, Shock	16	104-8301	12	Nut-HF, NI
4	87-3920	24	Bushing	17	87-3910	2	Bushing-Rubber
5	87-3860-03	2	Link-Sway Bar, Anti	18	87-4010-03	2	Clamp-Bar, Sway
6	3234-39	8	Screw-HHF	19	3231-25	4	Bolt-CARR
7	33-3090	4	Bushing	20	87-3890-03	2	Bracket-Bar, Sway
8	302-11	2	Fitting-Lube, 45 DEG	21	87-3850-03	1	Bar-Sway, Anti
9	87-0150	1	Tower-Control Arm, RH	22	105-4183-01	2	Spring-Compression
10	324-13	2	Screw-HH	24	106-2302-03	2	Link-Stabilizer
11	325-13	2	Screw-HH	25	87-3110	2	Absorber-Shock
12	87-2500	2	Sleeve-Spring, Pivot	26	3256-27	2	Washer-Flat
13	105-7958	2	Spring Cradle ASM	27	3256-6	2	Washer-Flat
13:2	93-9879	1	Decal-Warning	28	87-0160	1	Tower-Control Arm, LH



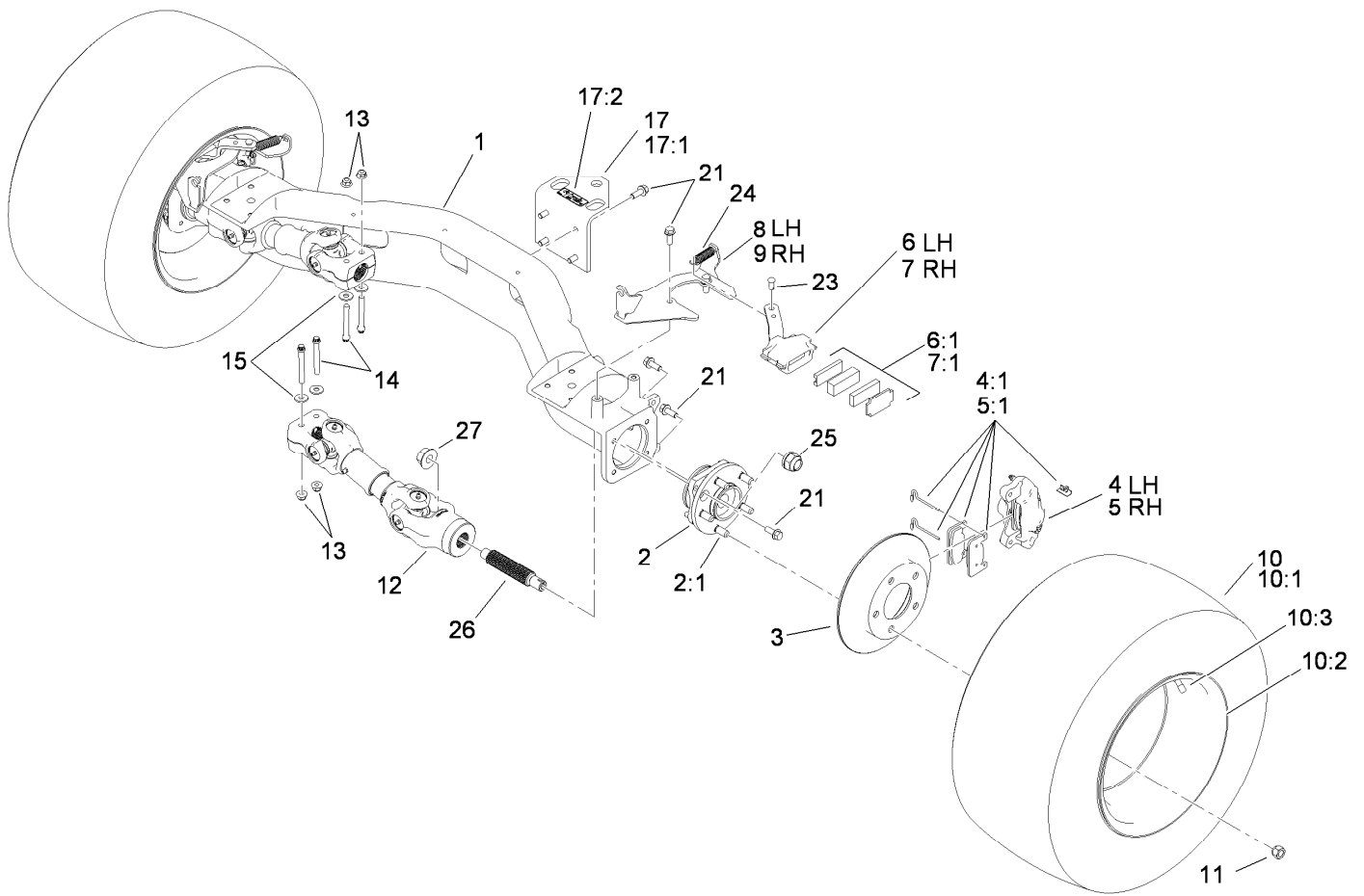
Front Control Arm Assembly

Ref.	Part Number	Qty.	Description	Ref.	Part Number	Qty.	Description
1	115-2404	1	Upper LH Control Arm ASM	3:3:1	302-5	1	Fitting-Grease
1:2	87-1450	2	Bushing-Flange	3:4	87-2420	1	Seal-Joint, Ball
1:3	115-2165	1	Ball Joint	3:5	32151-104	1	Ring-Retaining, External
1:3:1	302-5	1	Fitting-Grease	4	115-2407	1	Lower RH Control Arm ASM
1:4	87-2420	1	Seal-Joint, Ball	4:2	87-1450	2	Bushing-Flange
1:5	32151-104	1	Ring-Retaining, External	4:3	115-2165	1	Ball Joint
2	115-2405	1	Lower LH Control Arm ASM	4:3:1	302-5	1	Fitting-Grease
2:2	87-1450	2	Bushing-Flange	4:4	87-2420	1	Seal-Joint, Ball
2:3	115-2165	1	Ball Joint	4:5	32151-104	1	Ring-Retaining, External
2:3:1	302-5	1	Fitting-Grease	5	324-10	4	Screw-HH
2:4	87-2420	1	Seal-Joint, Ball	6	114-8417	4	Nut-HF, NI
2:5	32151-104	1	Ring-Retaining, External	7	114-8419	6	Screw-HHF
3	115-2406	1	Upper RH Control Arm ASM	8	99-5107	8	Nut-Lock
3:2	87-1450	2	Bushing-Flange	9	325-17	2	Screw-HH
3:3	115-2165	1	Ball Joint				



Rear Frame Assembly

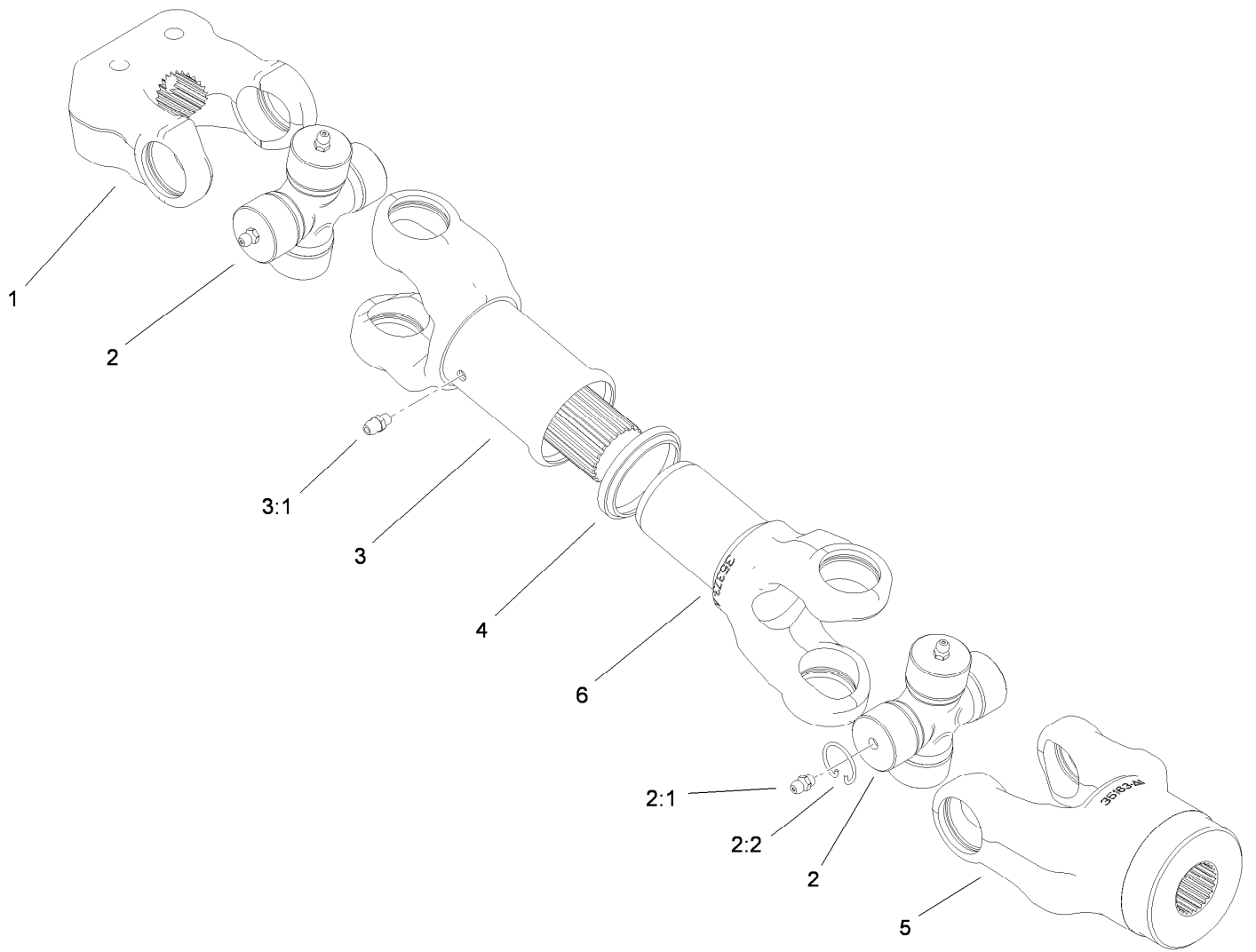
<i>Ref.</i>	<i>Part Number</i>	<i>Qty.</i>	<i>Description</i>	<i>Ref.</i>	<i>Part Number</i>	<i>Qty.</i>	<i>Description</i>
1	87-7480	8	Washer	12	87-4760	12	Bushing-Rubber
2	87-5330	2	Washer	13	87-1490	2	Spring-Leaf, Rear
3	115-7911	1	Rear Frame ASM	14	87-7470-03	2	Plate-Spring, Clamp
3:2	115-2047	2	Decal-Surface, Hot	15	3234-38	18	Screw-HHF
4	87-3600	2	Spacer-Absorber, Shock	16	87-3960	1	Mount-Spring, LH
5	3256-27	2	Washer-Flat	17	87-3940	1	Mount-Spring, RH
6	87-3920	8	Bushing	18	115-2398	8	Bolt-HH
7	87-3110	2	Absorber-Shock	19	87-3470	2	Bumper
8	3256-6	2	Washer-Flat	20	32148-9	4	Nut-Clinch
9	99-5107	20	Nut-Lock	21	104-8301	6	Nut-HF, NI
10	87-3980	4	Shackle ASM	23	114-8424	2	Screw-HH
11	103-9511	2	Nut-Flg	24	114-8417	2	Nut-HF, NI



Rear Axle Assembly

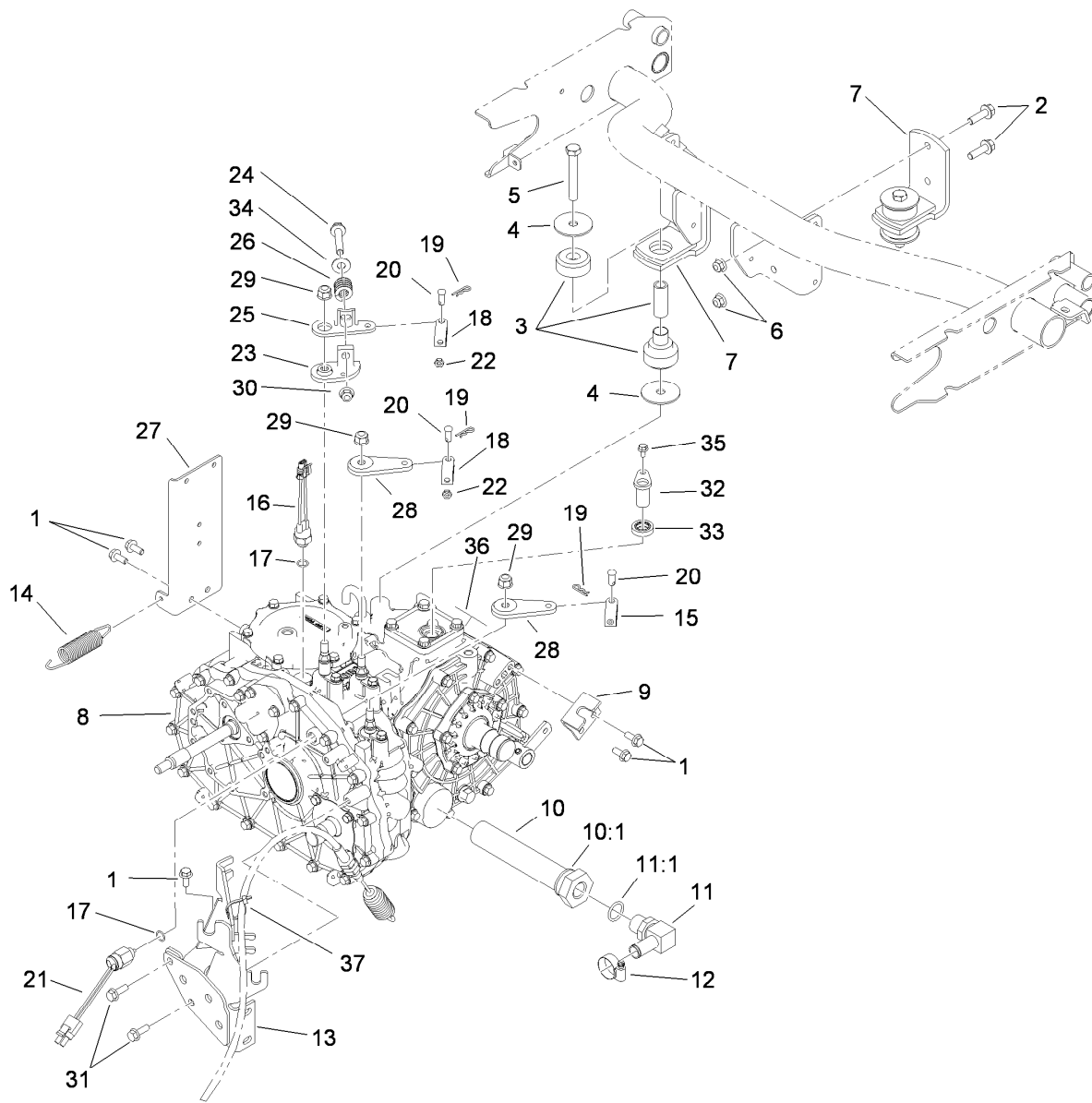
Ref.	Part Number	Qty.	Description	Ref.	Part Number	Qty.	Description
1	119-9515	1	Axle-Rear	10:2	114-8259	1	Wheel
2	112-3214	2	Wheel Hub ASM	10:3	232-27	1	Stem-Valve
2:1	114-8299	5	Stud-Wheel	11	242-50	10	Nut-Lug
3	114-8351	2	Rotor-Brake	12	114-8367	2	Driveshaft ASM
4	114-8359	1	Caliper-LH	13	104-8301	4	Nut-HF, NI
4:1	115-7846	1	Brake Pad Kit (T108)	14	98-2939	4	Screw-Cap
5	114-8360	1	Caliper-RH	15	80-6990	4	Washer-Hardened
5:1	115-7846	1	Brake Pad Kit (T108)	17	115-7742	1	Hitch ASM
6	114-8365	1	Caliper-Mechanical, LH	17:1	92-5951-03	1	Angle-Hitch
6:1	115-7847	1	Parking Brake Pad Kit	17:2	115-7740	1	Decal-Load, Towing
7	114-8366	1	Caliper-Mechanical, RH	21	3234-11	20	Screw-HHF
7:1	115-7847	1	Parking Brake Pad Kit	23	283-85	2	Pin-Clevis
8	115-2362-03	1	Bracket-Caliper, LH	24	104-6415	2	Spring-Return, Pedal
9	115-2359-03	1	Bracket-Caliper, RH	25	115-2164	2	Nut-Spindle
10		2	Tire And Wheel ASM ●	26	115-7771	2	Shaft-Splined
10:1	106-7868	1	Tire	27	104-0753	2	Nut-Flange

● Not serviced separately



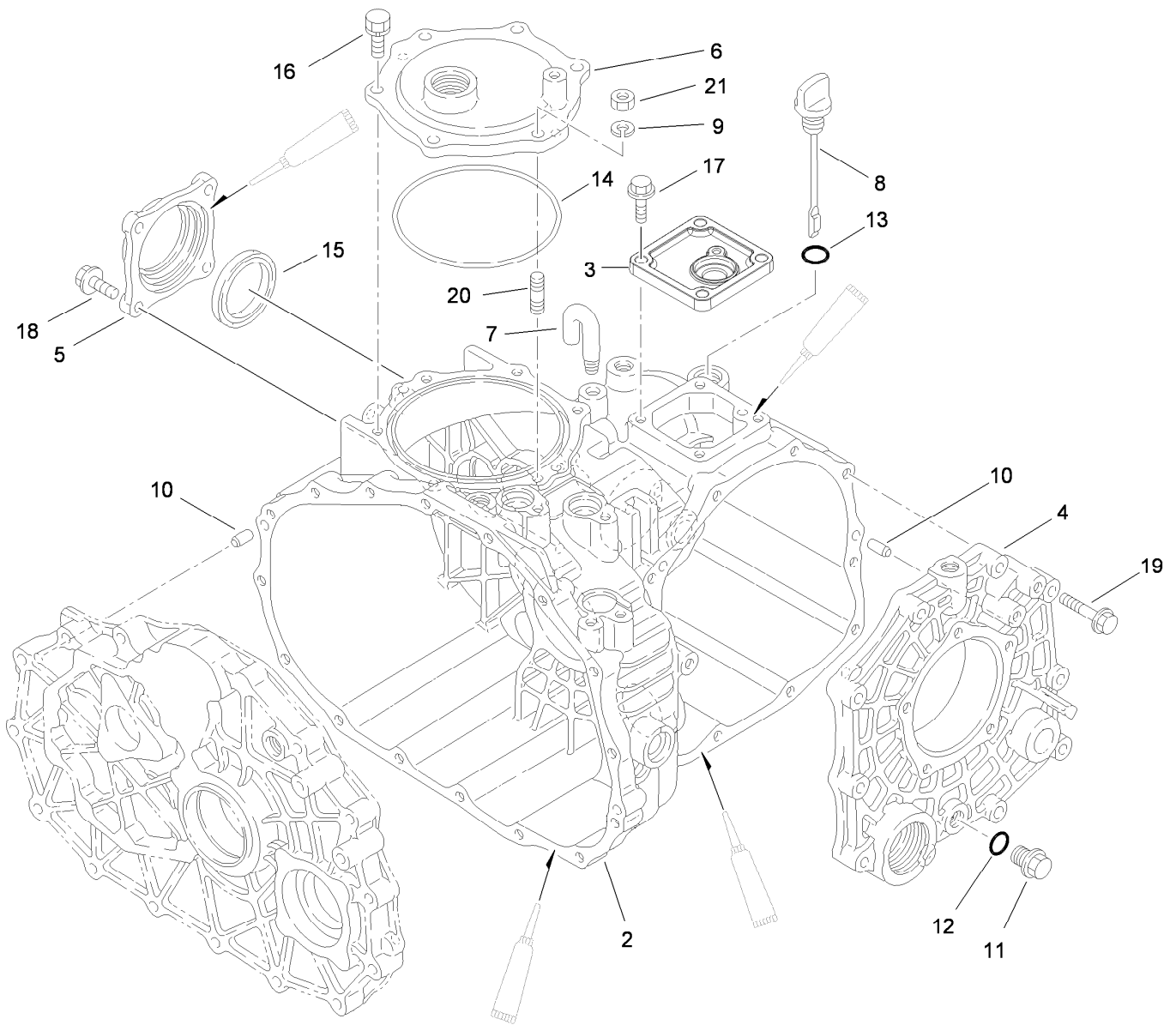
Driveshaft Assembly No. 114-8367

Ref.	Part Number	Qty.	Description
1	98-2940	1	Yoke
2	92-4187	2	Cross And Bearing Kit
2:1	302-58	4	Fitting-Straight
2:2	92-4188	4	Ring-Snap
3	92-4179	1	Yoke-Tube, Shaft And Seal
3:1	302-5	1	Fitting-Grease
4	92-4180	1	Seal
5	115-2351	1	Yoke
6	92-4182	1	Yoke-Telescoping



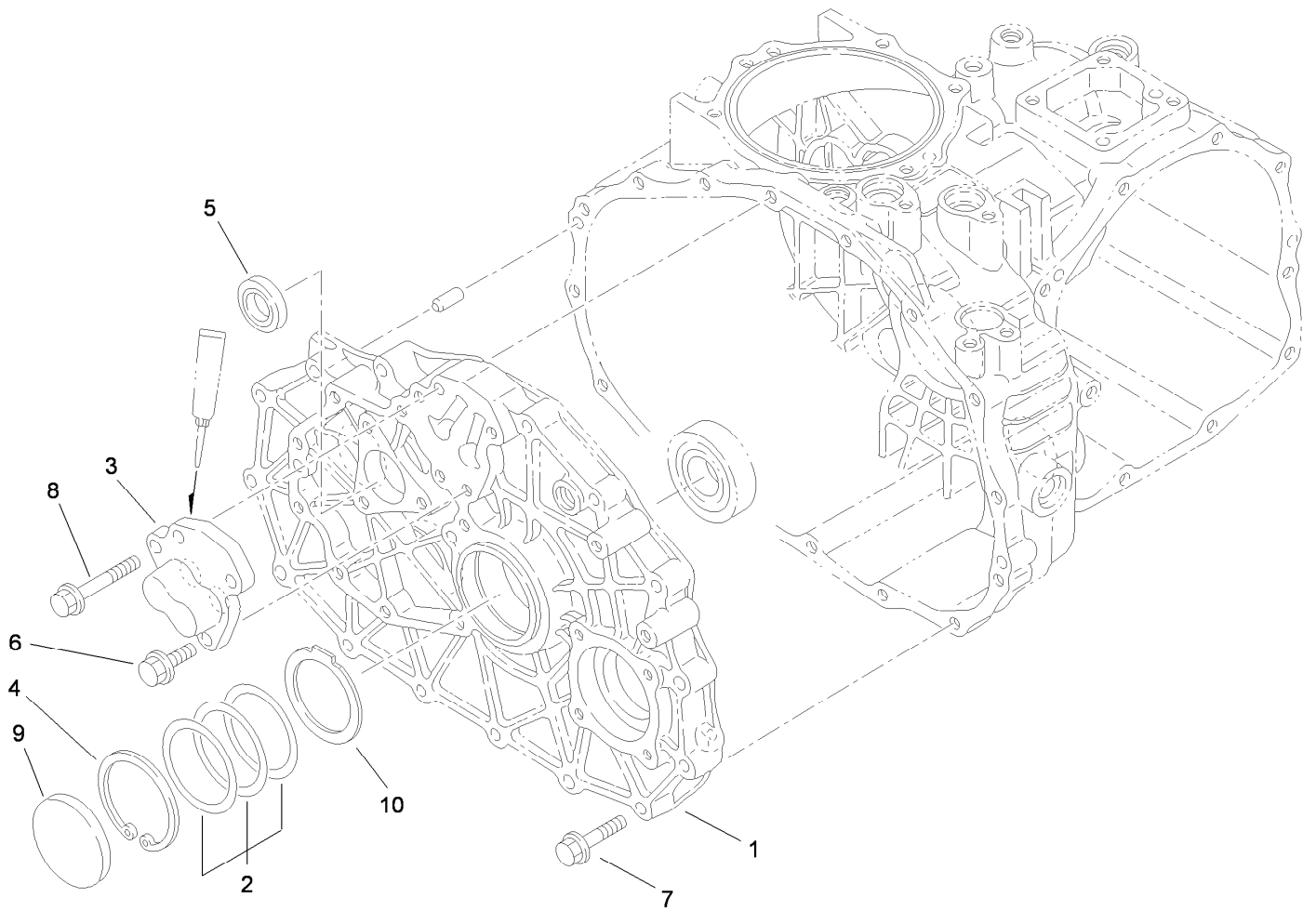
Transaxle Assembly

Ref.	Part Number	Qty.	Description	Ref.	Part Number	Qty.	Description
1	98-7977	5	Screw-HHF	18	87-2310	2	Clevis-Cable
2	3234-24	4	Screw-HHF	19	3290-307	3	Pin-Cotter
3	106-7865	2	Mount-Engine	20	283-62	3	Pin-Clevis
4	87-5100	4	Washer-Snubbing	21	87-6710	1	Switch-Transmission
5	33116-080	2	Screw-HH	22	3220-1	2	Nut-Jam
6	104-8301	4	Nut-HF, NI	23	87-7970	1	Arm-Shift
7	87-5800-03	2	Mount-Transaxle	24	66-9302	1	Screw-HHF Lock
8	115-7783	1	2 Wheel Drive Transaxle ASM	25	87-8250	1	Plate-Arm, Shift
9	87-4470	1	Bracket-Lock, Differential	26	87-6910	1	Spring-Compression
10	87-3990	1	Strainer-Transaxle	27	115-2240-03	1	Bracket-Fuel
10:1	237-123	1	O-Ring	28	87-7960	2	Lever-Shift
11	353-987	1	Fitting-Elbow, 90	29	103-9511	3	Nut-Flg
11:1	237-81	1	O-Ring	30	3290-357	1	Nut-HSF
12	2412-129	1	Clamp-Hose	31	33104-025	2	Screw-HHF
13	105-4207-03	1	Mount-Cable	32	85-4350	1	Sensor-Gear tooth
14	68-9950	1	Spring-Traction	33	92-3735	1	Seal-Sensor, Oil
15	87-7160	1	Clevis-Cable	34	3256-4	1	Washer-Flat
16	72-4310	1	Switch-Ball	35	33103-012	1	Screw-HHF
17	237-30	2	O-Ring	36	115-7741	1	Decal-Oil, Transmission
				37	3290-379	1	Tie-Cable



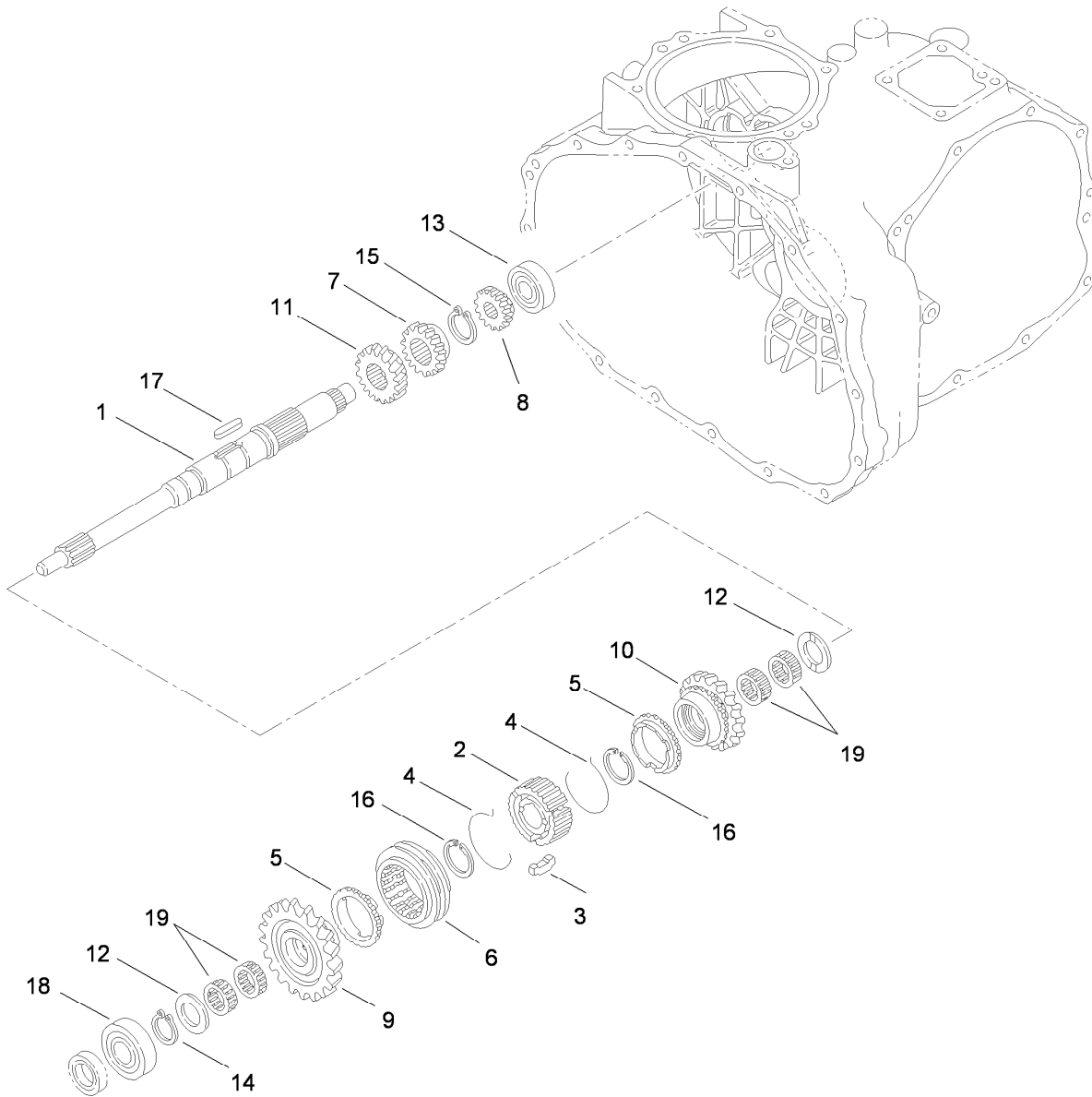
Case Assembly Transaxle Assembly No. 115-7783

<i>Ref.</i>	<i>Part Number</i>	<i>Qty.</i>	<i>Description</i>	<i>Ref.</i>	<i>Part Number</i>	<i>Qty.</i>	<i>Description</i>
2	92-0651	1	Case-Transmission	12	92-0787	1	O-Ring
3	92-0810	1	Cover-Upper, Sensor	13	92-0788	1	O-Ring
4	92-0653	1	Cover-Side	14	92-0790	1	O-Ring
5	92-0655	1	Cover-Seal, Axle	15	92-0793	1	Seal-Oil
6	92-0656	1	Cover-Upper, PTO	16	92-0796	5	Bolt
7	92-0743	1	Breather-Air	17	33104-025	4	Screw-HHF
8	92-0662	1	Cap-Oil	18	33104-025	4	Screw-HHF
9	92-0762	1	Washer-Spring	19	33104-040	10	Screw-HHF
10	92-0765	4	Pin-Parallel	20	92-0805	1	Bolt 8X20
11	92-0773	1	Plug-Drain	21	68-9400	1	Nut-Flange



Center Plate Assembly Transaxle Assembly No. 115-7783

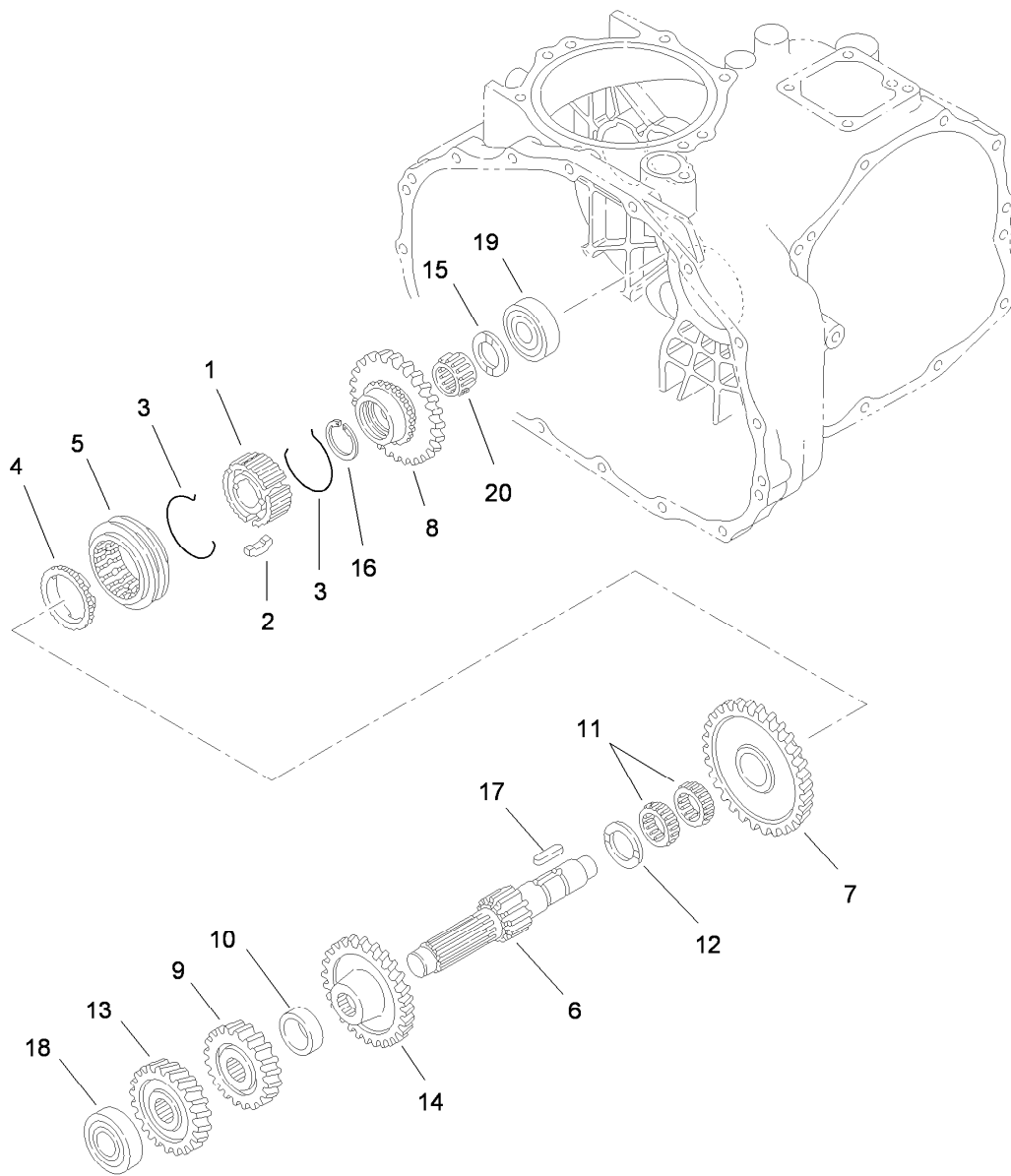
<i>Ref.</i>	<i>Part Number</i>	<i>Qty.</i>	<i>Description</i>
1	100-4461	1	Plate-Center
2	100-4460	1	Shim-Set
3	92-0706	1	Shaft-Fork
4	92-0759	1	Ring-Snap
5	92-0791	1	Seal-Oil
6	33104-025	3	Screw-HHF
7	33104-040	15	Screw-HHF
8	33104-050	1	Screw-HHF
9	92-0807	1	Cap-Sealing
10	100-4465	1	Shim (W/Tab)



Main Shaft Assembly Transaxle Assembly No. 115-7783

<i>Ref.</i>	<i>Part Number</i>	<i>Qty.</i>	<i>Description</i>
1	92-0663	1	Shaft-Main
2	92-0664	1	Hub-Synchro
3	92-0665	3	Key-Synchro
4	92-0666	2	Spring-Synchro
5	92-0667	2	Ring-Synchro
6	92-0668	1	Shifter-Synchro
7	92-0672	1	Gear-Main, 18 Tooth
8	92-0673	1	Gear-Main, 14 Tooth
9	110-2521	1	Gear-Main, 27 Tooth
10	110-2522	1	Gear- Main, 24 Tooth

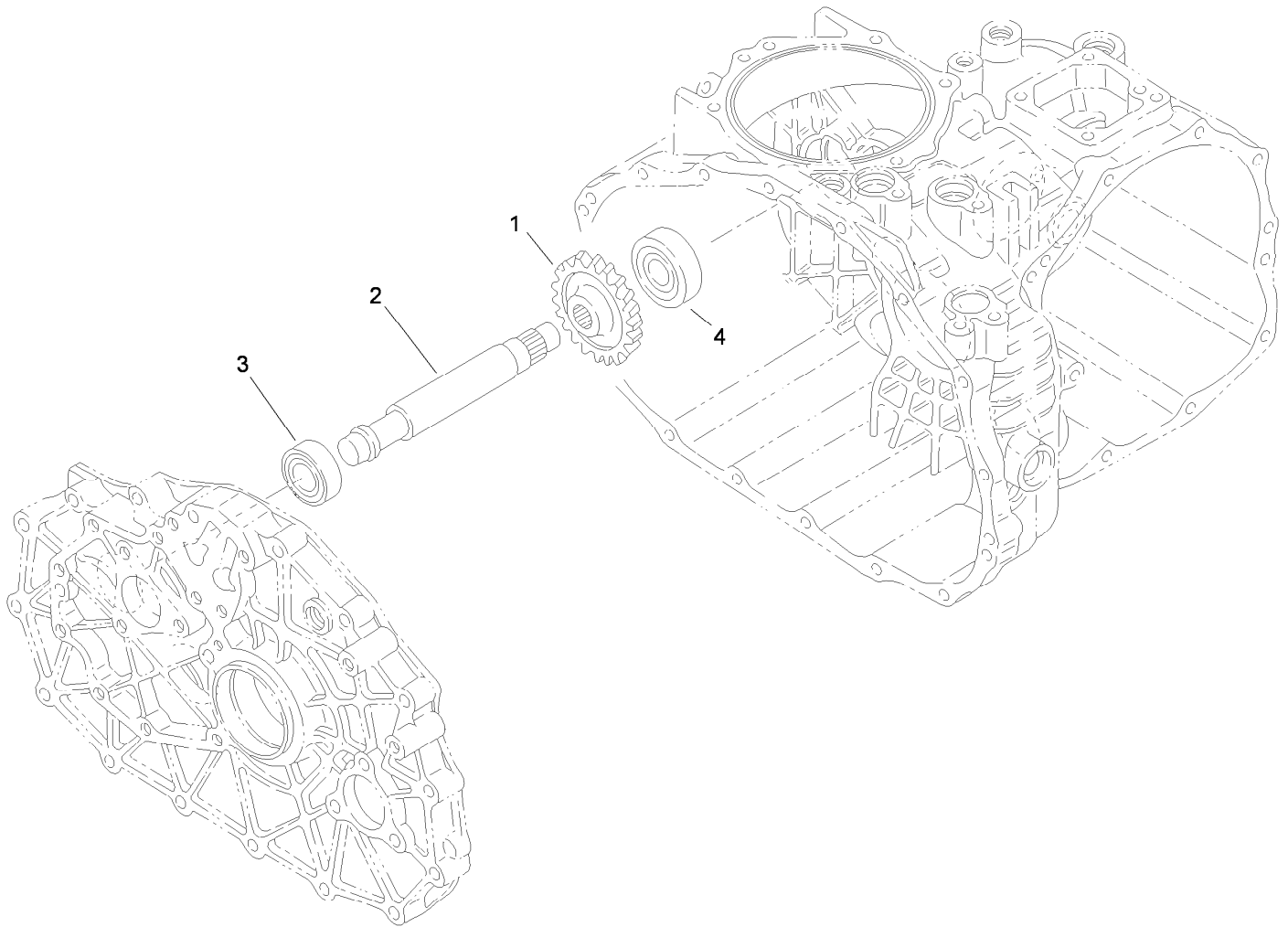
<i>Ref.</i>	<i>Part Number</i>	<i>Qty.</i>	<i>Description</i>
11	92-0687	1	Gear-Main, 16 Tooth
12	92-0740	2	Washer-Thrust
13	92-0650	1	Bearing
14	92-0753	1	Ring-Snap
15	92-0754	1	Ring-Snap
16	92-0763	2	Ring-Snap
17	92-0772	1	Key
18	251-8	1	Bearing-Ball
19	92-0781	4	Bearing-Needle



Reduction Shaft Assembly Transaxle Assembly No. 115-7783

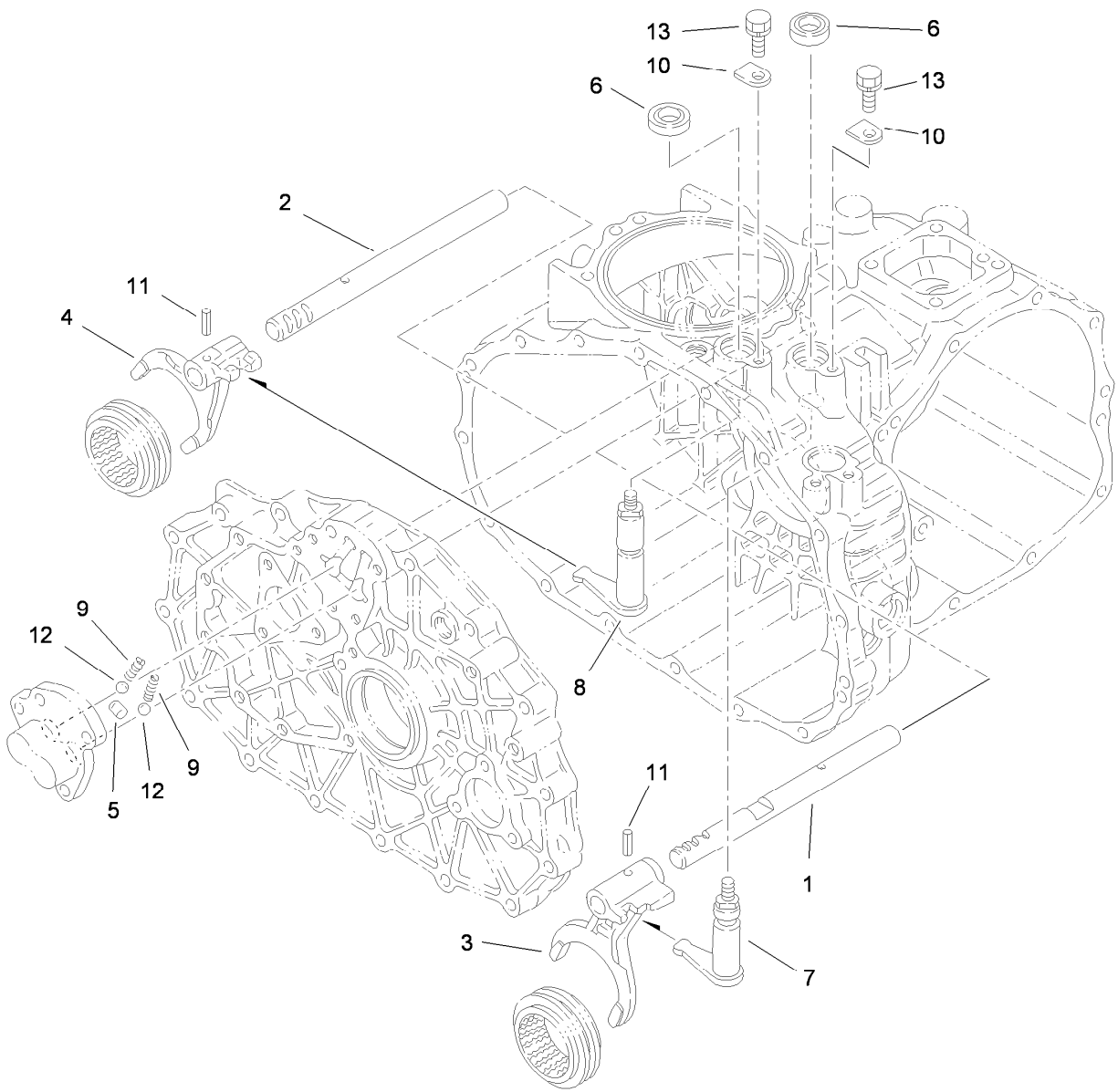
<i>Ref.</i>	<i>Part Number</i>	<i>Qty.</i>	<i>Description</i>
1	92-0664	1	Hub-Synchro
2	92-0665	3	Key-Synchro
3	92-0666	2	Spring-Synchro
4	92-0667	1	Ring-Synchro
5	92-0668	1	Shifter-Synchro
6	92-0674	1	Shaft-Reduction
7	110-2524	1	Gear- Reduction, 49 Tooth
8	92-0819	1	Gear-Reduction, 40 Tooth
9	92-0769	1	Pin-Roll
10	92-0680	1	Collar

<i>Ref.</i>	<i>Part Number</i>	<i>Qty.</i>	<i>Description</i>
11	92-0681	2	Bearing-Needle
12	92-0682	1	Washer-Thrust
13	92-0822	1	Gear-Reduction, 28 Tooth
14	92-0823	1	Gear-Reduction, 43 Tooth
15	92-0740	1	Washer-Thrust
16	92-0673	1	Gear-Main, 14 Tooth
17	92-0772	1	Key
18	105-7985	1	Bearing
19	92-0778	1	Bearing
20	92-0782	1	Bearing-Needle



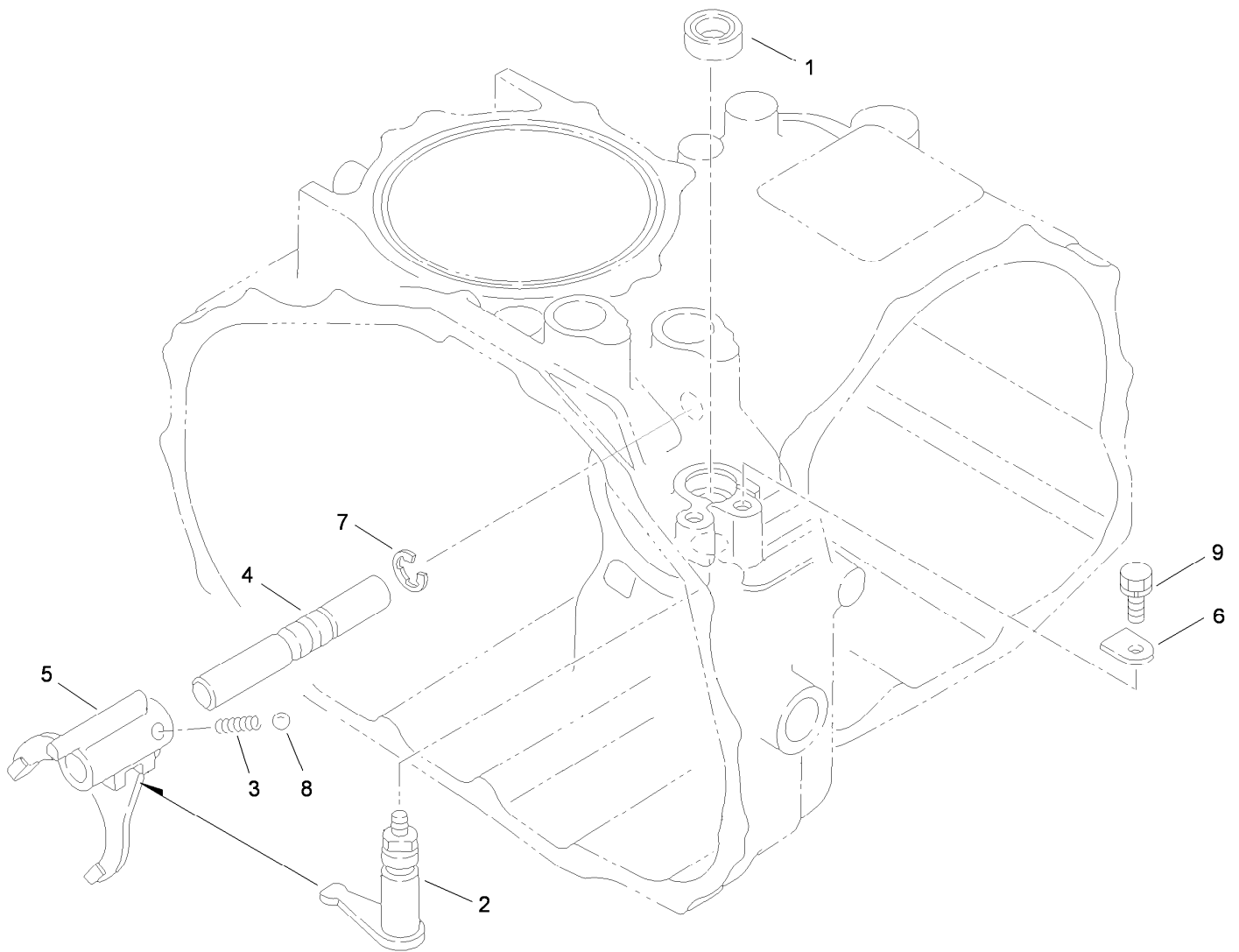
Reverse Shaft Assembly Transaxle Assembly No. 115-7783

<i>Ref.</i>	<i>Part Number</i>	<i>Qty.</i>	<i>Description</i>
1	92-0684	1	Gear-Reverse, 33 Tooth
2	92-0824	1	Shaft-Idler, Reverse
3	251-346	1	Bearing-Ball
4	92-0778	1	Bearing



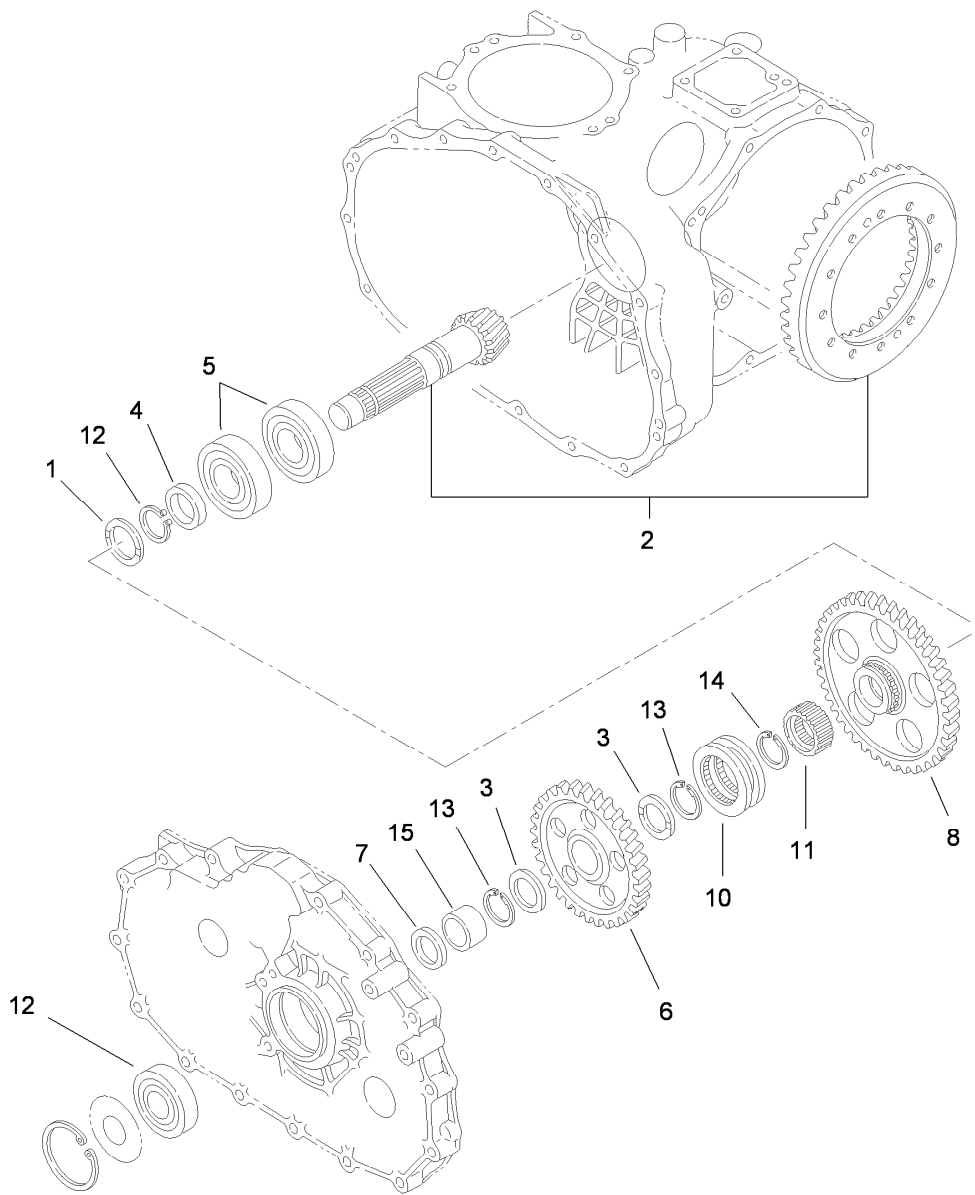
Main Shift Assembly Transaxle Assembly No. 115-7783

<i>Ref.</i>	<i>Part Number</i>	<i>Qty.</i>	<i>Description</i>
1	92-0698	1	Shaft-Fork
2	92-0699	1	Shaft-Fork
3	92-0700	1	Fork-Shift
4	92-0701	1	Fork-Shift
5	92-0705	1	Lock-Spindle
6	92-0729	2	Seal-Oil
7	92-0816	1	Arm-Shift
8	92-0817	1	Arm-Shift
9	92-0731	2	Spring
10	92-0732	2	Plate-Keeper
11	92-0769	2	Pin-Roll
12	92-0785	2	Ball-Steel
13	33104-016	2	Screw-HHF



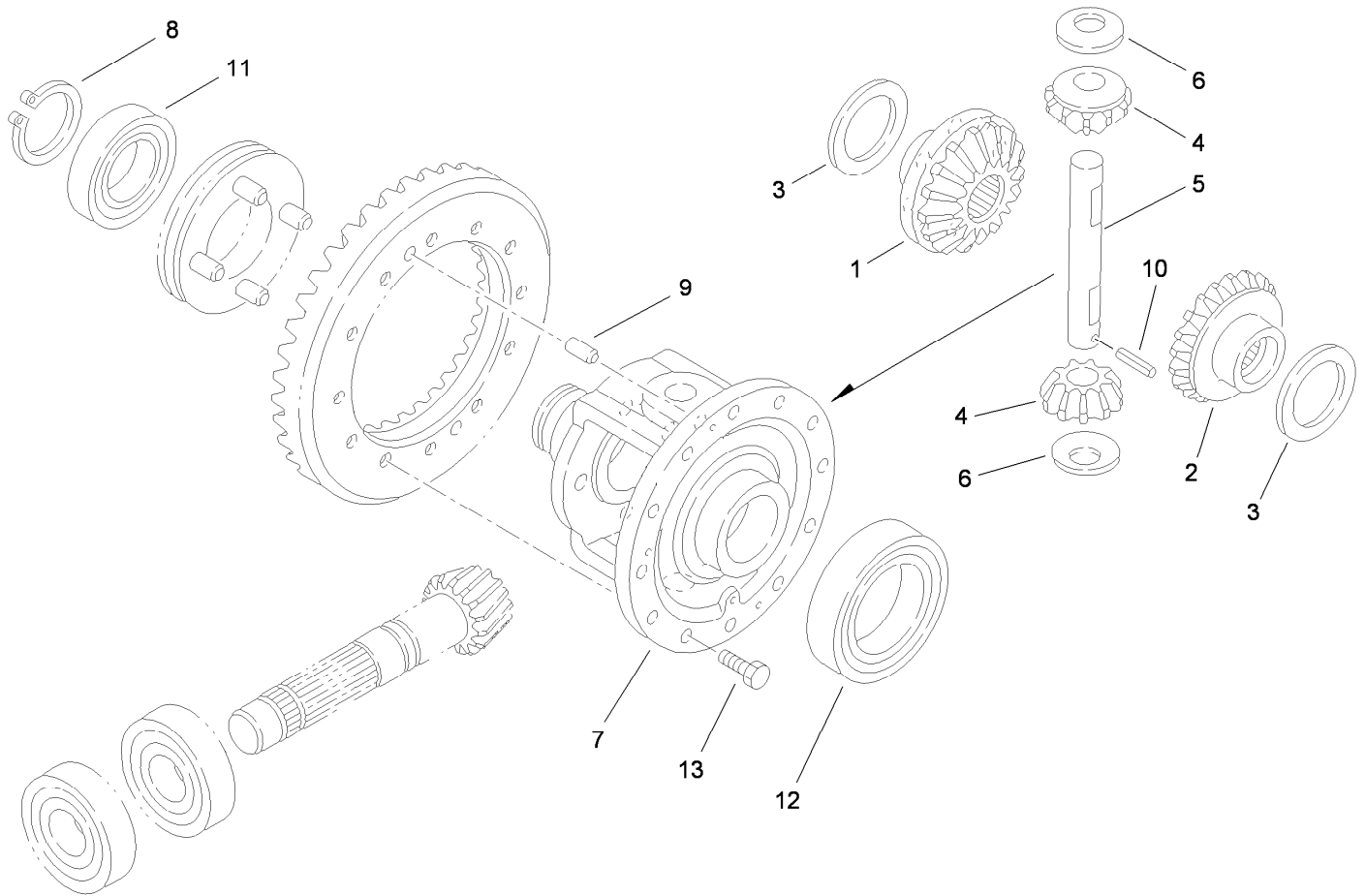
Hi-Lo Shift Assembly Transaxle Assembly No. 115-7783

<i>Ref.</i>	<i>Part Number</i>	<i>Qty.</i>	<i>Description</i>
1	92-0729	1	Seal-Oil
2	92-0818	1	Arm-Shift
3	92-0731	1	Spring
4	92-0708	1	Shaft-Fork
5	92-0709	1	Fork-Shift
6	92-0732	1	Plate-Keeper
7	92-0761	1	Ring-E
8	92-0785	1	Ball-Steel
9	33104-016	1	Screw-HHF



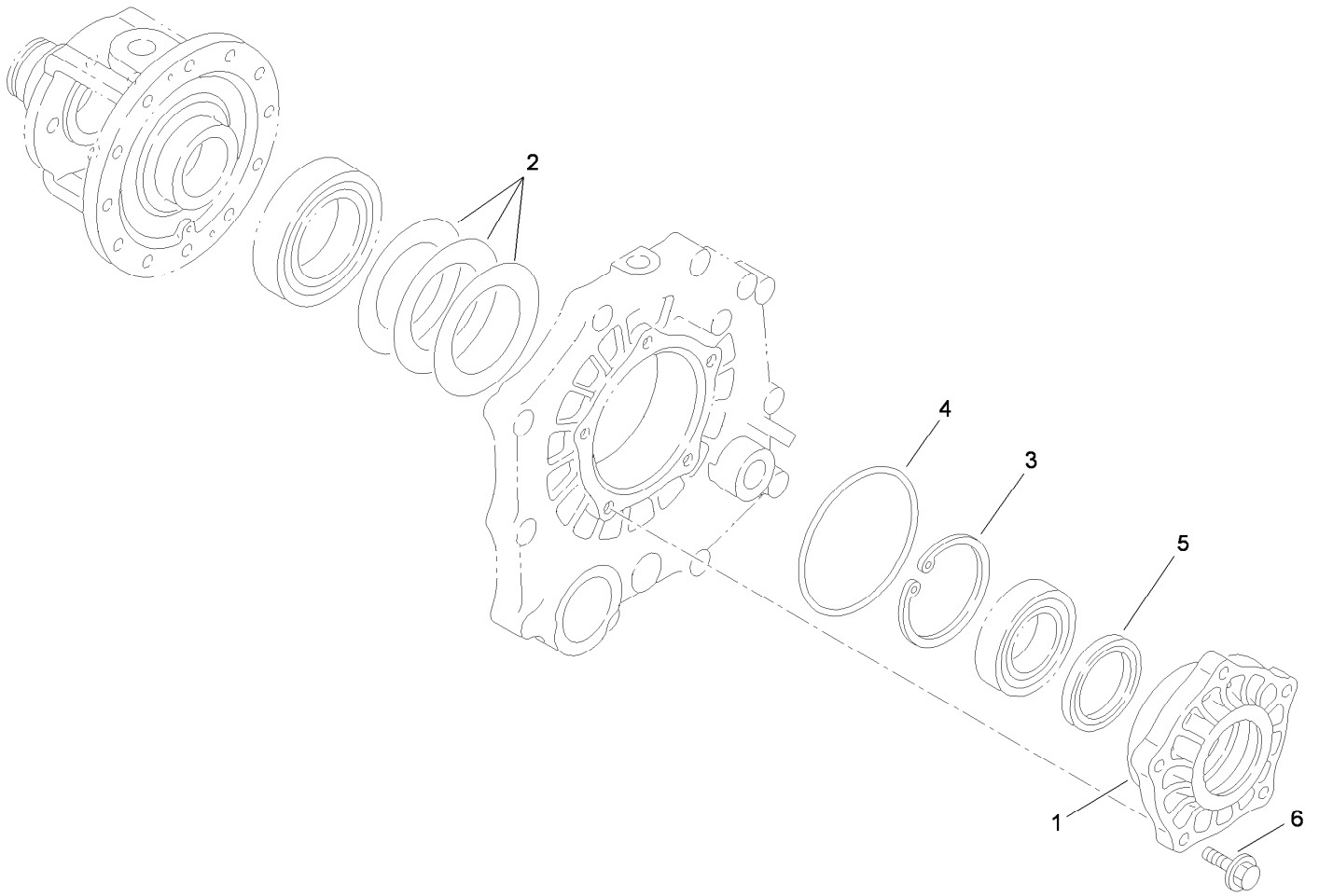
Countershaft Assembly Transaxle Assembly No. 115-7783

<i>Ref.</i>	<i>Part Number</i>	<i>Qty.</i>	<i>Description</i>
1	92-0741	1	Washer-Thrust
2	105-7983	1	Countershaft And Ring Gear ASM
3	92-0711	2	Washer-Thrust
4	92-0713	1	Collar
5	92-0714	2	Bearing
6	92-0715	1	Gear-Countershaft
7	92-0716	1	Collar
8	92-0717	1	Gear-Countershaft
10	92-0718	1	Shifter
11	105-7986	1	Collar-Spline
12	92-0712	1	Bearing-Ball
13	105-7987	2	Ring-Snap
14	92-0755	1	Ring-Snap
15	92-0783	1	Race-Inner



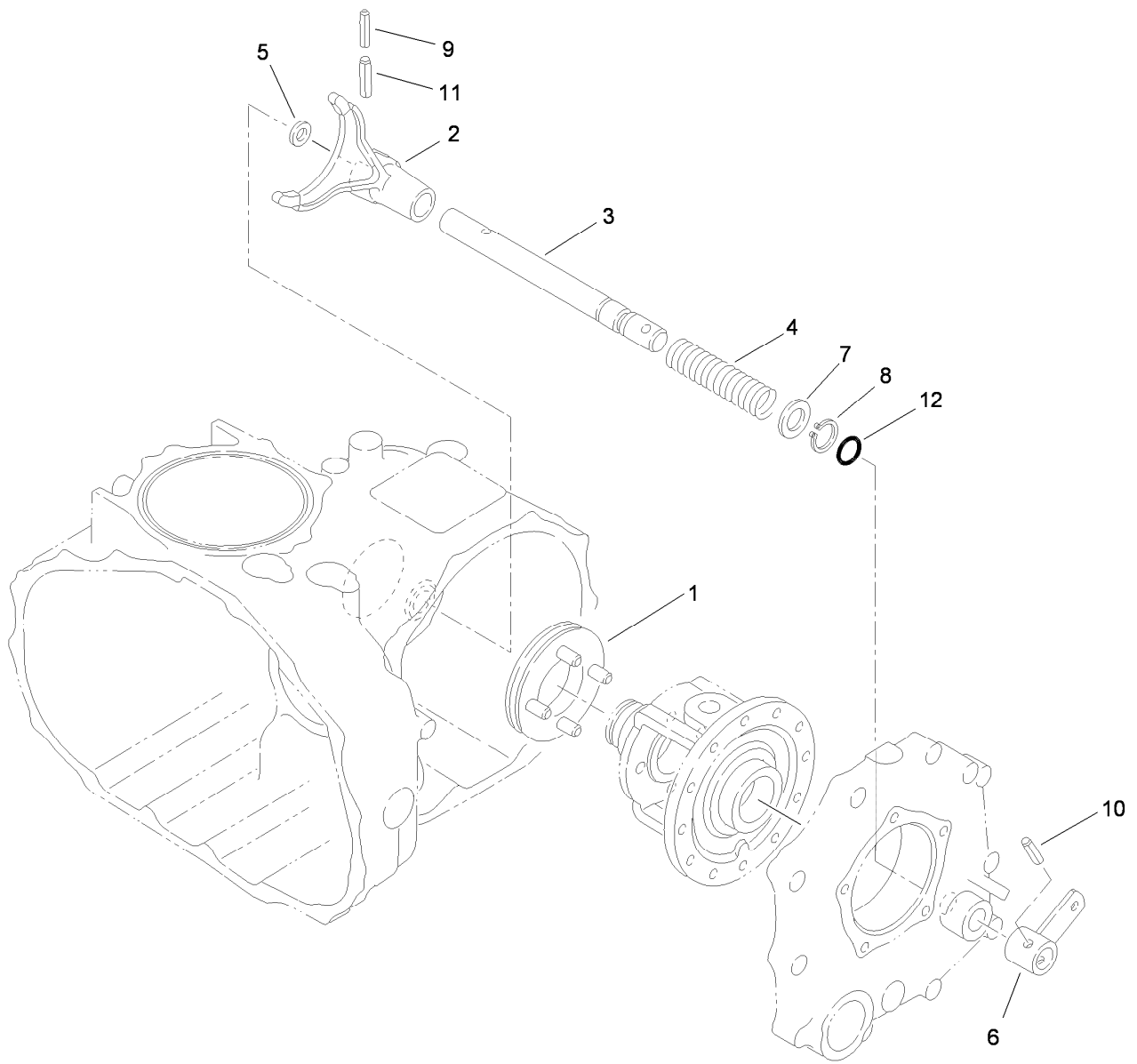
Differential Gear Assembly Transaxle Assembly No. 115-7783

<i>Ref.</i>	<i>Part Number</i>	<i>Qty.</i>	<i>Description</i>
1	92-0745	1	Gear-Side, LH
2	92-0746	1	Gear-Side, RH
3	92-0747	2	Side-Gear, Left Inner
4	92-0748	2	Pinion-Differential
5	92-0749	1	Shaft-Pinion
6	92-0750	2	Washer
7	92-0720	1	Case-Differential
8	92-0756	1	Ring-Snap
9	92-0765	2	Pin-Parallel
10	92-0768	1	Pin-Roll, Spring
11	92-0775	1	Bearing
12	92-0776	1	Bearing
13	92-0803	12	Bolt



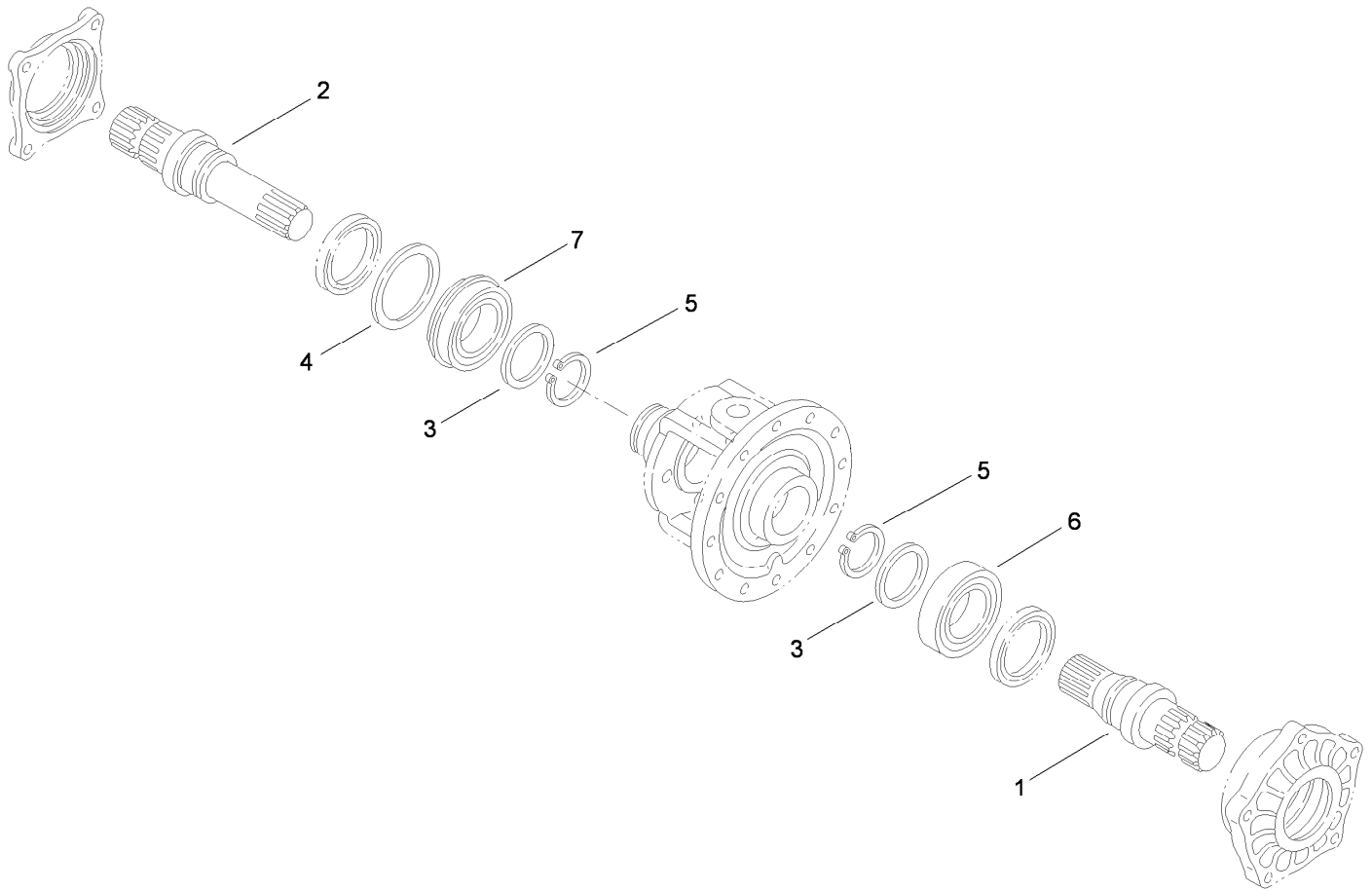
Differential Carrier Assembly Transaxle Assembly No. 115-7783

<i>Ref.</i>	<i>Part Number</i>	<i>Qty.</i>	<i>Description</i>
1	92-0654	1	Carrier-Differential
2	92-0809	1	Set-Shim
3	92-0760	1	Ring-Snap
4	92-0789	1	O-Ring
5	92-0793	1	Seal-Oil
6	33104-030	5	Screw-HHF



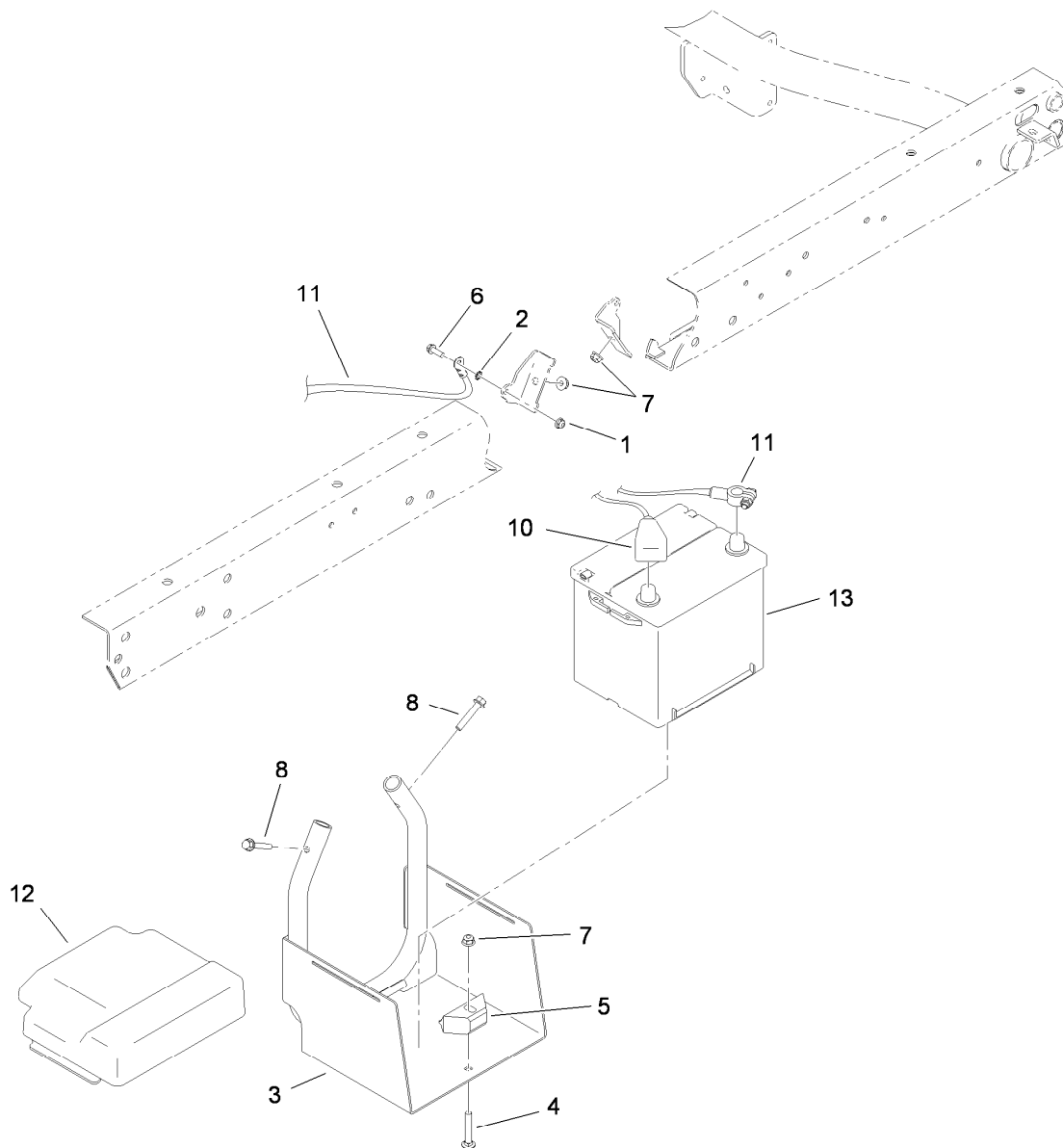
Differential Lock Assembly Transaxle Assembly No. 115-7783

<i>Ref.</i>	<i>Part Number</i>	<i>Qty.</i>	<i>Description</i>
1	92-0730	1	Slider-Differential, Lock
2	92-0721	1	Fork-Lock, Differential
3	92-0722	1	Shaft-Fork, Lock Differential
4	92-0723	1	Spring-Lock, Differential
5	92-0744	1	Washer
6	92-0724	1	Arm-Lock, Differential
7	92-0733	1	Washer
8	92-0753	1	Ring-Snap
9	92-0768	1	Pin-Roll, Spring
10	92-0770	1	Pin-Roll, Spring
11	92-0771	1	Pin-Roll, Spring
12	92-0787	1	O-Ring



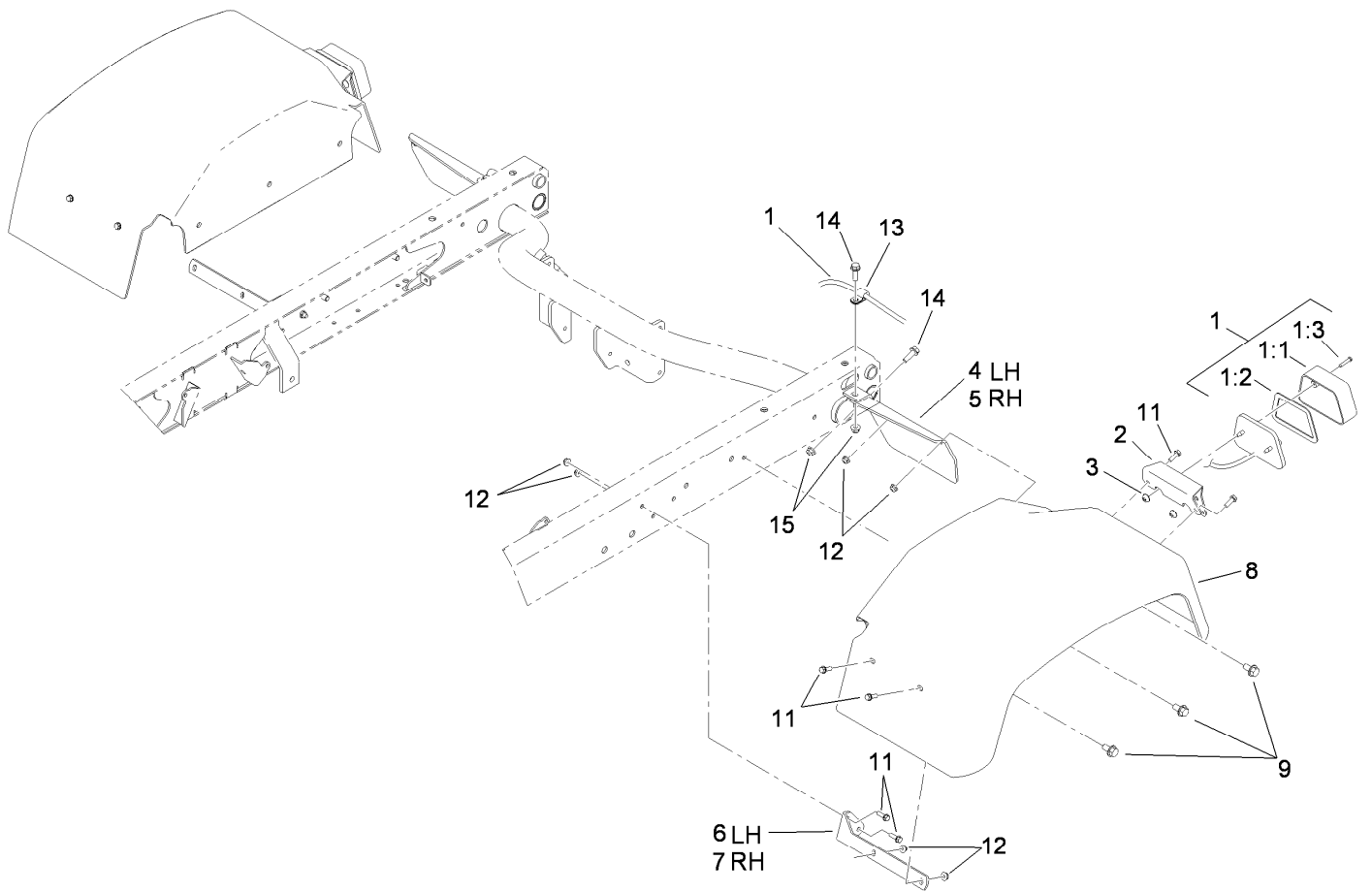
Axle Shaft Assembly Transaxle Assembly No. 115-7783

<i>Ref.</i>	<i>Part Number</i>	<i>Qty.</i>	<i>Description</i>
1	92-0725	1	Shaft-Axle, Left
2	92-0726	1	Shaft-Axle, Right
3	92-0727	2	Washer
4	92-0728	1	Washer
5	92-0756	2	Ring-Snap
6	92-0775	1	Bearing
7	92-0780	1	Bearing



Battery Assembly

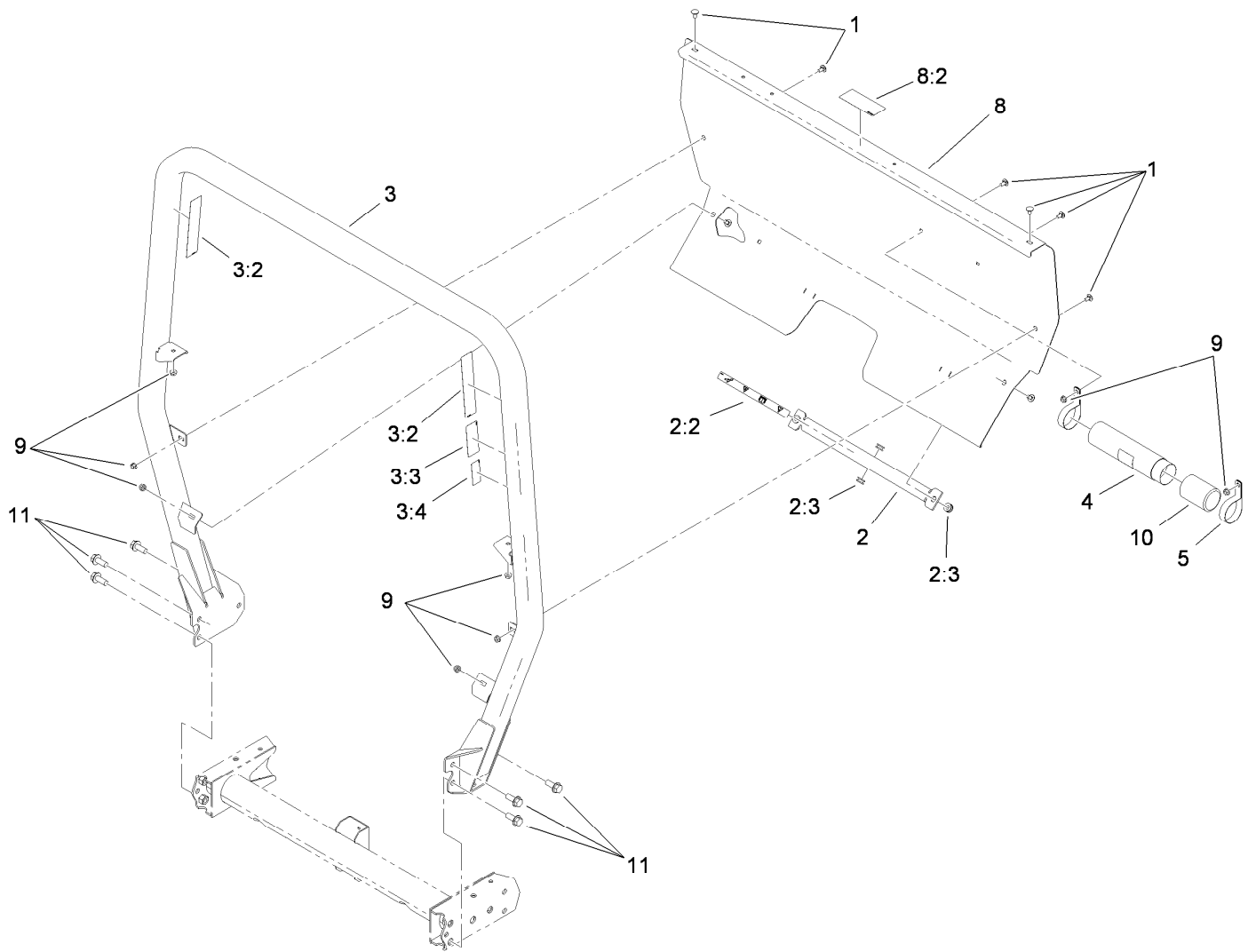
<i>Ref.</i>	<i>Part Number</i>	<i>Qty.</i>	<i>Description</i>
1	104-7201	1	Nut-HF, NI
2	3255-8	1	Washer-Lock
3	115-2237-03	1	Tray-Battery
4	3230-6	1	Bolt-CARR
5	66-2490	1	Retainer-Battery
6	32105-15	1	Screw-HWH
7	104-8300	3	Nut-HF, NI
8	94-5780	2	Screw-HWH
10	87-8000	1	Cable-Battery, Positive
11	115-8112	1	Cable-Battery, Negative
12	115-2448	1	Cover-Battery
13	106-5187	1	Battery- Dry, 12V, 525 CCA



Tail Light and Fender Assembly

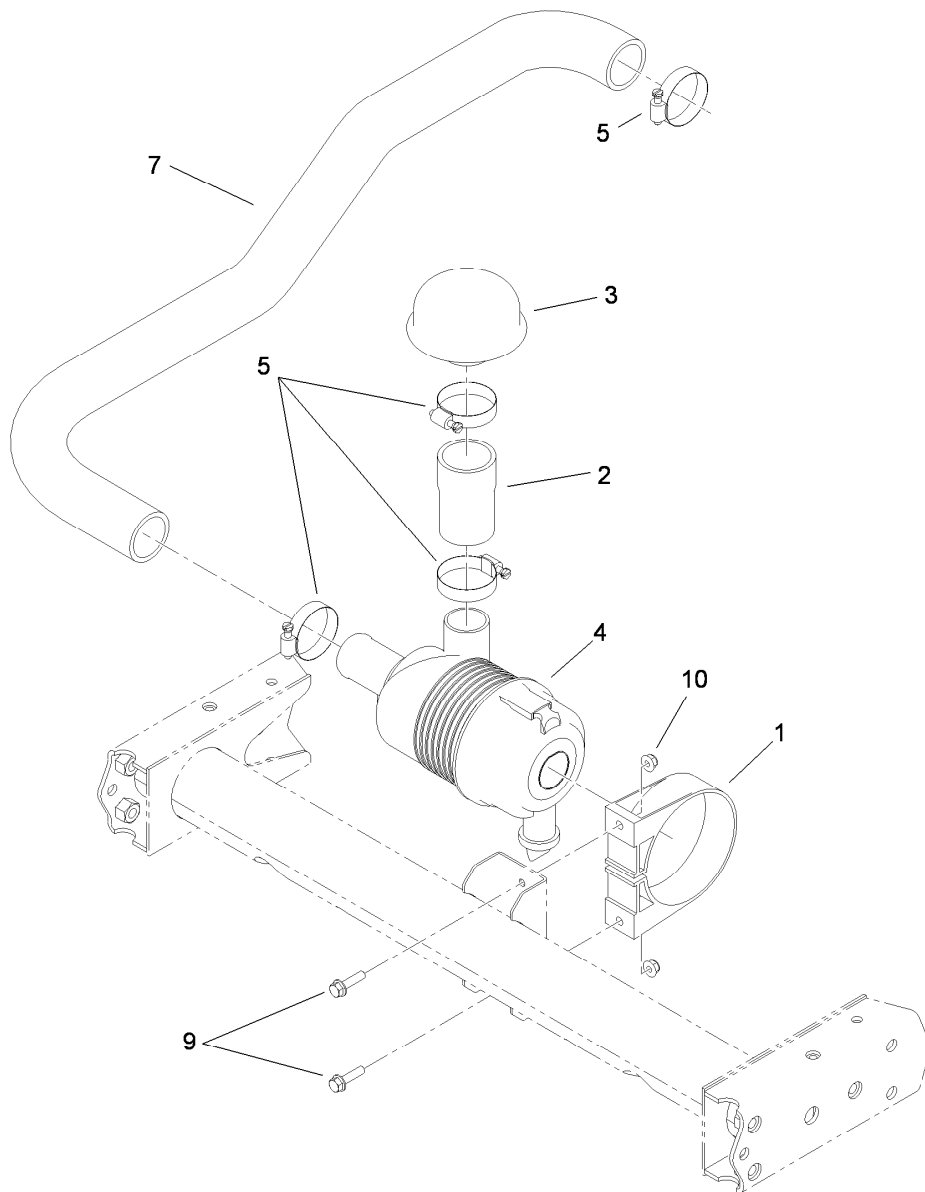
Ref.	Part Number	Qty.	Description
1	115-7745	2	Light-Tail, Brake
1:1	87-6300	1	Lens-Light, Tail
1:2	87-6310	1	Gasket-Light, Tail
1:3	32144-93	2	Screw-PPHTF
2	115-2289-03	2	Bracket-Light, Tail
3	3290-506	4	Nut
4	93-8943-03	1	Bracket-Fender, Rear (LH)
5	93-8944-03	1	Bracket-Fender, Rear (RH)
6	93-8941-03	1	Bracket-Fender, Front (LH)

Ref.	Part Number	Qty.	Description
7	93-8942-03	1	Bracket-Fender, Front (RH)
8	87-6660	2	Fender-Rear
9	110-9380	6	Screw-HWH
11	32105-15	12	Screw-HWH
12	104-7201	12	Nut-HF, NI
13	2412-93	2	Clamp-R
14	3234-17	4	Screw-HHF
15	104-8300	4	Nut-HF, NI



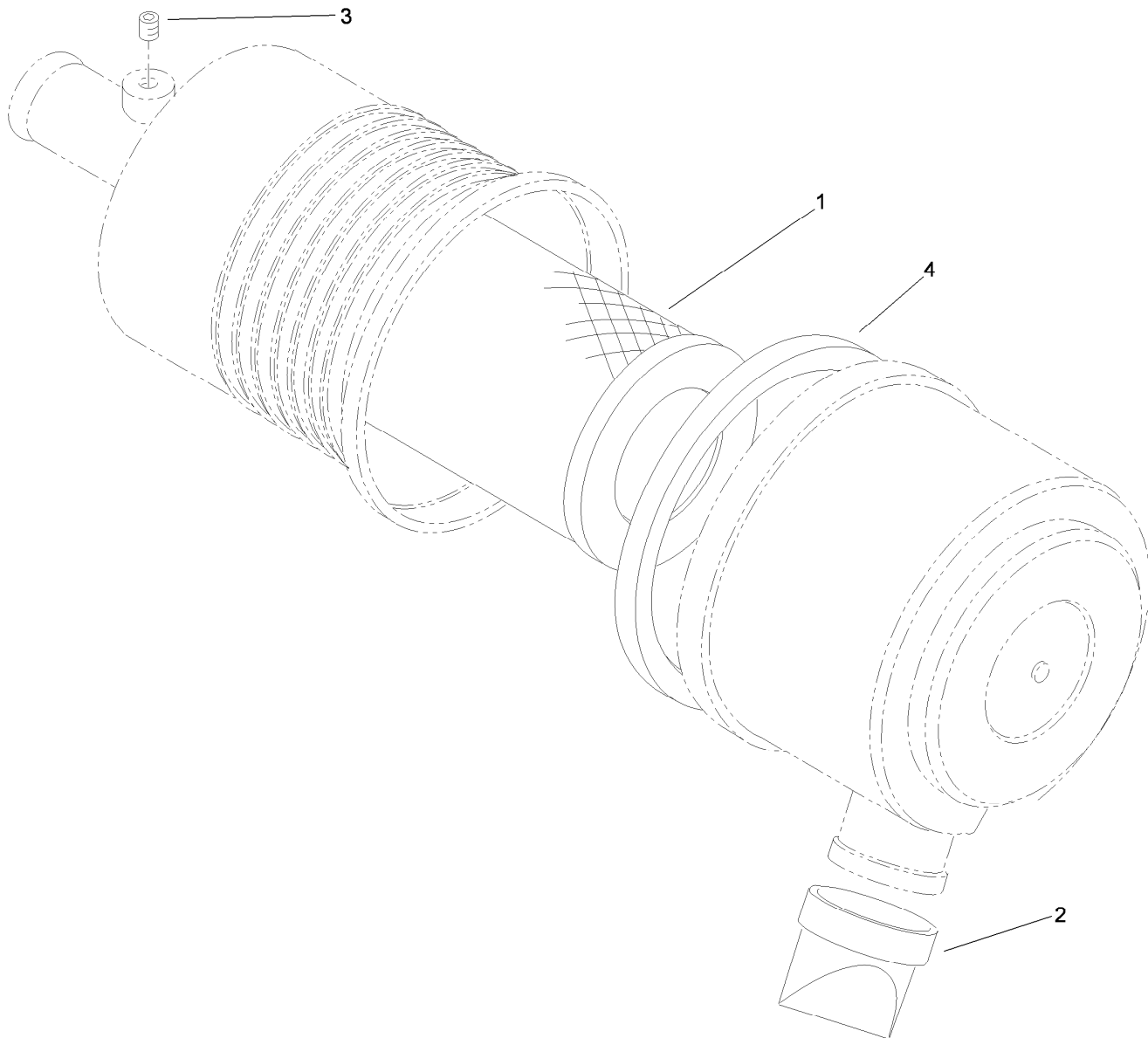
Roll-Over Protection System Assembly

Ref.	Part Number	Qty.	Description
1	3230-18	8	Screw-CARR
2	105-7960	1	Bed Support ASM
2:2	93-9852	1	Decal-Warning
2:3	92-5972	4	Grommet-Rubber
3	115-7910	1	ROPS ASM
3:2	106-7767	2	Decal-ROPS
3:3	93-9850	1	Decal-ROPS, CE
3:4	117-4969	1	Decal-ROPS, ISO
4	104-7050	1	Tube-Manual
5	2412-133	2	Clamp-R
8	115-2213	1	ROPS Cover ASM
8:2	105-4215	1	Decal-Caution
9	32128-20	8	Nut-HF
10	104-7048	1	Cap-Housing
11	3234-38	6	Screw-HHF



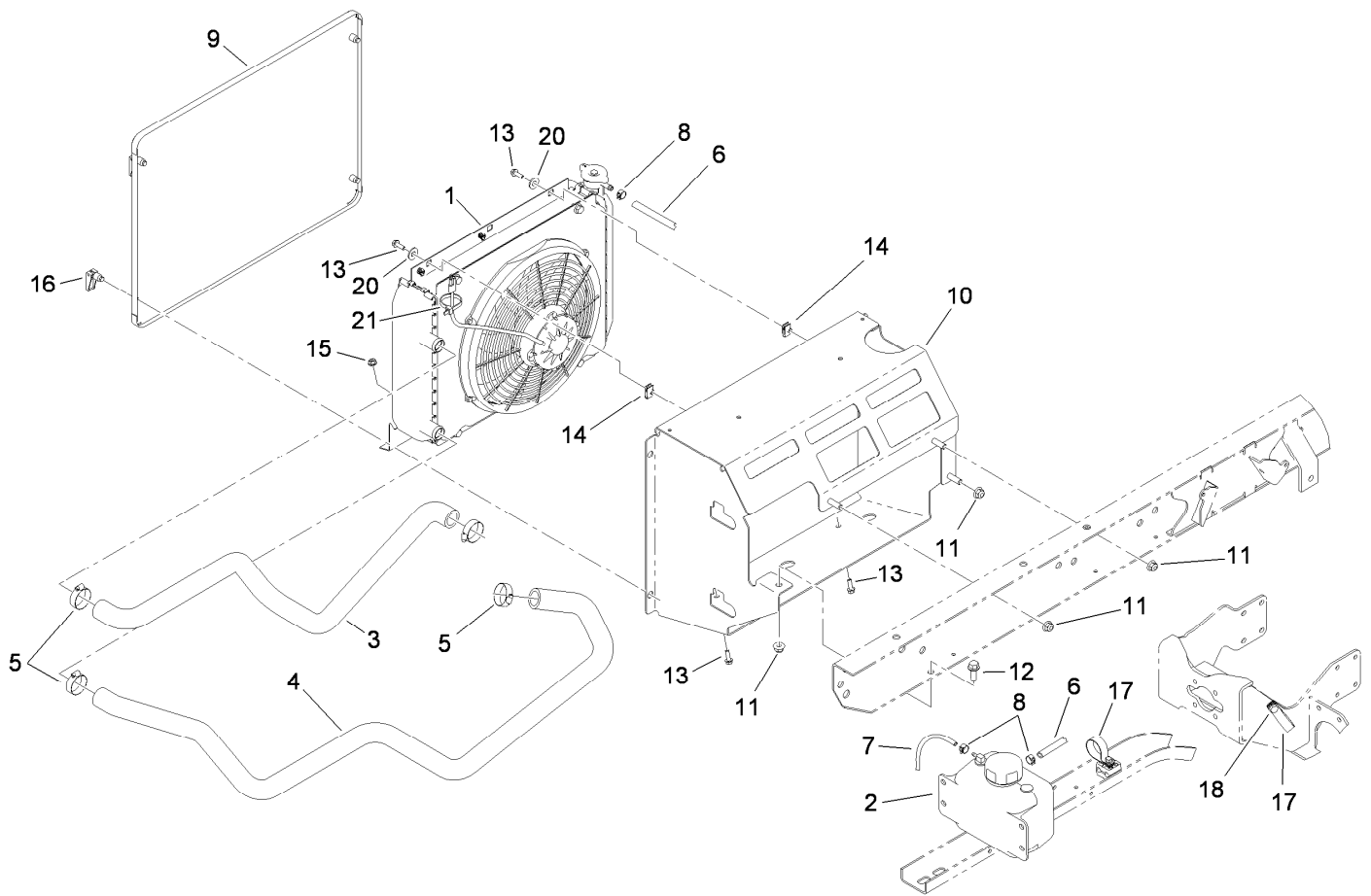
Air Cleaner Assembly

<i>Ref.</i>	<i>Part Number</i>	<i>Qty.</i>	<i>Description</i>
1	95-5806	1	Bracket-Mounting, Air Cleaner
2	107-7962	1	Hose-Cleaner, Air
3	46-7510	1	Hood-Inlet, Air
4	106-2416	1	Air Cleaner ASM
5	2412-92	4	Clamp-Hose
7	115-7754	1	Hose-Intake, Air
9	3234-36	2	Screw-HHF
10	104-8300	2	Nut-HF, NI



Air Cleaner Assembly No. 106-2416

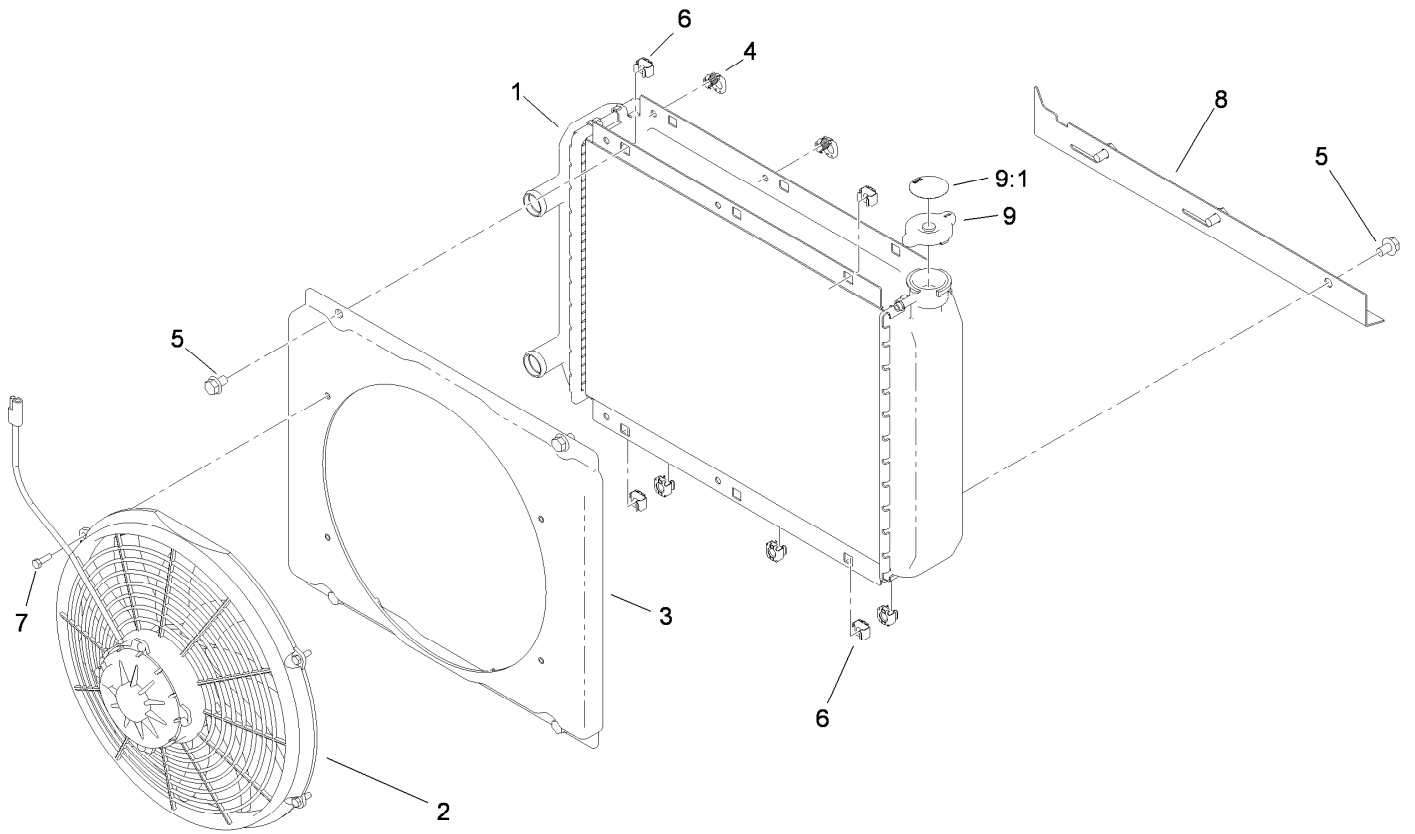
<i>Ref.</i>	<i>Part Number</i>	<i>Qty.</i>	<i>Description</i>
1	108-3811	1	Filter-Air V-Twin HD
2	104-0498	1	Valve-Vacuator
3	285-17	1	Plug-Pipe
4	106-6748	1	Gasket



Cooling System Assembly

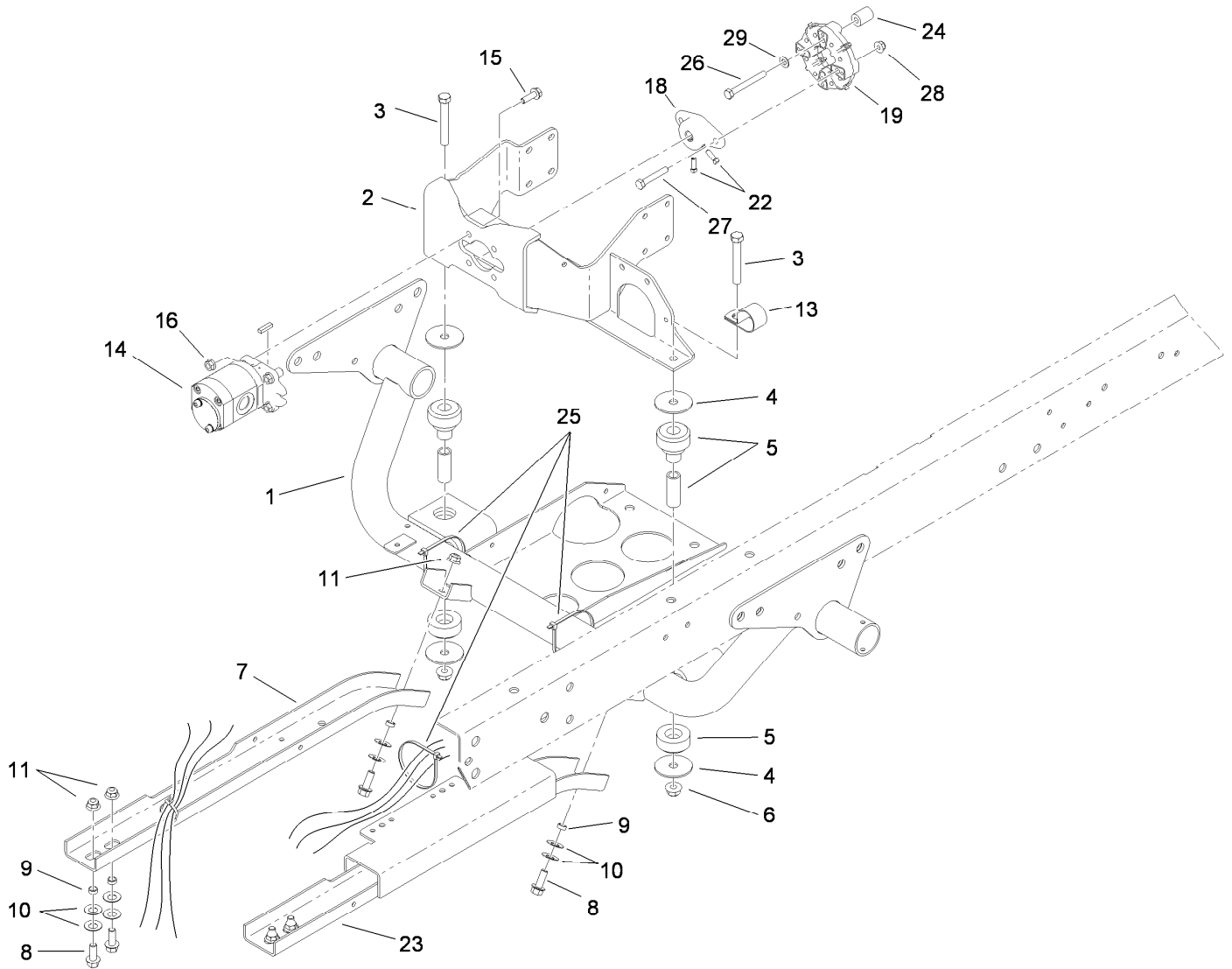
<i>Ref.</i>	<i>Part Number</i>	<i>Qty.</i>	<i>Description</i>	<i>Ref.</i>	<i>Part Number</i>	<i>Qty.</i>	<i>Description</i>
1		1	Radiator ASM ●	11	104-8301	4	Nut-HF, NI
2	87-3710	1	Reservoir-Coolant	12	3234-11	1	Screw-HHF
3	115-7753	1	Hose-Coolant, Upper	13	3234-4	4	Screw-HHF
4	115-7752	1	Hose-Coolant, Lower	14	107069	2	Clip
5	2412-34	4	Clamp-Hose	15	32128-33	2	Nut-HF
6	93-5540	1	Hose	16	74-5950	4	Latch-Swell
7	110-4104	1	Hose-Fuel	17	2412-74	2	R-Clamp
8	92-2379	3	Clamp-Hose	18	32144-11	1	Screw-HWH
9	115-2428-03	1	Screen-Radiator	20	3256-3	2	Washer-Flat
10	115-2434	1	Mount-Radiator	21	3290-379	1	Tie-Cable

● Not serviced separately



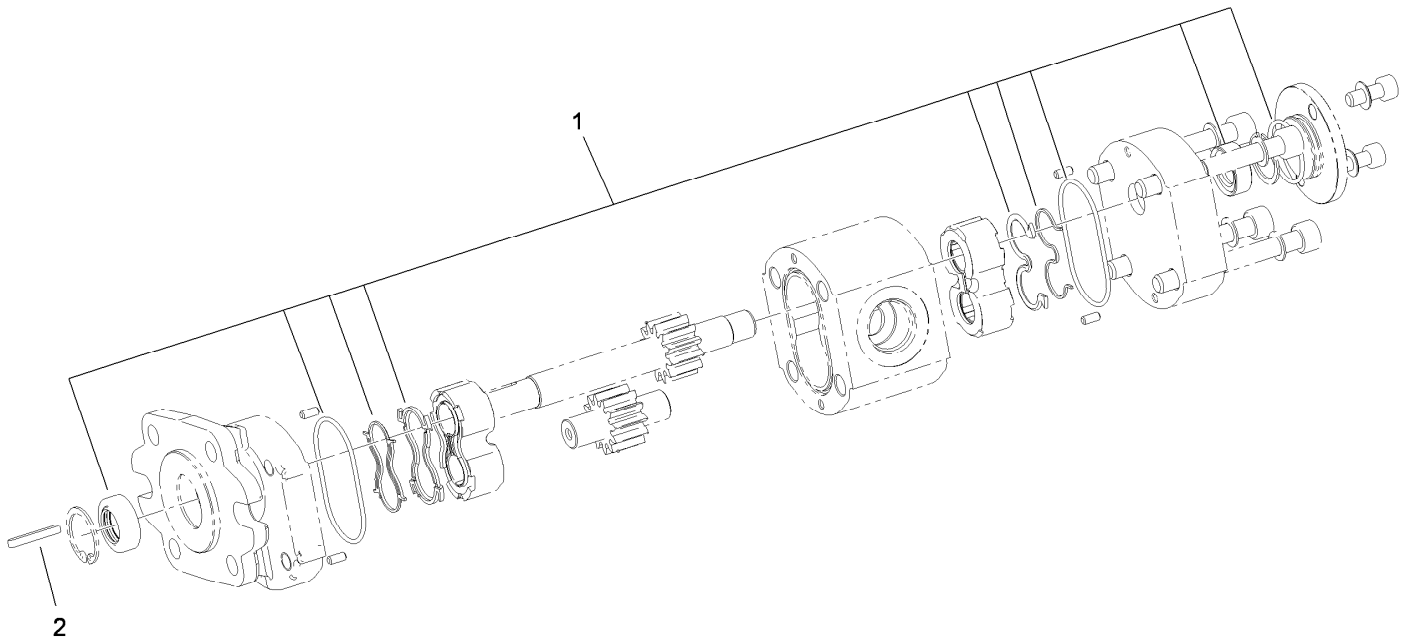
Radiator Assembly

<i>Ref.</i>	<i>Part Number</i>	<i>Qty.</i>	<i>Description</i>
1	161-5356	1	Radiator Kit
2	114-8385	1	Fan-Electric
3	114-8386	1	Shroud
4	114-8387	2	Latch-Spring
5	3234-30	7	Screw-HHF
6	703856	7	Nut-Sq, Caged
7	60-6910	4	Screw-HH
8	115-7765	1	Plate-Mount, Lower
9	115-7766	1	Cap-Radiator
9:1	106-6755	1	Decal-Cap, Radiator



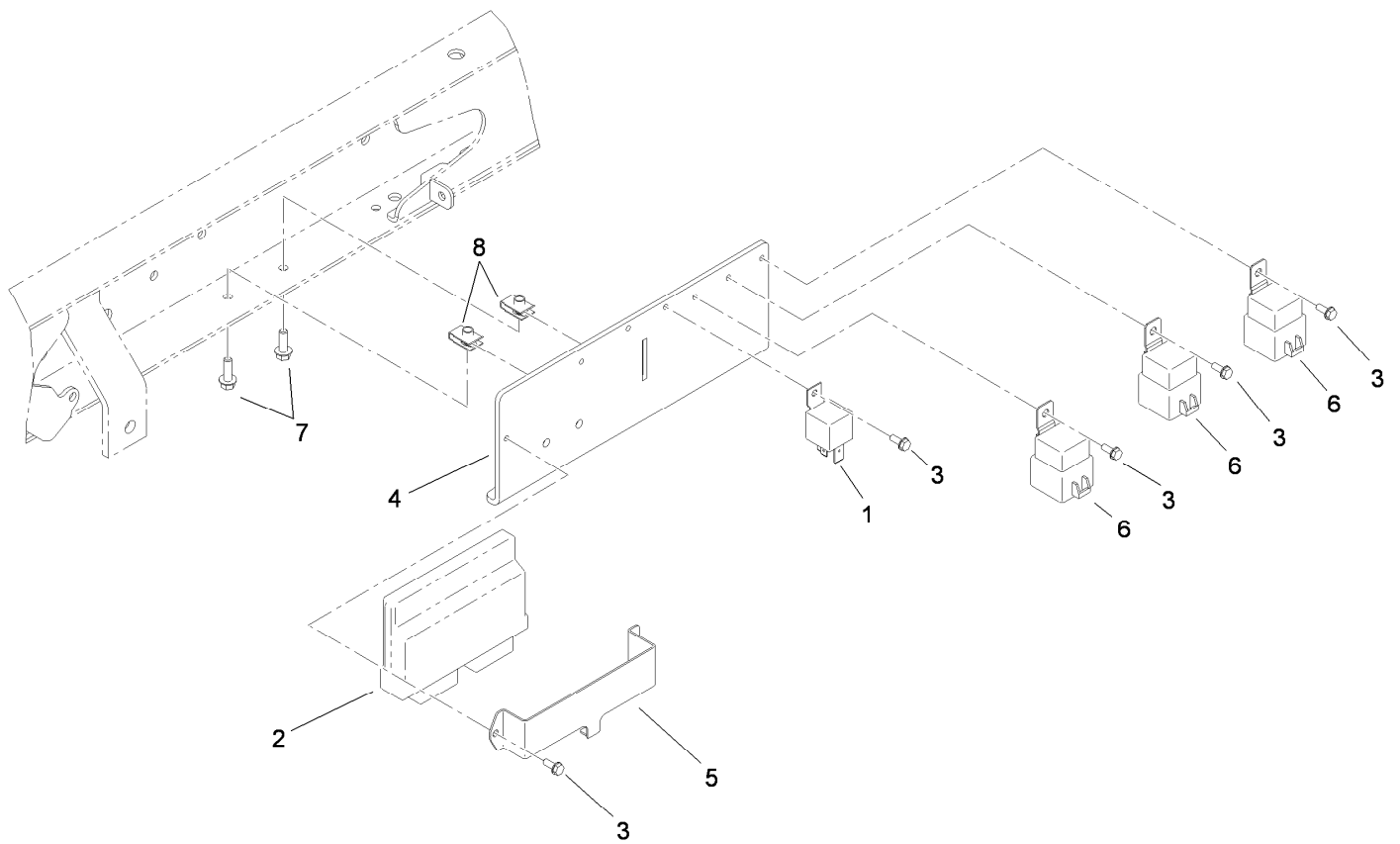
Engine Support Assembly

<i>Ref.</i>	<i>Part Number</i>	<i>Qty.</i>	<i>Description</i>	<i>Ref.</i>	<i>Part Number</i>	<i>Qty.</i>	<i>Description</i>
1	115-2256-03	1	Support-Engine	15	3234-17	4	Screw-HHF
2	114-8443-03	1	Mount-Pump/Engine	16	32128-20	4	Nut-HF
3	324-13	2	Screw-HH	18	115-2169	1	Hub-Pump
4	87-5100	4	Washer-Snubbing	19	119-0652	1	Coupler-Rubber
5	106-7865	2	Mount-Engine	22	3241-6	2	Screw-SQH
6	114-8417	2	Nut-HF, NI	23	115-2215-03	1	Guard-LH
7	87-4730-03	1	Guard-Belly	24	119-0718	2	Spacer
8	3234-11	6	Screw-HHF	25	3290-379	4	Tie-Cable
9	76-9100	6	Spacer	26	33114-070	2	Screw-HH
10	3290-413	12	Washer-Belleville	27	322-10	2	Screw-HH
11	104-8301	6	Nut-HF, NI	28	104-8300	2	Nut-HF, NI
13	2412-82	1	Clamp-R	29	3256-23	2	Washer-Plain
14	114-8302	1	HYD Pump ASM				



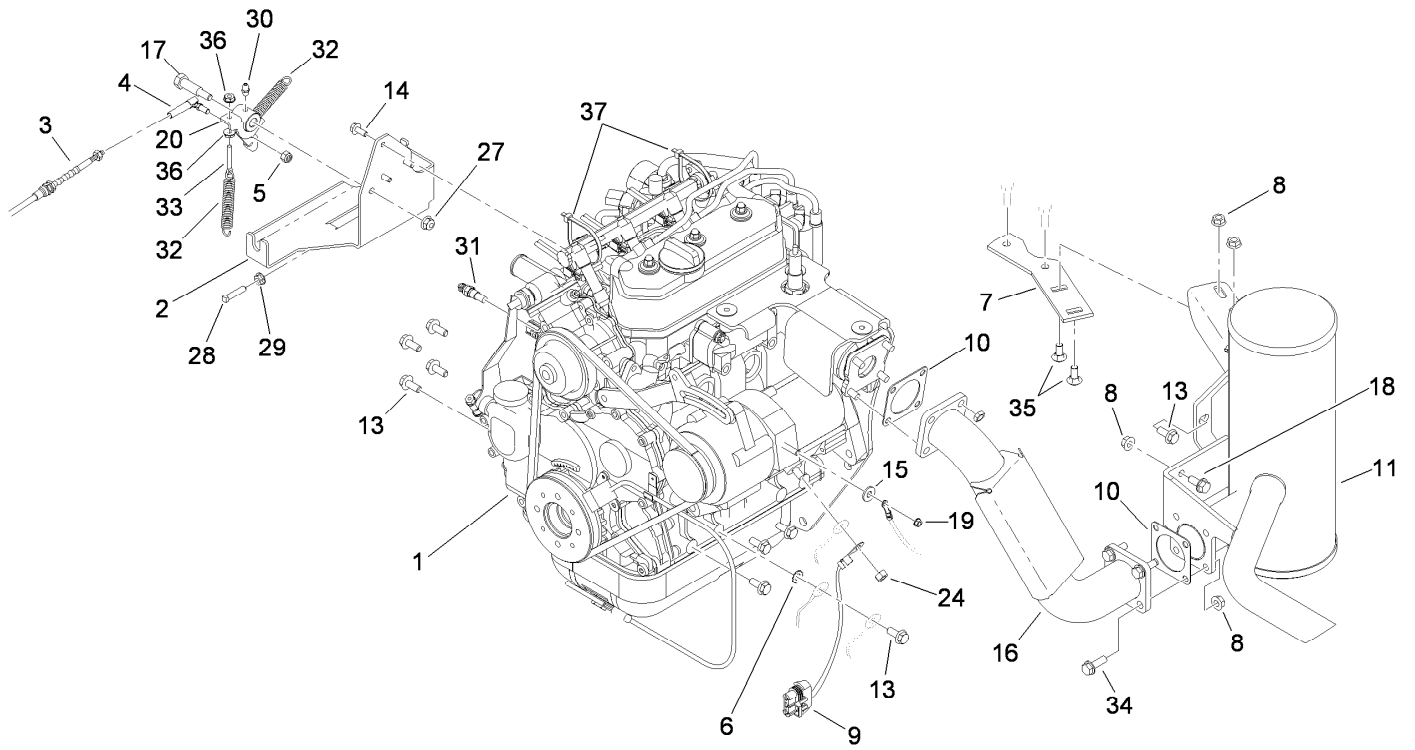
Hydraulic Gear Pump Assembly No. 114-8302

<i>Ref.</i>	<i>Part Number</i>	<i>Qty.</i>	<i>Description</i>
1	115-8696	1	Seal Kit
2	115-7855	1	Key-Square



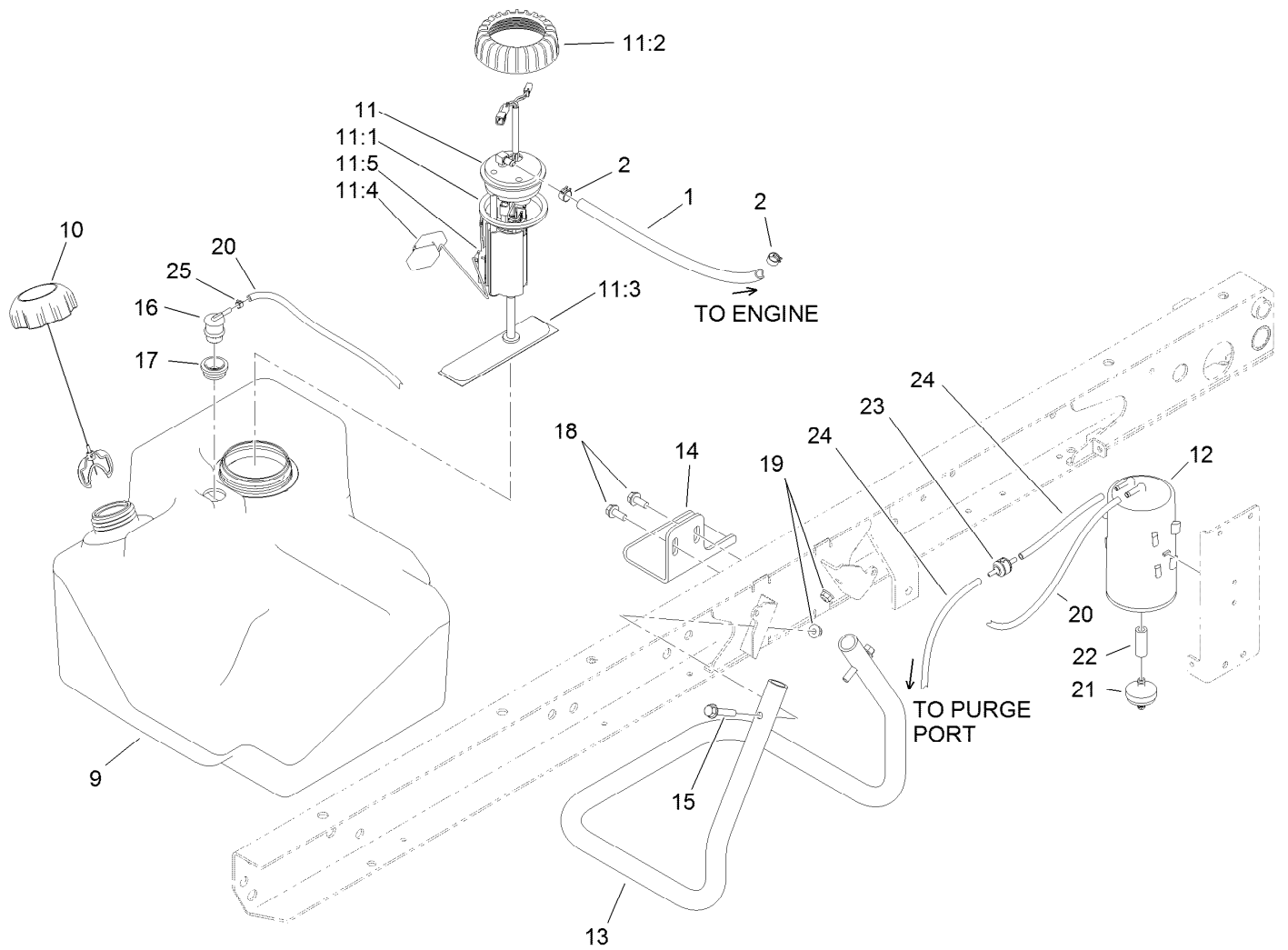
ECM and Relay Assembly

<i>Ref.</i>	<i>Part Number</i>	<i>Qty.</i>	<i>Description</i>
1	99-7435	1	Relay
2	114-8371	1	Module-Injection, Fuel
3	32144-112	5	Screw-HWH
4	115-2225	1	Bracket-Relay
5	115-2227	1	Holder-ECM
6	99-7430	3	Relay-Mini
7	3234-4	2	Screw-HHF
8	107069	2	Clip



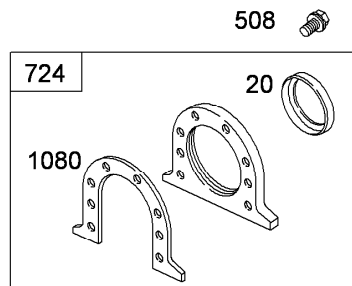
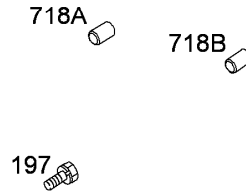
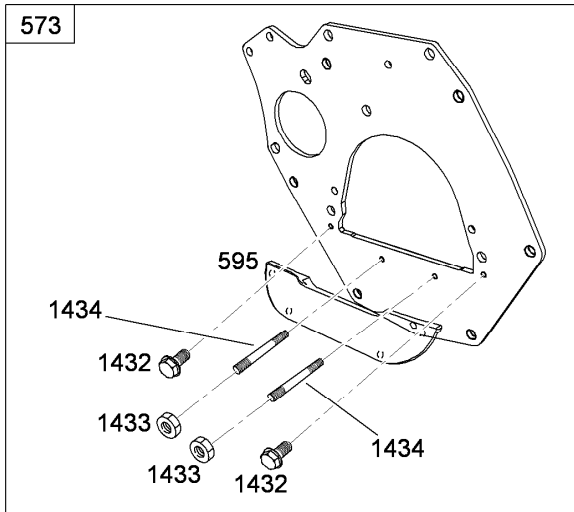
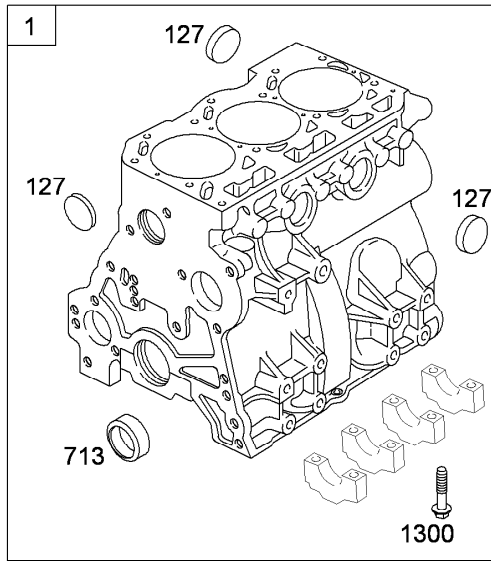
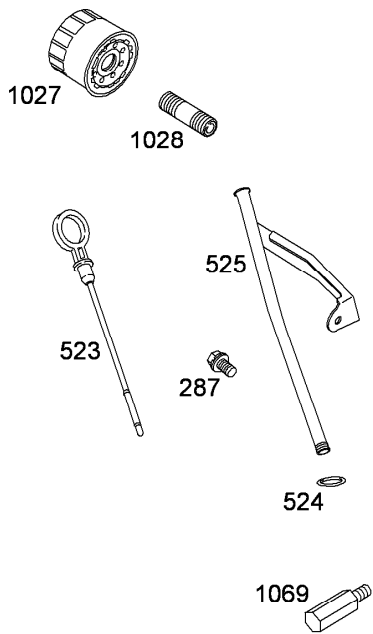
Engine Assembly

<i>Ref.</i>	<i>Part Number</i>	<i>Qty.</i>	<i>Description</i>	<i>Ref.</i>	<i>Part Number</i>	<i>Qty.</i>	<i>Description</i>
1	114-8319	1	Engine ASM	18	3234-5	2	Screw-HHF
2	115-2447-03	1	Bracket-Throttle	19	33003-00	1	Nut-HF
3	115-2285	1	Cable-Accelerator	20	115-7770	1	Bellcrank ASM
4	18-1720	1	Ball Joint	24	33014-00	1	Nut-Hex
5	3296-3	1	Nut-Lock	27	104-8300	1	Nut-HF, NI
6	3255-8	1	Washer-Lock	28	107-7447	1	Screw-Set, SQH
7	105-9472	1	Plate-Mount, Muffler	29	32128-14	1	Nut-HF
8	32128-20	8	Nut-HF	30	302-5	1	Fitting-Grease
9	99-3441	1	Harness-Wire, Fusible Link	31	94-7621	1	Sender-Temperature
10	105-4209	2	Gasket-Muffler	32	115-7769	2	Spring-Extension
11	115-7725	1	Muffler	33	108-6932	1	Rod-Link, Governor
13	98-7977	9	Screw-HHF	34	3234-17	4	Screw-HHF
14	114-8414	3	Screw-HHF	35	3230-1	2	Bolt-CARR
15	3256-2	1	Washer-Flat	36	32149-8	2	Nut-Keps
16	115-2179	1	Exhaust Tube ASM	37	3290-379	2	Tie-Cable
17	7-0030	1	Screw-Shoulder, HH				



Fuel System Assembly

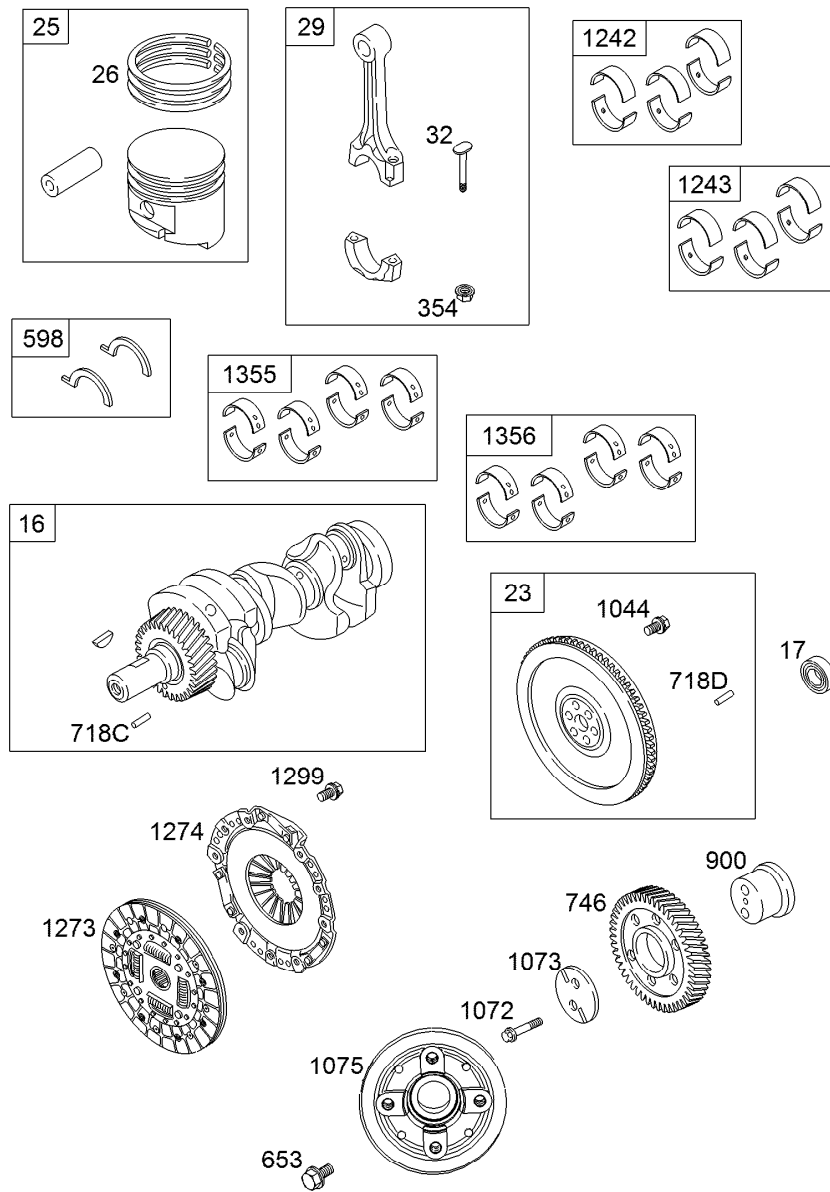
Ref.	Part Number	Qty.	Description	Ref.	Part Number	Qty.	Description
1	109-0279	1	Hose-Fuel	14	114-8404	1	Plate-Retainer
2	92-2379	2	Clamp-Hose	15	94-5780	2	Screw-HWH
9	115-7700	1	Tank-Fuel	16	114-0285	1	Valve-Rollover
10	115-7788	1	Cap-Fuel	17	114-0284	1	Grommet
11	115-2399	1	Pump-Fuel	18	32144-11	2	Screw-HWH
11:1	115-2163	1	Gasket-Pump, Fuel	19	104-8300	2	Nut-HF, NI
11:2	115-2162	1	Cap-Pump, Fuel	20	110-3254	1	Hose-Fuel
11:3	115-7818	1	Fuel Filter ASM	21	115-7854	1	Filter-Fuel, Inline
11:4	120-4812	1	Float	22	106-5317	1	Hose-Fuel
11:5	127-8691	1	Sender-Fuel Level	23	115-7868	1	Valve-Check, Vacuum
12	115-2251	1	Canister-Carbon	24	115-7871	2	Hose-Fuel
13	115-7767-03	1	Tube-Support	25	2412-146	1	Clamp-Hose



Cylinder Assembly

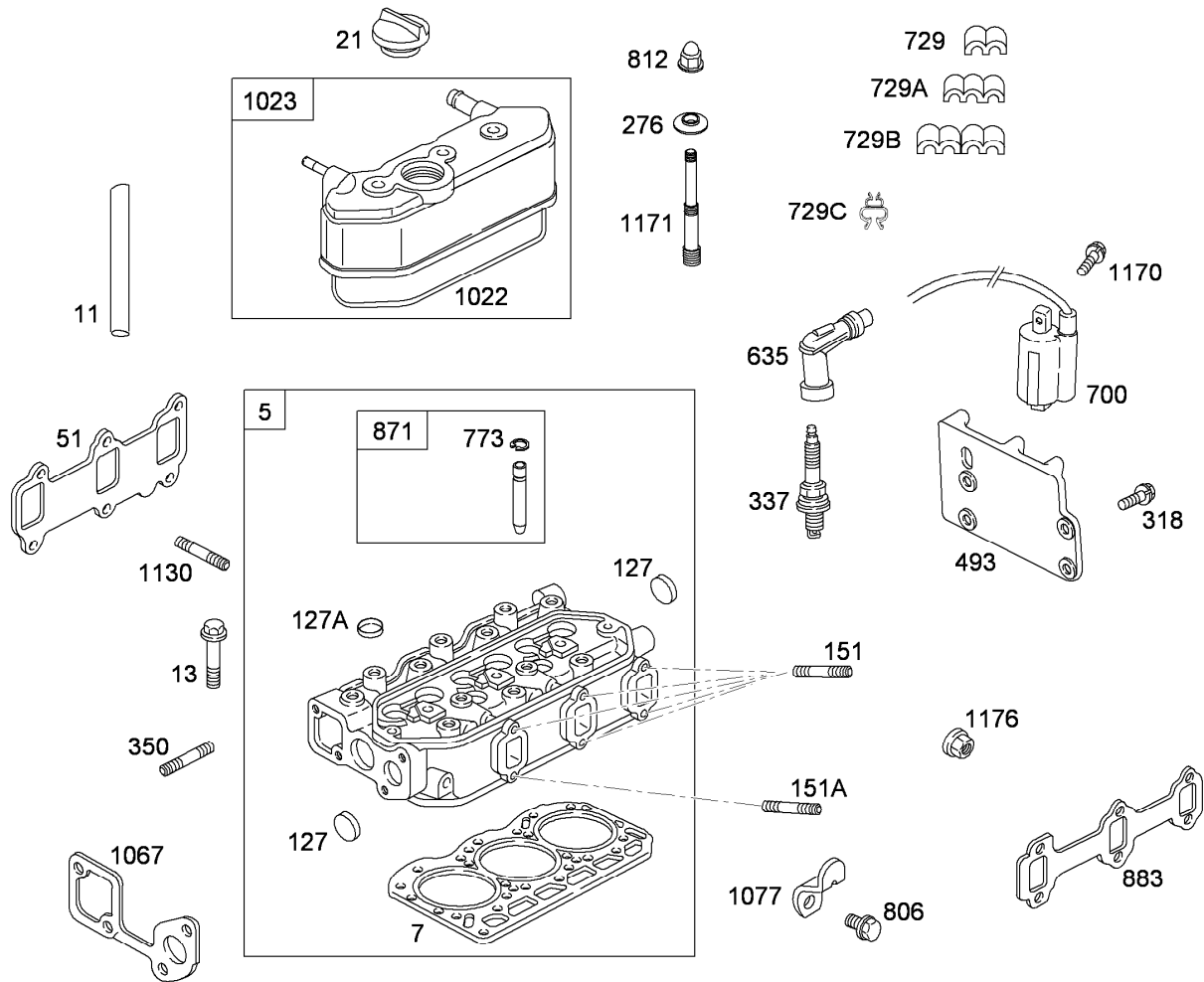
Ref.	Part Number	Qty.	Description
1	107-9891	1	Cylinder ASM
20	117-4887	1	Seal-Oil
127	99-9008	1	Plug-Welch
197	99-9005	1	Screw-Hex
239	107-9908	1	Switch-Pressure, Oil
287	99-9256	1	Screw-Hex
415	99-9010	1	Plug-Welch
508	99-9004	1	Screw-Hex
523	99-9259	1	Dipstick
524	99-9265	1	Seal-O-Ring
525	99-9260	1	Tube-Dipstick
573	120-7566	1	Backing Plate ASM
591	107-9892	1	Plug-Welch (Cam)
595	115-2309	1	Plate-Shield, End

Ref.	Part Number	Qty.	Description
713	99-9002	1	Bushing
718	99-9012	1	Pin-Locating
718A	99-9013	1	Pin-Locating
718B	99-9014	1	Pin-Locating
724	99-9022	1	Retainer-Seal
1027	83-1760	1	Filter-Oil
1028	105-9337	1	Adapter-Filter, Oil
1069	99-9020	1	Nozzle-Oil
1080	99-9021	1	Gasket-Retainer
1300	99-9006	1	Screw-Hex
1432	115-2307	1	Screw
1433	99-9114	1	Nut-Hex, Metric
1434	115-2306	1	Stud



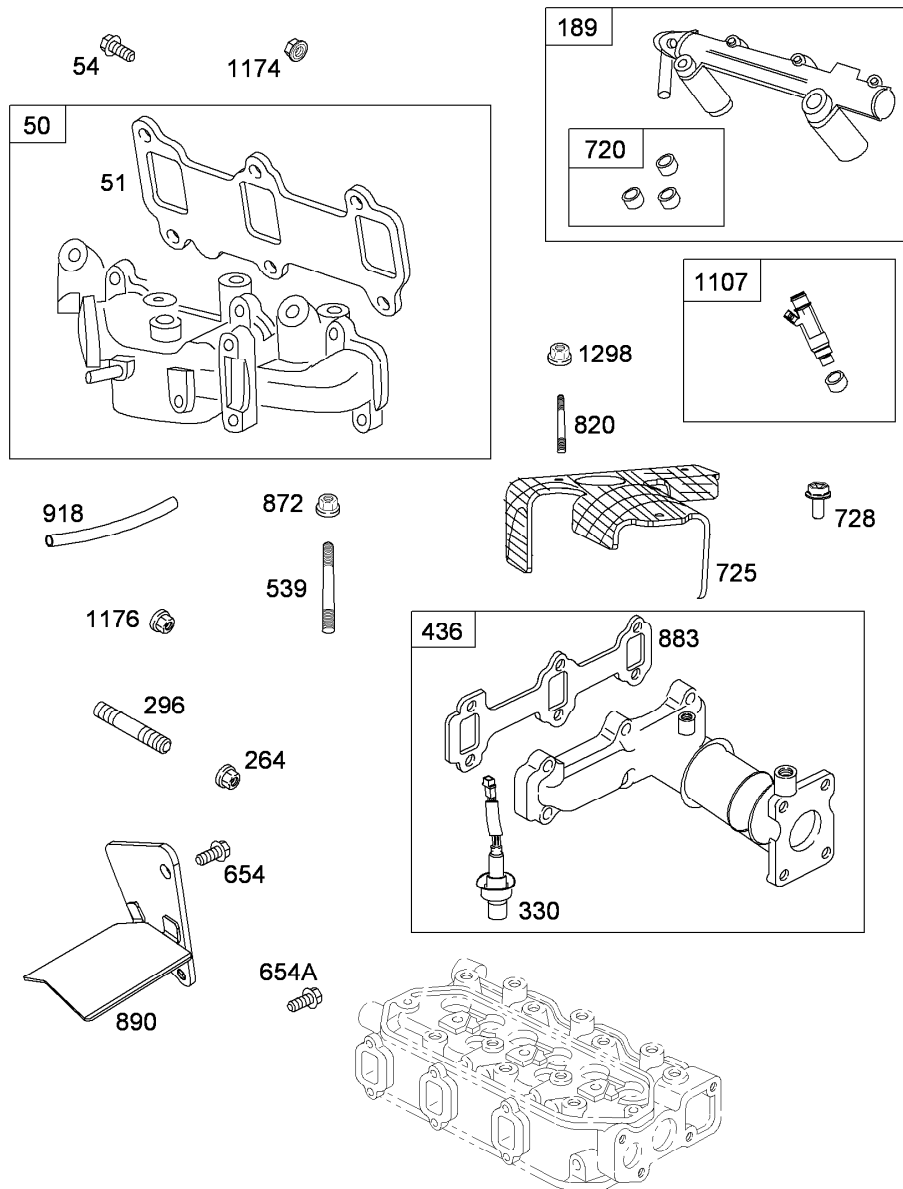
Crankshaft Assembly

<i>Ref.</i>	<i>Part Number</i>	<i>Qty.</i>	<i>Description</i>	<i>Ref.</i>	<i>Part Number</i>	<i>Qty.</i>	<i>Description</i>
16	105-9339	1	Crankshaft	718D	106-1852	1	Pin-Locating
17	105-9324	1	Bearing-Ball, Radial	746	99-9609	1	Gear-Drive
23	105-9323	1	Flywheel ASM	900	99-9039	1	Shaft-Gear
25	117-4889	1	Piston ASM (STD)	1044	99-9031	1	Screw-Hex (Flywheel)
25	117-4890	1	Piston ASM (.010)	1072	99-9032	1	Screw-Hex (Idle Gear Plate)
26	99-9027	1	Ring Set (Standard)	1073	99-9040	1	Plate-Gear, Idler
26	99-9028	1	Ring Set (.010 Oversized)	1075	117-4892	1	Pulley-Crankshaft
29	119-2162	1	Rod-Connecting	1242	117-4893	1	Rod Bearing Set (STD)
32	99-9030	1	Screw (Connecting Rod)	1243	99-9044	1	Rod Bearing Set (.010 Undersized)
354	99-9034	1	Nut-Hex (Connecting Rod)	1273	104-9219	1	Disc-Clutch
598	99-9035	1	Shim-Endplay (Crankshaft) (Standard)	1274	104-9231	1	Plate-Pressure, Clutch
598	99-9036	1	Shim-Endplay (.010 Oversized)	1299	99-9054	1	Screw-Hex (Pressure Plate Clutch)
653	107-9897	1	Screw-Hex (Crankshaft Pulley)	1355	117-4894	1	Main Bearing Set (STD)
718C	99-9037	1	Pin-Locating	1356	99-9046	1	Main Bearing Set (.010 Undersized)



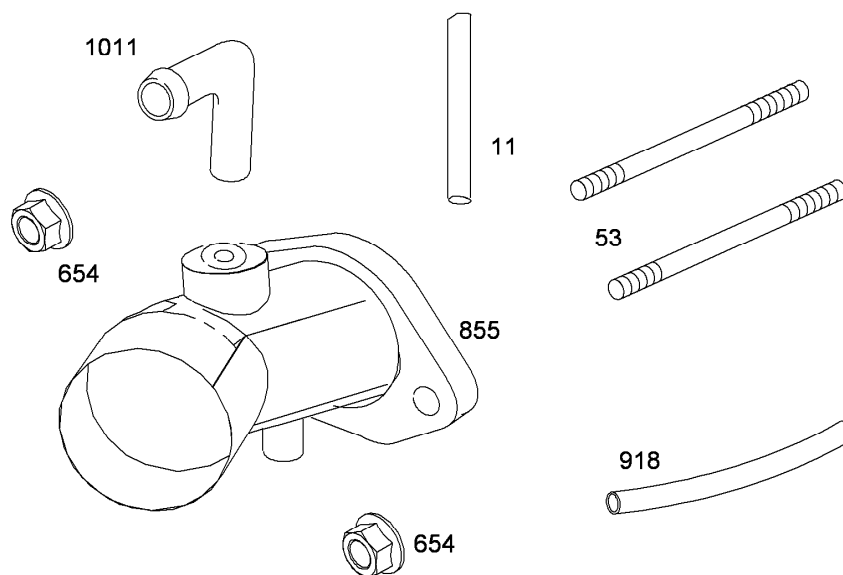
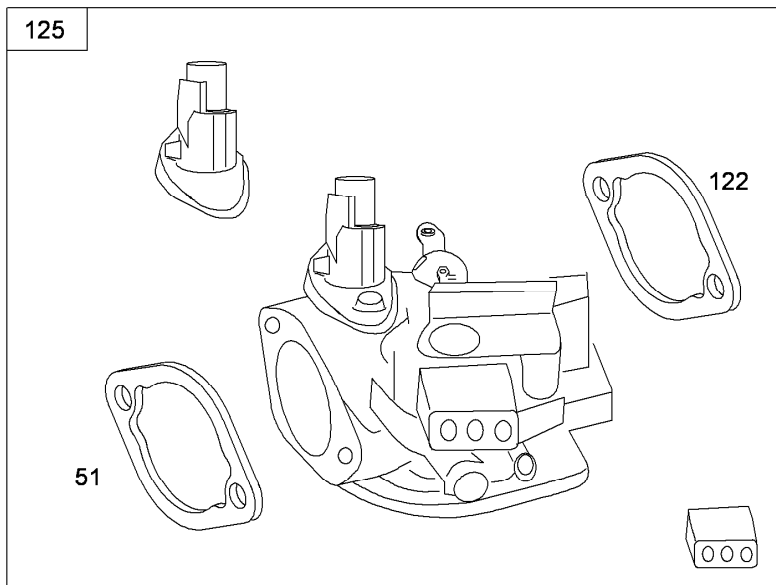
Cylinder Head Assembly

Ref.	Part Number	Qty.	Description	Ref.	Part Number	Qty.	Description
5	117-4895	1	Head-Cylinder	729	99-9066	1	Clip-Wire
7	99-9254	1	Gasket-Head, Cylinder	729A	119-2163	1	Clip-Wire
11	105-9322	1	Hose-Breather	729B	119-2164	1	Clip-Wire
13	99-9614	1	Screw-Metric (Cylinder Head)	729C	119-2165	1	Clamp
21	99-9052	1	Cap-Fill, Oil	773	99-9067	1	Retainer (Valve Guide Bushing)
51	99-9173	1	Gasket-Intake	806	99-9270	1	Screw-Hex (Lifting Bracket)
127	99-9008	1	Plug-Welch	812	99-9061	1	Nut-Hex, Metric (Rocker Cover)
127A	99-9060	1	Plug-Welch	871	99-9070	1	Bushing-Guide
151	99-9058	1	Stud-Metric (Exhaust Manifold)	883	106-1855	1	Gasket-Exhaust (Exhaust Manifold)
151A	99-9059	1	Stud-Metric (Exhaust Manifold)	1022	99-9073	1	Gasket-Cover, Rocker
276	99-9063	1	Washer-Sealing (Rocker Cover)	1023	117-4901	1	Cover-Rocker
318	99-9270	1	Screw-Hex (Mounting Bracket)	1067	99-9168	1	Gasket-Pump, Water
337	117-4897	1	Sparkplug	1077	99-9076	1	Bracket-Lifting
350	99-9057	1	Stud-Metric (Water Pump)	1130	99-9055	1	Stud-Metric (Intake Manifold)
493	99-9065	1	Bracket-Mounting (Ignition Coil)	1170	99-9056	1	Screw-Hex (Ignition Coil)
635	117-4899	1	Boot-Spark Plug	1171	99-9101	1	Stud (Rocker Cover)
700	117-4900	1	Coil-Ignition	1176	99-9175	1	Nut-Hex, Metric (Exhaust Manifold)



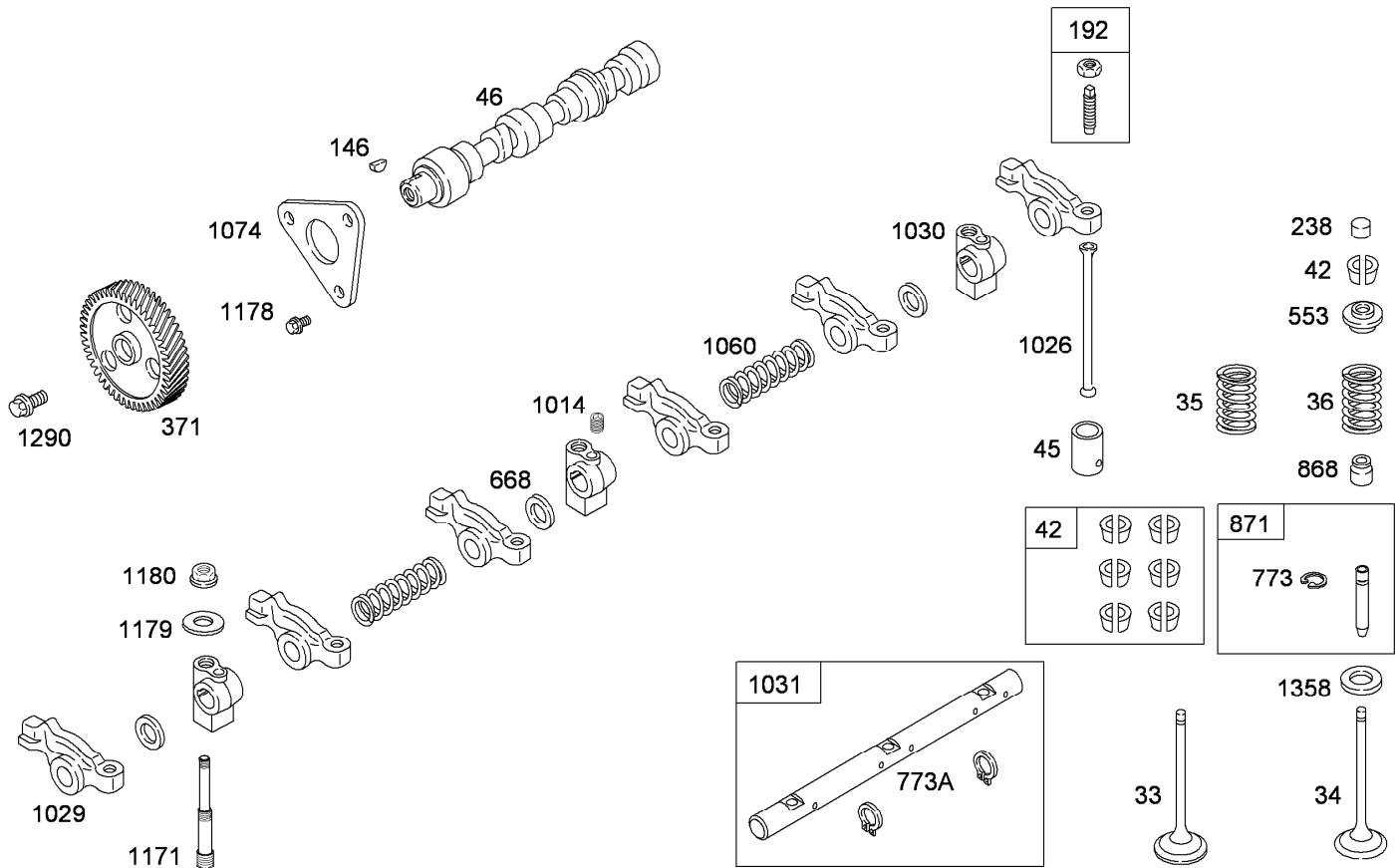
Manifold Assembly

Ref.	Part Number	Qty.	Description	Ref.	Part Number	Qty.	Description
50	117-4902	1	Manifold-Intake	820	99-9112	1	Stud-Metric (Heat Shield)
51	99-9173	1	Gasket-Intake	872	117-4910	1	Nut (Fuel Injector Rail)
54	99-9004	1	Screw-Hex (Intake Manifold)	883	106-1855	1	Gasket-Exhaust (Exhaust Manifold)
189	117-4903	1	Rail-Injector, Fuel	890	117-4911	1	Bracket-Support
264	99-9176	1	Nut-Hex (Muffler Adapter)	918	105-9330	1	Hose-Vacuum (Cut To Required Length)
296	99-9677	1	Stud-Manifold, Exhaust (Exhaust Manifold)	1107	117-4913	1	Nozzle-Injector
330	117-4904	1	Sensor-Oxygen	1174	99-9114	1	Nut-Hex, Metric (Intake Manifold)
436	117-4905	1	Manifold-Exhaust	1176	99-9175	1	Nut-Hex, Metric (Exhaust Manifold)
539	117-4906	1	Stud (Fuel Injector Rail)	1298	99-9113	1	Nut-Hex, Metric (Heat Shield)
654	119-2167	1	Screw (Support Bracket)				
654A	119-2166	1	Screw (Support Bracket)				
720	117-4907	1	Seal-Injector, Fuel				
725	117-4908	1	Shield-Heat				
728	117-4909	1	Screw (Heat Shield)				



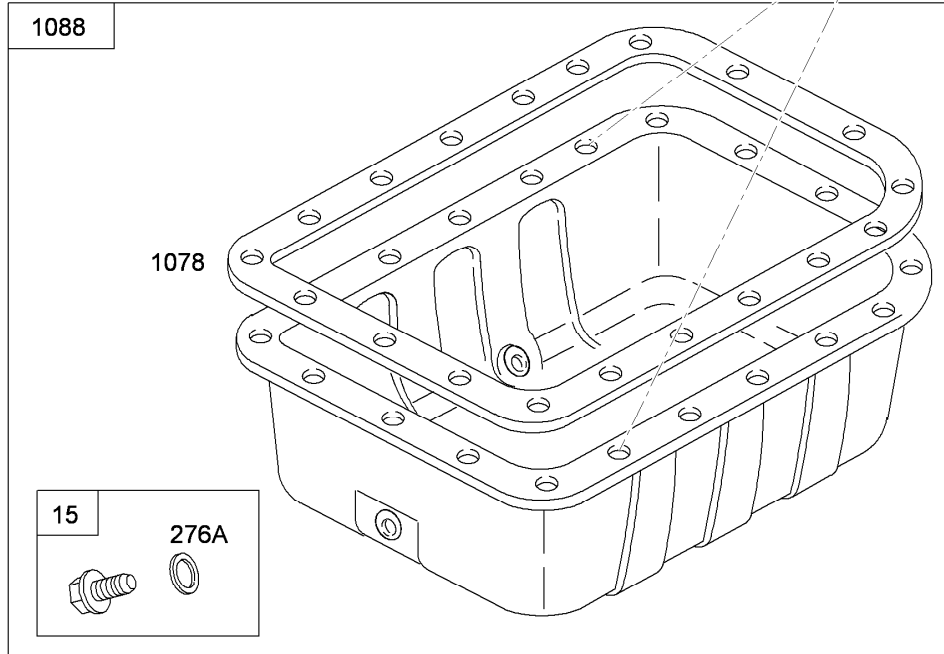
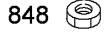
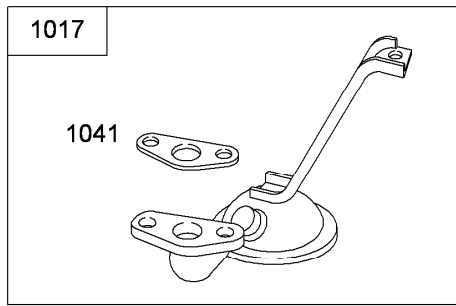
Carburetor Assembly

Ref.	Part Number	Qty.	Description
11	105-9322	1	Hose-Breather
51	105-9329	1	Gasket-Funnel, Air
53	106-1854	1	Stud (Carburetor)
122	99-9184	1	Spacer-Carburetor
125	117-4915	1	Body-Throttle
654	99-9186	1	Nut-Hex, Metric (Carburetor)
855	105-9328	1	Funnel-Air
918	117-4912	1	Hose-Vacuum
1011	99-9198	1	Tube-Vent



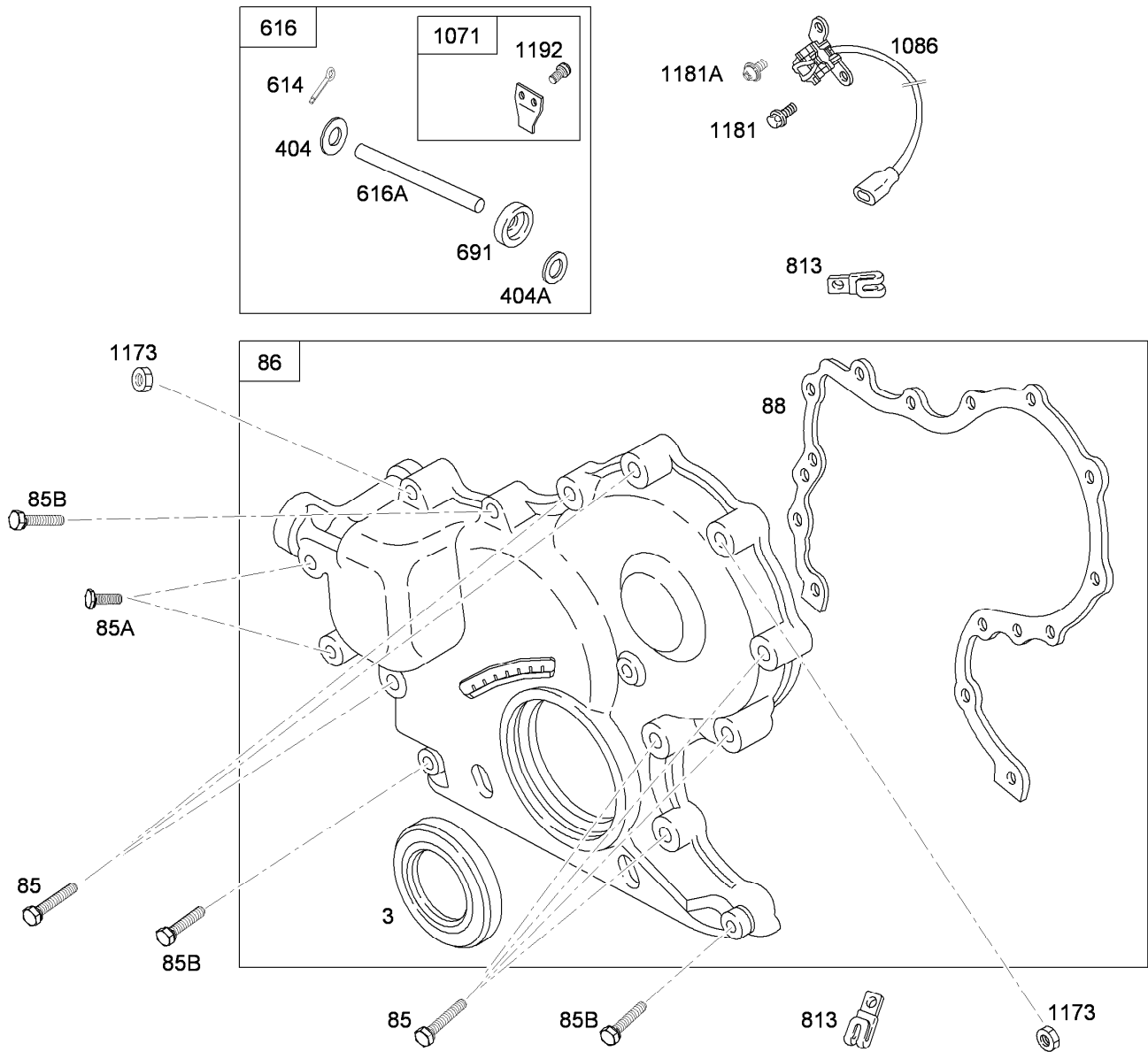
Camshaft Assembly

Ref.	Part Number	Qty.	Description	Ref.	Part Number	Qty.	Description
33	99-9080	1	Valve-Exhaust	868	99-9102	1	Seal-Valve
34	99-9081	1	Valve-Intake	871	99-9070	1	Bushing-Guide
35	99-9640	1	Spring-Valve (Intake)	1014	99-9090	1	Screw-Metric (Rocker Arm Support)
36	99-9640	1	Spring-Valve (Exhaust)	1026	112-2980	1	Rod-Push
42	99-9086	1	Keeper-Valve (Set)	1029	99-9104	1	Arm-Rocker
42	99-9087	1	*obs* Keeper-Valve (Set Of 6)	1030	99-9107	1	Support-Arm, Rocker
45	99-9088	1	Tappet-Valve	1031	99-9106	1	Shaft-Arm, Rocker
46	99-9097	1	Shaft-Cam	1060	99-9108	1	Spring-Shaft, Rocker
146	99-9095	1	Key-Woodruff	1074	99-9109	1	Retainer-Camshaft
192	112-2978	1	Adjuster-Arm, Rocker	1171	99-9101	1	Stud (Rocker Cover)
238	112-2979	1	Cap-Valve	1178	99-9083	1	Screw-Hex (Camshaft Retainer)
371	99-9641	1	Gear-Cam	1179	99-9079	1	Washer-Flat (Rocker Arm Support)
553	99-9084	1	Retainer-Valve	1180	99-9091	1	Nut-Hex, Metric (Rocker Arm Support)
668	99-9093	1	Washer-Spacer (Rocker Arm Shaft)	1290	99-9085	1	Screw-Metric (Cam Gear)
773	99-9067	1	Retainer (Valve Guide Bushing)	1358	99-9096	1	Seat-Spring, Valve
773A	99-9099	1	Retainer (Rocker Arm Shaft)				



Oil Pan Assembly

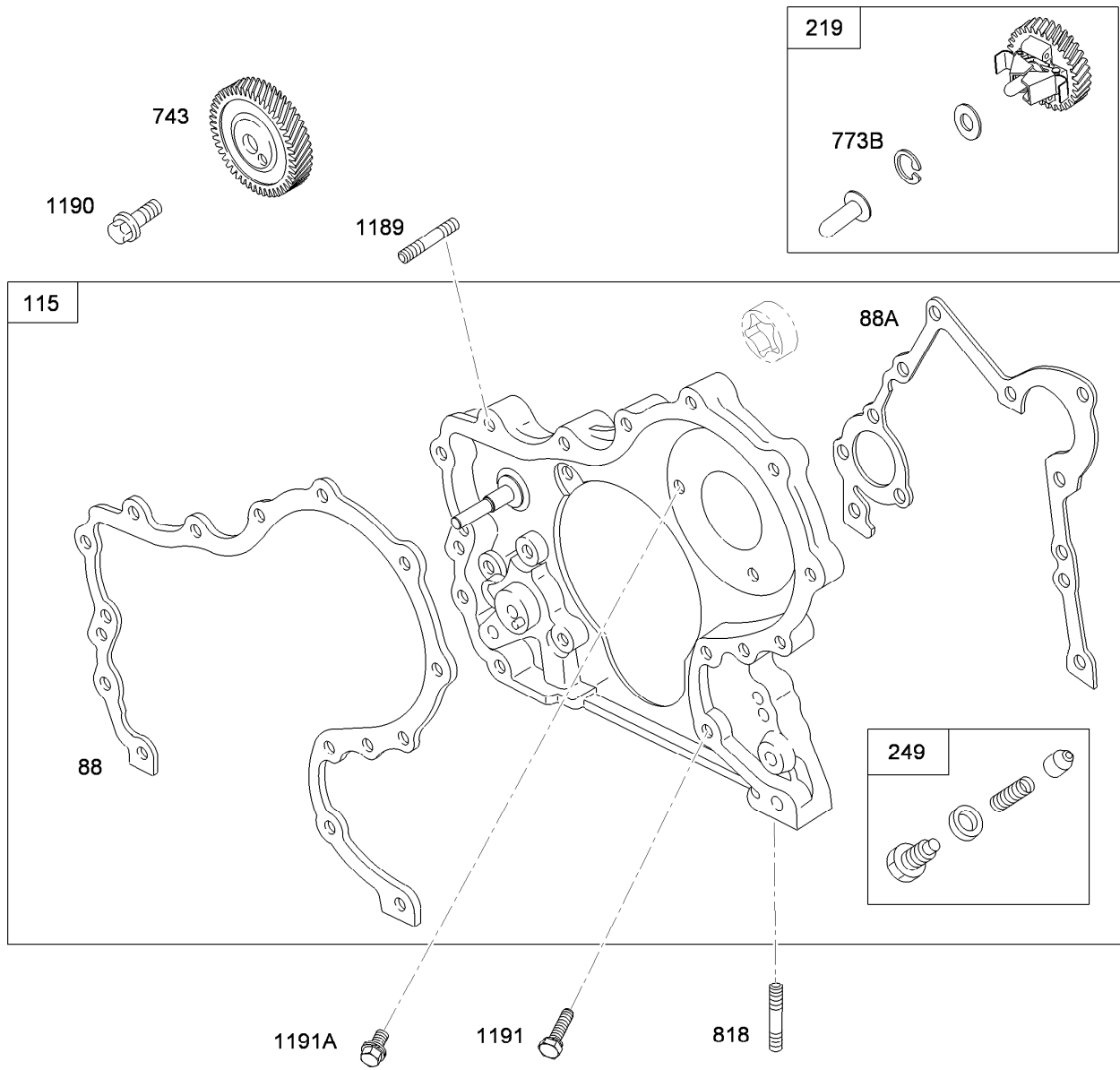
Ref.	Part Number	Qty.	Description
15	99-9644	1	Plug-Drain, Oil
276A	99-9645	1	Washer-Seal (Oil Drain Plug)
479	99-9646	1	Screw-6Mm Hex (Oil Pump Screen)
848	99-9114	1	Nut-Hex, Metric (Oil Pump Screen)
941	99-9112	1	Stud-Metric (Oil Pan)
952	99-9113	1	Nut-Hex, Metric (Oil Pan)
1017	99-9116	1	Screen-Pump, Oil
1039	117-4919	1	Screw (Oil Pan)
1041	99-9120	1	Gasket-Strainer, Oil
1078	99-9121	1	Gasket-Pan, Oil
1088	99-9649	1	Pan-Oil



Gear Cover Assembly

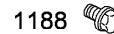
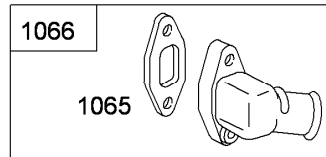
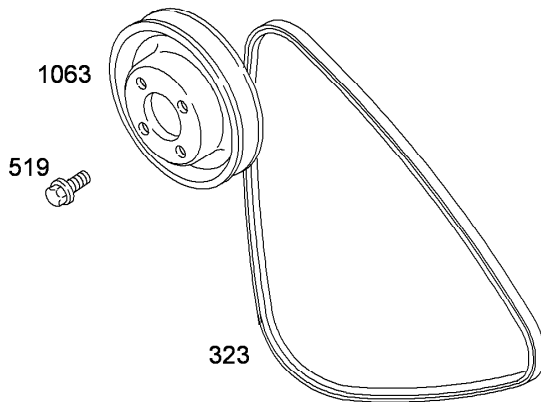
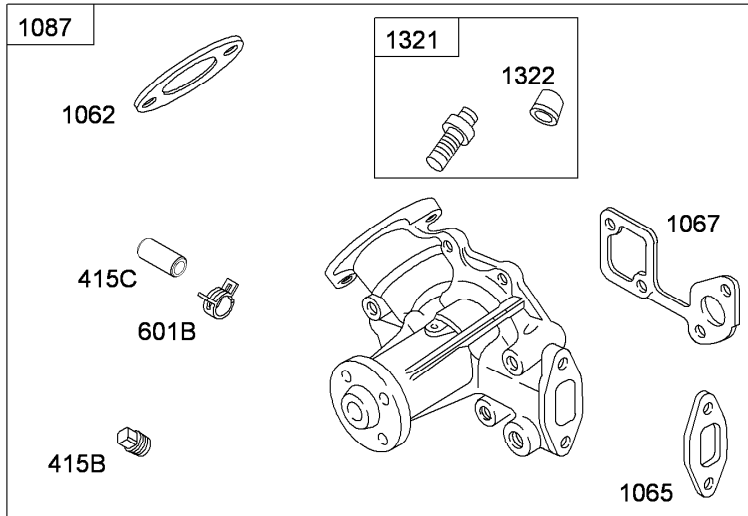
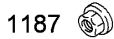
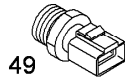
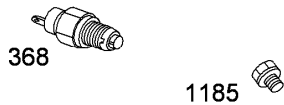
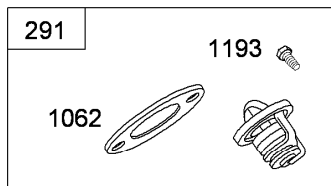
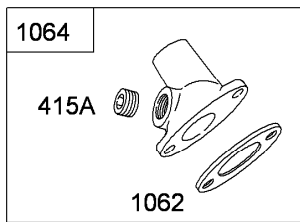
Ref.	Part Number	Qty.	Description
3	115-2291	1	Seal-Oil (Magneto Side)
85	99-9128	1	Screw-Hex (Gear Cover To Gear Reduction Case)
85A	99-9127	1	Screw-Hex (Gear Cover To Gear Reduction Case)
85B	99-9129	1	Screw-Hex (Gear Cover To Gear Reduction Case)
86	115-2304	1	Gear Cover ASM
88	99-9132	1	Gasket-Cover, Gear Reduction
404	99-9140	1	Washer-Spacer (Governor Crank)
404A	99-9141	1	Washer-Spacer (Governor Crank)

Ref.	Part Number	Qty.	Description
614	99-9053	1	Pin-Cotter
616	99-9147	1	Crank-Governor
616A	99-9146	1	Crank-Governor (Shaft)
691	99-9131	1	Seal-Shaft, Governor
813	99-9208	1	Clamp
1071	99-9149	1	Paddle-Governor
1086	117-4920	1	Trigger-Ignition
1173	99-9114	1	Nut-Hex, Metric (Gear Cover)
1181	99-9128	1	Screw-Hex (Ignition Trigger)
1181A	99-9210	1	Screw-Phillips (Ignition Trigger)
1192	99-9143	1	Screw-Hex, Torx (Governor Paddle)



Gear Housing Assembly

<i>Ref.</i>	<i>Part Number</i>	<i>Qty.</i>	<i>Description</i>
88	99-9132	1	Gasket-Cover, Gear Reduction
88A	99-9136	1	Gasket-Cover, Gear Reduction
115	99-9138	1	Housing-Gear
219	99-9261	1	Gear-Governor
249	99-9142	1	Valve-Relief, Oil
743	99-9656	1	Gear-Drive
773B	99-9145	1	Retainer
818	99-9007	1	Stud-Metric
1189	99-9137	1	Stud-Metric
1190	99-9616	1	Screw-Hex
1191	99-9133	1	Screw-Hex
1191A	99-9134	1	Screw-Hex



Water Pump Assembly

Ref.	Part Number	Qty.	Description
49	117-4921	1	Sensor-Temperature, Water
291	99-9155	1	Thermostat
323	117-4922	1	Belt-Vee
368	117-4923	1	Switch-Temperature, Water (Radiator Control)
415A	99-9158	1	Plug (Outlet Housing)
415B	99-9159	1	Plug (Water Pump)
415C	106-1888	1	Tube-Vent (Water Pump)
519	117-4919	1	Screw (Radiator Fan)
601B	106-1885	1	Clamp-Hose (Plug)
1062	99-9163	1	Gasket-Housing, Outlet
1063	99-9164	1	Pulley-Pump
1064	99-9165	1	Housing-Outlet

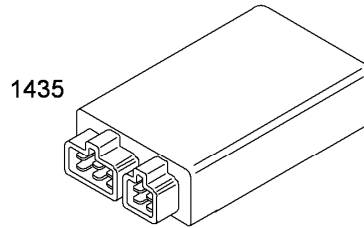
Ref.	Part Number	Qty.	Description
1065	99-9166	1	Gasket-Housing, Inlet
1066	99-9167	1	Housing-Inlet
1067	99-9168	1	Gasket-Pump, Water
1087	119-0656	1	Pump-Water
1185	99-9004	1	Screw-Hex (Outlet Housing)
1186	99-9151	1	Screw-Hex (Water Pump)
1187	99-9153	1	Nut-Hex, Metric (Water Pump)
1188	99-9004	1	Screw-Hex (Inlet Housing)
1193	99-9152	1	Screw-Metric (Thermostat)J
1321	117-4925	1	Plug-Bleeder
1322	117-4926	1	Cap-Bleeder



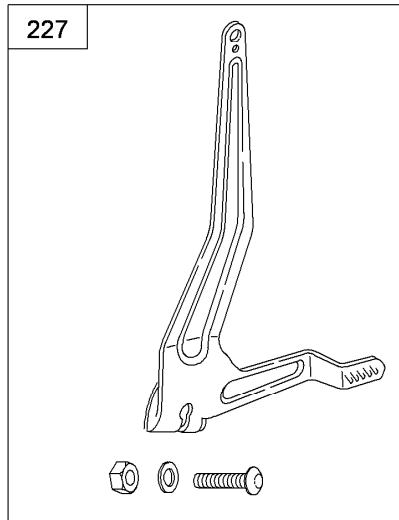
232



202



1435

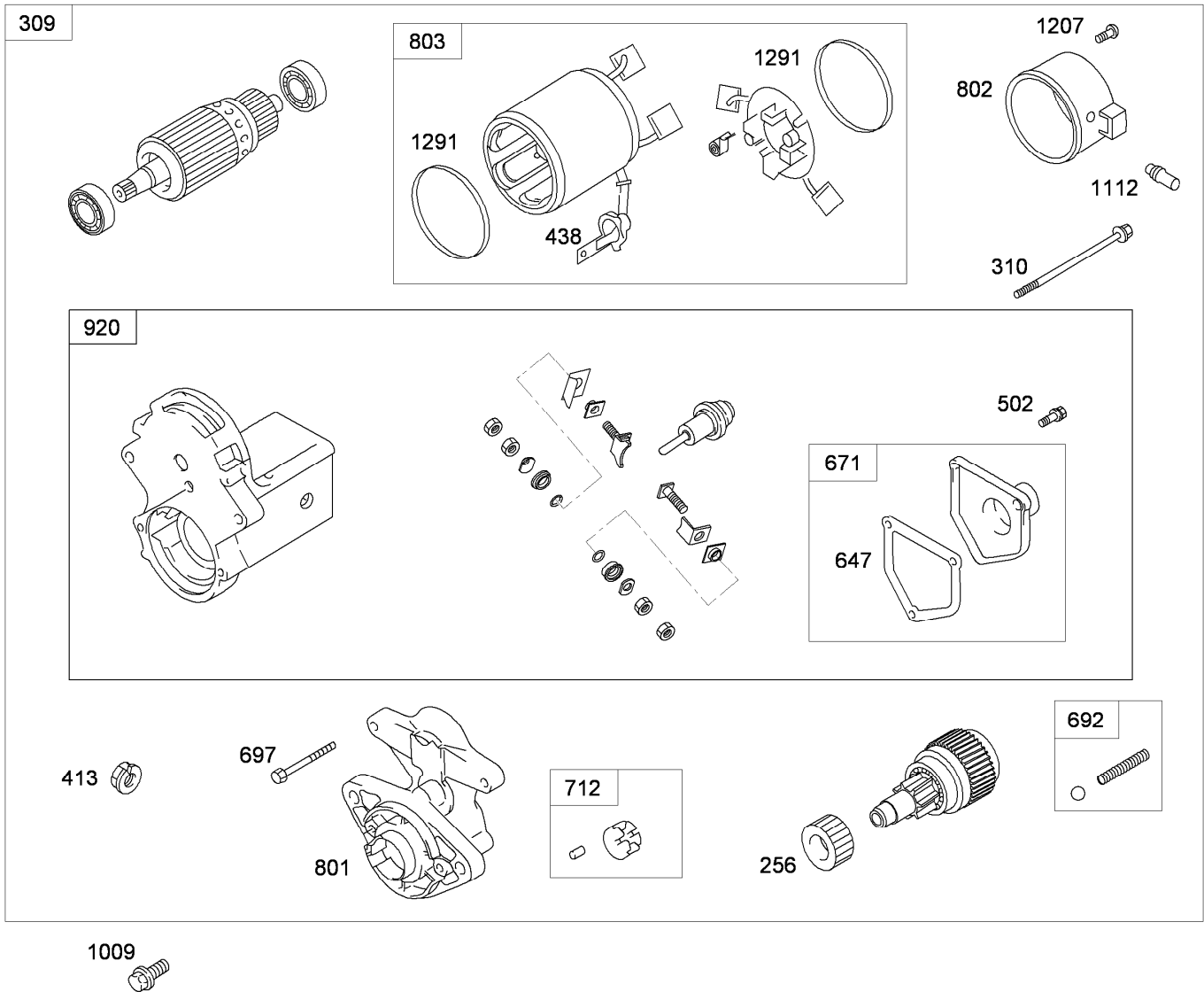


227

Controls Assembly

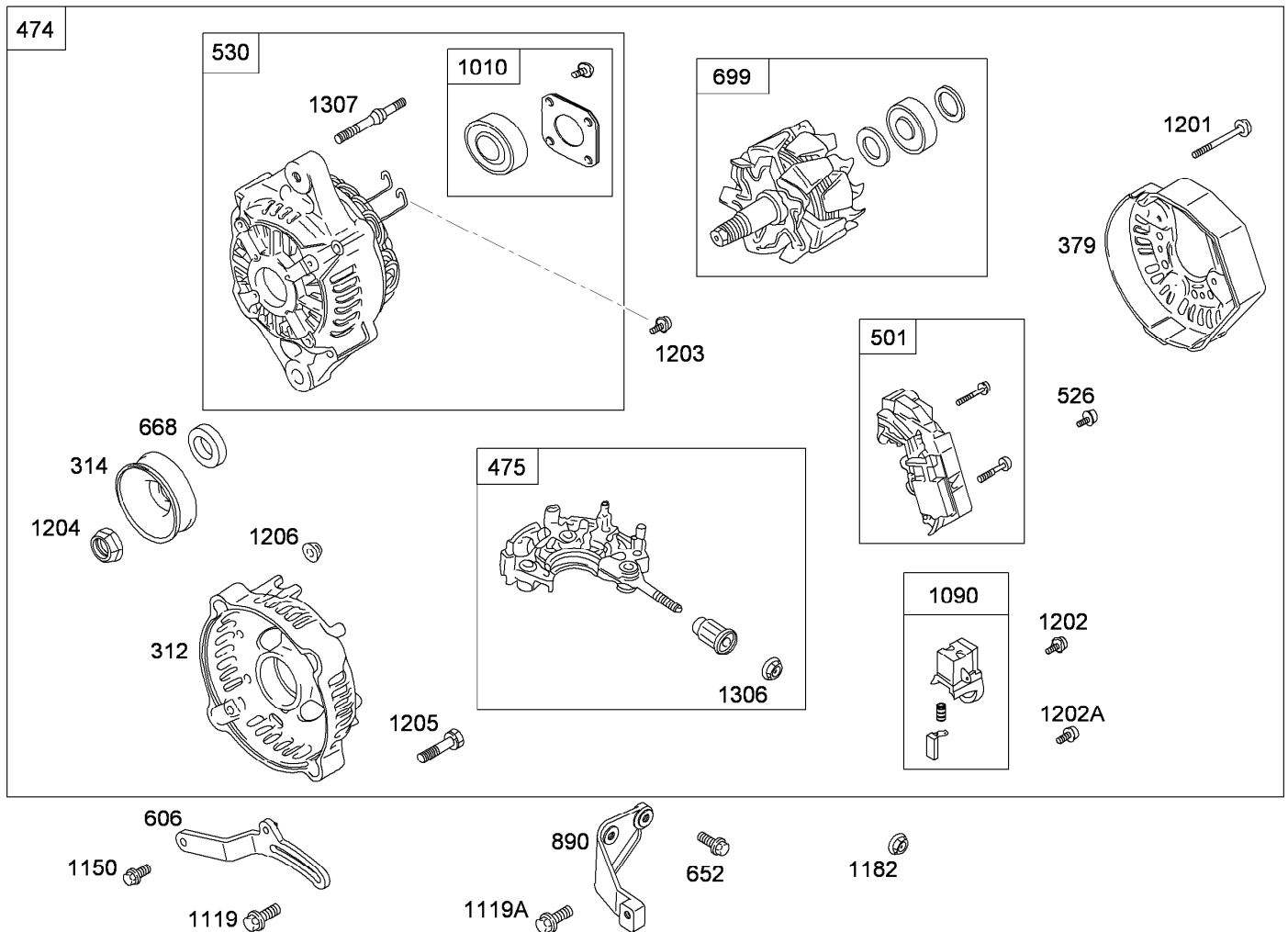
<i>Ref.</i>	<i>Part Number</i>	<i>Qty.</i>	<i>Description</i>
202	99-9187	1	Link-Governor, Mechanical
227	99-9191	1	Lever-Governor
232	99-9192	1	Spring-Link, Governor
1435	114-8371	1	Module-Injection, Fuel

1.2 kw Purple / Brown Label



Starter Motor Assembly

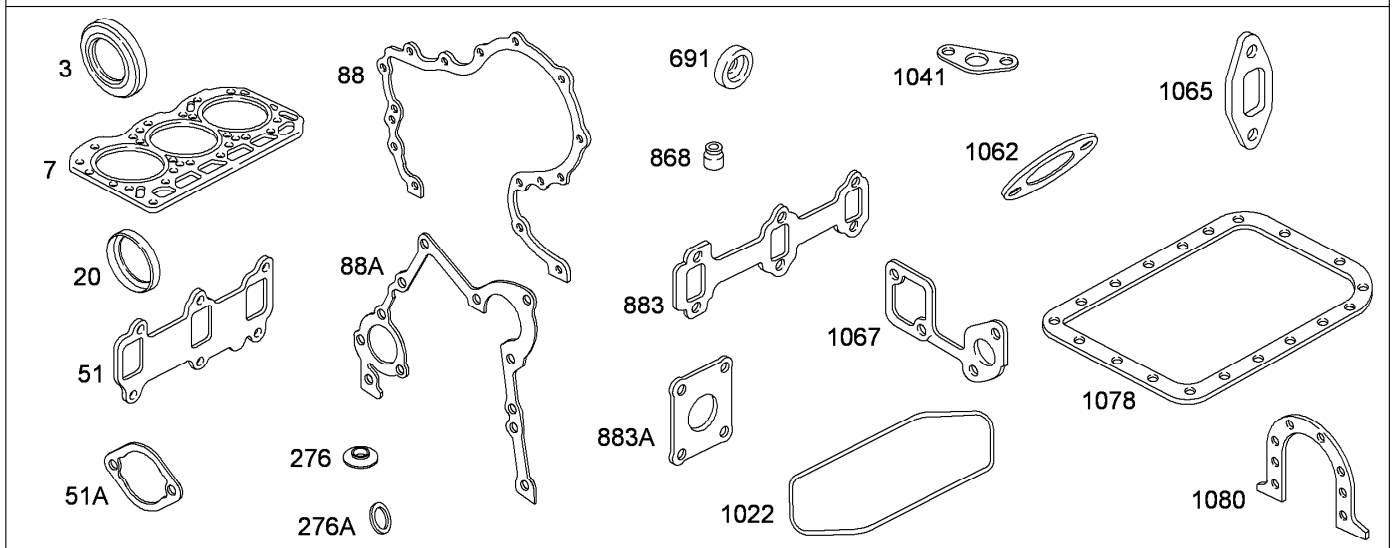
Ref.	Part Number	Qty.	Description	Ref.	Part Number	Qty.	Description
256	112-2987	1	Gear-Drive, Starter	712	112-2998	1	Roller-Clutch
309	110-2598	1	Motor-Starter	801	112-2999	1	Cap-Drive
310	112-2988	1	Screw (Starter Motor)	802	112-3000	1	Cap-End
413	99-9206	1	Nut-Hex, Metric (Starter Motor)	803	112-3001	1	Housing-Starter
438	112-2989	1	Boot-Terminal	920	112-3002	1	Solenoid-Starter
502	112-2990	1	Screw (Solenoid Cover)	1009	99-9201	1	Screw-Hex (Starter Motor)
647	112-2993	1	Gasket-Cover, Solenoid	1112	112-3003	1	Plug-Vent (End Cap)
671	112-2994	1	Cover-Solenoid	1207	112-3004	1	Screw (End Cap)
692	112-2996	1	Detent-Spring	1291	112-3005	1	Seal-O Ring (Starter Housing)
697	112-2997	1	Screw (Drive Cap)				



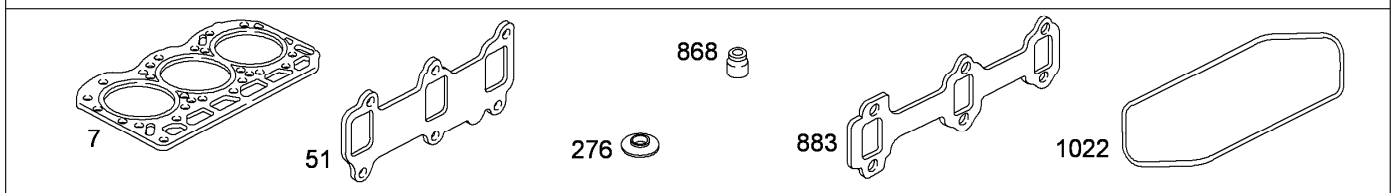
Alternator Assembly

Ref.	Part Number	Qty.	Description	Ref.	Part Number	Qty.	Description
312	117-4927	1	Housing-End, Brush	1119	99-9105	1	Screw-Hex (Alternator)
314	117-4928	1	Pulley-Alternator	1119A	99-9205	1	Screw-Hex, Metric (Alternator)
379	117-4929	1	Cover-Brush	1150	99-9202	1	Screw-Hex (Adjusting Bracket)
474	115-9473	1	Alternator-60Amp	1182	99-9114	1	Nut-Hex, Metric (Alternator)
475	117-4930	1	Rectifier	1201	106-1950	1	Screw (Brush Cover)
501	117-4931	1	Regulator	1202	106-1951	1	Screw (Brush Retainer)
526	106-1894	1	Screw (Rectifier)	1202A	106-1894	1	Screw (Brush Retainer)
530	117-4932	1	Housing-End, Drive	1203	106-1894	1	Screw (Stator Wire)
606	99-9212	1	Bracket-Adjusting	1204	106-1954	1	Nut (Alternator Pulley)
652	99-9203	1	Screw-Hex (Support Bracket)	1205	106-1955	1	Screw (Brush End Housing)
668	106-1896	1	Spacer (Rotor Asm)	1206	106-1956	1	Nut (Brush End Housing)
699	117-4933	1	Rotor ASM	1306	117-4934	1	Nut (Rectifier)
890	99-9211	1	Bracket-Support	1307	117-4935	1	Stud (Drive End Housing)
1010	106-1898	1	Retainer-Bearing				
1090	106-1899	1	Retainer-Brush				

358 Engine Gasket Set

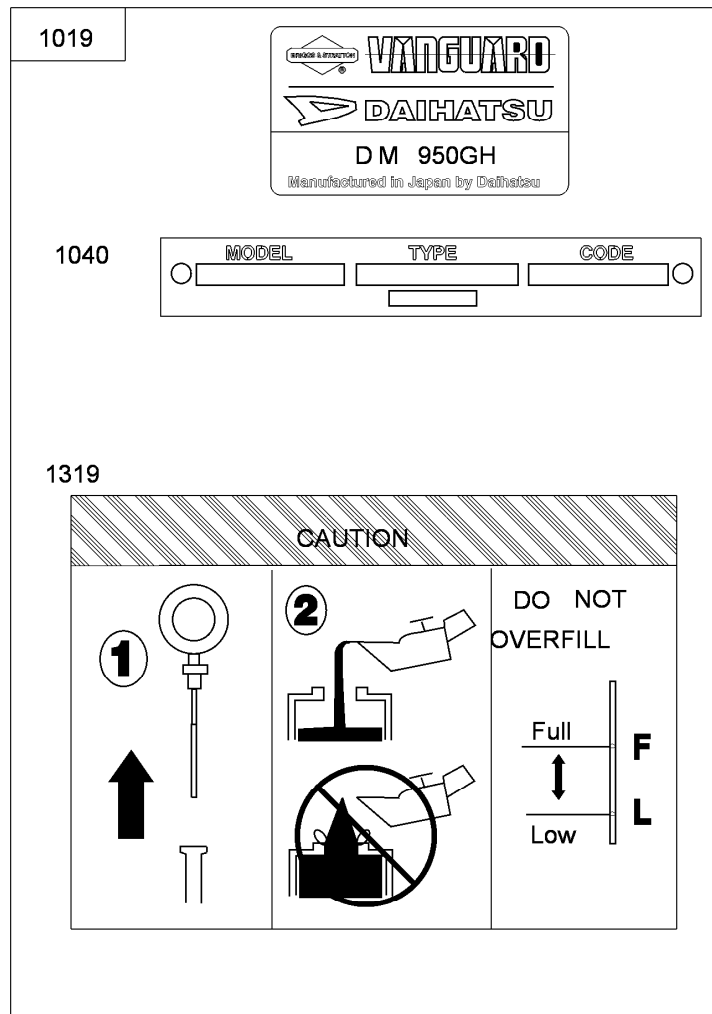


1095 Valve Gasket Set



Engine Gasket Set

Ref.	Part Number	Qty.	Description	Ref.	Part Number	Qty.	Description
3	115-2291	1	Seal-Oil (Magneto Side)	691	99-9131	1	Seal-Shaft, Governor
7	99-9254	1	Gasket-Head, Cylinder	868	99-9102	1	Seal-Valve
20	117-4887	1	Seal-Oil (PTO Side)	883	106-1855	1	Gasket-Exhaust (Exhaust Manifold)
51	99-9173	1	Gasket-Intake	883A	99-9179	1	Gasket-Exhaust (Muffler)
51A	105-9329	1	Gasket-Funnel, Air	1022	99-9073	1	Gasket-Cover, Rocker
88	99-9132	1	Gasket-Cover, Gear Reduction	1041	99-9120	1	Gasket-Strainer, Oil
88A	99-9136	1	Gasket-Cover, Gear Reduction	1062	99-9163	1	Gasket-Housing, Outlet
276	99-9063	1	Washer-Seal (Rocker Cover)	1065	99-9166	1	Gasket-Housing, Inlet
276A	99-9645	1	Washer-Seal (Oil Drain Plug)	1067	99-9168	1	Gasket-Pump, Water
358	99-9263	1	Engine Gasket Set	1078	99-9121	1	Gasket-Pan, Oil
				1080	99-9021	1	Gasket-Retainer
				1095	99-9264	1	Valve Overhaul Kit



1058 Operator Manual

Engine Label Set

<i>Ref.</i>	<i>Part Number</i>	<i>Qty.</i>	<i>Description</i>
1019	117-4936	1	Label Kit
1040	117-4937	1	Plate-Trim
1058	115-7843	1	Manual-Engine, EFI
1319	117-4938	1	Label-Warning

Attachments and Accessories

For 07366 Workman HDX Utility Vehicle

Product Name	Model/Part
Full Area Flatbed	07301
Full Area Flatbed Side Kit	07302
Fold Down Side Kit	07303
Left-Hand Light Kit	07315
High-Flow Hydraulic Kit	07316
Right-Hand Light Kit	07317
2/3 Area Flatbed	07321
2/3 Area Flatbed Side Kit	07322
Bed Liner	07331
Cab	07339
1/3 Area Flatbed	07341
1/3 Area Stake Side Kit	07342
1/3 Area Platform Lift	07344
Heater Kit	07349
Canopy	07372
Windshield	07373
Cab Door Kit	07375
Solid Window Cab Door Kit	07376
Hitch Frame Kit	07377
4 Post Roll-Over Protection System	07378
Rear PTO Kit	07419
Hand Throttle Kit	07420
Spiker	08856
Finish Grader	08867
Backup Alarm Kit	107-8037
Premium Engine Oil, 10w30 (55 Gallon Drum)	108-1179
Premium Engine Oil, 10w30 (5 Gallon Pail)	108-1180
Premium ATF (Drum)	108-1185
Premium ATF (Pail)	108-1186
Premium All Purpose Grease (Tube)	108-1190
Remote Hydraulics Manifold Kit	110-2626
Tire-Rear, 24x13-12	110-5132
Spark Arrestor Kit	112-1688
Wheel-12in x 8.0in	114-8260
Horn Kit	115-7825
High Air Intake Kit	115-7848
Side Mirror Kit	115-7849
Roll-Over Protection System Signal Kit	117-4825
Worklight Kit	117-4827
Remote Hydraulic Float Kit	117-4828
Cab Mirror Kit	117-4830
Receiver Hitch Kit	117-4831
Trailer Signal Kit	117-4836
Trailer Brake Kit	117-4837
24x13-12 Tire and Wheel ASM	117-4838
Sprayer Cylinder Lift Kit, Workman 200 Spray System	117-4846

Attachments and Accessories (continued)

Engine Cover Kit.....	117-4867
Manual 4-Wheel Drive Control Kit.....	119-0817
Harness-Wire, Speedometer Adapter.....	119-1762
Canopy for Four-Post Roll-Over Protection System Kit.....	119-9457
Single Nozzle Kit.....	41024
Hose Reel Kit.....	41097
Spray Gun Kit 9 (inc. 25ft Of 1/2in Hose).....	41133
Pro Foam Concentrate (4 x 1 Gallon).....	41157
Sonic Boom Kit.....	41217
Workman 200 Spray System.....	41235
Foam Marker Kit.....	41236
Spreader Base Unit.....	41253
Vicon Spreader.....	41256
Power Holster Hitch Kit.....	44209
Topdresser 1800.....	44225
Fifth Wheel Hitch Kit.....	44230
Cushman GA 60 Aerator Adapter Kit.....	44232
Core Harvester Adapter Kit.....	44242
Automatic Tailgate Release Kit.....	92-1220
Fuse Block.....	92-2641
PTO Over Running Clutch Kit.....	92-2655
Topdresser 1800 Lift Kit.....	92-4452
Mid-Mount Kit for Platform Lift.....	93-3741
1/3 Area Cover Kit.....	93-9225
Rear 1/3 Area Mounting Kit.....	93-9249
Tire-Rear, 23x8.50-12.....	98-2993
Tire-Rear, Industrial.....	99-1091



Count on it.