



Count on it.

Parts Catalog

**Workman® HDX-D Utility Vehicle
with Bed**

Model No. 07368TC—Serial No. 310000001 and Up



Ordering Replacement Parts

To order replacement parts, please supply the part number, the quantity, and the description of each part desired.

Understanding Reference Numbers

Each identified part in an illustration has a reference number. The reference number for a part also appears in the parts list, along with other information about the part.

This catalog uses two special reference number formats, one to indicate parts in a service assembly and another to indicate the quantity of a given part in an illustration.

Service Assembly Reference Numbers

Parts in service assemblies have reference numbers in the form a:b. The a represents the reference number of the entire service assembly and the b represents a sequential number unique to each part within the service assembly.

For example, a wheel assembly might be identified by reference number 6, the tire by 6:1, the valve by 6:2, and the wheel by 6:3. When you order the assembly identified by reference number 6, you receive all parts identified by reference numbers 6:1, 6:2, and 6:3. However, you may also order any part individually. Reference numbers of this type appear in illustration and in parts lists.

Reference Numbers Indicating Quantity

In an illustration, if a reference number indicates more than one part, the reference number has the form nX y. The n represents the quantity of the part, the X is the multiplication symbol, and the y represents the reference number.

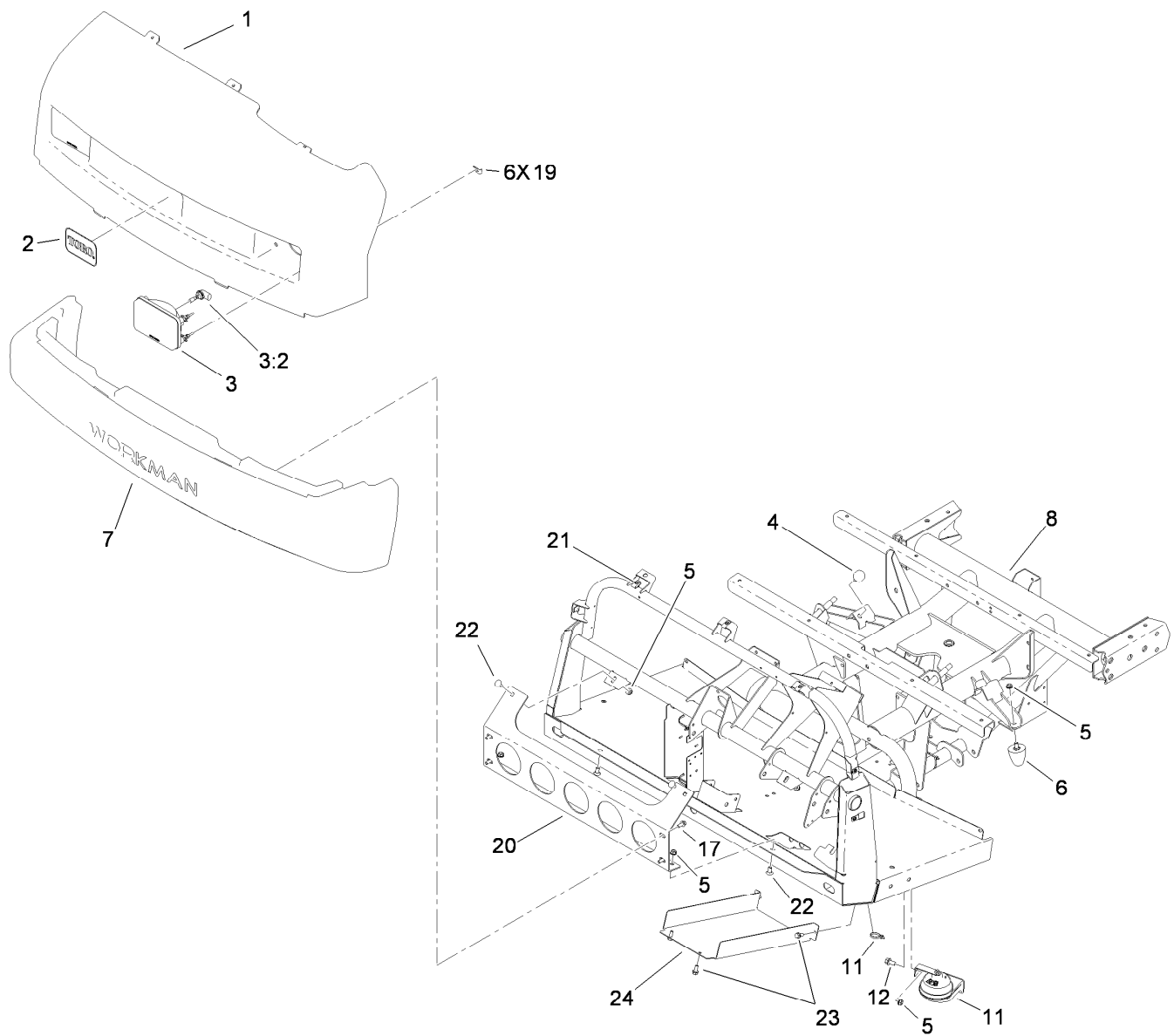
For example, in an illustration, the reference number 2X 37 means that two of the parts identified by reference number 37 are indicated.

Contents

Hood and Bumper Assembly	5
Dash Assembly	6
Pedal Assembly	7
Master Cylinder Assembly No. 104-6782	8
Hydraulic Brake Line Assembly	9
Clutch Linkage Assembly	10
Shroud and Seat Assembly	11
Console Assembly	13
Shift Assembly No. 106-7887	14
Steering Hydraulic Assembly	15
Steering Valve Assembly No. 115-7926	16
Lift Valve and Hydraulic Assembly	17
Control Valve Assembly No. 43-1950	19
Hydraulic Cylinder Assembly No. 106-7939	20
Front Wheel Assembly	21
Hydraulic Cylinder Assembly No. 112-3217	22
Steering Linkage Assembly	23
Front Suspension Assembly	24
Front Control Arm Assembly	25
Rear Frame Assembly	26
Rear Axle Assembly	27
Driveshaft Assembly No. 114-8367	28
Transaxle Assembly	29
Case Assembly Transaxle Assembly No. 115-7783	30
Center Plate Assembly Transaxle Assembly No. 115-7783	31
Main Shaft Assembly Transaxle Assembly No. 115-7783	32
Reduction Shaft Assembly Transaxle Assembly No. 115-7783	33
Reverse Shaft Assembly Transaxle Assembly No. 115-7783	34
Main Shift Assembly Transaxle Assembly No. 115-7783	35
Hi-Lo Shift Assembly Transaxle Assembly No. 115-7783	36
Countershaft Assembly Transaxle Assembly No. 115-7783	37
Differential Gear Assembly Transaxle Assembly No. 115-7783	38
Differential Carrier Assembly Transaxle Assembly No. 115-7783	39
Differential Lock Assembly Transaxle Assembly No. 115-7783	40
Axle Shaft Assembly Transaxle Assembly No. 115-7783	41
Battery Assembly	42
Tail Light and Fender Assembly	43
Roll-Over Protection System Assembly	44
Air Cleaner Assembly	45
Air Cleaner Assembly No. 106-2416	46
Cooling System Assembly	47
Radiator Assembly	48
Engine Support Assembly	49
Relay Assembly	50
Engine Assembly	51
Fuel System Assembly	52
Full Bed and Side Panel Assembly	53
High Flow Assembly	54
Hydraulic Pump Assembly No. 115-7787	55
Hydraulic Manifold Assembly No. 115-2252	56
Tank Assembly No. 114-8435	57
Coupler Assembly No. 114-8434	58
High Flow Hose Assembly	59
Cylinder Assembly	60

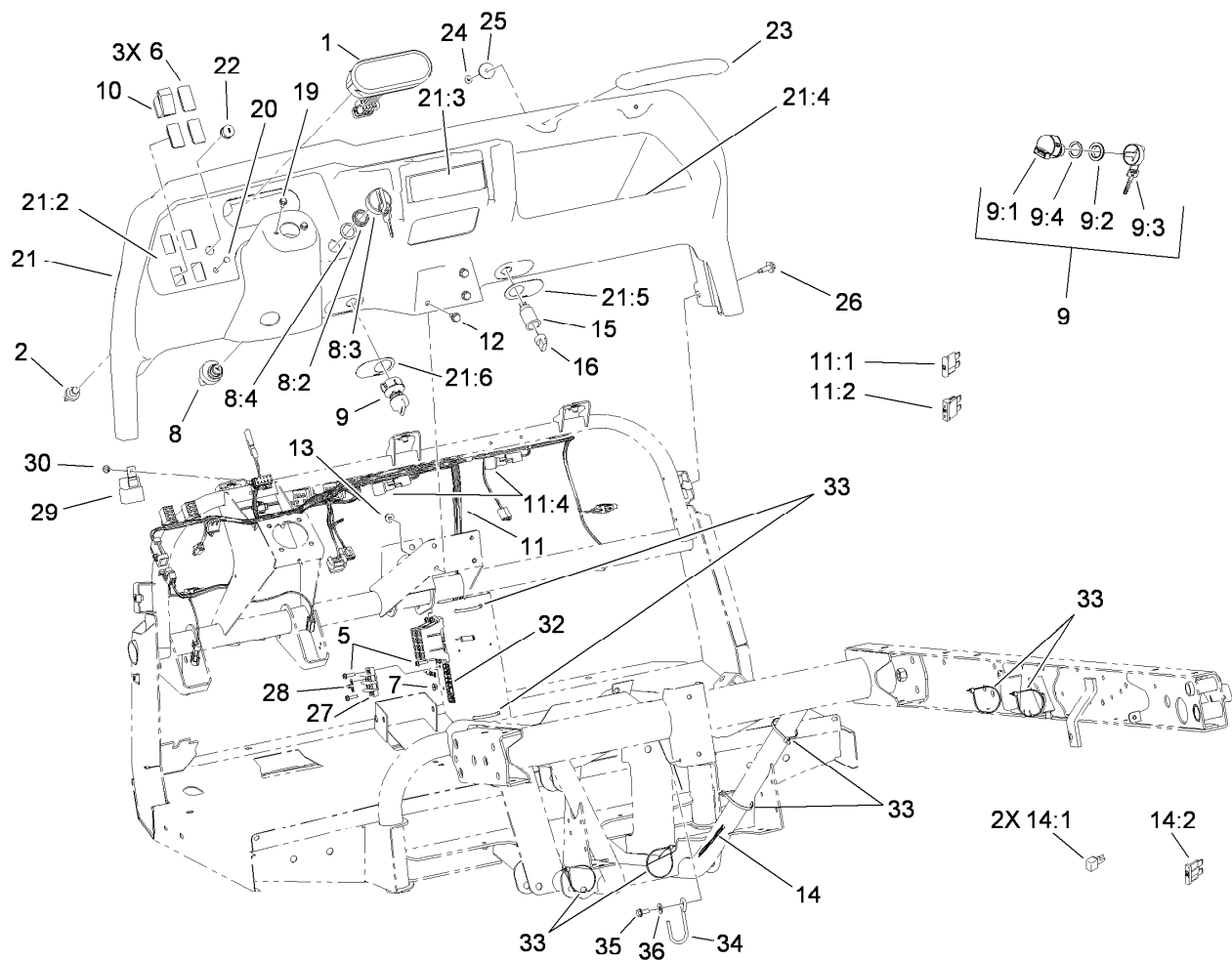
Contents (continued)

Crankshaft Assembly	61
Cylinder Head Assembly	62
Injection Pump Assembly	63
Camshaft Assembly	64
Oil Pan Assembly	65
Gear Cover Assembly	66
Gear Housing Assembly	67
Water Pump Assembly	68
Manifold Assembly	69
Starter Motor and Alternator Assembly	70
Engine Gasket Set	71
Attachments and Accessories	72



Hood and Bumper Assembly

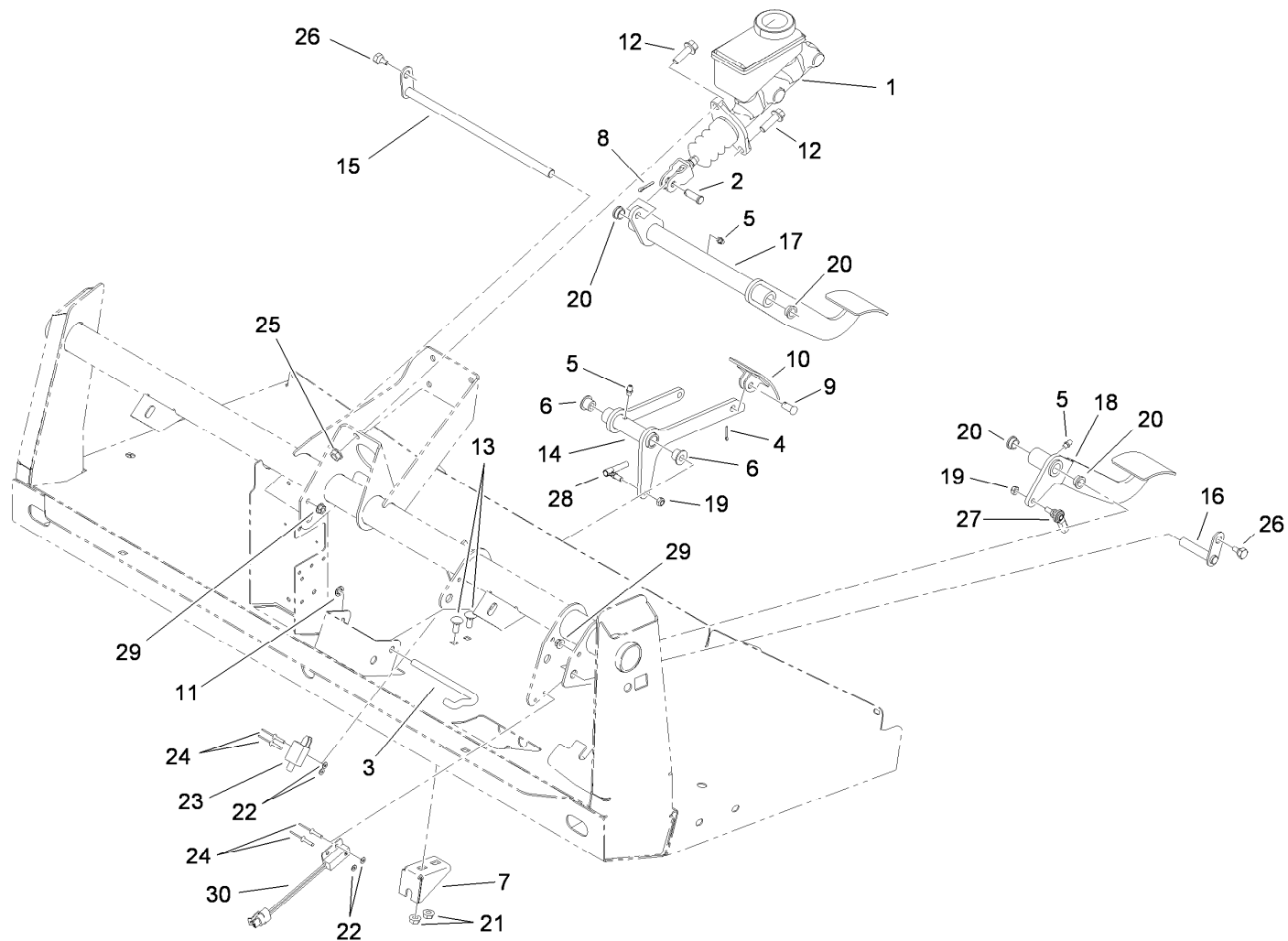
<i>Ref.</i>	<i>Part Number</i>	<i>Qty.</i>	<i>Description</i>	<i>Ref.</i>	<i>Part Number</i>	<i>Qty.</i>	<i>Description</i>
1	112-3183	1	Hood	11	110-2594	1	Horn
2	117-4950	1	Decal	12	3234-1	1	Screw-HHF
3	114-8322	2	Headlight ASM	17	3234-5	4	Screw-HHF
3:2	115-2395	1	Bulb-Light	19	114-8341	6	Clip-Speed
4	87-2440	2	Bumper-Rubber	20	114-8272-03	1	Bracket-Bumper
5	3290-357	7	Nut-HSF	21	94-2413	7	Nut-U
6	26-0071	2	Snubber-Rubber	22	3231-21	4	Screw-CARR
7	112-3185	1	Bumper	23	32144-11	4	Screw-HWH
8	114-8270-03	1	Operator Frame ASM	24	106-2427-03	1	Cover



Dash Assembly

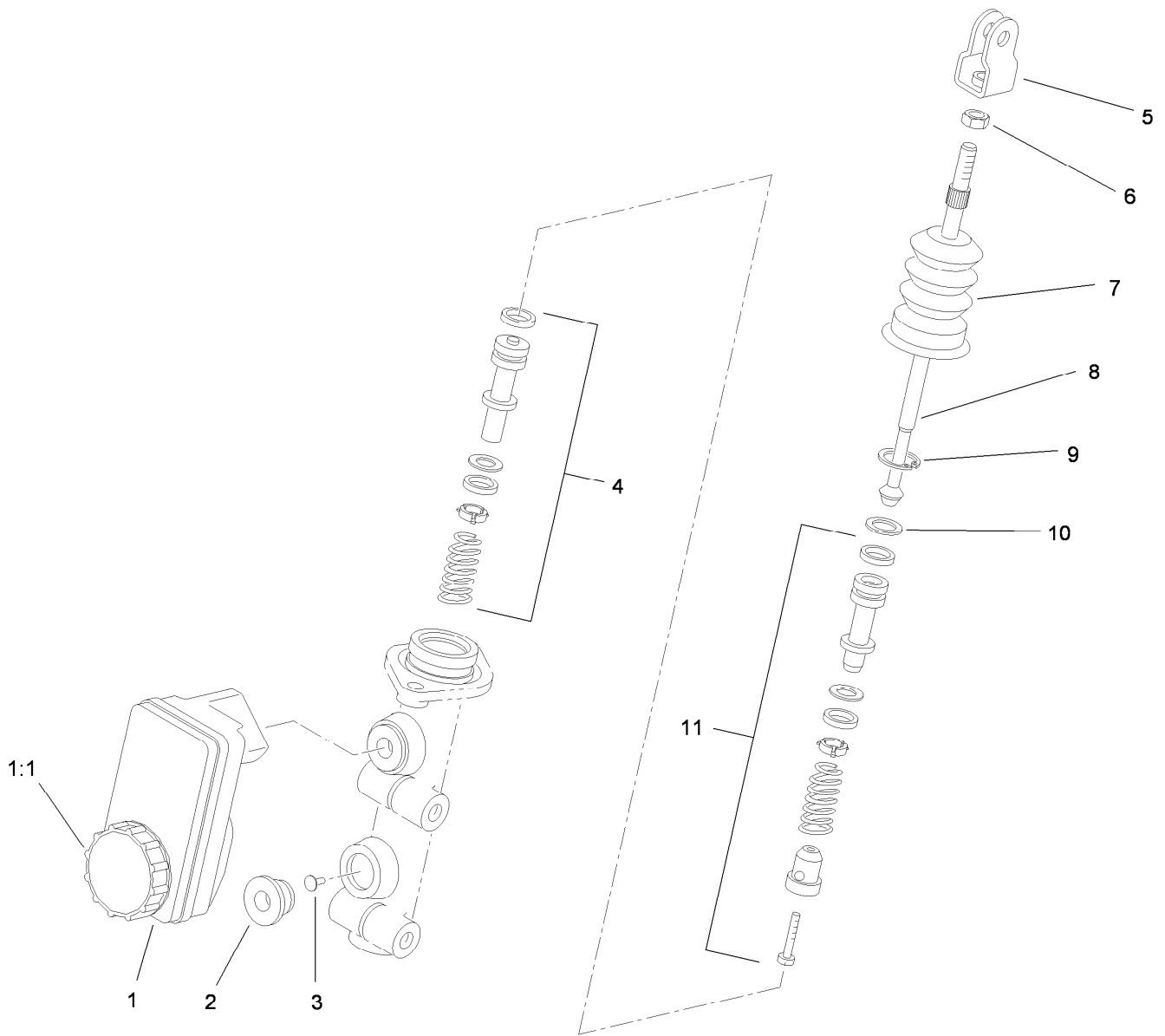
Ref.	Part Number	Qty.	Description	Ref.	Part Number	Qty.	Description
1	114-8284	1	Cluster-Instrument	15	99-7411	1	Point-Power
2	112-3324	1	Switch-Horn	16	99-7416	1	Cap
5	32105-13	6	Screw-HWH	19	33103-012	2	Screw-HHF
6	99-7420	2	Plug-Hole	20	104-9368	1	Plug-Dome
7	3290-148	6	Nut-HF	21	115-7912	1	Dash ASM
8	106-5269	1	Ignition Switch ASM	21:2	115-2281	1	Decal-Dash
8:2	108-8660	1	Nut-Mounting	21:3	115-7746	1	Decal-Danger
8:3	106-5270	1	Ignition Key Set	21:4	115-2282	1	Decal-Warning, Dash
8:4	108-8659	1	Washer-Backup	21:5	106-2353	1	Decal-Powerpoint
9	110-2580	1	Switch-Key, Supervisor	21:6	106-2355	1	Decal-Switch, Supervisor
9:1		1	Switch-Key ●	22	112-3313	1	Nut-Weatherproof
9:2	108-8660	1	Nut-Mounting	23	117-4948	1	Handle-Grab
9:3	110-5221	1	Set-Key, Supervisor	24	104-7201	2	Nut-HF, NI
9:4	108-8659	1	Washer-Backup	25	103995	2	Washer
10	95-8999	1	Switch-Rocker, On-None-On	26	114-8418	7	Screw-HWH, Sems
11	117-4998	1	Harness-Wire, Front	27	42862	1	Block-Terminal, Ground
11:1	218-578	5	Fuse-Blade, 10 Amp	28	42863	1	Strip-Jumper
11:2	109355	2	Fuse-Blade, 15 Amp	29	99-7430	1	Relay-Mini
11:4	100-4918	2	Diode	30	32144-10	1	Screw-HWH
12	3234-5	3	Screw-HHF	32	115-7813	1	Decal-Fuse
13	104-8300	3	Nut-HF, NI	33	3290-379	8	Tie-Cable
14	114-8378	1	Harness-Wire, Rear	34	117-4860	1	Guide-Cable
14:1	100-4918	2	Diode	35	32144-11	1	Screw-HWH
14:2	109103	1	Fuse-Blade, 30 Amp	36	3256-71	1	Washer-Flat

● Not serviced separately



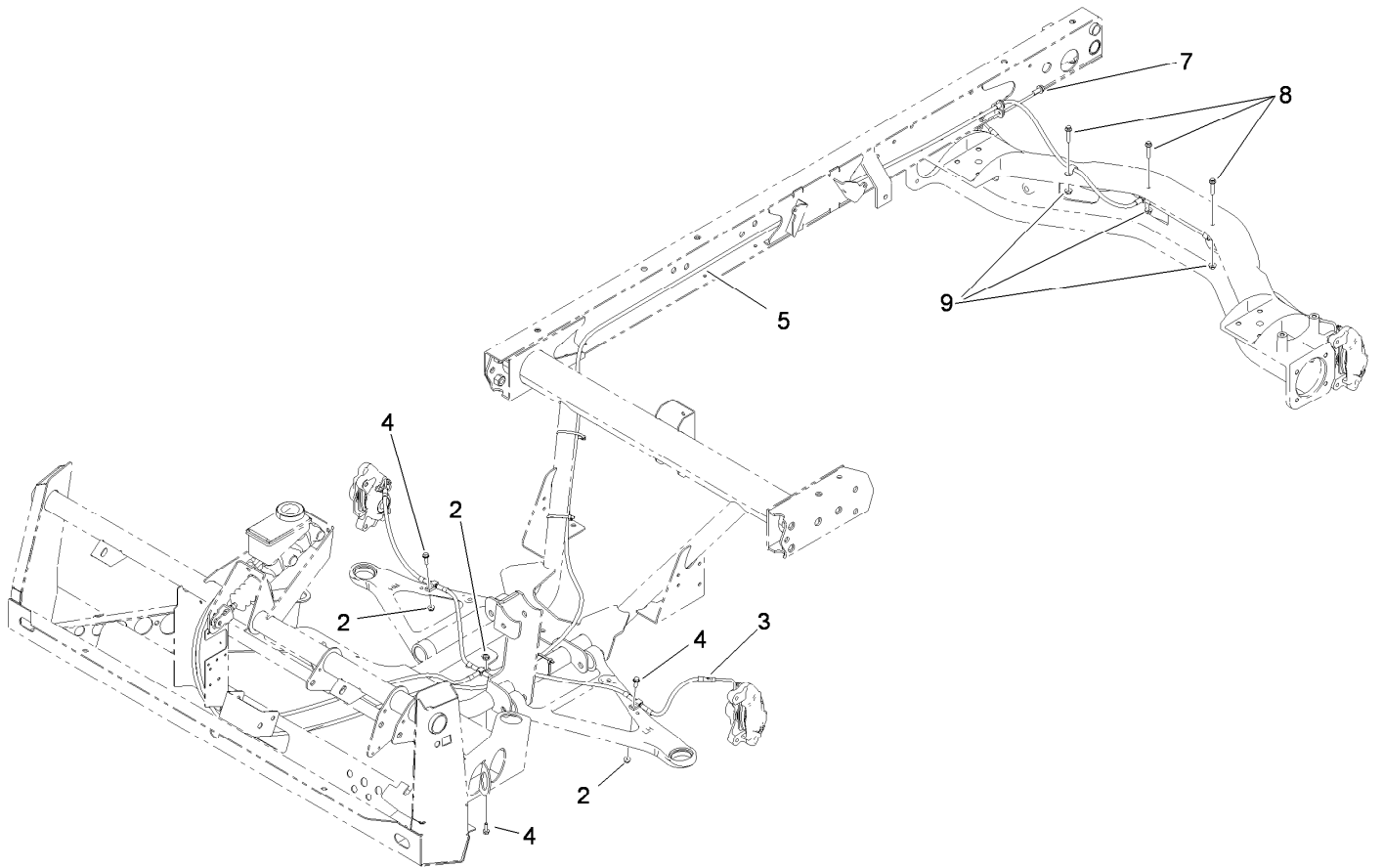
Pedal Assembly

Ref.	Part Number	Qty.	Description	Ref.	Part Number	Qty.	Description
1	104-6782	1	Master Cylinder ASM	16	115-2269	1	Pin-Pivot
2	283-2	1	Pin-Clevis	17	115-2275-03	1	Pedal-Brake
3	87-2880	1	Shaft-Pedal, Accelerator	18	115-2271-03	1	Pedal-Clutch
4	3272-6	1	Pin-Cotter	19	3296-13	2	Nut-Lock, NI
5	302-5	3	Fitting-Grease	20	256-156	4	Bushing-Flange
6	256-259	2	Bushing-Flange	21	32128-20	2	Nut-HF
7	106-2421	1	Bracket-Mount, Cable	22	3256-21	4	Washer-Flat
8	3272-10	1	Pin-Cotter	23	95-1653	1	Switch-Pole, Single
9	283-85	1	Pin-Clevis	24	3269-25	4	Rivet-Pop
10	93-8969-03	1	Pedal	25	3290-357	2	Nut-HSF
11	32151-56	1	Ring-Retaining, External	26	63-3410	2	Screw-Shoulder
12	3234-11	2	Screw-HHF	27	110-2554	1	Rod End-Spherical
13	3230-1	2	Bolt-CARR	28	18-1720	1	Ball Joint
14	106-2471-03	1	Arm-Pedal, Accelerator	29	32128-33	2	Nut-HF
15	106-2475	1	Shaft-Brake	30	105-0023	1	Switch-Proximity



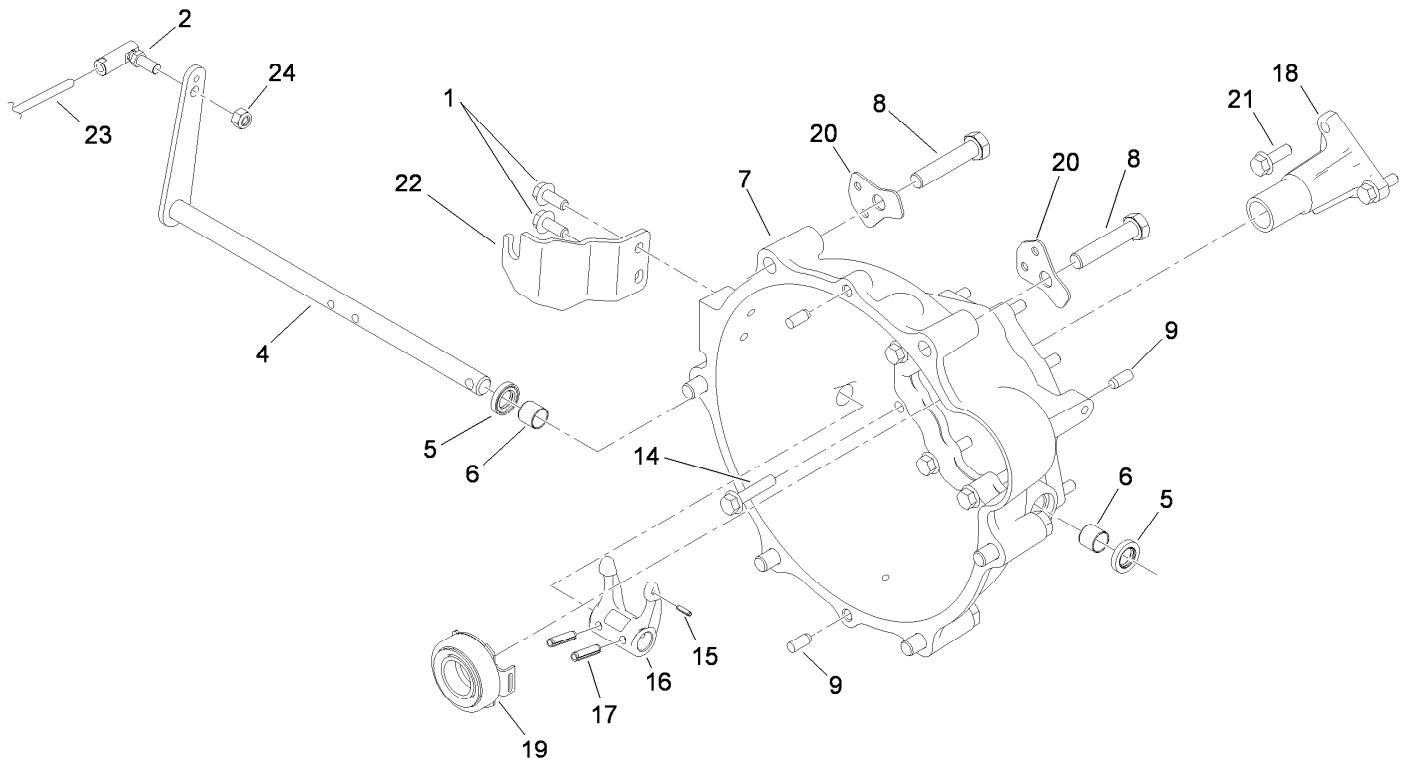
Master Cylinder Assembly No. 104-6782

Ref.	Part Number	Qty.	Description
1	104-6845	1	Reservoir ASM
1:1	92-4112	1	Cap ASM
2	93-8971	2	Seal-Port, Flange
3	92-4103	1	Pin-Stop
4	92-4102	1	Secondary Piston ASM
5	92-4110	1	Clevis
6	21-0360	1	Nut-Hex
7	94-5209	1	Cover-Dust
8	94-5210	1	Rod-Push
9	92-4109	1	Ring-Snap
10	92-4108	1	Retainer-Washer
11	92-4101	1	Primary Piston ASM



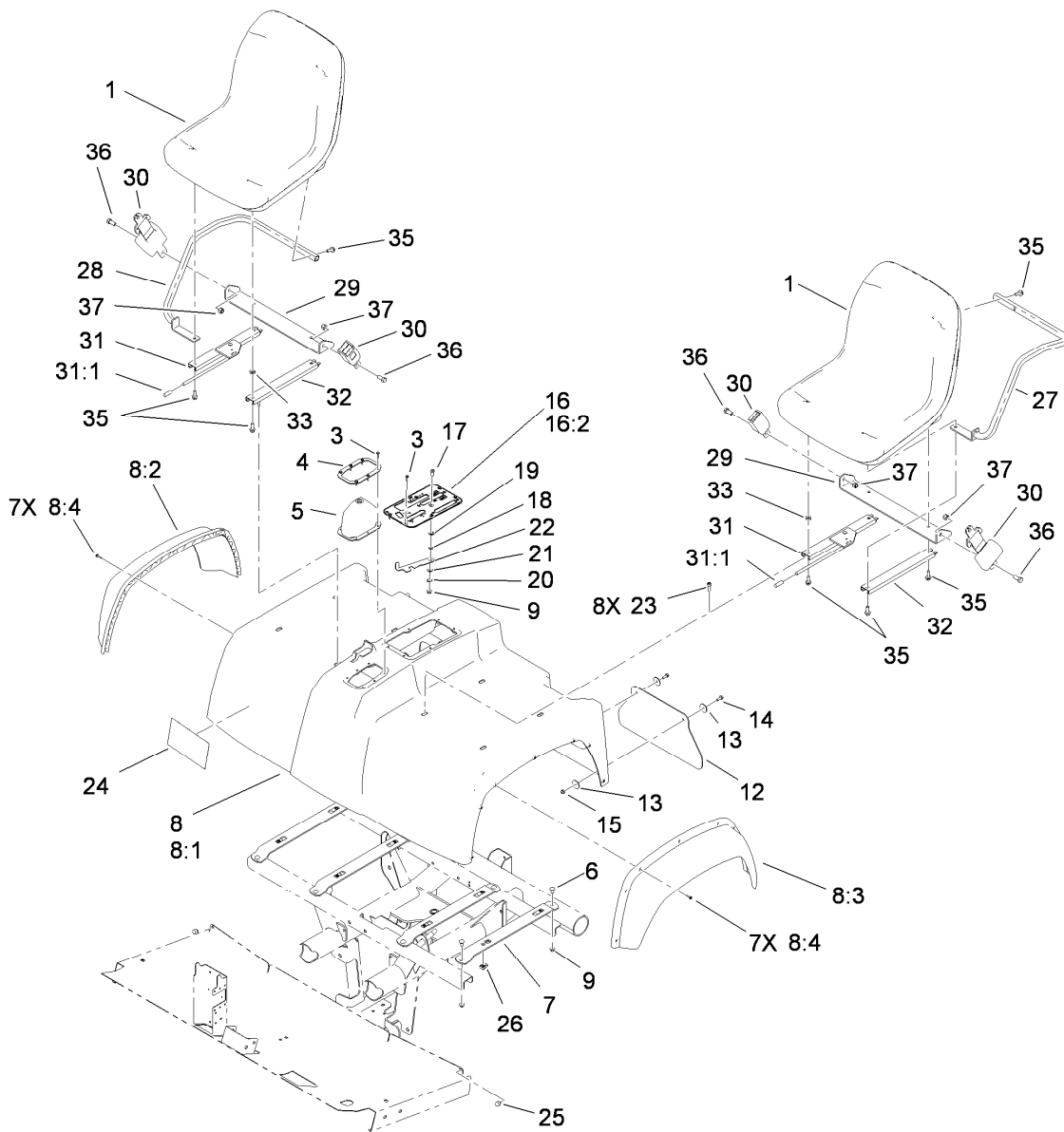
Hydraulic Brake Line Assembly

<i>Ref.</i>	<i>Part Number</i>	<i>Qty.</i>	<i>Description</i>
2	104-7201	3	Nut-HF, NI
3	115-2263	1	Line-Brake, Front
4	321-6	3	Screw-HH
5	115-2264	1	Line-Brake, Rear
7	32144-11	1	Screw-HWH
8	3234-21	3	Screw-HHF
9	32128-33	3	Nut-HF



Clutch Linkage Assembly

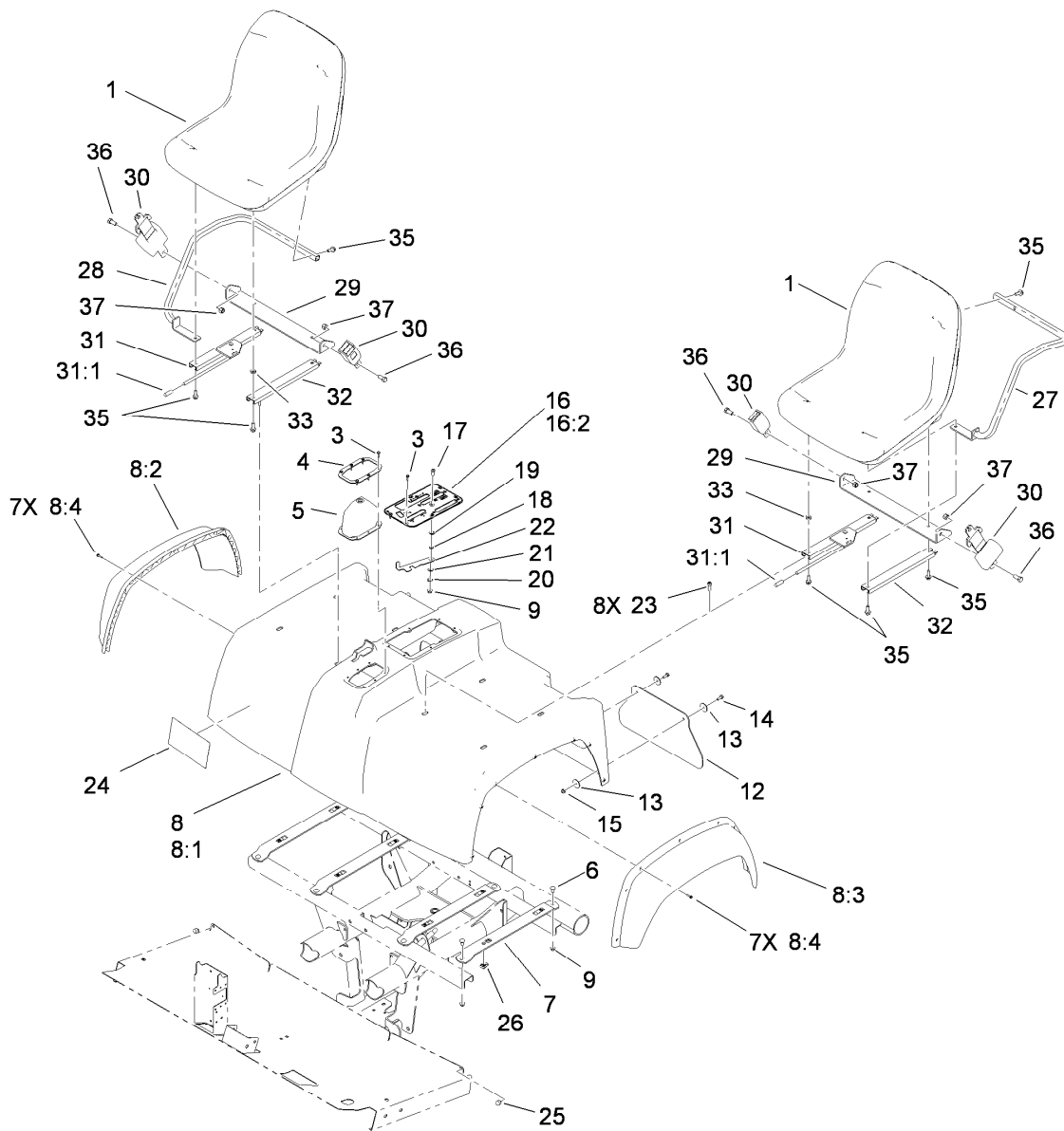
<i>Ref.</i>	<i>Part Number</i>	<i>Qty.</i>	<i>Description</i>	<i>Ref.</i>	<i>Part Number</i>	<i>Qty.</i>	<i>Description</i>
1	98-7977	2	Screw-HHF	16	87-5300	1	Fork-Clutch
2	2411-33	1	Balljoint-RH (W/Grommet)	17	32121-24	2	Pin-Spring
4	115-2311	1	Lever-Clutch	18	115-2259	1	Guide-Release
5	87-1920	2	Seal-Oil	19	110-2538	1	Bearing-Release, Clutch
6	87-3770	2	Bushing-Housing, Bell	20	115-2247	2	Bracket-Harness
7	104-9249	1	Housing-Bell	21	33104-025	3	Screw-HHF
8	3215-2	6	Screw-HH	22	115-2313	1	Bracket-Cable, Clutch
9	87-1910	4	Pin-Dowel	23	115-2284	1	Cable-Clutch
14	33104-040	9	Screw-HHF	24	3296-4	1	Nut-Lock
15	32121-7	1	Pin-Roll, Slotted				



Shroud and Seat Assembly

Ref.	Part Number	Qty.	Description	Ref.	Part Number	Qty.	Description
1	112-2923	2	Seat ASM	17	3274-55	1	Screw-HSBH
3	98-1375	12	Screw-HWH	18	82-4240	1	Spacer-Bearing
4	87-3760-03	1	Plate-Boot, Shift	19	94-8196	1	Washer-Nylon
5	87-8620	1	Boot-Shift	20	3290-221	1	Washer-Spring
6	3230-1	8	Bolt-CARR	21	3256-23	1	Washer-Plain
7	115-2435-03	4	Bracket-Seat	22	106-7984	1	Lever-Detent
8		1	Seat Base ASM ●	23	3274-22	8	Screw-HSH
8:1	114-8406	1	Base-Seat	24	115-7814	1	Decal-Reference, Quick
8:2	114-8407	1	Fender-Front, RH	25	107-8042	2	Bumper-Rubber
8:3	114-8408	1	Fender-Front, LH	26	115-7721	8	Nut-Clip, U
8:4	117-5036	14	Screw-Plastic, HWH	27	119-0731-03	1	Armrest-LH
9	104-8300	9	Nut-HF, NI	28	119-0732-03	1	Armrest-RH
12	106-2378	2	Mudflap	29	119-0727-03	2	Bracket-Belt, Seat
13	3256-55	8	Washer-Flat	30	110-0413	2	Seatbelt-Retractable
14	3234-4	4	Screw-HHF	31	119-0654	2	Adjuster-Seat, Locking
15	104-7201	4	Nut-HF, NI	31:1	2410-49	1	Cap-Vinyl
16	106-7886	1	Control Plate ASM	32	119-0655	2	Adjuster-Seat, Non Locking
16:2	106-2377	1	Decal-Console	33	104-7658	2	Spacer

● Not serviced separately

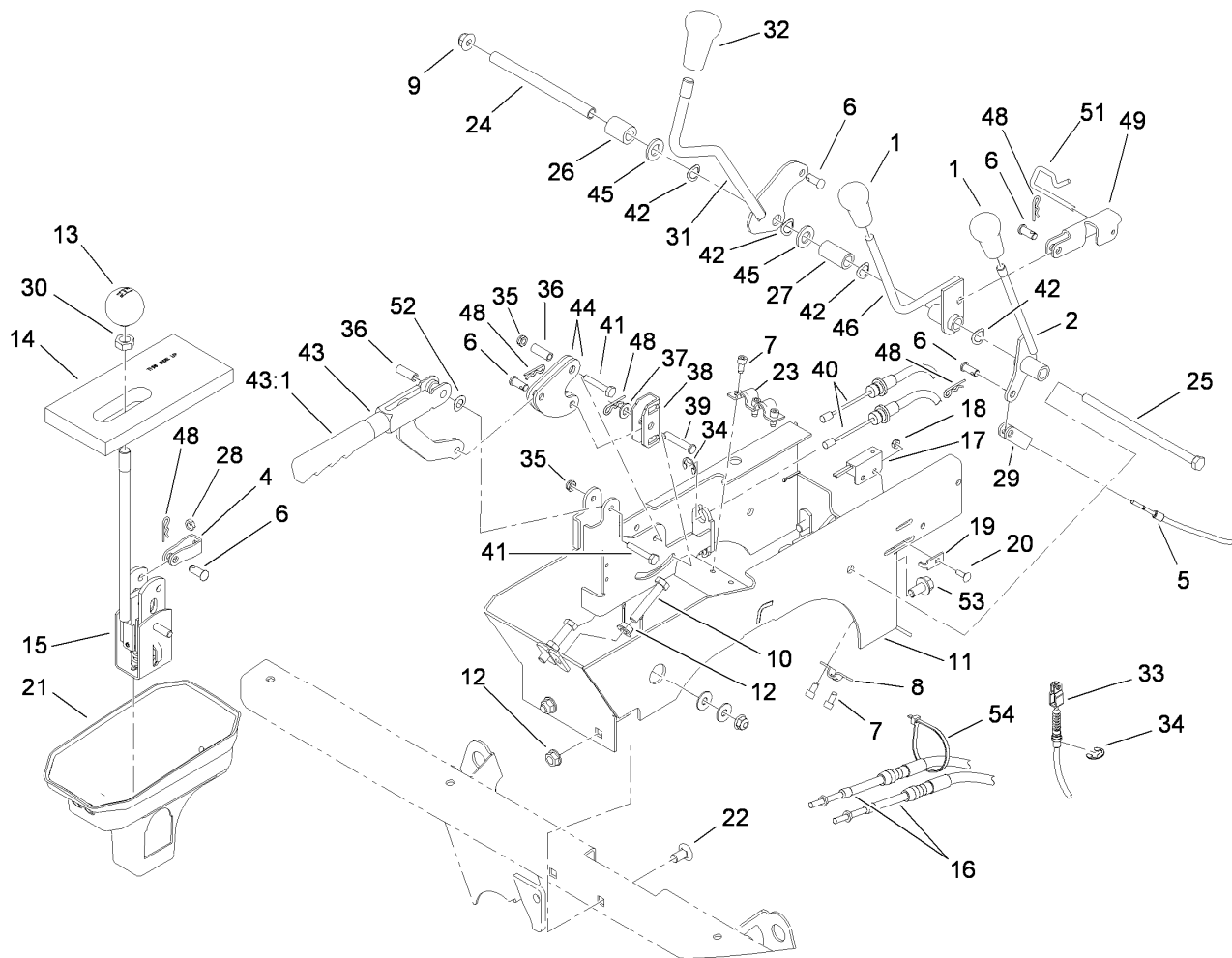


Shroud and Seat Assembly (continued)

Ref.	Part Number	Qty.	Description
35	3234-29	12	Screw-HHF

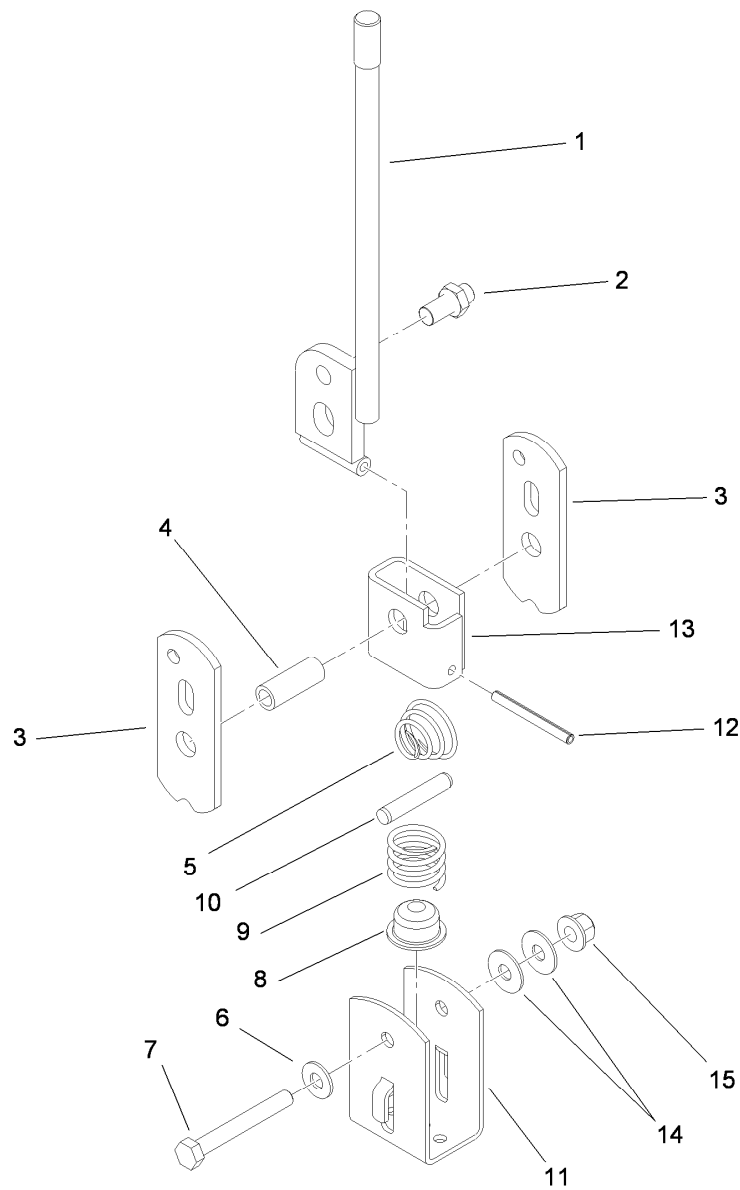
Ref.	Part Number	Qty.	Description
36	3212-4	4	Screw-HH
37	3296-7	4	Nut-Lock

● Not serviced separately



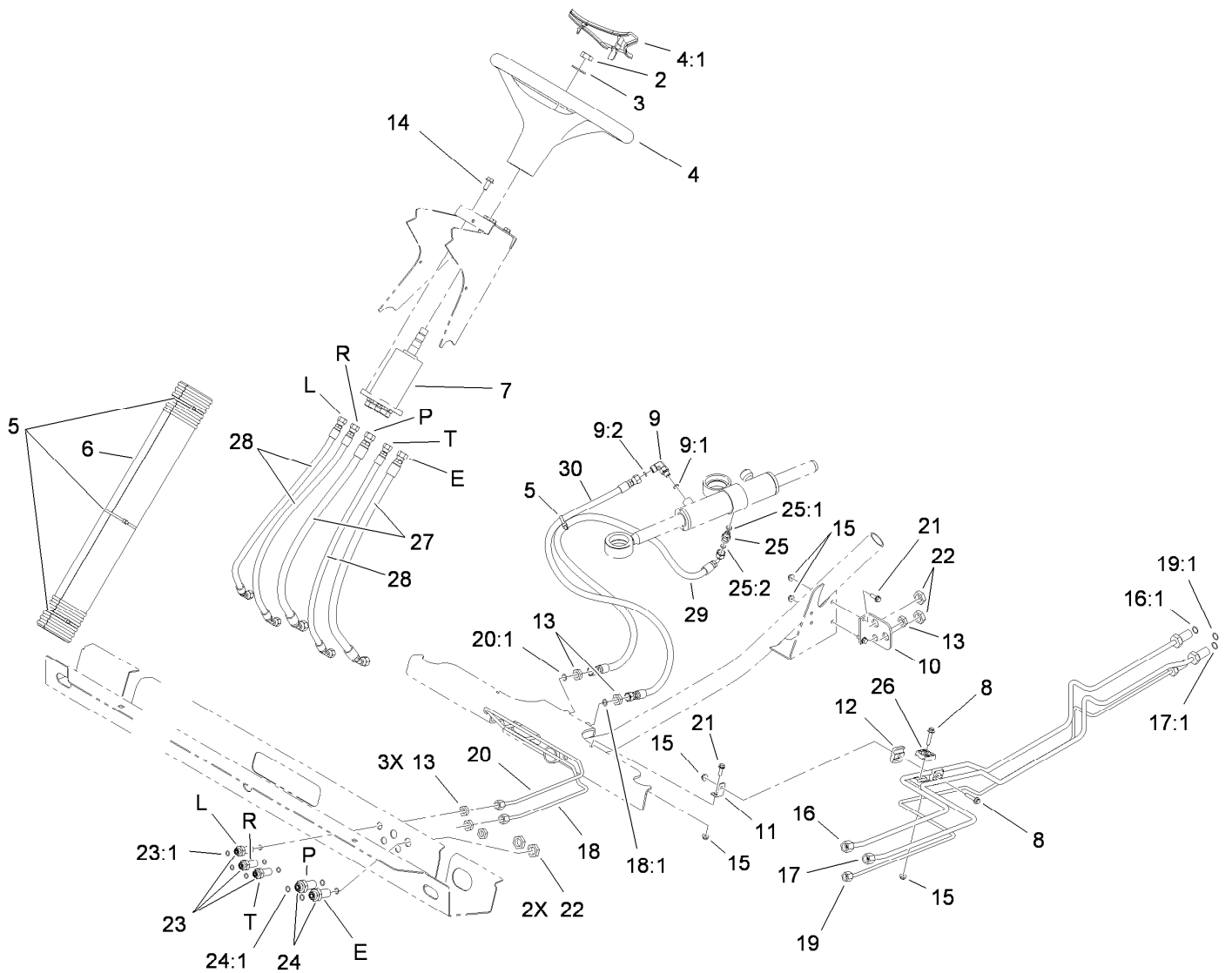
Console Assembly

Ref.	Part Number	Qty.	Description	Ref.	Part Number	Qty.	Description
1	106-7903	2	Knob-Control	28	3220-1	2	Nut-Jam
2	106-7828	1	Lever	29	87-7160	1	Clevis-Cable
4	87-2310	2	Clevis-Cable	30	3218-18	1	Nut-Jam
5	115-7812	1	Cable-Hi Low	31	112-3008	1	Lever-Lock, Differential
6	283-62	6	Pin-Clevis	32	106-7952	1	Knob
7	65-5220	5	Screw-HSH, Thread Forming	33	115-2287	1	Cable-Lock, Differential
8	87-4340	1	Clamp-Cable	34	32120-47	3	Ring-Retaining, External
9	104-8301	1	Nut-HF, NI	35	3296-56	2	Nut-Lock, NI
10	323-10	2	Screw-HH	36	114402	2	Spacer
11	108-6914-03	1	Support-Lever	37	3256-23	1	Washer-Plain
12	3290-357	4	Nut-HSF	38	87-3480	1	Bracket-Equalizer, Cable
13	87-6720	1	Knob-Shift	39	94-3829	1	Pin-Clevis
14	87-6570	1	Seal-Boot, Lower	40	115-2283	2	Cable-Brake, Park
15	106-7887	1	Shift ASM	41	321-9	2	Screw-HH
16	115-7811	2	Cable-Selector, Gear	42	3290-221	4	Washer-Spring
17	100-1270	1	Switch-Proximity	43	104-6842	1	Lever-Brake, Park
18	3296-12	1	Nut-Lock, NI	43:1	106-7972	1	Grip-Handle
19	100-4872	1	Plate-Switch, Neutral	44	106-7814	2	Bellcrank
20	3229-34	1	Screw-CARR	45	33096-00	2	Washer-Flat
21	106-2376	1	Boot-Shift, Lower	46	106-7960	1	Lever-HYD
22	3231-21	2	Screw-CARR	48	3290-307	7	Pin-Cotter
23	87-4960	1	Clamp-Cable	49	115-2250	1	Link
24	106-7833	1	Spacer	51	115-2350	1	Pin-Retainer
25	323-36	1	Screw-HH	52	3290-477	1	Washer-Curved
26	66-6501	1	Spacer-Wheel	53	3234-12	2	Screw-HHF
27	106-7835	1	Spacer	54	3290-379	3	Tie-Cable



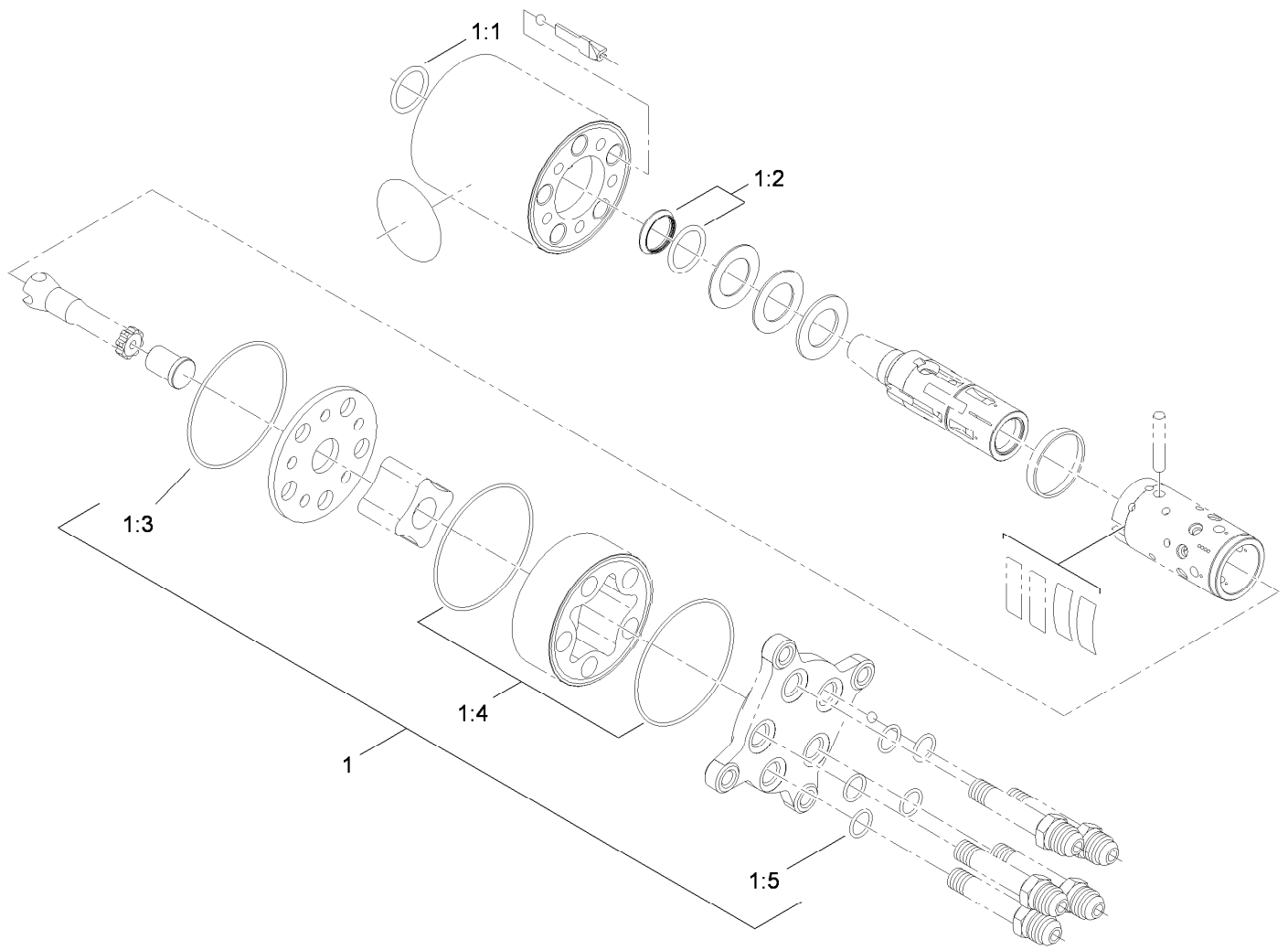
Shift Assembly No. 106-7887

<i>Ref.</i>	<i>Part Number</i>	<i>Qty.</i>	<i>Description</i>
1	87-2040	1	Lever-Shift
2	87-3650	1	Pin-Shift
3	87-3540	2	Link-Shift
4	87-2520	1	Tube-Pivot
5	87-2900	1	Spring-Compression
6	87-8640	1	Washer-Flat
7	322-12	1	Screw-HH
8	87-3530	1	Button-Shifter
9	87-3660	1	Spring-Compression
10	3290-507	1	Pin-Dowel
11	87-3520	1	Clevis
12	32121-48	1	Pin-Spring
13	87-6040	1	Bracket-Shifter
14	3290-456	2	Washer-Belleville
15	104-8300	1	Nut-HF, NI



Steering Hydraulic Assembly

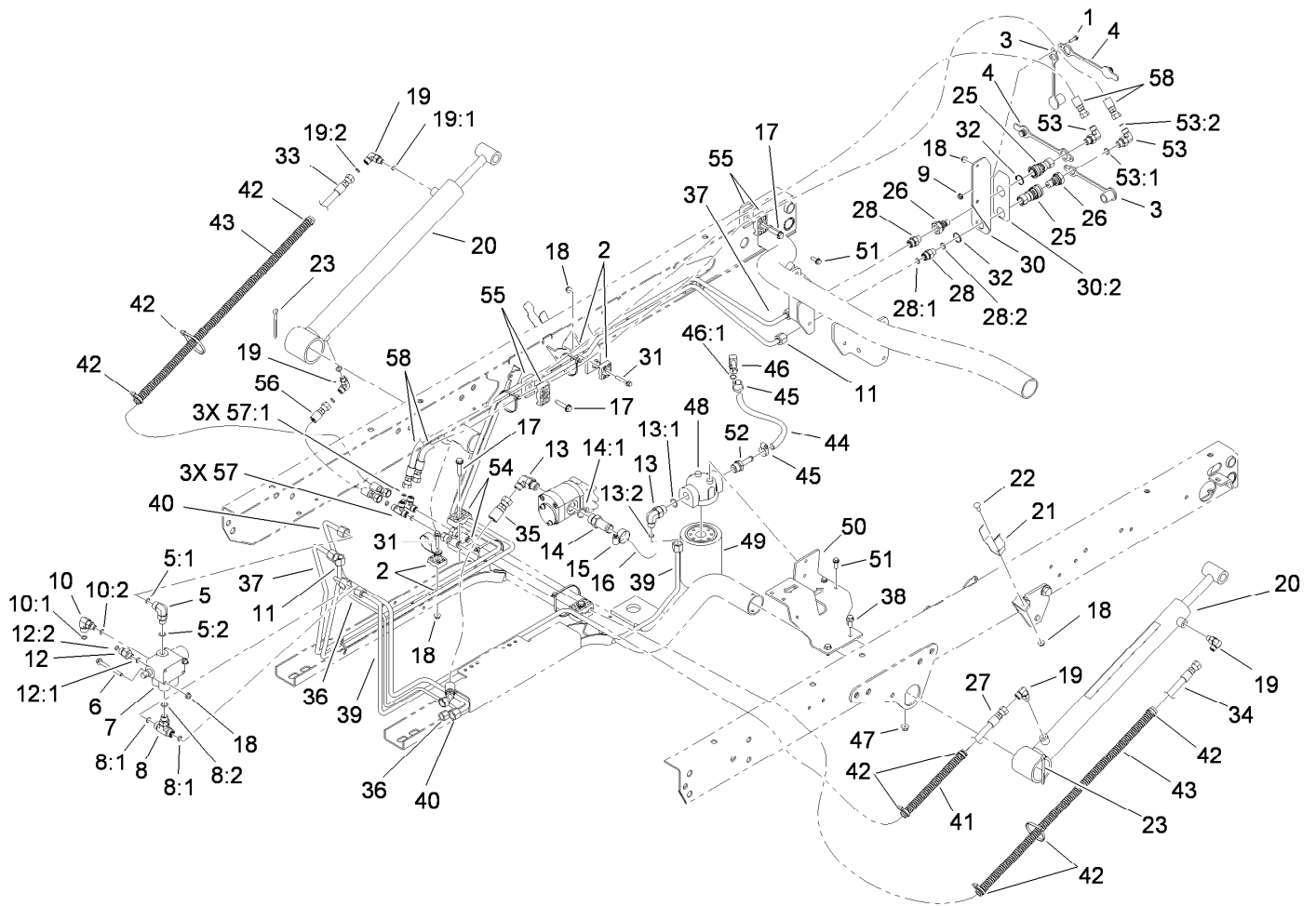
Ref.	Part Number	Qty.	Description	Ref.	Part Number	Qty.	Description
2	3296-33	1	Nut-Lock, NI	18	106-7804	1	Tube-HYD
3	3256-27	1	Washer-Flat	18:1	237-21	1	O-Ring
4	98-1471	1	Wheel-Steering	19	115-7703	1	Tube-HYD
4:1	98-1468	1	Cover-Wheel, Steering	19:1	237-21	1	O-Ring
5	3290-379	4	Tie-Cable	20	106-7806	1	Tube-HYD
6	106-6713	1	Cover-Lines, Steering	20:1	237-21	1	O-Ring
7	115-7926	1	Pump-Steering	21	3234-4	3	Screw-HHF
8	3234-21	2	Screw-HHF	22	340-70	4	Nut-Lock
9	340-132	1	Fitting-Elbow, 90 DEG	23	94-1444	3	Union-Bulkhead
9:1	237-78	1	O-Ring	23:1	237-21	2	O-Ring
9:2	237-21	1	O-Ring	24	340-71	2	Fitting-Straight, Bulkhead
10	106-7801-03	1	Bracket-Line, Steering	24:1	237-22	2	O-Ring
11	106-7807	1	Bracket-Line, Steering	25	340-92	1	Fitting-Straight
12	106-7839	2	Clamp-Tube	25:1	237-78	1	O-Ring
13	340-78	6	Nut-Lock	25:2	237-21	1	O-Ring
14	98-7977	4	Screw-HHF	26	56-7973	2	Clamp-Tube
15	104-7201	5	Nut-HF, NI	27	106-7975	2	Hose-HYD
16	115-7701	1	Tube-HYD	28	106-7974	3	Hose-HYD
16:1	237-22	1	O-Ring	29	117-4861	1	Hose-HYD
17	115-7702	1	Tube-HYD	30	108-6505	1	Hose-HYD
17:1	237-22	1	O-Ring				



Steering Valve Assembly No. 115-7926

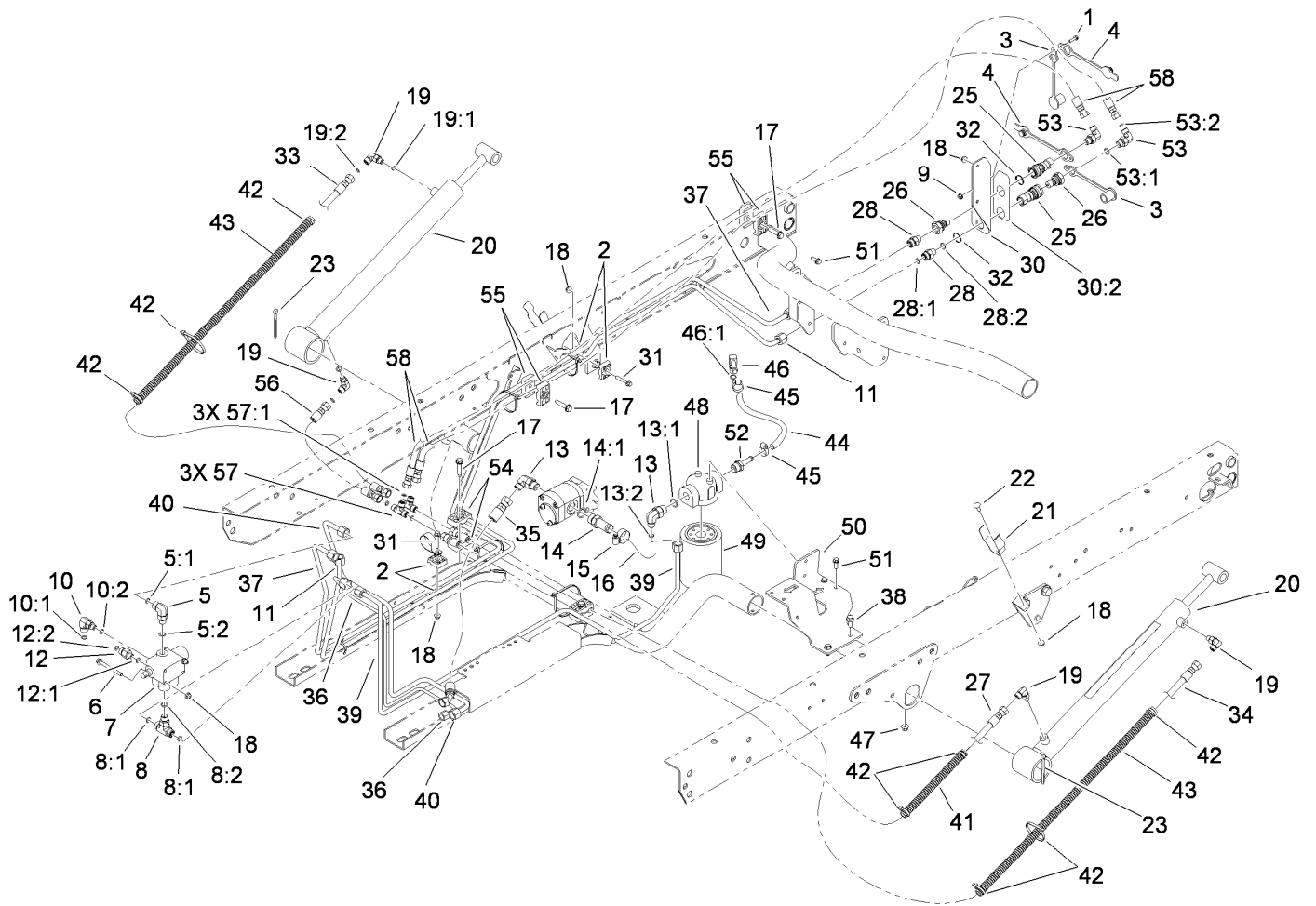
<i>Ref.</i>	<i>Part Number</i>	<i>Qty.</i>	<i>Description</i>
1	106-6716	1	Seal Kit
1:1		1	Ring-Seal, Dust ●
1:2		1	Seal-Shaft ●
1:3		1	Ring-Retaining ●
1:4		2	Ring-Retaining ●
1:5		5	Ring-Retaining ●

● Not serviced separately



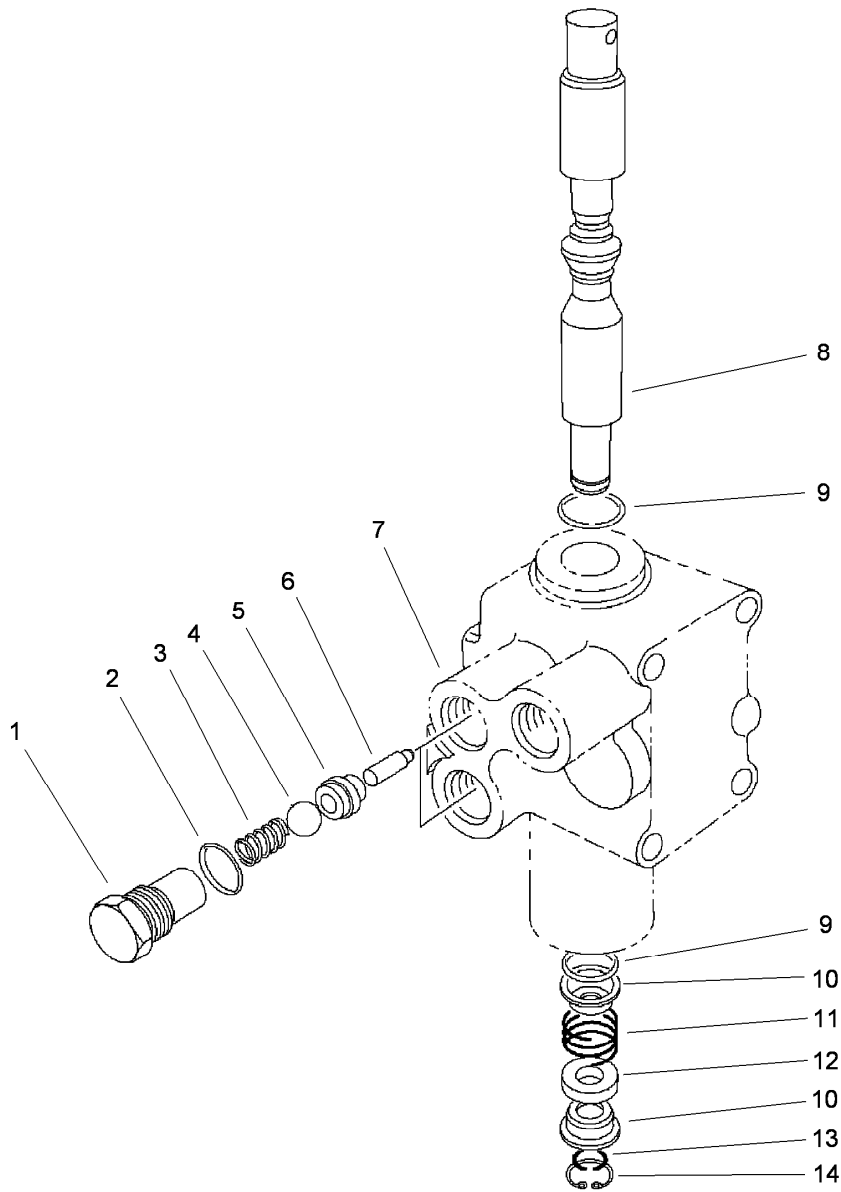
Lift Valve and Hydraulic Assembly

<i>Ref.</i>	<i>Part Number</i>	<i>Qty.</i>	<i>Description</i>	<i>Ref.</i>	<i>Part Number</i>	<i>Qty.</i>	<i>Description</i>
1	32105-13	1	Screw-HWH	13:1	237-79	1	O-Ring
2	56-7973	4	Clamp-Tube	13:2	237-22	1	O-Ring
3	106-7881	2	Cap-Dust, HYD	14	354-136	1	Fitting-STR
4	106-7882	2	Plug-Dust, HYD	14:1	237-80	1	O-Ring
5	340-77	1	Fitting-Elbow, 90 DEG	15	2412-129	1	Clamp-Hose
5:1	237-22	1	O-Ring	16	87-3670	1	Hose-Suction
5:2	237-42	1	O-Ring	17	32144-57	4	Screw
6	114-8410	2	Screw-HHF	18	104-7201	8	Nut-HF, NI
7	43-1950	1	HYD Control Valve ASM	19	340-132	4	Fitting-Elbow, 90 DEG
8	340-94	1	Adapter	19:1	237-78	1	O-Ring
8:1	237-22	2	O-Ring	19:2	237-21	1	O-Ring
8:2	237-42	1	O-Ring	20	106-7939	2	HYD Cylinder ASM
9	3290-148	1	Nut-HF	21	108-3109	2	Retainer-Cylinder
10	340-97	1	Fitting-Elbow, 90 DEG	22	3229-1	2	Screw-CARR
10:1	237-22	1	O-Ring	23	3272-37	2	Pin-Cotter
10:2	237-78	1	O-Ring	25	106-7968	2	Coupler-Quick, Female
11	115-2218	1	Tube-HYD	26	106-7969	2	Coupler-Quick, Male
12	340-88	1	Fitting-Straight	27	115-7711	1	Hose-HYD
12:1	237-22	1	O-Ring	28	340-2	2	Fitting-Straight
12:2	237-78	1	O-Ring	28:1	237-22	1	O-Ring
13	340-18	2	Fitting-HYD, 90 DEG	28:2	237-42	1	O-Ring



Lift Valve and Hydraulic Assembly (continued)

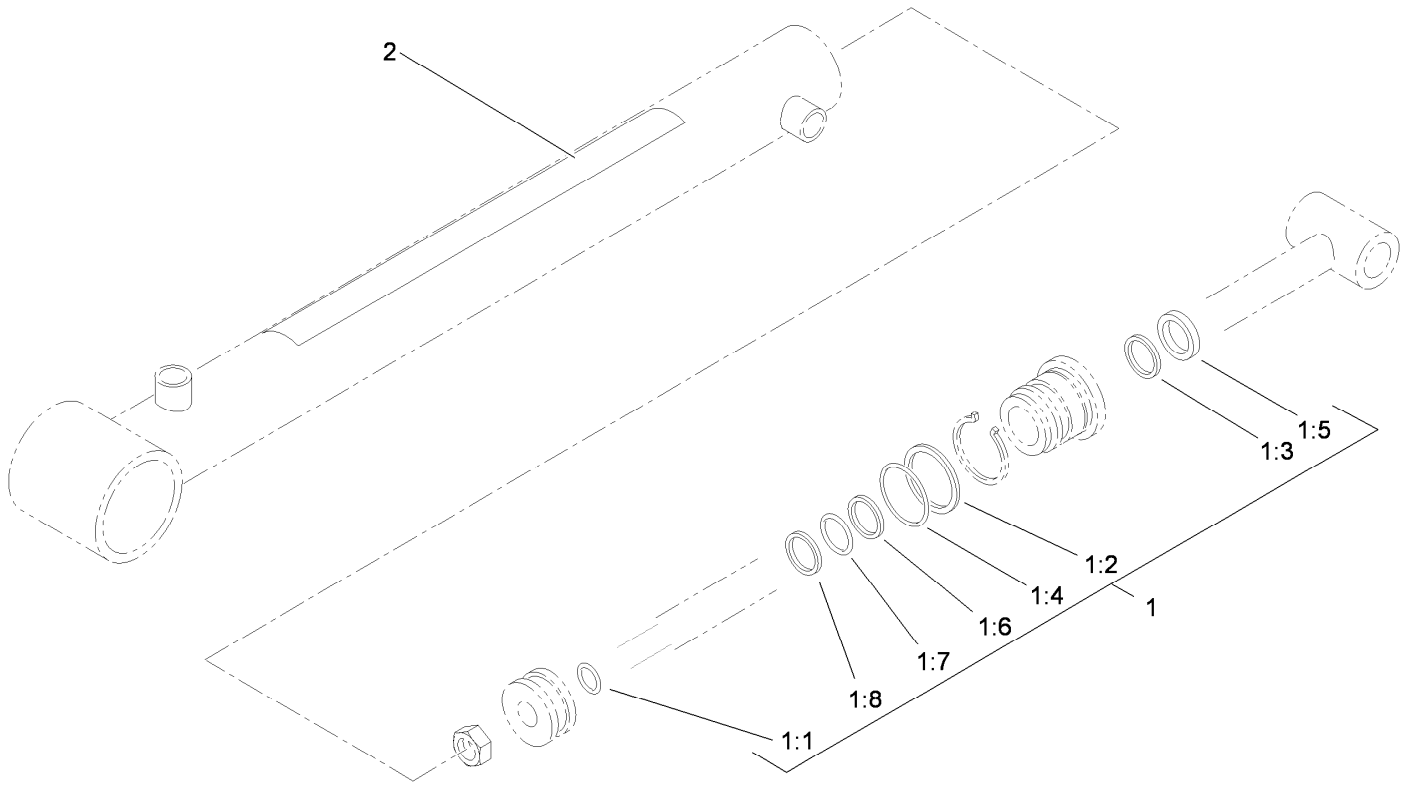
<i>Ref.</i>	<i>Part Number</i>	<i>Qty.</i>	<i>Description</i>	<i>Ref.</i>	<i>Part Number</i>	<i>Qty.</i>	<i>Description</i>
30	115-7715	1	Coupler Bracket ASM	46	100-4887	1	Fitting-Elbow, 90
30:2	115-7723	1	Decal-Disconnect, Quick	46:1	237-42	1	O-Ring
31	94-5781	2	Screw-HHF	47	104-8300	2	Nut-HF, NI
32	32151-83	2	Ring-Snap	48	87-8780	1	Head-Filter
33	108-6508	1	Hose-HYD	49	54-0110	1	Filter-Oil, Transmission
34	104-3716	1	Hose-HYD	50	115-2168-03	1	Bracket-Filter
35	95-0965	1	Hose ASM	51	3234-4	4	Screw-HHF
36	115-2216	1	Tube-HYD	52	115-2231	1	Fitting-STR
37	115-2217	1	Tube-HYD	53	340-82	2	Fitting-Elbow, 90 DEG
38	3234-5	2	Screw-HHF	53:1	237-42	1	O-Ring
39	115-2224	1	Tube-HYD	53:2	237-21	1	O-Ring
40	115-2223	1	Tube-HYD	54	56-7971	2	Clamp-Tube
41	24-7922	1	Conduit-Convolved, Split	55	56-7976	6	Clamp-Tube
42	3290-379	8	Tie-Cable	56	110-0931	1	Hose-HYD
43	24-7923	2	Conduit-Convolved, Split	57	340-21	2	Fitting
44	115-2228	1	Hose-HYD	57:1	237-21	3	O-Ring
45	2412-36	2	Clamp-Hose	58	106-3680	2	Hose-HYD



Control Valve Assembly No. 43-1950

Ref.	Part Number	Qty.	Description
1	22-8330	2	Plug
2	237-42	2	O-Ring
3	22-8340	2	Spring
4	22-8350	2	Ball
5	22-8370	2	Seat-Valve
6	22-8360	2	Pin
7		1	Body ●
8	22-8420	1	Spool
9	22-8500	2	O-Ring
10	22-8380	2	Retainer
11	22-8410	1	Spring
12	23-3030	1	Spacer
13	22-8480	1	Ring-Snap
14	22-8490	1	Ring-Snap

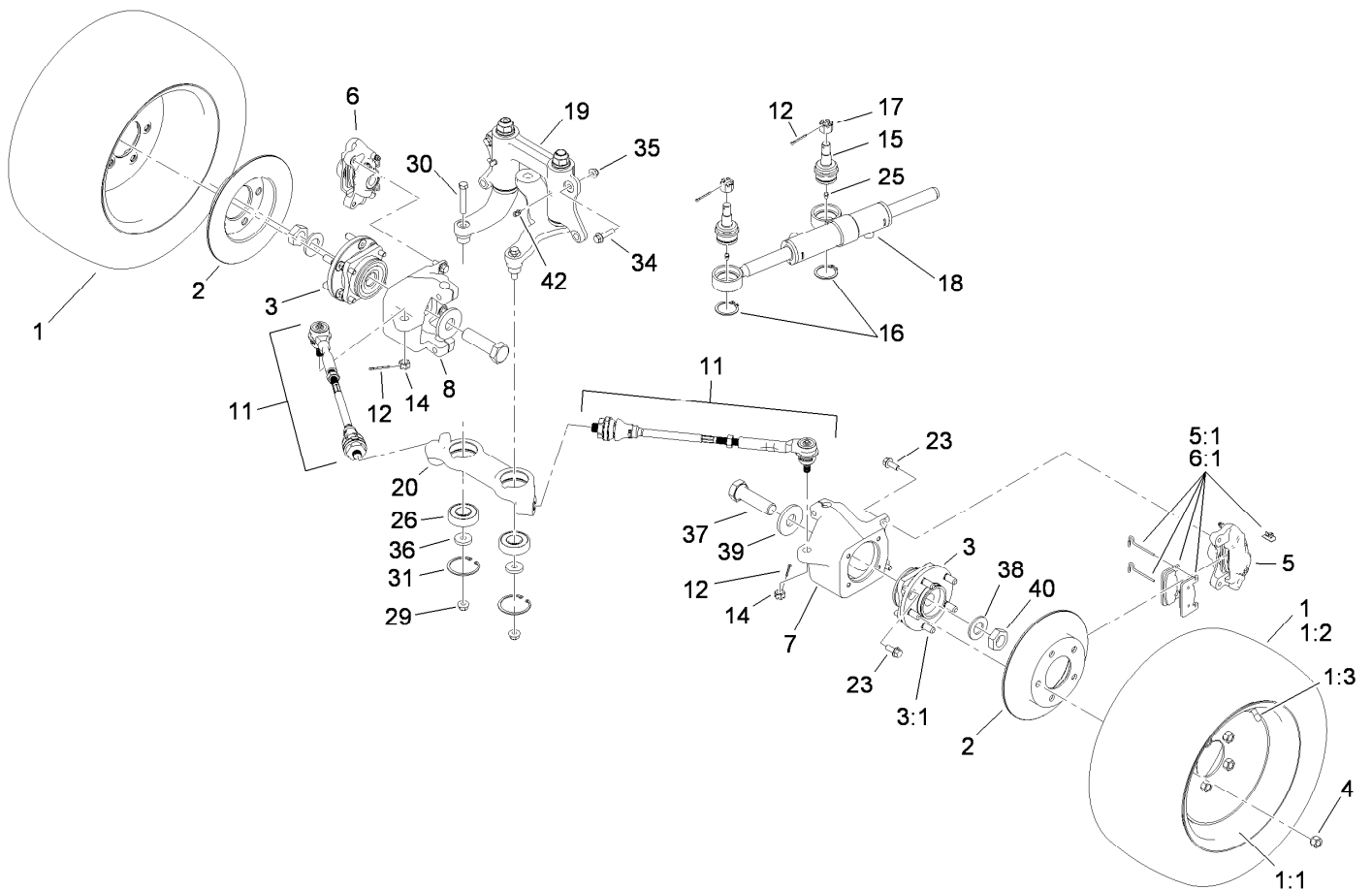
● Not serviced separately



Hydraulic Cylinder Assembly No. 106-7939

<i>Ref.</i>	<i>Part Number</i>	<i>Qty.</i>	<i>Description</i>
1	106-7941	1	Seal Kit
1:1		1	Ring-Retaining ●
1:2		1	Ring-Retaining ●
1:3		1	Seal ●
1:4		1	Back-Up ●
1:5		1	Wiper ●
1:6		1	Seal ●
1:7		1	Ring-Retaining ●
1:8		1	Ring-Wear ●
2	93-9852	1	Decal-Warning

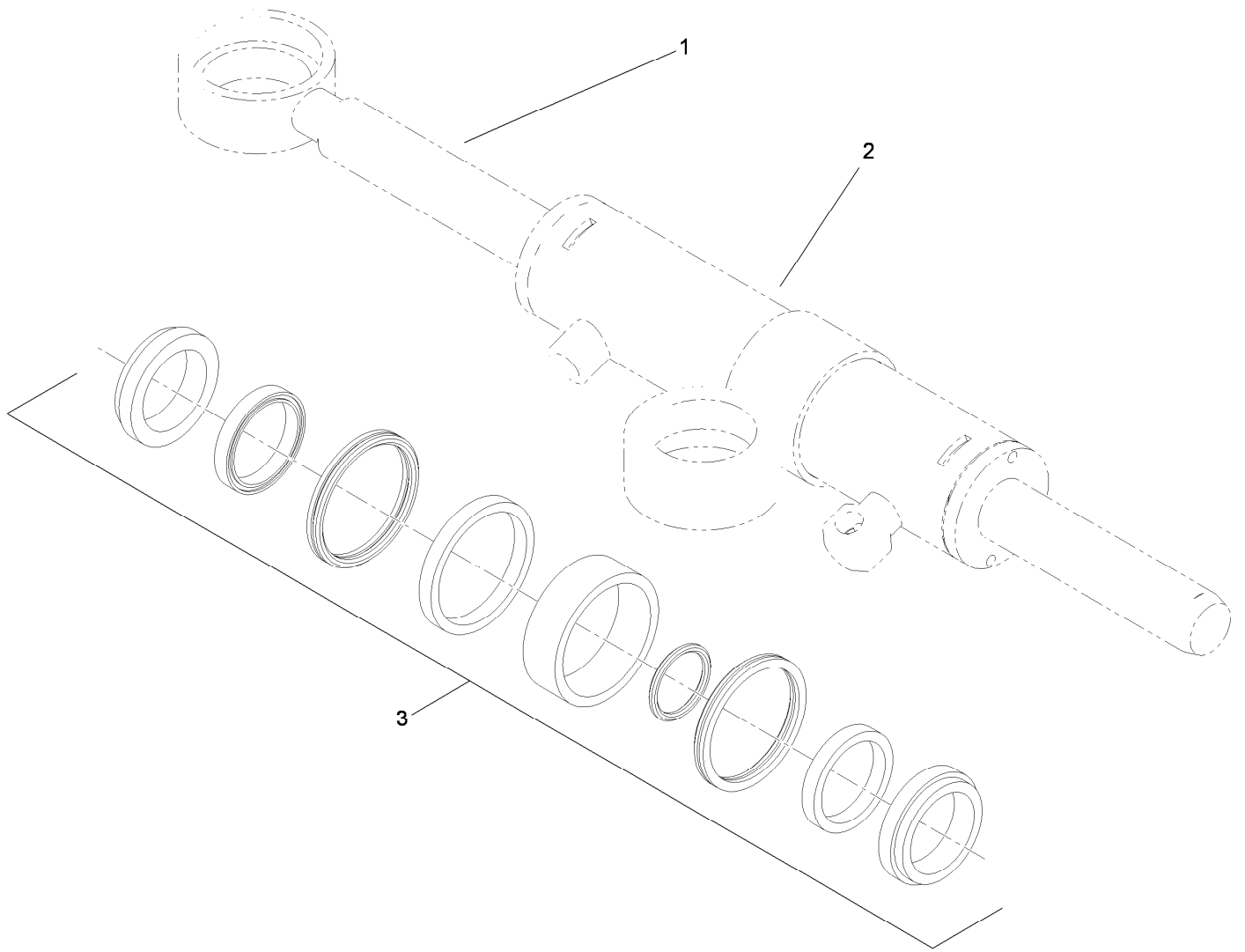
● Not serviced separately



Front Wheel Assembly

Ref.	Part Number	Qty.	Description	Ref.	Part Number	Qty.	Description
1		2	Tire And Wheel ASM ●	17	32136-14	2	Nut-Hst
1:1	115-2245	1	Wheel	18	112-3217	1	HYD Cylinder ASM
1:2	114-8273	1	Tire	19		1	Steering Linkage ASM ●
1:3	232-27	1	Stem-Valve	20	114-8296	1	Link-Center
2	114-8351	2	Rotor-Brake	23	3234-11	12	Screw-HHF
3	112-3214	2	Wheel Hub ASM	25	302-5	2	Fitting-Grease
3:1	114-8299	5	Stud-Wheel	26	115-2161	2	Bearing-Ball
4	242-50	10	Nut-Lug	29	114-8417	2	Nut-HF, NI
5	114-8359	1	Caliper-LH	30	324-10	2	Screw-HH
5:1	115-7846	1	Brake Pad Kit (T108)	31	32120-22	2	Ring-Snap, Internal
6	114-8360	1	Caliper-RH	34	114-4681	2	Screw-HHF
6:1	115-7846	1	Brake Pad Kit (T108)	35	104-8301	2	Nut-HF, NI
7	114-8292	1	Knuckle-LH	36	112843	2	Washer
8	114-8294	1	Knuckle-RH	37	115-2173	2	Screw-HH
11	114-8356	2	Tie Rod ASM	38	3256-62	2	Washer-Flat
12	3272-12	4	Pin-Cotter	39	104-0719	2	Washer-Hardened
14	32136-3	2	Nut-SHH	40	3296-49	2	Nut-Lock, NI
15	106-6774	2	Joint-Ball	42	302-60	2	Fitting-Grease
16	32151-104	2	Ring-Retaining, External				

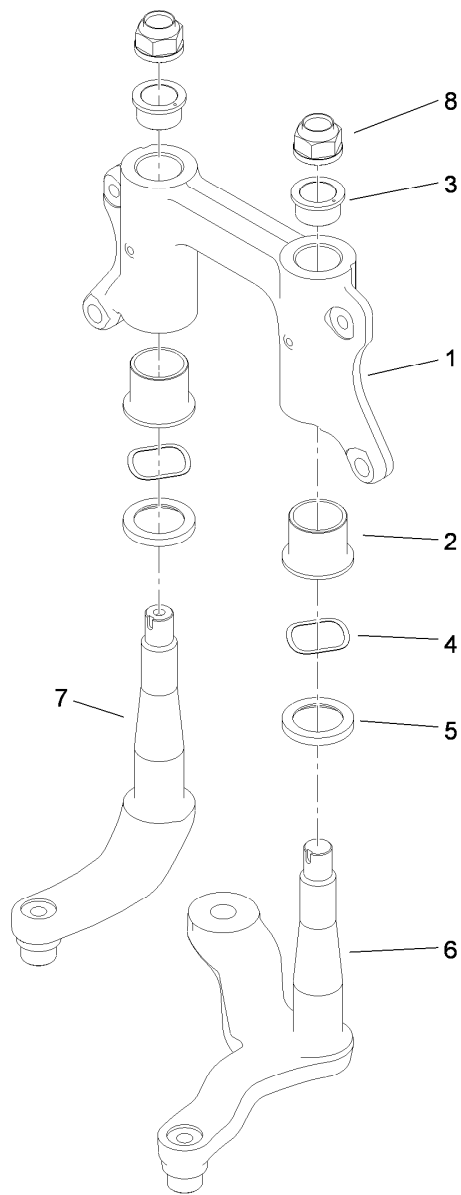
● Not serviced separately



Hydraulic Cylinder Assembly No. 112-3217

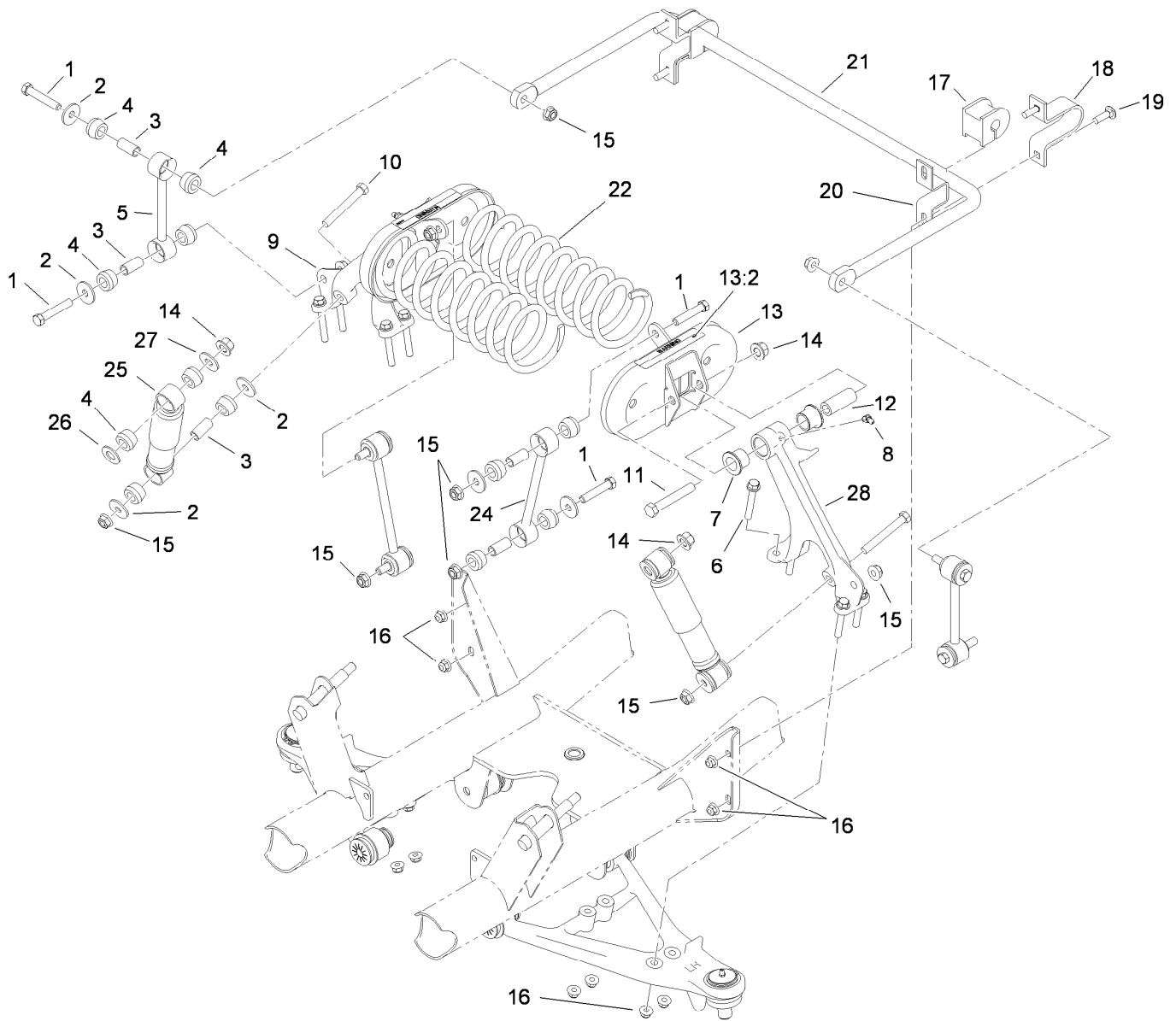
<i>Ref.</i>	<i>Part Number</i>	<i>Qty.</i>	<i>Description</i>
1		1	Rod-Cylinder ●
2		1	Body-Cylinder ●
3	115-2160	1	Cylinder Repair Kit

● Not serviced separately



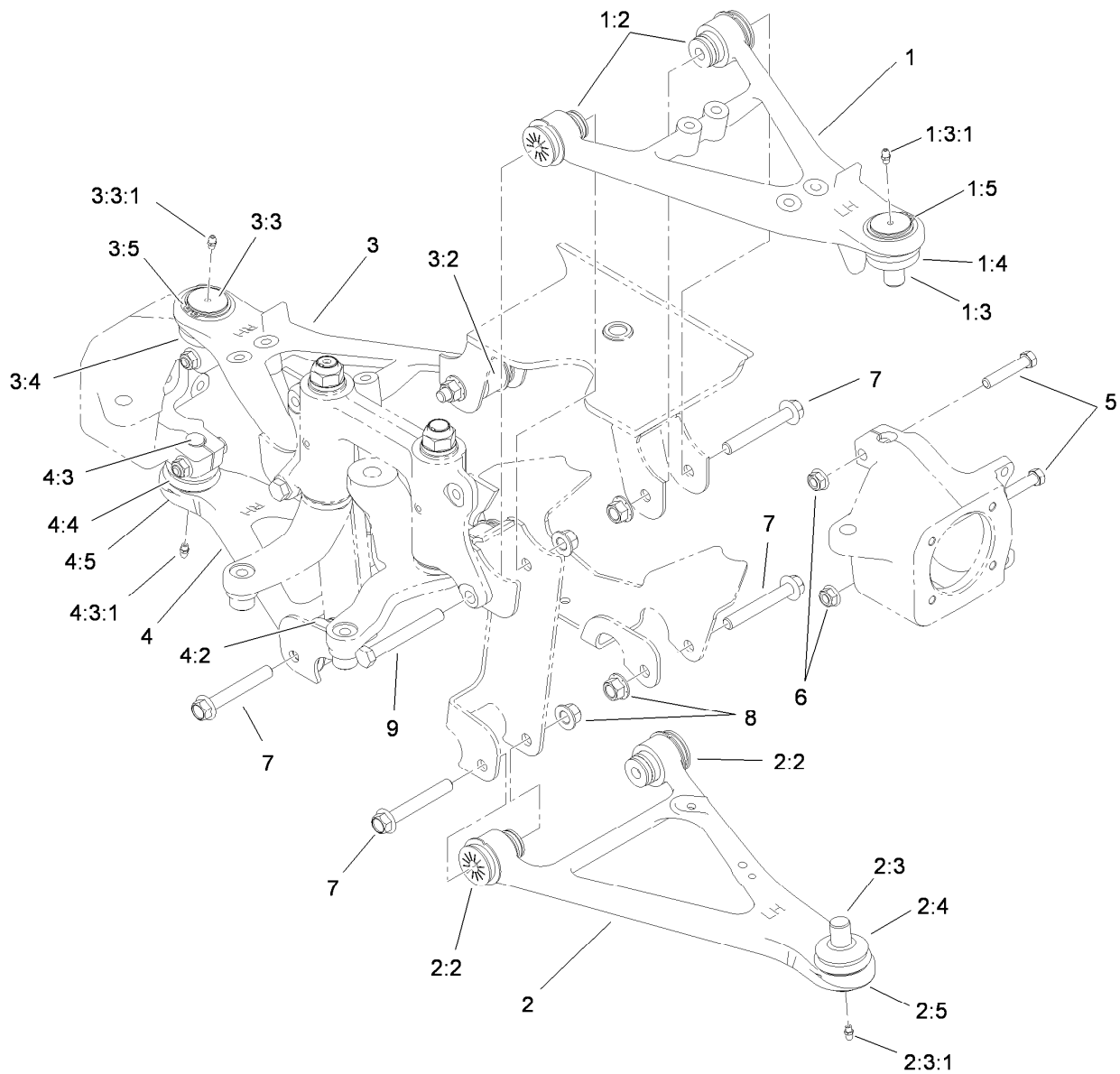
Steering Linkage Assembly

<i>Ref.</i>	<i>Part Number</i>	<i>Qty.</i>	<i>Description</i>
1	114-8389	1	Mount-Pivot
2	69-6470	2	Bushing-Caster
3	112-1626	2	Bushing-Flange
4	93-4632	2	Washer-Wavey
5	86-6560	2	Washer-Thrust
6	114-8256	1	Arm-Pitman
7	114-8298	1	Arm-Idler
8	115-2164	2	Nut-Spindle



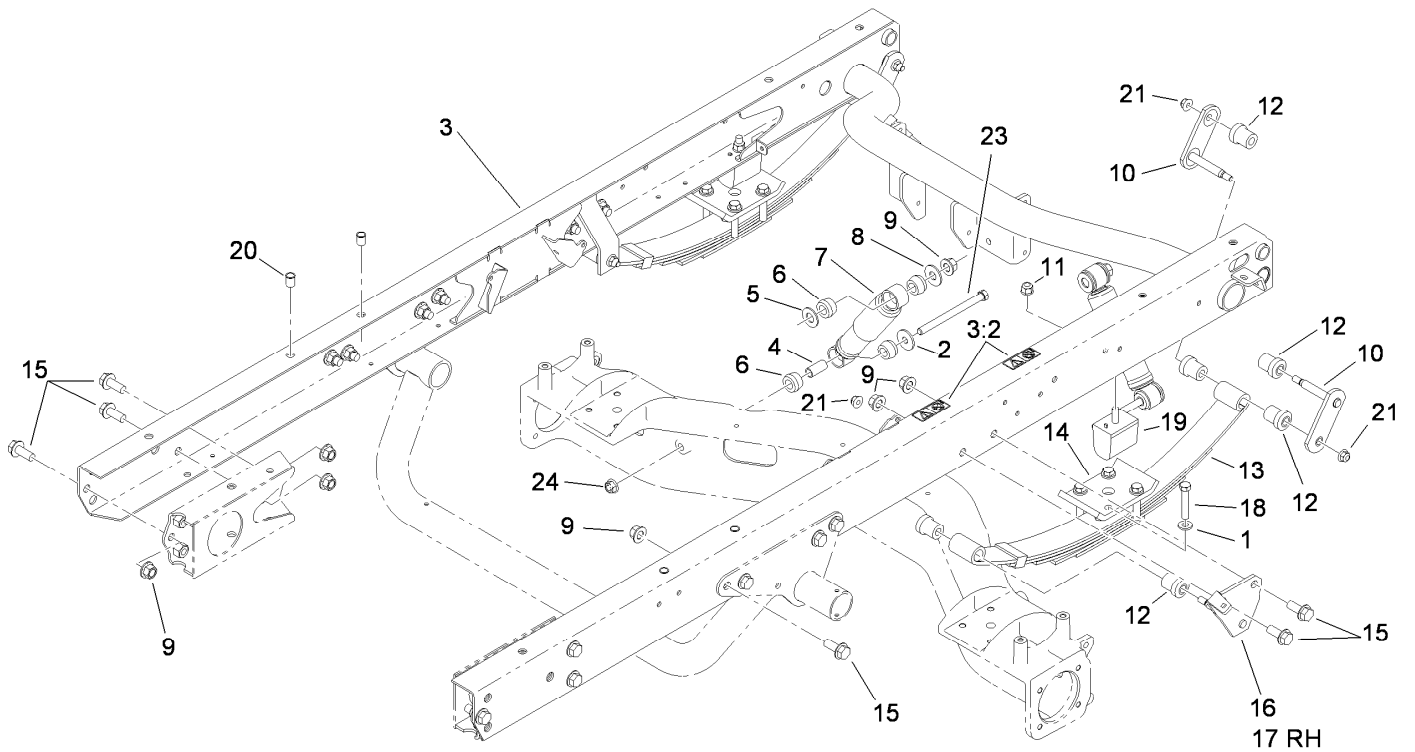
Front Suspension Assembly

Ref.	Part Number	Qty.	Description	Ref.	Part Number	Qty.	Description
1	324-10	8	Screw-HH	14	99-5107	4	Nut-Lock
2	87-5330	12	Washer	15	114-8417	10	Nut-HF, NI
3	87-3600	10	Spacer-Absorber, Shock	16	104-8301	12	Nut-HF, NI
4	87-3920	24	Bushing	17	87-3910	2	Bushing-Rubber
5	87-3860-03	2	Link-Sway Bar, Anti	18	87-4010-03	2	Clamp-Bar, Sway
6	3234-39	8	Screw-HHF	19	3231-25	4	Bolt-CARR
7	33-3090	4	Bushing	20	87-3890-03	2	Bracket-Bar, Sway
8	302-11	2	Fitting-Lube, 45 DEG	21	87-3850-03	1	Bar-Sway, Anti
9	87-0150-03	1	Tower-Control Arm, RH	22	105-4183-01	2	Spring-Compression
10	324-13	2	Screw-HH	24	106-2302-03	2	Link-Stabilizer
11	325-13	2	Screw-HH	25	87-3110	2	Absorber-Shock
12	87-2500	2	Sleeve-Spring, Pivot	26	3256-27	2	Washer-Flat
13	105-7958	2	Spring Cradle ASM	27	3256-6	2	Washer-Flat
13:2	93-9879	1	Decal-Warning	28	87-0160-03	1	Tower-Control Arm, LH



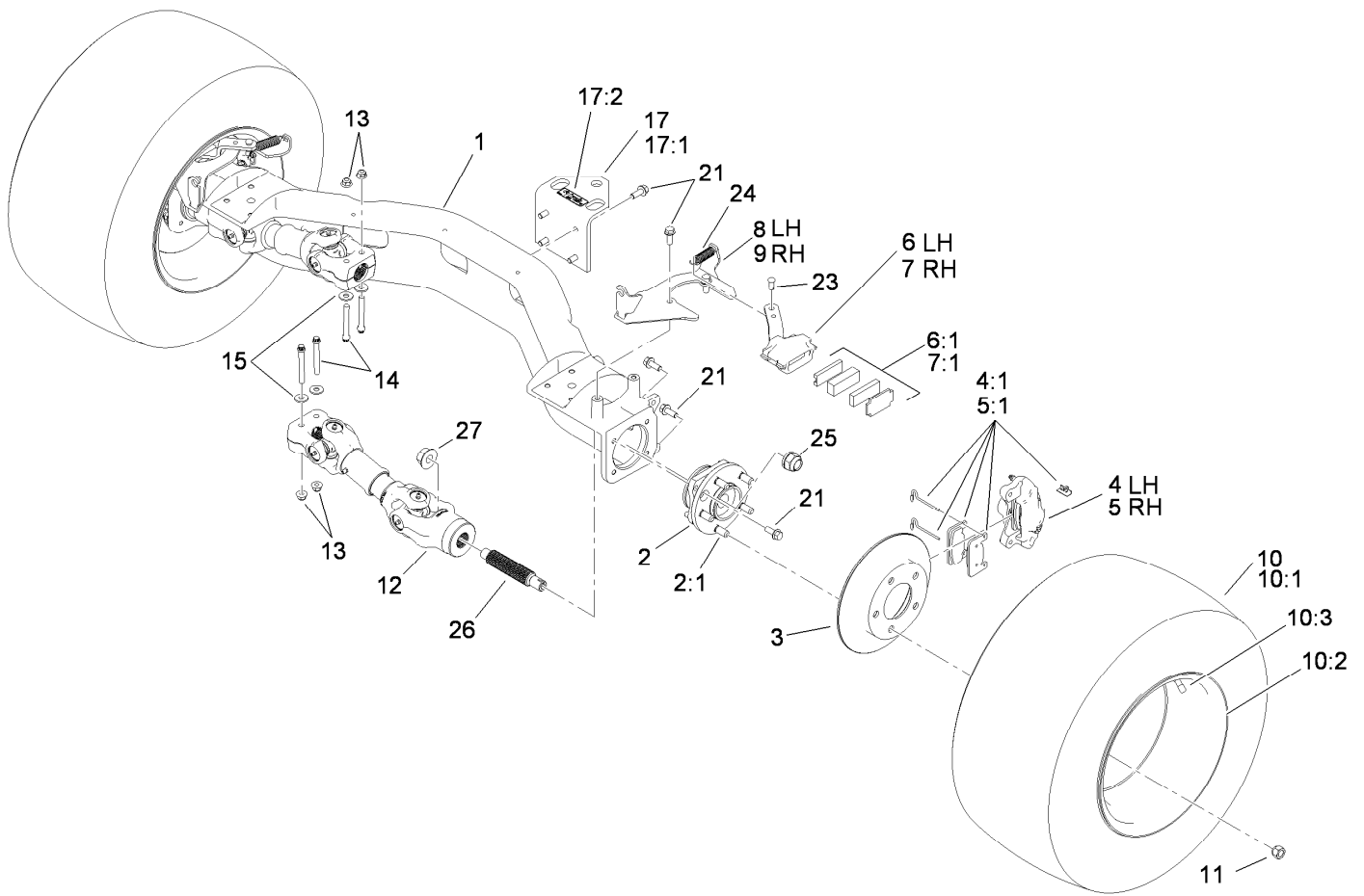
Front Control Arm Assembly

Ref.	Part Number	Qty.	Description	Ref.	Part Number	Qty.	Description
1	115-2404	1	Upper LH Control Arm ASM	3:3:1	302-5	1	Fitting-Grease
1:2	87-1450	2	Bushing-Flange	3:4	87-2420	1	Seal-Joint, Ball
1:3	115-2165	1	Ball Joint	3:5	32151-104	1	Ring-Retaining, External
1:3:1	302-5	1	Fitting-Grease	4	115-2407	1	Lower RH Control Arm ASM
1:4	87-2420	1	Seal-Joint, Ball	4:2	87-1450	2	Bushing-Flange
1:5	32151-104	1	Ring-Retaining, External	4:3	115-2165	1	Ball Joint
2	115-2405	1	Lower LH Control Arm ASM	4:3:1	302-5	1	Fitting-Grease
2:2	87-1450	2	Bushing-Flange	4:4	87-2420	1	Seal-Joint, Ball
2:3	115-2165	1	Ball Joint	4:5	32151-104	1	Ring-Retaining, External
2:3:1	302-5	1	Fitting-Grease	5	324-10	4	Screw-HH
2:4	87-2420	1	Seal-Joint, Ball	6	114-8417	4	Nut-HF, NI
2:5	32151-104	1	Ring-Retaining, External	7	114-8419	6	Screw-HHF
3	115-2406	1	Upper RH Control Arm ASM	8	99-5107	8	Nut-Lock
3:2	87-1450	2	Bushing-Flange	9	325-17	2	Screw-HH
3:3	115-2165	1	Ball Joint				



Rear Frame Assembly

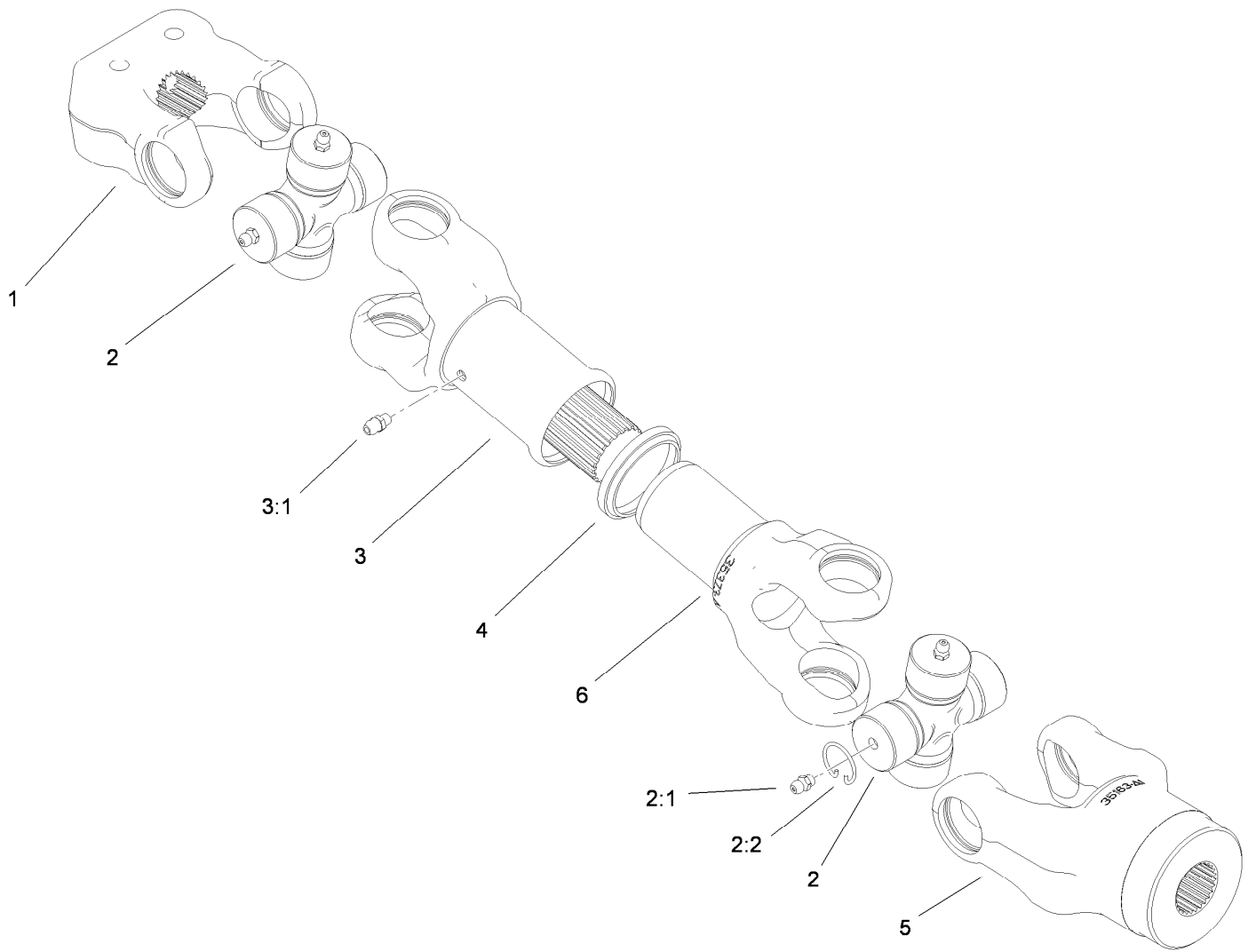
<i>Ref.</i>	<i>Part Number</i>	<i>Qty.</i>	<i>Description</i>	<i>Ref.</i>	<i>Part Number</i>	<i>Qty.</i>	<i>Description</i>
1	87-7480	8	Washer	12	87-4760	12	Bushing-Rubber
2	87-5330	2	Washer	13	87-1490	2	Spring-Leaf, Rear
3	115-7911	1	Rear Frame ASM	14	87-7470-03	2	Plate-Spring, Clamp
3:2	115-2047	2	Decal-Surface, Hot	15	3234-38	18	Screw-HHF
4	87-3600	2	Spacer-Absorber, Shock	16	87-3960	1	Mount-Spring, LH
5	3256-27	2	Washer-Flat	17	87-3940	1	Mount-Spring, RH
6	87-3920	8	Bushing	18	115-2398	8	Bolt-HH
7	87-3110	2	Absorber-Shock	19	87-3470	2	Bumper
8	3256-6	2	Washer-Flat	20	32148-9	4	Nut-Clinch
9	99-5107	20	Nut-Lock	21	104-8301	6	Nut-HF, NI
10	87-3980	4	Shackle ASM	23	114-8424	2	Screw-HH
11	103-9511	2	Nut-Flg	24	114-8417	2	Nut-HF, NI



Rear Axle Assembly

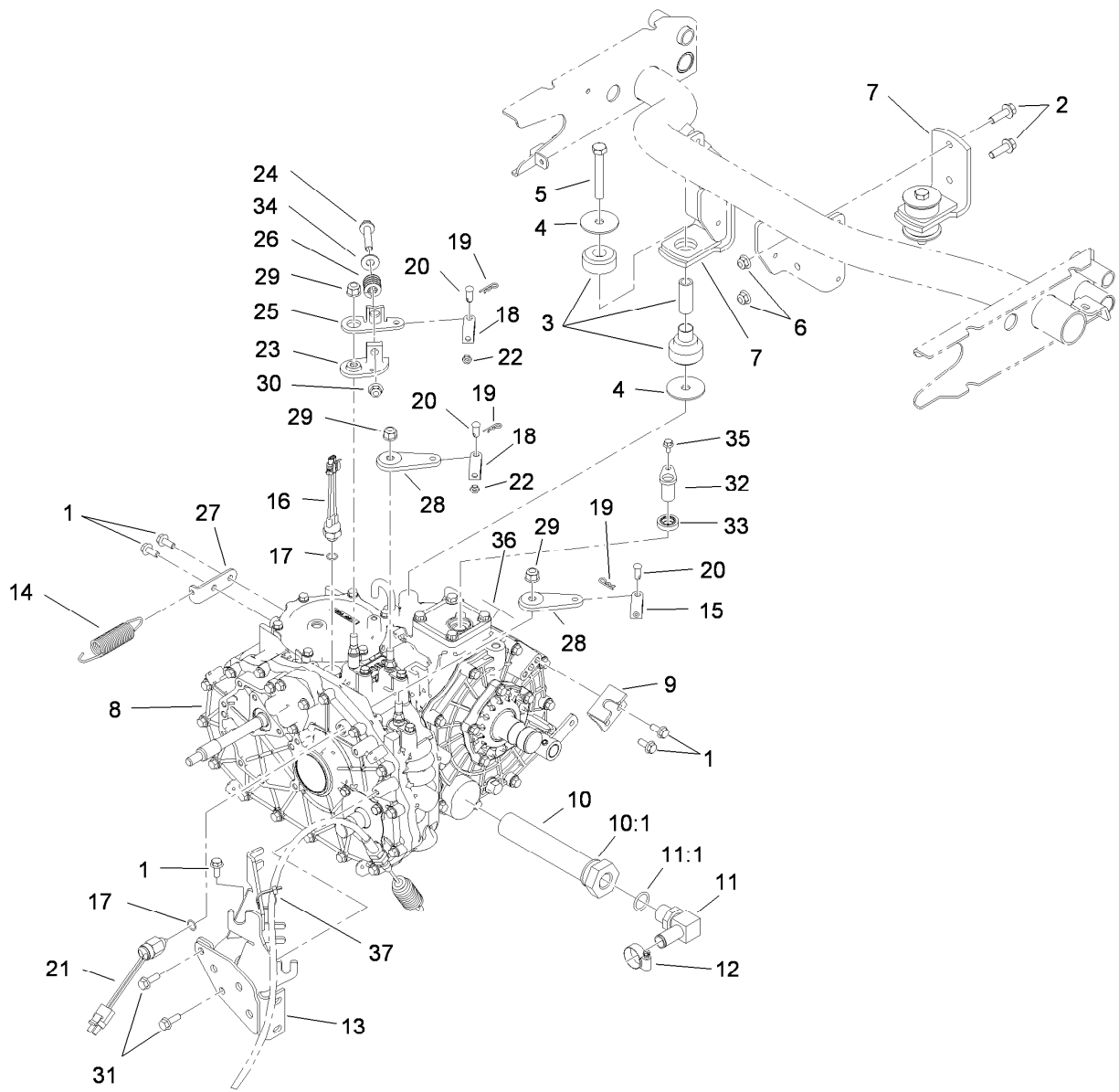
Ref.	Part Number	Qty.	Description	Ref.	Part Number	Qty.	Description
1	112-3188	1	Axle-Rear	10:2	114-8259	1	Wheel
2	112-3214	2	Wheel Hub ASM	10:3	232-27	1	Stem-Valve
2:1	114-8299	5	Stud-Wheel	11	242-50	10	Nut-Lug
3	114-8351	2	Rotor-Brake	12	114-8367	2	Driveshaft ASM
4	114-8359	1	Caliper-LH	13	104-8301	4	Nut-HF, NI
4:1	115-7846	1	Brake Pad Kit (T108)	14	98-2939	4	Screw-Cap
5	114-8360	1	Caliper-RH	15	80-6990	4	Washer-Hardened
5:1	115-7846	1	Brake Pad Kit (T108)	17	115-7742	1	Hitch ASM
6	114-8365	1	Caliper-Mechanical, LH	17:1	92-5951-03	1	Angle-Hitch
6:1	115-7847	1	Parking Brake Pad Kit	17:2	115-7740	1	Decal-Load, Towing
7	114-8366	1	Caliper-Mechanical, RH	21	3234-11	20	Screw-HHF
7:1	115-7847	1	Parking Brake Pad Kit	23	283-85	2	Pin-Clevis
8	115-2362-03	1	Bracket-Caliper, LH	24	104-6415	2	Spring-Return, Pedal
9	115-2359-03	1	Bracket-Caliper, RH	25	115-2164	2	Nut-Spindle
10		2	Tire And Wheel ASM ●	26	115-7771	2	Shaft-Splined
10:1	106-7868	1	Tire	27	104-0753	2	Nut-Flange

● Not serviced separately



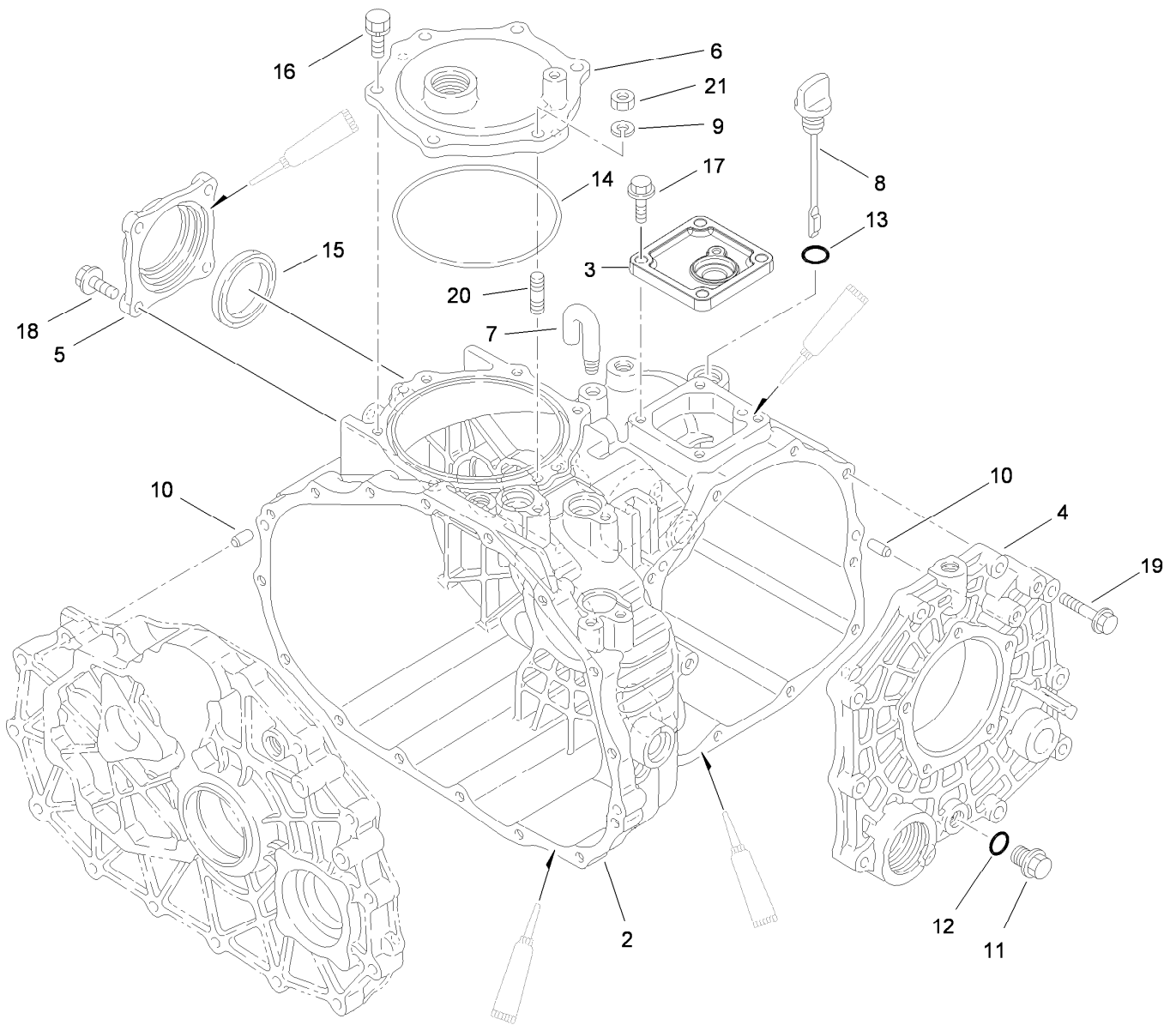
Driveshaft Assembly No. 114-8367

<i>Ref.</i>	<i>Part Number</i>	<i>Qty.</i>	<i>Description</i>
1	98-2940	1	Yoke
2	92-4187	2	Cross And Bearing Kit
2:1	302-58	4	Fitting-Straight
2:2	92-4188	4	Ring-Snap
3	92-4179	1	Yoke-Tube, Shaft And Seal
3:1	302-5	1	Fitting-Grease
4	92-4180	1	Seal
5	115-2351	1	Yoke
6	92-4182	1	Yoke-Telescoping



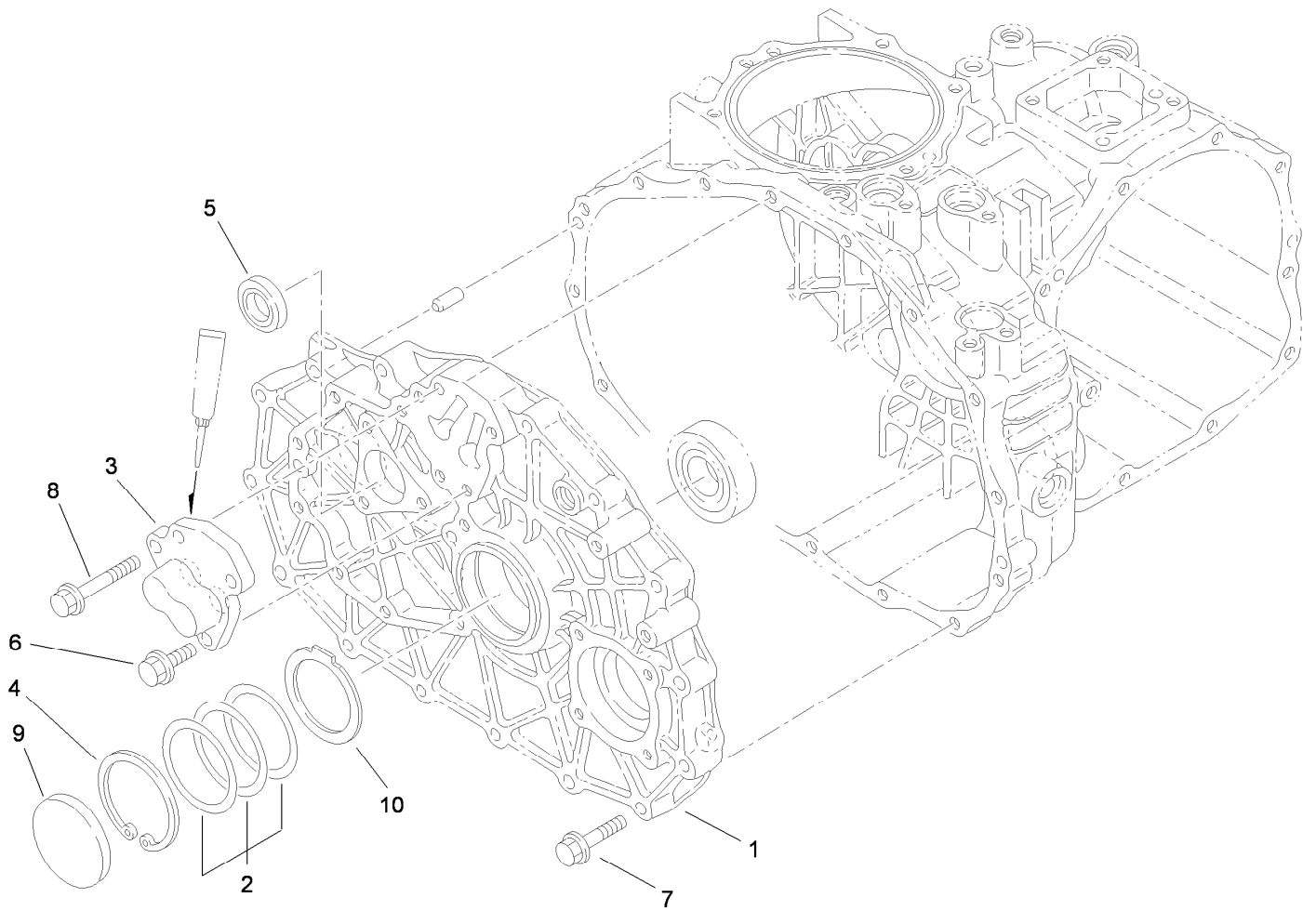
Transaxle Assembly

Ref.	Part Number	Qty.	Description	Ref.	Part Number	Qty.	Description
1	98-7977	5	Screw-HHF	18	87-2310	2	Clevis-Cable
2	3234-24	4	Screw-HHF	19	3290-307	3	Pin-Cotter
3	106-7865	2	Mount-Engine	20	283-62	3	Pin-Clevis
4	87-5100	4	Washer-Snubbing	21	87-6710	1	Switch-Transmission
5	33116-080	2	Screw-HH	22	3220-1	2	Nut-Jam
6	104-8301	4	Nut-HF, NI	23	87-7970	1	Arm-Shift
7	87-5800-03	2	Mount-Transaxle	24	66-9302	1	Screw-HHF Lock
8	115-7783	1	2 Wheel Drive Transaxle ASM	25	87-8250	1	Plate-Arm, Shift
9	87-4470	1	Bracket-Lock, Differential	26	87-6910	1	Spring-Compression
10	87-3990	1	Strainer-Transaxle	27	115-7714	1	Bracket-Spring
10:1	237-123	1	O-Ring	28	87-7960	2	Lever-Shift
11	353-987	1	Fitting-Elbow, 90	29	103-9511	3	Nut-Flg
11:1	237-81	1	O-Ring	30	3290-357	1	Nut-HSF
12	2412-129	1	Clamp-Hose	31	33104-025	2	Screw-HHF
13	105-4207-03	1	Mount-Cable	32	85-4350	1	Sensor-Geartooth
14	68-9950	1	Spring-Traction	33	92-3735	1	Seal-Sensor, Oil
15	87-7160	1	Clevis-Cable	34	3256-4	1	Washer-Flat
16	72-4310	1	Switch-Ball	35	33103-012	1	Screw-HHF
17	237-30	2	O-Ring	36	115-7741	1	Decal-Oil, Transmission
				37	3290-379	1	Tie-Cable



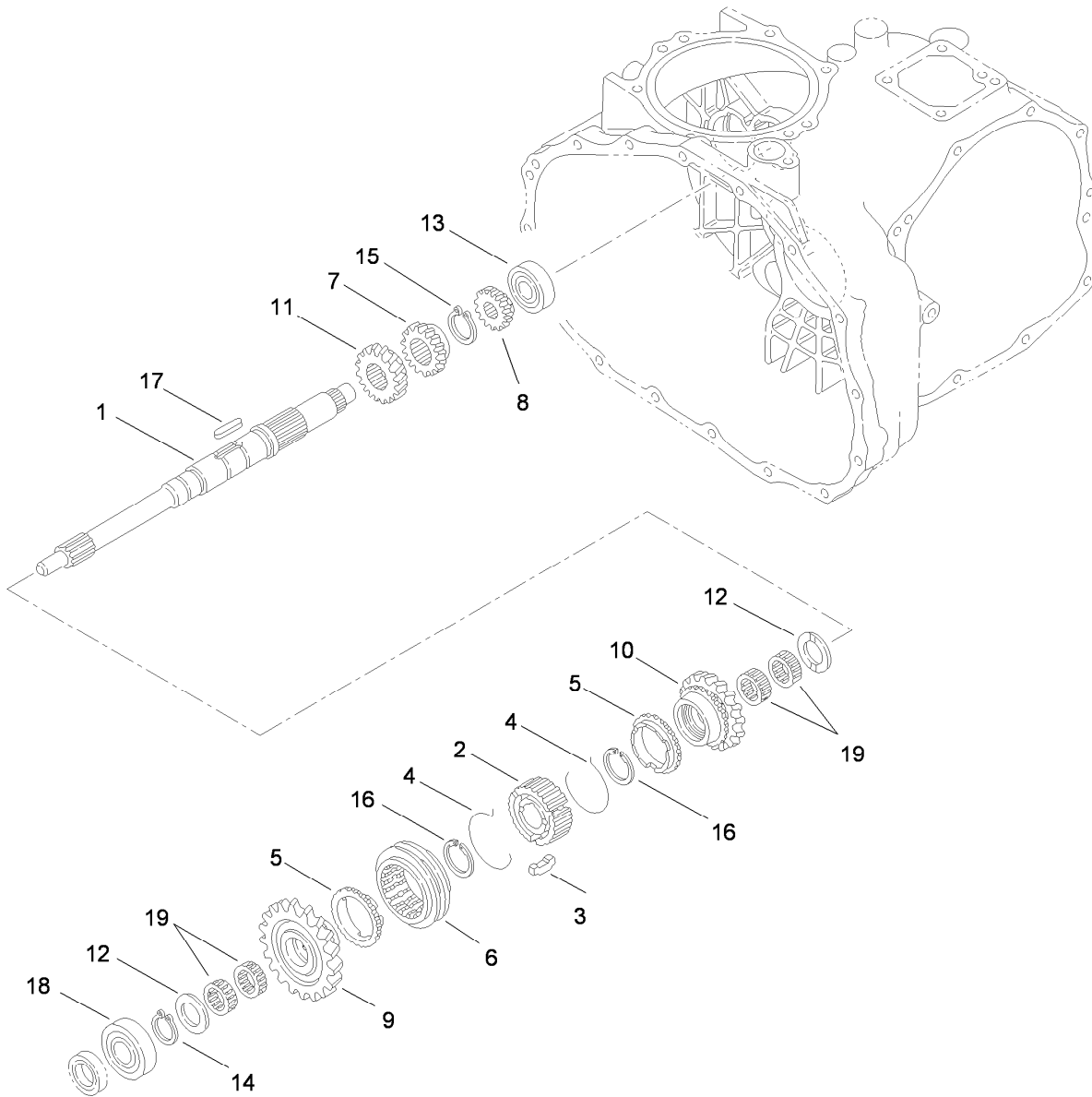
Case Assembly Transaxle Assembly No. 115-7783

<i>Ref.</i>	<i>Part Number</i>	<i>Qty.</i>	<i>Description</i>	<i>Ref.</i>	<i>Part Number</i>	<i>Qty.</i>	<i>Description</i>
2	92-0651	1	Case-Transmission	12	92-0787	1	O-Ring
3	92-0810	1	Cover-Upper, Sensor	13	92-0788	1	O-Ring
4	92-0653	1	Cover-Side	14	92-0790	1	O-Ring
5	92-0655	1	Cover-Seal, Axle	15	92-0793	1	Seal-Oil
6	92-0656	1	Cover-Upper, PTO	16	92-0796	5	Bolt
7	92-0743	1	Breather-Air	17	33104-025	4	Screw-HHF
8	92-0662	1	Cap-Oil	18	33104-025	4	Screw-HHF
9	92-0762	1	Washer-Spring	19	33104-040	10	Screw-HHF
10	92-0765	4	Pin-Parallel	20	92-0805	1	Bolt 8X20
11	92-0773	1	Plug-Drain	21	68-9400	1	Nut-Flange



Center Plate Assembly Transaxle Assembly No. 115-7783

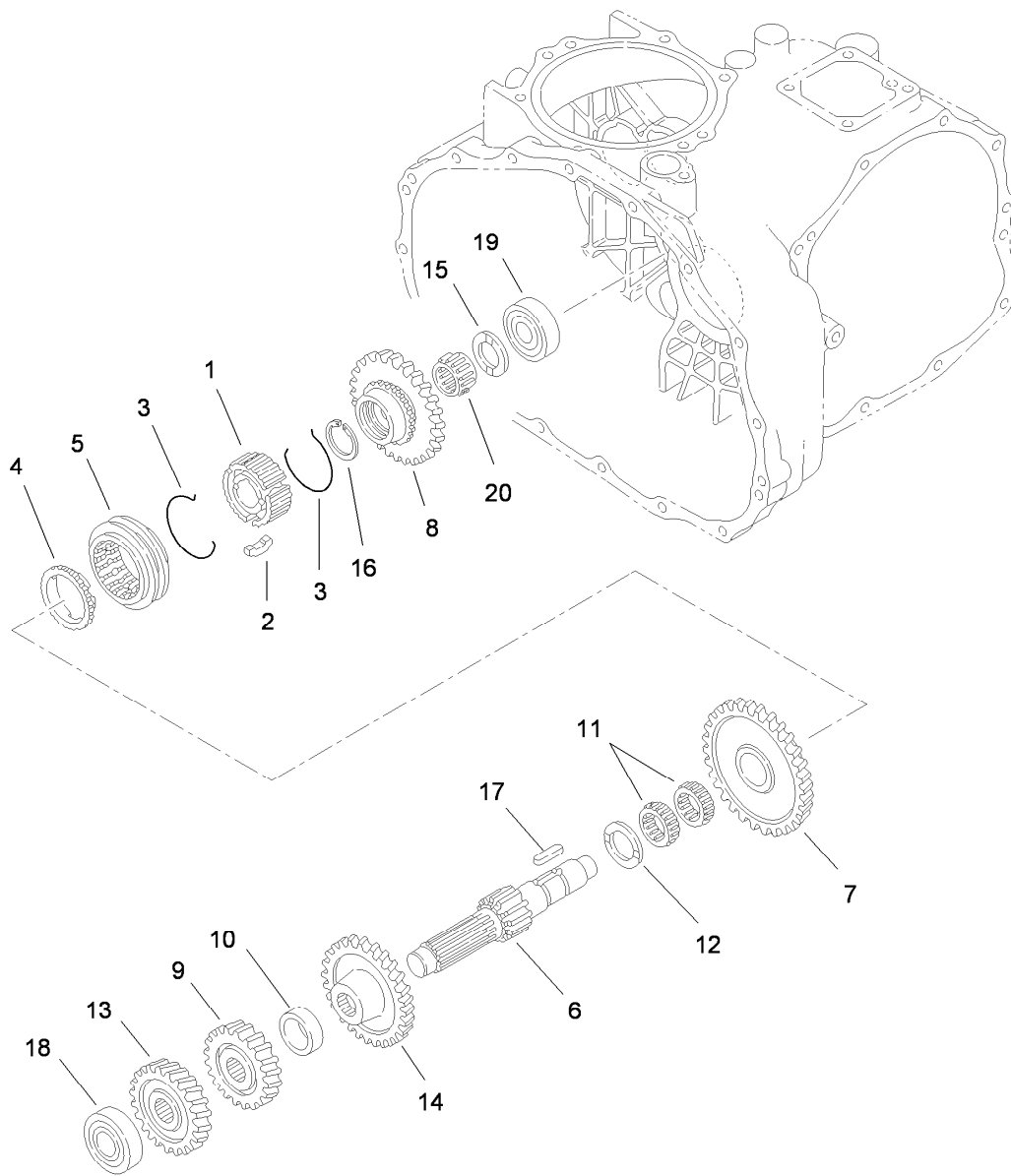
<i>Ref.</i>	<i>Part Number</i>	<i>Qty.</i>	<i>Description</i>
1	100-4461	1	Plate-Center
2	100-4460	1	Shim-Set
3	92-0706	1	Shaft-Fork
4	92-0759	1	Ring-Snap
5	92-0791	1	Seal-Oil
6	33104-025	3	Screw-HHF
7	33104-040	15	Screw-HHF
8	33104-050	1	Screw-HHF
9	92-0807	1	Cap-Sealing
10	100-4465	1	Shim (W/Tab)



Main Shaft Assembly Transaxle Assembly No. 115-7783

<i>Ref.</i>	<i>Part Number</i>	<i>Qty.</i>	<i>Description</i>
1	92-0663	1	Shaft-Main
2	92-0664	1	Hub-Synchro
3	92-0665	3	Key-Synchro
4	92-0666	2	Spring-Synchro
5	92-0667	2	Ring-Synchro
6	92-0668	1	Shifter-Synchro
7	92-0672	1	Gear-Main, 18 Tooth
8	92-0673	1	Gear-Main, 14 Tooth
9	110-2521	1	Gear-Main, 27 Tooth
10	110-2522	1	Gear- Main, 24 Tooth

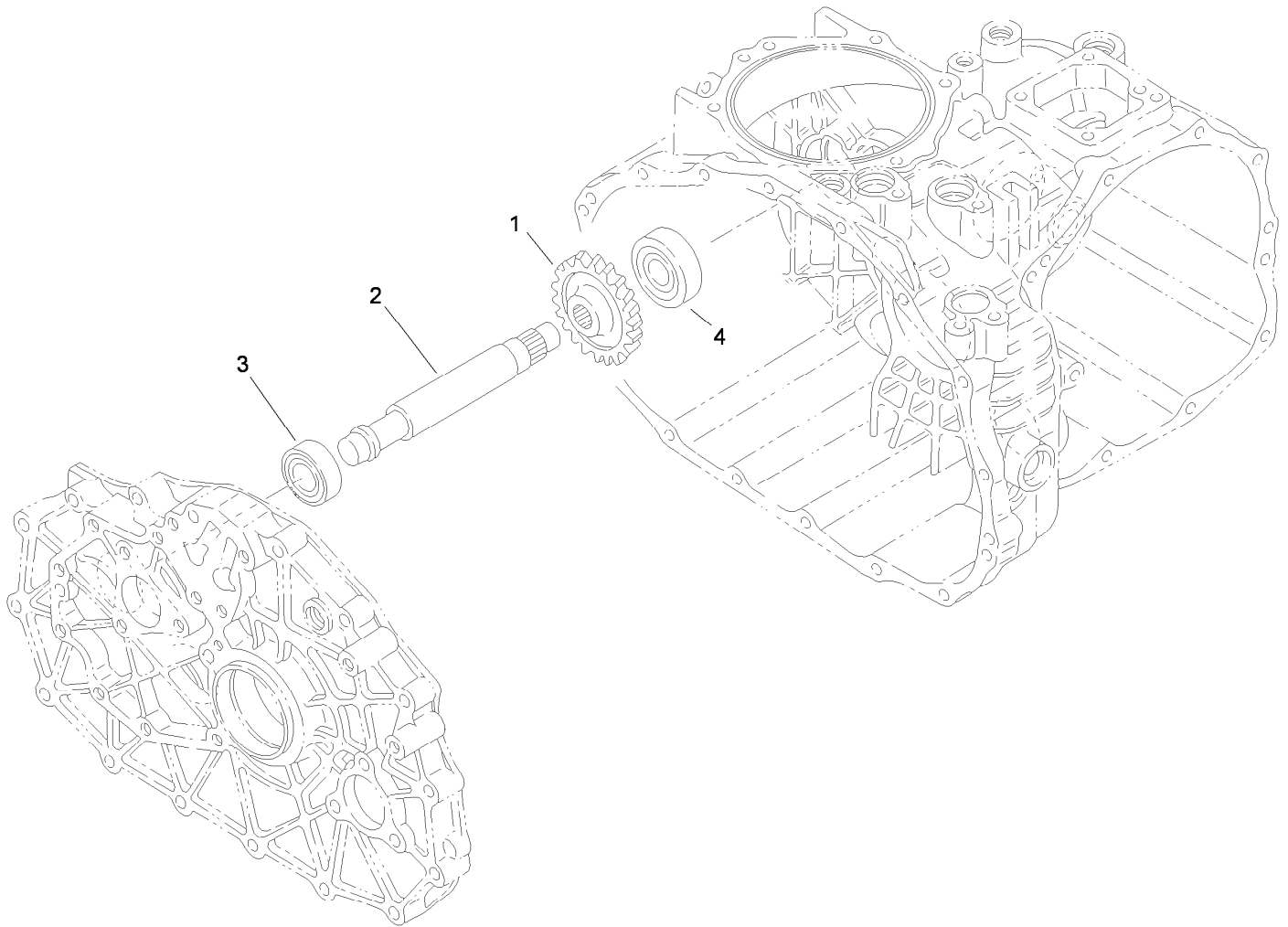
<i>Ref.</i>	<i>Part Number</i>	<i>Qty.</i>	<i>Description</i>
11	92-0687	1	Gear-Main, 16 Tooth
12	92-0740	2	Washer-Thrust
13	92-0650	1	Bearing
14	92-0753	1	Ring-Snap
15	92-0754	1	Ring-Snap
16	92-0763	2	Ring-Snap
17	92-0772	1	Key
18	251-8	1	Bearing-Ball
19	92-0781	4	Bearing-Needle



Reduction Shaft Assembly Transaxle Assembly No. 115-7783

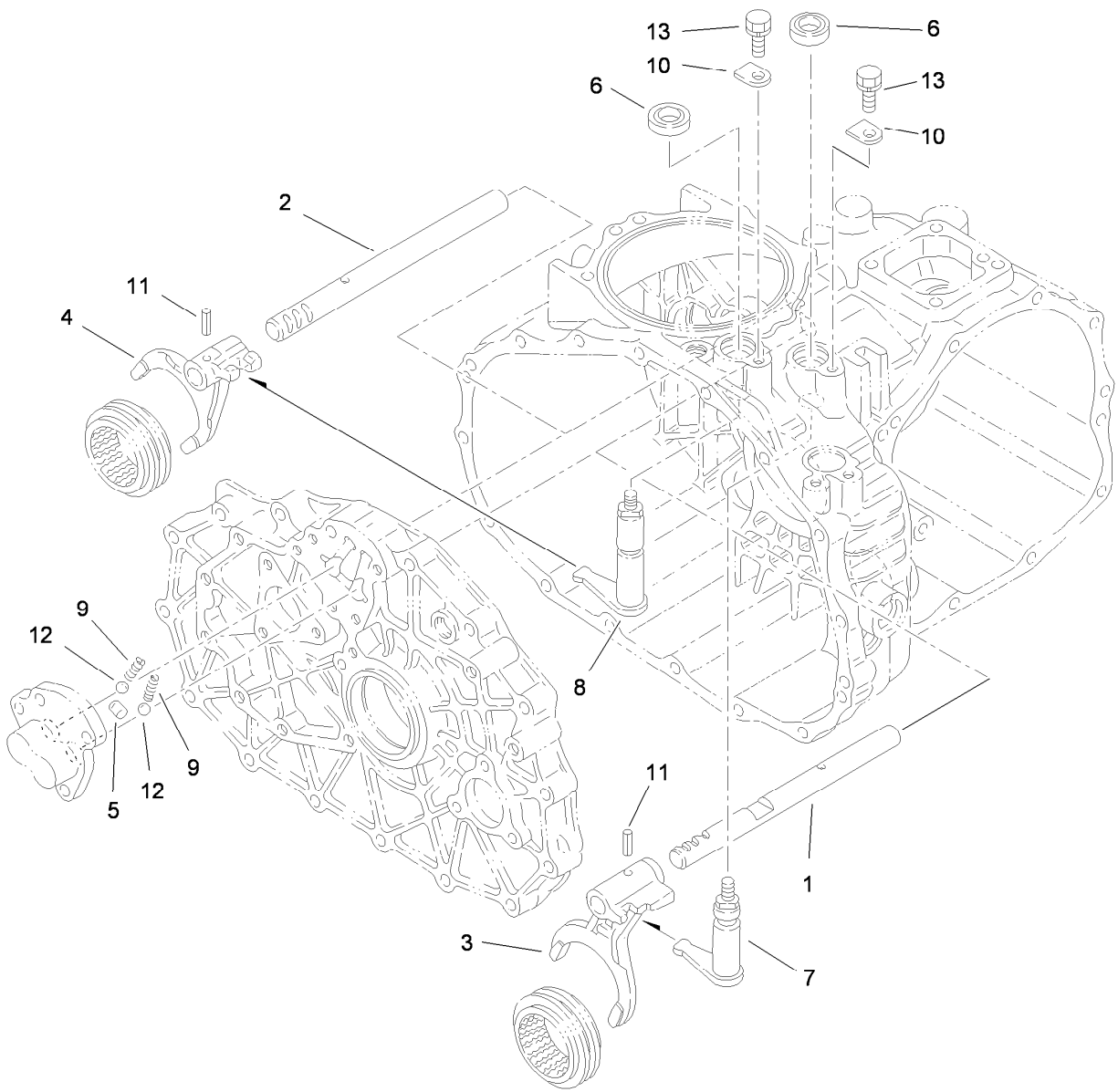
<i>Ref.</i>	<i>Part Number</i>	<i>Qty.</i>	<i>Description</i>
1	92-0664	1	Hub-Synchro
2	92-0665	3	Key-Synchro
3	92-0666	2	Spring-Synchro
4	92-0667	1	Ring-Synchro
5	92-0668	1	Shifter-Synchro
6	92-0674	1	Shaft-Reduction
7	110-2524	1	Gear- Reduction, 49 Tooth
8	92-0819	1	Gear-Reduction, 40 Tooth
9	92-0769	1	Pin-Roll
10	92-0680	1	Collar

<i>Ref.</i>	<i>Part Number</i>	<i>Qty.</i>	<i>Description</i>
11	92-0681	2	Bearing-Needle
12	92-0682	1	Washer-Thrust
13	92-0822	1	Gear-Reduction, 28 Tooth
14	92-0823	1	Gear-Reduction, 43 Tooth
15	92-0740	1	Washer-Thrust
16	92-0673	1	Gear-Main, 14 Tooth
17	92-0772	1	Key
18	105-7985	1	Bearing
19	92-0778	1	Bearing
20	92-0782	1	Bearing-Needle



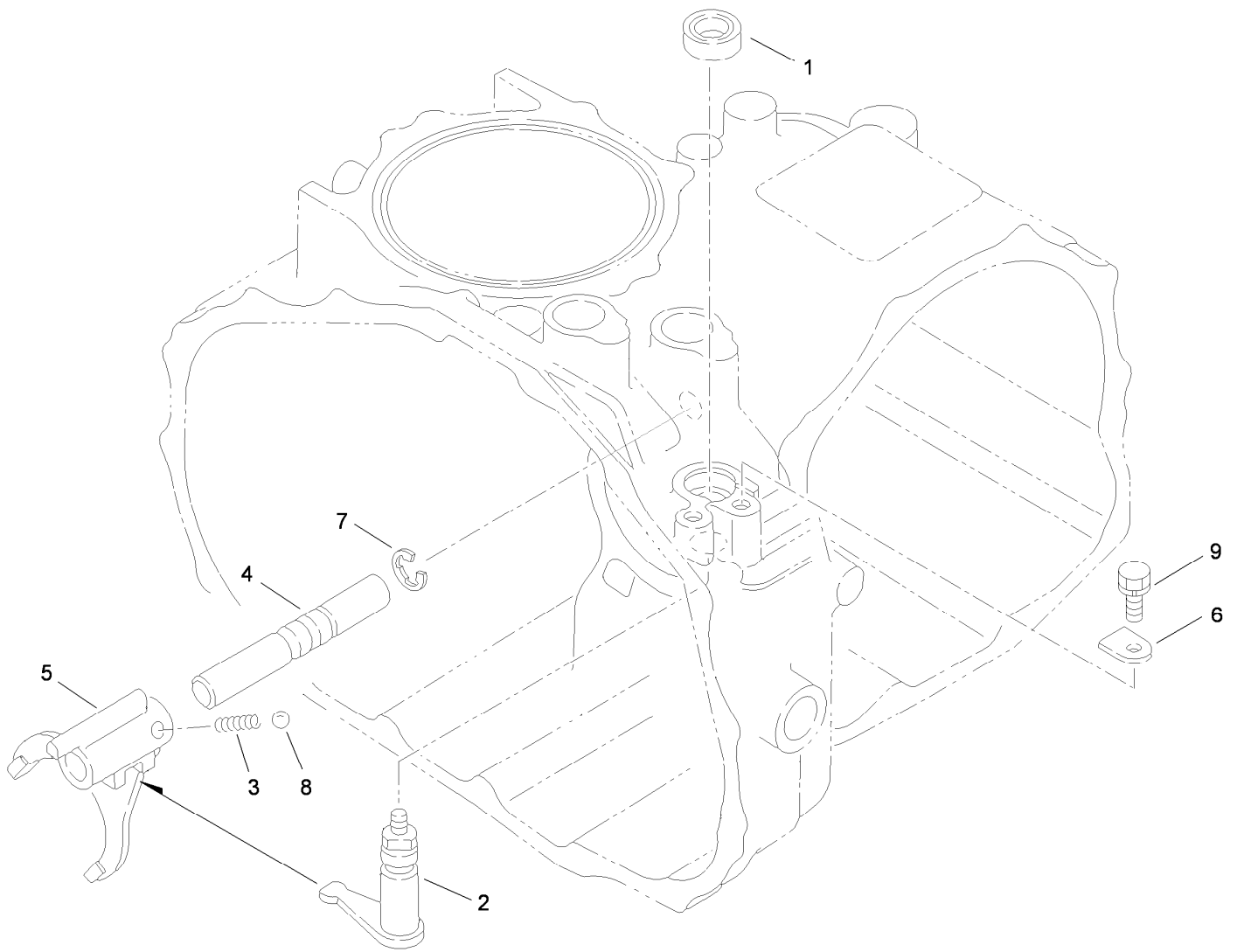
Reverse Shaft Assembly Transaxle Assembly No. 115-7783

<i>Ref.</i>	<i>Part Number</i>	<i>Qty.</i>	<i>Description</i>
1	92-0684	1	Gear-Reverse, 33 Tooth
2	92-0824	1	Shaft-Idler, Reverse
3	251-346	1	Bearing-Ball
4	92-0778	1	Bearing



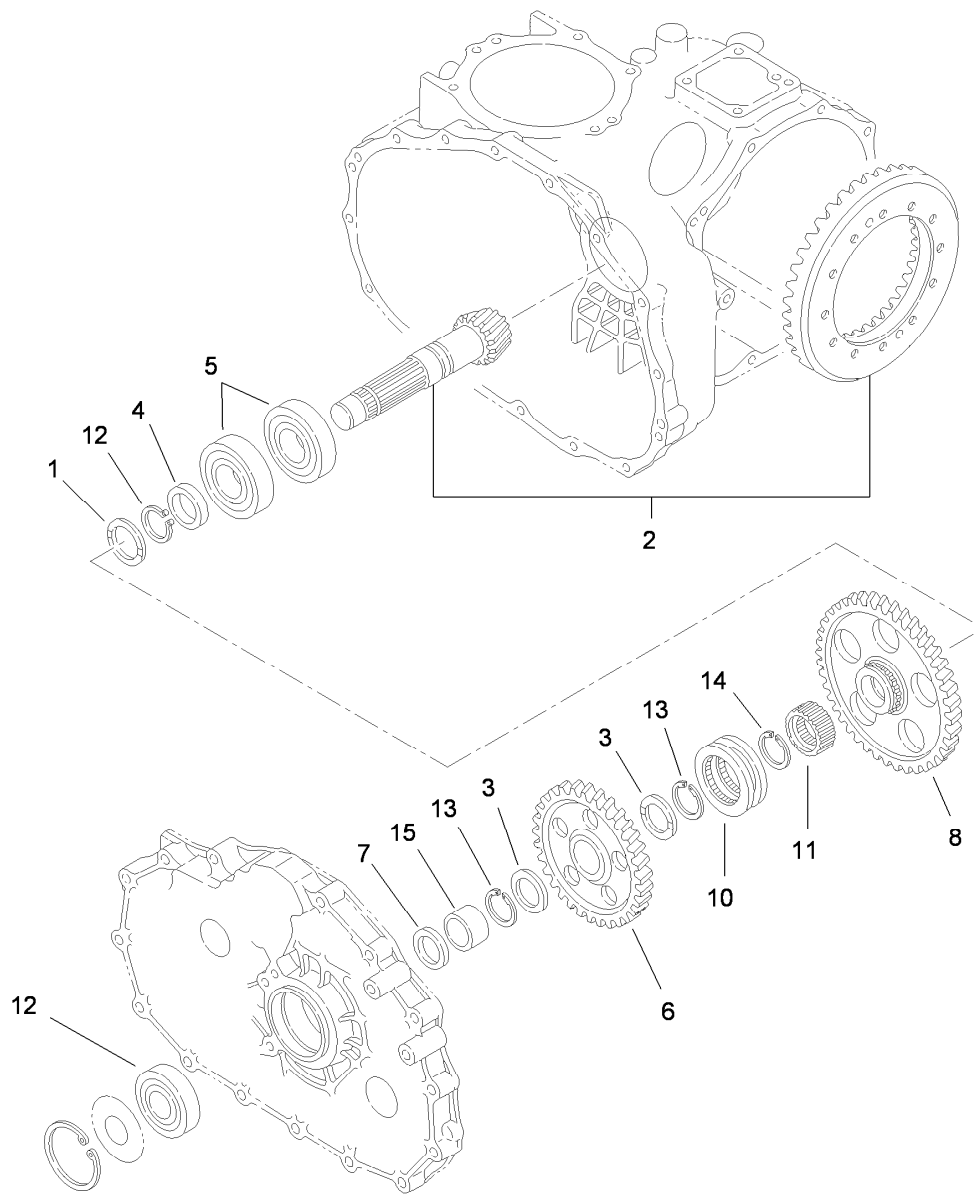
Main Shift Assembly Transaxle Assembly No. 115-7783

<i>Ref.</i>	<i>Part Number</i>	<i>Qty.</i>	<i>Description</i>
1	92-0698	1	Shaft-Fork
2	92-0699	1	Shaft-Fork
3	92-0700	1	Fork-Shift
4	92-0701	1	Fork-Shift
5	92-0705	1	Lock-Spindle
6	92-0729	2	Seal-Oil
7	92-0816	1	Arm-Shift
8	92-0817	1	Arm-Shift
9	92-0731	2	Spring
10	92-0732	2	Plate-Keeper
11	92-0769	2	Pin-Roll
12	92-0785	2	Ball-Steel
13	33104-016	2	Screw-HHF



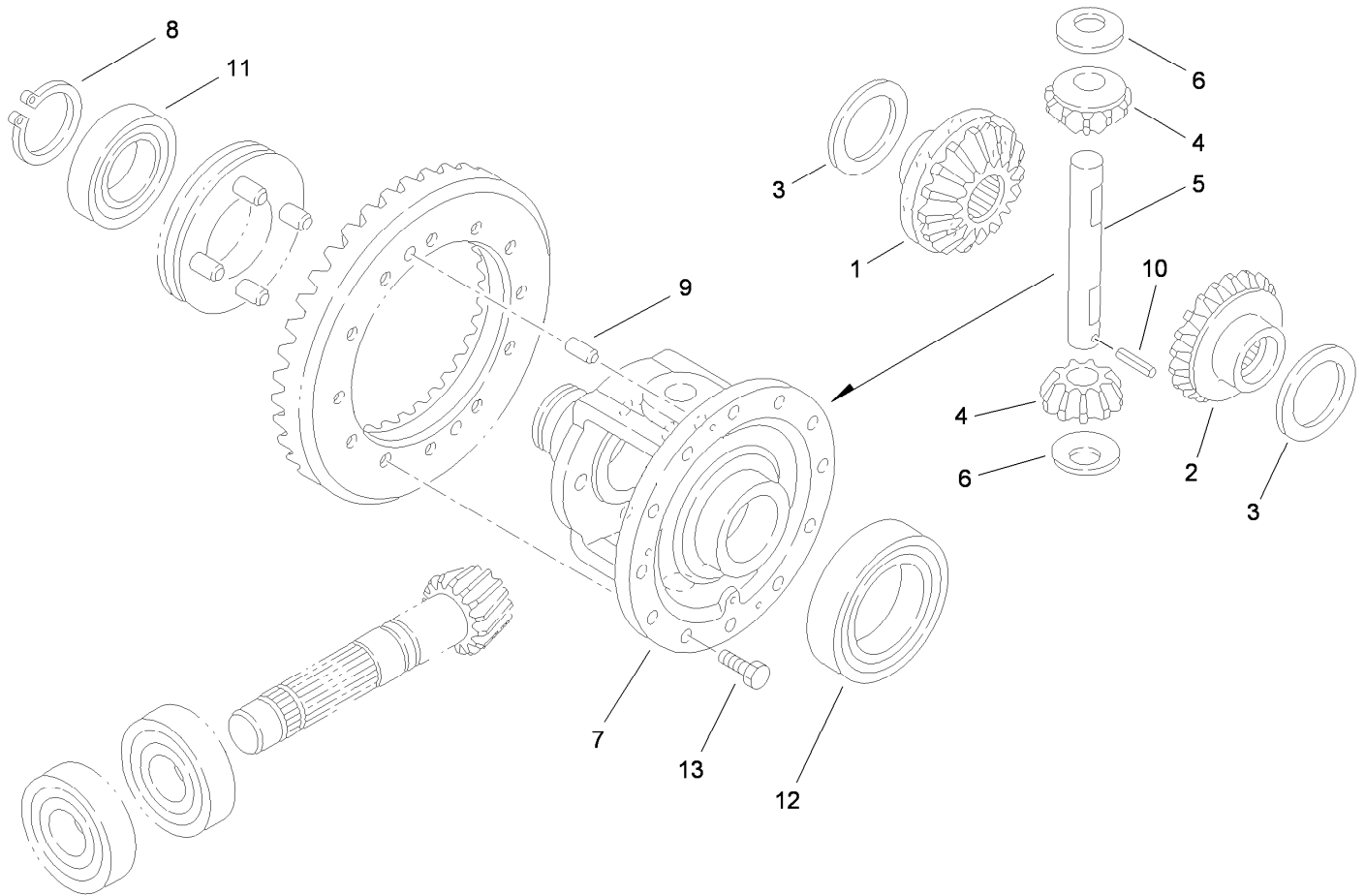
Hi-Lo Shift Assembly Transaxle Assembly No. 115-7783

<i>Ref.</i>	<i>Part Number</i>	<i>Qty.</i>	<i>Description</i>
1	92-0729	1	Seal-Oil
2	92-0818	1	Arm-Shift
3	92-0731	1	Spring
4	92-0708	1	Shaft-Fork
5	92-0709	1	Fork-Shift
6	92-0732	1	Plate-Keeper
7	92-0761	1	Ring-E
8	92-0785	1	Ball-Steel
9	33104-016	1	Screw-HHF



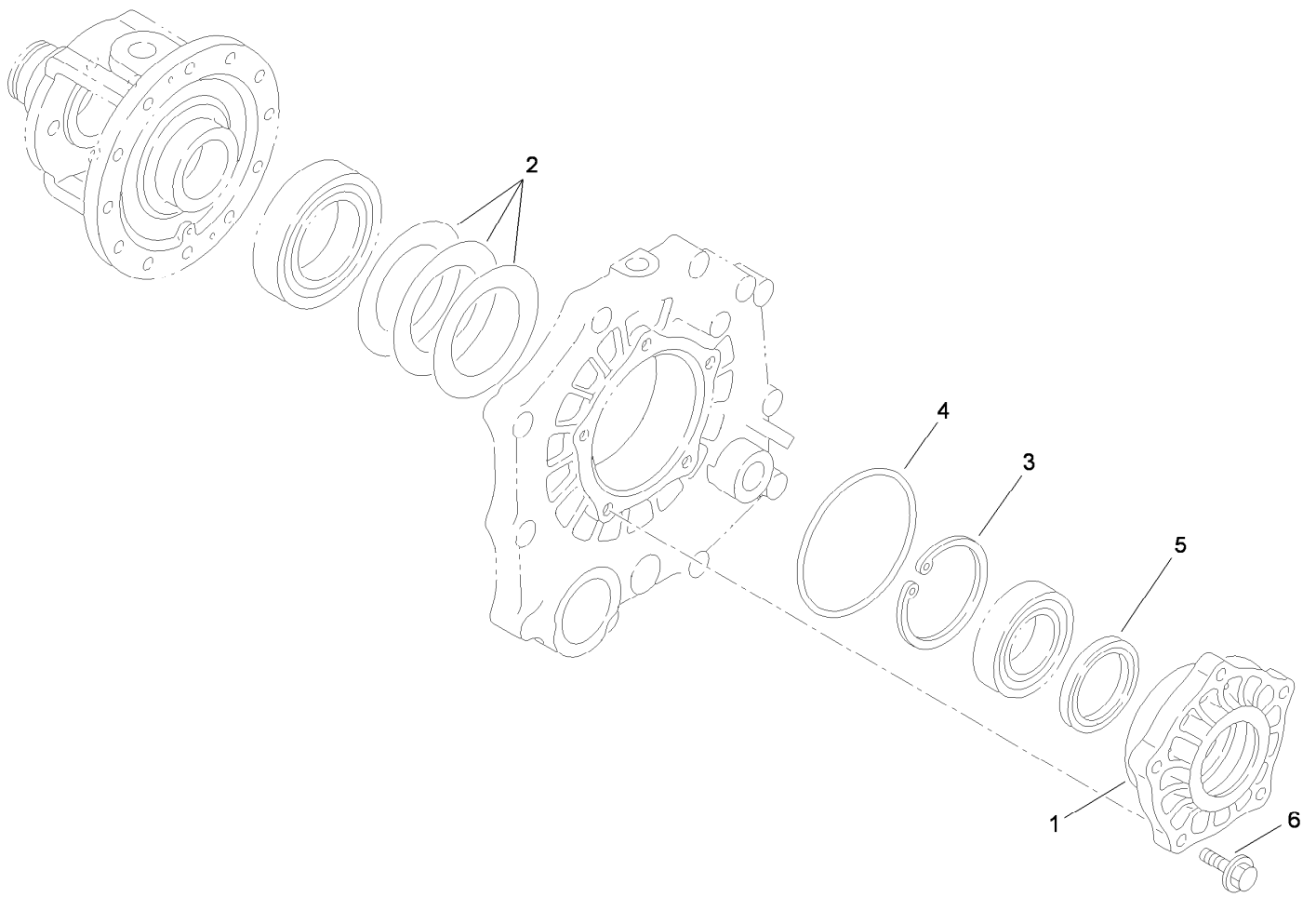
Countershaft Assembly Transaxle Assembly No. 115-7783

<i>Ref.</i>	<i>Part Number</i>	<i>Qty.</i>	<i>Description</i>
1	92-0741	1	Washer-Thrust
2	105-7983	1	Countershaft And Ring Gear ASM
3	92-0711	2	Washer-Thrust
4	92-0713	1	Collar
5	92-0714	2	Bearing
6	92-0715	1	Gear-Countershaft
7	92-0716	1	Collar
8	92-0717	1	Gear-Countershaft
10	92-0718	1	Shifter
11	105-7986	1	Collar-Spline
12	92-0712	1	Bearing-Ball
13	105-7987	2	Ring-Snap
14	92-0755	1	Ring-Snap
15	92-0783	1	Race-Inner



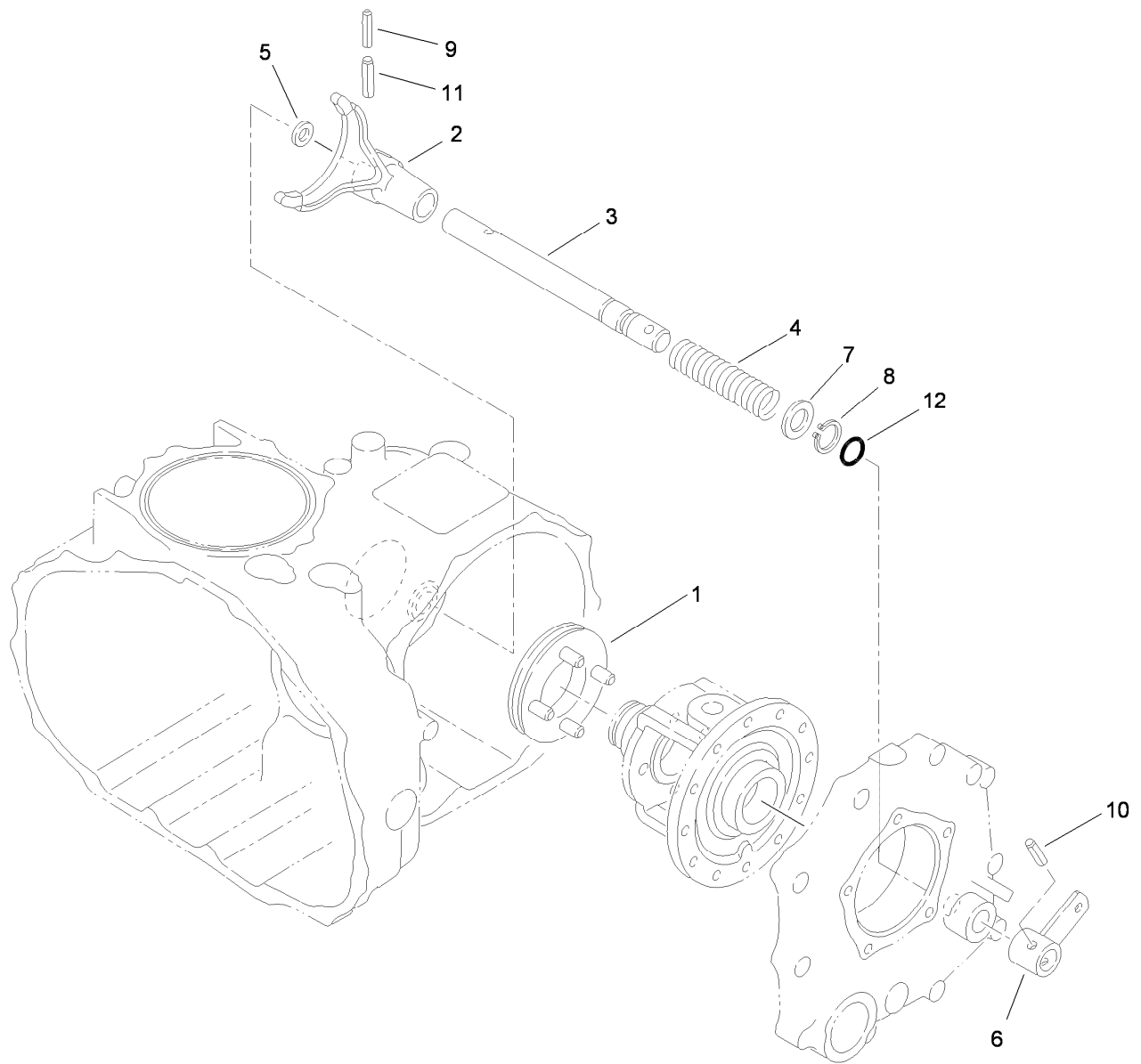
Differential Gear Assembly Transaxle Assembly No. 115-7783

<i>Ref.</i>	<i>Part Number</i>	<i>Qty.</i>	<i>Description</i>
1	92-0745	1	Gear-Side, LH
2	92-0746	1	Gear-Side, RH
3	92-0747	2	Side-Gear, Left Inner
4	92-0748	2	Pinion-Differential
5	92-0749	1	Shaft-Pinion
6	92-0750	2	Washer
7	92-0720	1	Case-Differential
8	92-0756	1	Ring-Snap
9	92-0765	2	Pin-Parallel
10	92-0768	1	Pin-Roll, Spring
11	92-0775	1	Bearing
12	92-0776	1	Bearing
13	92-0803	12	Bolt



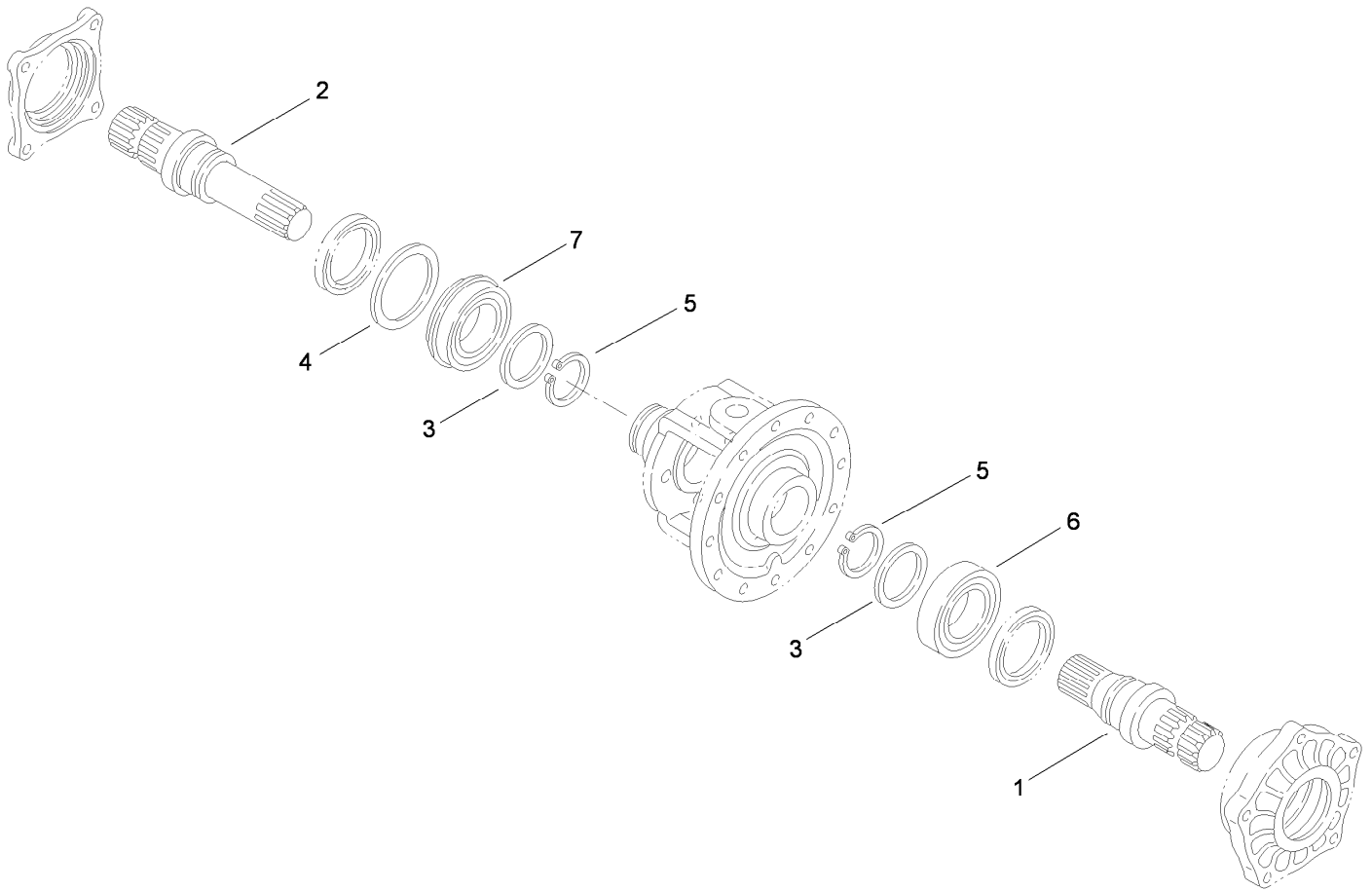
Differential Carrier Assembly Transaxle Assembly No. 115-7783

<i>Ref.</i>	<i>Part Number</i>	<i>Qty.</i>	<i>Description</i>
1	92-0654	1	Carrier-Differential
2	92-0809	1	Set-Shim
3	92-0760	1	Ring-Snap
4	92-0789	1	O-Ring
5	92-0793	1	Seal-Oil
6	33104-030	5	Screw-HHF



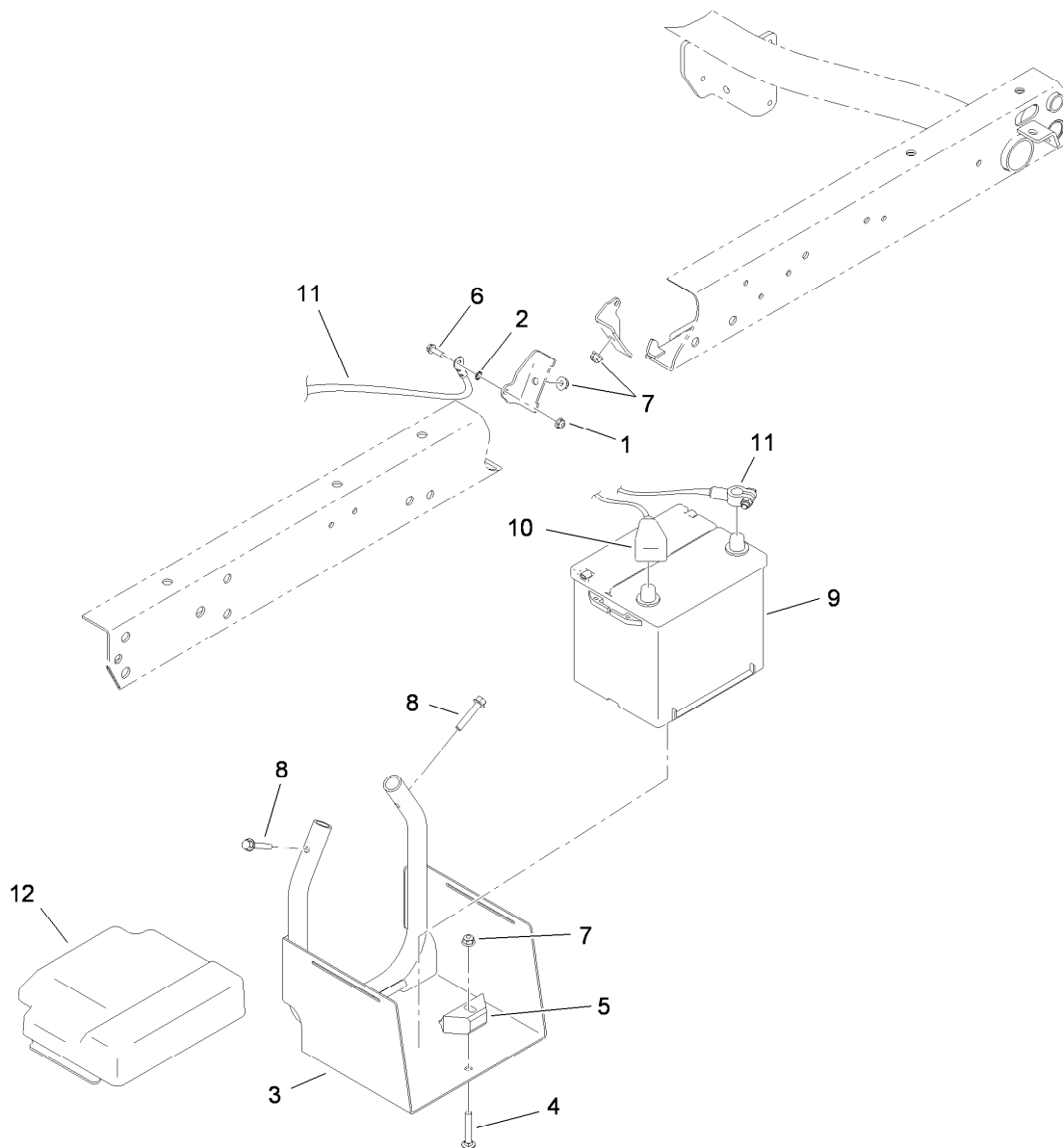
Differential Lock Assembly Transaxle Assembly No. 115-7783

<i>Ref.</i>	<i>Part Number</i>	<i>Qty.</i>	<i>Description</i>
1	92-0730	1	Slider-Differential, Lock
2	92-0721	1	Fork-Lock, Differential
3	92-0722	1	Shaft-Fork, Lock Differential
4	92-0723	1	Spring-Lock, Differential
5	92-0744	1	Washer
6	92-0724	1	Arm-Lock, Differential
7	92-0733	1	Washer
8	92-0753	1	Ring-Snap
9	92-0768	1	Pin-Roll, Spring
10	92-0770	1	Pin-Roll, Spring
11	92-0771	1	Pin-Roll, Spring
12	92-0787	1	O-Ring



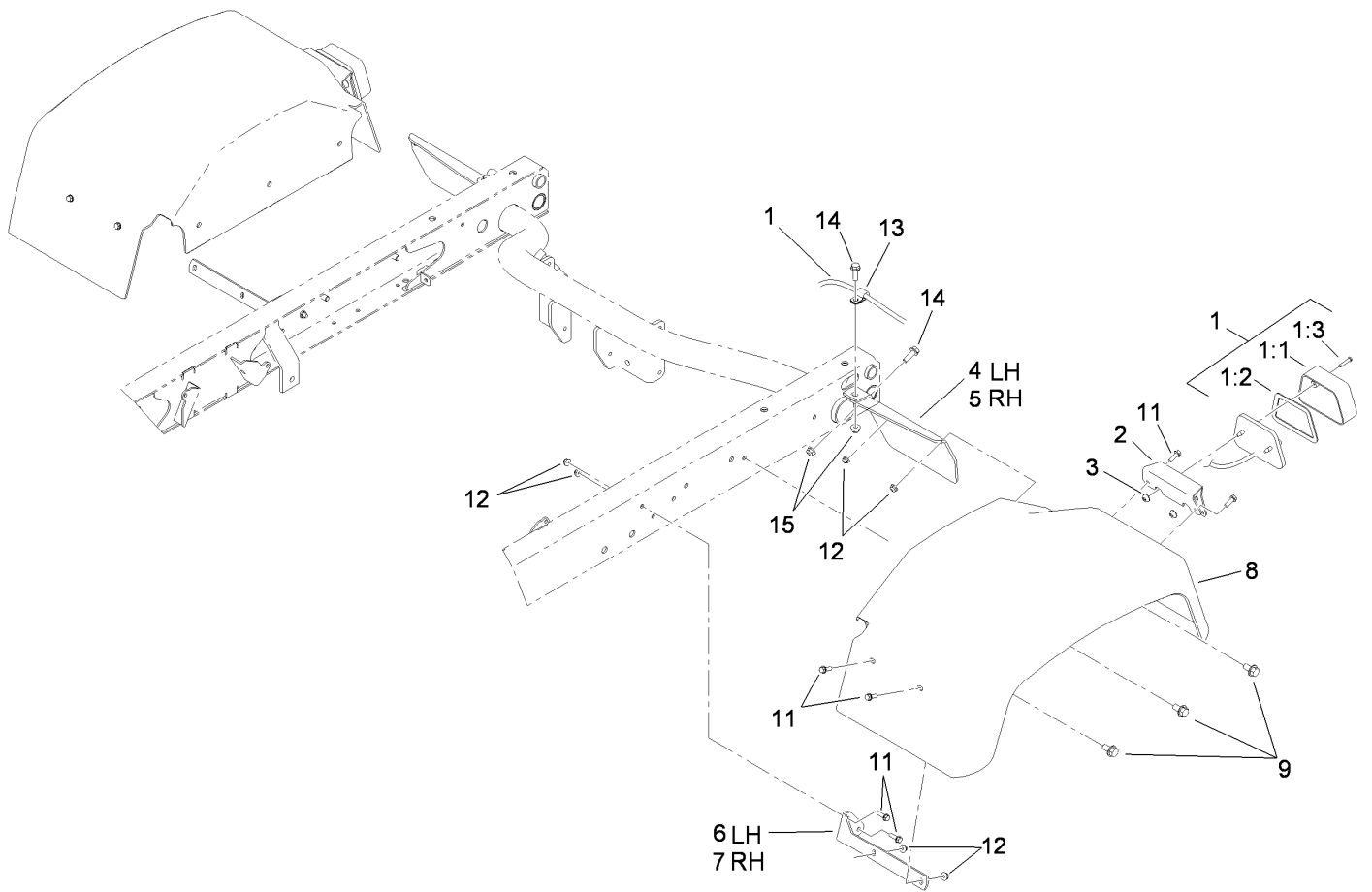
Axle Shaft Assembly Transaxle Assembly No. 115-7783

<i>Ref.</i>	<i>Part Number</i>	<i>Qty.</i>	<i>Description</i>
1	92-0725	1	Shaft-Axle, Left
2	92-0726	1	Shaft-Axle, Right
3	92-0727	2	Washer
4	92-0728	1	Washer
5	92-0756	2	Ring-Snap
6	92-0775	1	Bearing
7	92-0780	1	Bearing



Battery Assembly

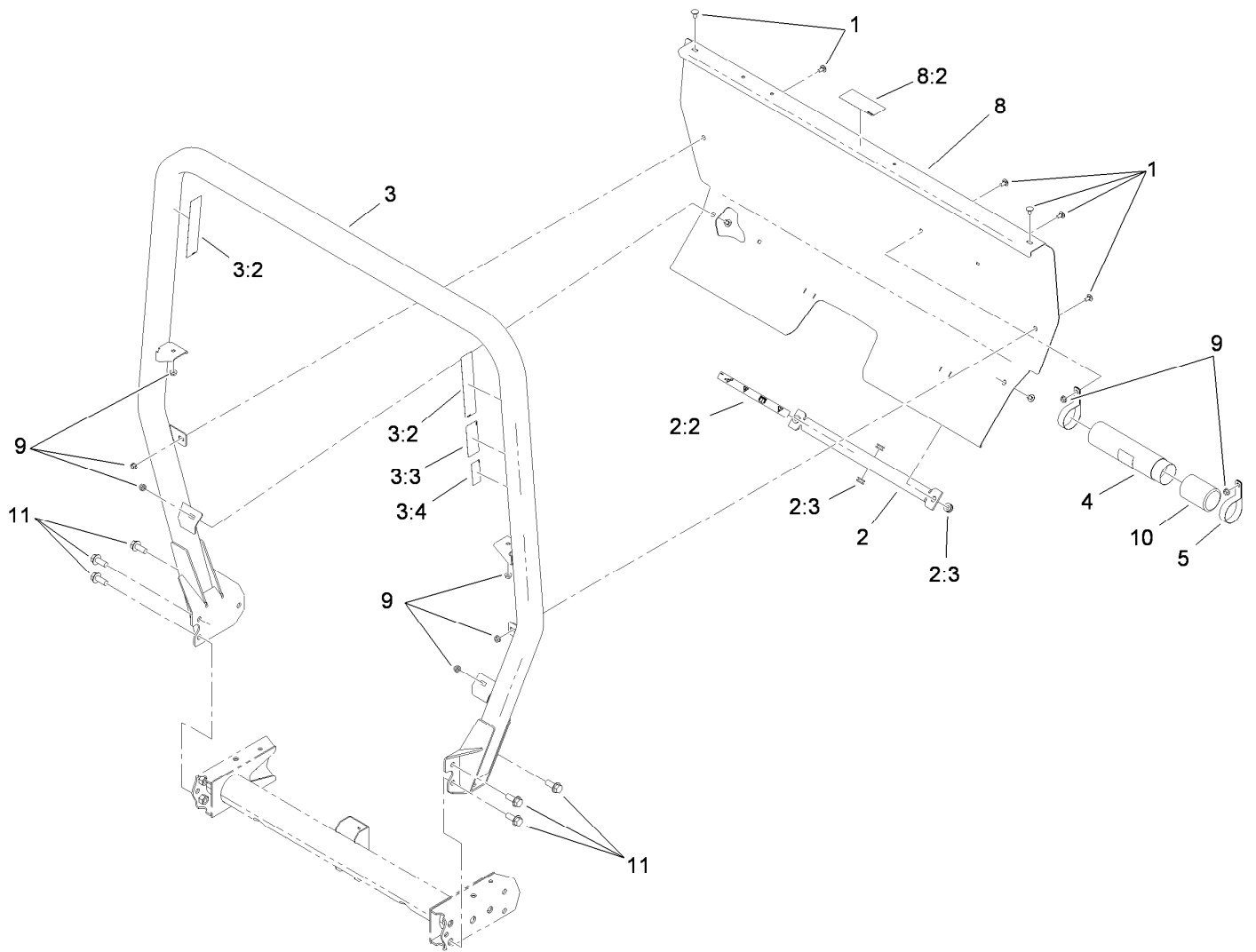
<i>Ref.</i>	<i>Part Number</i>	<i>Qty.</i>	<i>Description</i>
1	104-7201	1	Nut-HF, NI
2	3255-8	1	Washer-Lock
3	115-2237-03	1	Tray-Battery
4	3230-6	1	Bolt-CARR
5	66-2490	1	Retainer-Battery
6	32105-15	1	Screw-HWH
7	104-8300	3	Nut-HF, NI
8	94-5780	2	Screw-HWH
9	106-5187	1	Battery- Dry, 12V, 525 CCA
10	87-8000	1	Cable-Battery, Positive
11	115-8112	1	Cable-Battery, Negative
12	115-2448	1	Cover-Battery



Tail Light and Fender Assembly

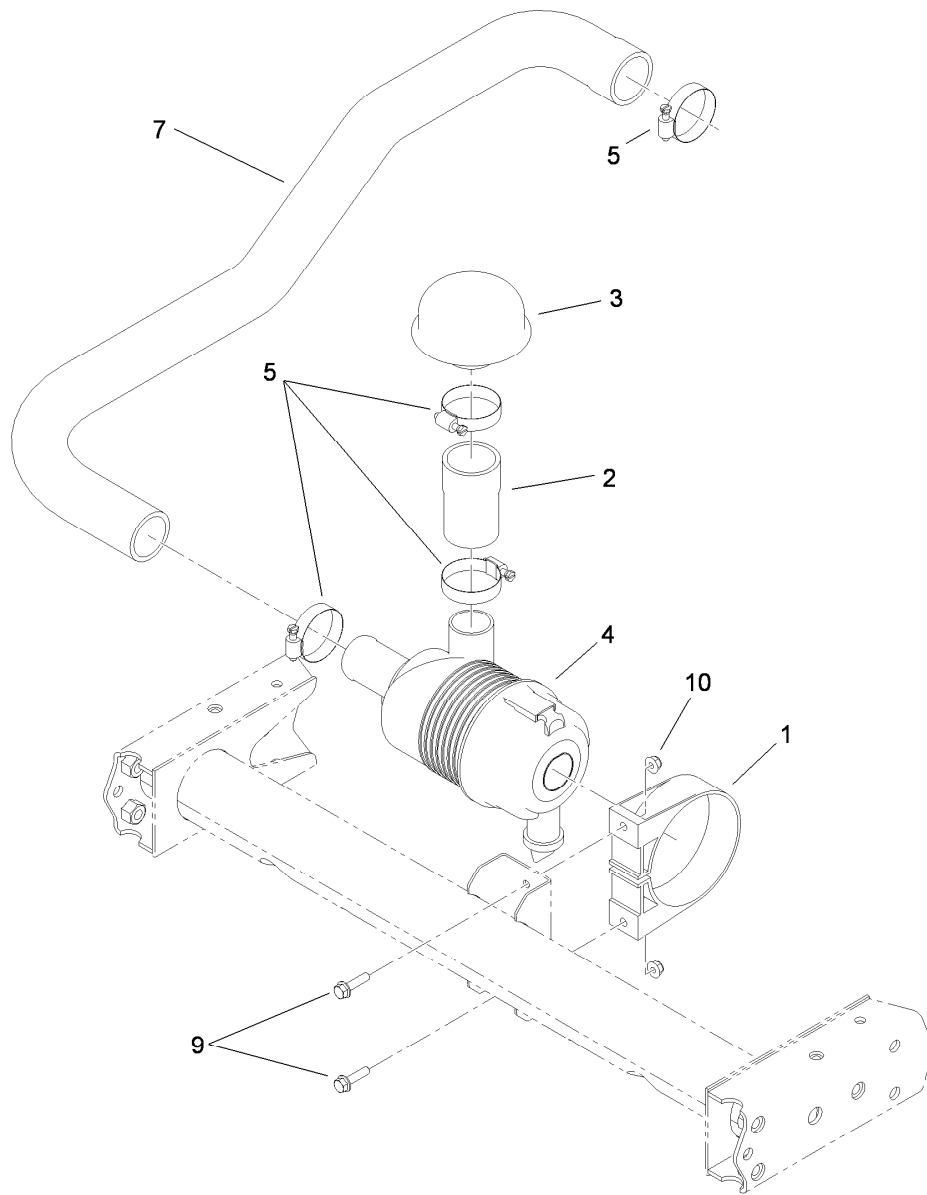
Ref.	Part Number	Qty.	Description
1	115-7745	2	Light-Tail, Brake
1:1	87-6300	1	Lens-Light, Tail
1:2	87-6310	1	Gasket-Light, Tail
1:3	32144-93	2	Screw-PPHTF
2	115-2289-03	2	Bracket-Light, Tail
3	3290-506	4	Palnut
4	93-8943-03	1	Bracket-Fender, Rear (LH)
5	93-8944-03	1	Bracket-Fender, Rear (RH)
6	93-8941-03	1	Bracket-Fender, Front (LH)

Ref.	Part Number	Qty.	Description
7	93-8942-03	1	Bracket-Fender, Front (RH)
8	87-6660	2	Fender-Rear
9	110-9380	6	Screw-HWH
11	32105-15	12	Screw-HWH
12	104-7201	12	Nut-HF, NI
13	2412-93	2	Clamp-R
14	3234-17	4	Screw-HHF
15	104-8300	4	Nut-HF, NI



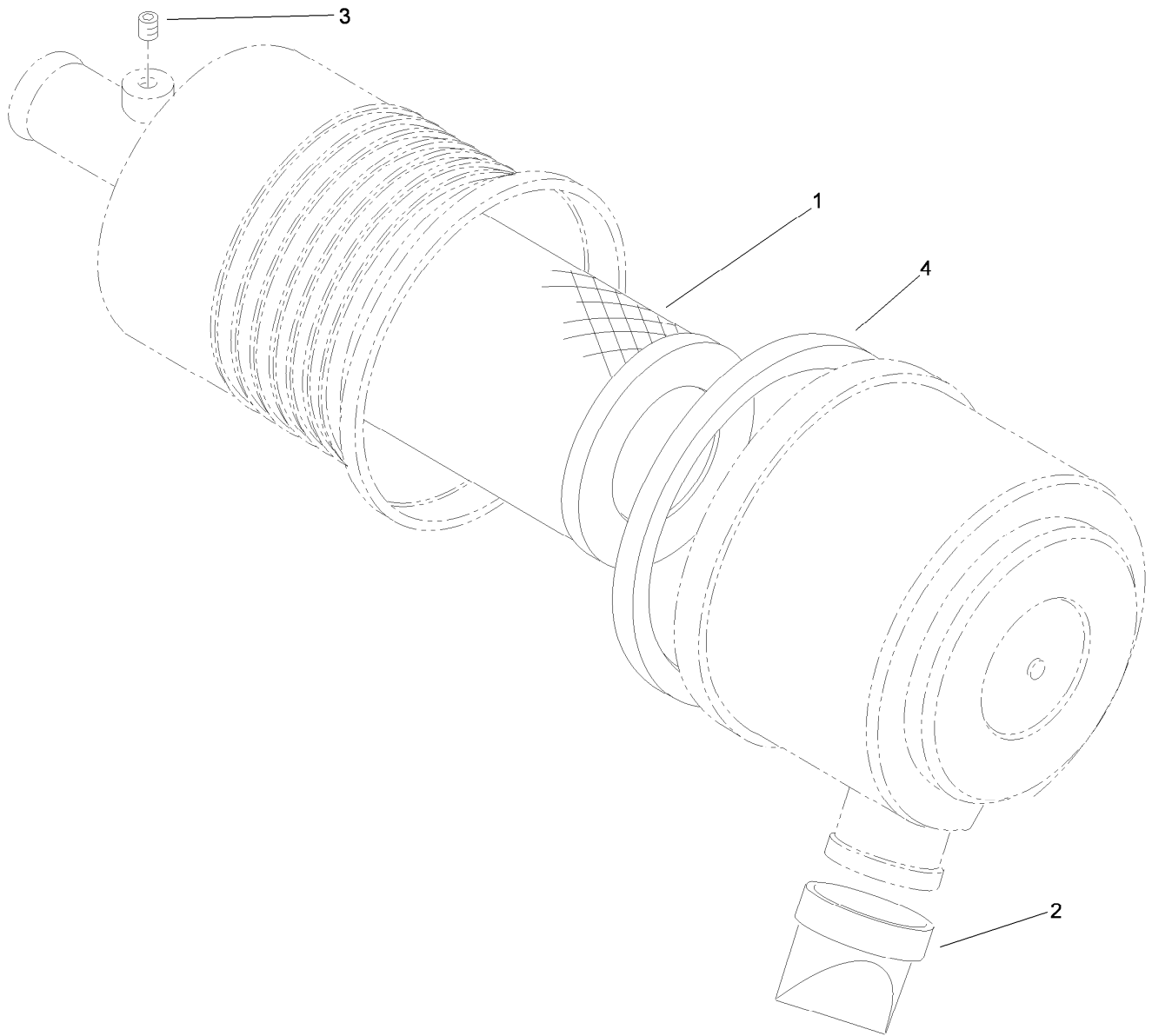
Roll-Over Protection System Assembly

Ref.	Part Number	Qty.	Description
1	3230-18	8	Screw-CARR
2	105-7960	1	Bed Support ASM
2:2	93-9852	1	Decal-Warning
2:3	92-5972	4	Grommet-Rubber
3	115-7910	1	ROPS ASM
3:2	106-7767	2	Decal-ROPS
3:3	93-9850	1	Decal-ROPS, CE
3:4	117-4969	1	Decal-ROPS, ISO
4	104-7050	1	Tube-Manual
5	2412-133	2	Clamp-R
8	115-2213	1	ROPS Cover ASM
8:2	105-4215	1	Decal-Caution
9	32128-20	8	Nut-HF
10	104-7048	1	Cap-Housing
11	3234-38	6	Screw-HHF



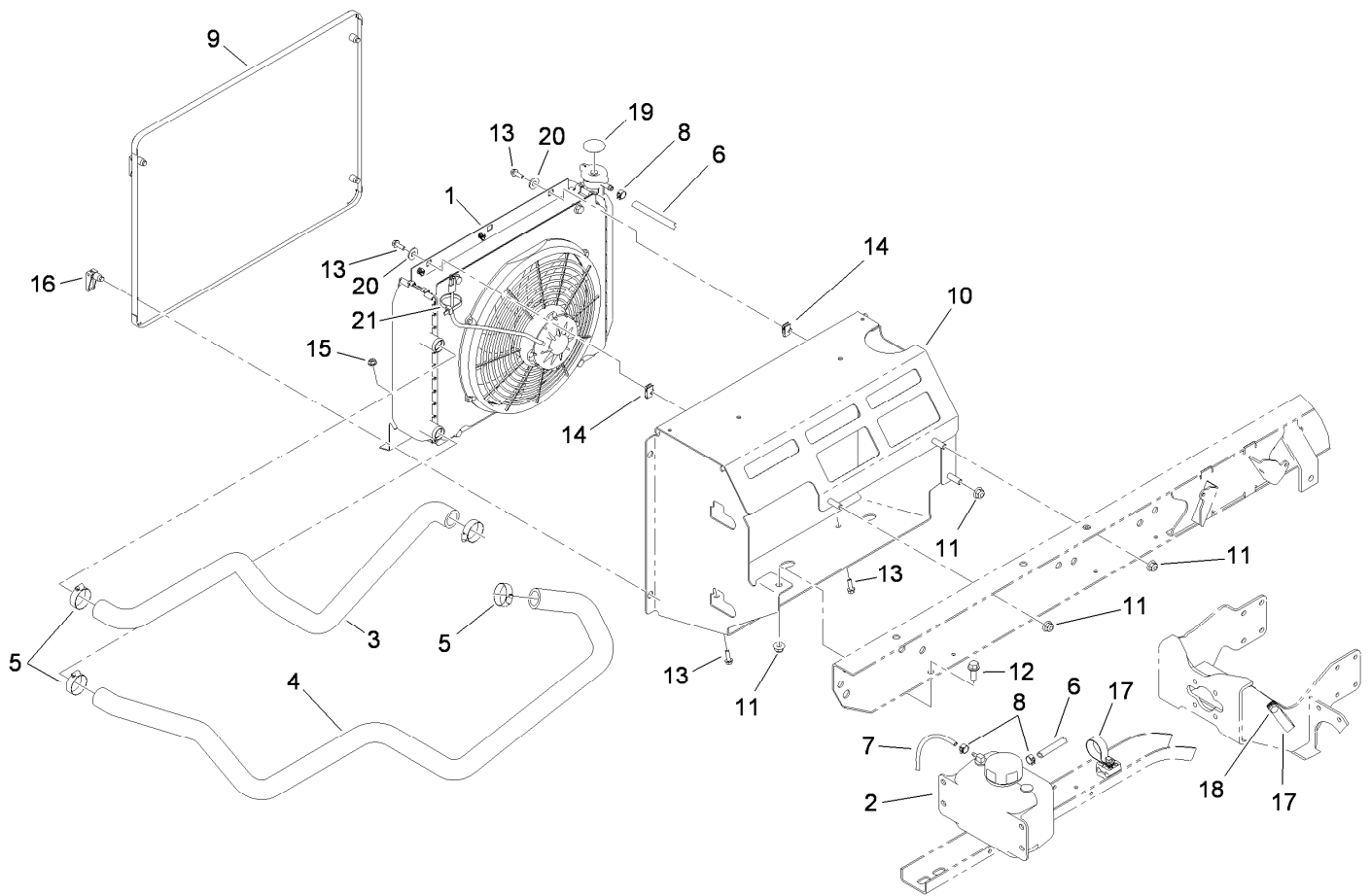
Air Cleaner Assembly

<i>Ref.</i>	<i>Part Number</i>	<i>Qty.</i>	<i>Description</i>
1	95-5806	1	Bracket-Mounting, Air Cleaner
2	107-7962	1	Hose-Cleaner, Air
3	46-7510	1	Hood-Inlet, Air
4	106-2416	1	Air Cleaner ASM
5	2412-92	4	Clamp-Hose
7	115-7755	1	Hose-Air Intake, Diesel
9	3234-36	2	Screw-HHF
10	104-8300	2	Nut-HF, NI



Air Cleaner Assembly No. 106-2416

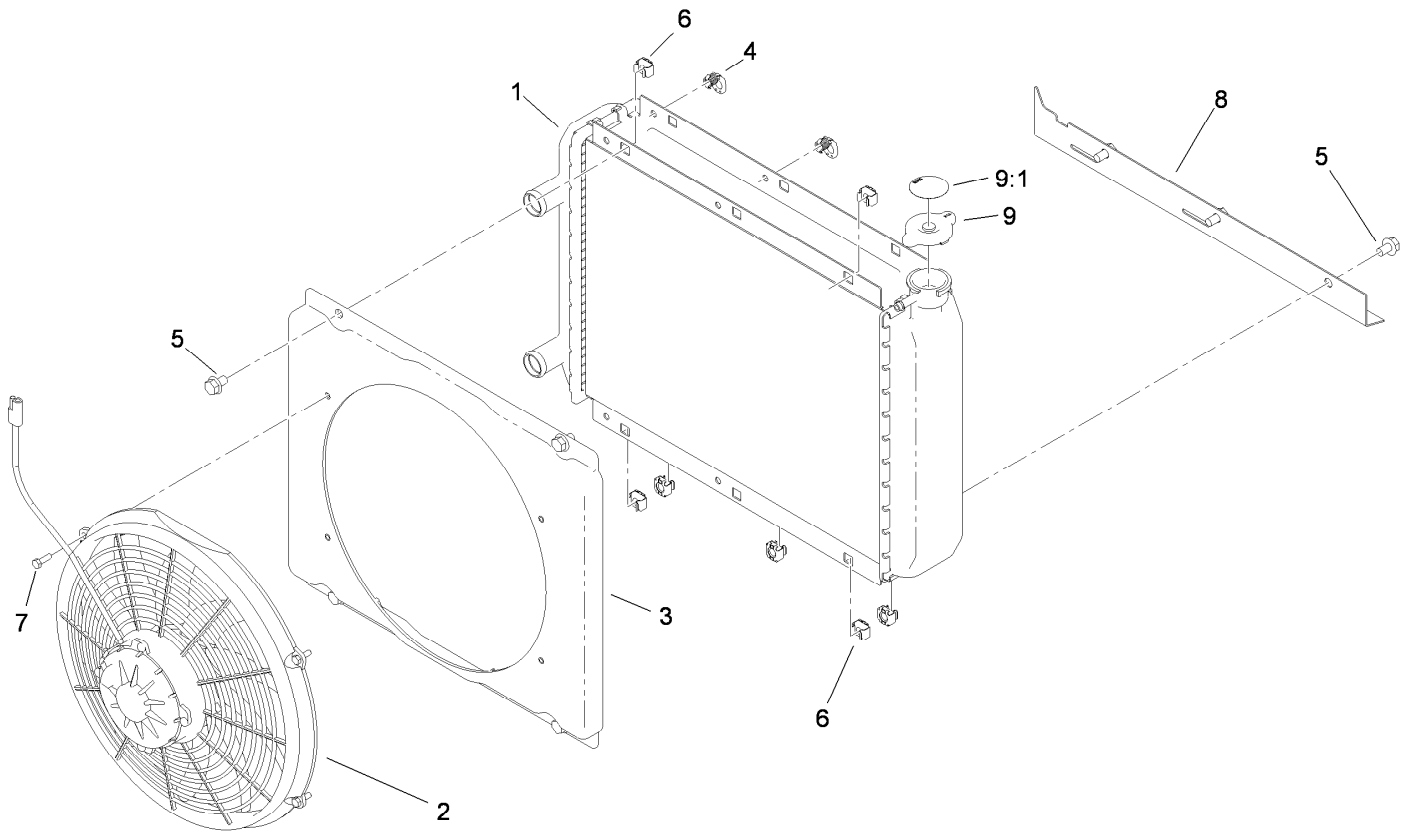
<i>Ref.</i>	<i>Part Number</i>	<i>Qty.</i>	<i>Description</i>
1	108-3811	1	Filter-Air V-Twin HD
2	104-0498	1	Valve-Vacuator
3	285-17	1	Plug-Pipe
4	106-6748	1	Gasket



Cooling System Assembly

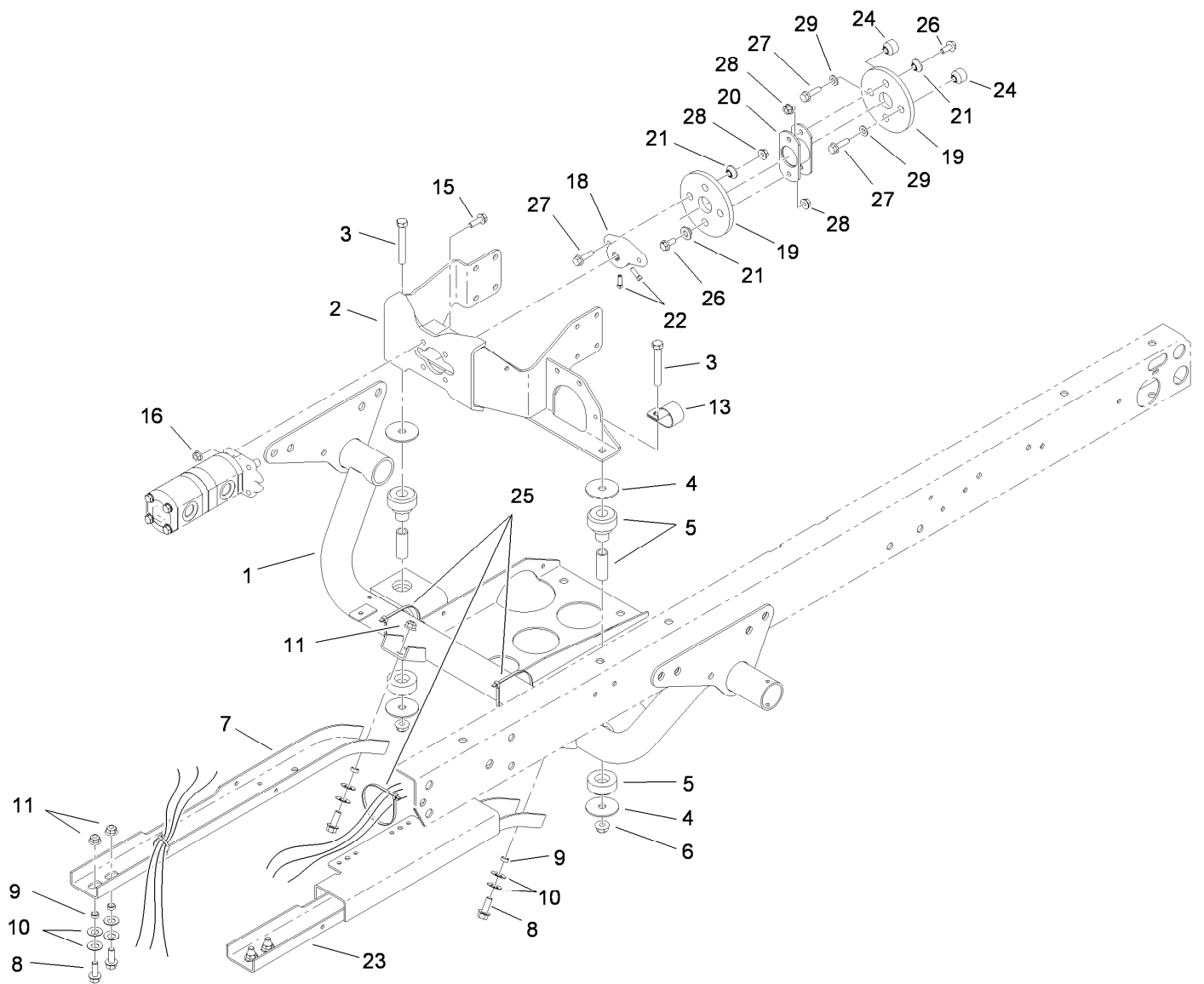
Ref.	Part Number	Qty.	Description	Ref.	Part Number	Qty.	Description
1		1	Radiator ASM ●	12	3234-11	1	Screw-HHF
2	87-3710	1	Reservoir-Coolant	13	3234-4	4	Screw-HHF
3	115-7753	1	Hose-Coolant, Upper	14	107069	2	Clip
4	115-7752	1	Hose-Coolant, Lower	15	32128-33	2	Nut-HF
5	2412-34	4	Clamp-Hose	16	74-5950	4	Latch-Swell
6	93-5540	1	Hose	17	2412-74	2	R-Clamp
7	110-4104	1	Hose-Fuel	18	32144-11	1	Screw-HWH
8	92-2379	3	Clamp-Hose	19	106-6755	1	Decal-Cap, Radiator
9	115-2428-03	1	Screen-Radiator	20	3256-3	2	Washer-Flat
10	115-2434	1	Mount-Radiator	21	3290-379	1	Tie-Cable
11	104-8301	4	Nut-HF, NI				

● Not serviced separately



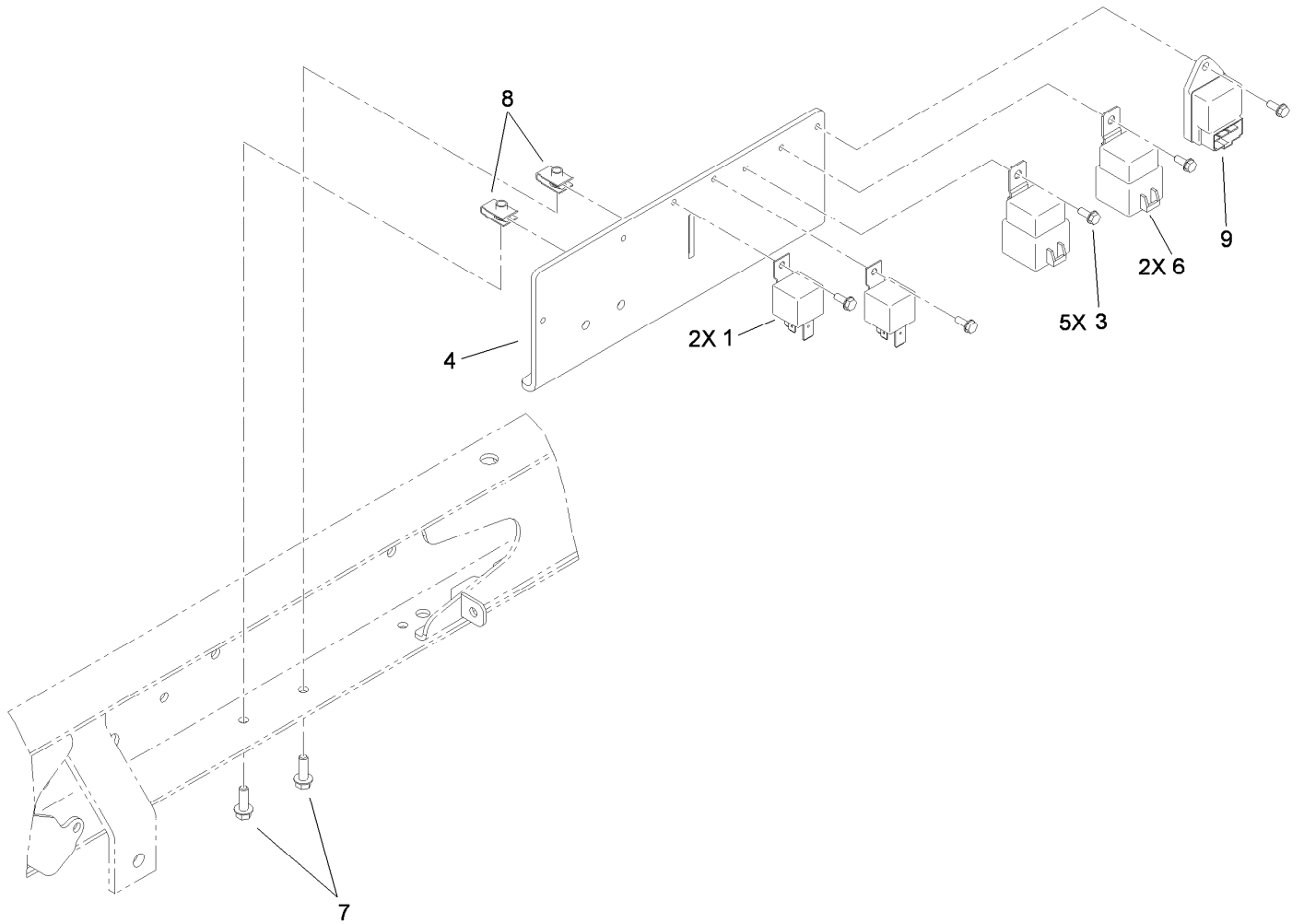
Radiator Assembly

<i>Ref.</i>	<i>Part Number</i>	<i>Qty.</i>	<i>Description</i>
1	161-5356	1	Radiator Kit
2	114-8385	1	Fan-Electric
3	114-8386	1	Shroud
4	114-8387	2	Latch-Spring
5	3234-30	7	Screw-HHF
6	703856	7	Nut-Sq, Caged
7	60-6910	4	Screw-HH
8	115-7765	1	Plate-Mount, Lower
9	115-7766	1	Cap-Radiator
9:1	106-6755	1	Decal-Cap, Radiator



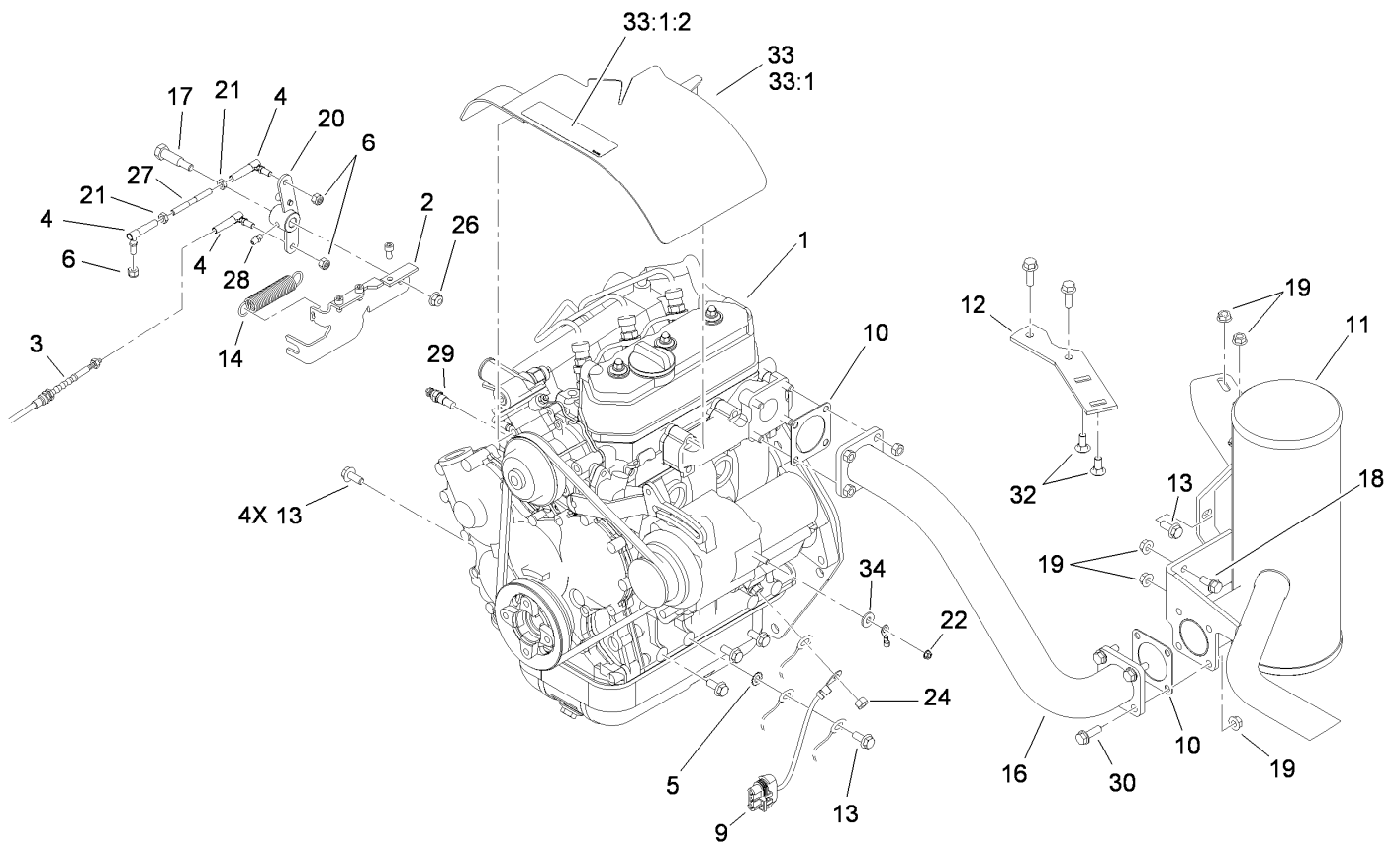
Engine Support Assembly

<i>Ref.</i>	<i>Part Number</i>	<i>Qty.</i>	<i>Description</i>	<i>Ref.</i>	<i>Part Number</i>	<i>Qty.</i>	<i>Description</i>
1	115-2256-03	1	Support-Engine	16	32128-20	4	Nut-HF
2	114-8443-03	1	Mount-Pump/Engine	18	115-2169	1	Hub-Pump
3	324-13	2	Screw-HH	19	115-5129	2	Coupling-Rubber
4	87-5100	4	Washer-Snubbing	20	85-8770	1	Coupling
5	106-7865	2	Mount-Engine	21	27-6600	6	Spacer-Coupling
6	114-8417	2	Nut-HF, NI	22	3241-6	2	Screw-SQH
7	87-4730-03	1	Guard-Belly	23	115-2215-03	1	Guard-LH
8	3234-11	6	Screw-HHF	24	27-6590	2	Spacer-Coupling, Rubber
9	76-9100	6	Spacer	25	3290-379	4	Tie-Cable
10	3290-413	12	Washer-Belleville	26	98-7977	4	Screw-HHF
11	104-8301	6	Nut-HF, NI	27	33104-030	4	Screw-HHF
13	2412-82	1	Clamp-R	28	98-0668	6	Nut
15	3234-17	4	Screw-HHF	29	105-5769	2	Washer



Relay Assembly

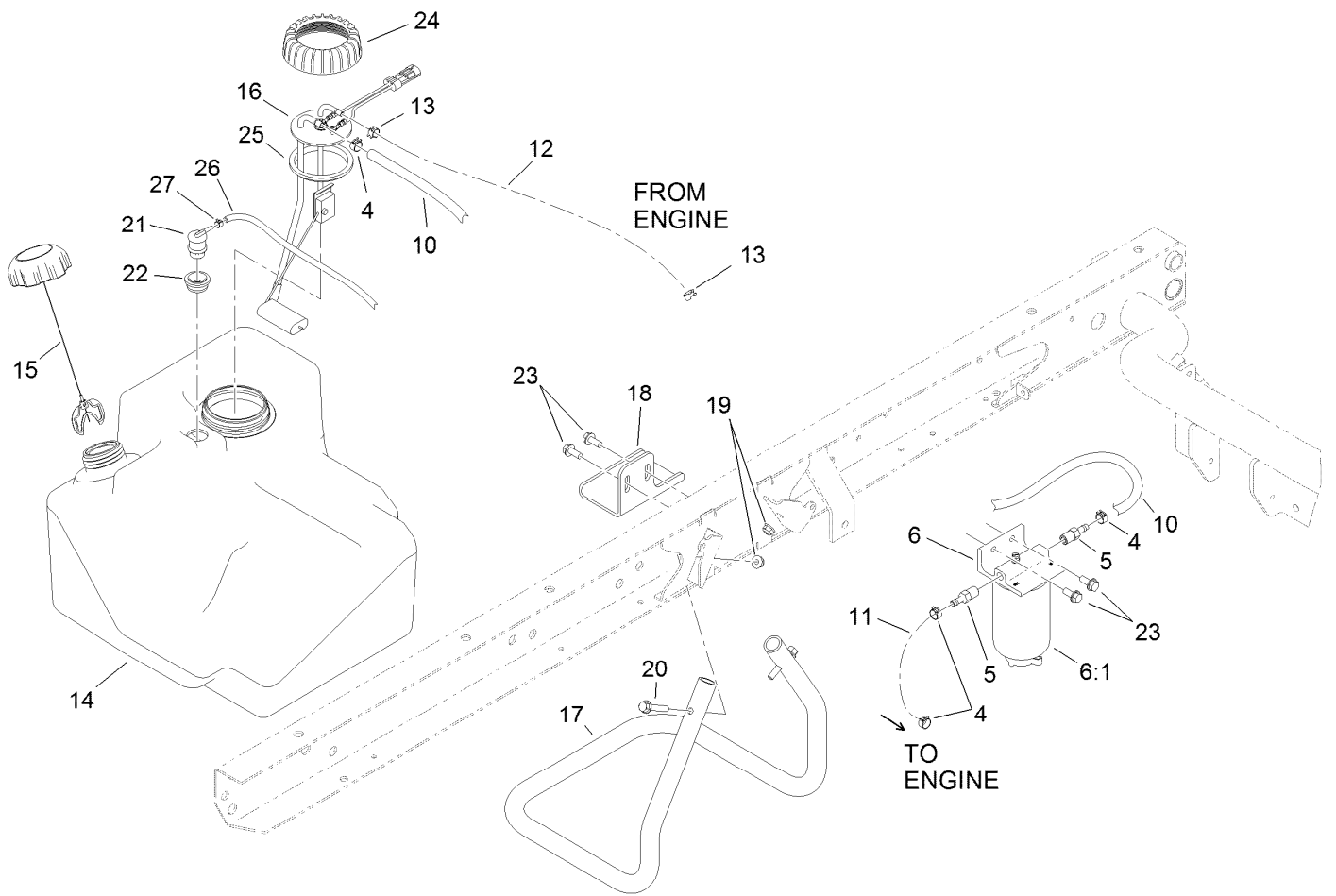
<i>Ref.</i>	<i>Part Number</i>	<i>Qty.</i>	<i>Description</i>
1	99-7435	2	Relay
3	32144-112	5	Screw-HWH
4	115-2225	1	Bracket-Relay
6	99-7430	2	Relay-Mini
7	3234-4	2	Screw-HHF
8	107069	2	Clip
9	115-2292	1	Timer-Glow Plug



Engine Assembly

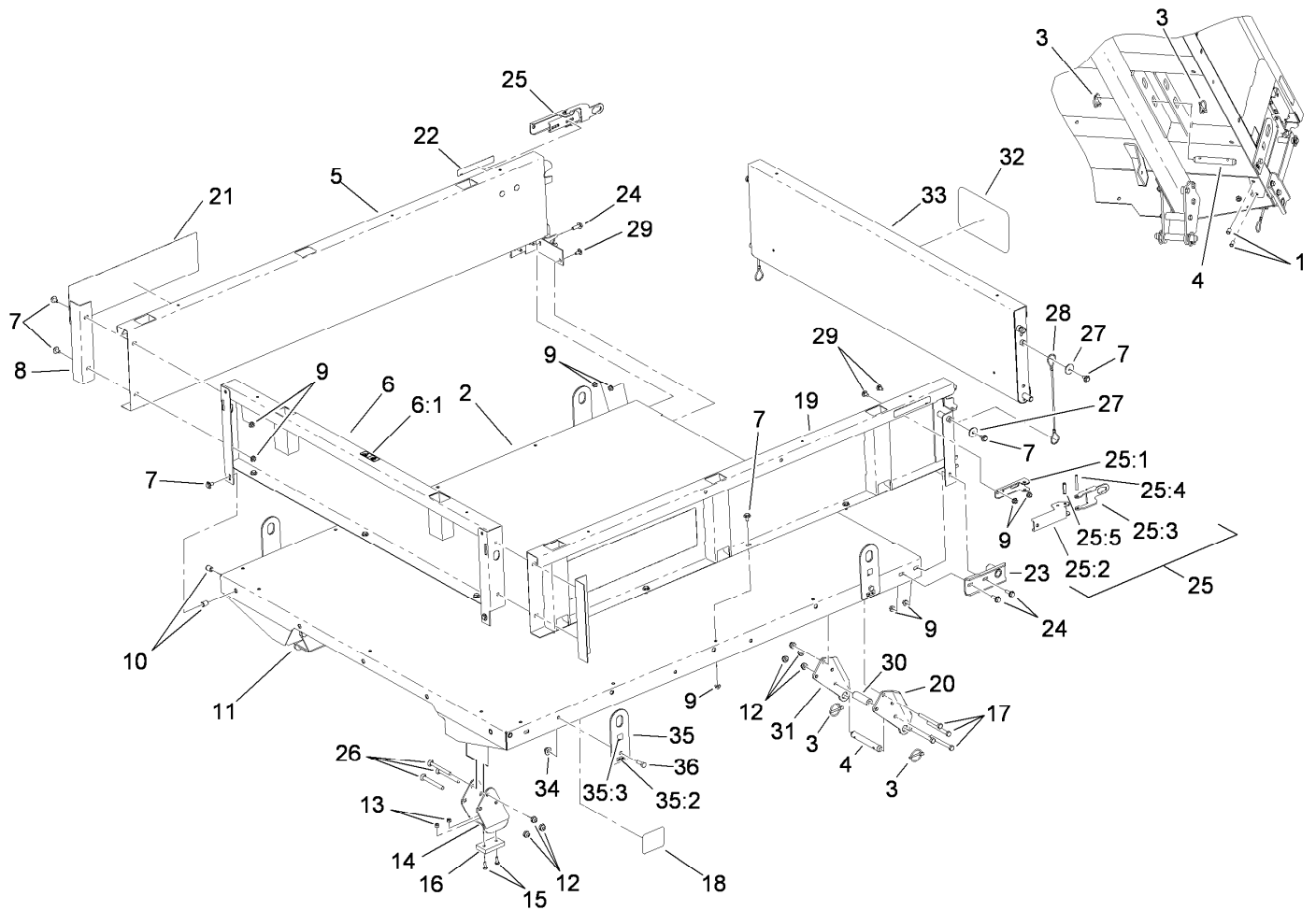
Ref.	Part Number	Qty.	Description	Ref.	Part Number	Qty.	Description
1	114-8320	1	Engine ASM	19	32128-20	8	Nut-HF
2	106-2403	1	Bracket-Throttle, Diesel	20	115-2425	1	Bell Crank ASM
3	115-2285	1	Cable-Accelerator	21	3220-1	2	Nut-Jam
4	18-1720	3	Ball Joint	22	33003-00	1	Nut-HF
5	3255-8	1	Washer-Lock	24	33014-00	1	Nut-Hex
6	3296-3	3	Nut-Lock	26	104-8300	1	Nut-HF, NI
9	99-3441	1	Harness-Wire, Fusible Link	27	105-1789	1	Rod-Threaded
10	105-4209	2	Gasket-Muffler	28	302-5	1	Fitting-Grease
11	115-7725	1	Muffler	29	94-7621	1	Sender-Temperature
12	105-9472	1	Plate-Mount, Muffler	30	3234-17	4	Screw-HHF
13	98-7977	9	Screw-HHF	32	3230-1	2	Bolt-CARR
14	86-4760	1	Spring-Extension	33	117-4867	1	Engine Cover Kit
16	108-3066	1	Exhaust Tube ASM	33:1		1	Engine Cover ASM ●
17	7-0030	1	Screw-Shoulder, HH	33:1:2	93-7814	1	Decal-Danger
18	3234-5	2	Screw-HHF	34	3256-2	1	Washer-Flat

● Not serviced separately



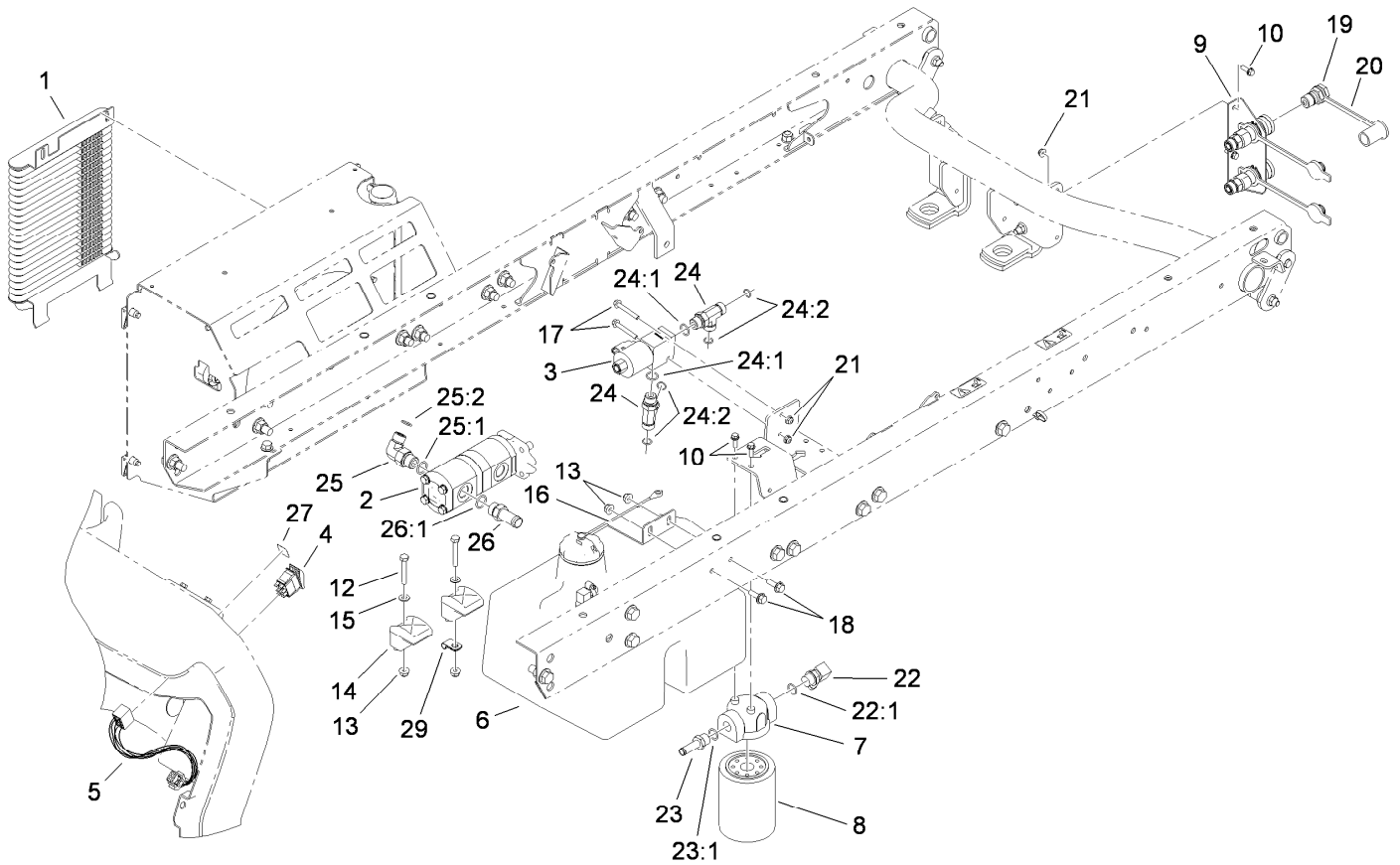
Fuel System Assembly

<i>Ref.</i>	<i>Part Number</i>	<i>Qty.</i>	<i>Description</i>	<i>Ref.</i>	<i>Part Number</i>	<i>Qty.</i>	<i>Description</i>
4	92-2379	4	Clamp-Hose	17	115-7767-03	1	Tube-Support
5	353-783	2	Fitting-STR	18	114-8404	1	Plate-Retainer
6	110-9044	1	Separator-Filter	19	104-8300	2	Nut-HF, NI
6:1	110-9049	1	Filter-Spin On, Fuel/Water	20	94-5780	2	Screw-HWH
10	110-8802	1	Hose-Fuel	21	114-0285	1	Valve-Rollover
11	110-4112	1	Hose-Fuel	22	114-0284	1	Grommet
12	110-1872	1	Hose-Fuel	23	32144-11	4	Screw-HWH
13	2412-98	2	Clamp-Hose	24	115-2162	1	Cap-Pump, Fuel
14	119-0735	1	Tank-Fuel	25	115-2163	1	Gasket-Pump, Fuel
15	115-7789	1	Cap-Fuel, Diesel	26	110-8255	1	Hose-Fuel
16	114-8348	1	Sender-Fuel	27	2412-146	1	Clamp-Hose



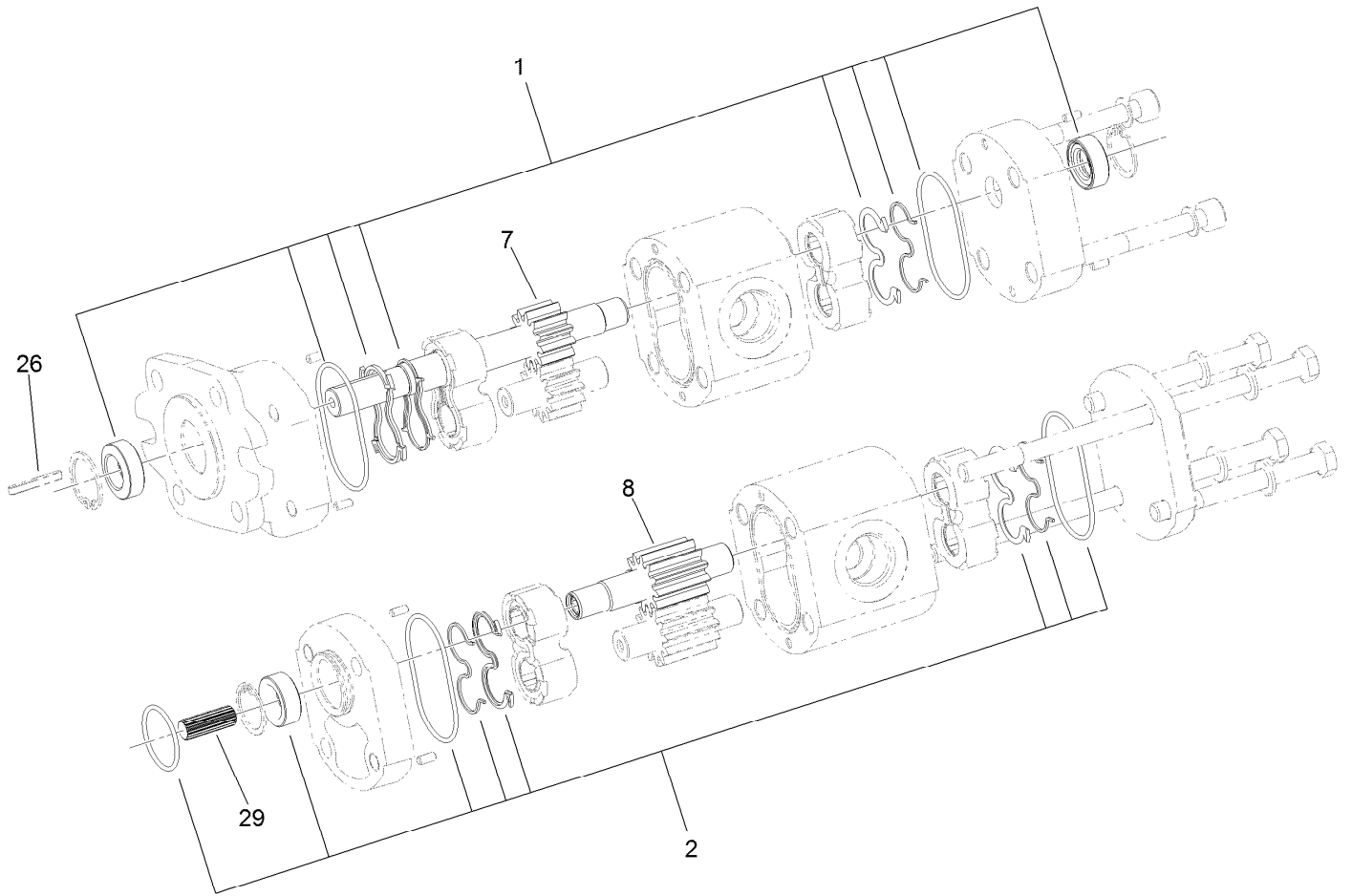
Full Bed and Side Panel Assembly

Ref.	Part Number	Qty.	Description	Ref.	Part Number	Qty.	Description
1	32148-6	4	Nut-Clinch	22	93-9868	2	Decal-Caution
2	93-9724-03	1	Flatbed-Full	23	92-1265-03	2	Bracket-Pivot
3	92-1298	8	Pin-Lynch	24	3234-29	6	Screw-HHF
4	92-1233	4	Pin-Clevis	25	99-1123	2	Latch ASM
5	92-1255-03	1	Panel-Side, RH	25:1	92-1271	1	Pivot-Latch
6	92-5982	1	Front Panel ASM	25:2	99-1113	1	Handle-Latch
6:1	115-7739	1	Decal-No Riders	25:3	99-1112	1	Plate-Retainer
7	3234-7	21	Screw-HHF	25:4	32121-78	1	Pin-Roll
8	92-1320-03	2	Angle-Side	25:5	32121-25	1	Pin-Roll
9	32128-20	27	Nut-HF	26	3231-24	6	Screw-CARR
10	32148-7	4	Nut-Clinch	27	3256-57	4	Washer-Flat
11	106-2423-03	1	Bracket-Spacer, RH	28	93-9595	2	Lanyard
12	3296-44	14	Nut-Lock, NI	29	3230-18	6	Screw-CARR
13	3296-42	4	Nut-Lock, NI	30	93-9575	2	Tube-Pivot, Flatbed
14	106-2422-03	1	Bracket-Spacer, LH	31	93-9721-03	2	Bracket-Pivot, Long (RH)
15	3250-45	4	Screw-SPH	32	105-4222	1	Decal
16	93-9719	2	Block-Wear	33	92-1259-03	1	Tailgate-Rear
17	323-42	8	Screw-HH	34	32128-43	4	Nut-Flange
18	93-9899	2	Decal-Warning	35	106-6733	4	Lift Plate ASM
19	92-1248-03	1	Panel-Side, LH	35:2	93-9525	1	Decal
20	93-9720-03	2	Bracket-Pivot, Long (LH)	35:3	93-9084	1	Decal-Point, Lift
21	115-7915	2	Decal	36	323-6	4	Screw-HH



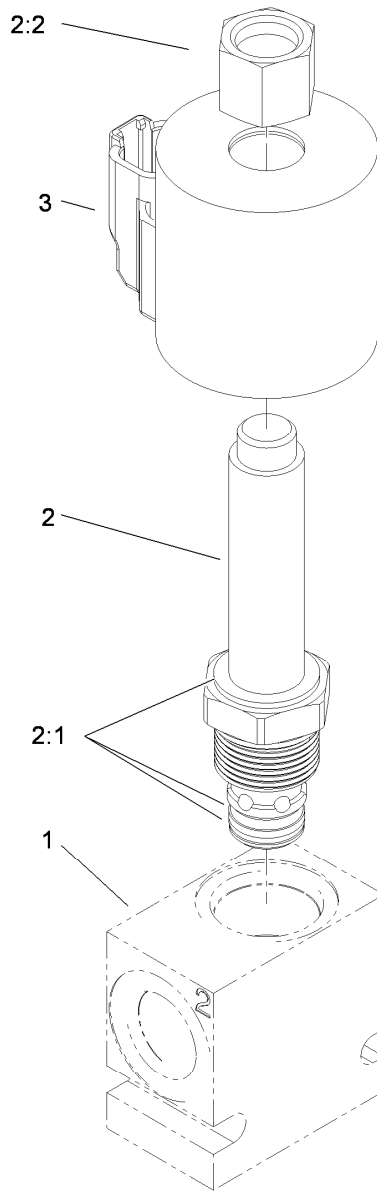
High Flow Assembly

Ref.	Part Number	Qty.	Description	Ref.	Part Number	Qty.	Description
1	114-8363	1	Cooler-Oil	20	105-7963	1	Cap-Dust
2	115-7787	1	Hydraulic Pump ASM	21	104-7201	4	Nut-HF, NI
3	115-2252	1	HYD Manifold ASM	22	354-120	1	Fitting-Elbow, 90
4	105-4232	1	Switch	22:1	237-79	1	O-Ring
5	105-8513	1	Harness-Wire	23	354-121	1	Fitting-STR
6	114-8435	1	Tank ASM	23:1	237-79	1	O-Ring
7	87-8780	1	Head-Filter	24	340-109	2	Fitting-Tee
8	54-0110	1	Filter-Oil, Transmission	24:1	237-79	1	O-Ring
9	114-8434	1	Coupler ASM	24:2	237-30	2	O-Ring
10	3234-4	4	Screw-HHF	25	340-105	1	Fitting-Elbow, 90 DEG
12	322-10	2	Screw-HH	25:1	237-80	1	O-Ring
13	104-8300	4	Nut-HF, NI	25:2	237-30	1	O-Ring
14	107-4543	2	Clamp	26	354-136	1	Fitting-STR
15	3256-23	2	Washer-Plain	26:1	237-80	1	O-Ring
16	115-2166	1	Support-Tank	27	115-7756	1	Decal-HYD, High Flow
17	321-44	2	Screw-HHF	29	2412-113	1	Clamp-R
18	3234-29	2	Screw-HHF				
19	105-4170	1	Coupler-Male				



Hydraulic Pump Assembly No. 115-7787

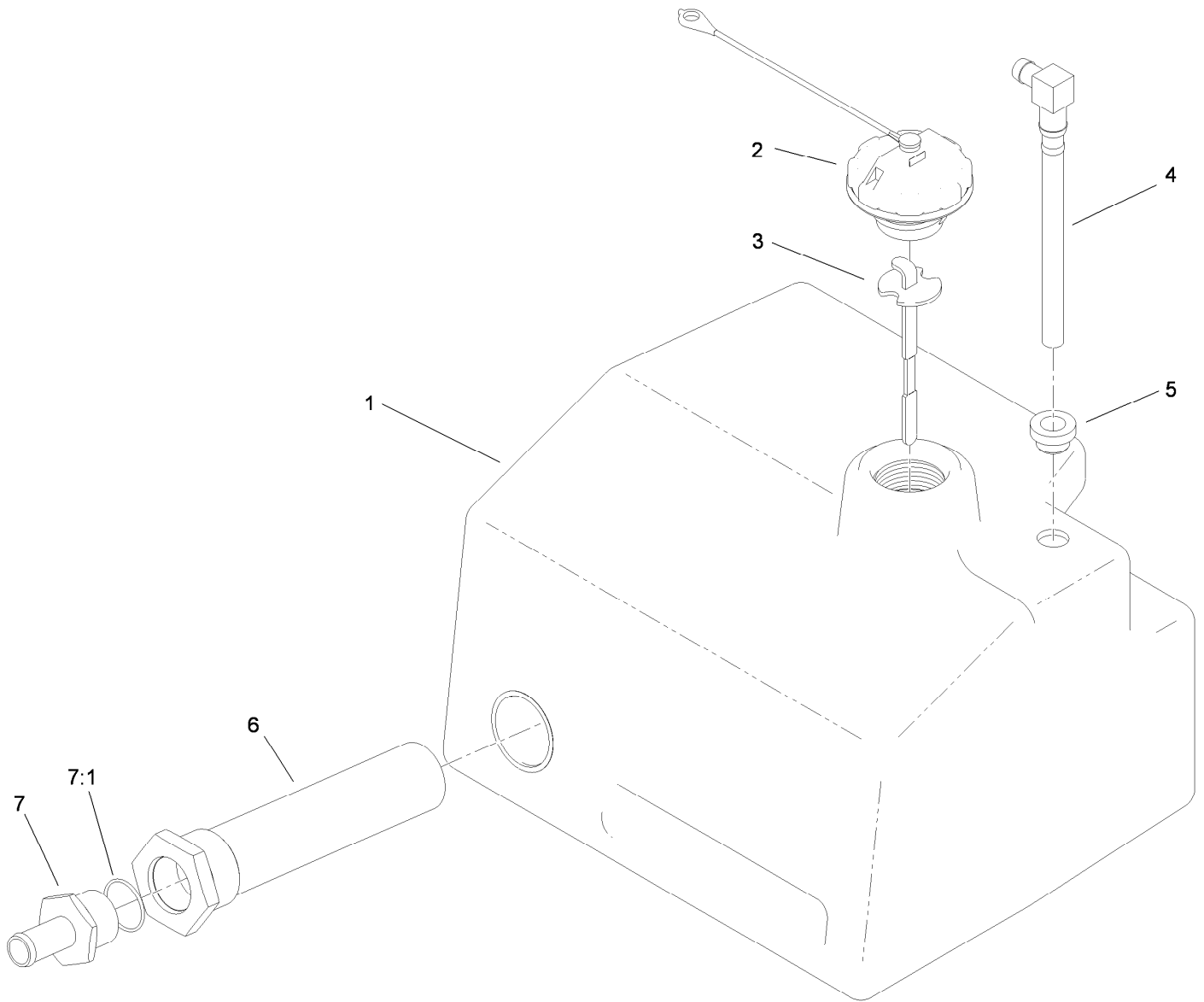
<i>Ref.</i>	<i>Part Number</i>	<i>Qty.</i>	<i>Description</i>
1	115-8696	1	Seal Kit
2	115-8697	1	Seal Kit
7	136-1197	1	Shaft-Drive
8	136-1198	1	Gear-Drive
26	115-7855	1	Key-Square
29	119-0653	1	Coupling-Splined



Hydraulic Manifold Assembly No. 115-2252

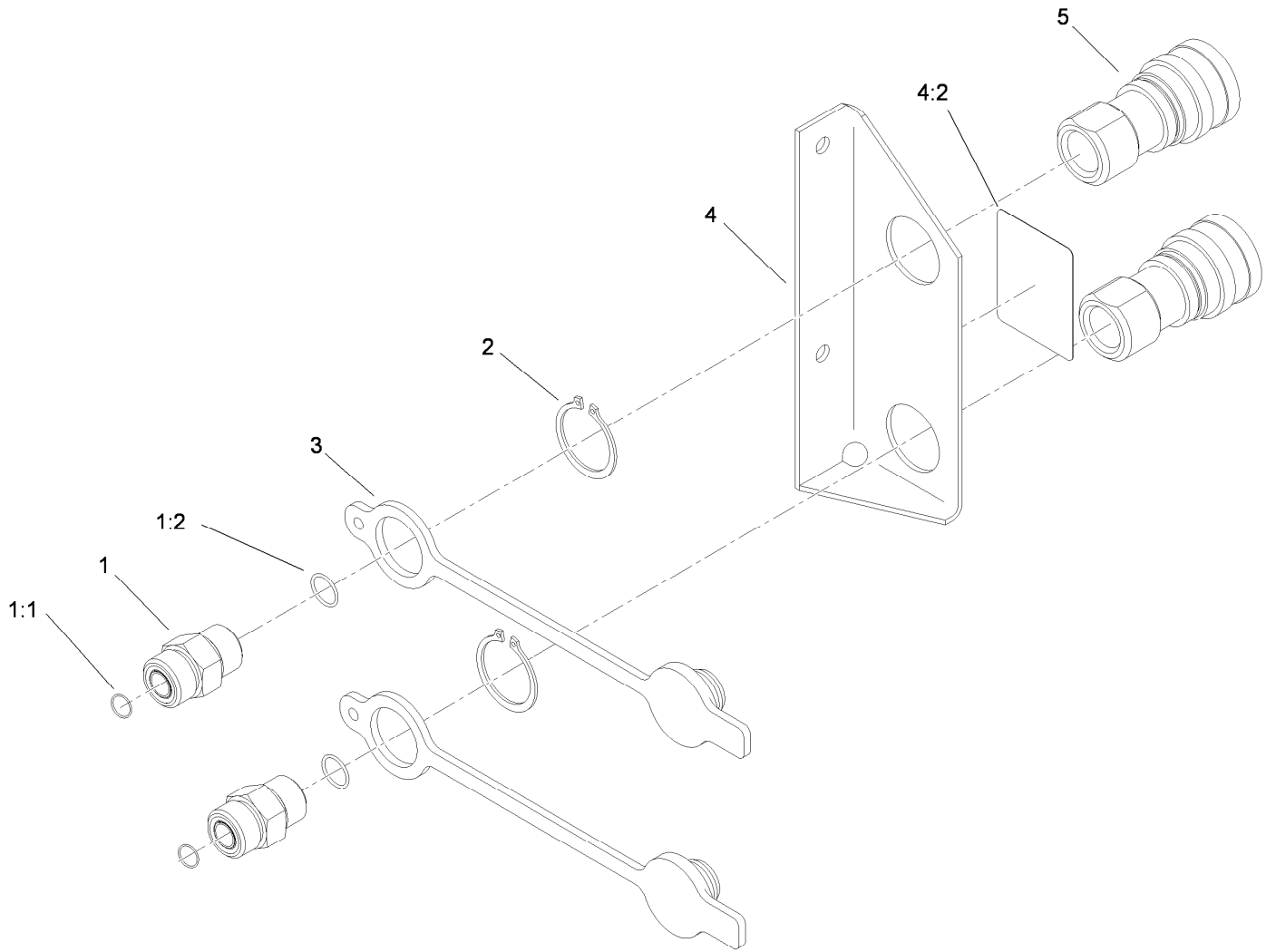
<i>Ref.</i>	<i>Part Number</i>	<i>Qty.</i>	<i>Description</i>
1		1	Housing ●
2	110-8905	1	Valve-Relief, Solenoid
2:1	110-6316	1	Seal Kit
2:2	130-8180	1	Nut-Coil (9/16-24 Unef-2B)
3	115-3021	1	Coil-12V

● Not serviced separately



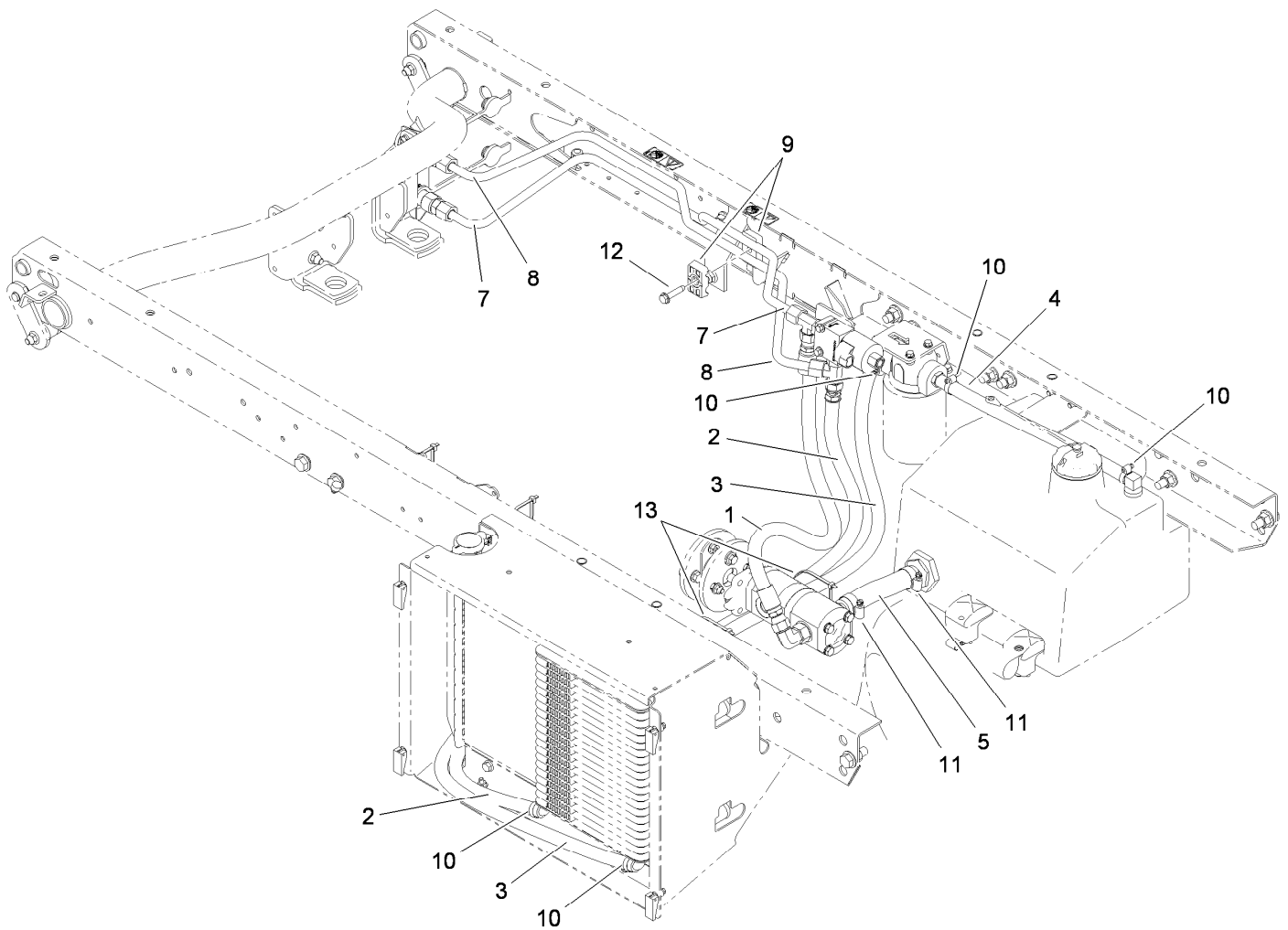
Tank Assembly No. 114-8435

<i>Ref.</i>	<i>Part Number</i>	<i>Qty.</i>	<i>Description</i>
1	114-8364	1	Tank-HYD
2	115-7877	1	Cap-Oil, HYD
3	115-7870	1	Dipstick-Oil
4	104-0791	1	Pipe-Stand
5	104-0790	1	Bushing
6	115-2230	1	Strainer-In Tank
7	99-6932	1	Fitting-STR
7:1	237-117	1	O-Ring



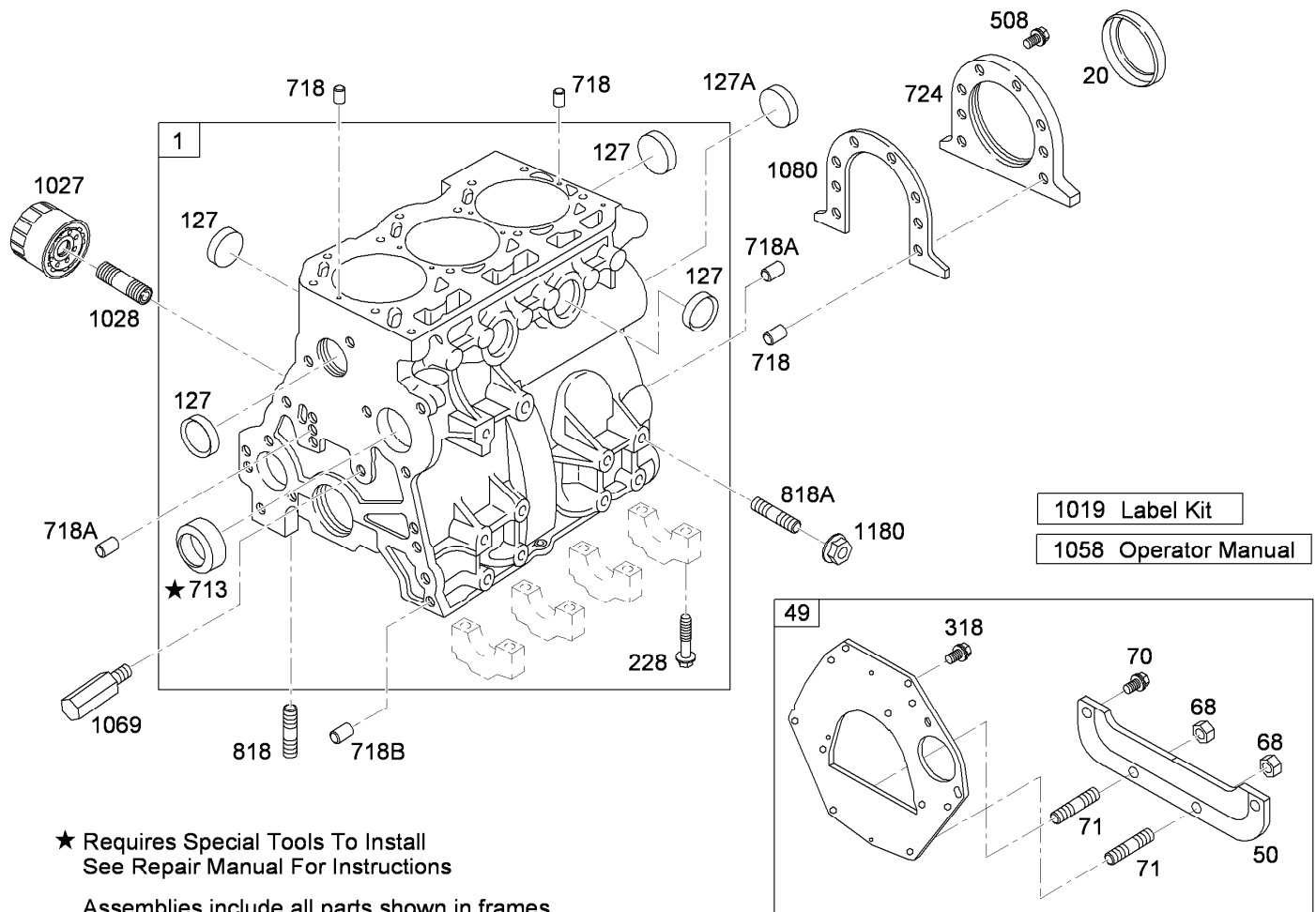
Coupler Assembly No. 114-8434

<i>Ref.</i>	<i>Part Number</i>	<i>Qty.</i>	<i>Description</i>
1	340-4	2	Fitting-Straight
1:1	237-30	1	O-Ring
1:2	237-79	1	O-Ring
2	32120-2	2	Ring-Retaining
3	105-7962	2	Plug-Dust
4	105-7978	1	Coupler Bracket ASM
4:2	105-7977	1	Decal
5	105-4169	2	Coupler-Female



High Flow Hose Assembly

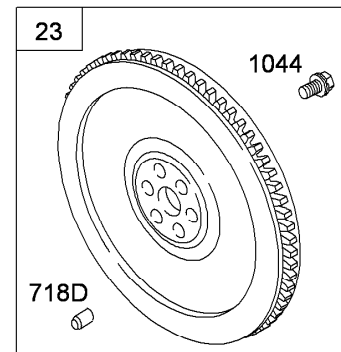
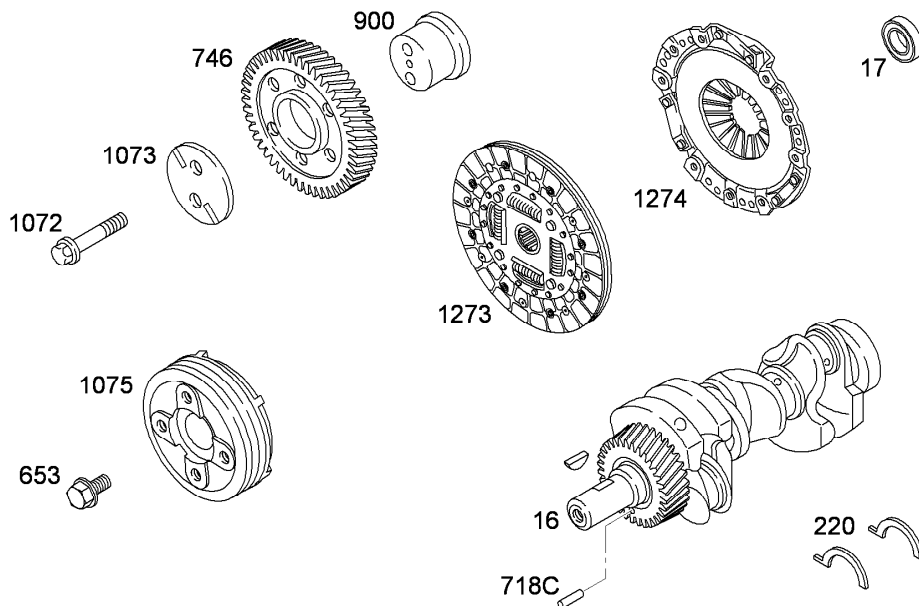
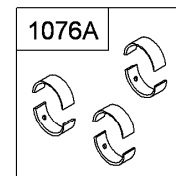
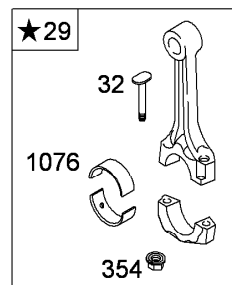
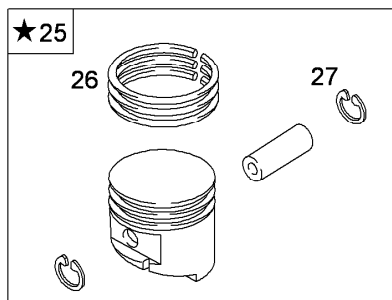
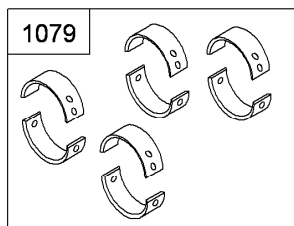
<i>Ref.</i>	<i>Part Number</i>	<i>Qty.</i>	<i>Description</i>
1	114-8439	1	HYD Hose ASM
2	93-5356	1	Hose-HYD
3	114-8437	1	Hose-HYD
4	114-8438	1	Hose-HYD
5	114-8442	1	Hose-HYD
7	115-2248	1	Tube-HYD
8	115-2249	1	Tube-HYD
9	56-7976	2	Clamp-Tube
10	2412-36	5	Clamp-Hose
11	2412-129	2	Clamp-Hose
12	32144-57	1	Screw
13	3290-379	2	Tie-Cable



Cylinder Assembly

Ref.	Part Number	Qty.	Description
1	107-9891	1	Cylinder Asm (9Mm Head Bolts)
20	99-9003	1	Seal-Oil (PTO Side)
49	115-2310	1	Backing Plate ASM
50	115-2309	1	Plate-Shield, End
68	99-9114	1	Nut-Hex, Metric (Water Plate Seal)
70	115-2307	1	Screw (Water Plate Seal)
71	115-2306	1	Stud (Water Plate Seal)
127	99-9008	1	Plug-Welch
127A	107-9892	1	Plug-Welch (Cam)
228	99-9006	1	Screw-Hex (Crankshaft Bearing Cap)
318	99-9005	1	Screw-Hex (Back Plate)
508	99-9004	1	Screw-Hex (Seal Retainer)

Ref.	Part Number	Qty.	Description
713	99-9002	1	Bushing
718	99-9012	1	Pin-Locating
718A	99-9013	1	Pin-Locating
718B	99-9014	1	Pin-Locating
724	99-9022	1	Retainer-Seal
818	99-9007	1	Stud-Metric
818A	99-9221	1	Stud-Standard
1019	110-2595	1	Label Kit
1027	108-3842	1	Filter-Oil
1028	105-9337	1	Adapter-Filter, Oil
1058	99-9602	1	Manual-Owners
1069	99-9020	1	Nozzle-Oil
1080	99-9021	1	Gasket-Retainer
1180	99-9176	1	Nut-Hex



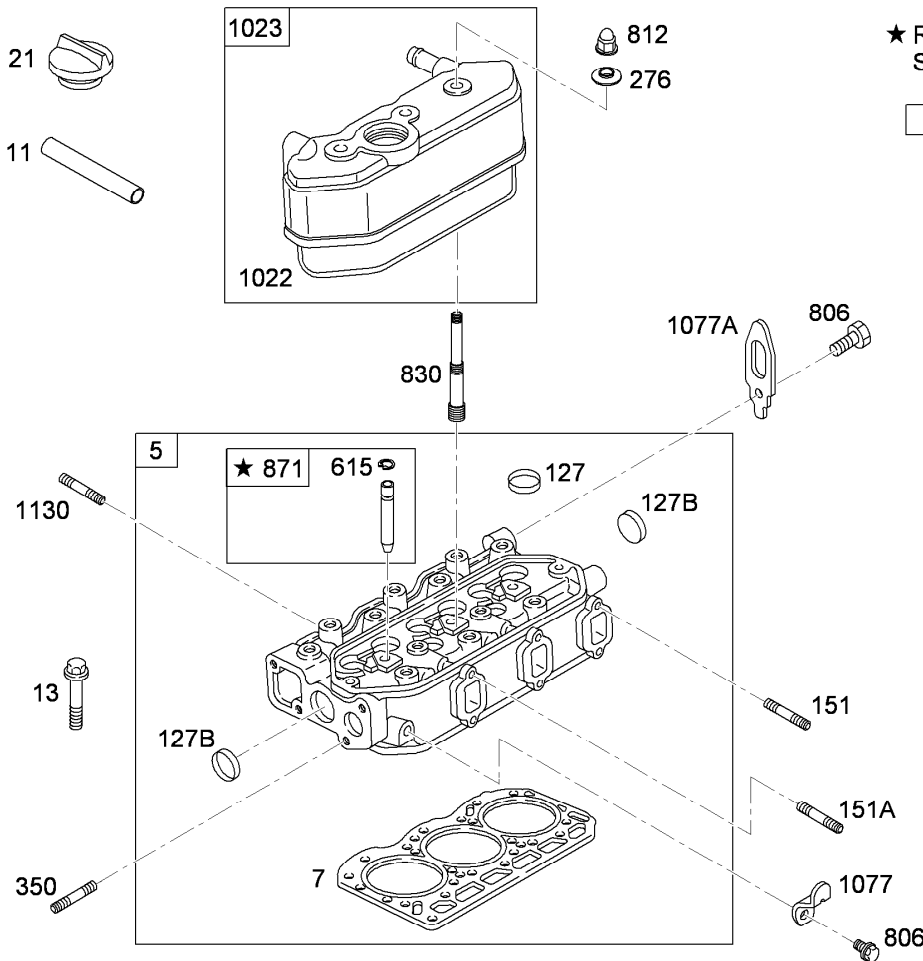
★ Requires Special Tools To Install
See Repair Manual For Instructions

Assemblies include all parts shown in frames

Crankshaft Assembly

Ref.	Part Number	Qty.	Description
16	105-9339	1	Crankshaft
17	105-9324	1	Bearing-Ball, Radial
23	105-9323	1	Flywheel ASM
25	107-9895	1	Piston ASM
25	107-9896	1	Piston ASM (Oversize)
26	105-9340	1	Ring Set
26	99-9269	1	Ring Set (.010 Oversized)
27	99-9607	1	Lock-Pin, Piston
29	117-8838	1	Rod-Connecting
32	99-9030	1	Screw
220	99-9035	1	Shim-Endplay
220	99-9036	1	Shim-Endplay (.005 Oversized)
354	99-9034	1	Nut-Hex
653	107-9897	1	Screw-Hex
718C	99-9037	1	Pin-Locating

Ref.	Part Number	Qty.	Description
718D	106-1852	1	Pin-Locating
746	99-9609	1	Gear-Drive
900	99-9039	1	Shaft-Gear
1044	99-9031	1	Screw-Hex
1072	99-9032	1	Screw-Hex
1073	99-9040	1	Plate-Gear, Idler
1075	99-9041	1	Pulley-Crankshaft
1076	99-9043	1	Rod Bearing Set
1076A	99-9043	1	Rod Bearing Set
1076A	99-9044	1	Rod Bearing Set (.010 Undersized)
1079	99-9045	1	Main Bearing Set (Set Of 8)
1079	99-9046	1	Main Bearing Set (.010 Undersized)
1273	104-9219	1	Disc-Clutch
1274	104-9231	1	Plate-Pressure, Clutch



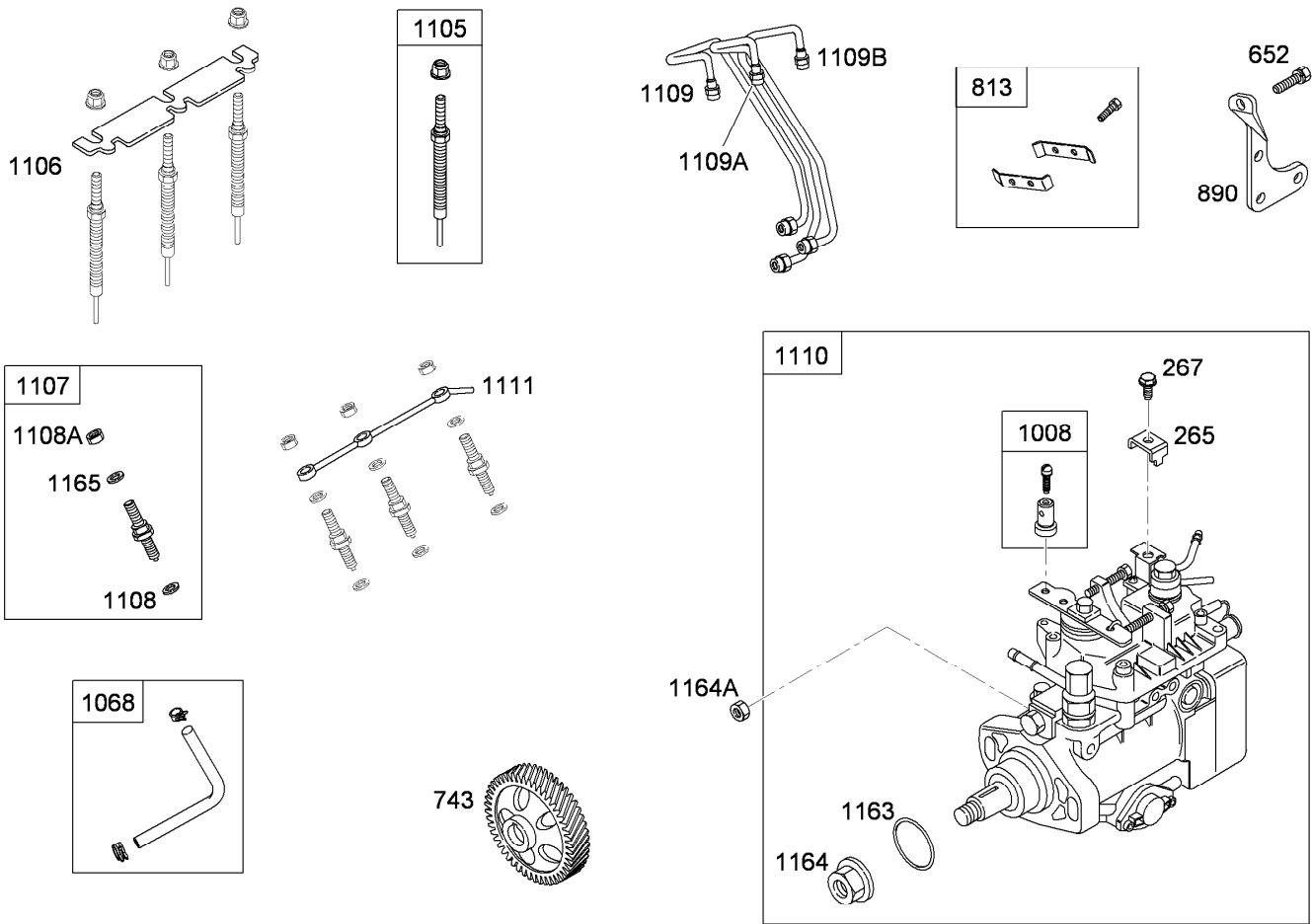
★ Requires Special Tools To Install
See Repair Manual For Instructions

1036 Emission Label Kit

Assemblies include all parts shown in frames

Cylinder Head Assembly

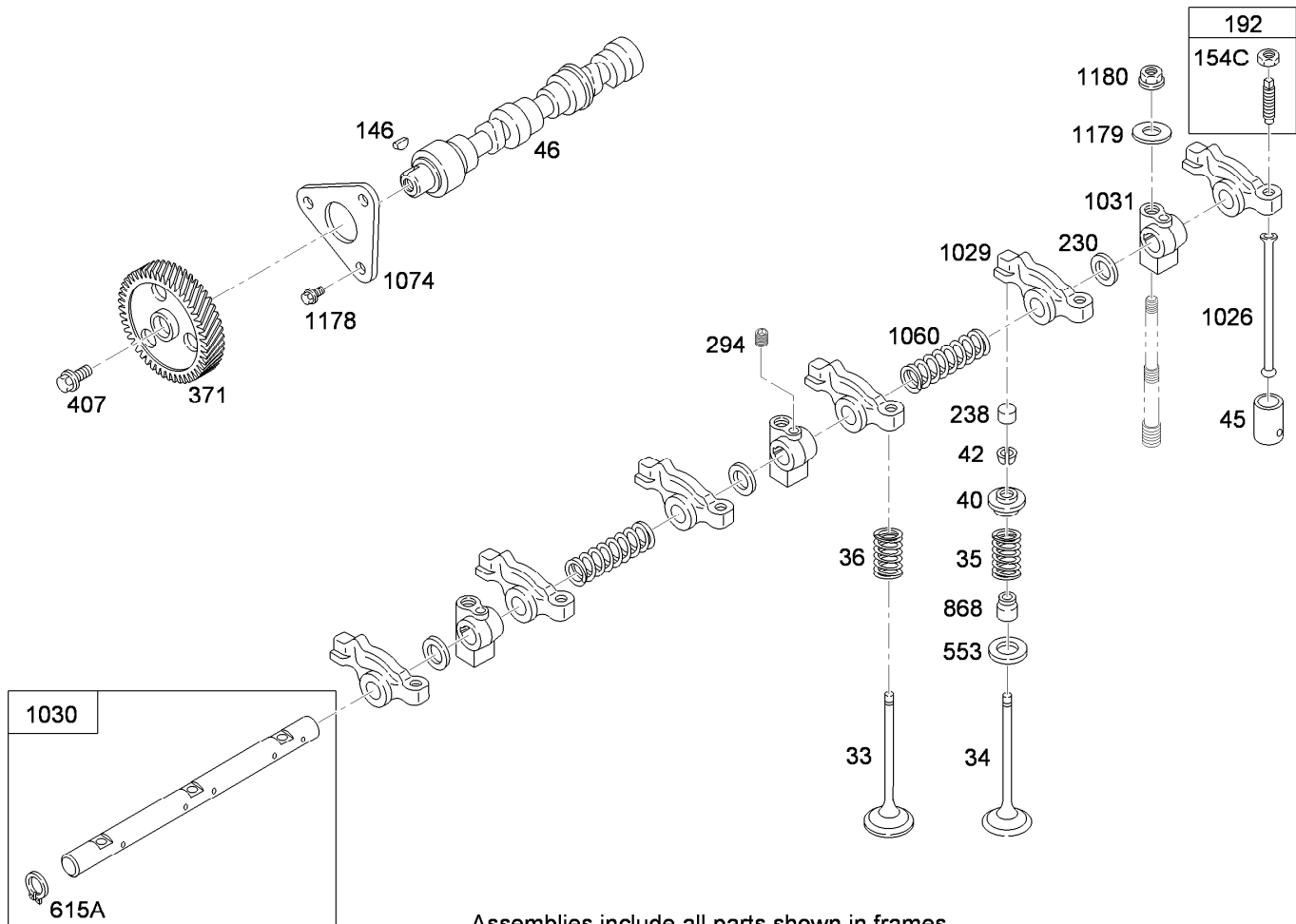
Ref.	Part Number	Qty.	Description
5	110-2596	1	Head-Cylinder
7	107-9898	1	Gasket-Head, Cylinder
11	105-9342	1	Tube-Breather
13	99-9614	1	Screw-Metric (Cylinder Head)
21	99-9052	1	Cap-Fill, Oil
127	99-9060	1	Plug-Welch
127B	99-9008	1	Plug-Welch
151	99-9058	1	Stud-Metric (Exhaust Manifold)
151A	99-9059	1	Stud-Metric (Exhaust Manifold)
276	99-9063	1	Washer-Seal (Rocker Cover)
350	99-9057	1	Stud-Metric (Water Pump)
615	99-9067	1	Retainer (Valve Guide Bushing)
806	99-9054	1	Screw-Hex (Lifting Bracket)
812	99-9061	1	Nut-Hex, Metric (Rocker Cover)
830	99-9101	1	Stud (Rocker Cover)
871	99-9070	1	Bushing-Guide
1022	99-9073	1	Gasket-Cover, Rocker
1023	100-6402	1	Cover-Rocker
1036	99-9615	1	Emission Label Kit
1077	99-9076	1	Bracket-Lifting
1077A	99-9077	1	Bracket-Lifting
1130	99-9055	1	Stud-Metric (Intake Manifold)



Assemblies include all parts shown in frames

Injection Pump Assembly

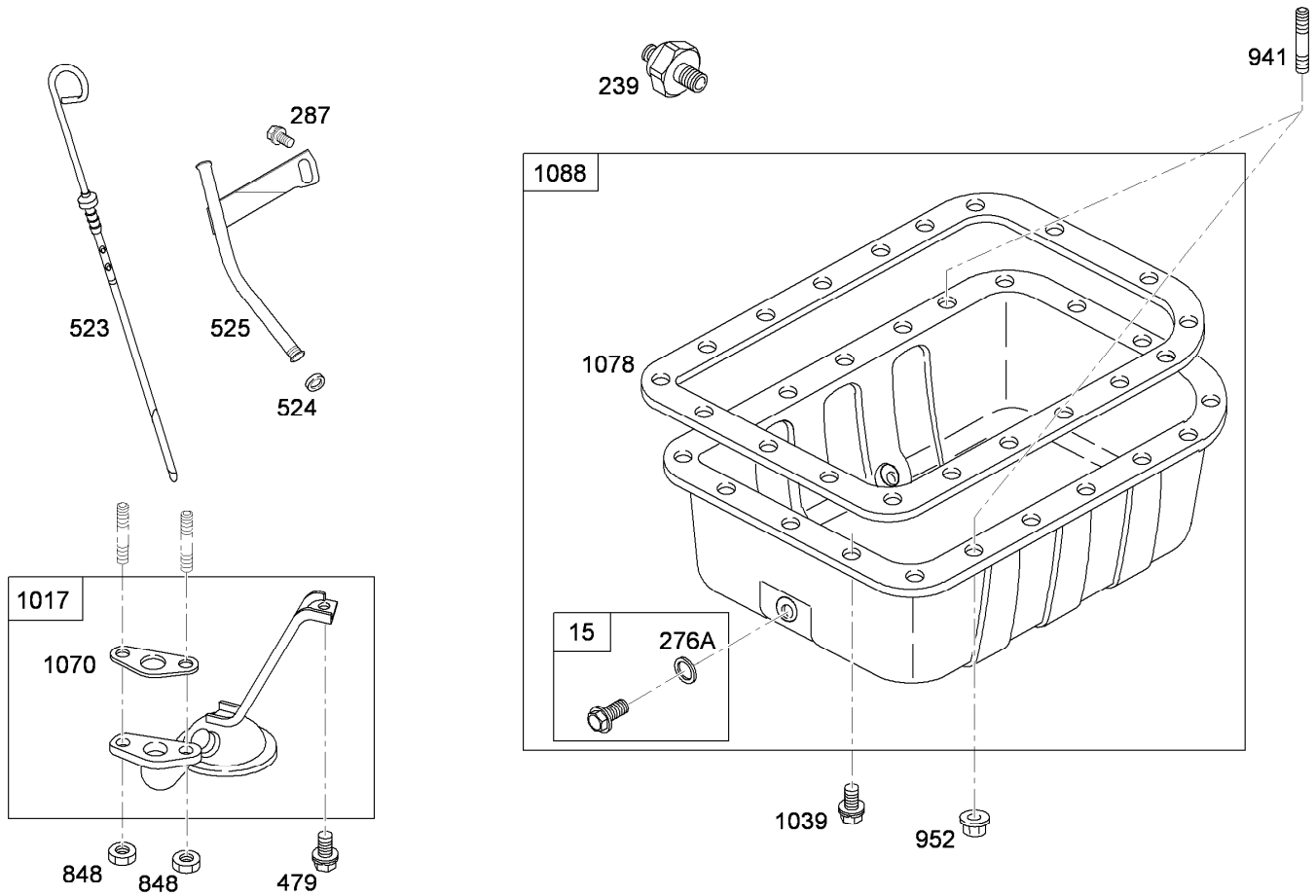
<i>Ref.</i>	<i>Part Number</i>	<i>Qty.</i>	<i>Description</i>
265	99-9688	1	Clamp-Casing
267	100-6403	1	Screw-Metric (Casing Clamp)
652	99-9616	1	Screw-Hex (Support Bracket)
743	99-9624	1	Gear-Drive
813	99-9625	1	Clamp
890	99-9626	1	Bracket-Support
1008	99-9628	1	Clamp-Swivel
1068	99-9629	1	Hose / Clamp ASM
1105	114-4695	1	Plug-Glow
1106	99-9631	1	Strap-Plug, Glow
1107	114-4696	1	Injection Nozzle
1108	99-9633	1	Seat-Injector
1108A	105-9343	1	Seat-Injector
1109	99-9690	1	Pipe-Injector, No. 1
1109A	99-9634	1	Pipe-Injector, No. 2
1109B	99-9635	1	Pipe-Injector, No. 3
1110	115-2294	1	Pump-Injection
1111	99-9637	1	Pipe-Return, Fuel
1163	99-9618	1	O-Ring (Injection Pump Shaft)
1164	99-9619	1	Nut-Hex, Metric (Injection Pump Shaft)
1164A	99-9620	1	Nut-Hex, Metric (Injection Pump)
1165	105-9345	1	Nut (Injector Nozzle)



Assemblies include all parts shown in frames

Camshaft Assembly

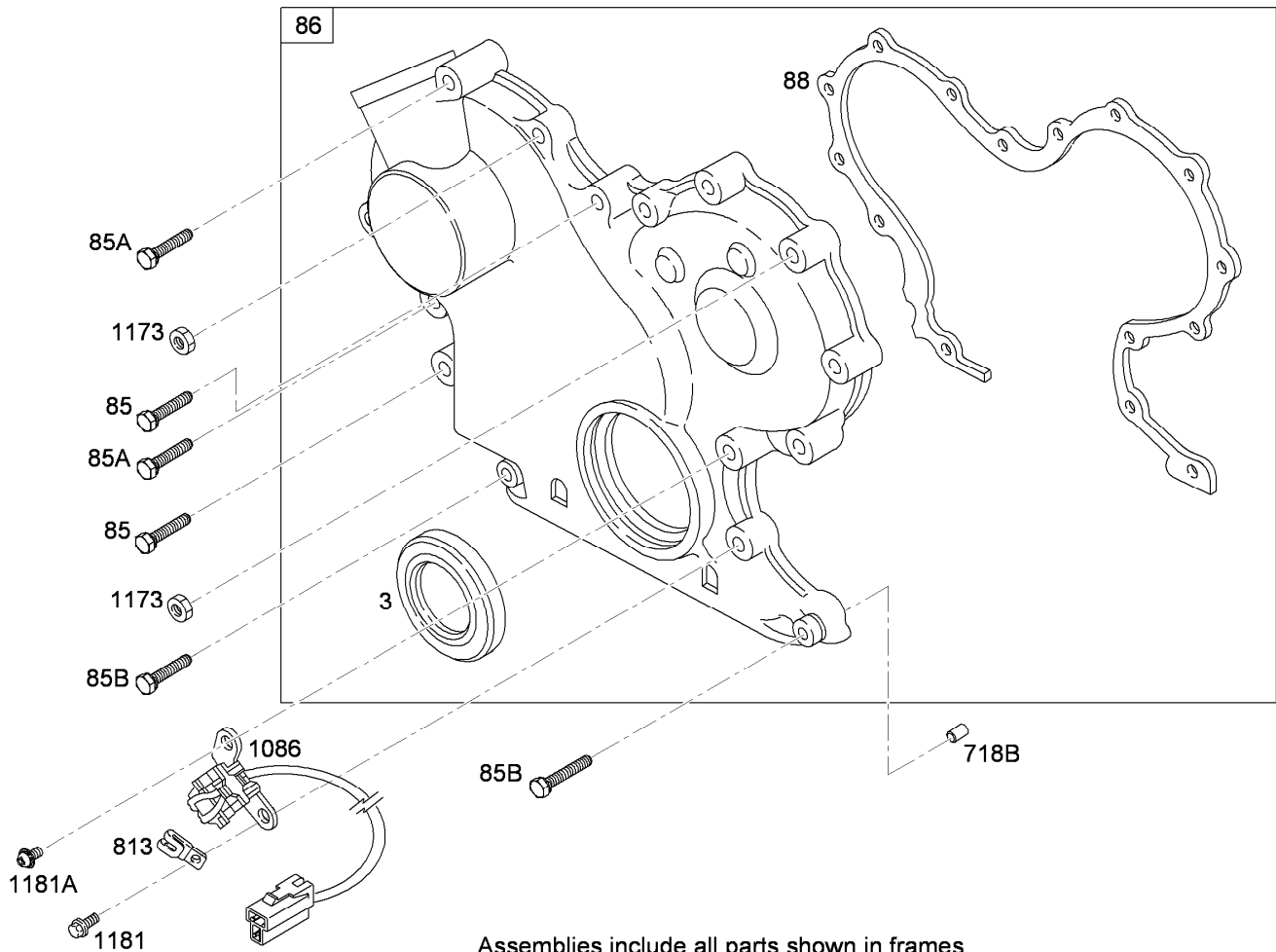
Ref.	Part Number	Qty.	Description	Ref.	Part Number	Qty.	Description
33	99-9638	1	Valve-Exhaust	407	99-9085	1	Screw-Metric
34	99-9639	1	Valve-Intake	553	99-9096	1	Seat-Spring, Valve
35	99-9640	1	Spring-Valve (Intake)	615A	99-9099	1	Retainer (Rocker Arm Shaft)
36	99-9640	1	Spring-Valve (Exhaust)	868	99-9643	1	Seal-Valve
40	99-9084	1	Retainer-Valve	1026	112-2980	1	Rod-Push
42	99-9086	1	Keeper-Valve (Set)	1029	99-9104	1	Arm-Rocker
45	99-9088	1	Tappet-Valve	1030	99-9106	1	Shaft-Arm, Rocker
46	99-9097	1	Shaft-Cam	1031	99-9107	1	Support-Arm, Rocker
146	99-9675	1	Key-Timing	1060	99-9108	1	Spring-Shaft, Rocker
154C	99-9091	1	Nut-Hex, Metric	1074	99-9109	1	Retainer-Camshaft
192	112-2978	1	Adjuster-Arm, Rocker	1178	99-9083	1	Screw-Hex (Camshaft Retainer)
230	99-9093	1	Washer-Spacer (Rocker Arm Shaft)	1179	99-9079	1	Washer-Flat (Rocker Arm Support)
238	112-2979	1	Cap-Valve	1180	99-9091	1	Nut-Hex, Metric (Rocker Arm Support)
294	99-9090	1	Screw-Metric (Rocker Arm Support)				
371	99-9641	1	Gear-Cam				



Assemblies include all parts shown in frames

Oil Pan Assembly

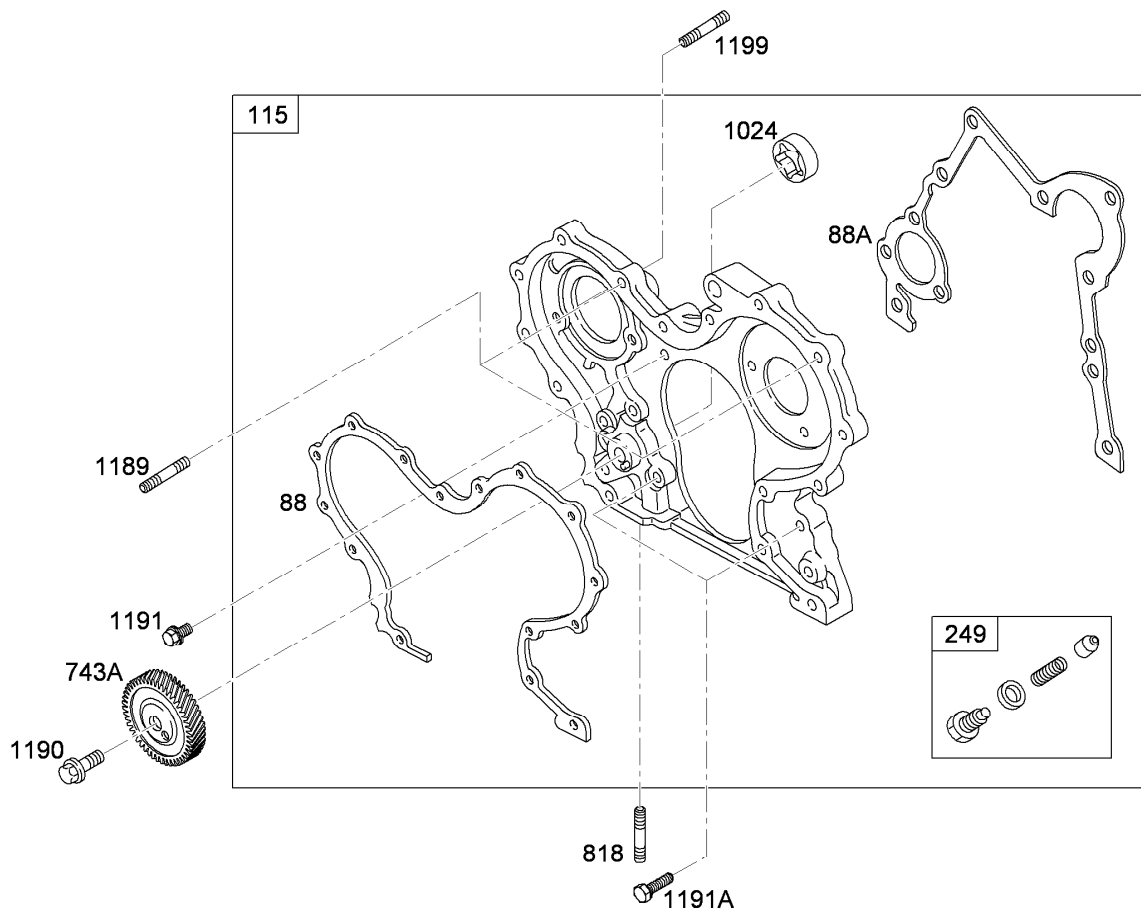
Ref.	Part Number	Qty.	Description
15	99-9247	1	Plug-Drain, Oil
239	107-9908	1	Switch-Pressure, Oil
276A	99-9249	1	Washer-Seal (Oil Drain Plug)
287	99-9256	1	Screw-Hex (Dipstick Tube)
479	99-9111	1	Screw-Hex (Oil Pump Screen)
523	100-6405	1	Dipstick
524	99-9265	1	O-Ring (Dipstick)
525	100-6406	1	Tube-Dipstick
848	99-9114	1	Nut-Hex, Metric (Oil Pump Screen)
941	99-9112	1	Stud-Metric (Oil Pan)
952	99-9113	1	Nut-Hex, Metric (Oil Pan)
1017	99-9116	1	Screen-Pump, Oil
1039	99-9623	1	Screw-Hex (Oil Pan)
1070	99-9120	1	Gasket-Strainer, Oil
1078	99-9121	1	Gasket-Pan, Oil
1088	99-9241	1	Pan-Oil (Dual Drain)



Assemblies include all parts shown in frames

Gear Cover Assembly

Ref.	Part Number	Qty.	Description
3	115-2291	1	Seal-Oil (Magneto Side)
85	99-9651	1	Screw-Hex (Gear Cover To Gear Reduction Case)
85A	99-9128	1	Screw-Hex (Gear Cover To Gear Reduction Case)
85B	99-9129	1	Screw-Hex (Gear Cover To Gear Reduction Case)
86	115-2338	1	Gear Cover ASM
88	99-9653	1	Gasket-Cover, Gear
718B	99-9014	1	Pin-Locating
813	99-9208	1	Clamp
1086	117-4920	1	Trigger-Ignition
1173	99-9114	1	Nut-Hex, Metric (Gear Cover)
1181	99-9128	1	Screw-Hex (Gear Cover To Gear Reduction Case)
1181A	99-9210	1	Screw-Phillips (Ignition Trigger)

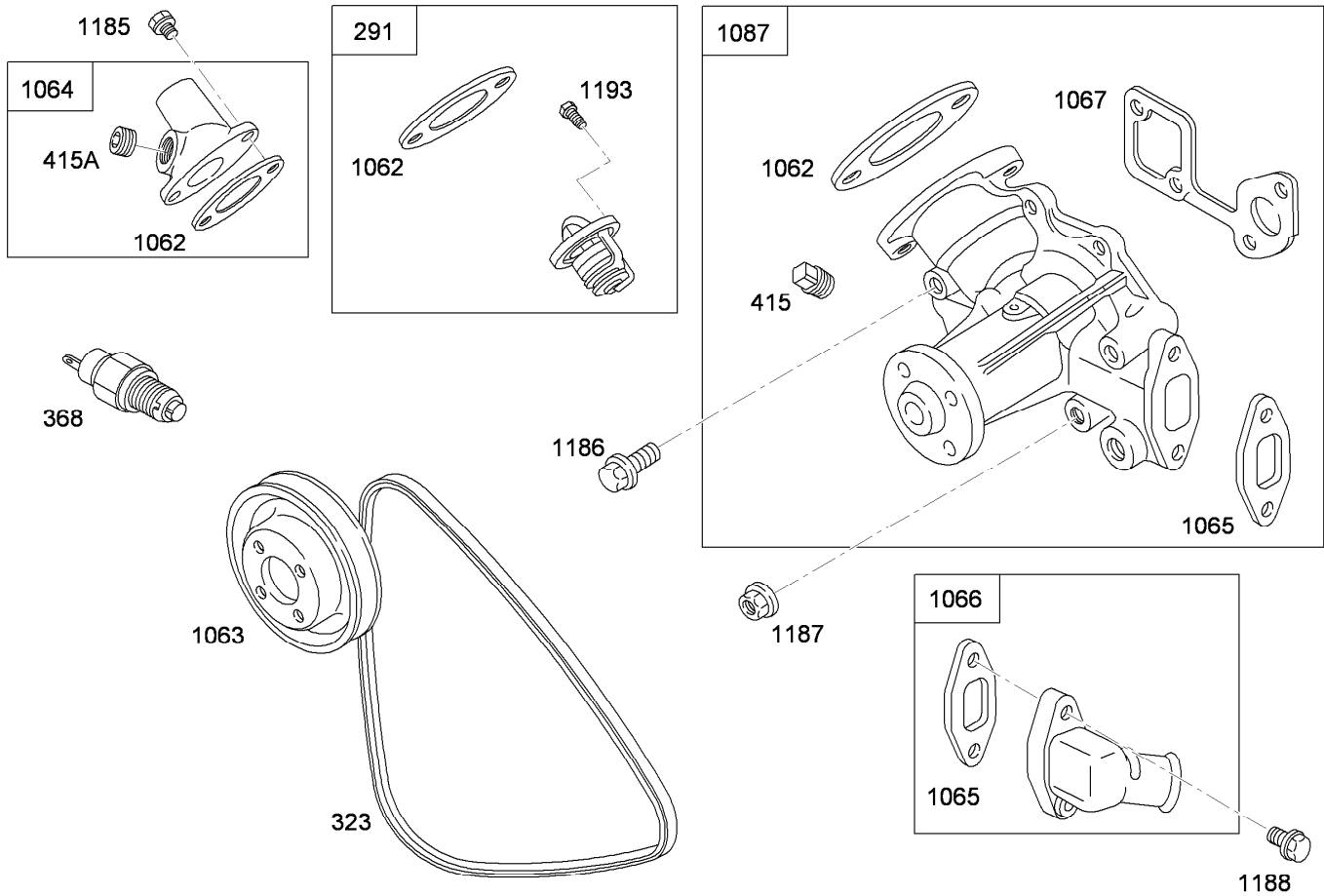


Assemblies include all parts shown in frames

Gear Housing Assembly

<i>Ref.</i>	<i>Part Number</i>	<i>Qty.</i>	<i>Description</i>
88	99-9653	1	Gasket-Cover, Gear
88A	99-9136	1	Gasket-Cover, Gear Reduction
115	99-9655	1	Housing-Gear
249	99-9142	1	Valve-Relief, Oil
743A	99-9656	1	Gear-Drive (Gear Housing)
818	99-9007	1	Stud-Metric (Gear Housing)
1024		1	Pump-Oil ●
1189	99-9137	1	Stud-Metric (Gear Housing)
1190	99-9616	1	Screw-Hex (Drive Gear)
1191	99-9134	1	Screw-Hex (Gear Housing)
1191A	99-9133	1	Screw-Hex (Gear Housing)
1199	99-9654	1	Stud-Metric (Injection Pump)

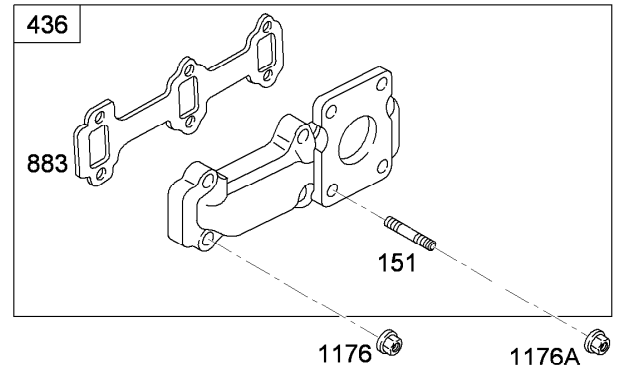
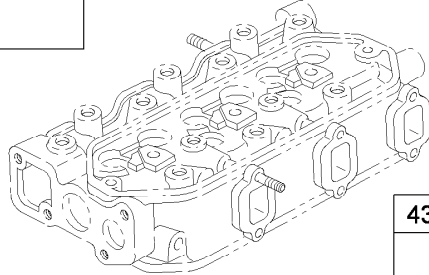
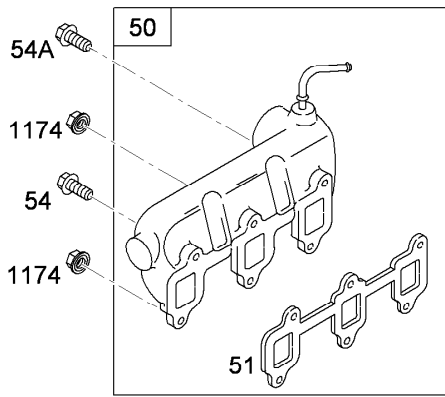
● Not serviced separately



Assemblies include all parts shown in frames

Water Pump Assembly

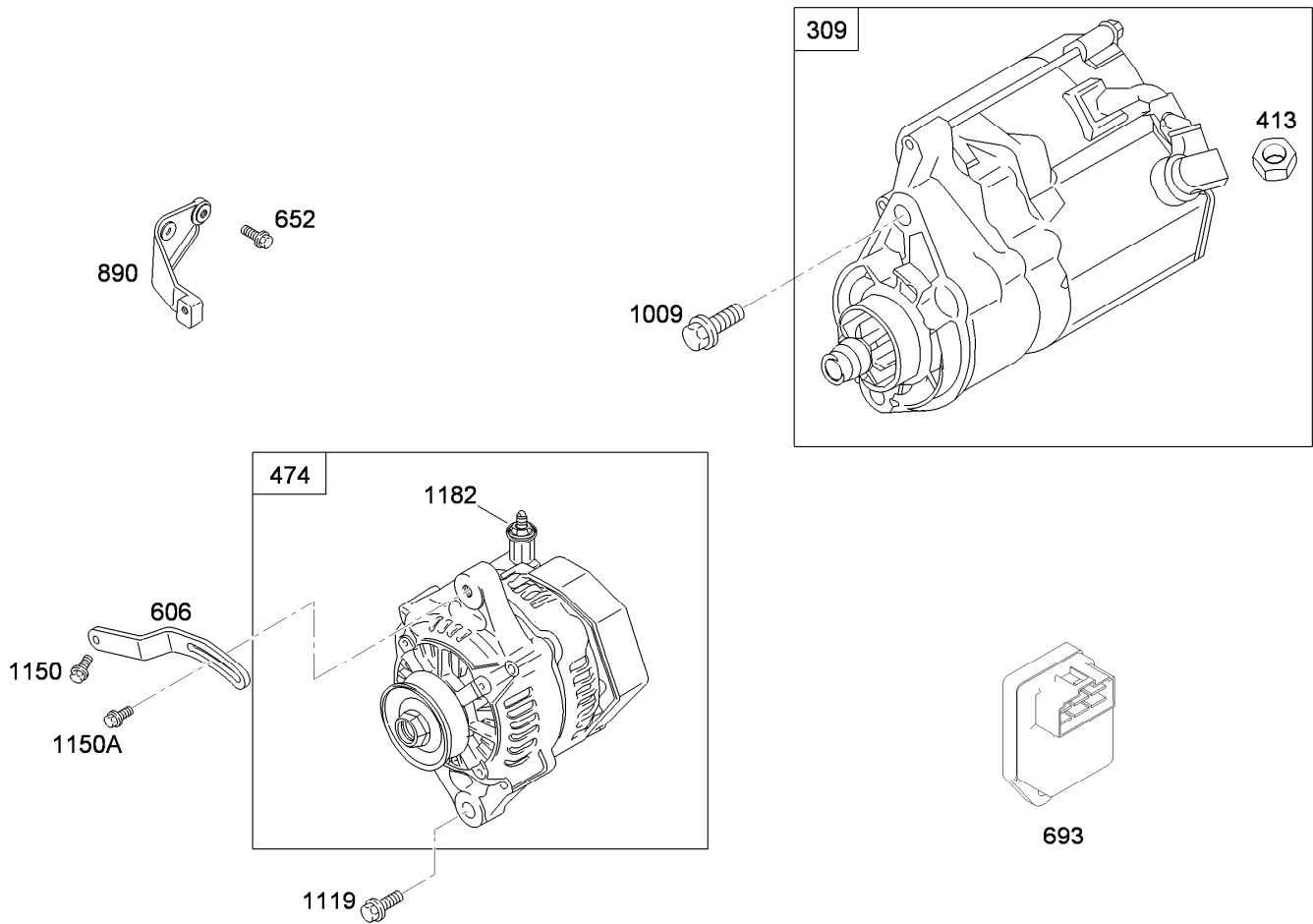
<i>Ref.</i>	<i>Part Number</i>	<i>Qty.</i>	<i>Description</i>
291	99-9155	1	Thermostat
323	117-4922	1	Belt-Vee
368	117-4923	1	Switch-Temperature, Water
415	99-9159	1	Plug (Water Pump)
415A	99-9158	1	Plug (Outlet Housing)
1062	99-9163	1	Gasket-Housing, Outlet
1063	99-9164	1	Pulley-Pump
1064	99-9165	1	Housing-Outlet
1065	99-9166	1	Gasket-Housing, Inlet
1066	99-9167	1	Housing-Inlet
1067	99-9168	1	Gasket-Pump, Water
1087	105-9348	1	Pump-Water
1185	99-9004	1	Screw-Hex (Outlet Housing)
1186	99-9151	1	Screw-Hex (Water Pump)
1187	99-9153	1	Nut-Hex, Metric (Water Pump)
1188	99-9004	1	Screw-Hex (Inlet Housing)
1193	99-9152	1	Screw-Metric (Thermostat)



Assemblies include all parts shown in frames

Manifold Assembly

<i>Ref.</i>	<i>Part Number</i>	<i>Qty.</i>	<i>Description</i>
50	99-9661	1	Manifold-Intake
51	99-9662	1	Gasket-Intake
54	99-9083	1	Screw-Hex (Intake Manifold)
54A	99-9660	1	Screw-Hex (Intake Manifold)
151	99-9174	1	Stud-Manifold, Exhaust
436	99-9177	1	Manifold-Exhaust
883	106-1855	1	Gasket-Exhaust
1174	99-9114	1	Nut-Hex, Metric (Intake Manifold)
1176	99-9175	1	Nut-Hex, Metric (Exhaust Manifold)
1176A	99-9176	1	Nut-Hex (Muffler)

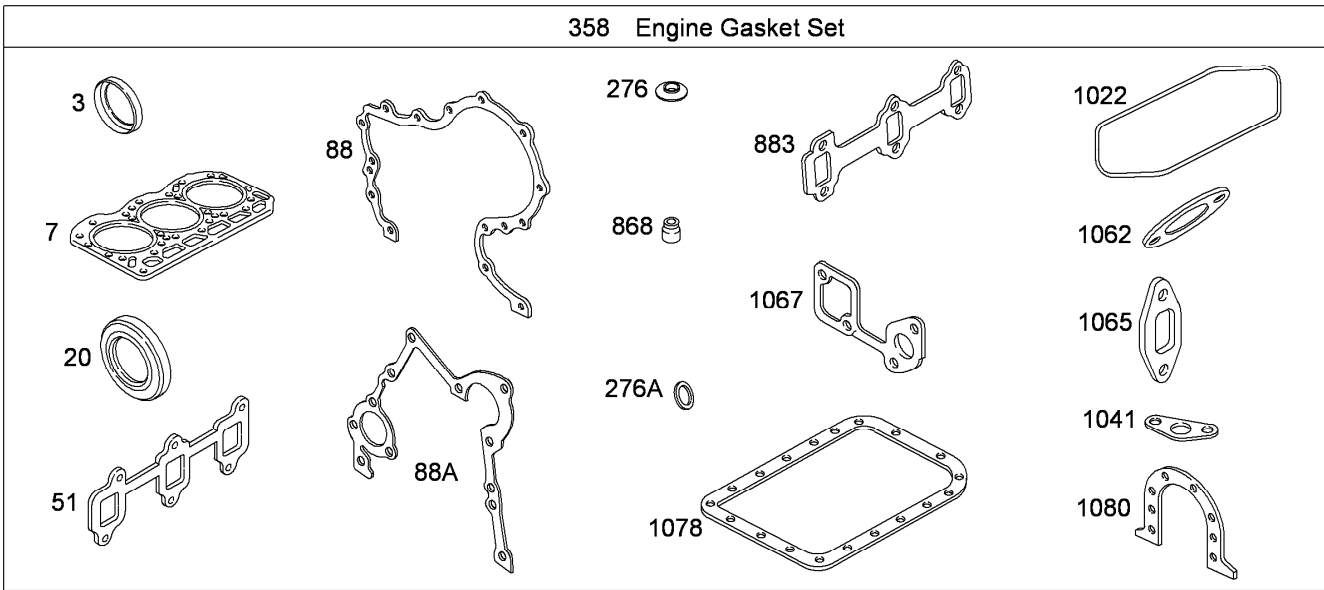


Assemblies include all parts shown in frames

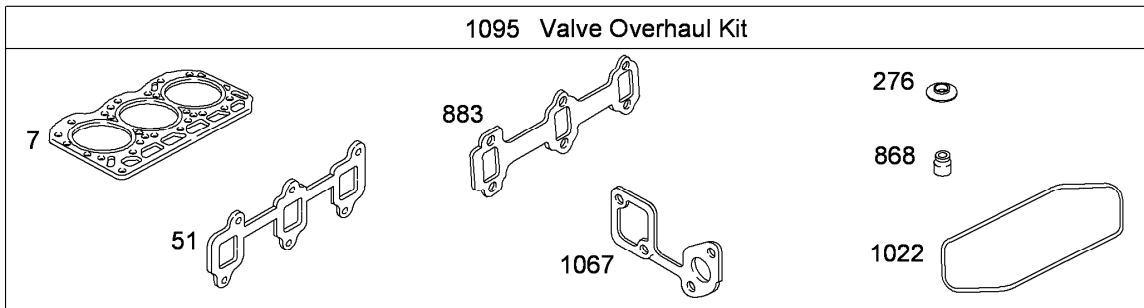
Starter Motor and Alternator Assembly

<i>Ref.</i>	<i>Part Number</i>	<i>Qty.</i>	<i>Description</i>
309	110-2598	1	Motor-Starter
413	99-9206	1	Nut-Hex, Metric (Starter Motor)
474	115-9473	1	Alternator-60Amp
606	106-1952	1	Strap-Adjusting
652	99-9203	1	Screw-Hex (Support Bracket)
693	115-2292	1	Timer-Glow Plug
890	99-9211	1	Bracket-Support
1009	99-9201	1	Screw-Hex (Starter Motor)
1119	99-9205	1	Screw-Hex, Metric (Alternator)
1150	99-9202	1	Screw-Hex (Adjusting Strap)
1150A	107-9903	1	Screw-Hex, Metric (Alternator)
1182	99-9114	1	Nut-Hex, Metric (Starting Switch)

358 Engine Gasket Set



1095 Valve Overhaul Kit



Assemblies include all parts shown in frames

Engine Gasket Set

Ref.	Part Number	Qty.	Description
3	99-9003	1	Seal-Oil (Magneto Side)
7	107-9898	1	Gasket-Head, Cylinder
20	115-2291	1	Seal-Oil (PTO Side)
51	99-9662	1	Gasket-Intake
88	99-9653	1	Gasket-Cover, Gear
88A	99-9136	1	Gasket-Cover, Gear Reduction
276	99-9063	1	Washer-Seal (Rocker Cover)
276A	99-9645	1	Washer-Seal (Oil Drain Plug)
358	115-2339	1	Gasket Kit
868	99-9643	1	Seal-Valve
883	106-1855	1	Gasket-Exhaust (Exhaust Manifold)
1022	99-9073	1	Gasket-Cover, Rocker
1041	99-9120	1	Gasket-Strainer, Oil
1062	99-9163	1	Gasket-Housing, Outlet
1065	99-9166	1	Gasket-Housing, Inlet
1067	99-9168	1	Gasket-Pump, Water
1078	99-9121	1	Gasket-Pan, Oil
1080	99-9021	1	Gasket-Retainer
1095	107-9907	1	Valve Overhaul Kit

Attachments and Accessories

For 07368TC Workman HDX-D Utility Vehicle with Bed

Product Name	Model/Part
Full Area Flatbed	07301
Full Area Flatbed Side Kit	07302
Fold Down Side Kit	07303
Left-Hand Light Kit	07315
High-Flow Hydraulic Kit	07316
Right-Hand Light Kit	07317
2/3 Area Flatbed	07321
2/3 Area Flatbed Side Kit	07322
Bed Liner	07331
Cab	07339
1/3 Area Flatbed	07341
1/3 Area Stake Side Kit	07342
1/3 Area Platform Lift	07344
Canopy	07372
Windshield	07373
Heater Cab	07374
Cab Door Kit	07375
Solid Window Cab Door Kit	07376
Hitch Frame Kit	07377
4 Post Roll-Over Protection System	07378
Rear PTO Kit	07419
Hand Throttle Kit	07420
Spiker	08856
Finish Grader	08867
Backup Alarm Kit	107-8037
Premium Engine Oil, 10w30 (55 Gallon Drum)	108-1179
Premium Engine Oil, 10w30 (5 Gallon Pail)	108-1180
Premium ATF (Drum)	108-1185
Premium ATF (Pail)	108-1186
Premium All Purpose Grease (Tube)	108-1190
Remote Hydraulics Manifold Kit	110-2626
Tire-Rear, 24x13-12	110-5132
Spark Arrestor Kit	112-1688
Wheel-12in x 8.0in	114-8260
Horn Kit	115-7825
High Air Intake Kit	115-7848
Side Mirror Kit	115-7849
Roll-Over Protection System Signal Kit	117-4825
Worklight Kit	117-4827
Remote Hydraulic Float Kit	117-4828
Cab Mirror Kit	117-4830
Receiver Hitch Kit	117-4831
Trailer Signal Kit	117-4836
Trailer Brake Kit	117-4837
24x13-12 Tire and Wheel ASM	117-4838
Sprayer Cylinder Lift Kit, Workman 200 Spray System	117-4846

Attachments and Accessories (continued)

Engine Cover Kit.....	117-4867
Manual 4-Wheel Drive Control Kit.....	119-0817
Harness-Wire, Speedometer Adapter.....	119-1762
Canopy for Four-Post Roll-Over Protection System Kit.....	119-9457
Single Nozzle Kit.....	41024
Hose Reel Kit.....	41097
Spray Gun Kit 9 (inc. 25ft Of 1/2in Hose).....	41133
Pro Foam Concentrate (4 x 1 Gallon).....	41157
Sonic Boom Kit.....	41217
Workman 200 Spray System.....	41235
Foam Marker Kit.....	41236
Spreader Base Unit.....	41253
Vicon Spreader.....	41256
Power Holster Hitch Kit.....	44209
Topdresser 1800.....	44225
Fifth Wheel Hitch Kit.....	44230
Cushman GA 60 Aerator Adapter Kit.....	44232
Core Harvester Adapter Kit.....	44242
Automatic Tailgate Release Kit.....	92-1220
Fuse Block.....	92-2641
PTO Over Running Clutch Kit.....	92-2655
Topdresser 1800 Lift Kit.....	92-4452
Mid-Mount Kit for Platform Lift.....	93-3741
1/3 Area Cover Kit.....	93-9225
Rear 1/3 Area Mounting Kit.....	93-9249
Tire-Rear, 23x8.50-12.....	98-2993
Tire-Rear, Industrial.....	99-1091

Notes:

Notes:



Count on it.