



## 72in Rear Discharge Mower Groundsmaster® 300 Series

Model No. 30710 - 240000001 and up.

### Parts Catalog

---

#### Ordering Replacement Parts

To order replacement parts, please supply the part number, the quantity, and the description of each part desired.

#### Understanding Reference Numbers

Each Identified part in an illustration has a reference number. The reference number for a part also appears in the parts list, along with other information about the part.

This catalog uses two special reference number formats, one to indicate parts in a service assembly and another to indicate the quantity of a given part in an illustration.

#### Service Assembly Reference Numbers

Parts in service assemblies have reference numbers in the form a:b. The a represents the reference number of the entire service assembly and the b represents a sequential number unique to each part within the service assembly.

For example, a wheel assembly might be identified by reference number 6, the tire by 6:1, the valve by 6:2, and the wheel by 6:3. When you order the assembly identified by reference number 6, you receive all parts identified by reference numbers 6:1, 6:2, and 6:3. However, you may also order any part individually. Reference numbers of this type appear in illustrations and in part lists.

#### Reference Numbers Indicating Quantity

In an illustration, if a reference number indicates more than one part, the reference number has the form nX y. The n represents the quantity of the part, the X is the multiplication symbol, and the y represents the reference number.

For example, in an illustration, the reference number 2X 37 means that two of the parts identified by reference number 37 are indicated.

# Contents

Description	Page	Description	Page
Deck Assembly	..... 3	Traction Unit Belly Assembly	..... 9
Carrier Frame Assembly	..... 5	Foam Filled Catser Wheel Assembly (Optional)	..... 10
Gearbox Assembly No. 106-4355	..... 7		
Driveshaft Assembly	..... 8		

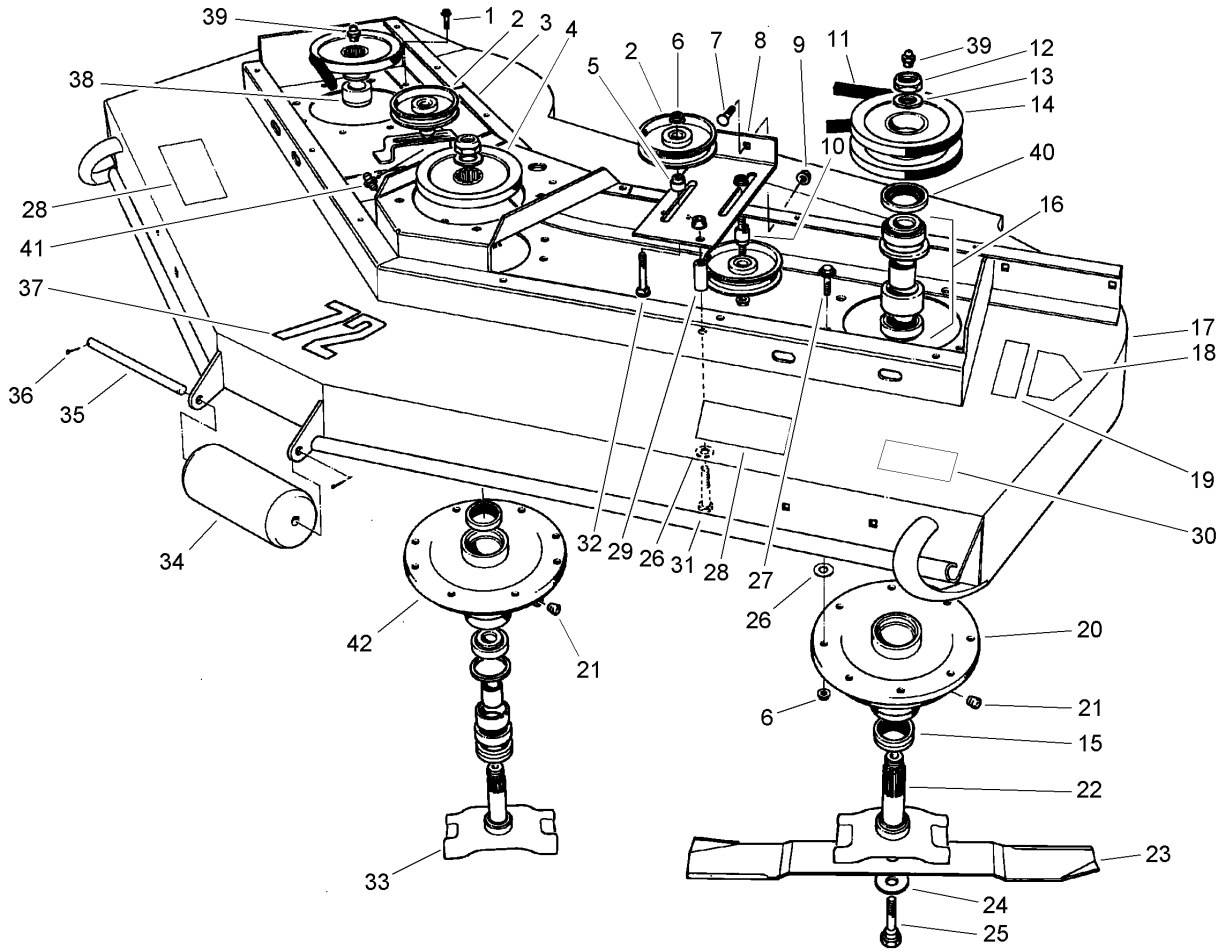
## Part Description Abbreviations

Part descriptions in this catalog may include the following abbreviations.

AR. .... as required	INC. .... incorporated
ASM. .... assembly	LH. .... left hand
CARR. .... carriage	NI. .... nylon insert
DEG. .... degrees	PPH. .... phillips pan head
FH. .... flat head	PTH. .... phillips truss head
GA. .... gauge	PTO. .... power take off
HF. .... hex flange	RH. .... right hand
HH. .... hex head	SFH. .... slotted fillister head
HHF. .... hex head flange	SHH. .... slotted hex head
HHFTF. .... hex head flange thread forming	SHWH. .... slotted hex washer head
HJ. .... hex jam	SPH. .... slotted pan head
HLH. .... hex lag head	SQH. .... square head
HOC. .... height-of-cut	SRH. .... slotted round head
HS. .... hex	STD. .... standard
HSBH. .... hex socket button head	TAP. .... self tapping
HSFH. .... hex socket flat head	TTH. .... torx truss head
HSH. .... hex socket head	WH. .... wing head
HWH. .... hex washer head	
HWHTF. .... hex washer head thread forming	
HYD. .... hydraulic	

## Footnotes

- ❶ Not illustrated

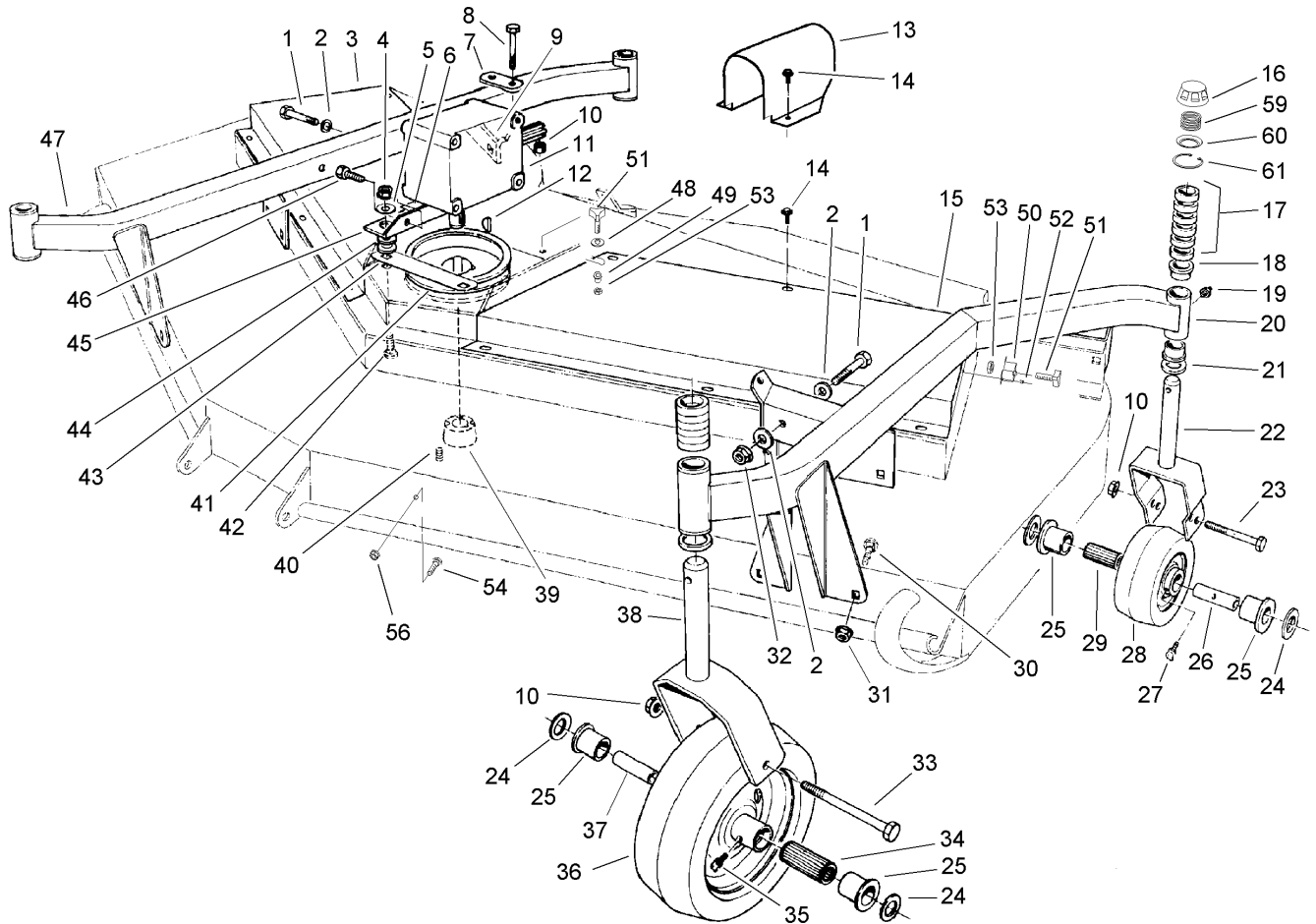


## Deck Assembly

Ref	Part No.	Qty.	Description
1	3234-11	4	Screw-HHF
2	26-1840	3	Pulley-Idler
3	100-6578	2	Decal-Danger
4	26-1760	2	Pulley And Hub ASM
5	26-1860	2	Spacer-Pulley, Idler
6	32128-21	29	Nut-HF
7	3231-22	2	Screw-CARR
8	26-1870-03	1	Mount-Idler
9	3290-357	2	Nut-HHF
10	26-1850	1	Stud-Idler
11	21-0890	3	V-Belt
12	3296-49	3	Nut-Lock, NI
13	3-8514	3	Washer-Thrust
14	84-2060	1	Pulley And Hub ASM
15	253-138	6	Seal-Oil
16	49-8320	3	Bearing ASM
17	95-6277	1	Cutter Deck ASM (Incl. Ref. No. 3, 18, 19, 28, 30 And 37)
18	106-6753	2	Decal-Danger, Ce
19	93-7817	1	Decal-Torque, Blade Bolt
20	84-2020	2	Housing-Spindle
21	285-17	4	Plug-Pipe
22	84-2070	2	Spindle
23	29-5530-03	3	Blade

Ref	Part No.	Qty.	Description
24	26-1990	3	Washer-Belleville
25	26-1820	3	Capscrew
26	3256-24	1	Washer-Flat
27	3234-1	20	Screw-HHF
28	107-2908	2	Decal-Danger
29	26-1880	1	Spacer-Mount, Idler
30	105-7844	1	Decal-Warning
31	323-12	1	Screw-HH
32	3231-29	2	Screw-CARR
33	84-5370	1	Spindle
34	31-0750	1	Roller-Front
35	32-9610	1	Shaft-Roller
36	3272-11	2	Pin-Cotter
37	57-0280	1	Decal
38	84-2090	1	Spacer-Spindle, RH
39	302-5	2	Fitting-Grease
40	253-154	3	Seal-Oil
41	302-52	1	Fitting-Grease
42	84-2080	1	Housing-Spindle, Center
43	23-2410	3	Blade-25in
●	95-3087	1	Blade And Belt Kit (3 Of Each)(Incl. Ref. No. 11 And 23)
●	95-3094	1	Blade And Belt Kit (Hi-lift)(3 Of Each)(Incl. Ref. No. 11 And 43)

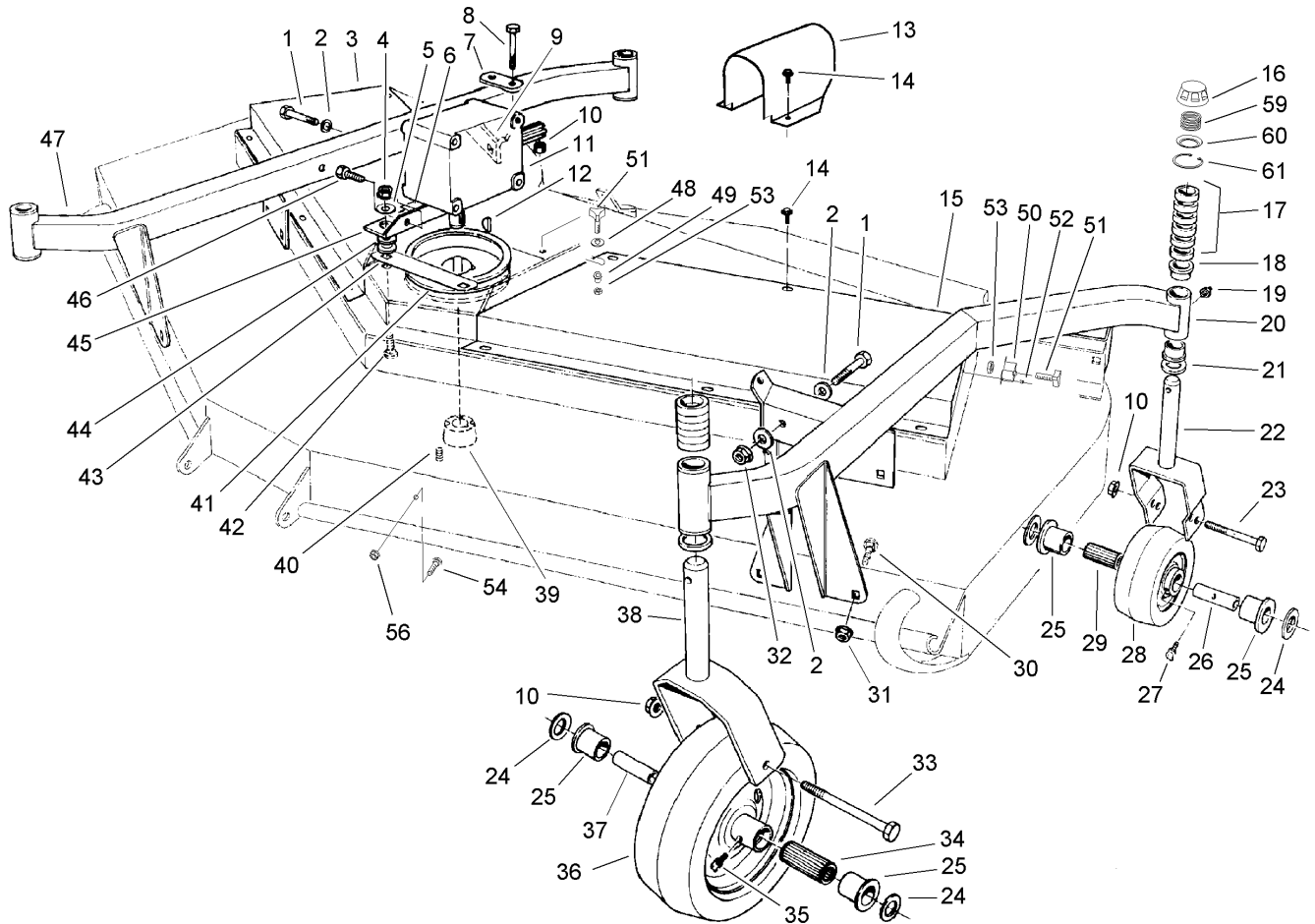




## Carrier Frame Assembly

Ref	Part No.	Qty.	Description
1	324-12	4	Screw-HH
2	66-6480	4	Washer
3	14-5869	1	Cover-Deck, RH (Incl. Ref. No. 50-53)
4	32128-21	4	Nut-HF
5	63-8410	4	Washer
6	93-6697	1	Decal-Lube
7	39-3330-01	1	Clamp-Arm, Castor
8	325-14	2	Screw-HH
9	39-3340-01	1	Bracket-Clamp, Arm
10	32128-23	6	Nut-HF
11	106-4355	1	Gearbox ASM
12	3257-5	1	Key-Woodruff
13	93-9838-03	1	Shroud-Shaft, Drive
14	32104-82	2	Screw-HHF
15	14-5879	1	Cover-Deck, LH (Incl. Ref. No. 50-53)
16	92-8861	4	Cap-HOC
17	63-0070	24	Spacer
18	94-1291	8	Bushing
19	302-5	4	Fitting-Grease
20	38-9420	1	Arm-Castor, LH (Incl. Ref. No. 18 And 19)
21	3-6781	8	Washer-Thrust
22	75-9680-01	2	Castor Fork ASM

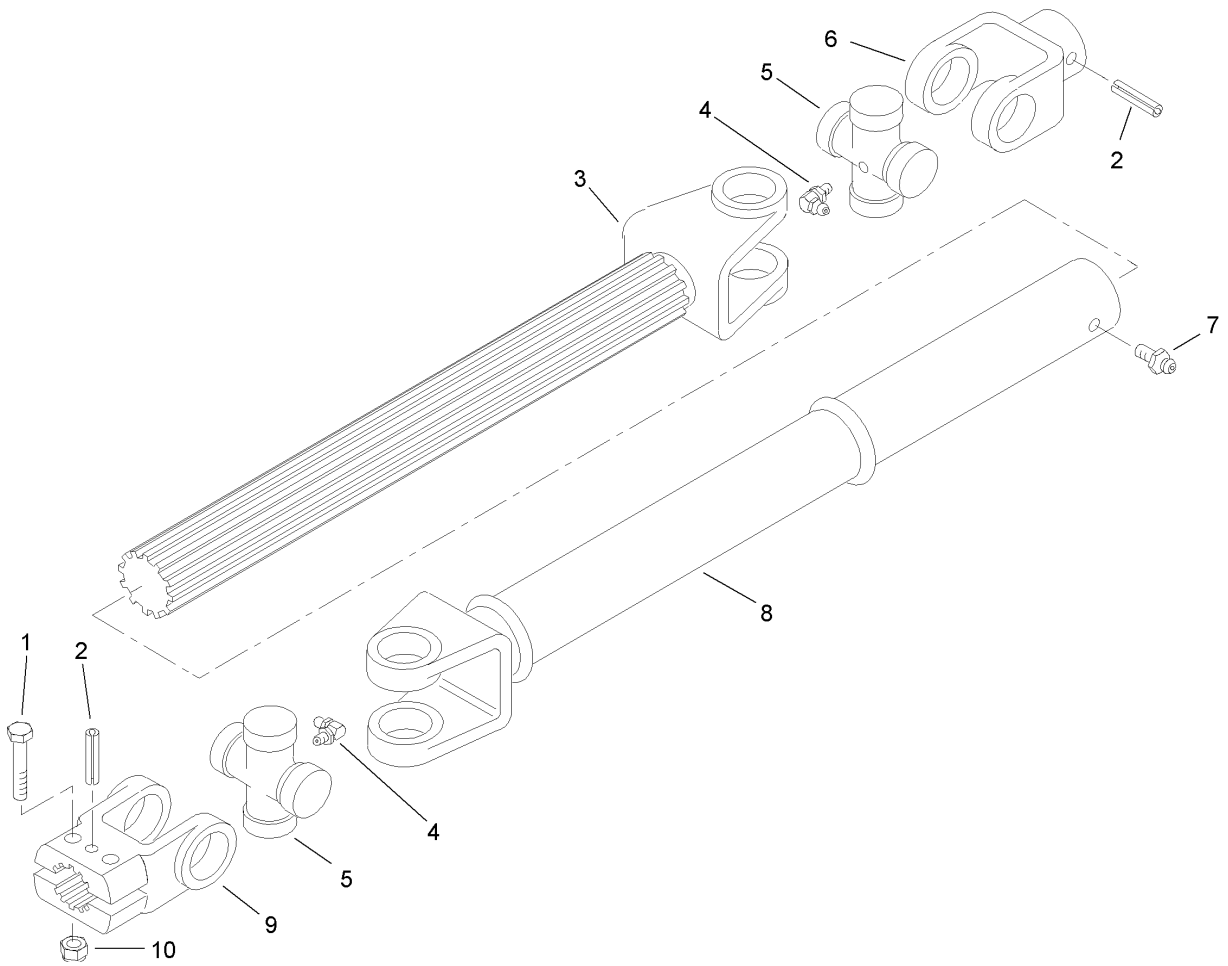
Ref	Part No.	Qty.	Description
23	325-18	2	Screw-HH
24	3256-6	8	Washer-Flat
25	62-5580	8	Bearing-Outside
26	63-1770	2	Spanner
27	302-11	4	Fitting-Lube, 45 DEG
28	63-8400	2	Wheel-Castor, Rear (Incl. Ref. No. 25, 27 And 29)
29	63-8580	2	Bearing-Roller
30	3233-2	12	Screw-CARR
31	32128-49	12	Nut-HHF
32	32128-42	4	Nut-HF
33	325-22	2	Screw-HH
34	83-4740	2	Bearing
35	302-40	2	Fitting-Grease
36	92-1655	2	Wheel-Castor, Front (Incl. Ref. No. 25, 34 And 35)
37	62-4340	2	Spanner
38	26-1530-01	2	Front Fork Castor ASM
39	23-1640	1	Bushing-Taperlock
40	3247-4	2	Screw-Set
41	26-1400	1	Pulley-Deck
42	3231-26	4	Screw-CARR
43	68-9890-01	1	Cover-Gearbox, Front
44	63-9750	4	Mount



### Carrier Frame Assembly (continued)

Ref	Part No.	Qty.	Description
45	68-8560-03	2	Bracket-Gearbox
46	323-4	4	Screw-HH
47	38-9370	1	Arm-Castor, RH (Incl. Ref. No. 18 And 19)
48	66-6310	2	Washer-Cup
49	3290-469	4	Nut-Clinch
50	66-1260	2	Bracket-Knob
51	27-4570	4	Knob-Seat
52	3269-5	4	Rivet
53	3296-59	4	Nut-Lock, NI
54	3234-5	9	Screw
56	32128-20	9	Nut-HF
59	92-5584	4	Spring-Compression
60	92-5583	4	Washer-Cap
61	92-5581	4	Ring-Retaining
❶	92-8862	4	Height-Of-Cut Cap ASM (Incl. Ref. No. 16, And 59-61)
❶	12-1509	2	10in Castor Wheel ASM
❶	95-3082	2	Front Castor Wheel ASM (Incl. Ref. No. 10, 24, 33 And 36-37)
❶	95-3084	2	Rear Castor Wheel ASM (Incl. Ref. No. 10,23-24, 26 And 28)
❶	95-3086	1	Castor Wheel Set (4 Wheels)(Incl. Ref. No. 10,23-24, 26, 28, 33 And 36-37)

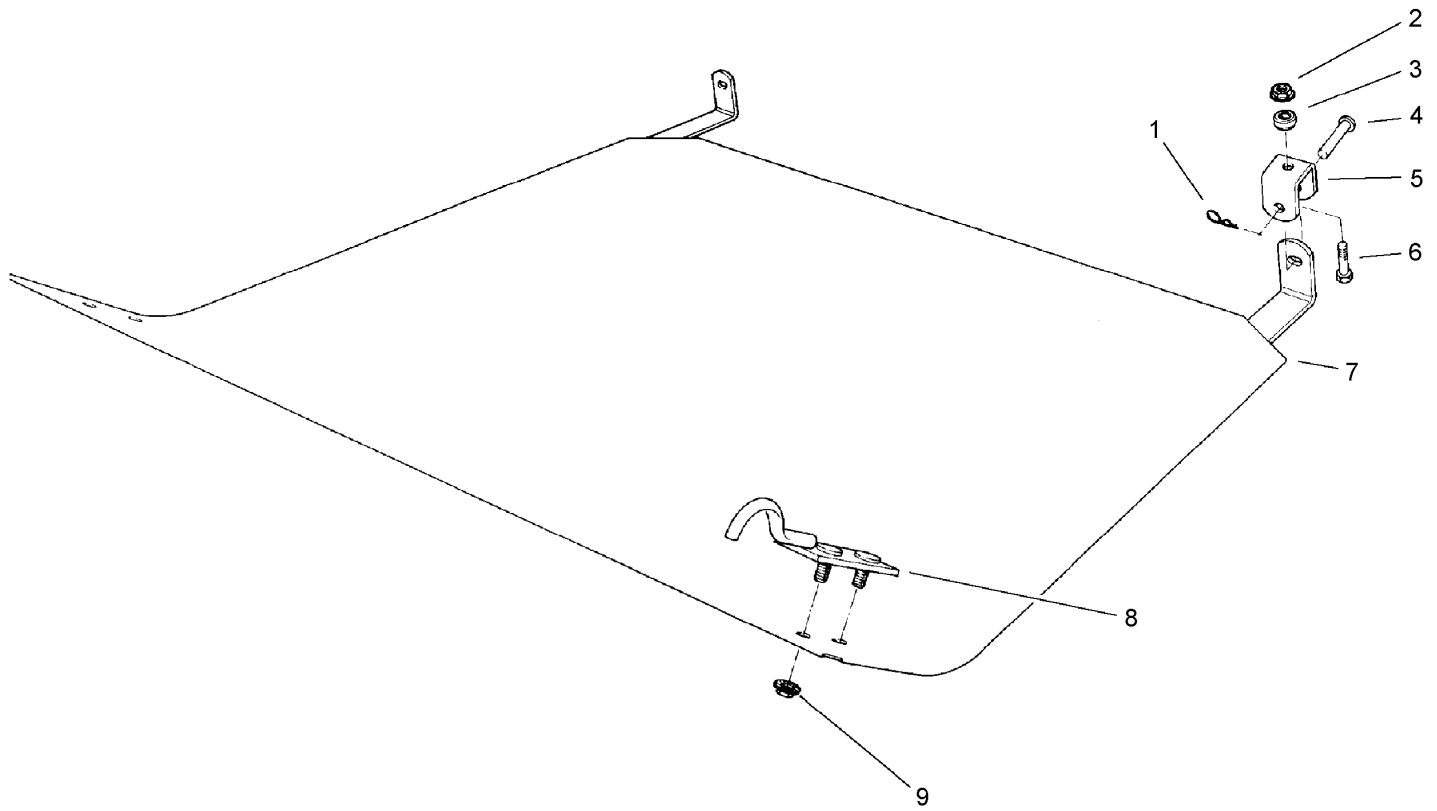


## Driveshaft Assembly

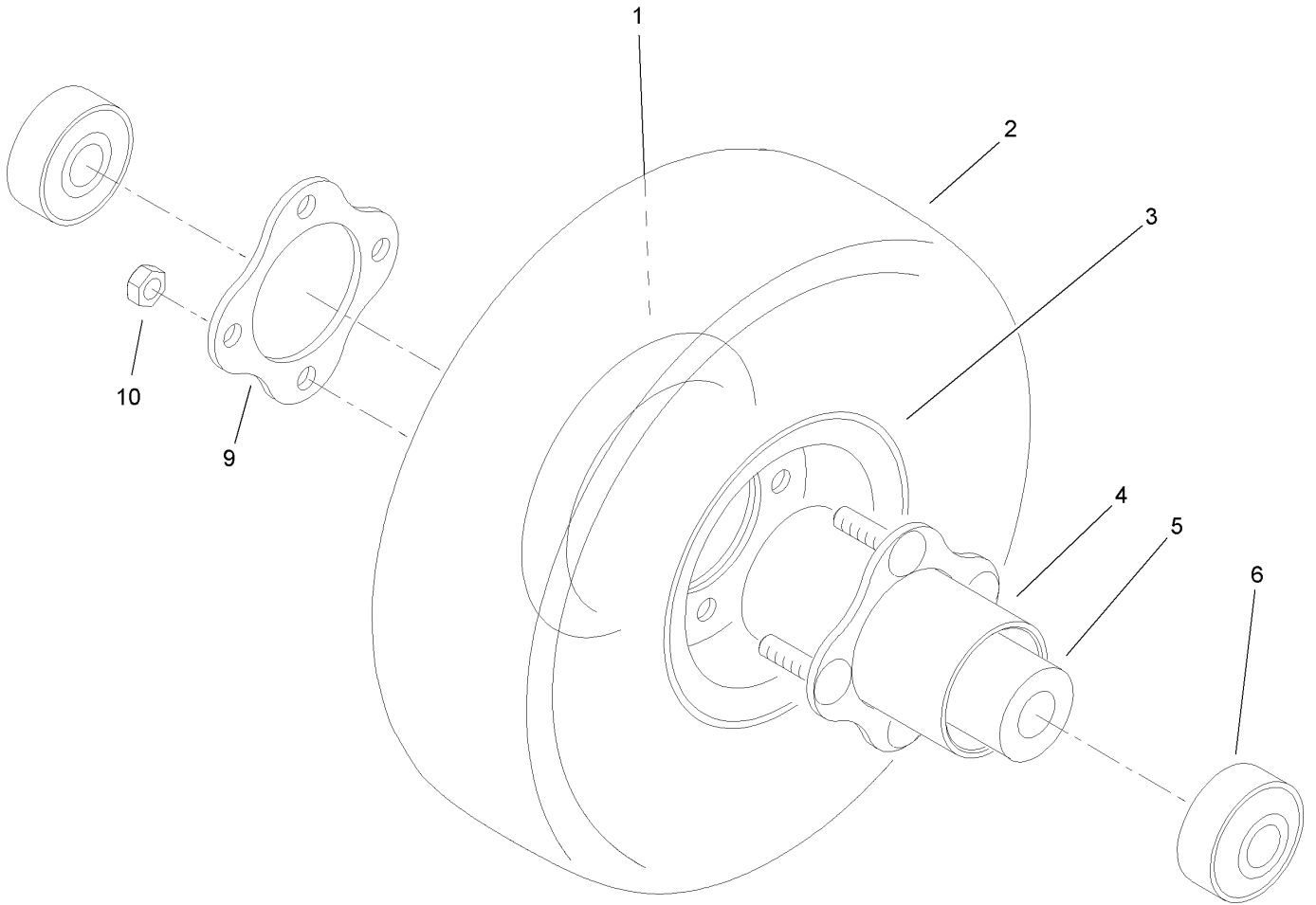
Ref	Part No.	Qty.	Description
1	322-9	2	Screw-HH
2	32121-34	2	Pin-Roll
3	93-9963	1	Shaft-Yoke, Slip
4	62-3820	2	Fitting-Grease
5	54-9180	2	U-Joint Kit
6	62-3800	1	Yoke-End
7	302-58	1	Fitting-Grease
8	93-9966	1	Slip Yoke-Tube
9	54-9040	1	Yoke-End
10	3296-29	2	Nut-Lock, NI
①	93-9996	1	Drive Shaft ASM (Without Guards) (Incl. Ref. No. 3-9)

--	--	--	--



### Traction Unit Belly Assembly

Ref	Part No.	Qty.	Description
1	3290-322	2	Hairpin
2	32128-21	2	Nut-HF
3	46-1600	2	Spacer
4	283-23	2	Clevis
5	39-1470-01	2	Hanger-Shield
6	323-8	2	Screw-HH
7	39-1410-01	1	Shield-Belly
8	39-1440-01	2	Hook-Shield
9	32128-20	4	Nut-HF

### Foam Filled Catser Wheel Assembly (Optional)

Ref	Part No.	Qty.	Description				
1	95-2741	2	Rim-Wheel, Half				
2	93-4243	2	Tire				
3	93-4239	2	Rim-Wheel, Half				
4	93-5980	2	Hub				
5	93-4241	2	Spacer-Bearing, Inner				
6	93-4237	2	Bearing				
9	93-4242	2	Plate				
10	32128-16	8	Nut-HHF				
●	93-5973	2	10in Foam Filled Wheel ASM (Incl. Ref. No. 1-6 And 9-10)				

## NOTES

