



Recycler Kit

52in Mowers

Model No. 79186

Form No. 3350-535

Installation Instructions

Loose Parts

Note: Use the chart below to identify parts used for assembly.

DESCRIPTION	QTY.	USE
Kicker	3	Install the kickers
Bolt, 5/16 x 1 inch	3	
Spacer	3	
Lock nut, 5/16 inch	3	
Recycler [®] blade	3	Replace the standard blades on the mower
Baffle left side	1	Install the Recycler [®] baffles
Baffle right side	1	
Bolt, 5/16 x 5/8 inch	8	
Bolt, 5/16 x 1 inch	1	
Lock nut, 5/16 inch	9	
Decal	1	Install the decal onto the mower

Installing the Kickers

1. Remove the mower deck from the mower; refer to Removing the Mower, in mower *Operator's Manual*.
2. Thoroughly clean the mower. All debris must be removed to ensure the baffle will fit properly against the cutting chamber.
3. Tip the mower upside down and block up the ends to ease installation of the kickers.
4. Place the spacers and kickers inside mower, over the holes provided (Fig. 1).
5. Secure the two outside kickers with 2 bolts (5/16 x 1 inch), with the bolt heads inside the mower, and 3 lock nuts (5/16 inch) (Fig. 1).
6. Secure the middle kicker with 1 bolt (5/16 x 1 inch), with the bolt head on the outside of the mower, and 1 lock nut (5/16 inch) (Fig. 1).

Important The bolt for the center kicker must be installed with the head on the outside of the mower.

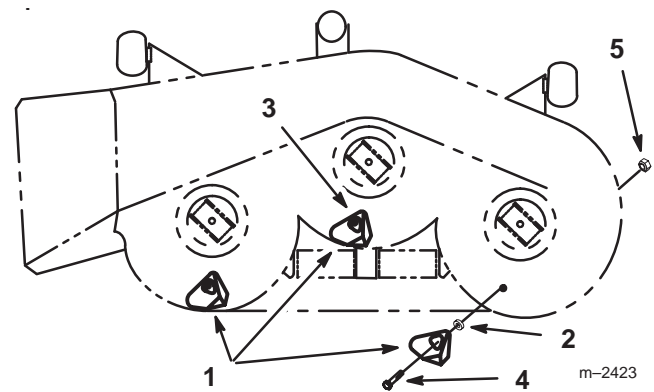


Figure 1

- | | |
|-----------------------------|------------------------|
| 1. Kicker | 4. Bolt, 5/16 x 1 inch |
| 2. Spacer | 5. Lock nut, 5/16 inch |
| 3. Head on outside of mower | |

Installing the Recycler® Baffle

1. Place the left and right sides of the baffle together with a center pin inserted into flange. Secure the flanges with 1 bolt (5/16 x 5/8 inch) and 1 locknut (5/16 inch) (Fig. 2).
2. Place the baffle assembly inside the cutting chamber (Fig. 2). Secure it with 7 bolts (5/16 x 5/8 inch), 1 bolt (5/16 x 1 inch) and 8 lock nuts (5/16 inch).

Important The bolts must be installed with the head on the inside of the mower.

3. Tighten all mounting hardware securely.

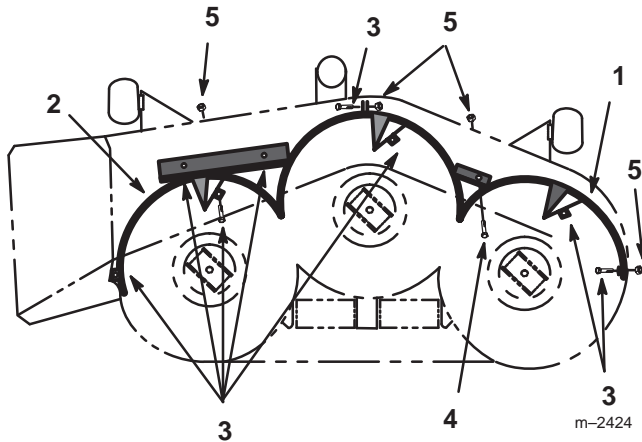


Figure 2

- | | |
|--------------------------|------------------------|
| 1. Baffle left side | 4. Bolt, 5/6 x 1 inch |
| 2. Baffle right side | 5. Lock nut, 5/16 inch |
| 3. Bolt, 5/16 x 5/8 inch | |

Installing the Recycler® Blades



Warning



A blade is sharp. Contact with sharp blade can cause serious personal injury.

- Wear gloves or wrap sharp edges of the blade with a rag.

1. Hold the blade end using a rag or thickly-padded glove.
2. Remove the blade bolt, curved washer, stifener and standard blade from the spindle shaft (Fig. 3).
3. Install the recycler blade onto the spindle shaft with the stifener (Fig. 3).

Important The curved part of the blade must be pointing upward toward the inside of the mower to ensure proper cutting.

4. Install the curved washer and blade bolt (Fig. 3). Torque the blade bolt to 35–60 ft-lb (47–88 N·m).
5. Rotate the blades to assure there is at least 1/8 inch clearance between the blades and baffle.

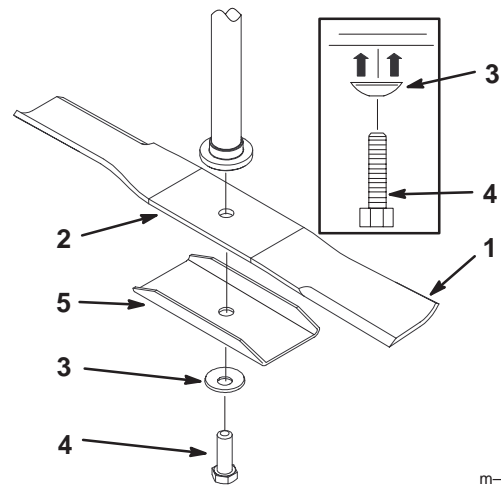


Figure 3

- | | |
|-----------------------|---------------|
| 1. Sail area of blade | 4. Blade bolt |
| 2. Blade | 5. Stifener |
| 3. Curved washer | |



Warning



A blade that is bent or damaged could break apart and could seriously injure or kill you or bystanders.

- Always replace bent or damaged blade with a new blade.
- Never file or create sharp notches in the edges or surfaces of blade.

Installing the Recycler[®] Decal

1. Remove the backing paper and apply decal to the discharge side of the mower (Fig. 4). Smooth it from the center to the edges to remove any air bubbles.

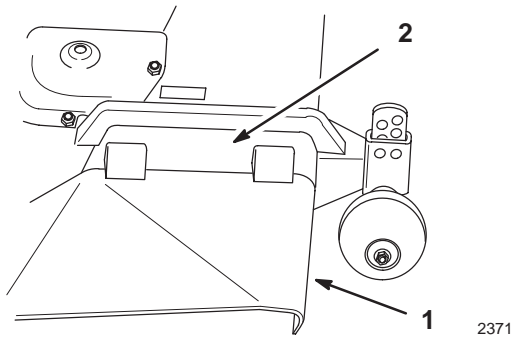


Figure 4

1. Mower discharge side
2. Apply decal

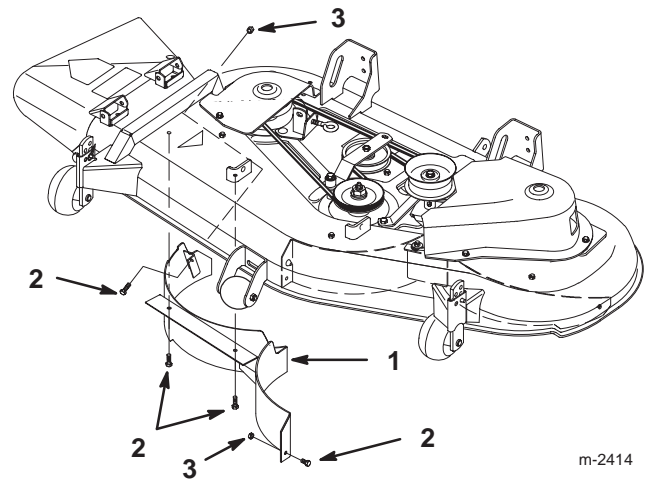
2. Install the mower deck onto the mower; refer to Installing the Mower, in the mower *Operator's Manual*.

Removing the Recycler[®] Baffle

1. Thoroughly clean the mower.
2. Remove the lock nuts from the top and center of the right side baffle (Fig. 5). Lower the baffle and slide it out the side discharge opening to remove it.

Note: Only the right side baffle needs to be removed for side discharge mowing.

3. Install the previously removed bolts (5/16 x 5/8 inch) and lock nuts (5/16 inch) in the open holes of the mower (Fig. 5).



m-2414

Figure 5

1. Baffle left side
2. Bolt, 5/16 x 5/8 inch
3. Lock nut, 5/16 inch



Warning



Open holes in the mower exposes you and others to thrown debris. Debris thrown out of holes in the mower can cause injury.

- Never operate mower without hardware mounted in all holes in mower.
- Install hardware in mounting holes when a baffle is removed.

