



Mid-Size ProLine T-Bar Gear 13 HP with 36in Side Discharge Mower

Model No. 30161 - 240000001 and up.

Parts Catalog

Ordering Replacement Parts

To order replacement parts, please supply the part number, the quantity, and the description of each part desired.

Understanding Reference Numbers

Each Identified part in an illustration has a reference number. The reference number for a part also appears in the parts list, along with other information about the part.

This catalog uses two special reference number formats, one to indicate parts in a service assembly and another to indicate the quantity of a given part in an illustration.

Service Assembly Reference Numbers

Parts in service assemblies have reference numbers in the form a:b. The a represents the reference number of the entire service assembly and the b represents a sequential number unique to each part within the service assembly.

For example, a wheel assembly might be identified by reference number 6, the tire by 6:1, the valve by 6:2, and the wheel by 6:3. When you order the assembly identified by reference number 6, you receive all parts identified by reference numbers 6:1, 6:2, and 6:3. However, you may also order any part individually. Reference numbers of this type appear in illustrations and in part lists.

Reference Numbers Indicating Quantity

In an illustration, if a reference number indicates more than one part, the reference number has the form nX y. The n represents the quantity of the part, the X is the multiplication symbol, and the y represents the reference number.

For example, in an illustration, the reference number 2X 37 means that two of the parts identified by reference number 37 are indicated.

Contents

| Description | Page | Description | Page |
|--|----------|--|----------|
| Engine and Fuel System Assembly | 3 | Cooling Equipment Assembly Kawasaki FH381V-AS25 | 16 |
| Transmission and Drive Pulley Assembly | 4 | Electric-Equipment Assembly Kawasaki FH381V-AS25 | 17 |
| Wheel Drive Assembly | 6 | Control-Equipment Assembly Kawasaki FH381V-AS25 | 18 |
| Upper Handle Assembly | 7 | Carburetor Assembly Kawasaki FH381V-AS25 | 19 |
| Deck Assembly | 8 | Air-Filter and Muffler Assembly Kawasaki FH381V-AS25 | 20 |
| Front Caster and Blade Brake Assembly | 9 | Starter Assembly Kawasaki FH381V-AS25 | 21 |
| Spindle, Blade and Belt Assembly | 11 | Decal Assembly Kawasaki FH381V-AS25 | 22 |
| Cylinder and Crankcase Assembly Kawasaki FH381V-AS25 | 12 | | |
| Piston and Crankshaft Assembly Kawasaki FH381V-AS25 | 13 | | |
| Valve and Camshaft Assembly Kawasaki FH381V-AS25 | 14 | | |
| Lubrication-Equipment Assembly Kawasaki FH381V-AS25 | 15 | | |

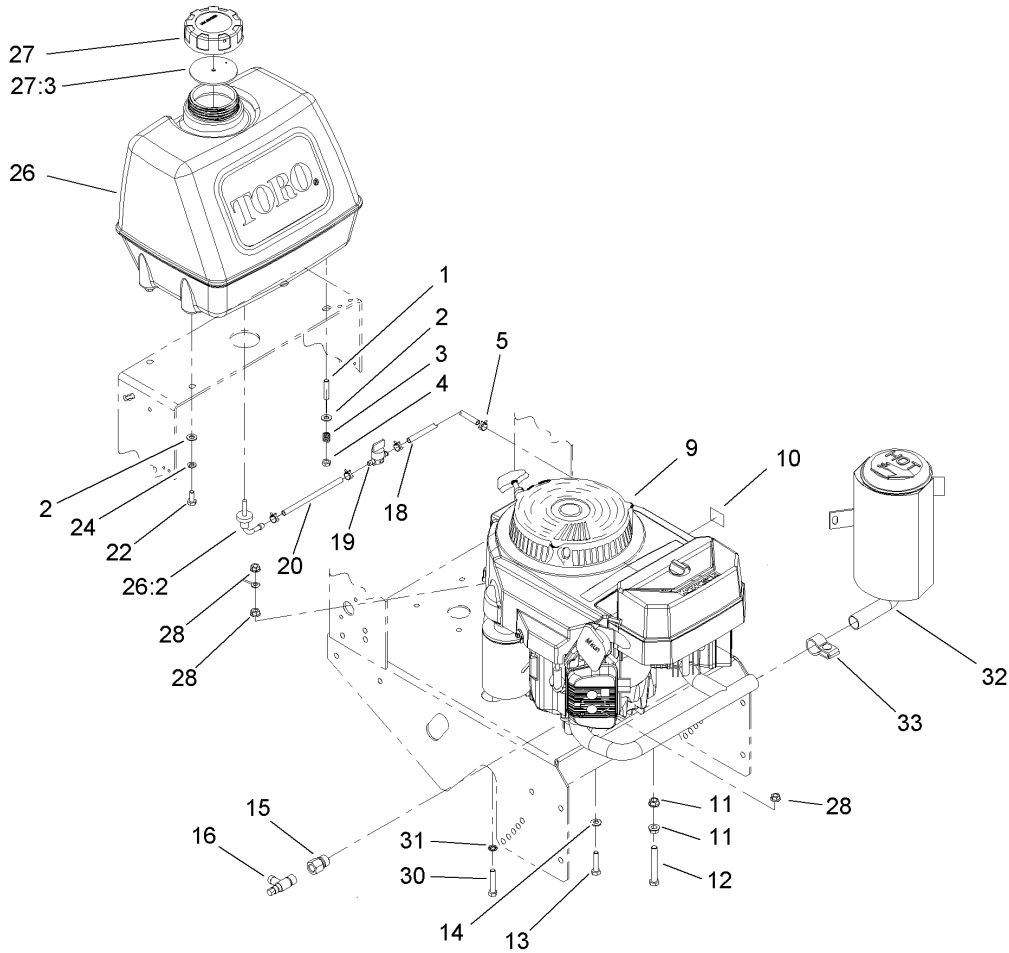
Part Description Abbreviations

Part descriptions in this catalog may include the following abbreviations.

| | |
|--|------------------------------------|
| AR. as required | INC. incorporated |
| ASM. assembly | LH. left hand |
| CARR. carriage | NI. nylon insert |
| DEG. degrees | PPH. phillips pan head |
| FH. flat head | PTH. phillips truss head |
| GA. gauge | PTO. power take off |
| HF. hex flange | RH. right hand |
| HH. hex head | SFH. slotted fillister head |
| HHF. hex head flange | SHH. slotted hex head |
| HHFTF. hex head flange thread forming | SHWH. slotted hex washer head |
| HJ. hex jam | SPH. slotted pan head |
| HLH. hex lag head | SQH. square head |
| HOC. height-of-cut | SRH. slotted round head |
| HS. hex | STD. standard |
| HSBH. hex socket button head | TAP. self tapping |
| HSFH. hex socket flat head | TTH. torx truss head |
| HSH. hex socket head | WH. wing head |
| HWH. hex washer head | |
| HWHTF. hex washer head thread forming | |
| HYD. hydraulic | |

Footnotes

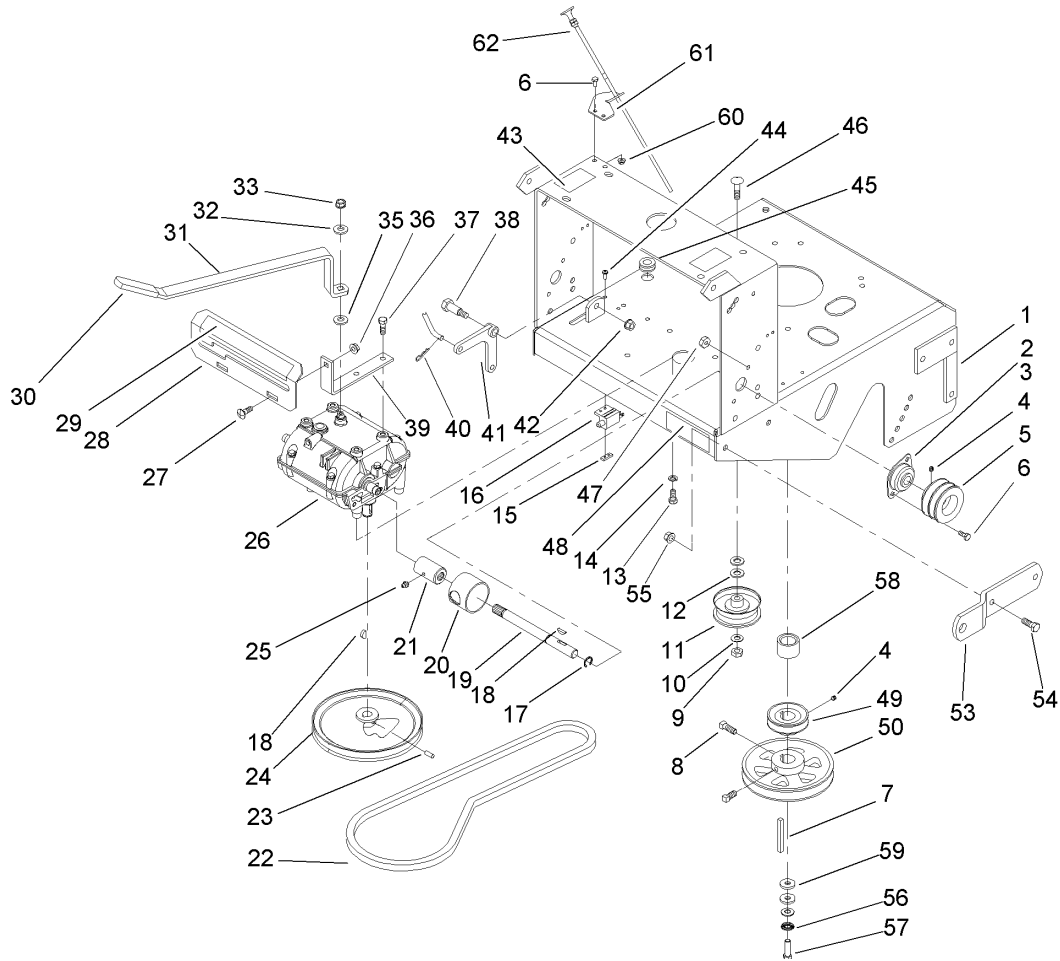
- ❶ Not illustrated
- ❷ Not serviced separately
- ❸ Obtain parts from your local Kawasaki dealer



Engine and Fuel System Assembly

| Ref | Part No. | Qty. | Description |
|------|----------|------|------------------------------|
| 1 | 1-633023 | 2 | Stud |
| 2 | 3256-23 | 4 | Washer-Flat |
| 3 | 1-633349 | 2 | Spring-Tank, Fuel |
| 4 | 3296-47 | 2 | Nut-Lock, NI |
| 5 | 1-303077 | 5 | Clamp |
| 9 | | 1 | Engine-Kawasaki, Fh381v-As25 |
| 10 | 106-0699 | 1 | Decal-Warning, Hot Surfaces |
| 11 | 3290-357 | 2 | Nut-HHF |
| 12 | 323-13 | 1 | Screw-HH |
| 13 | 322-7 | 3 | Screw-HH |
| 14 | 1-303334 | 3 | Washer-Spring |
| 15 | 103-1966 | 1 | Adapter |
| 16 | 103-1965 | 1 | Valve-Drain, Oil |
| 18 | 1-303022 | 1 | Hose-Fuel |
| 19 | 1-603770 | 1 | Valve-Fuel |
| 20 | 1-603955 | 1 | Hose-Fuel |
| 22 | 322-3 | 2 | Screw-HH |
| 24 | 1-805005 | 2 | Washer-Lock |
| 26 | 106-0730 | 1 | Fuel Tank ASM |
| 26:2 | 103-2605 | 1 | Fitting-Fuel, Bulkhead |
| 27 | 88-3980 | 1 | Gas Cap ASM |
| 27:3 | 88-4010 | 1 | Gasket-Cap, Gas |
| 28 | 32128-20 | 5 | Nut-HF |
| 30 | 322-9 | 1 | Screw-HH |

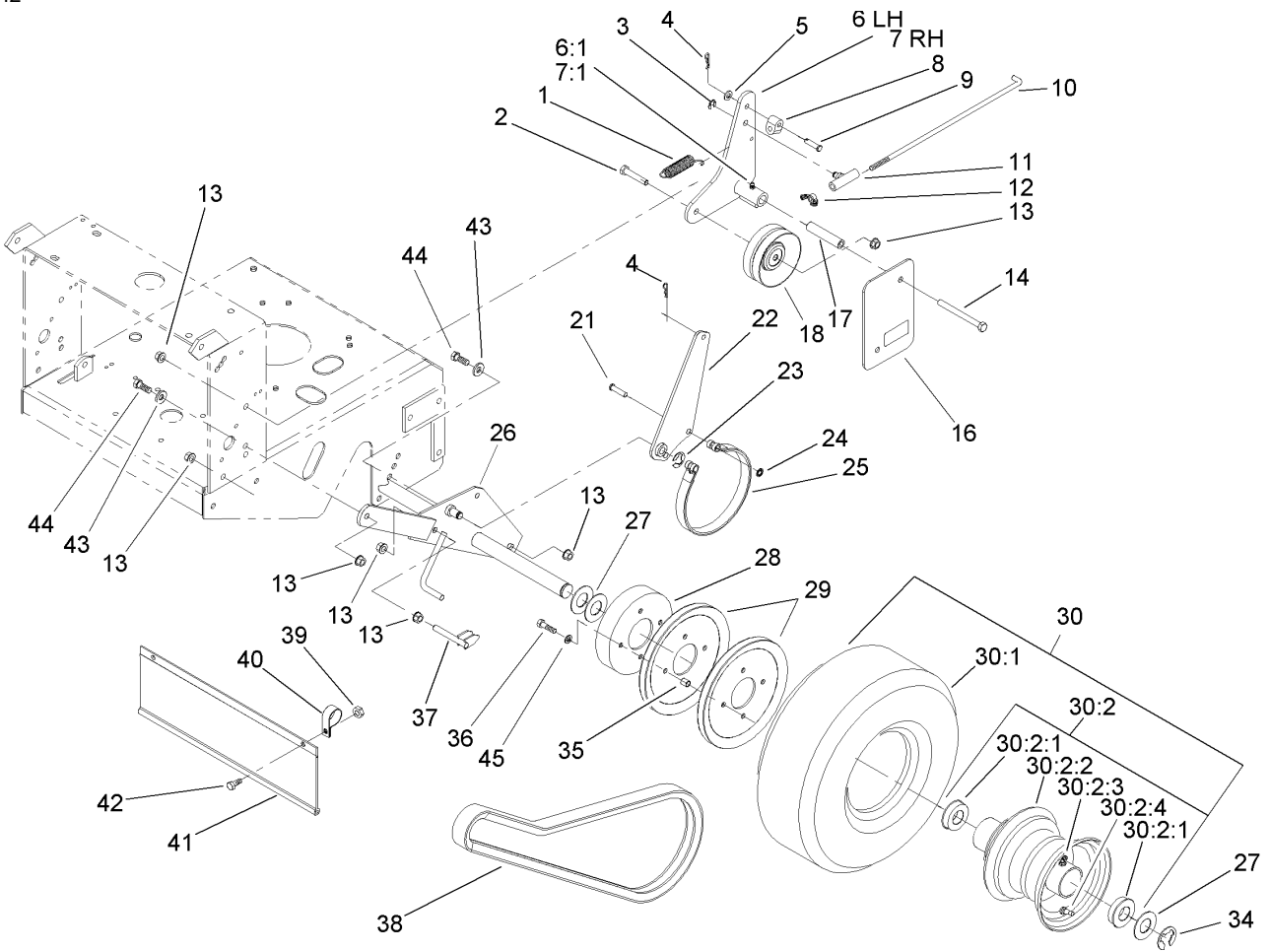
| Ref | Part No. | Qty. | Description |
|-----|----------|------|------------------|
| 31 | 3254-2 | 1 | Washer-Lock, Int |
| 32 | 100-6467 | 1 | Muffler |
| 33 | 103-5465 | 1 | Clamp-Muffler |
| 99 | 1-303335 | 1 | Tie-Plastic |
| 99 | 1-303287 | 1 | Tie-Plastic |



Transmission and Drive Pulley Assembly

| Ref | Part No. | Qty. | Description |
|-----|-------------|------|---------------------------|
| 1 | 103-2923-01 | 1 | Deck-Rear |
| 2 | 1-323252 | 2 | Bearing-Shaft |
| 3 | 1-323254 | 2 | Flange-Output |
| 4 | 1-803310 | 3 | Screw-Set |
| 5 | 103-6511 | 2 | Sheave-Transmission |
| 6 | 321-3 | 6 | Screw-HH |
| 7 | 103-4177 | 1 | Key-Machine |
| 8 | 3242-4 | 2 | Screw-Set, SQH |
| 9 | 3296-39 | 1 | Nut-Lock, NI |
| 10 | 3256-24 | 1 | Washer-Flat |
| 11 | 1-323285 | 1 | Idler-Drive, Transmission |
| 12 | 3256-5 | 2 | Washer-Flat |
| 13 | 322-3 | 4 | Screw-HH |
| 14 | 1-805005 | 4 | Washer-Lock |
| 15 | 1-633181 | 1 | Plate-Tapped |
| 16 | 1-513152 | 1 | Switch-Closed, Normally |
| 17 | 32151-62 | 2 | Ring-Retaining |
| 18 | 3257-5 | 3 | Key-Woodruff |
| 19 | 1-323502 | 2 | Shaft-Transmission |
| 20 | 51-4220 | 2 | Guard-Coupler |
| 21 | 1-323680 | 2 | Coupler |
| 22 | 1-323630 | 1 | V-Belt |
| 23 | 3245-41 | 2 | Screw-HSH |
| 24 | 1-323278 | 1 | Sheave-Transmission |

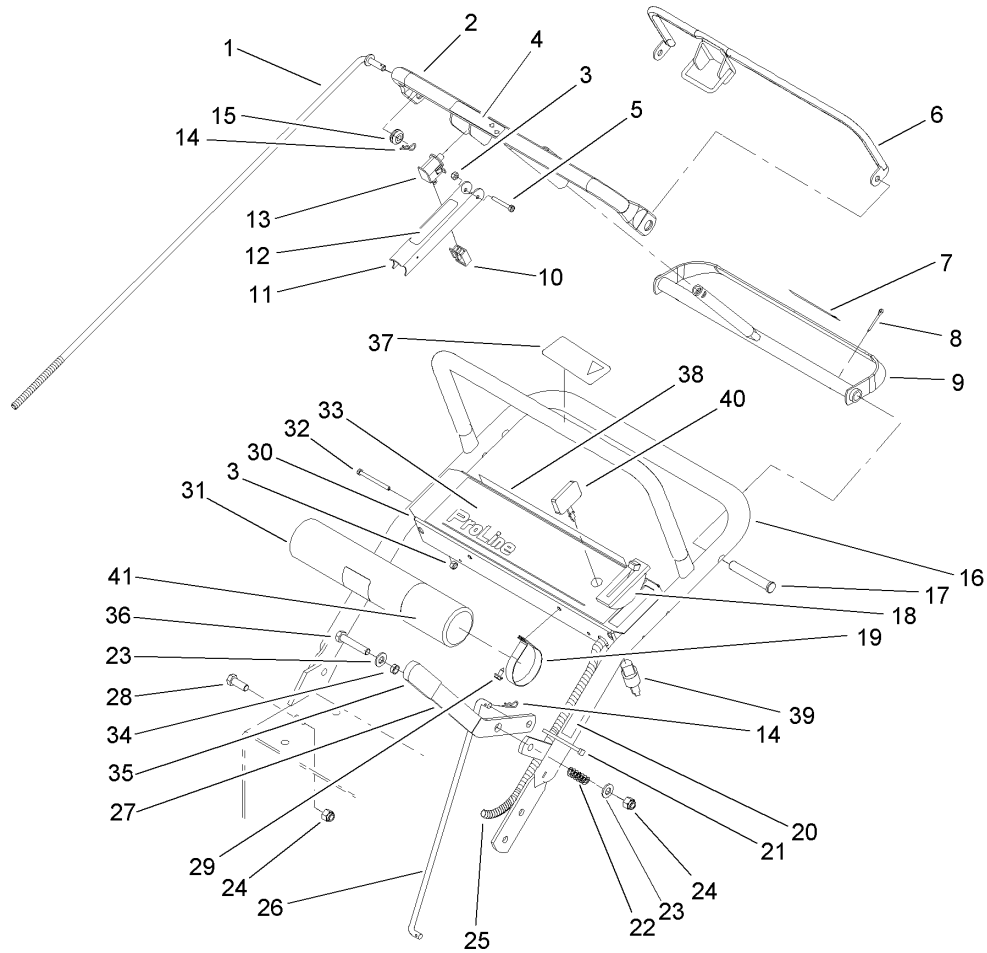
| Ref | Part No. | Qty. | Description |
|-----|-------------|------|----------------------|
| 25 | 302-19 | 2 | Fitting-Grease |
| 26 | 1-323500 | 1 | Transmission |
| 27 | 3230-1 | 2 | Bolt-CARR |
| 28 | 1-323387-03 | 1 | Plate-Shift |
| 29 | 98-3256 | 1 | Decal-Speed, Ground |
| 30 | 1-303020 | 1 | Grip-Lever |
| 31 | 98-3274-03 | 1 | Lever-Shift |
| 32 | 98-5975 | 1 | Washer-Belleville |
| 33 | 3296-6 | 1 | Nut-Lock, NI |
| 35 | 1-323379 | 1 | Washer |
| 36 | 32128-20 | 2 | Nut-HF |
| 37 | 9264964 | 4 | Screw-Hwh, Thd Cut |
| 38 | 1-603403 | 1 | Bolt-Shoulder |
| 39 | 1-323389-03 | 2 | Bracket-Plate, Shift |
| 40 | 1-806003 | 1 | Pin-Hair |
| 41 | 1-303186 | 1 | Bellcrank |
| 42 | 3290-357 | 1 | Nut-HHF |
| 43 | 95-2814 | 1 | Decal-Shut Off, Fuel |
| 44 | 3290-500 | 2 | Screw-PPH |
| 45 | 1-543296 | 1 | Grommet |
| 46 | 3231-6 | 1 | Screw-CARR |
| 47 | 3296-42 | 4 | Nut-Lock, NI |
| 48 | 98-0776 | 1 | Decal-Caution |
| 49 | 1-323256 | 1 | Sheave-Transmission |



Wheel Drive Assembly

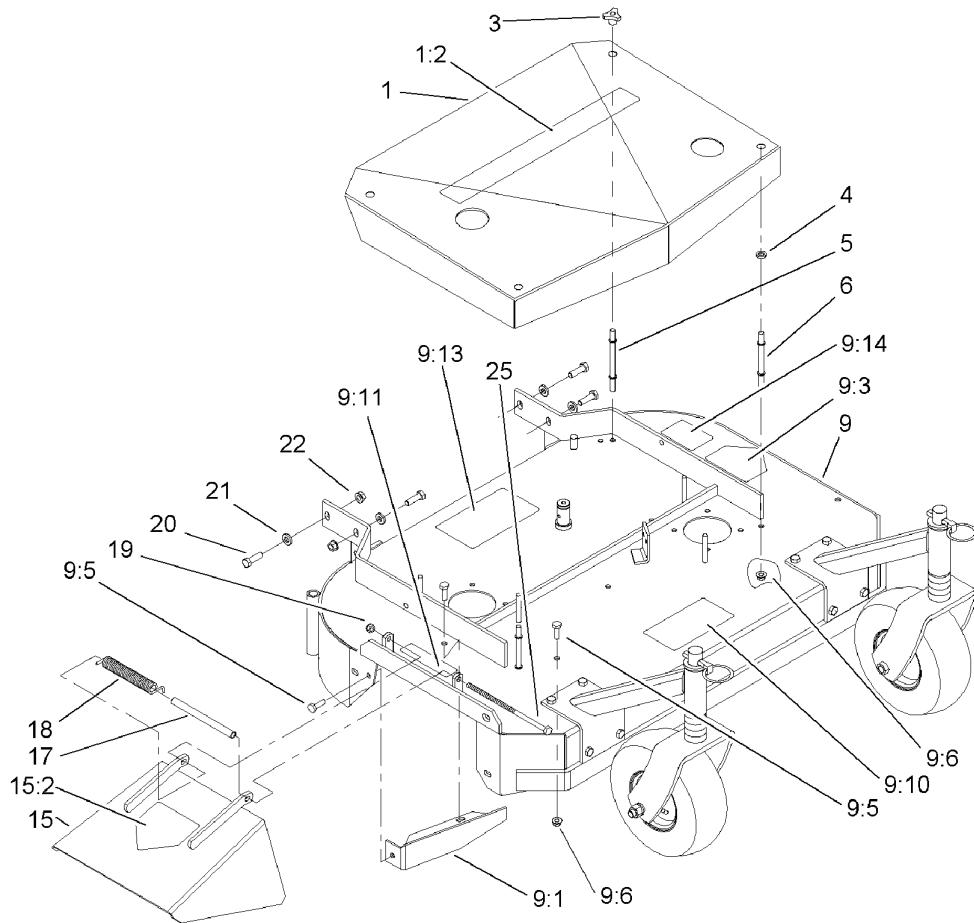
| Ref | Part No. | Qty. | Description |
|-----|-------------|------|--------------------------|
| 1 | 98-3273 | 2 | Spring-Extension |
| 2 | 323-10 | 2 | Screw-HH |
| 3 | 32151-47 | 2 | Ring-Retaining |
| 4 | 1-806003 | 4 | Pin-Hair |
| 5 | 3256-23 | 2 | Washer-Flat |
| 6 | 104-1321-03 | 1 | RH Idler Arm ASM |
| 6:1 | 302-19 | 1 | Fitting-Grease |
| 7 | 104-1322-03 | 1 | LH Idler Arm ASM |
| 7:1 | 302-19 | 1 | Fitting-Grease |
| 8 | 74-0521 | 2 | Fitting-Rod |
| 9 | 283-6 | 2 | Pin-Clevis |
| 10 | 1-323296 | 2 | Rod-Brake |
| 11 | 1-322125 | 2 | Swivel-Brake |
| 12 | 1-513959 | 2 | Wingnut-Nylock |
| 13 | 3290-357 | 14 | Nut-HHF |
| 14 | 323-16 | 4 | Screw-HH |
| 16 | 98-5131-01 | 2 | Shield-Wheel, Drive |
| 17 | 1-323694 | 4 | Spacer-Shield |
| 18 | 1-323634 | 2 | Idler-Drive, Wheel |
| 21 | 1-323307 | 4 | Pin-Clevis |
| 22 | 1-322209-03 | 2 | Arm-Brake |
| 23 | 32120-47 | 2 | Ring-Retaining, External |
| 24 | 1-803051 | 4 | Nut-Push |
| 25 | 1-323595 | 2 | Band-Brake |

| Ref | Part No. | Qty. | Description |
|--------|-------------|------|----------------------|
| 26 | 1-322212-03 | 1 | Axle ASM |
| 27 | 1-523157 | 6 | Washer-Spacer |
| 27 | 1-543436 | 8 | Washer-Spacer |
| 28 | 1-323261 | 2 | Drum-Brake |
| 29 | 1-323253 | 4 | Sheave-Wheel, Drive |
| 30 | | 2 | Wheel And Tire ASM |
| 30:1 | 1-323720 | 1 | Tire-Turfmaster |
| 30:2 | 1-323328 | 1 | Wheel And Hub ASM |
| 30:2:1 | 1-323329 | 2 | Bearing-Flanged |
| 30:2:2 | | 1 | Rim ASM |
| 30:2:3 | | 1 | Fitting-Grease |
| 30:2:4 | | 1 | Stem-Valve |
| 34 | 1-808519 | 2 | Ring-Snap |
| 35 | 1-323260 | 8 | Spacer-Sheave, Wheel |
| 36 | 322-6 | 8 | Screw-HH |
| 37 | 1-412358 | 2 | Scraper |
| 38 | 1-323631 | 2 | V-Belt |
| 39 | 3296-29 | 2 | Nut-Lock, NI |
| 40 | 2412-104 | 2 | R-Clamp |
| 41 | 98-3259 | 1 | Shield-Trailing |
| 42 | 322-3 | 2 | Screw-HH |
| 43 | 98-5975 | 4 | Washer-Belleville |
| 44 | 323-6 | 4 | Screw-HH |
| 45 | 1-373034 | 8 | Washer |



Upper Handle Assembly

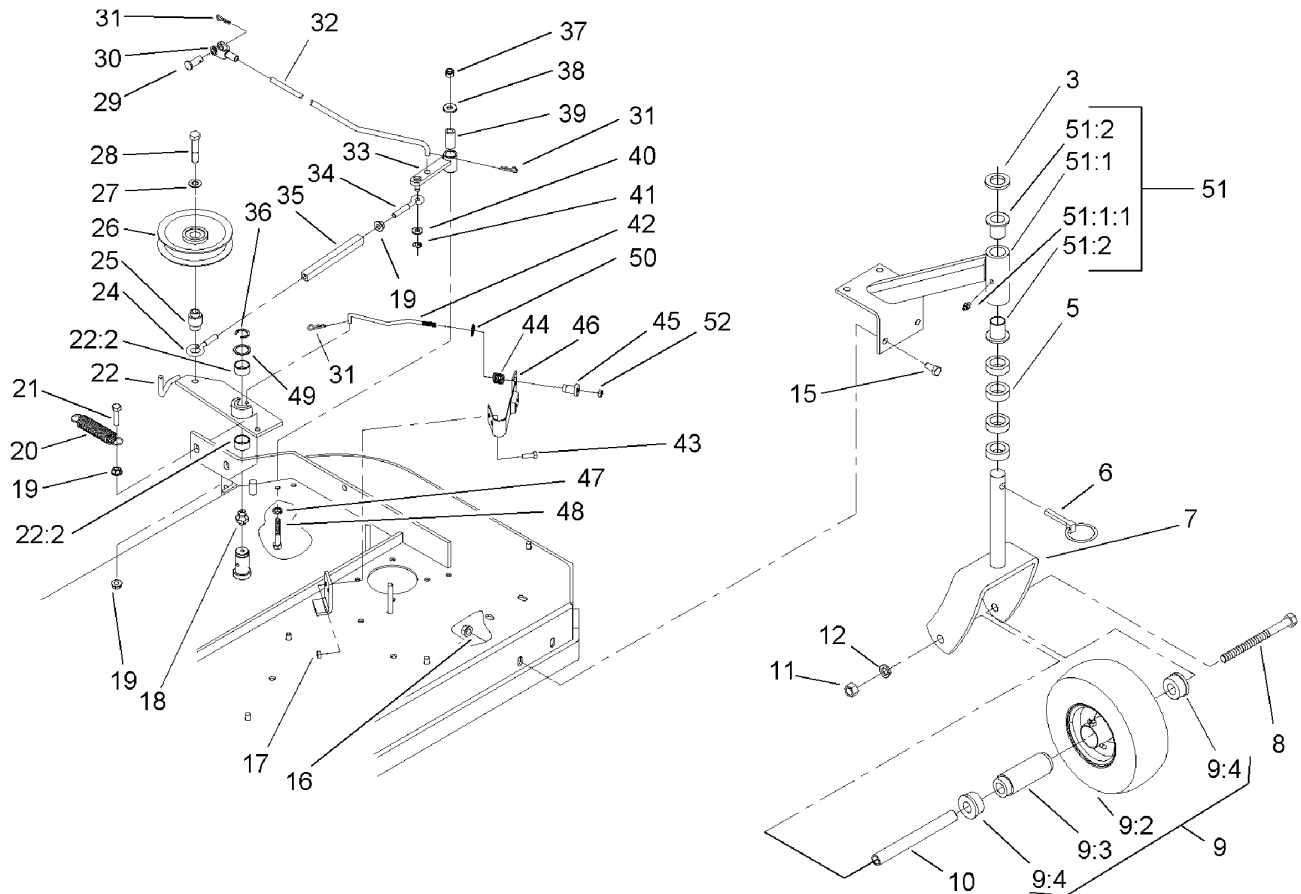
| Ref | Part No. | Qty. | Description | Ref | Part No. | Qty. | Description |
|-----|------------|------|----------------------|-----|------------|------|-------------------------|
| 1 | 98-3282 | 2 | Rod-Control | 25 | 106-0678 | 1 | Harness-Wire |
| 2 | 95-5522-03 | 1 | Control Bar ASM | 26 | 98-3279 | 1 | Linkage-Drive, Blade |
| 3 | 3296-2 | 5 | Nut-Lock | 27 | 98-3287-03 | 1 | Lever-Engagement, Blade |
| 4 | 82-2290 | 1 | Decal | 28 | 323-6 | 4 | Screw-HH |
| 5 | 32105-1 | 1 | Screw-SHH | 29 | 32104-76 | 2 | Screw |
| 6 | 82-7680-03 | 1 | Bail | 30 | 106-0677 | 1 | Control Panel ASM |
| 7 | 82-2280 | 1 | Decal | 31 | 104-7050 | 1 | Housing-Manual |
| 8 | 3272-11 | 2 | Pin-Cotter | 32 | 32105-14 | 4 | Screw-SHH |
| 9 | 99-8501-03 | 1 | Control-Pivot | 33 | 106-0841 | 1 | Decal-Control Panel |
| 10 | 218-595 | 1 | Connector-Body | 34 | 99-8509 | 1 | Spacer |
| 11 | 98-3261-03 | 1 | Lever-Brake, Parking | 35 | 1-303020 | 1 | Grip-Lever |
| 12 | 98-3266 | 1 | Decal | 36 | 323-10 | 1 | Screw-HH |
| 13 | 740275 | 1 | Switch-Seat | 37 | 98-4387 | 1 | Decal-Protection, Ear |
| 14 | 1-806003 | 3 | Pin-Hair | 38 | 105-0884 | 1 | Decal-Danger |
| 15 | 237-141 | 2 | Grommet-Rubber | 39 | 1-403121 | 1 | Switch-Key |
| 16 | 98-3267-03 | 1 | Upper Handle ASM | 40 | 63-8360 | 1 | Key-Ignition |
| 17 | 283-55 | 2 | Pin-Clevis | 41 | 104-7048 | 1 | Cap-Housing |
| 18 | 100-6450 | 1 | Control-Throttle | | | | |
| 19 | 2412-120 | 2 | R-Clamp | | | | |
| 20 | 95-5537 | 1 | Decal-Engage, Deck | | | | |
| 21 | 1-303335 | 1 | Tie-Plastic | | | | |
| 22 | 1-303160 | 1 | Spring-Compression | | | | |
| 23 | 3256-24 | 2 | Washer-Flat | | | | |
| 24 | 3296-39 | 5 | Nut-Lock, NI | | | | |



Deck Assembly

| Ref | Part No. | Qty. | Description |
|------|-------------|------|---------------------------|
| 1 | 1-304258 | 1 | Belt Shield ASM |
| 1:2 | 106-0711 | 1 | Decal |
| 3 | 106-4161 | 4 | Knob-Handle |
| 4 | 1-323417 | 4 | Washer |
| 5 | 1-303536 | 2 | Stud-Shield, Belt (Long) |
| 6 | 1-303537 | 2 | Stud-Shield, Belt (Short) |
| 9 | 105-4680 | 1 | Deck ASM |
| 9:1 | 1-302189-01 | 1 | Baffle |
| 9:3 | 1-403005 | 1 | Decal-Danger |
| 9:5 | 322-2 | 8 | Screw-HH |
| 9:6 | 32128-20 | 8 | Nut-HF |
| 9:10 | 66-1340 | 1 | Decal-Danger |
| 9:11 | 98-5954 | 1 | Decal-Missing, Cover |
| 9:13 | 98-3296 | 1 | Decal-Routing, Belt |
| 9:14 | 98-5130 | 1 | Decal-Torque, Bolt |
| 15 | 1-304256 | 1 | Chute-Discharge |
| 15:2 | 54-9220 | 1 | Decal-Danger |
| 17 | 98-3281 | 1 | Spacer-Spring |
| 18 | 98-3280 | 1 | Spring-Deflector |
| 19 | 3296-29 | 1 | Nut-Lock, NI |
| 20 | 323-8 | 6 | Screw-HH |
| 21 | 98-5975 | 6 | Washer-Belleville |
| 22 | 3290-357 | 6 | Nut-HHF |
| 25 | 322-50 | 1 | Screw-HH |

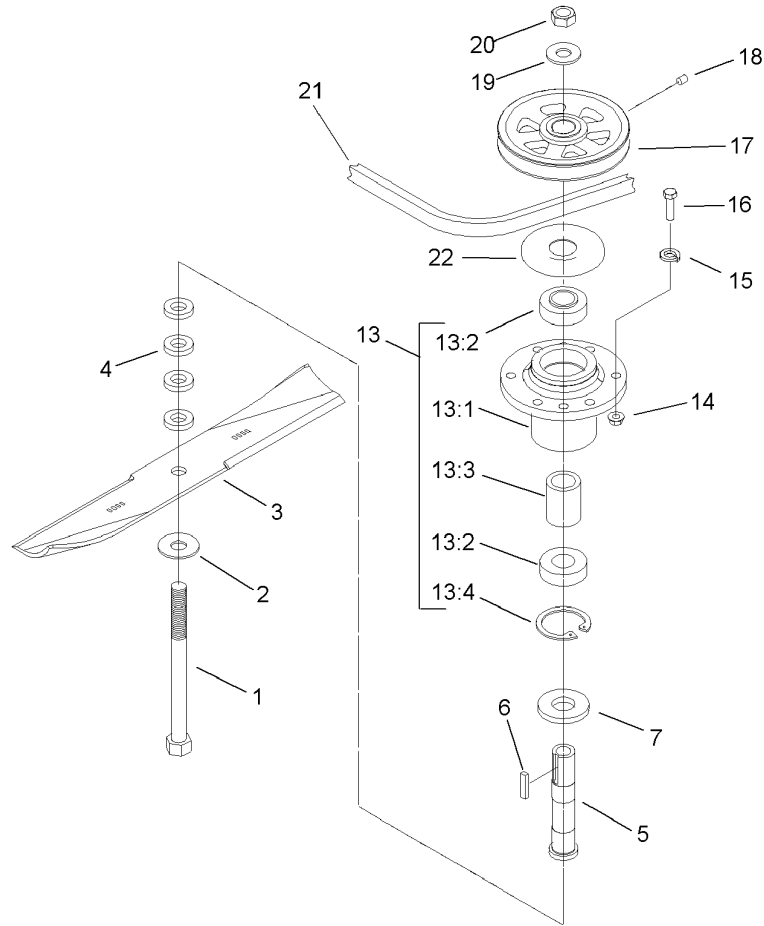
| | | | |
|--|--|--|--|
| | | | |
| | | | |
| | | | |
| | | | |



Front Caster and Blade Brake Assembly

| Ref | Part No. | Qty. | Description |
|------|-------------|------|--------------------|
| 3 | 1-513338 | 2 | Washer-Flat |
| 5 | 1-303314 | 8 | Spacer-Caster |
| 6 | 1-809020 | 2 | Pin |
| 7 | 1-322145-01 | 2 | Fork |
| 8 | 325-20 | 2 | Screw-HH |
| 9 | 1-513648 | 2 | Wheel And Tire ASM |
| 9:2 | 1-513808 | 1 | Tire |
| 9:3 | 1-513809 | 1 | Bearing |
| 9:4 | 1-513810 | 2 | Bushing |
| 10 | 1-513547 | 2 | Spacer |
| 11 | 3217-9 | 2 | Nut-Hex |
| 12 | 3253-7 | 2 | Washer-Lock |
| 15 | 323-4 | 8 | Screw-HH |
| 16 | 3290-357 | 8 | Nut-HHF |
| 17 | 3296-42 | 2 | Nut-Lock, NI |
| 18 | 302-19 | 1 | Fitting-Grease |
| 19 | 32128-20 | 3 | Nut-HF |
| 20 | 1-323071 | 1 | Spring-Extension |
| 21 | 322-6 | 1 | Screw-HH |
| 22 | 103-3600 | 1 | Idler Arm ASM |
| 22:2 | 1-323729 | 2 | Sleeve-Bearing |
| 24 | 1-303348 | 1 | Eyebolt-Thread, LH |
| 25 | 1-303434 | 1 | Bushing-Engagement |
| 26 | 1-603843 | 1 | Pulley-Idler |

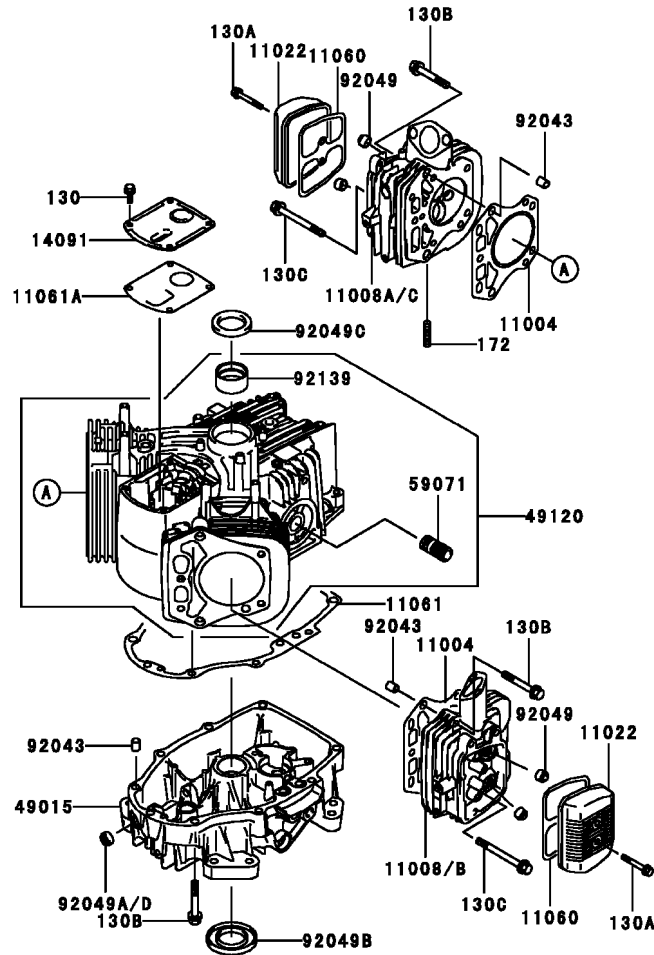
| Ref | Part No. | Qty. | Description |
|-----|-----------|------|--------------------|
| 27 | 98-5975 | 1 | Washer-Belleville |
| 28 | 702809 | 1 | Screw-Cap |
| 29 | 1-808280 | 1 | Pin-Clevis |
| 30 | 1-303105 | 1 | Yoke-Adjustable |
| 31 | 1-806003 | 3 | Pin-Hair |
| 32 | 1-323303 | 1 | Linkage-Arm |
| 33 | 1-322235 | 1 | Arm-Assist |
| 34 | 1-303238 | 1 | Eyebolt-Thread, RH |
| 35 | 1-303236 | 1 | Body-Turnbuckle |
| 36 | 32151-103 | 1 | Ring-Snap |
| 37 | 3296-29 | 1 | Nut-Lock, NI |
| 38 | 3256-3 | 1 | Washer-Flat |
| 39 | 1-403179 | 1 | Tube-Pivot |
| 40 | 3256-23 | 1 | Washer-Flat |
| 41 | 32120-35 | 1 | E-Ring |
| 42 | 1-323715 | 1 | Rod-Brake |
| 43 | 321-4 | 2 | Screw-HH |
| 44 | 1-323747 | 1 | Spring-Compression |
| 45 | 1-323746 | 1 | Spacer-Flanged |
| 46 | 1-324372 | 1 | Pad / Spring ASM |
| 47 | 1-303334 | 1 | Washer-Spring |
| 48 | 322-10 | 1 | Screw-HH |
| 49 | 1-303352 | 1 | Washer-Spindle |
| 50 | 1-323748 | 1 | Ring-Push On |



Spindle, Blade and Belt Assembly

| Ref | Part No. | Qty. | Description |
|------|----------|------|-------------------------|
| 1 | 1-800861 | 2 | Screw-Cap, HH |
| 2 | 1-513208 | 2 | Washer-Spring |
| 3 | 103-2528 | 2 | Blade-Notched |
| 3 | 103-2508 | 2 | Blade-Lift, Low |
| 4 | 1-323539 | 8 | Spacer-Drive, Blade |
| 5 | 1-323529 | 2 | Tube-Spindle, Short |
| 6 | 1-807267 | 2 | Key |
| 7 | 103-2535 | 2 | Spacer-Guard, Bottom |
| 13 | 103-2533 | 2 | Cutter Housing ASM |
| 13:1 | 1-323532 | 1 | Housing-Spindle |
| 13:2 | 103-2477 | 2 | Bearing-Ball |
| 13:3 | 103-2534 | 1 | Spacer-Bearing |
| 13:4 | 32120-8 | 1 | Ring-Snap |
| 14 | 32128-20 | 8 | Nut-HF |
| 15 | 1-303334 | 8 | Washer-Spring |
| 16 | 322-6 | 8 | Screw-HH |
| 17 | 1-403183 | 2 | Sheave |
| 18 | 1-803310 | 2 | Screw-Set |
| 19 | 1-323339 | 2 | Washer-Retainer, Sheave |
| 20 | 3219-6 | 2 | Nut-Hex |
| 21 | 1-323737 | 1 | Belt-Blade, Drive |
| 22 | 103-1330 | 2 | Guard-Bearing, Top |

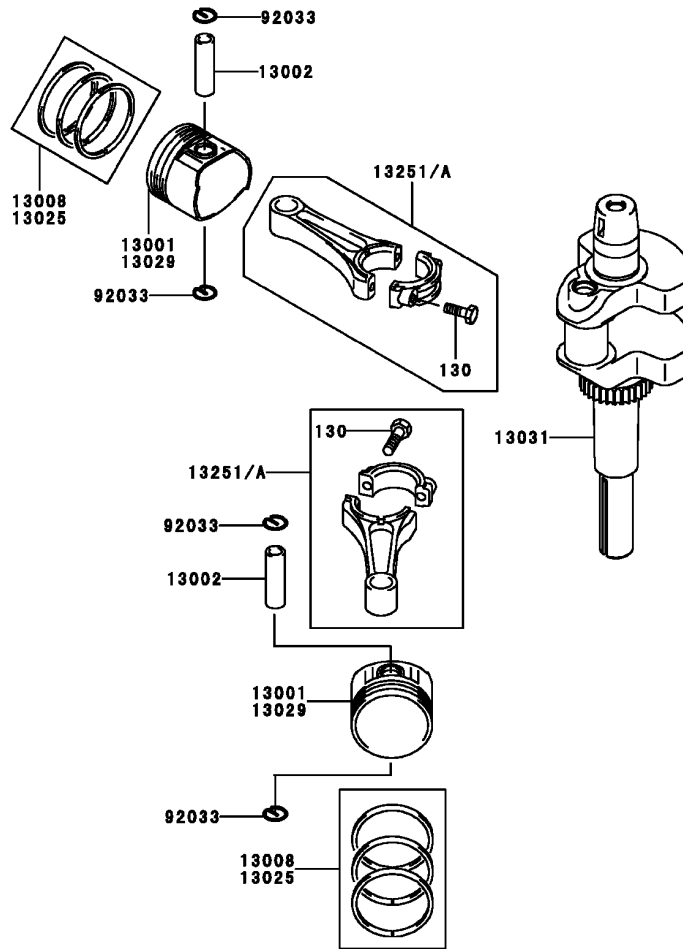
| | | | |
|--|--|--|--|
| | | | |
|--|--|--|--|



Cylinder and Crankcase Assembly Kawasaki FH381V-AS25

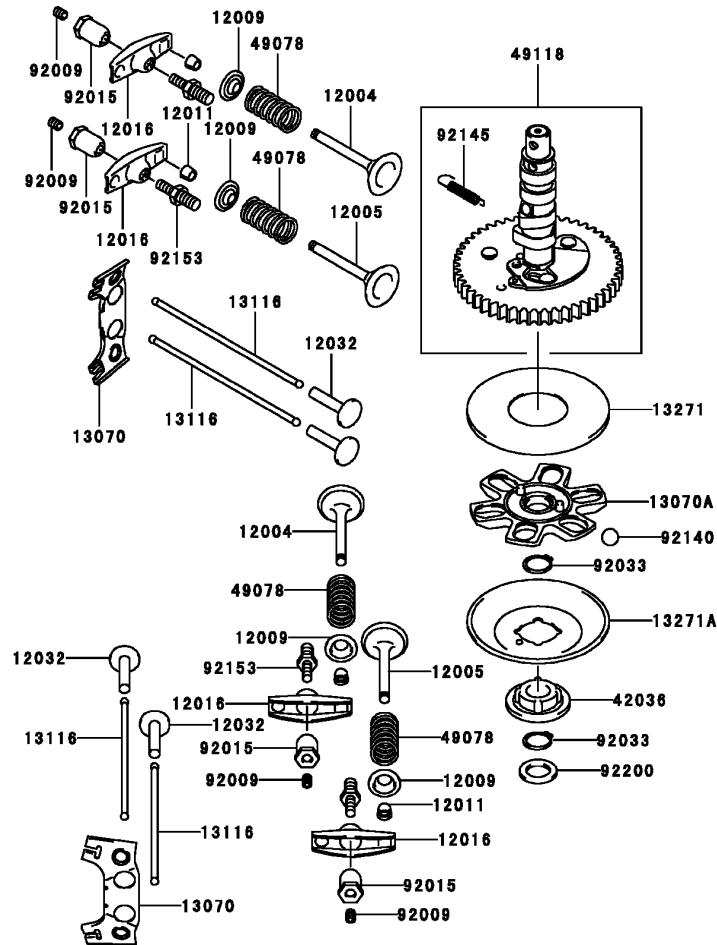
| Ref | Part No. | Qty. | Description |
|---------|------------|------|--------------------------|
| ⑤11004 | 11004-7008 | 2 | Gasket-Head |
| ⑤11008 | 11008-7011 | 1 | Head-Comp-Cylinder, No.2 |
| ⑤11008A | 11008-7017 | 1 | Head-Comp-Cylinder, No.1 |
| ⑤11008B | 11008-7021 | 1 | Head-Comp-Cylinder, #2 |
| ⑤11008C | 11008-7022 | 1 | Head-Comp-Cylinder, #1 |
| ⑤11022 | 11022-7003 | 2 | Case-Rocker |
| ⑤11060 | 11060-7001 | 2 | Gasket-Rocker Case |
| ⑤11061 | 11061-7007 | 1 | Gasket-Cover, Crankcase |
| ⑤11061A | 11061-7008 | 1 | Gasket-Breather |
| ⑤14091 | 14091-7007 | 1 | Cover |
| ⑤49015 | 49015-7032 | 1 | Cover-Crankcase |
| ⑤49120 | 49120-7015 | 1 | Crankcase-Comp |
| ⑤59071 | 59071-2079 | 1 | Joint |
| ⑤92043 | 92043-7001 | 6 | Pin |
| ⑤92049 | 92049-7001 | 4 | Seal-Oil-Rvc2 6x11x10.2 |
| ⑤92049A | 92049-7005 | 1 | Seal-Oil-So 8x14x5 HS |
| ⑤92049B | 92049-7015 | 1 | Seal-Oil, Sd |
| ⑤92049C | 92049-7016 | 1 | Seal-Oil, Sd |
| ⑤92049D | 92049-7019 | 1 | Seal-Oil, So |
| ⑤92139 | 92139-7002 | 1 | Bushing |
| ⑤130 | 130B0612 | 4 | Bolt-Flanged |
| ⑤130A | 130B0640 | 4 | Bolt-Flanged |
| ⑤130B | 130T0850 | 17 | Bolt-Flanged |
| ⑤130C | 130T0875 | 2 | Bolt-Flanged |

| Ref | Part No. | Qty. | Description |
|------|----------|------|-------------|
| ⑤172 | 172G0818 | 4 | Bolt-Stud |



Piston and Crankshaft Assembly Kawasaki FH381V-AS25

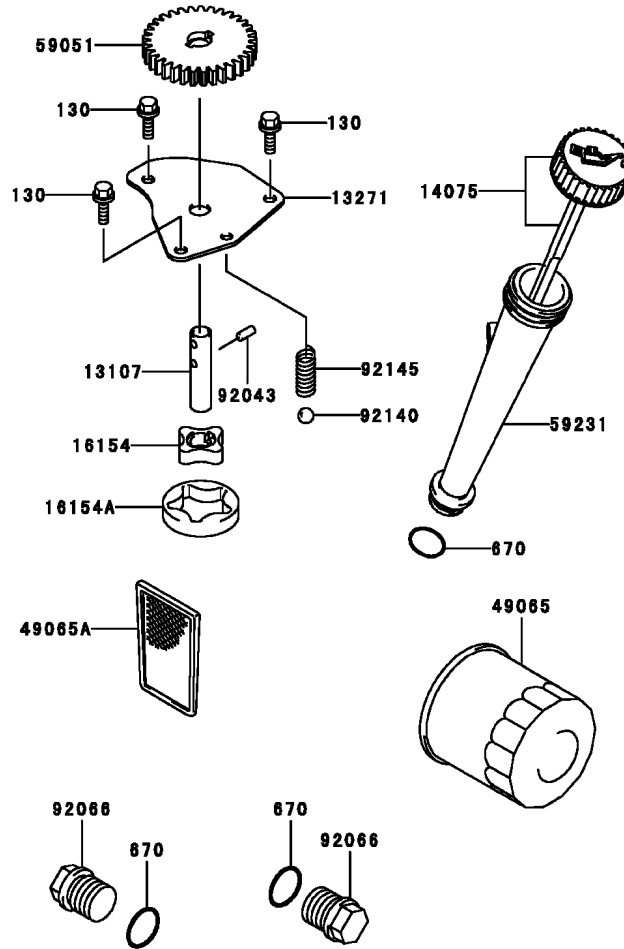
| Ref | Part No. | Qty. | Description | | | | |
|---------|------------|------|------------------------------|--|--|--|--|
| ①13001 | 13001-7009 | 2 | Piston-Engine | | | | |
| ①13002 | 13002-7001 | 2 | Pin-Piston | | | | |
| ①13008 | 13008-7001 | 2 | Ring-Set-Piston | | | | |
| ①13025 | 13025-7003 | 1 | Ring-Set-Piston | | | | |
| ①13029 | 13029-7005 | 1 | Piston-Engine | | | | |
| ①13031 | 13031-7033 | 1 | Crankshaft-Comp | | | | |
| ①13251 | 13251-7007 | 2 | Connecting Rod ASM | | | | |
| ①13251A | 13251-7008 | 2 | Connecting Rod Asm, U/s=0.50 | | | | |
| ①92033 | 92033-7005 | 4 | Ring-Snap | | | | |
| ①130 | 130G0630 | 4 | Bolt-Flanged | | | | |



Valve and Camshaft Assembly Kawasaki FH381V-AS25

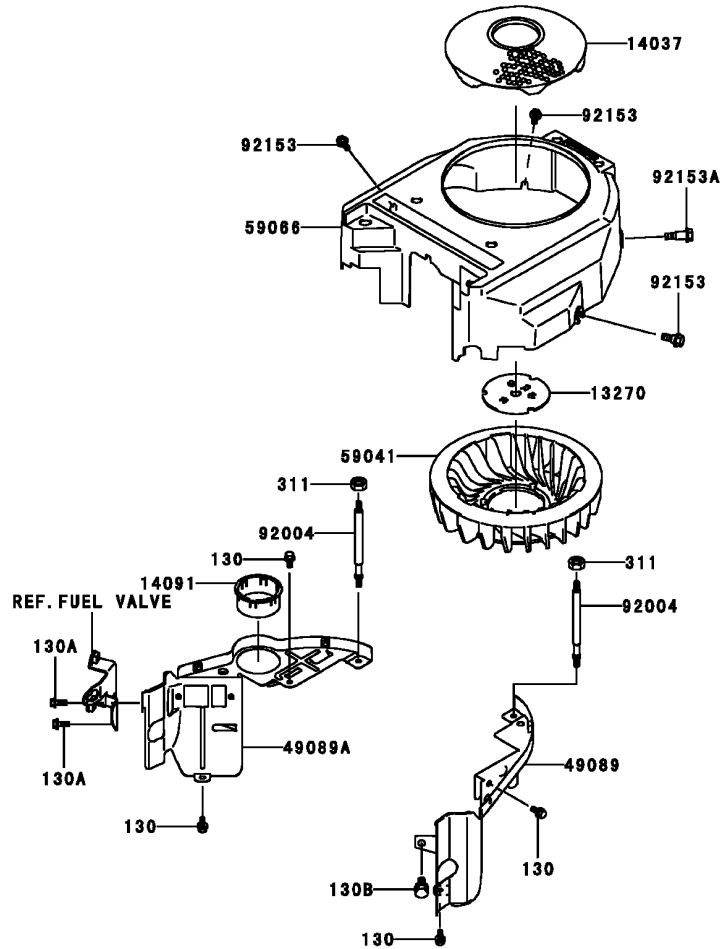
| Ref | Part No. | Qty. | Description |
|---------|------------|------|-----------------------|
| ⑤12004 | 12004-7003 | 2 | Valve-Intake |
| ⑤12005 | 12005-7003 | 2 | Valve-Exhaust |
| ⑤12009 | 12009-7001 | 4 | Retainer-Valve Spring |
| ⑤12011 | 12011-2056 | 8 | Collet |
| ⑤12016 | 12016-7001 | 4 | Arm-Rocker |
| ⑤12032 | 12032-7001 | 4 | Tappet |
| ⑤13070 | 13070-7001 | 2 | Guide |
| ⑤13070A | 13070-7004 | 1 | Guide |
| ⑤13116 | 13116-2057 | 4 | Rod-Push |
| ⑤13271 | 13271-7007 | 1 | Plate |
| ⑤13271A | 13271-7021 | 1 | Plate-Governor |
| ⑤42036 | 42036-7009 | 1 | Sleeve |
| ⑤49078 | 49078-7001 | 4 | Spring-Engine Valve |
| ⑤49118 | 49118-7009 | 1 | Camshaft-Comp |
| ⑤92009 | 92009-2341 | 4 | Screw |
| ⑤92015 | 92015-2253 | 4 | Nut |
| ⑤92033 | 92033-7001 | 2 | Ring-Snap |
| ⑤92140 | 92140-7002 | 6 | Ball |
| ⑤92145 | 92145-7001 | 1 | Spring |
| ⑤92153 | 92153-7019 | 4 | Bolt |
| ⑤92200 | 92200-7001 | 1 | Washer |

| | | | |
|--|--|--|--|
| | | | |
|--|--|--|--|



Lubrication-Equipment Assembly Kawasaki FH381V-AS25

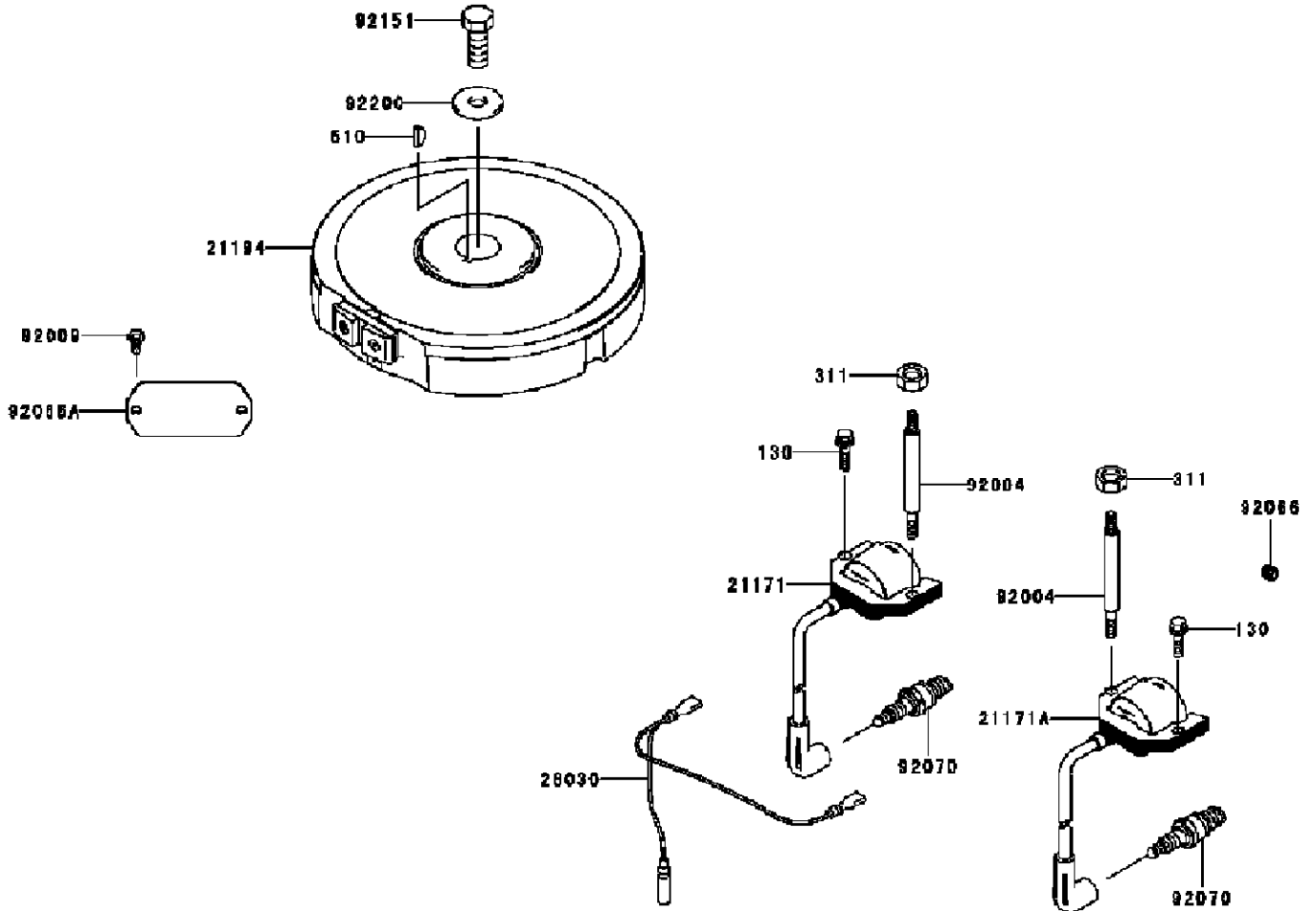
| Ref | Part No. | Qty. | Description | | | | |
|---------|------------|------|----------------|--|--|--|--|
| ⑤13107 | 13107-7009 | 1 | Shaft | | | | |
| ⑤13271 | 13271-7017 | 1 | Plate | | | | |
| ⑤14075 | 14075-7009 | 1 | Cap-Assy | | | | |
| ⑤16154 | 16154-2053 | 1 | Rotor-Pump-In | | | | |
| ⑤16154A | 16154-2054 | 1 | Rotor-Pump-Out | | | | |
| ⑤49065 | 49065-2078 | 1 | Filter-Oil | | | | |
| ⑤49065A | 49065-7004 | 1 | Filter-Oil | | | | |
| ⑤59051 | 59051-7011 | 1 | Gear-Spur | | | | |
| ⑤59231 | 59231-7003 | 1 | Filler | | | | |
| ⑤92043 | 92043-7003 | 2 | Pin | | | | |
| ⑤92066 | 92066-7003 | 2 | Plug | | | | |
| ⑤92140 | 92140-7003 | 1 | Ball | | | | |
| ⑤92145 | 92145-7002 | 1 | Spring | | | | |
| ⑤130 | 130B0612 | 3 | Bolt-Flanged | | | | |
| ⑤670 | 670D2016 | 3 | O Ring-16mm | | | | |



Cooling Equipment Assembly Kawasaki FH381V-AS25

| Ref | Part No. | Qty. | Description |
|----------|---------------|------|---------------|
| ⑤ 13270 | 13270-7007 | 1 | Plate |
| ⑤ 14037 | 14037-7021-9H | 1 | Screen |
| ⑤ 14091 | 14091-7009 | 1 | Cover |
| ⑤ 49089 | 49089-7044 | 1 | Shroud-Engine |
| ⑤ 49089A | 49089-7045 | 1 | Shroud-Engine |
| ⑤ 59041 | 59041-7010 | 1 | Fan |
| ⑤ 59066 | 59066-7023 | 1 | Housing-Fan |
| ⑤ 92004 | 92004-7007 | 2 | Stud |
| ⑤ 92153 | 92153-7007 | 3 | Bolt |
| ⑤ 92153A | 92153-7008 | 1 | Bolt |
| ⑤ 130 | 130B0612 | 4 | Bolt-Flanged |
| ⑤ 130A | 130B0616 | 2 | Bolt-Flanged |
| ⑤ 130B | 130B0816 | 1 | Bolt-Flanged |
| ⑤ 311 | 311F0600 | 2 | Nut-Hex |

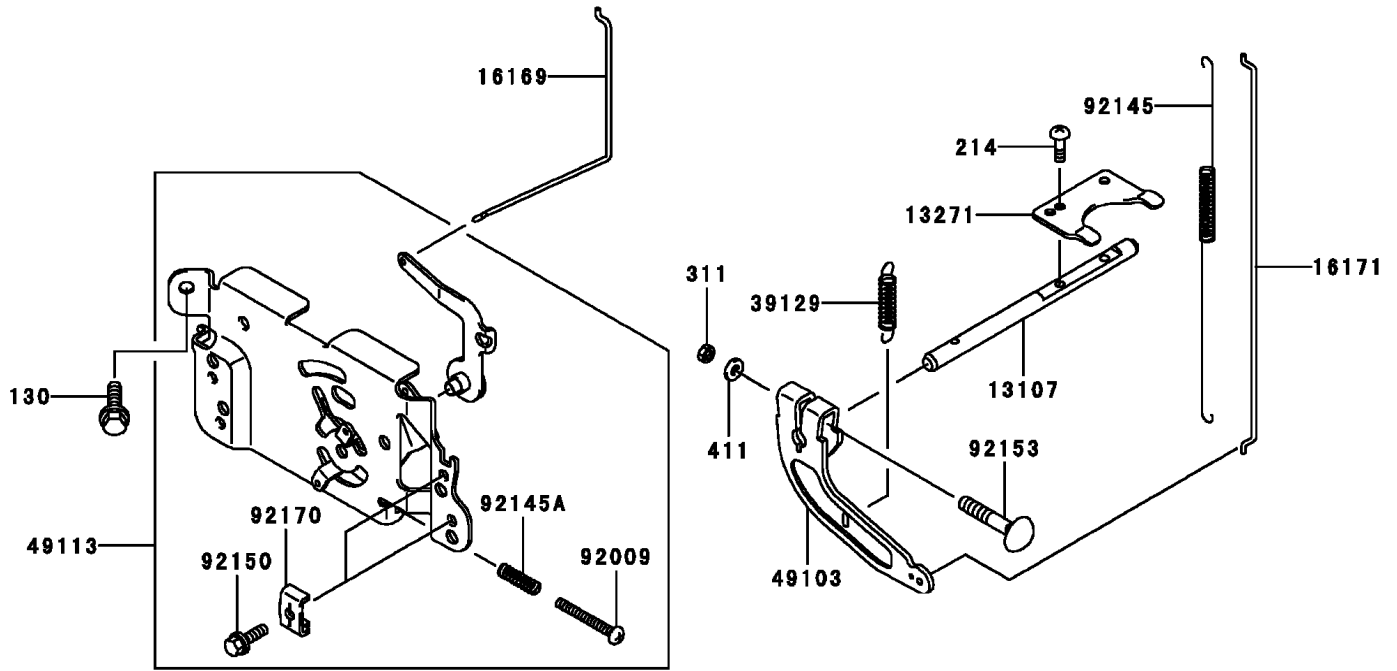
| | | | |
|--|--|--|--|
| | | | |
|--|--|--|--|



Electric-Equipment Assembly Kawasaki FH381V-AS25

| Ref | Part No. | Qty. | Description |
|---------|------------|------|------------------------|
| ⑤21171 | 21171-7013 | 1 | Coil-Assy-Ignition |
| ⑤21171A | 21171-7014 | 1 | Ignition Coil ASM |
| ⑤21194 | 21194-7013 | 1 | Flywheel-Comp |
| ⑤26030 | 26030-7001 | 1 | Harness |
| ⑤92004 | 92004-7008 | 2 | Stud |
| ⑤92009 | 92009-2308 | 2 | Screw |
| ⑤92066 | 92066-7002 | 1 | Plug |
| ⑤92066A | 92066-7005 | 1 | Plug |
| ⑤92070 | 92070-7003 | 2 | Plug-Spark-Rcj8y-Solid |
| ⑤92151 | 92151-2097 | 1 | Bolt-12x30 |
| ⑤92200 | 92200-7002 | 1 | Washer |
| ⑤130 | 130B0620 | 2 | Bolt-Flanged |
| ⑤311 | 311F0600 | 2 | Nut-Hex |
| ⑤510 | 510A5100 | 1 | Key-Woodruff |

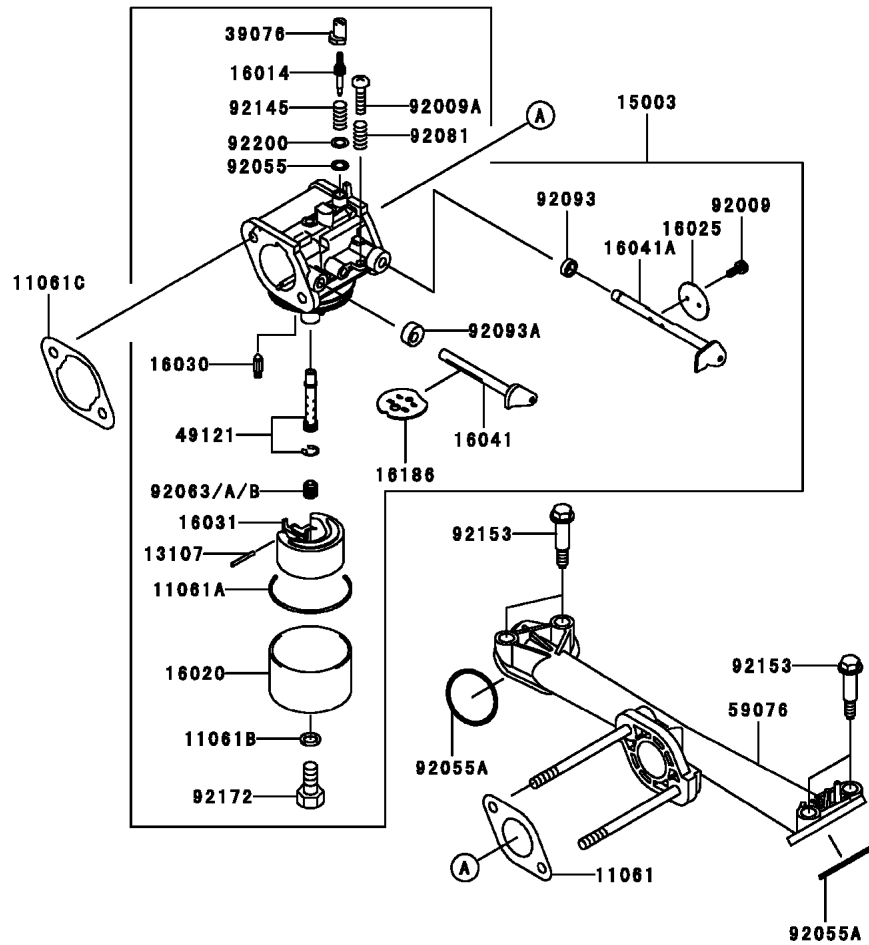
| | | | |
|--|--|--|--|
| | | | |
|--|--|--|--|



Control-Equipment Assembly Kawasaki FH381V-AS25

| Ref | Part No. | Qty. | Description |
|---------|------------|------|--------------------|
| ①13107 | 13107-7010 | 1 | Shaft |
| ①13271 | 13271-7018 | 1 | Plate |
| ①16169 | 16169-7012 | 1 | Link-Choke |
| ①16171 | 16171-7007 | 1 | Link |
| ①39129 | 39129-7003 | 1 | Spring-Governor |
| ①49103 | 49103-7004 | 1 | Arm-Governor |
| ①49113 | 49113-7024 | 1 | Panel-Comp-Control |
| ①92009 | 92009-7007 | 1 | Screw-4x35 |
| ①92145 | 92145-7003 | 1 | Spring |
| ①92145A | 92145-7005 | 1 | Spring |
| ①92150 | 92150-2182 | 2 | Bolt-5x18 |
| ①92153 | 92153-7005 | 1 | Bolt-6x35 |
| ①92170 | 92170-7001 | 2 | Clamp |
| ①130 | 130B0612 | 2 | Bolt-Flanged |
| ①214 | 214B0408 | 2 | Screw-Pan+- |
| ①311 | 311B0600 | 1 | Nut-Hex |
| ①411 | 411b0600 | 1 | Washer-Plain |

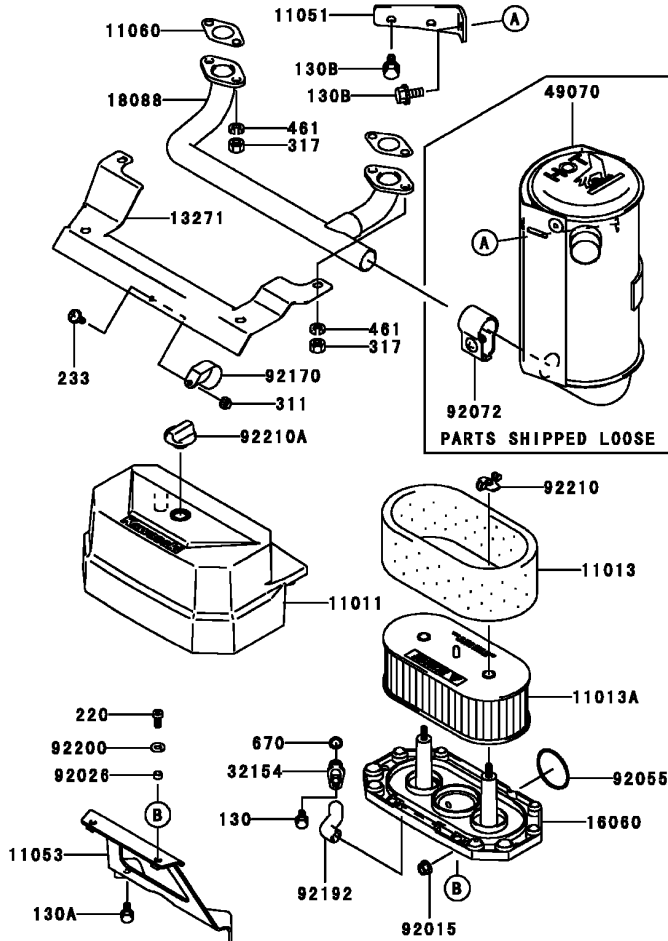
| | | | |
|--|--|--|--|
| | | | |
|--|--|--|--|



Carburetor Assembly Kawasaki FH381V-AS25

| Ref | Part No. | Qty. | Description |
|---------|------------|------|---------------------------|
| ⑤11061 | 11061-7004 | 1 | Gasket-Insulator |
| ⑤11061A | 11061-7009 | 1 | Gasket-Chamber |
| ⑤11061B | 11061-7010 | 1 | Gasket-Screw |
| ⑤11061C | 11061-7018 | 1 | Gasket-Air Cleaner |
| ⑤13107 | 13107-7018 | 1 | Shaft |
| ⑤15003 | 15003-7054 | 1 | Carburetor-ASM |
| ⑤16014 | 16014-7002 | 1 | Screw-Pilot |
| ⑤16020 | 16020-7003 | 1 | Chamber-Float |
| ⑤16025 | 16025-7006 | 1 | Valve-Throttle |
| ⑤16030 | 16030-7003 | 1 | Valve-Float |
| ⑤16031 | 16031-7002 | 1 | Float |
| ⑤16041 | 16041-7016 | 1 | Shaft-Carburetor-Choke |
| ⑤16041A | 16041-7018 | 1 | Shaft-Carburetor-Throttle |
| ⑤16186 | 16186-7002 | 1 | Choke Valve ASM |
| ⑤39076 | 39076-7001 | 1 | Limiter |
| ⑤49121 | 49121-7002 | 1 | Nozzle-Main |
| ⑤59076 | 59076-7005 | 1 | Manifold-Intake |
| ⑤92009 | 92009-2083 | 2 | Screw |
| ⑤92009A | 92009-2349 | 1 | Screw |
| ⑤92055 | 92055-2174 | 1 | Ring-O |
| ⑤92055A | 92055-7007 | 2 | Ring-O, Id=31 |
| ⑤92063 | 92063-7027 | 1 | Jet-Main-#78 |
| ⑤92063A | 92063-7030 | 1 | Jet-Main-#75 |
| ⑤92063B | 92063-7031 | 1 | Jet-Main-#72 |

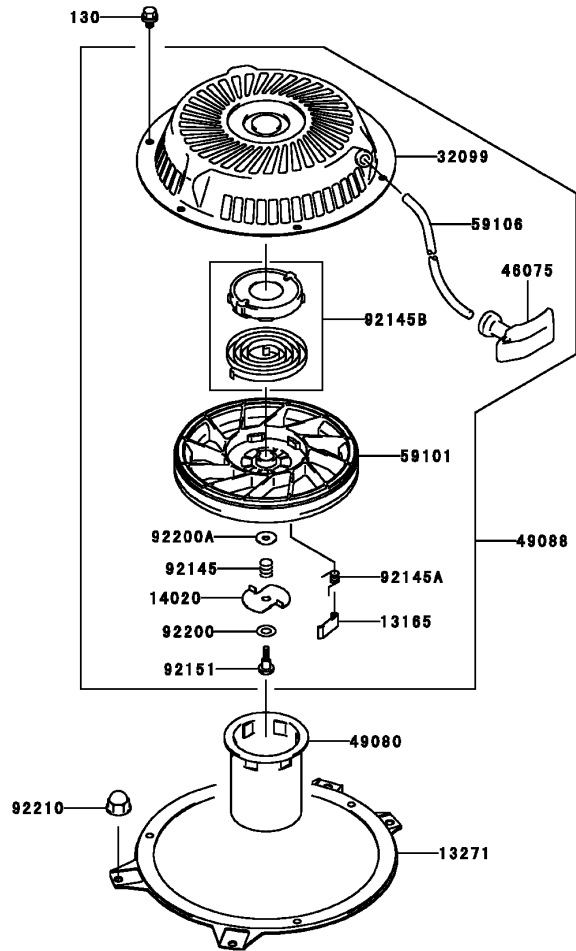
| Ref | Part No. | Qty. | Description |
|---------|------------|------|-------------|
| ⑤92081 | 92081-2234 | 1 | Spring |
| ⑤92093 | 92093-2100 | 1 | Seal |
| ⑤92093A | 92093-7003 | 1 | Seal |
| ⑤92145 | 92145-7015 | 1 | Spring |
| ⑤92153 | 92153-7009 | 4 | Bolt |
| ⑤92172 | 92172-7002 | 1 | Screw |
| ⑤92200 | 92200-7014 | 1 | Washer |



Air-Filter and Muffler Assembly Kawasaki FH381V-AS25

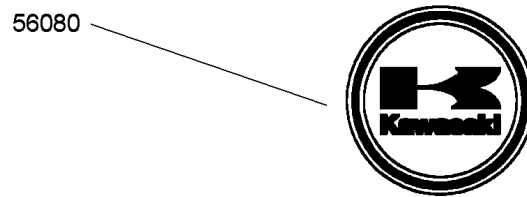
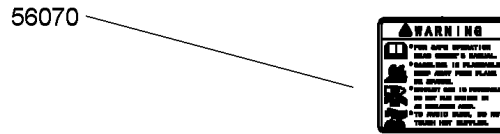
| Ref | Part No. | Qty. | Description |
|---------|---------------|------|---------------------|
| ⑤11011 | 11011-7035 | 1 | Case-Air Filter |
| ⑤11013 | 11013-7025 | 1 | Element-Filter, Air |
| ⑤11013A | 11013-7031 | 1 | Element-Filter, Air |
| ⑤11051 | 11051-7005-9H | 1 | Bracket |
| ⑤11053 | 11053-7022 | 1 | Bracket |
| ⑤11060 | 11060-7021 | 2 | Gasket-Muffler |
| ⑤13271 | 13271-7022 | 1 | Plate |
| ⑤16060 | 16060-7016 | 1 | Pipe-Intake |
| ⑤18088 | 18088-7001 | 1 | Pipe-Exhaust |
| ⑤32154 | 32154-7006 | 1 | Pipe |
| ⑤49070 | 49070-7015 | 1 | Muffler-Comp |
| ⑤92015 | 92015-1193 | 2 | Nut |
| ⑤92026 | 92026-7001 | 2 | Spacer, 6.2x7.9x5 |
| ⑤92055 | 92055-7015 | 1 | O-Ring |
| ⑤92072 | 92072-7008 | 1 | Band |
| ⑤92170 | 92170-7002 | 1 | Clamp |
| ⑤92192 | 92192-7010 | 1 | Tube |
| ⑤92200 | 92200-2070 | 2 | Washer |
| ⑤92210 | 92210-7004 | 2 | Nut |
| ⑤92210A | 92210-7019 | 1 | Nut |
| ⑤130 | 130B0610 | 1 | Bolt-Flanged |
| ⑤130A | 130B0612 | 2 | Bolt-Flanged |
| ⑤130B | 130B0816 | 2 | Bolt-Flanged |

| Ref | Part No. | Qty. | Description |
|------|----------|------|-------------------|
| ⑤220 | 220B0614 | 2 | Screw-Pan (Cross) |
| ⑤233 | 233B0416 | 1 | Screw-Pan, Wp |
| ⑤311 | 311B0400 | 1 | Nut-Hex |
| ⑤317 | 317R0800 | 4 | Nut-Hex-Small |
| ⑤461 | 461F0800 | 4 | Washer-Spring |
| ⑤670 | 670B2010 | 1 | O-Ring |



Starter Assembly Kawasaki FH381V-AS25

| Ref | Part No. | Qty. | Description | | | | |
|----------|---------------|------|----------------------|--|--|--|--|
| ③ 13165 | 13165-7001 | 2 | Pawl-Recoil, Starter | | | | |
| ③ 13271 | 13271-7003-9H | 1 | Plate | | | | |
| ③ 14020 | 14020-7001 | 1 | Retainer | | | | |
| ③ 32099 | 32099-7002 | 1 | Case-Recoil, Starter | | | | |
| ③ 46075 | 46075-7001 | 1 | Grip-Recoil, Starter | | | | |
| ③ 49080 | 49080-7001 | 1 | Pulley-Starting | | | | |
| ③ 49088 | 49088-7013 | 1 | Starter-Recoil | | | | |
| ③ 59101 | 59101-7001 | 1 | Reel-Recoil, Starter | | | | |
| ③ 59106 | 59106-7001 | 1 | Rope | | | | |
| ③ 92145 | 92145-7006 | 1 | Spring | | | | |
| ③ 92145A | 92145-7007 | 2 | Spring | | | | |
| ③ 92145B | 92145-7008 | 1 | Spring | | | | |
| ③ 92151 | 92151-7008 | 1 | Bolt | | | | |
| ③ 92200 | 92200-7004 | 1 | Washer | | | | |
| ③ 92200A | 92200-7005 | 1 | Washer | | | | |
| ③ 92210 | 92210-0003 | 4 | Nut | | | | |
| ③ 130 | 130B0608 | 3 | Bolt-Flanged | | | | |



Decal Assembly Kawasaki FH381V-AS25

| Ref | Part No. | Qty. | Description | | | | |
|---------|------------|------|---------------|--|--|--|--|
| ⑤56033 | 56033-7001 | 1 | Label-Manual | | | | |
| ⑤56070 | 56070-7001 | 1 | Label-Warning | | | | |
| ⑤56080 | 56080-2077 | 1 | Label-Brand | | | | |
| ⑤56080A | 56080-7025 | 1 | Label-Brand | | | | |

NOTES

