



Mid-Size ProLine Pistol Grip, Gear, 13 HP with 32in Side Discharge Mower

Model No. 30518 - 240000001 and up.

Parts Catalog

Ordering Replacement Parts

To order replacement parts, please supply the part number, the quantity, and the description of each part desired.

Understanding Reference Numbers

Each Identified part in an illustration has a reference number. The reference number for a part also appears in the parts list, along with other information about the part.

This catalog uses two special reference number formats, one to indicate parts in a service assembly and another to indicate the quantity of a given part in an illustration.

Service Assembly Reference Numbers

Parts in service assemblies have reference numbers in the form a:b. The a represents the reference number of the entire service assembly and the b represents a sequential number unique to each part within the service assembly.

For example, a wheel assembly might be identified by reference number 6, the tire by 6:1, the valve by 6:2, and the wheel by 6:3. When you order the assembly identified by reference number 6, you receive all parts identified by reference numbers 6:1, 6:2, and 6:3. However, you may also order any part individually. Reference numbers of this type appear in illustrations and in part lists.

Reference Numbers Indicating Quantity

In an illustration, if a reference number indicates more than one part, the reference number has the form nX y. The n represents the quantity of the part, the X is the multiplication symbol, and the y represents the reference number.

For example, in an illustration, the reference number 2X 37 means that two of the parts identified by reference number 37 are indicated.

Contents

Description	Page	Description	Page
Engine and Fuel Tank Assembly 3	Cooling Equipment Assembly Kawasaki FH381V-AS25 19
Transmission and Drive Pulley Assembly 4	Electric-Equipment Assembly Kawasaki FH381V-AS25 20
Wheel Drive Assembly 6	Control-Equipment Assembly Kawasaki FH381V-AS25 21
Upper Handle Assembly 8	Carburetor Assembly Kawasaki FH381V-AS25 22
Handle Assembly No. 106-2742 10	Air-Filter and Muffler Assembly Kawasaki FH381V-AS25 23
Deck Assembly 11	Fuel Tank/Fuel Valve Assembly Kawasaki Model FH381V-AS25 24
Front Caster and Blade Brake Assembly 12	Starter Assembly Kawasaki FH381V-AS25 25
Spindle Assembly 14	Decal Assembly Kawasaki FH381V-AS25 26
Cylinder and Crankcase Assembly Kawasaki FH381V-AS25 15		
Piston and Crankshaft Assembly Kawasaki FH381V-AS25 16		
Valve and Camshaft Assembly Kawasaki FH381V-AS25 17		
Lubrication-Equipment Assembly Kawasaki FH381V-AS25 18		

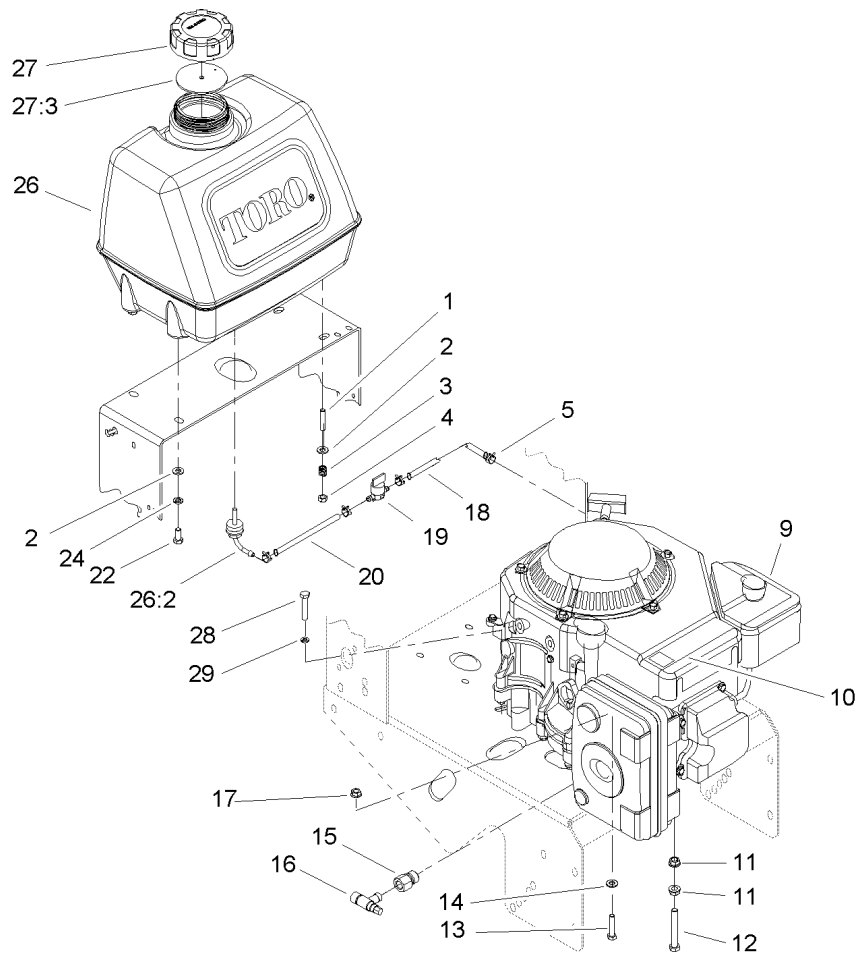
Part Description Abbreviations

Part descriptions in this catalog may include the following abbreviations.

AR. as required	INC. incorporated
ASM. assembly	LH. left hand
CARR. carriage	NI. nylon insert
DEG. degrees	PPH. phillips pan head
FH. flat head	PTH. phillips truss head
GA. gauge	PTO. power take off
HF. hex flange	RH. right hand
HH. hex head	SFH. slotted fillister head
HHF. hex head flange	SHH. slotted hex head
HHFTF. hex head flange thread forming	SHWH. slotted hex washer head
HJ. hex jam	SPH. slotted pan head
HLH. hex lag head	SQH. square head
HOC. height-of-cut	SRH. slotted round head
HS. hex	STD. standard
HSBH. hex socket button head	TAP. self tapping
HSFH. hex socket flat head	TTH. torx truss head
HSH. hex socket head	WH. wing head
HWH. hex washer head	
HWHTF. hex washer head thread forming	
HYD. hydraulic	

Footnotes

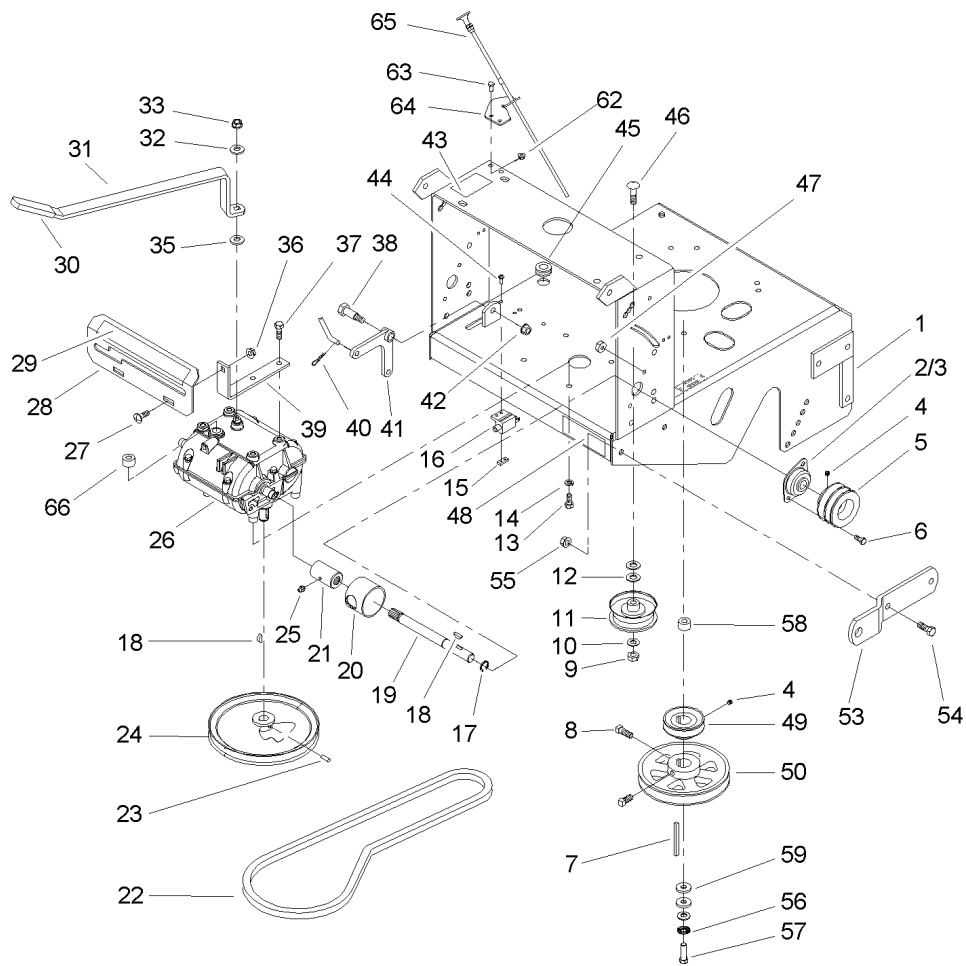
- | | |
|--|----------------------------------|
| <p>❶ Not illustrated</p> <p>❷ Obtain parts from your local Kawasaki dealer</p> | <p>❸ Not serviced separately</p> |
|--|----------------------------------|



Engine and Fuel Tank Assembly

Ref	Part No.	Qty.	Description
1	1-633023	2	Stud
2	3256-23	4	Washer-Flat
3	1-633349	2	Spring-Tank, Fuel
4	3296-47	2	Nut-Lock, NI
5	1-303077	4	Clamp
9		1	Engine-Kawasaki, Fh381v-As25
10	63-8440	1	Decal-Surface, Hot
11	3290-357	2	Nut-HHF
12	323-13	1	Screw-HH
13	322-7	4	Screw-HH
14	1-303334	4	Washer-Spring
15	103-1966	1	Adapter
16	103-1965	1	Valve-Drain, Oil
17	32128-20	4	Nut-HF
18	1-303022	1	Hose-Fuel
19	1-603770	1	Valve-Fuel
20	1-603955	1	Hose-Fuel
22	322-3	2	Screw-HH
24	1-805005	2	Washer-Lock
26	106-0730	1	Fuel Tank ASM
26:2	103-2605	1	Fitting-Fuel, Bulkhead
27	88-3980	1	Gas Cap ASM
27:3	88-4010	1	Gasket-Cap, Gas
28	33113-016	1	Screw-HH

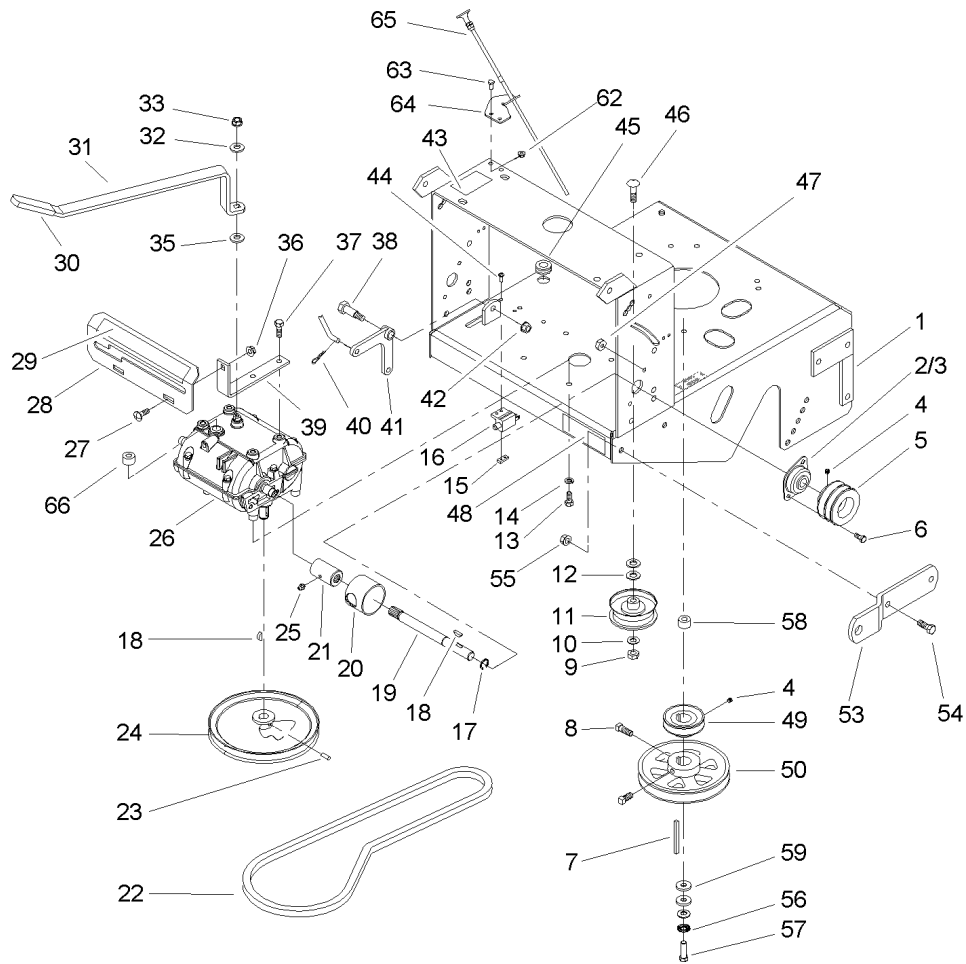
Ref	Part No.	Qty.	Description
29	1-805004	1	Washer-Lock
99	1-303335	1	Tie-Plastic



Transmission and Drive Pulley Assembly

Ref	Part No.	Qty.	Description
1	103-2923-01	1	Deck-Rear
2	1-323252	2	Bearing-Shaft
3	1-323254	2	Flange-Output
4	1-803310	3	Screw-Set
5	103-6512	2	Sheave-Transmission
6	321-3	4	Screw-HH
7	103-4177	1	Key-Machine
8	3242-4	2	Screw-Set, SQH
9	3296-39	1	Nut-Lock, NI
10	3256-24	1	Washer-Flat
11	1-323285	1	Idler-Drive, Transmission
12	3256-5	2	Washer-Flat
13	322-3	4	Screw-HH
14	1-805005	4	Washer-Lock
15	1-633181	1	Plate-Tapped
16	1-513051	1	Switch-Open, Normally
17	32151-62	2	Ring-Retaining
18	3257-5	3	Key-Woodruff
19	1-323502	2	Shaft-Transmission
20	51-4220	2	Guard-Coupler
21	1-323680	2	Coupler
22	1-323630	1	V-Belt
23	3245-41	2	Screw-HSH
24	1-323278	1	Sheave-Transmission

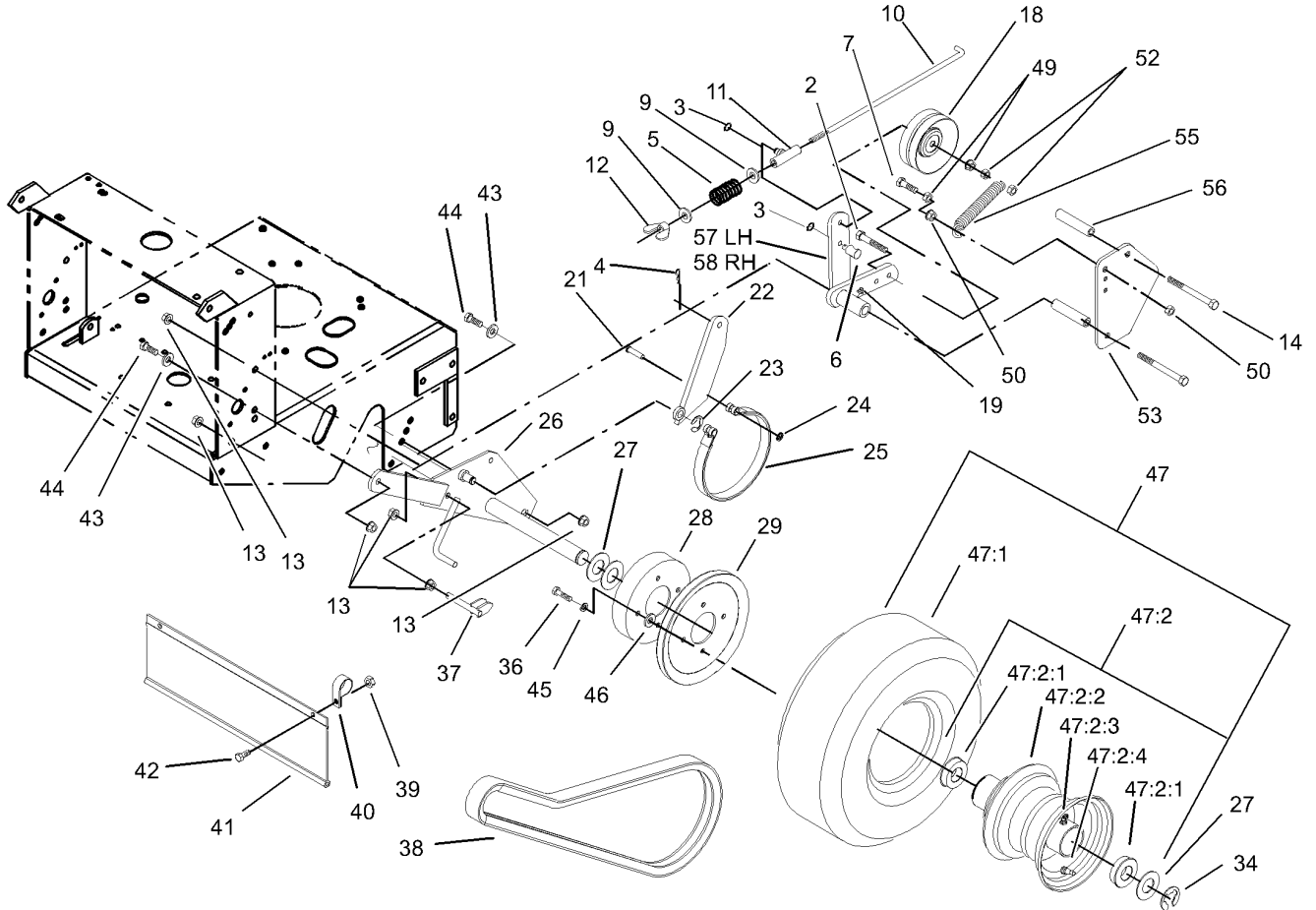
Ref	Part No.	Qty.	Description
25	302-19	2	Fitting-Grease
26	1-323500	1	Transmission
27	3230-1	2	Bolt-CARR
28	1-323387-03	1	Plate-Shift
29	105-4104	1	Decal-Speed, Ground
30	1-303020	1	Grip-Lever
31	98-3274-03	1	Lever-Shift
32	98-5975	1	Washer-Belleville
33	3296-6	1	Nut-Lock, NI
35	1-323379	1	Washer
36	32128-20	2	Nut-HF
37	9264964	4	Screw-Hwh, Thd Cut
38	1-603403	1	Bolt-Shoulder
39	1-323389-03	2	Bracket-Plate, Shift
40	1-806003	1	Pin-Hair
41	1-303186	1	Bellcrank
42	3290-357	1	Nut-HHF
43	95-2814	1	Decal-Shut Off, Fuel
44	3290-500	2	Screw-PPH
45	1-543296	1	Grommet
46	3231-6	1	Screw-CARR
47	3296-42	4	Nut-Lock, NI
48	98-0776	1	Decal-Caution
49	103-1666	1	Sheave-Transmission



Transmission and Drive Pulley Assembly (continued)

Ref	Part No.	Qty.	Description
50	103-1667	1	Sheave
53	1-323318-01	2	Hitch-Sulky
54	323-6	4	Screw-HH
55	3290-357	4	Nut-HHF
56	1-603610	2	Washer-Spring
57	3212-6	1	Screw-HH
58	1-633453	1	Spacer-Clutch
59	1-373034	2	Washer
62	32128-33	2	Nut-HF
63	321-3	2	Screw-HH
64	103-1797-01	1	Bracket-Cable, Choke
65	103-1796	1	Cable-Choke
66	1-303282	1	Switch-Start, Neutral

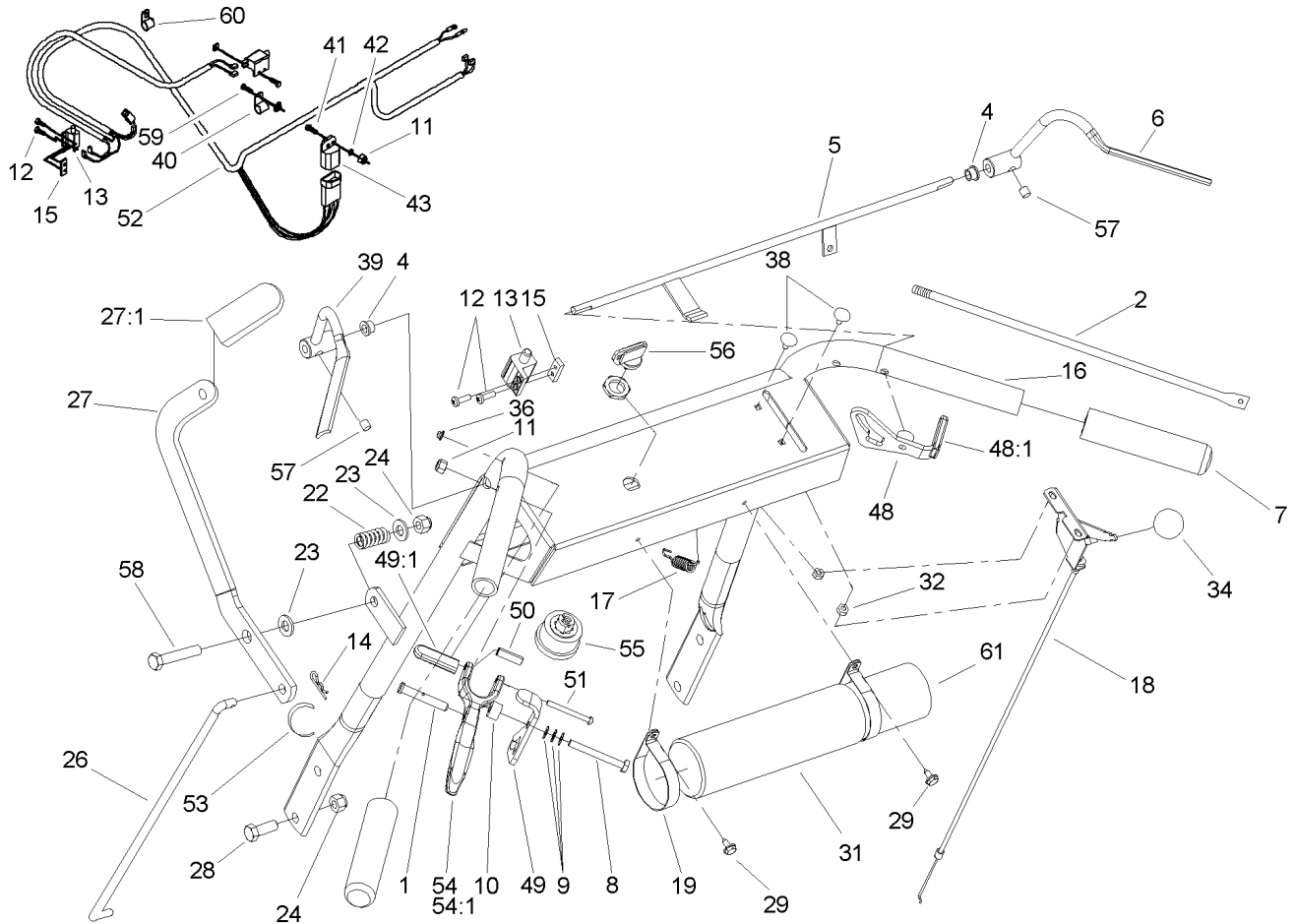
--	--	--	--



Wheel Drive Assembly

Ref	Part No.	Qty.	Description
2	99-8664	2	Screw-HH
3	32151-47	6	Ring-Retaining
4	1-806003	4	Pin-Hair
5	1-323245	2	Spring-Compression
6	103-1864	2	Swivel-Lever, Drive
7	322-6	2	Screw-HH
9	3256-23	4	Washer-Flat
10	1-323548	2	Linkage-Brake
11	1-322125	2	Swivel-Brake
12	1-513959	2	Wingnut-Nylock
13	3290-357	14	Nut-HHF
14	323-39	4	Screw-HH
18	1-323352	2	Idler-Wheel, Drive
19	302-19	2	Fitting-Grease
21	1-323307	2	Pin-Clevis
22	103-1611-03	2	Arm-Brake
23	32120-47	2	Ring-Retaining, External
24	1-803051	2	Nut-Push
25	1-323262	2	Band-Brake
26	1-322141-03	1	Axle
27	1-523157	6	Washer-Spacer
27	1-543436	8	Washer-Spacer
28	1-323261	2	Drum-Brake
29	1-323349	2	Sheave-Wheel, Drive

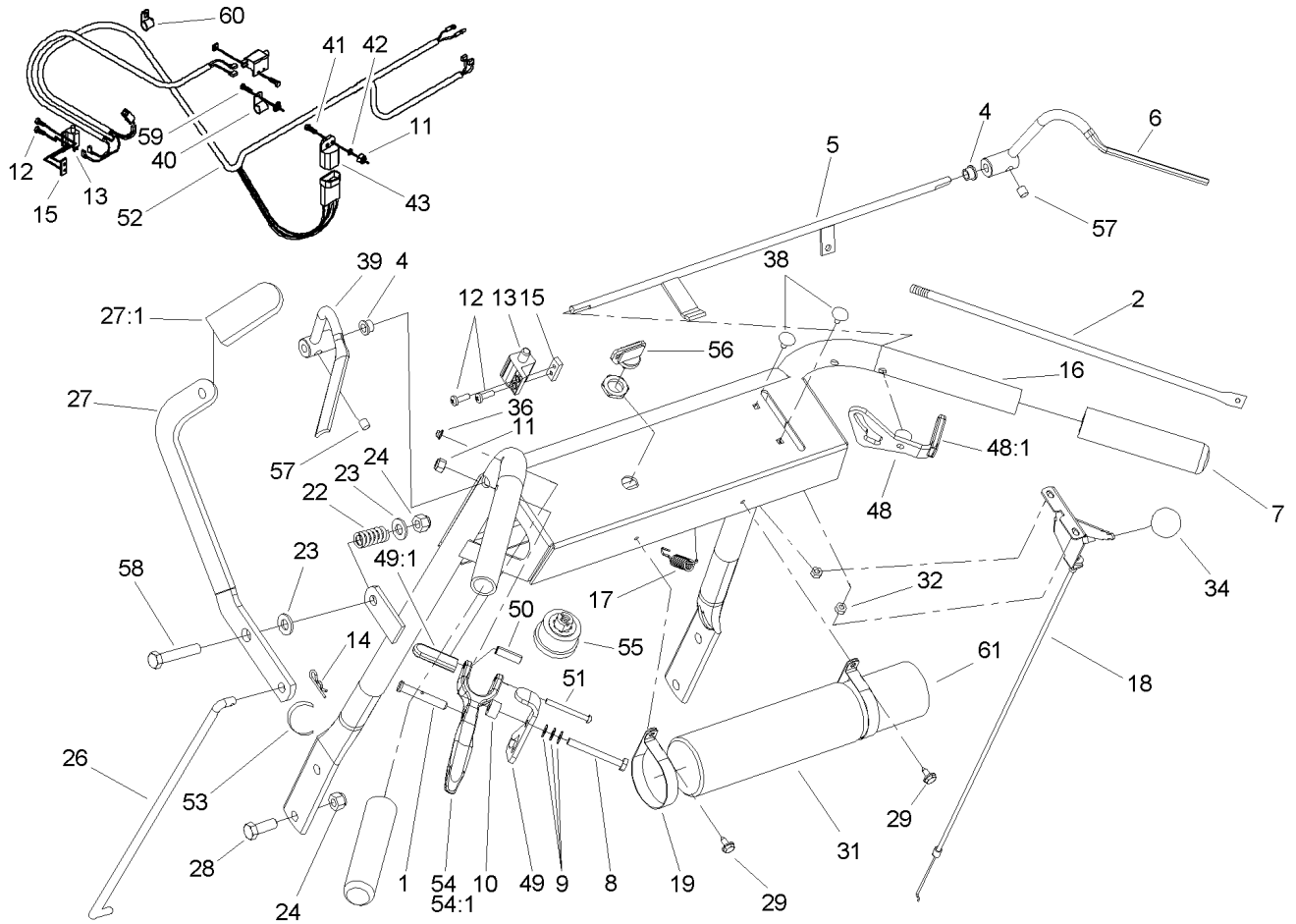
Ref	Part No.	Qty.	Description
34	1-808519	2	Ring-Snap
36	322-5	8	Screw-HH
37	1-603430	2	Scraper
38	1-323744	2	Belt-Drive, Wheel
39	3296-29	4	Nut-Lock, NI
40	2412-104	2	R-Clamp
41	98-3259	1	Shield-Trailing
42	322-3	2	Screw-HH
43	98-5975	4	Washer-Belleville
44	323-6	4	Screw-HH
45	1-373034	8	Washer
46	1-805005	8	Washer-Lock
47		2	Wheel And Tire ASM
47:1	1-323361	1	Tire
47:2	1-323360	1	Wheel And Hub ASM
47:2:1	1-323329	2	Bearing-Flanged
47:2:2		1	Rim ASM
47:2:3		1	Fitting-Grease
47:2:4		1	Valve Stem And Cap
49	3290-357	2	Nut-HHF
50	32128-20	2	Nut-HF
52	3296-39	8	Nut-Lock, NI
53	1-323287-01	2	Shield-Wheel, Drive
55	1-603402	2	Spring-Extension



Upper Handle Assembly

Ref	Part No.	Qty.	Description
1	1-808286	2	Pin-Clevis
2	1-323359	2	Linkage-Wheel, Drive
4	1-303365	2	Bushing-Nylon
5	106-2717-03	1	Operator Presence Control Rod ASM
6	1-412185-03	1	Lever-RH
7	1-303097	2	Grip-Handle
8	321-18	2	Screw-HH
9	1-303435	6	Washer-Spring
10	1-323549	2	Spacer
11	3296-42	3	Nut-Lock, NI
12	3290-500	2	Screw-PPH
13	1-513051	1	Switch-Open, Normally
14	1-806003	2	Pin-Hair
15	1-633181	1	Plate-Tapped
16	106-2742	1	Handle ASM
17	1-303363	1	Spring-Extension
18	1-633696	1	Cable-Throttle
19	2412-120	2	R-Clamp
22	1-303160	1	Spring-Compression
23	3256-4	2	Washer-Flat
24	3296-39	5	Nut-Lock, NI
26	1-323298	1	Linkage-Blade, Upper
27	1-322157	1	Lever ASM

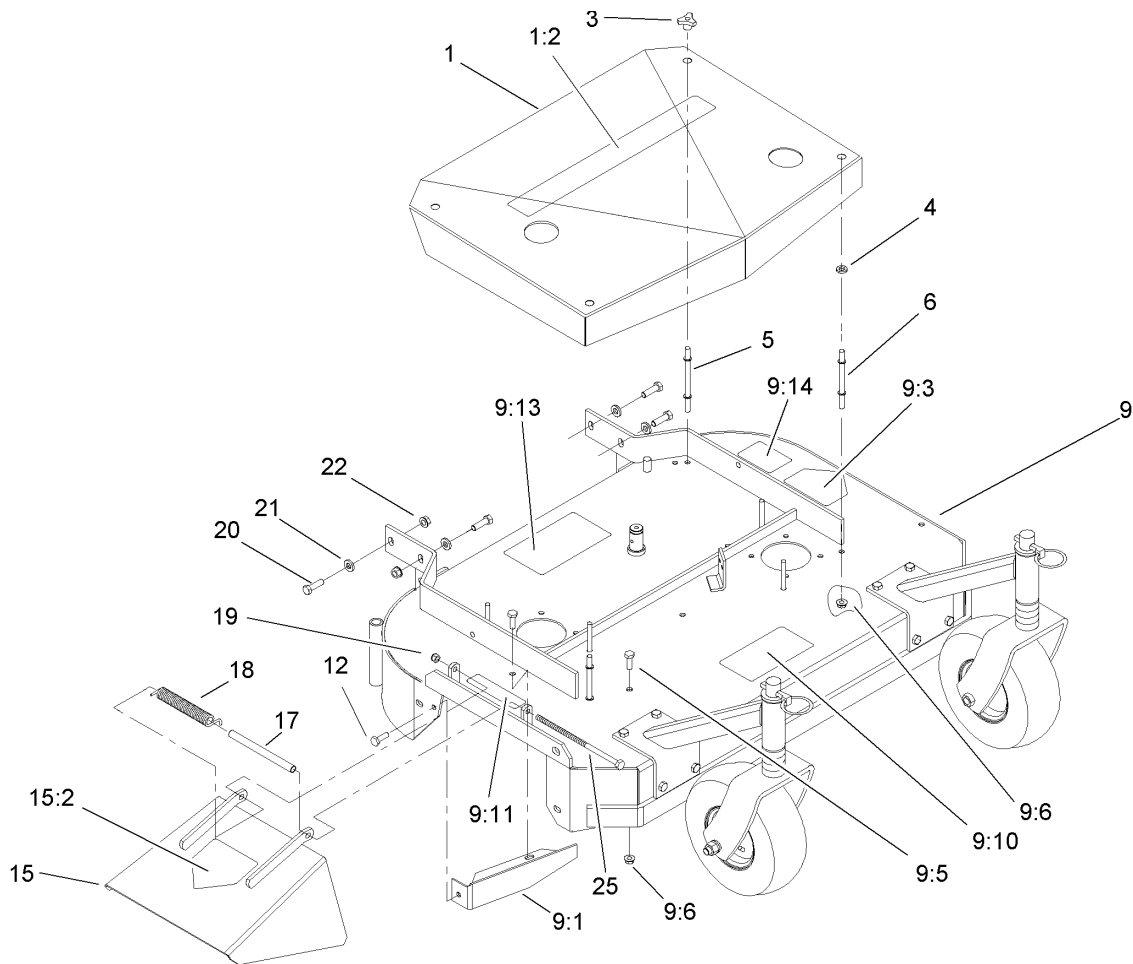
Ref	Part No.	Qty.	Description
27:1	1-303020	1	Grip-Lever
28	323-6	4	Screw-HH
29	32104-76	2	Screw
31	104-7050	1	Housing-Manual
32	3296-2	2	Nut-Lock
34	1-513592	1	Knob-Ball
36	1-803001	2	Nut
38	1-807513	2	Bolt-CARR
39	1-412183-03	1	Lever-LH
40	1-323229	1	Clip-Loom
41	321-4	1	Screw-HH
42	3256-22	1	Washer-Flat
43	1-323430	1	Module-Interlock
48	1-324280	1	RH Thumb Latch ASM
48:1	1-303019	1	Grip-Latch
49	1-324279	1	LH Thumb Latch ASM
49:1	1-303019	1	Grip-Latch
50	1-806340	2	Pin-Roll
51	1-808250	2	Pin-Drive Lever
52	103-1610	1	Harness-Wiring
53	1-303088	1	Clip-Cable
54	1-302006	2	Drive Lever ASM
54:1	1-303021	1	Grip-Lever, Drive
55	1-403121	1	Switch-Key



Upper Handle Assembly (continued)

Ref	Part No.	Qty.	Description
56	63-8360	1	Key-Ignition
57	1-803322	4	Screw-Set
58	323-10	1	Screw-HH
59	33114-016	1	Screw-HH
60	1-413510	1	Clip-Loom
61	104-7048	1	Cap-Housing

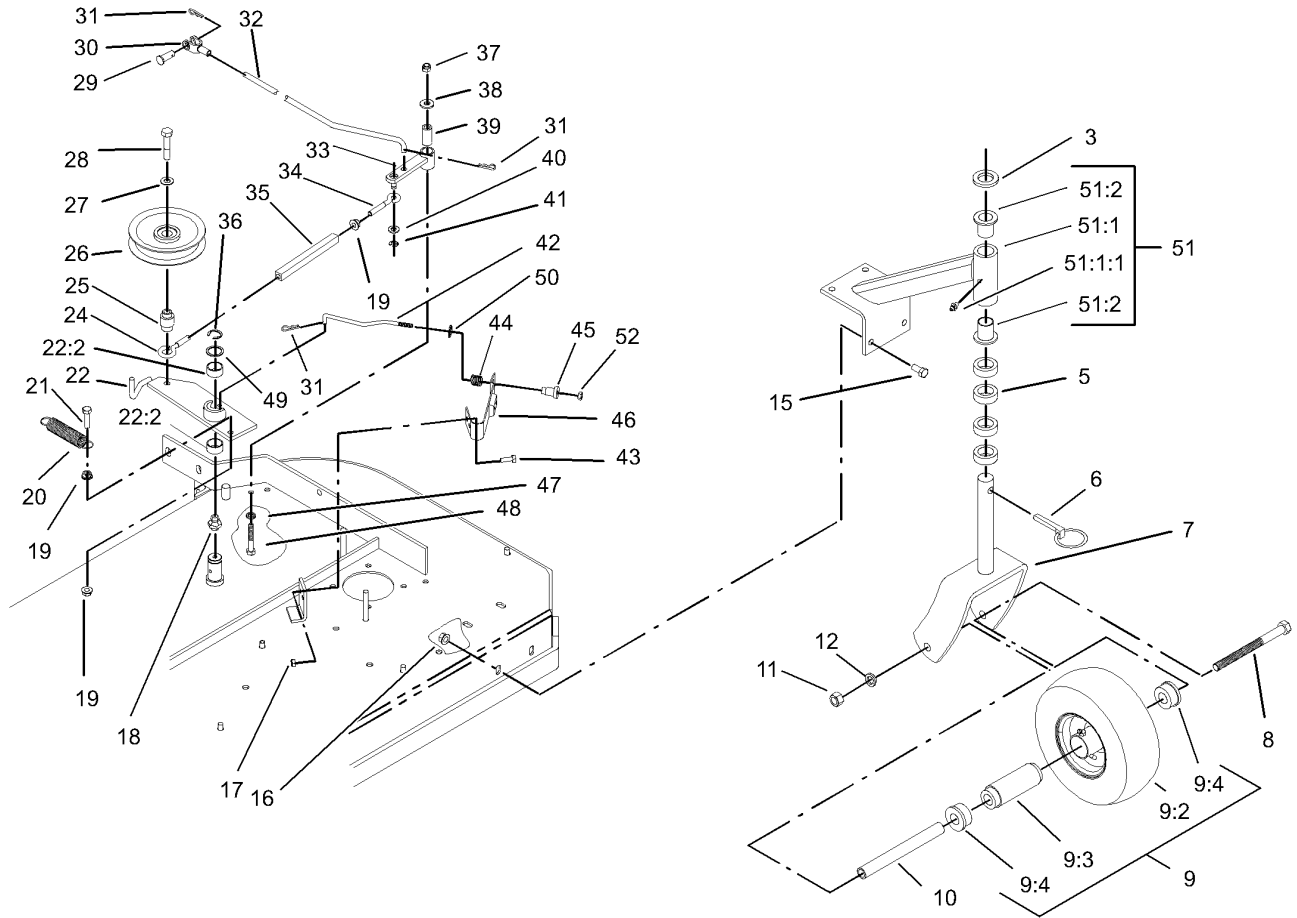
--	--	--	--



Deck Assembly

Ref	Part No.	Qty.	Description
1	1-324407	1	Shield-Belt
1:2	106-0710	1	Decal
3	106-4161	4	Knob-Handle
4	1-323417	4	Washer
5	1-303536	2	Stud-Shield, Belt (Long)
6	1-303537	2	Stud-Shield, Belt (Short)
9	105-4675	1	Deck ASM
9:1	1-302189-01	1	Baffle
9:3	1-403005	1	Decal-Danger
9:5	322-2	7	Screw-HH
9:6	32128-20	7	Nut-HF
9:10	66-1340	1	Decal-Danger
9:11	67-5360	1	Decal-Danger
9:13	98-3296	1	Decal-Routing, Belt
9:14	98-5130	1	Decal-Torque, Bolt
12	322-2	7	Screw-HH
15	1-304256	1	Chute-Discharge
15:2	54-9220	1	Decal-Danger
17	98-3281	1	Spacer-Spring
18	98-3280	1	Spring-Deflector
19	3296-29	1	Nut-Lock, NI
20	323-8	6	Screw-HH
21	98-5975	6	Washer-Belleville
22	3290-357	6	Nut-HHF

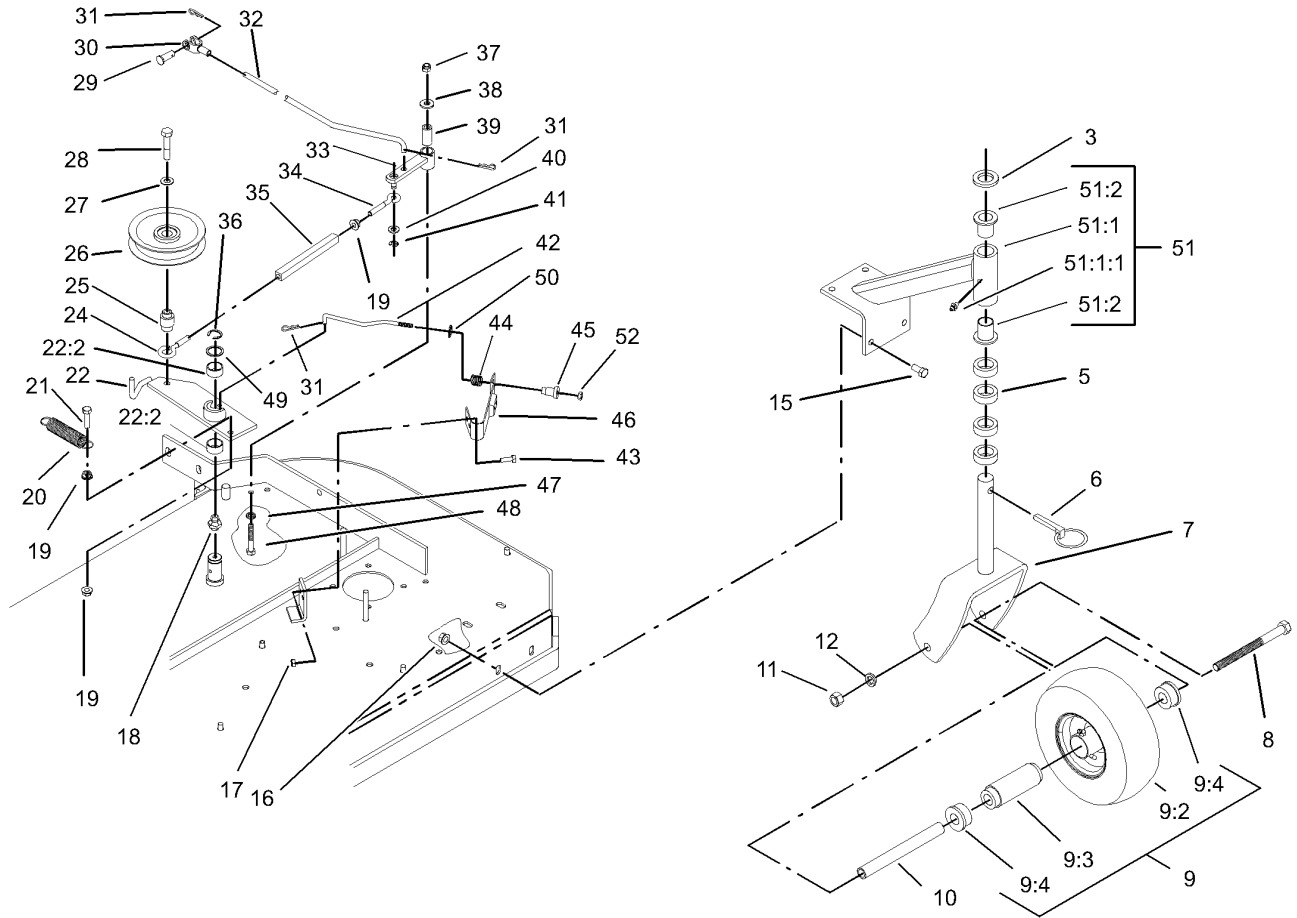
Ref	Part No.	Qty.	Description
25	322-50	1	Screw-HH



Front Caster and Blade Brake Assembly

Ref	Part No.	Qty.	Description
3	1-513338	2	Washer-Flat
5	1-303314	8	Spacer-Caster
6	1-809020	2	Pin
7	1-322145-01	2	Fork
8	325-20	2	Screw-HH
9	1-513648	2	Wheel And Tire ASM
9:2	1-513808	1	Tire
9:3	1-513809	1	Bearing
9:4	1-513810	2	Bushing
10	1-513547	2	Spacer
11	3217-9	2	Nut-Hex
12	3253-7	2	Washer-Lock
15	323-4	8	Screw-HH
16	3290-357	8	Nut-HHF
17	3296-42	2	Nut-Lock, NI
18	302-19	1	Fitting-Grease
19	32128-20	3	Nut-HF
20	1-323071	1	Spring-Extension
21	322-6	2	Screw-HH
22	103-3600	1	Idler Arm ASM
22:2	1-323729	2	Sleeve-Bearing
24	1-303348	1	Eyebolt-Thread, LH
25	1-303434	1	Bushing-Engagement
26	1-603843	1	Pulley-Idler

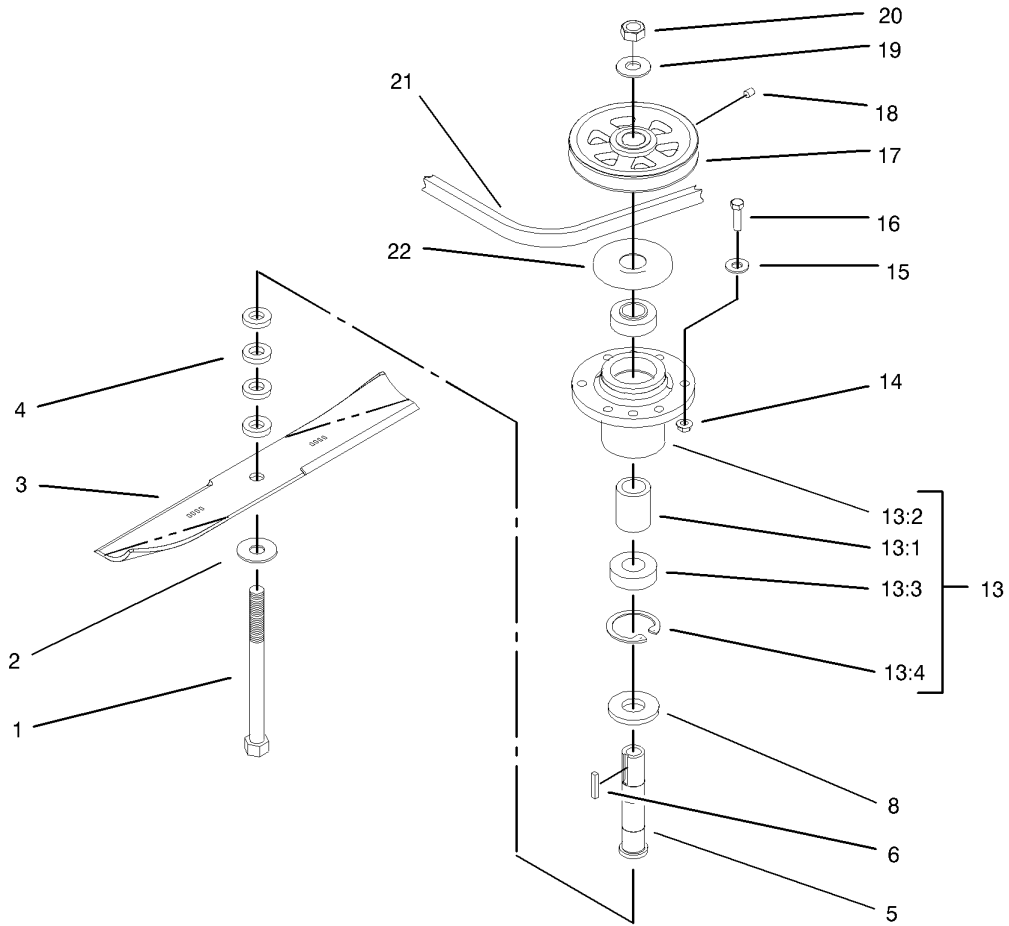
Ref	Part No.	Qty.	Description
27	98-5975	1	Washer-Belleville
28	702809	1	Screw-Cap
29	1-808280	1	Pin-Clevis
30	1-303105	1	Yoke-Adjustable
31	1-806003	3	Pin-Hair
32	1-323303	1	Linkage-Arm
33	1-322235	1	Arm-Assist
34	1-303238	1	Eyebolt-Thread, RH
35	1-303236	1	Body-Turnbuckle
36	32151-103	1	Ring-Snap
37	3296-29	1	Nut-Lock, NI
38	3256-3	1	Washer-Flat
39	1-403179	1	Tube-Pivot
40	3256-23	1	Washer-Flat
41	32120-35	1	E-Ring
42	1-323718	1	Rod-Brake
43	321-4	2	Screw-HH
44	1-323747	1	Spring-Compression
45	1-323746	1	Spacer-Flanged
46	1-324372	1	Pad / Spring ASM
47	1-303334	1	Washer-Spring
48	322-10	1	Screw-HH
49	1-303352	1	Washer-Spindle
50	1-323748	1	Ring-Push On



Front Caster and Blade Brake Assembly (continued)

Ref	Part No.	Qty.	Description
51	1-302203	2	Support ASM
②51:1		1	Support-Caster
51:1:1	302-52	1	Fitting-Grease
51:2	1-303514	2	Bearing-Flanged
52	3296-56	1	Nut-Lock, NI

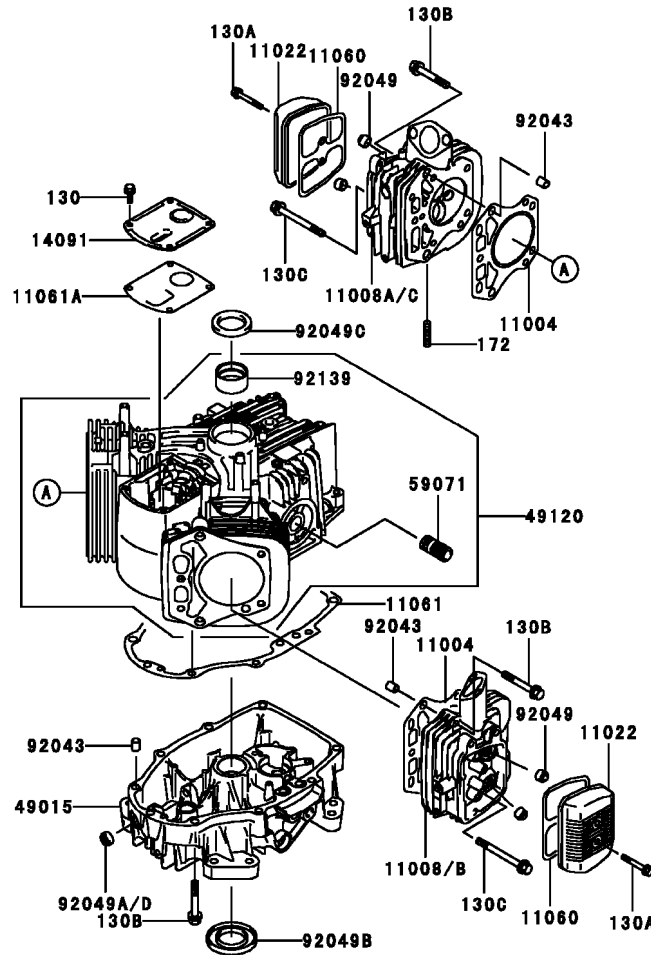
--	--	--	--



Spindle Assembly

Ref	Part No.	Qty.	Description
1	1-800861	2	Screw-Cap, HH
2	1-513208	2	Washer-Spring
3	103-2507	2	Blade-Lift, Low
3	103-2527	2	Blade-Notched
4	1-323539	8	Spacer-Drive, Blade
5	1-323529	2	Tube-Spindle, Short
6	1-807267	2	Key
8	103-2535	2	Spacer-Guard, Bottom
13		2	Cutter Housing ASM
13:1	1-323532	1	Housing-Spindle
13:2	103-2477	2	Bearing-Ball
13:3	103-2534	1	Spacer-Bearing
13:4	32120-8	1	Ring-Snap
14	32128-20	8	Nut-HF
15	1-303334	8	Washer-Spring
16	322-6	8	Screw-HH
17	1-403183	2	Sheave
18	1-803310	2	Screw-Set
19	1-323339	2	Washer-Retainer, Sheave
20	3219-6	2	Nut-Hex
21	1-323745	1	Belt-Blade, Drive
22	103-1330	2	Guard-Bearing, Top

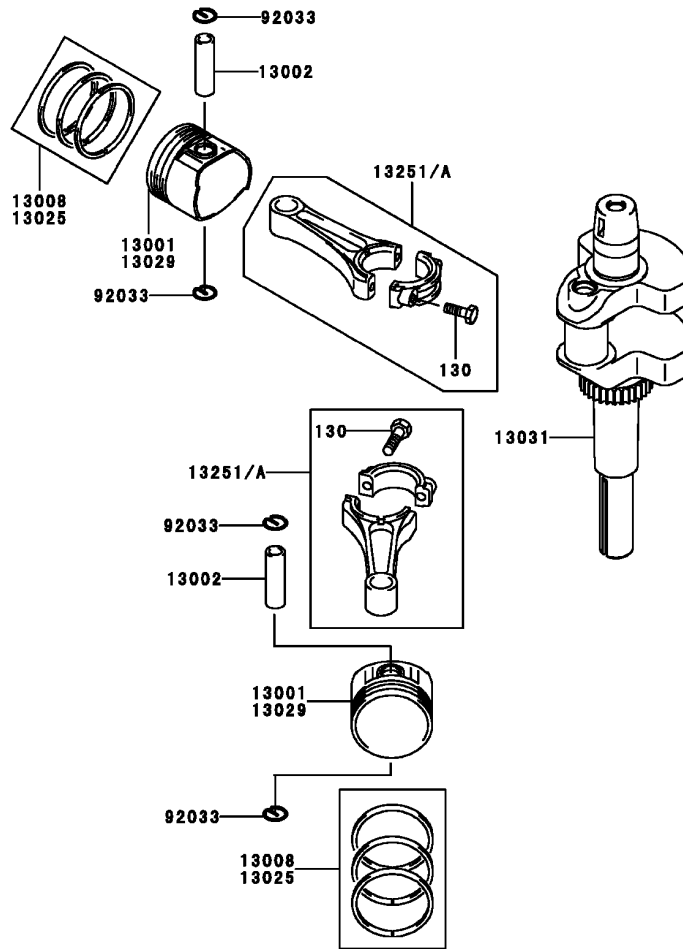
--	--	--	--



Cylinder and Crankcase Assembly Kawasaki FH381V-AS25

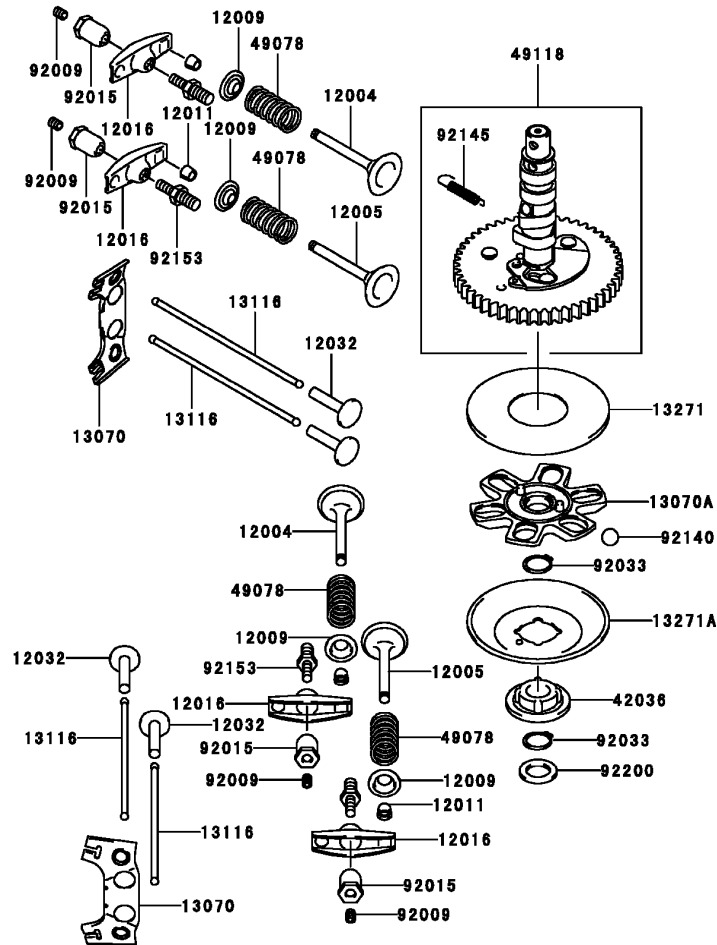
Ref	Part No.	Qty.	Description
⑤11004	11004-7008	2	Gasket-Head
⑤11008	11008-7011	1	Head-Comp-Cylinder, No.2
⑤11008A	11008-7017	1	Head-Comp-Cylinder, No.1
⑤11008B	11008-7021	1	Head-Comp-Cylinder, #2
⑤11008C	11008-7022	1	Head-Comp-Cylinder, #1
⑤11022	11022-7003	2	Case-Rocker
⑤11060	11060-7001	2	Gasket-Case, Rocker
⑤11061	11061-7007	1	Gasket-Cover, Crankcase
⑤11061A	11061-7008	1	Gasket-Breather
⑤14091	14091-7007	1	Cover
⑤49015	49015-7032	1	Cover-Crankcase
⑤49120	49120-7015	1	Crankcase-Comp
⑤59071	59071-2079	1	Joint
⑤92043	92043-7001	6	Pin
⑤92049	92049-7001	4	Seal-Oil, Rvc2
⑤92049A	92049-7005	1	Seal-Oil-So 8x14x5 HS
⑤92049B	92049-7015	1	Seal-Oil, Sd
⑤92049C	92049-7016	1	Seal-Oil, Sd
⑤92049D	92049-7019	1	Seal-Oil, So
⑤92139	92139-7002	1	Bushing
⑤130	130B0612	4	Bolt-Flanged
⑤130A	130B0640	4	Bolt-Flanged
⑤130B	130T0850	17	Bolt-Flanged
⑤130C	130T0875	2	Bolt-Flanged

Ref	Part No.	Qty.	Description
⑤172	172G0818	4	Bolt-Stud



Piston and Crankshaft Assembly Kawasaki FH381V-AS25

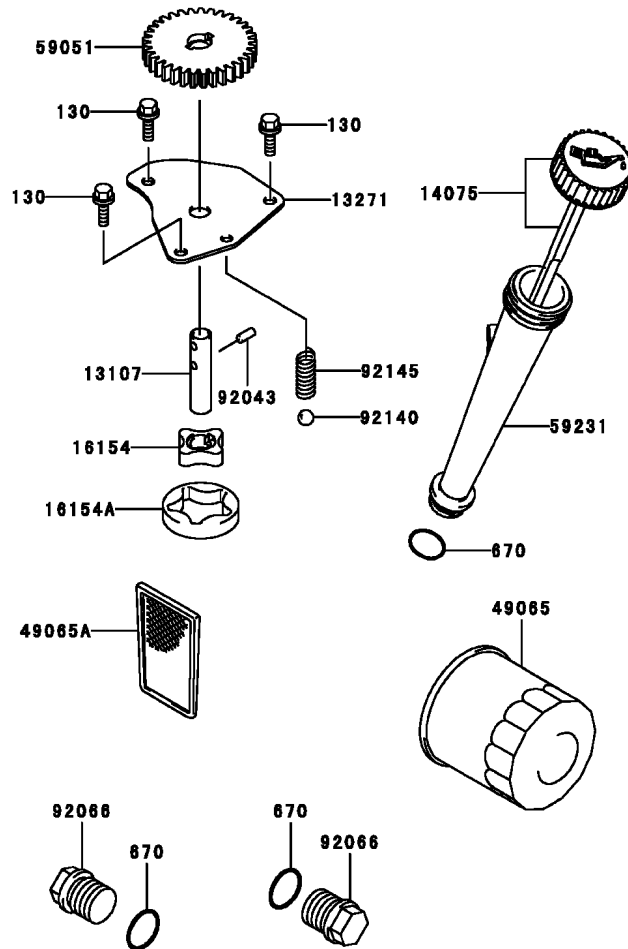
Ref	Part No.	Qty.	Description				
①13001	13001-7009	2	Piston-Engine				
①13002	13002-7001	2	Pin-Piston				
①13008	13008-7001	2	Ring-Set-Piston				
①13025	13025-7003	1	Ring-Set-Piston				
①13029	13029-7005	1	Piston-Engine				
①13031	13031-7033	1	Crankshaft-Comp				
①13251	13251-7007	2	Connecting Rod ASM				
①13251A	13251-7008	2	Connecting Rod Asm, U/s=0.50				
①92033	92033-7005	4	Ring-Snap				
①130	130G0630	4	Bolt-Flanged				



Valve and Camshaft Assembly Kawasaki FH381V-AS25

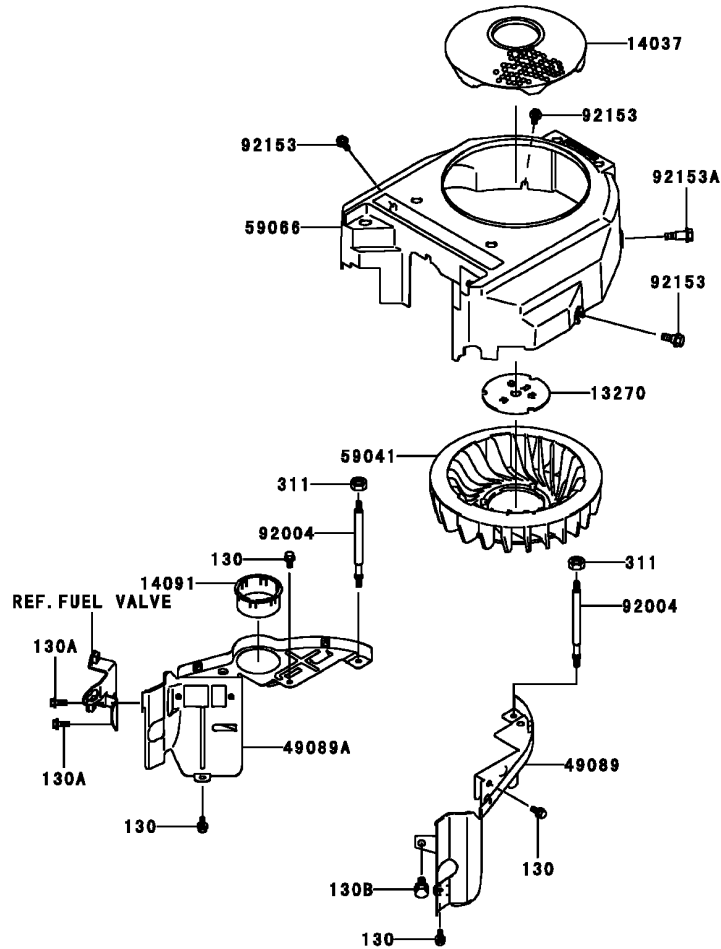
Ref	Part No.	Qty.	Description
⑤12004	12004-7003	2	Valve-Intake
⑤12005	12005-7003	2	Valve-Exhaust
⑤12009	12009-7001	4	Retainer-Spring, Valve
⑤12011	12011-2056	8	Collet
⑤12016	12016-7001	4	Arm-Rocker
⑤12032	12032-7001	4	Tappet
⑤13070	13070-7001	2	Guide
⑤13070A	13070-7004	1	Guide
⑤13116	13116-2057	4	Rod-Push
⑤13271	13271-7007	1	Plate
⑤13271A	13271-7021	1	Plate-Governor
⑤42036	42036-7009	1	Sleeve
⑤49078	49078-7001	4	Spring-Engine, Valve
⑤49118	49118-7009	1	Camshaft-Comp
⑤92009	92009-2341	4	Screw
⑤92015	92015-2253	4	Nut
⑤92033	92033-7001	2	Ring-Snap
⑤92140	92140-7002	6	Ball
⑤92145	92145-7001	1	Spring
⑤92153	92153-7019	4	Bolt
⑤92200	92200-7001	1	Washer

--	--	--	--



Lubrication-Equipment Assembly Kawasaki FH381V-AS25

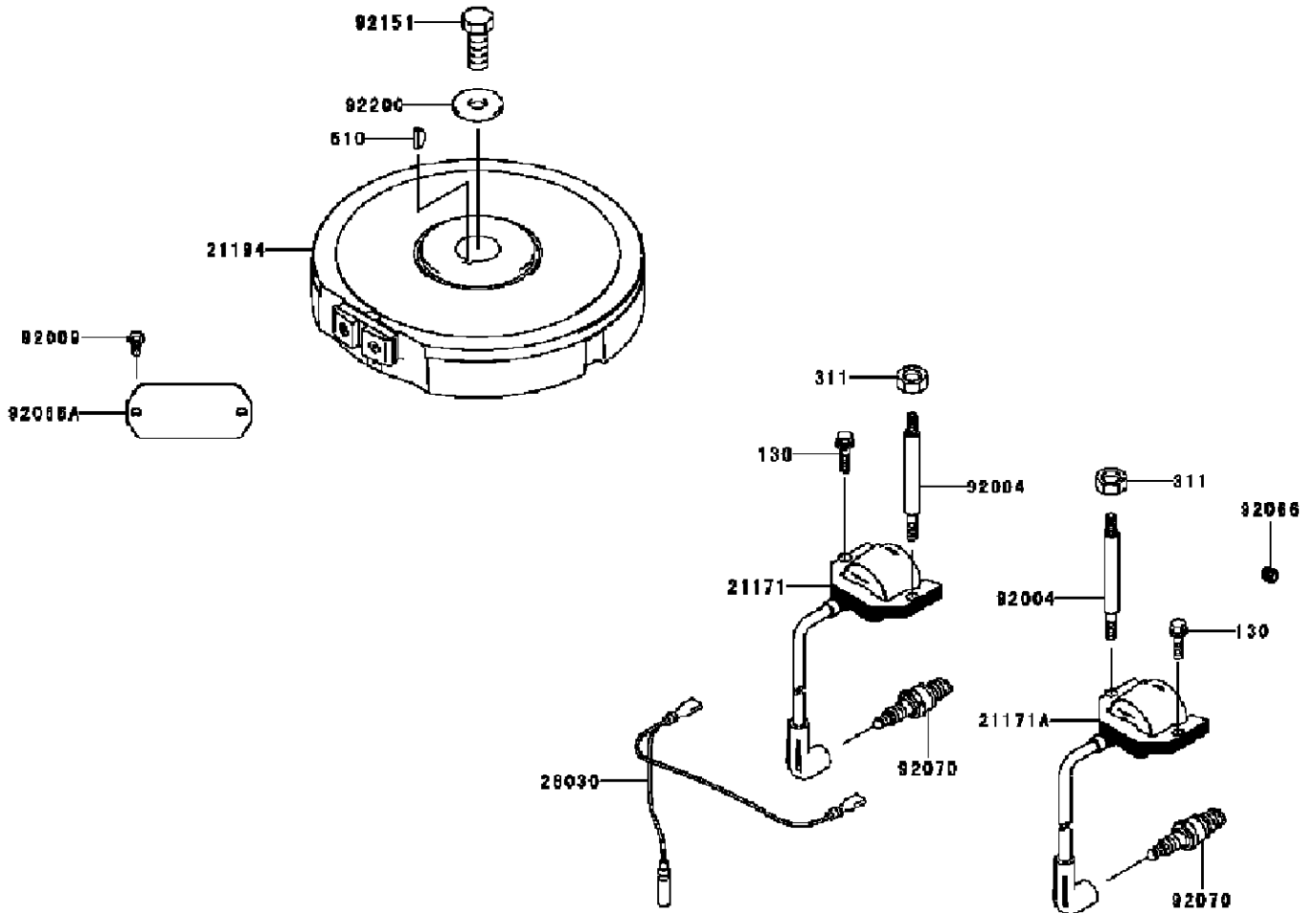
Ref	Part No.	Qty.	Description
⑤13107	13107-7009	1	Shaft
⑤13271	13271-7017	1	Plate
⑤14075	14075-7009	1	Cap ASM
⑤16154	16154-2053	1	Rotor-Pump, In
⑤16154A	16154-2054	1	Rotor-Pump, Out
⑤49065	49065-2078	1	Filter-Oil
⑤49065A	49065-7004	1	Filter-Oil
⑤59051	59051-7011	1	Gear-Spur
⑤59231	59231-7003	1	Filler
⑤92043	92043-7003	2	Pin
⑤92066	92066-7003	2	Plug
⑤92140	92140-7003	1	Ball
⑤92145	92145-7002	1	Spring
⑤130	130B0612	3	Bolt-Flanged
⑤670	670D2016	3	O-Ring, 16mm



Cooling Equipment Assembly Kawasaki FH381V-AS25

Ref	Part No.	Qty.	Description
⑤ 13270	13270-7007	1	Plate
⑤ 14037	14037-7021-9H	1	Screen
③ 14091	14091-7009	1	Cover
③ 49089	49089-7044	1	Shroud-Engine
③ 49089A	49089-7045	1	Shroud-Engine
⑤ 59041	59041-7010	1	Fan
⑤ 59066	59066-7023	1	Housing-Fan
⑤ 92004	92004-7007	2	Stud
⑤ 92153	92153-7007	3	Bolt
⑤ 92153A	92153-7008	1	Bolt
⑤ 130	130B0612	4	Bolt-Flanged
⑤ 130A	130B0616	2	Bolt-Flanged
⑤ 130B	130B0816	1	Bolt-Flanged
⑤ 311	311F0600	2	Nut-Hex

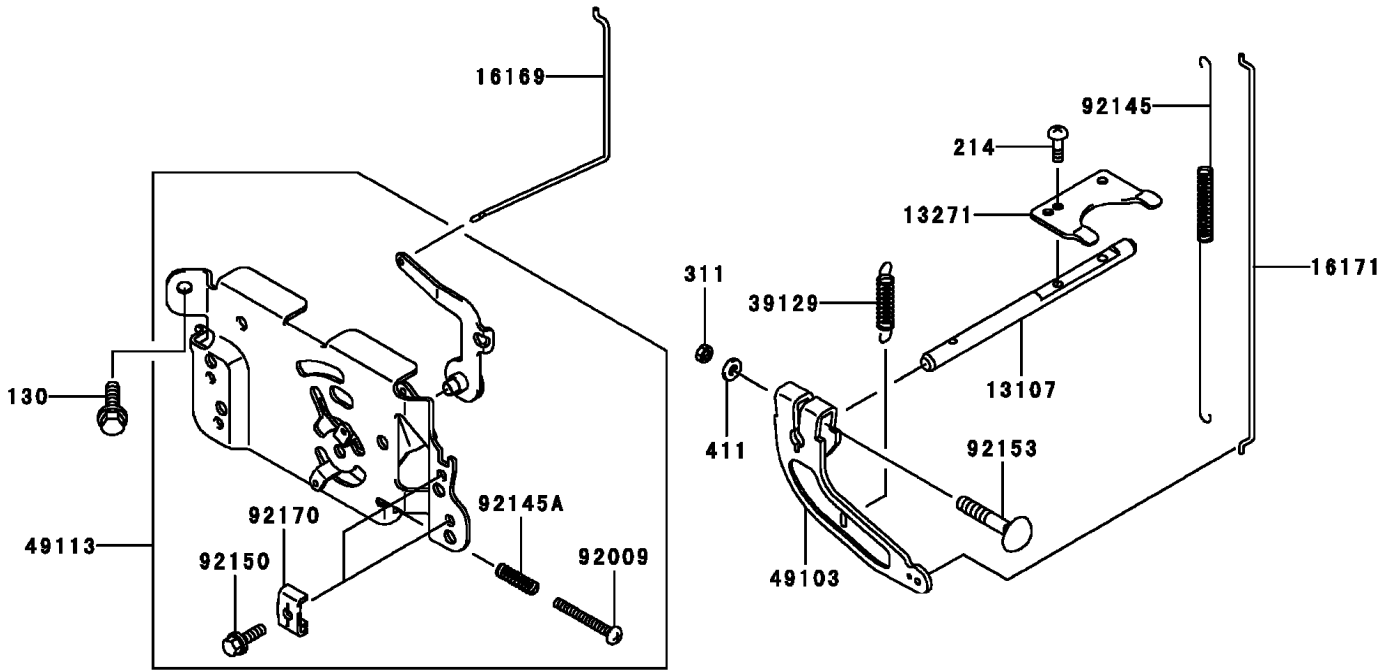
--	--	--	--



Electric-Equipment Assembly Kawasaki FH381V-AS25

Ref	Part No.	Qty.	Description
⑤21171	21171-7013	1	Ignition Coil ASM
⑤21171A	21171-7014	1	Ignition Coil ASM
⑤21194	21194-7013	1	Flywheel-Comp
⑤26030	26030-7001	1	Harness
⑤92004	92004-7008	2	Stud
⑤92009	92009-2308	2	Screw
⑤92066	92066-7002	1	Plug
⑤92066A	92066-7005	1	Plug
⑤92070	92070-7003	2	Sparkplug-Rcj8y, Solid
⑤92151	92151-2097	1	Bolt, 12x30
⑤92200	92200-7002	1	Washer
⑤130	130B0620	2	Bolt-Flanged
⑤311	311F0600	2	Nut-Hex
⑤510	510A5100	1	Key-Woodruff

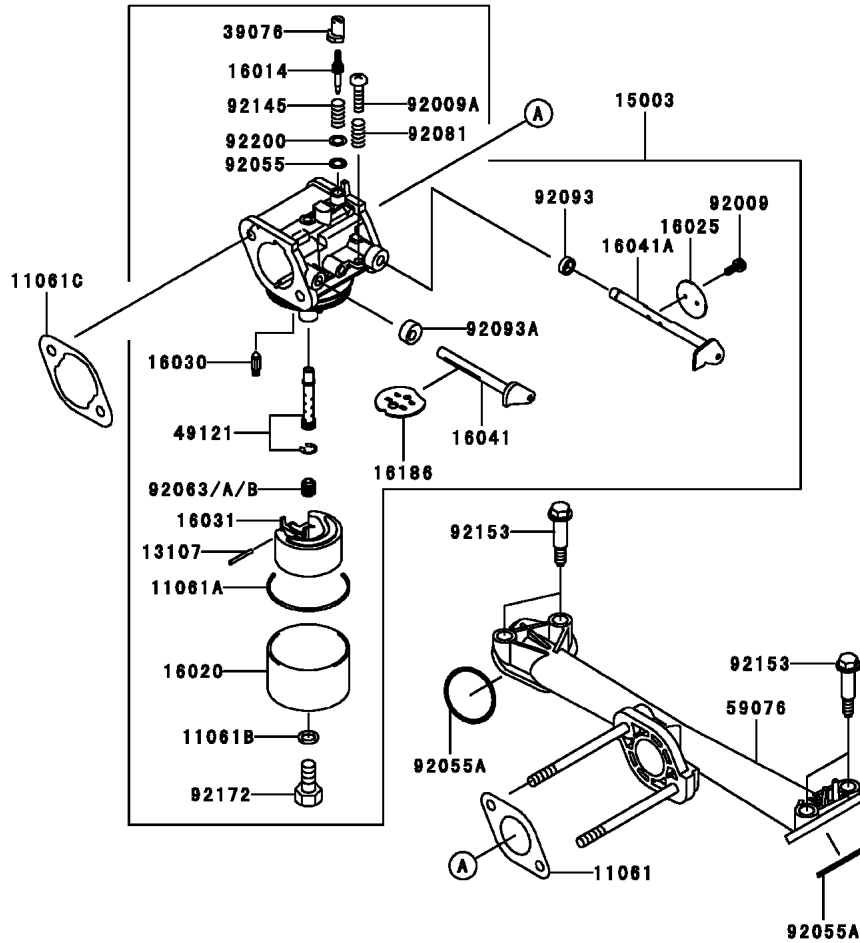
--	--	--	--



Control-Equipment Assembly Kawasaki FH381V-AS25

Ref	Part No.	Qty.	Description
⑤13107	13107-7010	1	Shaft
⑤13271	13271-7018	1	Plate
⑤16169	16169-7012	1	Link-Choke
⑤16171	16171-7007	1	Link
⑤39129	39129-7003	1	Spring-Governor
⑤49103	49103-7004	1	Arm-Governor
⑤49113	49113-7024	1	Panel-Comp-Control
⑤92009	92009-7007	1	Screw-4x35
⑤92145	92145-7003	1	Spring
⑤92145A	92145-7005	1	Spring
⑤92150	92150-2182	2	Bolt-5x18
⑤92153	92153-7005	1	Bolt-6x35
⑤92170	92170-7001	2	Clamp
⑤130	130B0612	2	Bolt-Flanged
⑤214	214B0408	2	Screw-Pan+-
⑤311	311B0600	1	Nut-Hex
⑤411	411b0600	1	Washer-Plain

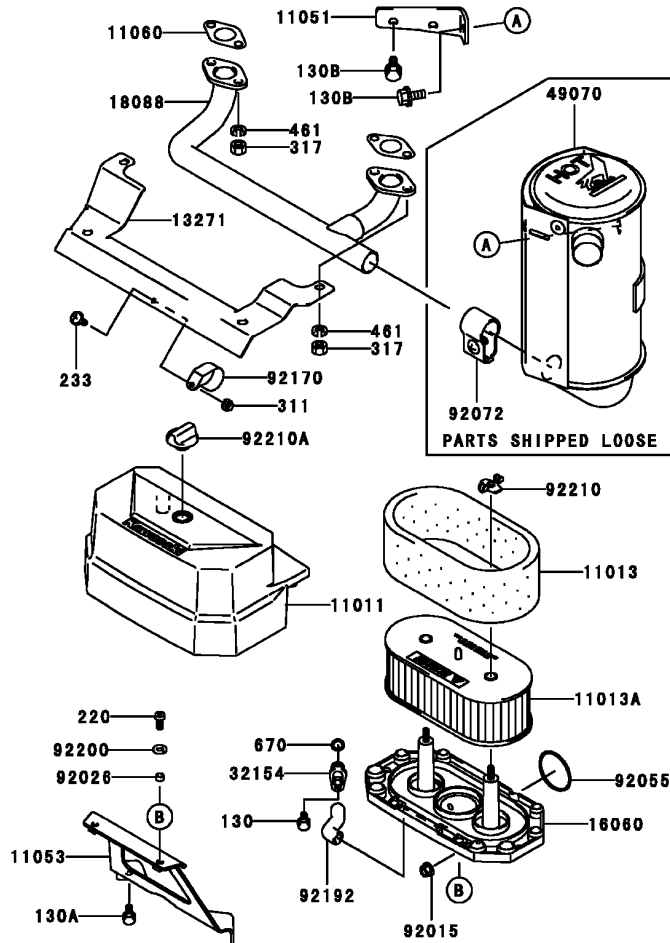
--	--	--	--



Carburetor Assembly Kawasaki FH381V-AS25

Ref	Part No.	Qty.	Description
①11061	11061-7004	1	Gasket-Insulator
①11061A	11061-7009	1	Gasket-Chamber
①11061B	11061-7010	1	Gasket
①11061C	11061-7018	1	Gasket-Cleaner, Air
①13107	13107-7018	1	Shaft
①15003	15003-7054	1	Carburetor-ASM
①16014	16014-7002	1	Screw-Pilot
①16020	16020-7003	1	Chamber-Float
①16025	16025-7006	1	Valve-Throttle
①16030	16030-7003	1	Valve-Float
①16031	16031-7002	1	Float
①16041	16041-7016	1	Shaft-Carburetor, Choke
①16041A	16041-7018	1	Shaft-Carburetor, Throttle
①16186	16186-7002	1	Choke Valve ASM
①39076	39076-7001	1	Limiter
①49121	49121-7002	1	Nozzle-Main
①59076	59076-7005	1	Manifold-Intake
②92009	92009-2083	2	Screw
①92009A	92009-2349	1	Screw
①92055	92055-2174	1	Ring-O
②92055A	92055-7007	2	Ring-O, Id=31
①92063	92063-7027	1	Jet-Main-#78
①92063A	92063-7030	1	Jet-Main-#75
①92063B	92063-7031	1	Jet-Main-#72

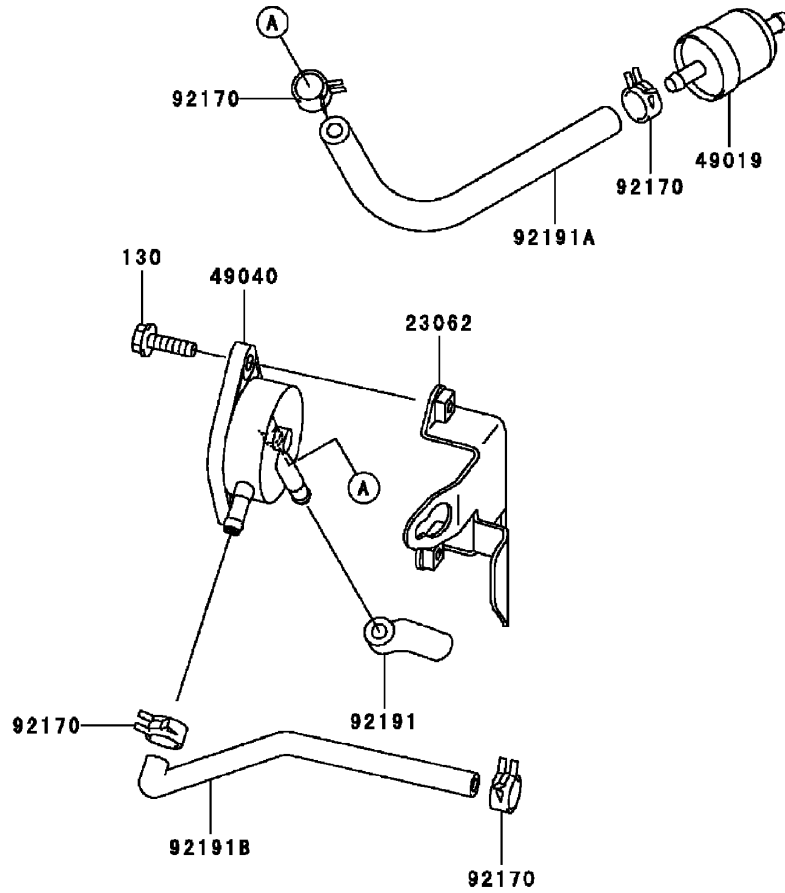
Ref	Part No.	Qty.	Description
①92081	92081-2234	1	Spring
①92093	92093-2100	1	Seal
①92093A	92093-7003	1	Seal
①92145	92145-7015	1	Spring
④92153	92153-7009	4	Bolt
①92172	92172-7002	1	Screw
①92200	92200-7014	1	Washer



Air-Filter and Muffler Assembly Kawasaki FH381V-AS25

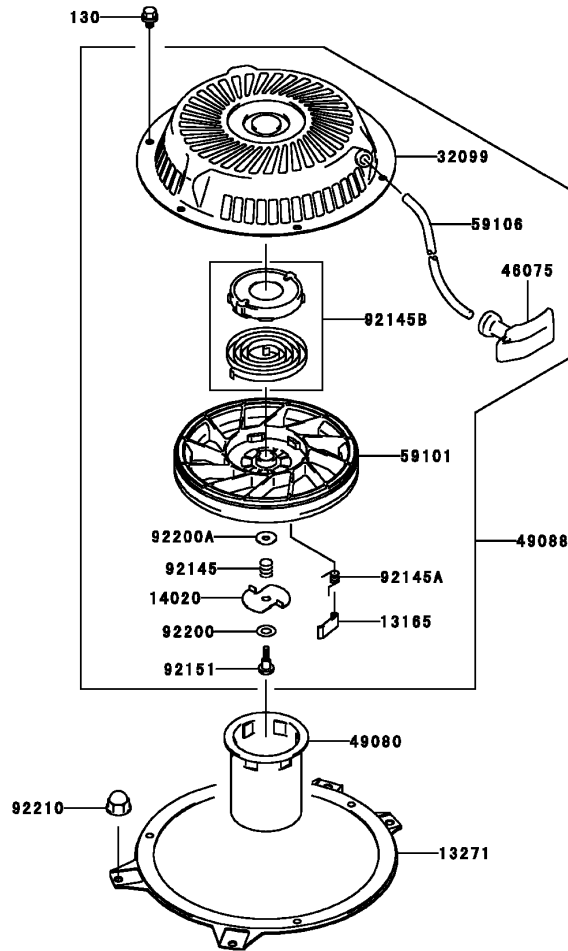
Ref	Part No.	Qty.	Description
⑤11011	11011-7035	1	Case-Air Filter
⑤11013	11013-7025	1	Element-Filter, Air
⑤11013A	11013-7031	1	Element-Filter, Air
⑤11051	11051-7005-9H	1	Bracket
⑤11053	11053-7022	1	Bracket
⑤11060	11060-7021	2	Gasket-Muffler
⑤13271	13271-7022	1	Plate
⑤16060	16060-7016	1	Pipe-Intake
⑤18088	18088-7001	1	Pipe-Exhaust
⑤32154	32154-7006	1	Pipe
⑤49070	49070-7015	1	Muffler-Comp
⑤92015	92015-1193	2	Nut
⑤92026	92026-7001	2	Spacer, 6.2x7.9x5
⑤92055	92055-7015	1	O-Ring
⑤92072	92072-7008	1	Band
⑤92170	92170-7002	1	Clamp
⑤92192	92192-7010	1	Tube
⑤92200	92200-2070	2	Washer
⑤92210	92210-7004	2	Nut
⑤92210A	92210-7019	1	Nut
⑤130	130B0610	1	Bolt-Flanged
⑤130A	130B0612	2	Bolt-Flanged
⑤130B	130B0816	2	Bolt-Flanged

Ref	Part No.	Qty.	Description
⑤220	220B0614	2	Screw-Pan (Cross)
⑤233	233B0416	1	Screw-Pan-Wp+-
⑤311	311B0400	1	Nut-Hex
⑤317	317R0800	4	Nut-Hex, Small
⑤461	461F0800	4	Washer-Spring
⑤670	670B2010	1	O-Ring



Fuel Tank/Fuel Valve Assembly Kawasaki Model FH381V-AS25

Ref	Part No.	Qty.	Description				
⑤23062	23062-7004-9H	1	Bracket-Comp				
⑤49019	49019-7001	1	Filter-Fuel				
⑤49040	49040-7001	1	Pump-Fuel				
⑤92170	92170-2088	4	Clamp				
⑤92191	92191-7002	1	Tube				
⑤92191A	92191-7003	1	Tube-6.35x12.7x160				
⑤92191B	92191-7004	1	Tube				
⑤130	130B0620	2	Bolt-Flanged				



Starter Assembly Kawasaki FH381V-AS25

Ref	Part No.	Qty.	Description				
③ 13165	13165-7001	2	Pawl-Starter, Recoil				
③ 13271	13271-7003-9H	1	Plate				
③ 14020	14020-7001	1	Retainer				
③ 32099	32099-7002	1	Case-Starter, Recoil				
③ 46075	46075-7001	1	Grip-Recoil, Starter				
③ 49080	49080-7001	1	Pulley-Starting				
③ 49088	49088-7013	1	Starter-Recoil				
③ 59101	59101-7001	1	Reel-Recoil				
③ 59106	59106-7001	1	Rope				
③ 92145	92145-7006	1	Spring				
③ 92145A	92145-7007	2	Spring				
③ 92145B	92145-7008	1	Spring				
③ 92151	92151-7008	1	Bolt				
③ 92200	92200-7004	1	Washer				
③ 92200A	92200-7005	1	Washer				
③ 92210	92210-0003	4	Nut				
③ 130	130B0608	3	Bolt-Flanged				

NOTES

