



Count on it.

Parts Catalog

**Workman® HDX 4-Wheel Drive
Utility Vehicle with Bed**

Model No. 07370TC—Serial No. 312001001 and Up



Ordering Replacement Parts

To order replacement parts, please supply the part number, the quantity, and the description of each part desired.

Understanding Reference Numbers

Each identified part in an illustration has a reference number. The reference number for a part also appears in the parts list, along with other information about the part.

This catalog uses two special reference number formats, one to indicate parts in a service assembly and another to indicate the quantity of a given part in an illustration.

Service Assembly Reference Numbers

Parts in service assemblies have reference numbers in the form a:b. The a represents the reference number of the entire service assembly and the b represents a sequential number unique to each part within the service assembly.

For example, a wheel assembly might be identified by reference number 6, the tire by 6:1, the valve by 6:2, and the wheel by 6:3. When you order the assembly identified by reference number 6, you receive all parts identified by reference numbers 6:1, 6:2, and 6:3. However, you may also order any part individually. Reference numbers of this type appear in illustration and in parts lists.

Reference Numbers Indicating Quantity

In an illustration, if a reference number indicates more than one part, the reference number has the form nX y. The n represents the quantity of the part, the X is the multiplication symbol, and the y represents the reference number.

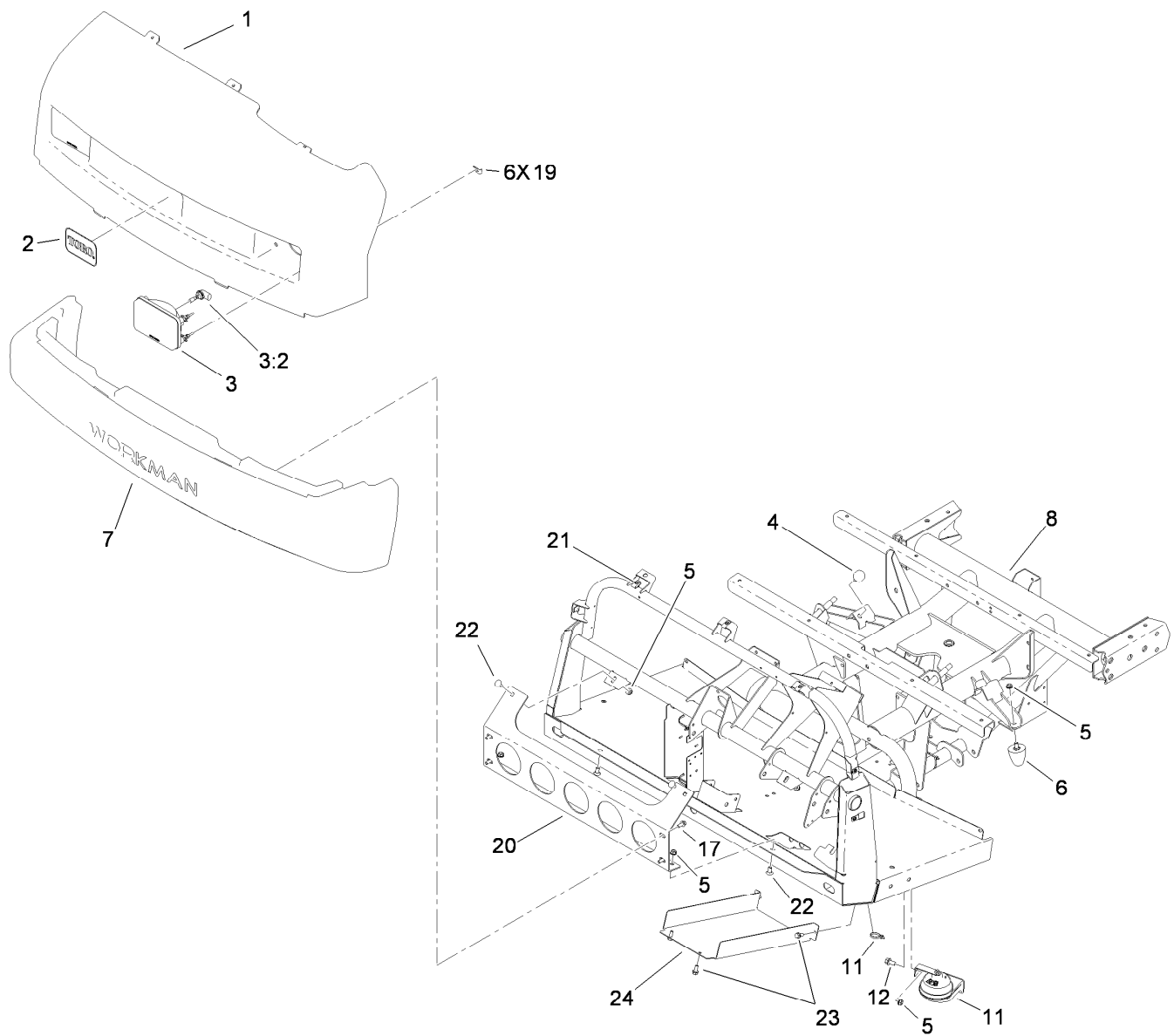
For example, in an illustration, the reference number 2X 37 means that two of the parts identified by reference number 37 are indicated.

Contents

Hood and Bumper Assembly	5
Dash Assembly	6
Pedal Assembly	8
Master Cylinder Assembly No. 104-6782	9
Hydraulic Brake Line Assembly	10
Clutch Linkage Assembly	11
Shroud and Seat Assembly	12
Console Assembly	14
Shift Assembly No. 106-7887	16
Steering Hydraulic Assembly	17
Steering Valve Assembly No. 120-4813	18
Lift Valve and Hydraulic Assembly	19
Control Valve Assembly No. 43-1950	21
Hydraulic Cylinder Assembly No. 106-7939	22
Front Wheel Assembly	23
Brake Caliper Assembly No. 119-9535	24
Hydraulic Cylinder Assembly No. 120-5059	25
Steering Linkage Assembly	26
Front Suspension Assembly	27
Front Control Arm Assembly	28
Rear Frame Assembly	29
Rear Axle Assembly	30
Driveshaft Assembly No. 114-8367	31
Transaxle Assembly	32
Case Assembly 4 Wheel Drive Transaxle Assembly No. 115-2175	33
Center Plate Assembly 4 Wheel Drive Transaxle Assembly No. 115-2175	34
Main Shaft Assembly 4 Wheel Drive Transaxle Assembly No. 115-2175	35
Reduction Shaft Assembly 4 Wheel Drive Transaxle Assembly No. 115-2175	36
Reverse Shaft Assembly 4 Wheel Drive Transaxle Assembly No. 115-2175	37
Main Shift Assembly 4 Wheel Drive Transaxle Assembly No. 115-2175	38
Hi-Lo Shift Assembly 4 Wheel Drive Transaxle Assembly No. 115-2175	39
Countershaft Assembly 4 Wheel Drive Transaxle Assembly No. 115-2175	40
Differential Gear Assembly 4 Wheel Drive Transaxle Assembly No. 115-2175	41
Differential Carrier Assembly 4 Wheel Drive Transaxle Assembly No. 115-2175	42
Differential Lock Assembly 4 Wheel Drive Transaxle Assembly No. 115-2175	43
Axle Shaft Assembly 4 Wheel Drive Transaxle Assembly No. 115-2175	44
Front Drive Assembly 4 Wheel Drive Transaxle Assembly No. 115-2175	45
Battery Assembly	46
Tail Light and Fender Assembly	47
Roll-Over Protection System Assembly	48
Air Cleaner Assembly	49
Air Cleaner Assembly No. 106-2416	50
Cooling System Assembly	51
Radiator Assembly	52
Engine Support Assembly	53
ECM and Relay Assembly	54
Engine Assembly	55
Fuel System Assembly	56
4 Wheel Drive Assembly	57
Differential Assembly No. 119-0824	58
Drive Shaft Assembly No. 115-2171	59
Full Bed and Side Panel Assembly	60
High Flow Assembly	61
Hydraulic Pump Assembly No. 115-7787	62

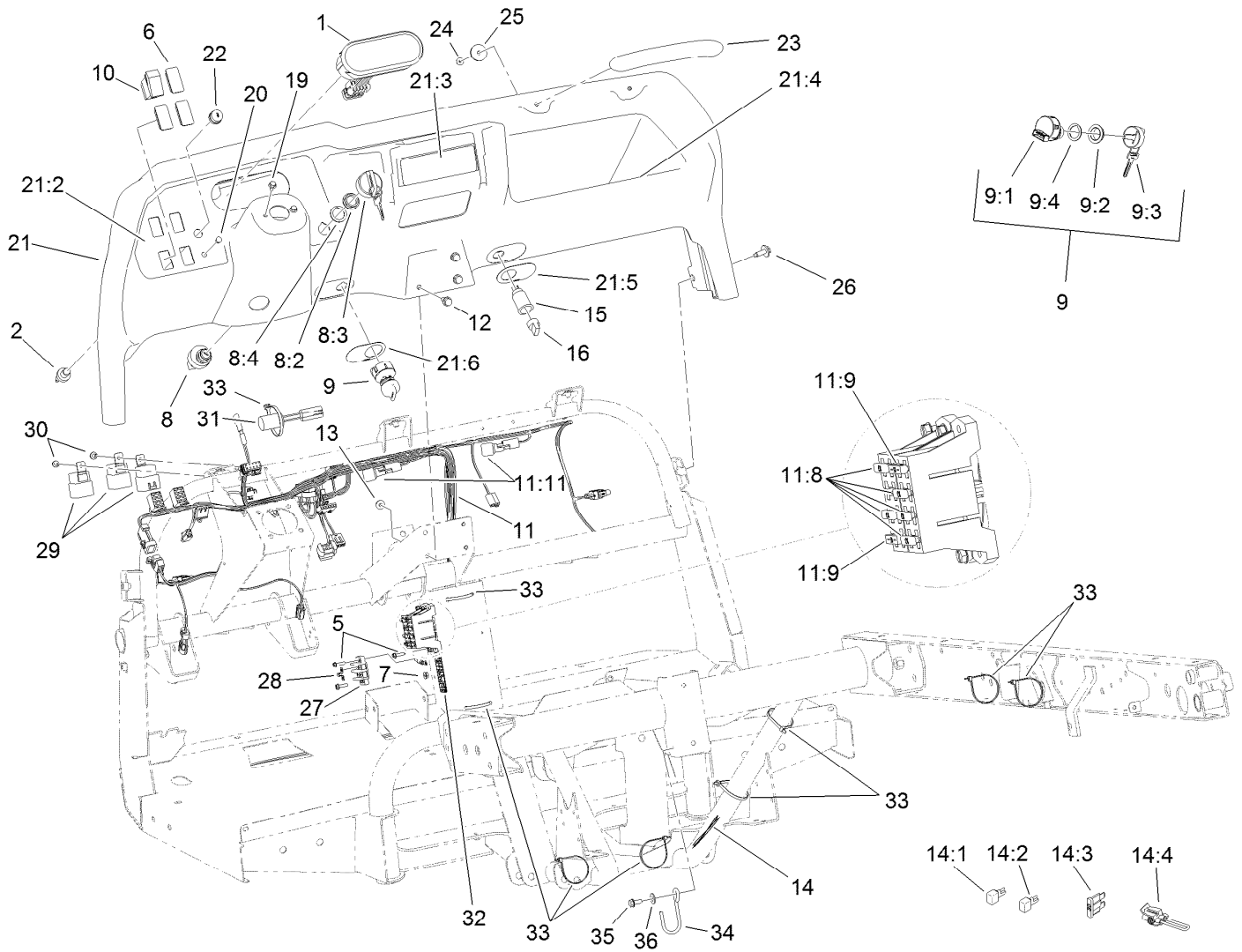
Contents (continued)

Hydraulic Manifold Assembly No. 115-2252	63
Tank Assembly No. 114-8435	64
Coupler Assembly No. 114-8434	65
High Flow Hose Assembly	66
Cylinder Assembly	67
Crankshaft Assembly	68
Cylinder Head Assembly	69
Manifold Assembly	70
Carburetor Assembly	71
Camshaft Assembly	72
Oil Pan Assembly	73
Gear Cover Assembly	74
Gear Housing Assembly	75
Water Pump Assembly	76
Controls Assembly	77
Starter Motor Assembly	78
Alternator Assembly	79
Engine Gasket Set	80
Engine Label Set	81
Attachments and Accessories	82



Hood and Bumper Assembly

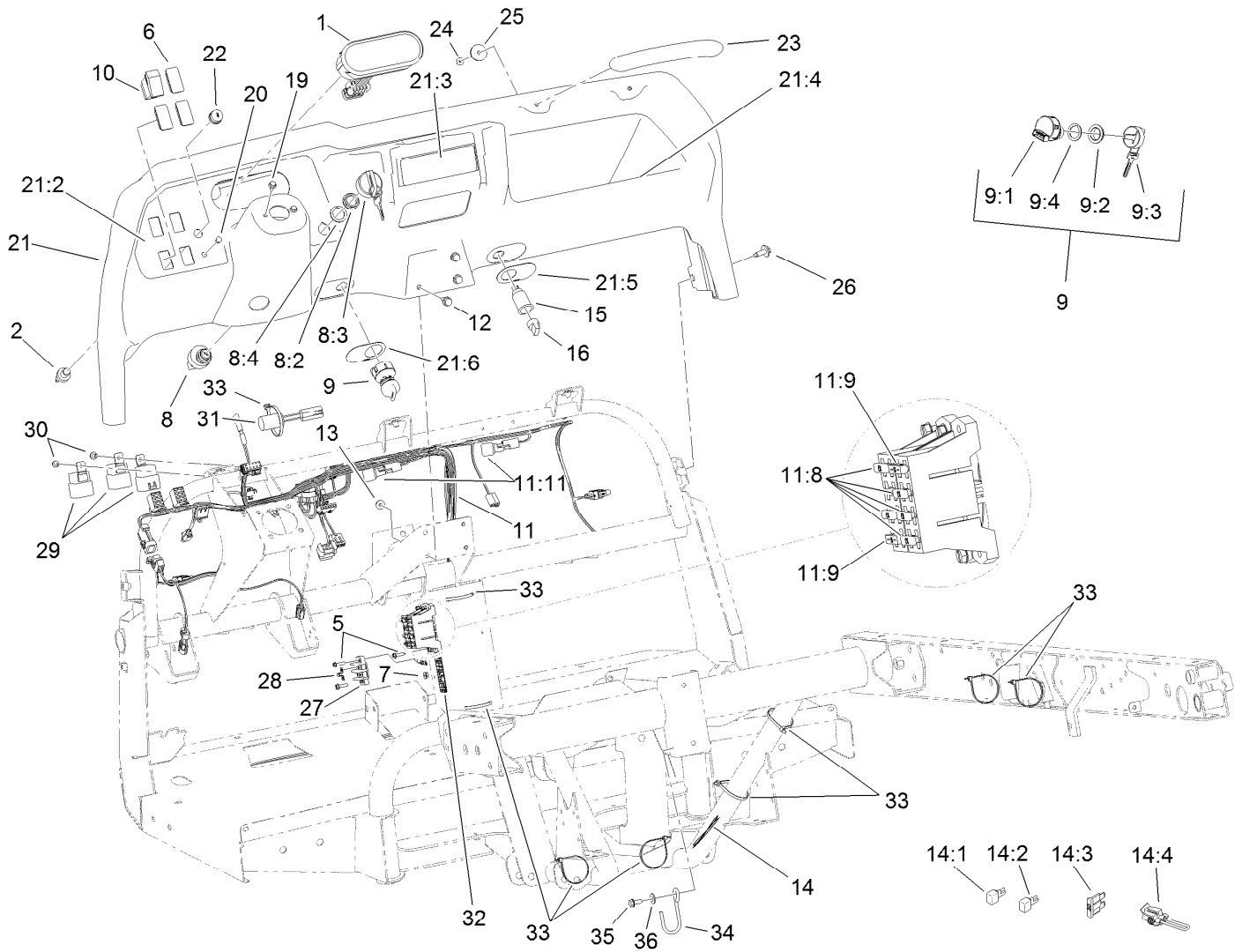
Ref.	Part Number	Qty.	Description	Ref.	Part Number	Qty.	Description
1	112-3183	1	Hood	11	110-2594	1	Horn
2	117-4950	1	Decal	12	3234-1	1	Screw-HHF
3	114-8322	2	Headlight ASM	17	3234-5	4	Screw-HHF
3:2	115-2395	1	Bulb-Light	19	114-8341	6	Clip-Speed
4	87-2440	2	Bumper-Rubber	20	114-8272-03	1	Bracket-Bumper
5	3290-357	7	Nut-HSF	21	94-2413	7	Nut-U
6	26-0071	2	Snubber-Rubber	22	3231-21	4	Screw-CARR
7	112-3185	1	Bumper	23	32144-11	4	Screw-HWH
8	119-0949-03	1	Frame-Front	24	106-2427-03	1	Cover



Dash Assembly

Ref.	Part Number	Qty.	Description	Ref.	Part Number	Qty.	Description
1	120-4801	1	Cluster-Instrument (L/C)	11:9	109355	2	Fuse-Blade, 15 Amp
2	112-3324	1	Switch-Horn	11:11	100-4918	2	Diode
5	32105-13	6	Screw-HWH	12	3234-5	3	Screw-HHF
6	99-7420	2	Plug-Hole	13	104-8300	3	Nut-HF, NI
7	3290-148	6	Nut-HF	14	114-8376	1	Harness-Wire, Rear
8	106-5269	1	Ignition Switch ASM	14:1	100-4918	2	Diode
8:2	108-8660	1	Nut-Mounting	14:2	104-4022	1	Resistor-75 Ohm
8:3	106-5270	1	Ignition Key Set	14:3	109103	1	Fuse-Blade, 30 Amp
8:4	108-8659	1	Washer-Backup	14:4	119-7787	1	Harness-Wire, Vertical Lift Shunt
9	110-2580	1	Switch-Key, Supervisor	15	99-7411	1	Point-Power
9:1		1	Switch-Key ●	16	99-7416	1	Cap
9:2	108-8660	1	Nut-Mounting	19	33103-012	2	Screw-HHF
9:3	110-5221	1	Set-Key, Supervisor	20	104-9368	1	Plug-Dome
9:4	108-8659	1	Washer-Backup	21	115-7912	1	Dash ASM
10	95-8999	1	Switch-Rocker, On-None-On	21:2	115-2281	1	Decal-Dash
11	120-3990	1	Harness-Wire, Front	21:3	115-7746	1	Decal-Danger
11:8	218-578	5	Fuse-Blade, 10 Amp	21:4	115-2282	1	Decal-Warning, Dash

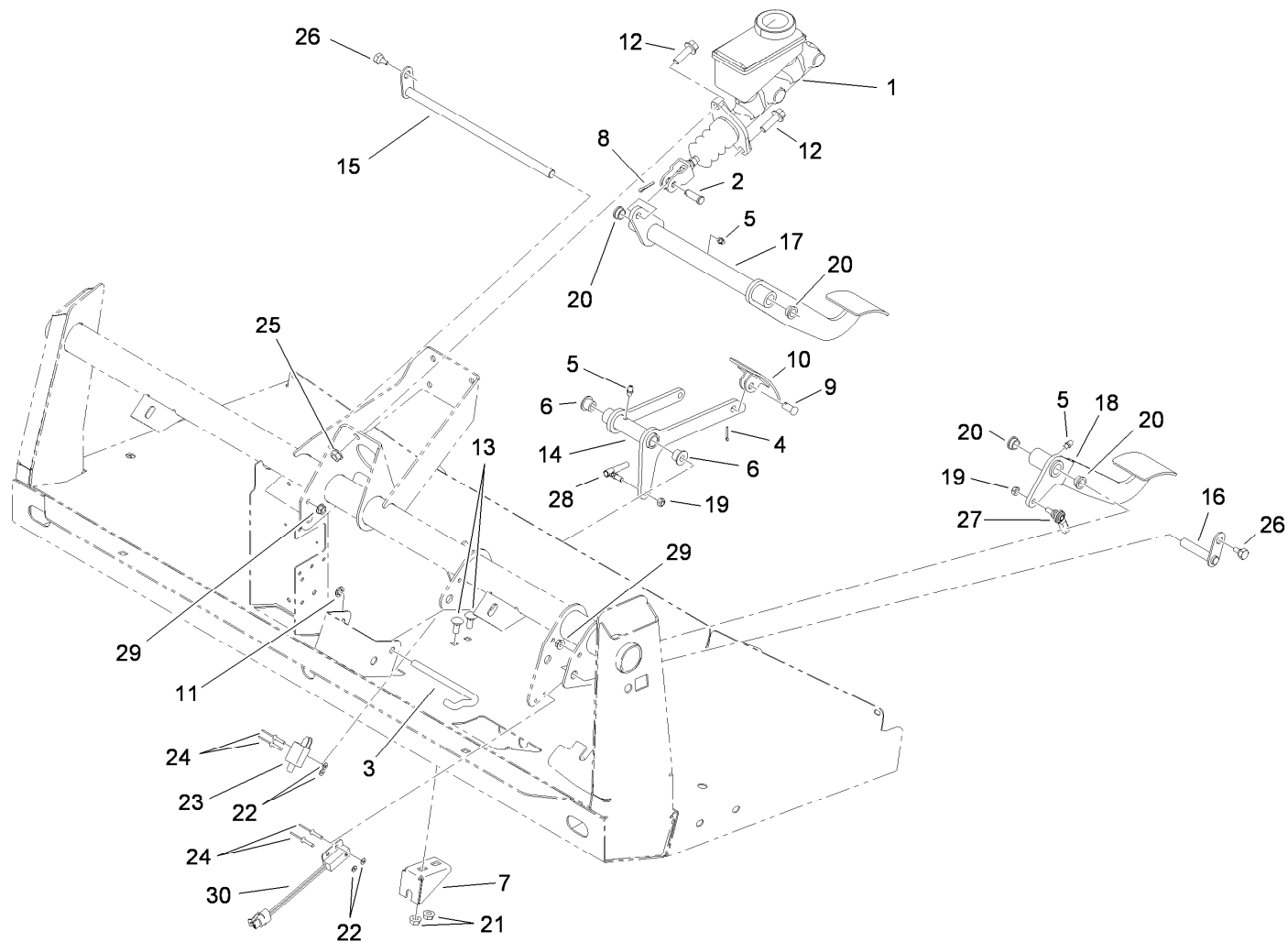
● Not serviced separately



Dash Assembly (continued)

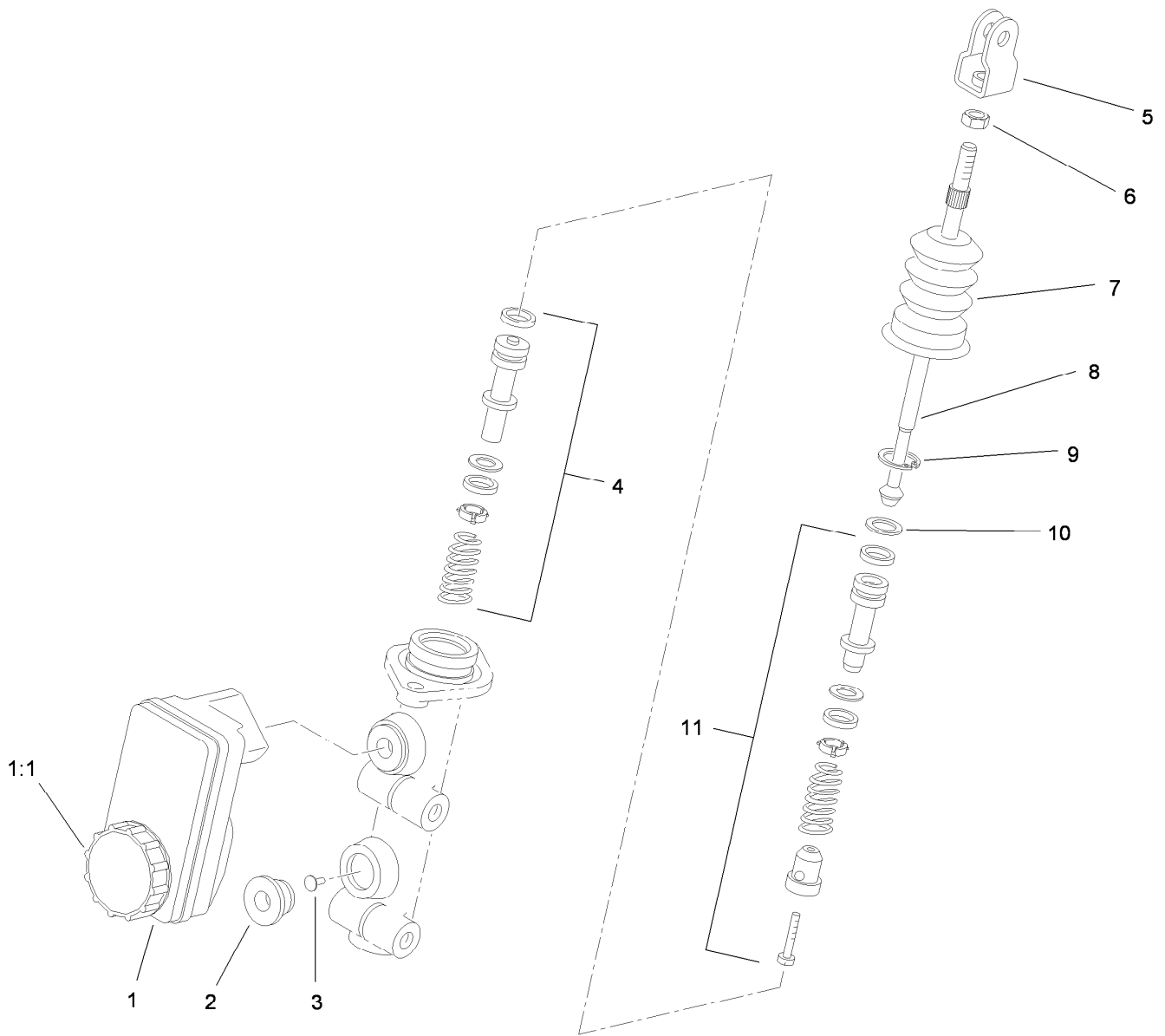
Ref.	Part Number	Qty.	Description	Ref.	Part Number	Qty.	Description
21:5	106-2353	1	Decal-Powerpoint	29	99-7430	3	Relay-Mini
21:6	106-2355	1	Decal-Switch, Supervisor	30	32144-10	2	Screw-HWH
22	112-3313	1	Nut-Weatherproof	31	83-2280	1	Timer-Delay
23	117-4948	1	Handle-Grab	32	115-7813	1	Decal-Fuse
24	104-7201	2	Nut-HF, NI	33	3290-379	9	Tie-Cable
25	103995	2	Washer	34	117-4860	1	Guide-Cable
26	114-8418	7	Screw-HWH, Sems	35	32144-11	1	Screw-HWH
27	42862	1	Block-Terminal, Ground	36	3256-71	1	Washer-Flat
28	42863	1	Strip-Jumper				

● Not serviced separately



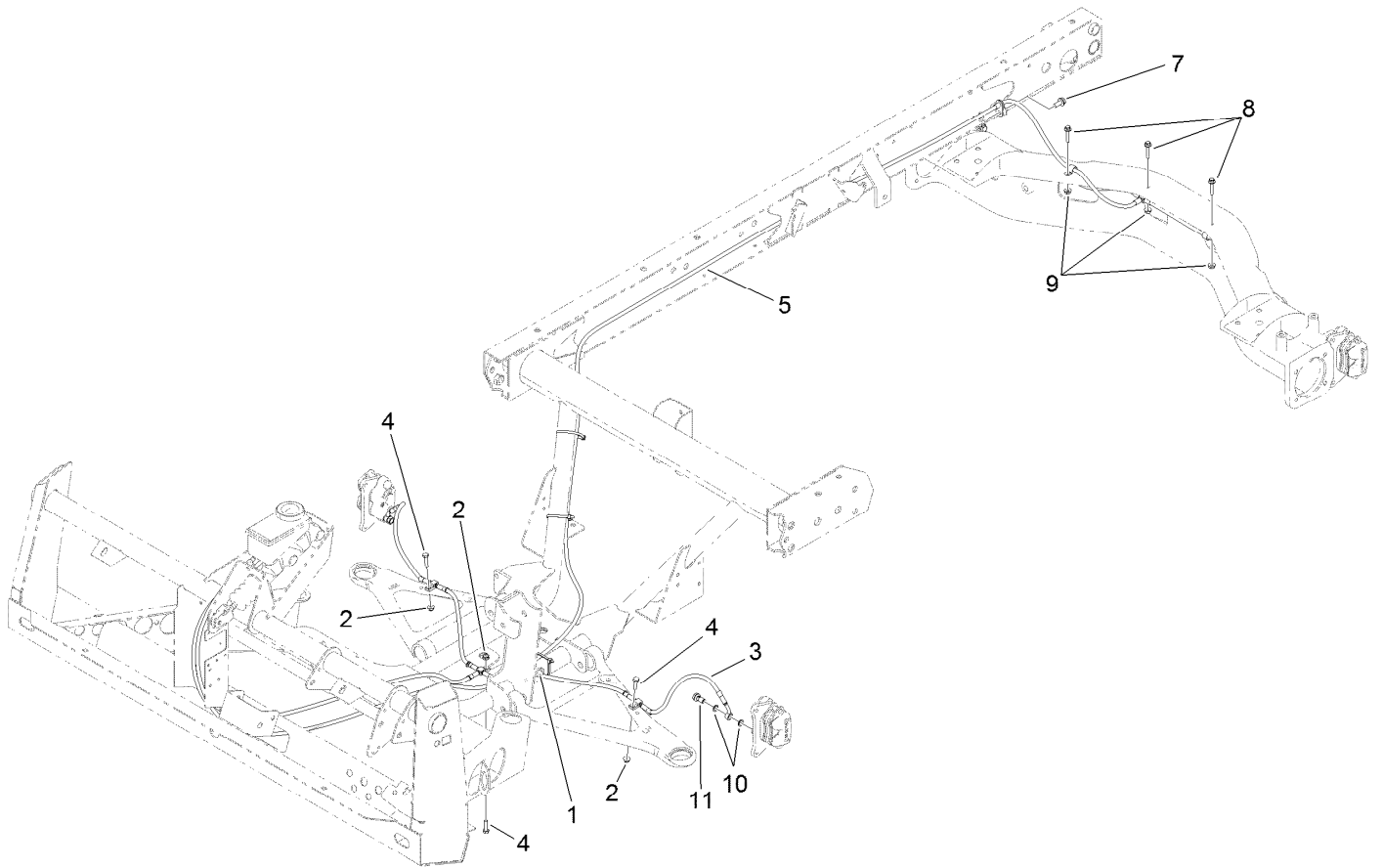
Pedal Assembly

<i>Ref.</i>	<i>Part Number</i>	<i>Qty.</i>	<i>Description</i>	<i>Ref.</i>	<i>Part Number</i>	<i>Qty.</i>	<i>Description</i>
1	104-6782	1	Master Cylinder ASM	16	115-2269	1	Pin-Pivot
2	283-2	1	Pin-Clevis	17	115-2275-03	1	Pedal-Brake
3	87-2880	1	Shaft-Pedal, Accelerator	18	115-2271-03	1	Pedal-Clutch
4	3272-6	1	Pin-Cotter	19	3296-13	2	Nut-Lock, NI
5	302-5	3	Fitting-Grease	20	256-156	4	Bushing-Flange
6	256-259	2	Bushing-Flange	21	32128-20	2	Nut-HF
7	106-2421	1	Bracket-Mount, Cable	22	3256-21	4	Washer-Flat
8	3272-10	1	Pin-Cotter	23	95-1653	1	Switch-Pole, Single
9	283-85	1	Pin-Clevis	24	3269-25	4	Rivet-Pop
10	93-8969-03	1	Pedal	25	3290-357	2	Nut-HSF
11	32151-56	1	Ring-Retaining, External	26	63-3410	2	Screw-Shoulder
12	3234-11	2	Screw-HHF	27	110-2554	1	Rod End-Spherical
13	3230-1	2	Bolt-CARR	28	18-1720	1	Ball Joint
14	106-2471-03	1	Arm-Pedal, Accelerator	29	32128-33	2	Nut-HF
15	106-2475	1	Shaft-Brake	30	105-0023	1	Switch-Proximity



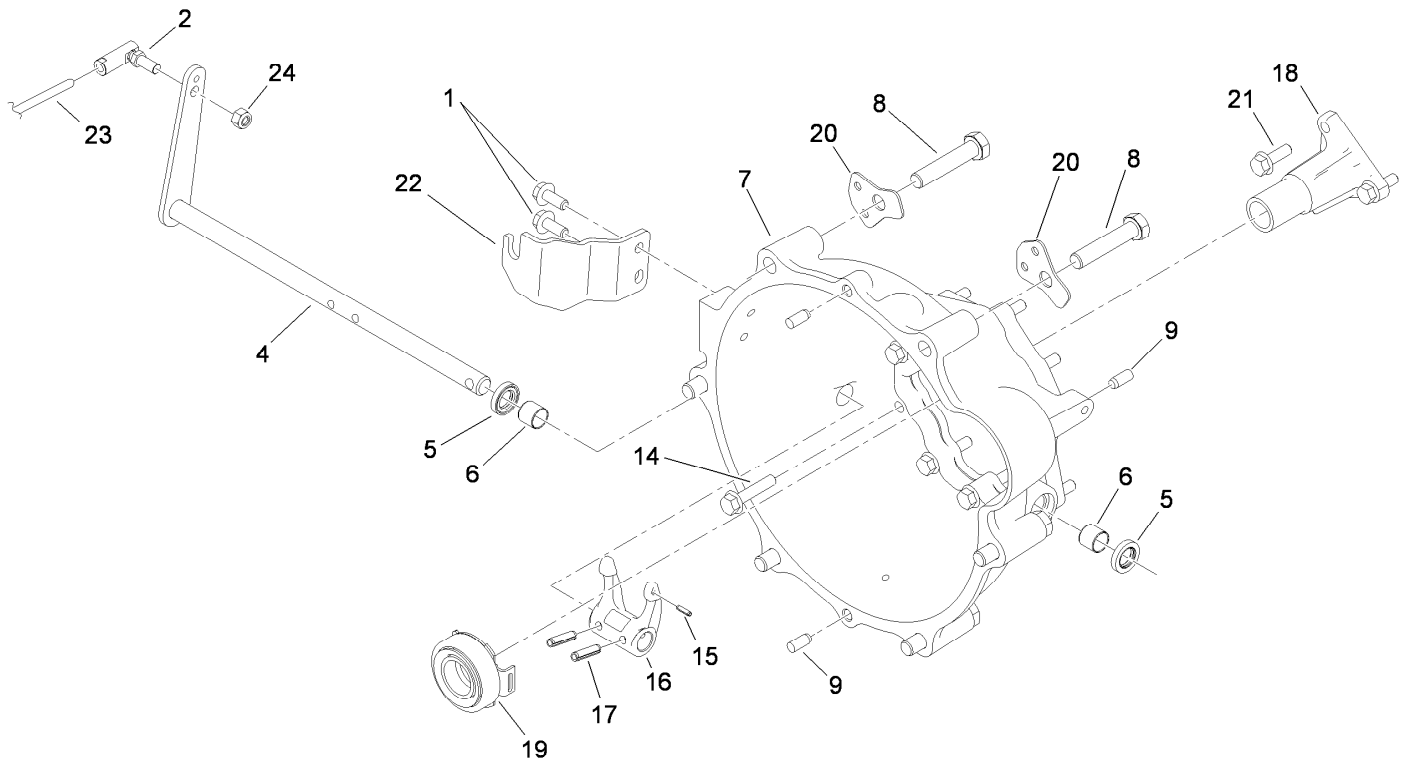
Master Cylinder Assembly No. 104-6782

Ref.	Part Number	Qty.	Description
1	104-6845	1	Reservoir ASM
1:1	92-4112	1	Cap ASM
2	93-8971	2	Seal-Port, Flange
3	92-4103	1	Pin-Stop
4	92-4102	1	Secondary Piston ASM
5	92-4110	1	Clevis
6	21-0360	1	Nut-Hex
7	94-5209	1	Cover-Dust
8	94-5210	1	Rod-Push
9	92-4109	1	Ring-Snap
10	92-4108	1	Retainer-Washer
11	92-4101	1	Primary Piston ASM



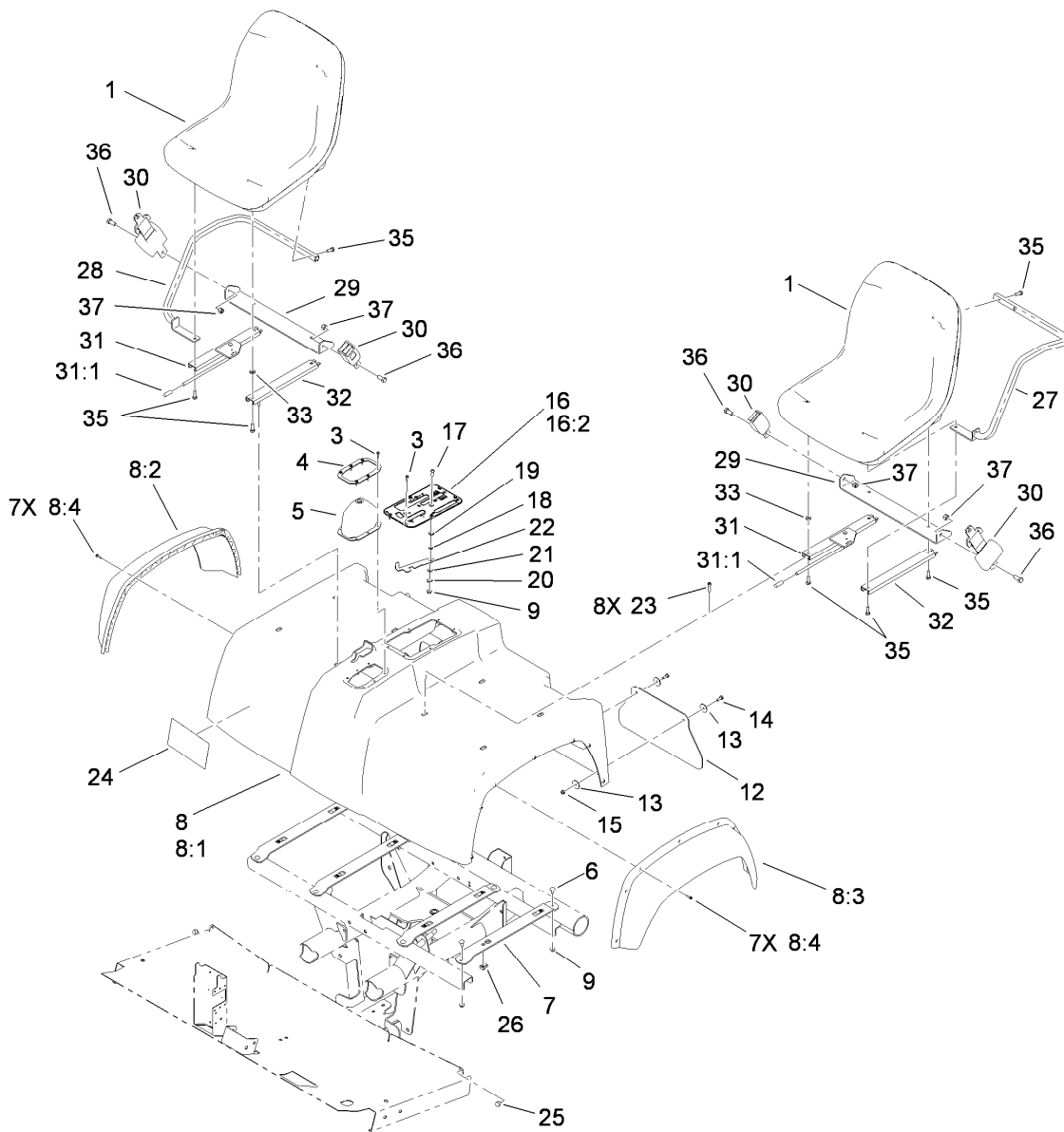
Hydraulic Brake Line Assembly

<i>Ref.</i>	<i>Part Number</i>	<i>Qty.</i>	<i>Description</i>
1	32180-030	2	Clip-Tie
2	104-7201	3	Nut-HF, NI
3	119-9682	1	Front Brake Line ASM
4	321-6	3	Screw-HH
5	119-9681	1	Rear Brake Line ASM
7	32144-11	1	Screw-HWH
8	3234-21	3	Screw-HHF
9	32128-33	3	Nut-HF
10	115-2341	8	Washer-Banjo
11	120-4875	4	Bolt-Flange, Banjo



Clutch Linkage Assembly

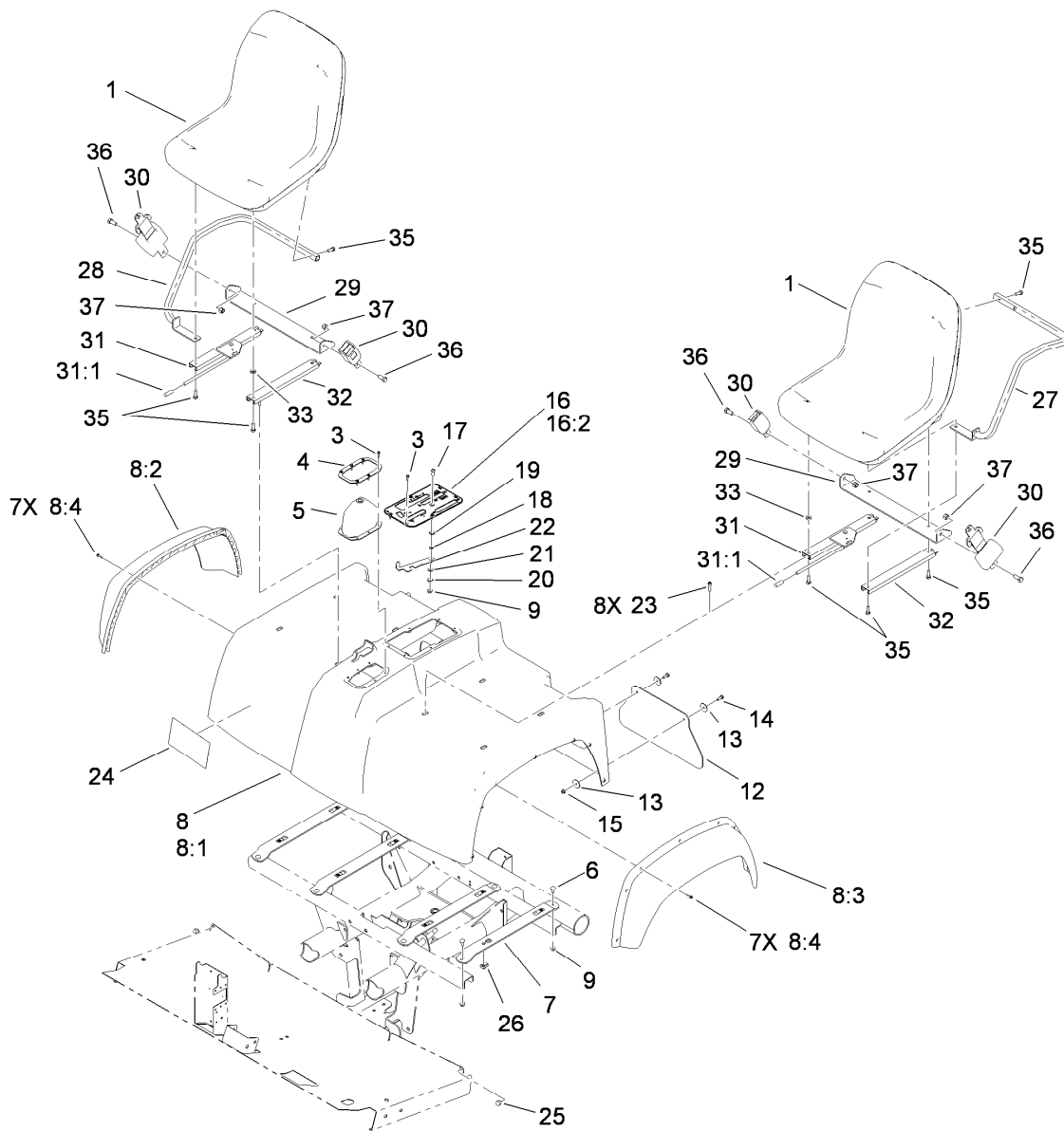
<i>Ref.</i>	<i>Part Number</i>	<i>Qty.</i>	<i>Description</i>	<i>Ref.</i>	<i>Part Number</i>	<i>Qty.</i>	<i>Description</i>
1	98-7977	2	Screw-HHF	16	87-5300	1	Fork-Clutch
2	2411-33	1	Balljoint-RH (W/Grommet)	17	32121-24	2	Pin-Spring
4	115-2311	1	Lever-Clutch	18	115-2259	1	Guide-Release
5	87-1920	2	Seal-Oil	19	110-2538	1	Bearing-Release, Clutch
6	87-3770	2	Bushing-Housing, Bell	20	115-2247	2	Bracket-Harness
7	104-9249	1	Housing-Bell	21	33104-025	3	Screw-HHF
8	3215-2	6	Screw-HH	22	115-2313	1	Bracket-Cable, Clutch
9	87-1910	4	Pin-Dowel	23	115-2284	1	Cable-Clutch
14	33104-040	9	Screw-HHF	24	3296-4	1	Nut-Lock
15	32121-7	1	Pin-Roll, Slotted				



Shroud and Seat Assembly

Ref.	Part Number	Qty.	Description	Ref.	Part Number	Qty.	Description
1	112-2923	2	Seat ASM	17	3274-55	1	Screw-HSBH
3	98-1375	12	Screw-HWH	18	82-4240	1	Spacer-Bearing
4	87-3760-03	1	Plate-Boot, Shift	19	94-8196	1	Washer-Nylon
5	87-8620	1	Boot-Shift	20	3290-221	1	Washer-Spring
6	3230-1	8	Bolt-CARR	21	3256-23	1	Washer-Plain
7	115-2435-03	4	Bracket-Seat	22	106-7984	1	Lever-Detent
8		1	Seat Base ASM ●	23	3274-22	8	Screw-HSH
8:1	114-8406	1	Base-Seat	24	115-7814	1	Decal-Reference, Quick
8:2	114-8407	1	Fender-Front, RH	25	107-8042	2	Bumper-Rubber
8:3	114-8408	1	Fender-Front, LH	26	115-7721	8	Nut-Clip, U
8:4	117-5036	14	Screw-Plastic, HWH	27	119-0731-03	1	Armrest-LH
9	104-8300	9	Nut-HF, NI	28	119-0732-03	1	Armrest-RH
12	106-2378	2	Mudflap	29	119-0727-03	2	Bracket-Belt, Seat
13	3256-55	8	Washer-Flat	30	110-0413	2	Seatbelt-Retractable
14	3234-4	4	Screw-HHF	31	119-0654	2	Adjuster-Seat, Locking
15	104-7201	4	Nut-HF, NI	31:1	2410-49	1	Cap-Vinyl
16	106-7886	1	Control Plate ASM	32	119-0655	2	Adjuster-Seat, Non Locking
16:2	106-2377	1	Decal-Console	33	104-7658	2	Spacer

● Not serviced separately

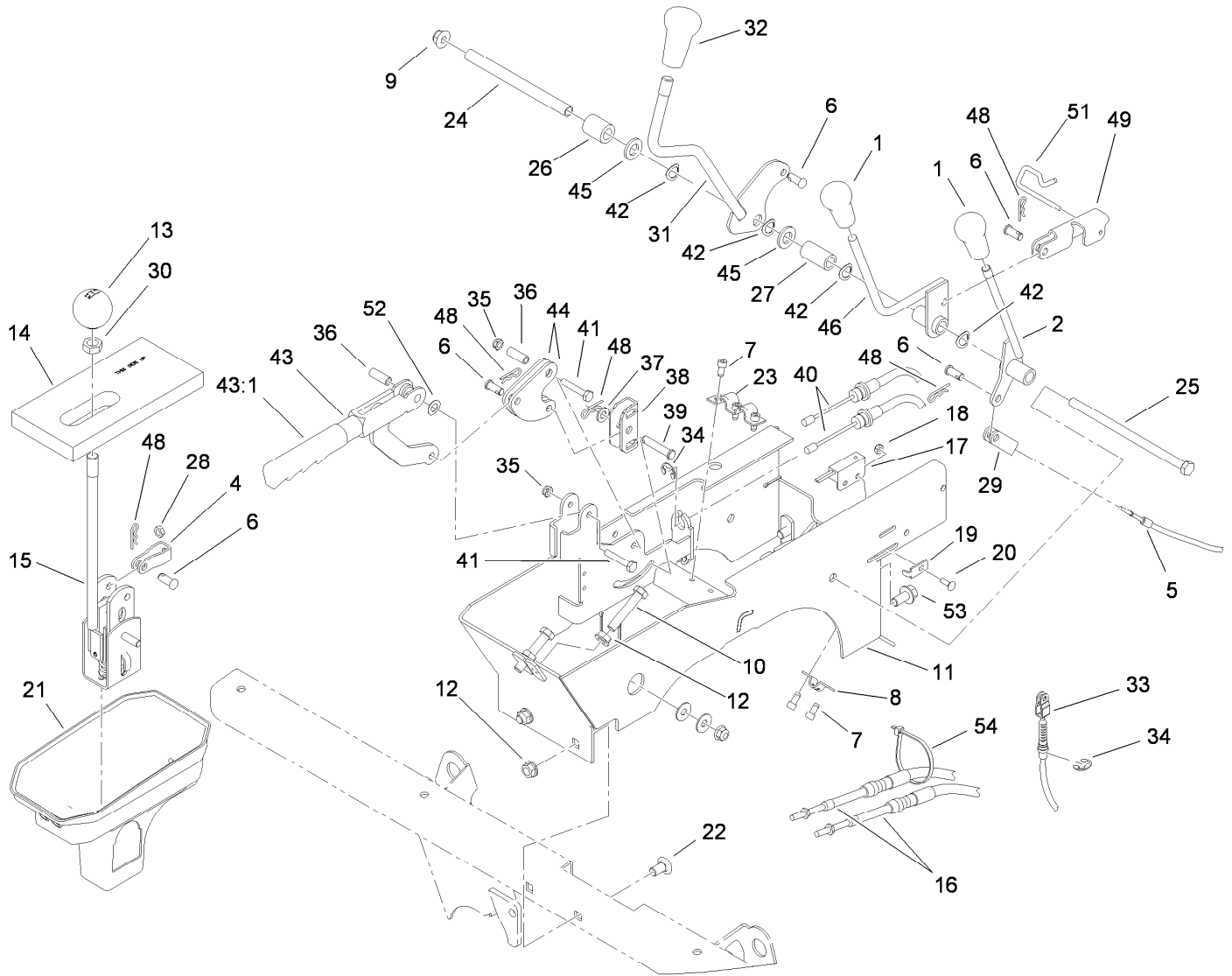


Shroud and Seat Assembly (continued)

Ref.	Part Number	Qty.	Description
35	33114-030	12	Screw-HH

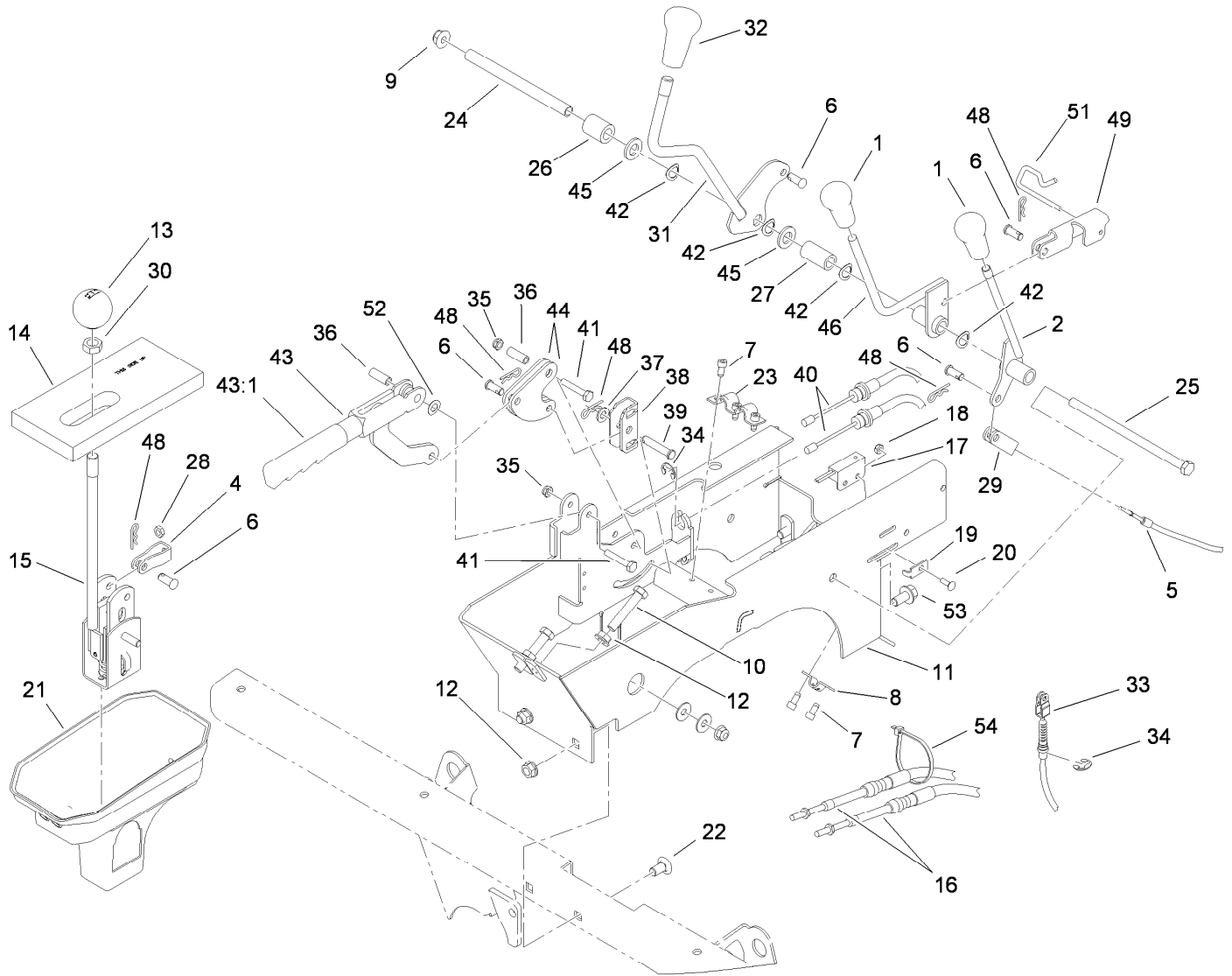
Ref.	Part Number	Qty.	Description
36	3212-4	4	Screw-HH
37	3296-7	4	Nut-Lock

● Not serviced separately



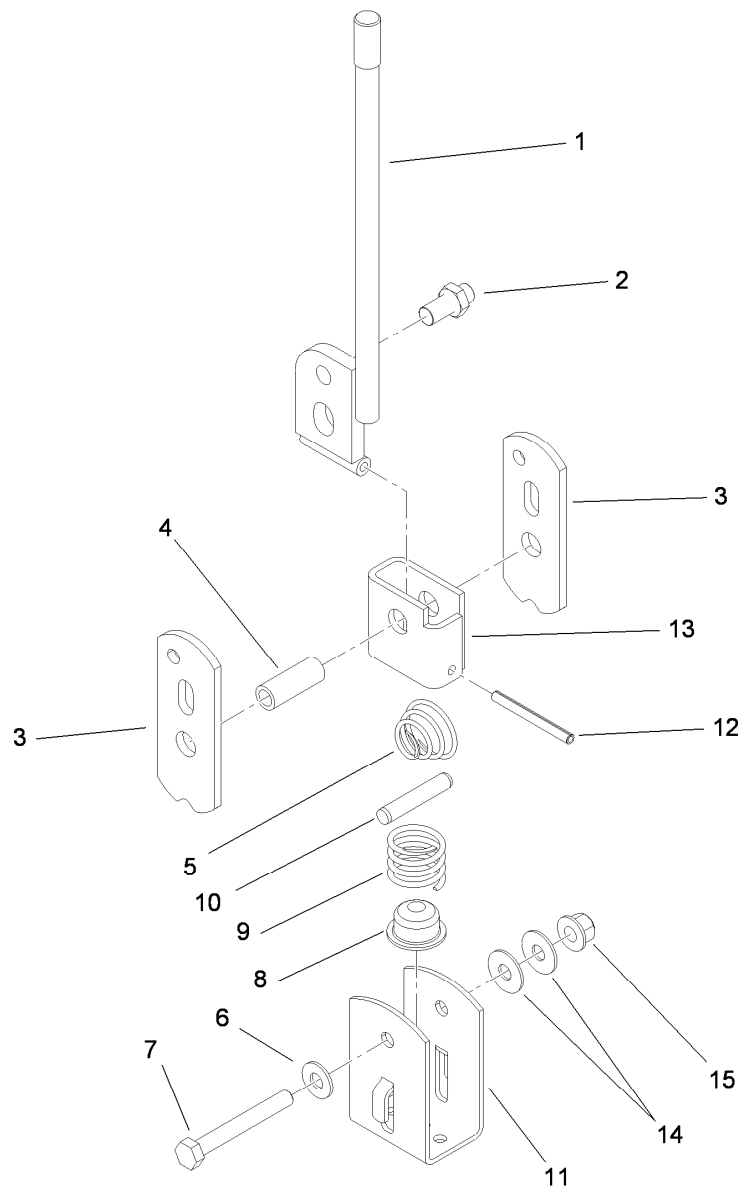
Console Assembly

Ref.	Part Number	Qty.	Description	Ref.	Part Number	Qty.	Description
1	106-7903	2	Knob-Control	22	3231-21	2	Screw-CARR
2	106-7828	1	Lever	23	87-4960	1	Clamp-Cable
4	87-2310	2	Clevis-Cable	24	106-7833	1	Spacer
5	115-7812	1	Cable-Hi Low	25	323-36	1	Screw-HH
6	283-62	6	Pin-Clevis	26	66-6501	1	Spacer-Wheel
7	65-5220	5	Screw-HSH, Thread Forming	27	120-5037	1	Spacer
8	87-4340	1	Clamp-Cable	28	3220-1	2	Nut-Jam
9	104-8301	1	Nut-HF, NI	29	87-7160	1	Clevis-Cable
10	323-10	2	Screw-HH	30	3218-18	1	Nut-Jam
11	108-6914-03	1	Support-Lever	31	112-3008	1	Lever-Lock, Differential
12	3290-357	4	Nut-HSF	32	106-7952	1	Knob
13	87-6720	1	Knob-Shift	33	115-2287	1	Cable-Lock, Differential
14	87-6570	1	Seal-Boot, Lower	34	32120-47	3	Ring-Retaining, External
15	106-7887	1	Shift ASM	35	3296-56	2	Nut-Lock, NI
16	115-7811	2	Cable Selector, Gear	36	114402	2	Spacer
17	100-1270	1	Switch-Proximity	37	3256-23	1	Washer-Plain
18	3296-12	1	Nut-Lock, NI	38	87-3480	1	Bracket-Equalizer, Cable
19	100-4872	1	Plate-Switch, Neutral	39	94-3829	1	Pin-Clevis
20	3229-34	1	Screw-CARR	40	115-2283	2	Cable-Brake, Park
21	106-2376	1	Boot-Shift, Lower	41	321-9	2	Screw-HH
				42	3290-221	4	Washer-Spring



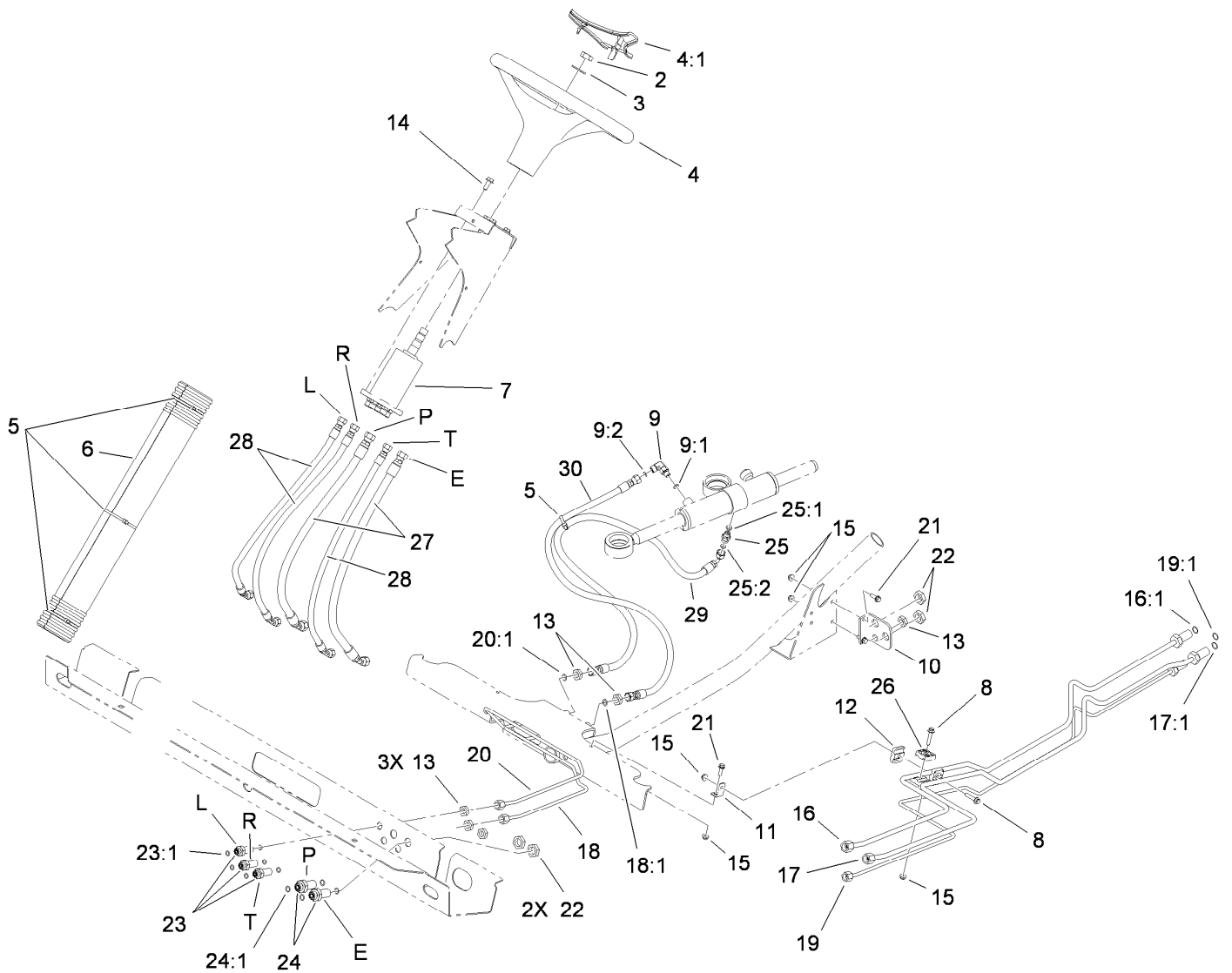
Console Assembly (continued)

<i>Ref.</i>	<i>Part Number</i>	<i>Qty.</i>	<i>Description</i>	<i>Ref.</i>	<i>Part Number</i>	<i>Qty.</i>	<i>Description</i>
43	104-6842	1	Lever-Brake, Park	49	115-2250	1	Link
43:1	106-7972	1	Grip-Handle	51	115-2350	1	Pin-Retainer
44	106-7814	2	Bellcrank	52	3290-477	1	Washer-Curved
45	33096-00	2	Washer-Flat	53	3234-12	2	Screw-HHF
46	106-7960	1	Lever-HYD	54	3290-379	3	Tie-Cable
48	3290-307	7	Pin-Cotter				



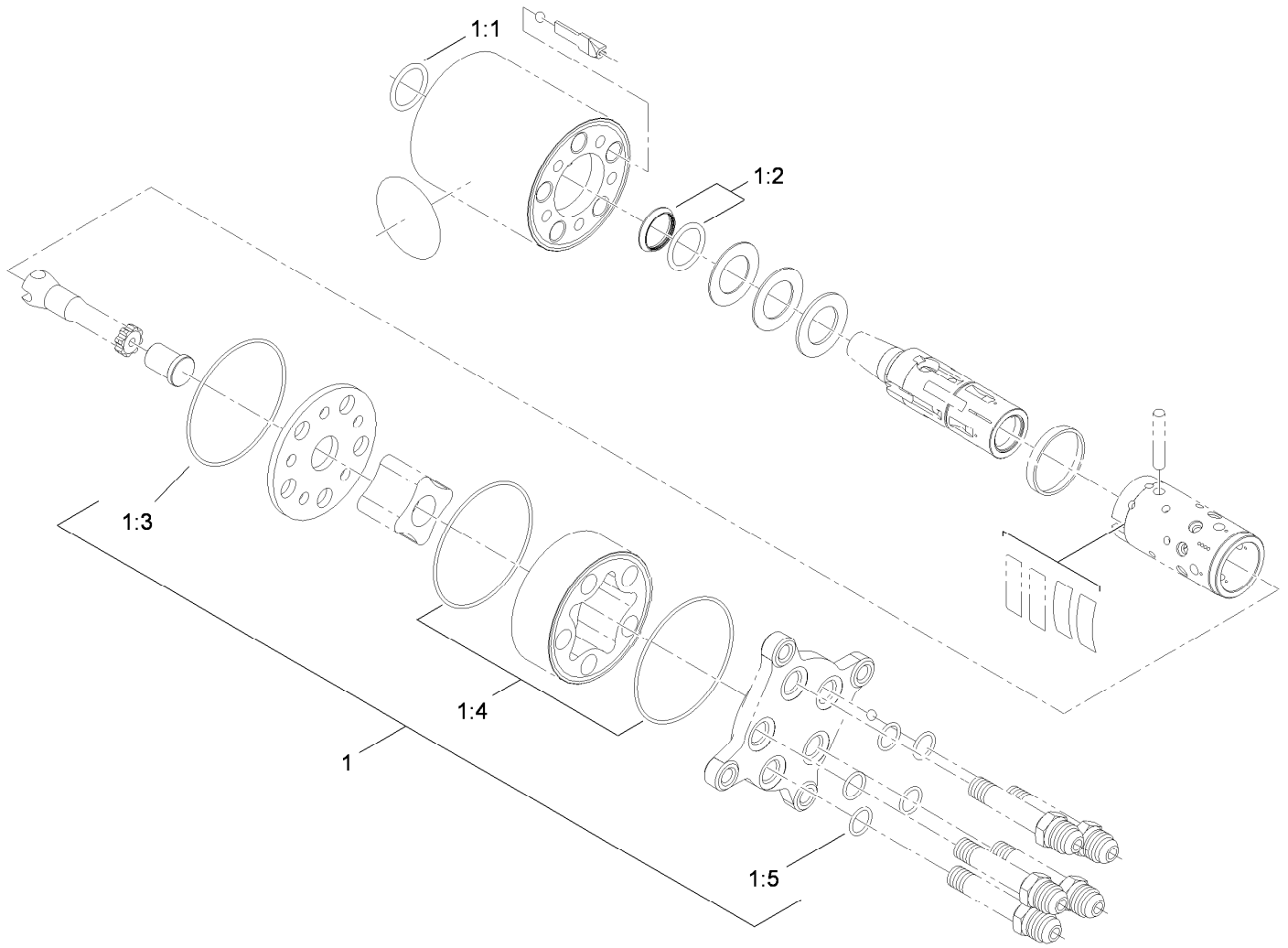
Shift Assembly No. 106-7887

<i>Ref.</i>	<i>Part Number</i>	<i>Qty.</i>	<i>Description</i>
1	87-2040	1	Lever-Shift
2	87-3650	1	Pin-Shift
3	87-3540	2	Link-Shift
4	87-2520	1	Tube-Pivot
5	87-2900	1	Spring-Compression
6	87-8640	1	Washer-Flat
7	322-12	1	Screw-HH
8	87-3530	1	Button-Shifter
9	87-3660	1	Spring-Compression
10	3290-507	1	Pin-Dowel
11	87-3520	1	Clevis
12	32121-48	1	Pin-Spring
13	87-6040	1	Bracket-Shifter
14	3290-456	2	Washer-Belleville
15	104-8300	1	Nut-HF, NI



Steering Hydraulic Assembly

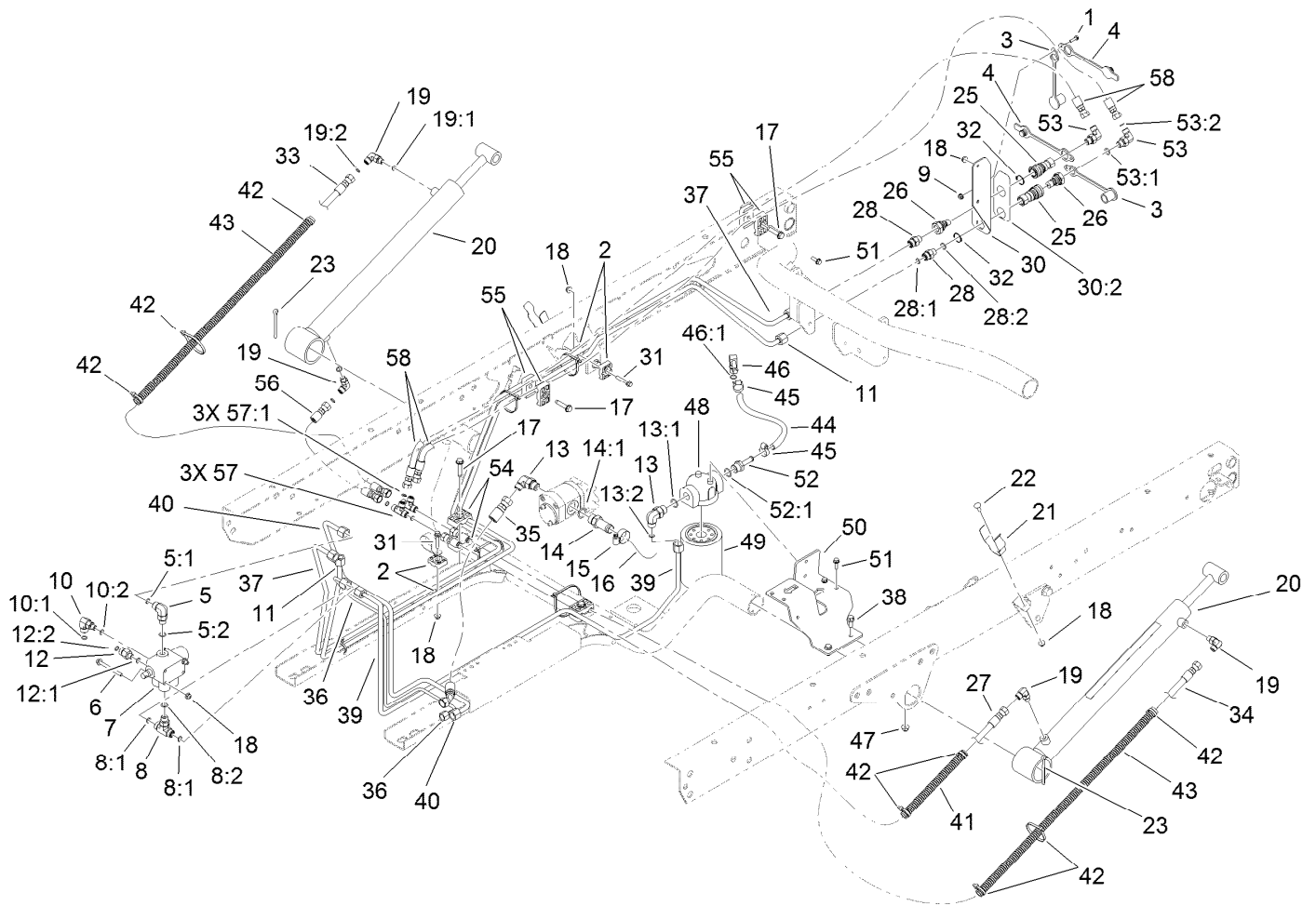
Ref.	Part Number	Qty.	Description	Ref.	Part Number	Qty.	Description
2	3296-33	1	Nut-Lock, NI	18	106-7804	1	Tube-HYD
3	3256-27	1	Washer-Flat	18:1	237-21	1	O-Ring
4	98-1471	1	Wheel-Steering	19	115-7703	1	Tube-HYD
4:1	98-1468	1	Cover-Wheel, Steering	19:1	237-21	1	O-Ring
5	3290-379	4	Tie-Cable	20	106-7806	1	Tube-HYD
6	106-6713	1	Cover-Lines, Steering	20:1	237-21	1	O-Ring
7	120-4813	1	Pump-Steering	21	3234-4	3	Screw-HHF
8	3234-21	2	Screw-HHF	22	340-70	4	Nut-Lock
9	340-132	1	Fitting-Elbow, 90 DEG	23	94-1444	3	Union-Bulkhead
9:1	237-78	1	O-Ring	23:1	237-21	2	O-Ring
9:2	237-21	1	O-Ring	24	340-71	2	Fitting-Straight, Bulkhead
10	106-7801-03	1	Bracket-Line, Steering	24:1	237-22	2	O-Ring
11	106-7807	1	Bracket-Line, Steering	25	340-92	1	Fitting-Straight
12	106-7839	2	Clamp-Tube	25:1	237-78	1	O-Ring
13	3219-10	6	Nut-Hex	25:2	237-21	1	O-Ring
14	98-7977	4	Screw-HHF	26	56-7973	2	Clamp-Tube
15	104-7201	5	Nut-HF, NI	27	106-7975	2	Hose-HYD
16	115-7701	1	Tube-HYD	28	106-7974	3	Hose-HYD
16:1	237-22	1	O-Ring	29	117-4861	1	Hose-HYD
17	115-7702	1	Tube-HYD	30	108-6505	1	Hose-HYD
17:1	237-22	1	O-Ring				



Steering Valve Assembly No. 120-4813

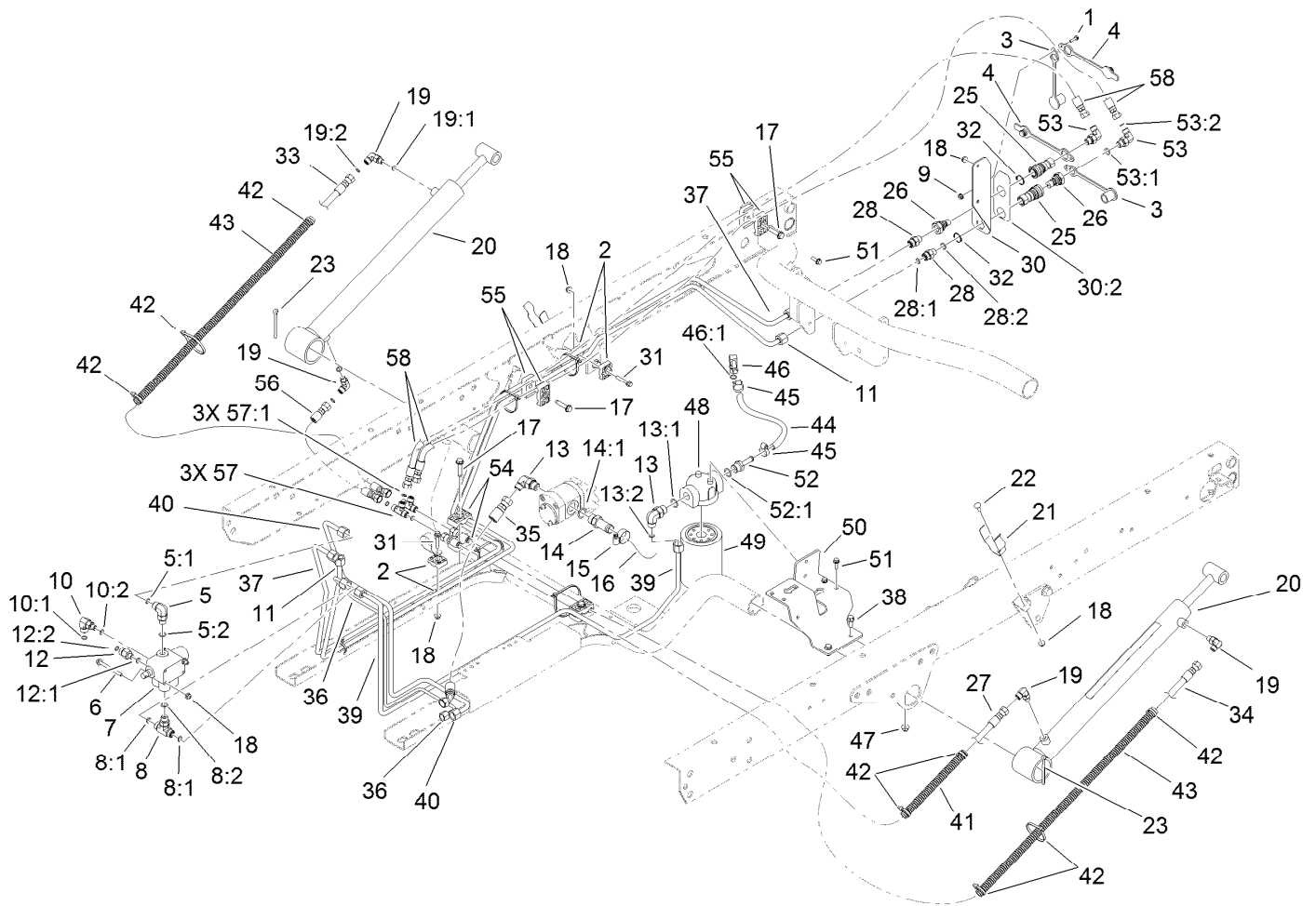
<i>Ref.</i>	<i>Part Number</i>	<i>Qty.</i>	<i>Description</i>
1	106-6716	1	Seal Kit
1:1		1	Ring-Seal, Dust ●
1:2		1	Seal-Shaft ●
1:3		1	O-Ring ●
1:4		2	O-Ring ●
1:5		5	O-Ring ●

● Not serviced separately



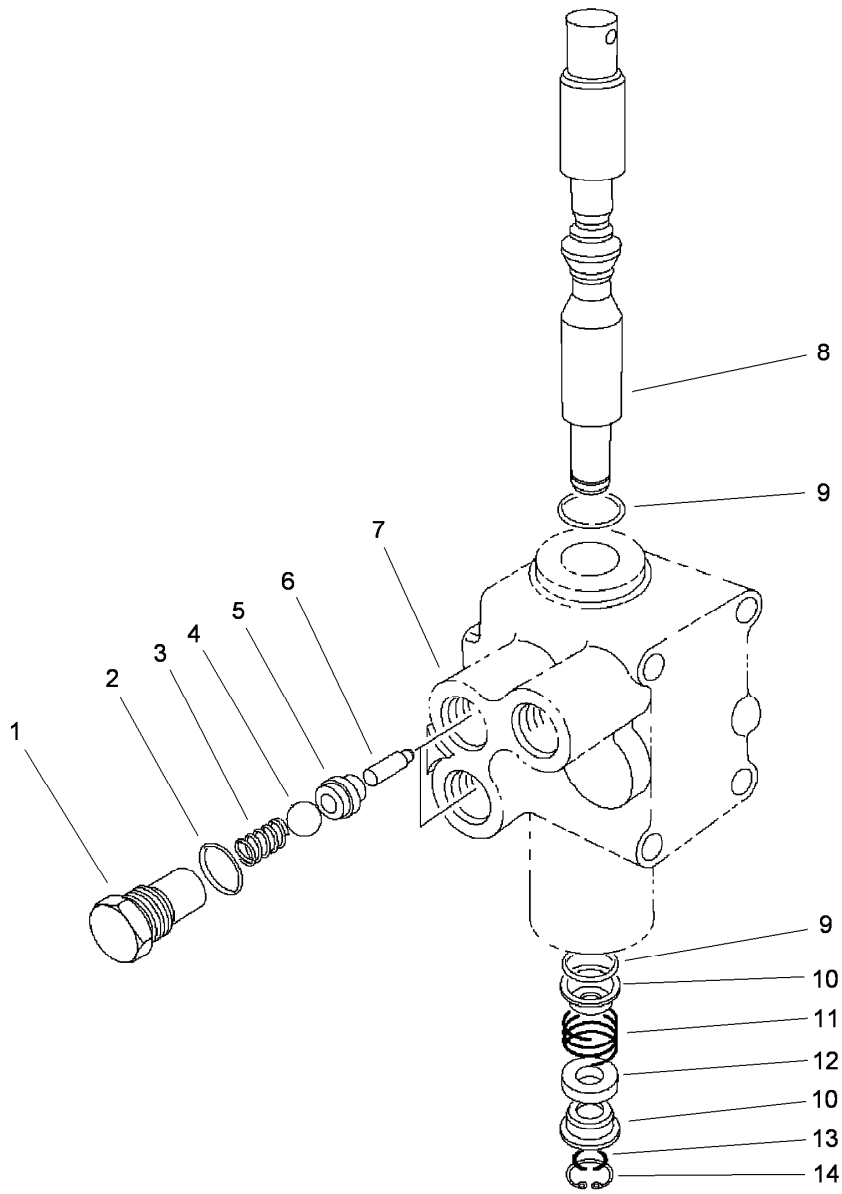
Lift Valve and Hydraulic Assembly

<i>Ref.</i>	<i>Part Number</i>	<i>Qty.</i>	<i>Description</i>	<i>Ref.</i>	<i>Part Number</i>	<i>Qty.</i>	<i>Description</i>
1	32105-13	1	Screw-HWH	13:1	237-79	1	O-Ring
2	56-7973	4	Clamp-Tube	13:2	237-22	1	O-Ring
3	106-7881	2	Cap-Dust, HYD	14	354-136	1	Fitting-STR
4	106-7882	2	Plug-Dust, HYD	14:1	237-80	1	O-Ring
5	340-77	1	Fitting-Elbow, 90 DEG	15	2412-129	1	Clamp-Hose
5:1	237-22	1	O-Ring	16	87-3670	1	Hose-Suction
5:2	237-42	1	O-Ring	17	32144-57	4	Screw
6	114-8410	2	Screw-HHF	18	104-7201	8	Nut-HF, NI
7	43-1950	1	HYD Control Valve ASM	19	340-132	4	Fitting-Elbow, 90 DEG
8	340-94	1	Adapter	19:1	237-78	1	O-Ring
8:1	237-22	2	O-Ring	19:2	237-21	1	O-Ring
8:2	237-42	1	O-Ring	20	106-7939	2	HYD Cylinder ASM
9	3290-148	1	Nut-HF	21	108-3109	2	Retainer-Cylinder
10	340-97	1	Fitting-Elbow, 90 DEG	22	3229-1	2	Screw-CARR
10:1	237-22	1	O-Ring	23	3272-37	2	Pin-Cotter
10:2	237-78	1	O-Ring	25	106-7968	2	Coupler-Quick, Female
11	115-2218	1	Tube-HYD	26	106-7969	2	Coupler-Quick, Male
12	340-88	1	Fitting-Straight	27	115-7711	1	Hose-HYD
12:1	237-22	1	O-Ring	28	340-2	2	Fitting-Straight
12:2	237-78	1	O-Ring	28:1	237-22	1	O-Ring
13	340-18	2	Fitting-HYD, 90 DEG	28:2	237-42	1	O-Ring



Lift Valve and Hydraulic Assembly (continued)

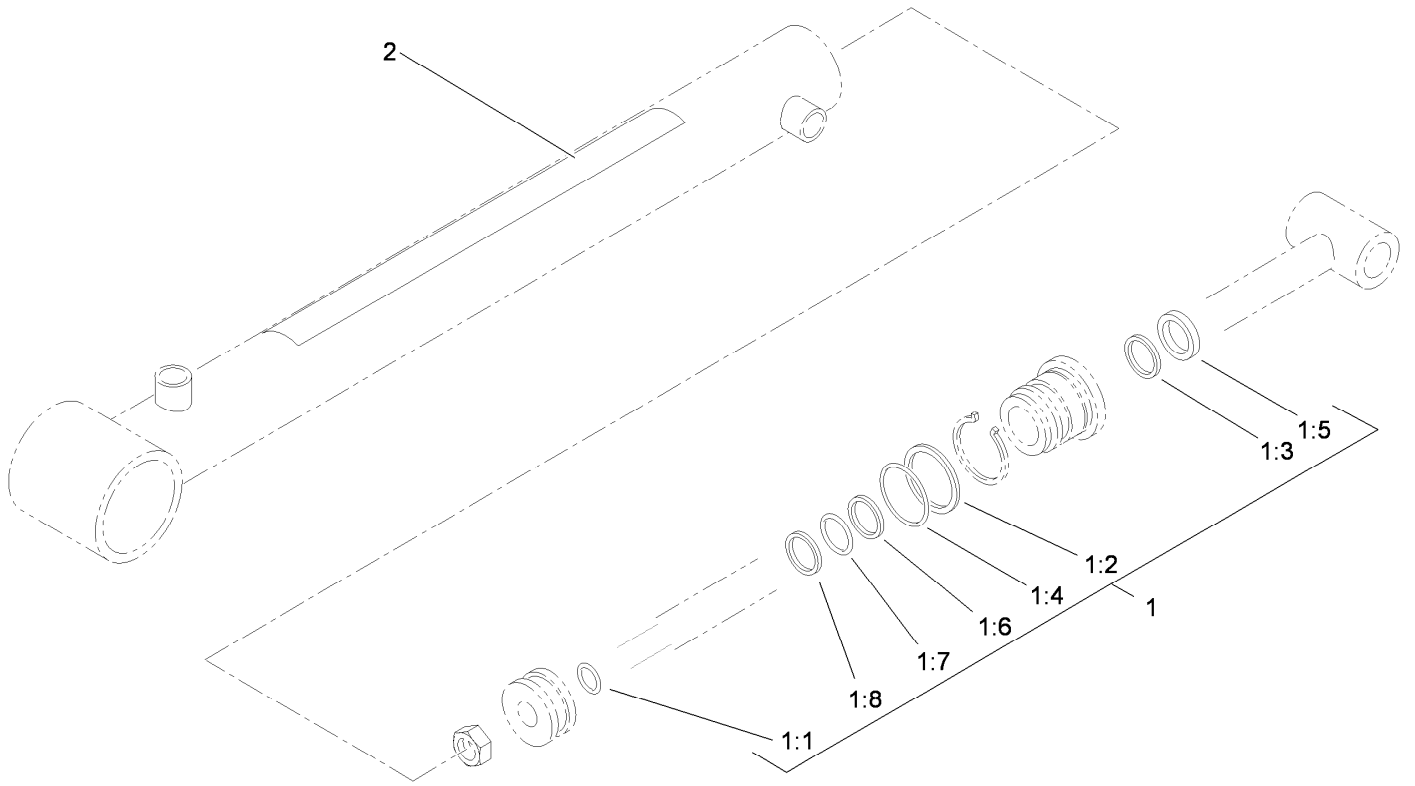
<i>Ref.</i>	<i>Part Number</i>	<i>Qty.</i>	<i>Description</i>	<i>Ref.</i>	<i>Part Number</i>	<i>Qty.</i>	<i>Description</i>
30	115-7715	1	Coupler Bracket ASM	46:1	237-42	1	O-Ring
30:2	115-7723	1	Decal-Disconnect, Quick	47	104-8300	2	Nut-HF, NI
31	94-5781	2	Screw-HHF	48	87-8780	1	Head-Filter
32	32151-83	2	Ring-Snap	49	54-0110	1	Filter-Oil, Transmission
33	108-6508	1	Hose-HYD	50	115-2168-03	1	Bracket-Filter
34	104-3716	1	Hose-HYD	51	3234-4	4	Screw-HHF
35	95-0965	1	Hose ASM	52	115-2231	1	Fitting-STR
36	115-2216	1	Tube-HYD	52:1	237-79	1	O-Ring
37	115-2217	1	Tube-HYD	53	340-82	2	Fitting-Elbow, 90 DEG
38	3234-5	2	Screw-HHF	53:1	237-42	1	O-Ring
39	115-2224	1	Tube-HYD	53:2	237-21	1	O-Ring
40	115-2223	1	Tube-HYD	54	56-7971	2	Clamp-Tube
41	24-7922	1	Conduit-Convolutd, Split	55	56-7976	6	Clamp-Tube
42	3290-379	8	Tie-Cable	56	110-0931	1	Hose-HYD
43	24-7923	2	Conduit-Convolutd, Split	57	340-21	2	Fitting
44	115-2228	1	Hose-HYD	57:1	237-21	3	O-Ring
45	2412-36	2	Clamp-Hose	58	106-3680	2	Hose-HYD
46	100-4887	1	Fitting-Elbow, 90				



Control Valve Assembly No. 43-1950

Ref.	Part Number	Qty.	Description
1	22-8330	2	Plug
2	237-42	2	O-Ring
3	22-8340	2	Spring
4	22-8350	2	Ball
5	22-8370	2	Seat-Valve
6	22-8360	2	Pin
7		1	Body ●
8	22-8420	1	Spool
9	22-8500	2	O-Ring
10	22-8380	2	Retainer
11	22-8410	1	Spring
12	23-3030	1	Spacer
13	22-8480	1	Ring-Snap
14	22-8490	1	Ring-Snap

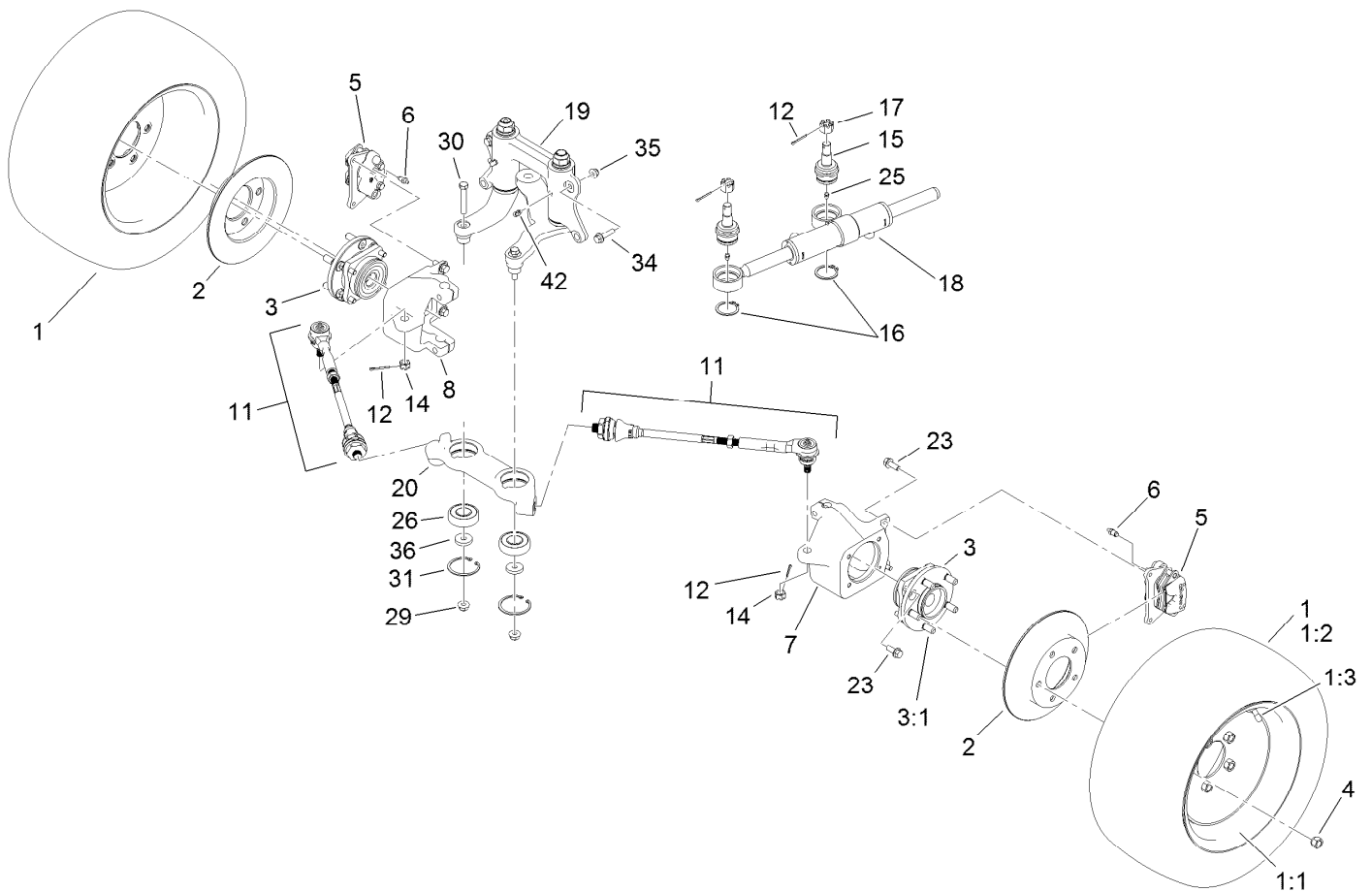
● Not serviced separately



Hydraulic Cylinder Assembly No. 106-7939

Ref.	Part Number	Qty.	Description
1	106-7941	1	Seal Kit
1:1		1	O-Ring ●
1:2		1	O-Ring ●
1:3		1	Seal ●
1:4		1	Back-Up ●
1:5		1	Wiper ●
1:6		1	Seal ●
1:7		1	O-Ring ●
1:8		1	Ring-Wear ●
2	93-9852	1	Decal-Warning

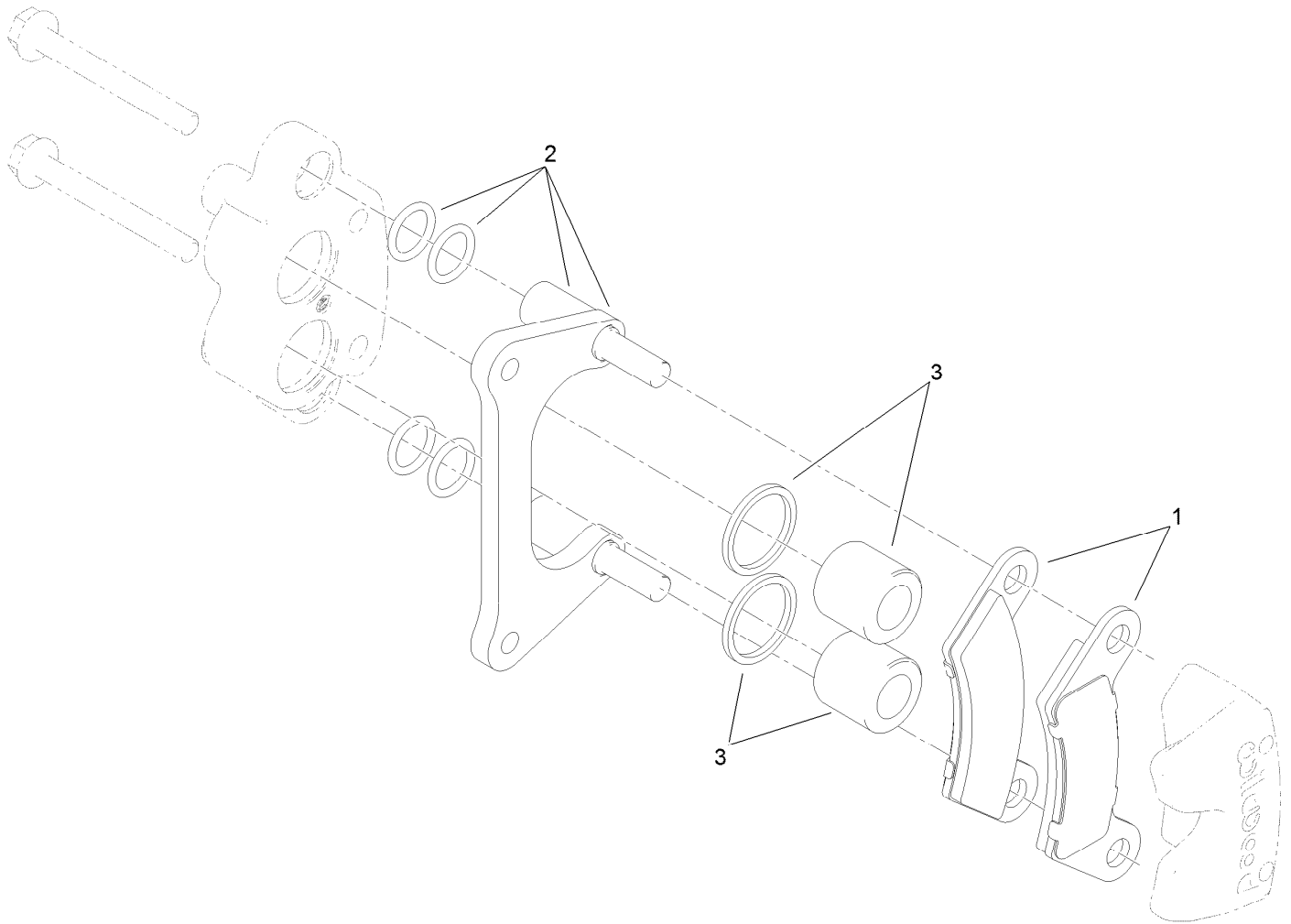
● Not serviced separately



Front Wheel Assembly

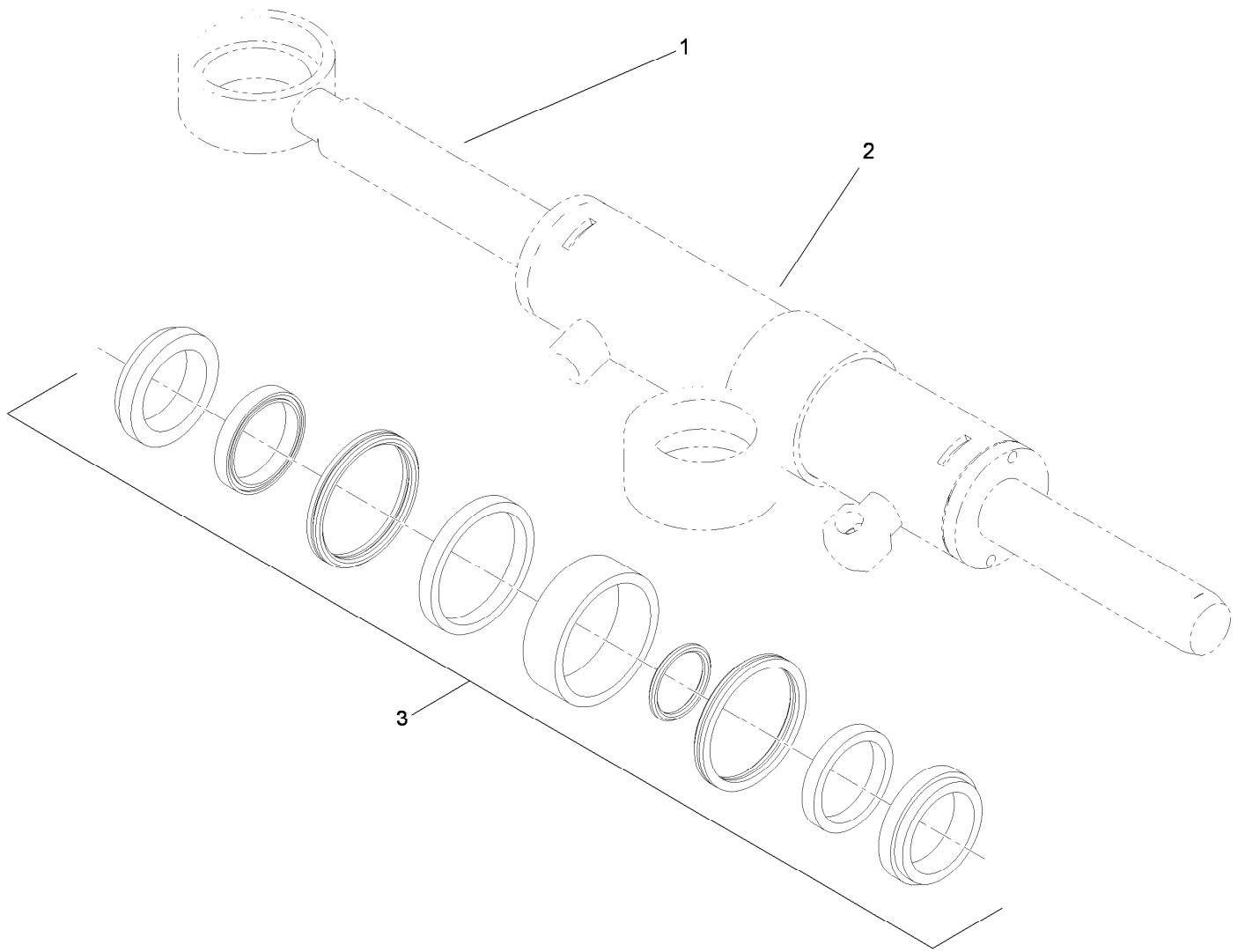
Ref.	Part Number	Qty.	Description	Ref.	Part Number	Qty.	Description
1		2	Tire And Wheel ASM ●	16	32151-104	2	Ring-Retaining, External
1:1	120-4901	1	Wheel	17	32136-14	2	Nut-Hst
1:2	114-8273	1	Tire	18	120-5059	1	HYD Cylinder ASM
1:3	232-27	1	Stem-Valve	19		1	Steering Linkage ASM ●
2	114-8351	2	Rotor-Brake	20	114-8296	1	Link-Center
3	112-3214	2	Wheel Hub ASM	23	3234-11	12	Screw-HHF
3:1	114-8299	5	Stud-Wheel	25	302-5	2	Fitting-Grease
4	242-50	10	Nut-Lug	26	119-9548	2	Bearing-Ball
5	119-9535	2	Brake Caliper ASM	29	114-8417	2	Nut-HF, NI
6	119-9509	2	Screw-Bleed	30	324-10	2	Screw-HH
7	119-9513	1	Knuckle-LH	31	32120-22	2	Ring-Snap, Internal
8	119-9514	1	Knuckle-RH	34	114-4681	2	Screw-HHF
11	114-8356	2	Tie Rod ASM	35	104-8301	2	Nut-HF, NI
12	3272-12	4	Pin-Cotter	36	112843	2	Washer
14	32136-3	2	Nut-SHH	42	302-60	2	Fitting-Grease
15	106-6774	2	Joint-Ball				

● Not serviced separately



Brake Caliper Assembly No. 119-9535

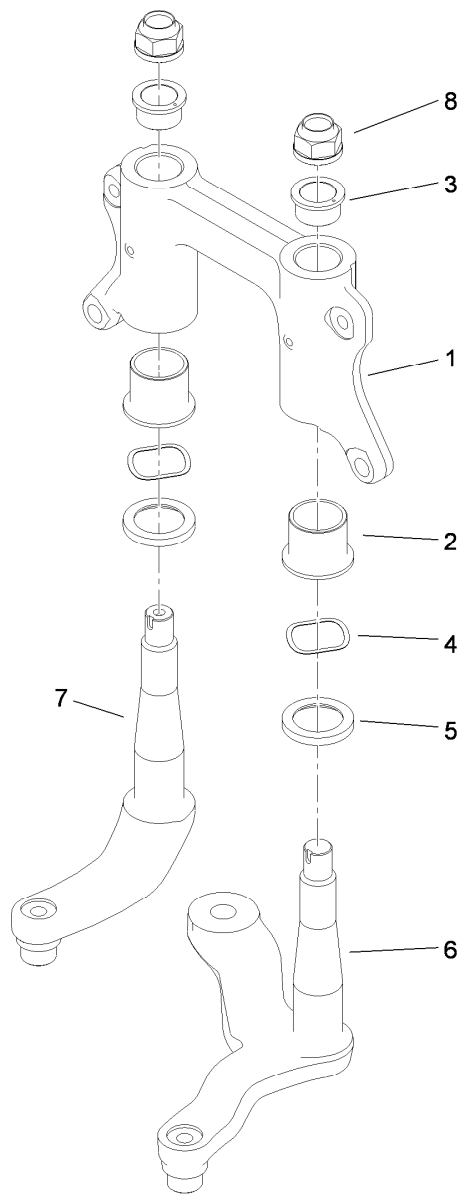
<i>Ref.</i>	<i>Part Number</i>	<i>Qty.</i>	<i>Description</i>
1	119-9510	1	*obs* Pads-Brake
2	119-9511	1	Bracket Kit
3	119-9512	1	Piston Kit



Hydraulic Cylinder Assembly No. 120-5059

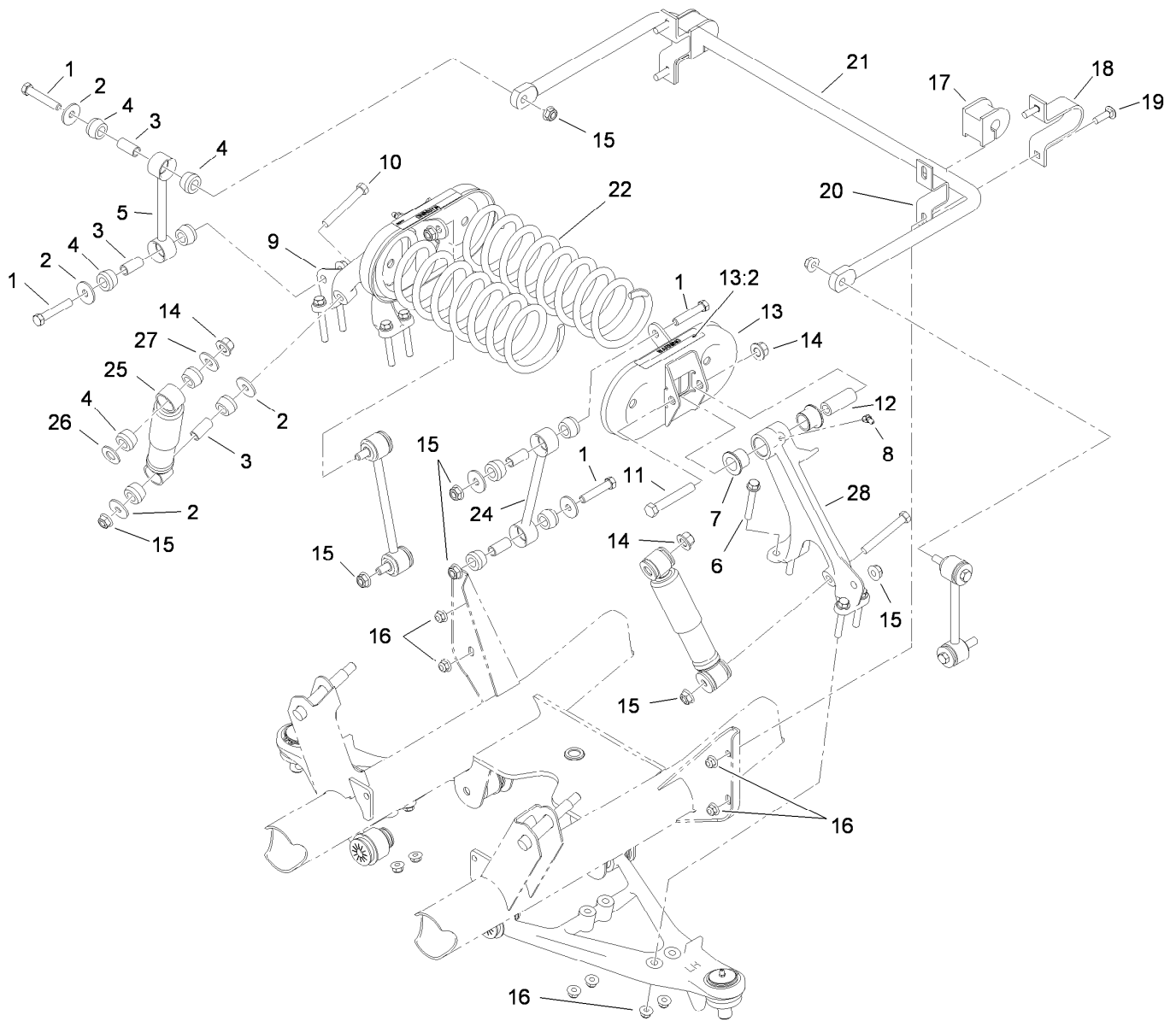
<i>Ref.</i>	<i>Part Number</i>	<i>Qty.</i>	<i>Description</i>
1		1	Rod-Cylinder ●
2		1	Body-Cylinder ●
3	115-2160	1	Cylinder Repair Kit

● Not serviced separately



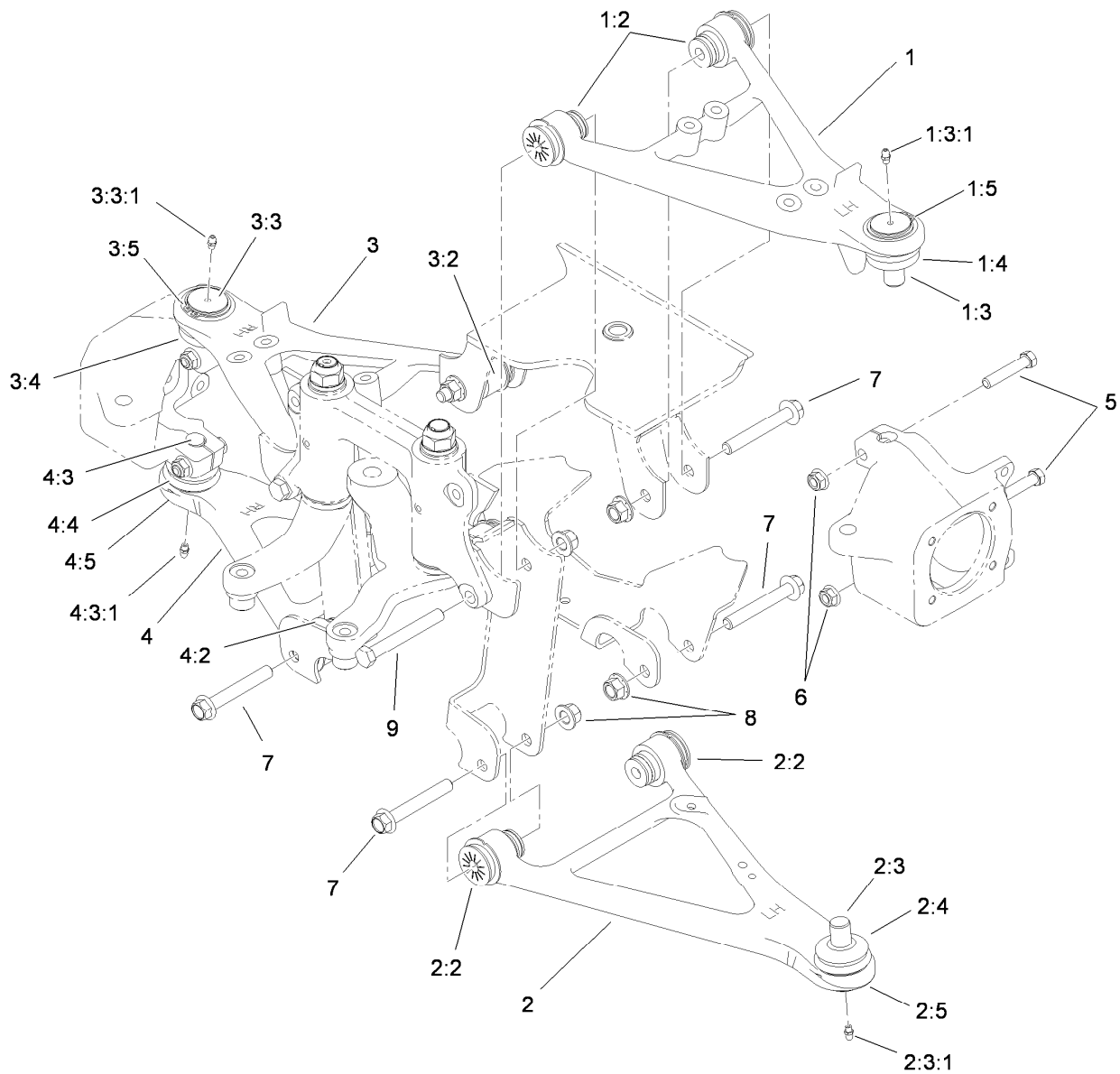
Steering Linkage Assembly

<i>Ref.</i>	<i>Part Number</i>	<i>Qty.</i>	<i>Description</i>
1	114-8389	1	Mount-Pivot
2	69-6470	2	Bushing-Caster
3	112-1626	2	Bushing-Flange
4	93-4632	2	Washer-Wavey
5	86-6560	2	Washer-Thrust
6	114-8256	1	Arm-Pitman
7	114-8298	1	Arm-Idler
8	115-2164	2	Nut-Spindle



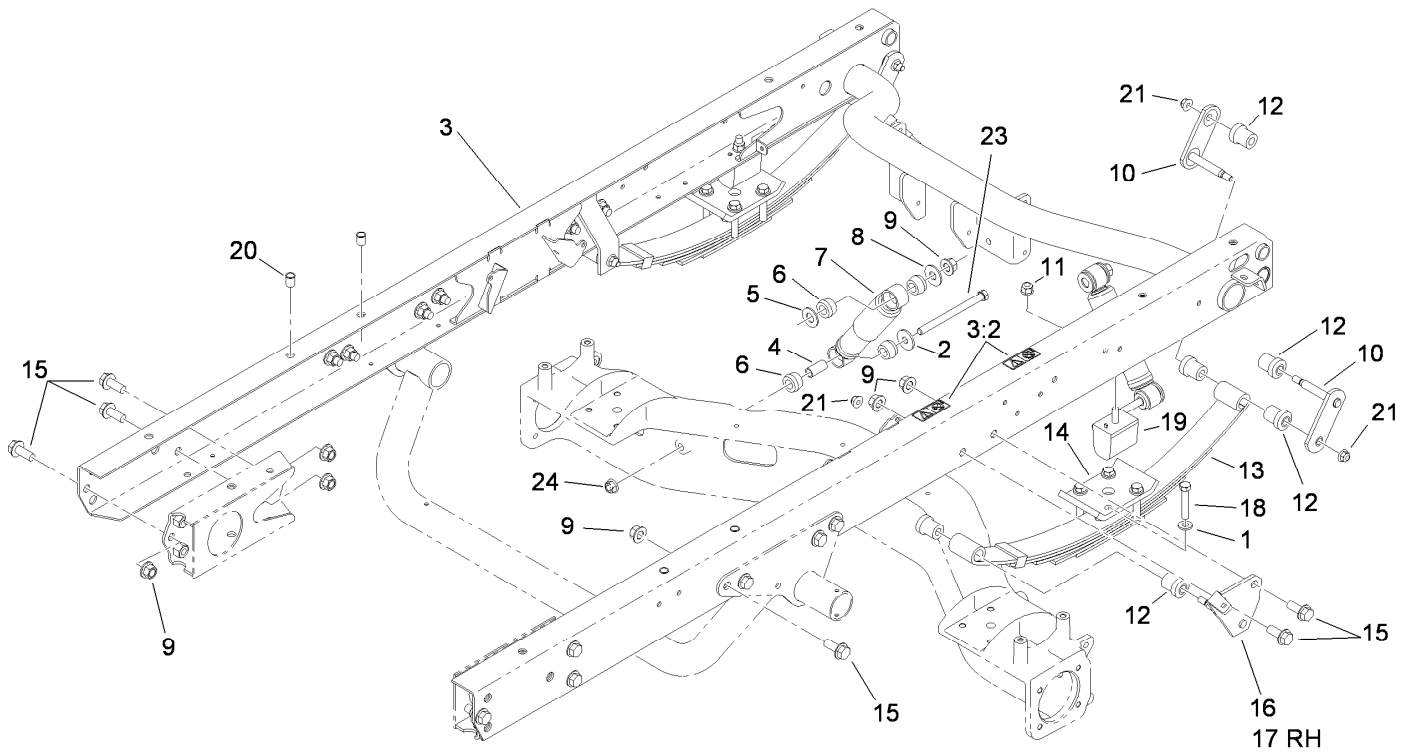
Front Suspension Assembly

Ref.	Part Number	Qty.	Description	Ref.	Part Number	Qty.	Description
1	324-10	8	Screw-HH	14	99-5107	4	Nut-Lock
2	87-5330	12	Washer	15	114-8417	10	Nut-HF, NI
3	87-3600	10	Spacer-Absorber, Shock	16	104-8301	12	Nut-HF, NI
4	87-3920	24	Bushing	17	87-3910	2	Bushing-Rubber
5	87-3860-03	2	Link-Sway Bar, Anti	18	87-4010-03	2	Clamp-Bar, Sway
6	3234-39	8	Screw-HHF	19	3231-25	4	Bolt-CARR
7	33-3090	4	Bushing	20	87-3890-03	2	Bracket-Bar, Sway
8	302-11	2	Fitting-Lube, 45 DEG	21	87-3850-03	1	Bar-Sway, Anti
9	87-0150	1	Tower-Control Arm, RH	22	105-4183-01	2	Spring-Compression
10	324-13	2	Screw-HH	24	106-2302-03	2	Link-Stabilizer
11	325-13	2	Screw-HH	25	87-3110	2	Absorber-Shock
12	87-2500	2	Sleeve-Spring, Pivot	26	3256-27	2	Washer-Flat
13	105-7958	2	Spring Cradle ASM	27	3256-6	2	Washer-Flat
13:2	93-9879	1	Decal-Warning	28	87-0160	1	Tower-Control Arm, LH



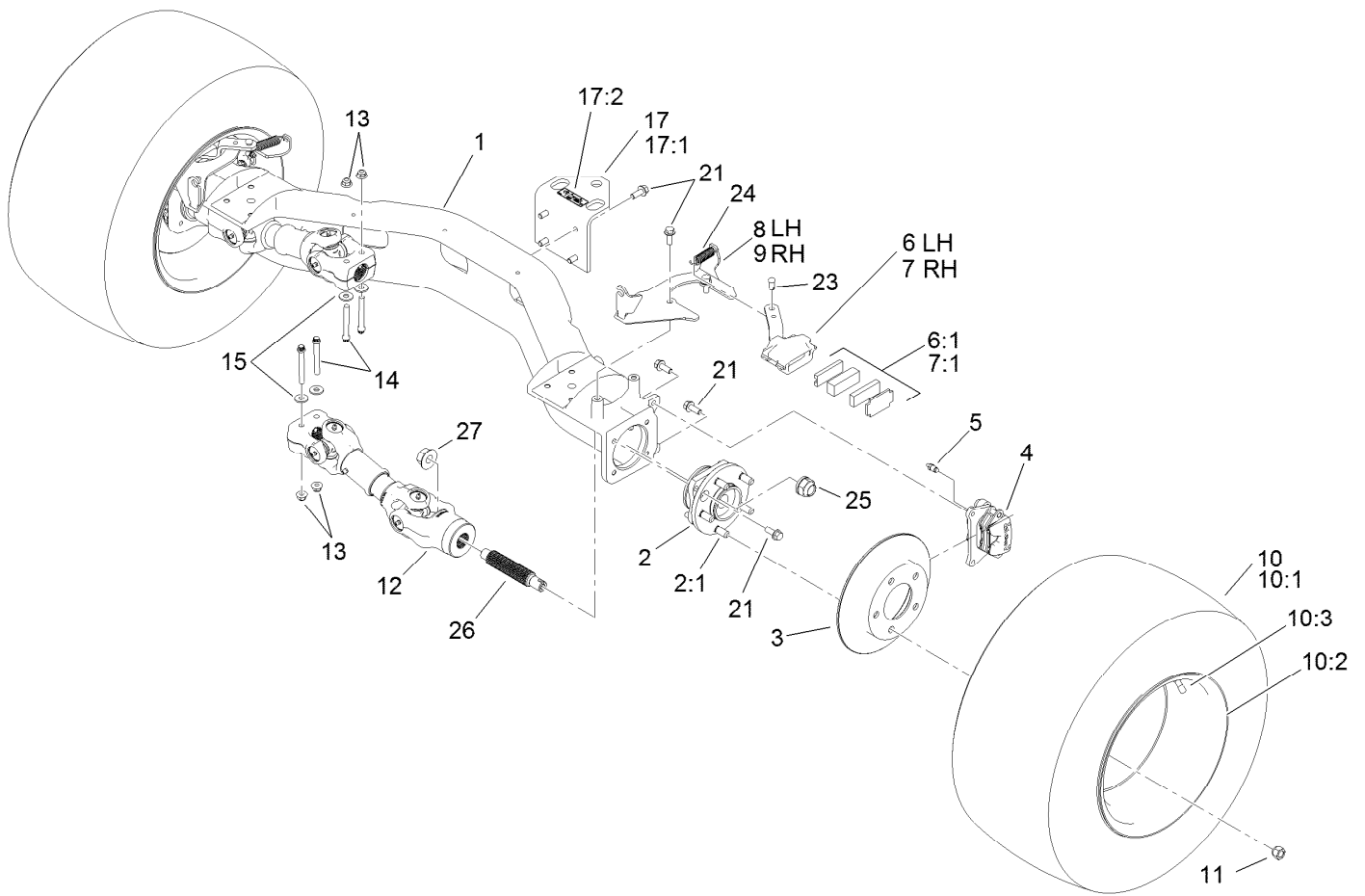
Front Control Arm Assembly

Ref.	Part Number	Qty.	Description	Ref.	Part Number	Qty.	Description
1	115-2404	1	Upper LH Control Arm ASM	3:3:1	302-5	1	Fitting-Grease
1:2	87-1450	2	Bushing-Flange	3:4	87-2420	1	Seal-Joint, Ball
1:3	115-2165	1	Ball Joint	3:5	32151-104	1	Ring-Retaining, External
1:3:1	302-5	1	Fitting-Grease	4	115-2407	1	Lower RH Control Arm ASM
1:4	87-2420	1	Seal-Joint, Ball	4:2	87-1450	2	Bushing-Flange
1:5	32151-104	1	Ring-Retaining, External	4:3	115-2165	1	Ball Joint
2	115-2405	1	Lower LH Control Arm ASM	4:3:1	302-5	1	Fitting-Grease
2:2	87-1450	2	Bushing-Flange	4:4	87-2420	1	Seal-Joint, Ball
2:3	115-2165	1	Ball Joint	4:5	32151-104	1	Ring-Retaining, External
2:3:1	302-5	1	Fitting-Grease	5	324-10	4	Screw-HH
2:4	87-2420	1	Seal-Joint, Ball	6	114-8417	4	Nut-HF, NI
2:5	32151-104	1	Ring-Retaining, External	7	114-8419	6	Screw-HHF
3	115-2406	1	Upper RH Control Arm ASM	8	99-5107	8	Nut-Lock
3:2	87-1450	2	Bushing-Flange	9	325-17	2	Screw-HH
3:3	115-2165	1	Ball Joint				



Rear Frame Assembly

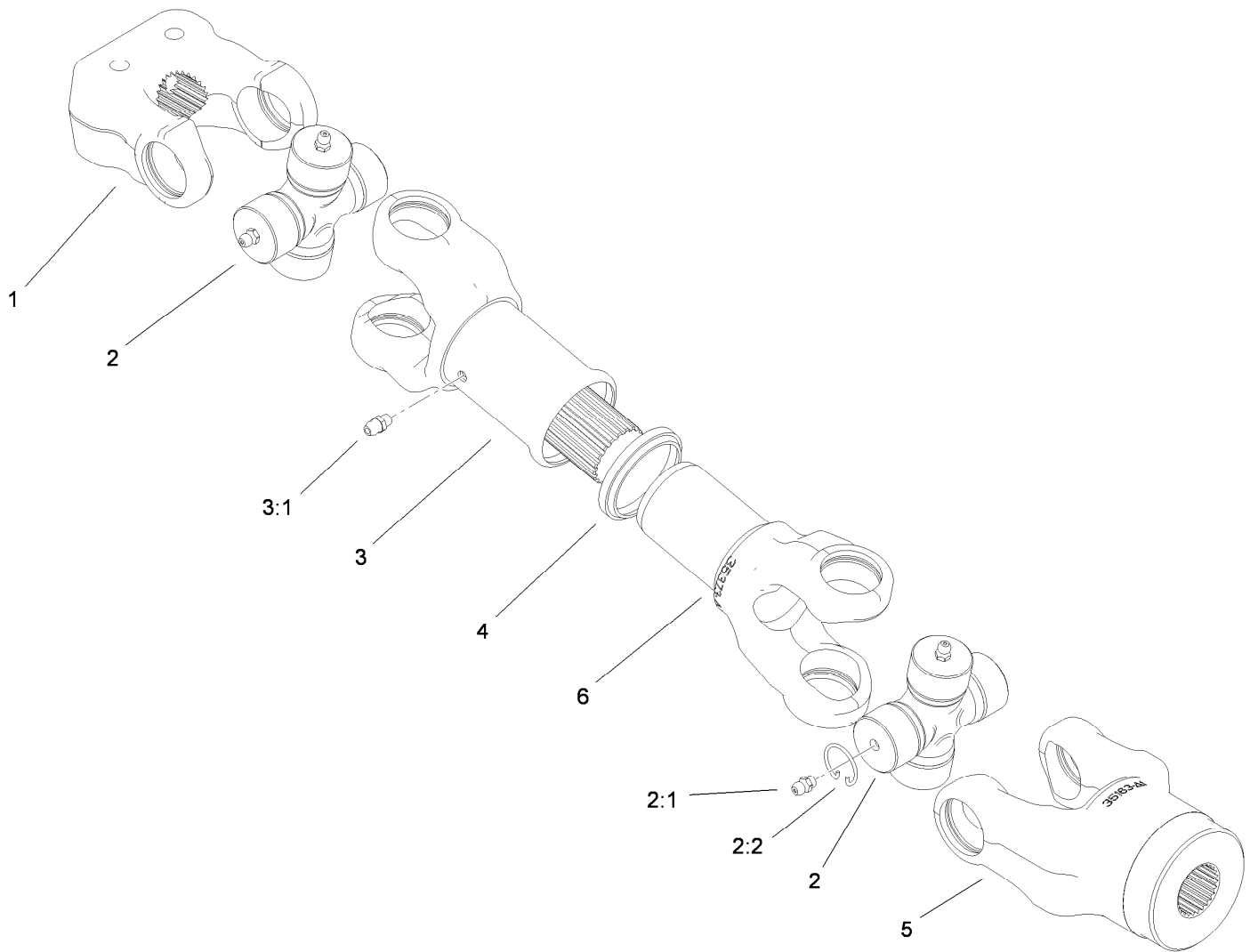
<i>Ref.</i>	<i>Part Number</i>	<i>Qty.</i>	<i>Description</i>	<i>Ref.</i>	<i>Part Number</i>	<i>Qty.</i>	<i>Description</i>
1	87-7480	8	Washer	12	87-4760	12	Bushing-Rubber
2	87-5330	2	Washer	13	87-1490	2	Spring-Leaf, Rear
3	115-7911	1	Rear Frame ASM	14	87-7470-03	2	Plate-Spring, Clamp
3:2	115-2047	2	Decal-Surface, Hot	15	3234-38	18	Screw-HHF
4	87-3600	2	Spacer-Absorber, Shock	16	87-3960	1	Mount-Spring, LH
5	3256-27	2	Washer-Flat	17	87-3940	1	Mount-Spring, RH
6	87-3920	8	Bushing	18	115-2398	8	Bolt-HH
7	87-3110	2	Absorber-Shock	19	87-3470	2	Bumper
8	3256-6	2	Washer-Flat	20	32148-9	4	Nut-Clinch
9	99-5107	20	Nut-Lock	21	104-8301	6	Nut-HF, NI
10	87-3980	4	Shackle ASM	23	114-8424	2	Screw-HH
11	103-9511	2	Nut-Flg	24	114-8417	2	Nut-HF, NI



Rear Axle Assembly

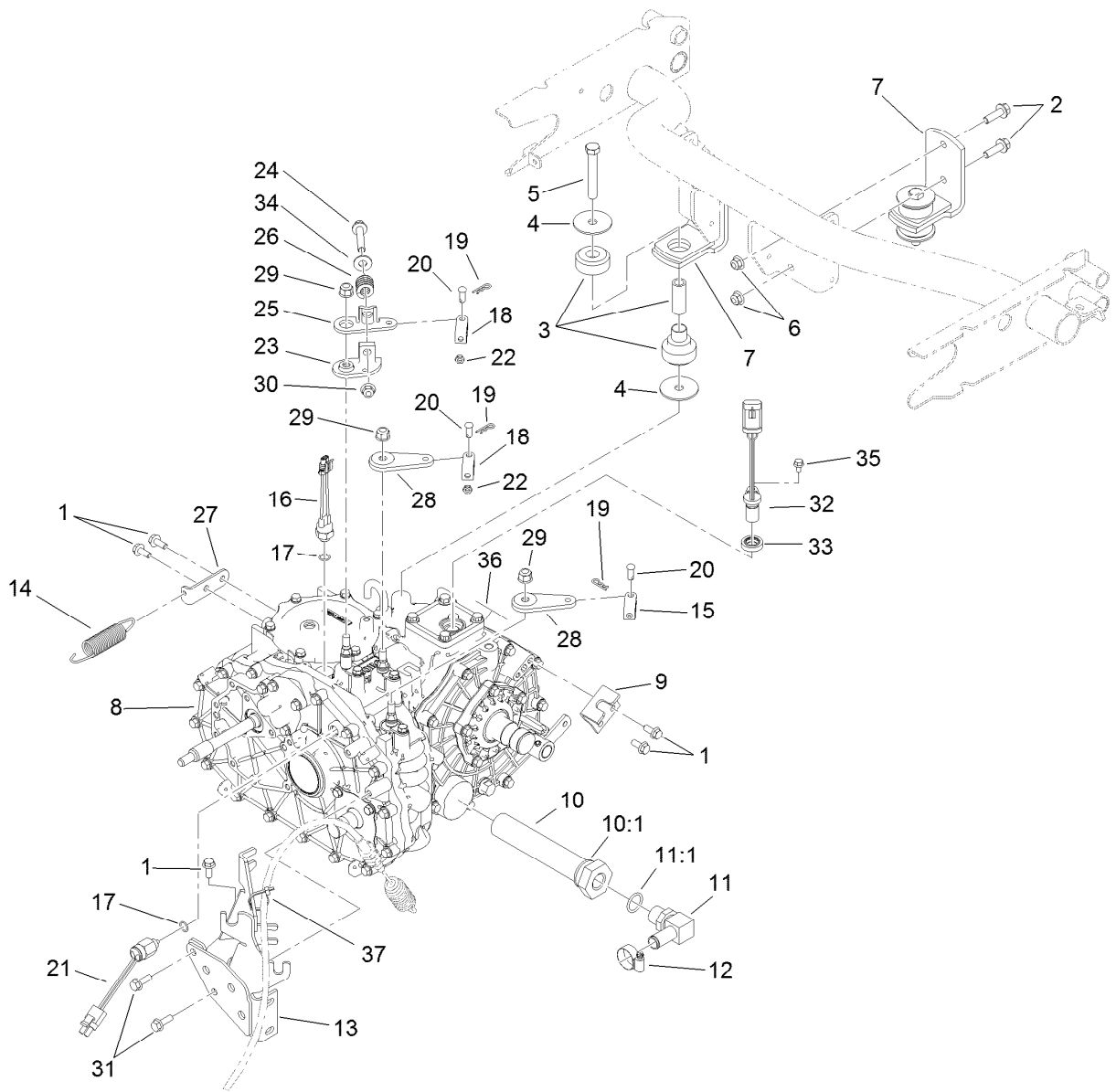
Ref.	Part Number	Qty.	Description	Ref.	Part Number	Qty.	Description
1	119-9515	1	Axle-Rear	10:3	232-27	1	Stem-Valve
2	112-3214	2	Wheel Hub ASM	11	242-50	10	Nut-Lug
2:1	114-8299	5	Stud-Wheel	12	114-8367	2	Driveshaft ASM
3	114-8351	2	Rotor-Brake	13	104-8301	4	Nut-HF, NI
4	119-9535	2	Brake Caliper ASM	14	98-2939	4	Screw-Cap
5	119-9509	2	Screw-Bleed	15	80-6990	4	Washer-Hardened
6	114-8365	1	Caliper-Mechanical, LH	17	115-7742	1	Hitch ASM
6:1	115-7847	1	Parking Brake Pad Kit	17:1	92-5951-03	1	Angle-Hitch
7	114-8366	1	Caliper-Mechanical, RH	17:2	115-7740	1	Decal-Load, Towing
7:1	115-7847	1	Parking Brake Pad Kit	21	3234-11	20	Screw-HHF
8	115-2362-03	1	Bracket-Caliper, LH	23	283-85	2	Pin-Clevis
9	115-2359-03	1	Bracket-Caliper, RH	24	104-6415	2	Spring-Return, Pedal
10		2	Tire And Wheel ASM ●	25	115-2164	2	Nut-Spindle
10:1	106-7868	1	Tire	26	115-7771	2	Shaft-Splined
10:2	114-8259	1	Wheel	27	104-0753	2	Nut-Flange

● Not serviced separately



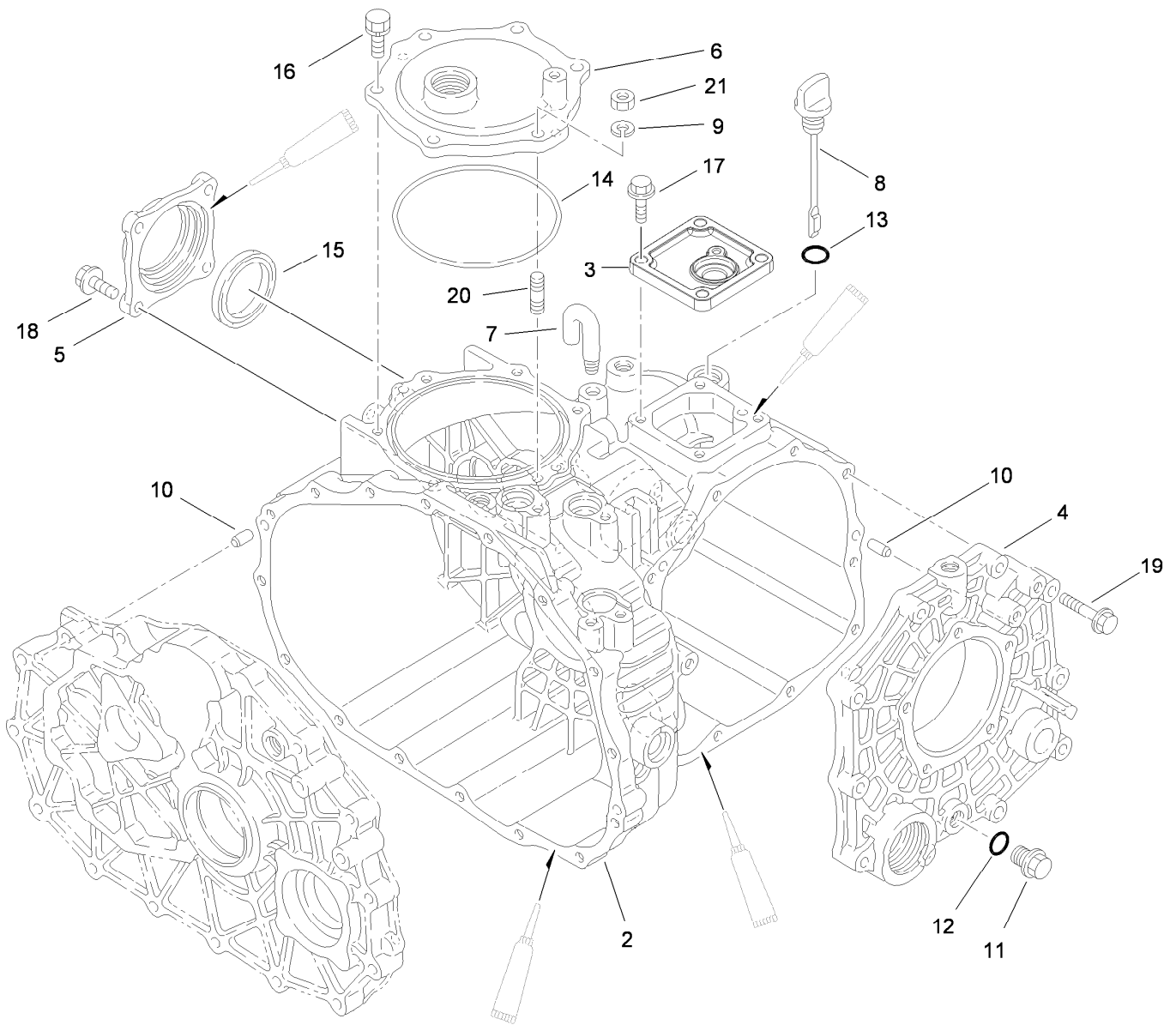
Driveshaft Assembly No. 114-8367

Ref.	Part Number	Qty.	Description
1	98-2940	1	Yoke
2	92-4187	2	Cross And Bearing Kit
2:1	302-58	4	Fitting-Straight
2:2	92-4188	4	Ring-Snap
3	92-4179	1	Yoke-Tube, Shaft And Seal
3:1	302-5	1	Fitting-Grease
4	92-4180	1	Seal
5	115-2351	1	Yoke
6	92-4182	1	Yoke-Telescoping



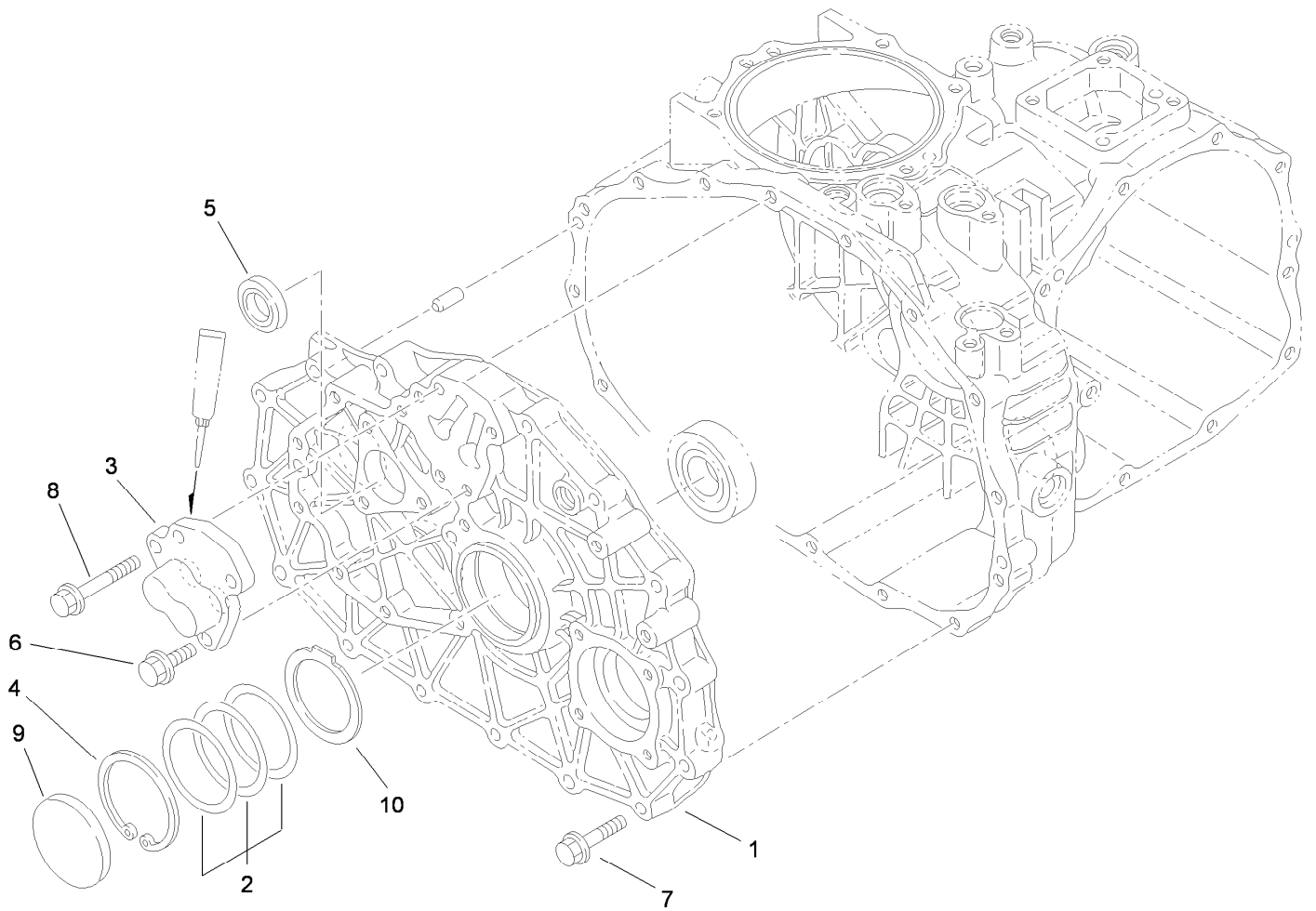
Transaxle Assembly

Ref.	Part Number	Qty.	Description	Ref.	Part Number	Qty.	Description
1	98-7977	5	Screw-HHF	18	87-2310	2	Clevis-Cable
2	3234-24	4	Screw-HHF	19	3290-307	3	Pin-Cotter
3	106-7865	2	Mount-Engine	20	283-62	3	Pin-Clevis
4	87-5100	4	Washer-Snubbing	21	87-6710	1	Switch-Transmission
5	33116-080	2	Screw-HH	22	3220-1	2	Nut-Jam
6	104-8301	4	Nut-HF, NI	23	87-7970	1	Arm-Shift
7	87-5800-03	2	Mount-Transaxle	24	66-9302	1	Screw-HHF Lock
8	115-2175	1	4 Wheel Drive Transaxle ASM	25	87-8250	1	Plate-Arm, Shift
9	87-4470	1	Bracket-Lock, Differential	26	87-6910	1	Spring-Compression
10	87-3990	1	Strainer-Transaxle	27	115-2240-03	1	Bracket-Fuel
10:1	237-123	1	O-Ring	28	87-7960	2	Lever-Shift
11	353-987	1	Fitting-Elbow, 90	29	103-9511	3	Nut-Flg
11:1	237-81	1	O-Ring	30	3290-357	1	Nut-HSF
12	2412-129	1	Clamp-Hose	31	33104-025	2	Screw-HHF
13	105-4207-03	1	Mount-Cable	32	120-4800	1	Sensor-Geartooth
14	68-9950	1	Spring-Traction	33	92-3735	1	Seal-Sensor, Oil
15	87-7160	1	Clevis-Cable	34	3256-4	1	Washer-Flat
16	72-4310	1	Switch-Ball	35	33103-012	1	Screw-HHF
17	237-30	2	O-Ring	36	1	Decal-Oil, Transmission	
				37	3290-379	1	Tie-Cable



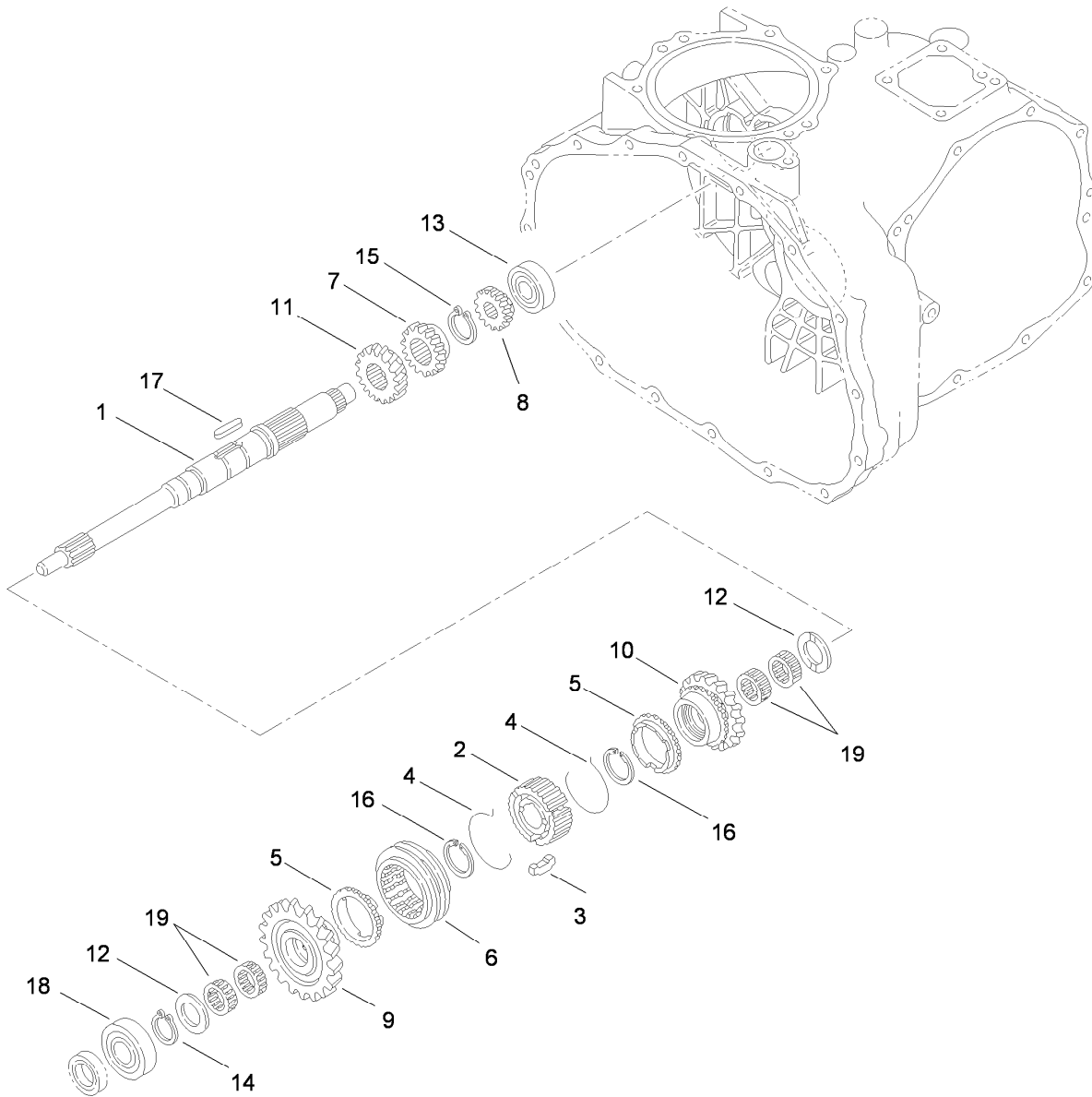
Case Assembly 4 Wheel Drive Transaxle Assembly No. 115-2175

<i>Ref.</i>	<i>Part Number</i>	<i>Qty.</i>	<i>Description</i>	<i>Ref.</i>	<i>Part Number</i>	<i>Qty.</i>	<i>Description</i>
2	92-0651	1	Case-Transmission	12	92-0787	1	O-Ring
3	92-0810	1	Cover-Upper, Sensor	13	92-0788	1	O-Ring
4	92-0653	1	Cover-Side	14	92-0790	1	O-Ring
5	92-0655	1	Cover-Seal, Axle	15	92-0793	1	Seal-Oil
6	92-0656	1	Cover-Upper, PTO	16	92-0796	5	Bolt
7	92-0743	1	Breather-Air	17	33104-025	4	Screw-HHF
8	92-0662	1	Cap-Oil	18	33104-025	4	Screw-HHF
9	92-0762	1	Washer-Spring	19	33104-040	10	Screw-HHF
10	92-0765	4	Pin-Parallel	20	92-0805	1	Bolt 8X20
11	92-0773	1	Plug-Drain	21	68-9400	1	Nut-Flange



Center Plate Assembly 4 Wheel Drive Transaxle Assembly No. 115-2175

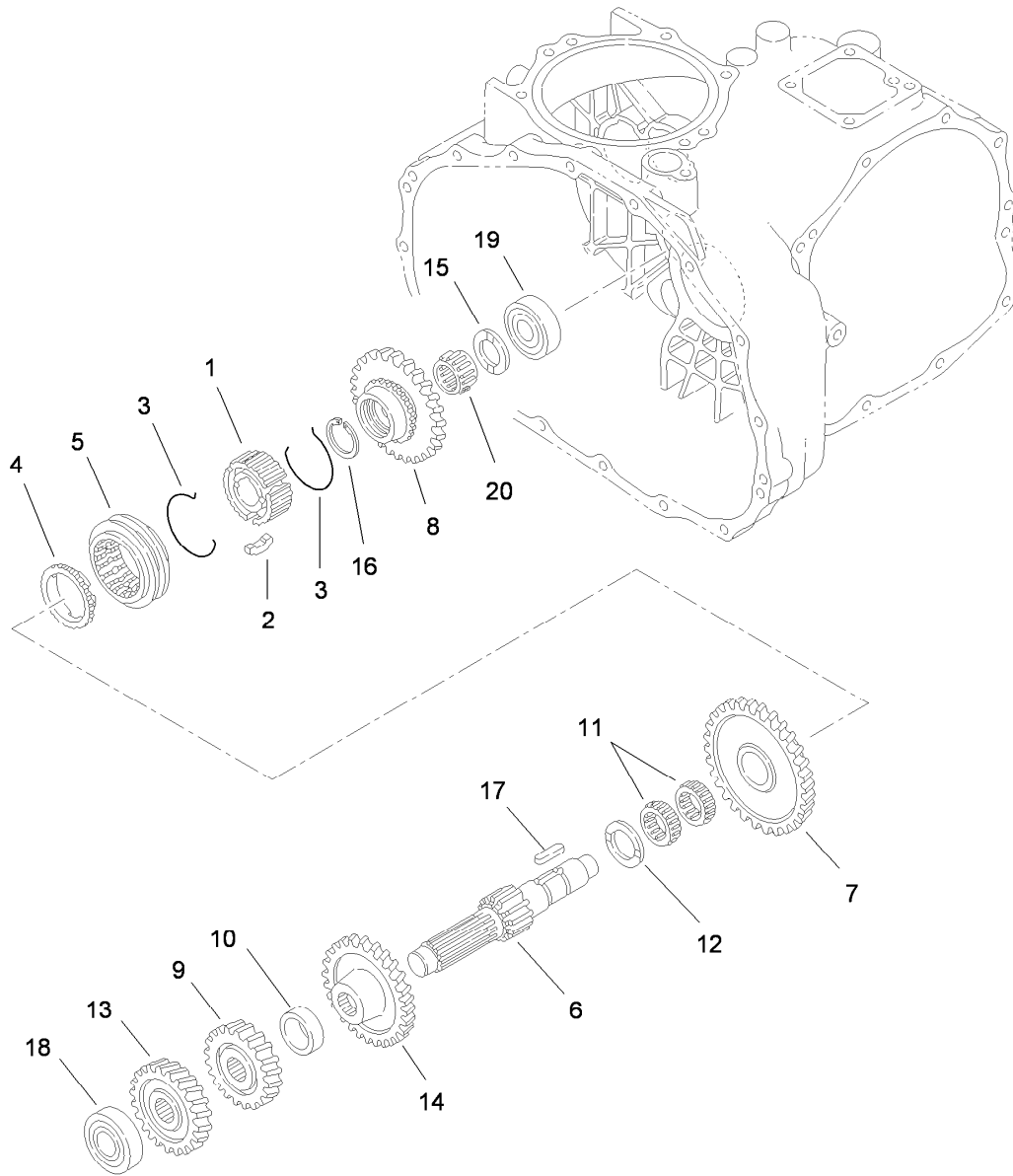
<i>Ref.</i>	<i>Part Number</i>	<i>Qty.</i>	<i>Description</i>
1	100-4462	1	Plate-Center, 4Wd
2	100-4460	1	Shim-Set
3	92-0706	1	Shaft-Fork
4	92-0759	1	Ring-Snap
5	92-0791	1	Seal-Oil
6	33104-025	3	Screw-HHF
7	33104-040	15	Screw-HHF
8	33104-050	1	Screw-HHF
9	92-0807	1	Cap-Sealing
10	100-4465	1	Shim (W/Tab)



Main Shaft Assembly 4 Wheel Drive Transaxle Assembly No. 115-2175

<i>Ref.</i>	<i>Part Number</i>	<i>Qty.</i>	<i>Description</i>
1	92-0663	1	Shaft-Main
2	92-0664	1	Hub-Synchro
3	92-0665	3	Key-Synchro
4	92-0666	2	Spring-Synchro
5	92-0667	2	Ring-Synchro
6	92-0668	1	Shifter-Synchro
7	92-0672	1	Gear-Main, 18 Tooth
8	92-0673	1	Gear-Main, 14 Tooth
9	110-2521	1	Gear-Main, 27 Tooth
10	110-2522	1	Gear- Main, 24 Tooth

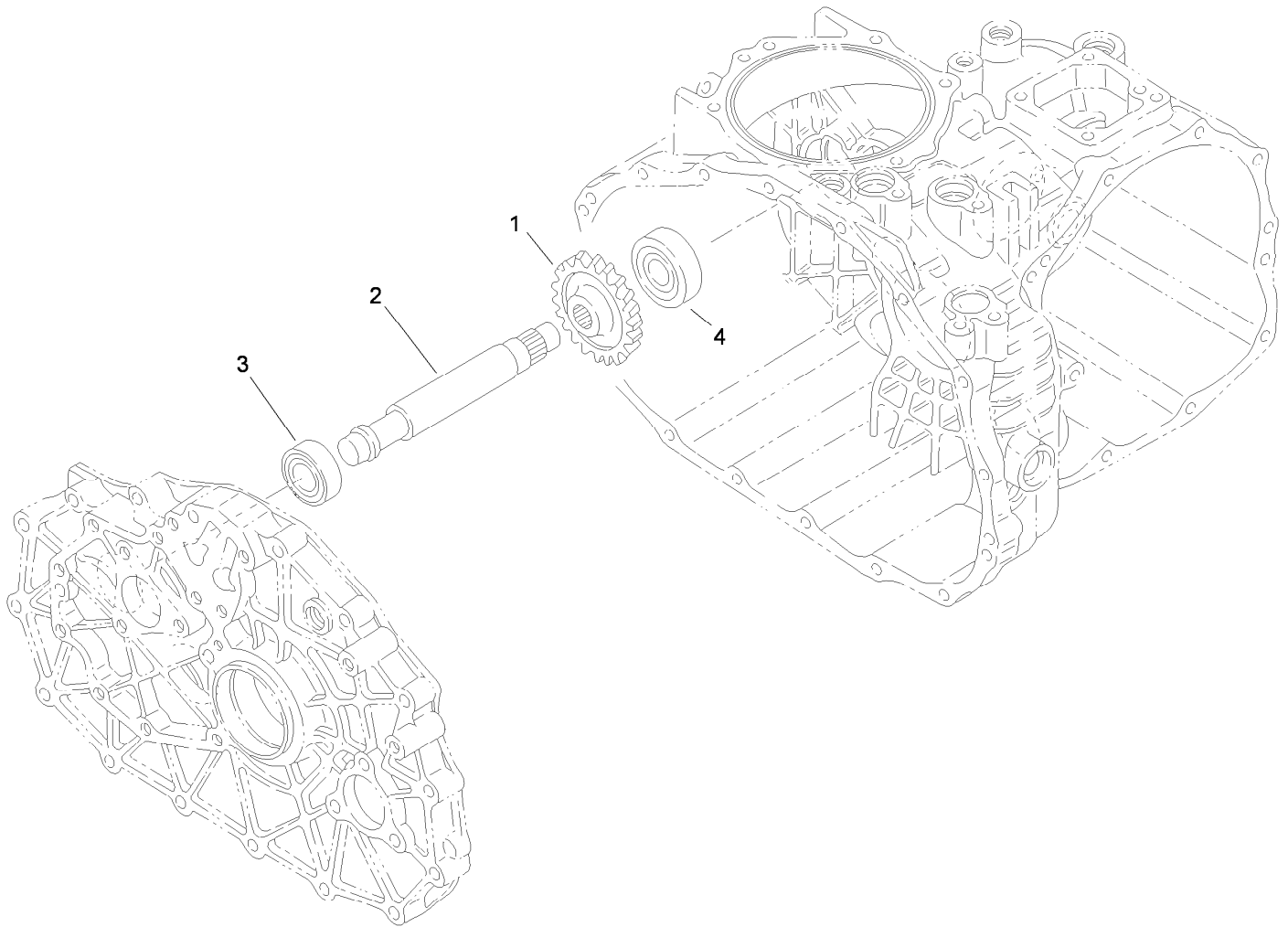
<i>Ref.</i>	<i>Part Number</i>	<i>Qty.</i>	<i>Description</i>
11	92-0687	1	Gear-Main, 16 Tooth
12	92-0740	2	Washer-Thrust
13	92-0650	1	Bearing
14	92-0753	1	Ring-Snap
15	92-0754	1	Ring-Snap
16	92-0763	2	Ring-Snap
17	92-0772	1	Key
18	251-8	1	Bearing-Ball
19	92-0781	4	Bearing-Needle



Reduction Shaft Assembly 4 Wheel Drive Transaxle Assembly No. 115-2175

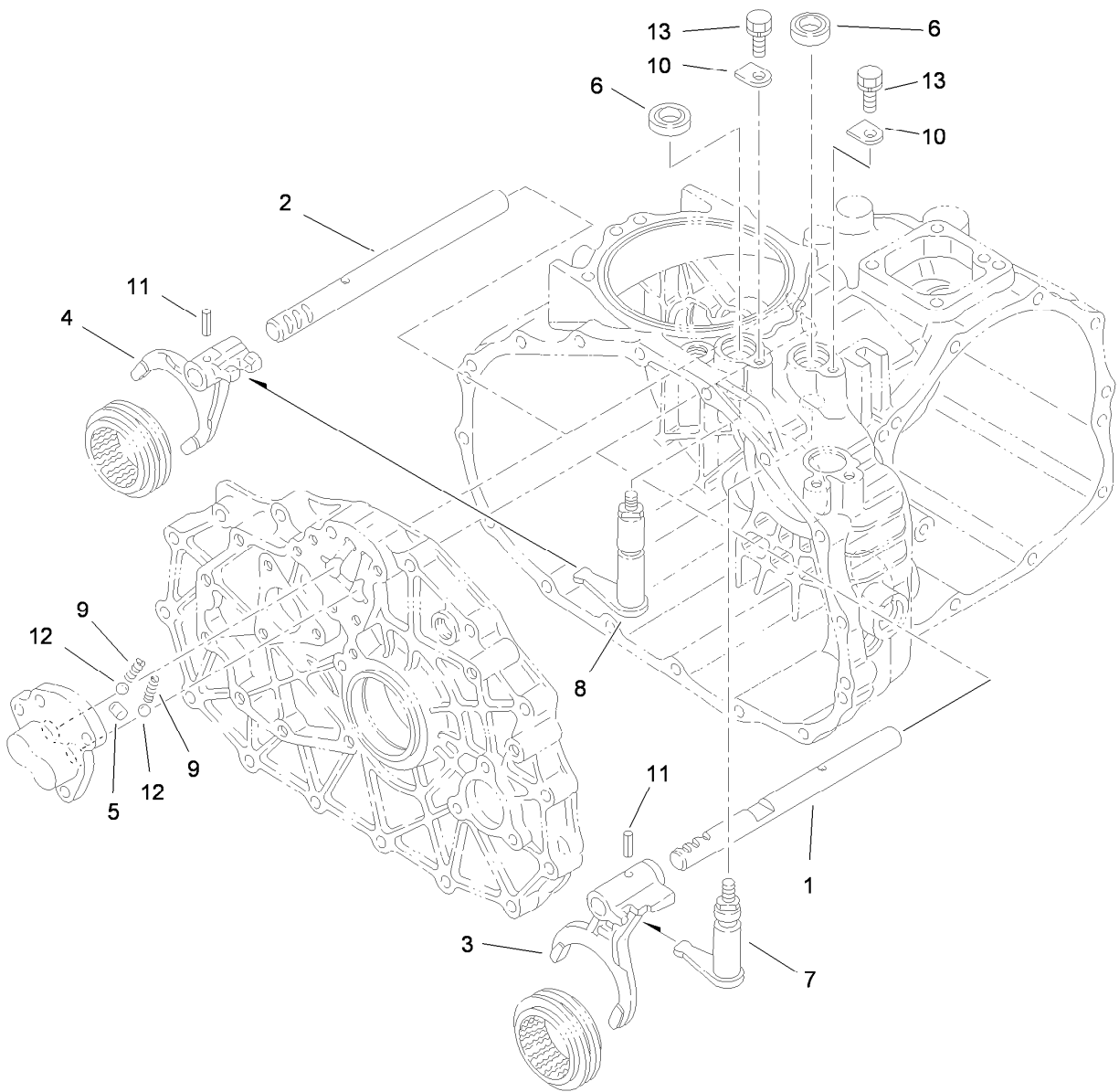
<i>Ref.</i>	<i>Part Number</i>	<i>Qty.</i>	<i>Description</i>
1	92-0664	1	Hub-Synchro
2	92-0665	3	Key-Synchro
3	92-0666	2	Spring-Synchro
4	92-0667	1	Ring-Synchro
5	92-0668	1	Shifter-Synchro
6	92-0674	1	Shaft-Reduction
7	110-2524	1	Gear- Reduction, 49 Tooth
8	92-0819	1	Gear-Reduction, 40 Tooth
9	92-0769	1	Pin-Roll
10	92-0680	1	Collar

<i>Ref.</i>	<i>Part Number</i>	<i>Qty.</i>	<i>Description</i>
11	92-0681	2	Bearing-Needle
12	92-0682	1	Washer-Thrust
13	92-0822	1	Gear-Reduction, 28 Tooth
14	92-0823	1	Gear-Reduction, 43 Tooth
15	92-0740	1	Washer-Thrust
16	92-0673	1	Gear-Main, 14 Tooth
17	92-0772	1	Key
18	105-7985	1	Bearing
19	92-0778	1	Bearing
20	92-0782	1	Bearing-Needle



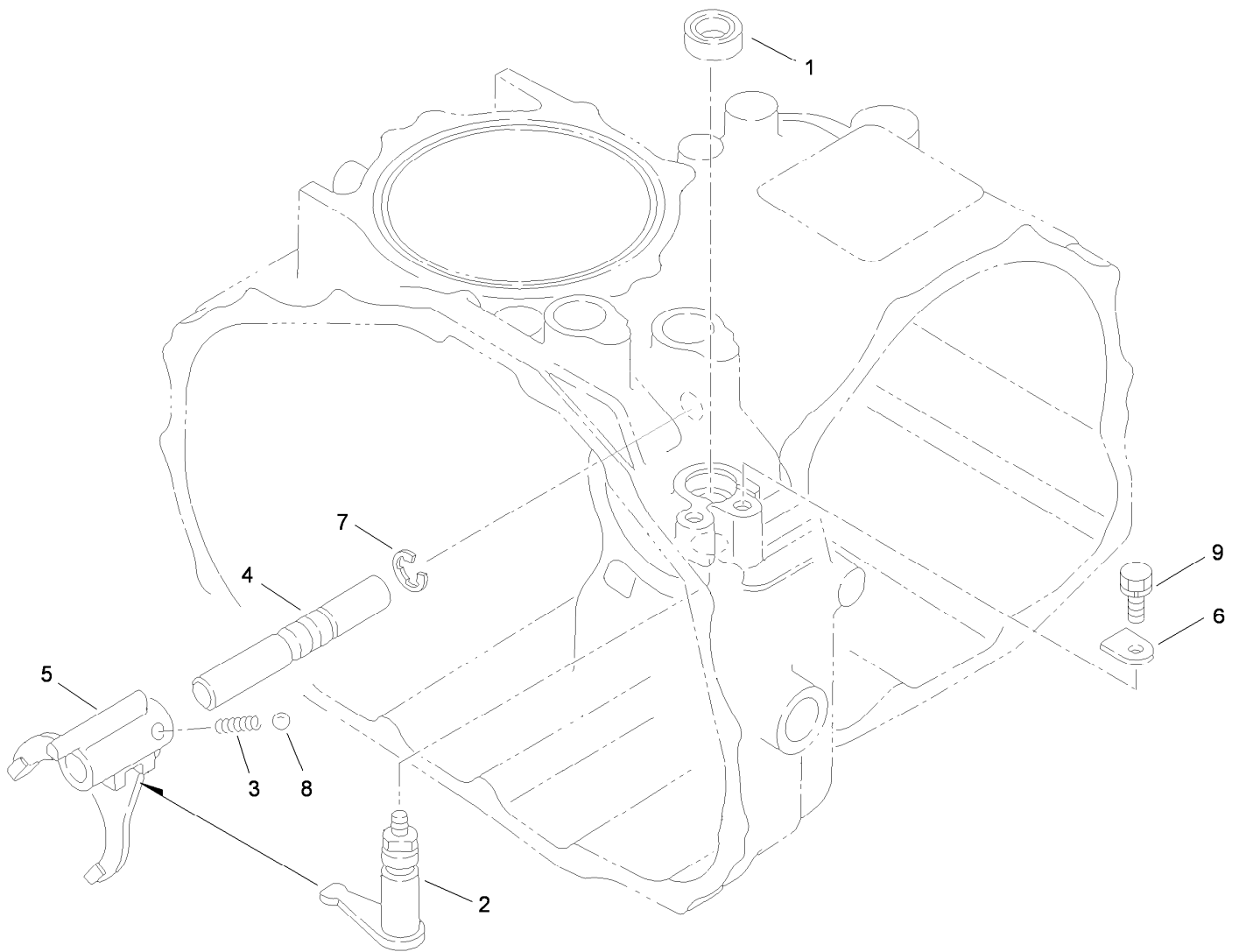
Reverse Shaft Assembly 4 Wheel Drive Transaxle Assembly No. 115-2175

<i>Ref.</i>	<i>Part Number</i>	<i>Qty.</i>	<i>Description</i>
1	92-0684	1	Gear-Reverse, 33 Tooth
2	92-0824	1	Shaft-Idler, Reverse
3	251-346	1	Bearing-Ball
4	92-0778	1	Bearing



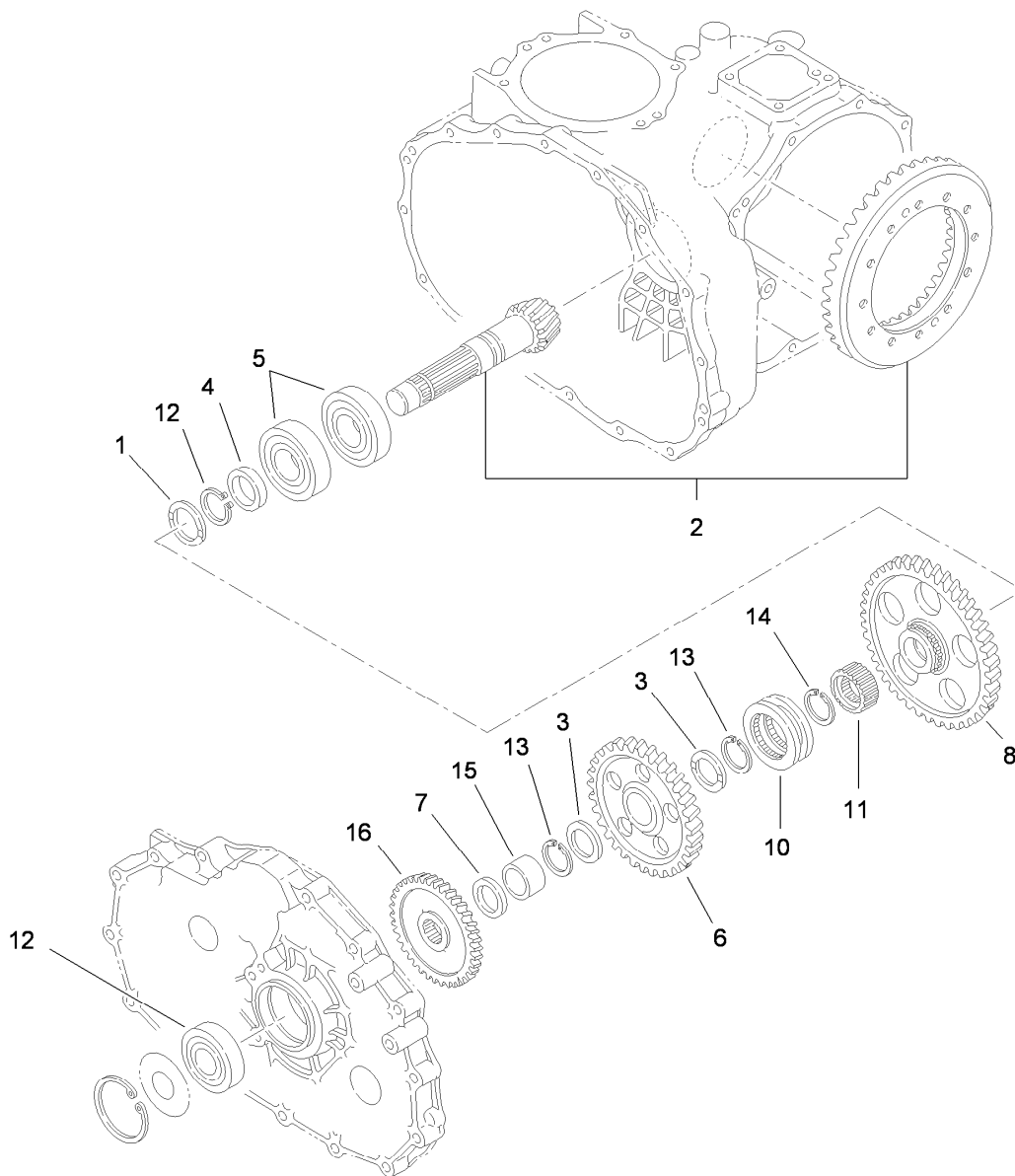
Main Shift Assembly 4 Wheel Drive Transaxle Assembly No. 115-2175

<i>Ref.</i>	<i>Part Number</i>	<i>Qty.</i>	<i>Description</i>
1	92-0698	1	Shaft-Fork
2	92-0699	1	Shaft-Fork
3	92-0700	1	Fork-Shift
4	92-0701	1	Fork-Shift
5	92-0705	1	Lock-Spindle
6	92-0729	2	Seal-Oil
7	92-0816	1	Arm-Shift
8	92-0817	1	Arm-Shift
9	92-0731	2	Spring
10	92-0732	2	Plate-Keeper
11	92-0769	2	Pin-Roll
12	92-0785	2	Ball-Steel
13	33104-016	2	Screw-HHF



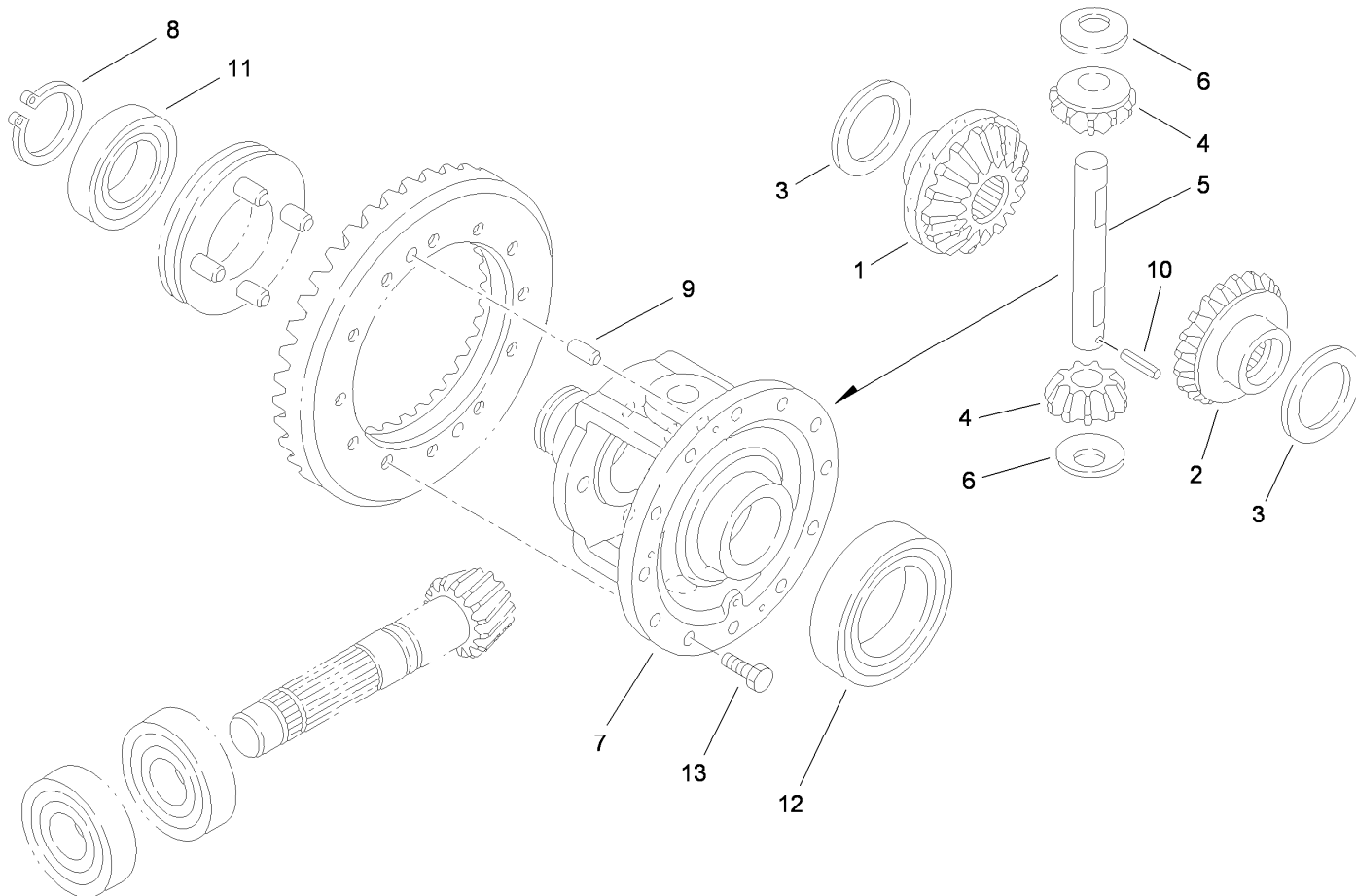
Hi-Lo Shift Assembly 4 Wheel Drive Transaxle Assembly No. 115-2175

<i>Ref.</i>	<i>Part Number</i>	<i>Qty.</i>	<i>Description</i>
1	92-0729	1	Seal-Oil
2	92-0818	1	Arm-Shift
3	92-0731	1	Spring
4	92-0708	1	Shaft-Fork
5	92-0709	1	Fork-Shift
6	92-0732	1	Plate-Keeper
7	92-0761	1	Ring-E
8	92-0785	1	Ball-Steel
9	33104-016	1	Screw-HHF



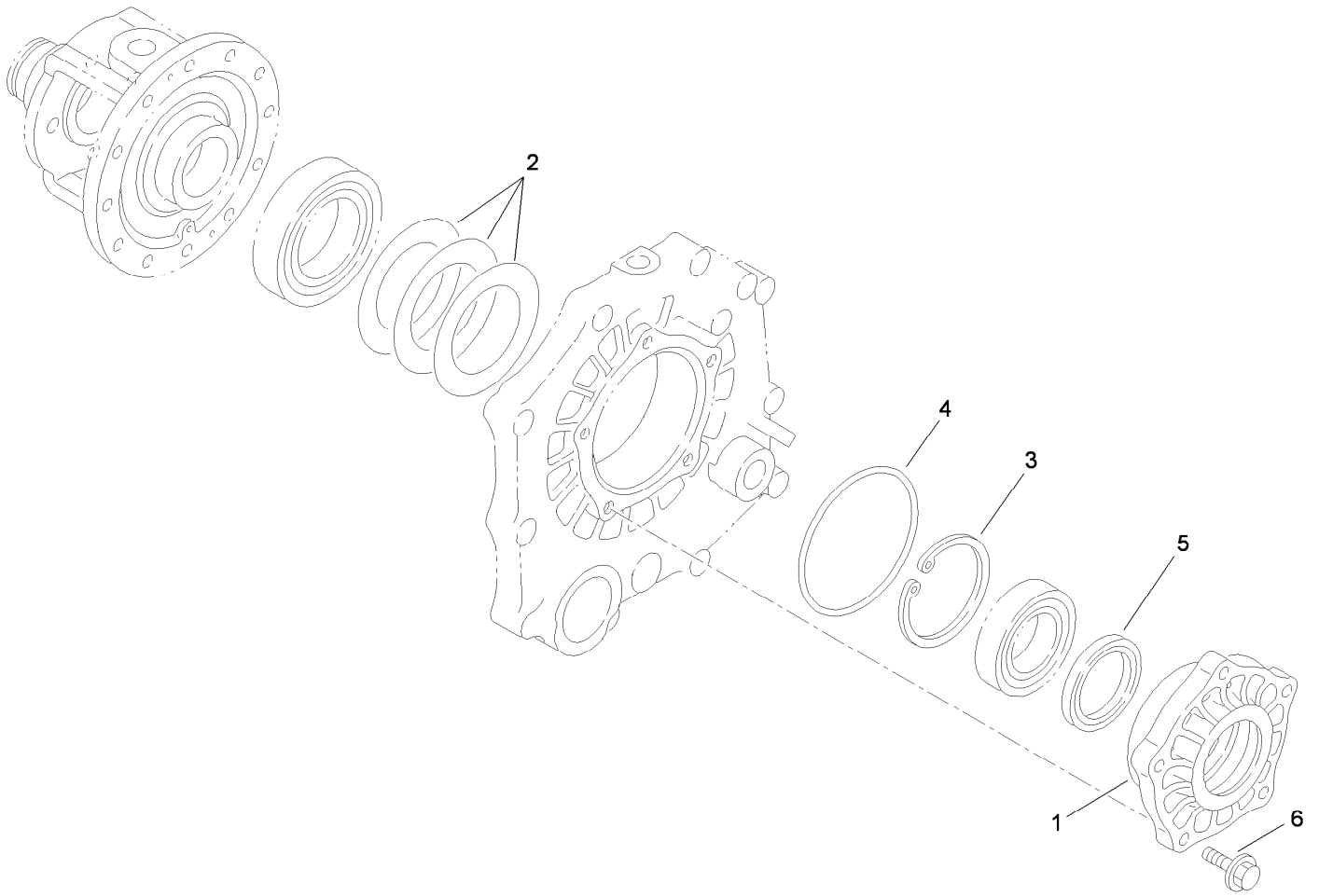
Countershaft Assembly 4 Wheel Drive Transaxle Assembly No. 115-2175

<i>Ref.</i>	<i>Part Number</i>	<i>Qty.</i>	<i>Description</i>
1	92-0741	1	Washer-Thrust
2	105-7983	1	Countershaft And Ring Gear ASM
3	92-0711	2	Washer-Thrust
4	92-0713	1	Collar
5	92-0714	2	Bearing
6	92-0715	1	Gear-Countershaft
7	92-0716	1	Collar
8	92-0717	1	Gear-Countershaft
10	92-0718	1	Shifter
11	105-7986	1	Collar-Spline
12	92-0712	1	Bearing-Ball
13	105-7987	2	Ring-Snap
14	92-0755	1	Ring-Snap
15	92-0783	1	Race-Inner
16	92-5186	1	Pinion



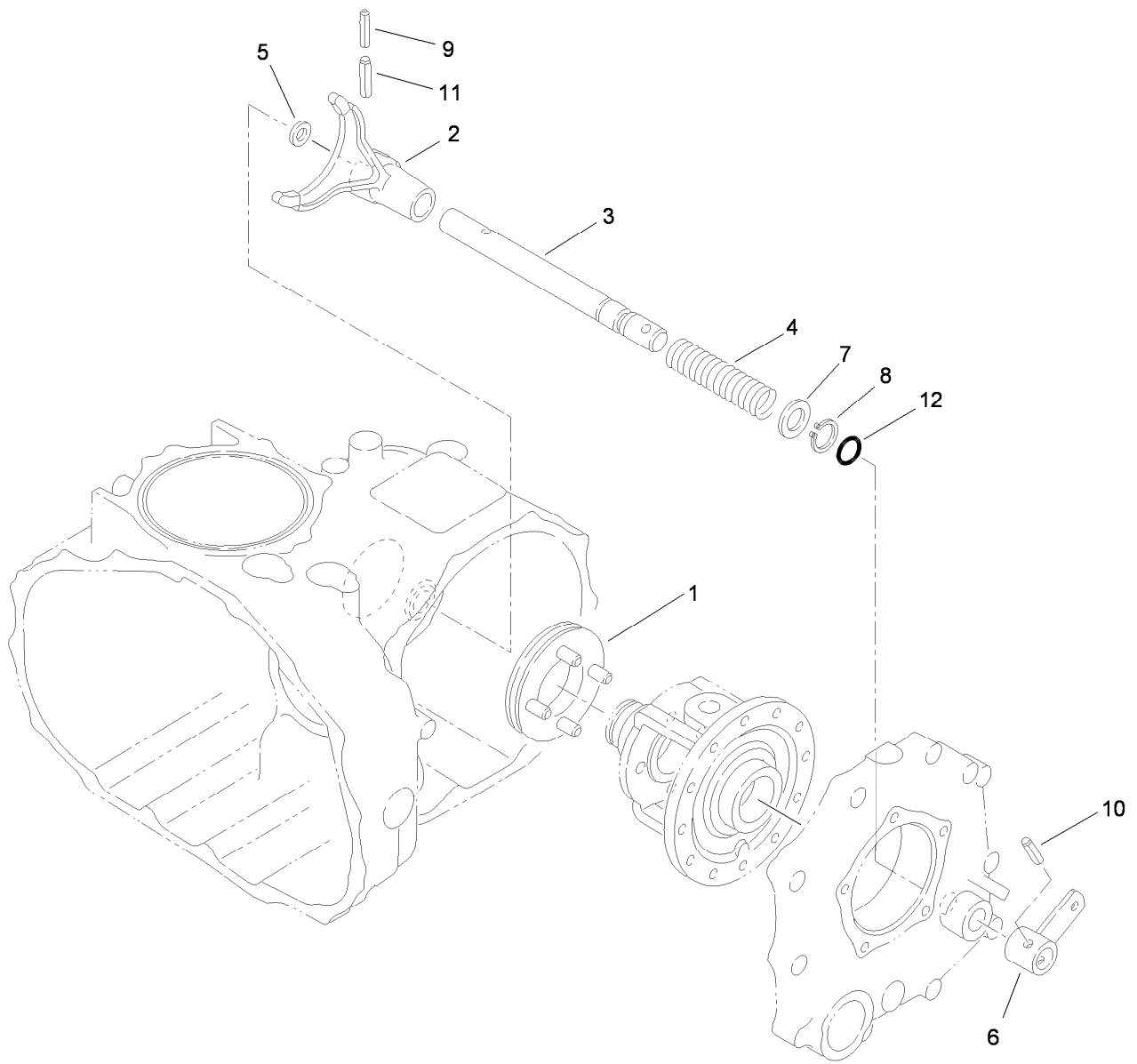
Differential Gear Assembly 4 Wheel Drive Transaxle Assembly No. 115-2175

<i>Ref.</i>	<i>Part Number</i>	<i>Qty.</i>	<i>Description</i>
1	92-0745	1	Gear-Side, LH
2	92-0746	1	Gear-Side, RH
3	92-0747	2	Side-Gear, Left Inner
4	92-0748	2	Pinion-Differential
5	92-0749	1	Shaft-Pinion
6	92-0750	2	Washer
7	92-0720	1	Case-Differential
8	92-0756	1	Ring-Snap
9	92-0765	2	Pin-Parallel
10	92-0768	1	Pin-Roll, Spring
11	92-0775	1	Bearing
12	92-0776	1	Bearing
13	92-0803	12	Bolt



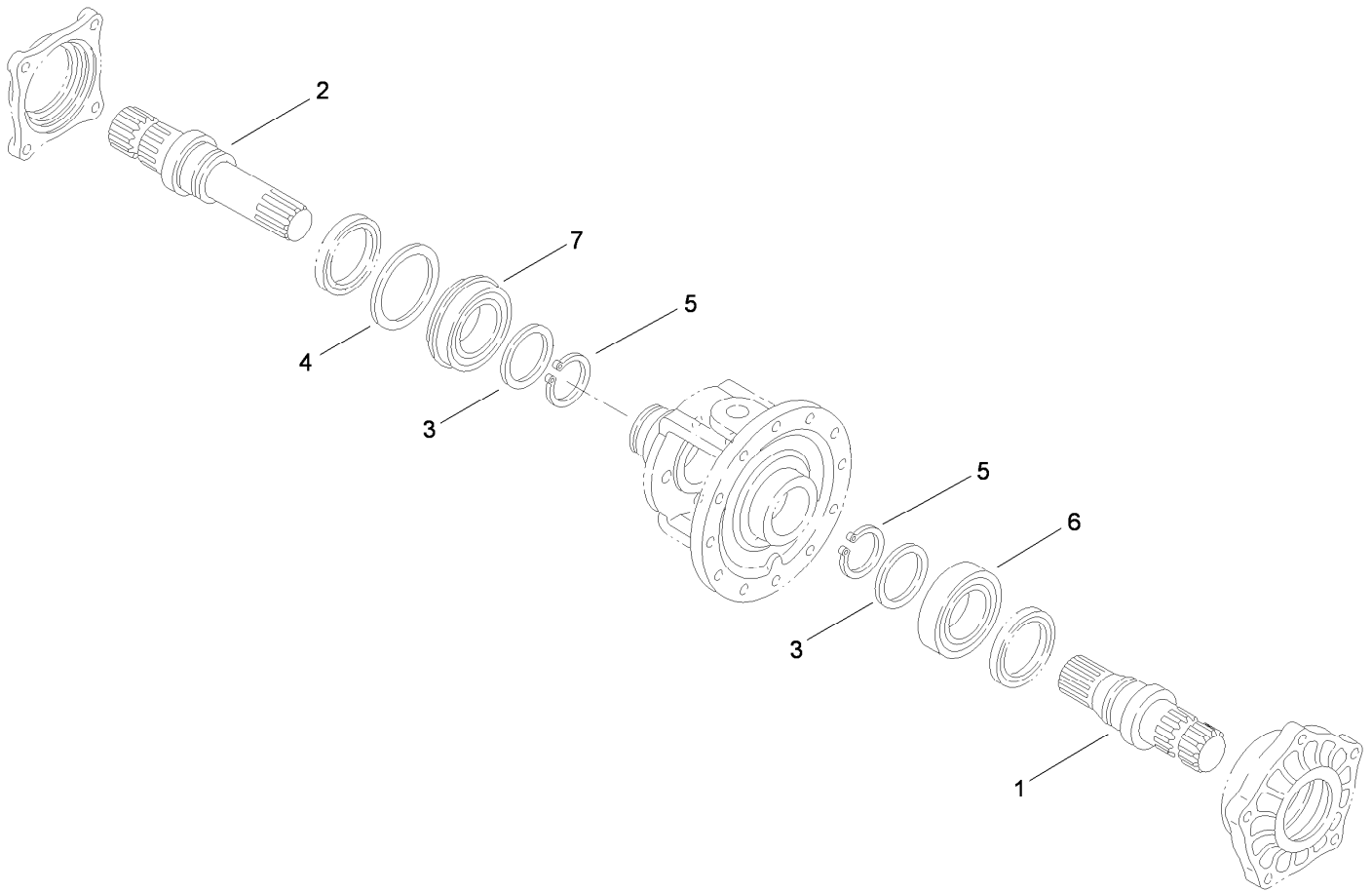
Differential Carrier Assembly 4 Wheel Drive Transaxle Assembly No. 115-2175

<i>Ref.</i>	<i>Part Number</i>	<i>Qty.</i>	<i>Description</i>
1	92-0654	1	Carrier-Differential
2	92-0809	1	Set-Shim
3	92-0760	1	Ring-Snap
4	92-0789	1	O-Ring
5	92-0793	1	Seal-Oil
6	33104-030	5	Screw-HHF



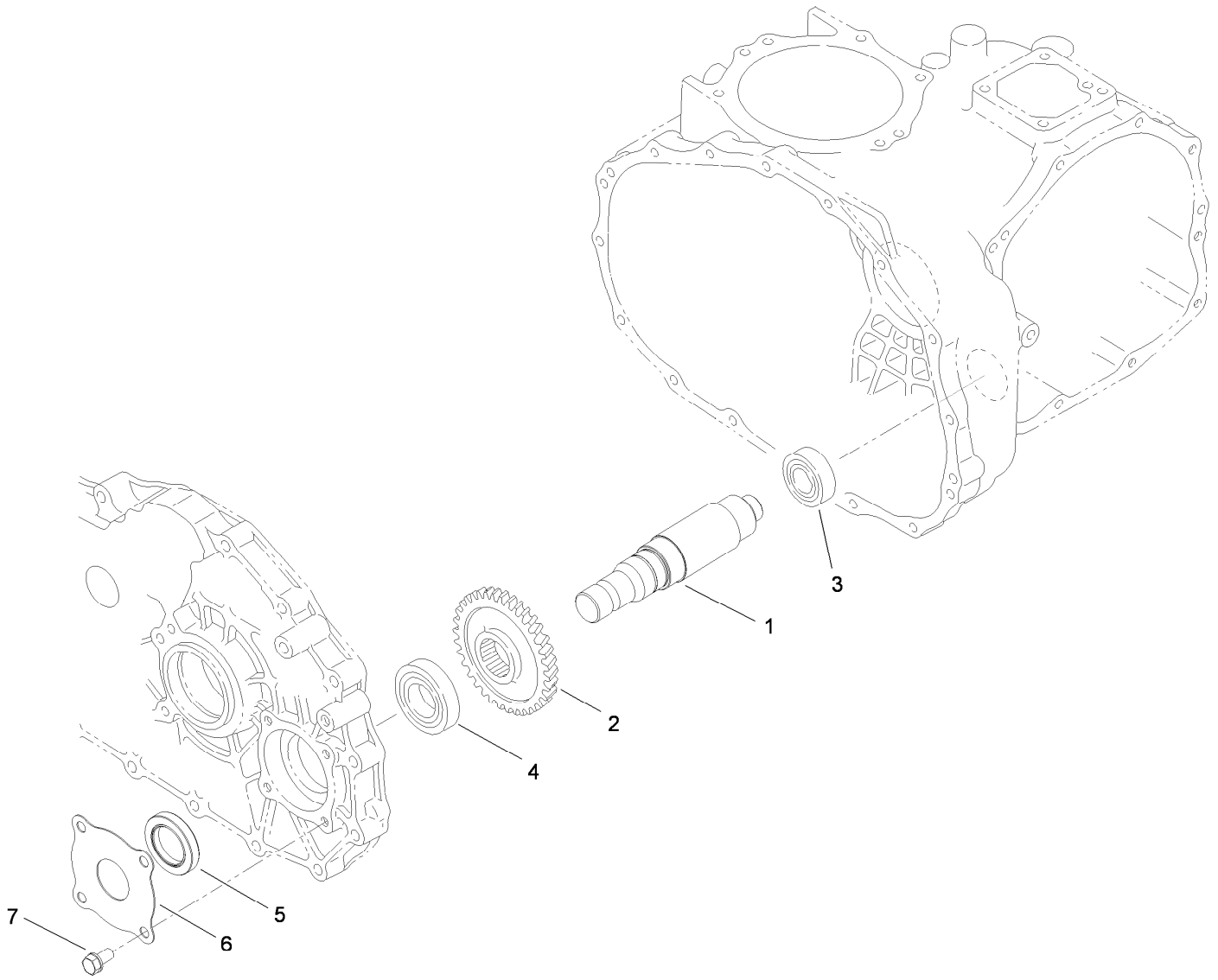
Differential Lock Assembly 4 Wheel Drive Transaxle Assembly No. 115-2175

<i>Ref.</i>	<i>Part Number</i>	<i>Qty.</i>	<i>Description</i>
1	92-0730	1	Slider-Differential, Lock
2	92-0721	1	Fork-Lock, Differential
3	92-0722	1	Shaft-Fork, Lock Differential
4	92-0723	1	Spring-Lock, Differential
5	92-0744	1	Washer
6	92-0724	1	Arm-Lock, Differential
7	92-0733	1	Washer
8	92-0753	1	Ring-Snap
9	92-0768	1	Pin-Roll, Spring
10	92-0770	1	Pin-Roll, Spring
11	92-0771	1	Pin-Roll, Spring
12	92-0787	1	O-Ring



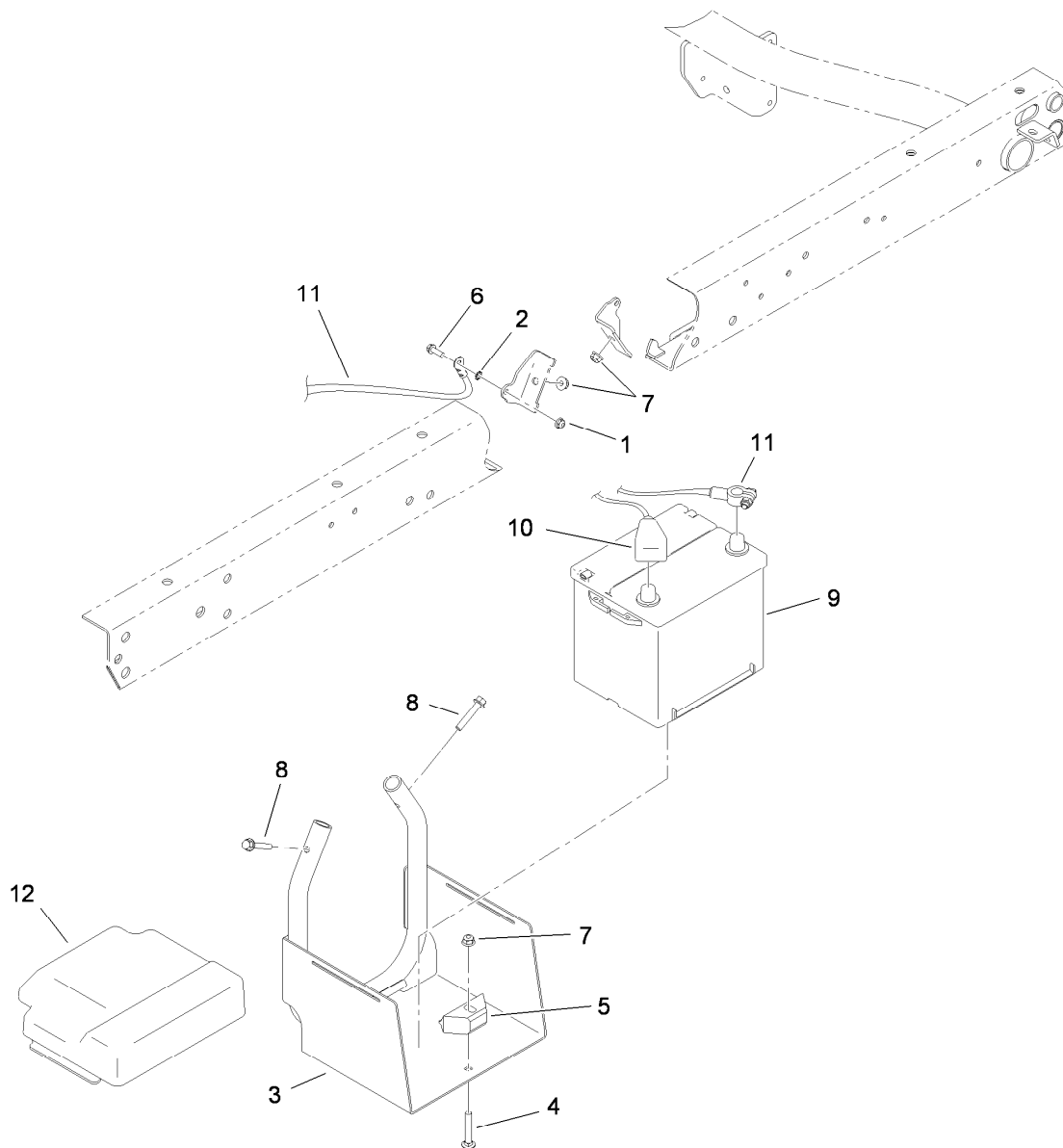
Axle Shaft Assembly 4 Wheel Drive Transaxle Assembly No. 115-2175

<i>Ref.</i>	<i>Part Number</i>	<i>Qty.</i>	<i>Description</i>
1	92-0725	1	Shaft-Axle, Left
2	92-0726	1	Shaft-Axle, Right
3	92-0727	2	Washer
4	92-0728	1	Washer
5	92-0756	2	Ring-Snap
6	92-0775	1	Bearing
7	92-0780	1	Bearing



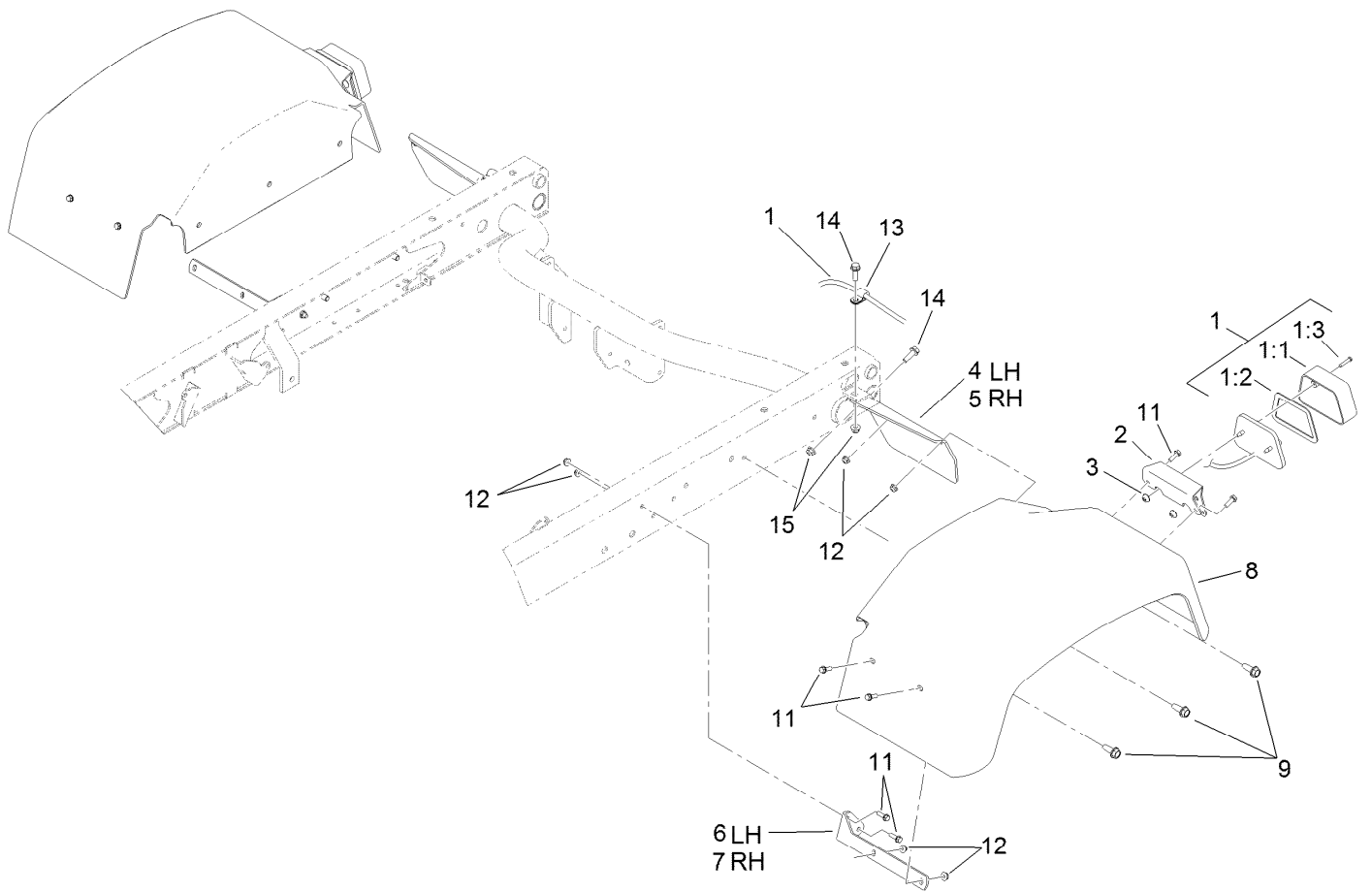
Front Drive Assembly 4 Wheel Drive Transaxle Assembly No. 115-2175

<i>Ref.</i>	<i>Part Number</i>	<i>Qty.</i>	<i>Description</i>
1	115-7828	1	Driveshaft-Front
2	92-5184	1	Gear
3	251-346	1	Bearing-Ball
4	92-5185	1	Bearing
5	115-7829	1	Seal
6	115-7830	1	Protector-Seal
7	33104-016	4	Screw-HHF



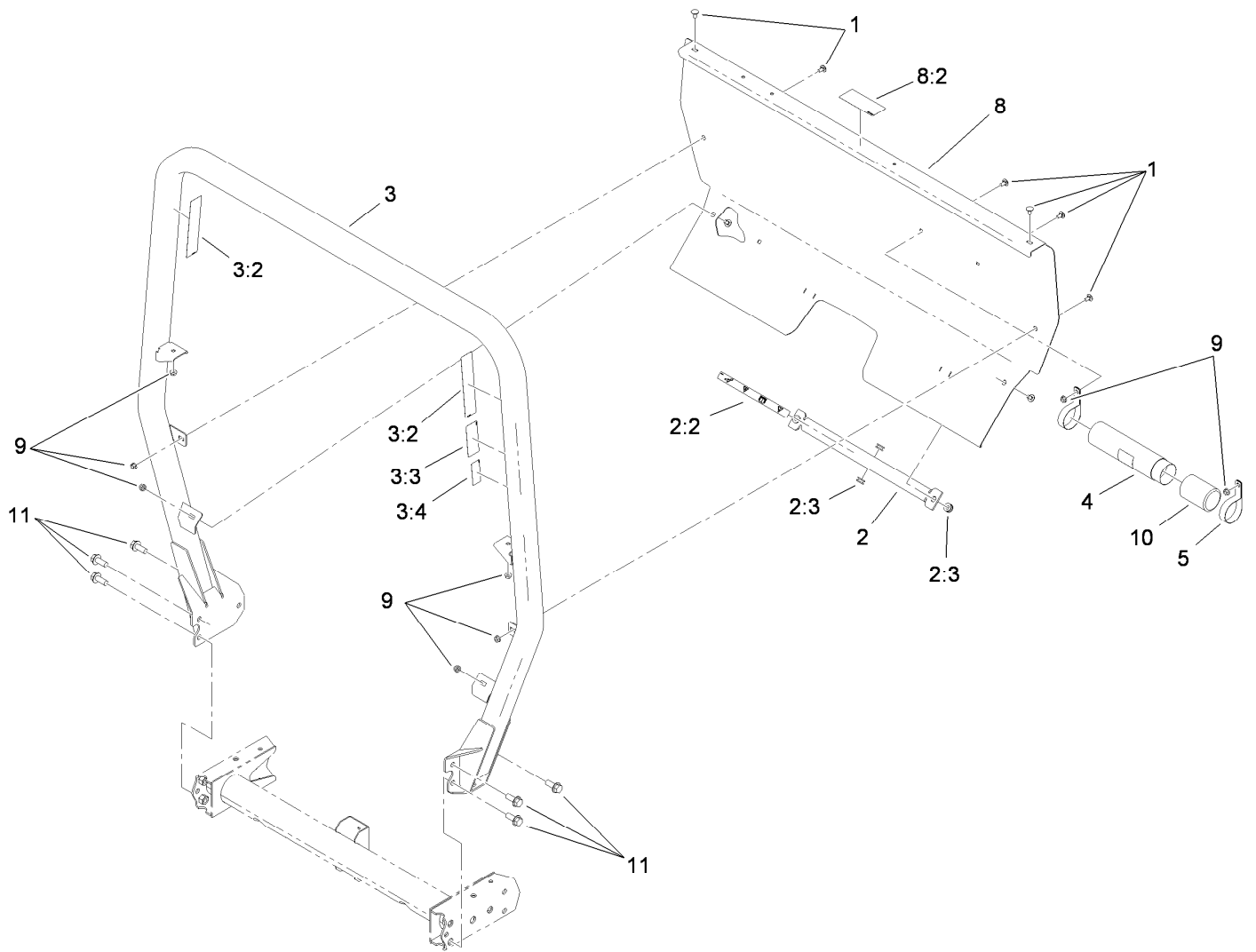
Battery Assembly

<i>Ref.</i>	<i>Part Number</i>	<i>Qty.</i>	<i>Description</i>
1	104-7201	1	Nut-HF, NI
2	3255-8	1	Washer-Lock
3	115-2237-03	1	Tray-Battery
4	3230-6	1	Bolt-CARR
5	66-2490	1	Retainer-Battery
6	32105-15	1	Screw-HWH
7	104-8300	3	Nut-HF, NI
8	94-5780	2	Screw-HWH
9	106-5187	1	Battery- Dry, 12V, 525 CCA
10	87-8000	1	Cable-Battery, Positive
11	115-8112	1	Cable-Battery, Negative
12	115-2448	1	Cover-Battery



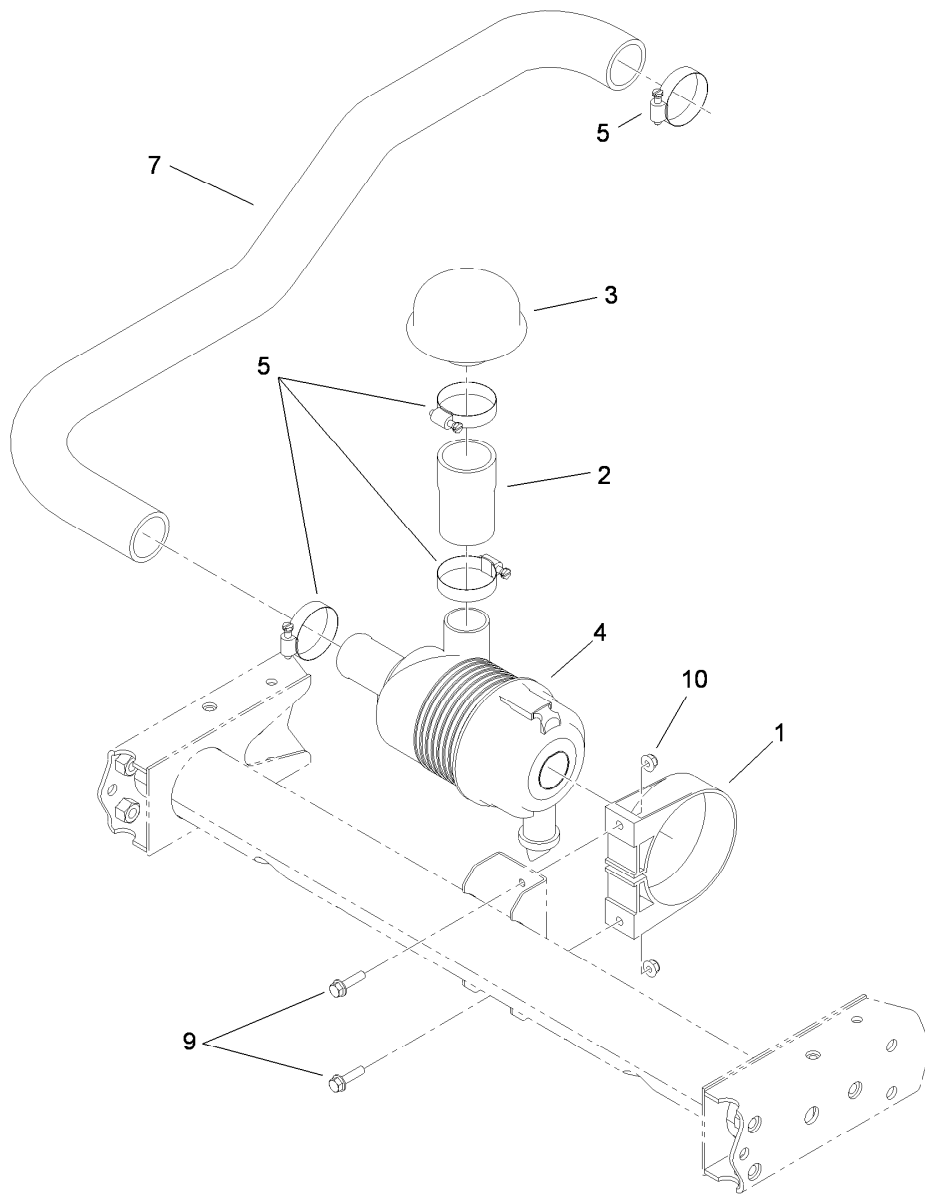
Tail Light and Fender Assembly

<i>Ref.</i>	<i>Part Number</i>	<i>Qty.</i>	<i>Description</i>	<i>Ref.</i>	<i>Part Number</i>	<i>Qty.</i>	<i>Description</i>
1	115-7745	2	Light-Tail, Brake	7	93-8942-03	1	Bracket-Fender, Front (RH)
1:1	87-6300	1	Lens-Light, Tail	8	87-6660	2	Fender-Rear
1:2	87-6310	1	Gasket-Light, Tail	9	105-6245	6	Screw-Tapping
1:3	32144-93	2	Screw-PPHTF	11	32105-15	12	Screw-HWH
2	115-2289-03	2	Bracket-Light, Tail	12	104-7201	12	Nut-HF, NI
3	3290-506	4	Palnut	13	2412-93	2	Clamp-R
4	93-8943-03	1	Bracket-Fender, Rear (LH)	14	3234-17	4	Screw-HHF
5	93-8944-03	1	Bracket-Fender, Rear (RH)	15	104-8300	4	Nut-HF, NI
6	93-8941-03	1	Bracket-Fender, Front (LH)				



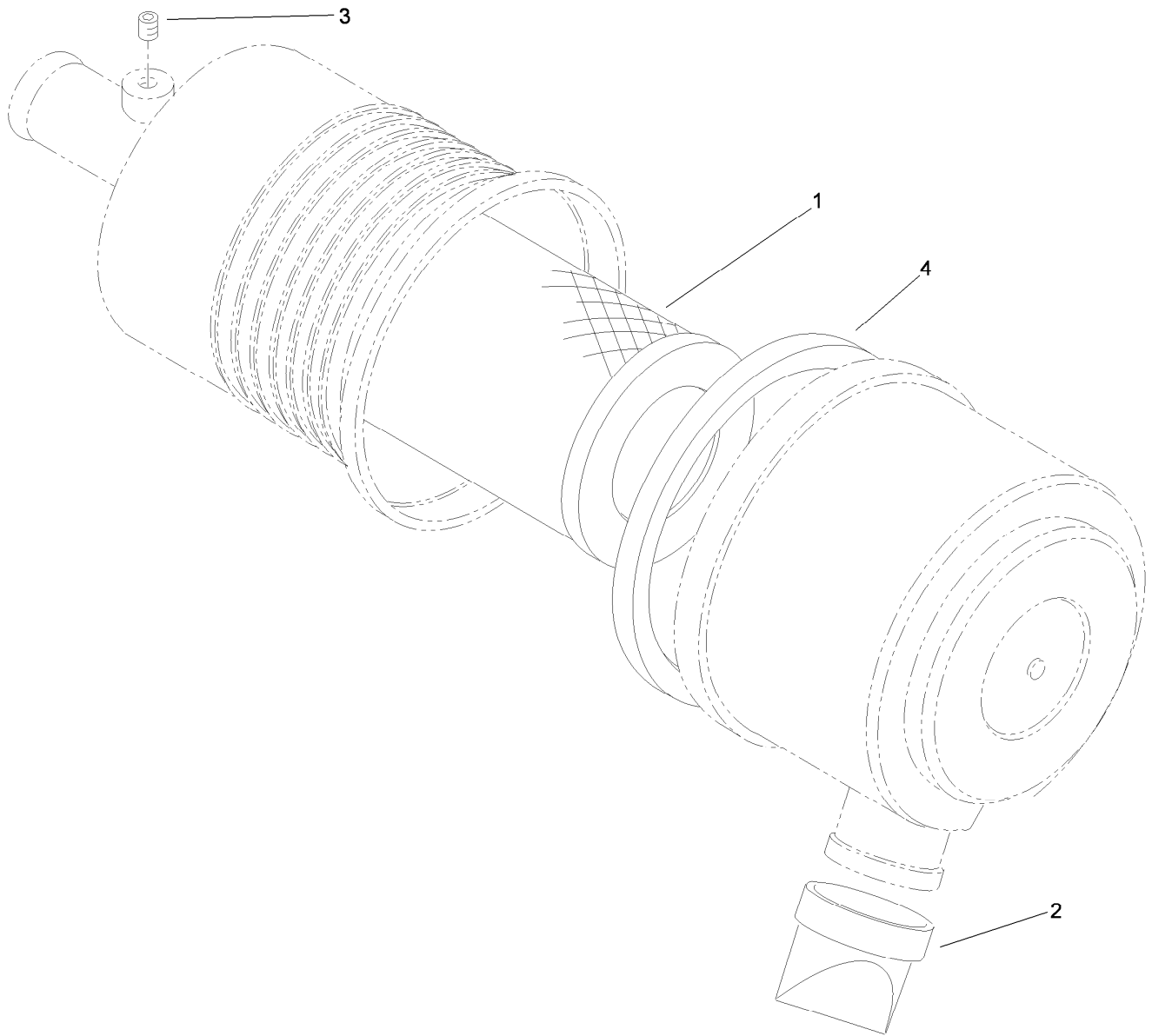
Roll-Over Protection System Assembly

Ref.	Part Number	Qty.	Description
1	3230-18	8	Screw-CARR
2	105-7960	1	Bed Support ASM
2:2	93-9852	1	Decal-Warning
2:3	92-5972	4	Grommet-Rubber
3	115-7910	1	ROPS ASM
3:2	106-7767	2	Decal-ROPS
3:3	93-9850	1	Decal-ROPS, CE
3:4	117-4969	1	Decal-ROPS, ISO
4	104-7050	1	Tube-Manual
5	2412-133	2	Clamp-R
8	115-2213	1	ROPS Cover ASM
8:2	105-4215	1	Decal-Caution
9	32128-20	8	Nut-HF
10	104-7048	1	Cap-Housing
11	3234-38	6	Screw-HHF



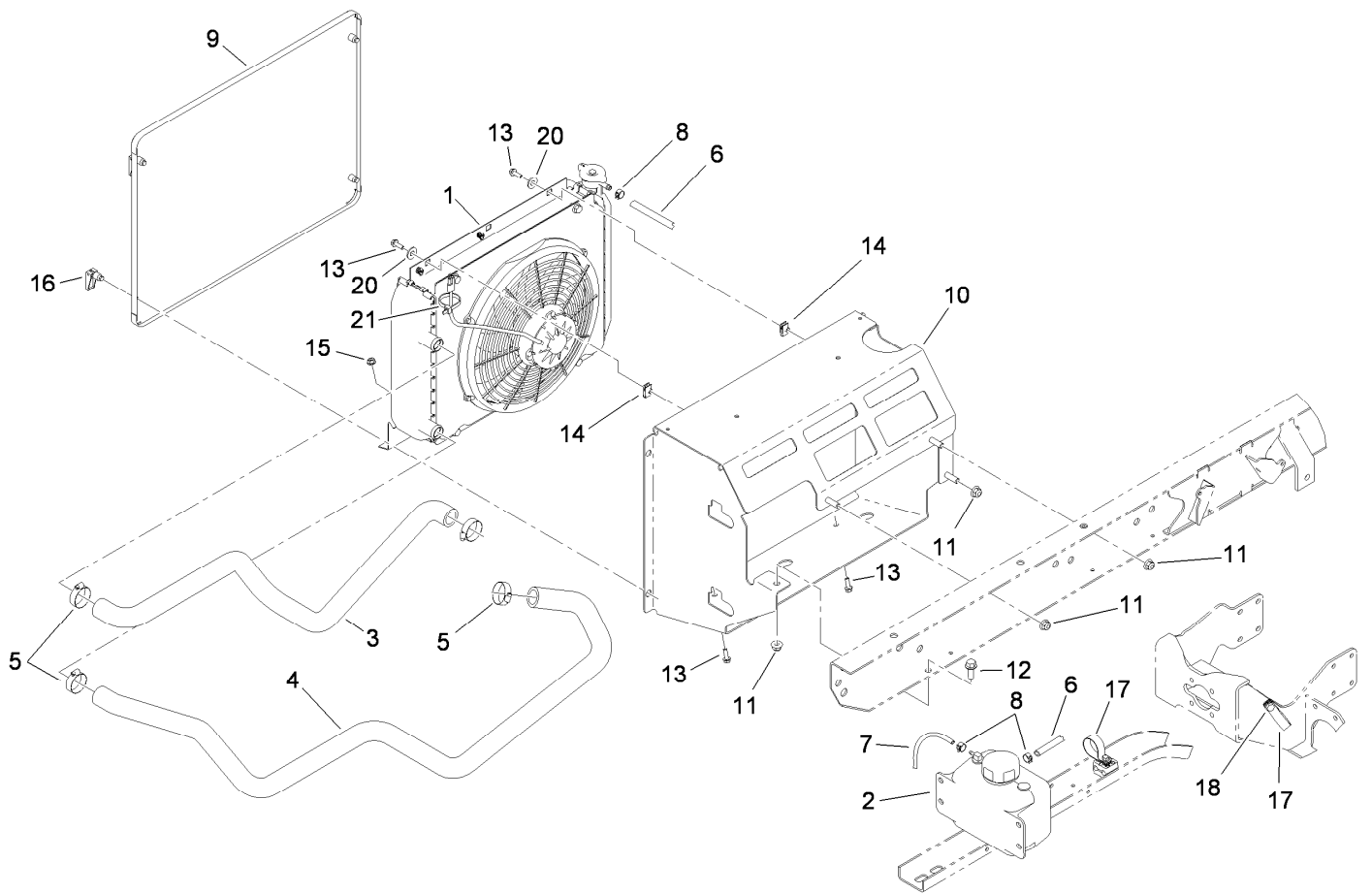
Air Cleaner Assembly

<i>Ref.</i>	<i>Part Number</i>	<i>Qty.</i>	<i>Description</i>
1	95-5806	1	Bracket-Mounting, Air Cleaner
2	107-7962	1	Hose-Cleaner, Air
3	46-7510	1	Hood-Inlet, Air
4	106-2416	1	Air Cleaner ASM
5	2412-92	4	Clamp-Hose
7	115-7754	1	Hose-Intake, Air
9	3234-36	2	Screw-HHF
10	104-8300	2	Nut-HF, NI



Air Cleaner Assembly No. 106-2416

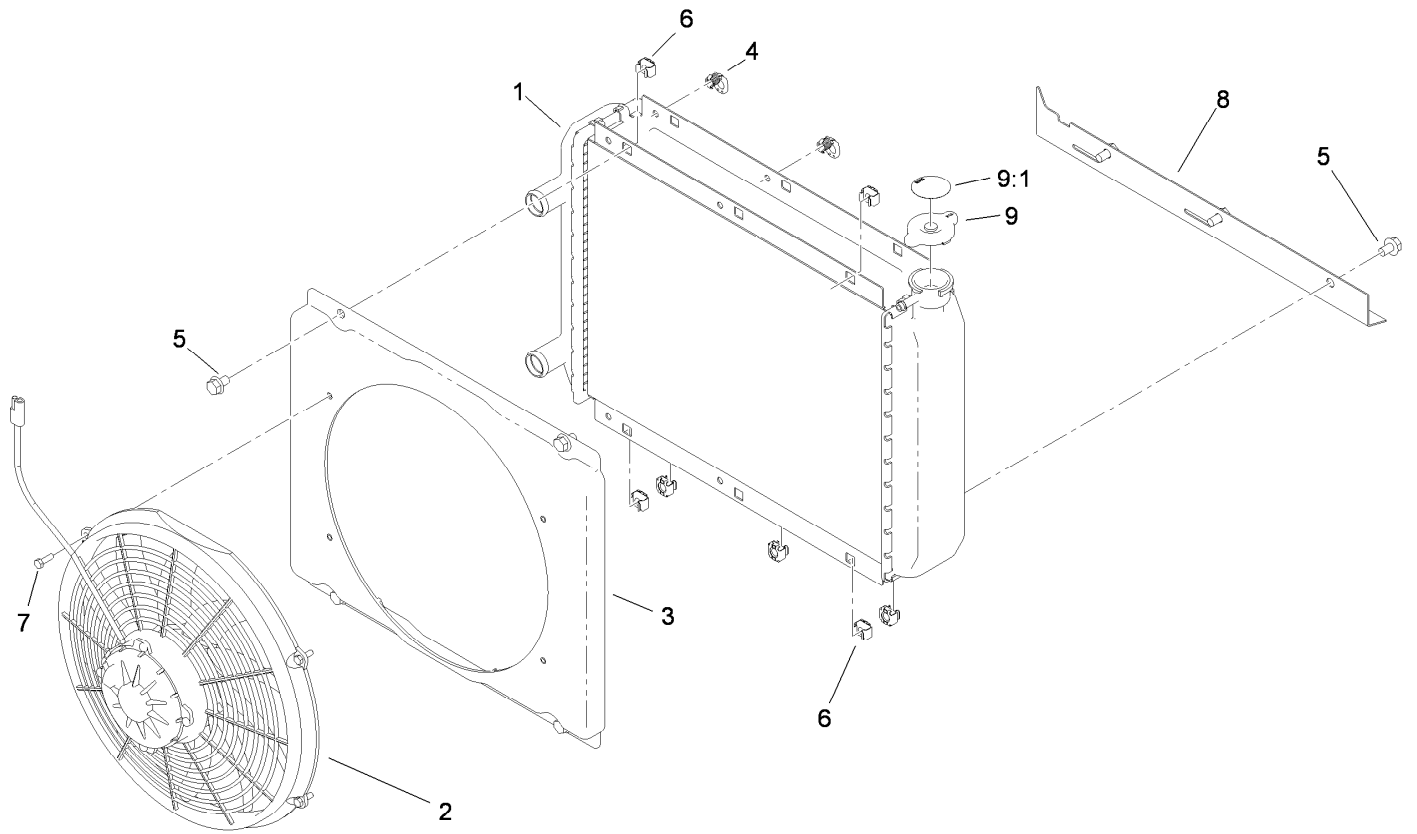
<i>Ref.</i>	<i>Part Number</i>	<i>Qty.</i>	<i>Description</i>
1	108-3811	1	Filter-Air V-Twin HD
2	104-0498	1	Valve-Vacuator
3	285-17	1	Plug-Pipe
4	106-6748	1	Gasket



Cooling System Assembly

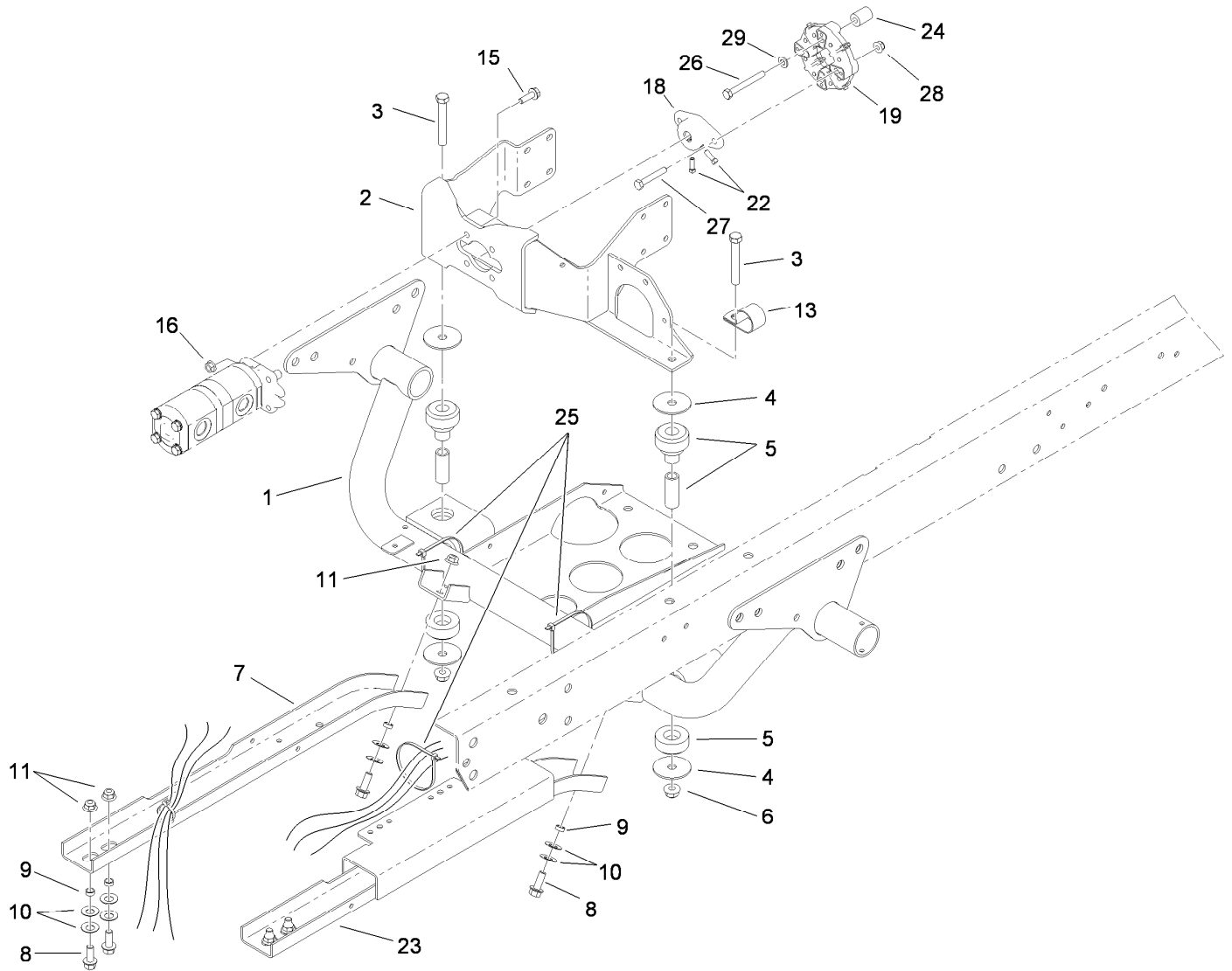
<i>Ref.</i>	<i>Part Number</i>	<i>Qty.</i>	<i>Description</i>	<i>Ref.</i>	<i>Part Number</i>	<i>Qty.</i>	<i>Description</i>
1		1	Radiator ASM ●	11	104-8301	4	Nut-HF, NI
2	87-3710	1	Reservoir-Coolant	12	3234-11	1	Screw-HHF
3	115-7753	1	Hose-Coolant, Upper	13	3234-4	4	Screw-HHF
4	115-7752	1	Hose-Coolant, Lower	14	107069	2	Clip
5	2412-34	4	Clamp-Hose	15	32128-33	2	Nut-HF
6	110-4114	1	Hose-Fuel	16	74-5950	4	Latch-Swell
7	110-4104	1	Hose-Fuel	17	2412-74	2	R-Clamp
8	92-2379	3	Clamp-Hose	18	32144-11	1	Screw-HWH
9	115-2428-03	1	Screen-Radiator	20	3256-3	2	Washer-Flat
10	115-2434	1	Mount-Radiator	21	3290-379	1	Tie-Cable

● Not serviced separately



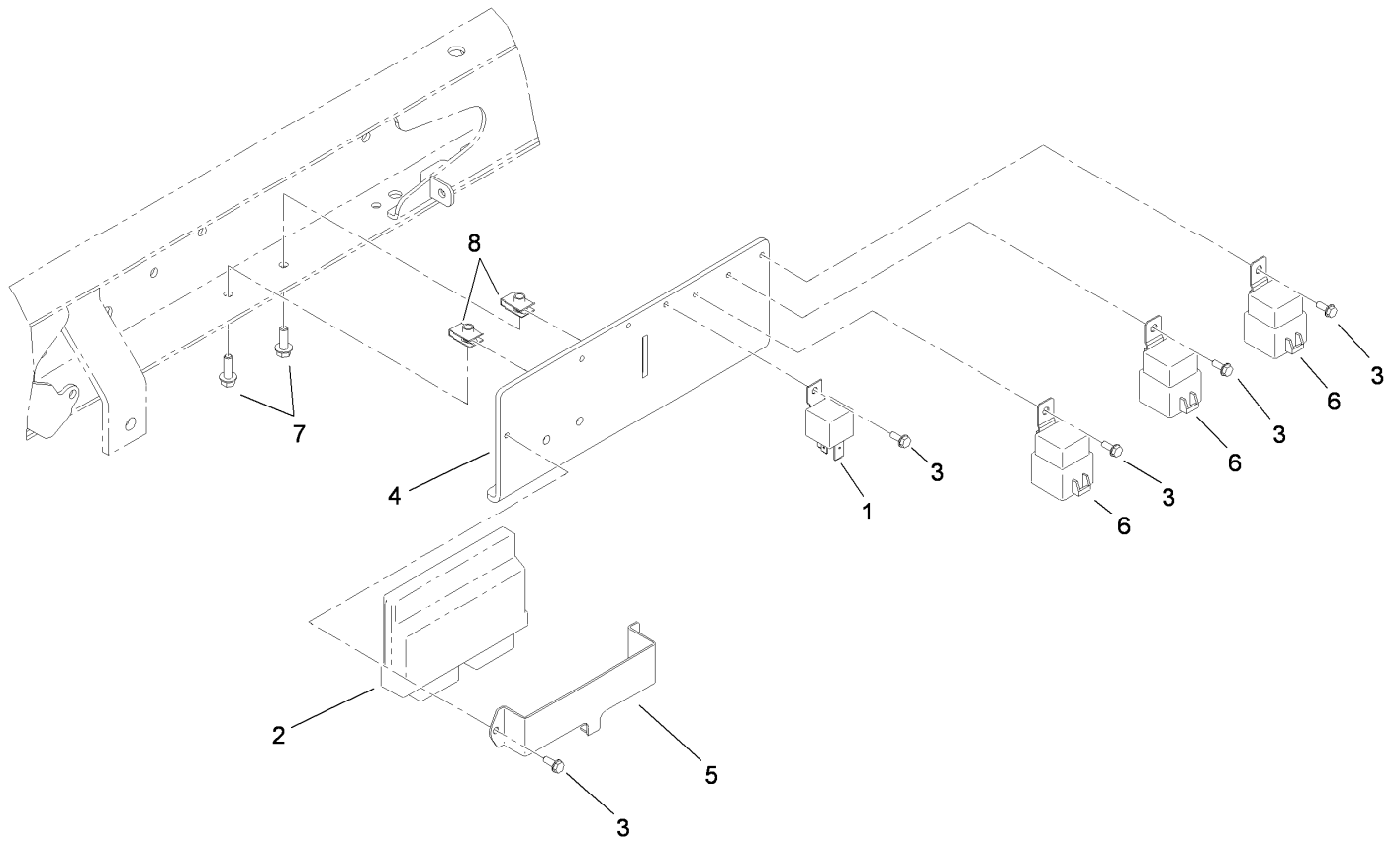
Radiator Assembly

<i>Ref.</i>	<i>Part Number</i>	<i>Qty.</i>	<i>Description</i>
1	161-5356	1	Radiator Kit
2	114-8385	1	Fan-Electric
3	114-8386	1	Shroud
4	114-8387	2	Latch-Spring
5	3234-30	7	Screw-HHF
6	703856	7	Nut-Sq, Caged
7	60-6910	4	Screw-HH
8	115-7765	1	Plate-Mount, Lower
9	115-7766	1	Cap-Radiator
9:1	106-6755	1	Decal-Cap, Radiator



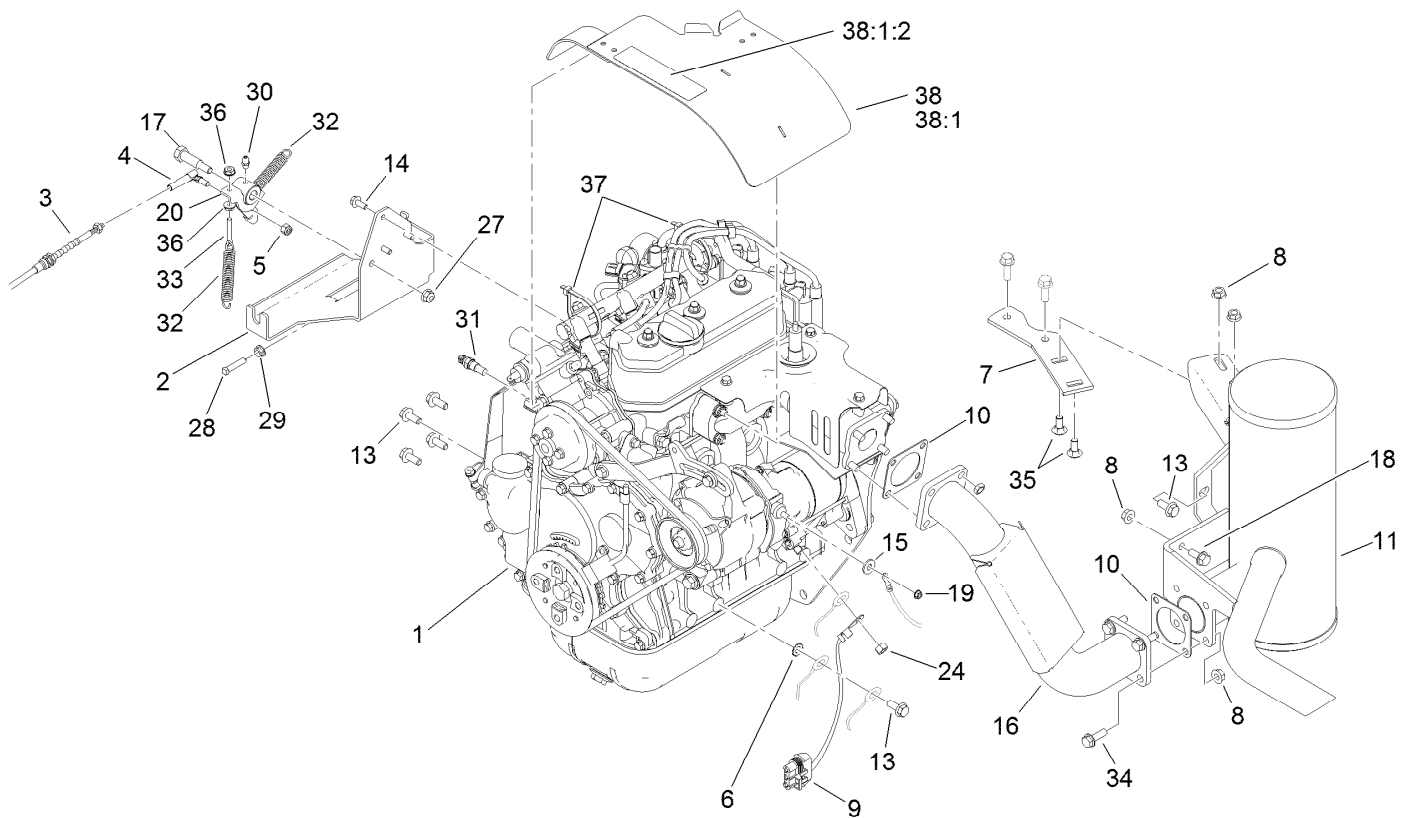
Engine Support Assembly

<i>Ref.</i>	<i>Part Number</i>	<i>Qty.</i>	<i>Description</i>	<i>Ref.</i>	<i>Part Number</i>	<i>Qty.</i>	<i>Description</i>
1	115-2256-03	1	Support-Engine	15	3234-17	4	Screw-HHF
2	114-8443-03	1	Mount-Pump/Engine	16	32128-20	4	Nut-HF
3	324-13	2	Screw-HH	18	115-2169	1	Hub-Pump
4	87-5100	4	Washer-Snubbing	19	119-0652	1	Coupler-Rubber
5	106-7865	2	Mount-Engine	22	3241-6	2	Screw-SQH
6	114-8417	2	Nut-HF, NI	23	115-2215-03	1	Guard-LH
7	87-4730-03	1	Guard-Belly	24	119-0718	2	Spacer
8	3234-11	6	Screw-HHF	25	3290-379	4	Tie-Cable
9	76-9100	6	Spacer	26	33114-070	2	Screw-HH
10	3290-413	12	Washer-Belleville	27	322-10	2	Screw-HH
11	104-8301	6	Nut-HF, NI	28	104-8300	2	Nut-HF, NI
13	2412-82	1	Clamp-R	29	3256-23	2	Washer-Plain



ECM and Relay Assembly

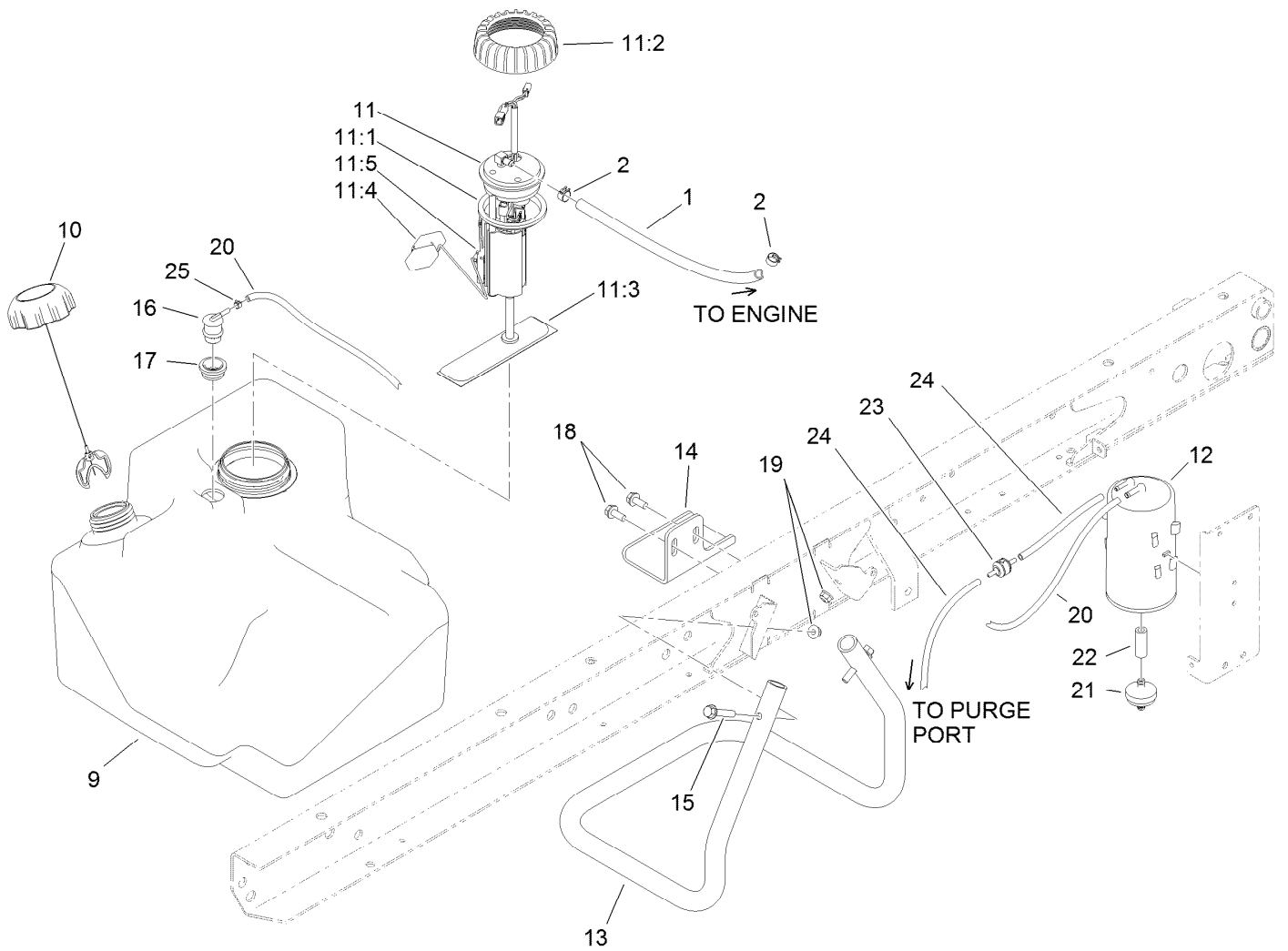
<i>Ref.</i>	<i>Part Number</i>	<i>Qty.</i>	<i>Description</i>
1	99-7435	1	Relay
2	114-8371	1	Module-Injection, Fuel
3	32144-112	5	Screw-HWH
4	115-2225	1	Bracket-Relay
5	115-2227	1	Holder-ECM
6	99-7430	3	Relay-Mini
7	3234-4	2	Screw-HHF
8	107069	2	Clip



Engine Assembly

Ref.	Part Number	Qty.	Description	Ref.	Part Number	Qty.	Description
1	120-5070	1	Engine ASM	19	33003-00	1	Nut-HF
2	115-2447-03	1	Bracket-Throttle	20	115-7770	1	Bellcrank ASM
3	115-2285	1	Cable-Accelerator	24	33014-00	1	Nut-Hex
4	18-1720	1	Ball Joint	27	104-8300	1	Nut-HF, NI
5	3296-3	1	Nut-Lock	28	107-7447	1	Screw-Set, SQH
6	3255-8	1	Washer-Lock	29	32128-14	1	Nut-HF
7	105-9472	1	Plate-Mount, Muffler	30	302-5	1	Fitting-Grease
8	32128-20	8	Nut-HF	31	94-7621	1	Sender-Temperature
9	99-3441	1	Harness-Wire, Fusible Link	32	115-7769	2	Spring-Extension
10	105-4209	2	Gasket-Muffler	33	108-6932	1	Rod-Link, Governor
11	115-7725	1	Muffler	34	3234-17	4	Screw-HHF
13	98-7977	9	Screw-HHF	35	3230-1	2	Bolt-CARR
14	114-8414	3	Screw-HHF	36	32149-8	2	Nut-Keps
15	3256-2	1	Washer-Flat	37	3290-379	2	Tie-Cable
16	115-2179	1	Exhaust Tube ASM	38	117-4867	1	Engine Cover Kit
17	7-0030	1	Screw-Shoulder, HH	38:1		1	Engine Cover ASM ●
18	3234-5	2	Screw-HHF	38:1:2	93-7814	1	Decal-Danger

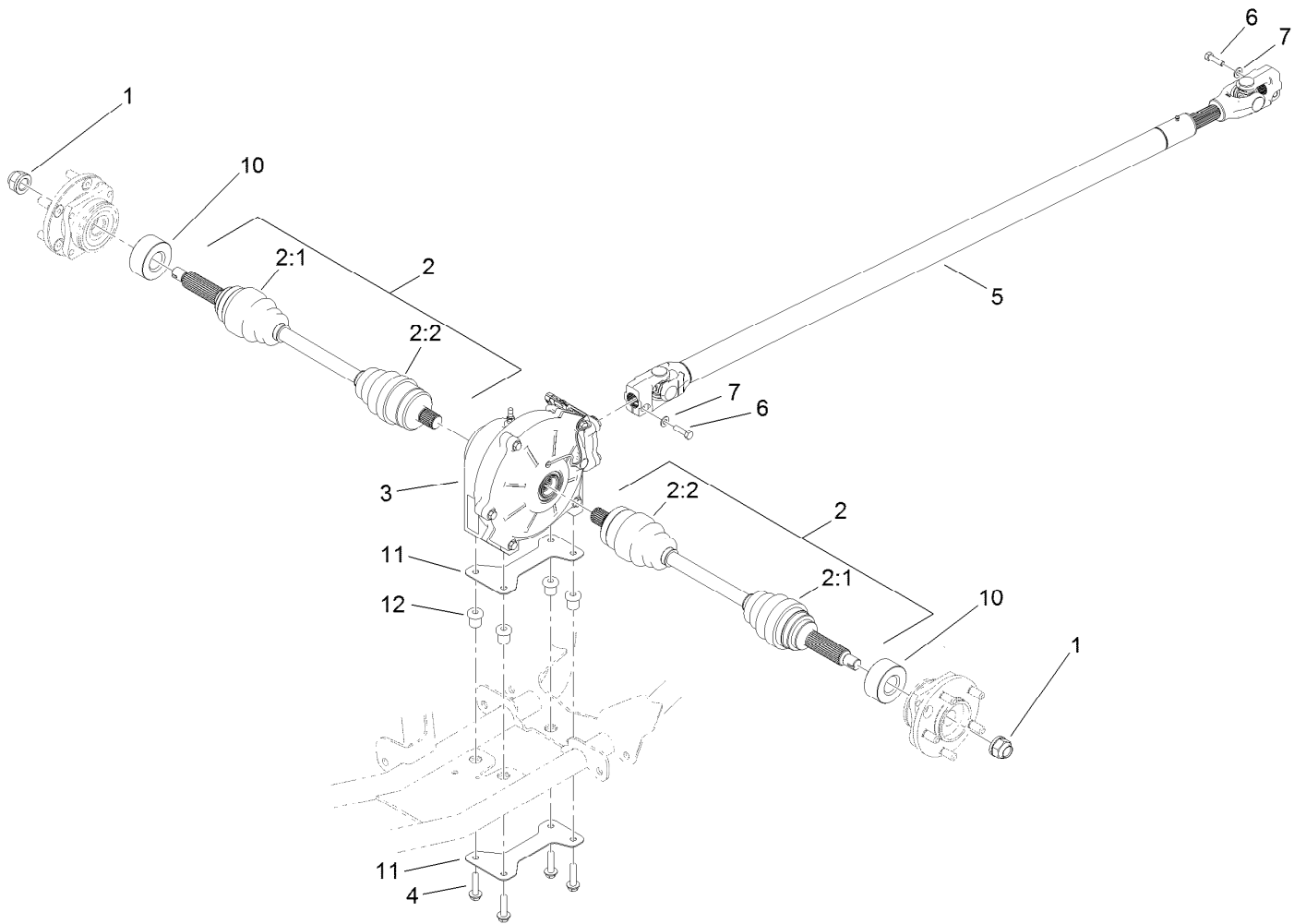
● Not serviced separately



Fuel System Assembly

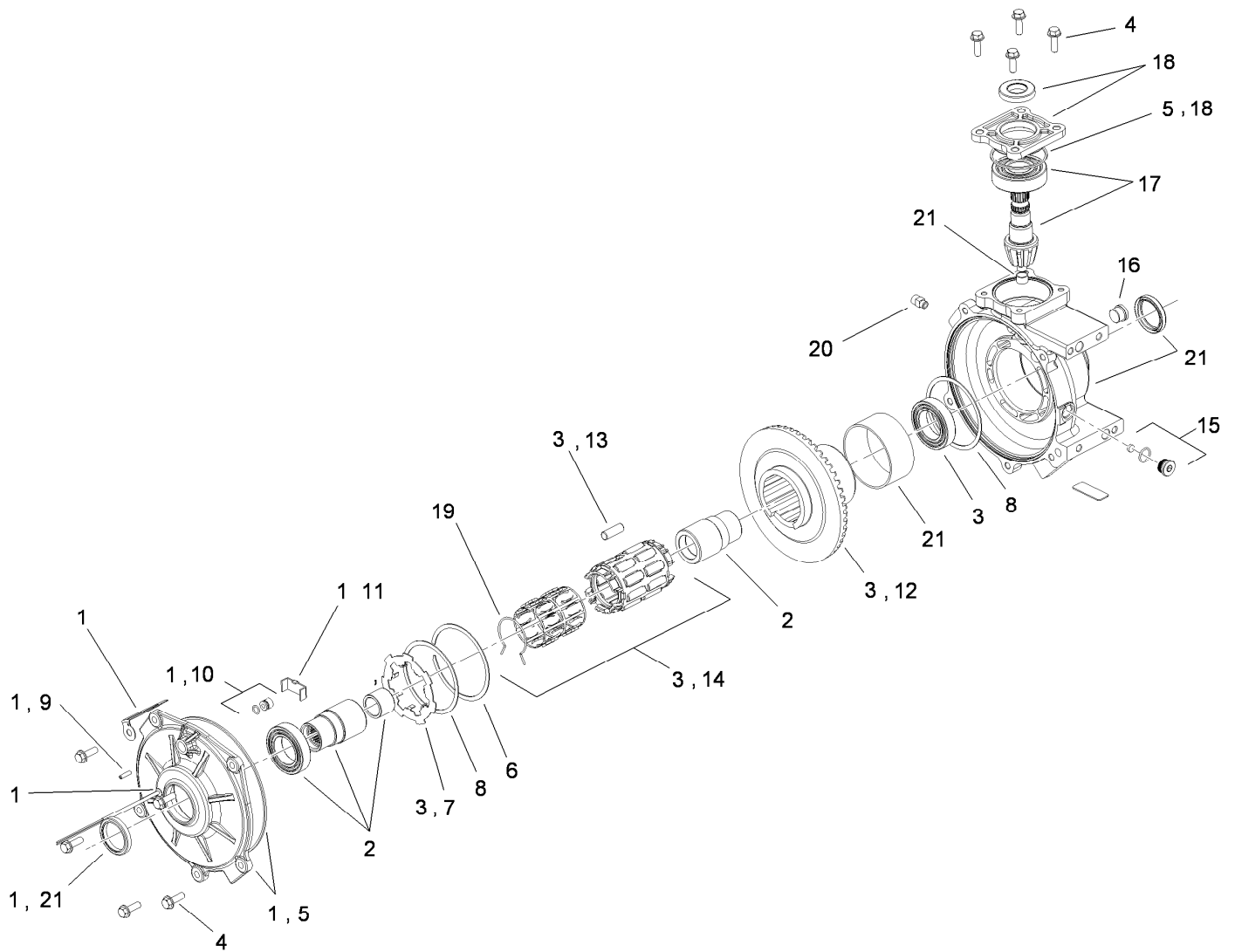
Ref.	Part Number	Qty.	Description
1	109-0279	1	Hose-Fuel
2	92-2379	2	Clamp-Hose
9	115-7700	1	Tank-Fuel
10	115-7788	1	Cap-Fuel
11	115-2399	1	Pump-Fuel
11:1	115-2163	1	Gasket-Pump, Fuel
11:2	115-2162	1	Cap-Pump, Fuel
11:3	115-7818	1	Fuel Filter ASM
11:4	120-4812	1	Float
11:5	127-8691	1	Sender-Fuel Level
12	115-2251	1	Canister-Carbon
13	115-7767-03	1	Tube-Support

Ref.	Part Number	Qty.	Description
14	114-8404	1	Plate-Retainer
15	94-5780	2	Screw-HWH
16	114-0285	1	Valve-Rollover
17	114-0284	1	Grommet
18	32144-11	2	Screw-HWH
19	104-8300	2	Nut-HF, NI
20	110-3254	1	Hose-Fuel
21	115-7854	1	Filter-Fuel, Inline
22	106-5317	1	Hose-Fuel
23	115-7868	1	Valve-Check, Vacuum
24	115-7871	2	Hose-Fuel
25	2412-146	1	Clamp-Hose



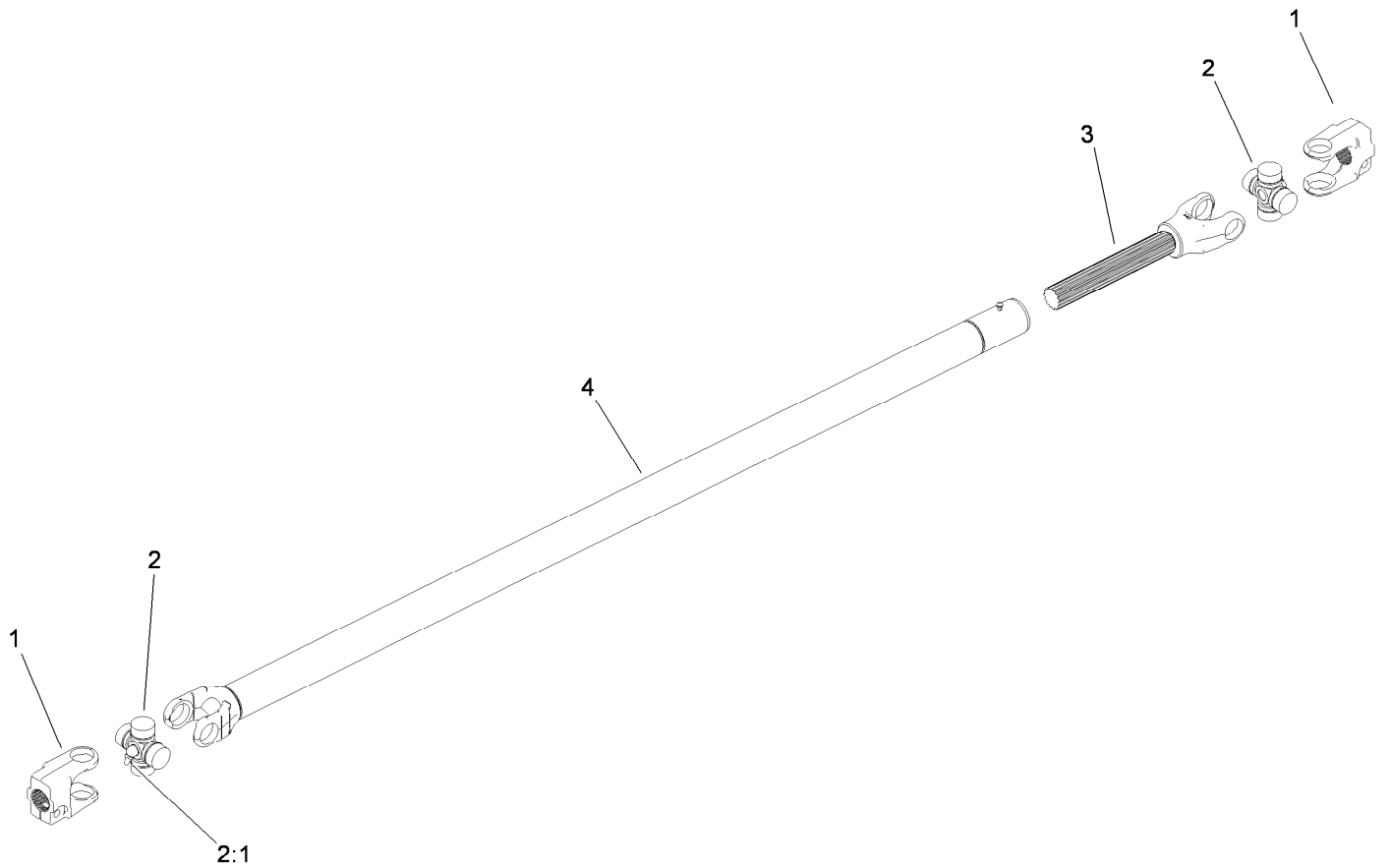
4 Wheel Drive Assembly

Ref.	Part Number	Qty.	Description
1	115-2164	2	Nut-Spindle
2	115-2172	2	Cv Axle ASM
2:1	107-2891	1	Outboard Boot Kit
2:2	107-2892	1	Inboard Boot Kit
3	119-0824	1	Differential ASM
4	3234-18	4	Screw-HHF
5	115-2171	1	Driveshaft ASM
6	3210-6	2	Screw-HH
7	3256-23	2	Washer-Plain
10	115-2254	2	Spacer-Axle
11	119-9477-03	2	Plate-Differential
12	63-9750	4	Mount



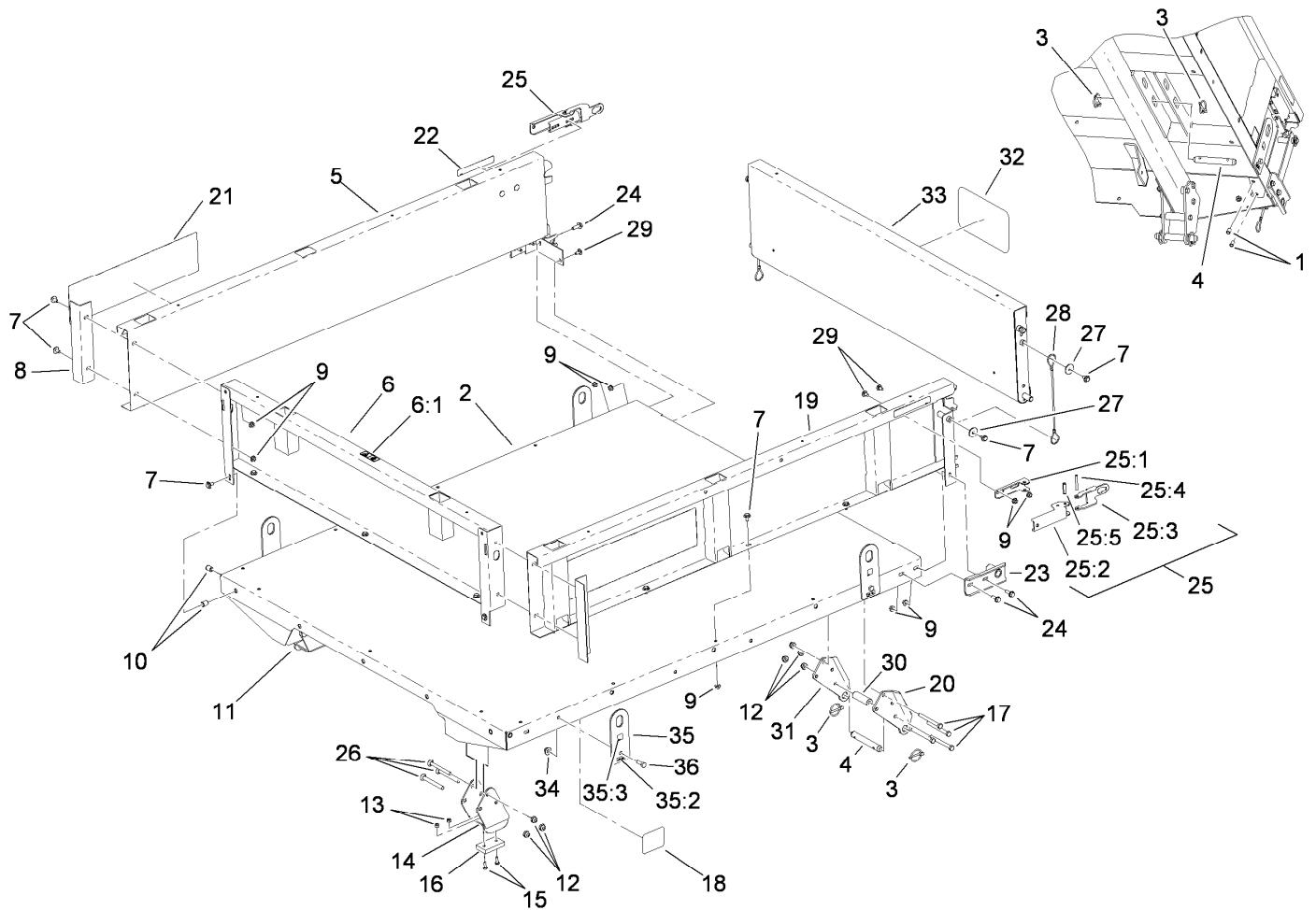
Differential Assembly No. 119-0824

<i>Ref.</i>	<i>Part Number</i>	<i>Qty.</i>	<i>Description</i>	<i>Ref.</i>	<i>Part Number</i>	<i>Qty.</i>	<i>Description</i>
1	115-7790	1	Output Cover ASM	12	115-7801	1	Gear-Ring, 50T
2	119-9479	1	Output Hub ASM	13	115-7802	1	Roll Kit
3	115-7792	1	Clutch ASM	14	115-7803	1	Roll Cage ASM
4	115-7793	1	Bolt Kit	15	115-7804	1	Drain Plug ASM
5	115-7794	1	Seal Kit	16	115-7805	1	Plug-Oil, Fill
6	115-7795	1	Ring-Retaining, Internal	17	115-7806	1	Shaft-Pinion, 9T
7	115-7796	1	Plate-Armature, Notched	18	115-7807	1	Input Cover ASM
8	115-7797	1	Shim	19	115-7808	1	Spring-Torsion
9	115-7798	1	Screw-Set	20	117-4985	1	Vent-Protected
10	115-7799	1	Thrust Button ASM	21	119-9480	1	Gearcase ASM
11	115-7800	1	Plate-Thrust				



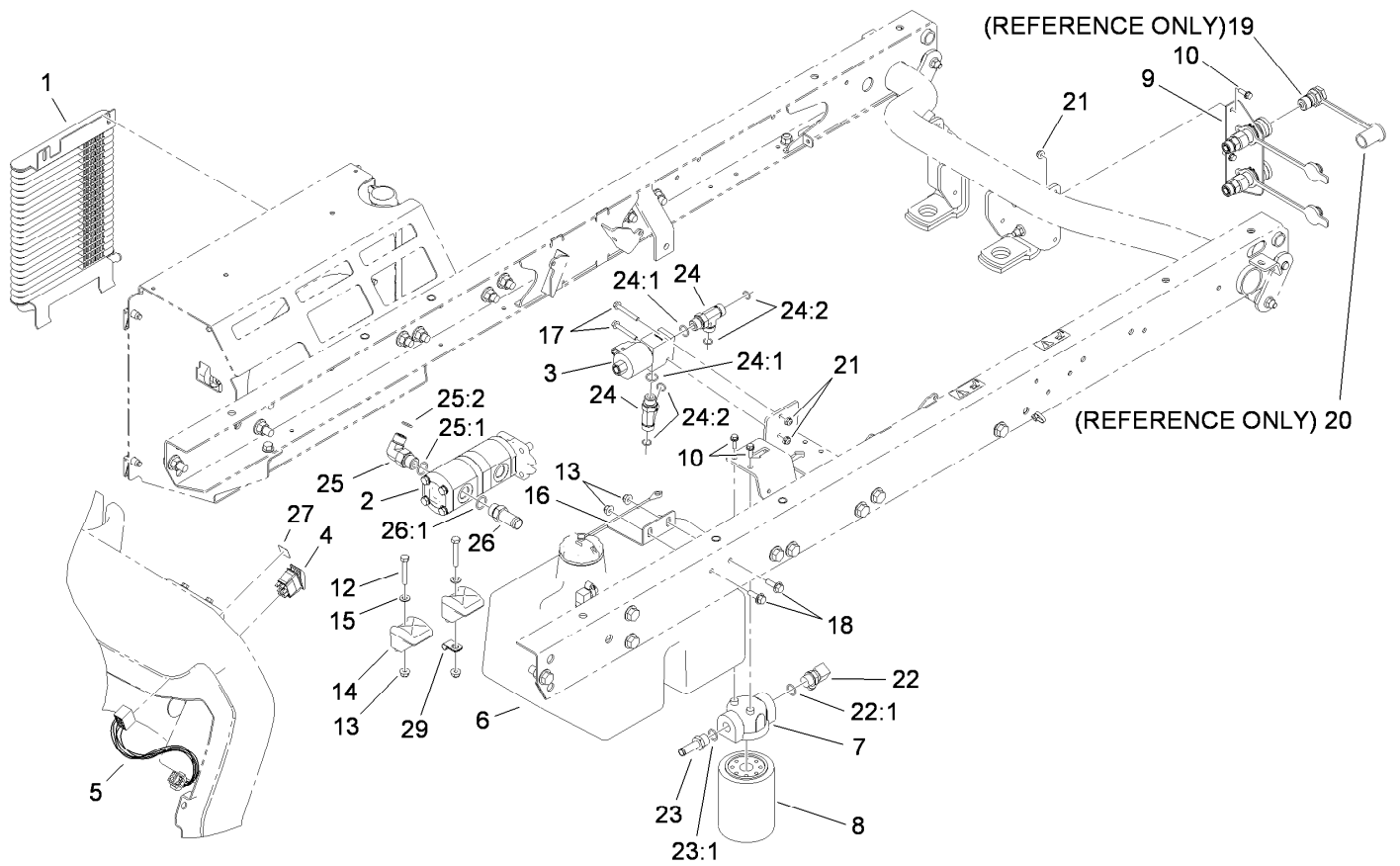
Drive Shaft Assembly No. 115-2171

Ref.	Part Number	Qty.	Description
1	115-7707	2	Yoke
2	54-9180	2	U-Joint Kit
2:1	62-3820	1	Fitting-Grease
3	115-7708	1	Yoke And Shaft
4	115-7709	1	Yoke, Tube And Slip Sleeve ASM



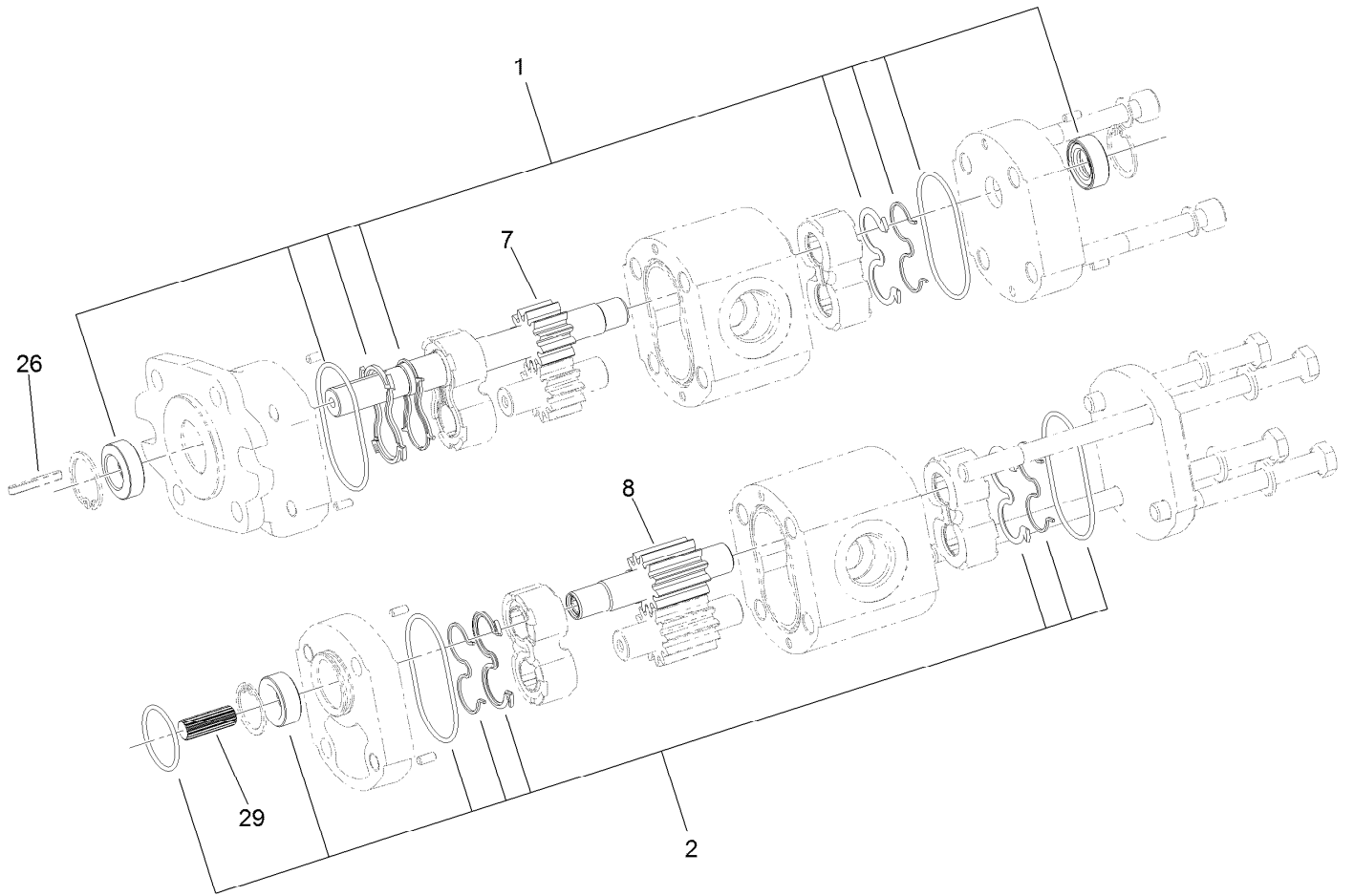
Full Bed and Side Panel Assembly

Ref.	Part Number	Qty.	Description	Ref.	Part Number	Qty.	Description
1	32148-6	4	Nut-Clinch	22	93-9868	2	Decal-Caution
2	93-9724-03	1	Flatbed-Full	23	92-1265-03	2	Bracket-Pivot
3	92-1298	8	Pin-Lynch	24	3234-29	6	Screw-HHF
4	92-1233	4	Pin-Clevis	25	99-1123	2	Latch ASM
5	92-1255-03	1	Panel-Side, RH	25:1	92-1271	1	Pivot-Latch
6	92-5982	1	Front Panel ASM	25:2	99-1113	1	Handle-Latch
6:1	115-7739	1	Decal-No Riders	25:3	99-1112	1	Plate-Retainer
7	3234-7	21	Screw-HHF	25:4	32121-78	1	Pin-Roll
8	92-1320-03	2	Angle-Side	25:5	32121-25	1	Pin-Roll
9	32128-20	27	Nut-HF	26	3231-24	6	Screw-CARR
10	32148-7	4	Nut-Clinch	27	3256-57	4	Washer-Flat
11	106-2423-03	1	Bracket-Spacer, RH	28	93-9595	2	Lanyard
12	3296-44	14	Nut-Lock, NI	29	3230-18	6	Screw-CARR
13	3296-42	4	Nut-Lock, NI	30	93-9575	2	Tube-Pivot, Flatbed
14	106-2422-03	1	Bracket-Spacer, LH	31	93-9721-03	2	Bracket-Pivot, Long (RH)
15	3250-45	4	Screw-SPH	32	105-4222	1	Decal
16	93-9719	2	Block-Wear	33	92-1259-03	1	Tailgate-Rear
17	323-42	8	Screw-HH	34	32128-43	4	Nut-Flange
18	93-9899	2	Decal-Warning	35	106-6733	4	Lift Plate ASM
19	92-1248-03	1	Panel-Side, LH	35:2	93-9525	1	Decal
20	93-9720-03	2	Bracket-Pivot, Long (LH)	35:3	93-9084	1	Decal-Point, Lift
21	115-7916	2	Decal	36	323-6	4	Screw-HH



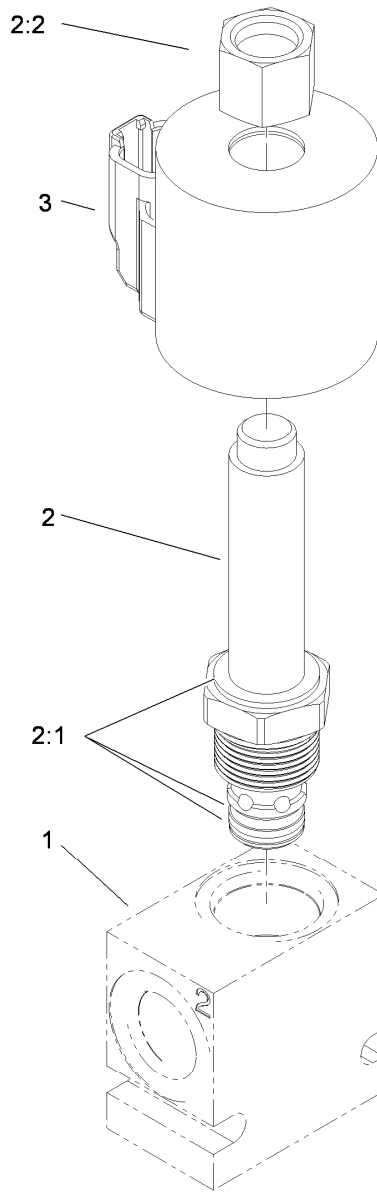
High Flow Assembly

<i>Ref.</i>	<i>Part Number</i>	<i>Qty.</i>	<i>Description</i>	<i>Ref.</i>	<i>Part Number</i>	<i>Qty.</i>	<i>Description</i>
1	114-8363	1	Cooler-Oil	20	105-7963	1	Cap-Dust
2	115-7787	1	Hydraulic Pump ASM	21	104-7201	4	Nut-HF, NI
3	115-2252	1	HYD Manifold ASM	22	354-120	1	Fitting-Elbow, 90
4	105-4232	1	Switch	22:1	237-79	1	O-Ring
5	105-8513	1	Harness-Wire	23	354-121	1	Fitting-STR
6	114-8435	1	Tank ASM	23:1	237-79	1	O-Ring
7	87-8780	1	Head-Filter	24	340-109	2	Fitting-Tee
8	54-0110	1	Filter-Oil, Transmission	24:1	237-79	1	O-Ring
9	114-8434	1	Coupler ASM	24:2	237-30	2	O-Ring
10	3234-4	4	Screw-HHF	25	340-105	1	Fitting-Elbow, 90 DEG
12	322-10	2	Screw-HH	25:1	237-80	1	O-Ring
13	104-8300	4	Nut-HF, NI	25:2	237-30	1	O-Ring
14	107-4543	2	Clamp	26	354-136	1	Fitting-STR
15	3256-23	2	Washer-Plain	26:1	237-80	1	O-Ring
16	115-2166	1	Support-Tank	27	115-7756	1	Decal-HYD, High Flow
17	321-44	2	Screw-HHF	29	2412-113	1	Clamp-R
18	3234-29	2	Screw-HHF				
19	105-4170	1	Coupler-Male				



Hydraulic Pump Assembly No. 115-7787

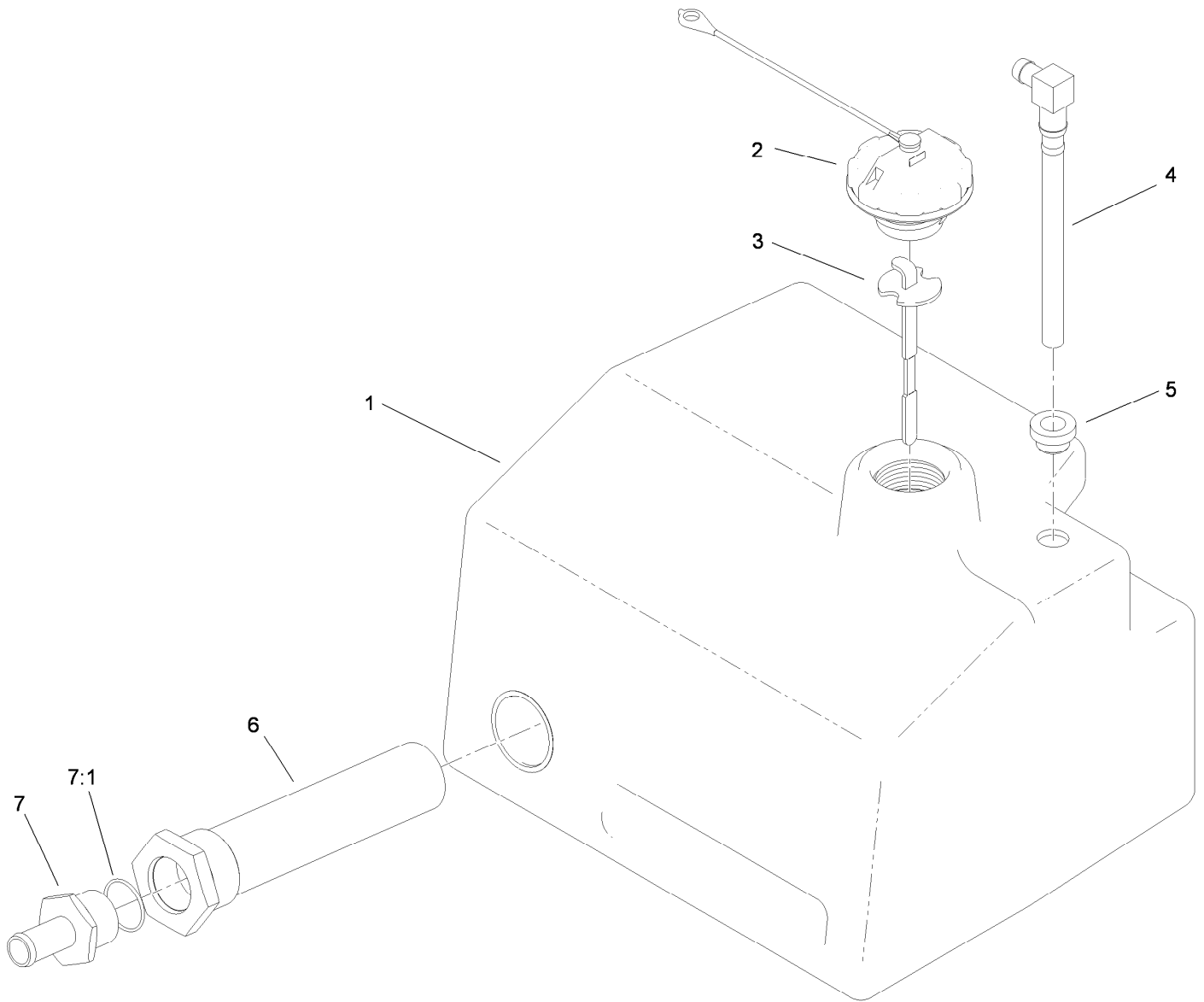
<i>Ref.</i>	<i>Part Number</i>	<i>Qty.</i>	<i>Description</i>
1	115-8696	1	Seal Kit
2	115-8697	1	Seal Kit
7	136-1197	1	Shaft-Drive
8	136-1198	1	Gear-Drive
26	115-7855	1	Key-Square
29	119-0653	1	Coupling-Splined



Hydraulic Manifold Assembly No. 115-2252

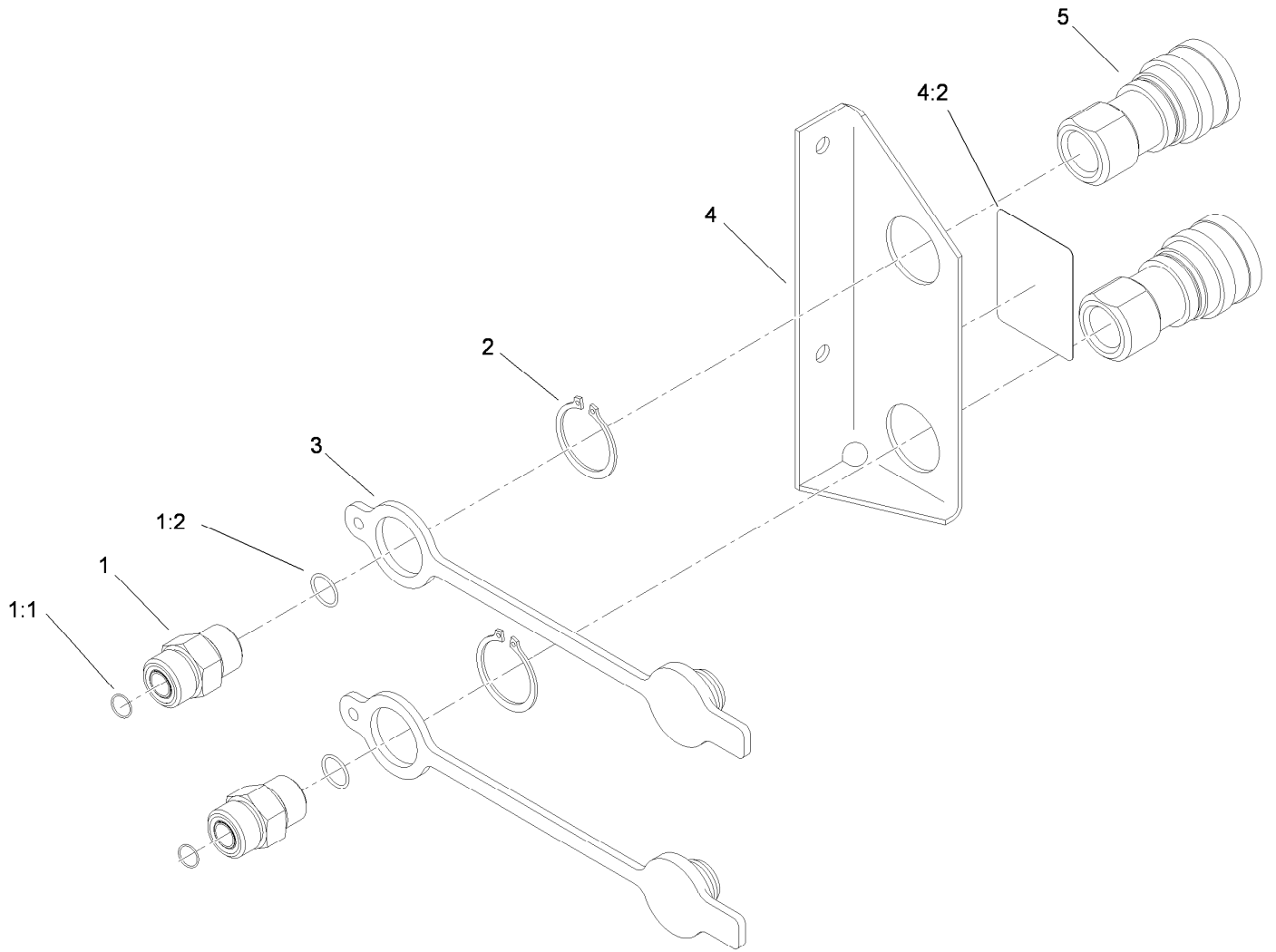
<i>Ref.</i>	<i>Part Number</i>	<i>Qty.</i>	<i>Description</i>
1		1	Housing ●
2	110-8905	1	Valve-Relief, Solenoid
2:1	110-6316	1	Seal Kit
2:2	130-8180	1	Nut-Coil (9/16-24 Unef-2B)
3	115-3021	1	Coil-12V

● Not serviced separately



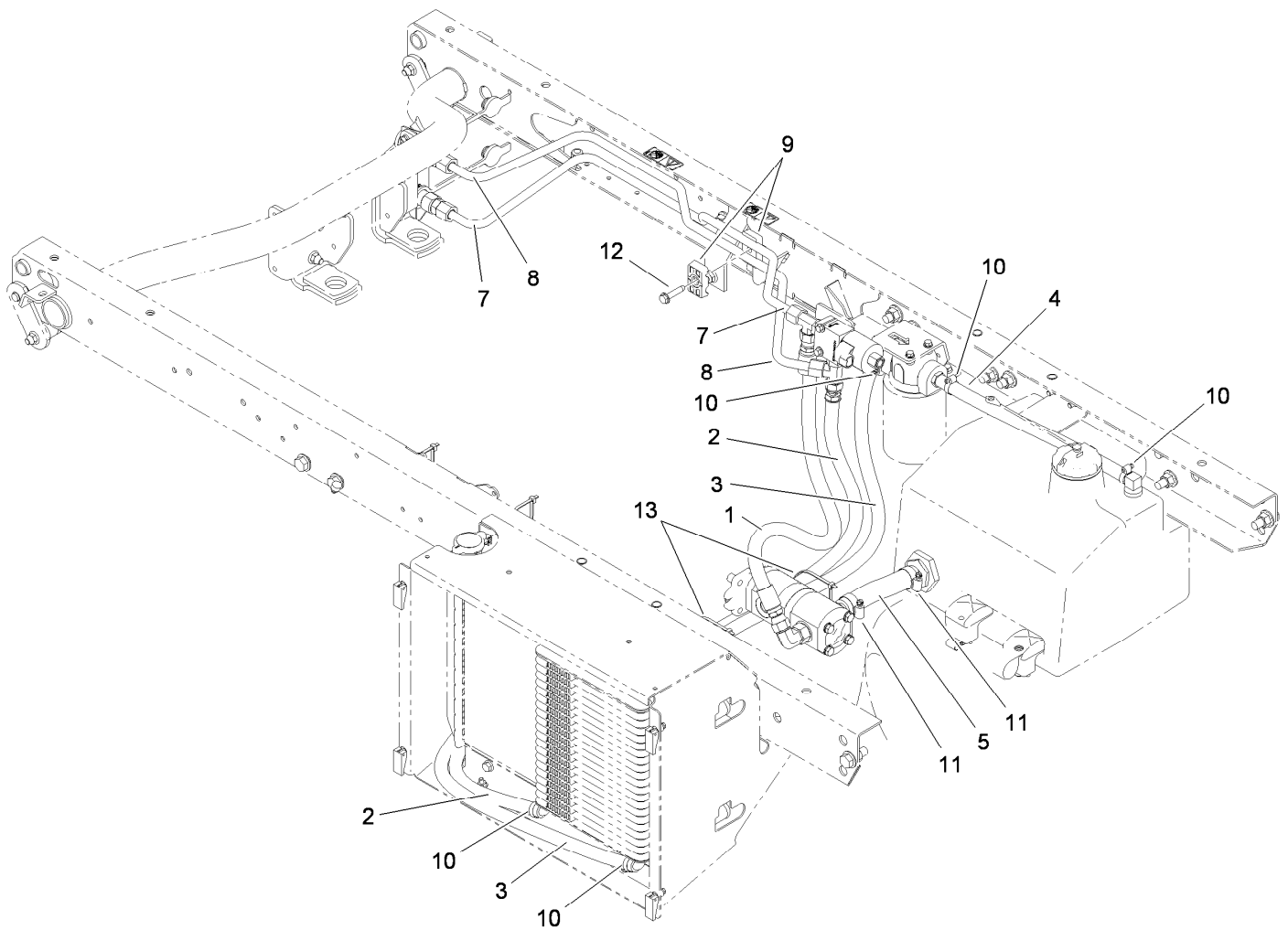
Tank Assembly No. 114-8435

<i>Ref.</i>	<i>Part Number</i>	<i>Qty.</i>	<i>Description</i>
1	114-8364	1	Tank-HYD
2	115-7877	1	Cap-Oil, HYD
3	115-7870	1	Dipstick-Oil
4	104-0791	1	Pipe-Stand
5	104-0790	1	Bushing
6	115-2230	1	Strainer-In Tank
7	99-6932	1	Fitting-STR
7:1	237-117	1	O-Ring



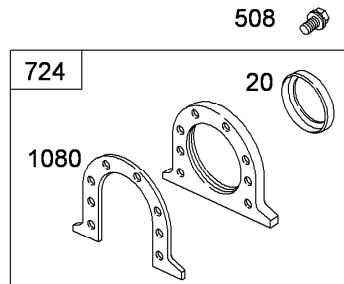
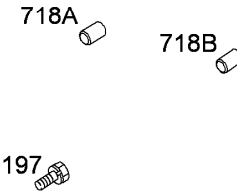
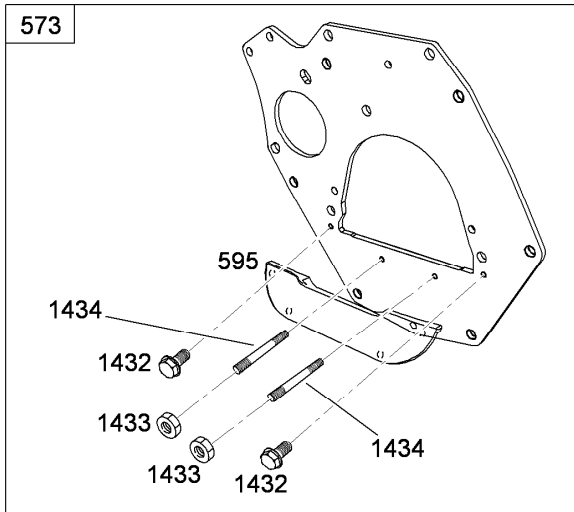
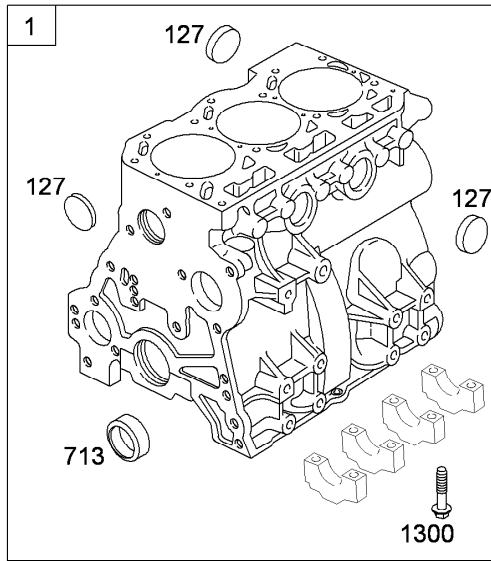
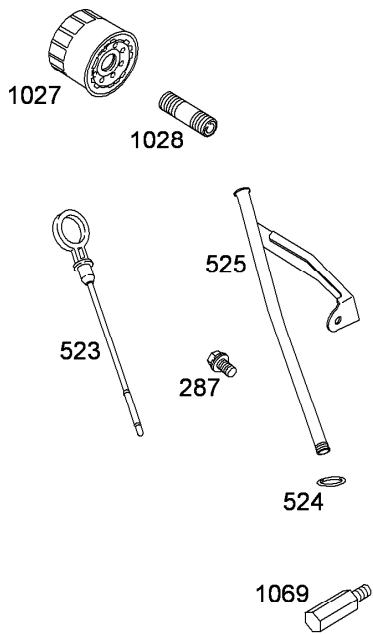
Coupler Assembly No. 114-8434

<i>Ref.</i>	<i>Part Number</i>	<i>Qty.</i>	<i>Description</i>
1	340-4	2	Fitting-Straight
1:1	237-30	1	O-Ring
1:2	237-79	1	O-Ring
2	32120-2	2	Ring-Retaining
3	105-7962	2	Plug-Dust
4	105-7978	1	Coupler Bracket ASM
4:2	105-7977	1	Decal
5	105-4169	2	Coupler-Female



High Flow Hose Assembly

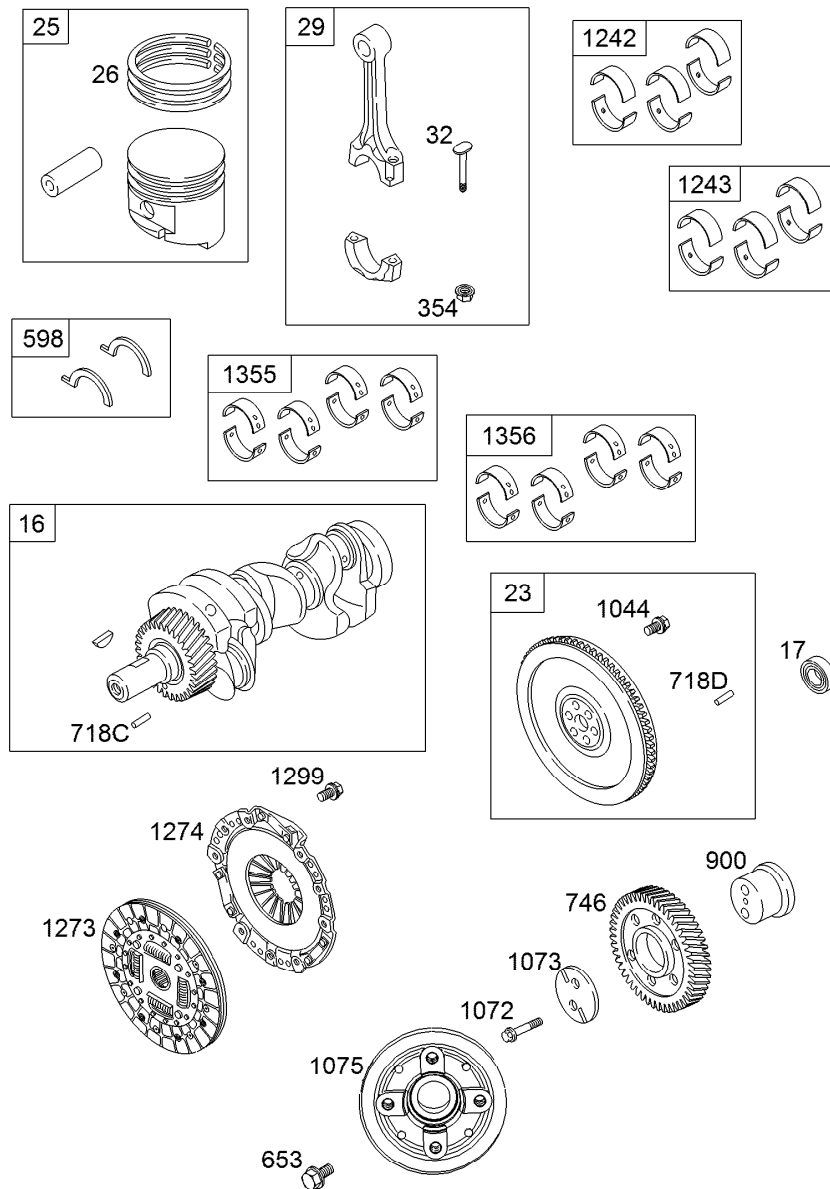
<i>Ref.</i>	<i>Part Number</i>	<i>Qty.</i>	<i>Description</i>
1	114-8439	1	HYD Hose ASM
2	93-5356	1	Hose-HYD
3	114-8437	1	Hose-HYD
4	114-8438	1	Hose-HYD
5	114-8442	1	Hose-HYD
7	115-2248	1	Tube-HYD
8	115-2249	1	Tube-HYD
9	56-7976	2	Clamp-Tube
10	2412-36	5	Clamp-Hose
11	2412-129	2	Clamp-Hose
12	32144-57	1	Screw
13	3290-379	2	Tie-Cable



Cylinder Assembly

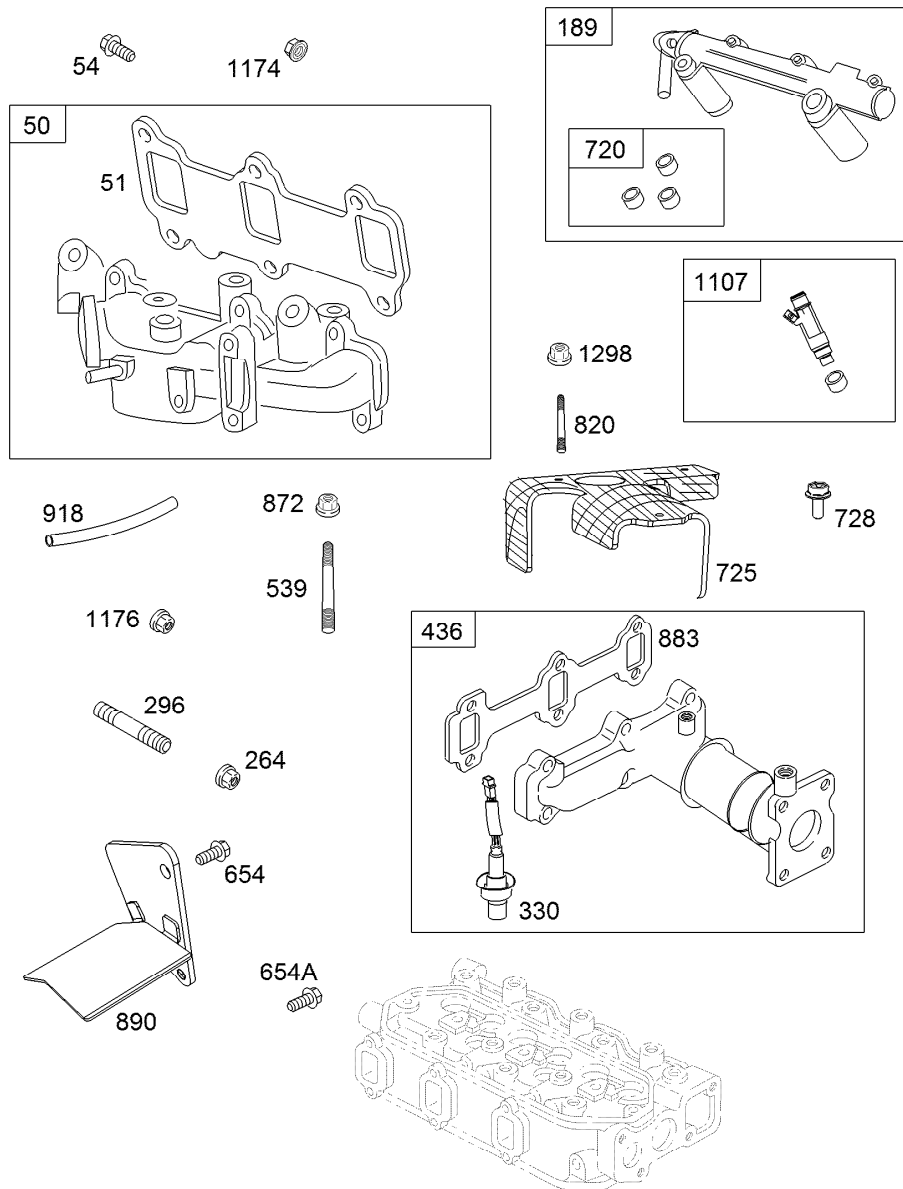
Ref.	Part Number	Qty.	Description
1	107-9891	1	Cylinder ASM
20	117-4887	1	Seal-Oil
127	99-9008	1	Plug-Welch
197	99-9005	1	Screw-Hex
239	107-9908	1	Switch-Pressure, Oil
287	99-9256	1	Screw-Hex
415	99-9010	1	Plug-Welch
508	99-9004	1	Screw-Hex
523	99-9259	1	Dipstick
524	99-9265	1	Seal-O-Ring
525	99-9260	1	Tube-Dipstick
573	120-7566	1	Backing Plate ASM
591	107-9892	1	Plug-Welch (Cam)
595	115-2309	1	Plate-Shield, End

Ref.	Part Number	Qty.	Description
713	99-9002	1	Bushing
718	99-9012	1	Pin-Locating
718A	99-9013	1	Pin-Locating
718B	99-9014	1	Pin-Locating
724	99-9022	1	Retainer-Seal
1027	83-1760	1	Filter-Oil
1028	105-9337	1	Adapter-Filter, Oil
1069	99-9020	1	Nozzle-Oil
1080	99-9021	1	Gasket-Retainer
1300	99-9006	1	Screw-Hex
1432	115-2307	1	Screw
1433	99-9114	1	Nut-Hex, Metric
1434	115-2306	1	Stud



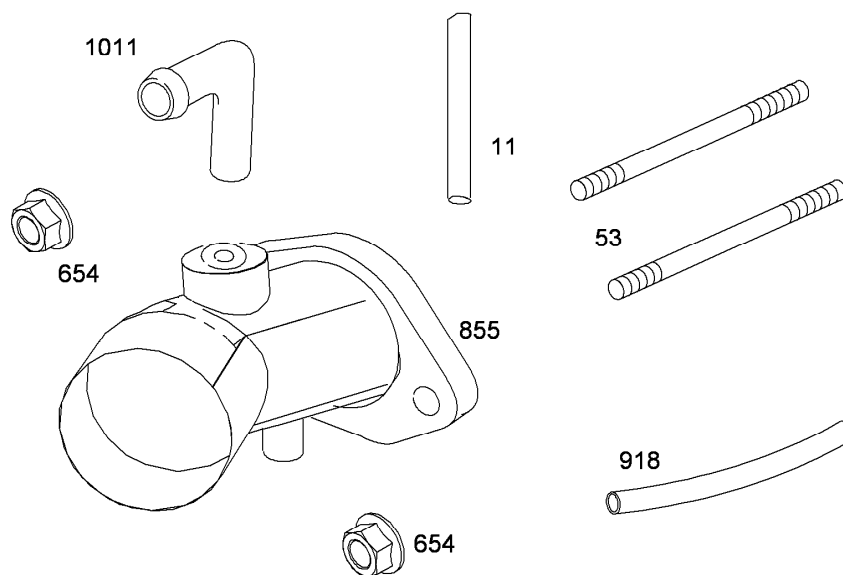
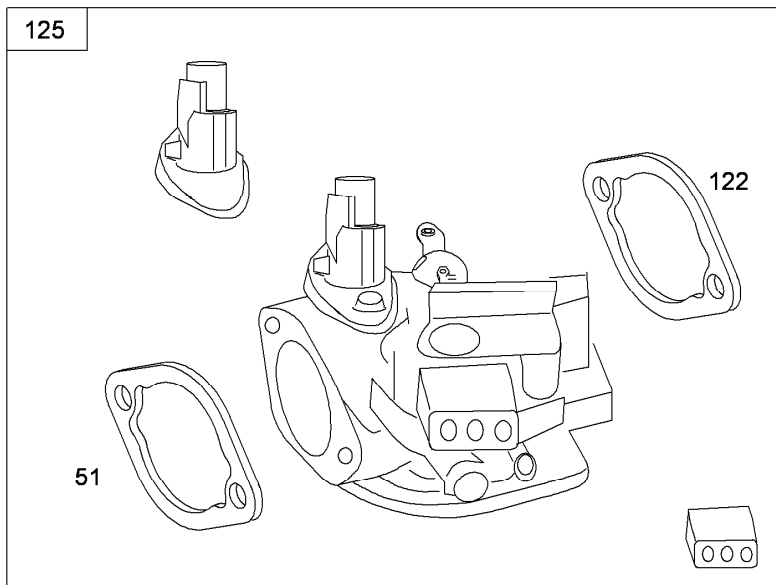
Crankshaft Assembly

Ref.	Part Number	Qty.	Description	Ref.	Part Number	Qty.	Description
16	105-9339	1	Crankshaft	718D	106-1852	1	Pin-Locating
17	105-9324	1	Bearing-Ball, Radial	746	99-9609	1	Gear-Drive
23	105-9323	1	Flywheel ASM	900	99-9039	1	Shaft-Gear
25	117-4889	1	Piston ASM (STD)	1044	99-9031	1	Screw-Hex (Flywheel)
25	117-4890	1	Piston ASM (.010)	1072	99-9032	1	Screw-Hex (Idle Gear Plate)
26	99-9027	1	Ring Set (Standard)	1073	99-9040	1	Plate-Gear, Idler
26	99-9028	1	Ring Set (.010 Oversized)	1075	117-4892	1	Pulley-Crankshaft
29	119-2162	1	Rod-Connecting	1242	117-4893	1	Rod Bearing Set (STD)
32	99-9030	1	Screw (Connecting Rod)	1243	99-9044	1	Rod Bearing Set (.010 Undersized)
354	99-9034	1	Nut-Hex (Connecting Rod)	1273	104-9219	1	Disc-Clutch
598	99-9035	1	Shim-Endplay (Crankshaft) (Standard)	1274	104-9231	1	Plate-Pressure, Clutch
598	99-9036	1	Shim-Endplay (.010 Oversized)	1299	99-9054	1	Screw-Hex (Pressure Plate Clutch)
653	107-9897	1	Screw-Hex (Crankshaft Pulley)	1355	117-4894	1	Main Bearing Set (STD)
718C	99-9037	1	Pin-Locating	1356	99-9046	1	Main Bearing Set (.010 Undersized)



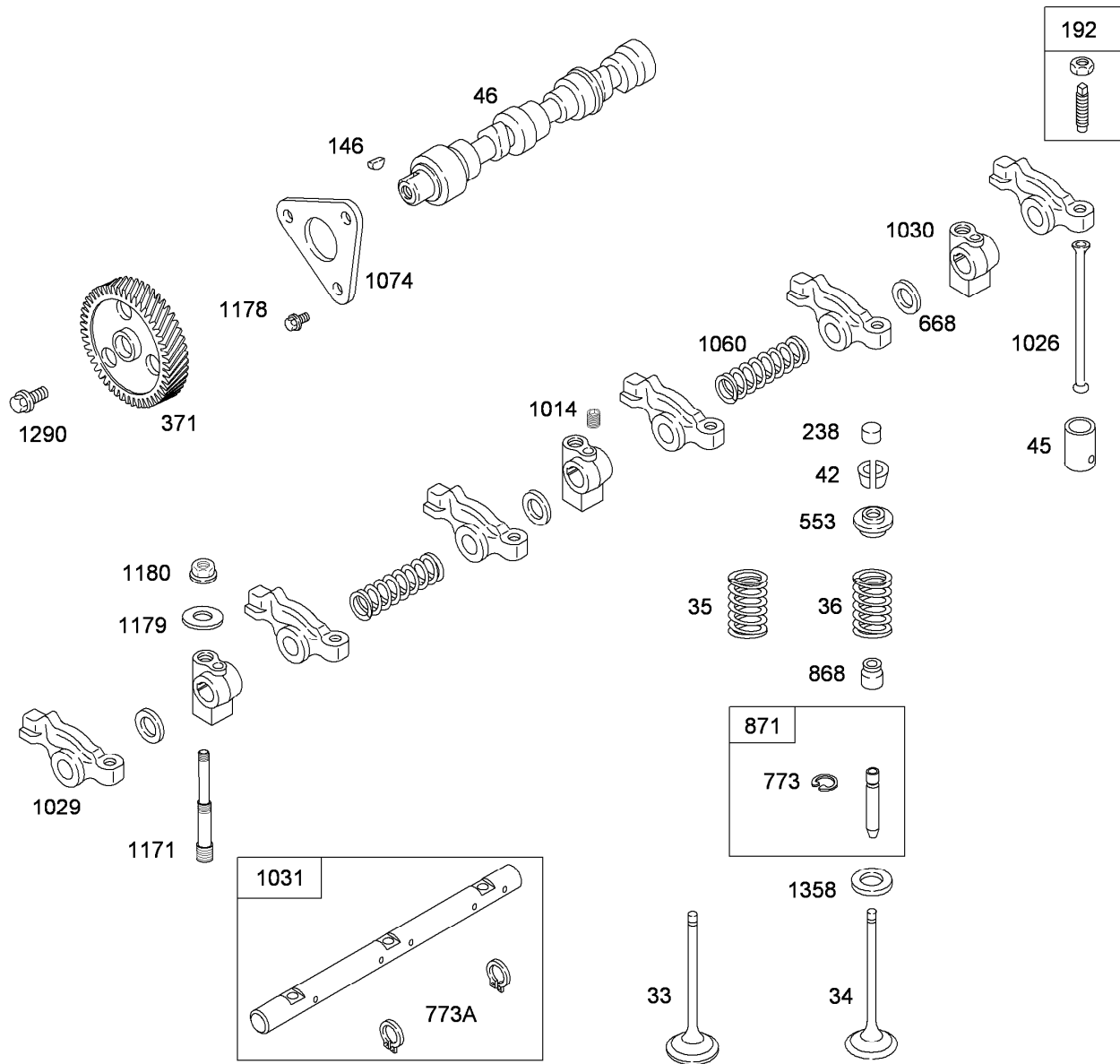
Manifold Assembly

<i>Ref.</i>	<i>Part Number</i>	<i>Qty.</i>	<i>Description</i>	<i>Ref.</i>	<i>Part Number</i>	<i>Qty.</i>	<i>Description</i>
50	117-4902	1	Manifold-Intake	725	117-4908	1	Shield-Heat
51	99-9173	1	Gasket-Intake	728	117-4909	1	Screw
54	99-9004	1	Screw-Hex	820	99-9112	1	Stud-Metric
189	117-4903	1	Rail-Injector, Fuel	872	117-4910	1	Nut
264	99-9176	1	Nut-Hex	883	99-9178	1	Gasket-Exhaust
296	99-9677	1	Stud-Manifold, Exhaust	890	117-4911	1	Bracket-Support
330	117-4904	1	Sensor-Oxygen	918	105-9330	1	Hose-Vacuum
436	120-5071	1	Manifold-Exhaust	1107	117-4913	1	Nozzle-Injector
539	117-4906	1	Stud	1174	99-9114	1	Nut-Hex, Metric
654	119-2167	1	Screw	1176	99-9175	1	Nut-Hex, Metric
654A	119-2166	1	Screw	1298	99-9113	1	Nut-Hex, Metric
720	117-4907	1	Seal-Injector, Fuel				



Carburetor Assembly

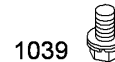
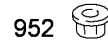
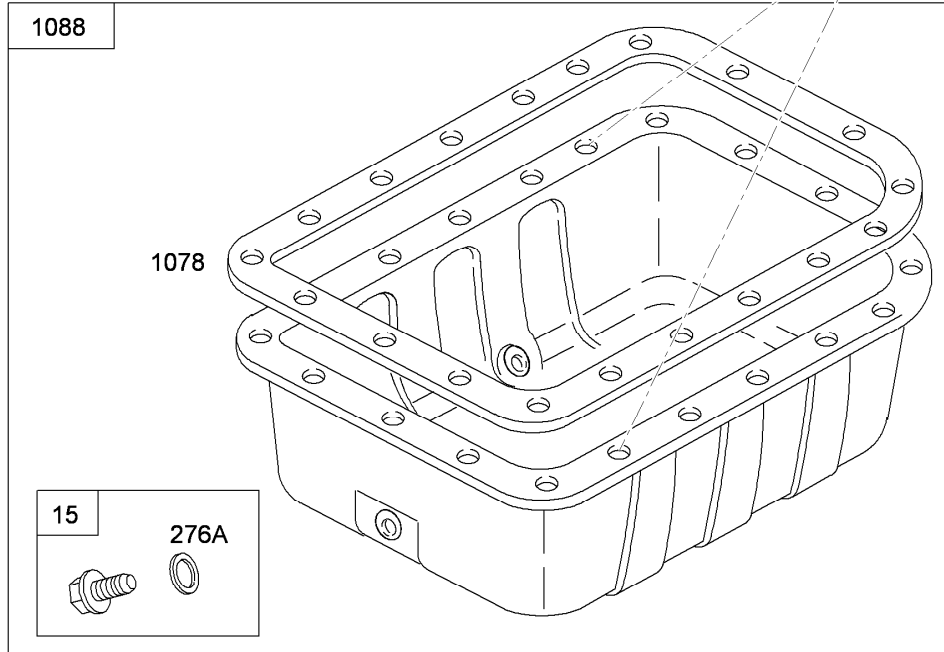
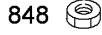
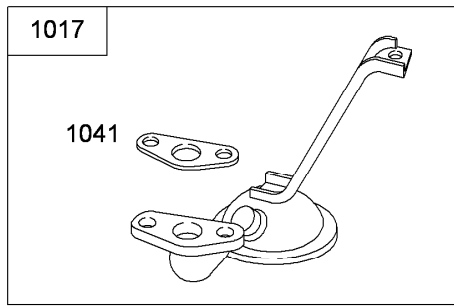
Ref.	Part Number	Qty.	Description
11	105-9322	1	Hose-Breather
51	105-9329	1	Gasket-Funnel, Air
53	106-1854	1	Stud (Carburetor)
122	99-9184	1	Spacer-Carburetor
125	117-4915	1	Body-Throttle
654	99-9186	1	Nut-Hex, Metric (Carburetor)
855	105-9328	1	Funnel-Air
918	117-4912	1	Hose-Vacuum
1011	99-9198	1	Tube-Vent



Camshaft Assembly

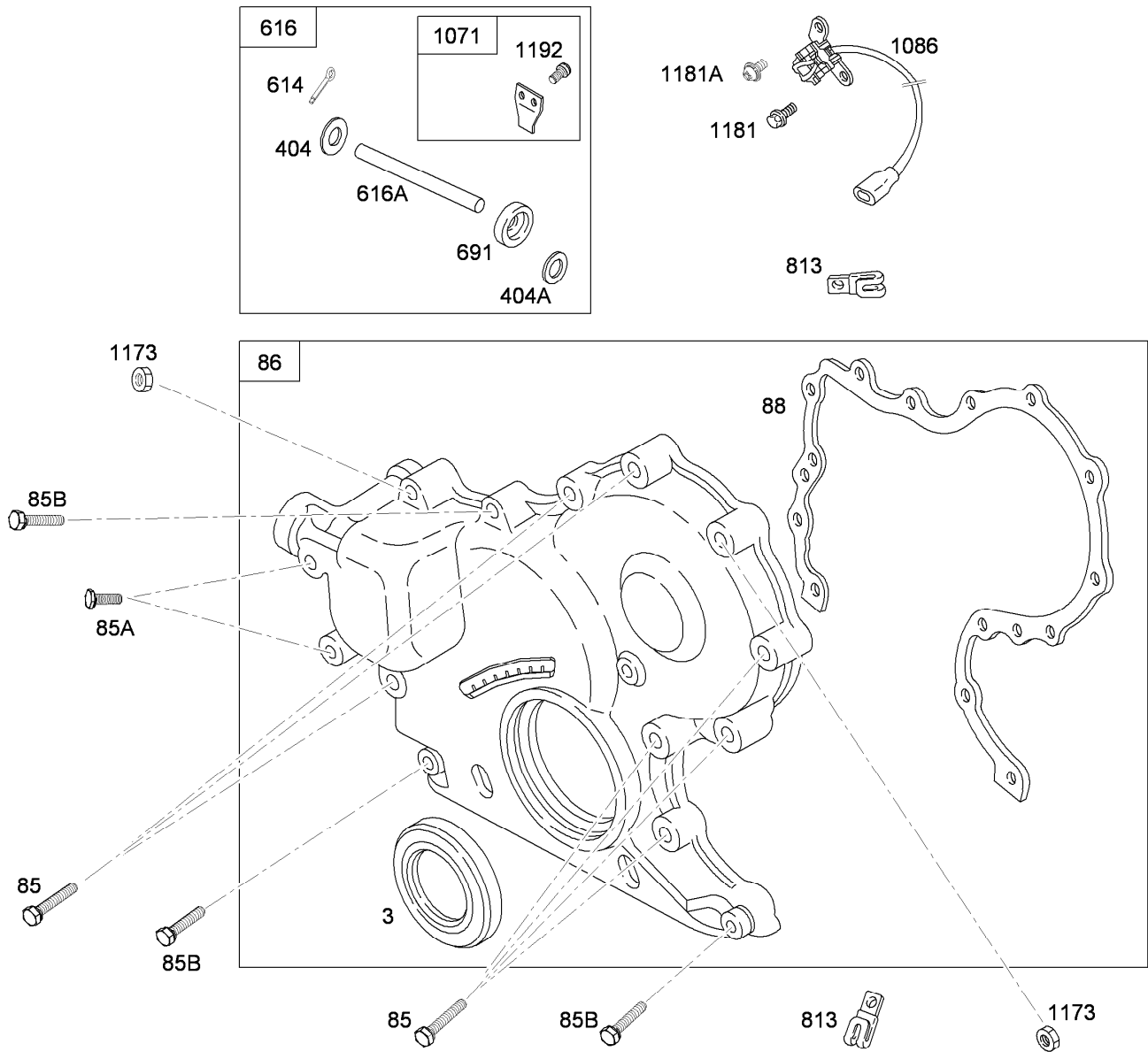
Ref.	Part Number	Qty.	Description
33	99-9080	1	Valve-Exhaust
34	99-9081	1	Valve-Intake
35	99-9640	1	Spring-Valve
36	99-9640	1	Spring-Valve
42	99-9086	2	Keeper-Valve (Set)
45	99-9088	1	Tappet-Valve
46	99-9097	1	Shaft-Cam
146	99-9095	1	Key-Woodruff
192	112-2978	1	Adjuster-Arm, Rocker
238	112-2979	1	Cap-Valve
371	99-9641	1	Gear-Cam
553	99-9084	1	Retainer-Valve
668	99-9093	1	Washer-Spacer
773	99-9067	1	Retainer
773A	99-9099	1	Retainer

Ref.	Part Number	Qty.	Description
868	99-9102	1	Seal-Valve
871	99-9070	1	Bushing-Guide
1014	99-9090	1	Screw-Metric
1026	112-2980	1	Rod-Push
1029	99-9104	1	Arm-Rocker
1030	99-9107	1	Support-Arm, Rocker
1031	99-9106	1	Shaft-Arm, Rocker
1060	99-9108	1	Spring-Shaft, Rocker
1074	99-9109	1	Retainer-Camshaft
1171	99-9101	1	Stud-Arm, Rocker
1178	99-9083	1	Screw-Hex
1179	99-9079	1	Washer-Flat
1180	99-9091	1	Nut-Hex, Metric
1290	99-9085	1	Screw-Metric
1358	99-9096	1	Seat-Spring, Valve



Oil Pan Assembly

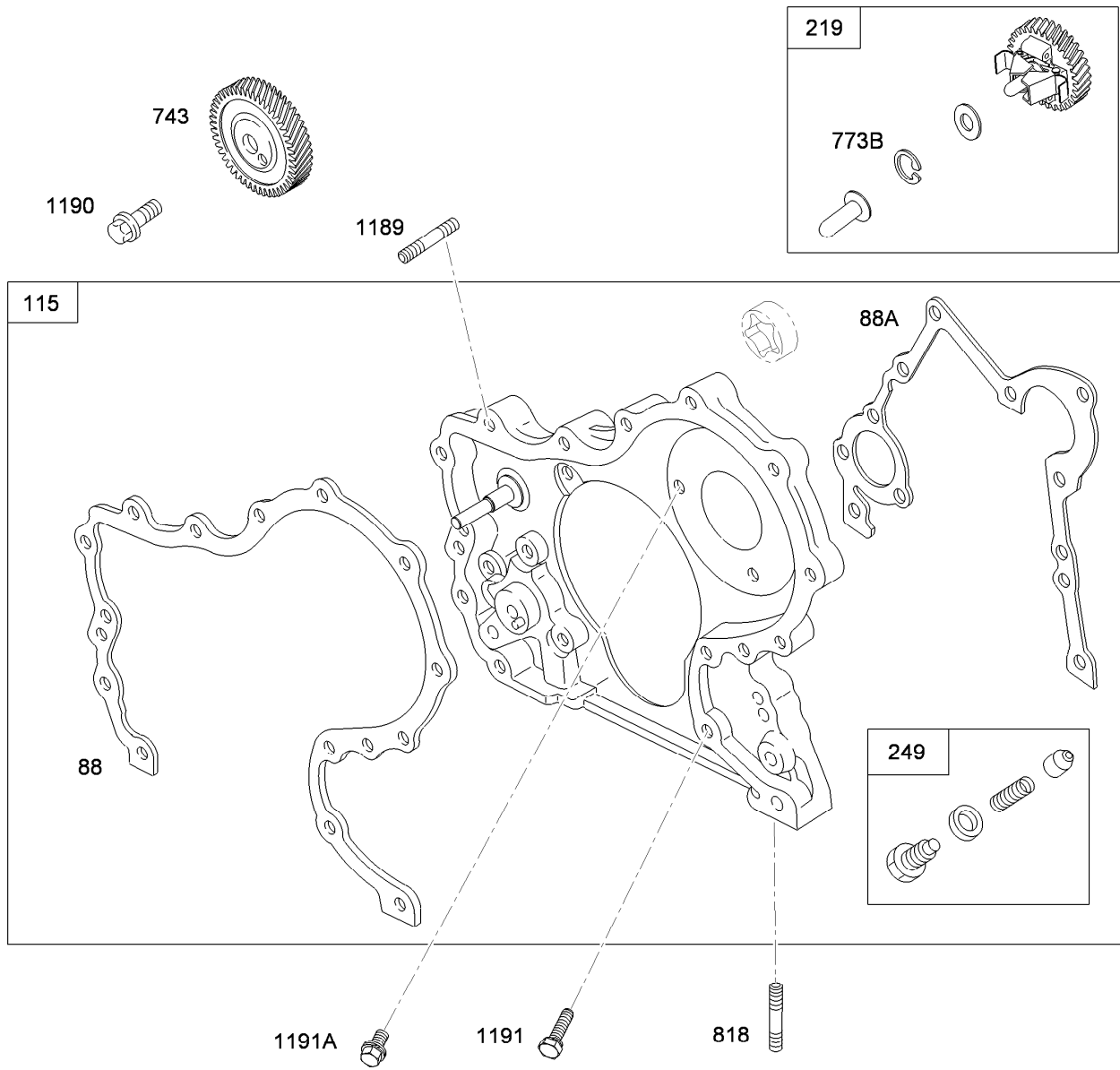
Ref.	Part Number	Qty.	Description
15	99-9644	1	Plug-Drain, Oil
276A	99-9645	1	Washer-Seal (Oil Drain Plug)
479	99-9646	1	Screw-6Mm Hex (Oil Pump Screen)
848	99-9114	1	Nut-Hex, Metric (Oil Pump Screen)
941	99-9112	1	Stud-Metric (Oil Pan)
952	99-9113	1	Nut-Hex, Metric (Oil Pan)
1017	99-9116	1	Screen-Pump, Oil
1039	117-4919	1	Screw (Oil Pan)
1041	99-9120	1	Gasket-Strainer, Oil
1078	99-9121	1	Gasket-Pan, Oil
1088	99-9649	1	Pan-Oil



Gear Cover Assembly

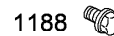
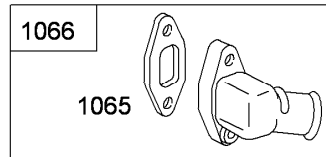
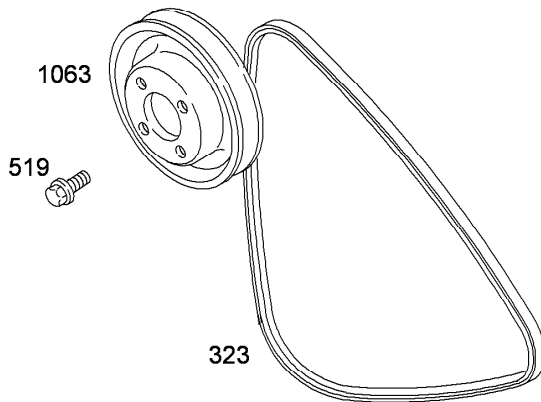
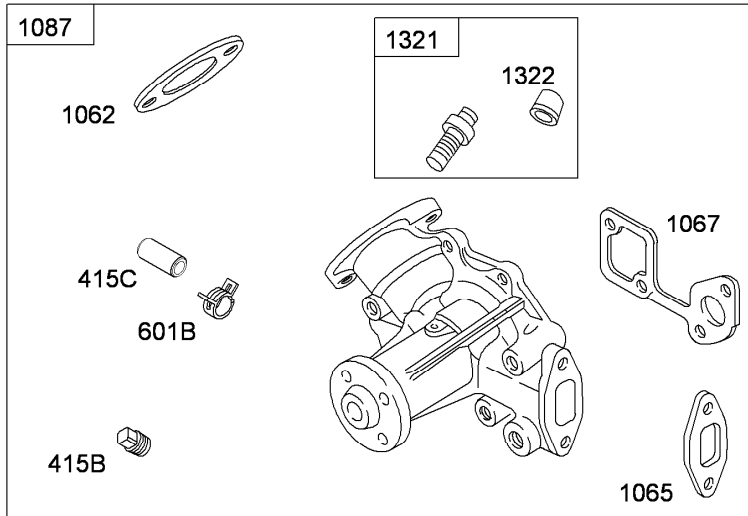
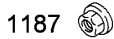
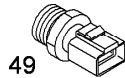
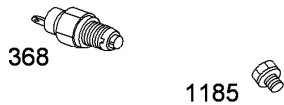
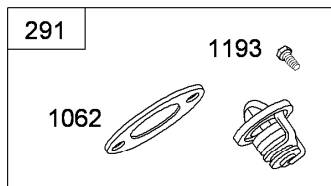
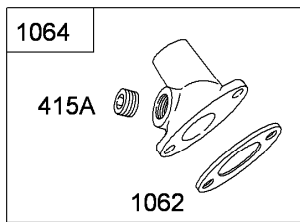
Ref.	Part Number	Qty.	Description
3	115-2291	1	Seal-Oil (Magneto Side)
85	99-9128	1	Screw-Hex (Gear Cover To Gear Reduction Case)
85A	99-9127	1	Screw-Hex (Gear Cover To Gear Reduction Case)
85B	99-9129	1	Screw-Hex (Gear Cover To Gear Reduction Case)
86	115-2304	1	Gear Cover ASM
88	99-9132	1	Gasket-Cover, Gear Reduction
404	99-9140	1	Washer-Spacer (Governor Crank)
404A	99-9141	1	Washer-Spacer (Governor Crank)

Ref.	Part Number	Qty.	Description
614	99-9053	1	Pin-Cotter
616	99-9147	1	Crank-Governor
616A	99-9146	1	Crank-Governor (Shaft)
691	99-9131	1	Seal-Shaft, Governor
813	99-9208	1	Clamp
1071	99-9149	1	Paddle-Governor
1086	117-4920	1	Trigger-Ignition
1173	99-9114	1	Nut-Hex, Metric (Gear Cover)
1181	99-9128	1	Screw-Hex (Ignition Trigger)
1181A	99-9210	1	Screw-Phillips (Ignition Trigger)
1192	99-9143	1	Screw-Hex, Torx (Governor Paddle)



Gear Housing Assembly

<i>Ref.</i>	<i>Part Number</i>	<i>Qty.</i>	<i>Description</i>
88	99-9132	1	Gasket-Cover, Gear Reduction
88A	99-9136	1	Gasket-Cover, Gear Reduction
115	99-9138	1	Housing-Gear
219	99-9261	1	Gear-Governor
249	99-9142	1	Valve-Relief, Oil
743	99-9656	1	Gear-Drive
773B	99-9145	1	Retainer
818	99-9007	1	Stud-Metric
1189	99-9137	1	Stud-Metric
1190	99-9616	1	Screw-Hex
1191	99-9133	1	Screw-Hex
1191A	99-9134	1	Screw-Hex



Water Pump Assembly

Ref.	Part Number	Qty.	Description
49	117-4921	1	Sensor-Temperature, Water
291	99-9155	1	Thermostat
323	117-4922	1	Belt-Vee
368	117-4923	1	Switch-Temperature, Water (Radiator Control)
415A	99-9158	1	Plug (Outlet Housing)
415B	99-9159	1	Plug (Water Pump)
415C	106-1888	1	Tube-Vent (Water Pump)
519	117-4919	1	Screw (Radiator Fan)
601B	106-1885	1	Clamp-Hose (Plug)
1062	99-9163	1	Gasket-Housing, Outlet
1063	99-9164	1	Pulley-Pump
1064	99-9165	1	Housing-Outlet

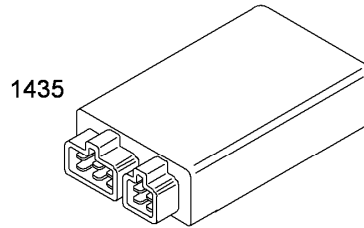
Ref.	Part Number	Qty.	Description
1065	99-9166	1	Gasket-Housing, Inlet
1066	99-9167	1	Housing-Inlet
1067	99-9168	1	Gasket-Pump, Water
1087	119-0656	1	Pump-Water
1185	99-9004	1	Screw-Hex (Outlet Housing)
1186	99-9151	1	Screw-Hex (Water Pump)
1187	99-9153	1	Nut-Hex, Metric (Water Pump)
1188	99-9004	1	Screw-Hex (Inlet Housing)
1193	99-9152	1	Screw-Metric (Thermostat)J
1321	117-4925	1	Plug-Bleeder
1322	117-4926	1	Cap-Bleeder



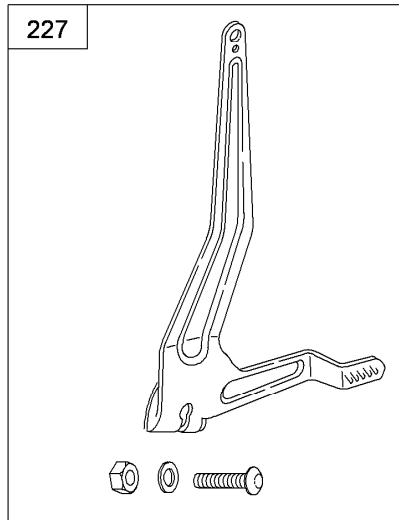
232



202



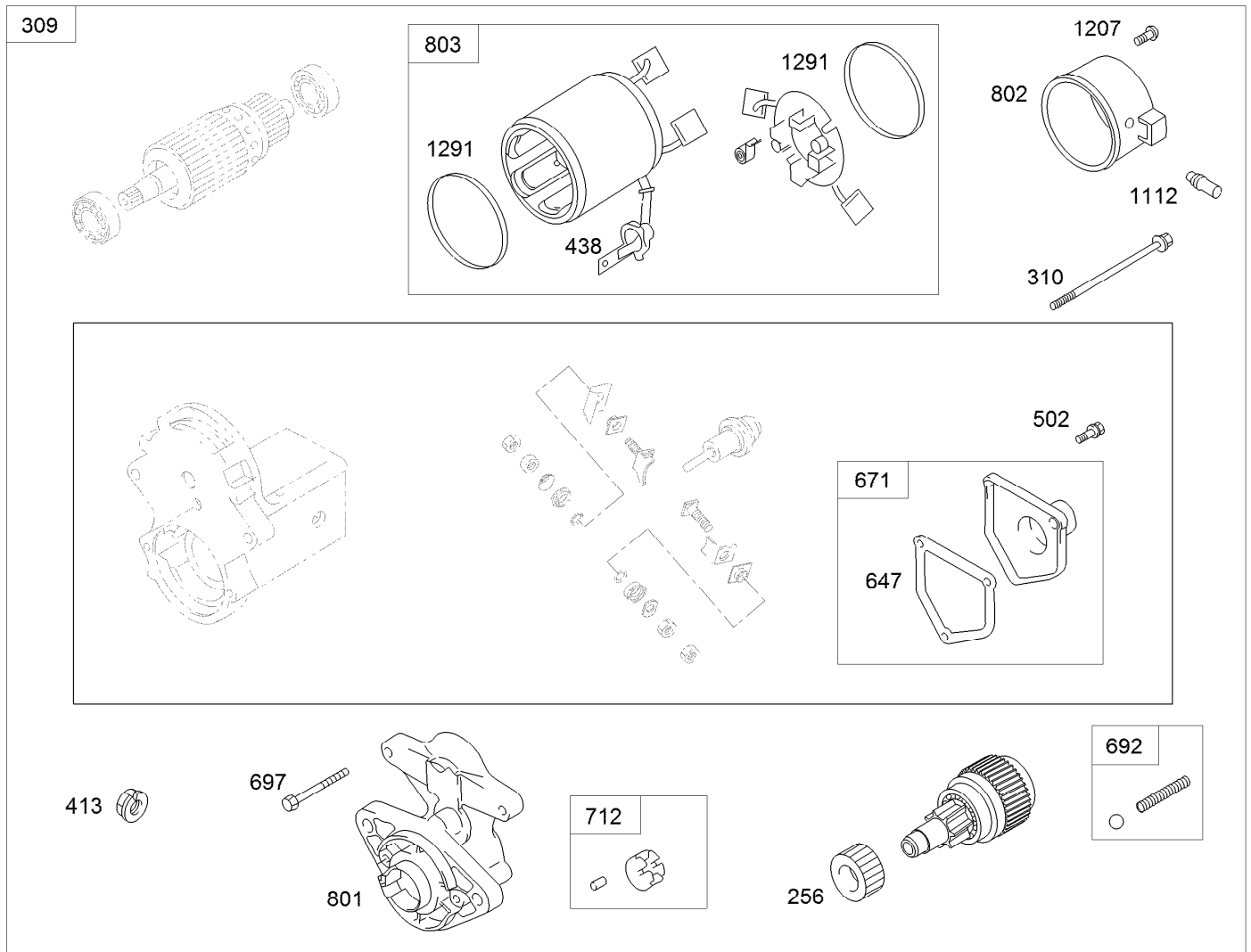
1435



227

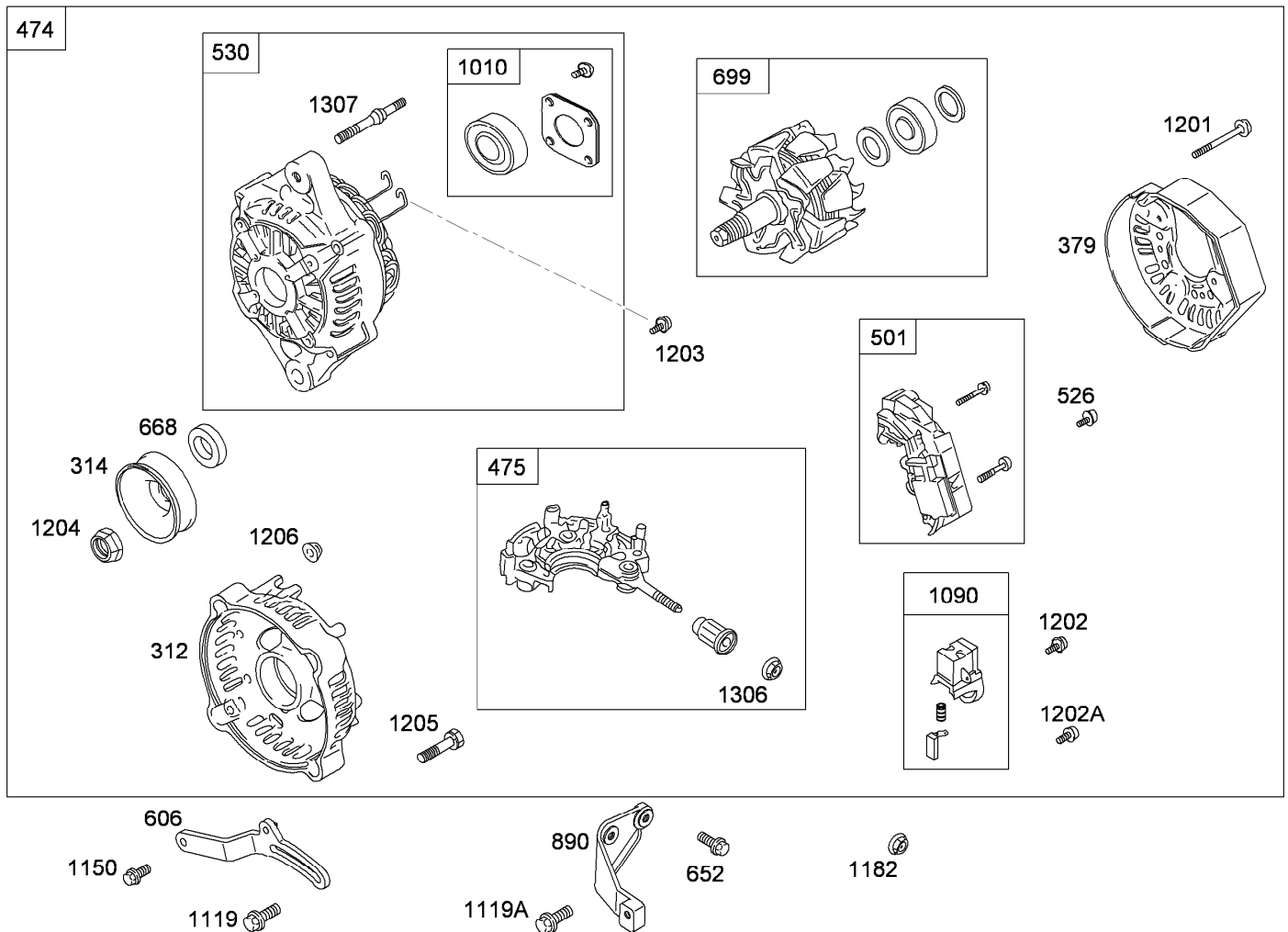
Controls Assembly

<i>Ref.</i>	<i>Part Number</i>	<i>Qty.</i>	<i>Description</i>
202	99-9187	1	Link-Governor, Mechanical
227	99-9191	1	Lever-Governor
232	99-9192	1	Spring-Link, Governor
1435	114-8371	1	Module-Injection, Fuel



Starter Motor Assembly

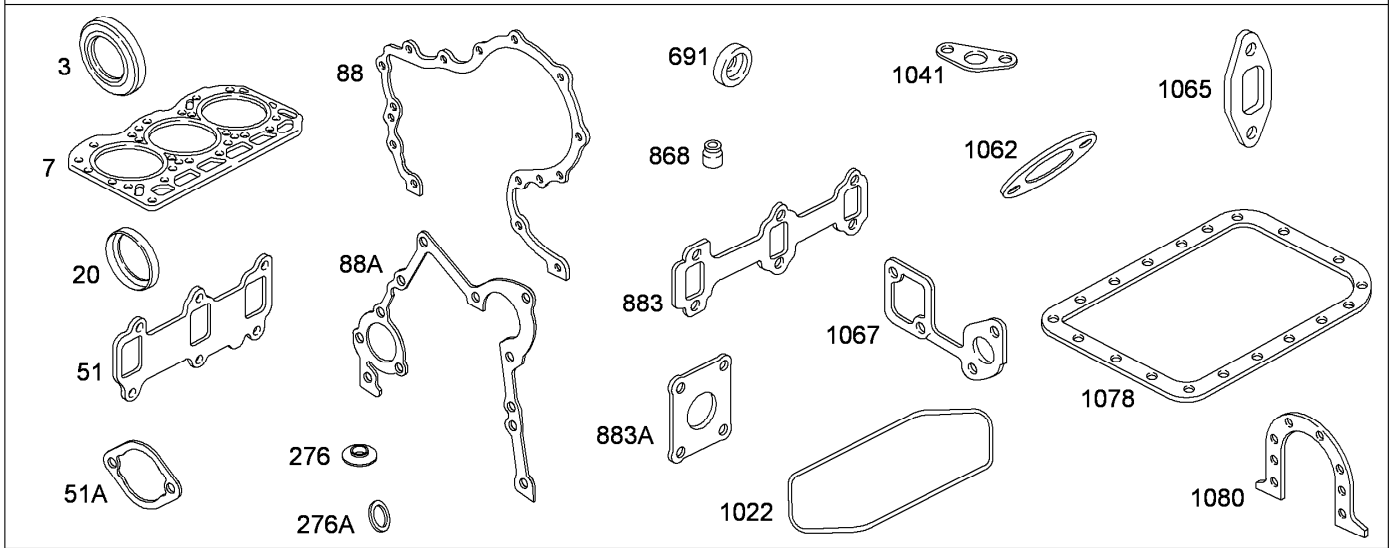
Ref.	Part Number	Qty.	Description	Ref.	Part Number	Qty.	Description
256	112-2987	1	Gear-Drive, Starter	697	112-2997	1	Screw
309	110-2598	1	Motor-Starter	712	112-2998	1	Roller-Clutch
310	112-2988	1	Screw	801	112-2999	1	Cap-Drive
413	99-9206	1	Nut-Hex, Metric	802	112-3000	1	Cap-End
438	112-2989	1	Boot-Terminal	803	112-3001	1	Housing-Starter
502	112-2990	1	Screw	1009	99-9201	1	Screw-Hex
647	112-2993	1	Gasket-Cover, Solenoid	1112	112-3003	1	Plug-Vent
671	112-2994	1	Cover-Solenoid	1207	112-3004	1	Screw
692	112-2996	1	Detent-Spring	1291	112-3005	1	Seal-O Ring



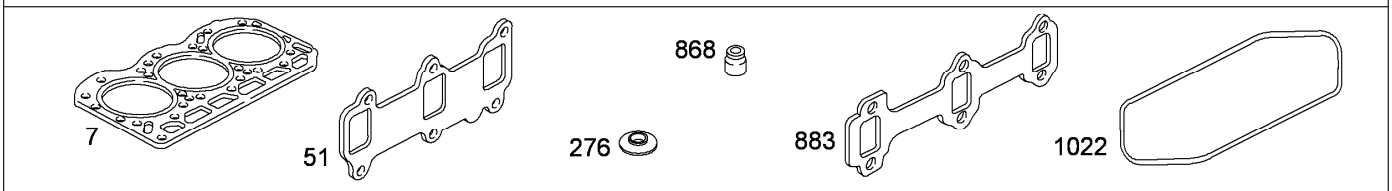
Alternator Assembly

Ref.	Part Number	Qty.	Description	Ref.	Part Number	Qty.	Description
312	117-4927	1	Housing-End, Brush	1119	99-9105	1	Screw-Hex (Alternator)
314	117-4928	1	Pulley-Alternator	1119A	99-9205	1	Screw-Hex, Metric (Alternator)
379	117-4929	1	Cover-Brush	1150	99-9202	1	Screw-Hex (Adjusting Bracket)
474	115-9473	1	Alternator-60Amp	1182	99-9114	1	Nut-Hex, Metric (Alternator)
475	117-4930	1	Rectifier	1201	106-1950	1	Screw (Brush Cover)
501	117-4931	1	Regulator	1202	106-1951	1	Screw (Brush Retainer)
526	106-1894	1	Screw (Rectifier)	1202A	106-1894	1	Screw (Brush Retainer)
530	117-4932	1	Housing-End, Drive	1203	106-1894	1	Screw (Stator Wire)
606	99-9212	1	Bracket-Adjusting	1204	106-1954	1	Nut (Alternator Pulley)
652	99-9203	1	Screw-Hex (Support Bracket)	1205	106-1955	1	Screw (Brush End Housing)
668	106-1896	1	Spacer (Rotor Asm)	1206	106-1956	1	Nut (Brush End Housing)
699	117-4933	1	Rotor ASM	1306	117-4934	1	Nut (Rectifier)
890	99-9211	1	Bracket-Support	1307	117-4935	1	Stud (Drive End Housing)
1010	106-1898	1	Retainer-Bearing				
1090	106-1899	1	Retainer-Brush				

358 Engine Gasket Set

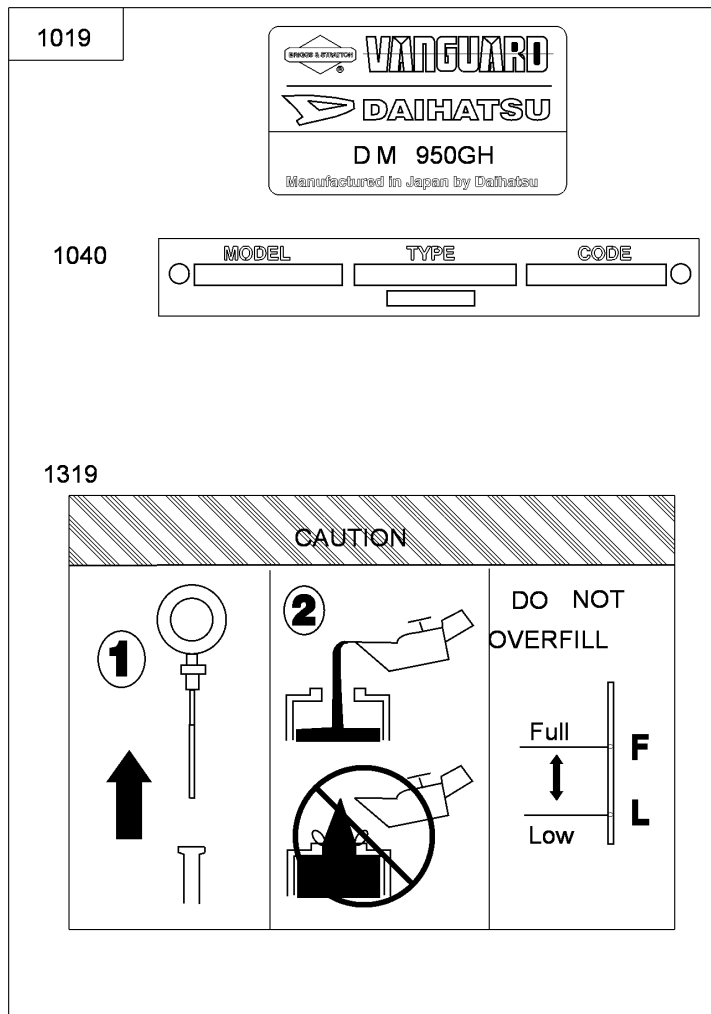


1095 Valve Gasket Set



Engine Gasket Set

Ref.	Part Number	Qty.	Description	Ref.	Part Number	Qty.	Description
3	115-2291	1	Seal-Oil	691	99-9131	1	Seal-Shaft, Governor
7	99-9254	1	Gasket-Head, Cylinder	868	99-9102	1	Seal-Valve
20	117-4887	1	Seal-Oil	883	99-9178	1	Gasket-Exhaust
51	99-9173	1	Gasket-Intake	883A	99-9179	1	Gasket-Exhaust
51A	105-9329	1	Gasket-Funnel, Air	1022	99-9073	1	Gasket-Cover, Rocker
88	99-9132	1	Gasket-Cover, Gear Reduction	1041	99-9120	1	Gasket-Strainer, Oil
88A	99-9136	1	Gasket-Cover, Gear Reduction	1062	99-9163	1	Gasket-Housing, Outlet
276	99-9063	1	Washer-Seal	1065	99-9166	1	Gasket-Housing, Inlet
276A	99-9645	1	Washer-Seal	1067	99-9168	1	Gasket-Pump, Water
358	99-9263	1	Engine Gasket Set	1078	99-9121	1	Gasket-Pan, Oil
				1080	99-9021	1	Gasket-Retainer
				1095	99-9264	1	Valve Overhaul Kit



1058 Operator Manual

Engine Label Set

<i>Ref.</i>	<i>Part Number</i>	<i>Qty.</i>	<i>Description</i>
1019	117-4936	1	Label Kit
1040	117-4937	1	Plate-Trim
1058	115-7843	1	Manual-Engine, EFI
1319	117-4938	1	Label-Warning

Attachments and Accessories

For 07370TC Workman HDX 4-Wheel Drive Utility Vehicle with Bed

Product Name	Model/Part
Full Area Flatbed	07301
Full Area Flatbed Side Kit	07302
Fold Down Side Kit	07303
High-Flow Hydraulic Kit	07316
2/3 Area Flatbed	07321
2/3 Area Flatbed Side Kit	07322
Bed Liner	07331
Cab	07339
1/3 Area Flatbed	07341
1/3 Area Stake Side Kit	07342
1/3 Area Platform Lift	07344
Heater Kit	07349
Canopy	07372
Windshield	07373
Cab Door Kit	07375
Solid Window Cab Door Kit	07376
Hitch Frame Kit	07377
4 Post Roll-Over Protection System	07378
Rear PTO Kit	07419
Hand Throttle Kit	07420
Spiker	08856
Finish Grader	08867
Backup Alarm Kit	107-8037
Premium Engine Oil, 10w30 (55 Gallon Drum)	108-1179
Premium Engine Oil, 10w30 (5 Gallon Pail)	108-1180
Premium ATF (Drum)	108-1185
Premium ATF (Pail)	108-1186
Premium All Purpose Grease (Tube)	108-1190
Remote Hydraulics Manifold Kit	110-2626
Tire-Rear, 24x13-12	110-5132
Spark Arrestor Kit	112-1688
Wheel-12in x 8.0in	114-8260
Horn Kit	115-7825
High Air Intake Kit	115-7848
Side Mirror Kit	115-7849
Roll-Over Protection System Signal Kit	117-4825
Worklight Kit	117-4827
Remote Hydraulic Float Kit	117-4828
Cab Mirror Kit	117-4830
Receiver Hitch Kit	117-4831
Trailer Signal Kit	117-4836
Trailer Brake Kit	117-4837
24x13-12 Tire and Wheel ASM	117-4838
Sprayer Cylinder Lift Kit, Workman 200 Spray System	117-4846
Engine Cover Kit	117-4867
Manual 4-Wheel Drive Control Kit	119-0817

Attachments and Accessories (continued)

Harness-Wire, Speedometer Adapter	119-1762
Tapered Nozzle Kit	119-6280
Rectangular Nozzle Kit	119-6281
Nozzle-Extension, Straight	119-6282
Nozzle-Extension, Tapered	119-6283
Nozzle-Extension, Rectangular	119-6284
Canopy for Four-Post Roll-Over Protection System Kit	119-9457
Road Light and Homologation Kit	120-5030
Brake and Signal Light Kit	120-5045
Single Nozzle Kit	41024
Hose Reel Kit	41097
Spray Gun Kit 9 (inc. 25ft Of 1/2in Hose)	41133
Pro Foam Concentrate (4 x 1 Gallon)	41157
Sonic Boom Kit	41217
Workman 200 Spray System	41235
Foam Marker Kit	41236
Spreader Base Unit	41253
Vicon Spreader	41256
Topdresser 1800	44225
Core Harvester Adapter Kit	44242
Pro Force Debris Blower	44538
Road-Ready Pro Force Debris Blower	44539
Workman HD Bed Mount Kit, Pro Force Debris Blower	44544
Bed Mount Sound Barrier Kit, Pro Force Debris Blower	44546
ProPass 200 Top Dresser with Twin Spinner and Wireless Control	44700
ProPass 200 Top Dresser with Twin Spinner	44701
Twin Spinner	44702
Conveyor and Swivel Kit	44703
Tow-Type Chassis	44704
Tow-Type Chassis Fender Kit	44705
Tow-Type Chassis Hose Assembly Kit	44706
Toro Workman Chassis	44707
Storage Stand	44712
Hydraulic Power Pack	44713
Automatic Tailgate Release Kit	92-1220
Fuse Block	92-2641
PTO Over Running Clutch Kit	92-2655
Topdresser 1800 Lift Kit	92-4452
Mid-Mount Kit for Platform Lift	93-3741
1/3 Area Cover Kit	93-9225
Rear 1/3 Area Mounting Kit	93-9249
Tire-Rear, 23x8.50-12	98-2993
Tire-Rear, Industrial	99-1091



Count on it.