



**Count on it.**

**Parts Catalog**

**Z Master® 8000 Series Riding  
Mower**

**with 48in Cutting Unit**

**Model No. 74312—Serial No. 403226948 and Up**



# Ordering Replacement Parts

To order replacement parts, please supply the part number, the quantity, and the description of each part desired.

## Understanding Reference Numbers

Each identified part in an illustration has a reference number. The reference number for a part also appears in the parts list, along with other information about the part.

This catalog uses two special reference number formats, one to indicate parts in a service assembly and another to indicate the quantity of a given part in an illustration.

## Service Assembly Reference Numbers

Parts in service assemblies have reference numbers in the form a:b. The a represents the reference number of the entire service assembly and the b represents a sequential number unique to each part within the service assembly.

For example, a wheel assembly might be identified by reference number 6, the tire by 6:1, the valve by 6:2, and the wheel by 6:3. When you order the assembly identified by reference number 6, you receive all parts identified by reference numbers 6:1, 6:2, and 6:3. However, you may also order any part individually. Reference numbers of this type appear in illustration and in parts lists.

## Reference Numbers Indicating Quantity

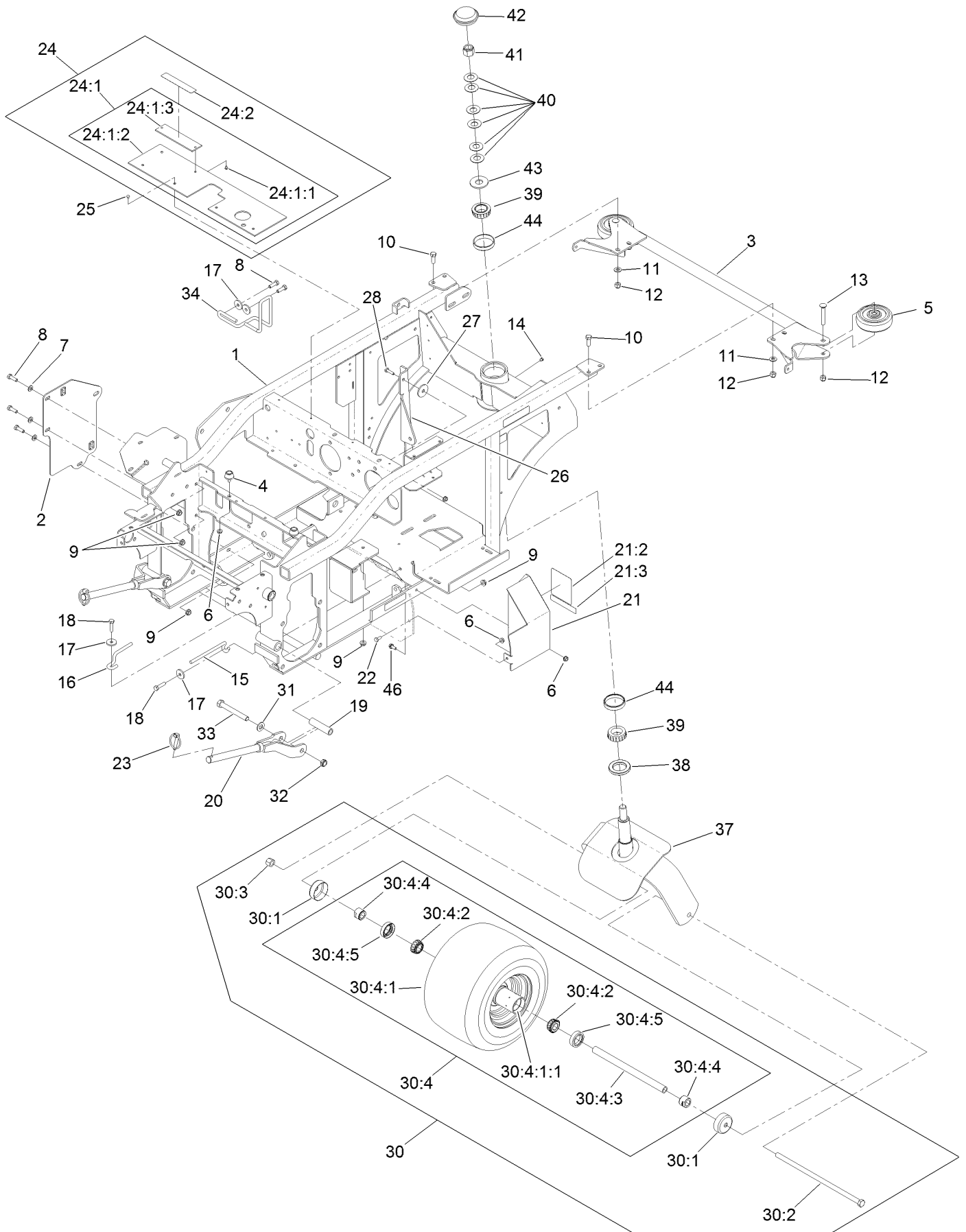
In an illustration, if a reference number indicates more than one part, the reference number has the form nX y. The n represents the quantity of the part, the X is the multiplication symbol, and the y represents the reference number.

For example, in an illustration, the reference number 2X 37 means that two of the parts identified by reference number 37 are indicated.

# Contents

Main Frame and Caster Wheel Assembly .....	4
Frame and Decal Assembly No. 116-7482 .....	6
Speed Control Assembly .....	8
Parking Brake Assembly .....	10
Seat and Consoles Assembly .....	12
Hydraulic Assembly .....	14
Hydraulic Pump Assembly No. 116-7836 .....	16
Idler Assembly No. 103-7349 .....	18
Blower Mounting Assembly .....	20
Blower Assembly No. 116-9649 .....	22
Engine Assembly .....	24
Fuel Tank Assembly .....	26
Electrical System Assembly .....	28
Hopper Switch Actuator Assembly No. 103-8528 .....	30
Hopper Mounting Assembly .....	32
Hopper Assembly No. 130-2872 .....	34
Hopper Screen Assembly No. 109-0717 .....	36
Hopper Frame Assembly No. 109-4086 .....	38
Hopper Door Assembly No. 130-2875 .....	40
Drive Assembly .....	42
Deck Mounting Assembly .....	44
Deck, Gearbox and Driveshaft Mounting Assembly .....	46
Deck Decal Assembly No. 109-4372 .....	48
Discharge Tube Assembly No. 103-9487 .....	50
Gearbox Assembly No. 103-3387 .....	52
Rear Deck Height Adjustment Assembly No. 109-0323 .....	54
Drive Shaft Assembly No. 103-9485 .....	56
Deck Support Frame Assembly No. 130-2893 .....	58
Deck Support W/Decals Assembly No. 103-9480 .....	60
Lift Assist Spring Assembly No. 116-7851 .....	62
Attachments and Accessories .....	64

# Main Frame and Caster Wheel Assembly



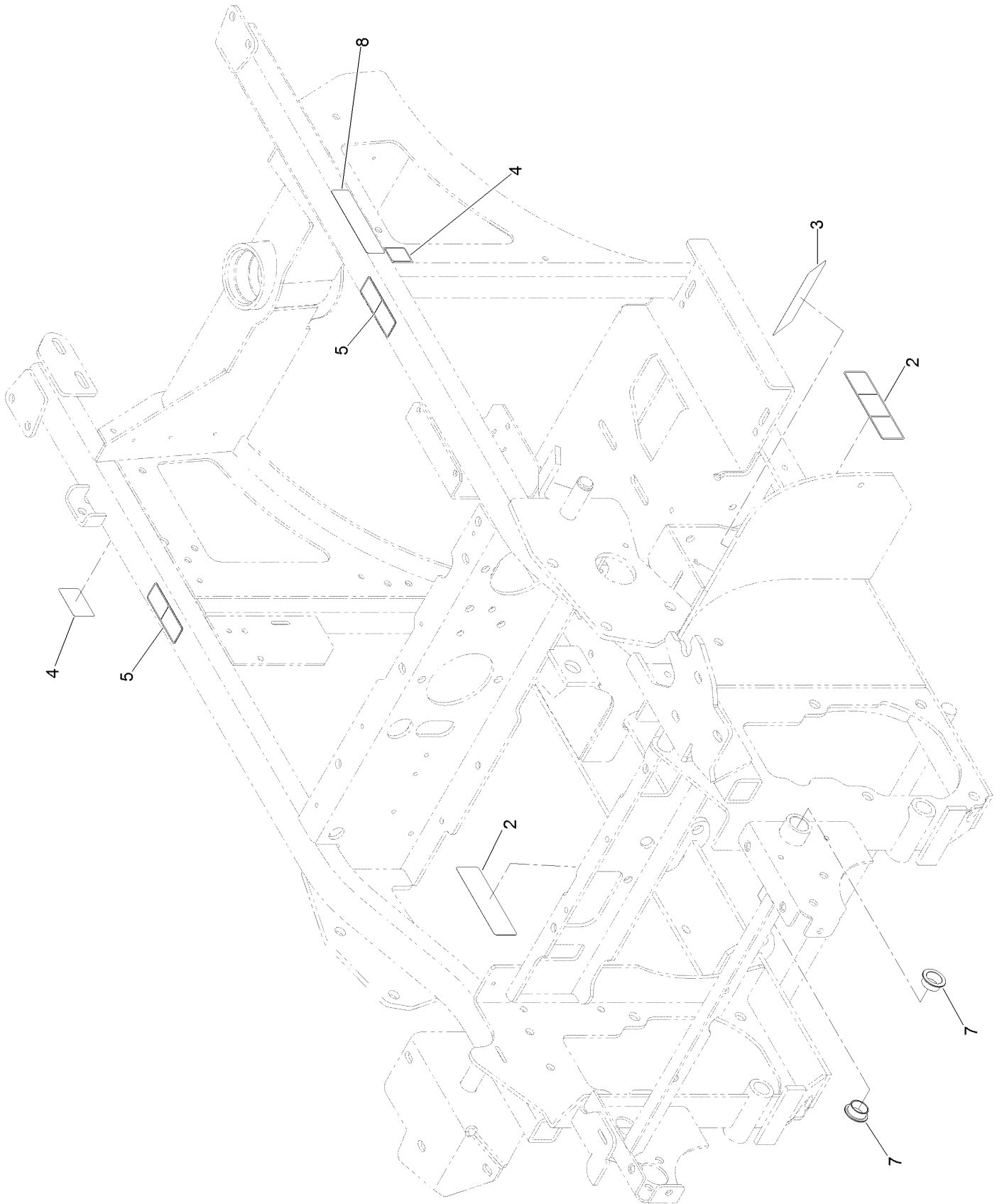
# Main Frame and Caster Wheel Assembly (continued)

<i>Ref.</i>	<i>Part Number</i>	<i>Qty.</i>	<i>Description</i>	<i>Ref.</i>	<i>Part Number</i>	<i>Qty.</i>	<i>Description</i>
1	116-7482	1	Frame ASM	24:2	98-1977	1	Decal-Warning
2	116-7396-03	1	Plate-Support	25	1-803035	4	Rivet-Pop
3	109-0925-03	1	Bumper-Rear	26	109-5874-03	1	Brace-PTO
4	109-2365	1	Bumper-Rubber	27	1-213069	1	Washer
5	103-5408	2	Roller-Bumper	28	321-6	1	Screw-HH
6	32128-33	5	Nut-HF	30	130-2865	1	Wheel And Axle ASM
7	3256-23	3	Washer-Plain	30:1	103-2768	2	Guard-Seal
8	322-5	5	Screw-HH	30:2	103-7738	1	Screw-HH
9	32128-20	5	Nut-HF	30:3	3296-23	1	Nut-Lock, NI
10	323-6	4	Screw-HH	30:4	130-2864	1	Wheel And Bearing ASM
11	3256-24	4	Washer-Plain	30:4:1		1	Wheel And Tire ASM ●
12	3296-39	6	Nut-Lock, NI	30:4:1:1	1-633584	2	Bearing-Cup
13	3231-31	2	Screw-CARR	30:4:2	1-633585	2	Bearing-Cone, Taper
14	1-811010	1	Plug	30:4:3	126-5362	1	Axle Caster ASM
15	103-8333	1	Guide-Belt	30:4:4	103-3051	1	Spacer-Nut ■
16	103-8349	1	Guide-Belt	30:4:5	103-0063	2	Seal-Caster
17	1-613235	4	Washer	31	3256-26	2	Washer-Flat
18	322-6	2	Screw-HH	32	3296-45	2	Nut-Hex
19	1-633060	2	Spacer-Wheel, Short	33	325-17	2	Screw-HH
20	103-6596-03	2	Rod-Push	34	116-8323	1	Guide-Belt
21	130-2879	1	Drive Shield ASM	37	103-3351-03	1	Fork-Rear Caster
21:2	116-8941	1	Decal-Belt Routing	38	103-9027	1	Seal-Grease
21:3	98-1977	1	Decal-Warning	39	103-9028	2	Bearing-Roller, Cone Taper
22	321-3	1	Screw-HH	40	1-633508	6	Washer-Bellville
23	103-4155	2	Pin-Lynch	41	3296-51	1	Nut-Lock, NI
24	103-9476	1	Lift Shield ASM	42	126-9882	1	Cap-Grease
24:1		1	Shield-Lift ●	43	3256-8	1	Washer-Flat
24:1:1	1-803035	2	Rivet-Pop	44	103-9029	2	Cup-Tapered, Roller Bearing
24:1:2	103-8819	1	Flap-Guard	46	120-4654	1	Screw-HHF
24:1:3	103-9114-03	1	Plate-Decal				

● Not serviced separately

■ Use Pro-Lock, Nut Type (P/N 1-840022, .5ml tube) on threads.

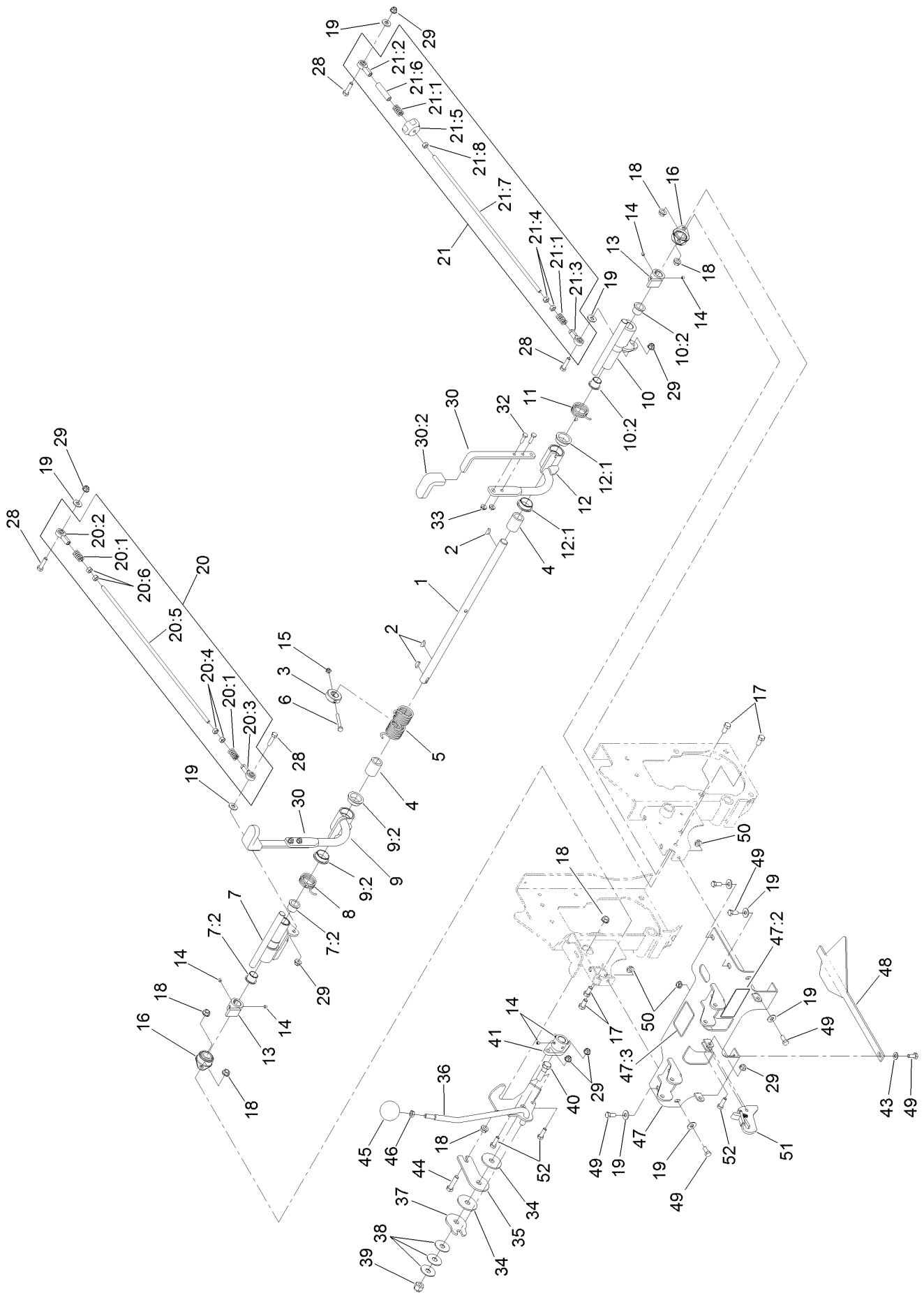
# Frame and Decal Assembly No. 116-7482



# Frame and Decal Assembly No. 116-7482 (continued)

<i>Ref.</i>	<i>Part Number</i>	<i>Qty.</i>	<i>Description</i>	<i>Ref.</i>	<i>Part Number</i>	<i>Qty.</i>	<i>Description</i>
2	112-9028	2	Decal-Cover, Missing	5	120-0625	2	Decal-Warning
3	126-4207	1	Decal-Adjustment, Clutch	7	108519	2	Bushing-Bronze
4	106-5517	2	Decal-Warning	8	133-8062	1	Decal-Spark Arrestor

# Speed Control Assembly

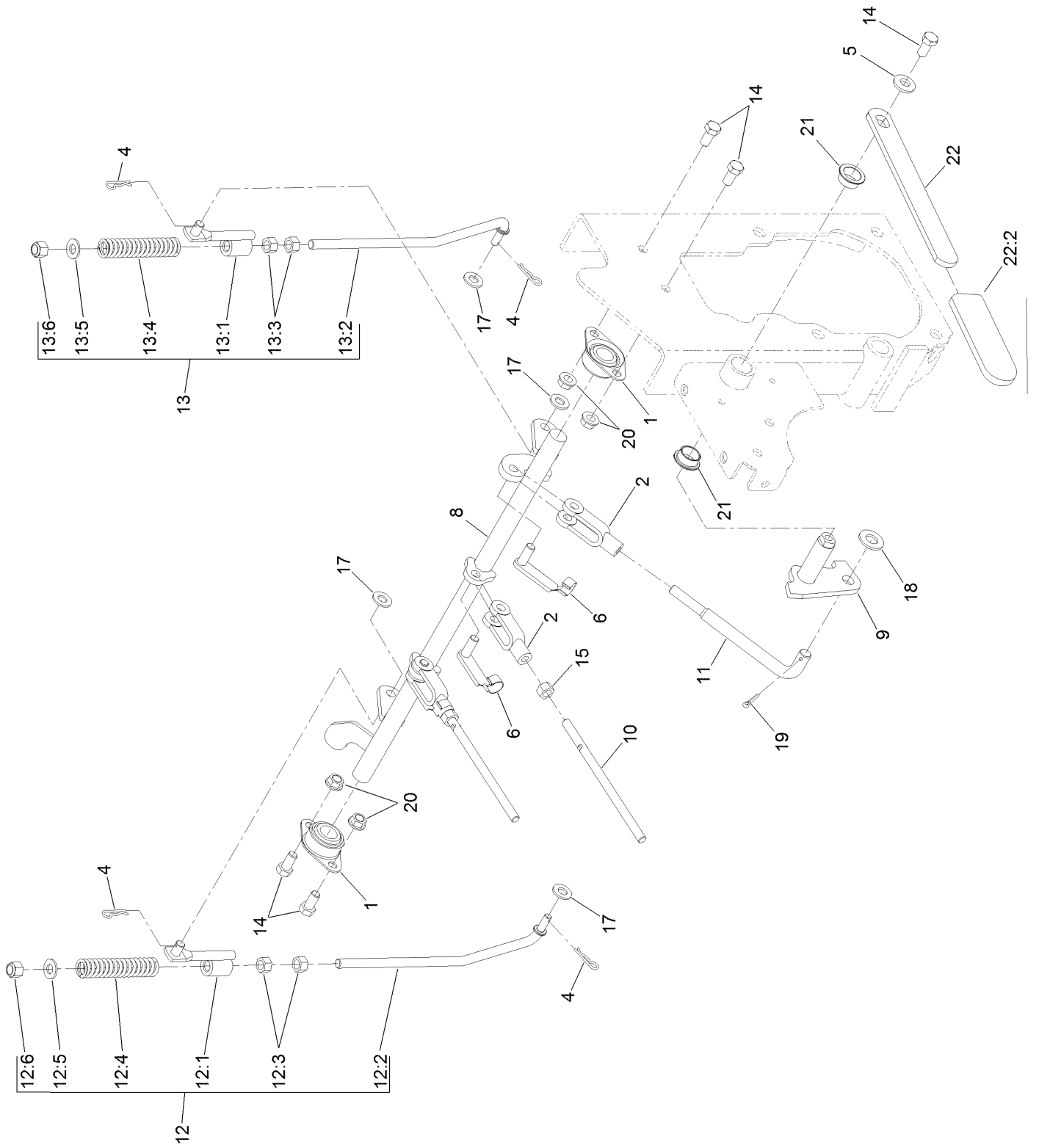




## Speed Control Assembly (continued)

<i>Ref.</i>	<i>Part Number</i>	<i>Qty.</i>	<i>Description</i>	<i>Ref.</i>	<i>Part Number</i>	<i>Qty.</i>	<i>Description</i>
1	116-7856	1	Shaft-Control, Speed	21:4	1-804524	2	Nut
2	3257-5	3	Key-Woodruff	21:5	103-3060	1	Knob-Tracking
3	116-7372	1	Stop-Hub, Center	21:6	103-5945	1	Spacer
4	116-7414	2	Bushing-Plastic	21:7	116-7492	1	Rod-Linkage, Steering
5	116-8475	1	Spring-Torsion, Double	21:8	3219-2	1	Nut-Hex
6	321-11	1	Screw-HH	28	322-6	4	Screw-HH
7	116-8444	1	RH Control Hub ASM	29	104-8300	7	Nut-HF, NI
7:2	103-4398	2	Bearing-Flange, Iglide	30	116-9246	2	Handle ASM
8	116-7380	1	Spring-Torsion, RH	30:2	103-5994	1	Grip-Handle, Steering
9	126-7461	1	RH Steering Handle ASM	32	321-5	4	Screw-HH
9:2	116-7422	2	Bearing-Flange, Iglide	33	32128-33	4	Nut-HF
10	116-7416	1	LH Control Hub ASM	34	103-5009	2	Disc-Friction
10:2	103-4398	2	Bearing-Flange, Iglide	35	116-7846	1	Plate-Friction, Speed Control
11	116-7381	1	Spring-Torsion, LH				
12	126-7463	1	LH Steering Handle ASM	36	116-7845	1	Lever-Speed Control
12:1	116-7422	2	Bearing-Flange, Iglide	37	116-7849	1	Plate-Friction, Speed Control
13	103-4342	2	Hub-Speed Control				
14	108-0989	6	Screw-Set	38	103-5018	3	Washer-Disc, Spring
15	3296-56	1	Nut-Lock, NI	39	3296-19	1	Nut-Hex
16	1-633102	2	Bearing-Flange, Side	40	116-7848	1	Screw-HH
17	323-4	4	Screw-HH	41	116-7859	1	Hub-Control, Speed
18	3290-357	6	Nut-HSF	43	3256-23	1	Washer-Plain
19	3256-3	9	Washer-Flat	44	323-8	1	Screw-HH
20	116-9667	1	RH Pump Linkage ASM	45	103-4397	1	Knob-Ball, Speed Control
20:1	1-323245	2	Spring-Compression	46	3218-3	1	Nut-Jam
20:2	1-543017	1	Balljoint-RH	47	116-7384	1	Console ASM
20:3	1-633152	1	Balljoint-LH	47:2	116-9049	1	Decal-Danger, Driveline
20:4	1-804524	2	Nut	47:3	116-8946	1	Decal-Motor, Wheel
20:5	116-7492	1	Rod-Linkage, Steering	48	103-5993-03	1	Guide-Plenum
20:6	3219-2	2	Nut-Hex	49	322-3	6	Screw-HH
21	116-9668	1	LH Pump Linkage ASM	50	32128-20	3	Nut-HF
21:1	1-323245	2	Spring-Compression	51	103-8494	1	Hook
21:2	1-543017	1	Balljoint-RH	52	322-5	3	Screw-HH
21:3	1-633152	1	Balljoint-LH				

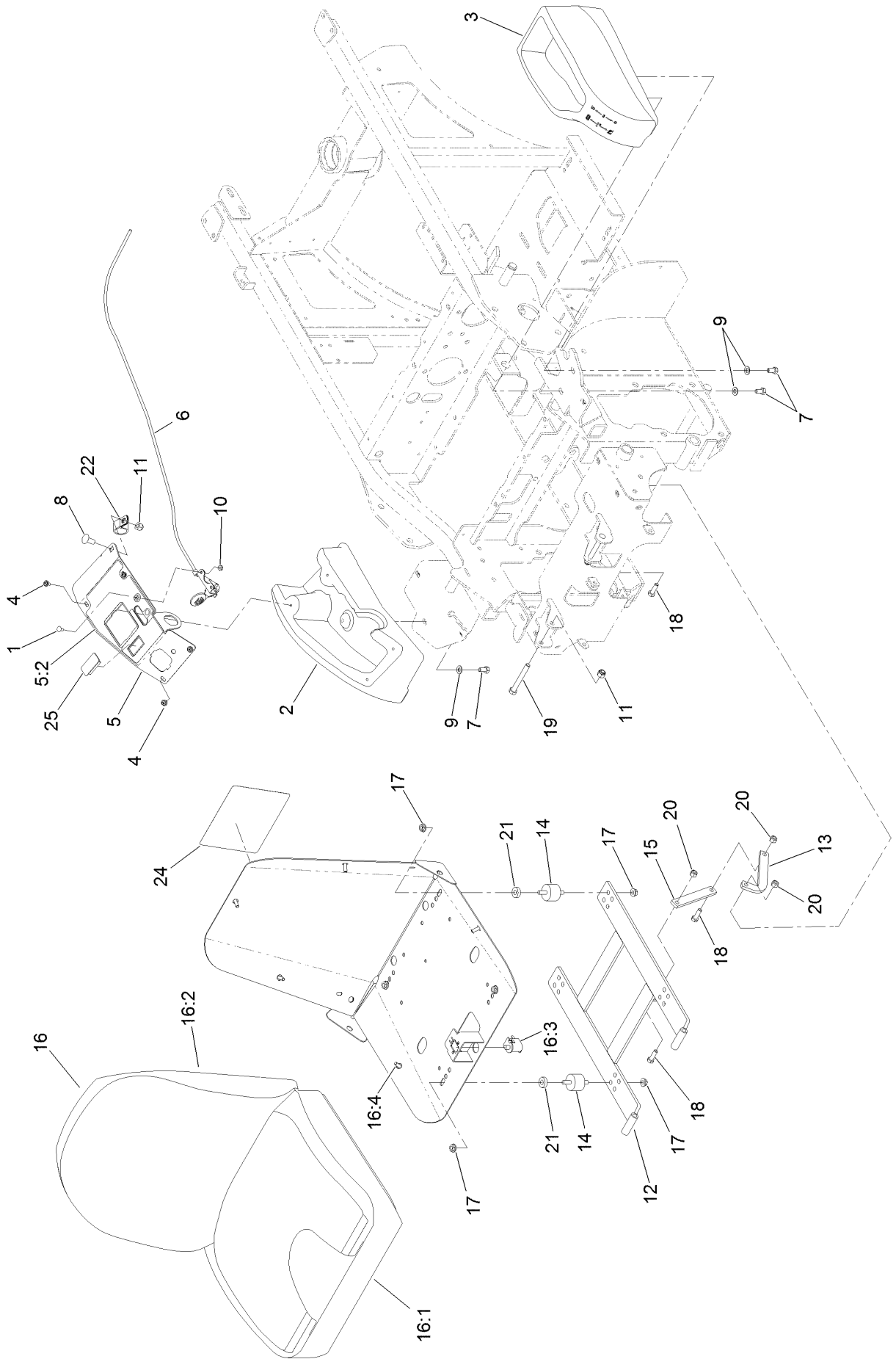
# Parking Brake Assembly



## Parking Brake Assembly (continued)

<i>Ref.</i>	<i>Part Number</i>	<i>Qty.</i>	<i>Description</i>	<i>Ref.</i>	<i>Part Number</i>	<i>Qty.</i>	<i>Description</i>
1	1-633102	2	Bearing-Flange, Side	13	116-9749	1	LH Brake Linkage ASM
2	1-633131	3	Yoke-Linkage, Brake	13:1	116-8467	1	Brake Linkage ASM
4	1-806003	4	Pin-Cotter	13:2	116-8464	1	Link-Brake, LH
5	98-5975	1	Washer-Belleville	13:3	3219-3	2	Nut-Hex
6	103-2399	3	Pin-Spring, Clevis	13:4	116-8470	1	Spring-Compression
8	116-7483-03	1	Shaft-Brake	13:5	3256-24	1	Washer-Plain
9	116-7486	1	Pivot-Brake	13:6	3296-6	1	Nut-Lock
10	116-7838	2	Rod-Linkage, Brake	14	323-4	5	Screw-HH
11	116-8474	1	Rod-Linkage, Brake	15	3219-3	2	Nut-Hex
12	116-9748	1	RH Brake Linkage ASM	17	3256-24	4	Washer-Plain
12:1	116-8467	1	Brake Linkage ASM	18	3256-26	1	Washer-Flat
12:2	116-8465	1	Link-Brake, RH	19	3272-10	1	Pin-Cotter
12:3	3219-3	2	Nut-Hex	20	3290-357	4	Nut-HSF
12:4	116-8470	1	Spring-Compression	21	108519	2	Bushing-Bronze
12:5	3256-24	1	Washer-Plain	22	103-9469	1	Park Brake Handle ASM
12:6	3296-6	1	Nut-Lock	22:2	1-633268	1	Grip-Lever

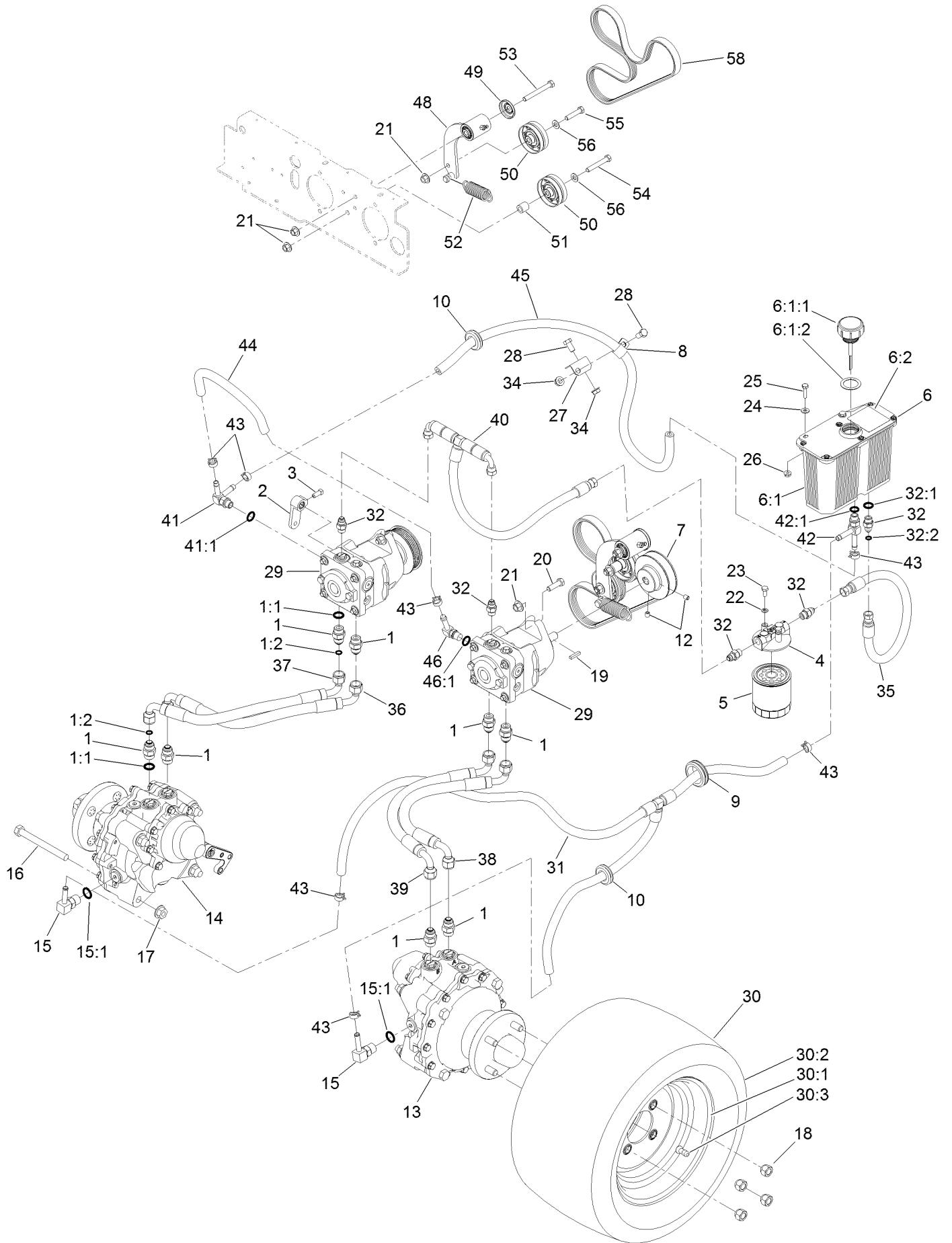
# Seat and Consoles Assembly



## Seat and Consoles Assembly (continued)

<i>Ref.</i>	<i>Part Number</i>	<i>Qty.</i>	<i>Description</i>	<i>Ref.</i>	<i>Part Number</i>	<i>Qty.</i>	<i>Description</i>
1	1-807513	2	Bolt-CARR	15	103-8563	1	Link-Seat
2	130-2857	1	Console-RH	16	130-2852	1	Seat ASM
3	126-4343	1	Console-LH	16:1	121-4751	1	Cushion-Seat, Bottom
4	109-2661	4	Screw-PPH	16:2	121-4752	1	Cushion-Seat, Back
5	130-2895	1	Control Panel ASM	16:3	82-2190	1	Switch-Bail
5:2	130-2881	1	Decal-Control	16:4	103-8383	5	Bolt-Seat
6	109-4641	1	Cable-Throttle	17	32128-20	8	Nut-HF
7	322-2	6	Screw-HH	18	322-5	3	Screw-HH
8	3231-27	1	Screw-CARR	19	323-14	2	Screw-HH
9	3256-23	6	Washer-Plain	20	3296-29	3	Nut-Lock, NI
10	3296-2	2	Nut-Lock, NI	21	5-0652	4	Spacer
11	3296-39	3	Nut-Lock, NI	22	1-643312	1	Clip-Loom
12	103-4362-03	1	Frame-Seat	24	116-9044	1	Decal-Service Aid
13	116-9554	1	Link-Seat Stop	25	99-7420	1	Plug-Hole
14	103-5496	4	Mount-Vibration, Rubber				

# Hydraulic Assembly

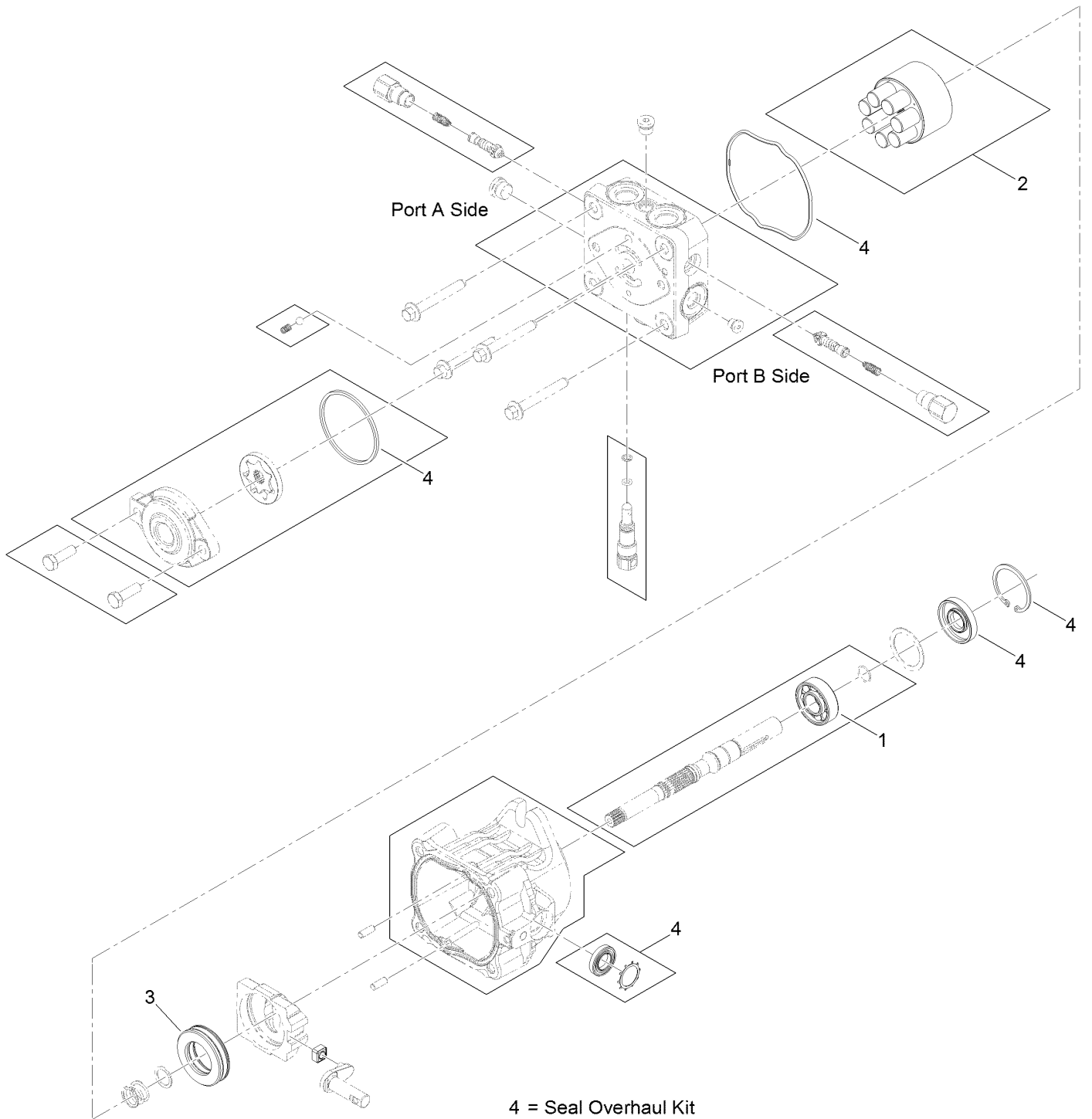


## Hydraulic Assembly (continued)

<i>Ref.</i>	<i>Part Number</i>	<i>Qty.</i>	<i>Description</i>	<i>Ref.</i>	<i>Part Number</i>	<i>Qty.</i>	<i>Description</i>
1	1-603990	8	Fitting-Straight	30	130-2869	2	Wheel And Tire ASM
1:1	1-603920	1	O-Ring	30:1	130-2868	1	Wheel
1:2	1-603992	1	O-Ring	30:2	105-1945	1	Tire
2	1-632208	2	Arm-Control, Pump	30:3	232-27	1	Stem-Valve
3	120-6474	2	Screw-Set, SQH	31	116-7831	1	Hydraulic Hose ASM
4	104-7836	1	Head-Filter	32	103-2156	5	Fitting-Straight
5	114-3494	1	Element-Filter, 25 Micron	32:1	1-603921	1	O-Ring
6	116-9274	1	Reservoir ASM	32:2	103-1020	1	O-Ring
6:1		1	Reservoir-HYD ●	34	3290-357	2	Nut-HSF
6:1:1	116-9273	1	Reservoir Cap ASM	35	126-4400	1	Hydraulic Hose ASM
6:1:2	103-1949	1	Gasket-Cap	36	116-7827	1	Hydraulic Hose ASM
6:2	115-4212	1	Decal-Warning	37	116-7828	1	Hydraulic Hose ASM
7	103-4246	2	Sheave	38	116-7829	1	Hydraulic Hose ASM
8	1-633396	1	Clip-Loom	39	116-7830	1	Hydraulic Hose ASM
9	103-7706	1	Grommet	40	109-1264	1	Hydraulic Hose ASM
10	1-543286	2	Grommet	41	103-5469	1	Adapter-Tee
12	1-803310	4	Screw-Set	41:1	237-42	1	Adapter
13	116-7401	1	Motor-HYD, LH	42	103-1828	1	Adapter-Run, Tee
14	116-7402	1	Motor-HYD, RH	42:1	237-42	1	O-Ring
15	354-134	2	Fitting-90	43	103-1988	7	Clamp-Hose
15:1	237-79	1	O-Ring	44	103-5452	1	Hose-HYD
16	325-19	8	Screw-HH	45	103-5477	1	Hose-HYD
17	32128-49	8	Nut-HHF	46	100-4887	1	Fitting-Elbow, 90
18	242-50	8	Nut-Lug	46:1	237-42	1	O-Ring
19	1-807272	2	Key	48	103-7349	1	Short Idler ASM
20	323-7	4	Screw-HH	49	103-2916	1	Guard-Top
21	32128-43	7	Nut-Flange	50	116-6361	2	Pulley
22	1-805004	2	Washer-Lock	51	106-5574	1	Spacer-Mounting, Steering
23	321-3	2	Screw-HH	52	1-653331	1	Spring-Idler
24	3256-22	2	Washer-Flat	53	323-20	1	Screw-HH
25	321-6	2	Screw-HH	54	323-12	1	Screw-HH
26	32128-33	2	Nut-HF	55	323-9	1	Screw-HH
27	103-8631	1	Bracket-Clamp	56	3256-24	2	Washer-Plain
28	323-4	2	Screw-HH	58	130-2871	1	Belt-V
29	116-7836	2	12Cc Hydro Pump ASM				

● Not serviced separately

# Hydraulic Pump Assembly No. 116-7836



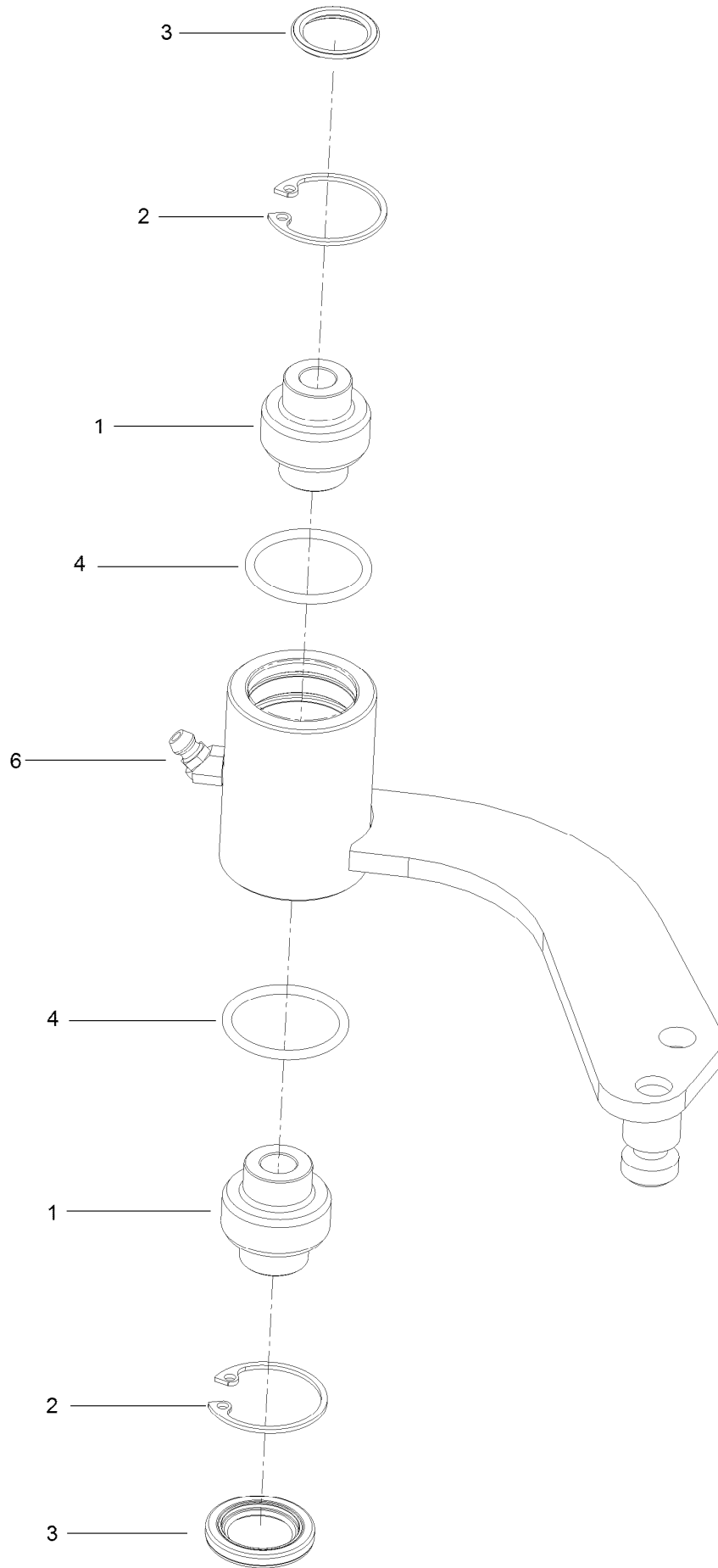


# Hydraulic Pump Assembly No. 116-7836 (continued)

<i>Ref.</i>	<i>Part Number</i>	<i>Qty.</i>	<i>Description</i>
1	104-5311	1	Bearing-Ball
2	103-7443	1	Cylinder Block Kit

<i>Ref.</i>	<i>Part Number</i>	<i>Qty.</i>	<i>Description</i>
3	121-3235	1	Bearing-Thrust, Plastic Cage
4	105-6184	1	Kit-Pump Seal Overhaul

# Idler Assembly No. 103-7349

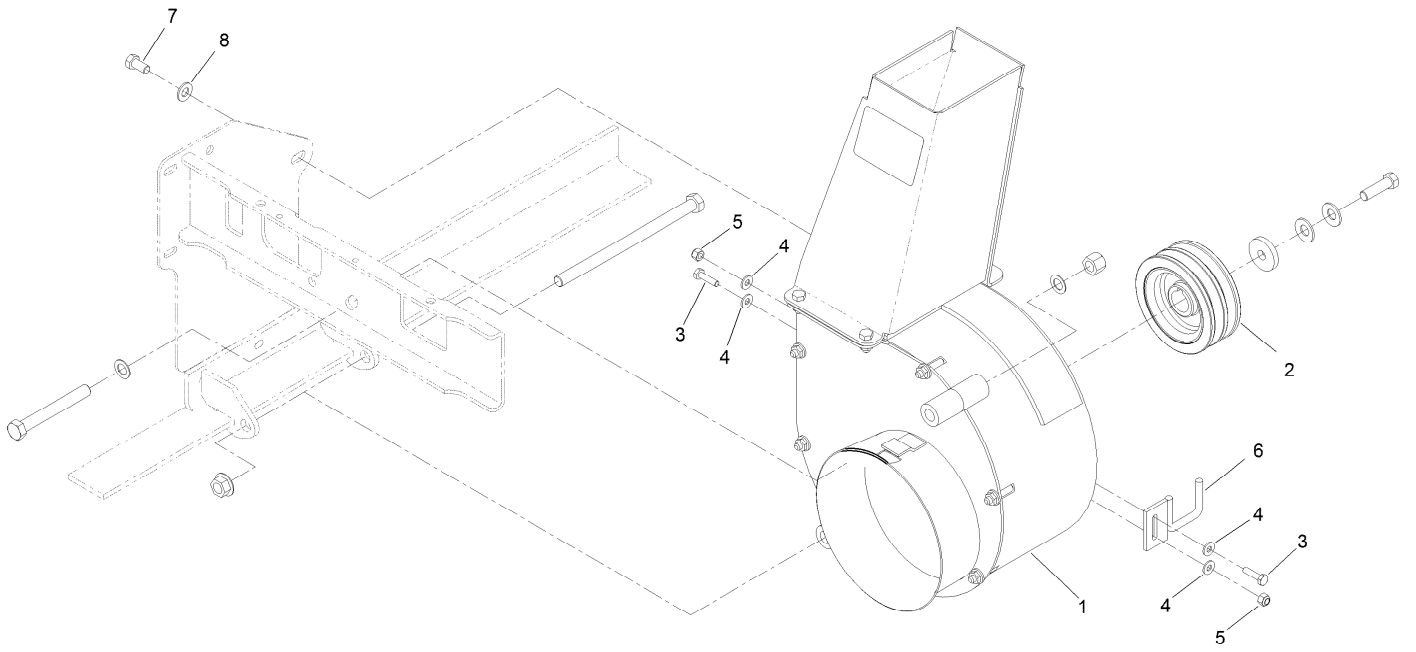


## Idler Assembly No. 103-7349 (continued)

<i>Ref.</i>	<i>Part Number</i>	<i>Qty.</i>	<i>Description</i>
1	103-3504	2	Bearing-Spherical
2	32120-10	2	Ring-Snap
3	103-3506	2	Seal-Lip, Single

<i>Ref.</i>	<i>Part Number</i>	<i>Qty.</i>	<i>Description</i>
4	106-7159	2	O-Ring
6	302-11	1	Fitting-Lube, 45 DEG

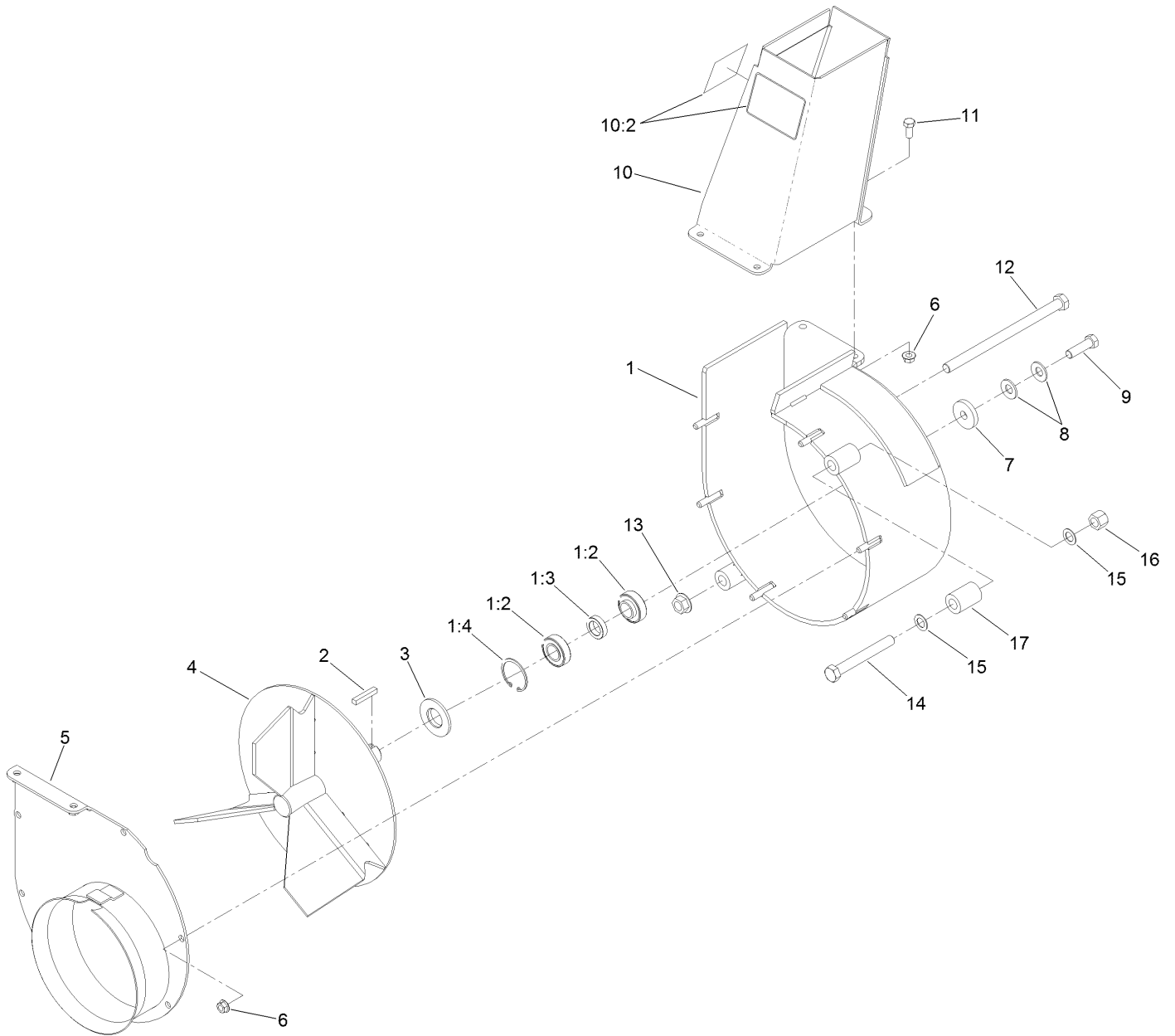
# Blower Mounting Assembly



## Blower Mounting Assembly (continued)

<i>Ref.</i>	<i>Part Number</i>	<i>Qty.</i>	<i>Description</i>	<i>Ref.</i>	<i>Part Number</i>	<i>Qty.</i>	<i>Description</i>
1	116-9649	1	Blower ASM	5	3296-42	2	Nut-Lock, NI
2	103-6733	1	Sheave-Blower	6	103-9167-03	1	Guide
3	321-6	2	Screw-HH	7	323-4	1	Screw-HH
4	3256-22	4	Washer-Flat	8	3256-24	1	Washer-Plain

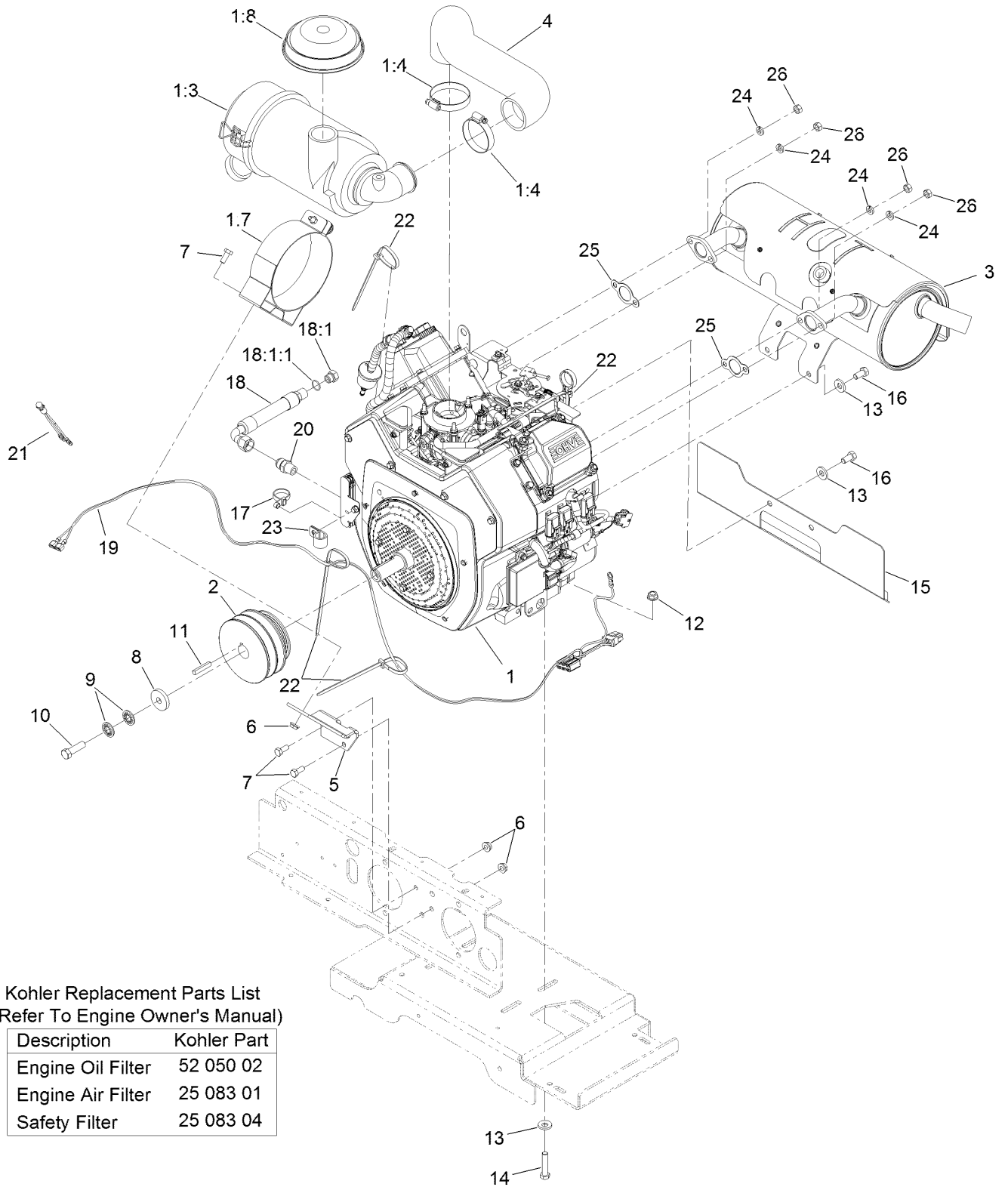
# Blower Assembly No. 116-9649



## Blower Assembly No. 116-9649 (continued)

<i>Ref.</i>	<i>Part Number</i>	<i>Qty.</i>	<i>Description</i>	<i>Ref.</i>	<i>Part Number</i>	<i>Qty.</i>	<i>Description</i>
1	116-9648	1	Housing ASM	9	3212-6	1	Screw-HH
1:2	103-3540	2	Bearing-Ball	10	103-9474	1	Discharge Chute ASM
1:3	103-4921	1	Spacer-Bearing	10:2	116-8943	2	Decal-Danger, Impeller
1:4	32120-8	2	Ring-Snap	11	322-3	4	Screw-HH
2	67-7490	1	Key-Square	12	325-42	1	Screw-HH
3	103-3894	1	Spacer-Blower	13	32128-23	1	Nut-HF
4	103-5194	1	Impeller-3 Blade	14	325-17	1	Screw-HH
5	103-3370-03	1	Cover-Blower	15	18-9810	2	Washer-Thrust
6	32128-20	10	Nut-HF	16	3296-23	1	Nut-Lock, NI
7	1-543610	1	Washer-Flat	17	103-6999	1	Spacer-Mount
8	1-603610	2	Washer-Spring				

# Engine Assembly



Kohler Replacement Parts List  
(Refer To Engine Owner's Manual)

Description	Kohler Part
Engine Oil Filter	52 050 02
Engine Air Filter	25 083 01
Safety Filter	25 083 04



## Engine Assembly (continued)

<i>Ref.</i>	<i>Part Number</i>	<i>Qty.</i>	<i>Description</i>	<i>Ref.</i>	<i>Part Number</i>	<i>Qty.</i>	<i>Description</i>
1		1	Engine-Kohler, Ech730-3064 ●■	13	98-5975	8	Washer-Belleville
1:3	103-8569	1	Air Cleaner Canister ASM	14	323-9	4	Screw-HH
1:4	2412-42	2	Clamp-Hose	15	109-0181-03	1	Shield-Exhaust
1:7	103-1058	1	Bracket-Filter, Air	16	323-4	4	Screw-HH
1:8	100-2436	1	Hood-Cleaner, 2" Air Intake	17	109-7896	1	Tie-Cable
2	103-6731	1	Sheave-Engine	18	116-5338	1	Oil Drain Hose ASM
3	116-3961	1	Muffler	18:1	353-508	1	Plug-HH
4	116-4016	1	Hose-Air Intake	18:1:1	237-42	1	O-Ring
5	103-3695-03	1	Bracket-Filter, Air	19	116-4543	1	Harness-Light Indicator (EFI)
6	32128-20	4	Nut-HF	20	116-1455	1	Fitting-Straight ▲
7	322-3	4	Screw-HH	21	1-643267	1	Indicator-LED, Red
8	1-543610	1	Washer-Flat	22	1-303335	4	Tie-Plastic
9	1-603610	2	Washer-Spring	23	1-633396	1	Clip-Loom
10	3212-6	1	Screw-HH ◆	24	1-805005	4	Washer-Lock
11	67-7490	1	Key-Square	25	1-653291	2	Gasket-Exhaust
12	3290-357	4	Nut-HSF	26	33014-00	4	Nut-Hex

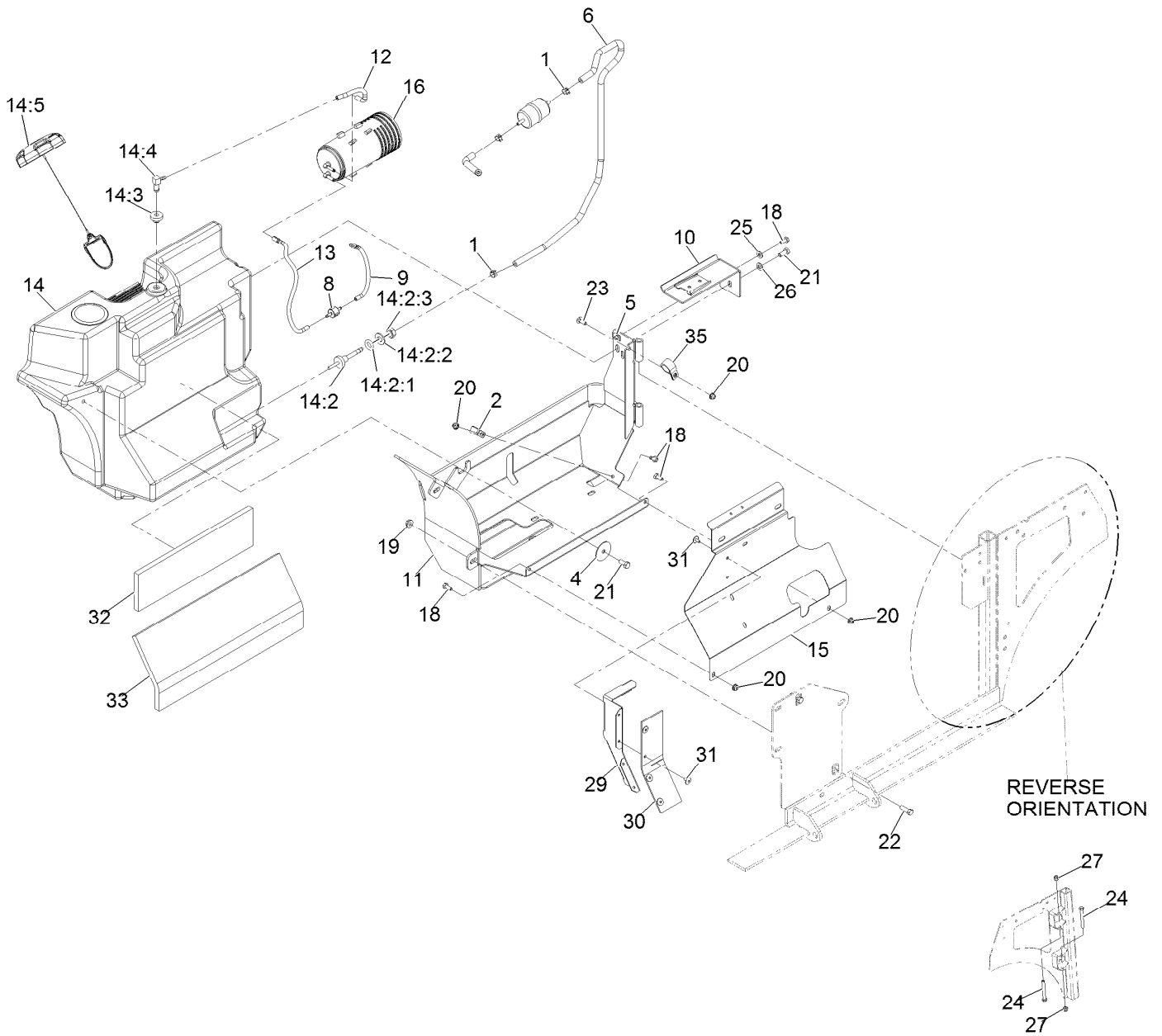
● Not serviced separately

▲ Use a Teflon Pipe Sealant or equivalent on threads.

◆ Use Pro-Lock, Nut Type (P/N 1-840022, .5ml tube) on threads.

■ Obtain parts from [www.kohlerplus.com](http://www.kohlerplus.com)

# Fuel Tank Assembly



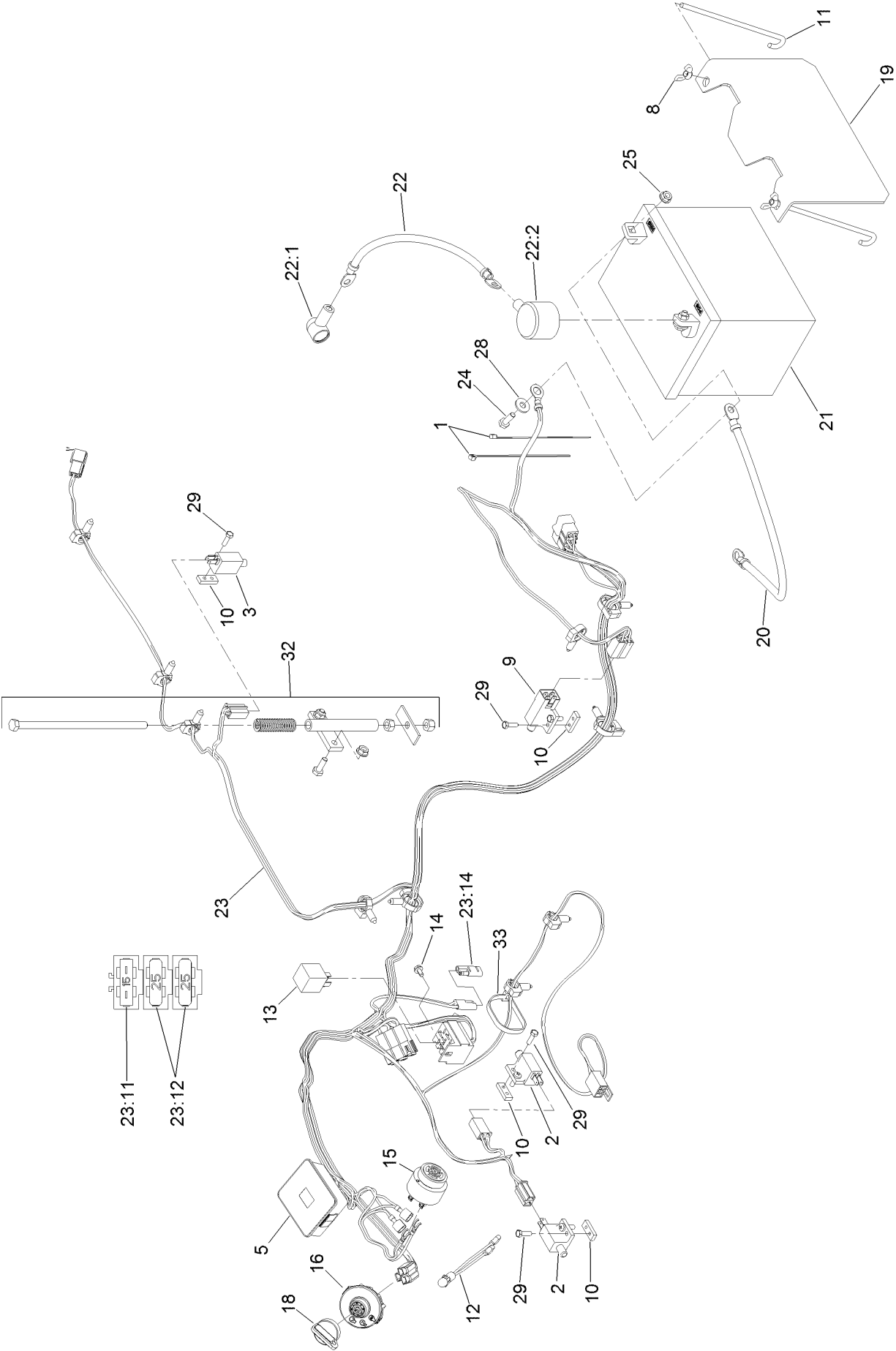
## Fuel Tank Assembly (continued)

<i>Ref.</i>	<i>Part Number</i>	<i>Qty.</i>	<i>Description</i>	<i>Ref.</i>	<i>Part Number</i>	<i>Qty.</i>	<i>Description</i>
1	2412-98	2	Clamp-Hose	15	116-7928-03	1	Panel-Tank Shield
2	1-513762	1	Clip-Loom	16	117-1221	1	Canister-Carbon, 800Cc
4	1-653036	1	Washer	18	321-3	4	Screw-HH
5	107069	1	Clip	19	32128-20	2	Nut-HF
6	116-5366	1	Fuel Line ASM	20	104-7201	4	Nut-HF, NI
8	133-8499	1	Valve-Check, Vacuum	21	322-3	2	Screw-HH ●
9	116-2619	1	Hose-Vent, Formed	22	322-5	2	Screw-HH ■
10	116-2847-03	1	Canister Bracket ASM	23	3229-1	1	Screw-CARR
11	116-2848-03	1	Tank Frame ASM	24	323-14	2	Screw-HH
12	116-2966	1	Hose-Vent, Formed	25	3256-22	1	Washer-Flat
13	116-2967	1	Hose-Vent, Formed	26	3256-23	1	Washer-Plain
14	116-8365	1	Fuel Tank ASM	27	3296-39	2	Nut-Lock, NI
14:2	103-6057	1	Fitting-Fuel, Bulkhead ●	29	103-7095-03	1	Deflector-Air
14:2:1	103-2784	1	O-Ring	30	103-9658	1	Flap-Rubber
14:2:2	3256-26	1	Washer-Flat	31	1-803035	9	Rivet-Pop
14:2:3	3220-5	1	Nut-Jam	32	103-7825	1	Insulation-Foam Pad, Front
14:3	46-6560	1	Bushing	33	103-7824	1	Insulation-Foam Pad, Rear
14:4	100-1596	1	Fitting-90 DEG	35	110-0824	1	R-Clamp
14:5	137-4119	1	Cap-Fuel, Ratcheting				

● Use Pro-Lock, Nut Type (P/N 1-840022, .5ml tube) on threads.

■ Use Pro-Lock retaining type, Part no. 1-840023 (.5cc tube) on threads.

# Electrical System Assembly



## Electrical System Assembly (continued)

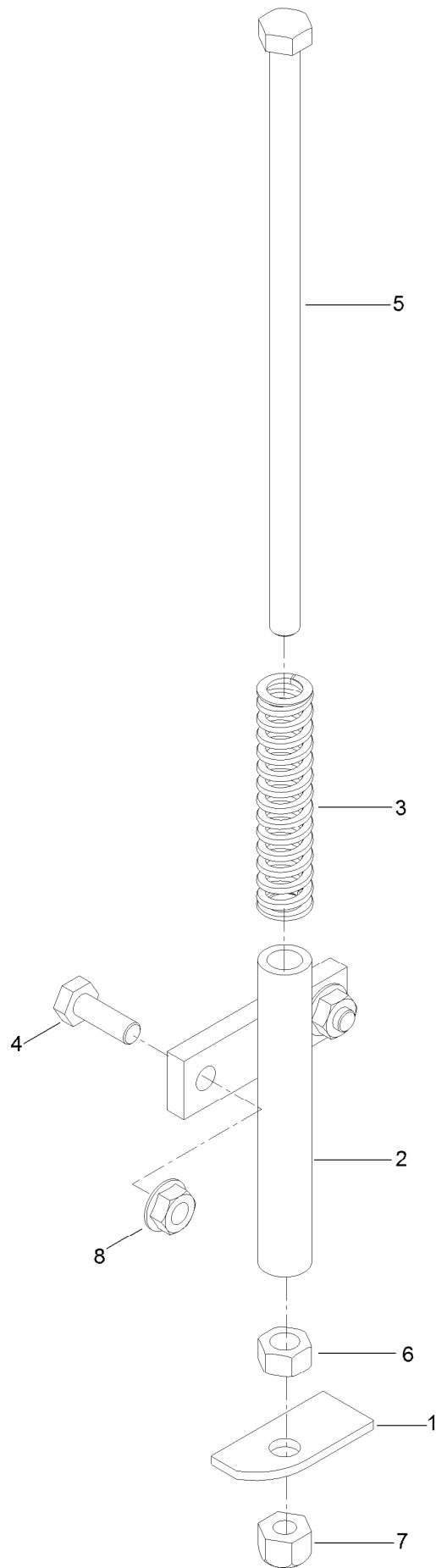
<i>Ref.</i>	<i>Part Number</i>	<i>Qty.</i>	<i>Description</i>	<i>Ref.</i>	<i>Part Number</i>	<i>Qty.</i>	<i>Description</i>
1	1-303287	2	Tie-Cable	21		1	Battery ●■
2	1-513051	2	Switch-Open, Normally	22	116-4730	1	Cable-Battery, Positive
3	1-513152	1	Switch-Closed, Normally	22:1	1-543393	1	Insulator-Solenoid
5	116-8812	1	Hour Meter ASM	22:2	109-2407	1	Insulator-Battery
8	1-543792	2	Wingnut	23	116-9114	1	Harness-Wiring ▲
9	1-633111	1	Switch	23:11	109355	1	Fuse-Blade, 15 Amp
10	1-633181	4	Plate-Tapped	23:12	109102	2	Fuse-Blade, 25 Amp
11	1-633651	2	Bolt-Holddown	23:14	116-0053	1	Cap-Plug
12	1-643267	1	Indicator-LED, Red	24	321-4	2	Screw-HH
13	1-643275	1	Relay	25	32128-33	2	Nut-HF
14	104-2065	1	Screw-HWH	28	3256-2	2	Washer-Flat
15	103-0205	1	Alarm-Tone, Dual	29	3290-134	8	Screw
16	137-4100	1	Switch-Ignition	32	103-8528	1	Hopper Switch Actuator ASM
18	63-8360	1	Key-Ignition			4	Tie-Plastic
19	103-4161-03	1	Hold Down-Battery	33	1-303335		
20	103-8355	1	Cable-Battery, Negative				

● Obtain locally.

■ Not serviced separately

▲ Use dielectric grease on all unsealed connectors and terminals only. Do not apply in sealed connectors.

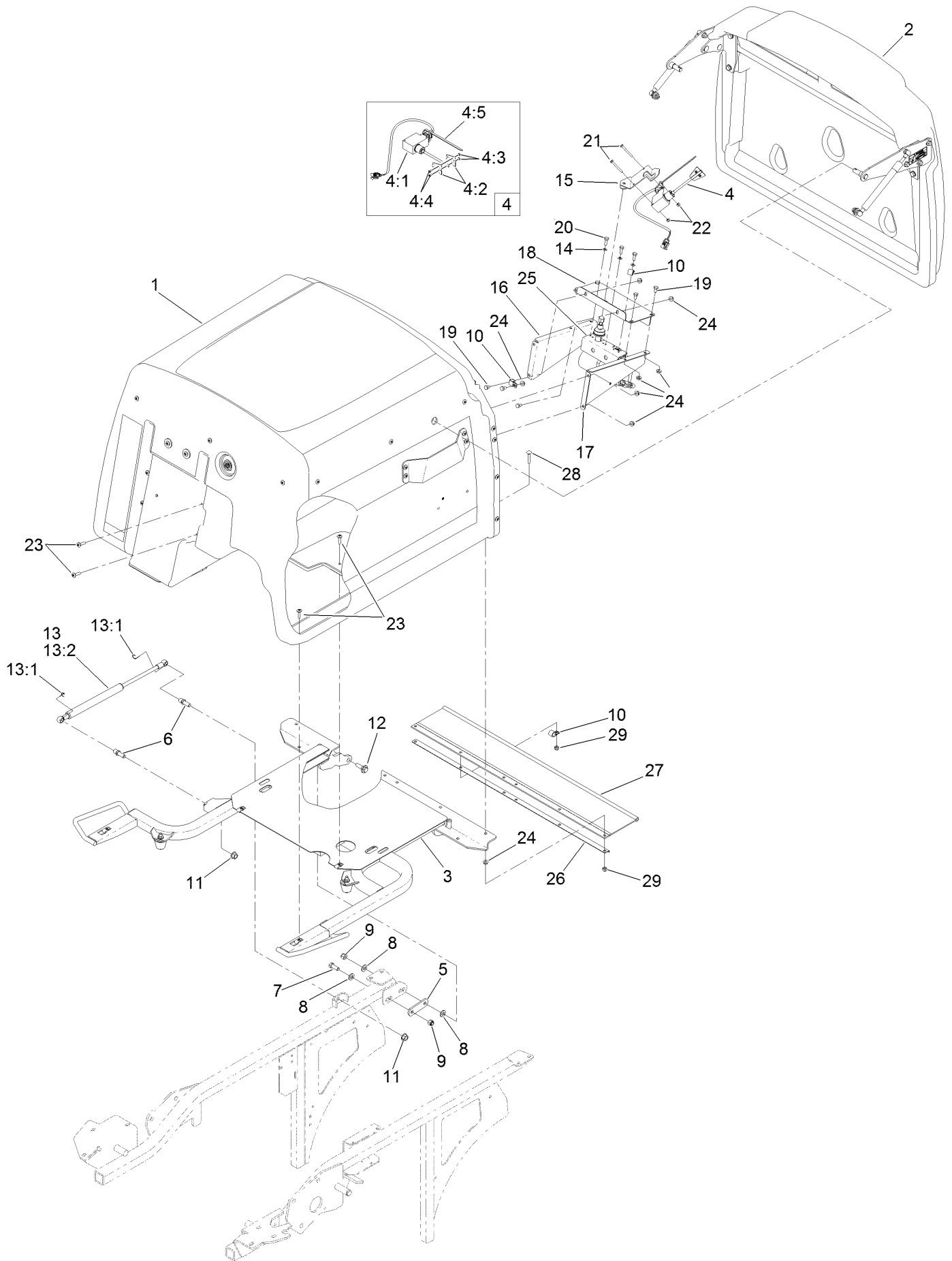
# Hopper Switch Actuator Assembly No. 103-8528



# Hopper Switch Actuator Assembly No. 103-8528 (continued)

<i>Ref.</i>	<i>Part Number</i>	<i>Qty.</i>	<i>Description</i>	<i>Ref.</i>	<i>Part Number</i>	<i>Qty.</i>	<i>Description</i>
1	126-7505	1	Plate-Switch	5	322-50	1	Screw-HH
2	1-522424-03	1	Mount-Spring, Seat	6	3217-6	1	Nut-Hex
3	1-523415	1	Spring-Switch, Seat	7	3296-29	1	Nut-Lock, NI
4	321-4	2	Screw-HH	8	32128-33	2	Nut-HF

# Hopper Mounting Assembly

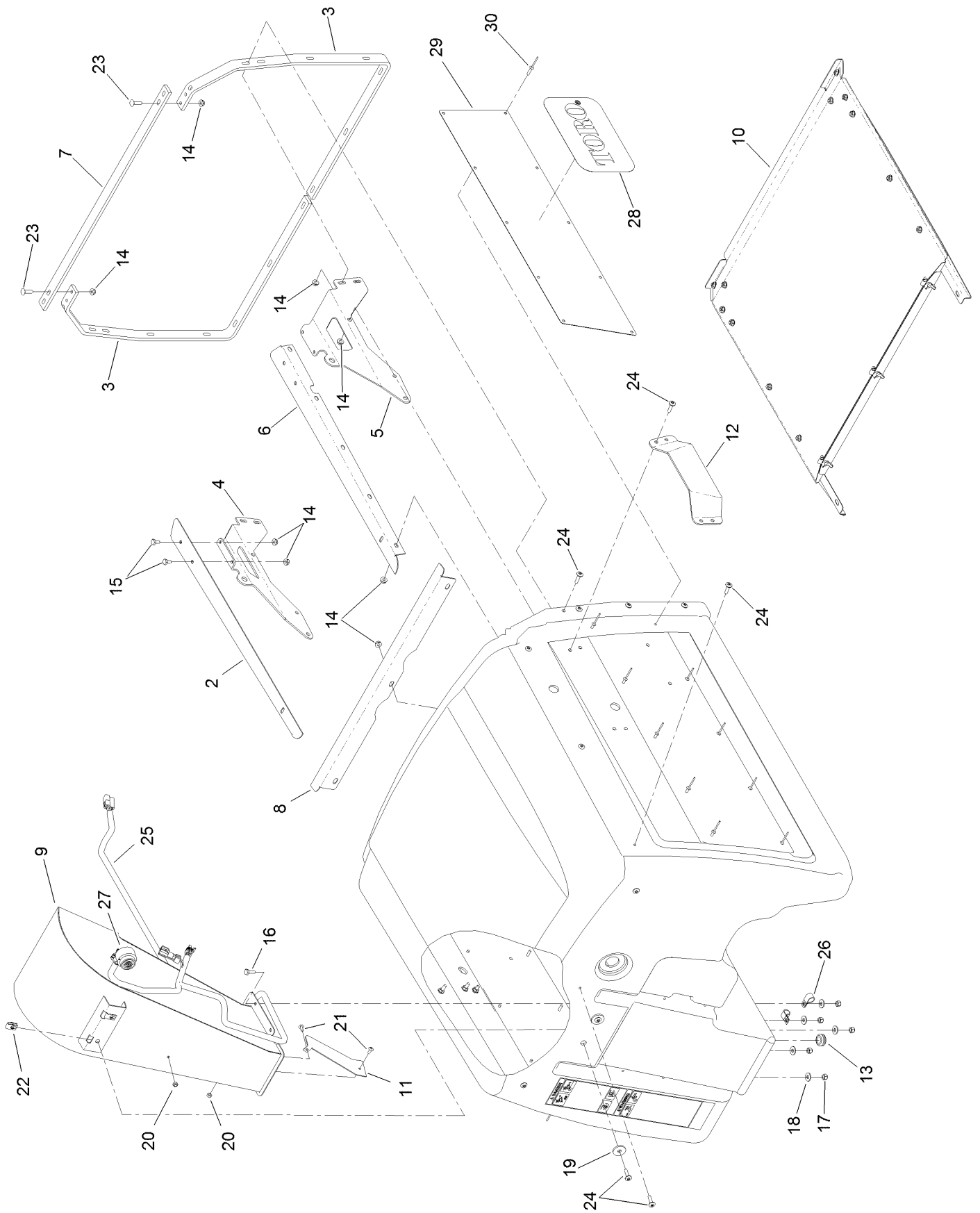




## Hopper Mounting Assembly (continued)

<i>Ref.</i>	<i>Part Number</i>	<i>Qty.</i>	<i>Description</i>	<i>Ref.</i>	<i>Part Number</i>	<i>Qty.</i>	<i>Description</i>
1	130-2872	1	Hopper ASM	13:1	103-8325	2	Clip-Retainer
2	130-2875	1	Hopper Door ASM	13:2	103-5425	1	Shock-Compression, Gas
3	109-4086	1	Hopper Frame ASM	14	1-303435	3	Washer-Spring
4	116-9404	1	Fill Sensor ASM	15	109-3648	1	Mount-Switch
4:1	109-3854	1	Fill Sensor Wire Kit	16	103-6067-03	1	Bracket-Drive Motor, LH
4:2	103-8789	2	Flag-Sensor, Fill	17	103-6068-03	1	Bracket-Drive Motor, RH
4:3	3296-9	2	Nut-Hex	18	103-7085-03	1	Plate-Switch
4:4	9107622	2	Screw-Pan	19	321-2	7	Screw-HH
4:5	1-303335	1	Tie-Plastic	20	329-4	3	Screw-HH
5	1-633068	2	Arm-Lift, Deck	21	3250-48	2	Screw-PPH
6	103-5426	2	Stud-Ball	22	3296-2	2	Nut-Lock, NI
7	323-6	2	Screw-HH	23	32105-32	8	Screw-TTH
8	3256-24	6	Washer-Plain	24	32128-33	17	Nut-HF
9	3296-39	4	Nut-Lock, NI	25	103-9121	1	Motor Wiring ASM
10	1-513762	3	Clip-Loom	26	103-6022-03	1	Channel-Frame, Hopper
11	33005-00	2	Nut-HF	27	103-6025	1	Deflector-Grass
12	614672	2	Screw-Shoulder, HWH	28	3229-4	6	Screw-CARR
13	109-0716	1	Damper Kit	29	3296-42	6	Nut-Lock, NI

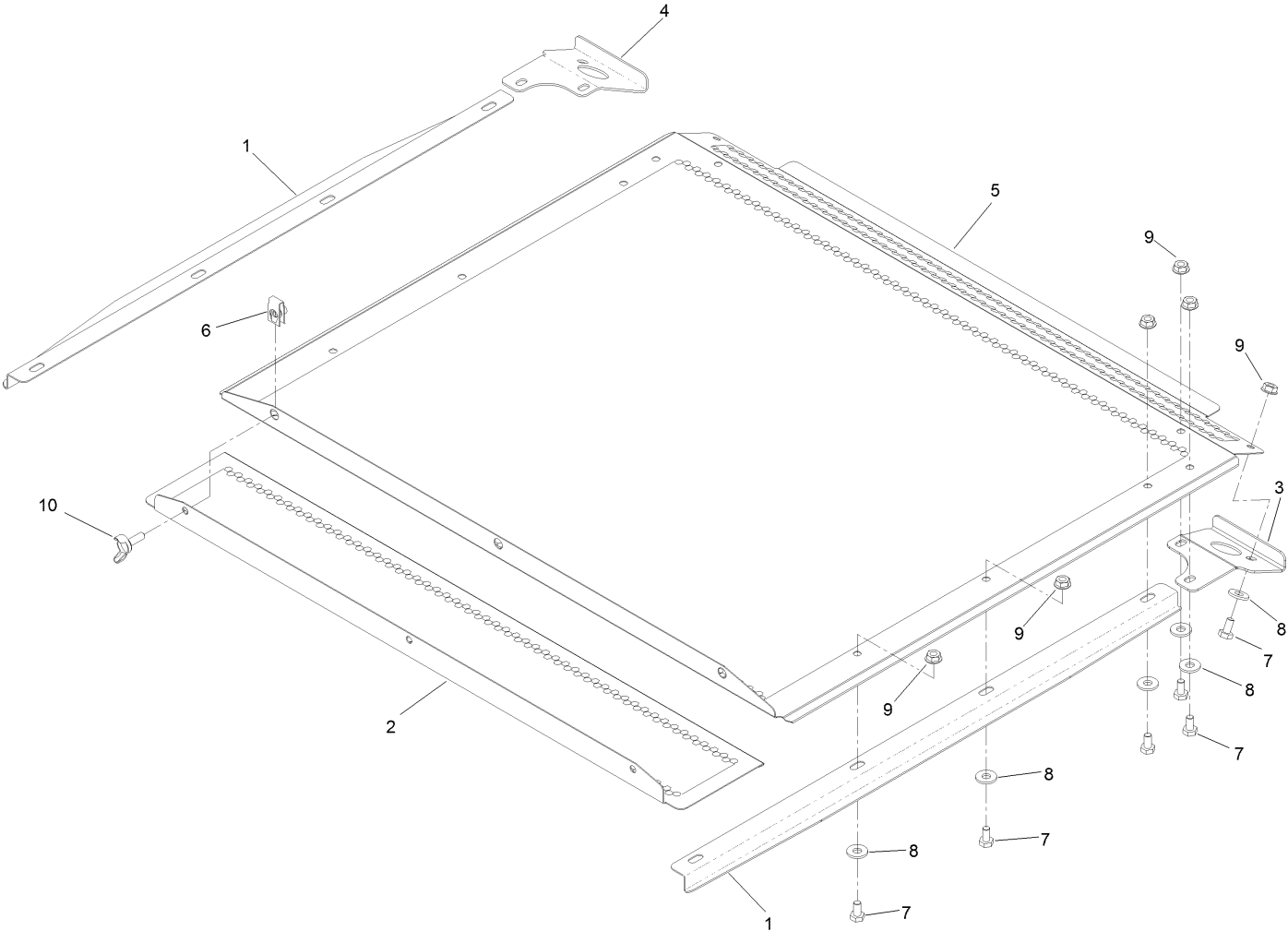
# Hopper Assembly No. 130-2872



## Hopper Assembly No. 130-2872 (continued)

<i>Ref.</i>	<i>Part Number</i>	<i>Qty.</i>	<i>Description</i>	<i>Ref.</i>	<i>Part Number</i>	<i>Qty.</i>	<i>Description</i>
2	103-5736-03	1	Angle-Screen Track, RH	17	3296-42	5	Nut-Lock, NI
3	103-5045-03	2	Reinforcement-Hopper	18	3256-2	5	Washer-Flat
4	103-5751-03	1	Brace-Door Pivot, RH	19	1-613235	2	Washer
5	103-5749-03	1	Brace-Door Pivot, LH	20	3296-2	2	Nut-Lock, NI
6	103-5774-03	1	Angle-Screen Track, LH	21	32122-30	2	Screw-PTH
7	103-5772-03	1	Bracket-Frame Connect	22	107069	2	Clip
8	103-7035-03	1	Channel-Screen, Front	23	3229-2	4	Screw-CARR
9	109-3650-03	1	Diffuser	24	32105-32	27	Screw-TTH
10	109-0717	1	Hopper Screen ASM	25	103-8800	1	Harness-Wire, Hopper
11	103-8680	1	Deflector-Discharge Chute	26	1-513762	2	Clip-Loom
12	109-4019	2	Plate-Guard	27	103-0205	1	Alarm-Tone, Dual
13	1-543296	1	Grommet	28	130-2885	2	Decal
14	32128-33	33	Nut-HF	29	130-2898-03	2	Plate-Hopper, Side
15	321-2	4	Screw-HH	30	130-8451	20	Rivet-Trifold
16	321-4	5	Screw-HH				

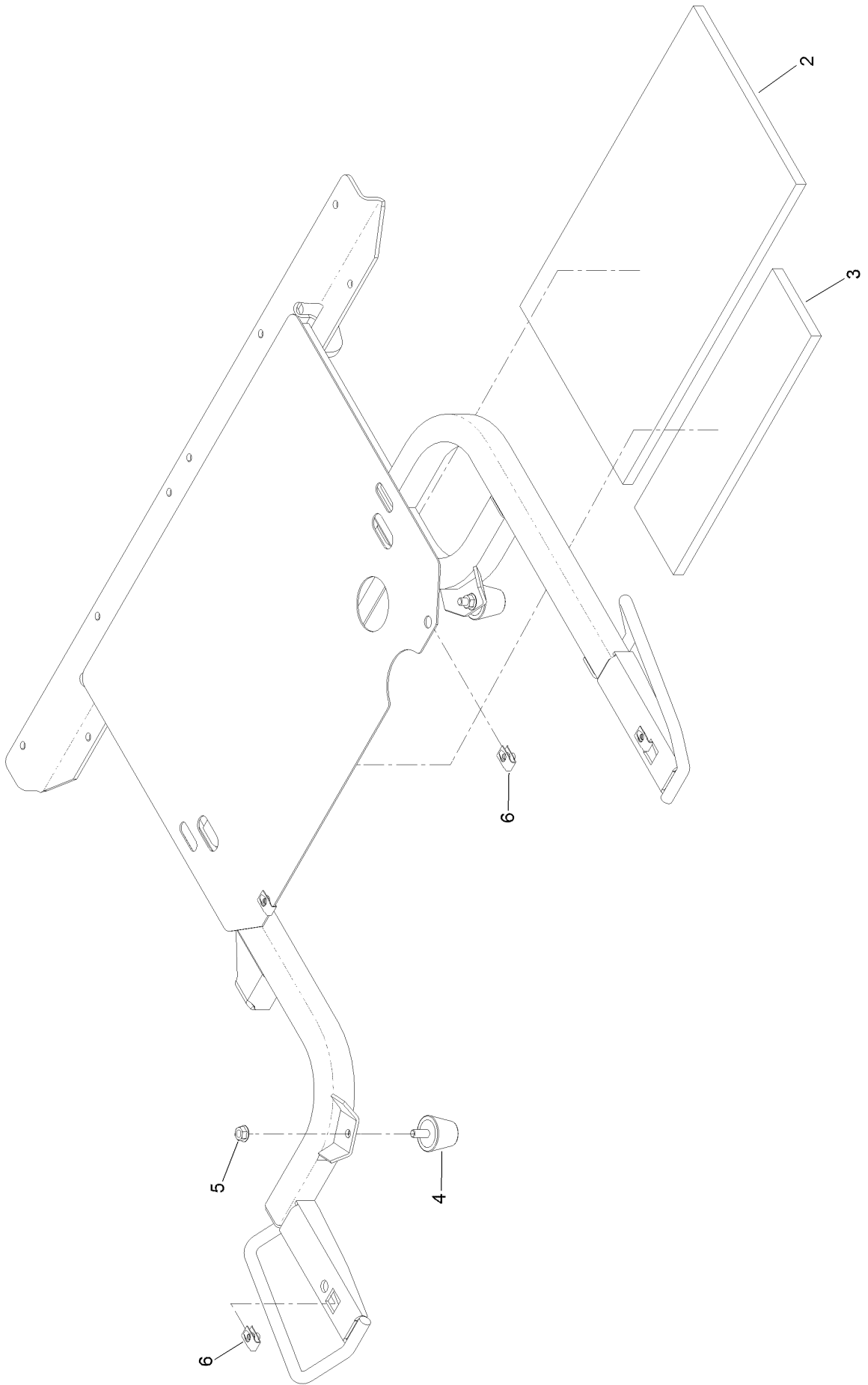
# Hopper Screen Assembly No. 109-0717



# Hopper Screen Assembly No. 109-0717 (continued)

<i>Ref.</i>	<i>Part Number</i>	<i>Qty.</i>	<i>Description</i>	<i>Ref.</i>	<i>Part Number</i>	<i>Qty.</i>	<i>Description</i>
1	103-8203-03	2	Guide-Screen	6	107069	3	Clip
2	103-7048-03	1	Panel-Screen, Removable	7	321-2	12	Screw-HH
3	103-7098-03	1	Handle-Screen, LH	8	3256-2	12	Washer-Flat
4	103-7099-03	1	Handle-Screen, RH	9	32128-33	12	Nut-HF
5	103-5745-03	1	Panel-Screen, Hopper	10	109-1063	3	Screw-Wing

# Hopper Frame Assembly No. 109-4086

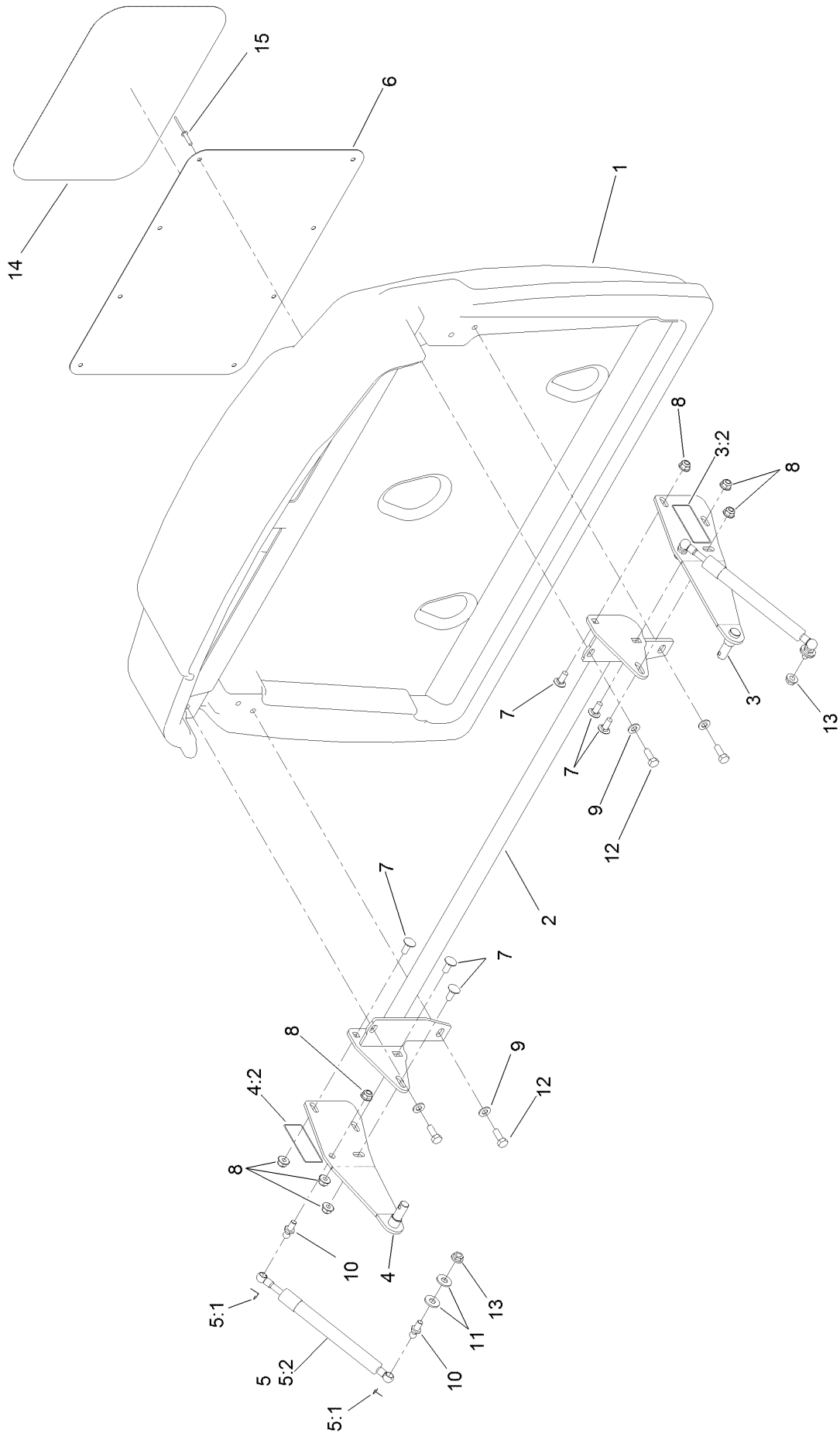


# Hopper Frame Assembly No. 109-4086 (continued)

<i>Ref.</i>	<i>Part Number</i>	<i>Qty.</i>	<i>Description</i>
2	103-7824	1	Insulation-Foam Pad, Rear
3	103-7825	1	Insulation-Foam Pad, Front
4	1-543963	2	Bumper-Rubber

<i>Ref.</i>	<i>Part Number</i>	<i>Qty.</i>	<i>Description</i>
5	32128-20	2	Nut-HF
6	107069	4	Clip

# Hopper Door Assembly No. 130-2875

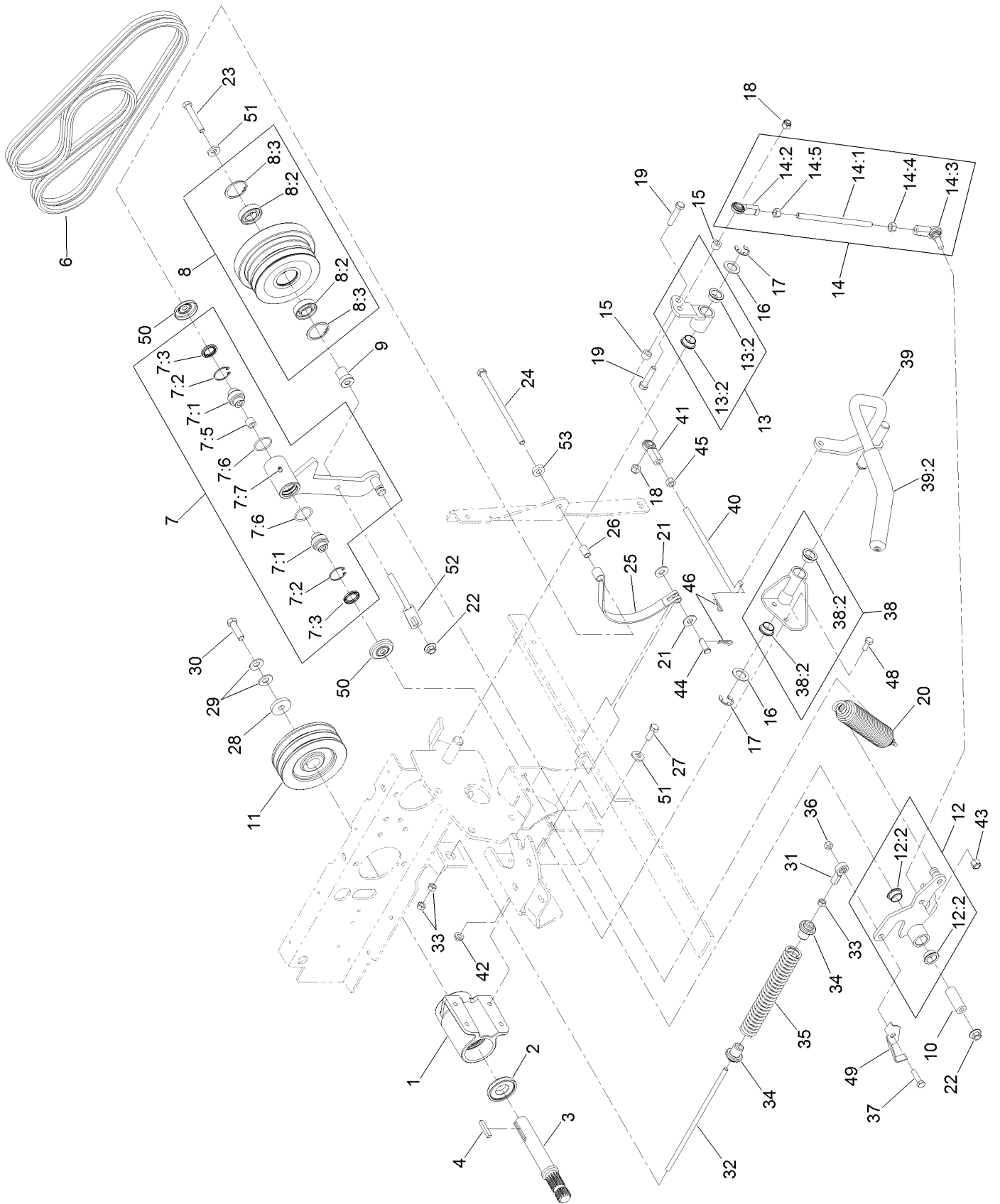




## Hopper Door Assembly No. 130-2875 (continued)

<i>Ref.</i>	<i>Part Number</i>	<i>Qty.</i>	<i>Description</i>	<i>Ref.</i>	<i>Part Number</i>	<i>Qty.</i>	<i>Description</i>
1	130-2877	1	Door-Hopper	7	3230-23	6	Bolt-CARR
2	109-4153-03	1	Support-Door	8	104-8300	8	Nut-HF, NI
3	109-4253	1	LH Door Pivot ASM	9	3256-23	4	Washer-Plain
3:2	120-0625	1	Decal-Warning	10	103-5752	4	Stud-Ball
4	109-4254	1	RH Door Pivot ASM	11	3256-3	4	Washer-Flat
4:2	120-0625	1	Decal-Warning	12	322-4	4	Screw-HH
5	109-0715	2	Damper Kit	13	32128-20	2	Nut-HF
5:1	103-8324	2	Clip-Retainer	14	130-2886	1	Decal
5:2	103-5746	1	Shock-Gas Tension	15	130-8451	8	Rivet-Trifold
6	130-8450-03	1	Plate-Door, Hopper				

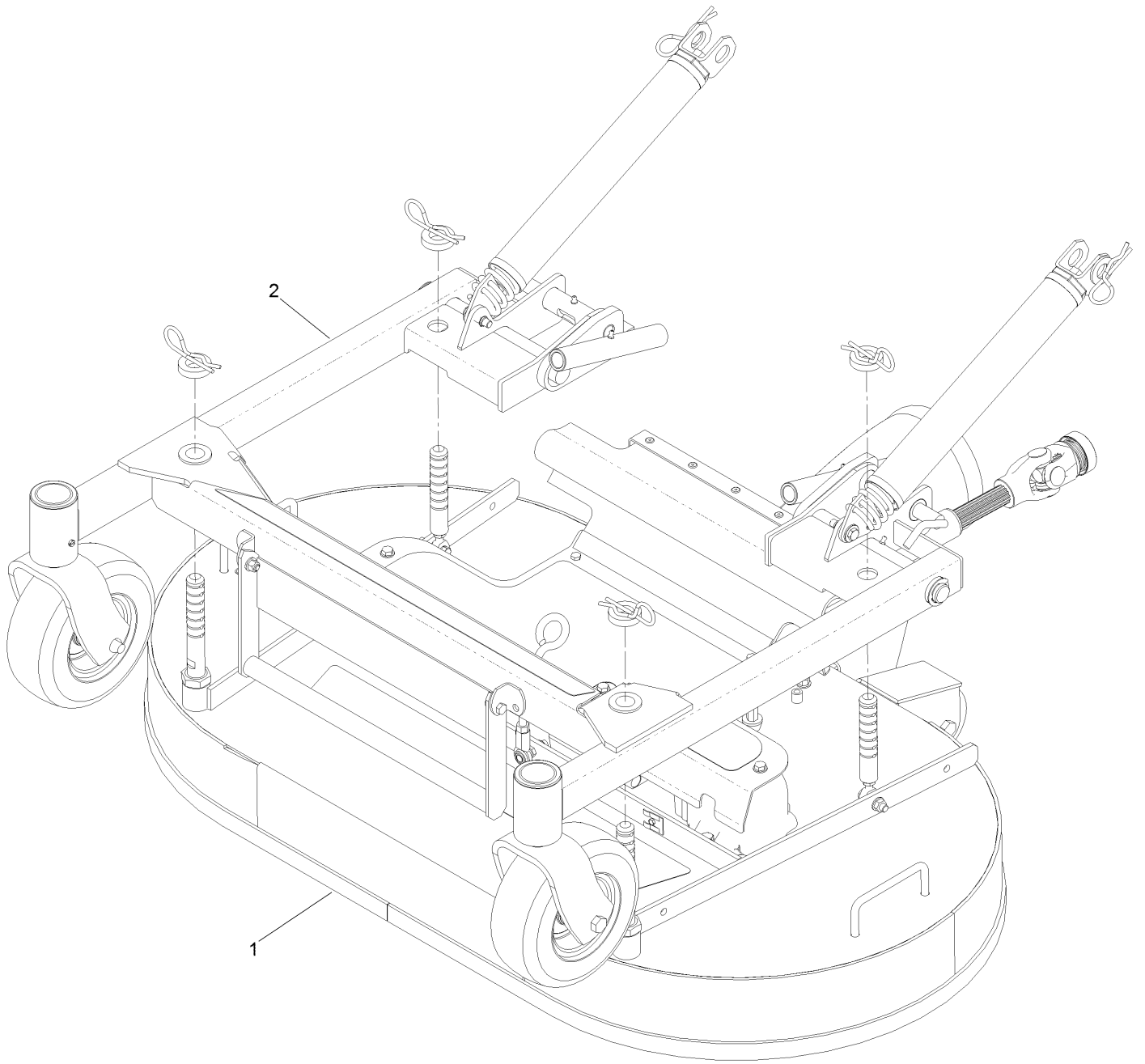
# Drive Assembly



## Drive Assembly (continued)

<i>Ref.</i>	<i>Part Number</i>	<i>Qty.</i>	<i>Description</i>	<i>Ref.</i>	<i>Part Number</i>	<i>Qty.</i>	<i>Description</i>
1	103-2544	1	Jackshaft ASM	21	3256-4	2	Washer-Flat
2	103-2535	1	Spacer-Guard, Bottom	22	32128-19	2	Nut-HF Lock, Large Flg
3	103-6735	1	Jackshaft	23	323-12	1	Screw-HH
4	67-7490	1	Key-Square	24	323-36	1	Screw-HH
6	130-2870	1	Belts-Pair, Matched	25	103-7697	1	Band-Brake
7	103-8253	1	Idler Pivot ASM	26	103-9816	1	Spacer
7:1	103-3504	2	Bearing-Spherical	27	323-6	4	Screw-HH
7:2	32120-10	2	Ring-Snap	28	1-543610	1	Washer-Flat
7:3	103-3506	2	Seal-Lip, Single	29	1-603610	2	Washer-Spring
7:5	1-413088	1	Bushing-Lever, Lift	30	3212-6	1	Screw-HH
7:6	106-7159	2	O-Ring	31	1-543017	1	Balljoint-RH
7:7	302-19	1	Fitting-Grease	32	103-7996	1	Linkage-Rod, PTO Brake
8	103-9439	1	Idler Sheave ASM	33	3219-2	3	Nut-Hex
8:2	251-347	2	Bearing-Ball	34	103-8254	2	Bushing-Spring
8:3	32151-13	2	Ring-Retaining	35	103-7997	1	Spring-Brake
9	103-7350	1	Spacer-Idler	36	3296-29	1	Nut-Lock, NI
10	103-7382	1	Bushing	37	322-6	1	Screw-HH
11	103-6732	1	Sheave	38	103-9295	1	Pivot ASM
12	103-9296	1	Arm ASM	38:2	108519	2	Bushing-Bronze
12:2	108519	2	Bushing-Bronze	39	103-9486	1	PTO Handle ASM
13	103-9297	1	Arm ASM	39:2	103-8153	1	Grip-Lever, Control
13:2	108519	2	Bushing-Bronze	40	103-8277	1	Link-Handle
14	103-7392	1	Clutch Link ASM	41	103-0608	1	Joint-Ball, End
14:1	103-7393	1	Rod-Linkage	42	32128-20	2	Nut-HF
14:2	103-1167	1	Joint-Ball End, LH	43	3296-6	1	Nut-Lock
14:3	103-7994	1	Balljoint-RH	44	283-2	1	Pin-Clevis
14:4	3219-3	1	Nut-Hex	45	3219-3	1	Nut-Hex
14:5	3219-20	1	Nut-Hex, LH	46	1-806003	2	Pin-Cotter
15	92-9025	2	Spacer	48	322-3	2	Screw-HH
16	1-303007	2	Washer	49	103-8716-03	1	Switch-Flag
17	32151-48	2	E-Ring	50	103-2916	2	Guard-Top
18	3296-39	2	Nut-Lock, NI	51	98-5975	5	Washer-Belleville
19	323-9	2	Screw-HH	52	109-5491	1	Guide-Belt
20	109-0148	1	Spring-Extension	53	5-0652	1	Spacer

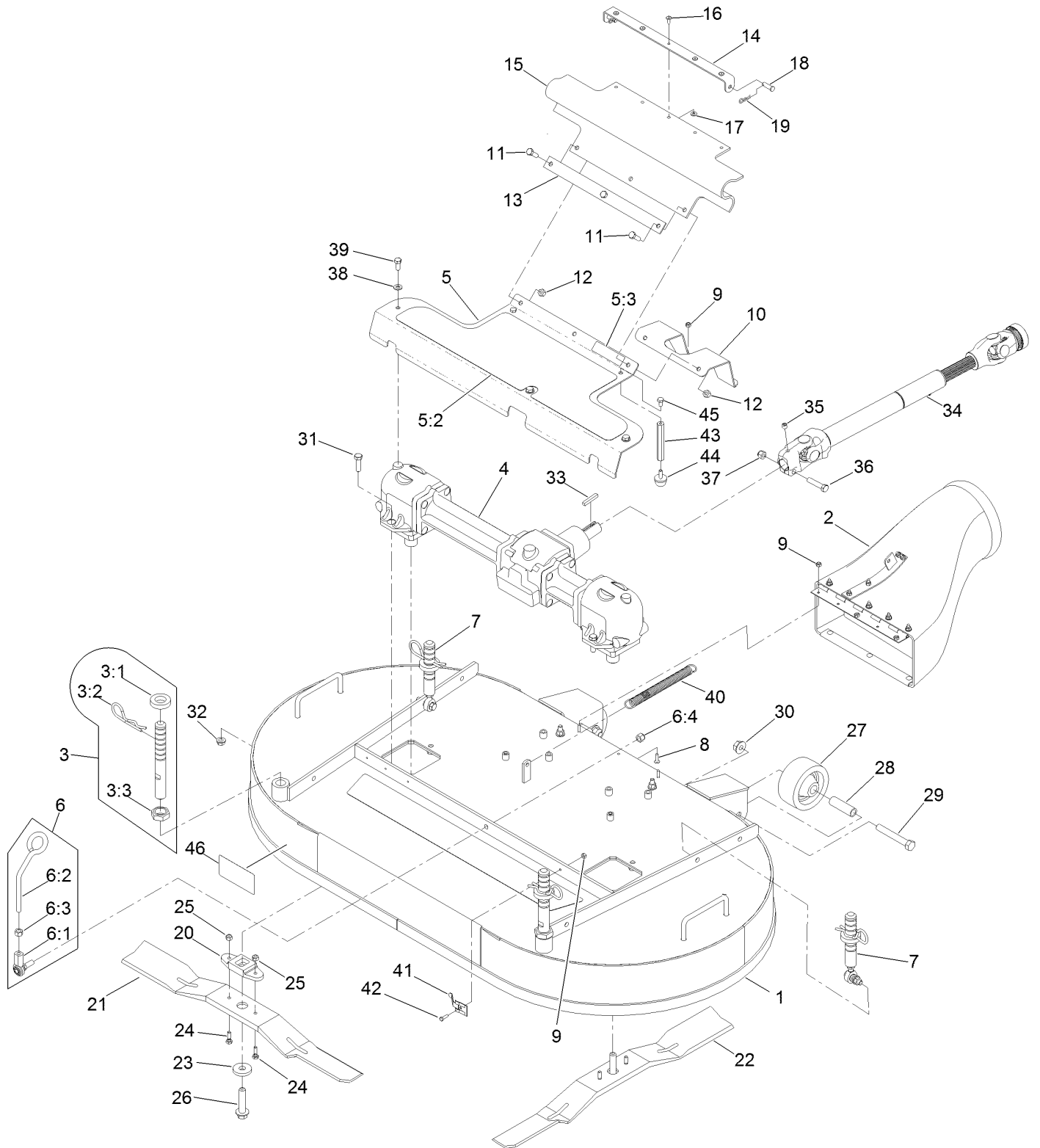
# Deck Mounting Assembly



## Deck Mounting Assembly (continued)

<i>Ref.</i>	<i>Part Number</i>	<i>Qty.</i>	<i>Description</i>
1	130-2891	1	Deck ASM
2	130-2893	1	Deck Support Frame ASM

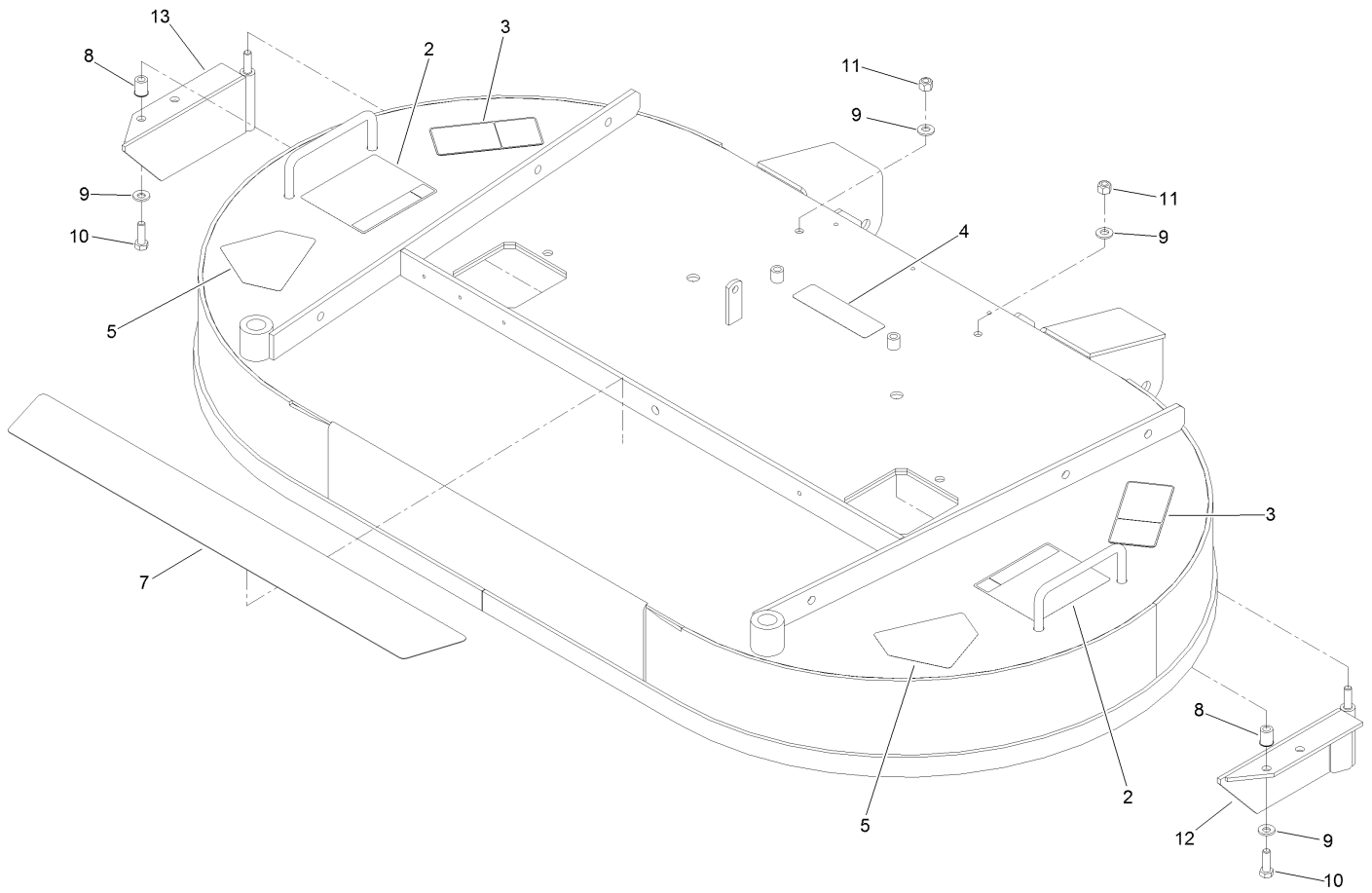
# Deck, Gearbox and Driveshaft Mounting Assembly



# Deck, Gearbox and Driveshaft Mounting Assembly (continued)

<i>Ref.</i>	<i>Part Number</i>	<i>Qty.</i>	<i>Description</i>	<i>Ref.</i>	<i>Part Number</i>	<i>Qty.</i>	<i>Description</i>
1	109-4372	1	Deck Decal And Baffle ASM	19	1-806003	2	Pin-Cotter
2	103-9487	1	Discharge Tube ASM	20	103-7705	2	Driver-Blade
3	109-0321	2	Front Deck Height Adjust ASM	21	130-2862	1	Blade-25In, RH
3:1	1-413425	1	Spacer-Deck Support	22	130-2861	1	Blade-25In, LH
3:2	103-7353	1	Pin-Cut Height	23	30-8770	2	Washer
3:3	103-8496	1	Nut-Jam	24	99-0283	4	Bolt-Shear
4	103-3387	1	Gear Box ASM	25	3296-42	4	Nut-Lock, NI
5	130-2899	1	Gearbox Cover ASM	26	92-5816	2	Bolt-Blade
5:2	103-8629	1	Pad-Anti Skid	27	103-3700	2	Roller-Deck
5:3	119-0217	1	Decal-Danger	28	103-4230	2	Spacer-Roller
6	103-8363	1	Deck Latch ASM	29	325-14	2	Screw-HH
6:1	103-7994	1	Balljoint-RH	30	32128-49	2	Nut-HHF
6:2	103-8307	1	Latch-Deck	31	323-7	4	Screw-HH
6:3	3219-3	1	Nut-Hex	32	3290-357	4	Nut-HSF
6:4	3296-6	1	Nut-Lock	33	67-7490	1	Key-Square
7	109-0323	2	Rear Deck Height Adjust ASM	34	103-9485	1	Drive Shaft ASM
8	1-803075	3	Screw-Head, Truss	35	3247-2	1	Screw-Set, HSH
9	3296-2	6	Nut-Lock, NI	36	323-9	1	Screw-HH
10	116-7843-01	1	Guard-Drive Shaft	37	3296-39	1	Nut-Lock, NI
11	322-5	3	Screw-HH	38	3256-23	3	Washer-Plain
12	3296-29	3	Nut-Lock, NI	39	322-3	3	Screw-HH
13	103-6290-03	1	Strap-Drive, Line Cover	40	103-8841	1	Spring-Extension
14	103-6183-03	1	Bracket-Guard, PTO	41	1-513690	1	Clip-Deck, Hold Up Rod
15	103-5979	1	Guard-PTO	42	3290-134	1	Screw
16	114439	5	Rivet-Blind	43	103-8610	2	Stand-Off
17	3256-14	5	Washer-Flat	44	1-523420	2	Bumper
18	1-808280	2	Pin-Clevis	45	321-2	2	Screw-HH
				46	130-2887	1	Decal

# Deck Decal Assembly No. 109-4372

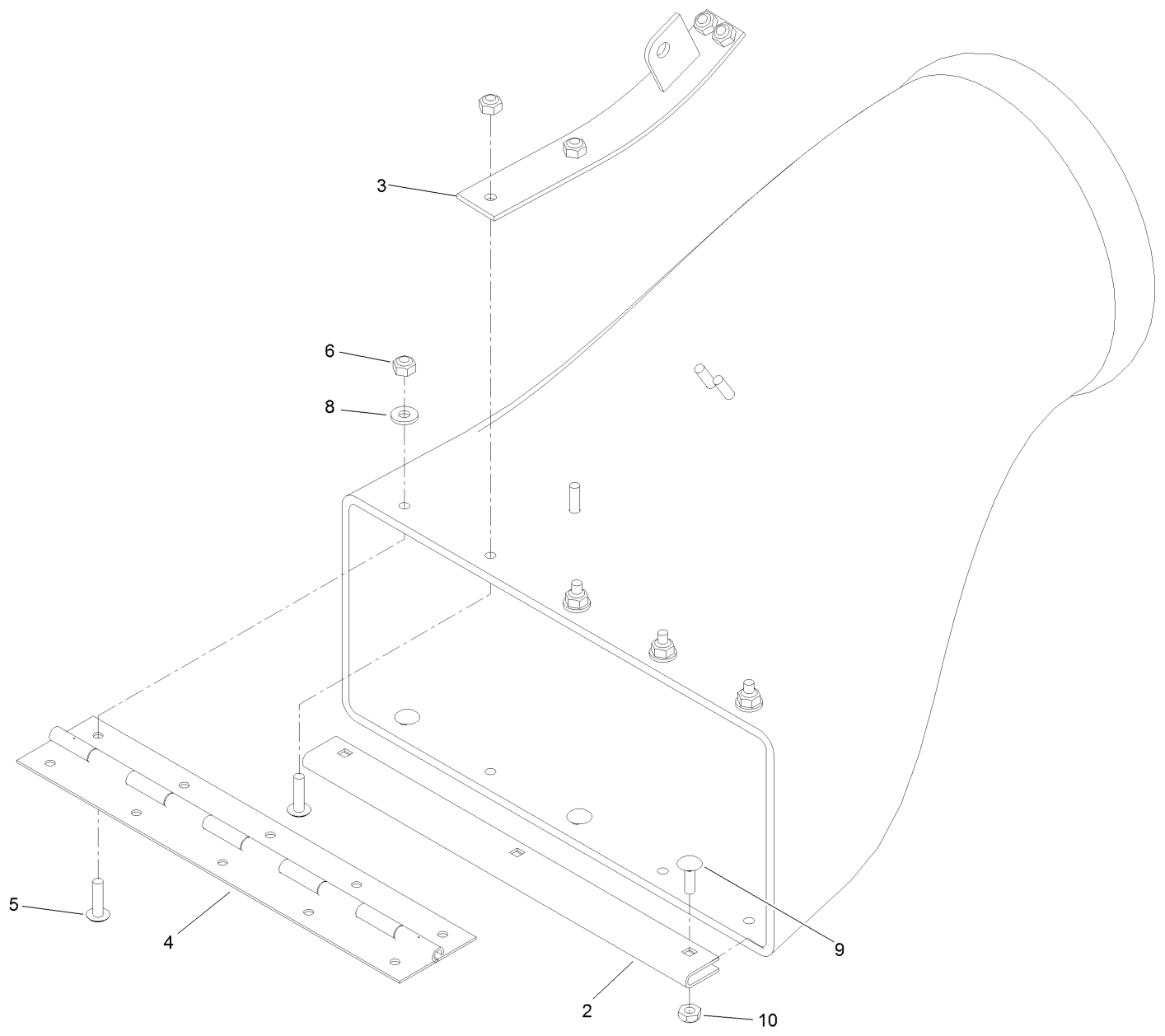




## Deck Decal Assembly No. 109-4372 (continued)

<i>Ref.</i>	<i>Part Number</i>	<i>Qty.</i>	<i>Description</i>	<i>Ref.</i>	<i>Part Number</i>	<i>Qty.</i>	<i>Description</i>
2	116-8934	2	Decal-Height Adjust, Cutting	9	1-303334	4	Washer-Spring
3	93-7818	2	Decal-Torque, Blade Bolt	10	322-5	2	Screw-HH
4	112-9028	1	Decal-Cover, Missing	11	3296-29	2	Nut-Lock, NI
5	112-8760	2	Decal-Danger	12	109-4053-01	1	Baffle-LH
7	103-8630	1	Pad-Anti Skid	13	109-4054-01	1	Baffle-RH
8	32148-7	4	Nut-Clinch				

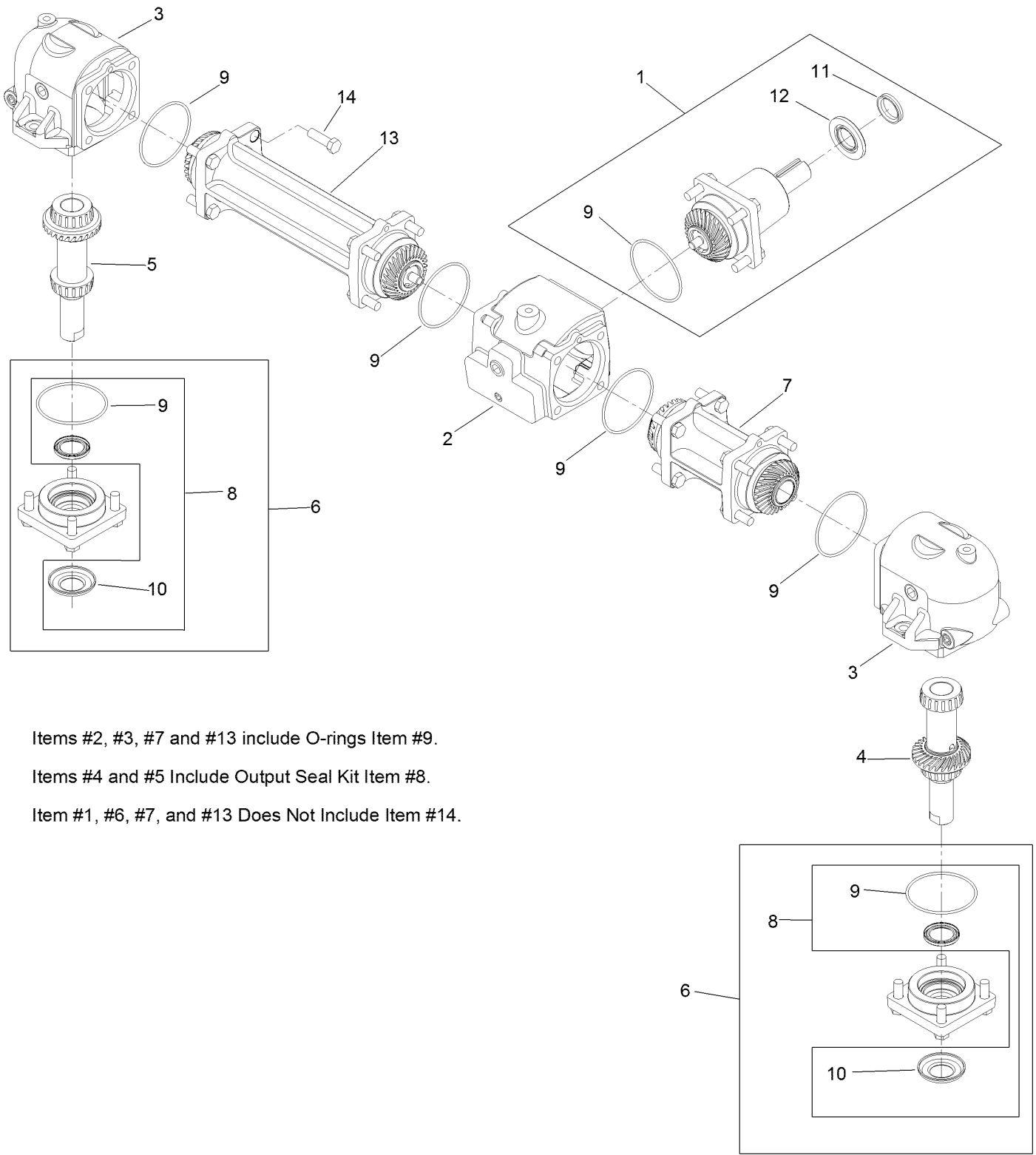
# Discharge Tube Assembly No. 103-9487



## Discharge Tube Assembly No. 103-9487 (continued)

<i>Ref.</i>	<i>Part Number</i>	<i>Qty.</i>	<i>Description</i>	<i>Ref.</i>	<i>Part Number</i>	<i>Qty.</i>	<i>Description</i>
2	109-2228-03	1	Guard-Plenum	6	3296-2	8	Nut-Lock, NI
3	103-5868-01	1	Mount-Spring	8	3256-14	4	Washer-Flat
4	103-4974	1	Hinge-Piano	9	1-807533	3	Bolt-CARR
5	1-803075	8	Screw-Head, Truss	10	3296-12	3	Nut-Lock, NI

# Gearbox Assembly No. 103-3387



Items #2, #3, #7 and #13 include O-rings Item #9.

Items #4 and #5 Include Output Seal Kit Item #8.

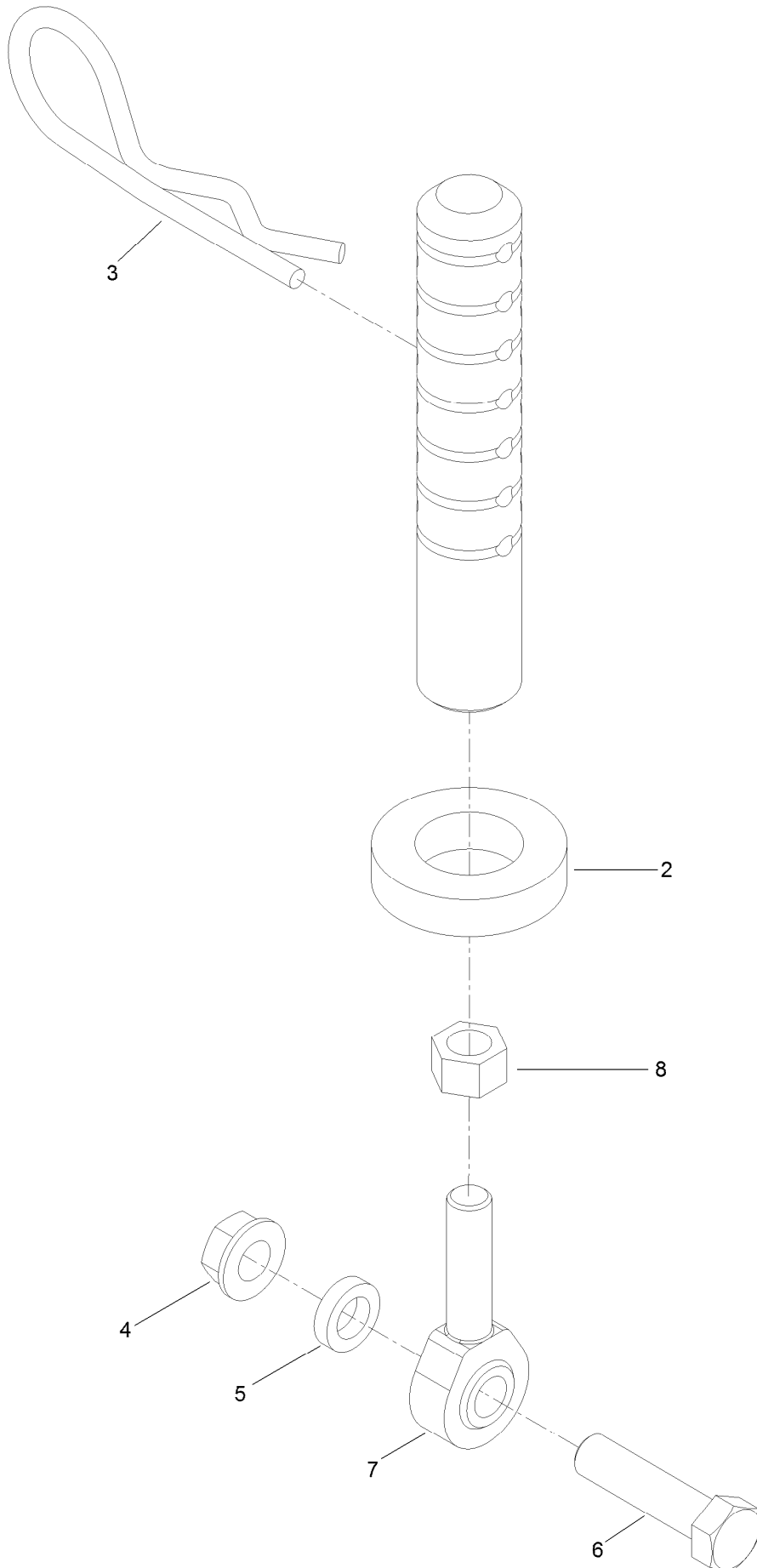
Item #1, #6, #7, and #13 Does Not Include Item #14.

## Gearbox Assembly No. 103-3387 (continued)

<i>Ref.</i>	<i>Part Number</i>	<i>Qty.</i>	<i>Description</i>	<i>Ref.</i>	<i>Part Number</i>	<i>Qty.</i>	<i>Description</i>
1	109-0189	1	Pinion-Input	8	109-0201	1	Output Seal Kit
2	109-0190	1	Housing-Center	9	109-0203	1	Seal-O-Ring
3	109-0191	1	Housing-End	10	109-0204	1	Washer-Cupped
4	109-0193	1	Output Shaft And Gear-LH	11	109-0205	1	Seal-V-Ring ●
5	109-0195	1	Output Shaft And Gear-RH	12	109-0202	1	Seal-Input ●
6	109-0196	1	Cap-Output	13	109-0200	1	Connector-Tube, Long
7	109-0198	1	Tube-Connector, Shor	14	93-3987	28	Bolt-Blade

● Apply bead of Mobil HTS grease (P/N 103-5217 1.5 oz packet) (or a food-grade anti-seize) between input seal and v-ring.

# Rear Deck Height Adjustment Assembly No. 109-0323

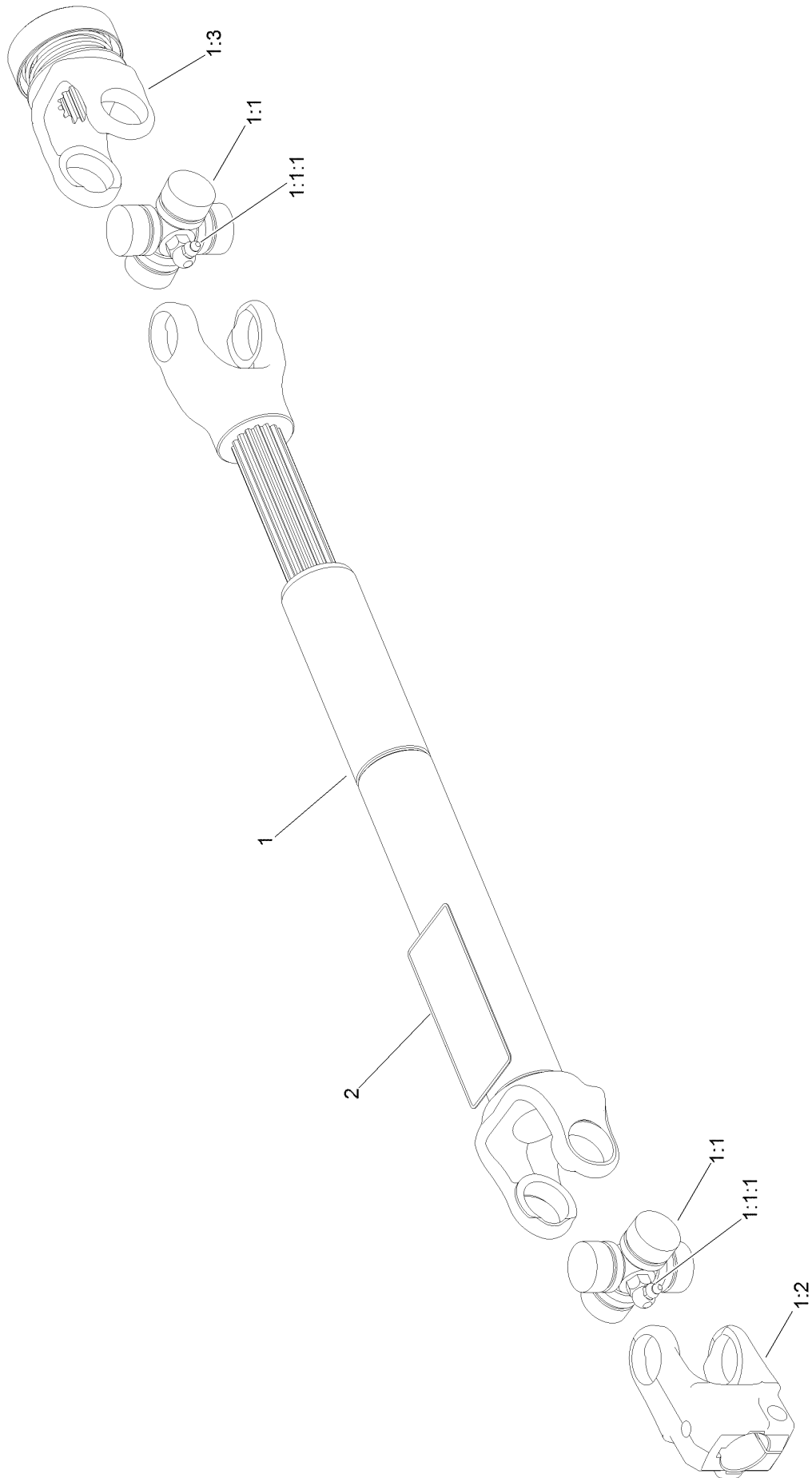


# Rear Deck Height Adjustment

## Assembly No. 109-0323 (continued)

<i>Ref.</i>	<i>Part Number</i>	<i>Qty.</i>	<i>Description</i>	<i>Ref.</i>	<i>Part Number</i>	<i>Qty.</i>	<i>Description</i>
2	1-413425	1	Spacer-Deck Support	6	323-8	1	Screw-HH
3	103-7353	1	Pin-Cut Height	7	1-613204	1	Balljoint
4	3290-357	1	Nut-HSF	8	3220-3	1	Nut-HJ
5	106-5597	1	Spacer-Idler				

# Drive Shaft Assembly No. 103-9485



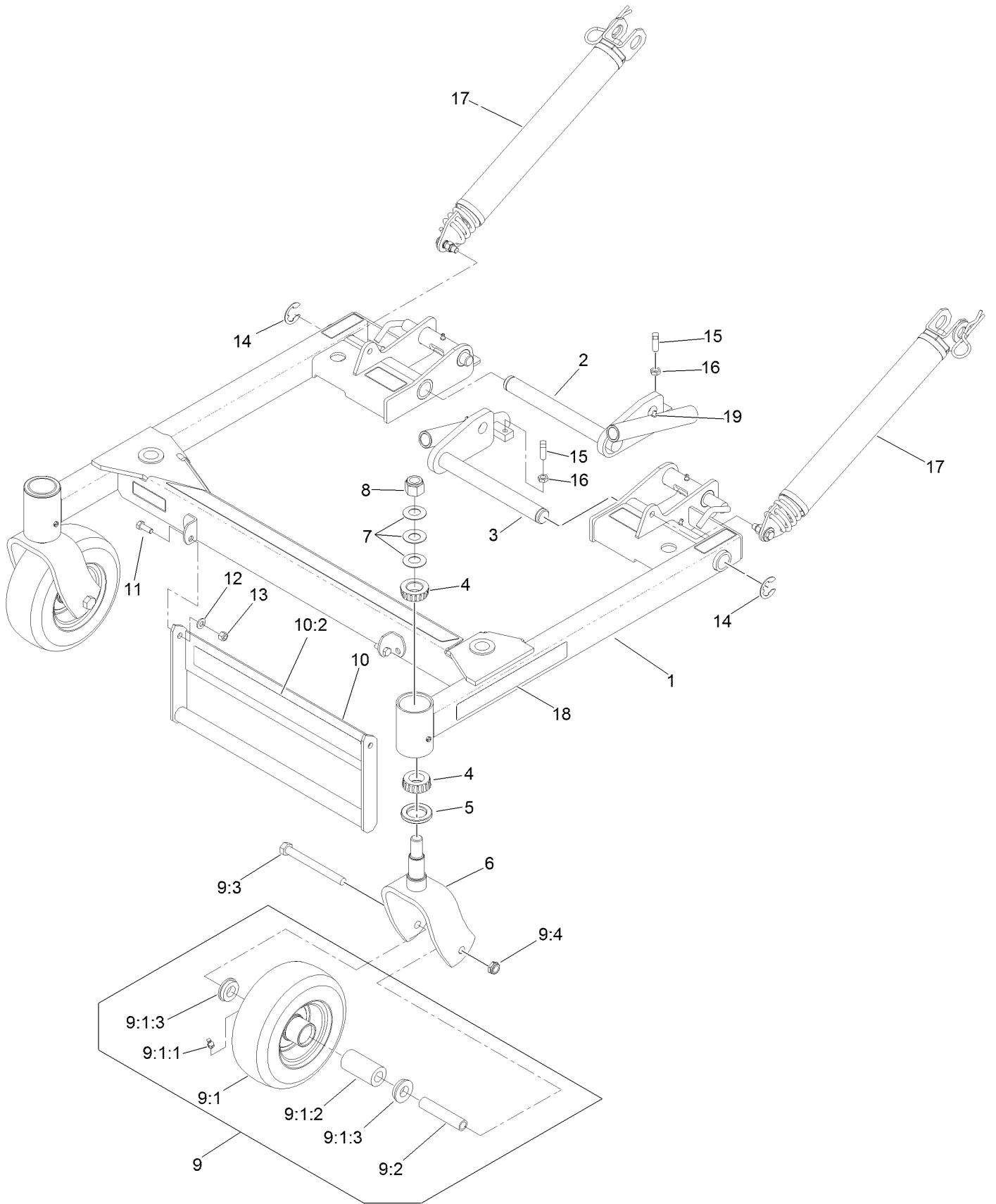


## Drive Shaft Assembly No. 103-9485 (continued)

<i>Ref.</i>	<i>Part Number</i>	<i>Qty.</i>	<i>Description</i>	<i>Ref.</i>	<i>Part Number</i>	<i>Qty.</i>	<i>Description</i>
1		1	Drive Shaft-Telescoping ●	1:2	103-9328	1	Yoke-Keyed
1:1	54-9180	2	U-Joint Kit	1:3	103-9329	1	Yoke-Quick Disconnect
1:1:1	62-3820	1	Fitting-Grease	2	116-9049	1	Decal-Danger, Driveline

● Not serviced separately

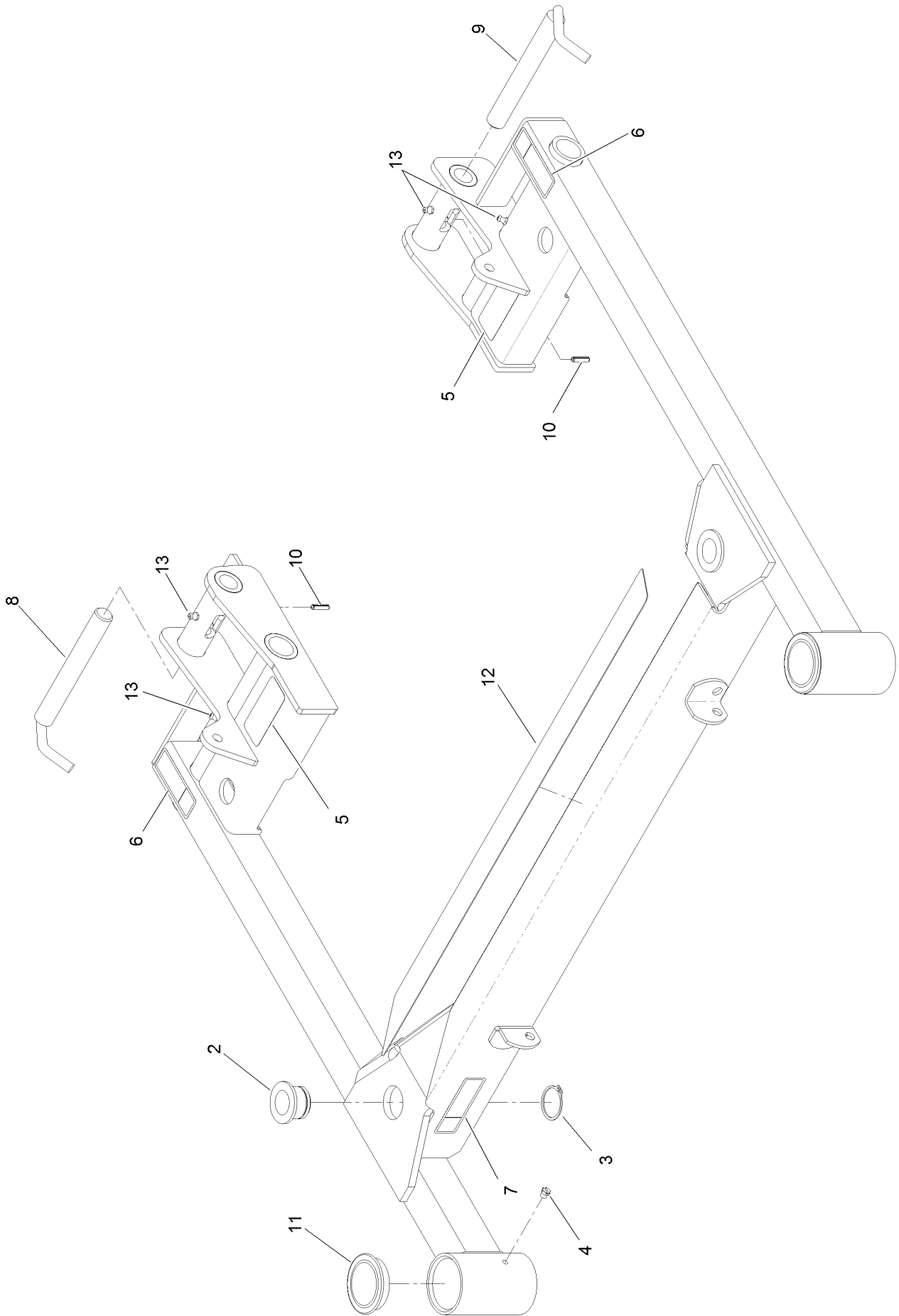
# Deck Support Frame Assembly No. 130-2893



## Deck Support Frame Assembly No. 130-2893 (continued)

<i>Ref.</i>	<i>Part Number</i>	<i>Qty.</i>	<i>Description</i>	<i>Ref.</i>	<i>Part Number</i>	<i>Qty.</i>	<i>Description</i>
1	103-9480	1	Deck Support ASM	9:3	325-19	1	Screw-HH
2	103-3729-01	1	Pivot-Deck, RH	9:4	3296-45	1	Nut-Hex
3	103-3732-01	1	Pivot-Deck, LH	10	130-2897	1	Deck Lift Handle ASM
4	1-543509	4	Bearing-Roller, Tapered	10:2	130-2883	1	Decal
5	1-543511	2	Seal-Grease	11	322-4	2	Screw-HH
6	109-1933-01	2	Fork-Caster	12	1-303334	2	Washer-Spring
7	1-633508	6	Washer-Bellville	13	3296-29	2	Nut-Lock, NI
8	3296-51	2	Nut-Lock, NI	14	1-808519	2	Ring-Snap
9	130-2867	2	Wheel And Axle ASM	15	3243-5	2	Screw-Set, SQH
9:1	130-2866	1	Wheel And Tire	16	3218-3	2	Nut-Jam
9:1:1	302-61	1	Fitting-Grease	17	116-7851	2	Lift Assist Spring ASM
9:1:2	103-4588	1	Bearing-Roller, Straight	18	130-2884	2	Decal
9:1:3	1-513810	2	Bushing	19	302-19	2	Fitting-Grease
9:2	109-2094	1	Spacer-Caster, Front				

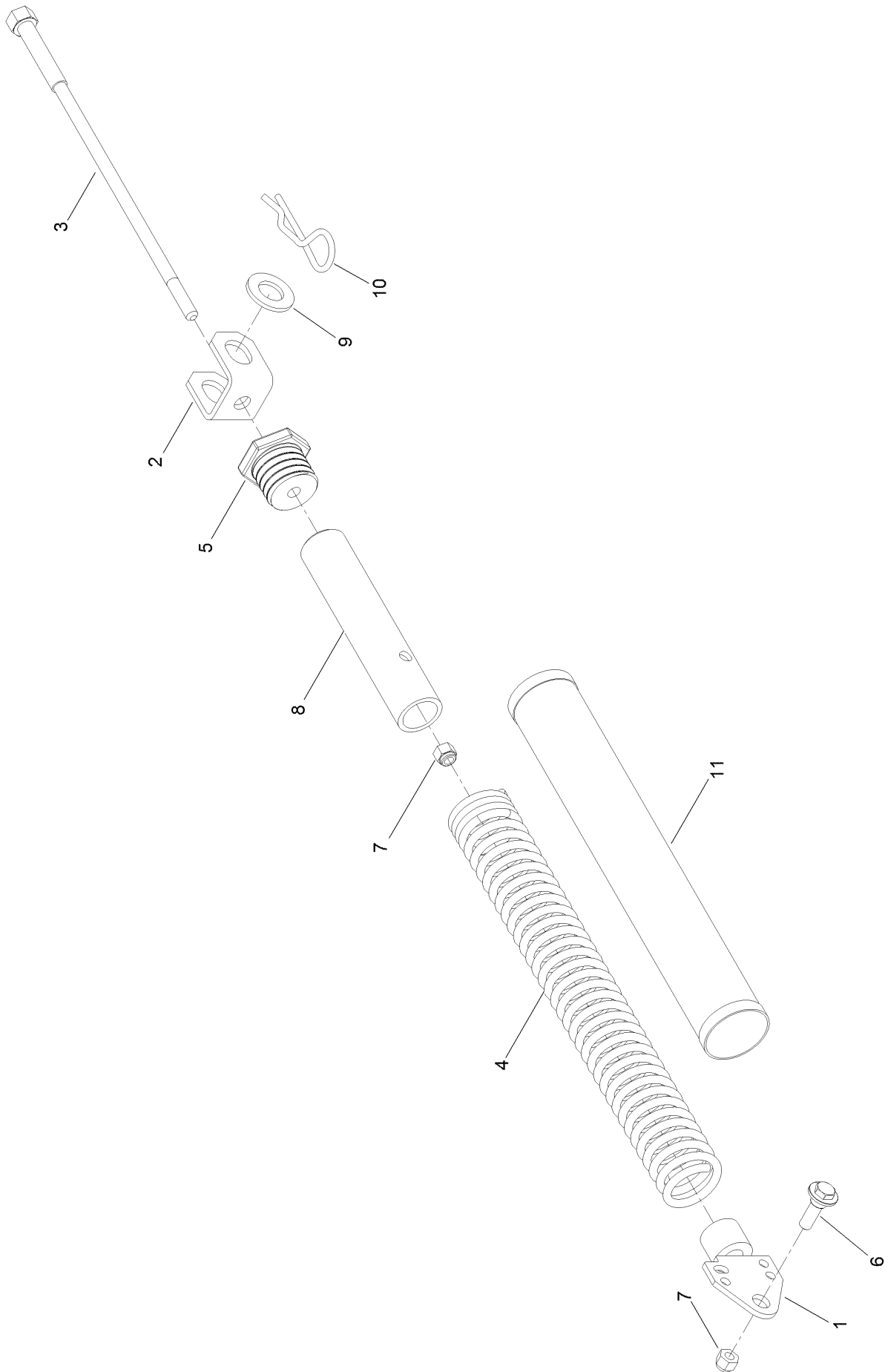
# Deck Support W/Decals Assembly No. 103-9480



## Deck Support W/Decals Assembly No. 103-9480 (continued)

<i>Ref.</i>	<i>Part Number</i>	<i>Qty.</i>	<i>Description</i>	<i>Ref.</i>	<i>Part Number</i>	<i>Qty.</i>	<i>Description</i>
2	103-7436	2	Bushing-Support, Deck	8	103-4119	1	Lock-Deck, RH
3	32120-33	2	Ring-Retaining	9	103-4118	1	Lock-Deck, LH
4	1-811010	2	Plug	10	32121-3	2	Pin-Spring
5	93-6696	2	Decal-Warning	11	103-4882	2	Cap-Grease
6	116-8935	2	Decal-Warning, Folding Deck	12	103-8630	1	Pad-Anti Skid
7	116-8936	1	Decal-Danger	13	302-19	4	Fitting-Grease

# Lift Assist Spring Assembly No. 116-7851



# Lift Assist Spring Assembly No. 116-7851 (continued)

<i>Ref.</i>	<i>Part Number</i>	<i>Qty.</i>	<i>Description</i>	<i>Ref.</i>	<i>Part Number</i>	<i>Qty.</i>	<i>Description</i>
1	103-4284	1	Tensioner-Spring	7	3296-39	2	Nut-Lock, NI
2	103-4285	1	Mount-Lift Assist, Deck	8	103-7865	1	Spring-Tube
3	103-3773	1	Shaft-Adjustment, Spring	9	3256-28	1	Washer-Flat
4	103-4281	1	Spring-Extension	10	103-7353	1	Pin-Cut Height
5	103-3772	1	Plug-Adjuster, Spring	11	103-7971	1	Cover-Spring, Deck
6	614672	1	Screw-Shoulder, HWH				

# Attachments and Accessories

## For 74312 Z Master 8000 Series Riding Mower with 48in Cutting Unit

<b>Product Name</b>	<b>Model/Part</b>
Winter Hydraulic Filter .....	1-633752
Hypr-Oil 500 (quart) .....	114-4713
Hypr-Oil 500 (gallon).....	114-4714
Hypr-Oil 500-5 (5 gallon).....	114-4715
ROPS Pin Kit .....	126-1339
Dual Split Caster Kit.....	130-8455
Removable Grass Tubs Kit .....	130-8457
Hopper Power Dump Kit .....	130-8458
ROPS Kit .....	130-8459
48in Mulch Kit .....	130-8463
25in LH Mulching Blade .....	130-8464
25in DH Mulching Blade .....	130-8465
MVP Kit.....	130-8468
Light Kit.....	130-8469
Automatic Door Opener Kit.....	130-8470
Suspension Seat Kit .....	130-8471
Hopper Latch Kit.....	130-8488



**Notes:**

**Notes:**

**Notes:**



**Count on it.**