



**Count on it.**

**Parts Catalog**

**TX 1000 Turbo  
Narrow Track Compact Tool Carrier**

Model No. 22587G—Serial No. 416863477 and Up



# Ordering Replacement Parts

To order replacement parts, please supply the part number, the quantity, and the description of each part desired.

## Understanding Reference Numbers

Each identified part in an illustration has a reference number. The reference number for a part also appears in the parts list, along with other information about the part.

This catalog uses two special reference number formats, one to indicate parts in a service assembly and another to indicate the quantity of a given part in an illustration.

## Service Assembly Reference Numbers

Parts in service assemblies have reference numbers in the form a:b. The a represents the reference number of the entire service assembly and the b represents a sequential number unique to each part within the service assembly.

For example, a wheel assembly might be identified by reference number 6, the tire by 6:1, the valve by 6:2, and the wheel by 6:3. When you order the assembly identified by reference number 6, you receive all parts identified by reference numbers 6:1, 6:2, and 6:3. However, you may also order any part individually. Reference numbers of this type appear in illustration and in parts lists.

## Reference Numbers Indicating Quantity

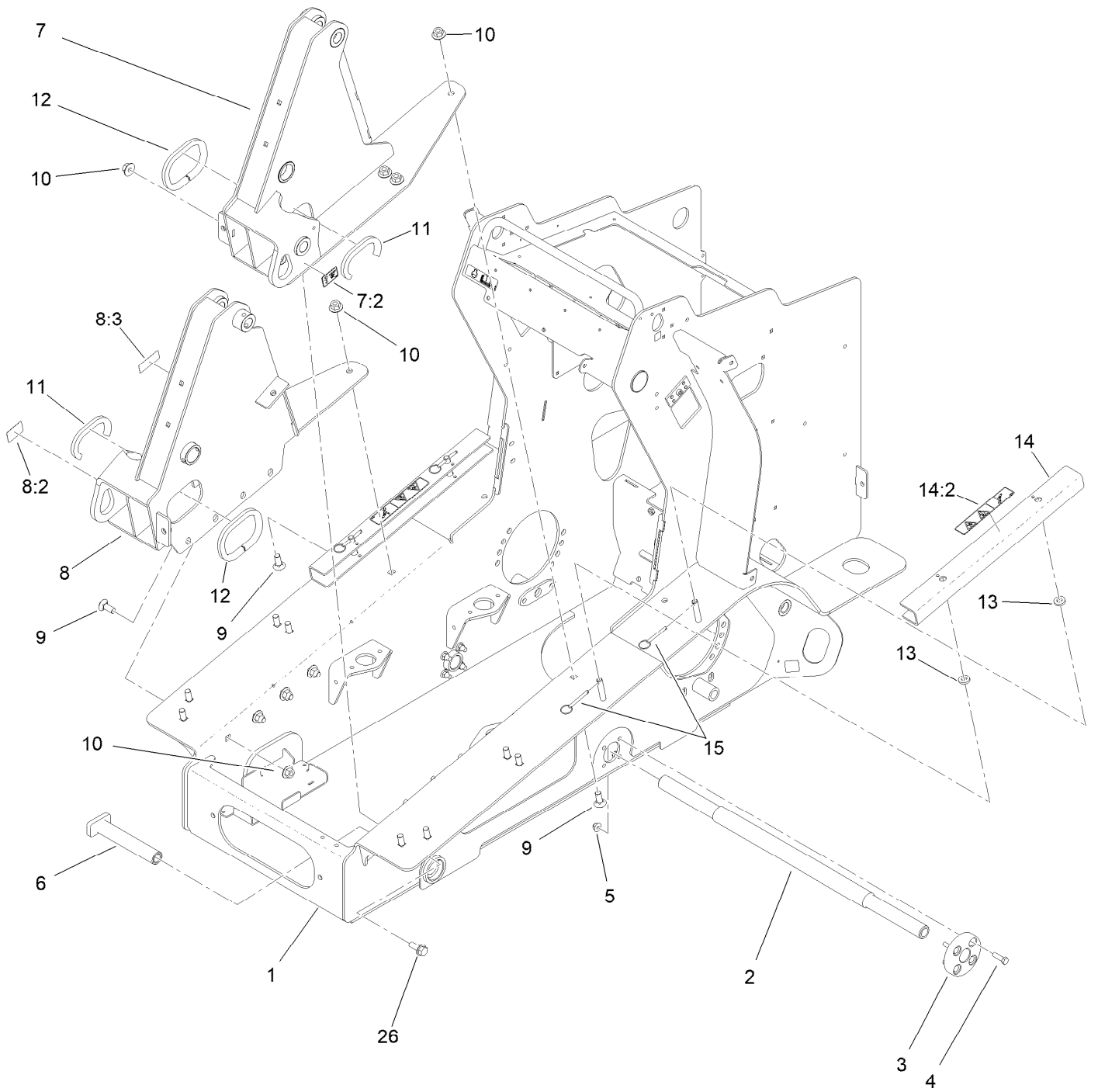
In an illustration, if a reference number indicates more than one part, the reference number has the form nX y. The n represents the quantity of the part, the X is the multiplication symbol, and the y represents the reference number.

For example, in an illustration, the reference number 2X 37 means that two of the parts identified by reference number 37 are indicated.

# Contents

|  |    |
|--|----|
| Frame Assembly . . . . .                           | 4  |
| Main Frame Assembly No. 145-4421 . . . . .         | 6  |
| Track Assembly . . . . .                           | 8  |
| LH Track Assembly No. 139-7294 . . . . .           | 10 |
| RH Track Assembly No. 139-7293 . . . . .           | 12 |
| Engine and Muffler Assembly . . . . .              | 14 |
| Air Cleaner Assembly No. 147-6793 . . . . .        | 16 |
| Fuel System Assembly . . . . .                     | 18 |
| Fuel Tank Assembly No. 145-4466 . . . . .          | 20 |
| Cooling System Assembly . . . . .                  | 22 |
| Principal Hydraulics Assembly . . . . .            | 24 |
| Controls Assembly . . . . .                        | 26 |
| Control Valve Assembly No. 145-3279 . . . . .      | 28 |
| Loader Arm Assembly . . . . .                      | 30 |
| Loader Arm Assembly No. 145-4307 . . . . .         | 32 |
| Attachment Plate Assembly No. 140-6017 . . . . .   | 34 |
| Hydraulic Cylinder Assembly No. 140-7634 . . . . . | 36 |
| Hydraulic Cylinder Assembly No. 145-4446 . . . . . | 38 |
| Platform Assembly . . . . .                        | 40 |
| Hood and Covers Assembly . . . . .                 | 42 |
| Electrical Assembly . . . . .                      | 44 |
| Main Wire Harness Assembly No. 122-2549 . . . . .  | 46 |
| Traction Hydraulics Assembly . . . . .             | 48 |
| Hydraulic Tank Assembly No. 145-4467 . . . . .     | 50 |
| Parking Brake Assembly . . . . .                   | 52 |
| Cylinder Block Assembly . . . . .                  | 54 |
| Gear Housing Assembly . . . . .                    | 56 |
| Fywheel Housing and Oil Sump Assembly . . . . .    | 58 |
| Cylinder Head and Bonnet Assembly . . . . .        | 60 |
| Suction Manifold Assembly . . . . .                | 62 |
| Exhaust Manifold Assembly . . . . .                | 64 |
| Camshaft and Driving Gear Assembly . . . . .       | 66 |
| Turbine Assembly . . . . .                         | 68 |
| Crankshaft and Piston Assembly . . . . .           | 70 |
| Lube Oil System Assembly . . . . .                 | 72 |
| Oil Pump Assembly . . . . .                        | 74 |
| Cooling Water System Assembly . . . . .            | 76 |
| Fuel Injection Pump Assembly . . . . .             | 78 |
| Governor Assembly . . . . .                        | 80 |
| Fuel Injection Valve Assembly . . . . .            | 82 |
| Starter Motor Assembly . . . . .                   | 84 |
| Generator Assembly . . . . .                       | 86 |
| Electronic Control Unit Assembly . . . . .         | 88 |
| Accessories . . . . .                              | 90 |
| Attachments and Accessories . . . . .              | 92 |

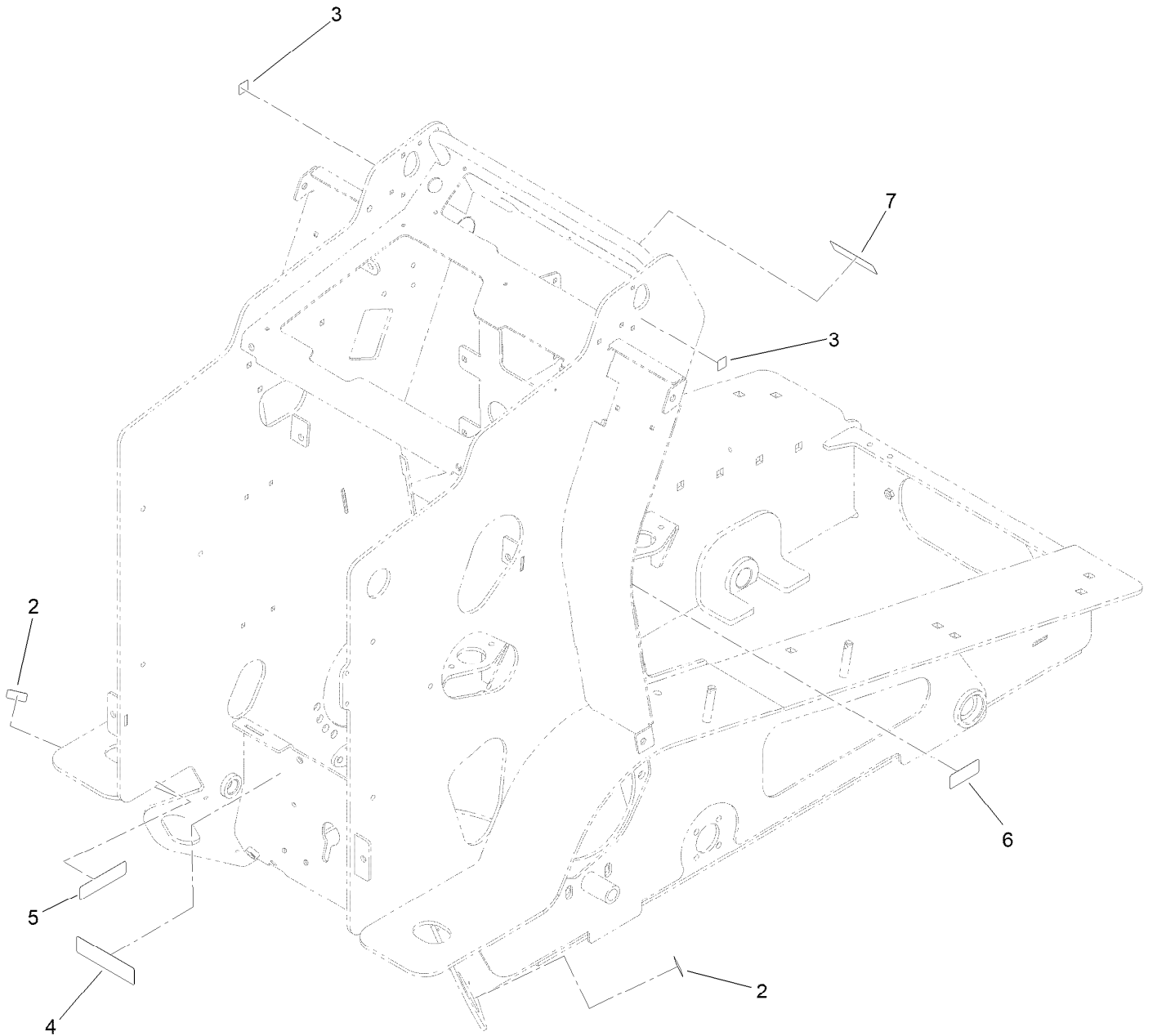
# Frame Assembly



## Frame Assembly (continued)

| <i>Ref.</i> | <i>Part Number</i> | <i>Qty.</i> | <i>Description</i>   | <i>Ref.</i> | <i>Part Number</i> | <i>Qty.</i> | <i>Description</i> |
|-------------|--------------------|-------------|----------------------|-------------|--------------------|-------------|--------------------|
| 1           | 145-4421           | 1           | Main Frame ASM       | 8:3         | 115-2047           | 1           | Decal-Surface, Hot |
| 2           | 125-0425           | 1           | Shaft-Track          | 9           | 3233-1             | 16          | Screw-CARR         |
| 3           | 132-9074           | 2           | Hub-Shaft            | 10          | 32128-52           | 18          | Nut-Lock, Flg      |
| 4           | 323-44             | 8           | Screw-HH             | 11          | 133-8571           | 2           | Trim-Seal          |
| 5           | 104-8301           | 8           | Nut-HF, NI           | 12          | 133-8572           | 2           | Trim-Seal          |
| 6           | 145-3322           | 2           | Pin-Track            | 13          | 83-1470            | 4           | Washer-Neoprene    |
| 7           | 145-4471           | 1           | Tower ASM-LH         | 14          | 130-5315           | 2           | Arm-Locking        |
| 7:2         | 147-6707           | 1           | Decal-Lift, Tie Down | 14:2        | 115-4858           | 1           | Decal-Danger       |
| 8           | 145-4472           | 1           | Tower ASM-RH         | 15          | 108-0094           | 4           | Pin-Cotterless     |
| 8:2         | 147-6707           | 1           | Decal-Lift, Tie Down | 26          | 3234-38            | 2           | Screw-HHF          |

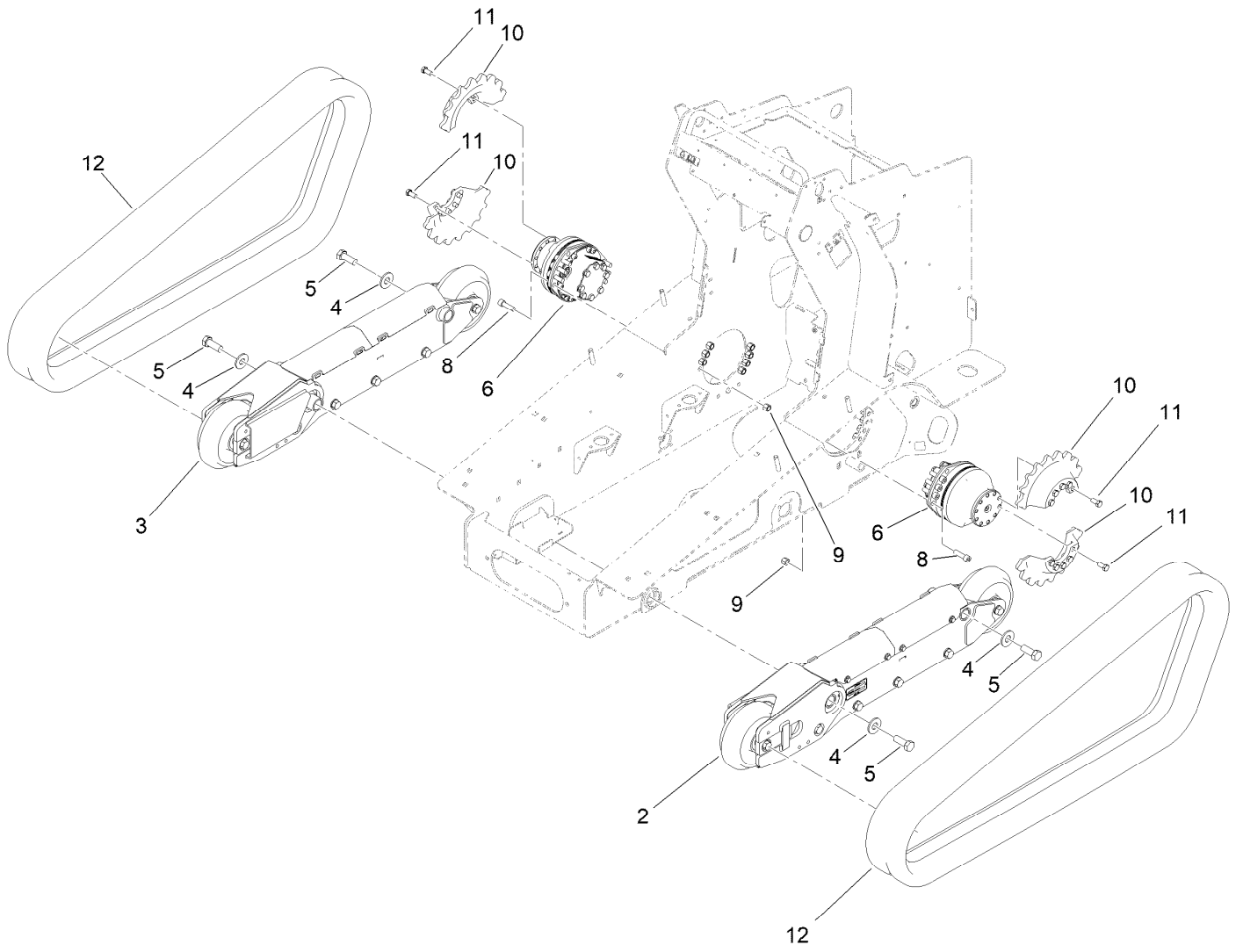
# Main Frame Assembly No. 145-4421



## Main Frame Assembly No. 145-4421 (continued)

| <i>Ref.</i> | <i>Part Number</i> | <i>Qty.</i> | <i>Description</i>  | <i>Ref.</i> | <i>Part Number</i> | <i>Qty.</i> | <i>Description</i>   |
|-------------|--------------------|-------------|---------------------|-------------|--------------------|-------------|----------------------|
| 2           | 132-9051           | 2           | Decal-Tiedown       | 5           | 133-8062           | 1           | Decal-Spark Arrestor |
| 3           | 93-9084            | 2           | Decal-Point, Lift   | 6           | 115-2047           | 1           | Decal-Surface, Hot   |
| 4           | 131-0709           | 1           | Decal-Parking Brake | 7           | 115-4865           | 1           | Decal-Fill, Radiator |

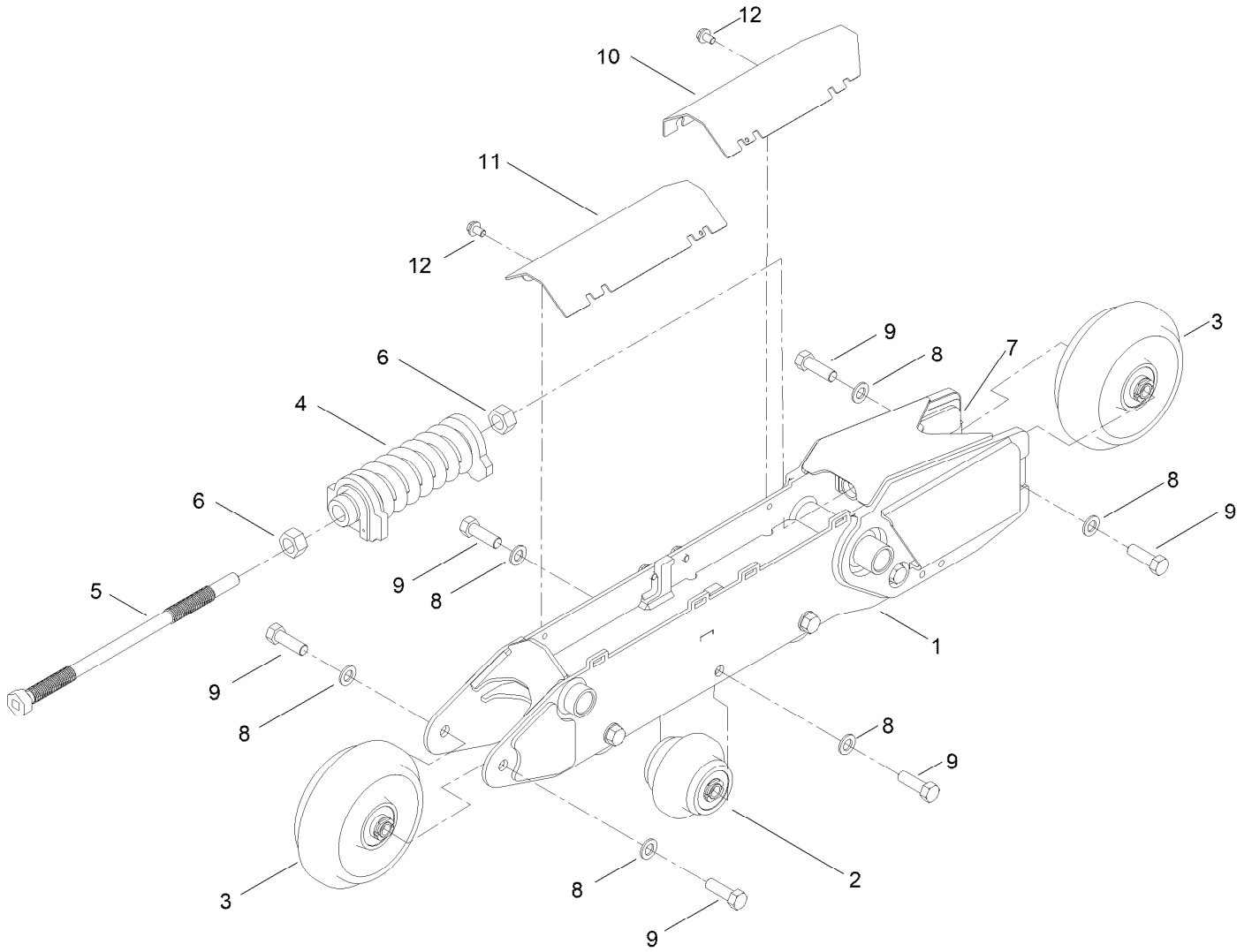
# Track Assembly



## Track Assembly (continued)

| <i>Ref.</i> | <i>Part Number</i> | <i>Qty.</i> | <i>Description</i> | <i>Ref.</i> | <i>Part Number</i> | <i>Qty.</i> | <i>Description</i> |
|-------------|--------------------|-------------|--------------------|-------------|--------------------|-------------|--------------------|
| 2           | 139-7294           | 1           | Track ASM-LH       | 8           | 131-0661           | 16          | Screw-HSH          |
| 3           | 139-7293           | 1           | Track ASM-RH       | 9           | 3296-23            | 16          | Nut-Lock, NI       |
| 4           | 99-2659            | 4           | Washer             | 10          | 145-4463           | 4           | Sprocket-Drive, Nt |
| 5           | AU426-1236         | 4           | Screw-HH           | 11          | 33116-025          | 20          | Screw-HH           |
| 6           | 145-4545           | 2           | Wheelmotor ASM     | 12          | 138-0804           | 2           | Track-Narrow       |

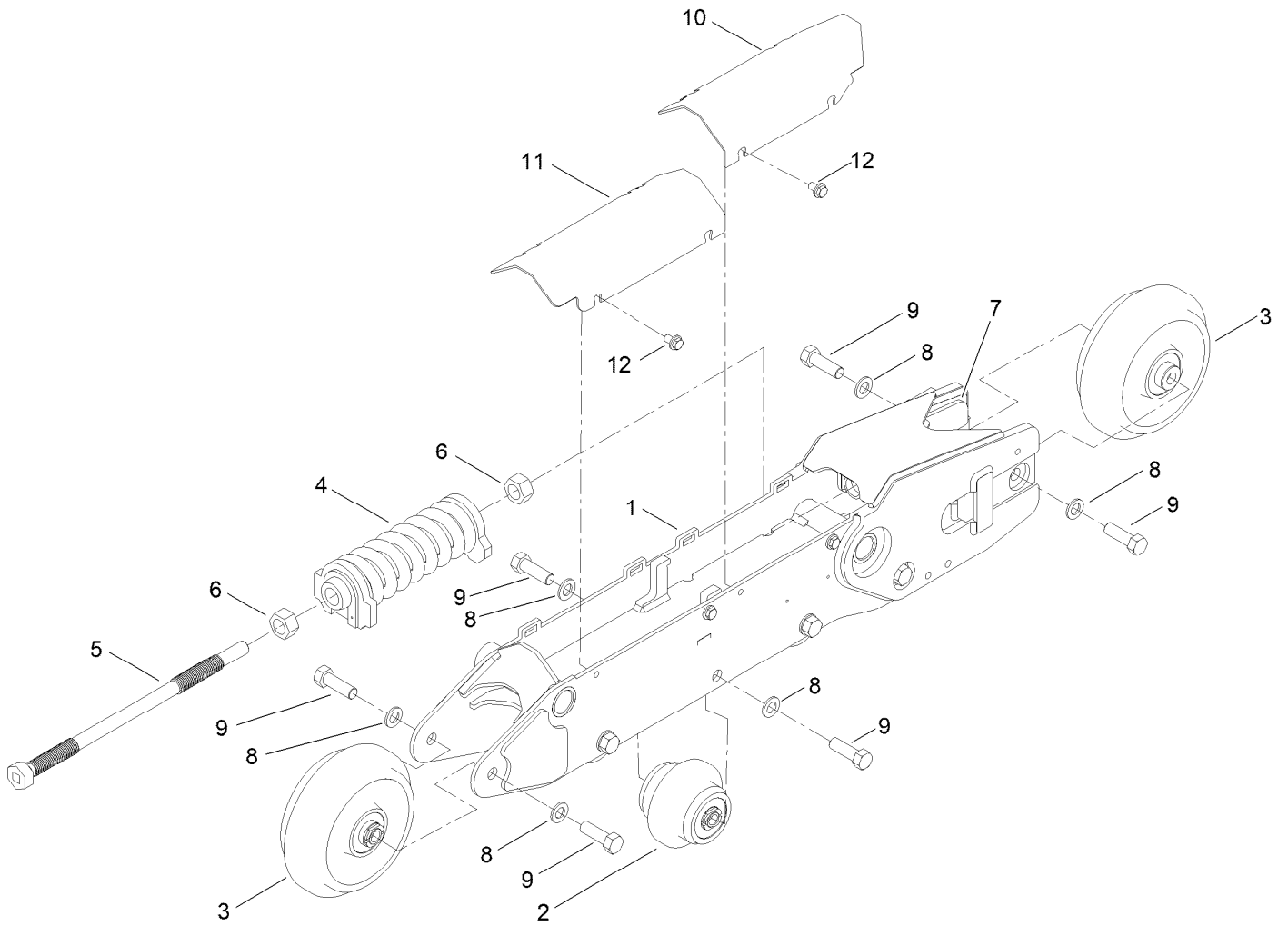
# LH Track Assembly No. 139-7294



# LH Track Assembly No. 139-7294 (continued)

| <i>Ref.</i> | <i>Part Number</i> | <i>Qty.</i> | <i>Description</i>  | <i>Ref.</i> | <i>Part Number</i> | <i>Qty.</i> | <i>Description</i> |
|-------------|--------------------|-------------|---------------------|-------------|--------------------|-------------|--------------------|
| 1           | 139-7303           | 1           | Frame-Track LH      | 7           | 139-7301           | 1           | Yoke-Tensioner     |
| 2           | 137-8808           | 4           | Wheel ASM,          | 8           | 139-7310           | 12          | Washer             |
| 3           | 137-8807           | 2           | Tensioner Wheel ASM | 9           | 111-3484           | 12          | Screw-HH           |
| 4           | 140-5872           | 1           | Kit-Spring Tension  | 10          | 139-7304           | 1           | Plate-Cover LH     |
| 5           | 139-7298           | 1           | Screw-Tensioner     | 11          | 139-7305           | 1           | Plate-Cover LH     |
| 6           | 3217-15            | 2           | Nut-Hex             | 12          | 63-11-019          | 4           | Screw-HHF          |

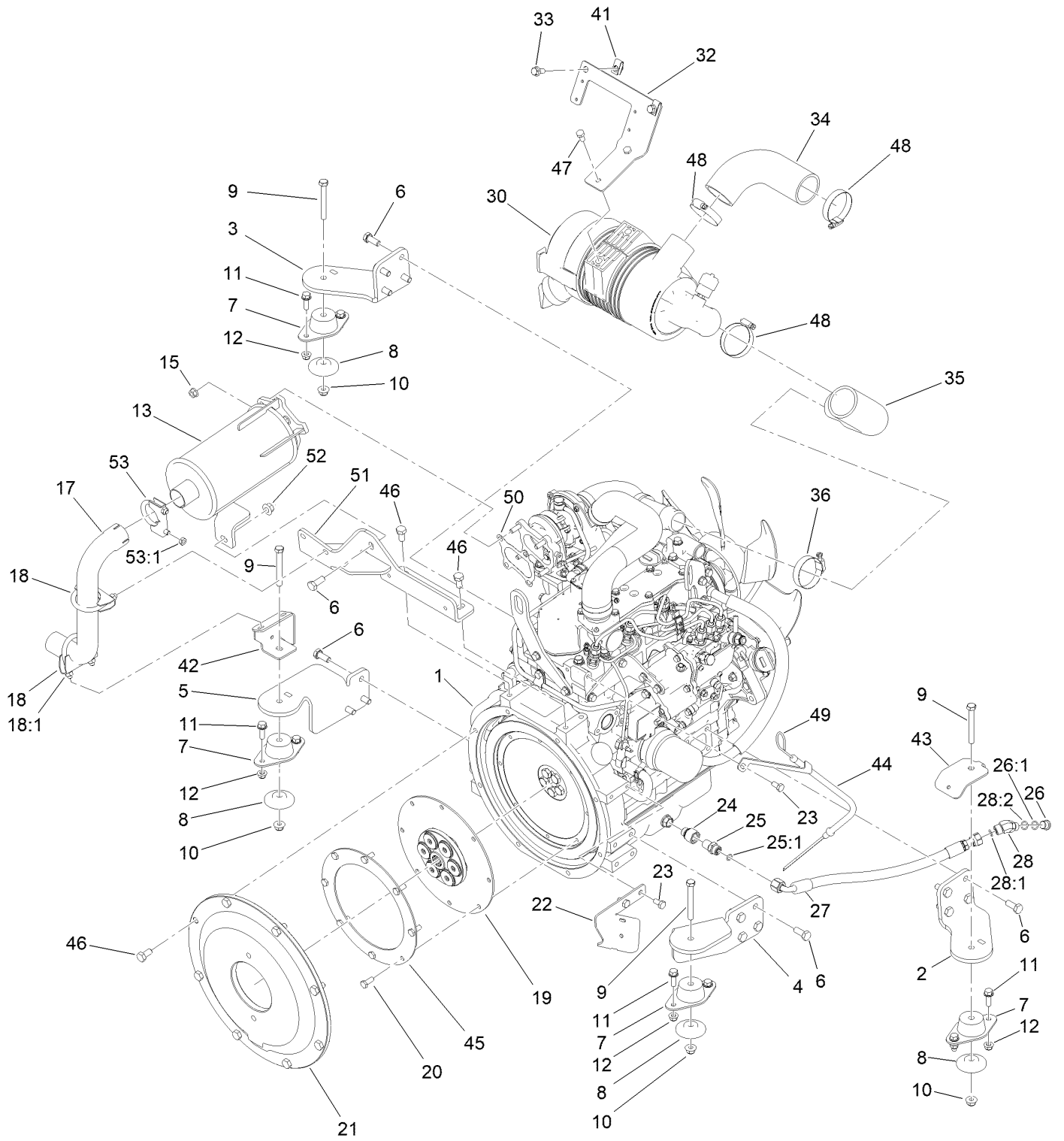
# RH Track Assembly No. 139-7293



## RH Track Assembly No. 139-7293 (continued)

| <i>Ref.</i> | <i>Part Number</i> | <i>Qty.</i> | <i>Description</i>  | <i>Ref.</i> | <i>Part Number</i> | <i>Qty.</i> | <i>Description</i> |
|-------------|--------------------|-------------|---------------------|-------------|--------------------|-------------|--------------------|
| 1           | 139-7292           | 1           | Frame-Track RH      | 7           | 139-7301           | 1           | Yoke-Tensioner     |
| 2           | 137-8808           | 4           | Wheel ASM,          | 8           | 139-7310           | 12          | Washer             |
| 3           | 137-8807           | 2           | Tensioner Wheel ASM | 9           | 111-3484           | 12          | Screw-HH           |
| 4           | 140-5872           | 1           | Kit-Spring Tension  | 10          | 139-7311           | 1           | Plate-Cover RH     |
| 5           | 139-7298           | 1           | Screw-Tensioner     | 11          | 139-7312           | 1           | Plate-Cover RH     |
| 6           | 3217-15            | 2           | Nut-Hex             | 12          | 63-11-019          | 4           | Screw-HHF          |

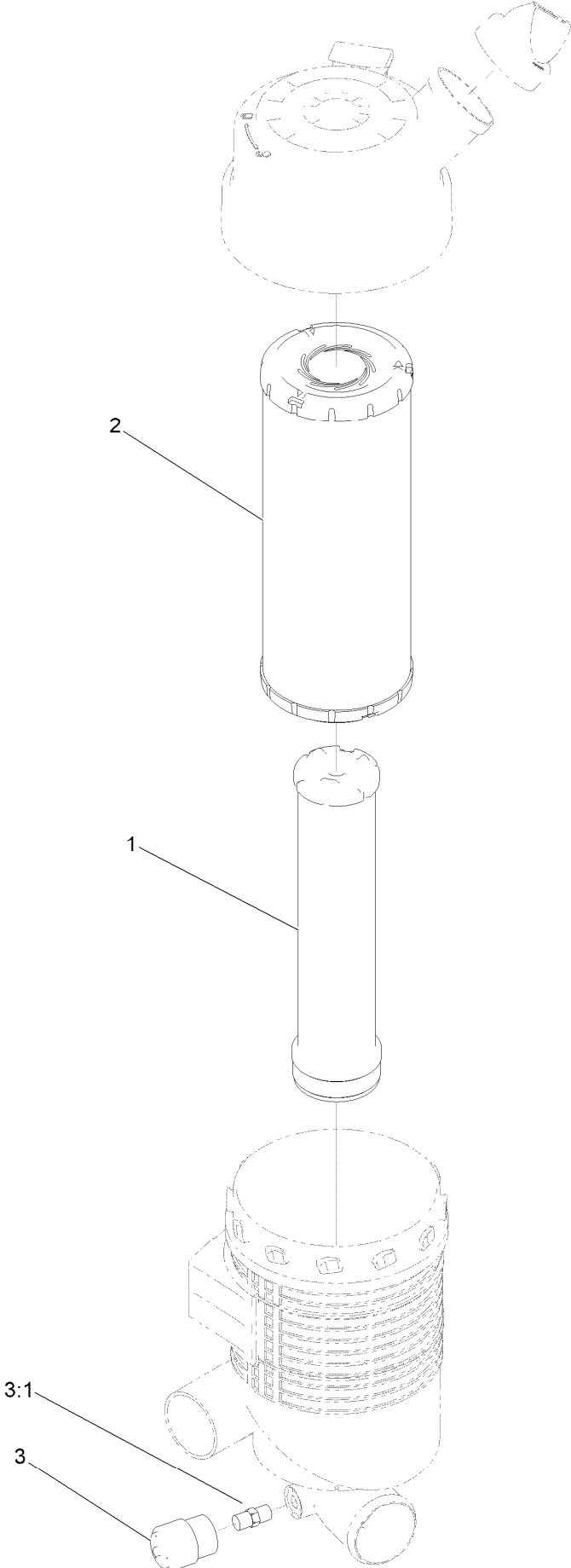
# Engine and Muffler Assembly



## Engine and Muffler Assembly (continued)

| <i>Ref.</i> | <i>Part Number</i> | <i>Qty.</i> | <i>Description</i>               | <i>Ref.</i> | <i>Part Number</i> | <i>Qty.</i> | <i>Description</i>     |
|-------------|--------------------|-------------|----------------------------------|-------------|--------------------|-------------|------------------------|
| 1           | 145-4547           | 1           | Engine-Yanmar,<br>3Tnv80Ft-Zmtr2 | 26          | 353-989            | 1           | Plug-Hex, Hollow       |
| 2           | 144-4417-03        | 1           | Mount-Engine, LH, Rear           | 26:1        | 237-42             | 1           | O-Ring                 |
| 3           | 144-4418-03        | 1           | Mount-Engine, RH, Rear           | 27          | 140-5968           | 1           | HYD Hose ASM           |
| 4           | 144-4419-03        | 1           | Mount-Engine, LH, Front          | 28          | 340-87             | 1           | Fitting-Elbow, 45 DEG  |
| 5           | 144-4420-03        | 1           | Mount-Engine, RH, Front          | 28:1        | 237-22             | 1           | O-Ring                 |
| 6           | 33115-025          | 16          | Screw-HH                         | 28:2        | 237-42             | 1           | O-Ring                 |
| 7           | 120-6274           | 4           | Mount-Engine                     | 30          | 147-6793           | 1           | Air Cleaner ASM        |
| 8           | 138-6462           | 4           | Support-Isolator                 | 32          | 147-6788-0P        | 1           | Bracket-Air Cleaner    |
| 9           | 323-14             | 4           | Screw-HH                         | 33          | 3234-47            | 2           | Screw-HHF              |
| 10          | 104-8301           | 4           | Nut-HF, NI                       | 34          | 147-6786           | 1           | Hose-Intake            |
| 11          | 3234-29            | 8           | Screw-HHF                        | 35          | 147-6787           | 1           | Hose-Intake            |
| 12          | 104-8300           | 8           | Nut-HF, NI                       | 36          | 163-7710           | 1           | Clamp-Hose, Lined      |
| 13          | 147-6859           | 1           | Muffler ASM                      | 41          | 115-7721           | 2           | Nut-Clip, U            |
| 15          | 33004-00           | 4           | Nut-HF                           | 42          | 147-6866-0P        | 1           | Bracket-Tailpipe, Foot |
| 17          | 147-6865           | 1           | Pipe-Exhaust                     | 43          | 147-6759-0P        | 2           | Bracket-Hose Guide     |
| 18          | 2112-6             | 2           | Clamp-Muffler                    | 44          | 147-6768           | 1           | Dipstick               |
| 18:1        | 3218-2             | 2           | Nut-Hex Jam                      | 45          | 147-6791           | 1           | Ring-Flywheel          |
| 19          | 126-6531           | 1           | Coupler-Flywheel                 | 46          | 33115-020          | 10          | Screw-HH               |
| 20          | 33114-020          | 8           | Screw-HH                         | 47          | 139-9940           | 2           | Screw-HH,Patch         |
| 21          | 145-3210-0P        | 1           | Cover-Flywheel                   | 48          | 2412-130           | 3           | Clamp-Hose             |
| 22          | 145-4305-0P        | 1           | Bracket-Guide, Hose              | 49          | 147-6785           | 1           | Dipstick               |
| 23          | 33114-010          | 3           | Screw-HH                         | 50          | 147-6795           | 1           | Gasket-Exhaust         |
| 24          | 139-2218           | 1           | Adaptor-STR                      | 51          | 147-6867-0P        | 1           | Bracket-Muffler        |
| 25          | 340-12             | 1           | Fitting-Straight                 | 52          | 136-8683           | 1           | Nut-Lock               |
| 25:1        | 237-22             | 1           | O-Ring                           | 53          | 2112-9             | 1           | Clamp                  |
|             |                    |             |                                  | 53:1        | 32128-20           | 2           | Nut-HF                 |

# Air Cleaner Assembly No. 147-6793



## Air Cleaner Assembly No. 147-6793 (continued)

| <i>Ref.</i> | <i>Part Number</i> | <i>Qty.</i> | <i>Description</i> |
|-------------|--------------------|-------------|--------------------|
| 1           | 114-4057           | 1           | Element-Safety     |
| 2           | 147-6812           | 1           | Filter-Air         |

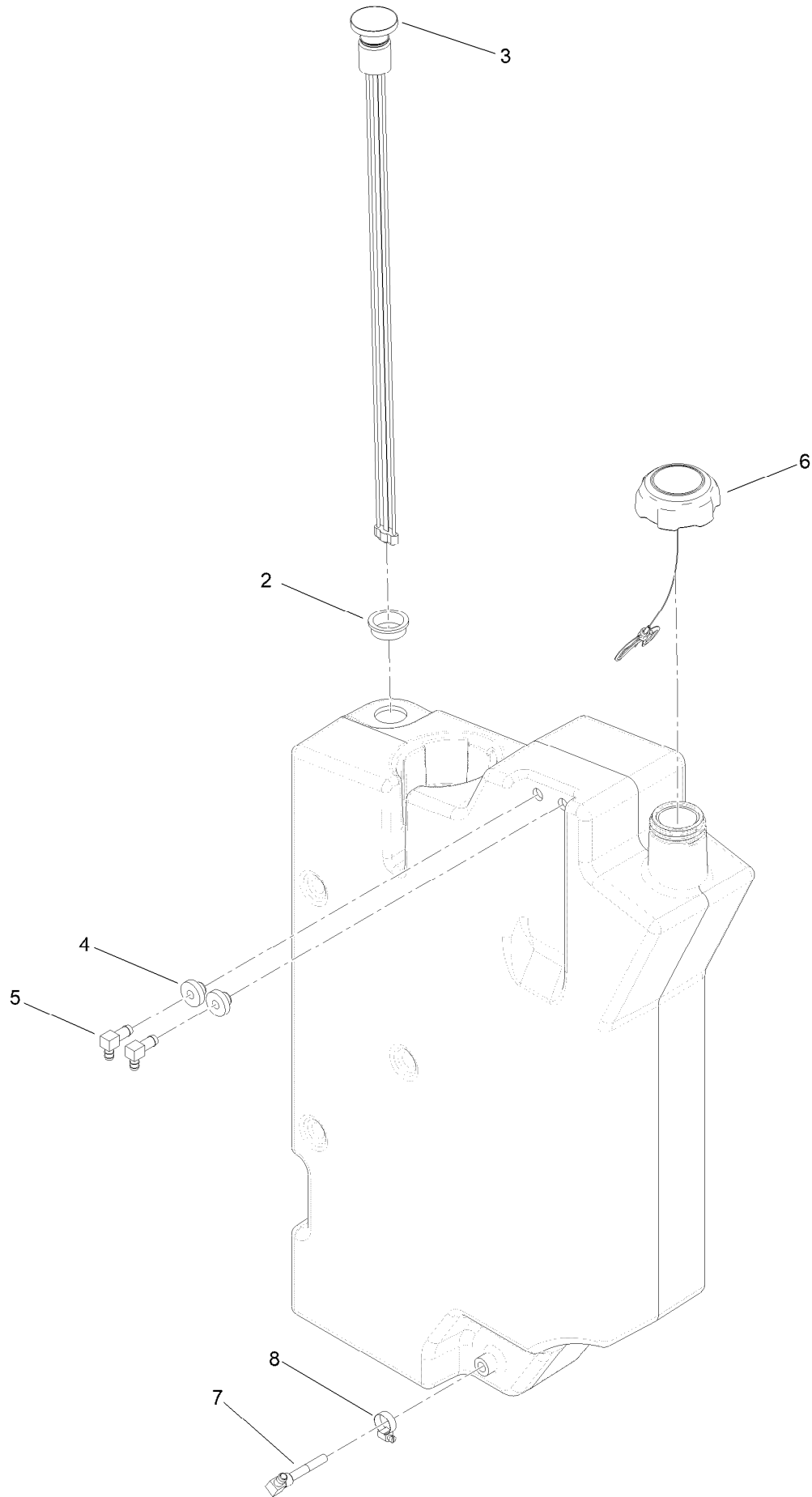
| <i>Ref.</i> | <i>Part Number</i> | <i>Qty.</i> | <i>Description</i> |
|-------------|--------------------|-------------|--------------------|
| 3           | 104-3563           | 1           | Indicator          |
| 3:1         | 94-1416            | 1           | Adapter-Indicator  |



## Fuel System Assembly (continued)

| <i>Ref.</i> | <i>Part Number</i> | <i>Qty.</i> | <i>Description</i>            | <i>Ref.</i> | <i>Part Number</i> | <i>Qty.</i> | <i>Description</i> |
|-------------|--------------------|-------------|-------------------------------|-------------|--------------------|-------------|--------------------|
| 1           | 145-4466           | 1           | Tank ASM-Fuel                 | 21          | 110-4112           | 1           | Hose-Fuel          |
| 2           | 145-4429-03        | 1           | Bracket-Tank, Hold Down       | 22          | 117-4026           | 1           | Hose-Fuel          |
| 3           | 145-4430           | 2           | Pad-Foam                      | 23          | 136-6098           | 1           | Hose-Fuel          |
| 4           | 3229-1             | 3           | Screw-CARR                    | 24          | 110-9662           | 1           | Hose-Fuel          |
| 5           | 104-7201           | 5           | Nut-HF, NI                    | 25          | 109-0309           | 1           | Hose-Fuel          |
| 6           | 145-4474           | 1           | Tank Cover ASM-Fuel           | 26          | 110-6187           | 1           | Hose-Fuel          |
| 7           | 3234-29            | 3           | Screw-HHF                     | 27          | 112-6388           | 1           | Hose-Fuel          |
| 8           | 115-7721           | 3           | Nut-Clip, U                   | 28          | 99-5000            | 1           | Valve-Check, Fuel  |
| 10          | 145-4473           | 1           | Tank Bracket ASM-Fuel         | 29          | 92-2379            | 14          | Clamp-Hose         |
| 10:2        | 130-2845           | 1           | Decal-Ultra Low Sulfur Diesel | 31          | 32180-118          | 1           | Clip-Tie           |
| 11          | 3290-456           | 1           | Washer-Belleville             | 32          | 112-2401           | 1           | Pad-Rubber         |
| 14          | 108-3828           | 1           | Filter-Fuel                   | 33          | 92-6064            | 1           | Clamp-R            |
| 15          | 109-2678           | 1           | Filter ASM                    | 34          | 32144-4            | 1           | Screw-HWH          |
| 15:2        | 63-8290            | 1           | Vent-Air                      | 35          | 3229-2             | 4           | Screw-CARR         |
| 15:3        | 63-8300            | 1           | Element-Spin On               | 36          | 1-803037           | 6           | Nut-Retaining      |
| 15:3:1      | 63-8310            | 1           | Valve-Drain                   | 37          | 145-0609           | 1           | Decal-Toro Logo    |
| 16          | 144-4447           | 1           | Pump-Fuel                     | 38          | 139-1937           | 1           | Reflector-Red      |
| 18          | 353-781            | 2           | Fitting-HYD, 90               | 39          | 147-6708           | 1           | Decal-Tx1000 Turbo |
| 19          | 354-95             | 1           | Fitting-Straight              | 40          | 132-8764           | 1           | Decal-S8Vsw6X6     |
| 20          | 68-6150            | 1           | Breather                      | 44          | 132-8770           | 1           | Decal-Srvsw2X3     |
|             |                    |             |                               | 45          | 32128-33           | 2           | Nut-HF             |

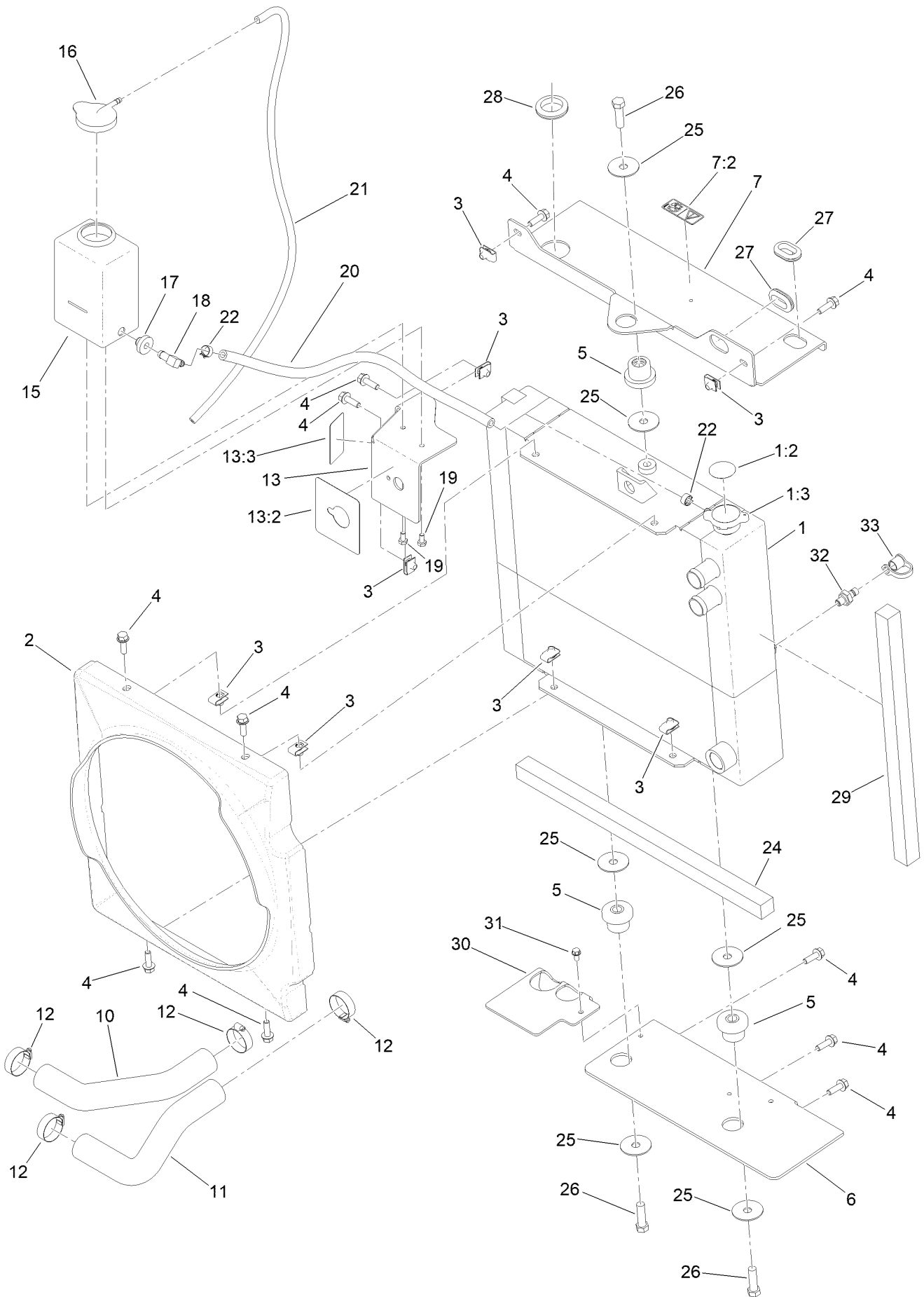
# Fuel Tank Assembly No. 145-4466



## Fuel Tank Assembly No. 145-4466 (continued)

| <i>Ref.</i> | <i>Part Number</i> | <i>Qty.</i> | <i>Description</i>    | <i>Ref.</i> | <i>Part Number</i> | <i>Qty.</i> | <i>Description</i> |
|-------------|--------------------|-------------|-----------------------|-------------|--------------------|-------------|--------------------|
| 2           | 95-8972            | 1           | Grommet               | 6           | 144-4373           | 1           | Cap-Diesel         |
| 3           | 133-6992           | 1           | Gauge-Level, Fuel     | 7           | 115-4518           | 1           | Pipe-Stand         |
| 4           | 46-6560            | 2           | Bushing               | 8           | 2412-36            | 1           | Clamp-Hose         |
| 5           | 46-6550            | 2           | Fitting-Elbow, 90 DEG |             |                    |             |                    |

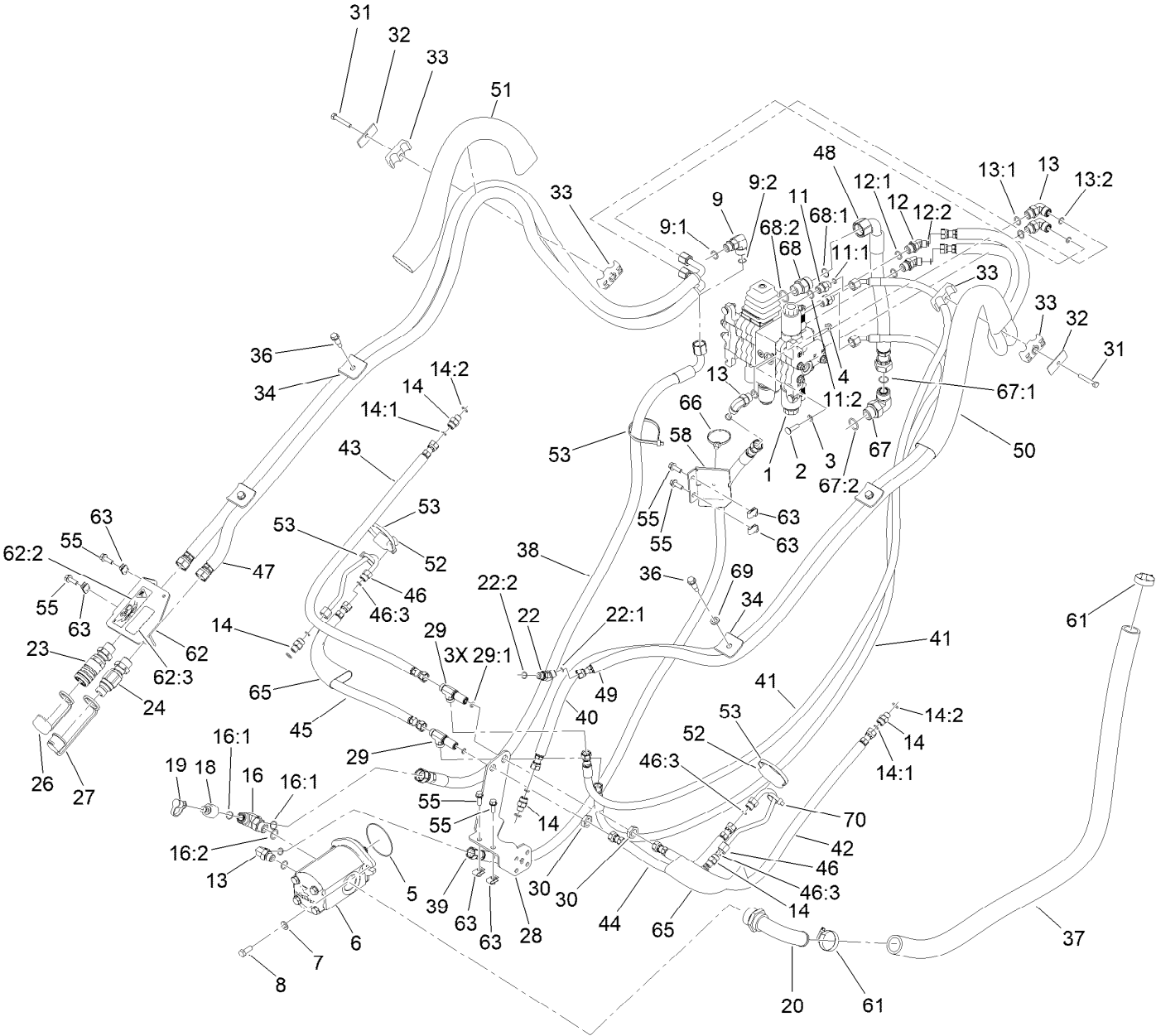
# Cooling System Assembly



## Cooling System Assembly (continued)

| <i>Ref.</i> | <i>Part Number</i> | <i>Qty.</i> | <i>Description</i>             | <i>Ref.</i> | <i>Part Number</i> | <i>Qty.</i> | <i>Description</i>    |
|-------------|--------------------|-------------|--------------------------------|-------------|--------------------|-------------|-----------------------|
| 1           | 147-6714           | 1           | Cooler ASM                     | 16          | 1-643164           | 1           | Cap-Tank, Overflow    |
| 1:2         | 106-6755           | 1           | Decal-Cap, Radiator            | 17          | 46-6560            | 1           | Bushing               |
| 1:3         | 163-7797           | 1           | Cap - Radiator                 | 18          | 46-6550            | 1           | Fitting-Elbow, 90 DEG |
| 2           | 144-4423           | 1           | Shroud-Cooler                  | 19          | 321-2              | 2           | Screw-HH              |
| 3           | 115-7721           | 8           | Nut-Clip, U                    | 20          | 108-3284           | 1           | Hose-Fuel             |
| 4           | 3234-29            | 11          | Screw-HHF                      | 21          | 108-6344           | 1           | Hose-Fuel             |
| 5           | 119-1422           | 3           | Mount-Isolator                 | 22          | 92-2379            | 2           | Clamp-Hose            |
| 6           | 145-4521-03        | 1           | Plate-Mount, Cooler            | 24          | 145-4549           | 2           | Foam-Radiator         |
| 7           | 147-6701           | 1           | Bracket-Cooler                 | 25          | 147-6703           | 6           | Washer                |
| 7:2         | 115-2047           | 1           | Decal-Surface, Hot             | 26          | 324-6              | 3           | Screw-HH              |
| 10          | 145-4527           | 1           | Hose-Radiator, Upper           | 27          | 240-5              | 2           | Grommet               |
| 11          | 145-4528           | 1           | Hose-Radiator, Lower           | 28          | 240-3              | 1           | Grommet-Rubber        |
| 12          | 2412-34            | 4           | Clamp-Hose                     | 29          | 147-6700           | 2           | Foam-Radiator         |
| 13          | 145-4475           | 1           | Bottle Bracket<br>ASM-Radiator | 30          | 147-6732           | 1           | Baffle-Air            |
| 13:2        | 131-8026           | 1           | Decal-Battery Disconnect       | 31          | 32144-4            | 1           | Screw-HWH             |
| 13:3        | 147-6709           | 1           | Decal-Warning, Fan             | 32          | 99-4443            | 1           | Fitting               |
| 15          | 1-643163           | 1           | Tank-Overflow                  | 33          | 354-79             | 1           | Cap-Dust              |

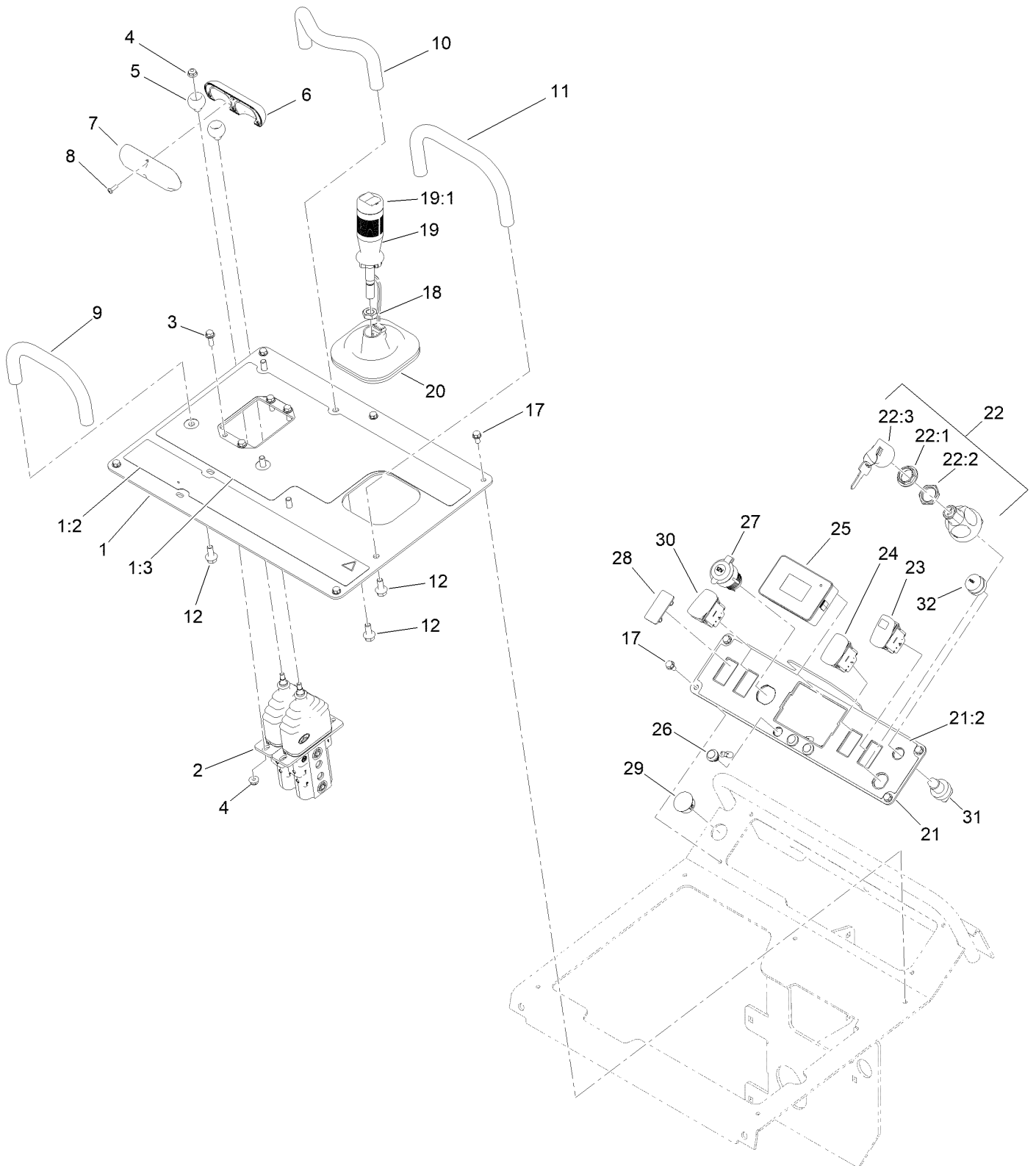
# Principal Hydraulics Assembly



## Principal Hydraulics Assembly (continued)

| <i>Ref.</i> | <i>Part Number</i> | <i>Qty.</i> | <i>Description</i>    | <i>Ref.</i> | <i>Part Number</i> | <i>Qty.</i> | <i>Description</i>    |
|-------------|--------------------|-------------|-----------------------|-------------|--------------------|-------------|-----------------------|
| 1           | 147-6885           | 1           | Valve-Loader          | 31          | 322-11             | 2           | Screw-HH              |
| 2           | 3230-3             | 3           | Screw-CARR            | 32          | 69-9761            | 2           | Plate-Cover           |
| 3           | 109-5667           | 3           | Nut-Push              | 33          | 94-8105            | 4           | Clamp-Tube            |
| 4           | 104-8300           | 3           | Nut-HF, NI            | 34          | 145-4534           | 4           | Plate-Hold Down       |
| 5           | 353-949            | 1           | O-Ring                | 36          | 140-3759           | 4           | Bolt-Shoulder,HHF     |
| 6           | 145-4384           | 1           | Pump-Gear             | 37          | 145-4383           | 1           | HYD Hose              |
| 7           | 33095-00           | 2           | Washer-Flat           | 38          | 145-4376           | 1           | HYD Hose ASM          |
| 8           | 33115-025          | 2           | Screw-HH              | 39          | 145-4370           | 1           | HYD Hose ASM          |
| 9           | 340-153            | 1           | Fitting-Elbow, 90 DEG | 40          | 145-4371           | 1           | HYD Hose ASM          |
| 9:1         | 237-79             | 1           | O-Ring                | 41          | 145-4372           | 2           | HYD Hose ASM          |
| 9:2         | 237-151            | 1           | O-Ring                | 42          | 145-4361           | 1           | HYD Hose ASM          |
| 11          | 340-3              | 2           | Fitting-Straight      | 43          | 145-4362           | 1           | HYD Hose ASM          |
| 11:1        | 237-22             | 1           | O-Ring                | 44          | 145-4363           | 1           | HYD Hose ASM          |
| 11:2        | 237-79             | 1           | O-Ring                | 45          | 145-4364           | 1           | HYD Hose ASM          |
| 12          | 340-138            | 2           | Fitting-HYD, 45 DEG   | 46          | 140-5724           | 2           | Tube-HYD              |
| 12:1        | 237-79             | 1           | O-Ring                | 46:3        | 237-22             | 1           | O-Ring                |
| 12:2        | 237-22             | 1           | O-Ring                | 47          | 145-4375           | 2           | HYD Hose ASM          |
| 13          | 340-98             | 4           | Fitting-Elbow, 90 DEG | 48          | 147-6702           | 1           | HYD Hose ASM          |
| 13:1        | 237-79             | 1           | O-Ring                | 49          | 145-4489           | 1           | HYD Hose ASM          |
| 13:2        | 237-30             | 1           | O-Ring                | 50          | 100-6128           | 1           | Sleeve-Protective     |
| 14          | 340-2              | 5           | Fitting-Straight      | 51          | 130-7718           | 1           | Sleeve-Protective     |
| 14:1        | 237-22             | 1           | O-Ring                | 52          | 137-0146           | 2           | Block-Hardline        |
| 14:2        | 237-42             | 1           | O-Ring                | 53          | 3334-945           | 3           | Tie-Cable             |
| 16          | 340-93             | 1           | Tee-Adapter           | 55          | 3234-29            | 6           | Screw-HHF             |
| 16:1        | 237-65             | 2           | O-Ring                | 58          | 145-4540-0P        | 1           | Bracket-Guide, Hose   |
| 16:2        | 237-80             | 1           | O-Ring                | 61          | 2412-3             | 2           | Clamp-Hose            |
| 18          | 86-5860            | 1           | Nipple                | 62          | 145-4478           | 1           | Bracket ASM-Qc        |
| 19          | 354-79             | 1           | Cap-Dust              | 62:2        | 115-4855           | 1           | Decal-Caution         |
| 20          | 147-6805           | 1           | Elbow-90DEG           | 62:3        | 139-1173           | 1           | Decal-Warning         |
| 22          | 340-87             | 1           | Fitting-Elbow, 45 DEG | 63          | 115-7721           | 6           | Nut-Clip, U           |
| 22:1        | 237-22             | 1           | O-Ring                | 65          | 133-8568           | 2           | Sleeve-Protective     |
| 22:2        | 237-42             | 1           | O-Ring                | 66          | 32180-118          | 1           | Clip-Tie              |
| 23          | 139-4798           | 1           | Coupler ASM,Bulkhead, | 67          | 340-142            | 1           | Fitting-Elbow, 90 DEG |
| 24          | 139-4799           | 1           | Coupler ASM,Bulkhead, | 67:1        | 237-58             | 1           | O-Ring                |
| 26          | 100-8816           | 1           | Cap-Dust, Coupler     | 67:2        | 237-81             | 1           | O-Ring                |
| 27          | 100-8815           | 1           | Cap-Dust, Nipple      | 68          | 340-9              | 1           | Fitting-STR           |
| 28          | 145-4328-03        | 1           | Bracket-Bulkhead      | 68:1        | 237-58             | 1           | O-Ring                |
| 29          | 340-68             | 2           | Fitting-Tee, Bulkhead | 68:2        | 237-81             | 1           | O-Ring                |
| 29:1        | 237-22             | 3           | O-Ring                | 69          | 133-4553           | 2           | Spacer-Bearing        |
| 30          | 340-70             | 2           | Nut-Lock              | 70          | 3290-378           | 2           | Tie-Cable             |

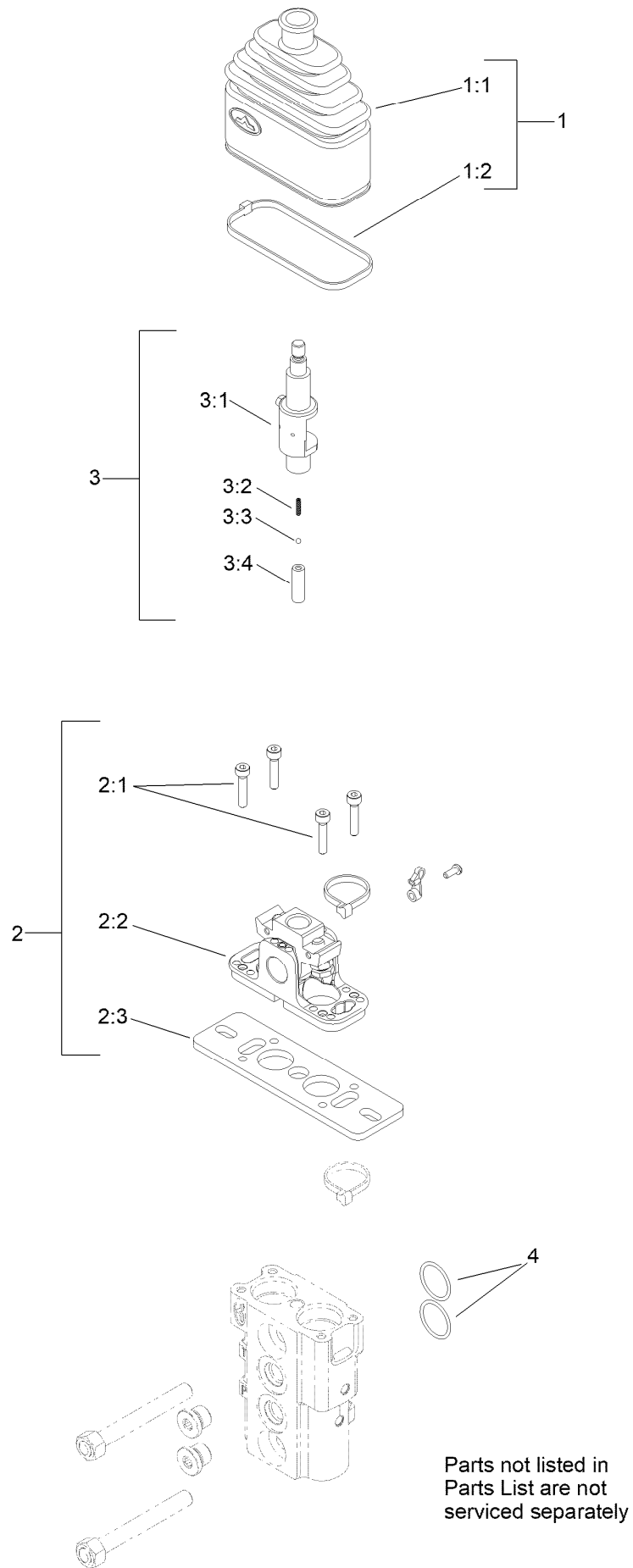
# Controls Assembly



## Controls Assembly (continued)

| <i>Ref.</i> | <i>Part Number</i> | <i>Qty.</i> | <i>Description</i>       | <i>Ref.</i> | <i>Part Number</i> | <i>Qty.</i> | <i>Description</i>               |
|-------------|--------------------|-------------|--------------------------|-------------|--------------------|-------------|----------------------------------|
| 1           | 145-4479           | 1           | Plate ASM-Controls       | 21          | 145-4480           | 1           | Plate ASM-Console                |
| 1:2         | 147-6765           | 1           | Decal-Safety             | 21:2        | 145-4484           | 1           | Decal-Console                    |
| 1:3         | 147-6883           | 1           | Decal-Controls           | 22          | 121-5159           | 1           | Switch-Ignition                  |
| 2           | 145-3279           | 1           | Valve-Control (Traction) | 22:1        | 121-5160           | 1           | Nut-Hex                          |
| 3           | 115-5103           | 4           | Screw-HHF                | 22:2        | 122-2704           | 1           | Nut-Face, M22 (Plastic)          |
| 4           | 104-7201           | 6           | Nut-HF, NI               | 22:3        | 121-5162           | 1           | Set-Key, Ignition                |
| 5           | 130-7723           | 2           | Ball-Traction            | 23          | 122-2719           | 1           | Switch-Rocker,<br>On-None-(On)   |
| 6           | 130-7692           | 1           | Handle-Control           | 24          | 122-3203           | 1           | Switch-Rocker,(On)-Off-(On)      |
| 7           | 131-9162           | 1           | Handle-Traction          | 25          | 122-1201           | 1           | Module-Display                   |
| 8           | 94-6961            | 4           | Screw                    | 26          | 136-9678           | 3           | Switch-Pushbutton                |
| 9           | 112-2620           | 1           | Bar-Reference            | 27          | 109-9376           | 1           | Receptacle-12V                   |
| 10          | 138-0791           | 1           | Bar-Reference            | 28          | 99-7420            | 1           | Plug-Hole                        |
| 11          | 145-4760           | 1           | Bar-Reference            | 29          | 127-1842           | 1           | Plug-Dome                        |
| 12          | 3234-47            | 6           | Screw-HHF                | 30          | 122-3145           | 1           | Switch-Rocker, On - None -<br>On |
| 17          | 32144-4            | 9           | Screw-HWH                | 31          | 112-3324           | 1           | Switch-Horn                      |
| 18          | 51-2070            | 1           | Nut                      | 32          | 112-3313           | 1           | Nut-Weatherproof                 |
| 19          | 140-5742           | 1           | Handle-Auxiliary ASM     |             |                    |             |                                  |
| 19:1        | 147-6873           | 1           | Boot-Switch, Joystick    |             |                    |             |                                  |
| 20          | 145-4746           | 1           | Boot-Joystick            |             |                    |             |                                  |

# Control Valve Assembly No. 145-3279

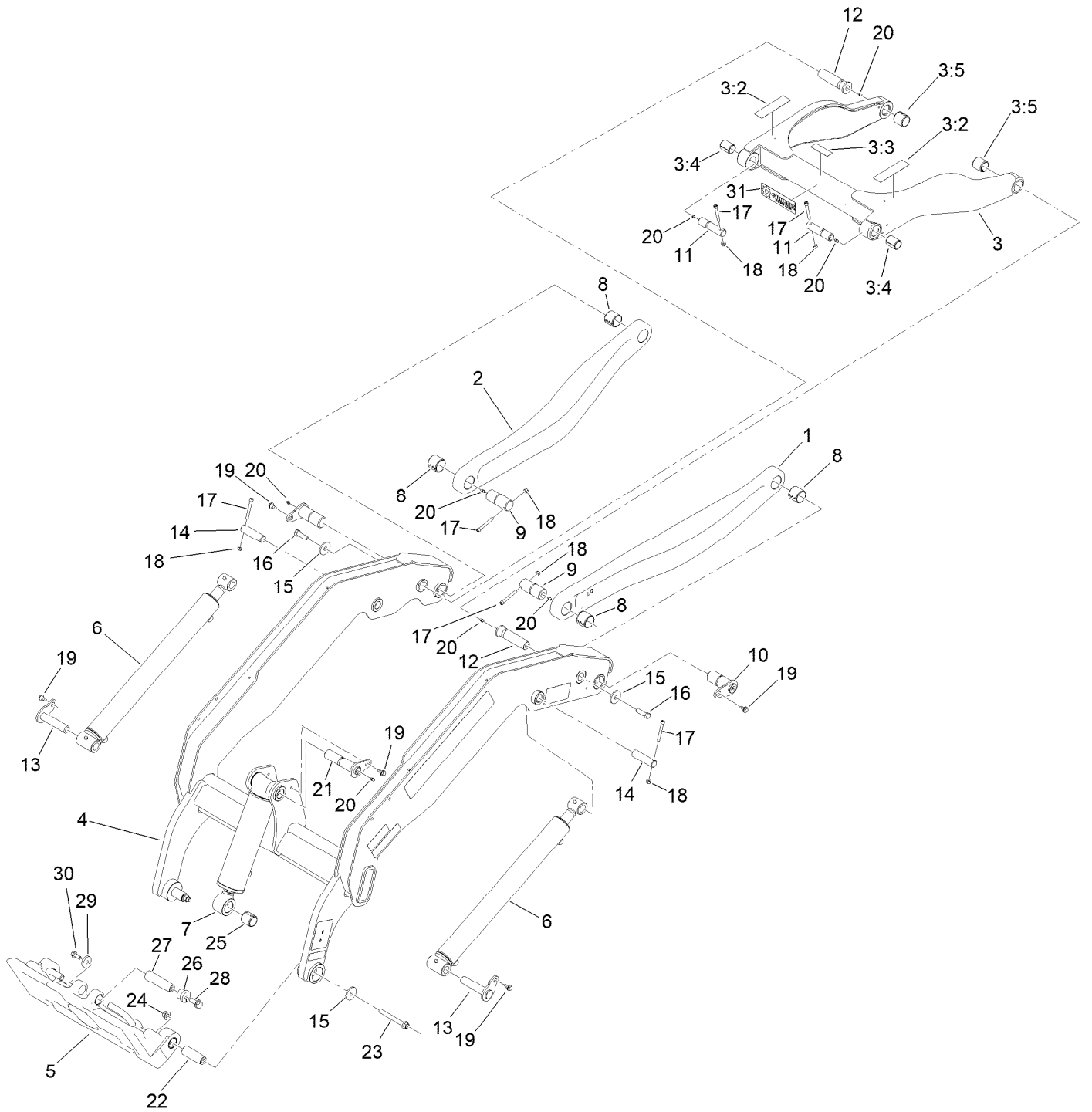


# Control Valve Assembly No. 145-3279 (continued)

| <i>Ref.</i> | <i>Part Number</i> | <i>Qty.</i> | <i>Description</i> | <i>Ref.</i> | <i>Part Number</i> | <i>Qty.</i> | <i>Description</i>      |
|-------------|--------------------|-------------|--------------------|-------------|--------------------|-------------|-------------------------|
| 1           | 132-6034           | 2           | Bellow Kit         | 3           | 132-6037           | 2           | Switch Holder Lever Kit |
| 1:1         |                    | 1           | Bellow-Rubber ●    | 3:1         |                    | 1           | Lever-Holder, Switch ●  |
| 1:2         |                    | 1           | Tie-Cable ●        | 3:2         |                    | 1           | Spring-Return ●         |
| 2           | 132-6036           | 2           | Fulcrum Kit        | 3:3         |                    | 1           | Sphere ●                |
| 2:1         |                    | 4           | Screw ●            | 3:4         |                    | 1           | Holder-Spring ●         |
| 2:2         |                    | 1           | Support Kit ●      | 4           | 100-7246           | 2           | O-Ring                  |
| 2:3         |                    | 1           | Plate-Mounting ●   |             |                    |             |                         |

● Not serviced separately

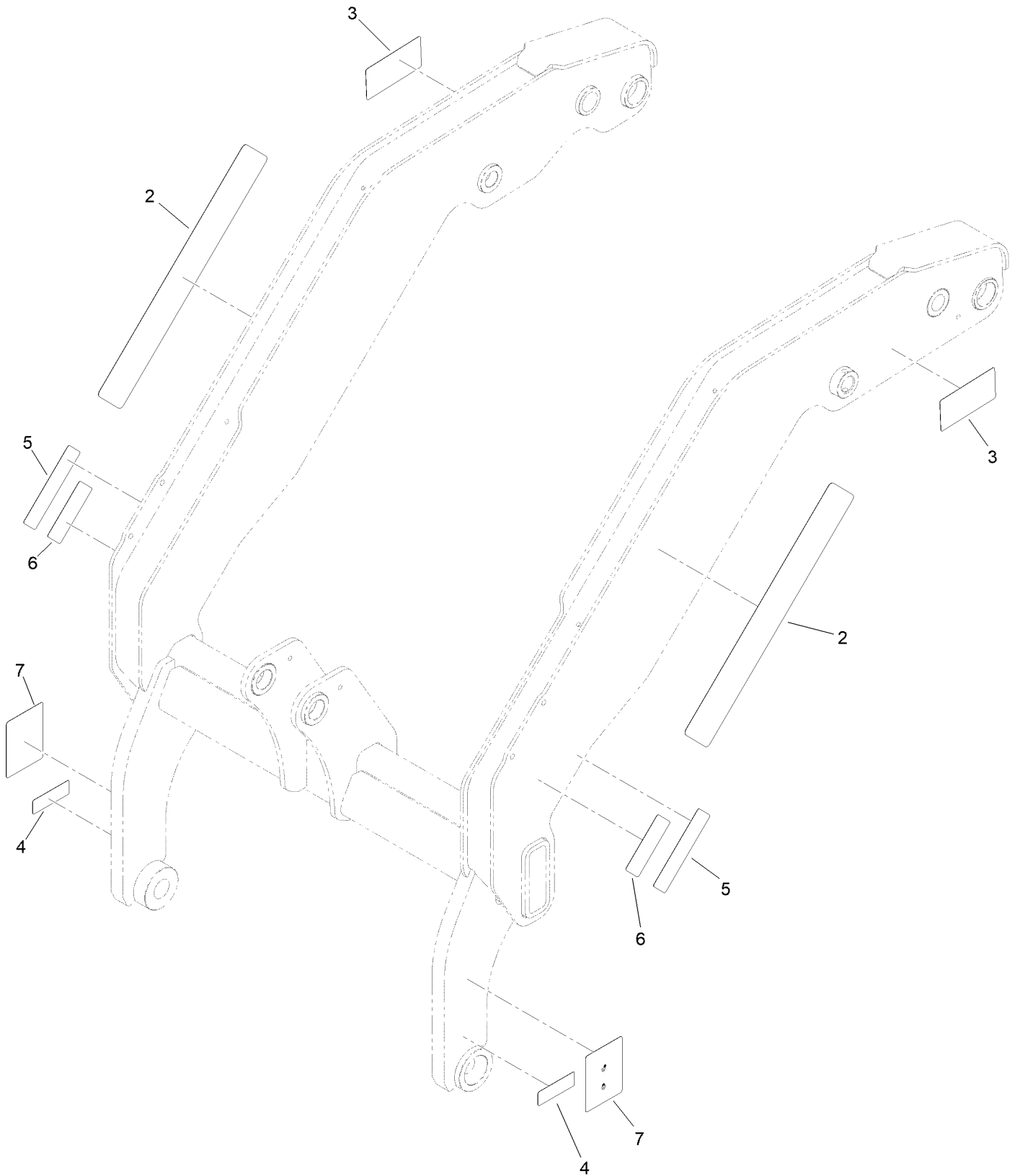
# Loader Arm Assembly



## Loader Arm Assembly (continued)

| <i>Ref.</i> | <i>Part Number</i> | <i>Qty.</i> | <i>Description</i>                         | <i>Ref.</i> | <i>Part Number</i> | <i>Qty.</i> | <i>Description</i> |
|-------------|--------------------|-------------|--|-------------|--------------------|-------------|--------------------|
| 1           | 147-6797-05        | 1           | Link-Lower, LH [blk-Txt]                   | 14          | 130-5178           | 2           | Pin-Pivot          |
| 2           | 147-6799-05        | 1           | Link-Lower, RH [blk-Txt]                   | 15          | 106-2008           | 4           | Washer-Case Hard   |
| 3           | 145-4314           | 1           | Upper Link ASM-Loader                      | 16          | 121-1524           | 2           | Screw-HH           |
| 3:2         | 139-1158           | 2           | Decal-Warning                              | 17          | 3274-40            | 6           | Screw-HSH          |
| 3:3         | 120-0625           | 1           | Decal-Warning                              | 18          | 3296-29            | 6           | Nut-Lock, NI       |
| 3:4         | 130-5200           | 2           | Bushing-Spring                             | 19          | 99-5105            | 5           | Screw-Shoulder     |
| 3:5         | 139-5737           | 2           | Bushing-Spring                             | 20          | 302-5              | 9           | Fitting-Grease     |
| 4           | 145-4307           | 1           | Loader Arm ASM-Wt                          | 21          | 137-0134           | 1           | Flag Pin ASM       |
| 5           | 140-6017           | 1           | Attachment Plate ASM                       | 22          | 140-6019           | 2           | Pin-Link, Taper    |
| 6           | 140-7634           | 2           | Cylinder HYD (2.25X20.16<br>Double Action) | 23          | 117-3176           | 2           | Screw-HHF          |
| 7           | 145-4446           | 1           | CYL-HYD                                    | 24          | 99-5107            | 2           | Nut-Lock           |
| 8           | 130-5199           | 4           | Bushing-Spring                             | 25          | 139-5737           | 1           | Bushing-Spring     |
| 9           | 125-3748           | 2           | Pin-Arm                                    | 26          | 181-1002           | 1           | Insert-Tapered     |
| 10          | 136-4708           | 2           | Pin-Pivot                                  | 27          | 140-6076           | 1           | Pin-Tapered        |
| 11          | 125-3695           | 2           | Pin-Link                                   | 28          | 137-4653           | 1           | Screw-HHF          |
| 12          | 145-4312           | 2           | Pin-Taper                                  | 29          | 1-543610           | 1           | Washer-Flat        |
| 13          | 147-6705           | 2           | Pin-Flag                                   | 30          | 3234-42            | 1           | Screw-HHF          |
|             |                    |             |  | 31          | 132-8769           | 1           | Decal-Srhsw2X6     |

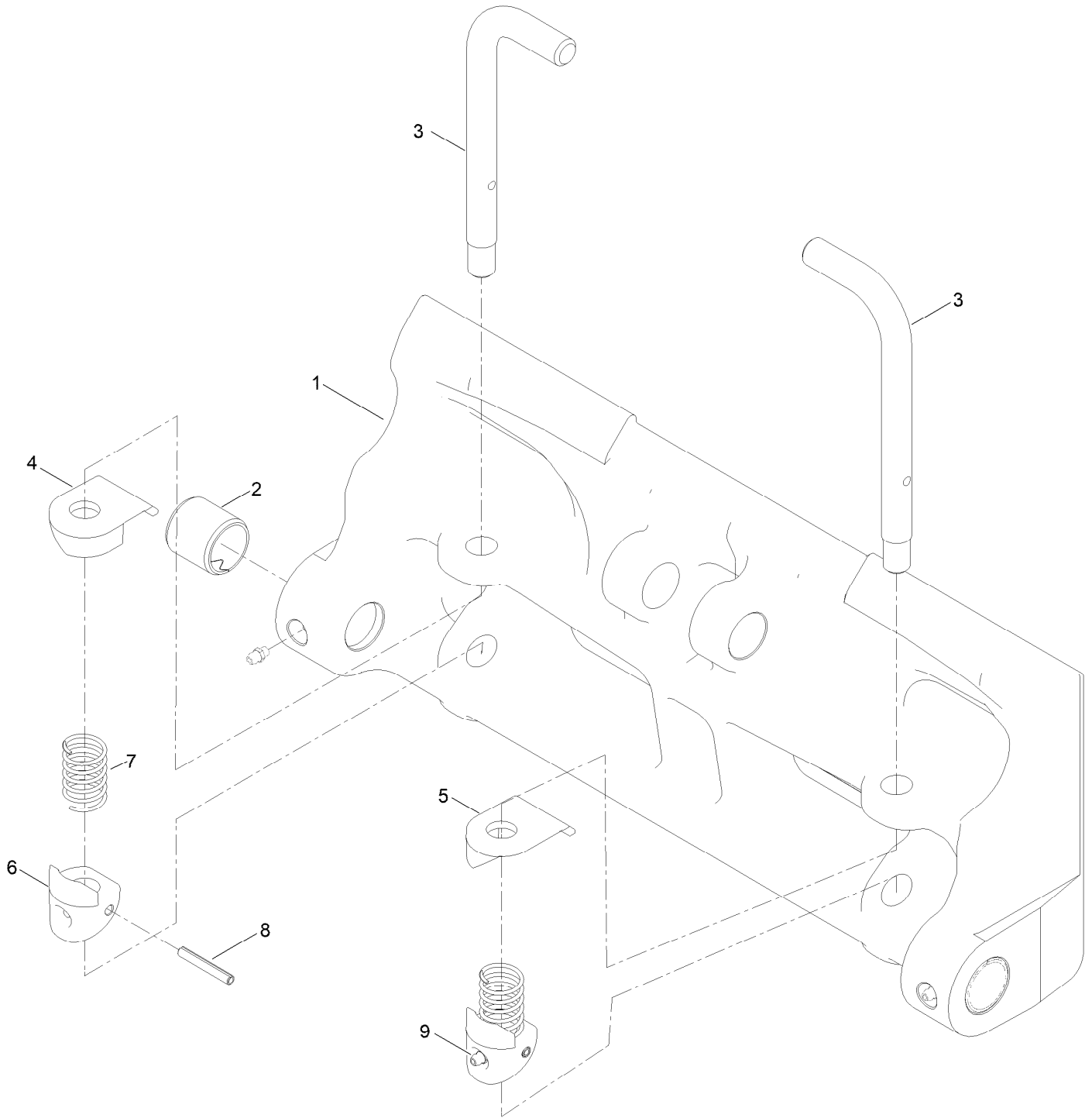
# Loader Arm Assembly No. 145-4307



## Loader Arm Assembly No. 145-4307 (continued)

| <i>Ref.</i> | <i>Part Number</i> | <i>Qty.</i> | <i>Description</i>  | <i>Ref.</i> | <i>Part Number</i> | <i>Qty.</i> | <i>Description</i>      |
|-------------|--------------------|-------------|---------------------|-------------|--------------------|-------------|-------------------------|
| 2           | 147-6794           | 2           | Decal-Vertical Lift | 5           | 139-1158           | 2           | Decal-Warning           |
| 3           | 131-0711           | 2           | Decal-Warning       | 6           | 139-1159           | 2           | Decal-Warning           |
| 4           | 120-0625           | 2           | Decal-Warning       | 7           | 145-3252           | 2           | Decal - Warning, Bucket |

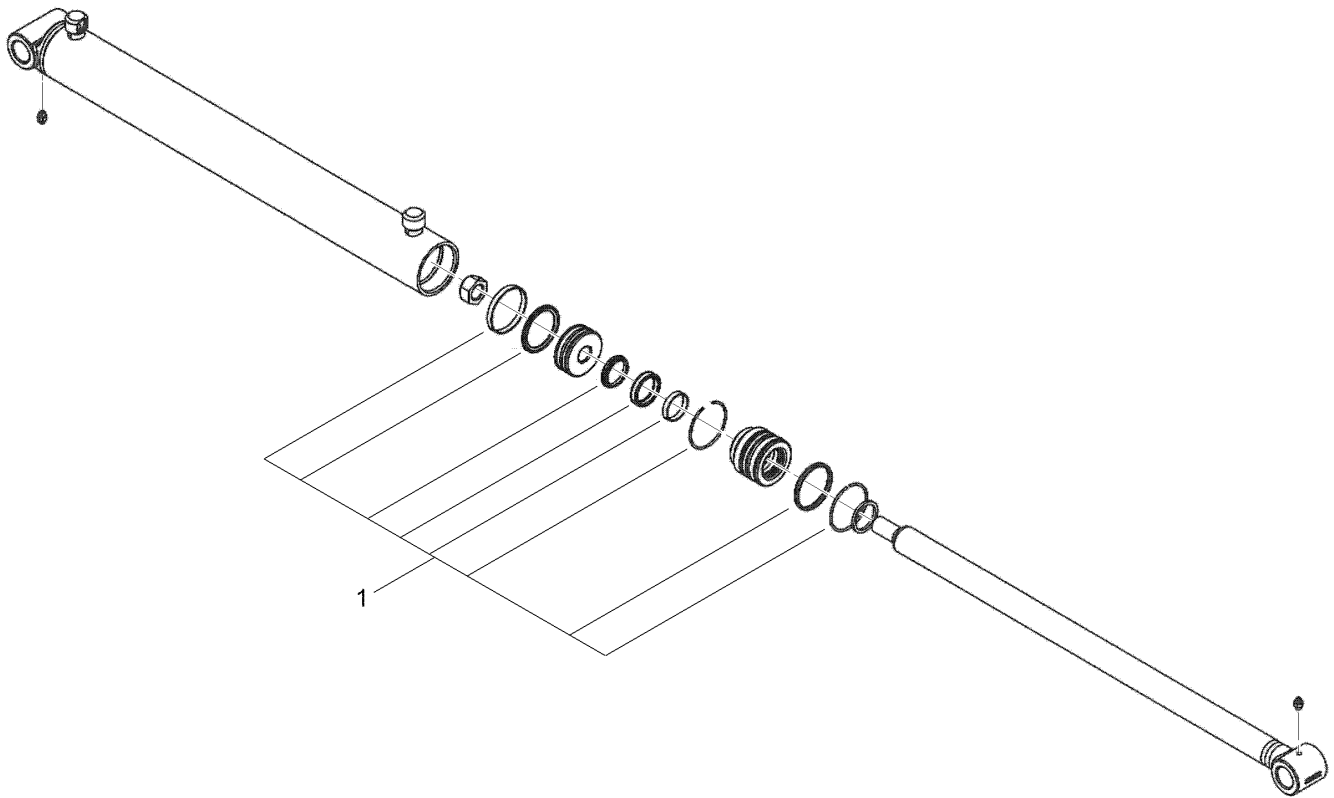
# Attachment Plate Assembly No. 140-6017



# Attachment Plate Assembly No. 140-6017 (continued)

| <i>Ref.</i> | <i>Part Number</i> | <i>Qty.</i> | <i>Description</i> | <i>Ref.</i> | <i>Part Number</i> | <i>Qty.</i> | <i>Description</i> |
|-------------|--------------------|-------------|--------------------|-------------|--------------------|-------------|--------------------|
| 1           | 140-5992           | 1           | Qtach              | 6           | 140-5981           | 2           | Cam-Qtach          |
| 2           | 139-5737           | 2           | Bushing-Spring     | 7           | 100-9782           | 2           | Spring-Compression |
| 3           | 163-1160           | 2           | Pin-Locking        | 8           | 32121-32           | 2           | Pin-Roll           |
| 4           | 140-5983           | 1           | Stop-Pin, LH       | 9           | 302-5              | 4           | Fitting-Grease     |
| 5           | 140-5991           | 1           | Stop-Pin, RH       |             |                    |             |                    |

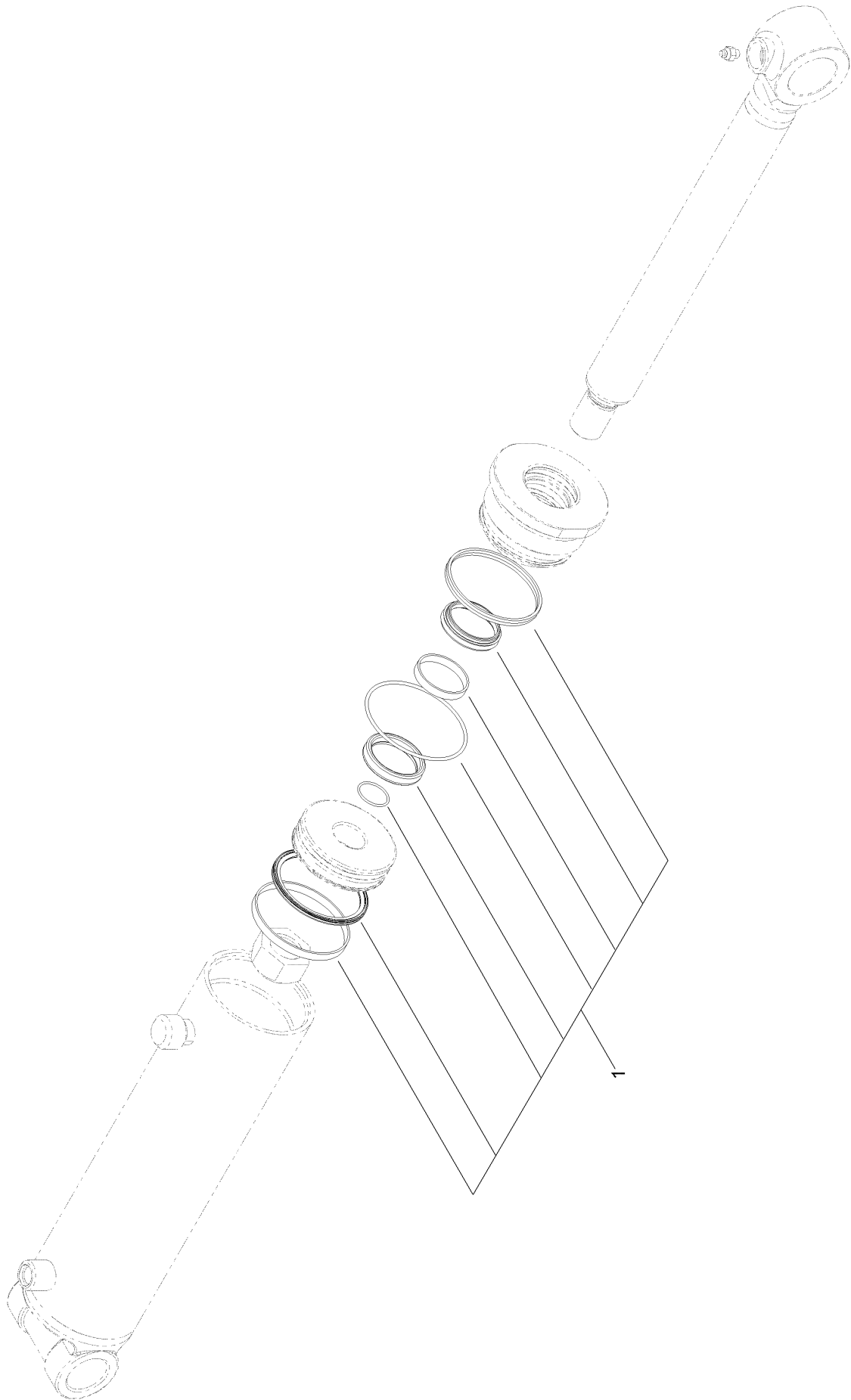
# Hydraulic Cylinder Assembly No. 140-7634



# Hydraulic Cylinder Assembly No. 140-7634 (continued)

| <i>Ref.</i> | <i>Part Number</i> | <i>Qty.</i> | <i>Description</i>      |
|-------------|--------------------|-------------|-------------------------|
| 1           | 140-5309           | 1           | Kit-Seal, Hydraulic CYL |

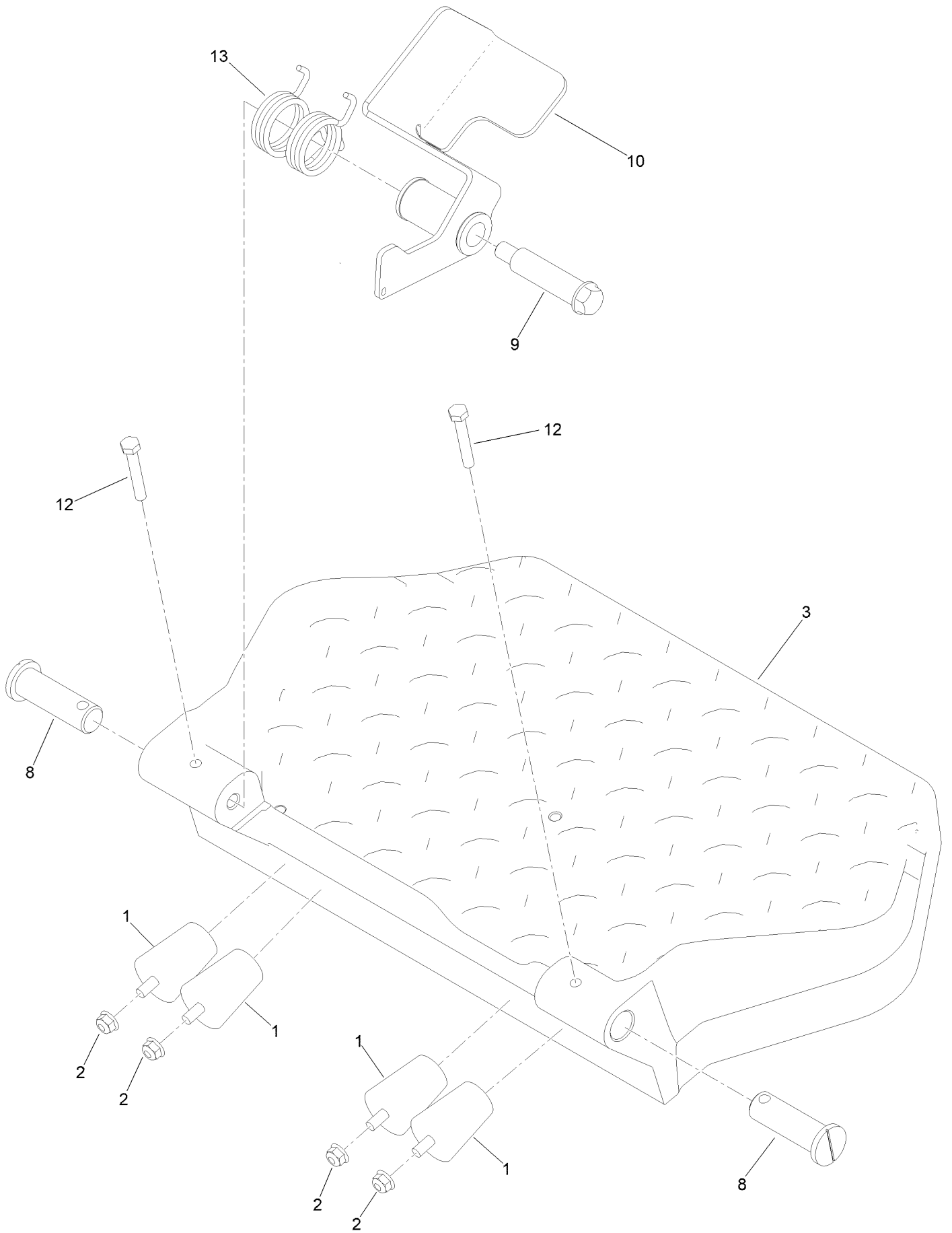
# Hydraulic Cylinder Assembly No. 145-4446



# Hydraulic Cylinder Assembly No. 145-4446 (continued)

| <i>Ref.</i> | <i>Part Number</i> | <i>Qty.</i> | <i>Description</i> |
|-------------|--------------------|-------------|--------------------|
| 1           | 137-5209           | 1           | Seal Repair Kit    |

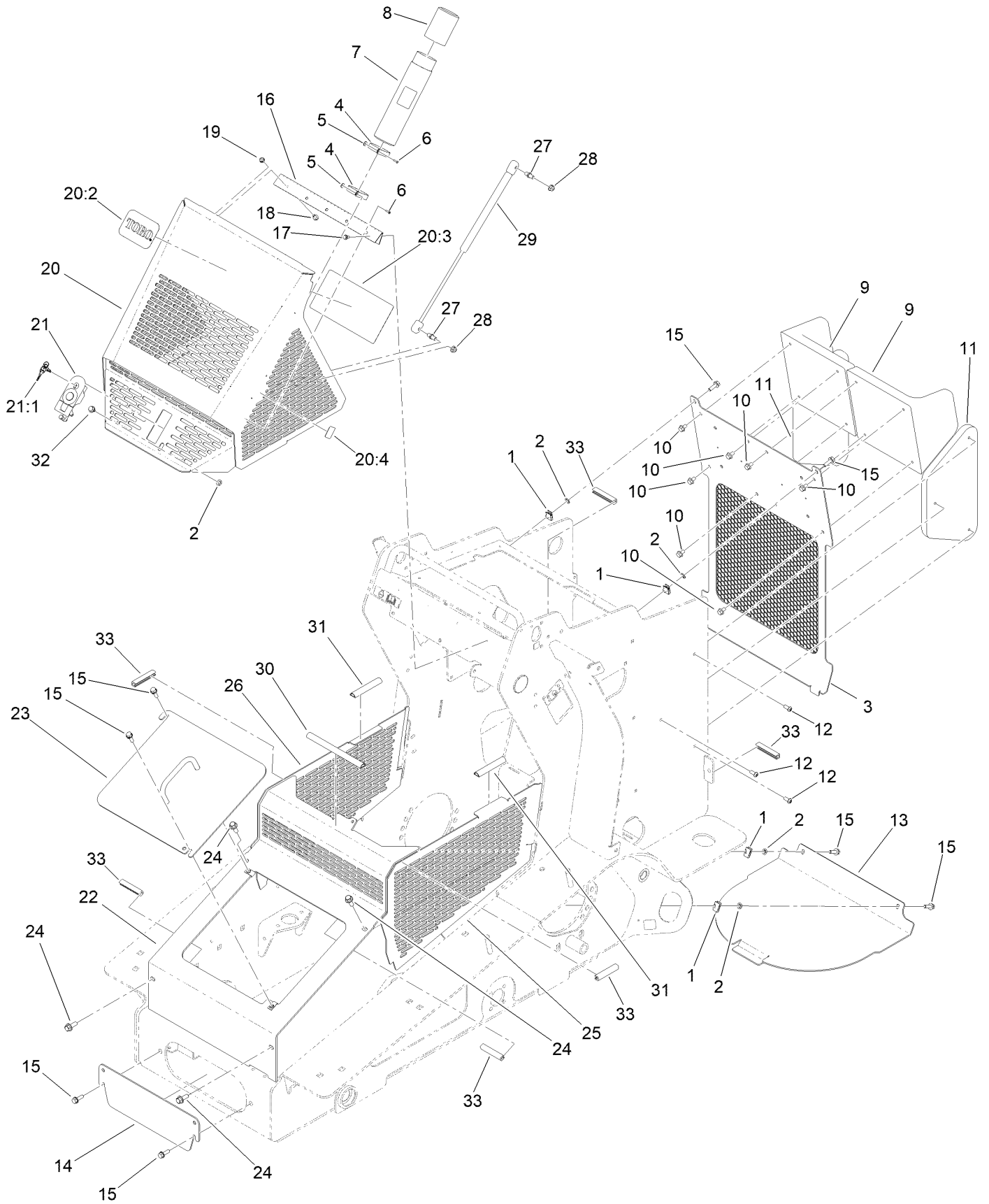
# Platform Assembly



## Platform Assembly (continued)

| <i>Ref.</i> | <i>Part Number</i> | <i>Qty.</i> | <i>Description</i>          | <i>Ref.</i> | <i>Part Number</i> | <i>Qty.</i> | <i>Description</i>         |
|-------------|--------------------|-------------|-----------------------------|-------------|--------------------|-------------|----------------------------|
| 1           | 110-5070           | 4           | Bumper                      | 9           | 126-9209           | 1           | Bolt-Shoulder              |
| 2           | 104-8300           | 4           | Nut-HF, NI                  | 10          | 147-6774-05        | 1           | Pedal ASM [blk-Txt]        |
| 3           | 147-9003-05        | 1           | Operator Platform [blk-Txt] | 12          | 322-10             | 2           | Screw-HH                   |
| 8           | 147-6772           | 2           | Pin-Platform                | 13          | 147-6857           | 1           | Spring-Torsion, Twin Coils |

# Hood and Covers Assembly



## Hood and Covers Assembly (continued)

| <i>Ref.</i> | <i>Part Number</i> | <i>Qty.</i> | <i>Description</i>   | <i>Ref.</i> | <i>Part Number</i> | <i>Qty.</i> | <i>Description</i>               |
|-------------|--------------------|-------------|----------------------|-------------|--------------------|-------------|----------------------------------|
| 1           | 115-7721           | 6           | Nut-Clip, U          | 20:2        | 117-0871           | 1           | Decal                            |
| 2           | 109-5667           | 5           | Nut-Push             | 20:3        | 145-4486           | 1           | Decal-Service Interval           |
| 3           | 144-4365-03        | 1           | Cover-Rear [black]   | 20:4        | 147-6827           | 1           | Decal-Operator Manual            |
| 4           | 2412-120           | 2           | Clamp-R              | 21          | 144-4364           | 1           | Latch-Compression,<br>Locking    |
| 5           | 3269-10            | 2           | Washer-Back          | 21:1        | 145-4488           | 1           | Keys-Latch                       |
| 6           | 3269-17            | 2           | Rivet-Pop            | 22          | 147-6826-03        | 1           | Panel-Cover, Front               |
| 7           | 104-7050           | 1           | Tube-Manual          | 23          | 145-4338-03        | 1           | Cover-Access, Battery<br>[black] |
| 8           | 104-7048           | 1           | Cap-Housing          | 24          | 3234-42            | 4           | Screw-HHF                        |
| 9           | 140-5943           | 2           | Pad-Operator         | 25          | 147-6821-03        | 1           | Cover-Side, LH                   |
| 10          | 3234-30            | 8           | Screw-HHF            | 26          | 147-6822-03        | 1           | Cover-Side, RH                   |
| 11          | 145-4343           | 2           | Pad-Operator, Knee   | 27          | 98-3104            | 2           | Stud-Ball                        |
| 12          | 3274-55            | 6           | Screw-HSBH           | 28          | 104-8300           | 2           | Nut-HF, NI                       |
| 13          | 144-4397-01        | 1           | Cover-Access, Bottom | 29          | 147-6766           | 1           | Spring-Gas                       |
| 14          | 144-4352-01        | 1           | Cover-Access, Front  | 30          | 140-5942           | 1           | Seal-Bulb                        |
| 15          | 3234-29            | 8           | Screw-HHF            | 31          | 138-2449           | 2           | Seal-Bulb                        |
| 16          | 100-1284           | 1           | Hinge-Hood           | 32          | 9266934            | 1           | Screw                            |
| 17          | 32144-4            | 4           | Screw-HWH            | 33          | 70-2041            | 6           | Trim - Edge                      |
| 18          | 3234-13            | 5           | Screw-HHF            |             |                    |             |                                  |
| 19          | 104-7201           | 5           | Nut-HF, NI           |             |                    |             |                                  |
| 20          | 145-4470           | 1           | Hood ASM             |             |                    |             |                                  |

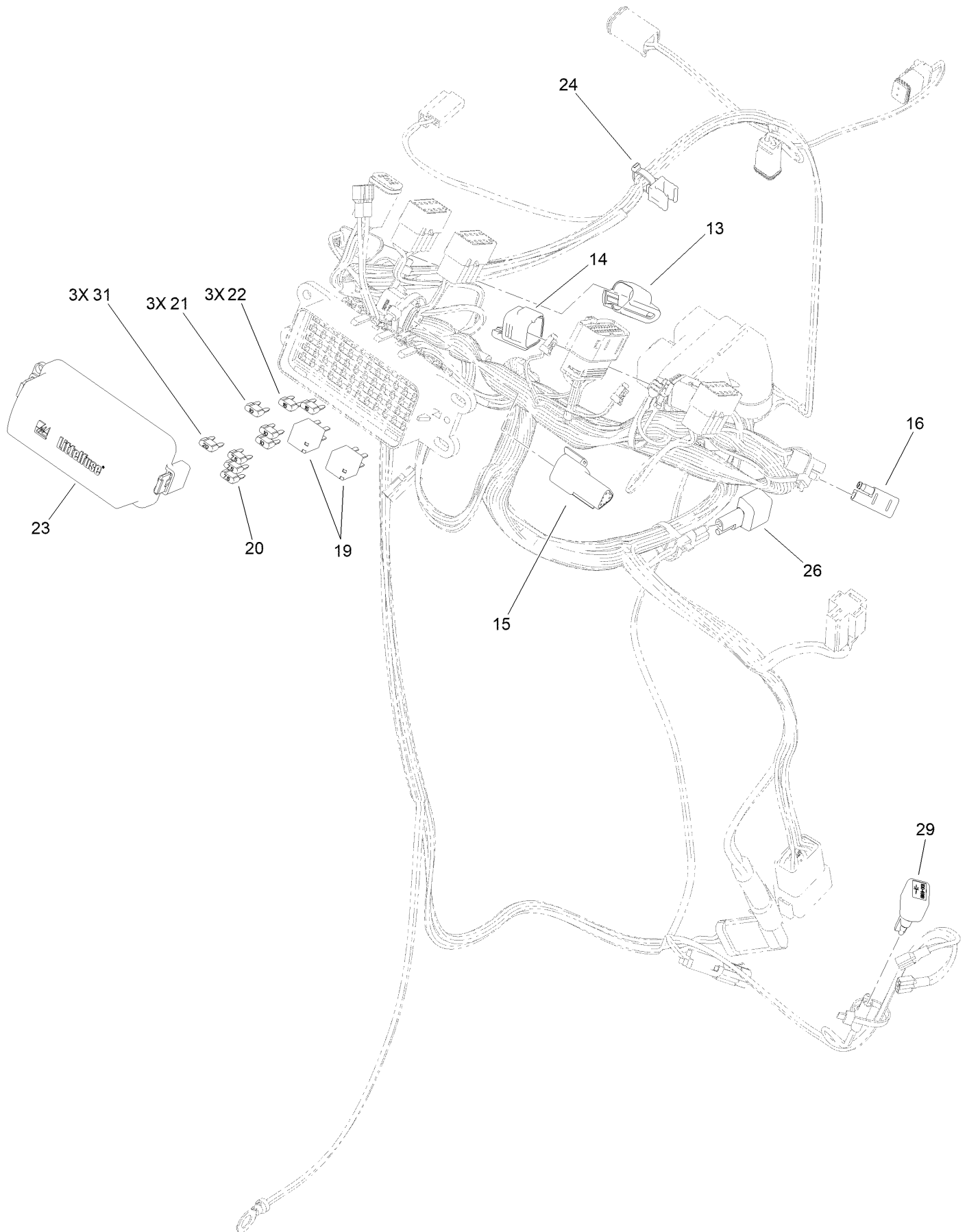


## Electrical Assembly (continued)

| <i>Ref.</i> | <i>Part Number</i> | <i>Qty.</i> | <i>Description</i>                      | <i>Ref.</i> | <i>Part Number</i> | <i>Qty.</i> | <i>Description</i>                   |
|-------------|--------------------|-------------|---|-------------|--------------------|-------------|--------------------------------------|
| 1           | 140-5760           | 1           | Battery- Wet, 12V, 450 CCA              | 21          | 122-2245           | 1           | Cable-Battery, Rd ASM                |
| 2           | 145-4426-03        | 1           | Plate-Hold Down, Battery                | 22          | 122-2548           | 1           | Harness-Wire, Engine                 |
| 3           | 136-5756           | 2           | Rod-Hold Down, Battery                  | 22:7        | 100-4918           | 1           | Diode                                |
| 4           | 1-803038           | 2           | Wingnut                                 | 22:8        | 121-8861           | 1           | Fuse-Mini Blade, 2 Amp               |
| 5           | 115-5300           | 1           | Proximity Switch ASM                    | 22:9        | 121-8866           | 1           | Fuse-Mini Blade, 10 Amp              |
| 5:1         | 117-3207           | 2           | Nut-Hex                                 | 22:11       | 32160-359          | 1           | Connector (6M)                       |
| 5:2         | 117-3208           | 2           | Washer-Lock, Internal Tooth             | 22:16       | 32180-101          | 2           | Cover-Fuse, Single                   |
| 6           | 127-2770           | 1           | Controller                              | 23          | 122-2549           | 1           | Harness-Wire, Main                   |
| 7           | 3229-3             | 4           | Screw-CARR                              | 24          | 145-4397-0P        | 1           | Bracket-Relay                        |
| 8           | 104-7201           | 6           | Nut-HF, NI                              | 25          | 115-7721           | 2           | Nut-Clip, U                          |
| 9           | 3230-3             | 3           | Screw-CARR                              | 27          | 115-5103           | 2           | Screw-HHF                            |
| 10          | 104-8300           | 4           | Nut-HF, NI                              | 30          | 136-4862           | 1           | Harness-Wire, Fusible Link           |
| 11          | 80-9330            | 1           | Audio Alarm ASM                         | 31          | 144-4448           | 1           | Controller-Engine                    |
| 11:1        | 104-5107           | 1           | Nut-Plastic, Knurled                    | 32          | 100-5552           | 1           | Harness-Wire                         |
| 12          | 32105-13           | 6           | Screw-HWH                               | 33          | 99-7435            | 2           | Relay                                |
| 13          | 120-4578           | 6           | Nut-HF                                  | 34          | 99-7430            | 2           | Relay-Mini                           |
| 14          | 105-0115           | 1           | Cable-Battery, Negative                 | 35          | 99-3441            | 1           | Harness-Wire, Fusible Link           |
| 15          | 120-9683           | 1           | Washer-Plain                            | 36          | 33003-00           | 1           | Nut-HF                               |
| 16          | 3234-29            | 3           | Screw-HHF                               | 37          | 33004-00           | 1           | Nut-HF                               |
| 17          | 33095-00           | 1           | Washer-Flat                             | 38          | 109-5667           | 3           | Nut-Push                             |
| 18          | 33115-020          | 1           | Screw-HH                                | 39          | 116749             | 1           | Horn                                 |
| 19          | AUR52278           | 1           | Switch-Disconnect, Master               | 40          | 126-9261           | 1           | Sensor-Atm                           |
| 19:1        | 3253-21            | 2           | Washer-Lock ●                           | 41          | 140-7684           | 1           | M7L-Lite Ztr Kit ASM                 |
| 19:2        | 126-0687           | 2           | Nut-Hex ●                               | 42          | 122-2112           | 1           | Harness-Wire, Machine Ztr            |
| 19:3        | 515-0040           | 1           | Washer,Lock,Int,.91X1.387X.056,St47Rohs | 47          | 3334-945           | 2           | Tie-Cable                            |
| 20          | 122-2244           | 1           | Cable-Battery, Rd ASM                   | 48          | 122-3732           | 1           | Harness-Wire, SAE J928-2, 12" Jumper |
| 20:3        | 112-9921           | 1           | Bolt ASM                                | 49          | 3290-378           | 4           | Tie-Cable                            |
| 20:3:1      | 32180-107          | 1           | Bolt-Clamp, Battery                     | 50          | 3290-378           | 2           | Tie-Cable                            |
| 20:3:2      | 32180-108          | 2           | Nut-Hex Shoulder                        |             |                    |             |                                      |

● Not illustrated

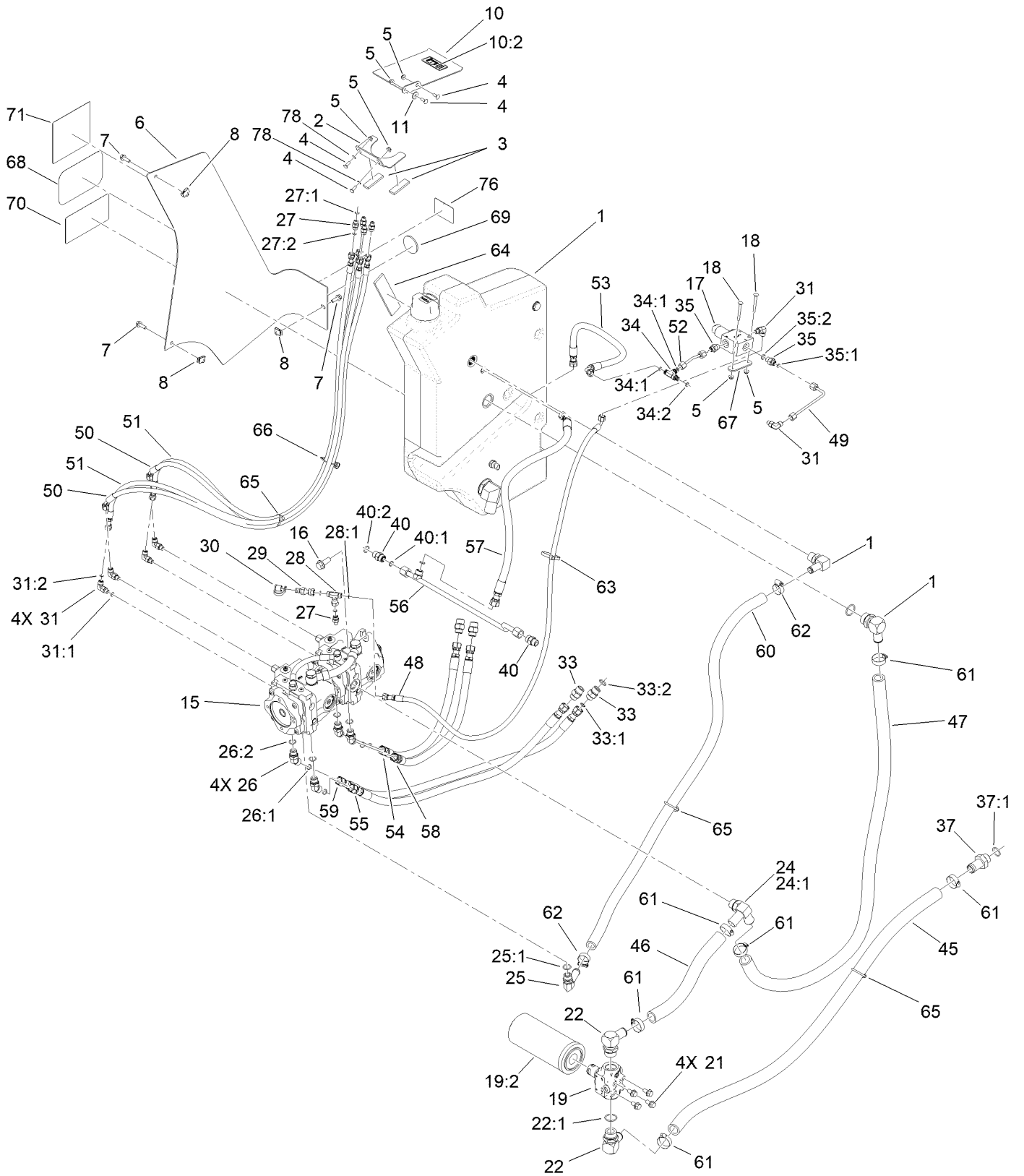
# Main Wire Harness Assembly No. 122-2549



# Main Wire Harness Assembly No. 122-2549 (continued)

| <i>Ref.</i> | <i>Part Number</i> | <i>Qty.</i> | <i>Description</i>       | <i>Ref.</i> | <i>Part Number</i> | <i>Qty.</i> | <i>Description</i>        |
|-------------|--------------------|-------------|--------------------------|-------------|--------------------|-------------|---------------------------|
| 13          | 32180-089          | 1           | Cap-Plug, 3 Way          | 22          | 121-8867           | 3           | Fuse-Mini Blade, 15 Amp   |
| 14          | 32180-156          | 1           | Cap-Plug, 6 Way          | 23          | 32180-229          | 2           | Cover-Littelfuse, Pdm 60F |
| 15          | 32180-043          | 1           | Resistor-120 Ohm         | 24          | 32180-078          | 1           | Clip-Edge                 |
| 16          | 116-0053           | 1           | Cap-Plug                 | 26          | 104-4022           | 1           | Resistor-75 Ohm           |
| 19          | 126-3991           | 2           | Relay-Micro              | 29          | 100-4918           | 1           | Diode                     |
| 20          | 121-8865           | 3           | Fuse-Mini Blade, 7.5 Amp | 31          | 121-8868           | 1           | Fuse-Mini Blade, 20 Amp   |
| 21          | 121-8866           | 3           | Fuse-Mini Blade, 10 Amp  |             |                    |             |                           |

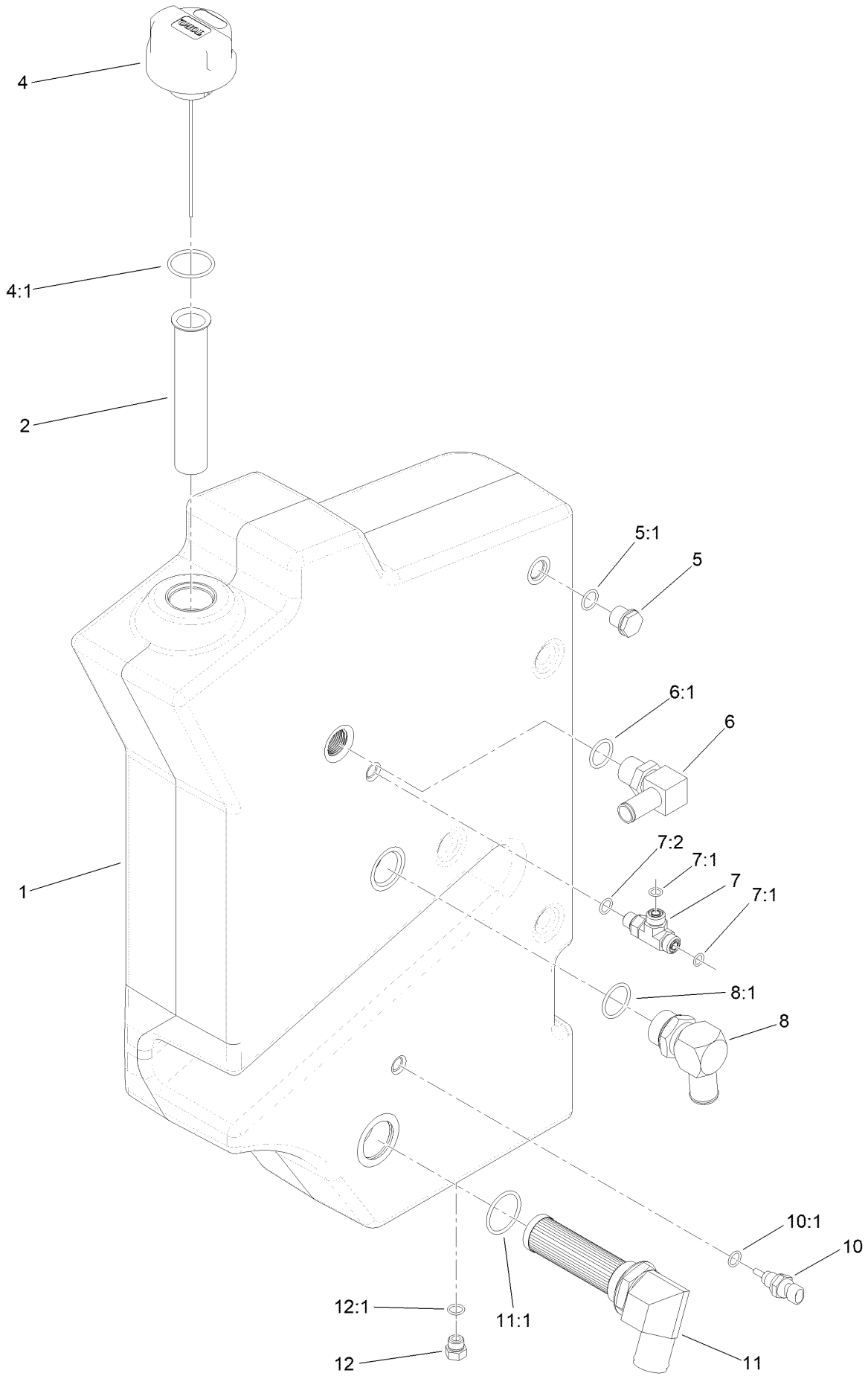
# Traction Hydraulics Assembly



## Traction Hydraulics Assembly (continued)

| <i>Ref.</i> | <i>Part Number</i> | <i>Qty.</i> | <i>Description</i>                      | <i>Ref.</i> | <i>Part Number</i> | <i>Qty.</i> | <i>Description</i>       |
|-------------|--------------------|-------------|---|-------------|--------------------|-------------|--------------------------|
| 1           | 145-4467           | 1           | Tank ASM-HYD                            | 34          | 340-140            | 1           | Fitting-Tee              |
| 2           | 145-4429-03        | 1           | Bracket-Tank, Hold Down                 | 34:1        | 237-21             | 2           | O-Ring                   |
| 3           | 145-4430           | 2           | Pad-Foam                                | 34:2        | 237-78             | 1           | O-Ring                   |
| 4           | 3229-1             | 4           | Screw-CARR                              | 35          | 340-1              | 2           | Fitting-Straight         |
| 5           | 104-7201           | 6           | Nut-HF, NI                              | 35:1        | 237-21             | 1           | O-Ring                   |
| 6           | 145-4483           | 1           | Tank Cover ASM-HYD                      | 35:2        | 237-42             | 1           | O-Ring                   |
| 7           | 3234-29            | 3           | Screw-HHF                               | 37          | 99-3017            | 1           | Fitting                  |
| 8           | 115-7721           | 3           | Nut-Clip, U                             | 37:1        | 237-81             | 1           | O-Ring                   |
| 10          | 145-4482           | 1           | Tank Bracket ASM-HYD                    | 40          | 340-4              | 2           | Fitting-Straight         |
| 10:2        | 125-8483           | 1           | Decal-HYD Fluid                         | 40:1        | 237-30             | 1           | O-Ring                   |
| 11          | 3290-456           | 1           | Washer-Belleville                       | 40:2        | 237-79             | 1           | O-Ring                   |
| 15          | 147-6767           | 1           | Pump-Tandem                             | 45          | 145-4380           | 1           | HYD Hose                 |
| 16          | 137-4653           | 2           | Screw-HHF                               | 46          | 145-4381           | 1           | HYD Hose                 |
| 17          | 145-4324           | 1           | Valve-Proportional Pressure<br>Reducing | 47          | 145-4382           | 1           | HYD Hose                 |
| 18          | 120-9699           | 2           | Screw-CARR                              | 48          | 145-4365           | 1           | HYD Hose ASM             |
| 19          | 139-1010           | 1           | Filter Head ASM                         | 49          | 147-6713           | 1           | HYD Tube ASM             |
| 19:2        | 94-2621            | 1           | Element-Filter                          | 50          | 145-4367           | 2           | HYD Hose ASM             |
| 21          | 3234-1             | 4           | Screw-HHF                               | 51          | 145-4368           | 2           | HYD Hose ASM             |
| 22          | 23-8910            | 2           | Stem-Barb-90                            | 52          | 147-6711           | 1           | HYD Tube ASM             |
| 22:1        | 237-146            | 1           | O-Ring                                  | 53          | 145-4374           | 1           | HYD Hose ASM             |
| 24          | AU375462A1         | 1           | Connector                               | 54          | 145-4377           | 1           | HYD Hose ASM             |
| 24:1        | 237-81             | 1           | O-Ring                                  | 55          | 145-4378           | 1           | HYD Hose ASM             |
| 25          | 87-8170            | 1           | Fitting-90                              | 56          | 147-6770           | 1           | HYD Tube ASM             |
| 25:1        | 237-80             | 1           | O-Ring                                  | 57          | 147-6769           | 1           | HYD Hose ASM             |
| 26          | 340-101            | 4           | Fitting-HYD, 45 DEG                     | 58          | 145-4490           | 1           | HYD Hose ASM             |
| 26:1        | 237-30             | 1           | O-Ring                                  | 59          | 145-4491           | 1           | HYD Hose ASM             |
| 26:2        | 237-79             | 1           | O-Ring                                  | 60          | 145-4492           | 1           | HYD Hose                 |
| 27          | 340-92             | 5           | Fitting-Straight                        | 61          | 2412-34            | 6           | Clamp-Hose               |
| 27:1        | 237-78             | 1           | O-Ring                                  | 62          | 2412-129           | 2           | Clamp-Hose               |
| 27:2        | 237-21             | 1           | O-Ring                                  | 63          | 3334-945           | 1           | Tie-Cable                |
| 28          | 99-3477            | 1           | Fitting-Tee                             | 64          | 112-2401           | 1           | Pad-Rubber               |
| 28:1        | 237-21             | 2           | O-Ring                                  | 65          | 32180-118          | 3           | Clip-Tie                 |
| 29          | 115-8886           | 1           | Nipple-Test                             | 66          | 32180-139          | 1           | Mount-Tie Wrap, Magnetic |
| 30          | 353-947            | 1           | Cap-Dust, Black                         | 67          | 147-6790           | 1           | Bracket-Clamp, Valve     |
| 31          | 340-132            | 6           | Fitting-Elbow, 90 DEG                   | 68          | 145-0609           | 1           | Decal-Toro Logo          |
| 31:1        | 237-78             | 1           | O-Ring                                  | 69          | 139-1937           | 1           | Reflector-Red            |
| 31:2        | 237-21             | 1           | O-Ring                                  | 70          | 147-6708           | 1           | Decal-Tx1000 Turbo       |
| 33          | 340-6              | 4           | Fitting-Straight                        | 71          | 132-8764           | 1           | Decal-S8Vsw6X6           |
| 33:1        | 237-30             | 1           | O-Ring                                  | 76          | 132-8770           | 1           | Decal-Srvsw2X3           |
| 33:2        | 237-80             | 1           | O-Ring                                  | 78          | 1-803037           | 2           | Nut-Retaining            |

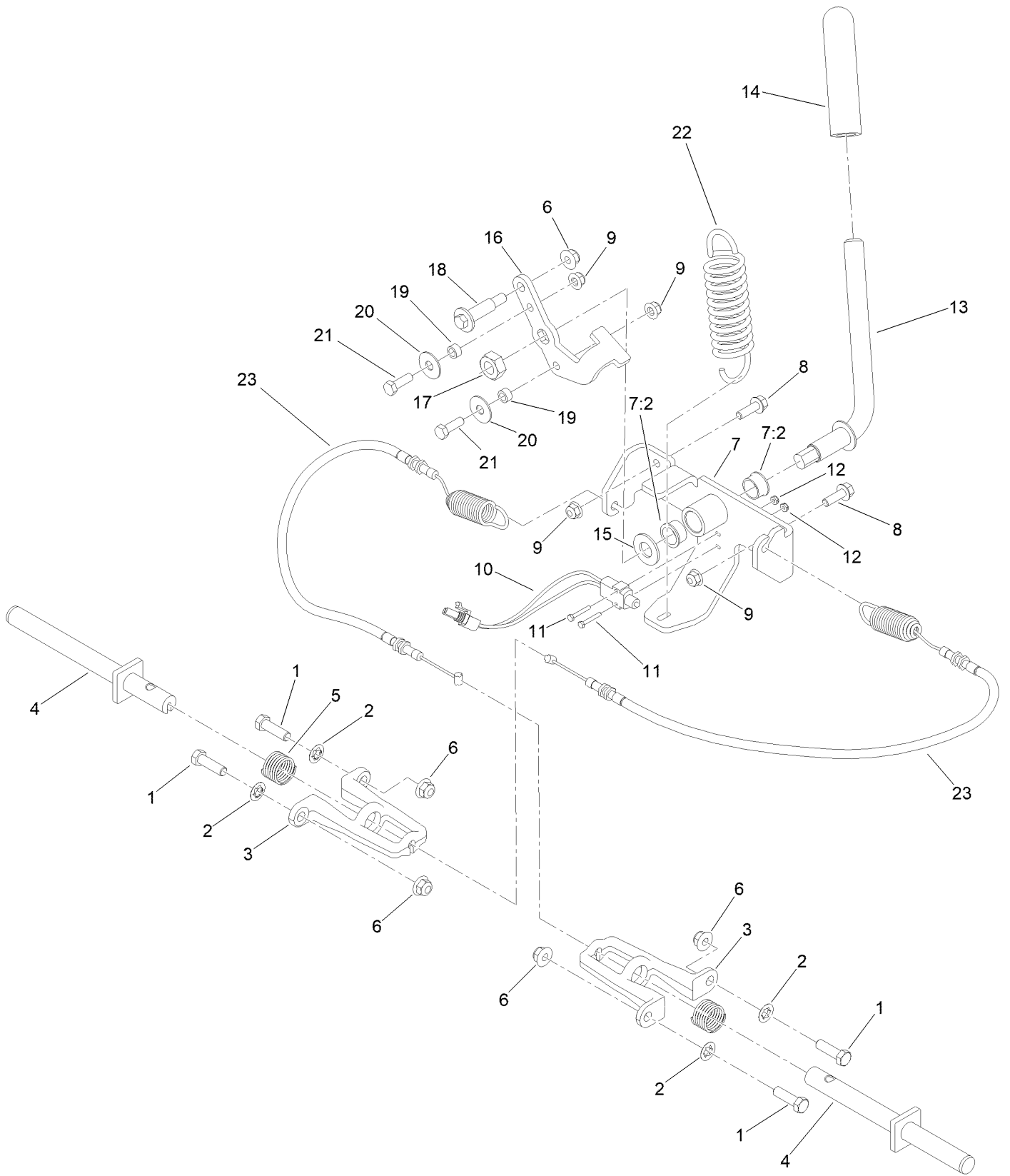
# Hydraulic Tank Assembly No. 145-4467



## Hydraulic Tank Assembly No. 145-4467 (continued)

| <i>Ref.</i> | <i>Part Number</i> | <i>Qty.</i> | <i>Description</i>                | <i>Ref.</i> | <i>Part Number</i> | <i>Qty.</i> | <i>Description</i>   |
|-------------|--------------------|-------------|-----------------------------------|-------------|--------------------|-------------|----------------------|
| 1           | 147-6712           | 1           | Tank ASM-HYD                      | 7:1         | 237-22             | 2           | O-Ring               |
| 2           | 61-2790            | 1           | Filter-Screen                     | 7:2         | 237-42             | 1           | O-Ring               |
| 4           | 117-0193           | 1           | Cap-Hydraulic, Vented<br>Breather | 8           | 23-8910            | 1           | Stem-Barb-90         |
| 4:1         | 237-101            | 1           | O-Ring                            | 8:1         | 237-146            | 1           | O-Ring               |
| 5           | 114-3075           | 1           | Sight Glass ASM                   | 10          | 110-8829           | 1           | Sender-Temperature   |
| 5:1         | 237-79             | 1           | O-Ring                            | 10:1        | 237-42             | 1           | O-Ring               |
| 6           | 353-987            | 1           | Fitting-Elbow, 90                 | 11          | 145-0622           | 1           | Strainer Fitting ASM |
| 6:1         | 237-81             | 1           | O-Ring                            | 11:1        | 237-101            | 1           | O-Ring               |
| 7           | 340-86             | 1           | Fitting-Tee                       | 12          | 353-508            | 1           | Plug-HH              |
|             |                    |             |                                   | 12:1        | 237-42             | 1           | O-Ring               |

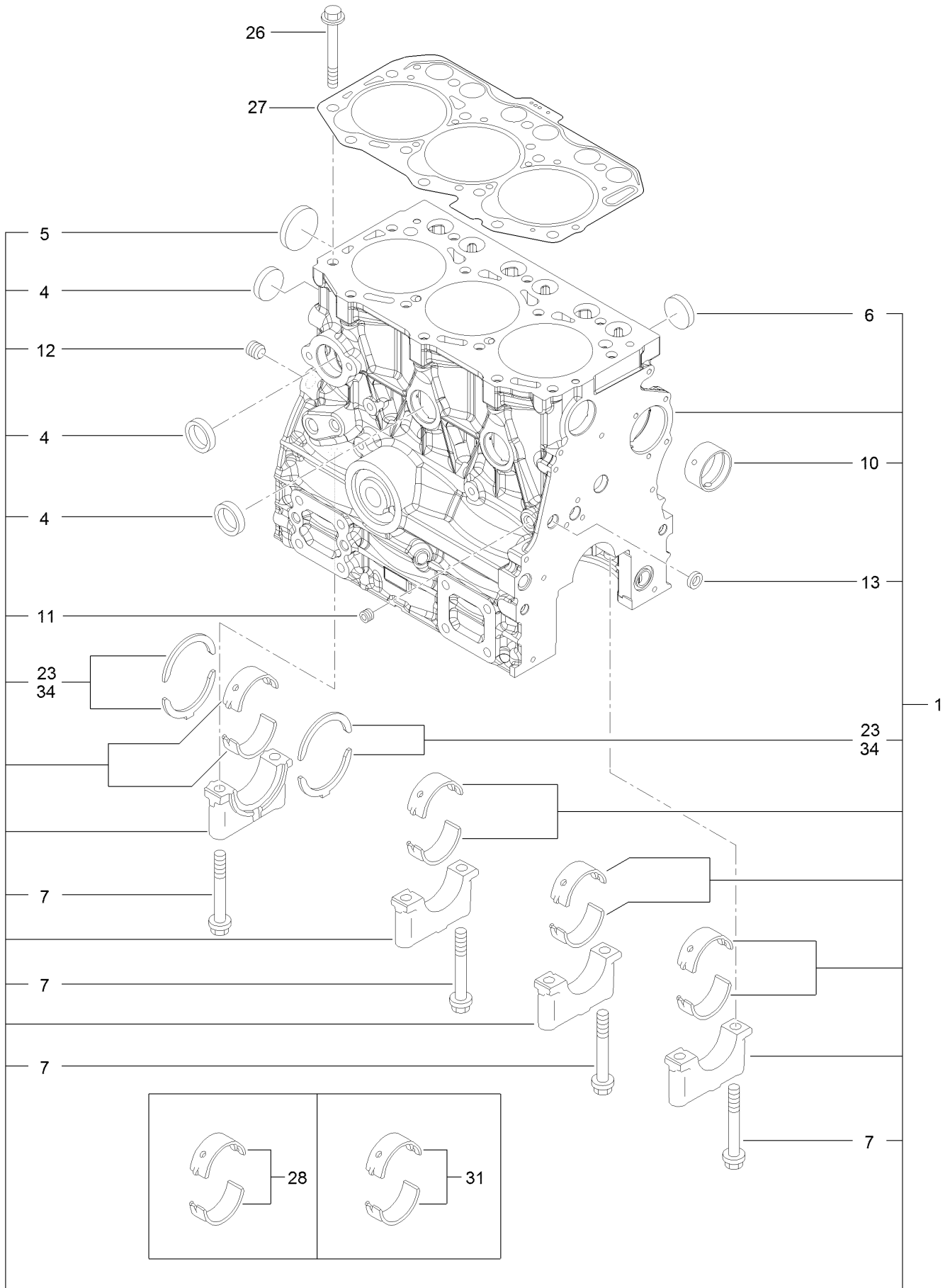
# Parking Brake Assembly



## Parking Brake Assembly (continued)

| <i>Ref.</i> | <i>Part Number</i> | <i>Qty.</i> | <i>Description</i> | <i>Ref.</i> | <i>Part Number</i> | <i>Qty.</i> | <i>Description</i>  |
|-------------|--------------------|-------------|--------------------|-------------|--------------------|-------------|---------------------|
| 1           | 323-7              | 4           | Screw-HH           | 12          | 3296-9             | 2           | Nut-Hex             |
| 2           | 107-3154           | 4           | Nut-Push           | 13          | 133-0232           | 1           | Lever-Brake         |
| 3           | 138-0207-03        | 2           | Mount-Pin [black]  | 14          | 110-1037           | 1           | Grip-Handle         |
| 4           | 144-2137           | 2           | Brake Rod ASM      | 15          | 3256-27            | 1           | Washer-Flat         |
| 5           | 125-0344           | 2           | Spring-Compression | 16          | 138-0205-0P        | 1           | Plate-Brake Linkage |
| 6           | 104-8301           | 5           | Nut-HF, NI         | 17          | 3296-33            | 1           | Nut-Lock, NI        |
| 7           | 136-4798           | 1           | Bracket-Brake      | 18          | 136-7198           | 1           | Bolt-Shoulder       |
| 7:2         | 256-252            | 2           | Bearing-Flange     | 19          | 85-9120            | 2           | Spacer-Pivot, Tilt  |
| 8           | 3234-29            | 2           | Screw-HHF          | 20          | 52-2860            | 2           | Washer              |
| 9           | 104-8300           | 4           | Nut-HF, NI         | 21          | 322-5              | 2           | Screw-HH            |
| 10          | 95-8900            | 1           | Switch             | 22          | 136-4787           | 1           | Spring-EXT          |
| 11          | 32105-9            | 2           | Screw-HH           | 23          | 136-4789           | 2           | Cable-Brake         |

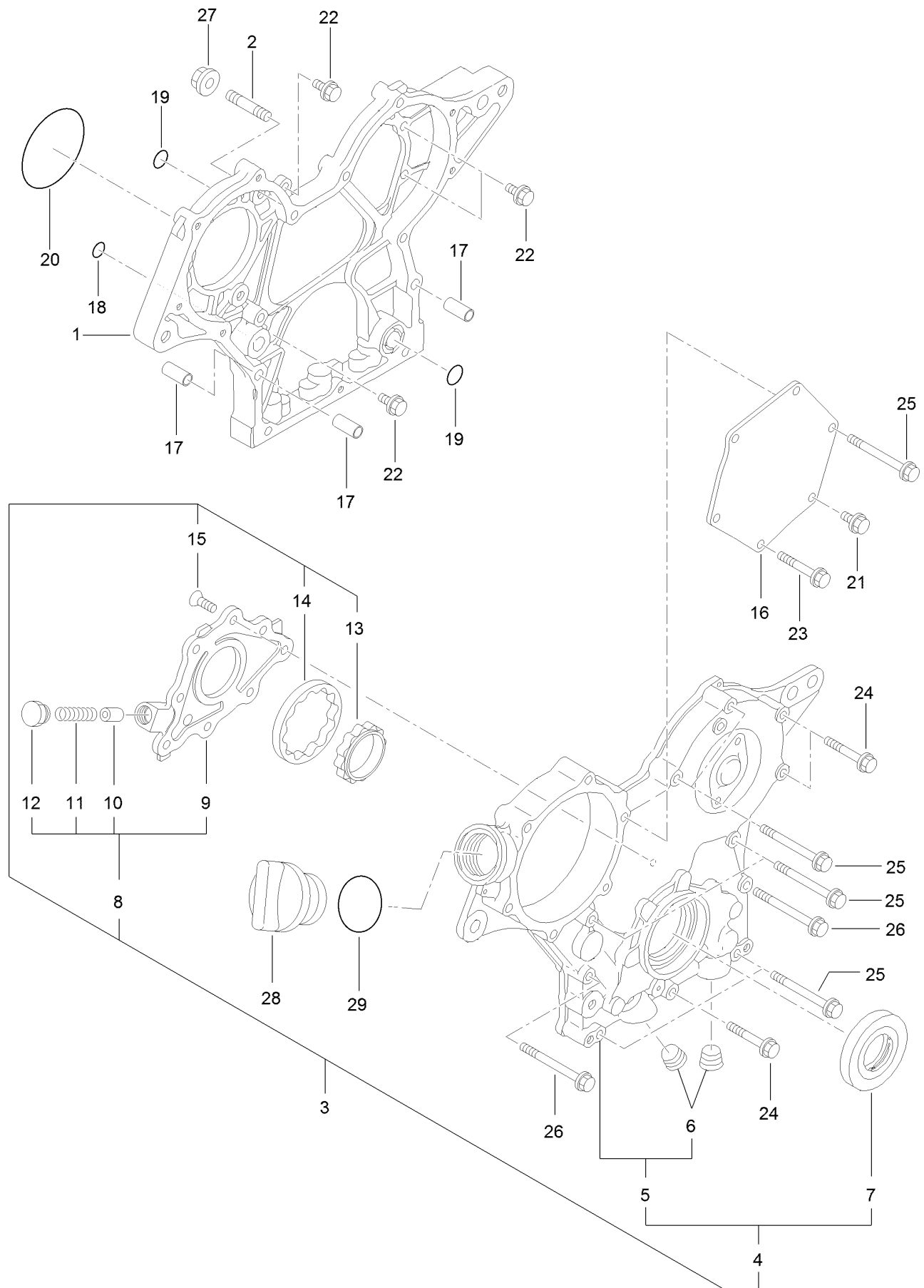
# Cylinder Block Assembly



## Cylinder Block Assembly (continued)

| <i>Ref.</i> | <i>Part Number</i> | <i>Qty.</i> | <i>Description</i> | <i>Ref.</i> | <i>Part Number</i> | <i>Qty.</i> | <i>Description</i>  |
|-------------|--------------------|-------------|--------------------|-------------|--------------------|-------------|---------------------|
| 1           | 135-4030           | 1           | Cylinder Block ASM | 13          | 125-7237           | 1           | Plug                |
| 4           | 135-4031           | 4           | Plug-Cup           | 23          | 135-4036           | 2           | Thrust Bearing ASM  |
| 5           | 135-4032           | 1           | Plug-Dish          | 26          | 135-4037           | 14          | Bolt-Head, Cylinder |
| 6           | 135-4033           | 3           | Plug-Cup           | 27          | 135-4038           | 1           | Head Gasket Set     |
| 7           | 135-4034           | 8           | Bolt-Cap           | 28          | 135-4039           | 4           | Main Bearing ASM    |
| 10          | 135-4035           | 1           | Bushing-Camshaft   | 31          | 135-4040           | 4           | Main Bearing ASM    |
| 11          | 125-6969           | 1           | Plug               | 34          | 135-4041           | 2           | Bearing-Thrust      |
| 12          | 125-6973           | 1           | Plug               |             |                    |             |                     |

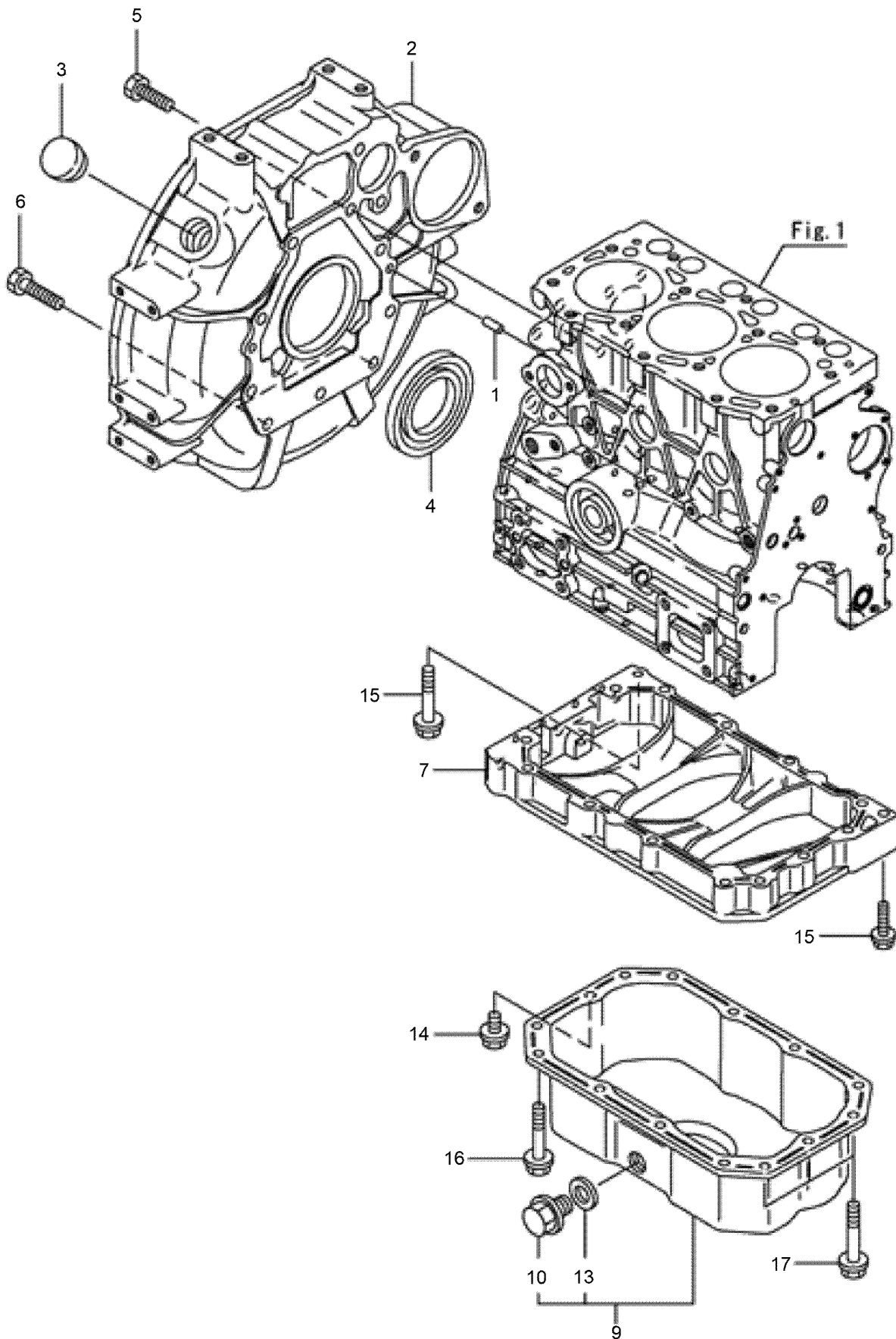
# Gear Housing Assembly



## Gear Housing Assembly (continued)

| <i>Ref.</i> | <i>Part Number</i> | <i>Qty.</i> | <i>Description</i>  | <i>Ref.</i> | <i>Part Number</i> | <i>Qty.</i> | <i>Description</i> |
|-------------|--------------------|-------------|---------------------|-------------|--------------------|-------------|--------------------|
| 1           | 135-4042           | 1           | Case-Gear           | 16          | 135-4056           | 1           | Cover-Pump         |
| 2           | 135-4043           | 3           | Bolt-Stud           | 17          | 135-4057           | 4           | Dowel-Pipe         |
| 3           | 135-4044           | 1           | Gear Case Cover ASM | 18          | 127-2973           | 1           | O-Ring             |
| 4           | 135-4045           | 1           | Gear Case Cover ASM | 19          | 135-4058           | 3           | O-Ring             |
| 5           | 135-4046           | 1           | Cover-Case, Gear    | 20          | 125-6957           | 1           | O-Ring             |
| 6           | 133-6798           | 2           | Plug                | 21          | 125-7206           | 1           | Bolt               |
| 7           | 135-4047           | 1           | Seal-Oil            | 22          | 125-7208           | 4           | Bolt               |
| 8           | 135-4048           | 1           | Cover ASM           | 23          | 125-7211           | 4           | Bolt               |
| 9           | 135-4049           | 1           | Cover-Pump          | 24          | 125-7211           | 3           | Bolt               |
| 10          | 135-4050           | 1           | Valve-Relief        | 25          | 135-4059           | 7           | Bolt               |
| 11          | 135-4051           | 1           | Spring              | 26          | 136-8257           | 2           | Bolt               |
| 12          | 135-4052           | 1           | Plug                | 27          | 125-7229           | 3           | Nut                |
| 13          | 135-4053           | 1           | Rotor-Inner         | 28          | 125-6972           | 1           | Cover-Filler       |
| 14          | 135-4054           | 1           | Rotor-Outer         | 29          | 125-7197           | 1           | O-Ring             |
| 15          | 135-4055           | 8           | Screw               |             |                    |             |                    |

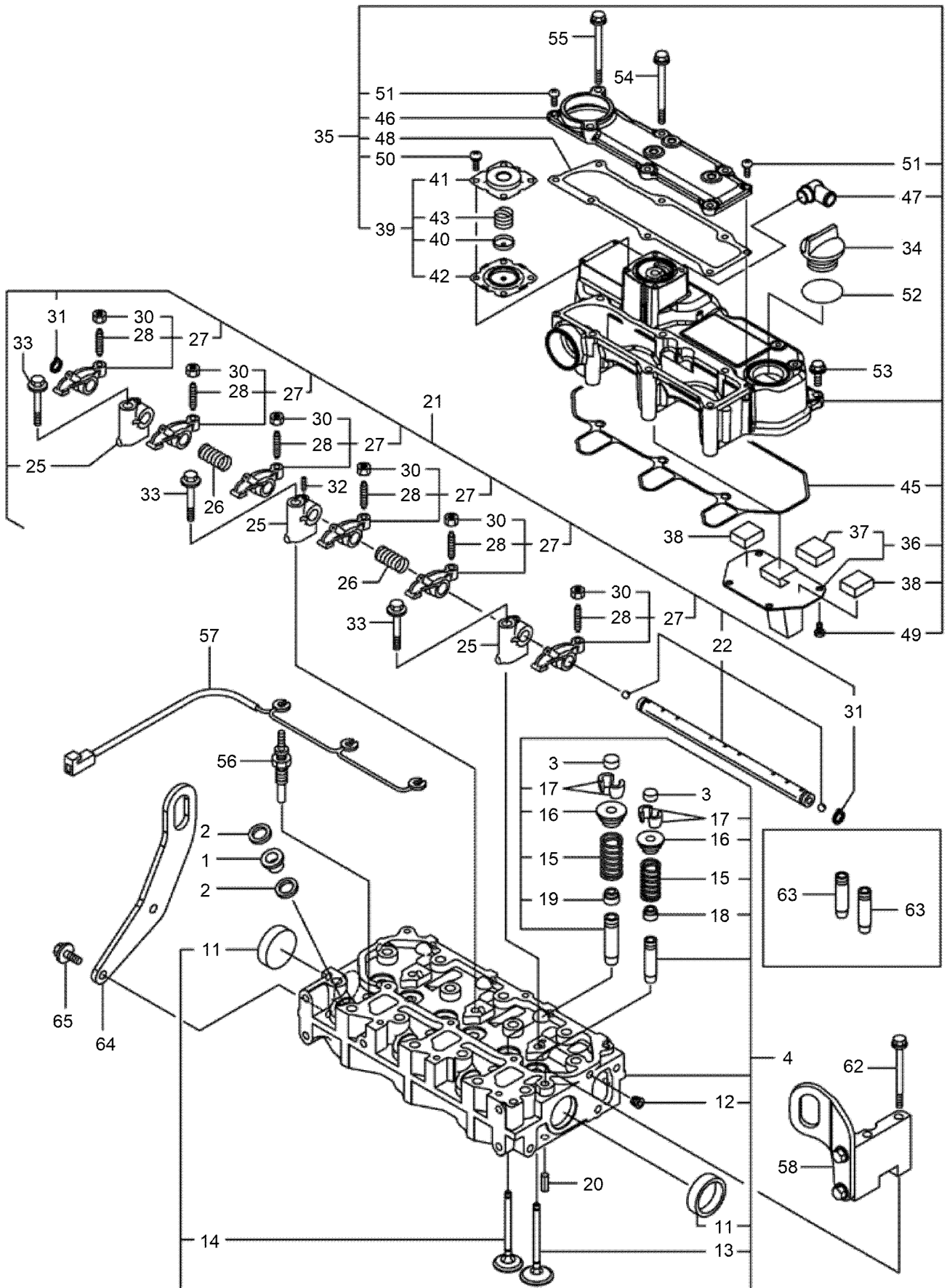
# Fywheel Housing and Oil Sump Assembly



## Fywheel Housing and Oil Sump Assembly (continued)

| <i>Ref.</i> | <i>Part Number</i> | <i>Qty.</i> | <i>Description</i> | <i>Ref.</i> | <i>Part Number</i> | <i>Qty.</i> | <i>Description</i> |
|-------------|--------------------|-------------|--------------------|-------------|--------------------|-------------|--------------------|
| 1           | 125-6995           | 2           | Pin                | 9           | 134-1398           | 1           | Oil Pan ASM        |
| 2           | 134-1397           | 1           | Housing-Flywheel   | 10          | 135-4068           | 1           | Plug               |
| 3           | 125-6910           | 1           | Cap                | 13          | 136-8236           | 1           | Washer-Seal        |
| 4           | 135-4064           | 1           | Seal-Oil           | 14          | 125-7212           | 1           | Bolt               |
| 5           | 125-7226           | 8           | Bolt               | 15          | 125-7216           | 1           | Bolt               |
| 6           | 125-7227           | 3           | Bolt               | 16          | 125-7219           | 11          | Bolt               |
| 7           | 135-4066           | 1           | Spacer-Pan, Oil    | 17          | 125-7220           | 3           | Bolt               |

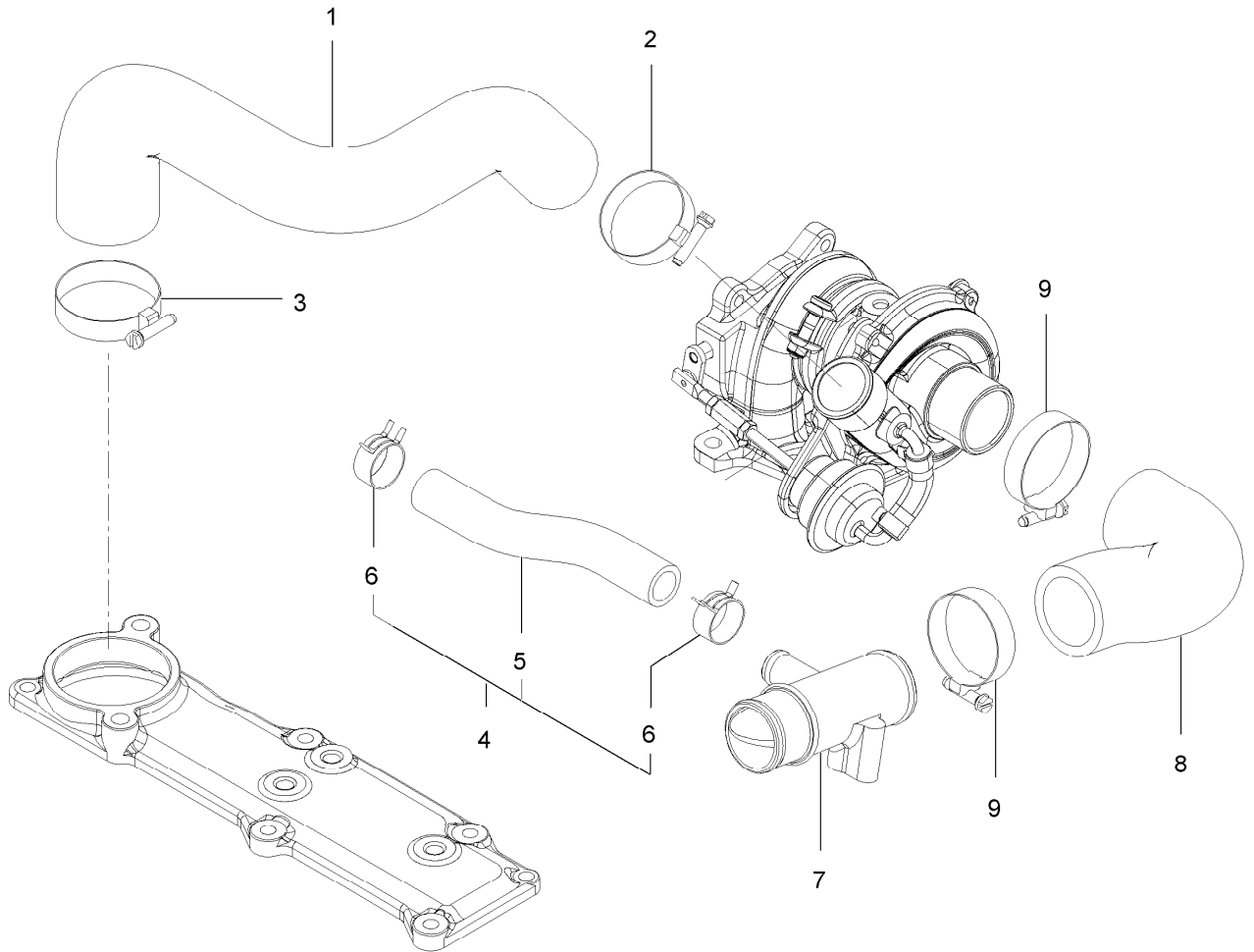
# Cylinder Head and Bonnet Assembly



## Cylinder Head and Bonnet Assembly (continued)

| <i>Ref.</i> | <i>Part Number</i> | <i>Qty.</i> | <i>Description</i>  | <i>Ref.</i> | <i>Part Number</i> | <i>Qty.</i> | <i>Description</i>             |
|-------------|--------------------|-------------|---------------------|-------------|--------------------|-------------|--------------------------------|
| 1           | 135-4069           | 3           | Protector-Nozzle    | 37          | 135-4086           | 1           | Baffle-Breather                |
| 2           | 135-4070           | 6           | Gasket-Nozzle       | 38          | 135-4086           | 2           | Baffle-Breather                |
| 3           | 135-4071           | 6           | Cap-Valve           | 39          | 135-4088           | 1           | Diaphragm ASM                  |
| 4           | 135-4072           | 1           | Head ASM-Cylinder   | 40          | 135-4089           | 1           | Plate-Diaphragm                |
| 11          | 135-4073           | 2           | Plug-Cup            | 41          | 135-4090           | 1           | Cover-Diaphragm                |
| 12          | 133-6797           | 1           | Plug                | 42          | 135-4091           | 1           | Diaphragm                      |
| 13          | 135-4074           | 3           | Valve-Suction       | 43          | 135-4092           | 1           | Spring-Diaphragm               |
| 14          | 135-4075           | 3           | Valve-Exhaust       | 45          | 135-4093           | 1           | Gasket-Cover, Cylinder<br>Head |
| 15          | 135-4076           | 6           | Spring-Valve        | 46          | 135-4094           | 1           | Cover ASM-Bonnet               |
| 16          | 125-7054           | 6           | Retainer            | 47          | 133-6603           | 1           | Elbow                          |
| 17          | 125-6914           | 12          | Cotter              | 48          | 135-4095           | 1           | Gasket                         |
| 18          | 125-6915           | 3           | Seal-Stem, Valve    | 49          | 125-7186           | 4           | Screw                          |
| 19          | 125-6916           | 3           | Seal-Stem, Valve    | 50          | 125-7186           | 4           | Screw                          |
| 20          | 125-7184           | 2           | Pin-Spring          | 51          | 127-3168           | 2           | Screw                          |
| 21          | 135-4077           | 1           | Rocker Support ASM  | 52          | 125-7197           | 1           | O-Ring                         |
| 22          | 135-4078           | 1           | Rocker Shaft ASM    | 53          | 125-7209           | 3           | Bolt                           |
| 25          | 135-4079           | 3           | Support-Arm, Rocker | 54          | 135-4096           | 4           | Bolt                           |
| 26          | 135-4080           | 2           | Spring-Rocker       | 55          | 163-1100           | 2           | Bolt, M6X 85 Plated            |
| 27          | 135-4081           | 6           | Rocker Arm ASM      | 56          | 163-1101           | 3           | Plug, Glow 12V                 |
| 28          | 125-7013           | 6           | Screw-Adjust, Valve | 57          | 134-1443           | 1           | Connector-Plug, Glow           |
| 30          | 125-7014           | 6           | Nut                 | 58          | 135-4292           | 1           | Lifter ASM                     |
| 31          | 135-7082           | 2           | Ring                | 62          | 127-3178           | 2           | Bolt                           |
| 32          | 145-7836           | 1           | Screw               | 63          | 125-6917           | 6           | Guide                          |
| 33          | 125-7218           | 3           | Bolt                | 64          | 135-4097           | 1           | Lifter-Engine                  |
| 34          | 125-6972           | 1           | Cover-Filler        | 65          | 125-7214           | 2           | Bolt                           |
| 35          | 135-4084           | 1           | Bonnet ASM          |             |                    |             |                                |
| 36          | 135-4085           | 1           | Plate-Baffle        |             |                    |             |                                |

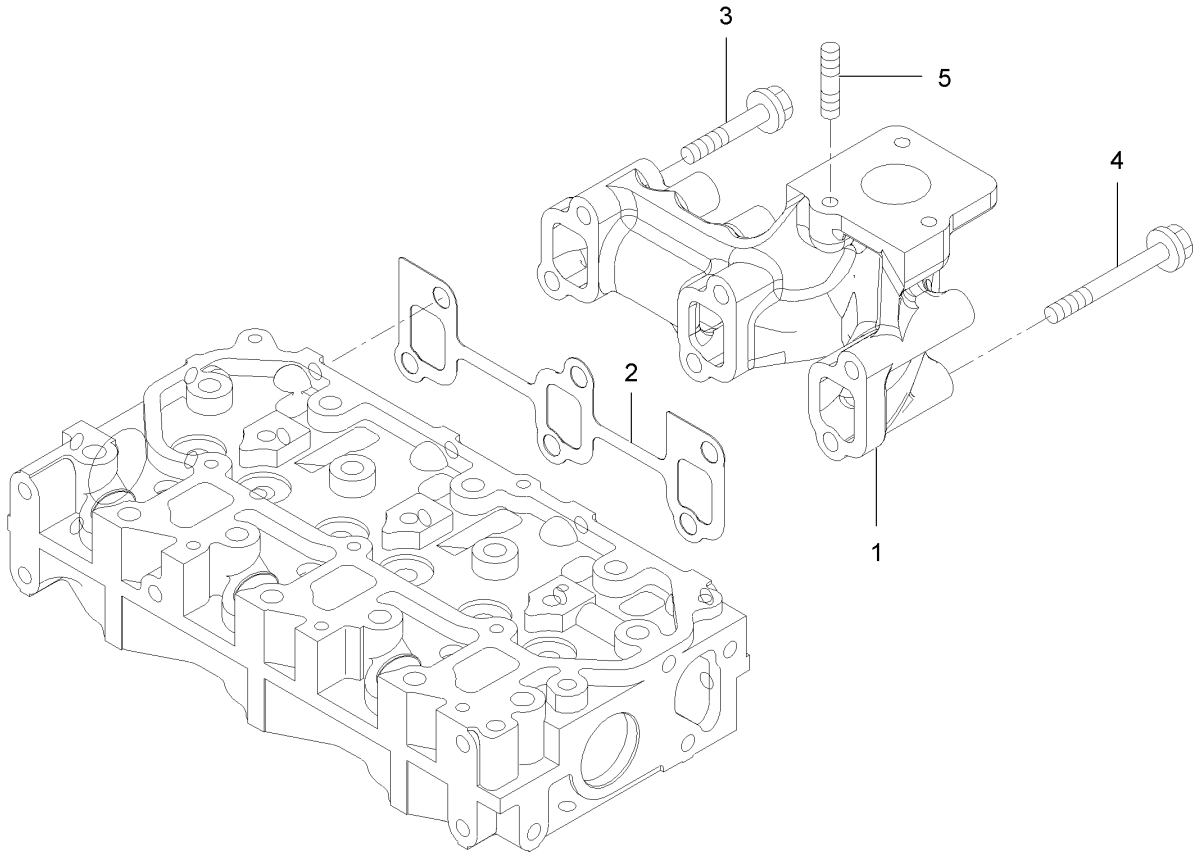
# Suction Manifold Assembly



## Suction Manifold Assembly (continued)

| <i>Ref.</i> | <i>Part Number</i> | <i>Qty.</i> | <i>Description</i> | <i>Ref.</i> | <i>Part Number</i> | <i>Qty.</i> | <i>Description</i> |
|-------------|--------------------|-------------|--------------------|-------------|--------------------|-------------|--------------------|
| 1           | 135-4101           | 1           | Hose-Air Intake    | 6           | 125-7040           | 2           | Clip-Hose          |
| 2           | 125-7189           | 1           | Clamp-Hose         | 7           | 135-4104           | 1           | Joint-Breather     |
| 3           | 127-3170           | 1           | Clamp-Hose         | 8           | 135-4105           | 1           | Hose-Intake, Air   |
| 4           | 135-4102           | 1           | Hose ASM-Breather  | 9           | 127-3170           | 2           | Clamp-Hose         |
| 5           | 135-4103           | 1           | Hose-Breather      |             |                    |             |                    |

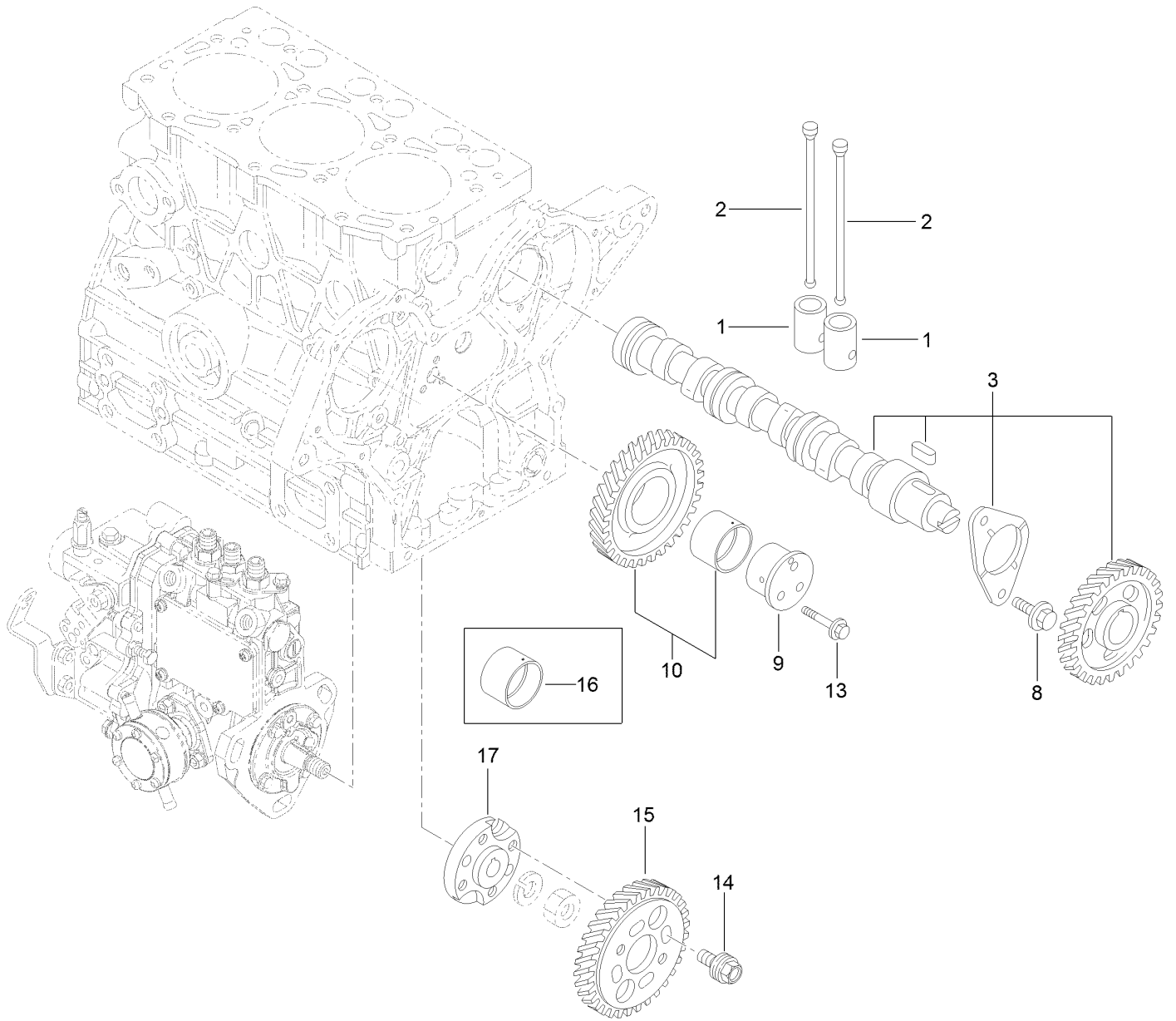
# Exhaust Manifold Assembly



## Exhaust Manifold Assembly (continued)

| <i>Ref.</i> | <i>Part Number</i> | <i>Qty.</i> | <i>Description</i>       | <i>Ref.</i> | <i>Part Number</i> | <i>Qty.</i> | <i>Description</i> |
|-------------|--------------------|-------------|--------------------------|-------------|--------------------|-------------|--------------------|
| 1           | 135-4106           | 1           | Manifold-Exhaust         | 4           | 133-6606           | 3           | Bolt               |
| 2           | 135-4107           | 1           | Gasket-Manifold, Exhaust | 5           | 125-7043           | 3           | Stud               |
| 3           | 133-6714           | 3           | Bolt                     |             |                    |             |                    |

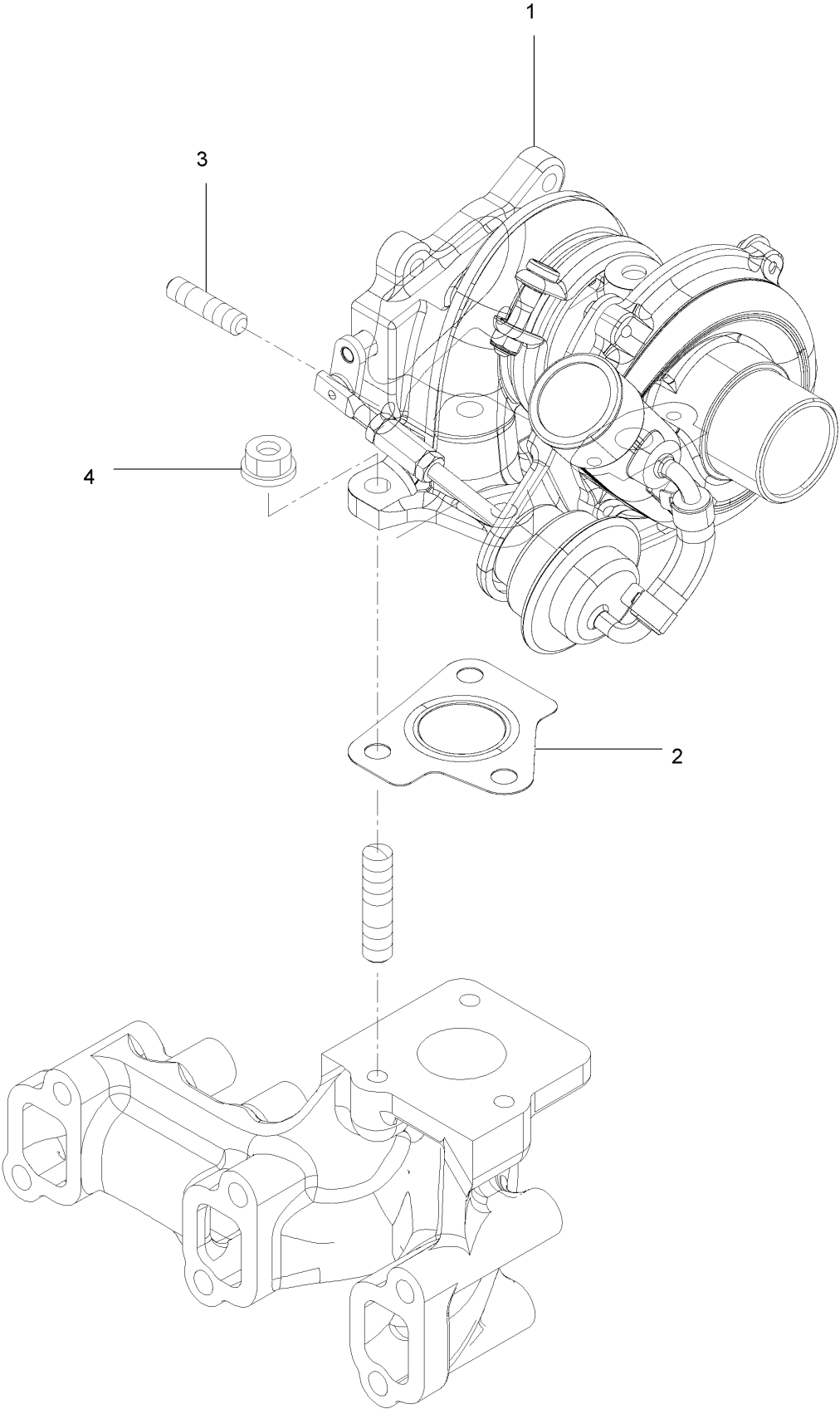
# Camshaft and Driving Gear Assembly



## Camshaft and Driving Gear Assembly (continued)

| <i>Ref.</i> | <i>Part Number</i> | <i>Qty.</i> | <i>Description</i> | <i>Ref.</i> | <i>Part Number</i> | <i>Qty.</i> | <i>Description</i> |
|-------------|--------------------|-------------|--------------------|-------------|--------------------|-------------|--------------------|
| 1           | 135-4108           | 6           | Tappet             | 13          | 135-4147           | 3           | Bolt               |
| 2           | 135-4109           | 6           | Push-Rod           | 14          | 125-7020           | 4           | Bolt               |
| 3           | 135-4110           | 1           | Camshaft ASM       | 15          | 135-4148           | 1           | Gear-Pump          |
| 8           | 125-7206           | 2           | Bolt               | 16          | 135-4149           | 1           | Bushing-Gear, Idle |
| 9           | 135-4145           | 1           | Shaft-Idle         | 17          | 135-4150           | 1           | Flange             |
| 10          | 135-4146           | 1           | Idle Gear ASM      |             |                    |             |                    |

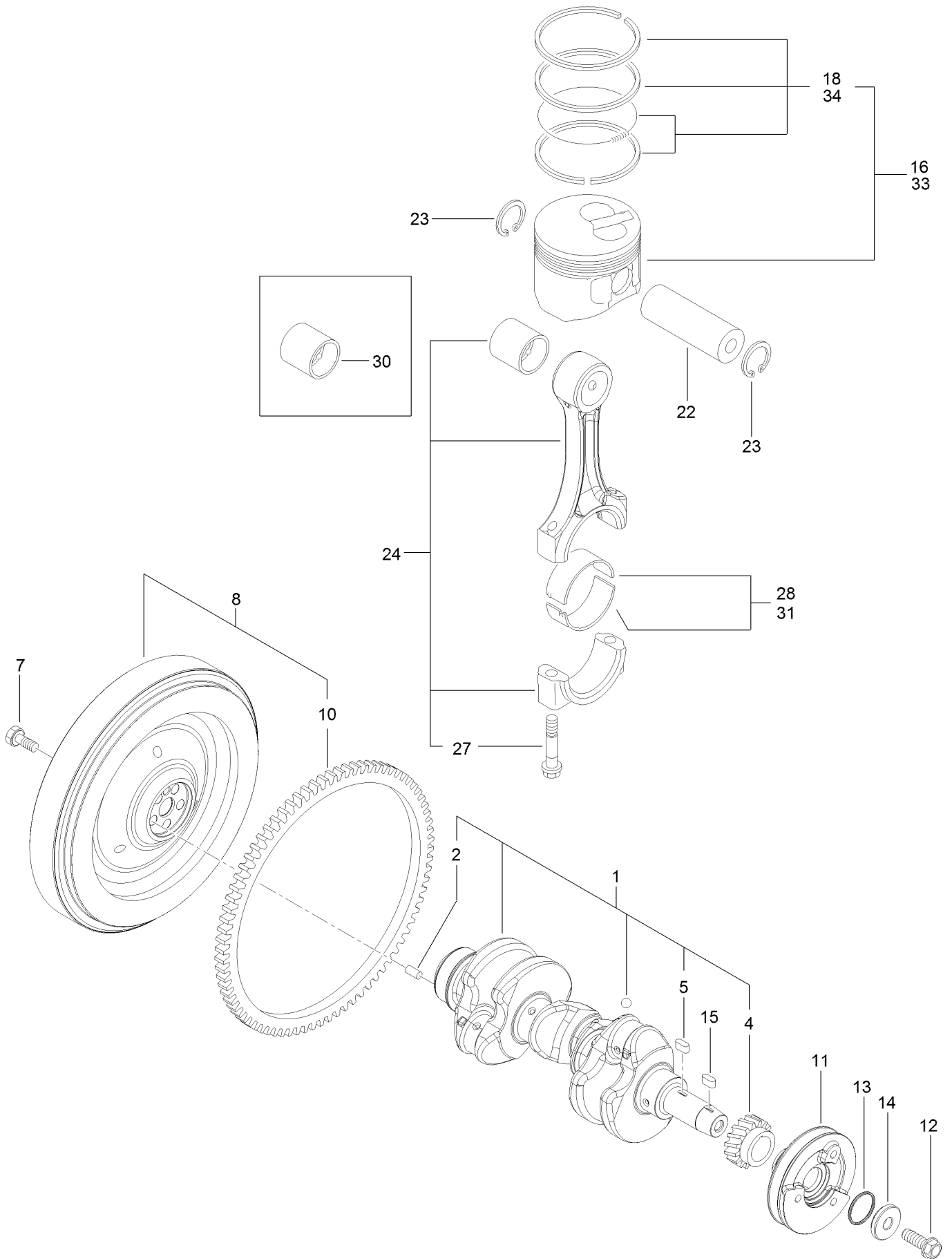
# Turbine Assembly



## Turbine Assembly (continued)

| <i>Ref.</i> | <i>Part Number</i> | <i>Qty.</i> | <i>Description</i> | <i>Ref.</i> | <i>Part Number</i> | <i>Qty.</i> | <i>Description</i> |
|-------------|--------------------|-------------|--------------------|-------------|--------------------|-------------|--------------------|
| 1           | 135-4151           | 1           | Turbocharger       | 3           | 125-6906           | 4           | Stud               |
| 2           | 127-3799           | 1           | Gasket-In, T C     | 4           | 125-7229           | 3           | Nut                |

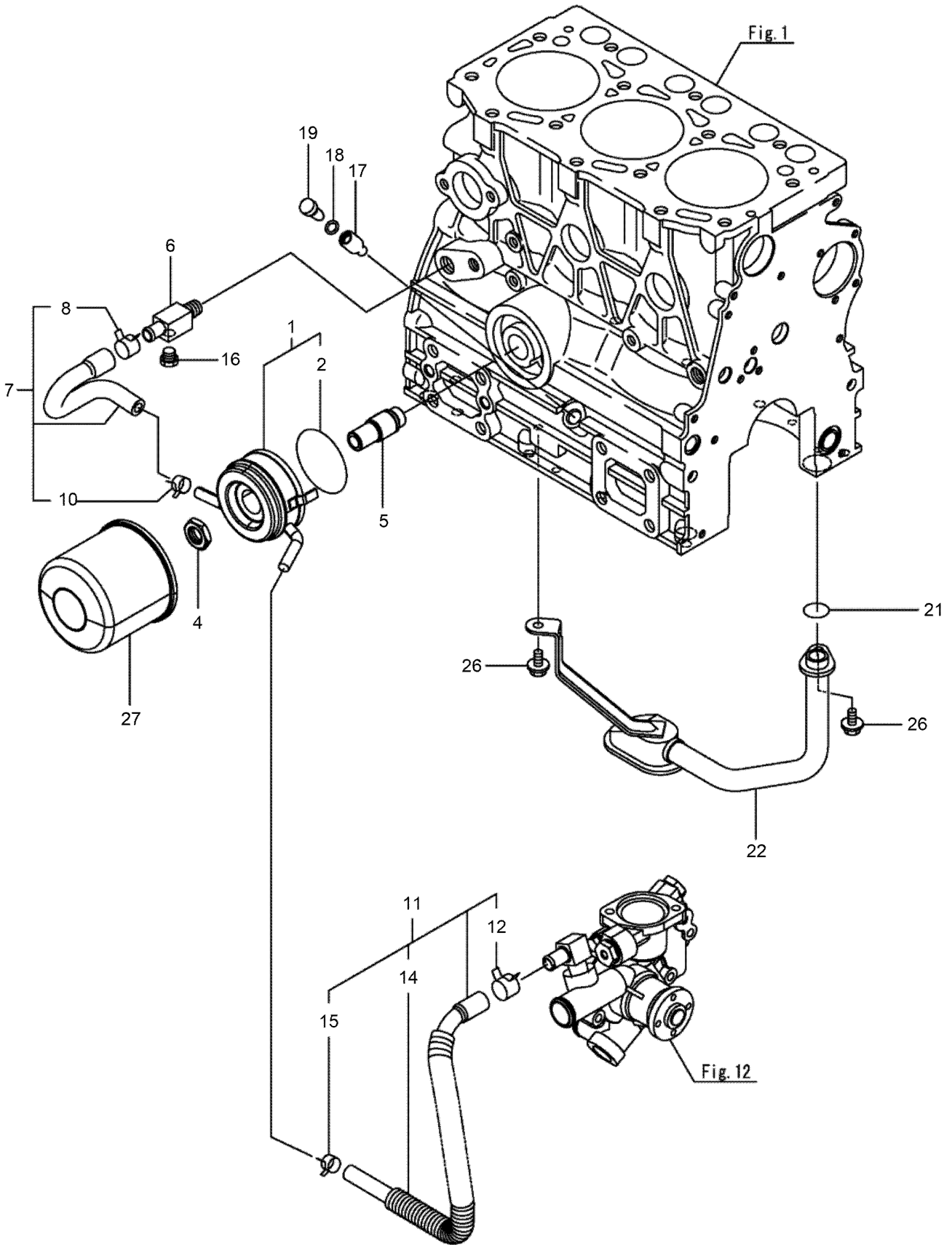
# Crankshaft and Piston Assembly



## Crankshaft and Piston Assembly (continued)

| <i>Ref.</i> | <i>Part Number</i> | <i>Qty.</i> | <i>Description</i>   | <i>Ref.</i> | <i>Part Number</i> | <i>Qty.</i> | <i>Description</i>   |
|-------------|--------------------|-------------|----------------------|-------------|--------------------|-------------|----------------------|
| 1           | 135-4152           | 1           | Crankshaft ASM       | 16          | 135-4163           | 3           | Piston ASM           |
| 2           | 125-6995           | 1           | Pin                  | 18          | 135-4164           | 3           | Ring ASM             |
| 4           | 135-4153           | 1           | Gear-Crankshaft      | 22          | 135-4165           | 3           | Pin-Piston           |
| 5           | 135-4154           | 1           | Key                  | 23          | 135-4166           | 6           | Ring                 |
| 7           | 125-6951           | 5           | Bolt                 | 24          | 134-4005           | 3           | Connecting Rod ASM   |
| 8           | 140-7164           | 1           | Flywheel ASM         | 27          | 135-4168           | 6           | Bolt-Rod, Connecting |
| 10          | 125-6943           | 1           | Gear                 | 28          | 135-4169           | 3           | Bearing-Pin, Crank   |
| 11          | 135-4158           | 1           | V-Pulley, Crankshaft | 30          | 134-4006           | 3           | Bushing-Pin, Piston  |
| 12          | 135-4159           | 1           | Bolt-Flange          | 31          | 135-4171           | 3           | Bearing-Pin (0.25)   |
| 13          | 134-4004           | 1           | Packing-Washer       | 33          | 134-4007           | 3           | Piston ASM (0.25 Os) |
| 14          | 135-4161           | 1           | Washer               | 34          | 135-4173           | 3           | Ring ASM             |
| 15          | 135-4154           | 1           | Key                  |             |                    |             |                      |

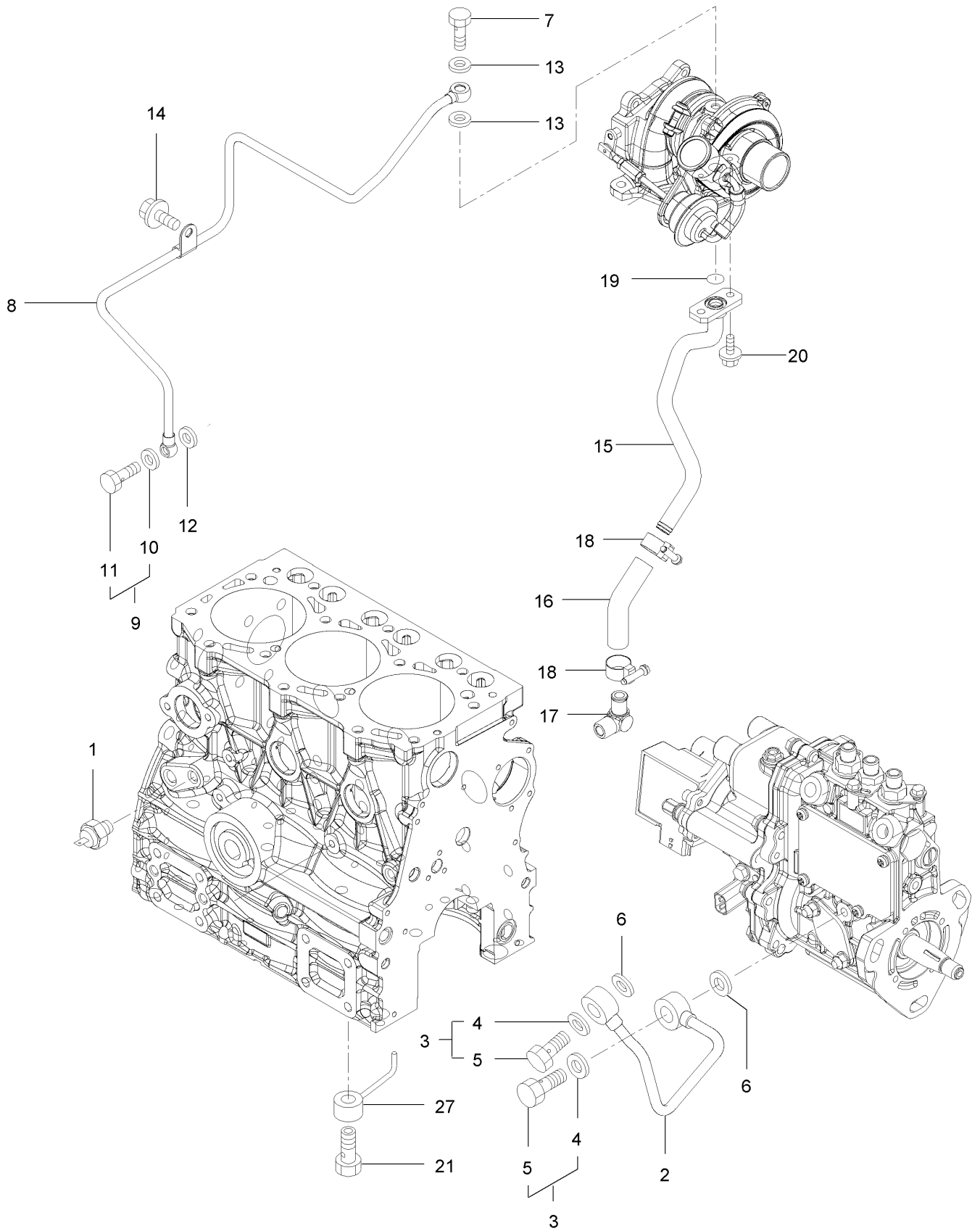
# Lube Oil System Assembly



## Lube Oil System Assembly (continued)

| <i>Ref.</i> | <i>Part Number</i> | <i>Qty.</i> | <i>Description</i> | <i>Ref.</i> | <i>Part Number</i> | <i>Qty.</i> | <i>Description</i> |
|-------------|--------------------|-------------|--------------------|-------------|--------------------|-------------|--------------------|
| 1           | 163-1102           | 1           | Cooler Assy, Oil   | 14          | 125-6946           | 1           | Tube               |
| 2           | 135-4019           | 1           | Packing-Oil Cooler | 15          | 125-7191           | 1           | Clamp-Hose         |
| 4           | 135-4020           | 1           | Nut                | 16          | 125-7171           | 1           | Plug-Drain         |
| 5           | 163-1103           | 1           | Stud, Lo Filter    | 17          | 145-7837           | 1           | Guide, Dipstick    |
| 6           | 125-6990           | 1           | Joint              | 18          | 145-7887           | 1           | O-Ring, 4Dp10A     |
| 7           | 135-4176           | 1           | Pipe ASM-Cooler In | 19          | 137-5132           | 1           | Plug-Dipstick      |
| 8           | 125-7162           | 1           | Clip               | 21          | 135-4178           | 1           | O-Ring             |
| 10          | 125-7191           | 1           | Clamp-Hose         | 22          | 134-1414           | 1           | Oil Inlet Pipe ASM |
| 11          | 125-7079           | 1           | Pipe ASM           | 26          | 125-7205           | 2           | Bolt               |
| 12          | 125-7162           | 1           | Clip               | 27          | 135-4181           | 1           | Filter-Oil, Engine |

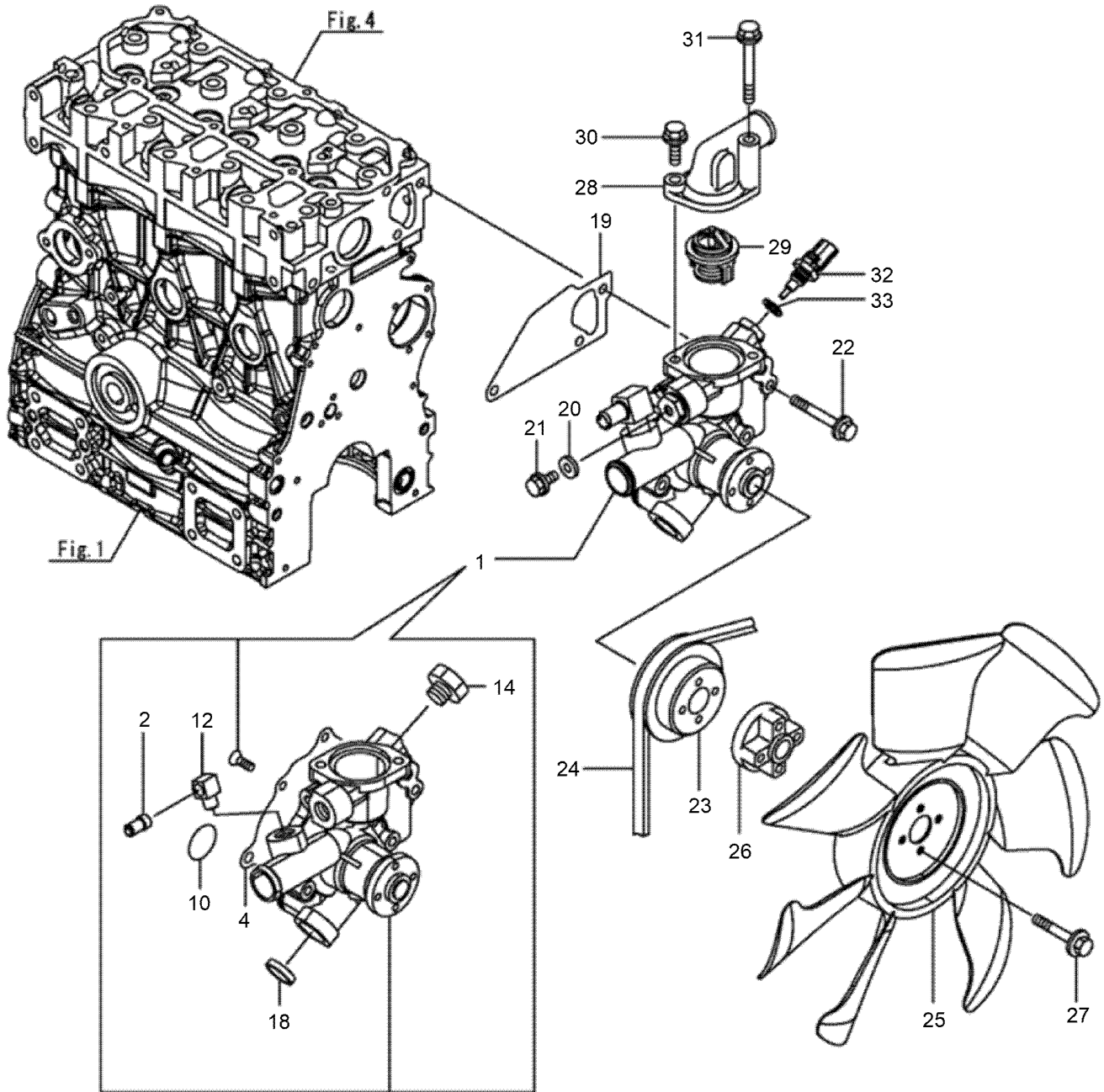
# Oil Pump Assembly



## Oil Pump Assembly (continued)

| <i>Ref.</i> | <i>Part Number</i> | <i>Qty.</i> | <i>Description</i> | <i>Ref.</i> | <i>Part Number</i> | <i>Qty.</i> | <i>Description</i> |
|-------------|--------------------|-------------|--------------------|-------------|--------------------|-------------|--------------------|
| 1           | 125-6918           | 1           | Switch-Oil         | 12          | 125-7174           | 1           | Washer-Seal        |
| 2           | 135-4182           | 1           | Pipe-Oil           | 13          | 125-7193           | 2           | Gasket             |
| 3           | 125-6988           | 2           | Joint Bolt ASM     | 14          | 125-7212           | 1           | Bolt               |
| 4           | 125-7174           | 2           | Washer-Seal        | 15          | 135-4184           | 1           | Pipe-Lo Return     |
| 5           | 125-7194           | 2           | Bolt-Joint         | 16          | 127-2992           | 1           | Joint              |
| 6           | 125-7174           | 2           | Washer-Seal        | 17          | 127-3003           | 1           | Elbow              |
| 7           | 125-6952           | 1           | Bolt-Joint, Pipe   | 18          | 127-3169           | 2           | Clamp-Hose         |
| 8           | 135-4183           | 1           | Pipe ASM-Lo        | 19          | 125-7198           | 1           | O-Ring             |
| 9           | 125-6988           | 1           | Joint Bolt ASM     | 20          | 125-7208           | 2           | Bolt               |
| 10          | 125-7174           | 1           | Washer-Seal        | 21          | 135-4185           | 3           | Valve ASM-Check    |
| 11          | 125-7194           | 1           | Bolt-Joint         | 27          | 135-4186           | 3           | Nozzle ASM-Piston  |

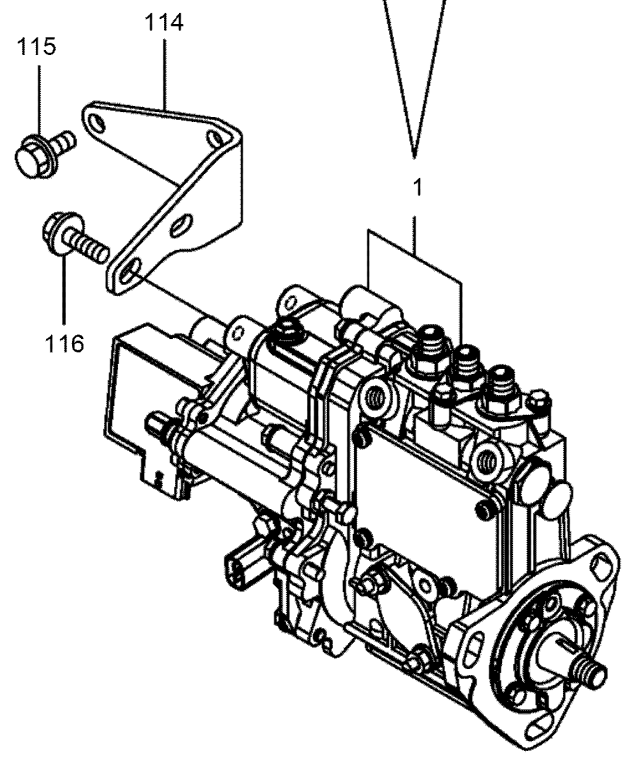
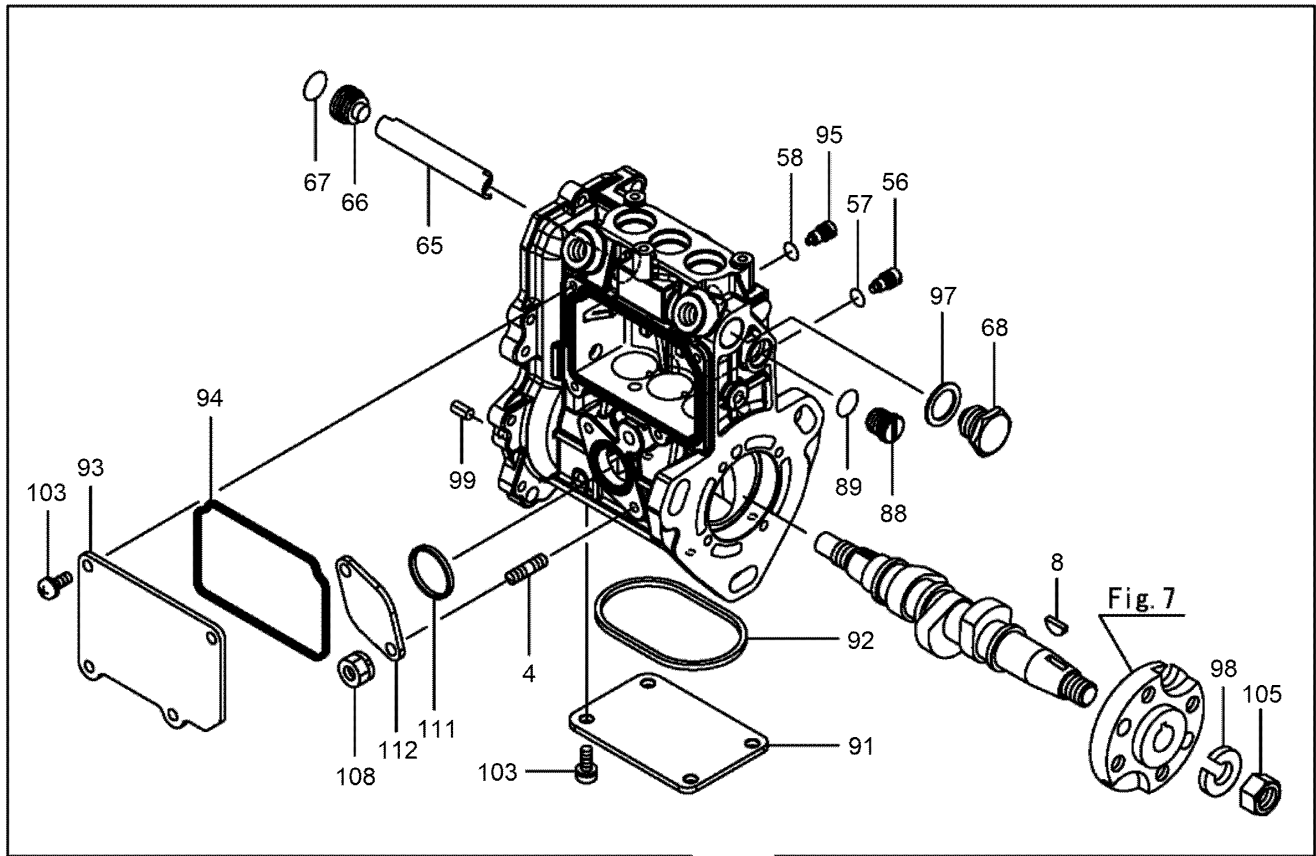
# Cooling Water System Assembly



## Cooling Water System Assembly (continued)

| <i>Ref.</i> | <i>Part Number</i> | <i>Qty.</i> | <i>Description</i>  | <i>Ref.</i> | <i>Part Number</i> | <i>Qty.</i> | <i>Description</i>    |
|-------------|--------------------|-------------|---------------------|-------------|--------------------|-------------|-----------------------|
| 1           | 163-1104           | 1           | Pump Assy, CW       | 23          | 134-1417           | 1           | V-Pulley              |
| 2           | 135-4191           | 1           | Joint-Pipe          | 24          | 163-1107           | 1           | V-Belt, A36           |
| 4           | 135-4188           | 1           | Gasket              | 25          | 135-4196           | 1           | Fan-Cooling 1         |
| 10          | 135-4190           | 1           | O-Ring              | 26          | 127-4768           | 1           | Spacer                |
| 12          | 163-1105           | 1           | Joint, Water Return | 27          | 135-4147           | 4           | Bolt                  |
| 14          | 135-4203           | 1           | Joint               | 28          | 135-4199           | 1           | Cover-Thermostat      |
| 18          | 163-1106           | 1           | Plug, 25            | 29          | 135-4200           | 1           | Thermostat            |
| 19          | 135-4193           | 1           | Gasket-Pump, Water  | 30          | 135-4201           | 1           | Bolt                  |
| 20          | 125-7192           | 1           | Gasket              | 31          | 135-4202           | 1           | Bolt                  |
| 21          | 125-7212           | 1           | Bolt                | 32          | 125-7124           | 1           | Sensor-Thermostat, CW |
| 22          | 125-7220           | 3           | Bolt                | 33          | 125-7176           | 1           | Washer-Seal           |

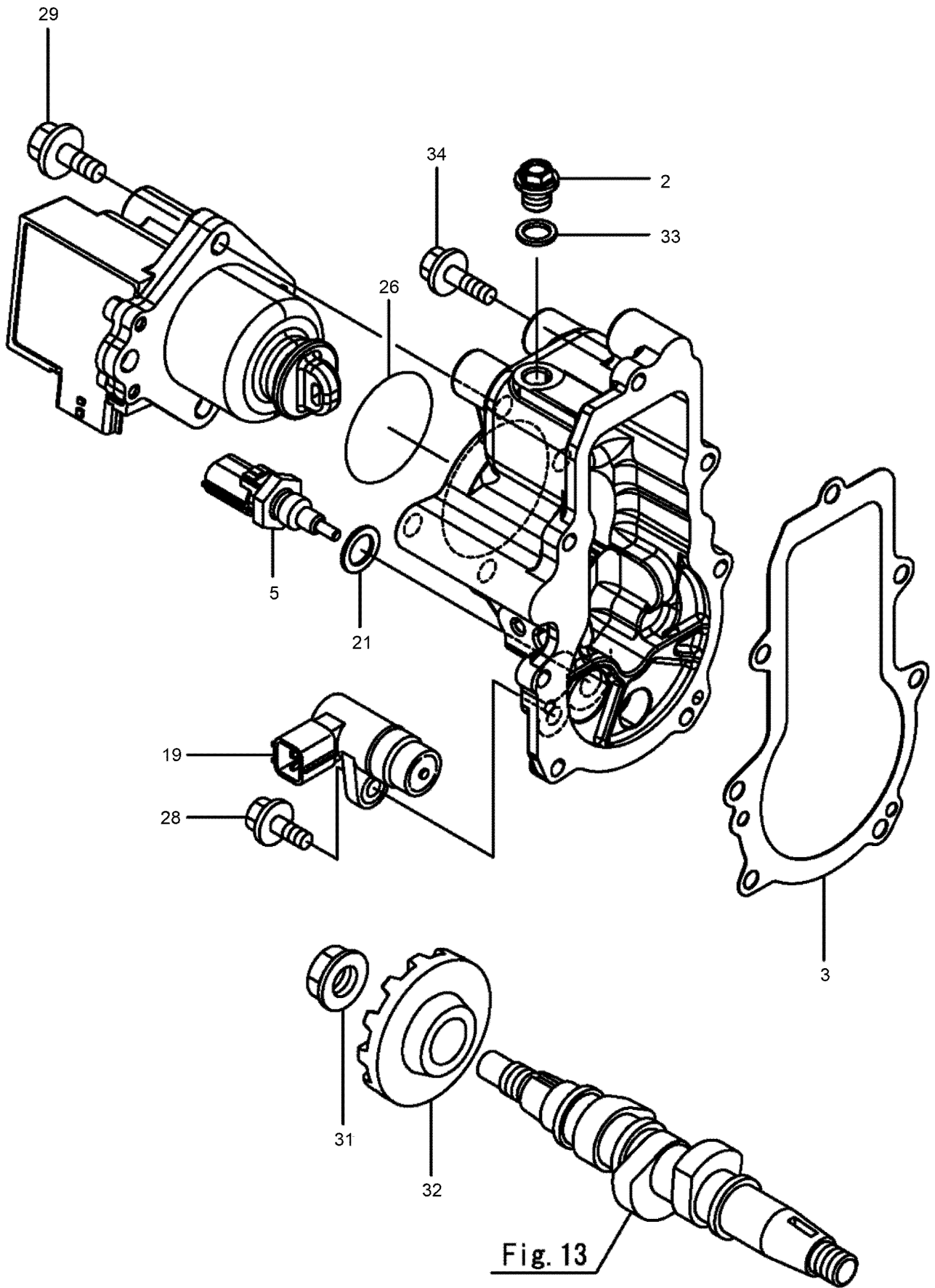
# Fuel Injection Pump Assembly



## Fuel Injection Pump Assembly (continued)

| <i>Ref.</i> | <i>Part Number</i> | <i>Qty.</i> | <i>Description</i>    | <i>Ref.</i> | <i>Part Number</i> | <i>Qty.</i> | <i>Description</i> |
|-------------|--------------------|-------------|-----------------------|-------------|--------------------|-------------|--------------------|
| 1           | 163-1108           | 1           | Fie Assy              | 93          | 135-4217           | 1           | Cover              |
| 4           | 135-4205           | 2           | Bolt-Stud             | 94          | 135-4218           | 1           | Gasket             |
| 8           | 135-4206           | 1           | Key-Feather, Woodruff | 95          | 135-4219           | 1           | Stopper-Rack       |
| 56          | 125-7156           | 3           | Stopper               | 97          | 136-8236           | 1           | Washer-Seal        |
| 57          | 135-4207           | 3           | O-Ring                | 98          | 135-4220           | 1           | Washer-Spring      |
| 58          | 135-4207           | 1           | O-Ring                | 99          | 125-7183           | 2           | Pin-Spring         |
| 65          | 135-4209           | 1           | Deflector             | 103         | 135-4221           | 8           | Screw              |
| 66          | 135-4210           | 1           | Plug-Deflector        | 105         | 133-2506           | 1           | Nut                |
| 67          | 135-4211           | 1           | O-Ring                | 108         | 135-4222           | 2           | Nut                |
| 68          | 135-4212           | 1           | Plug-Deflector        | 111         | 135-4223           | 1           | Gasket             |
| 88          | 135-4213           | 1           | Plug-Rack             | 112         | 135-4224           | 1           | Cover-Pump         |
| 89          | 135-4214           | 1           | O-Ring                | 114         | 135-4225           | 1           | Support            |
| 91          | 135-4215           | 1           | Cover                 | 115         | 125-7213           | 2           | Bolt               |
| 92          | 135-4216           | 1           | Gasket                | 116         | 125-7595           | 2           | Bolt               |

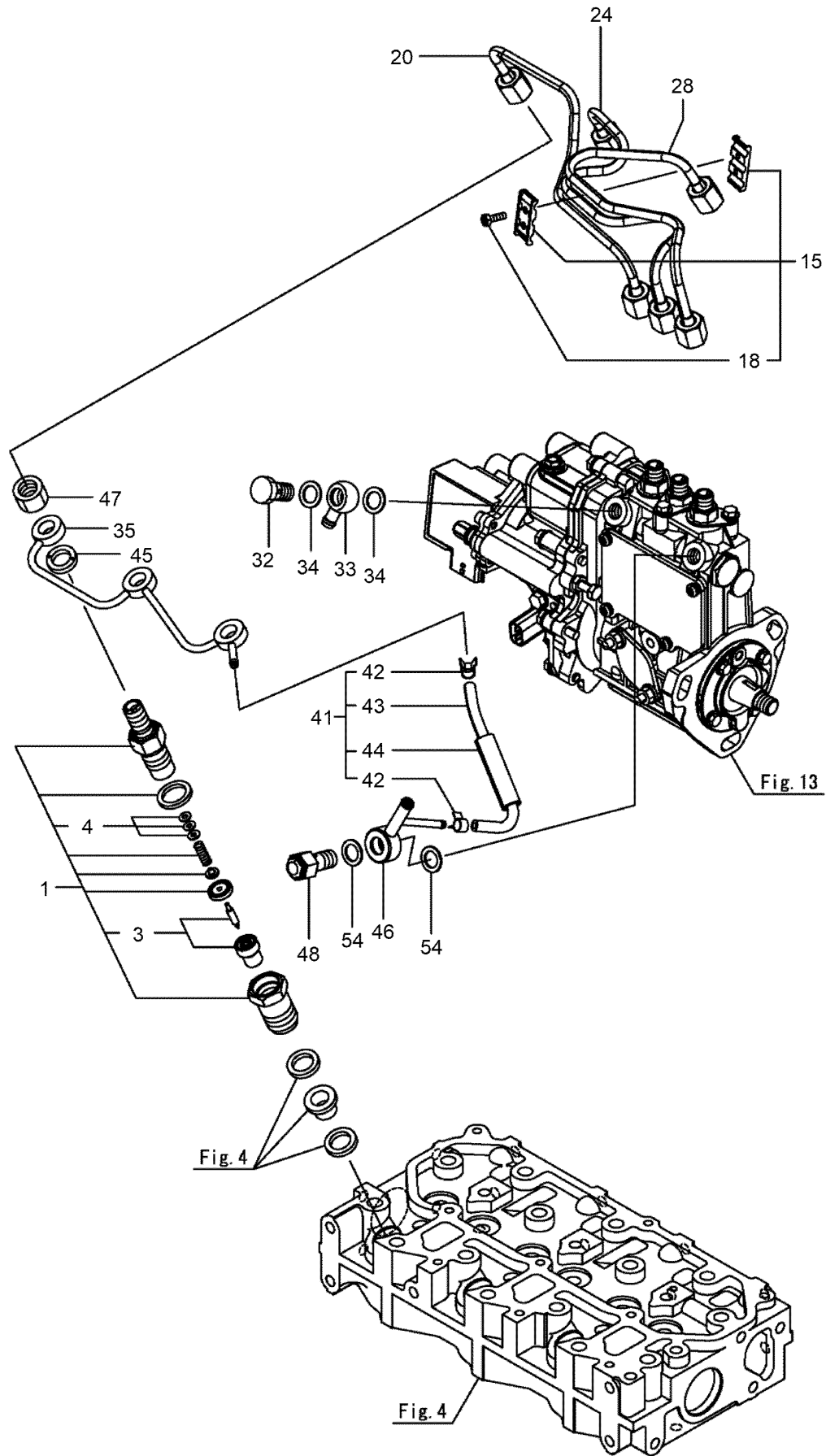
# Governor Assembly



## Governor Assembly (continued)

| <i>Ref.</i> | <i>Part Number</i> | <i>Qty.</i> | <i>Description</i> | <i>Ref.</i> | <i>Part Number</i> | <i>Qty.</i> | <i>Description</i> |
|-------------|--------------------|-------------|--------------------|-------------|--------------------|-------------|--------------------|
| 2           | 135-4226           | 1           | Plug               | 28          | 125-7208           | 1           | Bolt               |
| 3           | 135-4227           | 1           | Gasket             | 29          | 125-7594           | 4           | Bolt               |
| 5           | 135-4228           | 1           | Sensor-Oil Temp    | 31          | 125-6993           | 1           | Nut                |
| 19          | 125-7152           | 1           | Sensor             | 32          | 163-1109           | 1           | Gear               |
| 21          | 125-7176           | 1           | Washer-Seal        | 33          | 125-7175           | 1           | Washer-Seal        |
| 26          | 125-7200           | 1           | O-Ring             | 34          | 125-7209           | 7           | Bolt               |

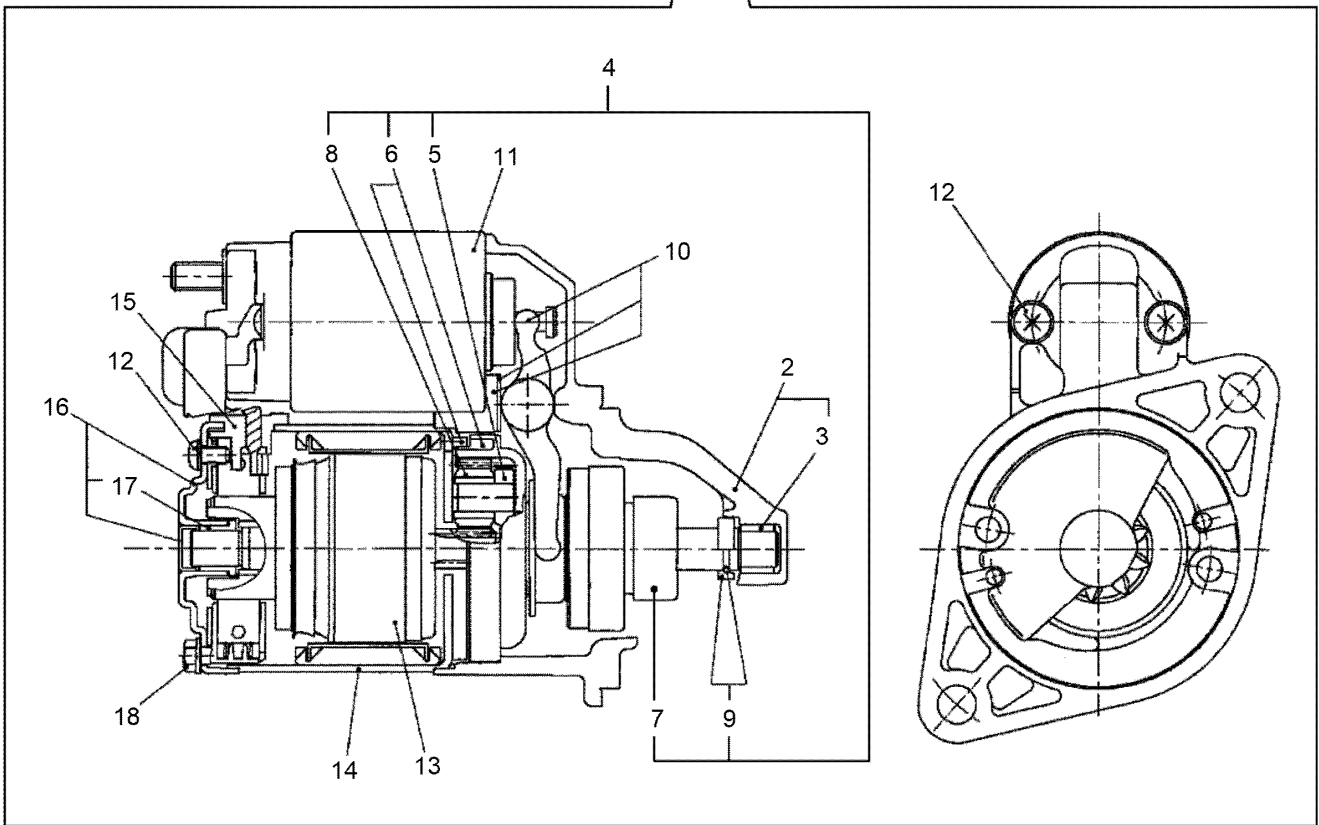
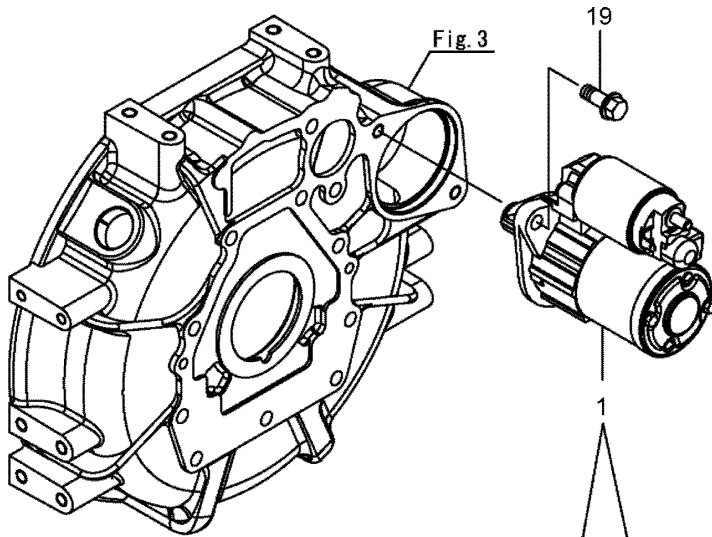
# Fuel Injection Valve Assembly



## Fuel Injection Valve Assembly (continued)

| <i>Ref.</i> | <i>Part Number</i> | <i>Qty.</i> | <i>Description</i> | <i>Ref.</i> | <i>Part Number</i> | <i>Qty.</i> | <i>Description</i>   |
|-------------|--------------------|-------------|--------------------|-------------|--------------------|-------------|----------------------|
| 1           | 135-4229           | 3           | Nozzle ASM         | 35          | 135-4236           | 1           | Pipe ASM             |
| 3           | 135-4230           | 3           | Nozzle ASM         | 41          | 145-3245           | 1           | Pipe Assy, Fo Return |
| 4           | 135-4231           | 3           | Adjusting Shim Set | 42          | 136-8225           | 2           | Clamp-Hose           |
| 15          | 134-1488           | 1           | Retainer-Pipe      | 43          | 145-3246           | 1           | Pipe, Fo Return      |
| 18          | 125-7027           | 2           | Bolt               | 44          | 145-3247           | 1           | Tube, Corrugated     |
| 20          | 135-4233           | 1           | Pipe ASM (Inj No1) | 45          | 135-4237           | 3           | Gasket               |
| 24          | 135-4234           | 1           | Pipe ASM (Inj No2) | 46          | 135-4239           | 1           | Joint-Over Flow      |
| 28          | 135-4235           | 1           | Pipe ASM (Inj No3) | 47          | 135-4240           | 3           | Nut-Nozzle           |
| 32          | 135-4242           | 1           | Bolt-Joint, Pipe   | 48          | 135-4241           | 1           | Check Valve ASM      |
| 33          | 135-4243           | 1           | Joint-Pipe         | 54          | 125-7176           | 2           | Washer-Seal          |
| 34          | 125-7176           | 2           | Washer-Seal        |             |                    |             |                      |

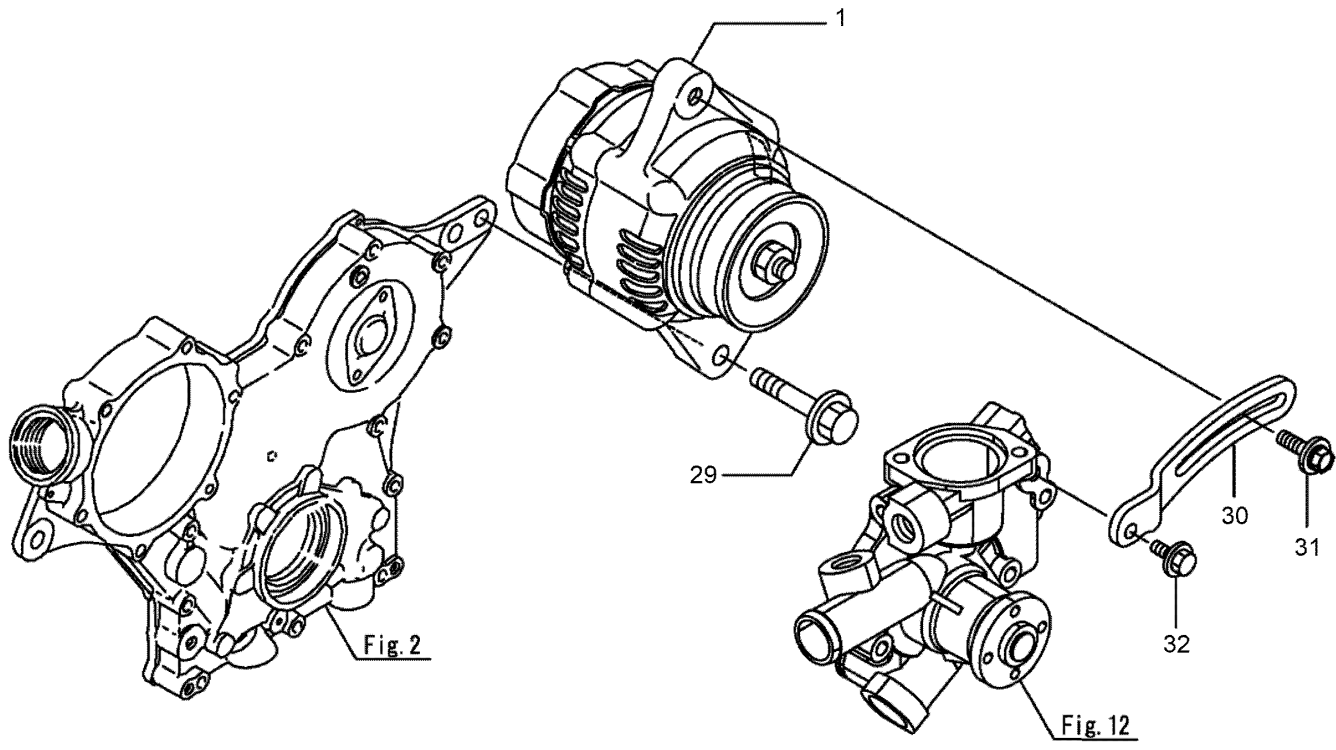
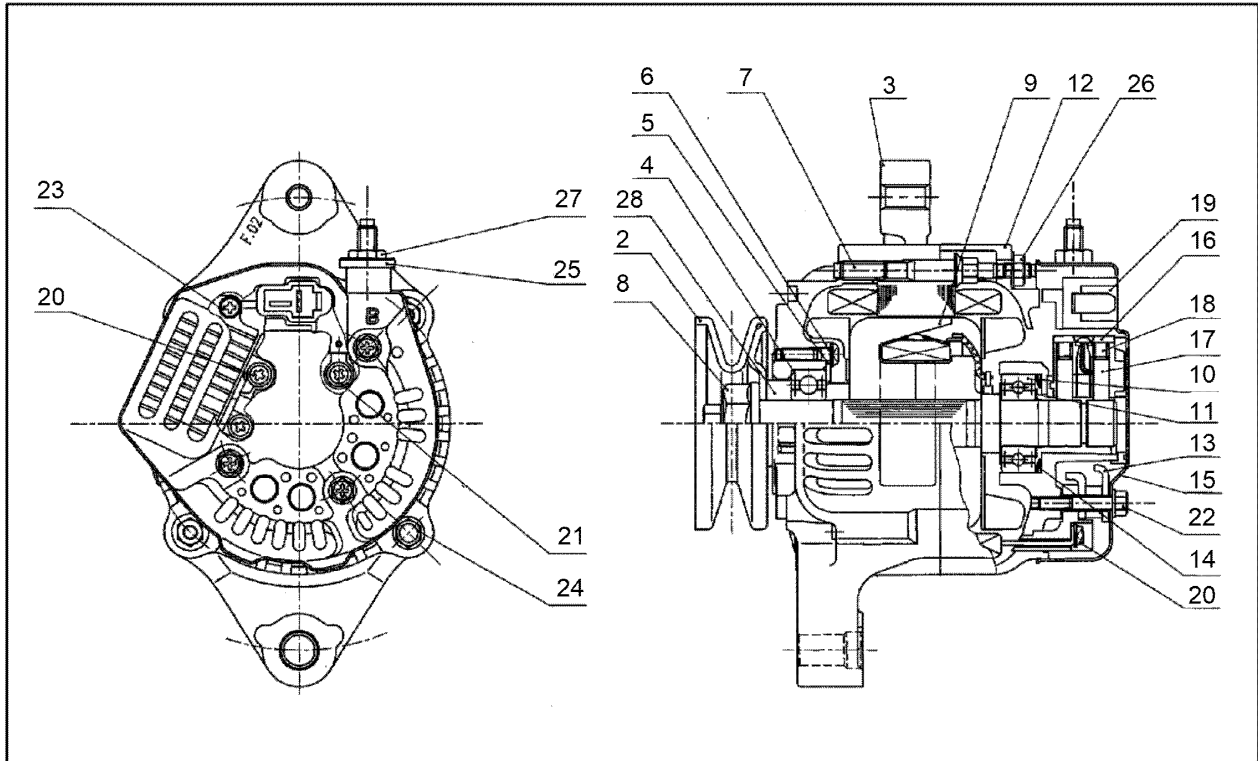
# Starter Motor Assembly



## Starter Motor Assembly (continued)

| <i>Ref.</i> | <i>Part Number</i> | <i>Qty.</i> | <i>Description</i>   | <i>Ref.</i> | <i>Part Number</i> | <i>Qty.</i> | <i>Description</i> |
|-------------|--------------------|-------------|----------------------|-------------|--------------------|-------------|--------------------|
| 1           | 163-1110           | 1           | Starter, 12V-1.1Kw   | 11          | 163-1120           | 1           | Switch Assy        |
| 2           | 163-1111           | 1           | Bracket Assy, Front  | 12          | 163-1121           | 1           | Screw Set          |
| 3           | 163-1112           | 1           | Metal, Fr            | 13          | 163-1122           | 1           | Armature           |
| 4           | 163-1113           | 1           | Shaft Assy, Clutch   | 14          | 163-1123           | 1           | Yoke Assy          |
| 5           | 163-1114           | 1           | Shaft Assy, Gear     | 15          | 163-1124           | 1           | Brush Assy         |
| 6           | 163-1115           | 1           | Gear Assy, Internal  | 16          | 163-1125           | 1           | Cover Assy         |
| 7           | 163-1116           | 1           | Clutch, Over Running | 17          | 163-1126           | 1           | Metal, Rr          |
| 8           | 163-1117           | 3           | Gear Assy            | 18          | 163-1127           | 1           | Bolt Set           |
| 9           | 163-1118           | 1           | Stopper Set          | 19          | 133-2496           | 2           | Bolt               |
| 10          | 163-1119           | 1           | Lever                |             |                    |             |                    |

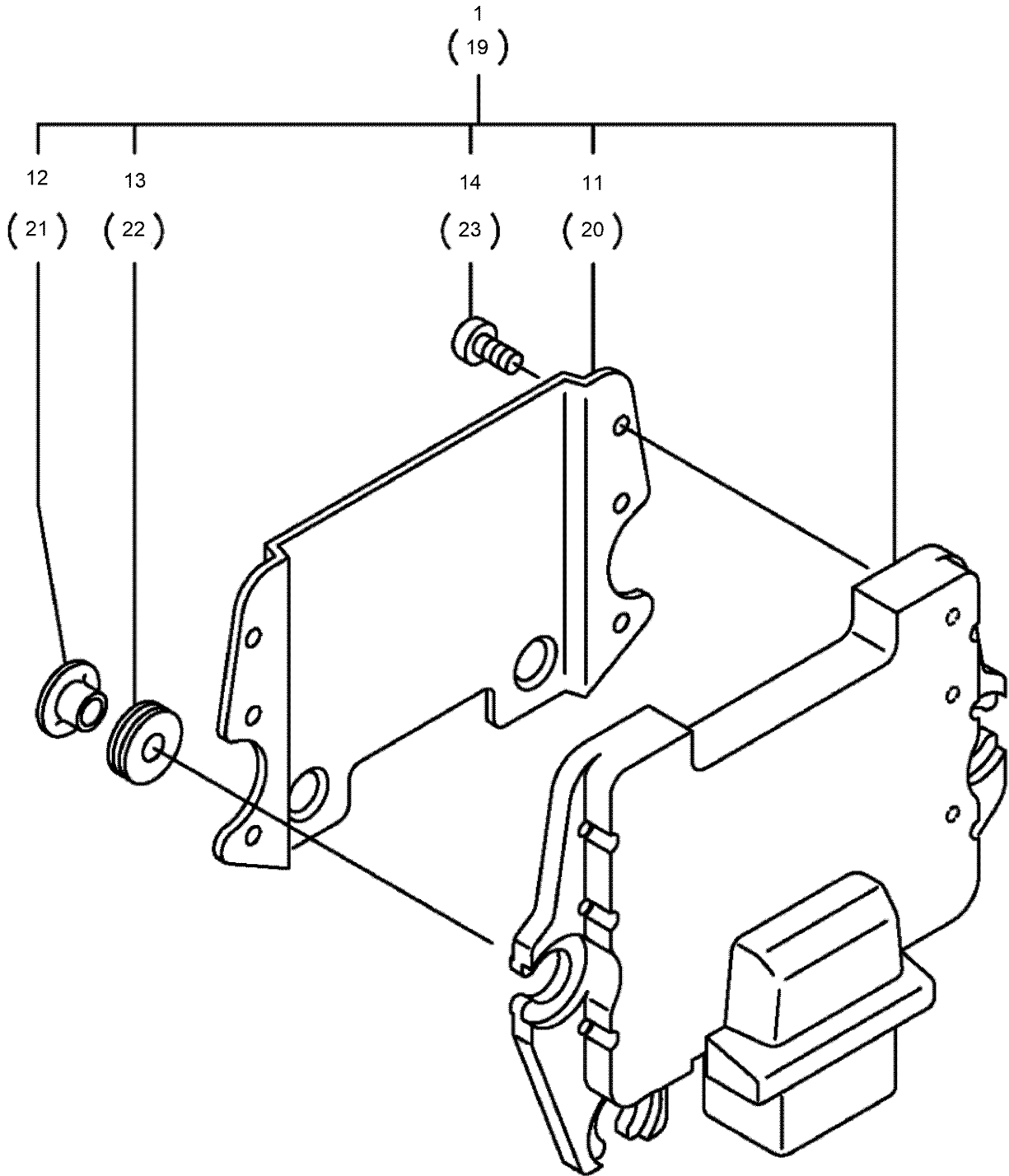
# Generator Assembly



## Generator Assembly (continued)

| <i>Ref.</i> | <i>Part Number</i> | <i>Qty.</i> | <i>Description</i>   | <i>Ref.</i> | <i>Part Number</i> | <i>Qty.</i> | <i>Description</i> |
|-------------|--------------------|-------------|----------------------|-------------|--------------------|-------------|--------------------|
| 1           | 163-1128           | 1           | Alternator, 12V-40A  | 17          | 163-1144           | 2           | Brush Assy, Sub    |
| 2           | 163-1129           | 1           | Pulley, Generator    | 18          | 163-1145           | 2           | Spring, Coil       |
| 3           | 163-1130           | 1           | Frame Assy, Drive    | 19          | 163-1146           | 1           | Regulator Assy     |
| 4           | 163-1131           | 1           | Bearing, Ball        | 20          | 163-1147           | 6           | Screw              |
| 5           | 163-1132           | 1           | Plate, Retainer      | 21          | 163-1148           | 1           | Screw              |
| 6           | 163-1133           | 4           | Screw                | 22          | 163-1149           | 3           | Bolt               |
| 7           | 163-1134           | 2           | Stud                 | 23          | 163-1150           | 2           | Screw, W/Washer    |
| 8           | 163-1135           | 1           | Nut                  | 24          | 163-1151           | 2           | Bolt               |
| 9           | 163-1136           | 1           | Rotor Assy           | 25          | 163-1152           | 1           | Bush, Insulation   |
| 10          | 163-1137           | 1           | Bearing, Ball        | 26          | 163-1153           | 2           | Nut                |
| 11          | 163-1138           | 1           | Cover, Bearing       | 27          | 163-1154           | 1           | Nut                |
| 12          | 163-1139           | 1           | Frame, End Rr        | 28          | 163-1155           | 1           | Collar             |
| 13          | 163-1140           | 1           | Holder Assy, Rectifi | 29          | 135-4277           | 1           | Bolt               |
| 14          | 163-1141           | 1           | Washer               | 30          | 163-1156           | 1           | Adjuster, Belt     |
| 15          | 163-1142           | 1           | Cover, End Rr        | 31          | 137-5131           | 1           | Bolt-Adjusting     |
| 16          | 163-1143           | 1           | Holder Assy, Brush   | 32          | 125-7595           | 1           | Bolt               |

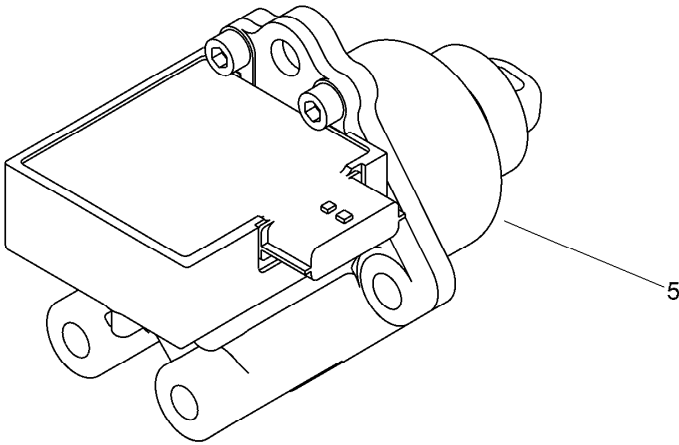
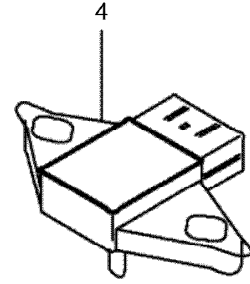
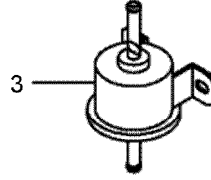
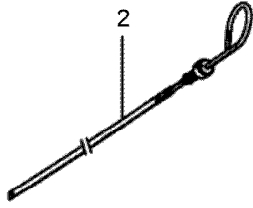
# Electronic Control Unit Assembly



## Electronic Control Unit Assembly (continued)

| <i>Ref.</i> | <i>Part Number</i> | <i>Qty.</i> | <i>Description</i>   | <i>Ref.</i> | <i>Part Number</i> | <i>Qty.</i> | <i>Description</i> |
|-------------|--------------------|-------------|----------------------|-------------|--------------------|-------------|--------------------|
| 1           | 163-1157           | 1           | Ecu Assy,380Ft-Zmtr2 | 19          | 121-1591           | 1           | Controller-Engine  |
| 11          | 125-7129           | 1           | Shield               | 20          | 125-7129           | 1           | Shield             |
| 12          | 125-7130           | 3           | Collar               | 21          | 125-7130           | 3           | Collar             |
| 13          | 125-6908           | 3           | Absorber             | 22          | 125-6908           | 3           | Absorber           |
| 14          | 125-7187           | 6           | Screw                | 23          | 125-7187           | 6           | Screw              |

# Accessories



## Accessories (continued)

| <i>Ref.</i> | <i>Part Number</i> | <i>Qty.</i> | <i>Description</i>  | <i>Ref.</i> | <i>Part Number</i> | <i>Qty.</i> | <i>Description</i>    |
|-------------|--------------------|-------------|---------------------|-------------|--------------------|-------------|-----------------------|
| 1           | 127-3779           | 1           | Gasket-Out, T C     | 4           | 126-9261           | 1           | Sensor-Atm            |
| 2           | 163-1158           | 1           | Dipstick, Lub.Oil   | 5           | 163-4282           | 1           | 3Tnv80Ft-Zmtr2 - Rack |
| 3           | 121-5613           | 1           | Pump-Fuel, Electric |             |                    |             | Actuator              |

# Attachments and Accessories

## For 22587G TX 1000 Turbo Narrow Track Compact Tool Carrier

| <b>Product Name</b>                             | <b>Model/Part</b> |
|---|-------------------|
| Premium Engine Oil 10w30 (55 Gallon Drum) ..... | 121-6392          |
| Premium Engine Oil 10w30 (5 Gallon Pail) .....  | 121-6393          |
| Premium Engine Oil 15w40 (55 Gallon Drum) ..... | 121-6394          |
| Premium Engine Oil 15w40 (5 Gallon Pail) .....  | 121-6395          |
| PX Hydraulic Fluid (5 Gal) .....                | 133-8086          |
| PX Hydraulic Fluid (55 Gal).....                | 133-8087          |
| PX Hydraulic Fluid-4 Pack (Gallon).....         | 138-9460          |
| Kit-Filter, 250 Hour.....                       | 147-6854          |
| Kit-Filter, 1000 Hour.....                      | 147-6855          |
| Standard Bucket .....                           | 22340             |
| High Volume Bucket .....                        | 22342             |
| Loose Materials Bucket .....                    | 22410             |
| 48in Hydraulic Blade .....                      | 22414             |
| Bore Drive Head .....                           | 22420             |
| Rod and Reamer .....                            | 22421             |
| Stump Grinder .....                             | 22429             |
| Tree Forks .....                                | 22438             |
| Cement Bowl .....                               | 22442             |
| 40in Tiller .....                               | 22445             |
| Crumber Kit .....                               | 22464             |
| Trench Filler.....                              | 22472             |
| High-Torque Trencher Head .....                 | 22473             |
| High-Speed Trencher Head .....                  | 22474             |
| Crumber Kit .....                               | 22477             |
| 4-in-1 Bucket .....                             | 22478             |
| 24in X 4in Soil Chain.....                      | 22480             |
| 24in X 4in Combination Chain .....              | 22481             |
| 24in X 4in Rock Tooth Chain.....                | 22482             |
| 24in X 6in Soil Chain.....                      | 22483             |
| 24in X 6in Combination Chain .....              | 22484             |
| 24in X 6in Rock Tooth Chain.....                | 22485             |
| 36in X 4in Soil Chain.....                      | 22486             |
| 36in X 4in Combination Chain .....              | 22487             |
| 36in X 4in Rock Tooth Chain.....                | 22488             |
| 36in X 6in Rock Tooth Chain.....                | 22489             |
| 36in X 6in Soil Chain.....                      | 22490             |
| 36in X 6in Combination Chain .....              | 22491             |
| 48in x 4in Soil Chain .....                     | 22492             |
| 48in x 4in Combination Chain .....              | 22493             |
| 48in x 6in Soil Chain .....                     | 22494             |
| 48in x 6in Combination Chain .....              | 22495             |
| Narrow Bucket.....                              | 22520             |
| Grapple Rake .....                              | 22577             |
| Snow Thrower .....                              | 22585             |
| Adjustable Forks.....                           | 22586             |
| Grapple Bucket.....                             | 22590             |

## Attachments and Accessories (continued)

|  |        |
|--|--------|
| Multi-Purpose Tool .....               | 22672  |
| Floor Scraper .....                    | 22673  |
| Auger Head .....                       | 22805  |
| Universal Swivel Auger Head .....      | 22806  |
| 18in Auger Bit .....                   | 22814  |
| 24in Auger Bit .....                   | 22815  |
| 30in Auger Bit .....                   | 22816  |
| 12in Auger Bit Extension .....         | 22818  |
| 24in Auger Bit Extension .....         | 22819  |
| 6in Full-Flight Auger Bit .....        | 22820  |
| 9in Full-Flight Auger Bit .....        | 22821  |
| 12in Full-Flight Auger Bit.....        | 22822  |
| 15in Full-Flight Auger Bit.....        | 22823  |
| Vibratory Plow .....                   | 22911  |
| Soil Cultivator .....                  | 23102  |
| Hydraulic Breaker .....                | 23136  |
| Leveler.....                           | 23165  |
| 30in Standard Bucket .....             | 23174  |
| 30in Pallet Fork.....                  | 23175  |
| 30in Grapple .....                     | 23176  |
| Power Box Rake .....                   | 23702  |
| New Red Paint - Gallon .....           | 361-11 |
| Dark Metallic Gray Aerosol Paint ..... | 361-12 |
| Semi-Gloss Black Spray Paint.....      | 361-9  |
| Air Dry Red Paint - Qt .....           | 5340   |

**Notes:**

**Notes:**



**Count on it.**