



Count on it.

Parts Catalog

TXL 2000

Tool Carrier

Model No. 22530—Serial No. 410150000 and Up



Ordering Replacement Parts

To order replacement parts, please supply the part number, the quantity, and the description of each part desired.

Understanding Reference Numbers

Each identified part in an illustration has a reference number. The reference number for a part also appears in the parts list, along with other information about the part.

This catalog uses two special reference number formats, one to indicate parts in a service assembly and another to indicate the quantity of a given part in an illustration.

Service Assembly Reference Numbers

Parts in service assemblies have reference numbers in the form a:b. The a represents the reference number of the entire service assembly and the b represents a sequential number unique to each part within the service assembly.

For example, a wheel assembly might be identified by reference number 6, the tire by 6:1, the valve by 6:2, and the wheel by 6:3. When you order the assembly identified by reference number 6, you receive all parts identified by reference numbers 6:1, 6:2, and 6:3. However, you may also order any part individually. Reference numbers of this type appear in illustration and in parts lists.

Reference Numbers Indicating Quantity

In an illustration, if a reference number indicates more than one part, the reference number has the form nX y. The n represents the quantity of the part, the X is the multiplication symbol, and the y represents the reference number.

For example, in an illustration, the reference number 2X 37 means that two of the parts identified by reference number 37 are indicated.

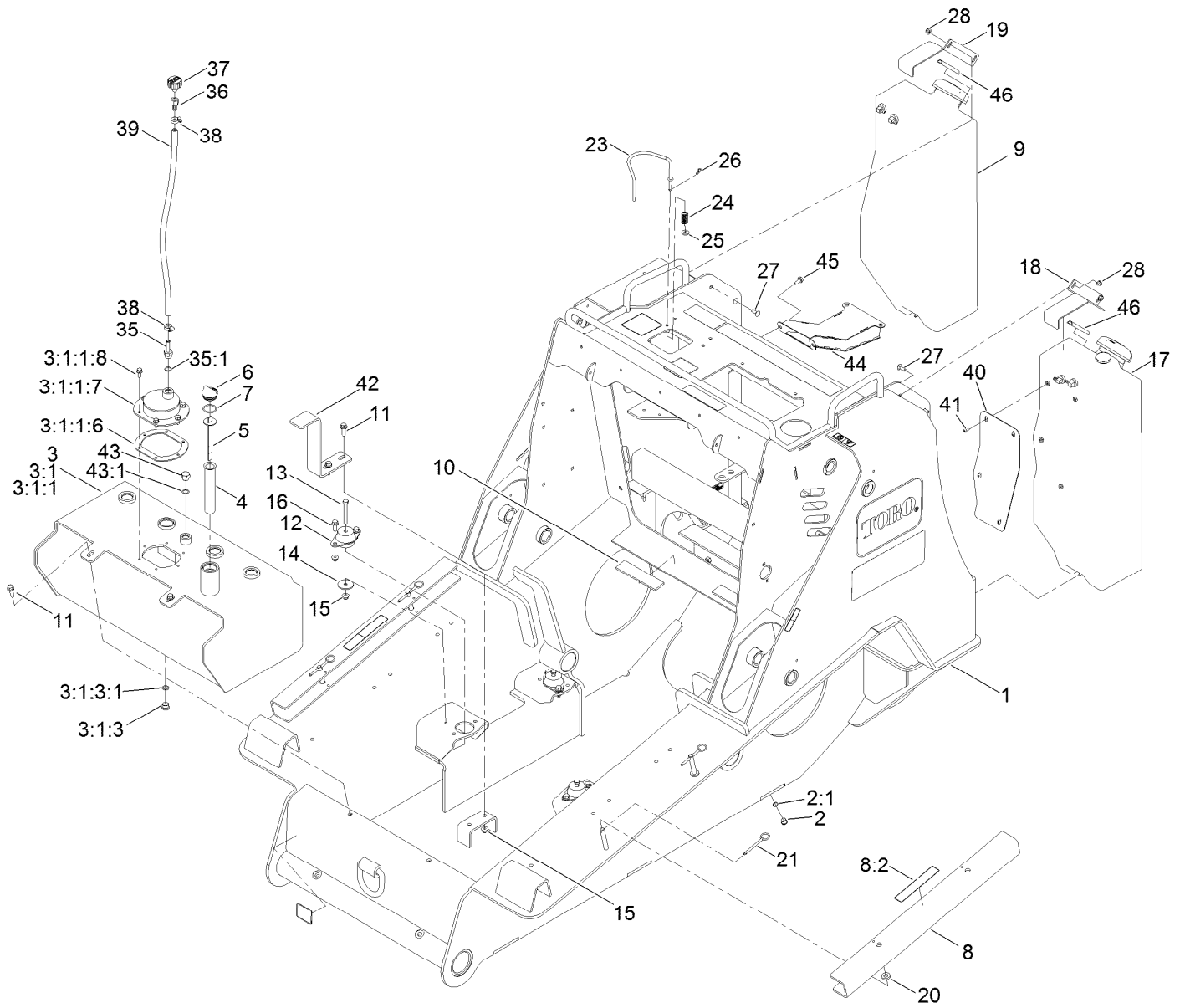
Contents

Frame Assembly	6
Frame Assembly No. 138-4723	8
RH Fuel Tank Assembly No. 133-6814	10
LH Fuel Tank Assembly No. 133-6991	12
Track Mount Assembly	14
LH Track Assembly	16
Track Drive Assembly No. 136-4751	18
RH Track Assembly	20
Engine and Air Cleaner Assembly	22
Air Cleaner Assembly No. 99-5410	24
Engine Mount and Air Intake Hose Assembly	26
Fuel Pump and Water Separator Assembly	28
Fuel Filter and Hose Assembly	30
Radiator and Fan Assembly	32
Radiator Hose Assembly	34
Lift Valve and Pump Assembly	36
Lift Valve Assembly No. 133-6911	38
Gear Pump Assembly No. 133-0281	40
Auxiliary Hydraulic Assembly	42
Auxiliary Manifold Assembly No. 136-4872	44
Tandem Pump Assembly	46
Tandem Hydraulic Pump Assembly No. 132-8497	48
Front Hydraulic Pump Assembly No. 139-4800	50
Front Hydraulic Pump Assembly No. 139-4800	52
Front Hydraulic Pump Assembly No. 139-4800	54
Front Hydraulic Pump Assembly No. 139-4800	56
Rear Hydraulic Pump Assembly No. 139-4801	58
Rear Hydraulic Pump Assembly No. 139-4801	60
Rear Hydraulic Pump Assembly No. 139-4801	62
Rear Hydraulic Pump Assembly No. 139-4801	64
Control Console Assembly	66
Loader Arm Assembly	68
Upper Loader Arm Assembly No. 138-4730	70
Lower Loader Arm Assembly No. 138-4731	72
Hydraulic Cylinder Assembly No. 139-5718	74
Hydraulic Cylinder Assembly No. 139-5719	76
Qtach Assembly No. 132-8468	78
Hydraulic Cylinder Assembly No. 139-5717	80
Platform Assembly	82
Hood and Access Panel Assembly	84
Electrical Assembly	86
Wire Harness Assembly No. 133-6871	88
Crankcase Assembly	90
Oil Pan Assembly	92
Oil Dipstick and Guide Assembly	94
Oil Pump Assembly	96
Cylinder Head Assembly	98
Inlet and Exhaust Manifold Assembly	100
Rocker Arm Assembly	102
Cylinder Head Cover Assembly	104
Gear Case Assembly	106
Oil Filter Cartridge Assembly	108
Main Bearing Case Assembly	110
Piston and Crankshaft Assembly	112

Contents (continued)

Cam Shaft and Idle Gear Assembly	114
Flywheel Assembly	116
Fuel Pump (Mechanical) Assembly	118
Fuel Camshaft Assembly	120
Supply Pump Assembly	122
Fuel Filter Assembly	124
Separator Assembly	126
Injector and Glow Plug Assembly	128
Injection Pipe Assembly	130
Fuel Pump (Electrical) Assembly	132
Common Rail Assembly	134
Alternator and Pulley Assembly	136
Alternator Components Assembly	138
Starter Installation Assembly	140
Starter (Component Parts) Assembly	142
Oil Switch and Thermometer Assembly	144
Injector Harness Assembly	146
Wire Harness Assembly	148
Wire Harness Bracket Assembly	150
Water Flange and Thermostat Assembly	152
Water Pipe Assembly	154
Water Pump Assembly	156
Inlet Manifold Assembly	158
Inlet Hose Assembly	160
Exhaust Manifold Assembly	162
Exhaust Gas Recirculation Assembly	164
Exhaust Gas Recirculation Cooler Assembly	166
Turbo Charger Assembly	168
Diesel Oxidation Catalyst Muffler Assembly	170
Diesel Oxidation Catalyst Muffler Bracket Assembly	172
Oil Separator Assembly	174
Oil Separator (Component Parts) Assembly	176
Oil Pipe (Turbo Charger) Assembly	178
Oil Cooler Assembly	180
Electronic Control Unit Assembly	182
Miscellaneous Engine Parts	184
Operator Manual	186
Attachments and Accessories	188

Frame Assembly

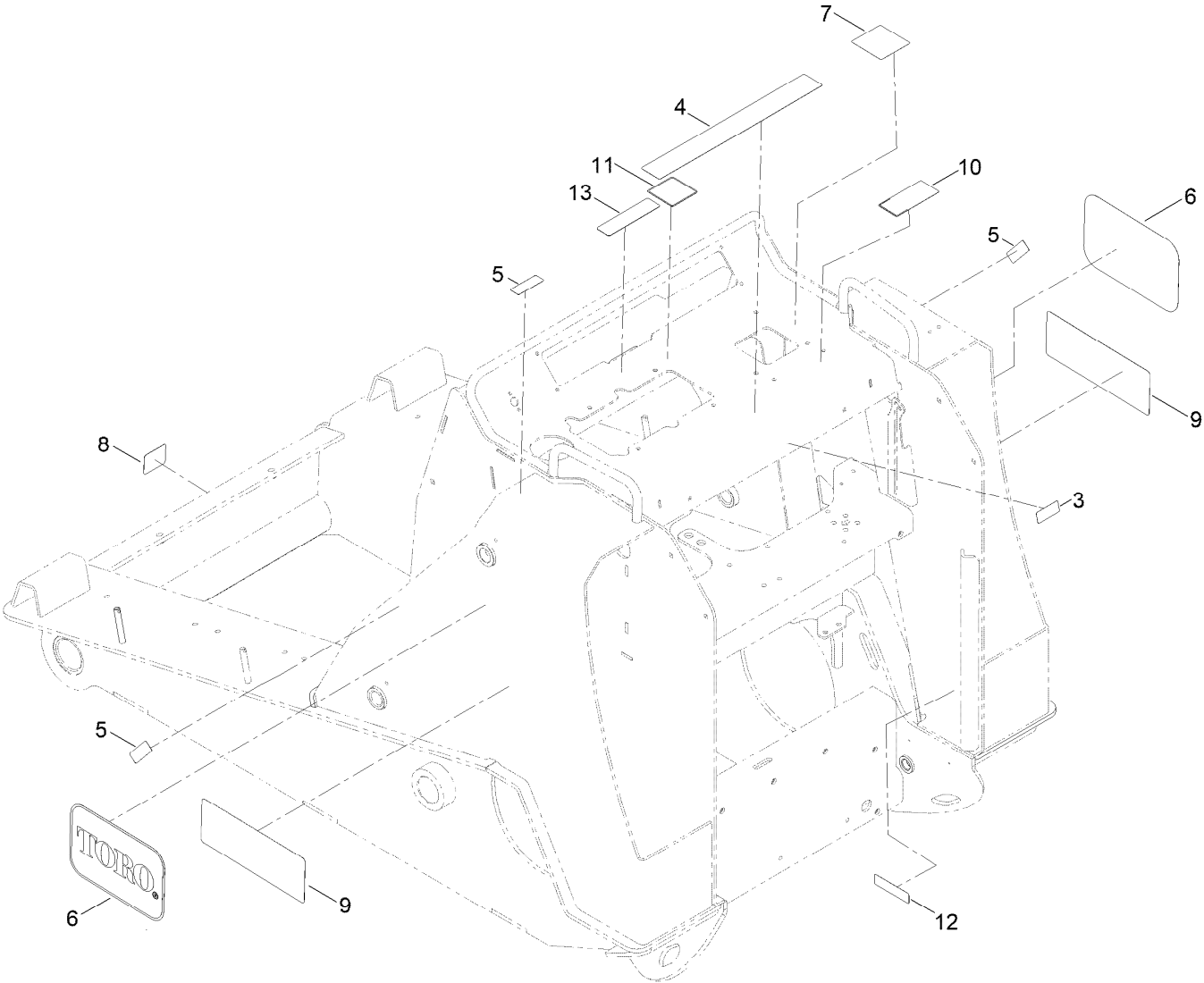


Frame Assembly (continued)

<i>Ref.</i>	<i>Part Number</i>	<i>Qty.</i>	<i>Description</i>	<i>Ref.</i>	<i>Part Number</i>	<i>Qty.</i>	<i>Description</i>
1	138-4723	1	Frame ASM	17	133-6991	1	LH Fuel Tank ASM
2	353-989	1	Plug-Hex, Hollow	18	137-0379-03	1	Bracket-Tank LH
2:1	237-42	1	O-Ring	19	137-0380-03	1	Bracket-Tank RH
3	131-9336-03	1	HYD Tank ASM	20	83-1470	4	Washer-Neoprene
3:1		1	Tank-HYD ●	21	136-6125	4	Pin-Ring
3:1:1		1	Tank-HYD, Top ●	23	138-2415	1	Rod-Interlock
3:1:1:6	107-3557	1	Gasket-Cover, Access	24	85-6750	1	Spring-Control
3:1:1:7	138-2342-03	1	Cover-Access	25	88-7200	1	Washer-Flat
3:1:1:8	98-9940	6	Screw-HHF	26	3290-307	1	Pin-Cotter
3:1:3	353-988	1	Plug-Hex	27	3230-16	4	Screw-CARR
3:1:3:1	237-79	1	O-Ring	28	104-8300	4	Nut-HF, NI
4	61-2790	1	Filter-Screen	35	115-2231	1	Fitting-STR
5	130-7686	1	Dipstick	35:1	237-79	1	O-Ring
6	93-7498	1	Plug-Plastic	36	354-94	1	Fitting-Female, Barbed
7	237-101	1	O-Ring	37	68-6150	1	Breather
8	138-4724	2	Arm-Locking	38	2412-36	2	Clamp-Hose
8:2	115-4858	2	Decal-Danger	39	114-0832	1	Hose-Fuel
9	133-6814	1	RH Fuel Tank ASM	40	138-4721-03	1	Plate-Guard, Tank
10	112-2401	2	Pad-Rubber	41	3274-31	4	Screw-HSBH
11	3234-24	4	Screw-HHF	42	138-2337-03	1	Strap-Hold Down
12	136-4885	4	Mount-Engine	43	353-550	1	Plug-HYD, HH
13	323-14	4	Screw-HH	43:1	237-79	1	O-Ring
14	63-7400	4	Washer-Rebound	44	138-2382-03	1	Intake Chute ASM
15	104-8301	14	Nut-HF, NI	45	32104-32	4	Screw-HWH
16	3234-11	8	Screw-HHF	46	138-2449	2	Seal-Bulb

● Not serviced separately

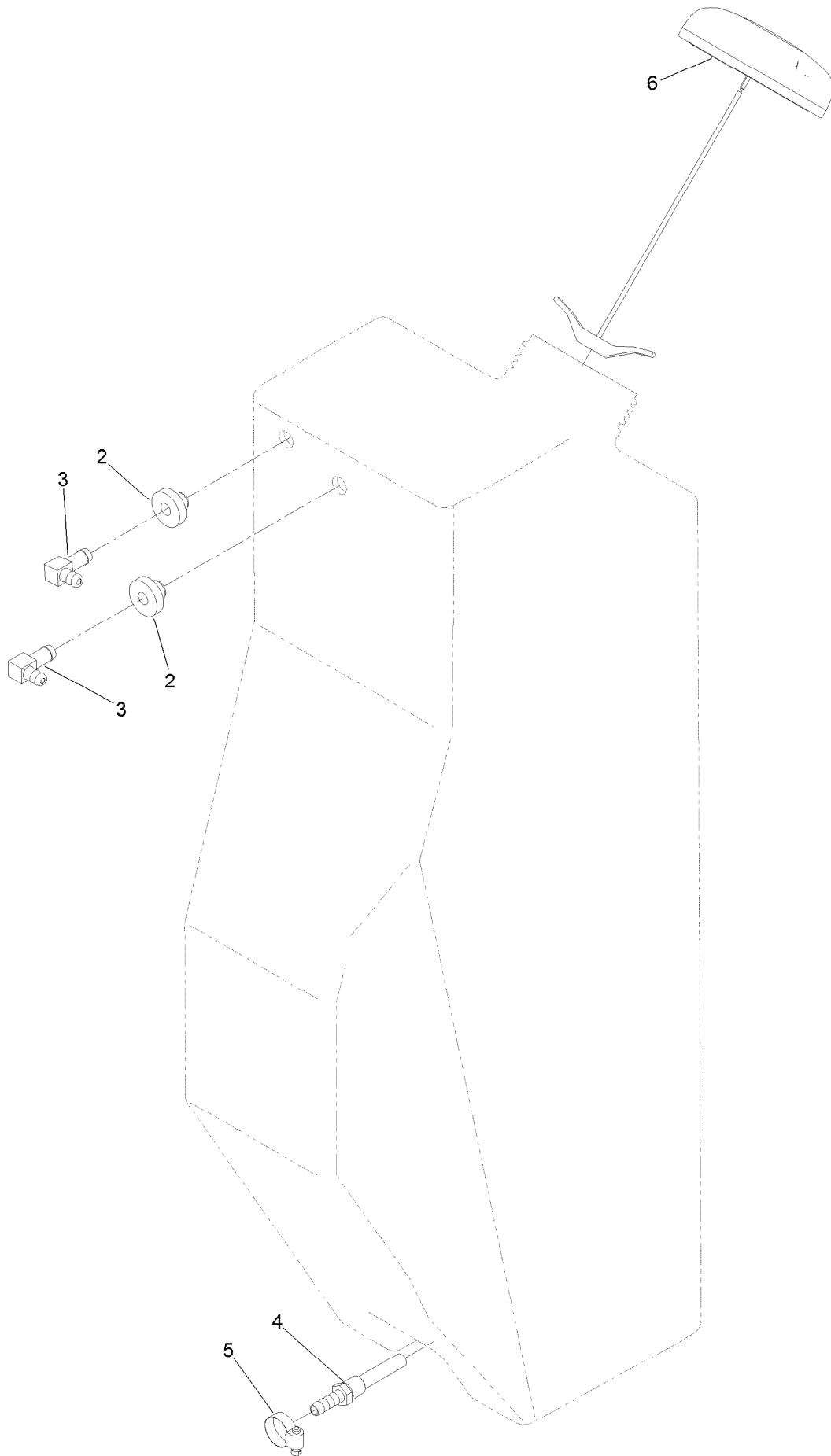
Frame Assembly No. 138-4723



Frame Assembly No. 138-4723 (continued)

<i>Ref.</i>	<i>Part Number</i>	<i>Qty.</i>	<i>Description</i>	<i>Ref.</i>	<i>Part Number</i>	<i>Qty.</i>	<i>Description</i>
3	115-2047	1	Decal-Surface, Hot	9	137-5418	2	Decal
4	145-0637	1	Decal-Safety	10	139-1162	1	Decal-Safety
5	120-0625	3	Decal-Warning	11	139-4729	1	Decal-Controls, Loader
6	66-1210	2	Decal	12	133-8062	1	Decal-Spark Arrestor
7	115-4857	1	Decal-Control, Loader	13	136-4863	1	Decal-Arm,Raised
8	125-6694	1	Decal-Tie Down				

RH Fuel Tank Assembly No. 133-6814

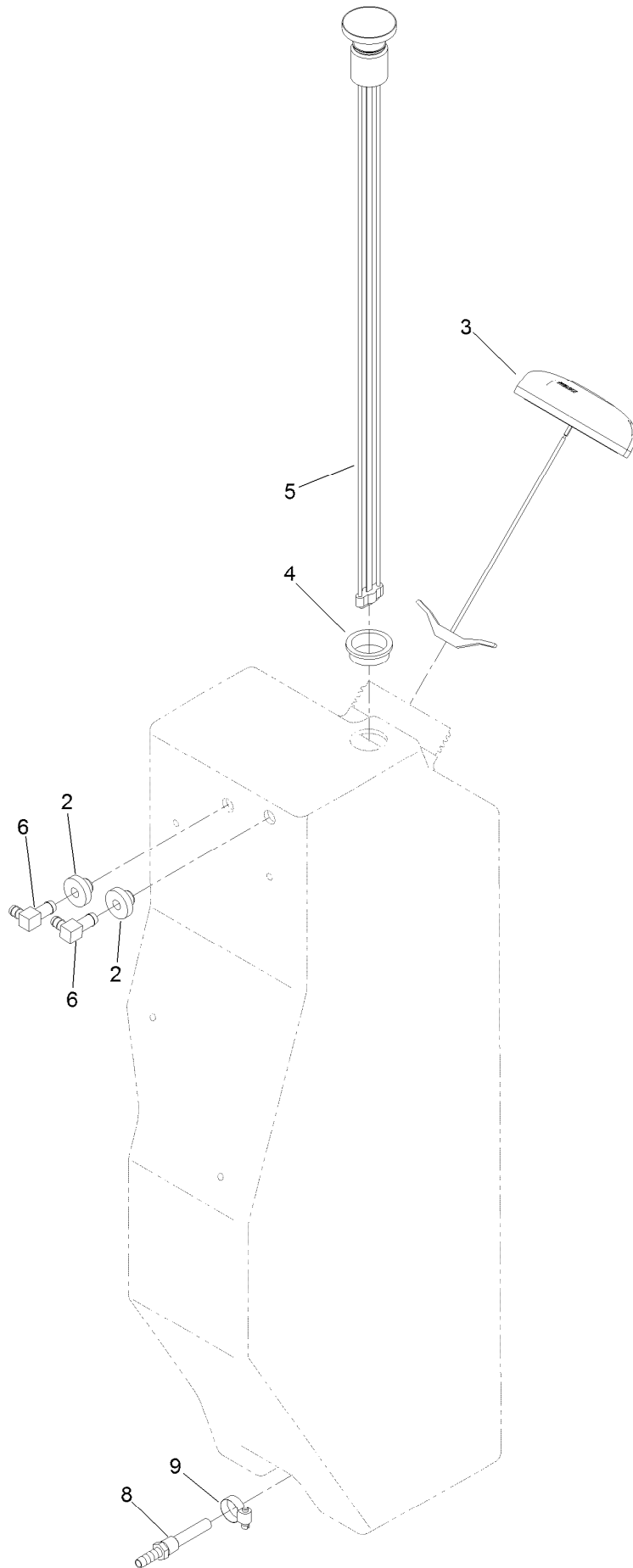


RH Fuel Tank Assembly No. 133-6814 (continued)

<i>Ref.</i>	<i>Part Number</i>	<i>Qty.</i>	<i>Description</i>
2	46-6560	2	Bushing
3	46-6550	2	Fitting-Elbow, 90 DEG
4	112-6374	1	Fitting-Strainer

<i>Ref.</i>	<i>Part Number</i>	<i>Qty.</i>	<i>Description</i>
5	2412-36	1	Clamp-Hose
6	136-4865	1	Cap-Fuel

LH Fuel Tank Assembly No. 133-6991

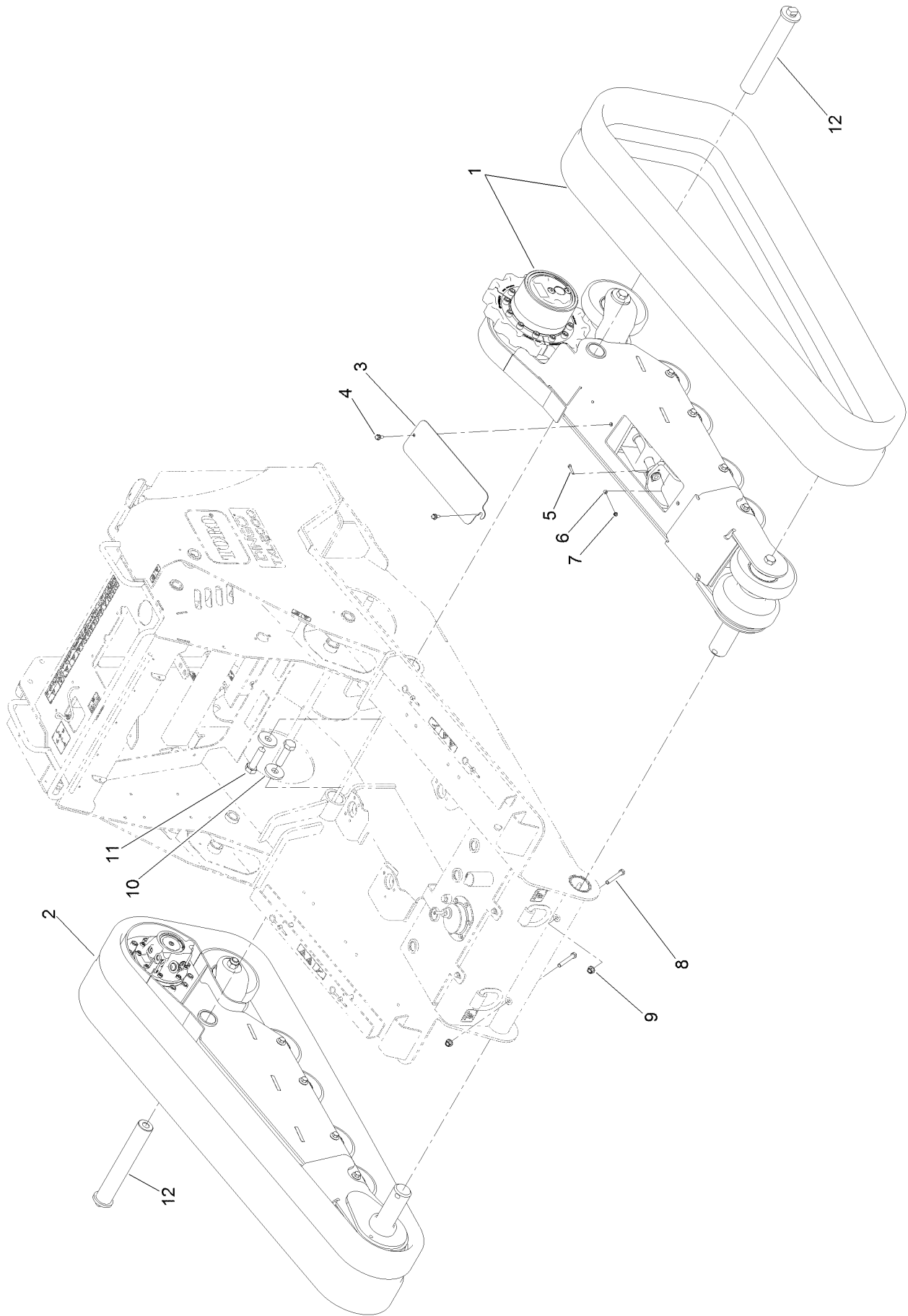


LH Fuel Tank Assembly No. 133-6991 (continued)

<i>Ref.</i>	<i>Part Number</i>	<i>Qty.</i>	<i>Description</i>
2	46-6560	2	Bushing
3	136-4865	1	Cap-Fuel
4	95-8972	1	Grommet
5	133-6992	1	Gauge-Level, Fuel

<i>Ref.</i>	<i>Part Number</i>	<i>Qty.</i>	<i>Description</i>
6	46-6550	2	Fitting-Elbow, 90 DEG
8	112-6374	1	Fitting-Strainer
9	2412-36	1	Clamp-Hose

Track Mount Assembly

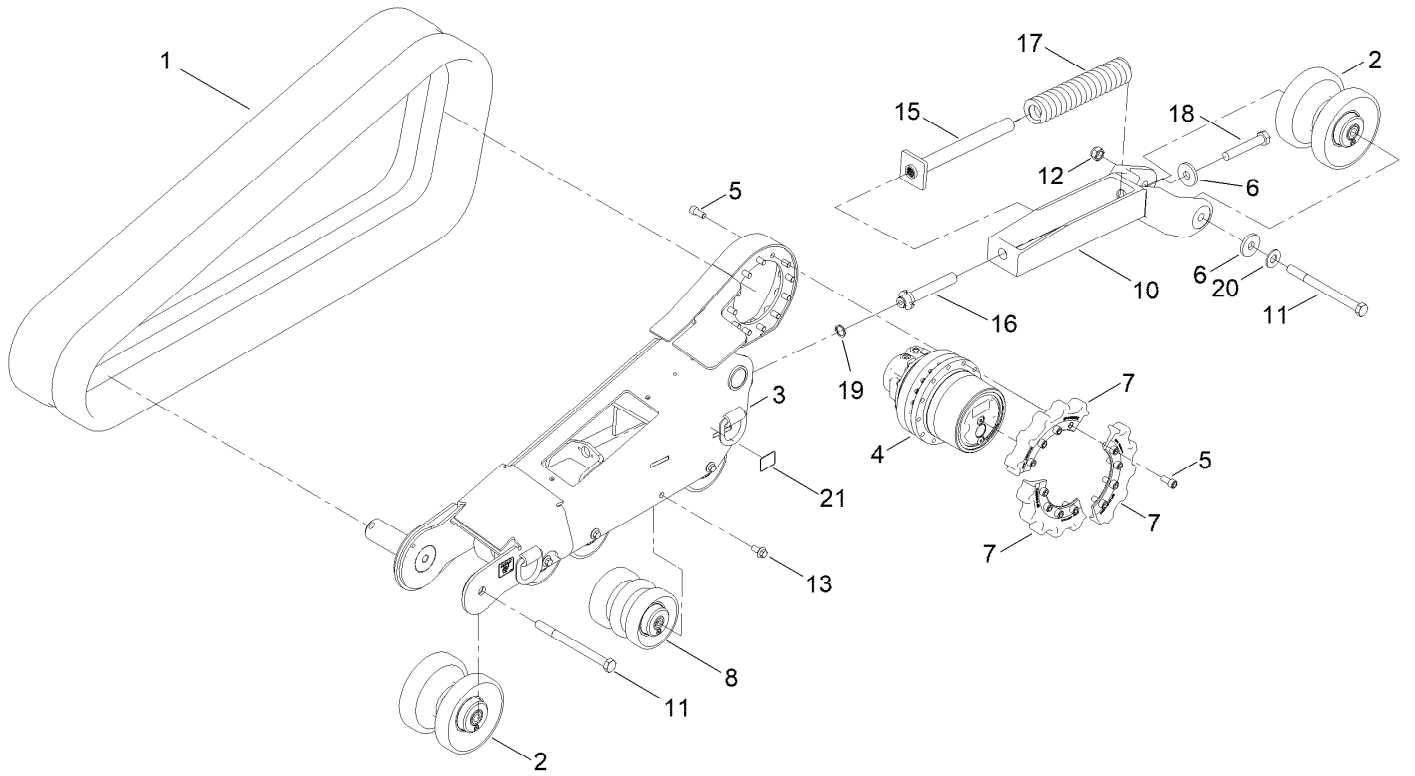


Track Mount Assembly (continued)

<i>Ref.</i>	<i>Part Number</i>	<i>Qty.</i>	<i>Description</i>	<i>Ref.</i>	<i>Part Number</i>	<i>Qty.</i>	<i>Description</i>
1		1	LH Track ASM ●	7	32128-32	2	Nut-HHF
2		1	RH Track ASM ●	8	116-3114	2	Bolt-TAP
3	137-0513-03	2	Cover	9	99-5107	2	Nut-Lock
4	3234-42	4	Screw-HHF	10	133-0287	2	Washer-Wheel
5	321-9	2	Screw-HH	11	AU426-1656	2	Screw-Cap, HH
6	98-4799	2	Spacer	12	138-2308	2	Shaft-Mount, Rear

● Not serviced separately

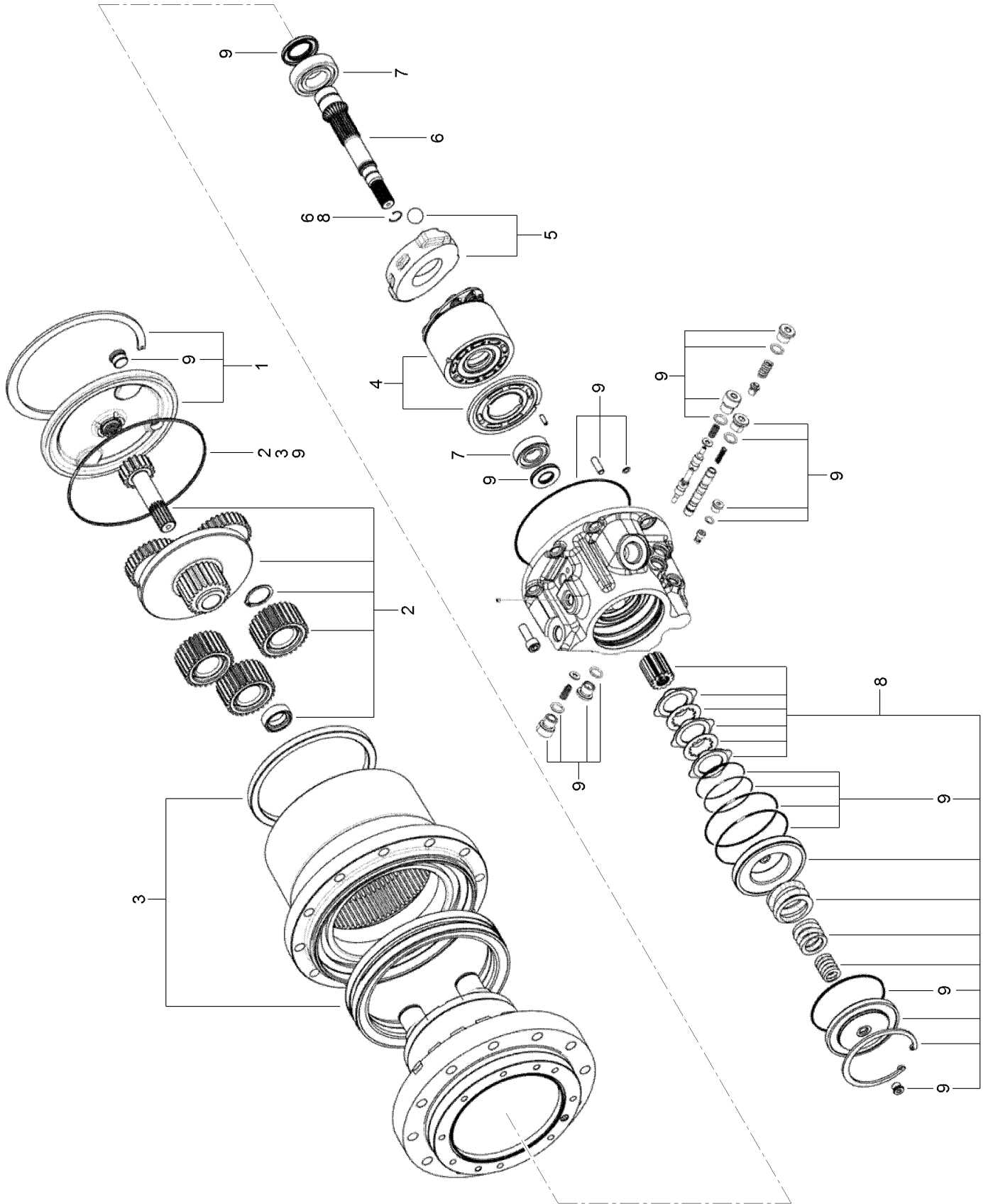
LH Track Assembly



LH Track Assembly (continued)

<i>Ref.</i>	<i>Part Number</i>	<i>Qty.</i>	<i>Description</i>	<i>Ref.</i>	<i>Part Number</i>	<i>Qty.</i>	<i>Description</i>
1	137-0354	1	Track	12	136-4832	1	Nut-Hex
2	137-0505	2	Front Wheel ASM	13	138-4699	8	Screw-HHF
3	138-2350	1	LH Track Mount ASM	15	137-0543	1	Spring Catch ASM
4	136-4751	1	Drive-Track	16	138-4669	1	Screw-Tensioner
5	114-3041	24	Screw-HSH	17	136-4834	1	Spring-Compression
6	133-0287	2	Washer-Wheel	18	139-4839	1	Bolt-TAP
7	136-4833	3	Sprocket-Drive	19	32151-77	1	Ring-Retaining, External
8	137-0485	4	Road Wheel ASM	20	115-0722	1	Washer-Plain
10	138-2261	1	Tensioner ASM	21	125-6694	2	Decal-Tie Down
11	136-4831	2	Bolt-HH				

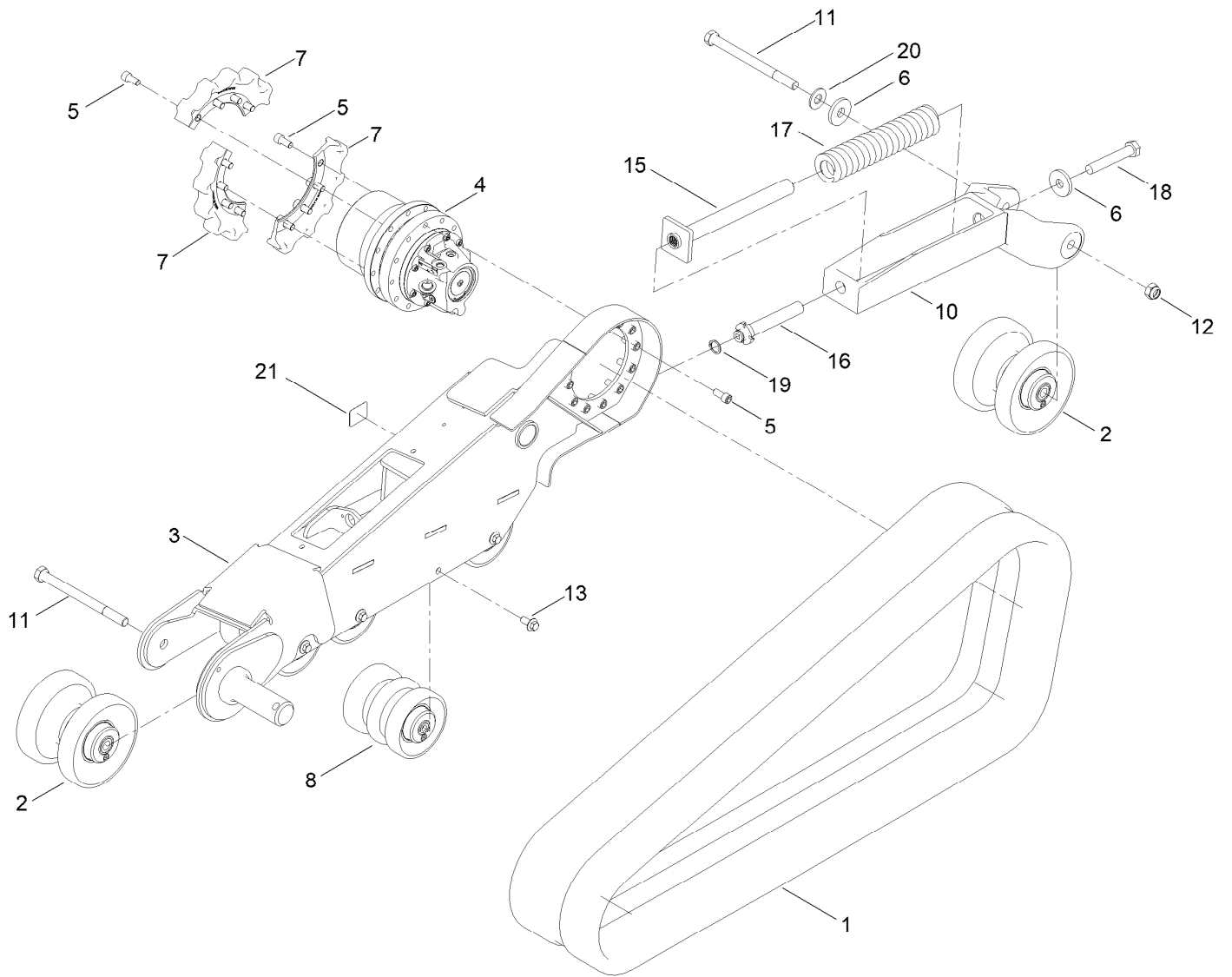
Track Drive Assembly No. 136-4751



Track Drive Assembly No. 136-4751 (continued)

<i>Ref.</i>	<i>Part Number</i>	<i>Qty.</i>	<i>Description</i>	<i>Ref.</i>	<i>Part Number</i>	<i>Qty.</i>	<i>Description</i>
1	139-4861	1	Cover ASM	6	139-4866	1	Motor Shaft ASM
2	139-4862	1	Reduction ASM	7	139-4867	1	Bearings Kit
3	139-4863	1	Seal Kit	8	139-4868	1	Parking Brake Kit
4	139-4864	1	Cylinder Block ASM	9	139-4869	1	Seal Kit
5	139-4865	1	Swashplate Kit				

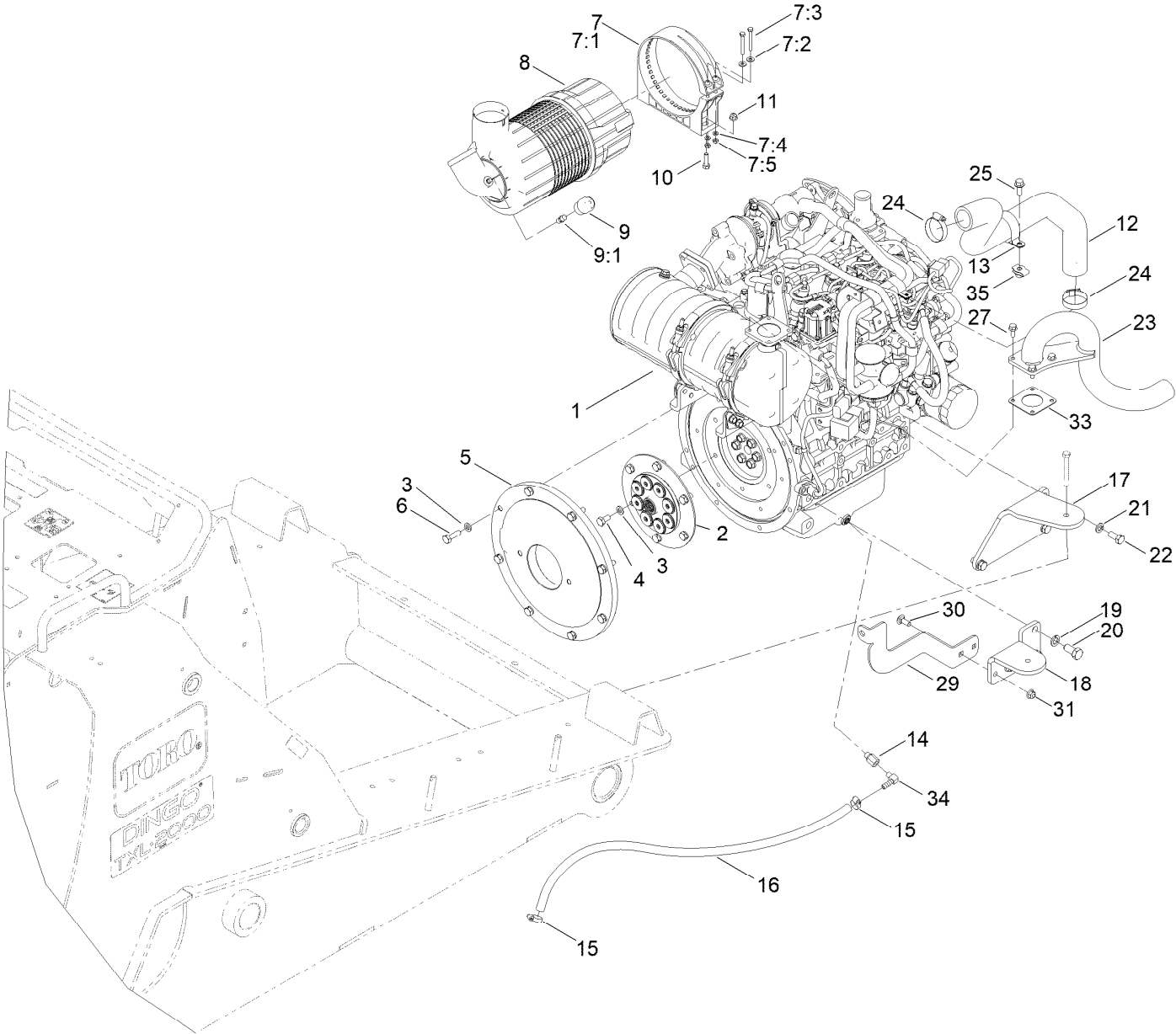
RH Track Assembly



RH Track Assembly (continued)

<i>Ref.</i>	<i>Part Number</i>	<i>Qty.</i>	<i>Description</i>	<i>Ref.</i>	<i>Part Number</i>	<i>Qty.</i>	<i>Description</i>
1	137-0354	1	Track	12	136-4832	1	Nut-Hex
2	137-0505	2	Front Wheel ASM	13	138-4699	8	Screw-HHF
3	138-2390	1	RH Track Frame ASM	15	137-0543	1	Spring Catch ASM
4	136-4751	1	Drive-Track	16	138-4669	1	Screw-Tensioner
5	114-3041	24	Screw-HSH	17	136-4834	1	Spring-Compression
6	133-0287	2	Washer-Wheel	18	139-4839	1	Bolt-TAP
7	136-4833	3	Sprocket-Drive	19	32151-77	1	Ring-Retaining, External
8	137-0485	4	Road Wheel ASM	20	115-0722	1	Washer-Plain
10	138-2261	1	Tensioner ASM	21	125-6694	2	Decal-Tie Down
11	136-4831	2	Bolt-HH				

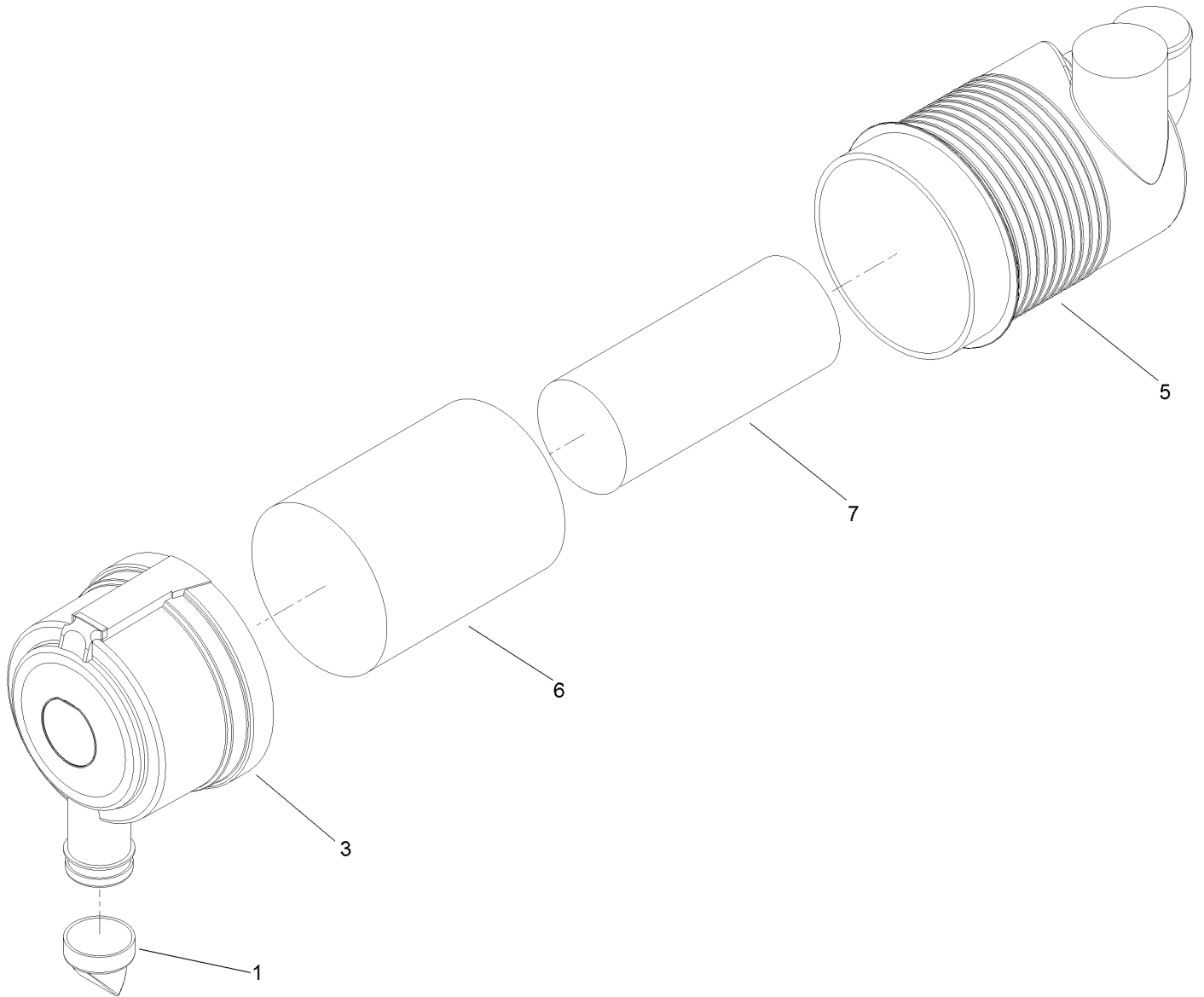
Engine and Air Cleaner Assembly



Engine and Air Cleaner Assembly (continued)

<i>Ref.</i>	<i>Part Number</i>	<i>Qty.</i>	<i>Description</i>	<i>Ref.</i>	<i>Part Number</i>	<i>Qty.</i>	<i>Description</i>
1	136-4779	1	Engine-Kubota	14	136-4867	1	Adapter-Drain
2	138-4700	1	Coupler-Spring, Flywheel	15	2412-36	2	Clamp-Hose
3	107-1413	14	Washer-Hardened	16	133-1621	1	Hose-Drain
4	99-5130	6	Screw-HH	17	133-6962-03	1	Mount-Engine
5	132-6120-0P	1	Plate-Flywheel	18	133-6964-03	1	Mount-Engine
6	117-5663	8	Screw-HH	19	43-5950	2	Washer-Lock, Spring
7	99-5414	1	Strap-Cleaner, Air	20	43-3210	2	Screw-HH
7:1	108-1512	2	Spring	21	48-8070	3	Washer-Lock
7:2	3256-22	2	Washer-Flat	22	AU514-842	3	Screw-HH
7:3	33113-050	2	Screw-HH	23	133-6973	1	Pipe-Exhaust
7:4	33093-00	2	Washer-Flat	24	2412-3	2	Clamp-Hose
7:5	33023-00	2	Nut-Lock	25	3234-11	1	Screw-HHF
8	99-5410	1	Air Cleaner ASM	27	33104-020	4	Screw-HHF
9	104-3563	1	Indicator	29	138-2331-03	1	Bracket-Pump, RH
9:1	94-1416	1	Adapter-Indicator	30	3231-2	2	Bolt-CARR
10	322-16	2	Screw-HH	31	104-8301	2	Nut-HF, NI
11	104-8300	2	Nut-HF, NI	33	100-9333	1	Gasket-Muffler
12	139-1172	1	Hose-Air, Cooler	34	99-7230	1	Fitting-90 DEG
13	115-9469	1	Clamp-R	35	105-4886	1	Nut-Tinnerman

Air Cleaner Assembly No. 99-5410

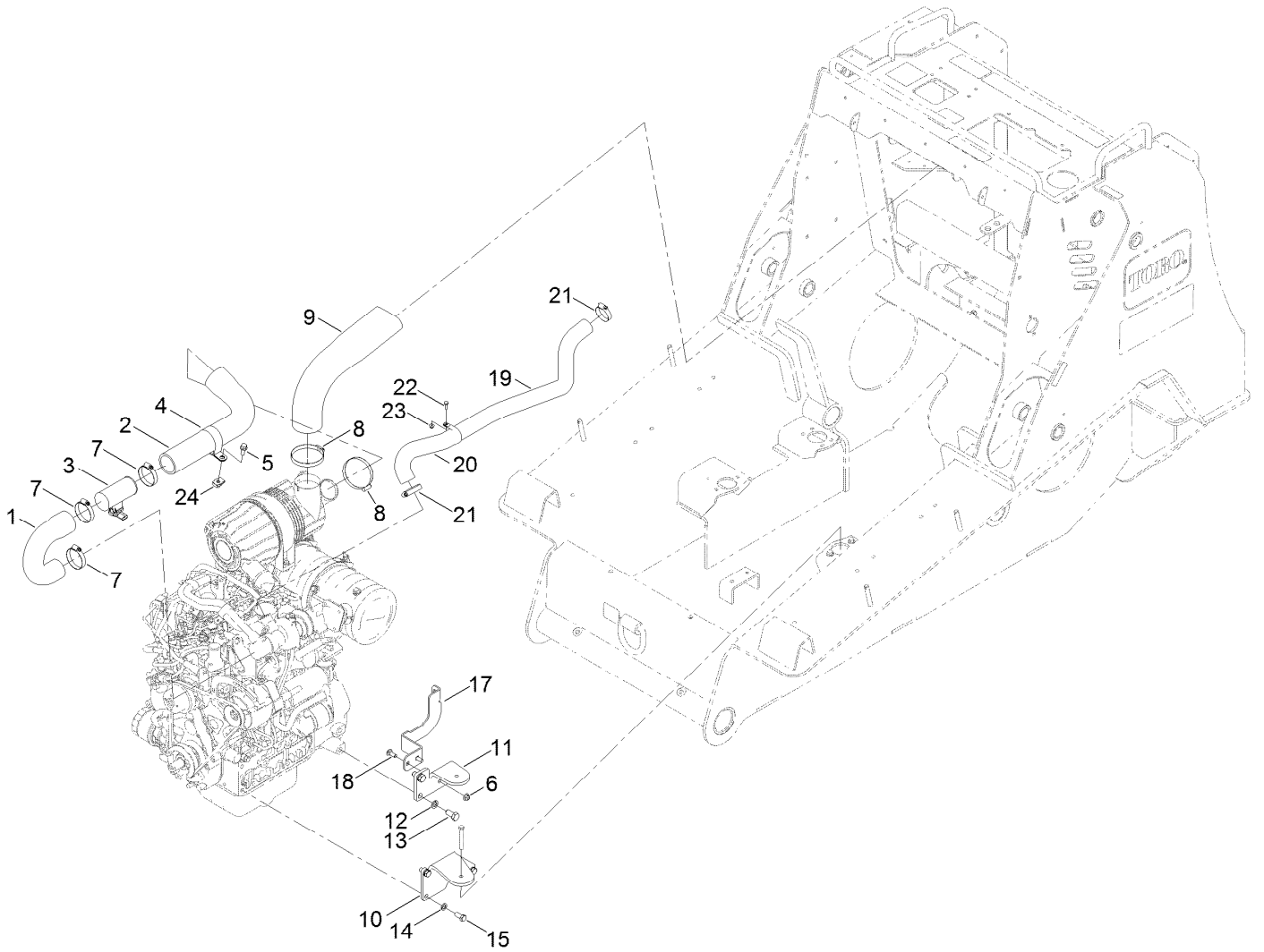


Air Cleaner Assembly No. 99-5410 (continued)

<i>Ref.</i>	<i>Part Number</i>	<i>Qty.</i>	<i>Description</i>	<i>Ref.</i>	<i>Part Number</i>	<i>Qty.</i>	<i>Description</i>
1	104-4258	1	Valve-Vacuator	6	108-3814	1	Filter-Air
3	104-4259	1	Cover	7	108-3816	1	Filter-Air
5		1	Body ASM ●				

● Not serviced separately

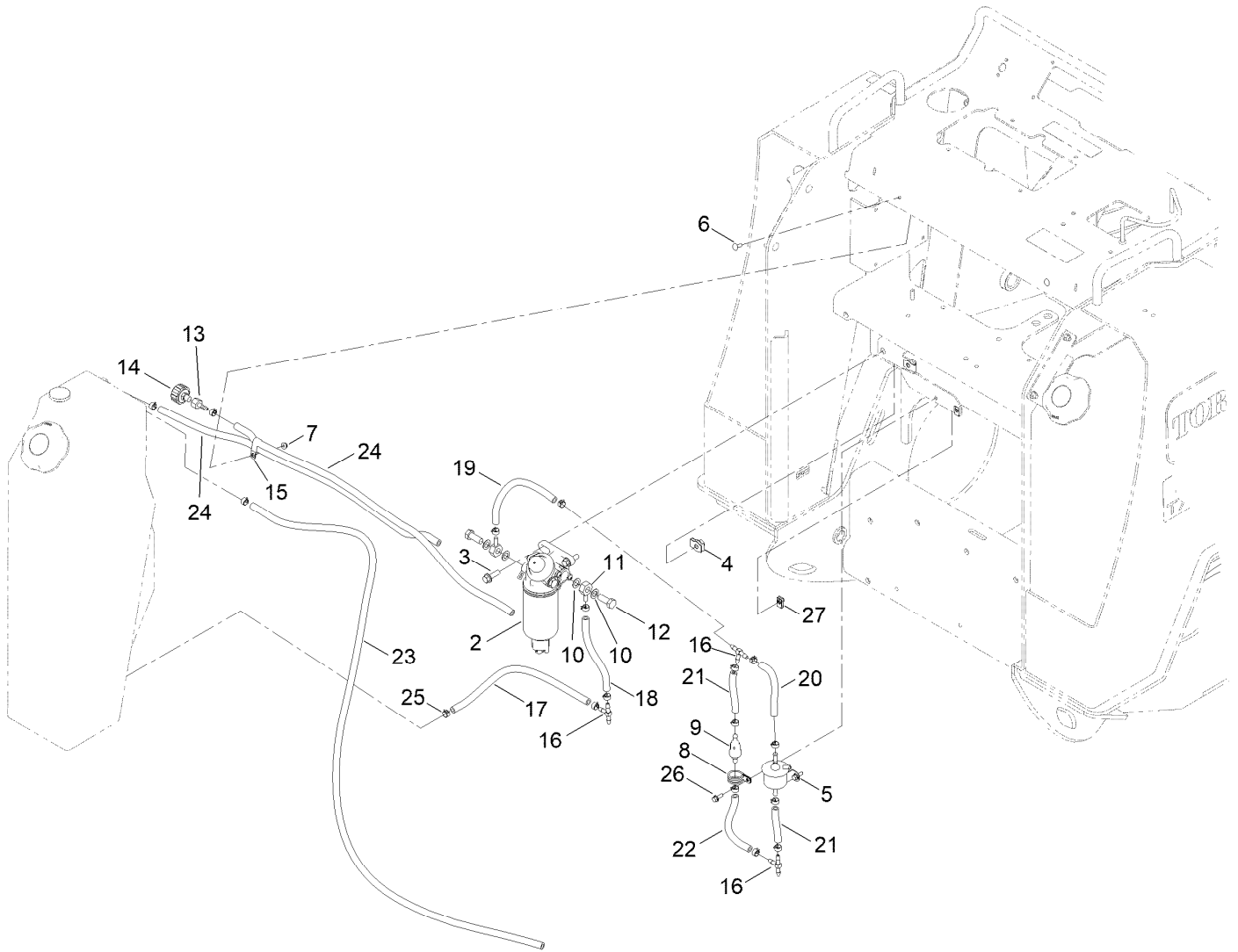
Engine Mount and Air Intake Hose Assembly



Engine Mount and Air Intake Hose Assembly (continued)

<i>Ref.</i>	<i>Part Number</i>	<i>Qty.</i>	<i>Description</i>	<i>Ref.</i>	<i>Part Number</i>	<i>Qty.</i>	<i>Description</i>
1	133-1622	1	Hose-Intake	13	43-3210	2	Screw-HH
2	137-0050	1	Hose-Intake, Air	14	48-8070	3	Washer-Lock
3	136-4741	1	Sensor	15	AU514-842	3	Screw-HH
4	2412-102	1	Clamp-R	17	138-2332-03	1	Bracket-Pump, LH
5	3234-11	1	Screw-HHF	18	3231-2	2	Bolt-CARR
6	104-8301	2	Nut-HF, NI	19	137-0140	1	Hose-Air, Cooler
7	2412-42	3	Clamp-Hose	20	2412-148	1	Clamp-R
8	2412-110	2	Clamp-Band/Screw	21	2412-3	2	Clamp-Hose
9	133-1689	1	Hose-Intake	22	321-4	1	Screw-HH
10	133-6967-03	1	Mount-Engine	23	104-7201	1	Nut-HF, NI
11	133-6968-03	1	Mount-Engine	24	105-4886	1	Nut-Tinnerman
12	43-5950	2	Washer-Lock, Spring				

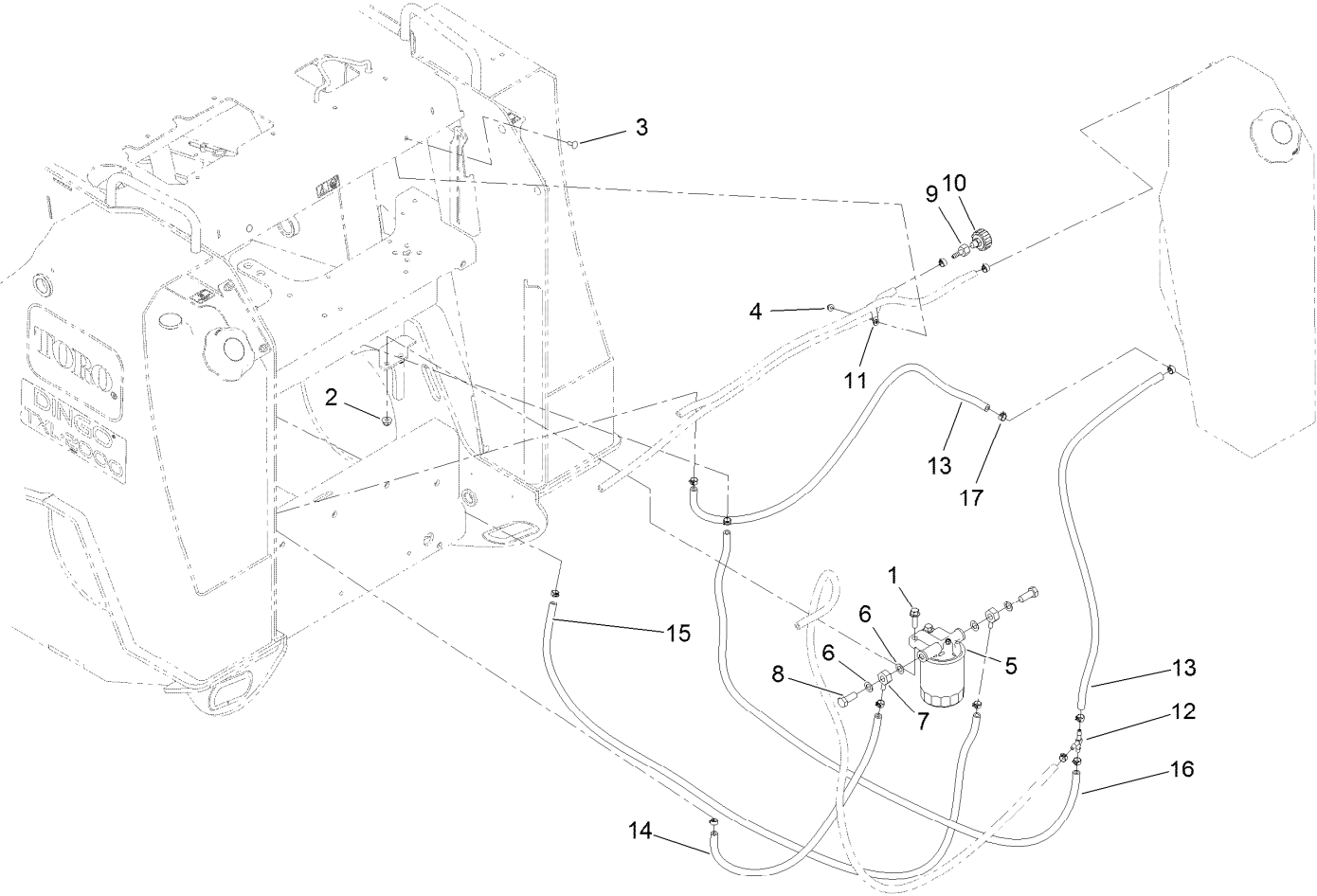
Fuel Pump and Water Seperator Assembly



Fuel Pump and Water Seperator Assembly (continued)

<i>Ref.</i>	<i>Part Number</i>	<i>Qty.</i>	<i>Description</i>	<i>Ref.</i>	<i>Part Number</i>	<i>Qty.</i>	<i>Description</i>
2	136-4734	1	Filter-Seperator, Water	15	119-8153	1	Clamp-R, Double Tube
3	3234-24	2	Screw-HHF	16	99-5005	3	Fitting-Tee, Barbed
4	105-4886	2	Nut-Tinnerman	17	110-4113	1	Hose-Fuel
5	139-9642	1	Assy Pump,Fuel	18	110-4124	1	Hose-Fuel
6	3229-1	1	Screw-CARR	19	136-6098	1	Hose-Fuel
7	104-7201	1	Nut-HF, NI	20	109-0310	1	Hose-Fuel
8	132-7590	1	R-Clamp	21	136-6097	2	Hose-Fuel
9	136-4735	1	Valve-Bypass	22	108-3280	1	Hose-Fuel
10	137-0067	4	O-Ring	23	138-4715	1	Hose-Fuel
11	137-0065	2	Adapter-Fuel	24	136-6096	2	Hose-Fuel
12	137-0066	2	Bolt-Joint	25	92-2379	20	Clamp-Hose
13	354-95	1	Fitting-Straight	26	3234-4	2	Screw-HHF
14	68-6150	1	Breather	27	107069	2	Clip

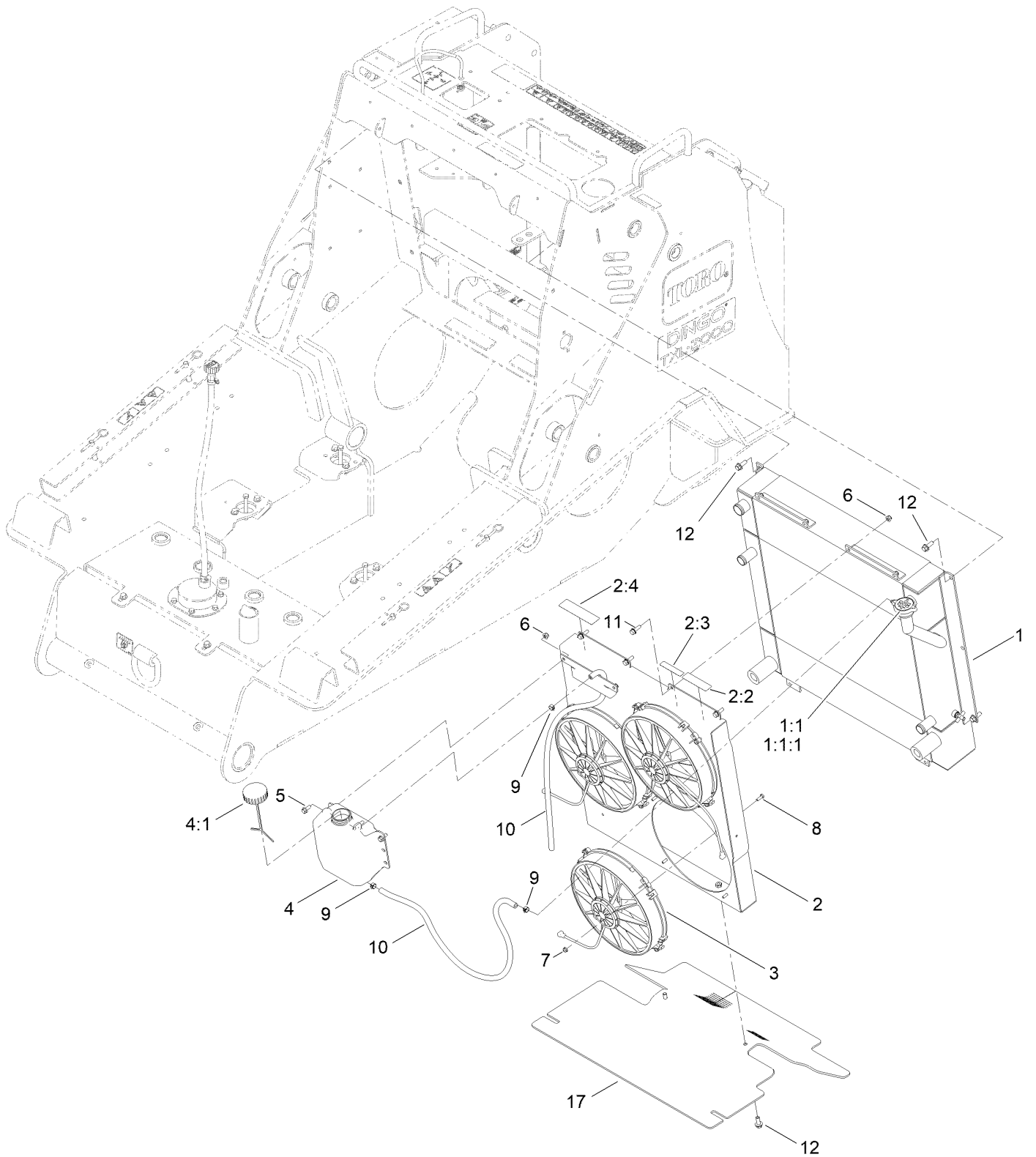
Fuel Filter and Hose Assembly



Fuel Filter and Hose Assembly (continued)

<i>Ref.</i>	<i>Part Number</i>	<i>Qty.</i>	<i>Description</i>	<i>Ref.</i>	<i>Part Number</i>	<i>Qty.</i>	<i>Description</i>
1	3234-24	2	Screw-HHF	10	68-6150	1	Breather
2	104-8301	2	Nut-HF, NI	11	119-8153	1	Clamp-R, Double Tube
3	3229-1	1	Screw-CARR	12	99-5005	1	Fitting-Tee, Barbed
4	104-7201	1	Nut-HF, NI	13	136-6099	2	Hose-Fuel
5	136-4733	1	Filter-Fuel	14	114-8206	1	Hose-Fuel
6	137-0067	4	O-Ring	15	132-1330	1	Hose-Fuel
7	137-0065	2	Adapter-Fuel	16	138-4714	1	Hose-Fuel
8	137-0066	2	Bolt-Joint	17	92-2379	10	Clamp-Hose
9	354-95	1	Fitting-Straight				

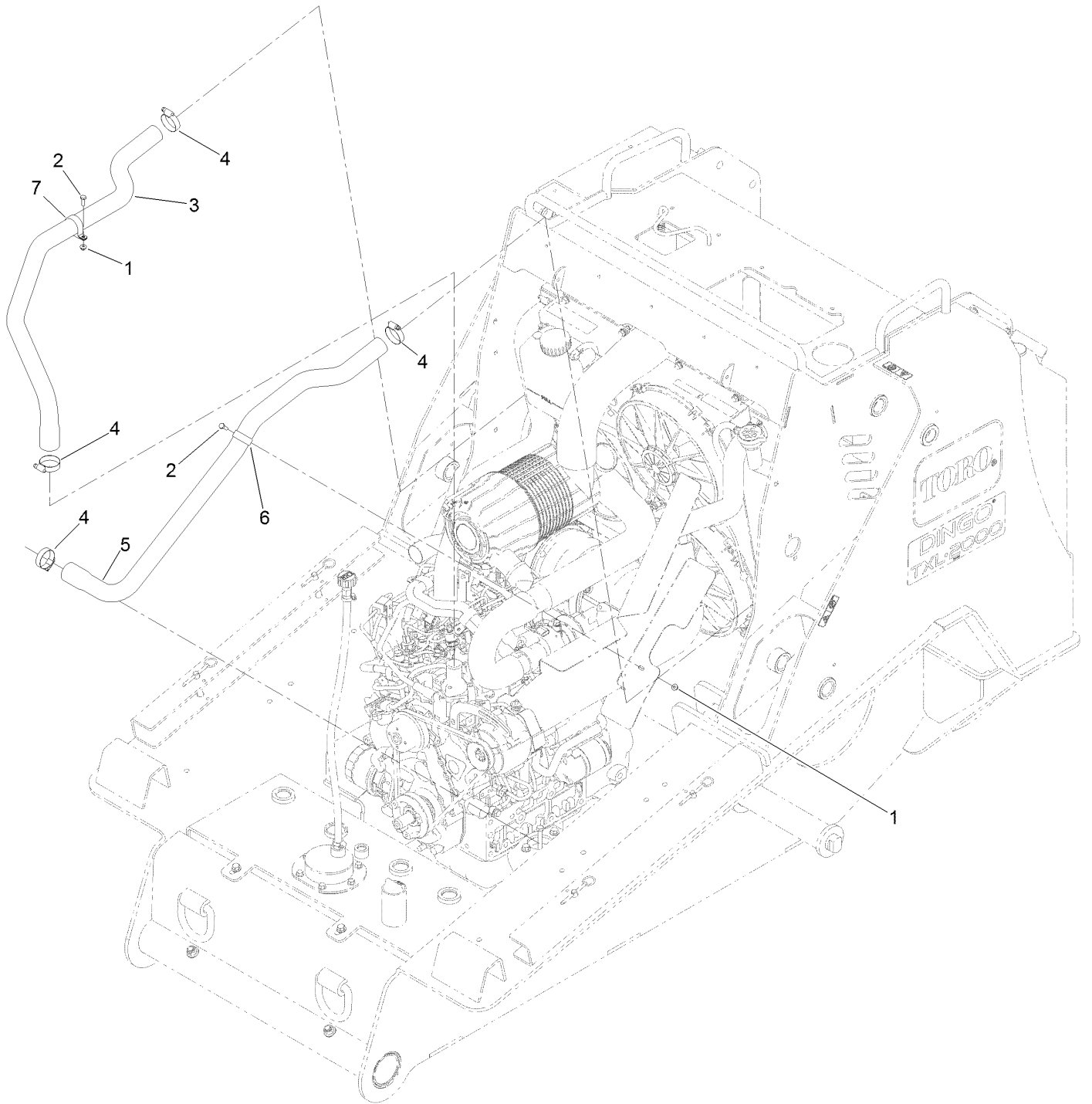
Radiator and Fan Assembly



Radiator and Fan Assembly (continued)

<i>Ref.</i>	<i>Part Number</i>	<i>Qty.</i>	<i>Description</i>	<i>Ref.</i>	<i>Part Number</i>	<i>Qty.</i>	<i>Description</i>
1	136-4705	1	Radiator/Cooler ASM	5	3234-47	2	Screw-HHF
1:1	115-7766	1	Cap-Radiator	6	104-8300	8	Nut-HF, NI
1:1:1	106-6755	1	Decal-Cap, Radiator	7	104-7201	12	Nut-HF, NI
2	138-4727	1	Cooler Shroud ASM	8	321-4	12	Screw-HH
2:2	115-4865	1	Decal-Fill, Radiator	9	92-2379	3	Clamp-Hose
2:3	93-6681	1	Decal-Warning, Fan	10	136-6096	2	Hose-Fuel
2:4	93-7814	1	Decal-Danger	11	3234-29	6	Screw-HHF
3	1-633831	3	Fan	12	3234-42	6	Screw-HHF
4	144-6219	1	Reservoir-Coolant ASM	17	139-5713	1	Baffle-Rubber
4:1	87-7050	1	Cap-Reservoir				

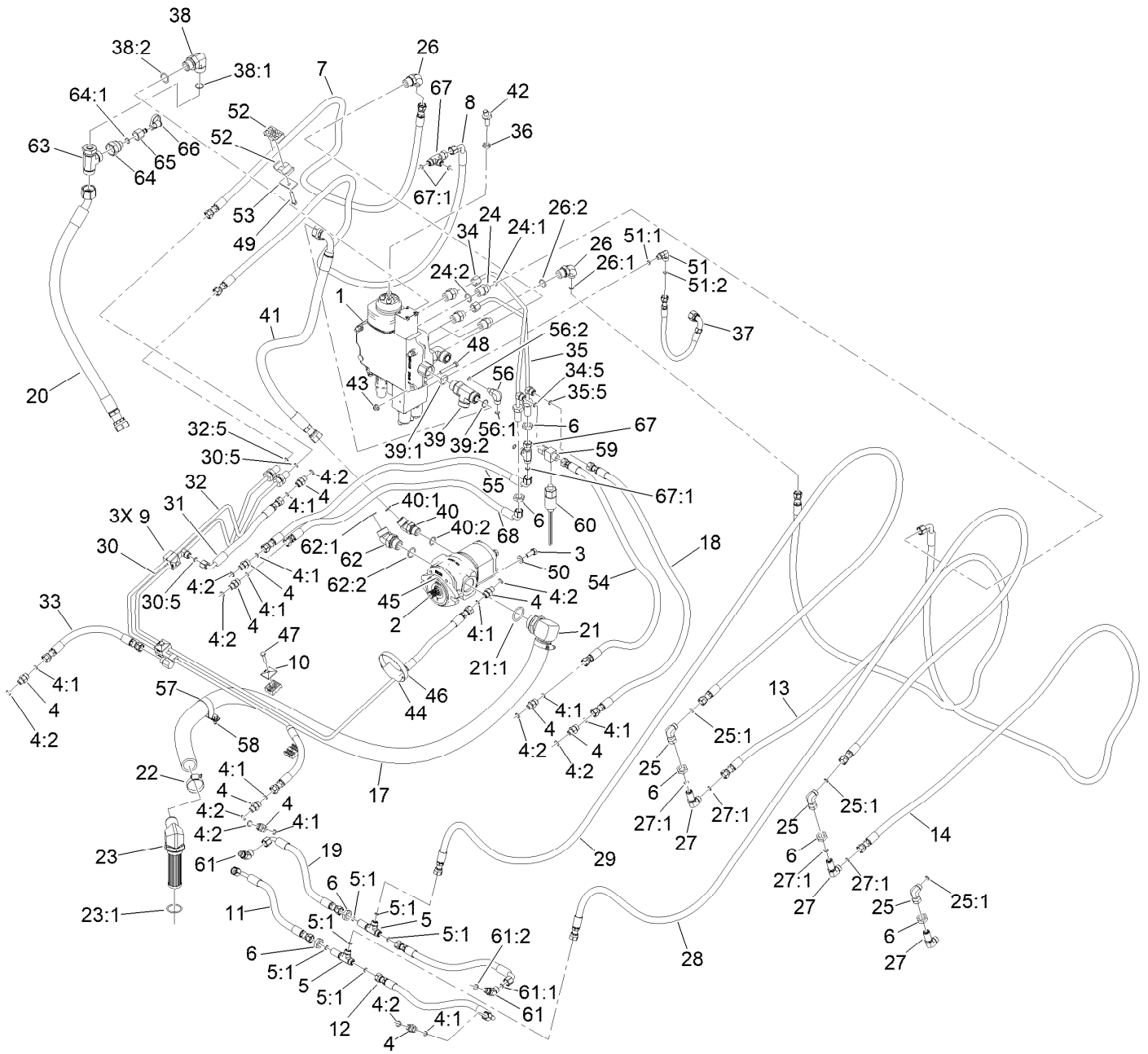
Radiator Hose Assembly



Radiator Hose Assembly (continued)

<i>Ref.</i>	<i>Part Number</i>	<i>Qty.</i>	<i>Description</i>	<i>Ref.</i>	<i>Part Number</i>	<i>Qty.</i>	<i>Description</i>
1	104-7201	1	Nut-HF, NI	5	138-4744	1	Hose-Radiator, Lower
2	3234-4	1	Screw-HHF	6	137-0147	1	Clamp-R
3	133-1691	1	Hose-Radiator, Upper	7	2412-147	1	Clamp-R
4	2412-3	4	Clamp-Hose				

Lift Valve and Pump Assembly

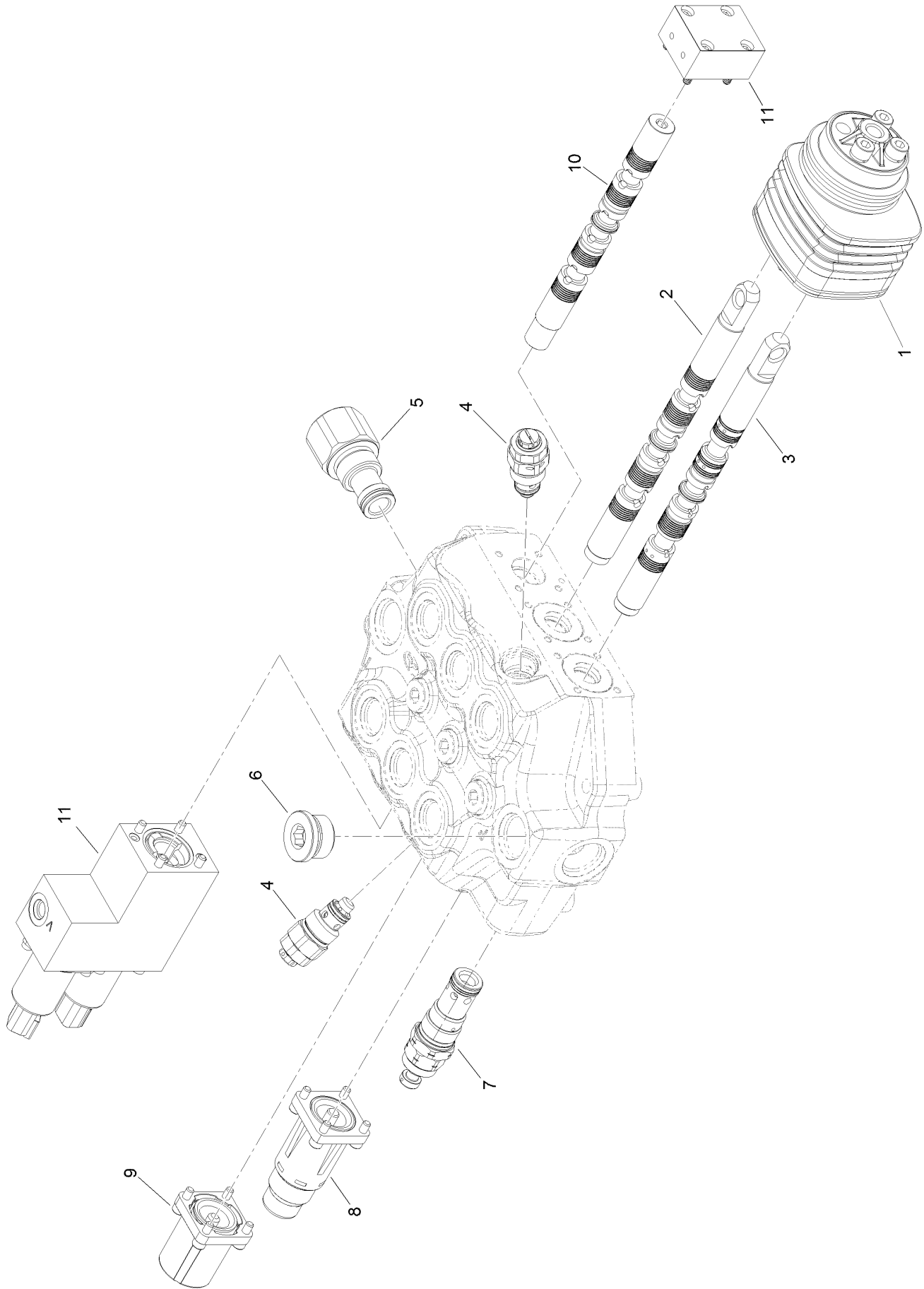


Lift Valve and Pump Assembly (continued)

<i>Ref.</i>	<i>Part Number</i>	<i>Qty.</i>	<i>Description</i>	<i>Ref.</i>	<i>Part Number</i>	<i>Qty.</i>	<i>Description</i>
1	133-6911	1	Lift Valve ASM	38	340-142	2	Fitting-Elbow, 90 DEG
2	133-0281	1	Gear Pump ASM	38:1	237-58	1	O-Ring
3	33115-025	2	Screw-HH	38:2	237-81	1	O-Ring
4	340-2	10	Fitting-Straight	39	340-148	1	Fitting-Tee
4:1	237-22	1	O-Ring	39:1	237-81	1	O-Ring
4:2	237-42	1	O-Ring	39:2	237-58	2	O-Ring
5	340-68	2	Fitting-Tee, Bulkhead	40	340-14	1	Fitting-HYD, 45 DEG
5:1	237-22	3	O-Ring	40:1	237-65	1	O-Ring
6	340-70	9	Nut-Lock	40:2	237-80	1	O-Ring
7	133-9356	1	HYD Hose ASM	41	138-0233	1	HYD Hose ASM
8	133-9357	1	HYD Hose ASM	42	138-2343	1	Shaft-Control
9	137-5275	3	Clamp-Hose	43	104-8300	3	Nut-HF, NI
10	127-8424	3	Plate-Clamp, Retainer	44	137-0146	1	Block-Hardline
11	139-1150	1	HYD Hose ASM	45	237-161	1	O-Ring
12	139-1151	1	HYD Hose ASM	46	2412-110	1	Clamp-Band/Screw
13	133-1629	1	HYD Hose ASM	47	321-13	3	Screw-HH
14	133-1630	1	HYD Hose ASM	48	322-11	3	Screw-HH
17	133-9377	1	Hose	49	322-8	1	Screw-HH
18	133-9372	1	HYD Hose ASM	50	33095-00	2	Washer-Flat
19	139-1152	2	HYD Hose ASM	51	340-132	1	Fitting-Elbow, 90 DEG
20	139-1204	1	HYD Hose ASM	51:1	237-78	1	O-Ring
21	92-7526	1	Fitting-HYD 90 Spcl	51:2	237-21	1	O-Ring
21:1	237-101	1	O-Ring	52	56-7971	2	Clamp-Tube
22	2412-111	2	Clamp-Hose, W/Liner	53	69-9760	1	Plate-Cover
23	145-0622	1	Strainer Fitting ASM	54	140-6003	1	HYD Hose ASM
23:1	237-101	1	O-Ring	55	138-4701	1	HYD Hose ASM
24	340-141	4	Fitting-STR	56	340-97	1	Fitting-Elbow, 90 DEG
24:1	237-22	1	O-Ring	56:1	237-22	1	O-Ring
24:2	237-80	1	O-Ring	56:2	237-78	1	O-Ring
25	340-159	3	Elbow-90	57	2412-147	1	Clamp-R
25:1	237-22	2	O-Ring	58	32104-32	1	Screw-HWH
26	340-130	2	Fitting-Elbow 90	59	95-5658	1	Fitting-HYD, Special
26:1	237-22	1	O-Ring	59:1	237-22	1	O-Ring ●
26:2	237-80	1	O-Ring	60	139-4848	1	Switch-Pressure,
27	340-154	3	Union-Bulkhead	61	340-87	2	Fitting-Elbow, 45 DEG
27:1	237-22	2	O-Ring	61:1	237-22	1	O-Ring
28	133-9412	1	HYD Hose ASM	61:2	237-42	1	O-Ring
29	133-9413	1	HYD Hose ASM	62	100-5530	1	Fitting-45 DEG
30	137-0143	1	HYD Tube ASM	62:1	237-58	1	O-Ring
30:5	237-22	2	O-Ring	62:2	237-81	1	O-Ring
31	133-1619	1	HYD Hose ASM	63	ST50975	1	Fitting-HYD
32	137-0142	1	HYD Tube ASM	64	95-3513	1	Fitting-Straight
32:5	237-22	2	O-Ring	64:1	237-30	1	O-Ring
33	133-1617	1	HYD Hose ASM	65	100-5616	1	Fitting
34	136-6080	1	HYD Tube ASM	66	354-79	1	Cap-Dust
34:5	237-22	2	O-Ring	67	340-115	2	Fitting-Tee
35	136-6081	1	HYD Tube ASM	67:1	237-22	2	O-Ring
35:5	237-22	2	O-Ring	68	140-6004	1	HYD Hose ASM
36	51-2070	1	Nut				
37	137-0117	1	HYD Hose ASM				

● Not illustrated

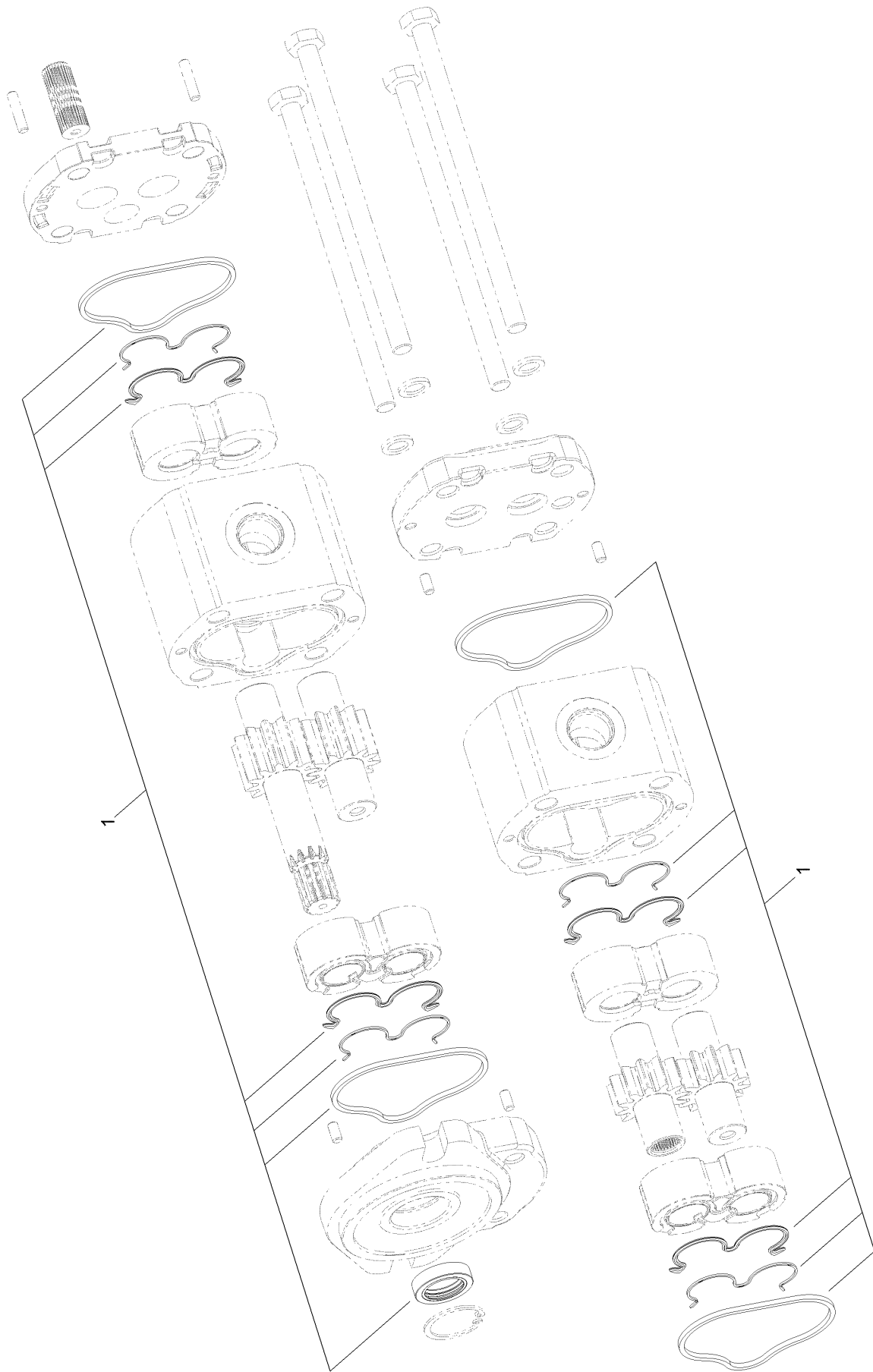
Lift Valve Assembly No. 133-6911



Lift Valve Assembly No. 133-6911 (continued)

<i>Ref.</i>	<i>Part Number</i>	<i>Qty.</i>	<i>Description</i>	<i>Ref.</i>	<i>Part Number</i>	<i>Qty.</i>	<i>Description</i>
1	139-1219	1	Cover Kit	7	139-1226	1	Valve Kit
2	139-1221	1	Valve-Spool	8	139-1227	1	Command Kit
3	139-1222	1	Valve-Spool	9	139-1228	1	Control Kit
4	139-1223	2	Cartridge-Relief	10	139-1229	1	Valve-Spool
5	139-1224	1	Joint-SAE12	11	139-1230	1	Command Kit
6	139-1225	1	Plug-SAE12				

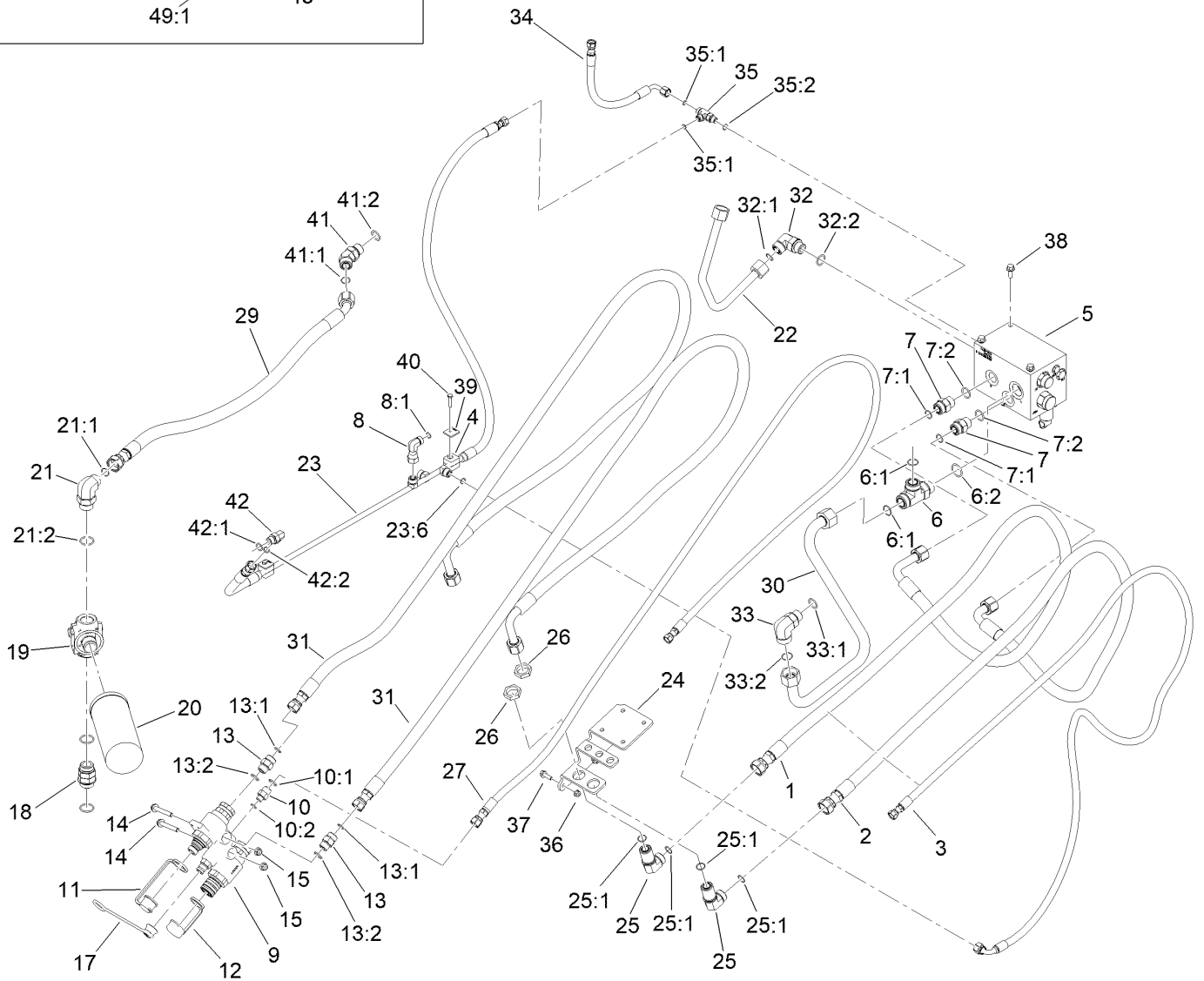
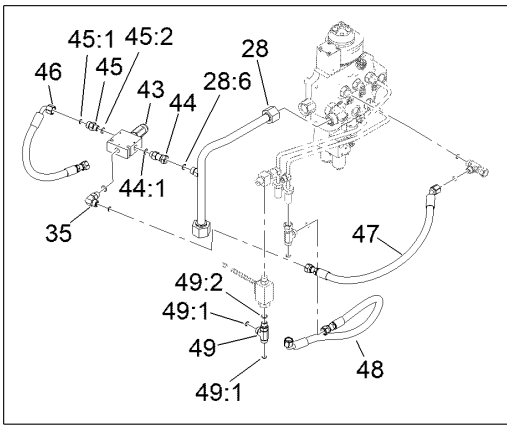
Gear Pump Assembly No. 133-0281



Gear Pump Assembly No. 133-0281 (continued)

<i>Ref.</i>	<i>Part Number</i>	<i>Qty.</i>	<i>Description</i>
1	139-1211	1	Seal Kit

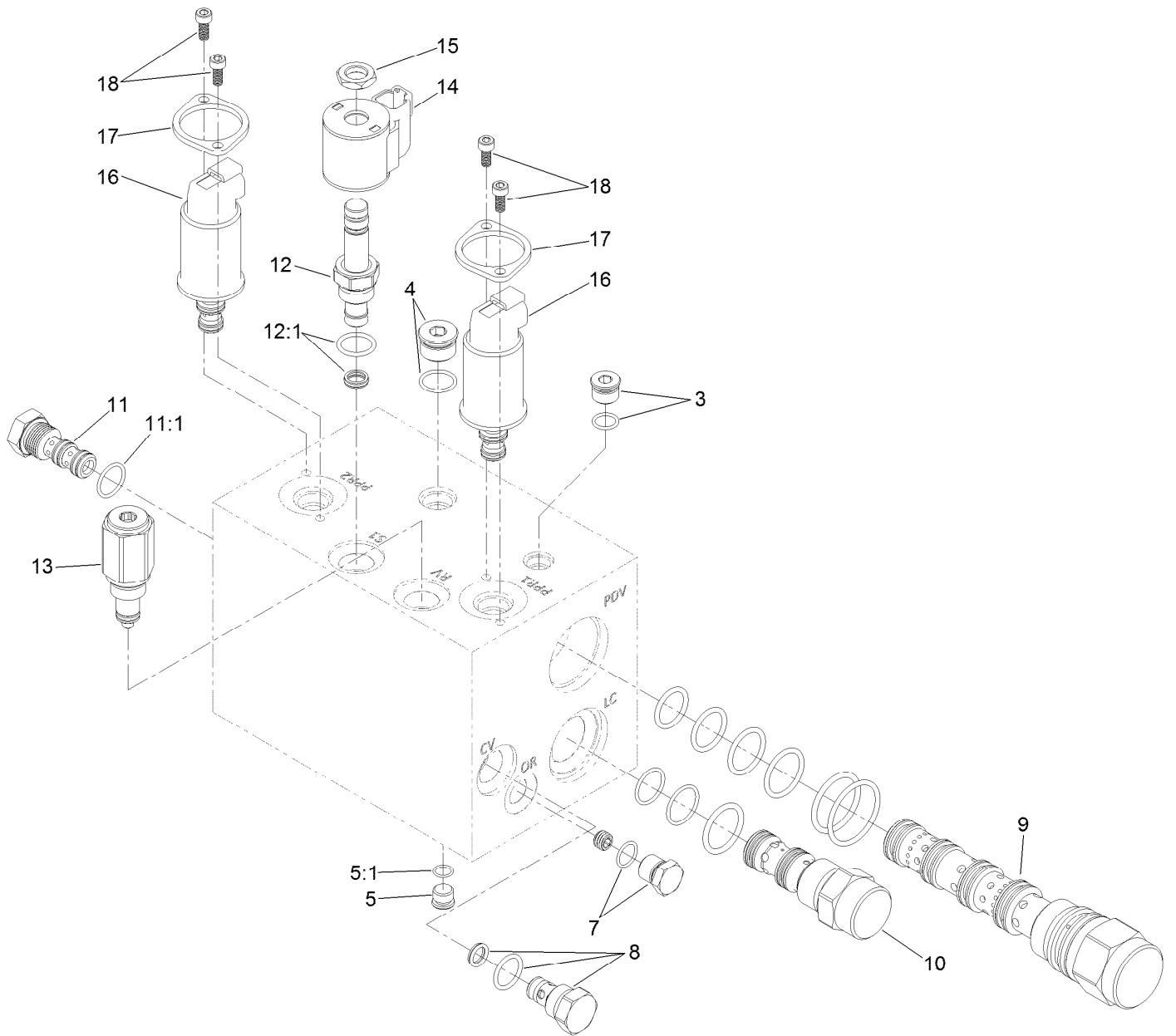
Auxiliary Hydraulic Assembly



Auxiliary Hydraulic Assembly (continued)

<i>Ref.</i>	<i>Part Number</i>	<i>Qty.</i>	<i>Description</i>	<i>Ref.</i>	<i>Part Number</i>	<i>Qty.</i>	<i>Description</i>
1	133-1631	1	HYD Hose ASM	28:6	237-22	1	O-Ring
2	133-1632	1	HYD Hose ASM	29	133-9391	1	HYD Hose ASM
3	133-9354	1	HYD Hose ASM	30	136-6079	1	Hydraulic Tube ASM
4	138-4696	2	Clamp-Tube	31	145-4386	2	HYD Hose ASM
5	136-4872	1	Aux Manifold ASM	32	340-142	1	Fitting-Elbow, 90 DEG
6	104-3795	1	Fitting-Tee	32:1	237-58	1	O-Ring
6:1	340-65	2	O-Ring	32:2	237-81	1	O-Ring
6:2	237-146	1	O-Ring	33	104-3796	1	Fitting-Elbow 90
7	340-9	2	Fitting-STR	33:1	237-81	1	O-Ring
7:1	237-58	1	O-Ring	33:2	340-65	1	O-Ring
7:2	237-81	1	O-Ring	34	138-0169	1	HYD Hose ASM
8	94-6031	1	Elbow-90	35	340-77	1	Fitting-Elbow, 90 DEG
8:1	237-30	1	O-Ring	35	340-86	1	Fitting-Tee
9	150-2410	1	Manifold-Qdc	35:1	237-22	1	O-Ring
10	340-5	1	Fitting-Straight	35:1	237-22	2	O-Ring
10:1	237-42	1	O-Ring	35:2	237-42	1	O-Ring
10:2	237-30	1	O-Ring	35:2	237-42	1	O-Ring
11	100-8815	1	Cap-Dust, Nipple	36	104-8300	3	Nut-HF, NI
12	100-8816	1	Cap-Dust, Coupler	37	3234-29	3	Screw-HHF
13	340-7	2	Fitting-Straight	38	3234-11	3	Screw-HHF
13:1	237-65	1	O-Ring	39	137-0128	2	Plate-Clamp, Tube
13:2	237-80	1	O-Ring	40	321-8	2	Screw-HH
14	133-9682	2	Screw-Hfh	41	100-5530	1	Fitting-45 DEG
15	104-8301	2	Nut-HF, NI	41:1	237-58	1	O-Ring
17	131-6069	1	Cap-Dust, Nipple	41:2	237-81	1	O-Ring
18	133-9400	1	Fitting-Straight	42	340-98	1	Fitting-Elbow, 90 DEG
19	121-1577	1	Head-Filter	42:1	237-79	1	O-Ring
20	94-2621	1	Element-Filter	42:2	237-30	1	O-Ring
21	340-15	1	Fitting-Elbow 90	43	139-4856	1	Valve-Sequence
21:1	237-58	1	O-Ring	44	104-3779	1	Connector-Swivel, Straight
21:2	237-146	1	O-Ring	44:1	237-42	1	O-Ring
22	137-0124	1	HYD Tube ASM	45	114-7783	1	Fitting-Straight
23	137-0125	1	HYD Tube ASM	45:1	237-22	1	O-Ring
23:6	237-30	3	O-Ring	45:2	237-42	1	O-Ring
24	133-9408-03	1	Mount-Carrier	46	104-2240	1	Hose ASM
25	133-9407	2	Fitting-Elbow 90	47	98-7416	1	Hose-HYD
25:1	237-58	2	O-Ring	48	120-6572	1	Hose-HYD
26	340-126	2	Nut-Bulkhead	49	340-86	1	Fitting-Tee
27	145-4387	1	HYD Hose ASM	49:1	237-22	2	O-Ring
28	137-0123	1	HYD Tube ASM	49:2	237-42	1	O-Ring

Auxiliary Manifold Assembly No. 136-4872

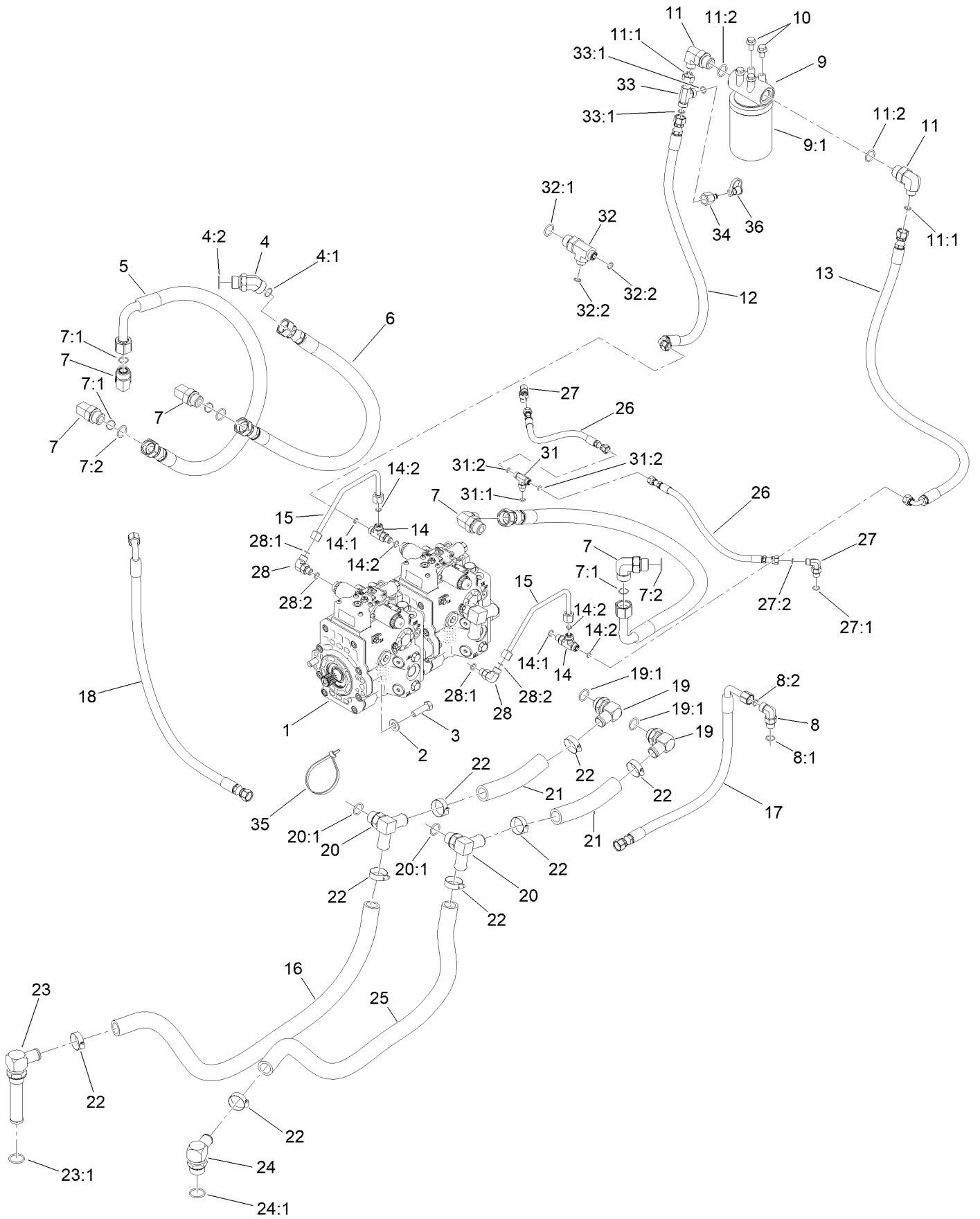


Auxiliary Manifold Assembly No. 136-4872 (continued)

<i>Ref.</i>	<i>Part Number</i>	<i>Qty.</i>	<i>Description</i>	<i>Ref.</i>	<i>Part Number</i>	<i>Qty.</i>	<i>Description</i>
3	112-9213	1	Plug	11:1	110-8773	1	Seal Kit
4	106-1027	1	Plug	12	120-6562	1	Valve-Solenoid
5	353-990	1	Plug ASM	12:1	105-9156	1	Seal Kit
5:1	237-78	1	O-Ring	13	139-1217	1	Valve-Relief
6	139-4832	1	Orifice-.035 ●	14	112-0197	1	E Coil-12V DC
7	353-509	1	Plug	15	110-2634	1	Nut-Coil
8	139-4833	1	Valve-Check,	16	139-1218	2	Valve-Prop Press
9	139-1214	1	Valve-Proportional, Directional				Reducing/Relieving
10	139-4834	1	Cartridge-Logic,	17	138-3825	2	Plate-Mounting, Standard
11	131-6506	1	Shuttle-Load	18	138-3827	4	Screw

● Not illustrated

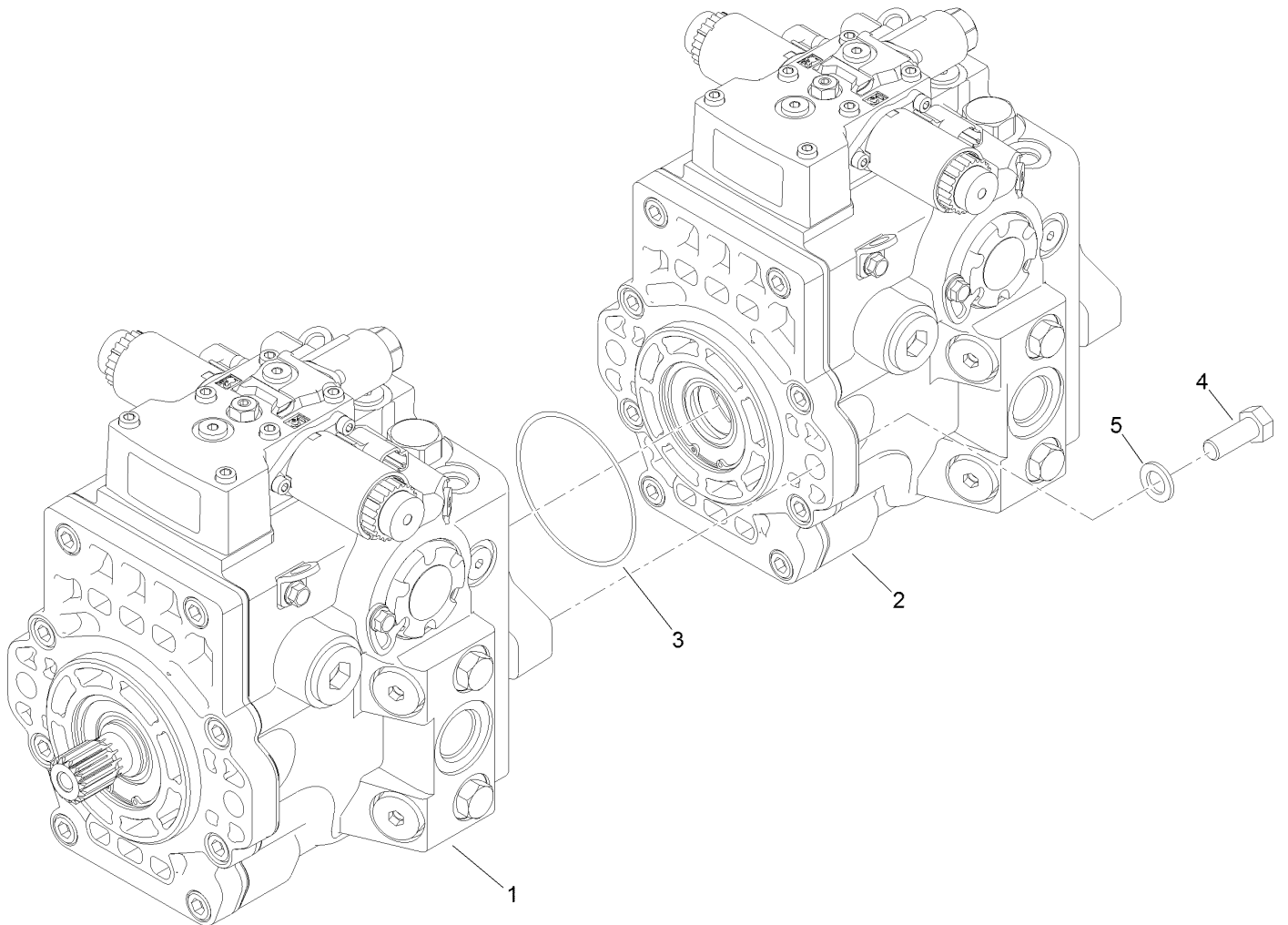
Tandem Pump Assembly



Tandem Pump Assembly (continued)

<i>Ref.</i>	<i>Part Number</i>	<i>Qty.</i>	<i>Description</i>	<i>Ref.</i>	<i>Part Number</i>	<i>Qty.</i>	<i>Description</i>
1	132-8497	1	HYD Pump ASM	19	100-4202	2	Fitting-90
2	87-7270	2	Washer-Thrust	19:1	237-81	1	O-Ring
3	121-1524	2	Screw-HH	20	AU375462A1	2	Connector
4	100-5530	2	Fitting-45 DEG	20:1	237-81	1	O-Ring
4:1	237-58	1	O-Ring	21	137-0078	2	Hose
4:2	237-81	1	O-Ring	22	2412-34	8	Clamp-Hose
5	133-9374	2	HYD Hose ASM	23	105-0204	1	Strainer Fitting ASM
6	133-9373	2	HYD Hose ASM	23:1	237-146	1	O-Ring
7	340-142	6	Fitting-Elbow, 90 DEG	24	23-8910	1	Stem-Barb-90
7:1	237-58	1	O-Ring	24:1	237-146	1	O-Ring
7:2	237-81	1	O-Ring	25	133-9399	1	Hose
8	340-98	2	Fitting-Elbow, 90 DEG	26	139-5722	2	HYD Hose ASM
8:1	237-79	1	O-Ring	27	340-82	2	Fitting-Elbow, 90 DEG
8:2	237-30	1	O-Ring	27:1	237-42	1	O-Ring
9	93-2242	1	Oil Filter ASM	27:2	237-21	1	O-Ring
9:1	75-1310	1	Filter-HYD	28	340-77	2	Fitting-Elbow, 90 DEG
10	33105-020	4	Screw-HHF	28:1	237-22	1	O-Ring
11	340-131	1	Fitting-HYD, 90 DEG	28:2	237-42	1	O-Ring
11:1	237-30	1	O-Ring	31	340-125	1	Fitting-Tee
11:2	237-81	1	O-Ring	31:1	237-21	2	O-Ring
12	139-1184	1	HYD Hose ASM	31:2	237-78	1	O-Ring
13	133-9385	1	HYD Hose ASM	32	117-0676	1	Fitting-Tee
14	340-86	2	Fitting-Tee	32:1	237-30	2	O-Ring
14:1	237-22	2	O-Ring	32:2	237-81	1	O-Ring
14:2	237-42	1	O-Ring	33	340-104	1	Fitting-Tee
15	133-9389	2	HYD Tube ASM	33:1	237-30	2	O-Ring
16	133-9392	1	Hose	34	100-5616	1	Fitting
17	133-9379	1	HYD Hose ASM	35	3334-945	1	Tie-Cable
18	133-9381	1	HYD Hose ASM	36	354-79	1	Cap-Dust

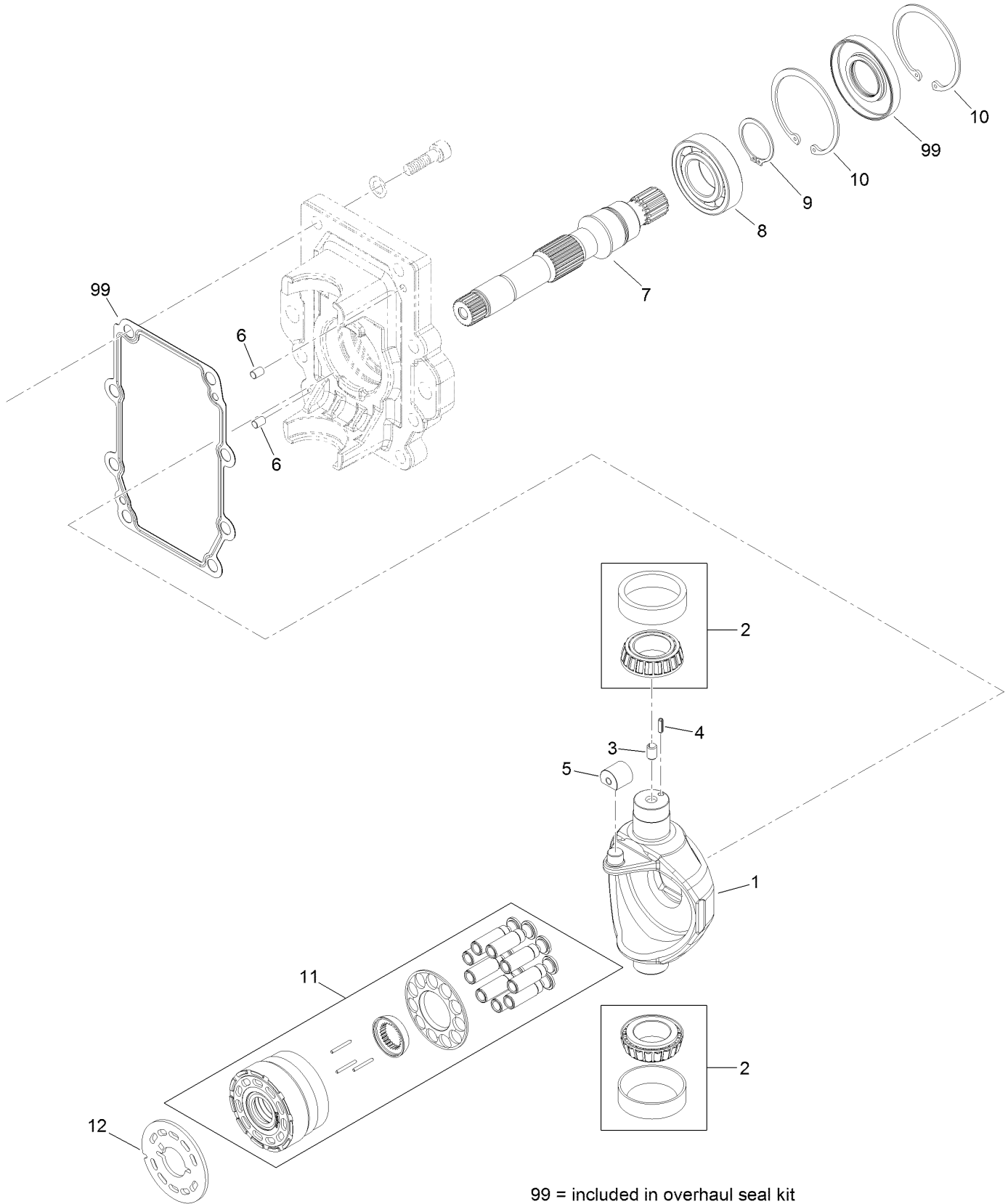
Tandem Hydraulic Pump Assembly No. 132-8497



Tandem Hydraulic Pump Assembly No. 132-8497 (continued)

<i>Ref.</i>	<i>Part Number</i>	<i>Qty.</i>	<i>Description</i>	<i>Ref.</i>	<i>Part Number</i>	<i>Qty.</i>	<i>Description</i>
1	139-4800	1	Pump-Front	4	139-4803	2	Screw
2	139-4801	1	Pump-Rear	5	139-4804	2	Washer
3	139-4802	1	O-Ring				

Front Hydraulic Pump Assembly No. 139-4800

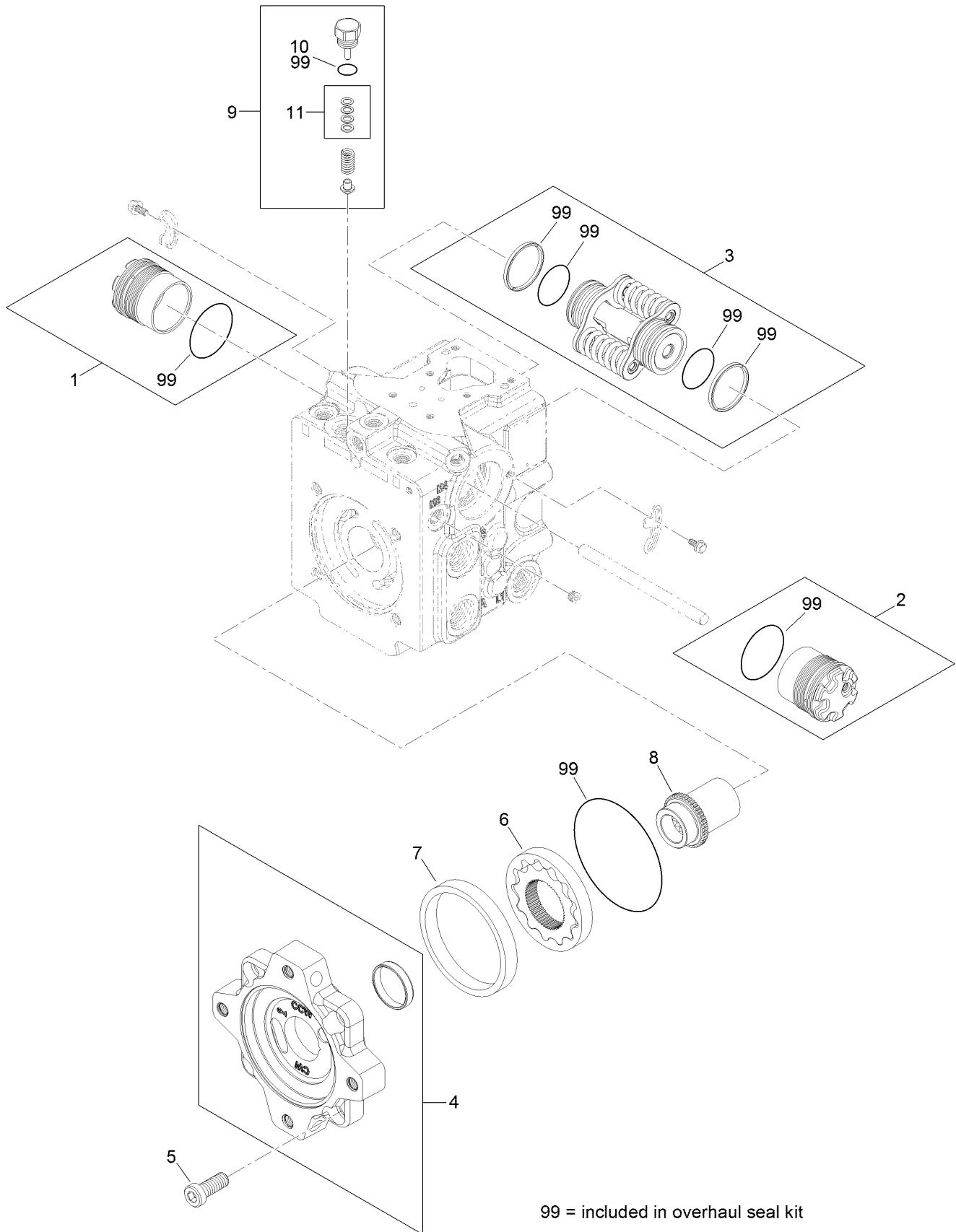


99 = included in overhaul seal kit

Front Hydraulic Pump Assembly No. 139-4800 (continued)

<i>Ref.</i>	<i>Part Number</i>	<i>Qty.</i>	<i>Description</i>	<i>Ref.</i>	<i>Part Number</i>	<i>Qty.</i>	<i>Description</i>
1	139-4883	1	Swashplate	8	139-4820	1	Bearing-Ball
2	139-4815	2	Bearing-Roller	9	139-4806	1	Ring-Retaining
3	139-4817	1	Bushing	10	139-4831	2	Ring-Retaining
4	139-4830	1	Pin-Slotted	11	139-4823	1	Cylinder Block Kit
5	139-4814	1	Block-Slider	12	139-4813	1	Plate-Valve
6	136-1024	2	Pin	99	139-4828	1	Seal Kit
7	139-4812	1	Shaft-15 Tooth				

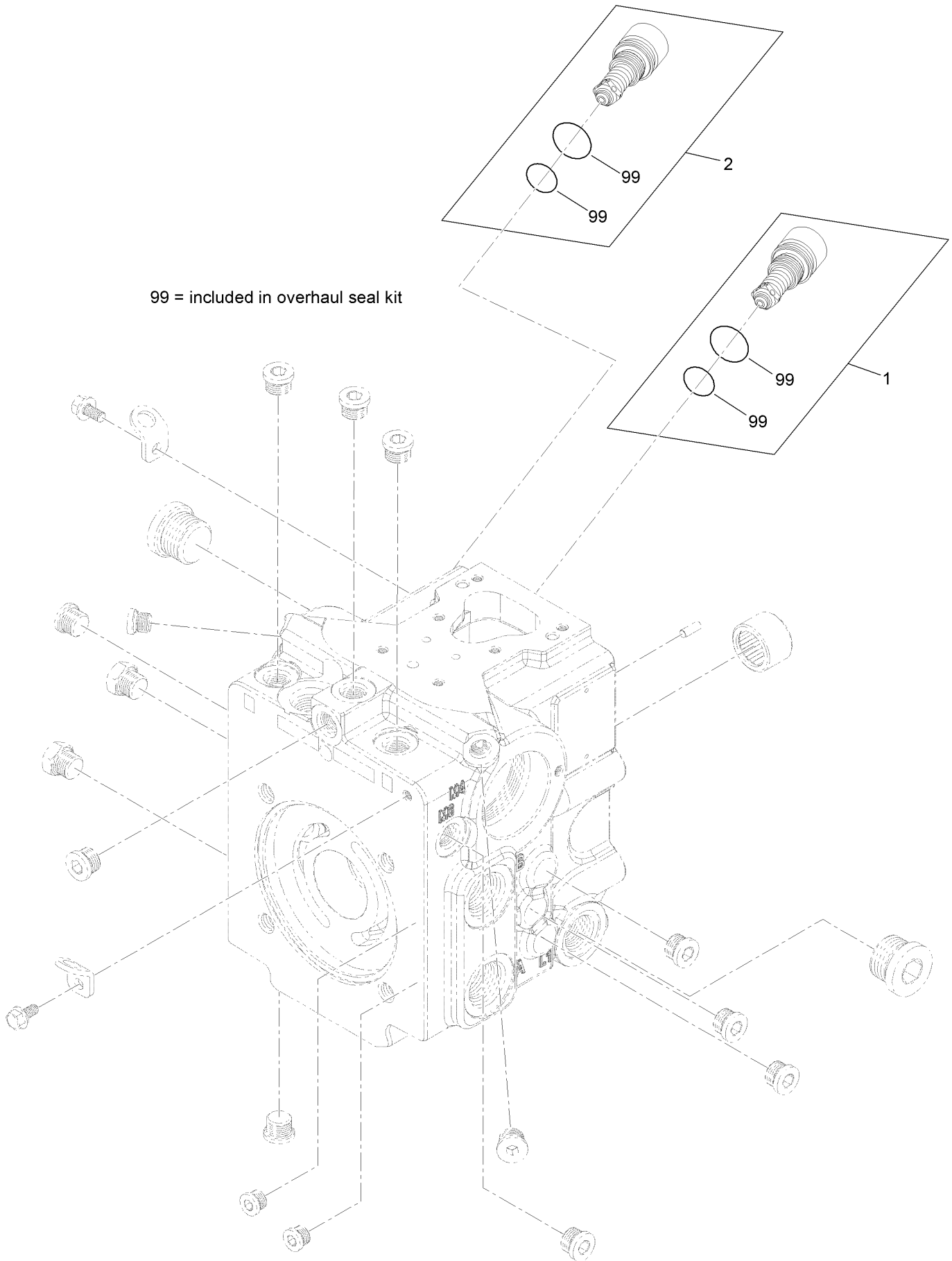
Front Hydraulic Pump Assembly No. 139-4800



Front Hydraulic Pump Assembly No. 139-4800 (continued)

<i>Ref.</i>	<i>Part Number</i>	<i>Qty.</i>	<i>Description</i>	<i>Ref.</i>	<i>Part Number</i>	<i>Qty.</i>	<i>Description</i>
1	139-4825	1	Servo Cylinder ASM	7	139-4827	1	Ring-Pump, Charge
2	139-4825	1	Servo Cylinder ASM	8	139-4819	1	Coupling
3	139-4826	1	Servo Piston ASM	9	136-4397	1	Charge Relief Kit
4	139-4829	1	Adapter ASM	10	125-5298	1	O-Ring
5	125-5282	4	Screw	11	92-1353	1	Shim Kit
6	139-4816	1	Gerotor	99	139-4828	1	Seal Kit

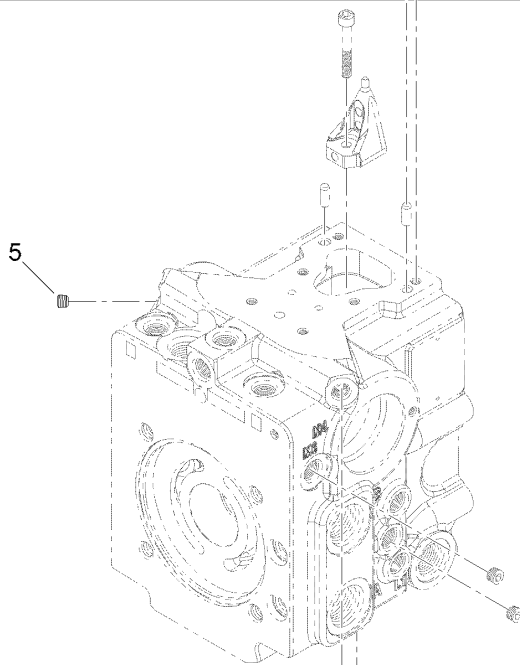
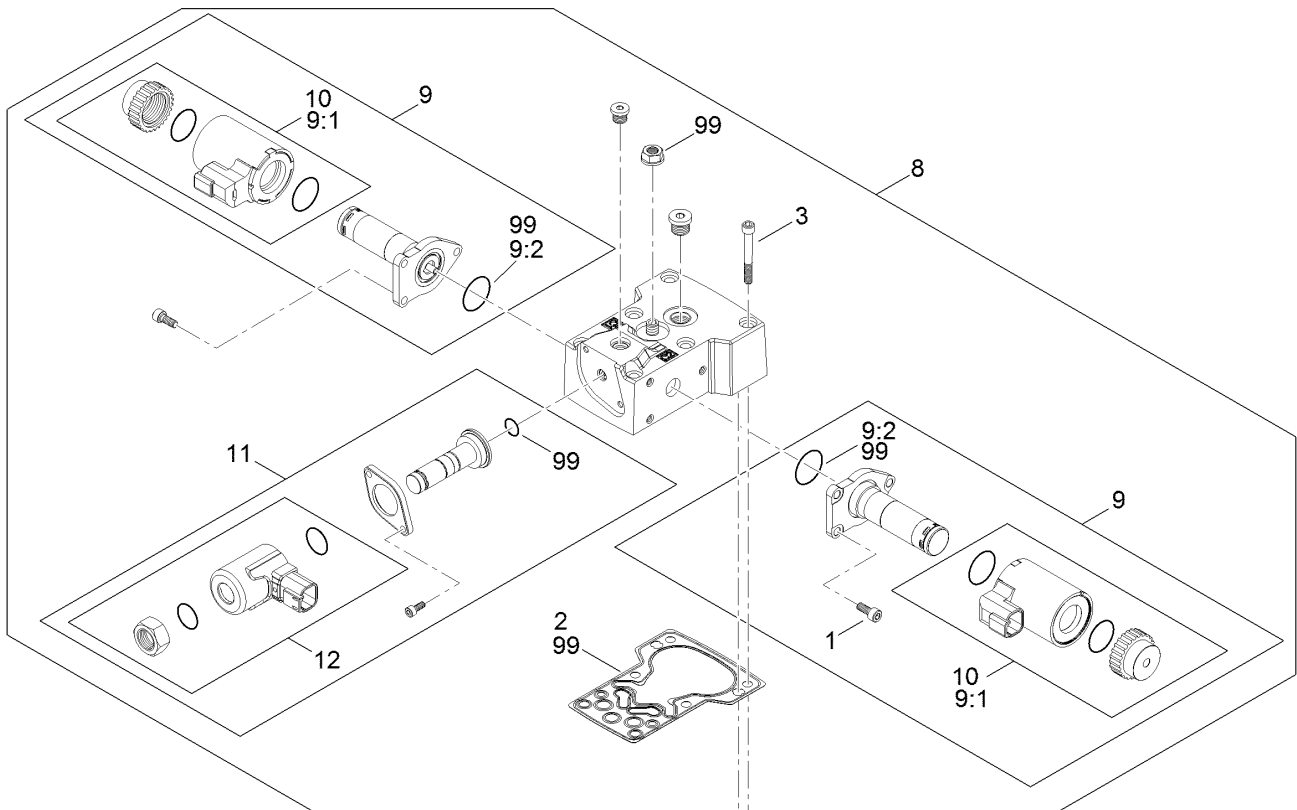
Front Hydraulic Pump Assembly No. 139-4800



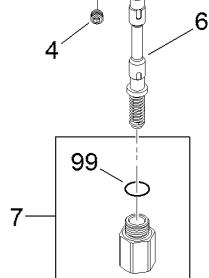
Front Hydraulic Pump Assembly No. 139-4800 (continued)

<i>Ref.</i>	<i>Part Number</i>	<i>Qty.</i>	<i>Description</i>
1	136-4392	1	Valve-Relief, High Pressure
2	136-4392	1	Valve-Relief, High Pressure
99	139-4828	1	Seal Kit

Front Hydraulic Pump Assembly No. 139-4800



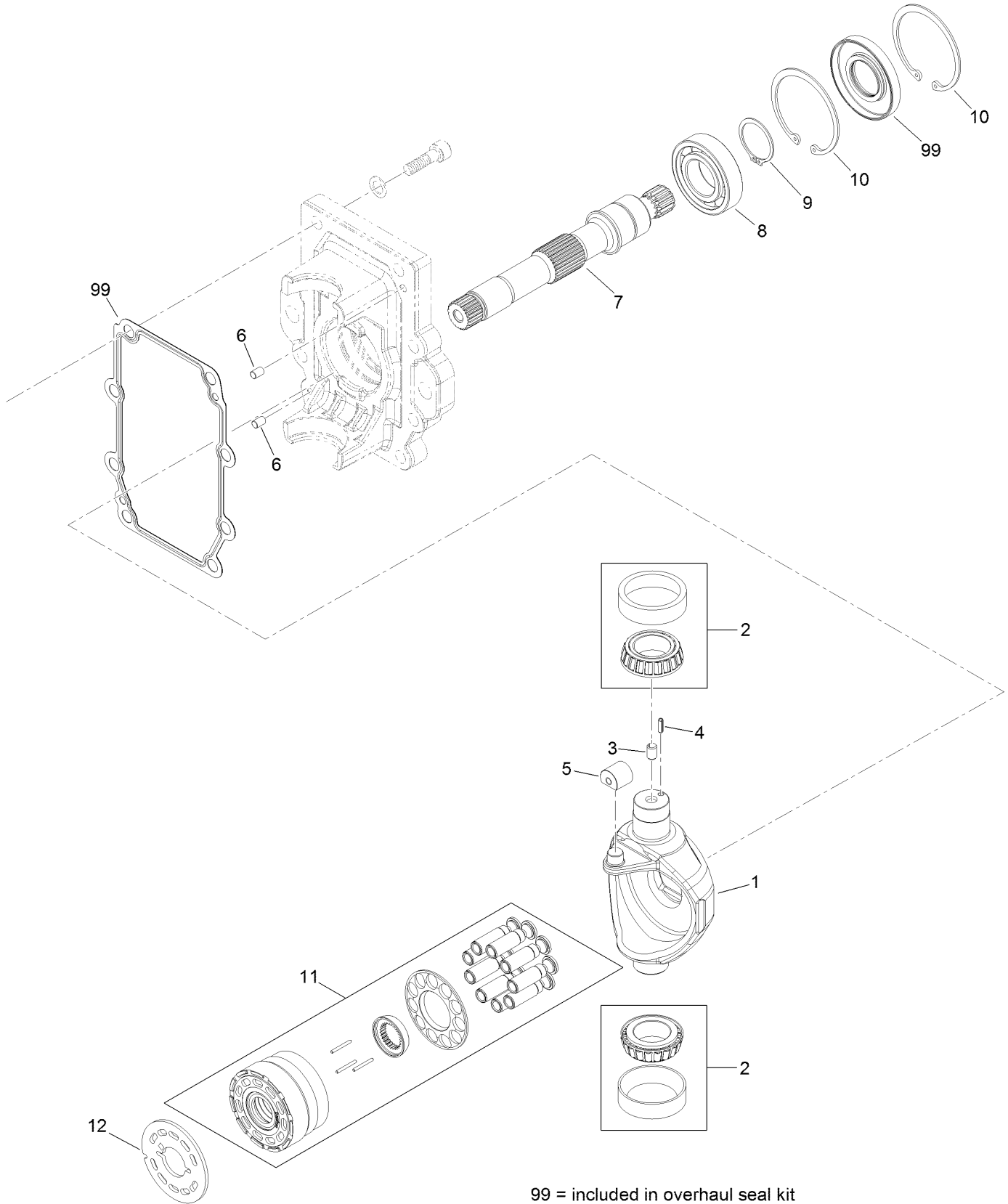
99 = included in overhaul seal kit



Front Hydraulic Pump Assembly No. 139-4800 (continued)

<i>Ref.</i>	<i>Part Number</i>	<i>Qty.</i>	<i>Description</i>	<i>Ref.</i>	<i>Part Number</i>	<i>Qty.</i>	<i>Description</i>
1	125-5272	6	Screw	9	131-7636	2	Solenoid Valve ASM
2	125-5283	1	Gasket-Control	9:1	125-5294	1	Coil Kit
3	125-5274	6	Screw	9:2	125-5288	1	O-Ring
4	139-4824	1	Orifice	10	125-5294	2	Coil Kit
5	139-4824	1	Orifice	11	139-4808	1	Valve-Solenoid
6	139-4807	1	Spool ASM	12	139-4809	1	Coil Kit
7	139-4805	1	Plug ASM	99	139-4828	1	Seal Kit
8	139-4810	1	E D C Kit				

Rear Hydraulic Pump Assembly No. 139-4801

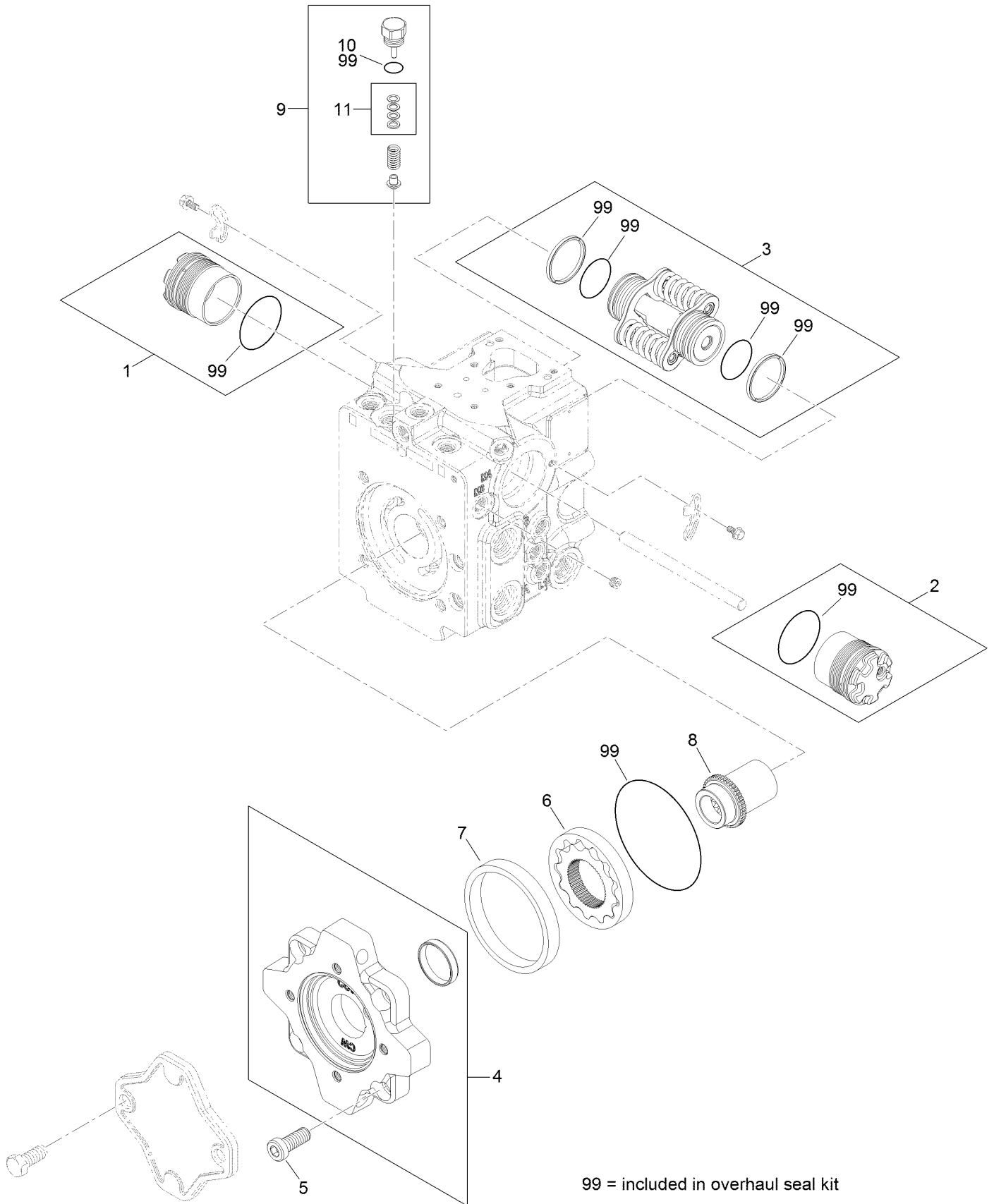


99 = included in overhaul seal kit

Rear Hydraulic Pump Assembly No. 139-4801 (continued)

<i>Ref.</i>	<i>Part Number</i>	<i>Qty.</i>	<i>Description</i>	<i>Ref.</i>	<i>Part Number</i>	<i>Qty.</i>	<i>Description</i>
1	139-4883	1	Swashplate	8	139-4820	1	Bearing-Ball
2	139-4815	2	Bearing-Roller	9	139-4806	1	Ring-Retaining
3	139-4817	1	Bushing	10	139-4831	2	Ring-Retaining
4	139-4830	1	Pin-Slotted	11	139-4823	1	Cylinder Block Kit
5	139-4814	1	Block-Slider	12	139-4813	1	Plate-Valve
6	136-1024	2	Pin	99	139-4828	1	Seal Kit
7	139-4811	1	Shaft-13Tooth				

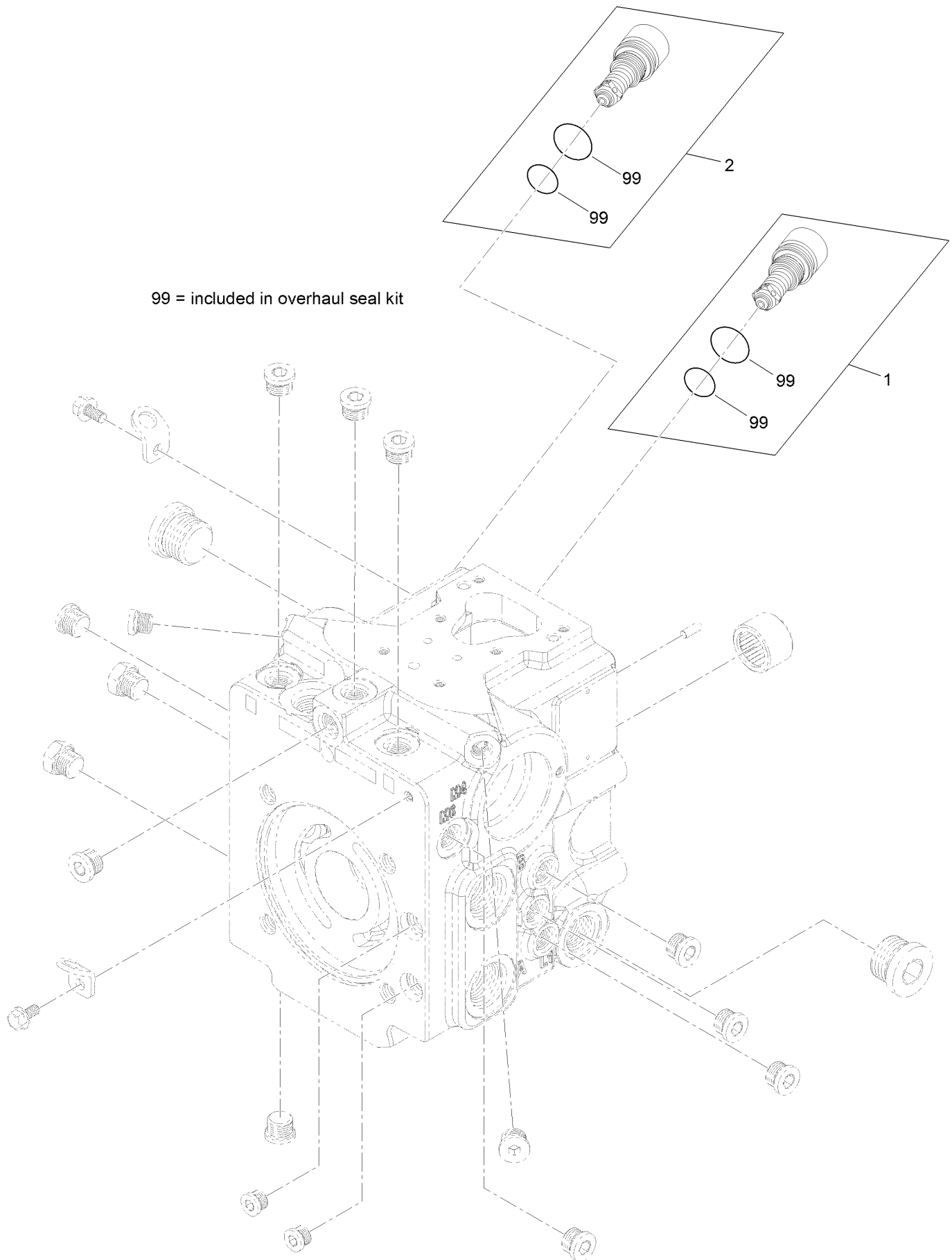
Rear Hydraulic Pump Assembly No. 139-4801



Rear Hydraulic Pump Assembly No. 139-4801 (continued)

<i>Ref.</i>	<i>Part Number</i>	<i>Qty.</i>	<i>Description</i>	<i>Ref.</i>	<i>Part Number</i>	<i>Qty.</i>	<i>Description</i>
1	139-4825	1	Servo Cylinder ASM	7	139-4827	1	Ring-Pump, Charge
2	139-4825	1	Servo Cylinder ASM	8	139-4818	1	Coupling
3	139-4826	1	Servo Piston ASM	9	136-4397	1	Charge Relief Kit
4	139-4822	1	Adapter ASM	10	125-5298	1	O-Ring
5	125-5282	4	Screw	11	92-1353	1	Shim Kit
6	139-4816	1	Gerotor	99	139-4828	1	Seal Kit

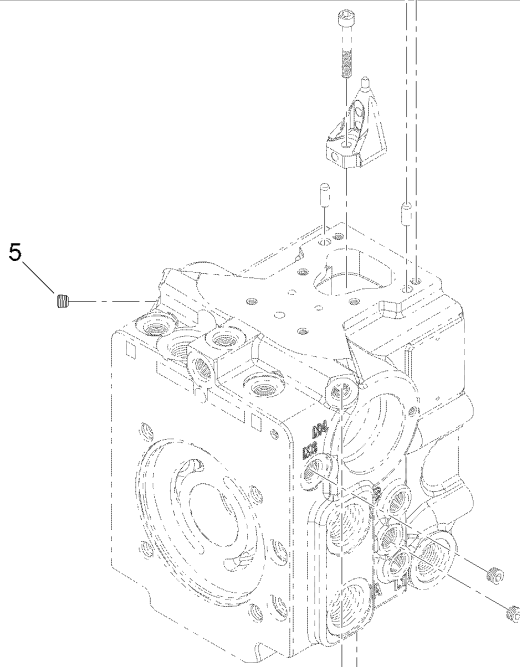
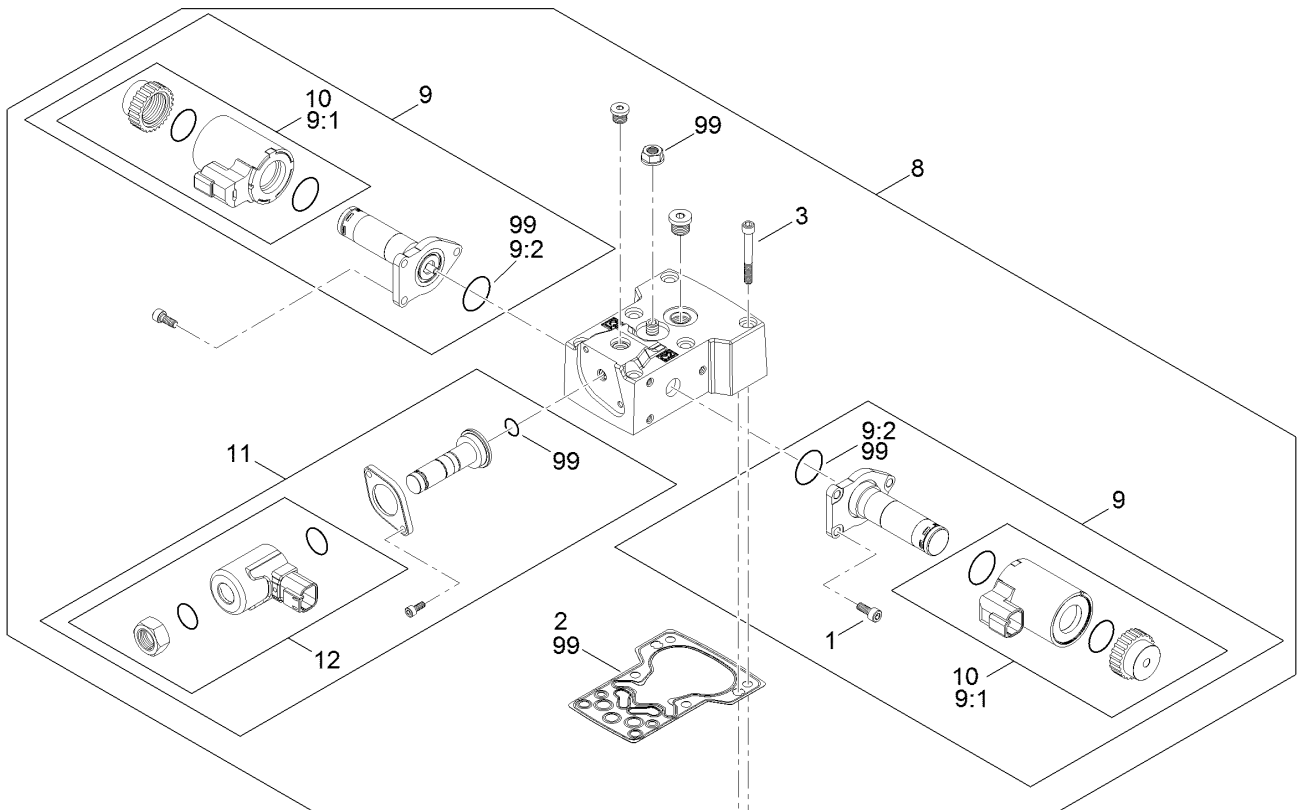
Rear Hydraulic Pump Assembly No. 139-4801



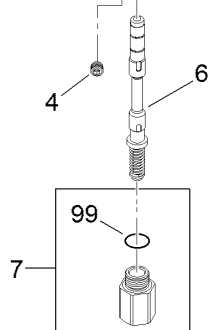
Rear Hydraulic Pump Assembly No. 139-4801 (continued)

<i>Ref.</i>	<i>Part Number</i>	<i>Qty.</i>	<i>Description</i>
1	136-4392	1	Valve-Relief, High Pressure
2	136-4392	1	Valve-Relief, High Pressure
99	139-4828	1	Seal Kit

Rear Hydraulic Pump Assembly No. 139-4801



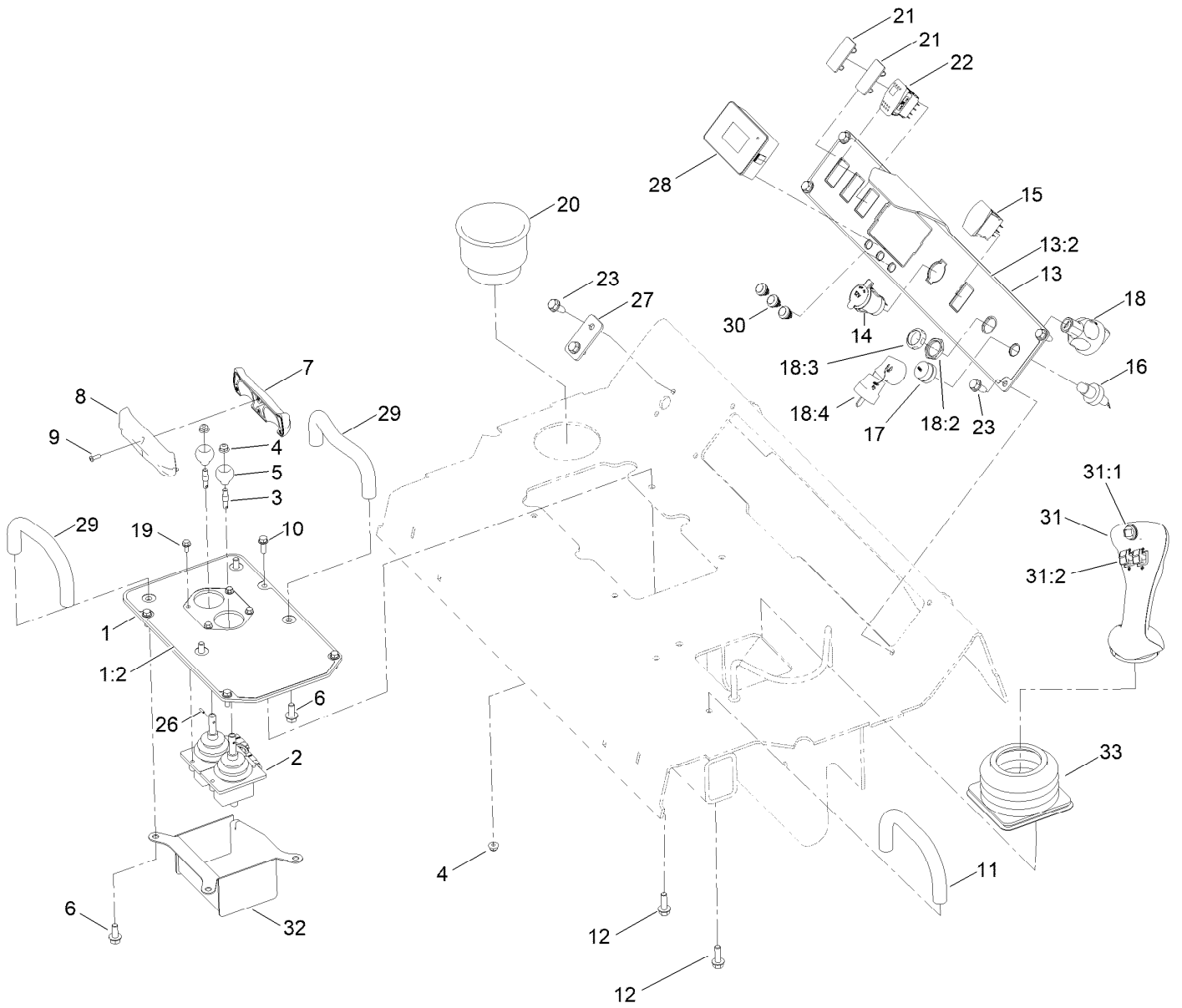
99 = included in overhaul seal kit



Rear Hydraulic Pump Assembly No. 139-4801 (continued)

<i>Ref.</i>	<i>Part Number</i>	<i>Qty.</i>	<i>Description</i>	<i>Ref.</i>	<i>Part Number</i>	<i>Qty.</i>	<i>Description</i>
1	125-5272	6	Screw	9	131-7636	2	Solenoid Valve ASM
2	125-5283	1	Gasket-Control	9:1	125-5294	1	Coil Kit
3	125-5274	6	Screw	9:2	125-5288	1	O-Ring
4	139-4824	1	Orifice	10	125-5294	2	Coil Kit
5	139-4824	1	Orifice	11	139-4808	1	Valve-Solenoid
6	139-4807	1	Spool ASM	12	139-4809	1	Coil Kit
7	139-4805	1	Plug ASM	99	139-4828	1	Seal Kit
8	139-4810	1	E D C Kit				

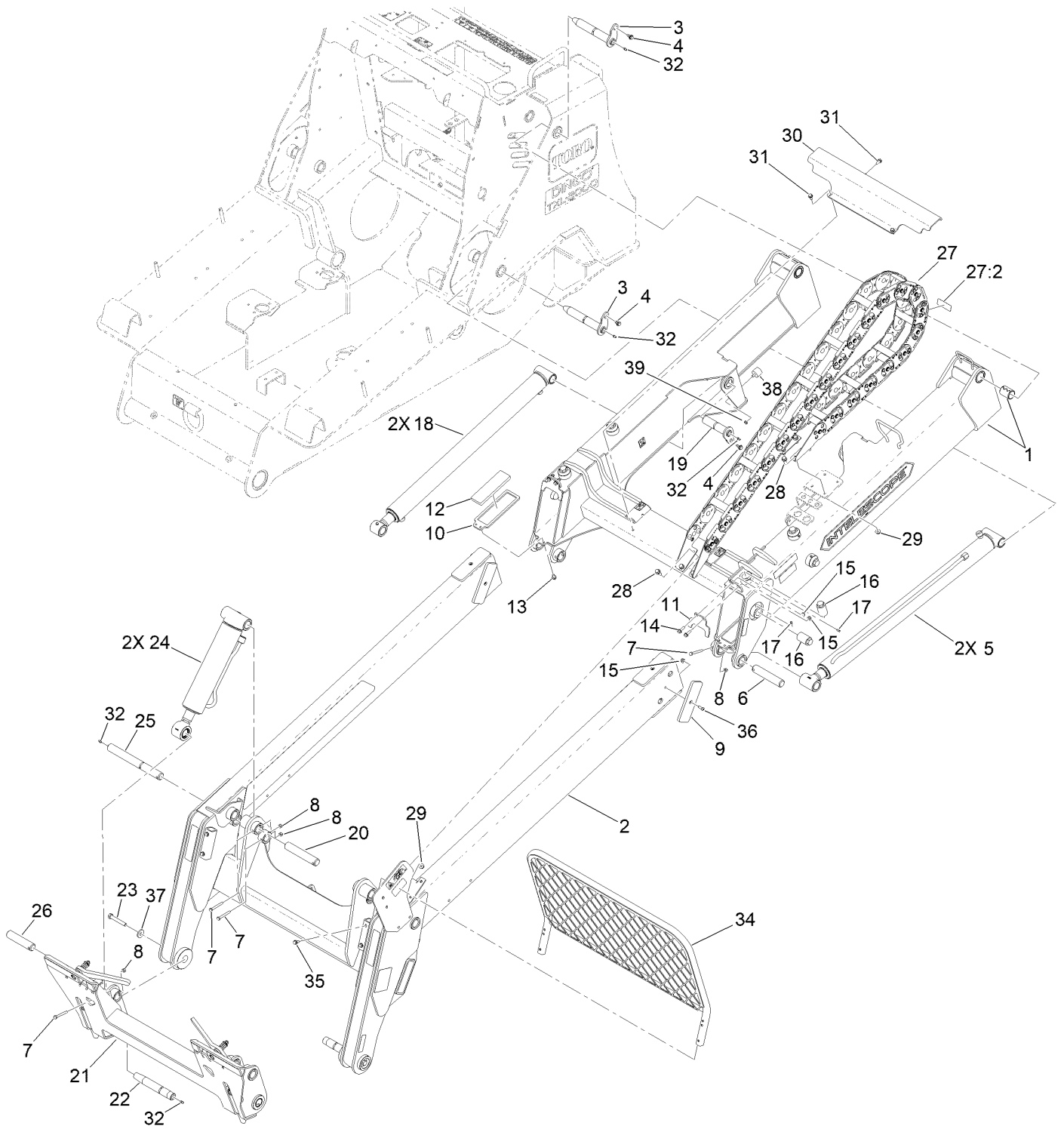
Control Console Assembly



Control Console Assembly (continued)

<i>Ref.</i>	<i>Part Number</i>	<i>Qty.</i>	<i>Description</i>	<i>Ref.</i>	<i>Part Number</i>	<i>Qty.</i>	<i>Description</i>
1	138-4729	1	Plate-Controls, Traction	18	121-5159	1	Switch-Ignition
1:2	137-5420	1	Decal-Traction	18:2	121-5160	1	Nut-Hex
2	136-4784	2	Lever-Control	18:3	121-5161	1	Nut-Face
3	137-0431	2	Shaft-Handle	18:4	121-5162	1	Set-Key, Ignition
4	104-7201	6	Nut-HF, NI	19	120-4579	4	Screw-HHF
5	130-7723	2	Ball-Traction	20	AU8EO24121	1	Cup-Holder
6	3234-5	4	Screw-HHF	21	99-7420	2	Plug-Hole
7	139-1166	1	Handle-Front	22	100-8072	1	Switch-Rocker, On-None-(On)
8	139-1167	1	Handle-Rear	23	32104-32	6	Screw-HWH
9	94-6961	4	Screw	26	137-0432	2	Pin-Roll
10	115-5103	4	Screw-HHF	27	137-0439-01	1	Plate-Blank
11	112-2620	1	Bar-Reference	28	122-1201	1	Module-Display
12	3234-17	2	Screw-HHF	29	138-4693	2	Bar-Reference
13	139-5745	1	Plate-Controls, Main	30	136-9678	3	Switch-Pushbutton
13:2	139-5744	1	Decal-Controls	31	139-4853	1	Handle-Joystick,
14	126-6499	1	Port-Power, 12V	31:1	163-4296	1	Switch-Rocker
15	100-1535	1	Switch-Rocker, (On)-Off-(On)	31:2	163-4297	2	Switch-Slider
16	112-3324	1	Switch-Horn	32	138-2294-03	1	Cover-Valve [black]
17	112-3313	1	Nut-Weatherproof	33	140-1662	1	Boot

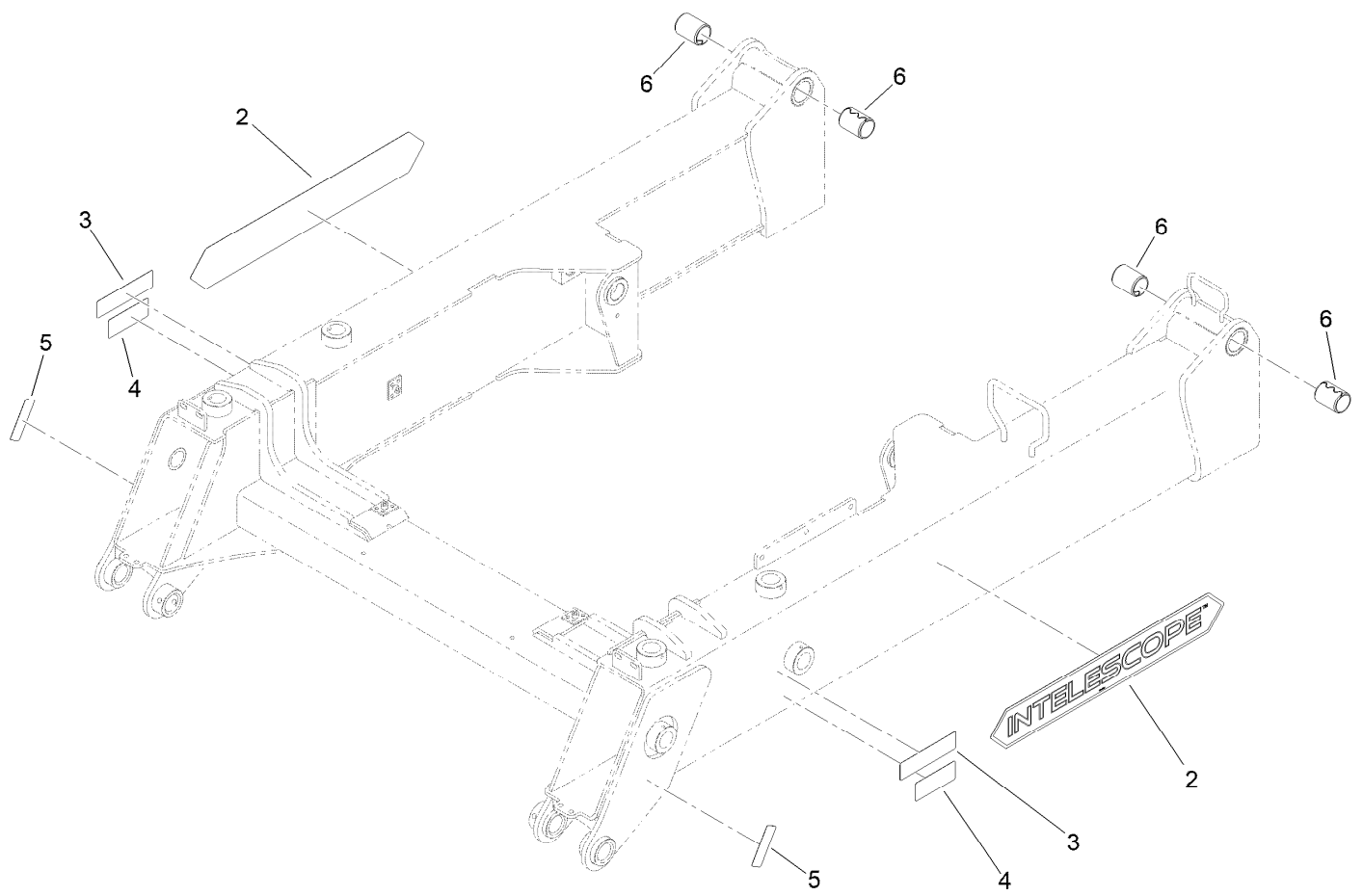
Loader Arm Assembly



Loader Arm Assembly (continued)

<i>Ref.</i>	<i>Part Number</i>	<i>Qty.</i>	<i>Description</i>	<i>Ref.</i>	<i>Part Number</i>	<i>Qty.</i>	<i>Description</i>
1	138-4730	1	Upper Loader Arm ASM	21	132-8468	1	Qtach ASM
2	138-4731	1	Lower Loader Arm ASM	22	139-5731	2	Pin-Link, Taper
3	137-0132	4	Pivot Pin ASM	23	112-7264	2	Screw-HH
4	99-5105	6	Screw-Shoulder	24	139-5717	2	CYL-HYD
5	139-5718	2	CYL-HYD	25	132-8445	2	Pin-Link
6	139-7121	2	Pin-Link	26	139-5739	2	Pin-Link
7	322-12	8	Screw-HH	27	138-4733	1	Carrier-Hose
8	3296-29	8	Nut-Lock, NI	27:2	120-0625	1	Decal-Warning
9	137-5443	8	Strip-Slide, Snap	28	3234-11	8	Screw-HHF
10	137-0096-03	2	Retainer-Pad	29	104-8301	8	Nut-HF, NI
11	132-1681-03	2	Retainer-Wear,Pad,Left	30	137-0137-03	1	Plate-Guard
12	132-8480	2	Strip-Slide,Lower	31	32104-32	4	Screw-HWH
13	32144-14	4	Screw-HWHTF	32	302-5	10	Fitting-Grease
14	3234-29	4	Screw-HHF	34	139-1195-03	1	Screen-Debris
15	104-8300	12	Nut-HF, NI	35	3234-5	4	Screw-HHF
16	132-8479	8	Screw-Slide, Adjustment	36	3274-32	8	Screw-HSBH
17	126-3824	8	Screw-Set, SQH	37	110-6147	2	Washer-Flat
18	139-5719	2	CYL-HYD	38	137-4803	2	Bumper-Rubber
19	137-0134	2	Flag Pin ASM	39	3296-47	2	Nut-Lock,NI
20	132-8429	2	Pin-Link				

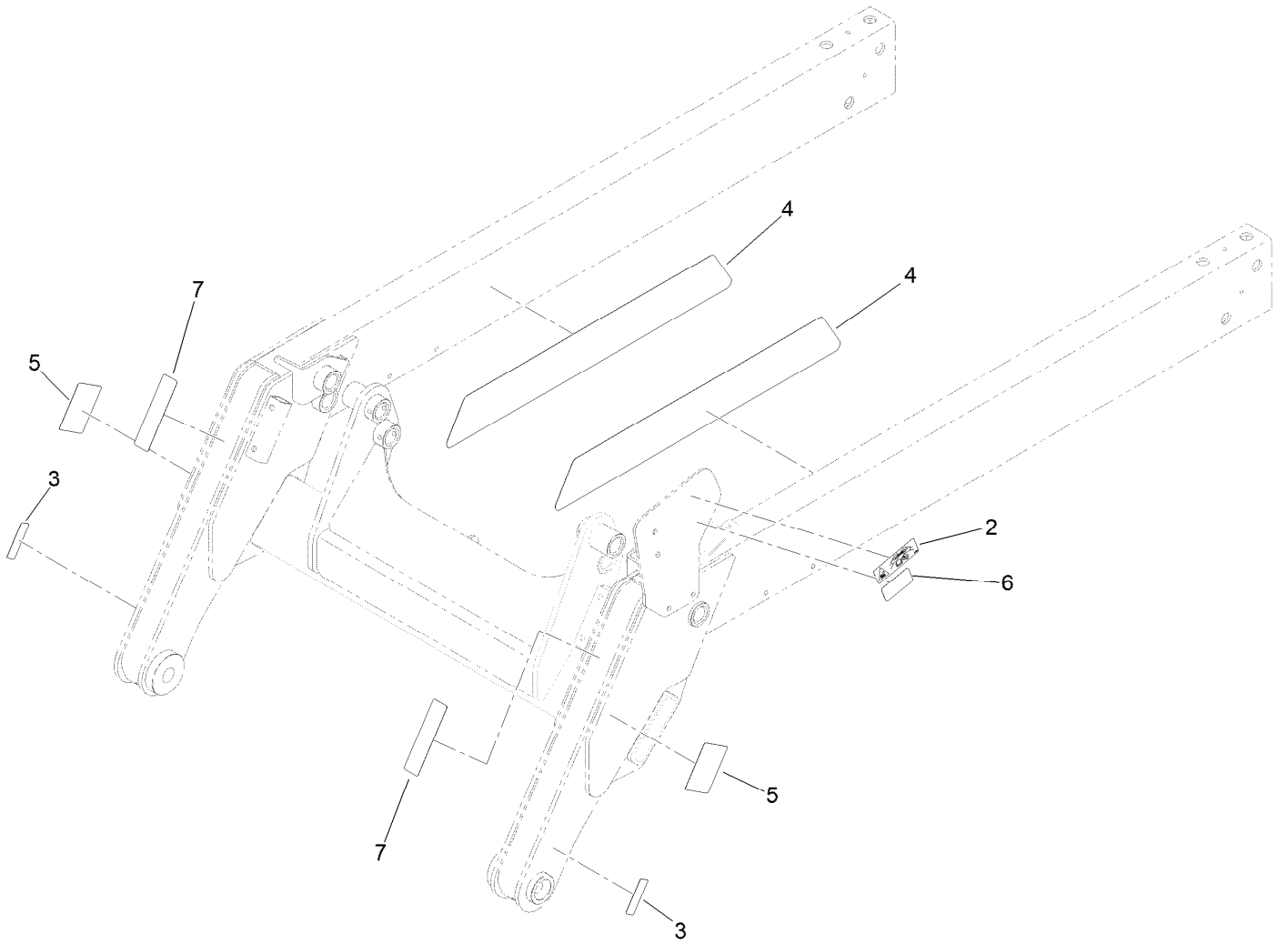
Upper Loader Arm Assembly No. 138-4730



Upper Loader Arm Assembly No. 138-4730 (continued)

<i>Ref.</i>	<i>Part Number</i>	<i>Qty.</i>	<i>Description</i>	<i>Ref.</i>	<i>Part Number</i>	<i>Qty.</i>	<i>Description</i>
2	139-5711	2	Decal-Intelescope	5	120-0625	2	Decal-Warning
3	139-1158	2	Decal-Warning	6	137-0126	4	Bushing-Spring
4	139-1159	2	Decal-Warning				

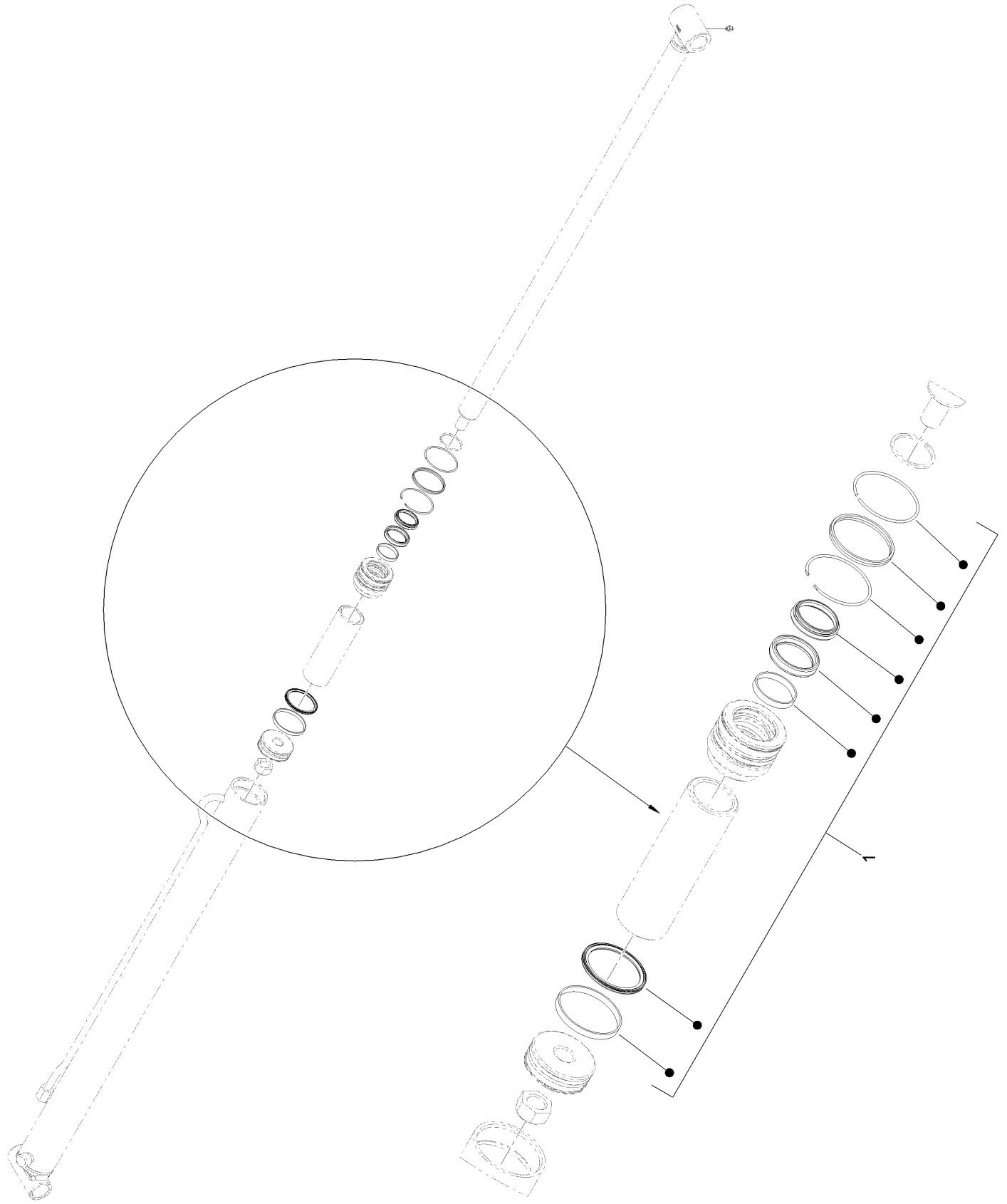
Lower Loader Arm Assembly No. 138-4731



Lower Loader Arm Assembly No. 138-4731 (continued)

<i>Ref.</i>	<i>Part Number</i>	<i>Qty.</i>	<i>Description</i>	<i>Ref.</i>	<i>Part Number</i>	<i>Qty.</i>	<i>Description</i>
2	115-4855	1	Decal-Caution	5	139-1164	2	Decal-Warning
3	120-0625	2	Decal-Warning	6	139-1173	1	Decal-Warning
4	137-5409	2	Decal-Extension	7	131-9290	2	Tape-Reflective

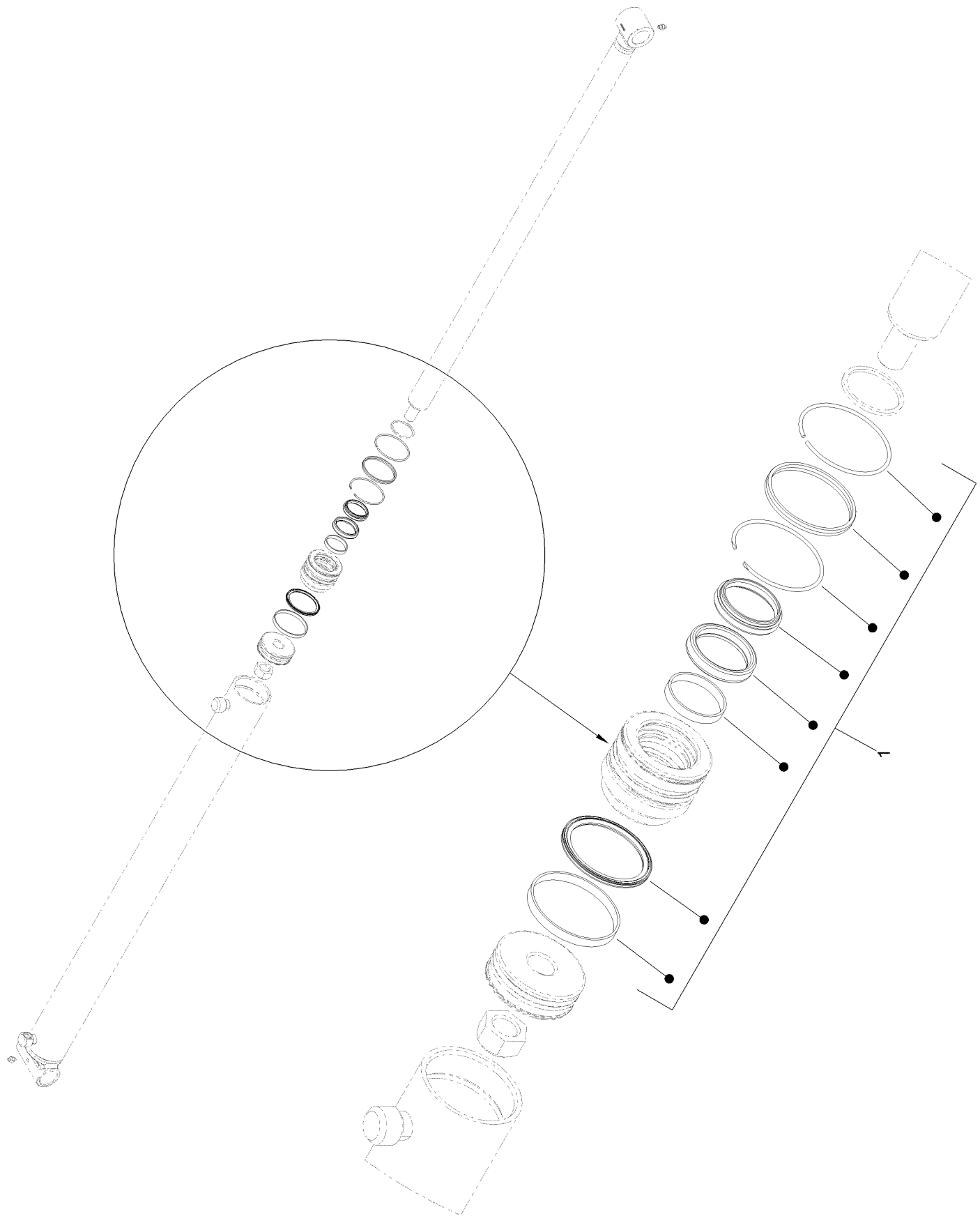
Hydraulic Cylinder Assembly No. 139-5718



Hydraulic Cylinder Assembly No. 139-5718 (continued)

<i>Ref.</i>	<i>Part Number</i>	<i>Qty.</i>	<i>Description</i>
1	163-8749	1	Hydraulic Cylinder Seal Kit

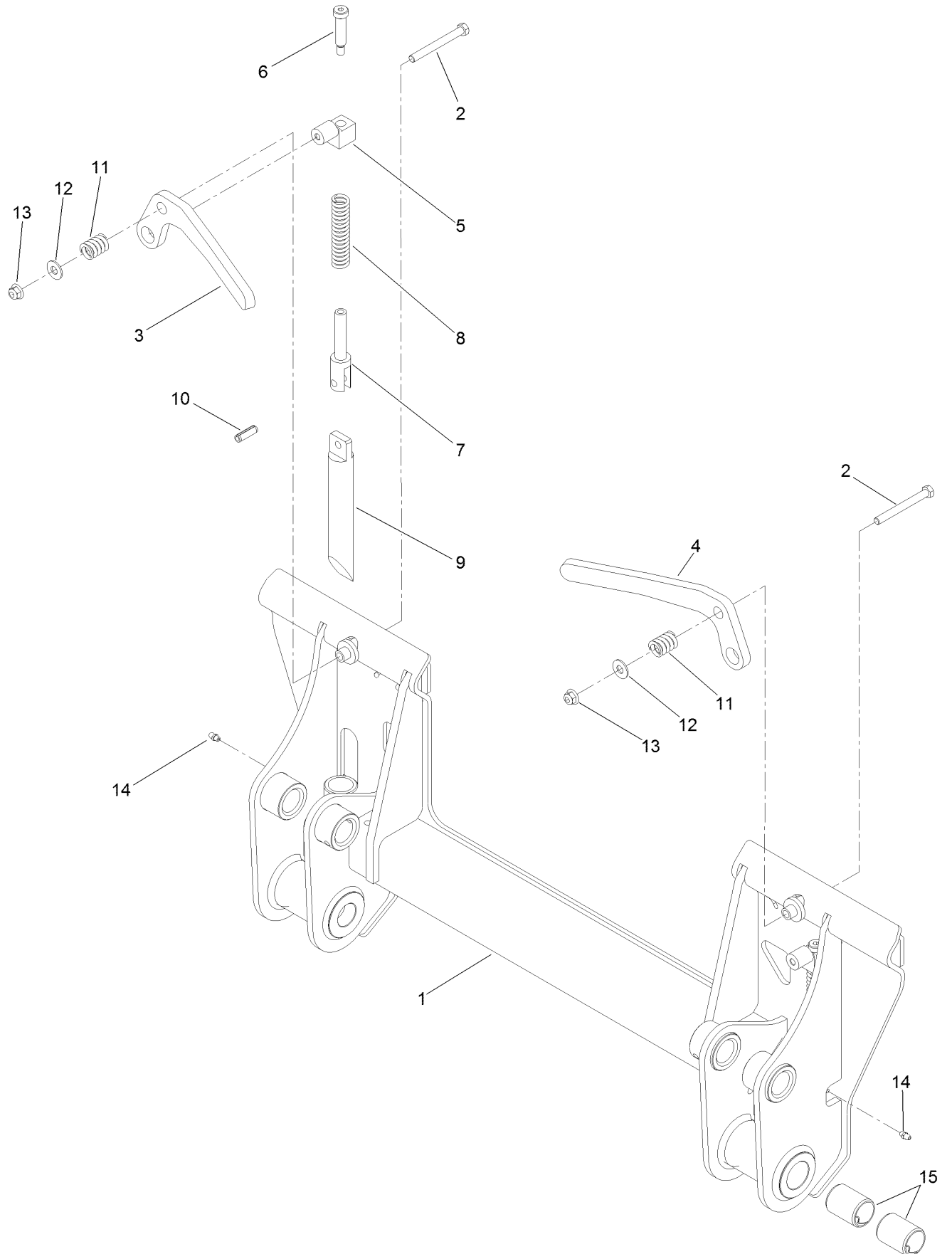
Hydraulic Cylinder Assembly No. 139-5719



Hydraulic Cylinder Assembly No. 139-5719 (continued)

<i>Ref.</i>	<i>Part Number</i>	<i>Qty.</i>	<i>Description</i>
1	163-8749	1	Hydraulic Cylinder Seal Kit

Qtach Assembly No. 132-8468

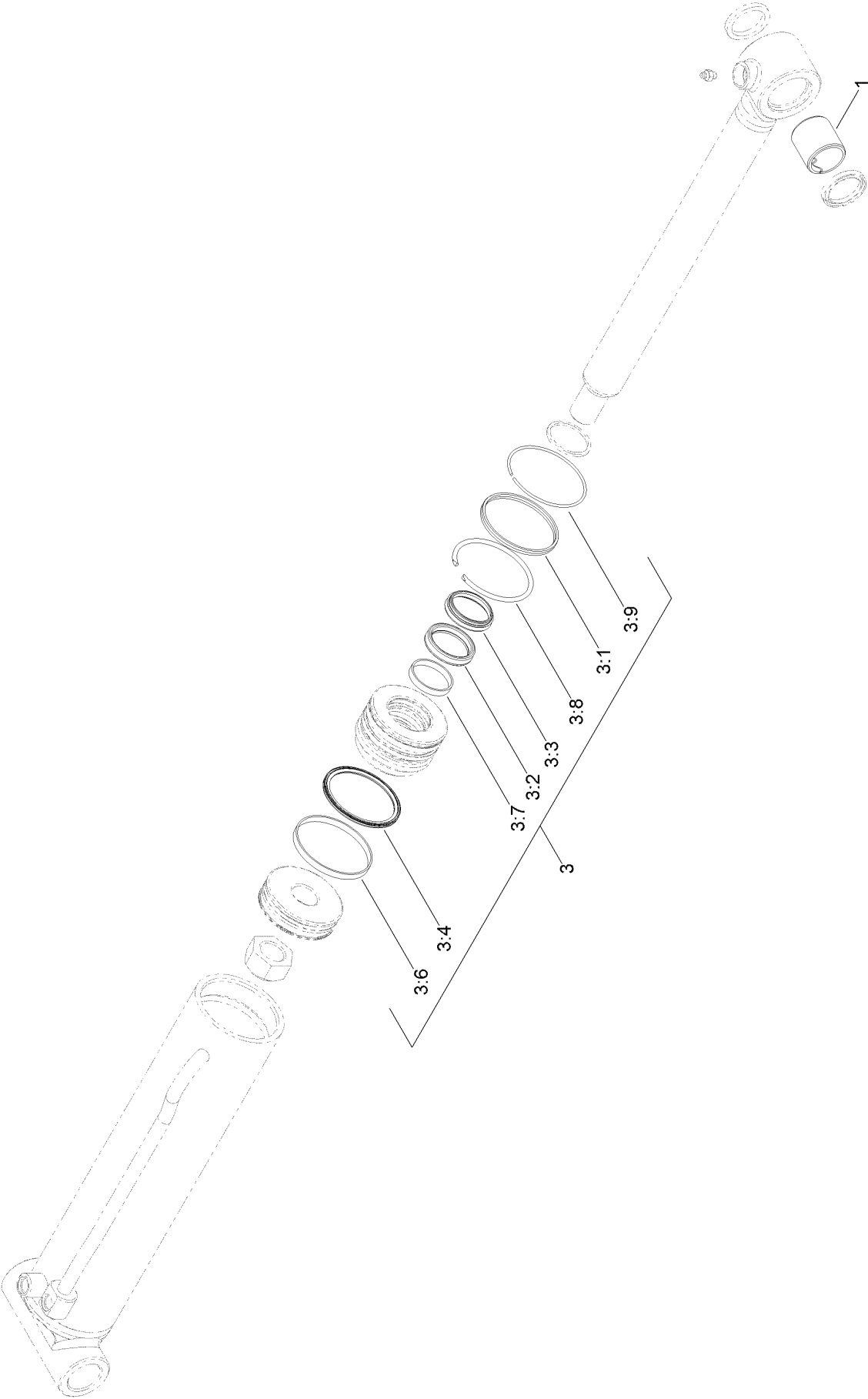


Qtach Assembly No. 132-8468 (continued)

<i>Ref.</i>	<i>Part Number</i>	<i>Qty.</i>	<i>Description</i>
1	132-8459-03	1	Mount-Qtach
2	323-15	2	Screw-HH
3	132-8460-03	1	Handle-Left
4	132-8461-03	1	Handle-Right
5	133-9419	2	Block-Stop
6	1-809062	2	Screw
7	132-8462	2	Link-Handle
8	1-633454	2	Spring-Brake

<i>Ref.</i>	<i>Part Number</i>	<i>Qty.</i>	<i>Description</i>
9	132-8467	2	Pin-Qtach
10	32121-42	2	Pin-Roll
11	95-0772	2	Spring-Compression
12	3256-4	2	Washer-Flat
13	104-8301	2	Nut-HF, NI
14	302-5	2	Fitting-Grease
15	137-0126	4	Bushing-Spring

Hydraulic Cylinder Assembly No. 139-5717

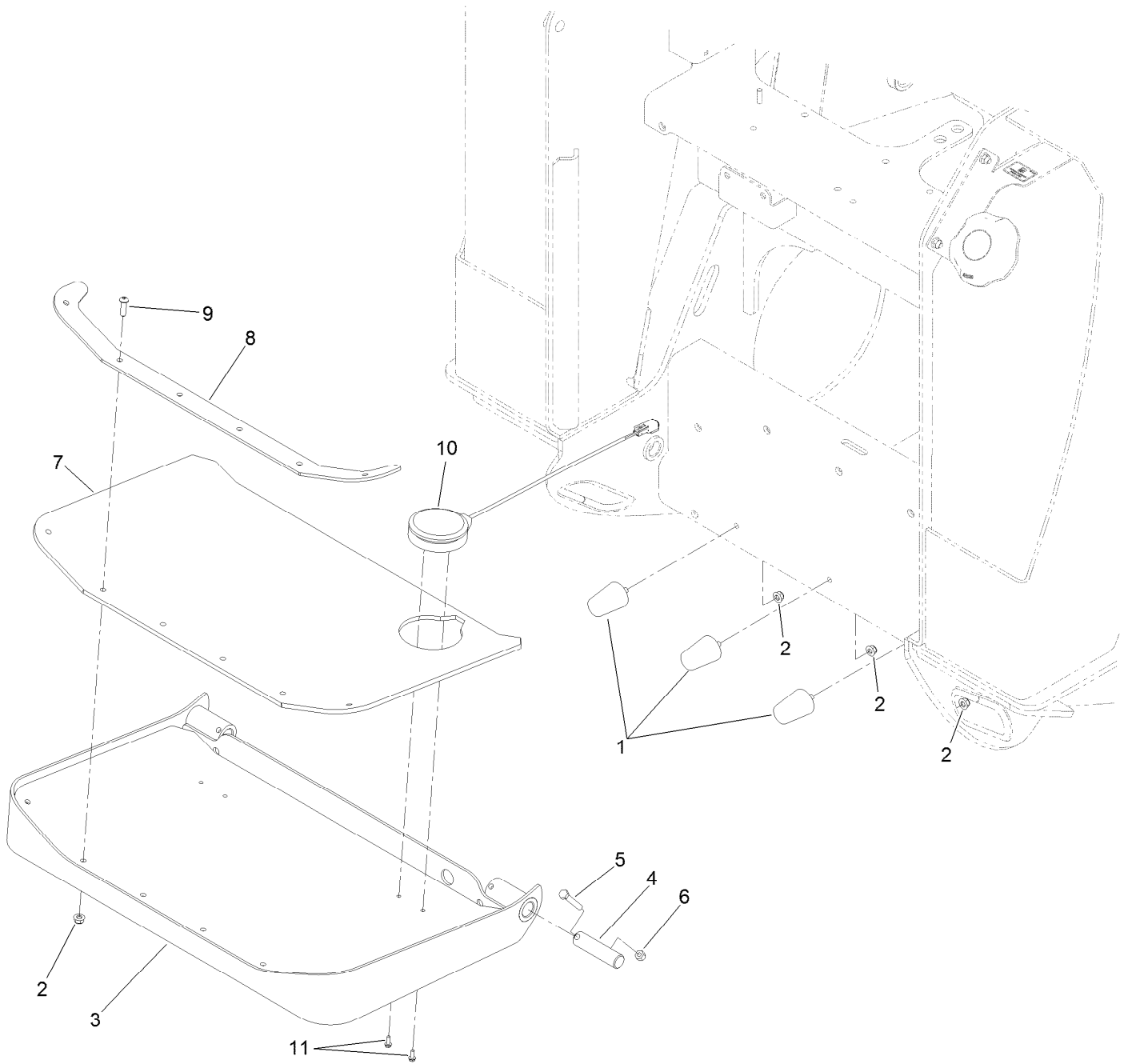


Hydraulic Cylinder Assembly No. 139-5717 (continued)

<i>Ref.</i>	<i>Part Number</i>	<i>Qty.</i>	<i>Description</i>	<i>Ref.</i>	<i>Part Number</i>	<i>Qty.</i>	<i>Description</i>
1	139-5737	1	Bushing-Spring	3:4		1	Seal-Piston ●
3	137-5209	1	Seal Repair Kit	3:6		1	Ring-Wear, Piston ●
3:1		1	Seal-Dual ●	3:7		1	Ring-Wear, Rod ●
3:2		1	Seal-Rod ●	3:8		1	Ring-Retaining, Internal ●
3:3		1	Wiper-Rod ●	3:9		1	Ring-Retaining, External ●

● Not serviced separately

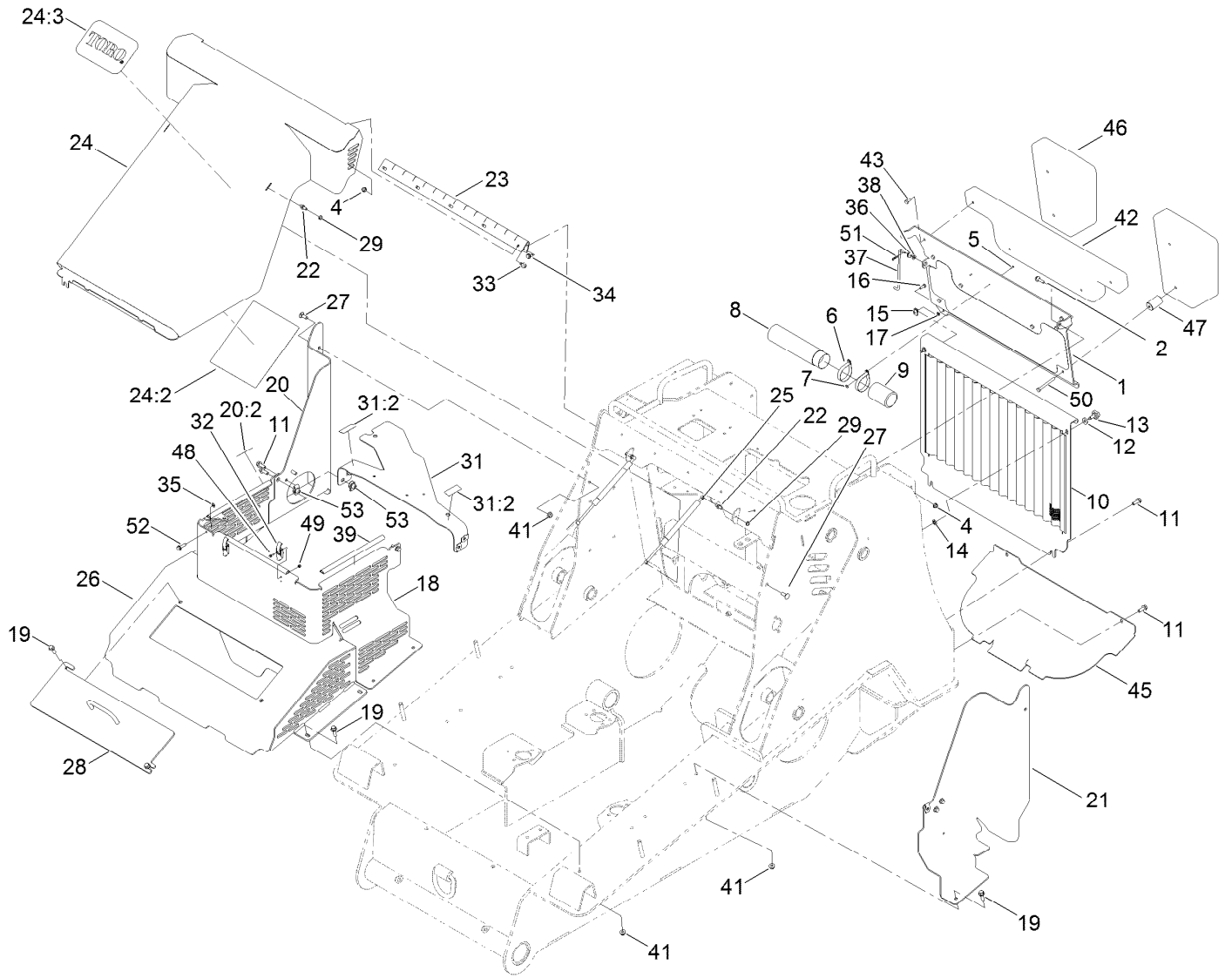
Platform Assembly



Platform Assembly (continued)

<i>Ref.</i>	<i>Part Number</i>	<i>Qty.</i>	<i>Description</i>	<i>Ref.</i>	<i>Part Number</i>	<i>Qty.</i>	<i>Description</i>
1	110-5070	3	Bumper	7	138-4674	1	Pad-Platform
2	104-8300	9	Nut-HF, NI	8	138-4677-03	1	Bracket-Clamp, Platform
3	138-4672-03	1	Platform	9	109-4872	6	Screw-HSH
4	125-3749	2	Pin-Cylinder	10	136-4752	1	Switch-Foot
5	322-10	2	Screw-HH	11	32144-1	2	Screw-Taptite
6	3296-29	2	Nut-Lock, NI				

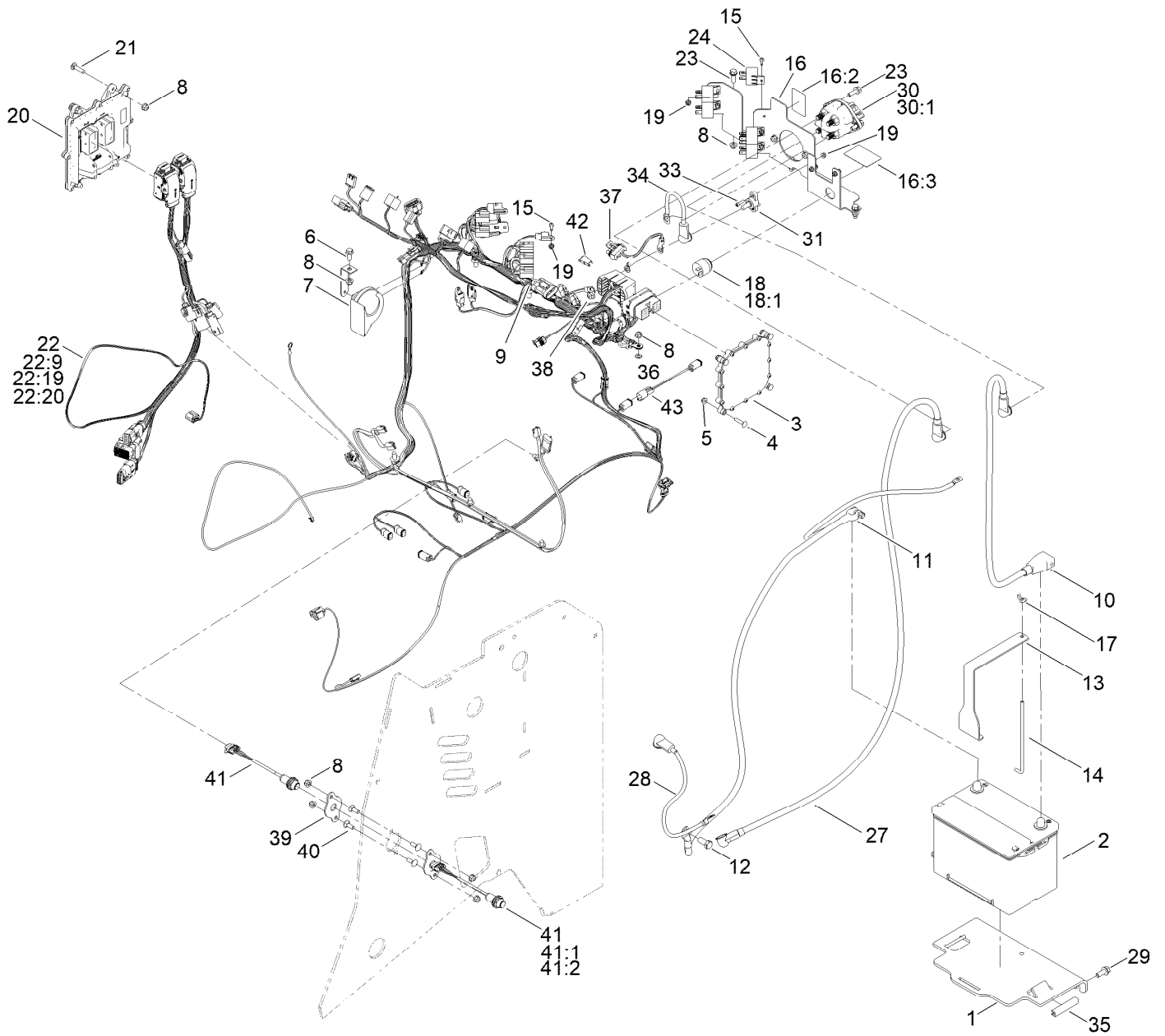
Hood and Access Panel Assembly



Hood and Access Panel Assembly (continued)

<i>Ref.</i>	<i>Part Number</i>	<i>Qty.</i>	<i>Description</i>	<i>Ref.</i>	<i>Part Number</i>	<i>Qty.</i>	<i>Description</i>
1	136-4854-03	1	Panel-Rear	26	138-2409-03	1	Front Cover ASM
2	108-3744	2	Screw-Shoulder	27	3231-2	2	Bolt-CARR
4	104-8300	7	Nut-HF, NI	28	137-0440-03	1	Cover Plate ASM
5	3269-17	2	Rivet-Pop	29	3296-47	4	Nut-Lock,NI
6	2412-120	2	Clamp-R	31	140-4456	1	Bracket-Air Cleaner
7	3269-10	2	Washer-Back	31:2	115-2047	2	Decal-Surface, Hot
8	104-7050	1	Tube-Manual	32	105-3912	2	Latch-Draw
9	104-7048	1	Cap-Housing	33	3234-5	5	Screw-HHF
10	133-9353-03	1	Cover-Rear	34	32104-32	5	Screw-HWH
11	3234-11	10	Screw-HHF	35	109-5667	1	Nut-Push
12	106-0565	2	Washer-Rubber	36	237-141	1	Grommet-Rubber
13	95-9648	2	Knob	37	137-5350	1	Rod-Prop
14	107-3154	2	Nut-Push	38	3256-22	1	Washer-Flat
15	107069	1	Clip	39	137-0393	3	Liner-Foam
16	321-4	1	Screw-HH	41	104-8301	12	Nut-HF, NI
17	1-803037	1	Nut-Retaining	42	137-0405	1	Cushion-Pad
18	139-7063-03	1	Grill-Panel	43	322-3	4	Screw-HH
19	3234-24	12	Screw-HHF	45	132-8485-01	1	Cover-Access, Bottom
20	140-4455	1	Cover-Grille, RH	46	137-0536	2	Pad-Rear
20:2	115-2047	1	Decal-Surface, Hot	47	138-2318	4	Spacer-Pad
21	139-7065-03	1	Panel-Side, LH	48	112-3169	4	Screw-HHF, Serrated
22	103-5752	4	Stud-Ball	49	3296-1	4	Nut-Lock
23	137-0378	1	Hinge-Piano	50	322-14	4	Screw-HH
24	138-4736	1	Hood ASM	51	3290-307	1	Pin-Cotter
24:2	137-5419	1	Decal-Service	52	32144-49	1	Screw-HWHTF
24:3	92-1242	1	Decal	53	105-4886	6	Nut-Tinnerman
25	114-5532	2	Cylinder-Gas				

Electrical Assembly

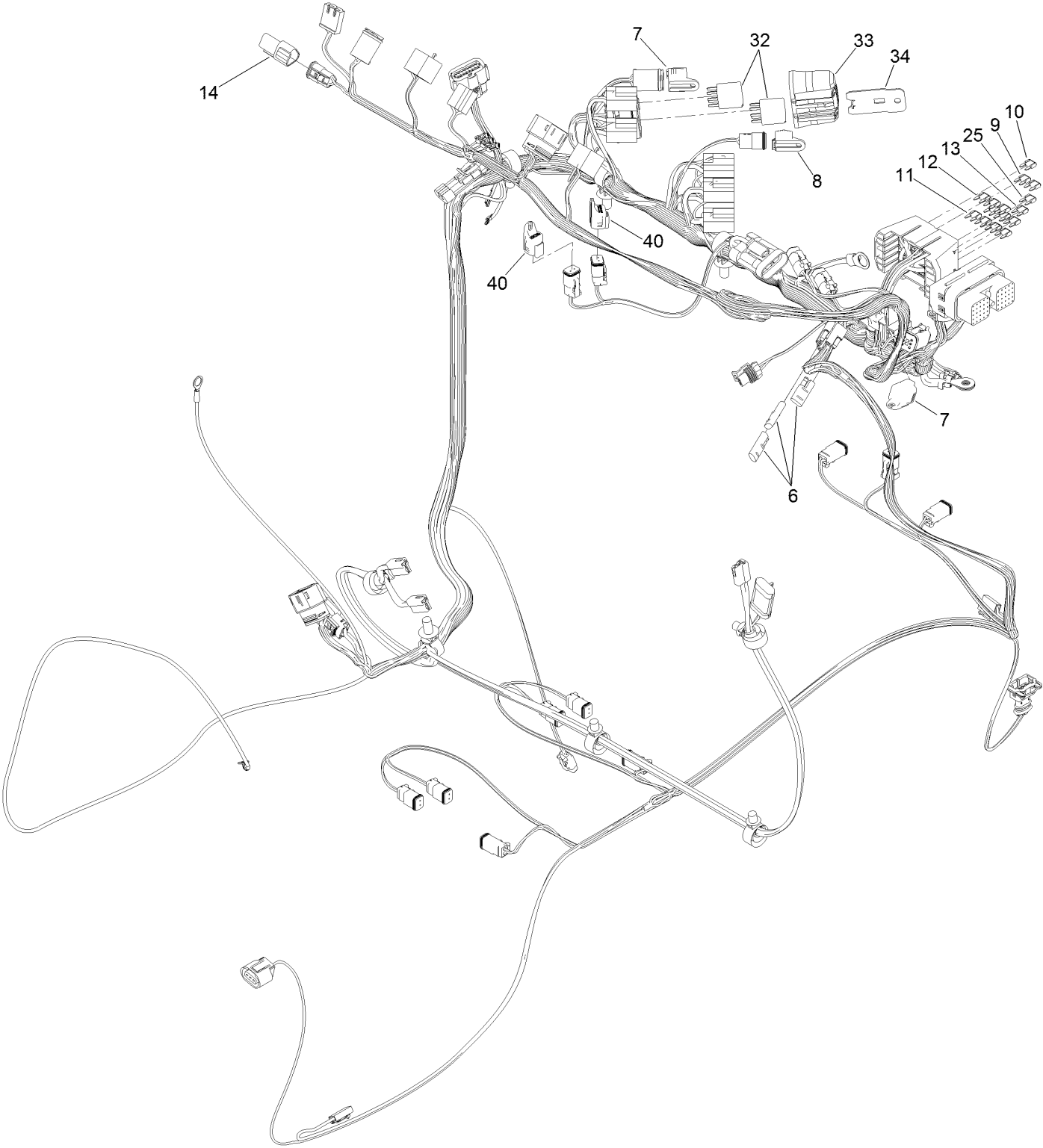


Electrical Assembly (continued)

<i>Ref.</i>	<i>Part Number</i>	<i>Qty.</i>	<i>Description</i>	<i>Ref.</i>	<i>Part Number</i>	<i>Qty.</i>	<i>Description</i>
1	137-0374-03	1	Bracket-Battery	22	136-4753	1	Harness-Engine
2	106-5190	1	Battery, 660 CCA W/O Electrolyte	22:9	32180-043	1	Resistor-120 Ohm ●
3	127-2770	1	Controller	22:19	32180-101	2	Cover-Fuse, Single ●
4	3229-3	4	Screw-CARR	22:20	121-8864	2	Fuse-Mini Blade, 5 Amp ●
5	104-7201	4	Nut-HF, NI	23	3234-29	5	Screw-HHF
6	3234-47	1	Screw-HHF	24	99-7435	6	Relay
7	116749	1	Horn	27	136-4754	1	Cable-Battery, Positive
8	104-8300	13	Nut-HF, NI	28	136-4816	1	Cable-Battery, Positive
9	133-6871	1	Harness-Wire	29	3234-11	3	Screw-HHF
10	136-6090	1	Cable-Battery, Positive	30	122-0603	1	Switch-Disconnect
11	136-6091	1	Cable-Battery, Negative	30:1	33006-00	1	Nut-HF
12	AU514-842	1	Screw-HH	31	110-8822	1	Block-Junction
13	133-9422-03	1	Plate-Hold, Battery	33	3274-14	2	Screw-HSH
14	130-5220	1	Rod-Hold Down, Battery	34	137-0525	1	Cable-Battery, Positive
15	3290-126	7	Screw-HWH	35	70-2041	2	Trim - Edge
16	138-4737	1	Bracket-Components, Electrical	36	3255-8	1	Washer-Lock
16:2	137-7164	1	Decal-Power, Battery	37	122-0084	1	Harness-Wire, Fusible Link
16:3	139-1206	1	Decal-Fuses	38	104-8301	1	Nut-HF, NI
17	1-803038	1	Wingnut	39	138-4709	1	Plate-Mount, Sensor
18	80-9330	1	Audio Alarm ASM	40	3230-16	2	Screw-CARR
18:1	104-5107	1	Nut-Plastic, Knurled	41	115-5300	1	Proximity Switch ASM
19	120-4578	9	Nut-HF	41:1	117-3207	2	Nut-Hex
20	136-4739	1	Ecu-Engine	41:2	117-3208	2	Washer-Lock, Internal Tooth
21	3230-3	4	Screw-CARR	42	136-4862	1	Harness-Wire, Fusible Link
				43	136-4868	1	Harness-Wire, Aux Jumper

● Not illustrated

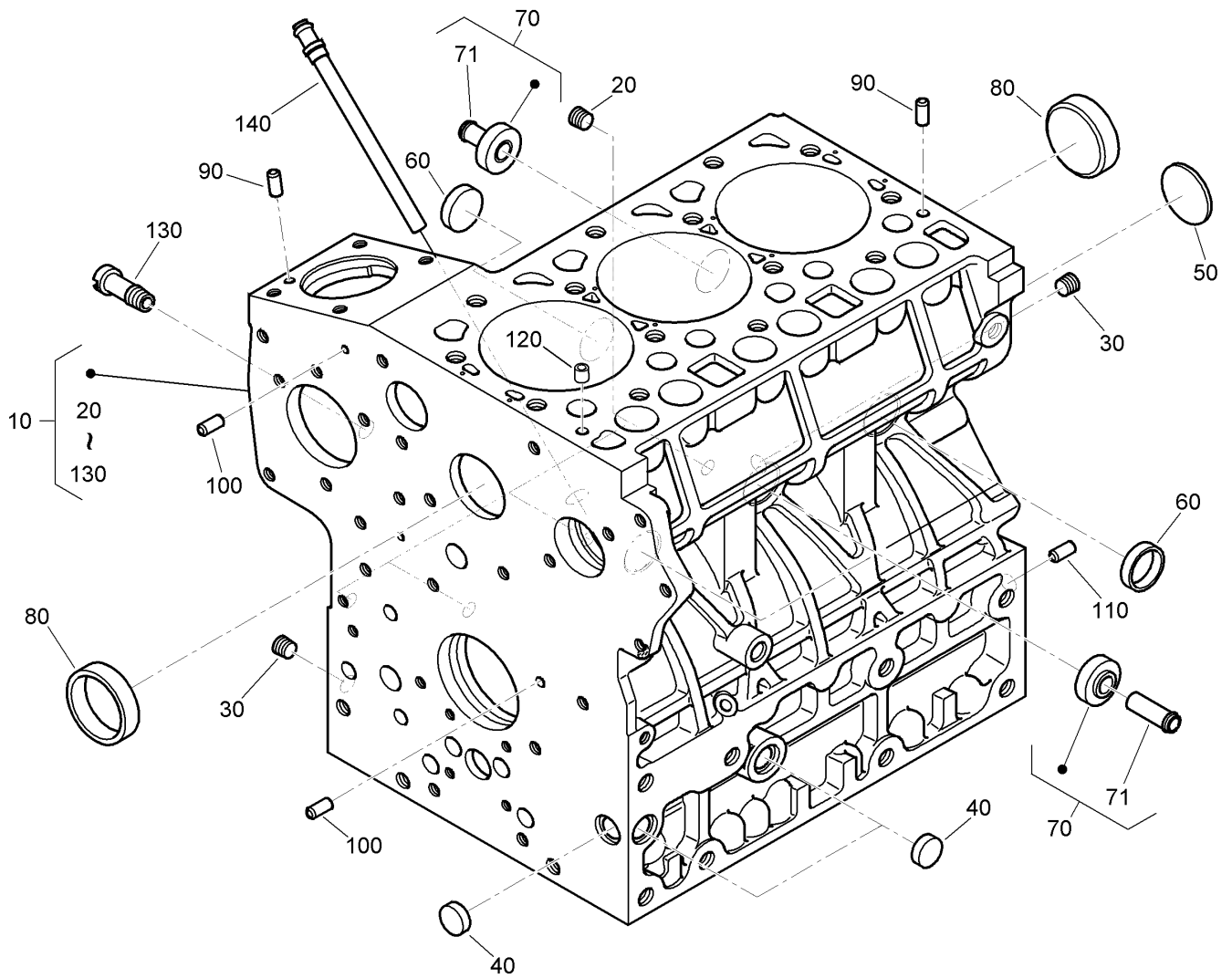
Wire Harness Assembly No. 133-6871



Wire Harness Assembly No. 133-6871 (continued)

<i>Ref.</i>	<i>Part Number</i>	<i>Qty.</i>	<i>Description</i>	<i>Ref.</i>	<i>Part Number</i>	<i>Qty.</i>	<i>Description</i>
6	116-0053	3	Cap-Plug	13	121-8868	1	Fuse-Mini Blade, 20 Amp
7	32180-156	1	Cap-Plug, 6 Way	14	32180-043	1	Resistor-120 Ohm
8	32180-089	1	Cap-Plug, 3 Way	25	121-8869	1	Fuse-Mini Blade, 25 Amp
9	121-8861	2	Fuse-Mini Blade, 2 Amp	32	122-0368	2	Relay-280 ISO
10	121-8864	1	Fuse-Mini Blade, 5 Amp	33	32180-176	1	Cover-Block, Fuse
11	121-8865	4	Fuse-Mini Blade, 7.5 Amp	34	32180-177	1	Clip-Mounting
12	121-8866	6	Fuse-Mini Blade, 10 Amp	40	32180-091	2	Cap-Dust, 2 Way

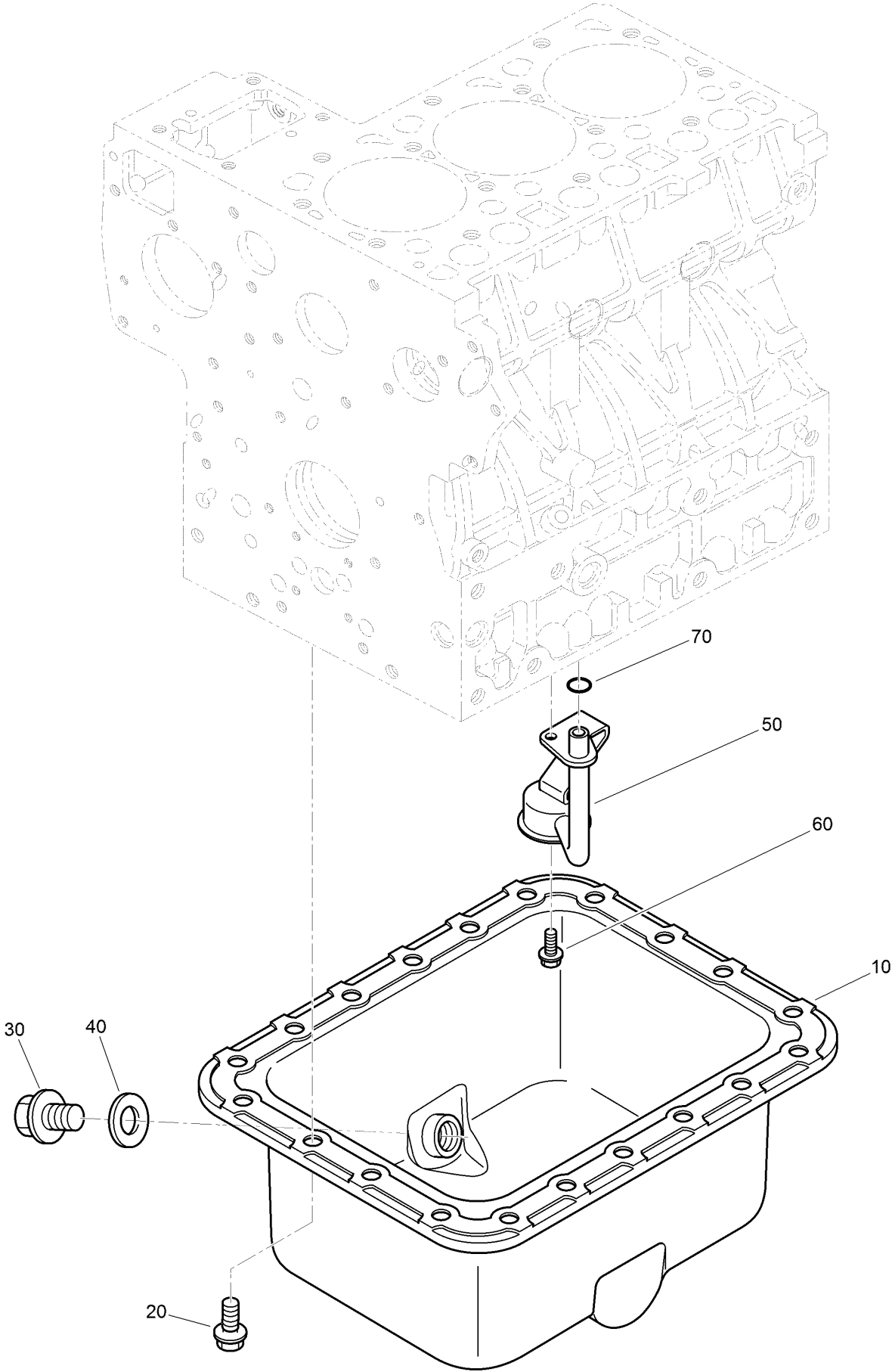
Crankcase Assembly



Crankcase Assembly (continued)

<i>Ref.</i>	<i>Part Number</i>	<i>Qty.</i>	<i>Description</i>	<i>Ref.</i>	<i>Part Number</i>	<i>Qty.</i>	<i>Description</i>
10	139-9772	1	Crankcase	80	98-7501	2	Cap-Sealing
20	98-7487	4	Plug	90	98-7503	2	Pin-Straight
30	98-7488	2	Plug	100	98-7504	2	Pin-Straight
40	98-7489	3	Plug	110	98-7505	1	Pin-Straight
50	98-9668	1	Plug-Expansion	120	98-7506	1	Pin-Pipe
60	98-7500	3	Cap-Sealing	130	100-9153	1	Pipe-Return, Water
70	139-4711	2	Pipe	140	139-9729	1	Pipe-Return, Oil
71	139-9578	2	Pipe-Return, Water				

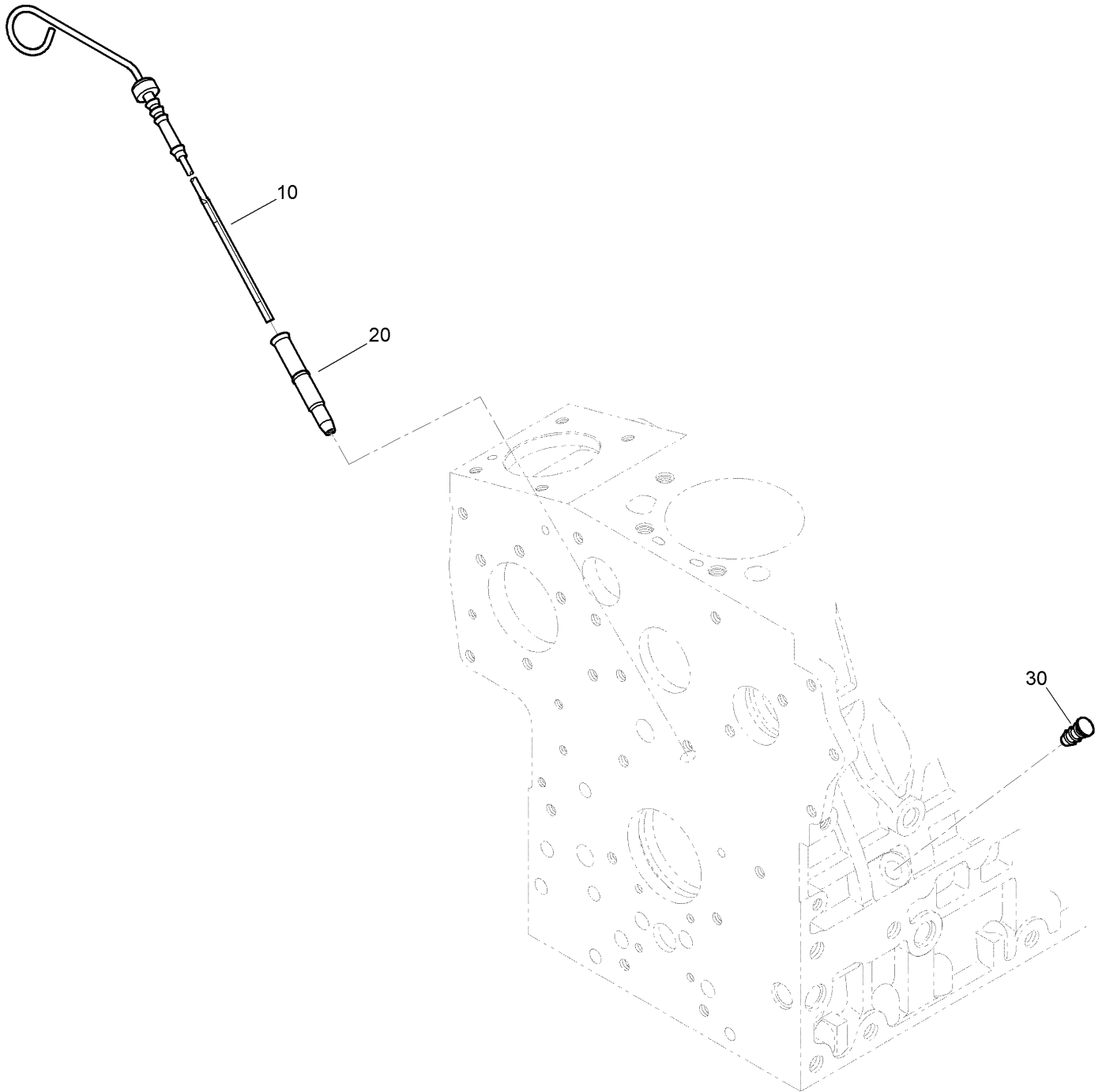
Oil Pan Assembly



Oil Pan Assembly (continued)

<i>Ref.</i>	<i>Part Number</i>	<i>Qty.</i>	<i>Description</i>	<i>Ref.</i>	<i>Part Number</i>	<i>Qty.</i>	<i>Description</i>
10	139-4713	1	Pan-Oil	50	139-9658	1	Filter-Oil
20	139-9663	20	Bolt-Flange	60	115-8504	1	Bolt-Flange
30	114-8151	1	Plug-Drain	70	108-7054	1	O-Ring
40	AU87421317	1	Washer-Seal				

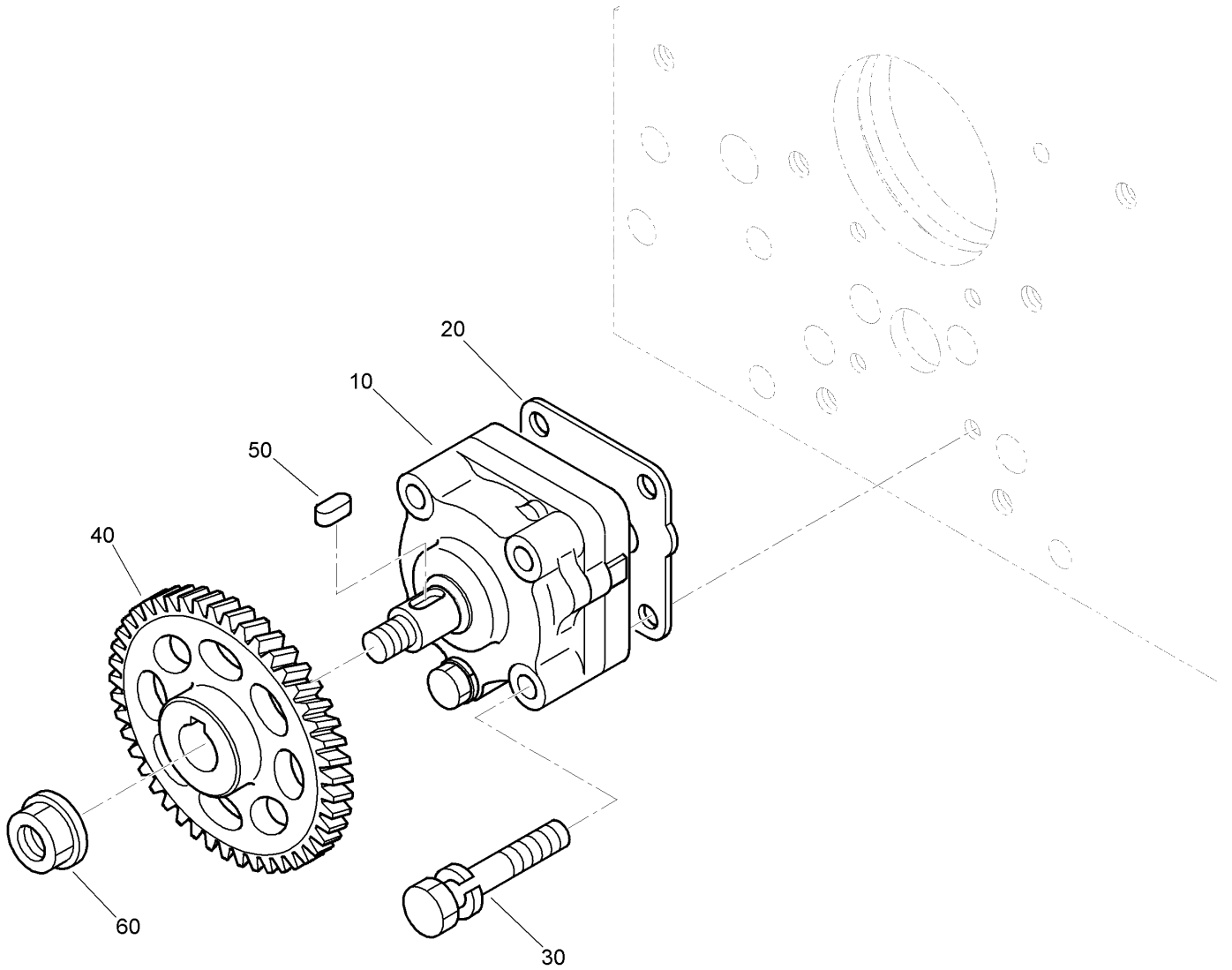
Oil Dipstick and Guide Assembly



Oil Dipstick and Guide Assembly (continued)

<i>Ref.</i>	<i>Part Number</i>	<i>Qty.</i>	<i>Description</i>
10	130-1565	1	Gauge-Oil, Engine
20	105-4580	1	Guide-Gauge, Oil
30	139-9638	1	Plug-Gauge, Oil

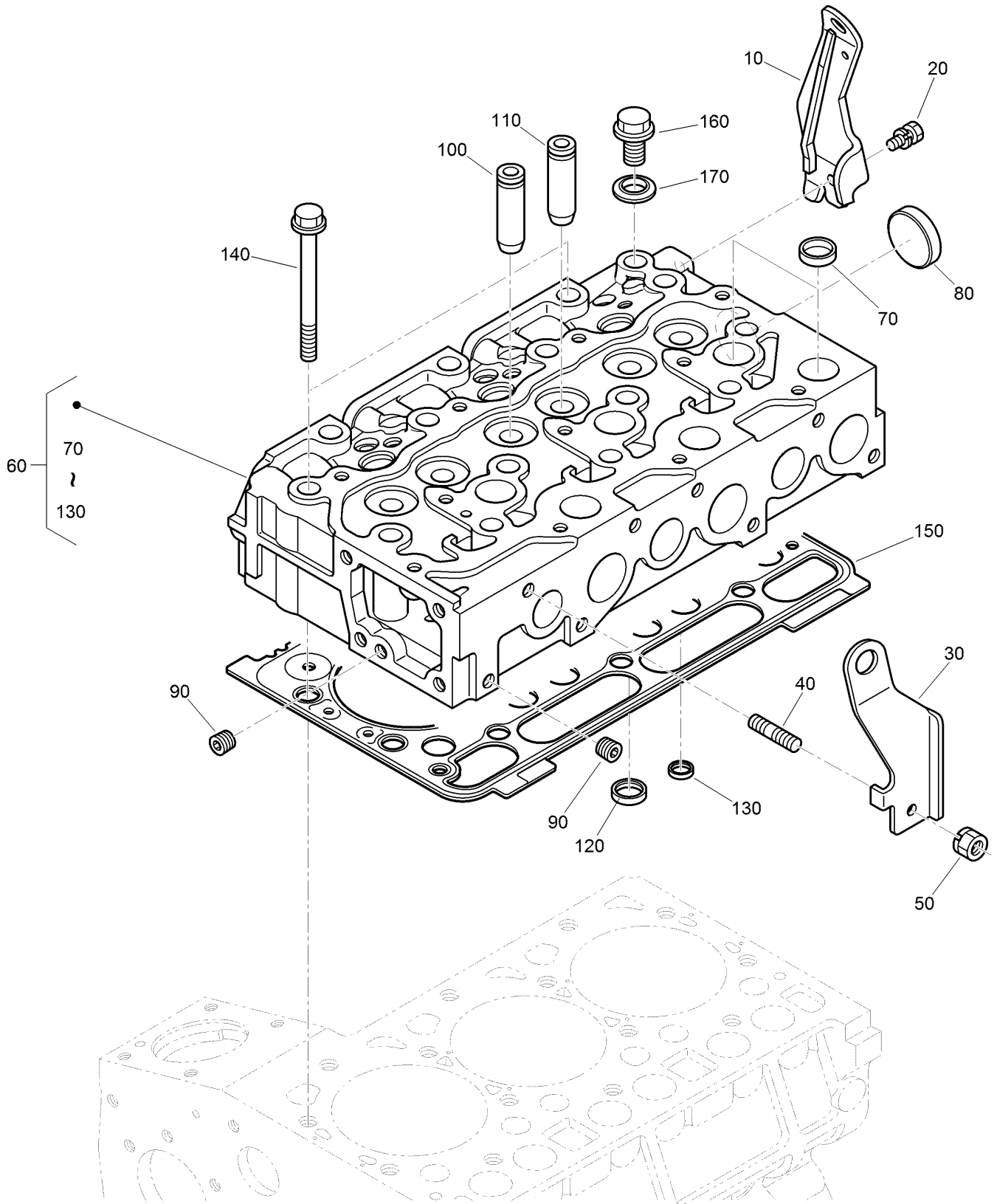
Oil Pump Assembly



Oil Pump Assembly (continued)

<i>Ref.</i>	<i>Part Number</i>	<i>Qty.</i>	<i>Description</i>	<i>Ref.</i>	<i>Part Number</i>	<i>Qty.</i>	<i>Description</i>
10	139-9628	1	Oil-Pump	40	130-1453	1	Gear-Drive, Oil Pump
20	139-9596	1	Gasket-Pump, Oil	50	98-7517	1	Key-Feather
30	125-9063	4	Bolt-Sems	60	139-9528	1	Nut

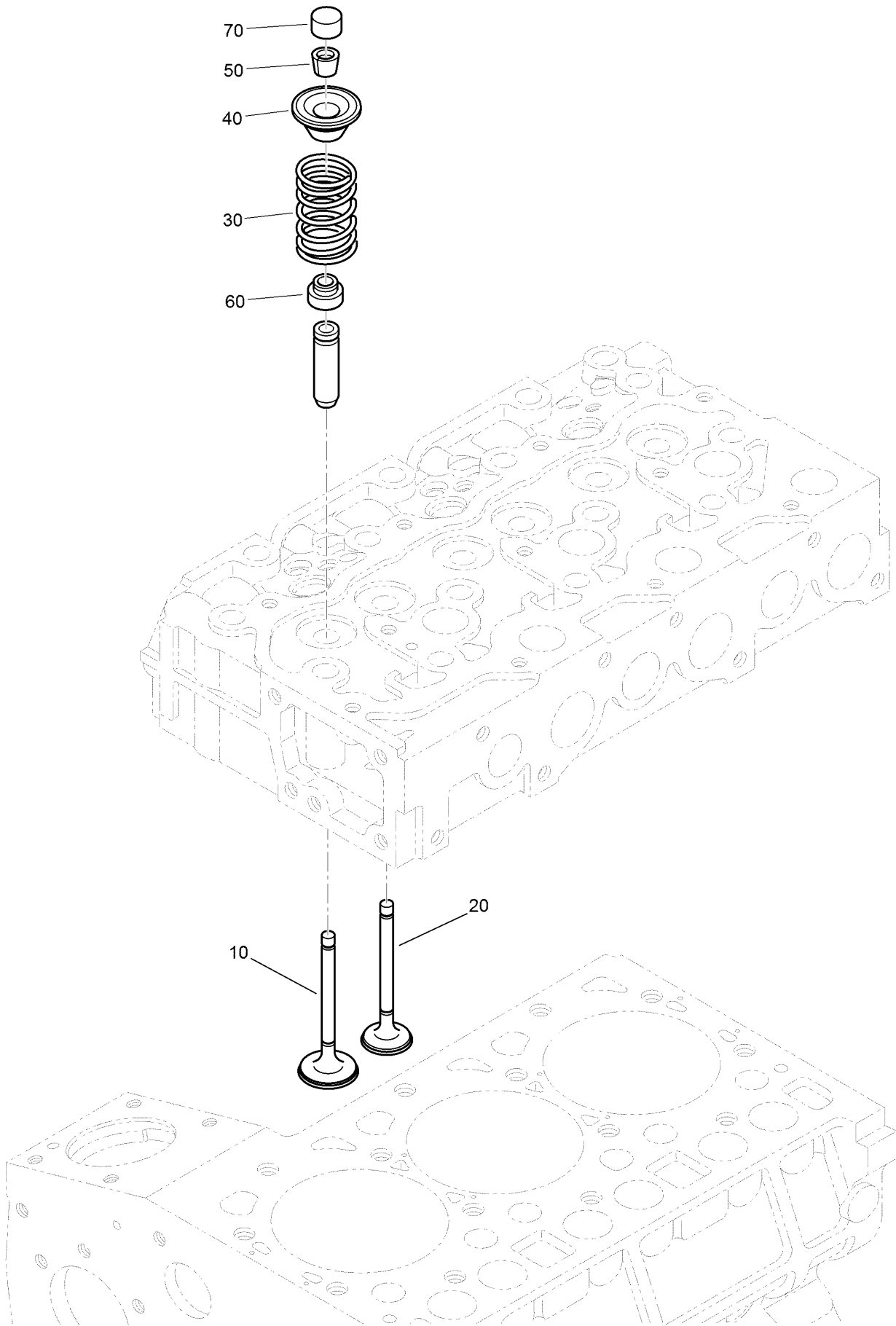
Cylinder Head Assembly



Cylinder Head Assembly (continued)

<i>Ref.</i>	<i>Part Number</i>	<i>Qty.</i>	<i>Description</i>	<i>Ref.</i>	<i>Part Number</i>	<i>Qty.</i>	<i>Description</i>
10	139-4705	1	Hook-Engine, Rear	120	139-9562	3	Seat-Valve, Inlet
20	98-7526	1	Bolt	130	139-9561	3	Seat-Valve, Exhaust
30	139-9756	1	Hook-Engine, Front	140	139-9580	14	Bolt-Head, Cylinder
40	139-9531	1	Bolt-Stud	150	139-9645	1	Gasket-Head, Cylinder
50	100-9288	1	Nut	150	139-9644	1	Gasket-Head, Cylinder
60	139-9777	1	Head-Cylinder	150	139-9646	1	Gasket-Head, Cylinder
70	139-9522	9	Plug-Cup	150	139-9647	1	Gasket-Head, Cylinder
80	139-9523	1	Cap-Sealing	150	139-9648	1	Gasket-Head, Cylinder
90	98-9687	2	Plug	160	98-7762	1	Plug
100	139-9665	3	Guide-Valve, Inlet	170	99-7590	2	Washer-Seal
110	139-9626	3	Guide-Valve, Exhaust				

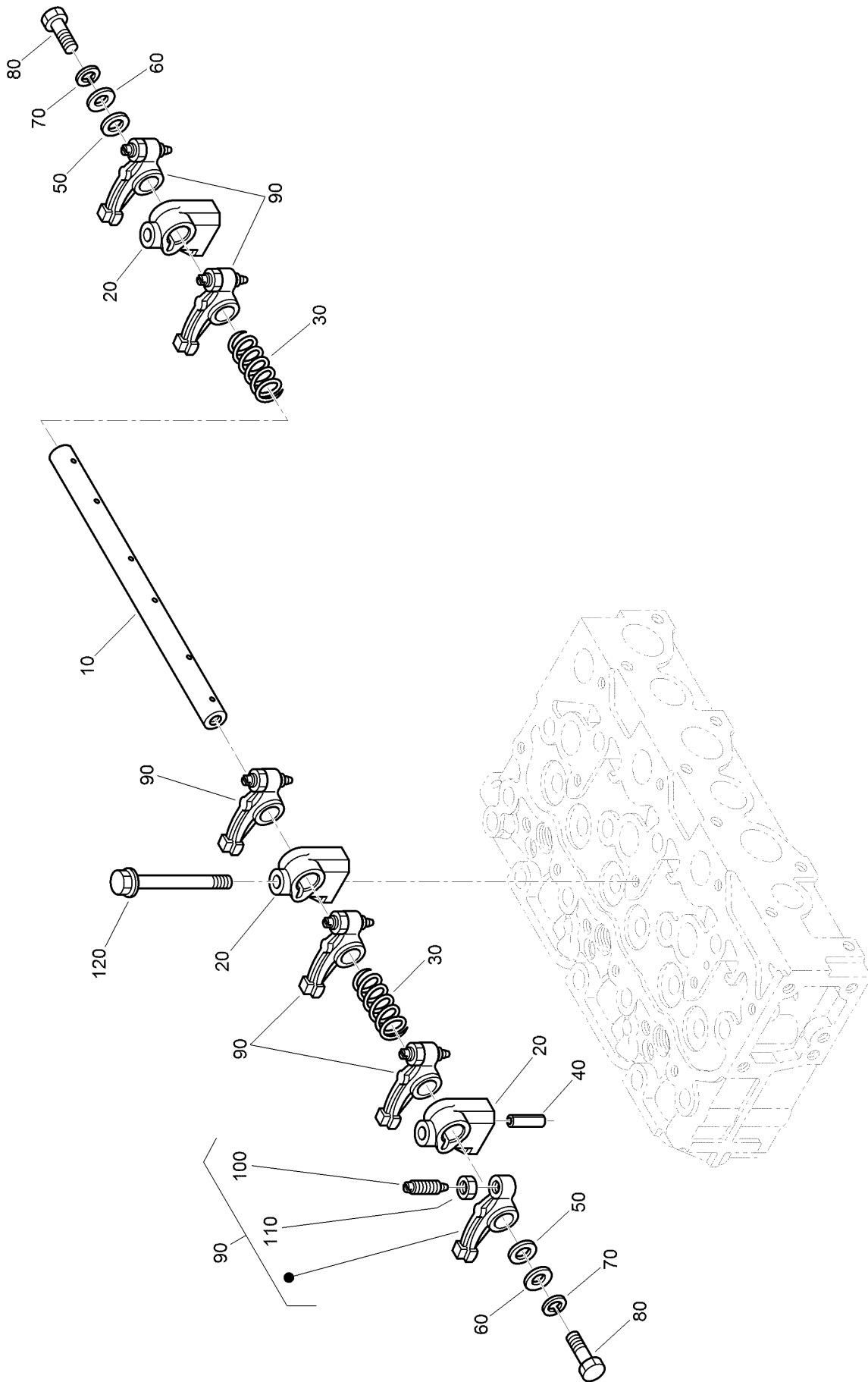
Inlet and Exhaust Manifold Assembly



Inlet and Exhaust Manifold Assembly (continued)

<i>Ref.</i>	<i>Part Number</i>	<i>Qty.</i>	<i>Description</i>	<i>Ref.</i>	<i>Part Number</i>	<i>Qty.</i>	<i>Description</i>
10	139-9660	3	Valve-Inlet	50	139-9525	6	Collet-Valve, Spring
20	139-9661	3	Valve-Exhaust	60	139-9524	6	Seal-Stem, Valve
30	130-1450	6	Spring-Valve	70	130-1451	6	Cap-Valve
40	98-7794	6	Retainer-Spring, Valve				

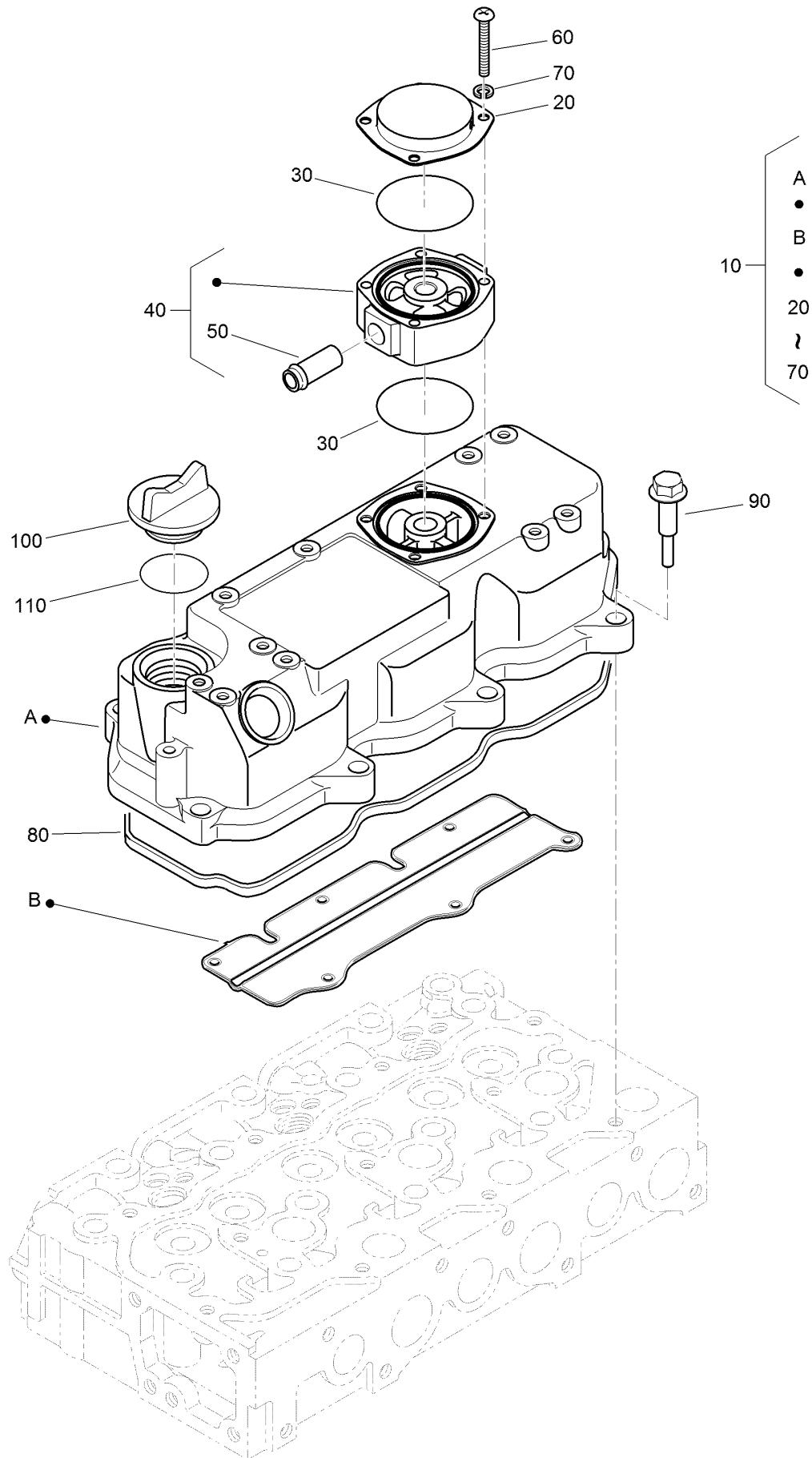
Rocker Arm Assembly



Rocker Arm Assembly (continued)

<i>Ref.</i>	<i>Part Number</i>	<i>Qty.</i>	<i>Description</i>	<i>Ref.</i>	<i>Part Number</i>	<i>Qty.</i>	<i>Description</i>
10	139-9592	1	Shaft-Arm, Rocker	70	131-9579	2	Washer-Spring, Lock
20	139-9526	3	Bracket-Arm, Rocker	80	98-7884	2	Bolt
30	98-7807	2	Spring-Arm, Rocker	90	98-7809	6	Rocker Arm ASM
40	98-7805	1	Pin-Spring	100	130-1452	6	Screw-Adjusting
50	98-7806	2	Washer	110	98-7811	6	Nut
60	120-5832	2	Washer-Plain	120	108-7091	3	Bolt-Flange

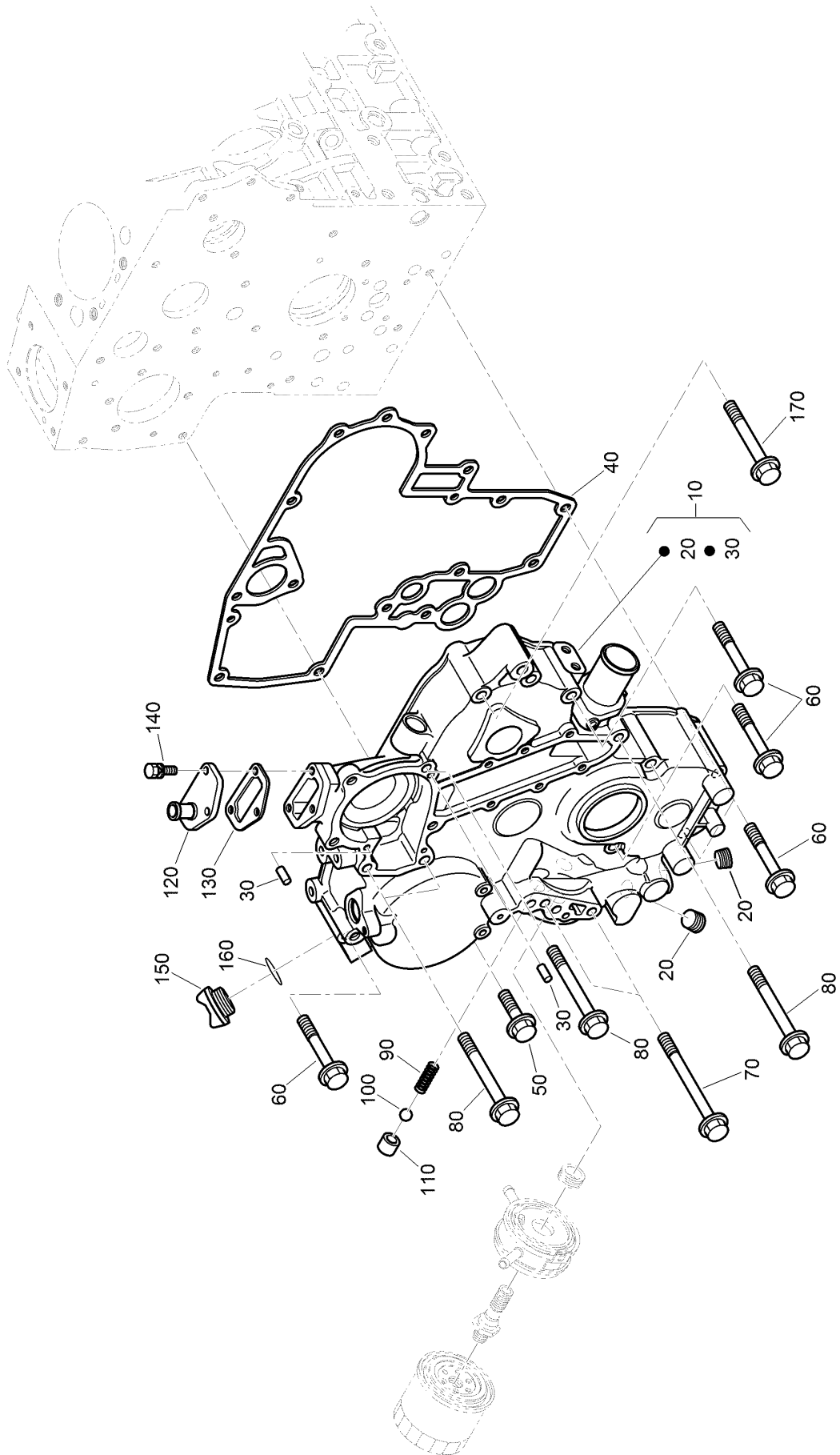
Cylinder Head Cover Assembly



Cylinder Head Cover Assembly (continued)

<i>Ref.</i>	<i>Part Number</i>	<i>Qty.</i>	<i>Description</i>	<i>Ref.</i>	<i>Part Number</i>	<i>Qty.</i>	<i>Description</i>
10	139-9761	1	Head Cover ASM	70	127-0408	4	Washer-Lock, Spring
20	139-9643	1	Cover-Breather	80	139-9593	1	Gasket-Cover, Head
30	108-7061	2	O Ring-Breather	90	108-7063	8	Bolt
40	139-9747	1	Spacer-Breather	100	98-9449	1	Plug-Filler, Oil
50	139-9578	1	Pipe-Return, Water	110	108-7064	1	O-Ring
60	139-9508	4	Screw-Phillips, Pan Head				

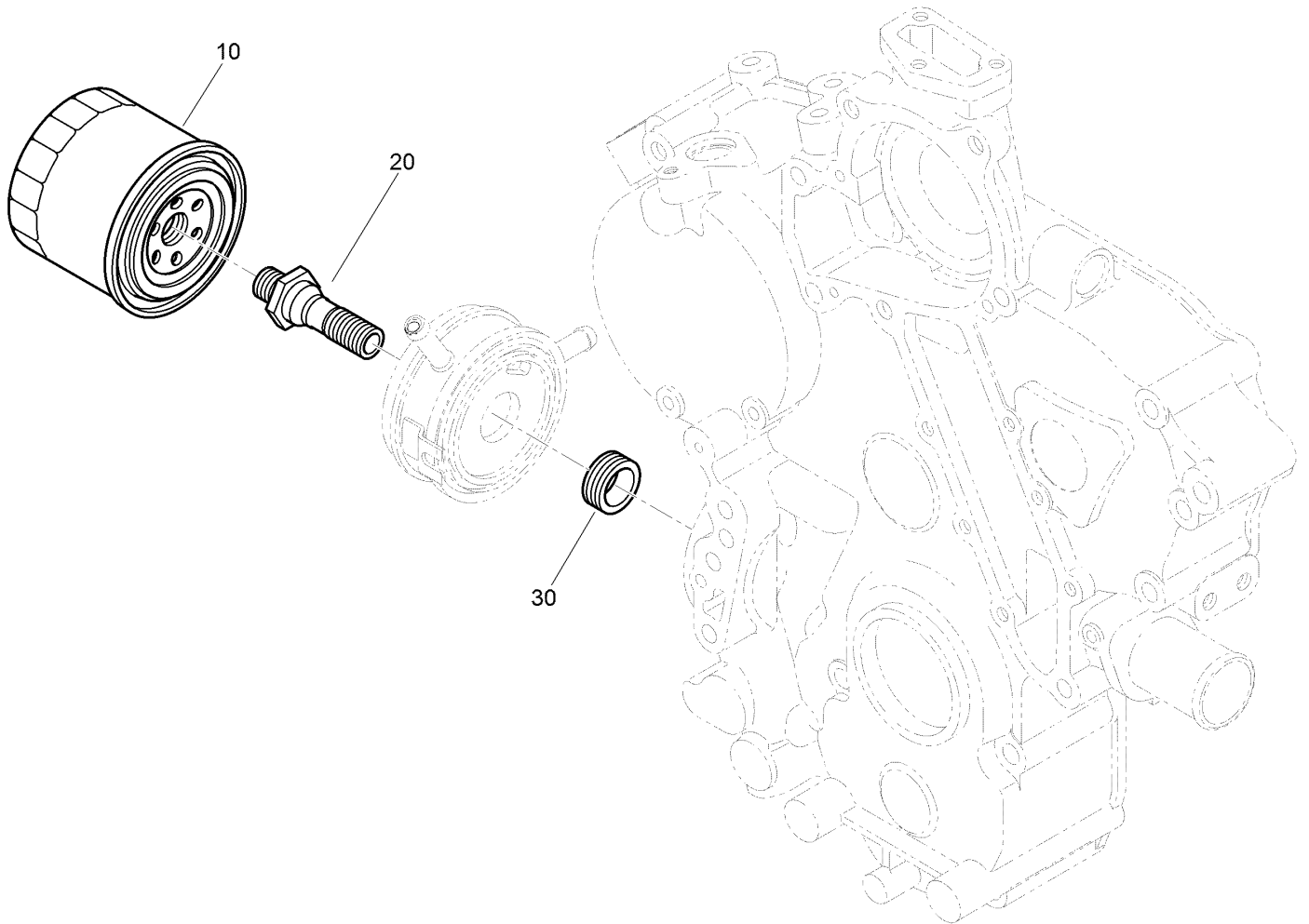
Gear Case Assembly



Gear Case Assembly (continued)

<i>Ref.</i>	<i>Part Number</i>	<i>Qty.</i>	<i>Description</i>	<i>Ref.</i>	<i>Part Number</i>	<i>Qty.</i>	<i>Description</i>
10	139-9629	1	Case-Gear	100	139-9533	1	Seat-Valve
20	127-0425	2	Plug	110	98-7565	1	Ball
30	98-7504	2	Pin-Straight	120	139-9534	1	Flange-Return, Water
40	139-9727	1	Gasket-Case, Gear	130	139-9598	1	Gasket-Flange, Return
50	108-7085	1	Bolt-Flange	140	98-7568	3	Bolt
60	139-9602	6	Bolt-Sems	150	98-9449	1	Plug-Filler, Oil
70	139-9654	2	Bolt-Sems	160	108-7064	1	O-Ring
80	115-8520	4	Bolt-Flange	170	139-9543	1	Bolt-Hex
90	139-9529	1	Spring				

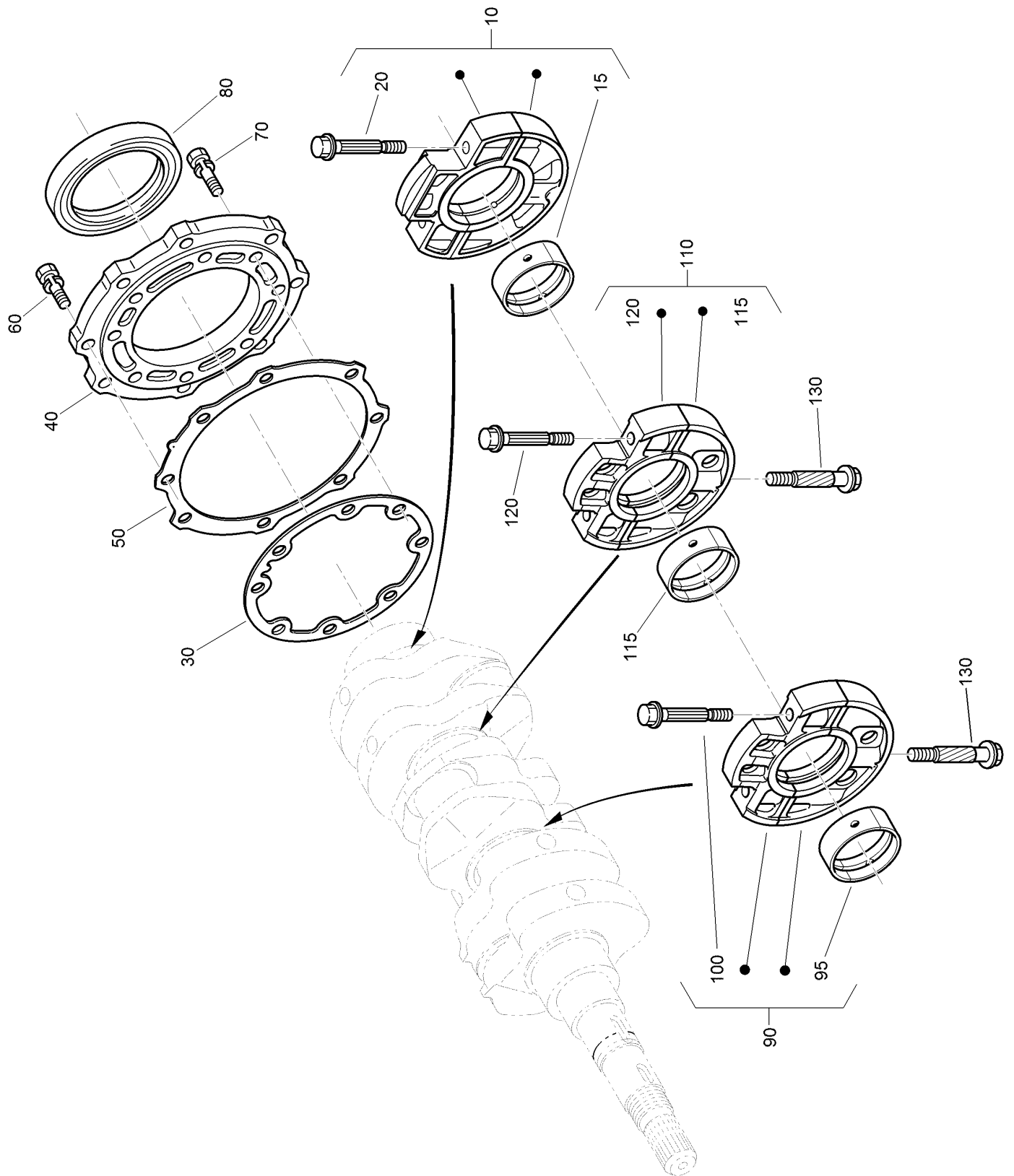
Oil Filter Cartridge Assembly



Oil Filter Cartridge Assembly (continued)

<i>Ref.</i>	<i>Part Number</i>	<i>Qty.</i>	<i>Description</i>
10	104-5169	1	Filter-Oil
20	139-9641	1	Connector
30	139-9668	1	Collar

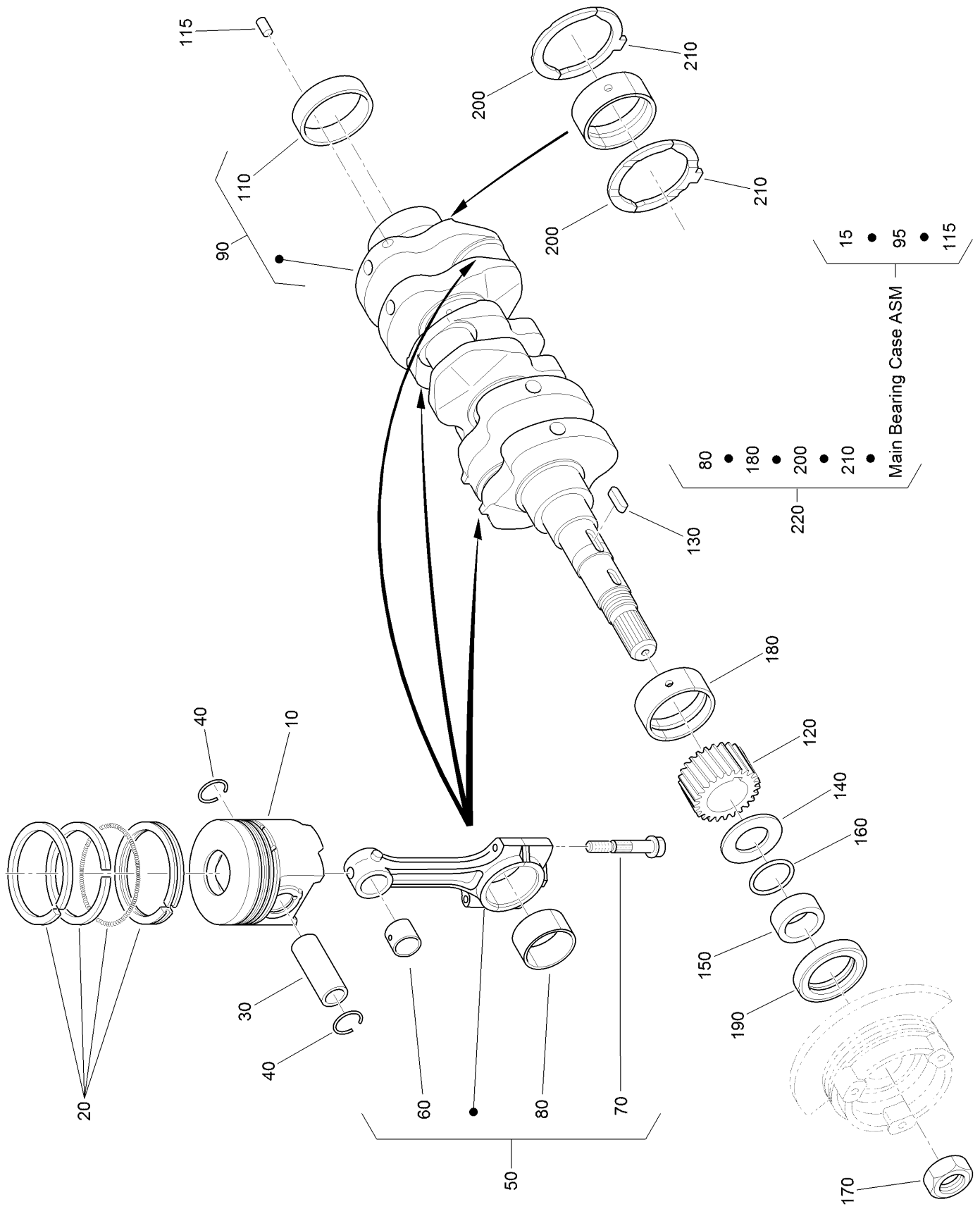
Main Bearing Case Assembly



Main Bearing Case Assembly (continued)

<i>Ref.</i>	<i>Part Number</i>	<i>Qty.</i>	<i>Description</i>	<i>Ref.</i>	<i>Part Number</i>	<i>Qty.</i>	<i>Description</i>
10	139-9610	1	Wheel Bearing Case ASM	80	139-9542	1	Seal-Oil
10	139-9798	3	Piston (05)	90	139-9606	1	Case-Bearing, Main
15	139-9614	1	Metal-Crankshaft	95	139-9614	1	Metal-Crankshaft
15	108-7068	1	Metal-Crankshaft (-0.20MM)	95	108-7068	1	Metal-Crankshaft (-0.20MM)
15	108-7069	1	Metal-Crankshaft (-0.40MM)	95	108-7069	1	Metal-Crankshaft (-0.40MM)
20	108-7066	2	Bolt-Case, Bearing	100	108-7066	2	Bolt-Case, Bearing
30	98-7435	1	Gasket-Case, Bearing	110	139-9607	1	Main Bearing Case ASM
40	139-9659	1	Cover-Case, Bearing	115	139-9614	1	Metal-Crankshaft
50	98-7437	1	Gasket-Case Cover, Bearing	115	108-7068	1	Metal-Crankshaft (-0.20MM)
60	98-7438	8	Bolt	115	108-7069	1	Metal-Crankshaft (-0.40MM)
70	98-7439	8	Bolt	120	108-7066	2	Bolt-Case, Bearing
				130	98-7444	2	Bolt-Case, Bearing

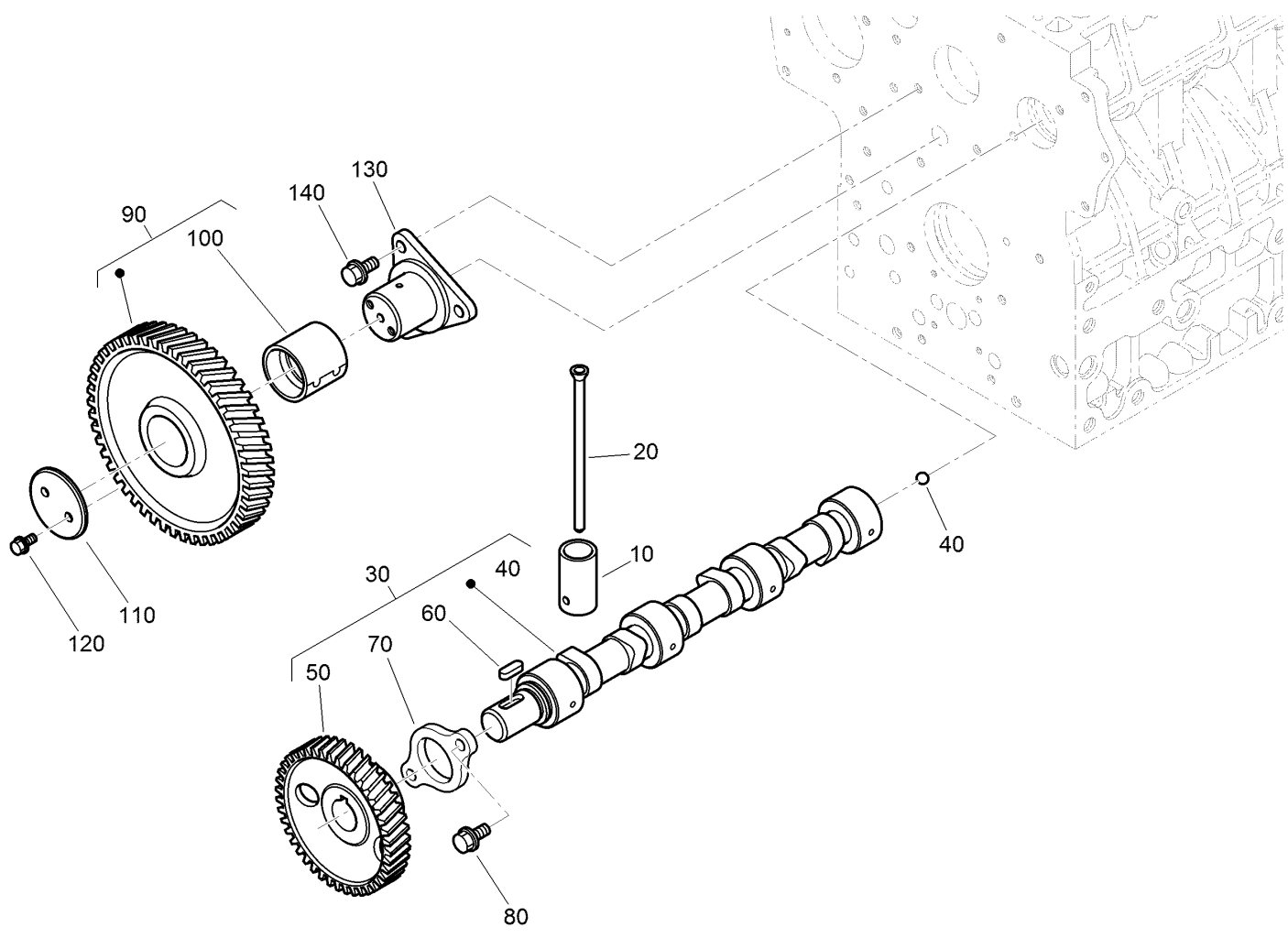
Piston and Crankshaft Assembly



Piston and Crankshaft Assembly (continued)

<i>Ref.</i>	<i>Part Number</i>	<i>Qty.</i>	<i>Description</i>	<i>Ref.</i>	<i>Part Number</i>	<i>Qty.</i>	<i>Description</i>
10	139-9799	3	Piston (05)	150	98-7477	1	Collar-Crankshaft
20	139-9674	3	Piston Ring ASM	160	98-7478	1	O-Ring
20	139-9675	3	Piston Ring ASM	170	98-7479	1	Nut-Crankshaft
30	139-9594	3	Pin-Piston	180	139-9613	1	Metal-Crankshaft
40	139-9634	6	Circlip-Internal	180	108-7076	1	Metal-Crankshaft (-0.20MM)
50	130-1470	3	Connecting Rod ASM	180	108-7077	1	Metal-Crankshaft (-0.40MM)
60	139-9676	3	Bushing-Pin, Piston	190	139-4709	1	Seal-Oil
70	139-9694	6	Bolt-Rod, Connecting	200	139-9615	2	Metal-Side
80	139-9575	3	Metal-Crankpin	200	108-7079	2	Metal-Side (+0.20MM)
80	139-9576	3	Metal-Crankpin (02)	200	108-7080	2	Metal-Side (+0.40MM)
80	139-9577	3	Metal-Crankpin (04)	210	139-9616	2	Metal-Side
90	139-9653	1	Crankshaft	210	108-7082	2	Metal-Side (+0.20MM)
110	98-7474	1	Sleeve-Crankshaft	210	108-7083	2	Metal-Side (+0.40MM)
115	139-9595	1	Pin-Straight	220	139-9655	1	Engine Metal Kit
120	139-4712	1	Gear-Crankshaft	220	108-7076	1	Metal-Crankshaft (-0.20MM)
130	115-8552	1	Key-Feather	220	139-9656	1	Engine Metal Kit
140	98-7476	1	Slinger-Oil				

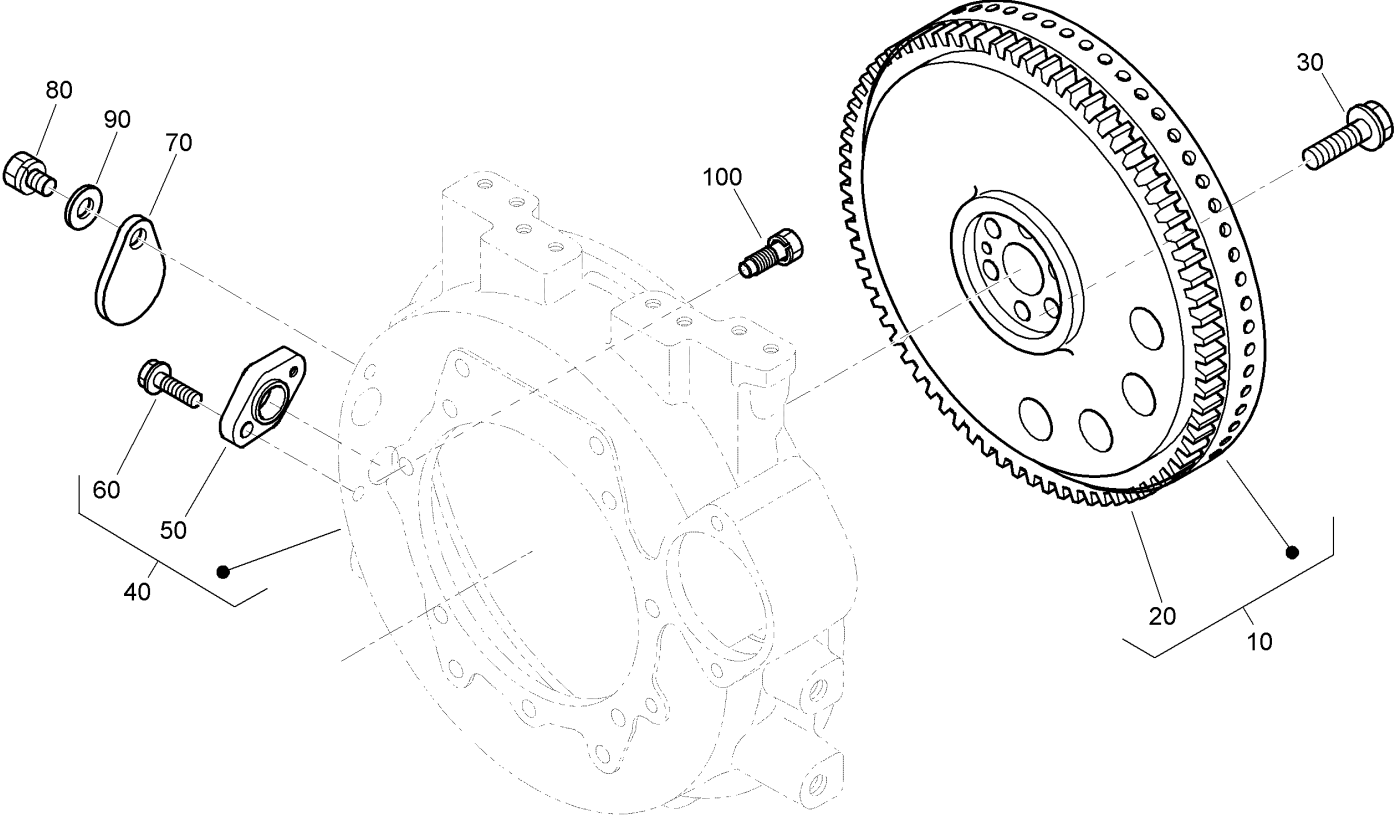
Cam Shaft and Idle Gear Assembly



Cam Shaft and Idle Gear Assembly (continued)

<i>Ref.</i>	<i>Part Number</i>	<i>Qty.</i>	<i>Description</i>	<i>Ref.</i>	<i>Part Number</i>	<i>Qty.</i>	<i>Description</i>
10	99-9999	6	Narrow Bucket ASM	80	130-1159	2	Bolt-Flange
20	139-9611	6	Rod-Push	90	139-4710	1	Gear-Idle
30	139-9652	1	Camshaft ASM	100	130-1559	1	Bushing-Gear, Idle
40	110-3729	1	Ball	110	130-1556	1	Collar-Gear, Idle
50	139-9612	1	Gear-Camshaft	120	99-9999	2	Narrow Bucket ASM
60	98-7451	1	Key-Feather	130	130-1332	1	Shaft-Gear, Idle
70	139-9527	1	Stopper-Camshaft	140	130-1159	3	Bolt-Flange

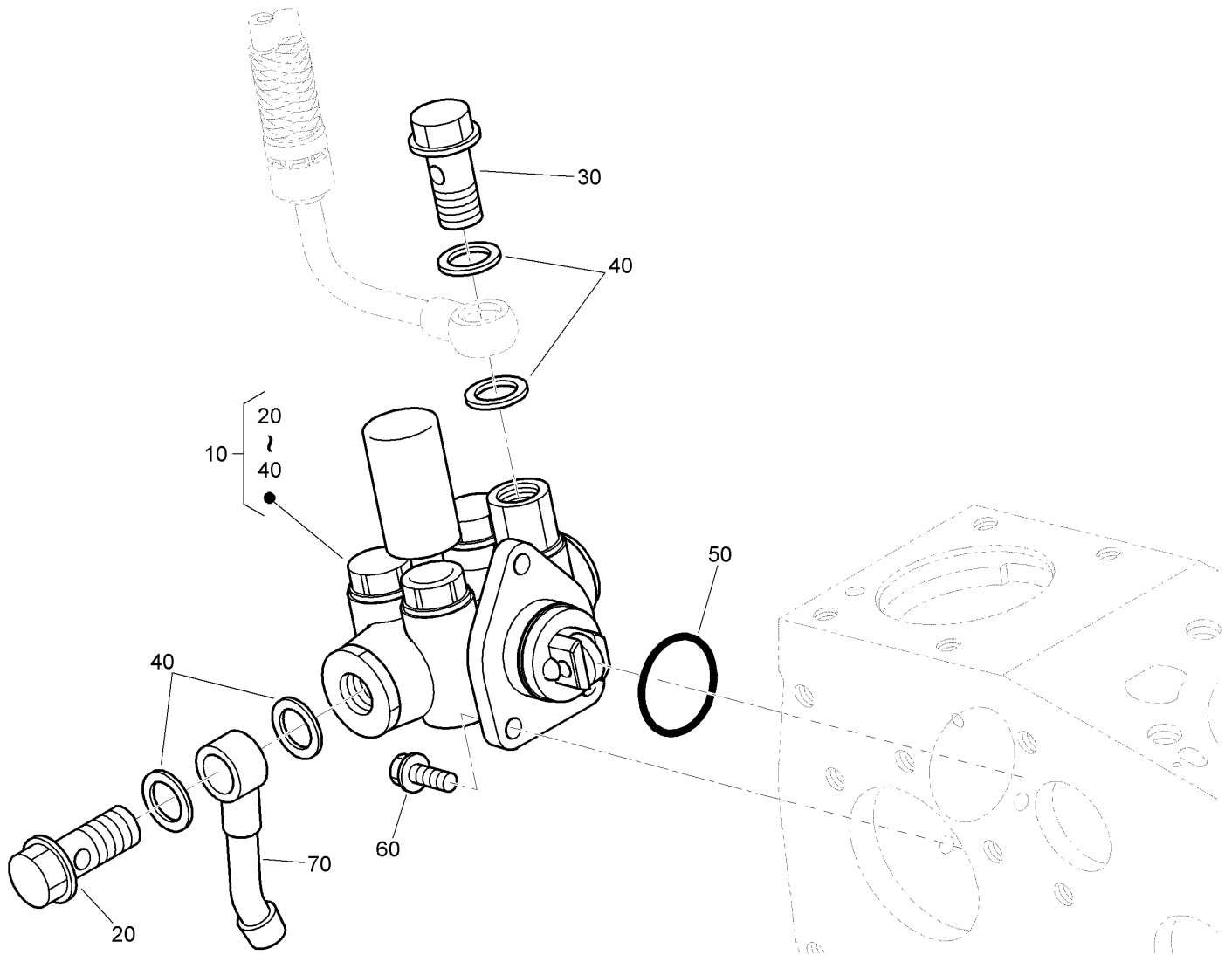
Flywheel Assembly



Flywheel Assembly (continued)

<i>Ref.</i>	<i>Part Number</i>	<i>Qty.</i>	<i>Description</i>	<i>Ref.</i>	<i>Part Number</i>	<i>Qty.</i>	<i>Description</i>
10	139-9763	1	Flywheel	60	115-8583	1	Bolt-Flange
20	139-9597	1	Gear-Ring	70	100-2177	1	Cover
30	139-9671	6	Bolt-Flywheel	80	98-7884	1	Bolt
40	139-9728	1	Housing-Flywheel	90	131-9579	1	Washer-Spring, Lock
50	139-9743	1	Bracket-Sensor	100	139-9541	11	Bolt

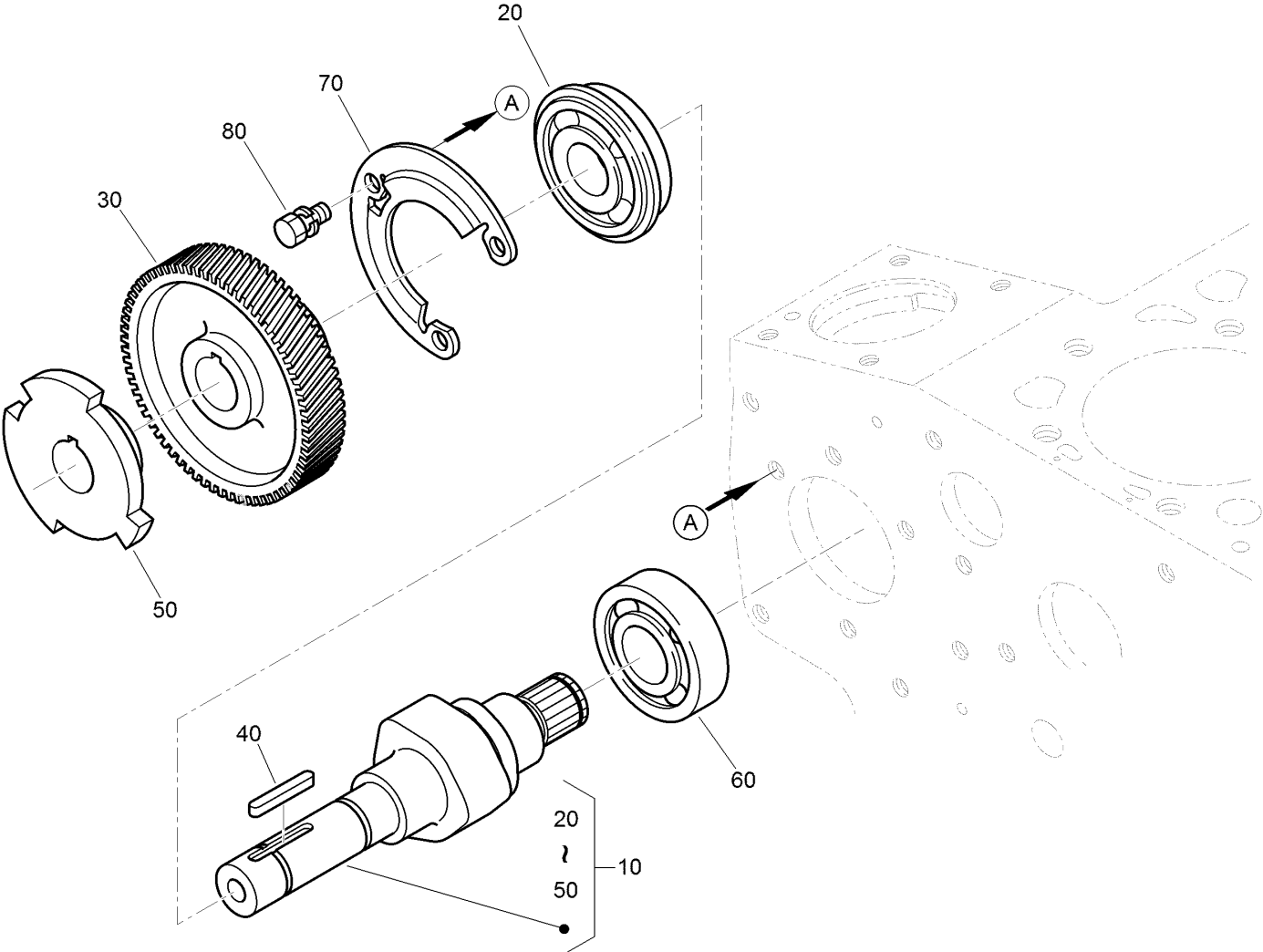
Fuel Pump (Mechanical) Assembly



Fuel Pump (Mechanical) Assembly (continued)

<i>Ref.</i>	<i>Part Number</i>	<i>Qty.</i>	<i>Description</i>	<i>Ref.</i>	<i>Part Number</i>	<i>Qty.</i>	<i>Description</i>
10	139-9740	1	Fuel Pump ASM	50	139-9581	1	O-Ring
20	139-9723	1	Bolt-Joint	60	127-0403	3	Bolt-Flange
30	139-9724	1	Bolt-Joint	70	139-9530	1	Pipe
40	139-9705	4	Gasket-Joint, Pipe				

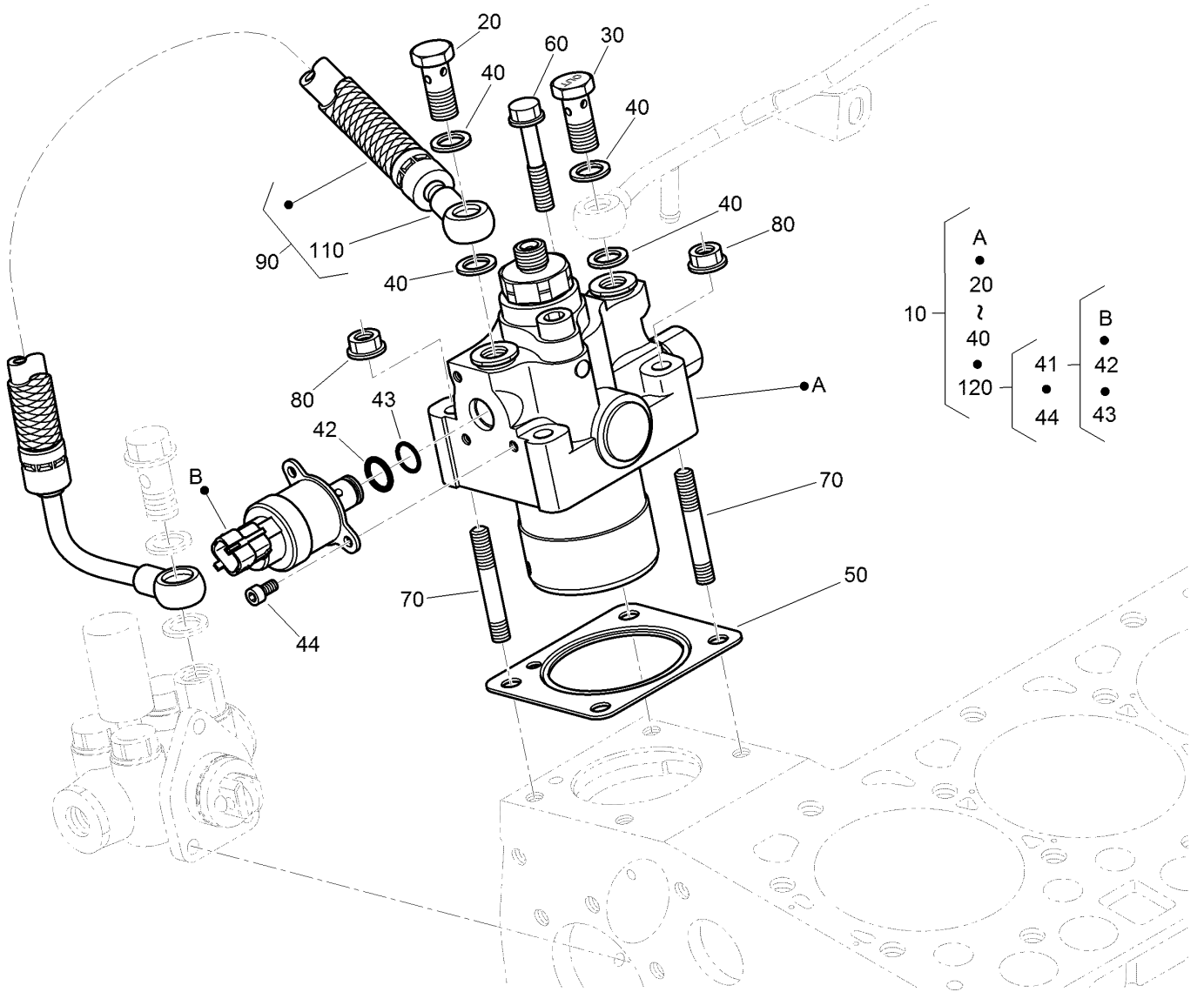
Fuel Camshaft Assembly



Fuel Camshaft Assembly (continued)

<i>Ref.</i>	<i>Part Number</i>	<i>Qty.</i>	<i>Description</i>	<i>Ref.</i>	<i>Part Number</i>	<i>Qty.</i>	<i>Description</i>
10	139-9762	1	Fuel Camshaft ASM	50	139-9732	1	Wheel
20	139-9677	1	Bearing-Ball	60	139-9664	1	Bearing-Ball
30	139-9708	1	Gear	70	139-9701	1	Stopper-Camshaft, Fuel
40	139-9513	1	Key-Feather	80	AU126123A1	3	Bolt

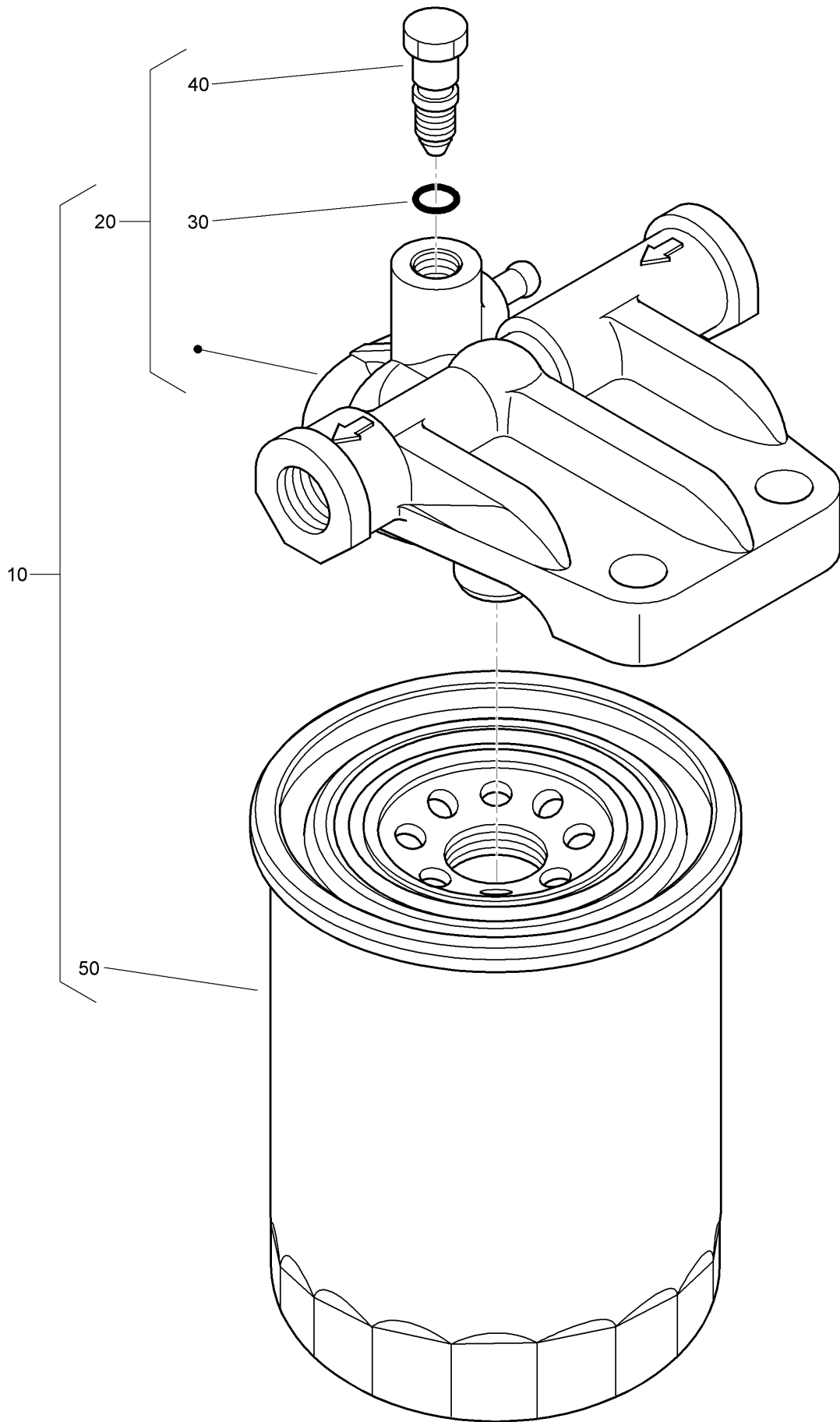
Supply Pump Assembly



Supply Pump Assembly (continued)

<i>Ref.</i>	<i>Part Number</i>	<i>Qty.</i>	<i>Description</i>	<i>Ref.</i>	<i>Part Number</i>	<i>Qty.</i>	<i>Description</i>
10	139-9738	1	Supply Pump ASM	50	139-9709	1	Gasket-Pump
20	139-9721	1	Bolt-Joint	60	139-9717	2	Bolt-Flange
30	139-9722	1	Bolt-Joint	70	139-9719	2	Stud
40	139-9707	4	Gasket	80	112-2492	2	Nut-Flange
41	139-9739	1	Valve ASM	90	139-4707	1	Fuel Hose ASM
42	139-9725	1	O-Ring (Scv 1)	110	139-9632	1	Fuel Hose
43	139-9726	1	O-Ring (Scv 2)	120	139-9745	1	Valve Kit
44	139-9718	3	Bolt				

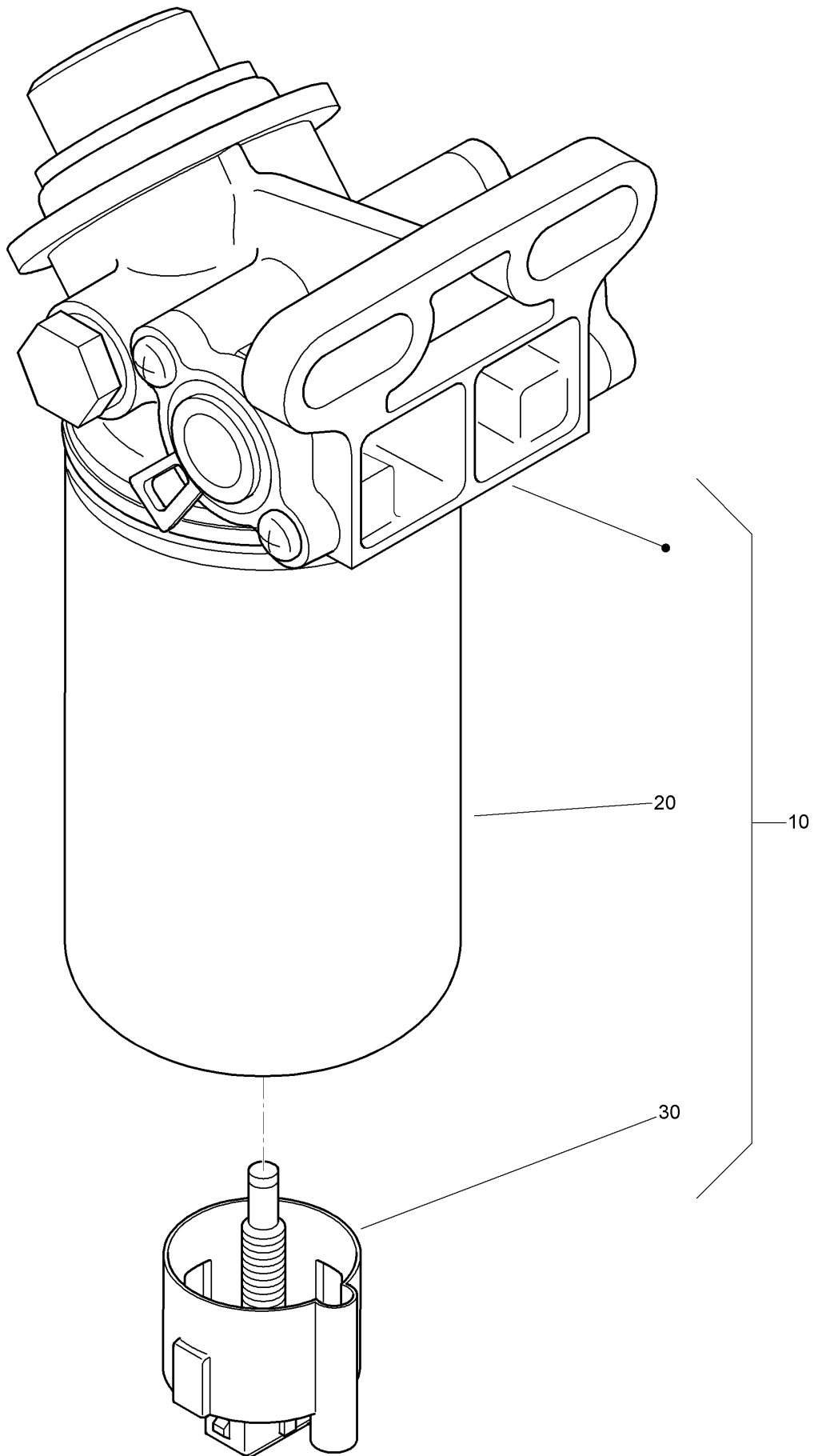
Fuel Filter Assembly



Fuel Filter Assembly (continued)

<i>Ref.</i>	<i>Part Number</i>	<i>Qty.</i>	<i>Description</i>	<i>Ref.</i>	<i>Part Number</i>	<i>Qty.</i>	<i>Description</i>
10	136-4733	1	Filter-Fuel	40	139-4720	1	Plug
20	139-9703	1	Base-Filter	50	136-4891	1	Cartridge-Filter, Fuel
30	139-9706	1	O-Ring				

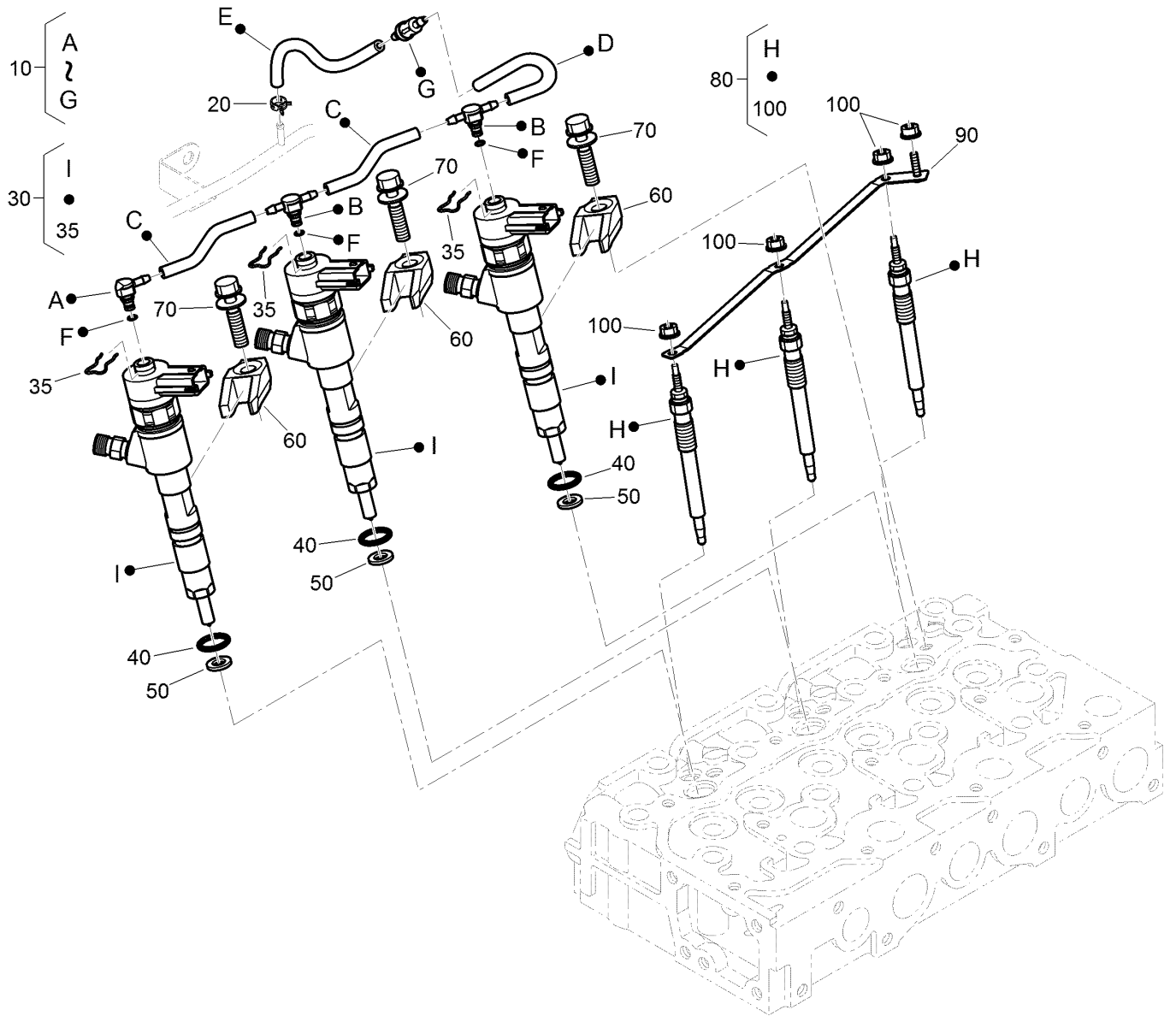
Separator Assembly



Separator Assembly (continued)

<i>Ref.</i>	<i>Part Number</i>	<i>Qty.</i>	<i>Description</i>
10	136-4734	1	Filter-Seperator, Water
20	136-4892	1	Filter-Separator
30	139-9684	1	Switch ASM

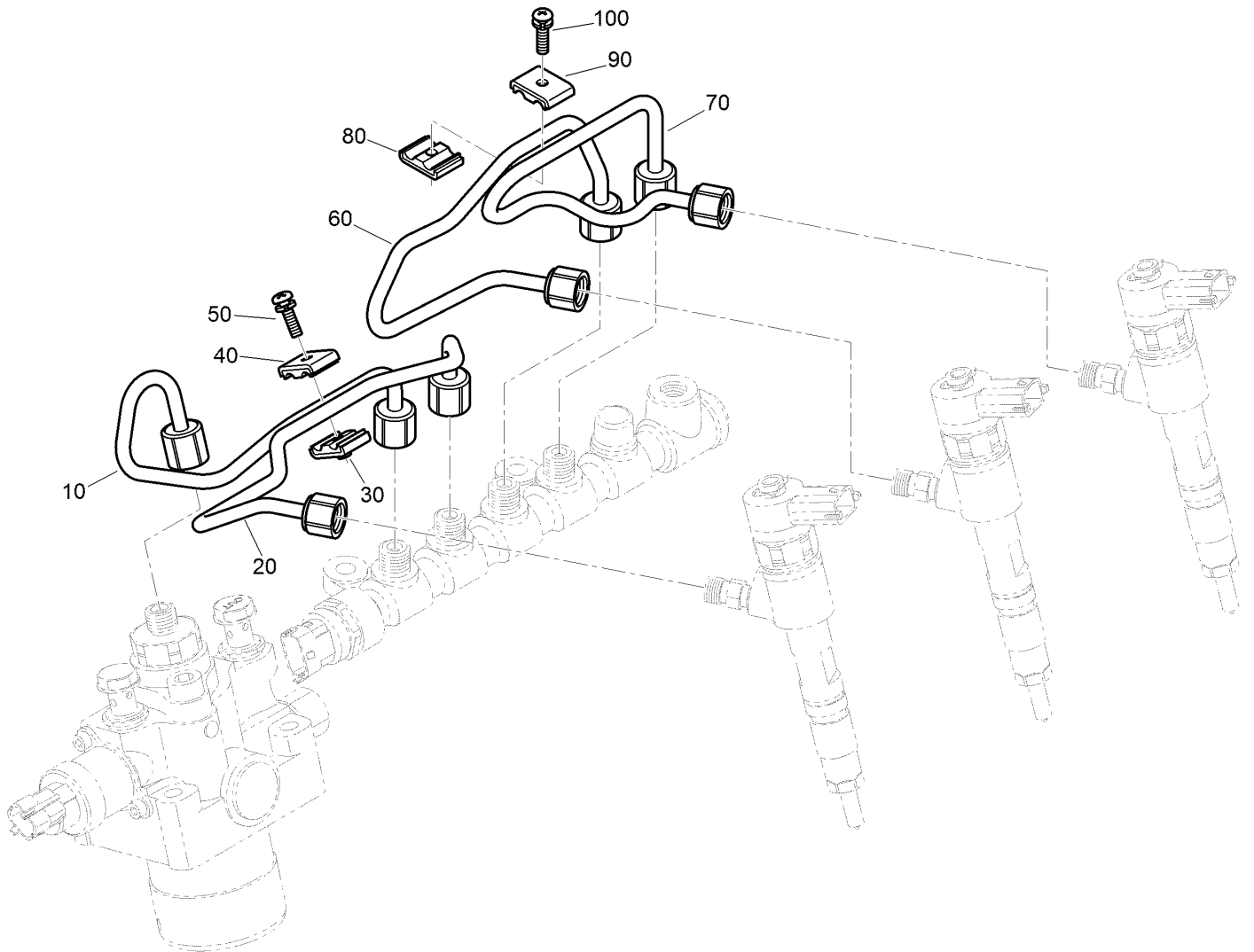
Injector and Glow Plug Assembly



Injector and Glow Plug Assembly (continued)

<i>Ref.</i>	<i>Part Number</i>	<i>Qty.</i>	<i>Description</i>	<i>Ref.</i>	<i>Part Number</i>	<i>Qty.</i>	<i>Description</i>
10	139-9764	1	Over Flow Tube ASM	60	139-9710	3	Clamp
20	139-9514	1	Clamp-Hose	70	139-9711	3	Bolt ASM
30	139-4700	3	Injector ASM	80	139-9662	3	Plug-Glow
35	139-9702	3	Clamp	90	139-9769	1	Cord-Plug, Glow
40	139-9712	3	O-Ring	100	99-8377	4	Nut-Flange
50	139-9651	3	Packing				

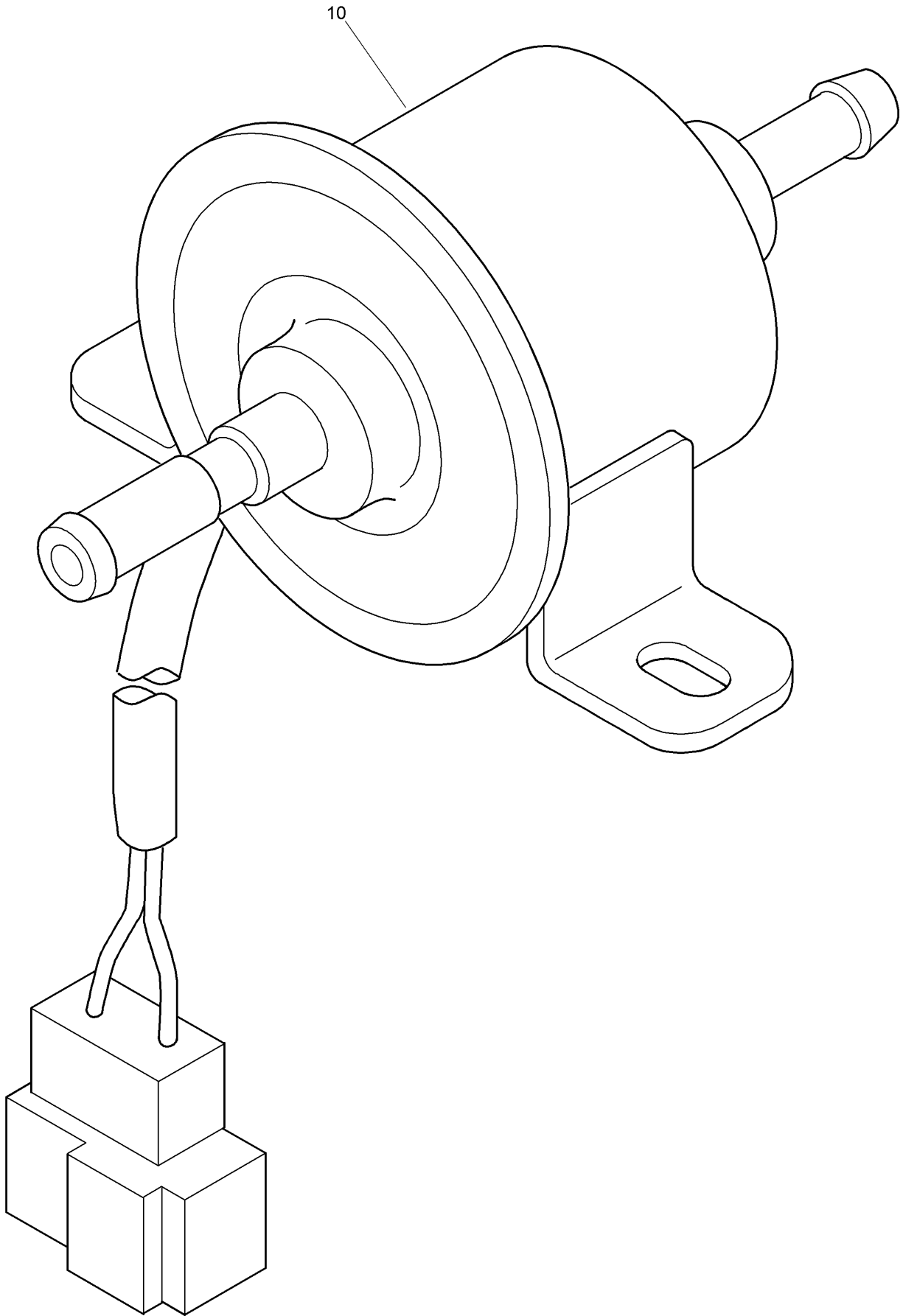
Injection Pipe Assembly



Injection Pipe Assembly (continued)

<i>Ref.</i>	<i>Part Number</i>	<i>Qty.</i>	<i>Description</i>	<i>Ref.</i>	<i>Part Number</i>	<i>Qty.</i>	<i>Description</i>
10	139-9741	1	Pipe	60	139-9714	1	Pipe-Injection
20	139-9713	1	Pipe-Injection	70	139-9715	1	Pipe-Injection
30	139-9535	1	Clamp-Pipe	80	139-9535	1	Clamp-Pipe
40	139-9536	1	Clamp-Pipe	90	139-9536	1	Clamp-Pipe
50	98-7684	1	Screw (W/Washer)	100	98-7684	1	Screw (W/Washer)

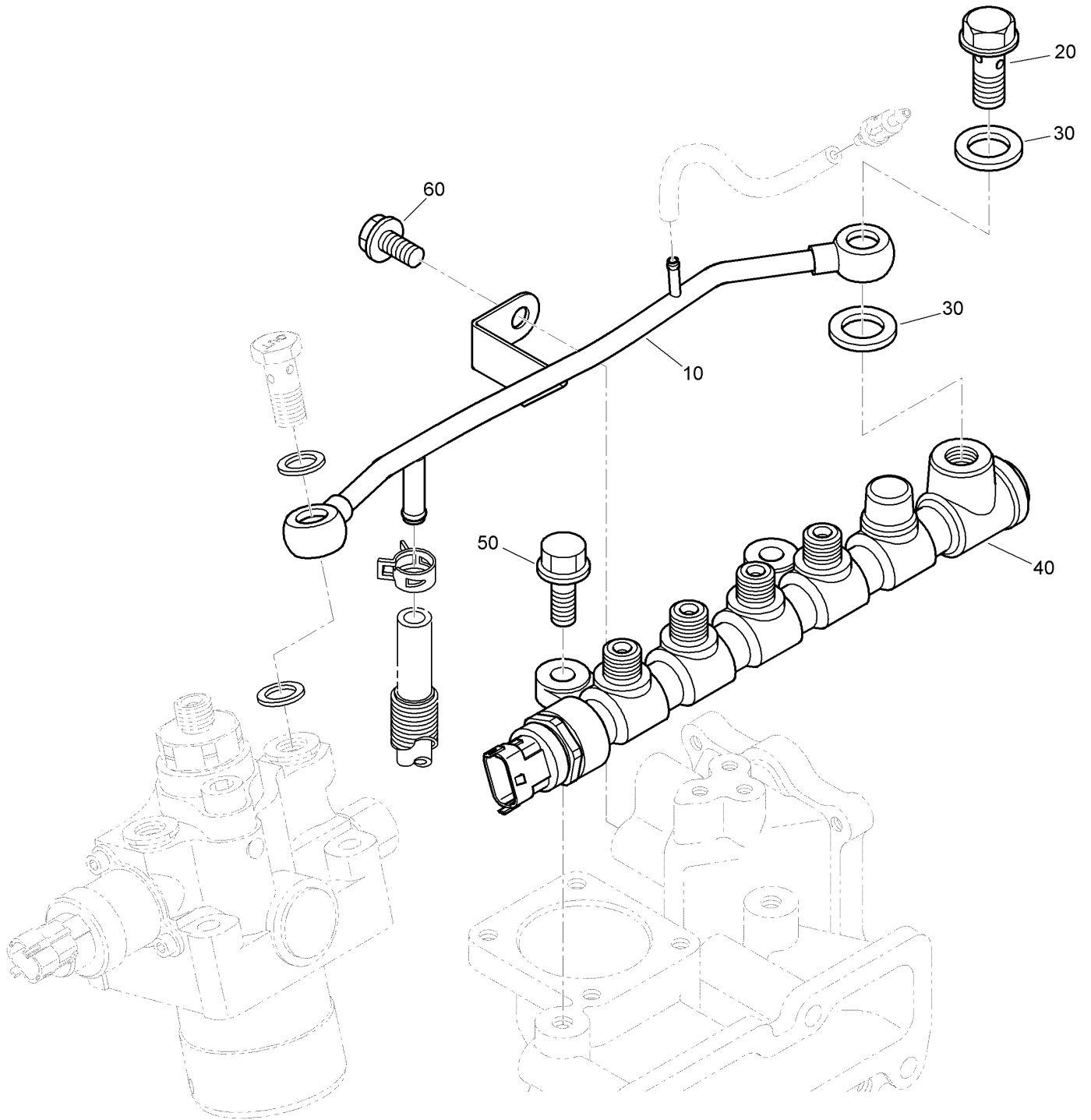
Fuel Pump (Electrical) Assembly



Fuel Pump (Electrical) Assembly (continued)

<i>Ref.</i>	<i>Part Number</i>	<i>Qty.</i>	<i>Description</i>
10	136-4736	1	Pump-Fuel

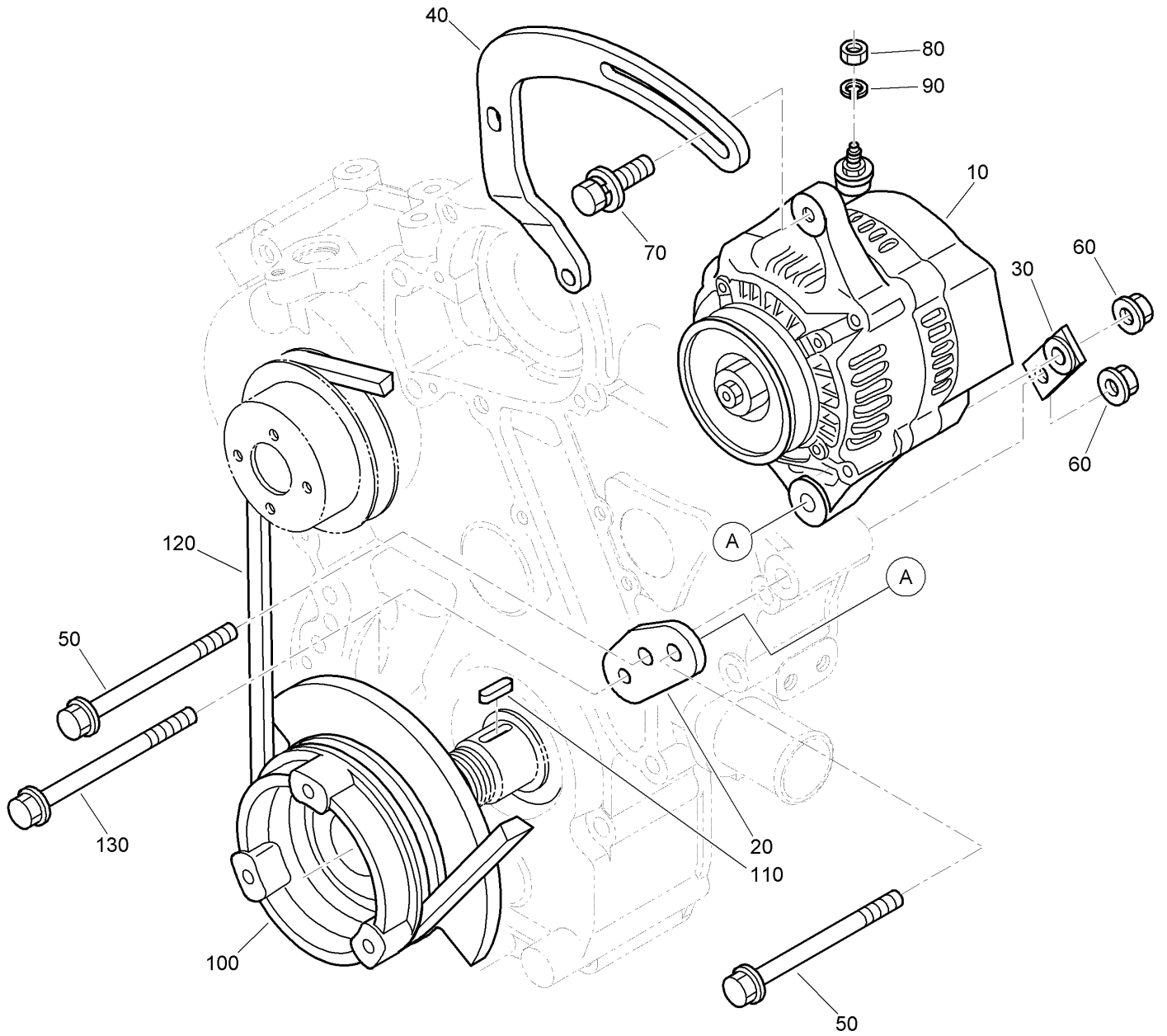
Common Rail Assembly



Common Rail Assembly (continued)

<i>Ref.</i>	<i>Part Number</i>	<i>Qty.</i>	<i>Description</i>	<i>Ref.</i>	<i>Part Number</i>	<i>Qty.</i>	<i>Description</i>
10	139-9765	1	Pipe-Over Flow, Water	40	139-9766	1	Rail ASM
20	139-9720	1	Bolt-Joint	50	139-9502	2	Bolt-Flange
30	139-9707	2	Gasket	60	130-1159	1	Bolt-Flange

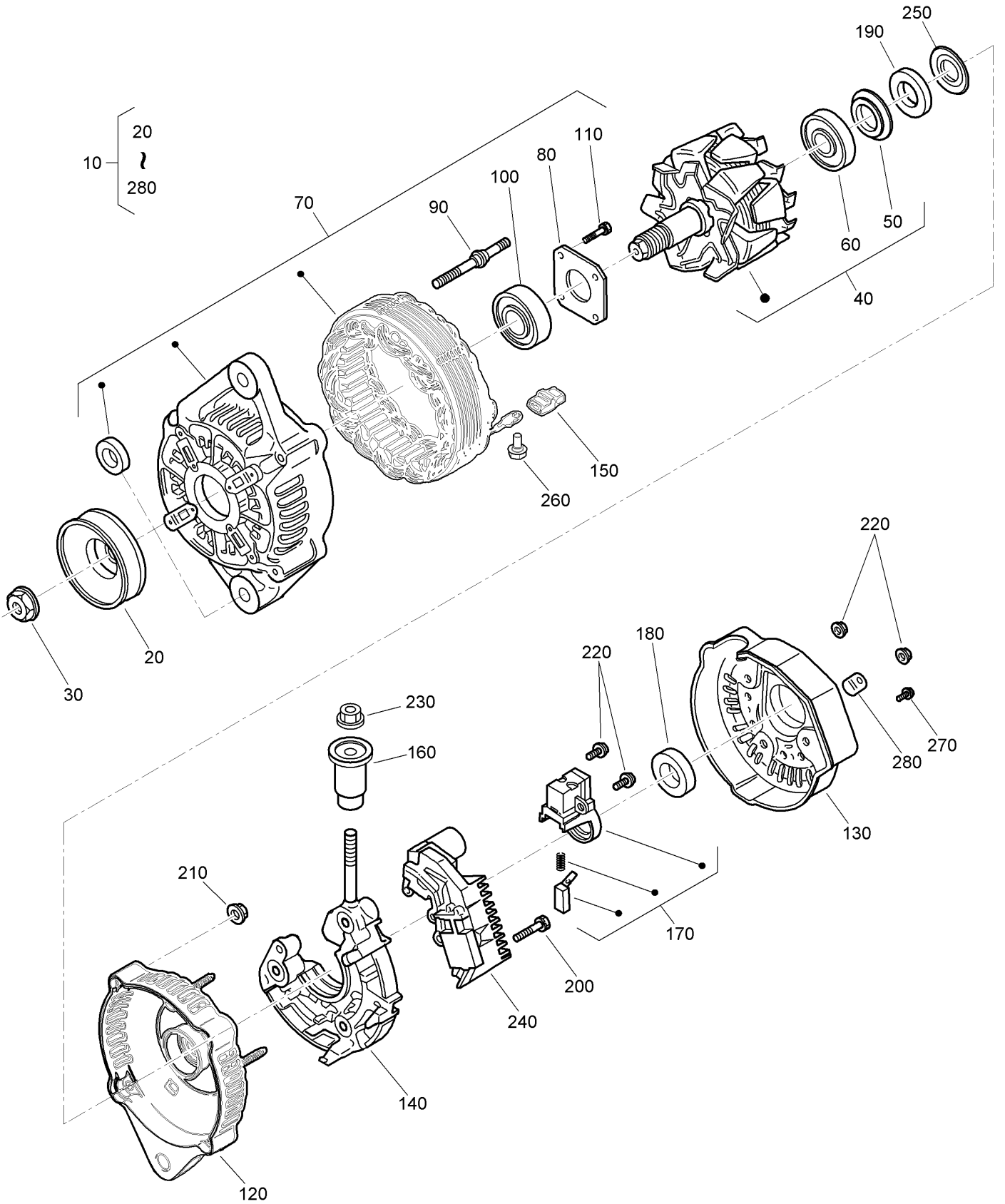
Alternator and Pulley Assembly



Alternator and Pulley Assembly (continued)

<i>Ref.</i>	<i>Part Number</i>	<i>Qty.</i>	<i>Description</i>	<i>Ref.</i>	<i>Part Number</i>	<i>Qty.</i>	<i>Description</i>
10	139-9582	1	Alternator ASM	80	98-7572	1	Nut
20	139-9630	1	Support-Alternator	90	98-7699	1	Washer-Spring
30	139-9683	1	Stay-Alternator	100	139-9657	1	Pulley-Drive, Fan
40	139-9631	1	Stay-Dynamo	110	98-7451	1	Key-Feather
50	139-9506	2	Bolt-Flange	120	139-9635	1	Belt-Fan
60	120-5822	2	Nut-Flange	130	139-9504	1	Bolt-Flange
70	108-7088	1	Bolt				

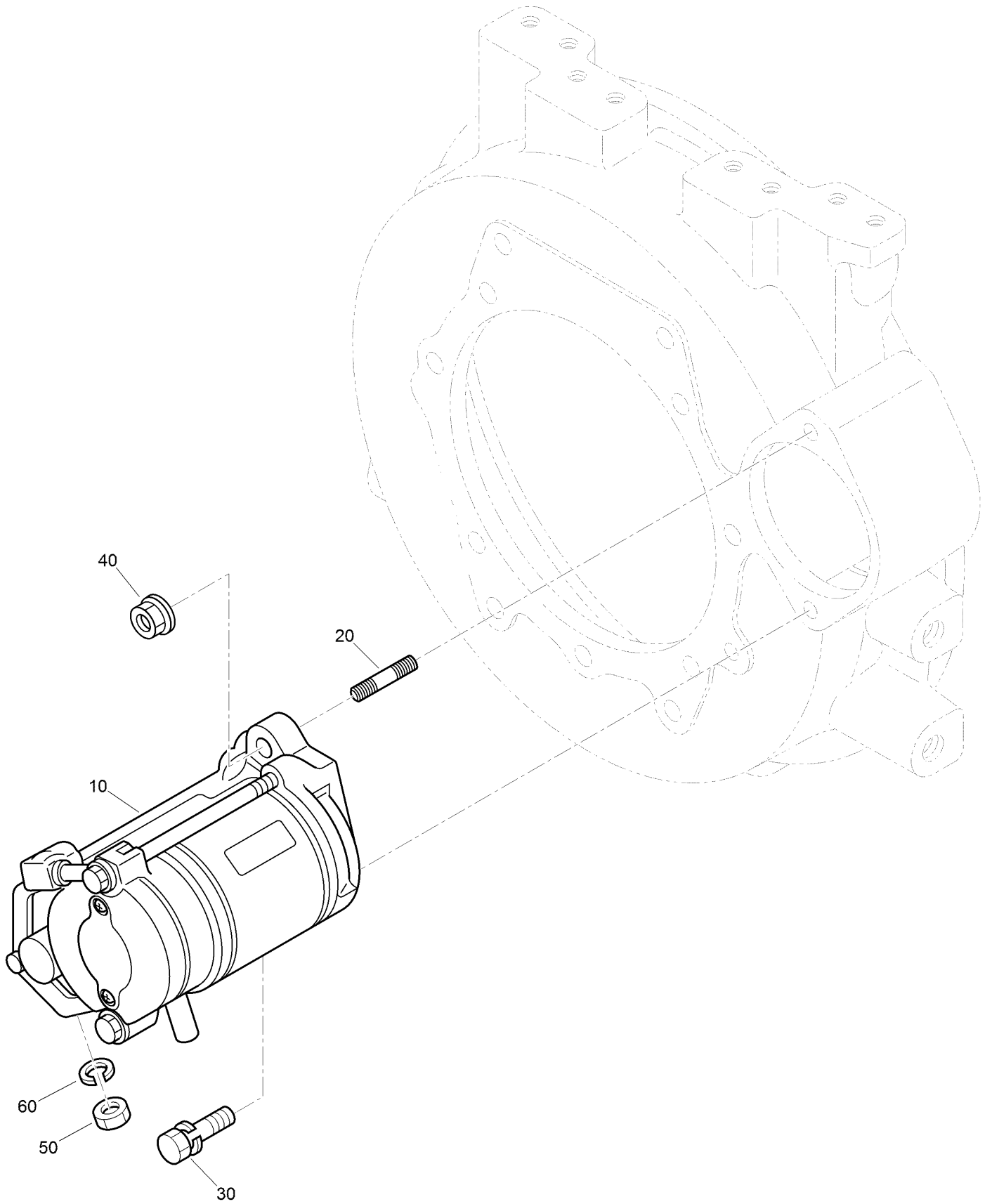
Alternator Components Assembly



Alternator Components Assembly (continued)

<i>Ref.</i>	<i>Part Number</i>	<i>Qty.</i>	<i>Description</i>	<i>Ref.</i>	<i>Part Number</i>	<i>Qty.</i>	<i>Description</i>
10	139-9582	1	Alternator ASM	150	139-9552	4	Bushing-Insulation
20	139-9584	1	Pulley-Alternator	160	139-9588	1	Bushing-Insulation
30	139-9545	1	Nut	170	139-9547	1	Holder-Brush
40	139-9585	1	Rotor ASM	180	139-9548	1	Ring-Seal
50	139-9537	1	Cover-Bearing	190	139-9549	1	Ring-Seal
60	139-4715	1	Bearing-Ball	200	139-9556	2	Screw-Head, Round
70	139-9583	1	Drive End Frame ASM	210	139-9538	7	Nut
80	139-9550	1	Plate-Retainer	220	139-9539	3	Screw-Head, Round
90	139-9544	4	Bolt-Through	230	139-9555	1	Nut
100	139-9551	1	Bearing-Ball	240	139-9589	1	Regulator ASM
110	139-9557	4	Bolt	250	139-9554	1	Washer
120	139-9546	1	Frame-End	260	139-9558	4	Screw-Head, Round
130	139-9586	1	Cover-End, Rear	270	139-9559	1	Screw-Head, Round
140	139-9587	1	Rectifier ASM	280	139-9553	1	Plate-Terminal

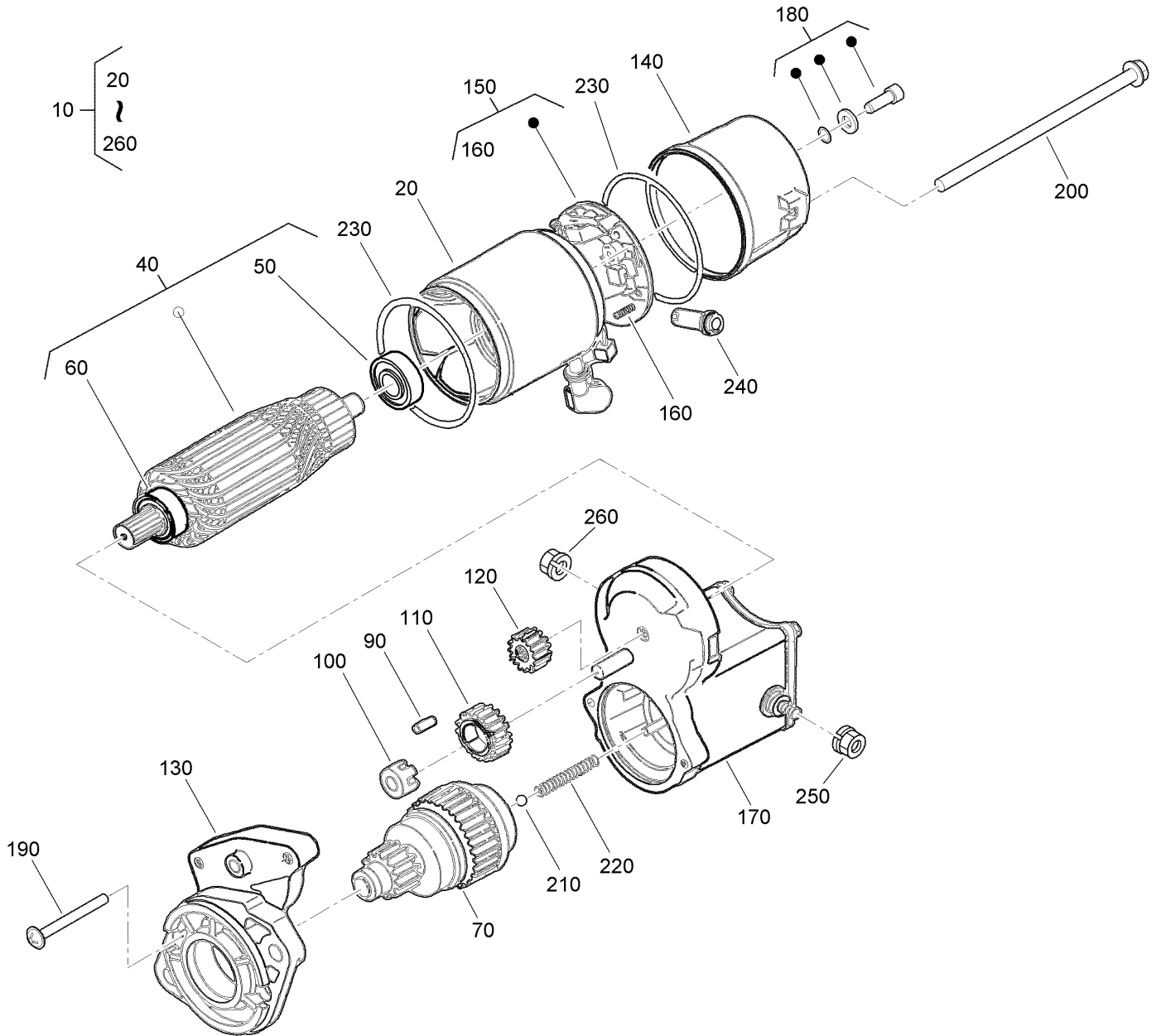
Starter Installation Assembly



Starter Installation Assembly (continued)

<i>Ref.</i>	<i>Part Number</i>	<i>Qty.</i>	<i>Description</i>	<i>Ref.</i>	<i>Part Number</i>	<i>Qty.</i>	<i>Description</i>
10	130-1306	1	Starter ASM	40	120-5822	1	Nut-Flange
20	139-9501	1	Bolt-Stud	50	98-7739	1	Nut
30	98-7736	1	Bolt	60	131-9579	1	Washer-Spring, Lock

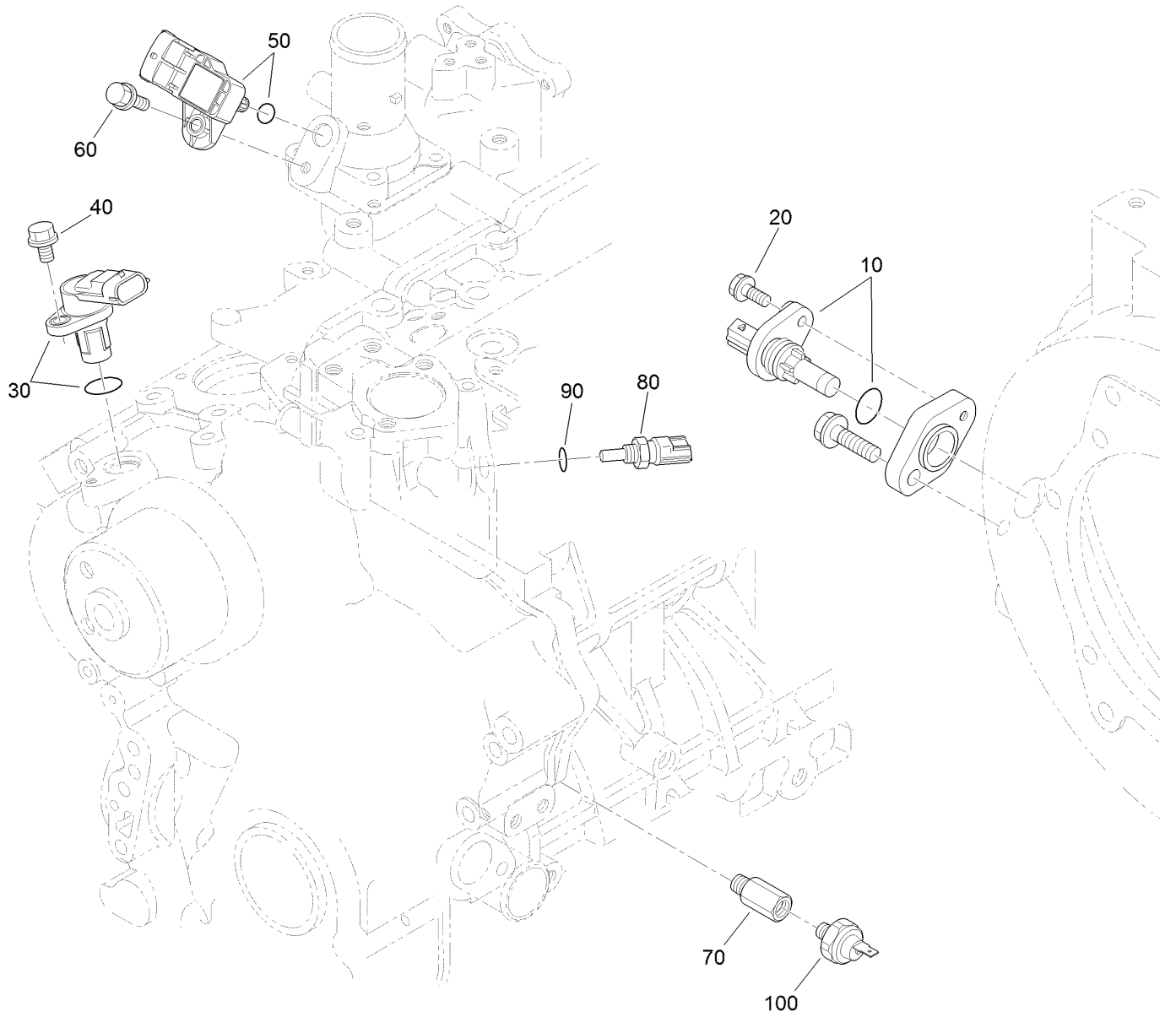
Starter (Component Parts) Assembly



Starter (Component Parts) Assembly (continued)

<i>Ref.</i>	<i>Part Number</i>	<i>Qty.</i>	<i>Description</i>	<i>Ref.</i>	<i>Part Number</i>	<i>Qty.</i>	<i>Description</i>
10	130-1306	1	Starter ASM	150	139-9571	1	Holder-Brush
20	139-9566	1	Yoke	160	139-9567	4	Spring
40	139-9565	1	Armature	170	130-1307	1	Magnetic Switch ASM
50	139-9572	1	Bearing	180	139-9573	2	Screw
60	139-9520	1	Bearing	190	139-9574	2	Screw
70	139-9564	1	Clutch-Running, Over	200	139-9570	2	Bolt-Through
90	98-7753	5	Roller	210	98-7755	1	Ball
100	139-9517	1	Retainer	220	139-9518	1	Spring
110	139-9519	1	Gear	230	139-9532	2	O-Ring
120	139-9569	1	Gear	240	139-9540	1	Pipe-Drain
130	139-9563	1	Frame-End, Drive	250	139-9521	1	Nut-Hexagon
140	139-9568	1	Frame-End	260	99-8376	1	Nut-Hex

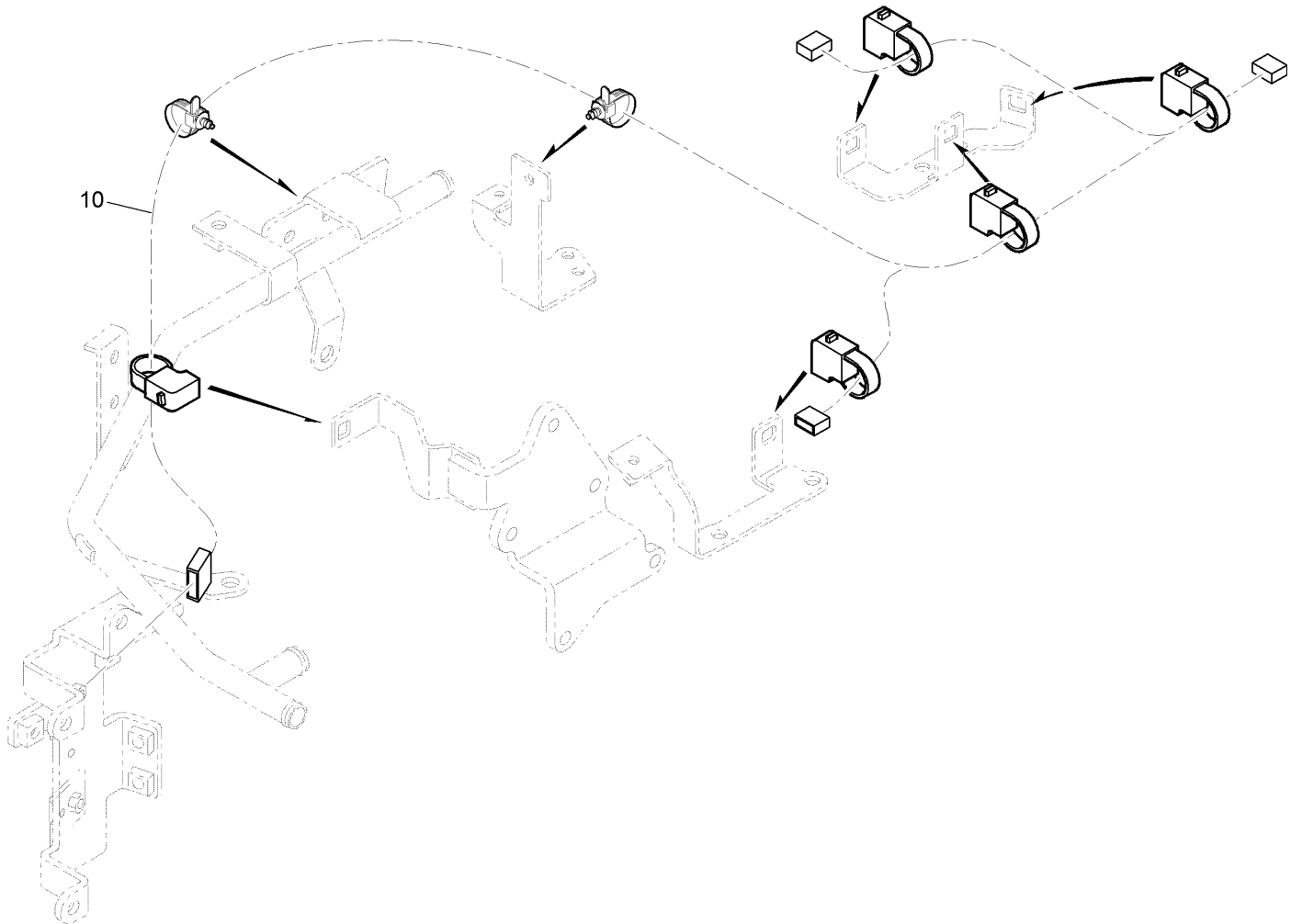
Oil Switch and Thermometer Assembly



Oil Switch and Thermometer Assembly (continued)

<i>Ref.</i>	<i>Part Number</i>	<i>Qty.</i>	<i>Description</i>	<i>Ref.</i>	<i>Part Number</i>	<i>Qty.</i>	<i>Description</i>
10	139-9716	1	Sensor	60	108-2873	1	Bolt-Flange
20	127-0403	1	Bolt-Flange	70	139-9685	1	Adapter-Switch, Oil
30	139-9742	1	Sensor	80	139-4717	1	Sensor-Temperature, Water
40	127-0403	1	Bolt-Flange	90	139-9512	1	O-Ring
50	139-9752	1	Sensor-Boost	100	139-4719	1	Switch-Oil

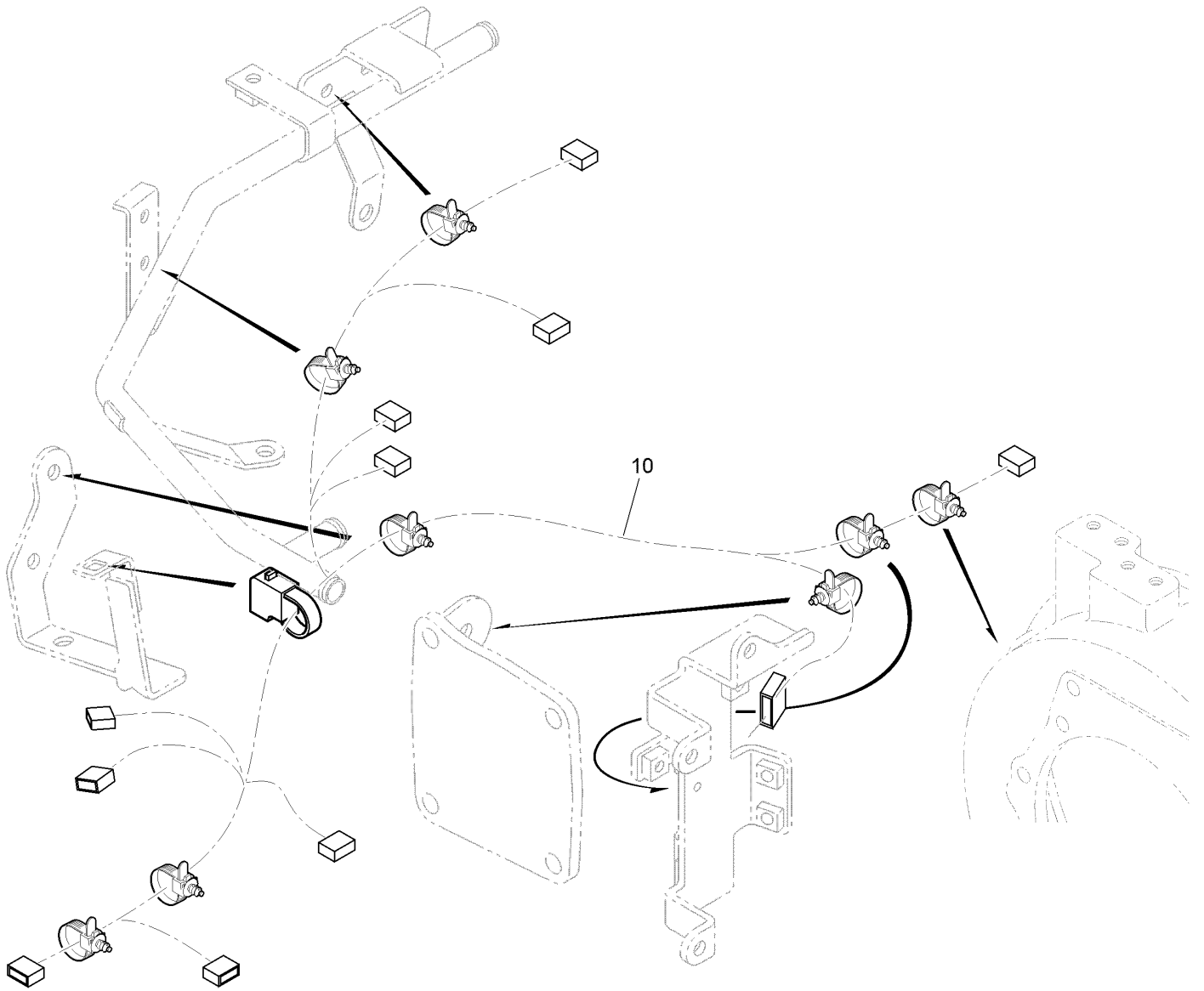
Injector Harness Assembly



Injector Harness Assembly (continued)

<i>Ref.</i>	<i>Part Number</i>	<i>Qty.</i>	<i>Description</i>
10	139-9767	1	Wire Harness ASM

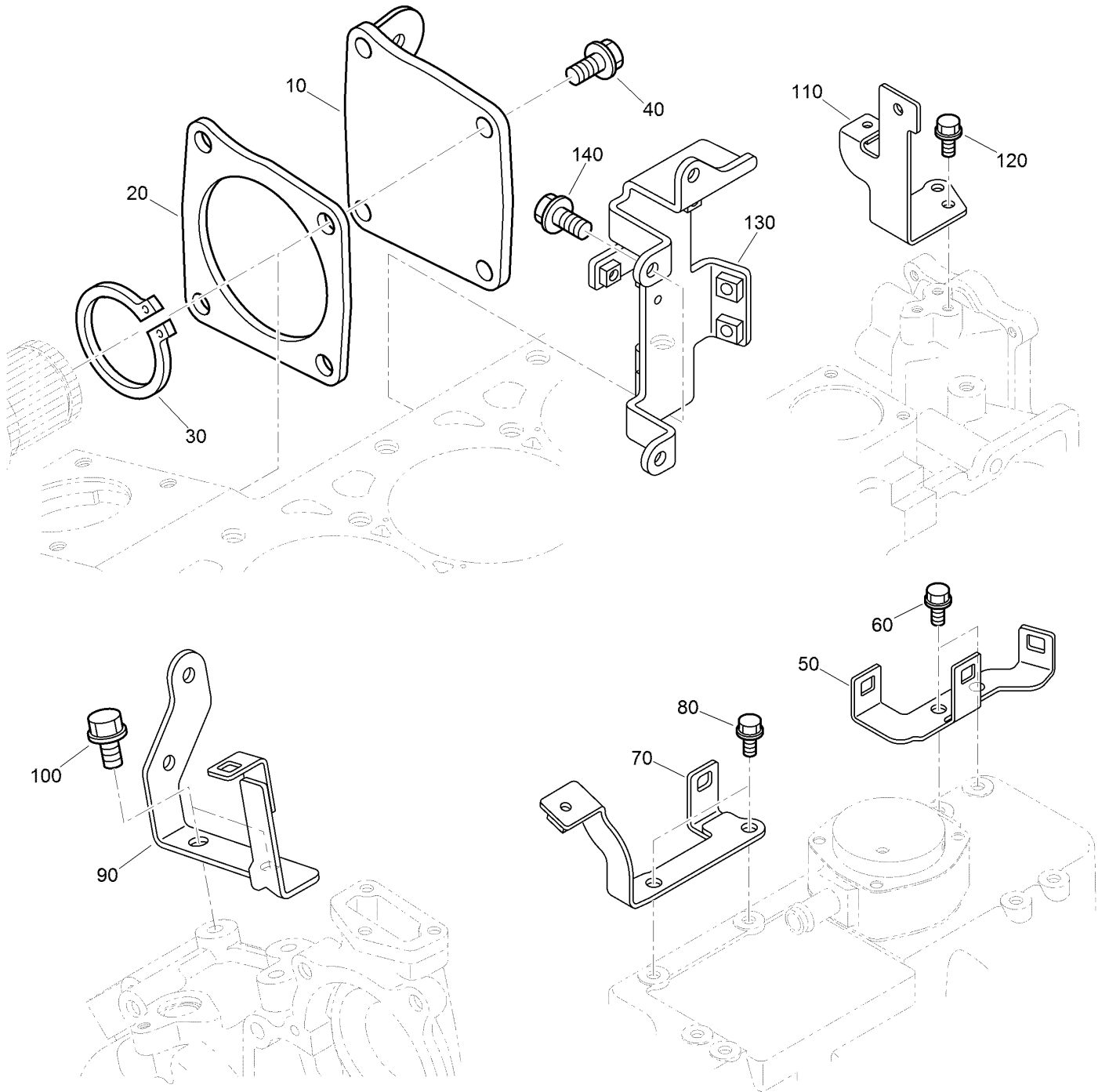
Wire Harness Assembly



Wire Harness Assembly (continued)

<i>Ref.</i>	<i>Part Number</i>	<i>Qty.</i>	<i>Description</i>
10	139-9790	1	Engine Wire Harness ASM

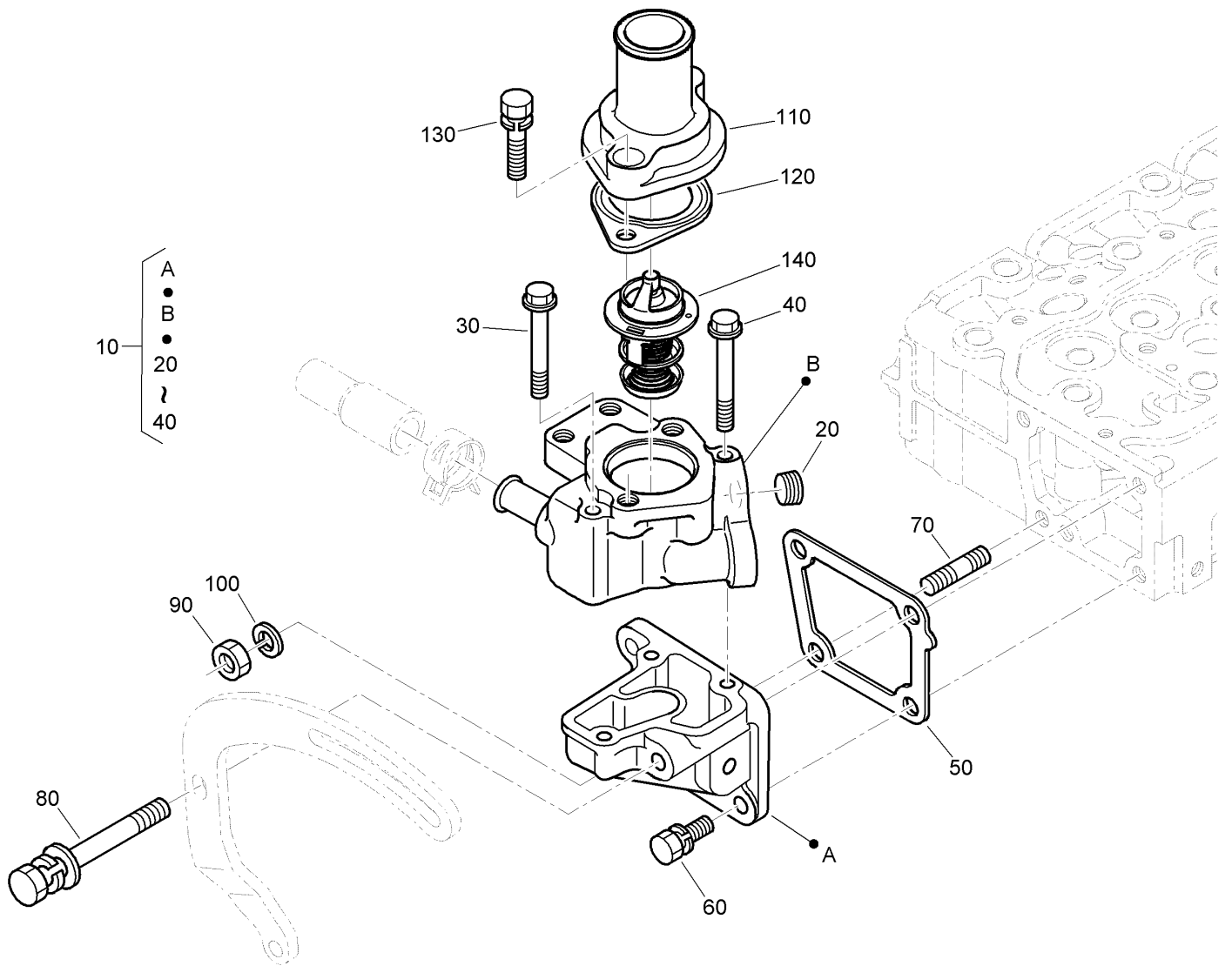
Wire Harness Bracket Assembly



Wire Harness Bracket Assembly (continued)

<i>Ref.</i>	<i>Part Number</i>	<i>Qty.</i>	<i>Description</i>	<i>Ref.</i>	<i>Part Number</i>	<i>Qty.</i>	<i>Description</i>
10	139-9731	1	Cover-Camshaft, Fuel	80	139-9505	2	Bolt-Flange
20	139-9637	1	Gasket	90	139-4702	1	Bracket (Wh 3)
30	120-5194	1	Circlip-External	100	130-1159	2	Bolt-Flange
40	130-1159	4	Bolt-Flange	110	139-9792	1	Bracket (Wh 4)
50	139-9791	1	Bracket-Harness	120	139-9505	2	Bolt-Flange
60	139-9505	2	Bolt-Flange	130	139-9768	1	Bracket-Connector
70	139-4701	1	Bracket (Wh 2)	140	130-1159	3	Bolt-Flange

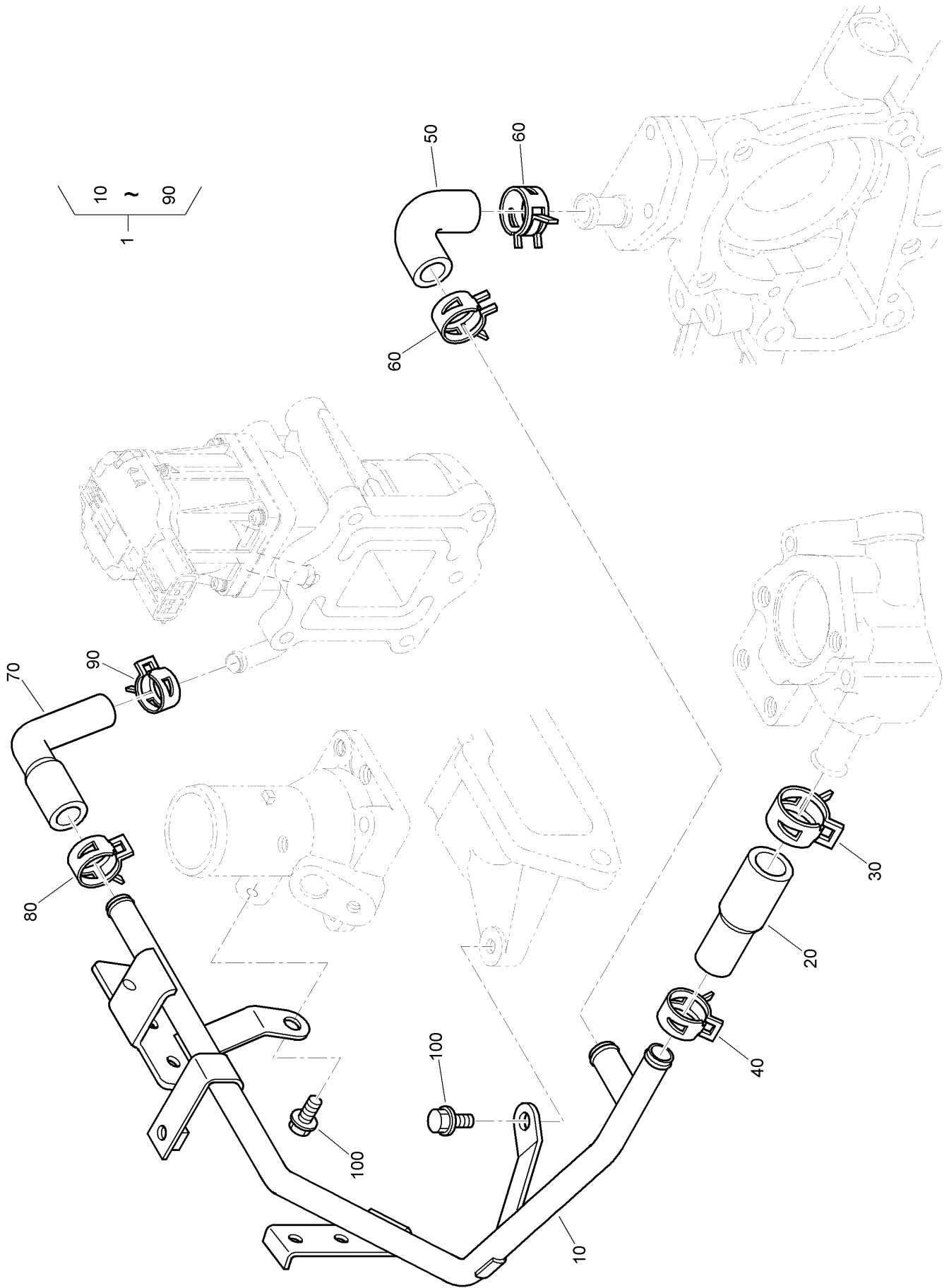
Water Flange and Thermostat Assembly



Water Flange and Thermostat Assembly (continued)

<i>Ref.</i>	<i>Part Number</i>	<i>Qty.</i>	<i>Description</i>	<i>Ref.</i>	<i>Part Number</i>	<i>Qty.</i>	<i>Description</i>
10	130-1347	1	Water Flange ASM	80	139-9601	1	Bolt
20	139-9603	1	Plug	90	98-7534	1	Nut
30	105-2875	2	Bolt-Flange	100	131-9579	1	Washer-Spring, Lock
40	107-0117	1	Bolt-Flange	110	98-7775	1	Cover-Thermostat
50	105-2876	1	Gasket-Flange, Water	120	105-3748	1	Gasket-Thermostat
60	98-9359	2	Bolt	130	98-7777	2	Bolt
70	100-1558	1	Stud-Manifold, Exhaust	140	139-9678	1	Thermostat ASM

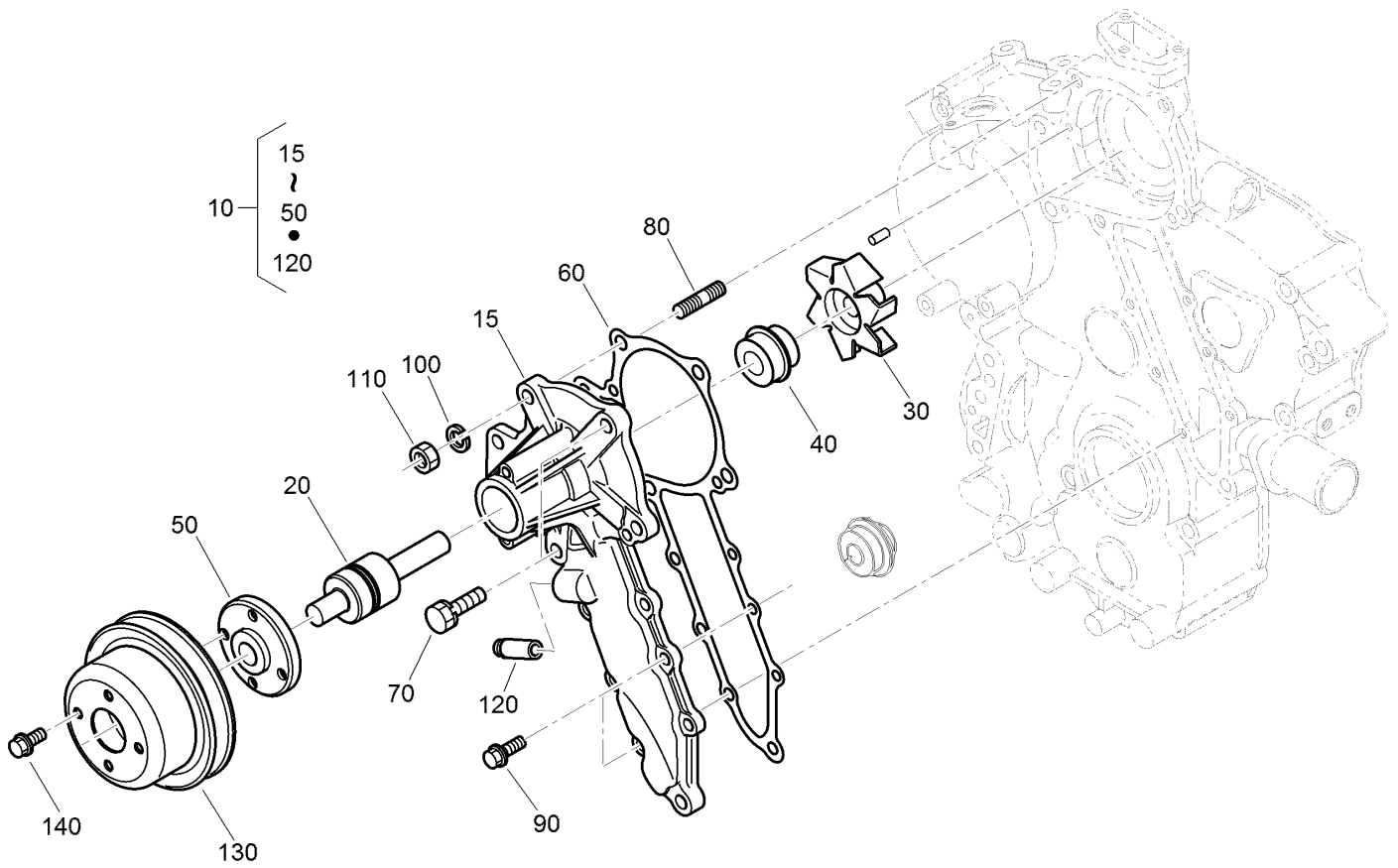
Water Pipe Assembly



Water Pipe Assembly (continued)

<i>Ref.</i>	<i>Part Number</i>	<i>Qty.</i>	<i>Description</i>	<i>Ref.</i>	<i>Part Number</i>	<i>Qty.</i>	<i>Description</i>
1	139-9795	1	Water Return Pipe ASM	60	105-2879	2	Clamp-Hose
10	139-4704	1	Pipe-Return, Water 2	70	139-9771	1	Hose
20	139-9754	1	Hose-Return, Water 2-1	80	115-8524	1	Clamp-Hose
30	139-9591	1	Clamp-Hose	90	139-9515	1	Clamp-Hose
40	115-8524	1	Clamp-Hose	100	100-1774	2	Bolt-Flange
50	139-9755	1	Hose-Return, Water 2-2				

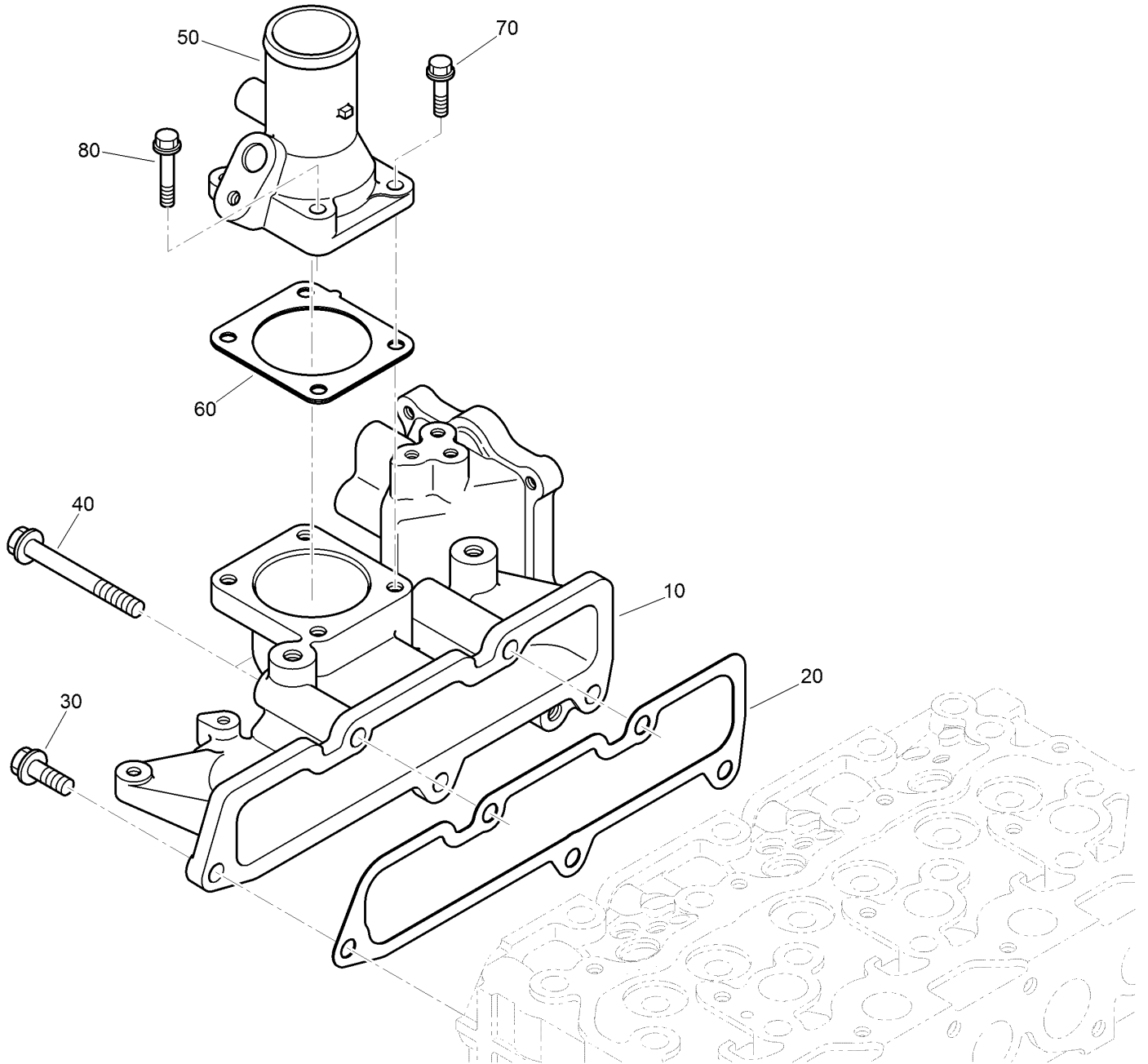
Water Pump Assembly



Water Pump Assembly (continued)

<i>Ref.</i>	<i>Part Number</i>	<i>Qty.</i>	<i>Description</i>	<i>Ref.</i>	<i>Part Number</i>	<i>Qty.</i>	<i>Description</i>
10	139-9636	1	Water Pump ASM	80	108-7090	1	Stud
15	130-1421	1	Body-Pump, Water	90	127-0403	6	Bolt-Flange
20	139-9560	1	Bearing	100	131-9579	1	Washer-Spring, Lock
30	139-9599	1	Impeller	110	98-7534	1	Nut
40	139-9640	1	Mechanical Seal ASM	120	98-9580	1	Pipe-Return, Water
50	108-7089	1	Flange-Shaft, Water Pump	130	139-9579	1	Pulley-Fan
60	139-9605	1	Gasket-Pump, Water	140	100-1774	4	Bolt-Flange
70	98-7439	2	Bolt				

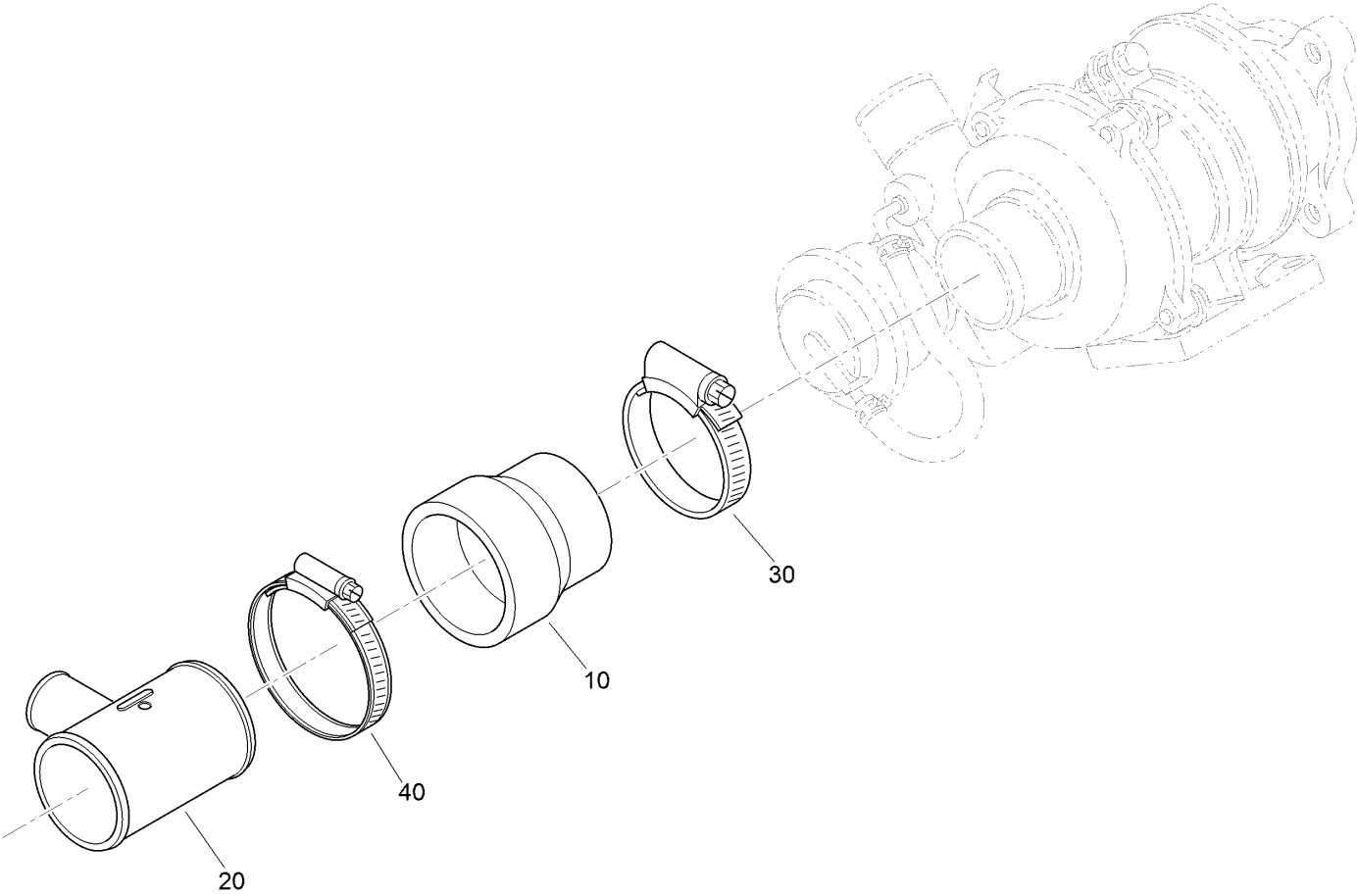
Inlet Manifold Assembly



Inlet Manifold Assembly (continued)

<i>Ref.</i>	<i>Part Number</i>	<i>Qty.</i>	<i>Description</i>	<i>Ref.</i>	<i>Part Number</i>	<i>Qty.</i>	<i>Description</i>
10	139-9758	1	Manifold-Inlet	50	139-9749	1	Flange-Inlet
20	139-9759	1	Gasket-Manifold, Inlet	60	139-9700	1	Gasket-Flange, Inlet
30	115-8583	3	Bolt-Flange	70	108-2873	3	Bolt-Flange
40	139-9503	2	Bolt-Flange	80	127-0404	1	Bolt-Flange

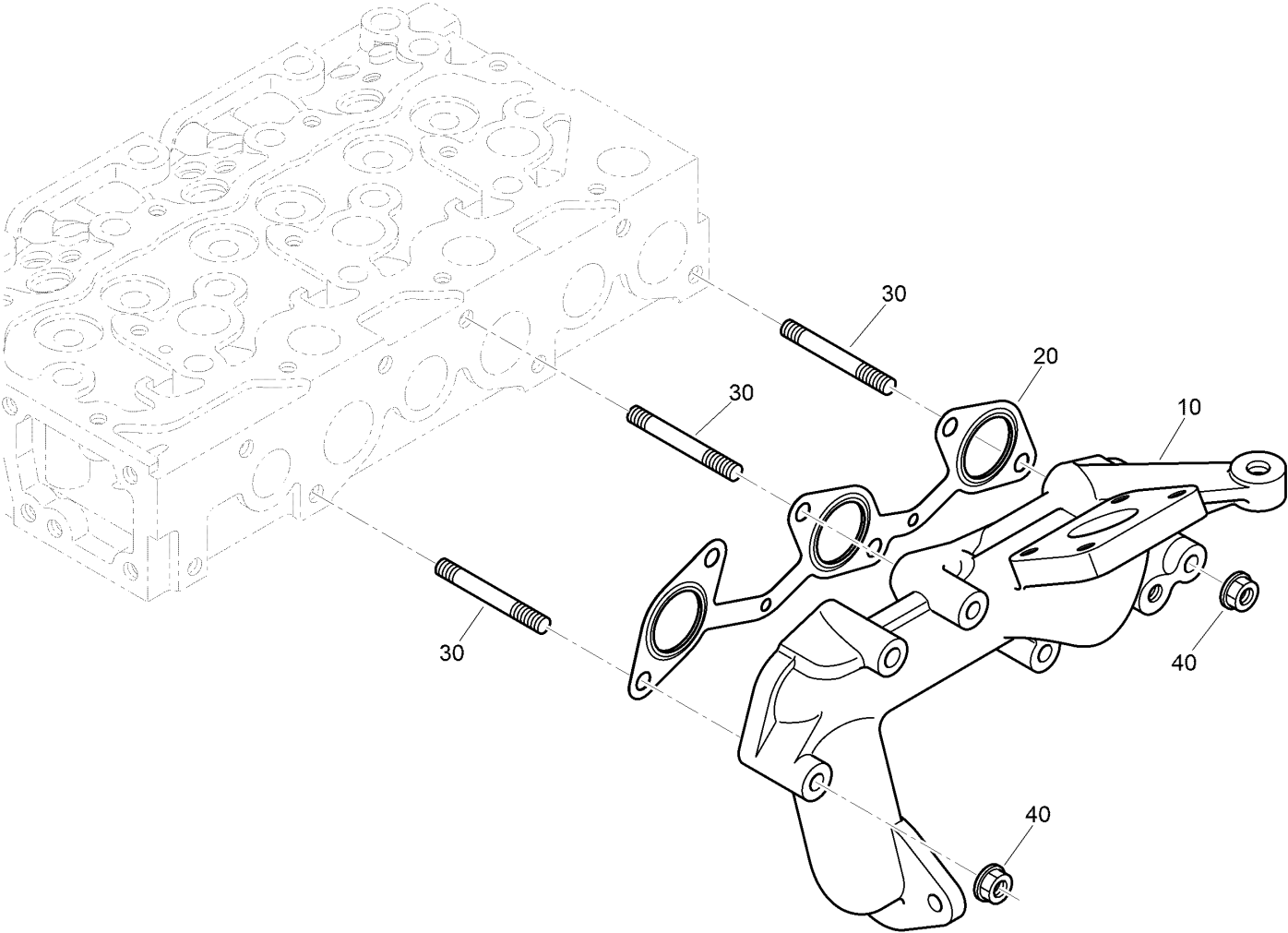
Inlet Hose Assembly



Inlet Hose Assembly (continued)

<i>Ref.</i>	<i>Part Number</i>	<i>Qty.</i>	<i>Description</i>	<i>Ref.</i>	<i>Part Number</i>	<i>Qty.</i>	<i>Description</i>
10	139-9746	1	Tube-Inlet, Turbo	30	139-4716	1	Clamp
20	139-9649	1	Pipe-Breather	40	139-4718	1	Clamp-Hose

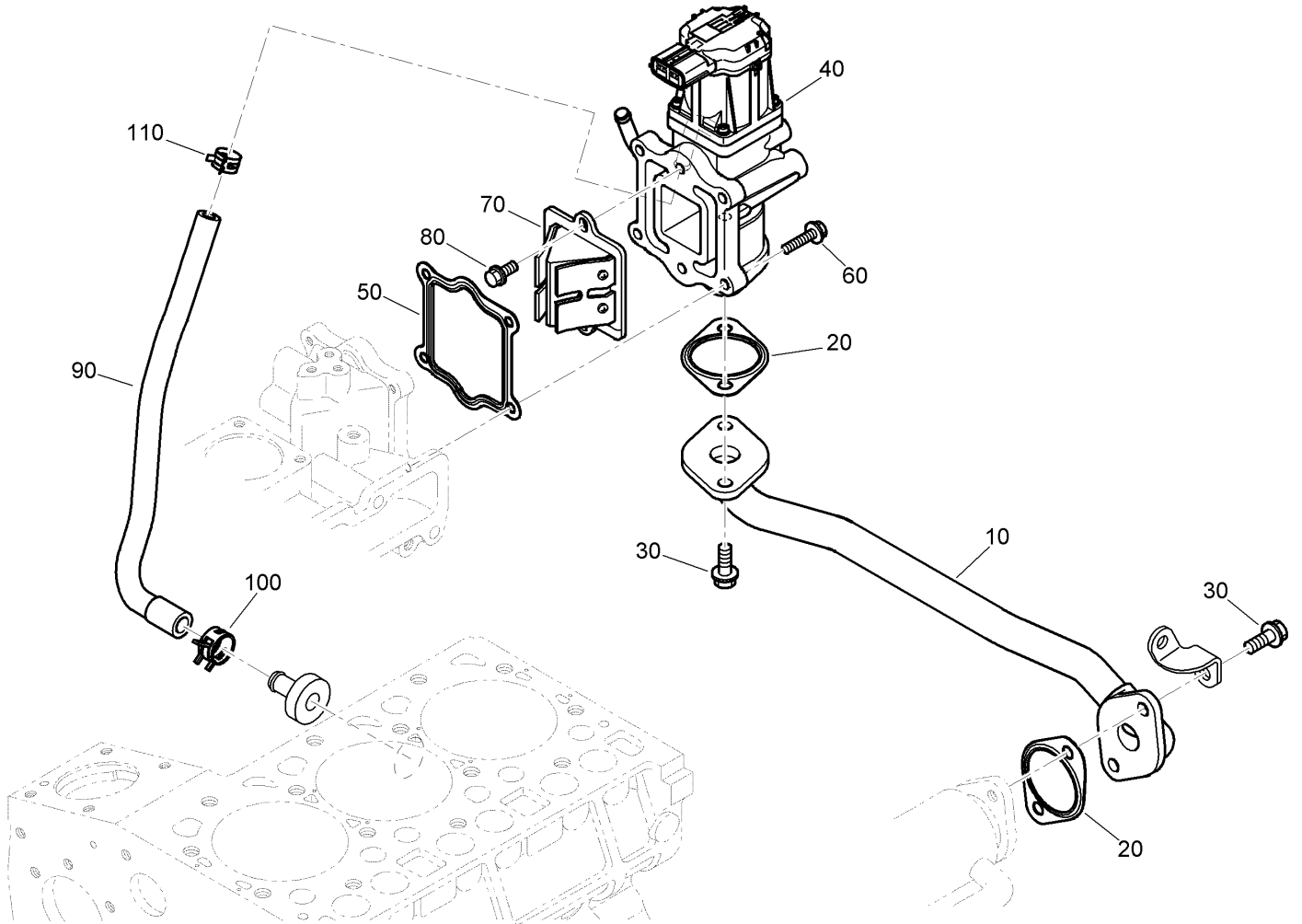
Exhaust Manifold Assembly



Exhaust Manifold Assembly (continued)

<i>Ref.</i>	<i>Part Number</i>	<i>Qty.</i>	<i>Description</i>	<i>Ref.</i>	<i>Part Number</i>	<i>Qty.</i>	<i>Description</i>
10	139-9773	1	Manifold-Exhaust	30	139-9744	6	Stud
20	139-9760	1	Gasket-Manifold, Exhaust	40	139-9691	6	Nut-Flange

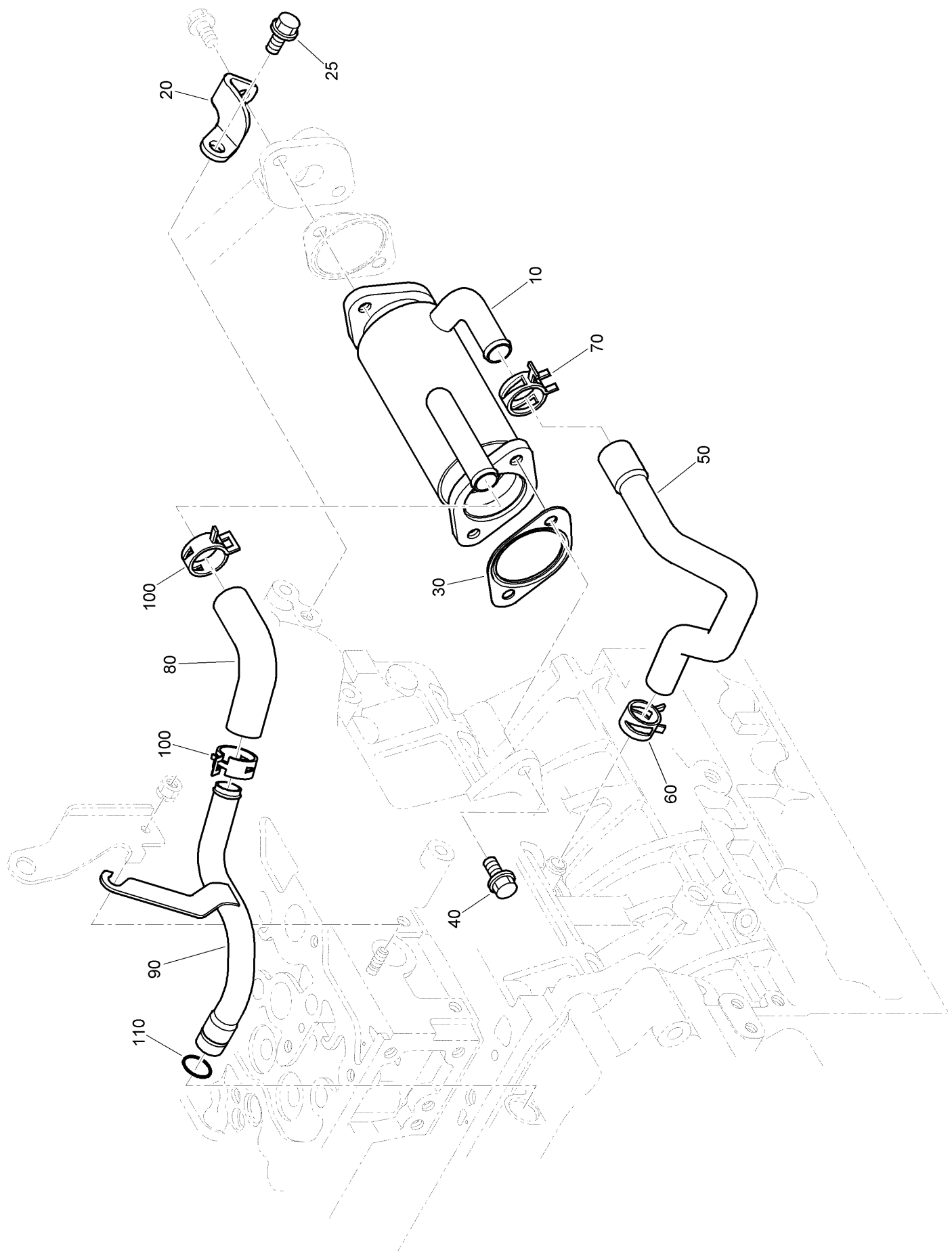
Exhaust Gas Recirculation Assembly



Exhaust Gas Recirculation Assembly (continued)

<i>Ref.</i>	<i>Part Number</i>	<i>Qty.</i>	<i>Description</i>	<i>Ref.</i>	<i>Part Number</i>	<i>Qty.</i>	<i>Description</i>
10	139-9785	1	Pipe-E G R	70	139-9692	1	Valve-Lead
20	139-9751	2	Gasket-Cooler, E G R	80	100-1774	2	Bolt-Flange
30	115-8583	4	Bolt-Flange	90	139-9770	1	Hose
40	139-9789	1	E G R Valve ASM	100	105-2879	1	Clamp-Hose
50	139-9750	1	Gasket-Valve, E G R	110	139-9515	1	Clamp-Hose
60	105-3789	4	Bolt				

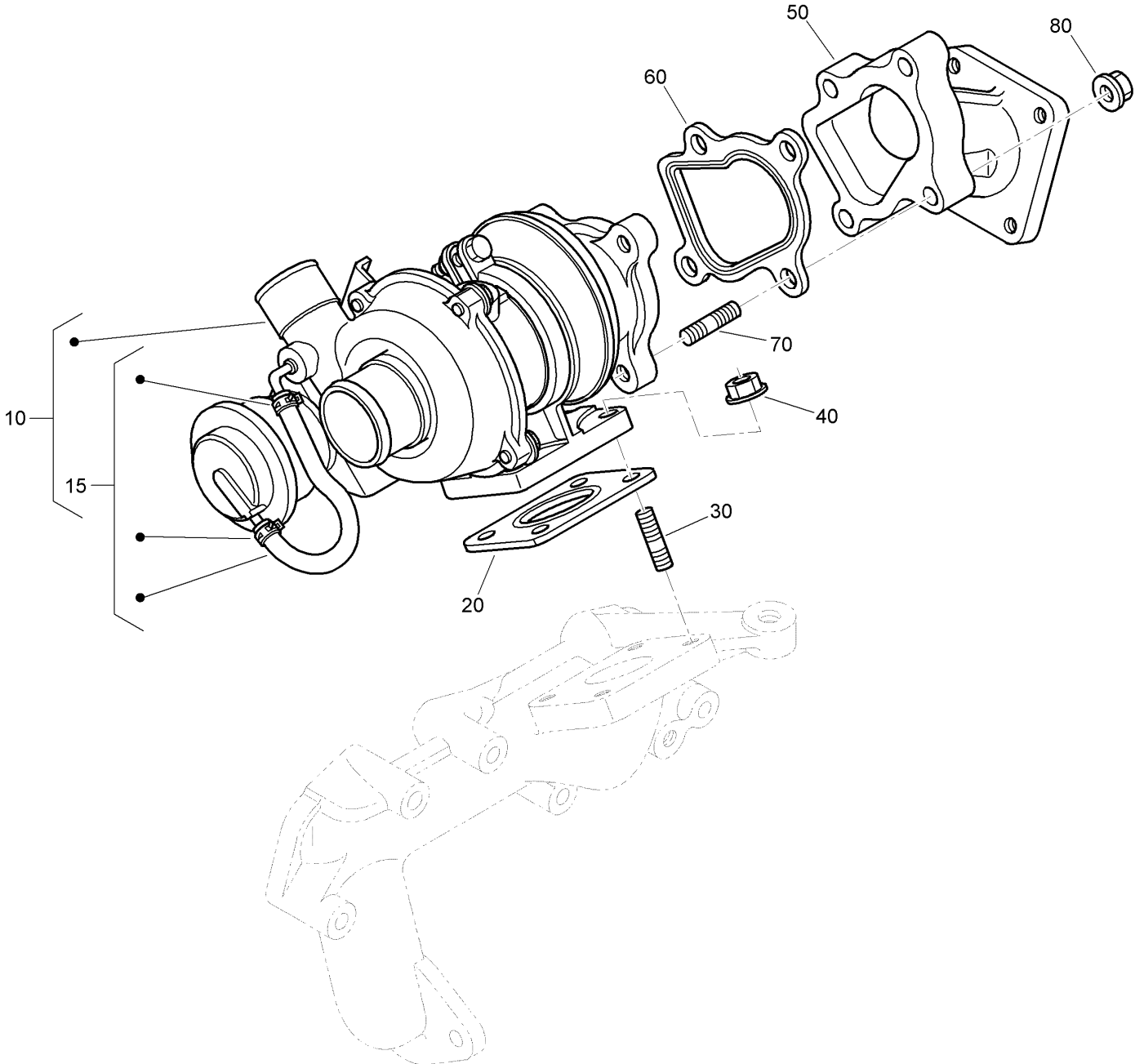
Exhaust Gas Recirculation Cooler Assembly



Exhaust Gas Recirculation Cooler Assembly (continued)

<i>Ref.</i>	<i>Part Number</i>	<i>Qty.</i>	<i>Description</i>	<i>Ref.</i>	<i>Part Number</i>	<i>Qty.</i>	<i>Description</i>
10	139-9793	1	Cooler-E G R	60	105-2879	1	Clamp-Hose
20	139-9794	1	Stay-Cooler, E G R	70	98-9714	1	Clamp-Hose
25	130-1159	1	Bolt-Flange	80	139-4703	1	Hose-E G R C2
30	139-9751	1	Gasket-Cooler, E G R	90	139-9753	1	Pipe-E G R, C2
40	115-8583	2	Bolt-Flange	100	139-9591	2	Clamp-Hose
50	139-9686	1	Hose-E G R, C1	110	139-9511	1	O-Ring

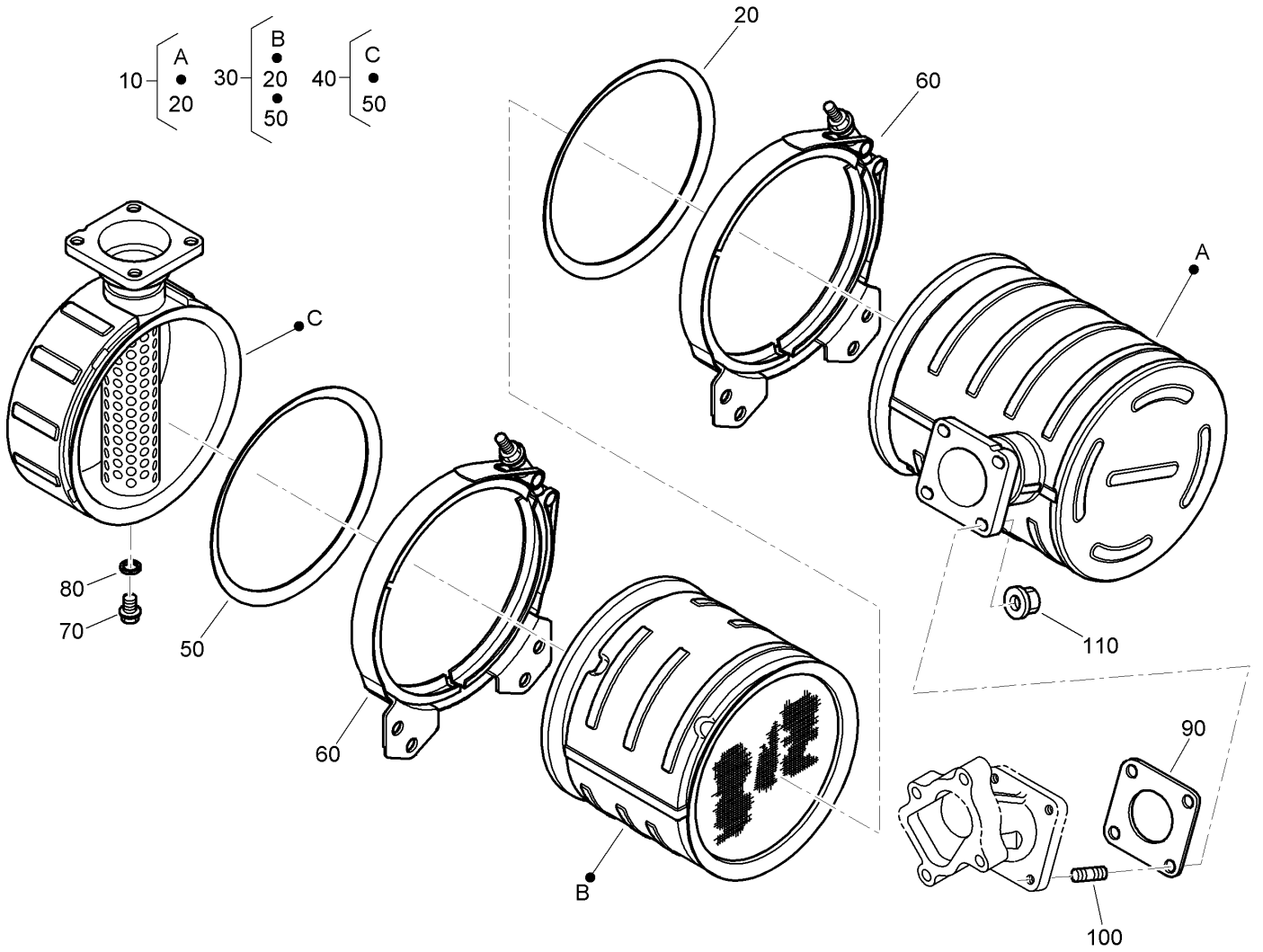
Turbo Charger Assembly



Turbo Charger Assembly (continued)

<i>Ref.</i>	<i>Part Number</i>	<i>Qty.</i>	<i>Description</i>	<i>Ref.</i>	<i>Part Number</i>	<i>Qty.</i>	<i>Description</i>
10	139-9784	1	Turbo Charger ASM	50	139-9783	1	Flange-Muffler
15	139-9673	1	Hose ASM	60	139-9693	1	Gasket-Flange, Muffler
20	100-9314	1	Gasket	70	139-9625	4	Stud
30	139-9689	4	Bolt-Stud	80	139-9691	4	Nut-Flange
40	139-9691	4	Nut-Flange				

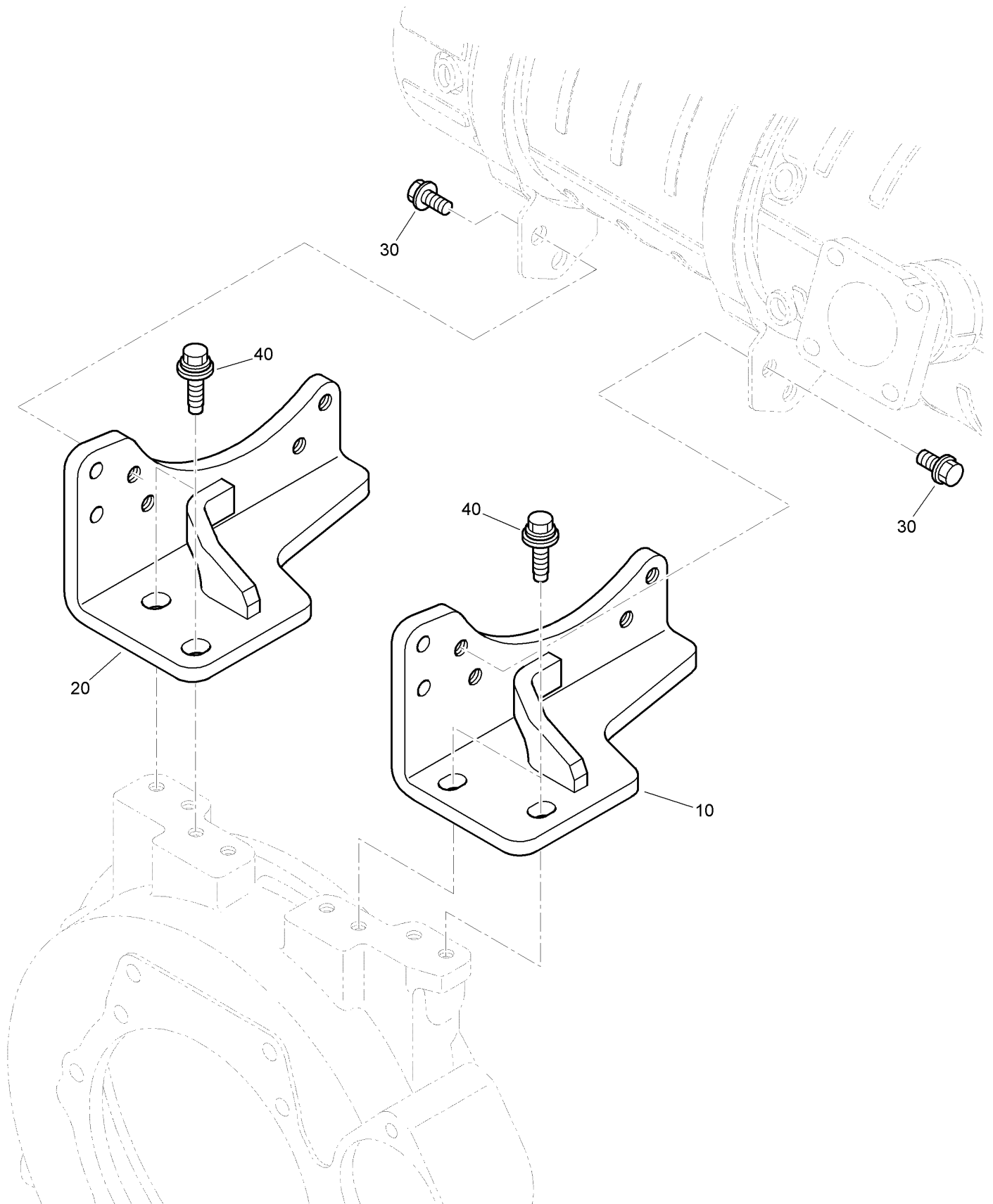
Diesel Oxidation Catalyst Muffler Assembly



Diesel Oxidation Catalyst Muffler Assembly (continued)

<i>Ref.</i>	<i>Part Number</i>	<i>Qty.</i>	<i>Description</i>	<i>Ref.</i>	<i>Part Number</i>	<i>Qty.</i>	<i>Description</i>
10	139-9797	1	Doc1 Catalyst Kit	70	100-1774	1	Bolt-Flange
20	139-9733	2	Gasket-D P F	80	98-7654	1	Gasket
30	139-4721	1	Doc2 Catalyst Kit	90	100-9333	1	Gasket-Muffler
40	139-9698	1	Body Kit	100	139-9690	4	Bolt-Stud
50	139-9733	1	Gasket-D P F	110	139-9691	4	Nut-Flange
60	139-4706	2	Bracket-V Band, D P F				

Diesel Oxidation Catalyst Muffler Bracket Assembly

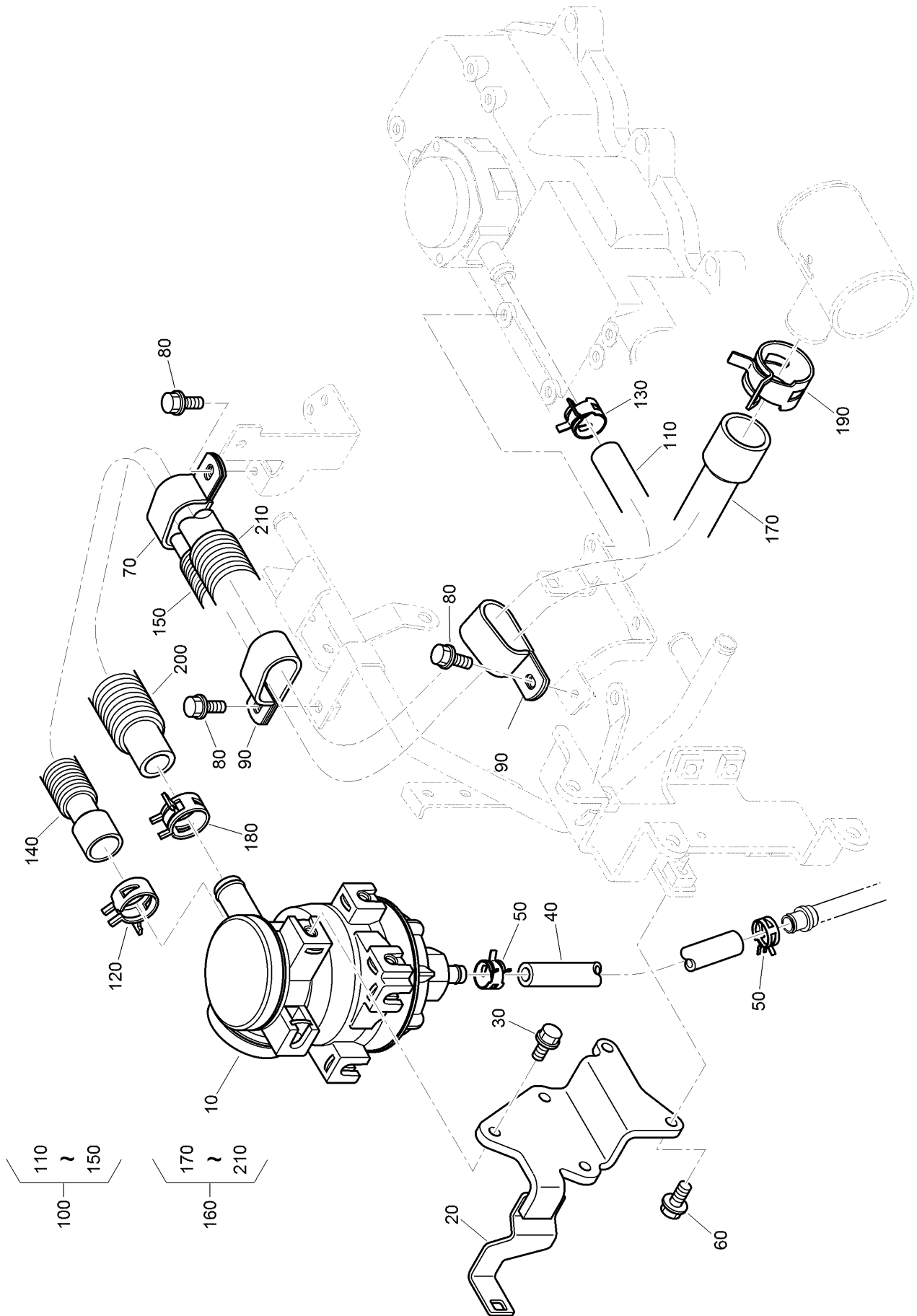


Diesel Oxidation Catalyst Muffler Bracket Assembly (continued)

<i>Ref.</i>	<i>Part Number</i>	<i>Qty.</i>	<i>Description</i>
10	139-9734	1	Bracket-D P F 1
20	139-9735	1	Bracket-D P F 2

<i>Ref.</i>	<i>Part Number</i>	<i>Qty.</i>	<i>Description</i>
30	127-0406	8	Bolt-Flange
40	139-4714	4	Bolt

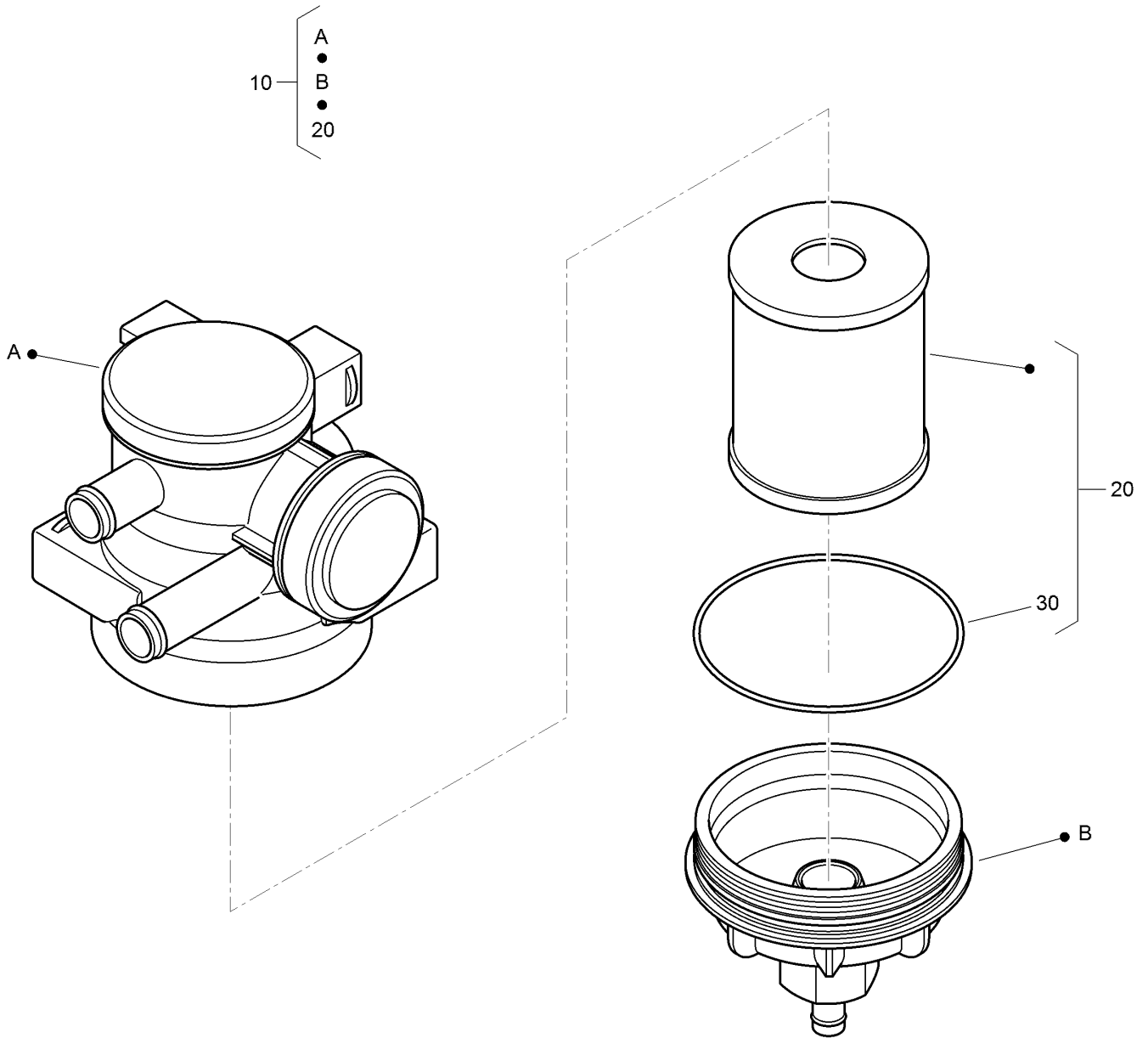
Oil Separator Assembly



Oil Separator Assembly (continued)

<i>Ref.</i>	<i>Part Number</i>	<i>Qty.</i>	<i>Description</i>	<i>Ref.</i>	<i>Part Number</i>	<i>Qty.</i>	<i>Description</i>
10	139-9695	1	Separator ASM	120	98-9714	1	Clamp-Hose
20	139-9780	1	Bracket-Separator	130	115-8524	1	Clamp-Hose
30	127-0403	3	Bolt-Flange	140	139-9650	1	Tube-Pipe
40	139-9757	1	Tube-Return, Oil	150	139-9786	1	Tube-Corrugate
50	139-9515	2	Clamp-Hose	160	139-9779	1	Breather 2 Tube ASM
60	127-0403	2	Bolt-Flange	170	139-9782	1	Tube-Breather 2
70	139-9748	1	Clamp-Hose	180	98-9714	1	Clamp-Hose
80	100-1774	3	Bolt-Flange	190	139-9516	1	Clamp-Hose
90	139-4708	2	Clamp-Hose	200	139-9787	1	Tube-Corrugate
100	139-9778	1	Breather 1 Tube ASM	210	139-9788	1	Tube-Corrugate
110	139-9781	1	Tube-Breather 1				

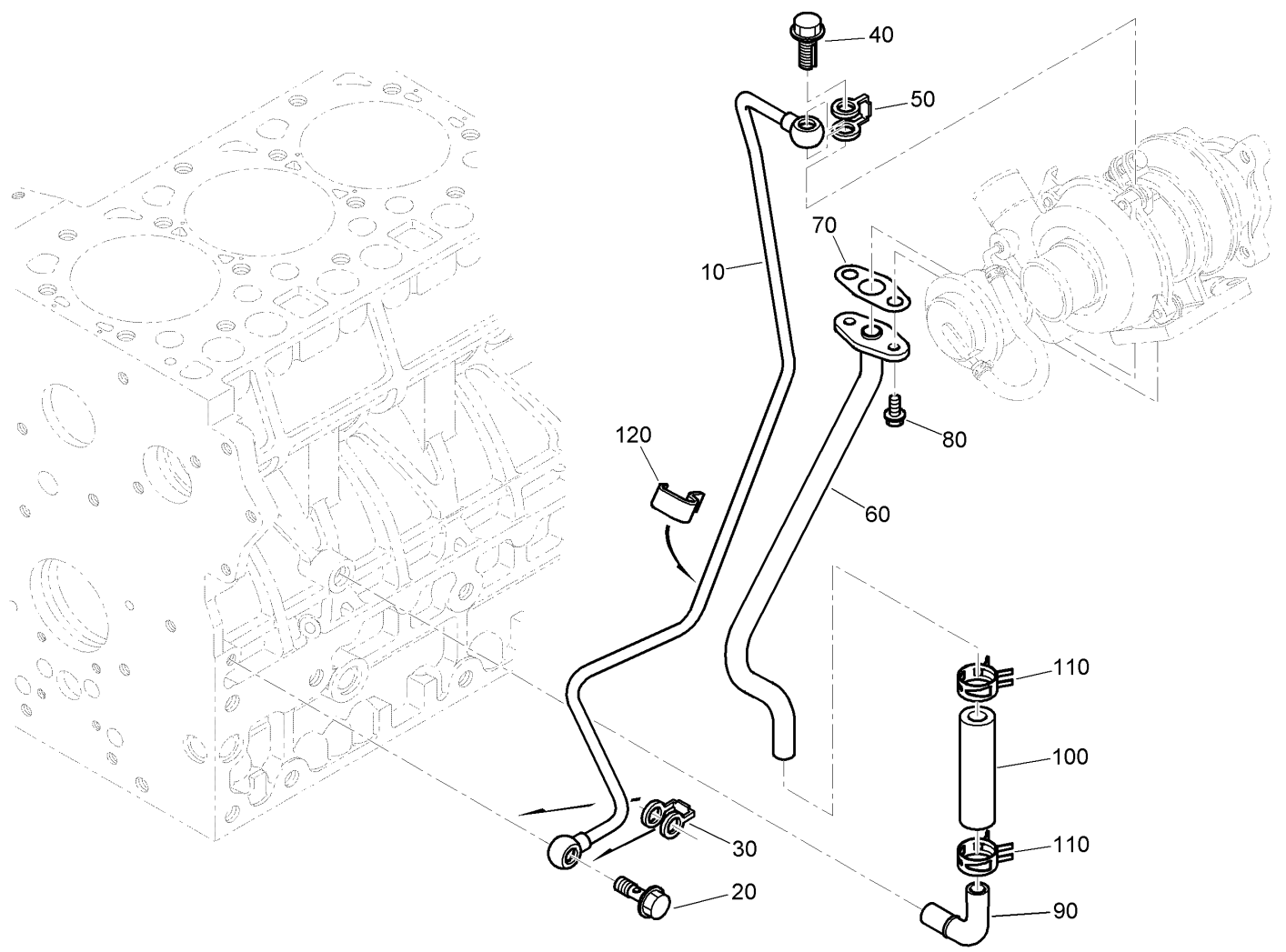
Oil Separator (Component Parts) Assembly



Oil Separator (Component Parts) Assembly (continued)

<i>Ref.</i>	<i>Part Number</i>	<i>Qty.</i>	<i>Description</i>
10	139-9695	1	Separator ASM
20	139-9697	1	Element Kit
30	139-9696	1	O-Ring

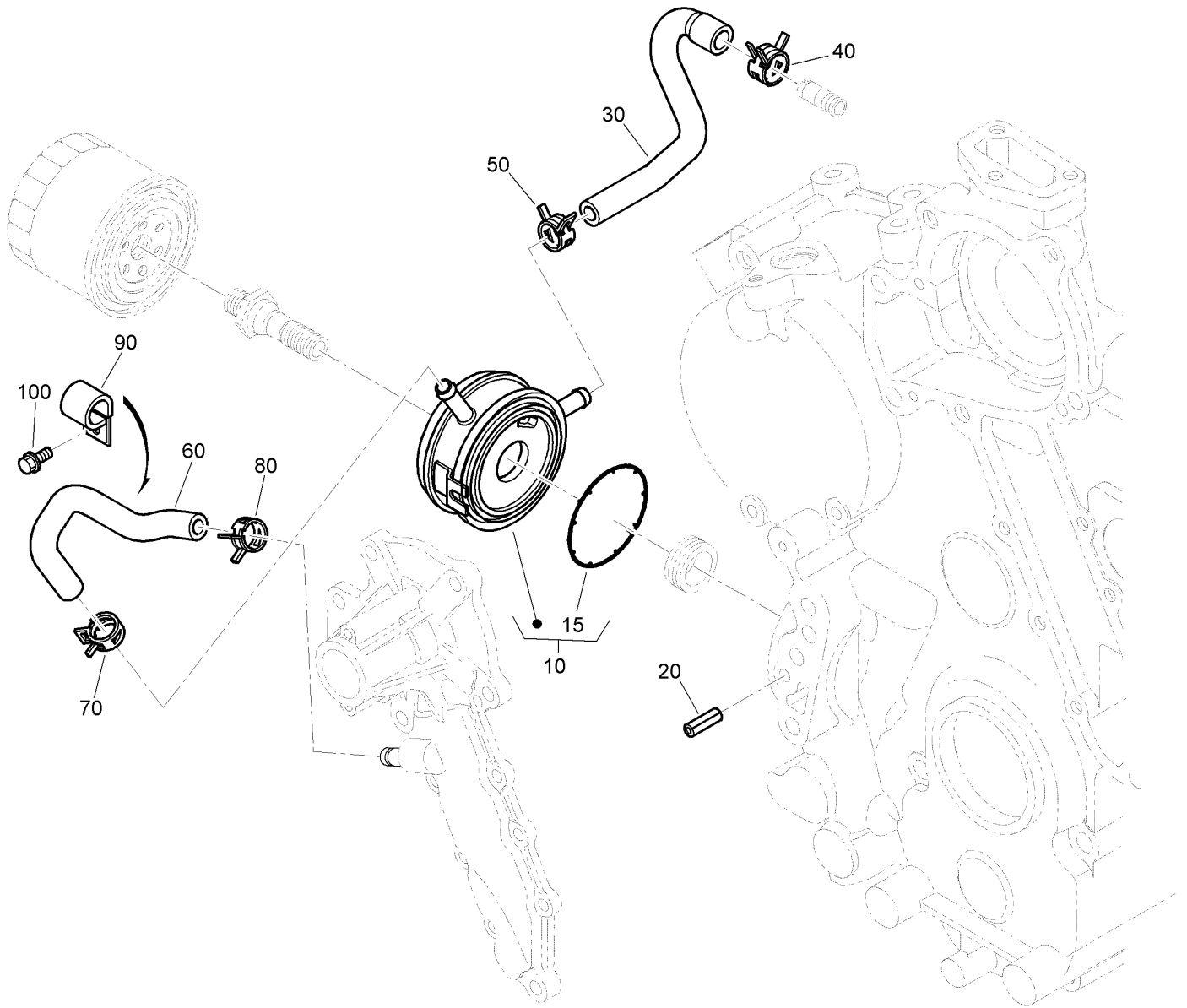
Oil Pipe (Turbo Charger) Assembly



Oil Pipe (Turbo Charger) Assembly (continued)

<i>Ref.</i>	<i>Part Number</i>	<i>Qty.</i>	<i>Description</i>	<i>Ref.</i>	<i>Part Number</i>	<i>Qty.</i>	<i>Description</i>
10	139-9774	1	Pipe	70	139-9627	1	Gasket-Pipe, Oil
20	130-1564	1	Bolt-Connect	80	100-1774	2	Bolt-Flange
30	139-9639	1	Gasket	90	100-9323	1	Pipe-Oil
40	139-9679	1	Bolt-Joint, Eye	100	139-9680	1	Tube-Oil
50	130-1423	1	Gasket	110	98-9714	2	Clamp-Hose
60	139-9775	1	Pipe-Oil 2	120	139-9776	1	Clamp-Pipe

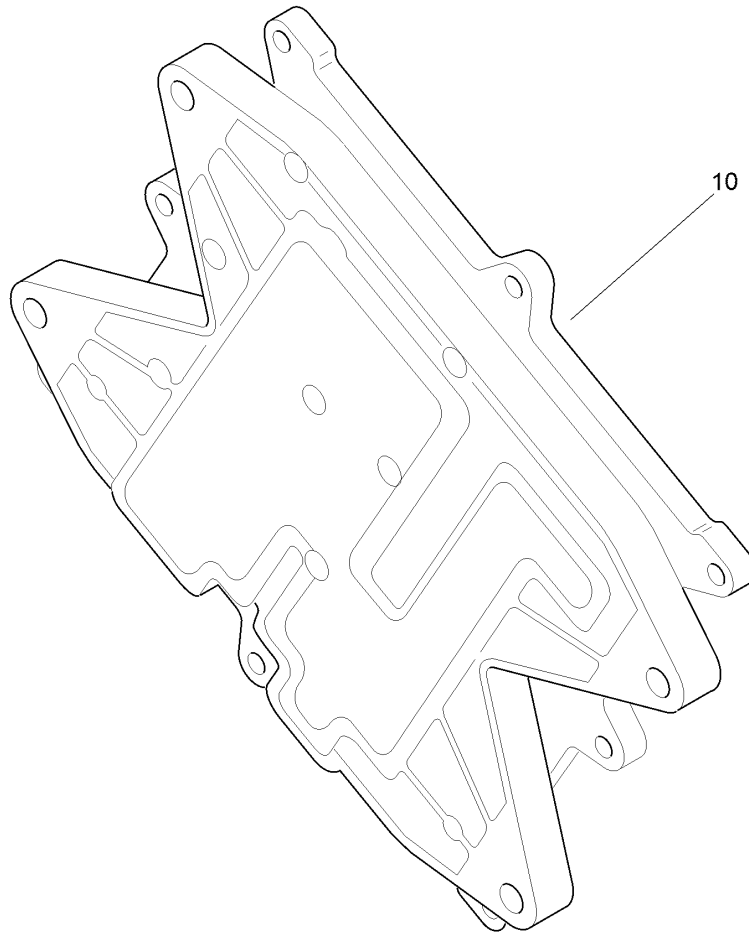
Oil Cooler Assembly



Oil Cooler Assembly (continued)

<i>Ref.</i>	<i>Part Number</i>	<i>Qty.</i>	<i>Description</i>	<i>Ref.</i>	<i>Part Number</i>	<i>Qty.</i>	<i>Description</i>
10	139-9666	1	Oil Cooler ASM	60	139-9736	1	Hose-Cooler, Oil
15	139-9667	1	Packing	70	98-9579	1	Band-Pipe
20	130-1169	1	Pin-Roller	80	98-9579	1	Band-Pipe
30	139-9604	1	Hose-Cooler, Oil	90	139-9737	1	Clamp
40	105-2879	1	Clamp-Hose	100	100-1774	1	Bolt-Flange
50	98-9579	1	Band-Pipe				

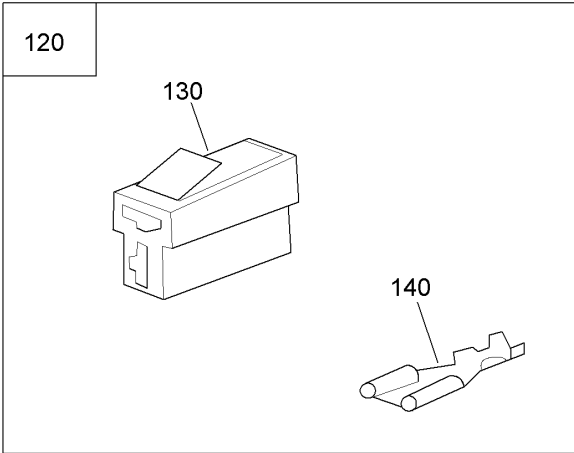
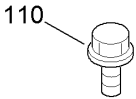
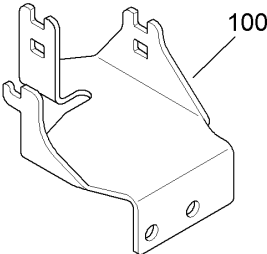
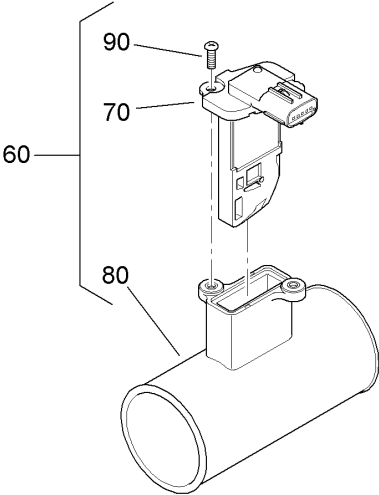
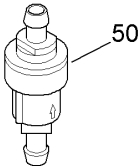
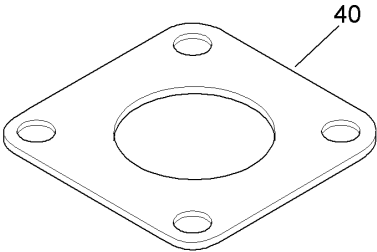
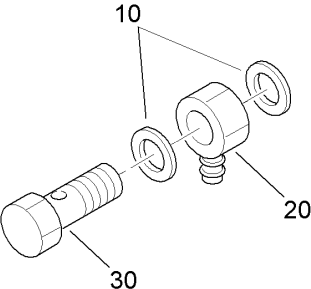
Electronic Control Unit Assembly



Electronic Control Unit Assembly (continued)

<i>Ref.</i>	<i>Part Number</i>	<i>Qty.</i>	<i>Description</i>
10	139-9681	1	E C U ASM

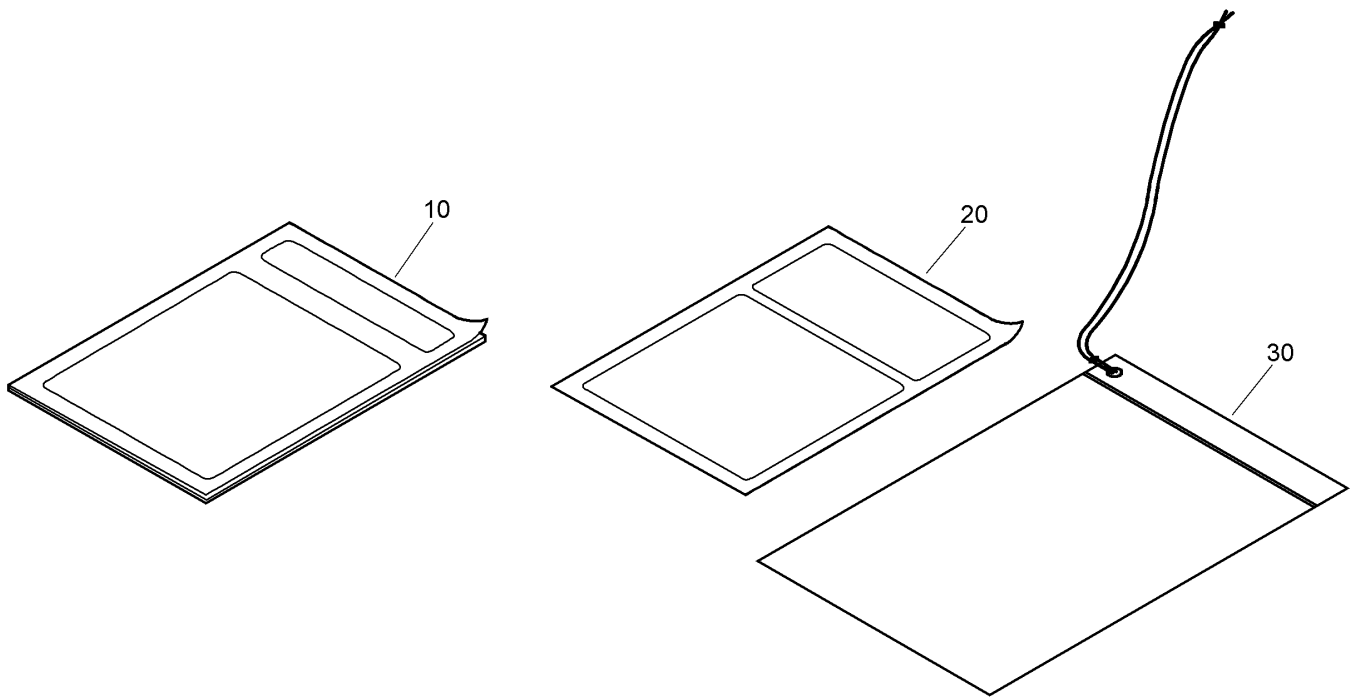
Miscellaneous Engine Parts



Miscellaneous Engine Parts (continued)

<i>Ref.</i>	<i>Part Number</i>	<i>Qty.</i>	<i>Description</i>	<i>Ref.</i>	<i>Part Number</i>	<i>Qty.</i>	<i>Description</i>
10	137-0067	8	O-Ring	80	139-9730	1	Pipe-Flow, Air
20	137-0065	4	Adapter-Fuel	90	139-9507	2	Screw-Phillips, Pan Head
30	137-0066	4	Bolt-Joint	100	139-9633	1	Bracket
40	100-9333	1	Gasket-Muffler	110	130-1159	2	Bolt-Flange
50	139-9669	1	Valve-Check, Fuel	120	98-9699	2	Terminal
60	136-4741	1	Sensor	130	139-9590	1	Coupler ASM
70	139-9688	1	Sensor-Flow, Air	140	98-9698	1	Connector

Operator Manual



Operator Manual (continued)

<i>Ref.</i>	<i>Part Number</i>	<i>Qty.</i>	<i>Description</i>
10	139-9699	1	Manual-Operator
20	139-9682	1	Manual-Instruction
30	139-9687	1	Bag-Plastic

Attachments and Accessories

For 22530 TXL 2000 Tool Carrier

Product Name	Model/Part
Locking Fuel Cap.....	126-4107
Green Ultra-Low Sulfur Diesel Fuel Cap.....	136-4866
Track-Mert.....	136-4869
Light Kit.....	136-4890
1000 Hour Filter Kit.....	136-4897
50 Hour Filter Kit.....	136-4898
400 Hour Filter Kit.....	136-4899
Telescoping Auxiliary Wire Harness Kit.....	139-1186
Auger Drive.....	22532
Trencher Head.....	22533
Brush Cutter.....	22534
Grapple.....	22535
Power Rake.....	22536
Angle Broom.....	22538
Skeleton Grapple.....	22541
Tiller.....	22542
Pick-Up Broom.....	22543
High Volume Bucket with Edge.....	22546
Standard Bucket with Edge.....	22547
Grading Bucket.....	22548
Adjustable Forks.....	22549
Leveler.....	22550
U-Blade.....	22572
Stump Bucket.....	22573
Standard Bucket without Edge.....	22576
Dingo TXL 2000 Snow Thrower.....	22583

Notes:

Notes:

Notes:



Count on it.