



**Count on it.**

**Parts Catalog**

**Workman® HDX-D 4-Wheel Drive  
Utility Vehicle with Bed**

Model No. 07371TC—Serial No. 313000001 and Up



# Ordering Replacement Parts

To order replacement parts, please supply the part number, the quantity, and the description of each part desired.

## Understanding Reference Numbers

Each identified part in an illustration has a reference number. The reference number for a part also appears in the parts list, along with other information about the part.

This catalog uses two special reference number formats, one to indicate parts in a service assembly and another to indicate the quantity of a given part in an illustration.

## Service Assembly Reference Numbers

Parts in service assemblies have reference numbers in the form a:b. The a represents the reference number of the entire service assembly and the b represents a sequential number unique to each part within the service assembly.

For example, a wheel assembly might be identified by reference number 6, the tire by 6:1, the valve by 6:2, and the wheel by 6:3. When you order the assembly identified by reference number 6, you receive all parts identified by reference numbers 6:1, 6:2, and 6:3. However, you may also order any part individually. Reference numbers of this type appear in illustration and in parts lists.

## Reference Numbers Indicating Quantity

In an illustration, if a reference number indicates more than one part, the reference number has the form nX y. The n represents the quantity of the part, the X is the multiplication symbol, and the y represents the reference number.

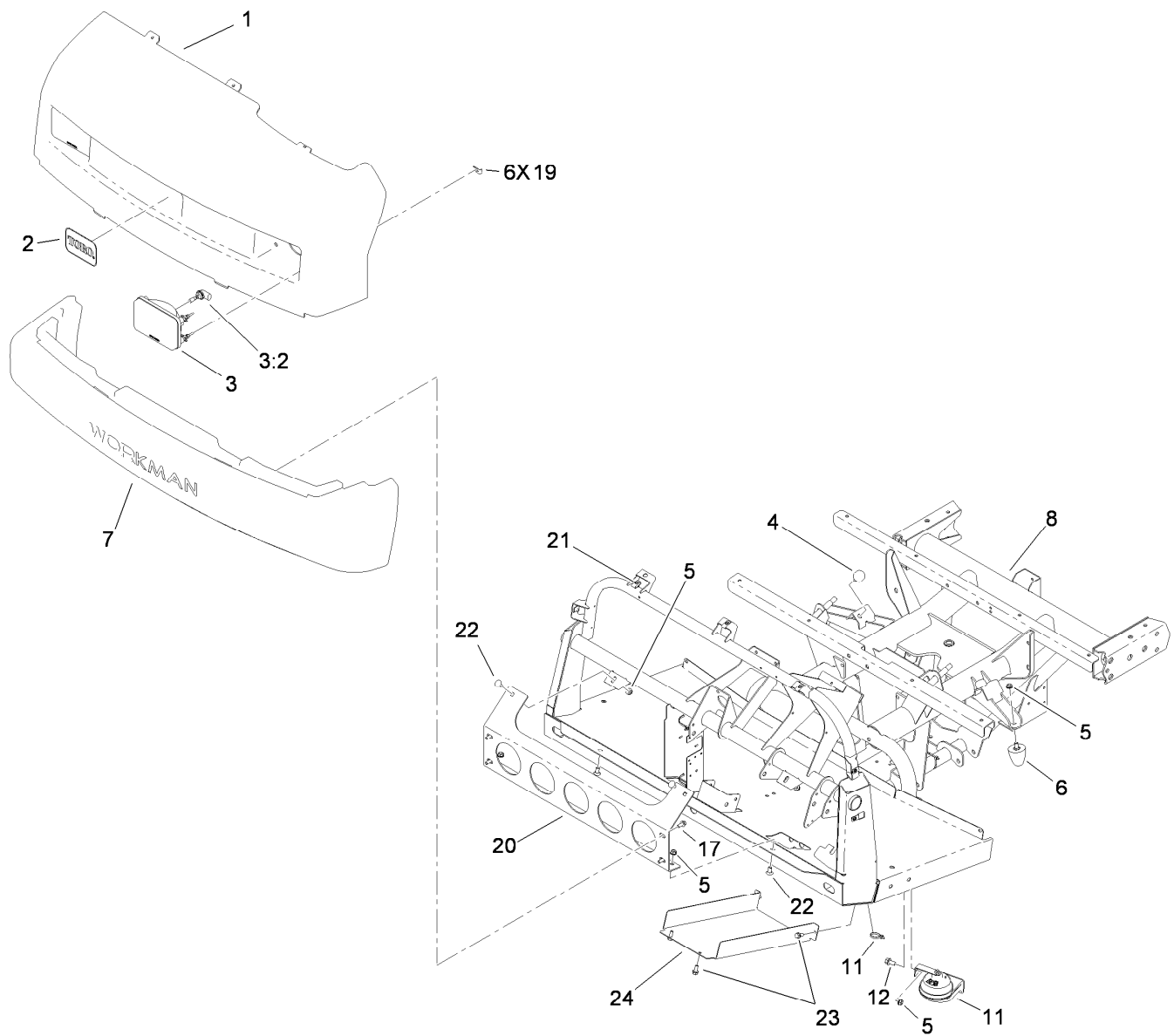
For example, in an illustration, the reference number 2X 37 means that two of the parts identified by reference number 37 are indicated.

# Contents

Hood and Bumper Assembly .....	5
Dash Assembly .....	6
Pedal Assembly .....	8
Master Cylinder Assembly No. 104-6782 .....	9
Hydraulic Brake Line Assembly .....	10
Clutch Linkage Assembly .....	11
Shroud and Seat Assembly .....	12
Console Assembly .....	14
Shift Assembly No. 106-7887 .....	16
Steering Hydraulic Assembly .....	17
Steering Valve Assembly No. 120-4813 .....	18
Lift Valve and Hydraulic Assembly .....	19
Control Valve Assembly No. 43-1950 .....	21
Hydraulic Cylinder Assembly No. 106-7939 .....	22
Front Wheel Assembly .....	23
Brake Caliper Assembly No. 119-9535 .....	24
Hydraulic Cylinder Assembly No. 120-5059 .....	25
Steering Linkage Assembly .....	26
Front Suspension Assembly .....	27
Front Control Arm Assembly .....	28
Rear Frame Assembly .....	29
Rear Axle Assembly .....	30
Driveshaft Assembly No. 114-8367 .....	31
Transaxle Assembly .....	32
Case Assembly 4 Wheel Drive Transaxle Assembly No. 115-2175 .....	33
Center Plate Assembly 4 Wheel Drive Transaxle Assembly No. 115-2175 .....	34
Main Shaft Assembly 4 Wheel Drive Transaxle Assembly No. 115-2175 .....	35
Reduction Shaft Assembly 4 Wheel Drive Transaxle Assembly No. 115-2175 .....	36
Reverse Shaft Assembly 4 Wheel Drive Transaxle Assembly No. 115-2175 .....	37
Main Shift Assembly 4 Wheel Drive Transaxle Assembly No. 115-2175 .....	38
Hi-Lo Shift Assembly 4 Wheel Drive Transaxle Assembly No. 115-2175 .....	39
Countershaft Assembly 4 Wheel Drive Transaxle Assembly No. 115-2175 .....	40
Differential Gear Assembly 4 Wheel Drive Transaxle Assembly No. 115-2175 .....	41
Differential Carrier Assembly 4 Wheel Drive Transaxle Assembly No. 115-2175 .....	42
Differential Lock Assembly 4 Wheel Drive Transaxle Assembly No. 115-2175 .....	43
Axle Shaft Assembly 4 Wheel Drive Transaxle Assembly No. 115-2175 .....	44
Front Drive Assembly 4 Wheel Drive Transaxle Assembly No. 115-2175 .....	45
Battery Assembly .....	46
Tail Light and Fender Assembly .....	47
Roll-Over Protection System Assembly .....	48
Air Cleaner Assembly .....	49
Air Cleaner Assembly No. 106-2416 .....	50
Cooling System Assembly .....	51
Radiator Assembly .....	52
Engine Support Assembly .....	53
Relay Assembly .....	54
Engine Assembly .....	55
Fuel System Assembly .....	56
4 Wheel Drive Assembly .....	57
Differential Assembly No. 119-0824 .....	58
Drive Shaft Assembly No. 115-2171 .....	59
Full Bed and Side Panel Assembly .....	60
High Flow Assembly .....	62
Hydraulic Pump Assembly No. 115-7787 .....	63

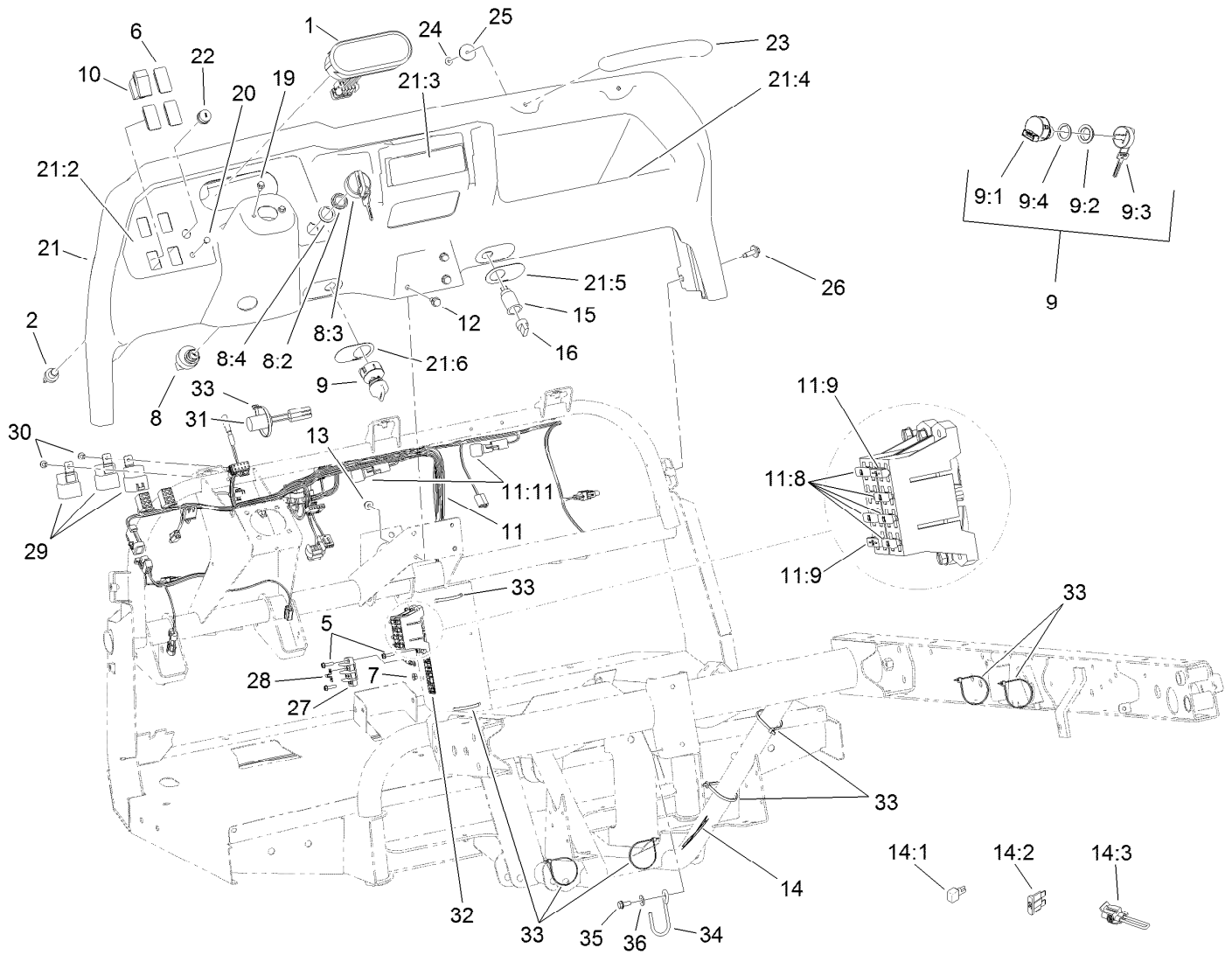
# Contents (continued)

Hydraulic Manifold Assembly No. 115-2252 .....	64
Tank Assembly No. 114-8435 .....	65
Coupler Assembly No. 114-8434 .....	66
High Flow Hose Assembly .....	67
Cylinder Assembly .....	68
Crankshaft Assembly .....	69
Cylinder Head Assembly .....	70
Injection Pump Assembly .....	71
Camshaft Assembly .....	72
Oil Pan Assembly .....	73
Gear Cover Assembly .....	74
Gear Housing Assembly .....	75
Water Pump Assembly .....	76
Manifold Assembly .....	77
Starter Motor and Alternator Assembly .....	78
Engine Gasket Set .....	79
Attachments and Accessories .....	80



## Hood and Bumper Assembly

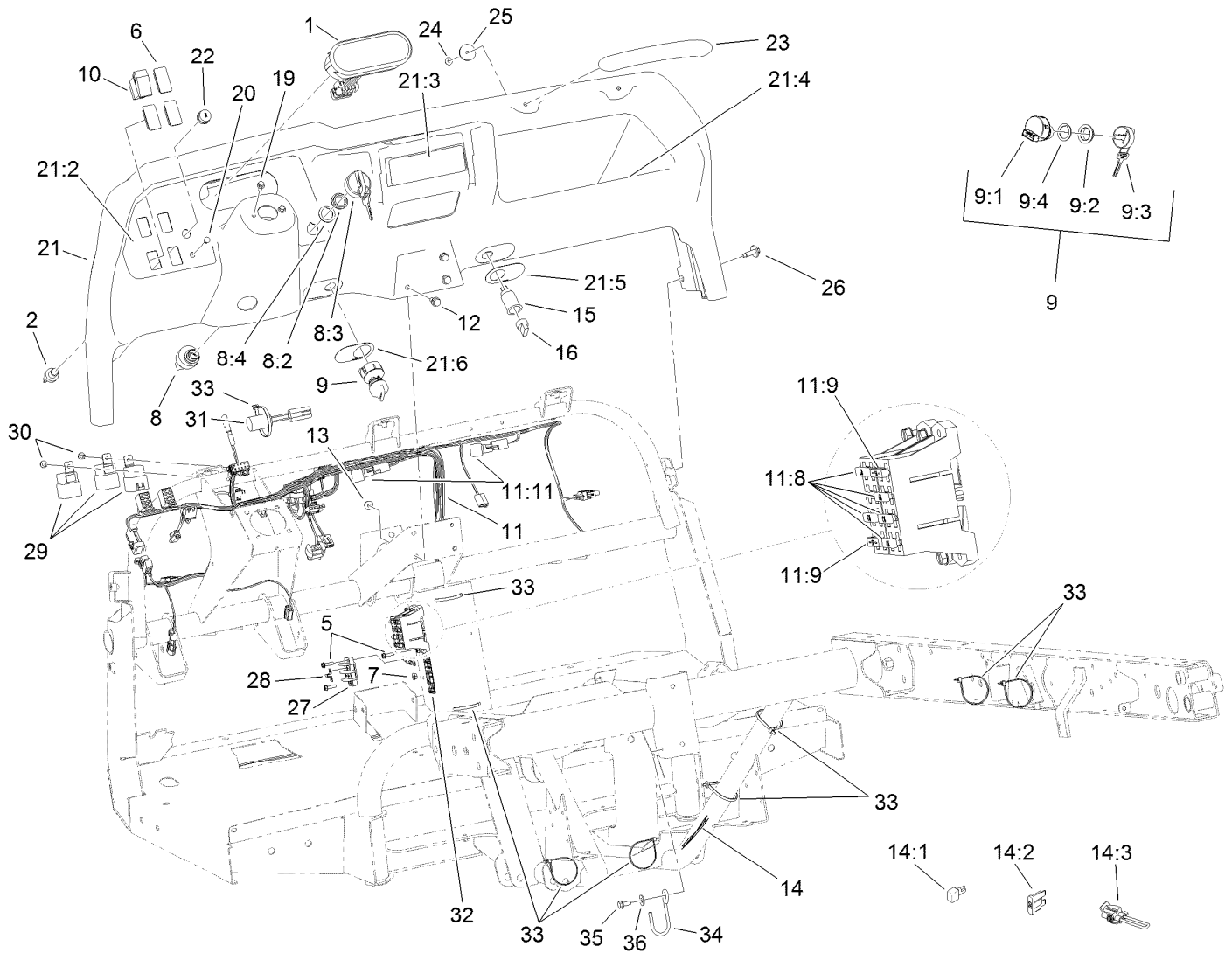
Ref.	Part Number	Qty.	Description	Ref.	Part Number	Qty.	Description
1	112-3183	1	Hood	11	110-2594	1	Horn
2	117-4950	1	Decal	12	3234-1	1	Screw-HHF
3	114-8322	2	Headlight ASM	17	3234-5	4	Screw-HHF
3:2	115-2395	1	Bulb-Light	19	114-8341	6	Clip-Speed
4	87-2440	2	Bumper-Rubber	20	114-8272-03	1	Bracket-Bumper
5	3290-357	7	Nut-HSF	21	94-2413	7	Nut-U
6	26-0071	2	Snubber-Rubber	22	3231-21	4	Screw-CARR
7	112-3185	1	Bumper	23	32144-11	4	Screw-HWH
8	119-0949-03	1	Frame-Front	24	106-2427-03	1	Cover



## Dash Assembly

Ref.	Part Number	Qty.	Description	Ref.	Part Number	Qty.	Description
1	120-4801	1	Cluster-Instrument (L/C)	11:9	109355	2	Fuse-Blade, 15 Amp
2	112-3324	1	Switch-Horn	11:11	100-4918	2	Diode
5	32105-13	6	Screw-HWH	12	3234-5	3	Screw-HHF
6	99-7420	2	Plug-Hole	13	104-8300	3	Nut-HF, NI
7	3290-148	6	Nut-HF	14	114-8378	1	Harness-Wire, Rear
8	106-5269	1	Ignition Switch ASM	14:1	100-4918	2	Diode
8:2	108-8660	1	Nut-Mounting	14:2	109103	1	Fuse-Blade, 30 Amp
8:3	106-5270	1	Ignition Key Set	14:3	119-7787	1	Harness-Wire, Vertical Lift Shunt
8:4	108-8659	1	Washer-Backup	15	99-7411	1	Point-Power
9	110-2580	1	Switch-Key, Supervisor	16	99-7416	1	Cap
9:1		1	Switch-Key ●	19	33103-012	2	Screw-HHF
9:2	108-8660	1	Nut-Mounting	20	104-9368	1	Plug-Dome
9:3	110-5221	1	Set-Key, Supervisor	21	115-7912	1	Dash ASM
9:4	108-8659	1	Washer-Backup	21:2	115-2281	1	Decal-Dash
10	95-8999	1	Switch-Rocker, On-None-On	21:3	115-7746	1	Decal-Danger
11	120-3990	1	Harness-Wire, Front	21:4	115-2282	1	Decal-Warning, Dash
11:8	218-578	5	Fuse-Blade, 10 Amp	21:5	106-2353	1	Decal-Powerpoint

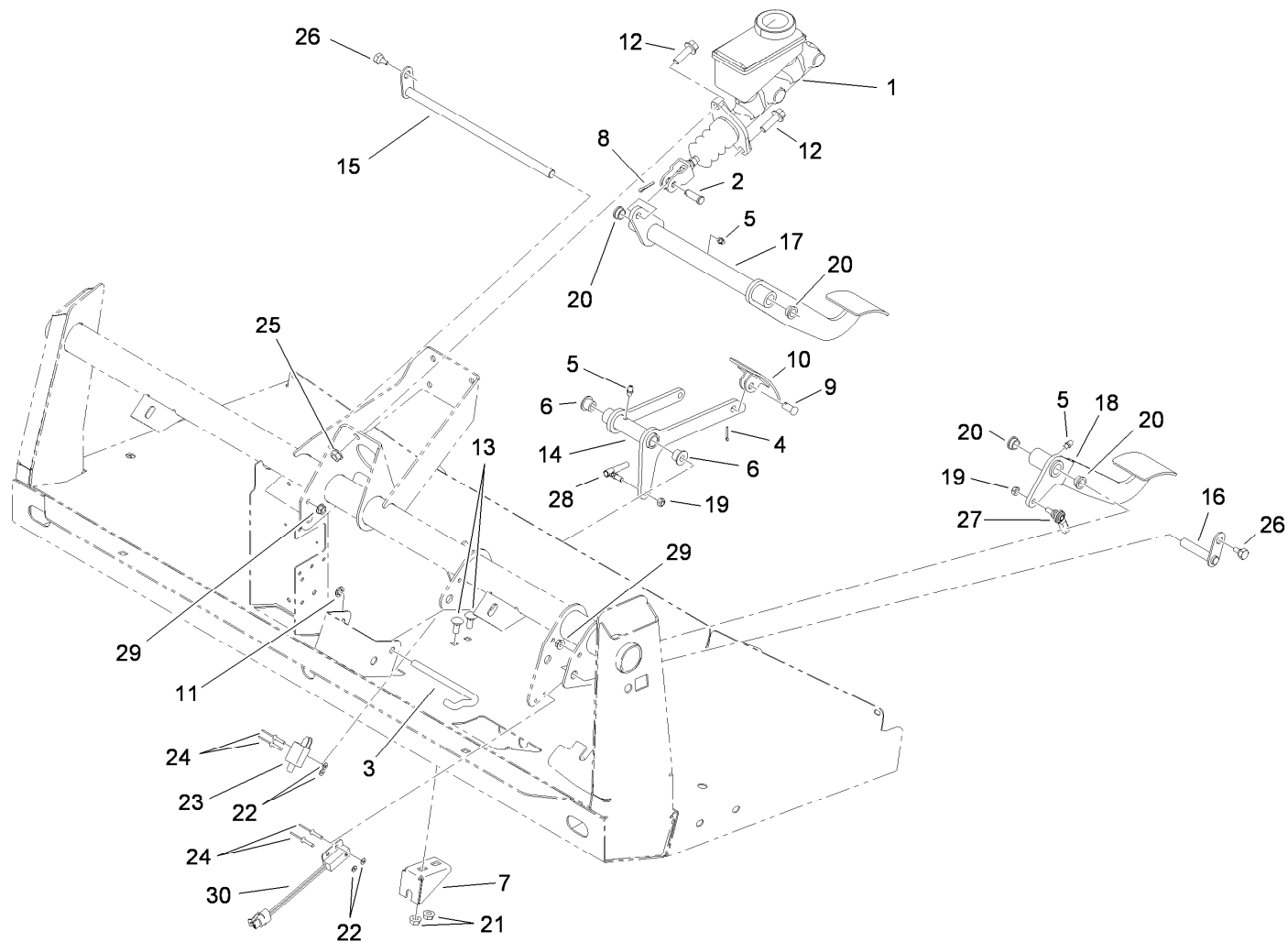
● Not serviced separately



## Dash Assembly (continued)

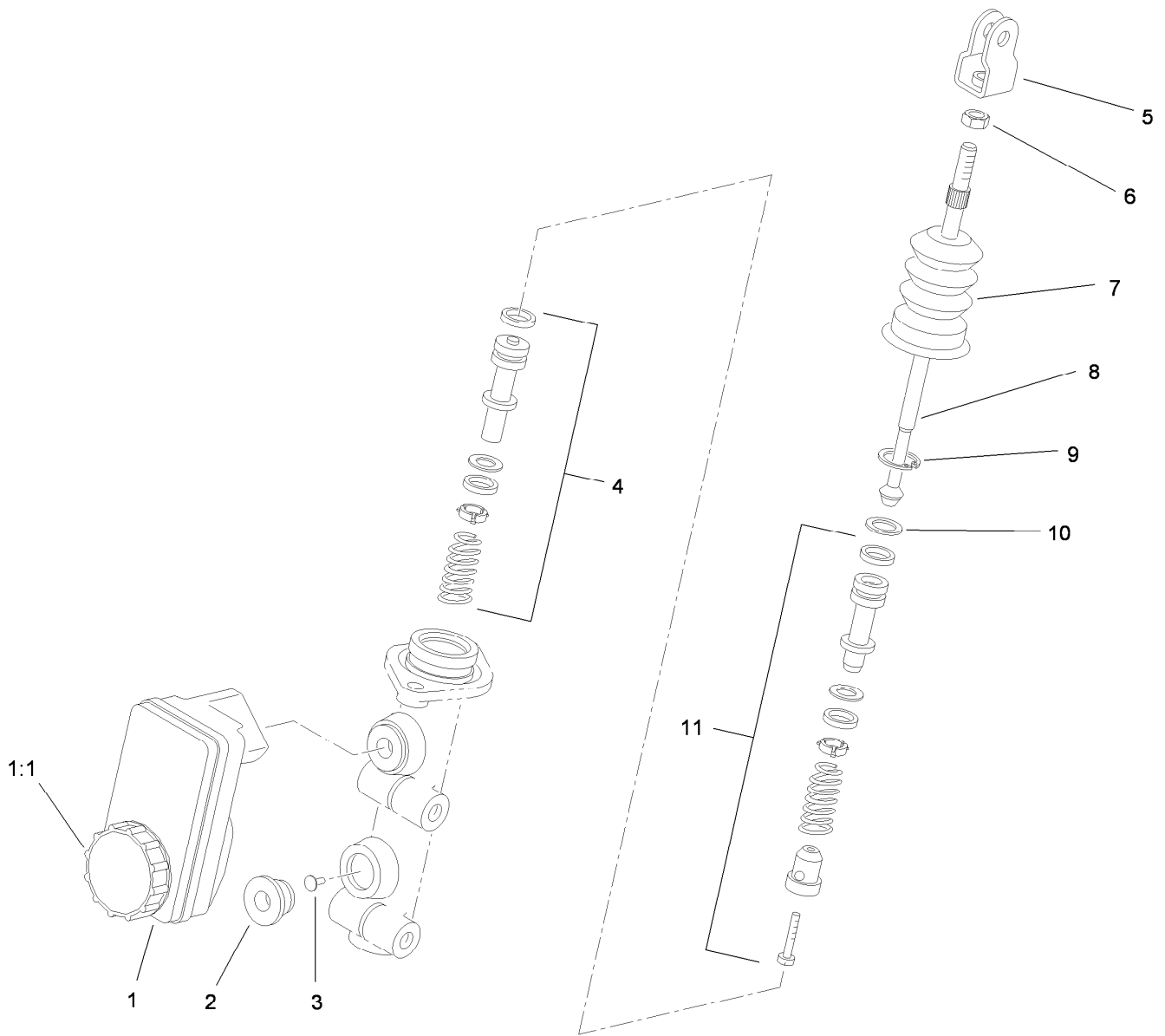
Ref.	Part Number	Qty.	Description	Ref.	Part Number	Qty.	Description
21:6	106-2355	1	Decal-Switch, Supervisor	29	99-7430	3	Relay-Mini
22	112-3313	1	Nut-Weatherproof	30	32144-10	2	Screw-HWH
23	117-4948	1	Handle-Grab	31	83-2280	1	Timer-Delay
24	104-7201	2	Nut-HF, NI	32	115-7813	1	Decal-Fuse
25	103995	2	Washer	33	3290-379	9	Tie-Cable
26	114-8418	7	Screw-HWH, Sems	34	117-4860	1	Guide-Cable
27	42862	1	Block-Terminal, Ground	35	32144-11	1	Screw-HWH
28	42863	1	Strip-Jumper	36	3256-71	1	Washer-Flat

● Not serviced separately



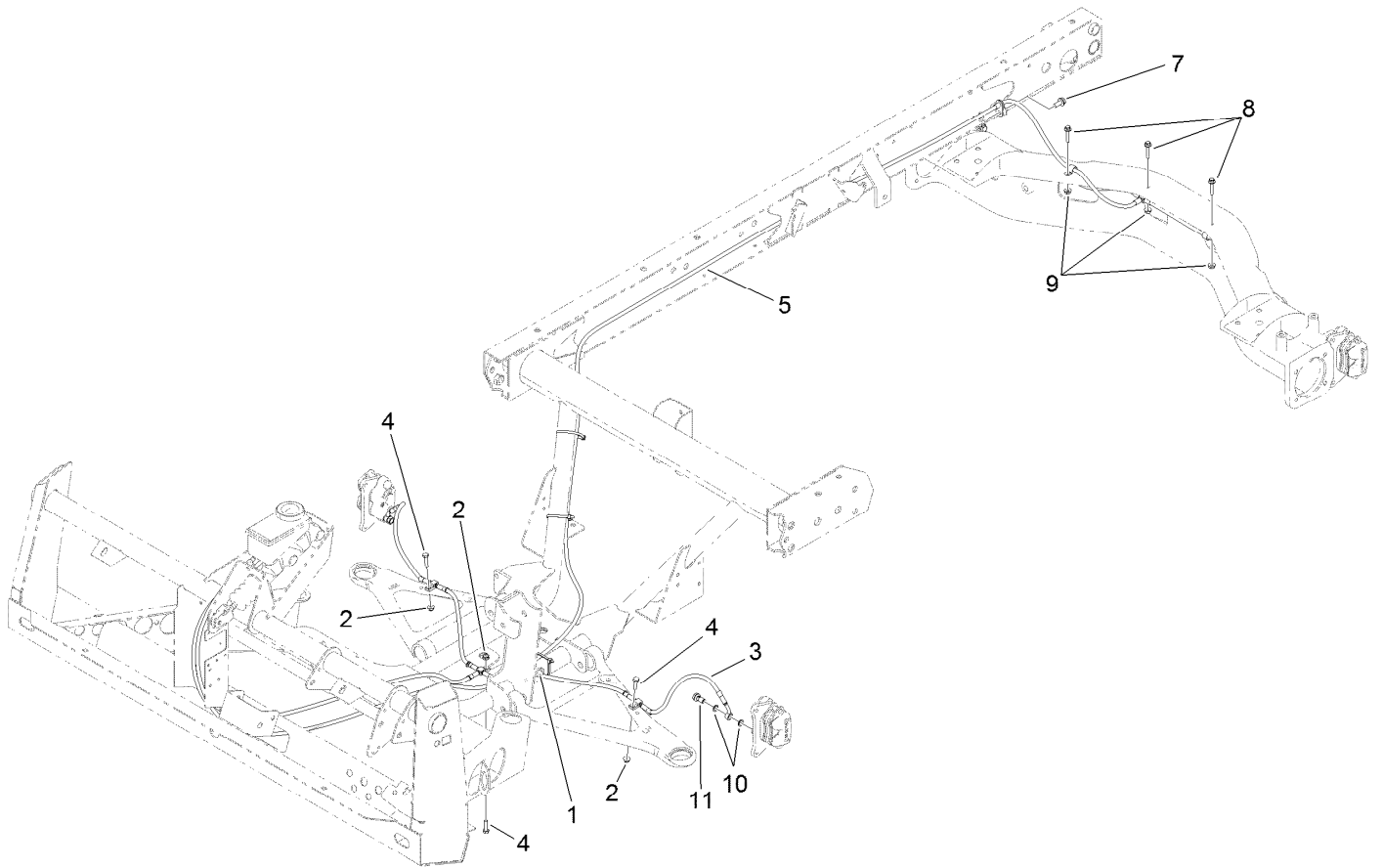
## Pedal Assembly

Ref.	Part Number	Qty.	Description	Ref.	Part Number	Qty.	Description
1	104-6782	1	Master Cylinder ASM	16	115-2269	1	Pin-Pivot
2	283-2	1	Pin-Clevis	17	115-2275-03	1	Pedal-Brake
3	87-2880	1	Shaft-Pedal, Accelerator	18	115-2271-03	1	Pedal-Clutch
4	3272-6	1	Pin-Cotter	19	3296-13	2	Nut-Lock, NI
5	302-5	3	Fitting-Grease	20	256-156	4	Bushing-Flange
6	256-259	2	Bushing-Flange	21	32128-20	2	Nut-HF
7	106-2421	1	Bracket-Mount, Cable	22	3256-21	4	Washer-Flat
8	3272-10	1	Pin-Cotter	23	95-1653	1	Switch-Pole, Single
9	283-85	1	Pin-Clevis	24	3269-25	4	Rivet-Pop
10	93-8969-03	1	Pedal	25	3290-357	2	Nut-HSF
11	32151-56	1	Ring-Retaining, External	26	63-3410	2	Screw-Shoulder
12	3234-11	2	Screw-HHF	27	110-2554	1	Rod End-Spherical
13	3230-1	2	Bolt-CARR	28	18-1720	1	Ball Joint
14	106-2471-03	1	Arm-Pedal, Accelerator	29	32128-33	2	Nut-HF
15	106-2475	1	Shaft-Brake	30	105-0023	1	Switch-Proximity



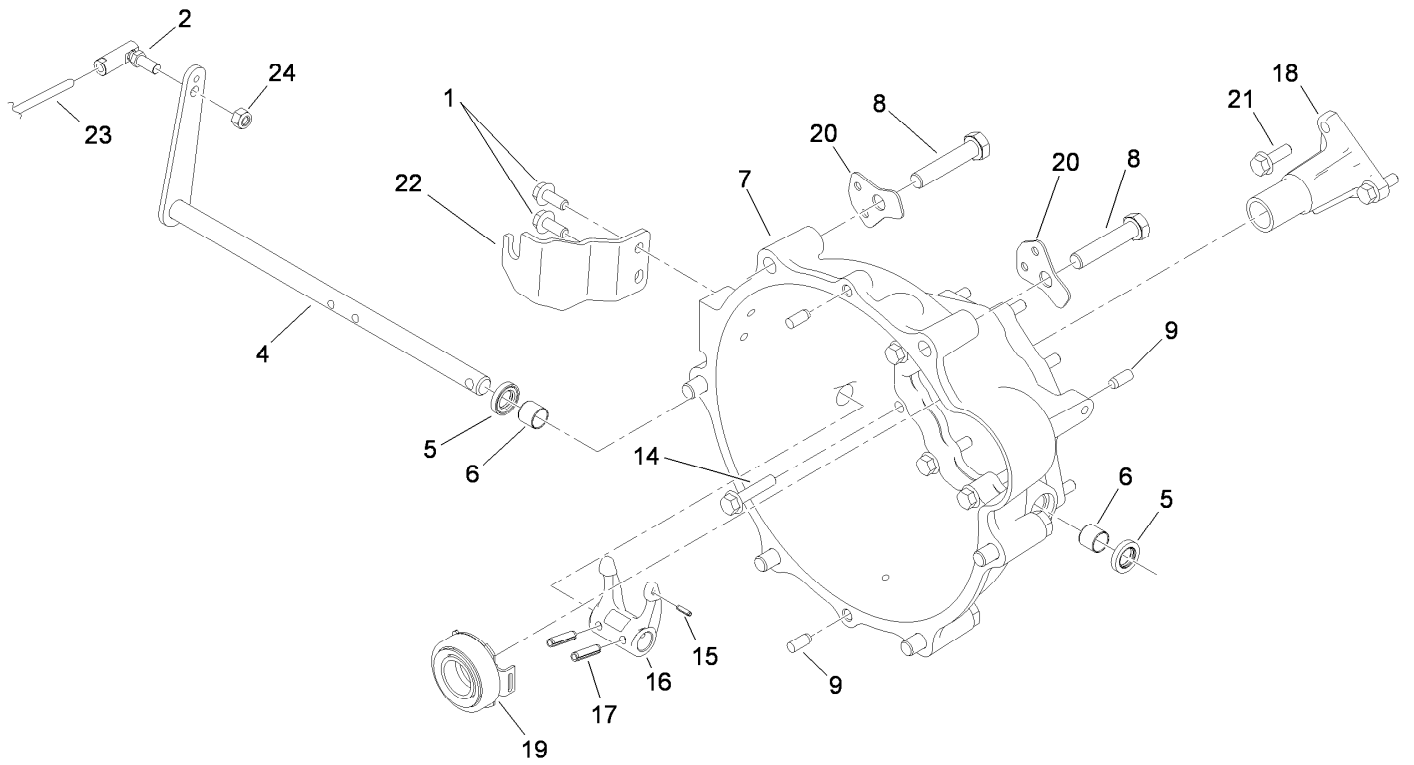
## Master Cylinder Assembly No. 104-6782

Ref.	Part Number	Qty.	Description
1	104-6845	1	Reservoir ASM
1:1	92-4112	1	Cap ASM
2	93-8971	2	Seal-Port, Flange
3	92-4103	1	Pin-Stop
4	92-4102	1	Secondary Piston ASM
5	92-4110	1	Clevis
6	21-0360	1	Nut-Hex
7	94-5209	1	Cover-Dust
8	94-5210	1	Rod-Push
9	92-4109	1	Ring-Snap
10	92-4108	1	Retainer-Washer
11	92-4101	1	Primary Piston ASM



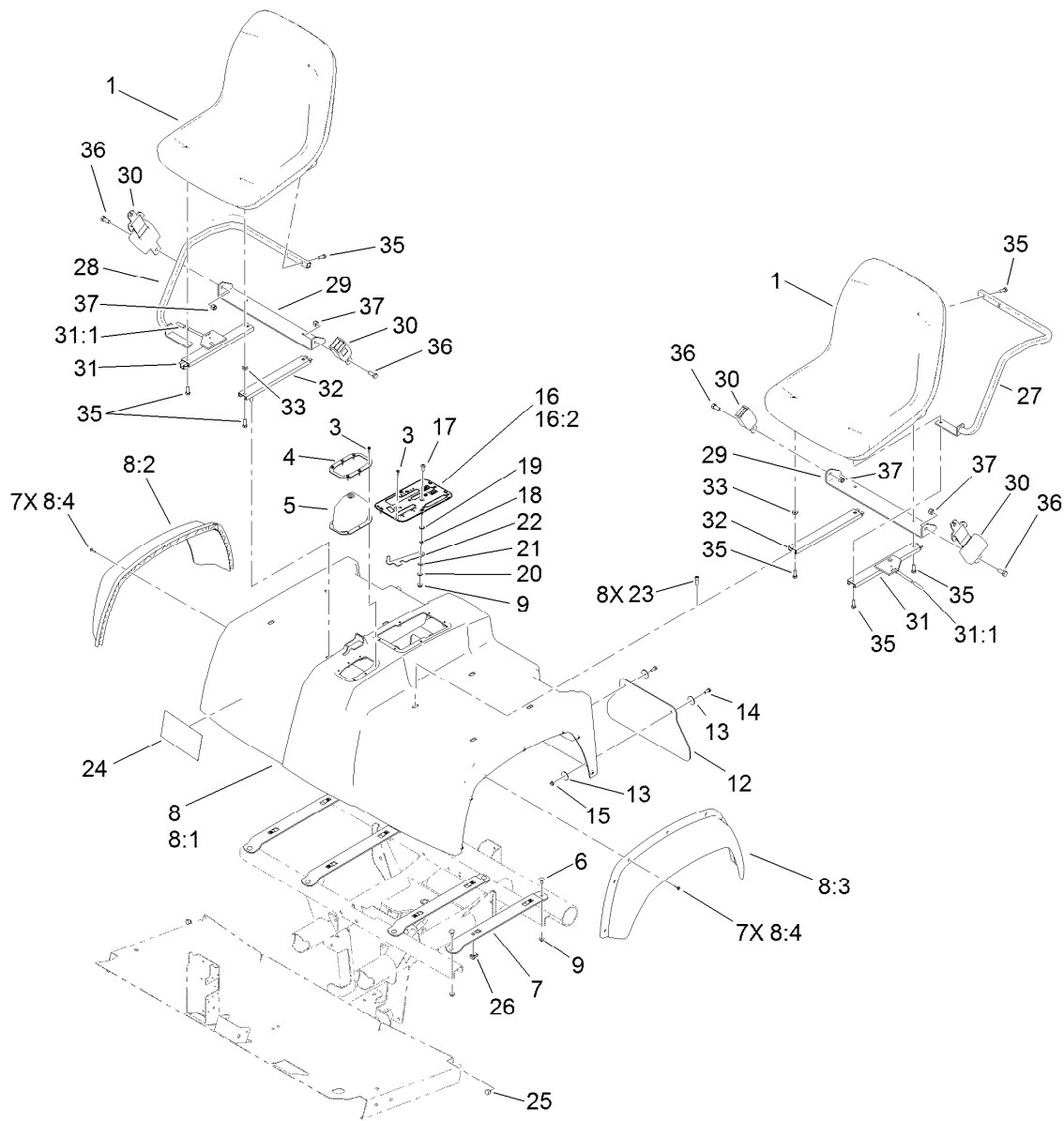
## Hydraulic Brake Line Assembly

<i>Ref.</i>	<i>Part Number</i>	<i>Qty.</i>	<i>Description</i>
1	32180-030	2	Clip-Tie
2	104-7201	3	Nut-HF, NI
3	119-9682	1	Front Brake Line ASM
4	321-6	3	Screw-HH
5	119-9681	1	Rear Brake Line ASM
7	32144-11	1	Screw-HWH
8	3234-21	3	Screw-HHF
9	32128-33	3	Nut-HF
10	115-2341	8	Washer-Banjo
11	120-4875	4	Bolt-Flange, Banjo



## Clutch Linkage Assembly

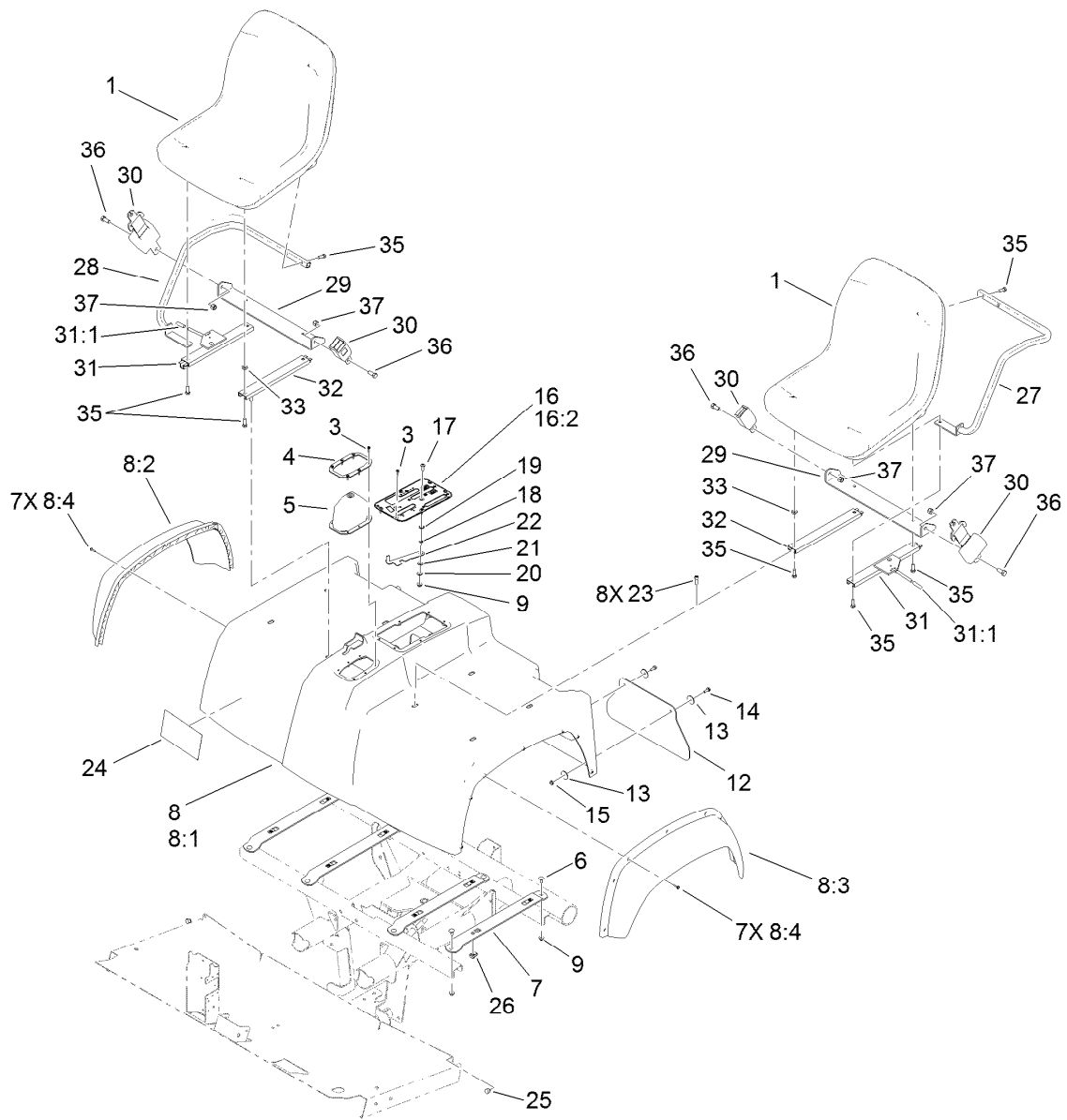
<i>Ref.</i>	<i>Part Number</i>	<i>Qty.</i>	<i>Description</i>	<i>Ref.</i>	<i>Part Number</i>	<i>Qty.</i>	<i>Description</i>
1	98-7977	2	Screw-HHF	16	87-5300	1	Fork-Clutch
2	2411-33	1	Balljoint-RH (W/Grommet)	17	32121-24	2	Pin-Spring
4	115-2311	1	Lever-Clutch	18	115-2259	1	Guide-Release
5	87-1920	2	Seal-Oil	19	110-2538	1	Bearing-Release, Clutch
6	87-3770	2	Bushing-Housing, Bell	20	115-2247	2	Bracket-Harness
7	104-9249	1	Housing-Bell	21	33104-025	3	Screw-HHF
8	3215-2	6	Screw-HH	22	115-2313	1	Bracket-Cable, Clutch
9	87-1910	4	Pin-Dowel	23	115-2284	1	Cable-Clutch
14	33104-040	9	Screw-HHF	24	3296-4	1	Nut-Lock
15	32121-7	1	Pin-Roll, Slotted				



## Shroud and Seat Assembly

Ref.	Part Number	Qty.	Description	Ref.	Part Number	Qty.	Description
1	112-2923	2	Seat ASM	17	3274-55	1	Screw-HSBH
3	98-1375	12	Screw-HWH	18	82-4240	1	Spacer-Bearing
4	87-3760-03	1	Plate-Boot, Shift	19	94-8196	1	Washer-Nylon
5	87-8620	1	Boot-Shift	20	3290-221	1	Washer-Spring
6	3230-1	8	Bolt-CARR	21	3256-23	1	Washer-Plain
7	115-2435-03	4	Bracket-Seat	22	106-7984	1	Lever-Detent
8		1	Seat Base ASM ●	23	3274-22	8	Screw-HSH
8:1	114-8406	1	Base-Seat	24	115-7814	1	Decal-Reference, Quick
8:2	114-8407	1	Fender-Front, RH	25	107-8042	2	Bumper-Rubber
8:3	114-8408	1	Fender-Front, LH	26	115-7721	8	Nut-Clip, U
8:4	117-5036	14	Screw-Plastic, HWH	27	119-0731-03	1	Armrest-LH
9	104-8300	9	Nut-HF, NI	28	119-0732-03	1	Armrest-RH
12	106-2378	2	Mudflap	29	119-0727-03	2	Bracket-Belt, Seat
13	3256-55	8	Washer-Flat	30	110-0413	2	Seatbelt-Retractable
14	3234-4	4	Screw-HHF	31	121-9763	2	Adjuster-Seat, Locking
15	104-7201	4	Nut-HF, NI	31:1	2410-49	1	Cap-Vinyl
16	106-7886	1	Control Plate ASM	32	119-0655	2	Adjuster-Seat, Non Locking
16:2	106-2377	1	Decal-Console	33	104-7658	2	Spacer

● Not serviced separately

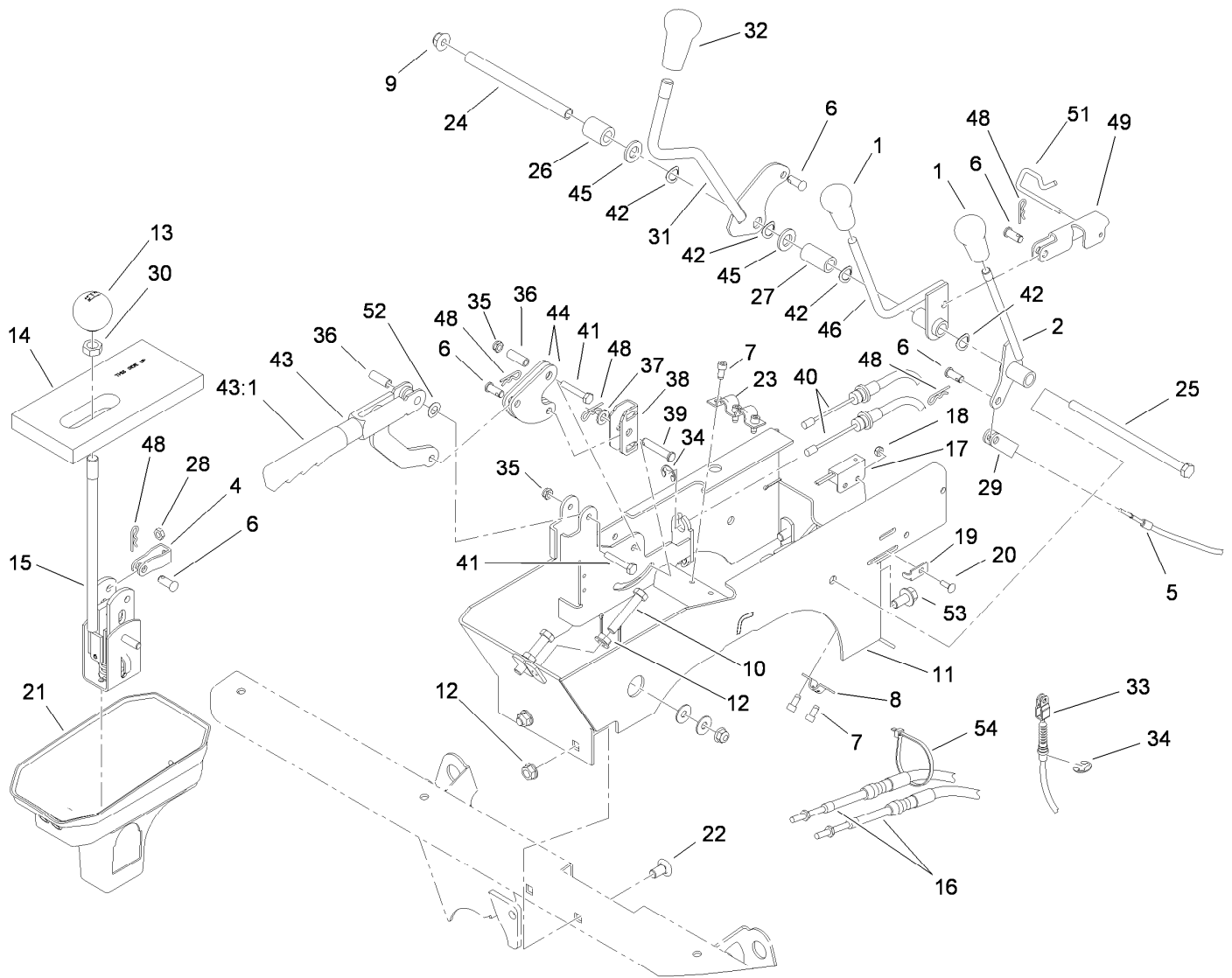


## Shroud and Seat Assembly (continued)

Ref.	Part Number	Qty.	Description
35	33114-030	12	Screw-HH

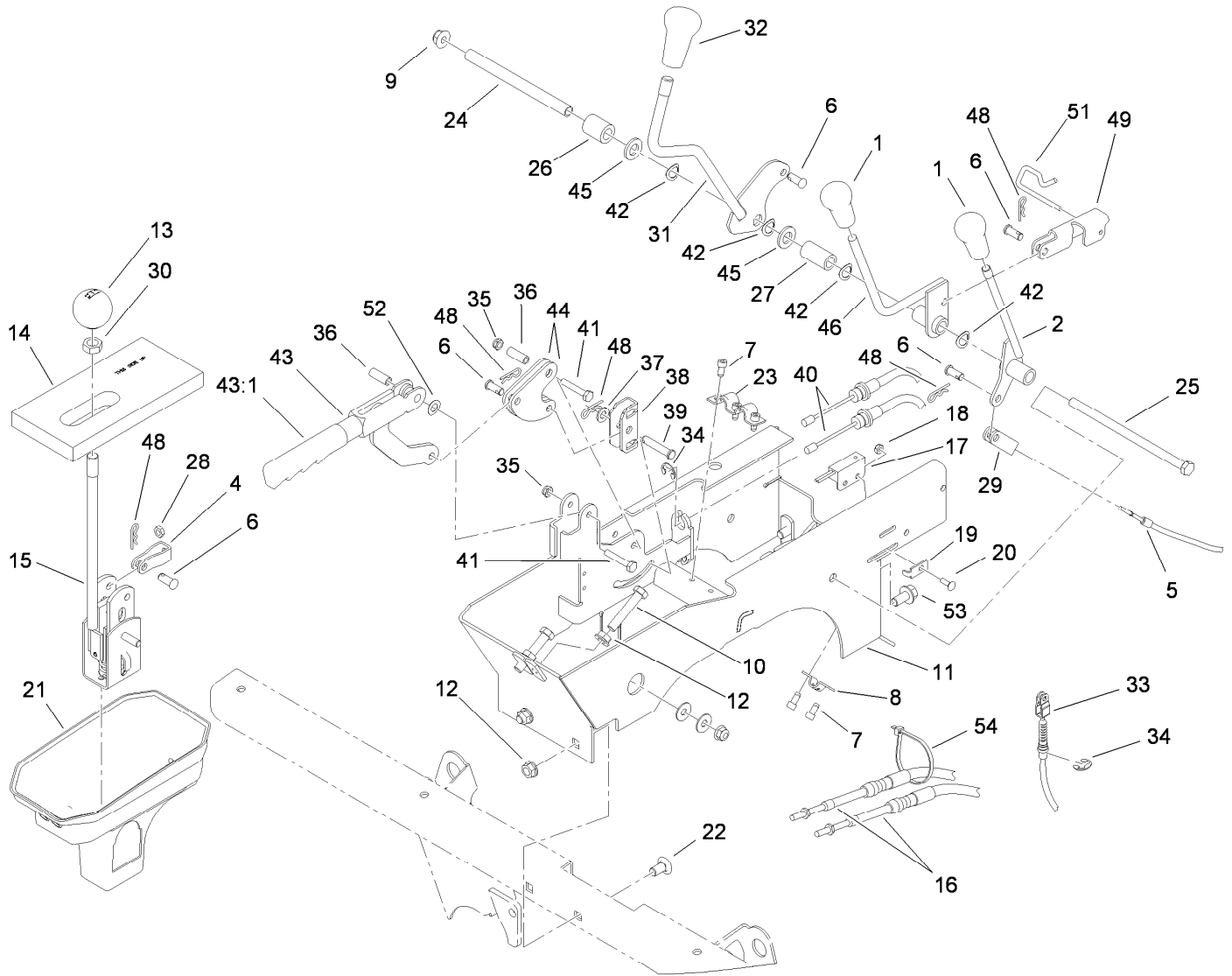
Ref.	Part Number	Qty.	Description
36	3212-4	4	Screw-HH
37	3296-7	4	Nut-Lock

● Not serviced separately



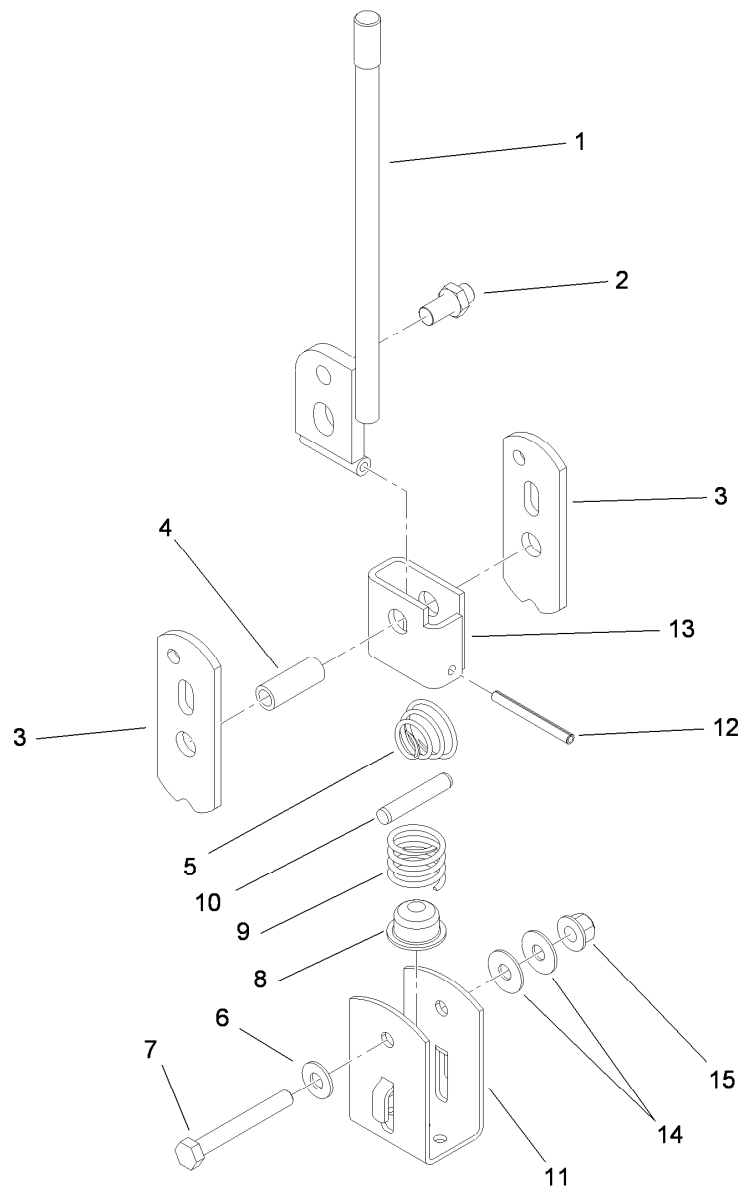
## Console Assembly

Ref.	Part Number	Qty.	Description	Ref.	Part Number	Qty.	Description
1	106-7903	2	Knob-Control	22	3231-21	2	Screw-CARR
2	106-7828	1	Lever	23	87-4960	1	Clamp-Cable
4	87-2310	2	Clevis-Cable	24	106-7833	1	Spacer
5	115-7812	1	Cable-Hi Low	25	323-36	1	Screw-HH
6	283-62	6	Pin-Clevis	26	66-6501	1	Spacer-Wheel
7	65-5220	5	Screw-HSH, Thread Forming	27	120-5037	1	Spacer
8	87-4340	1	Clamp-Cable	28	3220-1	2	Nut-Jam
9	104-8301	1	Nut-HF, NI	29	87-7160	1	Clevis-Cable
10	323-10	2	Screw-HH	30	3218-18	1	Nut-Jam
11	108-6914-03	1	Support-Lever	31	112-3008	1	Lever-Lock, Differential
12	3290-357	4	Nut-HSF	32	106-7952	1	Knob
13	87-6720	1	Knob-Shift	33	115-2287	1	Cable-Lock, Differential
14	87-6570	1	Seal-Boot, Lower	34	32120-47	3	Ring-Retaining, External
15	106-7887	1	Shift ASM	35	3296-56	2	Nut-Lock, NI
16	115-7811	2	Cable Selector, Gear	36	114402	2	Spacer
17	100-1270	1	Switch-Proximity	37	3256-23	1	Washer-Plain
18	3296-12	1	Nut-Lock, NI	38	87-3480	1	Bracket-Equalizer, Cable
19	100-4872	1	Plate-Switch, Neutral	39	94-3829	1	Pin-Clevis
20	3229-34	1	Screw-CARR	40	115-2283	2	Cable-Brake, Park
21	106-2376	1	Boot-Shift, Lower	41	321-9	2	Screw-HH
				42	3290-221	4	Washer-Spring



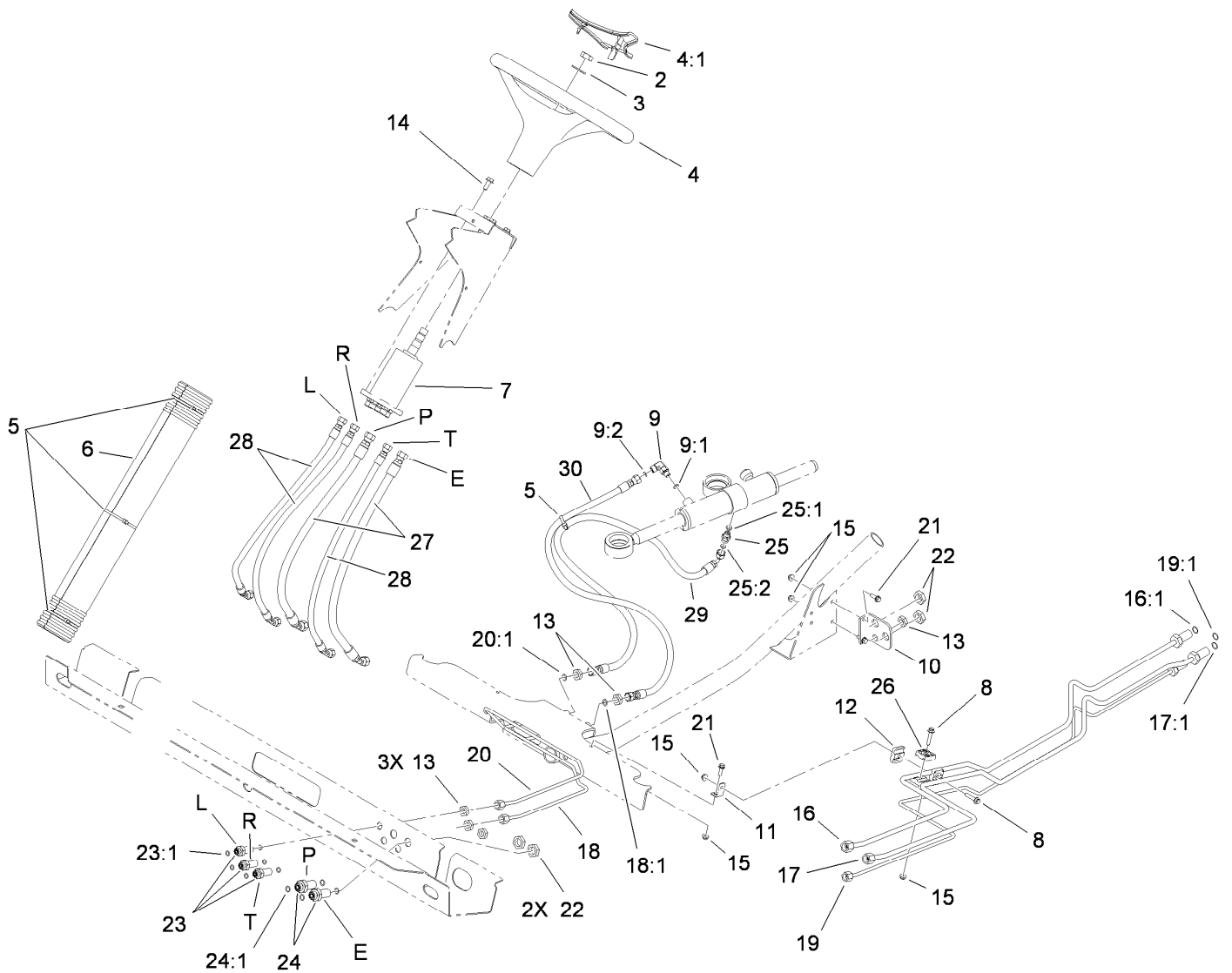
## Console Assembly (continued)

<i>Ref.</i>	<i>Part Number</i>	<i>Qty.</i>	<i>Description</i>	<i>Ref.</i>	<i>Part Number</i>	<i>Qty.</i>	<i>Description</i>
43	104-6842	1	Lever-Brake, Park	49	115-2250	1	Link
43:1	106-7972	1	Grip-Handle	51	115-2350	1	Pin-Retainer
44	106-7814	2	Bellcrank	52	3290-477	1	Washer-Curved
45	33096-00	2	Washer-Flat	53	3234-12	2	Screw-HHF
46	106-7960	1	Lever-HYD	54	3290-379	3	Tie-Cable
48	3290-307	7	Pin-Cotter				



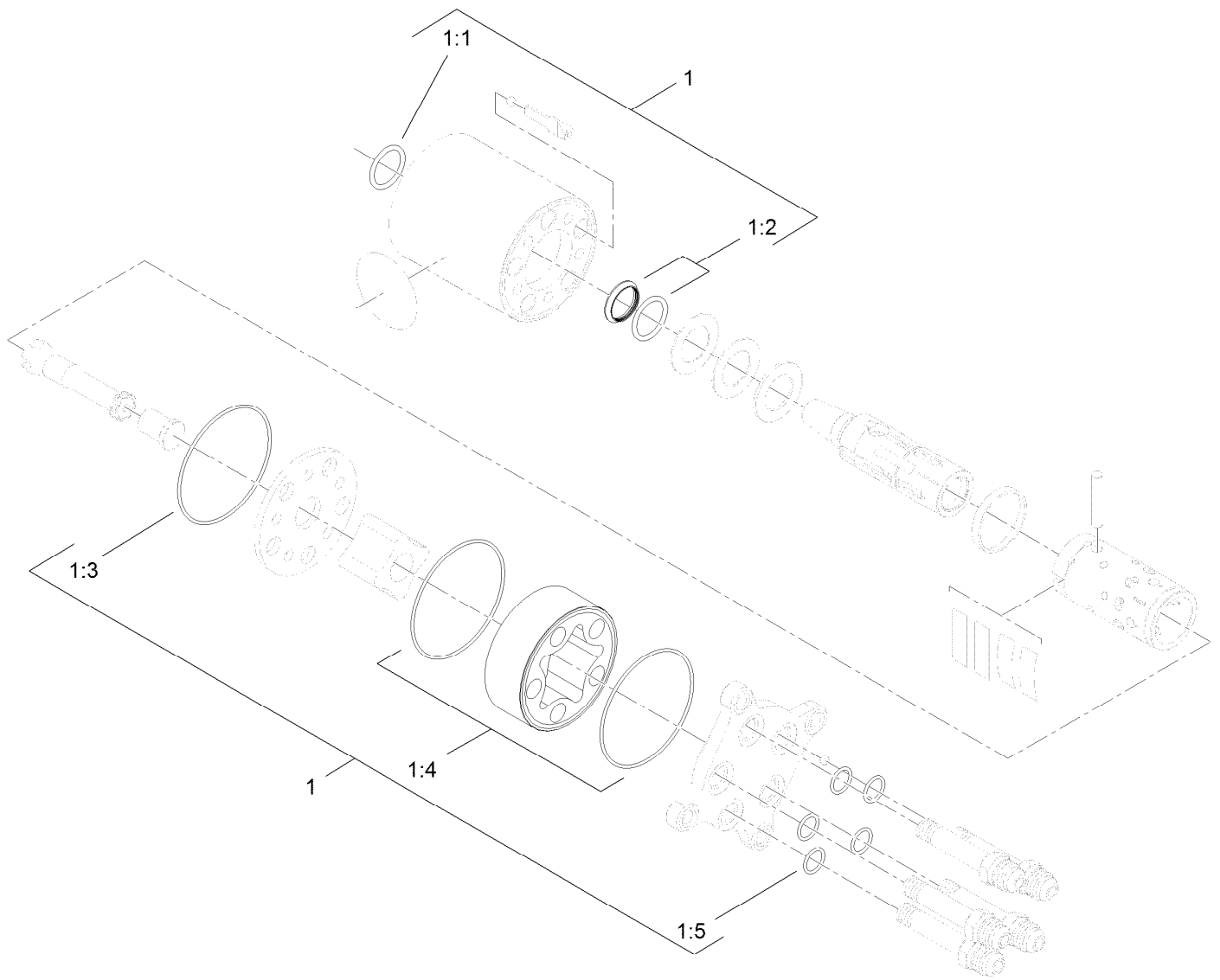
## Shift Assembly No. 106-7887

<i>Ref.</i>	<i>Part Number</i>	<i>Qty.</i>	<i>Description</i>
1	87-2040	1	Lever-Shift
2	87-3650	1	Pin-Shift
3	87-3540	2	Link-Shift
4	87-2520	1	Tube-Pivot
5	87-2900	1	Spring-Compression
6	87-8640	1	Washer-Flat
7	322-12	1	Screw-HH
8	87-3530	1	Button-Shifter
9	87-3660	1	Spring-Compression
10	3290-507	1	Pin-Dowel
11	87-3520	1	Clevis
12	32121-48	1	Pin-Spring
13	87-6040	1	Bracket-Shifter
14	3290-456	2	Washer-Belleville
15	104-8300	1	Nut-HF, NI



## Steering Hydraulic Assembly

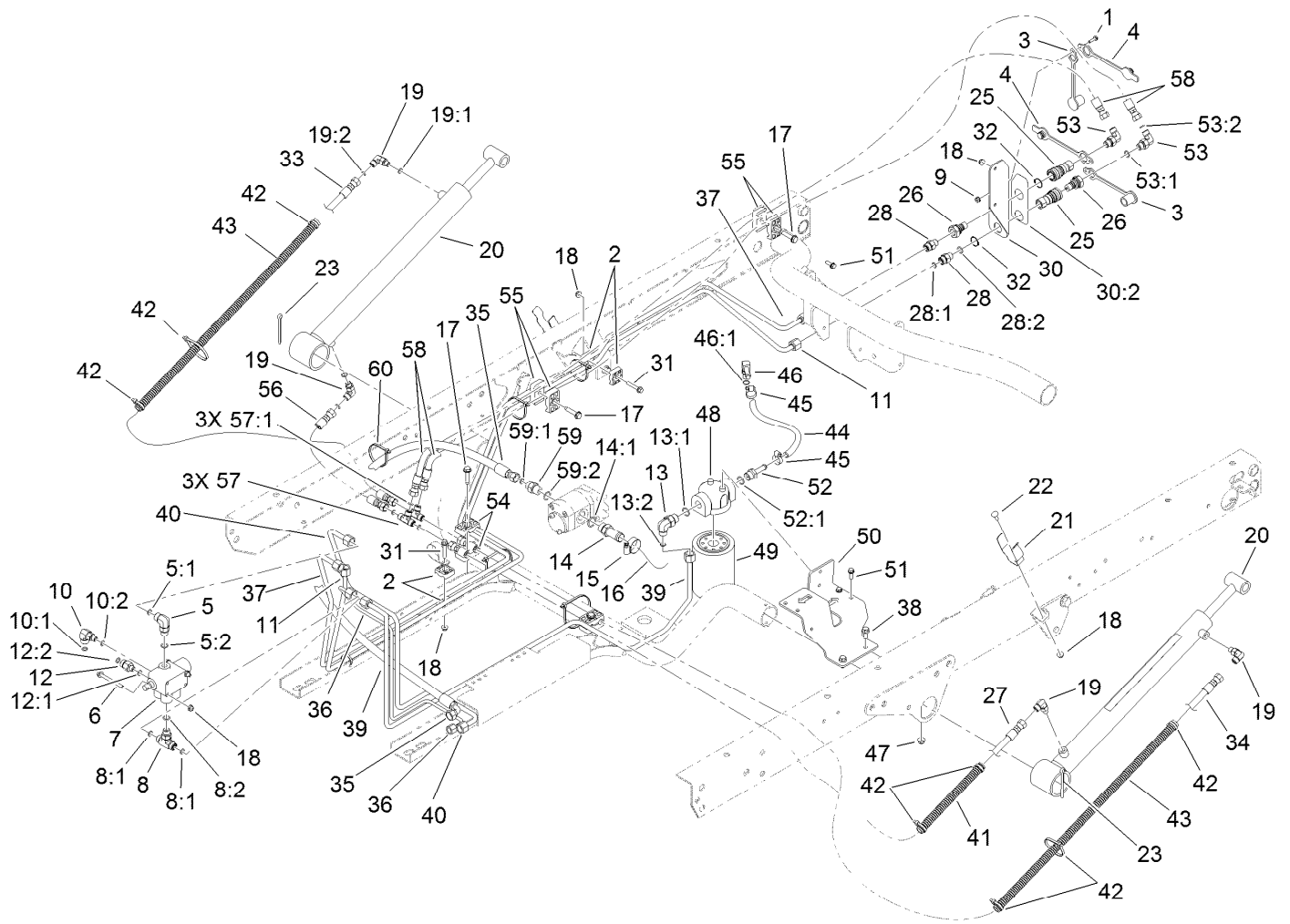
Ref.	Part Number	Qty.	Description	Ref.	Part Number	Qty.	Description
2	3296-33	1	Nut-Lock, NI	18	106-7804	1	Tube-HYD
3	3256-27	1	Washer-Flat	18:1	237-21	1	O-Ring
4	98-1471	1	Wheel-Steering	19	115-7703	1	Tube-HYD
4:1	98-1468	1	Cover-Wheel, Steering	19:1	237-21	1	O-Ring
5	3290-379	4	Tie-Cable	20	106-7806	1	Tube-HYD
6	106-6713	1	Cover-Lines, Steering	20:1	237-21	1	O-Ring
7	120-4813	1	Pump-Steering	21	3234-4	3	Screw-HHF
8	3234-21	2	Screw-HHF	22	340-70	4	Nut-Lock
9	340-132	1	Fitting-Elbow, 90 DEG	23	94-1444	3	Union-Bulkhead
9:1	237-78	1	O-Ring	23:1	237-21	2	O-Ring
9:2	237-21	1	O-Ring	24	340-71	2	Fitting-Straight, Bulkhead
10	106-7801-03	1	Bracket-Line, Steering	24:1	237-22	2	O-Ring
11	106-7807	1	Bracket-Line, Steering	25	340-92	1	Fitting-Straight
12	106-7839	2	Clamp-Tube	25:1	237-78	1	O-Ring
13	3219-10	6	Nut-Hex	25:2	237-21	1	O-Ring
14	98-7977	4	Screw-HHF	26	56-7973	2	Clamp-Tube
15	104-7201	5	Nut-HF, NI	27	106-7975	2	Hose-HYD
16	115-7701	1	Tube-HYD	28	106-7974	3	Hose-HYD
16:1	237-22	1	O-Ring	29	117-4861	1	Hose-HYD
17	115-7702	1	Tube-HYD	30	108-6505	1	Hose-HYD
17:1	237-22	1	O-Ring				



## Steering Valve Assembly No. 120-4813

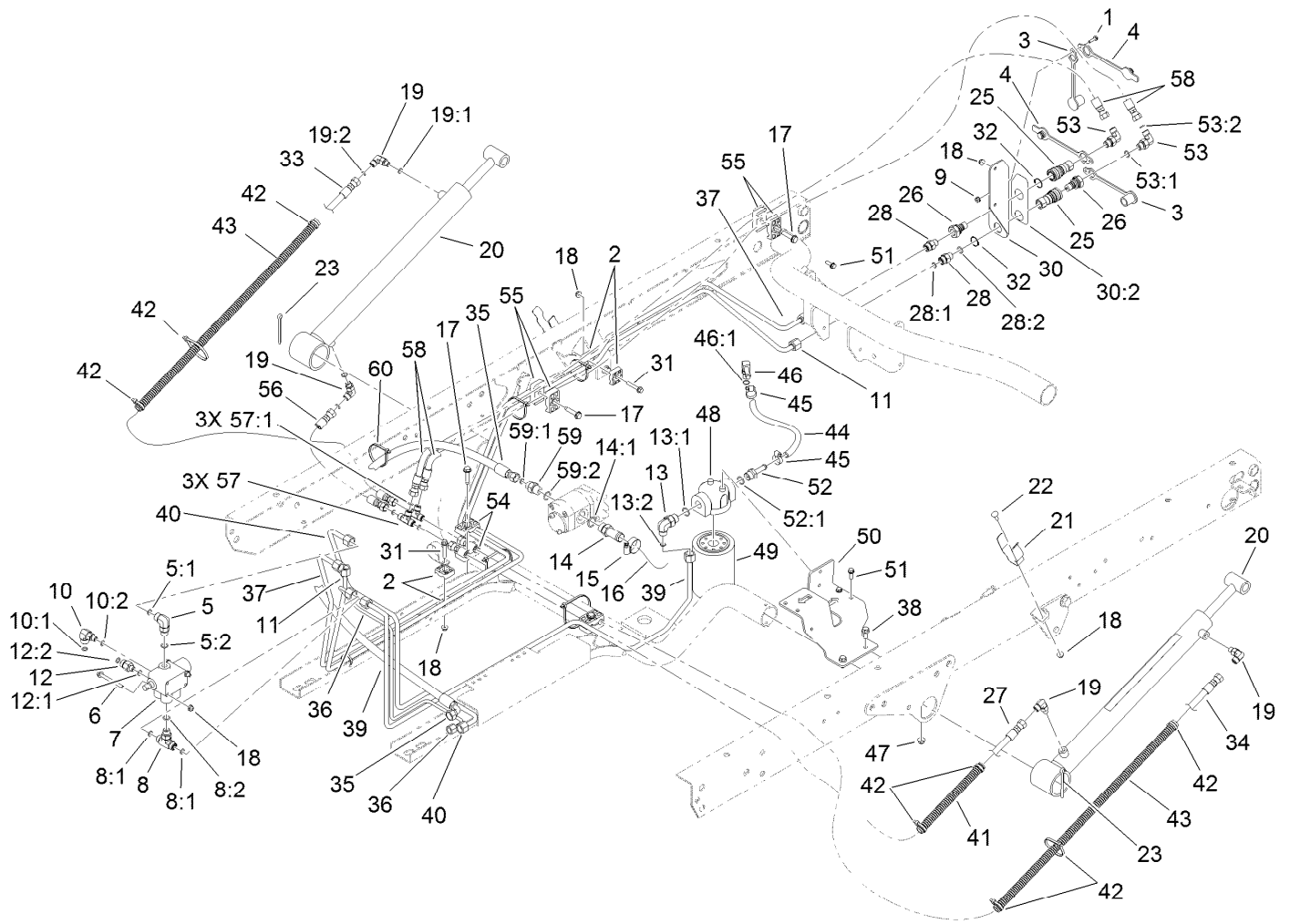
<i>Ref.</i>	<i>Part Number</i>	<i>Qty.</i>	<i>Description</i>
1	106-6716	1	Seal Kit
1:1		1	Ring-Seal, Dust ●
1:2		1	Seal-Shaft ●
1:3		1	O-Ring ●
1:4		2	O-Ring ●
1:5		5	O-Ring ●

● Not serviced separately



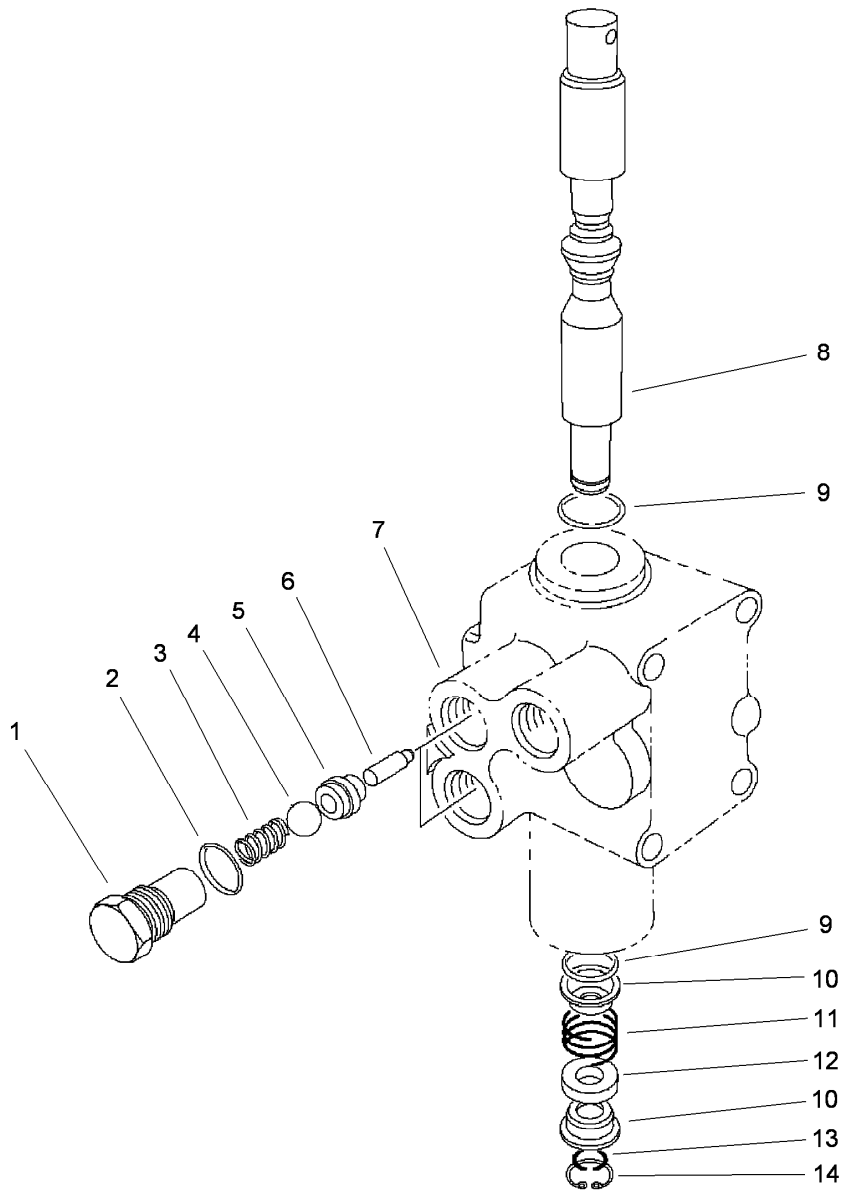
## Lift Valve and Hydraulic Assembly

Ref.	Part Number	Qty.	Description	Ref.	Part Number	Qty.	Description
1	32105-13	1	Screw-HWH	13:1	237-79	1	O-Ring
2	56-7973	4	Clamp-Tube	13:2	237-22	1	O-Ring
3	106-7881	2	Cap-Dust, HYD	14	354-136	1	Fitting-STR
4	106-7882	2	Plug-Dust, HYD	14:1	237-80	1	O-Ring
5	340-77	1	Fitting-Elbow, 90 DEG	15	2412-129	1	Clamp-Hose
5:1	237-22	1	O-Ring	16	87-3670	1	Hose-Suction
5:2	237-42	1	O-Ring	17	32144-57	4	Screw
6	114-8410	2	Screw-HHF	18	104-7201	8	Nut-HF, NI
7	43-1950	1	HYD Control Valve ASM	19	340-132	4	Fitting-Elbow, 90 DEG
8	340-94	1	Adapter	19:1	237-78	1	O-Ring
8:1	237-22	2	O-Ring	19:2	237-21	1	O-Ring
8:2	237-42	1	O-Ring	20	106-7939	2	HYD Cylinder ASM
9	3290-148	1	Nut-HF	21	108-3109	2	Retainer-Cylinder
10	340-97	1	Fitting-Elbow, 90 DEG	22	3229-1	2	Screw-CARR
10:1	237-22	1	O-Ring	23	3272-37	2	Pin-Cotter
10:2	237-78	1	O-Ring	25	106-7968	2	Coupler-Quick, Female
11	115-2218	1	Tube-HYD	26	106-7969	2	Coupler-Quick, Male
12	340-88	1	Fitting-Straight	27	115-7711	1	Hose-HYD
12:1	237-22	1	O-Ring	28	340-2	2	Fitting-Straight
12:2	237-78	1	O-Ring	28:1	237-22	1	O-Ring
13	340-18	1	Fitting-HYD, 90 DEG	28:2	237-42	1	O-Ring



## Lift Valve and Hydraulic Assembly (continued)

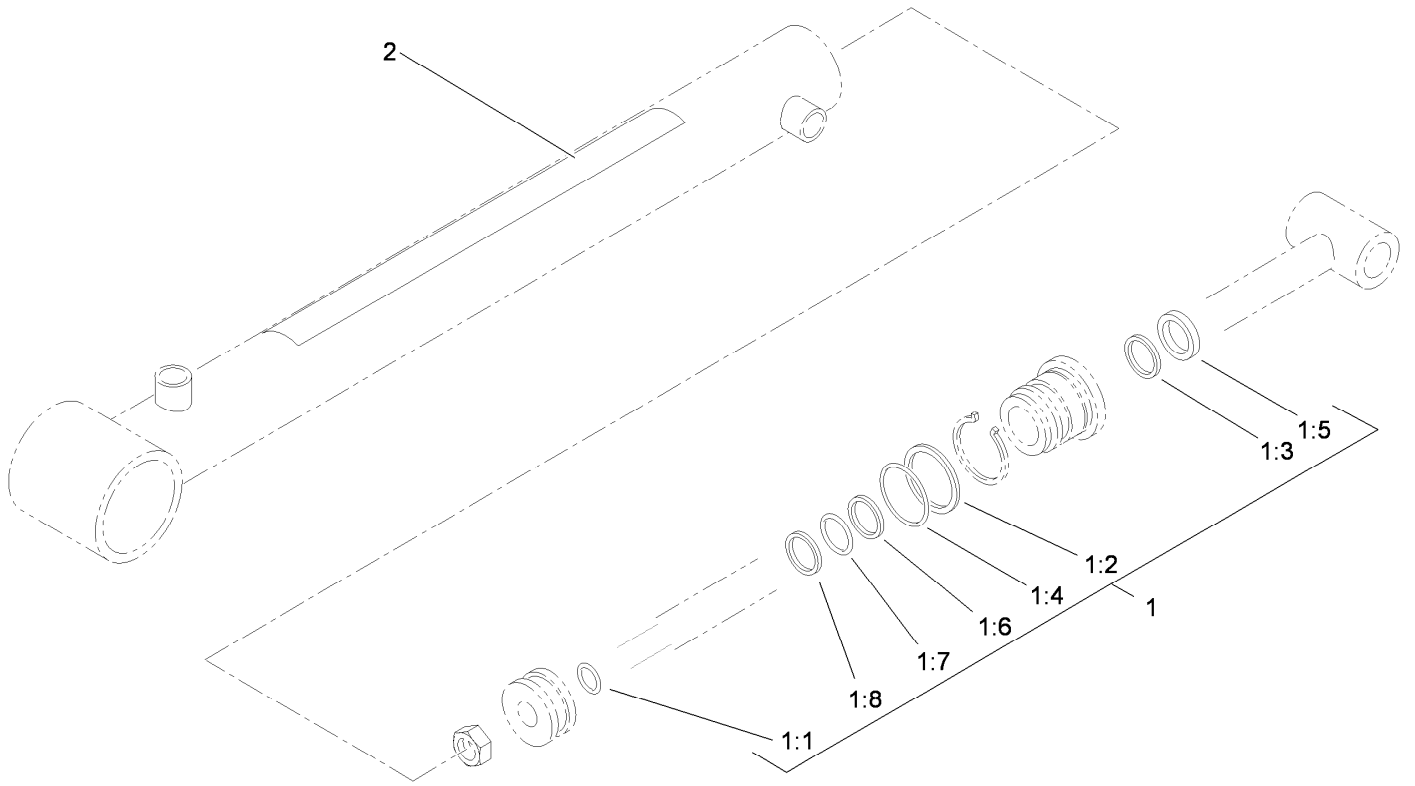
Ref.	Part Number	Qty.	Description	Ref.	Part Number	Qty.	Description
30	115-7715	1	Coupler Bracket ASM	48	87-8780	1	Head-Filter
30:2	115-7723	1	Decal-Disconnect, Quick	49	54-0110	1	Filter-Oil, Transmission
31	94-5781	2	Screw-HHF	50	115-2168-03	1	Bracket-Filter
32	32151-83	2	Ring-Snap	51	3234-4	4	Screw-HHF
33	108-6508	1	Hose-HYD	52	115-2231	1	Fitting-STR
34	104-3716	1	Hose-HYD	52:1	237-79	1	O-Ring
35	121-6283	1	Hose-HYD	53	340-82	2	Fitting-Elbow, 90 DEG
36	115-2216	1	Tube-HYD	53:1	237-42	1	O-Ring
37	115-2217	1	Tube-HYD	53:2	237-21	1	O-Ring
38	3234-5	2	Screw-HHF	54	56-7971	2	Clamp-Tube
39	115-2224	1	Tube-HYD	55	56-7976	6	Clamp-Tube
40	115-2223	1	Tube-HYD	56	110-0931	1	Hose-HYD
41	24-7922	1	Conduit-Convolved, Split	57	340-21	2	Fitting
42	3290-379	8	Tie-Cable	57:1	237-21	3	O-Ring
43	24-7923	2	Conduit-Convolved, Split	58	106-3680	2	Hose-HYD
44	115-2228	1	Hose-HYD	59	340-3	1	Fitting-Straight
45	2412-36	2	Clamp-Hose	59:1	237-22	1	O-Ring
46	100-4887	1	Fitting-Elbow, 90	59:2	237-79	1	O-Ring
46:1	237-42	1	O-Ring	60	3290-379	1	Tie-Cable
47	104-8300	2	Nut-HF, NI				



## Control Valve Assembly No. 43-1950

Ref.	Part Number	Qty.	Description
1	22-8330	2	Plug
2	237-42	2	O-Ring
3	22-8340	2	Spring
4	22-8350	2	Ball
5	22-8370	2	Seat-Valve
6	22-8360	2	Pin
7		1	Body ●
8	22-8420	1	Spool
9	22-8500	2	O-Ring
10	22-8380	2	Retainer
11	22-8410	1	Spring
12	23-3030	1	Spacer
13	22-8480	1	Ring-Snap
14	22-8490	1	Ring-Snap

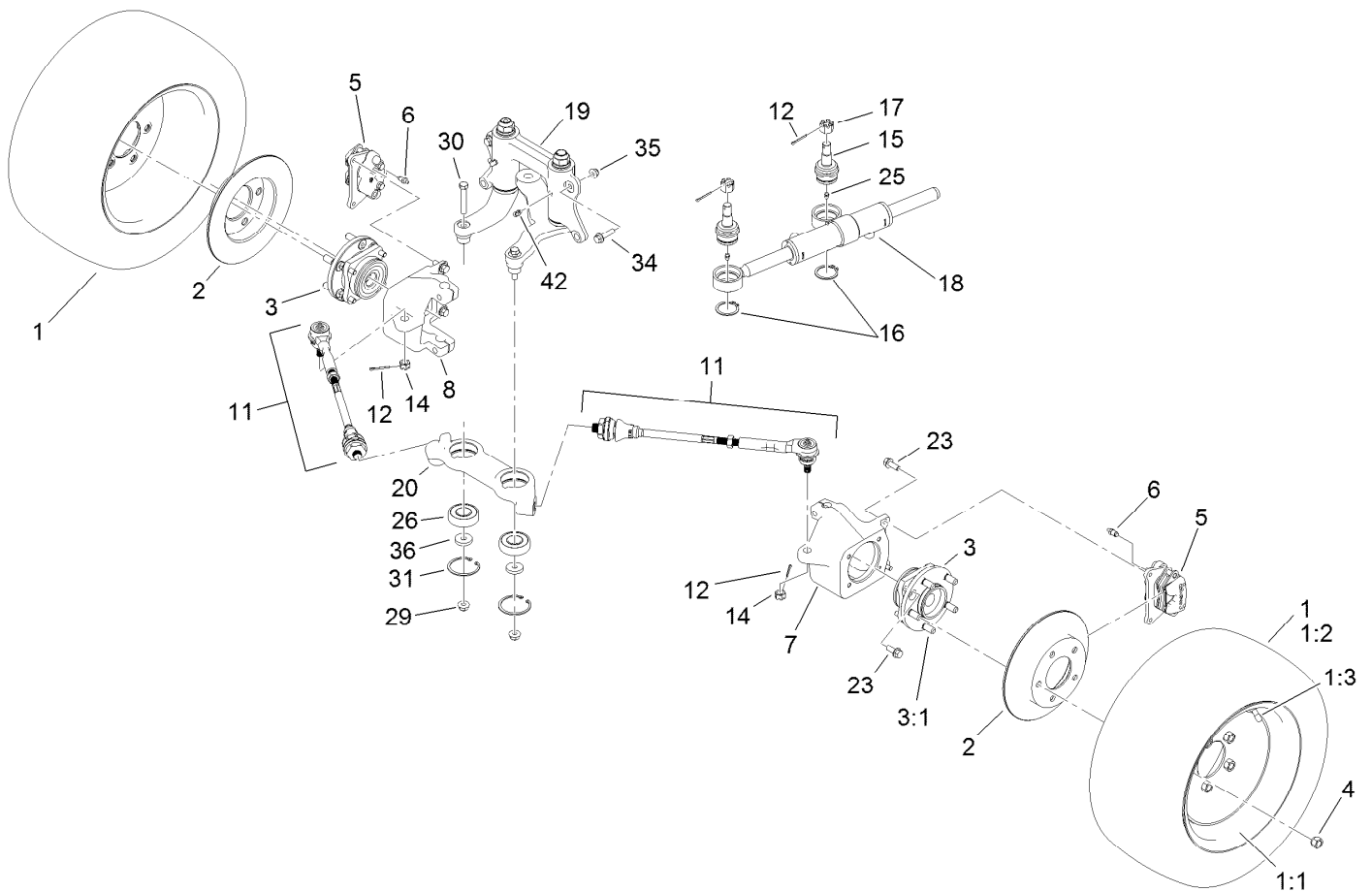
● Not serviced separately



## Hydraulic Cylinder Assembly No. 106-7939

<i>Ref.</i>	<i>Part Number</i>	<i>Qty.</i>	<i>Description</i>
1	106-7941	1	Seal Kit
1:1		1	O-Ring ●
1:2		1	O-Ring ●
1:3		1	Seal ●
1:4		1	Back-Up ●
1:5		1	Wiper ●
1:6		1	Seal ●
1:7		1	O-Ring ●
1:8		1	Ring-Wear ●
2	93-9852	1	Decal-Warning

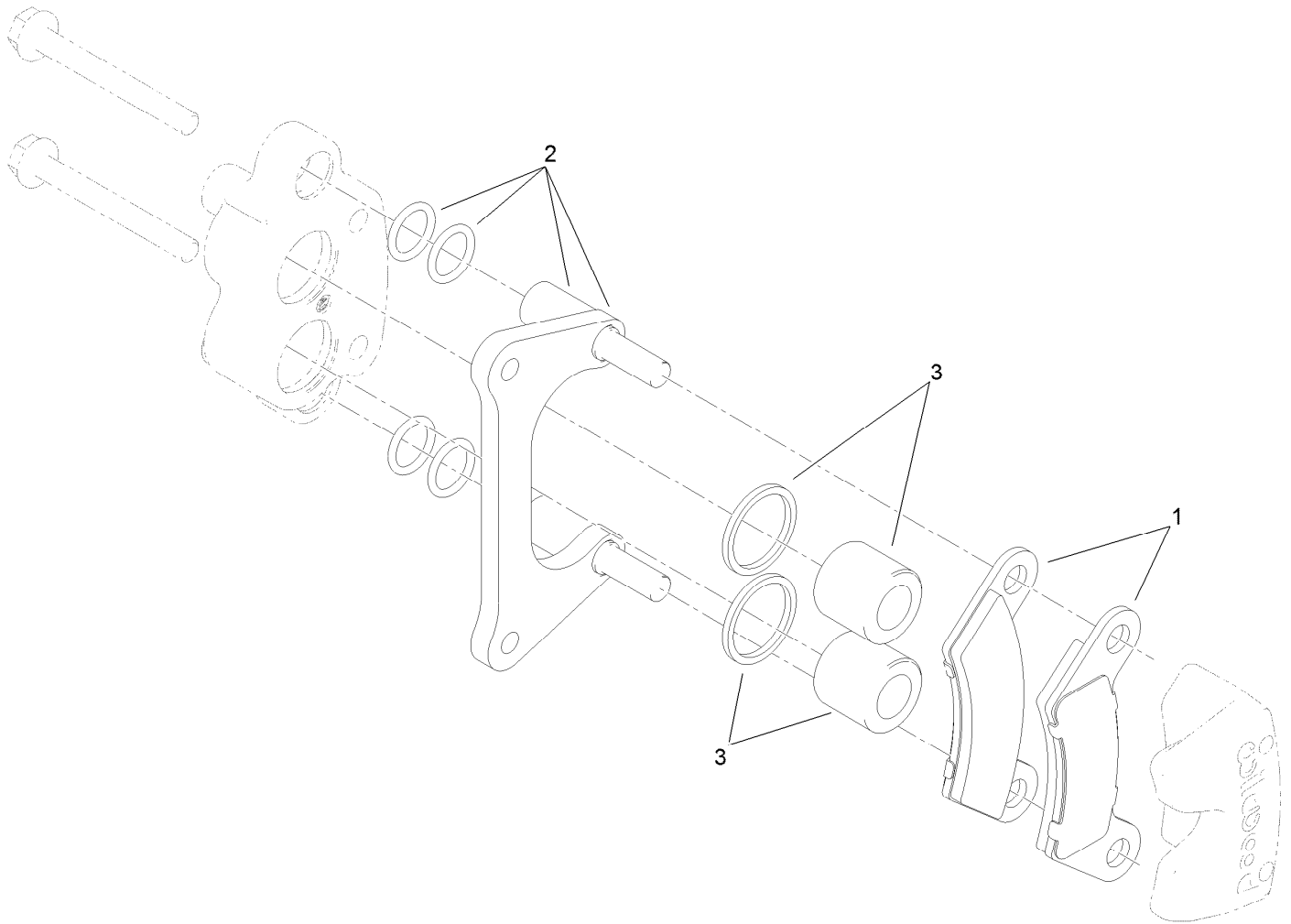
● Not serviced separately



## Front Wheel Assembly

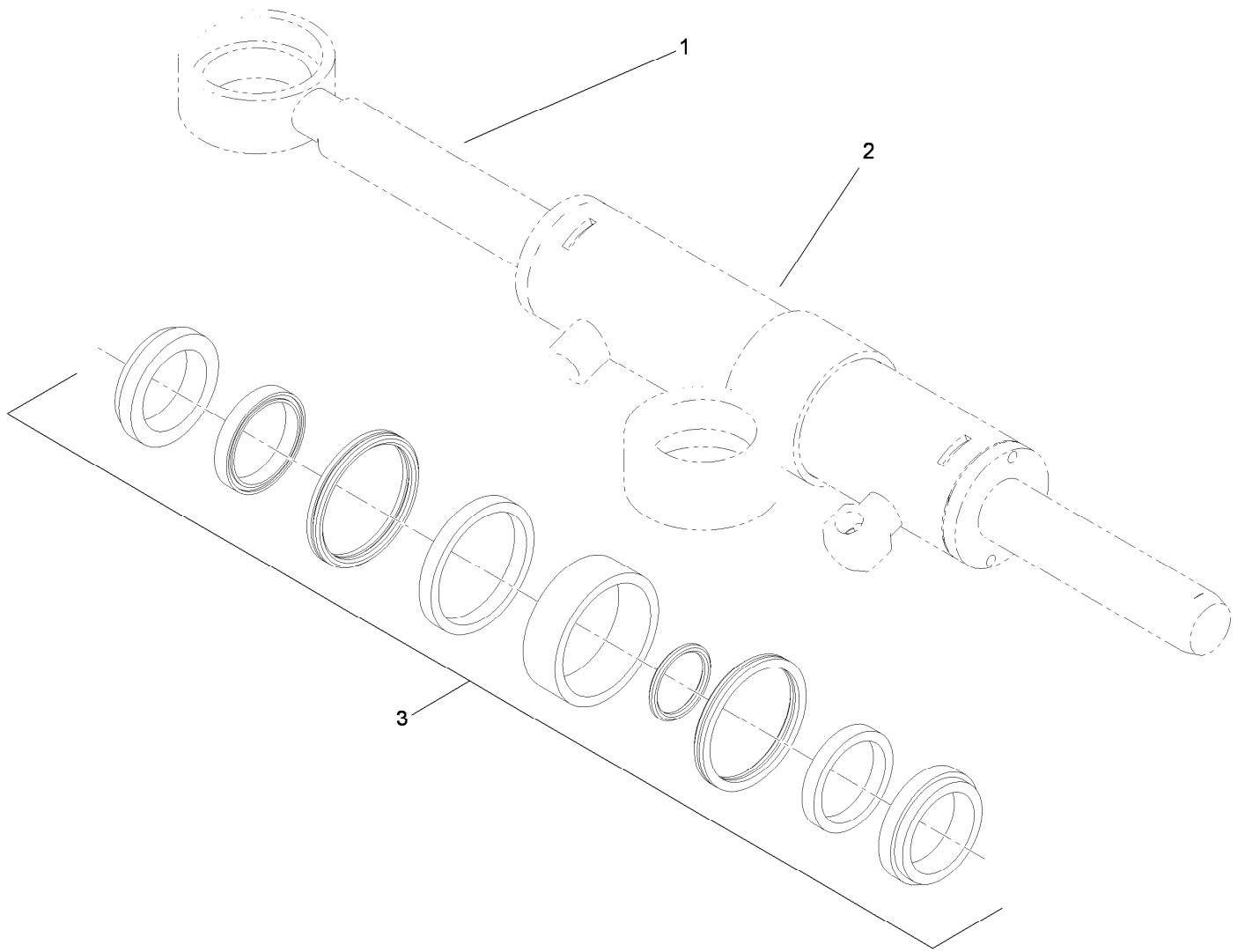
Ref.	Part Number	Qty.	Description	Ref.	Part Number	Qty.	Description
1		2	Tire And Wheel ASM ●	16	32151-104	2	Ring-Retaining, External
1:1	120-4901	1	Wheel	17	32136-14	2	Nut-Hst
1:2	114-8273	1	Tire	18	120-5059	1	HYD Cylinder ASM
1:3	232-27	1	Stem-Valve	19		1	Steering Linkage ASM ●
2	114-8351	2	Rotor-Brake	20	114-8296	1	Link-Center
3	112-3214	2	Wheel Hub ASM	23	3234-11	12	Screw-HHF
3:1	114-8299	5	Stud-Wheel	25	302-5	2	Fitting-Grease
4	242-50	10	Nut-Lug	26	119-9548	2	Bearing-Ball
5	119-9535	2	Brake Caliper ASM	29	114-8417	2	Nut-HF, NI
6	119-9509	2	Screw-Bleed	30	324-10	2	Screw-HH
7	119-9513	1	Knuckle-LH	31	32120-22	2	Ring-Snap, Internal
8	119-9514	1	Knuckle-RH	34	114-4681	2	Screw-HHF
11	114-8356	2	Tie Rod ASM	35	104-8301	2	Nut-HF, NI
12	3272-12	4	Pin-Cotter	36	112843	2	Washer
14	32136-3	2	Nut-SHH	42	302-60	2	Fitting-Grease
15	106-6774	2	Joint-Ball				

● Not serviced separately



## Brake Caliper Assembly No. 119-9535

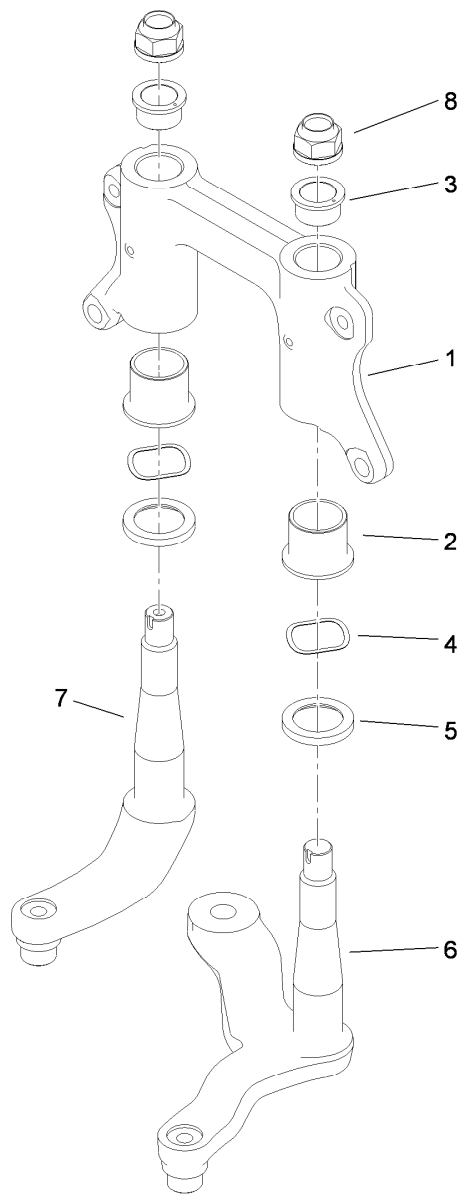
<i>Ref.</i>	<i>Part Number</i>	<i>Qty.</i>	<i>Description</i>
1	119-9510	1	*obs* Pads-Brake
2	119-9511	1	Bracket Kit
3	119-9512	1	Piston Kit



## Hydraulic Cylinder Assembly No. 120-5059

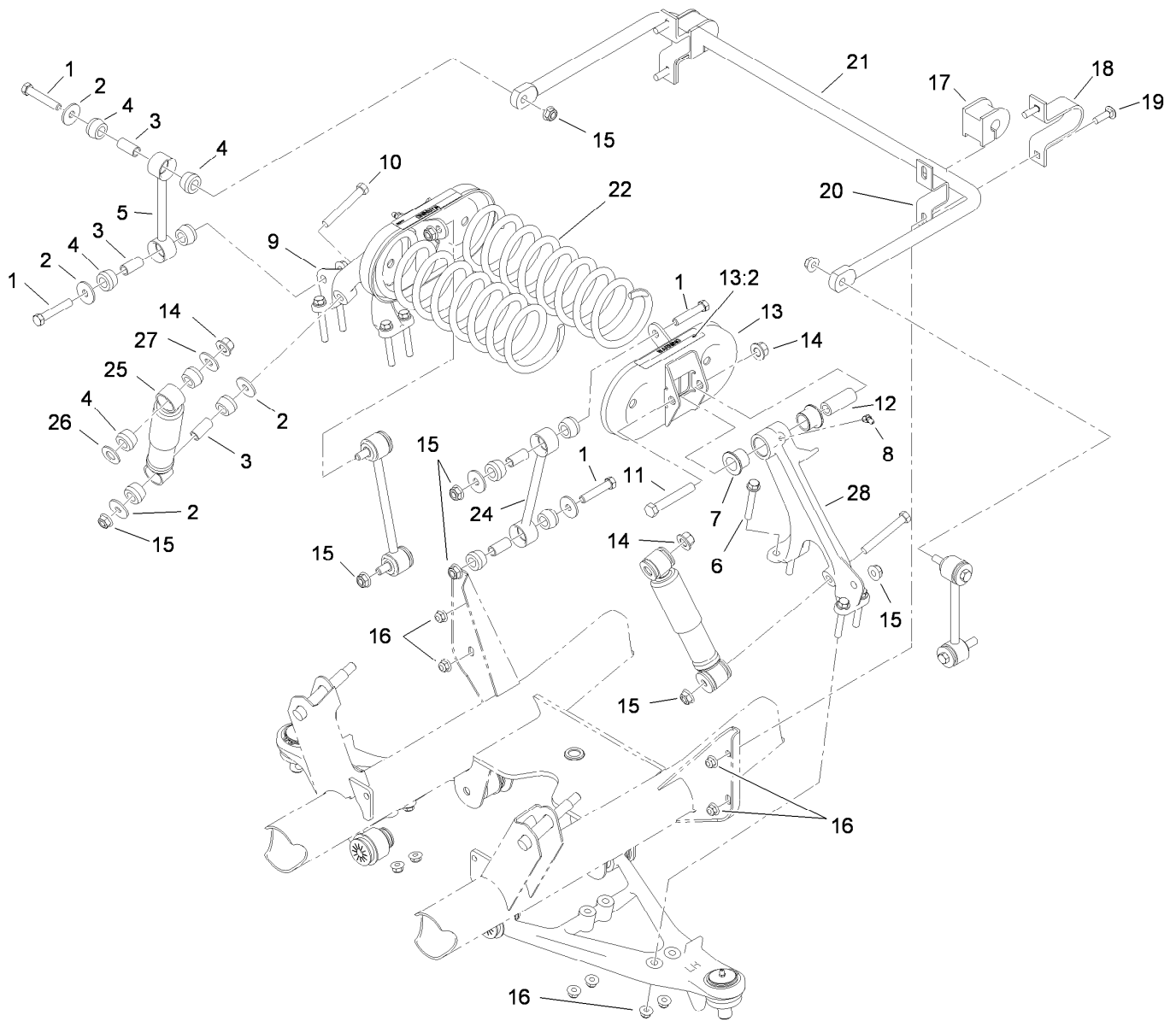
<i>Ref.</i>	<i>Part Number</i>	<i>Qty.</i>	<i>Description</i>
1		1	Rod-Cylinder ●
2		1	Body-Cylinder ●
3	115-2160	1	Cylinder Repair Kit

● Not serviced separately



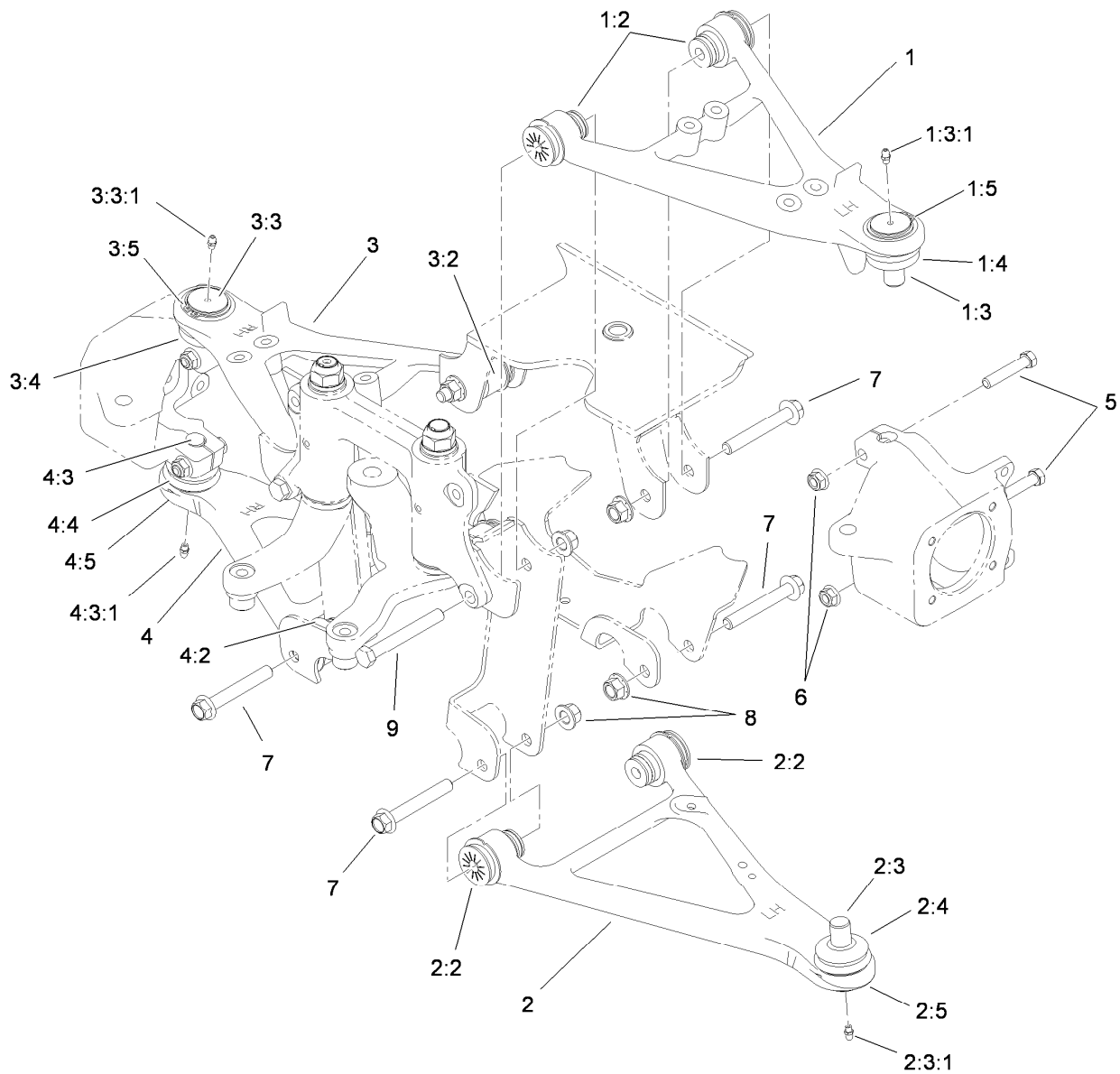
## Steering Linkage Assembly

<i>Ref.</i>	<i>Part Number</i>	<i>Qty.</i>	<i>Description</i>
1	114-8389	1	Mount-Pivot
2	69-6470	2	Bushing-Caster
3	112-1626	2	Bushing-Flange
4	93-4632	2	Washer-Wavey
5	86-6560	2	Washer-Thrust
6	114-8256	1	Arm-Pitman
7	114-8298	1	Arm-Idler
8	115-2164	2	Nut-Spindle



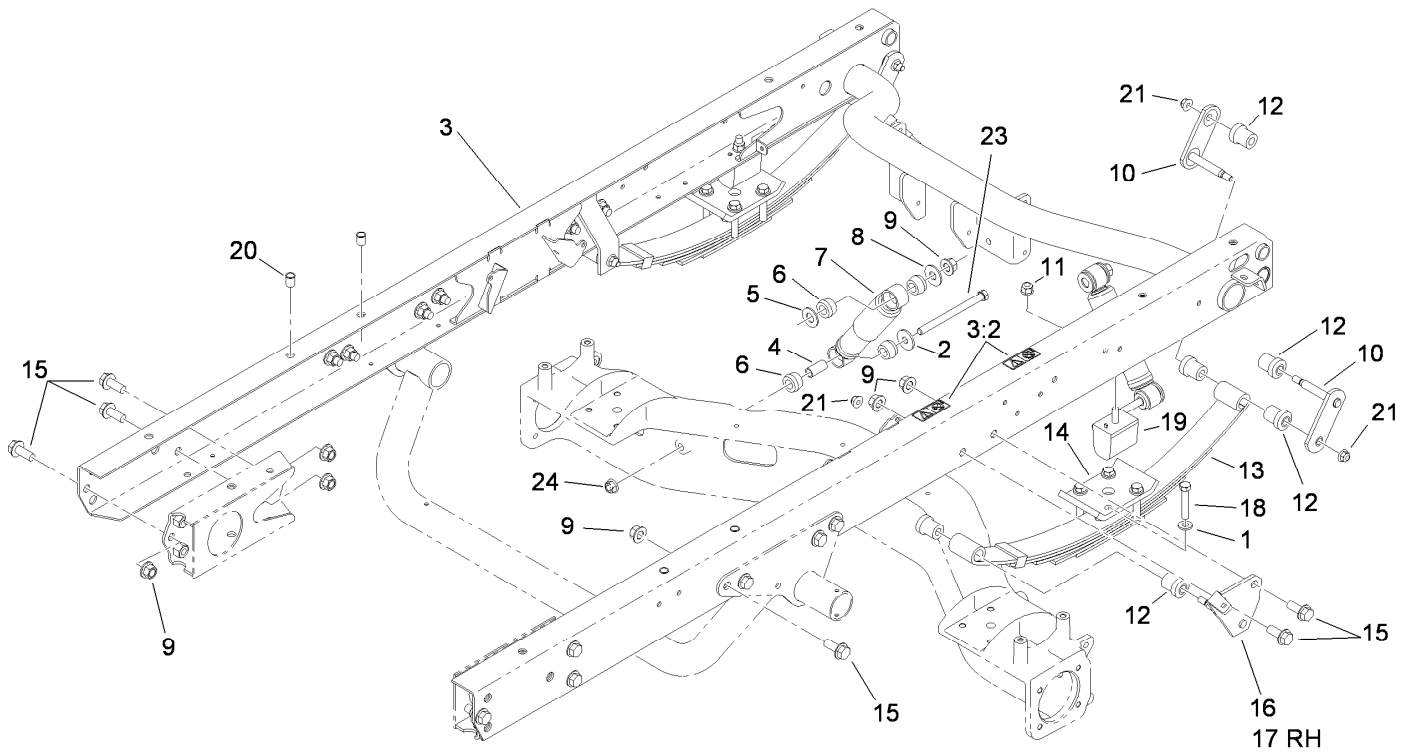
## Front Suspension Assembly

Ref.	Part Number	Qty.	Description	Ref.	Part Number	Qty.	Description
1	324-10	8	Screw-HH	14	99-5107	4	Nut-HF Nylock
2	87-5330	12	Washer	15	114-8417	10	Nut-HF, NI
3	87-3600	10	Spacer-Absorber, Shock	16	104-8301	12	Nut-HF, NI
4	87-3920	24	Bushing	17	87-3910	2	Bushing-Rubber
5	87-3860-03	2	Link-Sway Bar, Anti	18	87-4010-03	2	Clamp-Bar, Sway
6	3234-39	8	Screw-HHF	19	3231-25	4	Bolt-CARR
7	33-3090	4	Bushing	20	87-3890-03	2	Bracket-Bar, Sway
8	302-11	2	Fitting-Lube, 45 DEG	21	87-3850-03	1	Bar-Sway, Anti
9	87-0150	1	Tower-Control Arm, RH	22	105-4183-01	2	Spring-Compression
10	324-13	2	Screw-HH	24	106-2302-03	2	Link-Stabilizer
11	325-13	2	Screw-HH	25	87-3110	2	Absorber-Shock
12	87-2500	2	Sleeve-Spring, Pivot	26	3256-27	2	Washer-Flat
13	105-7958	2	Spring Cradle ASM	27	3256-6	2	Washer-Flat
13:2	93-9879	1	Decal-Warning	28	87-0160	1	Tower-Control Arm, LH



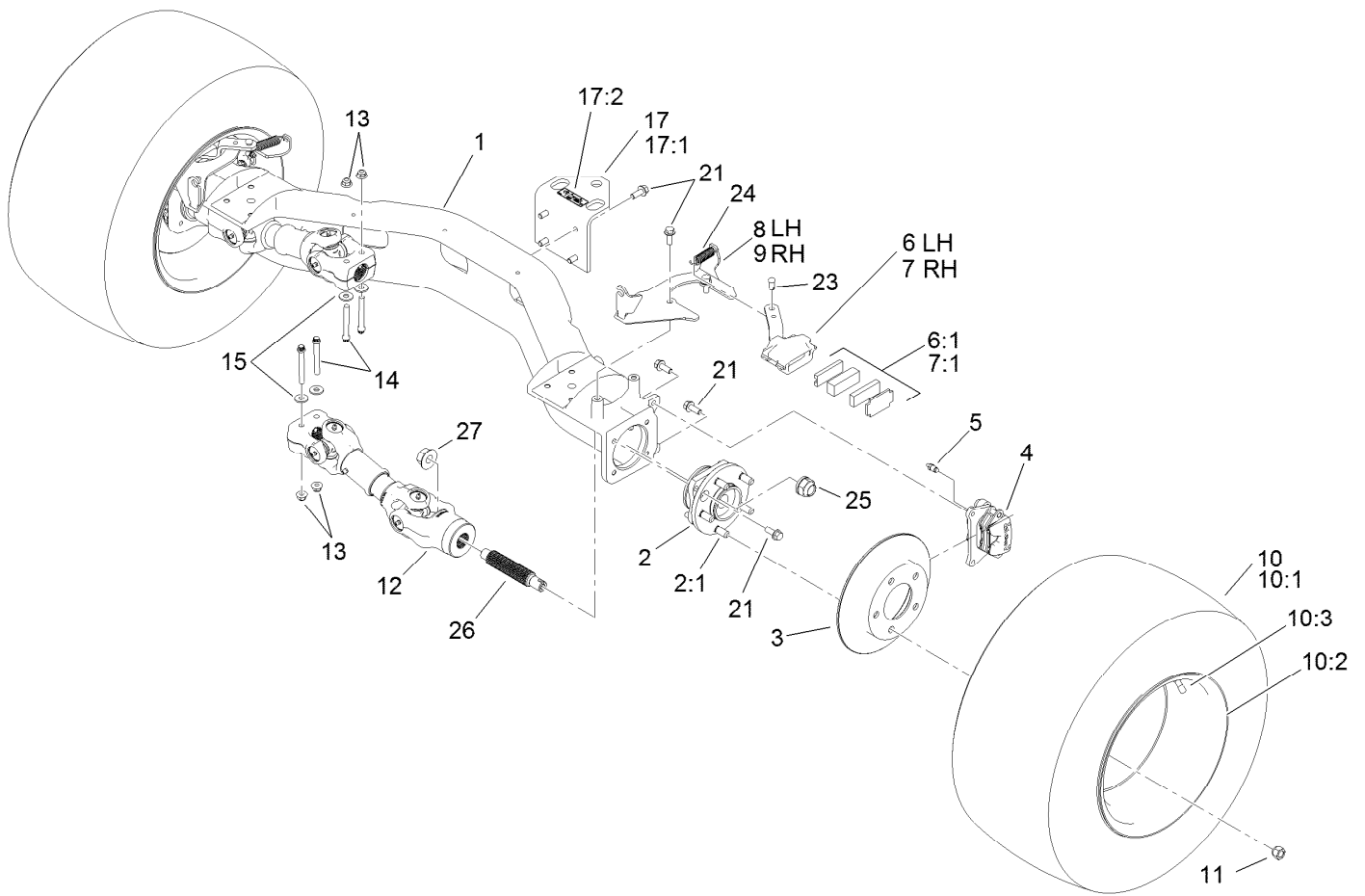
## Front Control Arm Assembly

Ref.	Part Number	Qty.	Description	Ref.	Part Number	Qty.	Description
1	115-2404	1	Upper LH Control Arm ASM	3:3:1	302-5	1	Fitting-Grease
1:2	87-1450	2	Bushing-Flange	3:4	87-2420	1	Seal-Joint, Ball
1:3	115-2165	1	Ball Joint	3:5	32151-104	1	Ring-Retaining, External
1:3:1	302-5	1	Fitting-Grease	4	115-2407	1	Lower RH Control Arm ASM
1:4	87-2420	1	Seal-Joint, Ball	4:2	87-1450	2	Bushing-Flange
1:5	32151-104	1	Ring-Retaining, External	4:3	115-2165	1	Ball Joint
2	115-2405	1	Lower LH Control Arm ASM	4:3:1	302-5	1	Fitting-Grease
2:2	87-1450	2	Bushing-Flange	4:4	87-2420	1	Seal-Joint, Ball
2:3	115-2165	1	Ball Joint	4:5	32151-104	1	Ring-Retaining, External
2:3:1	302-5	1	Fitting-Grease	5	324-10	4	Screw-HH
2:4	87-2420	1	Seal-Joint, Ball	6	114-8417	4	Nut-HF, NI
2:5	32151-104	1	Ring-Retaining, External	7	114-8419	6	Screw-HHF
3	115-2406	1	Upper RH Control Arm ASM	8	99-5107	8	Nut-HF Nylock
3:2	87-1450	2	Bushing-Flange	9	325-17	2	Screw-HH
3:3	115-2165	1	Ball Joint				



## Rear Frame Assembly

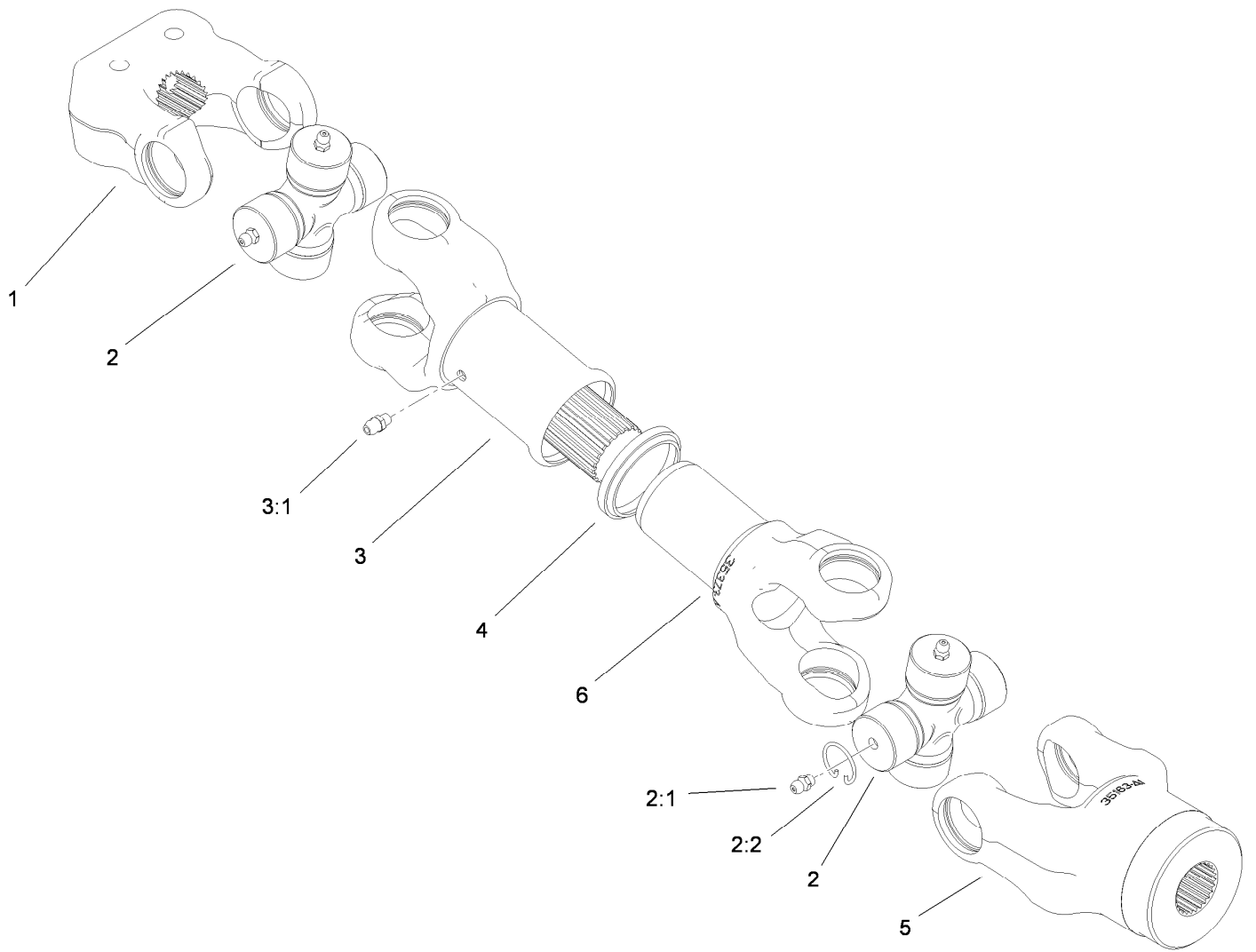
<i>Ref.</i>	<i>Part Number</i>	<i>Qty.</i>	<i>Description</i>	<i>Ref.</i>	<i>Part Number</i>	<i>Qty.</i>	<i>Description</i>
1	87-7480	8	Washer	12	87-4760	12	Bushing-Rubber
2	87-5330	2	Washer	13	87-1490	2	Spring-Leaf, Rear
3	115-7911	1	Rear Frame ASM	14	87-7470-03	2	Plate-Spring, Clamp
3:2	115-2047	2	Decal-Surface, Hot	15	3234-38	18	Screw-HHF
4	87-3600	2	Spacer-Absorber, Shock	16	87-3960	1	Mount-Spring, LH
5	3256-27	2	Washer-Flat	17	87-3940	1	Mount-Spring, RH
6	87-3920	8	Bushing	18	115-2398	8	Bolt-HH
7	87-3110	2	Absorber-Shock	19	87-3470	2	Bumper
8	3256-6	2	Washer-Flat	20	32148-9	4	Nut-Clinch
9	99-5107	20	Nut-HF Nylock	21	104-8301	6	Nut-HF, NI
10	87-3980	4	Shackle ASM	23	114-8424	2	Screw-HH
11	103-9511	2	Nut-Flg	24	114-8417	2	Nut-HF, NI



## Rear Axle Assembly

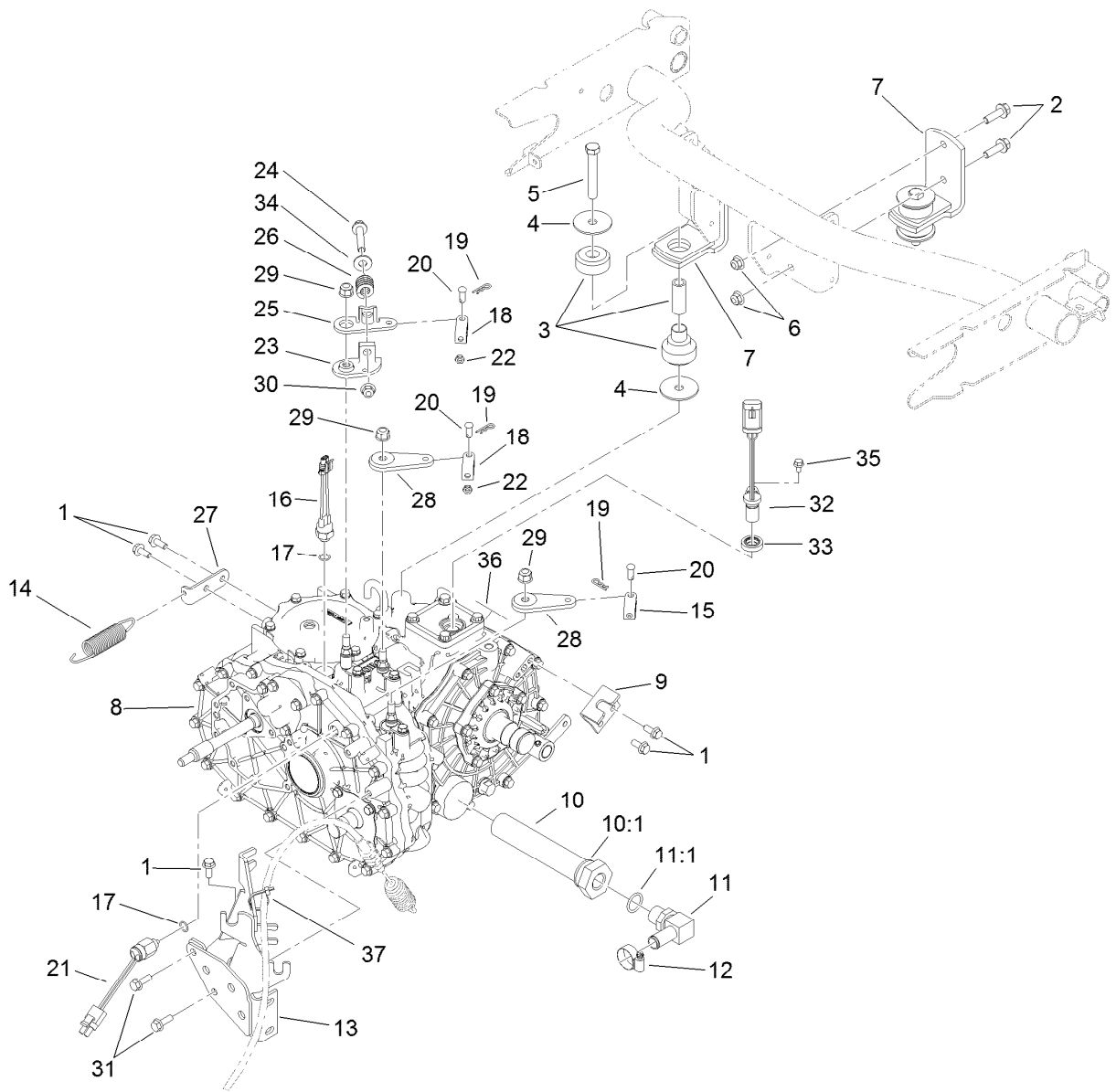
Ref.	Part Number	Qty.	Description	Ref.	Part Number	Qty.	Description
1	119-9515	1	Axle-Rear	10:3	232-27	1	Stem-Valve
2	112-3214	2	Wheel Hub ASM	11	242-50	10	Nut-Lug
2:1	114-8299	5	Stud-Wheel	12	114-8367	2	Driveshaft ASM
3	114-8351	2	Rotor-Brake	13	104-8301	4	Nut-HF, NI
4	119-9535	2	Brake Caliper ASM	14	98-2939	4	Screw-Cap
5	119-9509	2	Screw-Bleed	15	80-6990	4	Washer-Hardened
6	114-8365	1	Caliper-Mechanical, LH	17	115-7742	1	Hitch ASM
6:1	115-7847	1	Parking Brake Pad Kit	17:1	92-5951-03	1	Angle-Hitch
7	114-8366	1	Caliper-Mechanical, RH	17:2	115-7740	1	Decal-Load, Towing
7:1	115-7847	1	Parking Brake Pad Kit	21	3234-11	20	Screw-HHF
8	115-2362-03	1	Bracket-Caliper, LH	23	283-85	2	Pin-Clevis
9	115-2359-03	1	Bracket-Caliper, RH	24	104-6415	2	Spring-Return, Pedal
10		2	Tire And Wheel ASM ●	25	115-2164	2	Nut-Spindle
10:1	106-7868	1	Tire	26	115-7771	2	Shaft-Splined
10:2	114-8259	1	Wheel	27	104-0753	2	Nut-Flange

● Not serviced separately



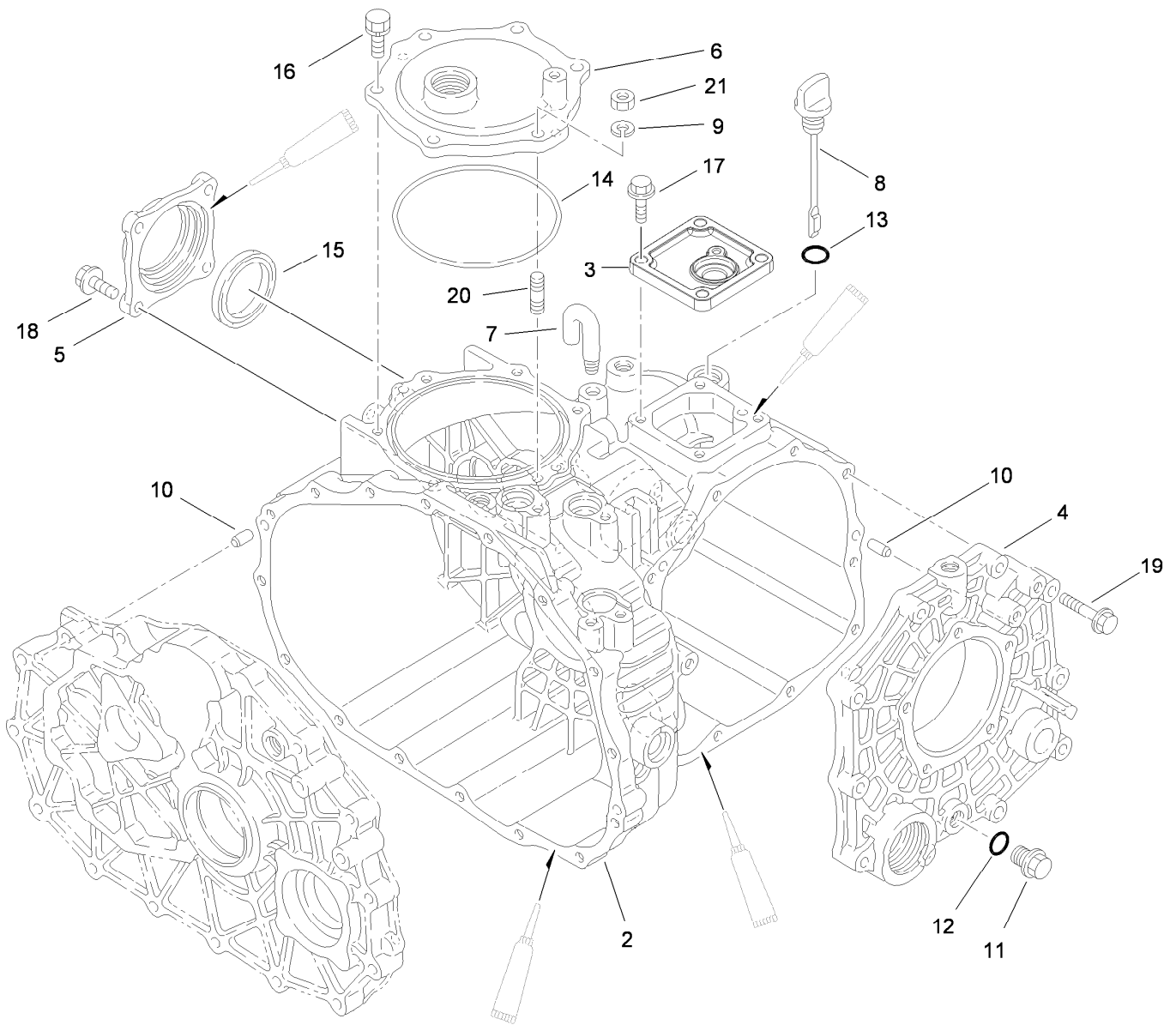
## Driveshaft Assembly No. 114-8367

<i>Ref.</i>	<i>Part Number</i>	<i>Qty.</i>	<i>Description</i>
1	98-2940	1	Yoke
2	92-4187	2	Cross And Bearing Kit
2:1	302-58	4	Fitting-Straight
2:2	92-4188	4	Ring-Snap
3	92-4179	1	Yoke-Tube, Shaft And Seal
3:1	302-5	1	Fitting-Grease
4	92-4180	1	Seal
5	115-2351	1	Yoke
6	92-4182	1	Yoke-Telescoping



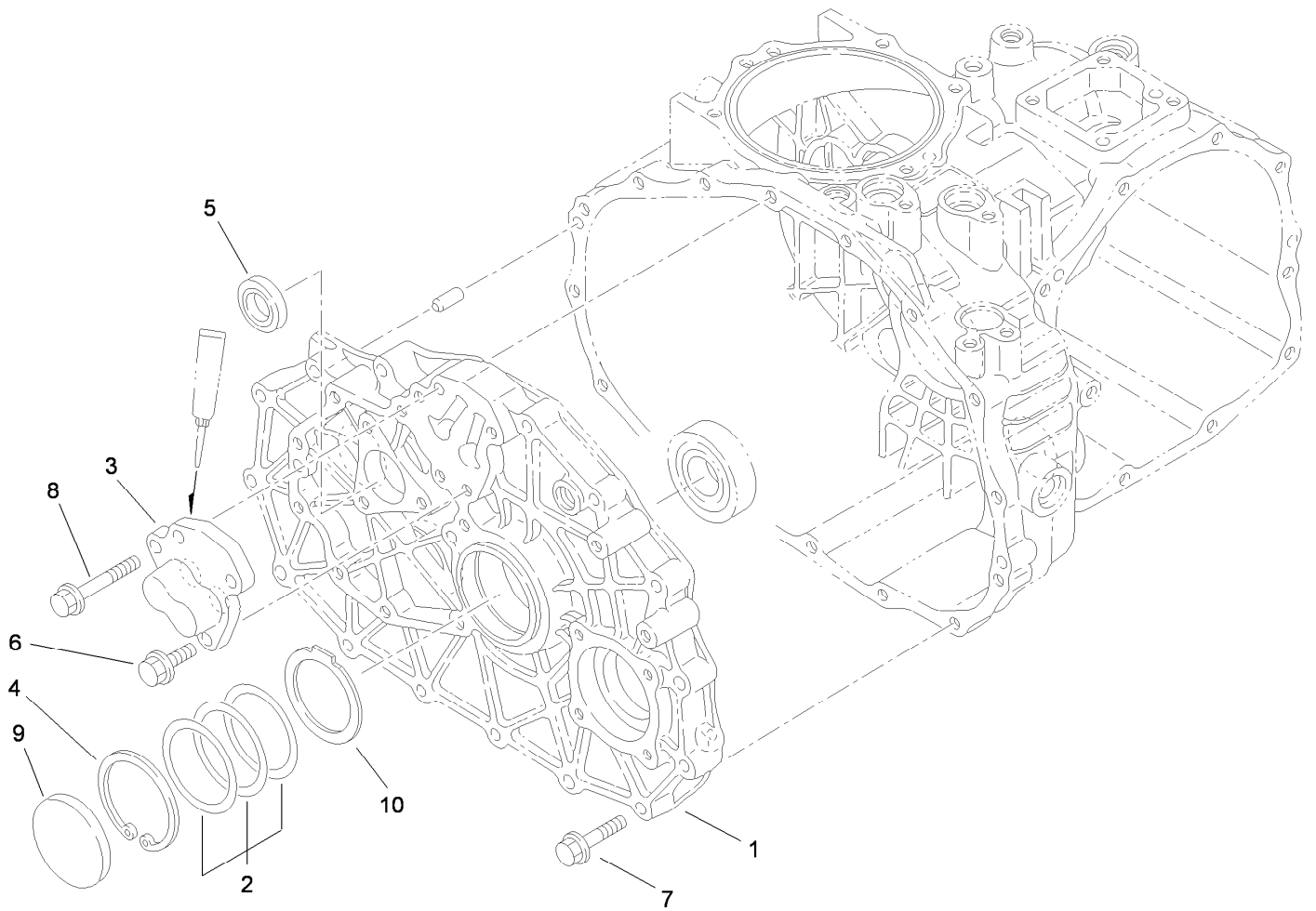
## Transaxle Assembly

Ref.	Part Number	Qty.	Description	Ref.	Part Number	Qty.	Description
1	98-7977	5	Screw-HHF	18	87-2310	2	Clevis-Cable
2	3234-24	4	Screw-HHF	19	3290-307	3	Pin-Cotter
3	106-7865	2	Mount-Engine	20	283-62	3	Pin-Clevis
4	87-5100	4	Washer-Snubbing	21	87-6710	1	Switch-Transmission
5	33116-080	2	Screw-HH	22	3220-1	2	Nut-Jam
6	104-8301	4	Nut-HF, NI	23	87-7970	1	Arm-Shift
7	87-5800-03	2	Mount-Transaxle	24	66-9302	1	Screw-HHF Lock
8	115-2175	1	4 Wheel Drive Transaxle ASM	25	87-8250	1	Plate-Arm, Shift
9	87-4470	1	Bracket-Lock, Differential	26	87-6910	1	Spring-Compression
10	87-3990	1	Strainer-Transaxle	27	115-7714	1	Bracket-Spring
10:1	237-123	1	O-Ring	28	87-7960	2	Lever-Shift
11	353-987	1	Fitting-Elbow, 90	29	103-9511	3	Nut-Flg
11:1	237-81	1	O-Ring	30	3290-357	1	Nut-HSF
12	2412-129	1	Clamp-Hose	31	33104-025	2	Screw-HHF
13	105-4207-03	1	Mount-Cable	32	120-4800	1	Sensor-Geartooth
14	68-9950	1	Spring-Traction	33	92-3735	1	Seal-Sensor, Oil
15	87-7160	1	Clevis-Cable	34	3256-4	1	Washer-Flat
16	72-4310	1	Switch-Ball	35	33103-012	1	Screw-HHF
17	237-30	2	O-Ring	36	115-7741	1	Decal-Oil, Transmission
				37	3290-379	1	Tie-Cable



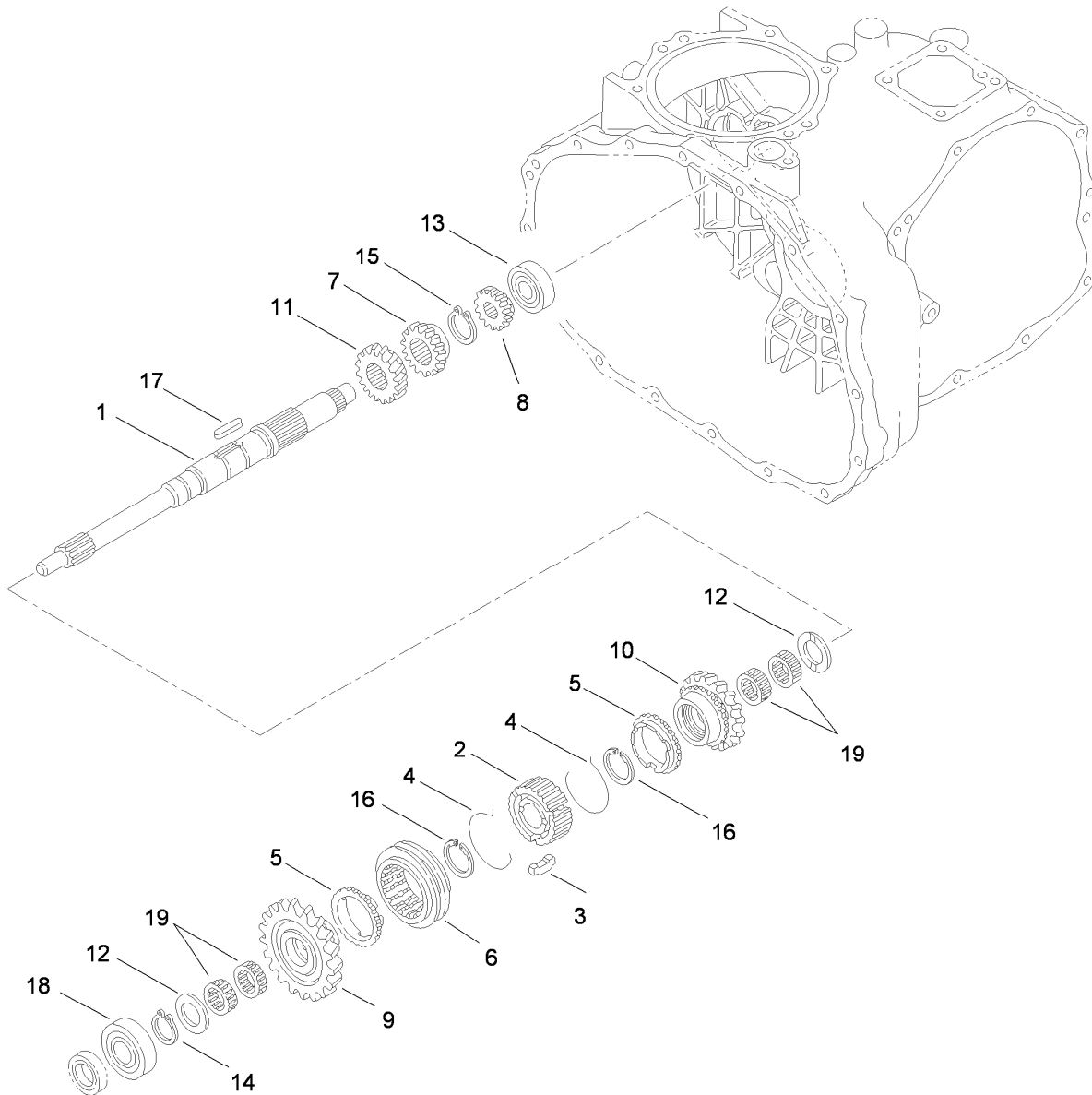
## Case Assembly 4 Wheel Drive Transaxle Assembly No. 115-2175

<i>Ref.</i>	<i>Part Number</i>	<i>Qty.</i>	<i>Description</i>	<i>Ref.</i>	<i>Part Number</i>	<i>Qty.</i>	<i>Description</i>
2	92-0651	1	Case-Transmission	12	92-0787	1	O-Ring
3	92-0810	1	Cover-Upper, Sensor	13	92-0788	1	O-Ring
4	92-0653	1	Cover-Side	14	92-0790	1	O-Ring
5	92-0655	1	Cover-Seal, Axle	15	92-0793	1	Seal-Oil
6	92-0656	1	Cover-Upper, PTO	16	92-0796	5	Bolt
7	92-0743	1	Breather-Air	17	33104-025	4	Screw-HHF
8	92-0662	1	Cap-Oil	18	33104-025	4	Screw-HHF
9	92-0762	1	Washer-Spring	19	33104-040	10	Screw-HHF
10	92-0765	4	Pin-Parallel	20	92-0805	1	Bolt 8X20
11	92-0773	1	Plug-Drain	21	68-9400	1	Nut-Flange



## Center Plate Assembly 4 Wheel Drive Transaxle Assembly No. 115-2175

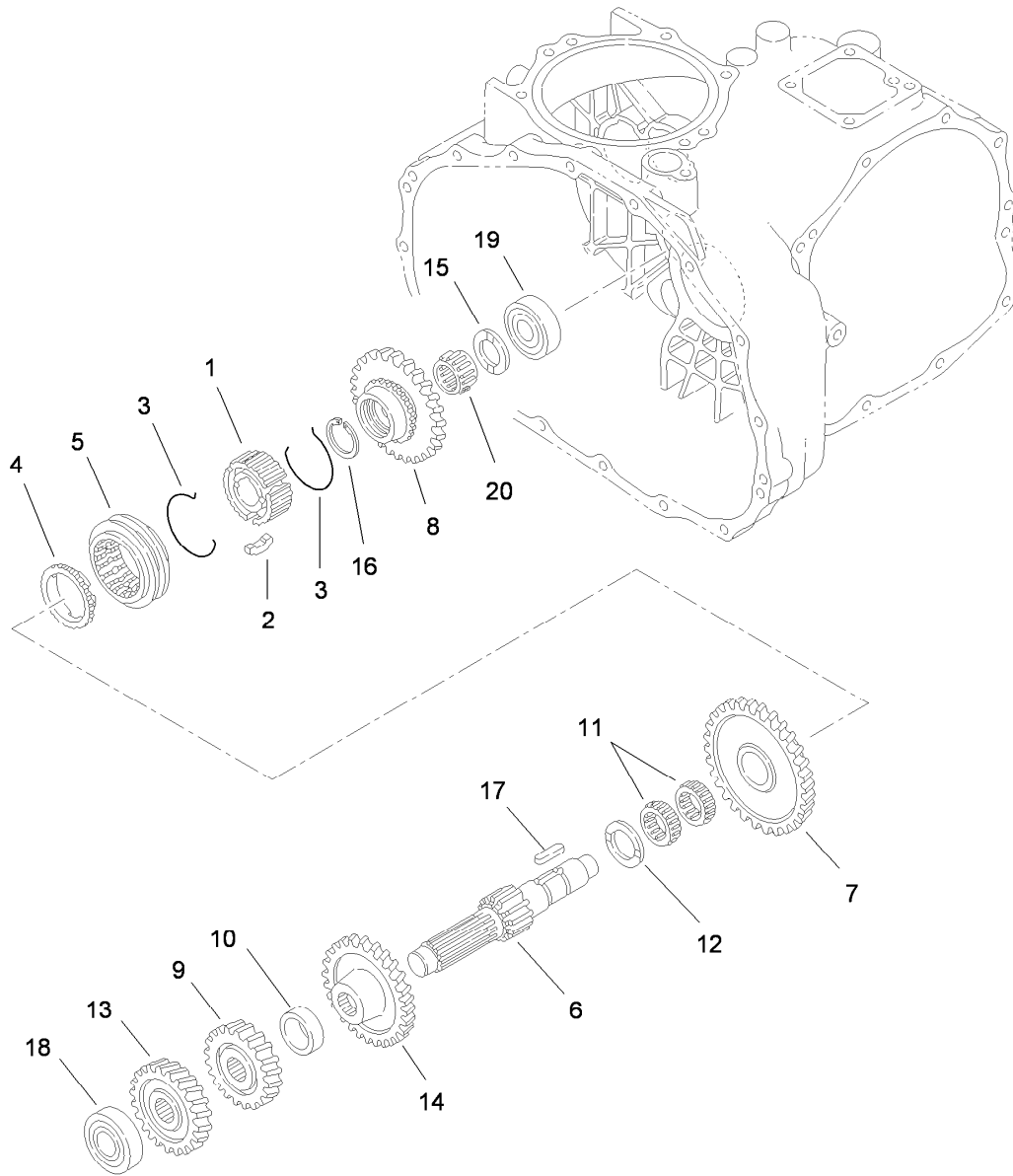
<i>Ref.</i>	<i>Part Number</i>	<i>Qty.</i>	<i>Description</i>
1	100-4462	1	Plate-Center, 4Wd
2	100-4460	1	Shim-Set
3	92-0706	1	Shaft-Fork
4	92-0759	1	Ring-Snap
5	92-0791	1	Seal-Oil
6	33104-025	3	Screw-HHF
7	33104-040	15	Screw-HHF
8	33104-050	1	Screw-HHF
9	92-0807	1	Cap-Sealing
10	100-4465	1	Shim (W/Tab)



## Main Shaft Assembly 4 Wheel Drive Transaxle Assembly No. 115-2175

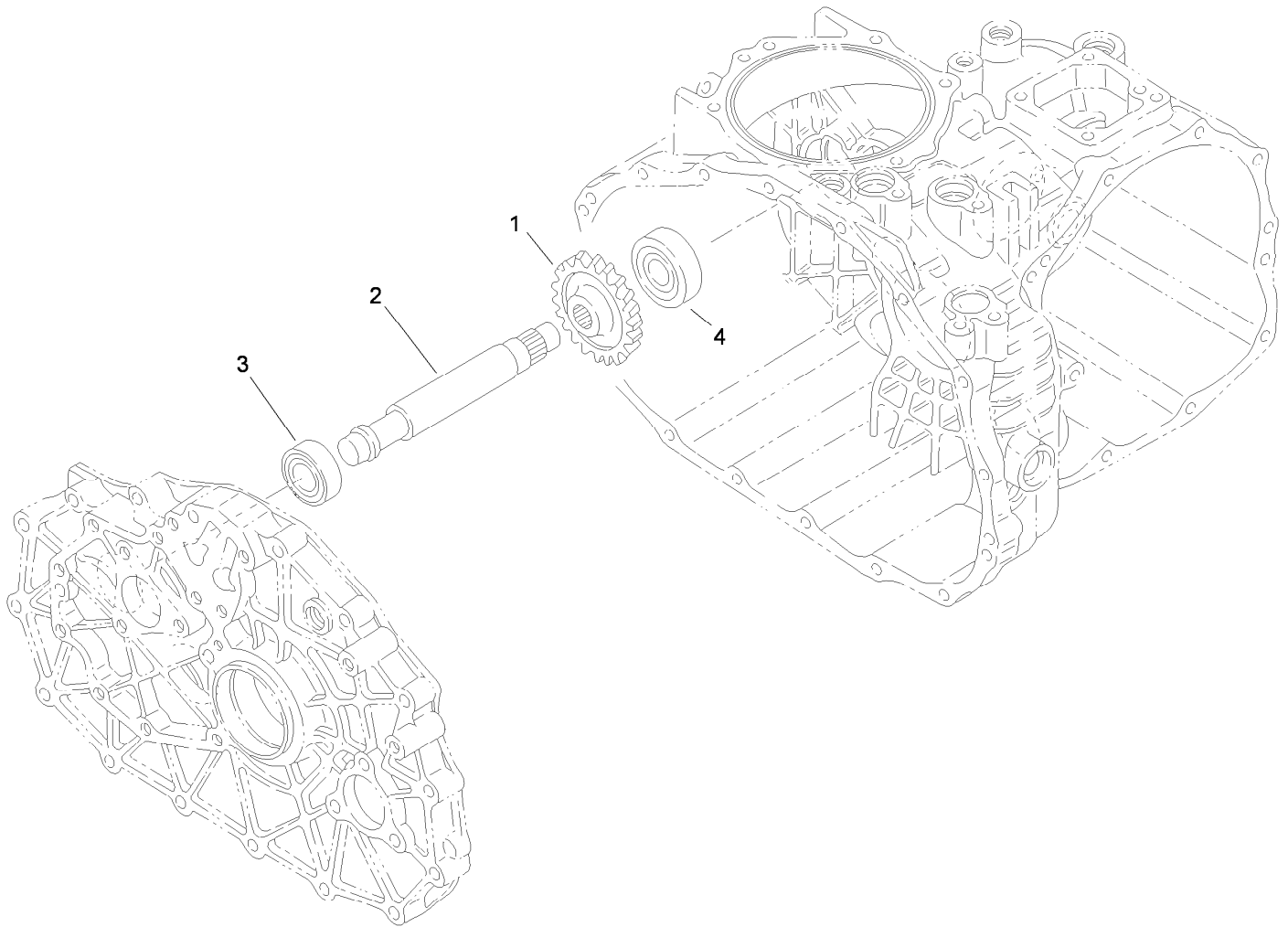
<i>Ref.</i>	<i>Part Number</i>	<i>Qty.</i>	<i>Description</i>
1	92-0663	1	Shaft-Main
2	92-0664	1	Hub-Synchro
3	92-0665	3	Key-Synchro
4	92-0666	2	Spring-Synchro
5	92-0667	2	Ring-Synchro
6	92-0668	1	Shifter-Synchro
7	92-0672	1	Gear-Main, 18 Tooth
8	92-0673	1	Gear-Main, 14 Tooth
9	110-2521	1	Gear-Main, 27 Tooth
10	110-2522	1	Gear- Main, 24 Tooth

<i>Ref.</i>	<i>Part Number</i>	<i>Qty.</i>	<i>Description</i>
11	92-0687	1	Gear-Main, 16 Tooth
12	92-0740	2	Washer-Thrust
13	92-0650	1	Bearing
14	92-0753	1	Ring-Snap
15	92-0754	1	Ring-Snap
16	92-0763	2	Ring-Snap
17	92-0772	1	Key
18	251-8	1	Bearing-Ball
19	92-0781	4	Bearing-Needle



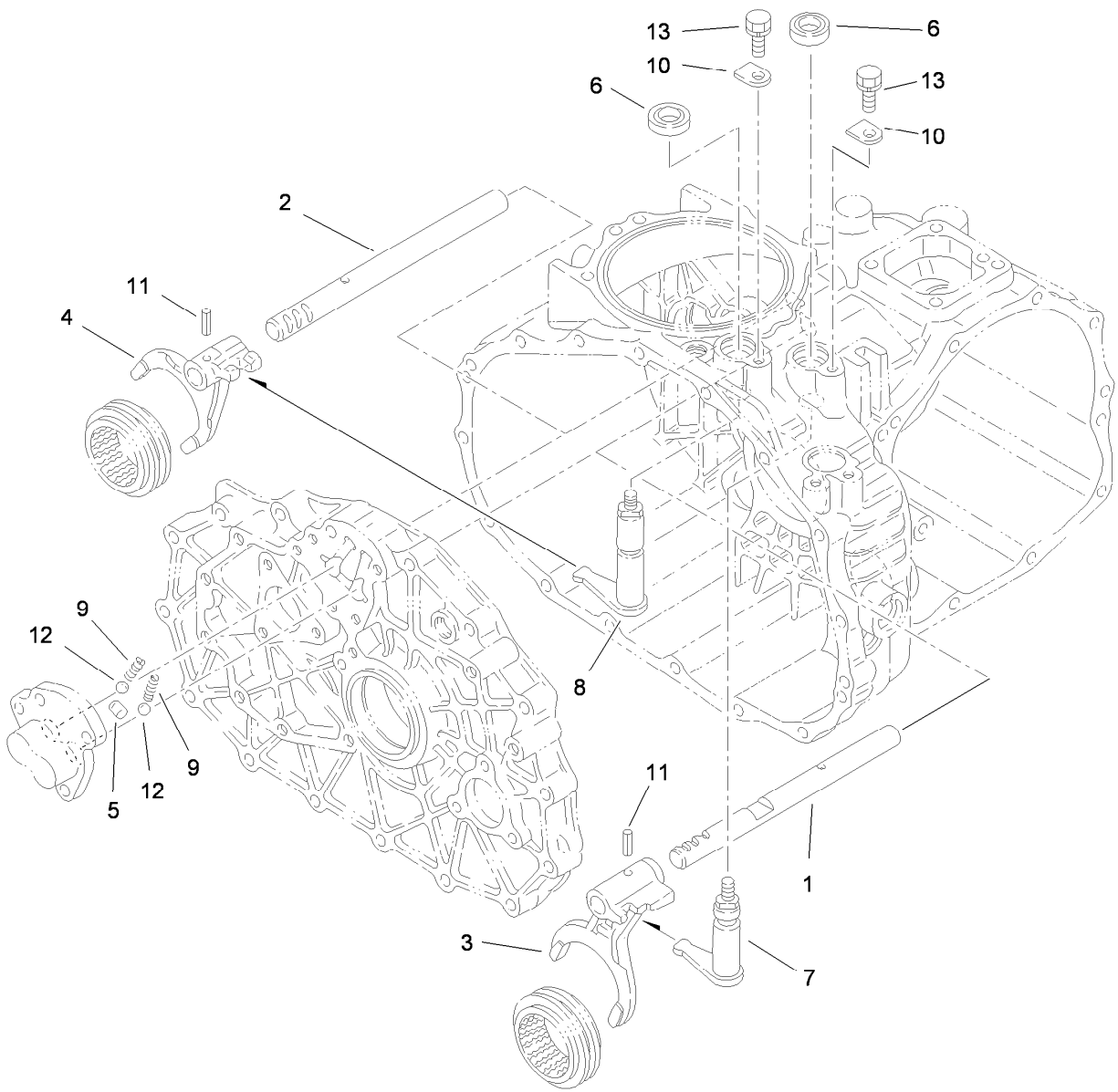
## Reduction Shaft Assembly 4 Wheel Drive Transaxle Assembly No. 115-2175

<i>Ref.</i>	<i>Part Number</i>	<i>Qty.</i>	<i>Description</i>	<i>Ref.</i>	<i>Part Number</i>	<i>Qty.</i>	<i>Description</i>
1	92-0664	1	Hub-Synchro	11	92-0681	2	Bearing-Needle
2	92-0665	3	Key-Synchro	12	92-0682	1	Washer-Thrust
3	92-0666	2	Spring-Synchro	13	92-0822	1	Gear-Reduction, 28 Tooth
4	92-0667	1	Ring-Synchro	14	92-0823	1	Gear-Reduction, 43 Tooth
5	92-0668	1	Shifter-Synchro	15	92-0740	1	Washer-Thrust
6	92-0674	1	Shaft-Reduction	16	92-0673	1	Gear-Main, 14 Tooth
7	110-2524	1	Gear- Reduction, 49 Tooth	17	92-0772	1	Key
8	92-0819	1	Gear-Reduction, 40 Tooth	18	105-7985	1	Bearing
9	92-0769	1	Pin-Roll	19	92-0778	1	Bearing
10	92-0680	1	Collar	20	92-0782	1	Bearing-Needle



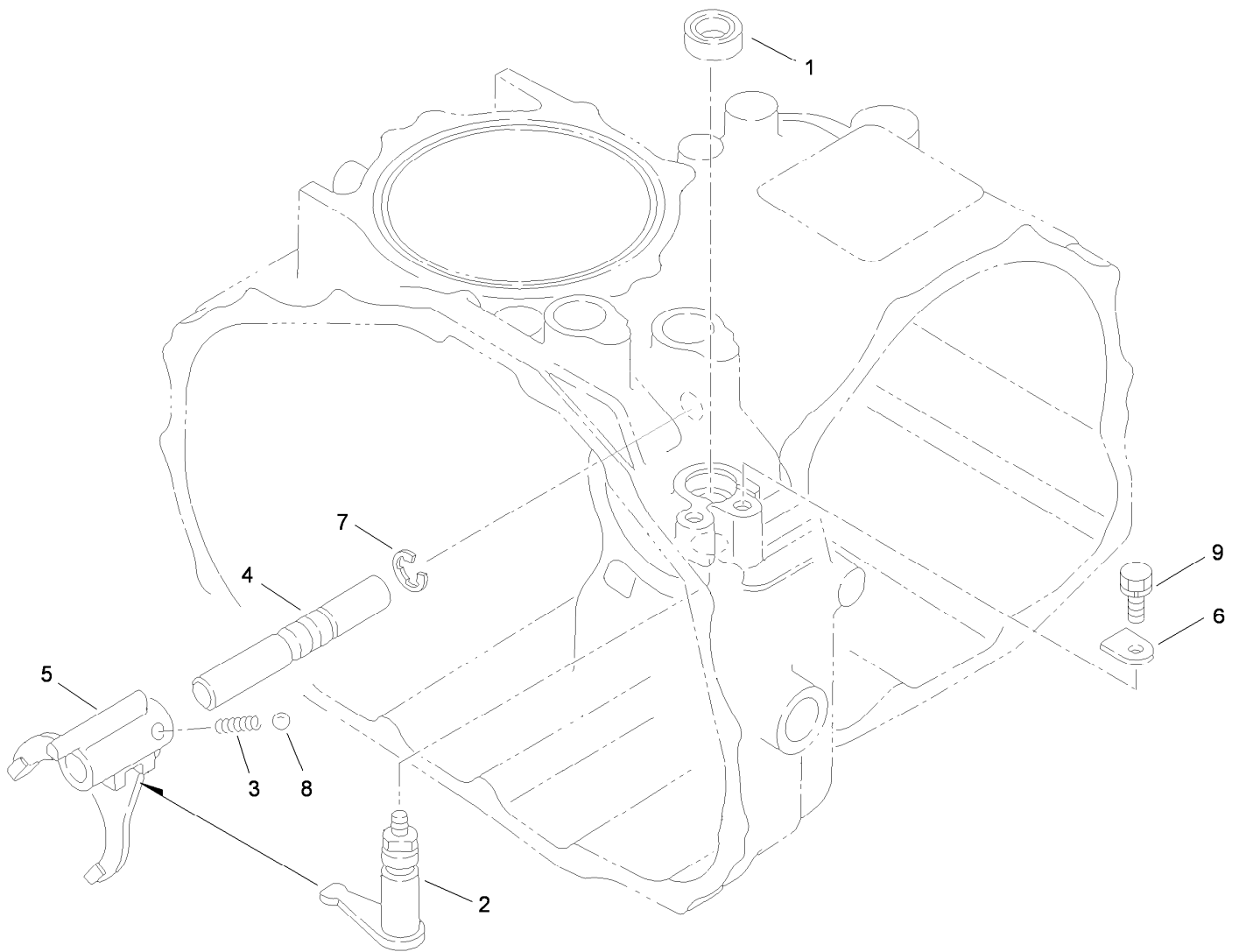
## Reverse Shaft Assembly 4 Wheel Drive Transaxle Assembly No. 115-2175

<i>Ref.</i>	<i>Part Number</i>	<i>Qty.</i>	<i>Description</i>
1	92-0684	1	Gear-Reverse, 33 Tooth
2	92-0824	1	Shaft-Idler, Reverse
3	251-346	1	Bearing-Ball
4	92-0778	1	Bearing



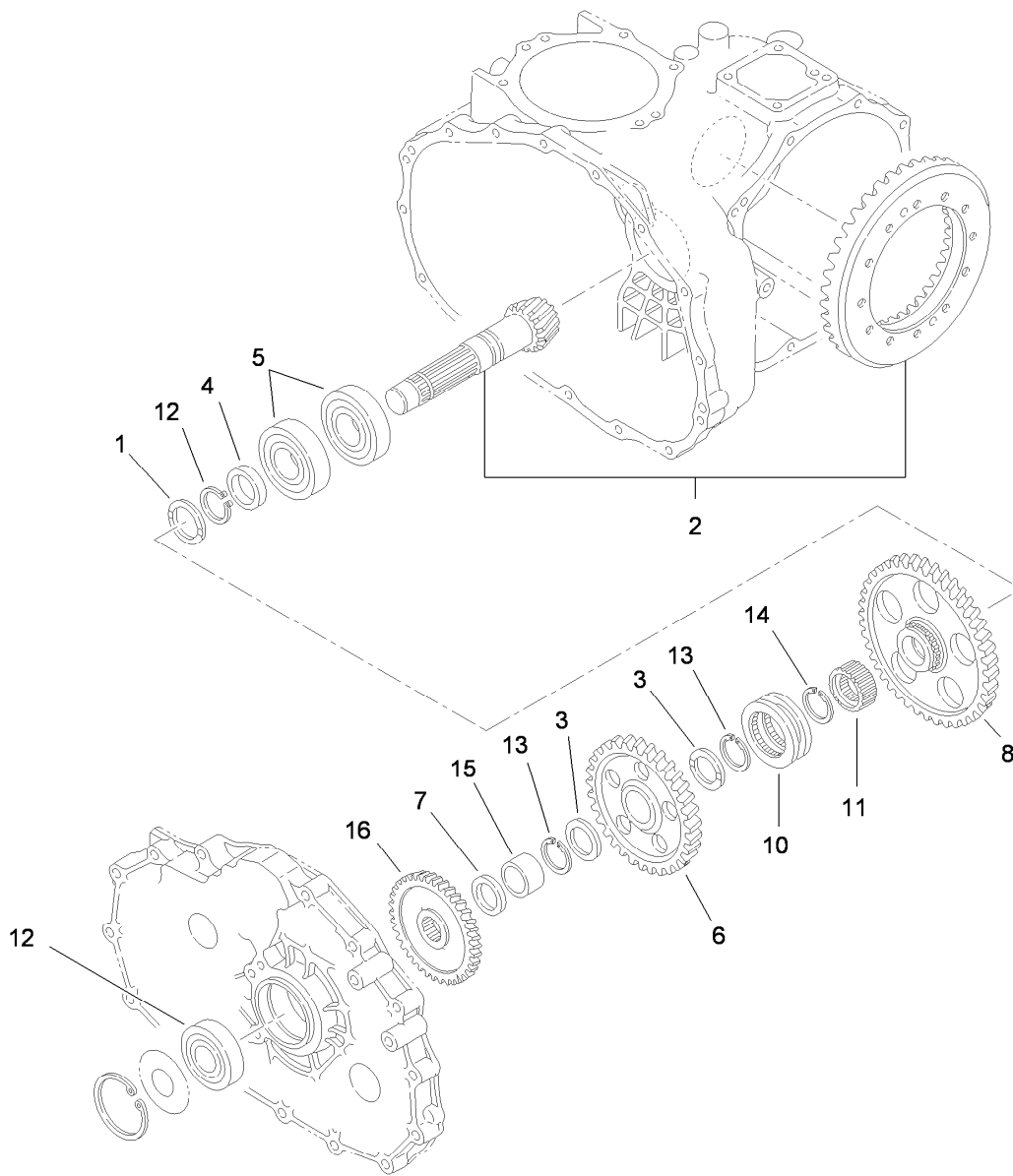
## Main Shift Assembly 4 Wheel Drive Transaxle Assembly No. 115-2175

<i>Ref.</i>	<i>Part Number</i>	<i>Qty.</i>	<i>Description</i>
1	92-0698	1	Shaft-Fork
2	92-0699	1	Shaft-Fork
3	92-0700	1	Fork-Shift
4	92-0701	1	Fork-Shift
5	92-0705	1	Lock-Spindle
6	92-0729	2	Seal-Oil
7	92-0816	1	Arm-Shift
8	92-0817	1	Arm-Shift
9	92-0731	2	Spring
10	92-0732	2	Plate-Keeper
11	92-0769	2	Pin-Roll
12	92-0785	2	Ball-Steel
13	33104-016	2	Screw-HHF



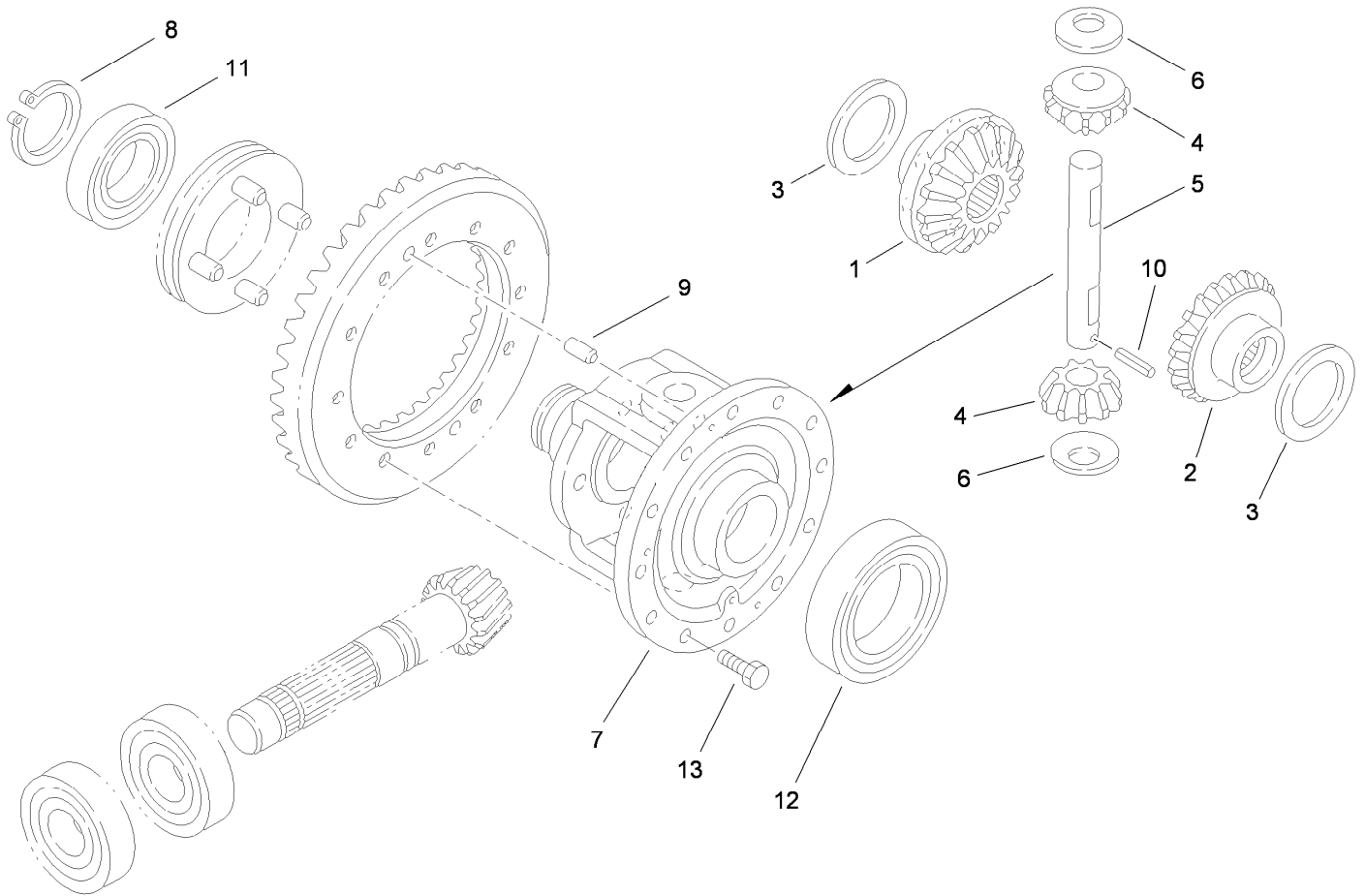
## Hi-Lo Shift Assembly 4 Wheel Drive Transaxle Assembly No. 115-2175

<i>Ref.</i>	<i>Part Number</i>	<i>Qty.</i>	<i>Description</i>
1	92-0729	1	Seal-Oil
2	92-0818	1	Arm-Shift
3	92-0731	1	Spring
4	92-0708	1	Shaft-Fork
5	92-0709	1	Fork-Shift
6	92-0732	1	Plate-Keeper
7	92-0761	1	Ring-E
8	92-0785	1	Ball-Steel
9	33104-016	1	Screw-HHF



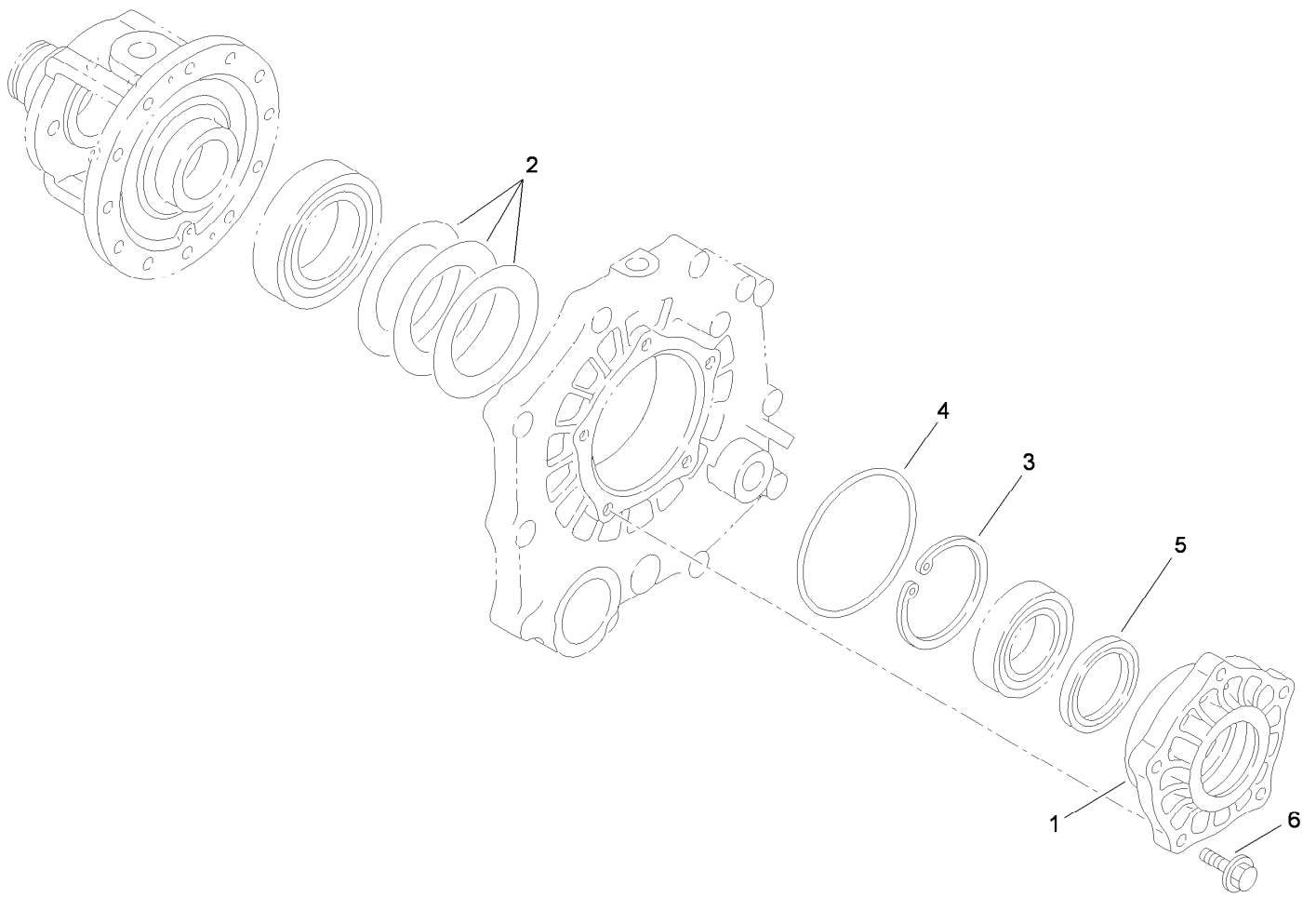
## Countershaft Assembly 4 Wheel Drive Transaxle Assembly No. 115-2175

<i>Ref.</i>	<i>Part Number</i>	<i>Qty.</i>	<i>Description</i>
1	92-0741	1	Washer-Thrust
2	105-7983	1	Countershaft And Ring Gear ASM
3	92-0711	2	Washer-Thrust
4	92-0713	1	Collar
5	92-0714	2	Bearing
6	92-0715	1	Gear-Countershaft
7	92-0716	1	Collar
8	92-0717	1	Gear-Countershaft
10	92-0718	1	Shifter
11	105-7986	1	Collar-Spline
12	92-0712	1	Bearing-Ball
13	105-7987	2	Ring-Snap
14	92-0755	1	Ring-Snap
15	92-0783	1	Race-Inner
16	92-5186	1	Pinion



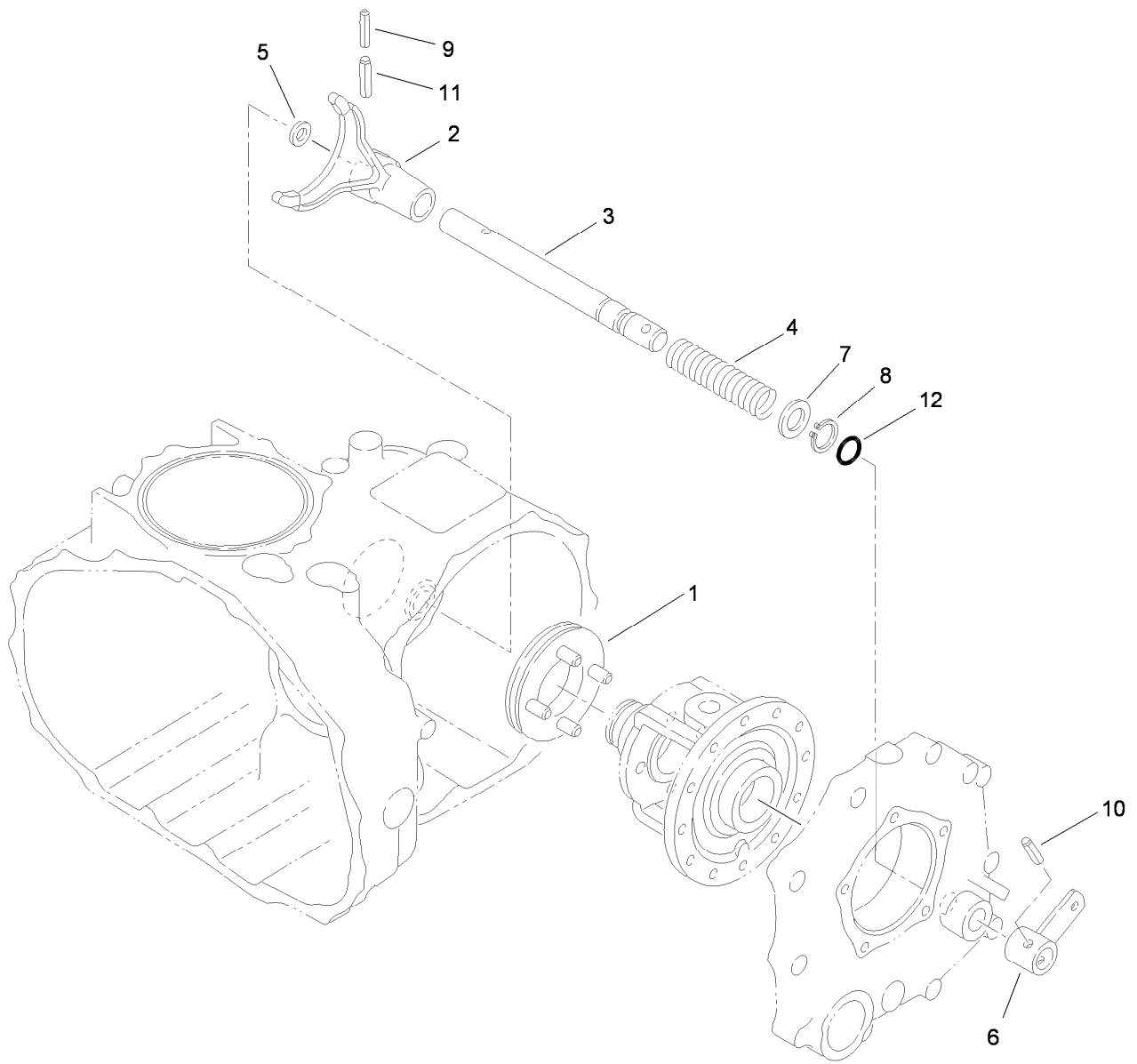
## Differential Gear Assembly 4 Wheel Drive Transaxle Assembly No. 115-2175

<i>Ref.</i>	<i>Part Number</i>	<i>Qty.</i>	<i>Description</i>
1	92-0745	1	Gear-Side, LH
2	92-0746	1	Gear-Side, RH
3	92-0747	2	Side-Gear, Left Inner
4	92-0748	2	Pinion-Differential
5	92-0749	1	Shaft-Pinion
6	92-0750	2	Washer
7	92-0720	1	Case-Differential
8	92-0756	1	Ring-Snap
9	92-0765	2	Pin-Parallel
10	92-0768	1	Pin-Roll, Spring
11	92-0775	1	Bearing
12	92-0776	1	Bearing
13	92-0803	12	Bolt



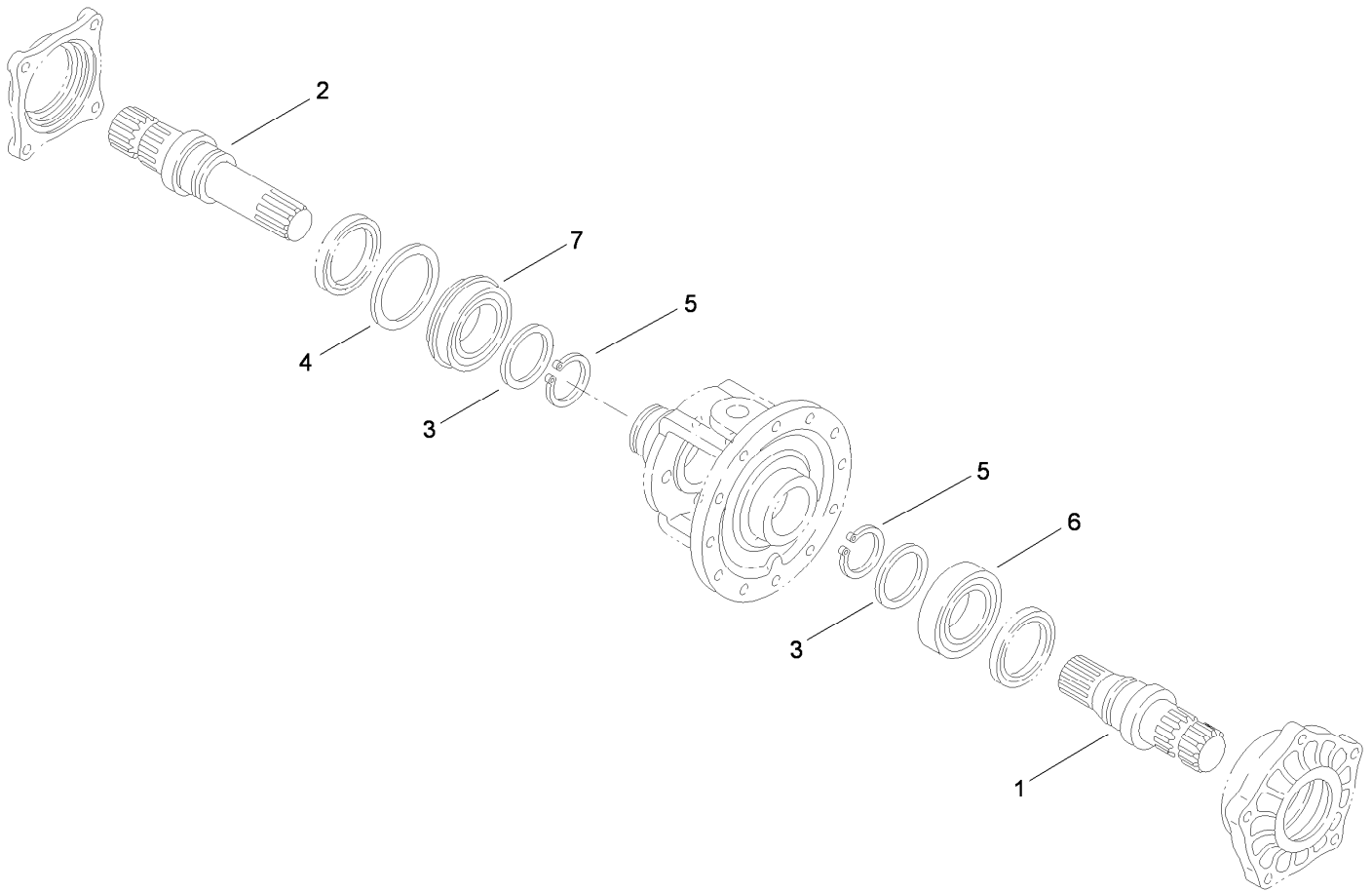
## Differential Carrier Assembly 4 Wheel Drive Transaxle Assembly No. 115-2175

<i>Ref.</i>	<i>Part Number</i>	<i>Qty.</i>	<i>Description</i>
1	92-0654	1	Carrier-Differential
2	92-0809	1	Set-Shim
3	92-0760	1	Ring-Snap
4	92-0789	1	O-Ring
5	92-0793	1	Seal-Oil
6	33104-030	5	Screw-HHF



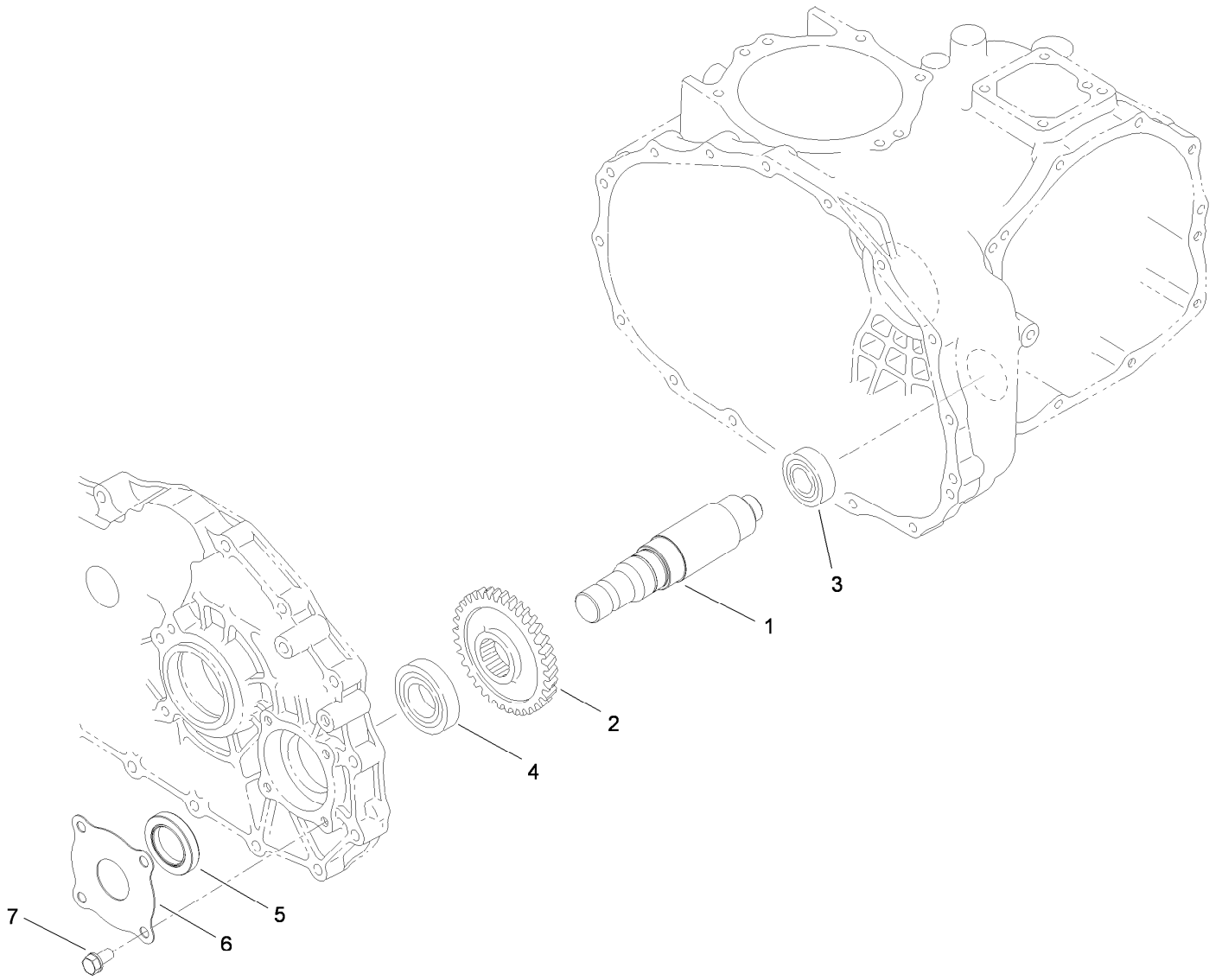
## Differential Lock Assembly 4 Wheel Drive Transaxle Assembly No. 115-2175

<i>Ref.</i>	<i>Part Number</i>	<i>Qty.</i>	<i>Description</i>
1	92-0730	1	Slider-Differential, Lock
2	92-0721	1	Fork-Lock, Differential
3	92-0722	1	Shaft-Fork, Lock Differential
4	92-0723	1	Spring-Lock, Differential
5	92-0744	1	Washer
6	92-0724	1	Arm-Lock, Differential
7	92-0733	1	Washer
8	92-0753	1	Ring-Snap
9	92-0768	1	Pin-Roll, Spring
10	92-0770	1	Pin-Roll, Spring
11	92-0771	1	Pin-Roll, Spring
12	92-0787	1	O-Ring



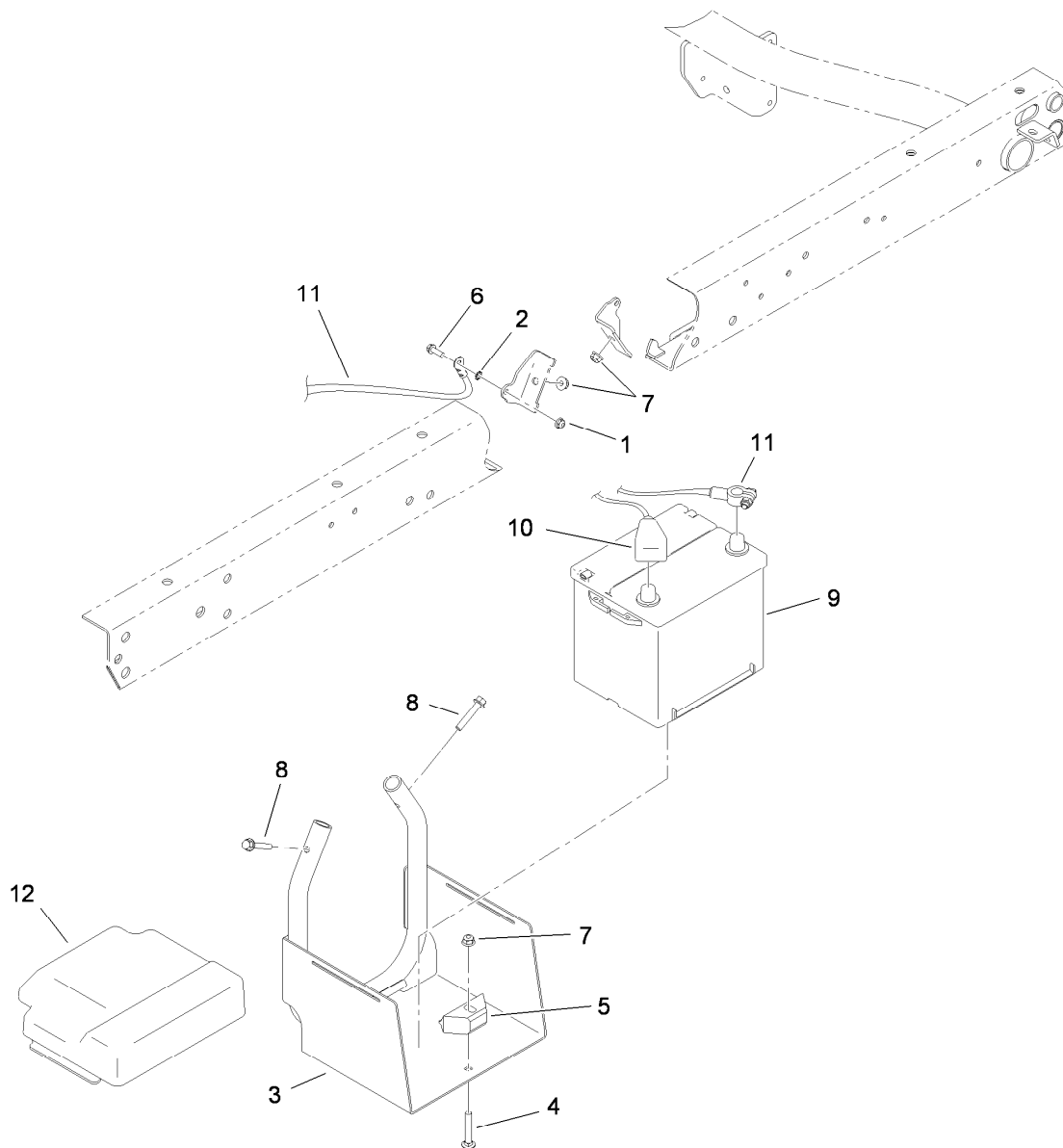
## Axle Shaft Assembly 4 Wheel Drive Transaxle Assembly No. 115-2175

<i>Ref.</i>	<i>Part Number</i>	<i>Qty.</i>	<i>Description</i>
1	92-0725	1	Shaft-Axle, Left
2	92-0726	1	Shaft-Axle, Right
3	92-0727	2	Washer
4	92-0728	1	Washer
5	92-0756	2	Ring-Snap
6	92-0775	1	Bearing
7	92-0780	1	Bearing



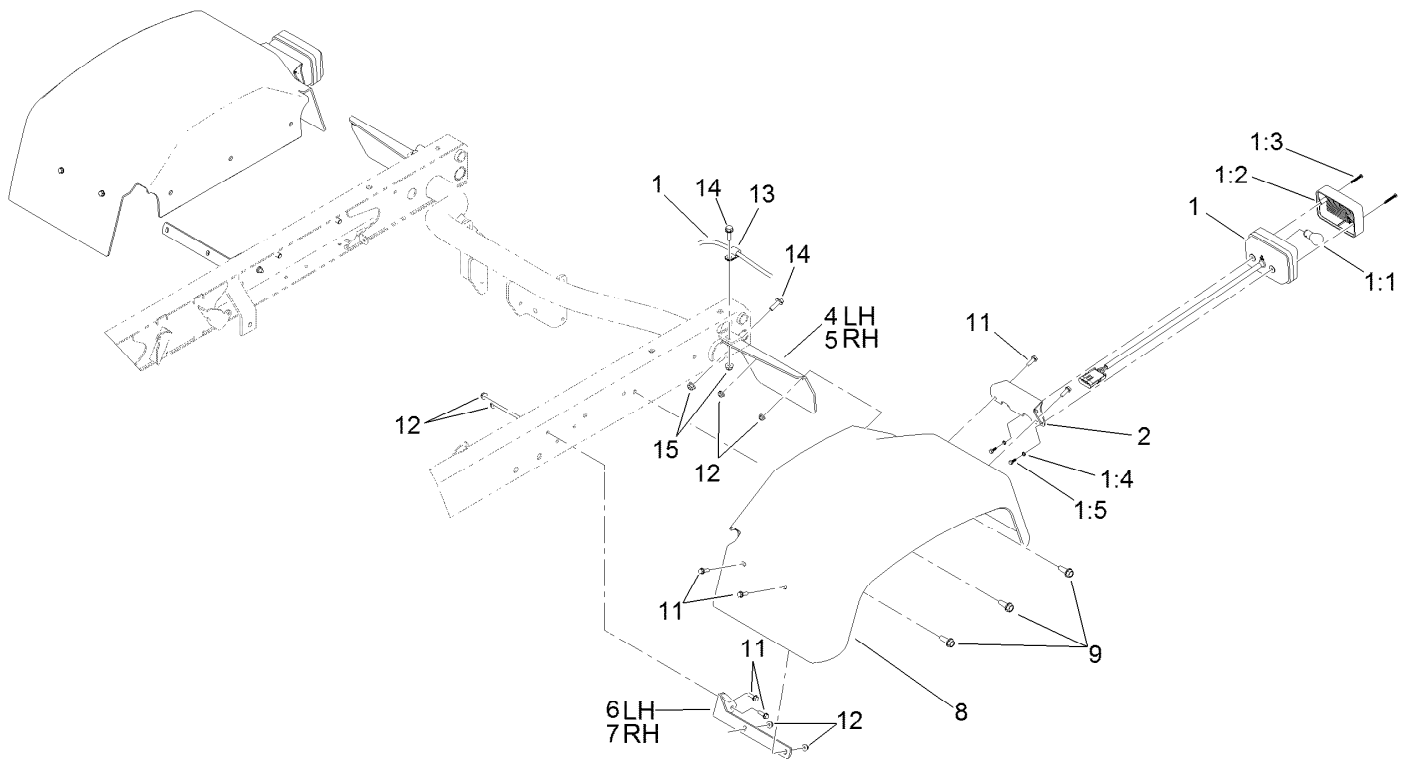
## Front Drive Assembly 4 Wheel Drive Transaxle Assembly No. 115-2175

<i>Ref.</i>	<i>Part Number</i>	<i>Qty.</i>	<i>Description</i>
1	115-7828	1	Driveshaft-Front
2	92-5184	1	Gear
3	251-346	1	Bearing-Ball
4	92-5185	1	Bearing
5	115-7829	1	Seal
6	115-7830	1	Protector-Seal
7	33104-016	4	Screw-HHF



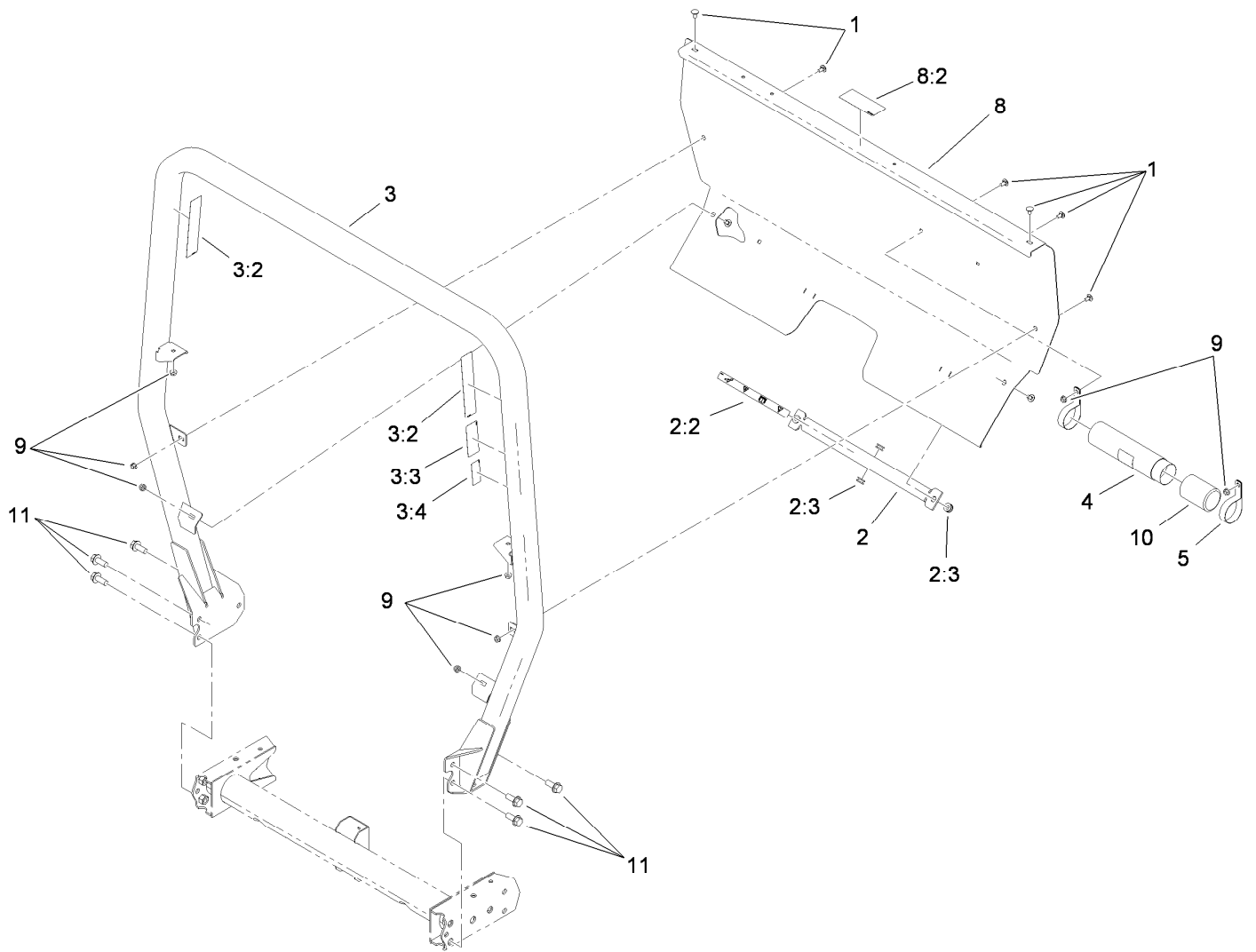
## Battery Assembly

<i>Ref.</i>	<i>Part Number</i>	<i>Qty.</i>	<i>Description</i>
1	104-7201	1	Nut-HF, NI
2	3255-8	1	Washer-Lock
3	115-2237-03	1	Tray-Battery
4	3230-6	1	Bolt-CARR
5	66-2490	1	Retainer-Battery
6	32105-15	1	Screw-HWH
7	104-8300	3	Nut-HF, NI
8	94-5780	2	Screw-HWH
9	106-5187	1	Battery- Dry, 12V, 525 CCA
10	87-8000	1	Cable-Battery, Positive
11	115-8112	1	Cable-Battery, Negative
12	115-2448	1	Cover-Battery



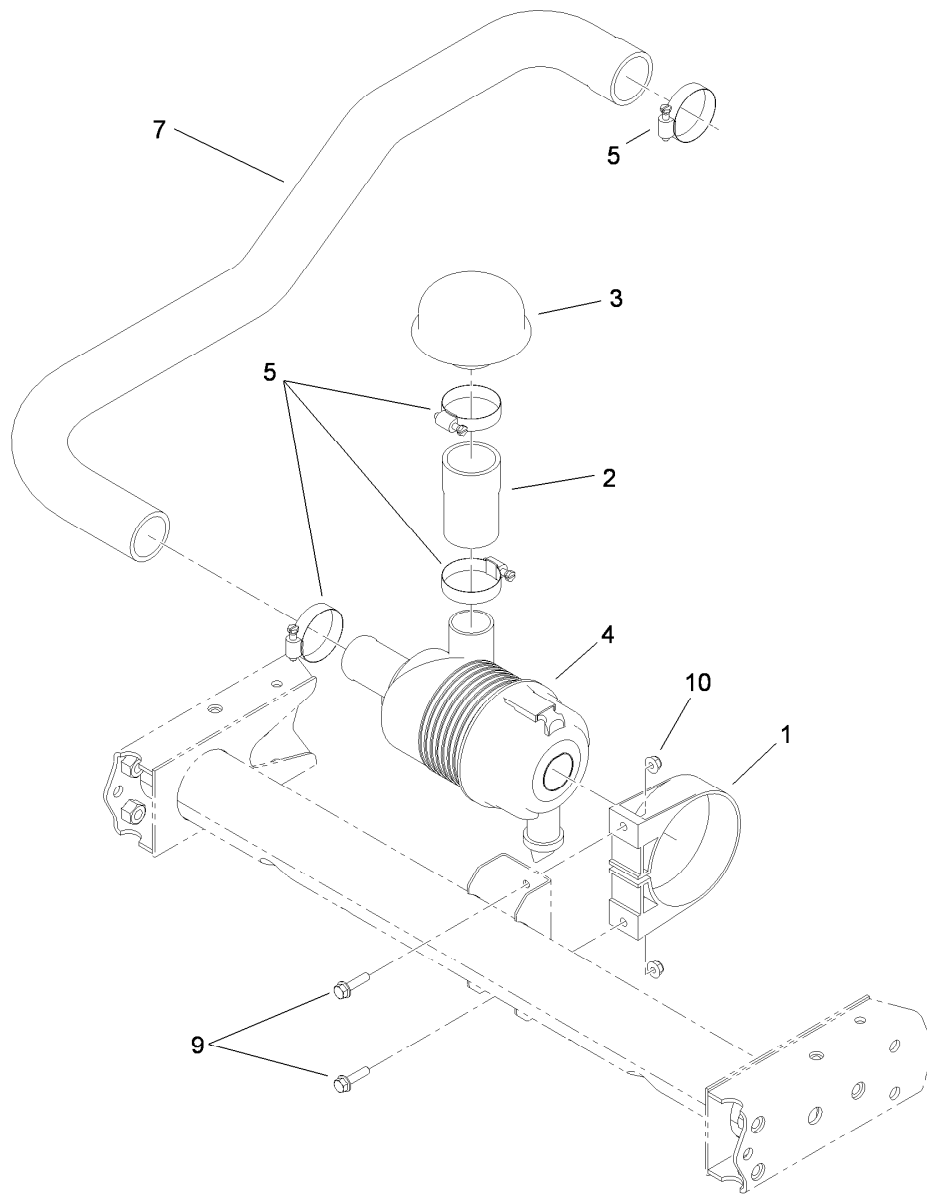
## Tail Light and Fender Assembly

<i>Ref.</i>	<i>Part Number</i>	<i>Qty.</i>	<i>Description</i>	<i>Ref.</i>	<i>Part Number</i>	<i>Qty.</i>	<i>Description</i>
1	120-4820	2	Light-Tail, Brake	6	93-8941-03	1	Bracket-Fender, Front (LH)
1:1	115-7858	1	Bulb-7528	7	93-8942-03	1	Bracket-Fender, Front (RH)
1:2	121-6271	1	Lens-Light, Tail	8	87-6660	2	Fender-Rear
1:3	121-6272	2	Screw-PPH	9	105-6245	6	Screw-Tapping
1:4	121-6273	2	Washer-Lock	11	32105-15	12	Screw-HWH
1:5	121-6274	2	Screw-HH	12	104-7201	12	Nut-HF, NI
2	121-6269-03	2	Bracket-Light, Tail	13	2412-93	2	Clamp-R
4	93-8943-03	1	Bracket-Fender, Rear (LH)	14	3234-17	4	Screw-HHF
5	93-8944-03	1	Bracket-Fender, Rear (RH)	15	104-8300	4	Nut-HF, NI



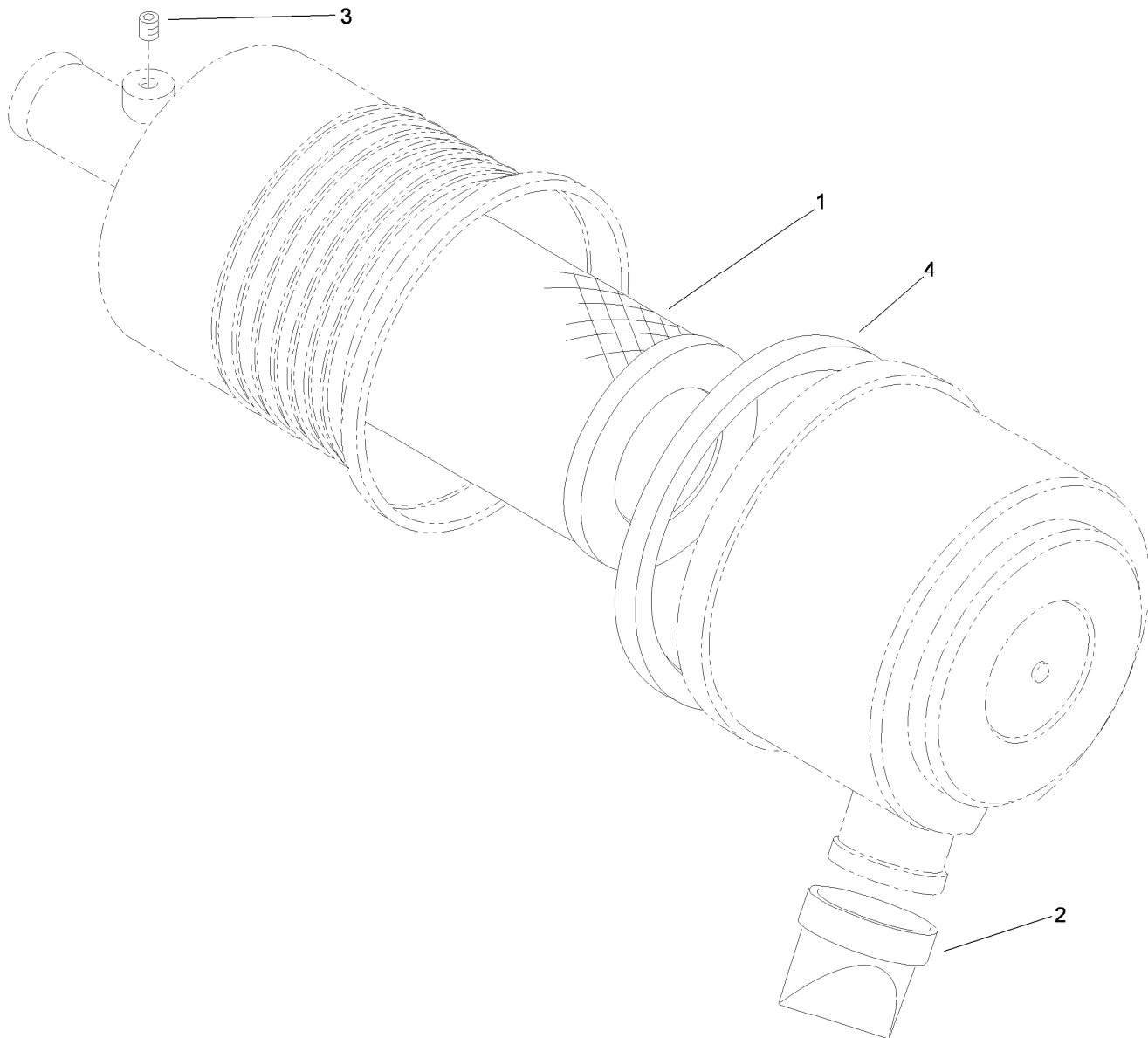
## Roll-Over Protection System Assembly

Ref.	Part Number	Qty.	Description
1	3230-18	8	Screw-CARR
2	105-7960	1	Bed Support ASM
2:2	93-9852	1	Decal-Warning
2:3	92-5972	4	Grommet-Rubber
3	115-7910	1	ROPS ASM
3:2	106-7767	2	Decal-ROPS
3:3	93-9850	1	Decal-ROPS, CE
3:4	117-4969	1	Decal-ROPS, ISO
4	104-7050	1	Tube-Manual
5	2412-133	2	Clamp-R
8	115-2213	1	ROPS Cover ASM
8:2	105-4215	1	Decal-Caution
9	32128-20	8	Nut-HF
10	104-7048	1	Cap-Housing
11	3234-38	6	Screw-HHF



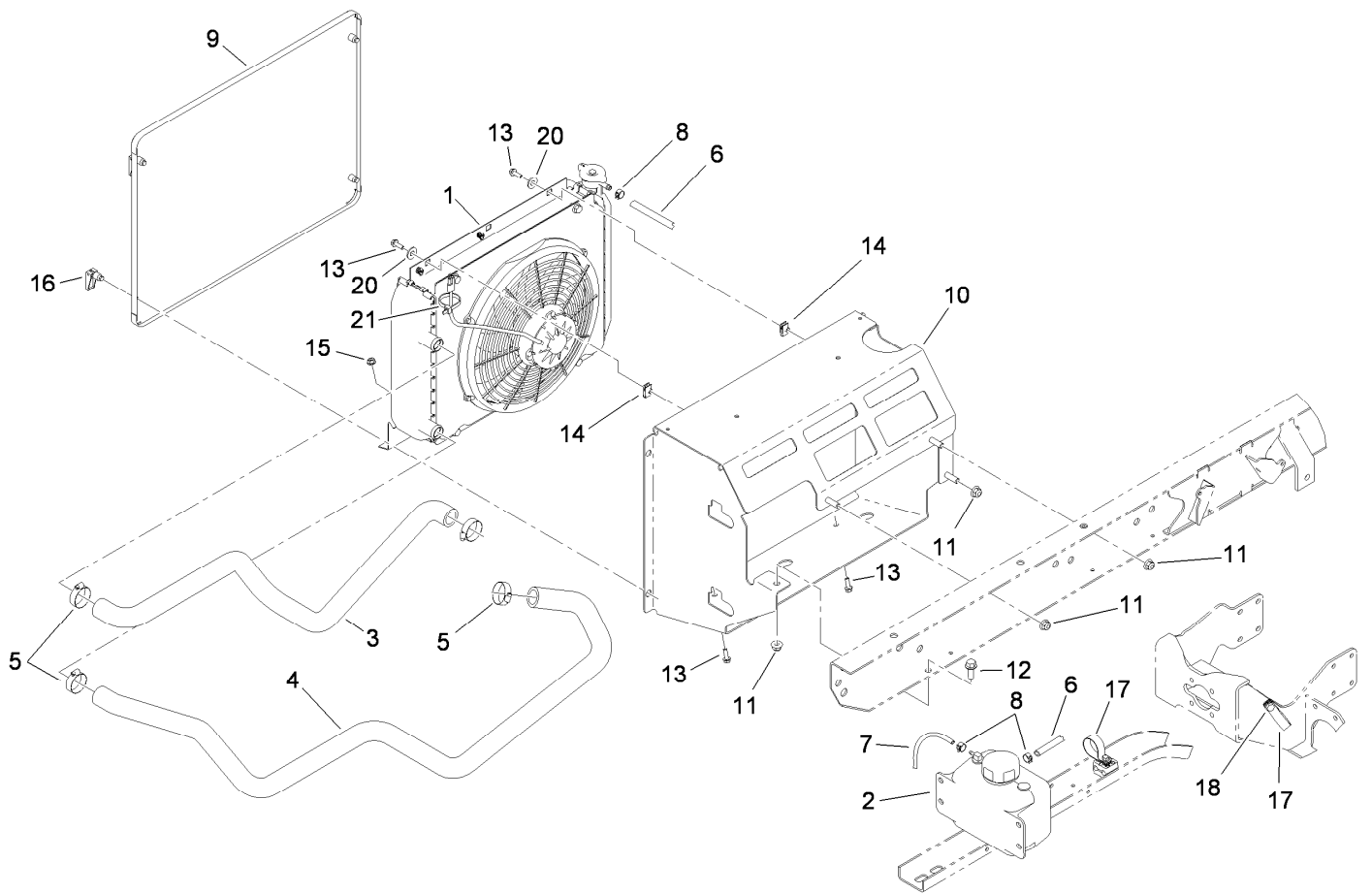
## Air Cleaner Assembly

<i>Ref.</i>	<i>Part Number</i>	<i>Qty.</i>	<i>Description</i>
1	95-5806	1	Bracket-Mounting, Air Cleaner
2	107-7962	1	Hose-Cleaner, Air
3	46-7510	1	Hood-Inlet, Air
4	106-2416	1	Air Cleaner ASM
5	2412-92	4	Clamp-Hose
7	115-7755	1	Hose-Air Intake, Diesel
9	3234-36	2	Screw-HHF
10	104-8300	2	Nut-HF, NI



## Air Cleaner Assembly No. 106-2416

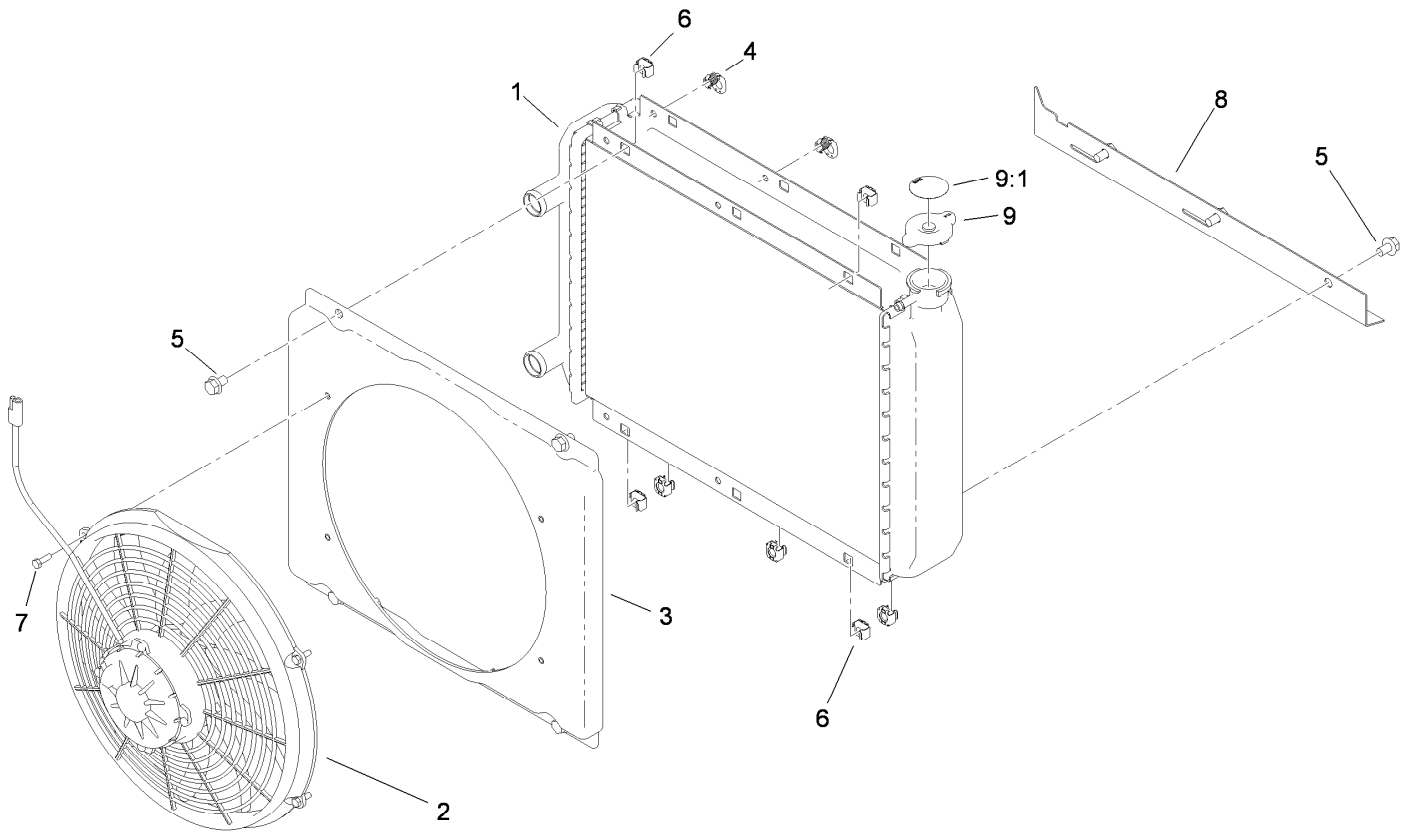
<i>Ref.</i>	<i>Part Number</i>	<i>Qty.</i>	<i>Description</i>
1	108-3811	1	Filter-Air V-Twin HD
2	104-0498	1	Valve-Vacuator
3	285-17	1	Plug-Pipe
4	106-6748	1	Gasket



## Cooling System Assembly

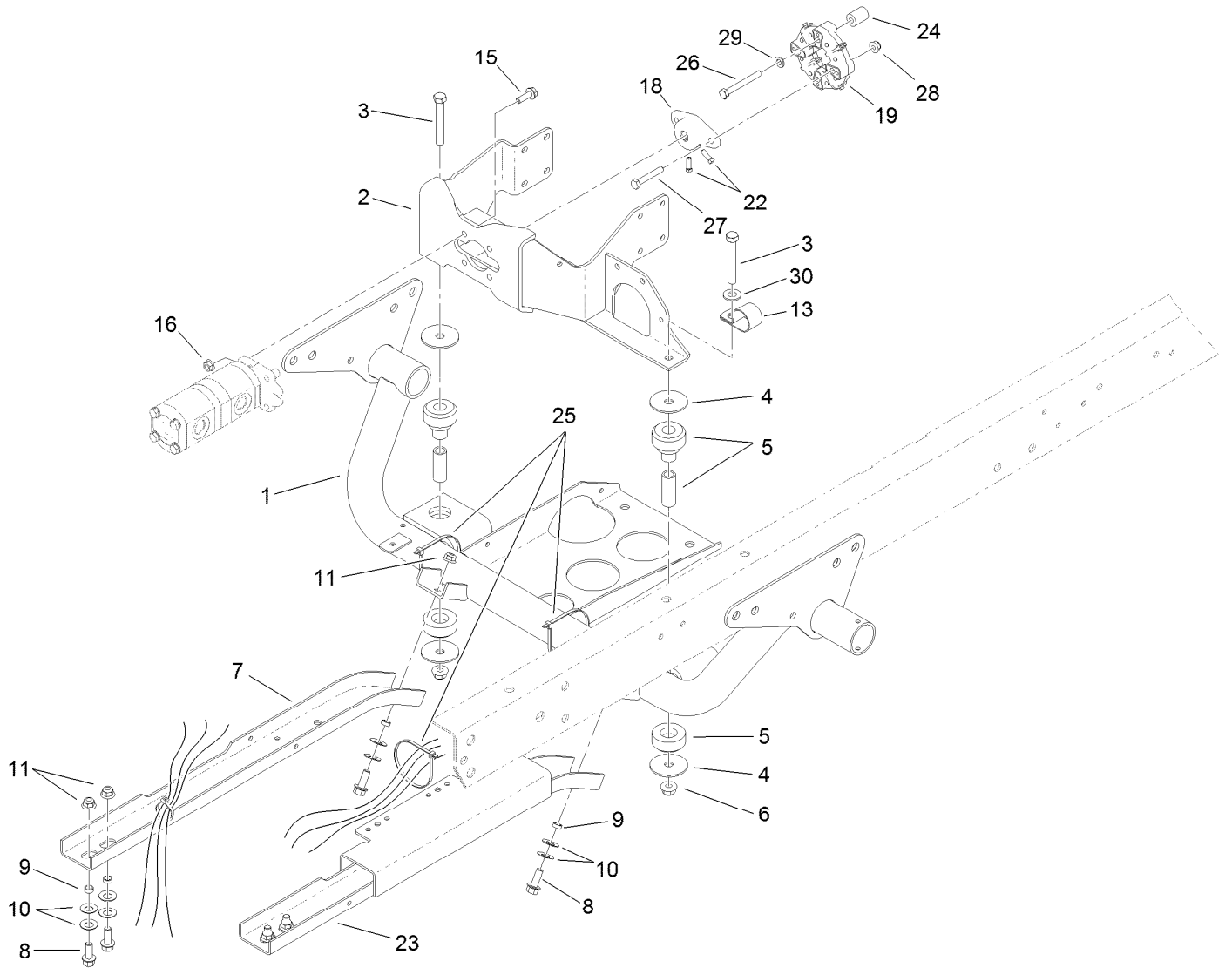
Ref.	Part Number	Qty.	Description	Ref.	Part Number	Qty.	Description
1		1	Radiator ASM ●	11	104-8301	4	Nut-HF, NI
2	87-3710	1	Reservoir-Coolant	12	3234-11	1	Screw-HHF
3	115-7753	1	Hose-Coolant, Upper	13	3234-4	4	Screw-HHF
4	115-7752	1	Hose-Coolant, Lower	14	107069	2	Clip
5	2412-34	4	Clamp-Hose	15	32128-33	2	Nut-HF
6	110-4114	1	Hose-Fuel	16	74-5950	4	Latch-Swell
7	110-4104	1	Hose-Fuel	17	2412-74	2	R-Clamp
8	92-2379	3	Clamp-Hose	18	32144-11	1	Screw-HWH
9	115-2428-03	1	Screen-Radiator	20	3256-3	2	Washer-Flat
10	115-2434	1	Mount-Radiator	21	3290-379	1	Tie-Cable

● Not serviced separately



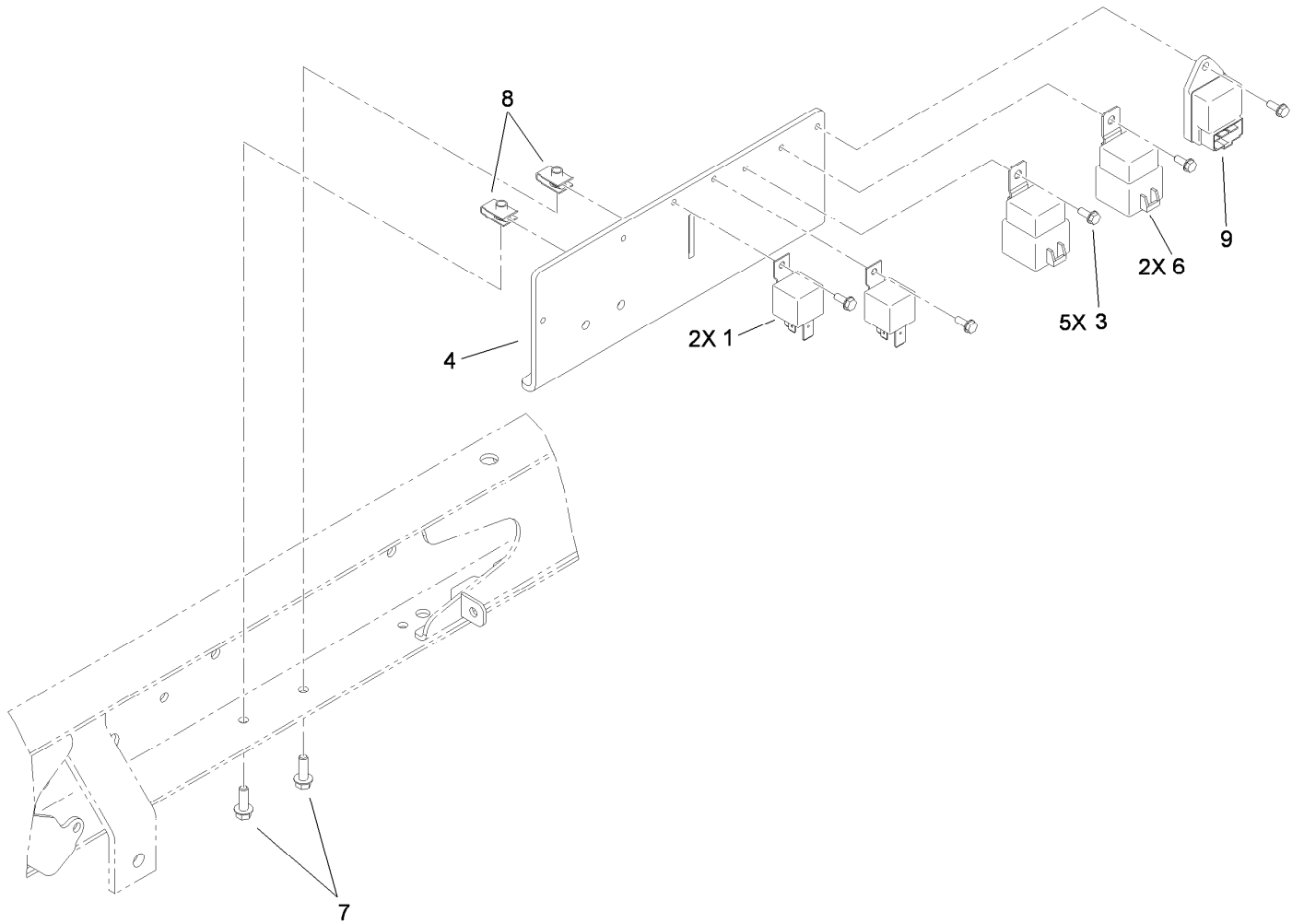
## Radiator Assembly

<i>Ref.</i>	<i>Part Number</i>	<i>Qty.</i>	<i>Description</i>
1	161-5356	1	Radiator Kit
2	114-8385	1	Fan-Electric
3	114-8386	1	Shroud
4	114-8387	2	Latch-Spring
5	3234-30	7	Screw-HHF
6	703856	7	Nut-Sq, Caged
7	60-6910	4	Screw-HH
8	115-7765	1	Plate-Mount, Lower
9	115-7766	1	Cap-Radiator
9:1	106-6755	1	Decal-Cap, Radiator



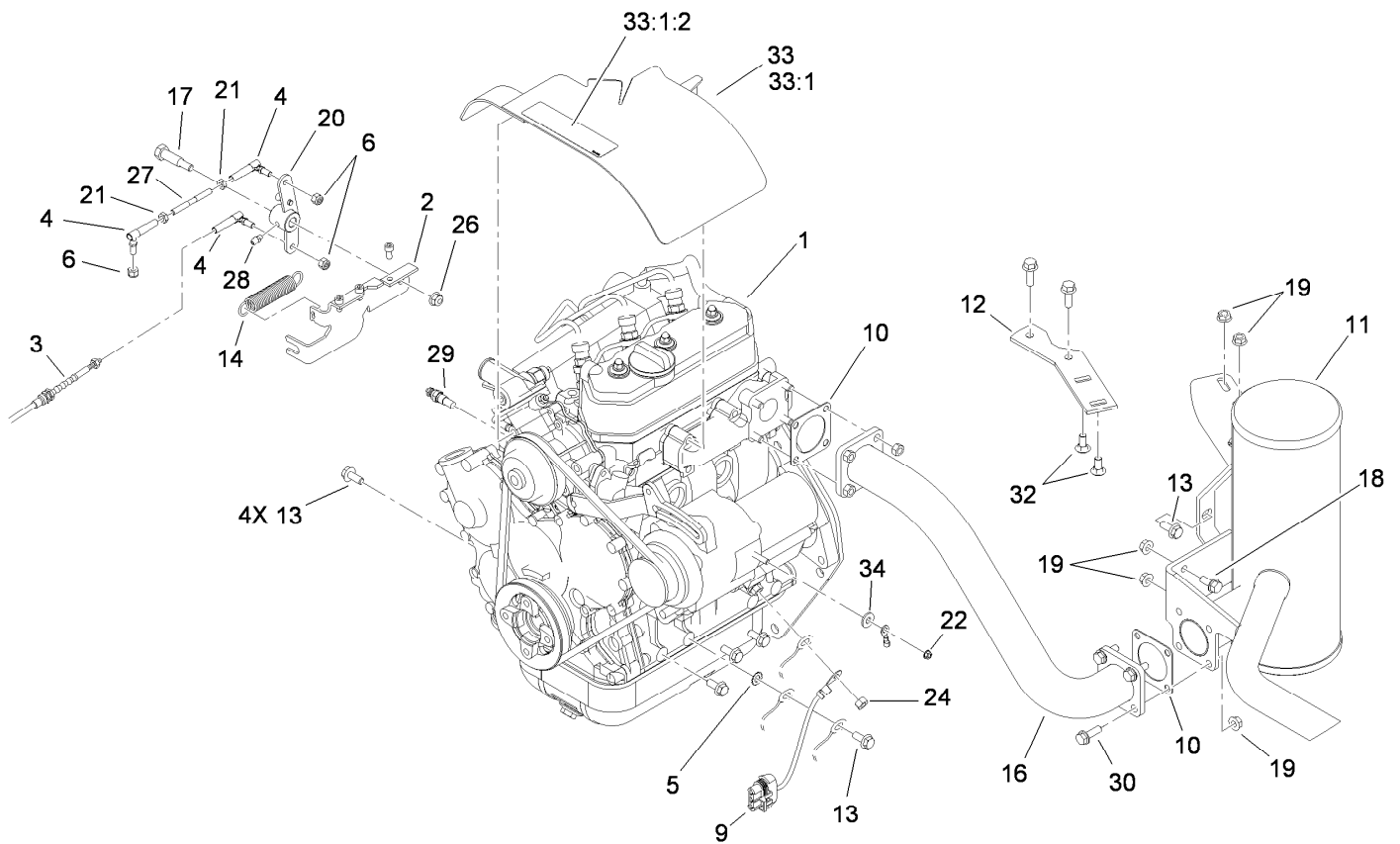
## Engine Support Assembly

<i>Ref.</i>	<i>Part Number</i>	<i>Qty.</i>	<i>Description</i>	<i>Ref.</i>	<i>Part Number</i>	<i>Qty.</i>	<i>Description</i>
1	115-2256-03	1	Support-Engine	16	32128-20	4	Nut-HF
2	114-8443-03	1	Mount-Pump/Engine	18	115-2169	1	Hub-Pump
3	324-13	2	Screw-HH	19	119-0652	1	Coupler-Rubber
4	87-5100	4	Washer-Snubbing	22	3241-6	2	Screw-SQH
5	106-7865	2	Mount-Engine	23	115-2215-03	1	Guard-LH
6	114-8417	2	Nut-HF, NI	24	119-0718	2	Spacer
7	87-4730-03	1	Guard-Belly	25	3290-379	4	Tie-Cable
8	3234-11	6	Screw-HHF	26	33114-070	2	Screw-HH
9	76-9100	6	Spacer	27	322-10	2	Screw-HH
10	3290-413	12	Washer-Belleville	28	104-8300	2	Nut-HF, NI
11	104-8301	6	Nut-HF, NI	29	3256-23	2	Washer-Plain
13	2412-82	1	Clamp-R	30	3256-26	1	Washer-Flat
15	3234-17	4	Screw-HHF				



## Relay Assembly

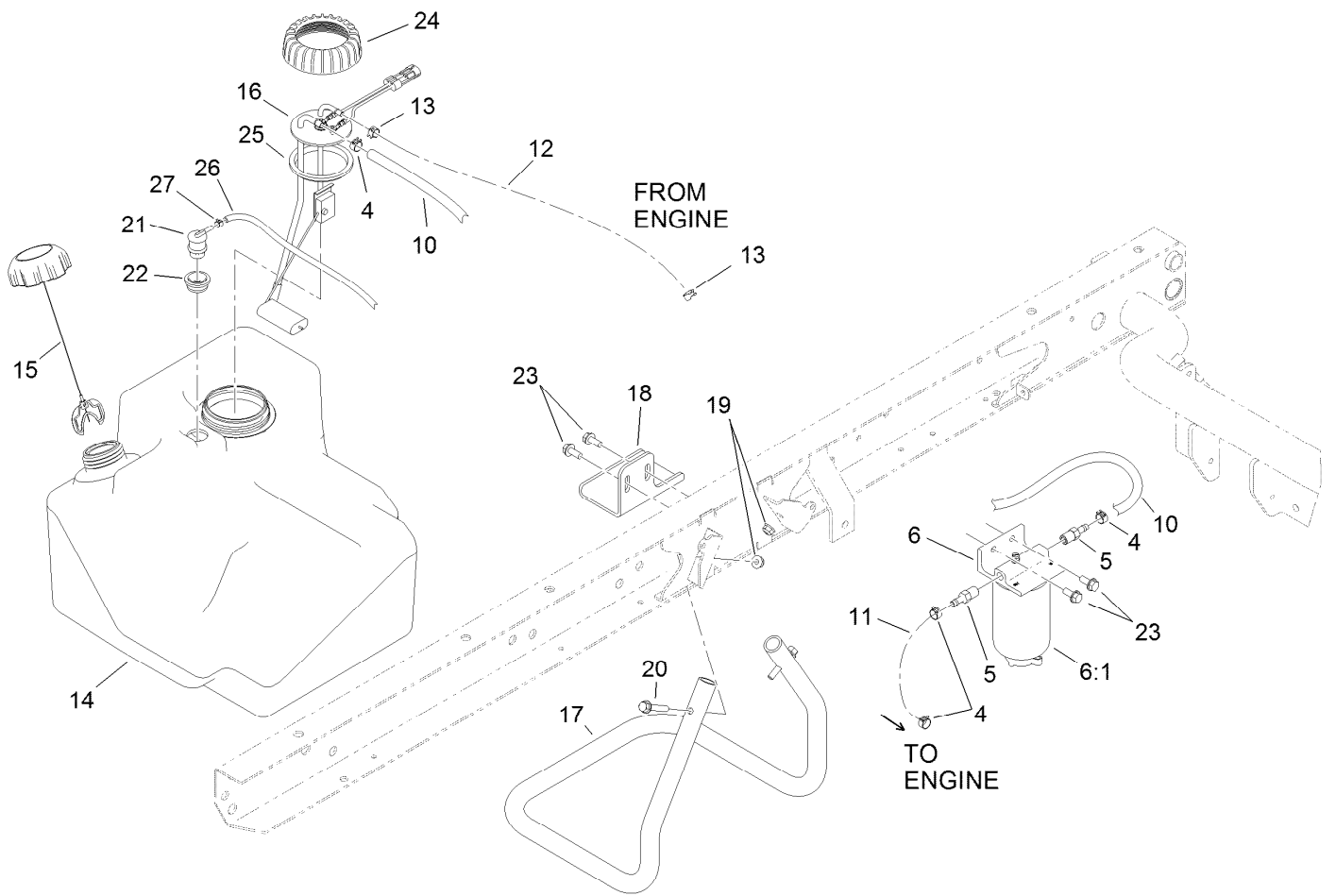
<i>Ref.</i>	<i>Part Number</i>	<i>Qty.</i>	<i>Description</i>
1	99-7435	2	Relay
3	32144-112	5	Screw-HWH
4	115-2225	1	Bracket-Relay
6	99-7430	2	Relay-Mini
7	3234-4	2	Screw-HHF
8	107069	2	Clip
9	115-2292	1	Timer-Glow Plug



## Engine Assembly

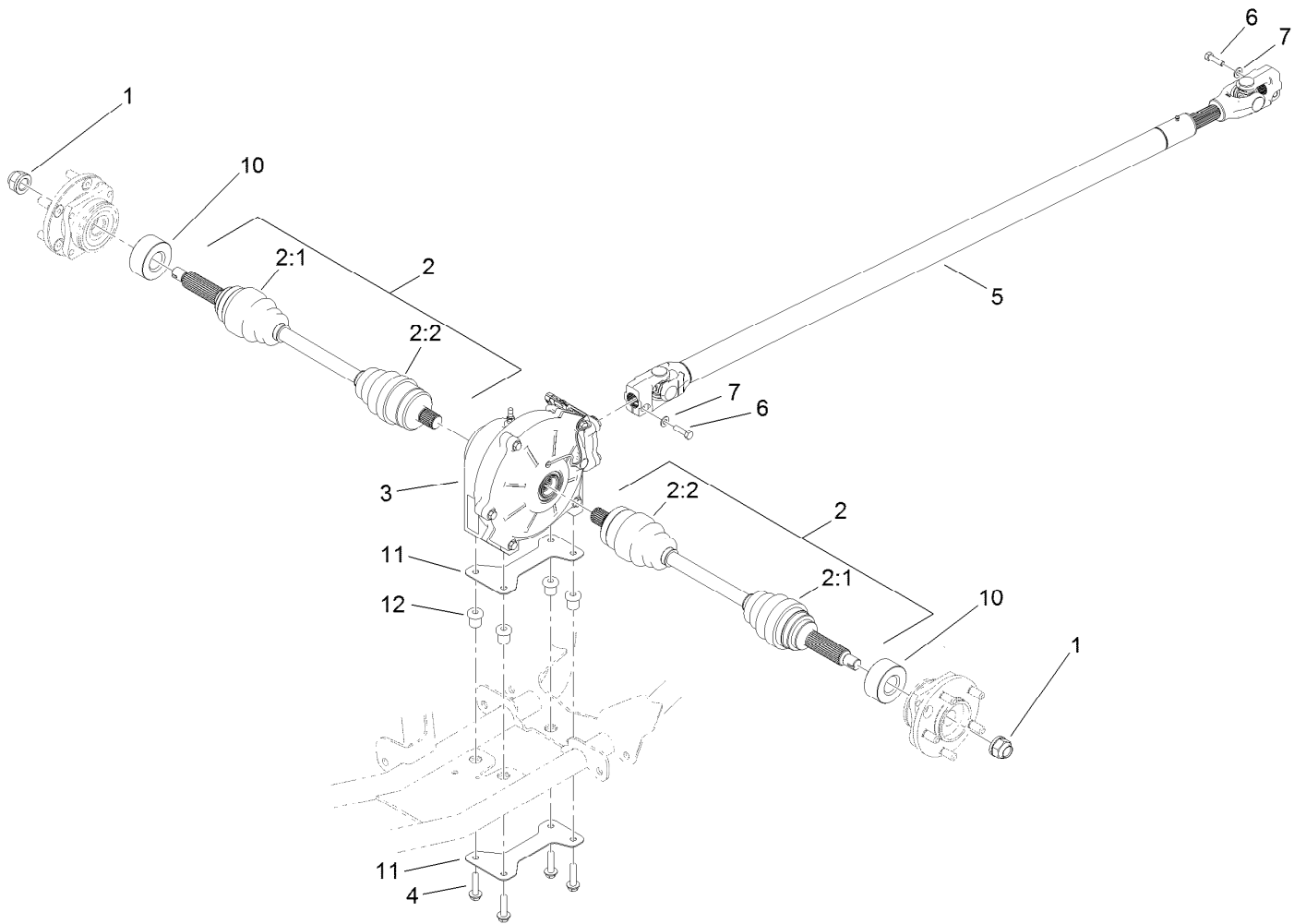
Ref.	Part Number	Qty.	Description	Ref.	Part Number	Qty.	Description
1	114-8320	1	Engine ASM	19	32128-20	8	Nut-HF
2	106-2403	1	Bracket-Throttle, Diesel	20	115-2425	1	Bell Crank ASM
3	115-2285	1	Cable-Accelerator	21	3220-1	2	Nut-Jam
4	18-1720	3	Ball Joint	22	33003-00	1	Nut-HF
5	3255-8	1	Washer-Lock	24	33014-00	1	Nut-Hex
6	3296-3	3	Nut-Lock	26	104-8300	1	Nut-HF, NI
9	99-3441	1	Harness-Wire, Fusible Link	27	105-1789	1	Rod-Threaded
10	105-4209	2	Gasket-Muffler	28	302-5	1	Fitting-Grease
11	115-7725	1	Muffler	29	94-7621	1	Sender-Temperature
12	105-9472	1	Plate-Mount, Muffler	30	3234-17	4	Screw-HHF
13	98-7977	9	Screw-HHF	32	3230-1	2	Bolt-CARR
14	86-4760	1	Spring-Extension	33	117-4867	1	Engine Cover Kit
16	108-3066	1	Exhaust Tube ASM	33:1		1	Engine Cover ASM ●
17	7-0030	1	Screw-Shoulder, HH	33:1:2	93-7814	1	Decal-Danger
18	3234-5	2	Screw-HHF	34	3256-2	1	Washer-Flat

● Not serviced separately



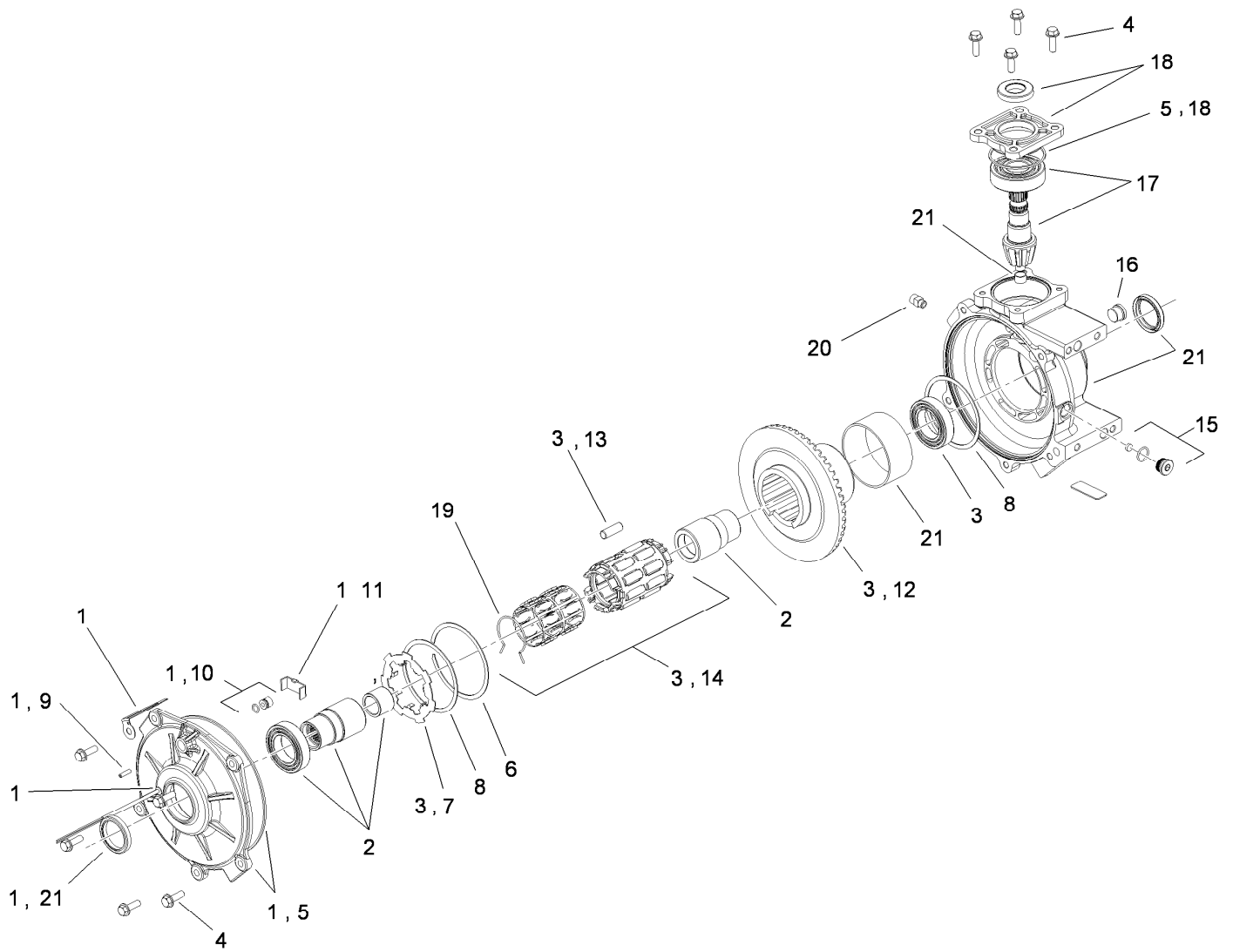
## Fuel System Assembly

<i>Ref.</i>	<i>Part Number</i>	<i>Qty.</i>	<i>Description</i>	<i>Ref.</i>	<i>Part Number</i>	<i>Qty.</i>	<i>Description</i>
4	92-2379	4	Clamp-Hose	17	115-7767-03	1	Tube-Support
5	353-783	2	Fitting-STR	18	114-8404	1	Plate-Retainer
6	110-9044	1	Separator-Filter	19	104-8300	2	Nut-HF, NI
6:1	110-9049	1	Filter-Spin On, Fuel/Water	20	94-5780	2	Screw-HWH
10	110-8802	1	Hose-Fuel	21	114-0285	1	Valve-Rollover
11	110-4112	1	Hose-Fuel	22	114-0284	1	Grommet
12	110-1872	1	Hose-Fuel	23	32144-11	4	Screw-HWH
13	2412-98	2	Clamp-Hose	24	115-2162	1	Cap-Pump, Fuel
14	119-0735	1	Tank-Fuel	25	115-2163	1	Gasket-Pump, Fuel
15	115-7789	1	Cap-Fuel, Diesel	26	110-8255	1	Hose-Fuel
16	114-8348	1	Sender-Fuel	27	2412-146	1	Clamp-Hose



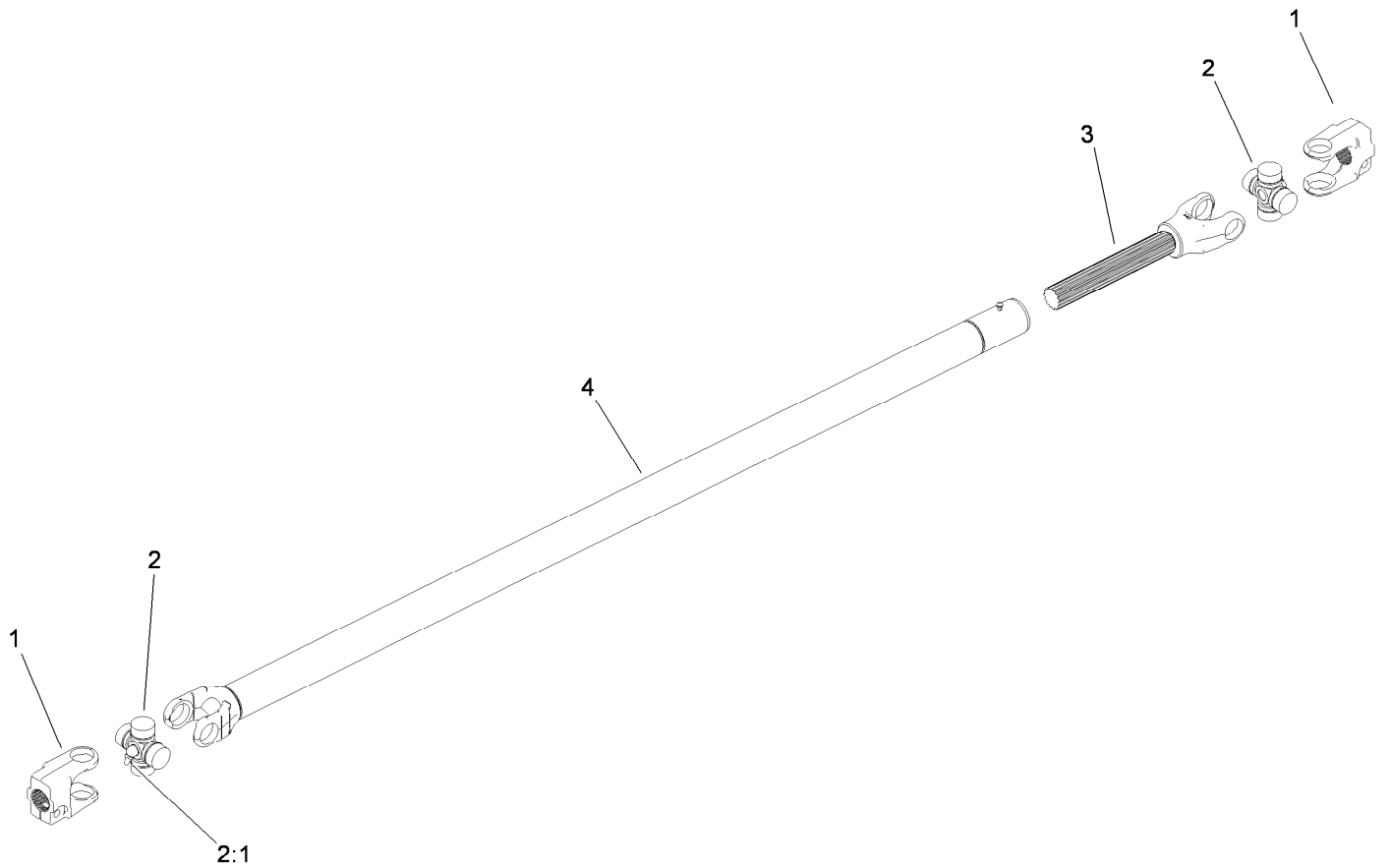
## 4 Wheel Drive Assembly

Ref.	Part Number	Qty.	Description
1	115-2164	2	Nut-Spindle
2	115-2172	2	Cv Axle ASM
2:1	107-2891	1	Outboard Boot Kit
2:2	107-2892	1	Inboard Boot Kit
3	119-0824	1	Differential ASM
4	3234-18	4	Screw-HHF
5	115-2171	1	Driveshaft ASM
6	3210-6	2	Screw-HH
7	3256-23	2	Washer-Plain
10	115-2254	2	Spacer-Axle
11	119-9477-03	2	Plate-Differential
12	63-9750	4	Mount



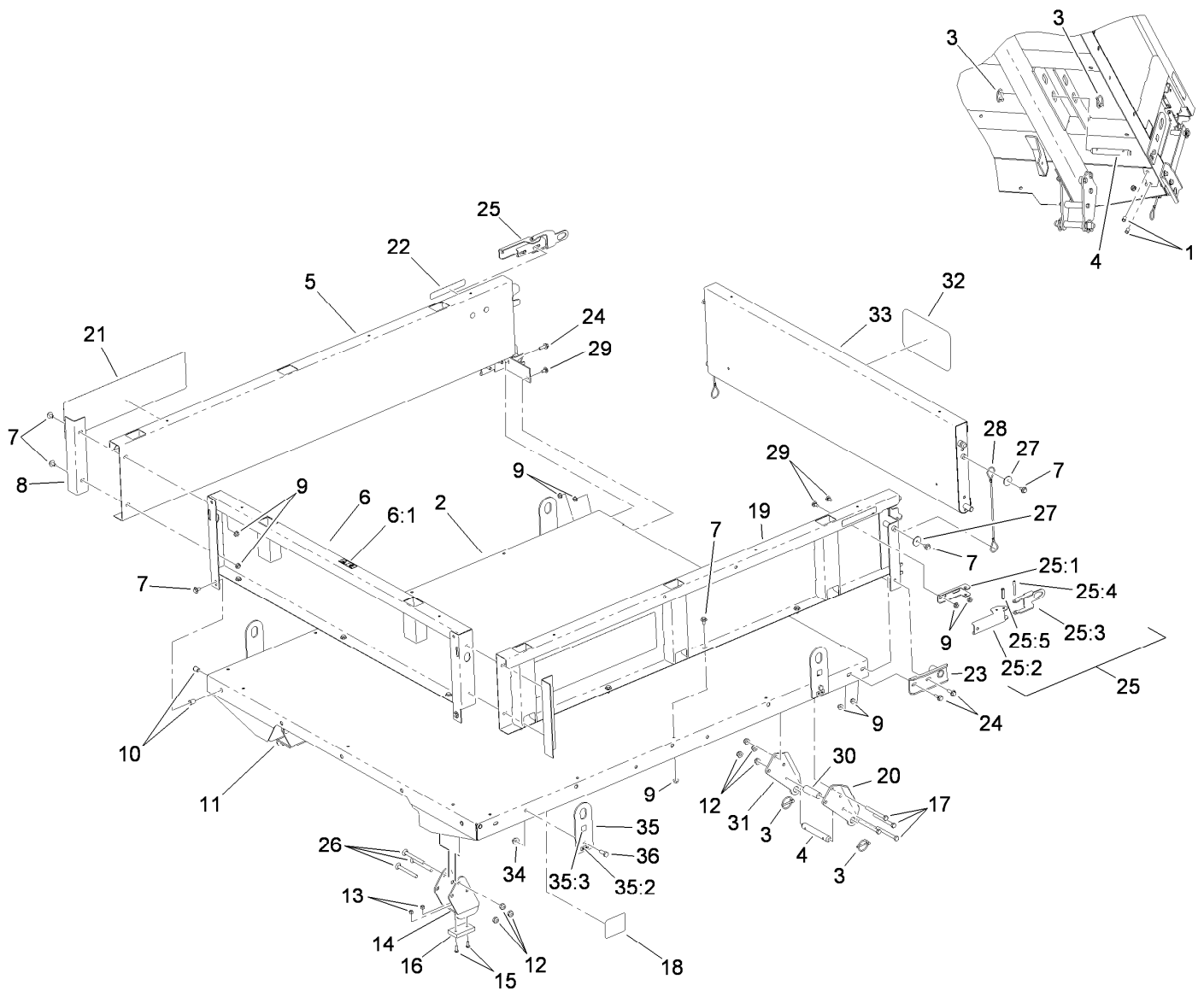
## Differential Assembly No. 119-0824

<i>Ref.</i>	<i>Part Number</i>	<i>Qty.</i>	<i>Description</i>	<i>Ref.</i>	<i>Part Number</i>	<i>Qty.</i>	<i>Description</i>
1	115-7790	1	Output Cover ASM	12	115-7801	1	Gear-Ring, 50T
2	119-9479	1	Output Hub ASM	13	115-7802	1	Roll Kit
3	115-7792	1	Clutch ASM	14	115-7803	1	Roll Cage ASM
4	115-7793	1	Bolt Kit	15	115-7804	1	Drain Plug ASM
5	115-7794	1	Seal Kit	16	115-7805	1	Plug-Oil, Fill
6	115-7795	1	Ring-Retaining, Internal	17	115-7806	1	Shaft-Pinion, 9T
7	115-7796	1	Plate-Armature, Notched	18	115-7807	1	Input Cover ASM
8	115-7797	1	Shim	19	115-7808	1	Spring-Torsion
9	115-7798	1	Screw-Set	20	117-4985	1	Vent-Protected
10	115-7799	1	Thrust Button ASM	21	119-9480	1	Gearcase ASM
11	115-7800	1	Plate-Thrust				



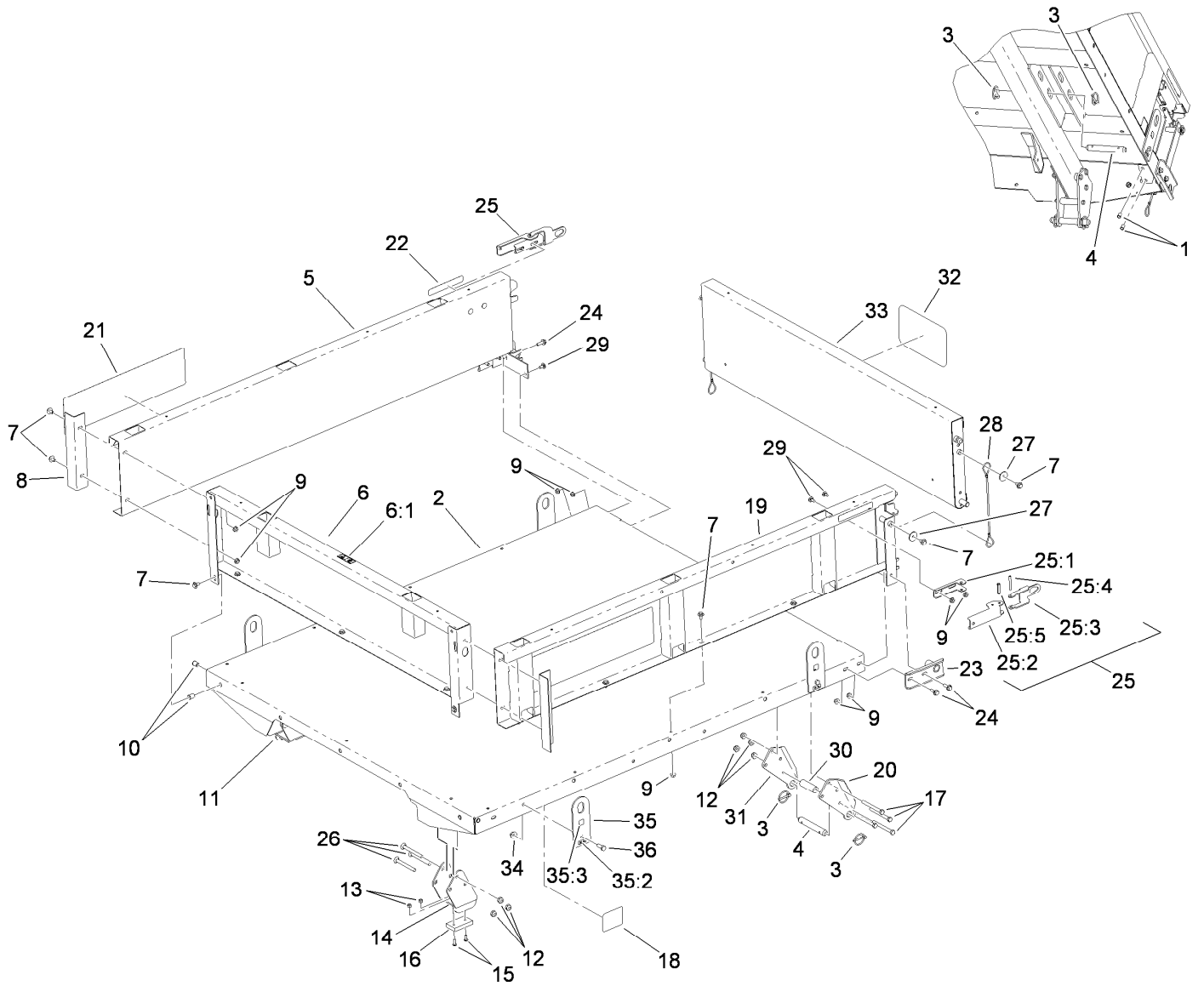
## Drive Shaft Assembly No. 115-2171

<i>Ref.</i>	<i>Part Number</i>	<i>Qty.</i>	<i>Description</i>
1	115-7707	2	Yoke
2	54-9180	2	U-Joint Kit
2:1	62-3820	1	Fitting-Grease
3	115-7708	1	Yoke And Shaft
4	115-7709	1	Yoke, Tube And Slip Sleeve ASM



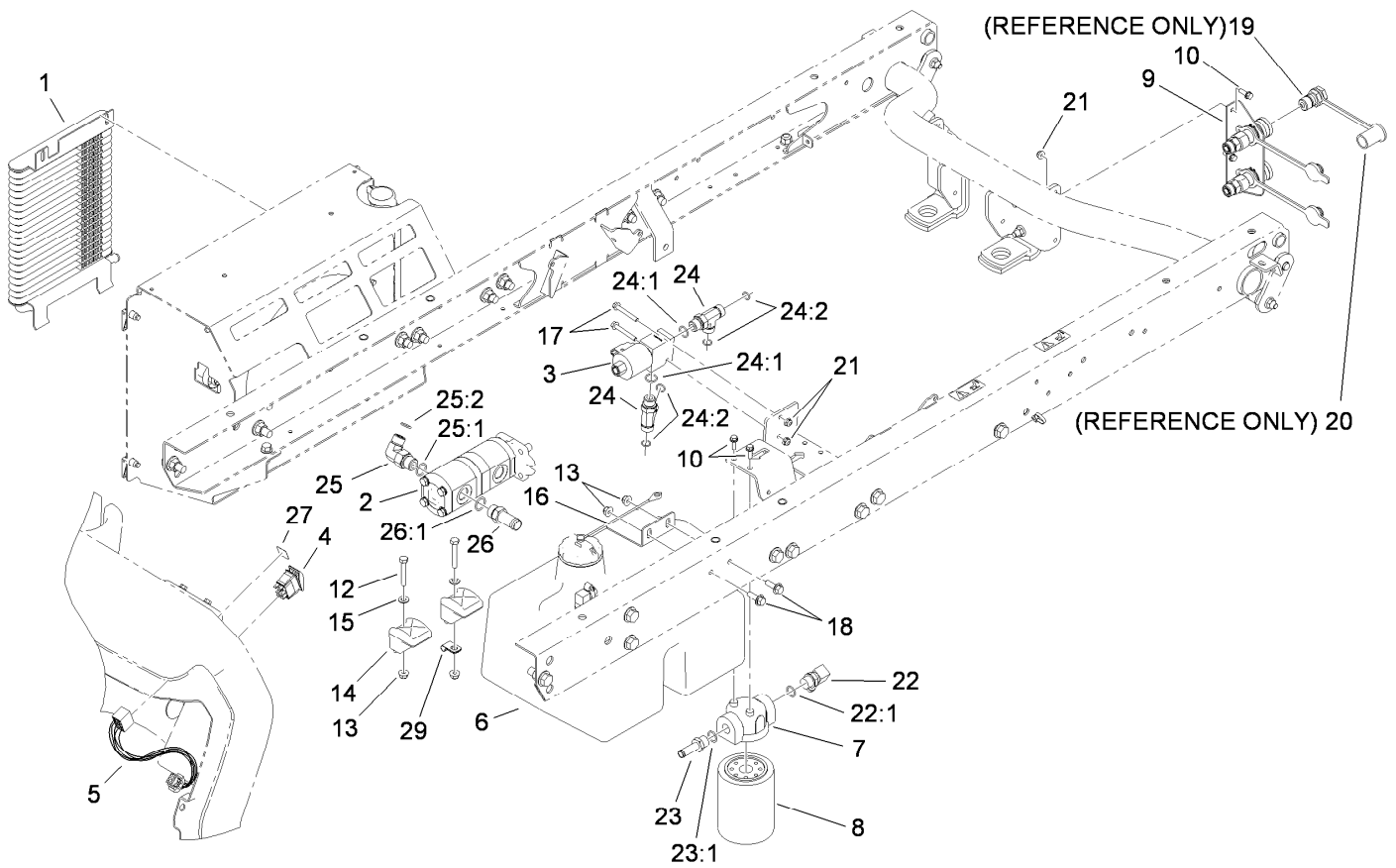
## Full Bed and Side Panel Assembly

Ref.	Part Number	Qty.	Description	Ref.	Part Number	Qty.	Description
1	32148-6	4	Nut-Clinch	21	115-7917	2	Decal
2	93-9724-03	1	Flatbed-Full	22	93-9868	2	Decal-Caution
3	92-1298	8	Pin-Lynch	23	92-1265-03	2	Bracket-Pivot
4	92-1233	4	Pin-Clevis	24	3234-29	6	Screw-HHF
5	92-1255-03	1	Panel-Side, RH	25	99-1123	2	Latch ASM
6	92-5982	1	Front Panel ASM	25:1	92-1271	1	Pivot-Latch
6:1	115-7739	1	Decal-No Riders	25:2	99-1113	1	Handle-Latch
7	3234-7	21	Screw-HHF	25:3	99-1112	1	Plate-Retainer
8	92-1320-03	2	Angle-Side	25:4	32121-78	1	Pin-Roll
9	32128-20	27	Nut-HF	25:5	32121-25	1	Pin-Roll
10	32148-7	4	Nut-Clinch	26	3231-24	6	Screw-CARR
11	106-2423-03	1	Bracket-Spacer, RH	27	3256-57	4	Washer-Flat
12	3296-44	14	Nut-Lock, NI	28	93-9595	2	Lanyard
13	3296-42	4	Nut-Lock, NI	29	3230-18	6	Screw-CARR
14	106-2422-03	1	Bracket-Spacer, LH	30	93-9575	2	Tube-Pivot, Flatbed
15	3250-45	4	Screw-SPH	31	93-9721-03	2	Bracket-Pivot, Long (RH)
16	93-9719	2	Block-Wear	32	105-4222	1	Decal
17	323-42	8	Screw-HH	33	92-1259-03	1	Tailgate-Rear
18	93-9899	2	Decal-Warning	34	32128-43	4	Nut-Flange
19	92-1248-03	1	Panel-Side, LH	35	106-6733	4	Lift Plate ASM
20	93-9720-03	2	Bracket-Pivot, Long (LH)	35:2	93-9525	1	Decal



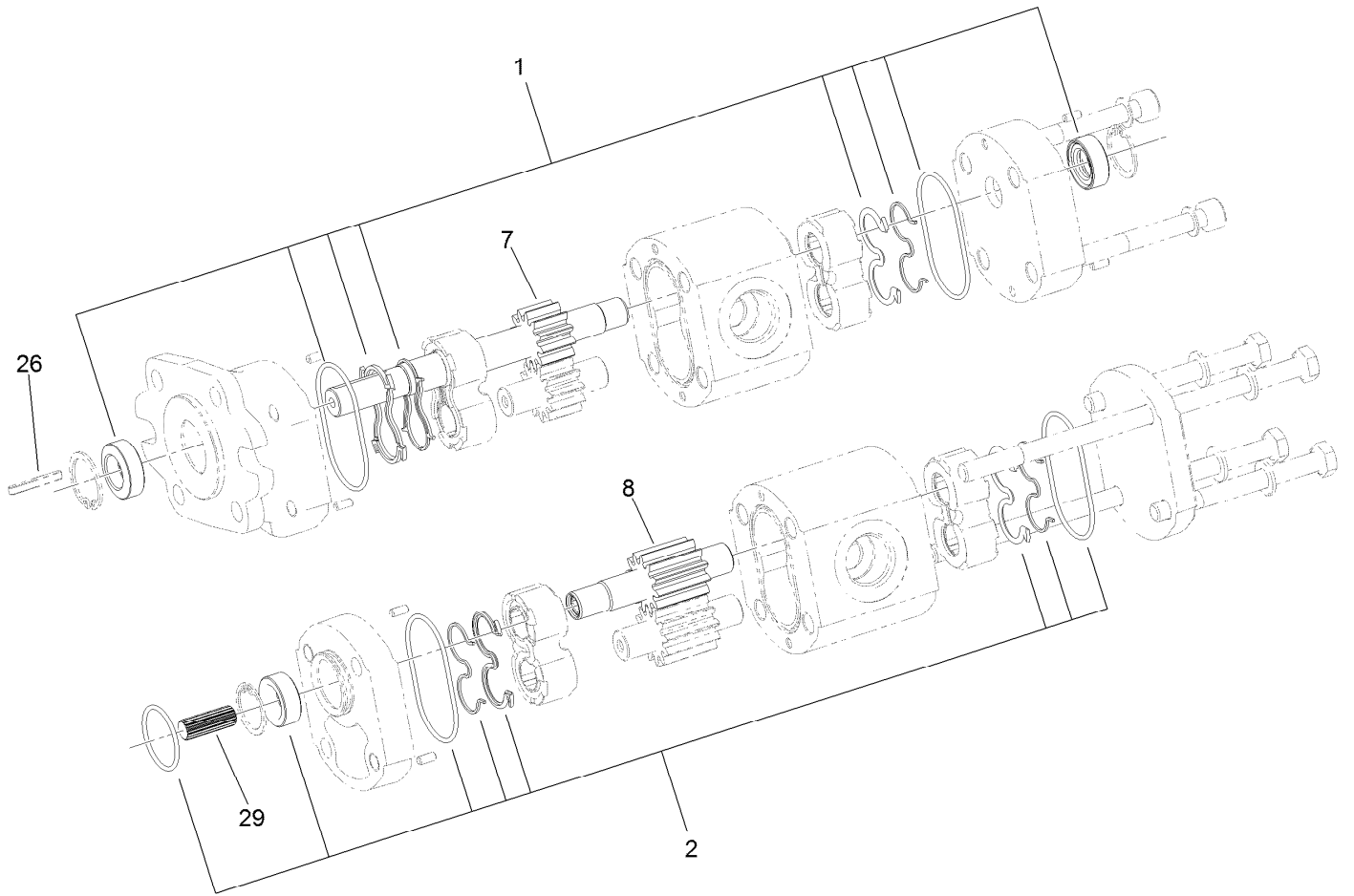
## Full Bed and Side Panel Assembly (continued)

<i>Ref.</i>	<i>Part Number</i>	<i>Qty.</i>	<i>Description</i>
35:3	93-9084	1	Decal-Point, Lift
36	323-6	4	Screw-HH



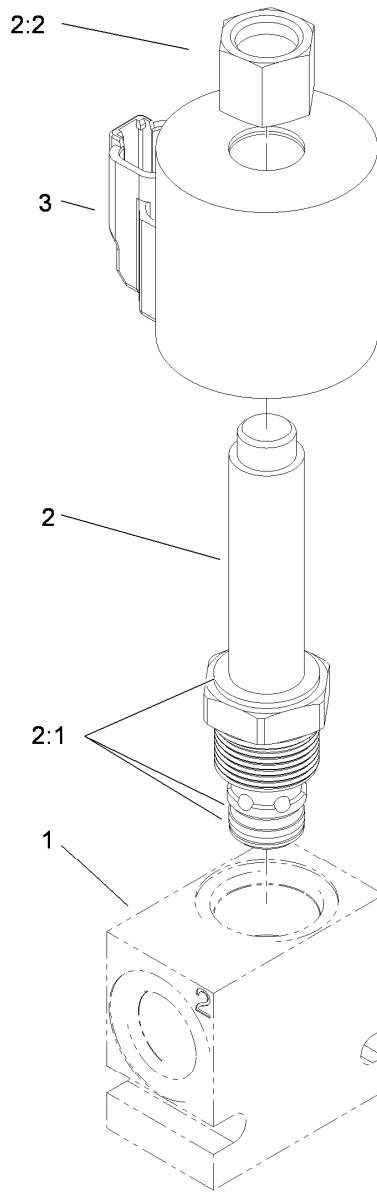
## High Flow Assembly

Ref.	Part Number	Qty.	Description	Ref.	Part Number	Qty.	Description
1	114-8363	1	Cooler-Oil	20	105-7963	1	Cap-Dust
2	115-7787	1	Hydraulic Pump ASM	21	104-7201	4	Nut-HF, NI
3	115-2252	1	HYD Manifold ASM	22	354-120	1	Fitting-Elbow, 90
4	105-4232	1	Switch	22:1	237-79	1	O-Ring
5	105-8513	1	Harness-Wire	23	354-121	1	Fitting-STR
6	114-8435	1	Tank ASM	23:1	237-79	1	O-Ring
7	87-8780	1	Head-Filter	24	340-109	2	Fitting-Tee
8	54-0110	1	Filter-Oil, Transmission	24:1	237-79	1	O-Ring
9	114-8434	1	Coupler ASM	24:2	237-30	2	O-Ring
10	3234-4	4	Screw-HHF	25	340-105	1	Fitting-Elbow, 90 DEG
12	322-10	2	Screw-HH	25:1	237-80	1	O-Ring
13	104-8300	4	Nut-HF, NI	25:2	237-30	1	O-Ring
14	107-4543	2	Clamp	26	354-136	1	Fitting-STR
15	3256-23	2	Washer-Plain	26:1	237-80	1	O-Ring
16	115-2166	1	Support-Tank	27	115-7756	1	Decal-HYD, High Flow
17	321-44	2	Screw-HHF	29	2412-113	1	Clamp-R
18	3234-29	2	Screw-HHF				
19	105-4170	1	Coupler-Male				



## Hydraulic Pump Assembly No. 115-7787

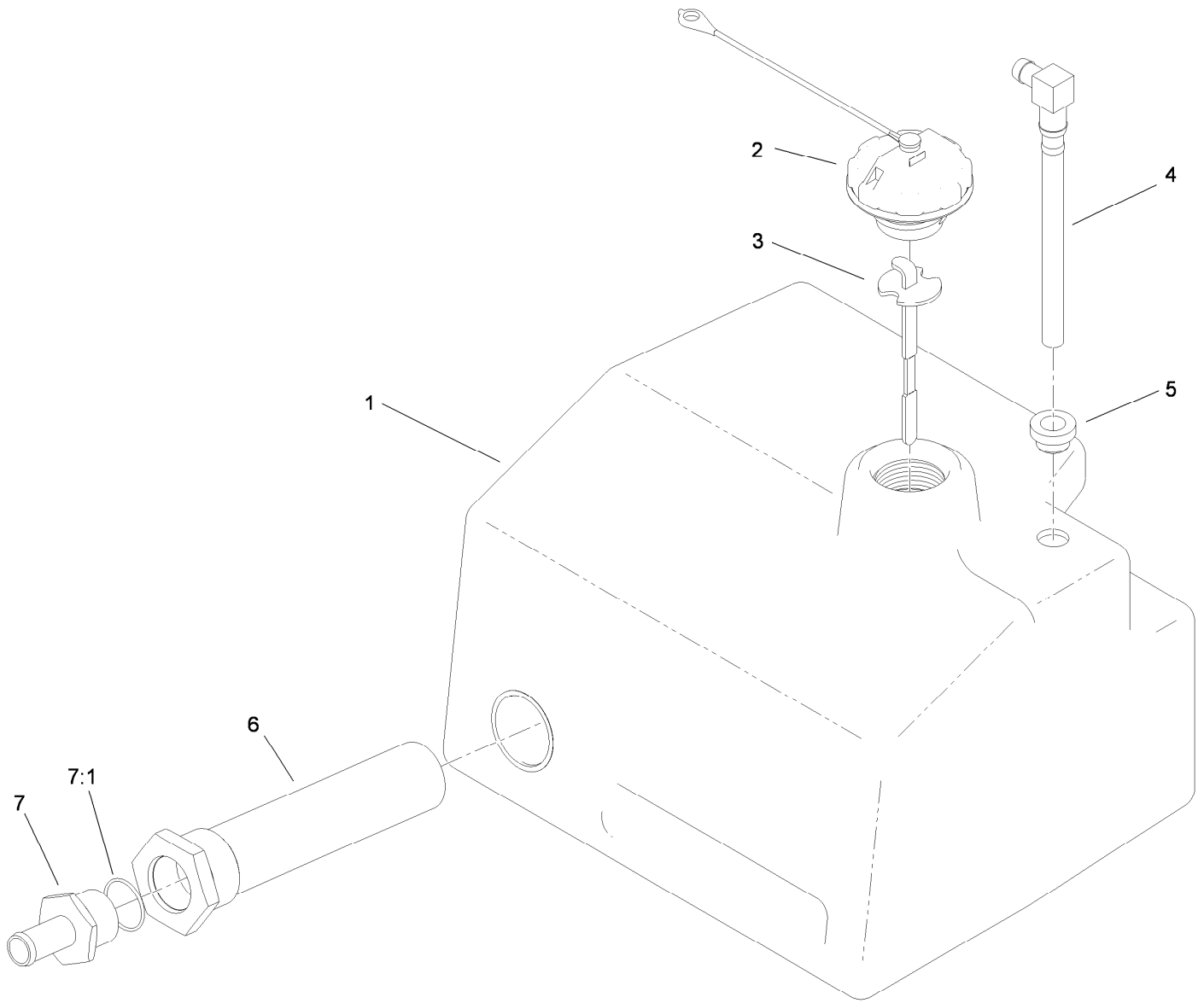
<i>Ref.</i>	<i>Part Number</i>	<i>Qty.</i>	<i>Description</i>
1	115-8696	1	Seal Kit
2	115-8697	1	Seal Kit
7	136-1197	1	Shaft-Drive
8	136-1198	1	Gear-Drive
26	115-7855	1	Key-Square
29	119-0653	1	Coupling-Splined



## Hydraulic Manifold Assembly No. 115-2252

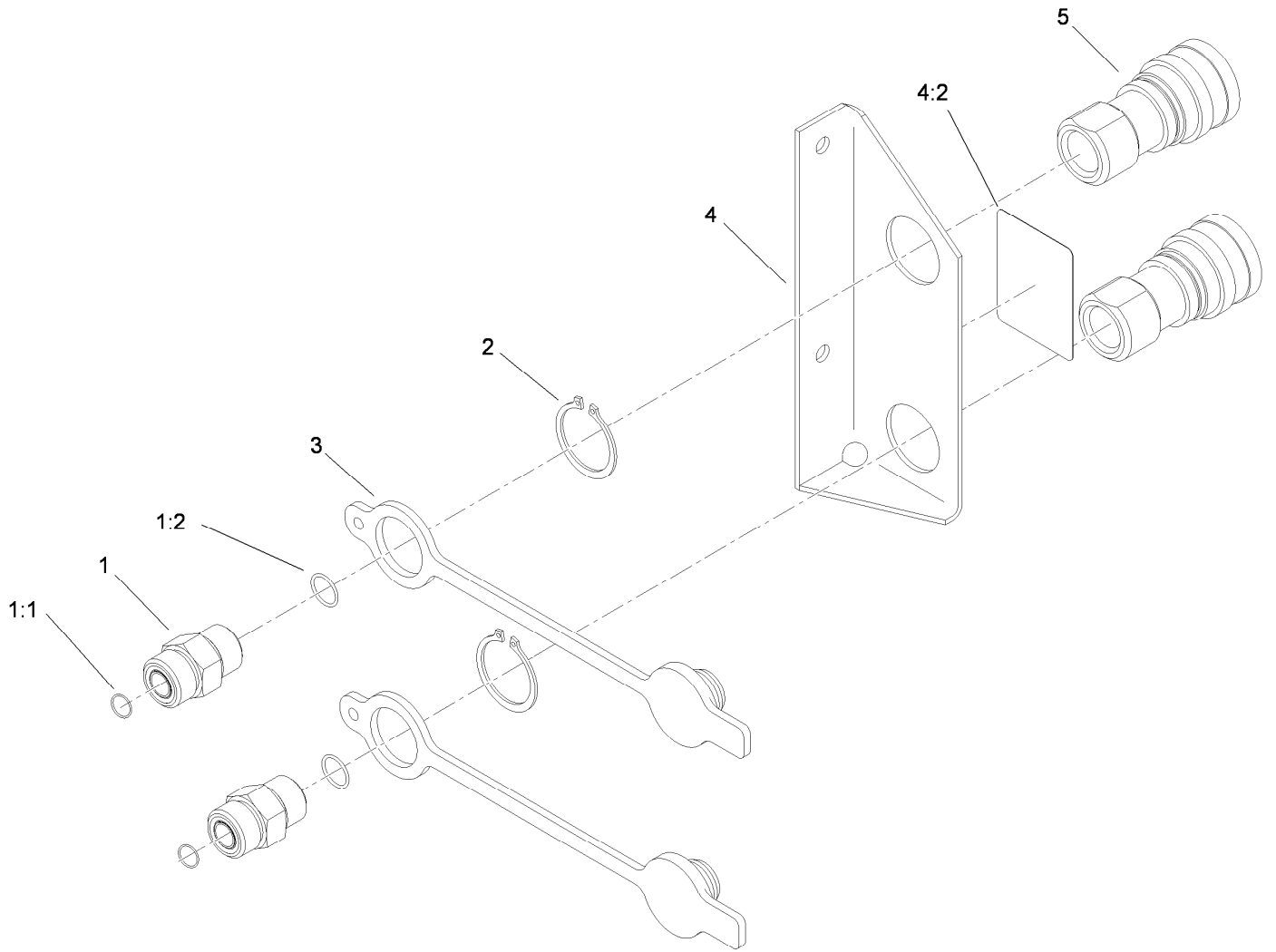
<i>Ref.</i>	<i>Part Number</i>	<i>Qty.</i>	<i>Description</i>
1		1	Housing ●
2	110-8905	1	Valve-Relief, Solenoid
2:1	110-6316	1	Seal Kit
2:2	130-8180	1	Nut-Coil (9/16-24 Unef-2B)
3	115-3021	1	Coil-12V

● Not serviced separately



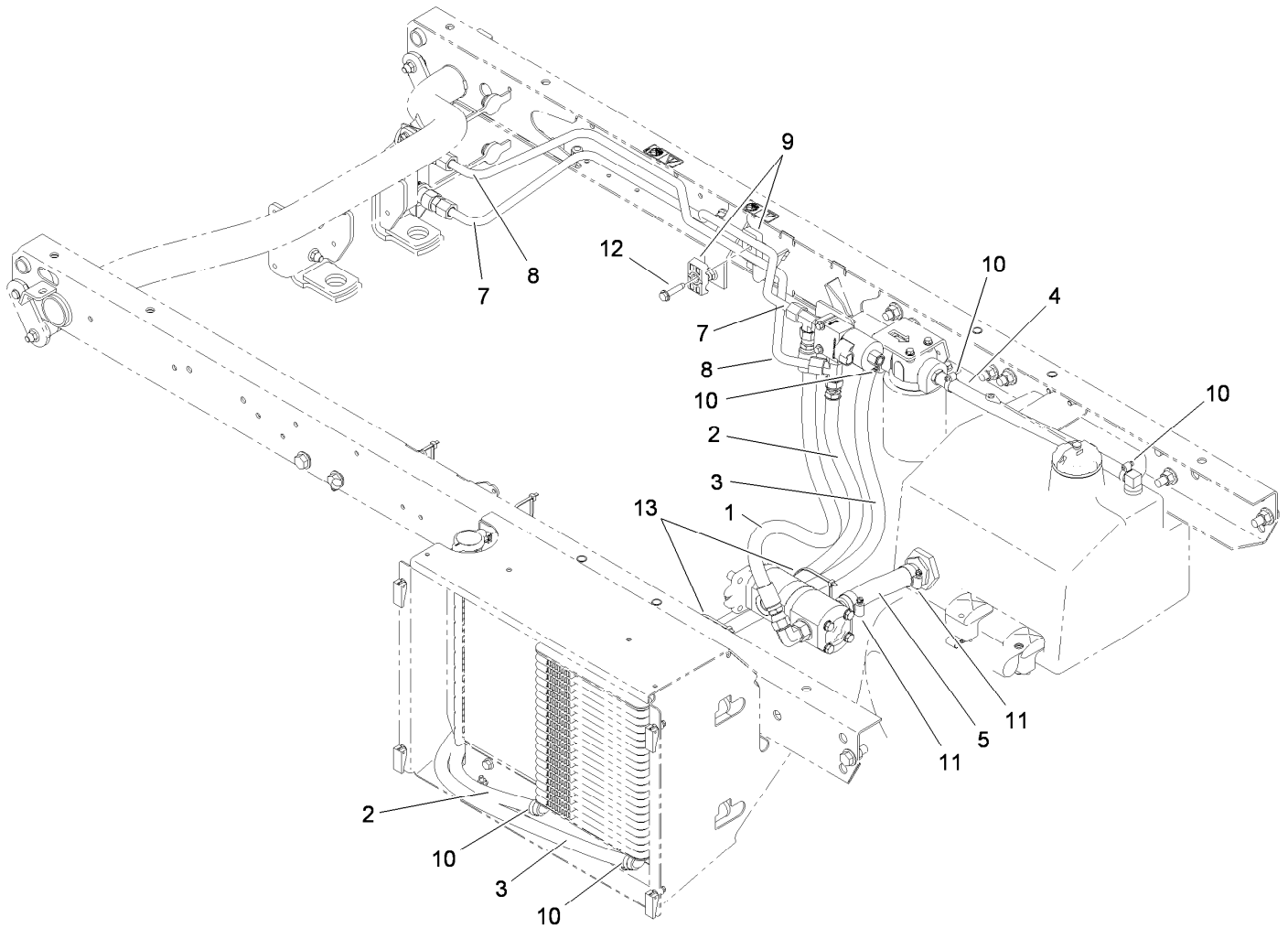
## Tank Assembly No. 114-8435

<i>Ref.</i>	<i>Part Number</i>	<i>Qty.</i>	<i>Description</i>
1	114-8364	1	Tank-HYD
2	115-7877	1	Cap-Oil, HYD
3	115-7870	1	Dipstick-Oil
4	104-0791	1	Pipe-Stand
5	104-0790	1	Bushing
6	115-2230	1	Strainer-In Tank
7	99-6932	1	Fitting-STR
7:1	237-117	1	O-Ring



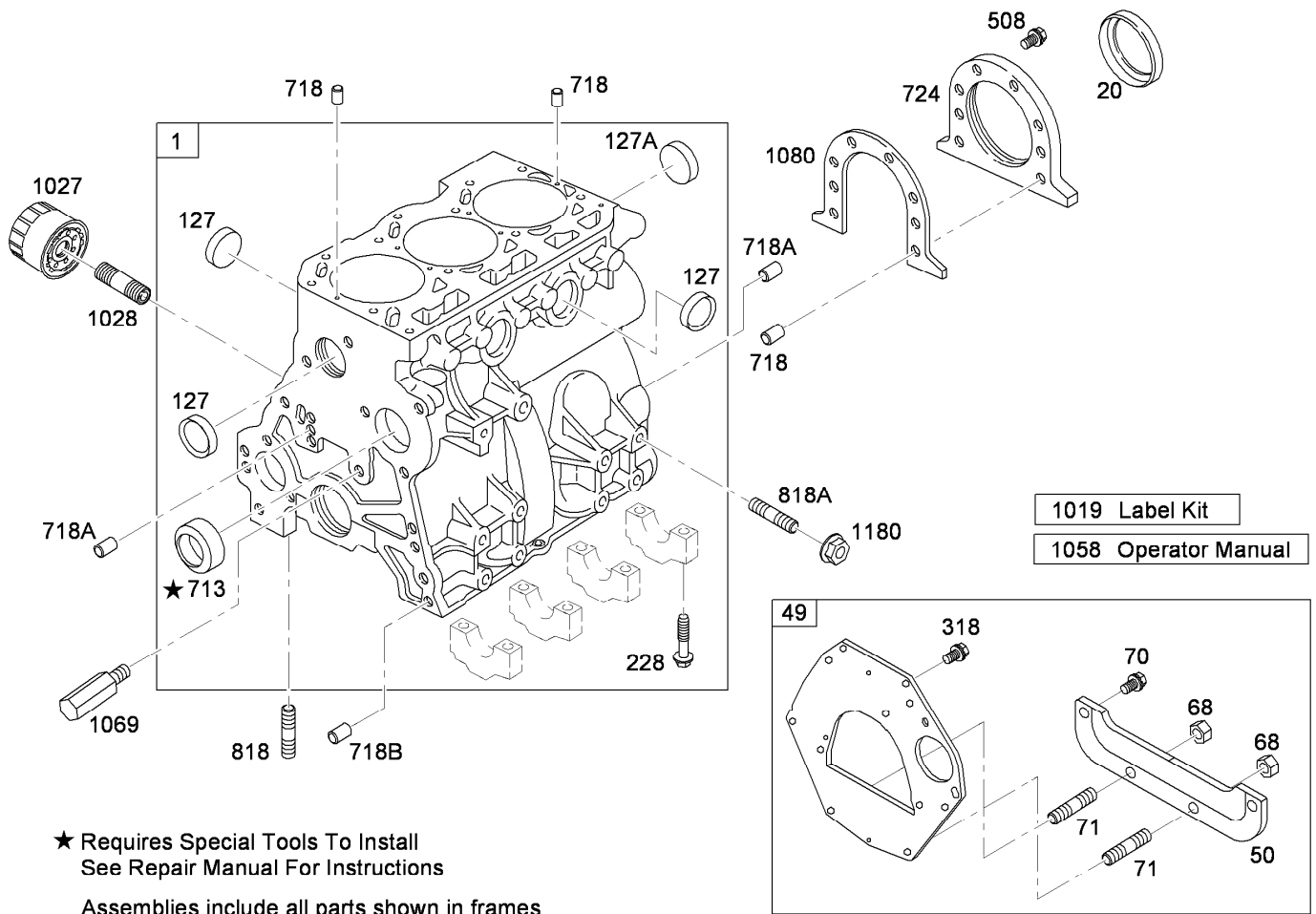
## Coupler Assembly No. 114-8434

<i>Ref.</i>	<i>Part Number</i>	<i>Qty.</i>	<i>Description</i>
1	340-4	2	Fitting-Straight
1:1	237-30	1	O-Ring
1:2	237-79	1	O-Ring
2	32120-2	2	Ring-Retaining
3	105-7962	2	Plug-Dust
4	105-7978	1	Coupler Bracket ASM
4:2	105-7977	1	Decal
5	105-4169	2	Coupler-Female



## High Flow Hose Assembly

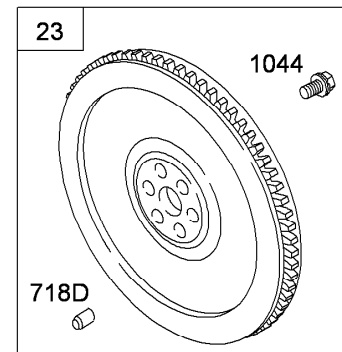
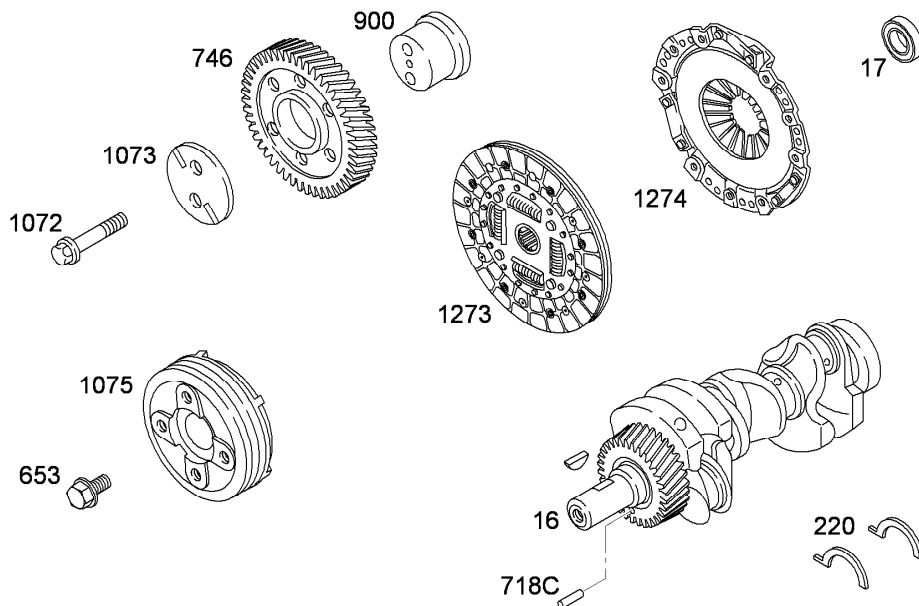
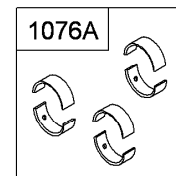
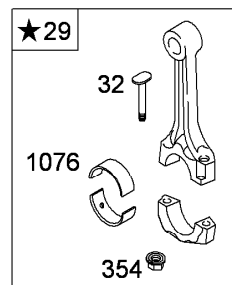
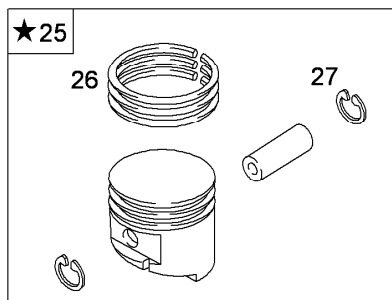
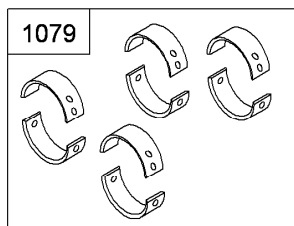
<i>Ref.</i>	<i>Part Number</i>	<i>Qty.</i>	<i>Description</i>
1	114-8439	1	HYD Hose ASM
2	93-5356	1	Hose-HYD
3	114-8437	1	Hose-HYD
4	114-8438	1	Hose-HYD
5	114-8442	1	Hose-HYD
7	115-2248	1	Tube-HYD
8	115-2249	1	Tube-HYD
9	56-7976	2	Clamp-Tube
10	2412-36	5	Clamp-Hose
11	2412-129	2	Clamp-Hose
12	32144-57	1	Screw
13	3290-379	2	Tie-Cable



## Cylinder Assembly

Ref.	Part Number	Qty.	Description
1	107-9891	1	Cylinder ASM
20	99-9003	1	Seal-Oil
49	115-2310	1	Backing Plate ASM
50	115-2309	1	Plate-Shield, End
68	99-9114	1	Nut-Hex, Metric
70	115-2307	1	Screw
71	115-2306	1	Stud
127	99-9008	1	Plug-Welch
127A	107-9892	1	Plug-Welch (Cam)
228	99-9006	1	Screw-Hex
318	99-9005	1	Screw-Hex
508	99-9004	1	Screw-Hex
713	99-9002	1	Bushing

Ref.	Part Number	Qty.	Description
718	99-9012	1	Pin-Locating
718A	99-9013	1	Pin-Locating
718B	99-9014	1	Pin-Locating
724	99-9022	1	Retainer-Seal
818	99-9007	1	Stud-Metric
818A	99-9221	1	Stud-Standard
1019	110-2595	1	Label Kit
1027	108-3842	1	Filter-Oil
1028	105-9337	1	Adapter-Filter, Oil
1058	99-9602	1	Manual-Owners
1069	99-9020	1	Nozzle-Oil
1080	99-9021	1	Gasket-Retainer
1180	99-9176	1	Nut-Hex



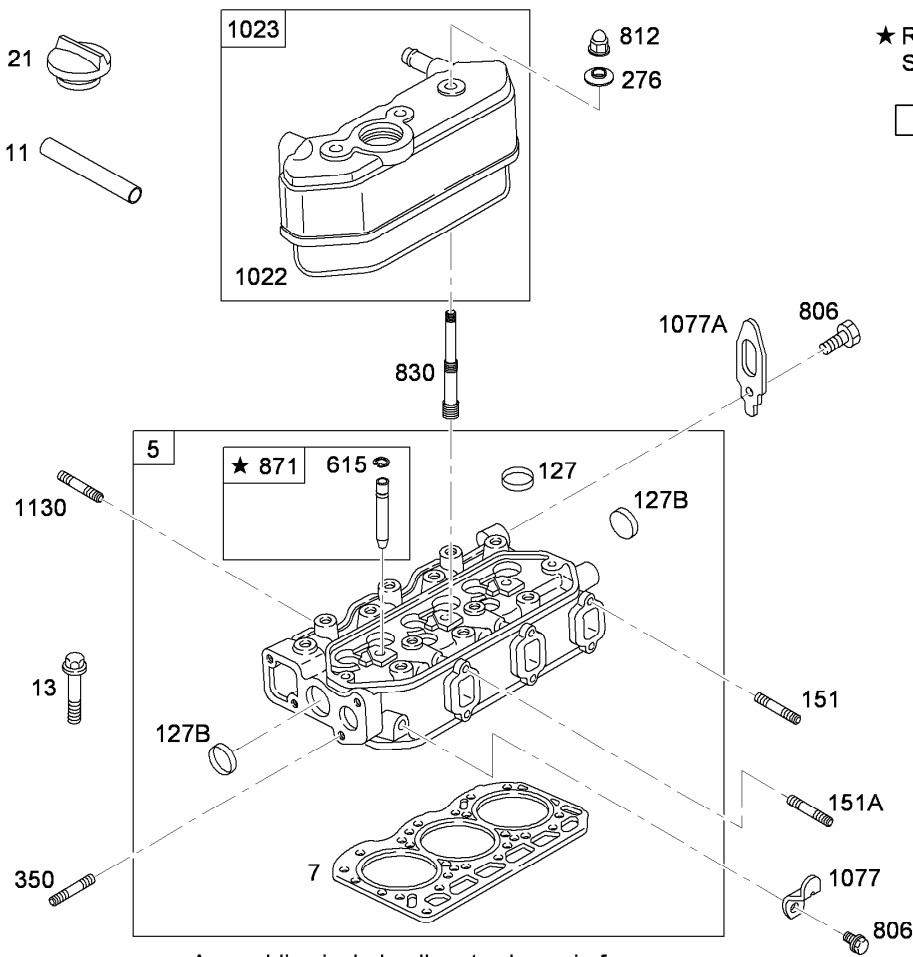
★ Requires Special Tools To Install  
See Repair Manual For Instructions

Assemblies include all parts shown in frames

## Crankshaft Assembly

Ref.	Part Number	Qty.	Description
16	105-9339	1	Crankshaft
17	105-9324	1	Bearing-Ball, Radial
23	105-9323	1	Flywheel ASM
25	107-9895	1	Piston ASM
25	107-9896	1	Piston ASM (Oversize)
26	105-9340	1	Ring Set
26	99-9269	1	Ring Set (.010 Oversized)
27	99-9607	1	Lock-Pin, Piston
29	117-8838	1	Rod-Connecting
32	99-9030	1	Screw-Rod, Connecting
220	99-9035	1	Washer-Thrust
220	99-9036	1	Washer-Thrust (.005 In Oversized)
354	99-9034	1	Nut-Hex
653	107-9897	1	Screw-Hex
718C	99-9037	1	Pin-Locating

Ref.	Part Number	Qty.	Description
718D	106-1852	1	Pin-Locating
746	99-9609	1	Gear-Drive
900	99-9039	1	Shaft-Gear
1044	99-9031	1	Screw-Hex
1072	99-9032	1	Screw-Hex
1073	99-9040	1	Plate-Gear, Idler
1075	99-9041	1	Pulley-Crankshaft
1076	99-9043	1	Set-Bearing, Rod
1076A	99-9043	1	Set-Bearing, Rod
1076A	99-9044	1	Set-Bearing, Rod (.010 Undersized)
1079	99-9045	1	Set-Bearing, Main (Set Of 8)
1079	99-9046	1	Set-Bearing, Main (.010 Undersized)
1273	104-9219	1	Disc-Clutch
1274	104-9231	1	Plate-Pressure, Clutch



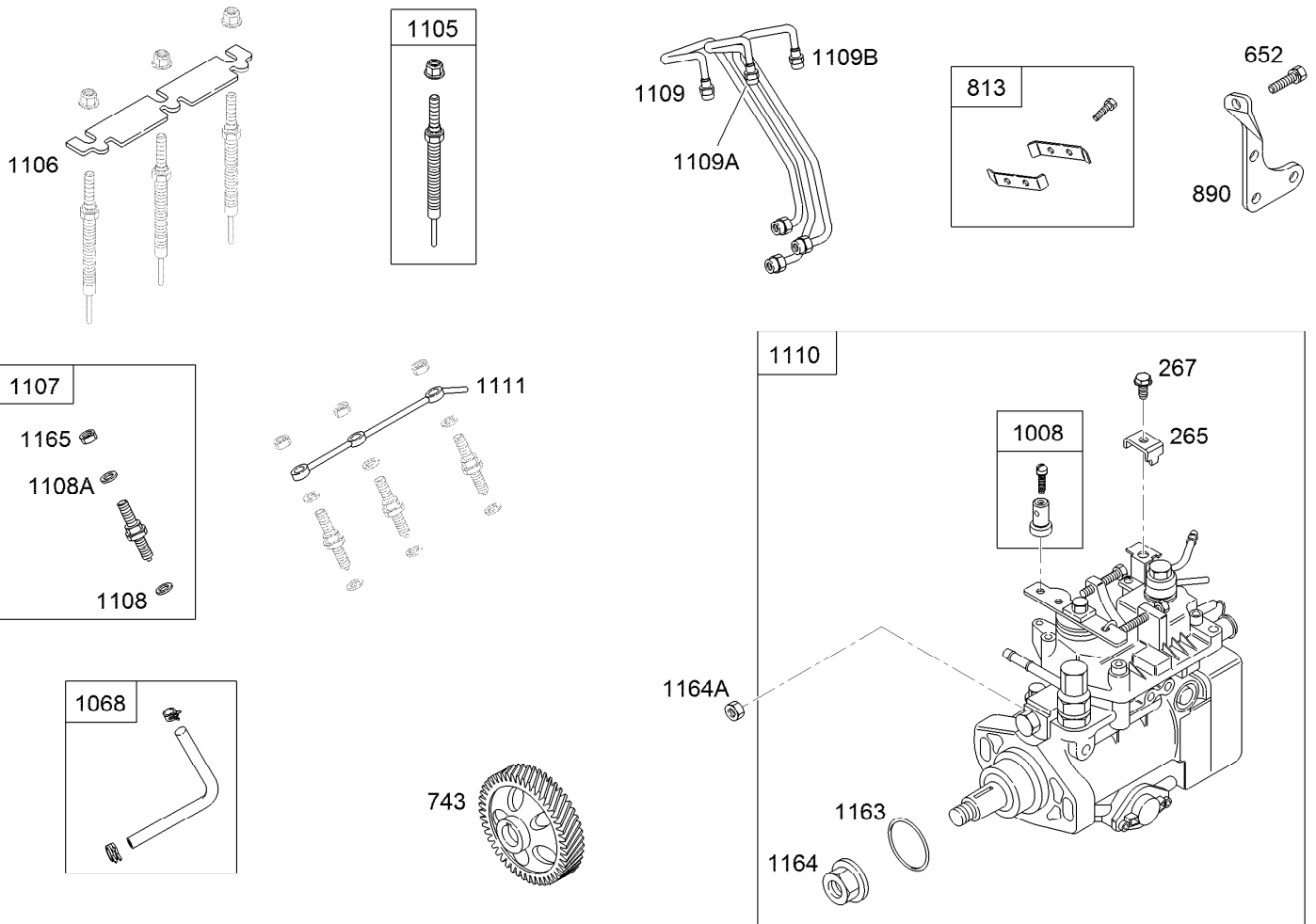
★ Requires Special Tools To Install  
See Repair Manual For Instructions

1036 Emission Label Kit

Assemblies include all parts shown in frames

## Cylinder Head Assembly

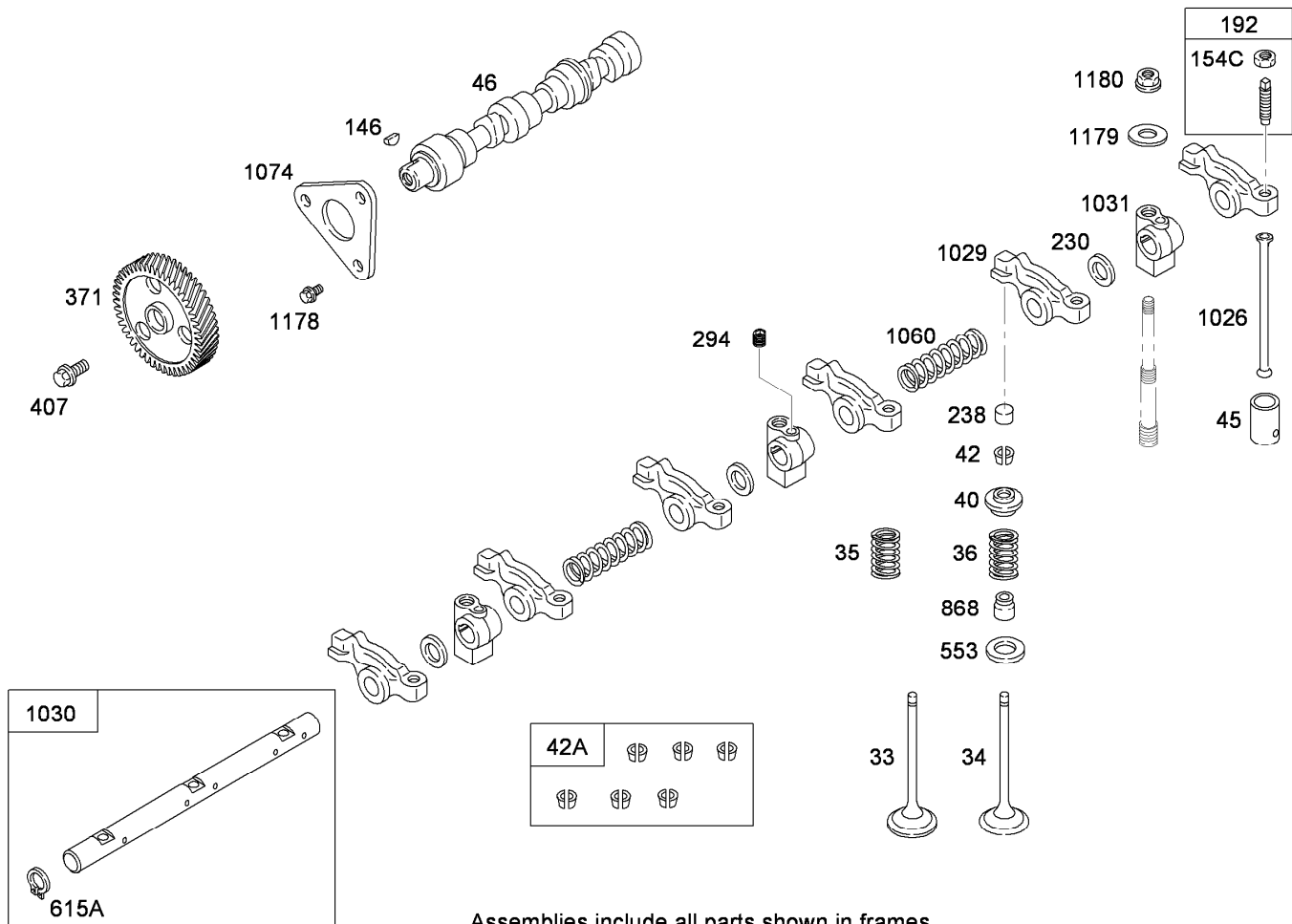
Ref.	Part Number	Qty.	Description
5	110-2596	1	Head-Cylinder
7	107-9898	1	Gasket-Head, Cylinder
11	105-9342	1	Tube-Breather
13	99-9614	1	Screw-Metric
21	99-9052	1	Cap-Fill, Oil
127	99-9060	1	Plug-Welch
127B	99-9008	1	Plug-Welch
151	99-9058	1	Stud-Metric
151A	99-9059	1	Stud-Metric
276	99-9063	1	Washer-Seal
350	99-9057	1	Stud-Metric
615	99-9067	1	Retainer
806	99-9054	1	Screw-Hex
812	99-9061	1	Nut-Hex, Metric
830	99-9101	1	Stud-Arm, Rocker
871	99-9070	1	Bushing-Guide
1022	99-9073	1	Gasket-Cover, Rocker
1023	100-6402	1	Cover-Rocker
1036	99-9615	1	Emission Label Kit
1077	99-9076	1	Bracket-Lifting
1077A	99-9077	1	Bracket-Lifting
1130	99-9055	1	Stud-Metric



Assemblies include all parts shown in frames

## Injection Pump Assembly

Ref.	Part Number	Qty.	Description	Ref.	Part Number	Qty.	Description
265	99-9688	1	Clamp-Casing	1108A	105-9343	1	Seat-Injector
267	100-6403	1	Screw-Metric (Casing Clamp)	1109	99-9690	1	Pipe-Injector, No. 1
652	99-9616	1	Screw-Hex (Support Bracket)	1109A	99-9634	1	Pipe-Injector, No. 2
743	99-9624	1	Gear-Drive	1109B	99-9635	1	Pipe-Injector, No. 3
813	99-9625	1	Clamp	1110	115-2294	1	Pump-Injection
890	99-9626	1	Bracket-Support	1111	99-9637	1	Pipe-Return, Fuel
1008	99-9628	1	Clamp-Swivel	1163	99-9618	1	O-Ring (Injection Pump Shaft)
1068	99-9629	1	Hose / Clamp ASM	1164	99-9619	1	Nut-Hex, Metric (Injection Pump Shaft)
1105	114-4695	1	Plug-Glow	1164A	99-9620	1	Nut-Hex, Metric (Injection Pump)
1106	99-9631	1	Strap-Plug, Glow	1165	105-9345	1	Nut (Injector Nozzle)
1107	114-4696	1	Injection Nozzle				
1108	99-9633	1	Seat-Injector				

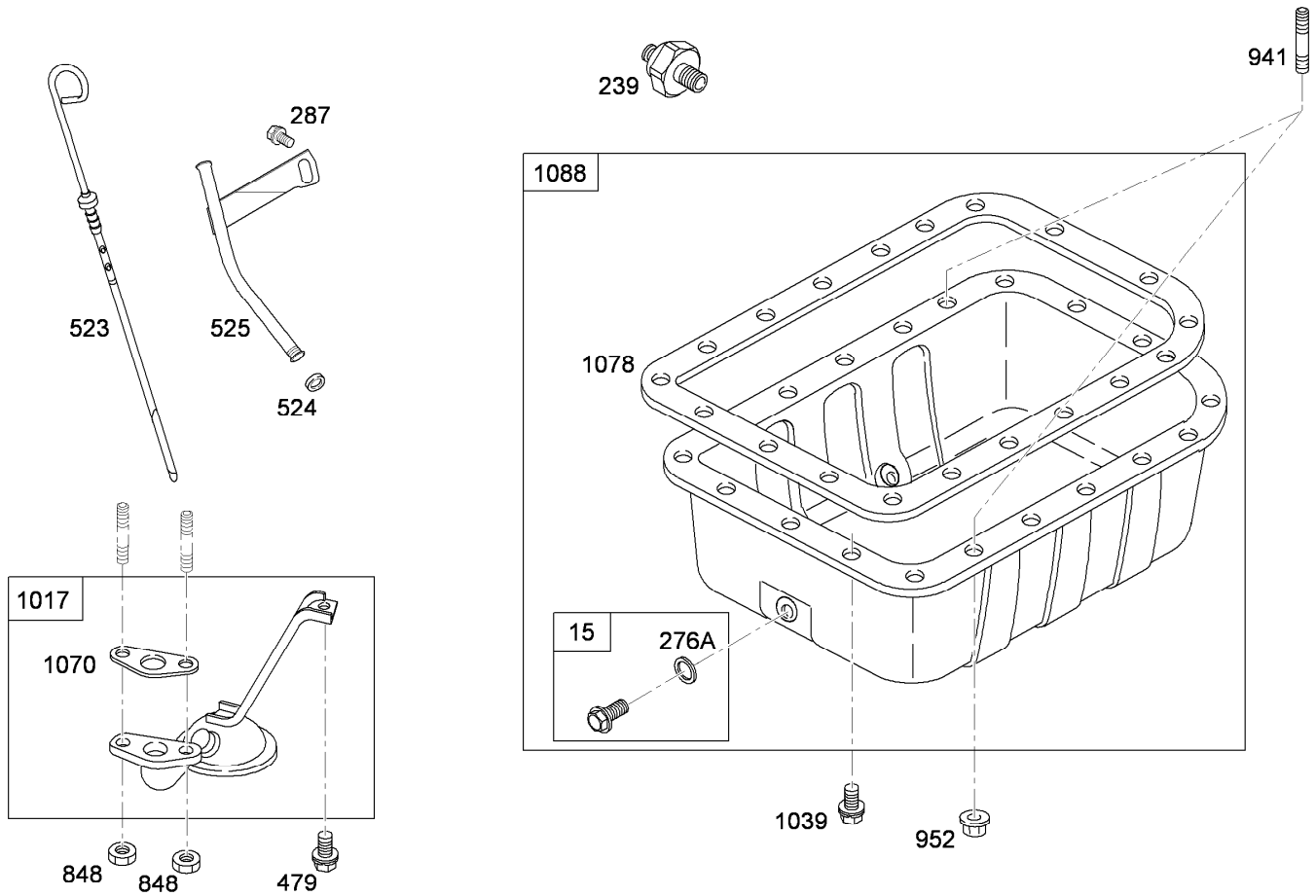


Assemblies include all parts shown in frames

## Camshaft Assembly

Ref.	Part Number	Qty.	Description
33	99-9638	1	Valve-Exhaust
34	99-9639	1	Valve-Intake
35	99-9640	1	Spring-Valve
36	99-9640	1	Spring-Valve
40	99-9084	1	Retainer-Valve
42	99-9086	1	Keeper-Valve (Set)
42A	99-9087	1	Keeper-Valve (Set Of 6)
45	99-9088	1	Tappet-Valve
46	99-9097	1	Shaft-Cam
146	99-9675	1	Key-Timing
154C	99-9091	1	Nut-Hex, Metric
192	112-2978	1	Adjuster-Arm, Rocker
230	99-9093	1	Washer-Spacer
238	112-2979	1	Cap-Valve
294	99-9090	1	Screw-Metric

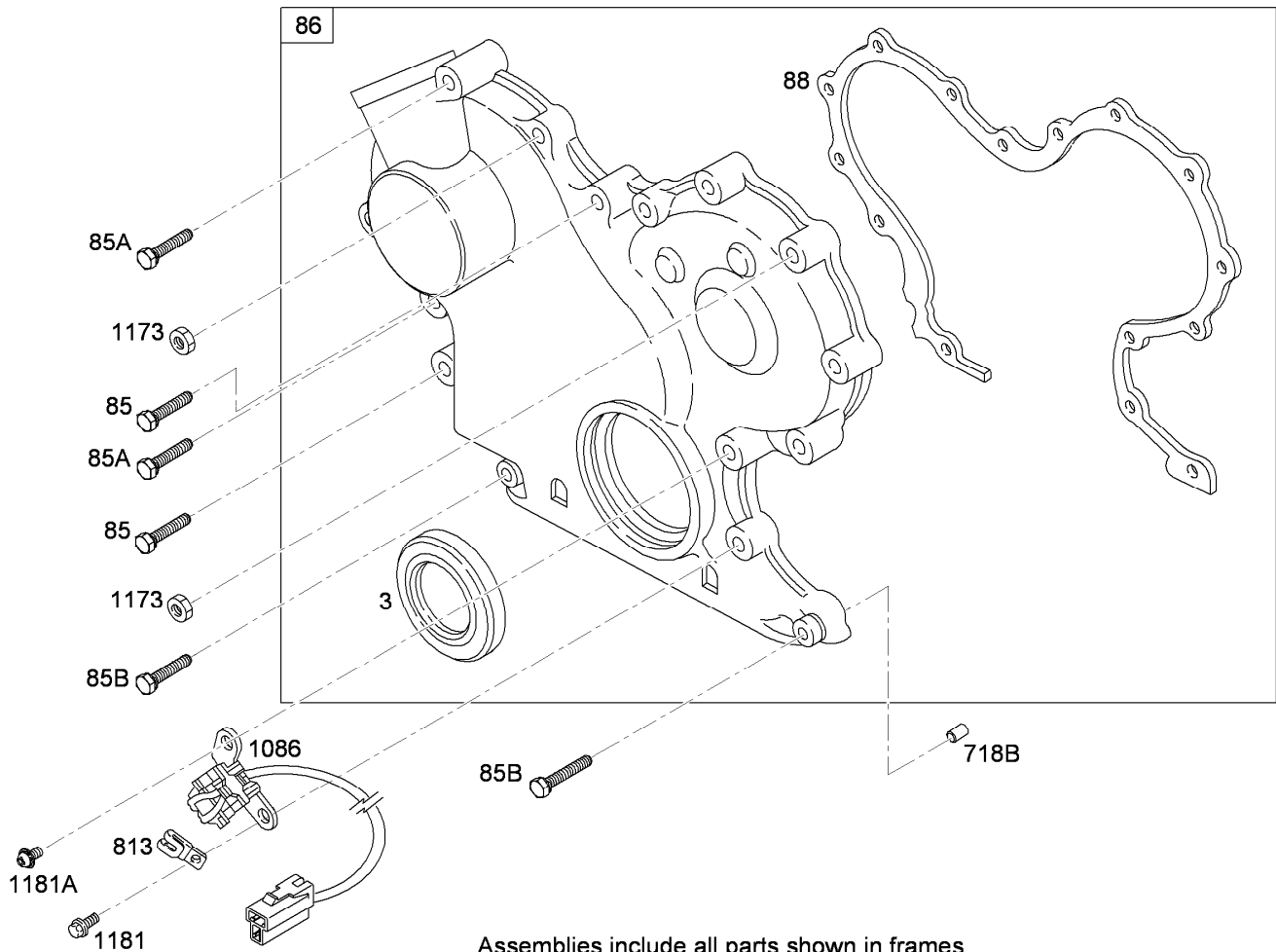
Ref.	Part Number	Qty.	Description
371	99-9641	1	Gear-Cam
407	99-9085	1	Screw-Metric
553	99-9096	1	Seat-Spring, Valve
615A	99-9099	1	Retainer
868	99-9643	1	Seal-Valve
1026	112-2980	1	Rod-Push
1029	99-9104	1	Arm-Rocker
1030	99-9106	1	Shaft-Arm, Rocker
1031	99-9107	1	Support-Arm, Rocker
1060	99-9108	1	Spring-Shaft, Rocker
1074	99-9109	1	Retainer-Camshaft
1178	99-9083	1	Screw-Hex
1179	99-9079	1	Washer-Flat
1180	99-9091	1	Nut-Hex, Metric



Assemblies include all parts shown in frames

## Oil Pan Assembly

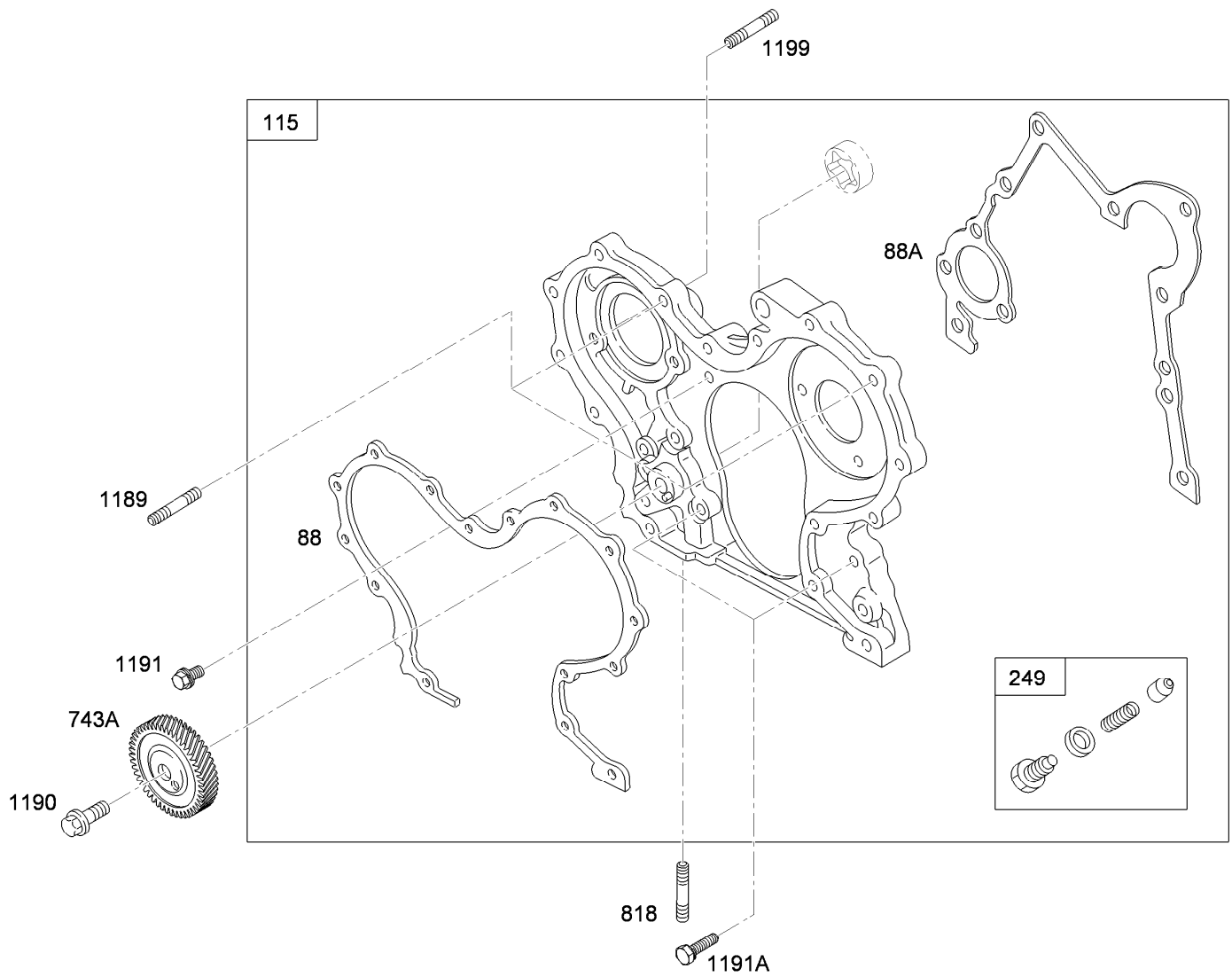
Ref.	Part Number	Qty.	Description
15	99-9247	1	Plug-Drain, Oil
239	107-9908	1	Switch-Pressure, Oil
276A	99-9249	1	Washer-Seal
287	99-9256	1	Screw-Hex
479	99-9111	1	Screw-Hex
523	100-6405	1	Dipstick
524	99-9265	1	Seal-O-Ring
525	100-6406	1	Tube-Dipstick
848	99-9114	1	Nut-Hex, Metric
941	99-9112	1	Stud-Metric
952	99-9113	1	Nut-Hex, Metric
1017	99-9116	1	Screen-Pump, Oil
1039	99-9623	1	Screw-Hex
1070	99-9120	1	Gasket-Strainer, Oil
1078	99-9121	1	Gasket-Pan, Oil
1088	99-9241	1	Pan-Oil



Assemblies include all parts shown in frames

## Gear Cover Assembly

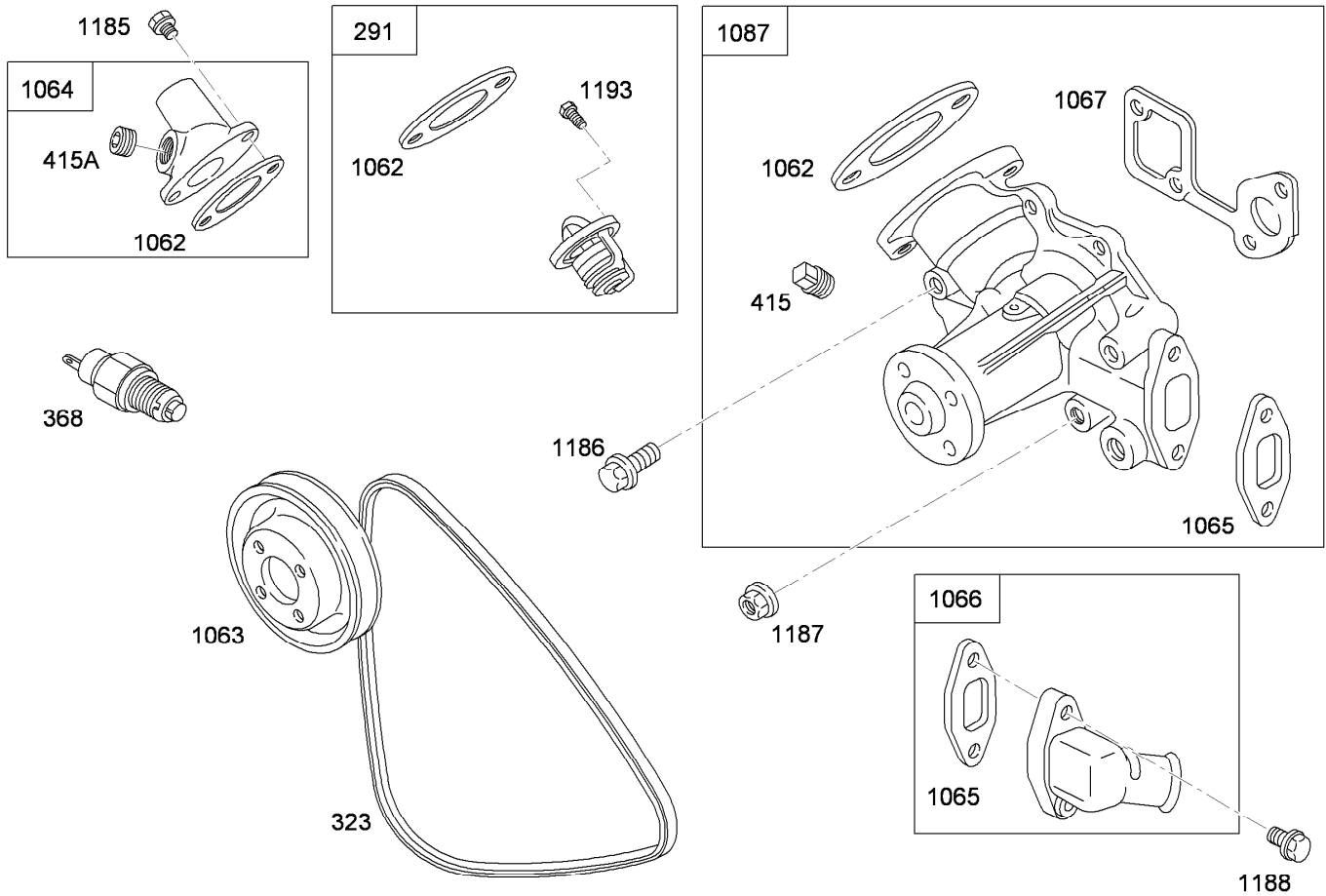
<i>Ref.</i>	<i>Part Number</i>	<i>Qty.</i>	<i>Description</i>
3	115-2291	1	Seal-Oil
85	99-9651	1	Screw-Hex
85A	99-9128	1	Screw-Hex
85B	99-9129	1	Screw-Hex
86	115-2338	1	Gear Cover ASM
88	99-9653	1	Gasket-Cover, Gear
718B	99-9014	1	Pin-Locating
813	99-9208	1	Clamp
1086	117-4920	1	Trigger-Ignition
1173	99-9114	1	Nut-Hex, Metric
1181	99-9128	1	Screw-Hex
1181A	99-9210	1	Screw-Phillips



Assemblies include all parts shown in frames

## Gear Housing Assembly

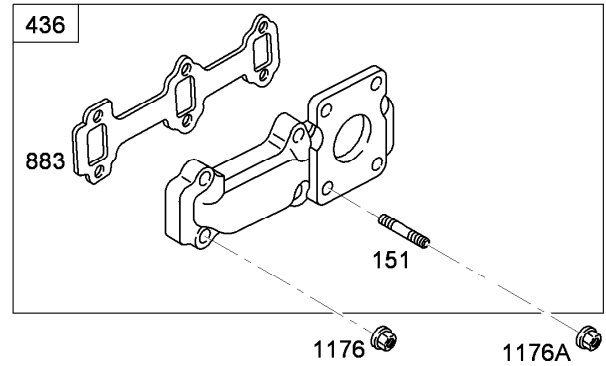
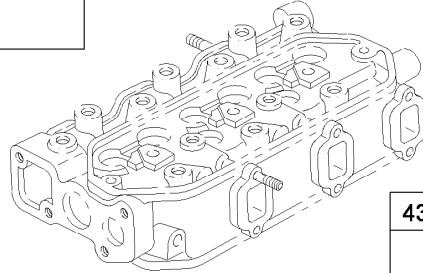
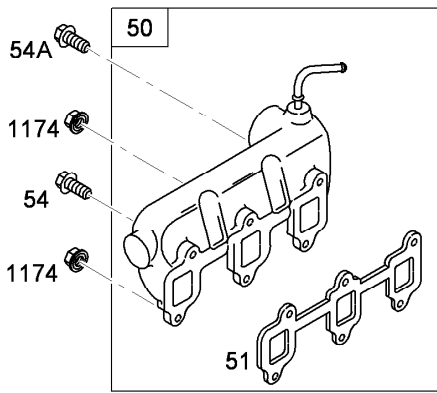
<i>Ref.</i>	<i>Part Number</i>	<i>Qty.</i>	<i>Description</i>
88	99-9653	1	Gasket-Cover, Gear
88A	99-9136	1	Gasket-Cover, Gear
115	99-9655	1	Housing-Gear
249	99-9142	1	Valve-Relief, Oil
743A	99-9656	1	Gear-Drive
818	99-9007	1	Stud-Metric
1189	99-9137	1	Stud-Metric
1190	99-9616	1	Screw-Hex
1191	99-9134	1	Screw-Hex
1191A	99-9133	1	Screw-Hex
1199	99-9654	1	Stud-Metric



Assemblies include all parts shown in frames

## Water Pump Assembly

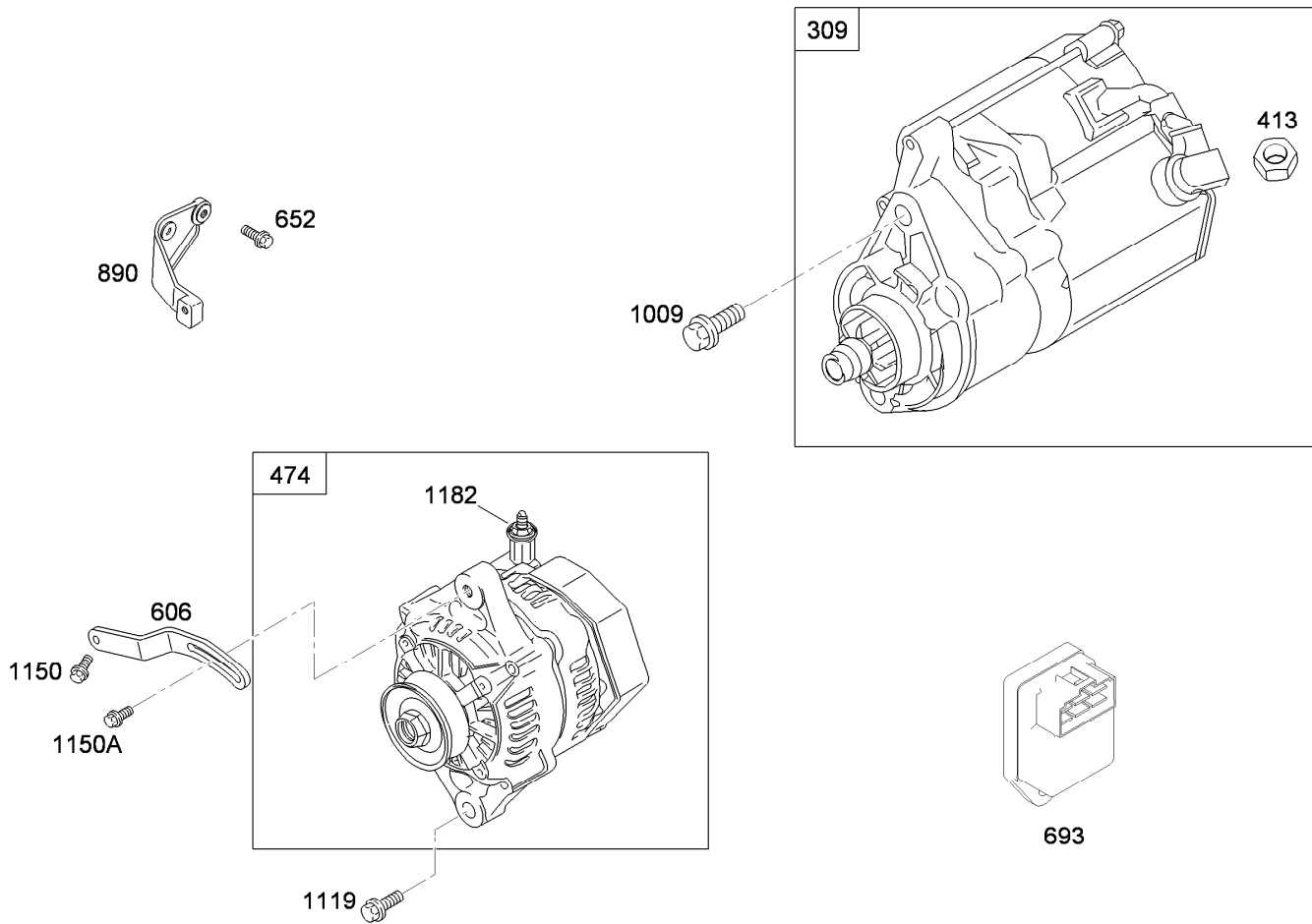
<i>Ref.</i>	<i>Part Number</i>	<i>Qty.</i>	<i>Description</i>
291	99-9155	1	Thermostat
323	117-4922	1	Belt-Vee
368	117-4923	1	Switch-Temperature, Water
415	99-9159	1	Plug
415A	99-9158	1	Plug
1062	99-9163	1	Gasket-Outlet
1063	99-9164	1	Pulley-Pump
1064	99-9165	1	Housing-Outlet
1065	99-9166	1	Gasket-Housing, Inlet
1066	99-9167	1	Housing-Inlet
1067	99-9168	1	Gasket-Pump, Water
1087	105-9348	1	Pump-Water
1185	99-9004	1	Screw-Hex
1186	99-9151	1	Screw-Hex
1187	99-9153	1	Nut-Hex, Metric
1188	99-9004	1	Screw-Hex
1193	99-9152	1	Screw-Metric



Assemblies include all parts shown in frames

## Manifold Assembly

<i>Ref.</i>	<i>Part Number</i>	<i>Qty.</i>	<i>Description</i>
50	99-9661	1	Manifold-Intake
51	99-9662	1	Gasket-Intake
54	99-9083	1	Screw-Hex
54A	99-9660	1	Screw-Hex
151	99-9174	1	Stud-Manifold, Exhaust
436	99-9177	1	Manifold-Exhaust
883	106-1855	1	Gasket-Exhaust
1174	99-9114	1	Nut-Hex, Metric
1176	99-9175	1	Nut-Hex, Metric
1176A	99-9176	1	Nut-Hex

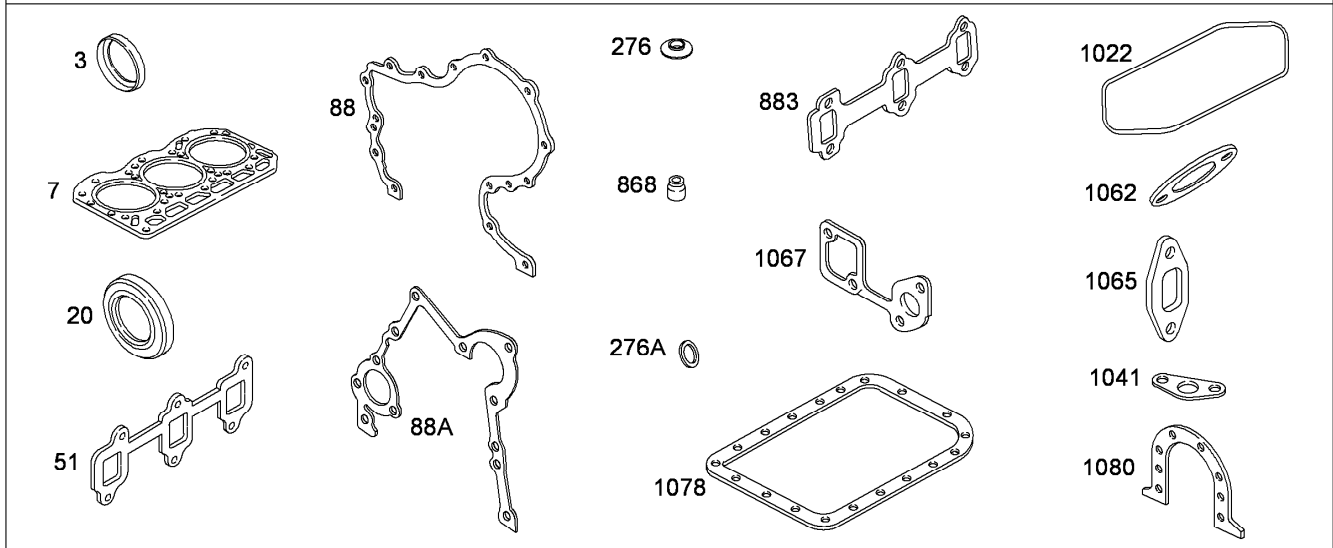


Assemblies include all parts shown in frames

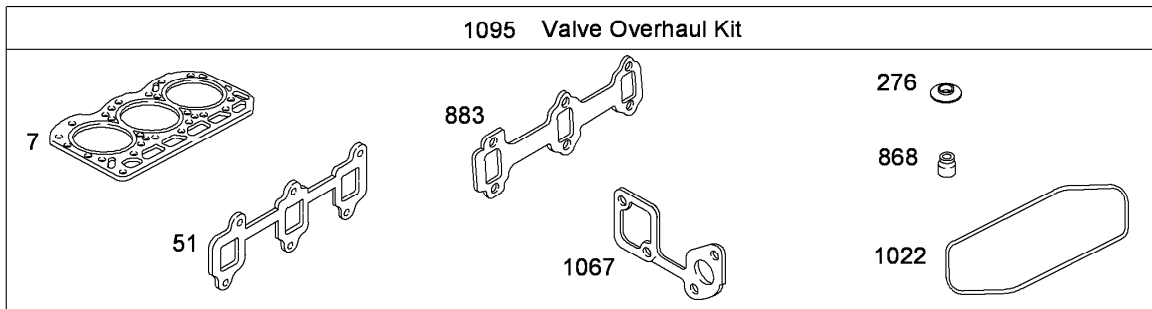
## Starter Motor and Alternator Assembly

<i>Ref.</i>	<i>Part Number</i>	<i>Qty.</i>	<i>Description</i>
309	110-2598	1	Motor-Starter
413	99-9206	1	Nut-Hex, Metric
474	115-9473	1	Alternator-60Amp
606	106-1952	1	Strap-Adjusting
652	99-9203	1	Screw-Hex
693	115-2292	1	Timer-Glow Plug
890	99-9211	1	Bracket-Support
1009	99-9201	1	Screw-Hex
1119	99-9205	1	Screw-Hex, Metric
1150	99-9202	1	Screw-Hex
1150A	107-9903	1	Screw-Hex, Metric
1182	99-9114	1	Nut-Hex, Metric

358 Engine Gasket Set



1095 Valve Overhaul Kit



Assemblies include all parts shown in frames

## Engine Gasket Set

Ref.	Part Number	Qty.	Description
3	99-9003	1	Seal-Oil
7	107-9898	1	Gasket-Head, Cylinder
20	115-2291	1	Seal-Oil
51	99-9662	1	Gasket-Intake
88	99-9653	1	Gasket-Cover, Gear
88A	99-9136	1	Gasket-Cover, Gear
276	99-9063	1	Washer-Seal
276A	99-9645	1	Washer-Seal
358	115-2339	1	Gasket Kit
868	99-9643	1	Seal-Valve
883	106-1855	1	Gasket-Exhaust
1022	99-9073	1	Gasket-Cover, Rocker
1041	99-9120	1	Gasket-Strainer, Oil
1062	99-9163	1	Gasket-Outlet
1065	99-9166	1	Gasket-Housing, Inlet
1067	99-9168	1	Gasket-Pump, Water
1078	99-9121	1	Gasket-Pan, Oil
1080	99-9021	1	Gasket-Retainer
1095	107-9907	1	Valve Overhaul Kit

# Attachments and Accessories

## For 07371TC Workman HDX-D 4-Wheel Drive Utility Vehicle with Bed

<b>Product Name</b>	<b>Model/Part</b>
Full Area Flatbed .....	07301
Full Area Flatbed Side Kit .....	07302
Fold Down Side Kit .....	07303
High-Flow Hydraulic Kit .....	07316
2/3 Area Flatbed .....	07321
2/3 Area Flatbed Side Kit .....	07322
Bed Liner .....	07331
Cab .....	07339
1/3 Area Flatbed .....	07341
1/3 Area Stake Side Kit .....	07342
1/3 Area Platform Lift .....	07344
Heater Kit .....	07349
Canopy .....	07372
Windshield .....	07373
Cab Door Kit .....	07375
Solid Window Cab Door Kit .....	07376
Hitch Frame Kit .....	07377
4 Post Roll-Over Protection System .....	07378
Rear PTO Kit .....	07419
Hand Throttle Kit .....	07420
Spiker .....	08856
Finish Grader .....	08867
Backup Alarm Kit .....	107-8037
Premium Engine Oil, 10w30 (55 Gallon Drum) .....	108-1179
Premium Engine Oil, 10w30 (5 Gallon Pail) .....	108-1180
Premium ATF (Drum) .....	108-1185
Premium ATF (Pail) .....	108-1186
Premium All Purpose Grease (Tube) .....	108-1190
Remote Hydraulics Manifold Kit .....	110-2626
Tire-Rear, 24x13-12 .....	110-5132
Spark Arrestor Kit .....	112-1688
Wheel-12in x 8.0in .....	114-8260
Horn Kit .....	115-7825
High Air Intake Kit .....	115-7848
Side Mirror Kit .....	115-7849
Roll-Over Protection System Signal Kit .....	117-4825
Worklight Kit .....	117-4827
Remote Hydraulic Float Kit .....	117-4828
Cab Mirror Kit .....	117-4830
Receiver Hitch Kit .....	117-4831
Trailer Signal Kit .....	117-4836
Trailer Brake Kit .....	117-4837
24x13-12 Tire and Wheel ASM .....	117-4838
Sprayer Cylinder Lift Kit, Workman 200 Spray System .....	117-4846
Engine Cover Kit .....	117-4867
Manual 4-Wheel Drive Control Kit .....	119-0817

## Attachments and Accessories (continued)

Harness-Wire, Speedometer Adapter .....	119-1762
Tapered Nozzle Kit .....	119-6280
Rectangular Nozzle Kit .....	119-6281
Nozzle-Extension, Straight .....	119-6282
Nozzle-Extension, Tapered .....	119-6283
Nozzle-Extension, Rectangular .....	119-6284
Canopy for Four-Post Roll-Over Protection System Kit .....	119-9457
Road Light and Homologation Kit .....	120-5030
Brake and Signal Light Kit .....	120-5045
Single Nozzle Kit .....	41024
Hose Reel Kit .....	41097
Spray Gun Kit 9 (inc. 25ft Of 1/2in Hose) .....	41133
Pro Foam Concentrate (4 x 1 Gallon) .....	41157
Sonic Boom Kit .....	41217
Workman 200 Spray System .....	41235
Foam Marker Kit .....	41236
Spreader Base Unit .....	41253
Vicon Spreader .....	41256
Topdresser 1800 .....	44225
Core Harvester Adapter Kit .....	44242
Pro Force Debris Blower .....	44538
Road-Ready Pro Force Debris Blower .....	44539
Workman HD Bed Mount Kit, Pro Force Debris Blower .....	44544
Bed Mount Sound Barrier Kit, Pro Force Debris Blower .....	44546
ProPass 200 Top Dresser with Twin Spinner and Wireless Control .....	44700
ProPass 200 Top Dresser with Twin Spinner .....	44701
Twin Spinner .....	44702
Conveyor and Swivel Kit .....	44703
Tow-Type Chassis .....	44704
Tow-Type Chassis Fender Kit .....	44705
Tow-Type Chassis Hose Assembly Kit .....	44706
Toro Workman Chassis .....	44707
Storage Stand .....	44712
Hydraulic Power Pack .....	44713
Automatic Tailgate Release Kit .....	92-1220
Fuse Block .....	92-2641
PTO Over Running Clutch Kit .....	92-2655
Topdresser 1800 Lift Kit .....	92-4452
Mid-Mount Kit for Platform Lift .....	93-3741
1/3 Area Cover Kit .....	93-9225
Rear 1/3 Area Mounting Kit .....	93-9249
Tire-Rear, 23x8.50-12 .....	98-2993
Tire-Rear, Industrial .....	99-1091

**Notes:**

**Notes:**



**Count on it.**