



22in Recycler[®] Lawnmower

Model No. 20013 - 240000001 and up.

Parts Catalog

Ordering Replacement Parts

To order replacement parts, please supply the part number, the quantity, and the description of each part desired.

Understanding Reference Numbers

Each Identified part in an illustration has a reference number. The reference number for a part also appears in the parts list, along with other information about the part.

This catalog uses two special reference number formats, one to indicate parts in a service assembly and another to indicate the quantity of a given part in an illustration.

Service Assembly Reference Numbers

Parts in service assemblies have reference numbers in the form a:b. The a represents the reference number of the entire service assembly and the b represents a sequential number unique to each part within the service assembly.

For example, a wheel assembly might be identified by reference number 6, the tire by 6:1, the valve by 6:2, and the wheel by 6:3. When you order the assembly identified by reference number 6, you receive all parts identified by reference numbers 6:1, 6:2, and 6:3. However, you may also order any part individually. Reference numbers of this type appear in illustrations and in part lists.

Reference Numbers Indicating Quantity

In an illustration, if a reference number indicates more than one part, the reference number has the form nX y. The n represents the quantity of the part, the X is the multiplication symbol, and the y represents the reference number.

For example, in an illustration, the reference number 2X 37 means that two of the parts identified by reference number 37 are indicated.

Part Description Abbreviations

Part descriptions in this catalog may include the following abbreviations.

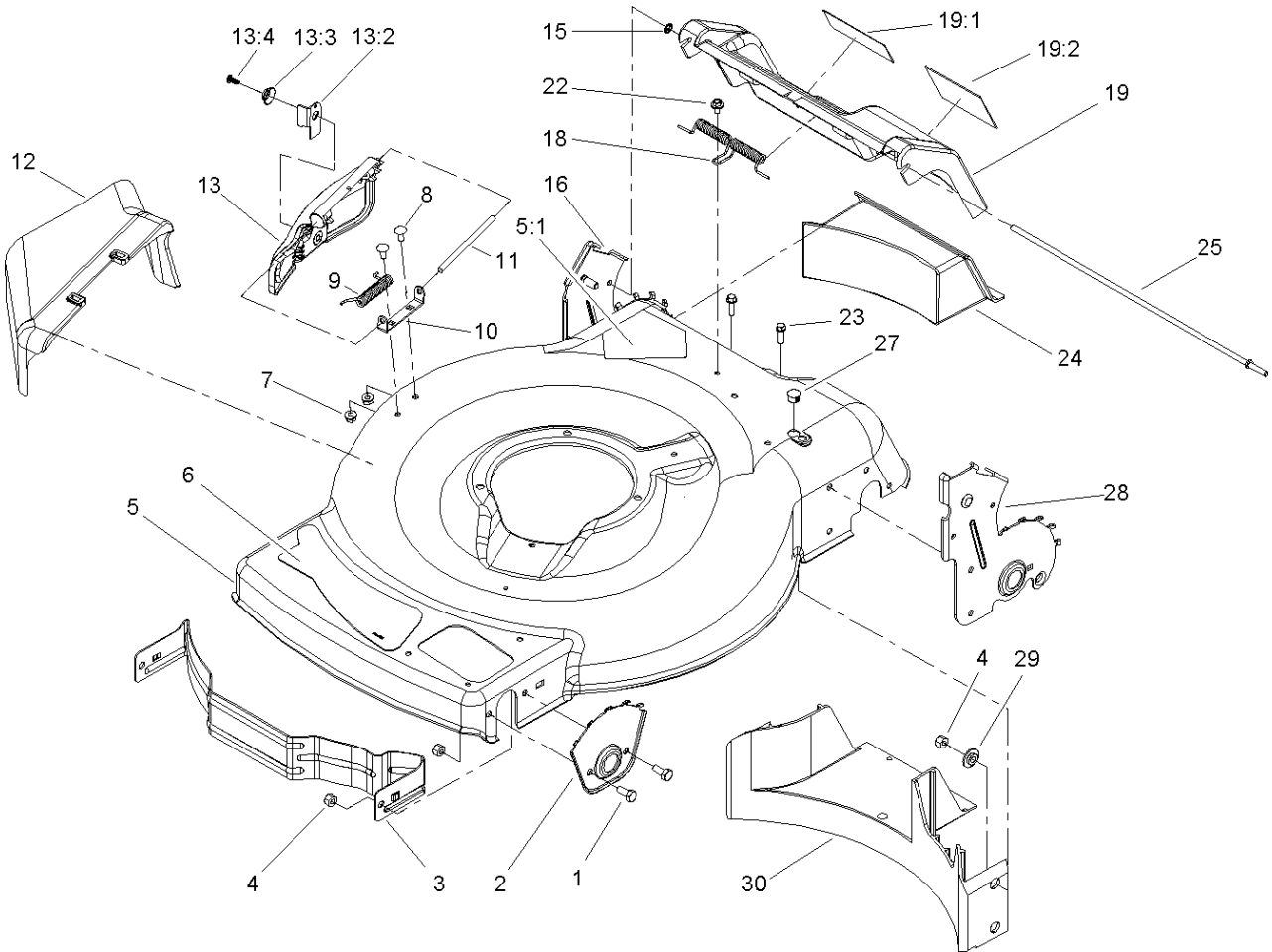
AR.	as required	HYD.	hydraulic
ASM.	assembly	INC.	incorporated
CARR.	carriage	LH.	left hand
DEG.	degrees	NI.	nylon insert
FH.	flat head	PPH.	phillips pan head
GA.	gauge	PTH.	phillips truss head
HF.	hex flange	PTO.	power take off
HH.	hex head	RH.	right hand
HHF.	hex head flange	SFH.	slotted fillister head
HHFTF.	hex head flange thread forming	SHH.	slotted hex head
HJ.	hex jam	SHWH.	slotted hex washer head
HLH.	hex lag head	SPH.	slotted pan head
HOC.	height-of-cut	SQH.	square head
HS.	hex	SRH.	slotted round head
HSBH.	hex socket button head	STD.	standard
HSFH.	hex socket flat head	TAP.	self tapping
HS.	hex socket head	TTH.	torx truss head
HWH.	hex washer head	WH.	wing head
HWHTF.	hex washer head thread forming		

Footnotes

- ❶ Not serviced separately
- ❷ Included in Repair Kit No. 632809
- ❸ Obtain parts from your local Tecumseh dealer

Contents

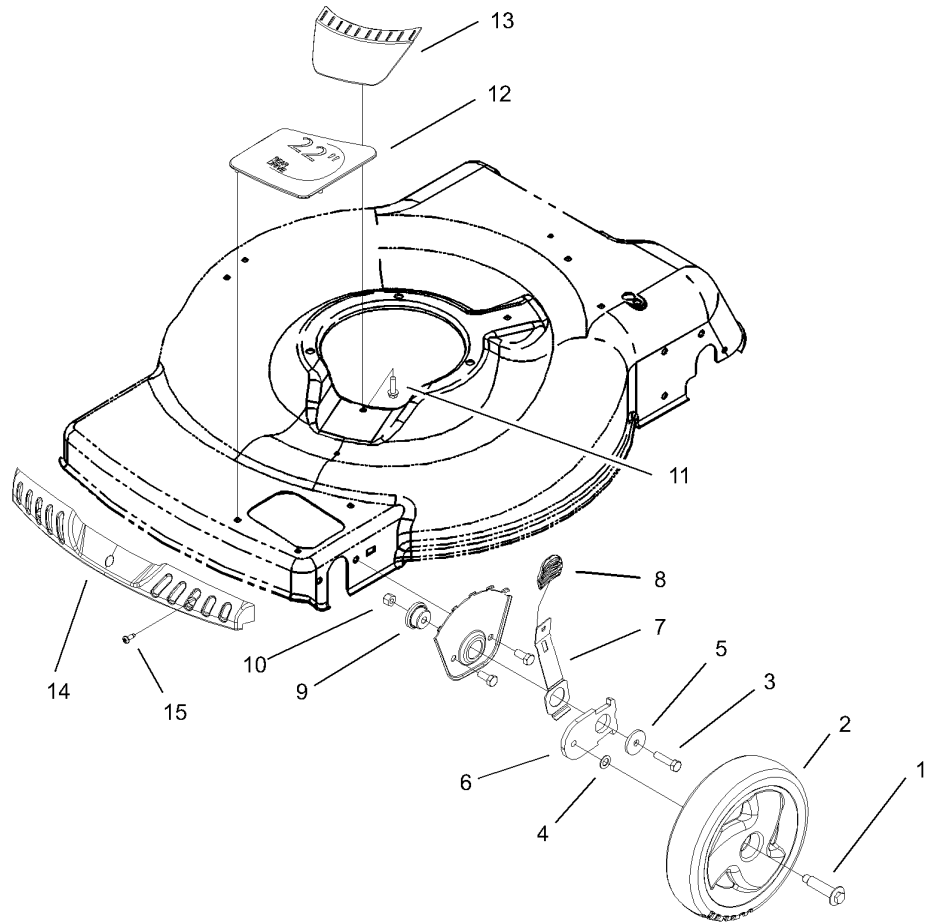
Description	Page	Description	Page
Housing Assembly 3	Carburetor Assembly No. 640303 Tecumseh LEV120-362003A 14
Front Axle and Wheel Assembly 4	Recoil Starter Assembly No. 590739 Tecumseh No. LEV120-362003A 15
Rear Axle and Transmission Assembly 5	Recoil Starter Assembly No. 590702 (Optional) Tecumseh LEV120-362003A 16
Transmission Assembly No. 106-3956 6		
Engine and Blade Assembly 7		
Handle Assembly 8		
Grass Bag Assembly 9		
Engine Assembly No. 1 Tecumseh LEV120-362003A 10		
Engine Assembly No. 2 Tecumseh LEV120-362003A 12		



Housing Assembly

Ref	Part No.	Qty.	Description
1	322-3	4	Screw-HH
2	105-1808-03	2	Plate-Hoc, Front
3	104-8694-03	1	Baffle-Front
4	3296-29	8	Nut-Lock, NI
5	104-7916	1	Housing
5:1	94-8072	1	Decal-Danger, Cut Finger
6	105-1297	1	Decal-Deck
7	32128-32	2	Nut-HHF
8	3229-11	2	Screw-CARR
9	99-5293	1	Spring-Torsion
10	99-5292	1	Bracket-Cover
11	99-5291	1	Rod-Cover
12	105-3028	1	Chute-Side Discharge
13	106-8376	1	Discharge Door ASM
13:2	107-0795	1	Latch-Door
13:3	107-7456	1	Cap-Door
13:4	107-7461	1	Screw-Plastite
15	32112-6	1	Pushnut
16	107-0790	1	RH Rear HOC Plate ASM
18	105-3032	1	Spring-Door, Rear
19	105-1324	1	Door
19:1	104-7909	1	Decal-Warning
19:2	104-7908	1	Decal-Warning
22	46-6810	1	Screw And Washer ASM

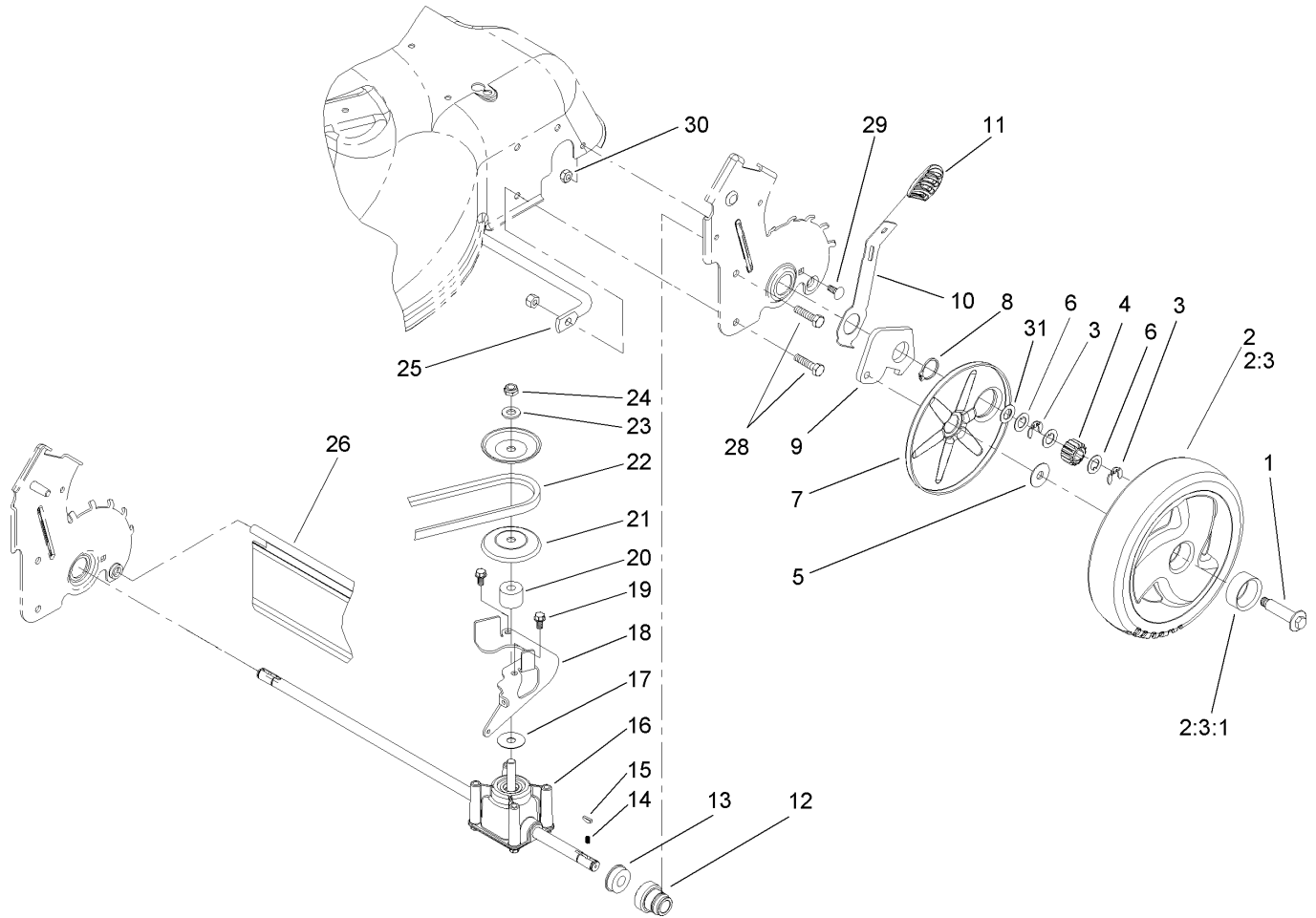
Ref	Part No.	Qty.	Description
23	46-8091	2	Screw-HWH
24	105-1842	1	Plug-Discharge, Rear
25	105-1827	1	Rod-Pivot, Rear Door
27	104-9369	1	Plug-Dome
28	107-0783	1	LH Rear HOC Plate ASM
29	105-3006	4	Washer-Stepped
30	105-1834	1	Baffle-Rear



Front Axle and Wheel Assembly

Ref	Part No.	Qty.	Description
1	614650	2	Bolt-Shoulder
2	105-1814	2	Wheel ASM
3	322-6	2	Screw-HH
4	40-1940	2	Washer
5	105-3048	2	Washer-Flat
6	105-1807	2	Arm-Pivot, Front
7	105-1809	2	Arm-Spring
8	105-3042	2	Knob-Lever, HOC
9	105-1818	2	Bushing-Mount, HOC
10	3296-29	2	Nut-Lock, NI
11	46-8091	1	Screw-HWH
12	105-3004	1	Cover-Cutout
13	105-3005	1	Cover-Belt Opening
14	104-9359	1	Bumper-Mower
15	105-6849	3	Screw-Thread Forming

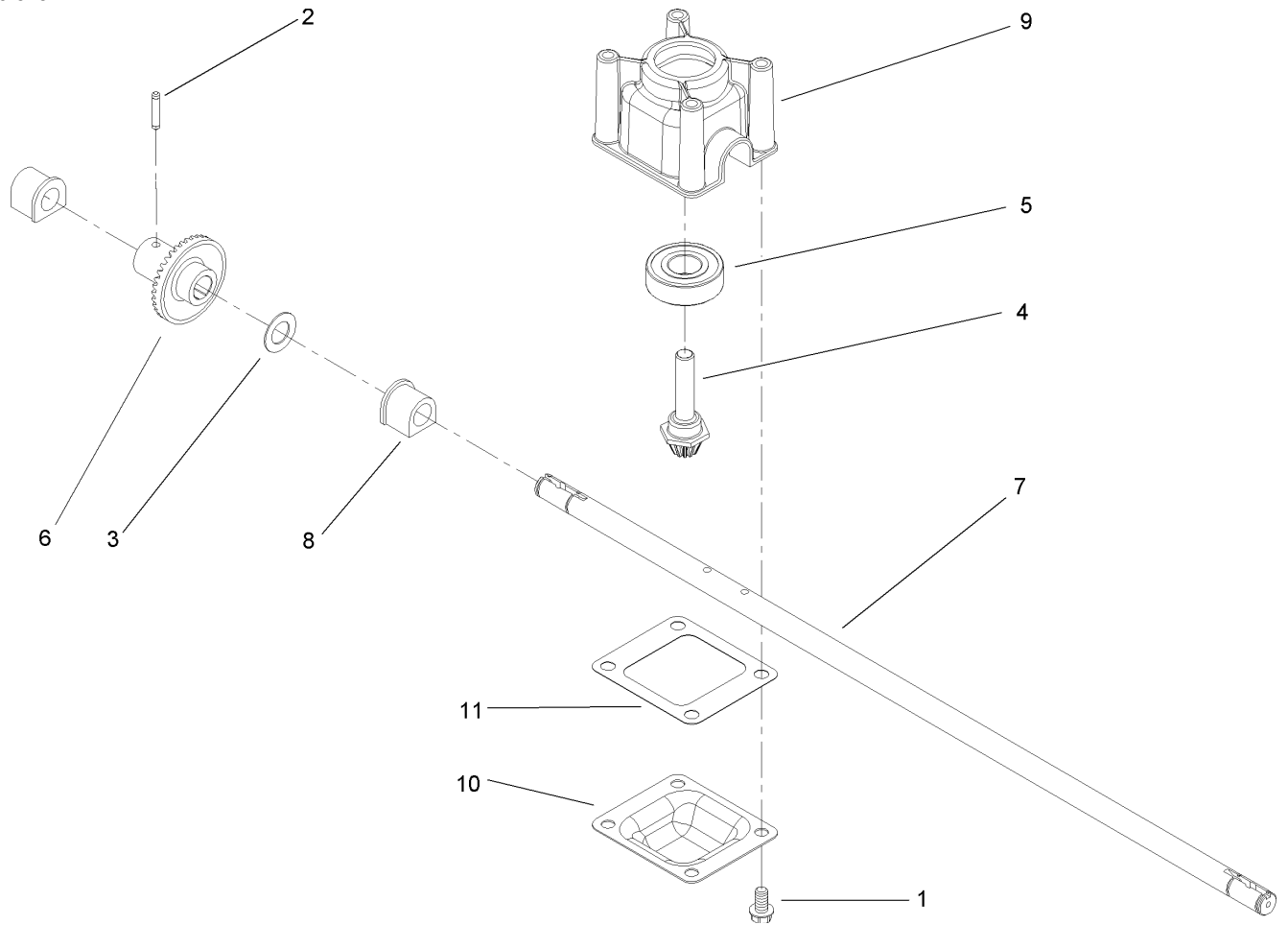
--	--	--	--



Rear Axle and Transmission Assembly

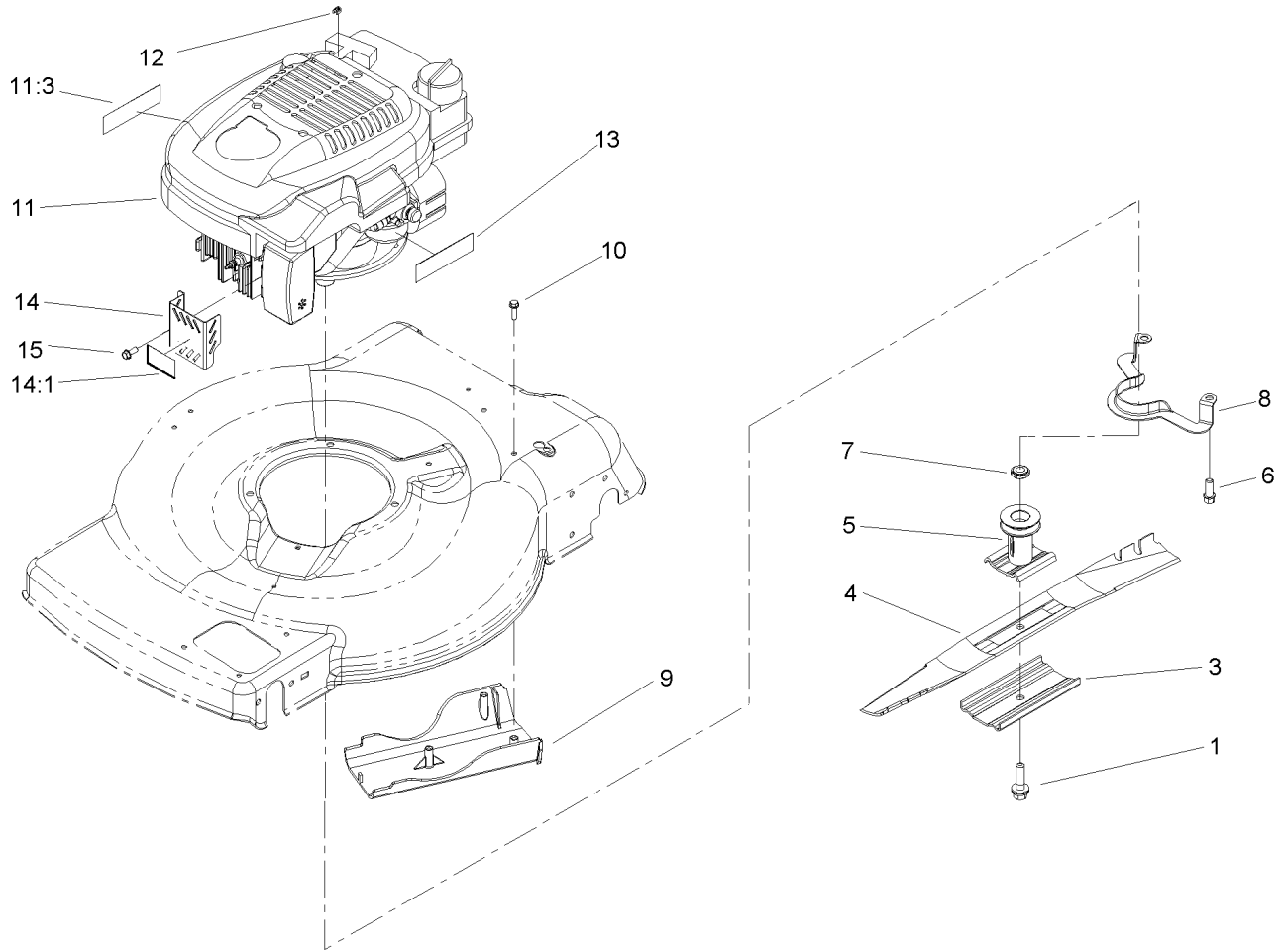
Ref	Part No.	Qty.	Description
1	614650	2	Bolt-Shoulder
2	105-3036	2	Wheel Gear ASM
2:3		1	Wheel Bushing ASM
2:3:1	27-6250	2	Bushing
3	65-2720	4	Klipring-Locking
4	105-3040	2	Gear-Pinion, 15t
5	614426	2	Washer-Stepped
6	105-6840	6	Washer-Thrust
7	105-1838	2	Cover-Wheel
8	32151-36	2	Ring-Retaining
9	105-1819	2	Arm-Pivot, Rear
10	105-1809	2	Arm-Spring
11	105-3042	2	Knob-Lever, HOC
12	104-8698	2	Retainer-Bearing, HOC
13	104-8699	2	Bearing-Ball
14	39-9650	2	Spring-Compression
15	612066	2	Key
16	106-3956	1	Transmission ASM
17	105-6814	1	Washer-Shield
18	105-1832-03	1	Bracket-Pivot
19	32144-4	2	Screw-HWH
20	92-5791	1	Spacer
21	100-1176	2	Pulley-Half
22	91-2258	1	V-Belt

Ref	Part No.	Qty.	Description
23	3256-24	1	Washer-Flat
24	3296-5	1	Nut-Lock, NI
25	105-1811	1	Brace-HOC Plate
26	105-1843	1	Shield-Trailing
28	322-6	4	Screw-HH
29	3229-11	2	Screw-CARR
30	3296-16	2	Nut-Lock, NI
31	36-4780	1	Washer



Transmission Assembly No. 106-3956

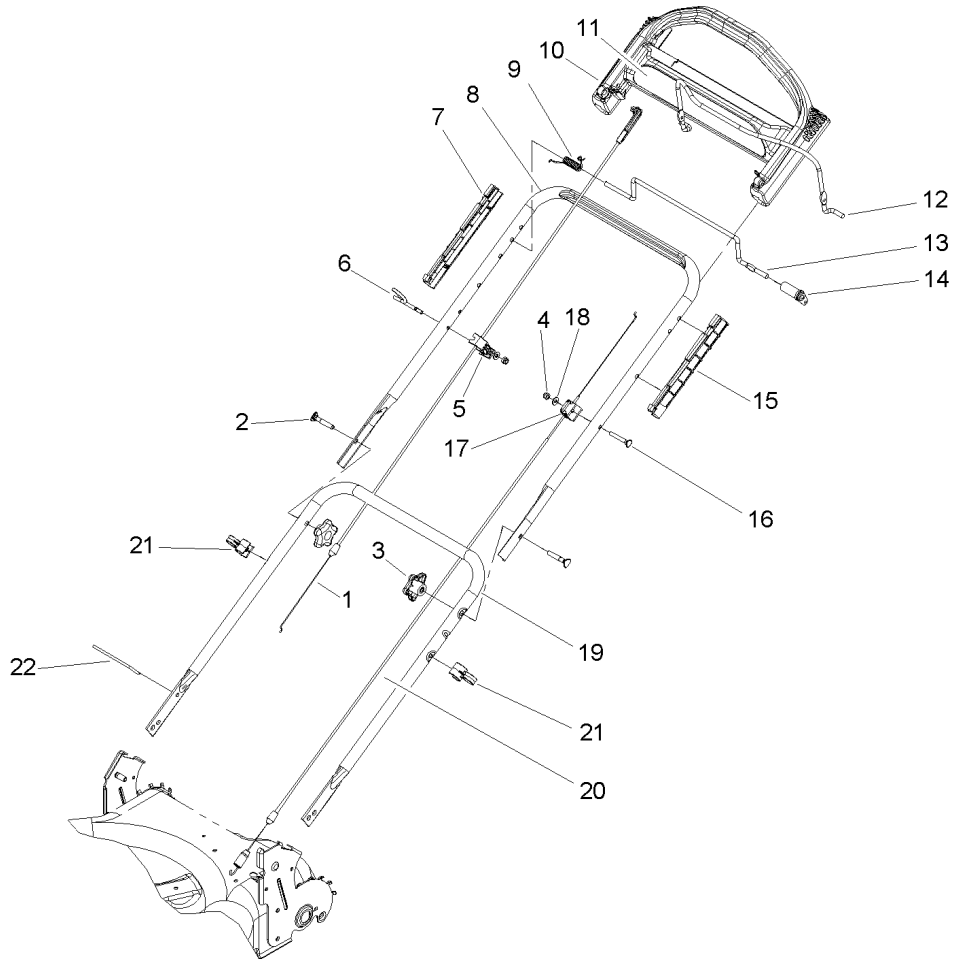
Ref	Part No.	Qty.	Description				
1	32144-4	4	Screw-HWH				
2	105-6817	1	Pin-Groove				
3	36-4780	1	Washer				
4	92-5790	1	Pinion				
5	100-1048	1	Bearing-Ball				
6	104-8671	1	Gear-Bevel, 37t				
7	106-3957	1	Shaft-Output				
8	104-8673	2	Bushing-Shaft, Output				
9	104-8674	1	Gearcase-Upper				
10	104-8675-03	1	Cover-Gearcase				
11	105-6839	1	Gasket-Gearcase				



Engine and Blade Assembly

Ref	Part No.	Qty.	Description
1	105-8579	1	Bolt-Blade
3	105-3029-03	1	Support-Blade
4	104-8697-03	1	Blade-22 Inch
5	106-3987	1	Blade Driver ASM
6	95-1726	3	Screw-Taptite
7	106-3999	1	Spacer-Driver
8	105-3030-03	1	Guide-Belt
9	105-1835	1	Cover-Belt, Rear
10	46-8091	3	Screw-HWH
11		1	Engine-Tecumseh, Lv195ea-362003b
11:3	105-6815	1	Decal-Recoil
12	92-1701	1	Stop-Rope
13	105-6832	1	Decal-Primer
14	106-8387	1	Muffler Guard Assembly
14:1	106-5517	1	Decal-Surface, Hot
15	32144-4	1	Screw-HWH

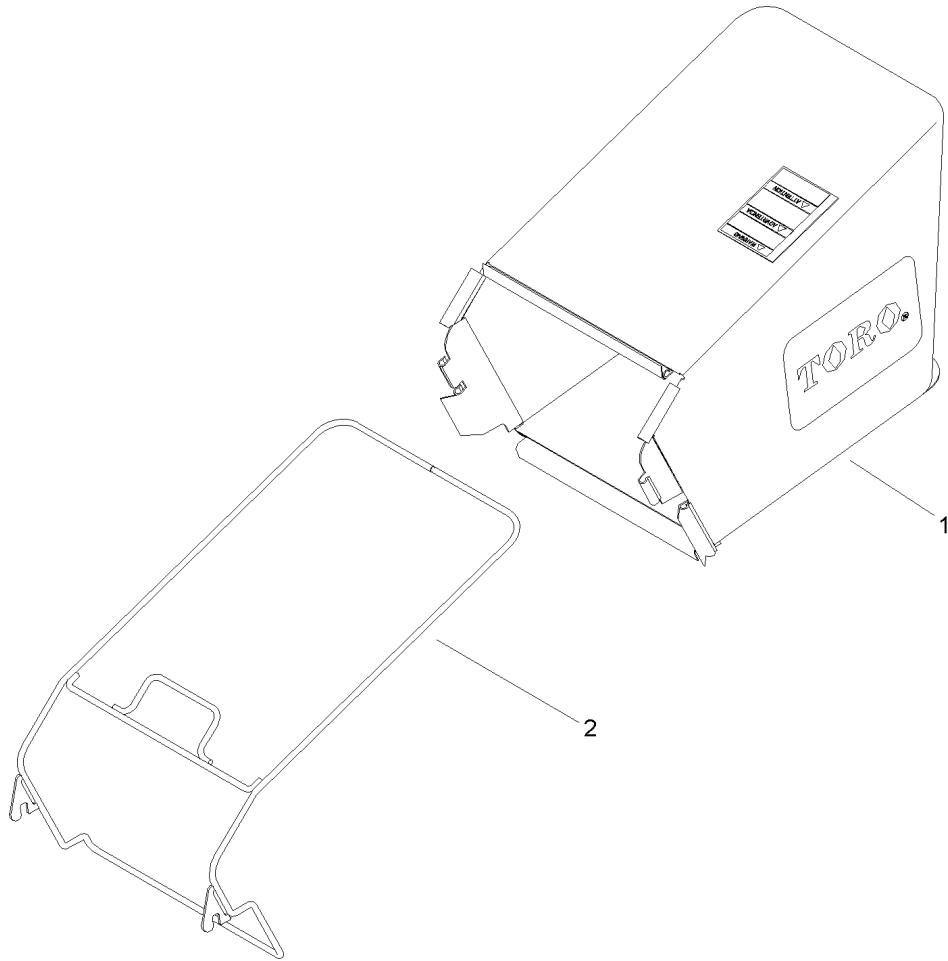
--	--	--	--



Handle Assembly

Ref	Part No.	Qty.	Description
1	104-8676	1	Cable-Brake
2	92-2260	2	Screw-Handle
3	106-4161	2	Knob-Handle
4	3296-73	2	Nut-Lock, NI
5	106-8331	1	Anchor-Cable
6	106-8330	1	Guide-Rope
7	105-6841	2	Guide-RH
8	104-8680-05	1	Handle-Upper
9	104-8690	1	Spring-Torsion
10	104-8678	1	Handle-Control
11	105-3033	1	Decal-Control Handle
12	104-8679-03	1	Bail-Brake
13	99-1588	1	Bar-Control, Traction
14	99-1589	1	Lever-Traction
15	105-6842	2	Guide-LH
16	95-4453	1	Screw
17	92-7729	1	Anchor-Cable, Upper
18	3256-1	2	Washer-Flat
19	107-0784-05	1	Handle-Lower
20	105-1844	1	Cable-Traction
21	106-6805	2	Guide-Cable
22	614249	1	Strap-Tie

--	--	--	--

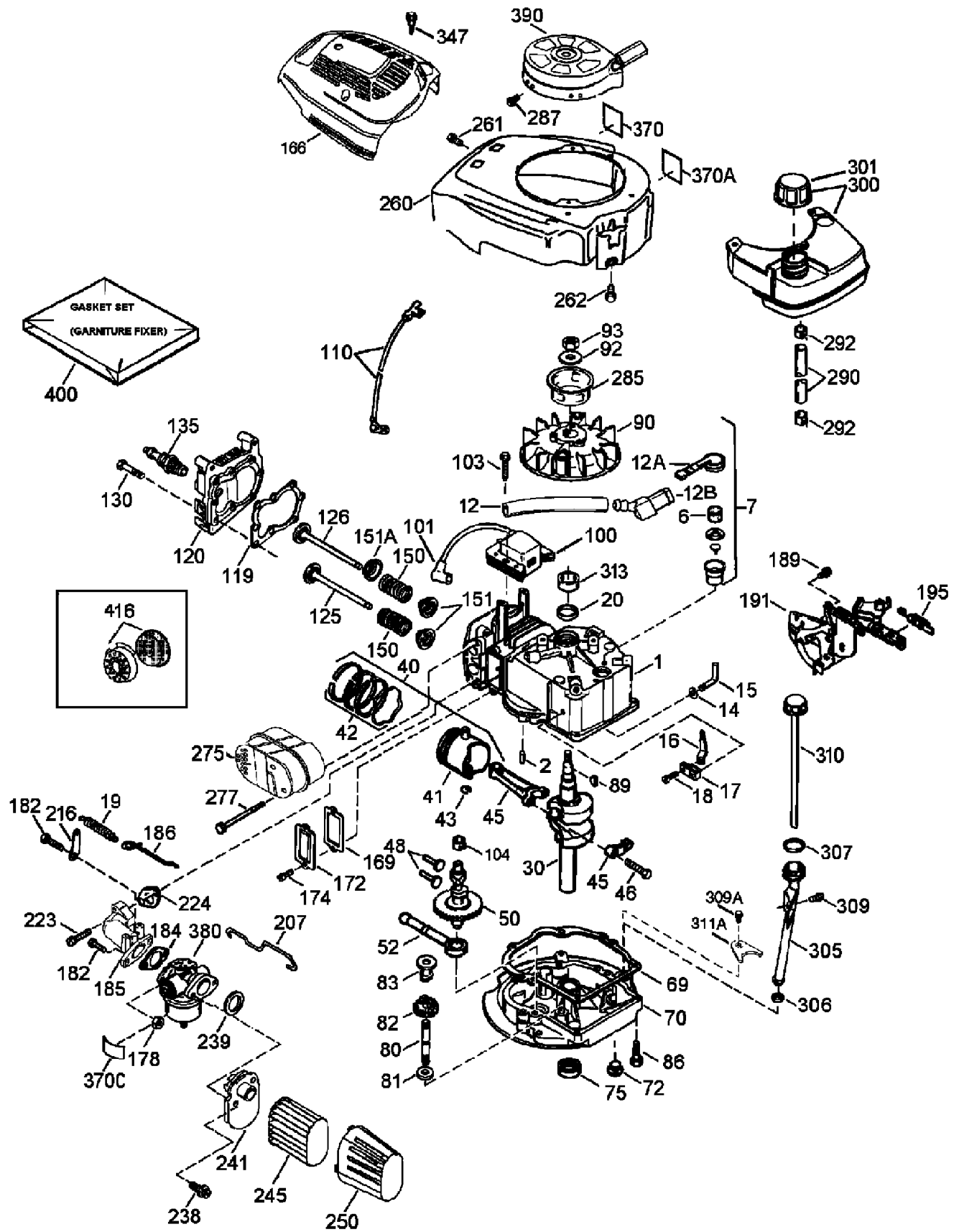


Grass Bag Assembly

Ref	Part No.	Qty.	Description
1	105-3011	1	Grass Bag ASM
2	105-6831-03	1	Brace Bag Frame ASM

--	--	--	--

Engine Assembly No. 1 Tecumseh LEV120-362003A



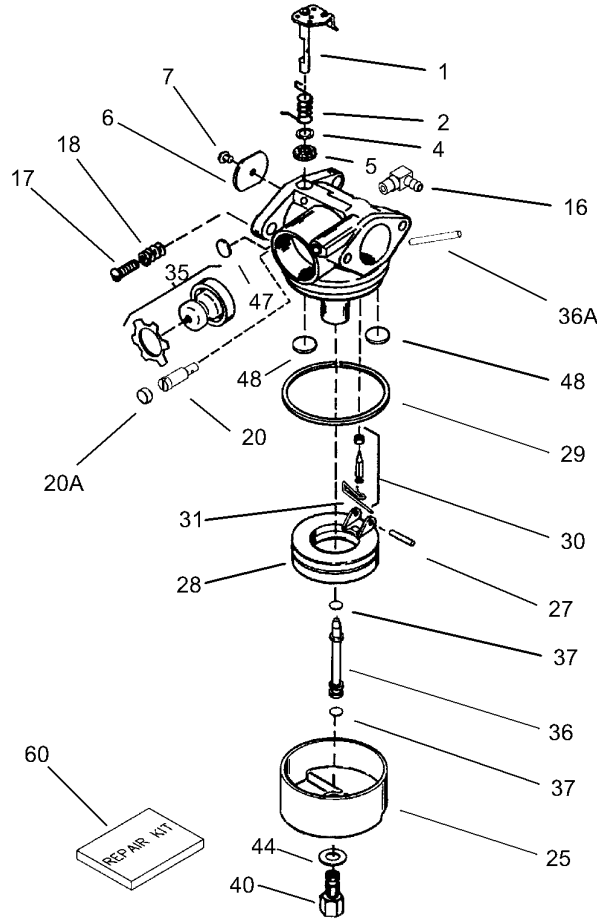
Engine Assembly No. 1

Tecumseh LEV120-362003A

Ref	Part No.	Qty.	Description	Ref	Part No.	Qty.	Description
1	37465	1	Cylinder ASM (Incl. Ref. #2, 20 And 150)	126	37289	1	Valve-Intake (Std.) (Incl. Ref. #151 And 151a)
2	26727	2	Pin-Dowel	130	6021A	8	Screw, 5/16-18 X 1-7/16in
6	33734	1	Element-Breather	135	35395	1	Resistor Spark Plug (Rj19lm)
7	36557	1	Breather ASM (Incl. Ref. #6 And 12a)	150	31672	2	Spring-Valve
12	36775	1	Tube-Breather	151	31673	2	Cap-Valve Spring
12A	36558	1	Breather Cover And Tube ASM	151A	40017	1	Seal-Intake Valve
12B	36694	1	Elbow-Breather, Tube	166	37694	1	Shroud-Engine
14	28277	1	Washer	169	36783	1	Gasket-Valve Cover
15	30589	1	Governor Rod ASM (Incl. Ref. #14)	172	36784	1	Cover-Valve
16	34839A	1	Lever-Governor	174	30200	2	Screw, 10-24 X 9/16in
17	31335	1	Lever Clamp-Governor	178	29752	2	Nut And Lock Washer, 1/4-28
18	651018	1	Screw, T-15, 8-32 X 19/64in	182	6201	2	Screw, 1/4-28 X 7/8in
19	36281	1	Spring-Extension	184	26756	1	Gasket-Carburetor To Intake Pipe
20	32600	1	Seal-Oil	185	37466	1	Pipe-Intake
30	37692	1	Crankshaft	186	32653	1	Link-Governor
40	40027	1	Piston, Pin And Ring Set (Std.)	189	650839	2	Screw, 1/4-20 X 3/8in
41	40042	1	Piston And Pin ASM (Std.)(Incl. Ref. #43)	191	36559A	1	Bracket-Brake, S.e (Incl. Ref. #195)
42	40006	1	Ring Set (Std.)	195	610973	1	Terminal
43	20381	2	Retaining Ring-Piston Pin	207	34336A	1	Link-Throttle
45	36777	1	Connecting Rod ASM (Incl. Ref. #46)	216	33086	1	Lever-R.p.m. Adjusting
46	32610A	2	Bolt-Connecting Rod	223	650451	2	Screw, 1/4-20 X 1in
48	27241	2	Lifter-Valve	224	36786	1	Gasket-Intake Pipe
50	37460	1	Camshaft (Incl. Ref. #104)	238	650932	2	Screw, 10-32 X 49/64in
52	29914	1	Oil Pump ASM	239	34338	1	Gasket-Air Cleaner
69	37609	1	Gasket-Mounting Flange	241	36919	1	Collar-Air Cleaner
70	37608	1	Mounting Flange ASM (Incl. Ref. #72-83, 206, 309a And 311a)	245	36905	1	Filter-Air Cleaner
72	37614	1	Plug-Oil Drain	250	37122	1	Cover-Air Cleaner
75	27897	1	Seal-Oil	260	37696A	1	Housing-Blower
80	30574A	1	Shaft-Governor	261	30200	2	Screw, 10-24 X 9/16in
81	30590A	1	Washer	262	650831	2	Screw, 1/4-20 X 1/2in
82	30591	1	Gear-Governor (Incl. Ref. #81)	275	37498	1	Muffler
83	30588A	1	Spool-Governor	277	650988	2	Screw, 1/4-20 X 2-9/32in
86	650488	6	Screw, 1/4-20 X 1-1/4in	285	35000A	1	Cup-Starter
89	611004	1	Key-Flywheel	287	650926	2	Screw, 8-32 X 21/64in
90	611112	1	Flywheel	290	29774	1	Line-Fuel
92	650815	1	Washer-Belleville	292	26460	2	Clamp-Fuel Line
93	650816	1	Nut-Flywheel	300	35586A	1	Tank-Fuel (Incl. Ref. #292 And 301)
100	34443C	1	Ignition-Solid State	301	36246	1	Fuel Cap ASM
101	610118	1	Cover-Spark Plug	305	35647	1	Tube-Oil Fill
103	651007	2	Screw, T-15, 10-24 X 15/16in	306	37610	1	O-Ring
104	37480	1	Bushing-Cam	307	35499	1	O-Ring
110	37047	1	Wire-Ground	309	650562	1	Screw, 10-32 X 1/2in
119	36787	1	Gasket-Cylinder Head	309A	650783	1	Screw, 10-24 X 3/4in
120	36825	1	Head-Cylinder	310	35648	1	Dipstick
125	36780	1	Valve-Exhaust (1/32" Os) (Incl. Ref. #151)	311A	37611	1	Bracket-Hold Down
125	37288	1	Valve-Exhaust (Std.) (Incl. Ref. #151)				

Engine Assembly No. 2 Tecumseh LEV120-362003A

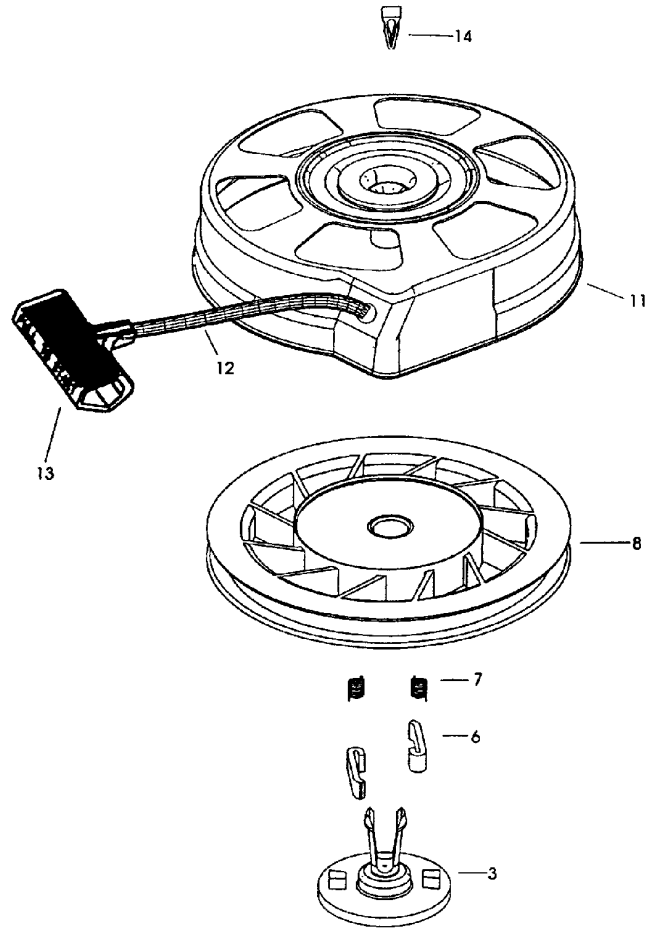
Ref	Part No.	Qty.	Description				
313	34080	1	Spacer				
347	650898A	1	Screw, 10-32 X 27/32in				
370	35977	1	Decal-Warning				
370A	36261	2	Decal-Lubrication				
370C	37695	1	Decal-primer(3 X)				
380	640303	1	(Incl. Ref. #184 Of Engine Parts List)				
390	590739	1	Starter-Rewind				
400	37613	1	Gasket Set (Incl. Items Marked Pk In Notes)				
416	37530	1	Spark Arrestor Kit (Optional)				
	750876	1	Short Block Asm				



Carburetor Assembly No. 640303 Tecumseh LEV120-362003A

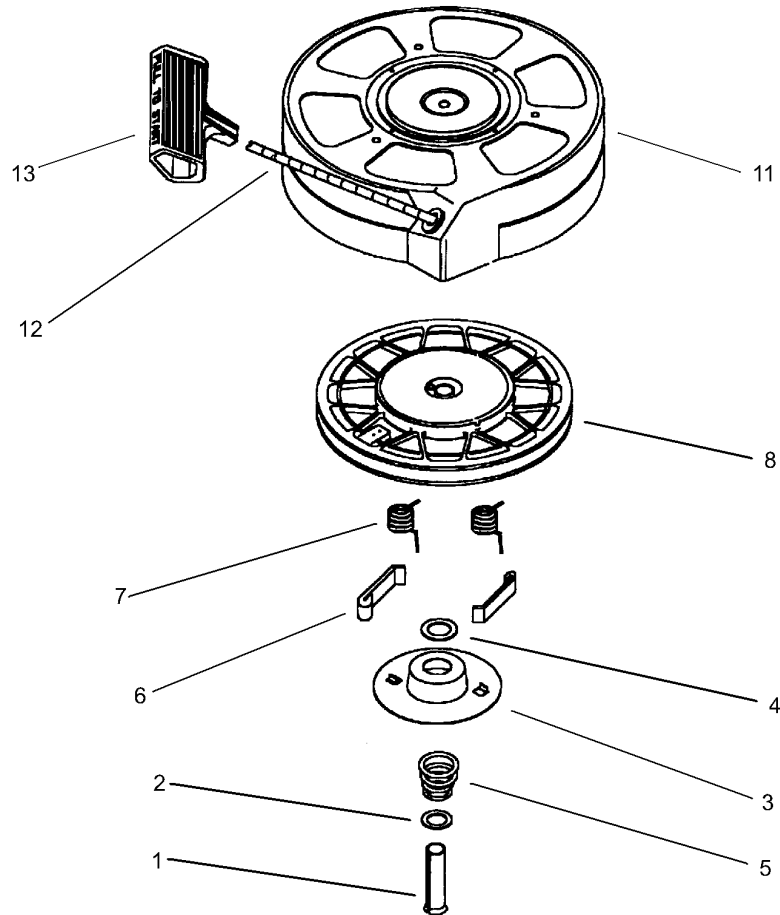
Ref	Part No.	Qty.	Description
①0	640303	1	Carburetor ASM (Incl. Ref. #184)
①1	631615	1	Throttle Shaft & Lever ASM
①2	631767	1	Spring-Throttle Return
②①4	631184	1	Washer-Dust Seal
②①5	631183	1	Seal-Dust
①6	640070	1	Shutter-Throttle
②①7	650506	1	Screw-Shutter
①16	631807	1	Fitting-Fuel
①17	651025	1	Throttle Crack Screw/Idle Speedscrew
①18	630766	1	Spring-Tension
①20	640018	1	Screw-Idle Restrictor
②①20A	640200	1	Cap-Idle Restrictor Screw
①25	631867	1	Bowl-Float
②①27	631024	1	Shaft-Float
①28	632802	1	Float (Plastic)
②①29	631028	1	O-Ring-Float Bowl
②①30	632807	1	Inlet Needle, Seat, And Clip (Incl. Ref. #31)
②①31	631022	1	Spring Clip
①35	640259	1	Primerbulb (Red)/retainer Ring
①36	640019	1	Tube-Main Nozzle
①36A	632766	1	Extension-Bowl Vent Tube
②①37	632547	2	O-Ring-Main Nozzle Tube

Ref	Part No.	Qty.	Description
①40	640087	1	Nut-High Speed Bowl
②①44	27110A	1	Washer-Bowl Nut
②①47	630748	1	Welch Plug-Idle Mixture Well
②①48	631027	2	Welch Plug-Atmospheric Vent
②①60	632809	1	Repair Kit



Recoil Starter Assembly No. 590739 Tecumseh No. LEV120-362003A

Ref	Part No.	Qty.	Description				
0	590739	0	Starter-Rewind				
3	590740	1	Retainer				
6	590616	2	Dog-Starter				
7	590617	2	Spring-Dog				
8	590618A	1	Pulley And Rewind Spring ASM				
11	590638	1	Housing Assembly-Starter				
12	590535	1	Rope-Starter (Length 98in X 9/64in Dia.)				
13	590701	1	Handle-Starter				
14	590760	1	Spring Clip				



Recoil Starter Assembly No. 590702 (Optional) Tecumseh LEV120-362003A

Ref	Part No.	Qty.	Description				
⑩0	590702	0	Starter-Recoil				
⑩1	590599A	1	Spring Pin (Incl. Ref. #4)				
⑩2	590600	1	Washer				
⑩3	590696	1	Retainer				
⑩4	590601	1	Washer				
⑩5	590697	1	Spring-Brake				
⑩6	590698	2	Dog-Starter				
⑩7	590699	2	Spring-Dog				
⑩8	590700	1	Pulley And Rewind Spring ASM				
⑩11	590703A	1	Starter Housing ASM (40 Degree Grommet)				
⑩12	590535	1	Rope-Starter (Length 98in X 9/64in Dia.)				
⑩13	590701	1	Handle-Starter				

NOTES

NOTES

NOTES

