



**Count on it.**

**Parts Catalog**

**Greensmaster® 3300 TriFlex®  
Traction Unit**

Model No. 04510—Serial No. 410400000 and Up



# Ordering Replacement Parts

To order replacement parts, please supply the part number, the quantity, and the description of each part desired.

## Understanding Reference Numbers

Each identified part in an illustration has a reference number. The reference number for a part also appears in the parts list, along with other information about the part.

This catalog uses two special reference number formats, one to indicate parts in a service assembly and another to indicate the quantity of a given part in an illustration.

## Service Assembly Reference Numbers

Parts in service assemblies have reference numbers in the form a:b. The a represents the reference number of the entire service assembly and the b represents a sequential number unique to each part within the service assembly.

For example, a wheel assembly might be identified by reference number 6, the tire by 6:1, the valve by 6:2, and the wheel by 6:3. When you order the assembly identified by reference number 6, you receive all parts identified by reference numbers 6:1, 6:2, and 6:3. However, you may also order any part individually. Reference numbers of this type appear in illustration and in parts lists.

## Reference Numbers Indicating Quantity

In an illustration, if a reference number indicates more than one part, the reference number has the form nX y. The n represents the quantity of the part, the X is the multiplication symbol, and the y represents the reference number.

For example, in an illustration, the reference number 2X 37 means that two of the parts identified by reference number 37 are indicated.

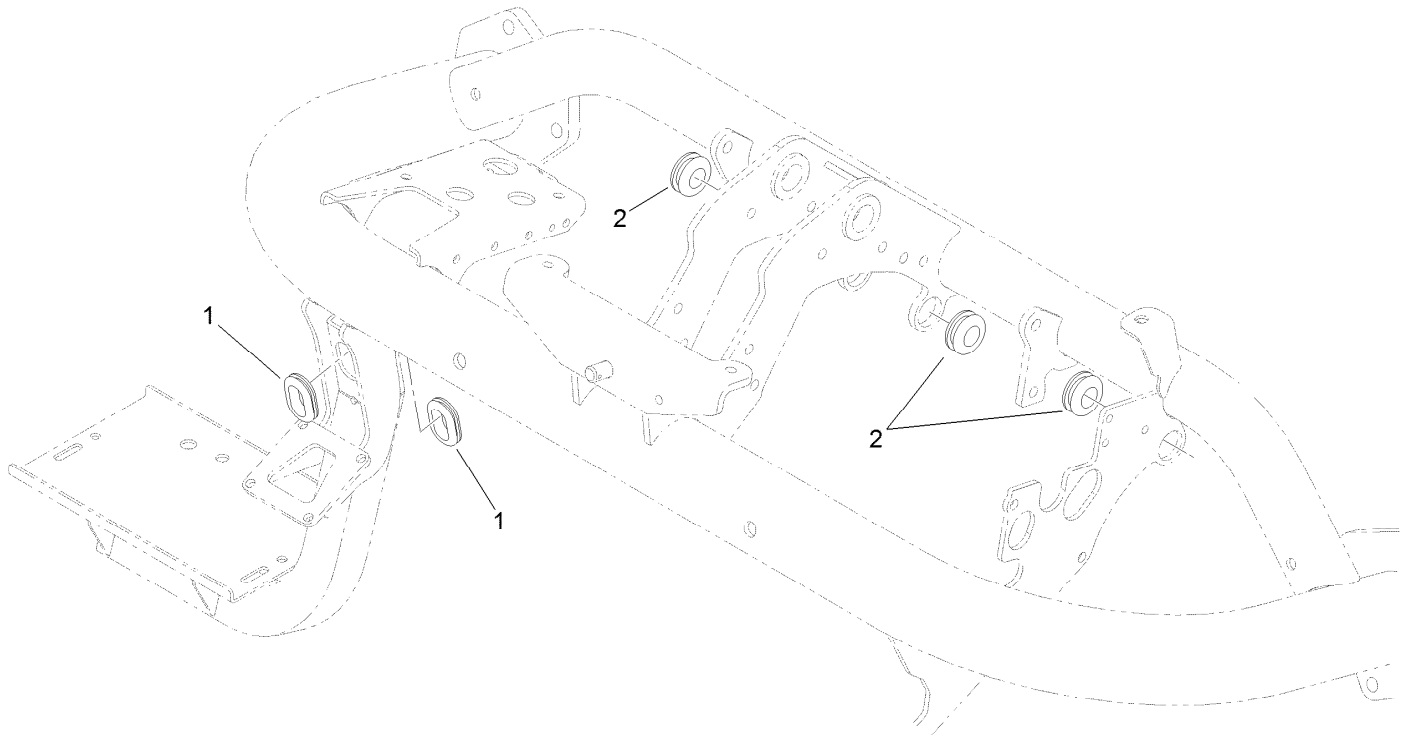
# Contents

Roll-Over Protection System Assembly .....	4
Brake Cable Grommet Assembly .....	5
Frame Assembly .....	6
Platform Assembly .....	7
Right Hand Support Platform Assembly .....	8
Seatbase Assembly .....	9
Steering Arm and Adjuster Assembly .....	10
Brake Cable and Lever Assembly .....	11
Back Wheel Assembly .....	12
Hydraulic Cylinder Assembly No. 117-4480 .....	13
Front Wheel Assembly .....	14
Right Hand Brake Assembly No. 139-2722 .....	15
Left Hand Brake Assembly No. 139-2721 .....	16
Right Hand Wheel Motor Assembly No. 117-4302 .....	17
Left Hand Wheel Motor Assembly No. 117-4303 .....	18
Console and Reel Control Assembly .....	19
Traction Interface Control Assembly .....	20
Ignition, Throttle and Choke Control Assembly .....	21
Console Cable Routing Assembly .....	22
Engine and Exhaust Assembly .....	23
Battery Assembly .....	24
Wire Harness Assembly .....	25
Pump Coupling Assembly .....	26
Neutral Centering Assembly .....	27
Traction Drive Hydraulic Line Assembly .....	28
Traction Drive Hose Routing Assembly .....	29
Hydraulic Mow Assembly .....	30
Hydraulic Mow Manifold Assembly .....	31
Hydraulic Mow Manifold Assembly No. 117-9858 .....	32
Hydraulic Mow Clamp Assembly .....	33
Hydraulic Mow Hose Routing Assembly .....	34
Hydraulic Mow Reel Motor Assembly .....	35
Hydraulic Reel Motor Assembly No. 115-3321 .....	36
Hydraulic Mow Gear Pump Assembly .....	37
Hydraulic Gear Pump Assembly No. 114-9956 .....	38
Lift Circuit Assembly .....	39
Steering Valve Assembly No. 114-4672 .....	41
Hydraulic Cylinder Assembly No. 119-8129 .....	42
Hydraulic Cylinder Assembly No. 119-8128 .....	43
Hydraulic Lift Manifold Assembly .....	44
Hydraulic Lift Manifold Assembly No. 125-5187 .....	45
Steering Circuit Assembly .....	46
Fuel Line and Carbon Canister Hose Routing Assembly .....	47
Fuel Tank Assembly .....	48
Hydraulic Tank and Leak Detector Assembly .....	49
Suspension and Basket Assembly .....	51
Basket Assembly No. 132-9599 .....	52
Suspension Pin Position Assembly .....	53
Suspension A-Arm Assembly .....	54
Suspension Crossarm Assembly .....	55
Attachments and Accessories .....	56



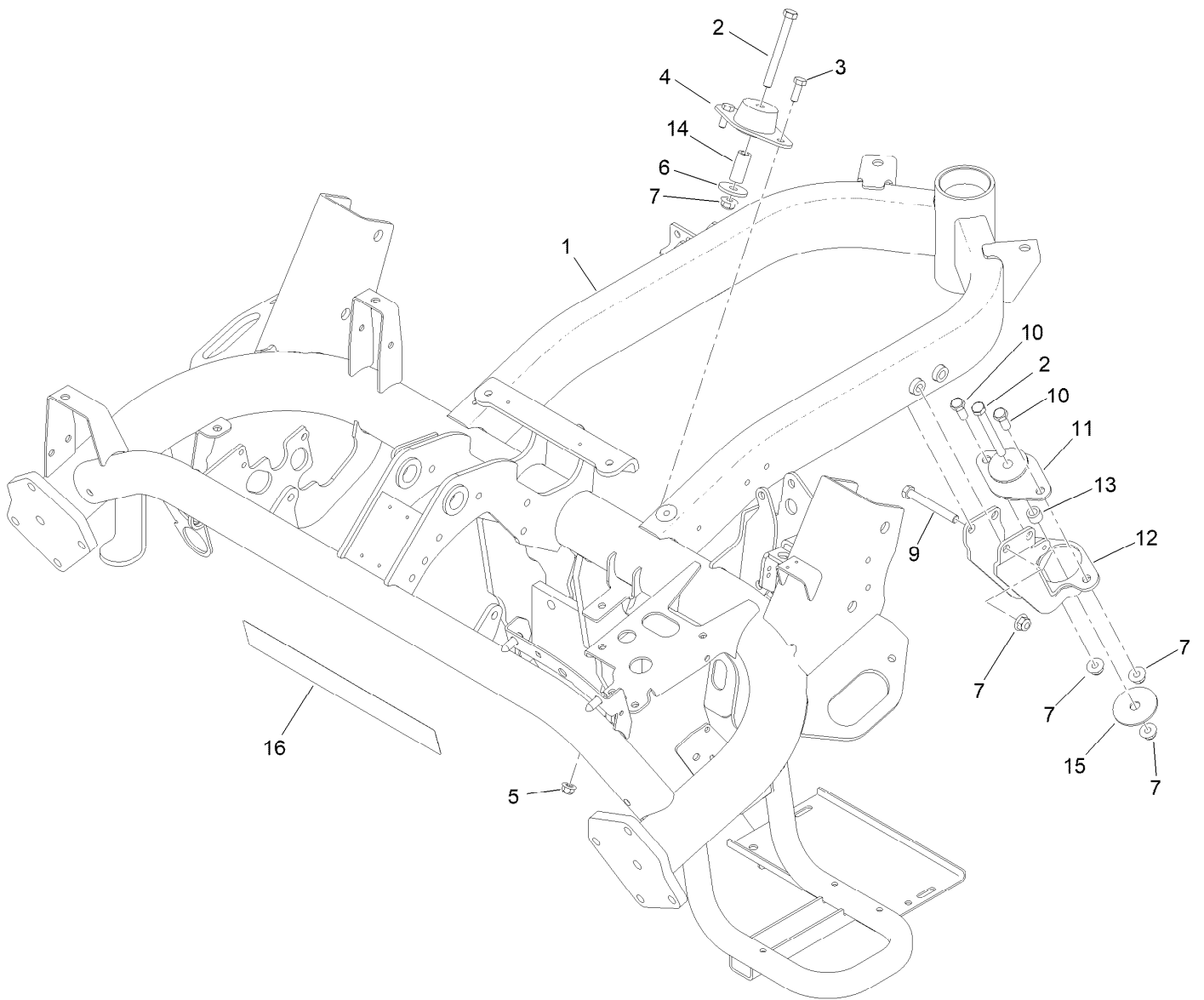
## Roll-Over Protection System Assembly

<i>Ref.</i>	<i>Part Number</i>	<i>Qty.</i>	<i>Description</i>	<i>Ref.</i>	<i>Part Number</i>	<i>Qty.</i>	<i>Description</i>
1	115-8206	1	ROPS ASM	7	117-9051-01	1	Step
1:2	115-8199	1	Decal-ROPS	8	119-4468-01	1	Plate-Step
1:3	115-8226	1	Decal-ROPS	9	32104-32	9	Screw-HWH
2	325-35	4	Screw-HH	11	2412-133	2	Clamp-R
3	117-9023	1	Casting-Side, RH	12	104-7050	1	Tube-Manual
3:2	94-9609	2	Bushing-Straight	13	104-7048	1	Cap-Housing
4	99-5107	4	Nut-HF Nylock	14	302-59	1	Plug-EXT Hex Spl
5	117-9035	8	Screw-HHF	17	119-1730	1	Receptacle-Clip, Mini
6	117-9022	1	Casting-Side, LH	18	3269-32	2	Rivet-Pop
6:2	60-0080	2	Bushing	19	121-5865	1	Clip-Cover, Back



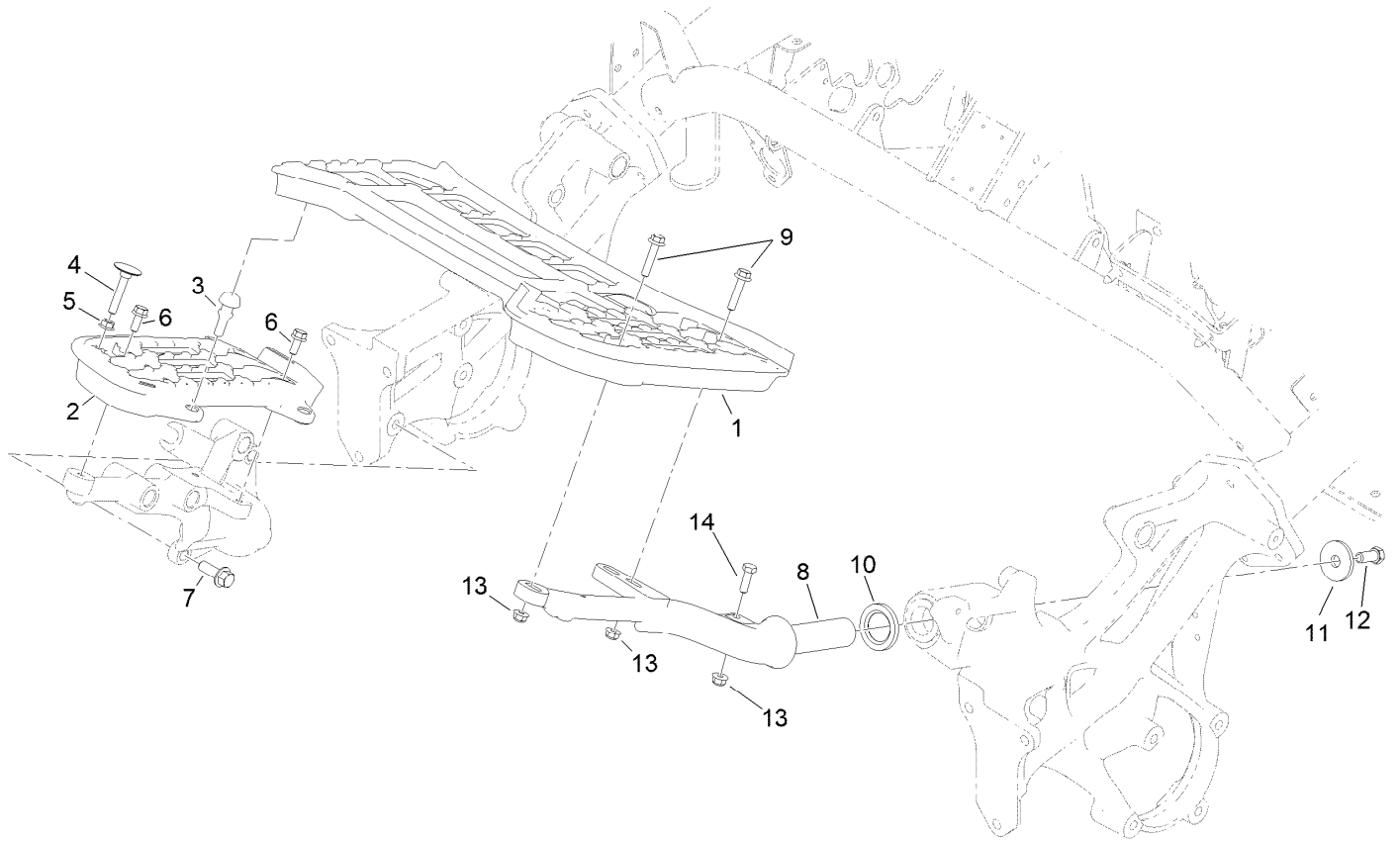
## Brake Cable Grommet Assembly

<i>Ref.</i>	<i>Part Number</i>	<i>Qty.</i>	<i>Description</i>
1	240-5	2	Grommet
2	98-8529	3	Grommet



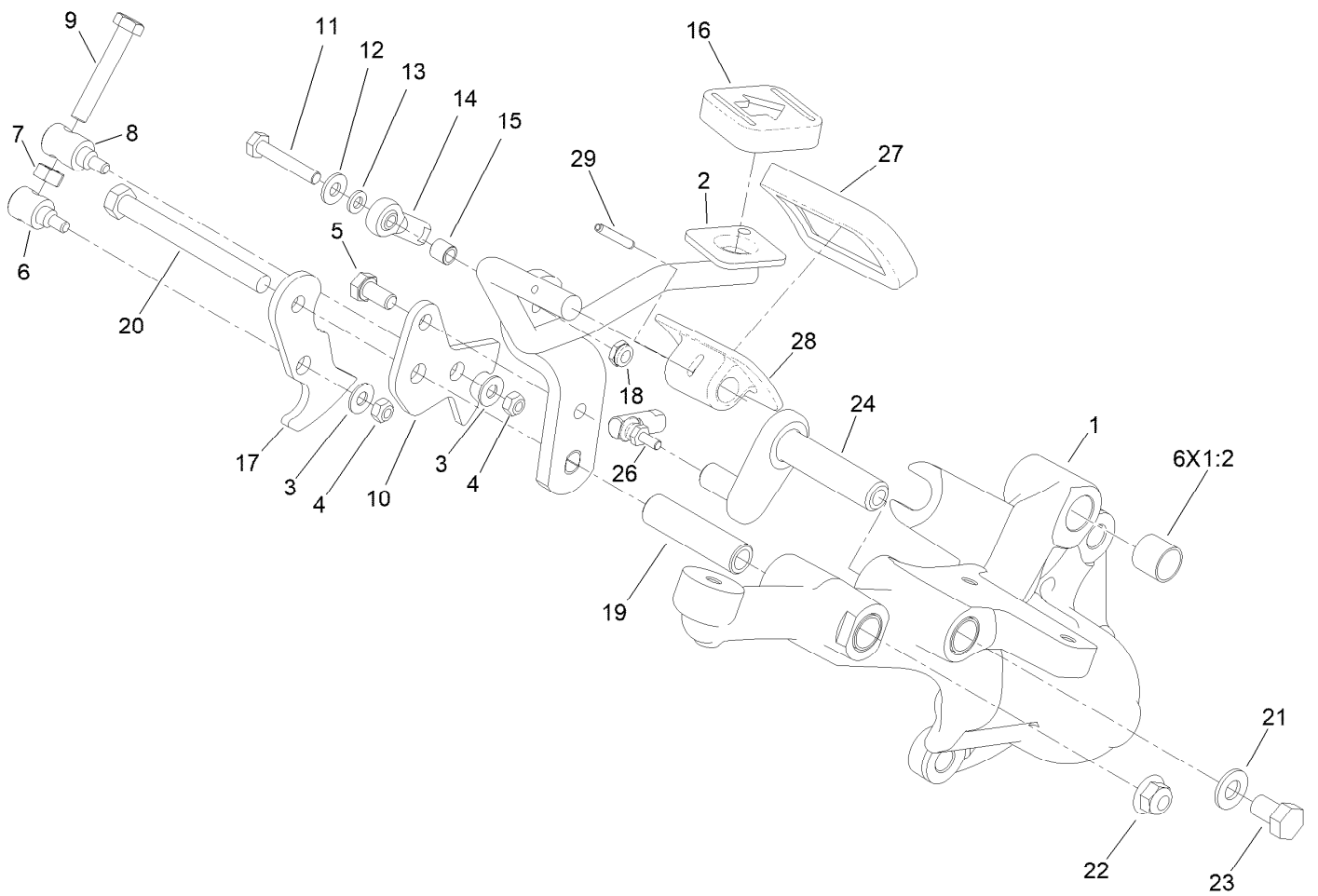
## Frame Assembly

<b>Ref.</b>	<b>Part Number</b>	<b>Qty.</b>	<b>Description</b>
1	140-5297-01	1	Frame ASM
2	323-15	3	Screw-HH
3	322-4	4	Screw-HH
4	121-9076	2	Mount-Engine
5	104-8300	4	Nut-HF, NI
6	117-9330	2	Spacer
7	104-8301	7	Nut-HF, NI
9	323-14	2	Screw-HH
10	323-5	2	Screw-HH
11	131-1821	1	Mount-Engine
12	117-9256-01	1	Mount-Engine, Rear
13	52-2480	1	Spacer-Wheel
14	104-0151	2	Spacer
15	87-5100	1	Washer-Snubbing
16	119-9348	1	Decal



## Platform Assembly

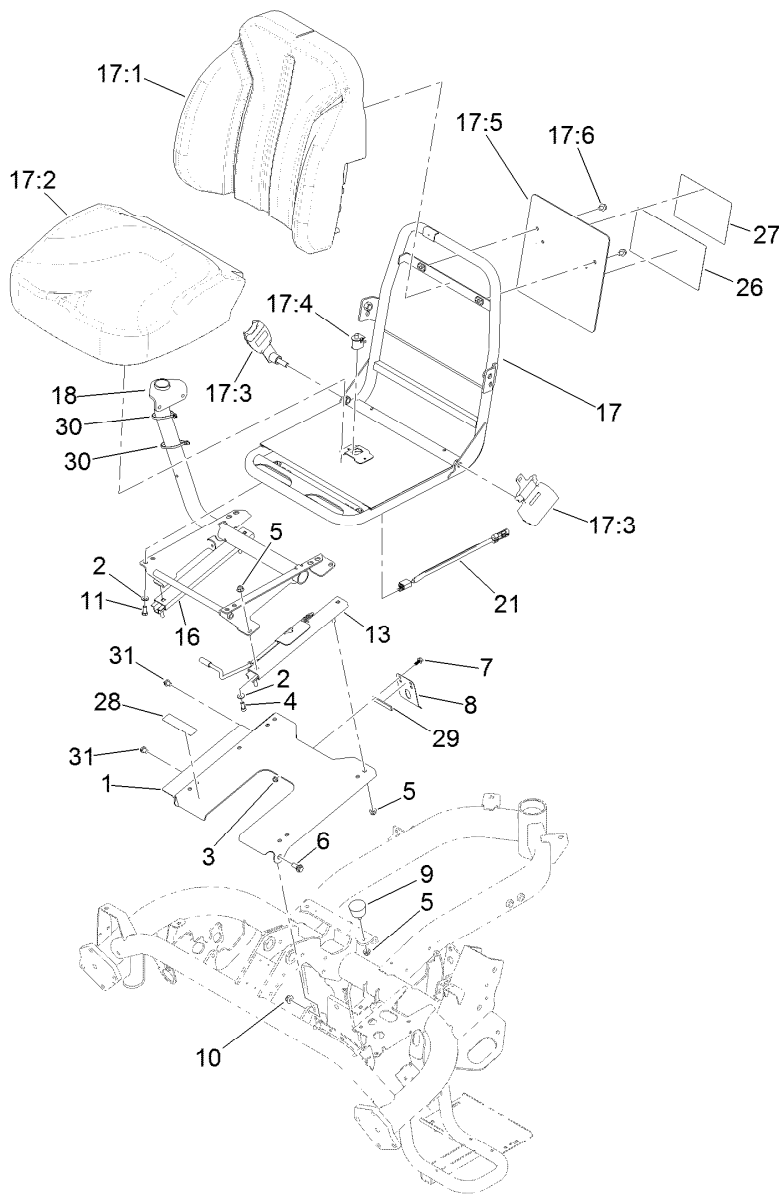
<i>Ref.</i>	<i>Part Number</i>	<i>Qty.</i>	<i>Description</i>
1	137-7768	1	Platform-LH
2	117-9008	1	Platform-RH
3	117-9072	2	Bumper-Rubber
4	115-8240	1	Screw-Elevator
5	32128-20	1	Nut-HF
6	3234-47	3	Screw-HHF
7	117-9035	3	Screw-HHF
8	117-9006-01	1	Support-Platform, LH
9	115-1794	3	Screw-HHF
10	94-8946	1	Washer-Thrust
11	84-1560	1	Washer-Thrust
12	324-4	1	Screw-HH
13	104-8300	4	Nut-HF, NI
14	322-5	1	Screw-HH



## Right Hand Support Platform Assembly

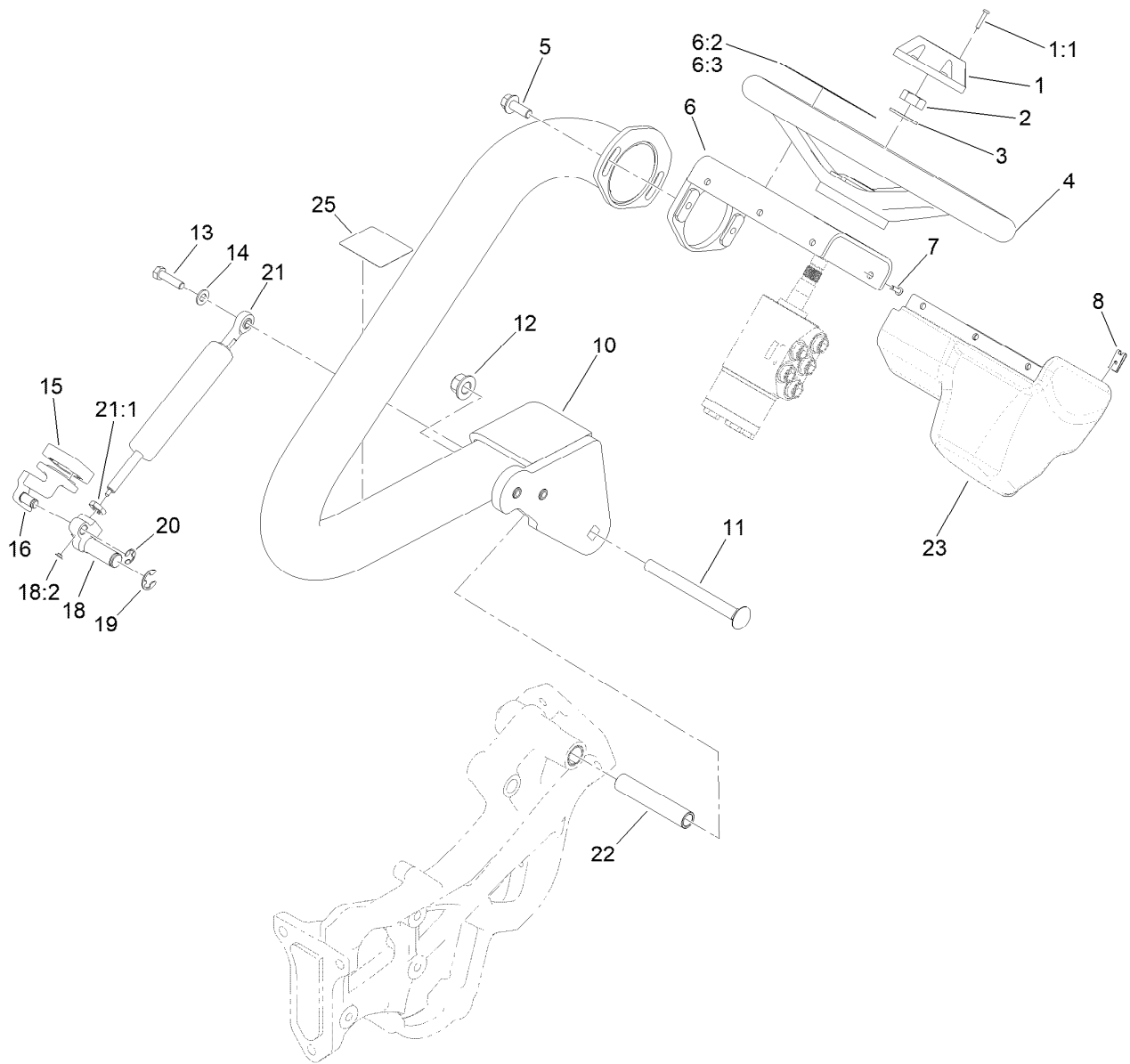
<i>Ref.</i>	<i>Part Number</i>	<i>Qty.</i>	<i>Description</i>	<i>Ref.</i>	<i>Part Number</i>	<i>Qty.</i>	<i>Description</i>
1	133-2313	1	Support-Platform, RH	15	99-3545	1	Spacer
1:2	256-311	6	Bushing-Split	16	74-9110	1	Pad-Pedal, Reverse
2	119-1725-01	1	Rod-Traction	17	140-5246	1	Bracket-Mow
3	3256-1	2	Washer-Flat	18	3296-56	1	Nut-Lock, NI
4	33023-00	2	Nut-Lock	19	94-1371	1	Spacer
5	33114-016	1	Screw-HH	20	323-42	1	Screw-HH
6	94-1374	1	Trunnion-Bracket, Mow	21	3256-24	1	Washer-Plain
7	33014-00	1	Nut-Hex	22	104-8301	1	Nut-HF, NI
8	94-1375	1	Trunnion-Bracket, Lock	23	33115-016	1	Screw-HH
9	94-3489	1	Screw-HH	24	140-6108	1	Pin-Flag, Neutral Lock
10	117-9021	1	Bracket-Lock	26	2411-38	1	Joint-Ball
11	321-9	1	Screw-HH	27	74-9100	1	Pad-Pedal, Forward
12	3256-22	1	Washer-Flat	28	117-9507	1	Pedal-Accelerator
13	33093-00	1	Washer-Flat	29	32121-45	1	Pin-Spring
14	2411-41	1	Rod End-Ball Joint				





## Seatbase Assembly

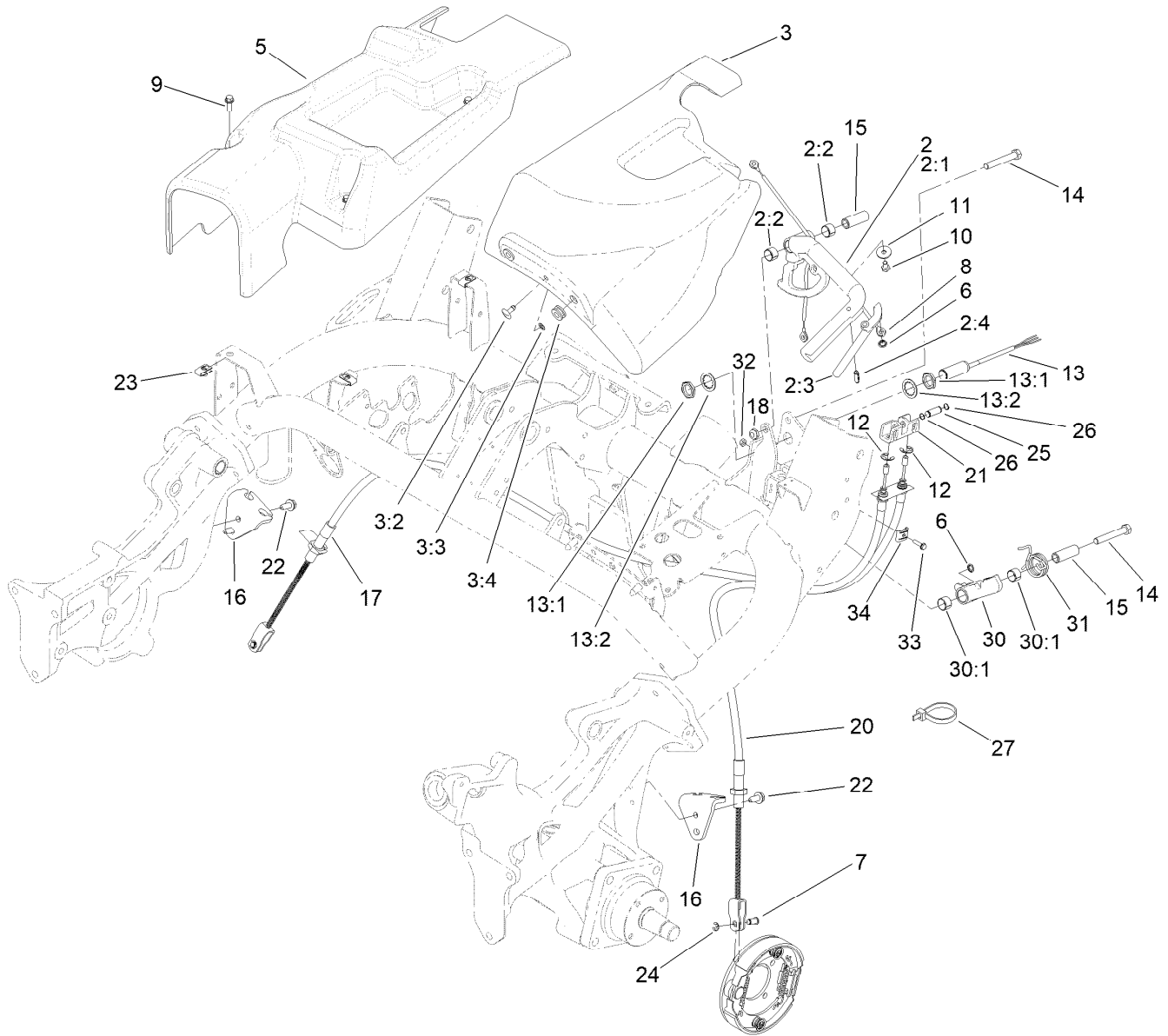
<i>Ref.</i>	<i>Part Number</i>	<i>Qty.</i>	<i>Description</i>	<i>Ref.</i>	<i>Part Number</i>	<i>Qty.</i>	<i>Description</i>
1	136-8405-03	1	Plate-Seat	18	139-6453-03	1	Console Mount ASM, Welded
2	3256-23	8	Washer-Plain	21	108-8657	1	Harness-Wire, Seat
3	104-7201	2	Nut-HF, NI	26	115-8159	1	Decal-Service, Spanish
4	3274-10	4	Screw-HSH	26	115-8160	1	Decal-Service, French
5	104-8300	10	Nut-HF, NI	26	115-8161	1	Decal-Service, German
6	94-7582	2	Bolt-Shoulder	26	115-8162	1	Decal-Service, Swedish
7	99-6810	2	Screw-HHF	26	115-8163	1	Decal-Service, Italian
8	66-2630	1	Latch-Seat	26	115-8164	1	Decal-Service, Portuguese
9	68-3270	2	Bumper-Rubber	26	115-8165	1	Decal-Service, Norwegian
10	104-8301	2	Nut-HF, NI	26	115-8166	1	Decal-Service, Finnish
11	322-3	4	Screw-HH	26	115-8167	1	Decal-Service, Danish
13	133-8896	1	Seat Adjuster Lever ASM	26	115-8168	1	Decal-Service, Dutch
16	92-8990	1	Adjuster-Seat, Non-Locking	26	115-8169	1	Decal-Service, Japanese
17	139-2680	1	Seat ASM	26	139-2727	1	Decal-Service, GR3300/3320
17:1	145-0083	1	Cover-Seat, Back	27	115-8156	1	Decal-Speed, Clip
17:2	145-0084	1	Cover-Seat, Bottom	28	133-8062	1	Decal-Spark Arrestor
17:3	139-2707	1	Seat Belt Kit	29	120-5753	1	Strip-Foam
17:4	82-2190	1	Switch-Bail	30	3290-379	2	Tie-Cable
17:5	139-2701	1	Plate-Decal	31	32180-030	2	Clip-Tie
17:6	3234-30	2	Screw-HHF				



## Steering Arm and Adjuster Assembly

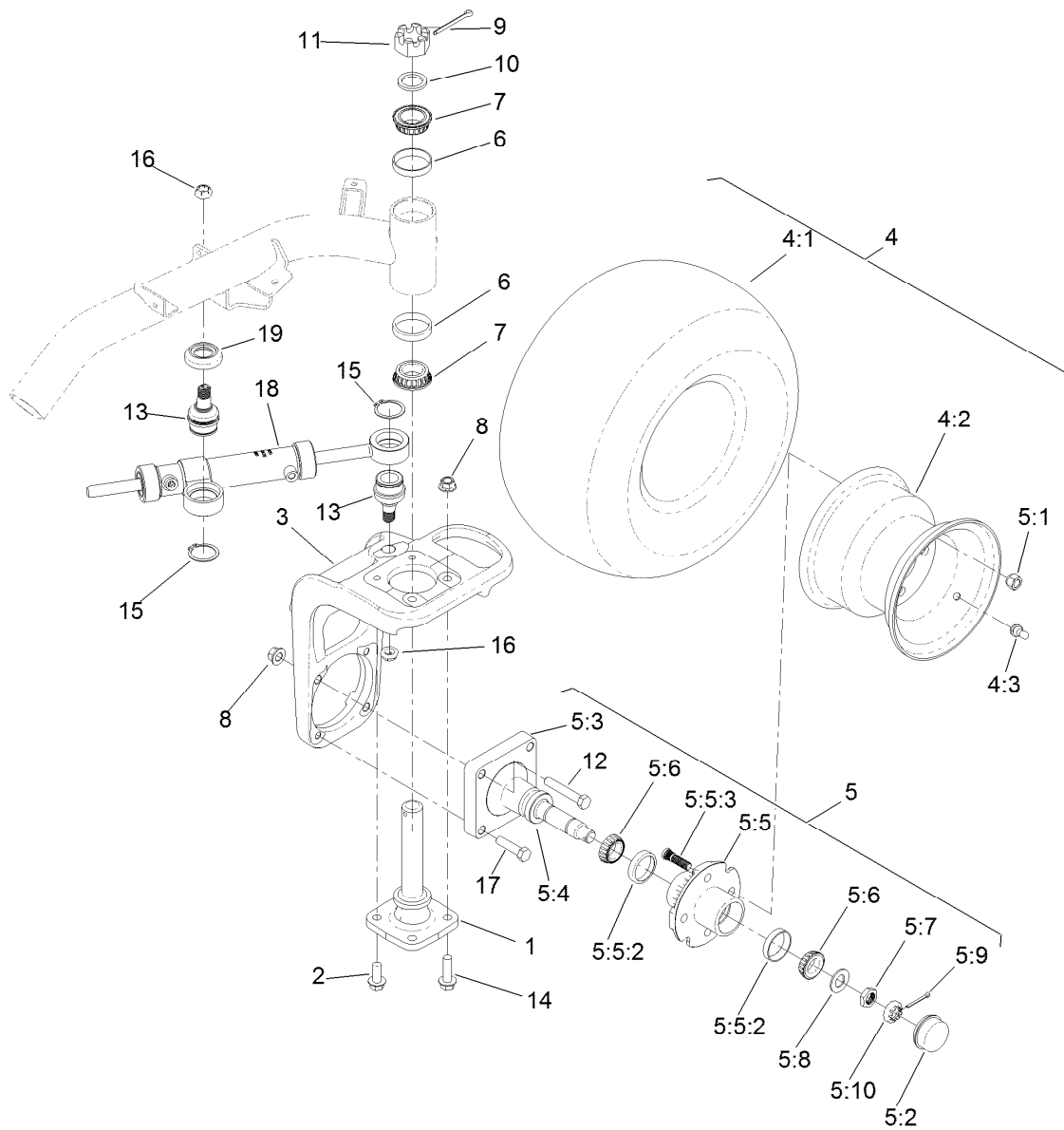
Ref.	Part Number	Qty.	Description
1	68-5140	1	Cap-Wheel, Steering
1:1	32144-21	1	Screw
2	3296-33	1	Nut-Lock, NI
3	3256-27	1	Washer-Flat
4	145-0051	1	Steering Wheel
5	3234-42	2	Screw-HHF
6	136-8571	1	Mount-Steering
6:2	136-8506	1	Decal-Danger
6:3	136-8505	1	Decal-Danger, CE
7	3274-39	6	Screw-HSBH
8	3290-277	6	Nut-Speed
10	139-8582-01	1	Steering Arm ASM [red]
11	114-7723	1	Screw-CARR
12	99-5107	1	Nut-HF Nylock

Ref.	Part Number	Qty.	Description
13	322-5	1	Screw-HH
14	3256-23	1	Washer-Plain
15	74-9110	1	Pad-Pedal, Reverse
16	138-6456	1	Lever (Mach)
18	133-9030	1	Pivot Lever ASM
18:2	133-8995	1	Bushing
19	32120-19	1	E-Ring
20	105-7004	1	E-Ring
21	133-9036	1	Cylinder-Gas
21:1	112-8617	1	Nut-Hex
22	117-9002	1	Spacer
23	119-9300	1	Cover-Valve, Steering
25	119-9346	1	Decal-Arm, Steering



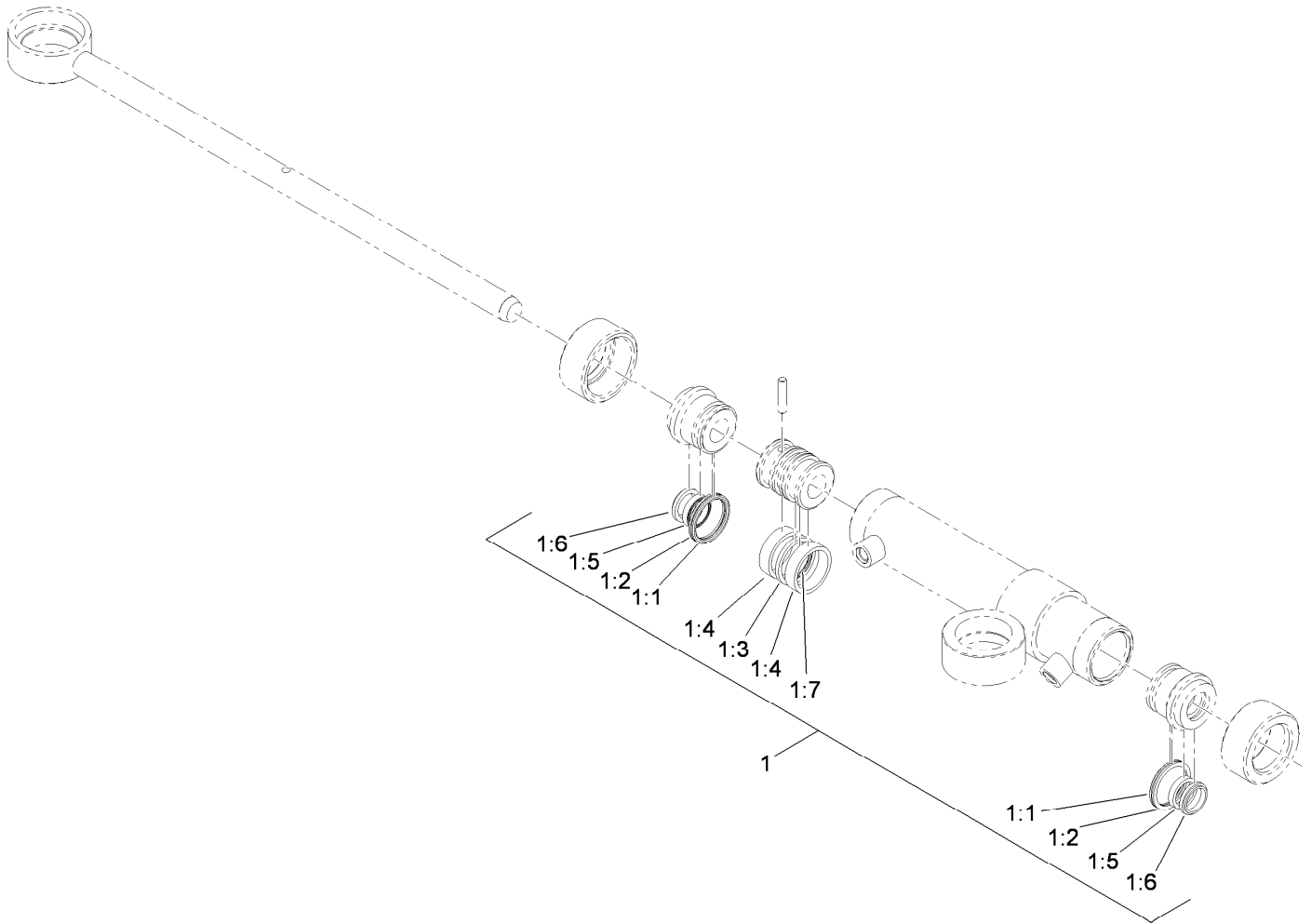
## Brake Cable and Lever Assembly

Ref.	Part Number	Qty.	Description	Ref.	Part Number	Qty.	Description
2	140-6217	1	Hand Brake Lever Assembly	14	323-12	2	Screw-HH
2:1	131-3024	1	Lever-Brake, Hand	15	131-3017	2	Spacer
2:2	1-653600	2	Bushing	16	133-8901	2	Bracket-Cable, Brake
2:3	131-3003	1	Lever-Release	17	131-1833	1	Cable-Brake, RH
2:4	32121-24	1	Pin-Spring	18	3296-59	2	Nut-Lock, NI
3	131-3025	1	LH Cover ASM	20	131-1834	1	Cable-Brake, LH
3:2	119-1728	1	Stud-1/4 Turn	21	131-3065	1	Equalizer-Cable
3:3	119-1729	1	Retainer-Stud	22	32104-32	4	Screw-HWH
3:4	92-5972	2	Grommet-Rubber	23	107069	3	Clip
5	138-5029	1	Cover-Side, RH	24	701197	2	E-Ring
6	104-8310	2	Ring-Retaining	25	131-3021	1	Pin
7	109-6887	2	Pin-Clevis	26	32120-46	2	Ring-Retaining
8	131-3004	1	Cable	27	3290-379	1	Tie-Cable
9	115-5103	3	Screw-HHF	30	137-1659	1	Brake Pawl ASM
10	321-2	1	Screw-HH	30:1	1-653600	2	Bushing
11	3256-67	1	Washer	31	132-3833	1	Spring-Torsion
12	32120-47	2	Ring-Retaining, External	32	3296-2	1	Nut-Lock, NI
13	115-5300	1	Proximity Switch ASM	33	3290-126	1	Screw-HWH
13:1	117-3207	2	Nut-Hex	34	81-1690	1	Clamp-Cable
13:2	117-3208	2	Washer-Lock, Internal Tooth				



## Back Wheel Assembly

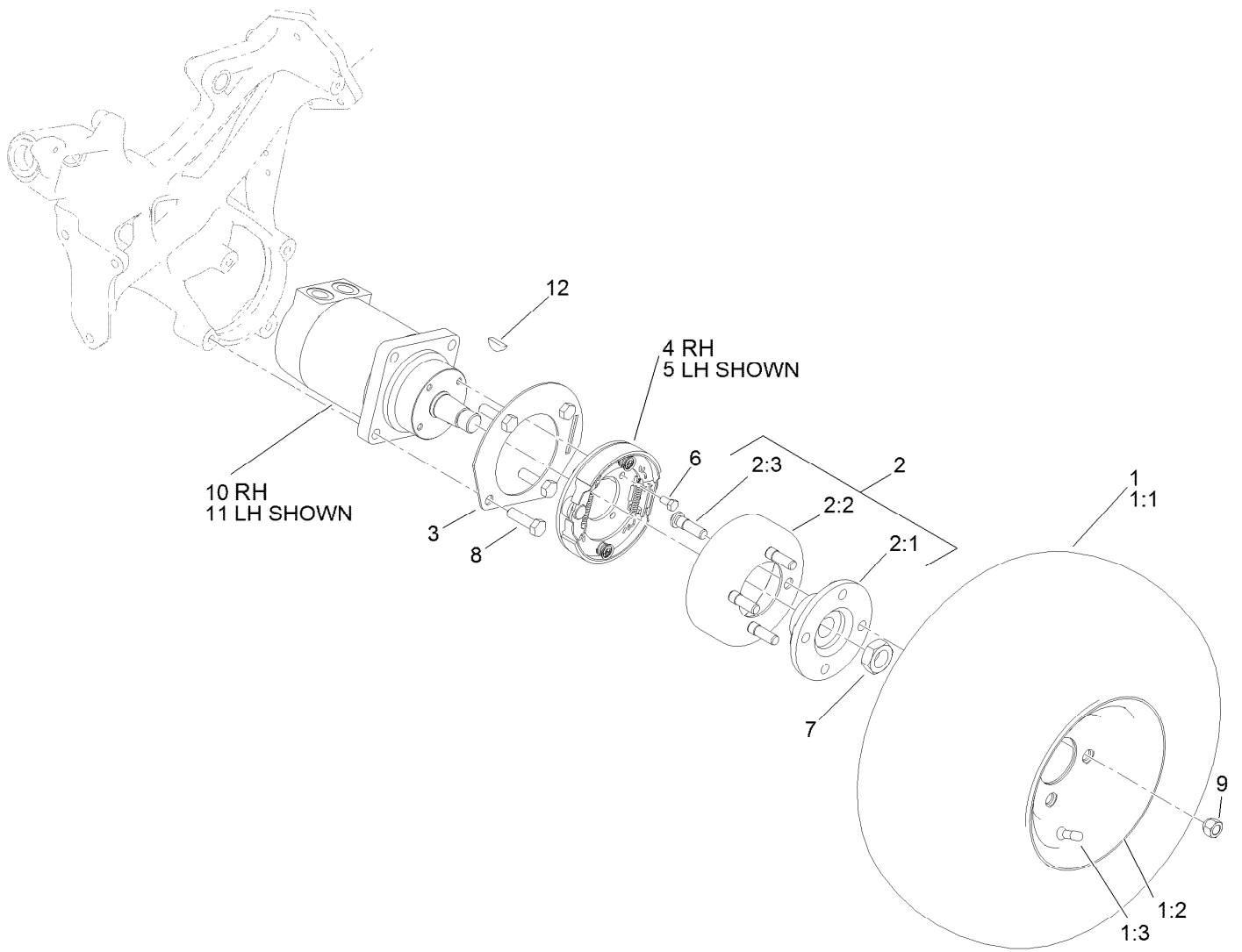
Ref.	Part Number	Qty.	Description	Ref.	Part Number	Qty.	Description
1	115-2657	1	Spindle-Steering	5:8	117-8259	1	Washer-Spindle
2	3234-38	2	Screw-HHF	5:9	3272-18	1	Pin-Cotter
3	117-4366-01	1	Base-Fork, Rear	5:10	93-0307	1	Nut-Lock, Retainer
4	117-9033	1	Wheel And Tire ASM	6	115-9471	2	Bearing-Cup
4:1	120-2783	1	Tire	7	115-9472	2	Bearing-Cone And Seal
4:2	217-60	1	Rim	8	99-5107	4	Nut-HF Nylock
4:3	232-27	1	Stem-Valve	9	3272-37	1	Pin-Cotter
5	119-4490	1	Wheel Spindle ASM	10	18-6320	1	Washer
5:1	242-50	4	Nut-Lug	11	32136-9	1	Nut-Hex, Slotted
5:2	241-119	1	Cap-Dust	12	325-12	2	Screw-HH
5:3	112-7173	1	Spindle	13	121-3605	2	Ball Joint
5:4	112-1690	1	Seal-Oil	14	3234-22	2	Screw-HHF
5:5	117-9093	1	Hub ASM	15	32151-104	2	Ring-Retaining, External
5:5:2	254-72	2	Bearing-Cup, Tapered	16	121-3611	2	Nut-Hex, Flextop
5:5:3	114-3918	4	Stud-Wheel	17	325-8	2	Screw-HH
5:6	254-92	2	Cone-Bearing, Outer	18	117-4480	1	HYD Cylinder ASM
5:7	117-8260	1	Nut	19	120-2026	1	Spacer-Cylinder



## Hydraulic Cylinder Assembly No. 117-4480

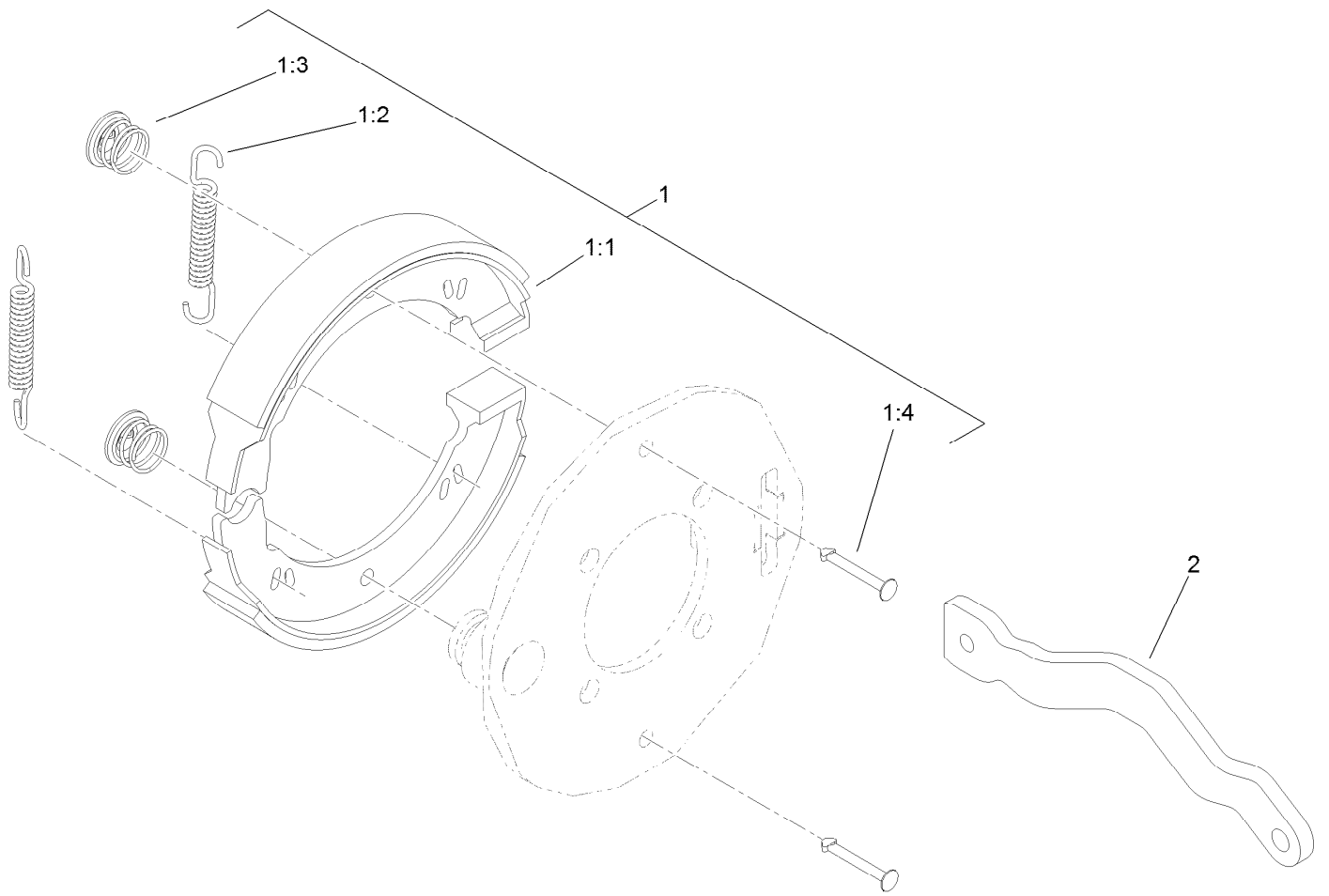
<i>Ref.</i>	<i>Part Number</i>	<i>Qty.</i>	<i>Description</i>
1	119-7124	1	Kit-Seal
1:1		2	O-Ring ●
1:2		2	Ring-Backup ●
1:3		1	Seal-Psp ●
1:4		2	Ring-Wear ●
1:5		2	Seal-Bs ●
1:6		2	Seal-Dust ●
1:7		1	O-Ring ●

● Not serviced separately



## Front Wheel Assembly

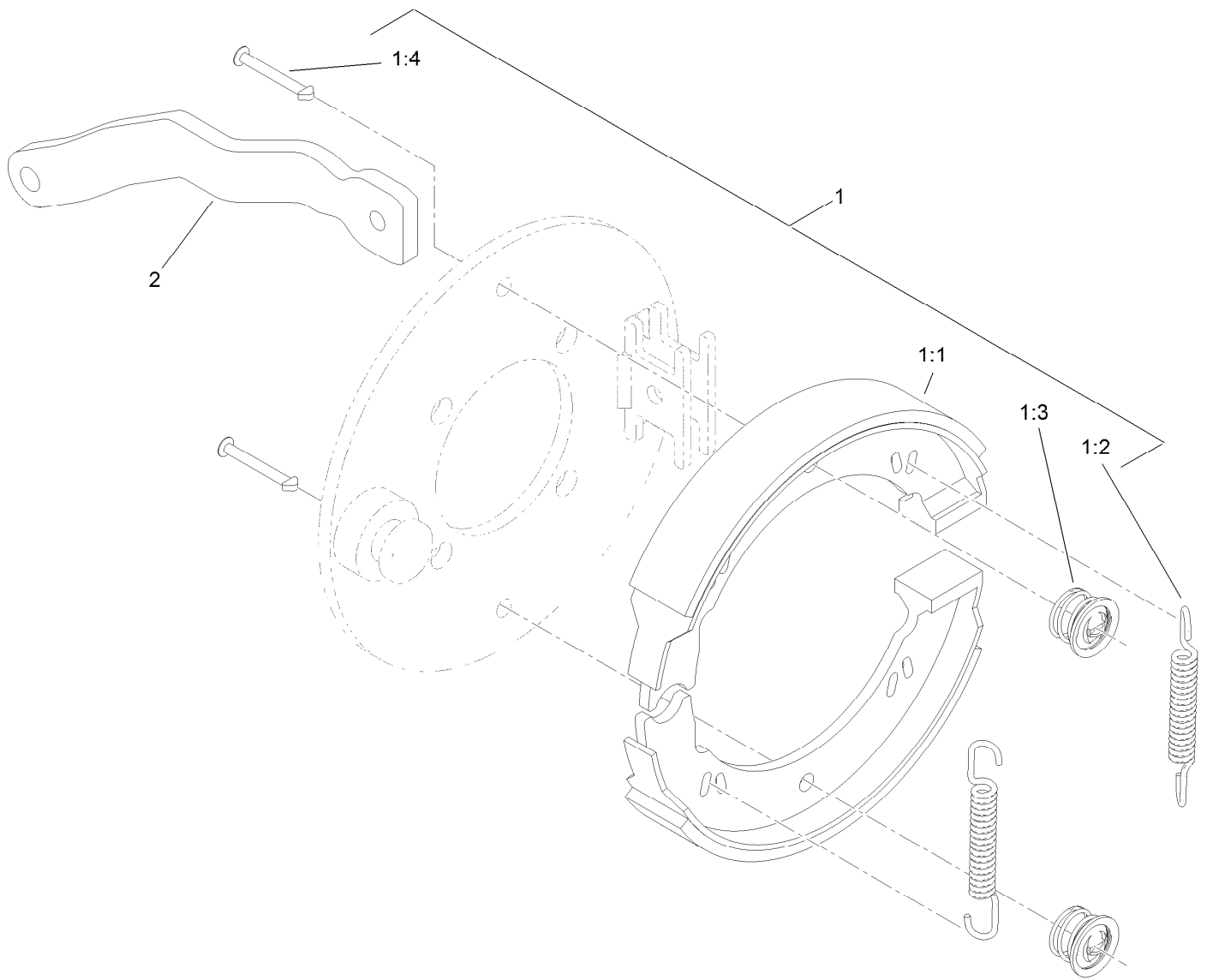
Ref.	Part Number	Qty.	Description	Ref.	Part Number	Qty.	Description
1	117-9030	2	Wheel And Tire ASM	4	139-2722	1	RH Brake ASM
1:1	120-2783	1	Tire	5	139-2721	1	LH Brake ASM
1:2	117-9032	1	Rim	6	322-2	8	Screw-HH
1:3	232-27	1	Stem-Valve	7	26-3790	2	Nut-Lock
2	115-2661	2	Brake Drum ASM	8	325-7	8	Screw-HH
2:1	115-2662-0P	1	Hub-Wheel [primed]	9	242-50	8	Nut-Lug
2:2	115-2663	1	Drum-Brake	10	117-4302	1	RH Wheel Motor ASM
2:3	85-6540	4	Stud-Drive	11	117-4303	1	LH Wheel Motor ASM
3	114-9998-03	2	Tab-Lever, Brake	12	3257-42	1	Key-Woodruff



## Right Hand Brake Assembly No. 139-2722

Ref.	Part Number	Qty.	Description
1	139-2723	1	Kit-Brake
1:1		2	Shoe-Brake ●
1:2		2	Spring ●
1:3		2	Clip ●
1:4		2	Pin-Retainer ●
2	115-5789	1	Lever-Brake, RH

● Not serviced separately

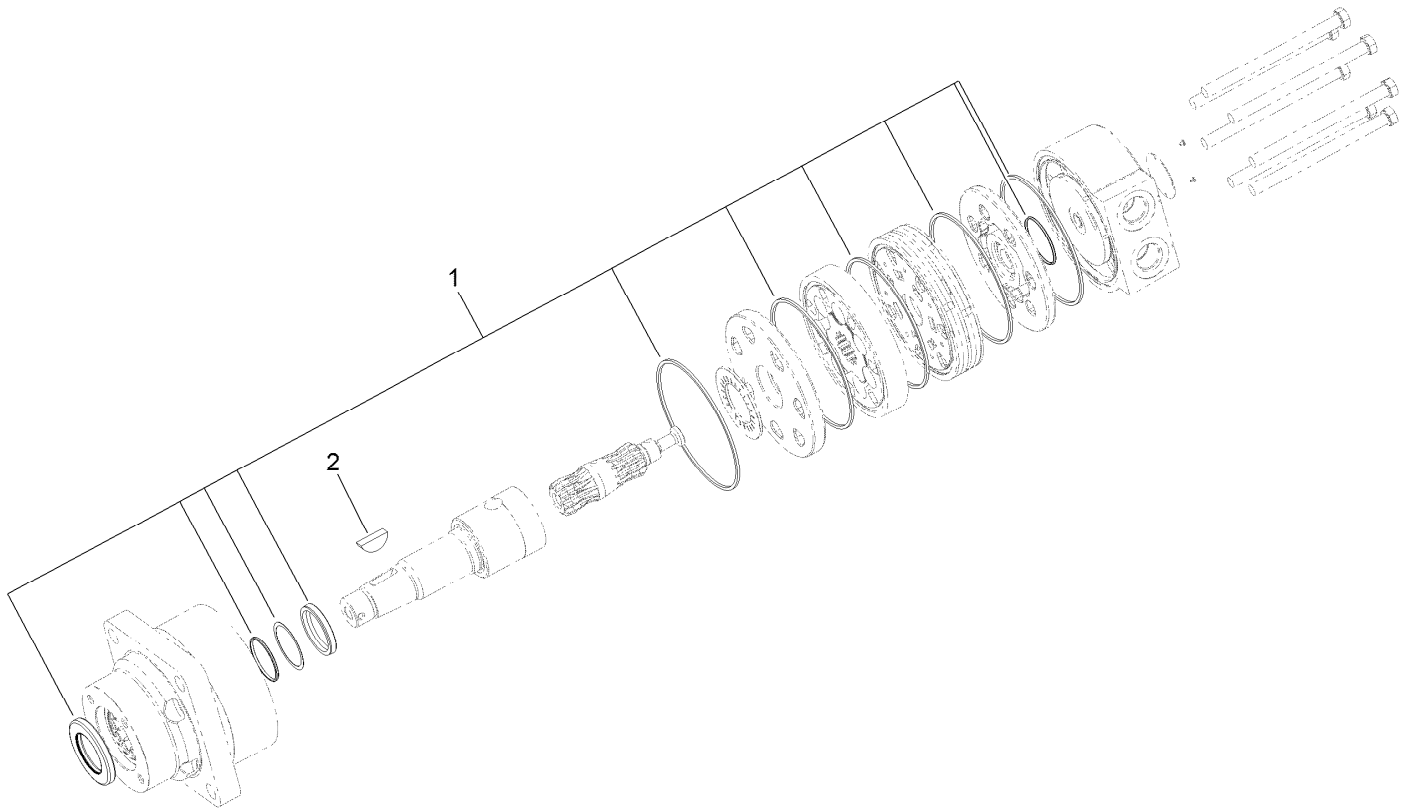


## Left Hand Brake Assembly No. 139-2721

Ref.	Part Number	Qty.	Description
1	139-2723	1	Kit-Brake
1:1		2	Shoe-Brake ●
1:2		2	Spring ●
1:3		2	Clip ●
1:4		2	Pin-Retainer ●
2	115-2664	1	Lever-Brake, LH

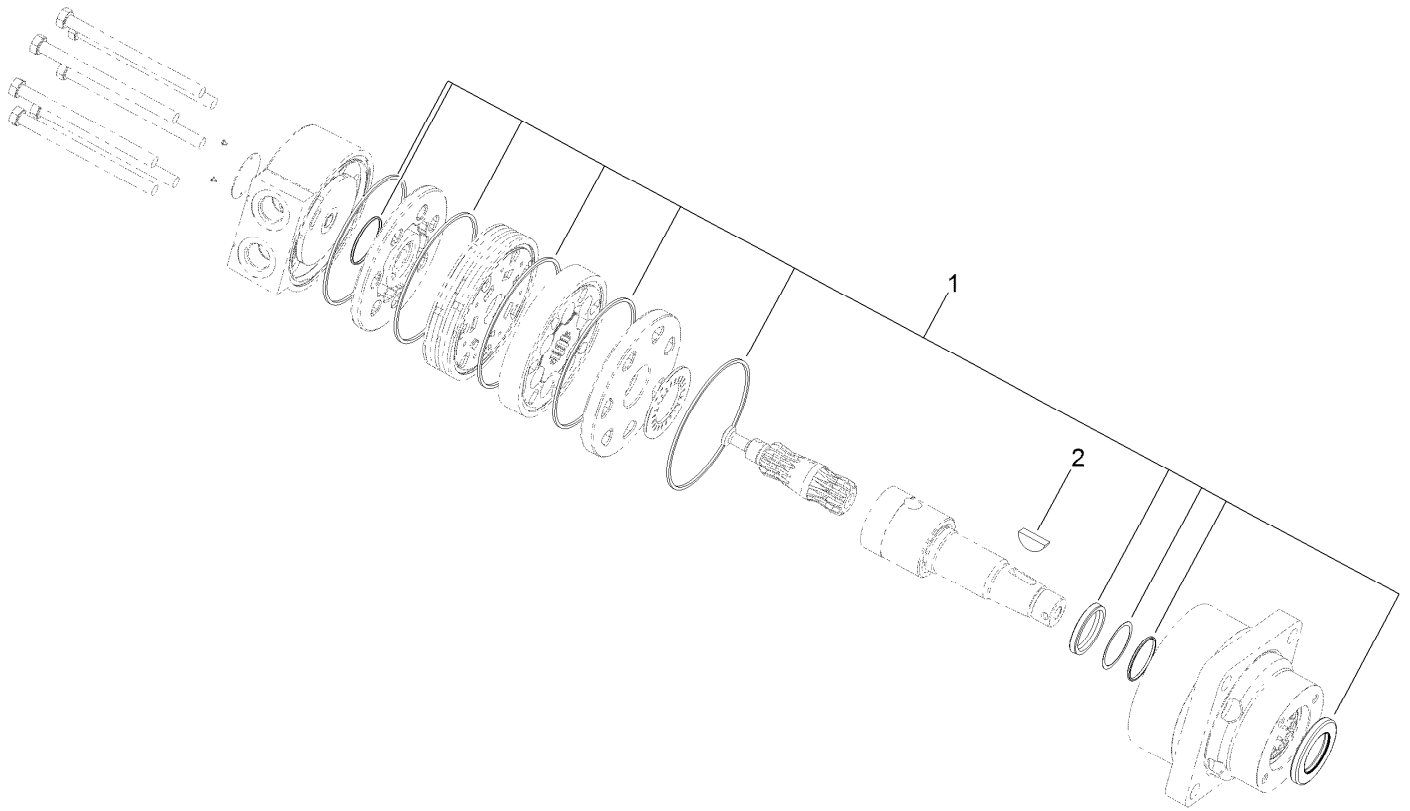
● Not serviced separately





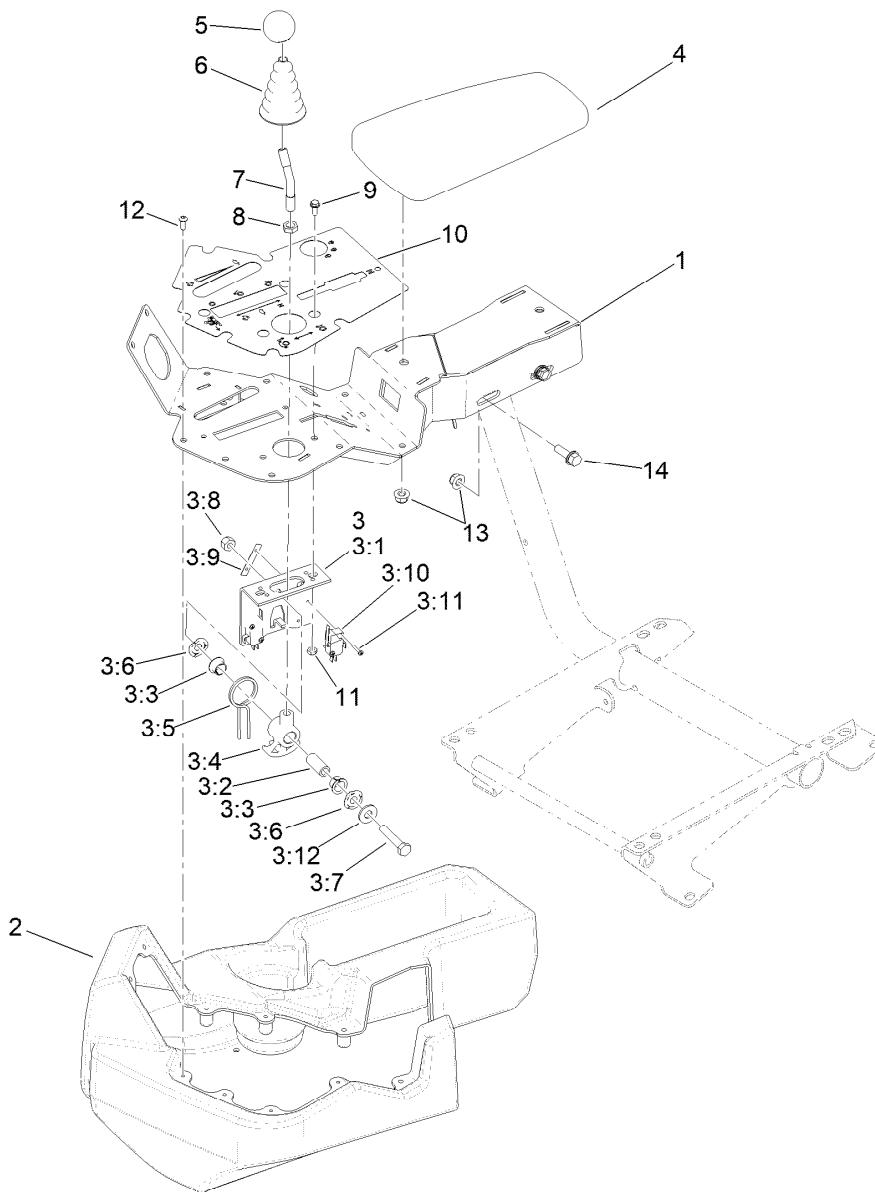
## Right Hand Wheel Motor Assembly No. 117-4302

<i>Ref.</i>	<i>Part Number</i>	<i>Qty.</i>	<i>Description</i>
1	94-8178	1	Seal Kit
2	3257-42	1	Key-Woodruff



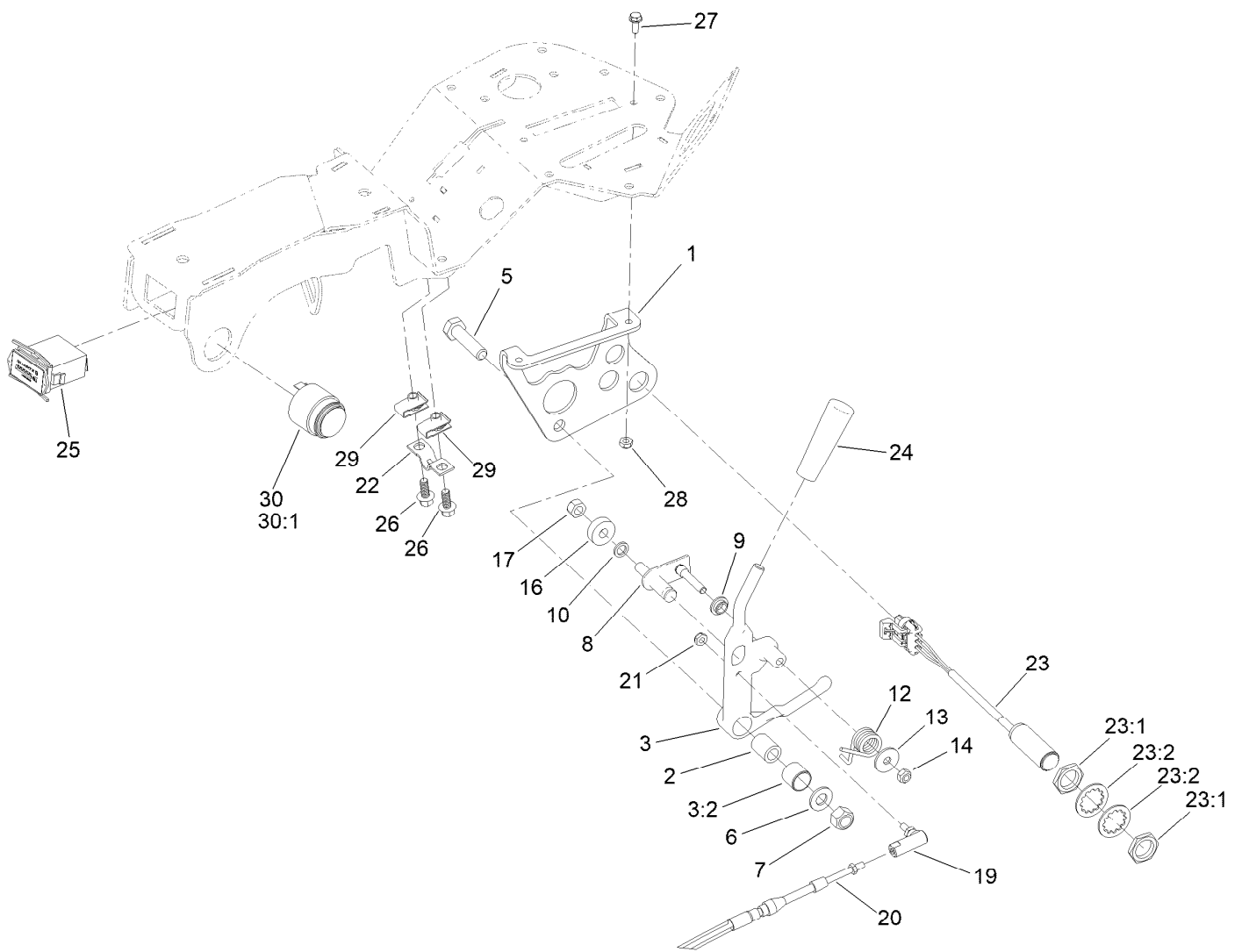
## Left Hand Wheel Motor Assembly No. 117-4303

<i>Ref.</i>	<i>Part Number</i>	<i>Qty.</i>	<i>Description</i>
1	94-8178	1	Seal Kit
2	3257-42	1	Key-Woodruff



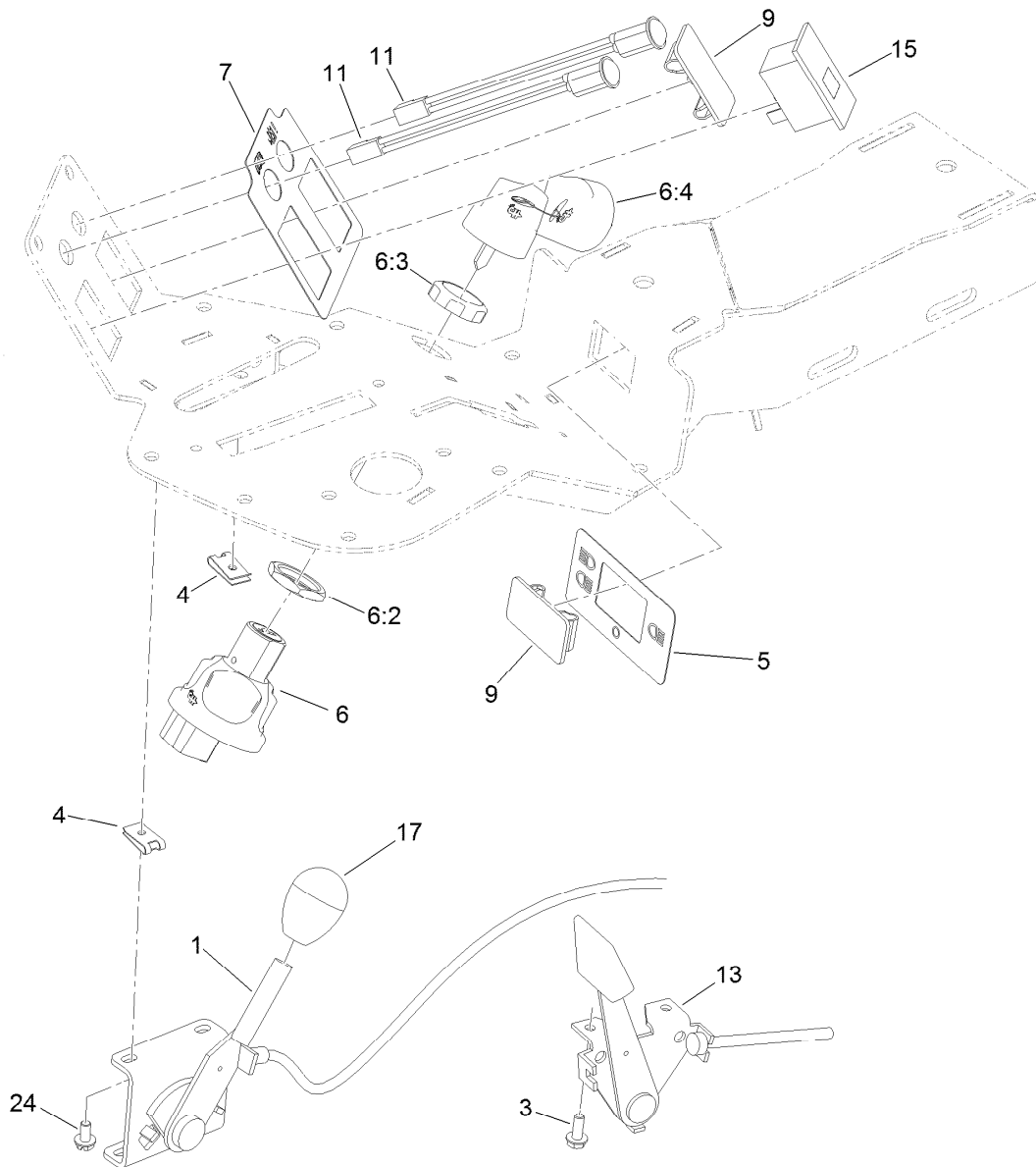
## Console and Reel Control Assembly

<i>Ref.</i>	<i>Part Number</i>	<i>Qty.</i>	<i>Description</i>	<i>Ref.</i>	<i>Part Number</i>	<i>Qty.</i>	<i>Description</i>
1	140-5245-03	1	Console ASM [black]	3:11	95-3003	4	Screw-PPHTF
2	132-9955	1	Cover-Console	3:12	3256-3	1	Washer-Flat
3	106-4167	1	Joystick Bracket ASM	4	108-7602	1	Rest-Arm
3:1	115-5357-03	1	Bracket-Joystick	5	120-9752	1	Knob-Round, Yellow
3:2	106-4192	1	Spacer	6	93-5961	1	Boot-Lever
3:3	93-5547	2	Bushing-Nylon	7	121-6681	1	Stem-Joystick
3:4	105-7507	1	Hub-Pivot, Joystick	8	3218-3	1	Nut-Jam
3:5	105-8289	1	Spring-Torsion	9	3290-321	2	Screw-HWH
3:6	106-4193	2	Washer-Finger, Spring	10	139-6493	1	Decal-Console
3:7	322-9	1	Screw-HH	11	3296-12	2	Nut-Lock, NI
3:8	3296-29	1	Nut-Lock, NI	12	115-9830	8	Screw-HSBH
3:9	3290-354	2	Nut-Speed	13	104-8300	4	Nut-HF, NI
3:10	108-6496	2	Switch (W/Boot)	14	3234-29	2	Screw-HHF



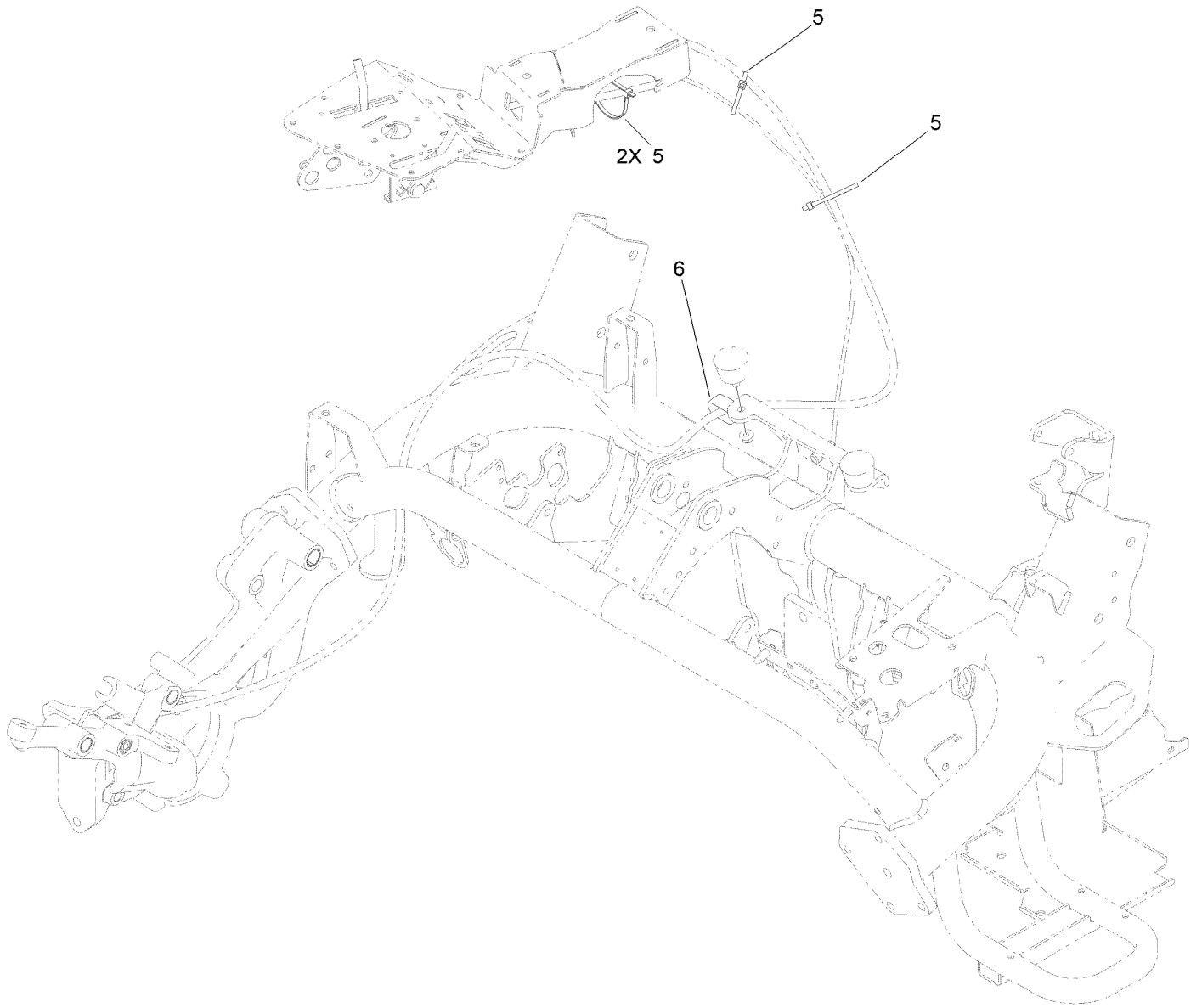
## Traction Interface Control Assembly

<i>Ref.</i>	<i>Part Number</i>	<i>Qty.</i>	<i>Description</i>	<i>Ref.</i>	<i>Part Number</i>	<i>Qty.</i>	<i>Description</i>
1	132-3822-03	1	Bracket	19	2411-38	1	Joint-Ball
2	94-1378	1	Tube-Pivot, Handle	20	132-6991	1	Cable-Lock, Neutral
3	145-0062	1	Handle ASM	21	3296-27	1	Nut-Lock, NI
3:2	136-8417	1	Bushing	22	93-2279	1	Clamp-Cable
5	33115-040	1	Screw-HH	23	115-5300	2	Proximity Switch ASM
6	3256-24	1	Washer-Plain	23:1	117-3207	2	Nut-Hex
7	33025-00	1	Nut-Lock, NI	23:2	117-3208	2	Washer-Lock, Internal Tooth
8	125-1928	1	Pin	24	233-39	1	Knob-Control
9	94-9619	1	Bushing	25	120-2244	1	Hourmeter
10	75-5470	1	Spacer-Bearing	26	99-6810	2	Screw-HHF
12	94-9620	1	Spring-Torsion	27	3290-321	2	Screw-HWH
13	3256-67	1	Washer	28	3296-12	2	Nut-Lock, NI
14	33023-00	1	Nut-Lock	29	107069	2	Clip
16	251-259	1	Bearing-Ball	30	80-9330	1	Audio Alarm ASM
17	33024-00	1	Nut-Lock, NI	30:1	104-5107	1	Nut-Plastic, Knurled



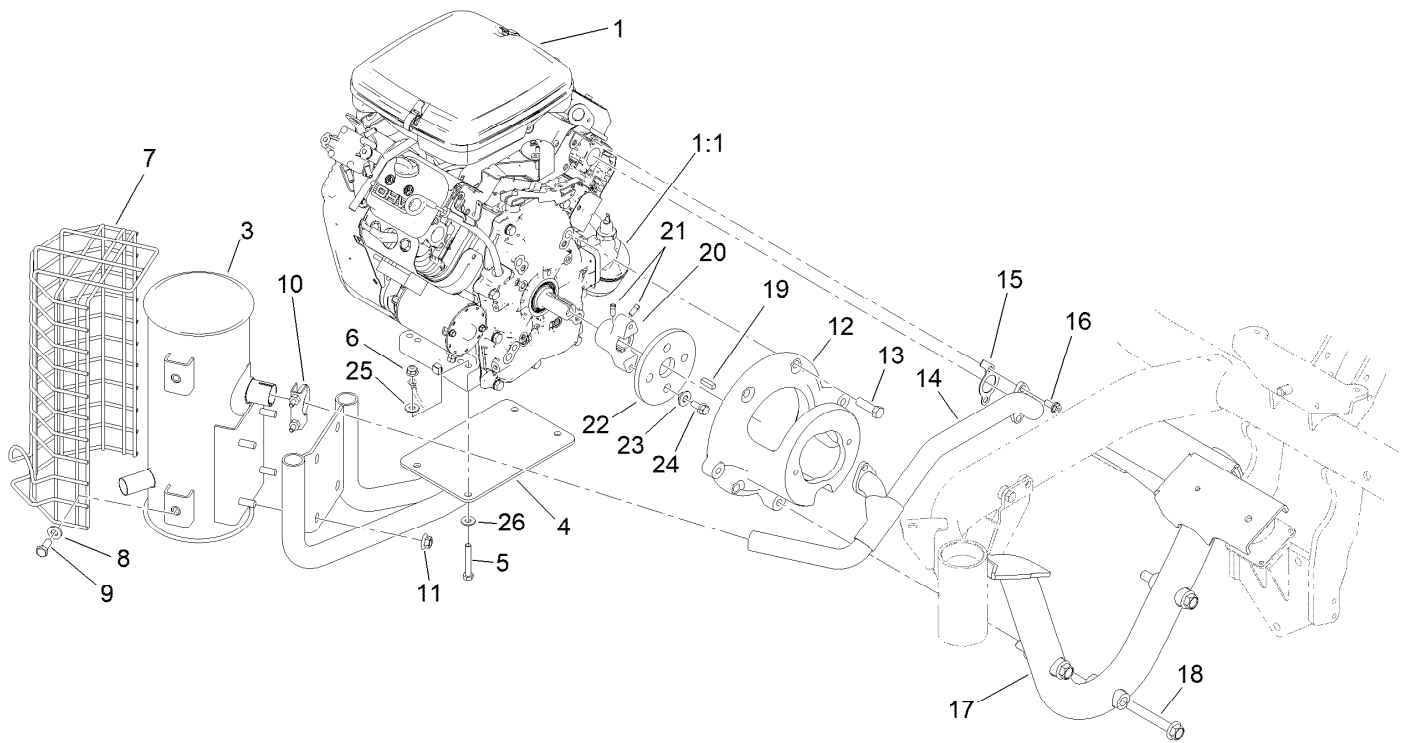
## Ignition, Throttle and Choke Control Assembly

<b>Ref.</b>	<b>Part Number</b>	<b>Qty.</b>	<b>Description</b>
1	119-1652	1	Throttle
3	3290-321	2	Screw-HWH
4	3290-277	4	Nut-Speed
5	131-2046	1	Decal-Light, Console
6	121-5159	1	Switch-Ignition
6:2	121-5160	1	Nut-Hex
6:3	121-5161	1	Nut-Face
6:4	121-5162	1	Set-Key, Ignition
7	139-6492	1	Decal-Warning Lights
9	99-7420	2	Plug-Hole
11	140-5288	2	Light-Indicator
13	132-9540	1	Lever-Choke
15	99-7410	1	Indicator-Light, Low-Oil Pressure
17	120-9751	1	Knob-Oval, Black
24	3290-144	2	Screw-SHWH



## Console Cable Routing Assembly

<i>Ref.</i>	<i>Part Number</i>	<i>Qty.</i>	<i>Description</i>
5	3290-379	4	Tie-Cable
6	120-1959	1	Clamp

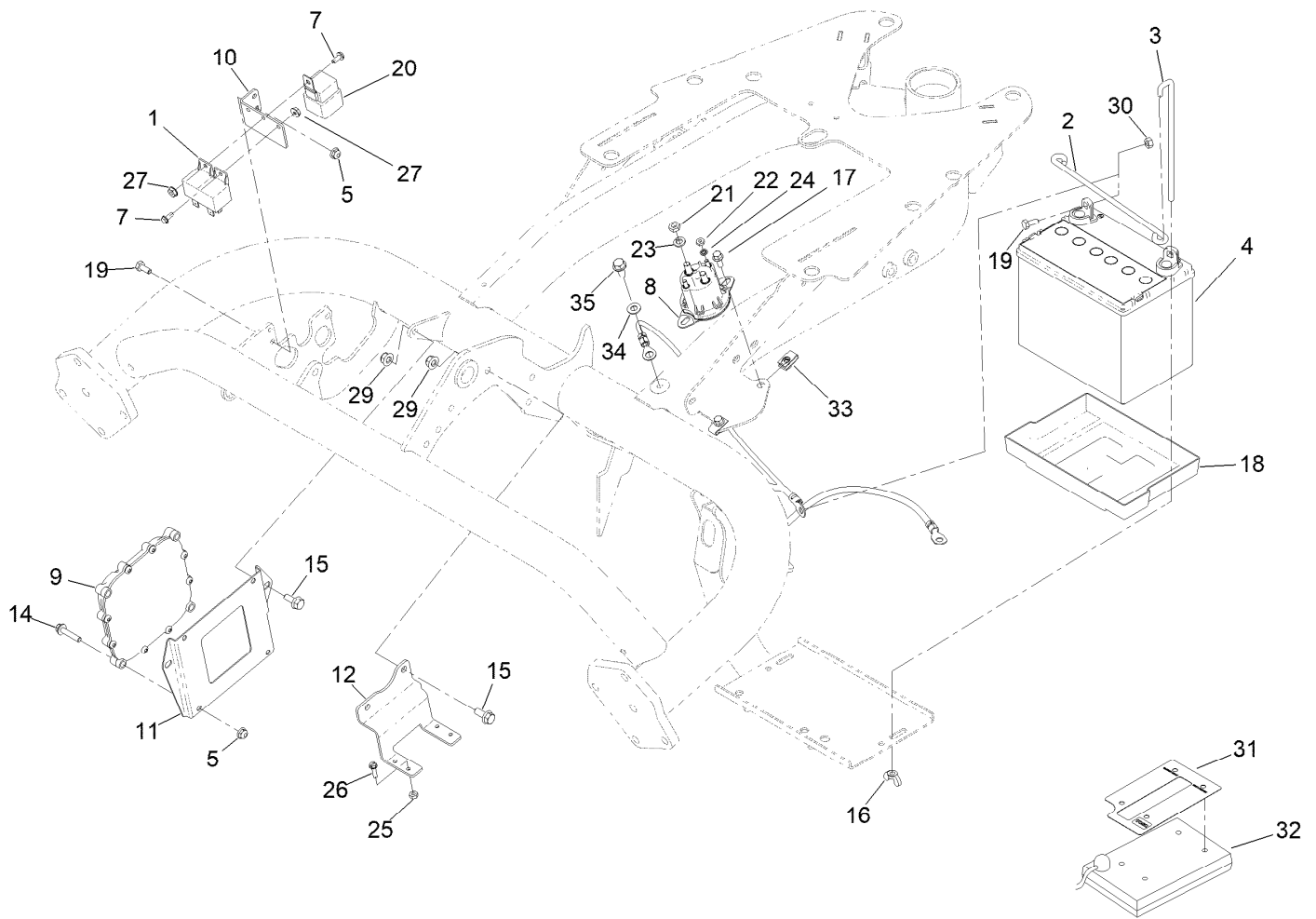


## Engine and Exhaust Assembly

Ref.	Part Number	Qty.	Description	Ref.	Part Number	Qty.	Description
1	139-6522	1	Engine-Briggs Stratton,Vanguard ■	13	324-32	4	Screw-HH
1:1	107-7817	1	Filter-Oil, Engine	14	117-4379	1	Manifold-Exhaust
1:2	147-3139	1	Filter-Air ●	15	115-8154	2	Gasket-Manifold, Exhaust
3	110-4001	1	Muffler	16	94-5300	4	Screw-HHF
4	117-4364-03	1	Mount-Muffler	17	117-4442-03	1	Frame-Engine
5	322-10	4	Screw-HH	18	126-3900	3	Screw-HHF
6	104-8300	4	Nut-HF, NI	19	10-7070	1	Key-Square
7	112-0291	1	Shield-Muffler	20	117-9278	1	Hub-Engine
8	100-4852	4	Washer-Hardened	21	3241-7	2	Screw-SQH
9	323-5	4	Screw-HH	22	115-5129	1	Coupling-Rubber
10	2112-11	1	Clamp-Muffler	23	125-9249	2	Spacer-Coupler, Rubber
11	32128-19	4	Nut-HF Lock, Large Flg	24	98-9940	2	Screw-HHF
12	117-4363-0P	1	Mount-Pump (Machining)	25	3256-23	1	Washer-Plain
				26	87-8640	4	Washer-Flat

● Not illustrated

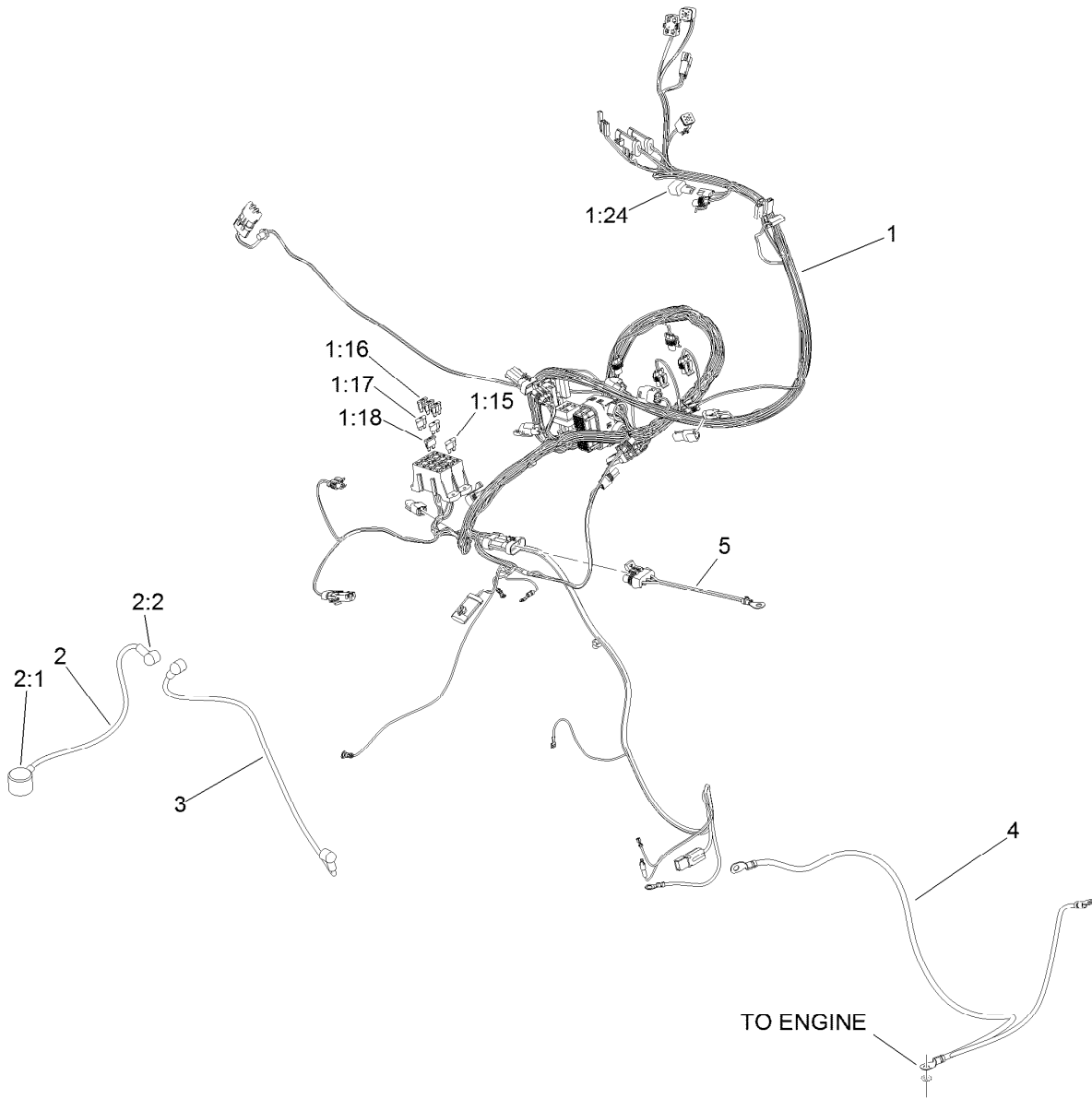
■ Obtain parts from [www.briggsandstratton.com](http://www.briggsandstratton.com)



## Battery Assembly

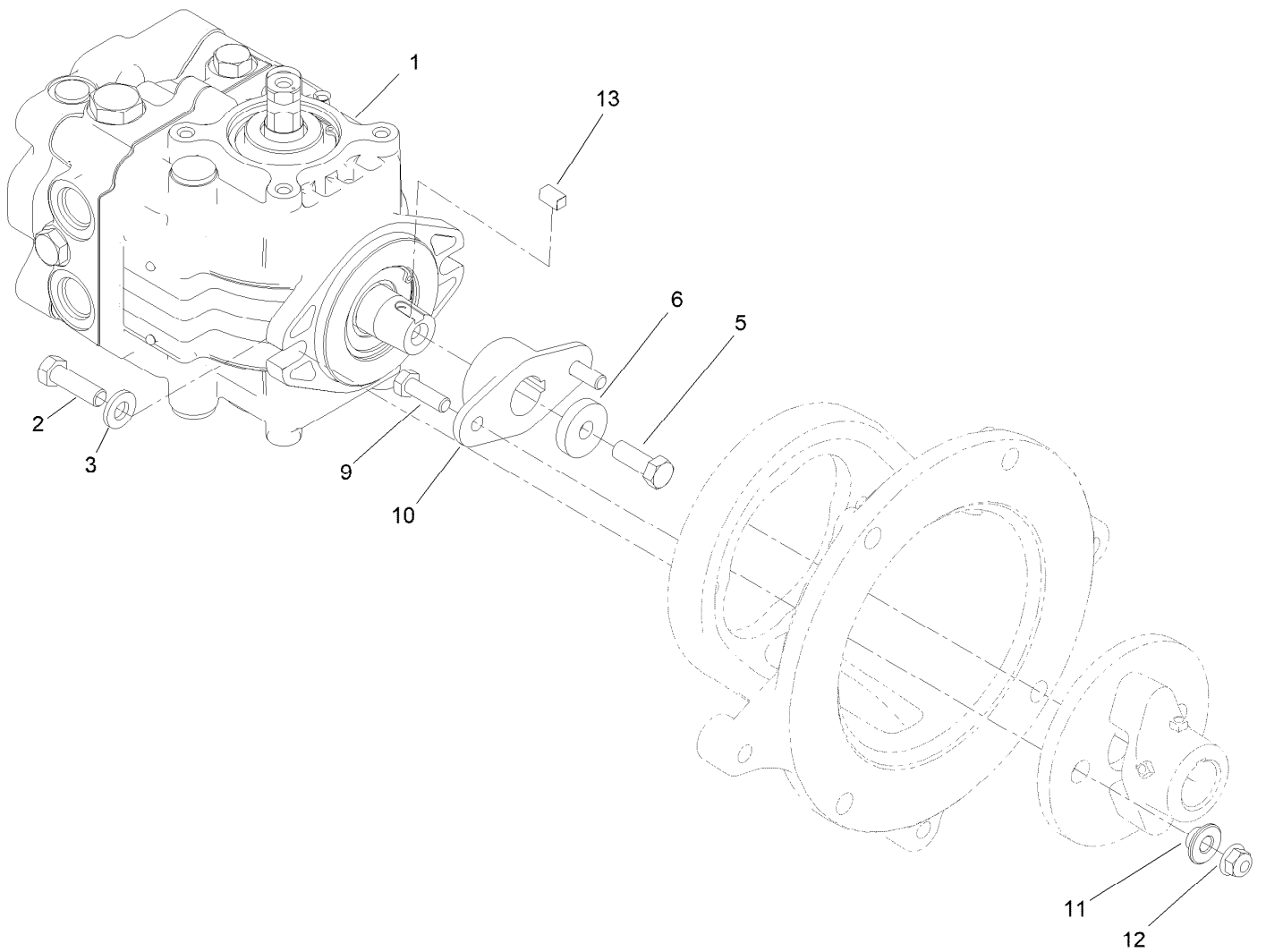
<i>Ref.</i>	<i>Part Number</i>	<i>Qty.</i>	<i>Description</i>	<i>Ref.</i>	<i>Part Number</i>	<i>Qty.</i>	<i>Description</i>
1	99-7435	2	Relay	19	321-3	2	Screw-HH
2	100-6434	1	Rod-Hold Down, Battery	20	99-7430	1	Relay-Mini
3	100-6435	2	Post-Battery	21	3220-2	2	Nut-Hex Jam
4	99-7421	1	Battery- Wet, 12V, 300 CCA	22	3219-14	2	Nut-Hex
5	104-7201	6	Nut-HF, NI	23	3253-4	2	Washer-Lock
7	112-6349	2	Screw-HWH	24	3254-1	2	Washer-Lock, Int
8	114-3315	1	Solenoid	25	3296-2	4	Nut-Lock, NI
9	115-1900	1	Controller	26	32105-13	4	Screw-HWH
10	119-2097-01	1	Bracket-Relay	27	32149-8	2	Nut-Keps
11	119-2099-01	1	Plate-Mounting, Controller	29	104-8300	4	Nut-HF, NI
12	119-2119-01	1	Bracket-Block, Fuse	30	3217-5	2	Nut-Hex
14	3234-21	4	Screw-HHF	31	115-8227	1	Decal-Controller
15	3234-47	4	Screw-HHF	32	85-4750	1	Box-Display, Diagnostic
16	32103-22	2	Nut-Wing	33	107069	2	Clip
17	3234-33	2	Screw-HHF	34	3256-23	1	Washer-Plain
18	106948	1	Tray-Battery	35	32104-32	1	Screw-HWH





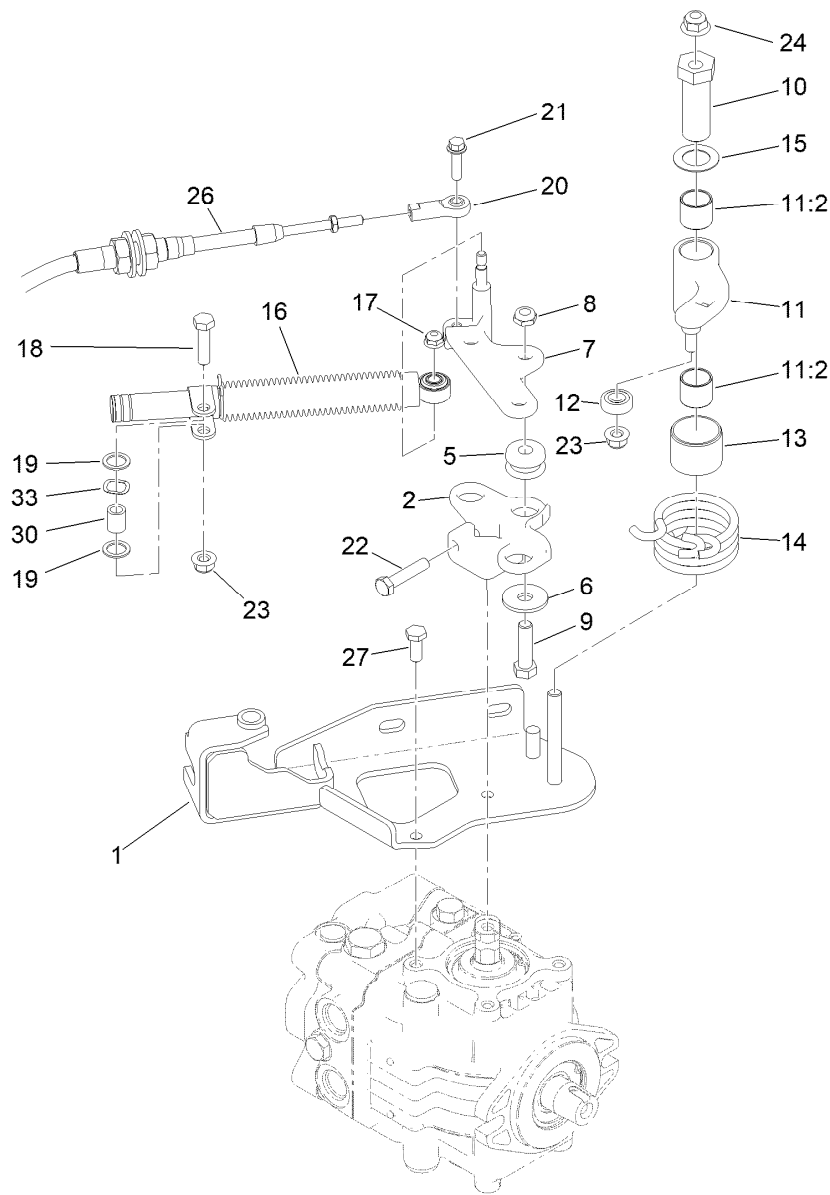
## Wire Harness Assembly

<i>Ref.</i>	<i>Part Number</i>	<i>Qty.</i>	<i>Description</i>
1	122-1736	1	Harness-Wire, Triflex Gas
1:15	94-6710	1	Fuse-2 Amp
1:16	114241	3	Fuse-Blade, 7.5 Amp
1:17	218-578	2	Fuse-Blade, 10 Amp
1:18	109355	1	Fuse-Blade, 15 Amp
1:24	104-4022	1	Resistor-75 Ohm
2	109-7653	1	Positive Battery Cable ASM
2:1	109-2407	1	Insulator-Battery
2:2	1-543393	1	Insulator-Solenoid
3	119-1781	1	Cable-Battery, Positive
4	114-9748	1	Cable-Battery, Negative
5	99-3441	1	Harness-Wire, Fusible Link



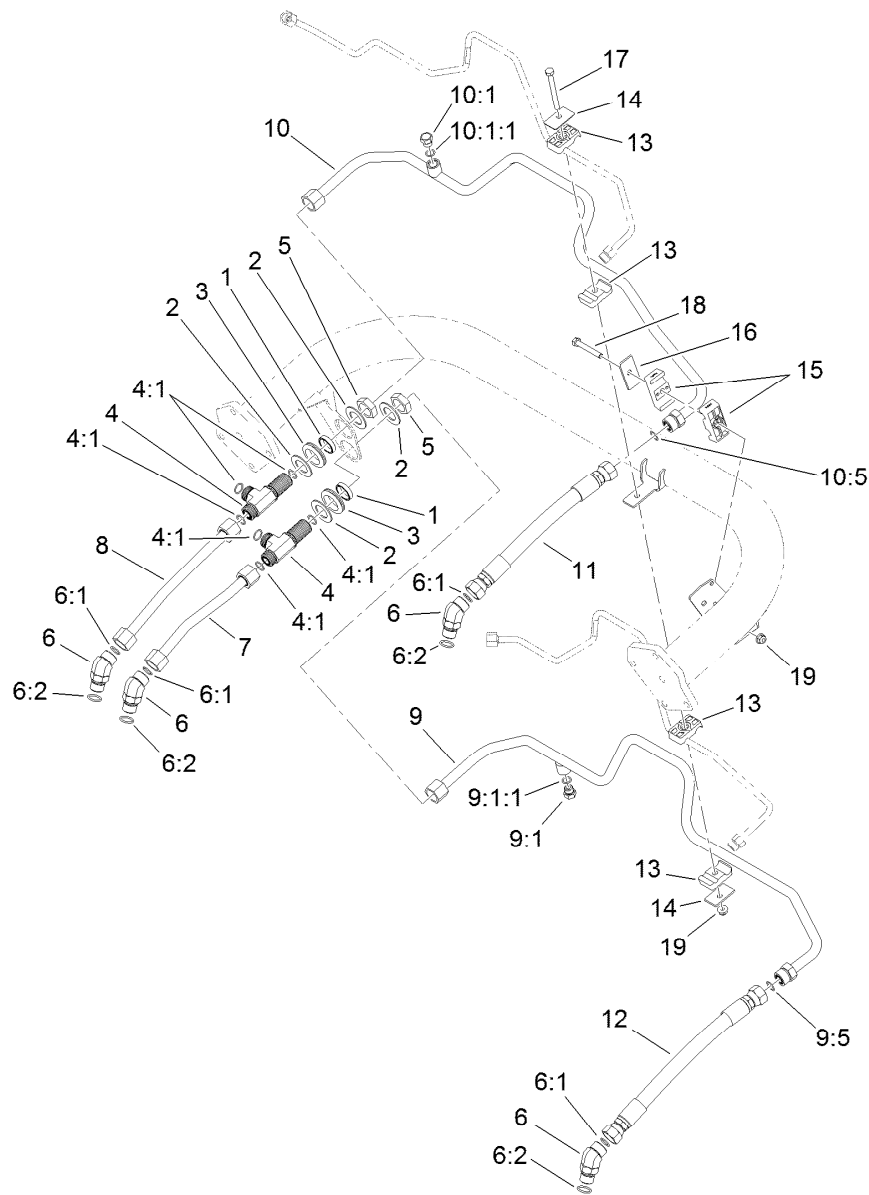
## Pump Coupling Assembly

<b>Ref.</b>	<b>Part Number</b>	<b>Qty.</b>	<b>Description</b>
1	139-6474	1	Pump-Hydro, Danfoss
2	323-7	2	Screw-HH
3	100-4852	2	Washer-Hardened
5	3211-4	1	Screw-HH
6	138-8594	1	Spacer
9	322-5	2	Screw-HH
10	119-4485	1	Hub-Pump
11	125-9249	2	Spacer-Coupler, Rubber
12	104-8300	2	Nut-HF, NI
13	145-4589	1	Key-Squ



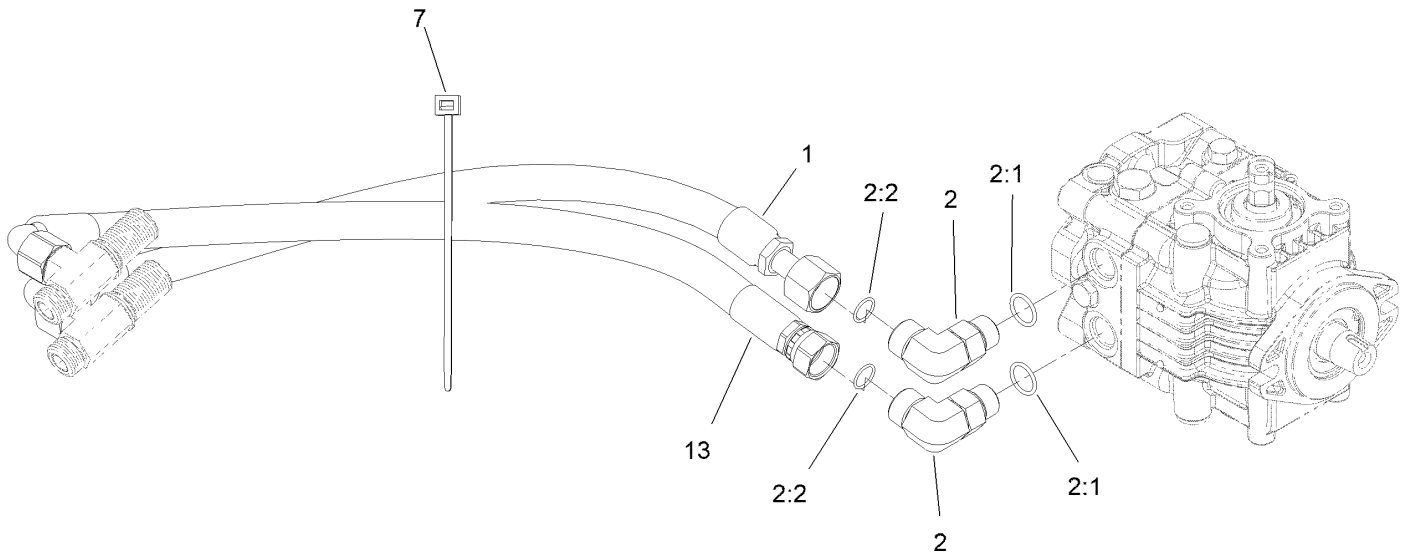
## Neutral Centering Assembly

<i>Ref.</i>	<i>Part Number</i>	<i>Qty.</i>	<i>Description</i>	<i>Ref.</i>	<i>Part Number</i>	<i>Qty.</i>	<i>Description</i>
1	140-5211-03	1	Bracket-Cable, Hydro [black]	15	119-8199	1	Washer-Nylon
2	140-5231	1	Cam-Neutral	16	140-6248	1	Damper
5	63-9750	3	Mount	17	104-7201	1	Nut-HF, NI
6	93-8806	3	Washer-Hardened	18	322-6	1	Screw-HH
7	140-5221	1	Lever-Hydro	19	94-8196	2	Washer-Nylon
8	3296-59	3	Nut-Lock, NI	20	2411-41	1	Rod End-Ball Joint
9	323-29	3	Screw-HH	21	119-1066	1	Screw-HHF, Patch
10	117-9046	1	Stud-Eccentric	22	120-2779	1	Screw-HH
11	145-0071	1	Neutral Arm ASM	23	104-8300	2	Nut-HF, NI
11:2	94-9609	2	Bushing-Straight	24	104-8301	1	Nut-HF, NI
12	251-259	1	Bearing-Ball	26	119-1735	1	Cable-Control, Traction
13	136-8418	1	Bushing	27	33114-020	2	Screw-HH
14	117-9047	1	Spring-Torsion	30	94-8197	1	Tube-Pivot
				33	108473	1	Washer-Wave



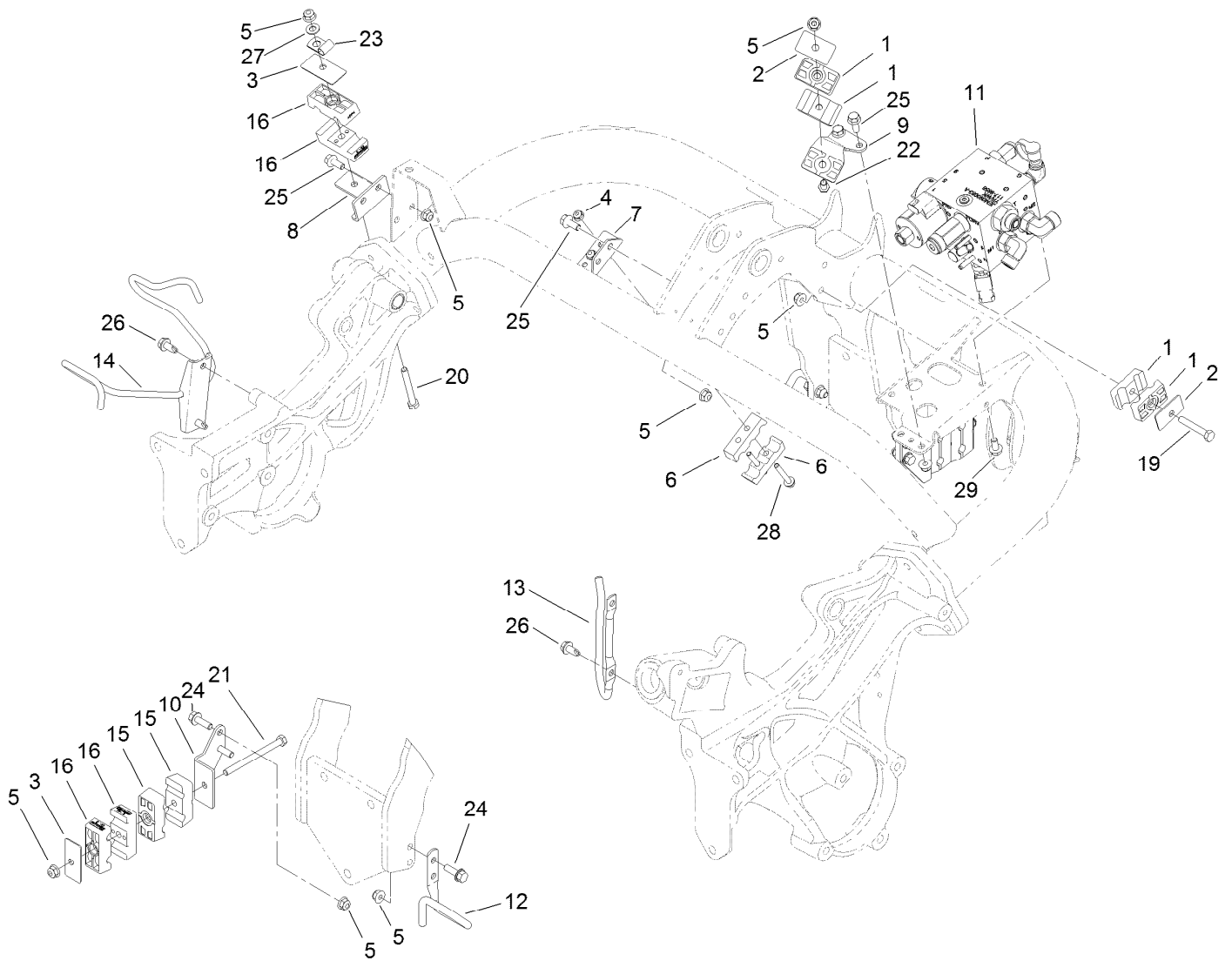
## Traction Drive Hydraulic Line Assembly

<i>Ref.</i>	<i>Part Number</i>	<i>Qty.</i>	<i>Description</i>	<i>Ref.</i>	<i>Part Number</i>	<i>Qty.</i>	<i>Description</i>
1	125-1984	2	Spacer	9:5	237-65	1	O-Ring
2	69-9010	4	Washer	10	119-2064	1	HYD Tube ASM
3	240-3	2	Grommet-Rubber	10:1	353-508	1	Plug-HH
4	94-5350	2	Fitting-Tee	10:1:1	237-42	1	O-Ring
4:1	237-65	3	O-Ring	10:5	237-65	1	O-Ring
5	340-74	2	Nut-Lock, Bulkhead	11	115-9484	1	Hose-HYD
6	340-14	4	Fitting-HYD, 45 DEG	12	115-9485	1	Hose-HYD
6:1	237-65	1	O-Ring	13	56-7970	4	Clamp-Tube
6:2	237-80	1	O-Ring	14	69-9760	2	Plate-Cover
7	119-2057	1	Tube-HYD	15	138-5045	2	Clamp-Tube
8	119-2058	1	Tube-HYD	16	69-9761	1	Plate-Cover
9	119-2063	1	Tube-HYD	17	322-20	1	Screw-HH
9:1	353-508	1	Plug-HH	18	322-12	1	Screw-HH
9:1:1	237-42	1	O-Ring	19	104-8300	2	Nut-HF, NI



## Traction Drive Hose Routing Assembly

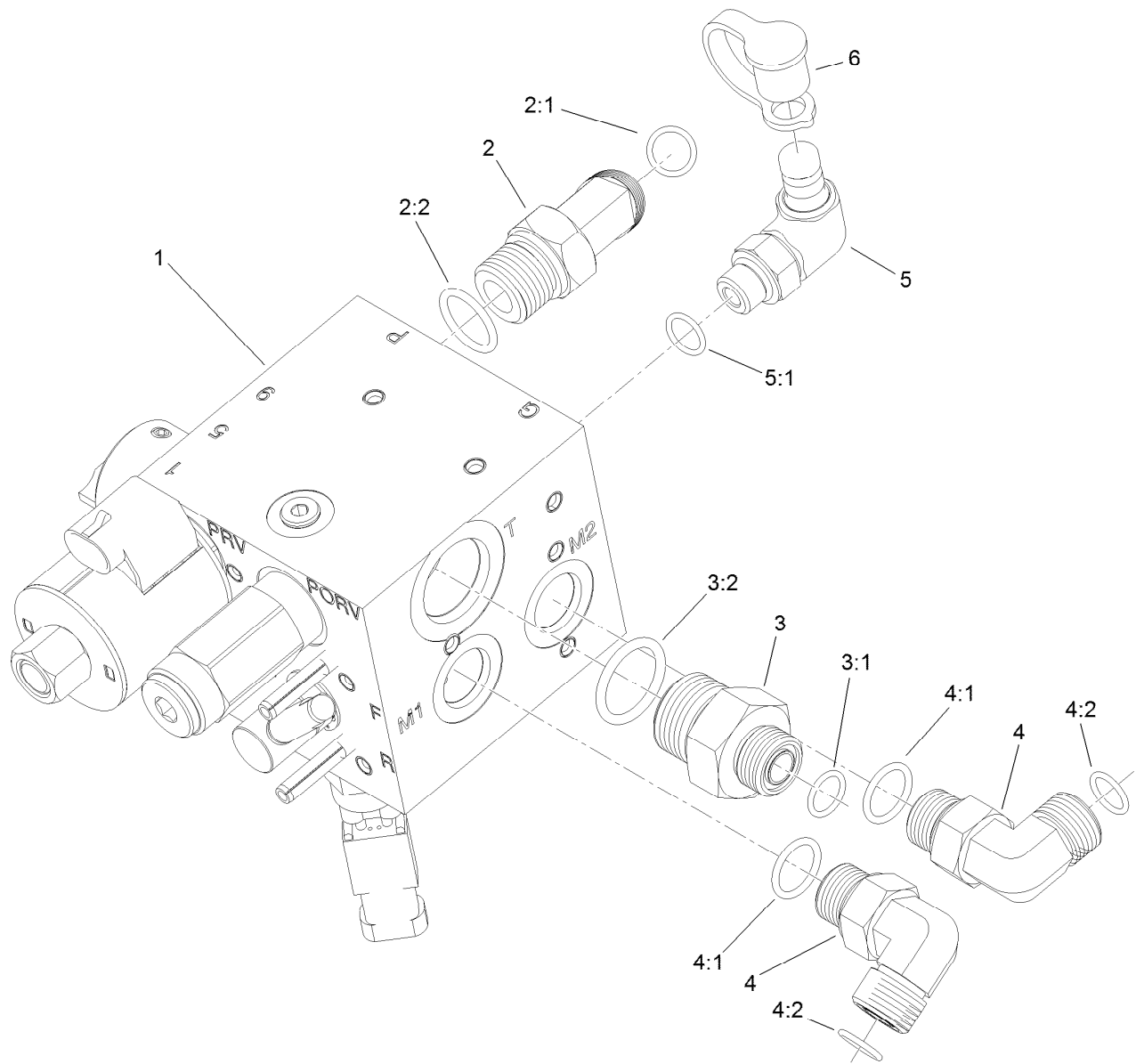
<i>Ref.</i>	<i>Part Number</i>	<i>Qty.</i>	<i>Description</i>
1	119-2060	1	Hose-HYD
2	340-17	2	Fitting-Elbow, 90 DEG
2:1	237-65	1	O-Ring
2:2	237-80	1	O-Ring
7	3290-378	1	Tie-Cable
13	120-1988	1	Hose-HYD



## Hydraulic Mow Assembly

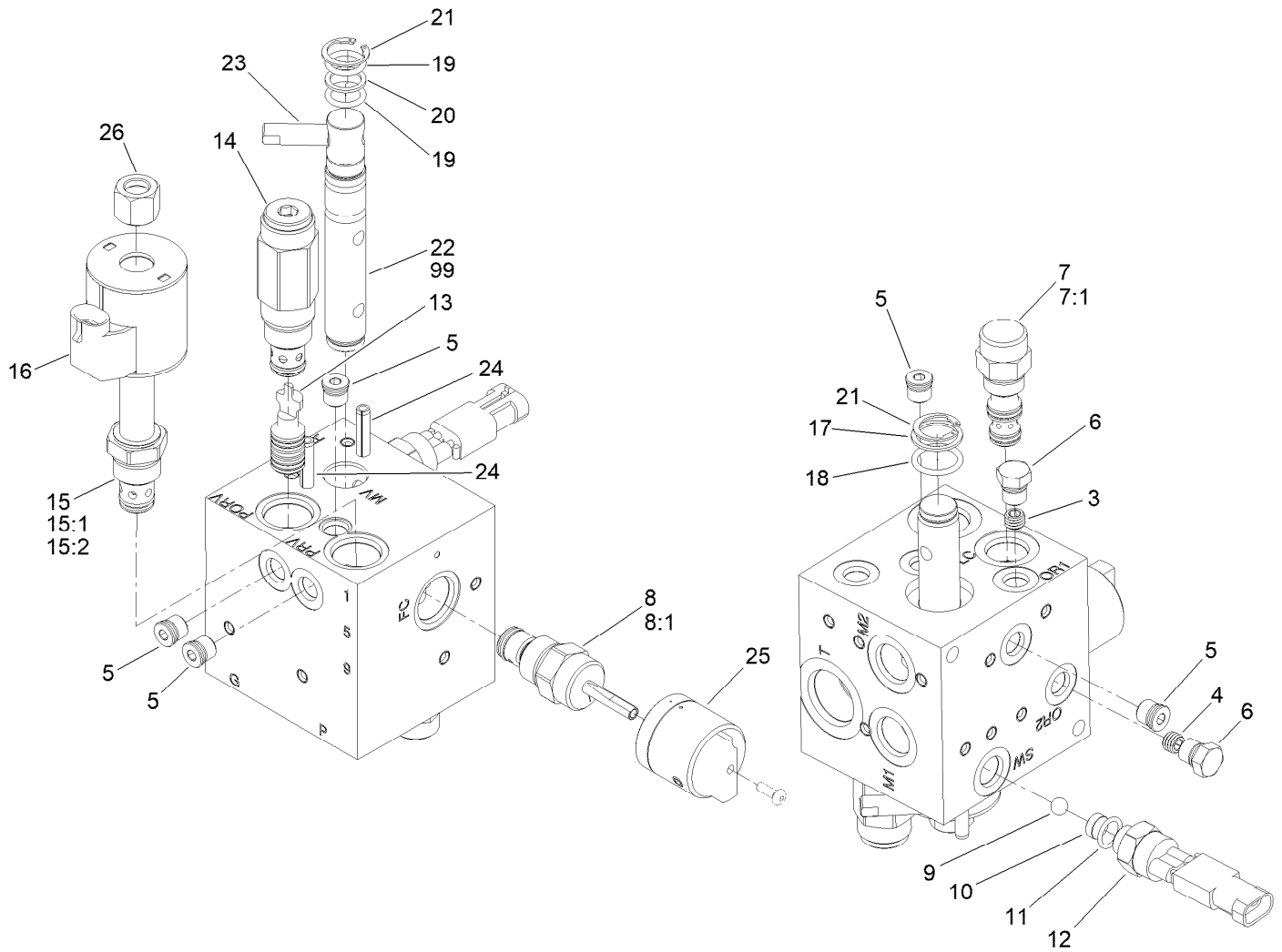
Ref.	Part Number	Qty.	Description	Ref.	Part Number	Qty.	Description
1	56-7972	4	Clamp-Tube	15	119-8156	2	Clamp-Tube
2	69-9760	2	Plate-Cover	16	138-5044	4	Clamp-Tube
3	69-9761	2	Plate-Cover	19	322-10	1	Screw-HH
4	104-7201	2	Nut-HF, NI	20	322-12	1	Screw-HH
5	104-8300	14	Nut-HF, NI	21	322-19	1	Screw-HH
6	119-2082	2	Clamp-Tube	22	322-21	1	Screw-HH
7	119-2091	1	Bracket-Tube	23	2412-113	1	Clamp-R
8	119-2095	1	Bracket-Tube	24	3234-29	4	Screw-HHF
9	119-2106	1	Bracket-Clamp	25	3234-47	6	Screw-HHF
10	119-4493	1	Bracket-Support, Tube	26	32104-32	4	Screw-HWH
11		1	Mow Manifold ASM ●	27	3256-23	1	Washer-Plain
12	121-6671	1	Wireform Hose Support	28	32105-18	2	Screw-HHF
13	121-6667	1	Wireform-Hose, HYD	29	3234-7	2	Screw-HHF
14	119-8109-03	1	Bracket-Hose				

● Not serviced separately



## Hydraulic Mow Manifold Assembly

Ref.	Part Number	Qty.	Description
1	117-9858	1	Manifold-HYD, Mow (Backlap)
2	340-89	1	Fitting-HYD, 45 DEG
2:1	237-30	1	O-Ring
2:2	237-80	1	O-Ring
3	100-4240	1	Fitting-STR
3:1	237-30	1	O-Ring
3:2	237-81	1	O-Ring
4	340-98	2	Fitting-Elbow, 90 DEG
4:1	237-79	1	O-Ring
4:2	237-30	1	O-Ring
5	115-9147	1	Fitting-Elbow, 90 DEG
5:1	237-78	1	O-Ring
6	354-79	1	Cap-Dust

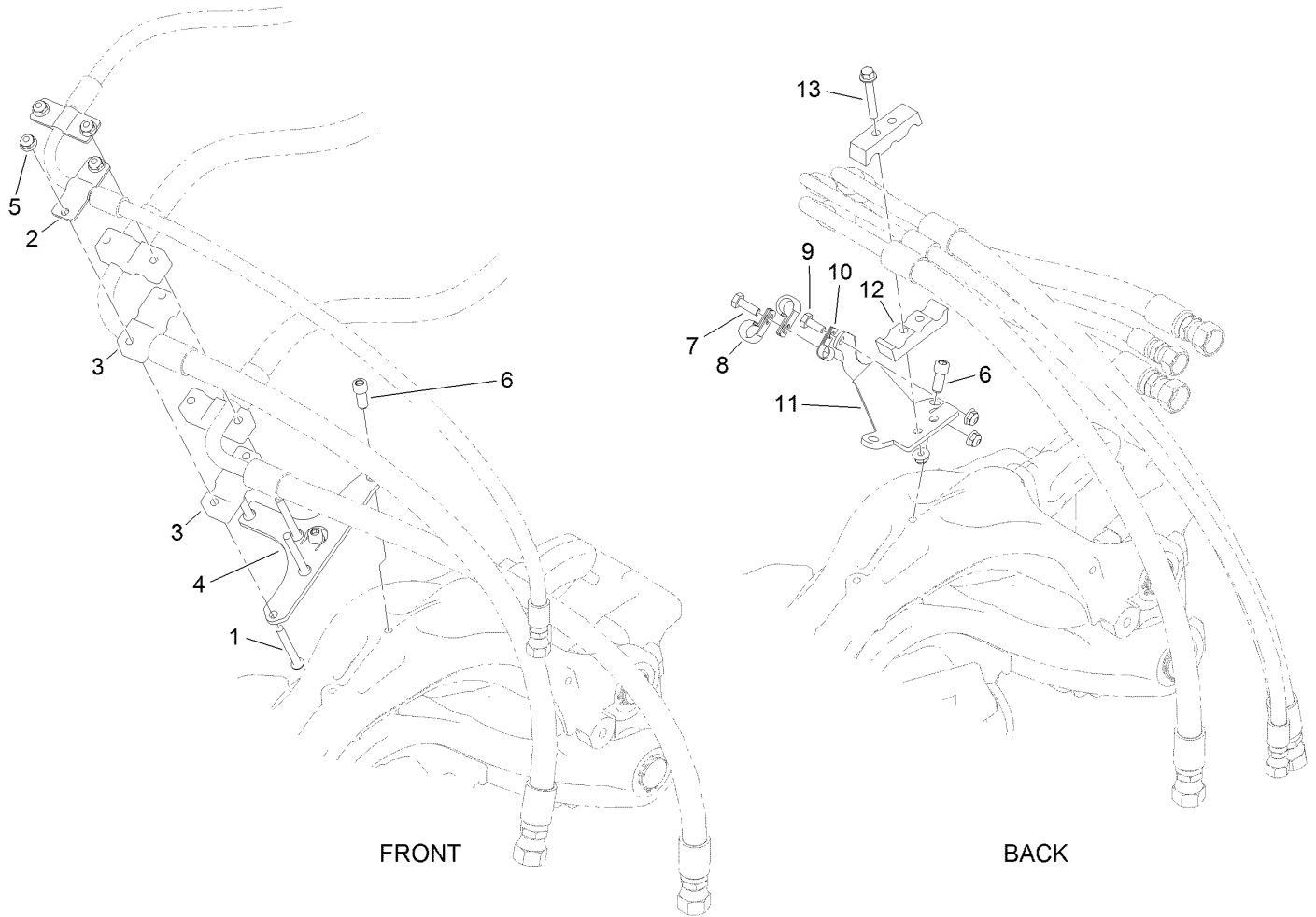


## Hydraulic Mow Manifold Assembly No. 117-9858

Ref.	Part Number	Qty.	Description
3	120-5761	1	Orifice (.020)
4	112-9202	1	Orifice-Flow, Control (.060)
5	106-1025	3	Plug-HYD
6	117-0115	2	Plug
7	120-5762	1	Element-Logic
7:1	110-8773	1	Seal Kit
8	139-2665	1	Valve-Control, Manual Flow
8:1	132-6231	1	Seal Kit
9	117-4605	1	Ball-SS
10	119-7145	1	Shim-SS
11	110-8757	1	O-Ring
12	72-4320	1	Switch-Ball
13	119-7146	1	Piston-Pilot (With Seals)
14	119-7147	1	Valve-Relief
15	110-8799	1	Valve-Relief, Proportional

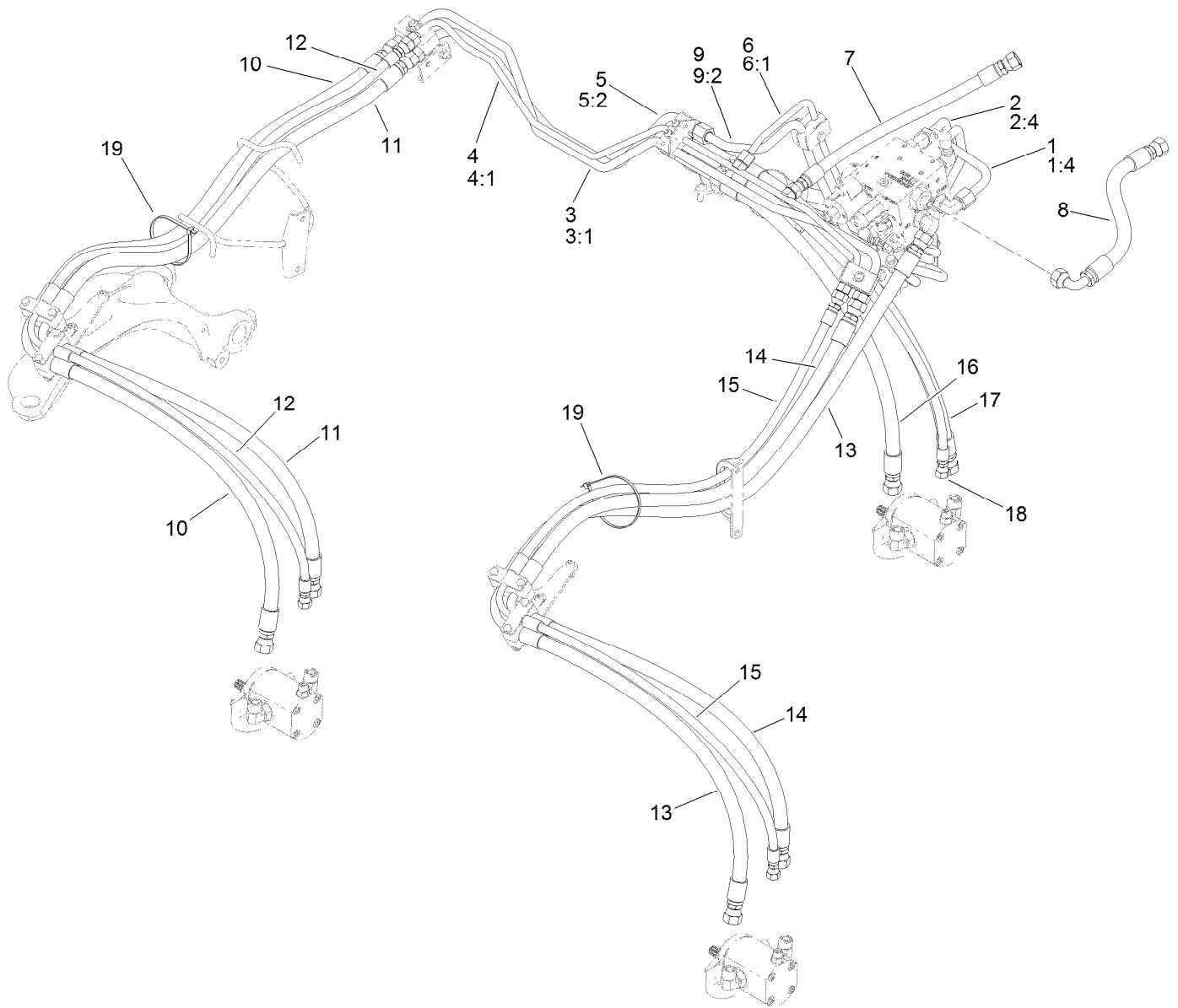
Ref.	Part Number	Qty.	Description
15:1	110-6316	1	Seal Kit
15:2	130-8180	1	Nut-Coil (9/16-24 Unef-2B)
16	110-6344	1	Coil-12V, DC
17	106-8139	1	Ring-Back Up
18	117-4607	1	O-Ring
19	117-4606	2	O-Ring
20	112-6534	1	Ring-Back Up
21	112-6532	2	Ring-Retaining
22	119-7141	1	Spool
23	110-8758	1	Handle-Spool
24	112-6531	2	Pin-Spring
25	119-7140	1	Knob
26	130-8180	1	Nut-Coil (9/16-24 Unef-2B)
99	119-7142	1	Kit-Seal, Spool





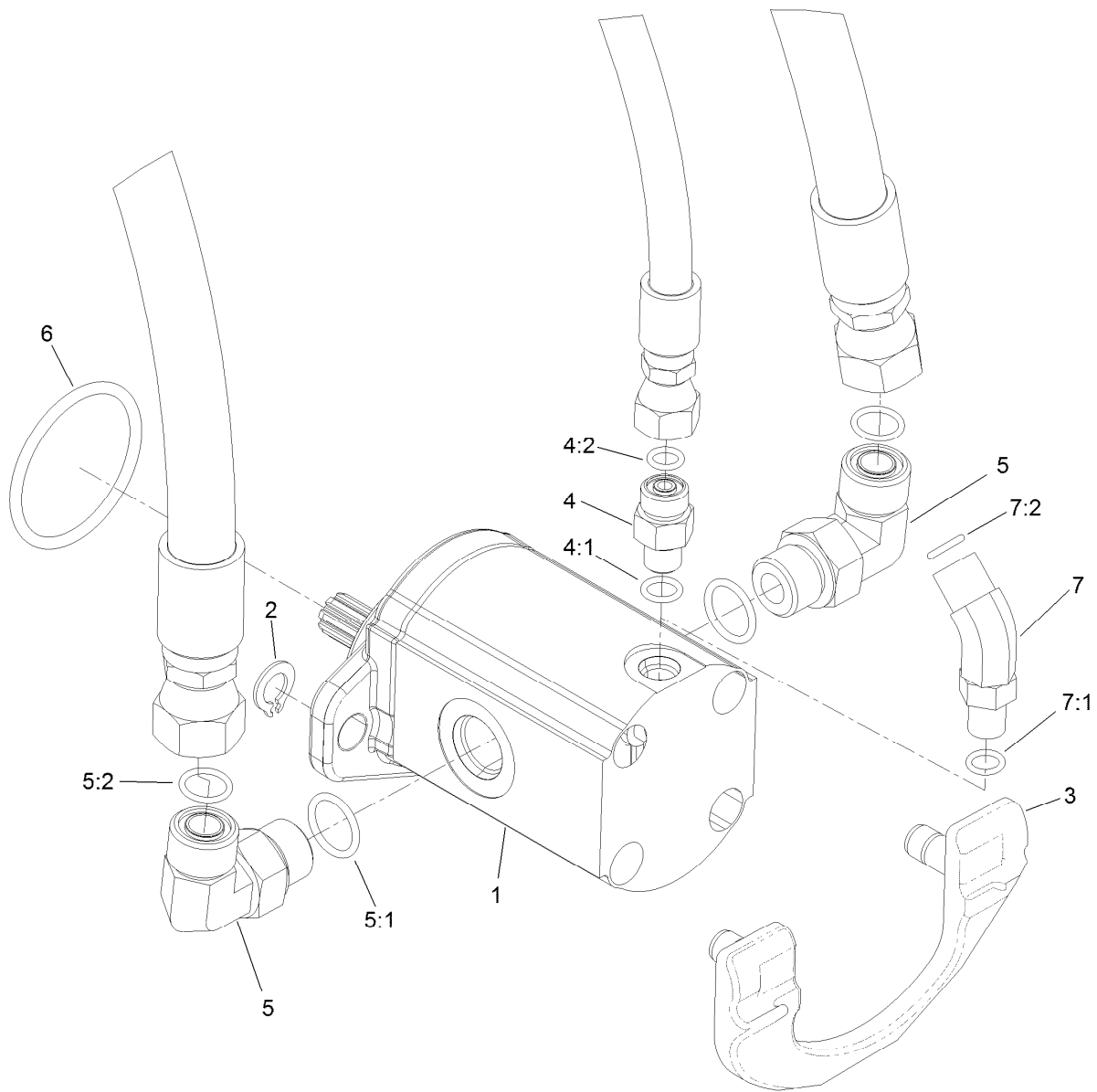
## Hydraulic Mow Clamp Assembly

<b>Ref.</b>	<b>Part Number</b>	<b>Qty.</b>	<b>Description</b>
1	120-2011	8	Screw-HSBH
2	119-8142	4	Strap
3	119-8141	8	Clamp-Tube
4	119-8143-03	2	Bracket-Clamp, Hose
5	104-7201	12	Nut-HF, NI
6	100-2401	6	Screw-HSH
7	321-4	1	Screw-HH
8	2412-73	2	Clamp-R
9	321-3	1	Screw-HH
10	2412-89	1	Clamp-R
11	119-8172-03	1	Bracket-Hose
12	119-2082	2	Clamp-Tube
13	32105-18	2	Screw-HHF



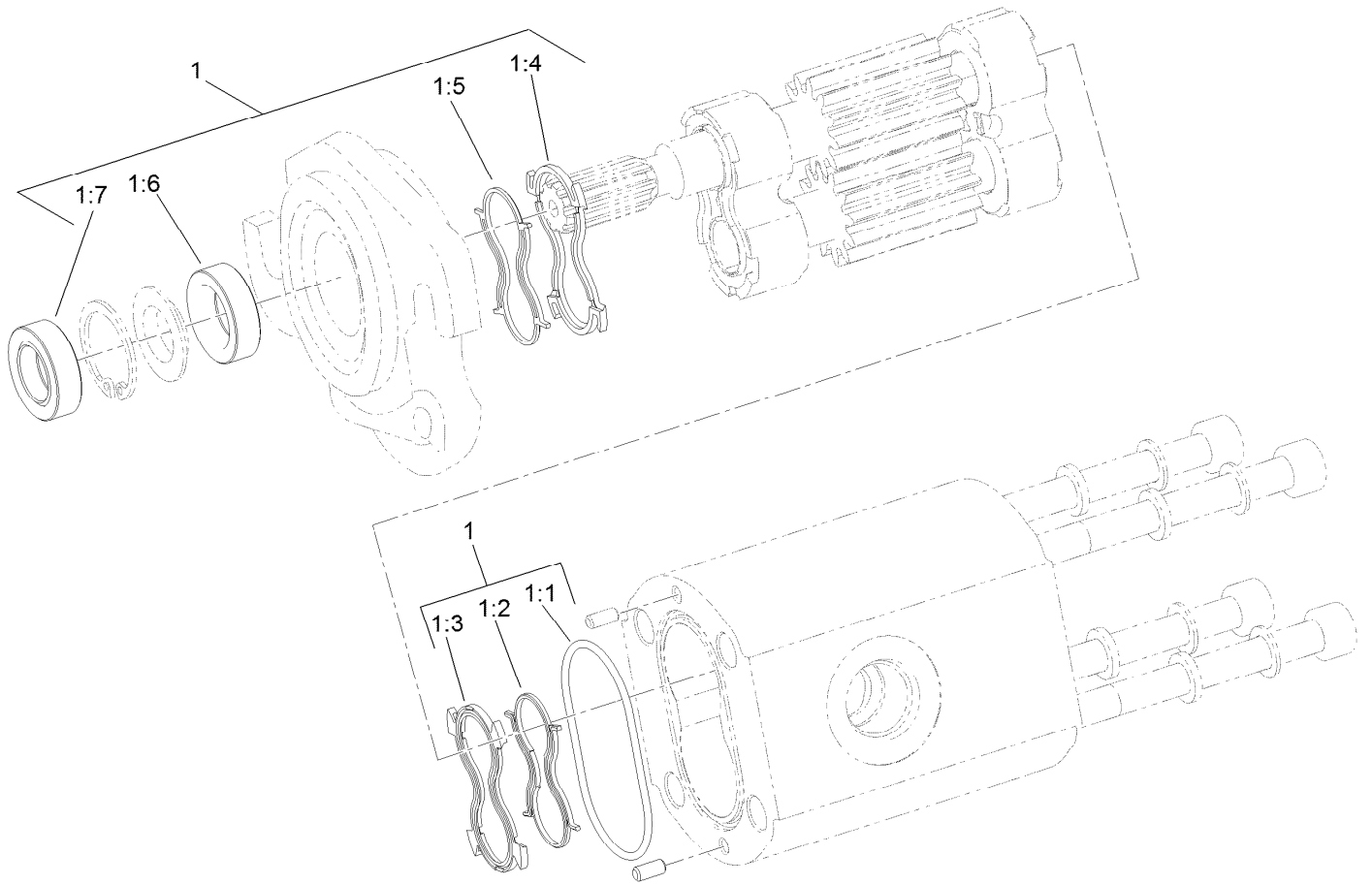
## Hydraulic Mow Hose Routing Assembly

<i>Ref.</i>	<i>Part Number</i>	<i>Qty.</i>	<i>Description</i>	<i>Ref.</i>	<i>Part Number</i>	<i>Qty.</i>	<i>Description</i>
1	117-9347	1	HYD Tube ASM	9	119-8122	1	HYD Tube ASM
1:4	237-30	1	O-Ring	9:2	237-30	1	O-Ring
2	119-2073	1	HYD Tube ASM	10	140-5282	1	HYD Hose ASM (Pressure #3)
2:4	237-30	1	O-Ring	11	140-5283	1	HYD Hose ASM (Return #3)
3	119-2078	1	HYD Tube ASM	12	139-6536	1	Hose ASM Case 3
3:1	237-30	2	O-Ring	13	140-5284	1	HYD Hose ASM (Pressure #2)
4	119-2079	1	HYD Tube ASM	14	140-5285	1	HYD Hose ASM (Return #2)
4:1	237-22	4	O-Ring	15	139-6535	1	Hose ASM Case 2
5	119-2084	1	HYD Tube ASM	16	140-5286	1	HYD Hose ASM (Pressure #1)
5:2	237-30	2	O-Ring	17	140-5287	1	HYD Hose ASM (Return #1)
6	119-2085	1	HYD Tube ASM	18	139-6534	1	Hose ASM Case 1
6:1	237-22	1	O-Ring	19	3290-379	2	Tie-Cable
7	119-2089	1	Hose-HYD (Case To Tank)				
8	119-8106	1	Hose-HYD (Mow Block/Tank)				



## Hydraulic Mow Reel Motor Assembly

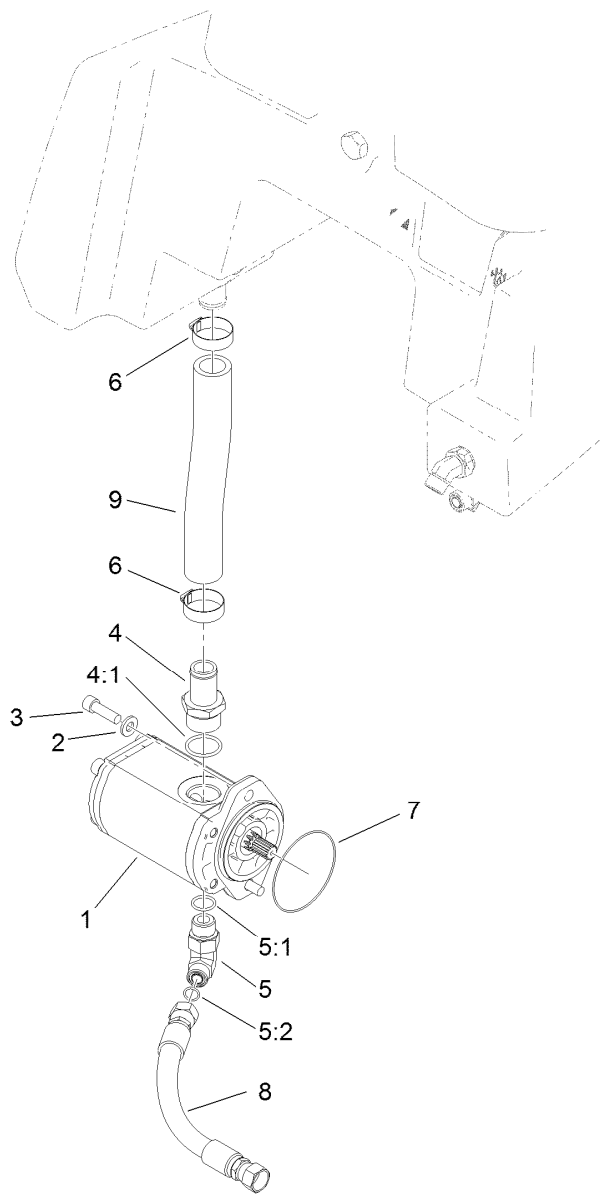
<b>Ref.</b>	<b>Part Number</b>	<b>Qty.</b>	<b>Description</b>
1	115-3321	3	HYD Reel Motor ASM
2	133-8926	6	Ring-Retaining (Metric)
3	115-5389	3	Cam-Mount, Motor
4	340-92	2	Fitting-Straight
4:1	237-78	1	O-Ring
4:2	237-21	1	O-Ring
5	340-98	6	Fitting-Elbow, 90 DEG
5:1	237-79	1	O-Ring
5:2	237-30	1	O-Ring
6	115-3298	3	O-Ring
7	340-103	1	Fitting-HYD, 45 DEG
7:1	237-78	1	O-Ring
7:2	237-21	1	O-Ring



## Hydraulic Reel Motor Assembly No. 115-3321

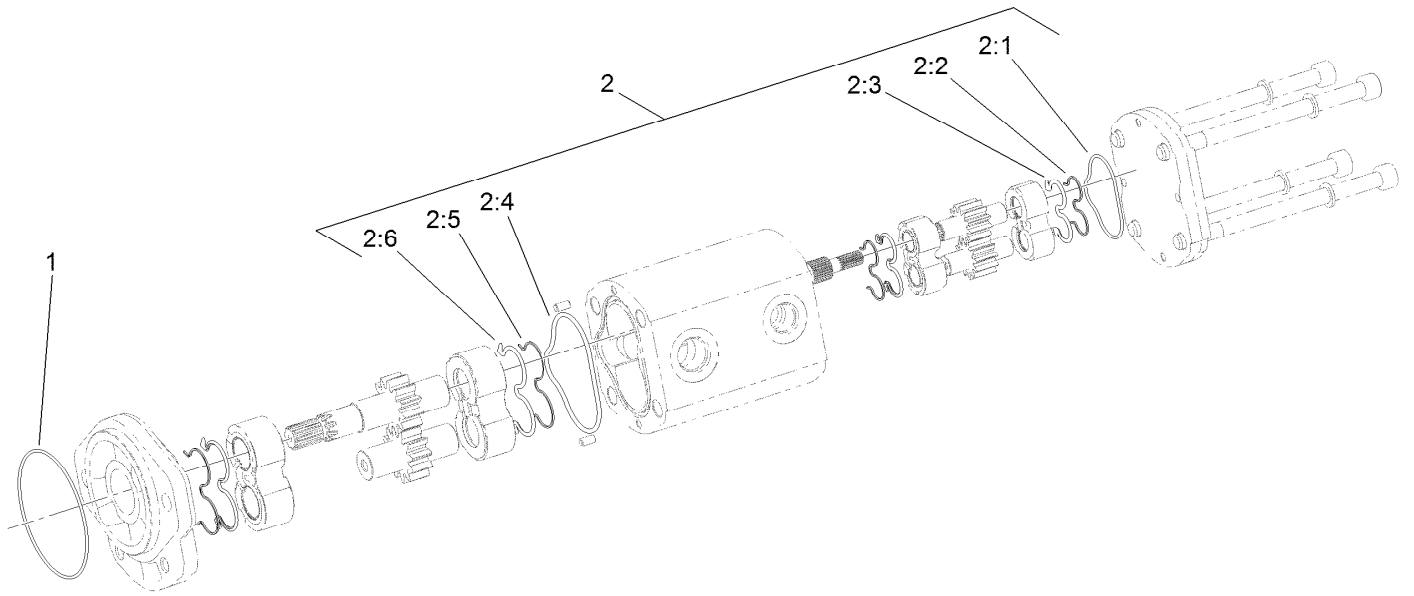
<i>Ref.</i>	<i>Part Number</i>	<i>Qty.</i>	<i>Description</i>
1	119-7113	1	Seal Kit
1:1		1	O-Ring Housing ●
1:2		1	Seal-Anti Extrusion ●
1:3		1	Seal-Plate, Balancing ●
1:4		1	Seal-Plate, Balancing ●
1:5		1	Seal-Anti Extrusion ●
1:6		1	Seal-Shaft (Inboard) ●
1:7		1	Seal-Shaft (Outboard) ●

● Not serviced separately



## Hydraulic Mow Gear Pump Assembly

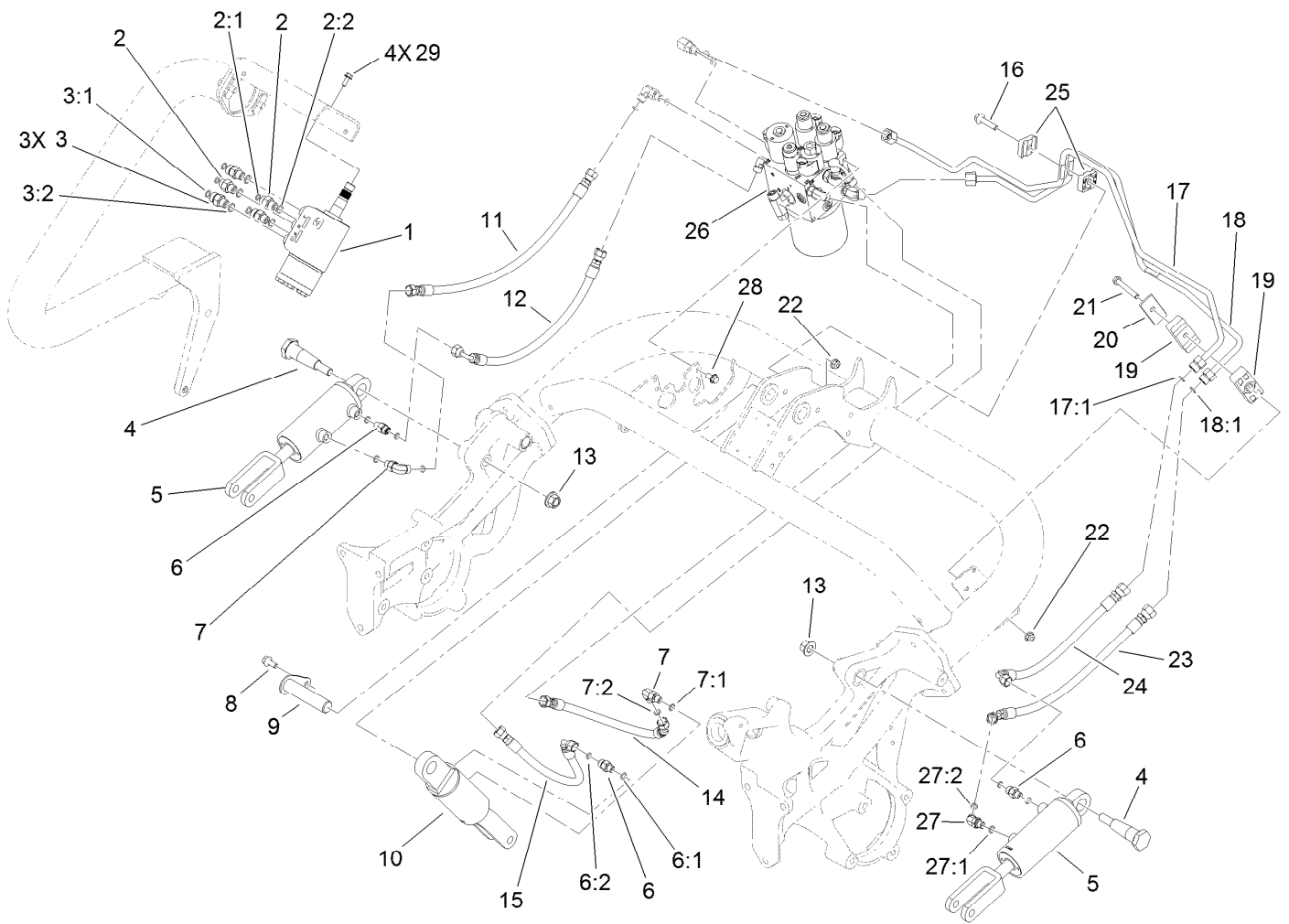
<i>Ref.</i>	<i>Part Number</i>	<i>Qty.</i>	<i>Description</i>
1	114-9956	1	HYD Gear Pump ASM
2	100-4852	2	Washer-Hardened
3	3274-1	2	Screw-HSH
4	354-78	1	Fitting-STR
4:1	237-146	1	O-Ring
5	340-105	1	Fitting-Elbow, 90 DEG
5:1	237-80	1	O-Ring
5:2	237-30	1	O-Ring
6	2412-34	2	Clamp-Hose
7	353-949	1	O-Ring
8	119-2074	1	Hose-HYD
9	119-2069	1	Hose-Suction



## Hydraulic Gear Pump Assembly No. 114-9956

<i>Ref.</i>	<i>Part Number</i>	<i>Qty.</i>	<i>Description</i>
1	353-949	1	O-Ring
2	119-7134	1	Kit-Seal
2:1		1	O-Ring ●
2:2		2	Seal-Extrusion, Anti ●
2:3		2	Seal-Backup ●
2:4		1	O-Ring ●
2:5		2	Seal-Extrusion, Anti ●
2:6		2	Seal-Backup ●

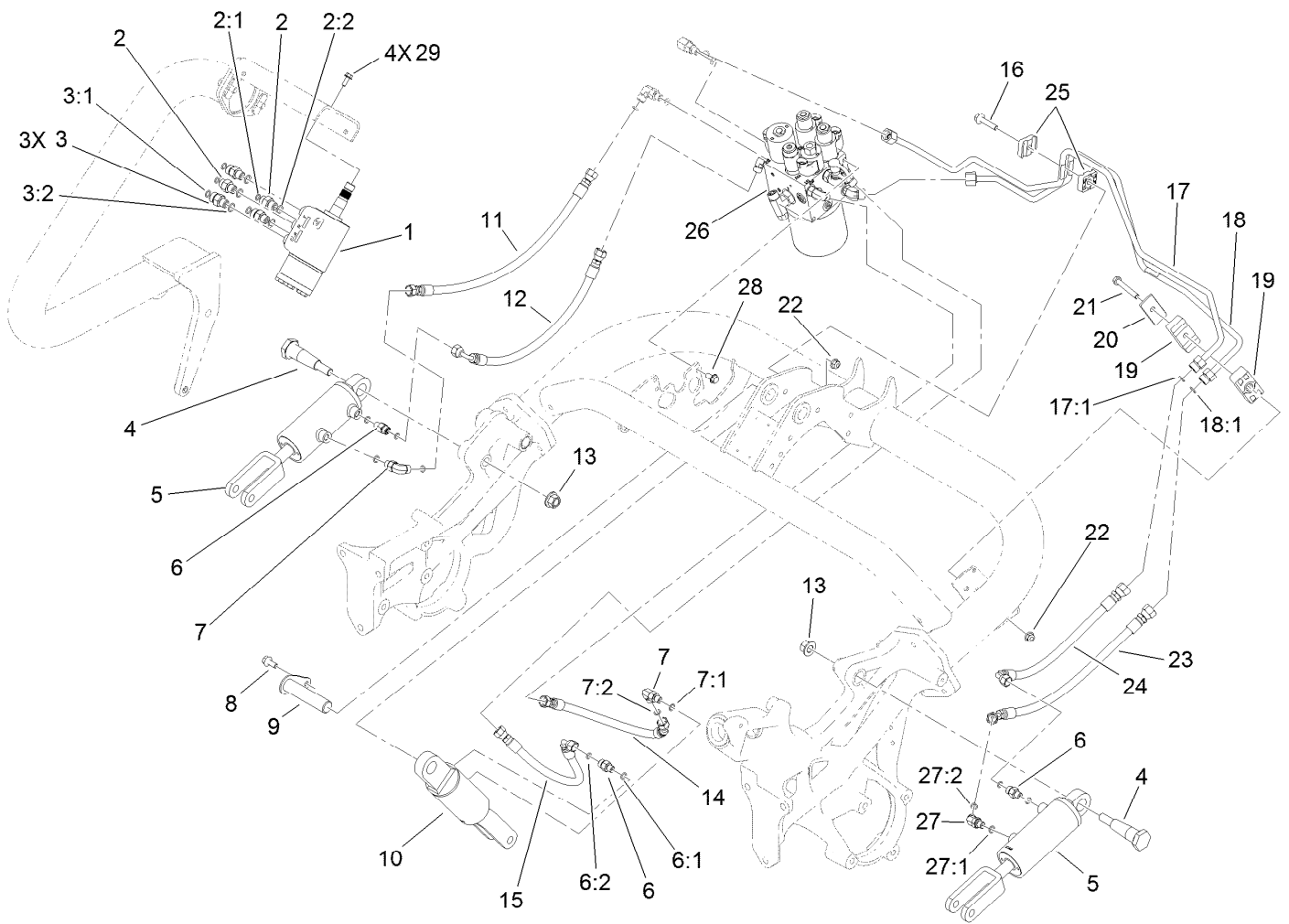
● Not serviced separately



## Lift Circuit Assembly

Ref.	Part Number	Qty.	Description	Ref.	Part Number	Qty.	Description
1	114-4672	1	Steering Valve ASM	10	119-8128	1	No. 1 HYD Cylinder ASM
2	340-1	2	Fitting-Straight	11	119-2052	1	Hose-HYD
2:1	237-21	1	O-Ring	12	119-2053	1	Hose-HYD
2:2	237-42	1	O-Ring	13	99-5107	2	Nut-HF Nylock
3	340-2	3	Fitting-Straight	14	119-2051	1	Hose-HYD
3:1	237-22	1	O-Ring	15	119-2050	1	Hose-HYD
3:2	237-42	1	O-Ring	16	115-1794	1	Screw-HHF
4	112-5709	2	Pin-Tapered	17	119-8126	1	HYD Tube ASM
5	119-8129	2	No. 2 And 3 HYD Cylinder ASM	17:1	237-22	1	O-Ring
6	340-92	3	Fitting-Straight	18	119-8127	1	HYD Tube ASM
6:1	237-78	1	O-Ring	18:1	237-22	1	O-Ring
6:2	237-21	1	O-Ring	19	120-3200	2	Clamp-Tube
7	340-132	2	Fitting-Elbow, 90 DEG	20	69-9761	1	Plate-Cover
7:1	237-78	1	O-Ring	21	322-12	1	Screw-HH
7:2	237-21	1	O-Ring	22	104-8300	3	Nut-HF, NI
8	3234-47	1	Screw-HHF	23	119-2066	1	Hose-HYD
9	119-8104	1	Pin	24	119-2065	1	Hose-HYD
				25	56-7973	2	Clamp-Tube

● Not serviced separately

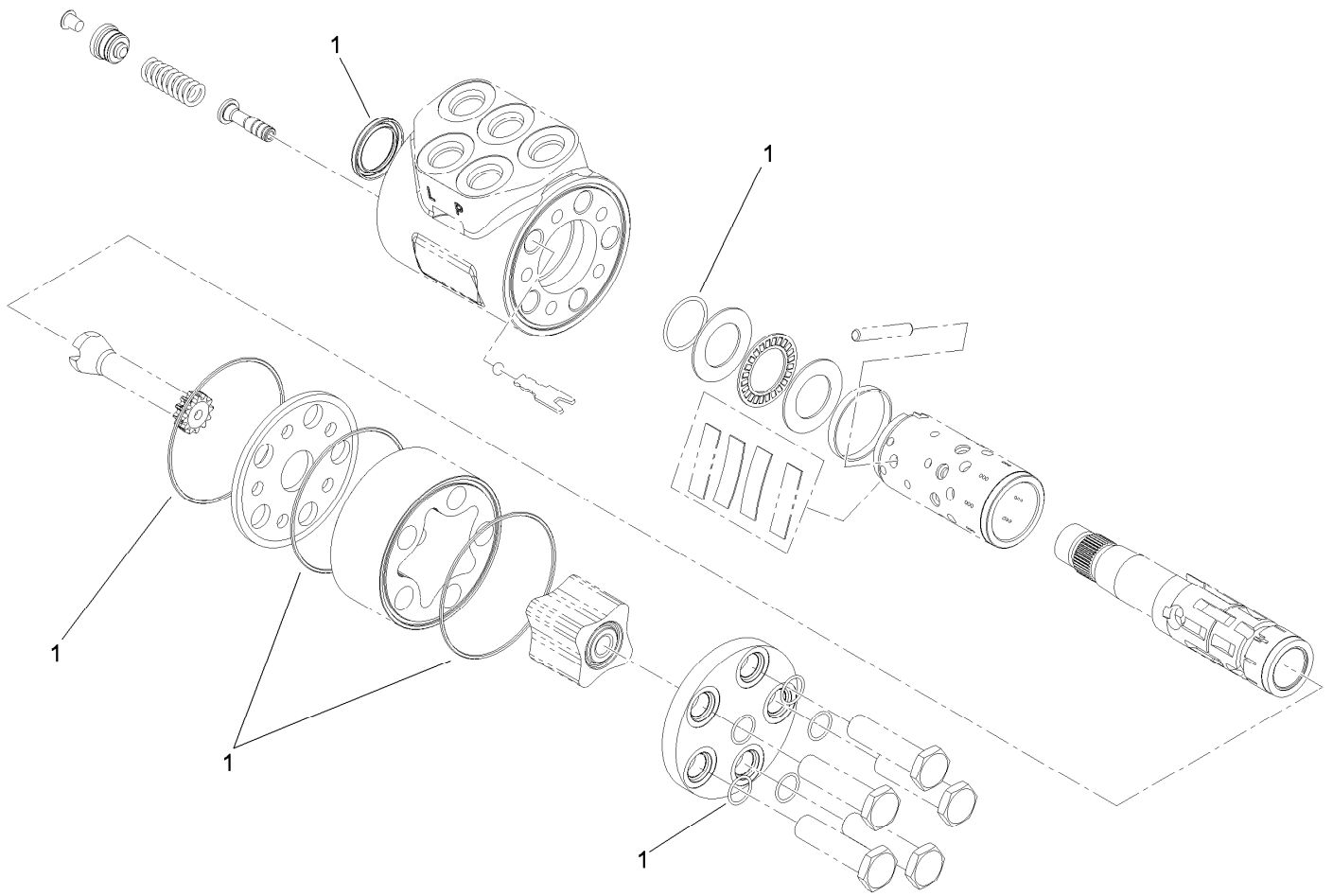


## Lift Circuit Assembly (continued)

<i>Ref.</i>	<i>Part Number</i>	<i>Qty.</i>	<i>Description</i>	<i>Ref.</i>	<i>Part Number</i>	<i>Qty.</i>	<i>Description</i>
26		1	Hydraulic Lift Manifold ASM	27:2	237-21	1	O-Ring
27	340-103	1	Fitting-HYD, 45 DEG	28	3234-7	2	Screw-HHF
27:1	237-78	1	O-Ring	29	33103-016	4	Screw-HHF

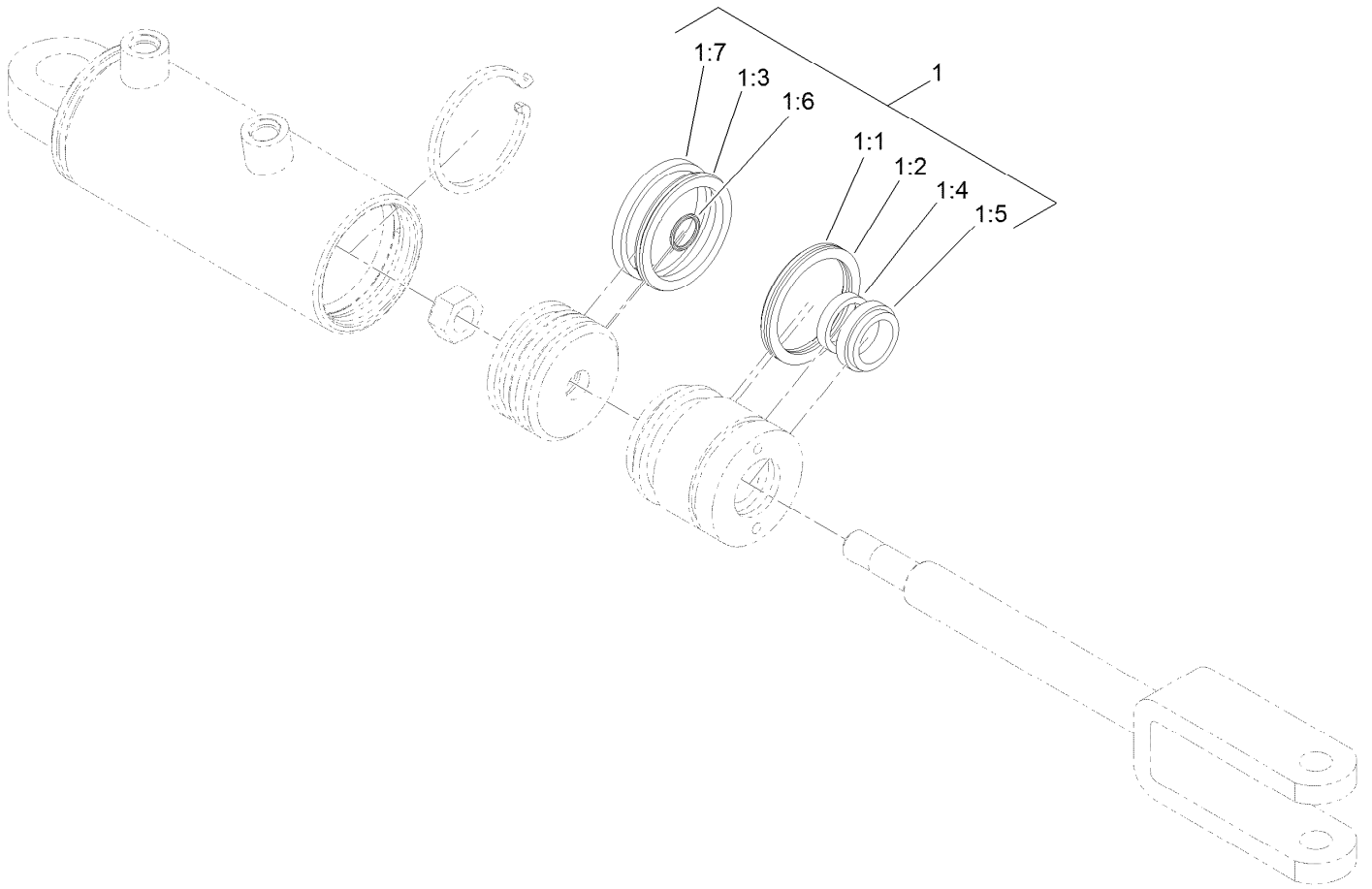
● Not serviced separately





## Steering Valve Assembly No. 114-4672

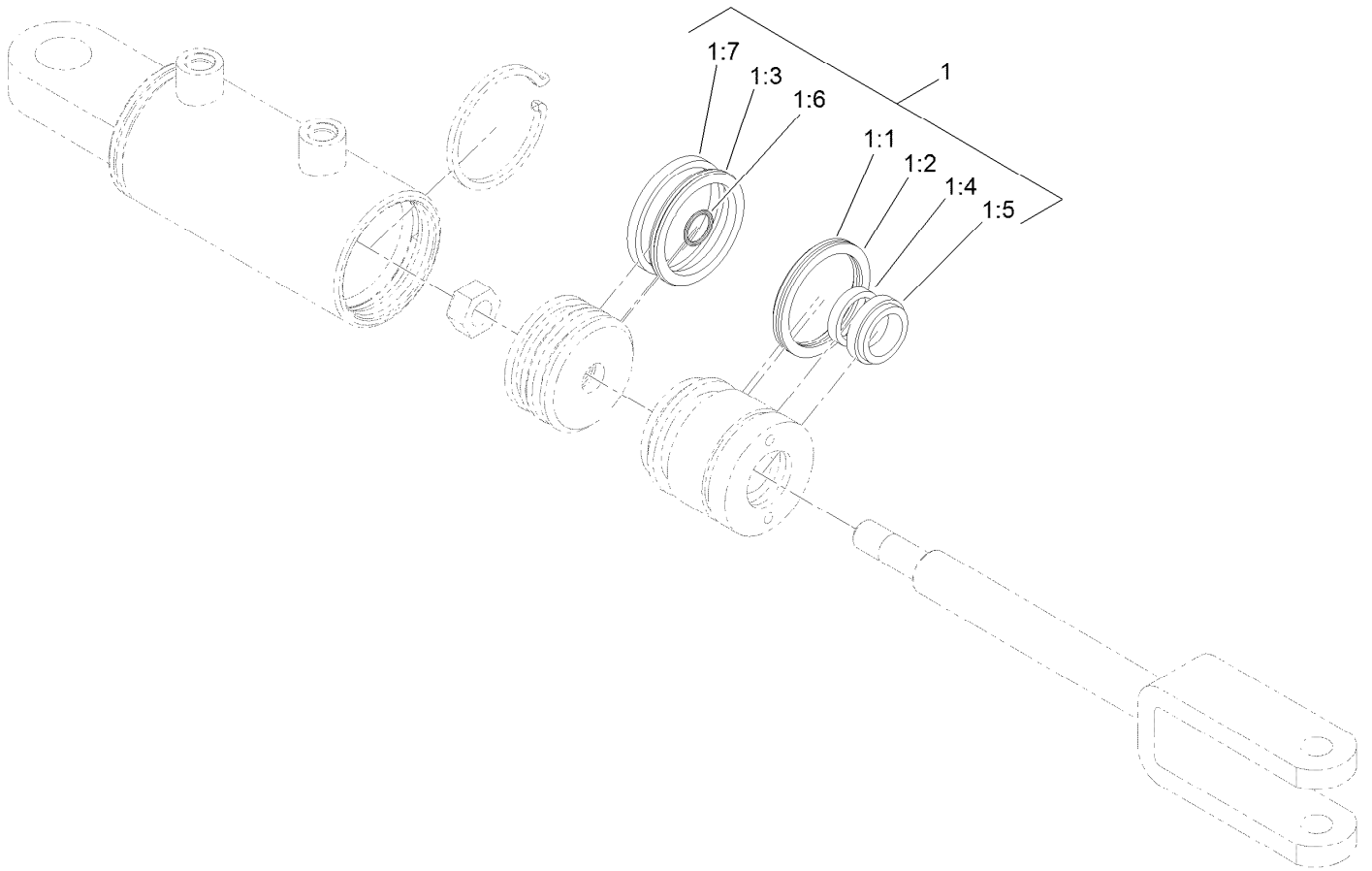
<i>Ref.</i>	<i>Part Number</i>	<i>Qty.</i>	<i>Description</i>
1	106-6716	1	Seal Kit



## Hydraulic Cylinder Assembly No. 119-8129

<i>Ref.</i>	<i>Part Number</i>	<i>Qty.</i>	<i>Description</i>
1	115-3410	1	Seal Kit
1:1		1	O-Ring ●
1:2		1	Backup ●
1:3		1	Bp Seal ●
1:4		1	Bs Seal ●
1:5		1	Seal-Dust ●
1:6		1	O-Ring ●
1:7		1	Ring-Wear ●

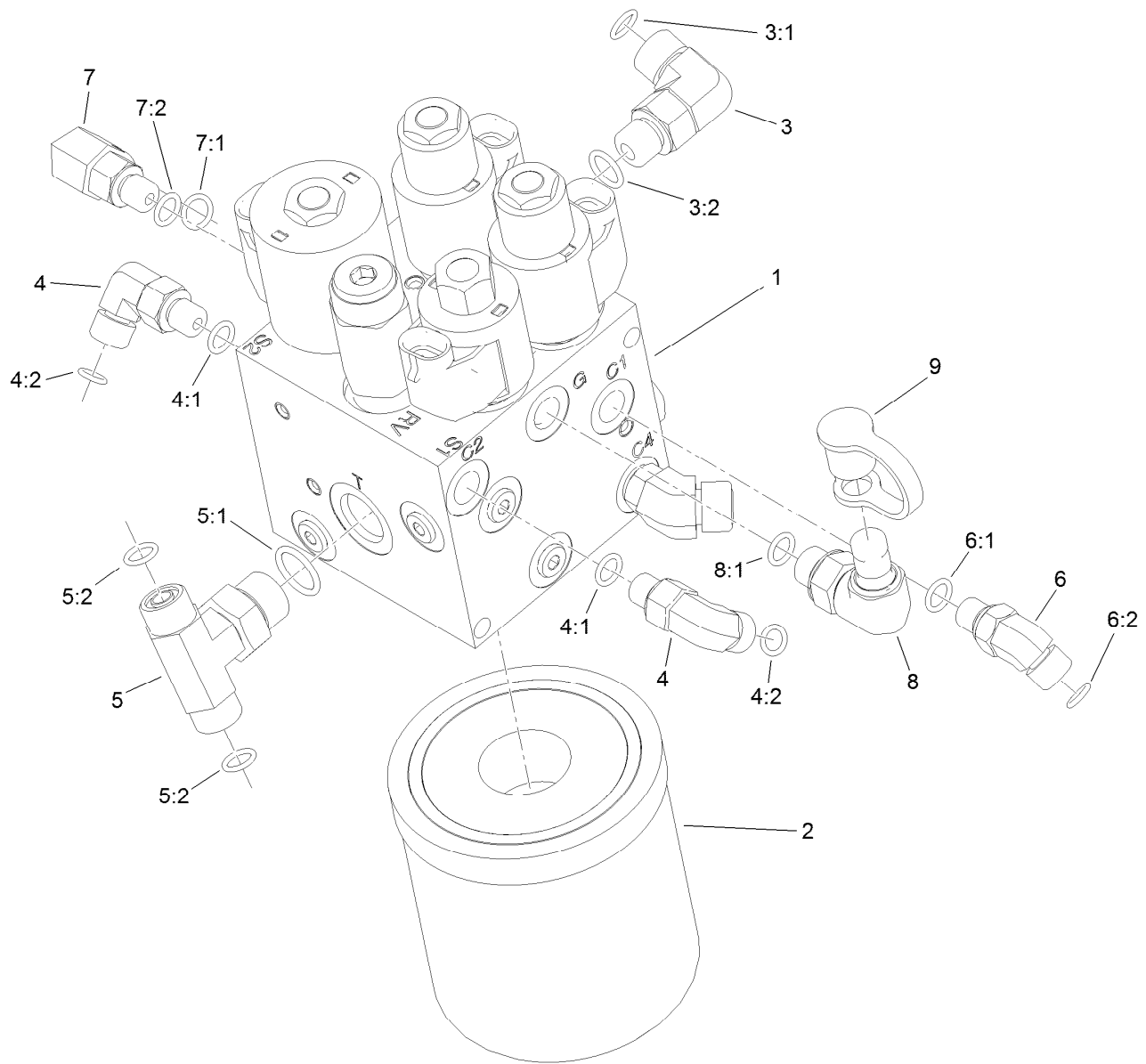
● Not serviced separately



## Hydraulic Cylinder Assembly No. 119-8128

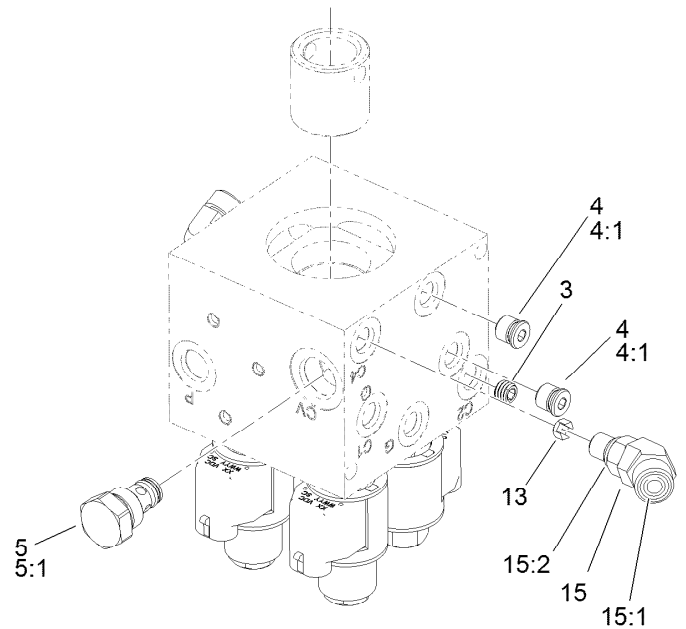
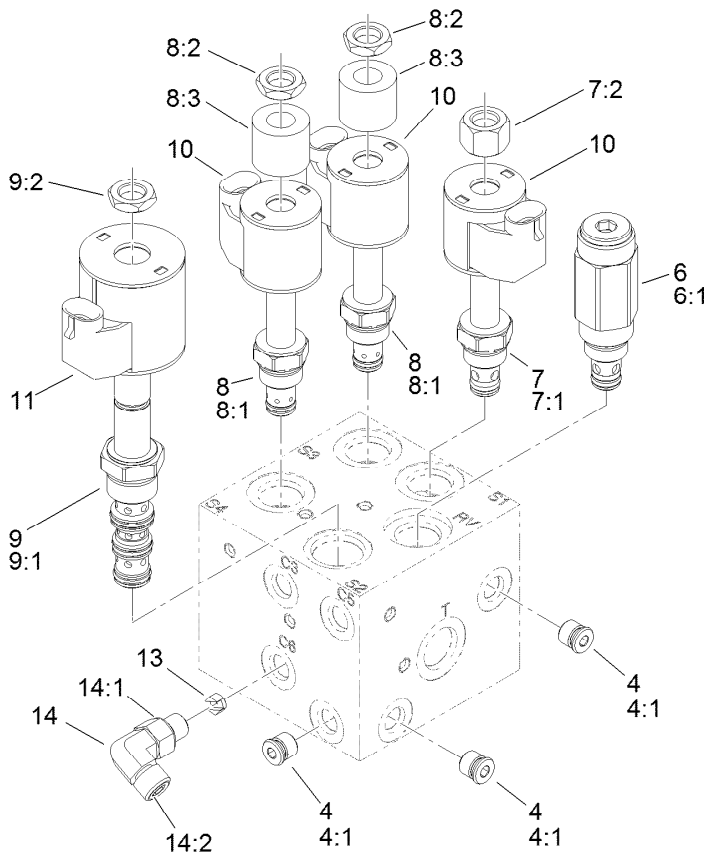
<i>Ref.</i>	<i>Part Number</i>	<i>Qty.</i>	<i>Description</i>
1	115-3410	1	Seal Kit
1:1		1	O-Ring ●
1:2		1	Backup ●
1:3		1	Bp Seal ●
1:4		1	Bs Seal ●
1:5		1	Seal-Dust ●
1:6		1	O-Ring ●
1:7		1	Ring-Wear ●

● Not serviced separately



## Hydraulic Lift Manifold Assembly

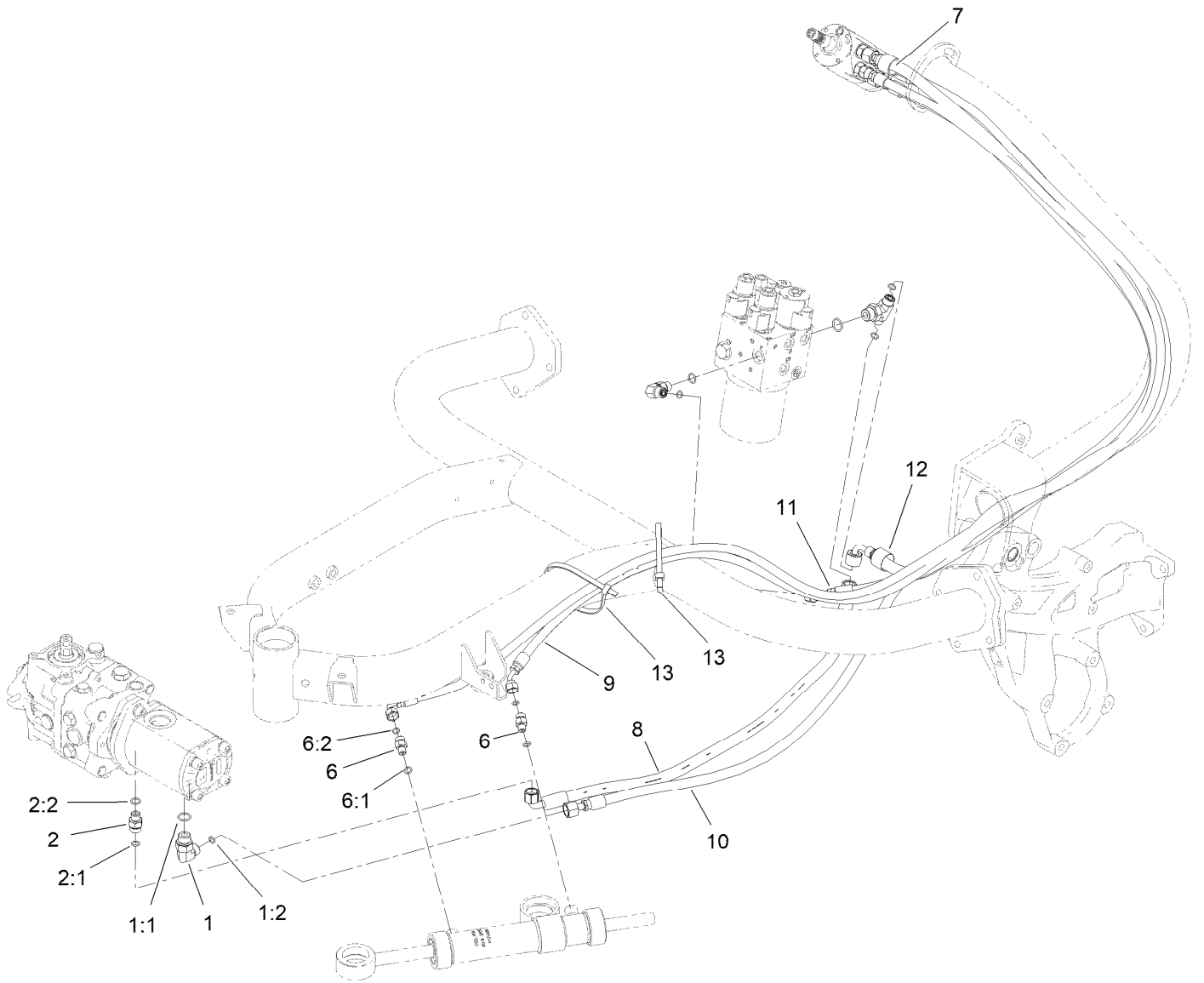
Ref.	Part Number	Qty.	Description	Ref.	Part Number	Qty.	Description
1	125-5187	1	Manifold-Lift, HYD	5:2	237-22	2	O-Ring
2	108-5194	1	Filter-Oil, HYD	6	340-103	1	Fitting-HYD, 45 DEG
3	340-77	1	Fitting-Elbow, 90 DEG	6:1	237-78	1	O-Ring
3:1	237-22	1	O-Ring	6:2	237-21	1	O-Ring
3:2	237-42	1	O-Ring	7	340-97	1	Fitting-Elbow, 90 DEG
4	340-132	2	Fitting-Elbow, 90 DEG	7:1	237-22	1	O-Ring
4:1	237-78	1	O-Ring	7:2	237-78	1	O-Ring
4:2	237-21	1	O-Ring	8	115-9147	1	Fitting-Elbow, 90 DEG
5	92-4799	1	Fitting-Tee, HYD	8:1	237-78	1	O-Ring
5:1	237-79	1	O-Ring	9	354-79	1	Cap-Dust



## Hydraulic Lift Manifold Assembly No. 125-5187

Ref.	Part Number	Qty.	Description
3	119-7144	1	Orifice (.037 Inch)
4	353-990	5	Plug ASM
4:1	237-78	1	O-Ring
5	107-7524	1	Check Valve ASM
5:1	105-9156	1	Seal Kit
6	112-9207	1	Valve-Relief
6:1	105-9156	1	Seal Kit
7	107-7517	1	Valve-Solenoid
7:1	105-9156	1	Seal Kit
7:2	107-7812	1	Nut-Solenoid
8	110-8898	2	Valve-Solenoid
8:1	107-7527	1	Seal Kit
8:2	110-2634	1	Nut-Coil

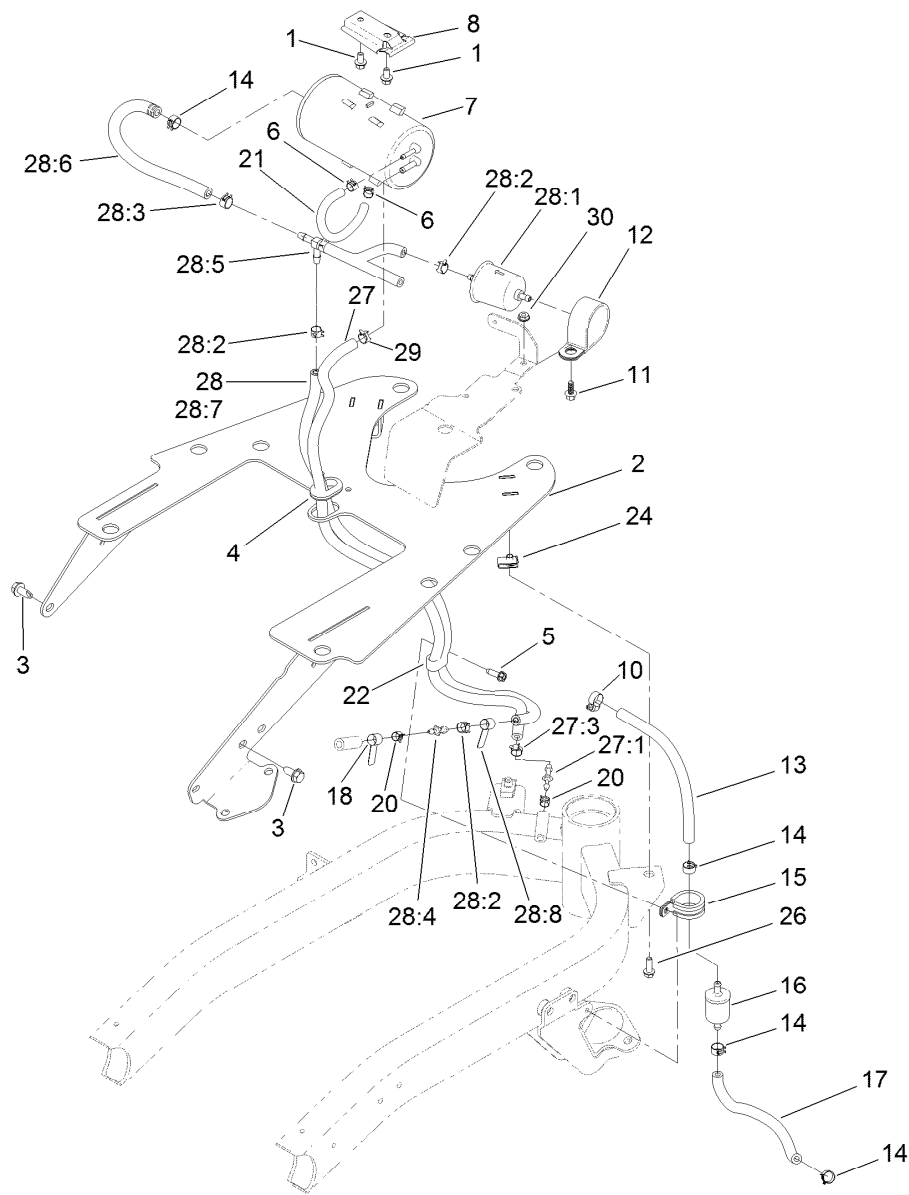
Ref.	Part Number	Qty.	Description
8:3	110-8909	1	Spacer-Coil
9	110-8906	1	Valve-Solenoid
9:1	110-8908	1	Spool Valve Seal Kit
9:2	110-2634	1	Nut-Coil
10	110-0497	3	Coil-Solenoid
11	110-6344	1	Coil-12V, DC
13	125-5211	2	Orifice-Control, Flow (0.030)
14	340-132	1	Fitting-Elbow, 90 DEG
14:1	237-78	1	O-Ring
14:2	237-21	1	O-Ring
15	340-54	1	Elbow-45 DEG
15:1	237-22	1	O-Ring
15:2	237-78	1	O-Ring



## Steering Circuit Assembly

Ref.	Part Number	Qty.	Description
1	340-18	1	Fitting-HYD, 90 DEG
1:1	237-79	1	O-Ring
1:2	237-22	1	O-Ring
2	340-2	1	Fitting-Straight
2:1	237-22	1	O-Ring
2:2	237-42	1	O-Ring
6	340-92	2	Fitting-Straight
6:1	237-78	1	O-Ring

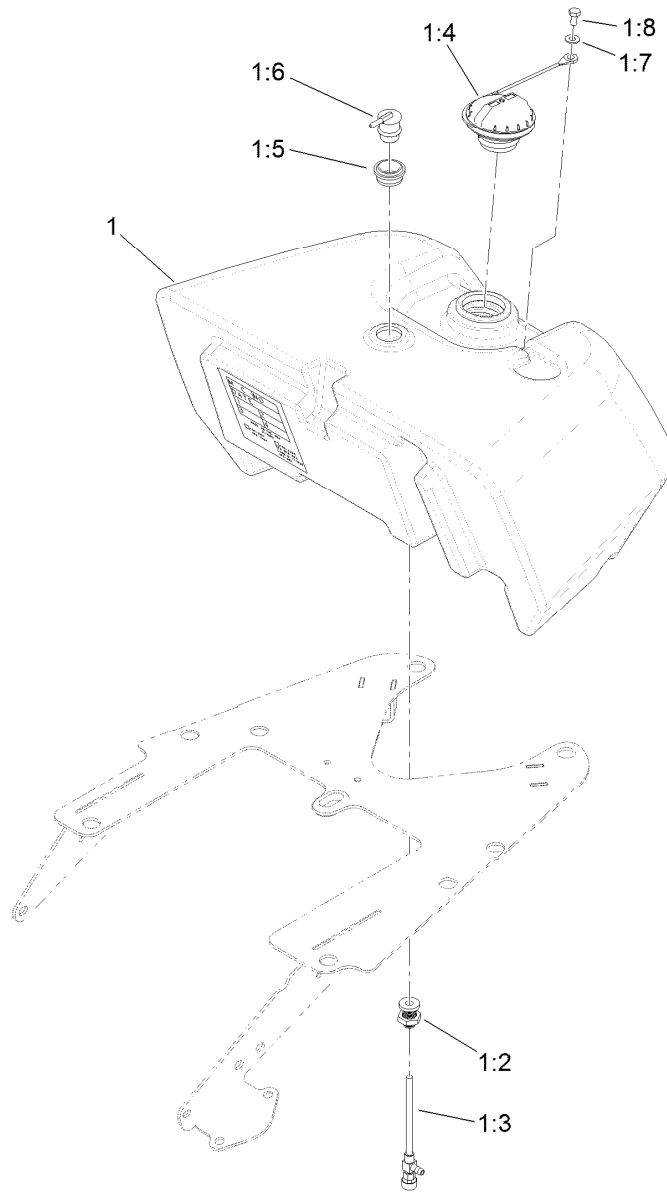
Ref.	Part Number	Qty.	Description
6:2	237-21	1	O-Ring
7	119-8124	1	Hose-HYD
8	140-5230	1	Hose ASM
9	119-8123	1	Hose-HYD
10	145-0056	1	HYD Hose ASM
11	117-3683	1	Hose-HYD
12	140-5270	1	Hose ASM, HYD
13	3334-945	2	Tie-Cable



## Fuel Line and Carbon Canister Hose Routing Assembly

Ref.	Part Number	Qty.	Description	Ref.	Part Number	Qty.	Description
1	3234-13	2	Screw-HHF	21	119-8523	1	Hose-Fuel
2	132-9597-03	1	Plate Wa [black]	22	119-8153	1	Clamp-R, Double Tube
3	32104-32	2	Screw-HWH	24	107069	2	Clip
4	240-5	2	Grommet	26	115-5103	2	Screw-HHF
5	49-2040	1	Screw-HWHTF	27	121-5181	1	Purge Hose ASM
6	2412-146	3	Clamp-Hose	27:1	121-2573	1	Fitting-Straight
7	127-8685	1	Canister-Carbon	27:3	2412-98	2	Clamp-Hose
8	114-0292	1	Bracket-Canister, Carbon	28		1	Tee Hose ASM ●
10	2412-108	1	Clamp-Worm	28:1	121-2583	1	Filter-Fuel, Inline
11	99-6810	1	Screw-HHF	28:2	2412-98	3	Clamp-Hose
12	100-1424	1	Clamp-R	28:3	92-2379	2	Clamp-Hose
13	109-0282	1	Hose-Fuel	28:4	121-2573	1	Fitting-Straight
14	92-2379	3	Clamp-Hose	28:5	121-6663	1	Check Valve Hose ASM
15	120-2037	1	R-Clamp	28:6	139-6544	1	Hose-Formed
16	94-2690	1	Filter-Fuel	28:7	109-3491	1	Hose-Fuel
17	109-0293	1	Hose-Fuel	28:8	121-6664	1	Decal-Cleaner, Air
18	121-6664	1	Decal-Cleaner, Air	29	2412-98	1	Clamp-Hose
20	2412-80	2	Clamp-Hose	30	32149-2	1	Nut-Keps

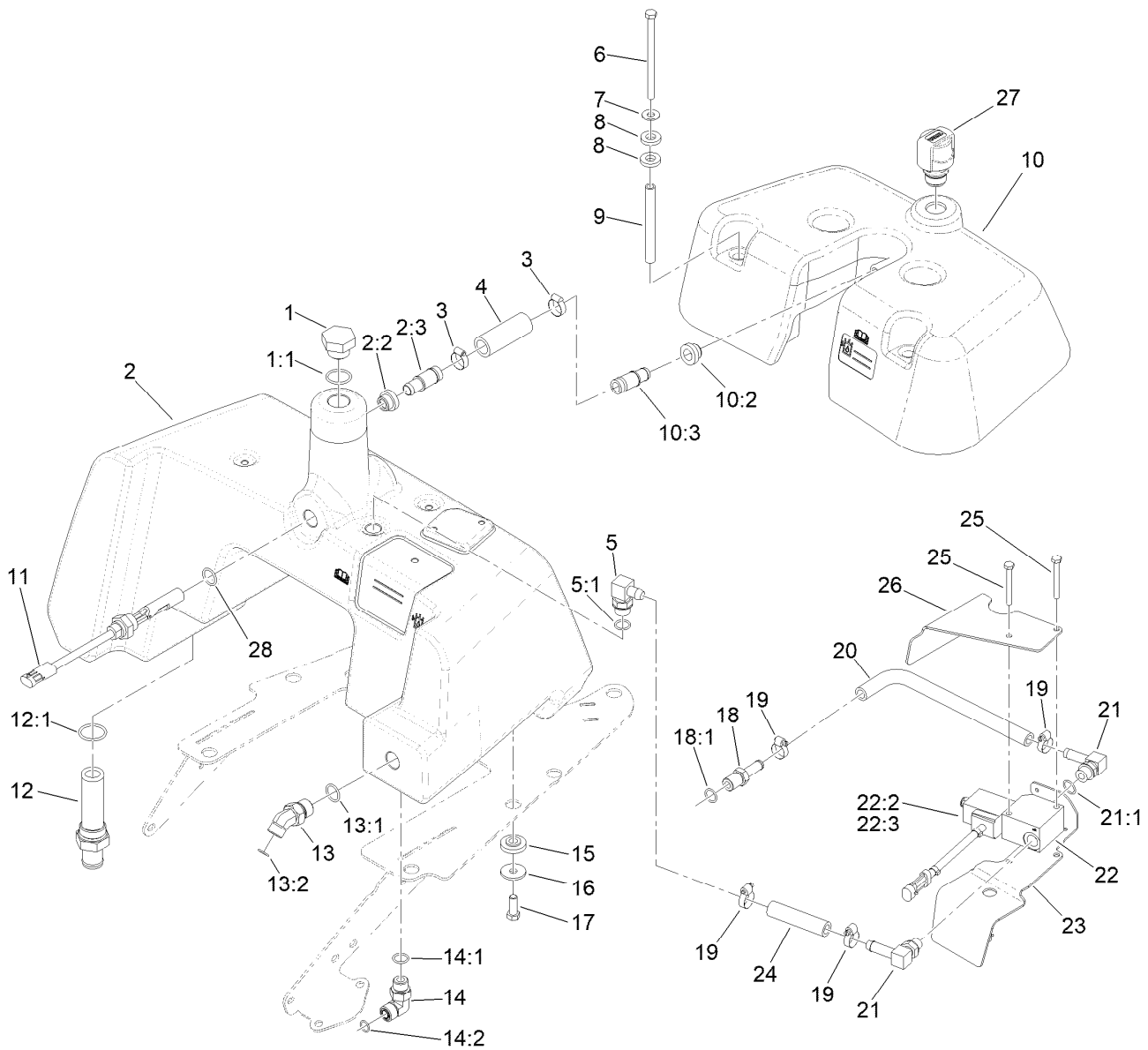
● Not serviced separately



## Fuel Tank Assembly

<i>Ref.</i>	<i>Part Number</i>	<i>Qty.</i>	<i>Description</i>
1	139-2664	1	Fuel Tank ASM, Gas
1:2	114-4677	1	Bulkhead ASM
1:3	114-4679	1	Fitting-Shut Off, Fuel
1:4	117-1722	1	Cap-Fuel
1:5	114-0284	1	Grommet
1:6	119-3547	1	Valve-Vent, Fuel
1:7	3256-1	1	Washer-Flat
1:8	321-2	1	Screw-HH

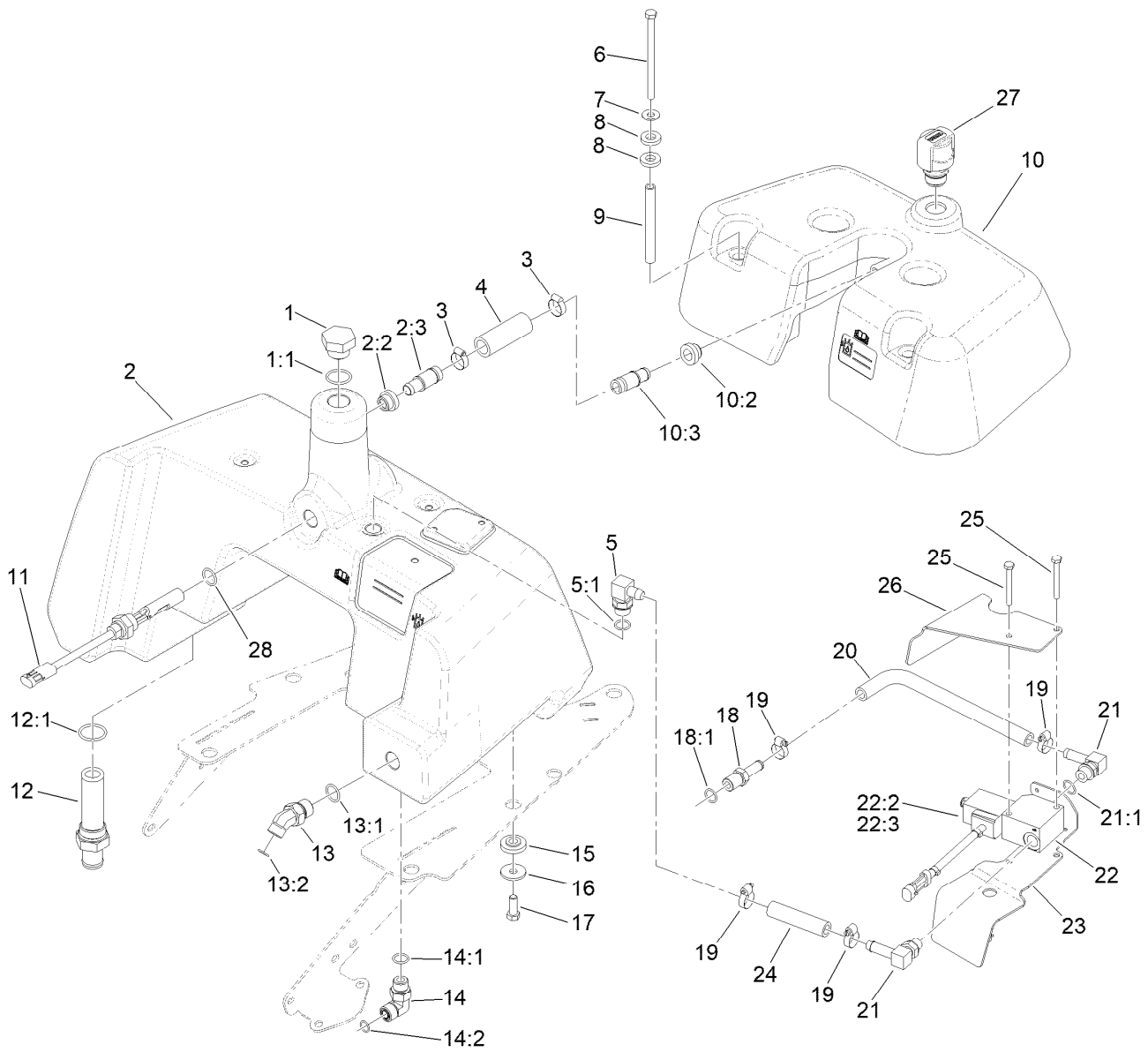




## Hydraulic Tank and Leak Detector Assembly

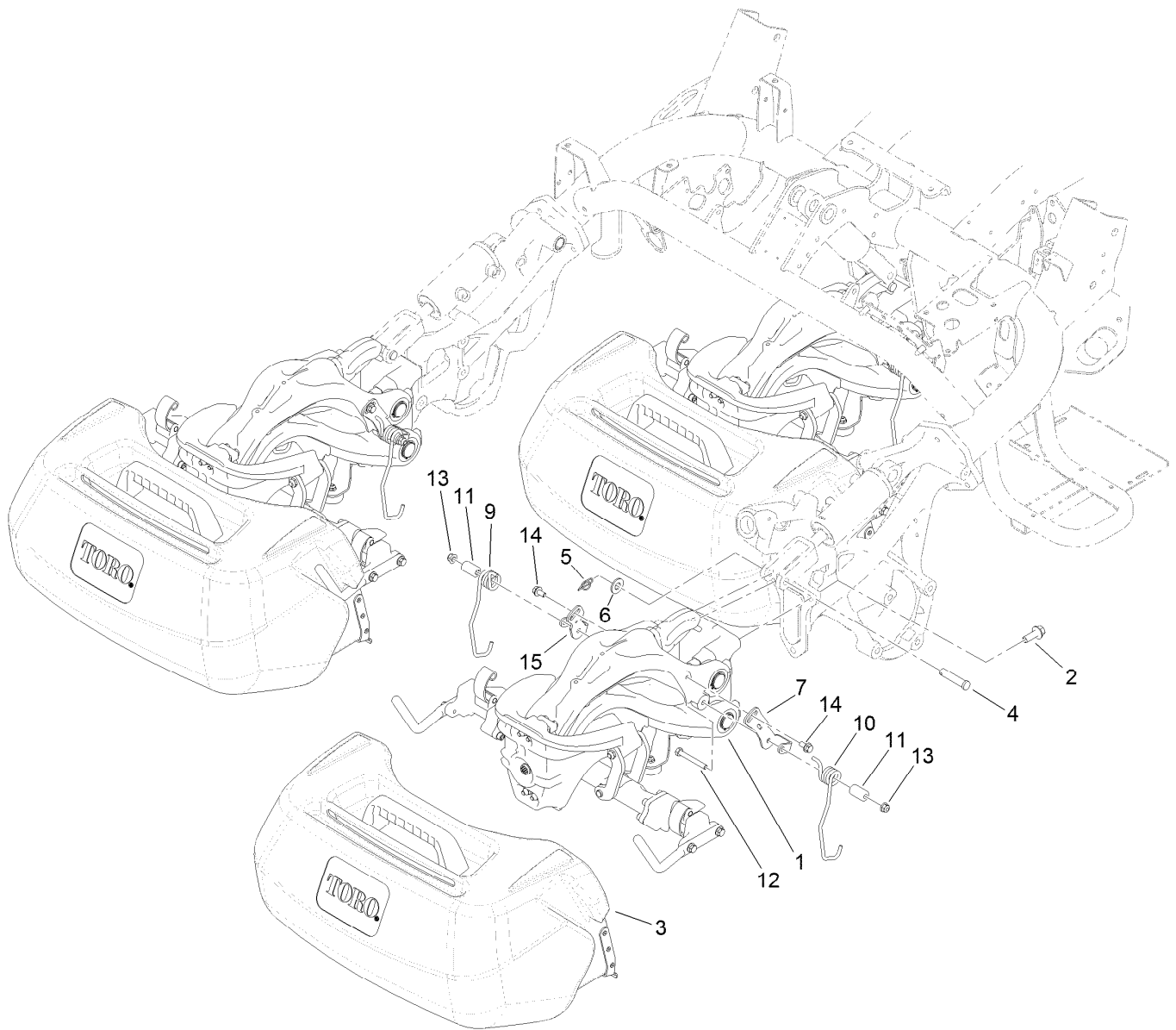
Ref.	Part Number	Qty.	Description
1	354-74	1	Plug-HH
1:1	237-81	1	O-Ring
2	136-8529	1	HYD Tank ASM
2:2	136-8531	1	Grommet
2:3	136-8532	1	Spout
3	2412-141	2	Clamp-Drive, Worm
4	139-2716	1	Hose-Formed
5	119-9331	1	Fitting-HYD 90 Spcl
5:1	237-79	1	O-Ring
6	322-29	4	Screw-HH
7	3256-71	4	Washer-Flat
8	83-1470	8	Washer-Neoprene
9	115-9825	4	Spacer-Tube, Long
10	136-8535	1	Leak Detector Tank ASM
10:2	136-8531	1	Grommet
10:3	136-8532	1	Spout
11	83-1450	1	Sensor-Level, Oil
12	112-0211	1	Strainer Fitting ASM
12:1	237-146	1	O-Ring
13	340-89	1	Fitting-HYD, 45 DEG
13:1	237-30	1	O-Ring

Ref.	Part Number	Qty.	Description
13:2	237-80	1	O-Ring
14	340-98	1	Fitting-Elbow, 90 DEG
14:1	237-79	1	O-Ring
14:2	237-30	1	O-Ring
15	240-11	8	Bushing-Flange
16	63-8410	8	Washer
17	323-6	8	Screw-HH
18	354-121	1	Fitting-STR
18:1	237-79	1	O-Ring
19	2412-36	4	Clamp-Hose
20	140-5278	1	Hose-Formed
21	354-120	2	Fitting-Elbow, 90
21:1	237-79	1	O-Ring
22	83-1460	1	Solenoid Valve ASM
22:2	83-2000	1	Spool-Valve
22:3	83-2010	1	Coil ASM
23	121-5175-03	1	Cover-Level, Oil
24	83-2080	1	Hose-Valve, Tank
25	321-18	2	Screw-HH
26	120-2027-03	1	Bracket-Shield



## Hydraulic Tank and Leak Detector Assembly (continued)

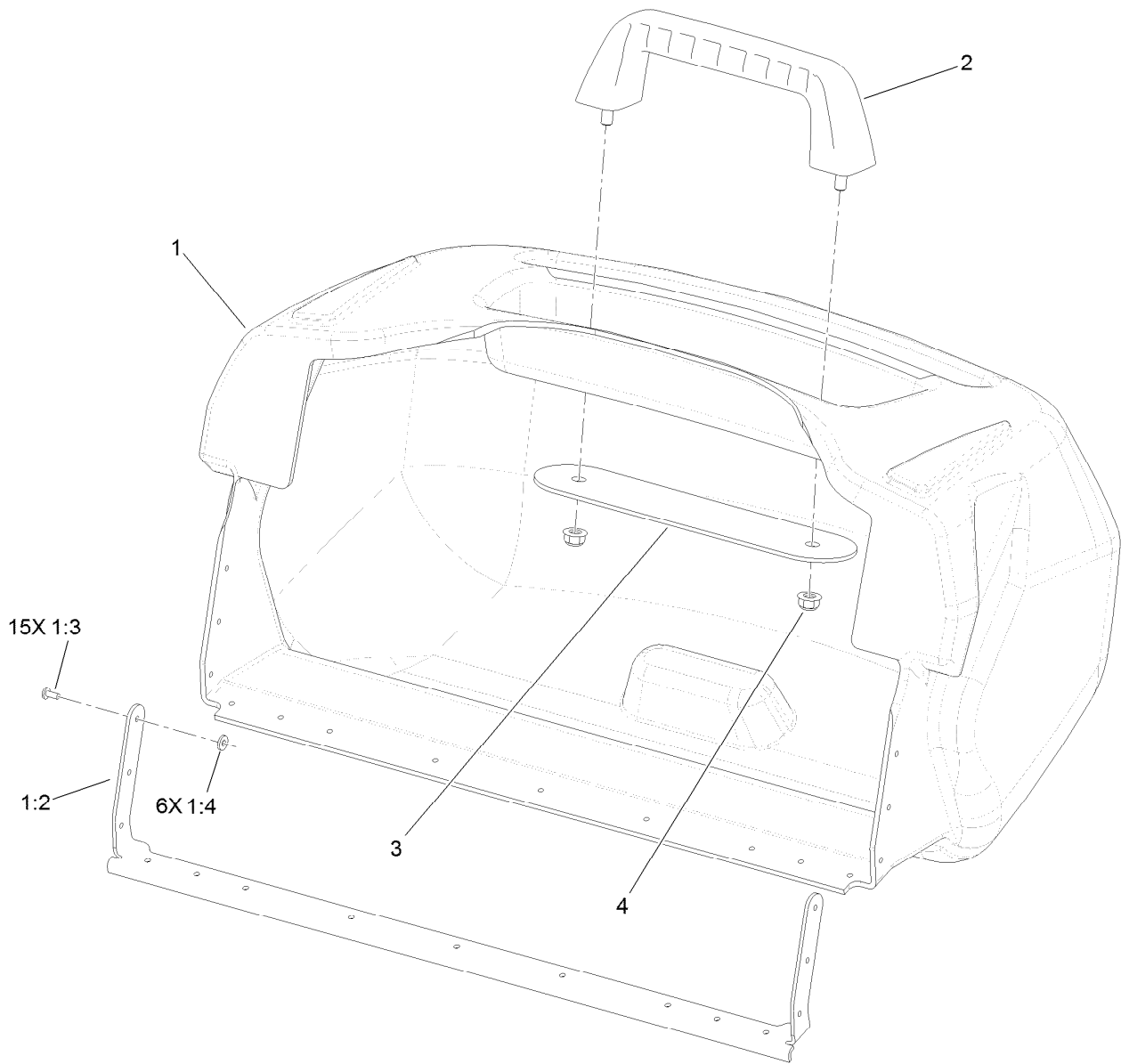
<i>Ref.</i>	<i>Part Number</i>	<i>Qty.</i>	<i>Description</i>
27	136-8559	1	Dipstick-Breather
28	237-80	1	O-Ring



## Suspension and Basket Assembly

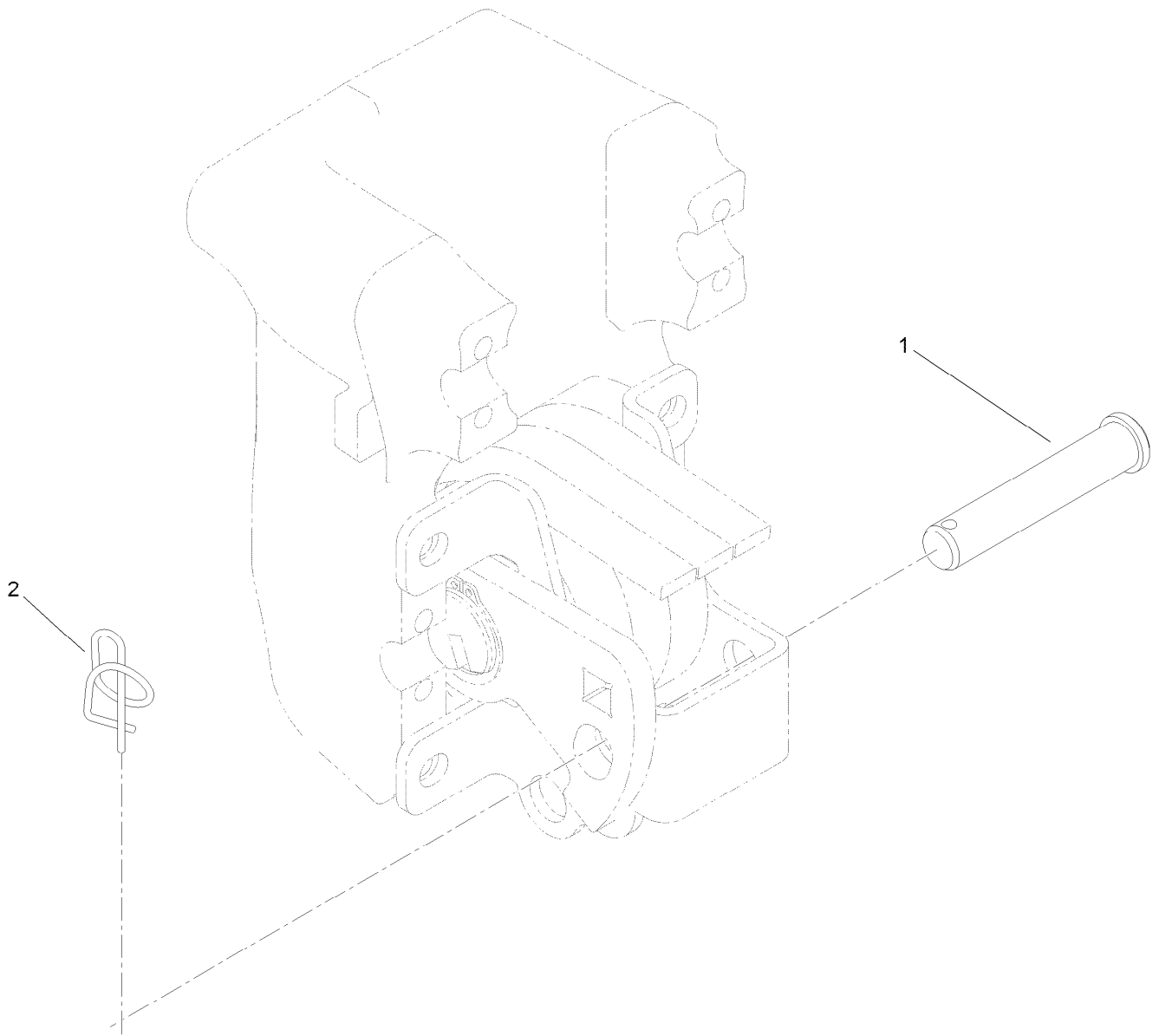
Ref.	Part Number	Qty.	Description
1		3	Suspension ASM ●
2	117-9035	9	Screw-HHF
3	132-9599	3	Basket ASM
4	92-2739	3	Pin-Clevis
5	112-1491	3	Pin-Cotter
6	29-8910	3	Washer
7	133-8998	3	Retainer-Spring, LH
9	117-6826	3	Spring-Stabilizer, RH
10	117-6827	3	Spring-Stabilizer, LH
11	117-6825	6	Spacer
12	322-12	6	Screw-HH
13	104-8300	6	Nut-HF, NI
14	114-7728	6	Screw-HHF, Patch
15	133-8997	3	Retainer-Spring-RH

● Not serviced separately



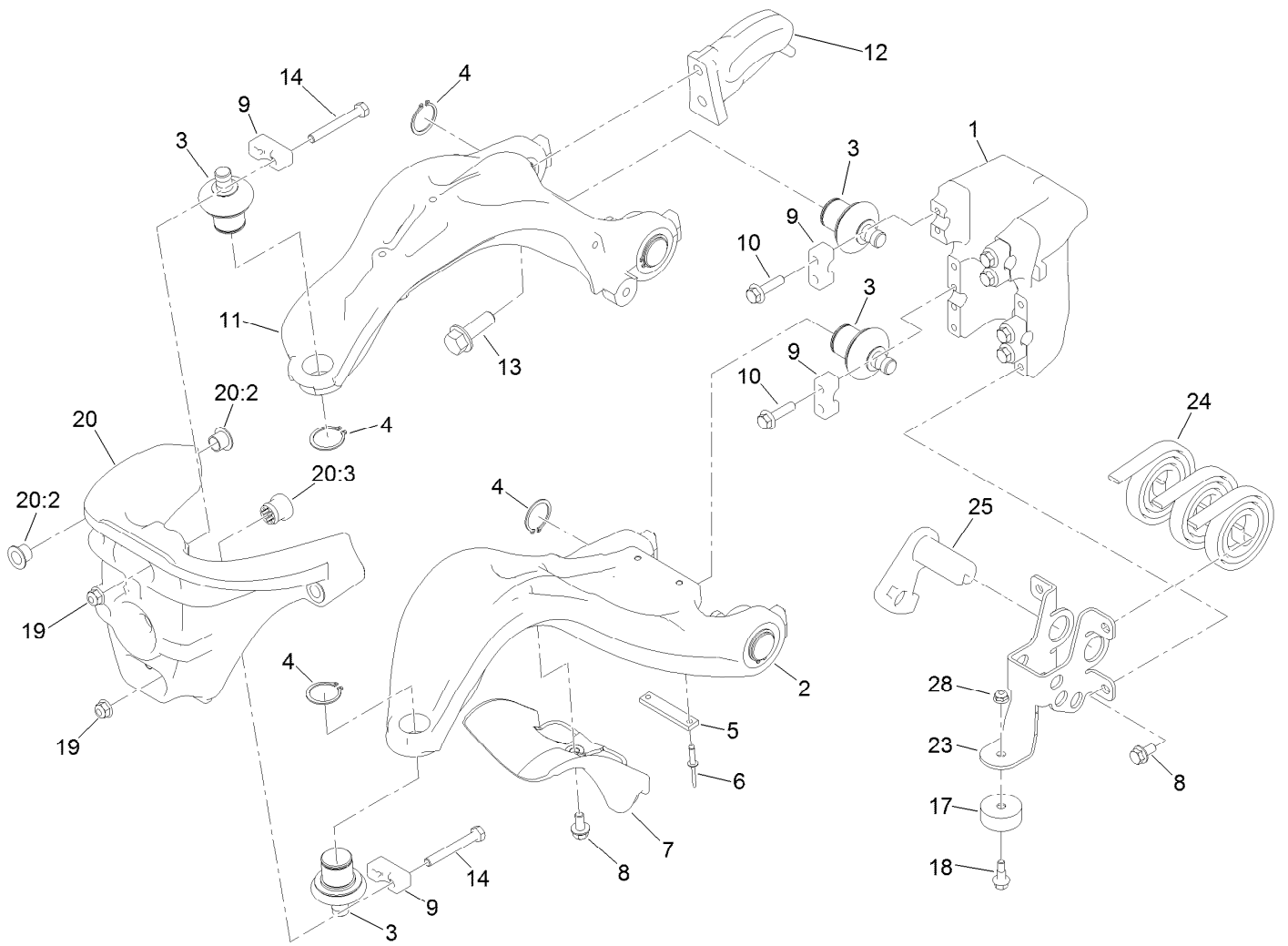
## Basket Assembly No. 132-9599

<i>Ref.</i>	<i>Part Number</i>	<i>Qty.</i>	<i>Description</i>
1	132-9510	1	Basket Assembly
1:2	132-3806	1	Support-Basket
1:3	3269-25	15	Rivet-Pop
1:4	3256-75	6	Washer-Flat
2	117-8088	1	Handle-Grab
3	117-8092-03	1	Plate-Mounting
4	104-8300	2	Nut-HF, NI



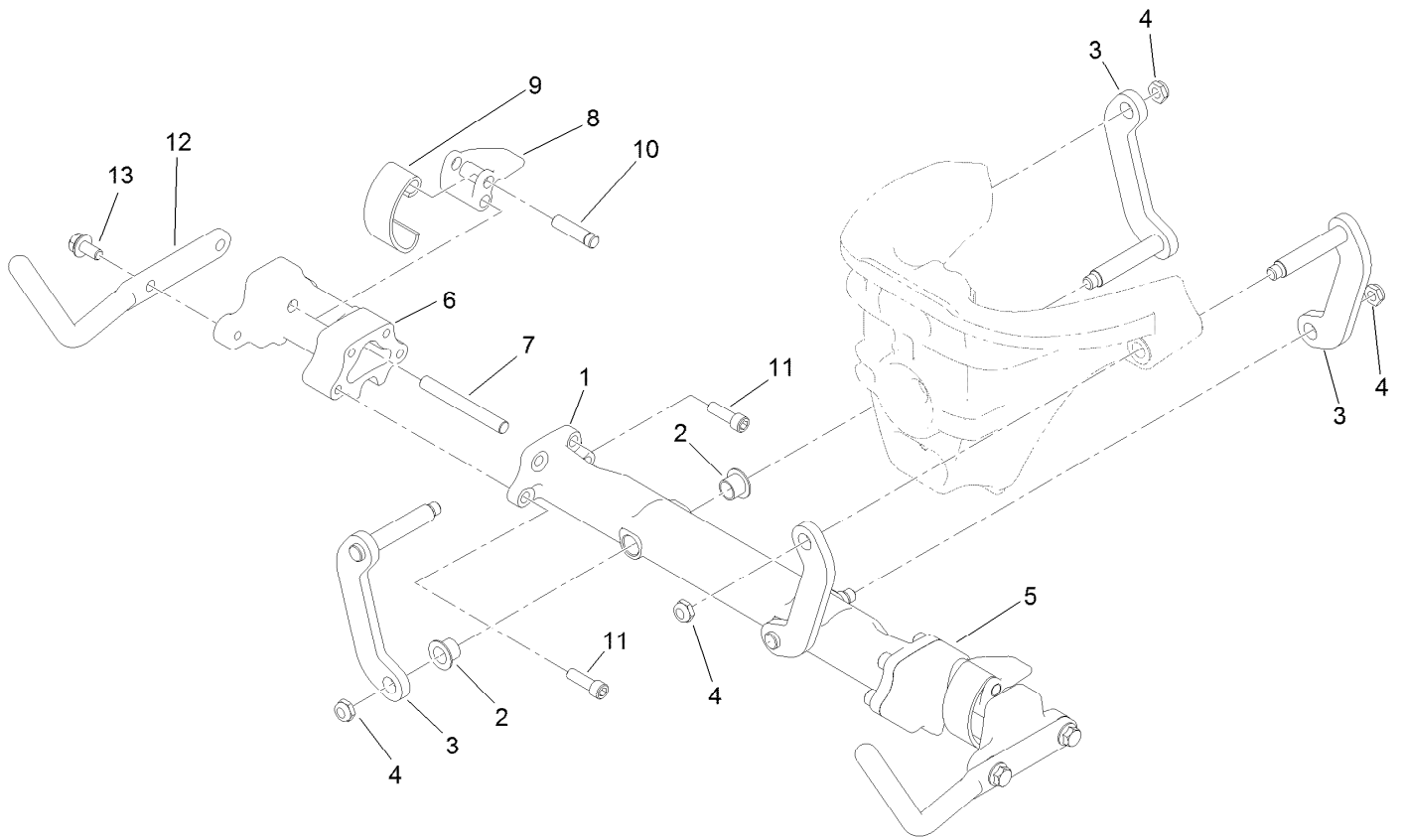
## Suspension Pin Position Assembly

<i>Ref.</i>	<i>Part Number</i>	<i>Qty.</i>	<i>Description</i>
1	100-6541	3	Pin-Clevis
2	112-1491	3	Pin-Cotter



## Suspension A-Arm Assembly

Ref.	Part Number	Qty.	Description	Ref.	Part Number	Qty.	Description
1	117-9480	1	Mount-Pivot, A-Arms	13	100-6116	2	Screw-HHF
2	117-6656	1	A-Arm, Lower	14	132-3838	4	Screw-HH
3	132-6959	6	Balljoint	17	133-0308	1	Bumper-Rubber
4	120-3225	6	Ring-Retaining, EXT	18	133-0315	1	Screw-Shoulder, HF
5	117-6674	1	Plate-Striker	19	104-8300	4	Nut-HF, NI
6	3269-28	2	Rivet-Pop	20	120-3216	1	Steering Head ASM
7	117-6755	1	Stop-Steering	20:2	125-5239	4	Bushing-Flange
8	114-7728	5	Screw-HHF, Patch	20:3	131-1836	1	Grommet
9	112-5647	6	Clamp	23	140-5232	1	C-Balance Mount
10	132-3837	8	Screw-HHF	24	114-9306	3	Spring
11	139-6452	1	A-Arm, Upper	25	140-5234	1	Tensioner
12	139-8407	1	Plate-Lift	28	104-7201	1	Nut-HF, NI



## Suspension Crossarm Assembly

<i>Ref.</i>	<i>Part Number</i>	<i>Qty.</i>	<i>Description</i>
1	120-3217	1	Crossarm
2	125-5239	4	Bushing-Flange
3	117-6654	4	Link
4	3296-59	4	Nut-Lock, NI
5	117-9482	1	Mount-Cross Arm, LH
6	117-9492	1	Mount-Cross Arm, RH
7	114-8051	2	Pin-Pivot
8	114-8047	2	Lever
9	114-8048	2	Spring
10	114-8049	2	Pin-Pivot
11	120-3227	8	Screw-HSH
12	120-2784-01	2	Horn-Basket
13	114-7728	4	Screw-HHF, Patch

# Attachments and Accessories

## For 04510 Greensmaster 3300 TriFlex Traction Unit

<b>Product Name</b>	<b>Model/Part</b>
Turf Evaluator .....	04399
Standard Greensmower Seat Kit .....	04508
Light Kit.....	04554
8-Blade DPA Reel Mower .....	04651
11-Blade DPA Reel Mower .....	04653
14-Blade DPA Reel Mower .....	04655
Three-Wheel Drive Kit .....	04714
Anti-Bobbing Kit.....	04716
Dethatching Unit .....	04720
Tri-Roller .....	04722
Spiker .....	04723
Premium Seat.....	04729
Hydraulic Oil Leak Detector Kit .....	04730
Spark Arrestor Screen .....	104-6540
Wireless Hourmeter .....	115-4754
Oil Cooler Kit.....	119-1691
Premium Synthetic Bio-Degradable Hydraulic Fluid (5 Gallon Pail) .....	119-2157
Premium Synthetic Bio-Degradable Hydraulic Fluid (55 Gallon Drum).....	119-2158
Premium Armrest Kit.....	119-7105
Weight Kit .....	119-7129
Three-Wheel Drive Weight Kit .....	120-5750
Armrest Kit.....	121-3660
Premium Engine Oil 10w30 (55 Gallon Drum) .....	121-6392
Premium Engine Oil 10w30 (5 Gallon Pail) .....	121-6393
Hi-Back Seat Cover .....	133-1308
PX Hydraulic Fluid (5 Gal) .....	133-8086
PX Hydraulic Fluid (55 Gal).....	133-8087
Bag Kit.....	137-8130
Bimini Shade Kit .....	138-8579
TriFlex Hydraulic Hose Rebuild MVP Kit.....	140-5233
MVP Kit 1000 Hour - GR3300/3320 .....	44969
Height-of-Cut Bar.....	94-9010
Tire-TURFMATE .....	99-4506



**Notes:**

**Notes:**

**Notes:**



**Count on it.**