



Count on it.

Parts Catalog

**Workman® UTX-D
2 Passenger Utility Vehicle**

Model No. 08102TC—Serial No. 419000000 and Up



Ordering Replacement Parts

To order replacement parts, please supply the part number, the quantity, and the description of each part desired.

Understanding Reference Numbers

Each identified part in an illustration has a reference number. The reference number for a part also appears in the parts list, along with other information about the part.

This catalog uses two special reference number formats, one to indicate parts in a service assembly and another to indicate the quantity of a given part in an illustration.

Service Assembly Reference Numbers

Parts in service assemblies have reference numbers in the form a:b. The a represents the reference number of the entire service assembly and the b represents a sequential number unique to each part within the service assembly.

For example, a wheel assembly might be identified by reference number 6, the tire by 6:1, the valve by 6:2, and the wheel by 6:3. When you order the assembly identified by reference number 6, you receive all parts identified by reference numbers 6:1, 6:2, and 6:3. However, you may also order any part individually. Reference numbers of this type appear in illustration and in parts lists.

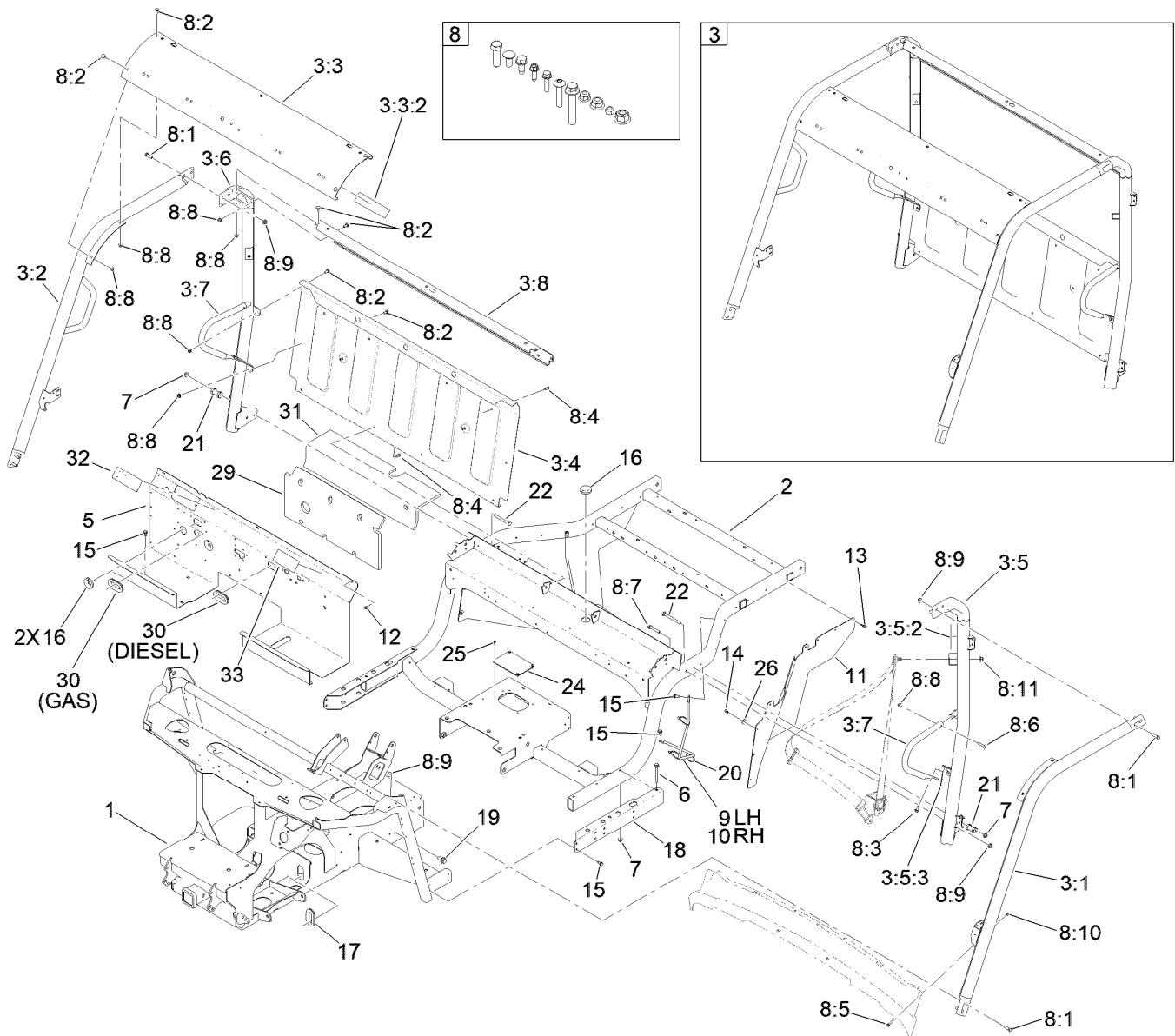
Reference Numbers Indicating Quantity

In an illustration, if a reference number indicates more than one part, the reference number has the form nX y. The n represents the quantity of the part, the X is the multiplication symbol, and the y represents the reference number.

For example, in an illustration, the reference number 2X 37 means that two of the parts identified by reference number 37 are indicated.

Contents

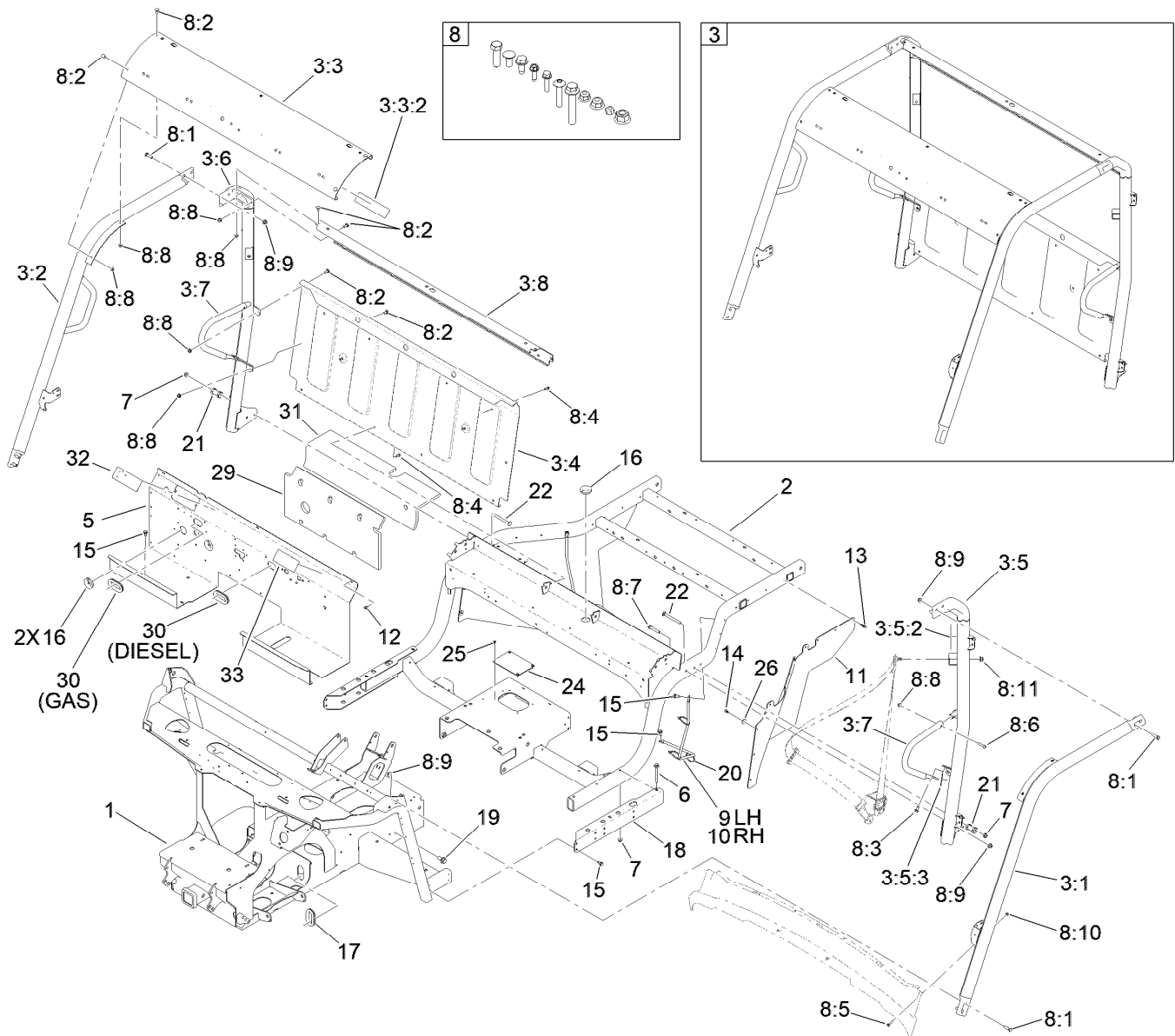
Frame and ROPS Assembly	4
Front Suspension Assembly	6
Front Control Arm Assembly No. 145-7771	7
Rear Suspension and Subframe Assembly	8
Pedals and Controls Assembly	10
Steering Assembly	11
Brake Assembly	12
Master Cylinder Assembly No. 104-6782	13
Brake Caliper Assembly No. 127-7424	14
Hood and Front Fender Assembly	15
Dash Assembly	16
Seat Base Assembly	17
Cargo Bed Assembly	18
Cargo Bed Kit Assembly	19
Electrical Assembly	20
Battery Assembly	22
Engine Drivetrain and Exhaust Assembly	23
Engine, Transaxle and Clutch Assembly	24
Transaxle Assembly No. 140-2611	25
Secondary Clutch Assembly No. 147-8173	26
Primary Clutch Assembly No. 147-8172	27
Front Differential and Driveshaft Assembly	28
Front Differential Assembly No. 140-4752	29
Intermediate Driveshaft Assembly No. 140-4771	31
Driveshaft Assembly No. 140-2647	32
Cooling System Assembly	33
Radiator Assembly No. 161-5206	34
Fuel System Assembly	35
Air Cleaner Assembly	36
Air Cleaner Assembly No. 106-5277	37
Cylinder Block Assembly	38
Gear Housing Assembly	40
Mounting Flange and Oil Sump Assembly	42
Cylinder Head and Bonnet Assembly	44
Exhaust Manifold Assembly	46
Camshaft and Driving Gear Assembly	48
Crankshaft and Piston Assembly	50
Lubrication Oil System Assembly	52
Cooling Water System Assembly	54
Fuel Injection Pump Assembly	56
Governor Assembly	58
Fuel Injection Valve Assembly	60
Fuel Pipe Assembly	62
Starter Motor Assembly	64
Generator Assembly	66
Accessories Assembly	68
Gasket Set	70
Attachments and Accessories	72



Frame and ROPS Assembly

Ref.	Part Number	Qty.	Description	Ref.	Part Number	Qty.	Description
1	147-8107	1	Front Frame ASM (2 Passenger)	8	144-2286	1	Standard ROPS Hardware Kit
2	161-5386	1	Rear Frame ASM	8:1	144-2258	8	Screw-HH
3		1	Standard ROPS Kit ●	8:2	144-2265	12	Bolt-CARR
3:1	137-2737	1	Front ROPS ASM-LH	8:3	32144-70	4	Screw-HWHTF
3:2	137-2738	1	Front ROPS ASM-RH	8:4	49-2040	10	Screw-HWHTF
3:3	140-2583	1	ROPS Front Crosslink ASM	8:5	32144-86	2	Screw-HWHTF
3:3:2	144-1143	1	Decal-Utx, Safety	8:6	126-7439	2	Screw-Torx
3:4	138-9438	1	Panel-Back, Seat	8:7	144-2409	2	Screw-HHF
3:5	140-2597	1	LH ROPS Rear Tube ASM	8:8	104-8300	14	Nut-HF, NI
3:5:2	145-2215	1	Decal-ROPS Safety, Utx	8:9	104-8301	10	Nut-HF, NI
3:5:3	144-2267	1	Decal-Compliance, ROPS	8:10	3296-73	2	Nut-Lock, NI
3:6	137-2726	1	ROPS Rear Tube ASM-RH	8:11	144-2269	2	Nut-Nylk, HF
3:7	138-5787	2	Tube-Restraint, Shoulder	9	139-3432	1	Support-Skirt, LH Side
3:8	137-6892	1	Crosslink-Rear, ROPS	10	139-3433	1	Support-Skirt, RH Side
5	163-4936-03	1	Panel-Underseat	11	147-2825	2	Skirt-Side
6	116-4701	4	Screw-HHF	12	32144-4	3	Screw-HWH
7	104-8301	16	Nut-HF, NI	13	125-9622	16	Rivet-Blind

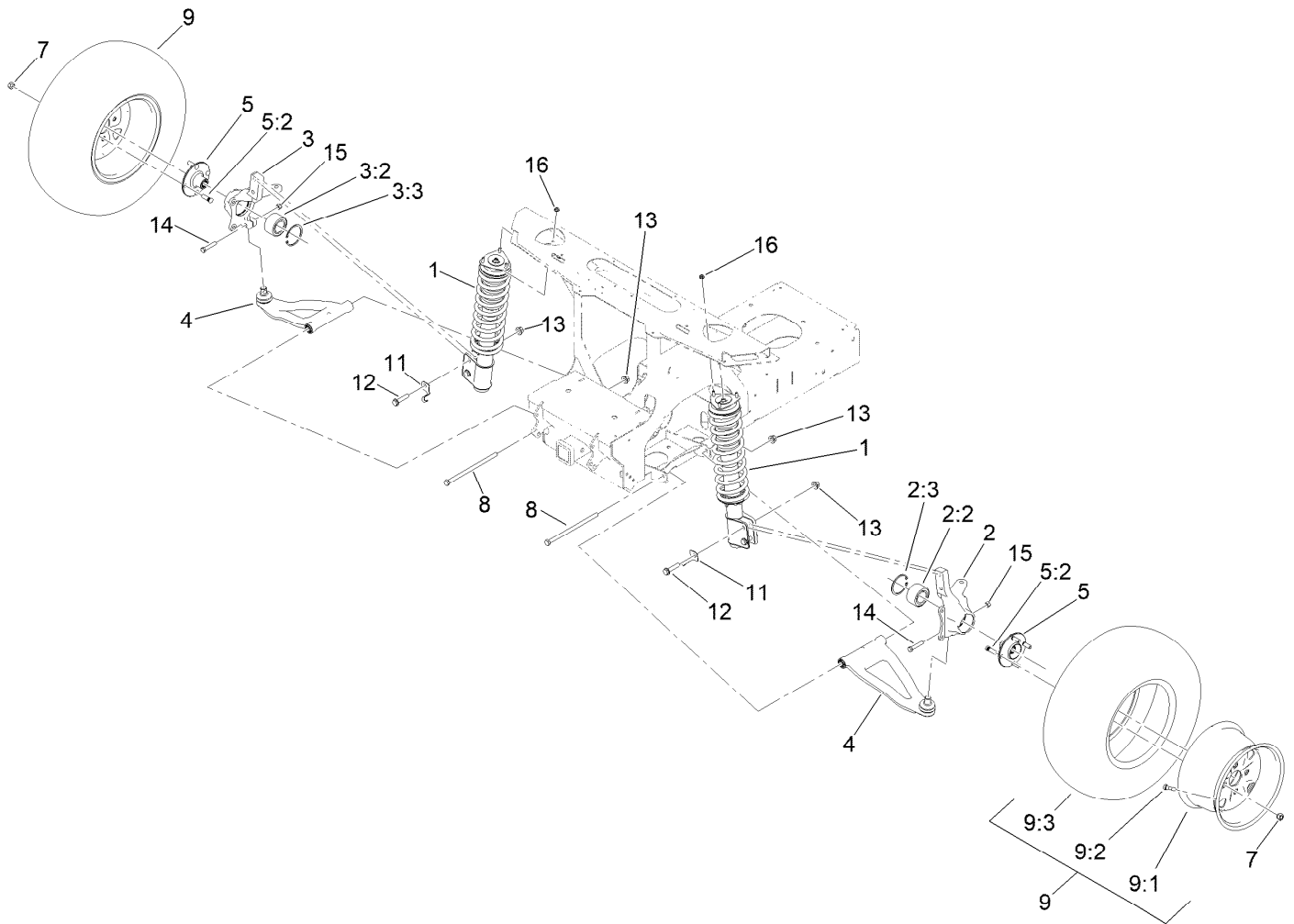
● Not serviced separately



Frame and ROPS Assembly (continued)

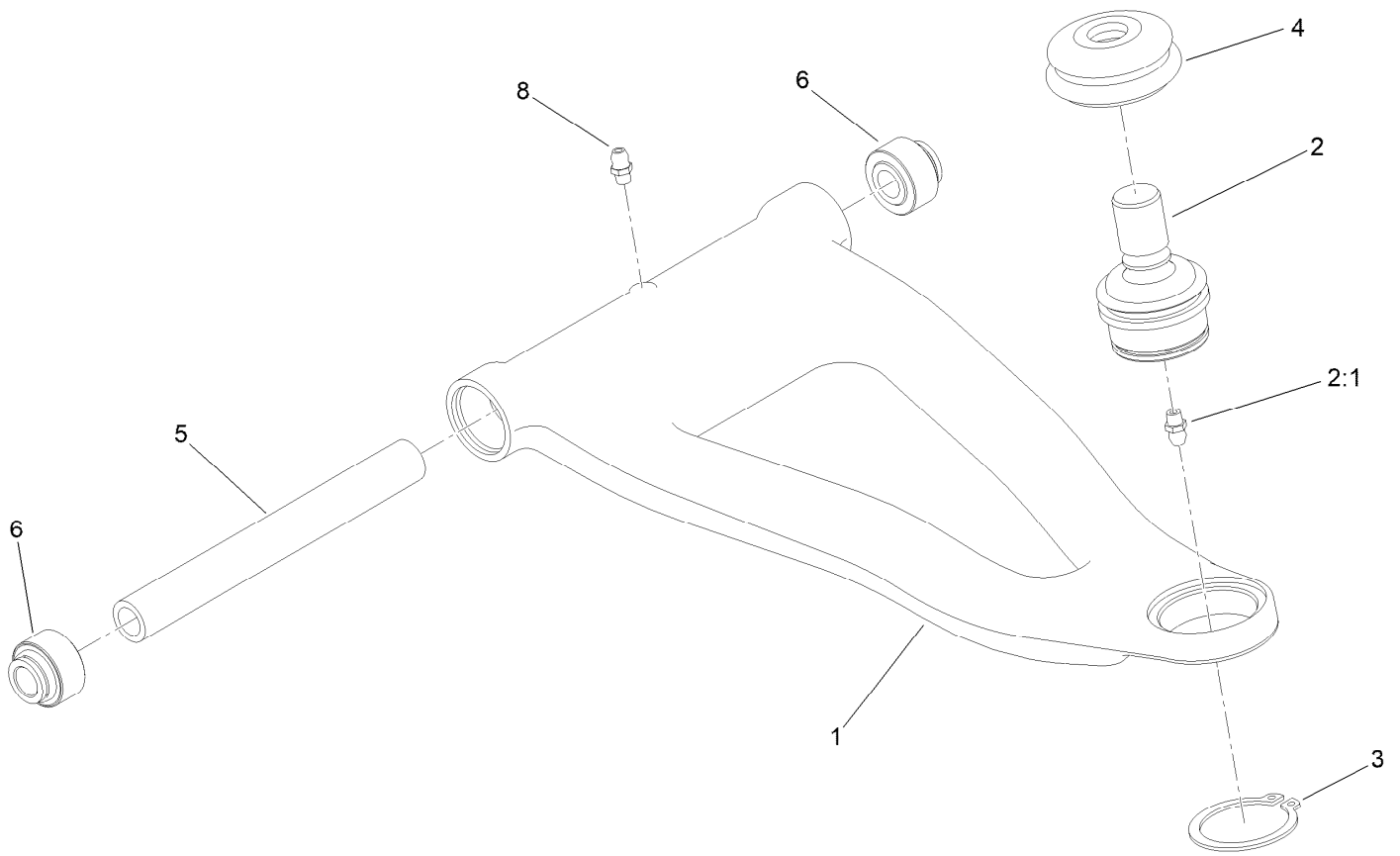
Ref.	Part Number	Qty.	Description	Ref.	Part Number	Qty.	Description
14	138-5775	6	Screw-Delta Point	24	144-2245	1	Cover-Access
15	32144-70	20	Screw-HWHTF	25	139-1692	4	Screw-PTH
16	163-4938	3	Grommet	26	3256-67	6	Washer
17	240-12	1	Grommet-Rubber	29	145-7990	1	Foam-Barrier, Heat
18	161-5385-0P	2	Rail-Frame	30	110-5090	1	Grommet
19	3234-6	7	Screw-HHF	31	145-7998	1	Foam-Barrier, Heat
20	3290-378	6	Tie-Cable	32	161-5445	1	Decal-Fuse, Vehicle
21	140-4775	2	Pin-Latch	33	147-8166	1	Decal-Service, Diesel
22	3231-37	2	Screw-CARR				

● Not serviced separately



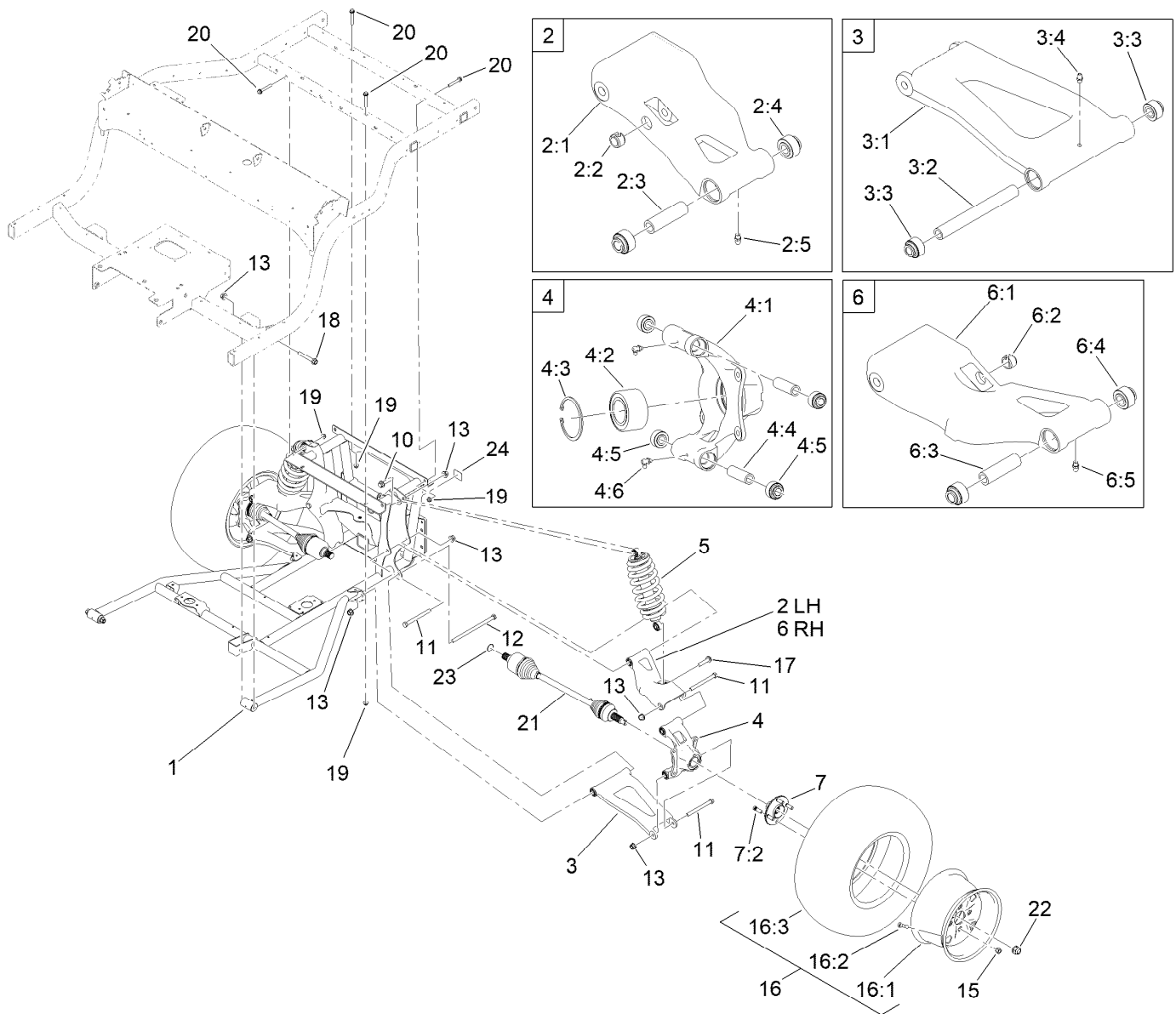
Front Suspension Assembly

Ref.	Part Number	Qty.	Description	Ref.	Part Number	Qty.	Description
1	147-2706	2	Strut ASM	8	325-39	2	Screw-HH
2	138-9319	1	Knuckle ASM-Front, LH	9	136-9419	2	Tire/Wheel ASM
2:2	133-7272	1	Bearing-Ball	9:1	136-9418	1	Wheel-12X7-12
2:3	144-2207	1	Ring-Retaining	9:2	232-27	1	Stem-Valve
3	138-9320	1	Knuckle ASM-Front, RH	9:3	137-2689	1	Tire
3:2	133-7272	1	Bearing-Ball	11	137-6766	2	Bracket-Hose, Brake
3:3	144-2207	1	Ring-Retaining	12	3234-46	4	Screw-HHF
4	145-7771	2	Control Arm ASM-Front	13	99-5107	6	Nut-HF Nylock
5	137-6754	2	Hub ASM	14	115-2398	2	Bolt-HH
5:2	137-6760	4	Stud-Wheel	15	3296-48	2	Nut-Hex
7	139-2564	8	Nut-Lug	16	112-2844	6	Nut-HF



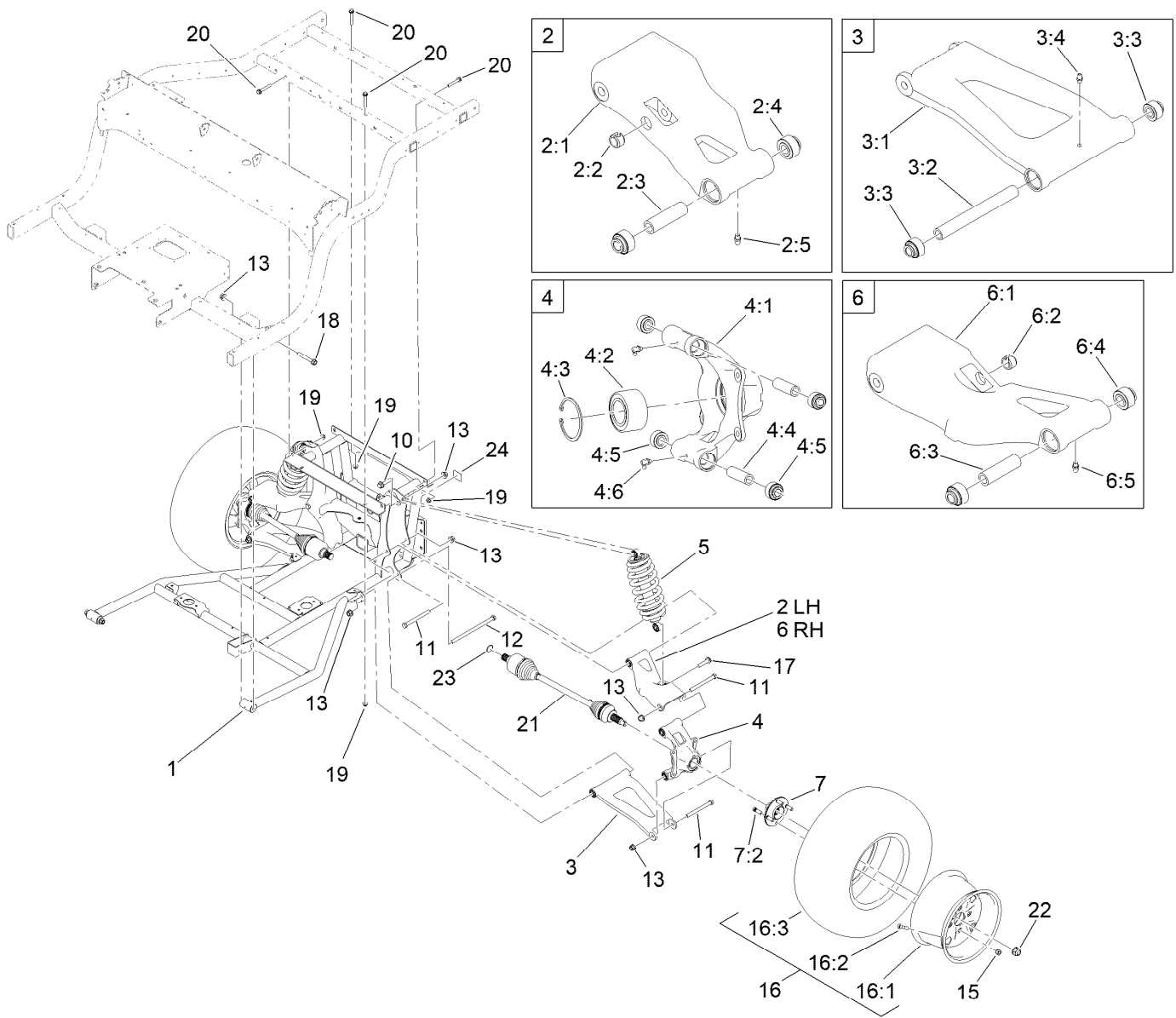
Front Control Arm Assembly No. 145-7771

<i>Ref.</i>	<i>Part Number</i>	<i>Qty.</i>	<i>Description</i>
1	145-7762	1	Control Arm-Front
2	115-2165	1	Ball Joint
2:1	302-5	1	Fitting-Grease
3	32151-104	1	Ring-Retaining, External
4	87-2420	1	Seal-Joint, Ball
5	145-7757	1	Spacer
6	145-7756	2	Bushing-Ball
8	302-60	1	Fitting-Grease



Rear Suspension and Subframe Assembly

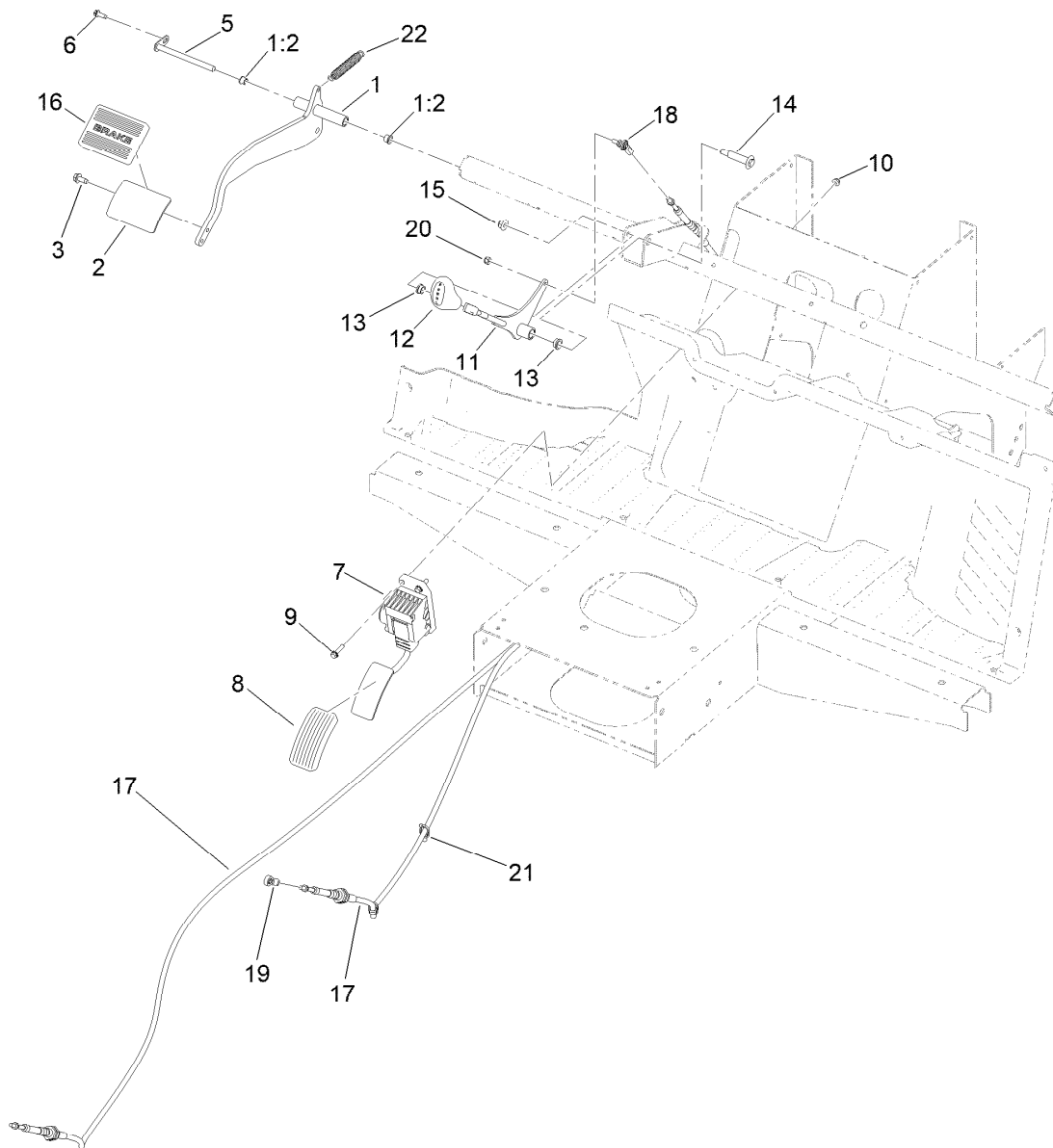
Ref.	Part Number	Qty.	Description	Ref.	Part Number	Qty.	Description
1	147-8109	1	Engine Cradle ASM	6	145-7774	1	Control Arm ASM-Rear, RH Upper
2	145-7775	1	Control Arm ASM-Rear, LH Upper	6:1	145-7766	1	Control Arm-Rear Up, RH
2:1	145-7765	1	Control Arm-Rear Up, LH	6:2	137-2659	1	Bushing-Tension
2:2	137-2659	1	Bushing-Tension	6:3	145-7770	1	Spacer
2:3	145-7770	1	Spacer	6:4	145-7756	2	Bushing-Ball
2:4	145-7756	2	Bushing-Ball	6:5	302-5	1	Fitting-Grease
2:5	302-5	1	Fitting-Grease	7	137-6754	2	Hub ASM
3	145-7772	2	Control Arm ASM-Rear	7:2	137-6760	4	Stud-Wheel
3:1	145-7763	1	Control Arm-Rear, Lower	10	3234-27	2	Screw-HHF
3:2	145-7757	1	Spacer	11	325-22	6	Screw-HH
3:3	145-7756	2	Bushing-Ball	12	325-39	2	Screw-HH
3:4	302-5	1	Fitting-Grease	13	99-5107	12	Nut-HF Nylock
4	145-7773	2	Knuckle ASM-Rear	15	139-2564	8	Nut-Lug
4:1	145-7764	1	Knuckle-Rear	16	136-9420	2	Tire/Wheel ASM
4:2	133-7272	1	Bearing-Ball	16:1	136-9418	1	Wheel-12X7-12
4:3	144-2207	1	Ring-Retaining	16:2	232-27	1	Stem-Valve
4:4	145-7770	2	Spacer	16:3	137-2690	1	Tire
4:5	145-7756	4	Bushing-Ball	17	3234-46	2	Screw-HHF
4:6	302-60	2	Fitting-Grease	18	114-8419	2	Screw-HHF
5	145-7758	2	Shock/Spring ASM	19	104-8301	8	Nut-HF, NI



Rear Suspension and Subframe Assembly (continued)

Ref.	Part Number	Qty.	Description
20	3234-39	8	Screw-HHF
21	140-2608	2	Cv Axle ASM
22	115-2164	2	Nut-Spindle

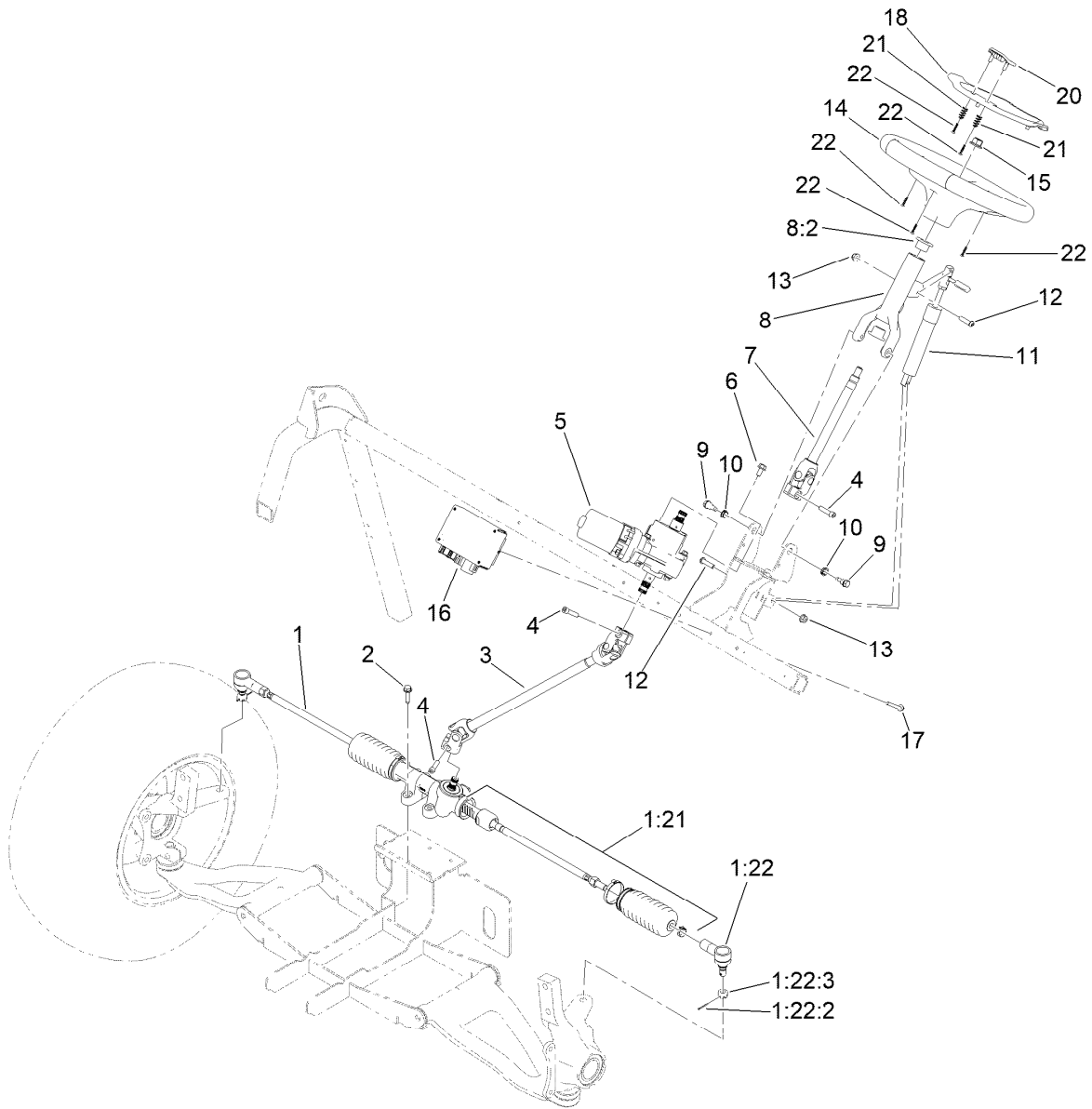
Ref.	Part Number	Qty.	Description
23	119-1156	2	O-Ring
24	145-2205	1	Decal-Load, Towing



Pedals and Controls Assembly

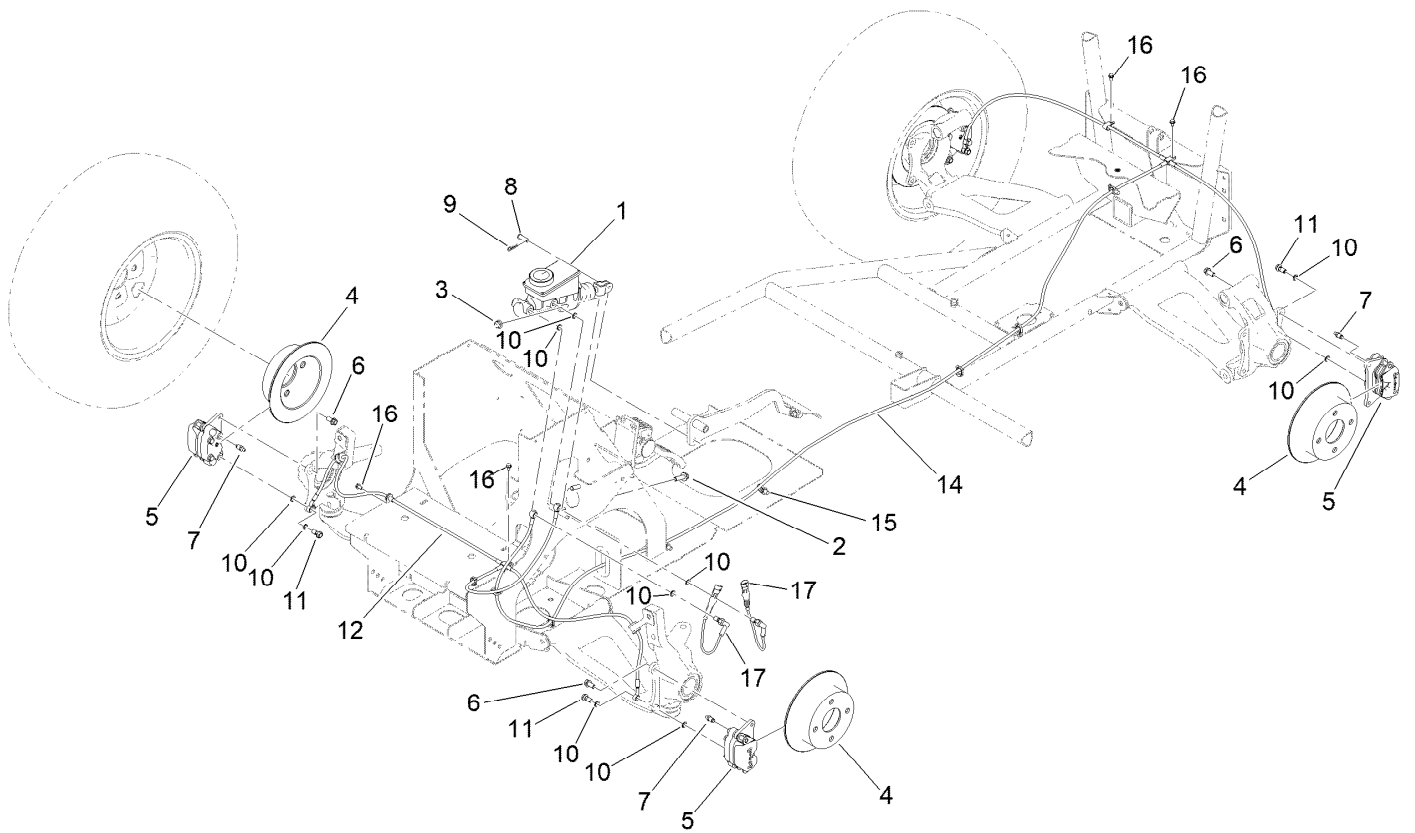
Ref.	Part Number	Qty.	Description
1	163-4935	1	Brake Pedal ASM
1:2	256-116	2	Bushing-Flange
2	161-5256	1	Brake Pedal Pad ASM [black]
3	32144-70	2	Screw-HWHTF
5	136-9306	1	Pivot Shaft ASM
6	49-2040	1	Screw-HWHTF
7	144-2740	1	Pedal ASM-Accelerator
8	140-4572	1	Pedal Pad-Throttle
9	120-4654	3	Screw-HHF
10	104-7201	3	Nut-HF, NI
11	161-5472	1	Shifter ASM

Ref.	Part Number	Qty.	Description
12	139-4655	1	Knob-Shifter
13	256-156	2	Bushing-Flange
14	92-1057	1	Bolt-Shoulder
15	104-8301	1	Nut-HF, NI
16	161-5253	1	Footpad-Pedal
17	140-2649	1	Cable-Shift
18	110-2554	1	Rod End-Spherical
19	147-2705	1	Rod End-Spherical
20	3296-3	1	Nut-Lock
21	32180-030	2	Clip-Tie
22	132-6915	1	Spring-Extension



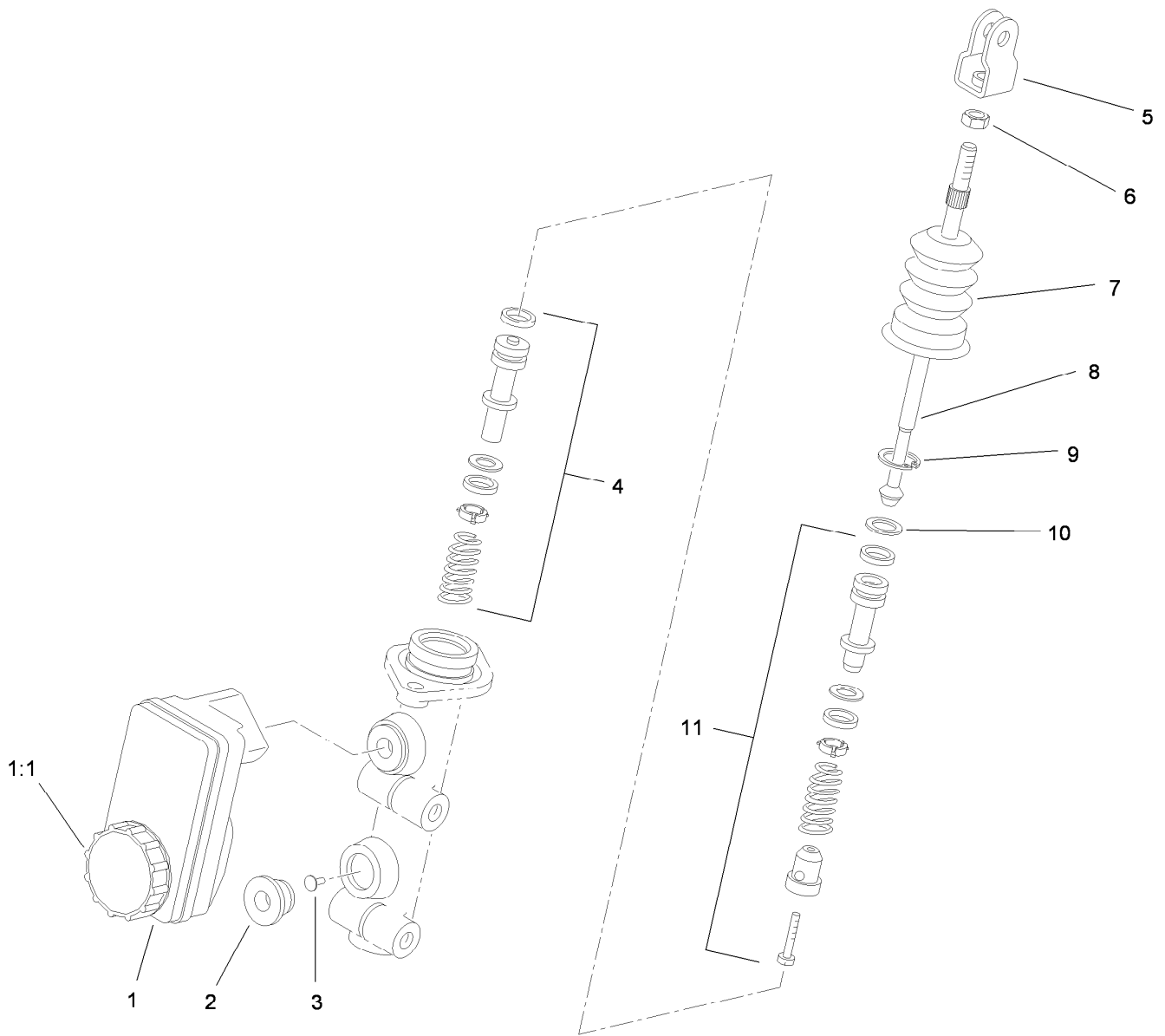
Steering Assembly

Ref.	Part Number	Qty.	Description	Ref.	Part Number	Qty.	Description
1	138-9322	1	Steering Rack ASM	9	115-1958	2	Bolt-Shoulder
1:21	140-4823	1	Kit-Tie Rod ASM, Utx	10	256-156	2	Bushing-Flange
1:22	140-4592	1	Kit-Rod End ASM	11	137-2827	1	Spring-Gas, Adjustable Stop
1:22:2	3272-42	1	Pin-Cotter	12	3290-511	2	Screw-HSBH
1:22:3	140-2493	1	Nut-Hex, Slotted	13	138-8401	2	Nut-HF
2	32144-49	4	Screw-HWHTF	14	144-5570	1	Steering Wheel ASM
3	138-3347	1	Steering Shaft ASM	15	99-5107	1	Nut-HF Nylock
4	145-7145	3	Screw-HSH,Lock	16	138-3349	1	Controller-Power Steering
5	138-3348	1	Motor-Power Steering	17	33103-050	2	Screw-HHF
6	33104-016	3	Screw-HHF	18	144-5567	1	Cover-Wheel, Steering
7	138-3344	1	Upper Steering Shaft ASM	20	144-5566	1	Clip-Wheel, Steering
8	139-4439	1	Tilt Steering Column ASM	21	144-5537	2	Spring-Compression
8:2	133-0594	2	Bushing-Flange	22	94-4496	5	Screw-PPH



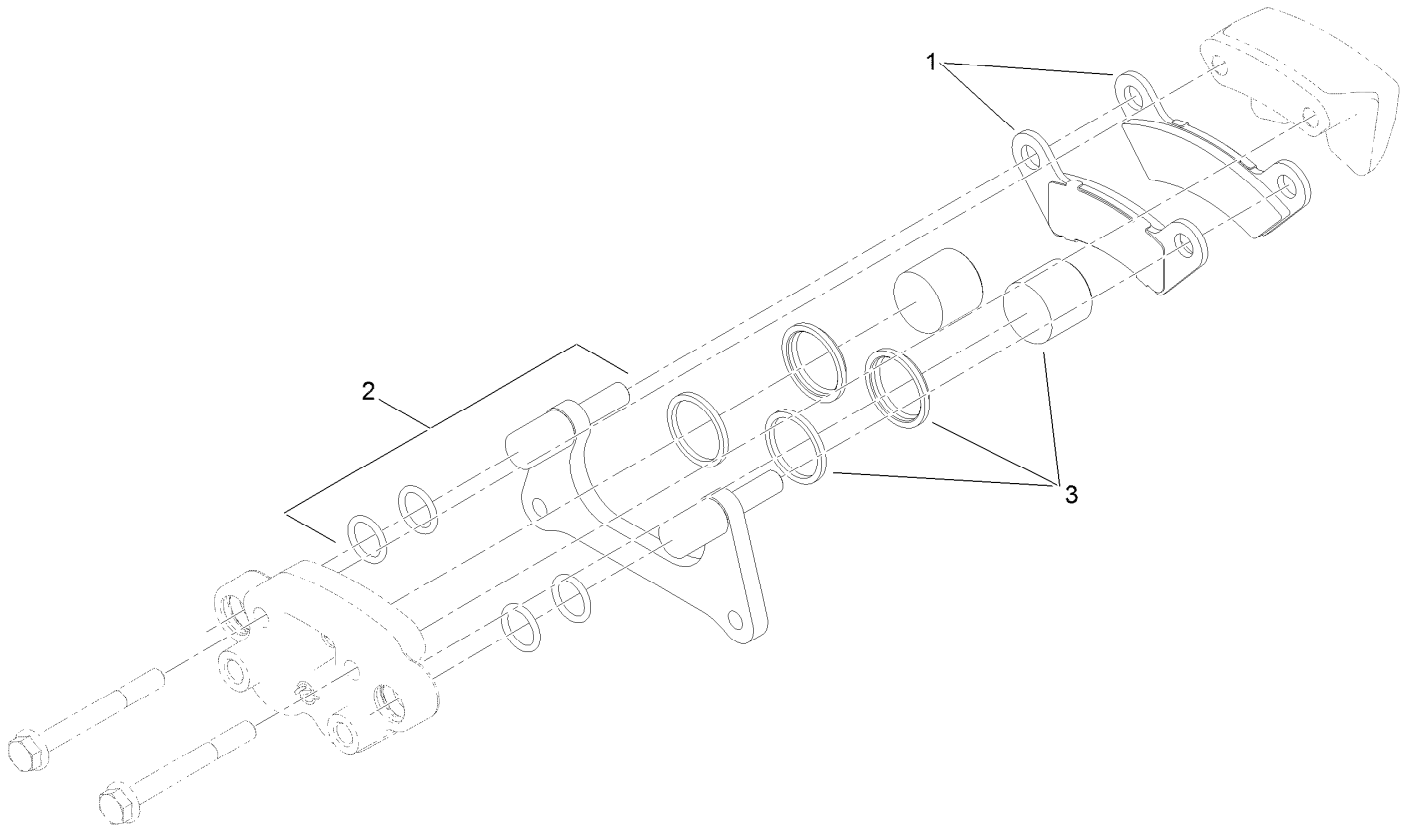
Brake Assembly

<i>Ref.</i>	<i>Part Number</i>	<i>Qty.</i>	<i>Description</i>	<i>Ref.</i>	<i>Part Number</i>	<i>Qty.</i>	<i>Description</i>
1	104-6782	1	Master Cylinder ASM	9	1-806003	1	Pin-Cotter
2	119-4061	2	Screw-HHF	10	115-2341	12	Washer-Banjo
3	104-8301	2	Nut-HF, NI	11	120-4875	4	Bolt-Flange, Banjo
4	133-7273	4	Rotor-Brake	12	137-6768	1	Hose ASM-Brake, Front
5	127-7424	4	Brake Caliper ASM	14	137-6769	1	Hose ASM-Brake, Rear
6	144-5550	8	Screw-Spl	15	32180-030	8	Clip-Tie
7	119-9509	4	Screw-Bleed	16	32144-4	4	Screw-HWH
8	283-2	1	Pin-Clevis	17	144-2227	2	Switch-Brake, Pressure



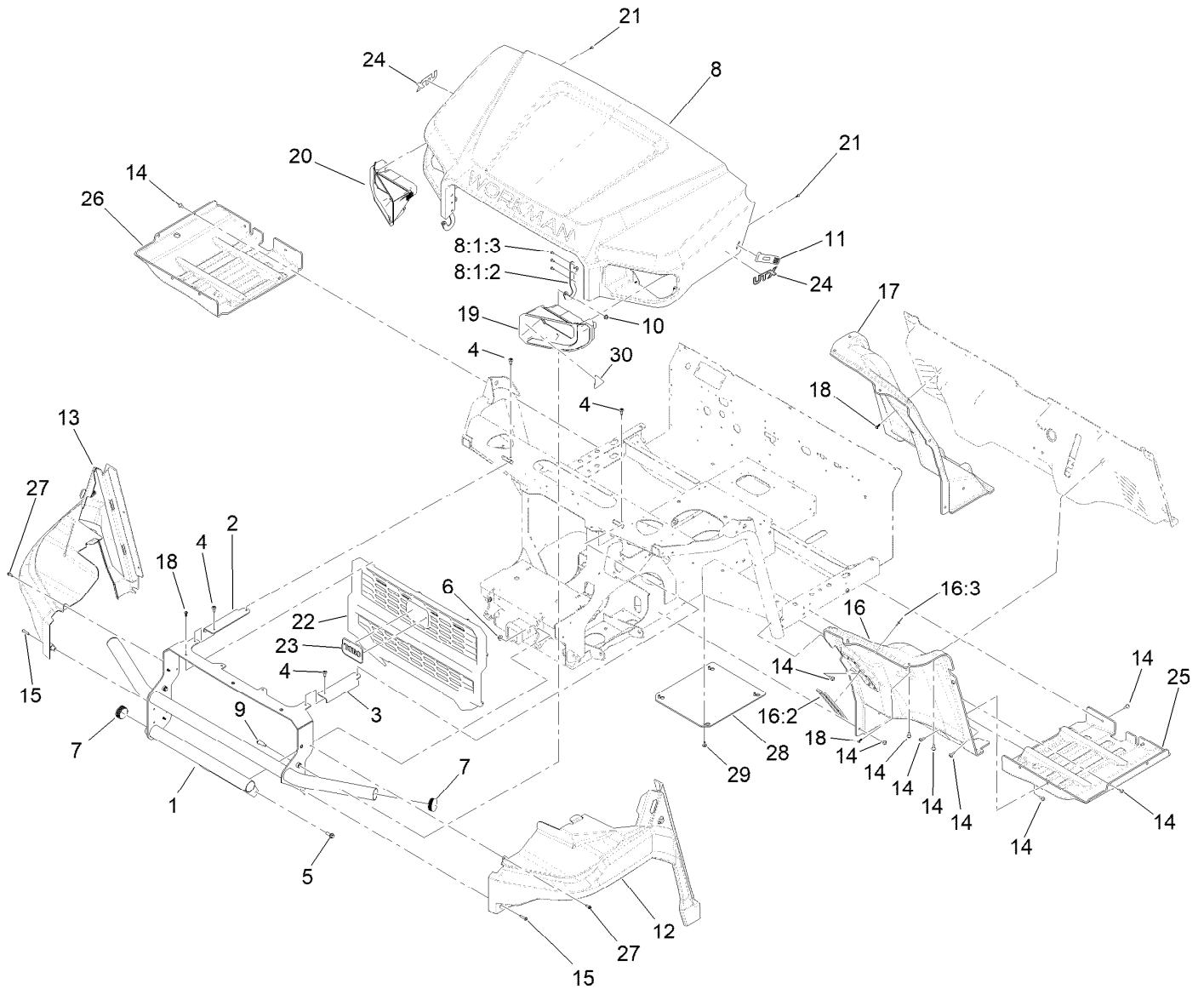
Master Cylinder Assembly No. 104-6782

Ref.	Part Number	Qty.	Description
1	104-6845	1	Reservoir ASM
1:1	92-4112	1	Cap ASM
2	93-8971	2	Seal-Port, Flange
3	92-4103	1	Pin-Stop
4	92-4102	1	Secondary Piston ASM
5	92-4110	1	Clevis
6	21-0360	1	Nut-Hex
7	94-5209	1	Cover-Dust
8	94-5210	1	Rod-Push
9	92-4109	1	Ring-Snap
10	92-4108	1	Retainer-Washer
11	92-4101	1	Primary Piston ASM



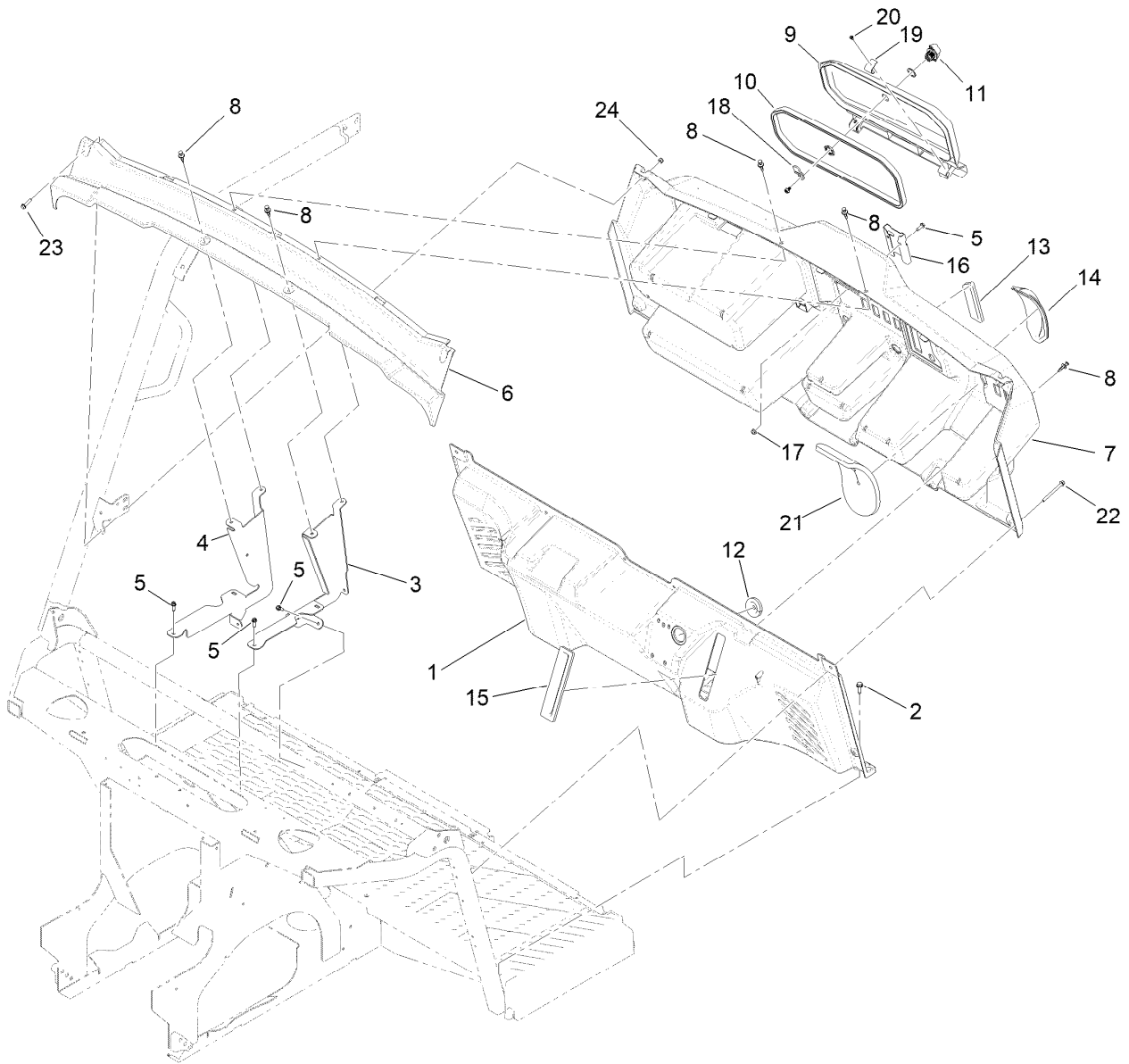
Brake Caliper Assembly No. 127-7424

<i>Ref.</i>	<i>Part Number</i>	<i>Qty.</i>	<i>Description</i>
1	140-2580	1	Brake Pad Service Kit (Front, Qty 4)
2	119-9511	1	Bracket Kit
3	133-0614	1	Piston Kit



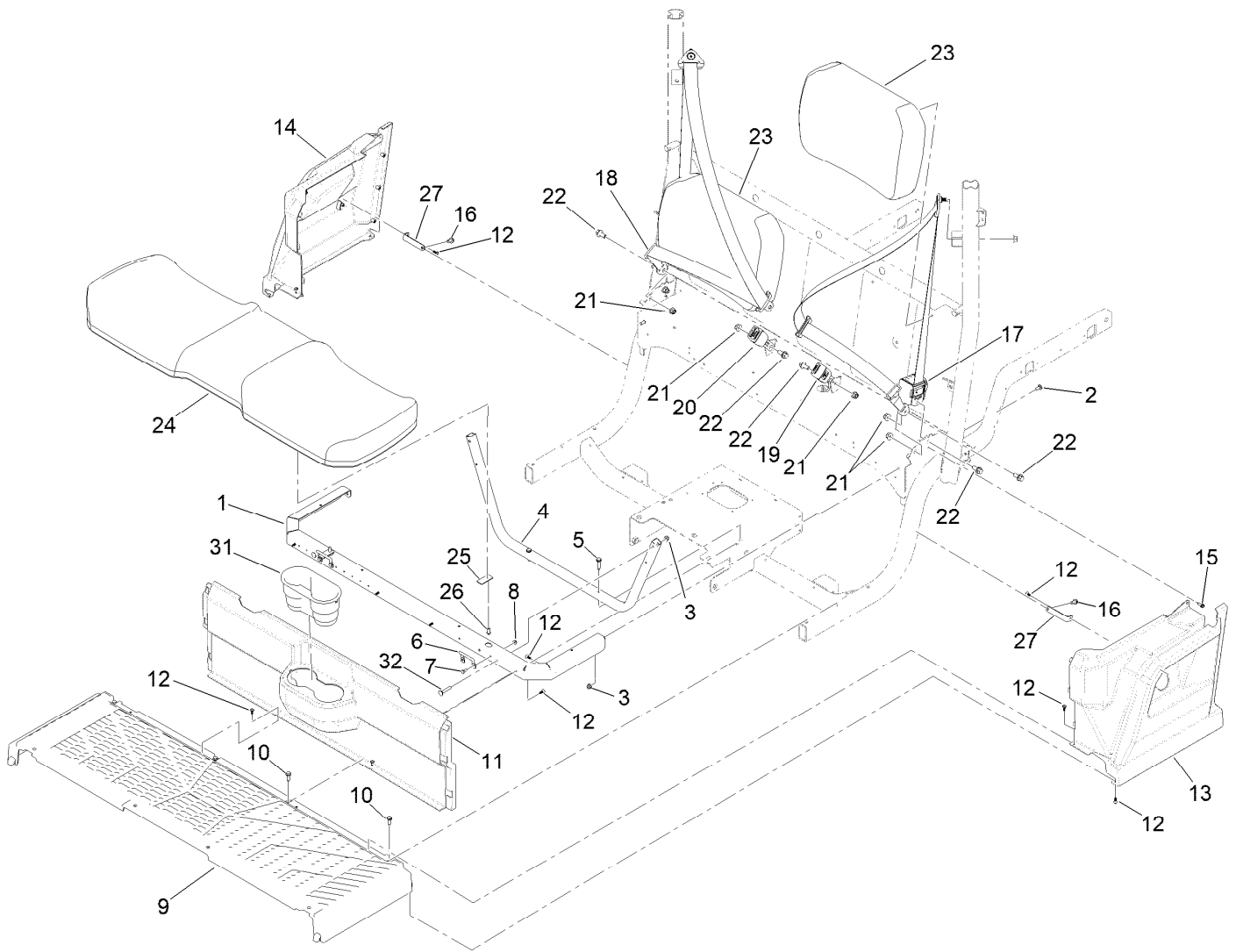
Hood and Front Fender Assembly

Ref.	Part Number	Qty.	Description	Ref.	Part Number	Qty.	Description
1	136-9540	1	UTV Bumper ASM	16	161-5471	1	Fender ASM-Inner, LH
2	144-2423-05	1	Bracket-Mount, Utx Bumper [blk-Txt]	16:2	161-5383	1	Plate-Reinforcement, Fender
3	144-2421-05	1	Bracket-Mount, Utx Bumper [blk-Txt]	16:3	3269-24	6	Rivet
4	138-9753	4	Screw	17	161-5306	1	Fender-Inner, RH
5	3234-42	2	Screw-HHF	18	138-5775	9	Screw-Delta Point
6	104-8301	2	Nut-HF, NI	19	138-5778	1	Headlight ASM, LH
7	137-6827	4	Plug-Plastic	20	138-5779	1	Headlight ASM, RH
8	137-6820SP	1	UTV Hood ASM	21	139-3430	8	Screw-Bhf
8:1:2	137-6817	2	Bracket-Pivot, Hood	22	140-4646	1	Grill-Utx
8:1:3	114439	6	Rivet-Blind	23	144-2294	1	Emblem-Toro
9	136-7192	2	Bolt-Shoulder, HHF	24	144-1145	2	Decal-Utx, Emblem
10	104-8300	2	Nut-HF, NI	25	161-5307	1	Plate-Skid, LH
11	137-6856	2	Strap-Hood	26	161-5308	1	Plate-Skid, RH
12	137-2816SP	1	Fender-Front, LH	27	49-2040	2	Screw-HWHTF
13	137-2817SP	1	Fender-Front, RH	28	163-4942	1	Plate-Cover, Center
14	119-4012	30	Screw-HWHTF	29	126-6266	4	Screw-Tph
15	132-6777	2	Screw-Twh Thd Roll	30	161-5222	2	Decal-Reflector, Fender



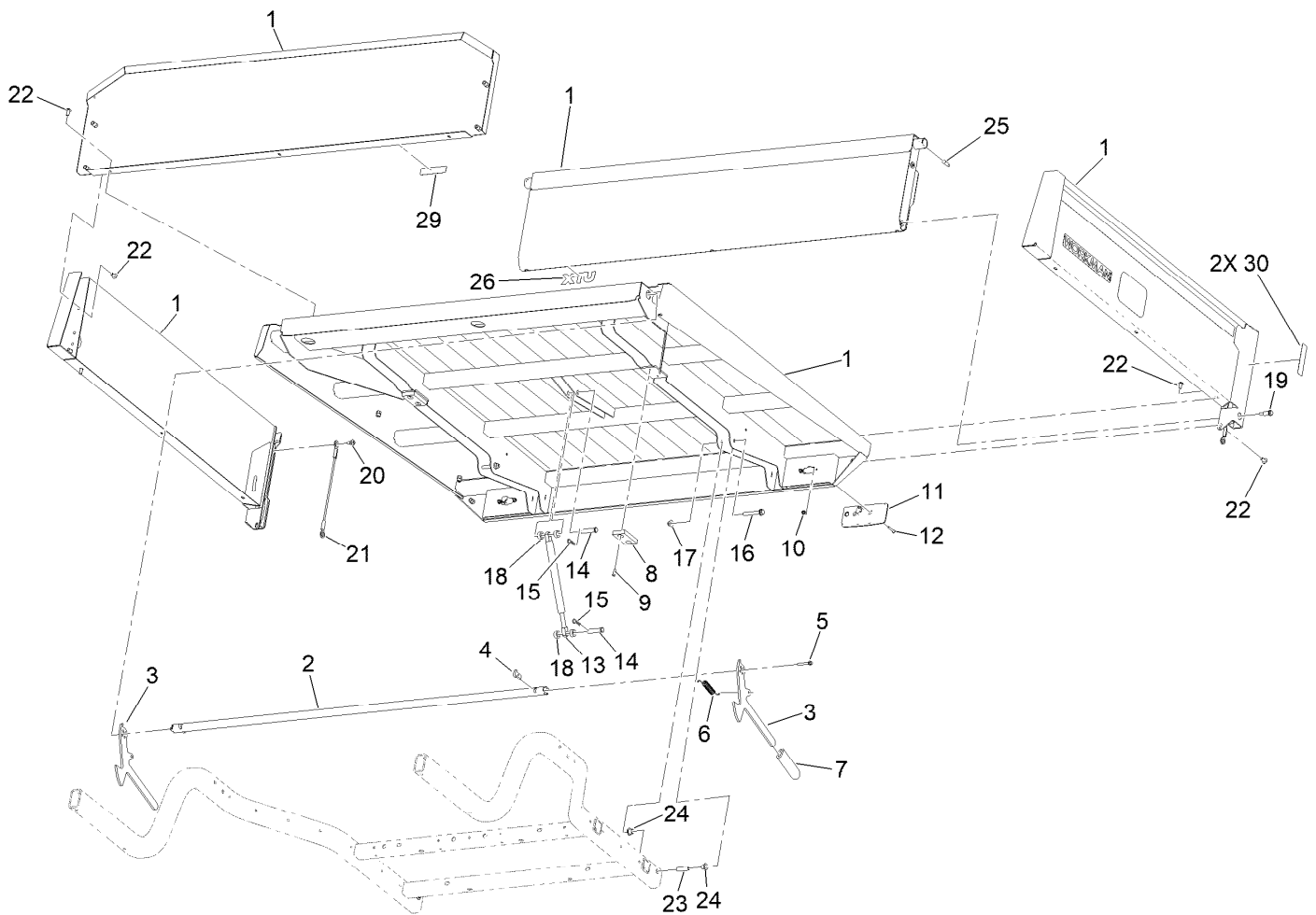
Dash Assembly

<i>Ref.</i>	<i>Part Number</i>	<i>Qty.</i>	<i>Description</i>	<i>Ref.</i>	<i>Part Number</i>	<i>Qty.</i>	<i>Description</i>
1	137-2749SP	1	Footboard	14	161-5261	1	Grommet-Steering Column
2	701243	4	Screw-Thd Roll, HWH	15	161-5262	1	Grommet-Brake Pedal
3	145-2174-03	1	Bracket-Dash, LH	16	139-3449-05	1	Bracket-Mount, Radio
4	145-2178-03	1	Bracket-Dash, RH	17	104-7201	4	Nut-HF, NI
5	49-2040	8	Screw-HWHTF	18	140-4680	1	Cam-Latch, Quarter Turn
6	138-0041SP	1	Panel-Windshield, Dash	19	145-0840	2	Bracket-Glove Box
7	138-0040SP	1	Dash	20	32144-42	2	Screw-Thd Form, HWH
8	125-9622	8	Rivet-Blind	21	147-2822	1	Seal-Foam, Steering Column
9	138-0039SP	1	Door-Glove Box	22	138-3653	2	Screw-HHF
10	139-3462	1	Seal-Door, Glove Box	23	32144-86	2	Screw-HWHTF
11	140-4679	1	Latch-Quarter Turn	24	3296-73	2	Nut-Lock, NI
12	163-4938	1	Grommet				
13	161-5260	1	Grommet-Shifter				



Seat Base Assembly

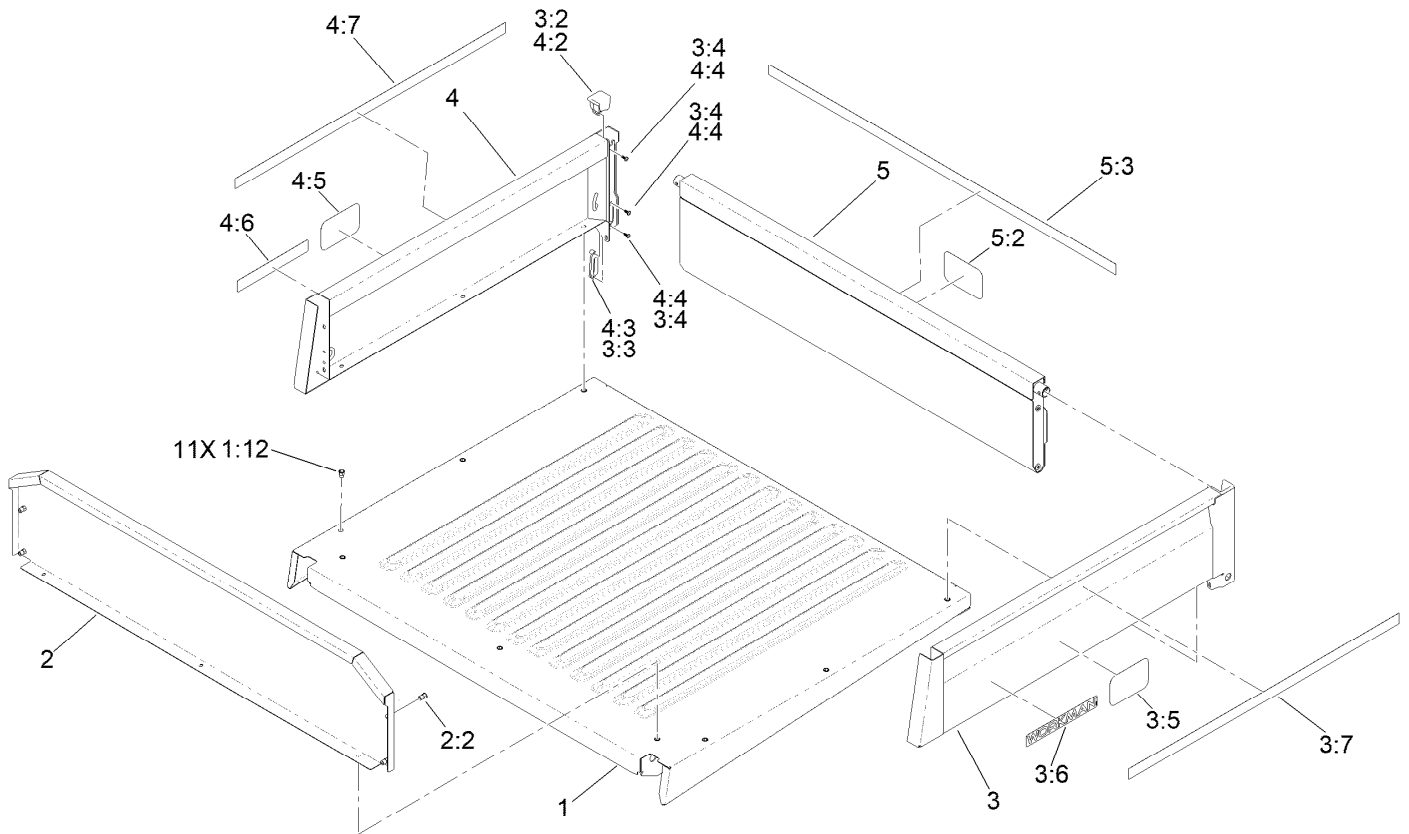
<i>Ref.</i>	<i>Part Number</i>	<i>Qty.</i>	<i>Description</i>	<i>Ref.</i>	<i>Part Number</i>	<i>Qty.</i>	<i>Description</i>
1	137-6896-03	1	Frame-Seat, Bottom	16	32144-70	2	Screw-HWHTF
2	3230-23	2	Bolt-CARR	17	140-2676	1	Retractor-Seat Belt, LH
3	119-4041	4	Nut-HF	18	140-2677	1	Retractor-Seat Belt, RH
4	137-2746-0P	1	Tube-Support, Seat	19	140-2678	1	Buckle-Seat Belt, W/Switch
5	32144-57	2	Screw-Thd Roll	20	140-2679	1	Buckle-Seat Belt
6	137-6888	2	Wire-Hinge	21	144-2269	8	Nut-Nylk,HF
7	321-3	4	Screw-HH	22	144-2289	6	Screw-HHF
8	104-7201	4	Nut-HF, NI	23	145-2211	2	Seat Backrest ASM
9	137-6874SP	1	Plate-Floor	24	145-2207	1	Bench Seat Bottom ASM
10	701243	4	Screw-Thd Roll, HWH	25	145-7954	2	Bracket-Hinge, Seat
11	137-6875SP	1	Panel-Seat Base	26	3274-55	2	Screw-HSBH
12	138-5775	14	Screw-Delta Point	27	138-9411	2	Support-Panel-Side
13	137-2813SP	1	Panel-Seat Base, LH	31	139-3454	1	Cup Holder
14	137-2814SP	1	Panel-Seat Base, RH	32	3230-5	2	Bolt-CARR
15	49-2040	8	Screw-HWHTF				



Cargo Bed Assembly

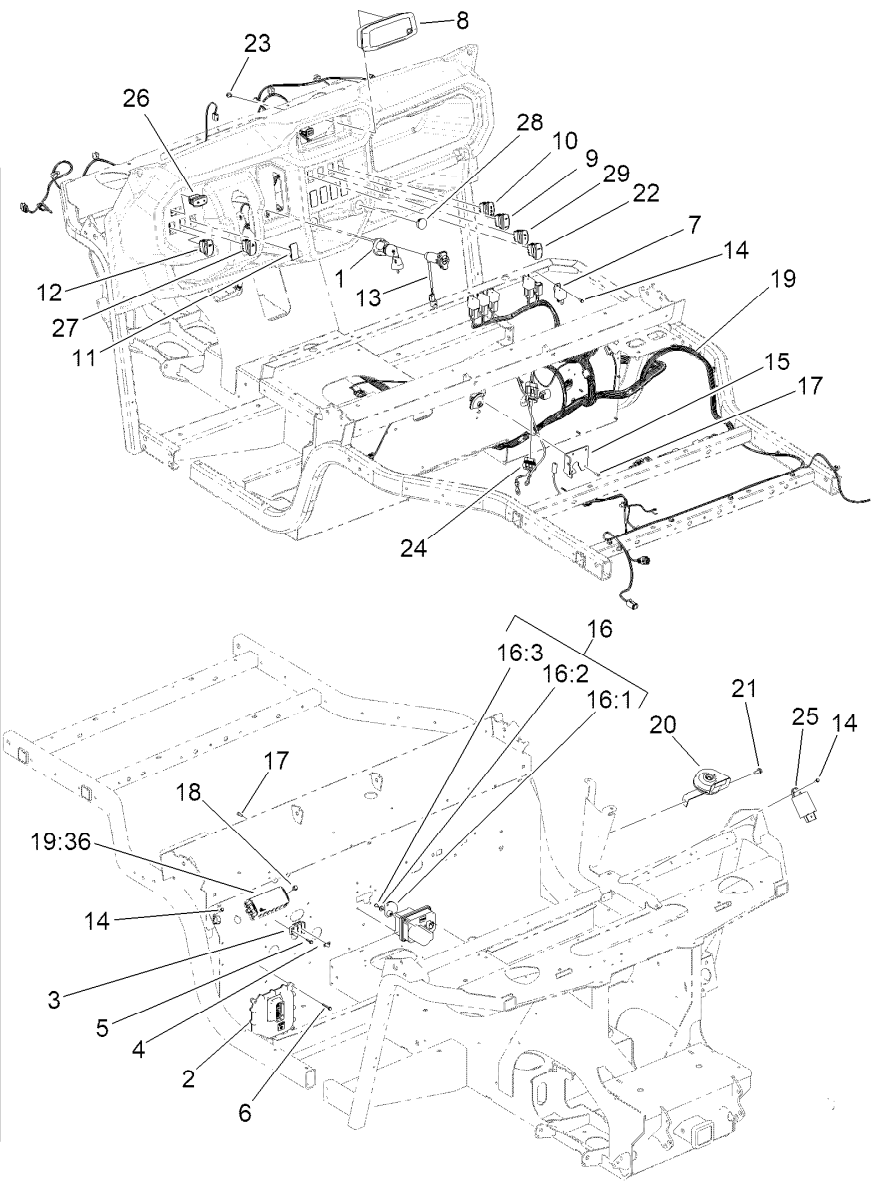
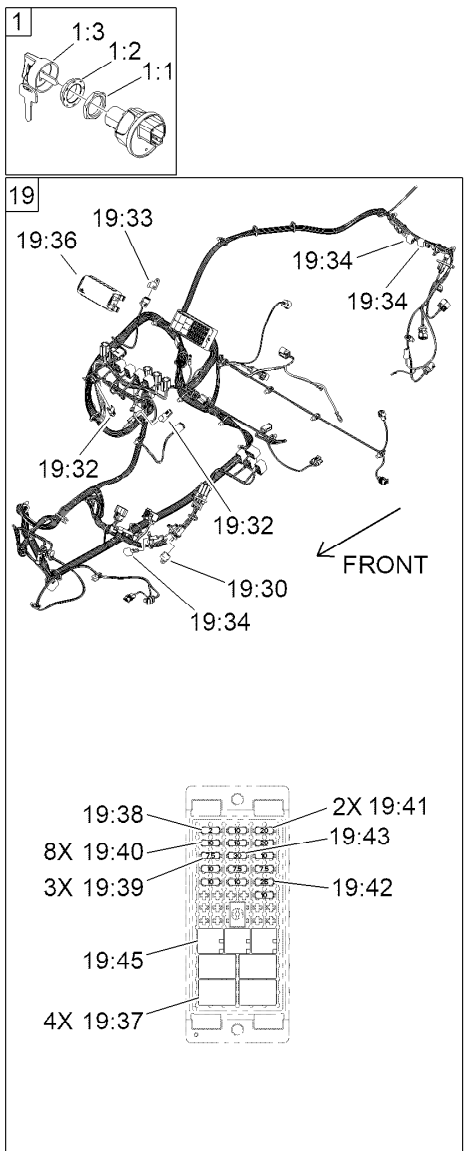
Ref.	Part Number	Qty.	Description	Ref.	Part Number	Qty.	Description
1		1	Cargo Bed Kit ●	15	3290-467	2	Pin-Hair
2	139-4421-03	1	Tube-Latch	16	3234-39	2	Screw-HHF
3	147-2709	2	Latch-Bed	17	104-8301	2	Nut-HF, NI
4	139-4422	2	Plate-Threaded	18	66-6500	4	Spacer-Wheel
5	147-2746	2	Screw-HHF,Lock	19	147-2747	2	Screw-Shoulder,HHF,Lock
6	140-2663	2	Spring-Extension	20	120-9471	4	Bolt-Shoulder
7	1-633268	2	Grip-Lever	21	130-5726	2	Lanyard
8	93-9719	2	Block-Wear	22	138-9753	15	Screw
9	3274-69	4	Screw-HSBH	23	144-2211	2	Sleeve-Pivot, Bed
10	120-4578	4	Nut-HF	24	125-5239	4	Bushing-Flange
11	139-2071	2	Light-Rear Tail/Stop/Turn	25	133-7146	2	Plug-Tailgate, Anti-Rattle
12	3250-52	4	Screw-PPH	26	144-1145	1	Decal-Utx, Emblem
13	139-4417	1	Spring-Gas	29	144-1144	1	Decal-Cargo Bed Safety
14	283-5	2	Pin-Clevis	30	161-5428	2	Decal-Reflector, Rear

● Not serviced separately



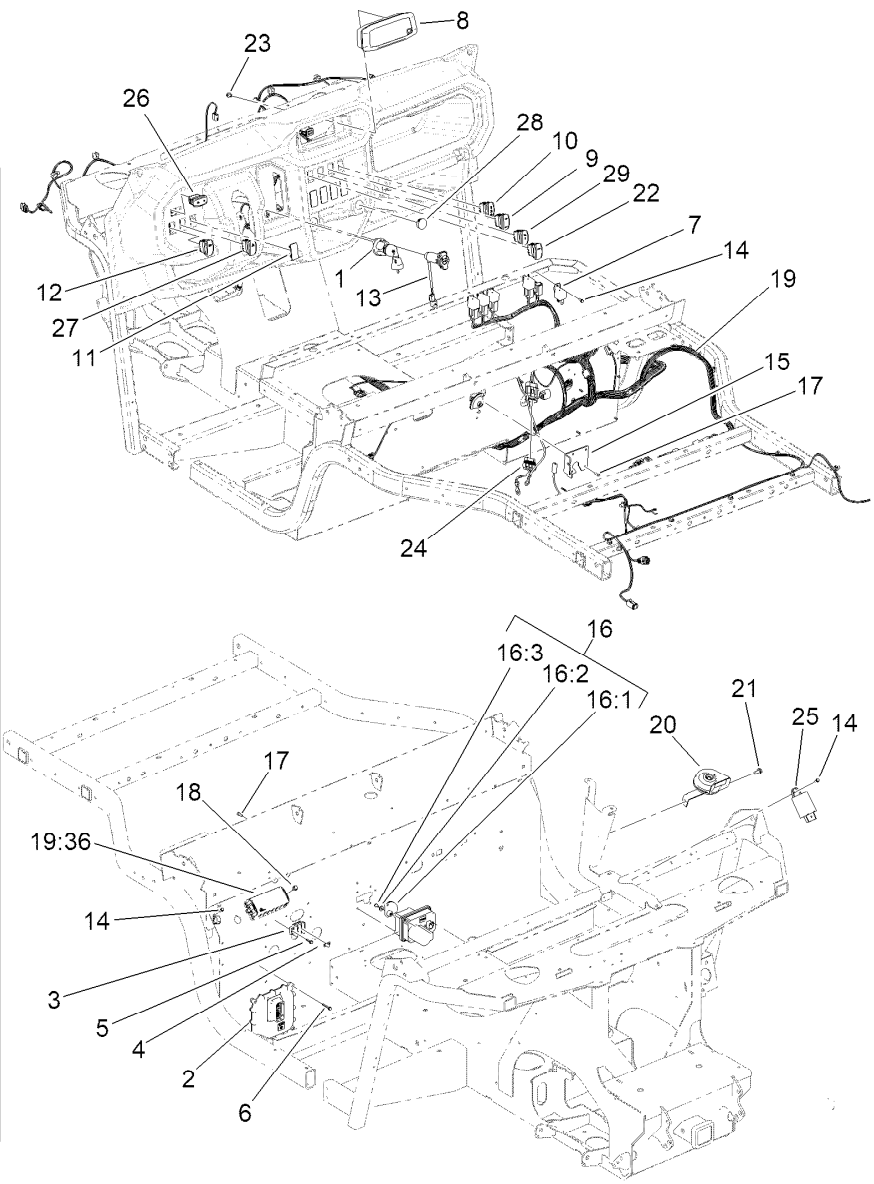
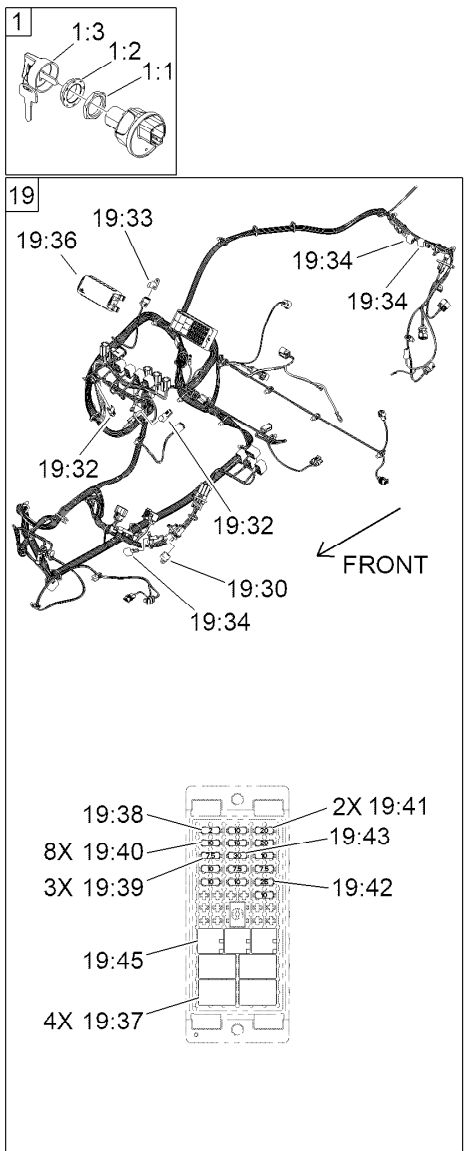
Cargo Bed Kit Assembly

<i>Ref.</i>	<i>Part Number</i>	<i>Qty.</i>	<i>Description</i>	<i>Ref.</i>	<i>Part Number</i>	<i>Qty.</i>	<i>Description</i>
1	147-2750	1	Flat Bed ASM	4	147-8104	1	Bed Side ASM, RH
1:12	138-2899	15	Nut-Clinch	4:2	140-2690	1	Retainer-Tailgate
2	140-4675	1	Panel ASM-Front, Bed	4:3	139-4690	1	Bushing-Tailgate
2:2	138-2899	4	Nut-Clinch	4:4	138-5775	3	Screw-Delta Point
3	147-8103	1	Bed Side ASM, LH	4:5	105-1217	1	Decal
3:2	140-2690	1	Retainer-Tailgate	4:6	140-4835	1	Decal-Workman, Gray
3:3	139-4690	1	Bushing-Tailgate	4:7	144-2277	1	Decal-Red Stripe, 43"
3:4	138-5775	3	Screw-Delta Point	5	147-8102	1	Tailgate ASM
3:5	105-1217	1	Decal	5:2	105-1217	1	Decal
3:6	140-4835	1	Decal-Workman, Gray	5:3	144-2281	1	Decal-Red Stripe, 55.25"
3:7	144-2277	1	Decal-Red Stripe, 43"				



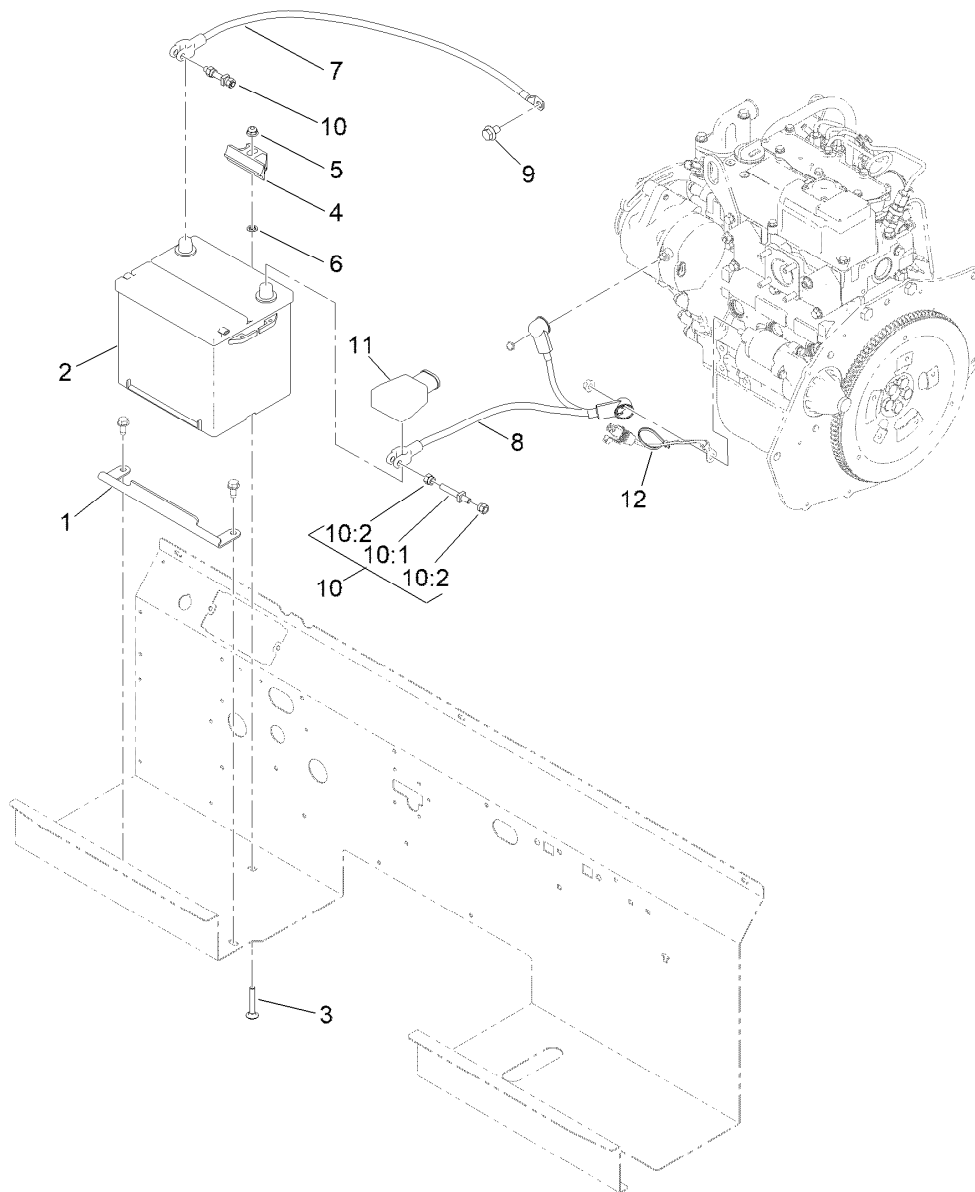
Electrical Assembly

Ref.	Part Number	Qty.	Description	Ref.	Part Number	Qty.	Description
1	122-3614	1	Switch-Ignition	16:1	137-9945	1	Bellcrank-Actuator, Throttle
1:1	121-5160	1	Nut-Hex	16:2	111-6953	1	Washer Plain
1:2	122-2704	1	Nut-Face, M22 (Plastic)	16:3	47-2830	1	Screw
1:3	121-5162	1	Set-Key, Ignition	17	60-6910	4	Screw-HH
2	127-2770	1	Controller	18	33103-012	2	Screw-HHF
3	42862	1	Block-Terminal, Ground	19	122-2166	1	Harness-Wire, Utx Diesel 2 Passenger
4	42863	1	Strip-Jumper	19:30	32180-156	1	Cap-Plug, 6 Way
5	100-4351	2	Screw-HWH	19:32	32180-282	2	Conn, Res, 120 Ohm
6	32144-110	4	Screw-HWH	19:33	32180-089	1	Cap-Plug, 3 Way
7	99-7435	5	Relay	19:34	100-4918	3	Diode
8	147-8095	1	Cluster-Instrument	19:36	32180-393	1	Cover-Chief, Bric
9	144-2440	1	Switch-Rocker, On-None-On	19:37	126-3991	4	Relay-Micro
10	144-2445	1	Switch-Rocker, On-On-On	19:38	121-8861	1	Fuse-Mini Blade, 2 Amp
11	99-7420	5	Plug-Hole	19:39	121-8865	3	Fuse-Mini Blade, 7.5 Amp
12	144-2405	1	Switch-Rocker, On-None-On	19:40	121-8866	8	Fuse-Mini Blade, 10 Amp
13	139-3420	1	Port-USB	19:41	121-8868	2	Fuse-Mini Blade, 20 Amp
14	32144-112	7	Screw-HWH	19:42	121-8869	1	Fuse-Mini Blade, 25 Amp
15	138-5610	1	Bracket-Cable, Actuator	19:43	121-8870	1	Fuse-Mini Blade, 30 Amp
16	136-9434	1	Actuator ASM-Throttle	19:45	126-6157	4	Relay-Micro 280, Spdt
				20	139-4557	1	Horn-ASM



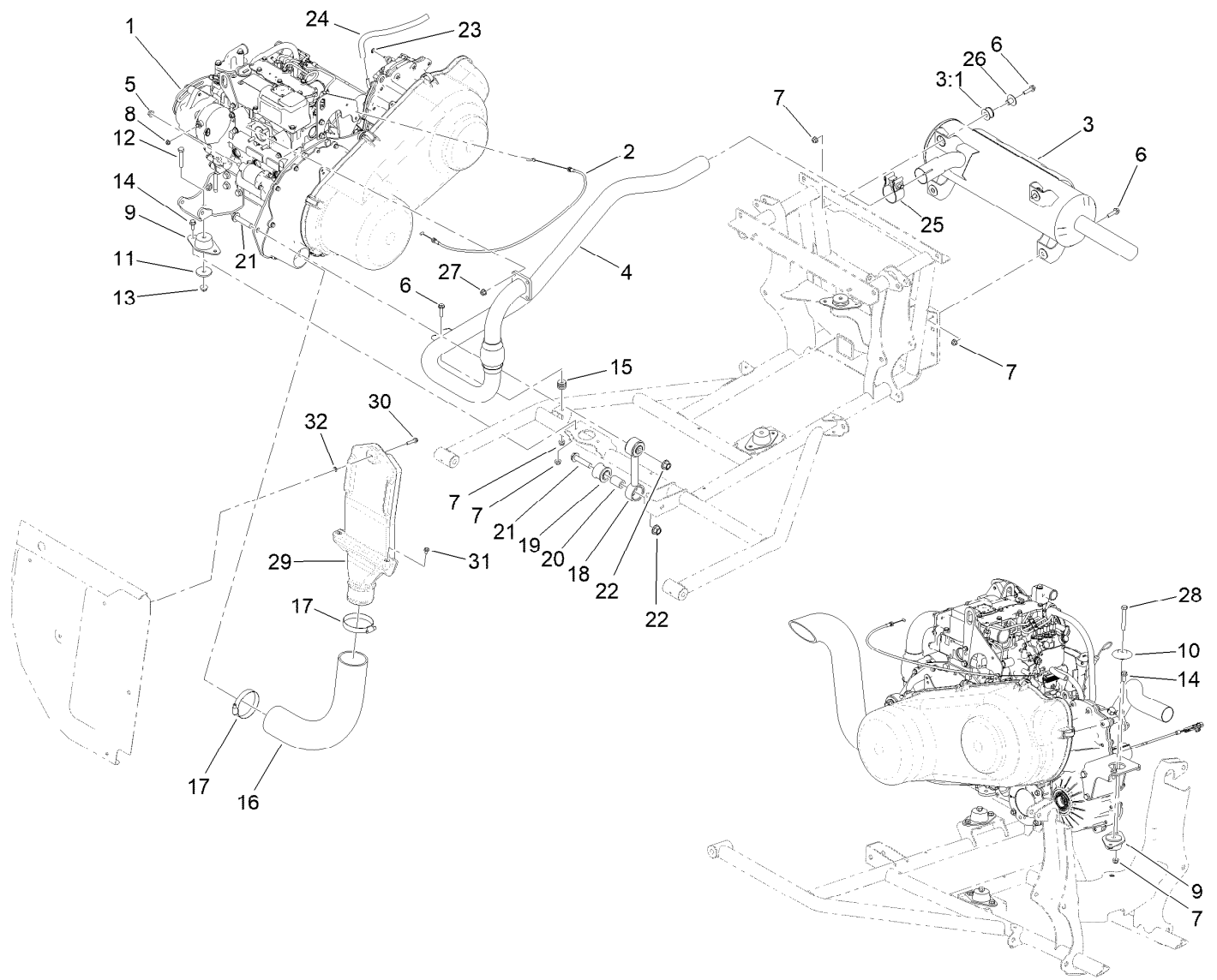
Electrical Assembly (continued)

<i>Ref.</i>	<i>Part Number</i>	<i>Qty.</i>	<i>Description</i>	<i>Ref.</i>	<i>Part Number</i>	<i>Qty.</i>	<i>Description</i>
21	32144-70	1	Screw-HWHTF	26	144-2425	1	Switch-Rocker, On-Off-On
22	144-2415	1	Switch-Rocker, (On)-None-Off	27	144-2400	1	Switch-Rocker, On-None-On
23	3234-13	2	Screw-HHF	28	145-2160	1	Plug-Panel
24	99-3441	1	Harness-Wire, Fusible Link	29	145-2200	1	Switch-Rocker, (On)-On-Off
25	139-2080	1	Flasher-Dual Rate				



Battery Assembly

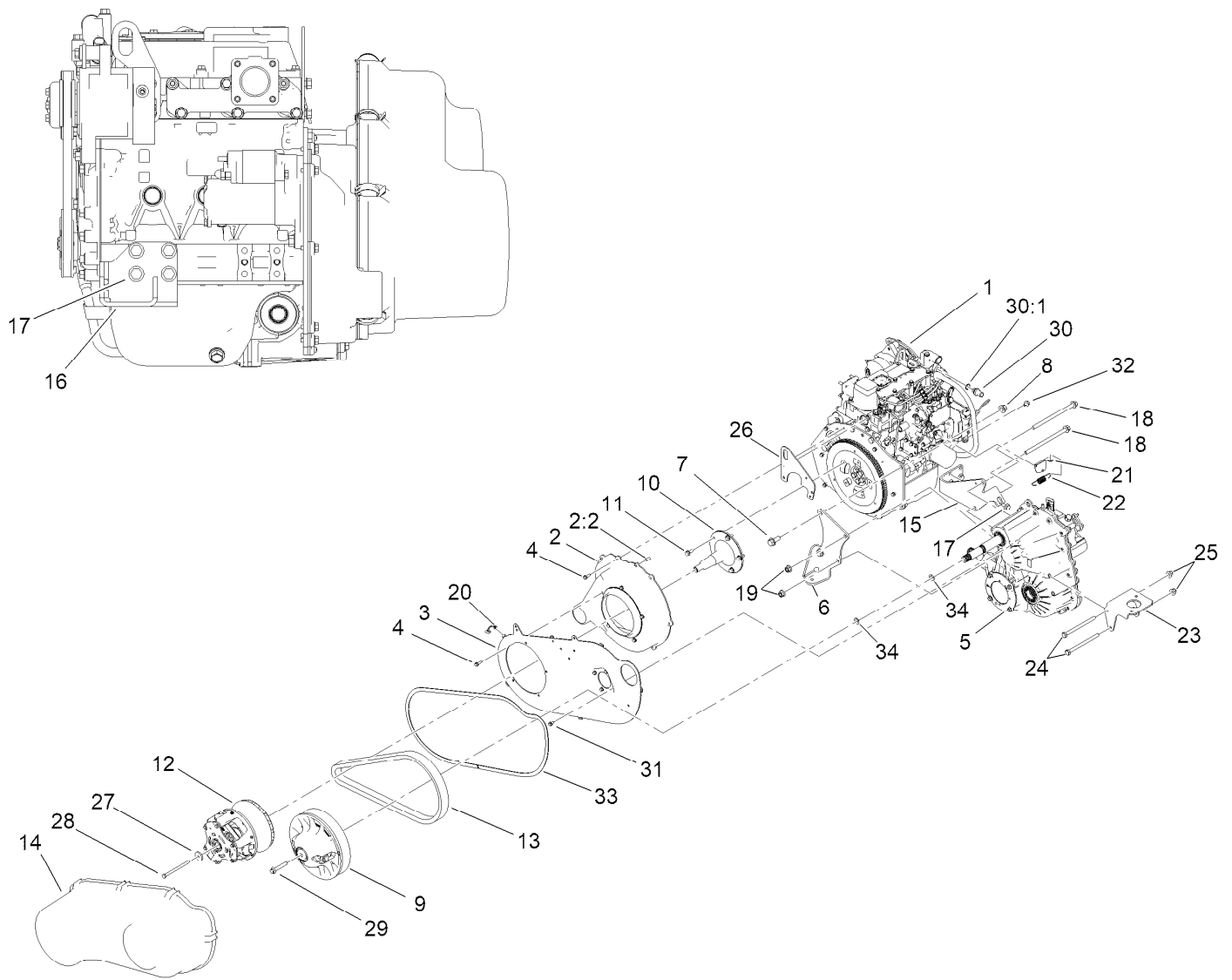
Ref.	Part Number	Qty.	Description
1	147-8051	1	Hold Down-Battery
2	106-5187	1	Battery- Dry, 12V, 525 CCA
3	3230-6	1	Bolt-CARR
4	138-6335	1	Retainer-Battery
5	119-4041	1	Nut-HF
6	109-5667	1	Nut-Push
7	122-1781	1	Cable-Battery, Bk ASM
8	122-1782	1	Cable-Battery, Rd ASM
9	33105-016	1	Screw-HHF
10	112-9921	2	Bolt ASM
10:1	32180-107	1	Bolt-Clamp, Battery
10:2	32180-108	2	Nut-Hex Shoulder
11	32180-110	1	Insulator-Lead Cast
12	3290-378	1	Tie-Cable



Engine Drivetrain and Exhaust Assembly

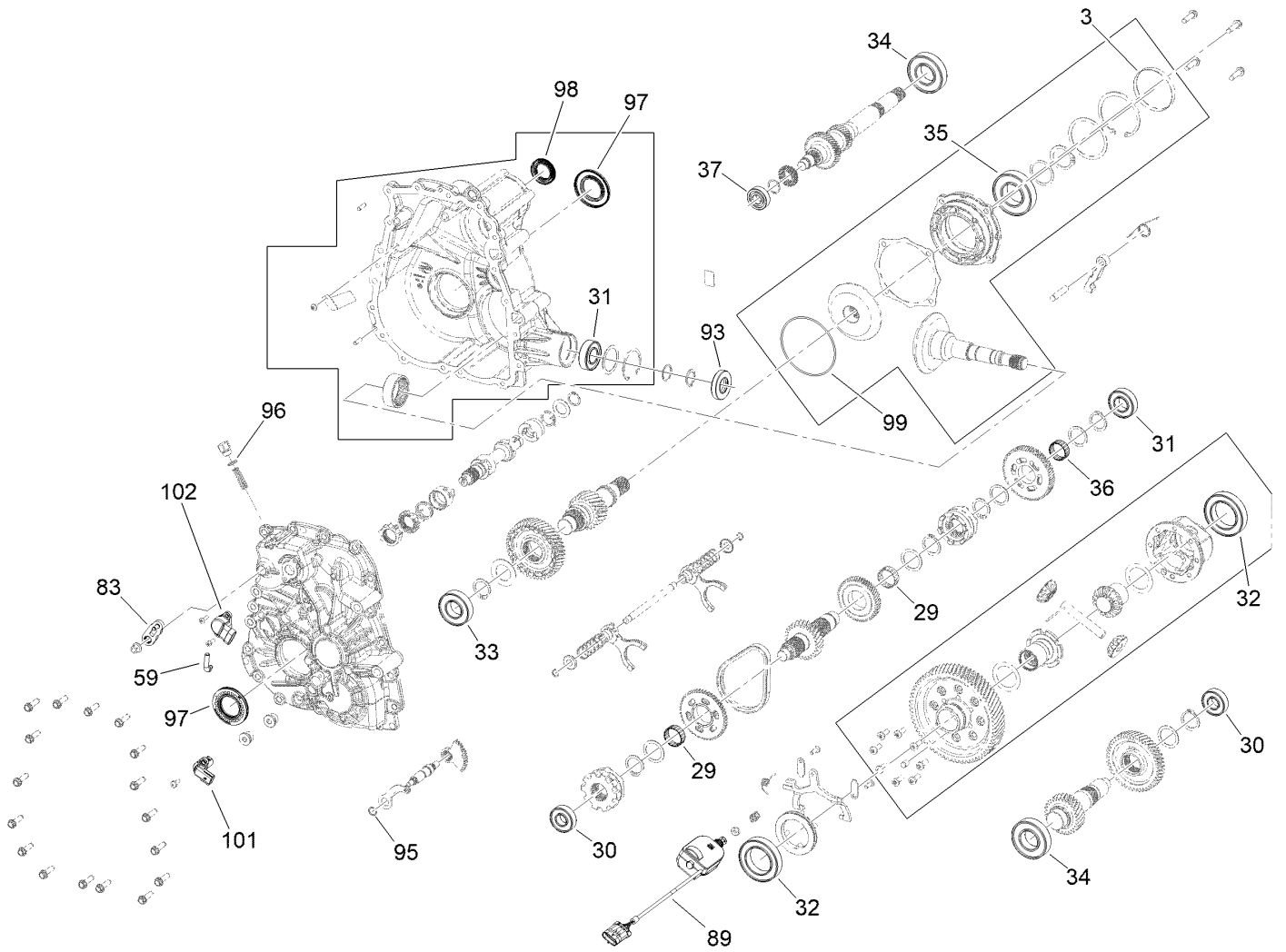
Ref.	Part Number	Qty.	Description	Ref.	Part Number	Qty.	Description
1		1	Engine/Drivetrain ASM ●	16	147-2704	1	Duct-Inlet, Cvt
2	137-9931	1	Cable-Throttle Actuator, Diesel	17	2412-125	2	Clamp-Hose
3	138-9335	1	Muffler ASM (With Mounts)	18	140-4685	1	Link Rod ASM
3:1	138-9300	4	Isolator-Mount, Muffler	19	140-4697	2	Bushing, Rubber
4	140-2618	1	Pipe-Exhaust (Diesel)	20	109-5010	2	Spacer
5	33004-00	1	Nut-HF	21	3234-46	2	Screw-HHF
6	3234-36	5	Screw-HHF	22	99-5107	2	Nut-HF Nylock
7	104-8300	11	Nut-HF, NI	23	32151-86	1	E-Ring
8	33003-00	1	Nut-HF	24	110-4110	1	Hose-Fuel
9	139-0856	3	Mount-Engine	25	144-2413	1	Clamp-Manifold (1.87" DIA)
10	138-6462	1	Support-Isolator	26	138-9301	4	Mount-Top Hat, Muffler
11	80-8560	2	Washer-Hardened	27	104-2612	4	Nut-HF
12	323-11	2	Screw-HH	28	323-12	1	Screw-HH
13	104-8301	2	Nut-HF, NI	29	147-2700	1	Hood-Cvt Intake
14	3234-47	6	Screw-HHF	30	32144-110	1	Screw-HWH
15	131-5945	1	Isolator-Engine	31	3234-26	2	Screw-HHF
				32	1-803037	1	Nut-Retaining

● Not serviced separately



Engine, Transaxle and Clutch Assembly

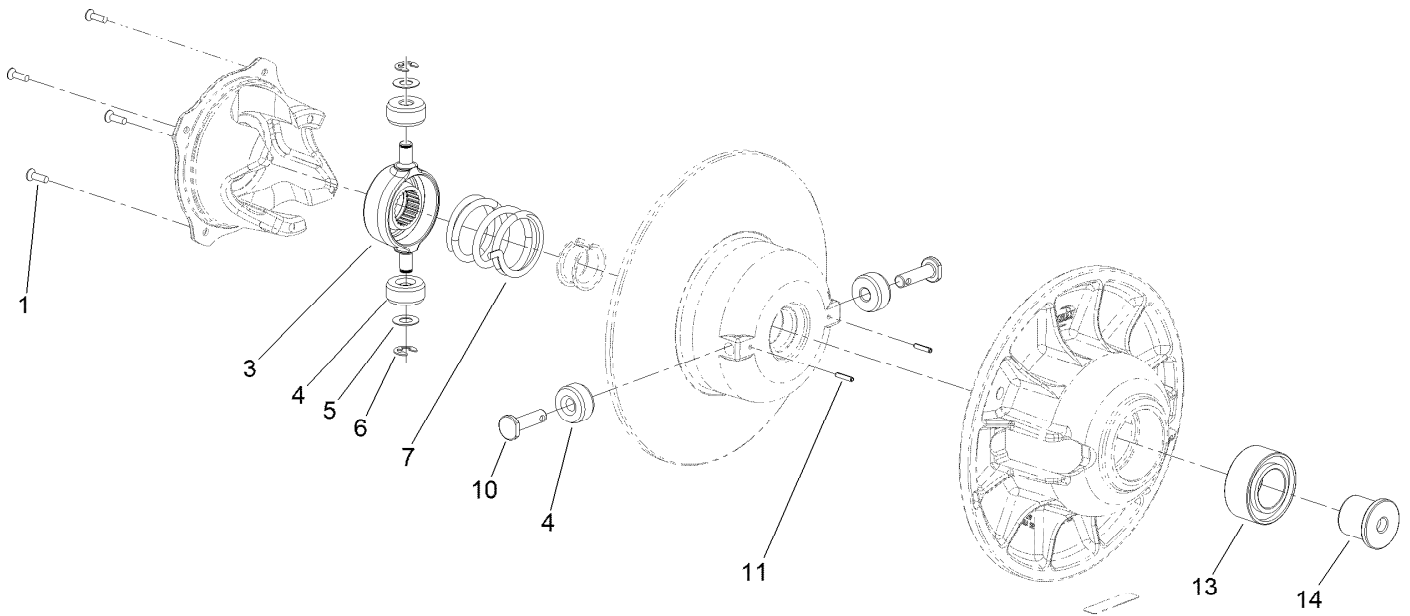
Ref.	Part Number	Qty.	Description	Ref.	Part Number	Qty.	Description
1	136-9431	1	Engine-Yanmar, 3Tnm74F-Natr	17	33105-020	8	Screw-HHF
2	140-4768	1	Housing ASM-Flywheel, Diesel	18	140-2689	2	Screw-HH
2:2	87-1910	2	Pin-Dowel	19	114-8417	2	Nut-HF, NI
3	161-5254	1	Plate-Spanner	20	140-4669	6	Clip-Spring
4	110-3986	13	Screw	21	139-4581	1	Bracket-Spring, Throttle
5	140-2611	1	Transaxle ASM	22	145-7792	1	Spring-Extension
6	147-8071	1	Bracket-Transmission, LH	23	140-2624-0P	1	Bracket-Drivetrain, Rear
7	3234-38	2	Screw-HHF	24	33115-140	2	Screw-HH
8	99-5107	2	Nut-HF Nylock	25	103-9511	2	Nut-Flg
9	147-8173	1	Clutch-Secondary	26	136-9440	1	Bracket-Throttle Cable
10	140-2602	1	Adapter-Clutch	27	104-6550	1	Washer-Clutch
11	138-0690	5	Screw-HHF,Patch	28	99-7201	1	Screw-HH
12	147-8172	1	Clutch-Primary	29	140-4777	1	Screw-HHF
13	145-7789	1	Belt-Variable	30	140-4766	1	Fitting-Straight
14	140-2603	1	Enclosure-Cvt	30:1	140-4770	1	Washer-Copper
15	145-2105-0P	1	Bracket-Trans, RH (Diesel)	31	104-2628	4	Screw
16	147-8089	1	Mount-Engine, Compressor	32	68-9410	1	Screw-HHF
				33	145-7799	1	Gasket-Cover, Cvt
				34	36-4780	2	Washer-Plain



Transaxle Assembly No. 140-2611

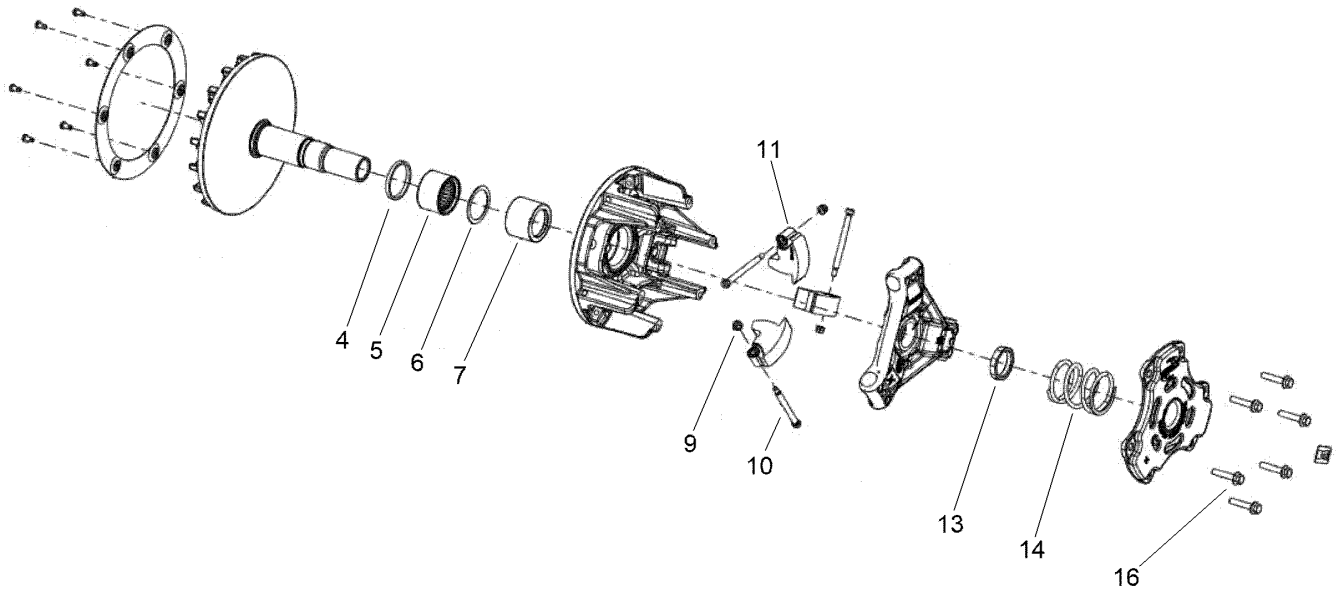
Ref.	Part Number	Qty.	Description	Ref.	Part Number	Qty.	Description
3	145-2030	1	Plug-Expansion 80MM X 10MM	95	145-2043	1	O-Ring
29	130-4616	2	Bearing-Needle	96	145-2044	1	O-Ring, 0.530 ID X .082 Wide
30	145-2031	2	Bearing, Ball 6204 C3	97	145-2045	2	Seal, Triple Lip, Viton, 40 X 70 X 7
31	145-2032	2	Bearing, Ball 6205 C3	98	145-2046	1	Seal, Triple Lip, 1.180 X 1.8520 X 0.315
32	130-4666	2	Bearing-Ball	99	145-2047	1	O-Ring, Nitrile
33	145-2033	1	Bearing, Ball 6206 C3	101	145-2039	1	Sensor,Speed, Transaxle
34	145-2034	2	Bearing, Ball 6207 C3	102	145-2040	1	Sensor, Assembly, Rotary Position
35	145-2035	1	Bearing, Ball 6208 C3	103	145-2048	1	Toro Premium Synthetic Transaxle Fluid ●
36	130-4618	1	Bearing-Needle				
37	145-2036	1	Bearing, Ball 6203 C3				
59	145-2037	1	Tube,Vent, 90-1/4" Hose				
83	145-2038	1	Subassembly, Bellcrank				
89	145-2041	1	Shift Actuator, 2 Position				
93	145-2042	1	Seal, Triple Lip, 0.984 X 2.047 X 0.394				

● Not illustrated



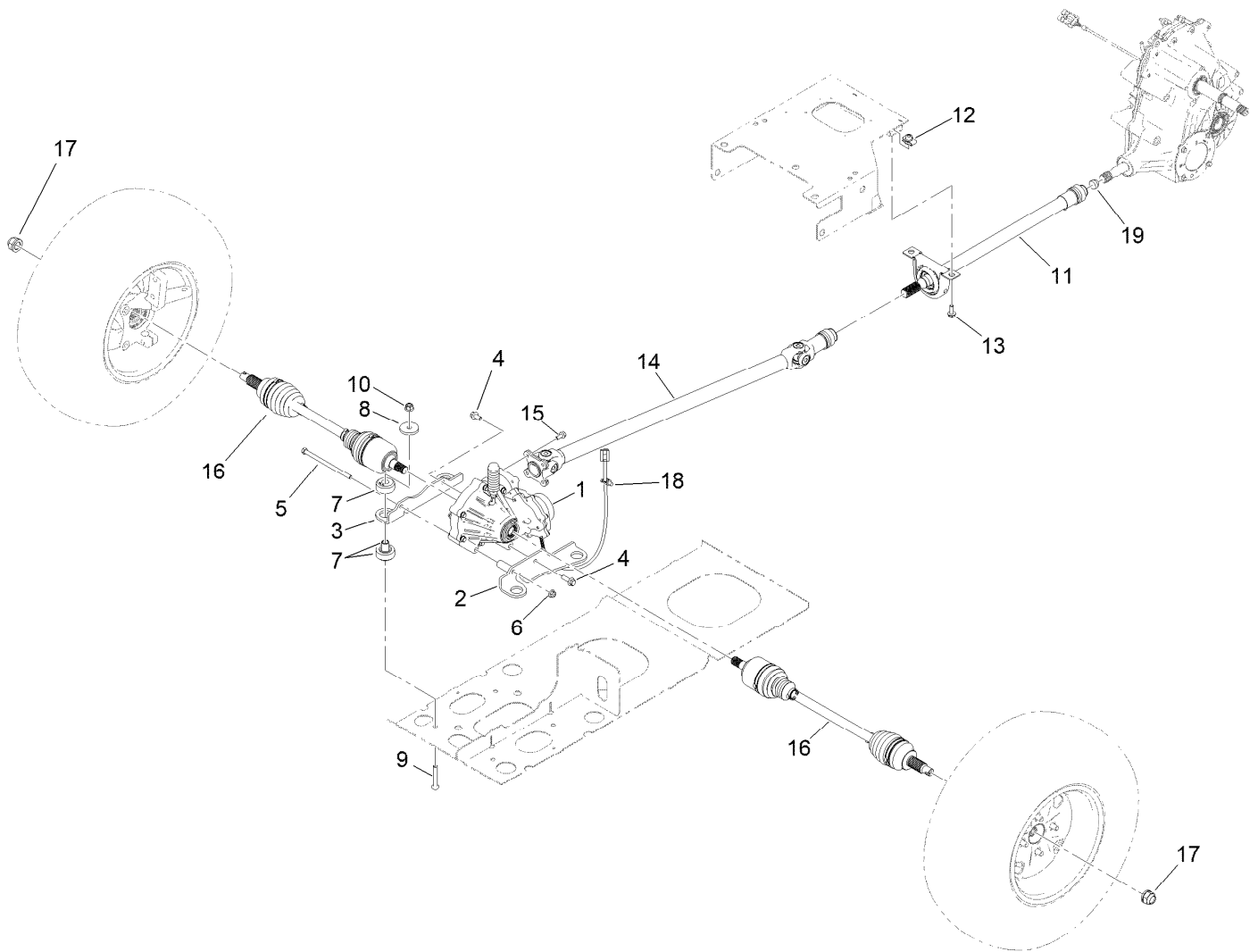
Secondary Clutch Assembly No. 147-8173

<i>Ref.</i>	<i>Part Number</i>	<i>Qty.</i>	<i>Description</i>
1	145-2104	4	Screw, Machine Torx Sfch 10-32 X .625
3	145-2025	1	Spider 9.5 25T Mach
4	145-2026	4	Roller-Clutch 1.135 X .550
5	130-4059	2	Washer-Thrust
6	130-4058	2	E-Ring
7	145-2027	1	Spring-Comp 2.00 OD Secondary 175-320
10	130-4063	2	Pin-Roller
11	130-4065	2	Pin-Spring, Slotted
13	145-2028	1	Bearing-Ball
14	147-8180	1	Sleeve-Shoulder



Primary Clutch Assembly No. 147-8172

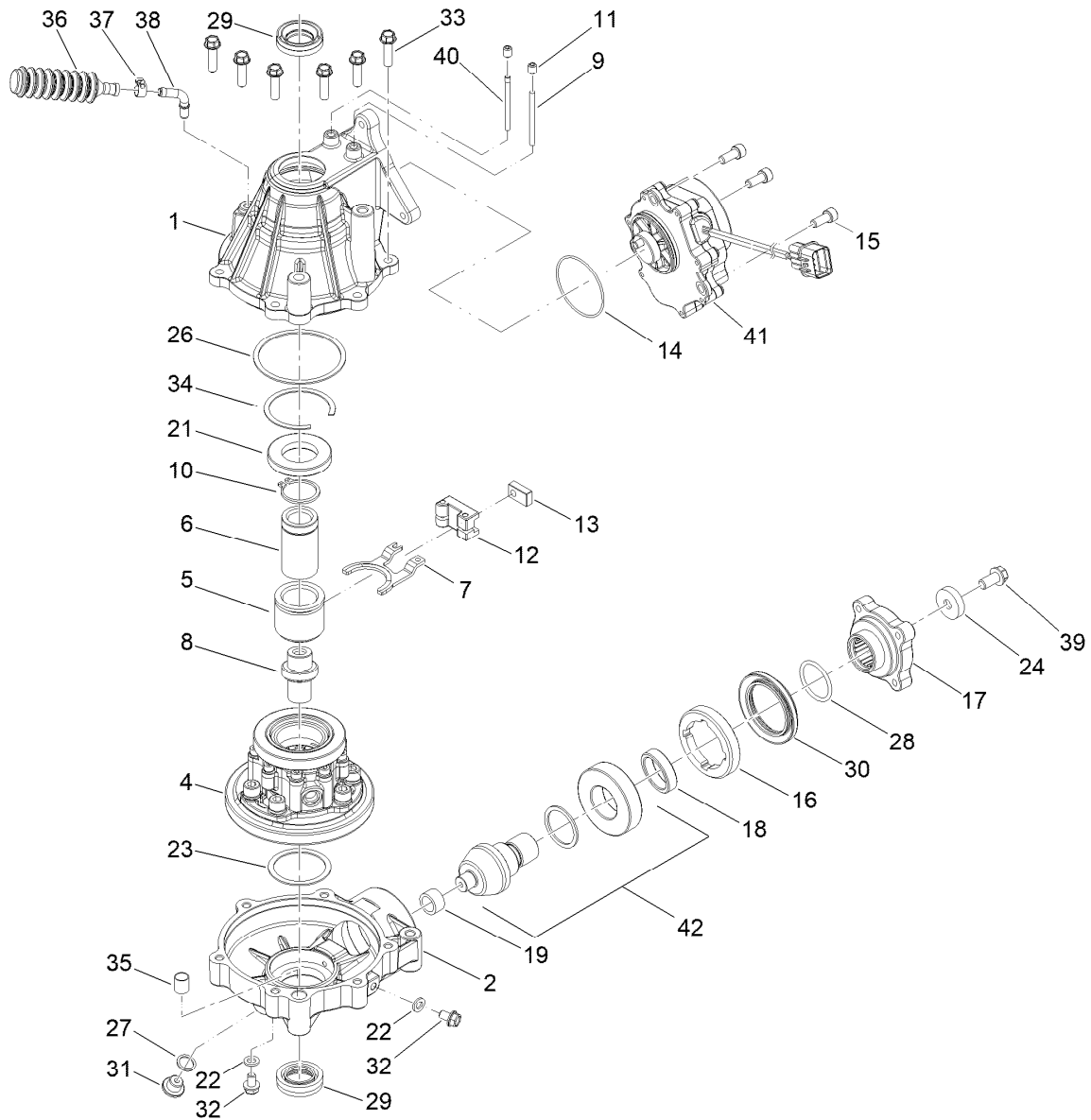
<i>Ref.</i>	<i>Part Number</i>	<i>Qty.</i>	<i>Description</i>
4	145-2018	1	Washer-Thrust
5	147-8178	1	Subassembly, Idler Primary
6	130-4069	1	Washer-Thrust
7	147-8177	1	Cap-Idler Sleeve
9	145-2103	3	Nut, Lock Hex 10-24 Flexloc
10	119-6016	3	Screw-Shoulder
11	145-2021	3	Weight-Clutch M17-198
13	161-5255	1	Nut-Jam
14	145-2022	1	Spring-Compression 2.00 OD Primary 70-13
16	145-2024	6	Screw-Hex Flange 1/4-20 X 1.25



Front Differential and Driveshaft Assembly

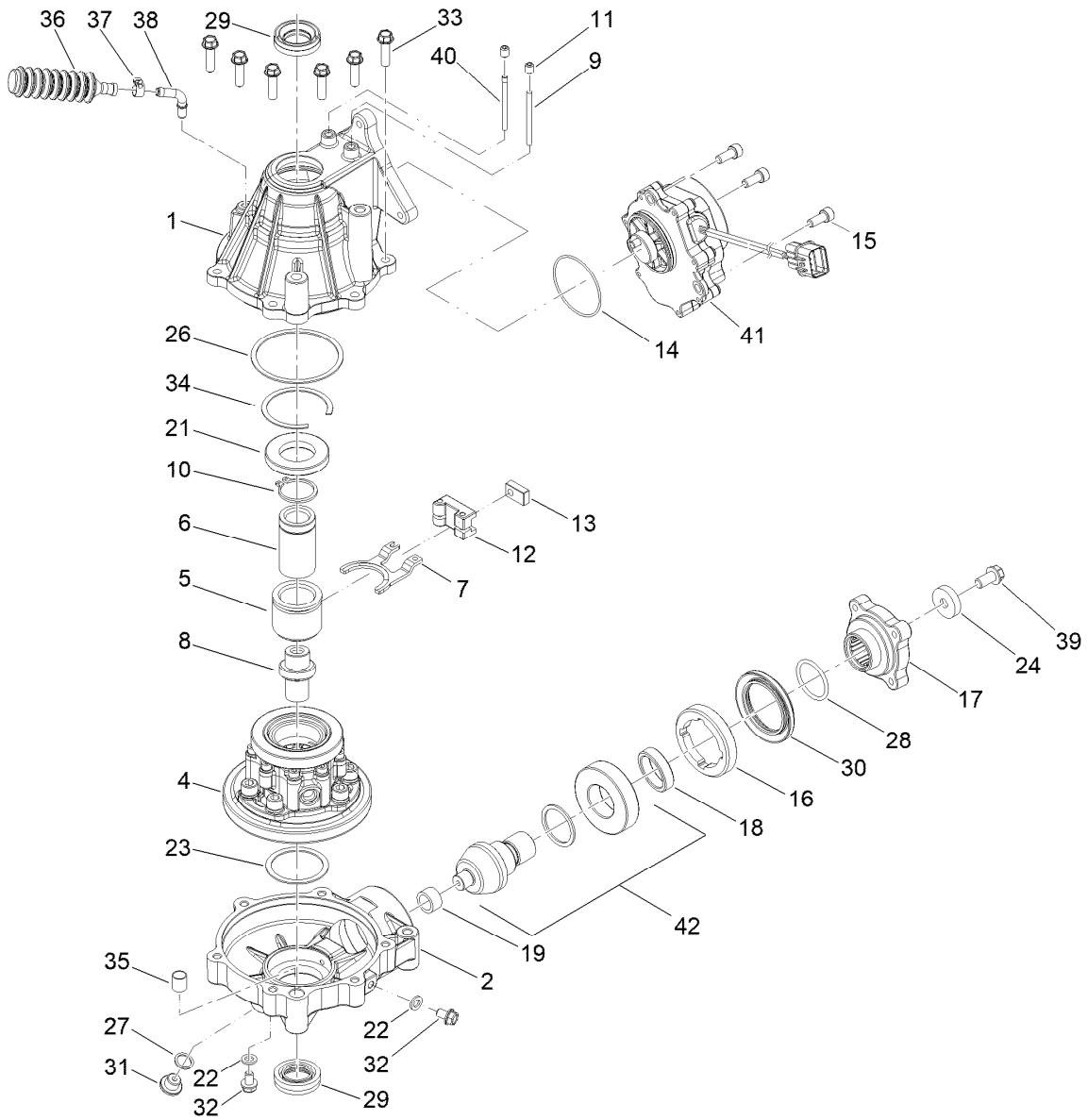
Ref.	Part Number	Qty.	Description
1	140-4752	1	Differential-Front
2	147-8083	1	Mount ASM-Differential, LH
3	161-5242	1	Mount-Differential, RH
4	145-7778	2	Screw-HHF
5	323-26	1	Screw-HH
6	104-8301	1	Nut-HF, NI
7	147-2708	4	Mount-Isolator
8	109-6919	4	Washer-Plain
9	144-2215	4	Screw-Bht
10	114-8417	4	Nut-HF, NI

Ref.	Part Number	Qty.	Description
11	140-4771	1	Driveshaft ASM-Intermediate
12	105-4886	2	Nut-Tinnerman
13	3234-42	2	Screw-HHF
14	140-2647	1	Driveshaft ASM
15	139-3392	4	Screw-Lock
16	140-2644	2	Cv Axle ASM, Front
17	115-2164	2	Nut-Spindle
18	32180-030	1	Clip-Tie
19	145-7787	1	Bumper-Drive Shaft



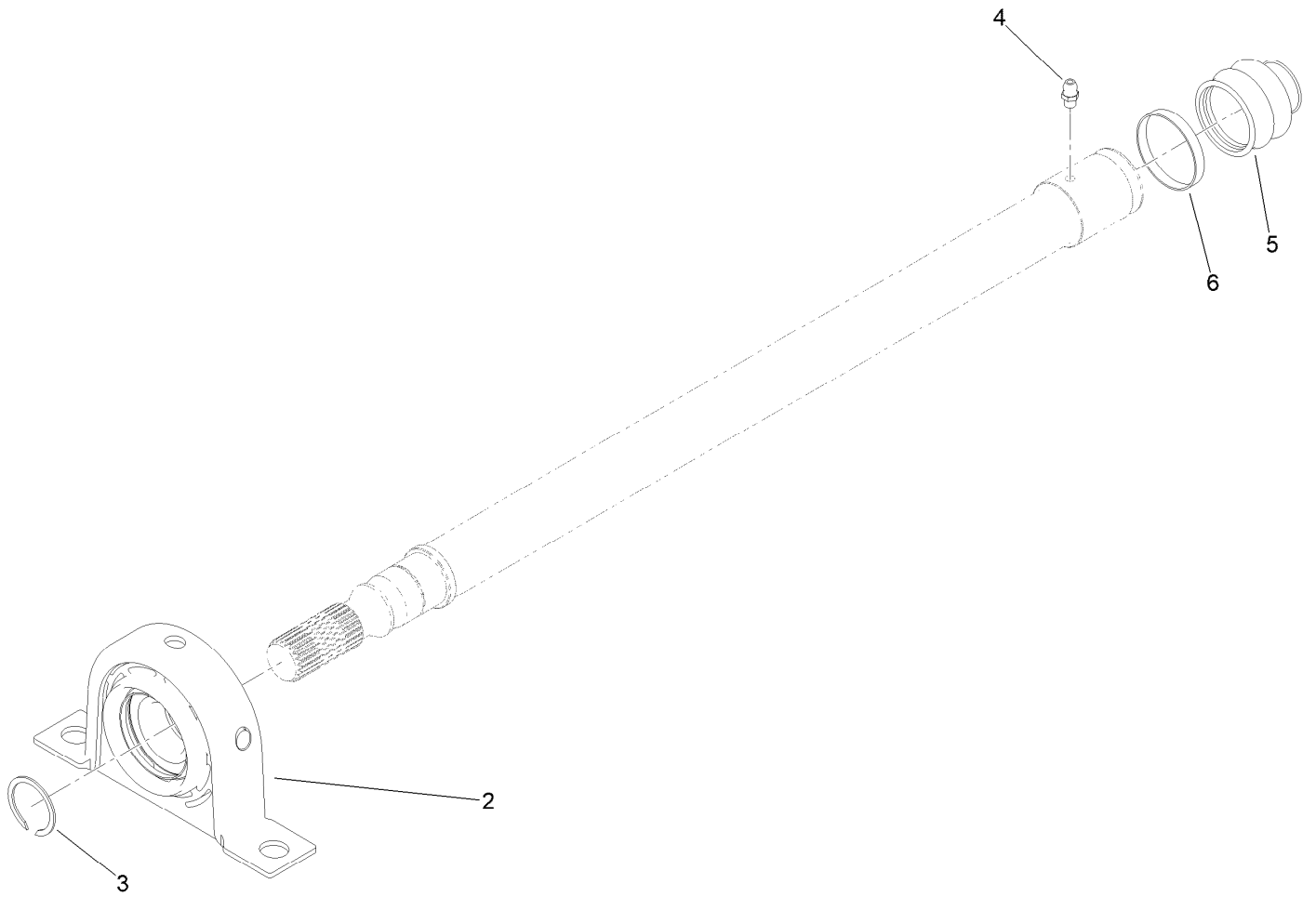
Front Differential Assembly No. 140-4752

Ref.	Part Number	Qty.	Description	Ref.	Part Number	Qty.	Description
1	145-7895	1	Cover	23	145-7917	1	Shim, 50.5 X 61
2	145-7896	1	Housing	24	145-7918	1	Lock Washer
4	145-7898	1	Planet Carrier Sub-ASM	26	145-7920	1	Shim, 79 X 89
5	145-7899	1	Clutch	27	145-7921	1	Washer, 14.5 X 22 X 1T
6	145-7900	1	Support Ring	28	145-7922	1	O-Ring, P26
7	145-7901	1	Fork	29	145-7923	2	Seal, 25 X 45 X 7T X 11T
8	145-7902	1	Gear A	30	145-7924	1	Seal, 40 X 75 X 8T X 12T
9	145-7903	1	Pin, 5 X 62L	31	145-7925	1	Plug, M14 X 9.5L
10	145-7904	1	Retaining Ring, External 34	32	145-7926	2	Screw, Hex Head, M8 X Pi.25 X 12L
11	145-7905	2	Bolt, M10 X 10L	33	145-7927	6	Screw, Hex Head, M8 X P1.25 X 30L
12	145-7906	1	Slider A	34	145-7928	1	Retaining Ring, Internal 62
13	145-7907	1	Slider B	35	145-7929	1	Location Pin
14	145-7908	1	O-Ring, 62 I.D. X 2 Wide	36	145-7930	1	Breathing Tube
15	145-7909	3	Screw, Socket Head, M8X20L	37	145-7931	1	Ring
16	145-7910	1	Nut, M74	38	145-7932	1	Tube, Vent, 90 DEG
17	145-7911	1	Flange	39	145-7933	1	Screw, Hex Head, M10 X P1.25 X 20L
18	145-7912	1	Bushing	40	145-7934	1	Pin, 5 X 4.63 X 62L
19	145-7913	1	Needle Bearing, Hk1612				
21	145-7915	1	Ball Bearing, 16007				
22	145-7916	2	Washer, 8.2 X 16 X 2T				



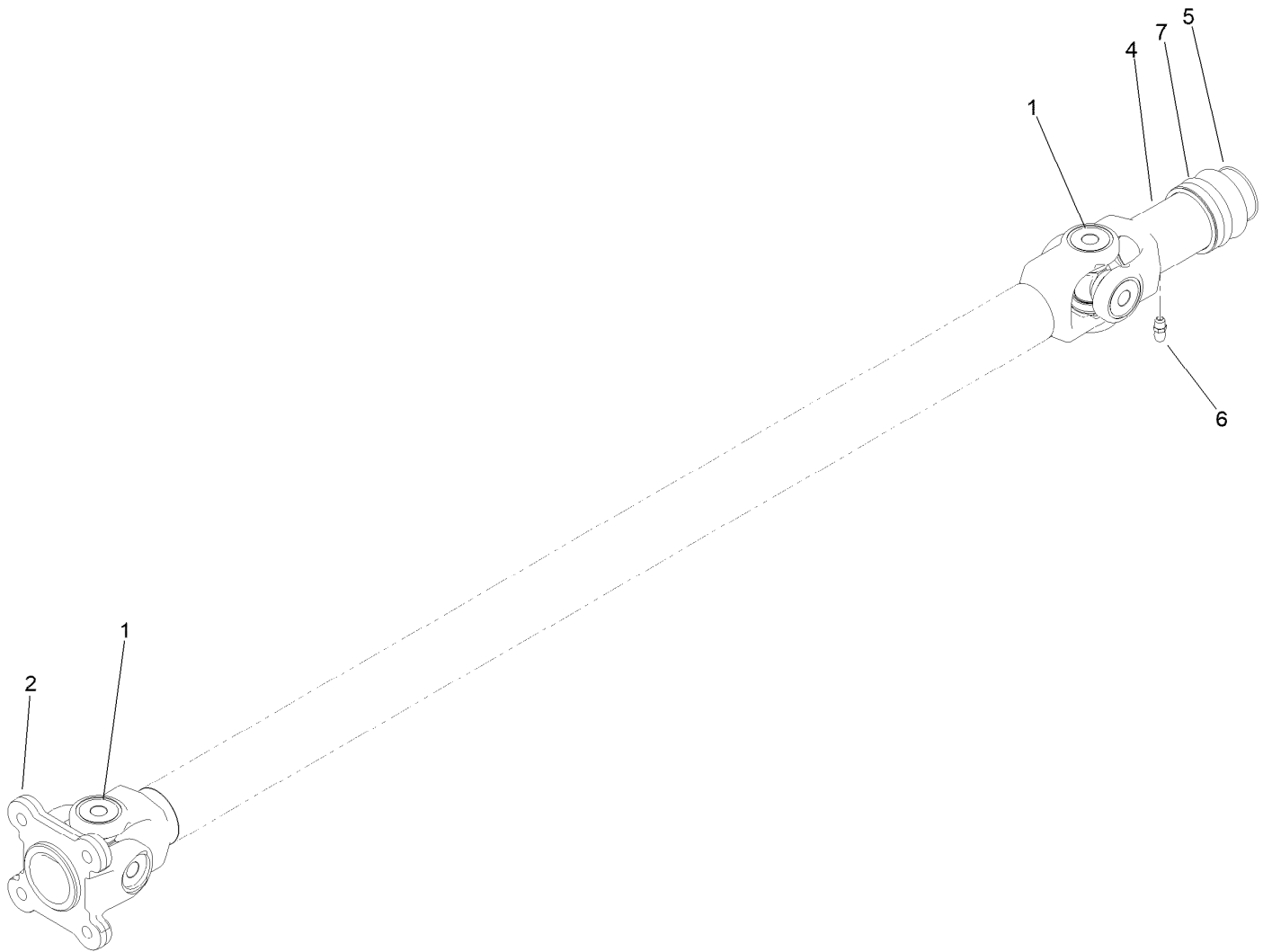
Front Differential Assembly No. 140-4752 (continued)

<i>Ref.</i>	<i>Part Number</i>	<i>Qty.</i>	<i>Description</i>
41	145-7935	1	Actuator
42	163-4939	1	Pinion Service ASM



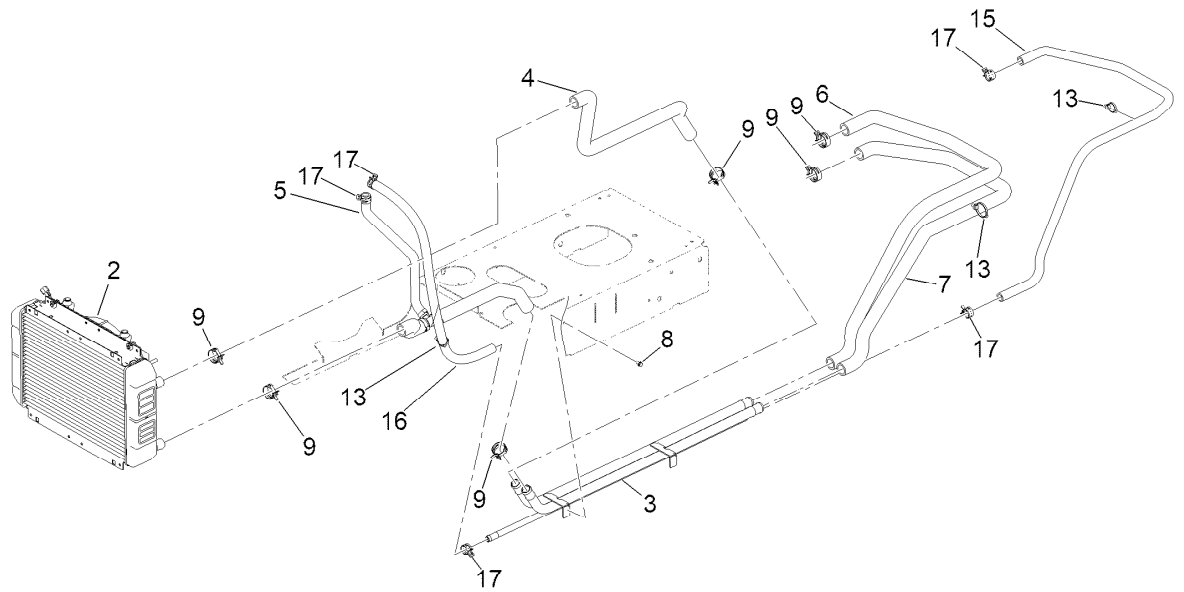
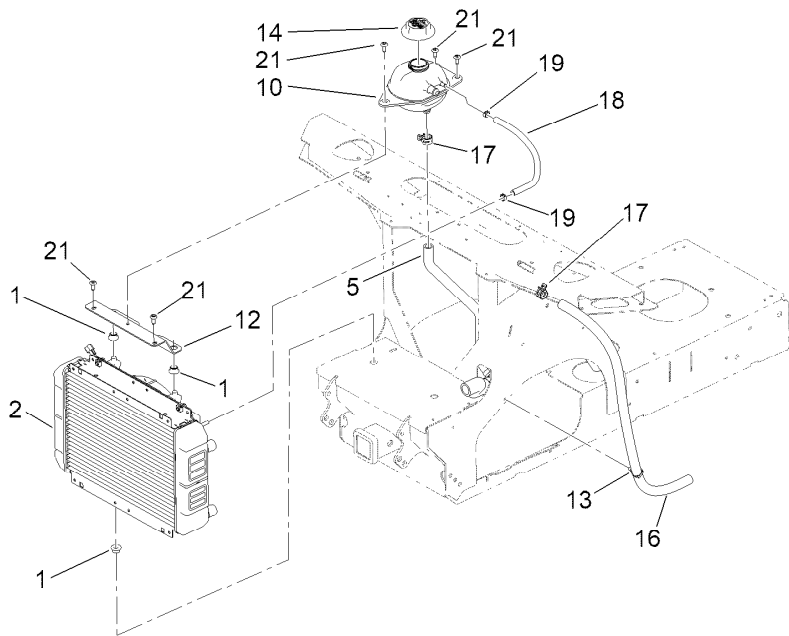
Intermediate Driveshaft Assembly No. 140-4771

<i>Ref.</i>	<i>Part Number</i>	<i>Qty.</i>	<i>Description</i>
2	139-4442	1	Bearing-Hanger
3	144-2208	1	Retainer-Bearing
4	302-5	1	Fitting-Grease
5	140-4772	1	Boot-Joint, Slip
6	140-4760	1	Band



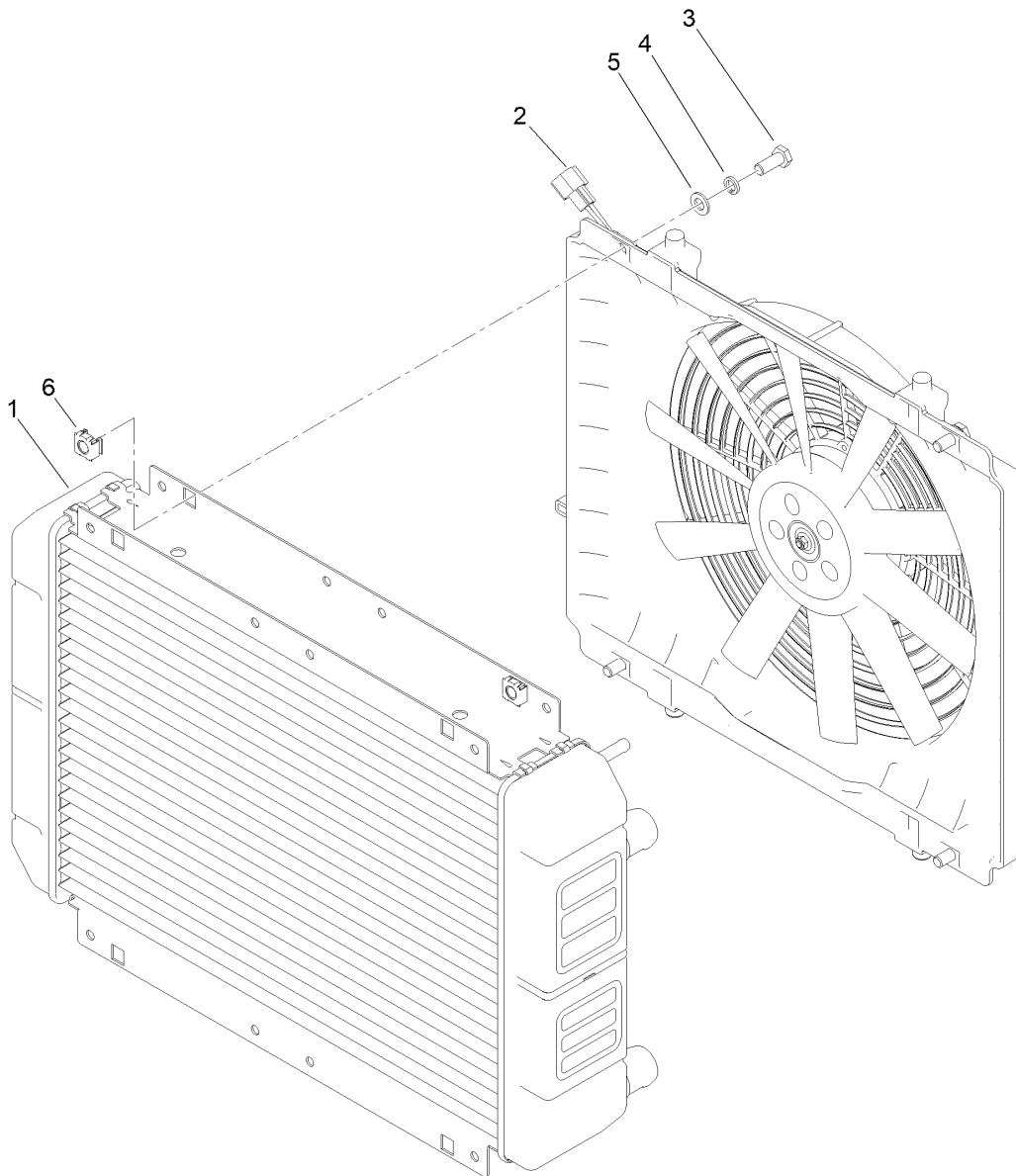
Driveshaft Assembly No. 140-2647

<i>Ref.</i>	<i>Part Number</i>	<i>Qty.</i>	<i>Description</i>
1	138-9162	2	U-Joint Kit
2	138-9178	1	Yoke-Flange
4	140-4753	1	Yoke-Slip, Female
5	140-4754	1	Boot-Joint, Slip
6	110-4755	1	Fitting-Grease
7	140-4760	1	Band



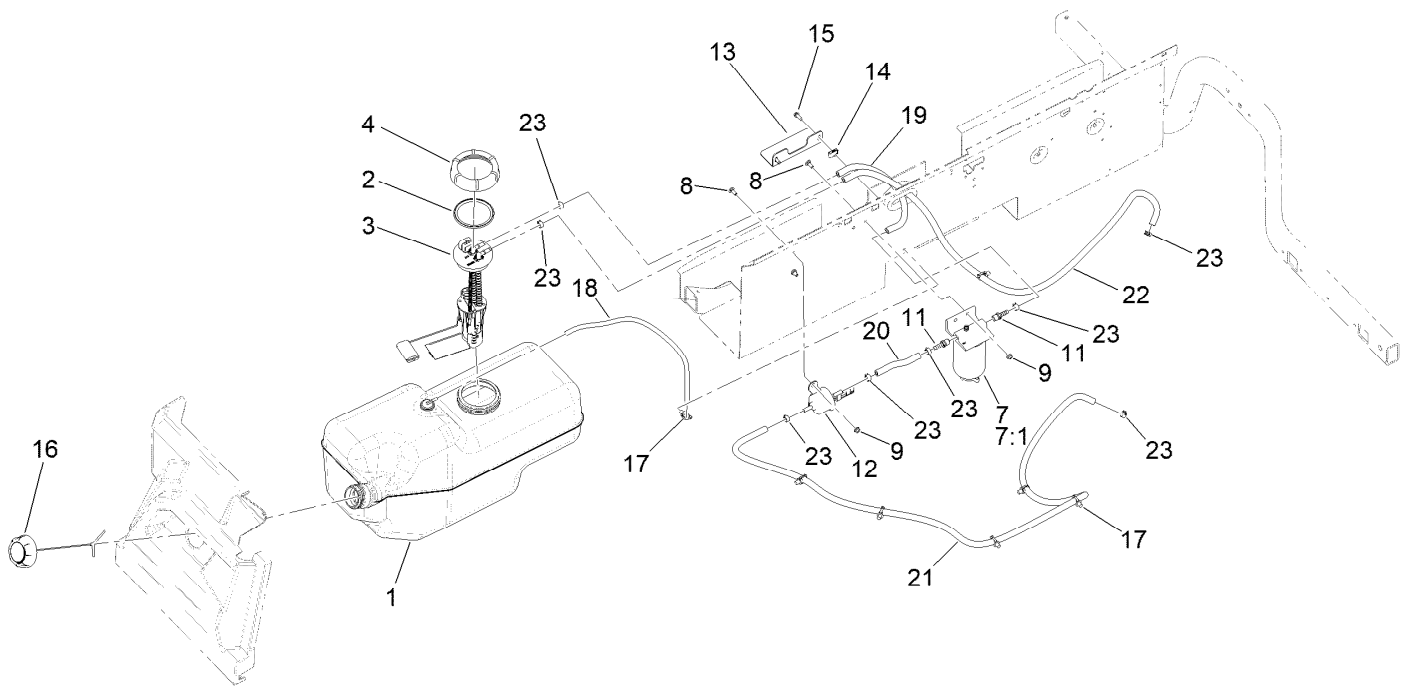
Cooling System Assembly

<i>Ref.</i>	<i>Part Number</i>	<i>Qty.</i>	<i>Description</i>	<i>Ref.</i>	<i>Part Number</i>	<i>Qty.</i>	<i>Description</i>
1	137-6828	4	Bushing-Flange	12	147-8056-05	1	Bracket-Mount, Radiator
2	161-5206	1	Radiator ASM	13	32180-030	4	Clip-Tie
3	137-2681	1	Tube ASM-Coolant	14	161-5218	1	Ratcheting Coolant Cap ASM
4	140-2628	1	Hose-Radiator, Upper	15	145-2015	1	Hose-Coolant, Minor (Diesel)
5	140-4751	1	Hose ASM-Coolant	16	140-4757	1	Hose-Coolant
6	145-2014	1	Hose-Coolant, Upper (Diesel)	17	144-2248	5	Clamp-Sc Band
7	140-2637	1	Hose-Coolant, Lower (Diesel)	18	120-5019	1	Hose-Coolant
8	32144-4	2	Screw-HWH	19	92-2379	2	Clamp-Hose
9	144-2246	8	Clamp-Sc Band	21	138-9753	5	Screw
10	147-8086	1	Coolant Tank ASM				



Radiator Assembly No. 161-5206

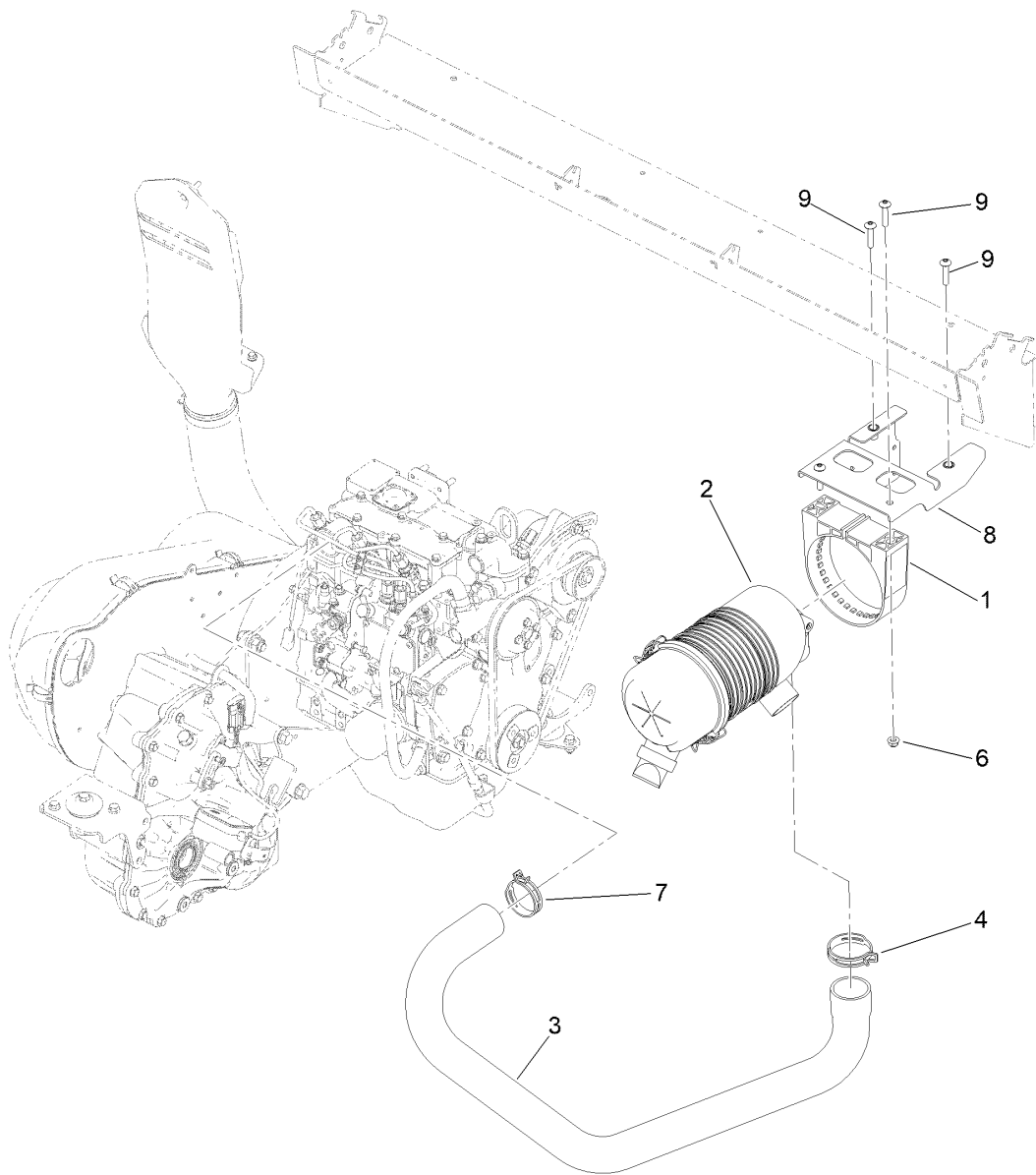
<i>Ref.</i>	<i>Part Number</i>	<i>Qty.</i>	<i>Description</i>
1	161-5219	1	Radiator
2	161-5239	1	Fan Shroud ASM
3	33114-020	4	Screw-HH
4	03469	4	Washer-Spring
5	115-7370	4	Washer-Plain
6	161-5247	4	Nut-Square, Caged



Fuel System Assembly

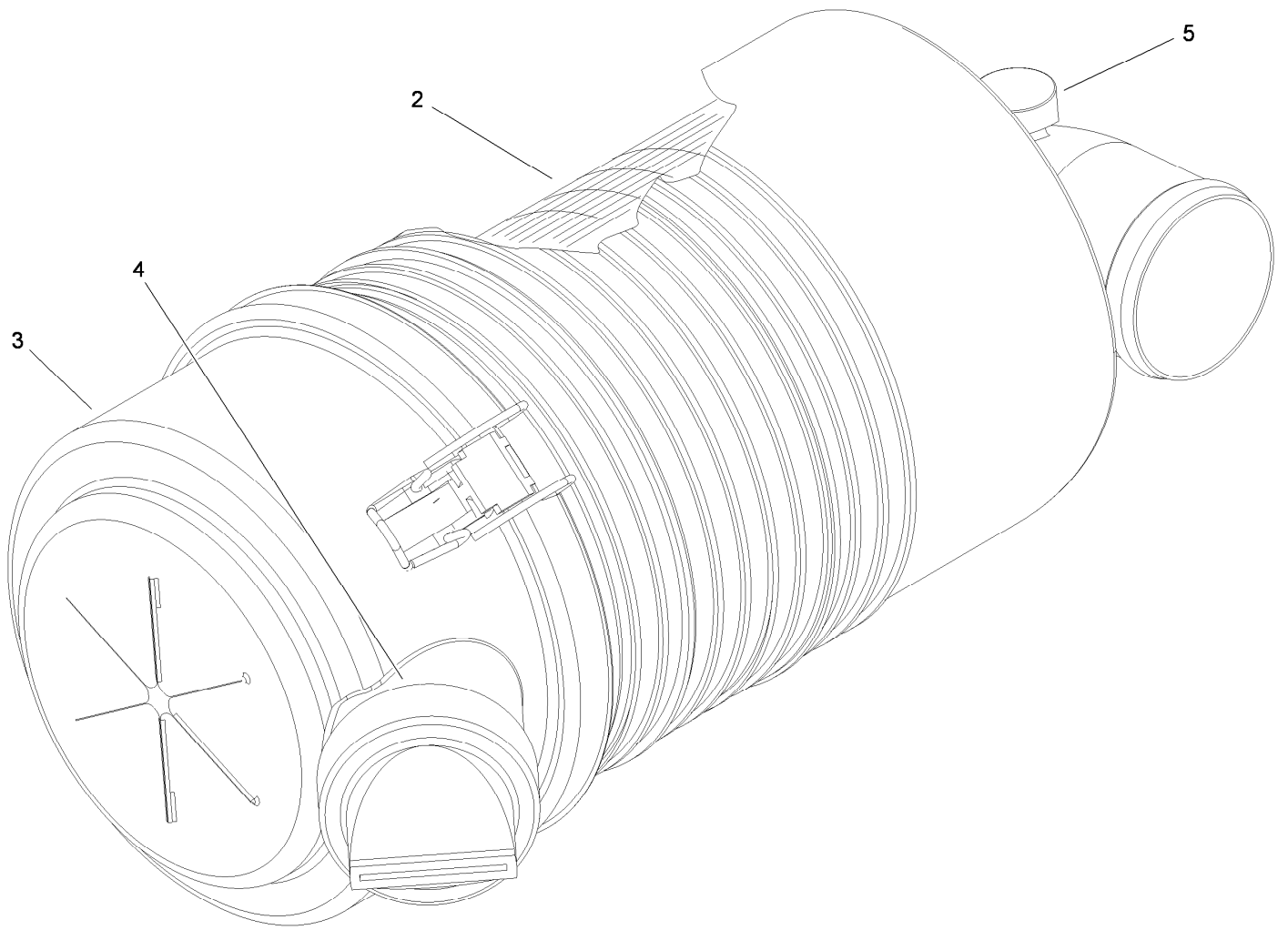
Ref.	Part Number	Qty.	Description
1	137-2711	1	Fuel Tank ASM (8 Gallon Gas)
2	138-9333	1	Gasket-Fuel Sender
3	138-9331	1	Fuel Sender ASM
4	138-9332	1	Cap-Fuel Sender
7	110-9044	1	Separator-Filter
7:1	110-9049	1	Filter-Spin On, Fuel/Water
8	3229-1	4	Screw-CARR
9	104-7201	4	Nut-HF, NI
11	115-1448	2	Fitting-Straight
12	145-3154	1	Pump-Fuel, Electric
13	163-4937	1	Bracket-Mount, Fuel Tank (Mty)

Ref.	Part Number	Qty.	Description
14	107069	2	Clip
15	49-2040	2	Screw-HWHTF
16	115-8249	1	Cap-Fuel, Ratcheting
17	32180-030	7	Clip-Tie
18	110-8255	1	Hose-Fuel
19	106-1126	1	Hose-Fuel
20	112-6388	1	Hose-Fuel
21	119-0577	1	Hose-Fuel
22	110-4100	1	Hose-Fuel
23	92-2379	8	Clamp-Hose



Air Cleaner Assembly

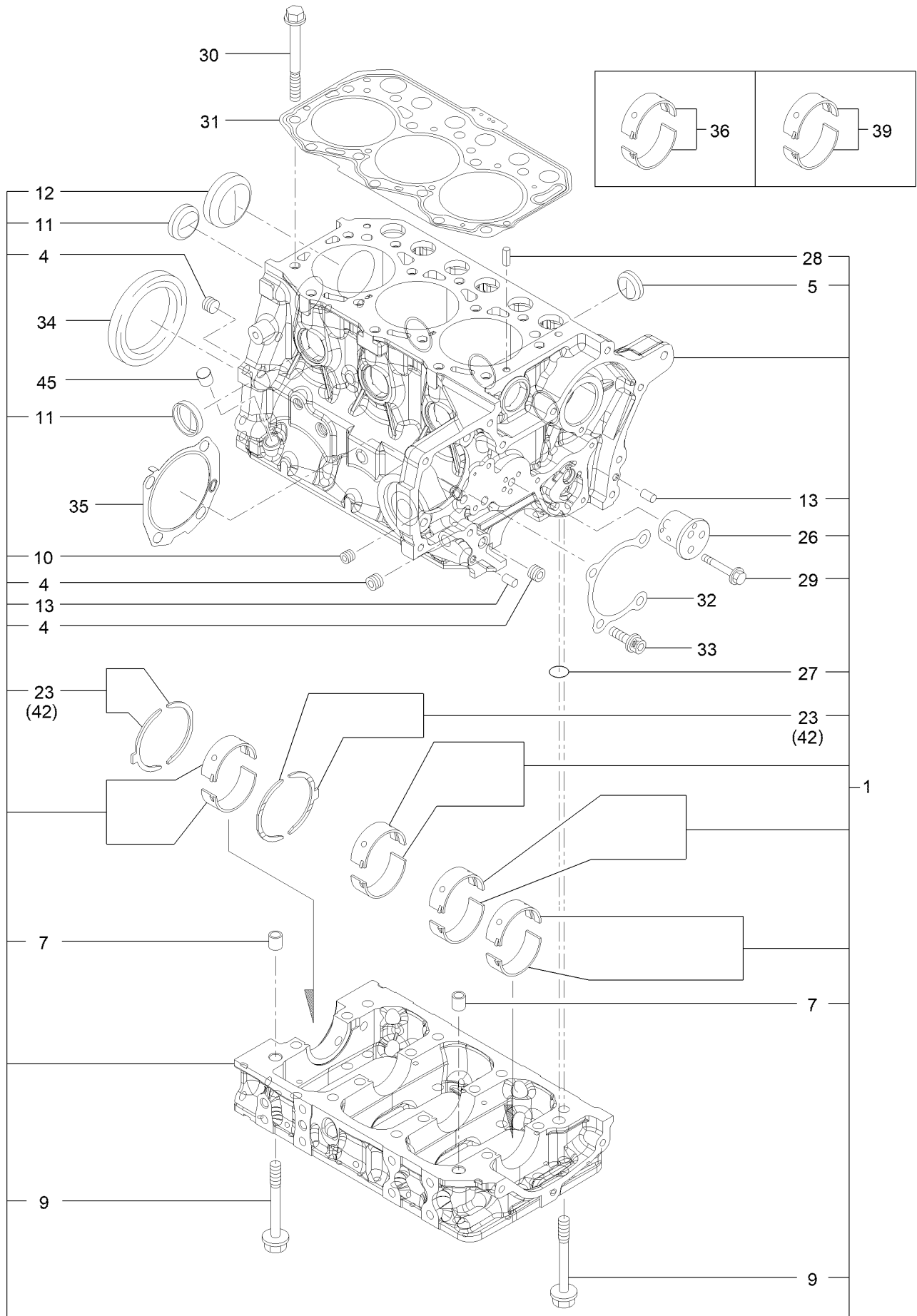
Ref.	Part Number	Qty.	Description
1	98-4525	1	Bracket-Cleaner, Air
2	106-5277	1	Air Cleaner ASM
3	140-2620	1	Hose-Air, Diesel
4	144-2200	1	Clamp-Sc Band
6	119-4041	2	Nut-HF
7	144-2249	1	Clamp-Sc Band
8	147-8105	1	Air Cleaner Bracket ASM
9	126-7439	4	Screw-Torx



Air Cleaner Assembly No. 106-5277

<i>Ref.</i>	<i>Part Number</i>	<i>Qty.</i>	<i>Description</i>
2	108-3810	1	Filter-Air
3	98-9771	1	Cover ASM
4	87-9400	1	Valve-Vacuator
5	285-17	1	Plug-Pipe

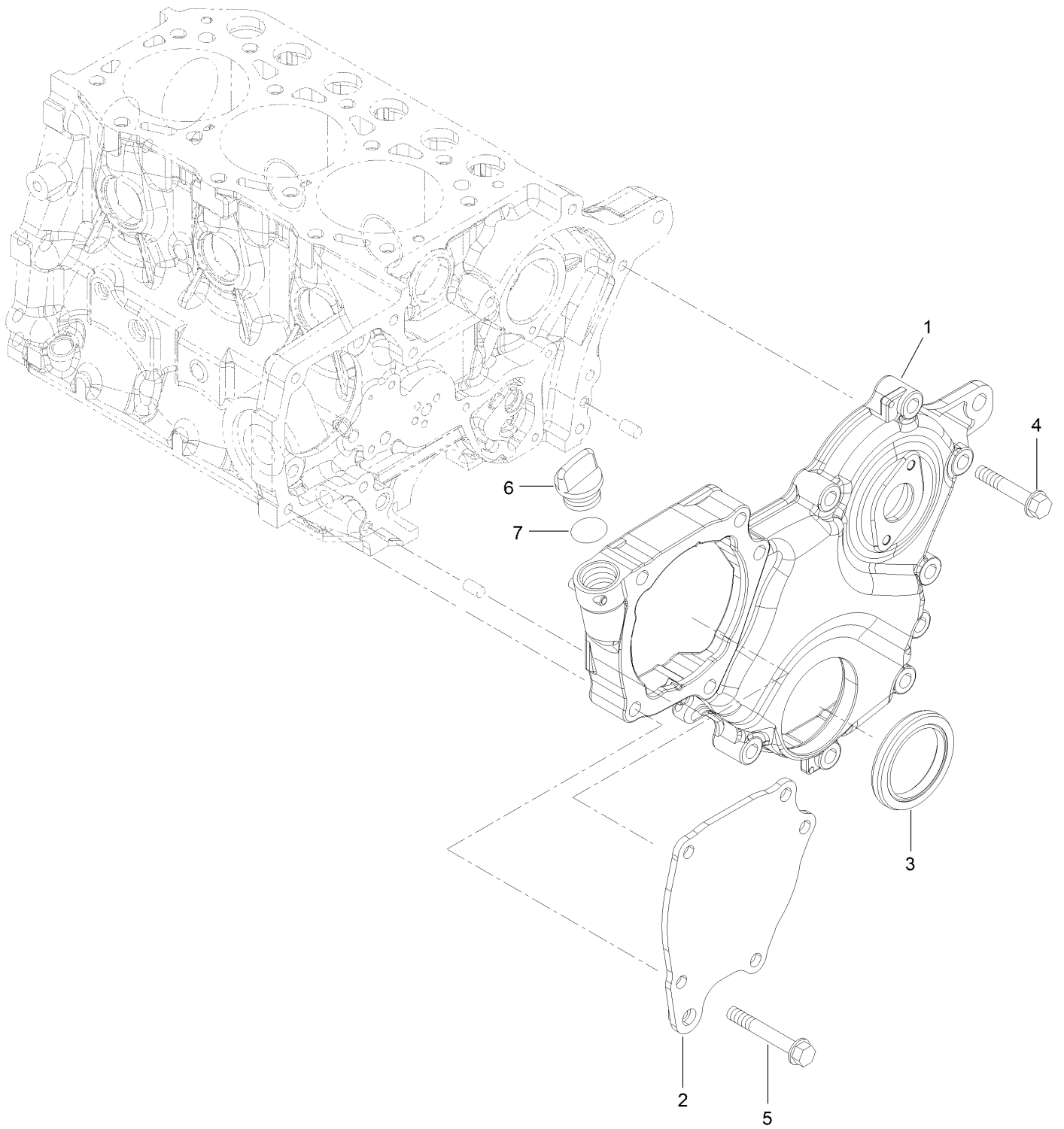
Cylinder Block Assembly



Cylinder Block Assembly (continued)

<i>Ref.</i>	<i>Part Number</i>	<i>Qty.</i>	<i>Description</i>	<i>Ref.</i>	<i>Part Number</i>	<i>Qty.</i>	<i>Description</i>
1	145-7867	1	Block Assy, Cylinder	28	125-7184	2	Pin-Spring
4	125-6969	3	Plug	29	125-7211	3	Bolt
5	145-7815	3	Plug, 25	30	135-4037	14	Bolt-Head, Cylinder
7	145-7814	2	Pipe, Knock L=12	31	145-7861	1	Gasket, Head
9	145-7816	16	Bolt, Metal Cap	32	145-7812	1	Gasket, Pump
10	133-6797	1	Plug	33	145-7813	4	Bolt, Flange M8X25
11	140-7182	4	Plug 30	34	135-4064	1	Seal-Oil
12	145-7889	1	Plug, 45	35	145-7831	1	Gasket, Fuel Pump
13	135-4062	2	Pin-Parallel	36	145-7817	4	Metal Assy, Main
23	145-7819	2	Metal Assy, Thrust	39	145-7818	4	Metal Assy, Main .25
26	145-7823	1	Shaft, Idle Gear	42	145-7820	2	Metal Assy, 0.25 Os
27	133-6654	1	O-Ring	45	145-7879	1	Plug

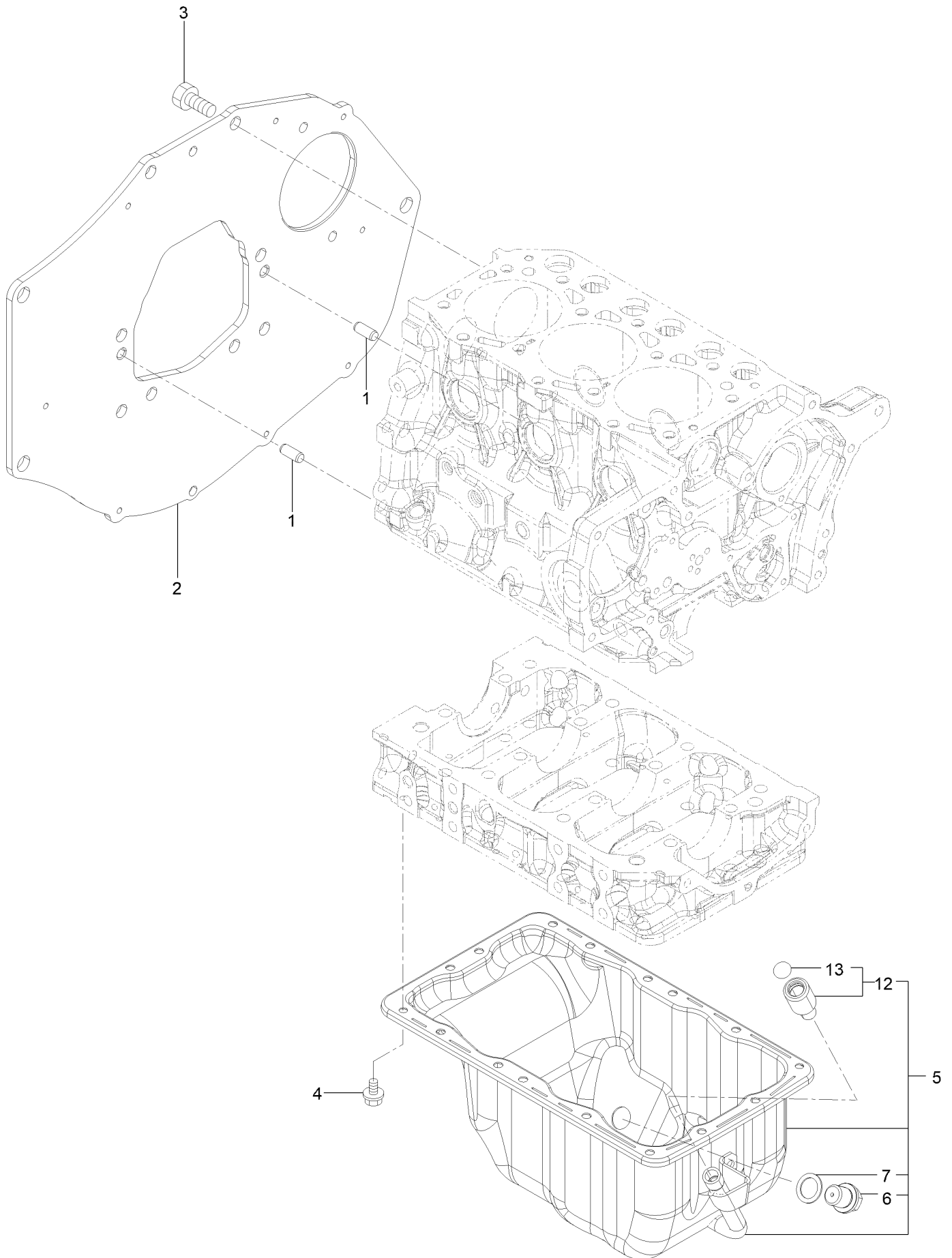
Gear Housing Assembly



Gear Housing Assembly (continued)

<i>Ref.</i>	<i>Part Number</i>	<i>Qty.</i>	<i>Description</i>	<i>Ref.</i>	<i>Part Number</i>	<i>Qty.</i>	<i>Description</i>
1	145-7801	1	Case, Gear	5	125-7219	5	Bolt
2	145-7870	1	Cover, Pump Timing	6	145-7800	1	Cap, Oil Supply
3	135-4047	1	Seal-Oil	7	145-7810	1	O-Ring, C 0190 G
4	125-7217	8	Bolt				

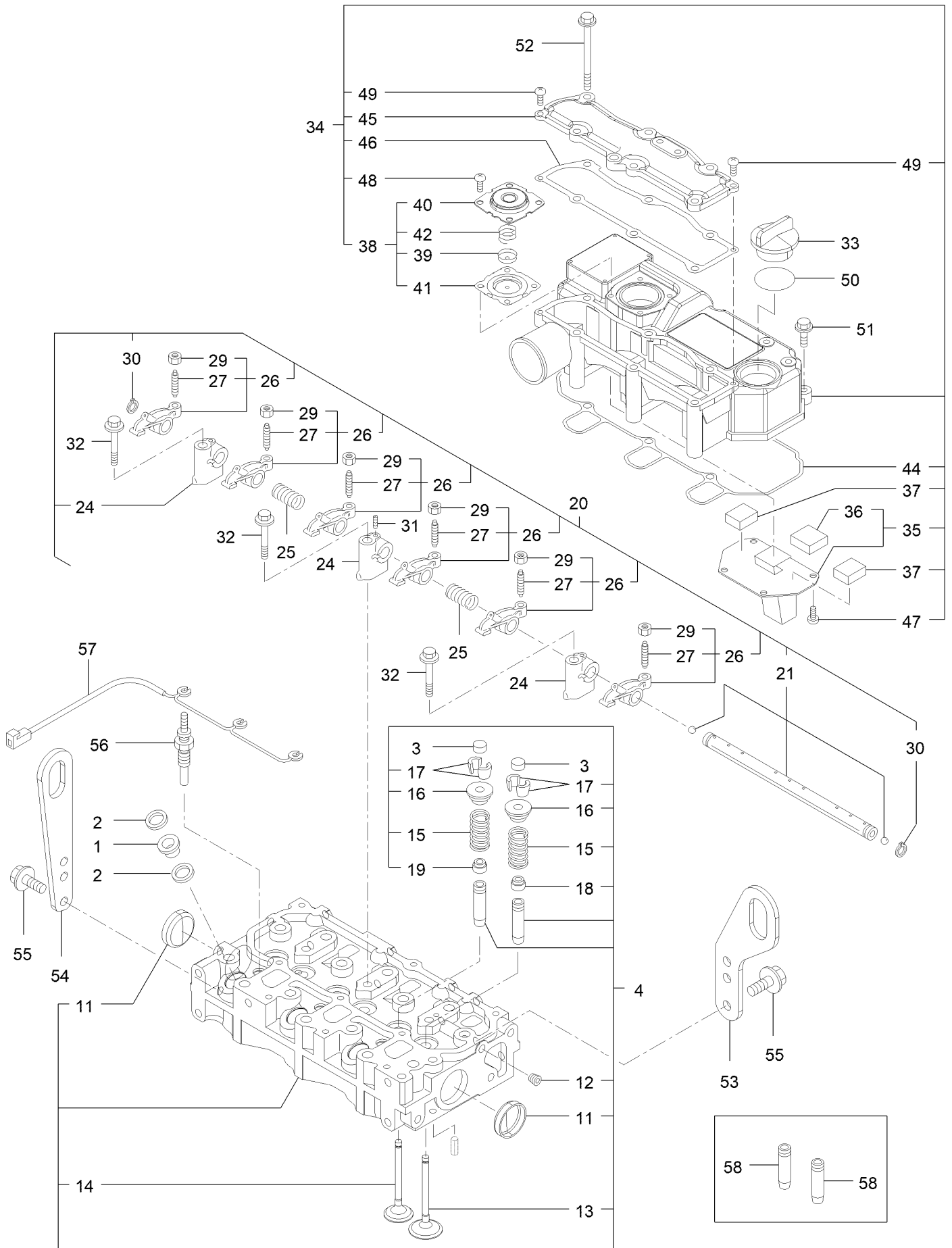
Mounting Flange and Oil Sump Assembly



Mounting Flange and Oil Sump Assembly (continued)

<i>Ref.</i>	<i>Part Number</i>	<i>Qty.</i>	<i>Description</i>	<i>Ref.</i>	<i>Part Number</i>	<i>Qty.</i>	<i>Description</i>
1	125-6995	2	Pin	6	135-4068	1	Plug
2	145-7868	1	Flange, Mounting	7	136-8236	1	Washer-Seal
3	135-4061	8	Bolt	12	145-7837	1	Guide, Dipstick
4	145-7811	16	Bolt, Torx M6X10	13	145-7887	1	O-Ring, 4Dp10A
5	145-7869	1	Oil Pan Assy				

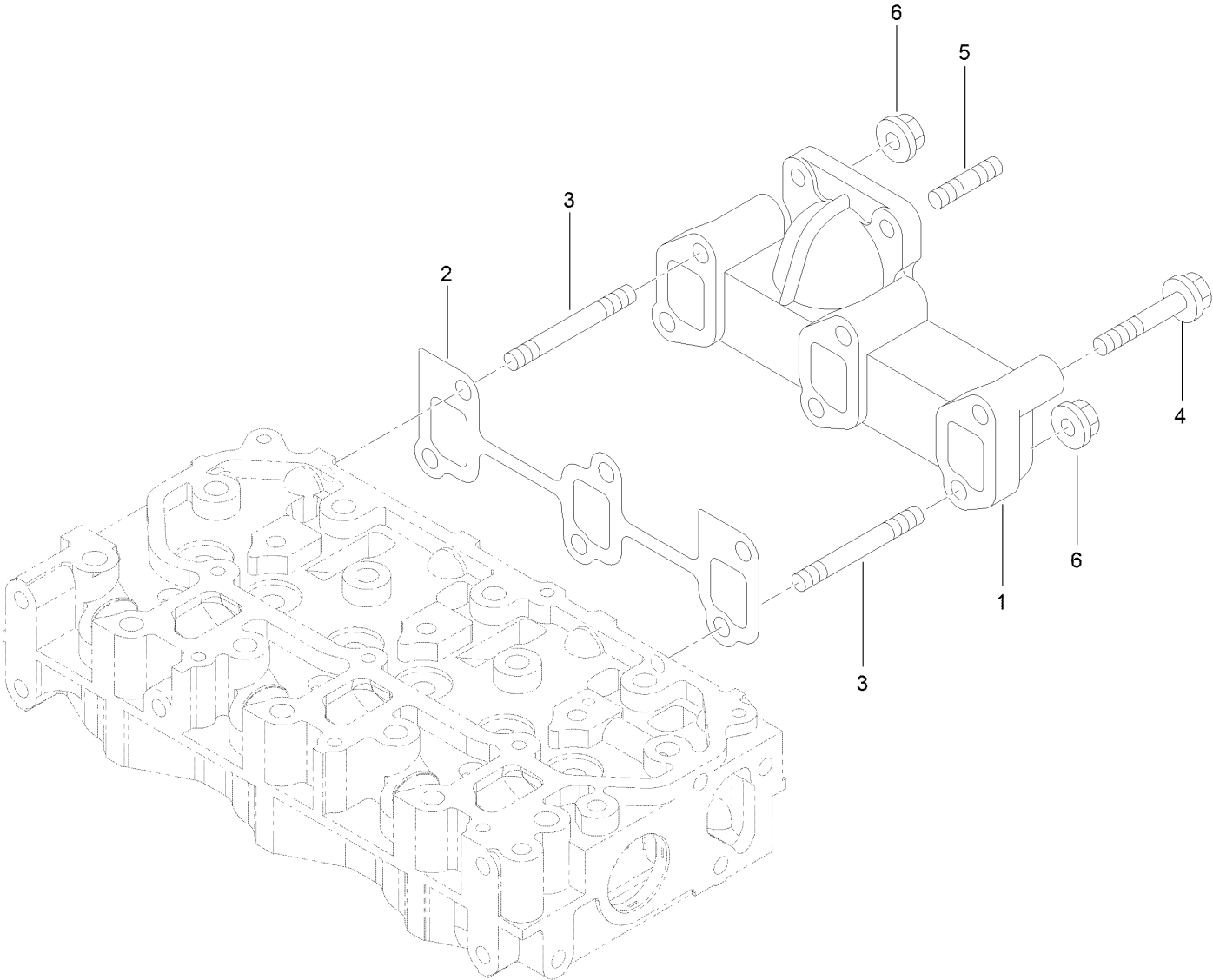
Cylinder Head and Bonnet Assembly



Cylinder Head and Bonnet Assembly (continued)

<i>Ref.</i>	<i>Part Number</i>	<i>Qty.</i>	<i>Description</i>	<i>Ref.</i>	<i>Part Number</i>	<i>Qty.</i>	<i>Description</i>
1	135-4069	3	Protector-Nozzle	34	145-7844	1	Bonnet Assy, Head
2	135-4070	6	Gasket-Nozzle	35	135-4085	1	Plate-Baffle
3	135-4071	6	Cap-Valve	36	135-4086	1	Baffle-Breather
4	145-7864	1	Head Assy, Cylinder	37	135-4086	2	Baffle-Breather
11	135-4073	2	Plug-Cup	38	135-4088	1	Diaphragm ASM
12	133-6797	1	Plug	39	135-4089	1	Plate-Diaphragm
13	145-7862	3	Valve, Intake	40	135-4090	1	Cover-Diaphragm
14	145-7863	3	Valve, Exhaust	41	135-4091	1	Diaphragm
15	135-4076	6	Spring-Valve	42	135-4092	1	Spring-Diaphragm
16	125-7054	6	Retainer	44	145-7841	1	Gasket, Bonnet
17	125-6914	12	Cotter	45	145-7842	1	Cover, Bonnet
18	125-6915	3	Seal-Stem, Valve	46	145-7843	1	Gasket, Bonnet Cover
19	125-6916	3	Seal-Stem, Valve	47	125-7186	4	Screw
20	145-7838	1	Support Assy, Rocker	48	125-7186	4	Screw
21	145-7839	1	Shaft Assy, Arm	49	127-3168	2	Screw
24	135-4079	3	Support-Arm, Rocker	50	125-7197	1	O-Ring
25	145-7840	2	Spring, Shaft	51	125-7209	3	Bolt
26	135-4081	6	Rocker Arm ASM	52	135-4096	6	Bolt
27	125-7013	6	Screw-Adjust, Valve	53	125-7046	1	Lifter
29	125-7014	6	Nut	54	125-7111	1	Lifter
30	135-7082	2	Ring	55	125-7214	4	Bolt
31	145-7836	1	Screw	56	135-4291	3	Plug-Glow
32	125-7218	3	Bolt	57	134-1443	1	Connector-Plug, Glow
33	125-6972	1	Cover-Filler	58	145-7845	6	Guide, Valve

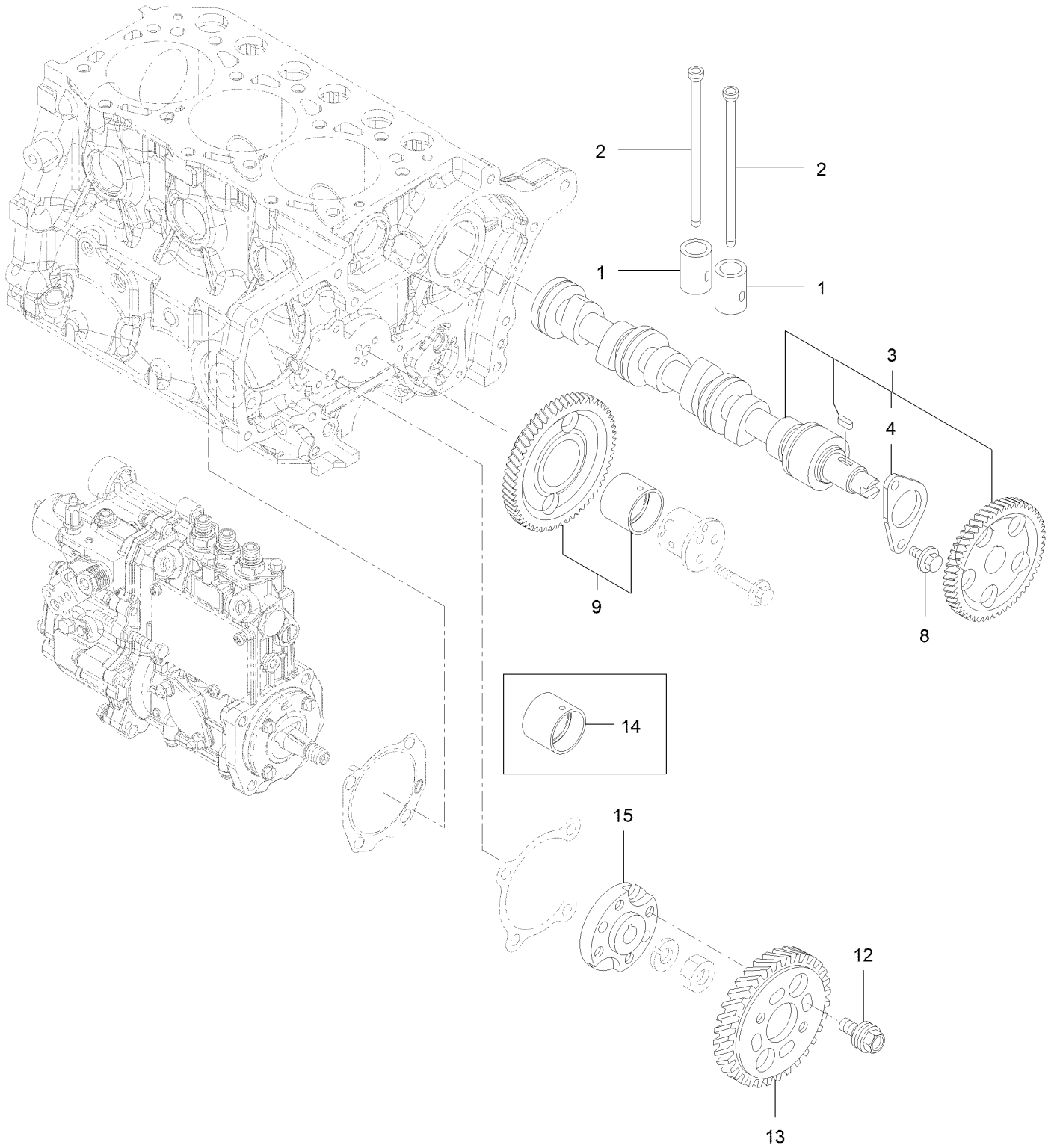
Exhaust Manifold Assembly



Exhaust Manifold Assembly (continued)

<i>Ref.</i>	<i>Part Number</i>	<i>Qty.</i>	<i>Description</i>	<i>Ref.</i>	<i>Part Number</i>	<i>Qty.</i>	<i>Description</i>
1	134-1444	1	Manifold-Exhaust	4	133-6714	4	Bolt
2	135-4107	1	Gasket-Manifold, Exhaust	5	125-6906	4	Stud
3	134-1404	2	Bolt-Stud	6	125-7229	2	Nut

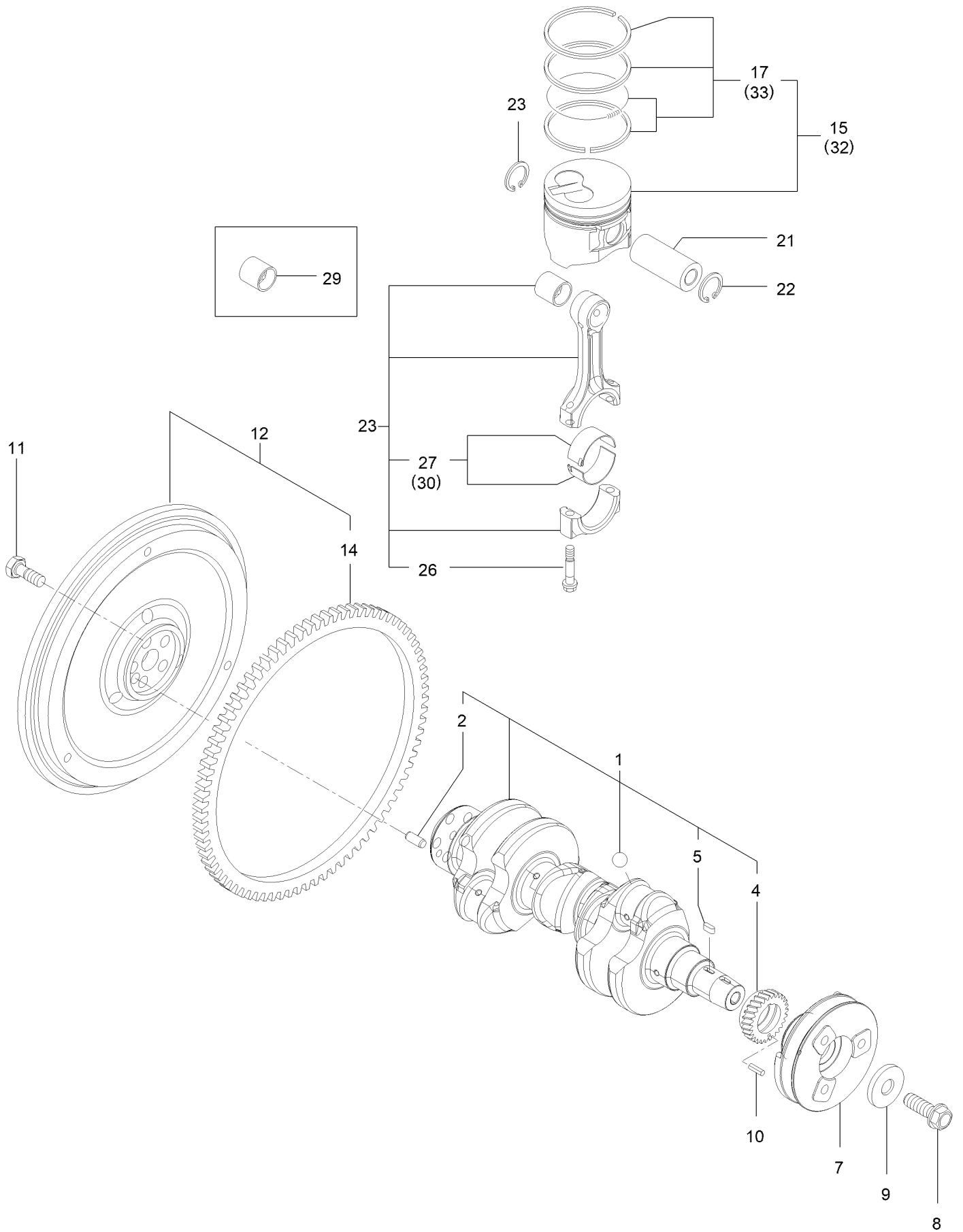
Camshaft and Driving Gear Assembly



Camshaft and Driving Gear Assembly (continued)

<i>Ref.</i>	<i>Part Number</i>	<i>Qty.</i>	<i>Description</i>	<i>Ref.</i>	<i>Part Number</i>	<i>Qty.</i>	<i>Description</i>
1	135-4108	6	Tappet	9	145-7804	1	Gear Assy, Idle
2	145-7846	6	Rod, Push	12	125-7020	4	Bolt
3	145-7802	1	Camshaft Assy	13	145-7825	1	Gear, Pump
4	145-7854	1	Metal, Camshaft	14	145-7824	1	Bush, Idle Gear
8	125-7206	2	Bolt	15	135-4150	1	Flange

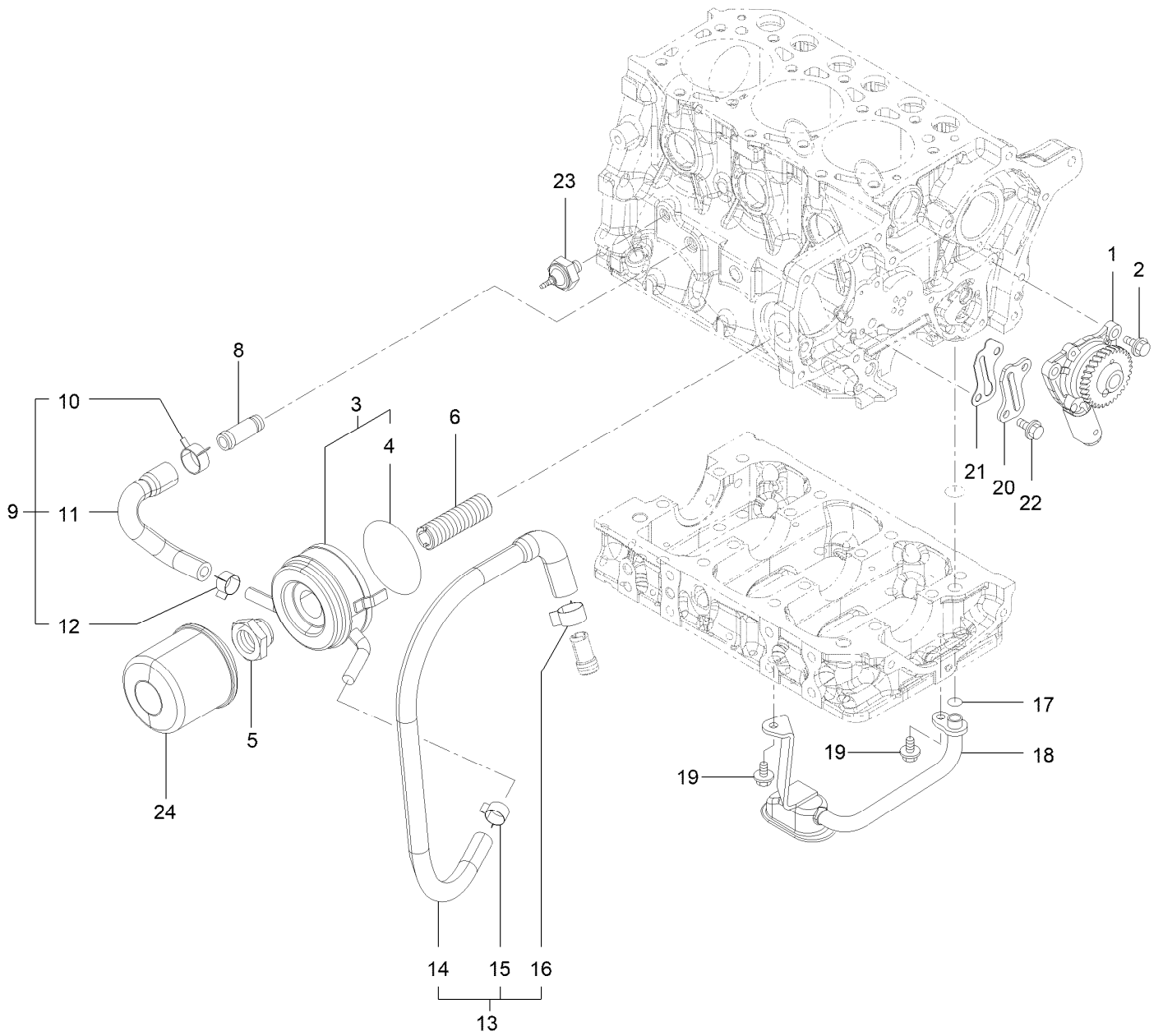
Crankshaft and Piston Assembly



Crankshaft and Piston Assembly (continued)

<i>Ref.</i>	<i>Part Number</i>	<i>Qty.</i>	<i>Description</i>	<i>Ref.</i>	<i>Part Number</i>	<i>Qty.</i>	<i>Description</i>
1	145-7871	1	Crankshaft Assy	15	145-7872	3	Piston Assy
2	125-6995	1	Pin	17	145-7865	3	Ring Set, Piston
4	145-7821	1	Gear, Crankshaft	21	134-1408	3	Pin-Piston
5	135-4154	1	Key	22	135-4166	6	Ring
7	145-7822	1	V-Pulley, Crankshaft	23	145-7847	3	Rod Assy, Connecting
8	135-4159	1	Bolt-Flange	26	135-4168	6	Bolt-Rod, Connecting
9	145-7855	1	Washer, 12	27	145-7848	3	Metal Assy, Crank Pin
10	125-7182	1	Pin-Spring	29	135-4170	3	Bearing-Pin, Piston
11	135-4155	5	Bolt, Flywheel 5	30	145-7849	3	Metal Assy, Pin .25
12	145-7803	1	Flywheel Assy	32	145-7873	3	Piston Assy, 0.25 Os
14	145-7880	1	Gear, Ring Z=105	33	145-7866	3	Ring Set, Piston .25

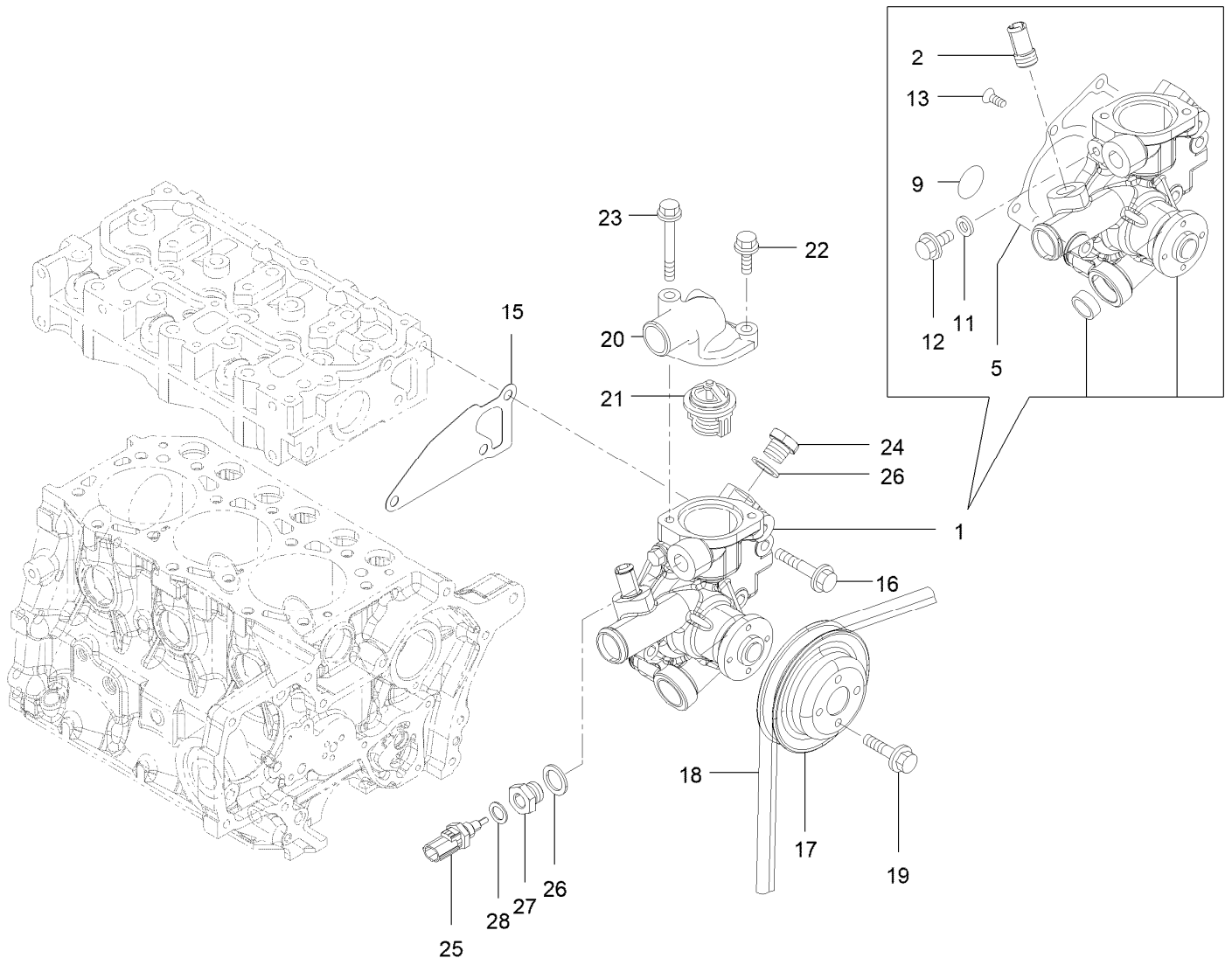
Lubrication Oil System Assembly



Lubrication Oil System Assembly (continued)

<i>Ref.</i>	<i>Part Number</i>	<i>Qty.</i>	<i>Description</i>	<i>Ref.</i>	<i>Part Number</i>	<i>Qty.</i>	<i>Description</i>
1	145-7826	1	Pump Assy, Oil	14	145-7858	1	Pipe, Cooler Inlet
2	125-7207	3	Bolt	15	125-7191	1	Clamp-Hose
3	135-4174	1	Cooler-Oil	16	145-7886	1	Clamp, 18
4	125-7075	1	O-Ring	17	145-7834	1	O-Ring, P11
5	125-7041	1	Nut-Cooler, Oil	18	145-7805	1	Pipe Assy, Oil Inlet
6	125-7042	1	Stud	19	125-7205	2	Bolt
8	127-3753	1	Joint	20	145-7828	1	Cover, Oil
9	145-7809	1	Pipe Assy, Water	21	145-7829	1	Gasket, Oil Pipe
10	125-7162	1	Clip	22	125-7206	2	Bolt
11	145-7808	1	Pipe, Water	23	134-1377	1	Switch-Hydraulic
12	125-7191	1	Clamp-Hose	24	135-4181	1	Filter-Oil, Engine
13	145-7859	1	Pipe Assy, Water				

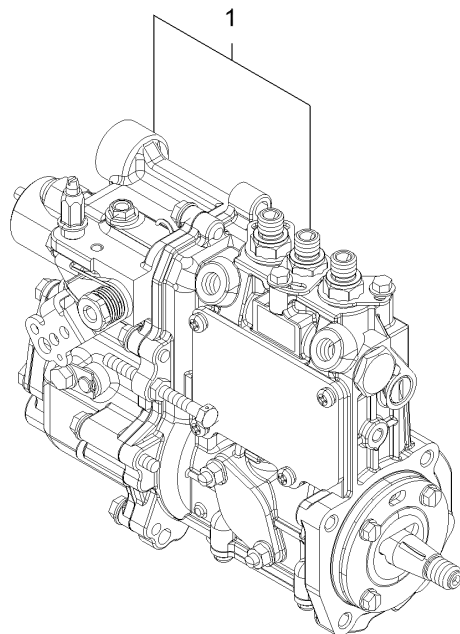
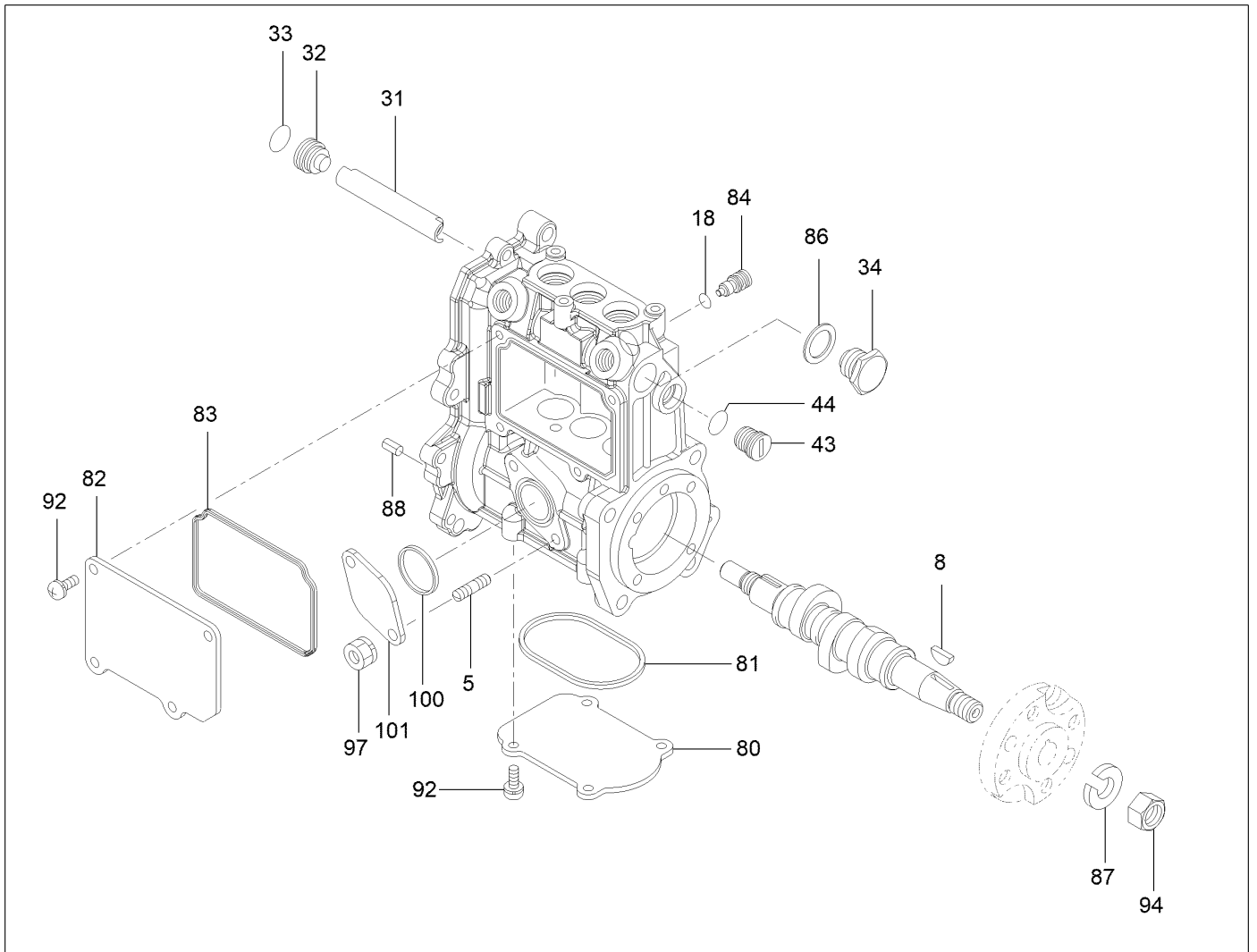
Cooling Water System Assembly



Cooling Water System Assembly (continued)

<i>Ref.</i>	<i>Part Number</i>	<i>Qty.</i>	<i>Description</i>	<i>Ref.</i>	<i>Part Number</i>	<i>Qty.</i>	<i>Description</i>
1	145-7807	1	Pump Assy, CW	19	125-7206	4	Bolt
2	135-4191	1	Joint-Pipe	20	135-4199	1	Cover-Thermostat
5	145-7806	1	Gasket, Water Pump	21	145-7857	1	Thermostat, 82C
9	145-7856	1	O-Ring	22	135-4201	1	Bolt
11	125-7192	1	Gasket	23	135-4202	1	Bolt
12	125-7212	1	Bolt	24	125-6953	1	Plug
13	133-2504	5	Screw	25	125-7124	1	Sensor-Thermostat, CW
15	145-7850	1	Gasket, Water Pump	26	125-6979	2	Gasket
16	125-7219	3	Bolt	27	135-4203	1	Joint
17	134-1417	1	V-Pulley	28	125-7176	1	Washer-Seal
18	145-7833	1	V-Belt, A34.5				

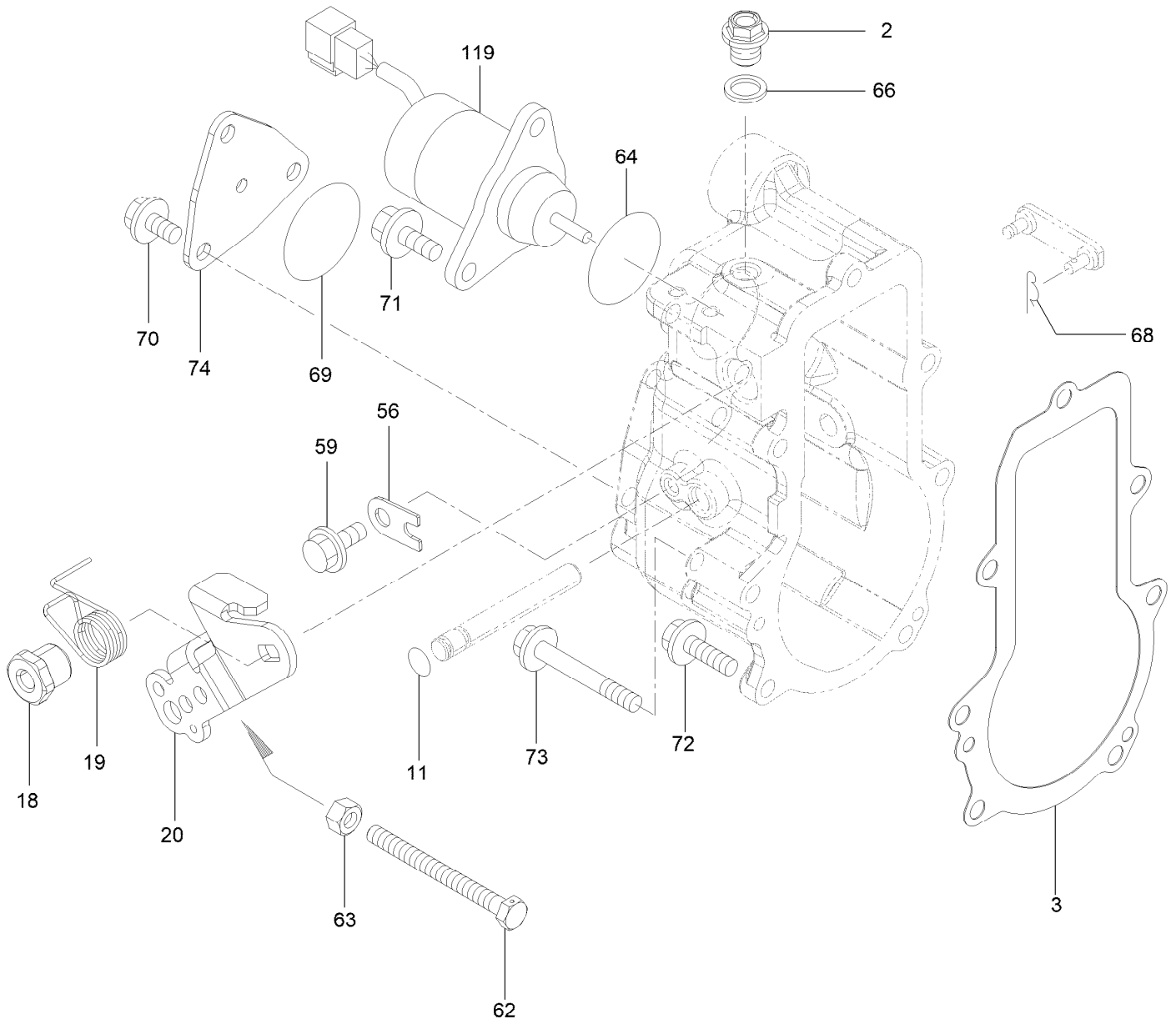
Fuel Injection Pump Assembly



Fuel Injection Pump Assembly (continued)

<i>Ref.</i>	<i>Part Number</i>	<i>Qty.</i>	<i>Description</i>	<i>Ref.</i>	<i>Part Number</i>	<i>Qty.</i>	<i>Description</i>
1	145-7890	1	Fie Assy	82	135-4217	1	Cover
5	135-4205	2	Bolt-Stud	83	135-4218	1	Gasket
8	135-4206	1	Key-Feather, Woodruff	84	135-4219	1	Stopper-Rack
18	135-4207	1	O-Ring	86	136-8236	1	Washer-Seal
31	135-4209	1	Deflector	87	135-4220	1	Washer-Spring
32	135-4210	1	Plug-Deflector	88	125-7183	2	Pin-Spring
33	135-4211	1	O-Ring	92	135-4221	8	Screw
34	135-4212	1	Plug-Deflector	94	133-2506	1	Nut
43	135-4213	1	Plug-Rack	97	135-4222	2	Nut
44	135-4214	1	O-Ring	100	135-4223	1	Gasket
80	145-7830	1	Cover, Pump Bottom	101	135-4224	1	Cover-Pump
81	135-4216	1	Gasket				

Governor Assembly



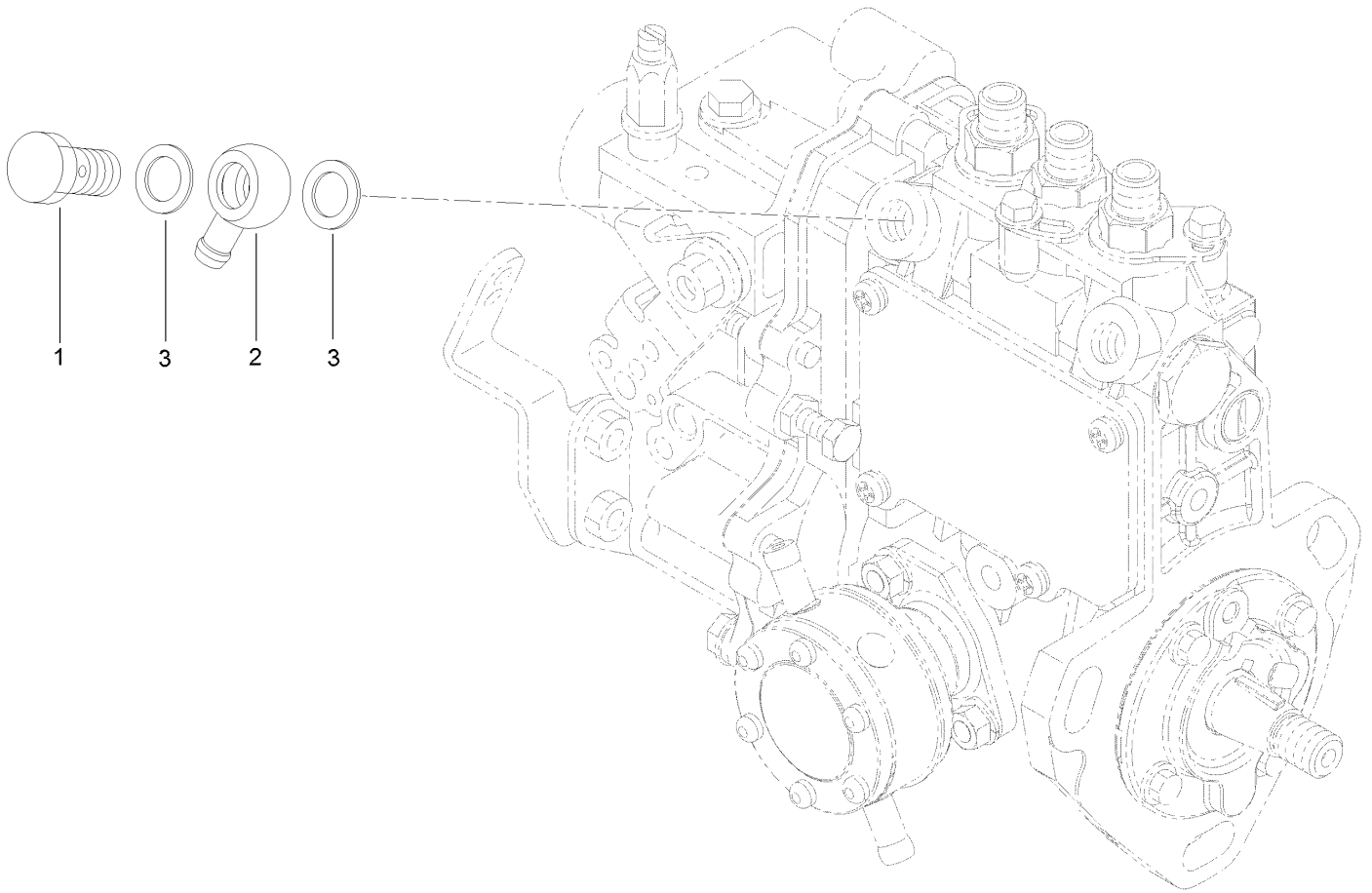
Governor Assembly (continued)

<i>Ref.</i>	<i>Part Number</i>	<i>Qty.</i>	<i>Description</i>	<i>Ref.</i>	<i>Part Number</i>	<i>Qty.</i>	<i>Description</i>
2	135-4226	1	Plug	64	134-1520	1	O-Ring
3	135-4227	1	Gasket	66	125-7175	1	Washer-Seal
11	135-4207	1	O-Ring	68	134-1529	1	Pin
18	134-1508	1	Nut	69	145-7888	1	O-Ring, 1As36.0
19	145-7853	1	Spring, Lever	70	125-7205	3	Bolt
20	134-1385	1	Lever-Control	71	125-7207	2	Bolt
56	134-1395	1	Stopper-Shaft	72	125-7209	4	Bolt
59	125-7205	1	Bolt	73	136-8256	3	Bolt
62	145-7885	1	Bolt, Idle	74	145-7884	1	Cover, Governor Case
63	134-4014	1	Nut	119	134-4015	1	Solenoid, Stop

Fuel Injection Valve Assembly (continued)

<i>Ref.</i>	<i>Part Number</i>	<i>Qty.</i>	<i>Description</i>	<i>Ref.</i>	<i>Part Number</i>	<i>Qty.</i>	<i>Description</i>
1	135-4229	3	Nozzle ASM	33	145-7832	1	Bolt, Pipe Joint
3	135-4230	3	Nozzle ASM	34	135-4237	3	Gasket
4	135-4231	3	Adjusting Shim Set	35	145-7883	1	Pipe Assy, Fo Return
15	134-1488	1	Retainer-Pipe	36	136-8225	2	Clamp-Hose
18	125-7027	2	Bolt	37	145-7882	1	Pipe, Fo Return
20	145-7876	1	Pipe Assy, Injection	38	145-7860	1	Joint, Overflow
24	145-7877	1	Pipe, Injection No. 2	39	135-4240	3	Nut-Nozzle
28	145-7878	1	Pipe, Injection No. 3	40	125-7176	2	Washer-Seal
32	145-7875	1	Pipe Assy, Return				

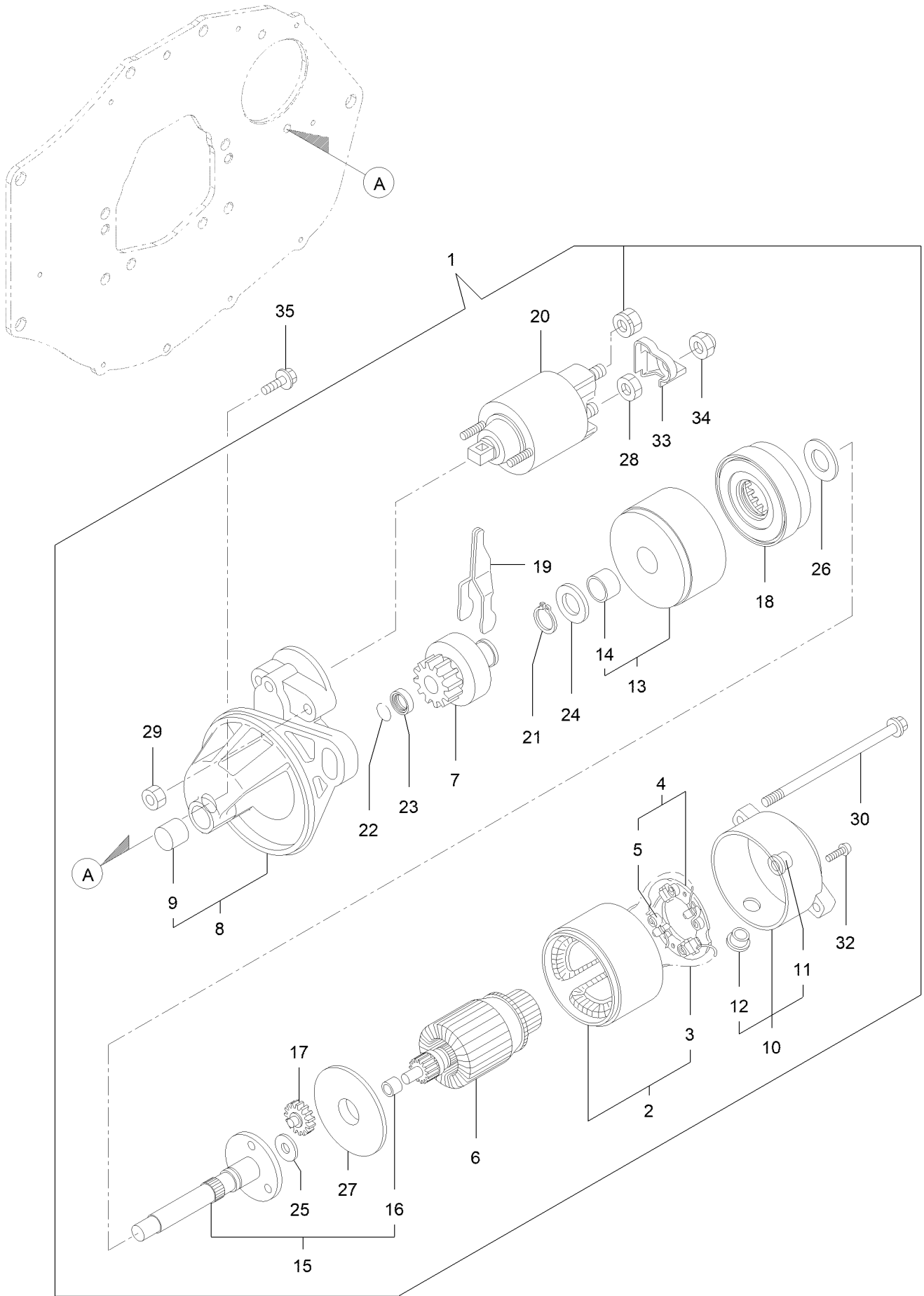
Fuel Pipe Assembly



Fuel Pipe Assembly (continued)

<i>Ref.</i>	<i>Part Number</i>	<i>Qty.</i>	<i>Description</i>
1	135-4242	1	Bolt-Joint, Pipe
2	135-4243	1	Joint-Pipe
3	125-7176	2	Washer-Seal

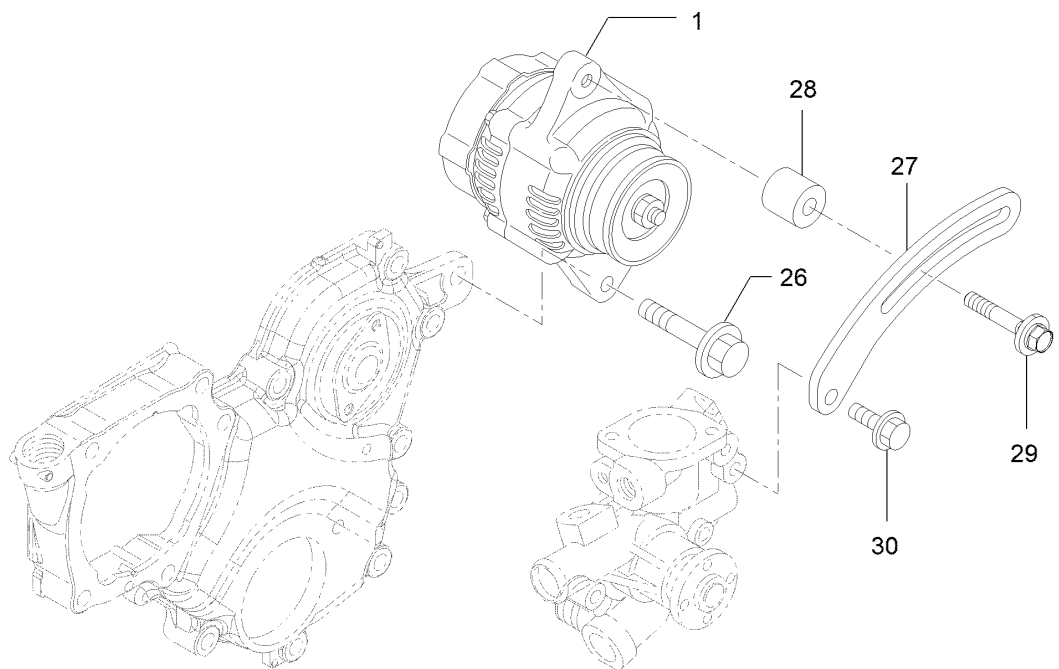
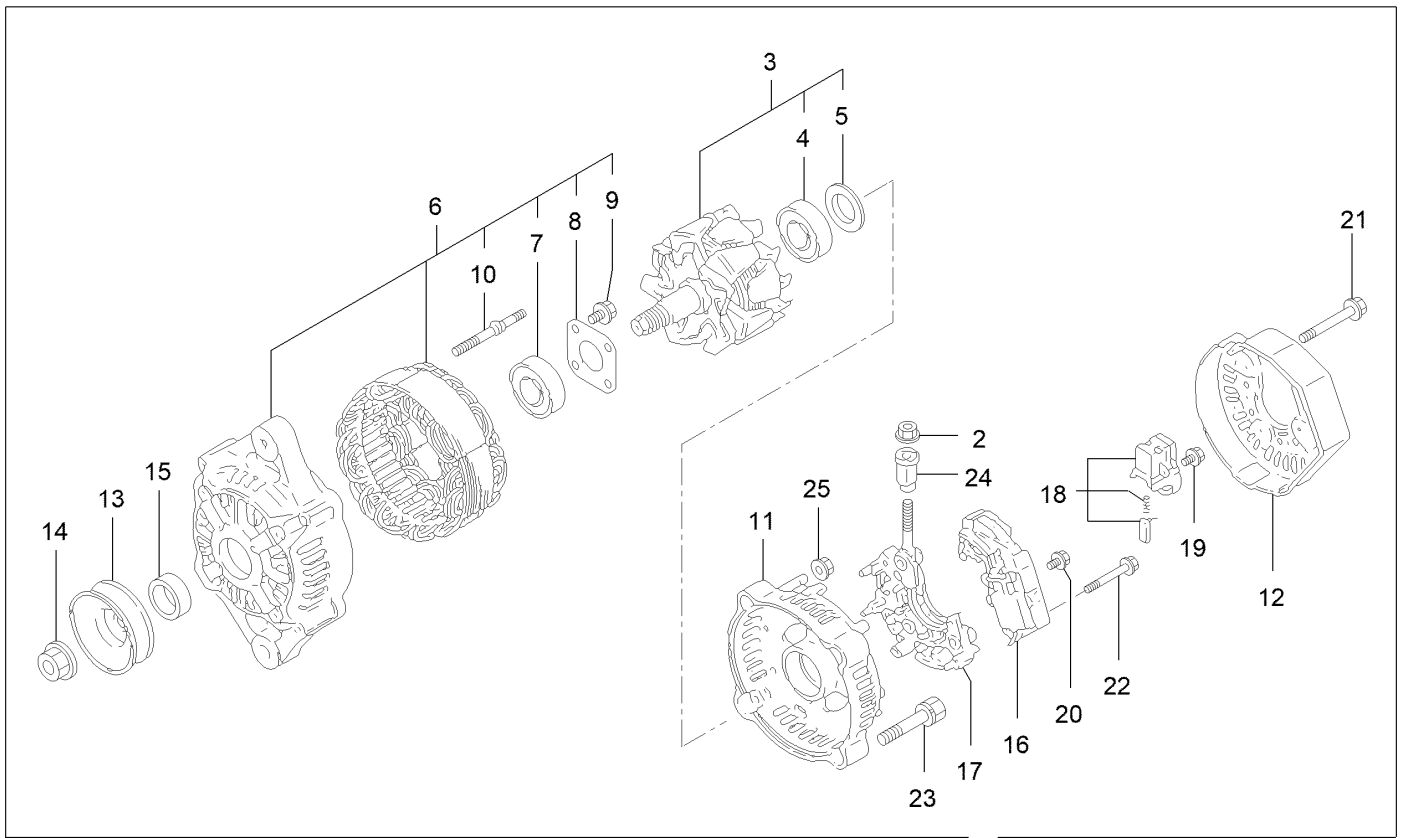
Starter Motor Assembly



Starter Motor Assembly (continued)

<i>Ref.</i>	<i>Part Number</i>	<i>Qty.</i>	<i>Description</i>	<i>Ref.</i>	<i>Part Number</i>	<i>Qty.</i>	<i>Description</i>
1	145-7851	1	Starter, P1.0	18	135-4261	1	Gear
2	145-7892	1	Yoke Assy	19	135-4262	1	Lever
3	135-4246	2	Starter Kit	20	135-4263	1	Switch ASM
4	135-4247	1	Holder ASM	21	135-4264	1	Ring
5	135-4248	4	Spring	22	135-4265	1	Ring
6	145-7893	1	Armature Assy	23	135-4266	1	Nut
7	135-4250	1	Clutch ASM	24	135-4267	1	Washer
8	135-4251	1	Housing ASM	25	135-4268	1	Washer
9	135-4252	1	Bearing-Needle	26	135-4269	1	Washer
10	135-4253	1	Frame ASM	27	135-4270	1	Plate
11	135-4254	1	Bearing	28	135-4271	1	Nut
12	135-4255	1	Cover	29	135-4272	2	Nut
13	135-4256	1	Bearing ASM	30	145-7894	2	Bolt, Through
14	135-4257	1	Bearing	32	135-4274	2	Screw
15	135-4258	1	Shaft ASM	33	135-4275	1	Cover-Terminal
16	135-4259	1	Bearing	34	135-4276	1	Nut
17	135-4260	3	Gear	35	127-3179	2	Bolt

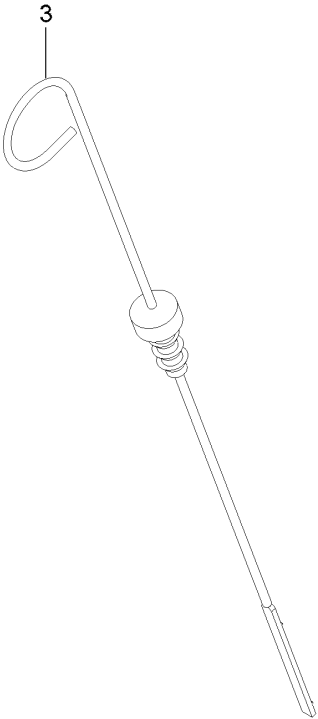
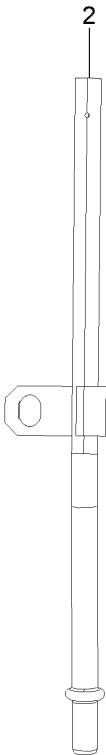
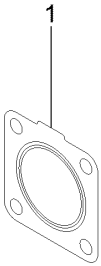
Generator Assembly



Generator Assembly (continued)

<i>Ref.</i>	<i>Part Number</i>	<i>Qty.</i>	<i>Description</i>	<i>Ref.</i>	<i>Part Number</i>	<i>Qty.</i>	<i>Description</i>
1	134-4016	1	Alternator, 12V-55A	16	145-7881	1	Regulator Assy
2	144-0647	1	Nut	17	127-3848	1	Holder
3	127-3843	1	Rotor ASM	18	127-2993	1	Holder
4	127-2983	1	Bearing-Ball	19	127-2965	6	Screw
5	127-2962	1	Cover	20	127-2966	1	Screw
6	135-4025	1	Frame ASM	21	127-2967	3	Bolt
7	127-2958	1	Bearing-Ball	22	127-2968	2	Screw
8	127-2959	1	Plate-Retainer	23	127-2969	2	Bolt
9	127-2960	4	Screw	24	127-2970	1	Bushing-Insulation
10	127-2961	2	Stud	25	127-2971	2	Nut
11	127-3845	1	Frame	26	135-4277	1	Bolt
12	134-4017	1	Cover, End	27	145-7852	1	Adjuster, Belt
13	127-2954	1	Pulley	28	140-7166	1	Spacer-Adjuster
14	127-2955	1	Nut	29	125-7134	1	Bolt
15	127-2957	1	Collar	30	125-7595	1	Bolt

Accessories Assembly

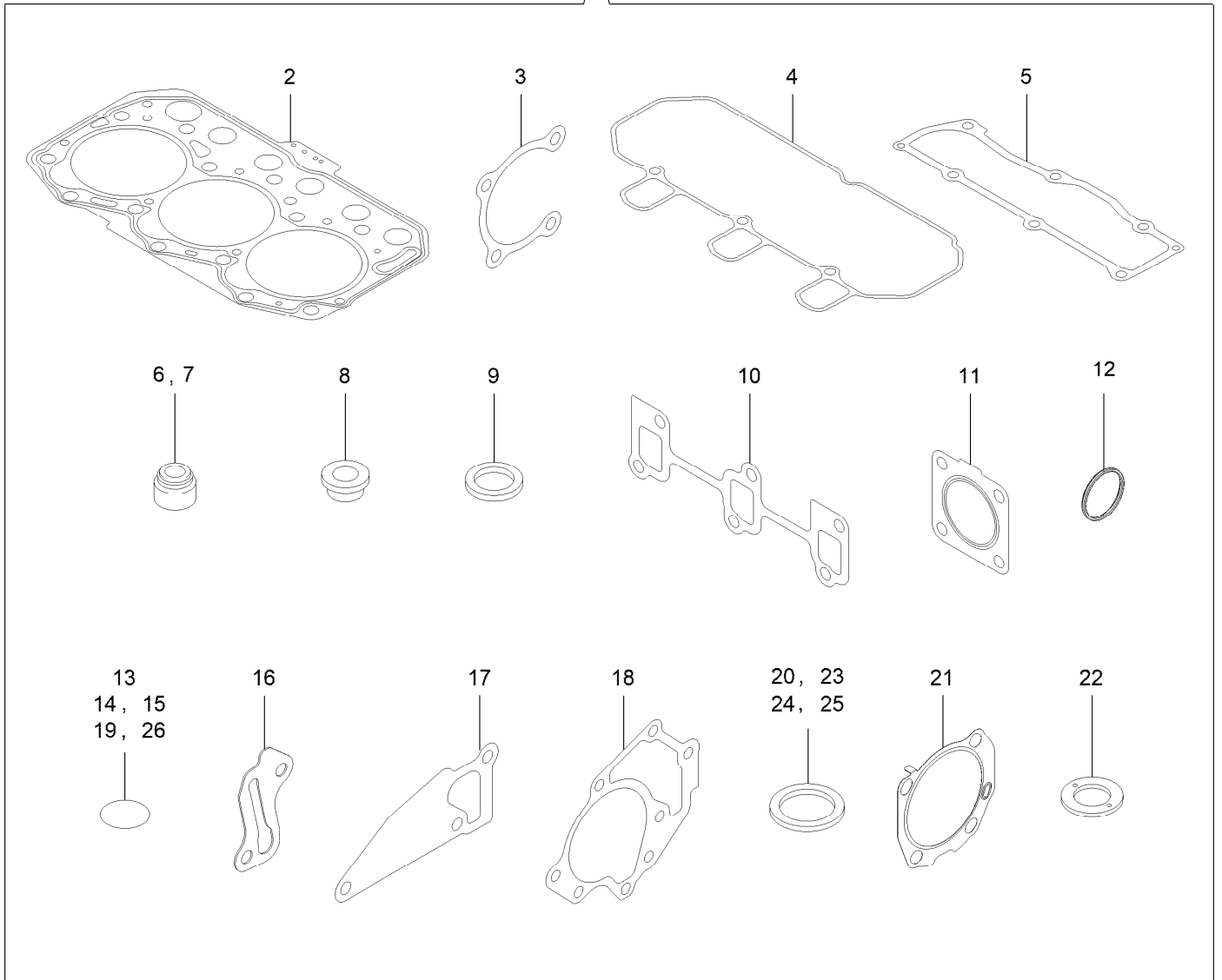


Accessories Assembly (continued)

<i>Ref.</i>	<i>Part Number</i>	<i>Qty.</i>	<i>Description</i>
1	134-1383	1	Gasket-Silencer
2	145-2012	1	Guide-Dipstick
3	145-2013	1	Dipstick

Gasket Set

1



Gasket Set (continued)

<i>Ref.</i>	<i>Part Number</i>	<i>Qty.</i>	<i>Description</i>	<i>Ref.</i>	<i>Part Number</i>	<i>Qty.</i>	<i>Description</i>
1	145-7891	1	Gasket Set	14	145-7827	1	O-Ring
2	145-7861	1	Gasket, Head	15	145-7834	1	O-Ring, P11
3	145-7812	1	Gasket, Pump	16	145-7829	1	Gasket, Oil Pipe
4	145-7841	1	Gasket, Bonnet	17	145-7850	1	Gasket, Water Pump
5	145-7843	1	Gasket, Bonnet Cover	18	145-7806	1	Gasket, Water Pump
6	125-6915	3	Seal-Stem, Valve	19	145-7835	1	O-Ring, P21 Epdm
7	125-6916	3	Seal-Stem, Valve	20	125-6979	1	Gasket
8	135-4069	3	Protector-Nozzle	21	145-7831	1	Gasket, Fuel Pump
9	135-4070	6	Gasket-Nozzle	22	135-4237	3	Gasket
10	135-4107	1	Gasket-Manifold, Exhaust	23	125-7176	5	Washer-Seal
11	134-1383	1	Gasket-Silencer	24	136-8236	1	Washer-Seal
12	134-4004	1	Packing-Washer	25	125-7192	1	Gasket
13	133-6654	1	O-Ring	26	136-8249	2	O-Ring

Attachments and Accessories

For 08102TC — Workman UTX-D 2 Passenger Utility Vehicle

Product Name	Model/Part
Canopy-Standard	08110
Glass Windshield and Wiper	08112
Polycarbonate Windshield	08113
Polycarbonate Doors - Standard.....	08114
Polycarbonate Rear Windshield	08116
Half Doors - Standard/Front (WM UTX)	08117
Half Doors - Crew/Rear (WM UTX).....	08118
Heater Only (WM UTX).....	08120
HVAC - DIESEL (WM UTX)	08123
HVAC - Crew Hose Kit (WM UTX).....	08124
Overhead Console and Wire Harness	08130
Work Lights.....	08131
Beacon	08132
Electric Bed Lift.....	08134
Homologation Kit, WM UTX	08135
Supervisor Key	08136
Side View Mirror Kit	08140
Rear View Mirror Kit.....	08141
Center Bed Racking, Workman UTX/MDX	08142
Under Seat Storage	08143
27in Alloy Wheels and Tires.....	08144
Draw Bar.....	08146
Side Bed Racking, Workman UTX/MDX/GTX.....	08148
Reverse Alarm Kit.....	131-8549
Mount-Ball	133-7116
Small Bedrack Mount Grip Kit.....	136-6311
Large Bedrack Mount Grip Kit.....	136-6312
Wrench-Adjuster, Spring.....	139-4678
Puller-Clutch, UTX.....	140-4672
Universal Wireless Hourmeter Kit	144-2436
Universal 12V Power Point Kit	144-2438
Spark Arrester Kit	144-2443

Notes:

Notes:

Notes:



Count on it.