



**Count on it.**

**Parts Catalog**

**Groundsmaster® 4500-D  
Rotary Mower**

Model No. 30885—Serial No. 417178716 and Up



# Ordering Replacement Parts

To order replacement parts, please supply the part number, the quantity, and the description of each part desired.

## Understanding Reference Numbers

Each identified part in an illustration has a reference number. The reference number for a part also appears in the parts list, along with other information about the part.

This catalog uses two special reference number formats, one to indicate parts in a service assembly and another to indicate the quantity of a given part in an illustration.

## Service Assembly Reference Numbers

Parts in service assemblies have reference numbers in the form a:b. The a represents the reference number of the entire service assembly and the b represents a sequential number unique to each part within the service assembly.

For example, a wheel assembly might be identified by reference number 6, the tire by 6:1, the valve by 6:2, and the wheel by 6:3. When you order the assembly identified by reference number 6, you receive all parts identified by reference numbers 6:1, 6:2, and 6:3. However, you may also order any part individually. Reference numbers of this type appear in illustration and in parts lists.

## Reference Numbers Indicating Quantity

In an illustration, if a reference number indicates more than one part, the reference number has the form nX y. The n represents the quantity of the part, the X is the multiplication symbol, and the y represents the reference number.

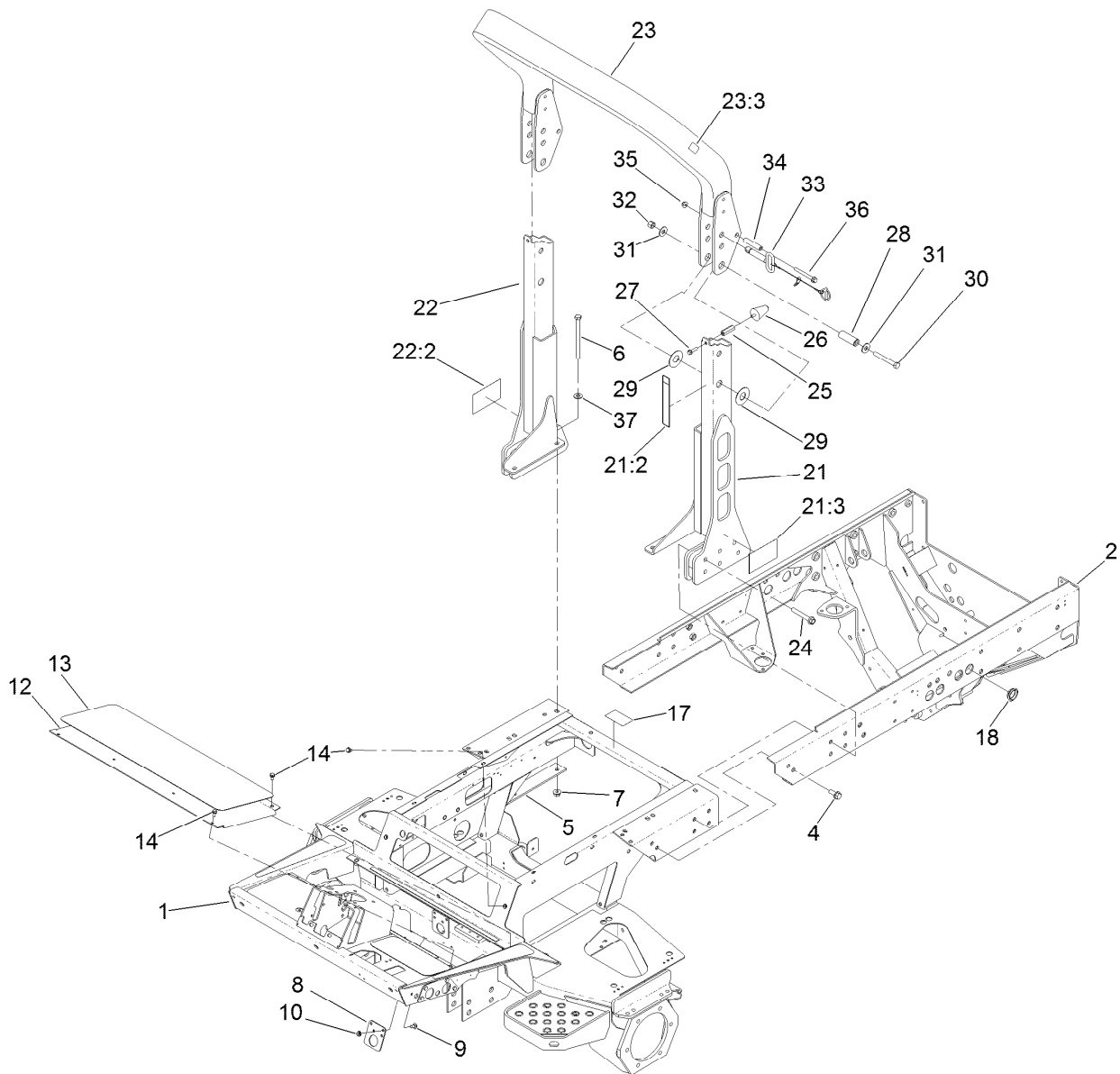
For example, in an illustration, the reference number 2X 37 means that two of the parts identified by reference number 37 are indicated.

# Contents

Frame and Roll-Over Protection System Assembly .....	5
Front Frame Assembly No. 120-8086.....	6
Front Shroud Assembly.....	7
Engine Mount Assembly.....	8
Flywheel Assembly .....	9
Engine, Air Cleaner and Controller Assembly .....	10
Air Cleaner Assembly No. 99-5410.....	11
Radiator Assembly.....	12
Fan Mounting Assembly .....	14
Hydraulic Motor Assembly No. 137-5571.....	15
No. 1, No. 4 and No. 5 Lift Arm and Deck Assembly .....	16
Roller and Carrier Frame Assembly .....	18
Rear Roller Assembly No. 137-6141.....	19
Height-of-Cut Bracket Assembly .....	20
Chamber, Blade and Spindle Assembly .....	21
Spindle Assembly No. 121-3666.....	22
Lift Cylinder Assembly No. 127-6429 .....	23
Lift Cylinder Assembly No. 127-6427 .....	24
No. 2 and 3 Lift Arm and Deck Assembly .....	25
Lift Cylinder Assembly No. 127-6428 .....	27
Hydraulic Tank Assembly .....	28
Fuel System Assembly .....	29
Battery Mount Assembly.....	30
Battery Storage Box Assembly No. 115-9100.....	31
Storage Box Assembly No. 115-9101.....	32
Seat Mounting Assembly .....	33
Air Ride Seat Suspension Assembly No. 130-2702 .....	34
Vinyl Premium Seat Assembly No. 117-5676 .....	36
Console Assembly.....	38
Console, Switch, Cover and Decal Assembly .....	39
Steering and Brake Assembly .....	40
Steering Tilt Column Assembly No. 106-3622.....	42
Steering Valve Assembly No. 114-8119 .....	43
Pedal Assembly .....	44
Hood Assembly.....	45
Front Wheel Drive Assembly .....	47
Planetary Assembly No. 136-2913 .....	48
LH Brake Assembly No. 100-3070 .....	49
Piston Motor Assembly No. 136-2939 .....	50
RH Brake Assembly No. 100-3069 .....	51
Rear Axle Assembly.....	52
Bevel Pinion Shaft Assembly Rear Axle Assembly No. 110-4750 .....	54
Differential Assembly Rear Axle Assembly No. 110-4750 .....	55
Axle Support Assembly Rear Axle Assembly No. 110-4750 .....	56
Bevel Gear Case Assembly Rear Axle Assembly No. 110-4750.....	57
Bevel Gear Shaft Assembly Rear Axle Assembly No. 110-4750.....	58
Axle Case Assembly Rear Axle Assembly No. 110-4750 .....	59
Axle Assembly Rear Axle Assembly No. 110-4750.....	60
Hydraulic Steer Cylinder Assembly No. 127-6431 .....	61
Rear Piston Motor No. 136-2938.....	62
Hydraulic System Assembly .....	63
Four Section Pump Assembly No. 114-4189.....	65
Hydraulic Pump Assembly No. 136-2940.....	66
Hydraulic Valve Mounting Assembly .....	68

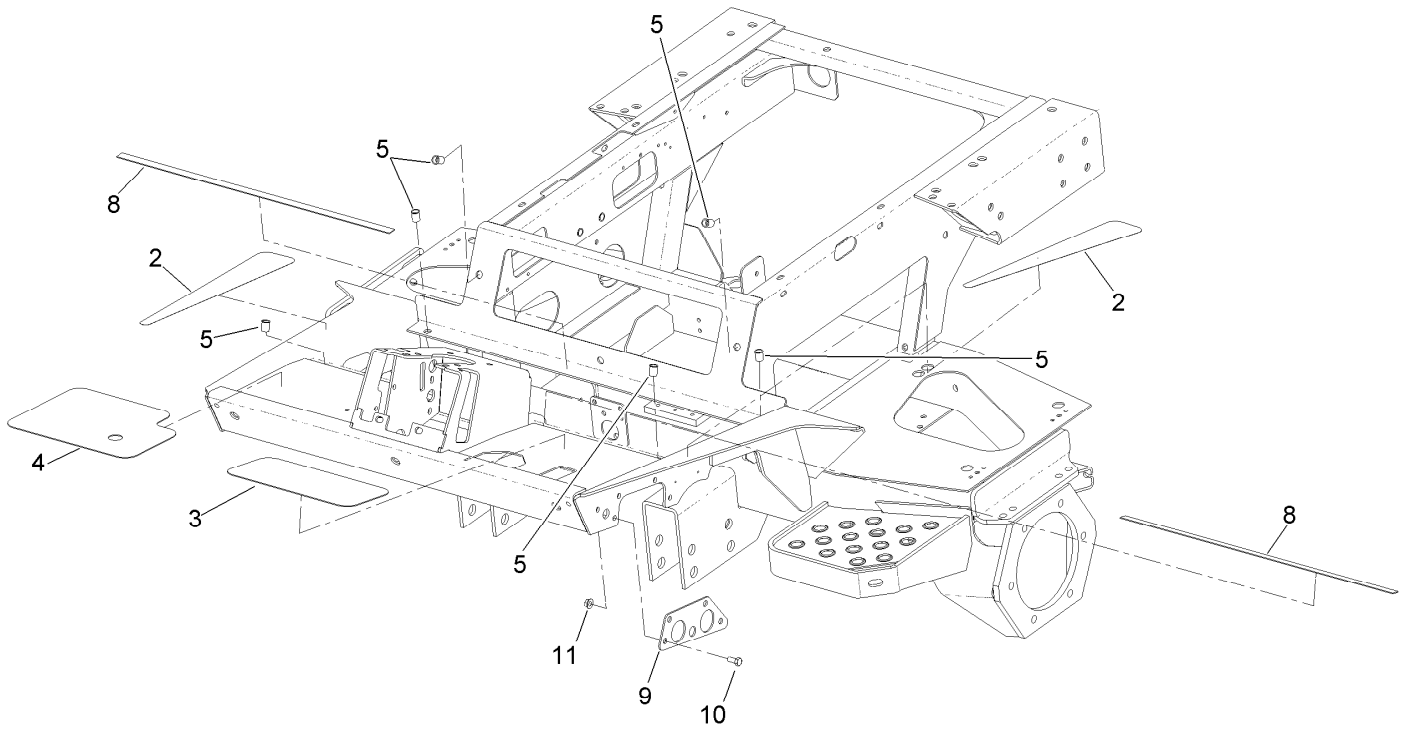
# Contents (continued)

Mow Manifold Assembly No. 120-8064 .....	70
Lift Manifold Assembly No. 117-2388 .....	71
Junction Manifold Assembly No. 117-2394 .....	72
Junction Manifold Assembly .....	73
Fan Drive Manifold Assembly No. 117-2395 .....	74
Traction Manifold Assembly No. 136-3341 .....	75
3-Way Valve Manifold Assembly No. 138-6946 .....	76
Hydraulic Traction Circuit Assembly .....	77
Steering Hydraulic Assembly .....	79
Hydraulic Traction Circuit Assembly .....	80
Deck Lift Hydraulic Circuit Assembly .....	81
Hydraulic Mow Circuit Assembly .....	82
Deck No. 1, 4 and 5 Hydraulic Assembly .....	84
Gear Motor Assembly No. 117-5141 .....	85
Deck No. 2 and 3 Hydraulic Assembly .....	86
Electrical Assembly .....	87
Engine Wire Harness Assembly .....	88
Controller Assembly .....	89
Cylinder Block Assembly .....	90
Gear Housing Assembly .....	91
Flywheel Housing and Oil Sump Assembly .....	92
Cylinder Head and Cover Assembly .....	94
Suction Manifold Assembly .....	96
Exhaust Manifold Assembly .....	97
Diesel Particulate Filter Assembly .....	98
Camshaft and Driving Gear Assembly .....	100
Turbine Assembly .....	102
Crankshaft and Piston Assembly .....	103
Lubrication and Oil System Assembly .....	104
Lubrication Oil Line Assembly .....	105
Cooling Water System Assembly .....	106
Fuel System Assembly .....	107
Fuel Injection Valve Assembly .....	108
Fuel Line Assembly .....	109
Starting Motor Assembly .....	110
Generator Assembly .....	111
Gasket Set .....	112
Electric Parts Assembly .....	114
Attachments and Accessories .....	115



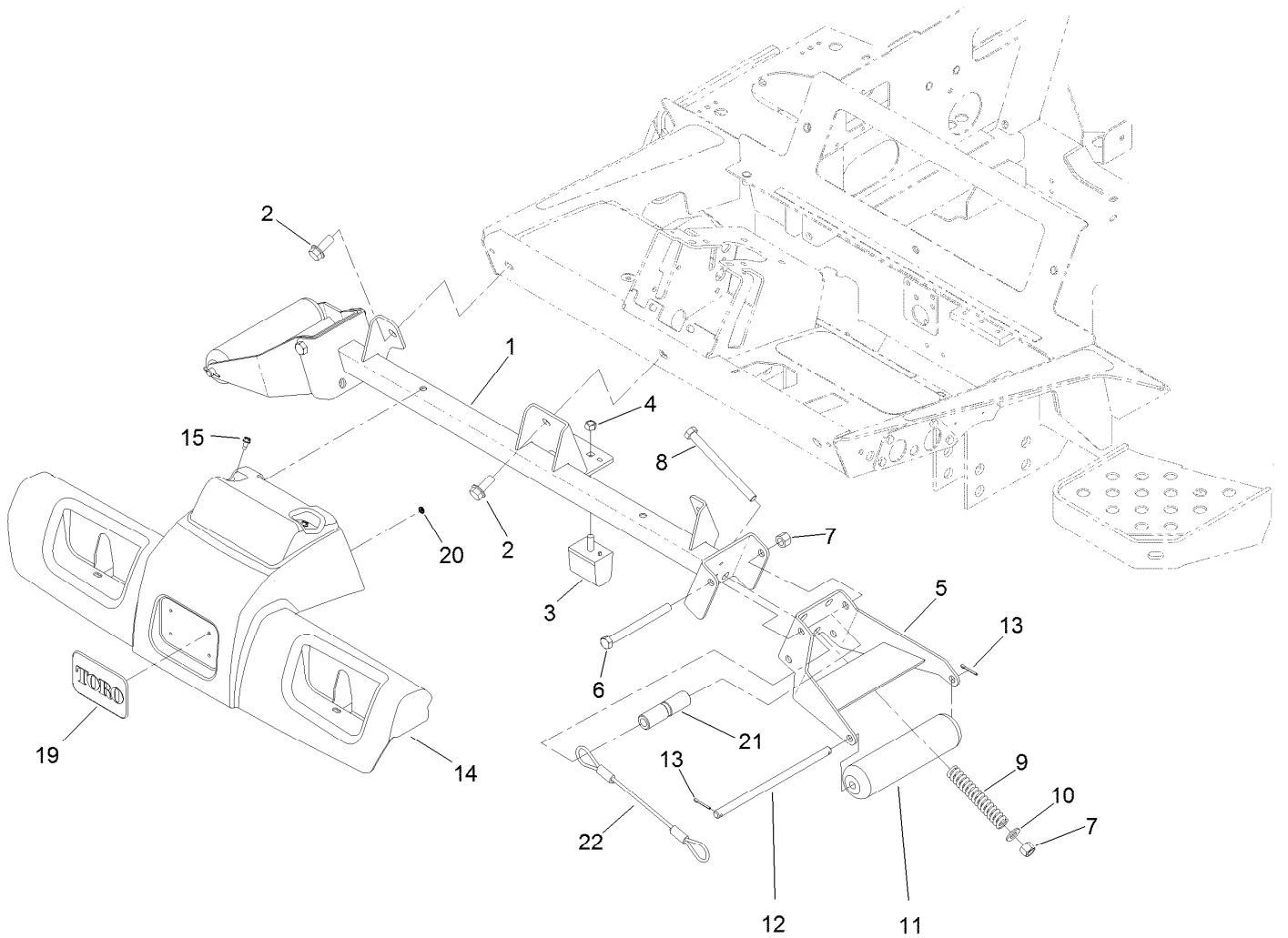
## Frame and Roll-Over Protection System Assembly

Ref.	Part Number	Qty.	Description	Ref.	Part Number	Qty.	Description
1	120-8086	1	Front Frame ASM	22:2	94-8099	1	Decal
2	120-8007-03	1	Frame-Rear	23	136-2885	1	Top Tube ASM
4	3234-38	4	Screw-HHF	23:3	98-4387	1	Decal-Protection, Ear
5	104-5584-0P	2	Plate-Reinforcement,ROPS	24	114-8419	12	Screw-HHF
6	325-33	4	Screw-HH	25	136-2899	2	Standoff-Hex
7	32128-49	4	Nut-HHF	26	114-1925	2	Bumper-Rubber
8	104-5516-0P	1	Support-Tube	27	3234-36	2	Screw-HHF
9	3230-23	2	Bolt-CARR	28	136-2890	2	Spacer
10	32128-20	2	Nut-HF	29	136-2893	4	Washer-Plastic
12	75-1410-01	1	Plate-Access, Floor	30	325-17	2	Screw-HH
13	125-4614	1	Tread-Foot, Center	31	3256-6	4	Washer-Flat
14	3234-7	4	Screw-HHF	32	3296-23	2	Nut-Lock, NI
17	106-6754	1	Decal-Danger	33	136-2892	2	Pin ASM
18	105-9194	4	Plug	34	80-1890	2	Spacer
21	136-2900	1	LH ROPS ASM	35	104-8301	2	Nut-HF, NI
21:2	120-8947	1	Decal-Danger, ROPS	36	116-4701	2	Screw-HHF
21:3	94-8099	1	Decal	37	87-7270	4	Washer-Thrust
22	136-2901	1	RH ROPS ASM				



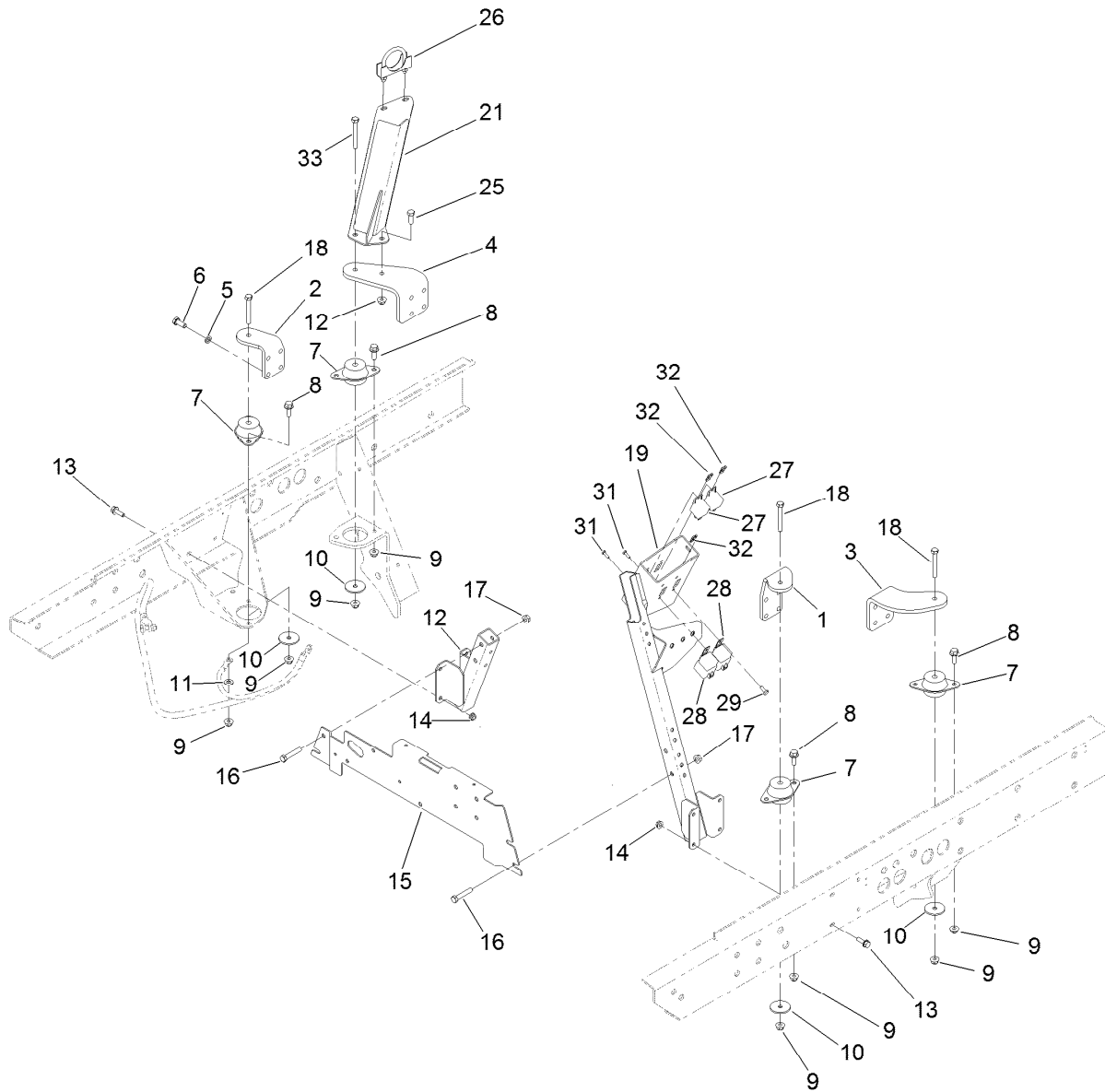
## Front Frame Assembly No. 120-8086

<i>Ref.</i>	<i>Part Number</i>	<i>Qty.</i>	<i>Description</i>
2	93-7592	2	Tread-Rest, Foot
3	75-0620	1	Tread-Foot, LH
4	104-5223	1	Tread-Foot, RH
5	32148-7	10	Nut-Clinch
8	105-9860	2	Seal-Foam
9	106-7794-01	2	Plate-Mount, HYD Fitting
10	322-3	8	Screw-HH
11	32128-20	8	Nut-HF



## Front Shroud Assembly

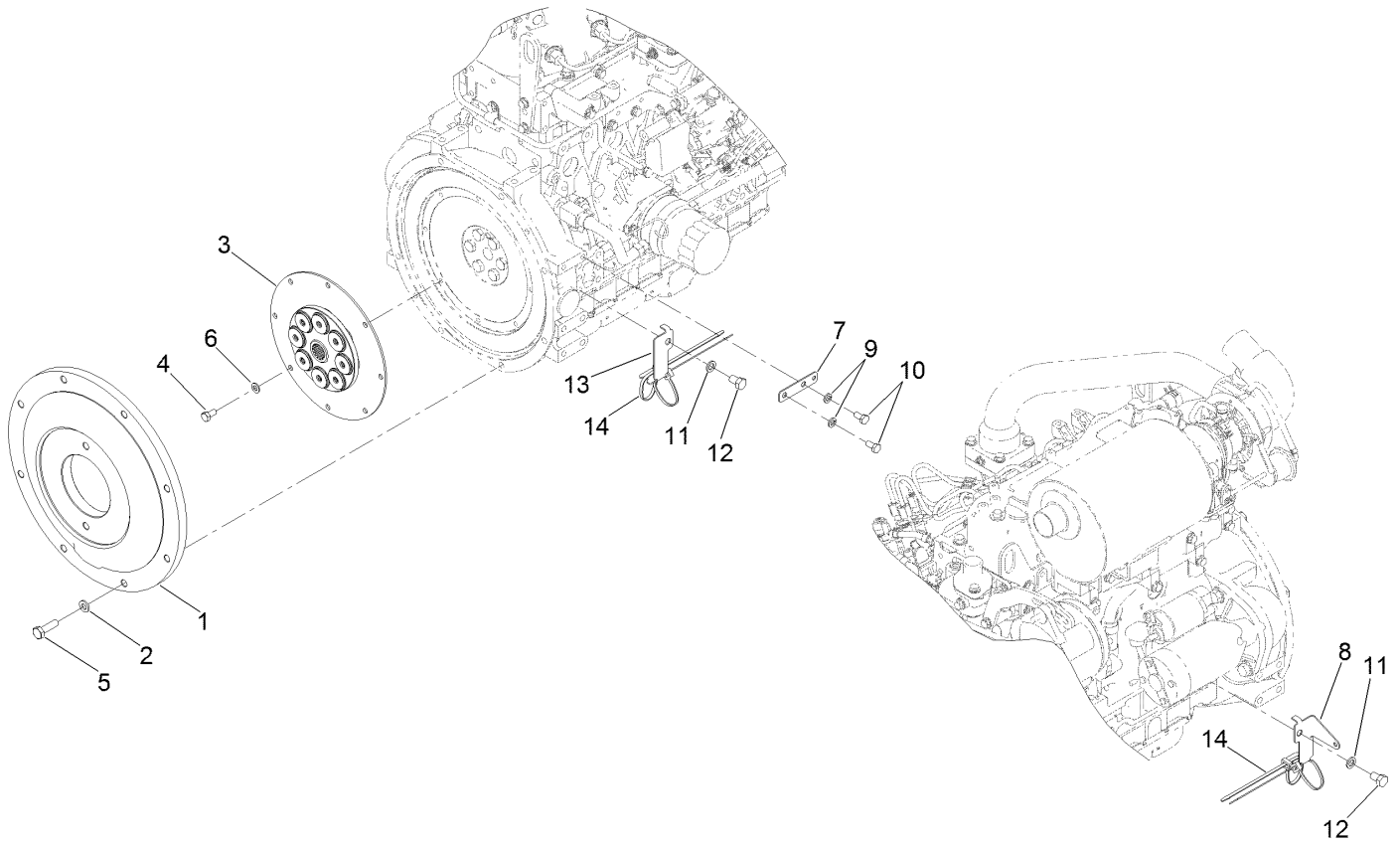
<i>Ref.</i>	<i>Part Number</i>	<i>Qty.</i>	<i>Description</i>	<i>Ref.</i>	<i>Part Number</i>	<i>Qty.</i>	<i>Description</i>
1	117-4760-01	1	Support-Roller	11	105-9816	2	Roller-Plastic
2	3234-38	3	Screw-HHF	12	104-5545	2	Shaft-Roller
3	87-3470	1	Bumper	13	3272-11	4	Pin-Cotter
4	33025-00	1	Nut-Lock, NI	14	115-9137	1	Shroud-Platform
5	105-3996-01	2	Support-Roller	15	32104-17	2	Screw-HWH
6	325-22	2	Screw-HH	19	93-6028	1	Plate-Logo
7	3296-23	4	Nut-Lock, NI	20	138-6996	4	Nut-Push
8	325-20	2	Screw-HH	21	136-2923	2	Spacer-Centering
9	105-3970	2	Spring-Compression	22	136-7992	2	Lanyard
10	3256-26	2	Washer-Flat				



## Engine Mount Assembly

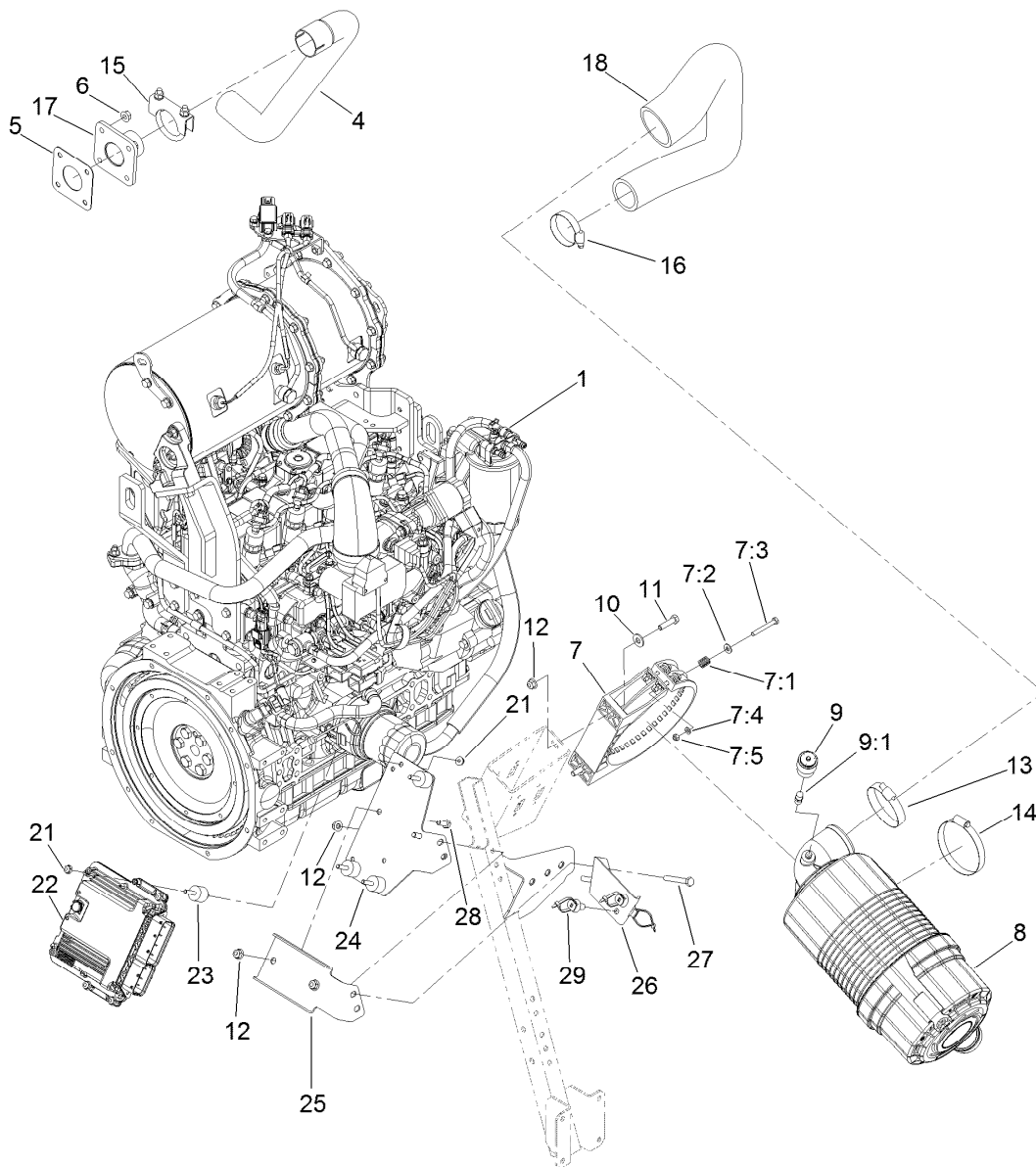
<i>Ref.</i>	<i>Part Number</i>	<i>Qty.</i>	<i>Description</i>	<i>Ref.</i>	<i>Part Number</i>	<i>Qty.</i>	<i>Description</i>
1	120-8001-0P	1	Mount-Engine,LH,Front	15	114-8134-0P	1	Bracket-Manifold, Mow
2	120-8002-0P	1	Mount-Engine, RH Front	16	323-10	4	Screw-HH
3	120-8003-0P	1	Mount-Engine, LH Rear	17	32128-21	4	Nut-HF Lock
4	120-8004-0P	1	Mount-Engine, RH Rear	18	323-13	3	Screw-HH
5	48-9590	16	Washer-Lock	19	136-3615-0P	1	A/C Mount ASM [primed]
6	33115-025	16	Screw-HH	21	121-3098-0P	1	Tailpipe Support ASM [primed]
7	53-9682	4	Mount-Engine	25	323-6	1	Screw-HH
8	3234-11	8	Screw-HHF	26	18-2130	1	Clamp
9	104-8301	13	Nut-HF, NI	27	99-7435	2	Relay
10	63-7400	4	Washer-Rebound	28	99-7430	2	Relay-Mini
11	3256-24	1	Washer-Plain	29	321-3	2	Screw-HH
12	104-5420-0P	1	Battery Support ASM [primed]	31	3290-134	2	Screw
13	3234-29	8	Screw-HHF	32	3290-277	4	Nut-Speed
14	32128-20	8	Nut-HF	33	323-14	1	Screw-HH





## Flywheel Assembly

<i>Ref.</i>	<i>Part Number</i>	<i>Qty.</i>	<i>Description</i>
1	132-6120-0P	1	Plate-Flywheel
2	107-1413	8	Washer-Hardened
3	132-6121	1	Coupling-Flywheel
4	139-9940	8	Screw-HH,Patch
5	117-5663	8	Screw-HH
6	87-7510	8	Washer-Flat
7	121-5636	1	Tab-Harness
8	127-2774	1	Bracket-Harness, RH
9	3253-4	2	Washer-Lock
10	33114-016	2	Screw-HH
11	48-9590	2	Washer-Lock
12	33115-016	2	Screw-HH
13	127-2773	1	Bracket-Harness, LH
14	3290-378	4	Tie-Cable



## Engine, Air Cleaner and Controller Assembly

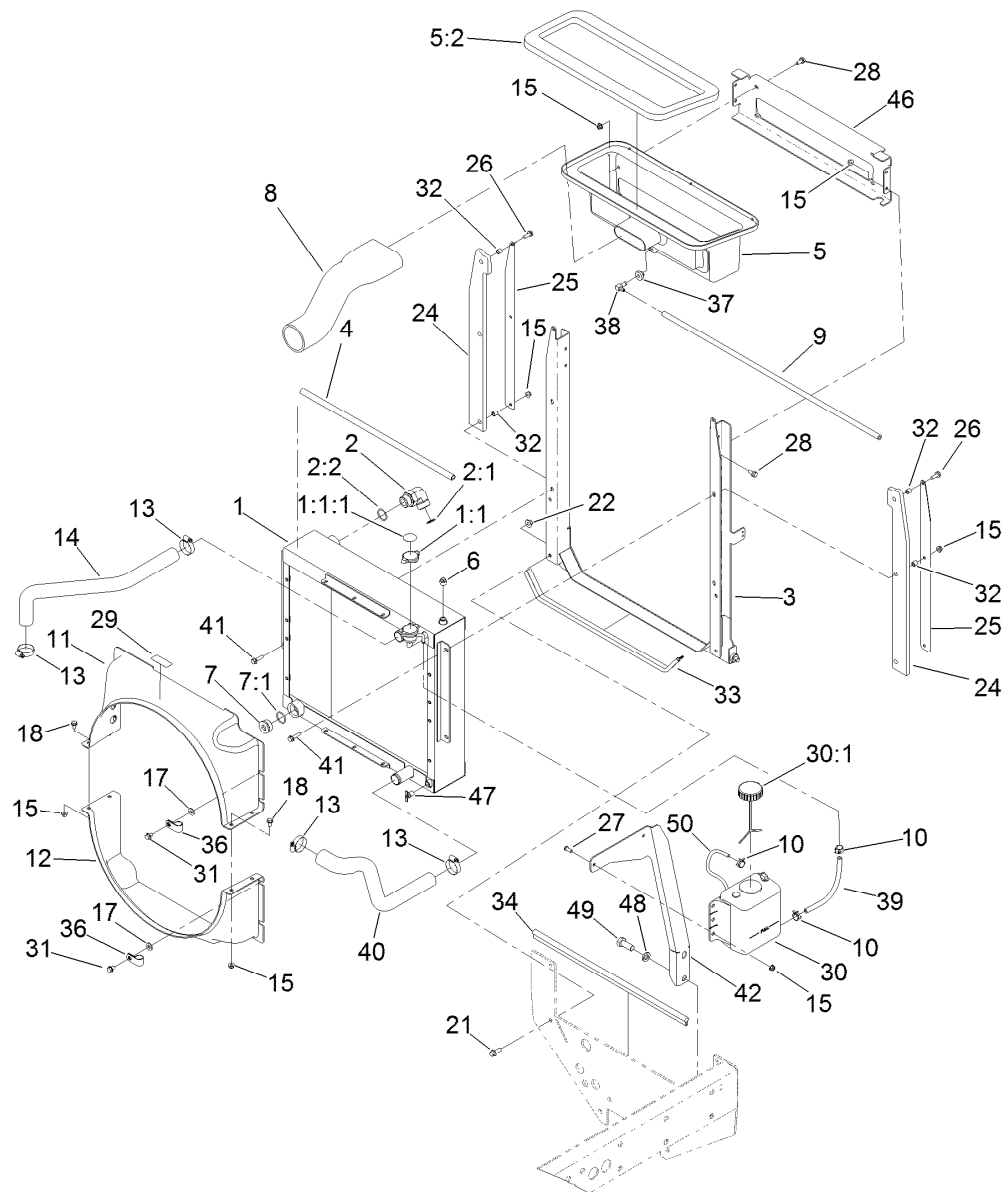
Ref.	Part Number	Qty.	Description	Ref.	Part Number	Qty.	Description
1	138-6917	1	Engine-Yanmar	13	2412-125	1	Clamp-Hose
4	121-3061	1	Pipe-Exhaust	14	2412-110	1	Clamp-Band/Screw
5	121-3058	1	Gasket-Exhaust	15	18-2130	1	Clamp
6	33004-00	4	Nut-HF	16	2412-130	1	Clamp-Hose
7	99-5414	1	Strap-Cleaner, Air	17	121-3060	1	Flange-Exhaust
7:1	108-1512	2	Spring	18	121-3142	1	Hose-Air Cleaner, Outlet
7:2	3256-22	2	Washer-Flat	21	104-7201	8	Nut-HF, NI
7:3	33113-050	2	Screw-HH	22	121-5592	1	Electronic Control Unit
7:4	33093-00	2	Washer-Flat	23	132-1356	4	Mount-Isolator
7:5	33023-00	2	Nut-Lock	24	136-3405-0P	1	Bracket-Ecu Mount
8	99-5410	1	Air Cleaner ASM	25	136-3406-0P	1	Support-Ecu Mount
9	104-3563	1	Indicator	26	136-3587-0P	1	Bracket-Strain Relief
9:1	94-1416	1	Adapter-Indicator	27	322-11	2	Screw-HH
10	3256-3	2	Washer-Flat	28	322-3	2	Screw-HH
11	322-6	2	Screw-HH	29	32180-031	3	Clip-Tree (W/Tie)
12	104-8300	6	Nut-HF, NI				



## Air Cleaner Assembly No. 99-5410

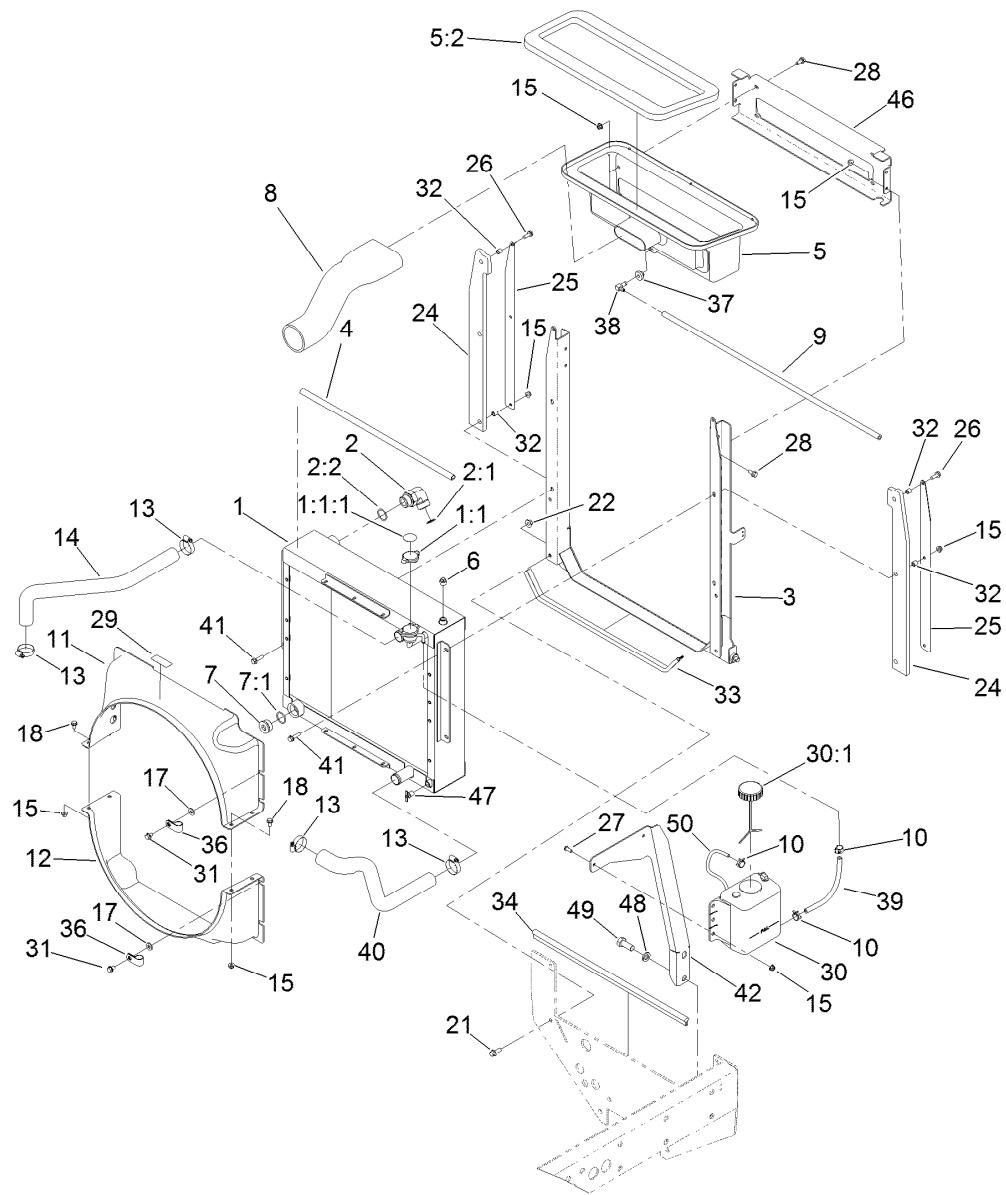
<i>Ref.</i>	<i>Part Number</i>	<i>Qty.</i>	<i>Description</i>
1	104-4258	1	Valve-Vacuator
3	104-4259	1	Cover
5		1	Body ASM ●
6	108-3814	1	Filter-Air
7	108-3816	1	Filter-Air

● Not serviced separately



## Radiator Assembly

Ref.	Part Number	Qty.	Description	Ref.	Part Number	Qty.	Description
1	132-6161	1	Radiator/Oil Cooler	17	3256-3	8	Washer-Flat
1:1	115-7766	1	Cap-Radiator	18	3234-7	4	Screw-HHF
1:1:1	106-6755	1	Decal-Cap, Radiator	21	3234-11	4	Screw-HHF
2	340-129	2	Fitting-Elbow, 90 DEG	22	32128-43	4	Nut-Flange
2:1	237-146	1	O-Ring	24	121-3087	2	Seal-Foam, Hood
2:2	340-65	1	O-Ring	25	121-3086-0P	2	Bracket-Seal Hood
3	121-3084-03	1	Mount-Radiator	26	32144-41	2	Screw-Taptite
4	114-3828	1	Seal-Bulb	27	3274-55	2	Screw-HSBH
5	115-4363	1	Plenum ASM	28	3234-47	8	Screw-HHF
5:2	115-4393	1	Seal-Plenum	29	117-4766	1	Decal-Warning, Fan
6	281-13	1	Plug-Pipe	30	144-6219	1	Reservoir-Coolant ASM
7	105-3921	1	Fitting-Plug	30:1	87-7050	1	Cap-Reservoir
7:1	237-146	1	O-Ring	31	3234-30	8	Screw-HHF
8	121-3143	1	Hose-Air Cleaner, Inlet	32	1-603903	6	Spacer
9	110-3258	1	Hose-Fuel	33	117-4782	1	Seal-Bulb
10	92-2379	4	Clamp-Hose	34	105-9858	1	Seal-Bulb
11	125-4615	1	Shroud-Radiator, Upper	36	2412-81	2	Clamp-R
12	121-3106	1	Shroud-Radiator, Lower	37	46-6560	1	Bushing
13	2412-3	4	Clamp-Hose	38	46-6550	1	Fitting-Elbow, 90 DEG
14	121-1476	1	Hose-Radiator, Upper	39	109-0282	1	Hose-Fuel
15	104-8300	18	Nut-HF, NI	40	121-1477	1	Hose-Radiator, Lower



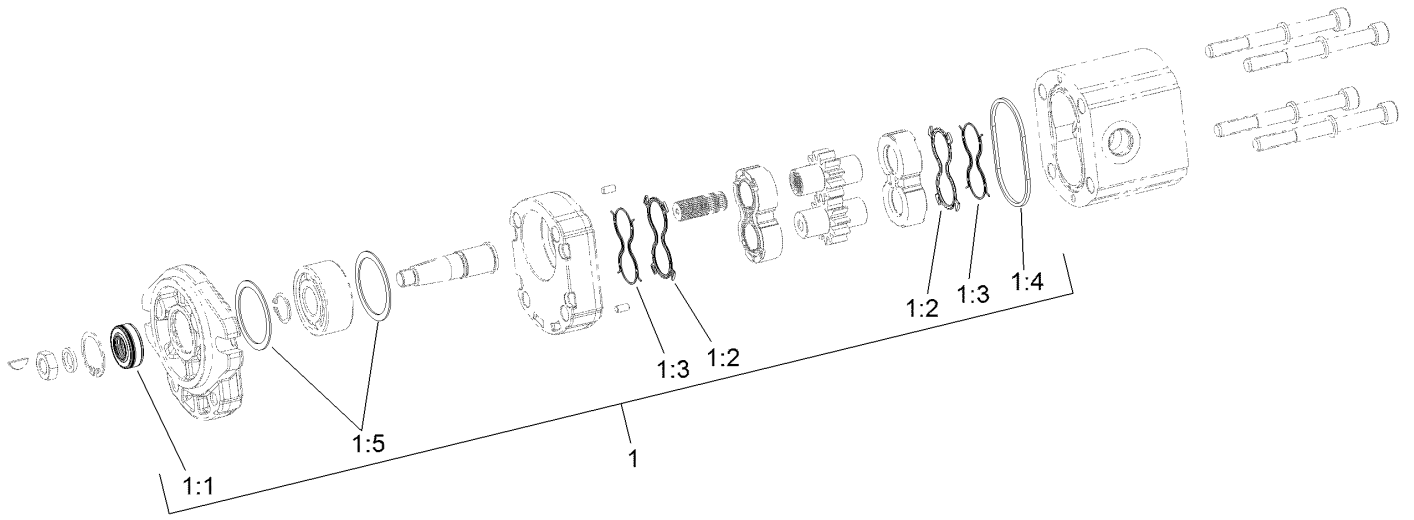
## Radiator Assembly (continued)

<i>Ref.</i>	<i>Part Number</i>	<i>Qty.</i>	<i>Description</i>	<i>Ref.</i>	<i>Part Number</i>	<i>Qty.</i>	<i>Description</i>
41	3234-36	4	Screw-HHF	48	3253-8	2	Washer-Lock
42	136-3693-0P	1	Bracket-Mount, Tank	49	327-4	2	Screw-HH
46	121-3085-0P	1	Plate-Crossover	50	109-0273	1	Hose-Fuel
47	304-46	1	Draincock				



## Fan Mounting Assembly

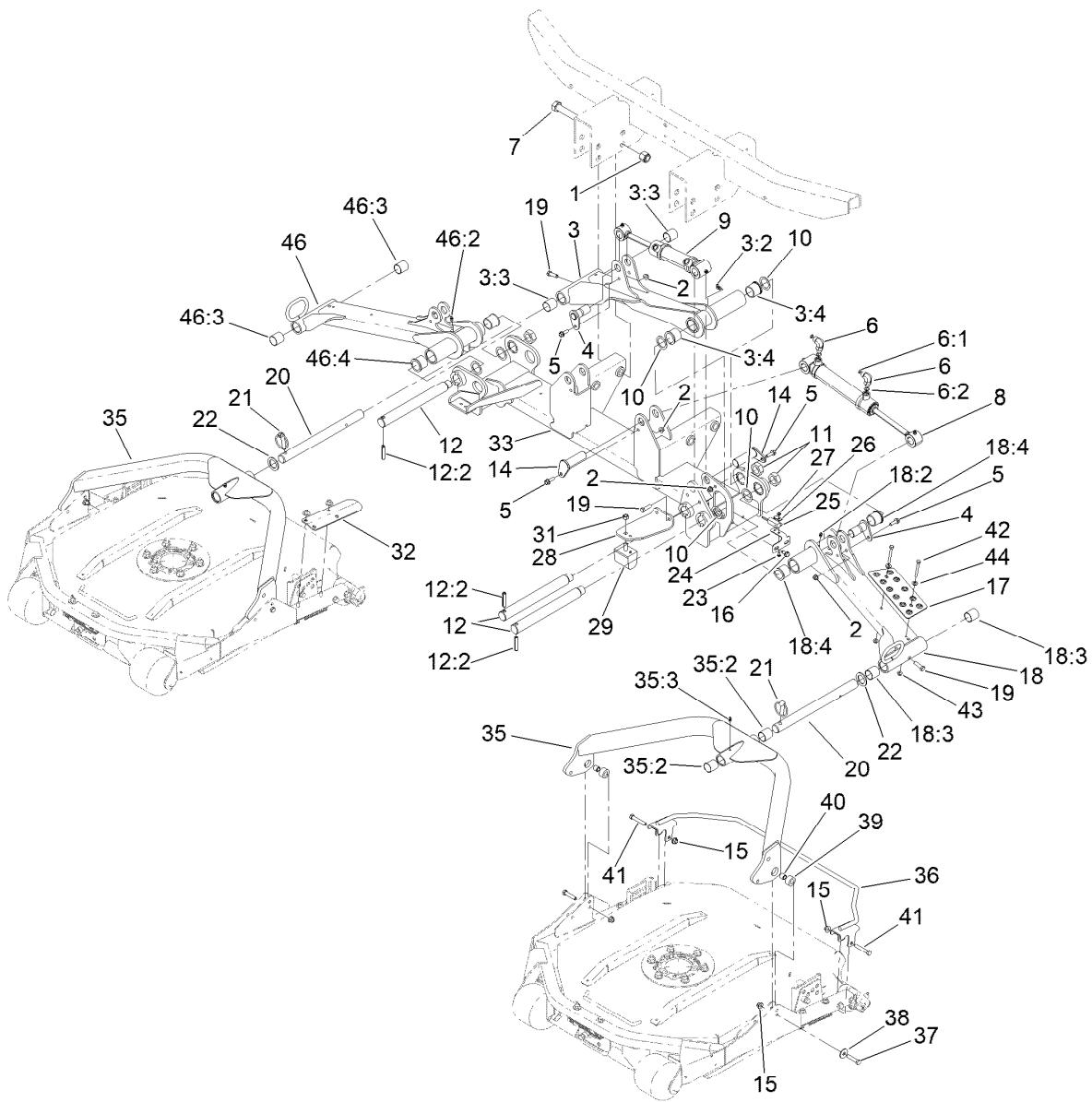
Ref.	Part Number	Qty.	Description	Ref.	Part Number	Qty.	Description
1	115-8486	4	Screw-HH	10:2	237-79	1	O-Ring
2	114-3825	1	Fan	11	80-6990	4	Washer-Hardened
3	140-6482	1	Hub-Fan	12	104-7201	6	Nut-HF, NI
4	340-2	1	Fitting-Straight	13	99-6810	6	Screw-HHF
4:1	237-22	1	O-Ring	14	125-4610	2	Shim-Support
4:2	237-42	1	O-Ring	16	138-6945	1	Tube ASM
5	137-5571	1	Hydraulic Motor ASM	16:1	237-22	1	O-Ring
6	137-5594	1	Mount-Fan	17	138-6943	1	Tube ASM
7	324-5	2	Screw-HH	17:1	237-30	1	O-Ring
8	3256-25	2	Washer-Flat	18	138-6944	1	Tube ASM
9	3296-48	2	Nut-Hex	18:1	237-30	1	O-Ring
10	340-4	2	Fitting-Straight	19	340-70	1	Nut-Lock
10:1	237-30	1	O-Ring	20	340-127	2	Nut-Bulkhead



## Hydraulic Motor Assembly No. 137-5571

<i>Ref.</i>	<i>Part Number</i>	<i>Qty.</i>	<i>Description</i>
1	139-1019	1	Seal Kit
1:1		1	Seal-Shaft ●
1:2		2	Seal-Plate, Balancing ●
1:3		2	Seal-Anti Extrusion ●
1:4		1	O-Ring (Housing) ●
1:5		2	Seal-Square ●

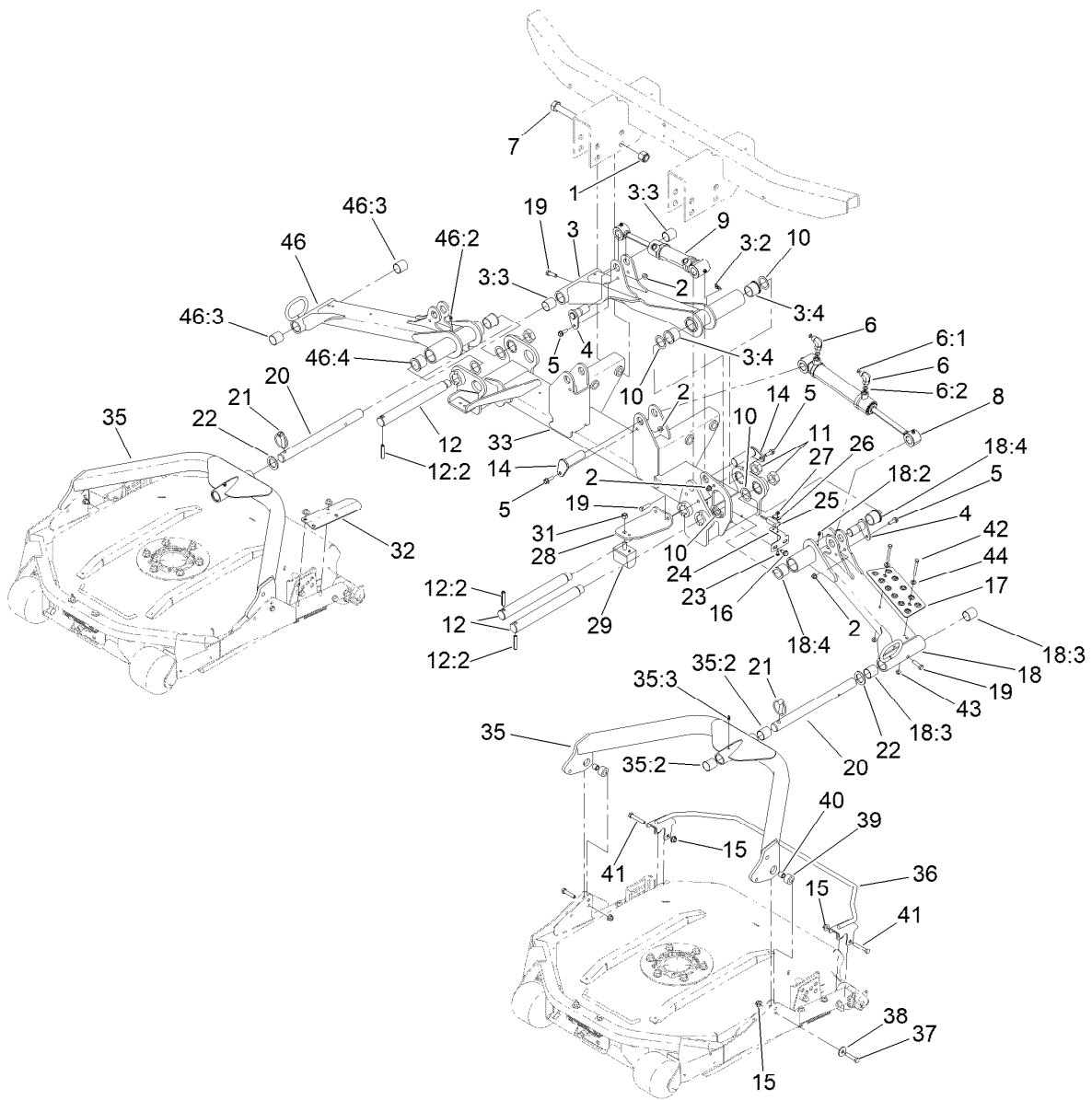
● Not serviced separately



## No. 1, No. 4 and No. 5 Lift Arm and Deck Assembly

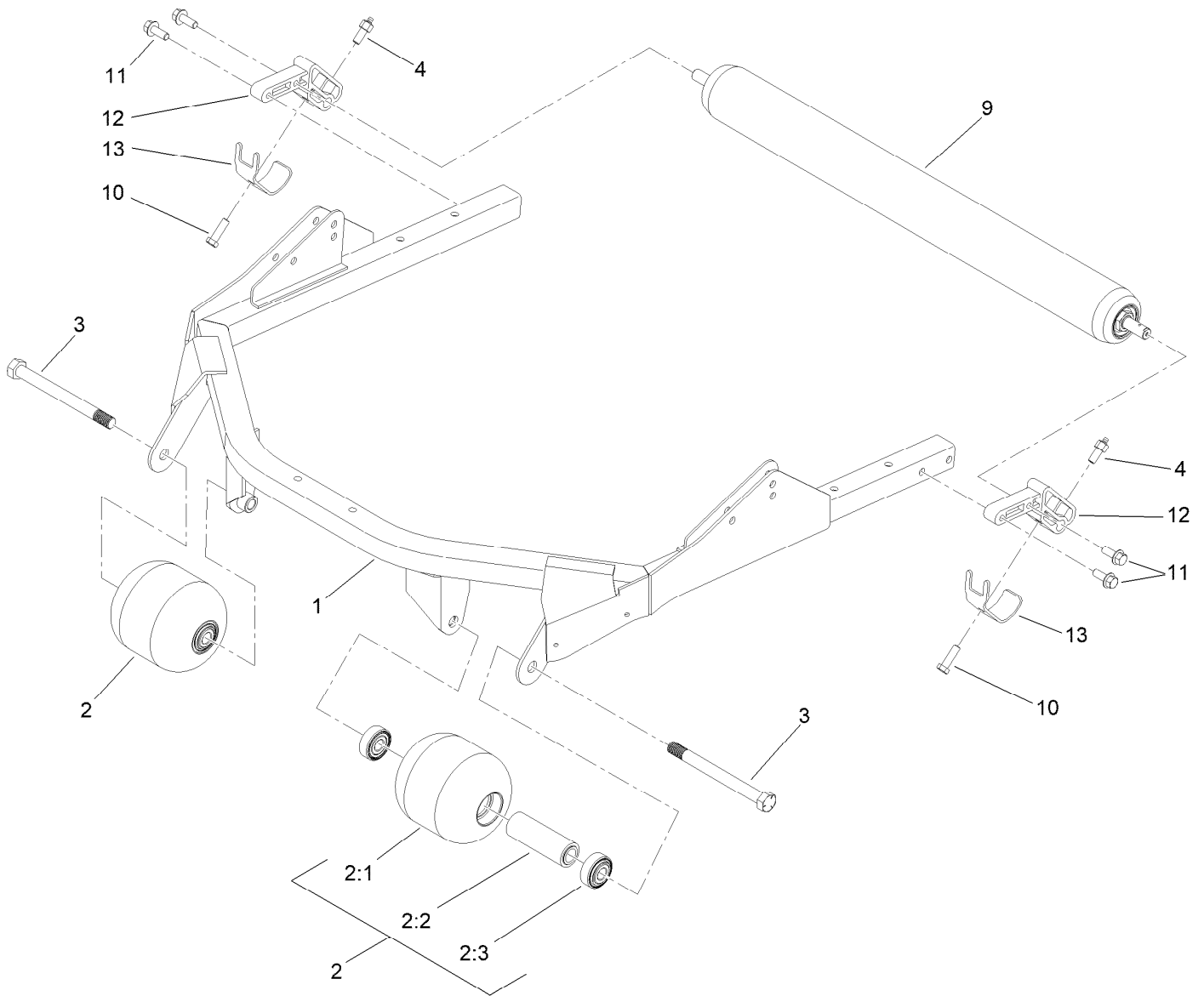
Ref.	Part Number	Qty.	Description	Ref.	Part Number	Qty.	Description
1	3296-51	4	Nut-Lock, NI	17	105-3987-03	1	Plate-Skid
2	104-8300	6	Nut-HF, NI	18	136-3377	1	No.4 Liftarm ASM
3	136-3375	1	No.1 Liftarm ASM	18:2	302-5	1	Fitting-Grease
3:2	302-60	1	Fitting-Grease	18:3	108-4000	2	Bushing
3:3	108-4000	2	Bushing	18:4	104-0015	2	Bushing-Flange
3:4	104-0015	2	Bushing-Flange	19	323-7	5	Screw-HH
4	131-4201	3	Pin-Pivot	20	136-2922	3	Shaft-Carrier, Pivot
5	3234-17	6	Screw-HHF	21	3290-384	3	Pin-Lynch
6	340-77	6	Fitting-Elbow, 90 DEG	22	3-6781	3	Washer-Flat
6:1	237-22	1	O-Ring	23	104-1450	2	Bolt-CARR
6:2	237-42	1	O-Ring	24	104-5585	2	Bracket-Switch
7	328-7	4	Screw-HH	25	106-9288	2	Sensor-Proximity, Ferrous
8	127-6429	2	Lift Cylinder ASM	26	100-4872	2	Plate-Switch, Neutral
9	127-6427	1	Lift Cylinder ASM	27	32149-7	2	Nut-Keps
10	76-2980	6	Washer-Thrust	28	104-5689-03	1	Bracket-Support, Bumper
11	3296-49	3	Nut-Lock, NI	29	87-3470	2	Bumper
12	140-6431	3	Pivot Pin ASM	31	33025-00	2	Nut-Lock, NI
12:2	32121-110	1	Pin-Roll, Slotted	32	105-9831-03	2	Bracket-Bumper, No. 1
14	125-1906	3	Pin-Cylinder	33	104-5680-03	1	Frame-Carrier, Front
15	104-8301	12	Nut-HF, NI	35	136-3510	3	Carrier Frame ASM
16	32104-32	4	Screw-HWH	35:2	108-4000	2	Bushing





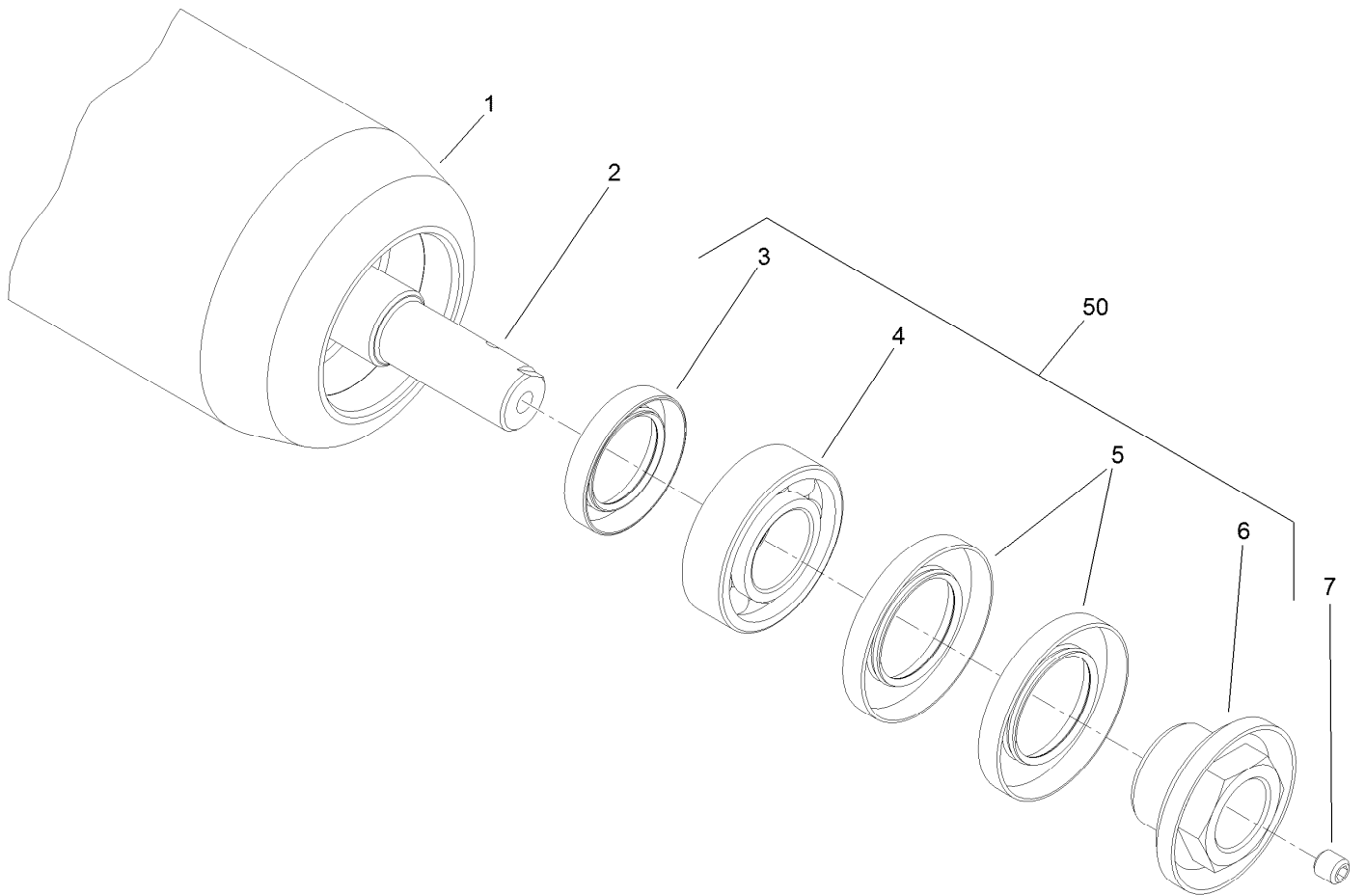
## No. 1, No. 4 and No. 5 Lift Arm and Deck Assembly (continued)

<i>Ref.</i>	<i>Part Number</i>	<i>Qty.</i>	<i>Description</i>	<i>Ref.</i>	<i>Part Number</i>	<i>Qty.</i>	<i>Description</i>
35:3	302-5	1	Fitting-Grease	42	321-15	2	Screw-HH
36	112-9900-03	2	Guard-Foot	43	32128-33	2	Nut-HF
37	323-52	6	Screw-HH	44	3256-23	2	Washer-Plain
38	93-8806	6	Washer-Hardened	46	136-3379	1	No.5 Liftarm ASM
39	105-9823	6	Bushing-Carrier	46:2	302-5	1	Fitting-Grease
40	105-9822	6	Spacer	46:3	108-4000	2	Bushing
41	323-11	4	Screw-HH	46:4	104-0015	2	Bushing-Flange



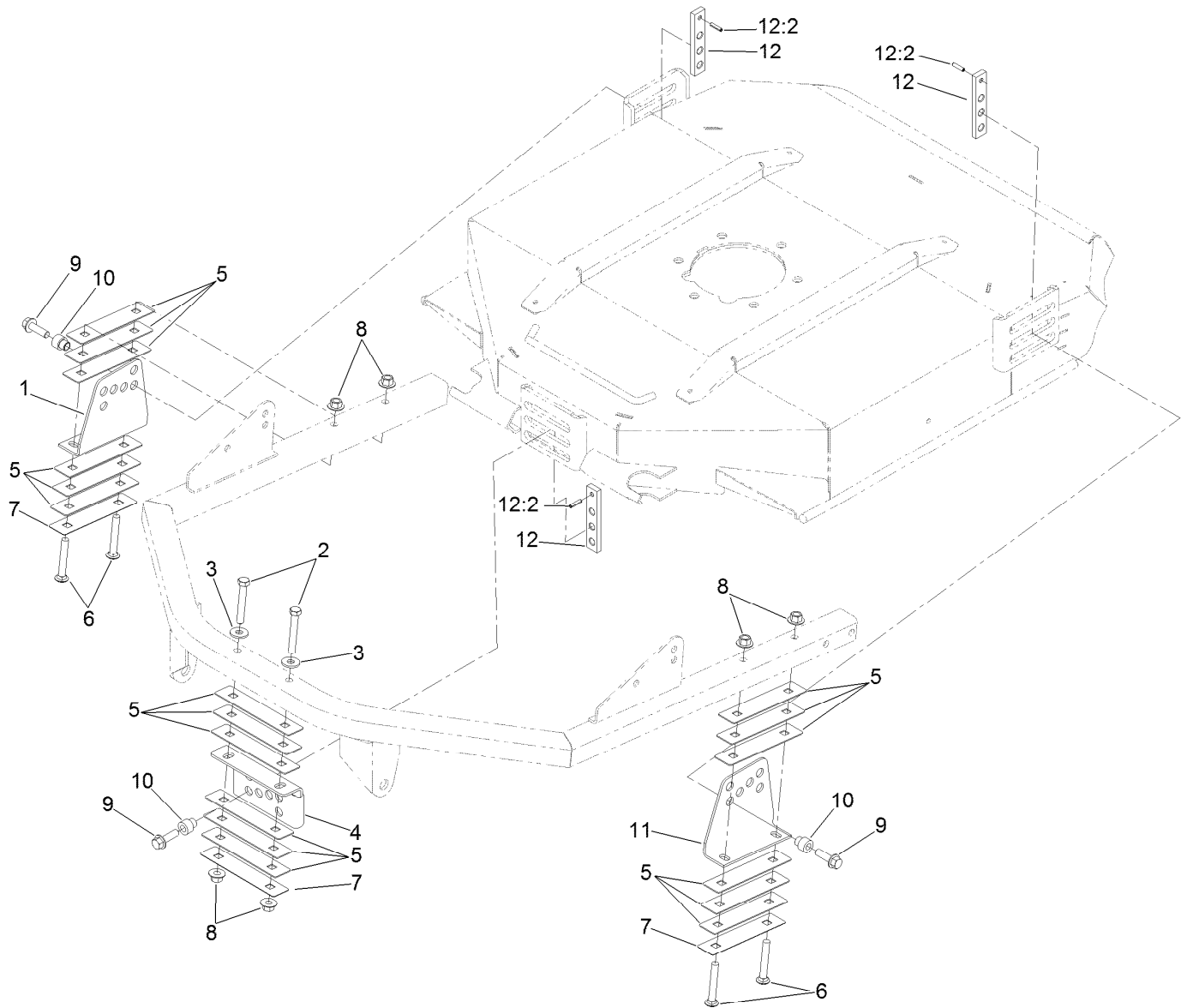
## Roller and Carrier Frame Assembly

Ref.	Part Number	Qty.	Description
1	100-5780-03	1	Frame-Deck
2	136-2908	2	Roller ASM
2:1	104-1093	1	Roller
2:2	100-5762	1	Spacer-Bearing
2:3	120-3366	2	Bearing
3	136-2924	2	Screw-HH
4	127-6422	2	Screw-Grease, Roller
9	137-6141	1	Rear Roller ASM
10	323-7	2	Screw-HH
11	3234-11	4	Screw-HHF
12	112-5268	2	Mount-Roller
13	107-7816	2	Bracket-Skid



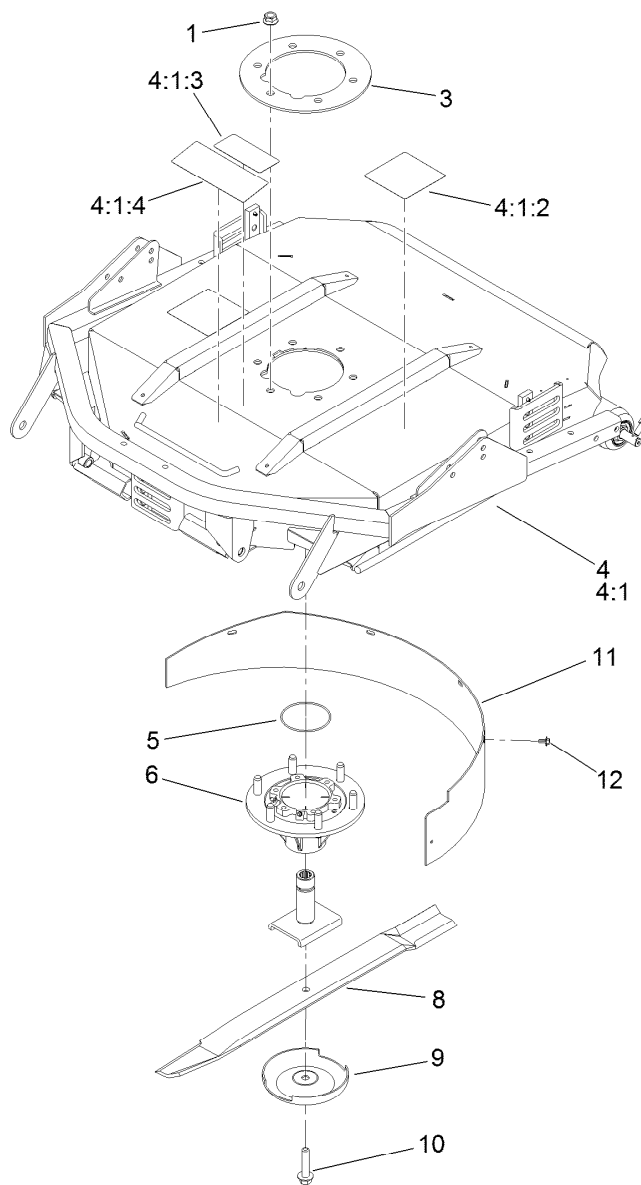
## Rear Roller Assembly No. 137-6141

<i>Ref.</i>	<i>Part Number</i>	<i>Qty.</i>	<i>Description</i>
1	137-6140	1	Tube-Roller
2	117-5100	1	Shaft-Roller, Rear
3	114-3717	2	Seal-Oil
4	112-5290	2	Bearing-Steel, Stainless
5	112-7494	4	Seal
6	114-5411	2	Nut-Lock, Bearing
7	108-0989	2	Screw-Set
50	114-5430	1	Roller Rebuild Kit



## Height-of-Cut Bracket Assembly

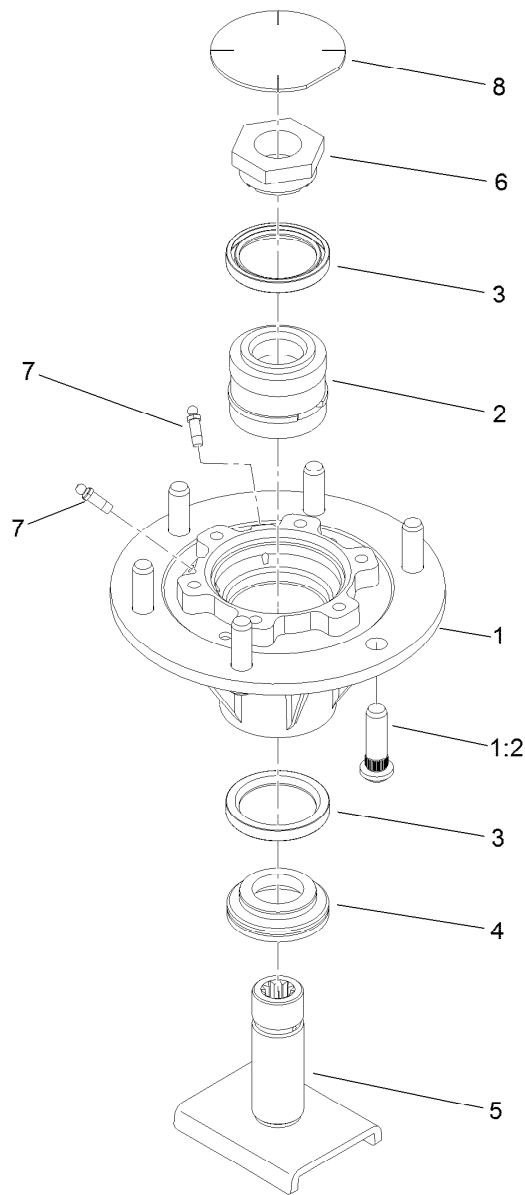
Ref.	Part Number	Qty.	Description
1	100-5797-03	1	Bracket-HOC, RH
2	323-12	2	Screw-HH
3	80-6990	2	Washer-Hardened
4	104-1052-03	1	Bracket-HOC, Front
5	100-5799	18	Shim-HOC, .060 Inch
6	3231-9	4	Screw-CARR
7	104-4641	3	Shim-HOC, .030 Inch
8	32128-43	6	Nut-Flange
9	3234-24	3	Screw-HHF
10	121-3575	3	Spacer-HOC
11	104-4624-03	1	Bracket-HOC, LH
12	136-2921	3	HOC Plate ASM
12:2	32121-2	1	Pin-Roll, Slotted



## Chamber, Blade and Spindle Assembly

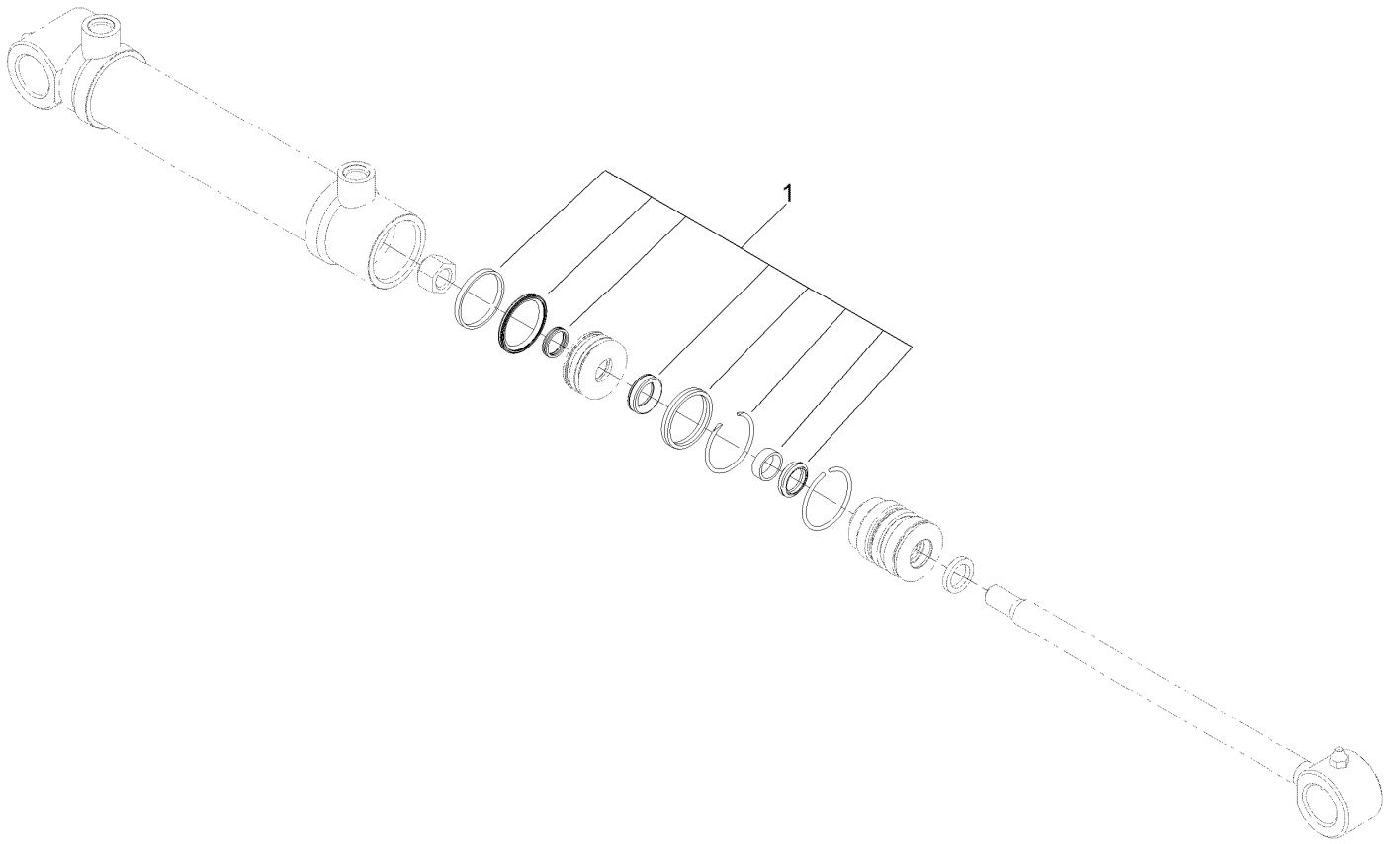
Ref.	Part Number	Qty.	Description
1	32128-39	6	Nut-HF
3	104-1051-03	1	Plate-Spindle
4	127-6389	1	Deck Chamber Service ASM
4:1		1	Chamber ASM ●
4:1:2	117-4764	2	Decal-Danger
4:1:3	93-7818	1	Decal-Torque, Blade Bolt
4:1:4	121-3627	1	Decal-Height Of Cut
5	237-161	1	O-Ring
6	121-3666	1	Spindle ASM
8	107-0235-03	1	Blade-Atomic
8	108-9026	1	Blade-27", Combo
9	72-9361	1	Cup-Scalp, Anti
10	92-5816	1	Bolt-Blade
11	108-9025-01	1	Baffle-Mulching
12	46-8560	5	Screw-HHFTF

● Not serviced separately



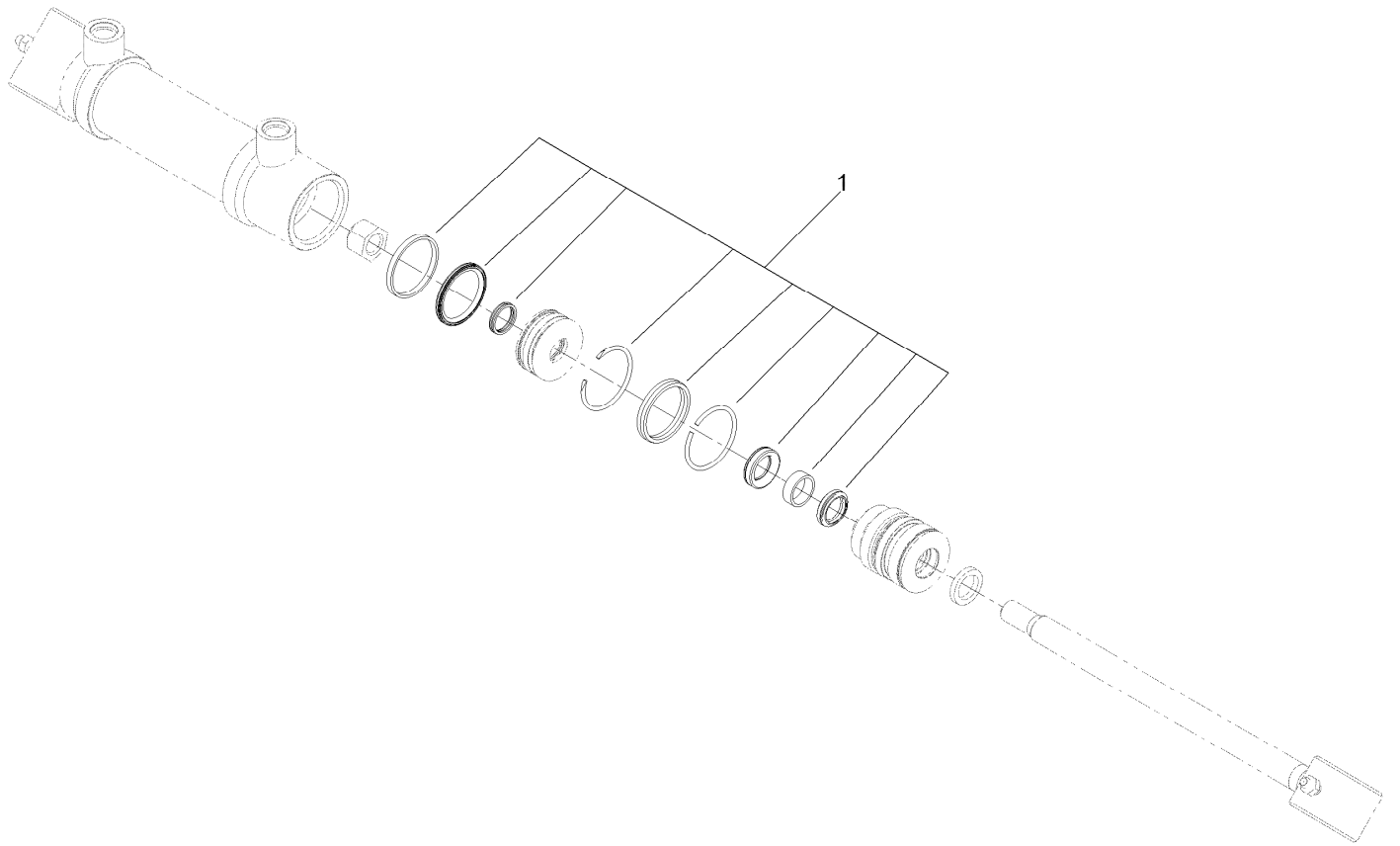
## Spindle Assembly No. 121-3666

<i>Ref.</i>	<i>Part Number</i>	<i>Qty.</i>	<i>Description</i>
1	115-3434	1	Spindle
1:2	10-6830	6	Stud-Type, Drive
2	100-5703	1	Spacer And Bearing ASM
3	253-154	2	Seal-Oil
4	138-6416	1	Spacer-Spindle, Shaft
5	121-3664	1	Spindle Shaft ASM
6	100-5709	1	Nut-Spindle, Spcl
7	302-62	2	Fitting-Grease
8	94-2703	1	Plug



## Lift Cylinder Assembly No. 127-6429

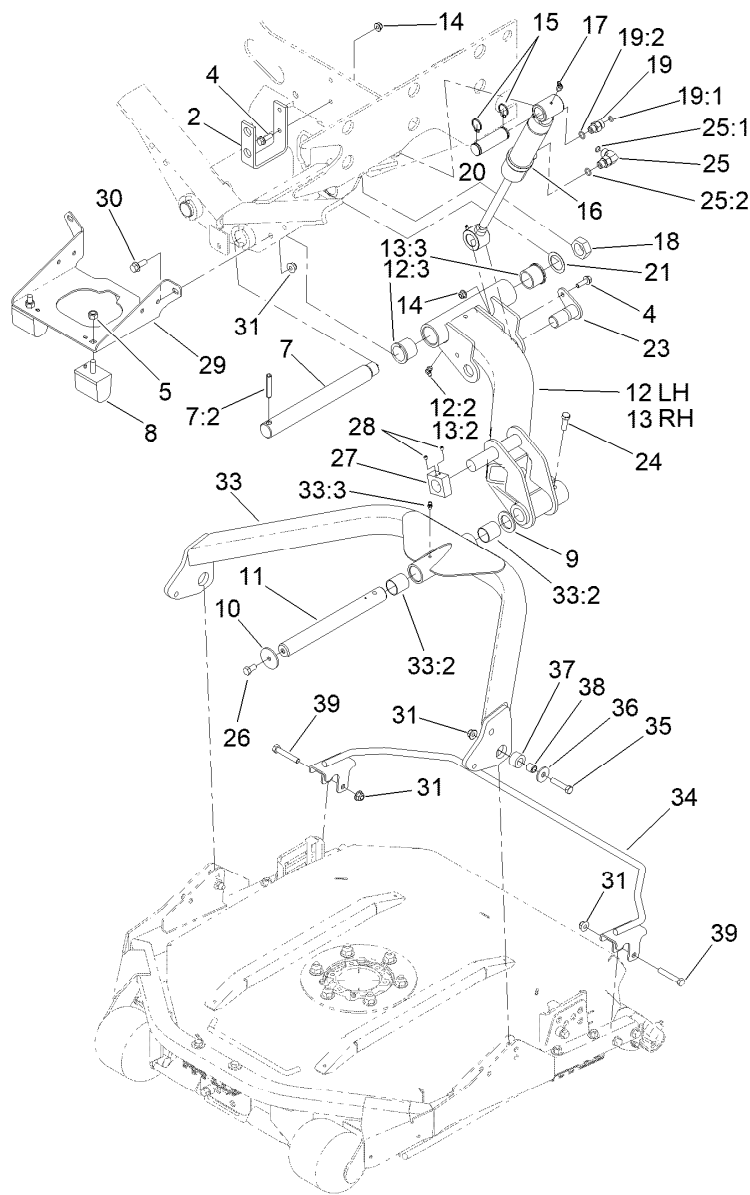
<i>Ref.</i>	<i>Part Number</i>	<i>Qty.</i>	<i>Description</i>
1	131-7755	1	Cylinder Seal Kit



## Lift Cylinder Assembly No. 127-6427

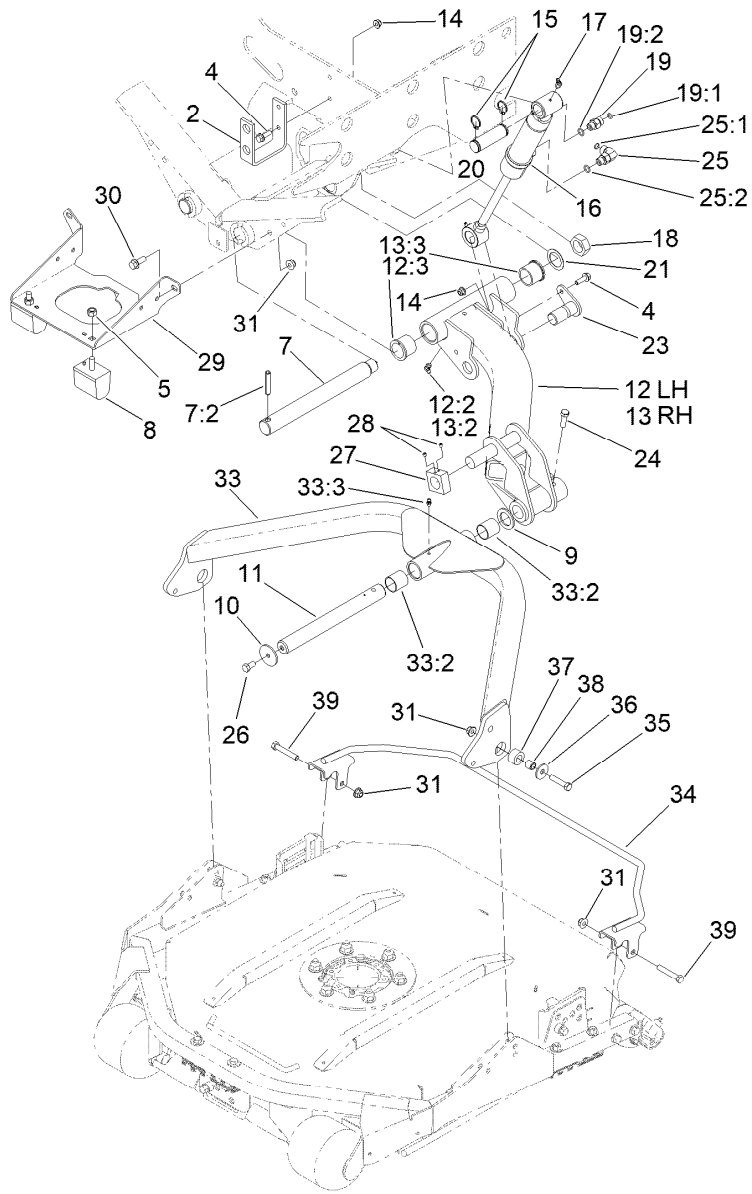
<i>Ref.</i>	<i>Part Number</i>	<i>Qty.</i>	<i>Description</i>
1	131-7755	1	Cylinder Seal Kit





## No. 2 and 3 Lift Arm and Deck Assembly

Ref.	Part Number	Qty.	Description	Ref.	Part Number	Qty.	Description
2	105-3992-0P	1	Bracket-Bulkhead	19:1	237-22	1	O-Ring
4	3234-17	4	Screw-HHF	19:2	237-42	1	O-Ring
5	33025-00	2	Nut-Lock, NI	20	92-7548	2	Pin-Cylinder
7	140-6431	2	Pivot Pin ASM	21	76-2980	2	Washer-Thrust
7:2	32121-110	1	Pin-Roll, Slotted	23	131-4201	2	Pin-Pivot
8	87-3470	2	Bumper	24	323-7	2	Screw-HH
9	3-6781	2	Washer-Flat	25	340-77	2	Fitting-Elbow, 90 DEG
10	63-7400	2	Washer-Rebound	25:1	237-22	1	O-Ring
11	105-9827	2	Shaft	25:2	237-42	1	O-Ring
12	136-3385	1	No.2 Liftarm ASM	26	323-4	2	Screw-HH
12:2	302-11	1	Fitting-Lube, 45 DEG	27	105-9839	2	Stop-Rotation, No. 2 And 3
12:3	104-0015	2	Bushing-Flange	28	3245-1	4	Screw-Set, HSH
13	136-3387	1	No. 3 Liftarm ASM	29	131-7765-0P	1	Support-Bumper, Rear
13:2	302-11	1	Fitting-Lube, 45 DEG	30	3234-11	3	Screw-HHF
13:3	104-0015	2	Bushing-Flange	31	104-8301	11	Nut-HF, NI
14	104-8300	4	Nut-HF, NI	33	136-3510	2	Carrier Frame ASM
15	32151-36	4	Ring-Retaining	33:2	108-4000	2	Bushing
16	127-6428	2	Lift Cylinder ASM	33:3	302-5	1	Fitting-Grease
17	302-11	2	Fitting-Lube, 45 DEG	34	112-9900-03	2	Guard-Foot
18	3296-49	2	Nut-Lock, NI	35	323-52	4	Screw-HH
19	340-2	2	Fitting-Straight	36	93-8806	4	Washer-Hardened



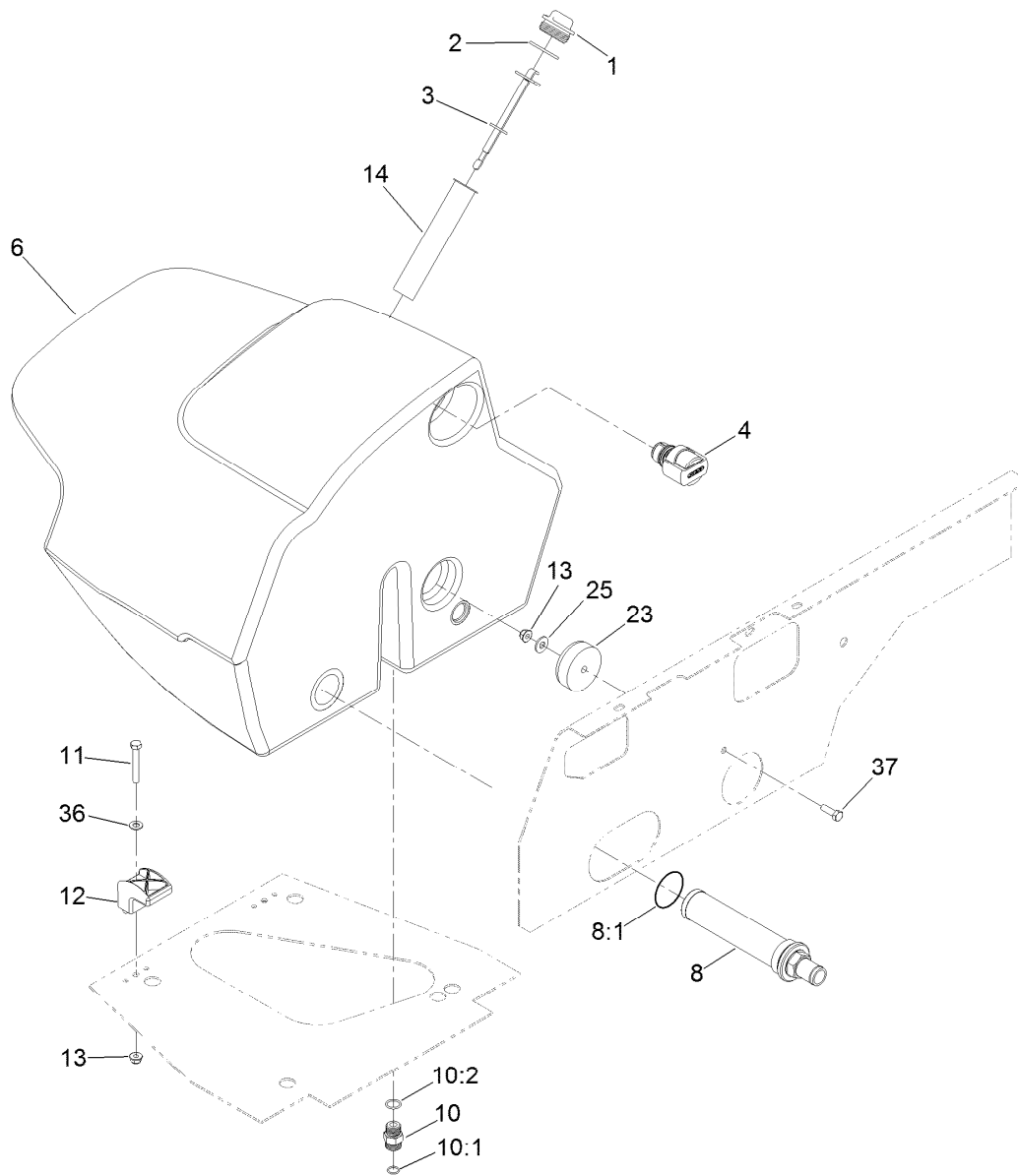
## No. 2 and 3 Lift Arm and Deck Assembly (continued)

<i>Ref.</i>	<i>Part Number</i>	<i>Qty.</i>	<i>Description</i>	<i>Ref.</i>	<i>Part Number</i>	<i>Qty.</i>	<i>Description</i>
37	105-9823	4	Bushing-Carrier	38	105-9822	4	Spacer
				39	323-11	4	Screw-HH



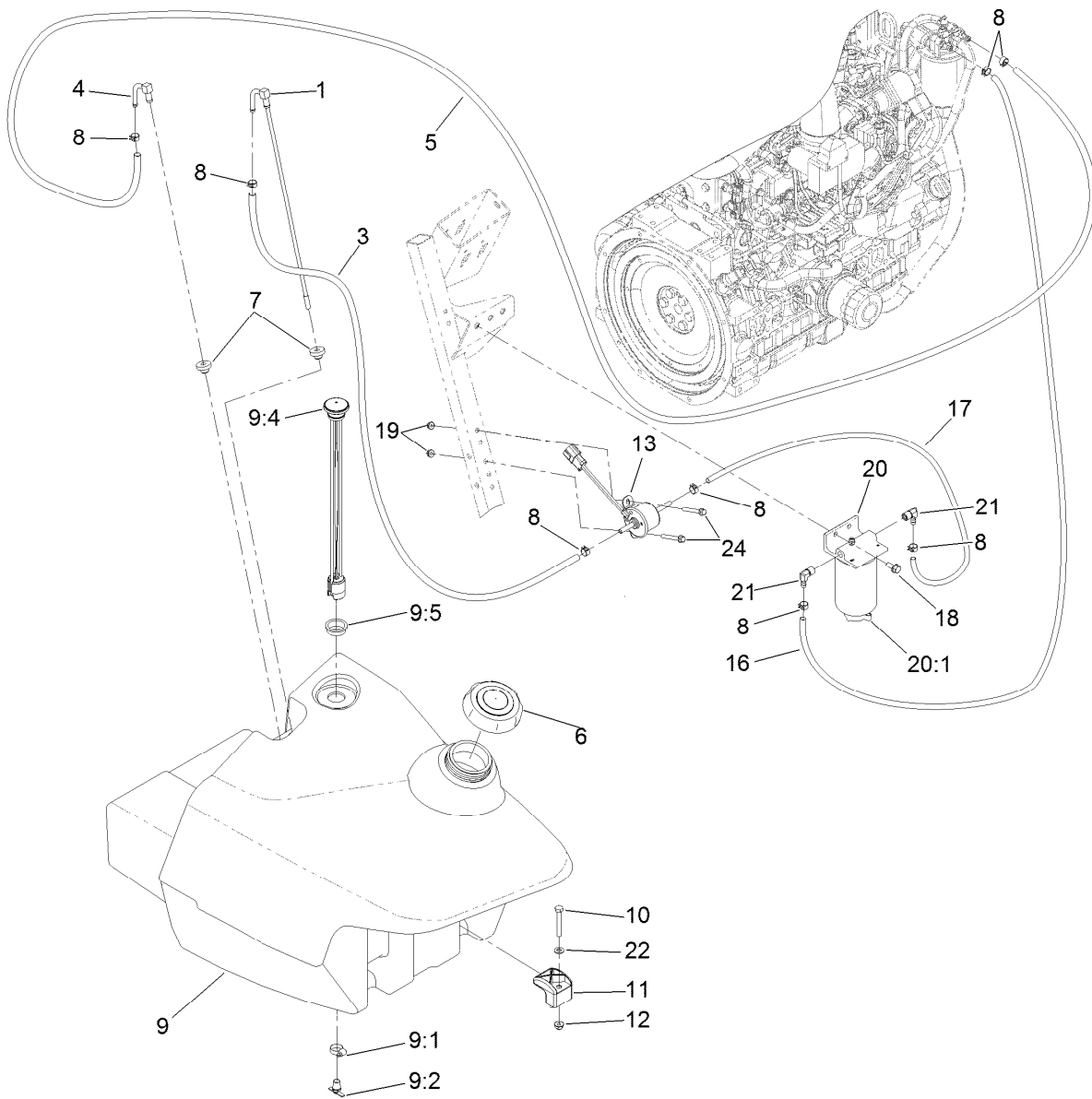
## Lift Cylinder Assembly No. 127-6428

<i>Ref.</i>	<i>Part Number</i>	<i>Qty.</i>	<i>Description</i>
1	131-7755	1	Cylinder Seal Kit



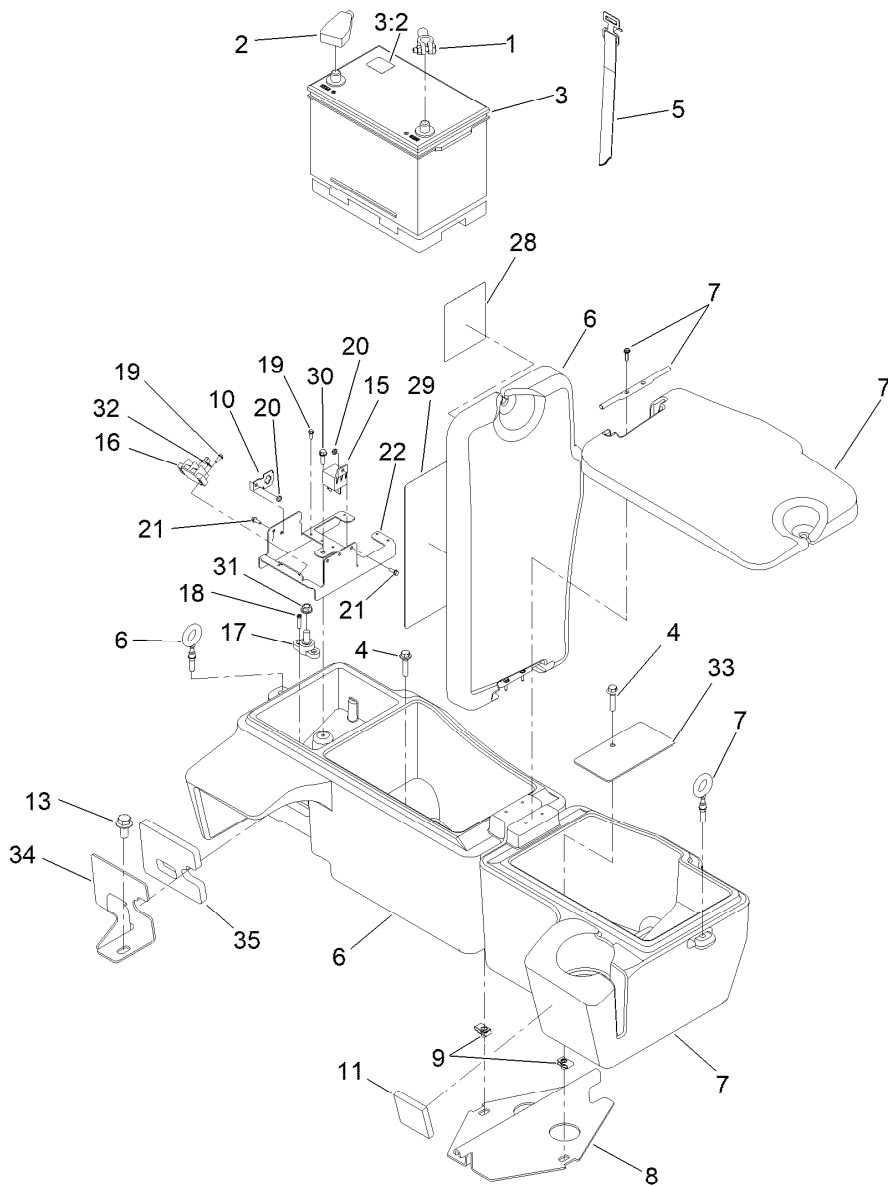
## Hydraulic Tank Assembly

<i>Ref.</i>	<i>Part Number</i>	<i>Qty.</i>	<i>Description</i>	<i>Ref.</i>	<i>Part Number</i>	<i>Qty.</i>	<i>Description</i>
1	93-7498	1	Plug-Plastic	10:2	237-79	1	O-Ring
2	237-101	1	O-Ring	11	322-11	2	Screw-HH
3	119-6968	1	Dipstick-Oil	12	107-4543	2	Clamp
4	115-9793	1	Breather	13	104-8300	3	Nut-HF, NI
6	119-0017	1	Tank-HYD	14	61-2790	1	Filter-Screen
8	104-7546	1	Tank Strainer ASM	23	108-1605	1	Bumper-Recess
8:1	340-136	1	O-Ring	25	3256-3	1	Washer-Flat
10	340-4	1	Fitting-Straight	36	3256-23	2	Washer-Plain
10:1	237-30	1	O-Ring	37	322-5	1	Screw-HH



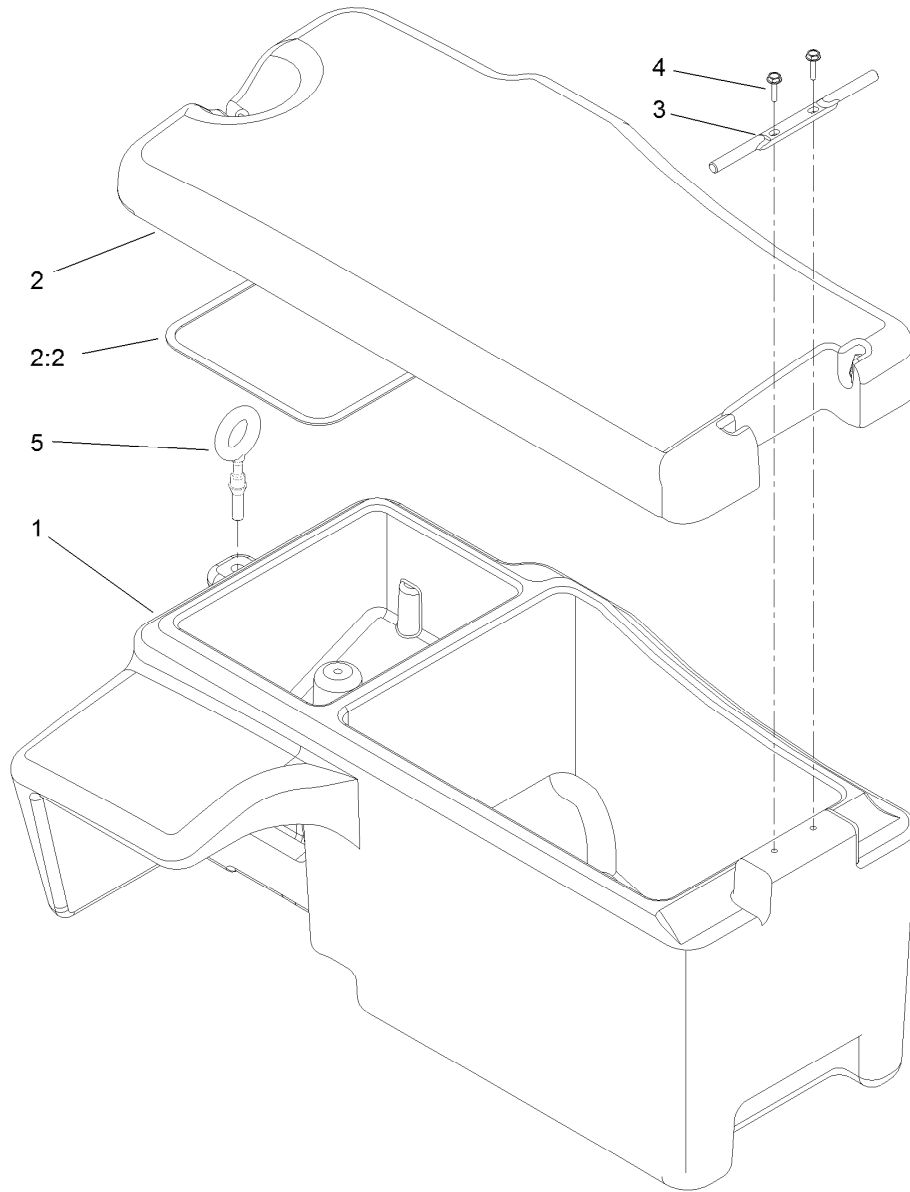
## Fuel System Assembly

Ref.	Part Number	Qty.	Description	Ref.	Part Number	Qty.	Description
1	115-4354	1	Tube-Suction, Fuel	10	322-11	2	Screw-HH
3	110-8802	1	Hose-Fuel	11	107-4543	2	Clamp
4	121-3127	1	Fitting-Return	12	104-8300	2	Nut-HF, NI
5	119-0577	1	Hose-Fuel	13	121-5613	1	Pump-Fuel, Electric
6	125-9172	1	Cap-Fuel, Diesel, Ultra Low Sulfur	16	110-6186	1	Hose-Fuel
7	46-6560	2	Bushing	17	110-4113	1	Hose-Fuel
8	92-2379	8	Clamp-Hose	18	3234-5	2	Screw-HHF
9	115-4353	1	Fuel Tank ASM	19	104-7201	2	Nut-HF, NI
9:1	2412-36	1	Clamp-Hose	20	125-2914	1	Filter-Separator
9:2	304-46	1	Draincock	20:1	125-2915	1	Filter-Fuel/Water Separator
9:4	117-4790	1	Guage-Fuel	21	353-781	2	Fitting-HYD, 90
9:5	95-8972	1	Grommet	22	3256-23	2	Washer-Plain
				24	3234-34	2	Screw-HHF



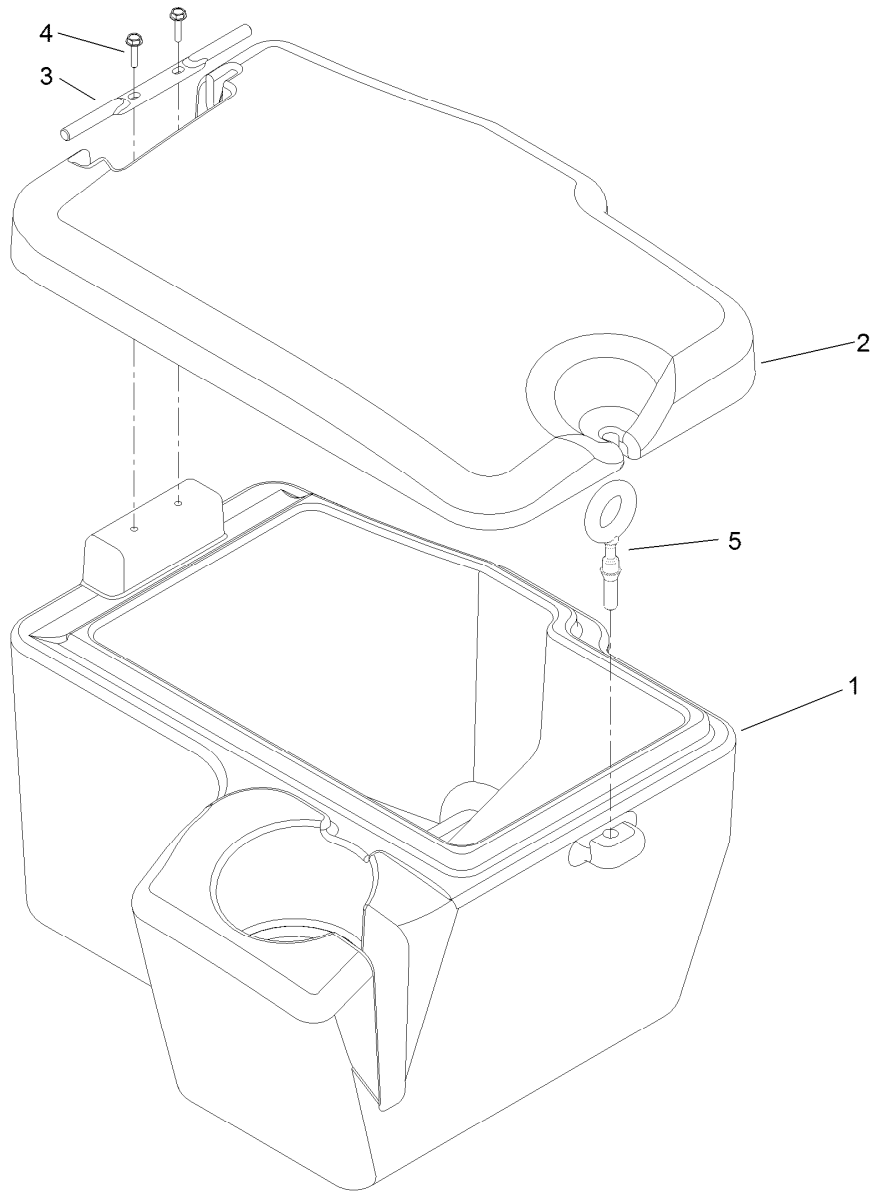
## Battery Mount Assembly

Ref.	Part Number	Qty.	Description	Ref.	Part Number	Qty.	Description
1	117-2377	1	Cable-Battery, Negative	17	110-8822	1	Block-Junction
2	121-6589	1	Cable-Battery, Positive	18	93-0231	2	Screw-PPH
3	139-1005	1	Battery Kit	19	32144-87	6	Screw-HWHTF
3:2	139-1006	1	Decal	20	3296-54	4	Nut-Lock
4	115-1794	2	Screw-HHF	21	112-3169	4	Screw-HHF, Serrated
5	3339-175	1	Strapping-Web	22	115-4356-0P	1	Mount-Fuse Blocks
6	115-9100	1	Box-Storage, Battery	28	145-5257	1	Decal-Fuse, Gm45/4700
7	115-9101	1	Box-Storage	29	136-3711	1	Decal-Service
8	115-4387-0P	1	Support-Box, Storage	30	46-8091	1	Screw-HWH
9	112-3306	2	Nut	31	3290-357	1	Nut-HSF
10	114-5502	1	Clip-Fuse	32	42863	1	Strip-Jumper
11	117-4783	2	Seal-Foam	33	117-4768-0P	1	Plate-Storage Box
13	3234-6	1	Screw-HHF	34	117-4774-0P	1	Clamp [primed]
15	99-7435	3	Relay	35	117-4775	1	Seal-Battery Box
16	42862	1	Block-Terminal, Ground				



## Battery Storage Box Assembly No. 115-9100

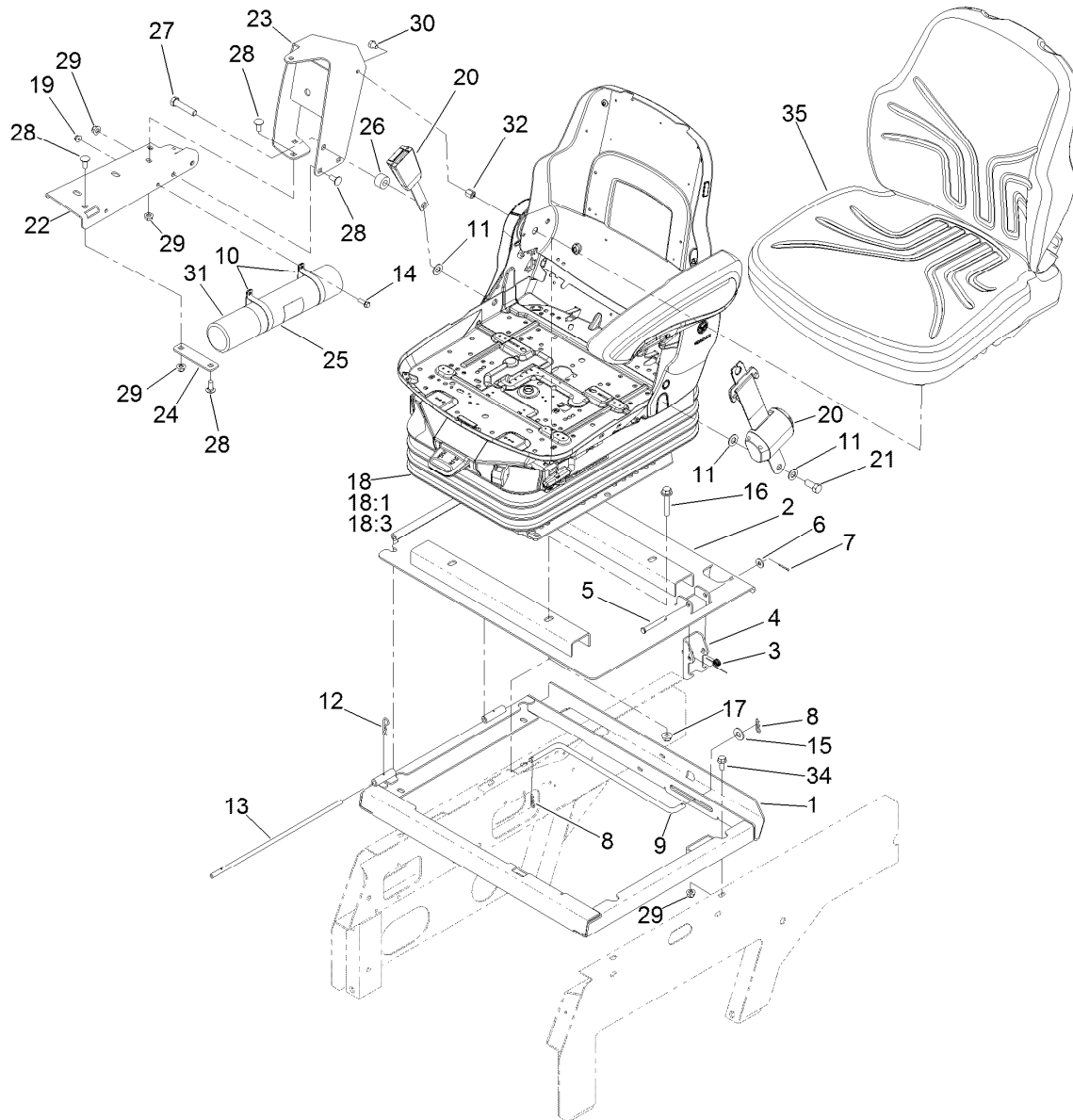
<i>Ref.</i>	<i>Part Number</i>	<i>Qty.</i>	<i>Description</i>
1	114-8124	1	Box-Storage, RH
2	115-4368	1	Cover ASM
2:2	115-4367	1	Seal-Cover
3	147-2062	1	Hinge
4	98-1375	2	Screw-HWH
5	115-4366	1	Latch-Rubber



## Storage Box Assembly No. 115-9101

<i>Ref.</i>	<i>Part Number</i>	<i>Qty.</i>	<i>Description</i>
1	114-8123	1	Box-Storage, LH
2	114-8125	1	Cover-Storage Box, LH
3	147-2062	1	Hinge
4	98-1375	2	Screw-HWH
5	115-4366	1	Latch-Rubber



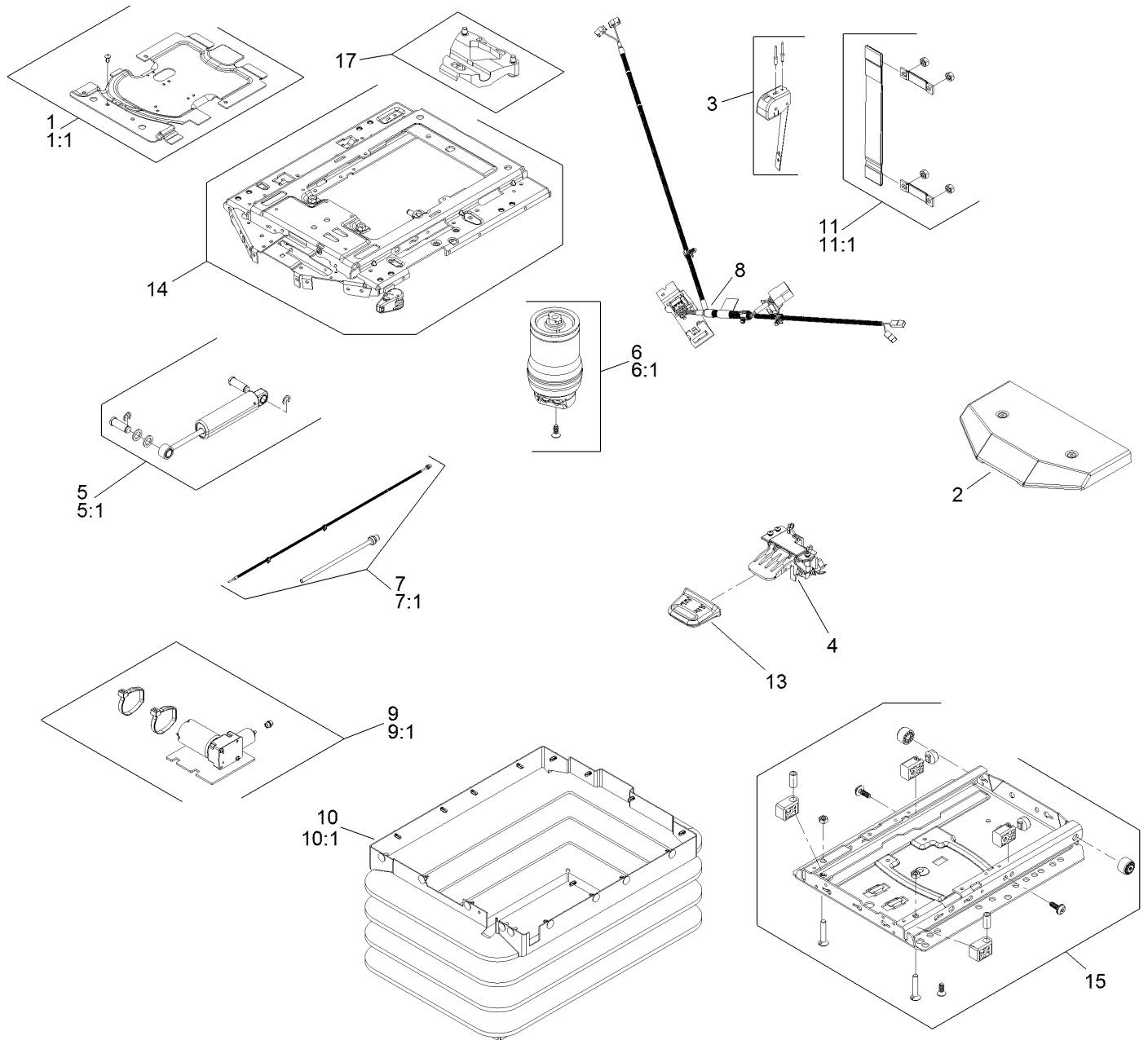


## Seat Mounting Assembly

Ref.	Part Number	Qty.	Description	Ref.	Part Number	Qty.	Description
1	115-4400-03	1	Frame-Seat	18:3	132-1304	1	Backrest Adjustment Kit
2	115-4411-03	1	Plate-Seat	19	104-7201	2	Nut-HF, NI
3	104-4821	1	Spring-Torsion	20	110-0413	1	Seatbelt-Retractable
4	115-4423-03	1	Latch-Seat Plate	21	3212-4	1	Screw-HH
5	110-0618	1	Pin-Clevis	22	119-0000-03	1	Channel-Support
6	3256-2	1	Washer-Flat	23	117-4798-03	1	Arm-Support
7	3272-6	1	Pin-Cotter	24	112-7449	1	Strap-Support
8	3290-307	4	Pin-Cotter	25	104-7050	1	Tube-Manual
9	117-4797	2	Rod-Seat Frame	26	17-7190	1	Spacer-Finger
10	107-1865	2	R-Clamp	27	3212-8	1	Screw-HH
11	3256-25	3	Washer-Flat	28	3230-23	6	Bolt-CARR
12	3290-467	1	Pin-Hair	29	104-8300	9	Nut-HF, NI
13	75-3400	1	Shaft-Pivot, Seat	30	108-8646	1	Screw-HH, Lock
14	32105-15	2	Screw-HWH	31	104-7048	1	Cap-Housing
15	3256-4	2	Washer-Flat	32	112-7405	1	Nut-Hex, Coupling
16	66-9302	4	Screw-HHF Lock	34	3234-47	4	Screw-HHF
17	104-8301	4	Nut-HF, NI	35	117-5676	1	Premium Seat ASM
18	132-1302	1	Seat And Suspension ASM	99	108-8024	1	Switch Kit ●
18:1	130-2702	1	Air Ride Seat Suspension				

● Not illustrated

# Air Ride Seat Suspension Assembly No. 130-2702

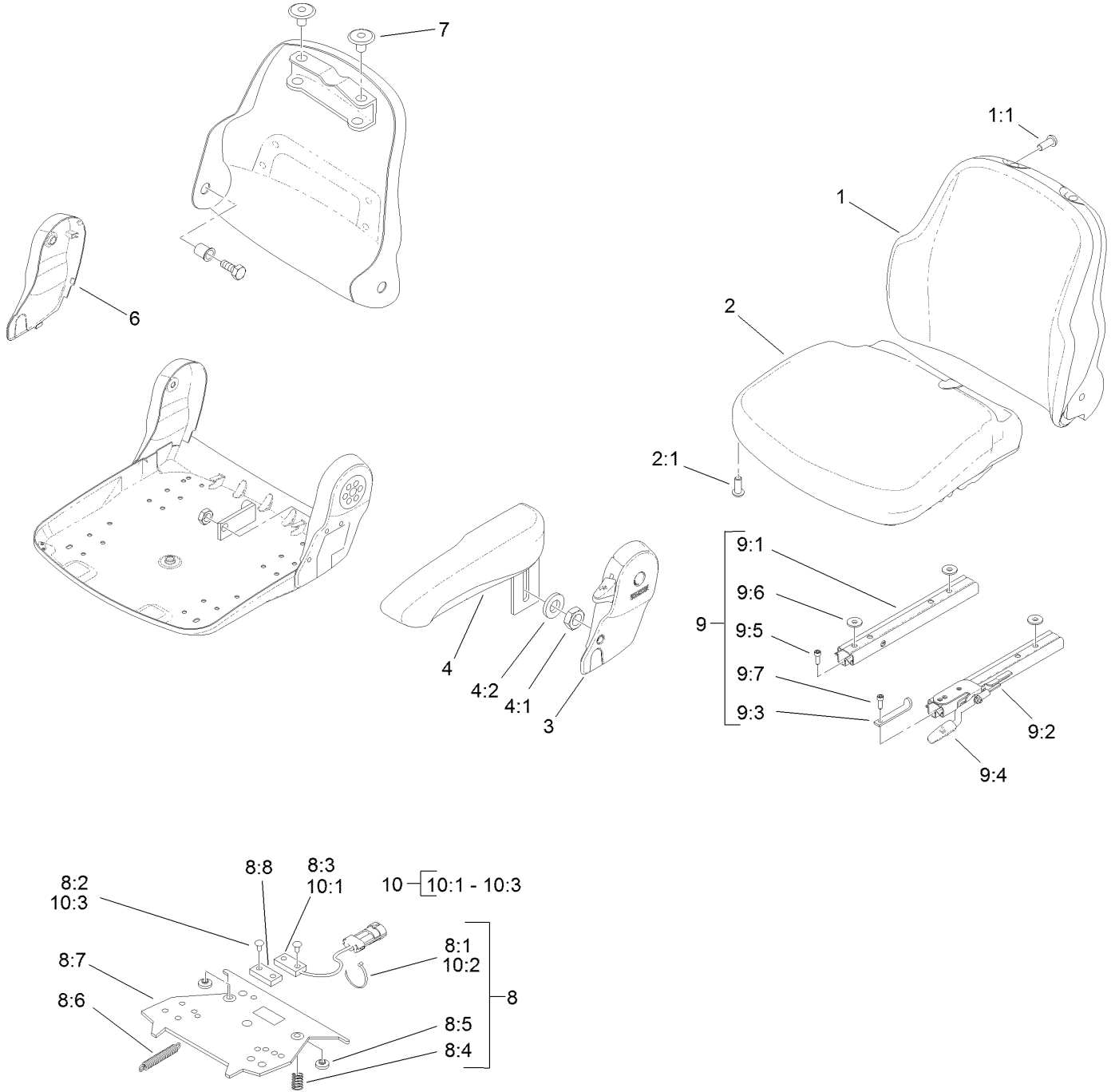


# Air Ride Seat Suspension Assembly No. 130-2702 (continued)

<i>Ref.</i>	<i>Part Number</i>	<i>Qty.</i>	<i>Description</i>	<i>Ref.</i>	<i>Part Number</i>	<i>Qty.</i>	<i>Description</i>
1	130-2709	1	Cover ASM	9	130-2719	1	Compressor
1:1	130-2710	1	Cover Kit	9:1	130-2720	1	Compressor Kit
2	108-8027	1	Cover	10	130-2721	1	Bellows ASM
3	130-2711	1	Control-Level	10:1	130-2722	1	Bellows Kit
4	108-8029	1	Valve-Control, Air	11	130-2723	1	Tether
5	130-2712	1	Shock Absorber ASM	11:1	130-2724	1	Tether Kit
5:1	130-2713	1	Shock Absorber Kit	12	130-2725	1	Wear Parts Kit ●
6	130-2714	1	Air Spring ASM	13	130-2726	1	Handle
6:1	130-2715	1	Air Spring Kit	14	130-2727	1	Upper Suspension Kit
7	130-2716	1	Air Tube ASM	15	130-2728	1	Lower Suspension Kit
7:1	130-2717	1	Air Tube Kit	16	130-2729	1	Adjuster Mounting Kit ●
8	130-2718	1	Harness-Wire	17	130-2730	1	Limiters-Thrust

● Not illustrated

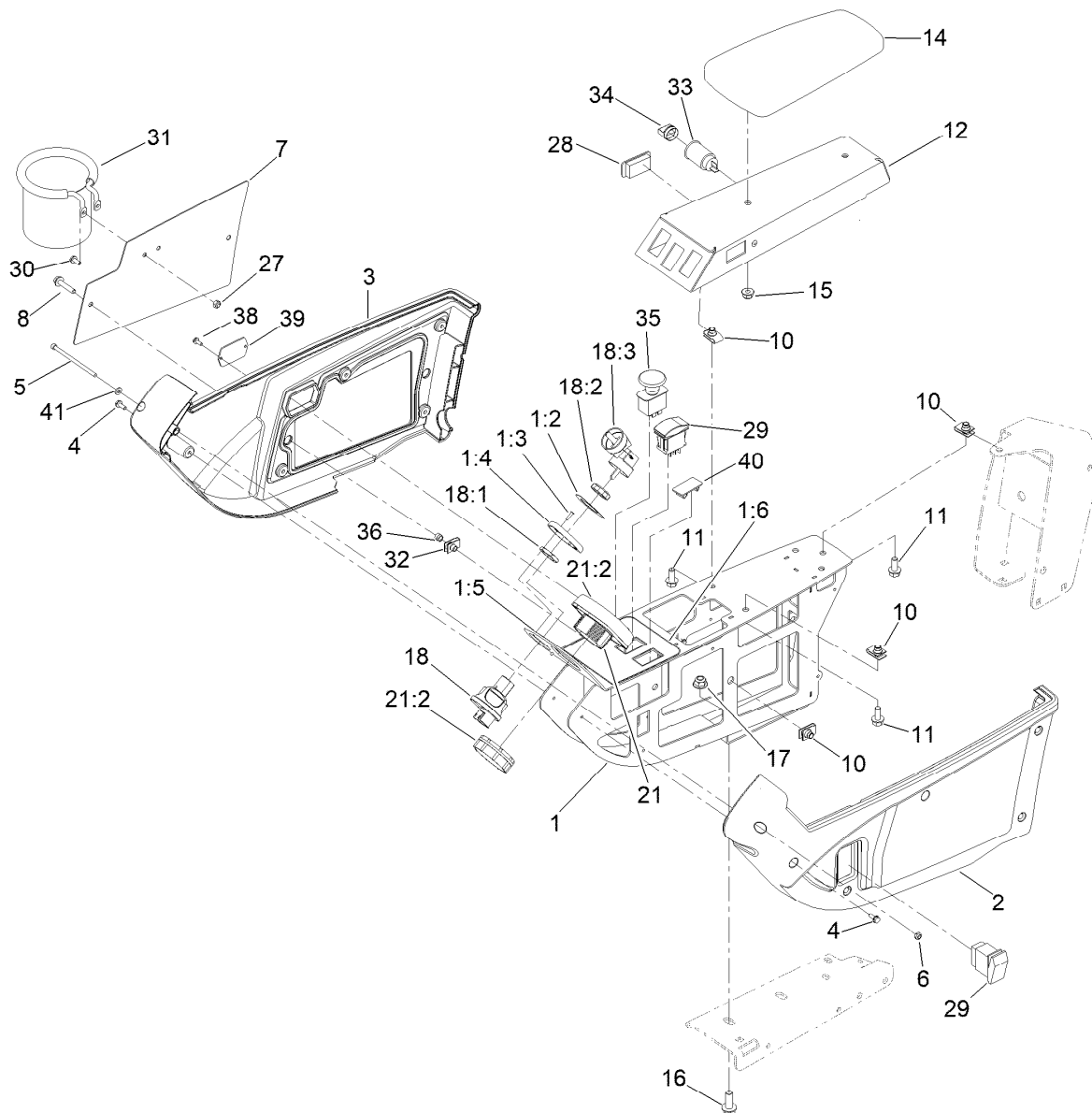
# Vinyl Premium Seat Assembly No. 117-5676



# Vinyl Premium Seat Assembly No. 117-5676 (continued)

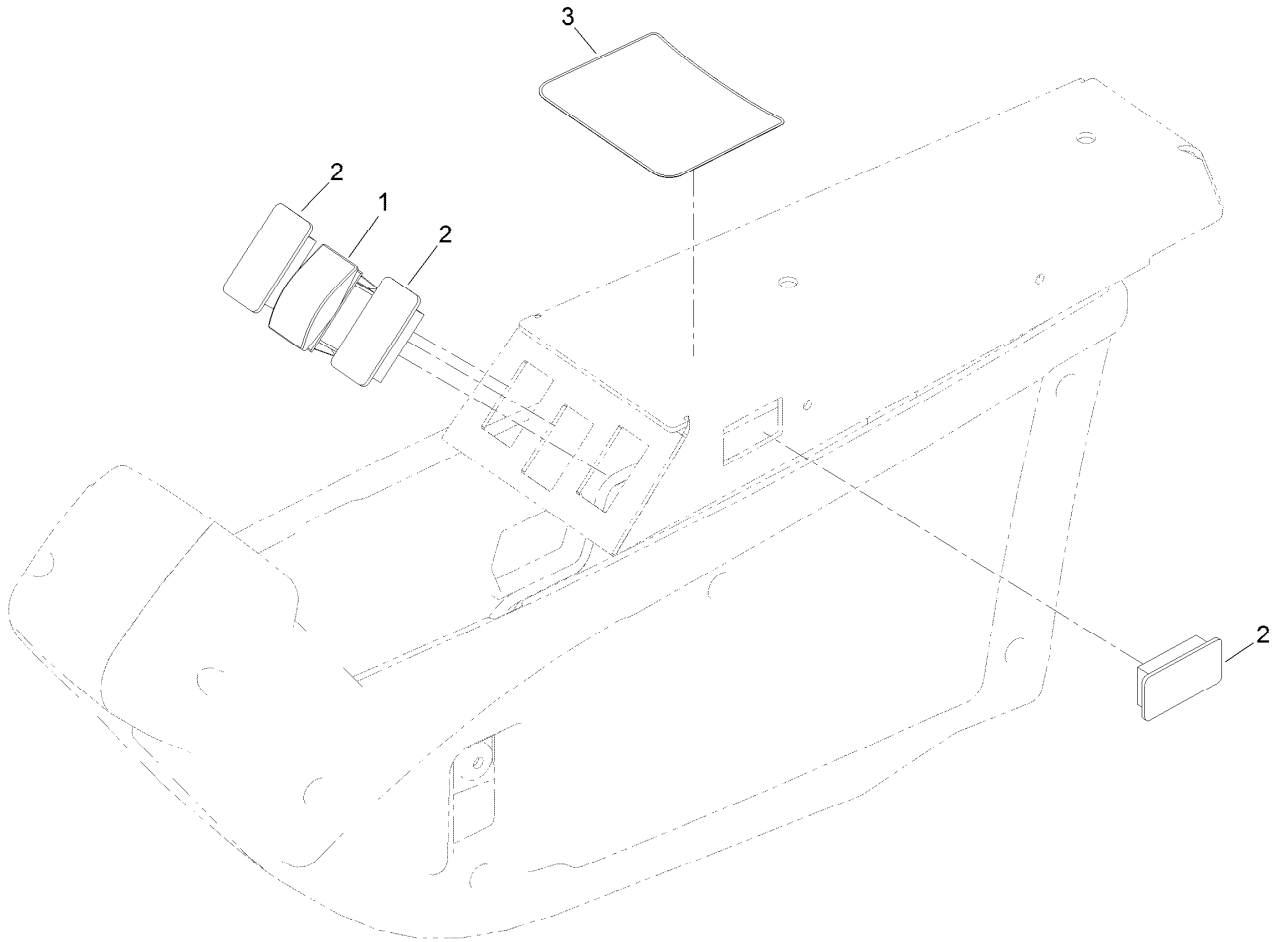
<i>Ref.</i>	<i>Part Number</i>	<i>Qty.</i>	<i>Description</i>	<i>Ref.</i>	<i>Part Number</i>	<i>Qty.</i>	<i>Description</i>
1	108-8016	1	Backrest Cushion ASM	8:6		1	Spring-Extension ●
1:1	119-7742	4	Screw-Cushion	8:7		1	Plate-Mounting ●
2	108-8017	1	Seat Cushion ASM	8:8		1	Magnet ●
2:1	119-7742	3	Screw-Cushion	9	108-8025	1	Adjustment Rail Set
3	108-8018	1	Cover-Armrest	9:1		1	Rail-Adjustment, RH ●
4	108-8019	1	LH Armrest ASM	9:2		1	Rail-Adjustment, LH ●
4:1	82-9650	1	Nut	9:3		1	Stop-Rail ●
4:2	107-1198	1	Washer	9:4		1	Handle ●
6	108-8021	1	Cover-Armrest	9:5		3	Screw ●
7	108-8022	2	Cover-Black	9:6		3	Washer ●
8	108-8024	1	Switch Kit	9:7		1	Screw ●
8:1		3	Wire Tie ●	10	110-6189	1	Switch Kit
8:2		4	Rivet ●	10:1		1	Switch ●
8:3		1	Sensor-Seat Switch ●	10:2		3	Wire Tie ●
8:4		2	Spring-Compression ●	10:3		2	Rivet ●
8:5		2	Bumper-Pressure Plate ●				

● Not serviced separately



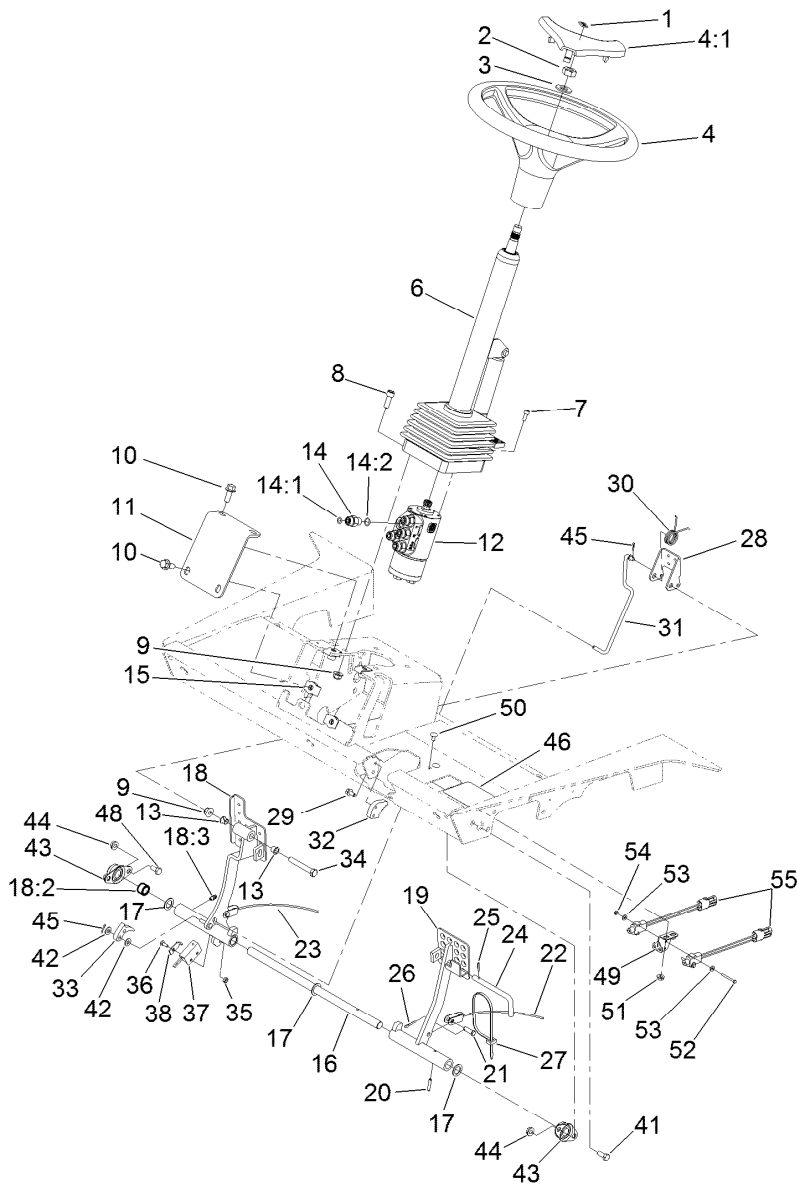
## Console Assembly

Ref.	Part Number	Qty.	Description	Ref.	Part Number	Qty.	Description
1	136-3325	1	ASM-Panel	18:1	121-5160	1	Nut-Hex
1:2	136-3185	1	Decal-Console, Lower	18:2	122-2704	1	Nut-Face, M22 (Plastic)
1:3	121-3887	1	Decal-Console, Display	18:3	121-5162	1	Set-Key, Ignition
1:4	121-3889	1	Step-Elevated, Switch	21	161-1700	1	Display-LCD
1:5	3269-17	2	Rivet-Pop	21:2	161-1723	1	Nut-Display
1:6	121-3884	1	Decal-Console, Upper	27	3296-2	2	Nut-Lock, NI
2	108-7604	1	Cover-LH	28	114-3329	1	Switch-Rocker
3	108-7605	1	Cover-RH	29	95-8999	2	Switch-Rocker, On-None-On
4	32144-112	10	Screw-HWH	30	3290-321	2	Screw-HWH
5	161-8374	1	Screw-HSH	31	161-8355	1	Cup Holder ASM
6	3296-12	1	Nut-Lock, NI	32	107069	2	Clip
7	115-8849-03	1	Plate-Cover	33	99-7411	1	Point-Power
8	3234-21	2	Screw-HHF	34	99-7416	1	Cap
10	94-2413	5	Nut-U	35	93-9999	1	Switch-PTO
11	3234-5	5	Screw-HHF	36	110-0542	2	Spacer-Flange
12	125-4646-03	1	Panel-Control	38	32144-18	2	Screw-HWH
14	108-7602	1	Rest-Arm	39	121-1630	1	Plate-Cover
15	104-8300	2	Nut-HF, NI	40	99-7420	1	Plug-Hole
16	3234-42	2	Screw-HHF	41	3256-51	1	Washer-Flat
17	104-8301	2	Nut-HF, NI				
18	121-5159	1	Switch-Ignition				



## Console, Switch, Cover and Decal Assembly

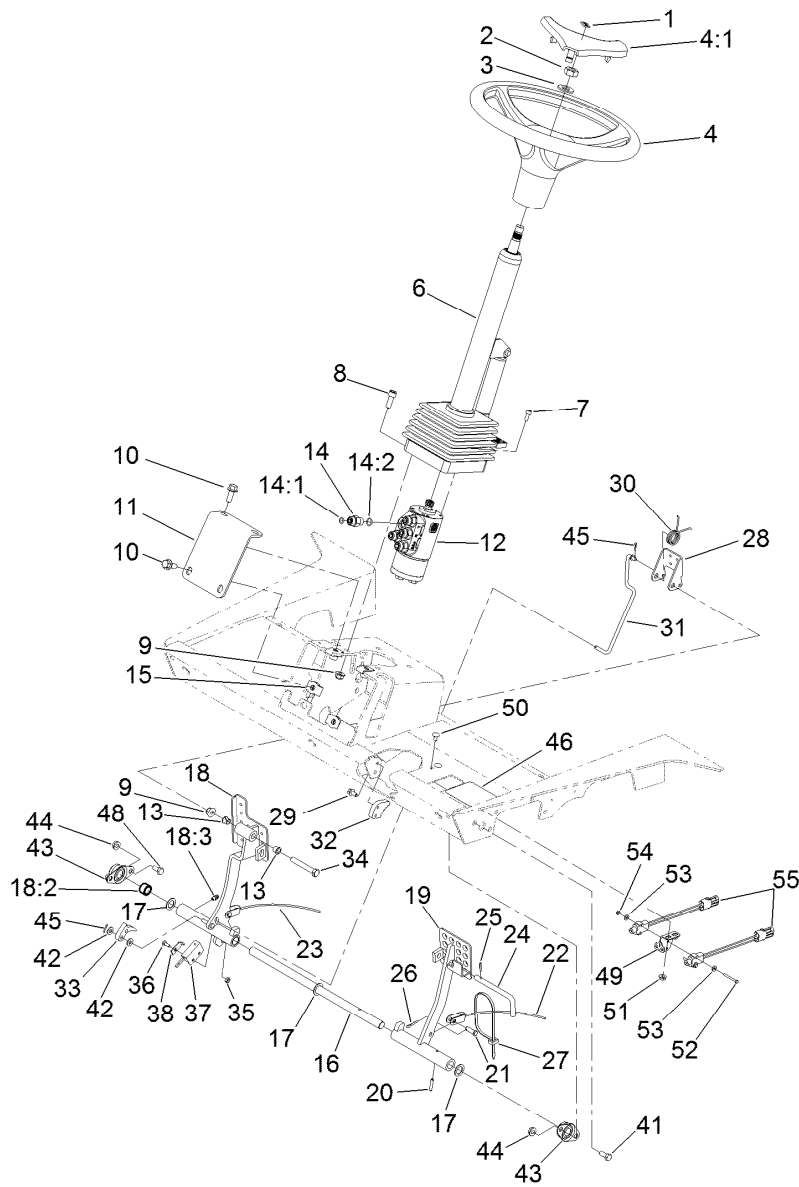
<i>Ref.</i>	<i>Part Number</i>	<i>Qty.</i>	<i>Description</i>
1	100-1535	1	Switch-Rocker, (On)-Off-(On)
2	99-7420	3	Plug-Hole
3	136-2931	1	Decal-Lift



## Steering and Brake Assembly

Ref.	Part Number	Qty.	Description	Ref.	Part Number	Qty.	Description
1	98-1459	1	Decal	18:3	302-5	1	Fitting-Grease
2	3296-33	1	Nut-Lock, NI	19	136-2887-03	1	Pedal-Brake, LH
3	3256-27	1	Washer-Flat	20	32121-16	1	Pin-Spring
4	98-1471	1	Wheel-Steering	21	283-58	2	Pin-Clevis
4:1	98-1468	1	Cover-Wheel, Steering	22	92-7530	1	Cable-Brake, LH
6	106-3622	1	Steering Tilt Column ASM	23	92-7529	1	Cable-Brake, RH
7	105-2409	4	Screw-HSH	24	63-7880	1	Pin-Latch, Brake
8	3274-7	4	Screw-HSH	25	32121-50	1	Pin-Spring
9	104-8301	5	Nut-HF, NI	26	3272-10	2	Pin-Cotter
10	3234-11	4	Screw-HHF	27	3290-378	1	Tie-Cable
11	115-4379-0P	1	Brace-Column	28	99-7963-03	1	Pedal-Park
12	114-8119	1	Steering Valve ASM	29	3234-13	2	Screw-HHF
13	52-2891	2	Bushing-Flanged, Nylon	30	99-7140	1	Spring-Torsion
14	340-2	5	Fitting-Straight	31	115-4417	1	Rod-Brake Pawl
14:1	237-22	1	O-Ring	32	119-0002	1	Pawl-Brake
14:2	237-42	1	O-Ring	33	120-1691	1	Detent-Brake
15	105-4886	4	Nut-Tinnerman	34	323-12	1	Screw-HH
16	75-1470	1	Pin-Pivot, Brake	35	3296-2	1	Nut-Lock, NI
17	3256-69	3	Washer-Flat	36	3229-34	1	Screw-CARR
18	136-2889	1	Pedal-Brake, RH	37	100-1270	1	Switch-Proximity
18:2	256-42	2	Bushing	38	100-4872	1	Plate-Switch, Neutral





## Steering and Brake Assembly (continued)

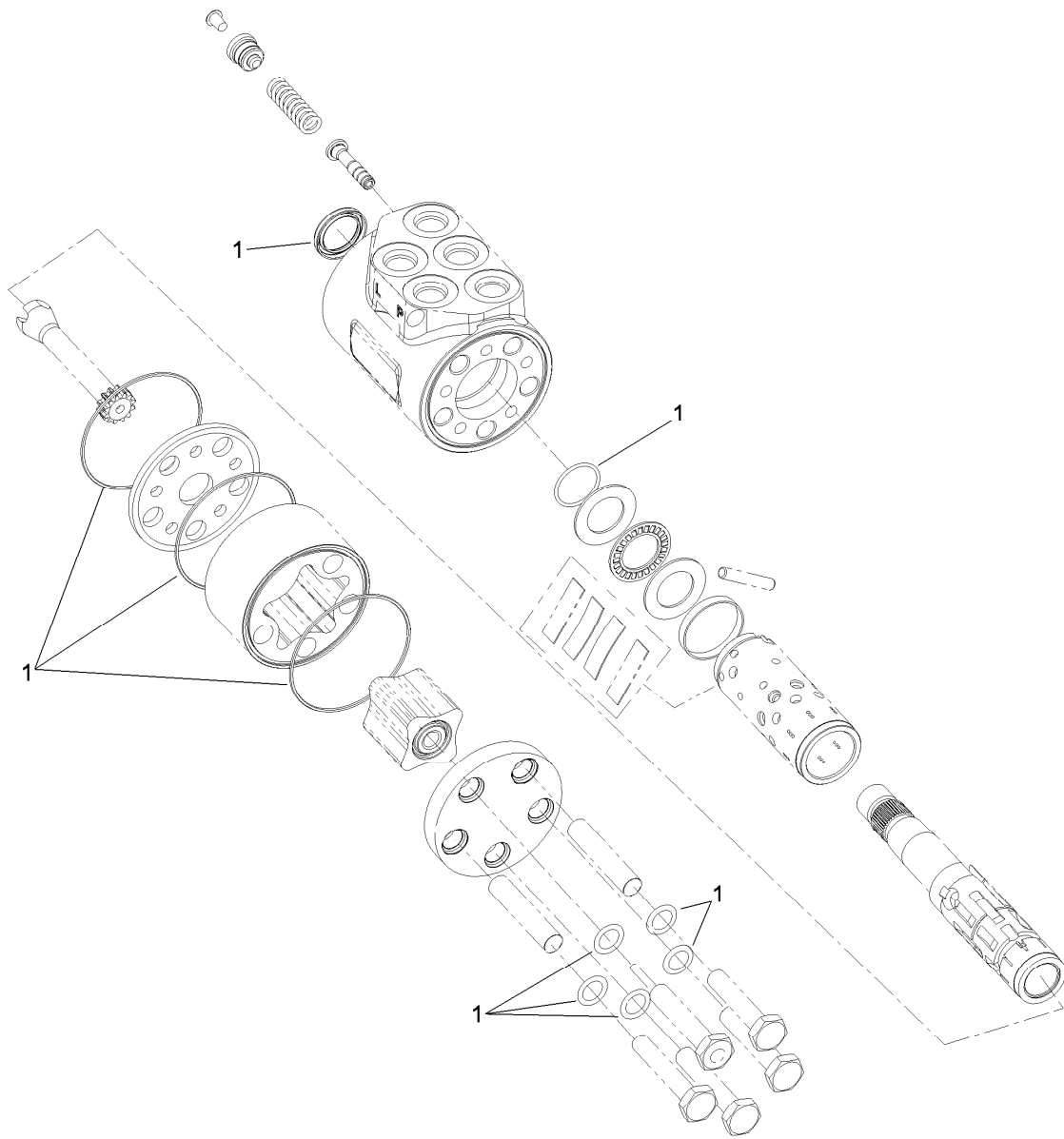
<i>Ref.</i>	<i>Part Number</i>	<i>Qty.</i>	<i>Description</i>	<i>Ref.</i>	<i>Part Number</i>	<i>Qty.</i>	<i>Description</i>
41	322-3	1	Screw-HH	49	131-7842	1	Plate-Bent, Bracket
42	3256-22	3	Washer-Flat	50	116-5611	2	Bolt-Carriage
43	256-236	2	Bearing-Mount, Flange	51	32128-33	2	Nut-HF
44	32128-20	3	Nut-HF	52	32105-21	2	Screw-HH
45	3272-5	3	Pin-Cotter	53	3256-21	4	Washer-Flat
46	117-4763	1	Decal-Brake	54	3296-9	2	Nut-Hex
48	322-2	2	Screw-HH	55	99-3410	2	Switch



## Steering Tilt Column Assembly No. 106-3622

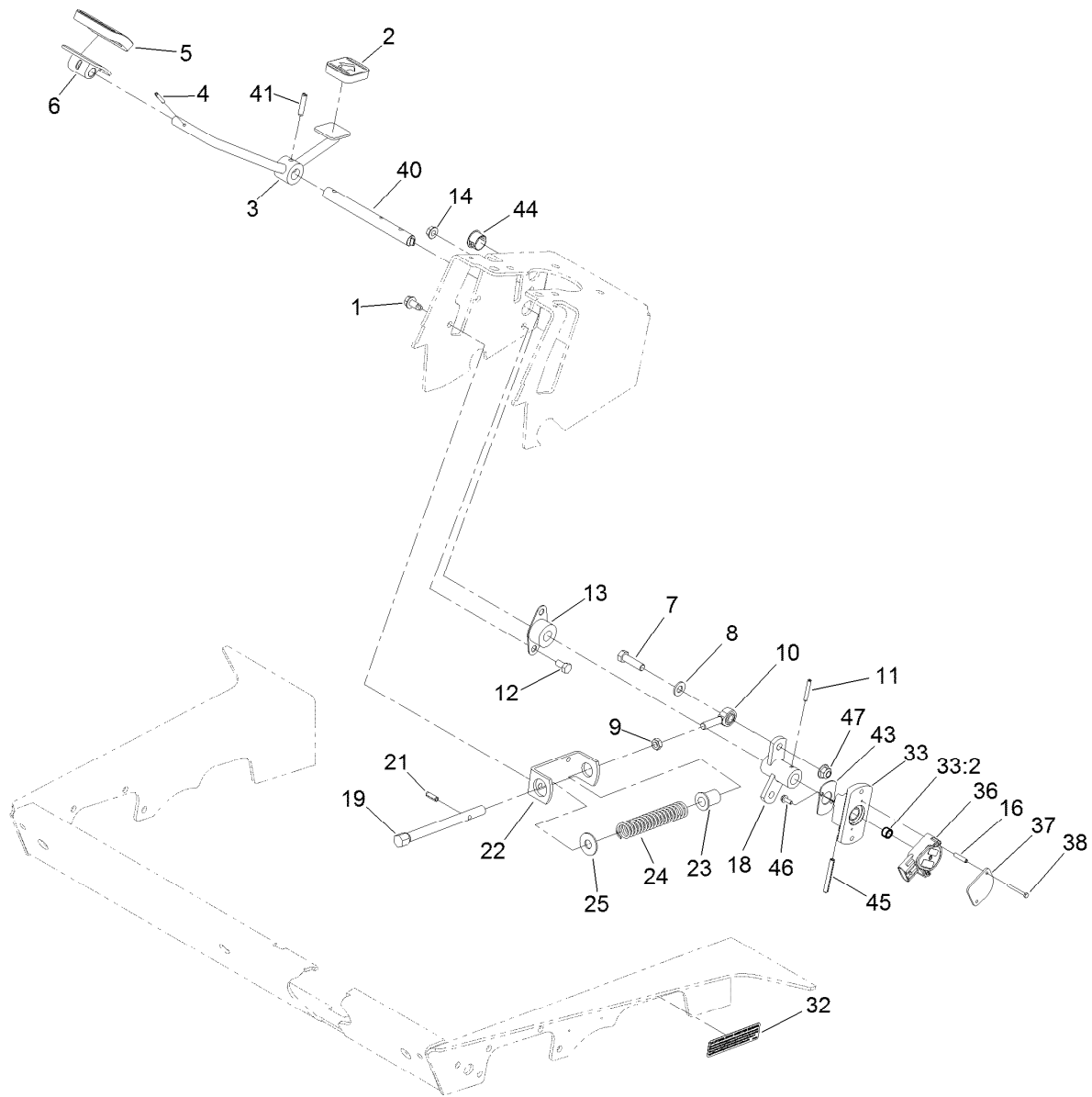
Ref.	Part Number	Qty.	Description
1	110-6462	1	Bellows-Rubber
2	110-6463	1	Cylinder Service Kit
2:1		1	Cylinder-Gas ●
2:2		1	Block-Pedal ●
2:3		2	Bolt ●
2:4		1	Pin ●
2:5		2	Washer-Lock ●
3	110-6464	1	Pedal Service Kit
3:1		1	Pedal ●
3:2		1	Pin ●
3:3		1	Spring ●
4	110-6465	1	Cover-Pedal
5	120-6256	1	Universal Joint Kit

● Not serviced separately



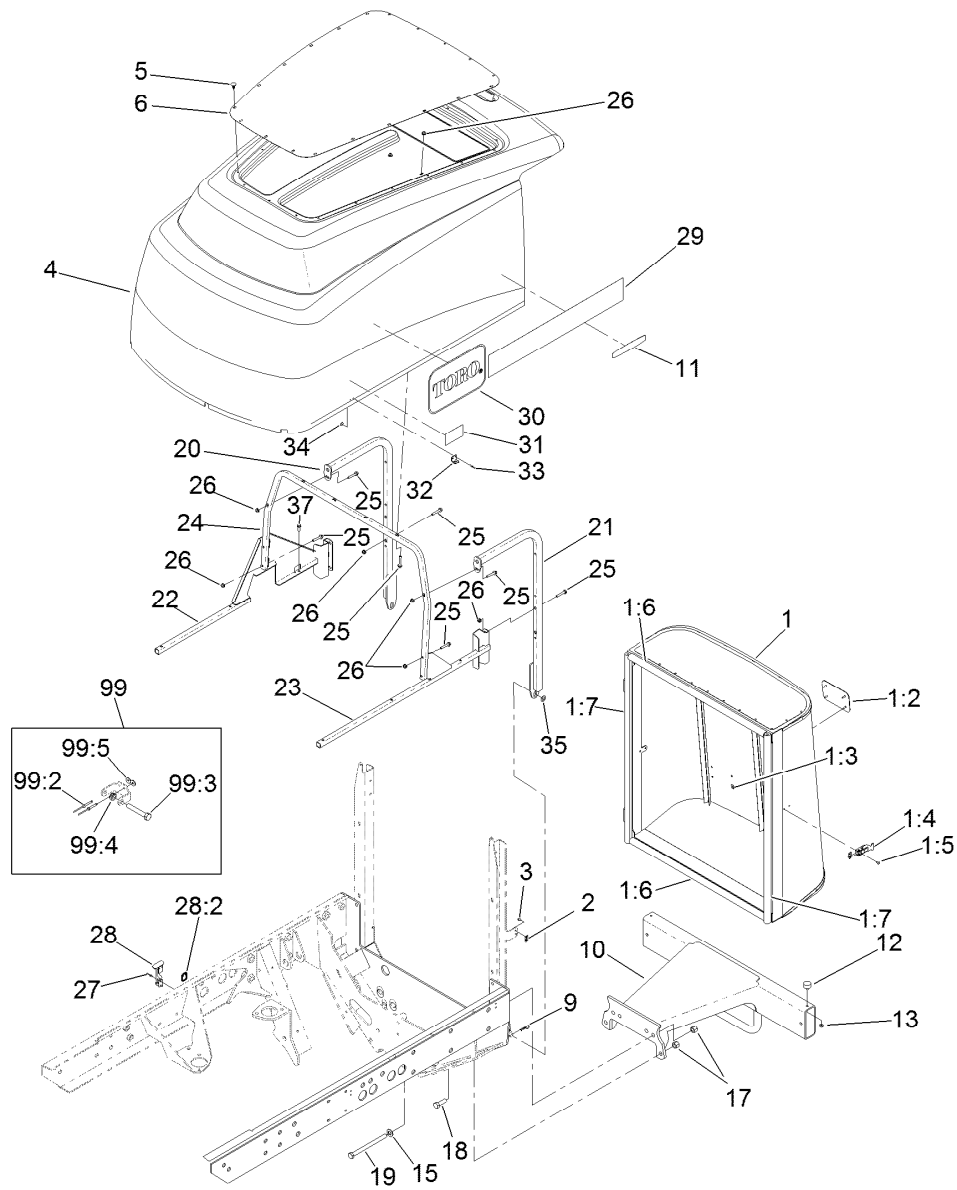
## Steering Valve Assembly No. 114-8119

<i>Ref.</i>	<i>Part Number</i>	<i>Qty.</i>	<i>Description</i>
1	106-6716	1	Seal Kit



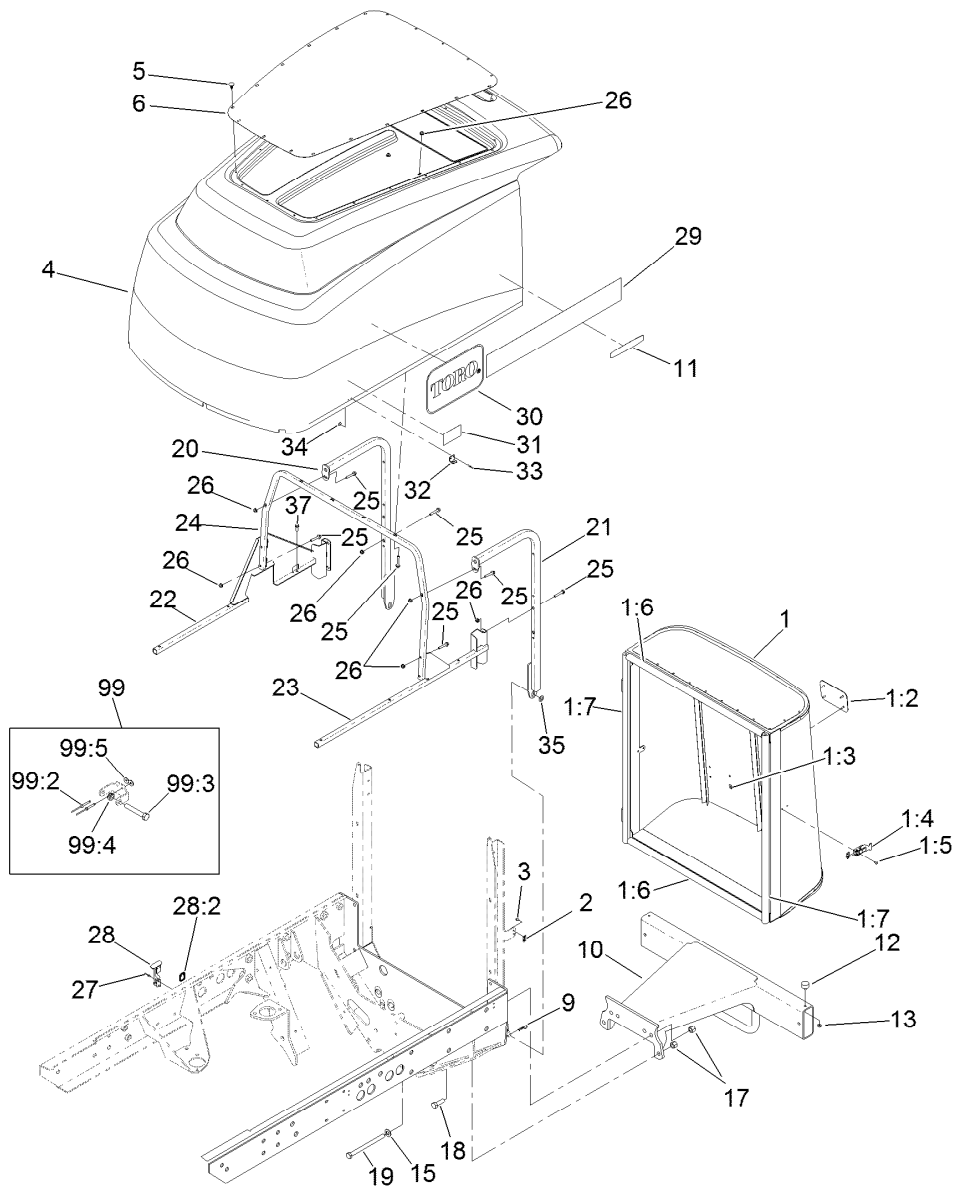
## Pedal Assembly

Ref.	Part Number	Qty.	Description	Ref.	Part Number	Qty.	Description
1	32104-32	2	Screw-HWH	22	92-7608-03	1	Bracket-Spring
2	74-9110	1	Pad-Pedal, Reverse	23	92-7610	1	Retainer-Spring
3	120-8095	1	Pedal	24	84-9100	1	Spring
4	32121-45	1	Pin-Spring	25	3256-5	1	Washer-Flat
5	74-9100	1	Pad-Pedal, Forward	32	133-8062	1	Decal-Spark Arrestor
6	117-9507	1	Pedal-Accelerator	33	120-8038	1	Hub ASM
7	323-29	1	Screw-HH	33:2	95-7497	1	Bushing-Wheel
8	3256-24	1	Washer-Plain	36	114-5609	1	Sensor-Position
9	3220-3	1	Nut-HJ	37	114-5595	1	Plate-Capture
10	2411-36	1	Bearing-End, Rod	38	32105-21	2	Screw-HH
11	32121-6	1	Pin-Roll, Slotted	40	120-8091	1	Shaft-Pivot, Traction
12	322-2	4	Screw-HH	41	32121-69	1	Pin-Roll
13	256-236	1	Bearing-Mount, Flange	43	120-8089	1	Plate-Cover, Sensor
14	32128-20	2	Nut-HF	44	121-3099	1	Plug-Panel, Plastic
16	114-5608	2	Spacer-Standoff	45	32121-78	1	Pin-Roll
18	120-8088-0P	1	Hub-Traction Pedal Pivot	46	3290-321	2	Screw-HWH
19	115-4383	1	Shaft-Spring	47	104-8301	1	Nut-HF, NI
21	32121-11	1	Pin-Roll				



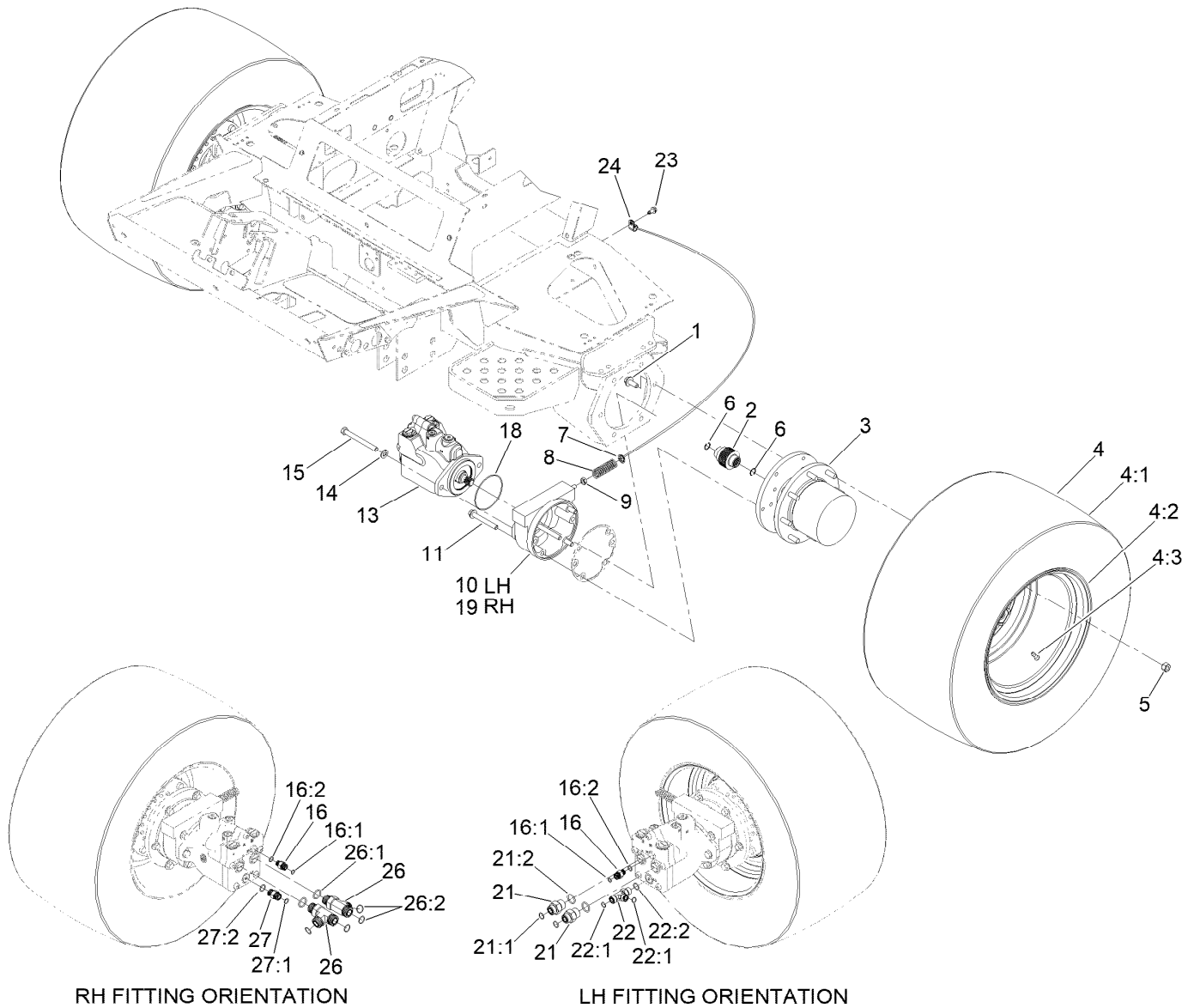
## Hood Assembly

Ref.	Part Number	Qty.	Description	Ref.	Part Number	Qty.	Description
1	115-4362	1	Screen ASM	20	114-8108-03	1	Tube-RH
1:2	93-6028	1	Plate-Logo	21	114-8109-03	1	Tube-LH
1:3	138-6996	4	Nut-Push	22	121-3136-0P	1	Tube ASM R.H. [primed]
1:4	114-8117	1	Latch-Adjustable	23	114-8102-0P	1	Tube ASM
1:5	3269-3	2	Rivet-Pop	24	121-3133-0P	1	Tube-Hood Frame
1:6	115-4358	2	Seal-Bulb	25	94-5781	25	Screw-HHF
1:7	115-4359	2	Seal-Bulb	26	104-7201	26	Nut-HF, NI
2	115-4357	1	Latch-Keeper	27	3290-55	4	Rivet-Pop
3	3269-3	2	Rivet-Pop	28	59-9740	2	Flex Draw Latch ASM
4	125-4576	1	Hood ASM	28:2	249-40	1	Keeper
5	117-2382	20	Plug-Plastic	29	105-9877	2	Decal
6	114-4192-03	1	Screen-Hood	30	139-6028	2	Decal-Logo, Toro
9	3290-467	2	Pin-Hair	31	106-6754	2	Decal-Danger
10	120-8020-03	1	Bumper-Rear	32	249-40	2	Keeper
11	121-1594	2	Decal-Smart Power	33	3269-17	4	Rivet-Pop
12	240-14	2	Bumper-Rubber	34	3269-10	4	Washer-Back
13	32128-33	2	Nut-HF	35	98-1629	2	Washer
15	3256-26	2	Washer-Flat	37	115-5103	1	Screw-HHF
17	3296-23	4	Nut-Lock, NI	99	119-2004	1	CE Latch Kit
18	325-6	2	Screw-HH	99:2	107-0333	2	Rivet-Pop
19	325-23	2	Screw-HH	99:3	322-10	1	Screw-HH



## Hood Assembly (continued)

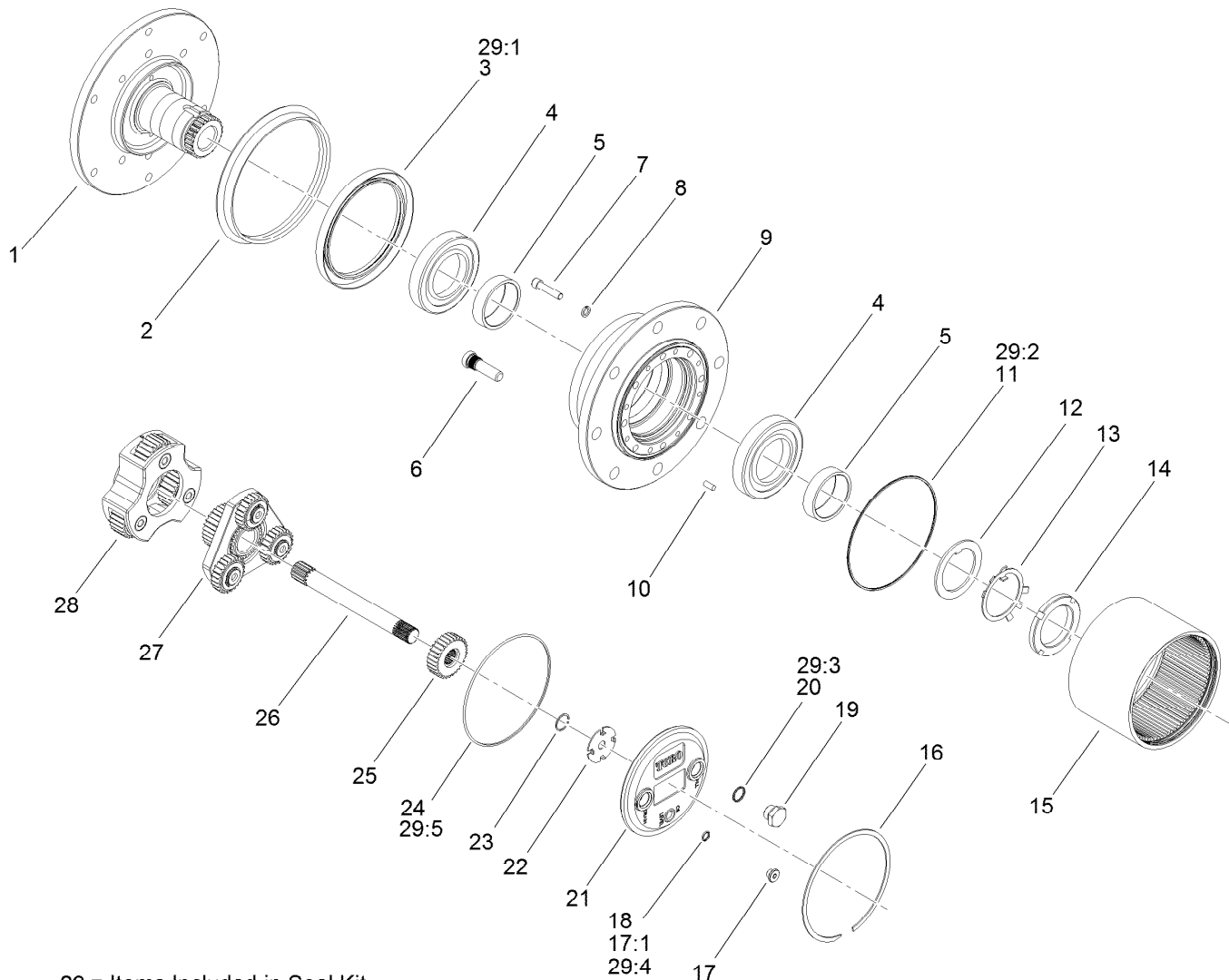
<i>Ref.</i>	<i>Part Number</i>	<i>Qty.</i>	<i>Description</i>
99:4	3296-47	1	Nut-Lock,NI
99:5	3269-10	2	Washer-Back



## Front Wheel Drive Assembly

Ref.	Part Number	Qty.	Description	Ref.	Part Number	Qty.	Description
1	33106-030	12	Screw-HHF	16:1	237-22	1	O-Ring
2	100-3046	2	Shaft-Brake, Splined	16:2	237-42	1	O-Ring
3	136-2913	2	Planetary ASM	18	237-166	2	O-Ring
4		2	Tire And Wheel ASM ●	19	100-3069	1	RH Brake ASM
4:1	119-0023	1	Tire	21	340-8	2	Fitting-Straight
4:2	119-0024	1	Wheel	21:1	237-65	1	O-Ring
4:3	232-24	1	Stem-Valve	21:2	237-81	1	O-Ring
5	92-7483	16	Nut-Lug	22	340-109	1	Fitting-Tee
6	93-7972	4	Ring-Retaining, Internal	22:1	237-79	1	O-Ring
7	94-3050	2	Plate-Spring	22:2	237-30	2	O-Ring
8	94-3088	2	Spring-Compression	23	32104-32	2	Screw-HWH
9	3218-4	2	Nut-Jam	24	2412-93	2	Clamp-R
10	100-3070	1	LH Brake ASM	26	340-148	2	Fitting-Tee
11	33106-080	8	Screw-HHF	26:1	237-81	1	O-Ring
13	136-2939	2	Motor-Piston, Front	26:2	237-58	2	O-Ring
14	106-9888	4	Washer-Flat	27	340-4	1	Fitting-Straight
15	33116-110	4	Screw-HH	27:1	237-30	1	O-Ring
16	340-2	2	Fitting-Straight	27:2	237-79	1	O-Ring

● Not serviced separately



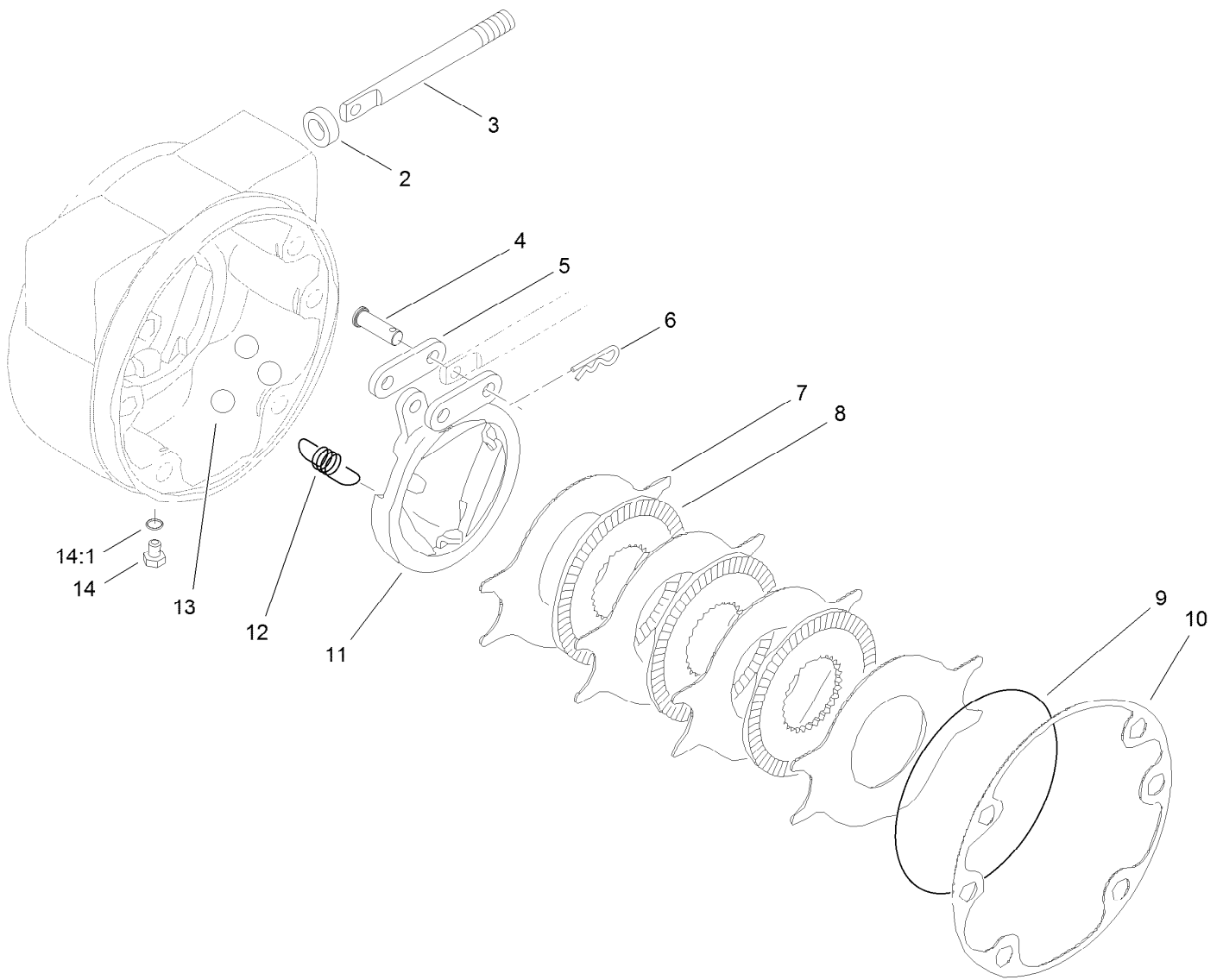
29 = Items Included in Seal Kit

## Planetary Assembly No. 136-2913

Ref.	Part Number	Qty.	Description	Ref.	Part Number	Qty.	Description
1		1	Spindle ●	18	237-78	1	O-Ring
2	138-1204	1	Seal-Boot	19	138-1211	2	Plug-Flange, Magnetic
3		1	Seal-Lip ●	20	138-1212	2	O-Ring
4	138-1205	2	Bearing-Cup	21	138-1213	1	Cap-End
5	138-1206	2	Bearing-Cone	22	138-1214	1	Washer-Thrust, Sun
6	105-8124	8	Stud-Wheel	23	105-8131	2	Ring-Retaining
7	138-1207	8	Screw-Socket Head	24		1	O-Ring ●
8	138-1208	8	Washer-Lock	25	138-1215	1	Gear-Primary, Sun
9		1	Housing ●	26	138-1216	1	Shaft-Drive
10	105-8121	4	Pin-Dowel	27	138-1217	1	Primary Carrier ASM
11		1	O-Ring ●	28	138-1218	1	Secondary Carrier ASM
12	138-6928	1	Spacer	29	138-1219	1	Seal Kit
13	138-6929	1	Washer	29:1		1	Seal-Lip ●
14	138-6930	1	Nut-Lock	29:2		1	O-Ring ●
15	138-1209	1	Gear-Ring	29:3		1	O-Ring ●
16	138-1210	1	Ring-Snap	29:4		1	O-Ring ●
17	353-990	1	Plug ASM	29:5		1	O-Ring ●
17:1	237-78	1	O-Ring				

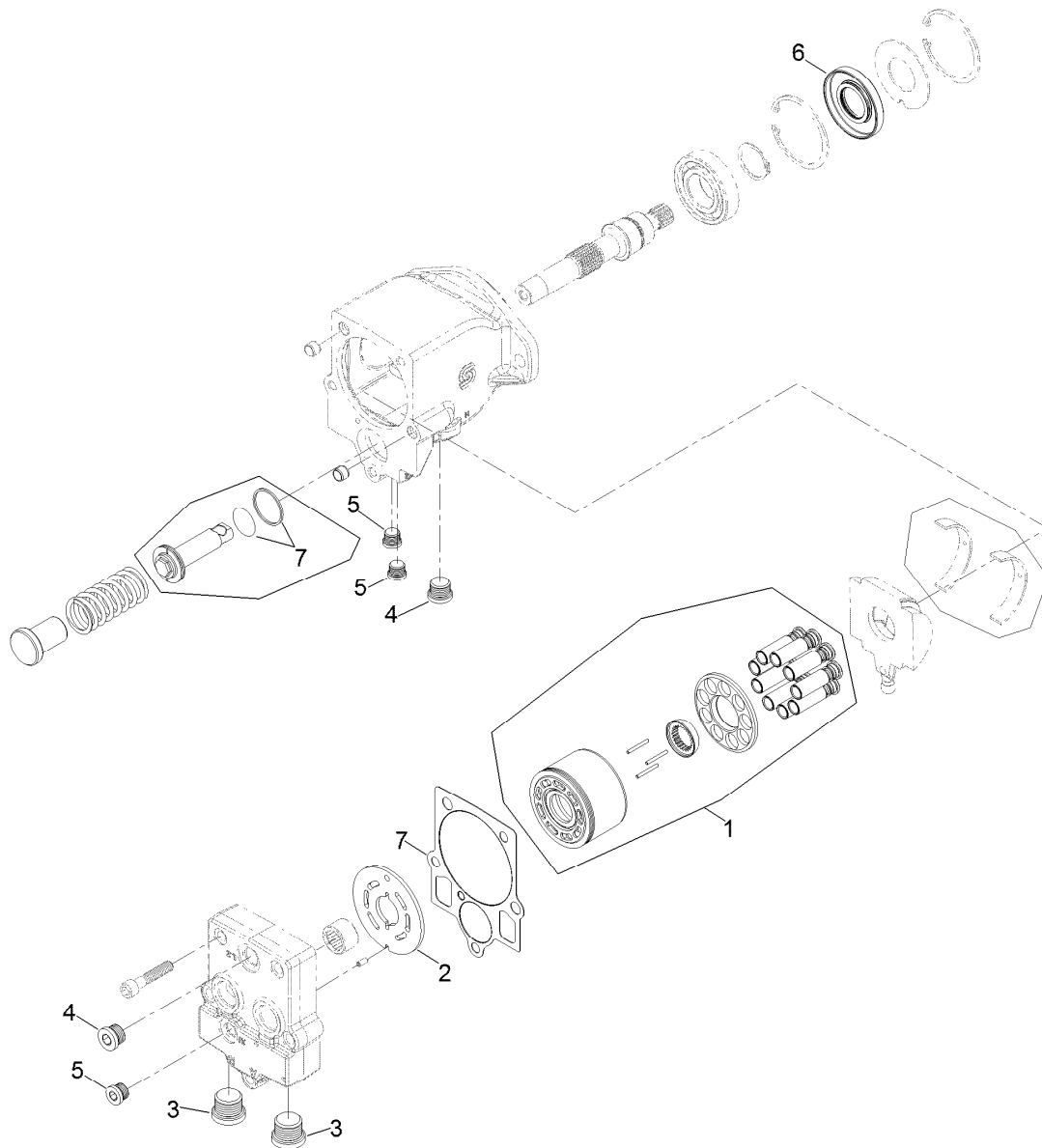
● Not serviced separately





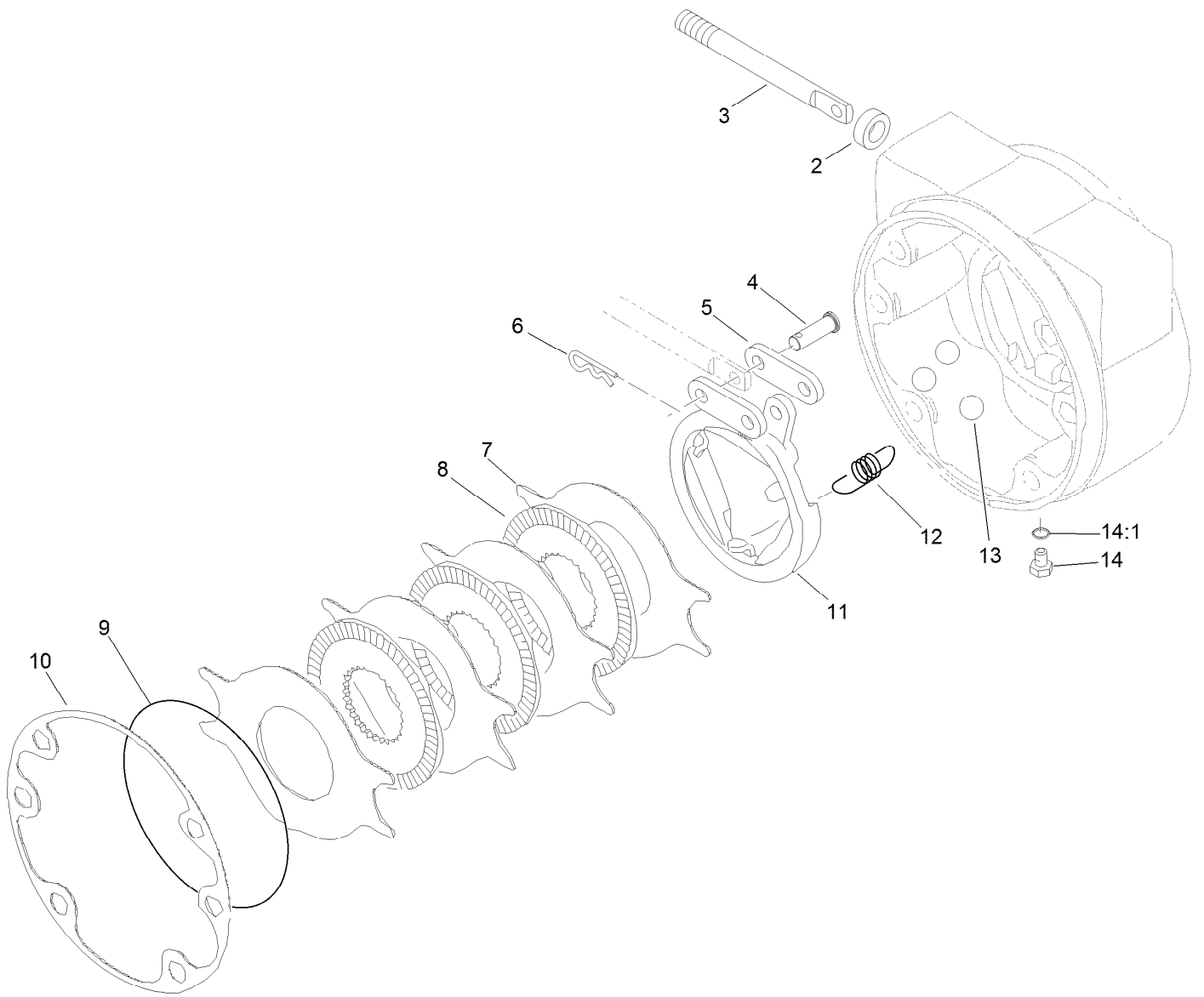
## LH Brake Assembly No. 100-3070

<i>Ref.</i>	<i>Part Number</i>	<i>Qty.</i>	<i>Description</i>
2	93-7977	1	Seal
3	93-7978	1	Rod-Pull
4	93-7983	2	Pin-Clevis
5	93-7980	2	Link
6	93-7979	2	Pin-Hitch
7	93-7986	4	Disc-Stationary
8	104-4278	3	Disc-Rotating
9	93-7976	1	Ring-Retaining
10	93-7984	1	Gasket
11	104-4279	1	Actuator-Rotating
12	93-7987	3	Spring-Extension
13	93-7985	3	Ball
14	353-990	2	Plug ASM
14:1	237-78	1	O-Ring



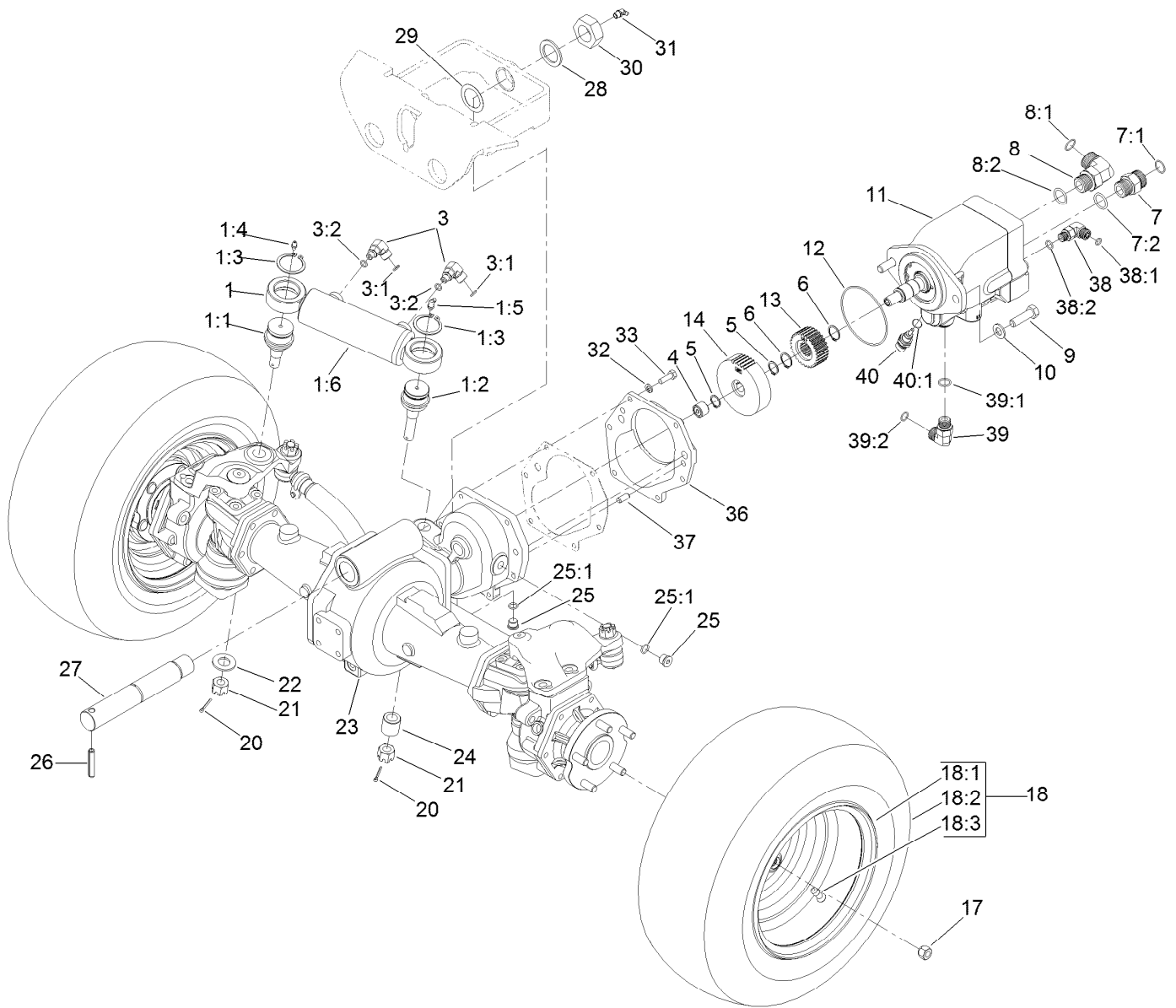
## Piston Motor Assembly No. 136-2939

<i>Ref.</i>	<i>Part Number</i>	<i>Qty.</i>	<i>Description</i>
1	121-1735	1	Cylinder Block Kit
2	121-1734	1	Plate-Valve
3	69-3130	2	Plug
4	67-9090	2	Plug
5	69-3080	3	Plug
6	127-6214	1	Seal-Lip
7	138-7823	1	Overhaul Seal Kit



## RH Brake Assembly No. 100-3069

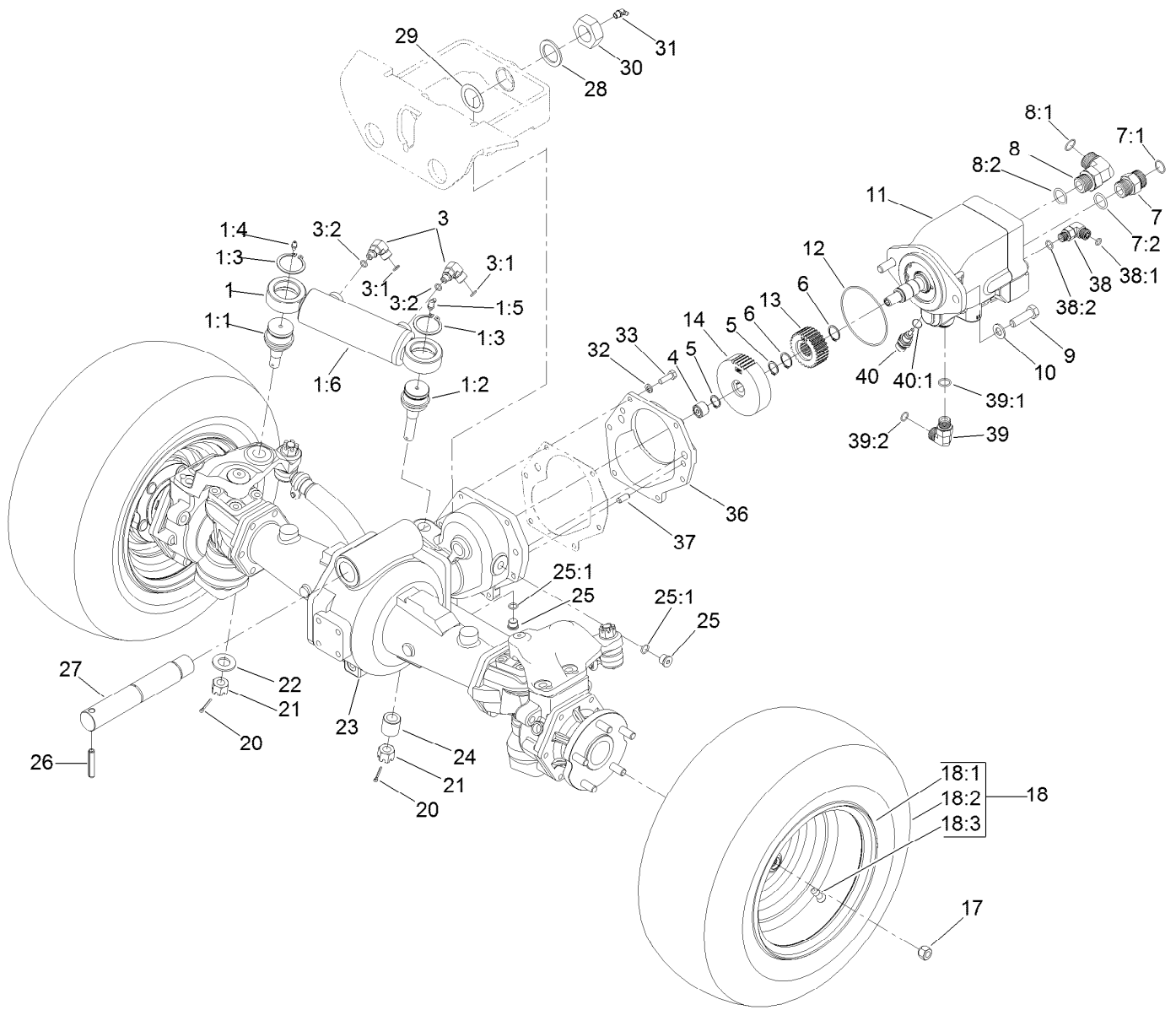
Ref.	Part Number	Qty.	Description
2	93-7977	1	Seal
3	93-7978	1	Rod-Pull
4	93-7983	2	Pin-Clevis
5	93-7980	2	Link
6	93-7979	2	Pin-Hitch
7	93-7986	4	Disc-Stationary
8	104-4278	3	Disc-Rotating
9	93-7976	1	Ring-Retaining
10	93-7984	1	Gasket
11	104-4280	1	Actuator-Rotating
12	93-7987	3	Spring-Extension
13	93-7985	3	Ball
14	353-990	2	Plug ASM
14:1	237-78	1	O-Ring



## Rear Axle Assembly

Ref.	Part Number	Qty.	Description	Ref.	Part Number	Qty.	Description
1	105-9861	1	Steering Cylinder ASM	8:1	237-58	1	O-Ring
1:1	106-6774	1	Joint-Ball	8:2	237-81	1	O-Ring
1:2	100-3795	1	Joint-Ball	9	325-7	2	Screw-HH
1:3	32151-104	2	Ring-Retaining, External	10	106-9888	2	Washer-Flat
1:4	302-5	1	Fitting-Grease	11	136-2938	1	Motor-Piston, Rear
1:5	302-60	1	Fitting-Grease	12	237-166	1	O-Ring
1:6	127-6431	1	Hydraulic Steer Cylinder ASM	13	104-5663	1	Pinion-28T
3	340-97	2	Fitting-Elbow, 90 DEG	14	104-5664	1	Gear-44T
3:1	237-22	1	O-Ring	17	93-5268	10	Nut-Lug
3:2	237-78	1	O-Ring	18		2	Rim And Tire ASM ●
4	74-5700	1	Bearing-Needle, Roller	18:1	115-1573	1	Rim
5	32120-15	2	Ring-Snap, EXT	18:2	115-1572	1	Tire
6	32120-76	2	Ring-Snap, EXT	18:3	232-27	1	Stem-Valve
7	340-9	1	Fitting-STR	20	3272-12	2	Pin-Cotter
7:1	237-58	1	O-Ring	21	32136-14	2	Nut-Hst
7:2	237-81	1	O-Ring	22	92-5836	1	Washer
8	340-142	1	Fitting-Elbow, 90 DEG	23	110-4750	1	Drive Axle ASM
				24	100-3796	1	Spacer-Joint, Ball

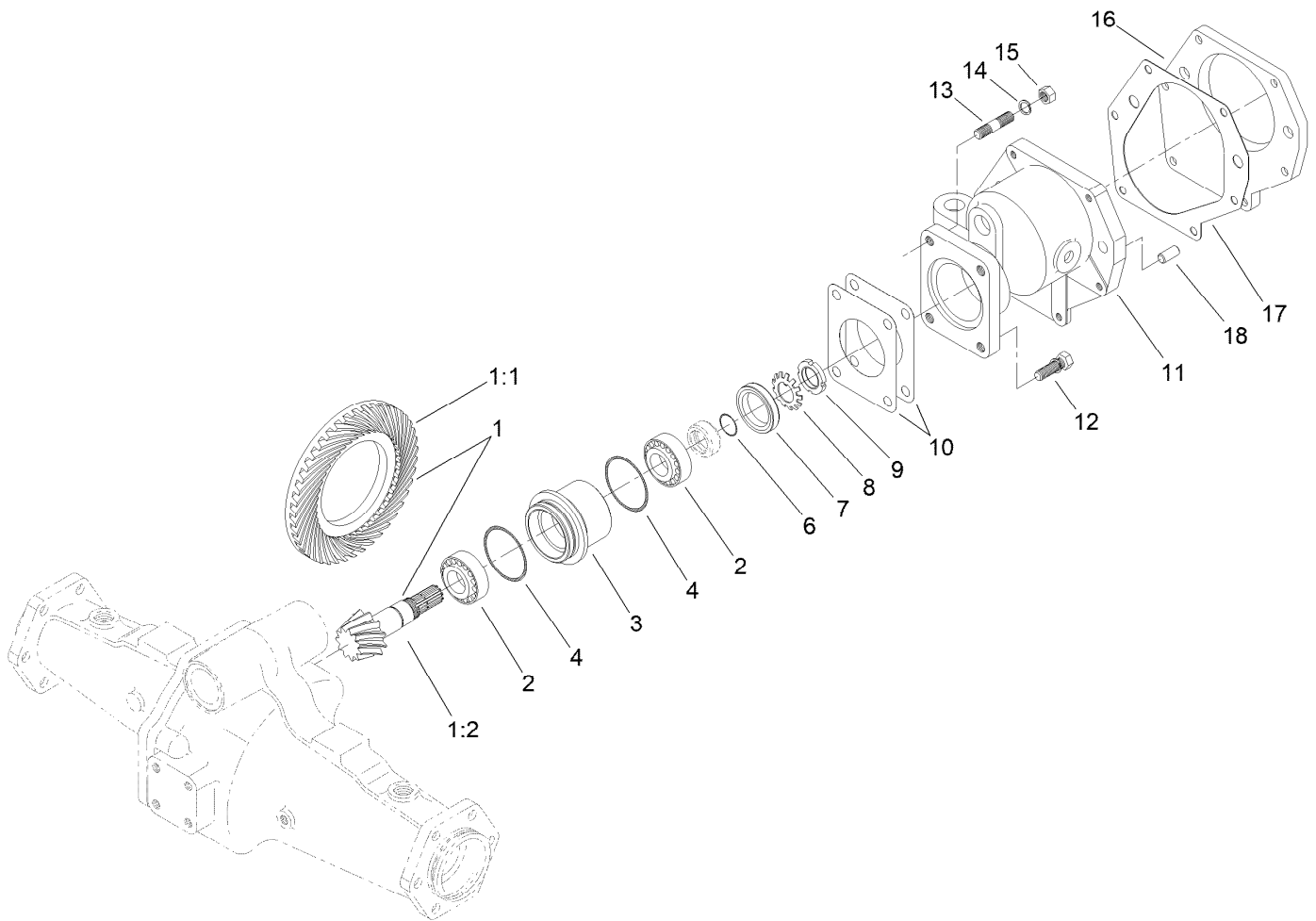
● Not serviced separately



## Rear Axle Assembly (continued)

Ref.	Part Number	Qty.	Description	Ref.	Part Number	Qty.	Description
25	353-989	2	Plug-Hex, Hollow	36	95-7541	1	Plate-Cover
25:1	237-42	1	O-Ring	37	104-2353	2	Pin-Dowel
26	32121-110	1	Pin-Roll, Slotted	38	340-77	1	Fitting-Elbow, 90 DEG
27	115-9142	1	Pin-Rear Axle	38:1	237-22	1	O-Ring
28	92-1765	1	Washer-Thrust	38:2	237-42	1	O-Ring
29	98-3867	2	Washer-Thrust	39	340-98	1	Fitting-Elbow, 90 DEG
30	3296-68	1	Nut-Lock, NI	39:1	237-79	1	O-Ring
31	302-33	1	Fitting-Grease	39:2	237-30	1	O-Ring
32	3253-4	6	Washer-Lock	40	110-8829	1	Sender-Temperature
33	33114-025	6	Screw-HH	40:1	237-42	1	O-Ring

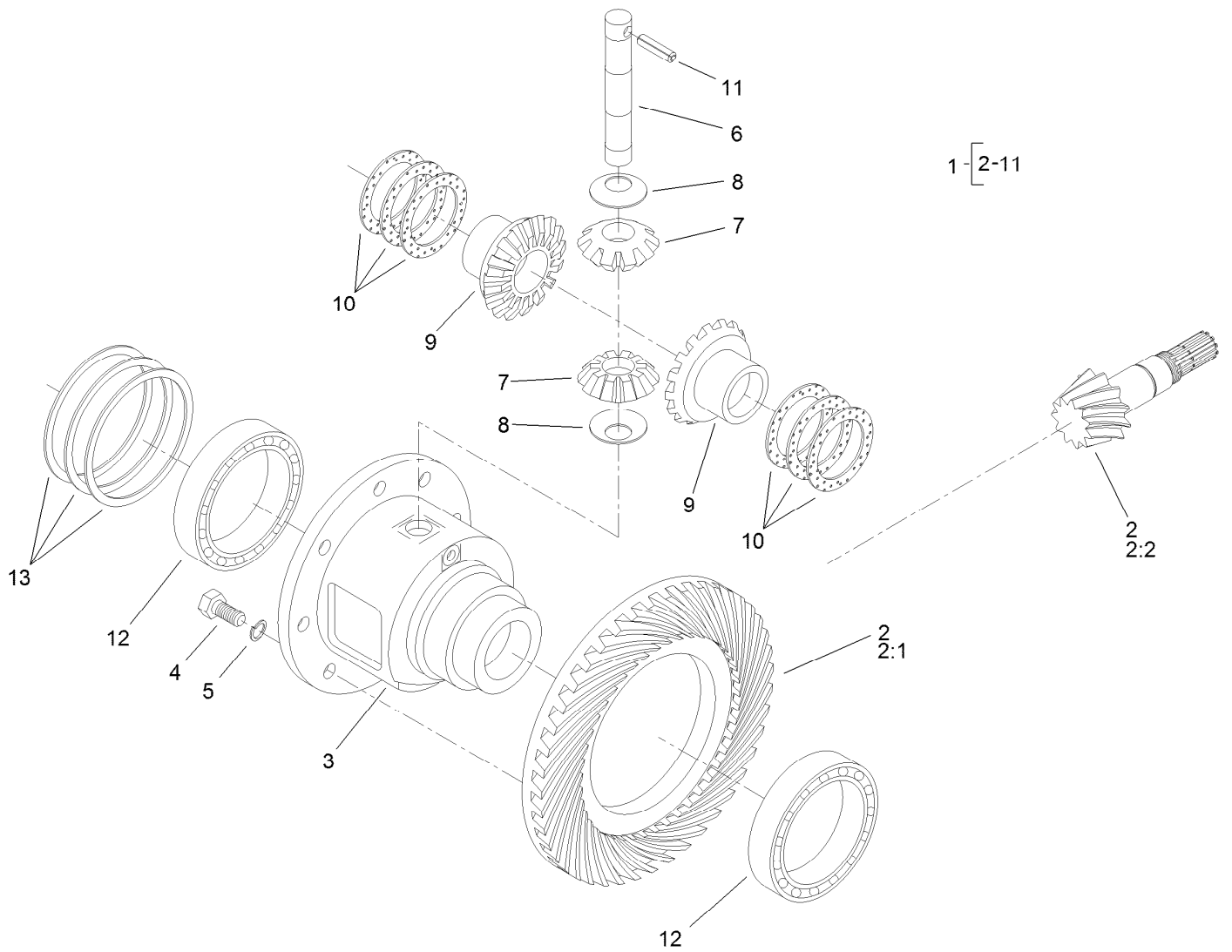
● Not serviced separately



## Bevel Pinion Shaft Assembly Rear Axle Assembly No. 110-4750

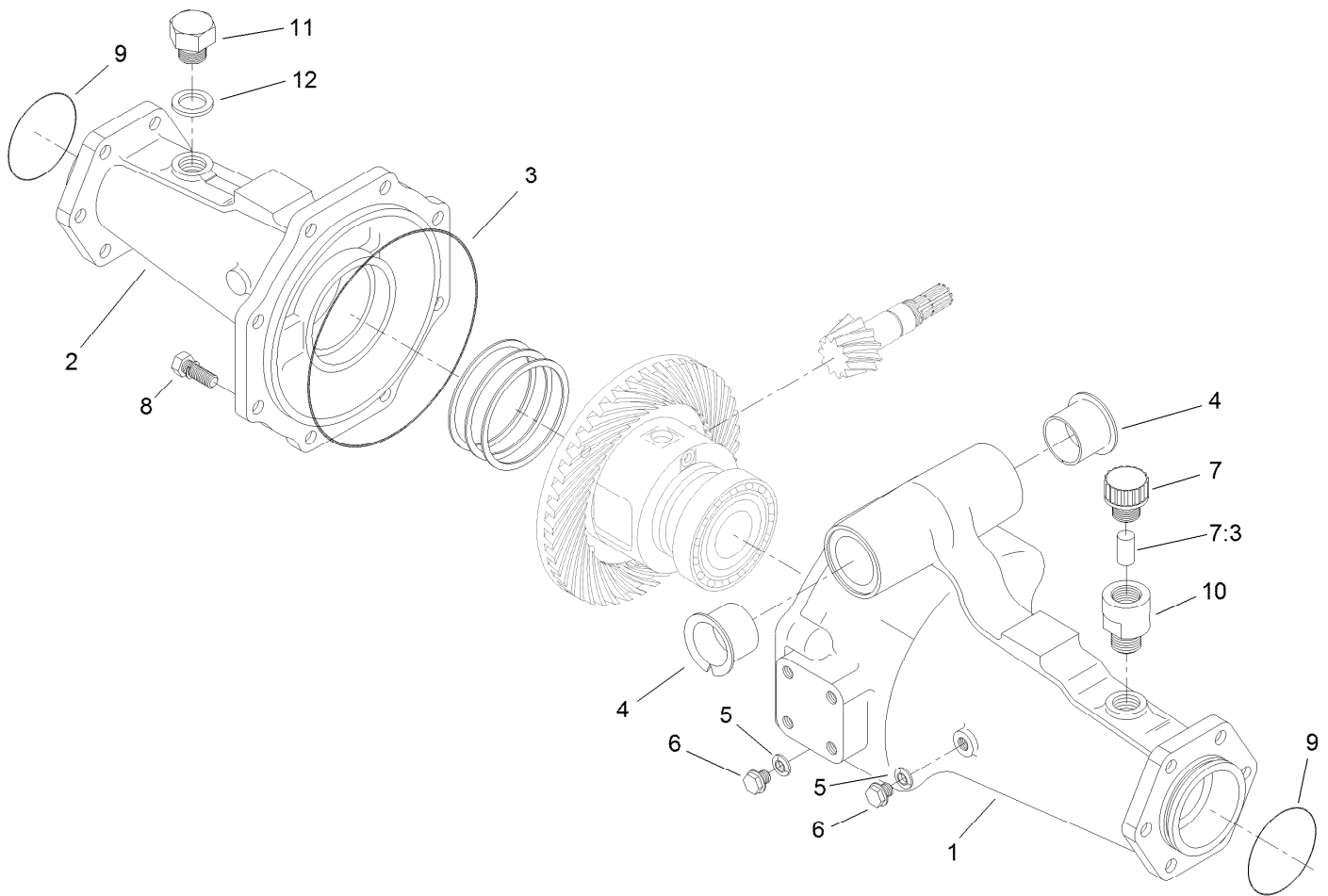
<i>Ref.</i>	<i>Part Number</i>	<i>Qty.</i>	<i>Description</i>
1	106-1093	1	Ring And Pinion Set
1:1	95-7504	1	Gear-43 Tooth, Bevel Spiral
1:2	106-1092	1	Pinion-Spiral, Bevel
2	99-7570	2	Bearing-Roller, Taper
3	95-7534	1	Case-Bearing
4	106-1065	2	O-Ring
6	106-1066	1	O-Ring
7	99-7574	1	Seal-Oil
8	99-7559	1	Washer-Lock
9	99-7560	1	Nut-Lock

<i>Ref.</i>	<i>Part Number</i>	<i>Qty.</i>	<i>Description</i>
10	99-7550	2	Shim 0.1
10	99-7551	2	Shim 0.2
11	95-7533	1	Case-Gear
12	99-7575	2	Bolt
13	98-7735	2	Stud
14	99-7527	2	Washer-Spring
15	99-7526	2	Nut
16	95-7541	1	Plate-Cover
17	106-1140	1	Gasket
18	104-2353	2	Pin-Dowel



## Differential Assembly Rear Axle Assembly No. 110-4750

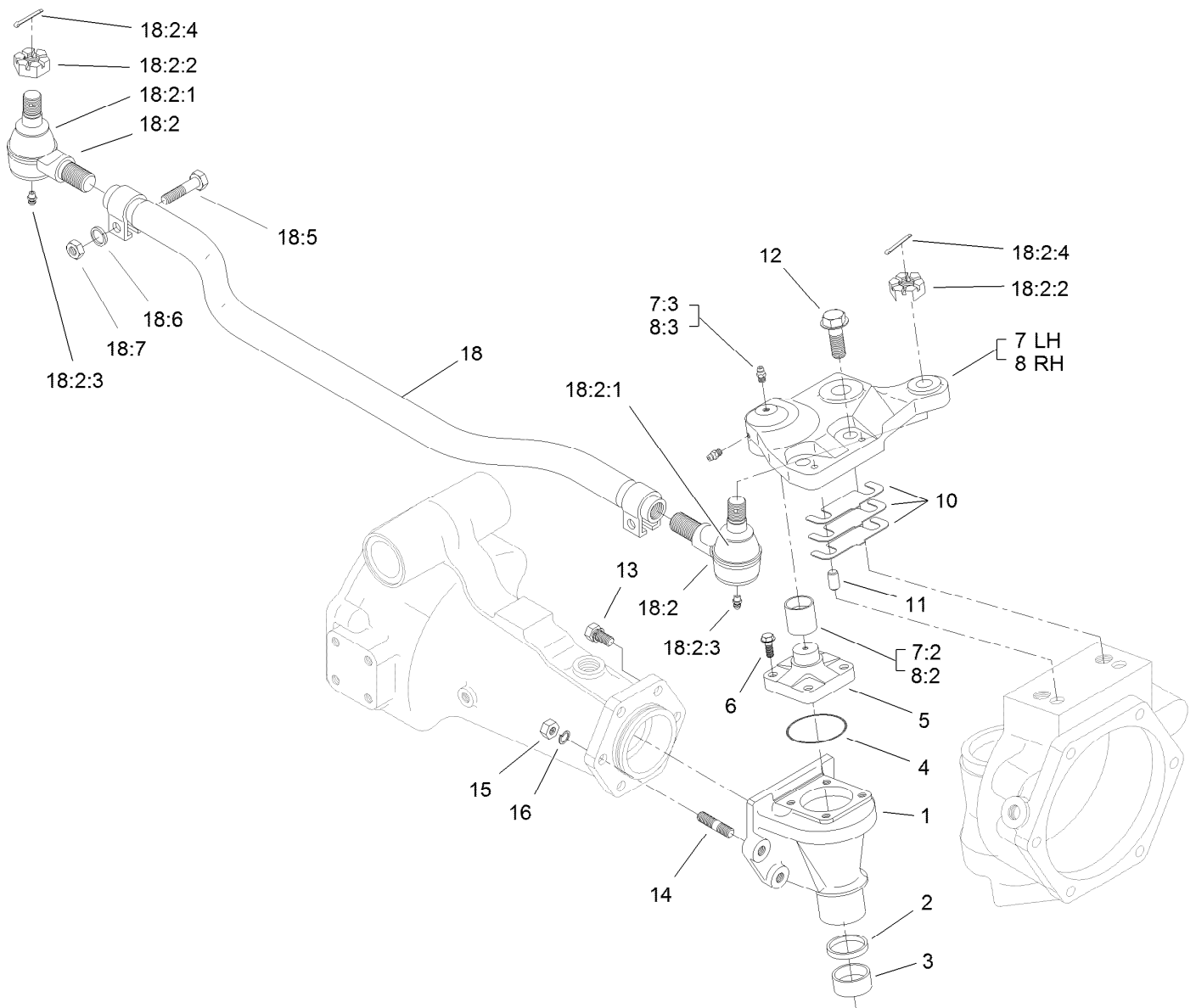
<i>Ref.</i>	<i>Part Number</i>	<i>Qty.</i>	<i>Description</i>	<i>Ref.</i>	<i>Part Number</i>	<i>Qty.</i>	<i>Description</i>
1	95-7503	1	Differential ASM	9	99-7581	2	Gear-Differential
2	106-1093	1	Ring And Pinion Set	10	99-7582	2	Washer-Differential
2:1	95-7504	1	Gear-43 Tooth, Bevel Spiral	10	99-7583	2	Washer-Differential
2:2	106-1092	1	Pinion-Spiral, Bevel	10	99-7584	2	Washer-Differential
3	95-7502	1	Case-Differential	11	99-7588	1	Pin-Spring
4	99-7576	8	Bolt	12	99-7562	2	Bearing-Ball
5	3253-4	8	Washer-Lock	13	99-7585	2	Shim 0.1
6	99-7578	1	Shaft-Differential	13	99-7586	2	Shim 0.2
7	99-7579	2	Pinion-Differential	13	99-7587	2	Shim 0.4
8	145-5288	2	Washer-Pinion, Differential				



## Axle Support Assembly Rear Axle Assembly No. 110-4750

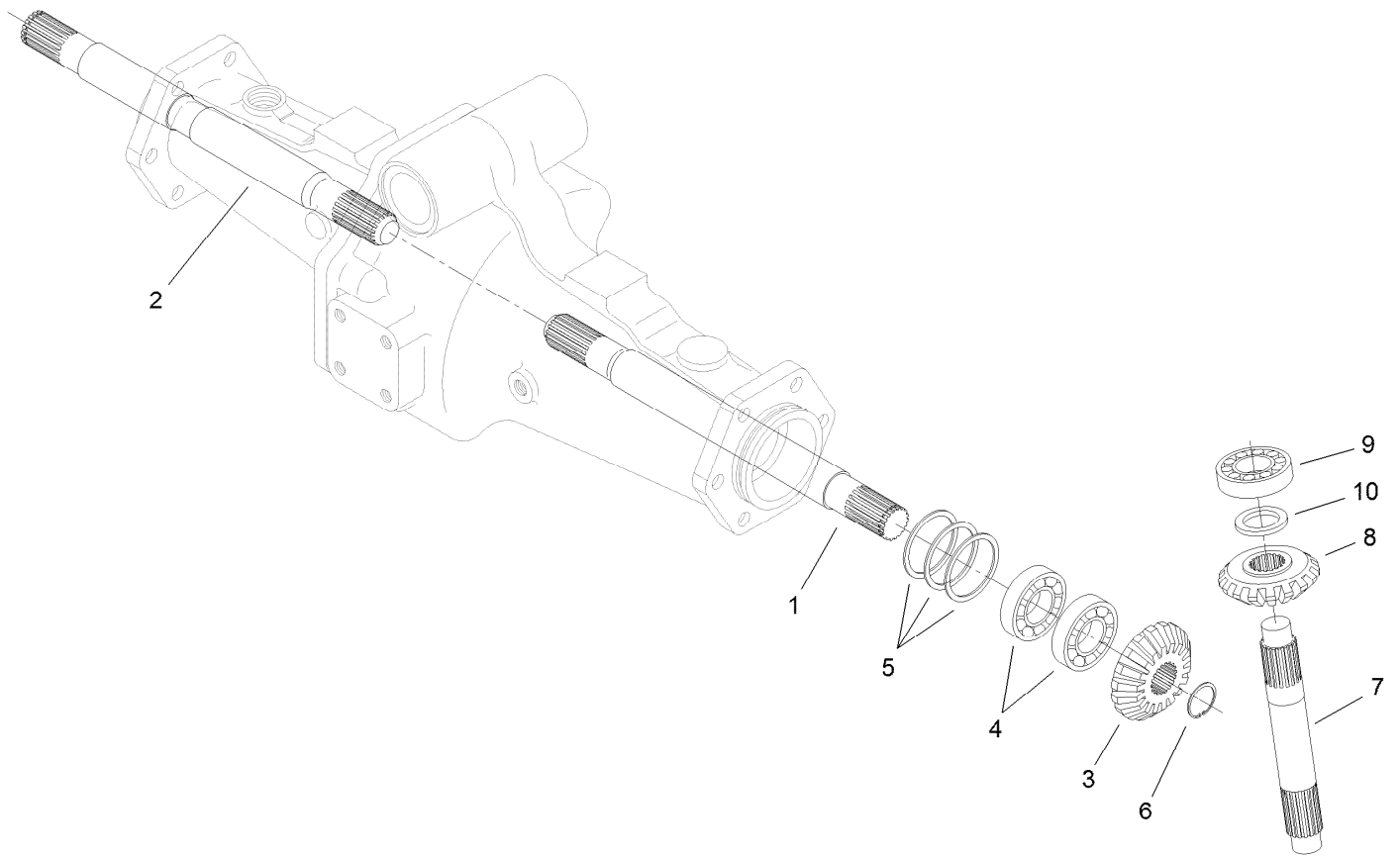
<i>Ref.</i>	<i>Part Number</i>	<i>Qty.</i>	<i>Description</i>
1	95-7508	1	Support-Axle
2	95-7506	1	Support-Axle
3	106-1067	1	O-Ring
4	95-7537	2	Bushing-Flanged
5	99-7590	2	Washer-Seal
6	99-7589	2	Plug
7	110-4812	1	Axle Vent ASM
7:3	110-4815	1	Insert-Filter, Foam
8	99-7592	8	Bolt
9	106-1068	2	O-Ring
10	104-2377	1	Extension-Vent
11	104-8643	1	Plug
12	104-8644	1	O-Ring





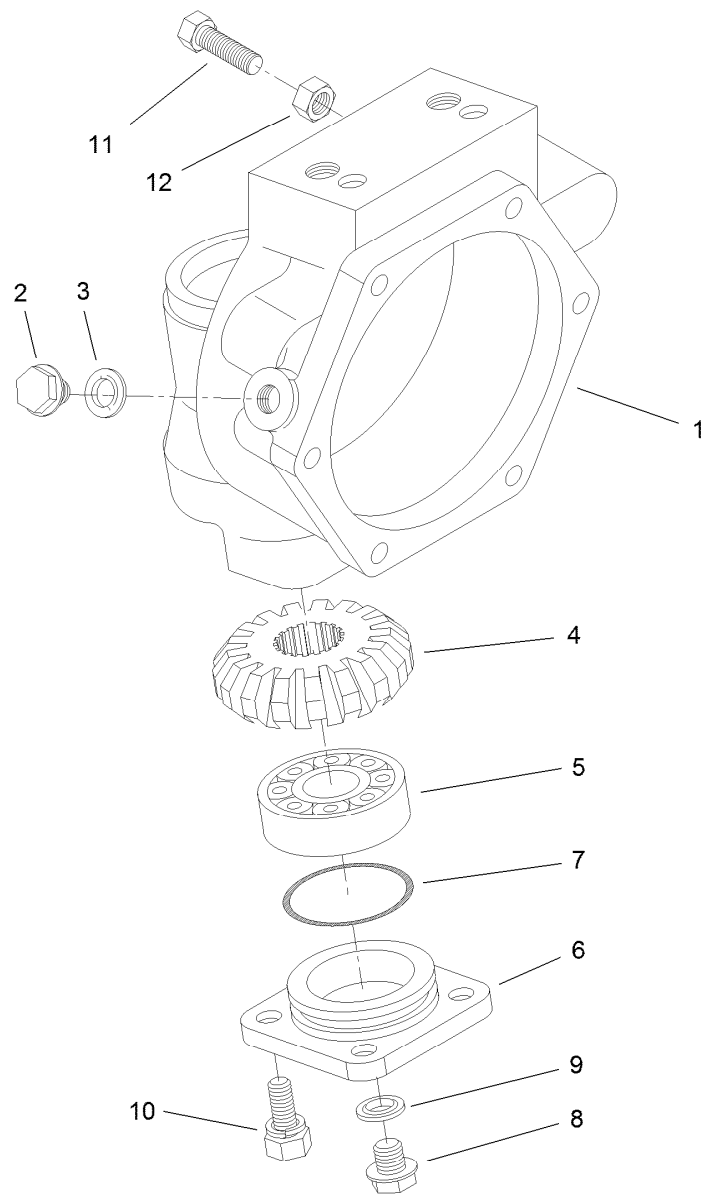
## Bevel Gear Case Assembly Rear Axle Assembly No. 110-4750

Ref.	Part Number	Qty.	Description	Ref.	Part Number	Qty.	Description
1	110-4752	2	Case-Gear, Bevel	12	104-2375	4	Bolt
2	110-4754	2	Seal-Oil	13	99-7599	8	Bolt
3	104-2378	2	Bushing	14	99-7525	4	Stud
4	106-1069	2	O-Ring	15	99-7526	4	Nut
5	104-2373	2	Knuckle	16	99-7527	4	Washer-Spring
6	104-2374	8	Bolt	18	106-1141	1	Steering Tie Rod ASM
7	100-3768	1	LH Steering Arm ASM	18:2	106-1113	2	Tie Rod End ASM - RH Thread
7:2	104-8634	1	Bushing	18:2:1	100-3853	1	Cover-Dust
7:3	106-1104	2	Fitting-Grease	18:2:2	100-3854	1	Nut-Castle
8	100-3766	1	RH Steering Arm ASM	18:2:3	110-4755	1	Fitting-Grease
8:2	104-8634	1	Bushing	18:2:4	3272-11	1	Pin-Cotter
8:3	106-1104	2	Fitting-Grease	18:5	100-3855	2	Bolt
10	95-7547	2	Shim 0.1	18:6	99-7527	2	Washer-Spring
10	95-7548	2	Shim 0.2	18:7	99-7526	2	Nut
10	95-7549	2	Shim 0.3				
11	99-7597	4	Pin-Dowel				



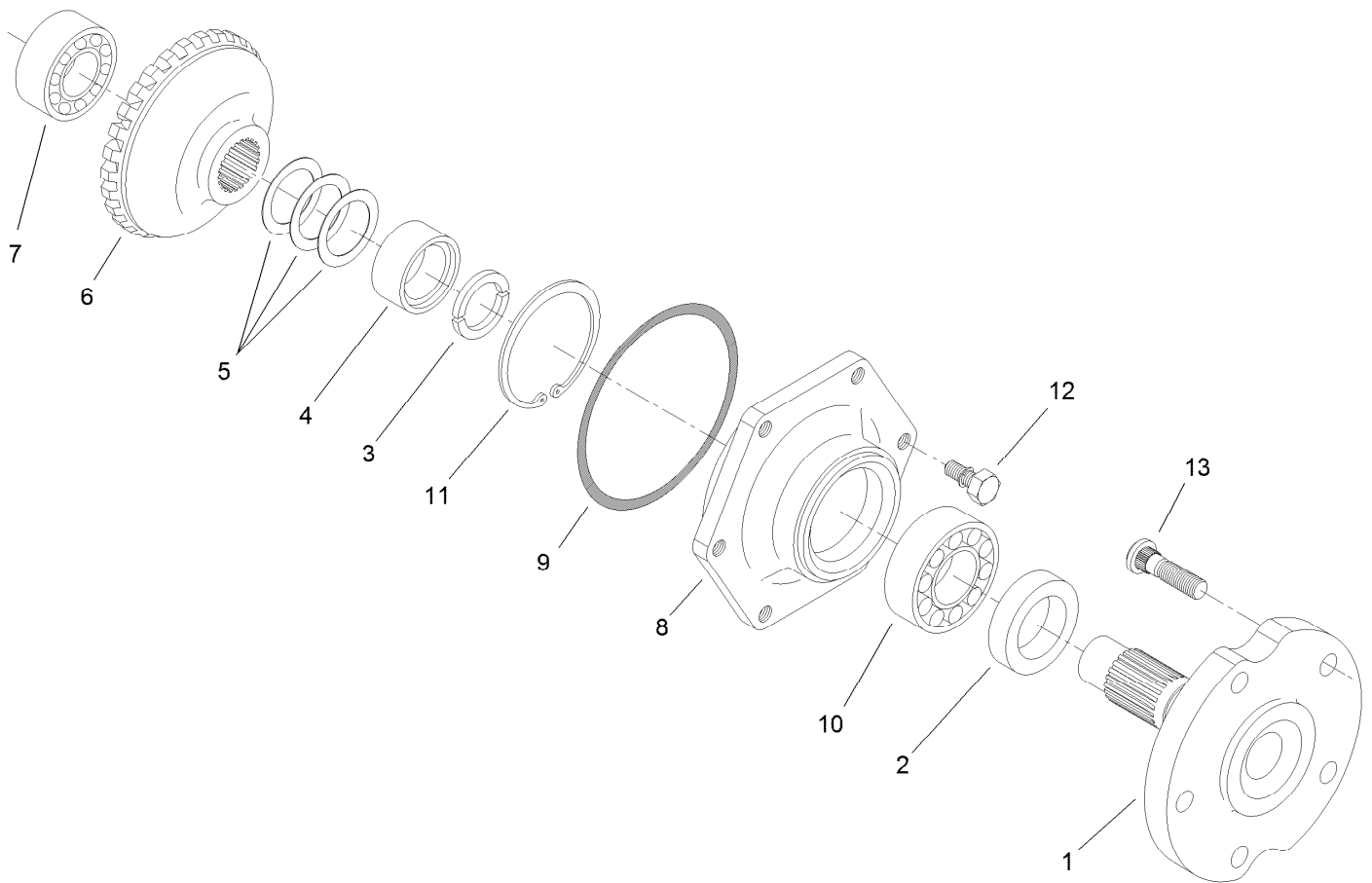
## Bevel Gear Shaft Assembly Rear Axle Assembly No. 110-4750

<i>Ref.</i>	<i>Part Number</i>	<i>Qty.</i>	<i>Description</i>
1	95-7509	1	Shaft-Gear, Differential
2	95-7512	1	Shaft-Gear, Differential
3	95-7517	2	Gear-Bevel, 15 Tooth
4	99-7530	4	Bearing-Ball
5	99-7552	2	Shim 0.1
5	99-7553	2	Shim 0.2
5	99-7554	2	Shim 0.5
6	99-7531	2	Clip
7	110-4753	2	Shaft-Gear, Bevel
8	95-7519	2	Gear-Bevel, 17 Tooth
9	99-7532	2	Bearing-Roller, Taper
10	99-7558	2	Collar



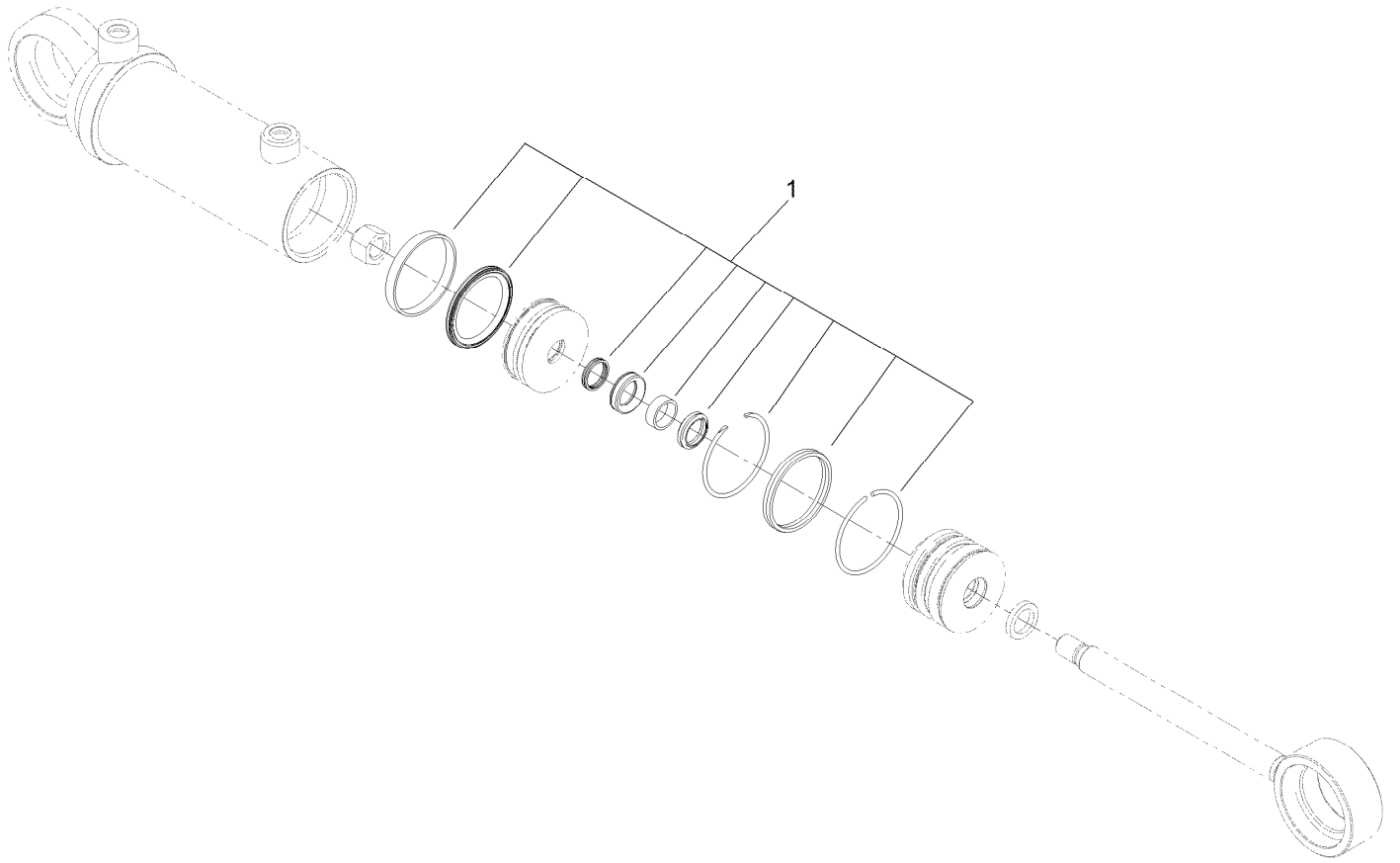
## Axle Case Assembly Rear Axle Assembly No. 110-4750

<i>Ref.</i>	<i>Part Number</i>	<i>Qty.</i>	<i>Description</i>
1	110-4751	2	Case-Axle
2	99-7535	2	Plug
3	99-7536	2	Washer-Seal
4	95-7527	2	Gear-Bevel, 17 Tooth
5	99-7532	2	Bearing-Roller, Taper
6	100-2560	2	Cover
7	106-1070	2	O-Ring
8	99-7589	2	Plug
9	99-7590	2	Washer-Seal
10	100-2562	8	Bolt
11	106-1102	2	Bolt-Stop
12	106-1103	2	Nut



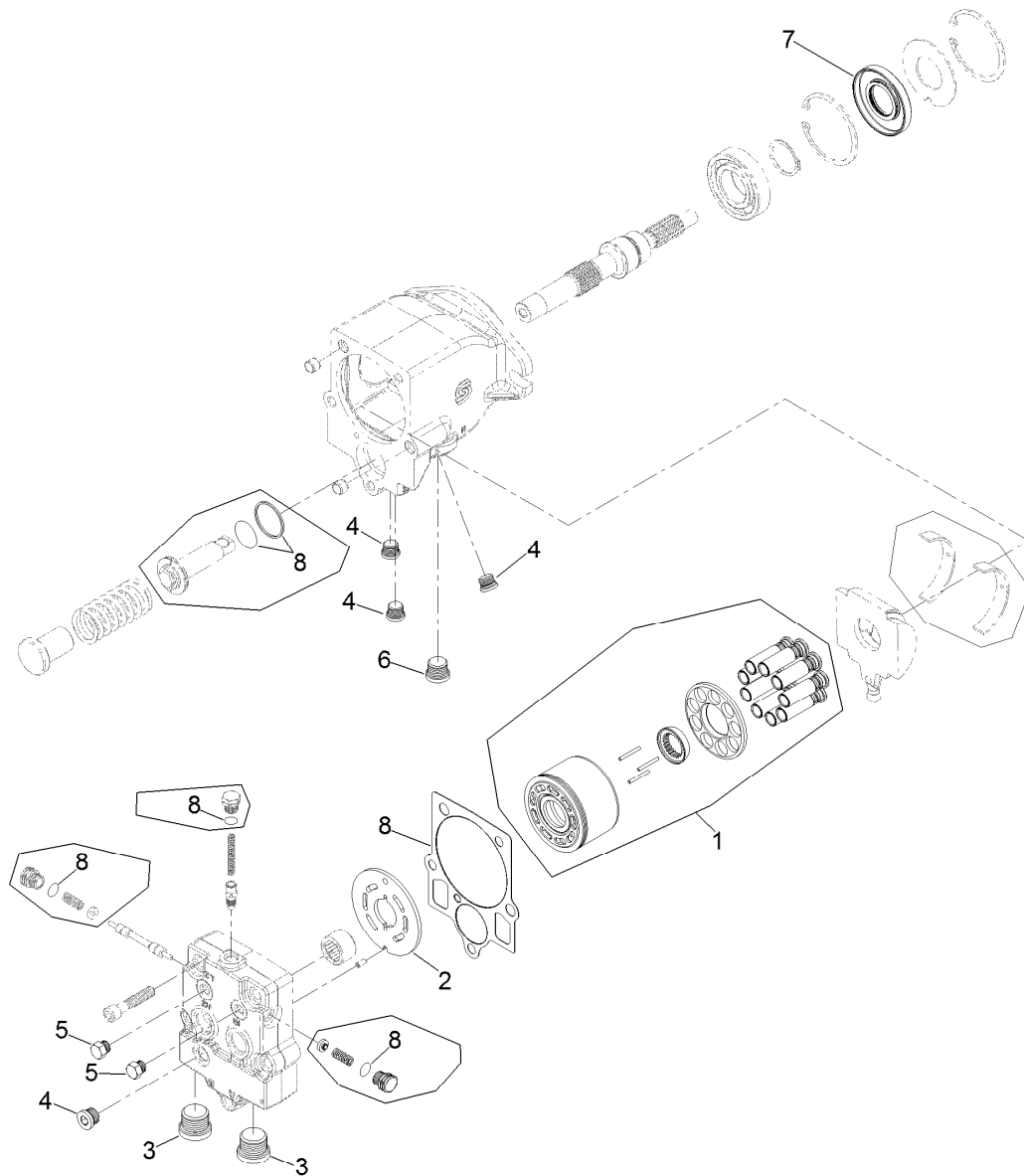
## Axle Assembly Rear Axle Assembly No. 110-4750

<i>Ref.</i>	<i>Part Number</i>	<i>Qty.</i>	<i>Description</i>
1	95-7522	2	Axle
2	99-7564	2	Seal-Oil
3	95-7544	4	Clip
4	95-7523	2	Spacer
5	99-7555	2	Shim 0.3
5	99-7556	2	Shim 0.2
5	99-7557	2	Shim 0.5
6	95-7524	2	Gear-Bevel, 29 Tooth
7	99-7534	2	Bearing-Ball
8	95-7521	2	Cover-Axle
9	106-1071	2	O-Ring
10	99-7561	2	Bearing-Ball
11	99-7539	2	Clip
12	99-7596	12	Bolt
13	99-7563	10	Stud



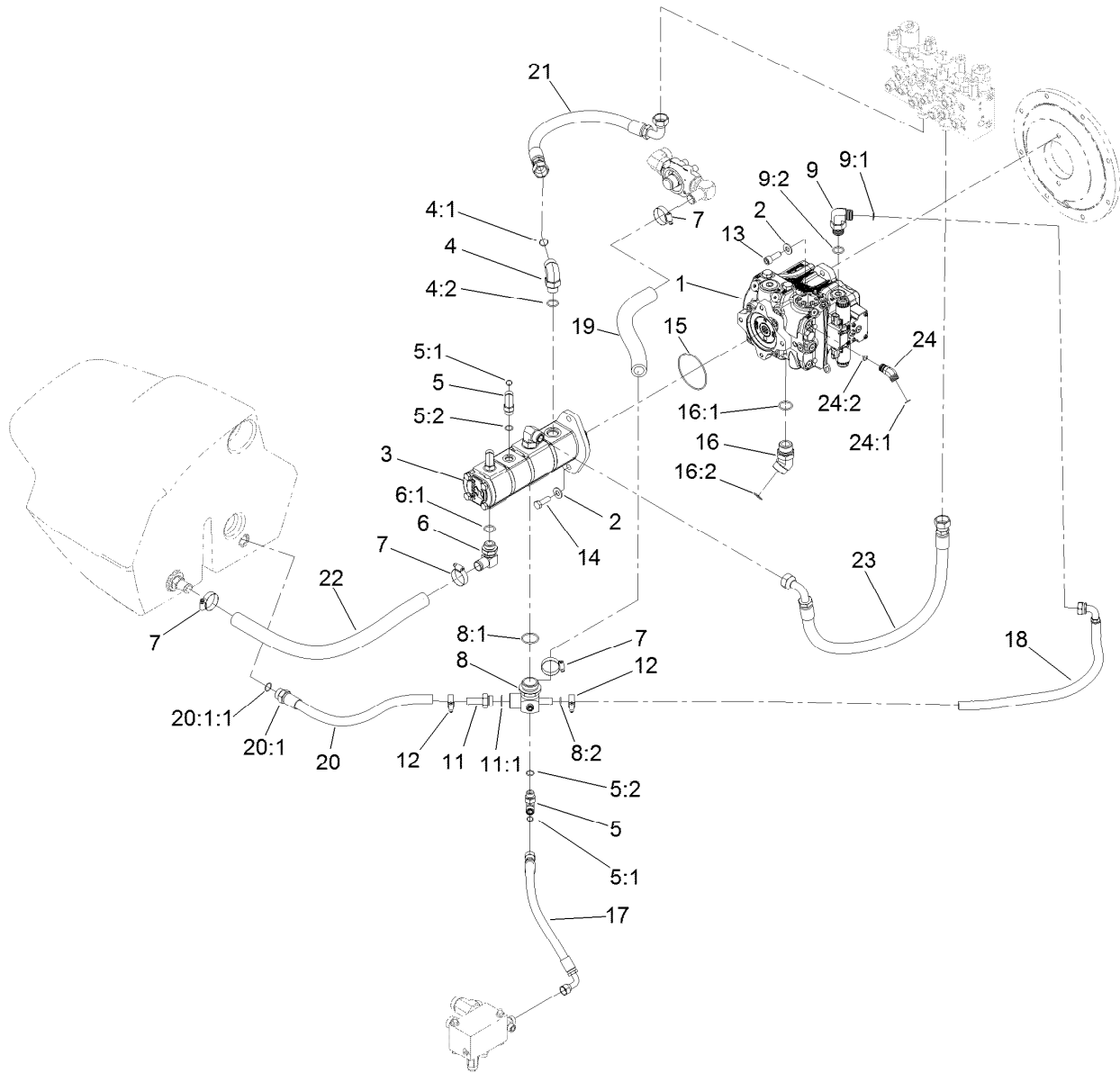
## Hydraulic Steer Cylinder Assembly No. 127-6431

<i>Ref.</i>	<i>Part Number</i>	<i>Qty.</i>	<i>Description</i>
1	131-7756	1	Cylinder Seal Kit



## Rear Piston Motor No. 136-2938

<i>Ref.</i>	<i>Part Number</i>	<i>Qty.</i>	<i>Description</i>
1	125-4639	1	Cylinder Block Kit
2	136-3314	1	Plate-Valve
3	69-3130	2	Plug
4	69-3080	4	Plug
5	92-1352	2	Plug
6	67-9090	1	Plug
7	127-6214	1	Seal-Lip
8	138-7823	1	Overhaul Seal Kit

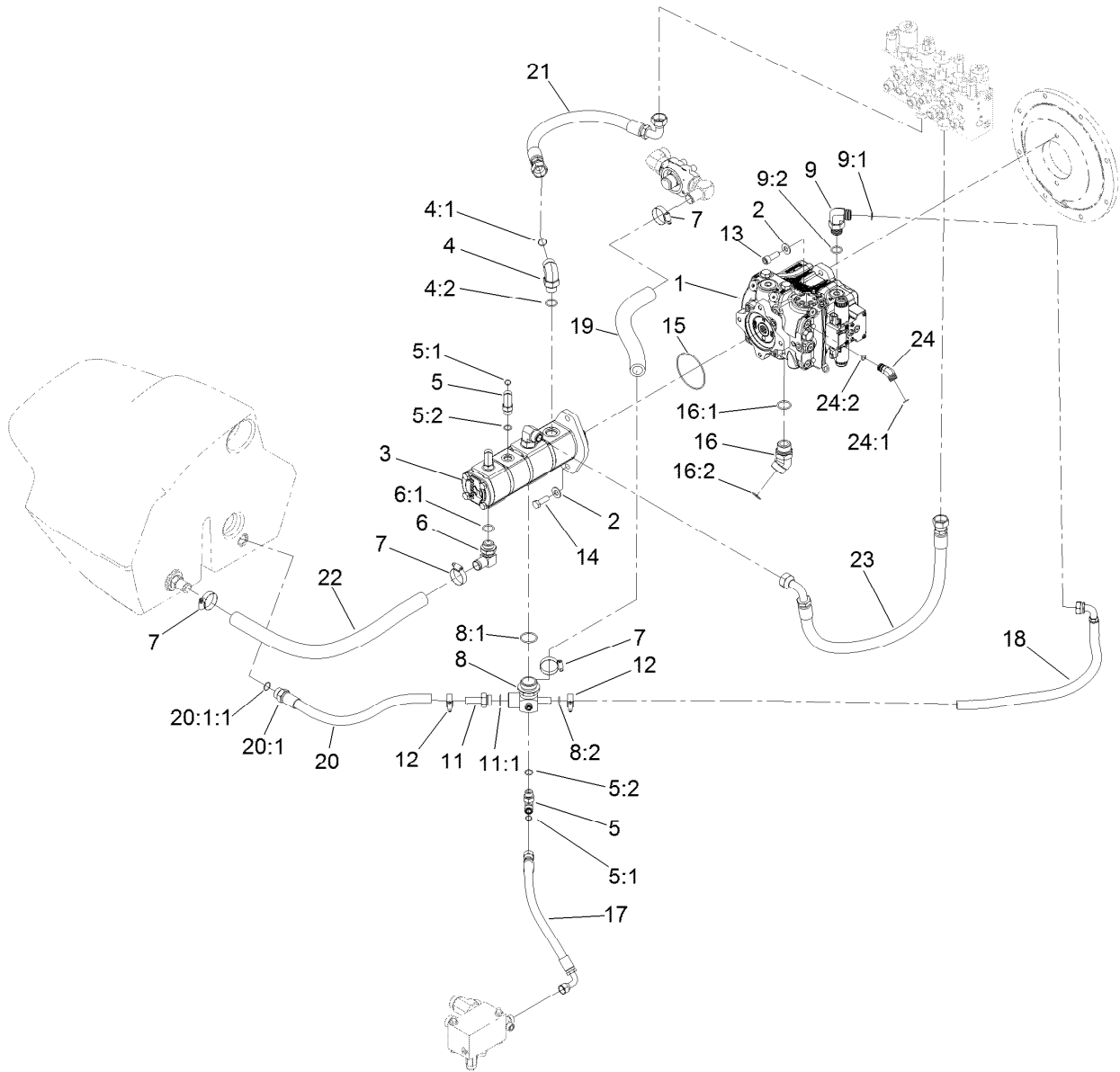


## Hydraulic System Assembly

Ref.	Part Number	Qty.	Description
1	136-2940	1	Pump-Piston, 45Cc
2	137-5550	4	Washer-Thrust
3	114-4189	1	4-Section Pump ASM
4	340-142	2	Fitting-Elbow, 90 DEG
4:1	237-58	1	O-Ring
4:2	237-81	1	O-Ring
5	340-98	3	Fitting-Elbow, 90 DEG
5:1	237-79	1	O-Ring
5:2	237-30	1	O-Ring
6	100-4202	1	Fitting-90
6:1	237-81	1	O-Ring
7	2412-111	4	Clamp-Hose, W/Liner
8	120-8016	1	Fitting-Tee
8:1	237-101	1	O-Ring
8:2	237-22	1	O-Ring
9	340-139	1	Fitting-Elbow 90
9:1	237-81	1	O-Ring
9:2	237-65	1	O-Ring

Ref.	Part Number	Qty.	Description
11	121-1526	1	Fitting-STR
11:1	237-81	1	O-Ring
12	2412-129	2	Clamp-Hose
13	131-0661	2	Screw-HSH
14	121-1525	2	Screw-HH
15	107-9447	1	O-Ring
16	104-3509	2	Fitting-HYD, 45 DEG
16:1	237-146	1	O-Ring
16:2	340-65	1	O-Ring
17	125-4616	1	Hose ASM
18	136-2926	1	Hose ASM
19	163-3536	1	Hose-Suction
20	121-3079	1	Hose ASM
20:1		1	Fitting-Straight ●
20:1:1	237-81	1	O-Ring
21	105-3874	1	Hose ASM
22	147-6054	1	Hose-Strainer
23	115-4384	1	Hose-HYD

● Not serviced separately

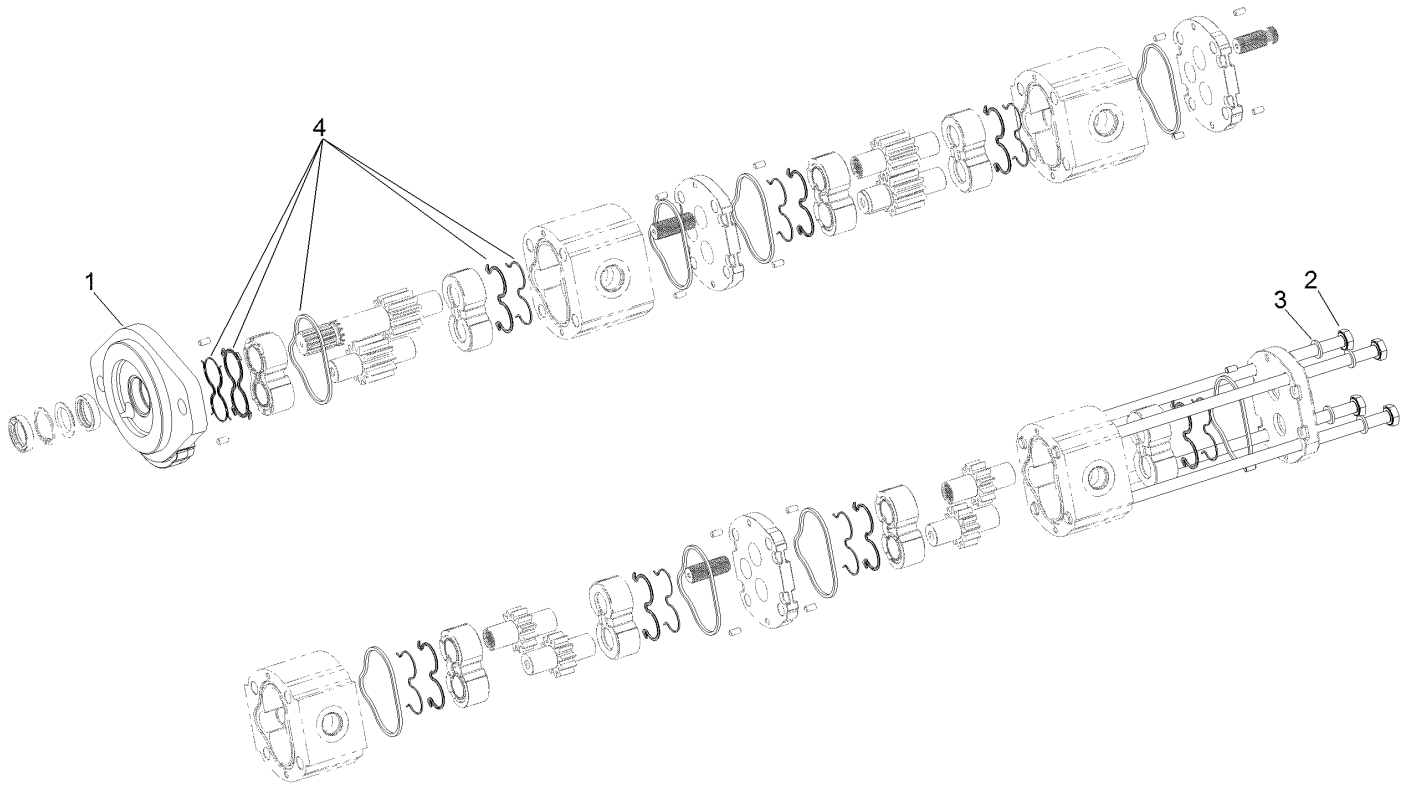


## Hydraulic System Assembly (continued)

<i>Ref.</i>	<i>Part Number</i>	<i>Qty.</i>	<i>Description</i>	<i>Ref.</i>	<i>Part Number</i>	<i>Qty.</i>	<i>Description</i>
24	340-96	1	Adapter	24:1	237-30	1	O-Ring
				24:2	237-42	1	O-Ring

● Not serviced separately

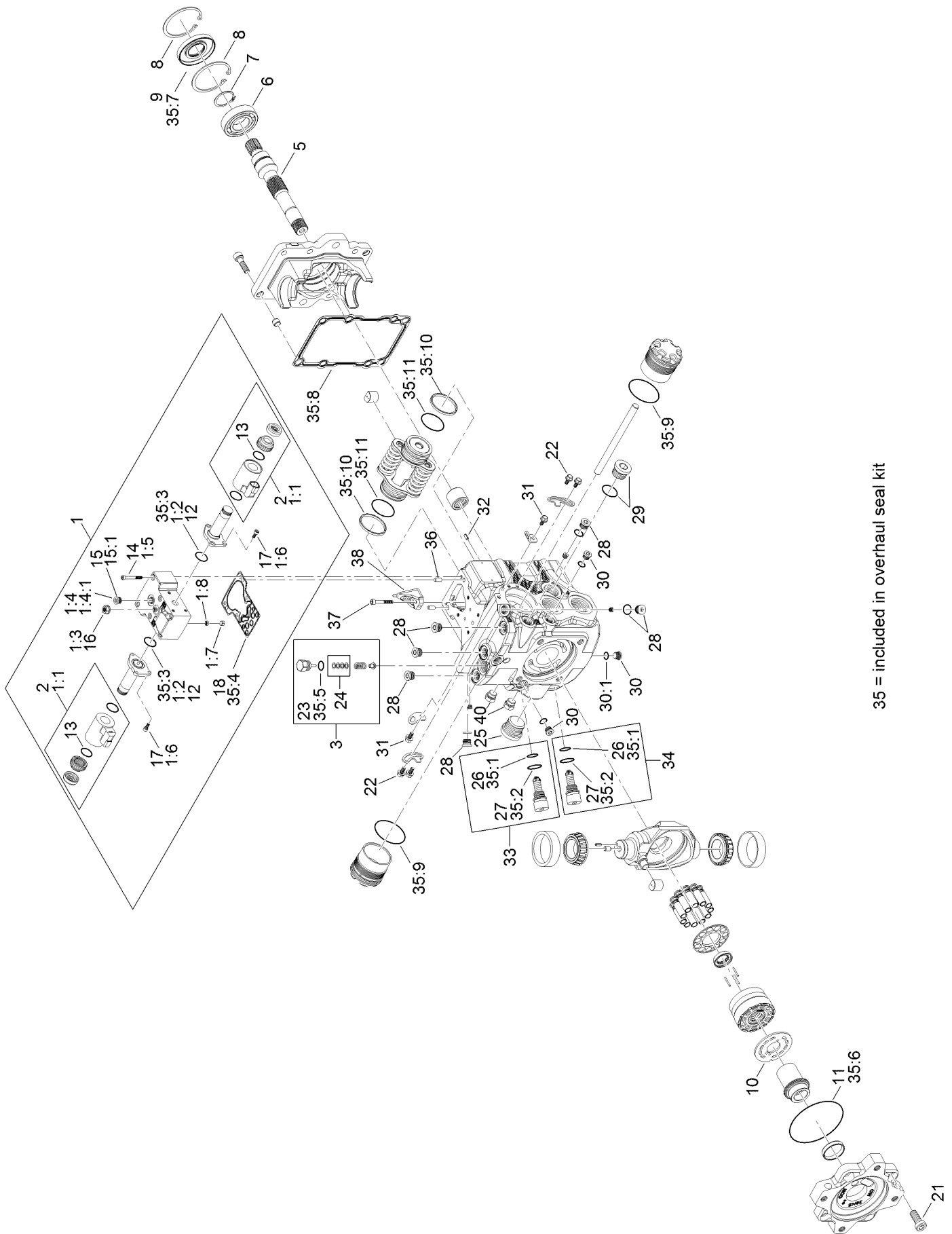




## Four Section Pump Assembly No. 114-4189

<i>Ref.</i>	<i>Part Number</i>	<i>Qty.</i>	<i>Description</i>
1	115-3774	1	Cover-Front
2	115-4444	4	Bolt
3	115-9138	4	Washer
4	115-3776	1	Seal Kit

# Hydraulic Pump Assembly No. 136-2940



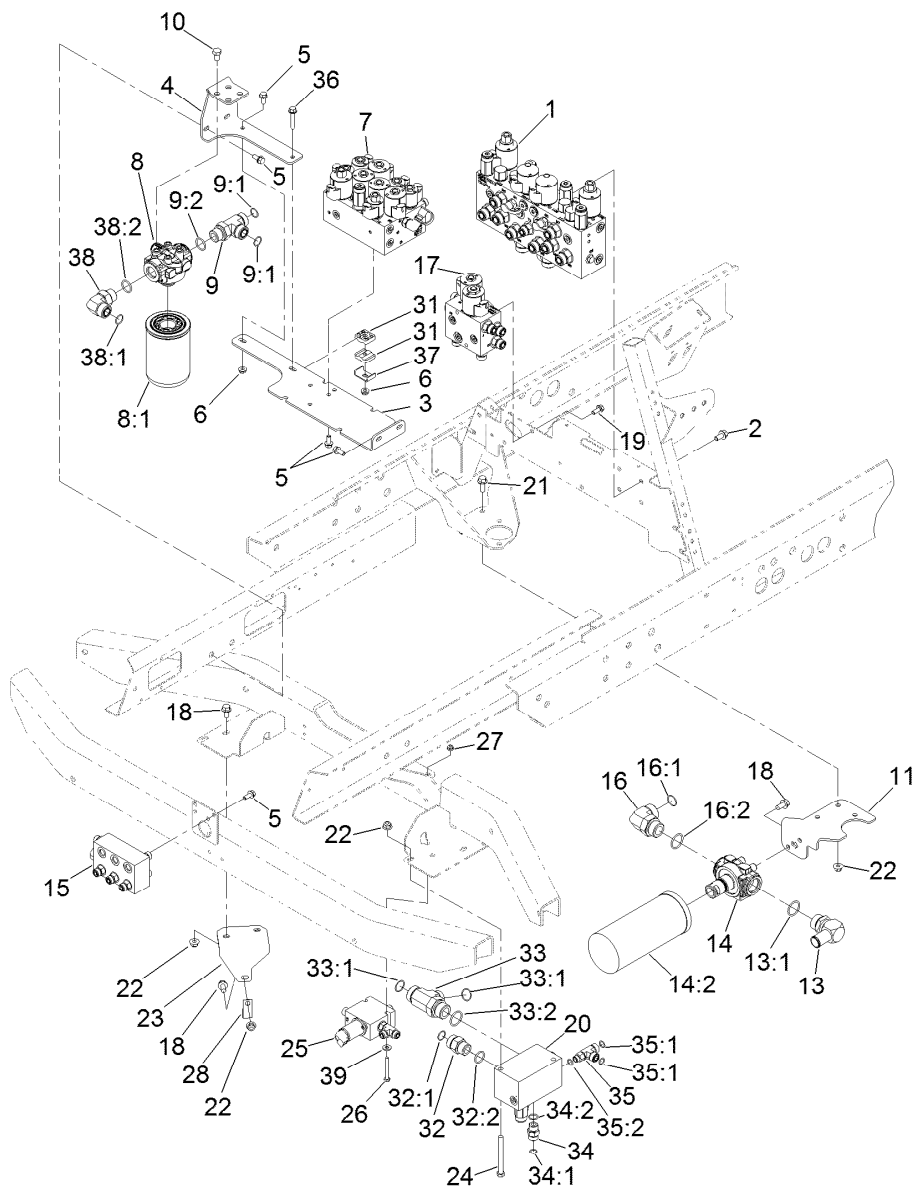
35 = included in overhaul seal kit

# Hydraulic Pump Assembly No. 136-2940 (continued)

<i>Ref.</i>	<i>Part Number</i>	<i>Qty.</i>	<i>Description</i>	<i>Ref.</i>	<i>Part Number</i>	<i>Qty.</i>	<i>Description</i>
1	136-3209	1	Control Kit (12 Volt)	24	92-1353	1	Shim Kit
1:1	132-6204	2	Coil Kit	25	125-5301	1	Plug
1:2	125-5288	2	O-Ring	26	75-0240	2	O-Ring
1:3	125-5273	1	Nut-Seal	27	84-0560	2	O-Ring
1:4	75-0170	1	Plug-Thread, Straight	28	69-3080	6	Plug
1:4:1	92-8777	1	O-Ring	29	69-3130	1	Plug
1:5	125-5274	6	Screw	30	75-0170	3	Plug-Thread, Straight
1:6	125-5272	6	Screw	30:1	92-8777	1	O-Ring
1:7	136-3213	1	Gasket-Control	31	125-5270	2	Screw
1:8	136-3218	1	Sensor Kit	32	110-6485	1	Pin-Slotted
2	125-5294	2	Coil Kit	33	136-4393	1	Valve-Relief, High Pressure
3	136-4397	1	Charge Relief Kit	34	136-3214	1	Valve-Relief, High Pressure (360 Bar)
5	136-4399	1	Shaft	35	132-6205	1	Overhaul Seal Kit
6	136-3211	1	Bearing-Ball	35:1	75-0240	2	O-Ring
7	125-5280	1	Ring-Retaining	35:2	84-0560	2	O-Ring
8	131-8616	2	Ring-Retaining	35:3	125-5288	2	O-Ring
9	127-6214	1	Seal-Lip	35:4	125-5283	1	Gasket-Control
10	136-4398	1	Valve Plate	35:5	125-5298	1	O-Ring
11	132-6206	1	O-Ring	35:6	132-6206	1	O-Ring
12	125-5288	2	O-Ring	35:7	127-6214	1	Seal-Lip
13	131-7388	2	O-Ring	35:8		1	Gasket ■
14	125-5274	6	Screw	35:9		2	O-Ring ■
15	75-0170	1	Plug-Thread, Straight	35:10		2	Piston Ring ■
15:1	92-8777	1	O-Ring	35:11		2	O-Ring ■
16	125-5273	1	Nut-Seal	36	136-3215	1	Pin
17	125-5272	6	Screw	37	136-3216	1	Screw, M6 X 35
18	136-3213	1	Gasket-Control	38	136-3217	1	Link - Swashplate Feedback
21	125-5282	4	Screw	39	136-3218	1	Sensor Kit ●
22	125-5270	4	Screw	40	136-3219	2	Plug ASM
23	125-5298	1	O-Ring				

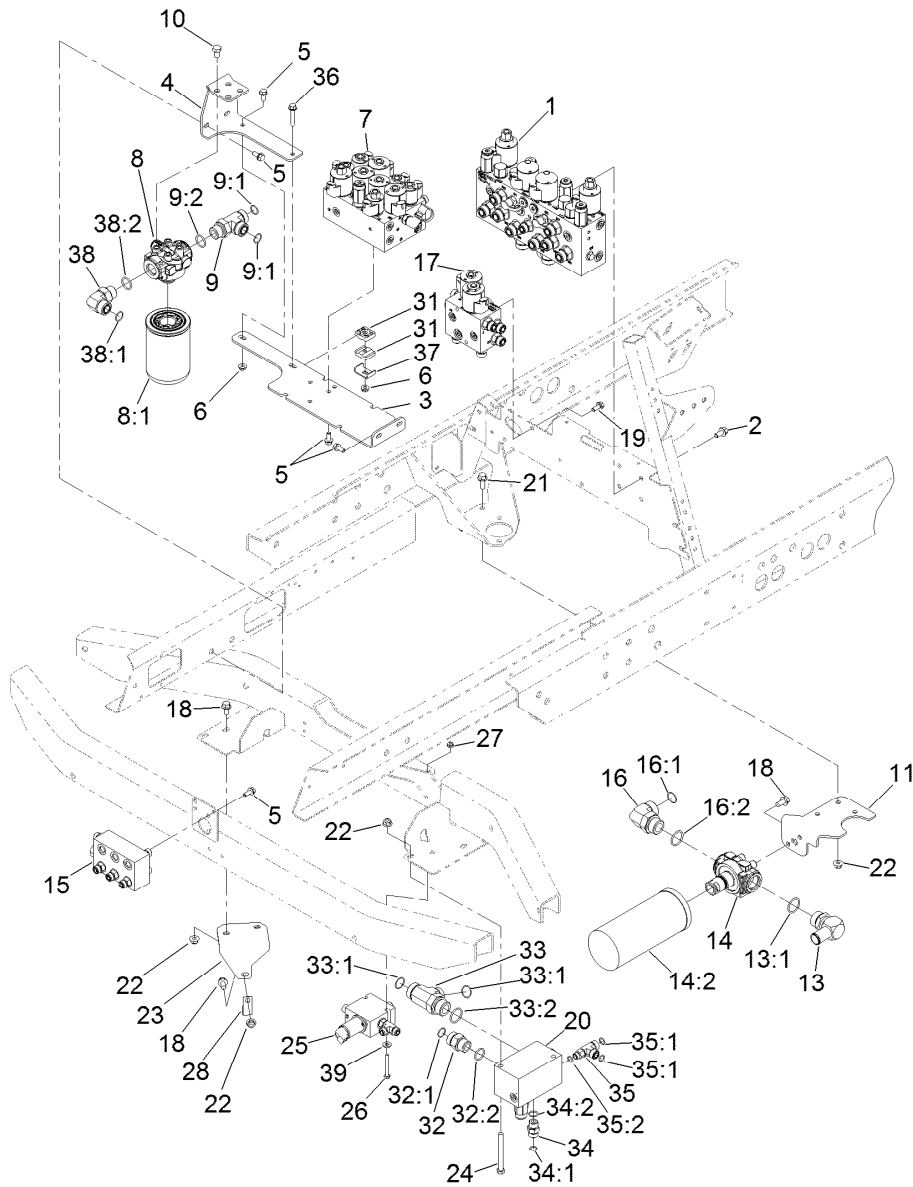
● Not illustrated

■ Not serviced separately



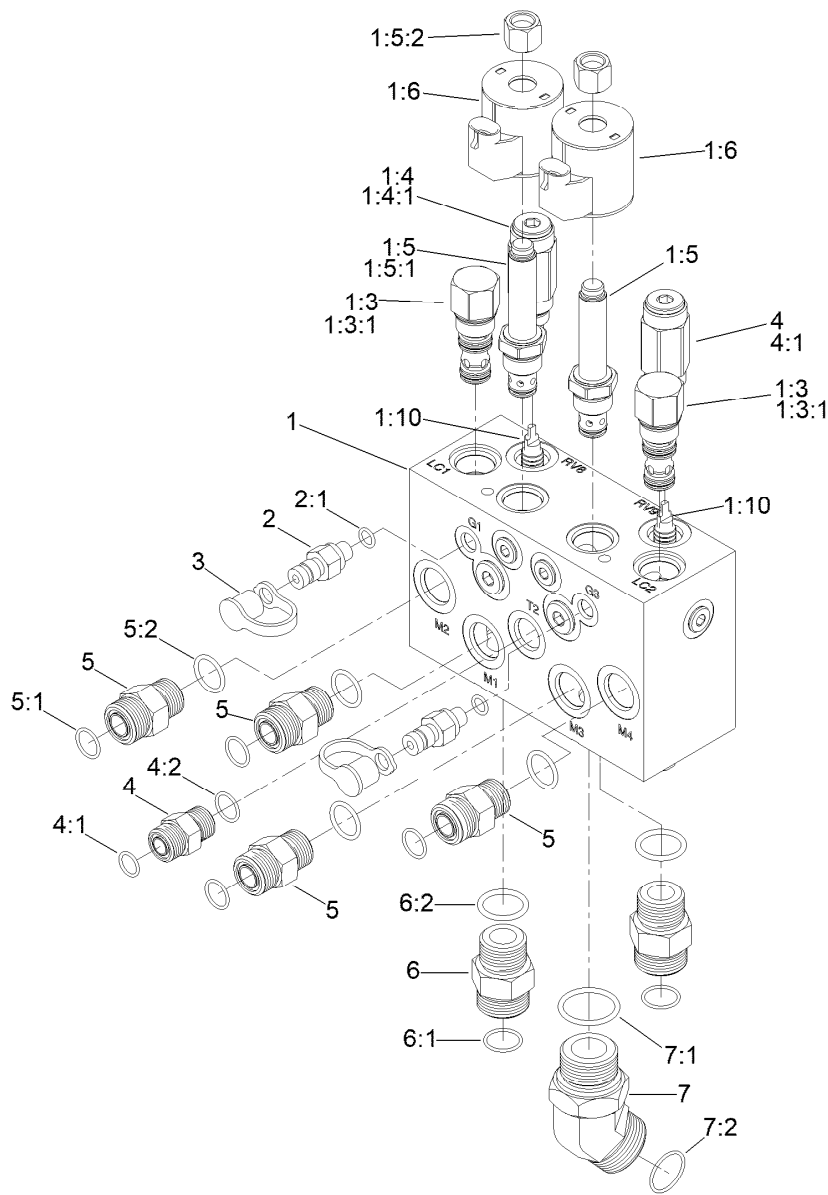
## Hydraulic Valve Mounting Assembly

Ref.	Part Number	Qty.	Description	Ref.	Part Number	Qty.	Description
1	120-8064	1	Mow Manifold ASM	16:2	340-65	1	O-Ring
2	110-1718	4	Screw-HHSF,Patch	17	117-2395	1	Fan Drive Manifold ASM
3	139-5957-0P	1	Bracket-Valve Mount	18	3234-1	5	Screw-HHF
4	104-5492-0P	1	Bracket-Filter Head	19	100-1668	2	Screw-HHF
5	3234-5	9	Screw-HHF	20	136-3341	1	Rear Traction Manifold ASM
6	32128-20	2	Nut-HF	21	3234-11	2	Screw-HHF
7	117-2388	1	Lift Manifold ASM	22	104-8301	7	Nut-HF, NI
8	93-2242	1	Oil Filter ASM	23	121-3089-0P	1	Plate-Mount,Tube
8:1	75-1310	1	Filter-HYD	24	323-42	2	Screw-HH
9	340-148	1	Fitting-Tee	25	138-6946	1	3-Way Valve Manifold ASM
9:1	237-81	1	O-Ring	26	321-18	2	Screw-HH
9:2	237-58	2	O-Ring	27	104-7201	2	Nut-HF, NI
10	33115-016	4	Screw-HH	28	2412-150	1	Clip-J
11	120-8022-0P	1	Plate-Mount,Filter	31	56-7973	2	Clamp-Tube
13	23-8910	1	Stem-Barb-90	32	340-9	1	Fitting-STR
13:1	237-146	1	O-Ring	32:1	237-58	1	O-Ring
14	139-1010	1	Filter Head ASM	32:2	237-81	1	O-Ring
14:2	94-2621	1	Element-Filter	33	104-3795	1	Fitting-Tee
15	117-2394	1	Junction Manifold ASM	33:1	340-65	2	O-Ring
16	340-129	1	Fitting-Elbow, 90 DEG	33:2	237-146	1	O-Ring
16:1	237-146	1	O-Ring	34	340-4	1	Fitting-Straight



## Hydraulic Valve Mounting Assembly (continued)

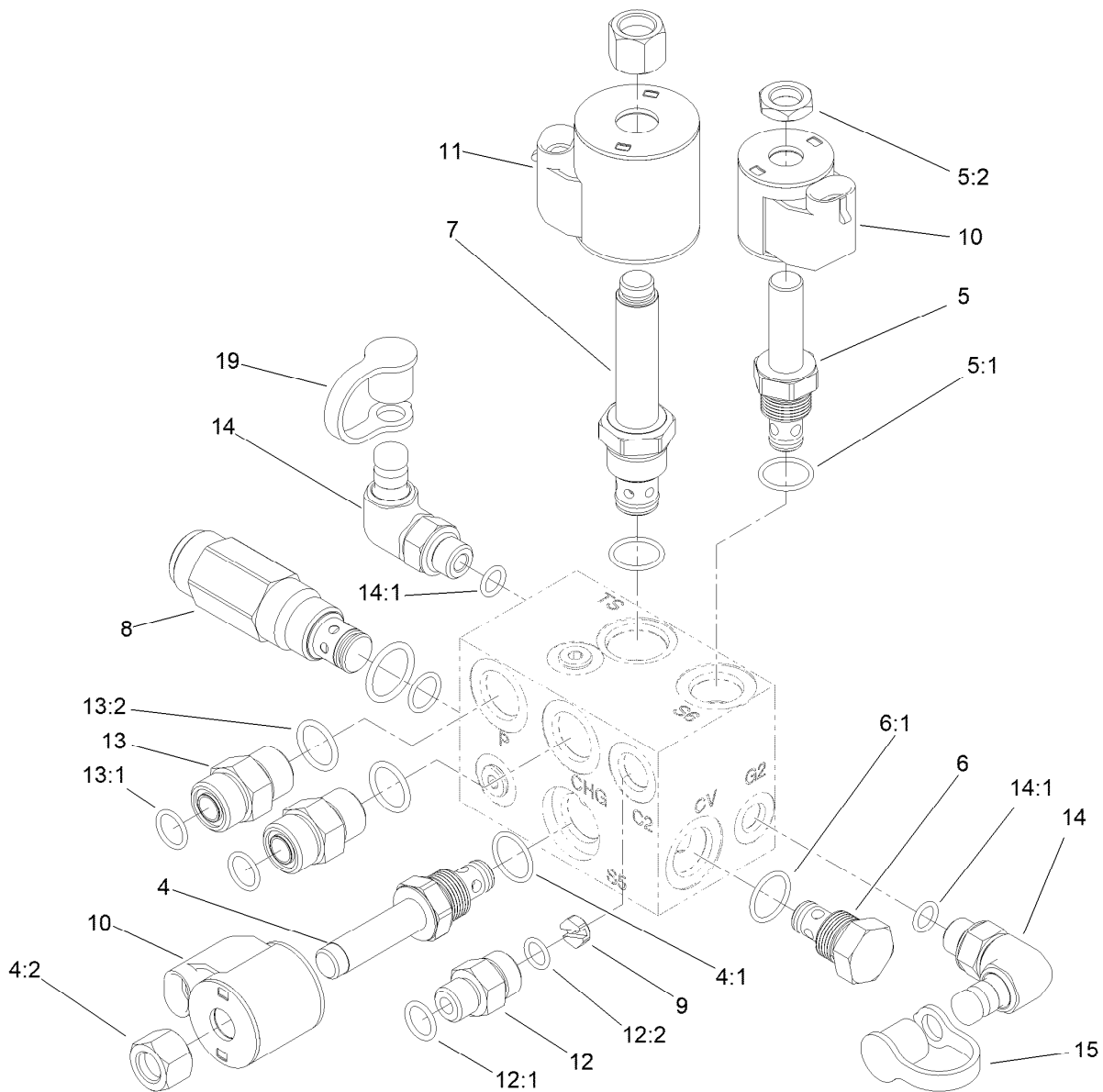
<i>Ref.</i>	<i>Part Number</i>	<i>Qty.</i>	<i>Description</i>	<i>Ref.</i>	<i>Part Number</i>	<i>Qty.</i>	<i>Description</i>
34:1	237-30	1	O-Ring	37	119-1418	1	Plate-Clamp, Short
34:2	237-79	1	O-Ring	38	340-142	1	Fitting-Elbow, 90 DEG
35	110-0064	1	Fitting-Tee	38:1	237-58	1	O-Ring
35:1	237-30	2	O-Ring	38:2	237-81	1	O-Ring
35:2	237-42	1	O-Ring	39	3256-2	2	Washer-Flat
36	94-5780	1	Screw-HWH				



## Mow Manifold Assembly No. 120-8064

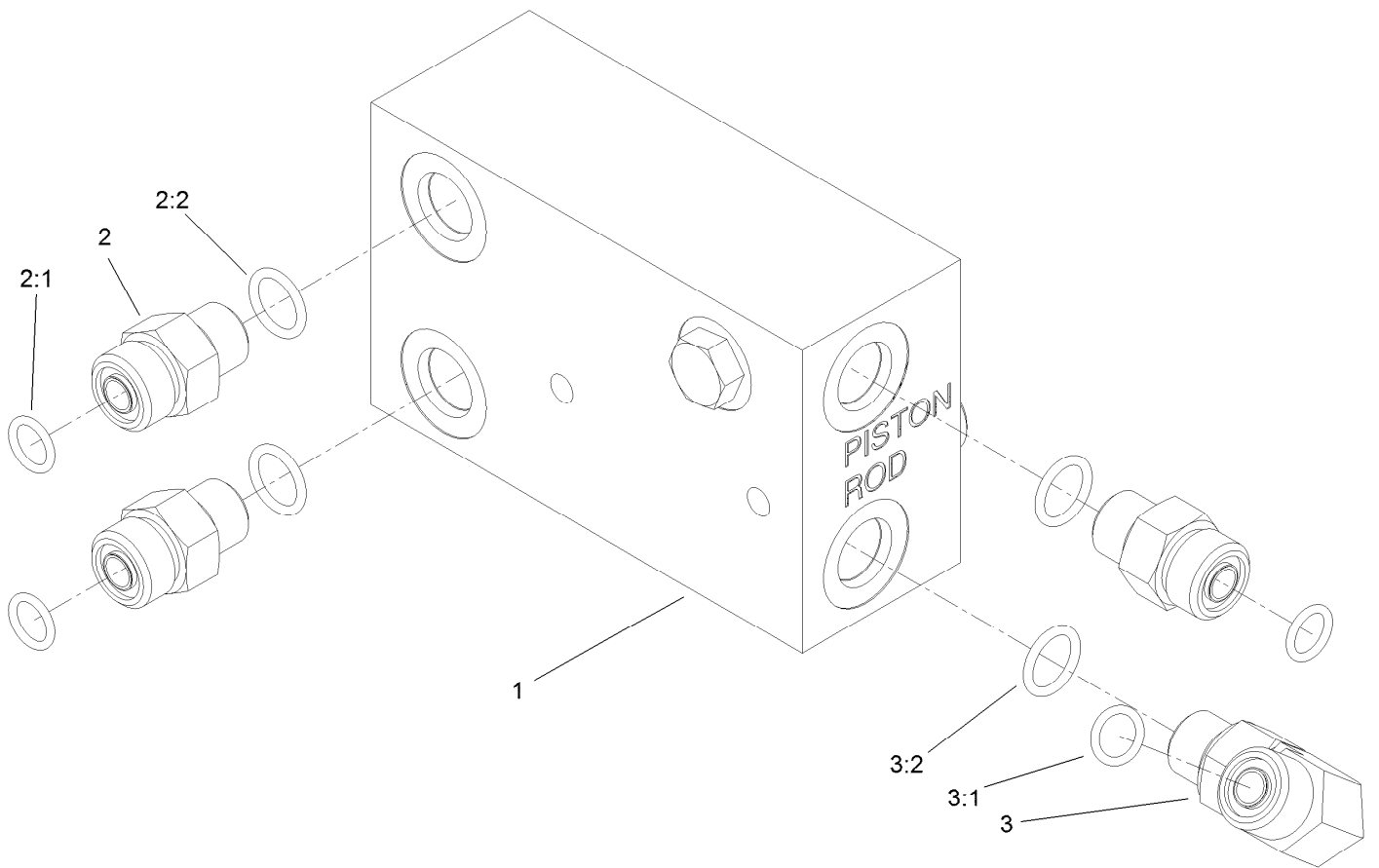
Ref.	Part Number	Qty.	Description	Ref.	Part Number	Qty.	Description
1		1	Manifold-Mow ●	4	340-4	1	Fitting-Straight
1:3	105-9153	2	Element-Logic, Vented	4:1	237-30	1	O-Ring
1:3:1	119-2159	1	Seal Kit	4:2	237-79	1	O-Ring
1:4	112-5259	2	Valve-Relief	5	340-7	4	Fitting-Straight
1:4:1	105-9156	1	Seal Kit	5:1	237-65	1	O-Ring
1:5	110-8799	2	Valve-Relief, Proportional	5:2	237-80	1	O-Ring
1:5:1	110-6316	1	Seal Kit	6	340-9	1	Fitting-STR
1:5:2	130-8180	1	Nut-Coil (9/16-24 Unef-2B)	6:1	237-58	1	O-Ring
1:6	110-6344	2	Coil-12V, DC	6:2	237-81	1	O-Ring
1:10	105-9157	2	Piston-Pilot	7	104-3509	1	Fitting-HYD, 45 DEG
2	354-77	2	Fitting-Quick	7:1	237-146	1	O-Ring
2:1	237-78	1	O-Ring	7:2	340-65	1	O-Ring
3	354-79	2	Cap-Dust				

● Not serviced separately



## Lift Manifold Assembly No. 117-2388

<i>Ref.</i>	<i>Part Number</i>	<i>Qty.</i>	<i>Description</i>	<i>Ref.</i>	<i>Part Number</i>	<i>Qty.</i>	<i>Description</i>
4	107-7517	1	Valve-Solenoid	11	110-6344	1	Coil-12V, DC
4:1	105-9156	1	Seal Kit	12	340-2	1	Fitting-Straight
4:2	107-7812	1	Nut-Solenoid	12:1	237-22	1	O-Ring
5	112-9206	1	Solenoid Valve ASM	12:2	237-42	1	O-Ring
5:1	105-9156	1	Seal Kit	13	340-4	2	Fitting-Straight
5:2	110-2634	1	Nut-Coil	13:1	237-30	1	O-Ring
6	105-9321	1	Check Valve ASM	13:2	237-79	1	O-Ring
6:1	105-9156	1	Seal Kit	14	115-9147	2	Fitting-Elbow, 90 DEG
7	117-2399	1	Relief Valve-Proportional	14:1	237-78	1	O-Ring
8	117-4793	1	Valve-Relief	15	354-79	1	Cap-Dust
9	117-4756	1	Orifice-Flow Control, .080	19	353-947	1	Cap-Dust, Black
10	110-0497	2	Coil-Solenoid				

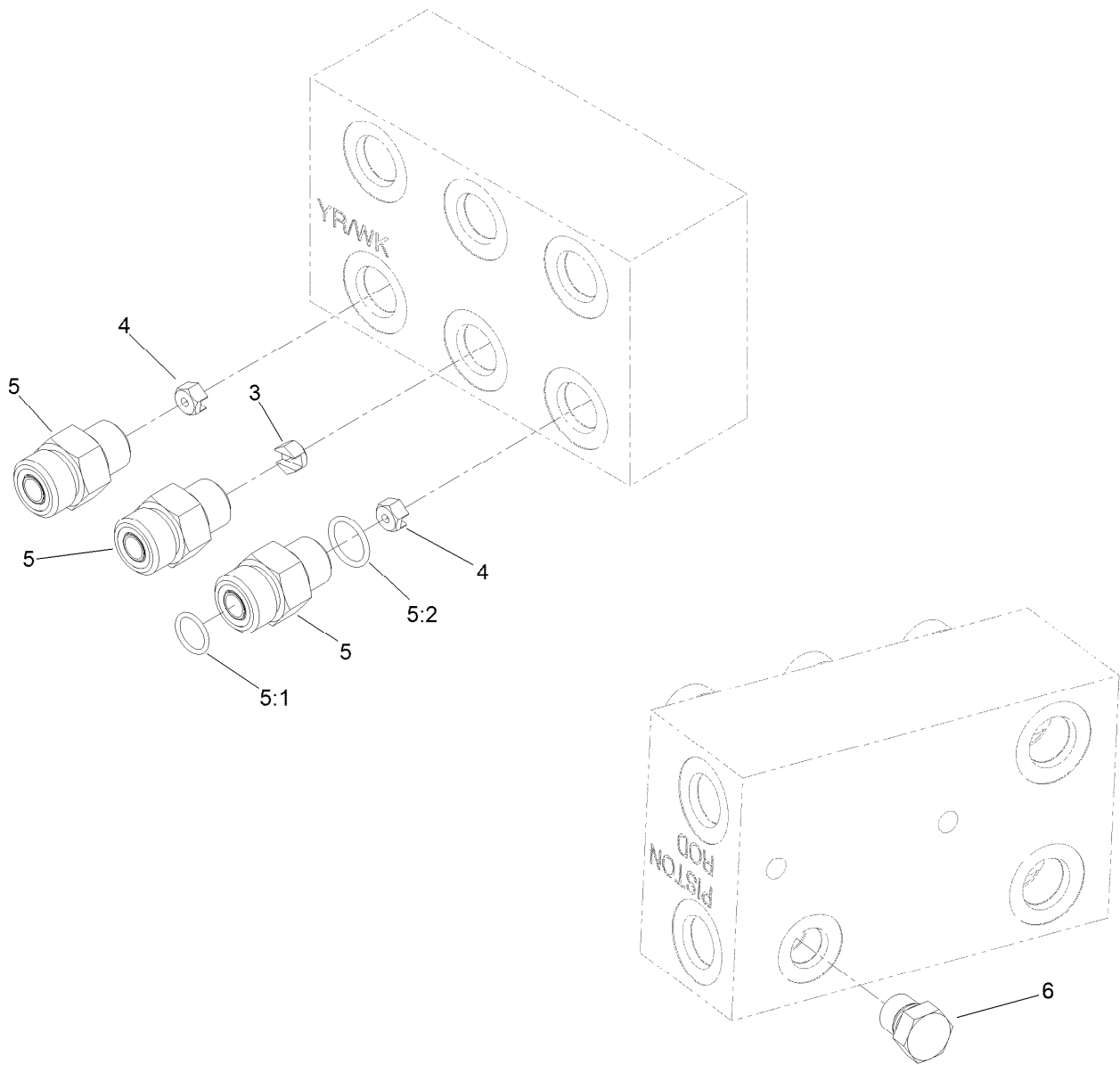


## Junction Manifold Assembly No. 117-2394

<i>Ref.</i>	<i>Part Number</i>	<i>Qty.</i>	<i>Description</i>
1		1	Manifold-Junction ●
2	340-2	3	Fitting-Straight
2:1	237-22	1	O-Ring
2:2	237-42	1	O-Ring
3	340-77	1	Fitting-Elbow, 90 DEG
3:1	237-22	1	O-Ring
3:2	237-42	1	O-Ring

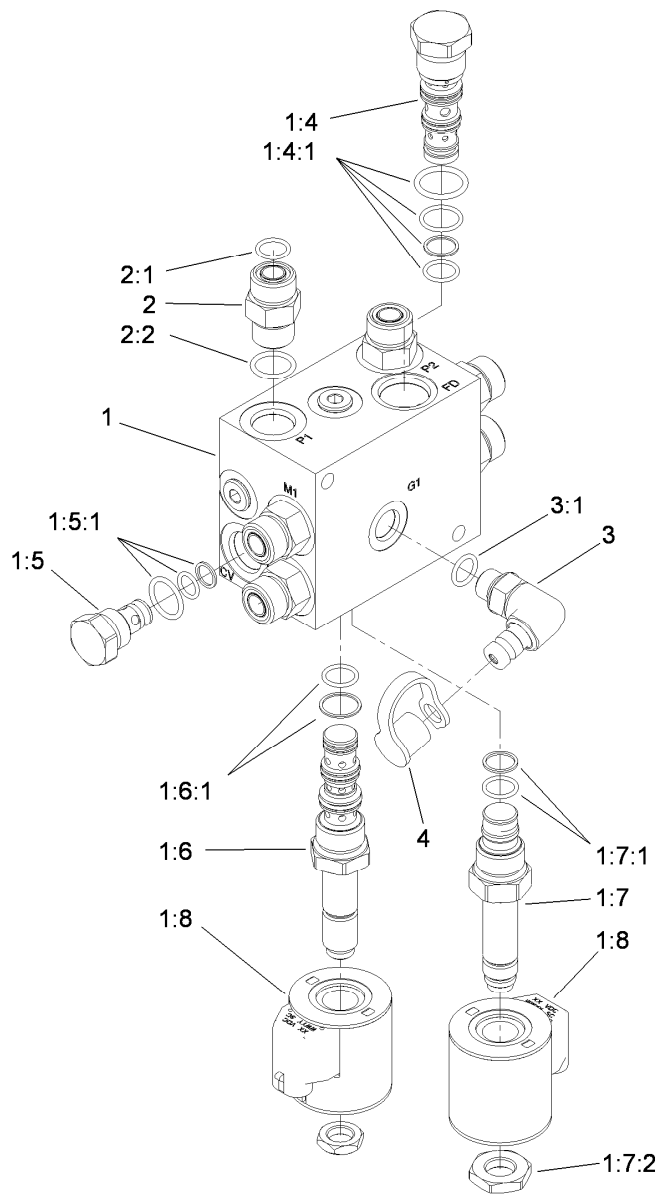
● Not serviced separately





## Junction Manifold Assembly

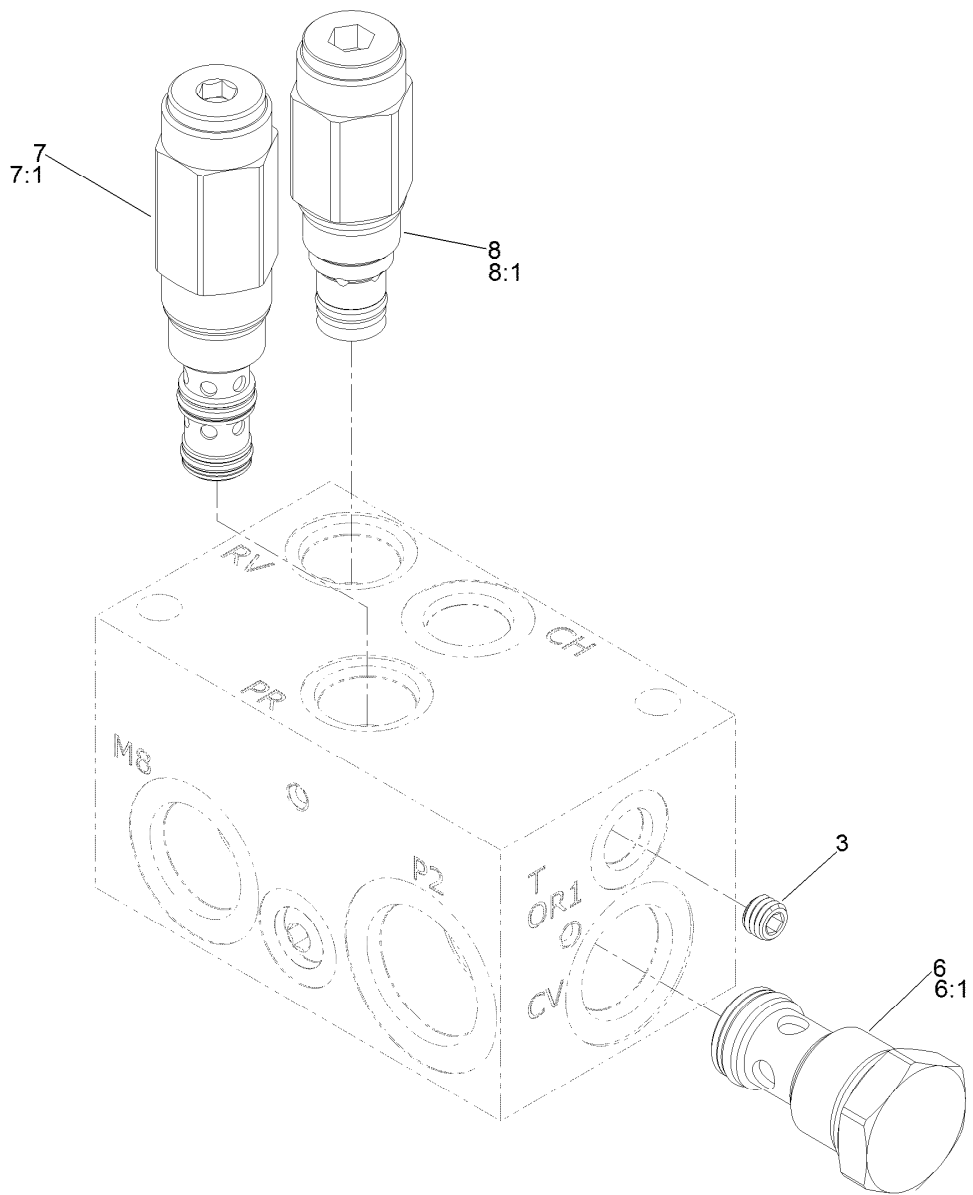
<i>Ref.</i>	<i>Part Number</i>	<i>Qty.</i>	<i>Description</i>
3	119-2010	1	Orifice-Control, Flow (0.055)
4	119-2009	2	Orifice-Flow Control (0.030)
5	340-2	3	Fitting-Straight
5:1	237-22	1	O-Ring
5:2	237-42	1	O-Ring
6	117-0115	1	Plug



## Fan Drive Manifold Assembly No. 117-2395

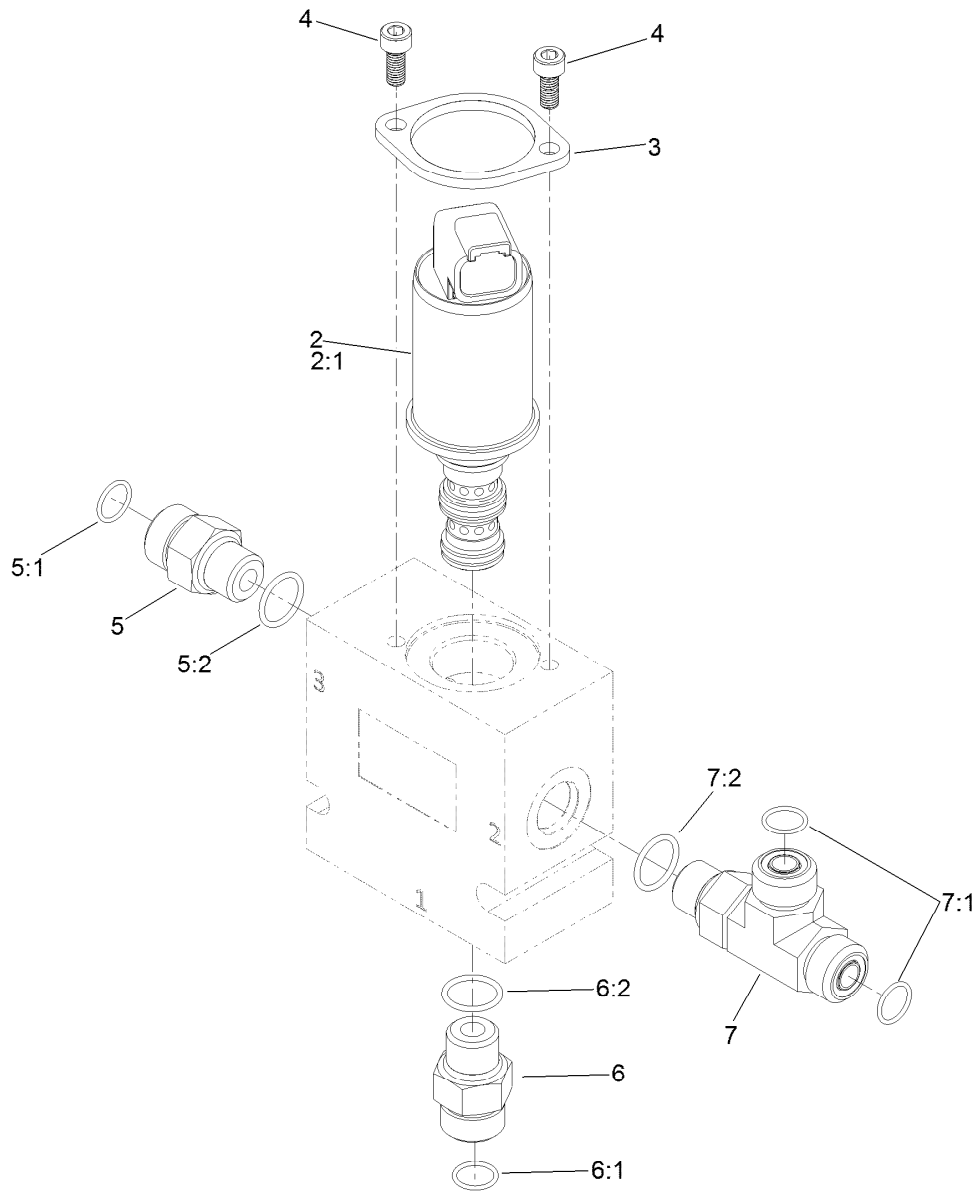
<i>Ref.</i>	<i>Part Number</i>	<i>Qty.</i>	<i>Description</i>	<i>Ref.</i>	<i>Part Number</i>	<i>Qty.</i>	<i>Description</i>
1		1	Fan Drive Manifold ASM ●	1:7:1	110-6316	1	Seal Kit
1:4	115-3024	1	Valve-Flow Divider/Combiner	1:7:2	119-7715	1	Nut-Coil
1:4:1	115-3025	1	Seal Kit	1:8	110-6344	2	Coil-12V, DC
1:5	105-9321	1	Check Valve ASM	2	340-4	7	Fitting-Straight
1:5:1	105-9156	1	Seal Kit	2:1	237-30	1	O-Ring
1:6	115-3023	1	Solenoid Valve ASM	2:2	237-79	1	O-Ring
1:6:1	110-8908	1	Spool Valve Seal Kit	3	115-9148	1	Fitting-Elbow-90
1:7	115-3022	1	Relief-Proportional	3:1	237-42	1	O-Ring
				4	354-79	1	Cap-Dust

● Not serviced separately



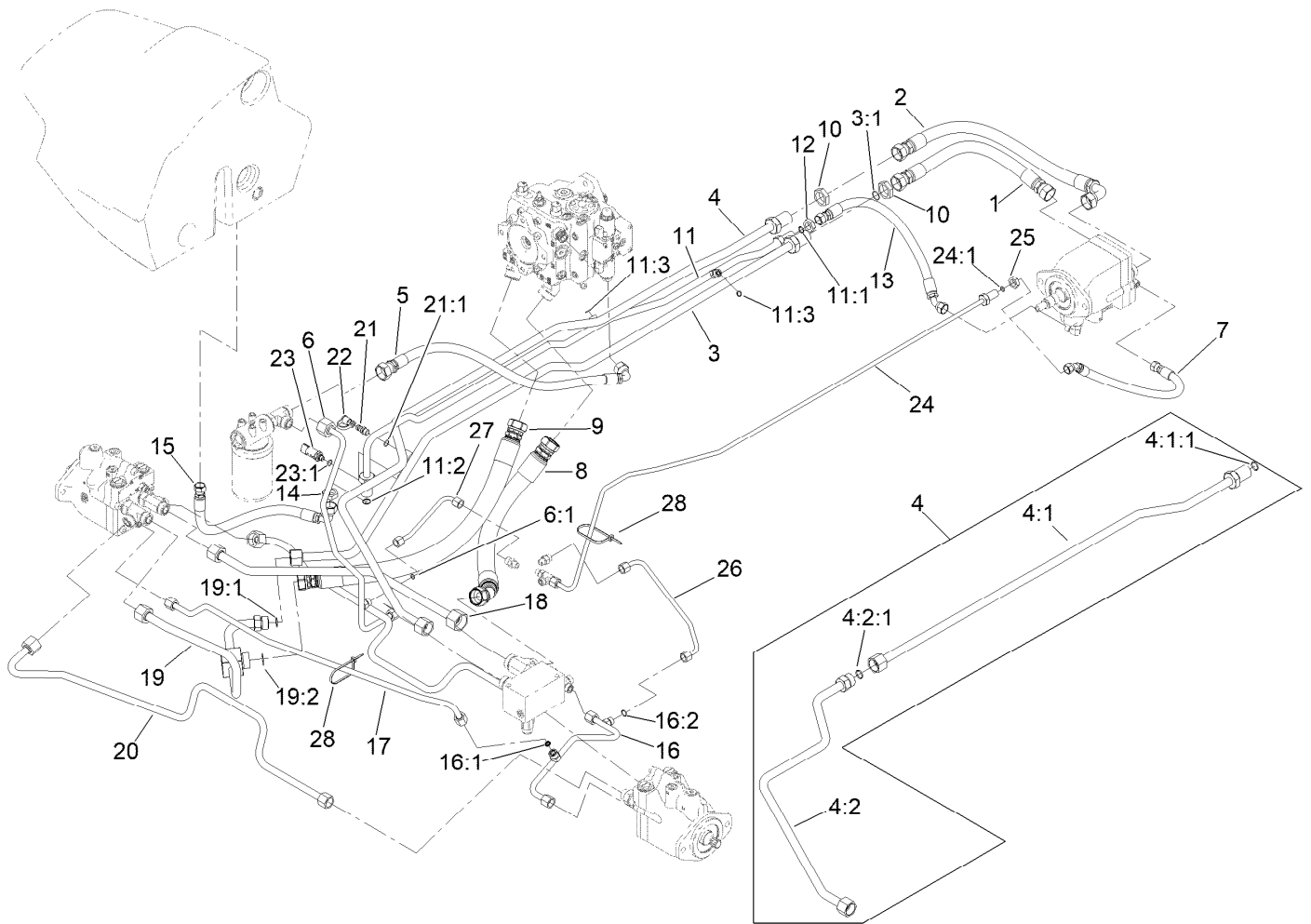
## Traction Manifold Assembly No. 136-3341

Ref.	Part Number	Qty.	Description
3	110-0495	1	Plug-Orifice (0.050 Inch)
6	125-4328	1	Valve-Check
6:1	125-4336	1	Seal Kit
7	125-7567	1	Valve-Pressure Reducing
7:1	125-4334	1	Seal Kit
8	136-3342	1	Valve-Relief
8:1	110-6316	1	Seal Kit



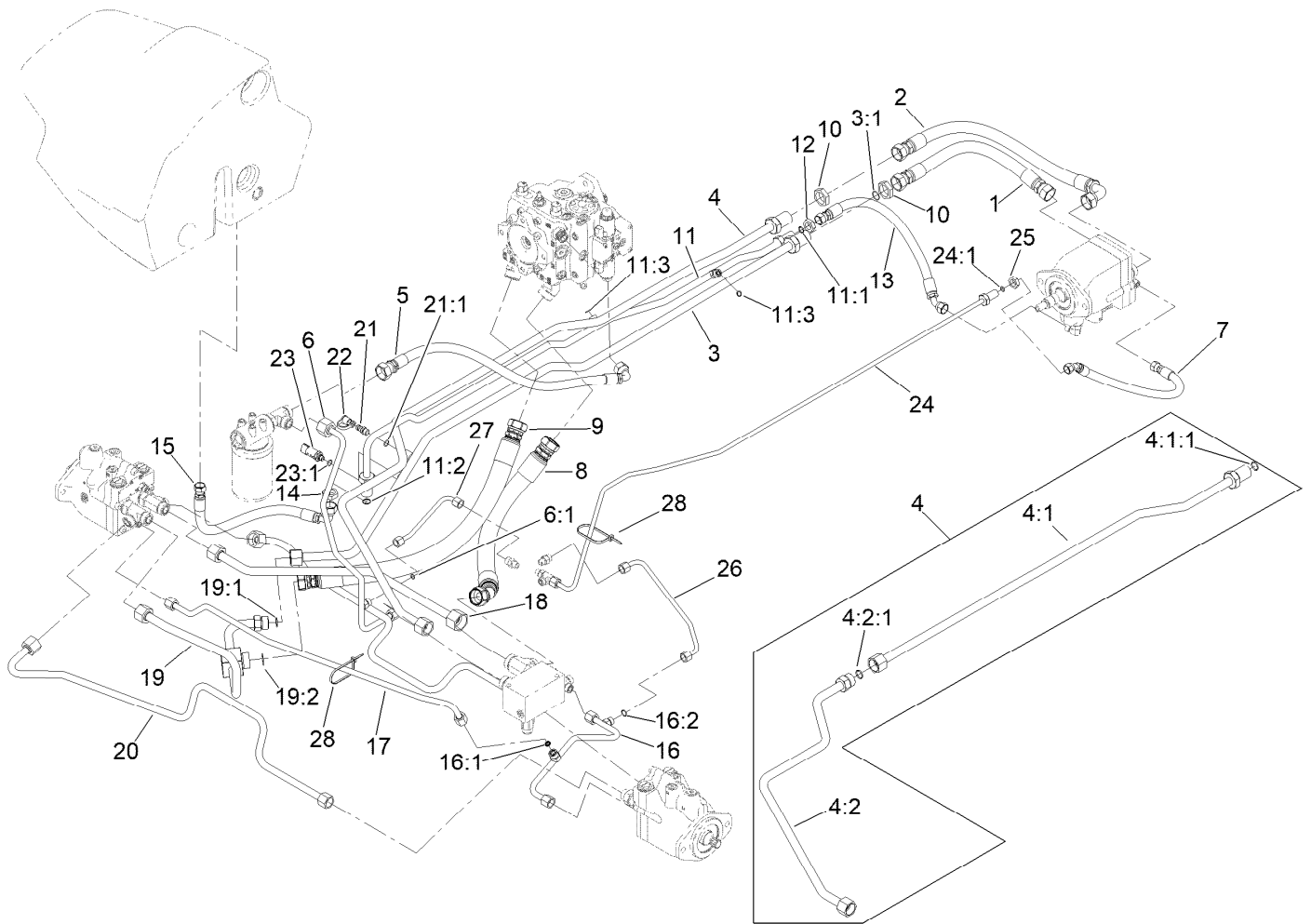
## 3-Way Valve Manifold Assembly No. 138-6946

<i>Ref.</i>	<i>Part Number</i>	<i>Qty.</i>	<i>Description</i>
2	138-3828	1	Valve-Solenoid, 3 Way 2 Position
2:1	138-3831	1	Seal Kit
3	138-3825	2	Plate-Mounting, Standard
4	138-3827	1	Screw
5	92-9258	1	Adapter-Check
5:1	237-22	1	O-Ring
5:2	237-42	1	O-Ring
6	340-2	1	Fitting-Straight
6:1	237-22	1	O-Ring
6:2	237-42	1	O-Ring
7	340-86	1	Fitting-Tee
7:1	237-22	2	O-Ring
7:2	237-42	1	O-Ring



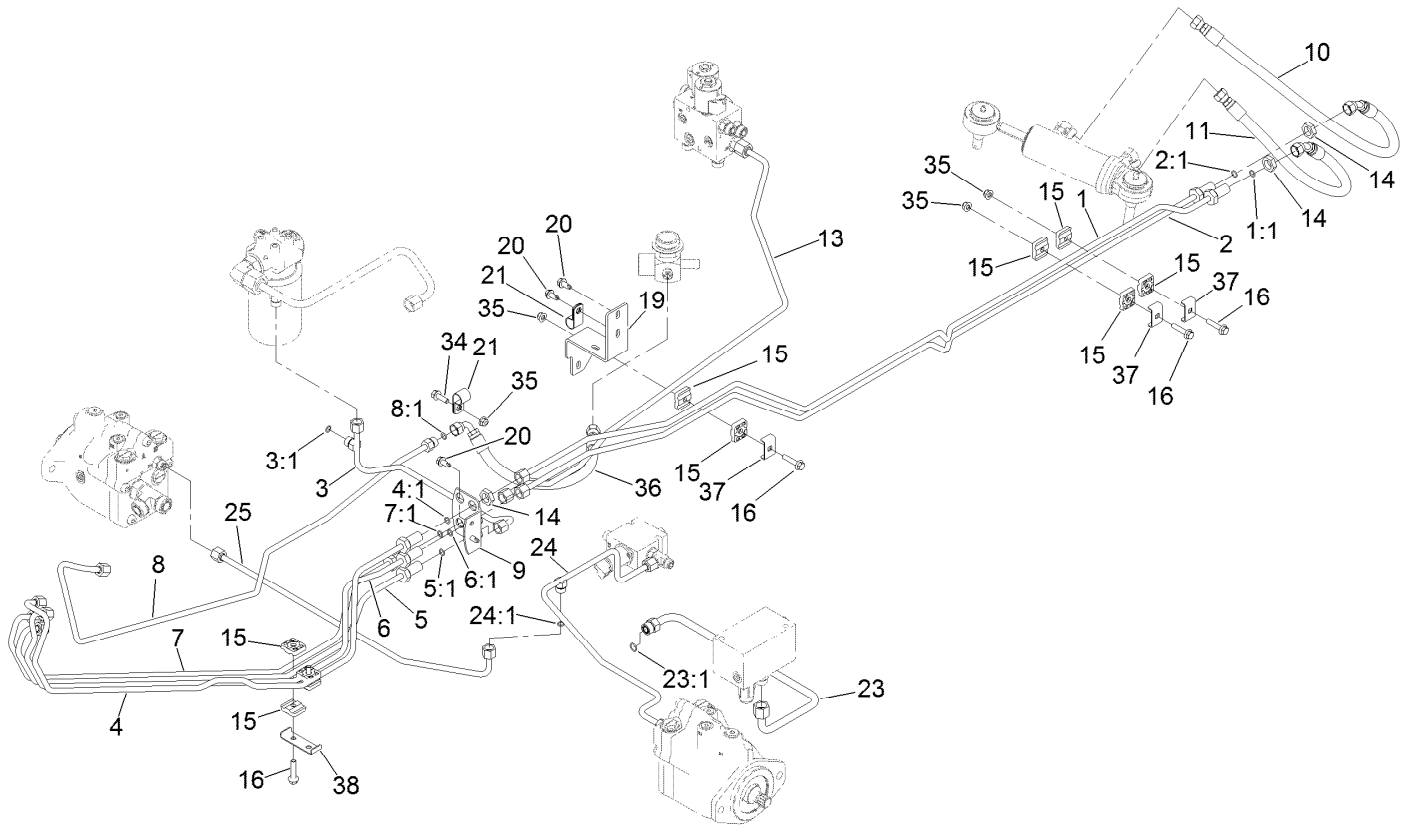
## Hydraulic Traction Circuit Assembly

Ref.	Part Number	Qty.	Description	Ref.	Part Number	Qty.	Description
1	120-8053	1	Hose ASM	13	92-2406	1	Hose-HYD
2	104-3789	1	Filter Hose ASM	14	340-74	1	Nut-Lock, Bulkhead
3	120-8079	1	Tube ASM	15	136-2911	1	Hose ASM
3:1	237-58	1	O-Ring	16	121-3055	1	Tube ASM
4	136-2945	1	HYD Tube Kit	16:1	237-30	1	O-Ring
4:1	138-1246	1	Tube ASM	16:2	237-22	1	O-Ring
4:1:1	237-58	1	O-Ring	17	121-3056	1	Tube ASM
4:2	138-1247	1	Tube ASM	18	121-3123	1	Tube ASM
4:2:1	237-58	1	O-Ring	19	125-4569	1	Tube ASM
5	136-2925	1	Hose ASM	19:1	237-58	1	O-Ring
6	120-8047	1	Tube ASM	19:2	340-65	1	O-Ring
6:1	237-22	1	O-Ring	20	147-6092	2	Hose ASM-HYD
7	92-7595	1	Hose-HYD	21	59-7410	1	Fitting-Diagnostic
8	136-2927	1	Hose ASM	21:1	237-42	1	O-Ring
9	136-2928	1	Hose ASM	22	354-79	1	Cap-Dust
10	340-126	2	Nut-Bulkhead	23	119-0011	1	Pressure Transducer ASM
11	136-2882	1	HYD Tube ASM	23:1	237-78	1	O-Ring
11:1	237-30	1	O-Ring	24	120-8052	1	Tube ASM
11:2	237-65	1	O-Ring	24:1	237-22	1	O-Ring
11:3	237-22	2	O-Ring	25	340-70	1	Nut-Lock
12	340-127	1	Nut-Bulkhead	26	147-6093	1	Hose ASM-HYD



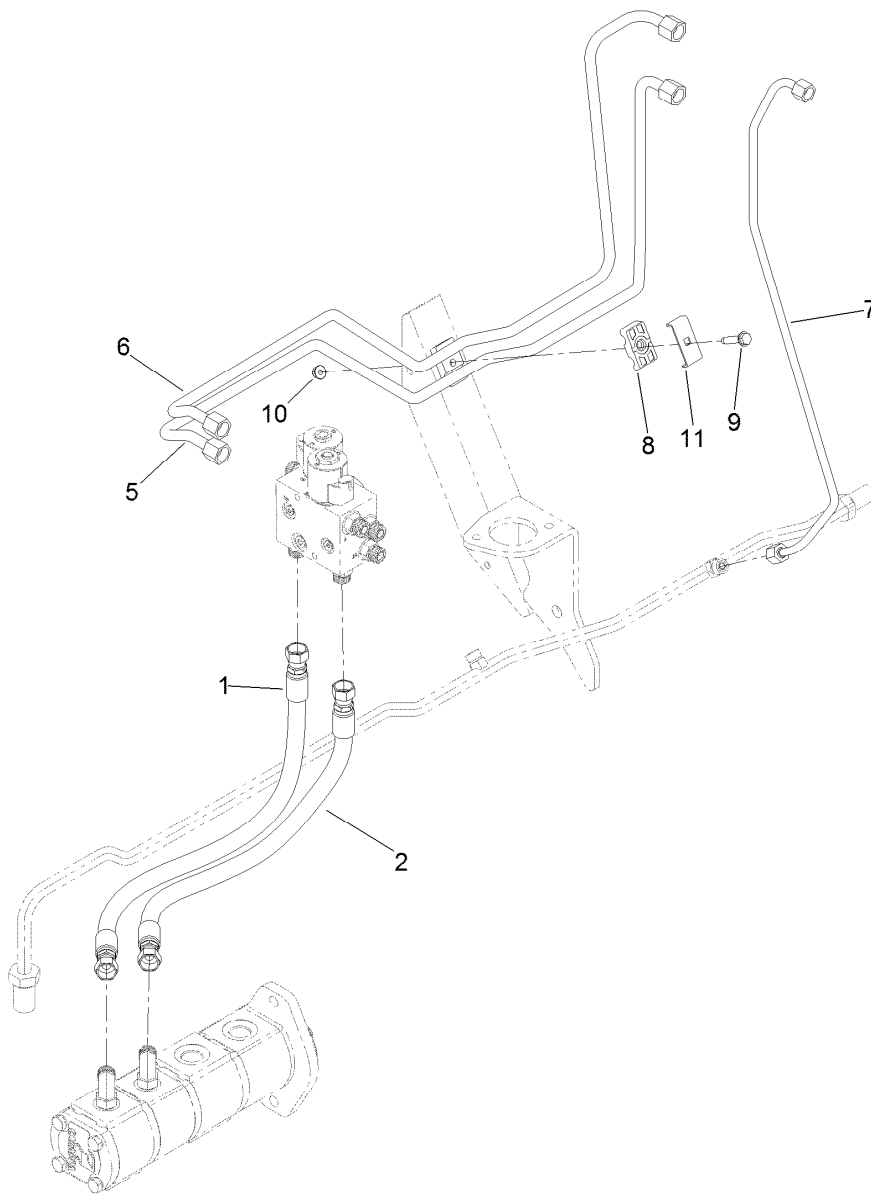
## Hydraulic Traction Circuit Assembly (continued)

<i>Ref.</i>	<i>Part Number</i>	<i>Qty.</i>	<i>Description</i>
27	125-4566	1	Tube ASM
28	3290-378	2	Tie-Cable



## Steering Hydraulic Assembly

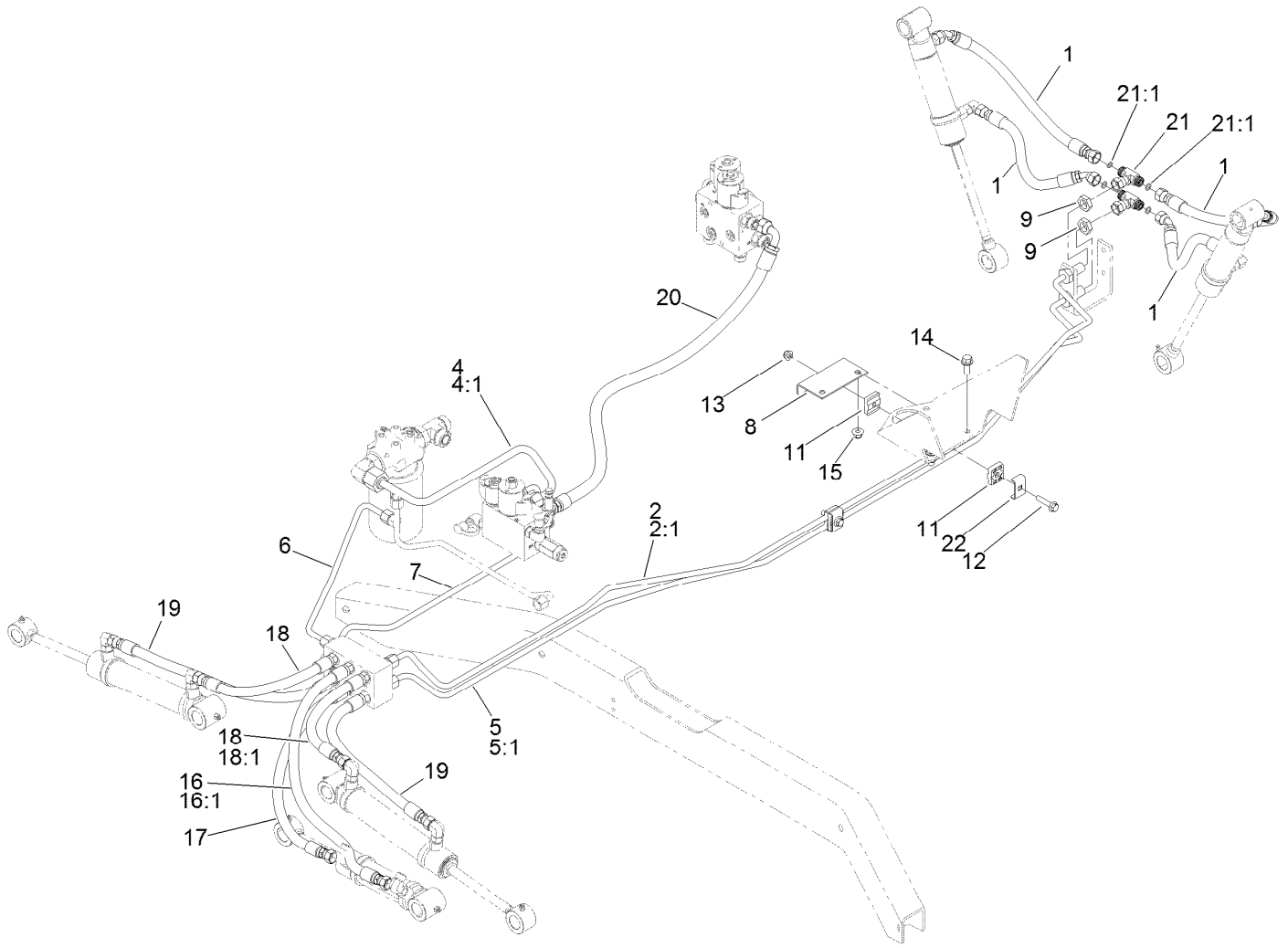
Ref.	Part Number	Qty.	Description	Ref.	Part Number	Qty.	Description
1	120-8056	1	Tube ASM	11	92-7539	1	Hose-HYD
1:1	237-22	1	O-Ring	13	120-8057	1	Tube ASM
2	120-8055	1	Tube ASM	14	340-70	6	Nut-Lock
2:1	237-22	1	O-Ring	15	56-7973	10	Clamp-Tube
3	136-3311	1	Hydraulic Tube ASM	16	115-1794	5	Screw-HHF
3:1	237-22	1	O-Ring	19	105-3993-0P	1	Bracket-Tube Support
4	115-4408	1	Tube ASM	20	32104-32	4	Screw-HWH
4:1	237-22	1	O-Ring	21	2412-81	2	Clamp-R
5	115-4406	1	Tube ASM	23	125-4570	1	Tube ASM
5:1	237-22	1	O-Ring	23:1	237-30	1	O-Ring
6	115-4409	1	Tube ASM	24	121-3064	1	Tube ASM
6:1	237-22	1	O-Ring	24:1	237-22	1	O-Ring
7	115-4405	1	Tube ASM	25	121-3063	1	Tube ASM
7:1	237-22	1	O-Ring	34	3234-29	1	Screw-HHF
8	136-3414	1	Hydraulic Tube ASM	35	104-8300	4	Nut-HF, NI
8:1	237-22	1	O-Ring	36	92-5694	1	Hose-Hydraulic
9	92-7606-0P	1	Bracket - Bulkhead *b	37	119-1418	3	Plate-Clamp, Short
10	125-4560	1	Hose ASM	38	131-7789	1	Plate-Bent, Clamp



## Hydraulic Traction Circuit Assembly

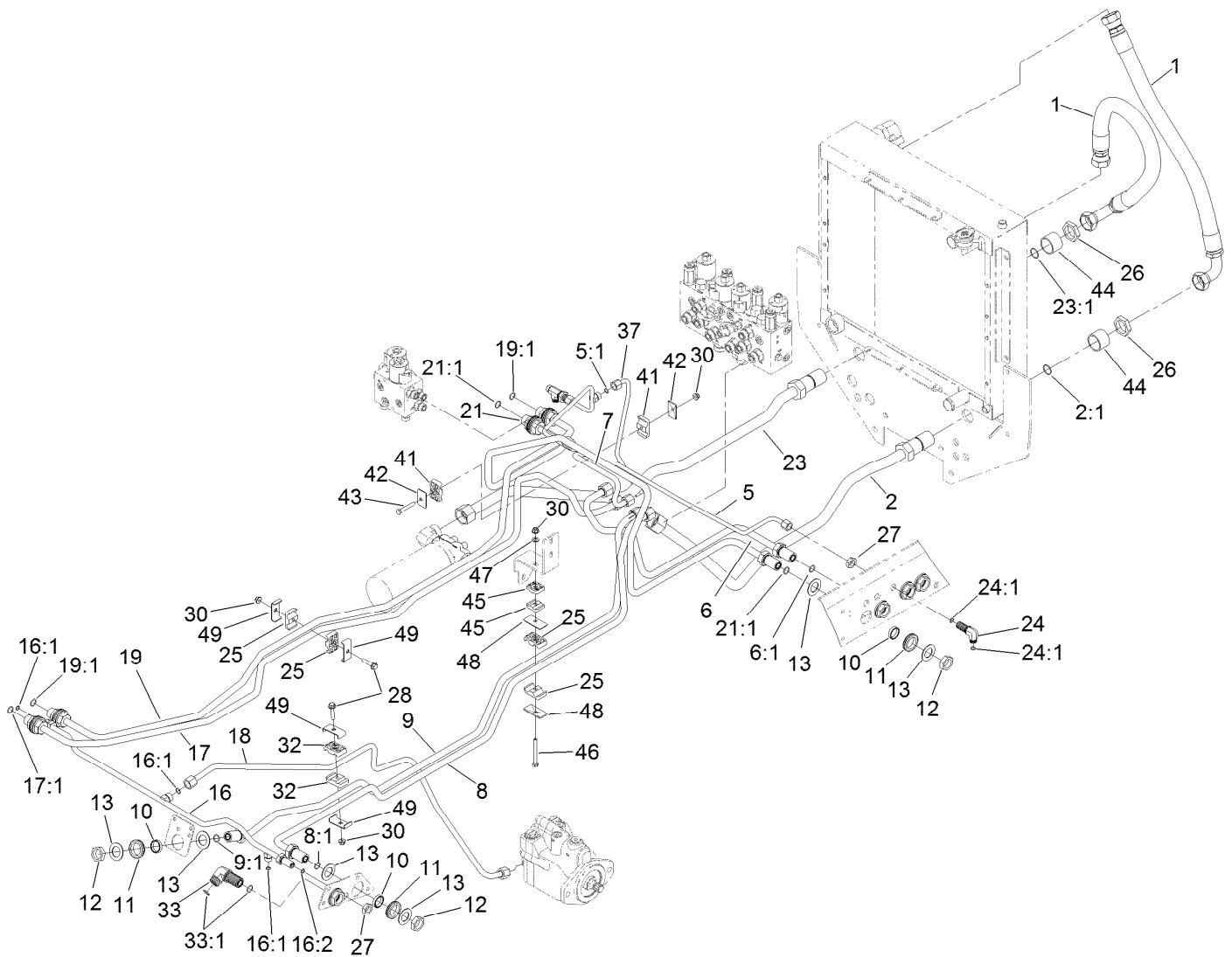
<i>Ref.</i>	<i>Part Number</i>	<i>Qty.</i>	<i>Description</i>
1	125-4558	1	Hose ASM
2	95-8829	1	Hose ASM
5	125-4601	1	Tube ASM
6	125-4599	1	Tube ASM
7	125-4602	1	Tube ASM
8	56-7976	2	Clamp-Tube
9	32144-57	1	Screw
10	104-8300	1	Nut-HF, NI
11	119-1419	1	Plate-Clamp





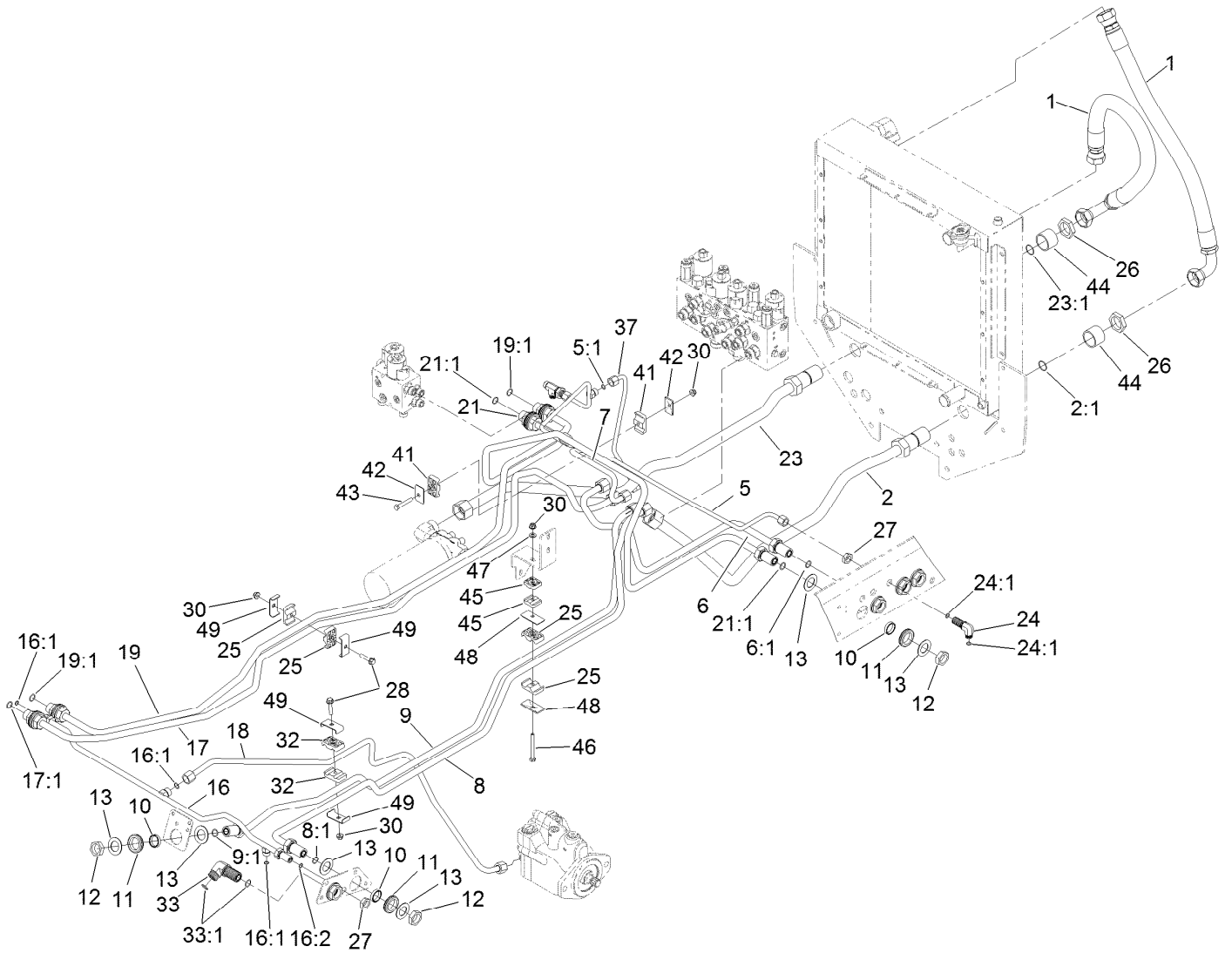
## Deck Lift Hydraulic Circuit Assembly

<i>Ref.</i>	<i>Part Number</i>	<i>Qty.</i>	<i>Description</i>	<i>Ref.</i>	<i>Part Number</i>	<i>Qty.</i>	<i>Description</i>
1	105-9238	4	Hose-HYD	13	104-8300	2	Nut-HF, NI
2	121-3103	1	Tube ASM	14	3234-11	2	Screw-HHF
2:1	237-22	1	O-Ring	15	104-8301	2	Nut-HF, NI
4	136-3310	1	Hydraulic Tube ASM	16	104-5511	1	Hose -HYD
4:1	237-22	1	O-Ring	16:1	237-42	1	O-Ring
5	121-3104	1	Tube ASM	17	100-5629	1	Hose ASM
5:1	237-22	1	O-Ring	18	104-5512	2	Hose-HYD
6	136-3309	1	Hydraulic Tube	18:1	237-42	1	O-Ring
7	136-3308	1	Hydraulic Tube ASM	19	99-3579	2	Hose-HYD
8	105-3990-0P	1	Bracket-Tube Support	20	131-7758	1	Hose ASM
9	340-70	2	Nut-Lock	21	340-166	2	Fitting-Tee
11	56-7973	4	Clamp-Tube	21:1	237-22	2	O-Ring
12	115-1794	2	Screw-HHF	22	119-1418	3	Plate-Clamp, Short



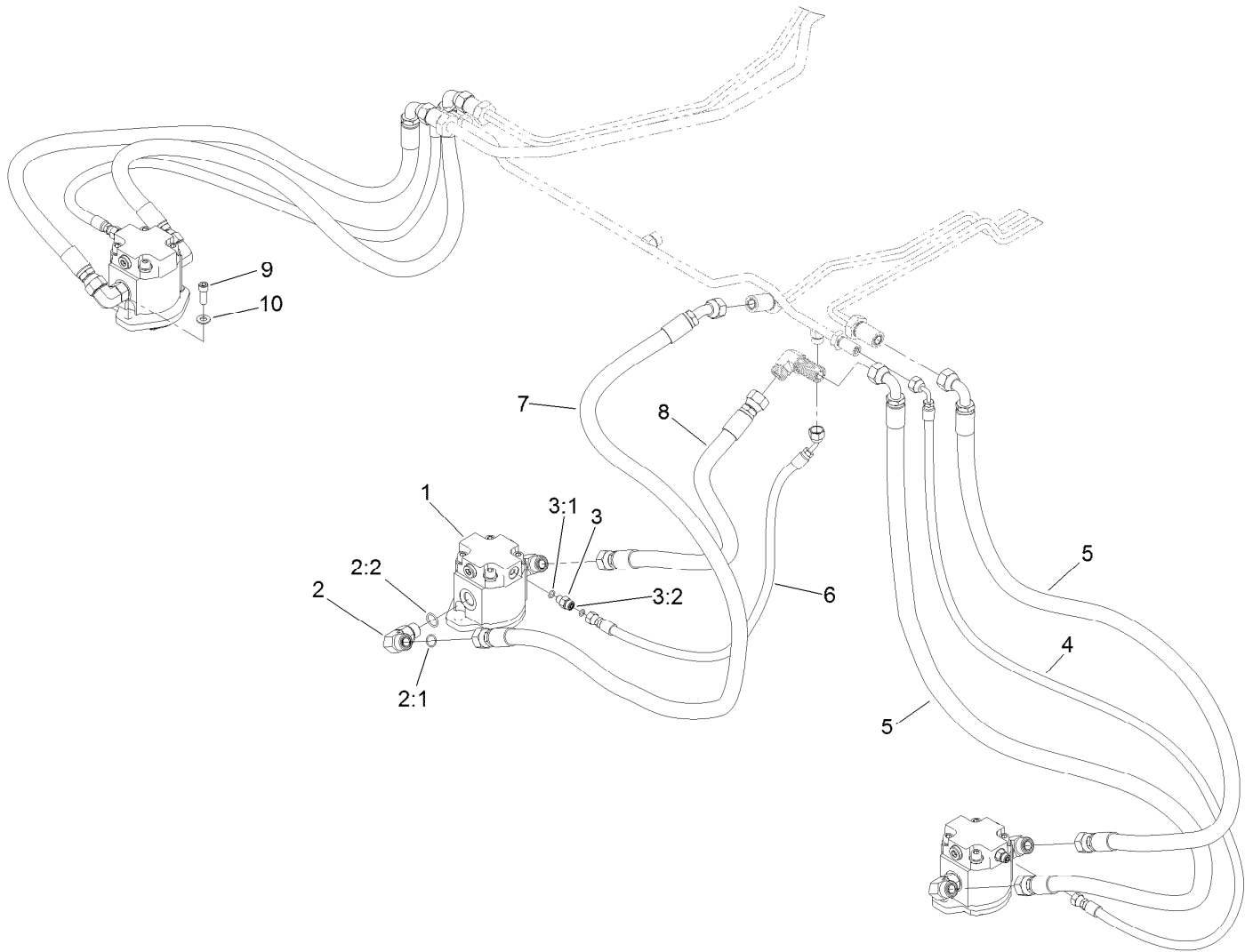
## Hydraulic Mow Circuit Assembly

Ref.	Part Number	Qty.	Description	Ref.	Part Number	Qty.	Description
1	108-1689	2	Hose-HYD	18	120-8082	1	Tube ASM
2	125-4574	1	Tube ASM	19	105-3901	1	Tube ASM
2:1	340-65	1	O-Ring	19:1	237-65	2	O-Ring
5	121-3114	1	Tube ASM	21	121-3113	1	Tube ASM
5:1	237-22	1	O-Ring	21:1	237-65	2	O-Ring
6	125-4557	1	Tube ASM	23	125-4573	1	Tube ASM
6:1	237-65	1	O-Ring	23:1	340-65	1	O-Ring
7	115-4398	1	Tube-HYD	24	340-154	2	Union-Bulkhead
8	115-4371	1	Tube-HYD	24:1	237-22	2	O-Ring
8:1	237-65	1	O-Ring	25	56-7971	4	Clamp-Tube
9	115-4370	1	Tube-HYD	26	340-128	2	Nut-Bulkhead
9:1	237-65	1	O-Ring	27	340-70	4	Nut-Lock
10	125-1984	9	Spacer	28	94-5780	2	Screw-HWH
11	240-3	9	Grommet-Rubber	30	104-8300	4	Nut-HF, NI
12	340-74	9	Nut-Lock, Bulkhead	32	56-7972	2	Clamp-Tube
13	69-9010	18	Washer	33	340-72	1	Fitting-Bulkhead, 90 DEG
16	120-8081	1	Tube ASM	33:1	237-65	2	O-Ring
16:1	237-30	1	O-Ring	37	121-3115	1	Tube ASM
16:2	237-22	3	O-Ring	41	56-7977	2	Clamp-Tube
17	125-4556	1	Tube ASM	42	69-9760	2	Plate-Cover
17:1	237-65	1	O-Ring	43	322-10	1	Screw-HH



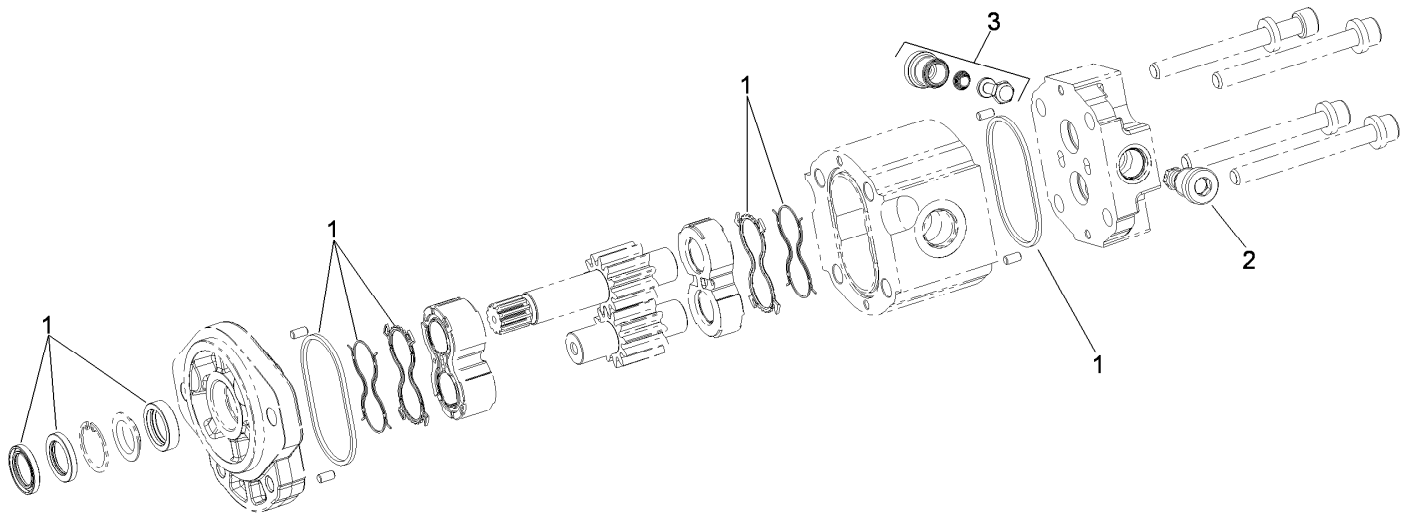
## Hydraulic Mow Circuit Assembly (continued)

<i>Ref.</i>	<i>Part Number</i>	<i>Qty.</i>	<i>Description</i>	<i>Ref.</i>	<i>Part Number</i>	<i>Qty.</i>	<i>Description</i>
44	125-4577	2	Spacer	47	3256-23	1	Washer-Plain
45	56-7973	2	Clamp-Tube	48	69-9761	2	Plate-Cover
46	322-14	1	Screw-HH	49	119-1419	4	Plate-Clamp



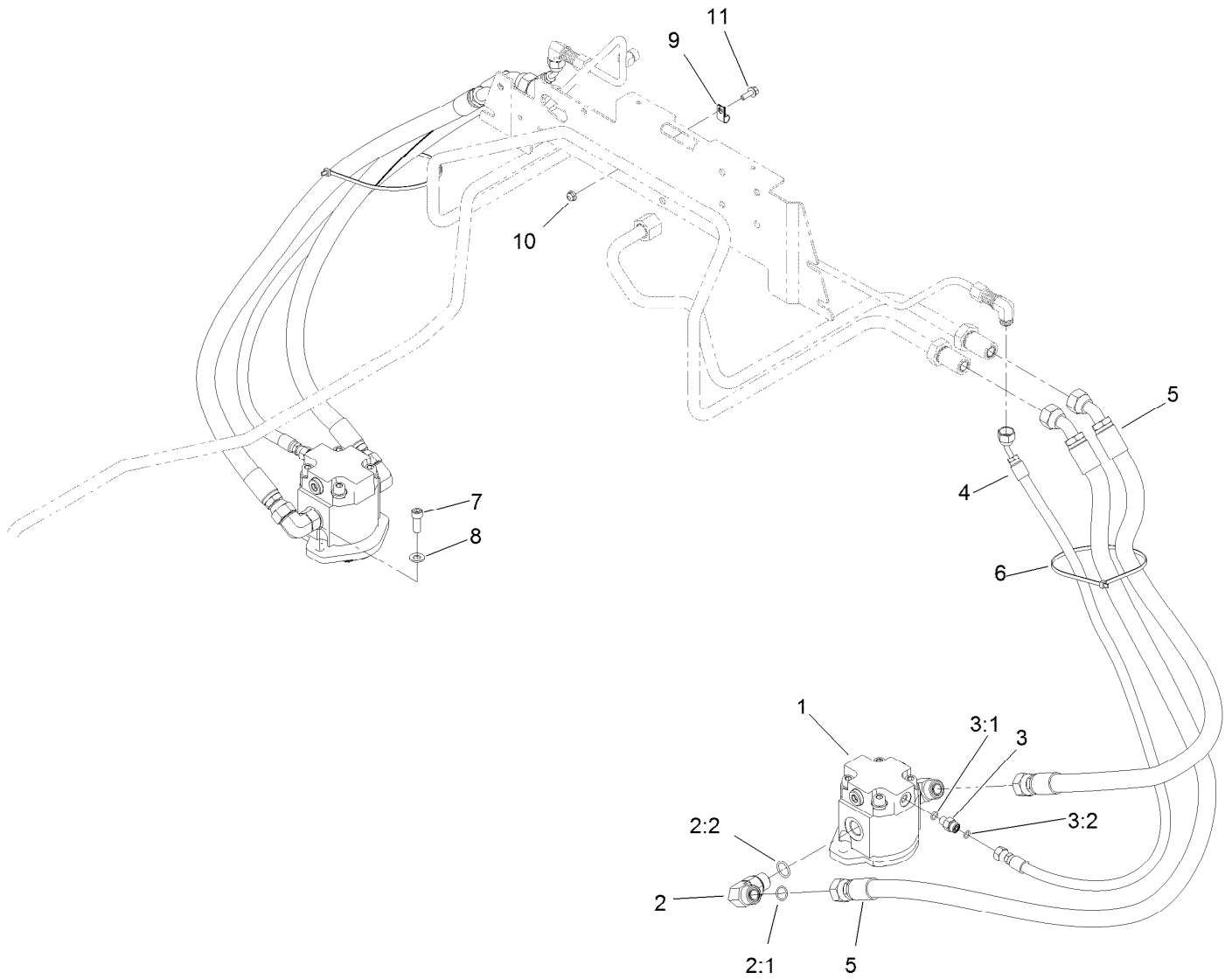
## Deck No. 1, 4 and 5 Hydraulic Assembly

<i>Ref.</i>	<i>Part Number</i>	<i>Qty.</i>	<i>Description</i>
1	117-5141	3	HYD Motor ASM
2	340-17	6	Fitting-Elbow, 90 DEG
2:1	237-65	1	O-Ring
2:2	237-80	1	O-Ring
3	340-92	3	Fitting-Straight
3:1	237-78	1	O-Ring
3:2	237-21	1	O-Ring
4	104-5500	2	Hose-HYD
5	104-5501	4	Hose-HYD
6	104-5502	1	Hose-HYD
7	104-5504	1	Hose-HYD
8	104-5505	1	Hose-HYD
9	3274-7	6	Screw-HSH
10	3256-24	6	Washer-Plain



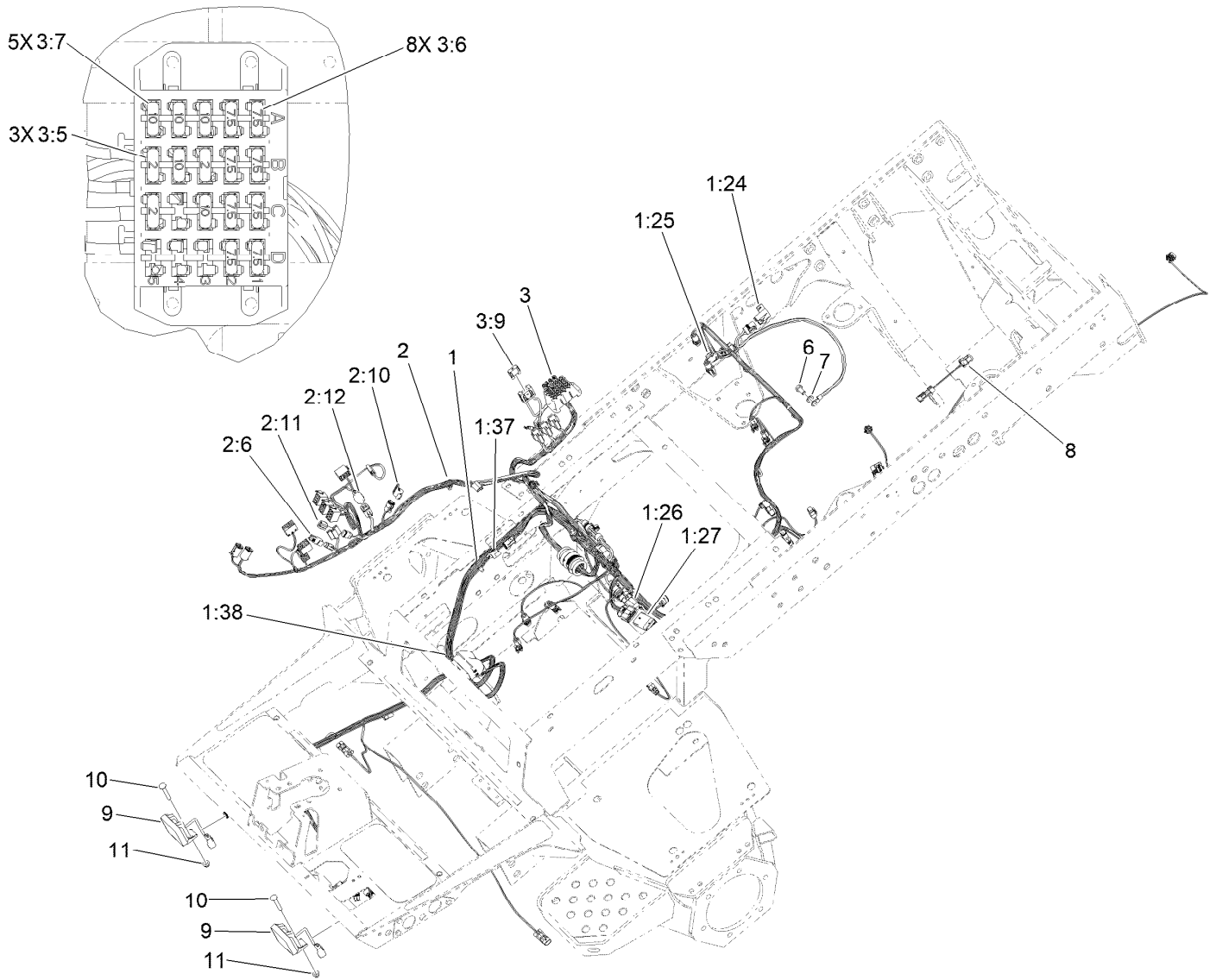
## Gear Motor Assembly No. 117-5141

<i>Ref.</i>	<i>Part Number</i>	<i>Qty.</i>	<i>Description</i>
1	117-0235	1	Seal Kit
2	107-7820	1	Valve-Relief
3	107-7821	1	Valve-Anticavitation



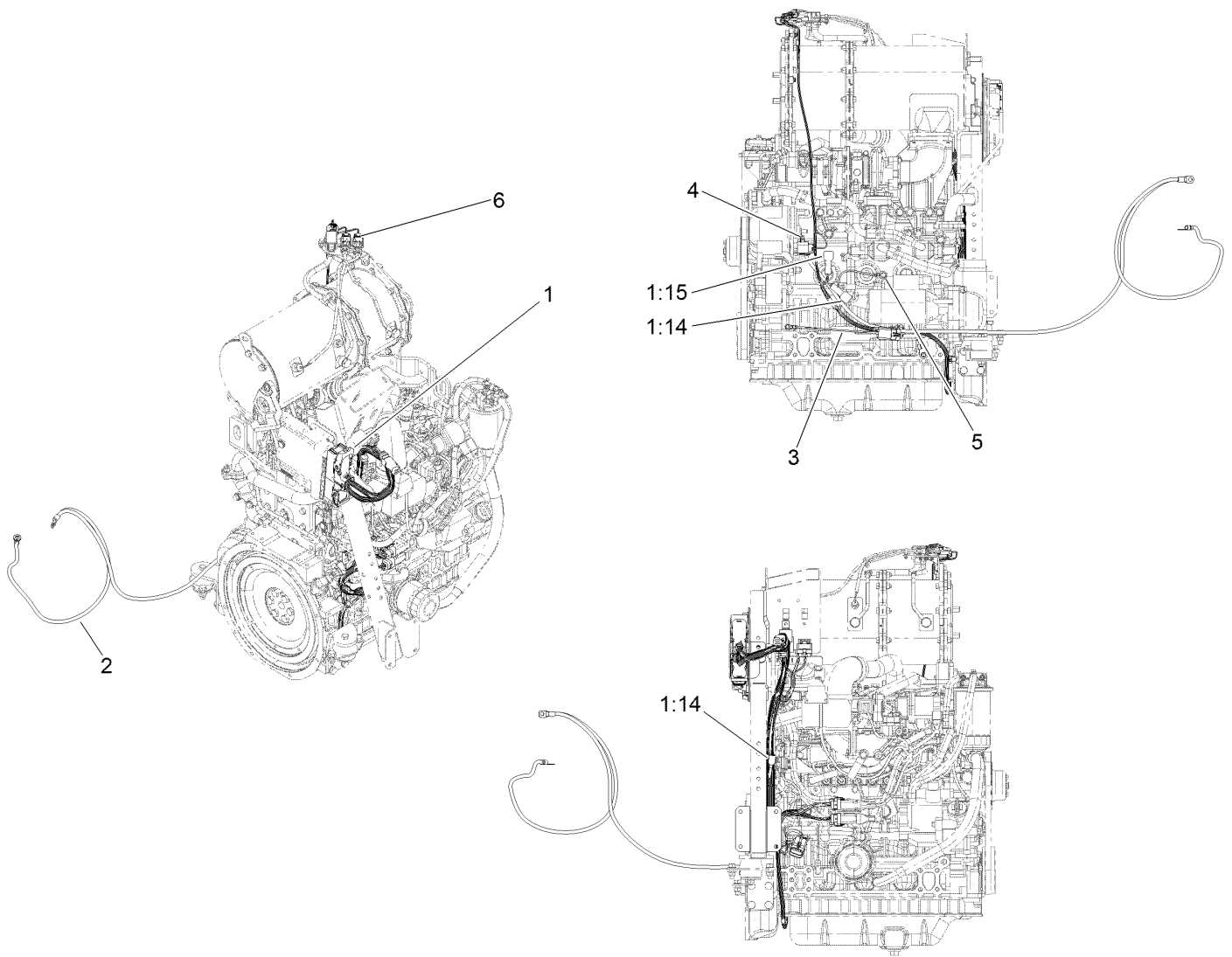
## Deck No. 2 and 3 Hydraulic Assembly

Ref.	Part Number	Qty.	Description
1	117-5141	2	HYD Motor ASM
2	340-17	4	Fitting-Elbow, 90 DEG
2:1	237-65	1	O-Ring
2:2	237-80	1	O-Ring
3	340-92	2	Fitting-Straight
3:1	237-78	1	O-Ring
3:2	237-21	1	O-Ring
4	104-5502	2	Hose-HYD
5	104-5505	4	Hose-HYD
6	3290-379	2	Tie-Cable
7	3274-7	4	Screw-HSH
8	3256-24	4	Washer-Plain
9	2412-89	1	Clamp-R
10	104-7201	1	Nut-HF, NI
11	3234-4	1	Screw-HHF



## Electrical Assembly

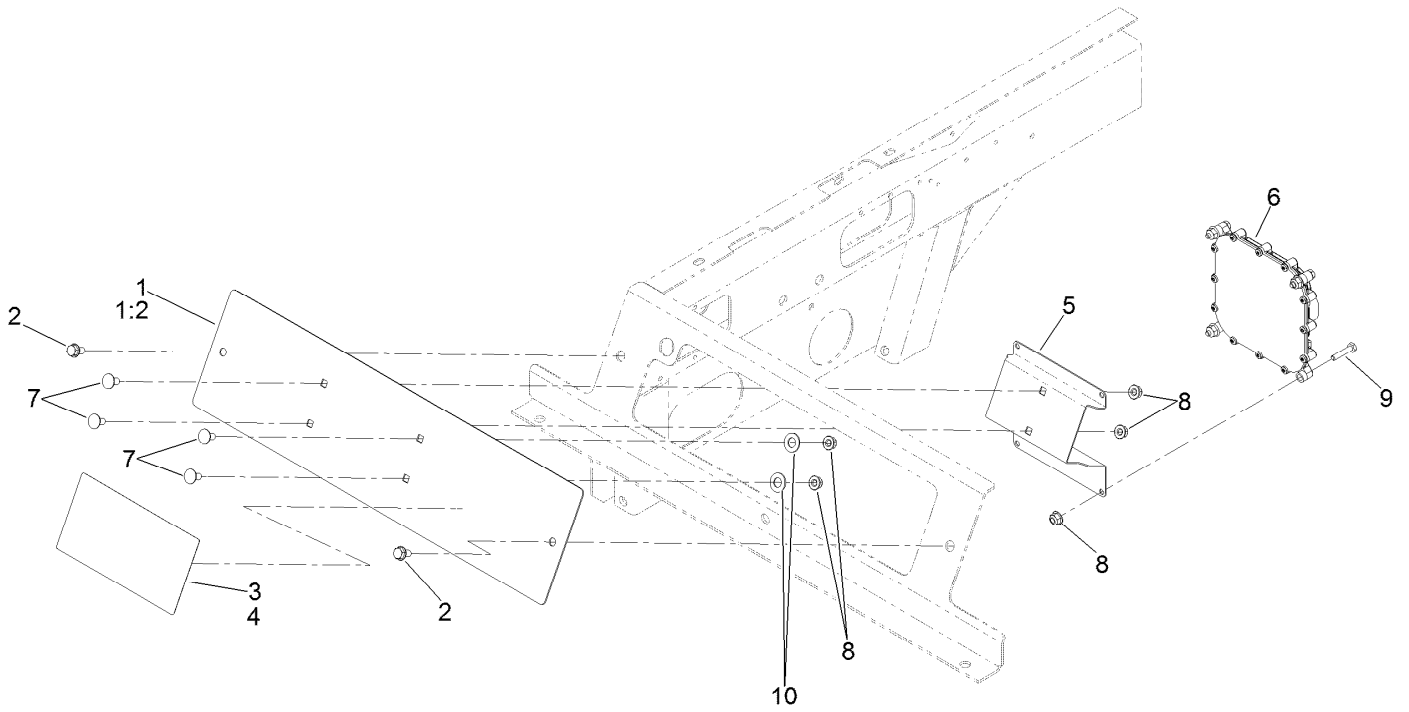
<i>Ref.</i>	<i>Part Number</i>	<i>Qty.</i>	<i>Description</i>	<i>Ref.</i>	<i>Part Number</i>	<i>Qty.</i>	<i>Description</i>
1	122-1263	1	Harness-Wire, Main	3	122-1262	1	Harness-Wire, Pwr Ctr T4
1:24	32180-019	1	Cover-Fuse, Single	3:5	121-8861	3	Fuse-Mini Blade, 2 Amp
1:25	32180-156	1	Cap-Plug, 6 Way	3:6	121-8865	8	Fuse-Mini Blade, 7.5 Amp
1:26	32160-218	1	Connector-Mp630, 2M	3:7	121-8866	5	Fuse-Mini Blade, 10 Amp
1:27	32160-150	1	Connector-Molex, 16M	3:9	114-3342	1	Fuse-Maxi, 60 Amp
1:37	32180-091	1	Cap-Dust, 2 Way	6	33115-020	1	Screw-HH
1:38	122-1131	1	Conn, Capacitor-Sealed	7	33095-00	1	Washer-Flat
2	122-1264	1	Harness-Wire, Seat/Console	8	115-1931	1	Harness-Wire, Fuel Pump Adapter
2:6	32180-282	1	Conn, Res, 120 Ohm	9	145-2598	2	Light-Work, LED
2:10	32180-089	1	Cap-Plug, 3 Way	10	3230-7	2	Bolt-CARR
2:11	32180-091	1	Cap-Dust, 2 Way	11	104-8300	2	Nut-HF, NI
2:12	32180-156	1	Cap-Plug, 6 Way				



## Engine Wire Harness Assembly

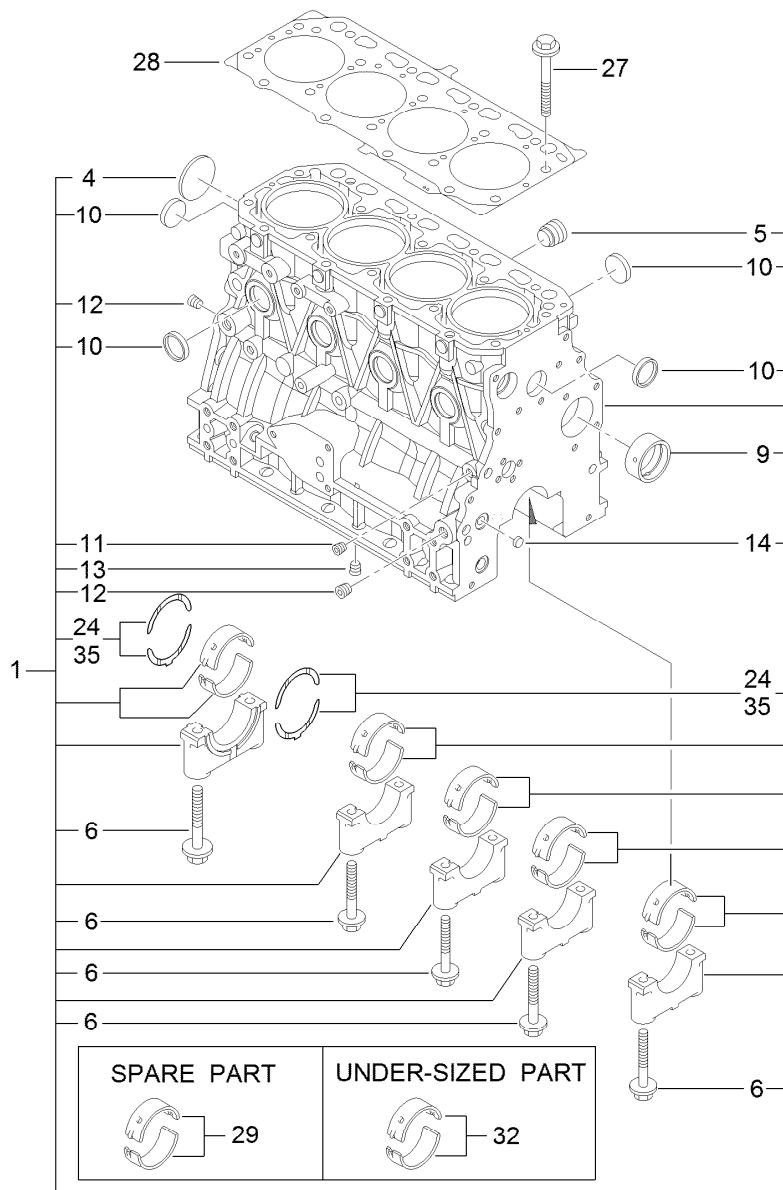
<i>Ref.</i>	<i>Part Number</i>	<i>Qty.</i>	<i>Description</i>
1	122-2132	1	Harness-Wire, Gm45/4700 Engine T4
1:14	100-4918	2	Diode
1:15	121-8891	1	Resistor (1.6K Ohm)
2	115-1930	1	Cable-Battery, Positive
3	108-9470	1	Harness-Wire, Fusible Link
4	33003-00	1	Nut-HF
5	33004-00	1	Nut-HF
6	122-2133	1	Harness-Wire, Dpf Sub-Harness





## Controller Assembly

<i>Ref.</i>	<i>Part Number</i>	<i>Qty.</i>	<i>Description</i>
1	136-3322	1	Access Panel ASM
1:2	105-9860	2	Seal-Foam
2	3234-7	2	Screw-HHF
3	127-6447	1	Decal-Danger, CE (16 DEG)
4	112-5297	1	Decal-Danger
5	139-5992	1	Bracket-Controller
6	127-2770	1	Controller
7	3230-18	4	Screw-CARR
8	104-8300	8	Nut-HF, NI
9	321-8	4	Screw-HH
10	3256-25	2	Washer-Flat



## Cylinder Block Assembly

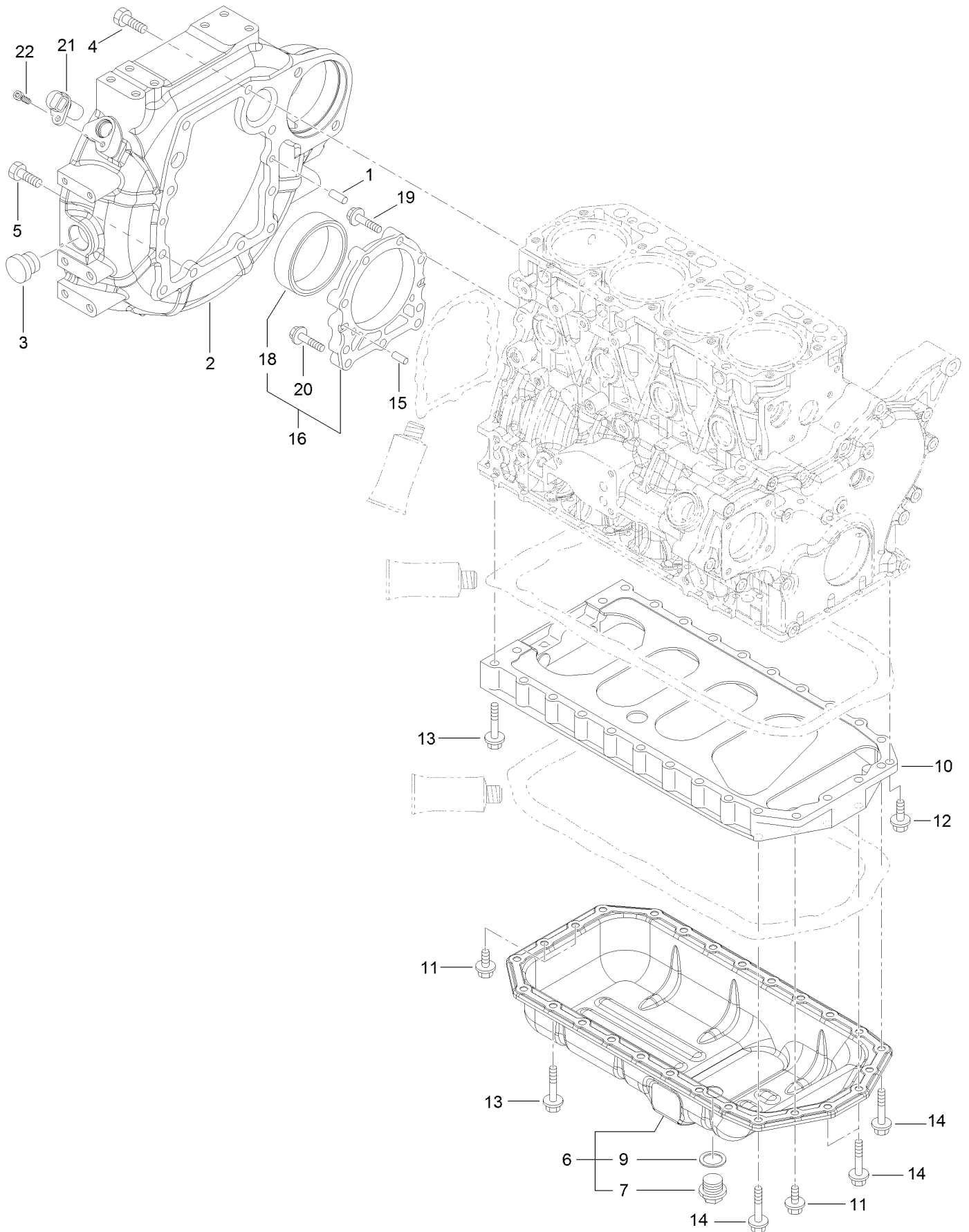
<i>Ref.</i>	<i>Part Number</i>	<i>Qty.</i>	<i>Description</i>	<i>Ref.</i>	<i>Part Number</i>	<i>Qty.</i>	<i>Description</i>
1	127-3127	1	Cylinder Block ASM	13	125-6973	1	Plug
4	125-6980	1	Plug	14	125-7237	1	Plug
5	125-7170	1	Plug	24	125-7010	2	Metal-Thrust
6	125-7007	10	Bolt	27	125-7006	18	Bolt
9	125-7108	1	Bushing	28	127-3126	1	Gasket-Head, Cylinder
10	125-7239	8	Plug	29	125-6981	5	Metal-Main
11	125-6969	1	Plug	32	125-7009	5	Metal-Main (0.25)
12	125-6973	2	Plug	35	125-7011	1	Metal-Thrust (0.25)



## Gear Housing Assembly

<i>Ref.</i>	<i>Part Number</i>	<i>Qty.</i>	<i>Description</i>	<i>Ref.</i>	<i>Part Number</i>	<i>Qty.</i>	<i>Description</i>
1	127-3023	1	Case-Gear	11	125-6944	1	Seal-Oil
2	125-6995	2	Pin	12	125-6977	1	Cover
3	125-6972	1	Cover-Filler	13	125-7174	1	Washer-Seal
4	125-7107	2	Pipe	14	125-7214	4	Bolt
5	125-6909	2	O-Ring	15	125-7217	1	Bolt
6	127-2973	1	O-Ring	16	125-7218	7	Bolt
7	125-7197	1	O-Ring	17	125-7222	3	Bolt
8	125-7214	3	Bolt	18	125-7224	4	Bolt
9	127-3024	1	Gearcase Cover ASM				

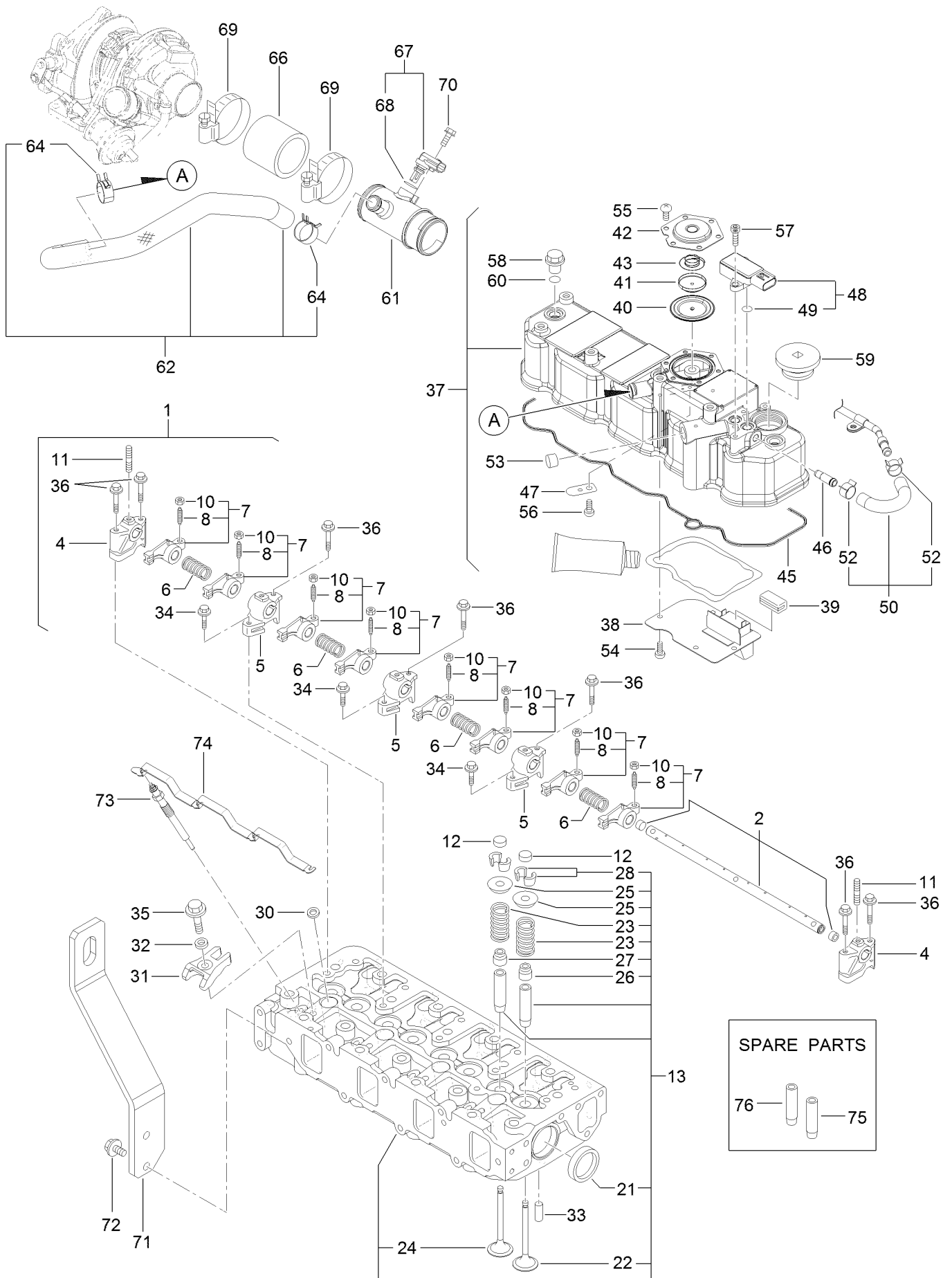
# Flywheel Housing and Oil Sump Assembly



## Flywheel Housing and Oil Sump Assembly (continued)

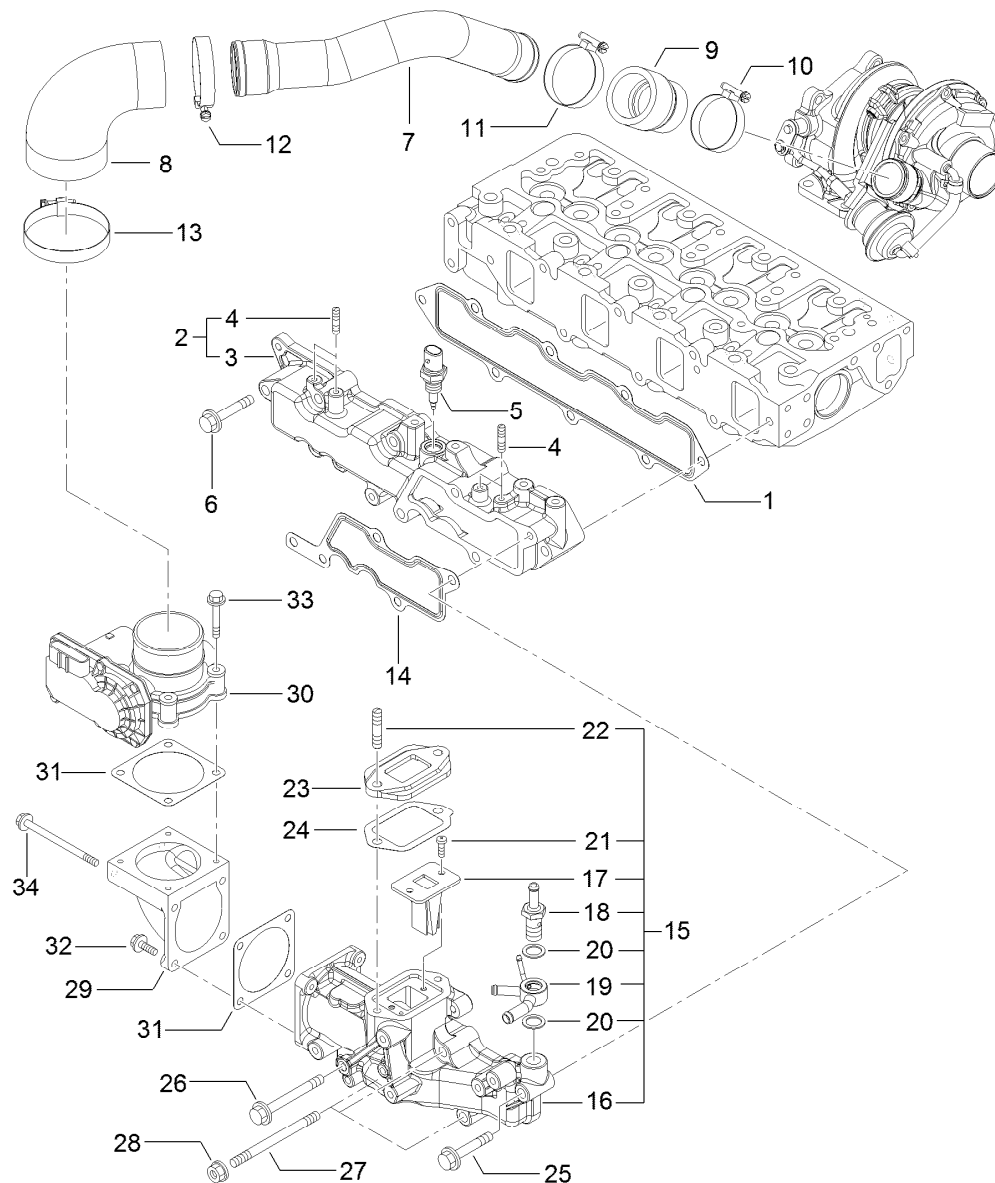
<i>Ref.</i>	<i>Part Number</i>	<i>Qty.</i>	<i>Description</i>	<i>Ref.</i>	<i>Part Number</i>	<i>Qty.</i>	<i>Description</i>
1	125-6995	2	Pin	12	125-7215	2	Bolt
2	127-3025	1	Housing-Flywheel	13	125-7219	20	Bolt
3	125-6910	1	Cap	14	125-7220	4	Bolt
4	125-7226	6	Bolt	15	125-6995	2	Pin
5	125-7227	4	Bolt	16	125-6996	1	Case ASM
6	138-7826	1	Oil Pan ASM	18	125-7106	1	Seal-Oil
7	125-6912	1	Plug-Drain	19	125-7045	6	Bolt
9	125-7177	1	Washer-Seal	20	125-7217	3	Bolt
10	125-7035	1	Spacer	21	127-3062	1	Sensor-Rev, Flywheel
11	125-7214	4	Bolt	22	127-3184	1	Bolt

# Cylinder Head and Cover Assembly



## Cylinder Head and Cover Assembly (continued)

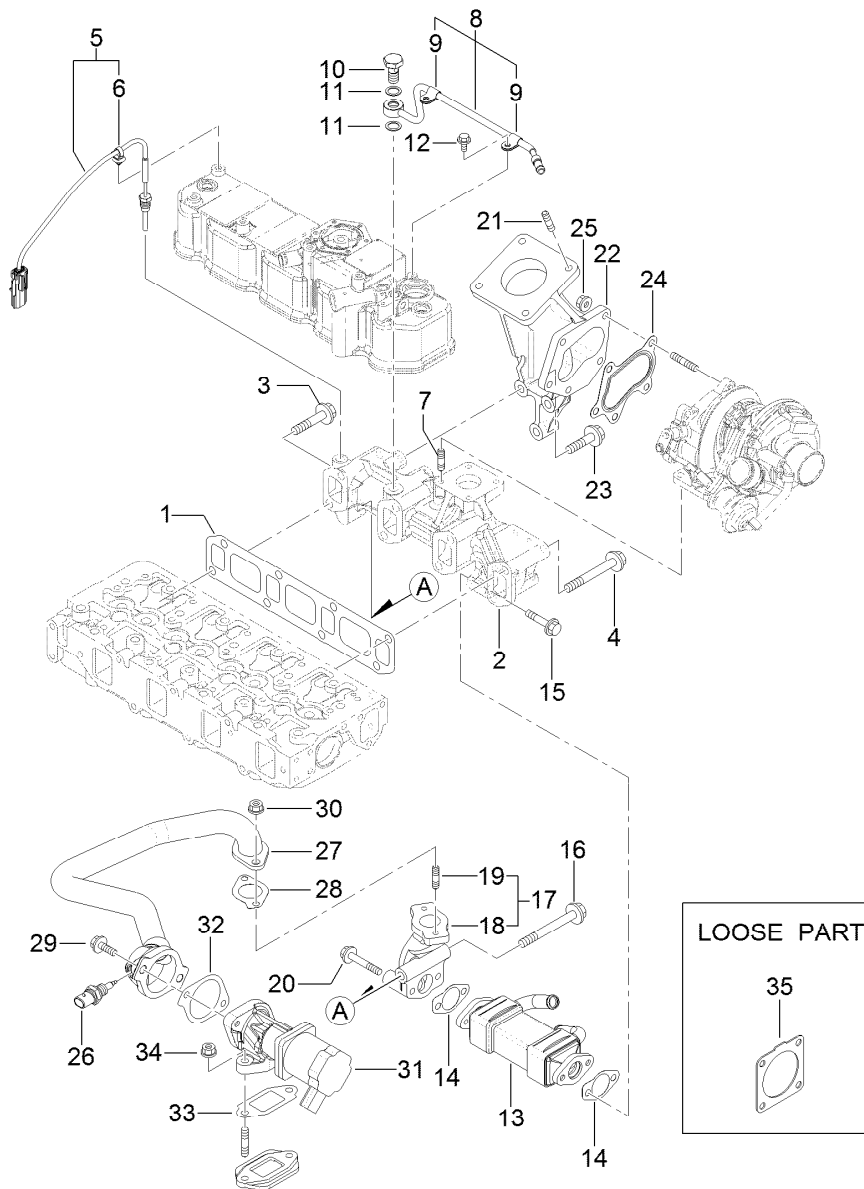
<i>Ref.</i>	<i>Part Number</i>	<i>Qty.</i>	<i>Description</i>	<i>Ref.</i>	<i>Part Number</i>	<i>Qty.</i>	<i>Description</i>
1	127-3005	1	Shaft ASM	42	125-6961	1	Plate-Breather
2	127-3006	1	Shaft	43	125-6962	1	Spring-Diaphragm
4	127-2974	2	Support	45	127-3106	1	Gasket-Cover
5	127-2975	3	Support	46	127-3026	1	Joint
6	127-2995	4	Spring	47	125-6994	1	Spring
7	127-2989	8	Arm-Rocker	48	127-3029	1	Sensor-Pressure
8	125-7013	8	Screw-Adjust, Valve	49	127-3032	2	O Ring-Sensor, Pressure
10	125-7014	8	Nut	50	127-3040	1	Hose ASM
11	127-3183	3	Stud	52	127-3041	2	Clip-Hose
12	127-2996	8	Cap-Valve	53	125-6913	1	Plug
13	127-3132	1	Cylinder Head ASM	54	125-7186	4	Screw
21	125-7240	2	Plug	55	125-7186	6	Screw
22	127-2990	4	Valve	56	125-7186	1	Screw
23	127-3012	8	Spring	57	127-3184	2	Bolt
24	127-2994	4	Valve	58	125-6974	3	Knob
25	127-3013	8	Retainer-Spring	59	127-2978	1	Plug
26	127-2986	4	Seal-Stem, Valve	60	93-0418	3	O-Ring
27	127-3027	4	Seal-Stem, Valve	61	127-3128	1	Joint-Breather
28	127-3186	8	Pin-Cotter	62	127-3129	1	Breather Hose ASM
30	127-3021	4	Gasket-Injector	64	125-7040	2	Clip-Hose
31	127-3028	4	Retainer-Injector	66	127-3133	1	Hose-Intake
32	127-2980	4	Washer-Injector	67	127-3030	1	Sensor-Temp, Air
33	125-7184	2	Pin-Spring	68	127-3033	1	O-Ring
34	125-7215	3	Bolt	69	125-7190	2	Clamp-Hose
35	125-7217	4	Bolt	70	125-7208	1	Bolt
36	125-7220	7	Bolt	71	127-3130	1	Lifter-Engine
37	127-3131	1	Cylinder Head Cover ASM	72	125-7214	2	Bolt
38	127-2988	1	Plate	73	127-2991	4	Plug-Glow
39	125-7012	1	Baffle	74	127-3123	1	Connector-Glow Plug
40	125-6959	1	Diaphragm	75	127-2979	4	Guide
41	125-6960	1	Plate	76	127-2997	4	Guide-Valve



## Suction Manifold Assembly

Ref.	Part Number	Qty.	Description	Ref.	Part Number	Qty.	Description
1	127-3107	1	Gasket-Manifold, Intake	18	127-3080	1	Joint-Hose
2	127-3135	1	Intake Manifold ASM	19	127-3081	1	Joint-Hose
3	127-3134	1	Manifold-Intake	20	127-3166	2	Washer-Seal
4	127-3180	4	Stud	21	127-3168	2	Screw
5	127-3031	1	Sensor-Temp, Air	22	127-3181	2	Stud
6	125-7220	5	Bolt	23	127-3045	1	Spacer-Valve, E G R
7	127-3152	1	Duct-Suction	24	127-3046	1	Gasket-E G R
8	127-3096	1	Joint-Rubber	25	125-7220	1	Bolt
9	127-3153	1	Joint-Rubber	26	127-3178	1	Bolt
10	125-7189	1	Clamp-Hose	27	127-3182	3	Stud
11	127-3170	1	Clamp-Hose	28	125-7229	3	Nut
12	125-7190	1	Clamp-Hose	29	127-3035	1	Bend-Inlet
13	127-3171	1	Clamp-Hose	30	127-3036	1	Body-Throttle
14	127-3034	1	Gasket-Collector	31	127-3037	2	Gasket-Throttle
15	127-3093	1	Intake Collector ASM	32	125-7209	2	Bolt
16	127-3092	1	Collector-Intake	33	125-7211	4	Bolt
17	127-3139	1	Valve-Reed	34	127-3177	2	Bolt

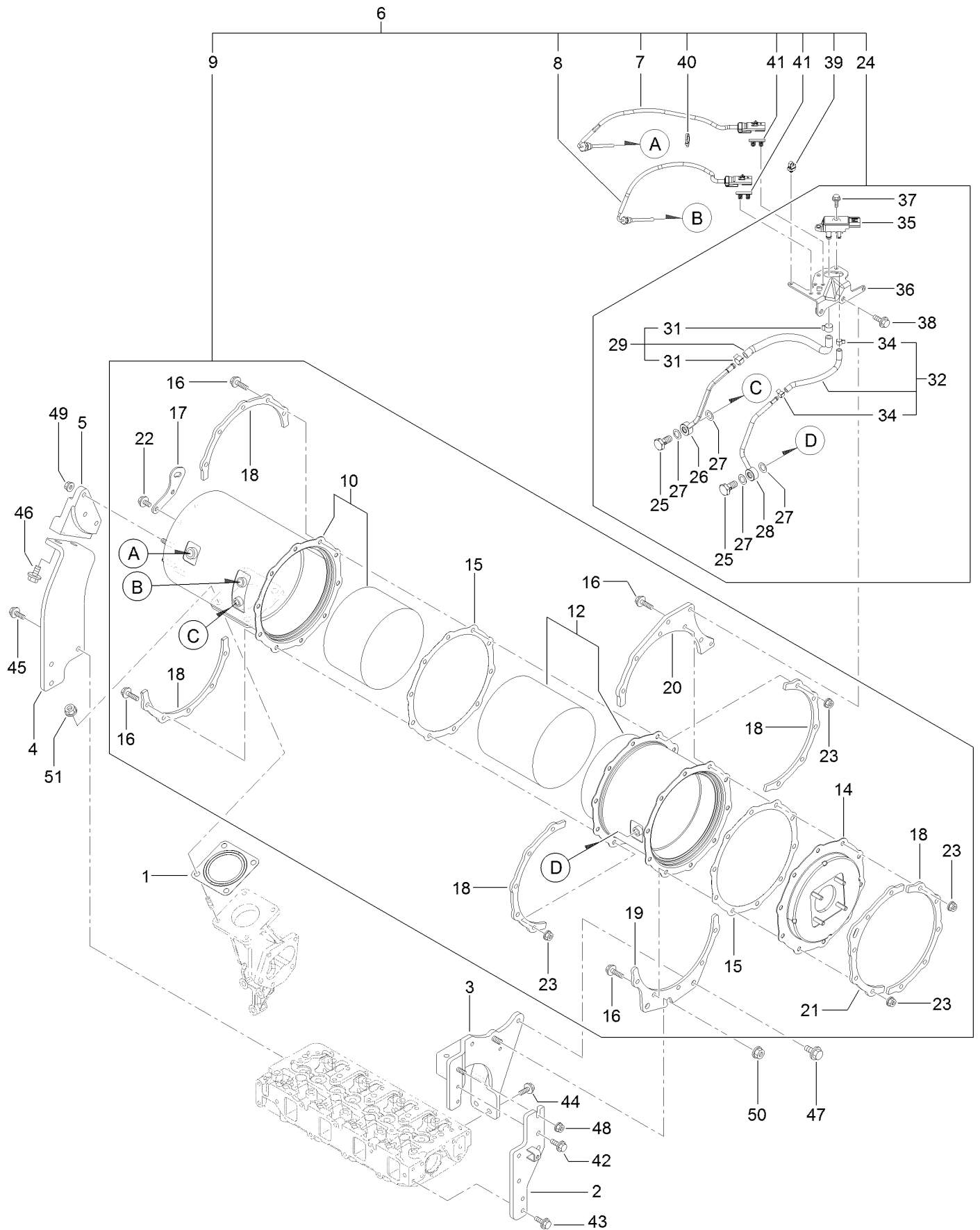




## Exhaust Manifold Assembly

Ref.	Part Number	Qty.	Description	Ref.	Part Number	Qty.	Description
1	127-3108	1	Gasket-Manifold, Exhaust	19	125-7043	2	Stud
2	127-3136	1	Manifold-Exhaust	20	125-7220	2	Bolt
3	127-3094	1	Bolt	21	127-2984	4	Stud
4	127-3044	7	Bolt-M10	22	127-3137	1	Pipe-Exhaust
5	127-3140	1	Sensor-Temp, Exhaust	23	127-3138	3	Bolt-Flange
6	127-3087	1	Band-Clip	24	125-7071	1	Gasket
7	125-7043	4	Stud	25	125-7229	5	Nut
8	127-3038	1	Exhaust Pipe ASM	26	127-3047	1	Sensor-Gas Temp, E G R
9	127-3173	2	Clamp	27	127-3109	1	E G R Pipe ASM
10	127-3039	1	Bolt-Joint, Pipe	28	127-3016	1	Gasket
11	127-3174	2	Gasket	29	125-7215	2	Bolt
12	125-7206	2	Bolt	30	125-7229	2	Nut
13	127-3042	1	Cooler-E G R	31	127-3110	1	Valve-E G R
14	127-3043	2	Gasket-Cooler, E G R	32	127-3050	1	Gasket-Intake Valve, E G R
15	127-2976	2	Bolt	33	127-3051	1	Gasket-Out Valve, E G R
16	127-3022	1	Bolt-Flange	34	125-7229	2	Nut
17	127-3048	1	E G R Pipe ASM	35	127-3019	1	Gasket
18	127-3049	1	Pipe-Out, E G R				

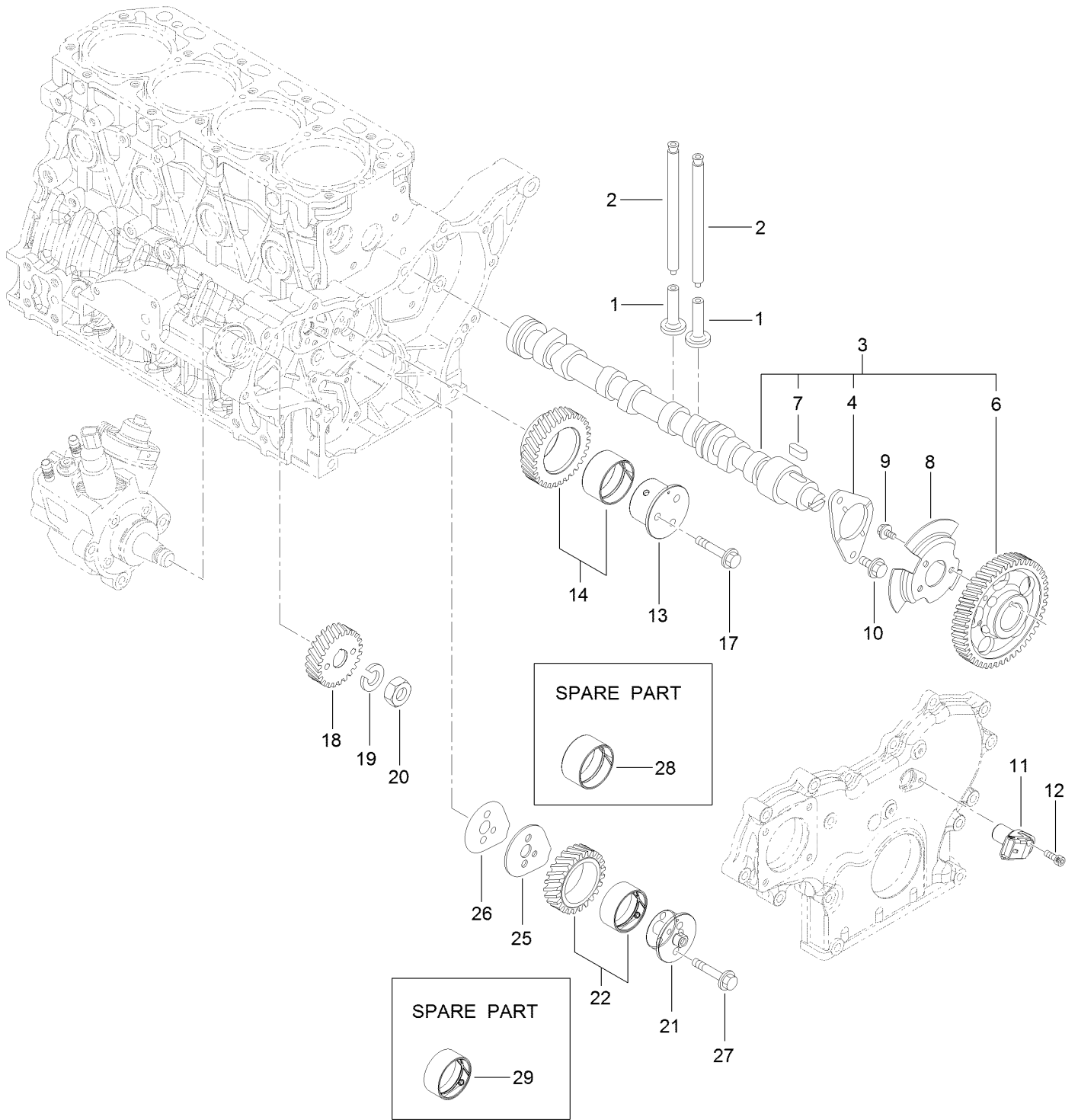
# Diesel Particulate Filter Assembly



## Diesel Particulate Filter Assembly (continued)

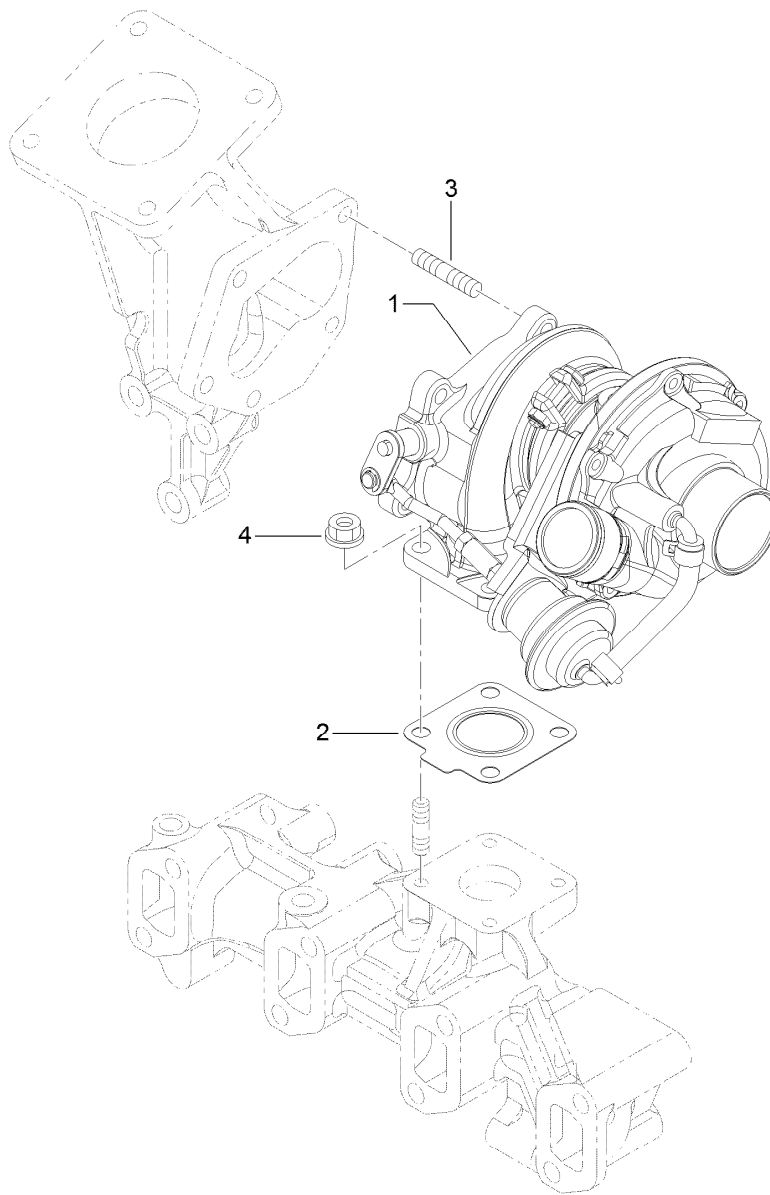
<i>Ref.</i>	<i>Part Number</i>	<i>Qty.</i>	<i>Description</i>	<i>Ref.</i>	<i>Part Number</i>	<i>Qty.</i>	<i>Description</i>
1	127-2987	1	Gasket-Silencer	27	127-3056	4	Gasket-Sensor
2	127-3095	1	Stay-D P F	28	127-3165	1	Exhaust Pressure Pipe ASM
3	127-3148	1	Stay- D P F	29	127-3114	1	Exhaust Hose ASM
4	127-3149	1	Stay-D P F	31	127-3057	2	Clip-Hose
5	127-3150	1	Stay-D P F	32	127-3059	1	Exhaust Pressure Hose ASM
6	127-3159	1	D P F Unit	34	127-3058	2	Clip-Hose
7	127-4764	1	Sensor-Temp, Exhaust	35	127-3060	1	Sensor-Pressure
8	127-3112	1	Sensor-Temp, Exhaust	36	127-3061	1	Bracket-Sensor, Pressure
9	127-3157	1	D P F ASM	37	125-7208	2	Bolt
10	127-3141	1	Case-Doc	38	125-7595	2	Bolt
12	127-3142R	1	Case-Filter, Soot-Recon	39	127-3087	1	Band-Clip
12	127-3142	1	Case-Filter, Soot	40	127-3124	1	Band
14	127-3143	1	Flange-Outlet	41	127-3088	2	Clip-Connector
15	127-3162	2	Gasket-D P F	42	125-7595	2	Bolt
16	127-3055	20	Bolt	43	125-7595	2	Bolt
17	127-3144	1	Lifter-D P F	44	125-7595	2	Bolt
18	127-3145	5	Stiffener-D P F, A	45	125-7595	3	Bolt
19	127-3146	1	Stiffener-D P F, B	46	127-3179	2	Bolt
20	127-3158	1	Stiffener-D P F, D	47	127-3179	2	Bolt
21	127-3147	1	Stiffener-D P F, C	48	125-7229	1	Nut
22	125-7213	2	Bolt	49	125-7229	3	Nut
23	125-7229	20	Nut	50	125-7230	1	Nut
24	127-3163	1	Pressure Sensor Unit	51	125-7230	4	Nut
25	127-3039	2	Bolt-Joint, Pipe				
26	127-3164	1	Exhaust Pressure Pipe ASM				

# Camshaft and Driving Gear Assembly



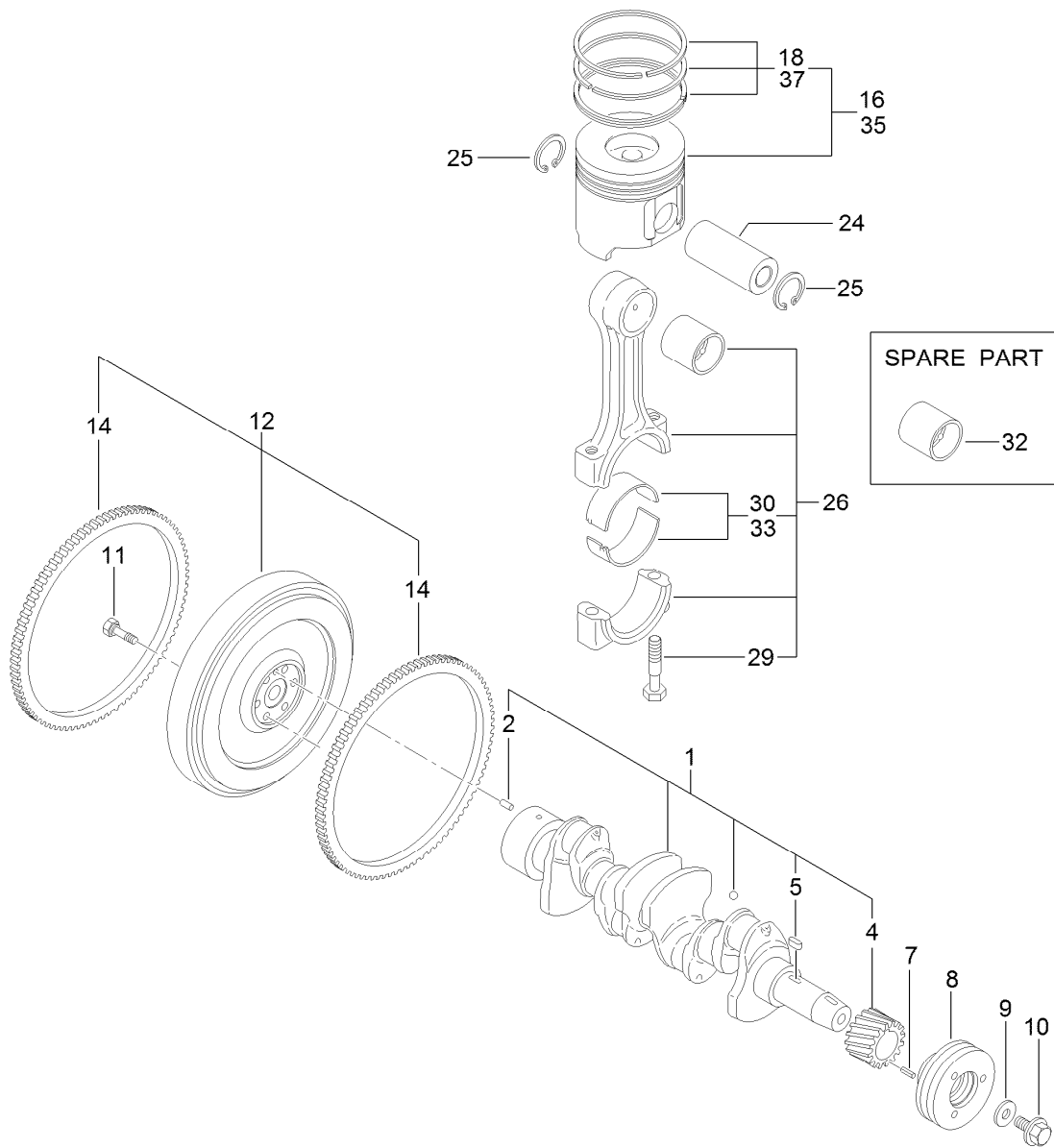
## Camshaft and Driving Gear Assembly (continued)

<i>Ref.</i>	<i>Part Number</i>	<i>Qty.</i>	<i>Description</i>	<i>Ref.</i>	<i>Part Number</i>	<i>Qty.</i>	<i>Description</i>
1	125-7016	8	Tappet	14	127-3066	1	Idle Gear A ASM
2	125-7017	8	Rod-Push	17	125-7219	3	Bolt
3	127-3113	1	Camshaft ASM	18	127-3070	1	Gear-Pump, Supply
4	125-7008	1	Metal-Thrust	19	127-3167	1	Washer-Spring
6	127-3052	1	Gear-Camshaft	20	127-3185	1	Nut-Lock
7	125-7185	1	Key	21	127-3064	1	Shaft-Idle, Gear B
8	127-3053	1	Pulser-Camshaft	22	127-3067	1	Idle Gear B ASM
9	125-7205	3	Bolt	25	127-3068	1	Plate-Idle, Shaft
10	125-7213	2	Bolt	26	127-3069	1	Gasket-Idle, Shaft B
11	127-3054	1	Sensor-Rev, Gear	27	125-7218	2	Bolt
12	127-3184	1	Bolt	28	125-6927	1	Bushing
13	127-3063	1	Shaft-Idle, Gear A	29	127-3065	1	Bushing



## Turbine Assembly

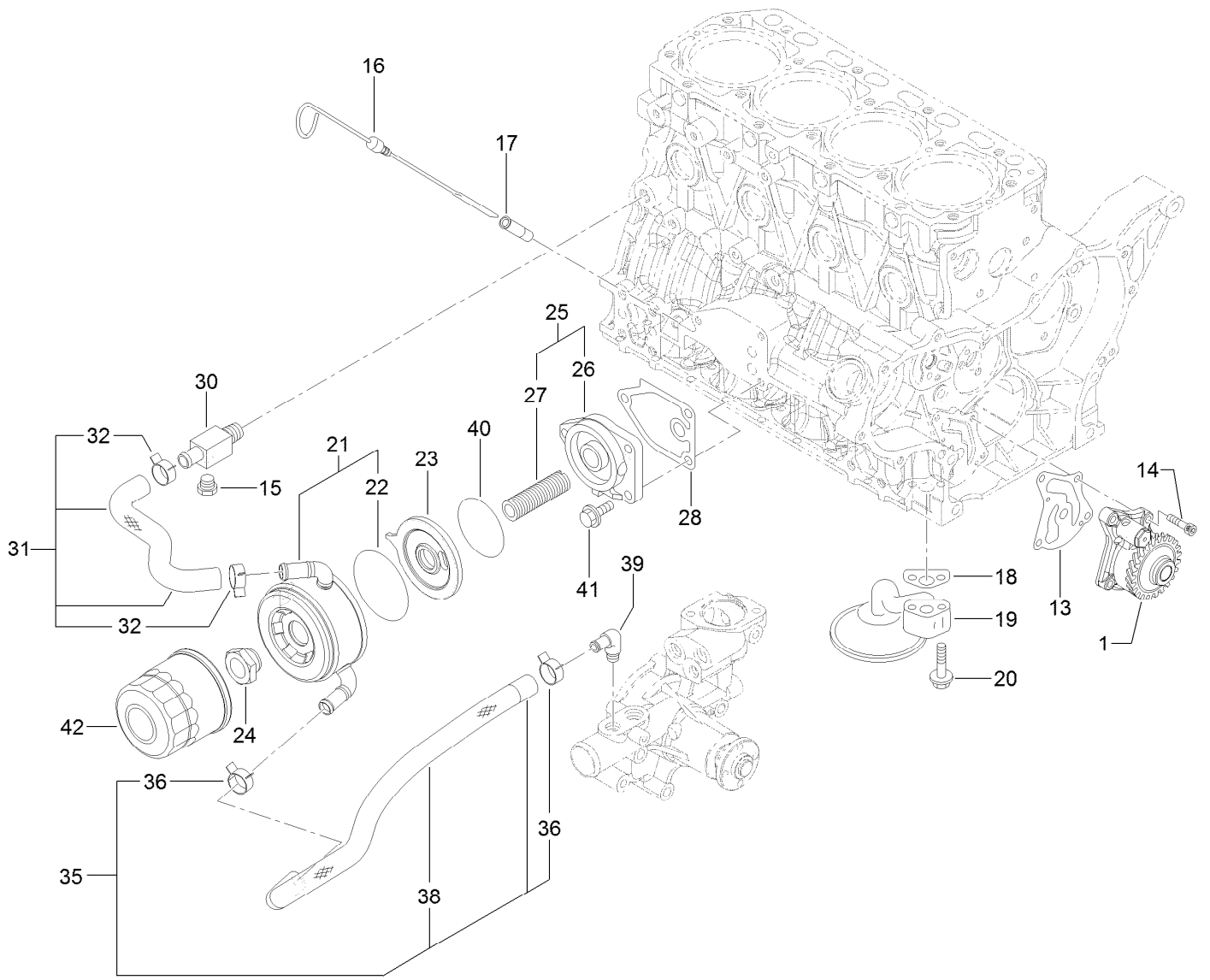
<i>Ref.</i>	<i>Part Number</i>	<i>Qty.</i>	<i>Description</i>
1	127-3151	1	Turbine ASM
2	125-7070	1	Gasket
3	125-6906	5	Stud
4	125-7229	4	Nut



## Crankshaft and Piston Assembly

Ref.	Part Number	Qty.	Description
1	125-7091	1	Crankshaft ASM
2	125-6995	1	Pin
4	125-6937	1	Gear
5	125-7185	1	Key
7	125-7182	1	Pin-Spring
8	125-6925	1	V-Pulley
9	125-7109	1	Washer
10	125-6956	1	Bolt
11	125-6951	6	Bolt
12	127-3160	1	Flywheel ASM
14	125-6943	1	Gear

Ref.	Part Number	Qty.	Description
16	127-3097	4	Piston ASM
18	127-3098	4	Piston Ring ASM
24	125-7030	4	Pin
25	125-7180	8	Ring
26	125-7242	4	Connecting Rod ASM
29	125-6955	8	Bolt
30	125-7018	4	Pin-Crank
32	125-6997	4	Pin-Piston
33	125-7019	4	Pin-Crank (.25)
35	127-3099	4	Piston ASM (0.25 O.S.)
37	127-3100	4	Piston Ring ASM (0.25 O.S.)

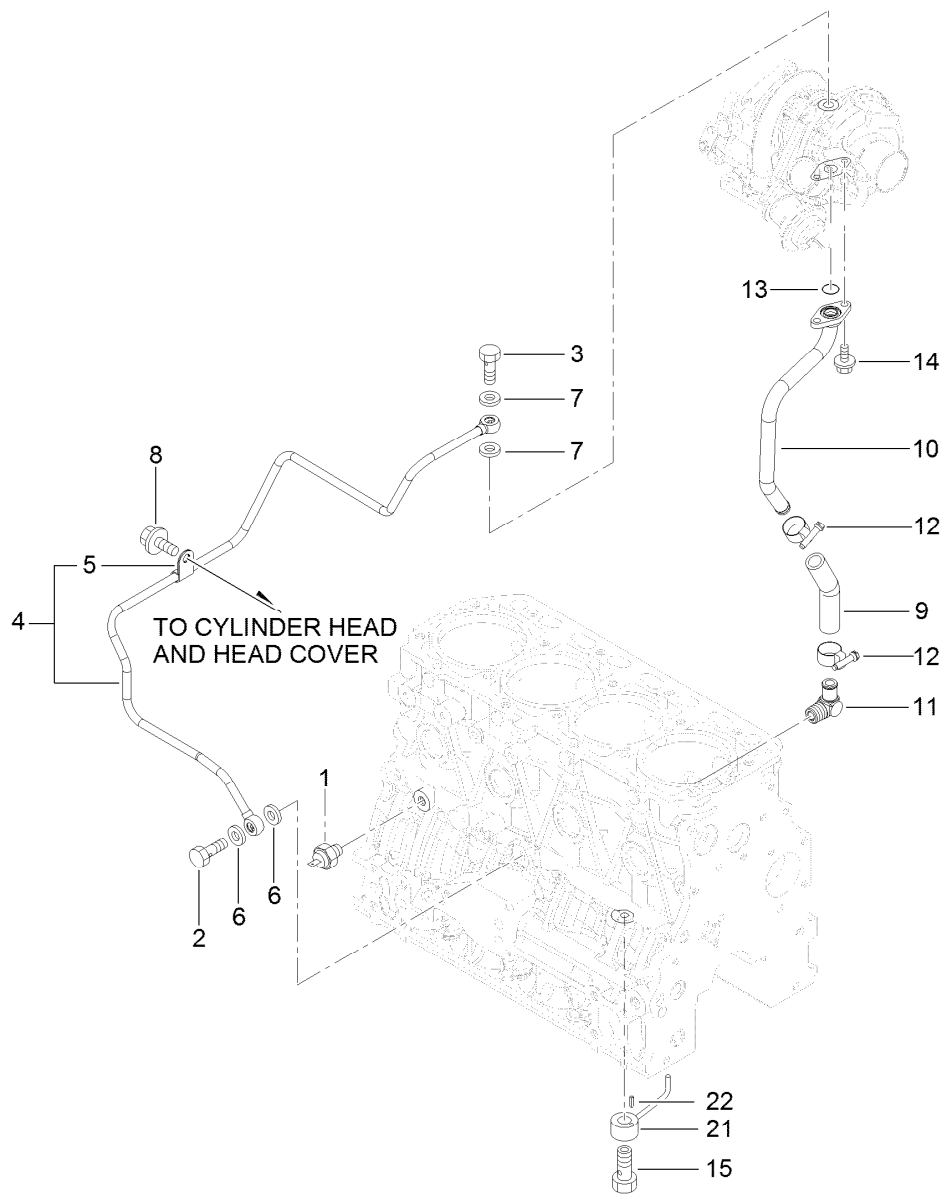


## Lubrication and Oil System Assembly

Ref.	Part Number	Qty.	Description
1	127-3101	1	Oil Lube Pump ASM
13	127-3004	1	Gasket
14	125-7232	4	Bolt
15	125-7171	1	Plug-Drain
16	125-6987	1	Dipstick
17	125-6954	1	Guide-Dipstick
18	125-7022	1	Gasket
19	125-7023	1	Pipe ASM
20	125-7217	2	Bolt
21	127-3014	1	Cooler ASM
22	127-2985	1	O-Ring
23	127-3015	1	Bracket-Cooler
24	125-7041	1	Nut-Cooler, Oil
25	127-3009	1	Bracket ASM

Ref.	Part Number	Qty.	Description
26	125-6930	1	Bracket
27	127-3010	1	Stud
28	125-7024	1	Gasket
30	125-6990	1	Joint
31	127-3102	1	Pipe-Cooling, Water
32	125-7162	2	Clip
33	127-3103	1	Hose-Cooling, Water
34	125-7162	2	Clip
35	127-3103	1	Hose-Cooling, Water
36	125-7162	2	Clip
37	127-3007	1	Tube
38	127-3007	1	Tube
39	125-7001	1	Elbow
40	127-3176	1	O-Ring
41	125-7595	3	Bolt
42	125-7025	1	Filter-Engine, Oil

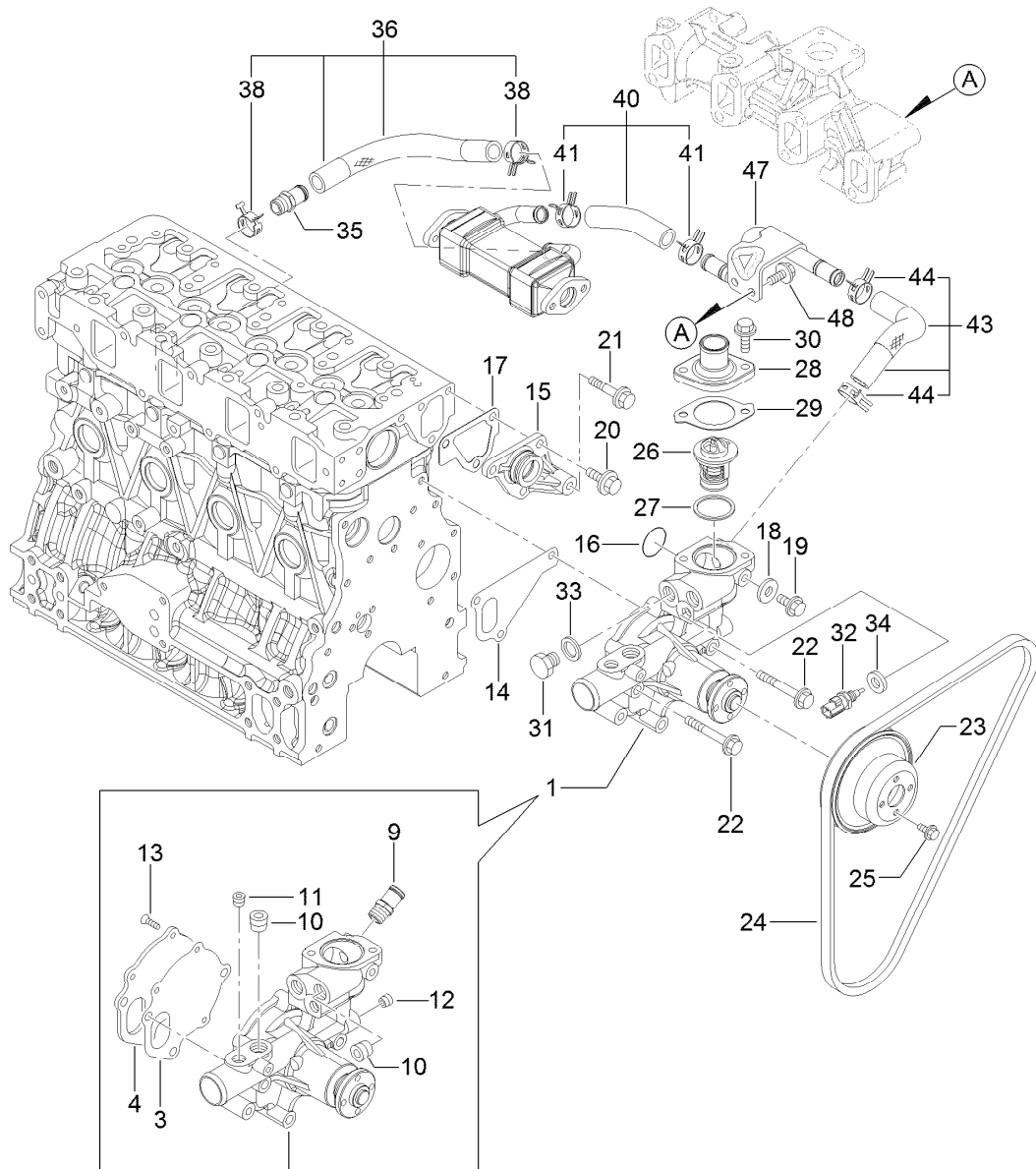




## Lubrication Oil Line Assembly

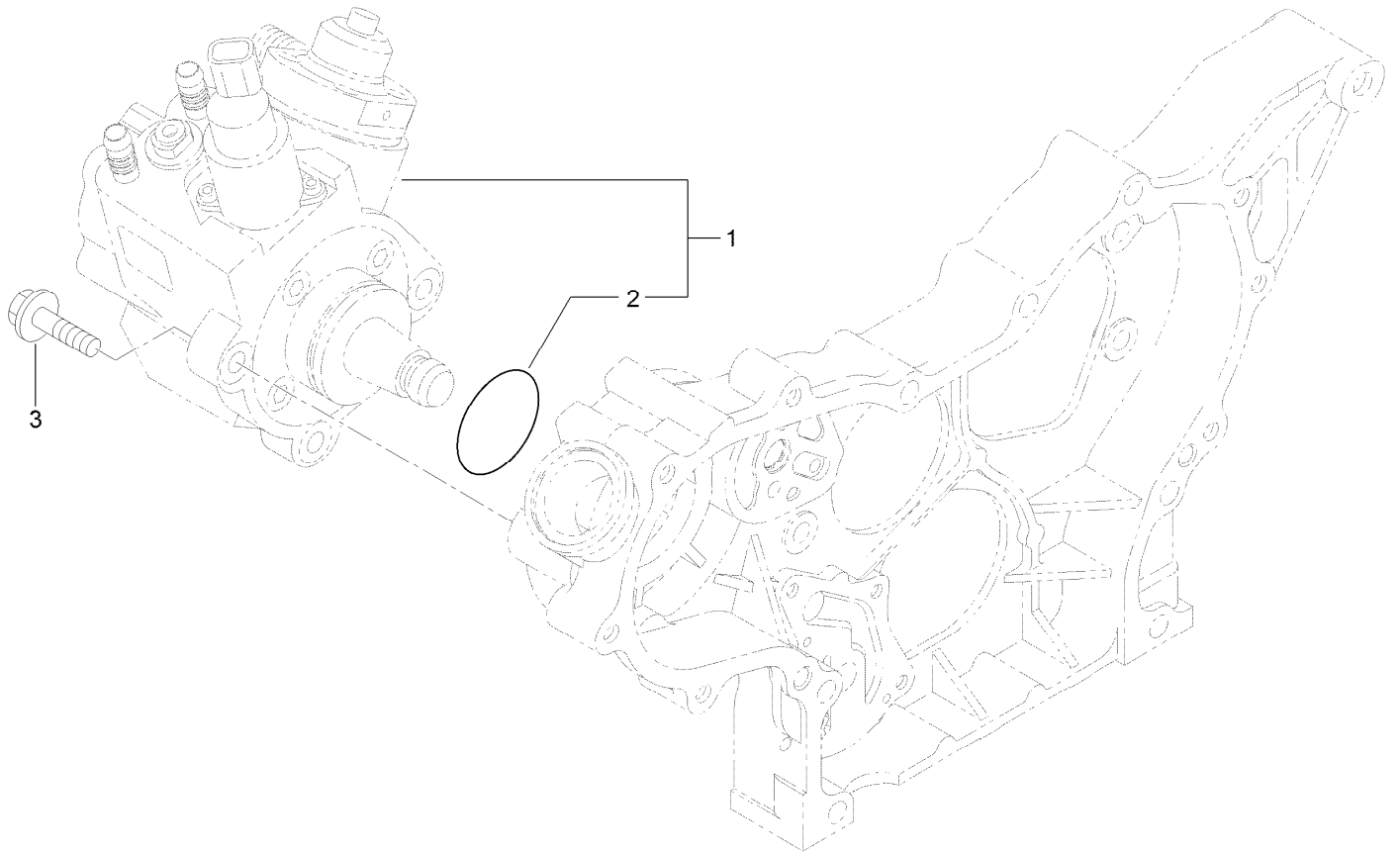
Ref.	Part Number	Qty.	Description
1	125-6918	1	Switch-Oil
2	125-6975	1	Bolt-Joint, Pipe
3	125-6952	1	Bolt-Joint, Pipe
4	127-3154	1	Lube Oil Pipe ASM
5	125-6976	1	Retainer
6	125-7175	2	Washer-Seal
7	125-7193	2	Gasket
8	93-0362	1	Bolt
9	127-2992	1	Joint

Ref.	Part Number	Qty.	Description
10	127-3155	1	Pipe-Lube, Oil
11	127-3003	1	Elbow
12	127-3169	2	Clamp-Hose
13	125-7198	1	O-Ring
14	125-7208	2	Bolt
15	125-7105	4	Check Valve ASM
21	125-7098	4	Nozzle
22	125-7182	4	Pin-Spring



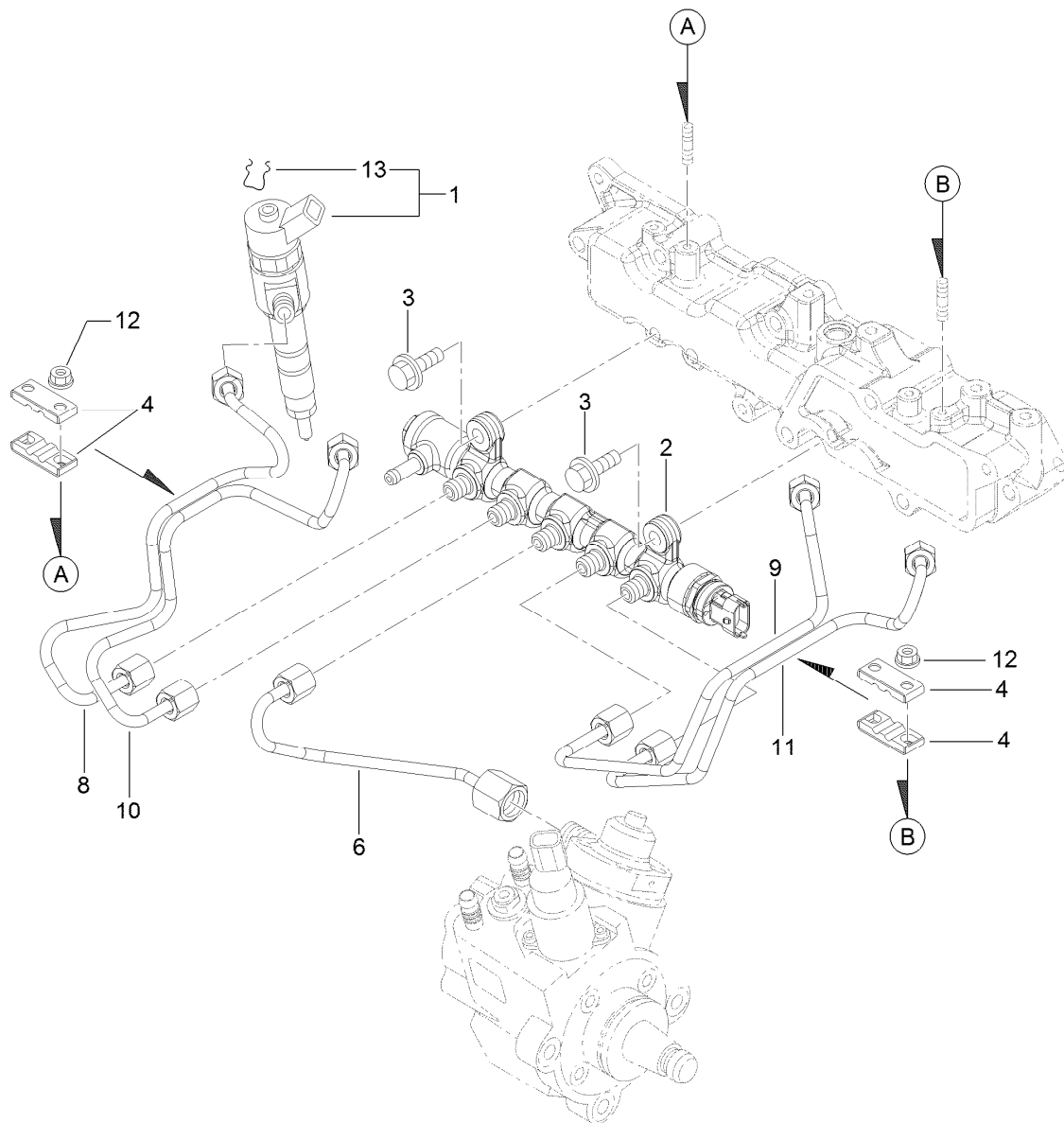
## Cooling Water System Assembly

Ref.	Part Number	Qty.	Description	Ref.	Part Number	Qty.	Description
1	127-3071	1	Water Pump ASM	25	125-7206	4	Bolt
3	125-6998	1	Gasket	26	125-7029	1	Thermostat
4	125-6999	1	Plate	27	125-7026	1	Gasket
9	127-3017	1	Joint	28	125-7034	1	Cover
10	125-7123	2	Plug	29	125-7110	1	Gasket
11	127-3175	1	Plug	30	125-7594	2	Bolt
12	125-7195	1	Plug	31	125-6953	1	Plug
13	125-7234	3	Screw	32	125-7124	1	Sensor-Thermostat, CW
14	125-7047	1	Gasket	33	125-6979	1	Gasket
15	125-6986	1	Joint	34	125-7176	1	Washer-Seal
16	125-7048	1	O-Ring	35	127-3017	1	Joint
17	125-6978	1	Gasket	36	127-3072	1	Water In Pipe ASM
18	125-7192	1	Gasket	38	127-3020	2	Clip-Hose
19	93-0362	1	Bolt	40	127-3115	1	Water Out Pipe ASM
20	125-7214	3	Bolt	41	127-3020	2	Clip-Hose
21	125-7219	1	Bolt	43	127-3116	1	Water Out Pipe ASM
22	125-7222	3	Bolt	44	127-3020	2	Clip-Hose
23	125-7039	1	V-Pulley	47	127-3117	1	Pipe-Out, CW
24	127-2998	1	V-Belt	48	125-7214	2	Bolt



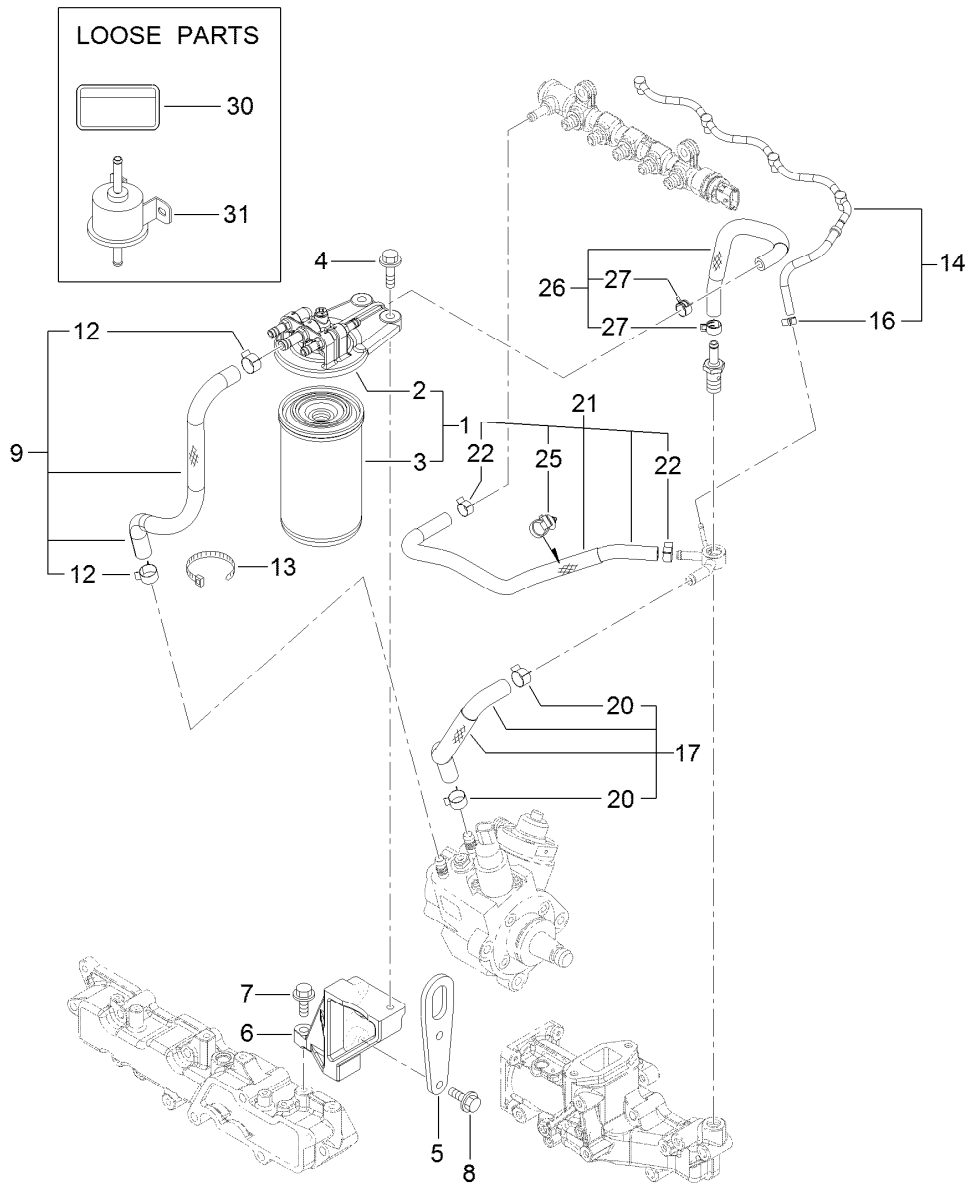
## Fuel System Assembly

<i>Ref.</i>	<i>Part Number</i>	<i>Qty.</i>	<i>Description</i>
1	127-3073	1	Fuel Pump ASM
2	127-3074	1	O-Ring
3	125-7216	3	Bolt



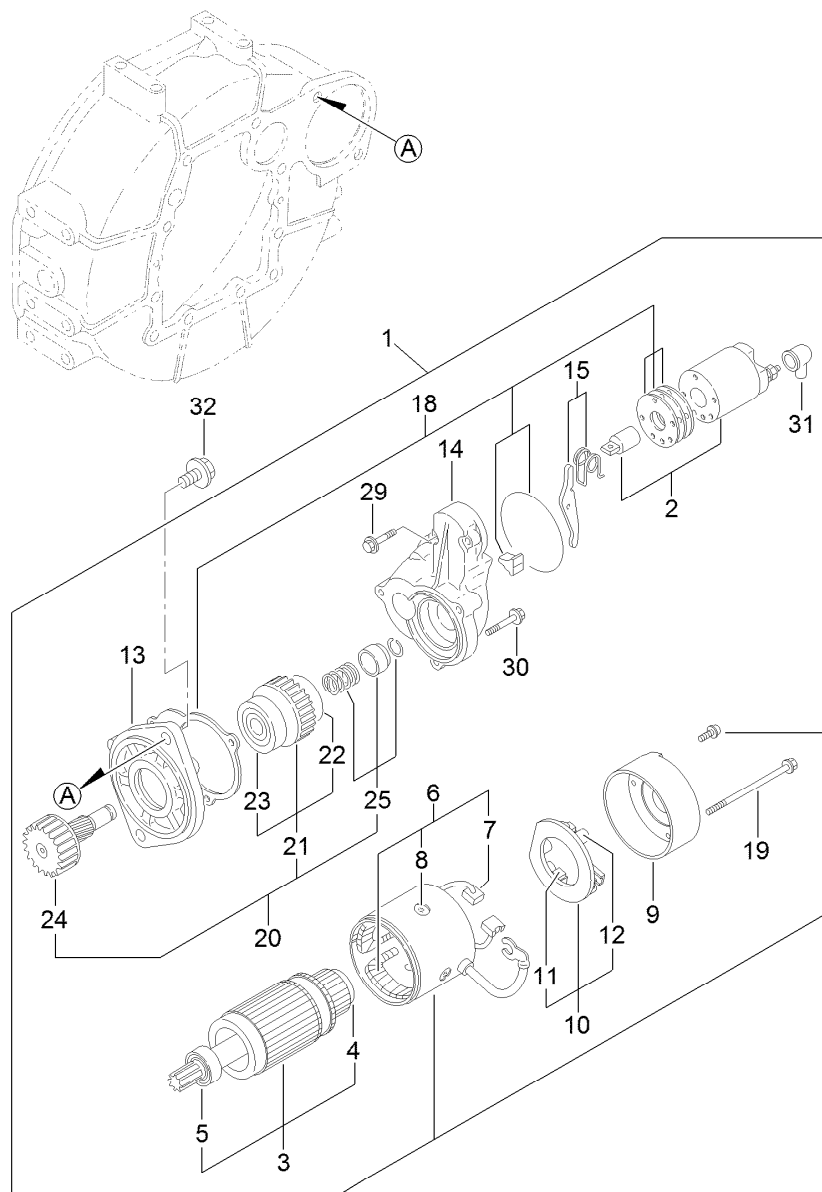
## Fuel Injection Valve Assembly

<i>Ref.</i>	<i>Part Number</i>	<i>Qty.</i>	<i>Description</i>
1	127-3104	4	Injector ASM
2	127-3118	1	Rail ASM
3	125-7215	2	Bolt
4	127-2982	4	Retainer
6	127-3082	1	Rail In Pipe ASM
8	127-3121	1	Injection Pipe ASM
9	127-3083	1	Injection Pipe ASM
10	127-3122	1	Injection Pipe ASM
11	127-3084	1	Injection Pipe ASM
12	125-7231	4	Nut
13	130-7430	4	Ring-Retaining



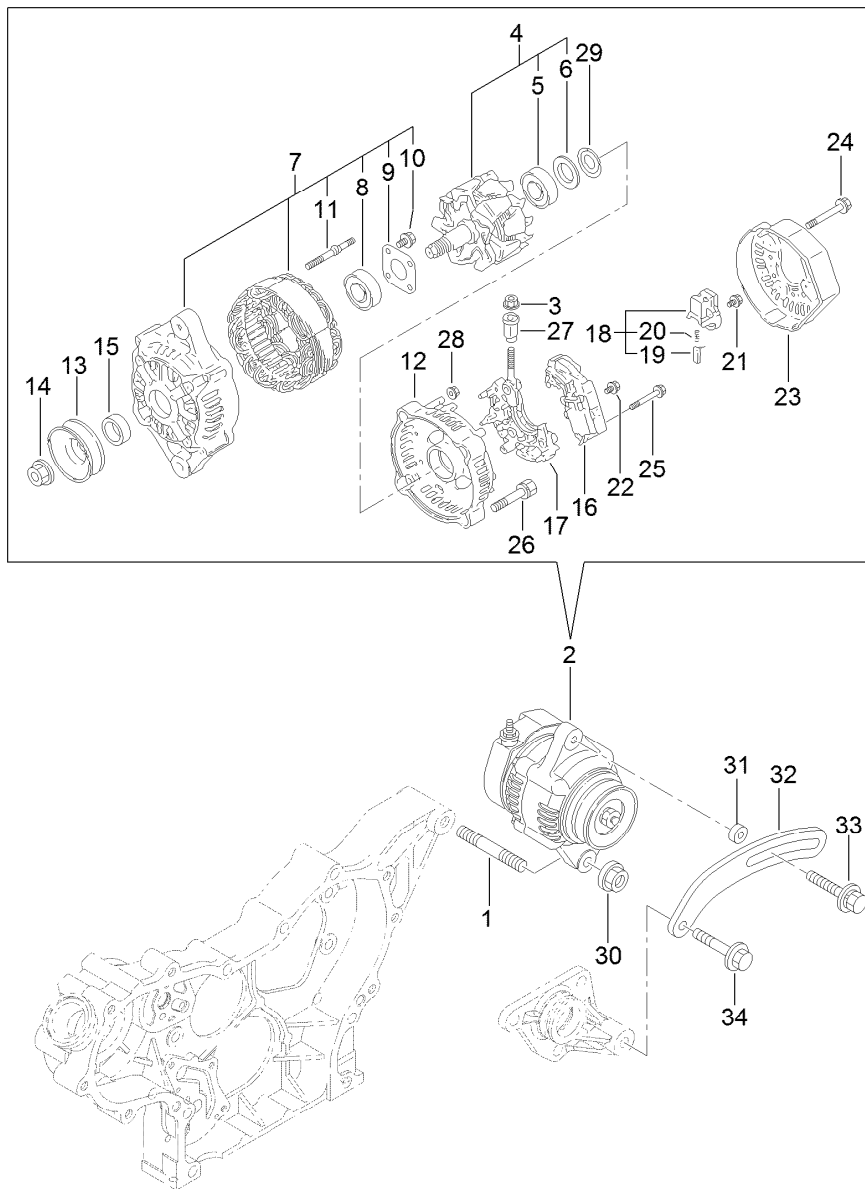
## Fuel Line Assembly

<i>Ref.</i>	<i>Part Number</i>	<i>Qty.</i>	<i>Description</i>	<i>Ref.</i>	<i>Part Number</i>	<i>Qty.</i>	<i>Description</i>
1	127-3075	1	Fuel/Oil Filter ASM	14	138-7845	1	Return Pipe ASM
2	127-3076	1	Fuel/Oil Filter Bracket ASM	16	127-3172	1	Clamp-Hose
3	125-8752	1	Filter-Fuel/Oil	17	127-3078	1	Fuel Pipe ASM
4	125-7216	2	Bolt	20	125-7191	2	Clamp-Hose
5	127-3091	1	Lifter-Engine	21	127-3119	1	Fuel Pipe ASM
6	127-3105	1	Stay-Bracket, Filter	22	127-2950	2	Clip-Hose
7	125-7215	1	Bolt	25	127-3087	1	Band-Clip
8	125-7216	2	Bolt	26	127-3079	1	Fuel Pipe ASM
9	127-3077	1	Fuel Pipe ASM	27	127-2950	2	Clip-Hose
12	125-7191	2	Clamp-Hose	30	125-6900	1	Label-Caution, Fuel Oil
13	127-2981	1	Band	31	127-3008	1	Fuel Feed Pump ASM



## Starting Motor Assembly

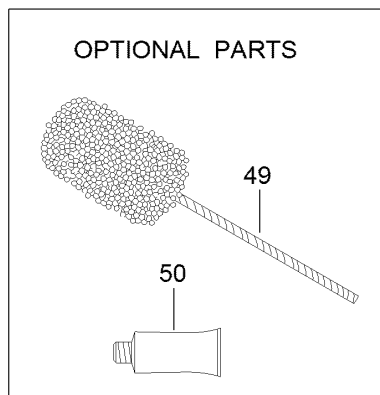
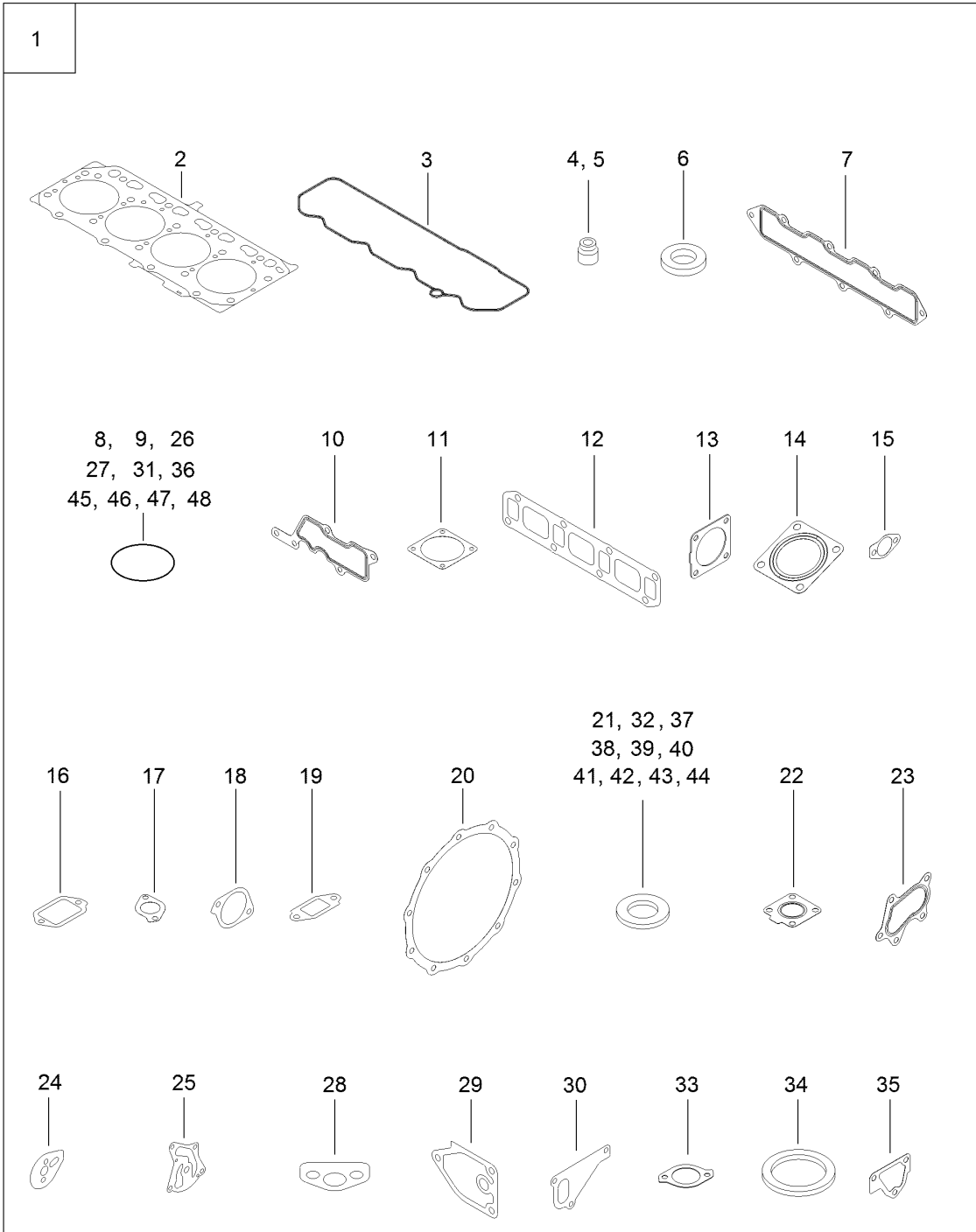
Ref.	Part Number	Qty.	Description	Ref.	Part Number	Qty.	Description
1	125-7003	1	Starter	15	125-7165	1	Lever Set
2	125-7004	1	Switch ASM	18	125-7037	1	Dust Cover ASM
3	125-7112	1	Armature ASM	19	125-7117	2	Bolt-Through
4	125-7252	1	Bearing-Ball	20	125-7166	1	Pinion ASM
5	125-7249	1	Bearing, Ball	21	125-7250	1	Clutch ASM
6	125-7113	1	Field Coil ASM	22	125-7251	1	Bearing-Ball
7	125-7114	2	Brush	23	125-7253	1	Bearing-Ball
8	125-7163	4	Screw	24	125-7167	1	Shaft
9	125-7115	1	Cover	25	125-7168	1	Stopper Set
10	125-7116	1	Brush Holder ASM	29	125-7210	2	Bolt
11	125-7114	2	Brush	30	125-7211	3	Bolt
12	125-7036	4	Spring	31	125-7169	1	Cover
13	125-7164	1	Case-Gear	32	125-7225	2	Bolt
14	125-7005	1	Housing				



## Generator Assembly

Ref.	Part Number	Qty.	Description	Ref.	Part Number	Qty.	Description
1	127-3011	1	Stud	18	127-2993	1	Holder
2	125-7120	1	Alternator-12V	19	127-2956	2	Brush ASM
3	127-3190	1	Nut	20	127-2964	2	Spring
4	127-2951	1	Rotor ASM	21	127-2965	6	Screw
5	127-2983	1	Bearing-Ball	22	127-2966	1	Screw
6	127-2962	1	Cover	23	127-2999	1	Cover
7	127-2952	1	Frame ASM	24	127-2967	3	Bolt
8	127-2958	1	Bearing-Ball	25	127-2968	2	Screw
9	127-2959	1	Plate-Retainer	26	127-2969	2	Bolt
10	127-2960	4	Screw	27	127-2970	1	Bushing-Insulation
11	127-2961	2	Stud	28	127-2971	2	Nut
12	127-2953	1	Frame ASM	29	127-2972	1	Washer
13	127-2954	1	Pulley	30	125-7230	1	Nut
14	127-2955	1	Nut	31	125-6947	1	Spacer
15	127-2957	1	Collar	32	127-2977	1	Adjuster
16	127-3002	1	Regulator ASM	33	125-7134	1	Bolt
17	127-2963	1	Holder	34	125-7219	1	Bolt

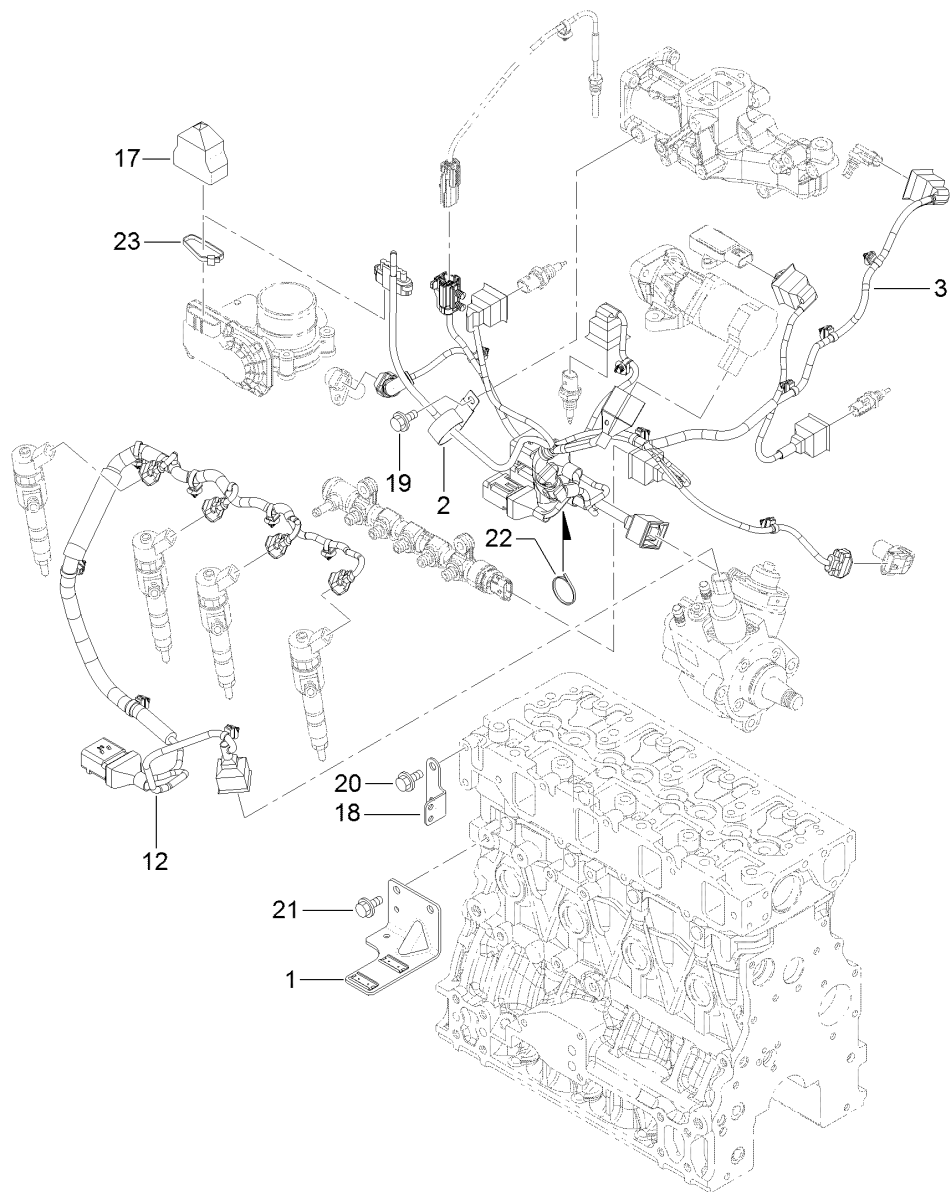
# Gasket Set





## Gasket Set (continued)

<i>Ref.</i>	<i>Part Number</i>	<i>Qty.</i>	<i>Description</i>	<i>Ref.</i>	<i>Part Number</i>	<i>Qty.</i>	<i>Description</i>
1	127-3189	1	Gasket Kit	26	125-6909	2	O-Ring
2	127-3126	1	Gasket-Head, Cylinder	27	127-2973	1	O-Ring
3	127-3106	1	Gasket-Cover	28	125-7022	1	Gasket
4	127-2986	4	Seal-Stem, Valve	29	125-7024	1	Gasket
5	127-3027	4	Seal-Stem, Valve	30	125-7047	1	Gasket
6	127-3021	4	Gasket-Injector	31	125-7048	1	O-Ring
7	127-3107	1	Gasket-Manifold, Intake	32	125-6979	1	Gasket
8	127-3032	2	O Ring-Sensor, Pressure	33	125-7110	1	Gasket
9	127-3033	1	O-Ring	34	125-7026	1	Gasket
10	127-3034	1	Gasket-Collector	35	125-6978	1	Gasket
11	127-3037	2	Gasket-Throttle	36	127-3074	1	O-Ring
12	127-3108	1	Gasket-Manifold, Exhaust	37	125-7174	1	Washer-Seal
13	127-3019	1	Gasket	38	125-7175	2	Washer-Seal
14	127-2987	1	Gasket-Silencer	39	125-7176	1	Washer-Seal
15	127-3043	2	Gasket-Cooler, E G R	40	127-3166	2	Washer-Seal
16	127-3046	1	Gasket-E G R	41	125-7177	1	Washer-Seal
17	127-3016	1	Gasket	42	125-7192	1	Gasket
18	127-3050	1	Gasket-Intake Valve, E G R	43	125-7193	2	Gasket
19	127-3051	1	Gasket-Out Valve, E G R	44	127-3174	2	Gasket
20	127-3162	2	Gasket-D P F	45	93-0418	3	O-Ring
21	127-3056	4	Gasket-Sensor	46	125-7197	1	O-Ring
22	125-7070	1	Gasket	47	125-7198	1	O-Ring
23	125-7071	1	Gasket	48	127-3176	1	O-Ring
24	127-3069	1	Gasket-Idle, Shaft B	49	127-3000	1	Hone
25	127-3004	1	Gasket	50	125-7248	1	Gasket-Liquid



## Electric Parts Assembly

<b>Ref.</b>	<b>Part Number</b>	<b>Qty.</b>	<b>Description</b>
1	127-3086	1	Bracket-Connector
2	127-3018	1	Clip
3	127-3156	1	Harness B-E C O, Engine
12	127-3125	1	Harness C
17	127-3089	1	Boot-Type, Cap
18	127-3090	1	Bracket-Harness
19	93-0362	1	Bolt
20	93-0362	2	Bolt
21	93-0362	2	Bolt
22	127-3187	1	Band
23	127-3188	1	Band

# Attachments and Accessories

## For 30885 Groundsmaster 4500-D Rotary Mower

<b>Product Name</b>	<b>Model/Part</b>
TÜV Kit - German Vehicle Serial Plate .....	02983
Operator Cooling Fan .....	03247
Switch Panel-Universal Sunshade.....	03248
Operator Golf Ball Guard, Reelmaster 3100/3500/5010 or Groundsmaster 3500/4300 Series Traction Unit .....	03614
Roller Scraper Kit.....	104-5168
Blade-High Lift .....	104-5183
Blade-Angle Sail .....	105-9810-03
Blade-Atomic .....	107-0235-03
Mvp Kit-blade Pack Combo (gm4500) .....	108-0800
Premium All Purpose Grease (Tube) .....	108-1190
27in Blade Service Pack (qty 5) .....	108-1463
Blade-27in Combo .....	108-9026
Deck Cover .....	111-4525
Premium Synthetic Bio-Degradable Hydraulic Fluid (5 Gallon Pail) .....	119-2157
Premium Synthetic Bio-Degradable Hydraulic Fluid (55 Gallon Drum).....	119-2158
Deck Lock Kit, Groundsmaster 4500-D/4700-D Traction Unit .....	119-8641
Large Seat Cover.....	131-6691
Roller Asm (UHMW) .....	131-7800
PX Hydraulic Fluid (5 Gal) .....	133-8086
PX Hydraulic Fluid (55 Gal).....	133-8087
Ballast Kit (27in C/U) .....	136-2881
Reverse Tow Kit.....	136-3620
Adapter-ball Guard .....	137-1392
3in Dia, 27in Sectional Roller Assembly.....	137-6145
Beacon Kit .....	138-2699
Power Harness Kit (GM45XX/GM47XX/GM7XXX).....	138-2995
Work Lights Kit, Groundsmaster and Reelmaster Traction Units with Universal Sunshade.....	140-1554
White Universal Sunshade .....	30669
Road Light Kit, Groundsmaster 4500-D or 4700-D Traction Unit.....	30670
Red Universal Sunshade .....	30671
27in Rotary Cutting Unit.....	30834
Leaf Mulching Kit .....	30836
Cab Kit.....	30901
4wd Flow Divider Kit, Gm45/4700-f20 U .....	31529
New Red Paint - Gallon .....	361-11
Dark Metallic Gray Aerosol Paint .....	361-12
Semi-Gloss Black Spray Paint.....	361-9
1000 Hour Mvp Kit-Tier IV.....	44967
Air Dry Red Paint - Qt .....	5340



**Count on it.**