



**Count on it.**

**Parts Catalog**

**Groundsmaster® 4700-D  
Rotary Mower**

Model No. 30874TE—Serial No. 40000000 and Up



# Ordering Replacement Parts

To order replacement parts, please supply the part number, the quantity, and the description of each part desired.

## Understanding Reference Numbers

Each identified part in an illustration has a reference number. The reference number for a part also appears in the parts list, along with other information about the part.

This catalog uses two special reference number formats, one to indicate parts in a service assembly and another to indicate the quantity of a given part in an illustration.

## Service Assembly Reference Numbers

Parts in service assemblies have reference numbers in the form a:b. The a represents the reference number of the entire service assembly and the b represents a sequential number unique to each part within the service assembly.

For example, a wheel assembly might be identified by reference number 6, the tire by 6:1, the valve by 6:2, and the wheel by 6:3. When you order the assembly identified by reference number 6, you receive all parts identified by reference numbers 6:1, 6:2, and 6:3. However, you may also order any part individually. Reference numbers of this type appear in illustration and in parts lists.

## Reference Numbers Indicating Quantity

In an illustration, if a reference number indicates more than one part, the reference number has the form nX y. The n represents the quantity of the part, the X is the multiplication symbol, and the y represents the reference number.

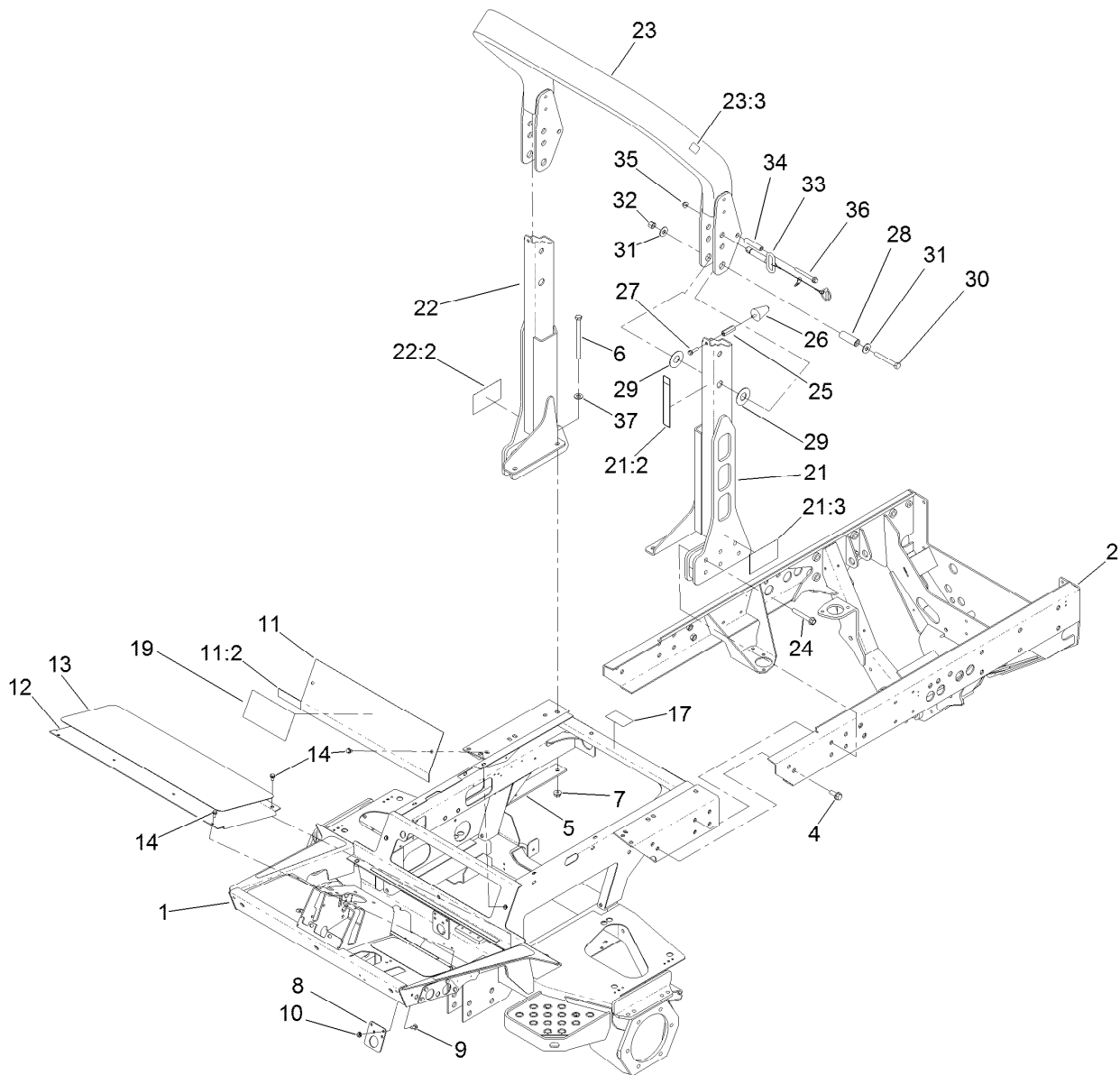
For example, in an illustration, the reference number 2X 37 means that two of the parts identified by reference number 37 are indicated.

# Contents

Frame and Roll-Over Protection System Assembly .....	5
Front Frame Assembly No. 120-8086.....	6
Front Shroud Assembly.....	7
Engine Mount Assembly.....	8
Flywheel Assembly .....	9
Air Cleaner Mounting Assembly.....	10
Air Cleaner Assembly No. 99-5410.....	11
Engine Assembly .....	12
Radiator Assembly.....	13
Fan Mounting Assembly .....	15
Hydraulic Motor Assembly No. 117-4769.....	16
No. 1, No. 4 and No. 5 Lift Arm and Deck Assembly.....	17
Lift Cylinder Assembly No. 127-6429.....	19
Lift Cylinder Assembly No. 127-6427.....	20
No. 2 and 3 Lift Arm and Deck Assembly.....	21
Lift Cylinder Assembly No. 127-6428.....	23
No. 6 and 7 Lift Arm and Deck Assembly.....	24
Lift Cylinder Assembly No. 127-6430.....	26
Hydraulic Tank Assembly.....	27
Fuel System Assembly.....	28
Battery and Controller Assembly.....	29
Battery Storage Box Assembly No. 115-9100.....	30
Storage Box Assembly No. 115-9101.....	31
Controller Mount Assembly.....	32
Seat Mounting Assembly.....	33
Air Ride Seat Suspension Assembly No. 130-2702.....	34
Vinyl Premium Seat Assembly No. 117-5676.....	36
Console Assembly.....	38
Control Arm Switch Assembly.....	40
Steering and Brake Assembly.....	41
Steering Tilt Column Assembly No. 106-3622.....	43
Steering Valve Assembly No. 114-8119.....	44
Pedal Assembly.....	45
Hood Assembly.....	46
Front Wheel Drive Assembly.....	48
Planetary Assembly No. 136-2913.....	49
LH Brake Assembly No. 100-3070-03.....	50
Hydraulic Piston Motor Assembly No. 121-3100.....	51
RH Brake Assembly No. 100-3069-03.....	52
Rear Axle Assembly.....	53
Hydraulic Steer Cylinder Assembly No. 127-6431.....	55
Piston Motor Assembly No. 121-3101.....	56
Bevel Pinion Shaft Assembly Rear Axle Assembly No. 110-4750.....	57
Differential Assembly Rear Axle Assembly No. 110-4750.....	58
Axle Support Assembly Rear Axle Assembly No. 110-4750.....	59
Bevel Gear Case Assembly Rear Axle Assembly No. 110-4750.....	60
Bevel Gear Shaft Assembly Rear Axle Assembly No. 110-4750.....	61
Axle Case Assembly Rear Axle Assembly No. 110-4750.....	62
Axle Assembly Rear Axle Assembly No. 110-4750.....	63
Hydraulic System Assembly.....	64
Four Section Pump Assembly No. 114-4189.....	66
Hydraulic Pump Assembly No. 132-6100.....	68
Hydraulic Valve Mounting Assembly.....	70
Mow Manifold Assembly No. 136-2916.....	72

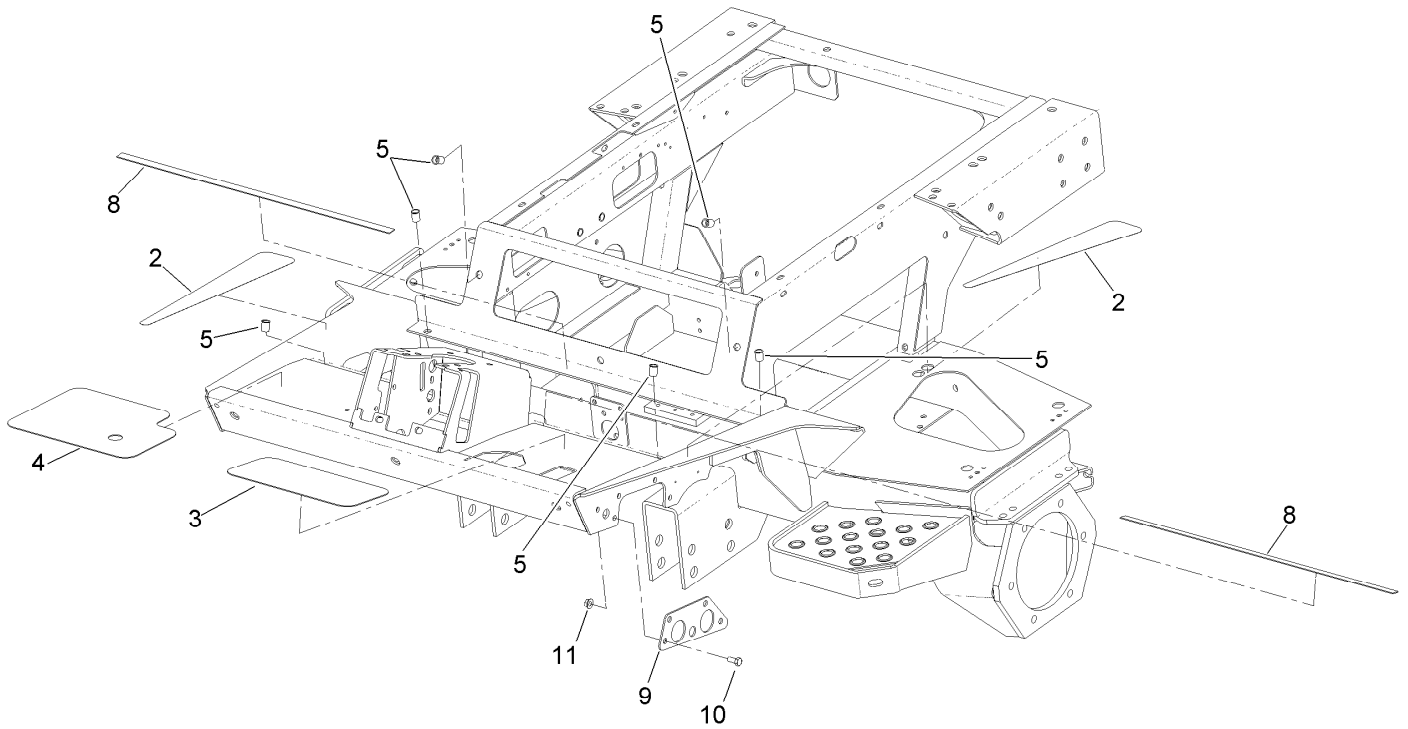
# Contents (continued)

Lift Manifold Assembly No. 117-2389 .....	74
Lift Manifold Assembly .....	75
Junction Manifold Assembly No. 117-2394 .....	76
Junction Manifold Assembly .....	77
Fan Drive Manifold Assembly No. 117-2395 .....	78
Traction Manifold Assembly No. 121-3078 .....	79
3-Way Valve Manifold Assembly No. 138-6946 .....	80
Hydraulic Traction Circuit Assembly .....	81
Steering Hydraulic Assembly .....	83
Hydraulic Traction Circuit Assembly .....	84
Deck Lift Hydraulic Circuit Assembly .....	85
Hydraulic Mow Circuit Assembly .....	86
Deck No. 1, 4 and 5 Hydraulic Assembly .....	88
Gear Motor Assembly No. 117-5141 .....	89
Deck No. 2 and 3 Hydraulic Assembly .....	90
Deck No. 6 and 7 Hydraulic Assembly .....	91
Electrical Assembly .....	92
Engine Wire Harness Assembly .....	93
Cylinder Block Assembly .....	94
Gear Housing Assembly .....	95
Flywheel Housing and Oil Sump Assembly .....	96
Suction Manifold Assembly .....	97
Cylinder Head and Bonnet Assembly .....	98
Exhaust Manifold and Silencer Assembly .....	100
Camshaft and Driving Gear Assembly .....	101
Turbine Assembly .....	102
Crankshaft and Piston Assembly .....	103
Lubrication and Oil System Assembly .....	104
Lubrication Oil Line Assembly .....	105
Cooling Water System Assembly .....	106
Governor Assembly .....	107
Fuel Injection Pump Assembly .....	108
Fuel Injection Valve Assembly .....	110
Starting Motor Assembly .....	111
Generator Assembly .....	112
Electronic Control Unit Assembly .....	113
Gasket Set .....	114
Attachments and Accessories .....	115



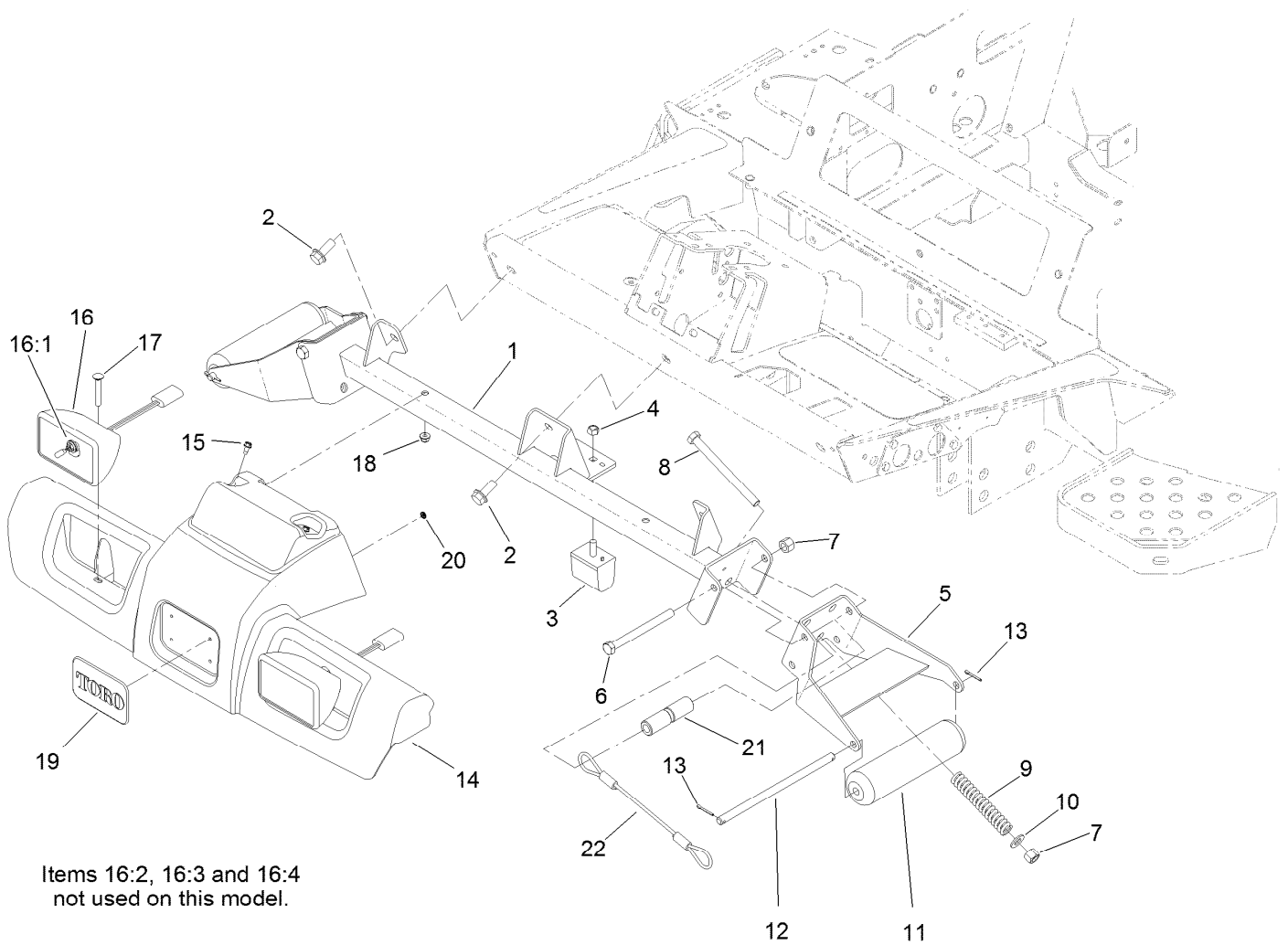
## Frame and Roll-Over Protection System Assembly

<i>Ref.</i>	<i>Part Number</i>	<i>Qty.</i>	<i>Description</i>	<i>Ref.</i>	<i>Part Number</i>	<i>Qty.</i>	<i>Description</i>
1	120-8086	1	Front Frame ASM	22	136-2901	1	RH ROPS ASM
2	120-8007-03	1	Frame-Rear	22:2	94-8099	1	Decal
4	3234-38	4	Screw-HHF	23	136-2885	1	Top Tube ASM
5	104-5584-03	2	Plate-Reinforcement, ROPS	23:3	98-4387	1	Decal-Protection, Ear
6	325-33	4	Screw-HH	24	114-8419	12	Screw-HHF
7	32128-49	4	Nut-HHF	25	136-2899	2	Standoff-Hex
8	104-5516-01	1	Support-Tube	26	114-1925	2	Bumper-Rubber
9	3230-23	2	Bolt-CARR	27	3234-36	2	Screw-HHF
10	32128-20	2	Nut-HF	28	136-2890	2	Spacer
11	119-0006	1	Access Plate ASM	29	136-2893	4	Washer-Plastic
11:2	105-9860	2	Seal-Foam	30	325-17	2	Screw-HH
12	75-1410-01	1	Plate-Access, Floor	31	3256-6	4	Washer-Flat
13	125-4614	1	Tread-Foot, Center	32	3296-23	2	Nut-Lock, NI
14	3234-7	6	Screw-HHF	33	136-2892	2	Pin ASM
17	106-6754	1	Decal-Danger	34	80-1890	2	Spacer
19	127-6448	1	Decal-Danger, CE (21 DEG)	35	104-8301	2	Nut-HF, NI
21	136-2900	1	LH ROPS ASM	36	116-4701	2	Screw-HHF
21:2	120-8947	1	Decal-Danger, ROPS	37	87-7270	4	Washer-Thrust
21:3	94-8099	1	Decal				



## Front Frame Assembly No. 120-8086

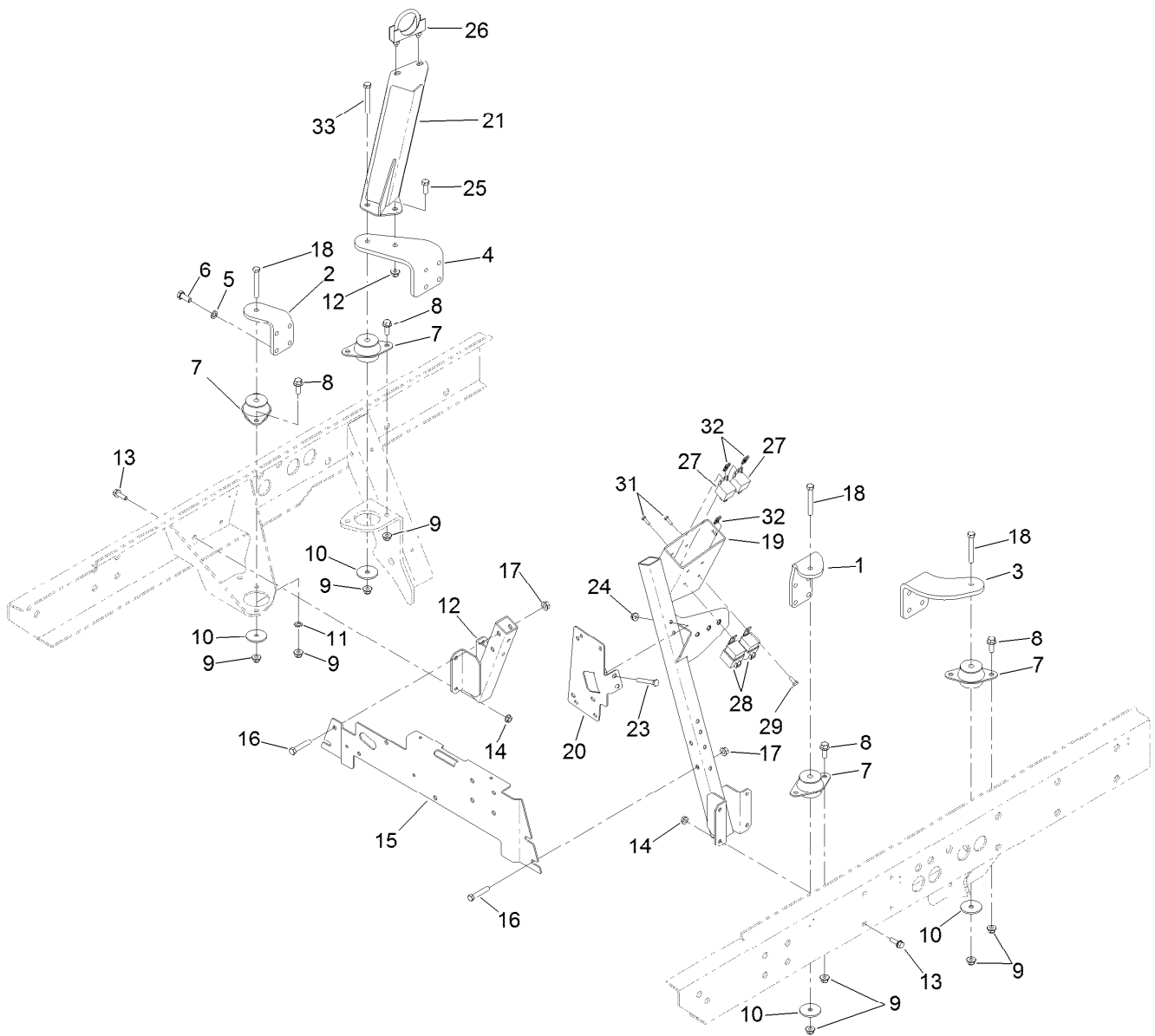
<i>Ref.</i>	<i>Part Number</i>	<i>Qty.</i>	<i>Description</i>
2	93-7592	2	Tread-Rest, Foot
3	75-0620	1	Tread-Foot, LH
4	104-5223	1	Tread-Foot, RH
5	32148-7	10	Nut-Clinch
8	105-9860	2	Seal-Foam
9	106-7794-01	2	Plate-Mount, HYD Fitting
10	322-3	8	Screw-HH
11	32128-20	8	Nut-HF



Items 16:2, 16:3 and 16:4  
not used on this model.

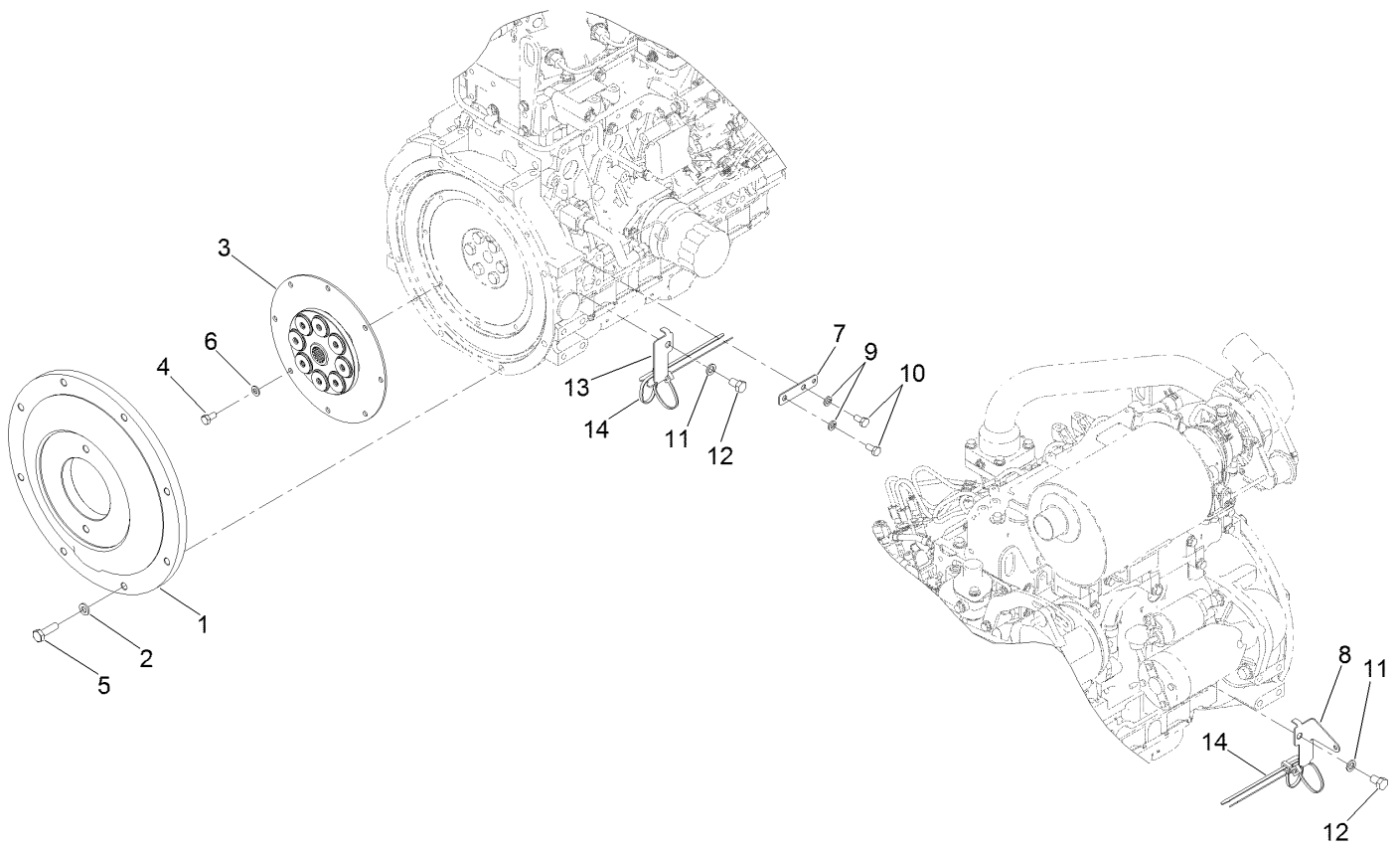
## Front Shroud Assembly

<i>Ref.</i>	<i>Part Number</i>	<i>Qty.</i>	<i>Description</i>	<i>Ref.</i>	<i>Part Number</i>	<i>Qty.</i>	<i>Description</i>
1	117-4760-01	1	Support-Roller	14	115-9137	1	Shroud-Platform
2	3234-38	3	Screw-HHF	15	32104-17	2	Screw-HWH
3	87-3470	1	Bumper	16	94-9024	2	Lamp ASM
4	33025-00	1	Nut-Lock, NI	16:1	95-0909	1	Lamp-12 Volt
5	105-3996-01	2	Support-Roller	16:2	3230-28	1	Screw-CARR
6	325-22	2	Screw-HH	16:3	3253-33	1	Washer-Lock
7	3296-23	4	Nut-Lock, NI	16:4	3217-6	1	Nut-Hex
8	325-20	2	Screw-HH	17	3230-7	2	Bolt-CARR
9	105-3970	2	Spring-Compression	18	104-8300	2	Nut-HF, NI
10	3256-26	2	Washer-Flat	19	93-6028	1	Plate-Logo
11	105-9816	2	Roller-Plastic	20	138-6996	4	Nut-Push
12	104-5545	2	Shaft-Roller	21	136-2923	2	Spacer-Centering
13	3272-11	4	Pin-Cotter	22	136-7992	2	Lanyard



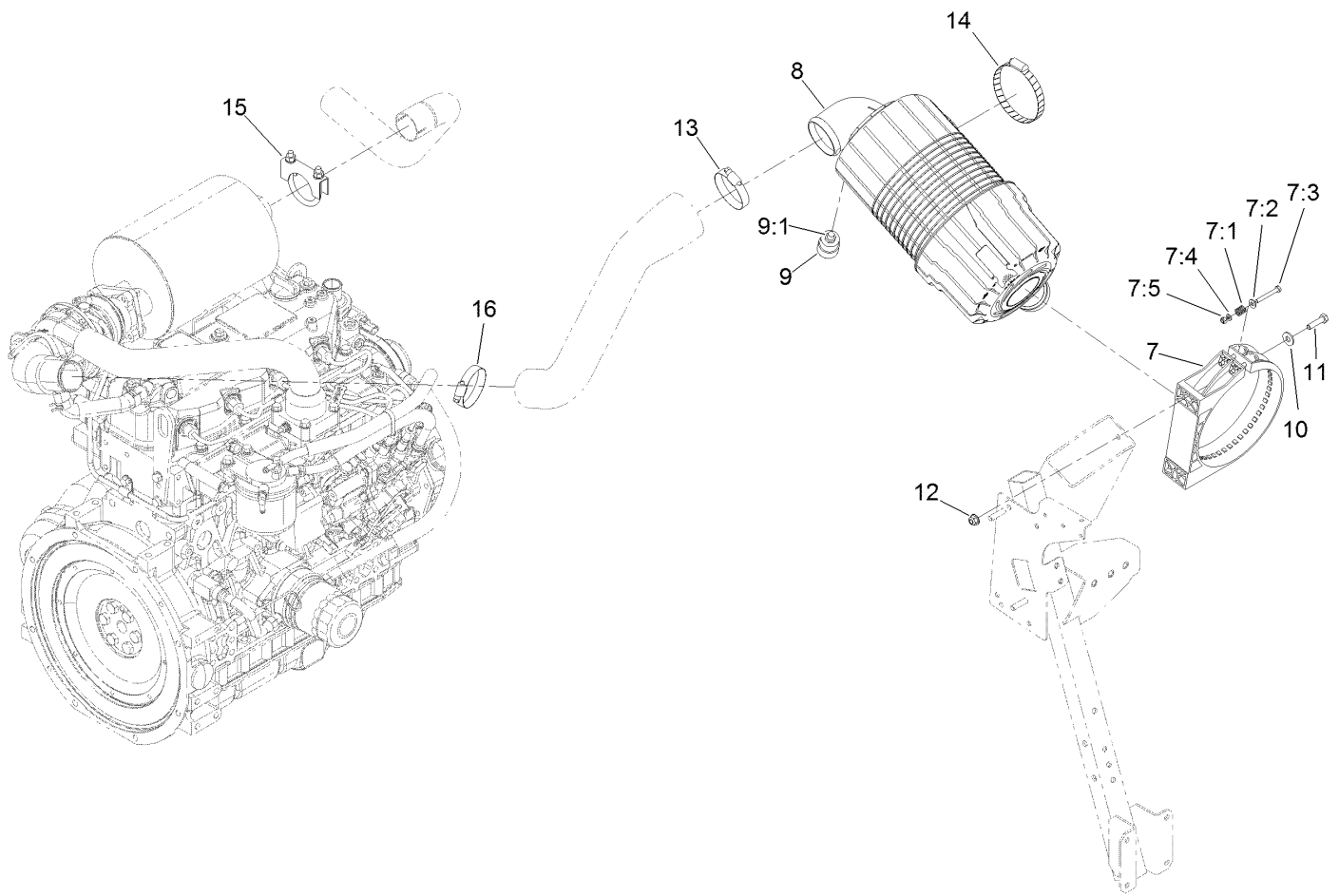
## Engine Mount Assembly

Ref.	Part Number	Qty.	Description	Ref.	Part Number	Qty.	Description
1	120-8001-03	1	Mount-Engine, Front (LH)	17	32128-21	4	Nut-HF Lock
2	120-8002-03	1	Mount-Engine, Front (RH)	18	323-13	3	Screw-HH
3	120-8003-03	1	Mount-Engine, Rear (LH)	19	121-3140-03	1	Bracket-Mount, Air Cleaner
4	120-8004-03	1	Mount-Engine, Rear (RH)	20	121-3102-03	1	Bracket-Controller
5	48-9590	16	Washer-Lock	21	121-3098-03	1	Support-Tailpipe
6	33115-025	16	Screw-HH	23	322-11	2	Screw-HH
7	53-9682	4	Mount-Engine	24	104-8300	2	Nut-HF, NI
8	3234-11	8	Screw-HHF	25	323-6	1	Screw-HH
9	104-8301	13	Nut-HF, NI	26	18-2130	1	Clamp
10	63-7400	4	Washer-Rebound	27	99-7435	2	Relay
11	3255-9	1	Washer-Lock	28	99-7430	2	Relay-Mini
12	104-5420-03	1	Support-Battery	29	321-3	2	Screw-HH
13	3234-29	8	Screw-HHF	31	3290-134	2	Screw
14	32128-20	8	Nut-HF	32	3290-277	4	Nut-Speed
15	114-8134-03	1	Bracket-Support	33	323-14	1	Screw-HH
16	323-10	4	Screw-HH				



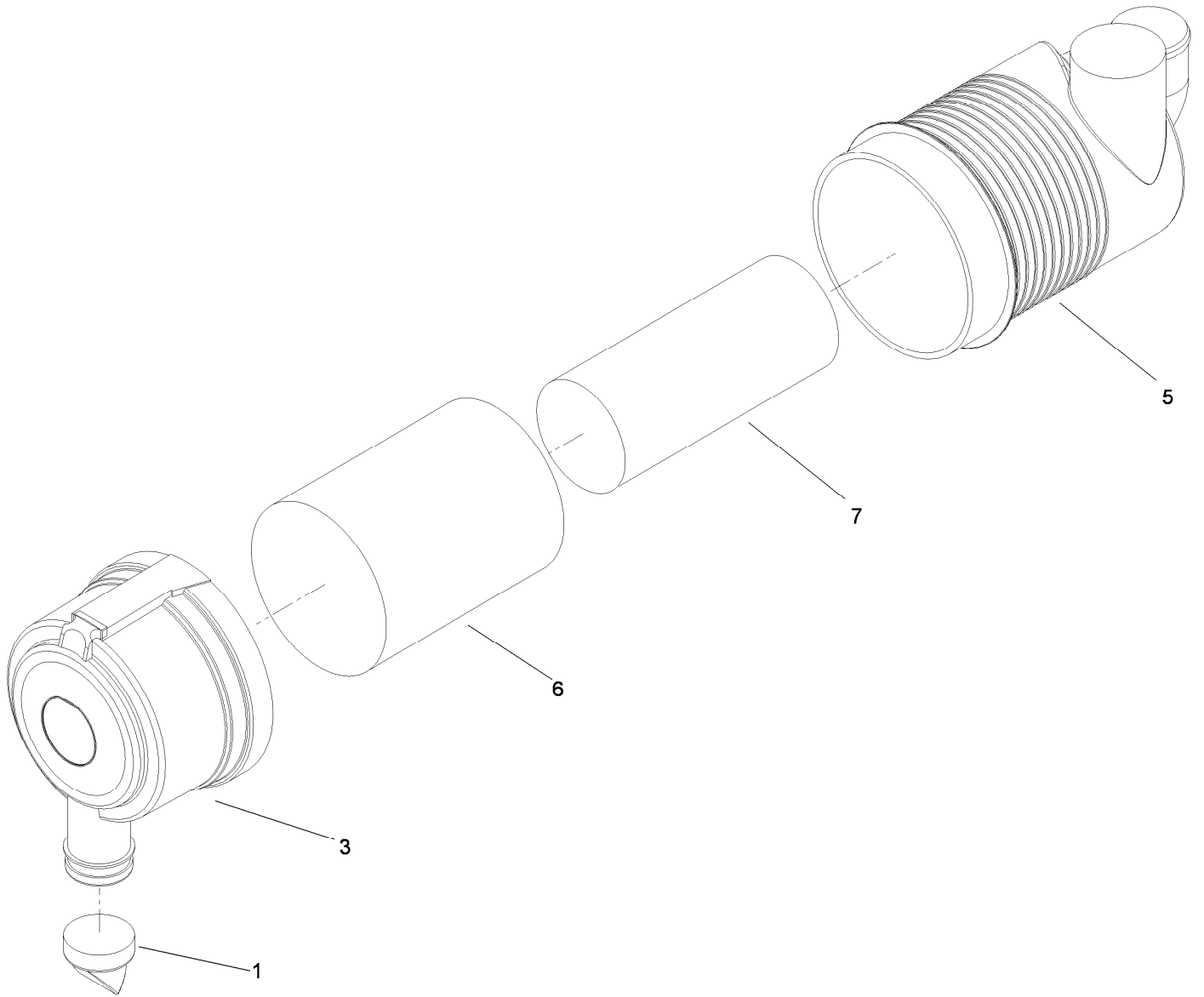
## Flywheel Assembly

<i>Ref.</i>	<i>Part Number</i>	<i>Qty.</i>	<i>Description</i>
1	132-6120-03	1	Plate-Flywheel
2	107-1413	8	Washer-Hardened
3	132-6121	1	Coupling-Flywheel
4	99-5132	8	Bolt
5	117-5663	8	Screw-HH
6	87-7510	8	Washer-Flat
7	121-5636	1	Tab-Harness
8	127-2774	1	Bracket-Harness, RH
9	3253-4	2	Washer-Lock
10	33114-016	2	Screw-HH
11	48-9590	2	Washer-Lock
12	33115-016	2	Screw-HH
13	127-2773	1	Bracket-Harness, LH
14	3290-378	4	Tie-Cable



## Air Cleaner Mounting Assembly

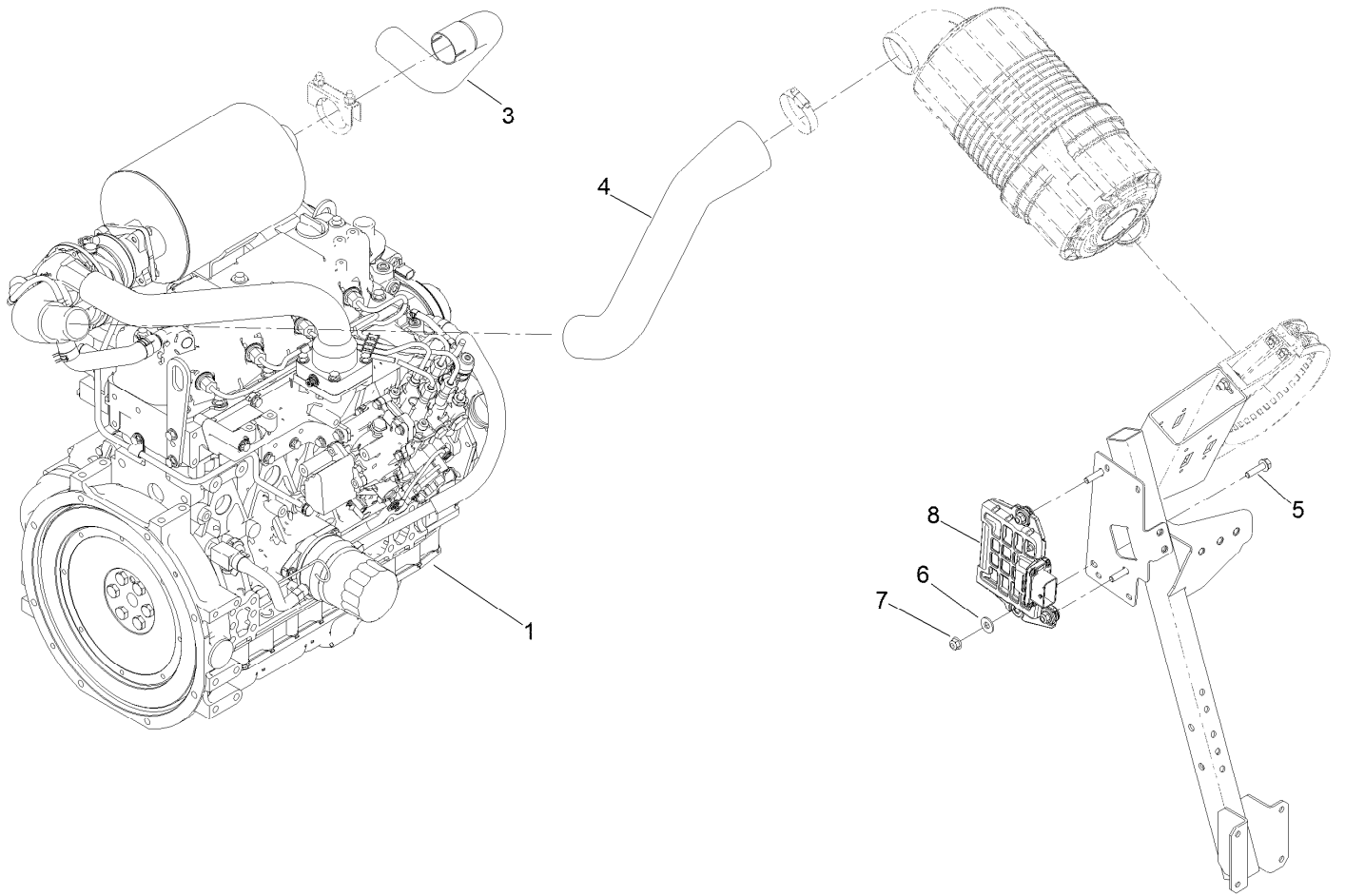
<i>Ref.</i>	<i>Part Number</i>	<i>Qty.</i>	<i>Description</i>	<i>Ref.</i>	<i>Part Number</i>	<i>Qty.</i>	<i>Description</i>
7	99-5414	1	Strap-Cleaner, Air	9:1	94-1416	1	Adapter-Indicator
7:1	108-1512	2	Spring	10	3256-3	2	Washer-Flat
7:2	3256-22	2	Washer-Flat	11	322-6	2	Screw-HH
7:3	33113-050	2	Screw-HH	12	104-8300	2	Nut-HF, NI
7:4	33093-00	2	Washer-Flat	13	2412-125	1	Clamp-Hose
7:5	33023-00	2	Nut-Lock	14	2412-110	1	Clamp-Band/Screw
8	99-5410	1	Air Cleaner ASM	15	18-2130	1	Clamp
9	104-3563	1	Indicator	16	2412-130	1	Clamp-Hose



## Air Cleaner Assembly No. 99-5410

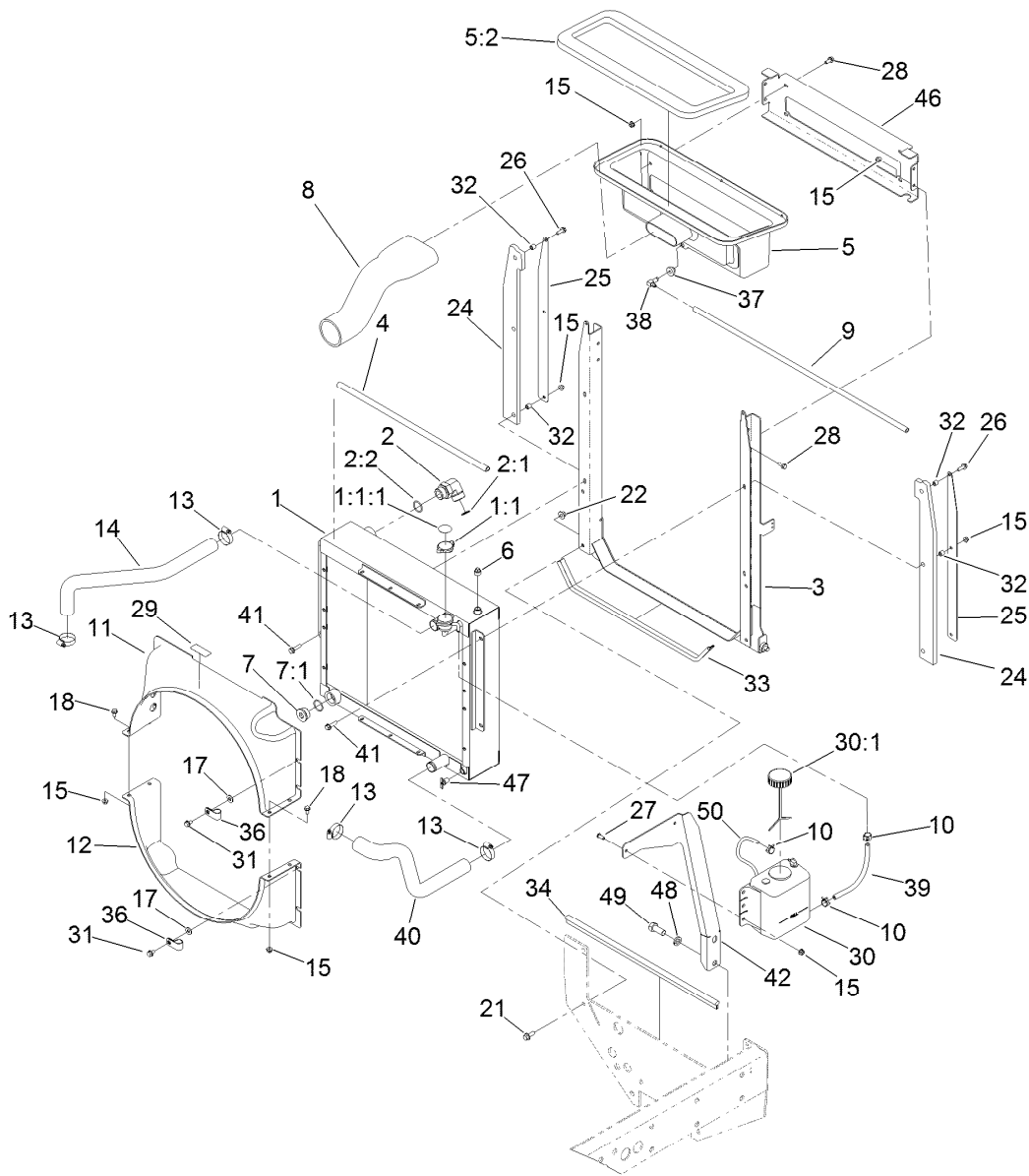
<i>Ref.</i>	<i>Part Number</i>	<i>Qty.</i>	<i>Description</i>
1	104-4258	1	Valve-Vacuator
3	104-4259	1	Cover
5		1	Body ASM ●
6	108-3814	1	Filter-Air
7	108-3816	1	Filter-Air

● Not serviced separately



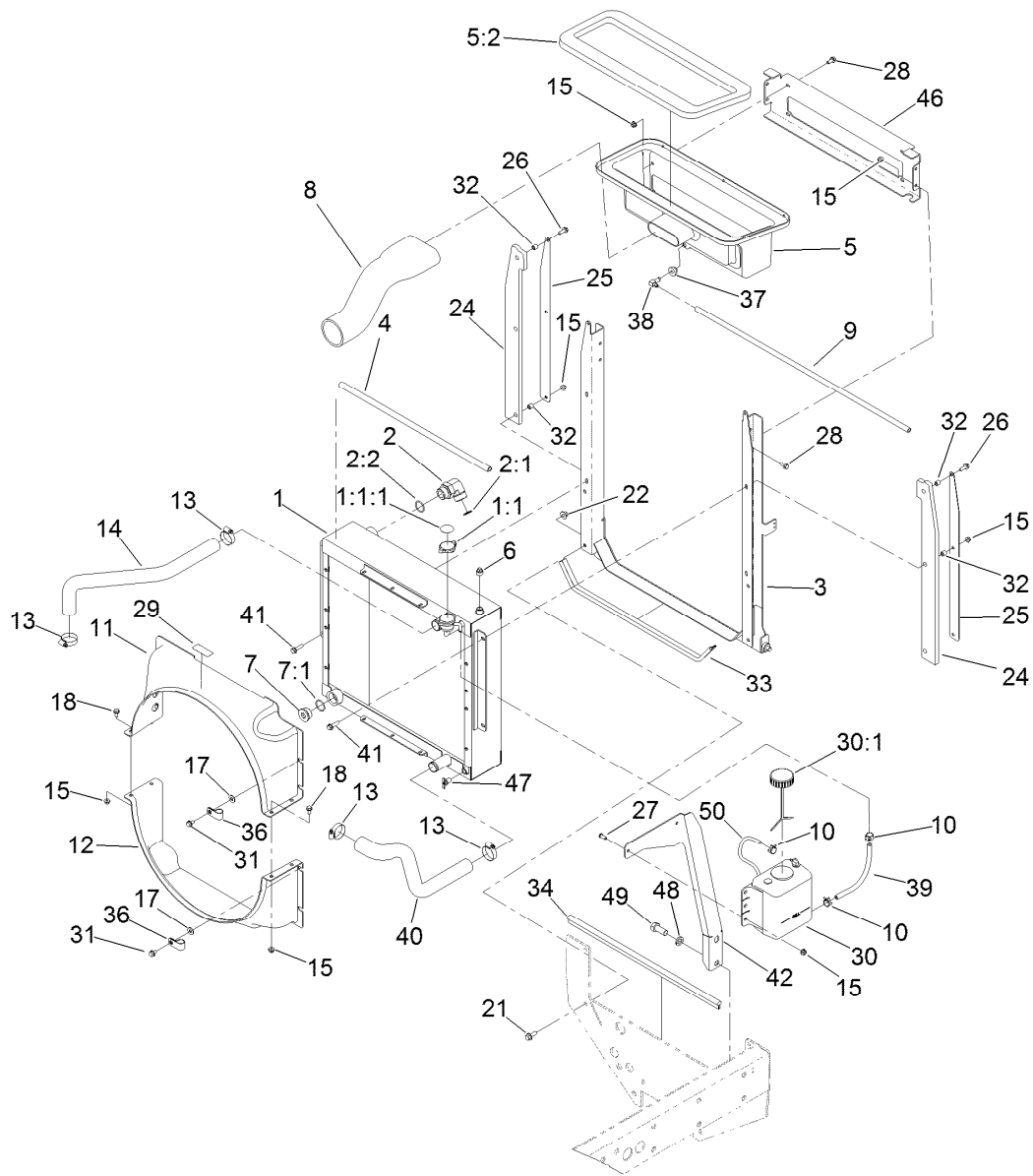
## Engine Assembly

<b>Ref.</b>	<b>Part Number</b>	<b>Qty.</b>	<b>Description</b>
1	138-5657	1	Engine-Yanmar,T4I
3	120-8010	1	Tube-Exhaust
4	121-3141	1	Hose-Air Cleaner, Outlet
5	3234-36	3	Screw-HHF
6	3256-3	3	Washer-Flat
7	104-8300	3	Nut-HF, NI
8	135-4281	1	Ecu



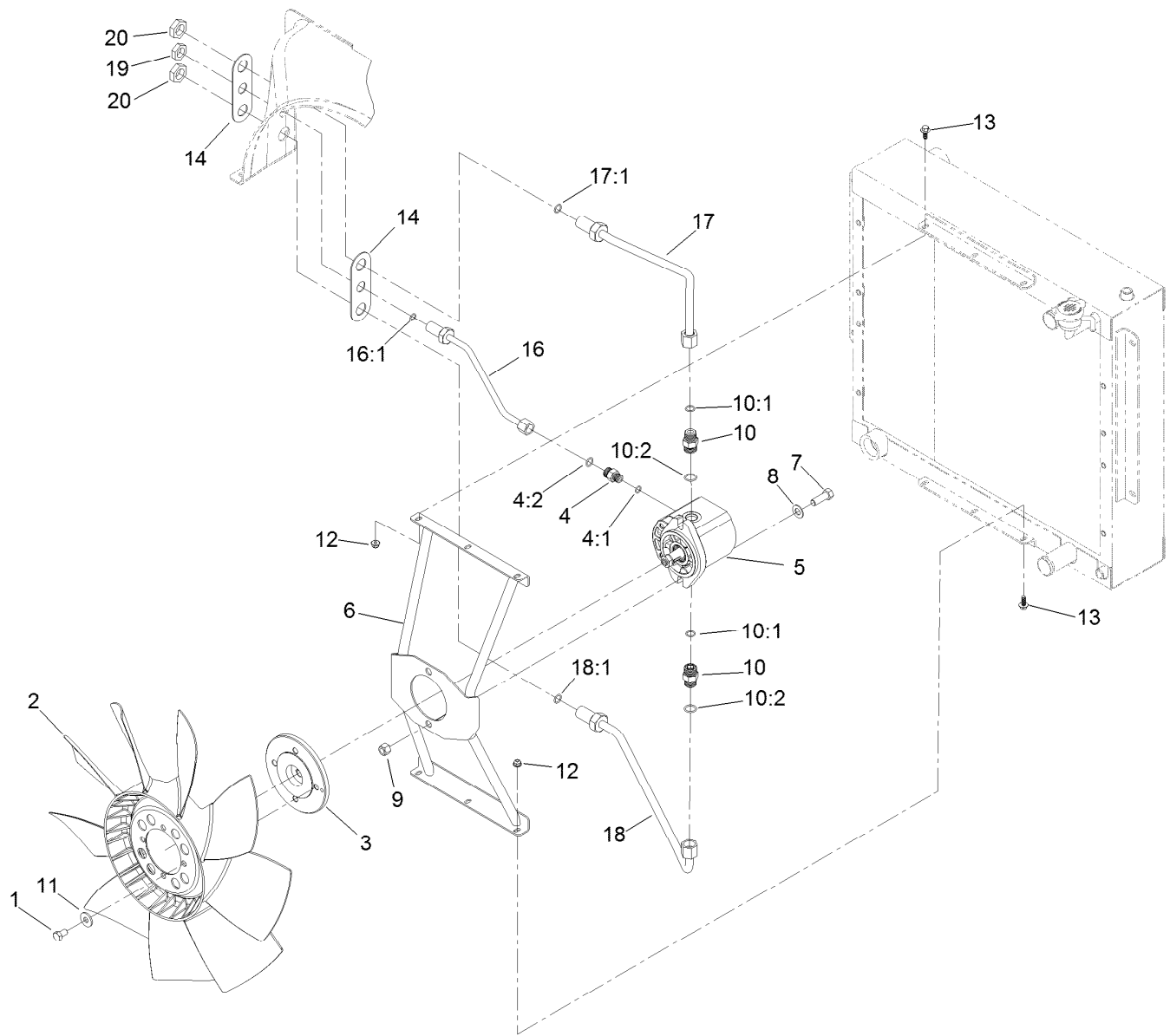
## Radiator Assembly

Ref.	Part Number	Qty.	Description	Ref.	Part Number	Qty.	Description
1	132-6161	1	Radiator/Oil Cooler	17	3256-3	8	Washer-Flat
1:1	115-7766	1	Cap-Radiator	18	3234-7	4	Screw-HHF
1:1:1	106-6755	1	Decal-Cap, Radiator	21	3234-11	4	Screw-HHF
2	340-129	2	Fitting-Elbow, 90 DEG	22	32128-43	4	Nut-Flange
2:1	237-146	1	O-Ring	24	121-3087	2	Seal-Foam, Hood
2:2	340-65	1	O-Ring	25	121-3086-03	2	Bracket-Seal, Hood
3	121-3084-03	1	Mount-Radiator	26	32144-41	2	Screw-Taptite
4	114-3828	1	Seal-Bulb	27	3274-55	2	Screw-HSBH
5	115-4363	1	Plenum ASM	28	3234-47	8	Screw-HHF
5:2	115-4393	1	Seal-Plenum	29	117-4766	1	Decal-Warning, Fan
6	281-13	1	Plug-Pipe	30	120-5571	1	Coolant Reservoir ASM
7	105-3921	1	Fitting-Plug	30:1	87-7050	1	Cap-Reservoir
7:1	237-146	1	O-Ring	31	3234-30	8	Screw-HHF
8	121-3143	1	Hose-Air Cleaner, Inlet	32	1-603903	6	Spacer
9	110-3258	1	Hose-Fuel	33	117-4782	1	Seal-Bulb
10	92-2379	4	Clamp-Hose	34	105-9858	1	Seal-Bulb
11	125-4615	1	Shroud-Radiator, Upper	36	2412-81	2	Clamp-R
12	121-3106	1	Shroud-Radiator, Lower	37	46-6560	1	Bushing
13	2412-3	4	Clamp-Hose	38	46-6550	1	Fitting-Elbow, 90 DEG
14	121-1476	1	Hose-Radiator, Upper	39	109-0282	1	Hose-Fuel
15	104-8300	18	Nut-HF, NI	40	121-1477	1	Hose-Radiator, Lower



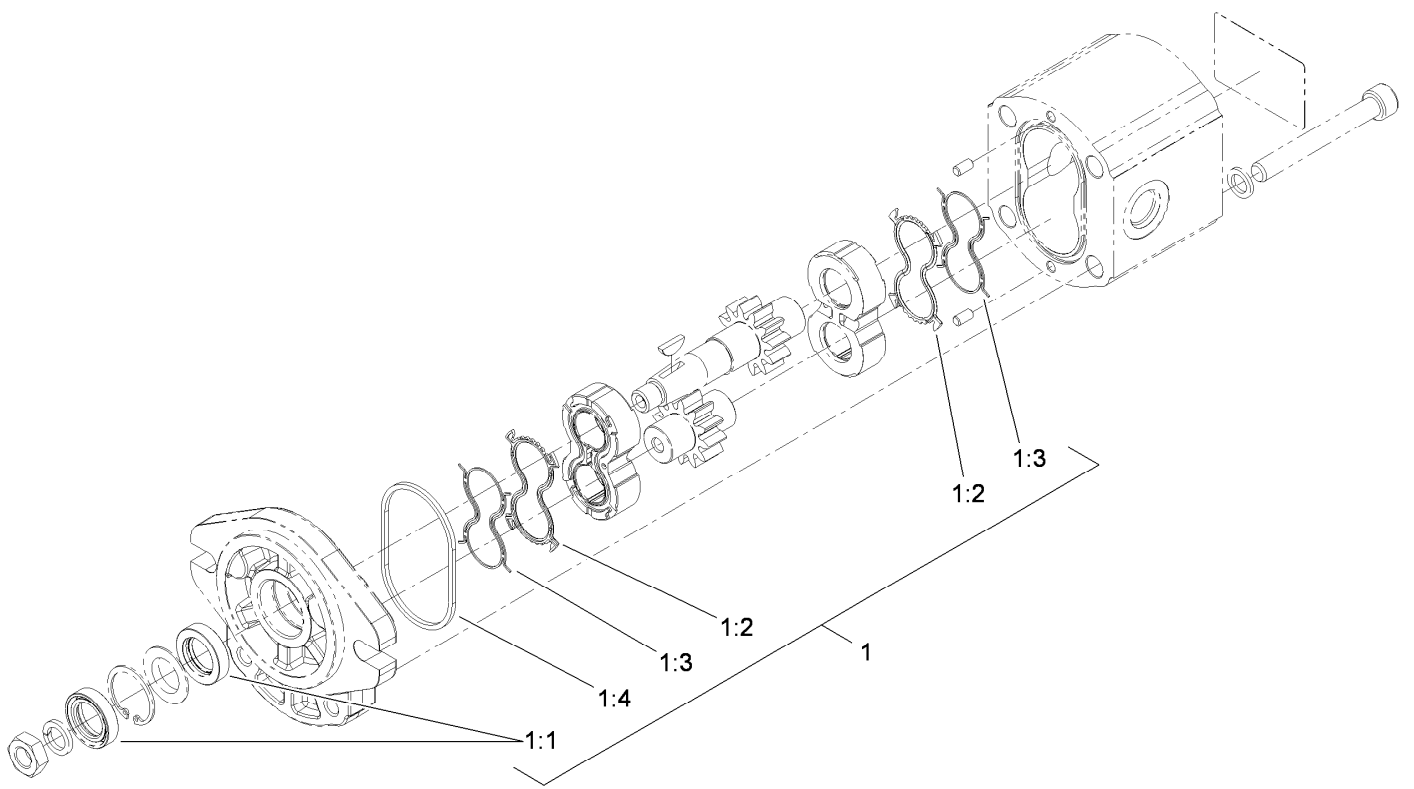
## Radiator Assembly (continued)

<i>Ref.</i>	<i>Part Number</i>	<i>Qty.</i>	<i>Description</i>	<i>Ref.</i>	<i>Part Number</i>	<i>Qty.</i>	<i>Description</i>
41	3234-36	4	Screw-HHF	48	3253-8	2	Washer-Lock
42	125-4609-03	1	Bracket-Mount, Tank	49	3218-6	2	Nut-Jam
46	121-3085	1	Plate-Crossover	50	109-0273	1	Hose-Fuel
47	304-46	1	Draincock				



## Fan Mounting Assembly

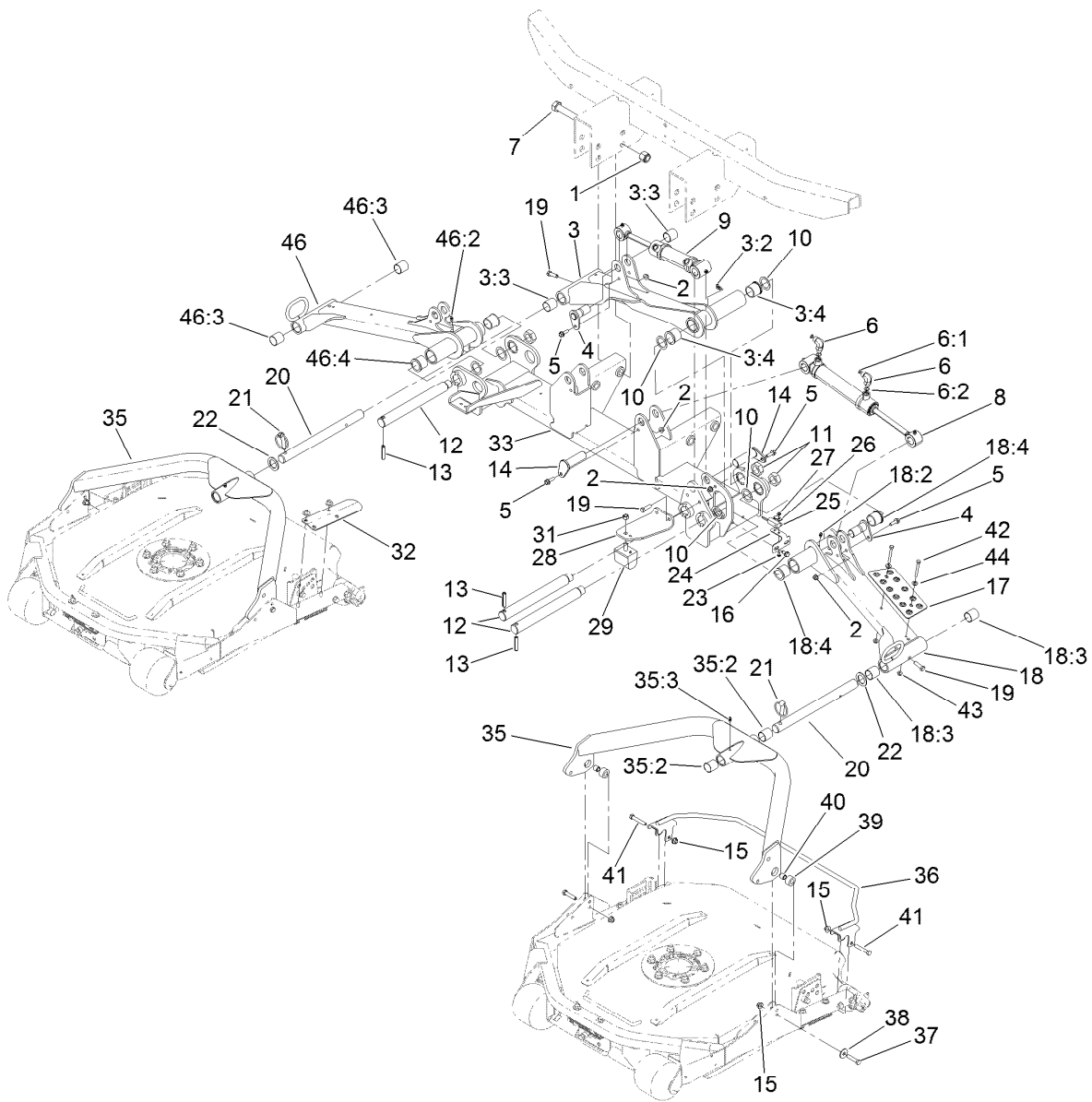
Ref.	Part Number	Qty.	Description	Ref.	Part Number	Qty.	Description
1	115-8486	4	Screw-HH	10:2	237-79	1	O-Ring
2	114-3825	1	Fan	11	80-6990	4	Washer-Hardened
3	117-2364	1	Hub-Fan	12	104-7201	6	Nut-HF, NI
4	340-2	1	Fitting-Straight	13	99-6810	6	Screw-HHF
4:1	237-22	1	O-Ring	14	125-4610	2	Shim-Support
4:2	237-42	1	O-Ring	16	125-4598	1	Tube ASM
5	117-4769	1	HYD Motor ASM	16:1	237-22	1	O-Ring
6	120-8935-03	1	Bracket-Fan	17	125-4596	1	Tube ASM
7	324-5	2	Screw-HH	17:1	237-30	1	O-Ring
8	3256-25	2	Washer-Flat	18	125-4597	1	Tube ASM
9	3296-48	2	Nut-Hex	18:1	237-30	1	O-Ring
10	340-4	2	Fitting-Straight	19	340-70	1	Nut-Lock
10:1	237-30	1	O-Ring	20	340-127	2	Nut-Bulkhead



## Hydraulic Motor Assembly No. 117-4769

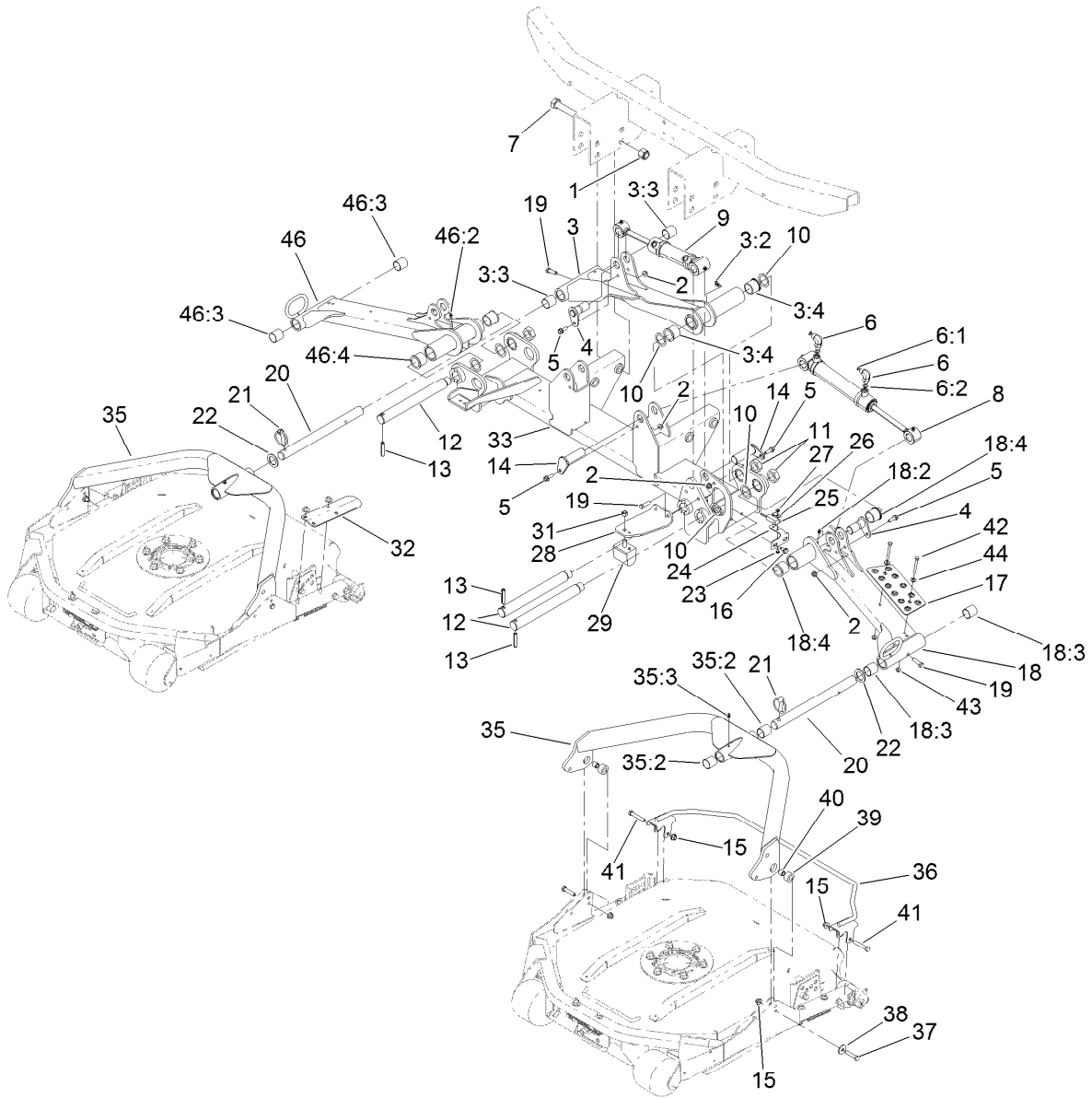
<i>Ref.</i>	<i>Part Number</i>	<i>Qty.</i>	<i>Description</i>
1	115-4110	1	Seal Kit
1:1		2	Seal-Shaft ●
1:2		2	Seal-Plate, Balancing ●
1:3		2	Seal-Anti Extrusion ●
1:4		2	O-Ring (Housing) ●

● Not serviced separately



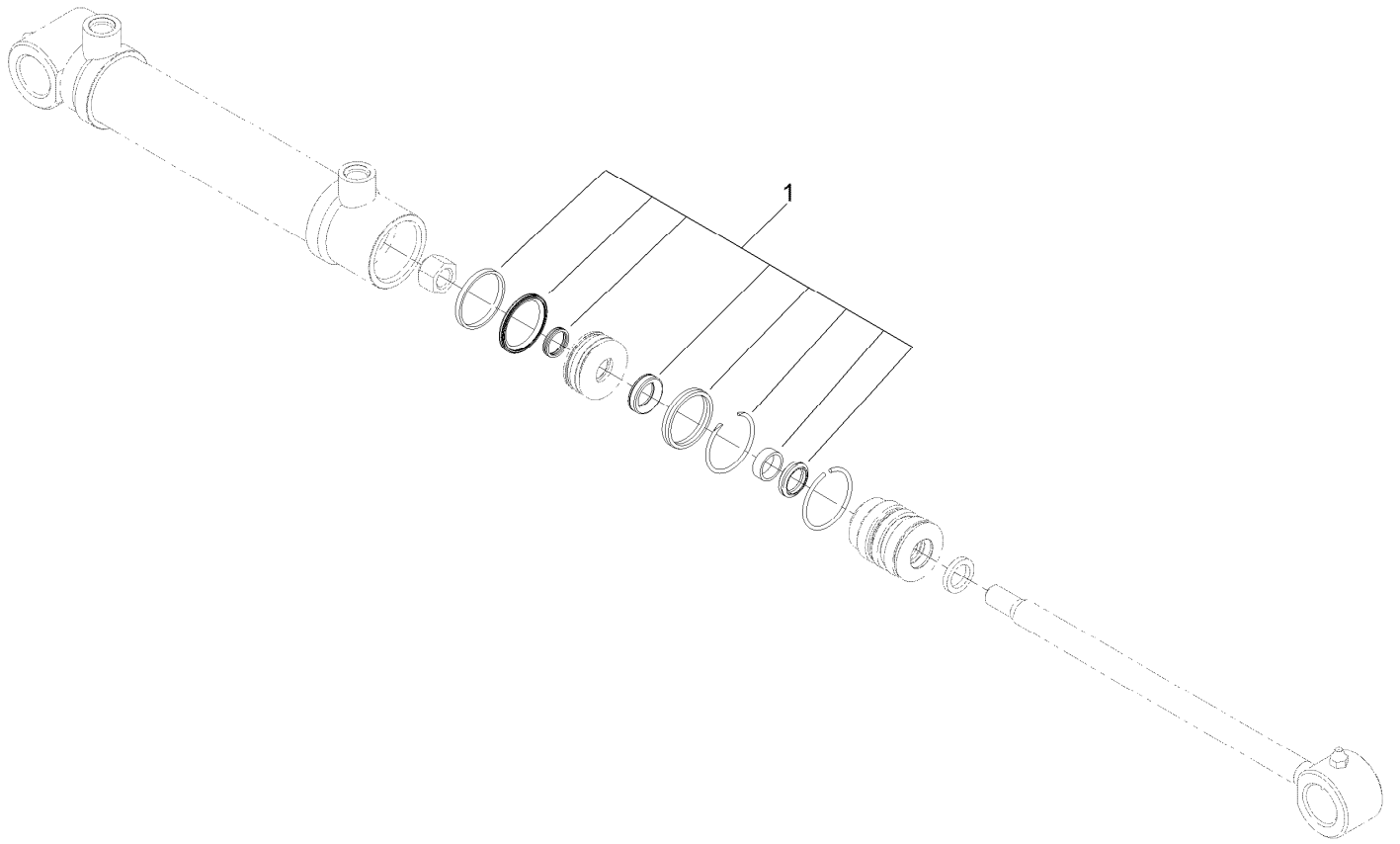
## No. 1, No. 4 and No. 5 Lift Arm and Deck Assembly

Ref.	Part Number	Qty.	Description	Ref.	Part Number	Qty.	Description
1	3296-51	4	Nut-Lock, NI	17	105-3987-03	1	Plate-Skid
2	104-8300	6	Nut-HF, NI	18	108-4033	1	No. 4 Lift Arm ASM
3	108-4032	1	No. 1 Lift Arm ASM	18:2	302-5	1	Fitting-Grease
3:2	302-60	1	Fitting-Grease	18:3	108-4000	2	Bushing
3:3	108-4000	2	Bushing	18:4	104-0015	2	Bushing-Flange
3:4	104-0015	2	Bushing-Flange	19	323-7	5	Screw-HH
4	131-4201	3	Pin-Pivot	20	136-2922	3	Shaft-Carrier, Pivot
5	3234-17	6	Screw-HHF	21	3290-384	3	Pin-Lynch
6	340-77	6	Fitting-Elbow, 90 DEG	22	3-6781	3	Washer-Flat
6:1	237-22	1	O-Ring	23	104-1450	2	Bolt-CARR
6:2	237-42	1	O-Ring	24	104-5585	2	Bracket-Switch
7	328-7	4	Screw-HH	25	106-9288	2	Sensor-Proximity, Ferrous
8	127-6429	2	Lift Cylinder ASM	26	100-4872	2	Plate-Switch, Neutral
9	127-6427	1	Lift Cylinder ASM	27	32149-7	2	Nut-Keps
10	76-2980	6	Washer-Thrust	28	104-5689-03	1	Bracket-Support, Bumper
11	3296-49	3	Nut-Lock, NI	29	87-3470	2	Bumper
12	95-7158	3	Pin-Pivot	31	33025-00	2	Nut-Lock, NI
13	32121-110	3	Pin-Roll, Slotted	32	105-9831-03	2	Bracket-Bumper, No. 1
14	125-1906	3	Pin-Cylinder	33	104-5680-03	1	Frame-Carrier, Front
15	104-8301	12	Nut-HF, NI	35	115-3453	3	Carrier Frame ASM
16	32104-32	4	Screw-HWH	35:2	108-4000	2	Bushing



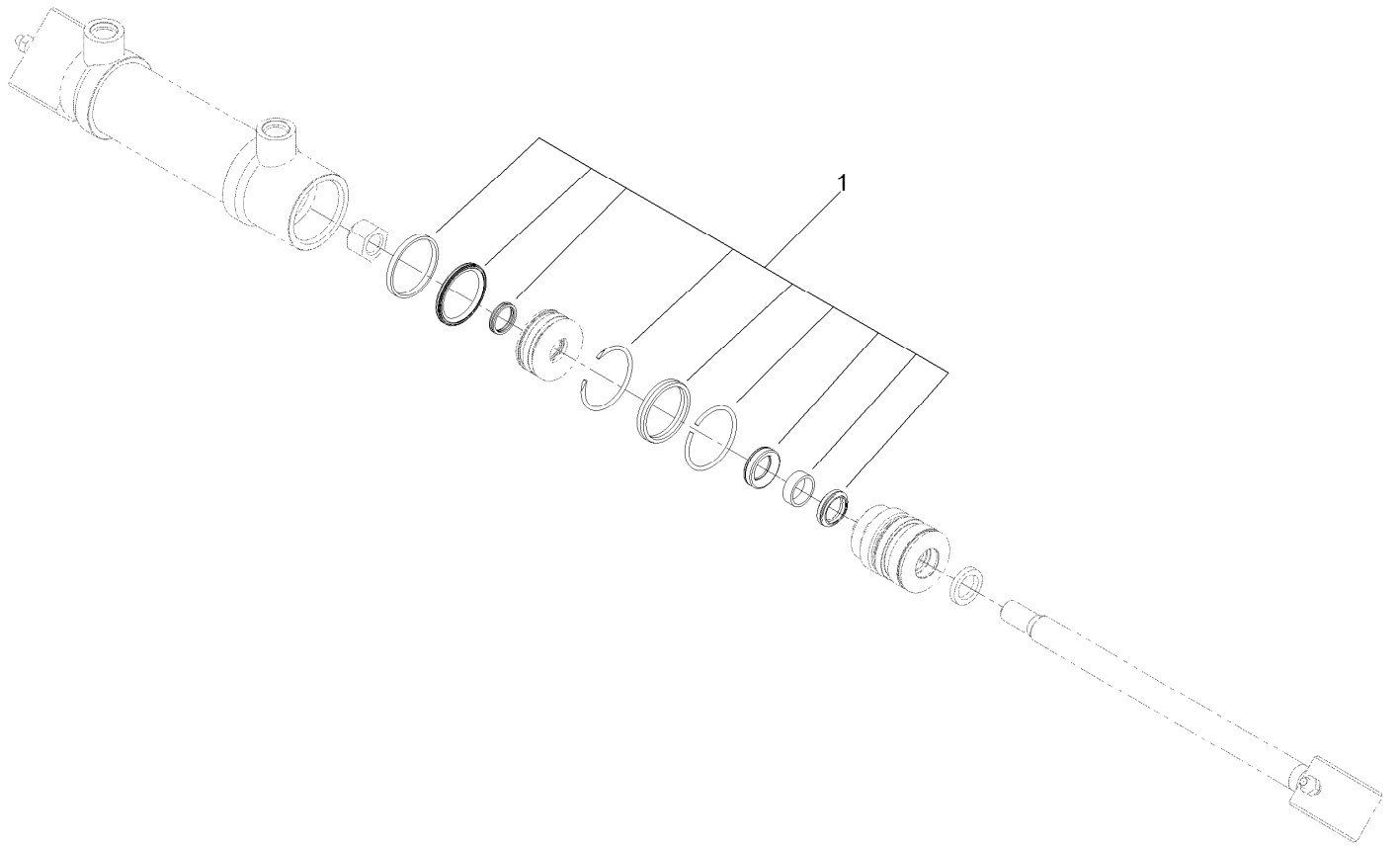
## No. 1, No. 4 and No. 5 Lift Arm and Deck Assembly (continued)

<i>Ref.</i>	<i>Part Number</i>	<i>Qty.</i>	<i>Description</i>	<i>Ref.</i>	<i>Part Number</i>	<i>Qty.</i>	<i>Description</i>
35:3	302-5	1	Fitting-Grease	42	321-15	2	Screw-HH
36	112-9900-03	2	Guard-Foot	43	32128-33	2	Nut-HF
37	323-52	6	Screw-HH	44	3256-23	2	Washer-Plain
38	93-8806	6	Washer-Hardened	46	108-4034	1	No. 5 Lift Arm ASM
39	105-9823	6	Bushing-Carrier	46:2	302-5	1	Fitting-Grease
40	105-9822	6	Spacer	46:3	108-4000	2	Bushing
41	323-11	4	Screw-HH	46:4	104-0015	2	Bushing-Flange



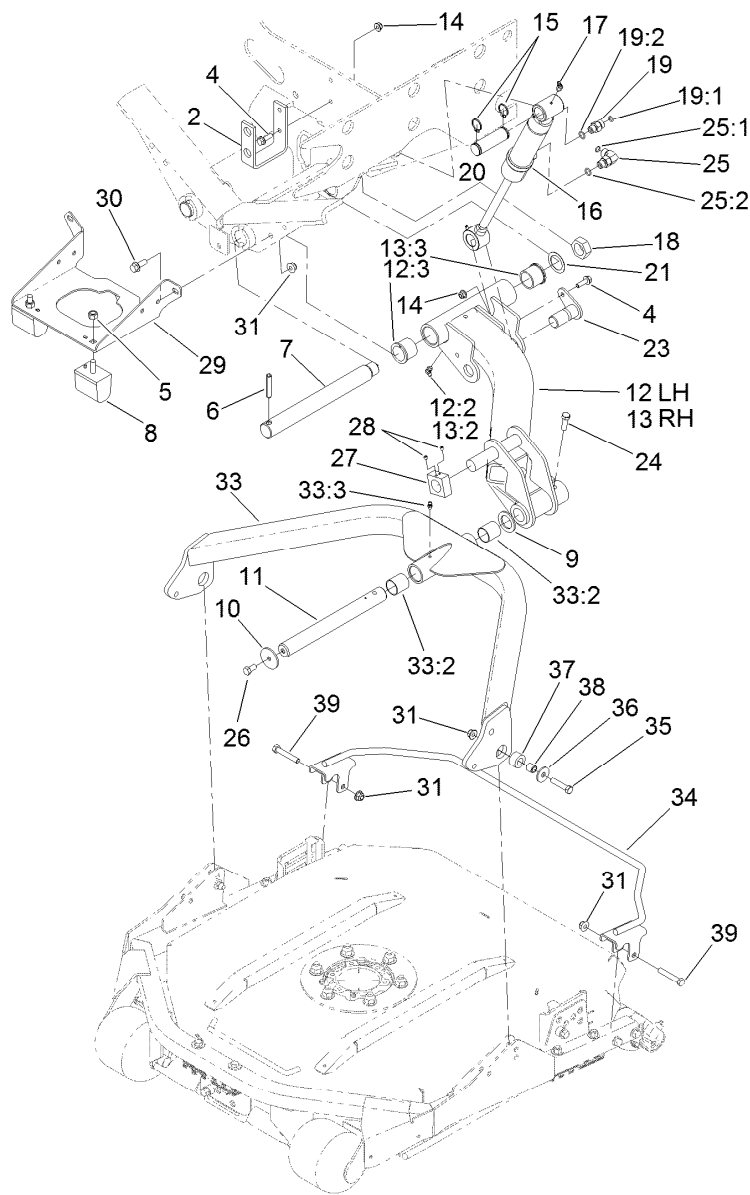
## Lift Cylinder Assembly No. 127-6429

<i>Ref.</i>	<i>Part Number</i>	<i>Qty.</i>	<i>Description</i>
1	131-7755	1	Cylinder Seal Kit



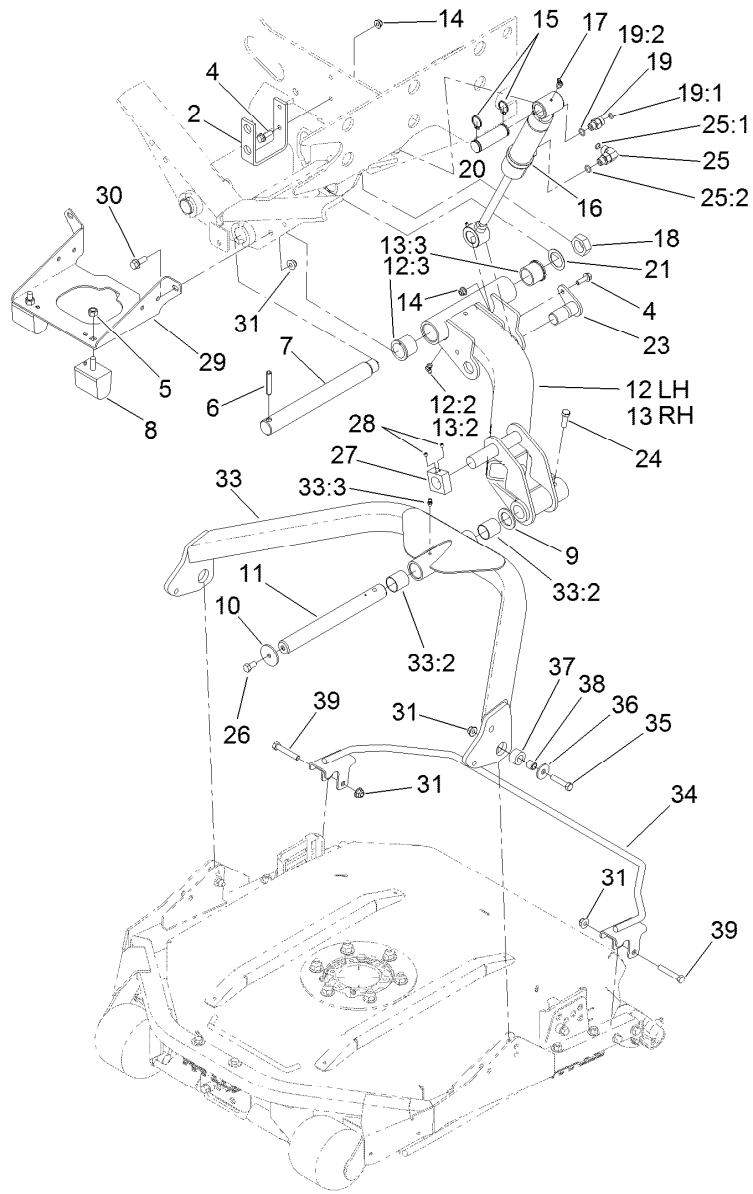
## Lift Cylinder Assembly No. 127-6427

<i>Ref.</i>	<i>Part Number</i>	<i>Qty.</i>	<i>Description</i>
1	131-7755	1	Cylinder Seal Kit



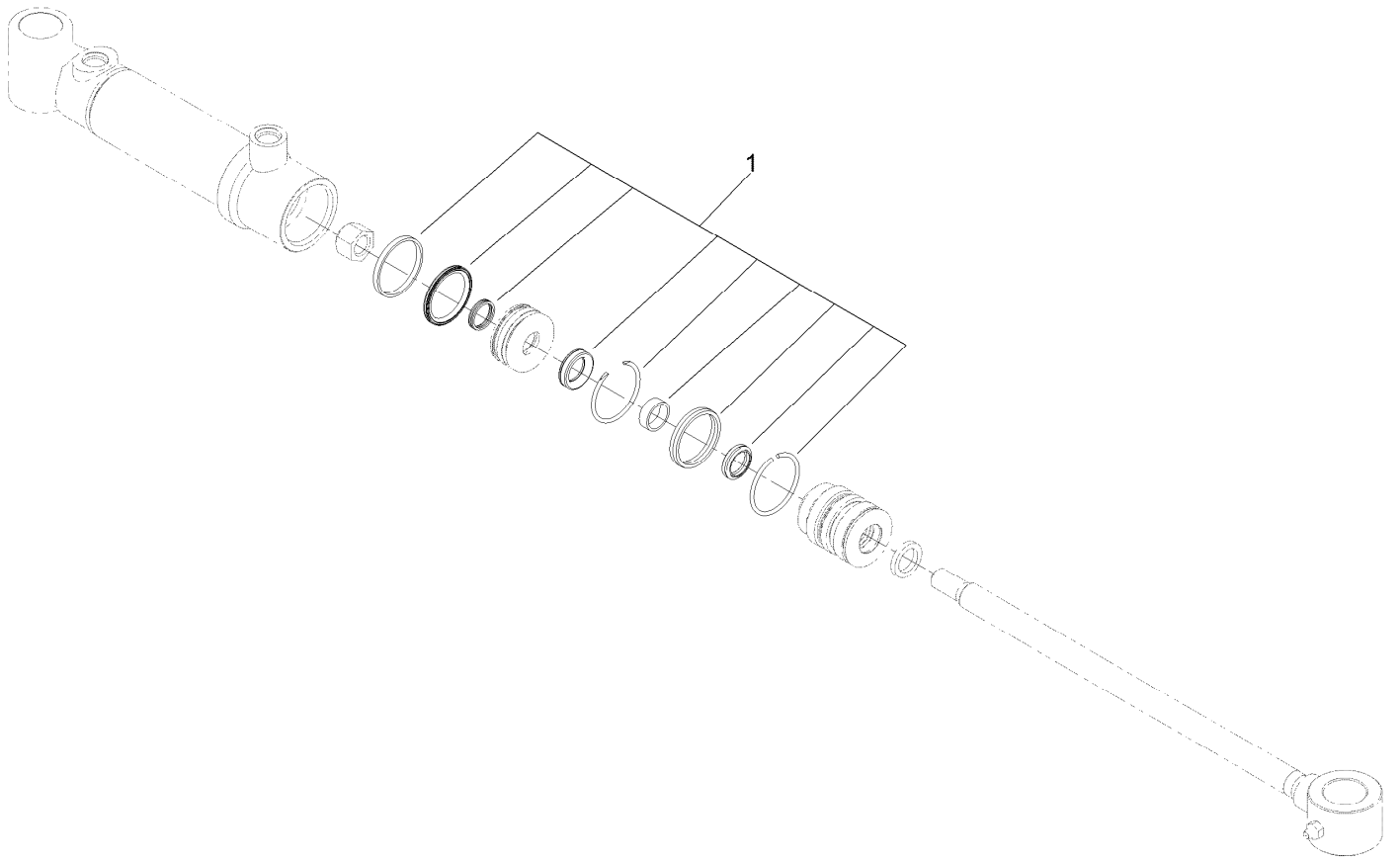
## No. 2 and 3 Lift Arm and Deck Assembly

Ref.	Part Number	Qty.	Description	Ref.	Part Number	Qty.	Description
2	105-3992-03	1	Bracket-Bulkhead	19:1	237-22	1	O-Ring
4	3234-17	4	Screw-HHF	19:2	237-42	1	O-Ring
5	33025-00	2	Nut-Lock, NI	20	92-7548	2	Pin-Cylinder
6	32121-110	2	Pin-Roll, Slotted	21	76-2980	2	Washer-Thrust
7	95-7158	2	Pin-Pivot	23	131-4201	2	Pin-Pivot
8	87-3470	2	Bumper	24	323-7	2	Screw-HH
9	3-6781	2	Washer-Flat	25	340-77	2	Fitting-Elbow, 90 DEG
10	63-7400	2	Washer-Rebound	25:1	237-22	1	O-Ring
11	105-9827	2	Shaft	25:2	237-42	1	O-Ring
12	105-9202	1	No. 2 Lift Arm ASM	26	323-4	2	Screw-HH
12:2	302-11	1	Fitting-Lube, 45 DEG	27	105-9839	2	Stop-Rotation, No. 2 And 3
12:3	104-0015	2	Bushing-Flange	28	3245-1	4	Screw-Set, HSH
13	105-9203	1	No. 3 Lift Arm ASM	29	131-7765-03	1	Support-Bumper, Rear
13:2	302-11	1	Fitting-Lube, 45 DEG	30	3234-11	3	Screw-HHF
13:3	104-0015	2	Bushing-Flange	31	104-8301	11	Nut-HF, NI
14	104-8300	4	Nut-HF, NI	33	115-3453	2	Carrier Frame ASM
15	32151-36	4	Ring-Retaining	33:2	108-4000	2	Bushing
16	127-6428	2	Lift Cylinder ASM	33:3	302-5	1	Fitting-Grease
17	302-11	2	Fitting-Lube, 45 DEG	34	112-9900-03	2	Guard-Foot
18	3296-49	2	Nut-Lock, NI	35	323-52	4	Screw-HH
19	340-2	2	Fitting-Straight	36	93-8806	4	Washer-Hardened



## No. 2 and 3 Lift Arm and Deck Assembly (continued)

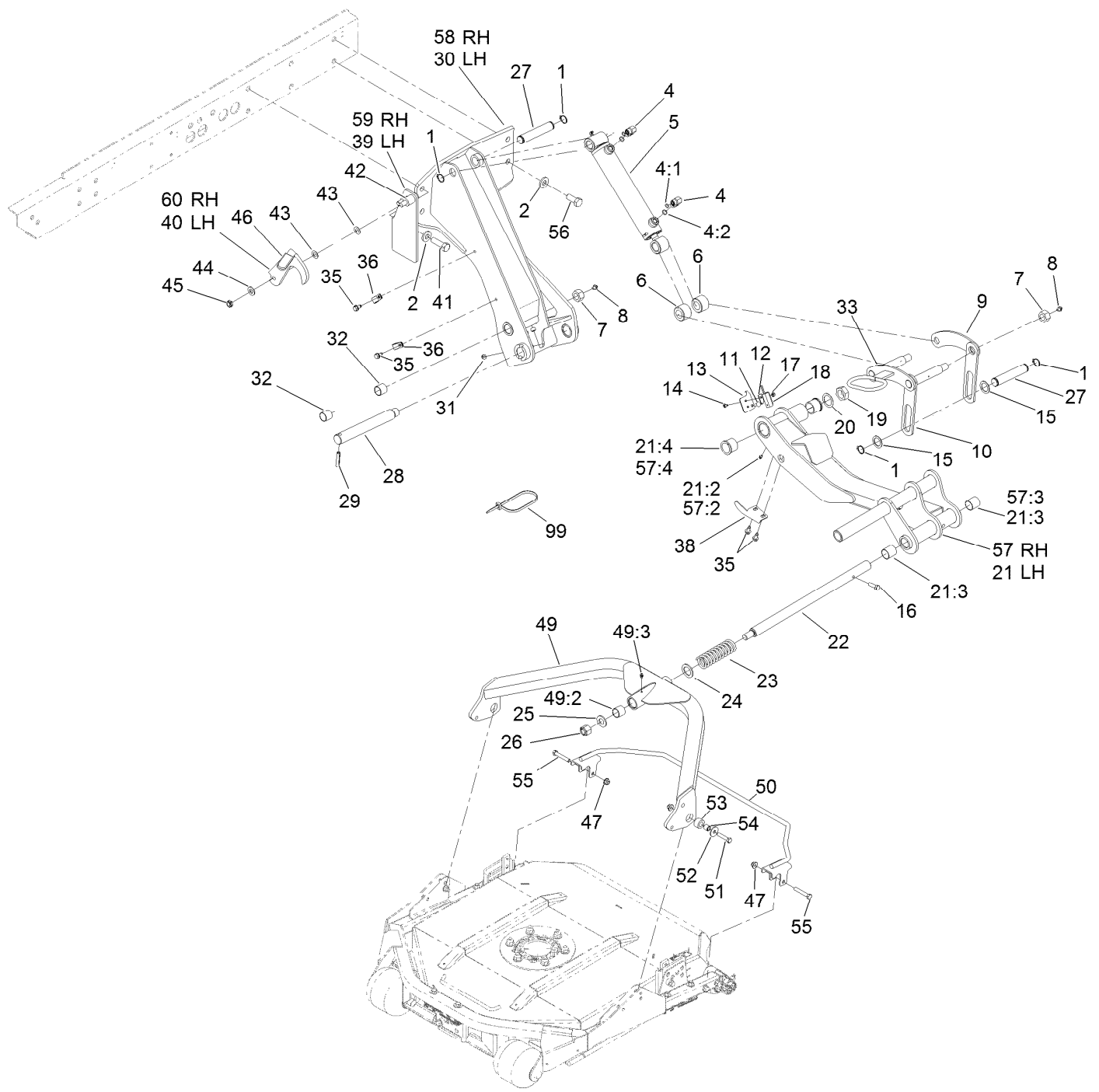
<i>Ref.</i>	<i>Part Number</i>	<i>Qty.</i>	<i>Description</i>	<i>Ref.</i>	<i>Part Number</i>	<i>Qty.</i>	<i>Description</i>
37	105-9823	4	Bushing-Carrier	38	105-9822	4	Spacer
				39	323-11	4	Screw-HH



## Lift Cylinder Assembly No. 127-6428

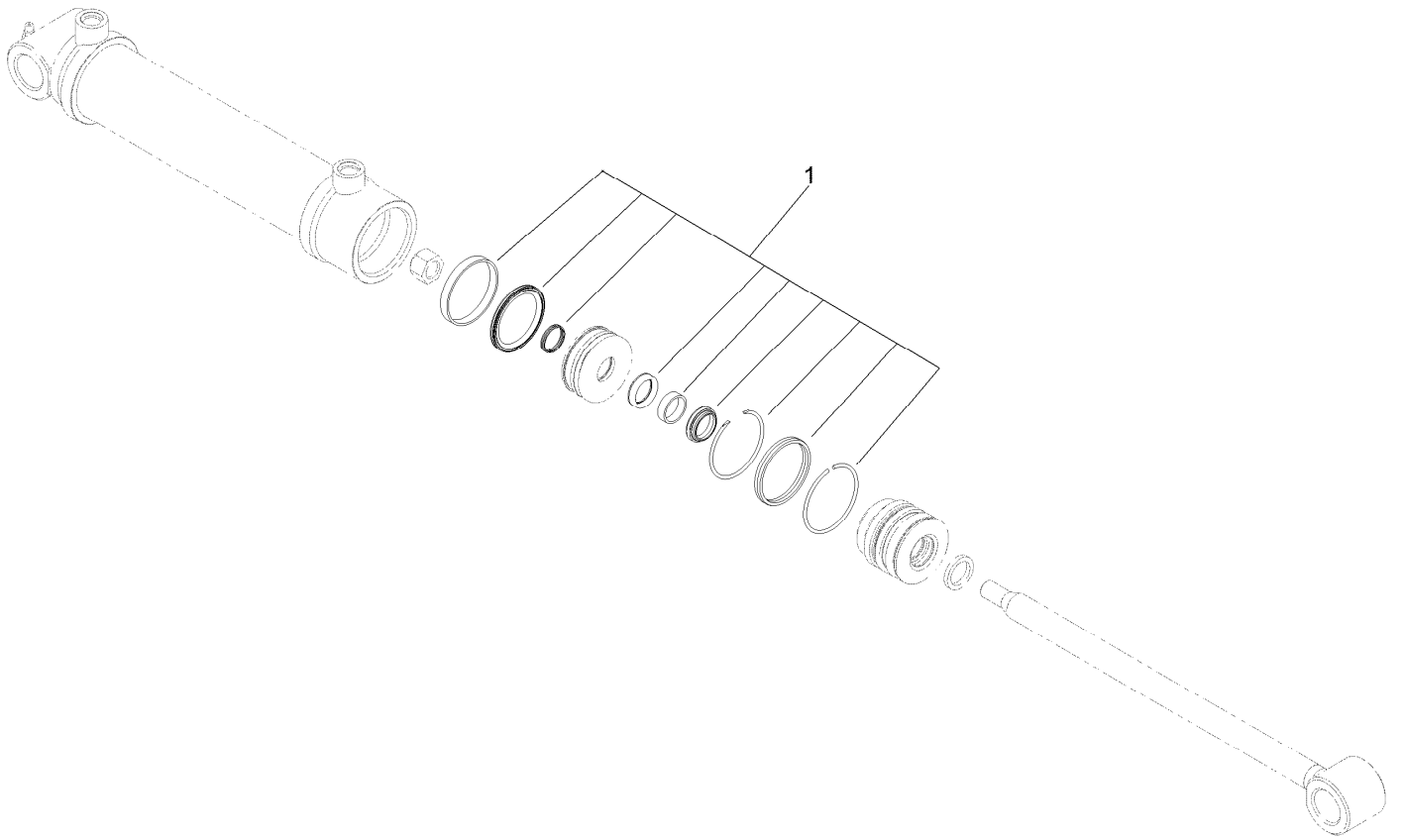
<i>Ref.</i>	<i>Part Number</i>	<i>Qty.</i>	<i>Description</i>
1	131-7755	1	Cylinder Seal Kit

# No. 6 and 7 Lift Arm and Deck Assembly



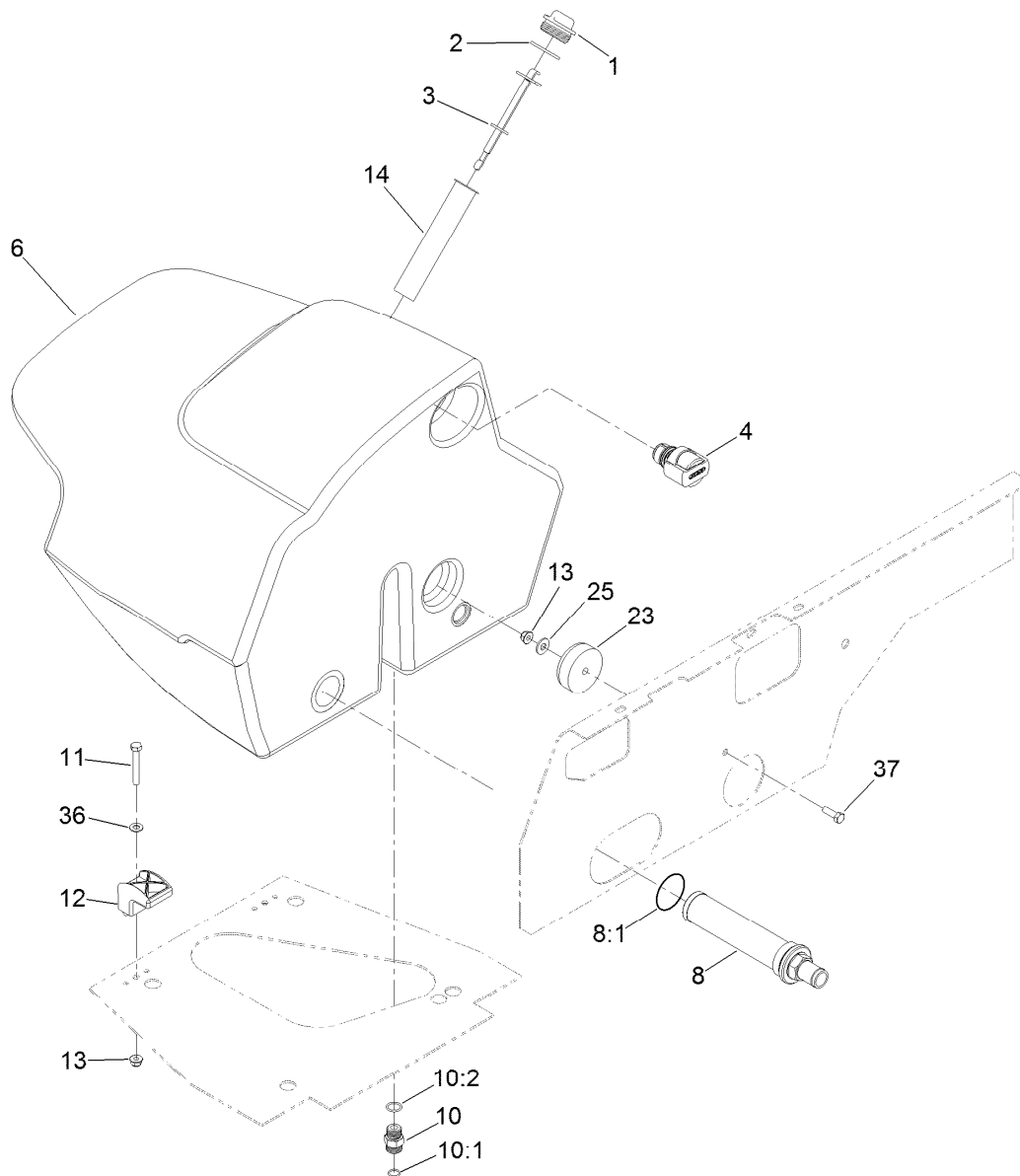
## No. 6 and 7 Lift Arm and Deck Assembly (continued)

<i>Ref.</i>	<i>Part Number</i>	<i>Qty.</i>	<i>Description</i>	<i>Ref.</i>	<i>Part Number</i>	<i>Qty.</i>	<i>Description</i>
1	32151-36	8	Ring-Retaining	31	32128-33	2	Nut-HF
2	99-7667	12	Washer-Flat	32	67-1750	4	Bushing
4	340-77	4	Fitting-Elbow, 90 DEG	33	115-1577-03	2	Link ASM
4:1	237-22	1	O-Ring	35	32104-32	8	Screw-HWH
4:2	237-42	1	O-Ring	36	2412-93	4	Clamp-R
5	127-6430	2	Lift Cylinder ASM	38	105-9828	2	Actuator-Switch
6	93-2700	4	Roller-Plastic	39	108-4045-03	1	Latch-Arm, LH
7	33029-00	4	Nut-Lock, NI	40	119-8637-03	1	Latch-Deck, RH
8	302-2	4	Fitting-Grease	41	327-6	10	Screw-HH
9	98-8821	2	Link-Rear	42	3234-46	2	Screw-HHF
10	93-2704-03	4	Link-Left	43	104-3577	4	Washer
11	3229-28	2	Screw-CARR	44	3256-26	2	Washer-Flat
12	100-4872	2	Plate-Switch, Neutral	45	3296-45	2	Nut-Hex
13	105-3858	2	Bracket-Switch	46	48-7081	2	Grip-Plastic
14	104-1450	2	Bolt-CARR	47	104-8301	8	Nut-HF, NI
15	10-8110	4	Washer-Thrust	49	115-3453	2	Carrier Frame ASM
16	323-7	2	Screw-HH	49:2	108-4000	2	Bushing
17	32149-7	2	Nut-Keps	49:3	302-5	1	Fitting-Grease
18	106-9288	2	Sensor-Proximity, Ferrous	50	112-9900-03	2	Guard-Foot
19	3296-49	2	Nut-Lock, NI	51	323-52	4	Screw-HH
20	76-2980	2	Washer-Thrust	52	93-8806	4	Washer-Hardened
21	108-4035	1	No. 6 Liftarm ASM	53	105-9823	4	Bushing-Carrier
21:2	302-5	1	Fitting-Grease	54	105-9822	4	Spacer
21:3	108-4000	2	Bushing	55	323-11	4	Screw-HH
21:4	104-0015	2	Bushing-Flange	56	115-4841	2	Screw-HH
22	108-4022	2	Shaft-Carrier, Pivot	57	108-4036	1	No. 7 Liftarm ASM
23	105-3999	2	Spring-Compression	57:2	302-5	1	Fitting-Grease
24	3-6781	2	Washer-Flat	57:3	108-4000	2	Bushing
25	3256-28	2	Washer-Flat	57:4	104-0015	2	Bushing-Flange
26	3296-50	2	Nut-Lock, NI	58	104-5658-03	1	No. 7 Support Arm ASM
27	93-2699	4	Pin	59	108-4046-03	1	Latch-Arm, RH
28	98-8826	2	Pin-Pivot	60	119-8636-03	1	Latch-Deck, LH
29	32121-110	2	Pin-Roll, Slotted	99	3290-378	2	Tie-Cable
30	104-5657-03	1	No. 6 Support Arm ASM				



## Lift Cylinder Assembly No. 127-6430

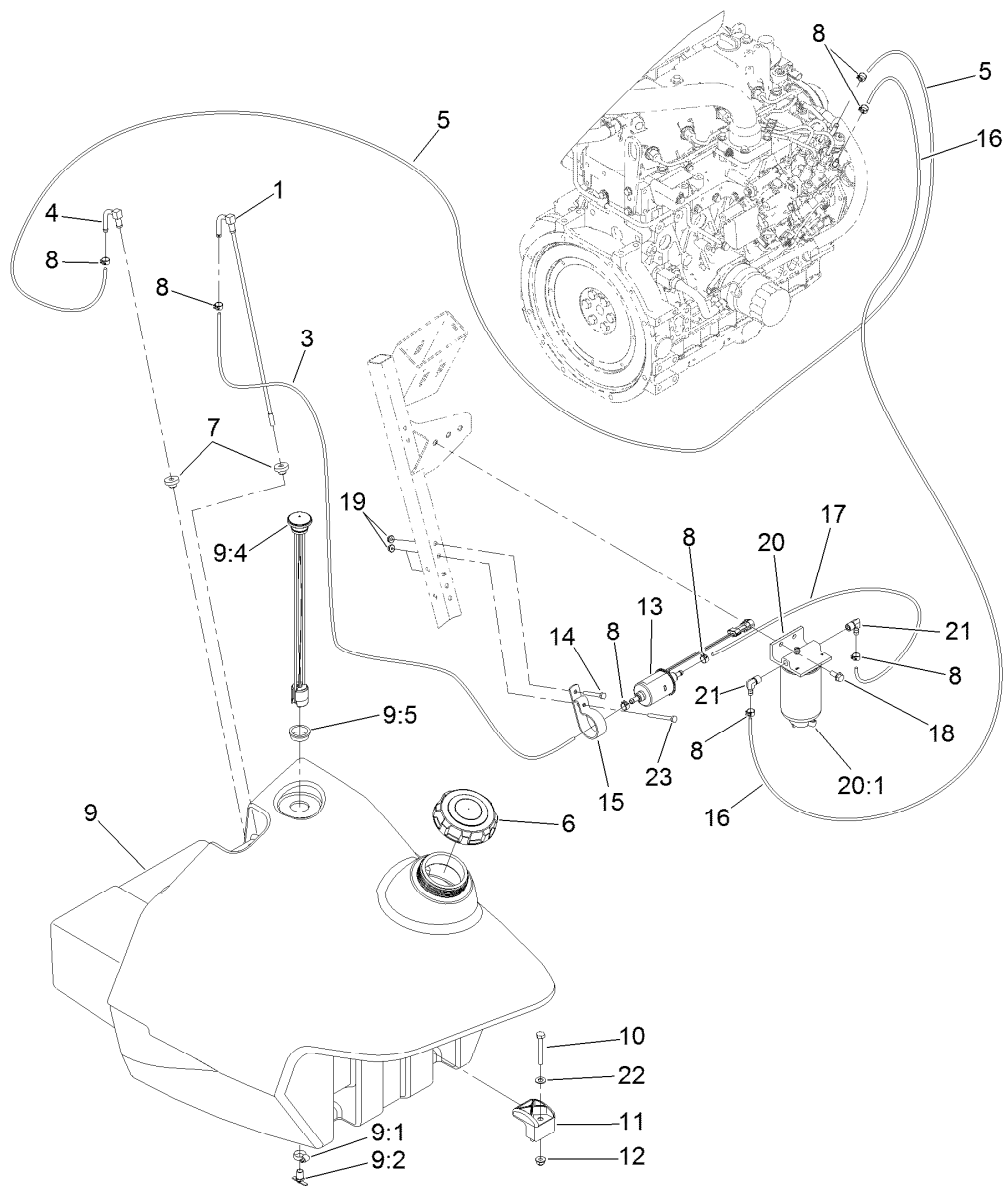
<i>Ref.</i>	<i>Part Number</i>	<i>Qty.</i>	<i>Description</i>
1	131-7757	1	Cylinder Seal Kit



## Hydraulic Tank Assembly

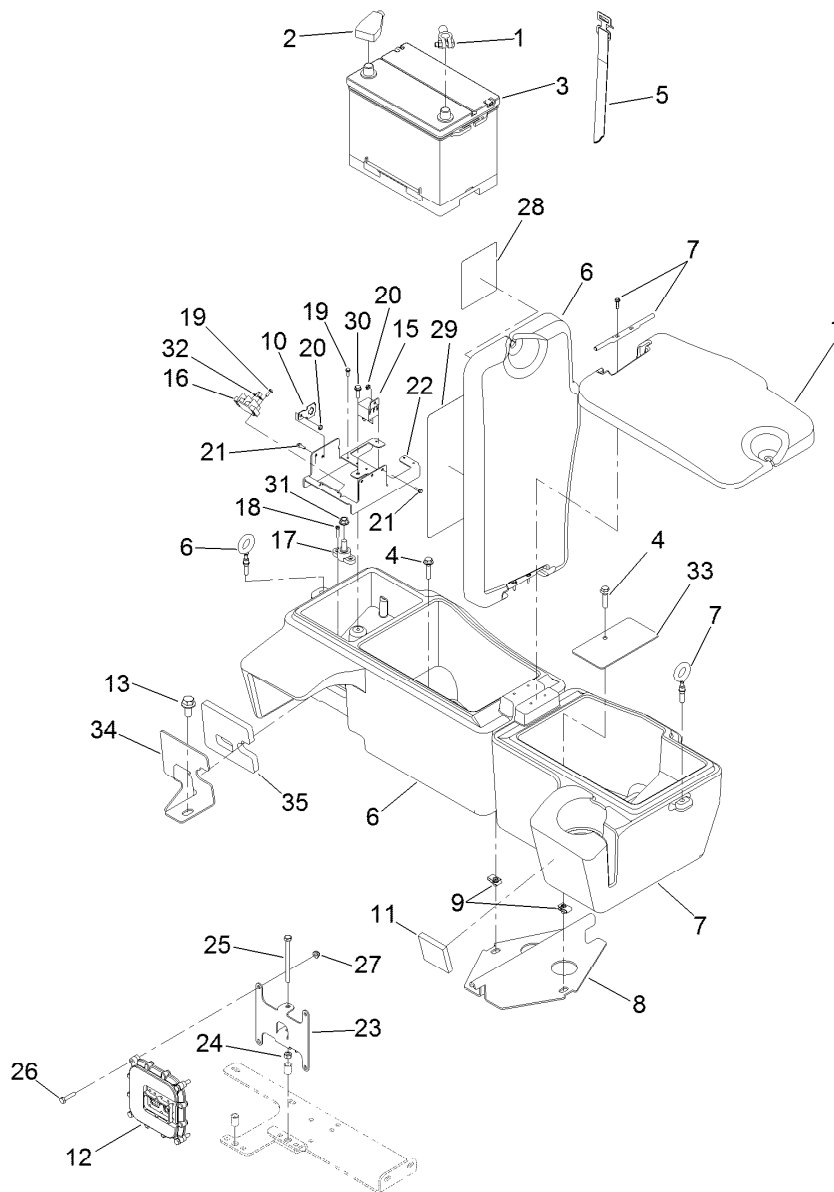
Ref.	Part Number	Qty.	Description
1	93-7498	1	Plug-Plastic
2	237-101	1	O-Ring
3	119-6968	1	Dipstick-Oil
4	115-9793	1	Breather
6	119-0017	1	Tank-HYD
8	104-7546	1	Tank Strainer ASM
8:1	340-136	1	O-Ring
10	340-4	1	Fitting-Straight
10:1	237-30	1	O-Ring

Ref.	Part Number	Qty.	Description
10:2	237-79	1	O-Ring
11	322-11	2	Screw-HH
12	107-4543	2	Clamp
13	104-8300	3	Nut-HF, NI
14	61-2790	1	Filter-Screen
23	108-1605	1	Bumper-Recess
25	3256-3	1	Washer-Flat
36	3256-23	2	Washer-Plain
37	322-5	1	Screw-HH



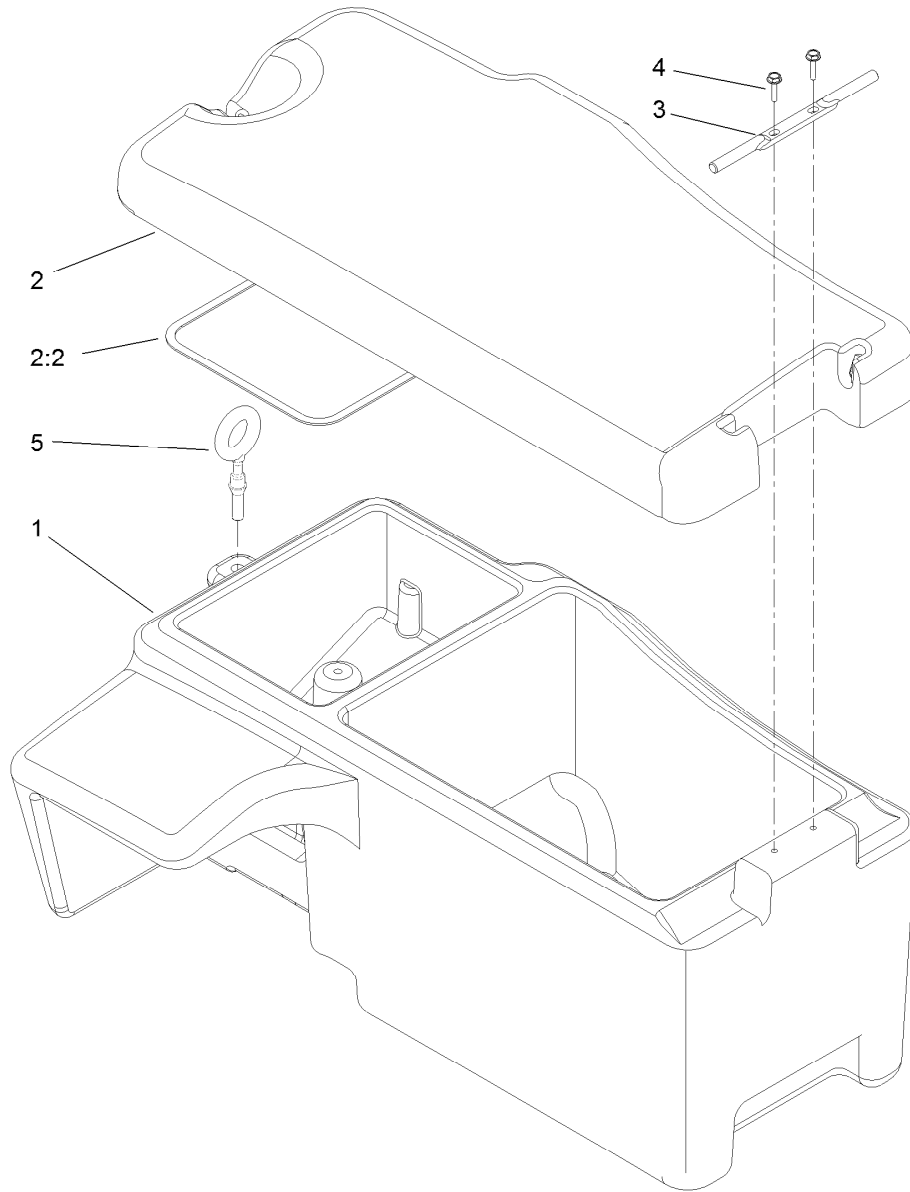
## Fuel System Assembly

<i>Ref.</i>	<i>Part Number</i>	<i>Qty.</i>	<i>Description</i>	<i>Ref.</i>	<i>Part Number</i>	<i>Qty.</i>	<i>Description</i>
1	115-4354	1	Tube-Suction, Fuel	12	104-8300	2	Nut-HF, NI
3	110-8802	1	Hose-Fuel	13	110-8806	1	Pump-Fuel
4	121-3127	1	Fitting-Return	14	321-11	1	Screw-HH
5	119-0577	1	Hose-Fuel	15	110-8817	1	Bracket-Pump, Fuel
6	114-5062	1	Cap-Biodiesel	16	109-0308	1	Hose-Fuel
7	46-6560	2	Bushing	17	110-4113	1	Hose-Fuel
8	92-2379	8	Clamp-Hose	18	3234-5	2	Screw-HHF
9	115-4353	1	Fuel Tank ASM	19	104-7201	2	Nut-HF, NI
9:1	2412-36	1	Clamp-Hose	20	110-9044	1	Separator-Filter
9:2	304-46	1	Draincock	20:1	110-9049	1	Filter-Spin On, Fuel/Water
9:4	117-4790	1	Guage-Fuel	21	353-781	2	Fitting-HYD, 90
9:5	95-8972	1	Grommet	22	3256-23	2	Washer-Plain
10	322-11	2	Screw-HH	23	321-14	1	Screw-HH
11	107-4543	2	Clamp				



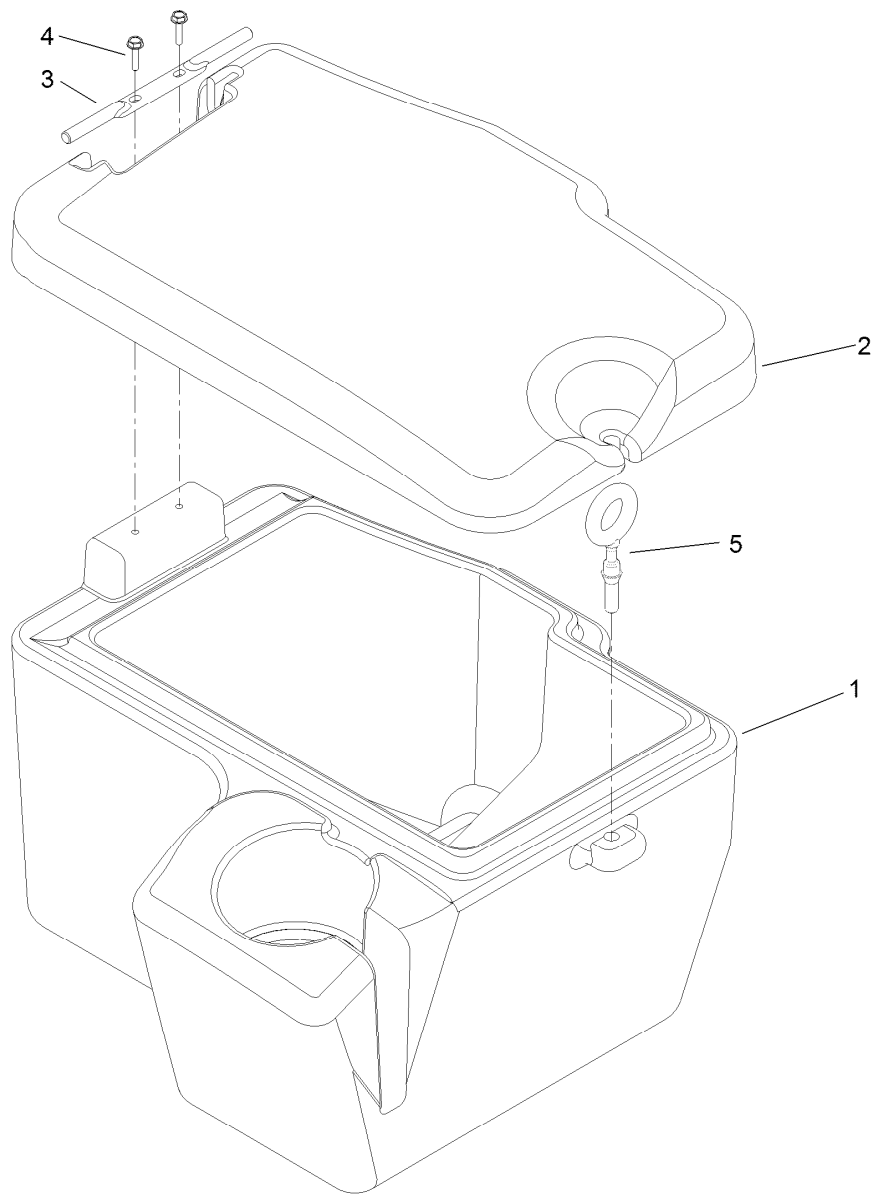
## Battery and Controller Assembly

Ref.	Part Number	Qty.	Description	Ref.	Part Number	Qty.	Description
1	117-2377	1	Cable-Battery, Negative	19	32144-87	6	Screw-HWHTF
2	121-6589	1	Cable-Battery, Positive	20	3296-54	4	Nut-Lock
3	106-5190	1	Battery, 660 CCA W/O Electrolyte	21	112-3169	4	Screw-HHF, Serrated
4	115-1794	2	Screw-HHF	22	115-4356-03	1	Mount-Fuse Block
5	3339-175	1	Strapping-Web	23	117-2360-03	1	Bracket-Mount, Controller
6	115-9100	1	Box-Storage, Battery	24	3217-6	1	Nut-Hex
7	115-9101	1	Box-Storage	25	322-19	1	Screw-HH
8	115-4387-03	1	Support-Box, Storage	26	321-8	4	Screw-HH
9	112-3306	2	Nut	27	104-7201	4	Nut-HF, NI
10	114-5502	1	Clip-Fuse	28	125-4605	1	Decal-Fuse
11	117-4783	2	Seal-Foam	29	138-6978	1	Decal-Service, Gm45/4700
12	114-3321	1	Controller-Tec	30	46-8091	1	Screw-HWH
13	3234-6	1	Screw-HHF	31	3290-357	1	Nut-HSF
15	99-7435	2	Relay	32	42863	1	Strip-Jumper
16	42862	1	Block-Terminal, Ground	33	117-4768-03	1	Plate-Box, Storage
17	110-8822	1	Block-Junction	34	117-4774-03	1	Clamp
18	93-0231	2	Screw-PPH	35	117-4775	1	Seal-Battery Box



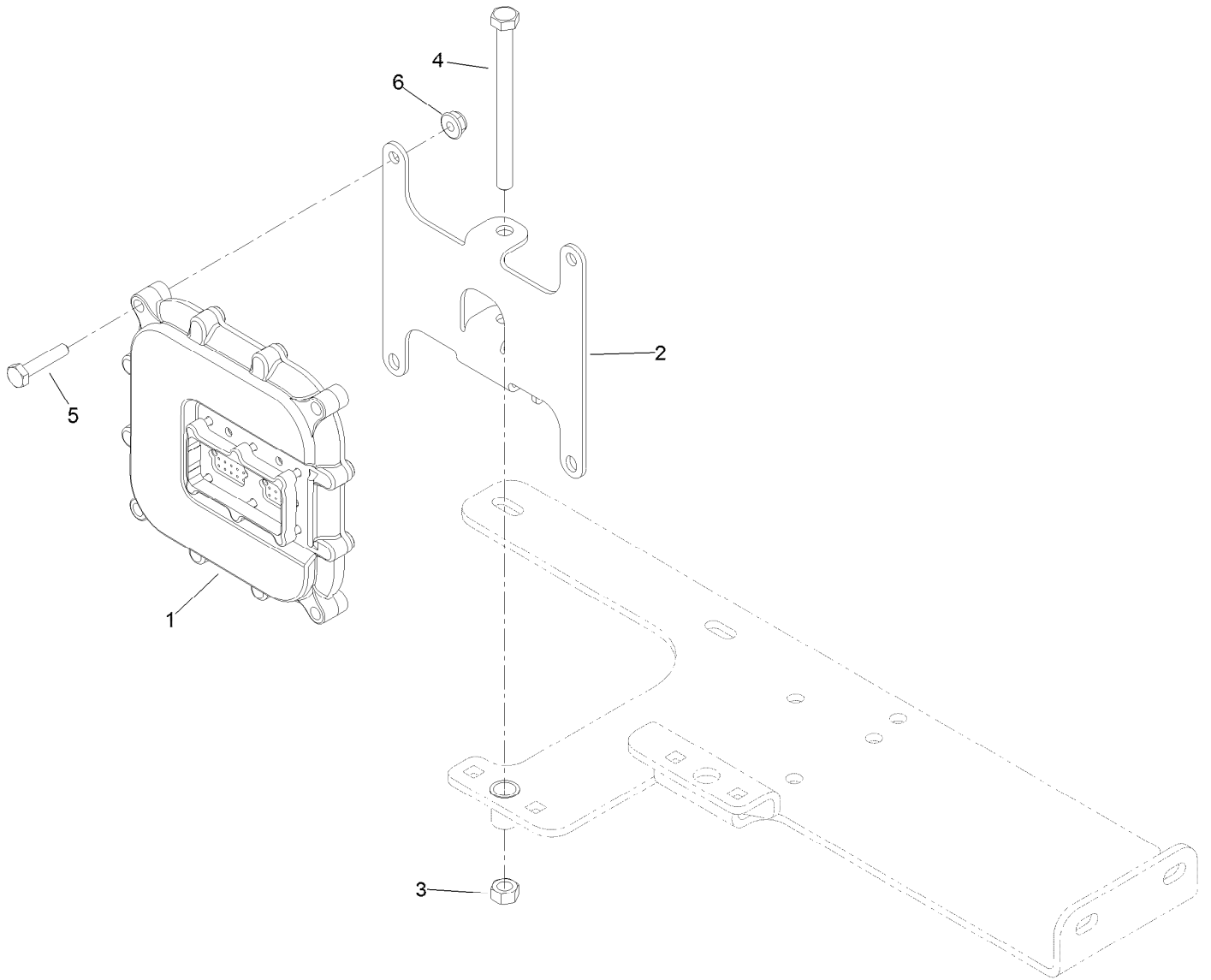
## Battery Storage Box Assembly No. 115-9100

<i>Ref.</i>	<i>Part Number</i>	<i>Qty.</i>	<i>Description</i>
1	114-8124	1	Box-Storage, RH
2	115-4368	1	Cover ASM
2:2	115-4367	1	Seal-Cover
3	114-8132	1	Hinge-Cover
4	98-1375	2	Screw-HWH
5	115-4366	1	Latch-Rubber



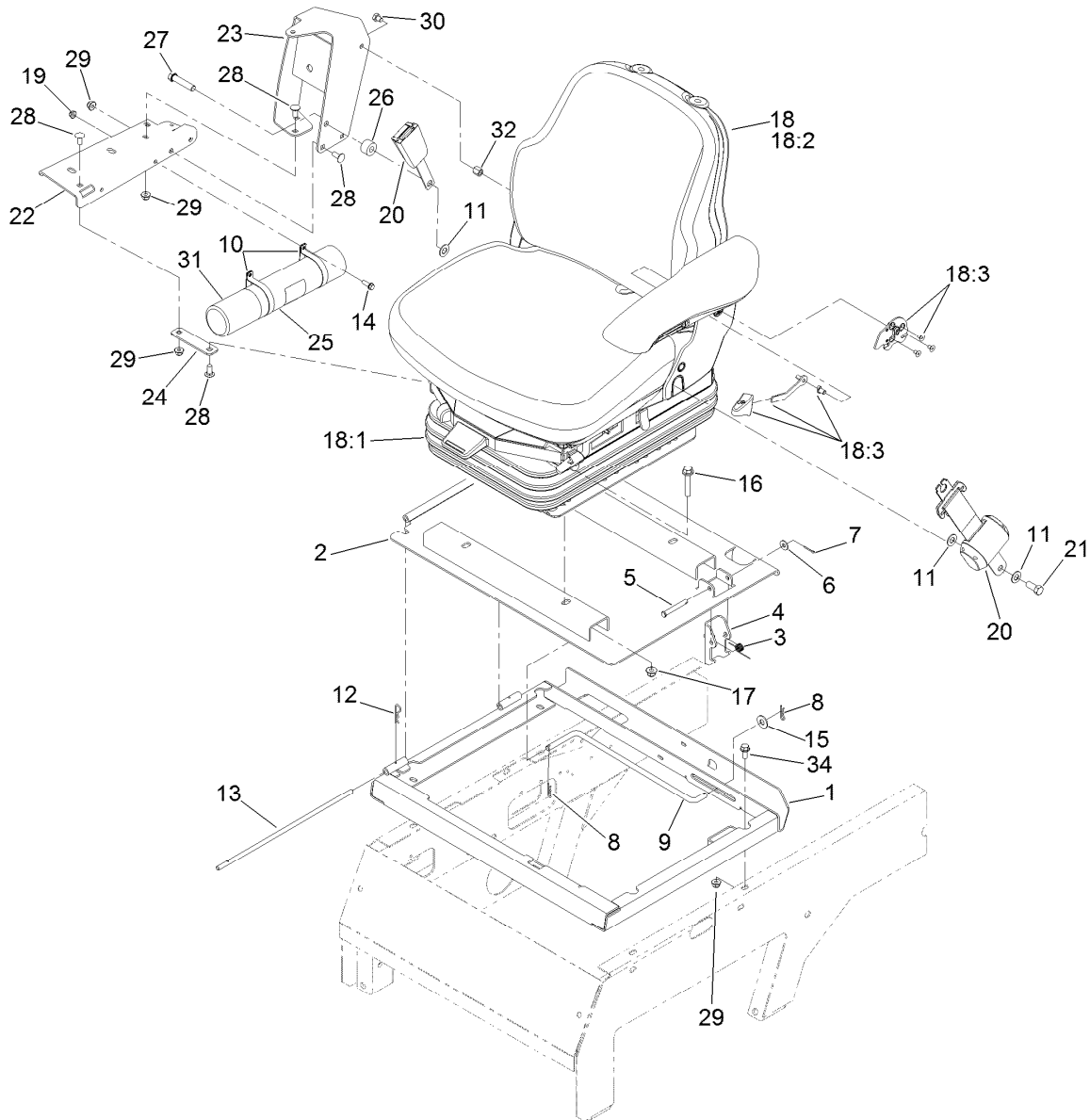
## Storage Box Assembly No. 115-9101

<i>Ref.</i>	<i>Part Number</i>	<i>Qty.</i>	<i>Description</i>
1	114-8123	1	Box-Storage, LH
2	114-8125	1	Cover-Storage Box, LH
3	114-8132	1	Hinge-Cover
4	98-1375	2	Screw-HWH
5	115-4366	1	Latch-Rubber



## Controller Mount Assembly

<i>Ref.</i>	<i>Part Number</i>	<i>Qty.</i>	<i>Description</i>
1	115-1900	1	Controller
2	117-2360-03	1	Bracket-Mount, Controller
3	3217-6	1	Nut-Hex
4	322-19	1	Screw-HH
5	321-8	4	Screw-HH
6	104-7201	4	Nut-HF, NI

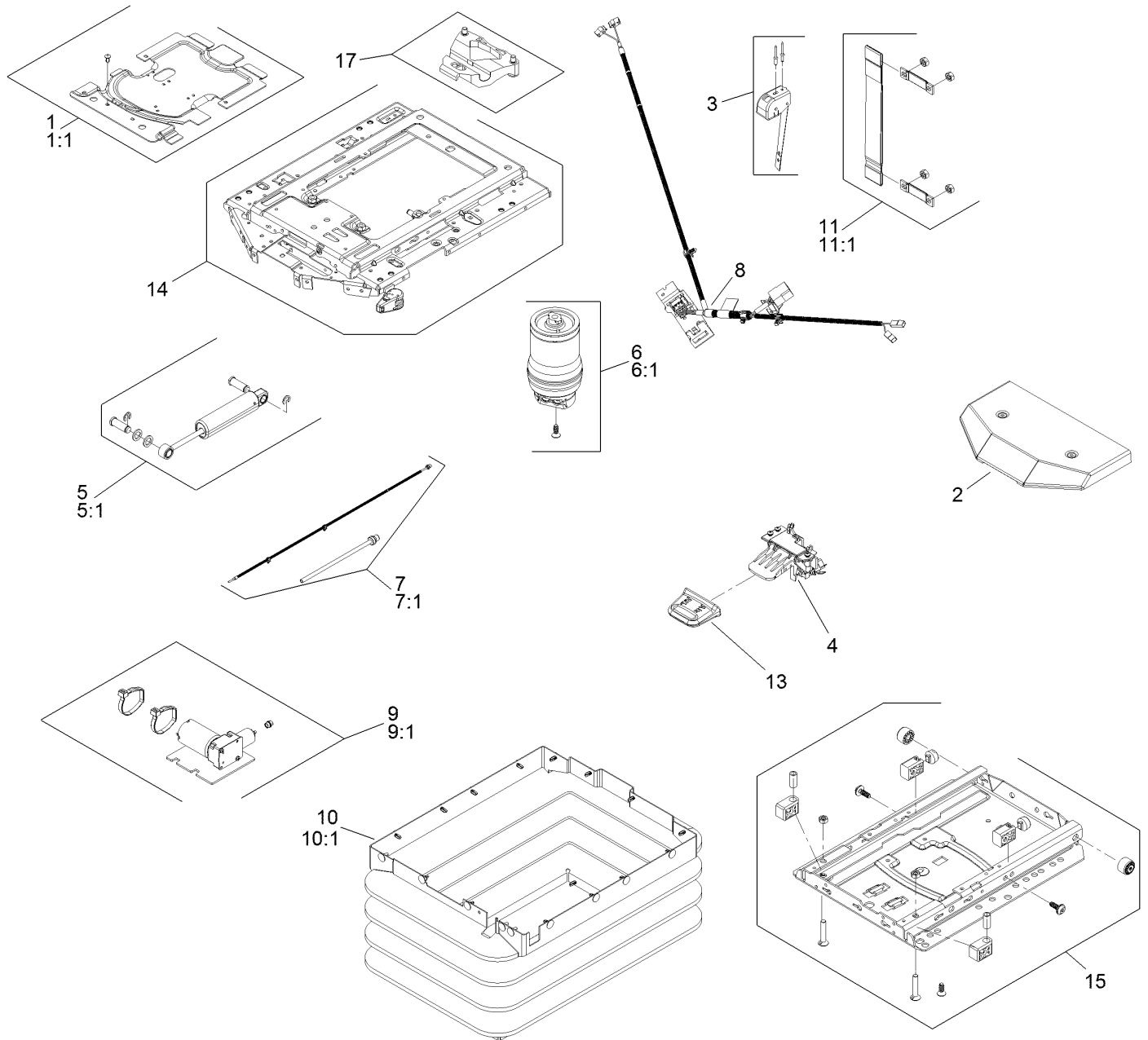


## Seat Mounting Assembly

Ref.	Part Number	Qty.	Description	Ref.	Part Number	Qty.	Description
1	115-4400-03	1	Frame-Seat	18:1	130-2702	1	Air Ride Seat Suspension
2	115-4411-03	1	Plate-Seat	18:2	117-5676	1	Premium Seat ASM
3	104-4821	1	Spring-Torsion	18:3	132-1304	1	Backrest Adjustment Kit
4	115-4423-03	1	Latch-Seat Plate	19	104-7201	2	Nut-HF, NI
5	110-0618	1	Pin-Clevis	20	110-0413	1	Seatbelt-Retractable
6	3256-2	1	Washer-Flat	21	3212-4	1	Screw-HH
7	3272-6	1	Pin-Cotter	22	119-0000-03	1	Channel-Support
8	3290-307	4	Pin-Cotter	23	117-4798-03	1	Arm-Support
9	117-4797-03	2	Rod-Seat Frame	24	112-7449-03	1	Bracket-Support
10	107-1865	2	R-Clamp	25	104-7050	1	Tube-Manual
11	3256-25	3	Washer-Flat	26	17-7190	1	Spacer-Finger
12	3290-467	1	Pin-Hair	27	3212-8	1	Screw-HH
13	75-3400	1	Shaft-Pivot, Seat	28	3230-23	6	Bolt-CARR
14	32105-15	2	Screw-HWH	29	104-8300	9	Nut-HF, NI
15	3256-4	2	Washer-Flat	30	108-8646	1	Screw-HH, Lock
16	66-9302	4	Screw-HHF Lock	31	104-7048	1	Cap-Housing
17	104-8301	4	Nut-HF, NI	32	112-7405	1	Nut-Hex, Coupling
18		1	Seat And Suspension ASM	34	3234-47	4	Screw-HHF

● Not serviced separately

# Air Ride Seat Suspension Assembly No. 130-2702

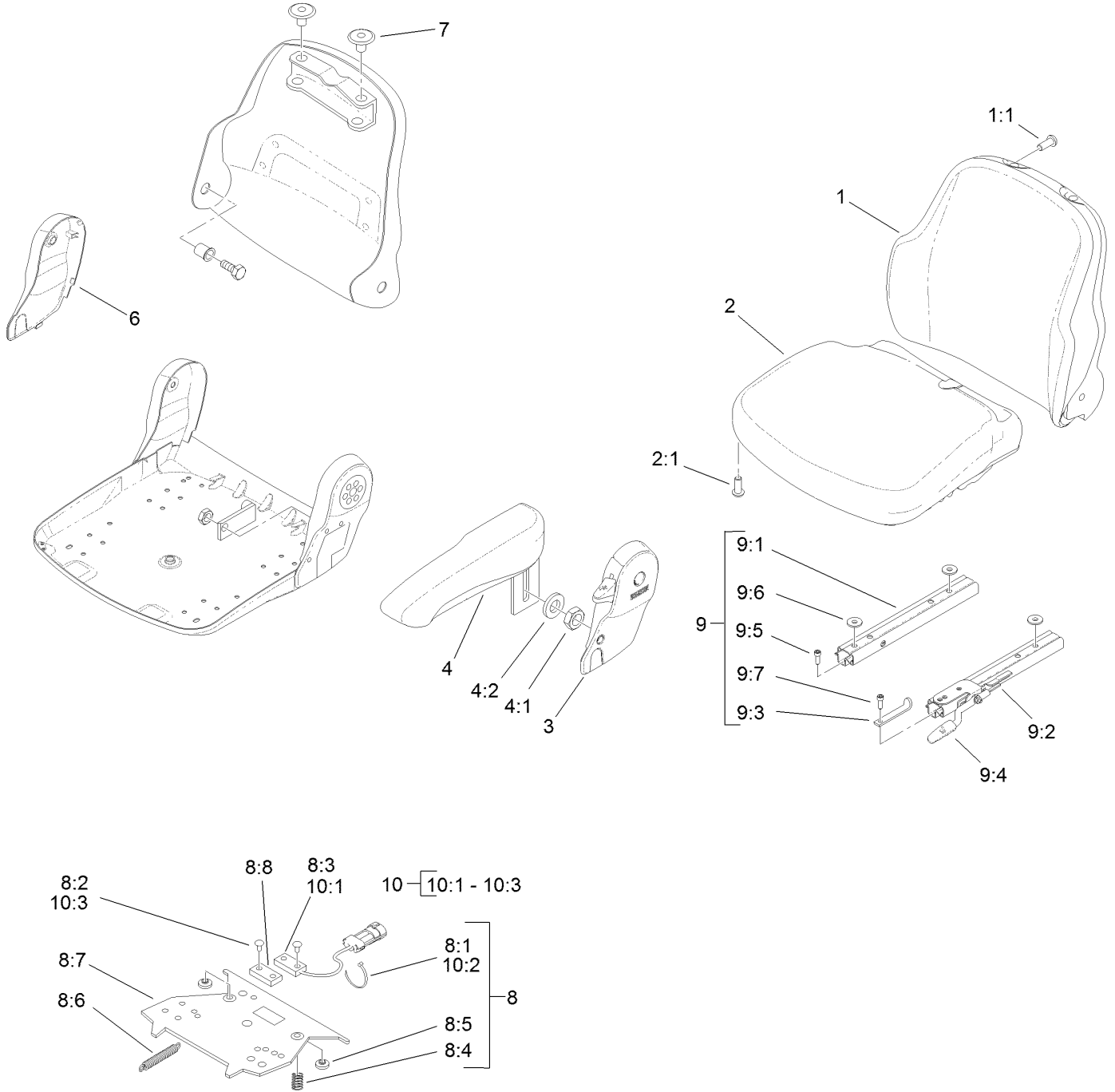


# Air Ride Seat Suspension Assembly No. 130-2702 (continued)

<i>Ref.</i>	<i>Part Number</i>	<i>Qty.</i>	<i>Description</i>	<i>Ref.</i>	<i>Part Number</i>	<i>Qty.</i>	<i>Description</i>
1	130-2709	1	Cover ASM	9	130-2719	1	Compressor
1:1	130-2710	1	Cover Kit	9:1	130-2720	1	Compressor Kit
2	108-8027	1	Cover	10	130-2721	1	Bellows ASM
3	130-2711	1	Control-Level	10:1	130-2722	1	Bellows Kit
4	108-8029	1	Valve-Control, Air	11	130-2723	1	Tether
5	130-2712	1	Shock Absorber ASM	11:1	130-2724	1	Tether Kit
5:1	130-2713	1	Shock Absorber Kit	12	130-2725	1	Wear Parts Kit ●
6	130-2714	1	Air Spring ASM	13	130-2726	1	Handle
6:1	130-2715	1	Air Spring Kit	14	130-2727	1	Upper Suspension Kit
7	130-2716	1	Air Tube ASM	15	130-2728	1	Lower Suspension Kit
7:1	130-2717	1	Air Tube Kit	16	130-2729	1	Adjuster Mounting Kit ●
8	130-2718	1	Harness-Wire	17	130-2730	1	Limiters-Thrust

● Not illustrated

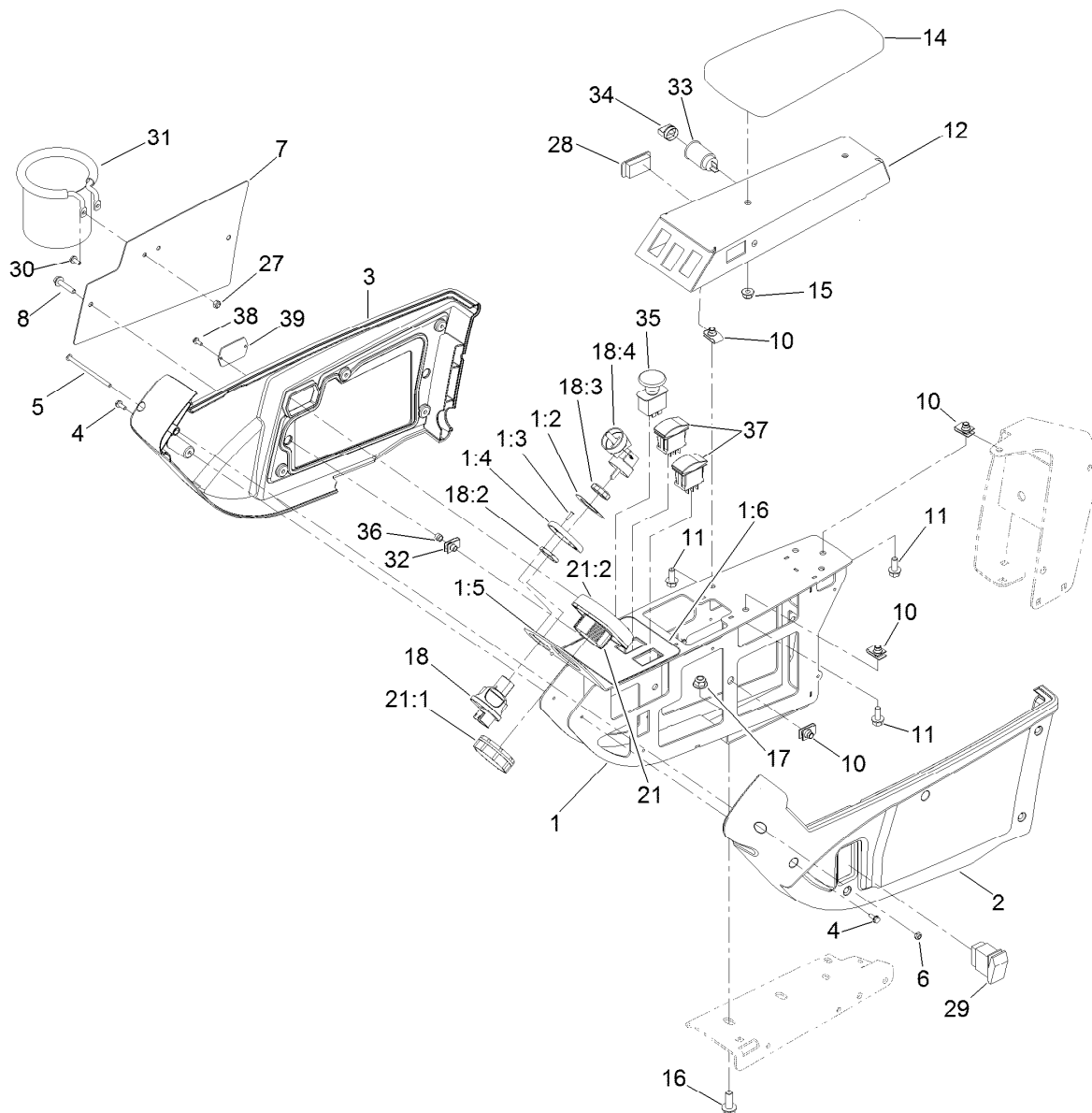
# Vinyl Premium Seat Assembly No. 117-5676



# Vinyl Premium Seat Assembly No. 117-5676 (continued)

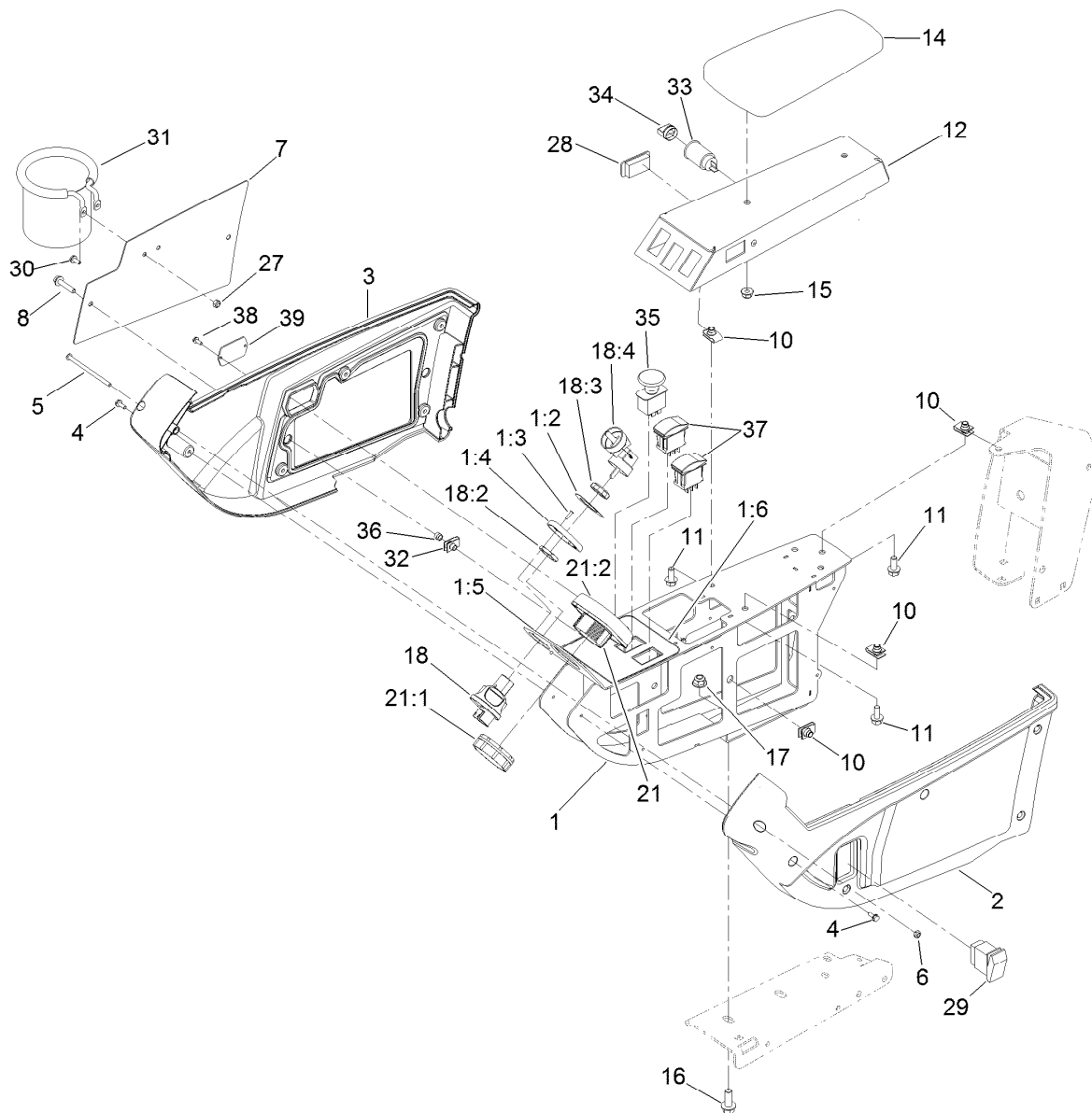
<i>Ref.</i>	<i>Part Number</i>	<i>Qty.</i>	<i>Description</i>	<i>Ref.</i>	<i>Part Number</i>	<i>Qty.</i>	<i>Description</i>
1	108-8016	1	Backrest Cushion ASM	8:6		1	Spring-Extension ●
1:1	119-7742	4	Screw-Cushion	8:7		1	Plate-Mounting ●
2	108-8017	1	Seat Cushion ASM	8:8		1	Magnet ●
2:1	119-7742	3	Screw-Cushion	9	108-8025	1	Adjustment Rail Set
3	108-8018	1	Cover-Armrest	9:1		1	Rail-Adjustment, RH ●
4	108-8019	1	LH Armrest ASM	9:2		1	Rail-Adjustment, LH ●
4:1	82-9650	1	Nut	9:3		1	Stop-Rail ●
4:2	107-1198	1	Washer	9:4		1	Handle ●
6	108-8021	1	Cover-Armrest	9:5		3	Screw ●
7	108-8022	2	Cover-Black	9:6		3	Washer ●
8	108-8024	1	Switch Kit	9:7		1	Screw ●
8:1		3	Wire Tie ●	10	110-6189	1	Switch Kit
8:2		4	Rivet ●	10:1		1	Switch ●
8:3		1	Sensor-Seat Switch ●	10:2		3	Wire Tie ●
8:4		2	Spring-Compression ●	10:3		2	Rivet ●
8:5		2	Bumper-Pressure Plate ●				

● Not serviced separately



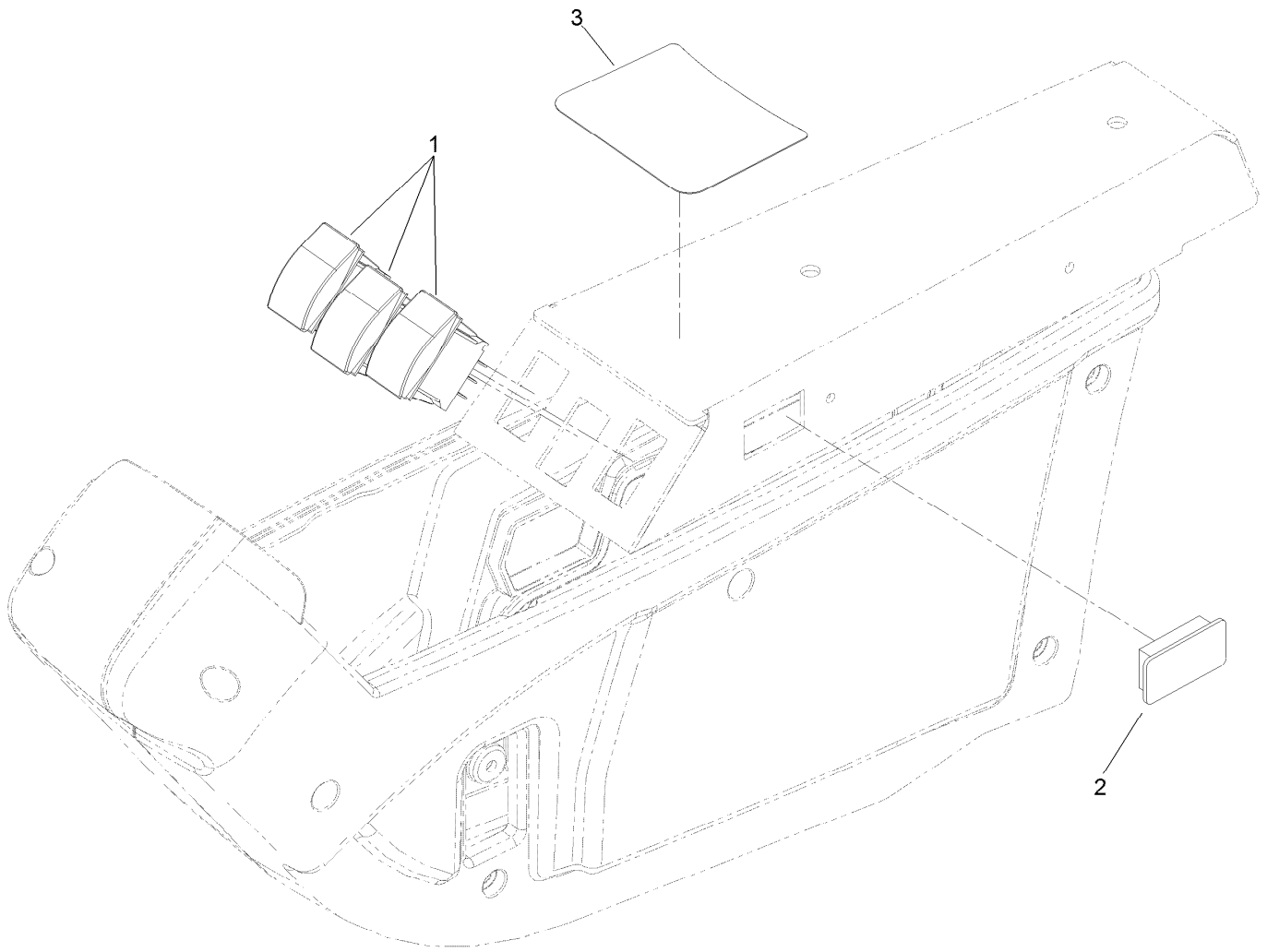
## Console Assembly

Ref.	Part Number	Qty.	Description	Ref.	Part Number	Qty.	Description
1	120-4155	1	Panel ASM	18:2	121-5160	1	Nut-Hex
1:2	121-3884	1	Decal-Console, Upper	18:3	121-5161	1	Nut-Face
1:3	3269-17	2	Rivet-Pop	18:4	121-5162	1	Set-Key, Ignition
1:4	121-3889	1	Step-Elevated, Switch	21	120-6310	1	LCD Display ASM Kantrak 1700
1:5	121-3887	1	Decal-Console, Display	21:1	120-4630	1	Nut-Display
1:6	120-4159	1	Decal-Console, Lower	21:2	120-6311	1	Decal-Display
2	108-7604	1	Cover-LH	27	3296-2	2	Nut-Lock, NI
3	108-7605	1	Cover-RH	28	114-3329	1	Switch-Rocker
4	32144-112	10	Screw-HWH	29	95-8999	1	Switch-Rocker, On-None-On
5	3250-22	1	Screw-PPH	30	3290-321	2	Screw-HWH
6	3296-12	1	Nut-Lock, NI	31	117-2378	1	Holder-Bag
7	115-8849-03	1	Plate-Cover	32	107069	2	Clip
8	3234-21	2	Screw-HHF	33	99-7411	1	Point-Power
10	94-2413	5	Nut-U	34	99-7416	1	Cap
11	3234-5	5	Screw-HHF	35	93-9999	1	Switch-PTO
12	125-4646-03	1	Panel-Control	36	110-0542	2	Spacer-Flange
14	108-7602	1	Rest-Arm	37	100-1535	2	Switch-Rocker, (On)-Off-(On)
15	104-8300	2	Nut-HF, NI				
16	3234-42	2	Screw-HHF				
17	104-8301	2	Nut-HF, NI				
18	121-5159	1	Switch-Ignition				



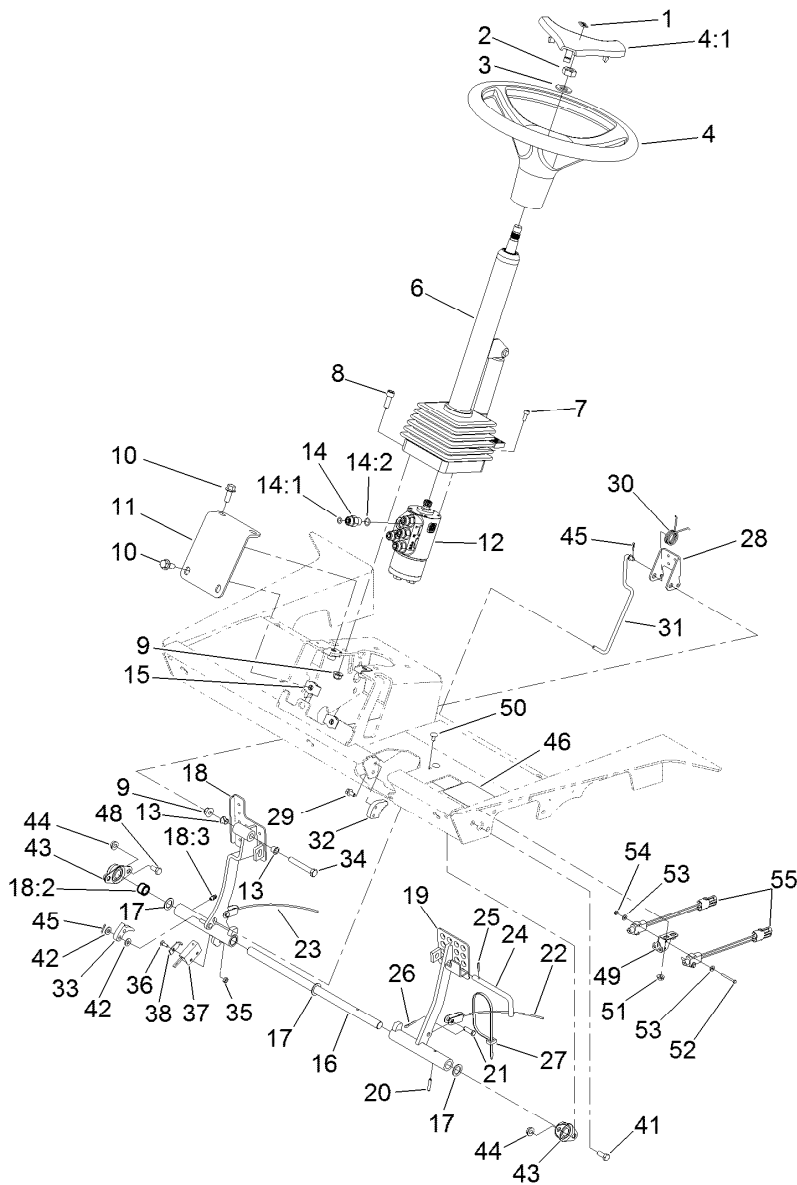
## Console Assembly (continued)

<i>Ref.</i>	<i>Part Number</i>	<i>Qty.</i>	<i>Description</i>
38	32144-18	2	Screw-HWH
39	121-1630	1	Plate-Cover



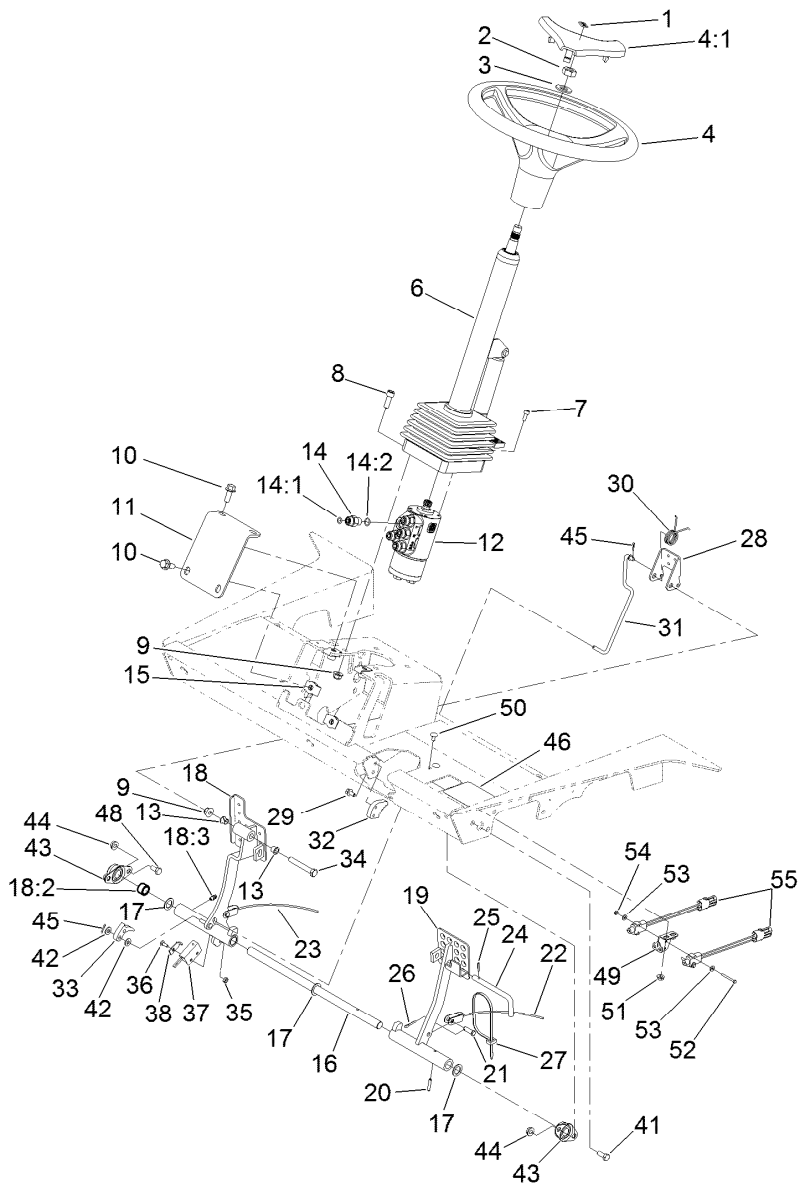
## Control Arm Switch Assembly

<i>Ref.</i>	<i>Part Number</i>	<i>Qty.</i>	<i>Description</i>
1	100-1535	3	Switch-Rocker, (On)-Off-(On)
2	99-7420	1	Plug-Hole
3	127-3700	1	Decal-Lift



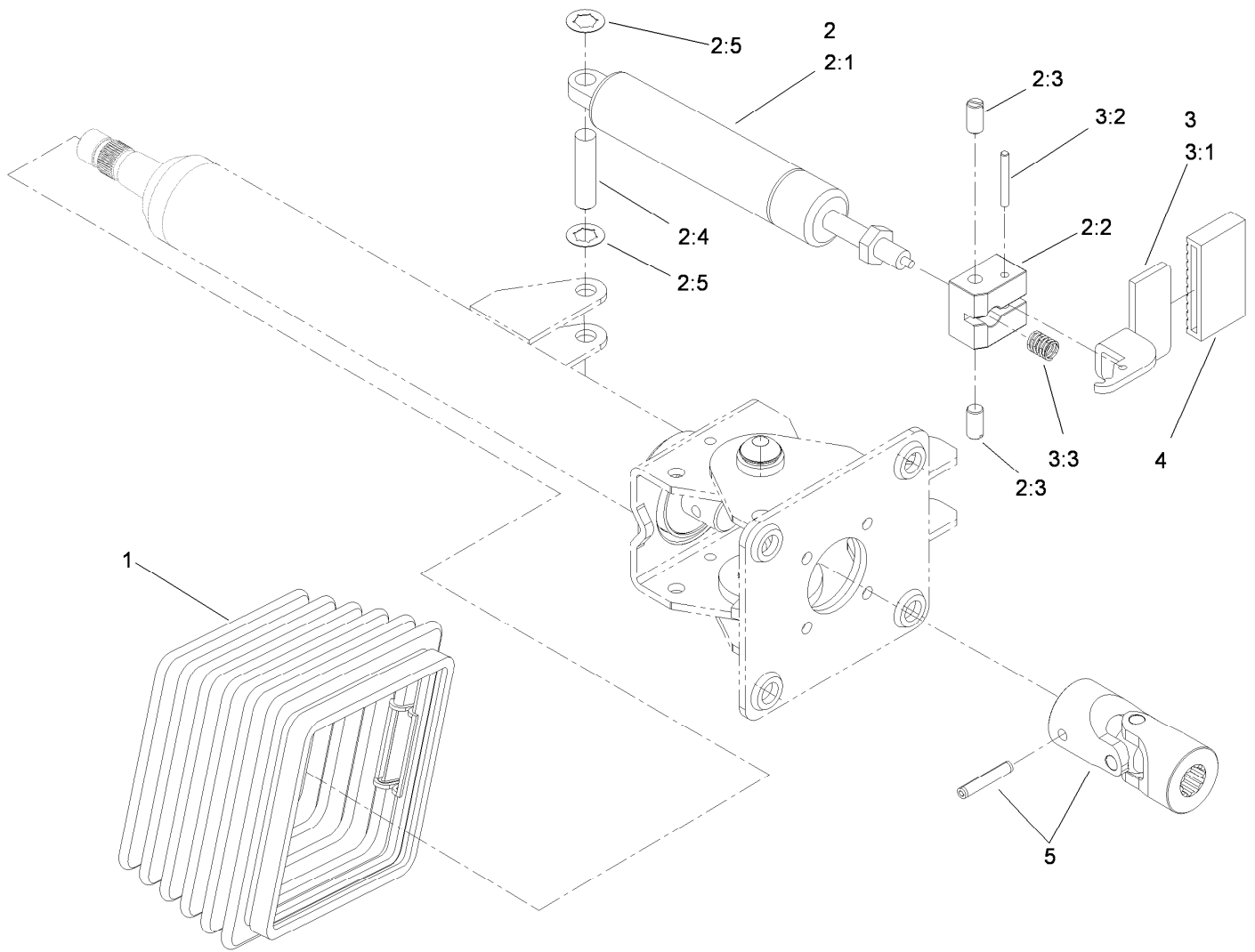
## Steering and Brake Assembly

Ref.	Part Number	Qty.	Description	Ref.	Part Number	Qty.	Description
1	98-1459	1	Decal	18:3	302-5	1	Fitting-Grease
2	3296-33	1	Nut-Lock, NI	19	136-2887-03	1	Pedal-Brake, LH
3	3256-27	1	Washer-Flat	20	32121-16	1	Pin-Spring
4	98-1471	1	Wheel-Steering	21	283-58	2	Pin-Clevis
4:1	98-1468	1	Cover-Wheel, Steering	22	92-7530	1	Cable-Brake, LH
6	106-3622	1	Steering Tilt Column ASM	23	92-7529	1	Cable-Brake, RH
7	105-2409	4	Screw-HSH	24	63-7880	1	Pin-Latch, Brake
8	3274-7	4	Screw-HSH	25	32121-50	1	Pin-Spring
9	104-8301	5	Nut-HF, NI	26	3272-10	2	Pin-Cotter
10	3234-11	4	Screw-HHF	27	3290-378	1	Tie-Cable
11	115-4379-01	1	Brace-Column	28	99-7963-03	1	Pedal-Park
12	114-8119	1	Steering Valve ASM	29	3234-13	2	Screw-HHF
13	52-2891	2	Bushing-Flanged, Nylon	30	99-7140	1	Spring-Torsion
14	340-2	5	Fitting-Straight	31	115-4417	1	Rod-Brake Pawl
14:1	237-22	1	O-Ring	32	119-0002	1	Pawl-Brake
14:2	237-42	1	O-Ring	33	120-1691	1	Detent-Brake
15	105-4886	4	Nut-Tinnerman	34	323-12	1	Screw-HH
16	75-1470	1	Pin-Pivot, Brake	35	3296-2	1	Nut-Lock, NI
17	3256-69	3	Washer-Flat	36	3229-34	1	Screw-CARR
18	136-2889	1	Pedal-Brake, RH	37	100-1270	1	Switch-Proximity
18:2	256-42	2	Bushing	38	100-4872	1	Plate-Switch, Neutral



## Steering and Brake Assembly (continued)

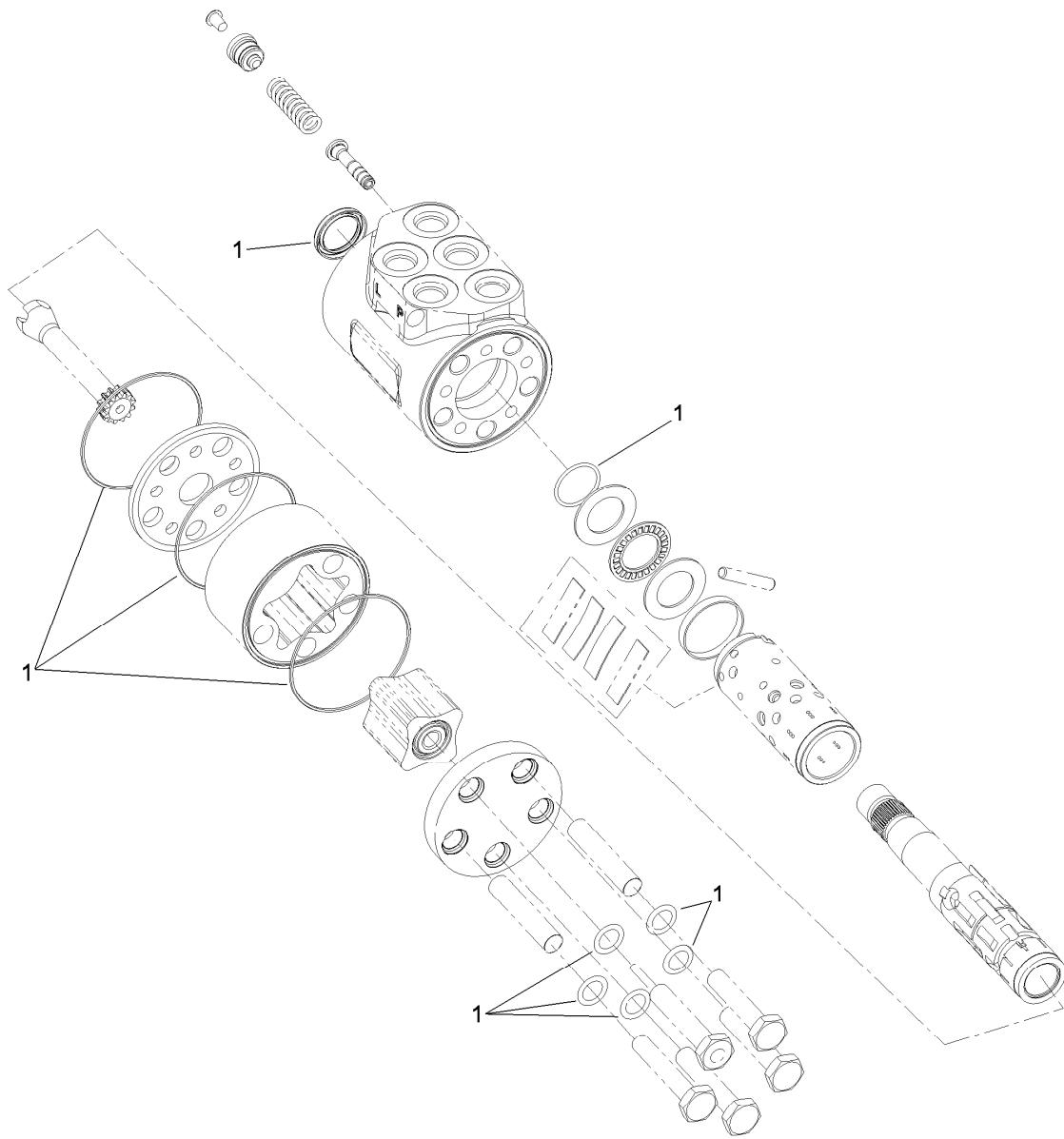
<i>Ref.</i>	<i>Part Number</i>	<i>Qty.</i>	<i>Description</i>	<i>Ref.</i>	<i>Part Number</i>	<i>Qty.</i>	<i>Description</i>
41	322-3	1	Screw-HH	49	131-7842	1	Plate-Bent, Bracket
42	3256-22	3	Washer-Flat	50	116-5611	2	Bolt-Carriage
43	256-236	2	Bearing-Mount, Flange	51	32128-33	2	Nut-HF
44	32128-20	3	Nut-HF	52	32105-21	2	Screw-HH
45	3272-5	3	Pin-Cotter	53	3256-21	4	Washer-Flat
46	117-4763	1	Decal-Brake	54	3296-9	2	Nut-Hex
48	322-2	2	Screw-HH	55	99-3410	2	Switch



## Steering Tilt Column Assembly No. 106-3622

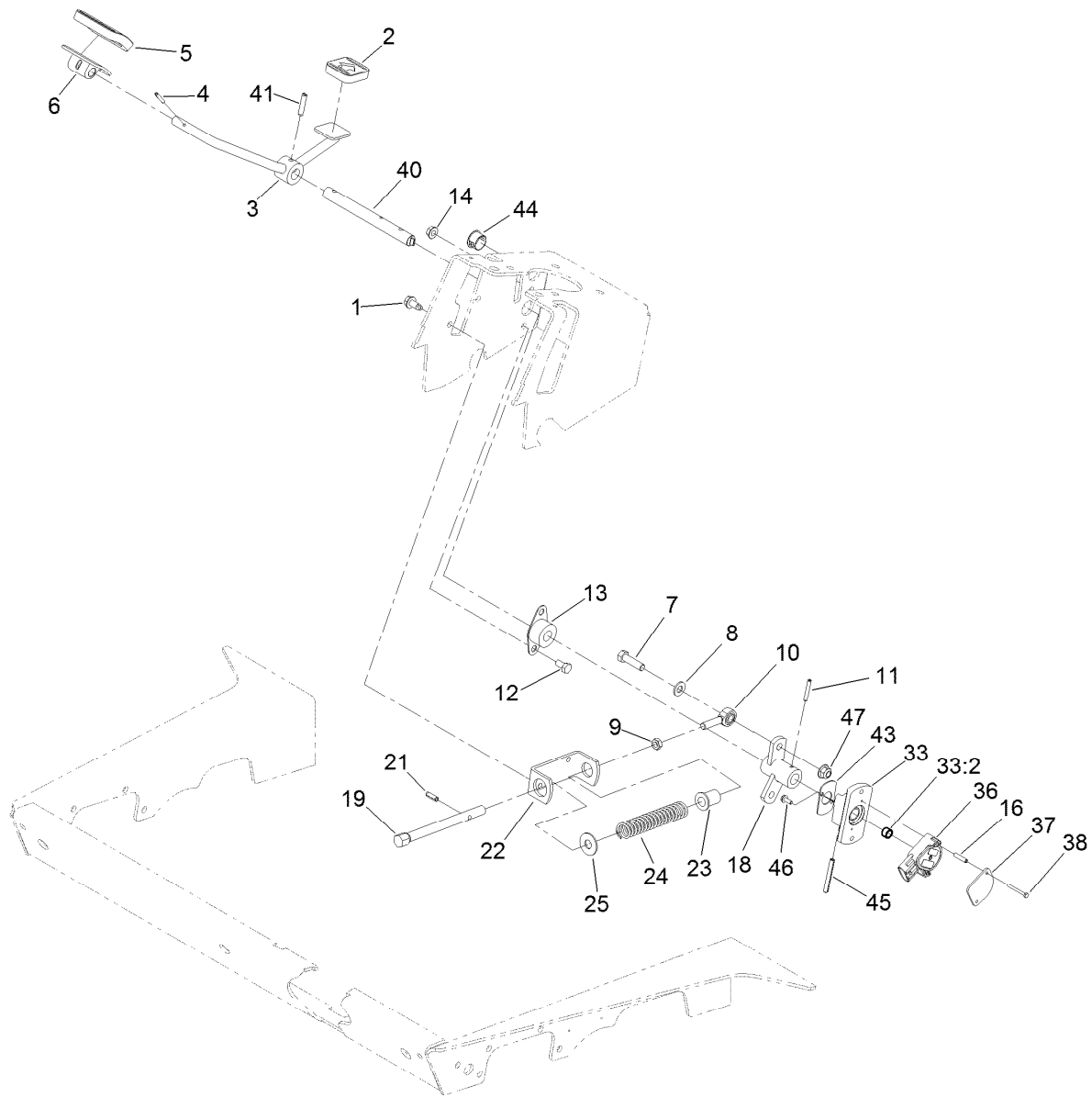
Ref.	Part Number	Qty.	Description
1	110-6462	1	Bellows-Rubber
2	110-6463	1	Cylinder Service Kit
2:1		1	Cylinder-Gas ●
2:2		1	Block-Pedal ●
2:3		2	Bolt ●
2:4		1	Pin ●
2:5		2	Washer-Lock ●
3	110-6464	1	Pedal Service Kit
3:1		1	Pedal ●
3:2		1	Pin ●
3:3		1	Spring ●
4	110-6465	1	Cover-Pedal
5	120-6256	1	Universal Joint Kit

● Not serviced separately



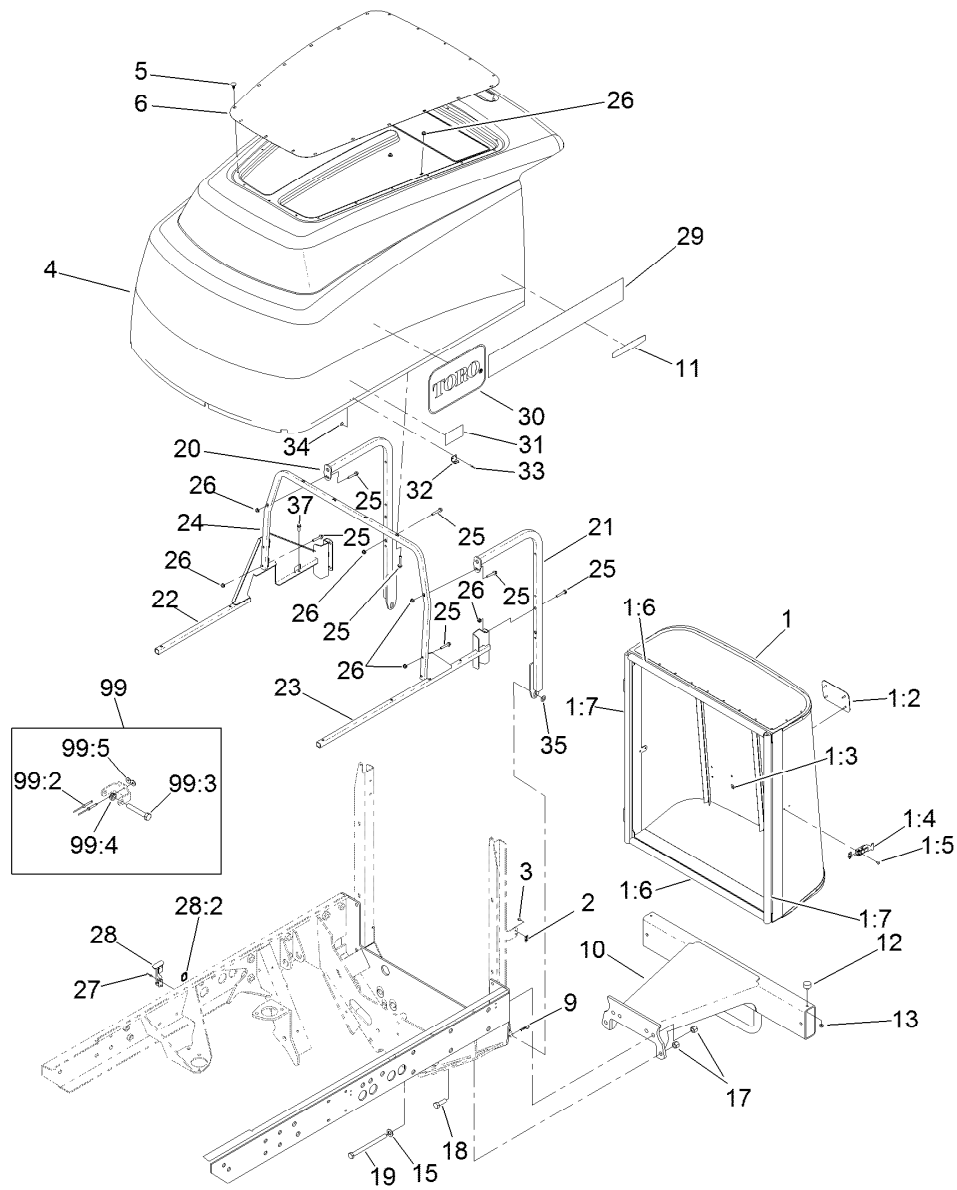
## Steering Valve Assembly No. 114-8119

<i>Ref.</i>	<i>Part Number</i>	<i>Qty.</i>	<i>Description</i>
1	106-6716	1	Seal Kit



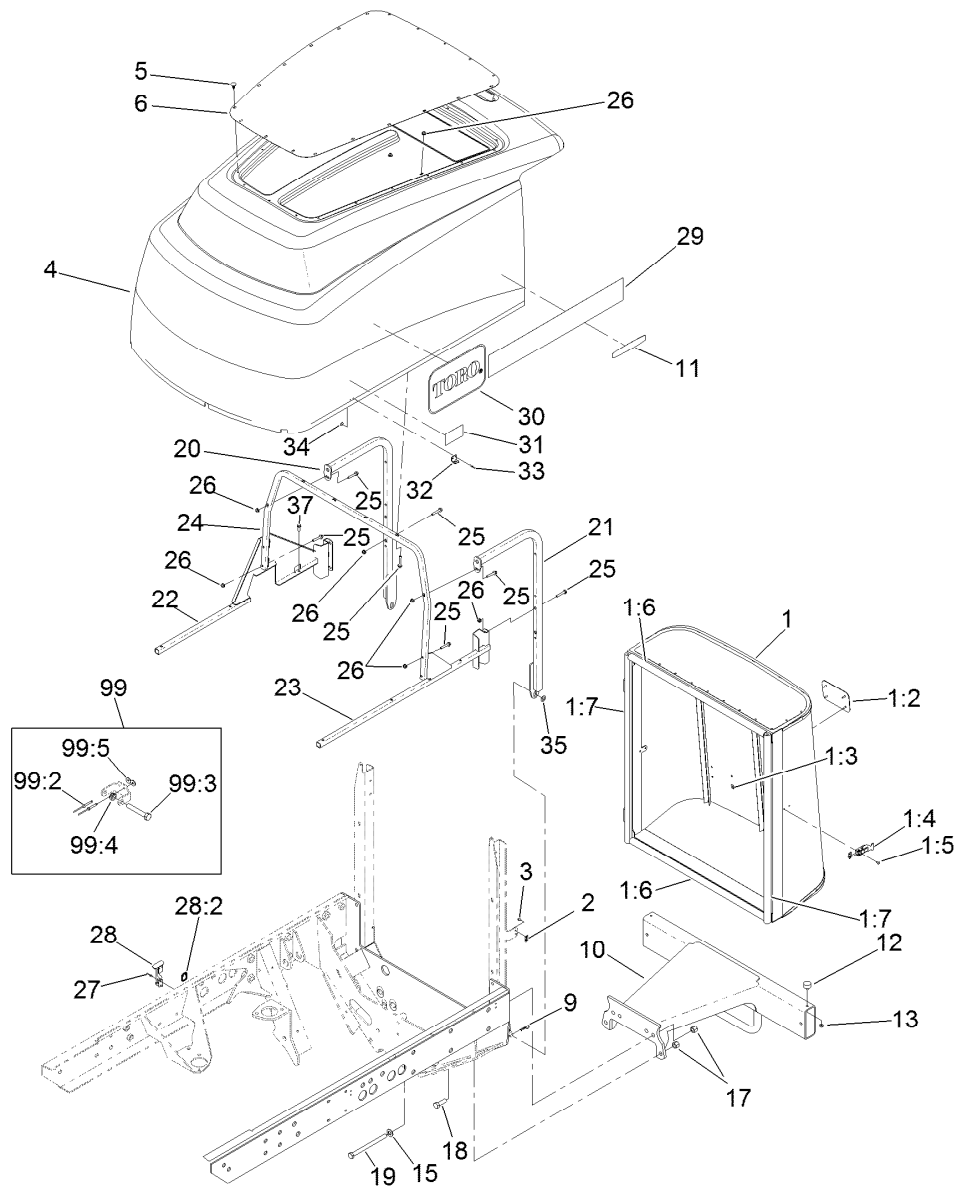
## Pedal Assembly

<i>Ref.</i>	<i>Part Number</i>	<i>Qty.</i>	<i>Description</i>	<i>Ref.</i>	<i>Part Number</i>	<i>Qty.</i>	<i>Description</i>
1	32104-32	2	Screw-HWH	21	32121-11	1	Pin-Roll
2	74-9110	1	Pad-Pedal, Reverse	22	92-7608-03	1	Bracket-Spring
3	120-8095	1	Pedal	23	92-7610	1	Retainer-Spring
4	32121-45	1	Pin-Spring	24	84-9100	1	Spring
5	74-9100	1	Pad-Pedal, Forward	25	3256-5	1	Washer-Flat
6	117-9507	1	Pedal-Accelerator	33	120-8038	1	Hub ASM
7	323-29	1	Screw-HH	33:2	95-7497	1	Bushing-Wheel
8	3256-24	1	Washer-Plain	36	114-5609	1	Sensor-Position
9	3220-3	1	Nut-HJ	37	114-5595	1	Plate-Capture
10	2411-36	1	Bearing-End, Rod	38	32105-21	2	Screw-HH
11	32121-6	1	Pin-Roll, Slotted	40	120-8091	1	Shaft-Pivot, Traction
12	322-2	4	Screw-HH	41	32121-69	1	Pin-Roll
13	256-236	1	Bearing-Mount, Flange	43	120-8089	1	Plate-Cover, Sensor
14	32128-20	2	Nut-HF	44	121-3099	1	Plug-Panel, Plastic
16	114-5608	2	Spacer-Standoff	45	32121-78	1	Pin-Roll
18	120-8088-03	1	Hub-Traction Pedal Pivot	46	3290-321	2	Screw-HWH
19	115-4383	1	Shaft-Spring	47	104-8301	1	Nut-HF, NI



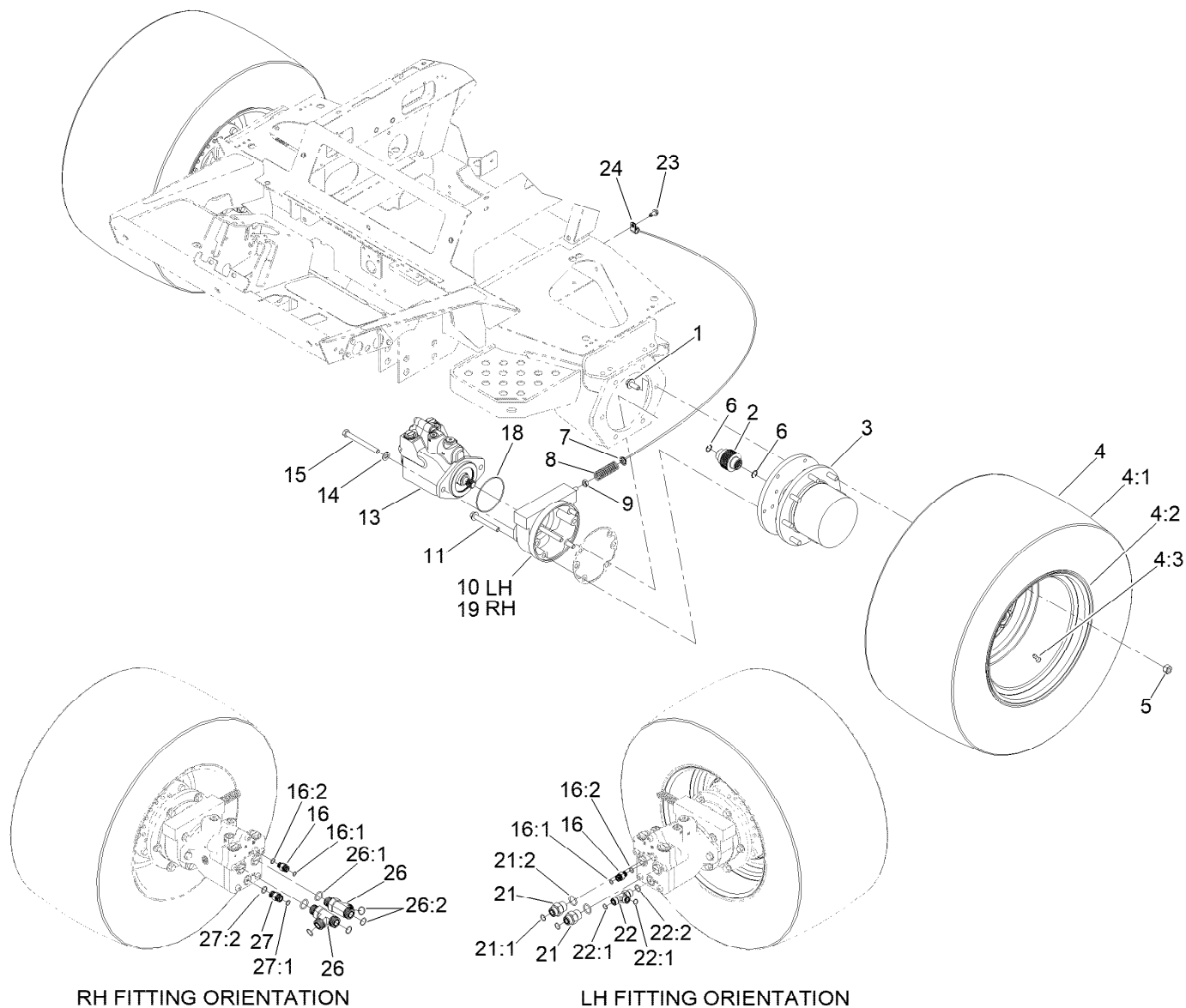
## Hood Assembly

Ref.	Part Number	Qty.	Description	Ref.	Part Number	Qty.	Description
1	115-4362	1	Screen ASM	20	114-8108-03	1	Tube-RH
1:2	93-6028	1	Plate-Logo	21	114-8109-03	1	Tube-LH
1:3	138-6996	4	Nut-Push	22	121-3136-03	1	Tube-RH
1:4	114-8117	1	Latch-Adjustable	23	114-8102-03	1	Tube
1:5	3269-3	2	Rivet-Pop	24	121-3133-03	1	Tube-Frame, Hood
1:6	115-4358	2	Seal-Bulb	25	94-5781	25	Screw-HHF
1:7	115-4359	2	Seal-Bulb	26	104-7201	26	Nut-HF, NI
2	115-4357	1	Latch-Keeper	27	3290-55	4	Rivet-Pop
3	3269-3	2	Rivet-Pop	28	59-9740	2	Flex Draw Latch ASM
4	121-3137	1	Hood ASM	28:2	249-40	1	Keeper
5	117-2382	20	Plug-Plastic	29	105-9876	2	Decal
6	114-4192-03	1	Screen-Hood	30	66-1210	2	Decal
9	3290-467	2	Pin-Hair	31	106-6754	2	Decal-Danger
10	120-8020-03	1	Bumper-Rear	32	249-40	2	Keeper
11	121-1594	2	Decal-Smart Power	33	3269-17	4	Rivet-Pop
12	240-14	2	Bumper-Rubber	34	3269-10	4	Washer-Back
13	32128-33	2	Nut-HF	35	98-1629	2	Washer
15	3256-26	2	Washer-Flat	37	115-5103	1	Screw-HHF
17	3296-23	4	Nut-Lock, NI	99	119-2004	1	CE Latch Kit
18	325-6	2	Screw-HH	99:2	107-0333	2	Rivet-Pop
19	325-33	2	Screw-HH	99:3	322-10	1	Screw-HH



## Hood Assembly (continued)

<i>Ref.</i>	<i>Part Number</i>	<i>Qty.</i>	<i>Description</i>
99:4	3296-47	1	Nut-Lock,NI
99:5	3269-10	2	Washer-Back

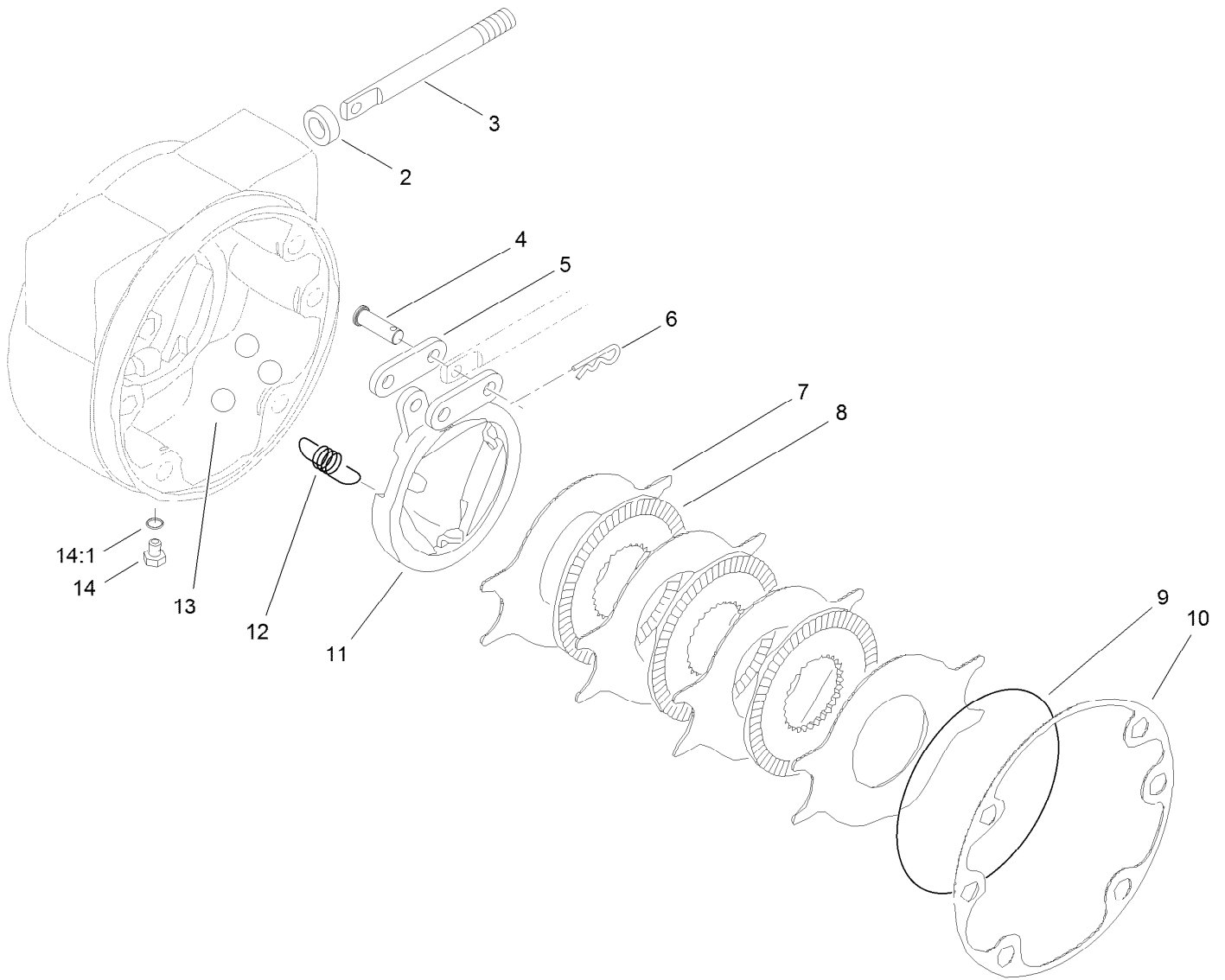


## Front Wheel Drive Assembly

Ref.	Part Number	Qty.	Description	Ref.	Part Number	Qty.	Description
1	33106-030	12	Screw-HHF	16:1	237-22	1	O-Ring
2	100-3046	2	Shaft-Brake, Splined	16:2	237-42	1	O-Ring
3	136-2913	2	Planetary ASM	18	237-166	2	O-Ring
4		2	Tire And Wheel ASM ●	19	100-3069-03	1	Brake ASM
4:1	119-0023	1	Tire	21	340-8	2	Fitting-Straight
4:2	119-0024	1	Wheel	21:1	237-65	1	O-Ring
4:3	232-24	1	Stem-Valve	21:2	237-81	1	O-Ring
5	92-7483	16	Nut-Lug	22	340-109	1	Fitting-Tee
6	93-7972	4	Ring-Retaining, Internal	22:1	237-79	1	O-Ring
7	94-3050	2	Plate-Spring	22:2	237-30	2	O-Ring
8	94-3088	2	Spring-Compression	23	32104-32	2	Screw-HWH
9	3218-4	2	Nut-Jam	24	2412-93	2	Clamp-R
10	100-3070-03	1	Brake ASM	26	340-148	2	Fitting-Tee
11	33106-080	8	Screw-HHF	26:1	237-81	1	O-Ring
13	121-3100	2	HYD Piston Motor ASM	26:2	237-58	2	O-Ring
14	106-9888	4	Washer-Flat	27	340-4	1	Fitting-Straight
15	33116-110	4	Screw-HH	27:1	237-30	1	O-Ring
16	340-2	2	Fitting-Straight	27:2	237-79	1	O-Ring

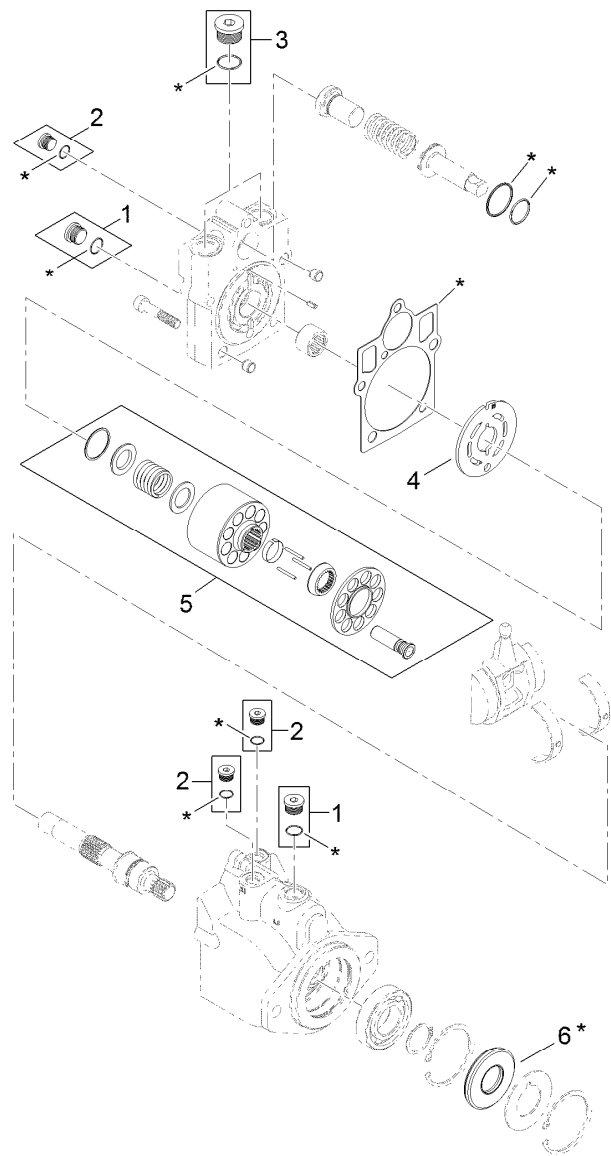
● Not serviced separately





## LH Brake Assembly No. 100-3070-03

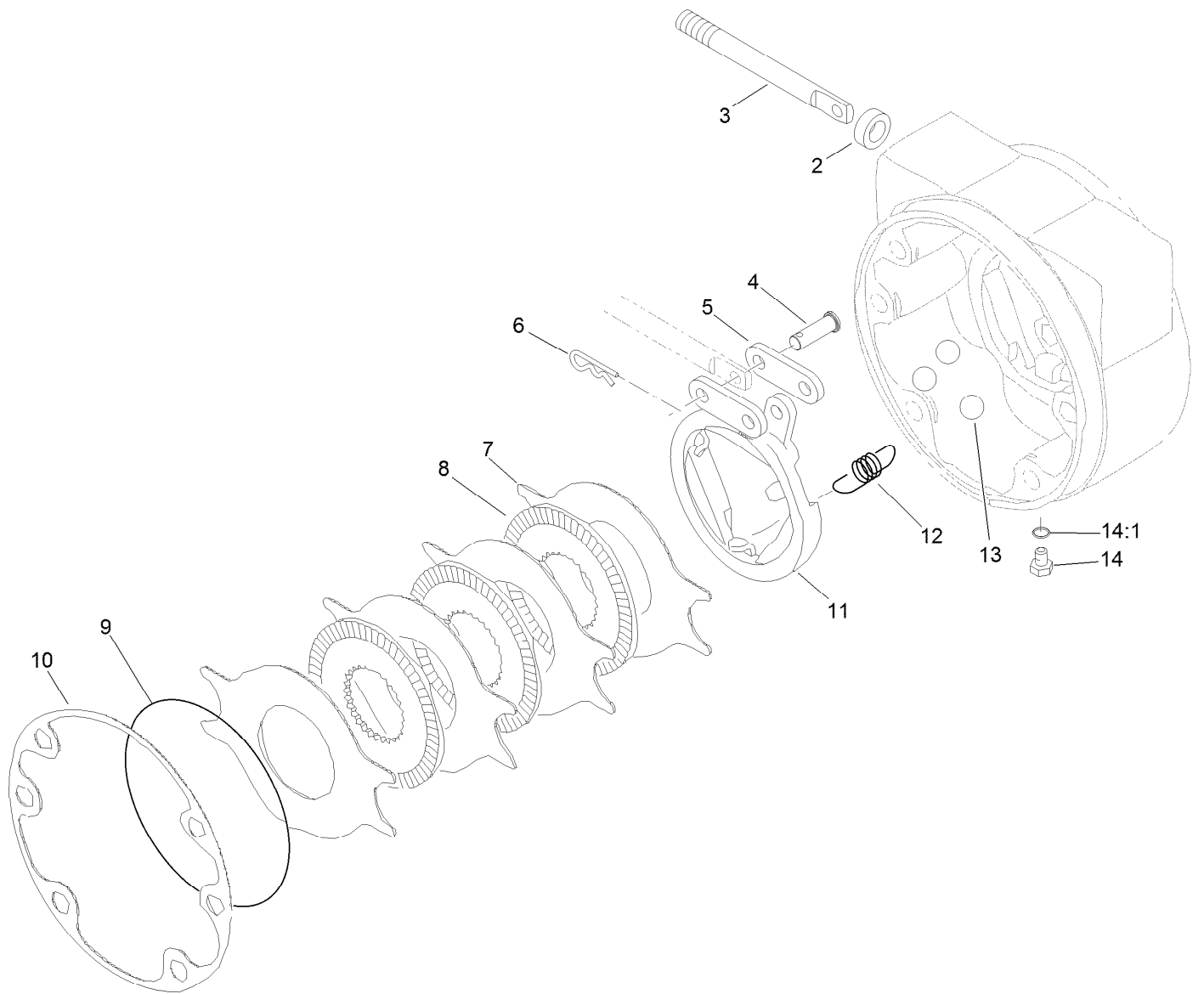
<i>Ref.</i>	<i>Part Number</i>	<i>Qty.</i>	<i>Description</i>
2	93-7977	1	Seal
3	93-7978	1	Rod-Pull
4	93-7983	2	Pin-Clevis
5	93-7980	2	Link
6	93-7979	2	Pin-Hitch
7	93-7986	4	Disc-Stationary
8	104-4278	3	Disc-Rotating
9	93-7976	1	Ring-Retaining
10	93-7984	1	Gasket
11	104-4279	1	Actuator-Rotating
12	93-7987	3	Spring-Extension
13	93-7985	3	Ball
14	353-990	2	Plug ASM
14:1	237-78	1	O-Ring



7 = all items with \* are included in overhaul seal kit

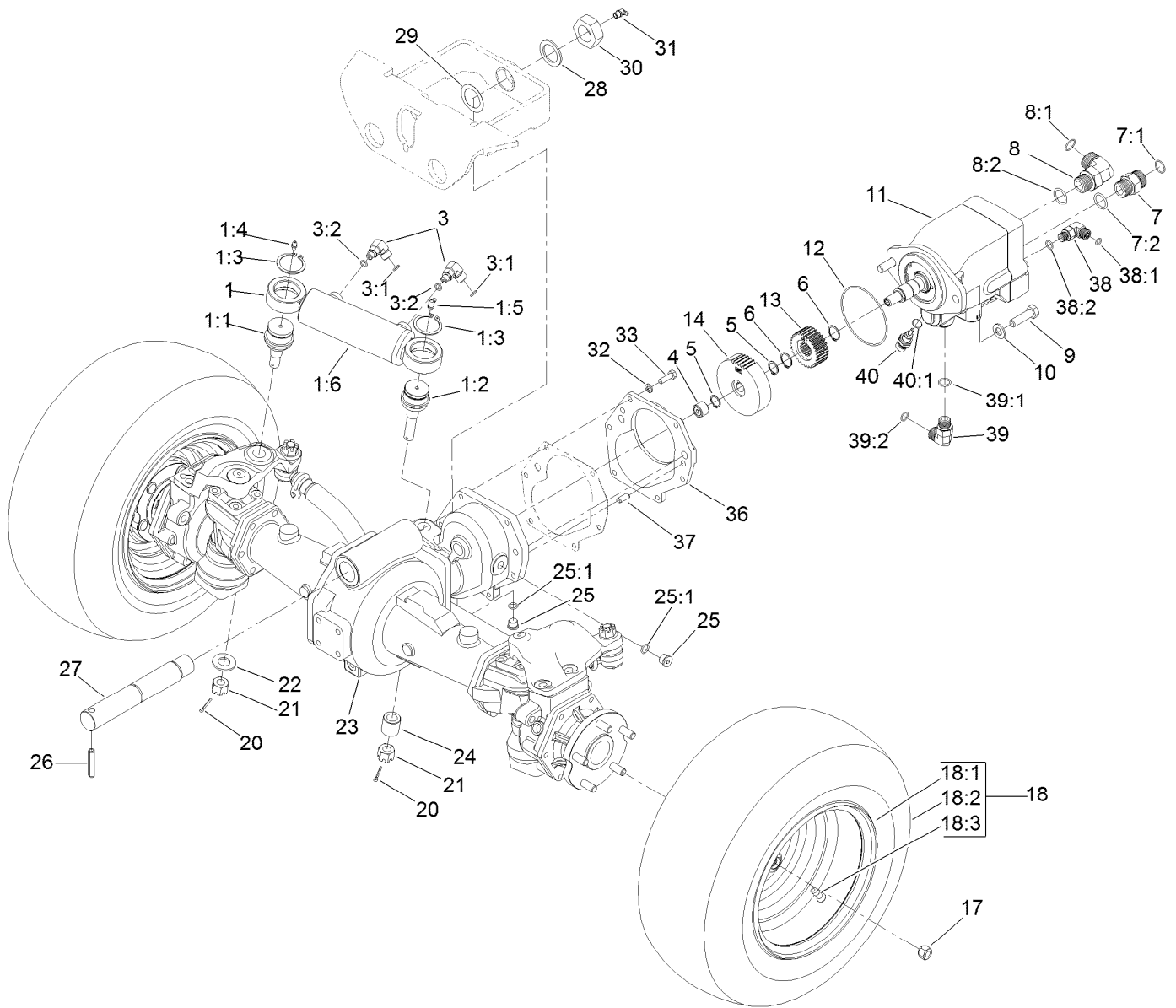
## Hydraulic Piston Motor Assembly No. 121-3100

<i>Ref.</i>	<i>Part Number</i>	<i>Qty.</i>	<i>Description</i>
1	67-9090	2	Plug
2	69-3080	3	Plug
3	107-4352	1	Plug
4	121-1734	1	Plate-Valve
5	121-1735	1	Cylinder Block Kit
6	69-3190	1	Seal-Lip
7	121-1736	1	Overhaul Seal Kit



## RH Brake Assembly No. 100-3069-03

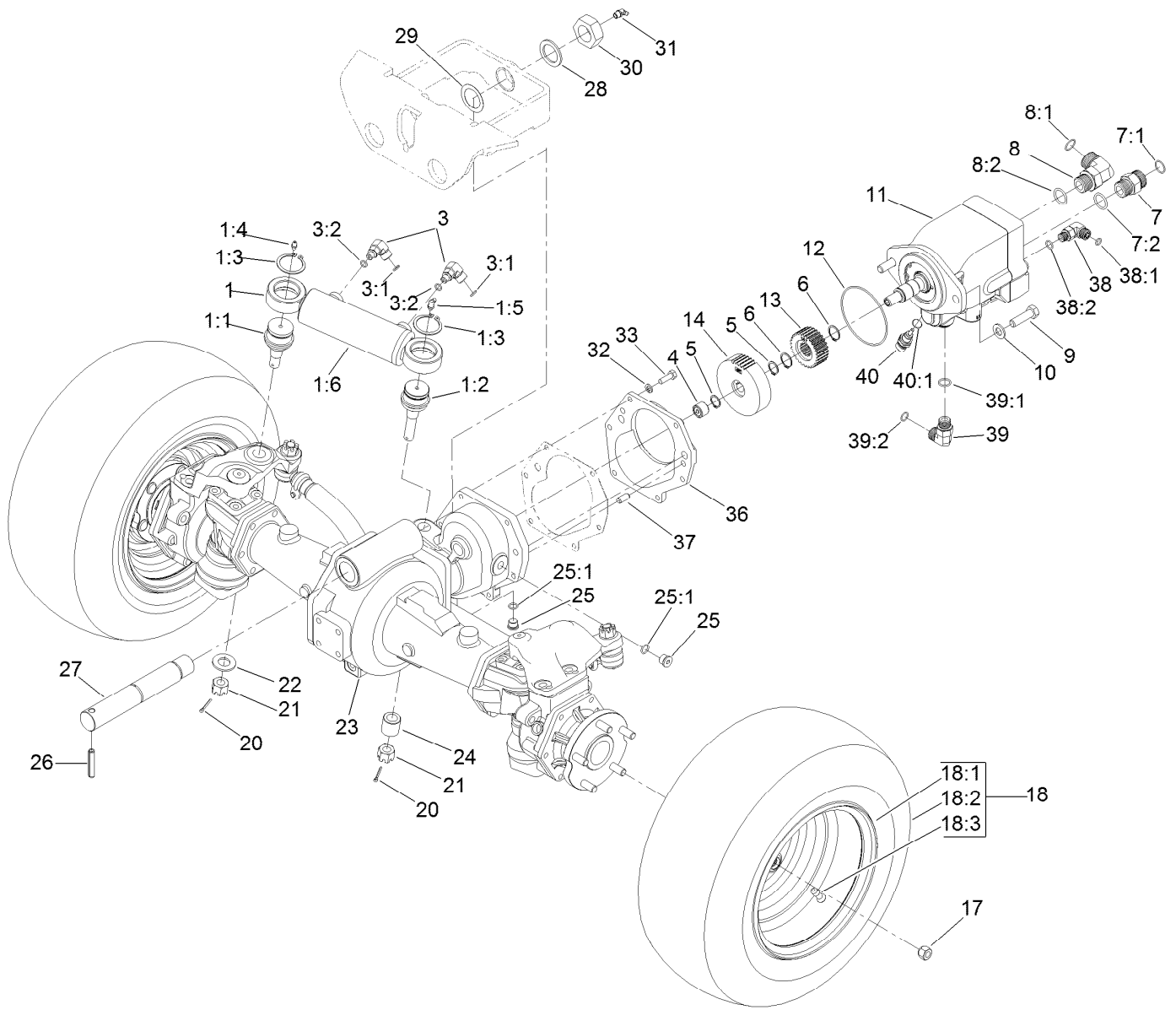
<i>Ref.</i>	<i>Part Number</i>	<i>Qty.</i>	<i>Description</i>
2	93-7977	1	Seal
3	93-7978	1	Rod-Pull
4	93-7983	2	Pin-Clevis
5	93-7980	2	Link
6	93-7979	2	Pin-Hitch
7	93-7986	4	Disc-Stationary
8	104-4278	3	Disc-Rotating
9	93-7976	1	Ring-Retaining
10	93-7984	1	Gasket
11	104-4280	1	Actuator-Rotating
12	93-7987	3	Spring-Extension
13	93-7985	3	Ball
14	353-990	2	Plug ASM
14:1	237-78	1	O-Ring



## Rear Axle Assembly

Ref.	Part Number	Qty.	Description	Ref.	Part Number	Qty.	Description
1	105-9861	1	Steering Cylinder ASM	8:1	237-58	1	O-Ring
1:1	106-6774	1	Joint-Ball	8:2	237-81	1	O-Ring
1:2	100-3795	1	Joint-Ball	9	325-7	2	Screw-HH
1:3	32151-104	2	Ring-Retaining, External	10	106-9888	2	Washer-Flat
1:4	302-5	1	Fitting-Grease	11	121-3101	1	Motor-Piston
1:5	302-60	1	Fitting-Grease	12	237-166	1	O-Ring
1:6	127-6431	1	Hydraulic Steer Cylinder ASM	13	104-0755	1	Pinion-27 Tooth
3	340-97	2	Fitting-Elbow, 90 DEG	14	100-3053	1	Gear-45 Tooth
3:1	237-22	1	O-Ring	17	93-5268	10	Nut-Lug
3:2	237-78	1	O-Ring	18		2	Rim And Tire ASM ●
4	74-5700	1	Bearing-Needle, Roller	18:1	115-1573	1	Rim
5	32120-15	2	Ring-Snap, EXT	18:2	115-1572	1	Tire
6	32120-76	2	Ring-Snap, EXT	18:3	232-27	1	Stem-Valve
7	340-9	1	Fitting-STR	20	3272-11	2	Pin-Cotter
7:1	237-58	1	O-Ring	21	32136-14	2	Nut-Hst
7:2	237-81	1	O-Ring	22	92-5836	1	Washer
8	340-142	1	Fitting-Elbow, 90 DEG	23	110-4750	1	Drive Axle ASM
				24	100-3796	1	Spacer-Joint, Ball

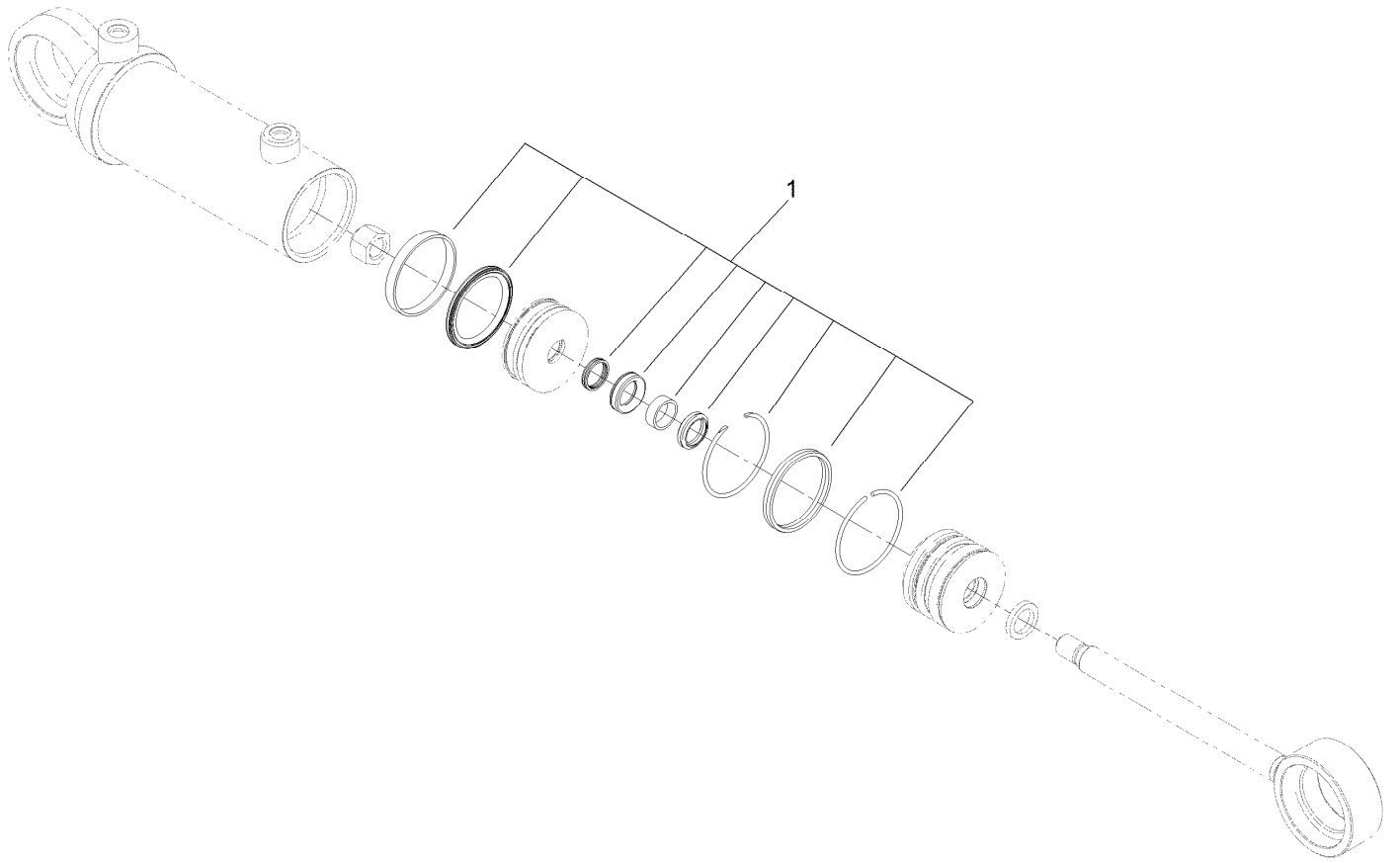
● Not serviced separately



## Rear Axle Assembly (continued)

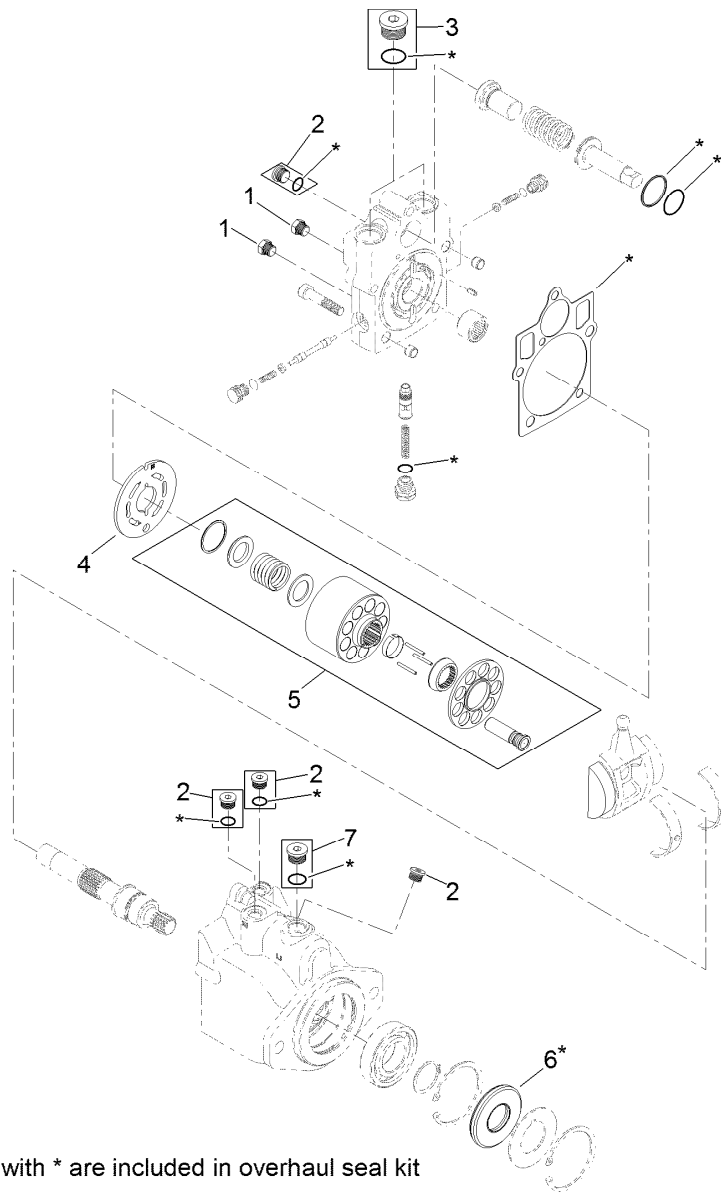
Ref.	Part Number	Qty.	Description	Ref.	Part Number	Qty.	Description
25	353-989	2	Plug-Hex, Hollow	36	95-7541	1	Plate-Cover
25:1	237-42	1	O-Ring	37	104-2353	2	Pin-Dowel
26	32121-110	1	Pin-Roll, Slotted	38	340-77	1	Fitting-Elbow, 90 DEG
27	115-9142	1	Pin-Rear Axle	38:1	237-22	1	O-Ring
28	92-1765	1	Washer-Thrust	38:2	237-42	1	O-Ring
29	98-3867	2	Washer-Thrust	39	340-98	1	Fitting-Elbow, 90 DEG
30	3296-68	1	Nut-Lock, NI	39:1	237-79	1	O-Ring
31	302-33	1	Fitting-Grease	39:2	237-30	1	O-Ring
32	3253-4	6	Washer-Lock	40	110-8829	1	Sender-Temperature
33	33114-025	6	Screw-HH	40:1	237-42	1	O-Ring

● Not serviced separately



## Hydraulic Steer Cylinder Assembly No. 127-6431

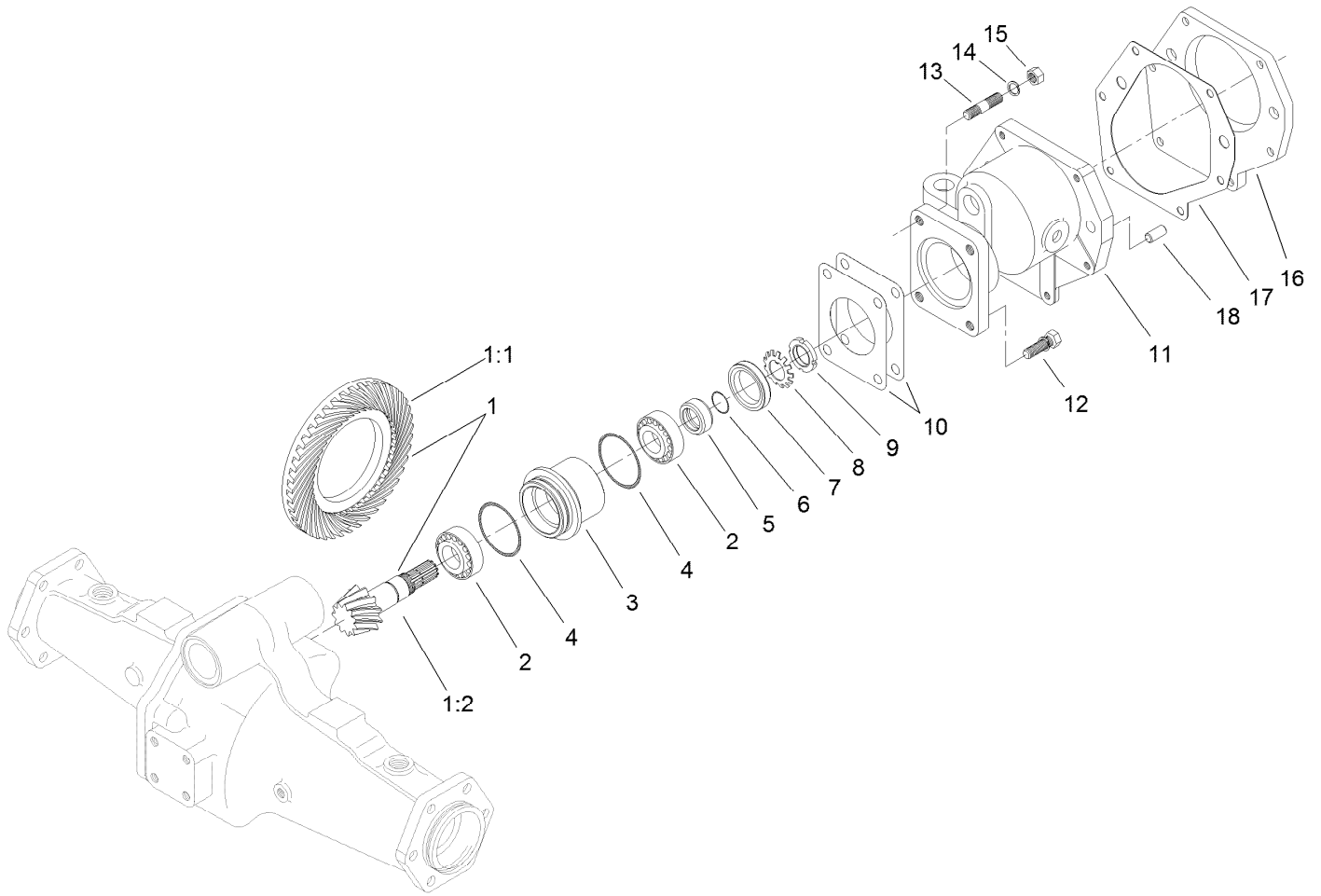
<i>Ref.</i>	<i>Part Number</i>	<i>Qty.</i>	<i>Description</i>
1	131-7756	1	Cylinder Seal Kit



8= all items with \* are included in overhaul seal kit

## Piston Motor Assembly No. 121-3101

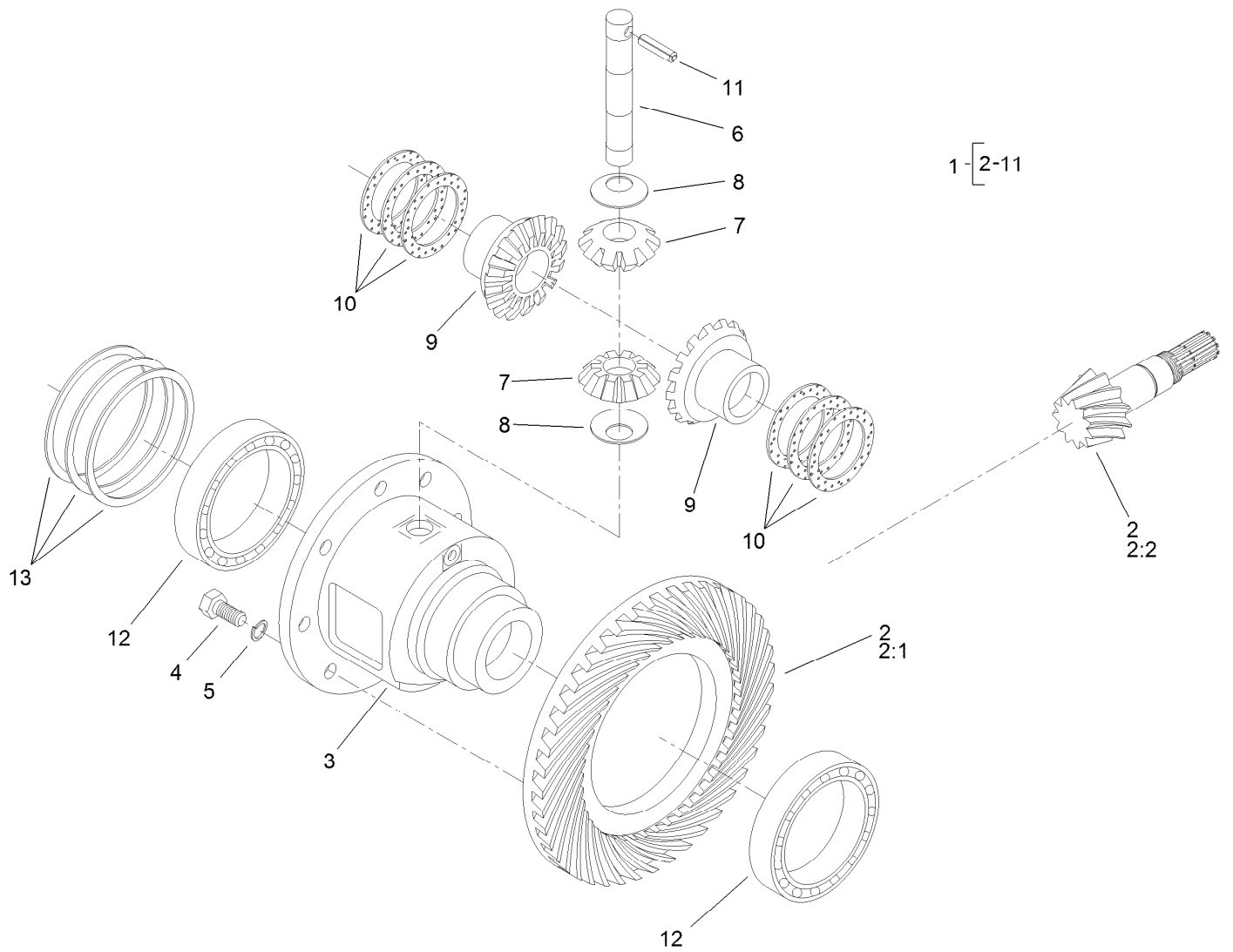
Ref.	Part Number	Qty.	Description
1	92-1352	2	Plug
2	69-3080	5	Plug
3	69-3130	2	Plug
4	125-4638	1	Valve Plate
5	125-4639	1	Cylinder Block Kit
6	69-3190	1	Seal-Lip
7	67-9090	1	Plug
8	121-1736	1	Overhaul Seal Kit



## Bevel Pinion Shaft Assembly Rear Axle Assembly No. 110-4750

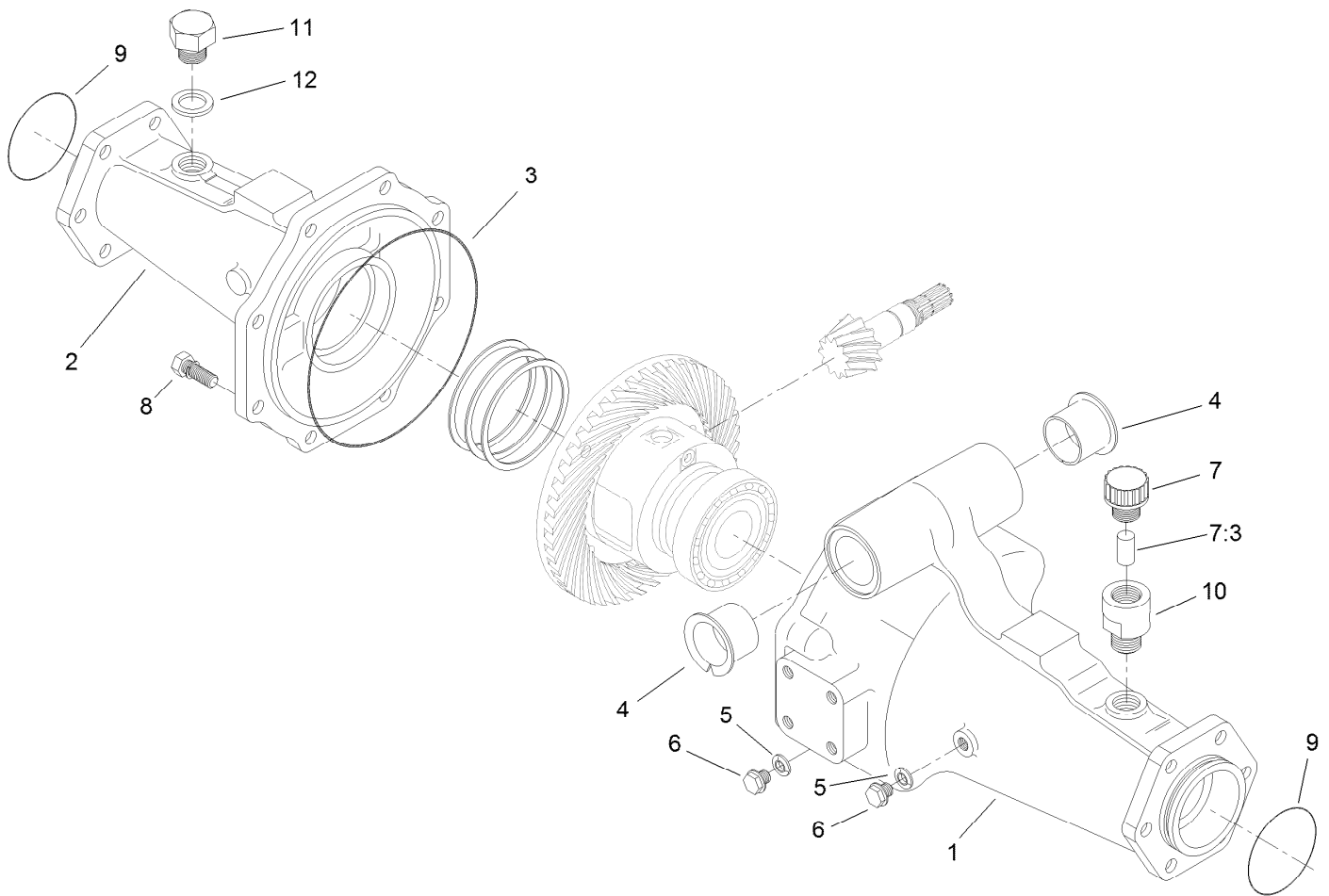
<i>Ref.</i>	<i>Part Number</i>	<i>Qty.</i>	<i>Description</i>
1	106-1093	1	Ring And Pinion Set
1:1	95-7504	1	Gear-43 Tooth, Bevel Spiral
1:2	106-1092	1	Pinion-Spiral, Bevel
2	99-7570	2	Bearing-Roller, Taper
3	95-7534	1	Case-Bearing
4	106-1065	2	O-Ring
5	99-7572	1	Collar-Seal, Oil
6	106-1066	1	O-Ring
7	99-7574	1	Seal-Oil
8	99-7559	1	Washer-Lock
9	99-7560	1	Nut-Lock

<i>Ref.</i>	<i>Part Number</i>	<i>Qty.</i>	<i>Description</i>
10	99-7550	2	Shim 0.1
10	99-7551	2	Shim 0.2
11	95-7533	1	Case-Gear
12	99-7575	2	Bolt
13	98-7735	2	Stud
14	99-7527	2	Washer-Spring
15	99-7526	2	Nut
16	95-7541	1	Plate-Cover
17	106-1140	1	Gasket
18	104-2353	2	Pin-Dowel



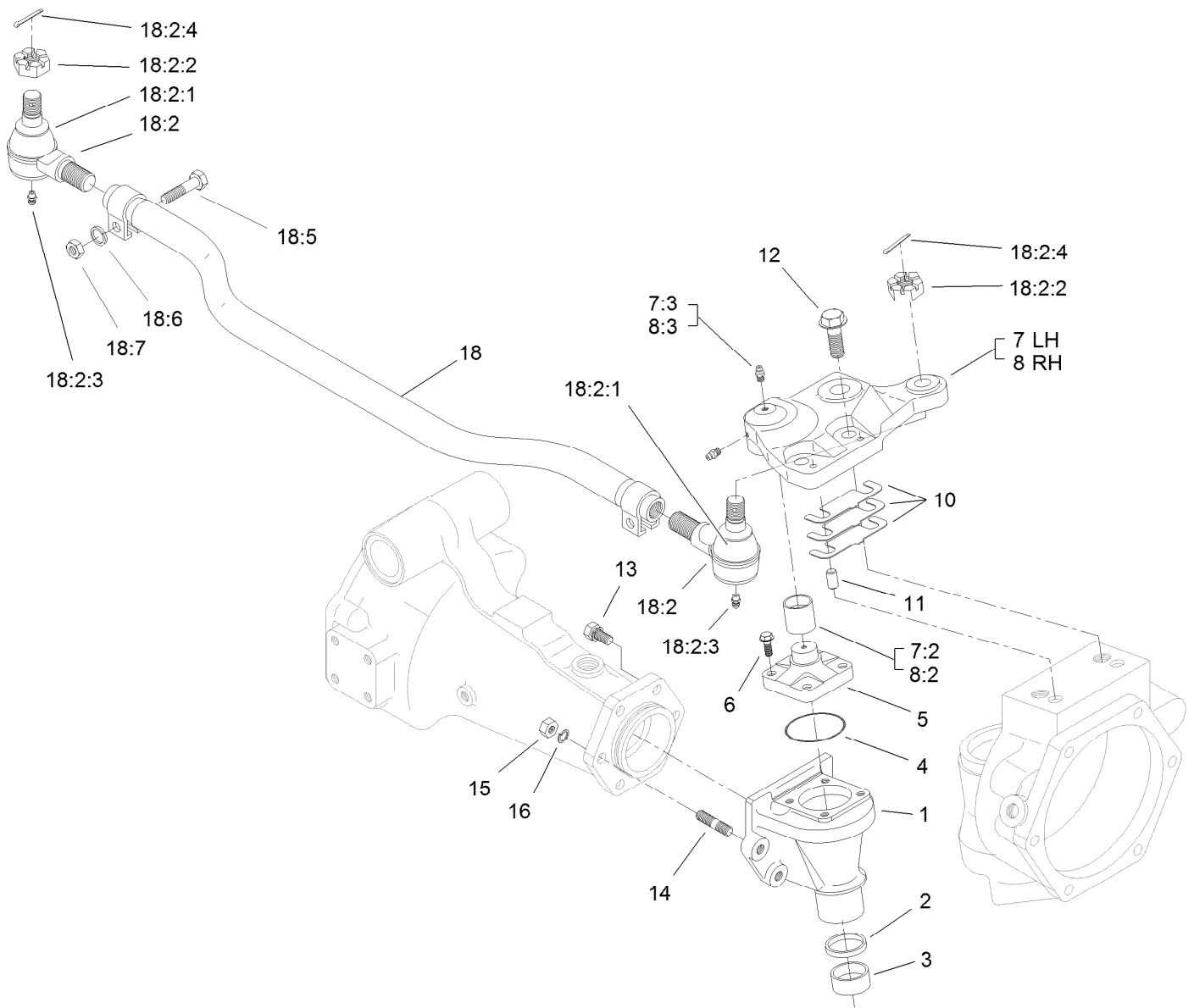
## Differential Assembly Rear Axle Assembly No. 110-4750

<i>Ref.</i>	<i>Part Number</i>	<i>Qty.</i>	<i>Description</i>	<i>Ref.</i>	<i>Part Number</i>	<i>Qty.</i>	<i>Description</i>
1	95-7503	1	Differential ASM	9	99-7581	2	Gear-Differential
2	106-1093	1	Ring And Pinion Set	10	99-7582	2	Washer-Differential
2:1	95-7504	1	Gear-43 Tooth, Bevel Spiral	10	99-7583	2	Washer-Differential
2:2	106-1092	1	Pinion-Spiral, Bevel	10	99-7584	2	Washer-Differential
3	95-7502	1	Case-Differential	11	99-7588	1	Pin-Spring
4	99-7576	8	Bolt	12	99-7562	2	Bearing-Ball
5	3253-4	8	Washer-Lock	13	99-7585	2	Shim 0.1
6	99-7578	1	Shaft-Differential	13	99-7586	2	Shim 0.2
7	99-7579	2	Pinion-Differential	13	99-7587	2	Shim 0.4
8	99-7580	2	Washer-Differential				



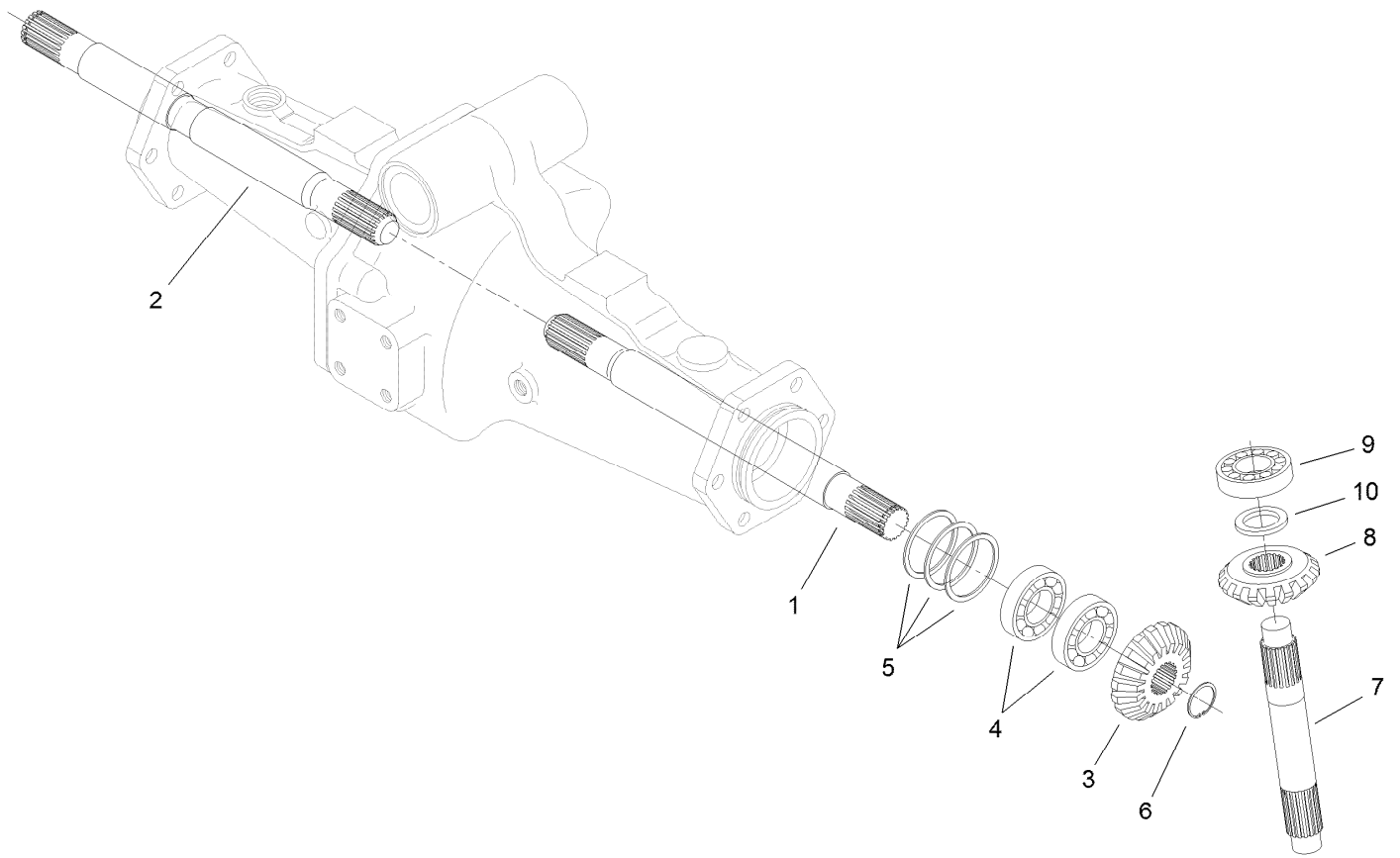
## Axle Support Assembly Rear Axle Assembly No. 110-4750

<i>Ref.</i>	<i>Part Number</i>	<i>Qty.</i>	<i>Description</i>
1	95-7508	1	Support-Axle
2	95-7506	1	Support-Axle
3	106-1067	1	O-Ring
4	95-7537	2	Bushing-Flanged
5	99-7590	2	Washer-Seal
6	99-7589	2	Plug
7	110-4812	1	Axle Vent ASM
7:3	110-4815	1	Insert-Filter, Foam
8	99-7592	8	Bolt
9	106-1068	2	O-Ring
10	104-2377	1	Extension-Vent
11	104-8643	1	Plug
12	104-8644	1	O-Ring



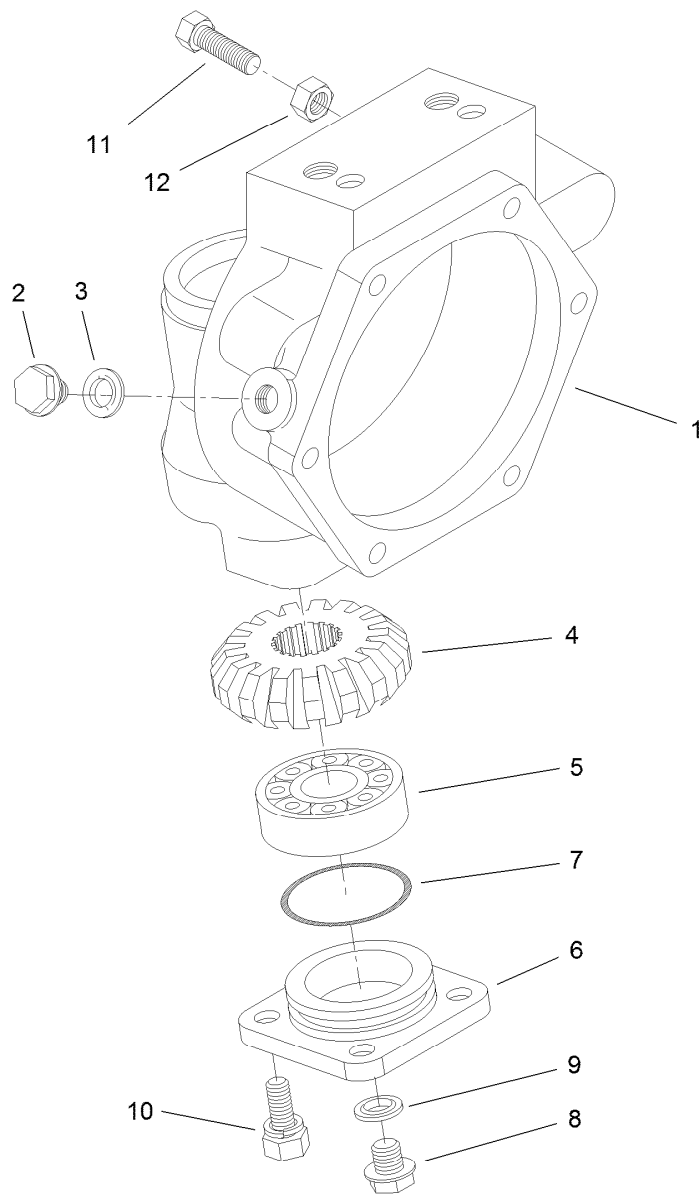
## Bevel Gear Case Assembly Rear Axle Assembly No. 110-4750

Ref.	Part Number	Qty.	Description	Ref.	Part Number	Qty.	Description
1	110-4752	2	Case-Gear, Bevel	12	104-2375	4	Bolt
2	110-4754	2	Seal-Oil	13	99-7599	8	Bolt
3	104-2378	2	Bushing	14	99-7525	4	Stud
4	106-1069	2	O-Ring	15	99-7526	4	Nut
5	104-2373	2	Knuckle	16	99-7527	4	Washer-Spring
6	104-2374	8	Bolt	18	106-1141	1	Steering Tie Rod ASM
7	100-3768	1	LH Steering Arm ASM	18:2	106-1113	2	Tie Rod End ASM - RH Thread
7:2	104-8634	1	Bushing	18:2:1	100-3853	1	Cover-Dust
7:3	106-1104	2	Fitting-Grease	18:2:2	100-3854	1	Nut-Castle
8	100-3766	1	RH Steering Arm ASM	18:2:3	110-4755	1	Fitting-Grease
8:2	104-8634	1	Bushing	18:2:4	3272-11	1	Pin-Cotter
8:3	106-1104	2	Fitting-Grease	18:5	100-3855	2	Bolt
10	95-7547	2	Shim 0.1	18:6	99-7527	2	Washer-Spring
10	95-7548	2	Shim 0.2	18:7	99-7526	2	Nut
10	95-7549	2	Shim 0.3				
11	99-7597	4	Pin-Dowel				



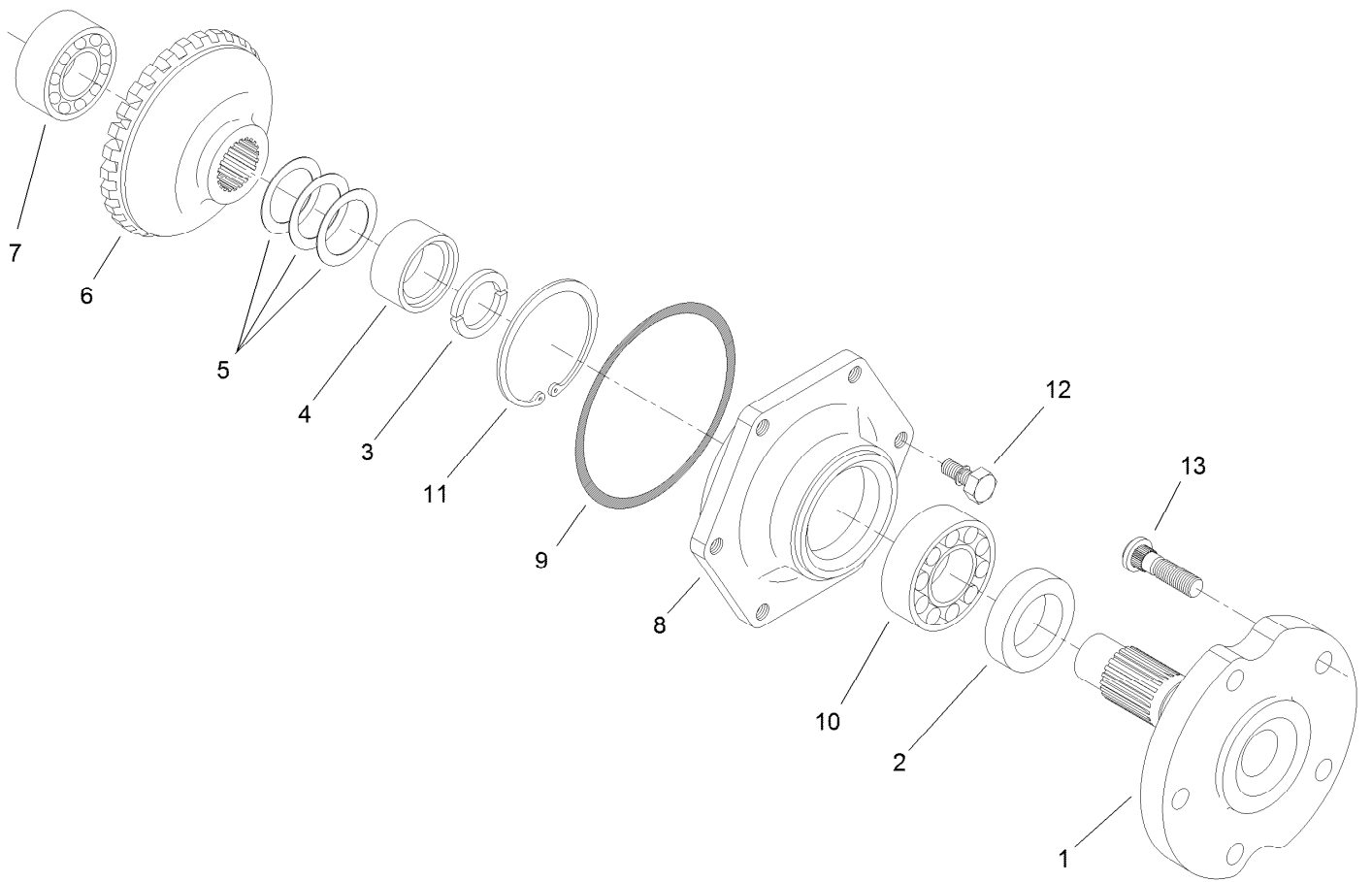
## Bevel Gear Shaft Assembly Rear Axle Assembly No. 110-4750

<i>Ref.</i>	<i>Part Number</i>	<i>Qty.</i>	<i>Description</i>
1	95-7509	1	Shaft-Gear, Differential
2	95-7512	1	Shaft-Gear, Differential
3	95-7517	2	Gear-Bevel, 15 Tooth
4	99-7530	4	Bearing-Ball
5	99-7552	2	Shim 0.1
5	99-7553	2	Shim 0.2
5	99-7554	2	Shim 0.5
6	99-7531	2	Clip
7	110-4753	2	Shaft-Gear, Bevel
8	95-7519	2	Gear-Bevel, 17 Tooth
9	99-7532	2	Bearing-Roller, Taper
10	99-7558	2	Collar



## Axle Case Assembly Rear Axle Assembly No. 110-4750

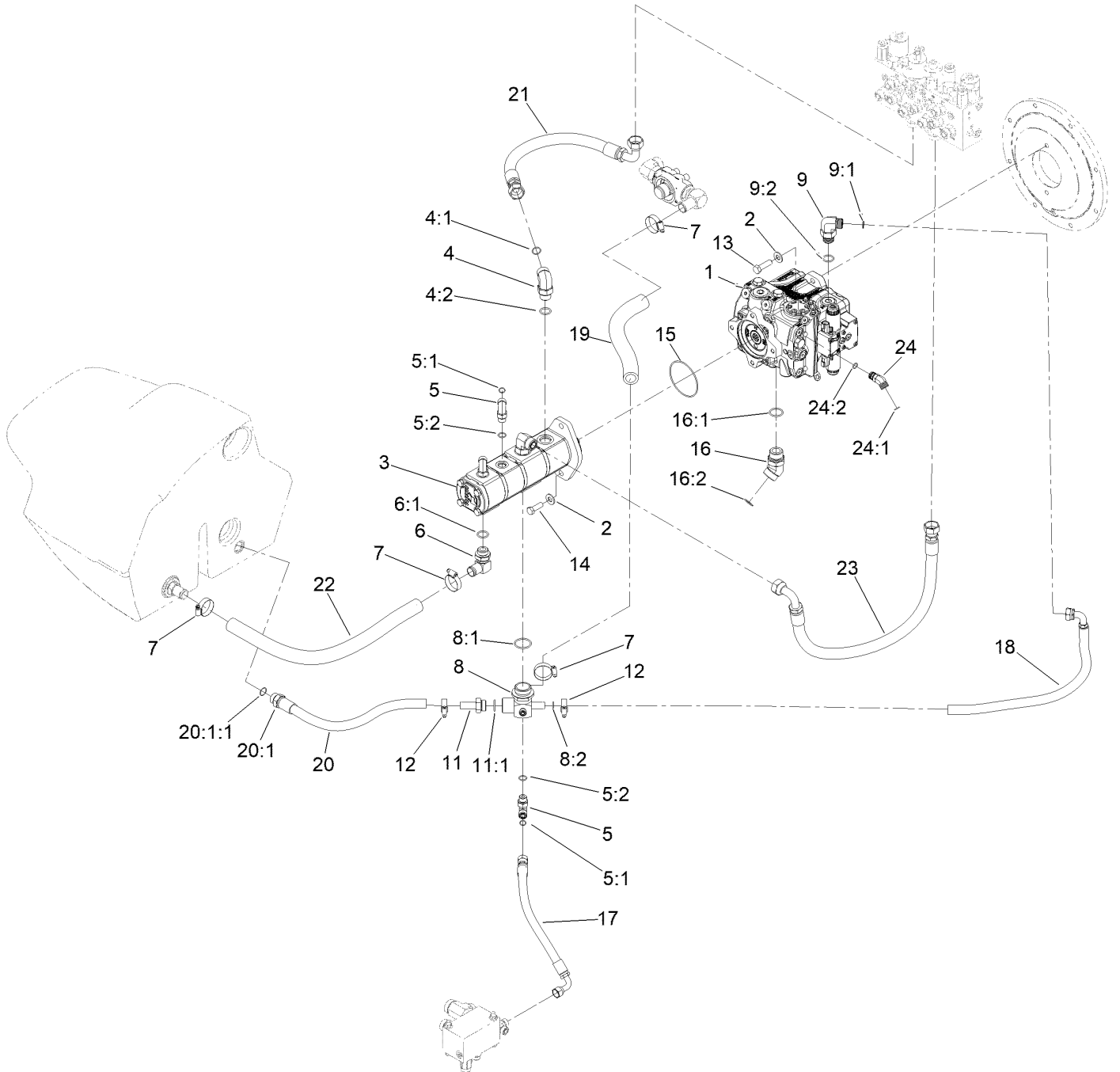
<i>Ref.</i>	<i>Part Number</i>	<i>Qty.</i>	<i>Description</i>
1	110-4751	2	Case-Axle
2	99-7535	2	Plug
3	99-7536	2	Washer-Seal
4	95-7527	2	Gear-Bevel, 17 Tooth
5	99-7532	2	Bearing-Roller, Taper
6	100-2560	2	Cover
7	106-1070	2	O-Ring
8	99-7589	2	Plug
9	99-7590	2	Washer-Seal
10	100-2562	8	Bolt
11	106-1102	2	Bolt-Stop
12	106-1103	2	Nut



## Axle Assembly Rear Axle Assembly No. 110-4750

<i>Ref.</i>	<i>Part Number</i>	<i>Qty.</i>	<i>Description</i>
1	95-7522	2	Axle
2	99-7564	2	Seal-Oil
3	95-7544	4	Clip
4	95-7523	2	Spacer
5	99-7555	2	Shim 0.3
5	99-7556	2	Shim 0.2
5	99-7557	2	Shim 0.5
6	95-7524	2	Gear-Bevel, 29 Tooth
7	99-7534	2	Bearing-Ball
8	95-7521	2	Cover-Axle
9	106-1071	2	O-Ring
10	99-7561	2	Bearing-Ball
11	99-7539	2	Clip
12	99-7596	12	Bolt
13	99-7563	10	Stud

# Hydraulic System Assembly

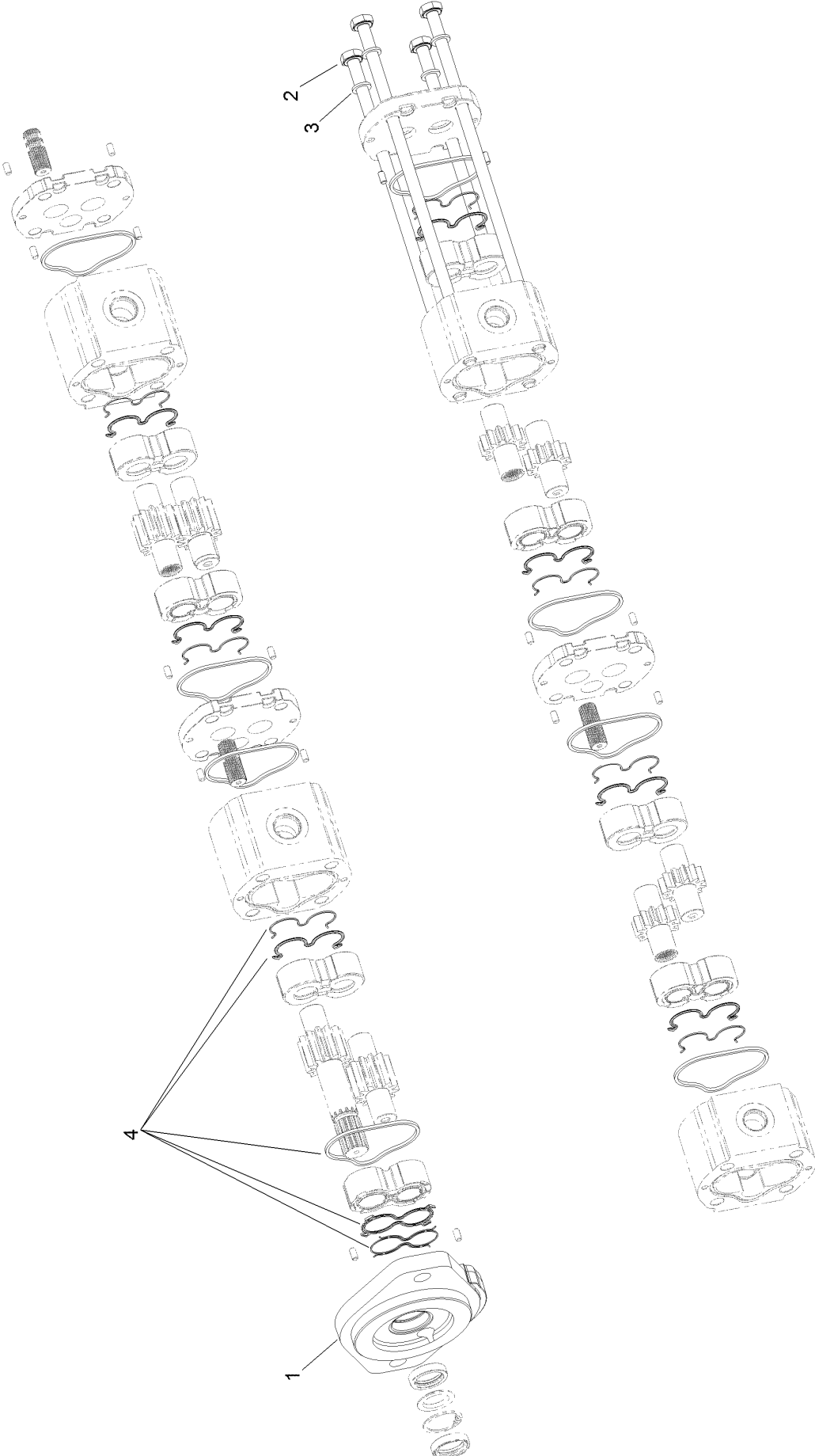


## Hydraulic System Assembly (continued)

<i>Ref.</i>	<i>Part Number</i>	<i>Qty.</i>	<i>Description</i>	<i>Ref.</i>	<i>Part Number</i>	<i>Qty.</i>	<i>Description</i>
1	132-6100	1	Pump-Piston	12	2412-129	2	Clamp-Hose
2	137-5550	4	Washer-Thrust	13	131-0661	2	Screw-HSH
3	114-4189	1	4-Section Pump ASM	14	121-1525	2	Screw-HH
4	340-142	2	Fitting-Elbow, 90 DEG	15	107-9447	1	O-Ring
4:1	237-58	1	O-Ring	16	104-3509	2	Fitting-HYD, 45 DEG
4:2	237-81	1	O-Ring	16:1	237-146	1	O-Ring
5	340-98	3	Fitting-Elbow, 90 DEG	16:2	340-65	1	O-Ring
5:1	237-79	1	O-Ring	17	125-4616	1	Hose ASM
5:2	237-30	1	O-Ring	18	136-2926	1	Hose ASM
6	100-4202	1	Fitting-90	19	121-3062	1	Hose-Suction
6:1	237-81	1	O-Ring	20	121-3079	1	Hose ASM
7	2412-111	4	Clamp-Hose, W/Liner	20:1		1	Fitting-Straight ●
8	120-8016	1	Fitting-Tee	20:1:1	237-81	1	O-Ring
8:1	237-101	1	O-Ring	21	105-3874	1	Hose ASM
8:2	237-22	1	O-Ring	22	125-4568	1	Hose-Suction
9	340-139	1	Fitting-Elbow 90	23	115-4384	1	Hose-HYD
9:1	237-81	1	O-Ring	24	340-96	1	Adapter
9:2	237-65	1	O-Ring	24:1	237-30	1	O-Ring
11	121-1526	1	Fitting-STR	24:2	237-42	1	O-Ring
11:1	237-81	1	O-Ring				

● Not serviced separately

# Four Section Pump Assembly No. 114-4189

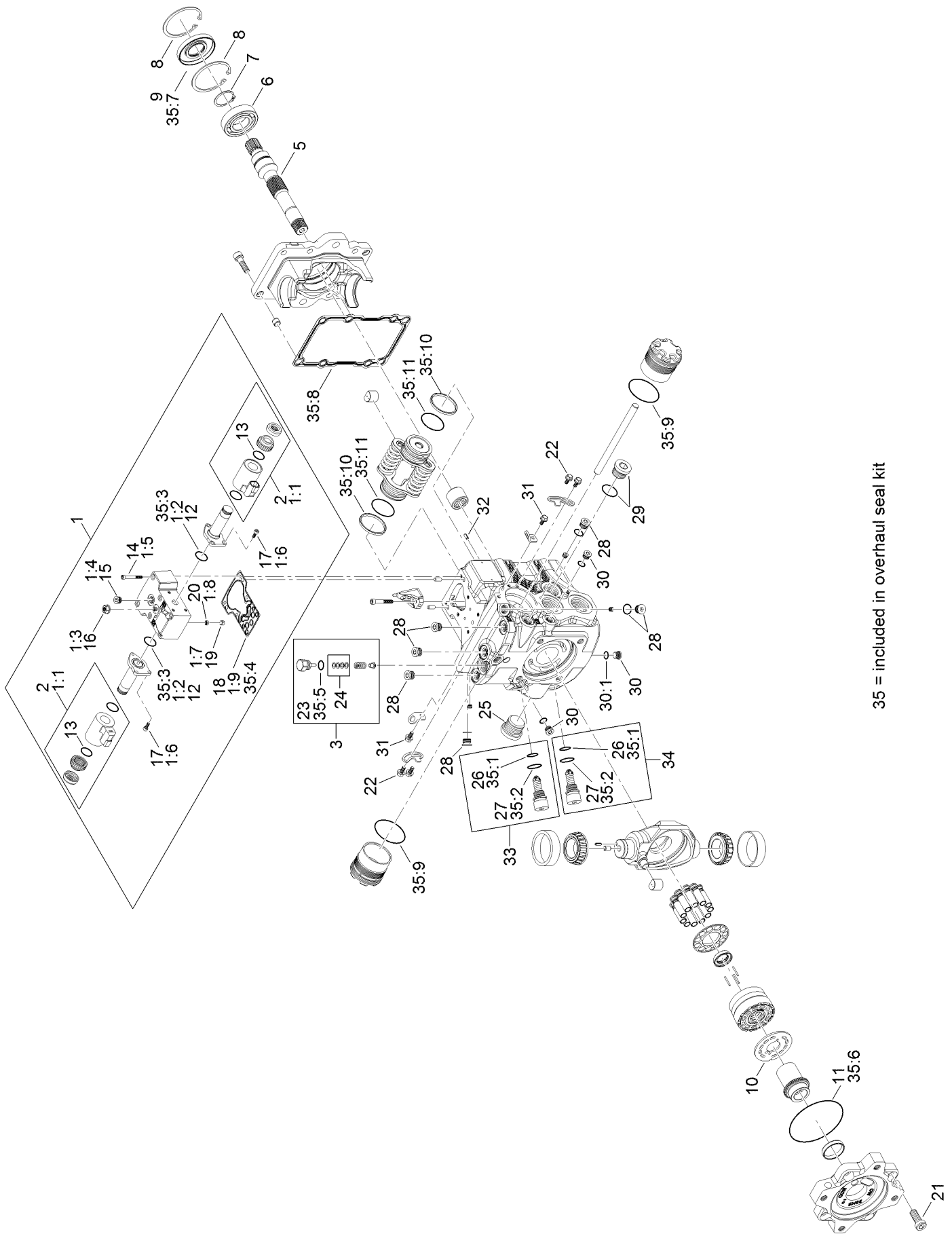


# Four Section Pump Assembly No. 114-4189 (continued)

<i>Ref.</i>	<i>Part Number</i>	<i>Qty.</i>	<i>Description</i>
1	115-3774	1	Cover-Front
2	115-4444	4	Bolt

<i>Ref.</i>	<i>Part Number</i>	<i>Qty.</i>	<i>Description</i>
3	115-9138	4	Washer
4	115-3776	1	Seal Kit

# Hydraulic Pump Assembly No. 132-6100

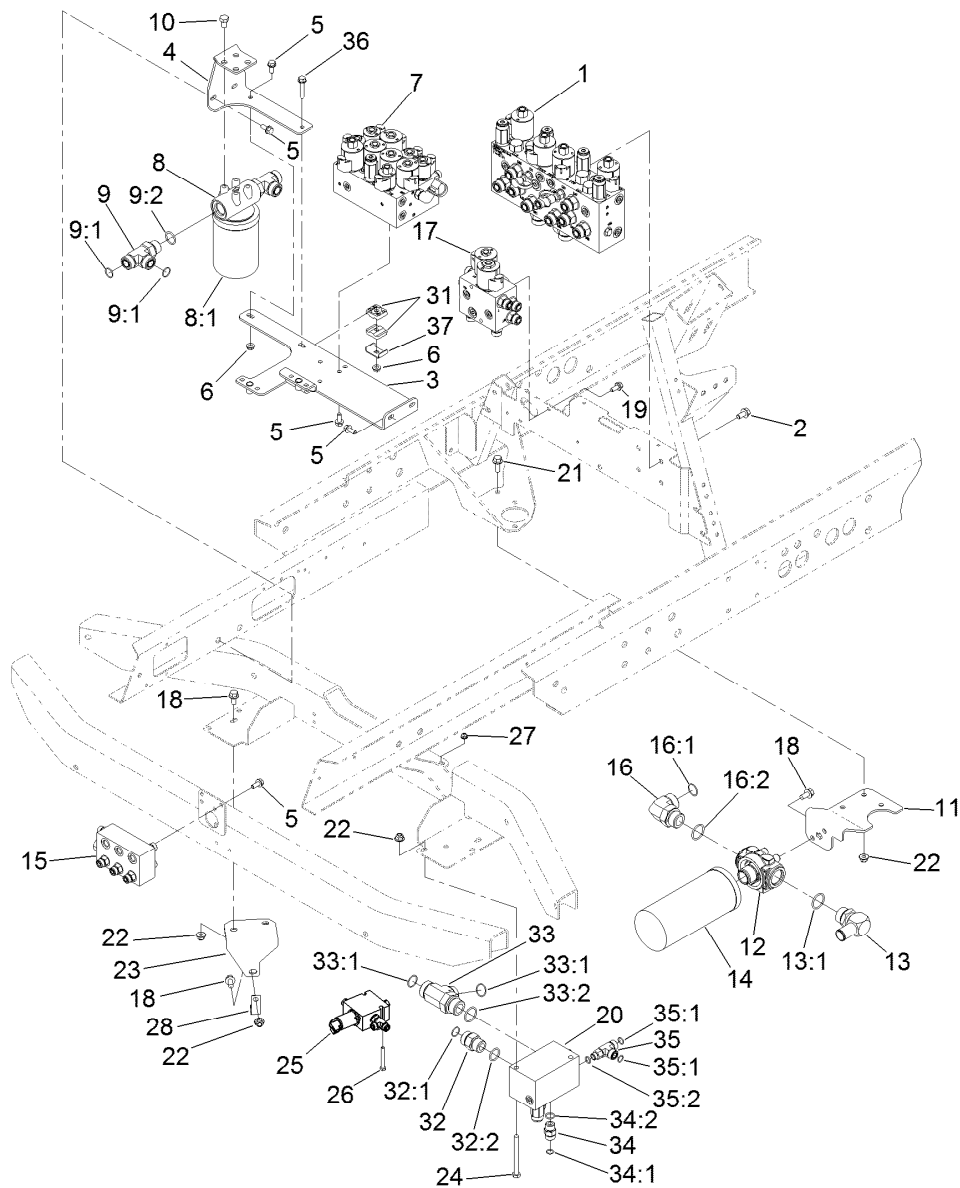


35 = included in overhaul seal kit

# Hydraulic Pump Assembly No. 132-6100 (continued)

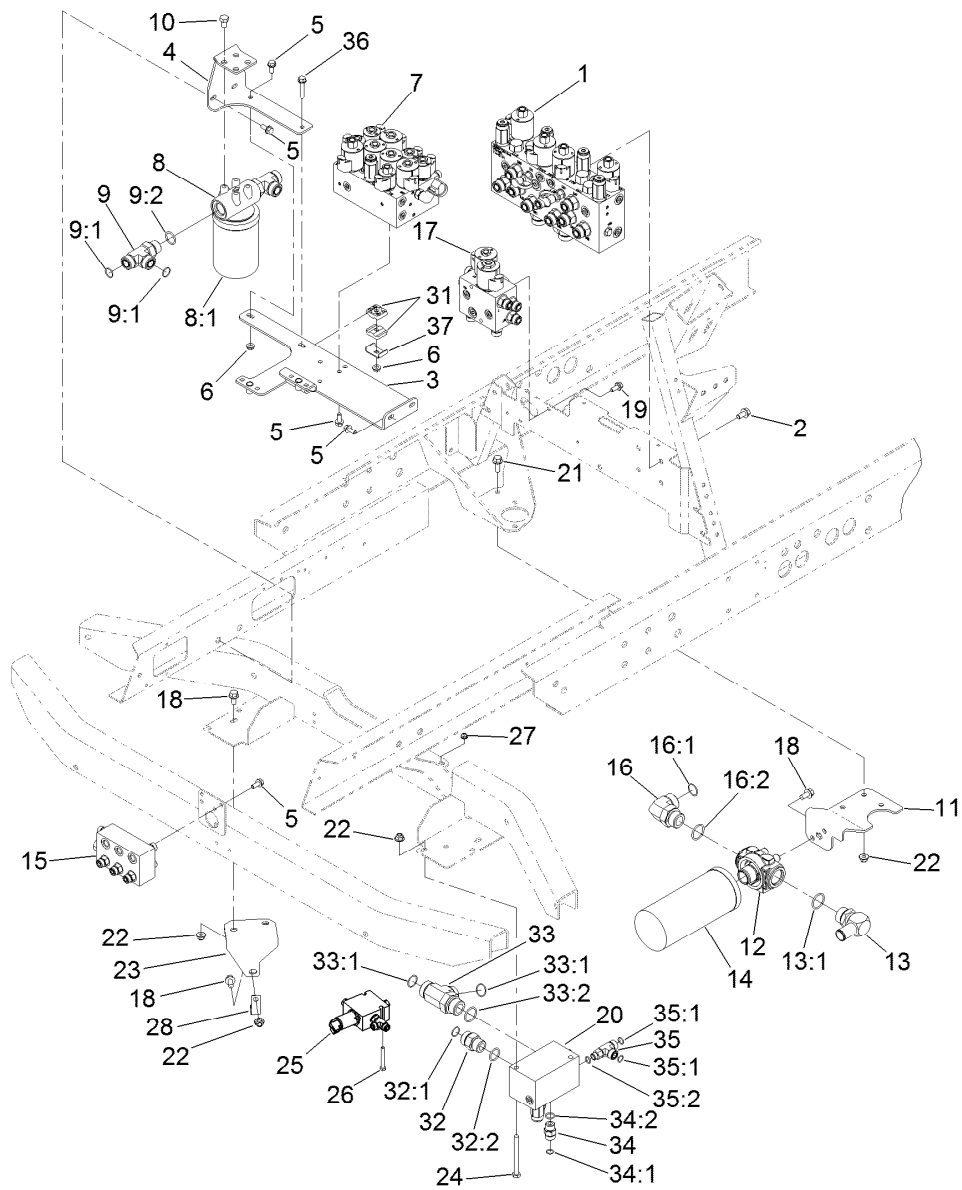
<i>Ref.</i>	<i>Part Number</i>	<i>Qty.</i>	<i>Description</i>	<i>Ref.</i>	<i>Part Number</i>	<i>Qty.</i>	<i>Description</i>
1	132-6203	1	Control Kit	21	125-5282	4	Screw
1:1	132-6204	2	Coil Kit	22	125-5270	4	Screw
1:2	125-5288	2	O-Ring	23	125-5298	1	O-Ring
1:3	125-5273	1	Nut-Seal	24	92-1353	1	Shim Kit
1:4	125-5302	1	Plug	25	125-5301	1	Plug
1:5	125-5274	6	Screw	26	75-0240	2	O-Ring
1:6	125-5272	6	Screw	27	84-0560	2	O-Ring
1:7	125-5269	1	Ring-Locking	28	69-3080	6	Plug
1:8	125-5266	1	Screen	29	69-3130	1	Plug
1:9	125-5283	1	Gasket-Control	30	75-0170	3	Plug-Thread, Straight
2	132-6204	2	Coil Kit	30:1	92-8777	1	O-Ring
3	136-4397	1	Charge Relief Kit	31	125-5270	2	Screw
5	136-4399	1	Shaft	32	110-6485	1	Pin-Slotted
6	75-0460	1	Bearing-Ball	33	136-4393	1	Valve-Relief, High Pressure
7	125-5280	1	Ring-Retaining	34	136-4392	1	Valve-Relief, High Pressure
8	131-8616	2	Ring-Retaining	35	132-6205	1	Overhaul Seal Kit
9	127-6214	1	Seal-Lip	35:1	75-0240	2	O-Ring
10	136-4398	1	Valve Plate	35:2	84-0560	2	O-Ring
11	132-6206	1	O-Ring	35:3	125-5288	2	O-Ring
12	125-5288	2	O-Ring	35:4	125-5283	1	Gasket-Control
13	131-7388	2	O-Ring	35:5	125-5298	1	O-Ring
14	125-5274	6	Screw	35:6	132-6206	1	O-Ring
15	125-5302	1	Plug	35:7	127-6214	1	Seal-Lip
16	125-5273	1	Nut-Seal	35:8		1	Gasket ●
17	125-5272	6	Screw	35:9		2	O-Ring ●
18	125-5283	1	Gasket-Control	35:10		2	Piston Ring ●
19	125-5269	1	Ring-Locking	35:11		2	O-Ring ●
20	125-5266	1	Screen				

● Not serviced separately



## Hydraulic Valve Mounting Assembly

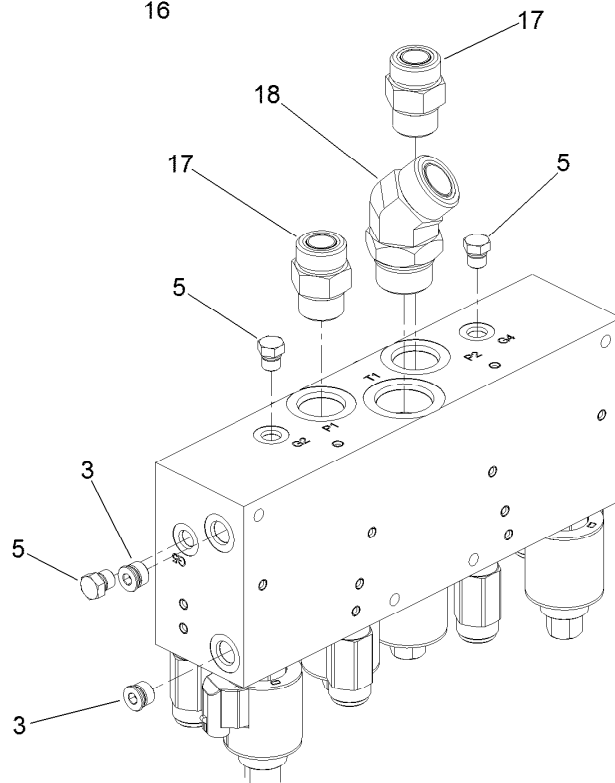
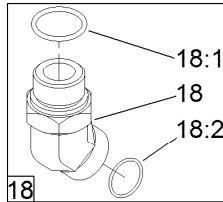
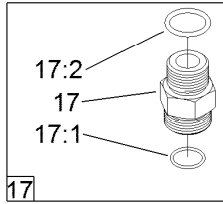
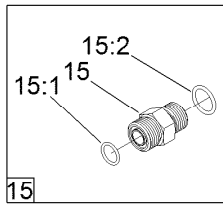
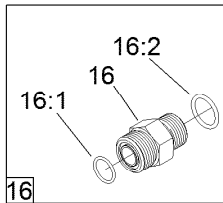
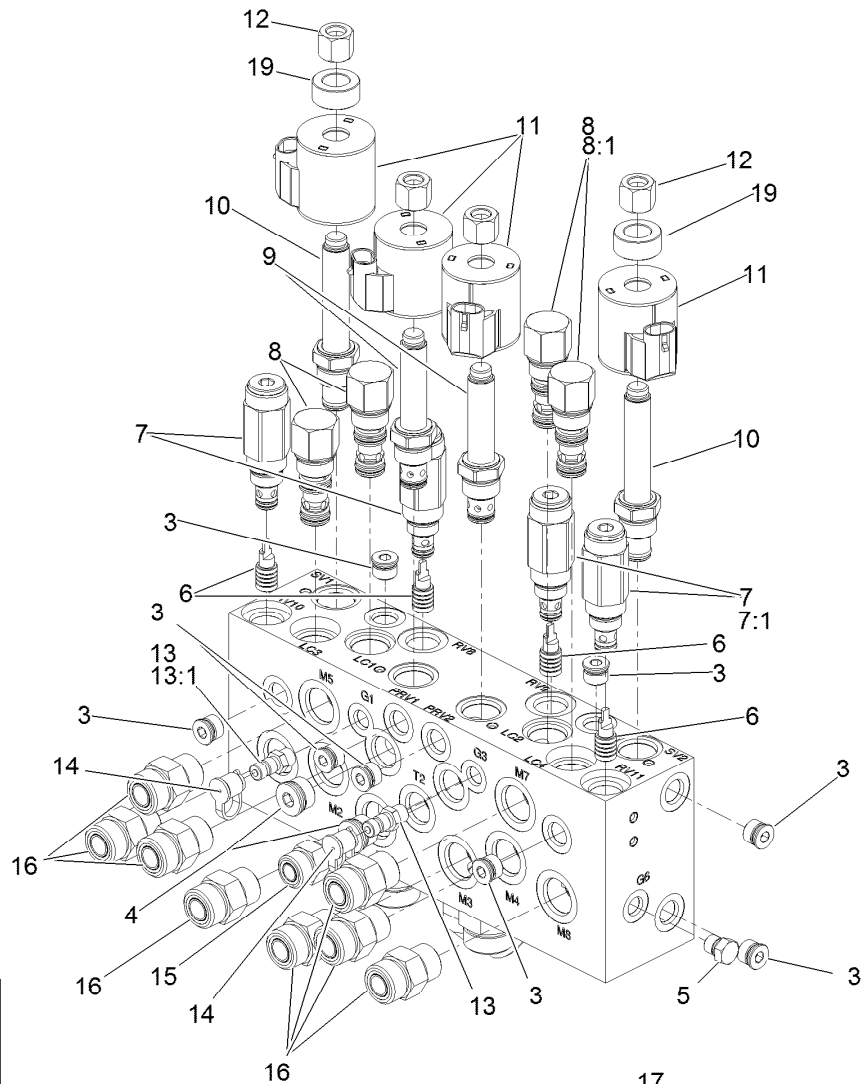
Ref.	Part Number	Qty.	Description	Ref.	Part Number	Qty.	Description
1	136-2916	1	Mow Manifold ASM	16:2	340-65	1	O-Ring
2	110-1718	4	Screw-HHSF,Patch	17	117-2395	1	Fan Drive Manifold ASM
3	117-2362	1	Bracket-Mount, Valve	18	3234-1	5	Screw-HHF
4	104-5492-03	1	Bracket-Mount, Filter	19	100-1668	2	Screw-HHF
5	3234-5	9	Screw-HHF	20	121-3078	1	Rear Traction Manifold ASM
6	32128-20	2	Nut-HF	21	3234-11	2	Screw-HHF
7	117-2389	1	Lift Manifold ASM	22	104-8301	7	Nut-HF, NI
8	93-2242	1	Oil Filter ASM	23	121-3089-03	1	Plate-Mount,Tube
8:1	75-1310	1	Filter-HYD	24	323-42	2	Screw-HH
9	340-148	2	Fitting-Tee	25	138-6946	1	3-Way Valve Manifold ASM
9:1	237-81	1	O-Ring	26	321-11	2	Screw-HH
9:2	237-58	2	O-Ring	27	104-7201	2	Nut-HF, NI
10	33115-016	4	Screw-HH	28	2412-150	1	Clip-J
11	120-8022-03	1	Plate-Mount, Filter	31	56-7973	2	Clamp-Tube
12	121-1577	1	Head-Filter	32	340-9	1	Fitting-STR
13	23-8910	1	Stem-Barb-90	32:1	237-58	1	O-Ring
13:1	237-146	1	O-Ring	32:2	237-81	1	O-Ring
14	94-2621	1	Element-Filter	33	104-3795	1	Fitting-Tee
15	117-2394	1	Junction Manifold ASM	33:1	340-65	2	O-Ring
16	340-129	1	Fitting-Elbow, 90 DEG	33:2	237-146	1	O-Ring
16:1	237-146	1	O-Ring	34	340-4	1	Fitting-Straight



## Hydraulic Valve Mounting Assembly (continued)

<i>Ref.</i>	<i>Part Number</i>	<i>Qty.</i>	<i>Description</i>	<i>Ref.</i>	<i>Part Number</i>	<i>Qty.</i>	<i>Description</i>
34:1	237-30	1	O-Ring	35:2	237-42	1	O-Ring
34:2	237-79	1	O-Ring	36	94-5780	1	Screw-HWH
35	110-0064	1	Fitting-Tee	37	119-1418	1	Plate-Clamp, Short
35:1	237-30	2	O-Ring				

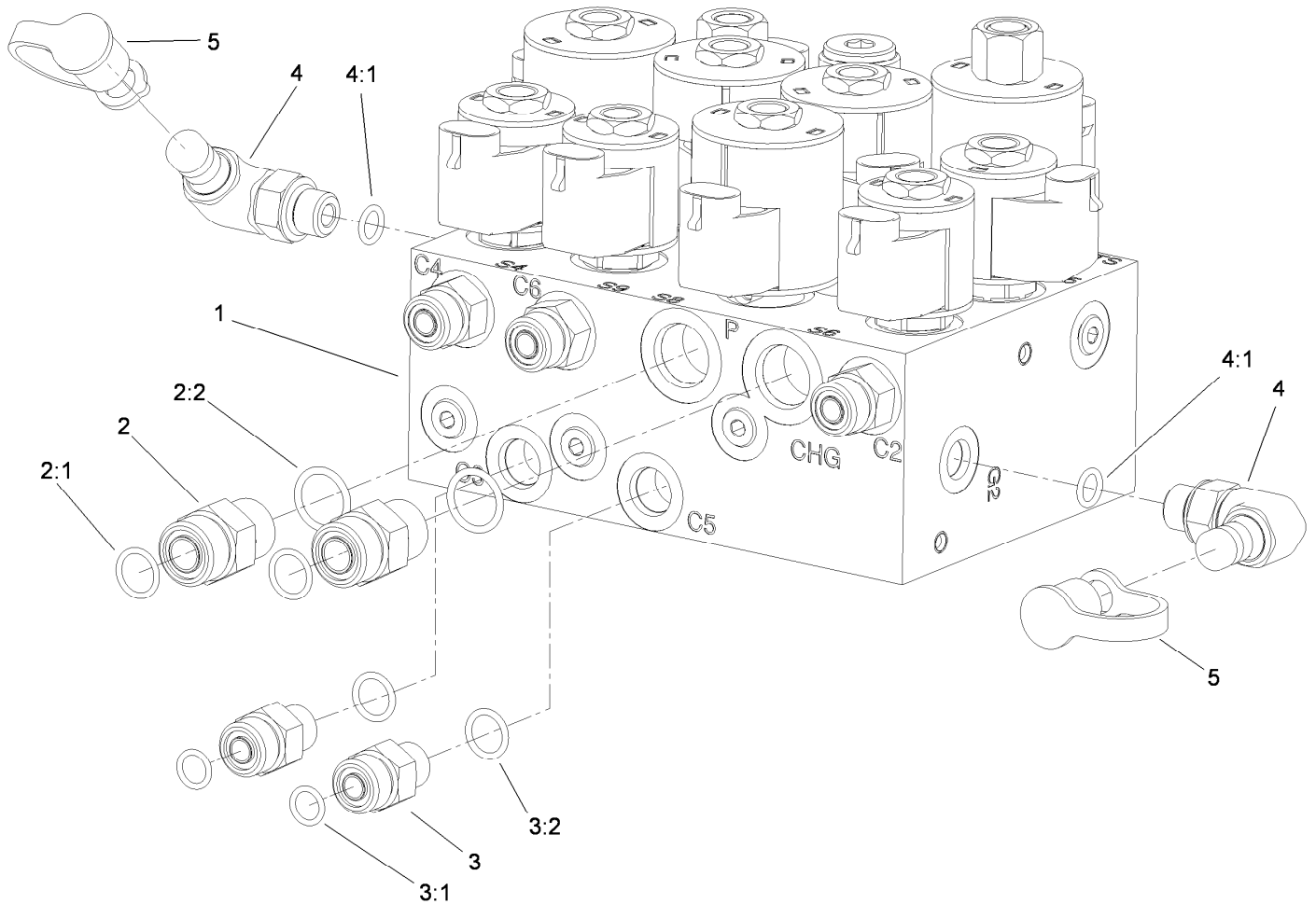
# Mow Manifold Assembly No. 136-2916



## Mow Manifold Assembly No. 136-2916 (continued)

<i>Ref.</i>	<i>Part Number</i>	<i>Qty.</i>	<i>Description</i>	<i>Ref.</i>	<i>Part Number</i>	<i>Qty.</i>	<i>Description</i>
3	112-9213	10	Plug	14	354-79	2	Cap-Dust
4	106-1027	2	Plug	15	340-4	1	Fitting-Straight
5	117-0115	4	Plug	15:1	237-30	1	O-Ring
6	105-9157	4	Piston-Pilot	15:2	237-79	1	O-Ring
7	112-5259	4	Valve-Relief	16	340-7	8	Fitting-Straight
7:1	105-9156	1	Seal Kit	16:1	237-65	1	O-Ring
8	105-9153	4	Element-Logic, Vented	16:2	237-80	1	O-Ring
8:1	119-2159	1	Seal Kit	17	340-9	2	Fitting-STR
9	110-8799	2	Valve-Relief, Proportional	17:1	237-58	1	O-Ring
10	136-3279	2	Valve-Proportional	17:2	237-81	1	O-Ring
11	110-6344	4	Coil-12V, DC	18	104-3509	1	Fitting-HYD, 45 DEG
12		4	Coil Nut ●	18:1	237-146	1	O-Ring
13	354-77	2	Fitting-Quick	18:2	340-65	1	O-Ring
13:1	237-78	1	O-Ring	19		2	Coil Spacer ●

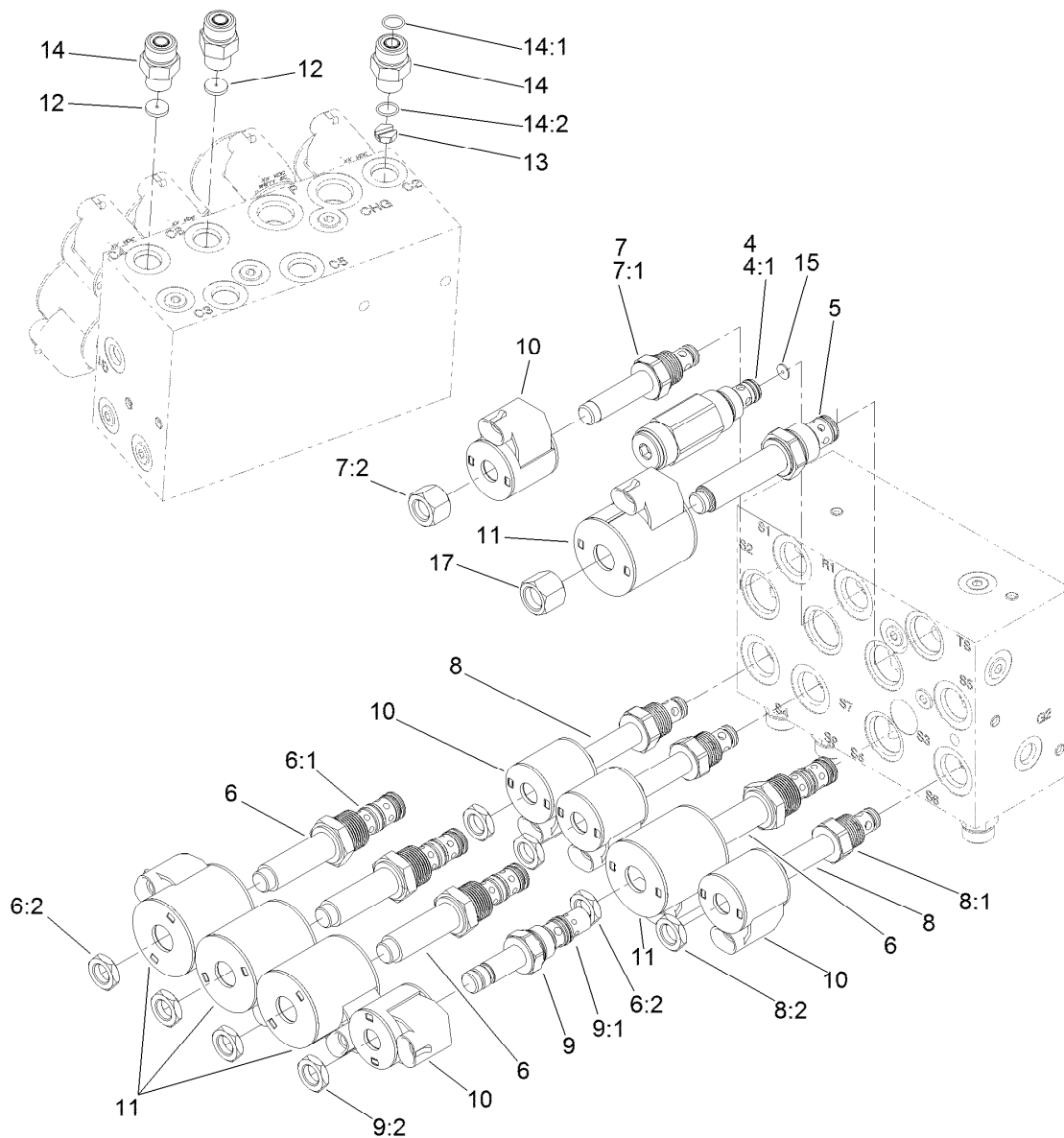
● Not serviced separately



## Lift Manifold Assembly No. 117-2389

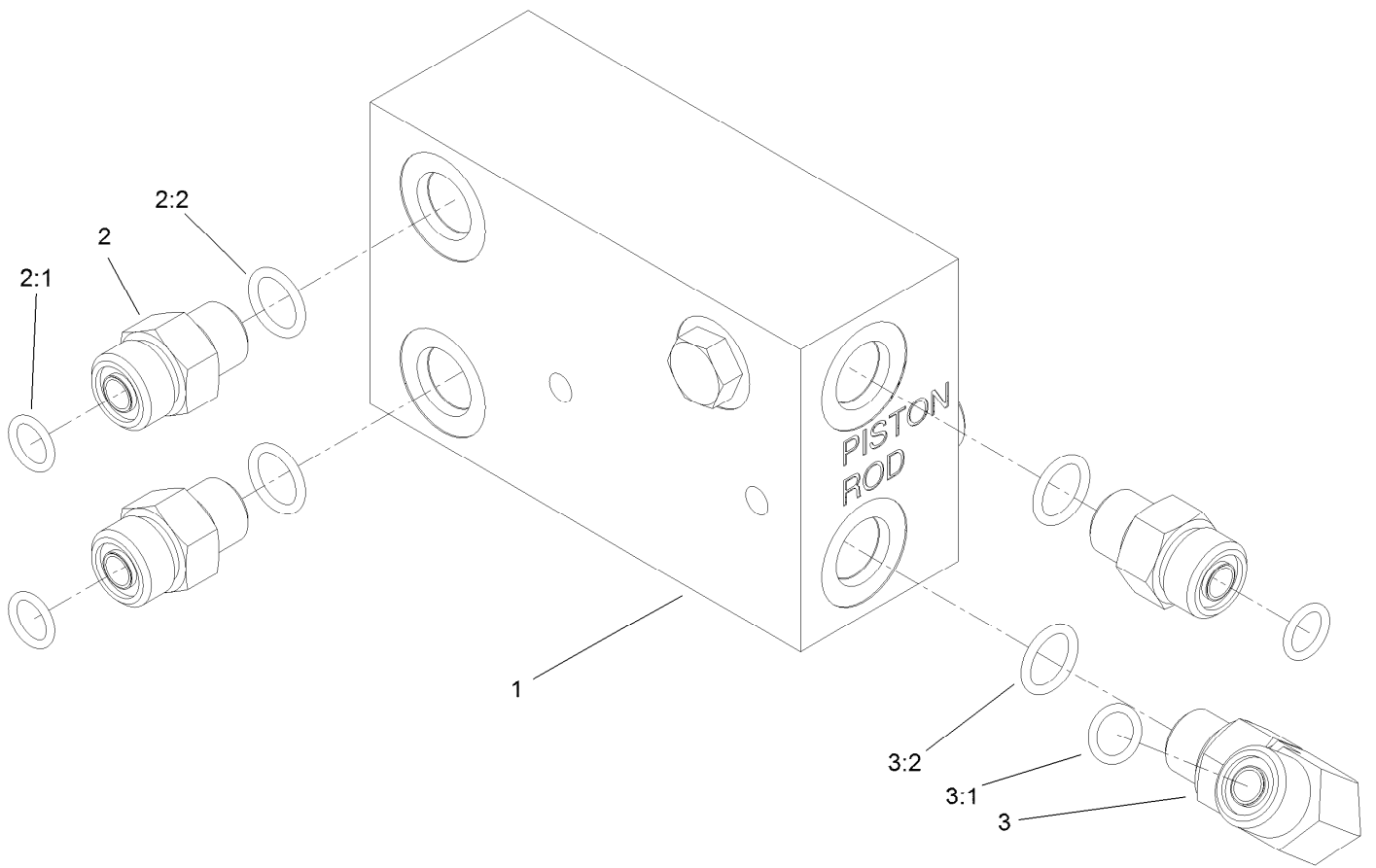
Ref.	Part Number	Qty.	Description
1		1	Manifold-Lift ●
2	340-4	2	Fitting-Straight
2:1	237-30	1	O-Ring
2:2	237-79	1	O-Ring
3	340-2	2	Fitting-Straight
3:1	237-22	1	O-Ring
3:2	237-42	1	O-Ring
4	115-9147	2	Fitting-Elbow, 90 DEG
4:1	237-78	1	O-Ring
5	354-79	2	Cap-Dust

● Not serviced separately



## Lift Manifold Assembly

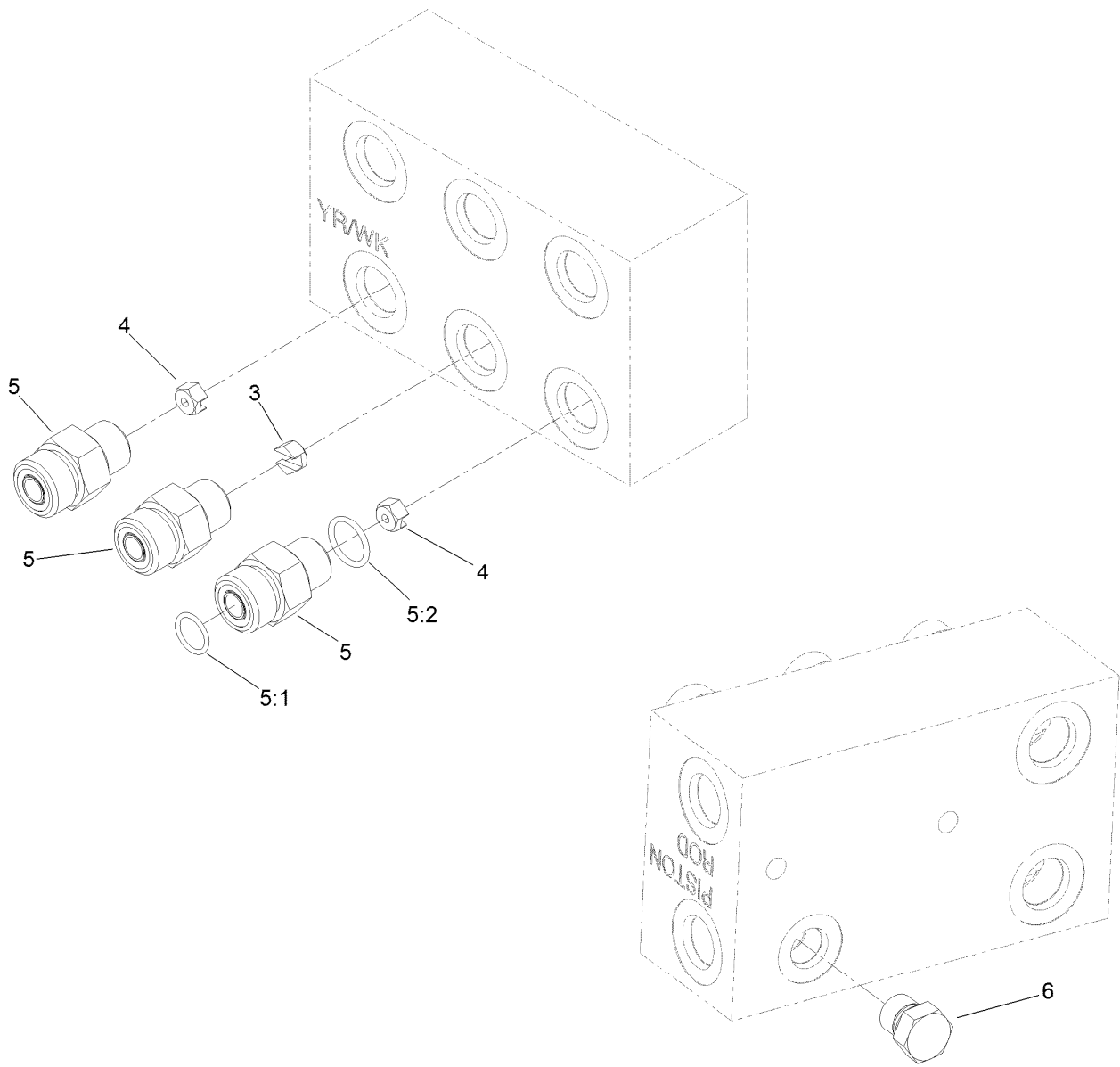
<i>Ref.</i>	<i>Part Number</i>	<i>Qty.</i>	<i>Description</i>	<i>Ref.</i>	<i>Part Number</i>	<i>Qty.</i>	<i>Description</i>
4	127-6371	1	Valve-Relief	9	115-5405	1	Solenoid Valve ASM
4:1	105-9156	1	Seal Kit	9:1	115-5413	1	Seal Kit
5	117-2399	1	Relief Valve-Proportional	9:2	110-2634	1	Nut-Coil
6	115-5400	4	Solenoid Valve ASM	10	110-0497	5	Coil-Solenoid
6:1	107-7813	1	Seal Kit	11	110-6344	5	Coil-12V, DC
6:2	110-2634	1	Nut-Coil	12	117-4757	2	Orifice-Disk, .063
7	107-7517	1	Valve-Solenoid	13	117-4756	1	Orifice-Flow Control, .080
7:1	105-9156	1	Seal Kit	14	340-2	3	Fitting-Straight
7:2	107-7812	1	Nut-Solenoid	14:1	237-22	1	O-Ring
8	112-9206	3	Solenoid Valve ASM	14:2	237-42	1	O-Ring
8:1	105-9156	1	Seal Kit	15	127-6372	1	Orifice Disc,.081
8:2	110-2634	1	Nut-Coil	17	130-8181	1	Nut-Coil (1/2-20 Unf-2B)



## Junction Manifold Assembly No. 117-2394

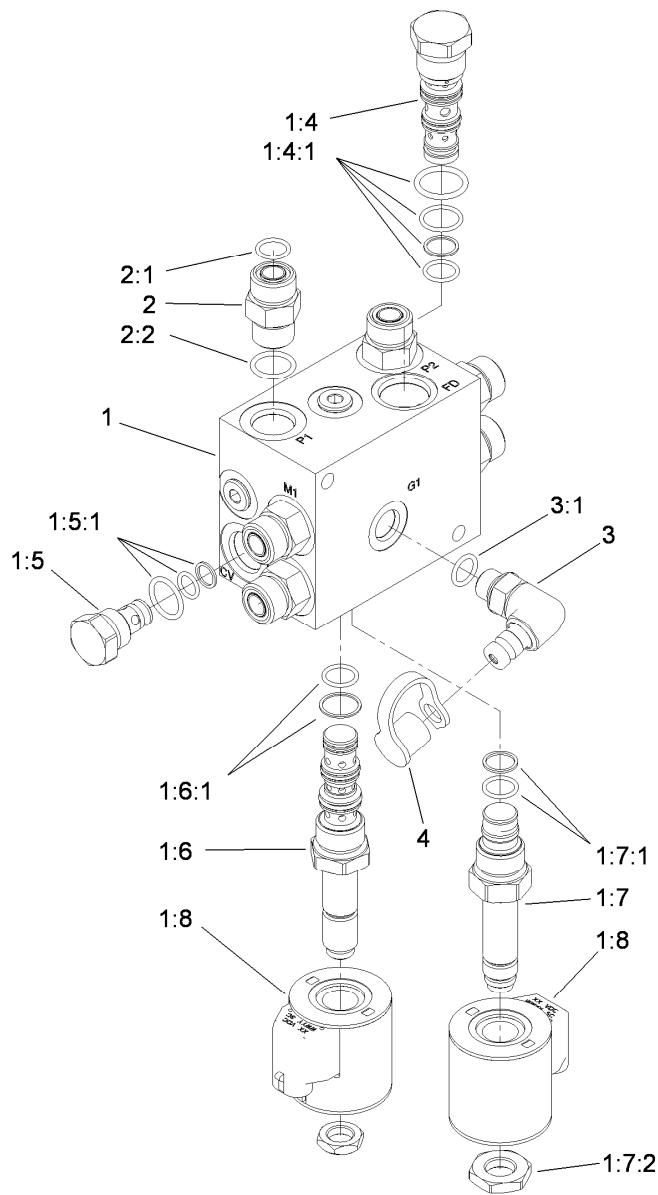
<i>Ref.</i>	<i>Part Number</i>	<i>Qty.</i>	<i>Description</i>
1		1	Manifold-Junction ●
2	340-2	3	Fitting-Straight
2:1	237-22	1	O-Ring
2:2	237-42	1	O-Ring
3	340-77	1	Fitting-Elbow, 90 DEG
3:1	237-22	1	O-Ring
3:2	237-42	1	O-Ring

● Not serviced separately



## Junction Manifold Assembly

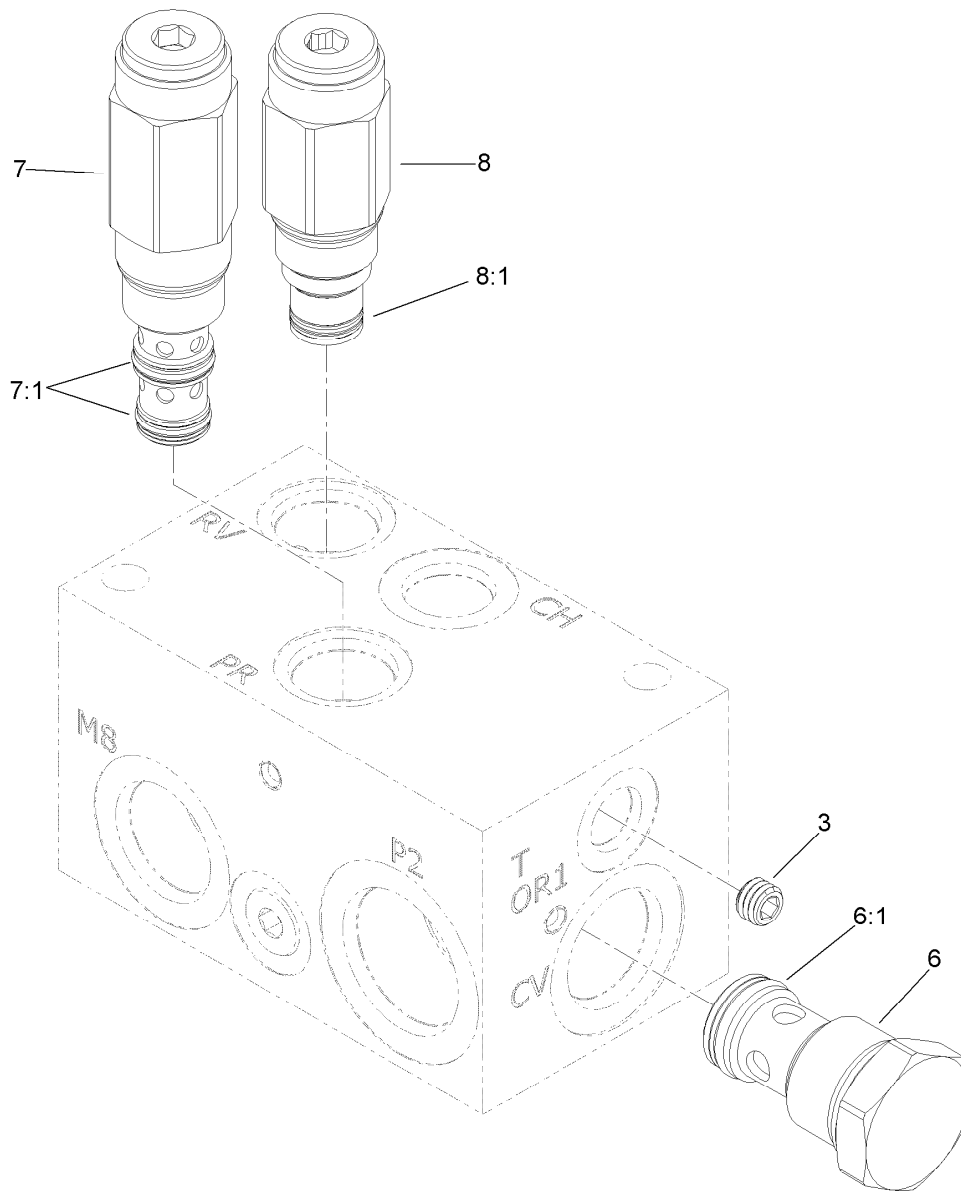
<i>Ref.</i>	<i>Part Number</i>	<i>Qty.</i>	<i>Description</i>
3	119-2010	1	Orifice-Control, Flow (0.055)
4	119-2009	2	Orifice-Flow Control (0.030)
5	340-2	3	Fitting-Straight
5:1	237-22	1	O-Ring
5:2	237-42	1	O-Ring
6	117-0115	1	Plug



## Fan Drive Manifold Assembly No. 117-2395

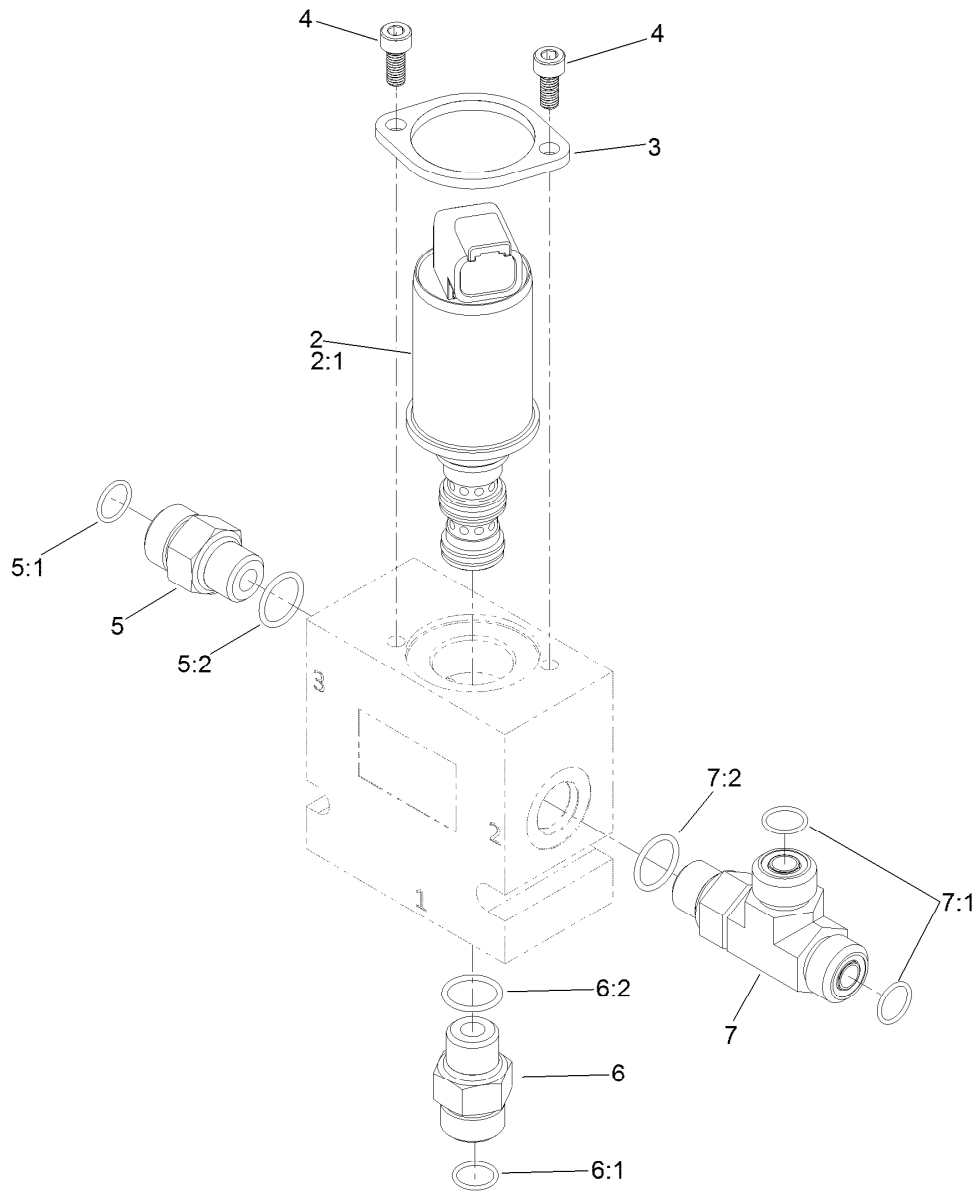
Ref.	Part Number	Qty.	Description	Ref.	Part Number	Qty.	Description
1		1	Fan Drive Manifold ASM ●	1:7:1	110-6316	1	Seal Kit
1:4	115-3024	1	Valve-Flow Divider/Combiner	1:7:2	119-7715	1	Nut-Coil
1:4:1	115-3025	1	Seal Kit	1:8	110-6344	2	Coil-12V, DC
1:5	105-9321	1	Check Valve ASM	2	340-4	7	Fitting-Straight
1:5:1	105-9156	1	Seal Kit	2:1	237-30	1	O-Ring
1:6	115-3023	1	Solenoid Valve ASM	2:2	237-79	1	O-Ring
1:6:1	110-8908	1	Spool Valve Seal Kit	3	115-9148	1	Fitting-Elbow-90
1:7	115-3022	1	Relief-Proportional	3:1	237-42	1	O-Ring
				4	354-79	1	Cap-Dust

● Not serviced separately



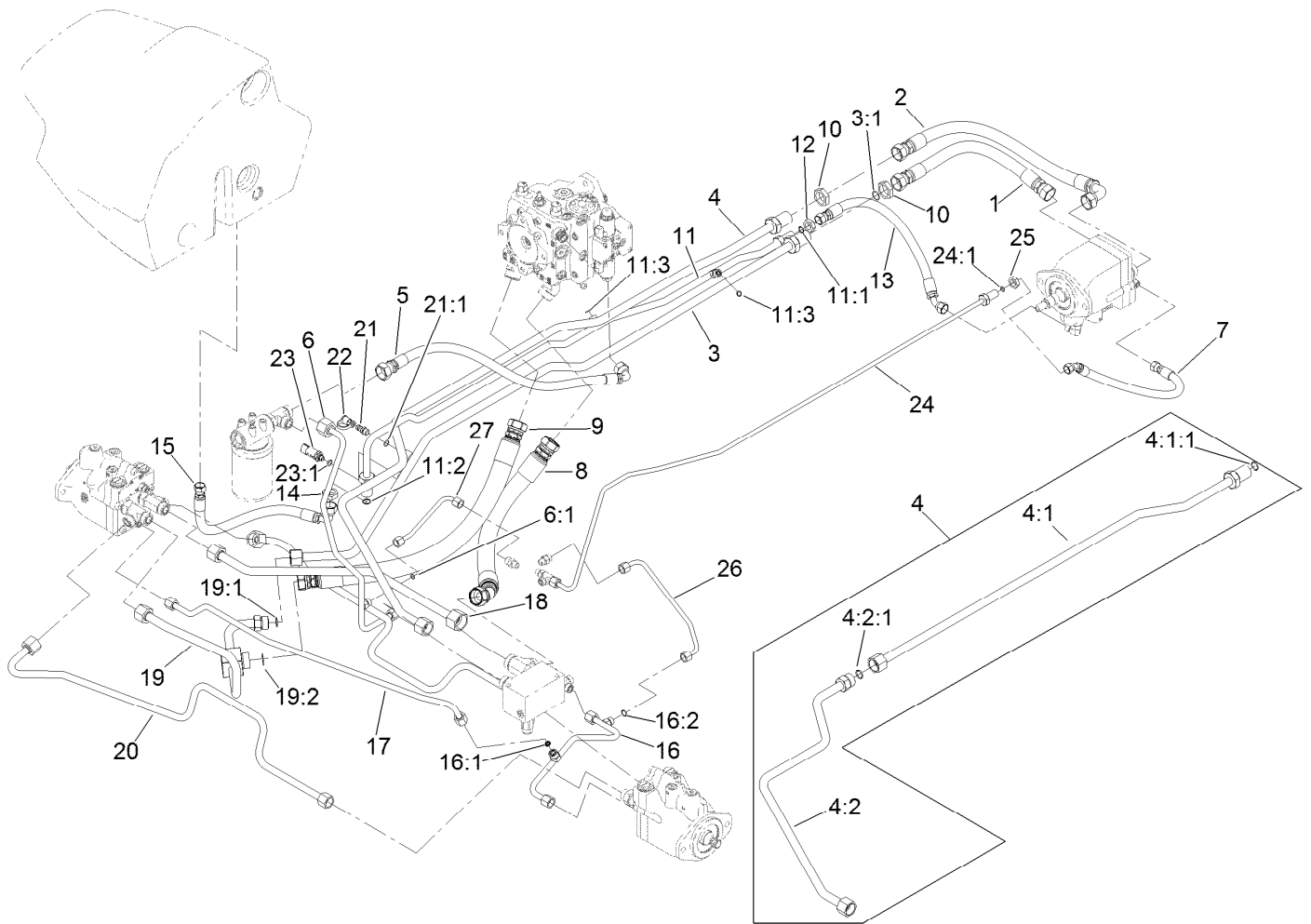
## Traction Manifold Assembly No. 121-3078

<i>Ref.</i>	<i>Part Number</i>	<i>Qty.</i>	<i>Description</i>
3	110-0495	1	Plug-Orifice (0.050 Inch)
6	125-4328	1	Valve-Check
6:1	125-4336	1	Seal Kit
7	125-7567	1	Valve-Pressure Reducing
7:1	125-4334	1	Seal Kit
8	125-7566	1	Valve-Relief
8:1	110-6316	1	Seal Kit



## 3-Way Valve Manifold Assembly No. 138-6946

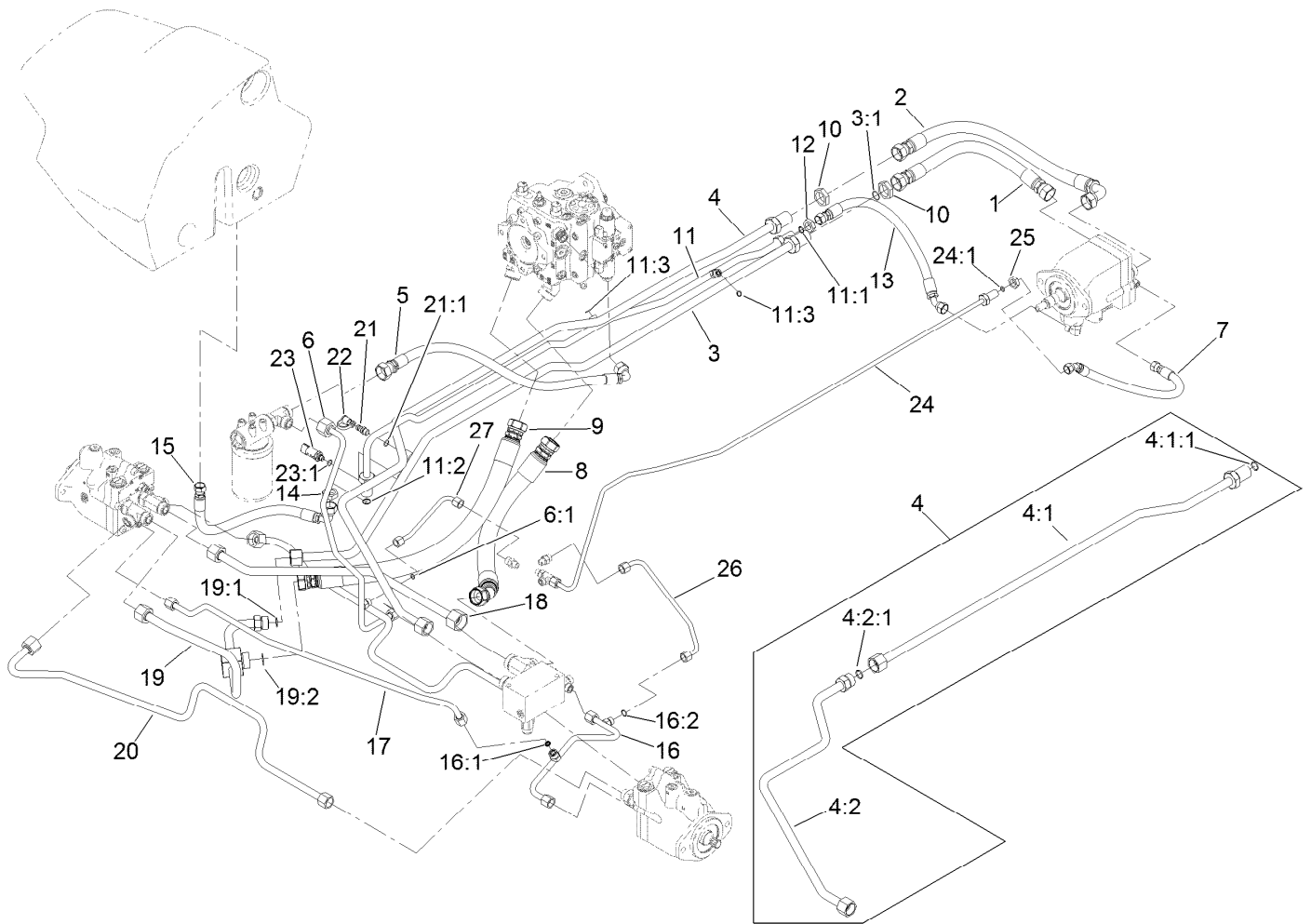
<i>Ref.</i>	<i>Part Number</i>	<i>Qty.</i>	<i>Description</i>
2	138-3828	1	Valve-Solenoid, 3 Way 2 Position
2:1	138-3831	1	Seal Kit
3	138-3825	2	Plate-Mounting, Standard
4	138-3827	1	Screw
5	92-9258	1	Adapter-Check
5:1	237-22	1	O-Ring
5:2	237-42	1	O-Ring
6	340-2	1	Fitting-Straight
6:1	237-22	1	O-Ring
6:2	237-42	1	O-Ring
7	340-86	1	Fitting-Tee
7:1	237-22	2	O-Ring
7:2	237-42	1	O-Ring



## Hydraulic Traction Circuit Assembly

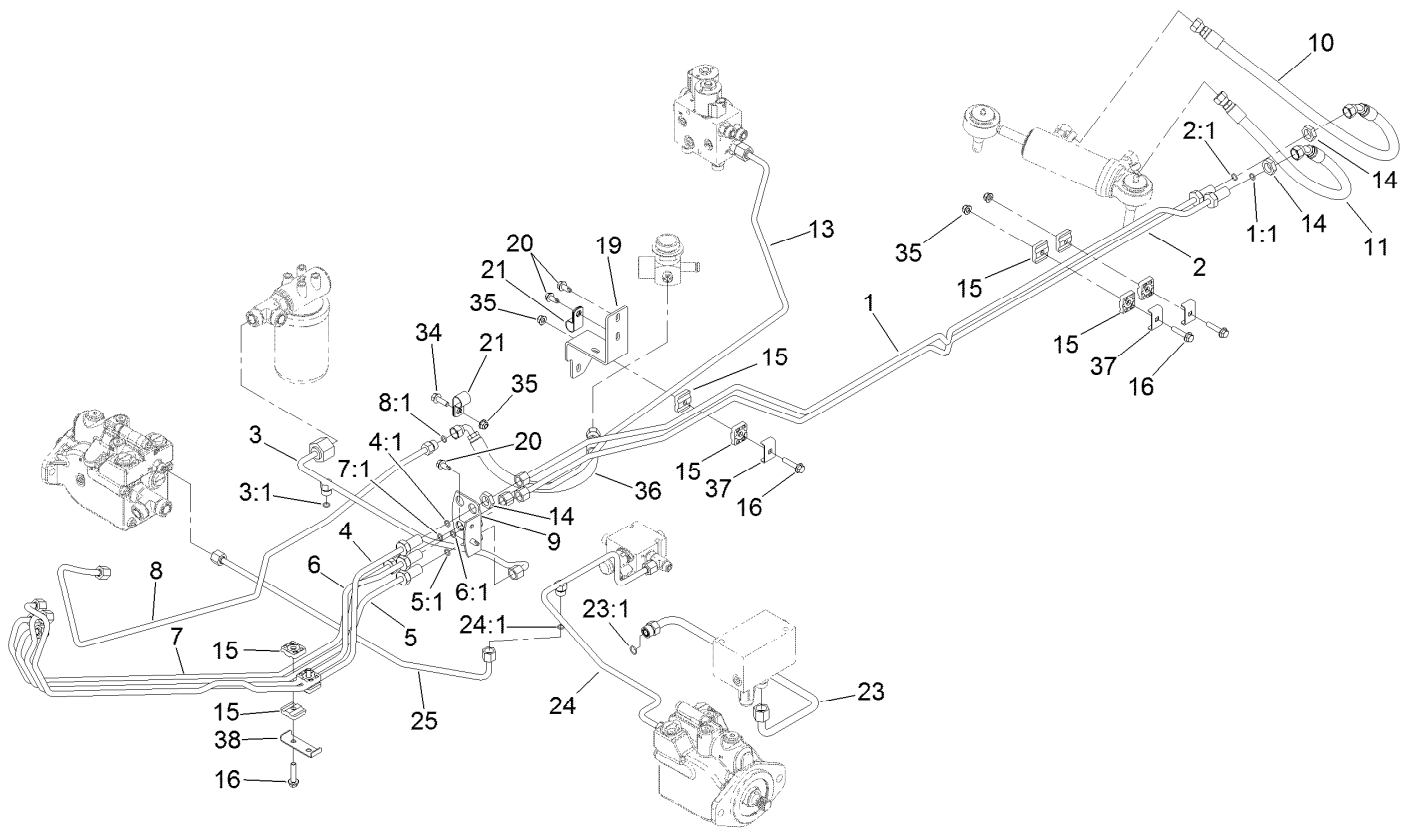
Ref.	Part Number	Qty.	Description
1	120-8053	1	Hose ASM
2	104-3789	1	Filter Hose ASM
3	120-8079	1	Tube ASM
3:1	237-58	1	O-Ring
4	136-2945	1	HYD Tube Kit
4:1	138-1246	1	Tube ASM
4:1:1	237-58	1	O-Ring
4:2	138-1247	1	Tube ASM
4:2:1	237-58	1	O-Ring
5	136-2925	1	Hose ASM
6	120-8047	1	Tube ASM
6:1	237-22	1	O-Ring
7	92-7595	1	Hose-HYD
8	136-2927	1	Hose ASM
9	136-2928	1	Hose ASM
10	340-126	2	Nut-Bulkhead
11	136-2882	1	HYD Tube ASM
11:1	237-30	1	O-Ring
11:2	237-65	1	O-Ring
11:3	237-22	2	O-Ring
12	340-127	1	Nut-Bulkhead

Ref.	Part Number	Qty.	Description
13	92-2406	1	Hose-HYD
14	340-74	1	Nut-Lock, Bulkhead
15	136-2911	1	Hose ASM
16	121-3055	1	Tube ASM
16:1	237-30	1	O-Ring
16:2	237-22	1	O-Ring
17	121-3056	1	Tube ASM
18	121-3123	1	Tube ASM
19	125-4569	1	Tube ASM
19:1	237-58	1	O-Ring
19:2	340-65	1	O-Ring
20	121-3054	2	Tube ASM
21	59-7410	1	Fitting-Diagnostic
21:1	237-42	1	O-Ring
22	354-79	1	Cap-Dust
23	119-0011	1	Pressure Transducer ASM
23:1	237-78	1	O-Ring
24	120-8052	1	Tube ASM
24:1	237-22	1	O-Ring
25	340-70	1	Nut-Lock



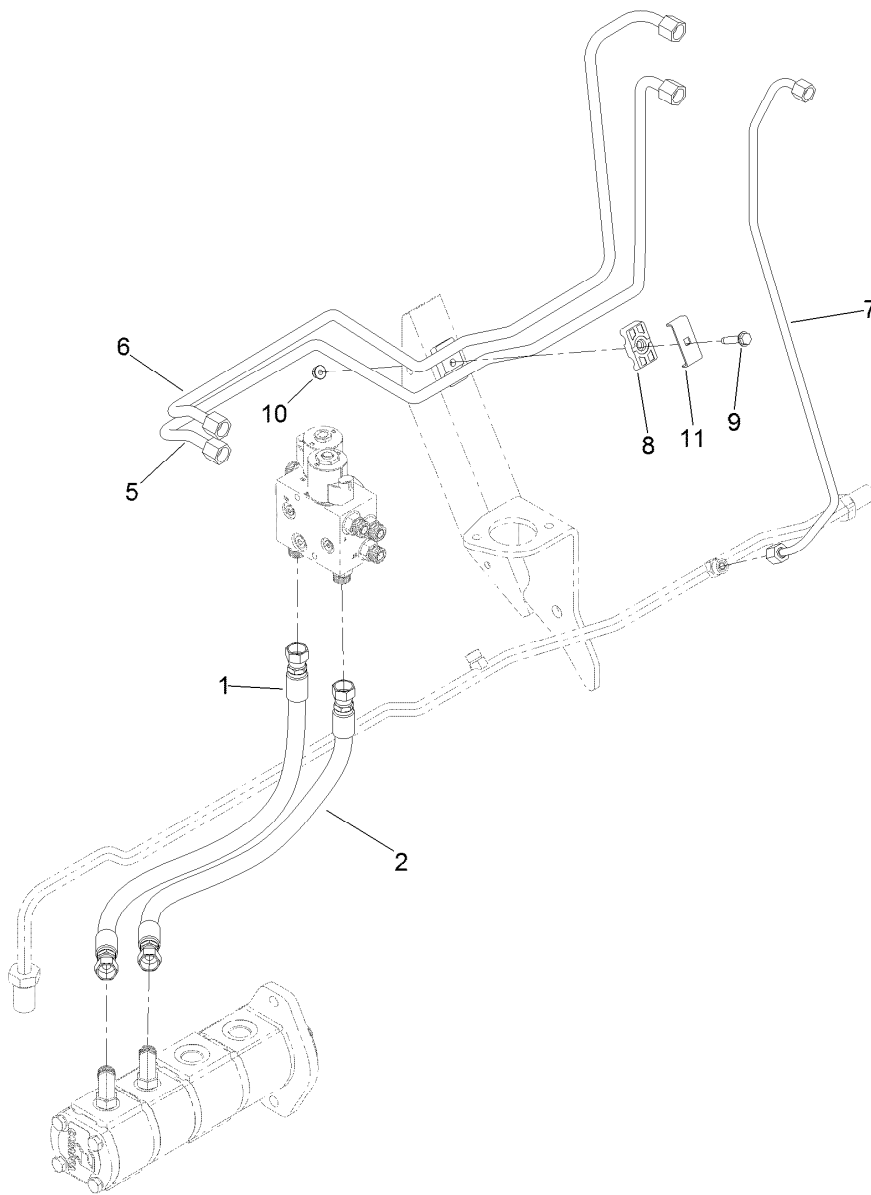
## Hydraulic Traction Circuit Assembly (continued)

<i>Ref.</i>	<i>Part Number</i>	<i>Qty.</i>	<i>Description</i>
26	125-4563	1	Tube ASM
27	125-4566	1	Tube ASM



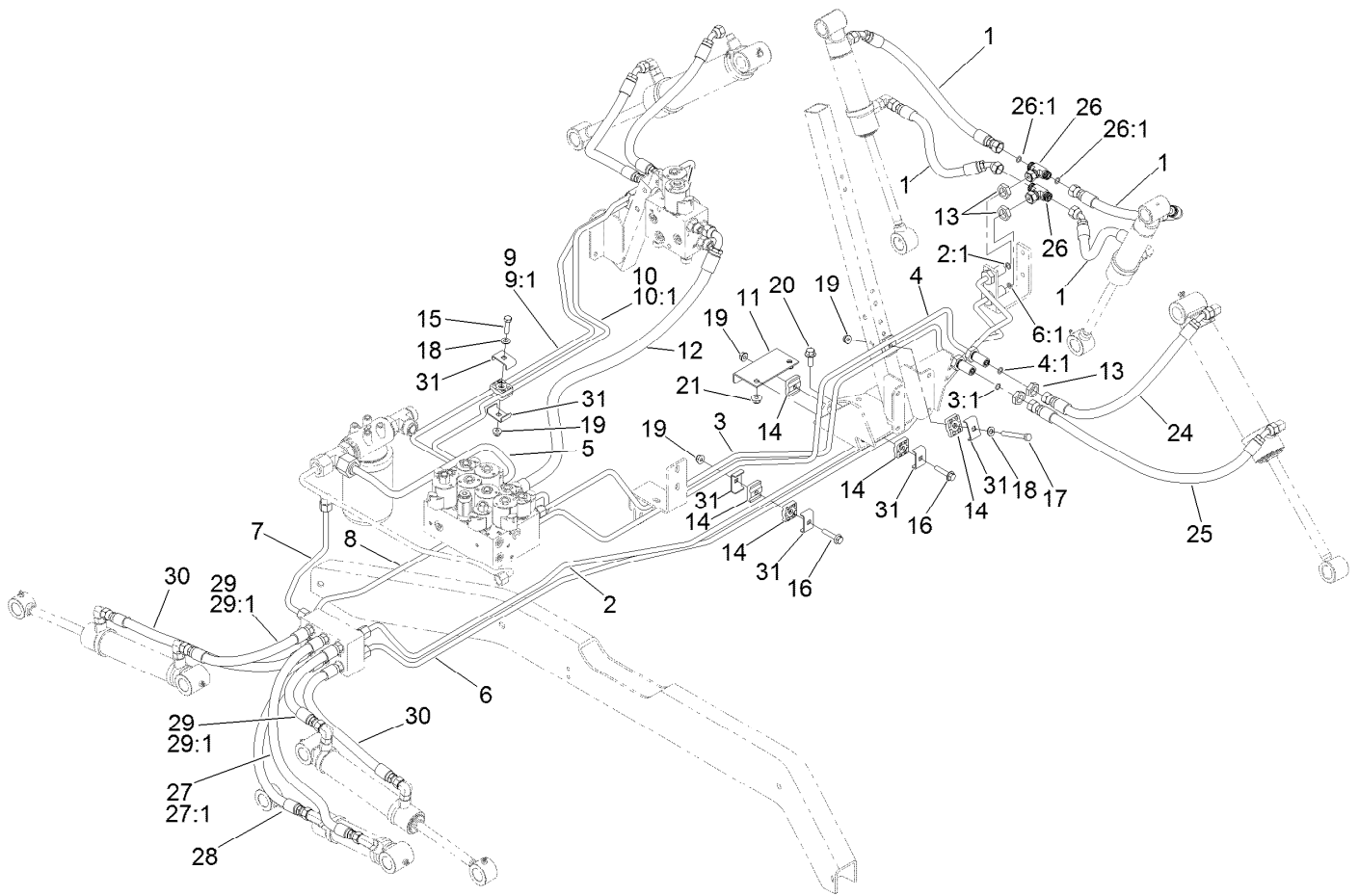
## Steering Hydraulic Assembly

<i>Ref.</i>	<i>Part Number</i>	<i>Qty.</i>	<i>Description</i>	<i>Ref.</i>	<i>Part Number</i>	<i>Qty.</i>	<i>Description</i>
1	120-8056	1	Tube ASM	11	92-7539	1	Hose-HYD
1:1	237-22	1	O-Ring	13	120-8057	1	Tube ASM
2	120-8055	1	Tube ASM	14	340-70	6	Nut-Lock
2:1	237-22	1	O-Ring	15	56-7973	10	Clamp-Tube
3	115-4412	1	Tube ASM	16	115-1794	5	Screw-HHF
3:1	237-22	1	O-Ring	19	105-3993-03	1	Bracket-Support, Tube
4	115-4408	1	Tube ASM	20	32104-32	4	Screw-HWH
4:1	237-22	1	O-Ring	21	2412-81	2	Clamp-R
5	115-4406	1	Tube ASM	23	125-4570	1	Tube ASM
5:1	237-22	1	O-Ring	23:1	237-30	1	O-Ring
6	115-4409	1	Tube ASM	24	121-3064	1	Tube ASM
6:1	237-22	1	O-Ring	24:1	237-22	1	O-Ring
7	115-4405	1	Tube ASM	25	121-3063	1	Tube ASM
7:1	237-22	1	O-Ring	34	3234-29	1	Screw-HHF
8	125-4581	1	Tube ASM	35	104-8300	4	Nut-HF, NI
8:1	237-22	1	O-Ring	36	92-5694	1	Hose-Hydraulic
9	92-7606-03	1	Bracket-Bulkhead	37	119-1418	3	Plate-Clamp, Short
10	125-4560	1	Hose ASM	38	131-7789	1	Plate-Bent, Clamp



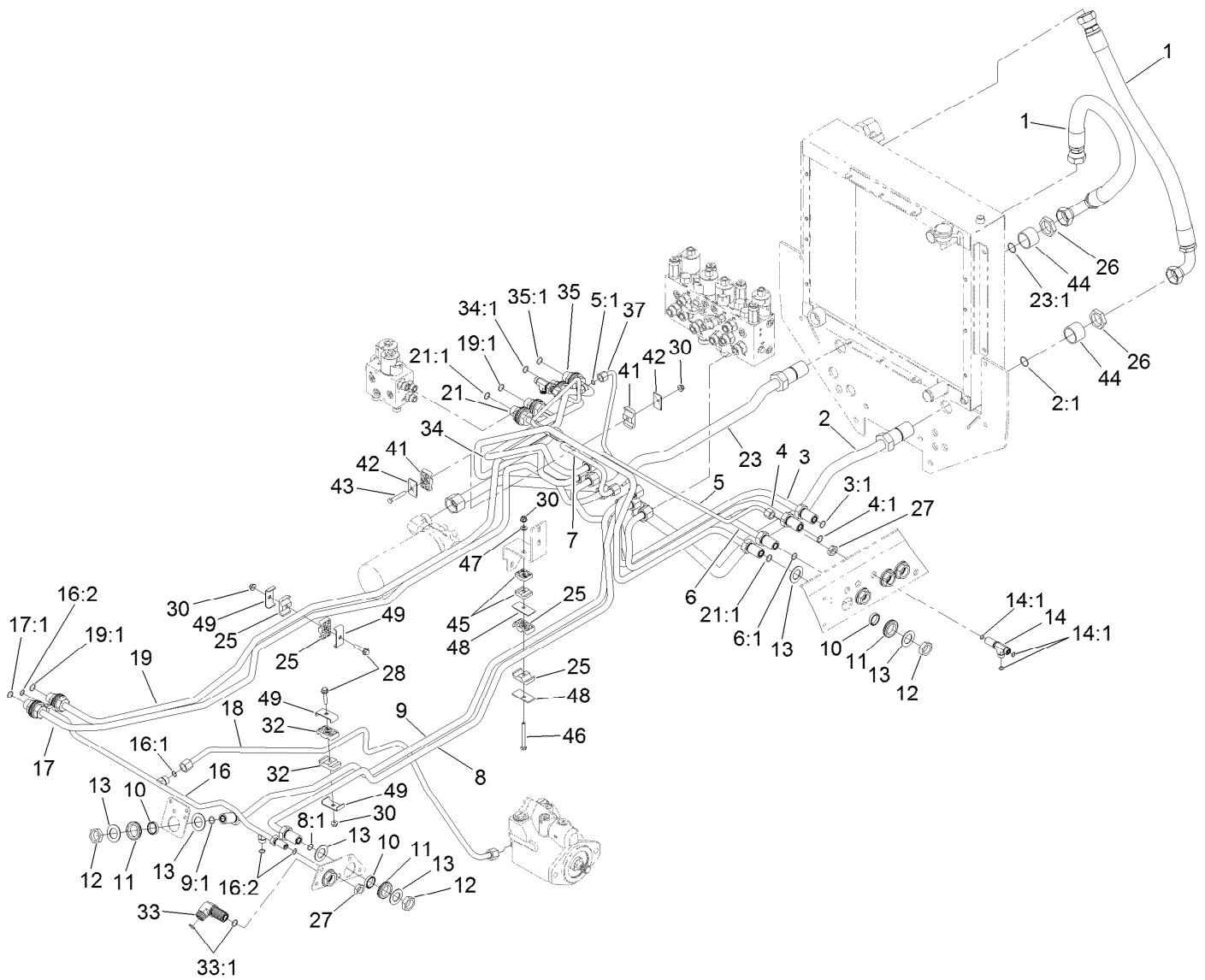
## Hydraulic Traction Circuit Assembly

<i>Ref.</i>	<i>Part Number</i>	<i>Qty.</i>	<i>Description</i>
1	125-4558	1	Hose ASM
2	95-8829	1	Hose ASM
5	125-4601	1	Tube ASM
6	125-4599	1	Tube ASM
7	125-4602	1	Tube ASM
8	56-7976	2	Clamp-Tube
9	32144-57	1	Screw
10	104-8300	1	Nut-HF, NI
11	119-1419	1	Plate-Clamp



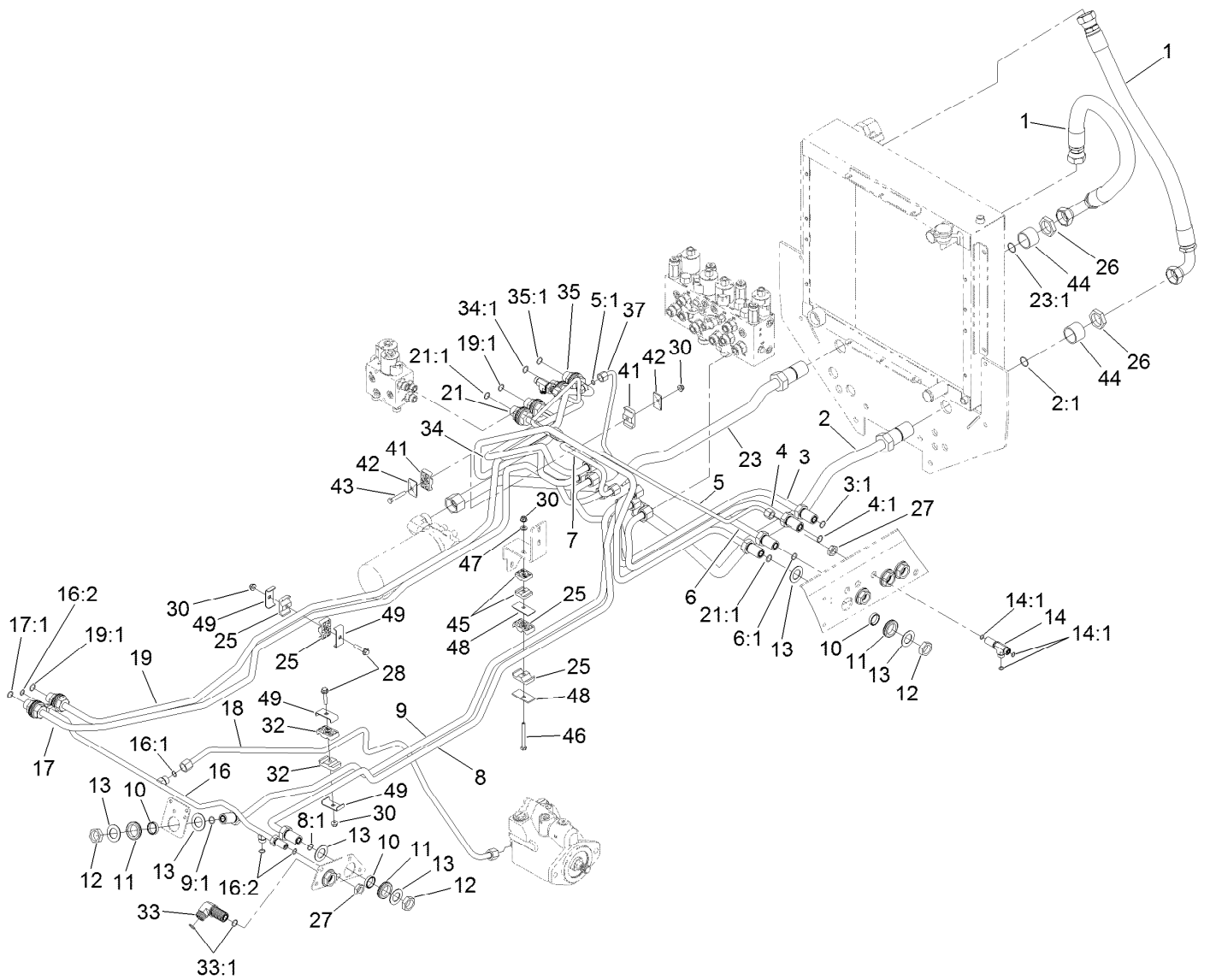
## Deck Lift Hydraulic Circuit Assembly

Ref.	Part Number	Qty.	Description	Ref.	Part Number	Qty.	Description
1	105-9238	4	Hose-HYD	14	56-7973	10	Clamp-Tube
2	121-3103	1	Tube ASM	15	322-6	1	Screw-HH
2:1	237-22	1	O-Ring	16	115-1794	2	Screw-HHF
3	114-8140	1	Tube ASM	17	322-14	2	Screw-HH
3:1	237-22	1	O-Ring	18	3256-23	3	Washer-Plain
4	114-8141	1	Tube ASM	19	104-8300	5	Nut-HF, NI
4:1	237-22	1	O-Ring	20	3234-11	2	Screw-HHF
5	114-8143	1	Tube-HYD	21	104-8301	2	Nut-HF, NI
6	121-3104	1	Tube ASM	24	105-3918	2	Hose-HYD
6:1	237-22	1	O-Ring	25	105-3919	2	Hose-HYD
7	115-9121	1	Tube-HYD	26	340-166	2	Fitting-Tee
8	114-8142	1	Tube-HYD	26:1	237-22	2	O-Ring
9	114-8138	1	Tube ASM	27	104-5511	1	Hose -HYD
9:1	237-22	1	O-Ring	27:1	237-42	1	O-Ring
10	114-8139	1	Tube ASM	28	100-5629	1	Hose ASM
10:1	237-22	1	O-Ring	29	104-5512	2	Hose-HYD
11	105-3990-03	1	Bracket-Support, Tube	29:1	237-42	1	O-Ring
12	131-7758	1	Hose ASM	30	99-3579	2	Hose-HYD
13	340-70	6	Nut-Lock	31	119-1418	7	Plate-Clamp, Short



## Hydraulic Mow Circuit Assembly

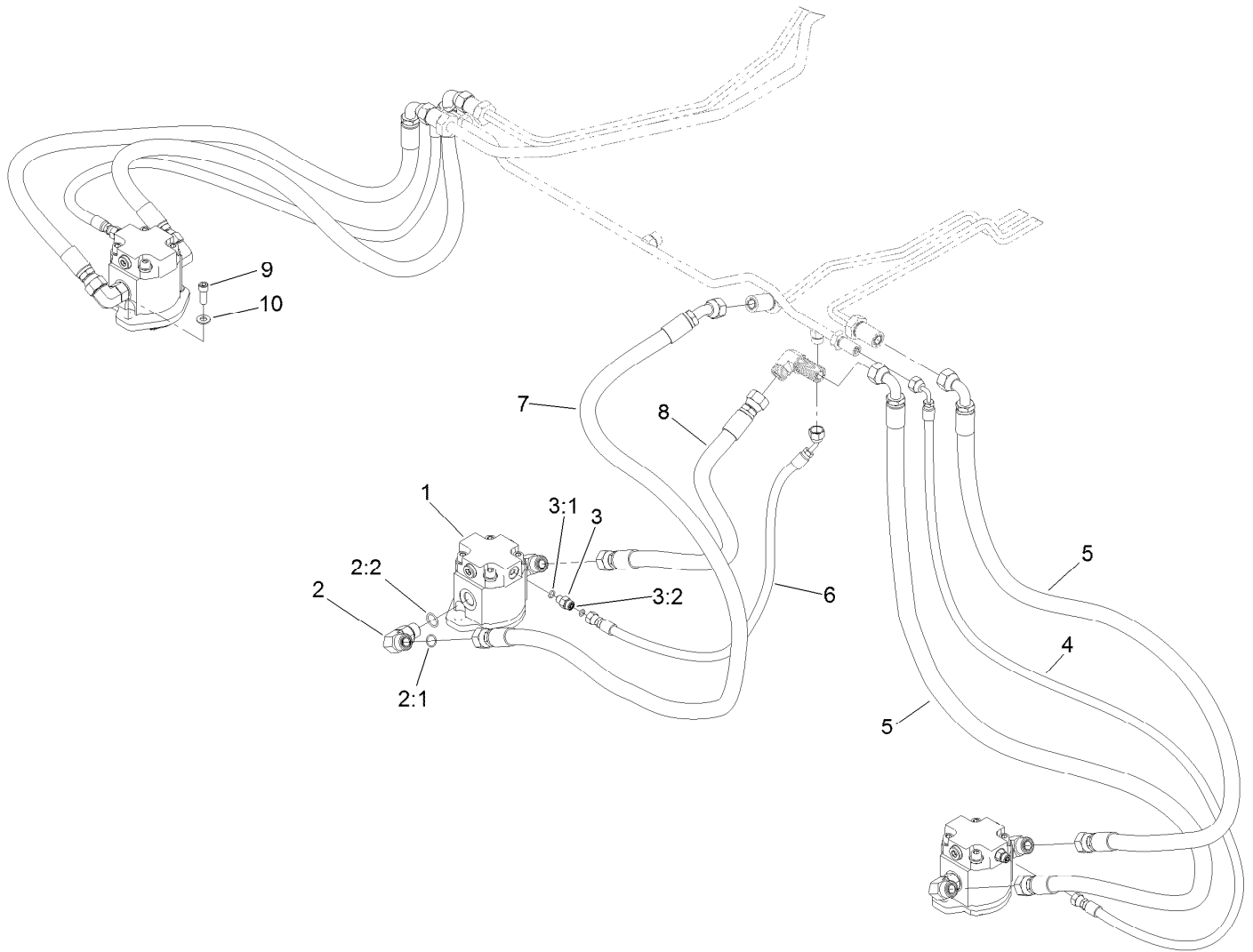
Ref.	Part Number	Qty.	Description	Ref.	Part Number	Qty.	Description
1	108-1689	2	Hose-HYD	14:1	237-22	3	O-Ring
2	125-4574	1	Tube ASM	16	120-8081	1	Tube ASM
2:1	340-65	1	O-Ring	16:1	237-30	1	O-Ring
3	115-4372	1	Tube-HYD	16:2	237-22	3	O-Ring
3:1	237-65	1	O-Ring	17	125-4556	1	Tube ASM
4	115-4373	1	Tube-HYD	17:1	237-65	1	O-Ring
4:1	237-65	1	O-Ring	18	120-8082	1	Tube ASM
5	121-3114	1	Tube ASM	19	105-3901	1	Tube ASM
5:1	237-22	1	O-Ring	19:1	237-65	2	O-Ring
6	125-4557	1	Tube ASM	21	121-3113	1	Tube ASM
6:1	237-65	1	O-Ring	21:1	237-65	2	O-Ring
7	115-4398	1	Tube-HYD	23	125-4573	1	Tube ASM
8	115-4371	1	Tube-HYD	23:1	340-65	1	O-Ring
8:1	237-65	1	O-Ring	25	56-7971	4	Clamp-Tube
9	115-4370	1	Tube-HYD	26	340-128	2	Nut-Bulkhead
9:1	237-65	1	O-Ring	27	340-70	4	Nut-Lock
10	125-1984	13	Spacer	28	94-5780	2	Screw-HWH
11	240-3	13	Grommet-Rubber	30	104-8300	4	Nut-HF, NI
12	340-74	13	Nut-Lock, Bulkhead	32	56-7972	2	Clamp-Tube
13	69-9010	26	Washer	33	340-72	1	Fitting-Bulkhead, 90 DEG
14	340-68	2	Fitting-Tee, Bulkhead	33:1	237-65	2	O-Ring



## Hydraulic Mow Circuit Assembly (continued)

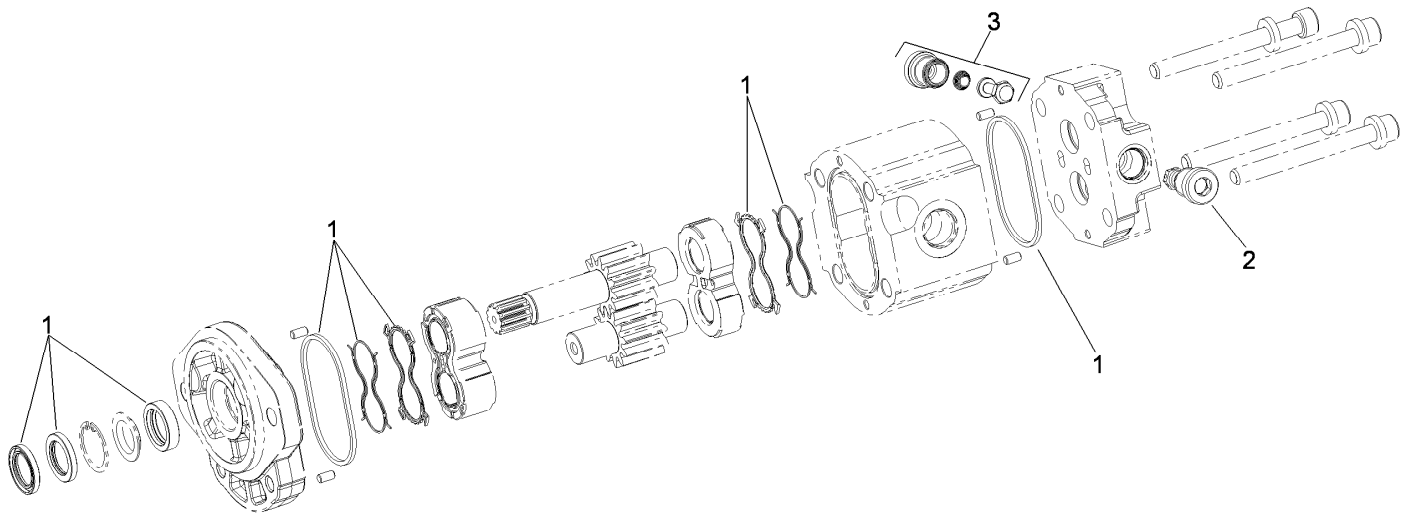
Ref.	Part Number	Qty.	Description
34	121-3112	1	Tube ASM
34:1	237-65	1	O-Ring
35	125-4555	1	Tube ASM
35:1	237-65	1	O-Ring
37	121-3115	1	Tube ASM
41	56-7977	2	Clamp-Tube
42	69-9760	2	Plate-Cover

Ref.	Part Number	Qty.	Description
43	322-10	1	Screw-HH
44	125-4577	2	Spacer
45	56-7973	2	Clamp-Tube
46	322-14	1	Screw-HH
47	3256-23	1	Washer-Plain
48	69-9761	2	Plate-Cover
49	119-1419	4	Plate-Clamp



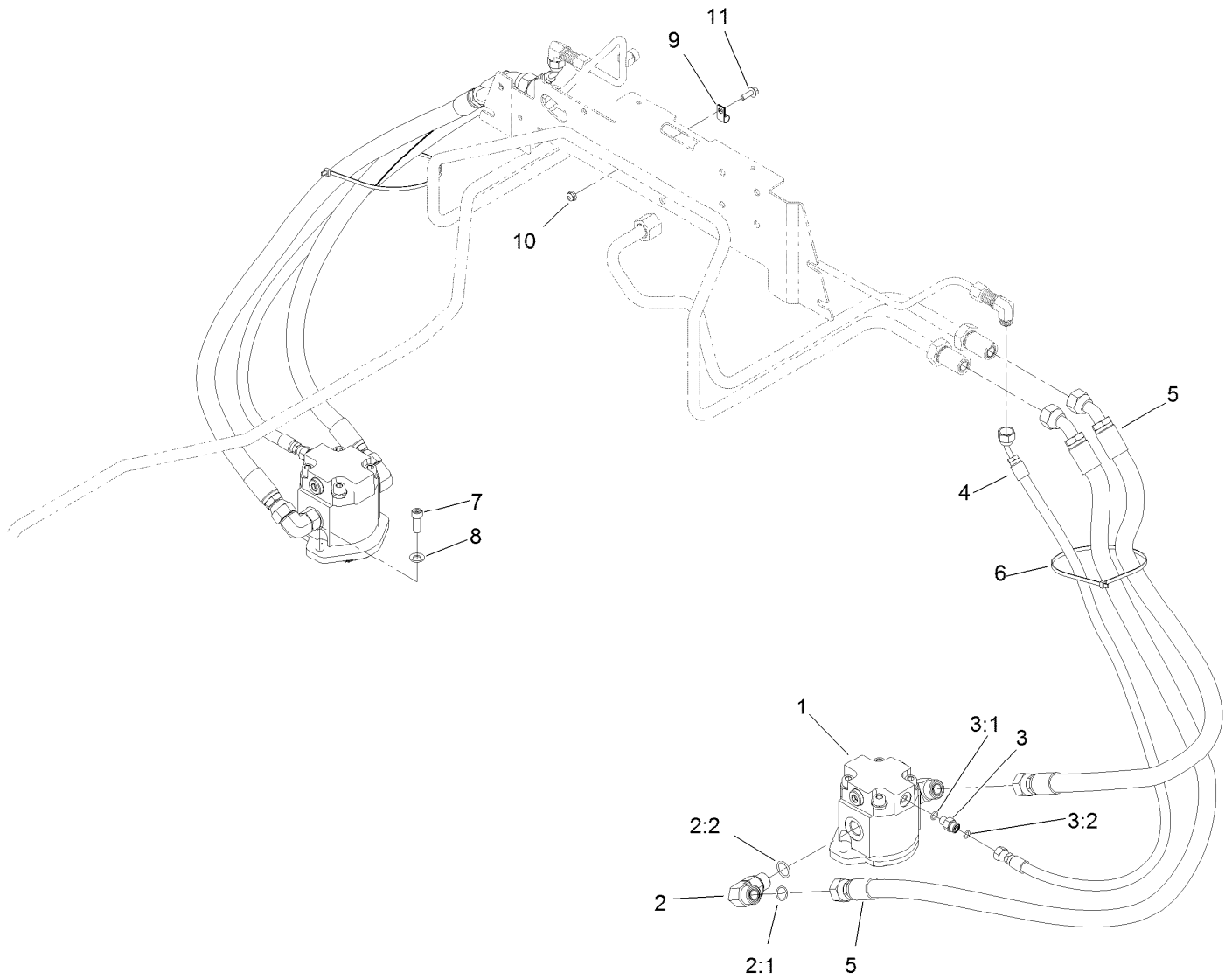
## Deck No. 1, 4 and 5 Hydraulic Assembly

<i>Ref.</i>	<i>Part Number</i>	<i>Qty.</i>	<i>Description</i>
1	117-5141	3	HYD Motor ASM
2	340-17	6	Fitting-Elbow, 90 DEG
2:1	237-65	1	O-Ring
2:2	237-80	1	O-Ring
3	340-92	3	Fitting-Straight
3:1	237-78	1	O-Ring
3:2	237-21	1	O-Ring
4	104-5500	2	Hose-HYD
5	104-5501	4	Hose-HYD
6	104-5502	1	Hose-HYD
7	104-5504	1	Hose-HYD
8	104-5505	1	Hose-HYD
9	3274-7	6	Screw-HSH
10	3256-24	6	Washer-Plain



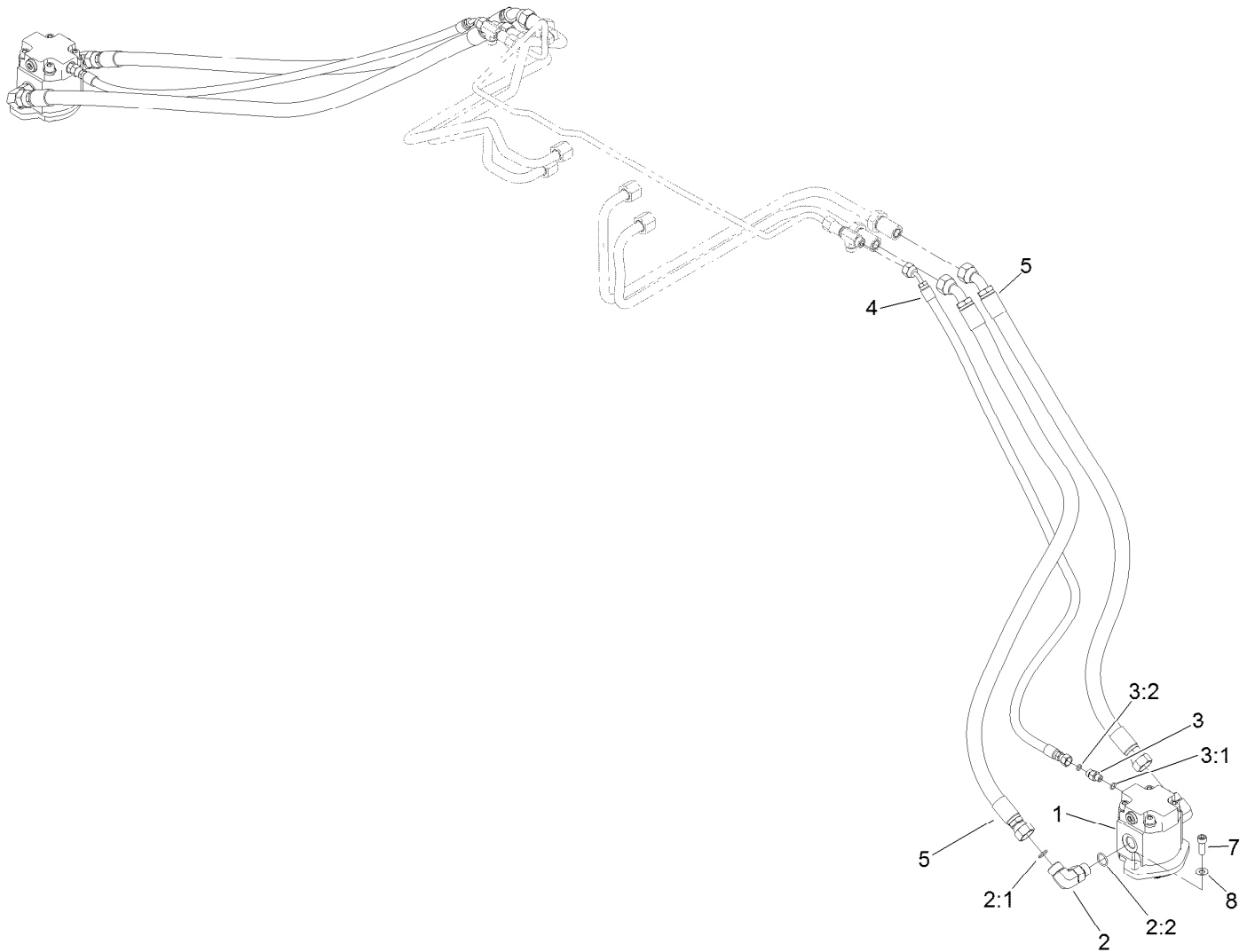
## Gear Motor Assembly No. 117-5141

<i>Ref.</i>	<i>Part Number</i>	<i>Qty.</i>	<i>Description</i>
1	117-0235	1	Seal Kit
2	107-7820	1	Valve-Relief
3	107-7821	1	Valve-Anticavitation



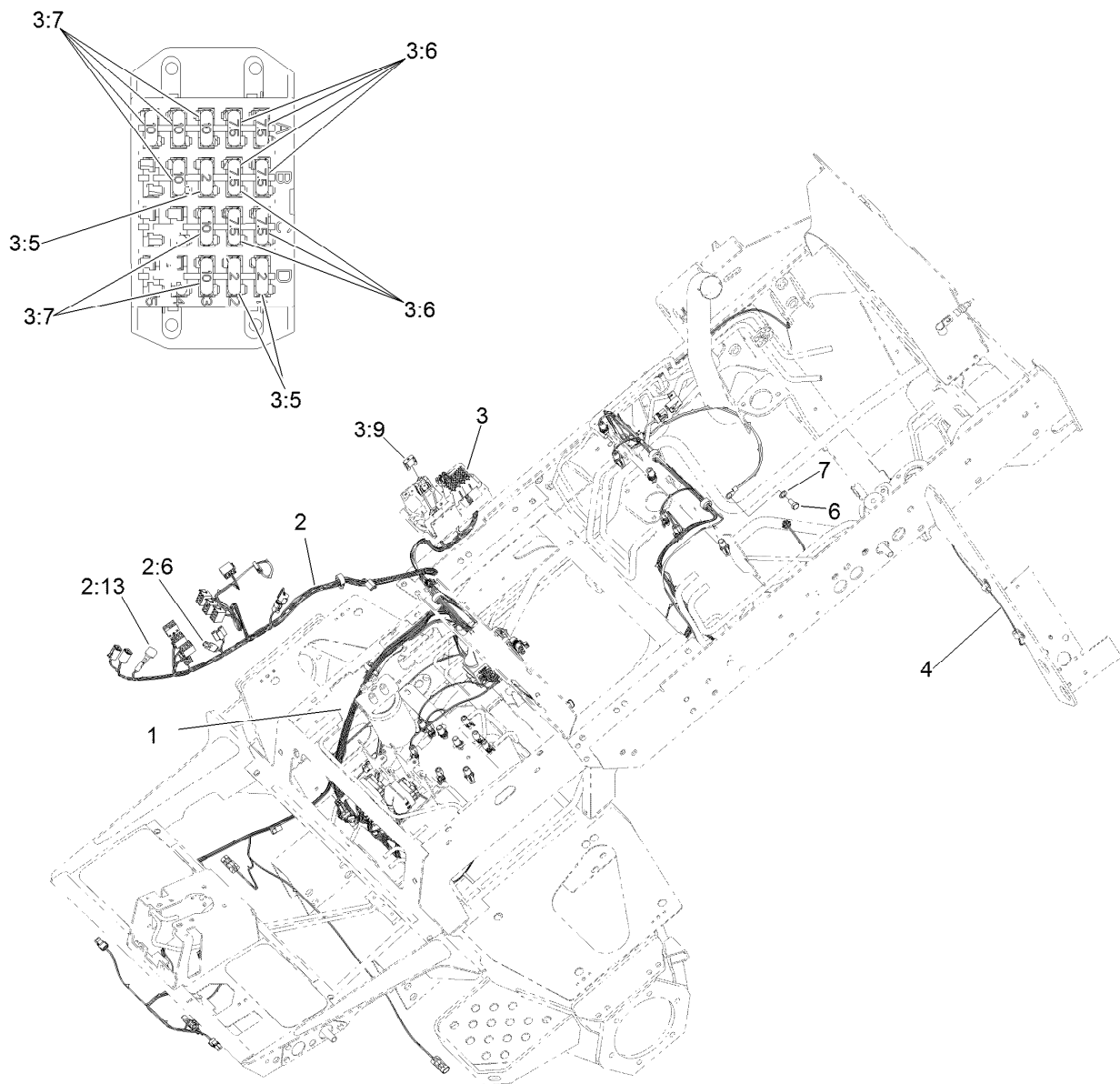
## Deck No. 2 and 3 Hydraulic Assembly

Ref.	Part Number	Qty.	Description
1	117-5141	2	HYD Motor ASM
2	340-17	4	Fitting-Elbow, 90 DEG
2:1	237-65	1	O-Ring
2:2	237-80	1	O-Ring
3	340-92	2	Fitting-Straight
3:1	237-78	1	O-Ring
3:2	237-21	1	O-Ring
4	104-5502	2	Hose-HYD
5	104-5505	4	Hose-HYD
6	3290-379	2	Tie-Cable
7	3274-7	4	Screw-HSH
8	3256-24	4	Washer-Plain
9	2412-89	1	Clamp-R
10	104-7201	1	Nut-HF, NI
11	3234-4	1	Screw-HHF



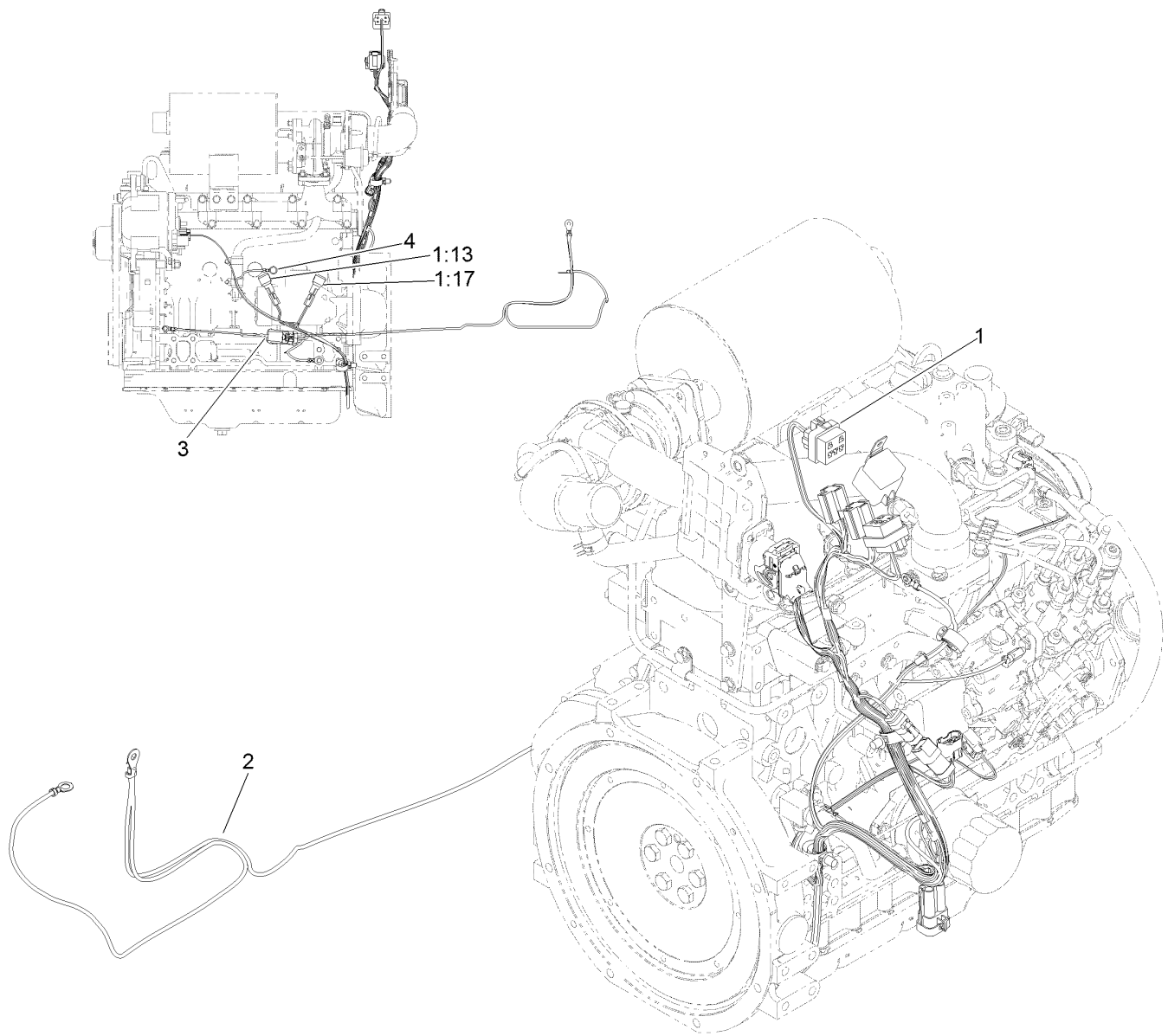
## Deck No. 6 and 7 Hydraulic Assembly

Ref.	Part Number	Qty.	Description
1	117-5141	2	HYD Motor ASM
2	340-17	4	Fitting-Elbow, 90 DEG
2:1	237-65	1	O-Ring
2:2	237-80	1	O-Ring
3	340-92	2	Fitting-Straight
3:1	237-78	1	O-Ring
3:2	237-21	1	O-Ring
4	104-5499	2	Hose-HYD
5	104-5498	4	Hose-HYD
7	3274-7	4	Screw-HSH
8	3256-24	4	Washer-Plain



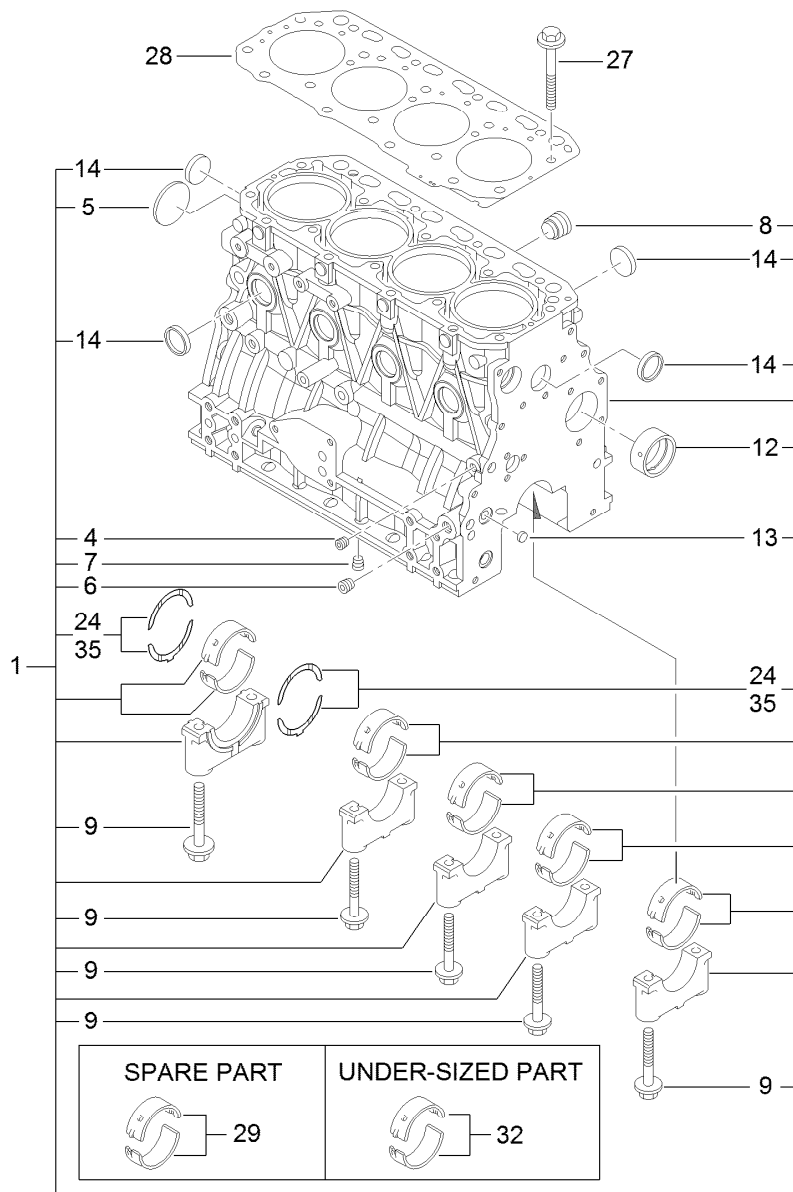
## Electrical Assembly

<i>Ref.</i>	<i>Part Number</i>	<i>Qty.</i>	<i>Description</i>
1	122-1528	1	Harness-Wire, Main
2	122-1557	1	Harness-Wire, Seat/Console
2:6	32180-282	1	Conn, Res, 120 Ohm
2:13	104-4022	1	Resistor-75 Ohm
3	122-1547	1	Harness-Wire, Power Center
3:5	121-8861	3	Fuse-Mini Blade, 2 Amp
3:6	121-8865	6	Fuse-Mini Blade, 7.5 Amp
3:7	121-8866	6	Fuse-Mini Blade, 10 Amp
3:9	114-3342	1	Fuse-Maxi, 60 Amp
4	121-8860	1	Harness-Wire
6	33115-020	1	Screw-HH
7	3255-2	1	Washer-Lock, EXT



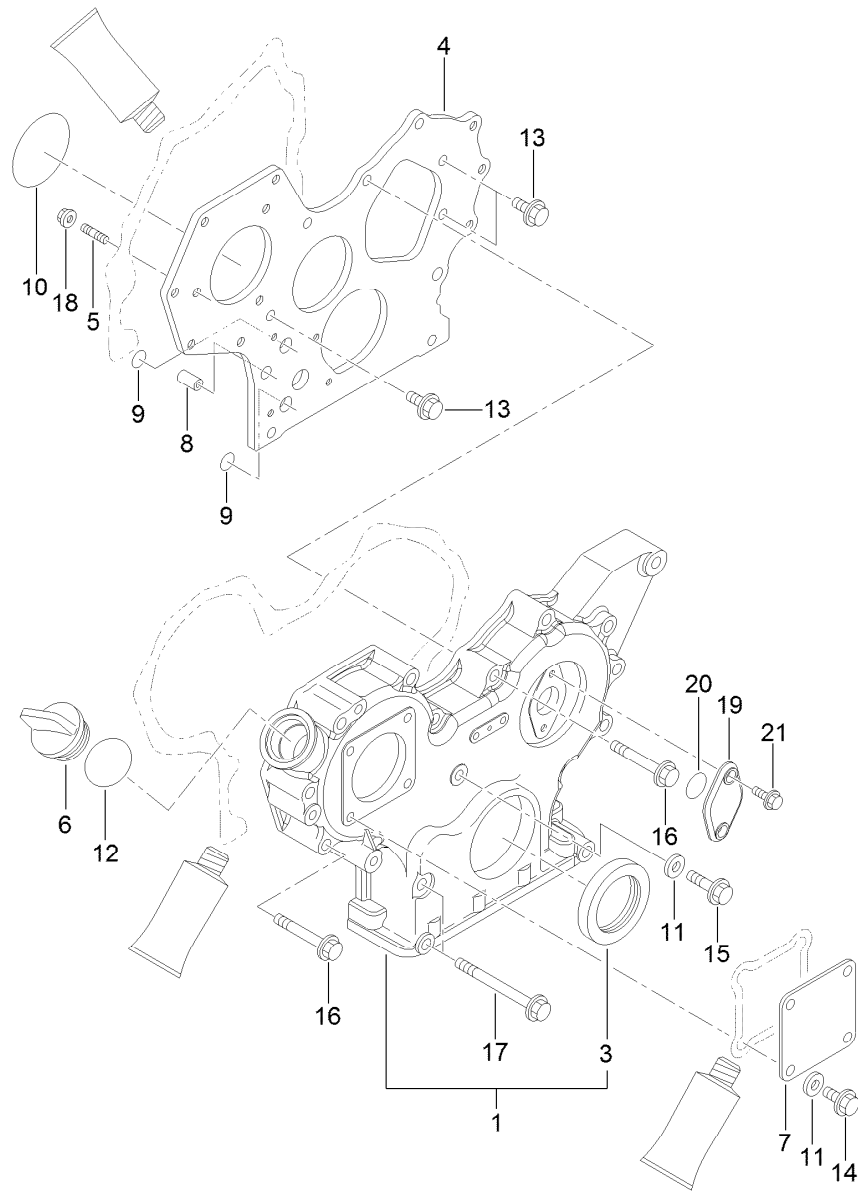
## Engine Wire Harness Assembly

<i>Ref.</i>	<i>Part Number</i>	<i>Qty.</i>	<i>Description</i>
1	121-8853	1	Harness-Wire, Engine
1:13	100-4918	1	Diode
1:17	121-8891	1	Resistor (1.6K Ohm)
2	115-1930	1	Cable-Battery, Positive
3	108-9470	1	Harness-Wire, Fusible Link
4	33004-00	1	Nut-HF



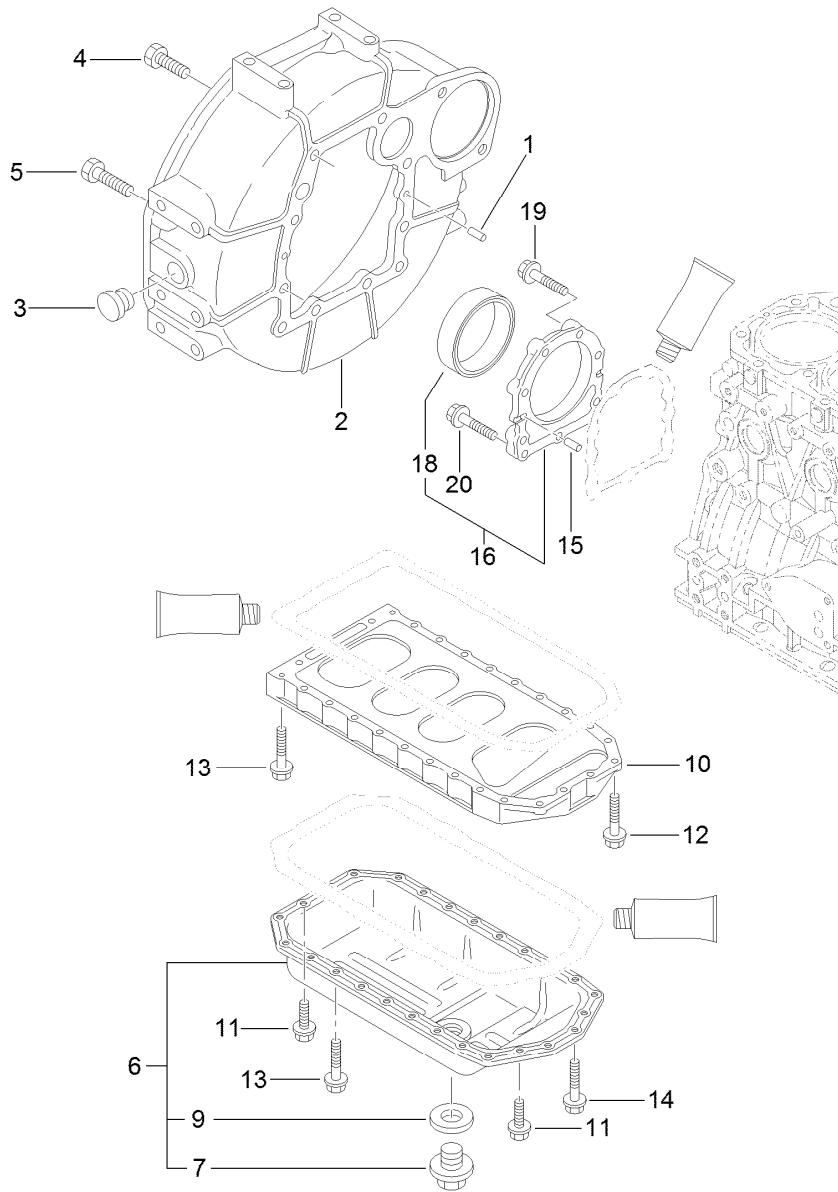
## Cylinder Block Assembly

<i>Ref.</i>	<i>Part Number</i>	<i>Qty.</i>	<i>Description</i>	<i>Ref.</i>	<i>Part Number</i>	<i>Qty.</i>	<i>Description</i>
1	125-7244	1	Cylinder Block ASM	13	125-7237	2	Plug
4	125-6969	1	Plug	14	125-7239	8	Plug
5	125-6980	1	Plug	24	125-7010	2	Metal-Thrust
6	125-6973	1	Plug	27	125-7006	18	Bolt
7	125-6973	1	Plug	28	125-7049	1	Gasket-Head
8	125-7170	1	Plug	29	125-6981	5	Metal-Main
9	125-7007	10	Bolt	32	125-7009	5	Metal-Main (0.25)
12	125-7108	1	Bushing	35	125-7011	1	Metal-Thrust (0.25)



## Gear Housing Assembly

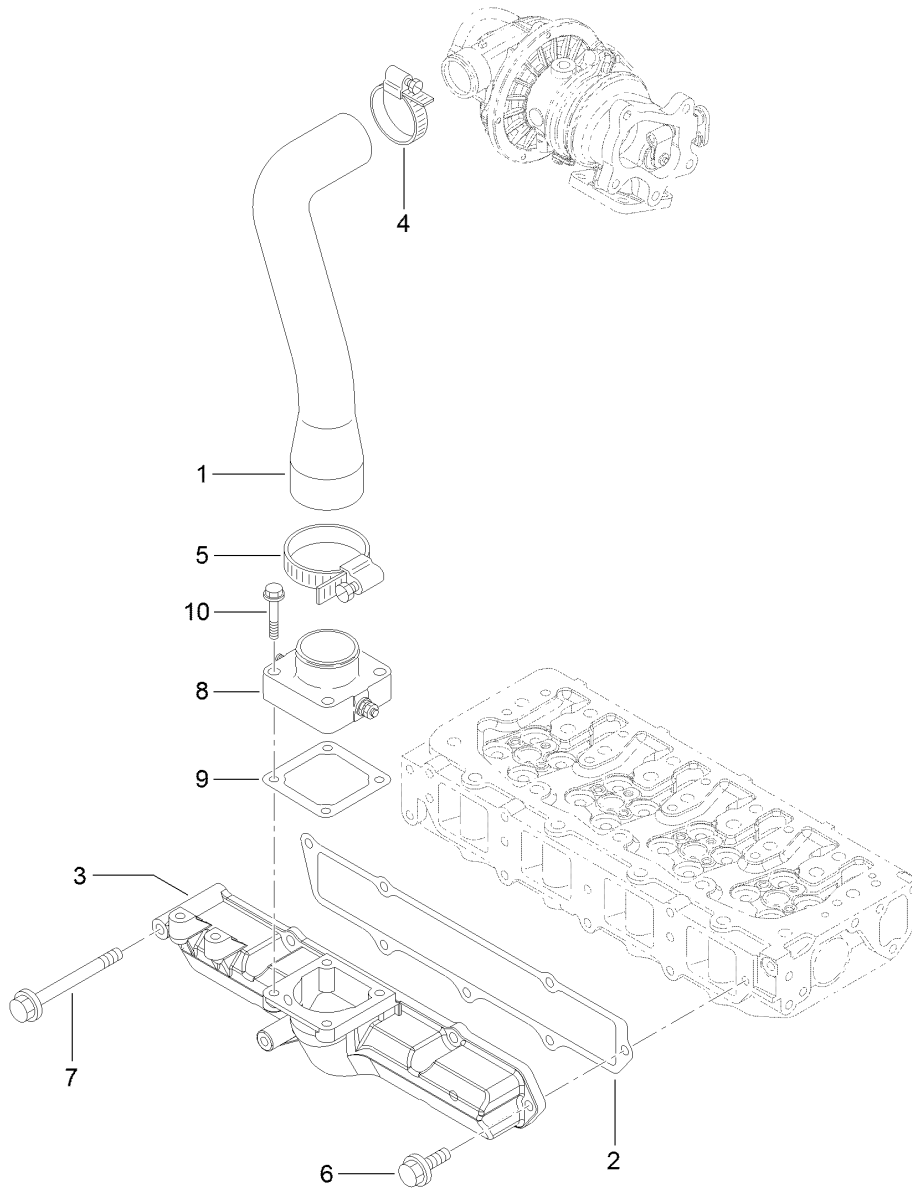
<i>Ref.</i>	<i>Part Number</i>	<i>Qty.</i>	<i>Description</i>	<i>Ref.</i>	<i>Part Number</i>	<i>Qty.</i>	<i>Description</i>
1	125-7247	1	Case ASM	12	125-7197	1	O-Ring
3	125-6944	1	Seal-Oil	13	125-7214	3	Bolt
4	125-6936	1	Flange	14	125-7214	4	Bolt
5	125-6919	3	Stud	15	125-7216	1	Bolt
6	125-6972	1	Cover-Filler	16	125-7221	12	Bolt
7	125-6977	1	Cover	17	125-7224	3	Bolt
8	125-7107	2	Pipe	18	125-7229	3	Nut
9	125-6909	2	O-Ring	19	125-6950	1	Cover
10	125-6957	1	O-Ring	20	125-7199	1	O-Ring
11	125-7174	5	Washer-Seal	21	125-7208	2	Bolt



## Flywheel Housing and Oil Sump Assembly

Ref.	Part Number	Qty.	Description
1	125-6995	2	Pin
2	125-7100	1	Housing
3	125-6910	1	Cap
4	125-7226	6	Bolt
5	125-7227	4	Bolt
6	125-7241	1	Oil Sump ASM
7	125-6912	1	Plug-Drain
9	125-7177	1	Washer-Seal
10	125-7035	1	Spacer

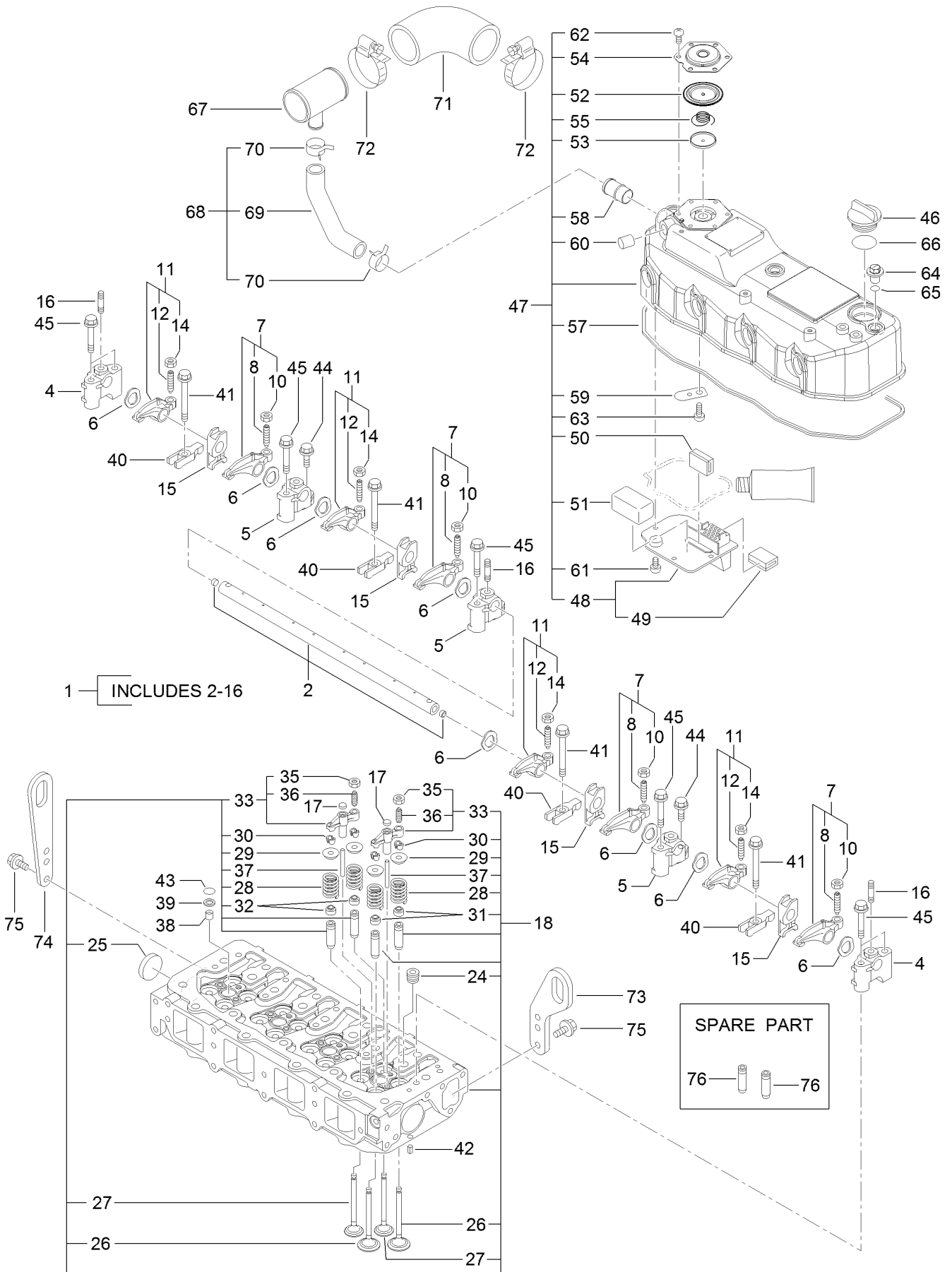
Ref.	Part Number	Qty.	Description
11	125-7214	4	Bolt
12	125-7215	2	Bolt
13	125-7219	20	Bolt
14	125-7220	4	Bolt
15	125-6995	2	Pin
16	125-6996	1	Case ASM
18	125-7106	1	Seal-Oil
19	125-7045	6	Bolt
20	125-7217	3	Bolt



## Suction Manifold Assembly

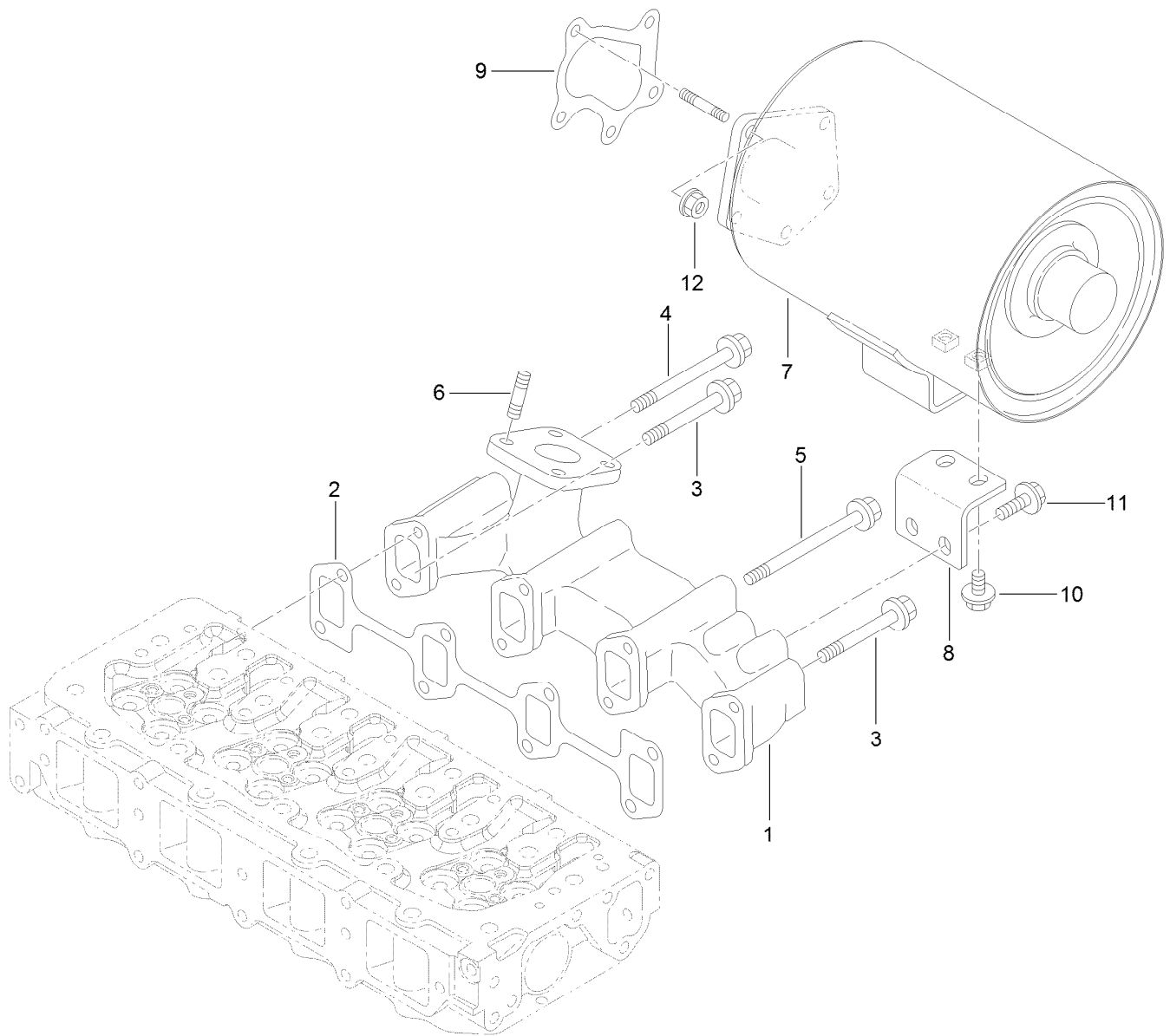
<i>Ref.</i>	<i>Part Number</i>	<i>Qty.</i>	<i>Description</i>
1	125-7065	1	Pipe
2	125-7066	1	Gasket
3	125-7067	1	Manifold-Intake
4	125-7189	1	Clamp-Hose
5	125-7190	1	Clamp-Hose
6	125-7595	6	Bolt
7	125-7223	1	Bolt
8	125-7002	1	Heater
9	125-7028	1	Gasket
10	125-7217	4	Bolt

# Cylinder Head and Bonnet Assembly



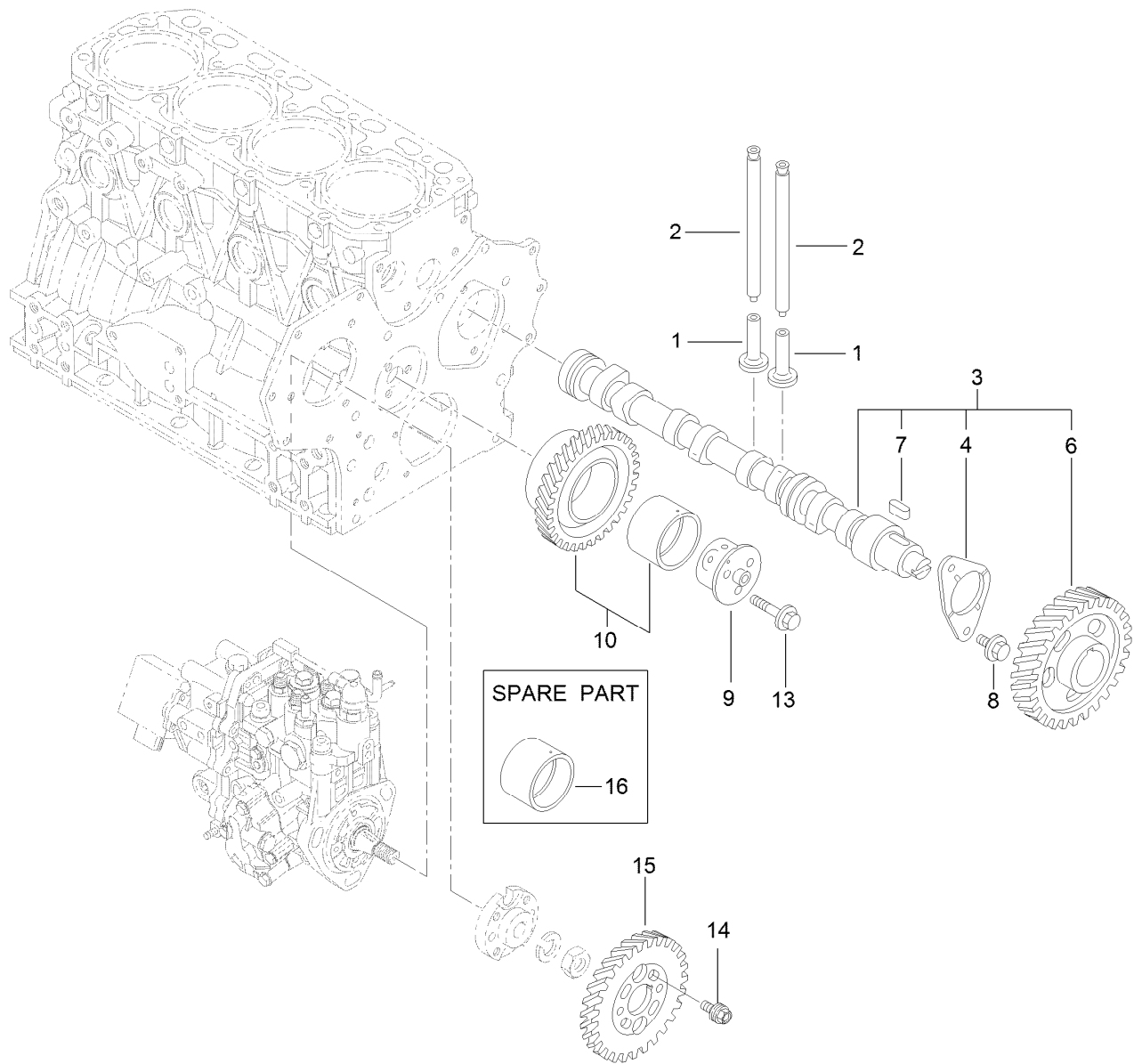
## Cylinder Head and Bonnet Assembly (continued)

<i>Ref.</i>	<i>Part Number</i>	<i>Qty.</i>	<i>Description</i>	<i>Ref.</i>	<i>Part Number</i>	<i>Qty.</i>	<i>Description</i>
1	125-7055	1	Shaft ASM	43	93-0418	4	O-Ring
2	125-7056	1	Shaft	44	125-7215	3	Bolt
4	125-7057	2	Support	45	125-7220	7	Bolt
5	125-7058	3	Support	46	125-6972	1	Cover-Filler
6	125-7059	8	Washer	47	125-7099	1	Bonnet ASM
7	125-7061	4	Arm-Rocker	48	125-7050	1	Plate
8	125-7013	4	Screw-Adjust, Valve	49	125-6920	1	Baffle
10	125-7014	4	Nut	50	125-7012	1	Baffle
11	125-7062	4	Arm-Rocker	51	125-7118	1	Baffle-Breather
12	125-7013	4	Screw-Adjust, Valve	52	125-6959	1	Diaphragm
14	125-7014	4	Nut	53	125-6960	1	Plate
15	125-7593	1	Retainer	54	125-6961	1	Plate-Breather
16	125-7228	3	Stud	55	125-6962	1	Spring-Diaphragm
17	125-6963	8	Seat-Bridge, Valve	57	125-7060	1	Gasket
18	125-7089	1	Cylinder Head ASM	58	125-6982	1	Pipe
24	125-7196	4	Plug	59	125-6994	1	Spring
25	125-7240	2	Plug	60	125-6913	1	Plug
26	125-7051	8	Valve	61	125-7186	4	Screw
27	125-7052	8	Valve	62	125-7186	6	Screw
28	125-7053	16	Spring	63	125-7186	1	Screw
29	125-7054	16	Retainer	64	125-6974	3	Knob
30	125-6914	32	Cotter	65	93-0418	3	O-Ring
31	125-6915	8	Seal-Stem, Valve	66	125-7197	1	O-Ring
32	125-6916	8	Seal-Stem, Valve	67	125-7086	1	Joint
33	125-7104	8	Bridge ASM	68	125-7087	1	Hose ASM
35	125-7014	8	Nut	69	125-7088	1	Hose
36	125-6965	8	Adjuster	70	125-7040	2	Clip-Hose
37	125-7063	8	Guide	71	125-7090	1	Hose
38	125-6921	4	Protector	72	125-7190	2	Clamp-Hose
39	125-6911	4	Seat-Valve	73	125-7046	1	Lifter
40	125-7064	4	Retainer	74	125-7111	1	Lifter
41	125-7119	4	Bolt	75	125-7214	4	Bolt
42	125-7184	2	Pin-Spring	76	125-6917	16	Guide



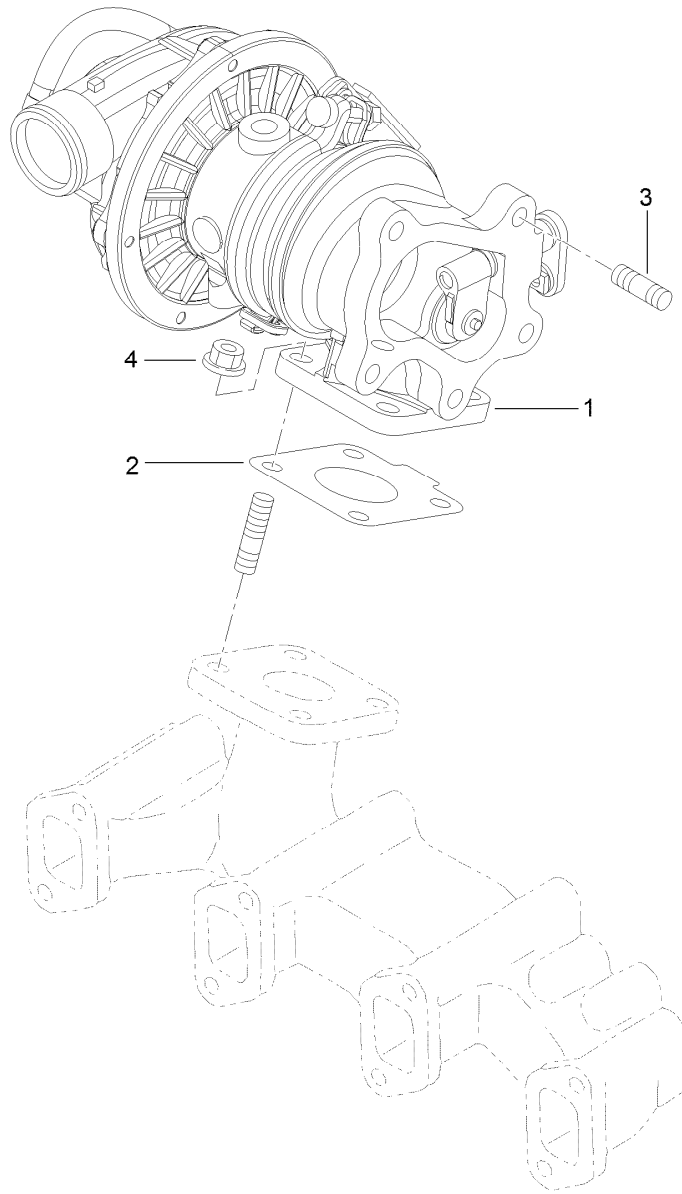
## Exhaust Manifold and Silencer Assembly

<i>Ref.</i>	<i>Part Number</i>	<i>Qty.</i>	<i>Description</i>
1	125-7093	1	Manifold-Exhaust
2	125-7096	1	Gasket
3	125-6922	3	Bolt
4	125-6923	1	Bolt
5	125-6924	4	Bolt
6	125-6906	4	Stud
7	125-7094	1	Silencer
8	125-7095	1	Support-Silencer
9	125-7071	1	Gasket
10	125-7213	2	Bolt
11	125-7595	2	Bolt
12	125-7229	5	Nut



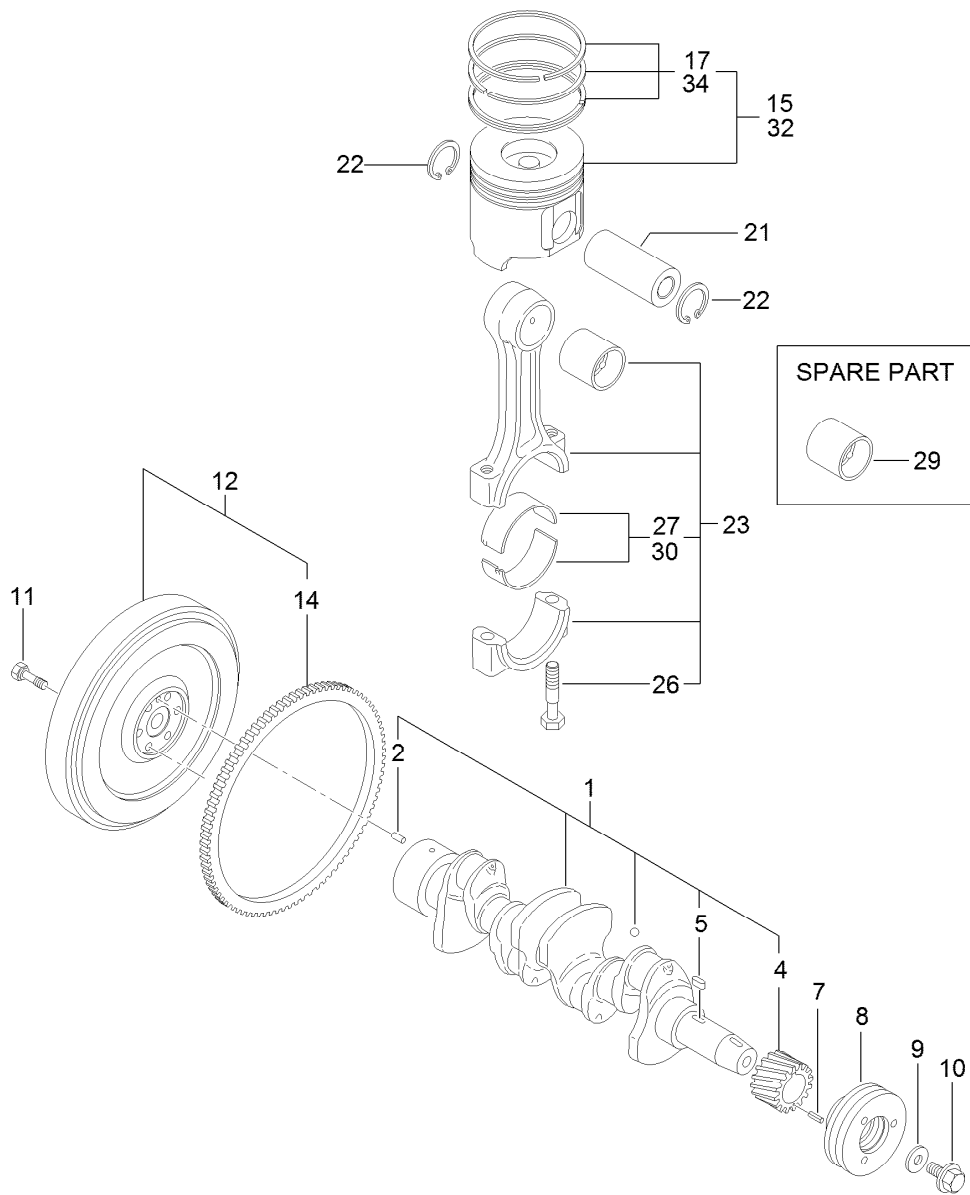
## Camshaft and Driving Gear Assembly

Ref.	Part Number	Qty.	Description
1	125-7016	8	Tappet
2	125-7017	8	Rod-Push
3	125-7068	1	Camshaft ASM
4	125-7008	1	Metal-Thrust
6	125-7015	1	Gear
7	125-7185	1	Key
8	125-7213	2	Bolt
9	125-6938	1	Shaft
10	125-6928	1	Gear ASM
13	125-7218	3	Bolt
14	125-7020	4	Bolt
15	125-6929	1	Gear
16	125-6927	1	Bushing



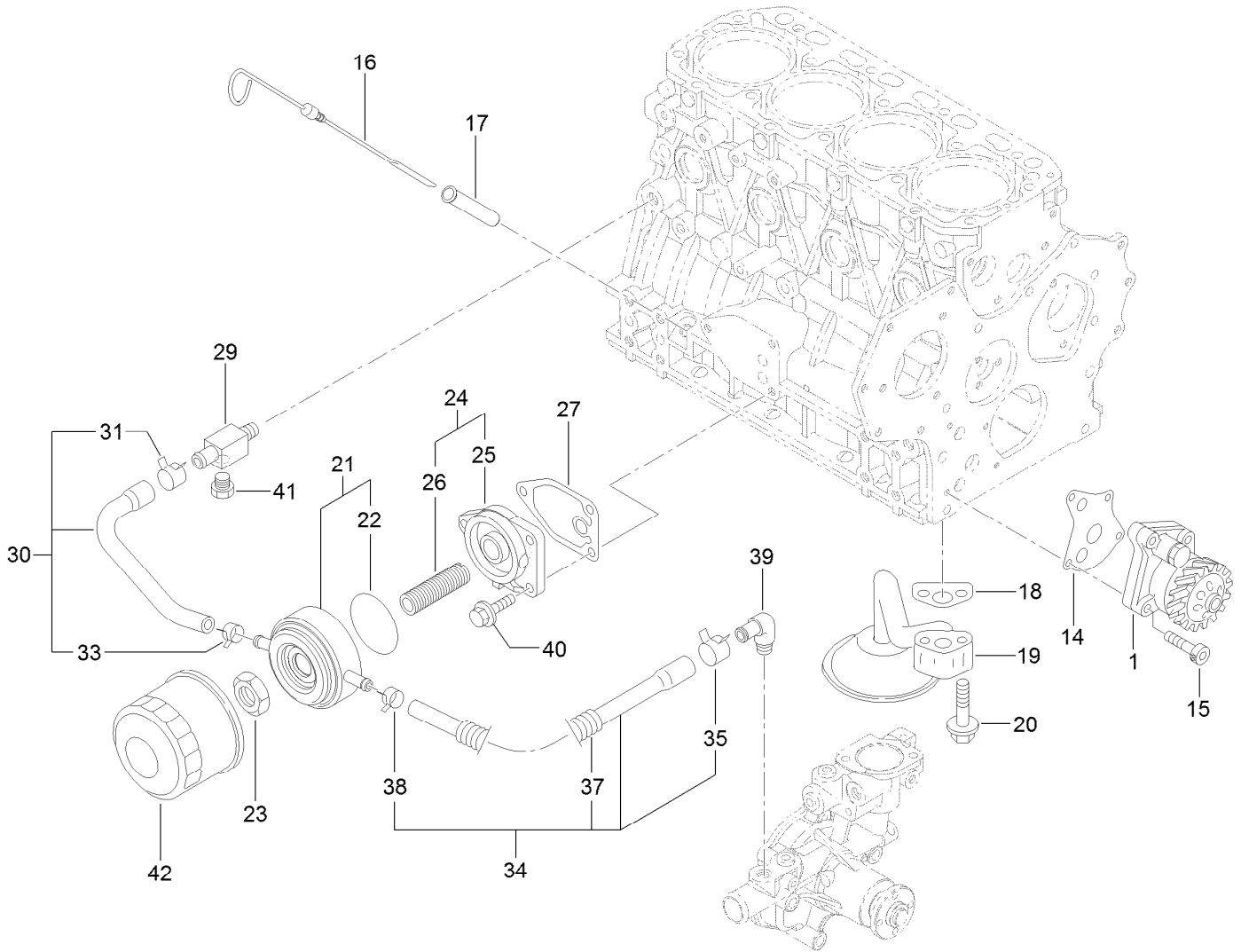
## Turbine Assembly

<i>Ref.</i>	<i>Part Number</i>	<i>Qty.</i>	<i>Description</i>
1	125-7069	1	Turbine
2	125-7070	1	Gasket
3	125-7043	5	Stud
4	125-7229	4	Nut



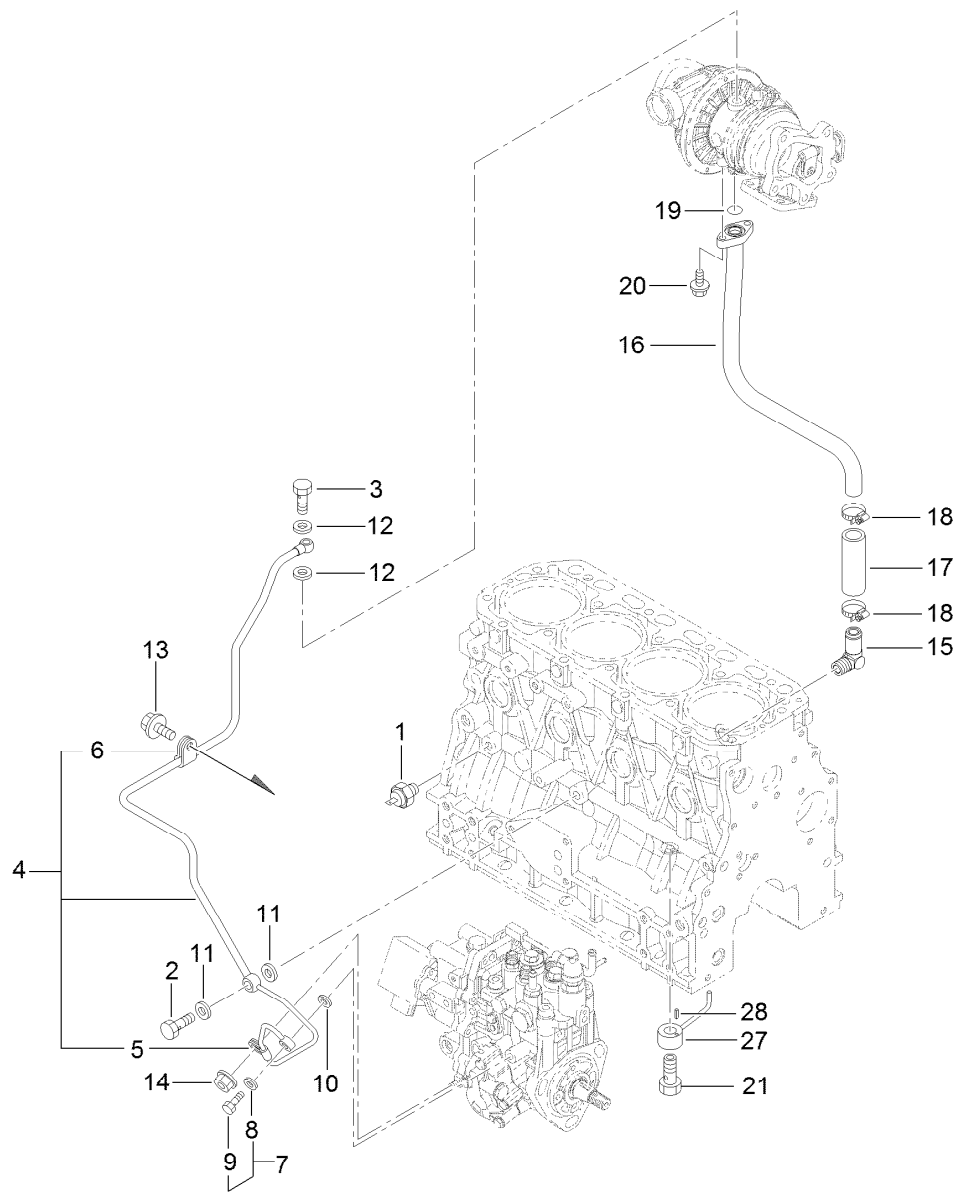
## Crankshaft and Piston Assembly

<i>Ref.</i>	<i>Part Number</i>	<i>Qty.</i>	<i>Description</i>	<i>Ref.</i>	<i>Part Number</i>	<i>Qty.</i>	<i>Description</i>
1	125-7091	1	Crankshaft ASM	15	125-7072	4	Piston ASM
2	125-6995	1	Pin	17	125-6983	4	Piston Ring Set
4	125-6937	1	Gear	21	125-7030	4	Pin
5	125-7185	1	Key	22	125-7180	8	Ring
7	125-7182	1	Pin-Spring	23	125-7242	4	Connecting Rod ASM
8	125-6925	1	V-Pulley	26	125-6955	8	Bolt
9	125-7109	1	Washer	27	125-7018	4	Pin-Crank
10	125-6956	1	Bolt	29	125-6997	4	Pin-Piston
11	125-6951	6	Bolt	30	125-7019	4	Pin-Crank (.25)
12	125-7172	1	Flywheel ASM	32	125-7073	4	Piston ASM (0.25 Os)
14	125-6943	1	Gear	34	125-6985	4	Piston Ring Set (.25)



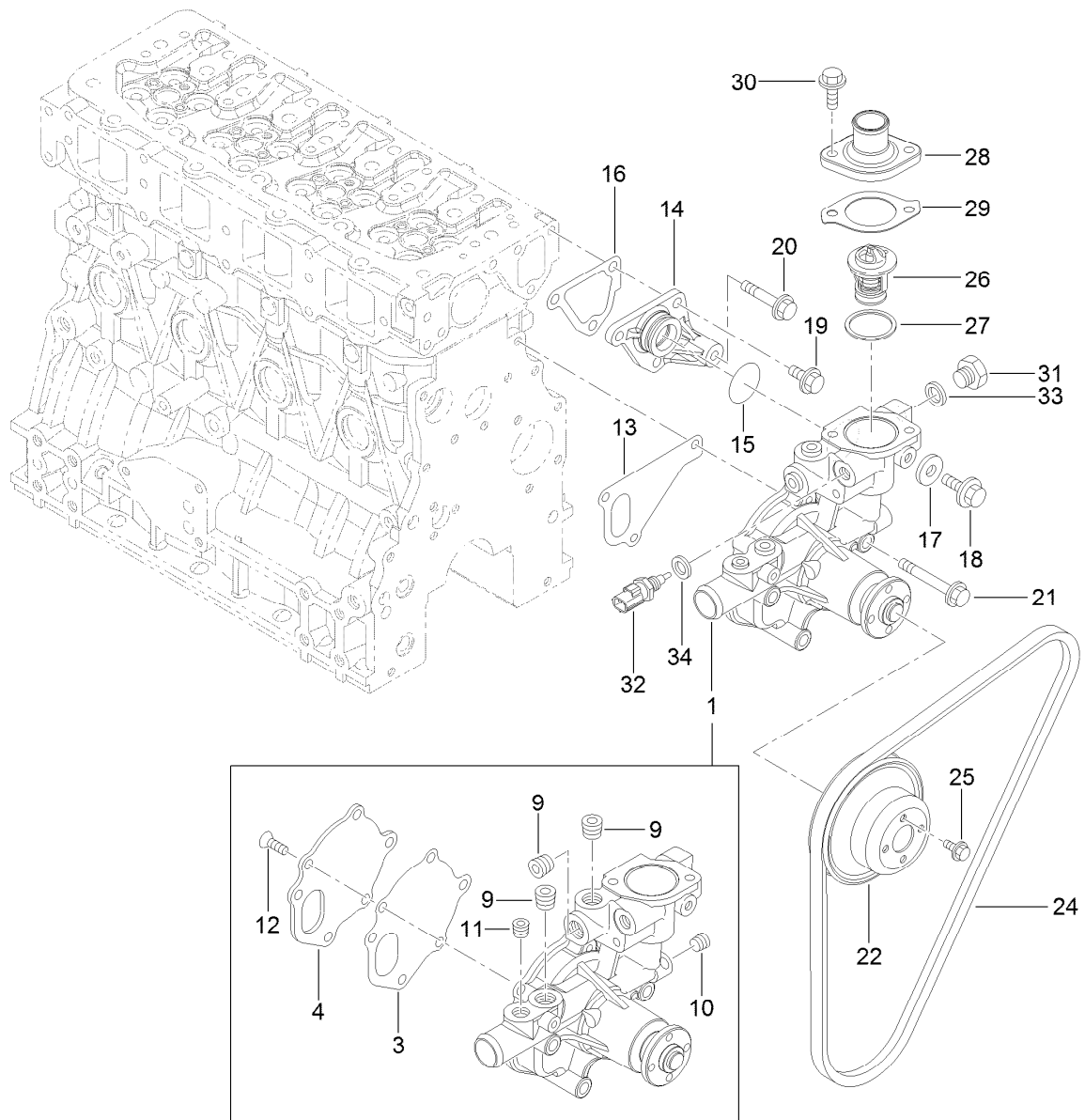
## Lubrication and Oil System Assembly

<i>Ref.</i>	<i>Part Number</i>	<i>Qty.</i>	<i>Description</i>	<i>Ref.</i>	<i>Part Number</i>	<i>Qty.</i>	<i>Description</i>
1	125-7044	1	Oil Pump ASM	27	125-7024	1	Gasket
14	125-7021	1	Gasket	29	125-6990	1	Joint
15	125-7232	4	Bolt	30	125-7078	1	Pipe ASM
16	125-6987	1	Dipstick	31	125-7162	1	Clip
17	125-6954	1	Guide-Dipstick	33	125-7191	1	Clamp-Hose
18	125-7022	1	Gasket	34	125-7079	1	Pipe ASM
19	125-7023	1	Pipe ASM	35	125-7162	1	Clip
20	125-7217	2	Bolt	37	125-6946	1	Tube
21	125-7074	1	Cooler ASM	38	125-7191	1	Clamp-Hose
22	125-7075	1	O-Ring	39	125-7001	1	Elbow
23	125-7041	1	Nut-Cooler, Oil	40	125-7595	3	Bolt
24	125-6989	1	Bracket ASM	41	125-7171	1	Plug-Drain
25	125-6930	1	Bracket	42	125-7025	1	Filter-Engine, Oil
26	125-7042	1	Stud				



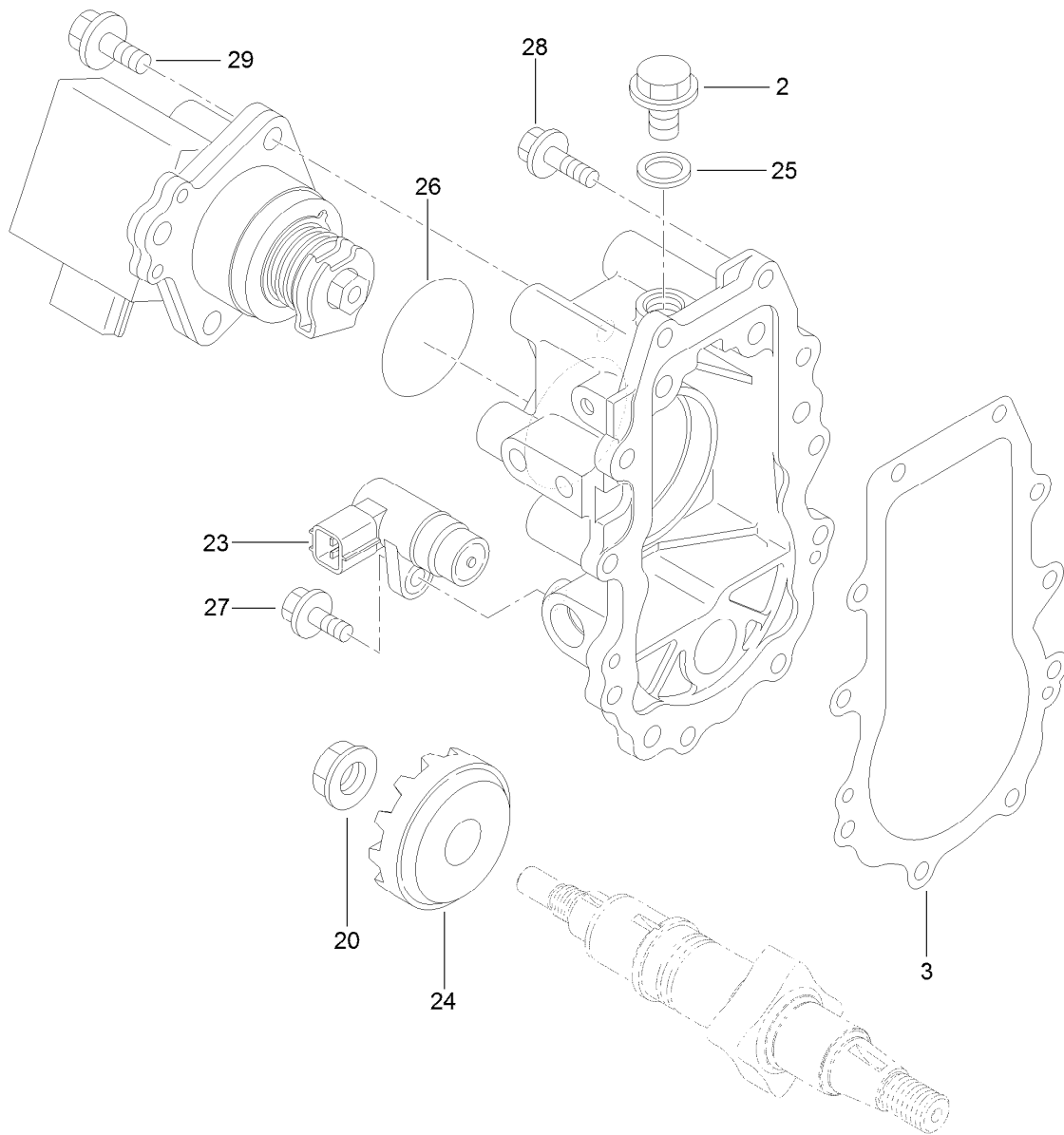
## Lubrication Oil Line Assembly

<i>Ref.</i>	<i>Part Number</i>	<i>Qty.</i>	<i>Description</i>	<i>Ref.</i>	<i>Part Number</i>	<i>Qty.</i>	<i>Description</i>
1	125-6918	1	Switch-Oil	13	125-7212	1	Bolt
2	125-6975	1	Bolt-Joint, Pipe	14	125-7231	1	Nut
3	125-6952	1	Bolt-Joint, Pipe	15	125-6971	1	Elbow
4	125-7076	1	Pipe ASM	16	125-7077	1	Pipe
5	125-6931	1	Retainer	17	125-6958	1	Hose
6	125-6976	1	Retainer	18	125-7188	2	Clamp-Hose
7	125-6988	1	Joint Bolt ASM	19	125-7198	1	O-Ring
8	125-7174	1	Washer-Seal	20	125-7208	2	Bolt
9	125-7194	1	Bolt-Joint	21	125-7105	4	Check Valve ASM
10	125-7174	1	Washer-Seal	27	125-7098	4	Nozzle
11	125-7175	2	Washer-Seal	28	125-7182	4	Pin-Spring
12	125-7193	2	Gasket				



## Cooling Water System Assembly

Ref.	Part Number	Qty.	Description	Ref.	Part Number	Qty.	Description
1	125-7031	1	CW Pump ASM	20	125-7219	1	Bolt
3	125-6998	1	Gasket	21	125-7222	3	Bolt
4	125-6999	1	Plate	22	125-7039	1	V-Pulley
9	125-7123	3	Plug	24	125-7204	1	V-Belt
10	125-7195	1	Plug	25	125-7206	4	Bolt
11	125-7196	1	Plug	26	125-7029	1	Thermostat
12	125-7234	3	Screw	27	125-7026	1	Gasket
13	125-7047	1	Gasket	28	125-7034	1	Cover
14	125-6986	1	Joint	29	125-7110	1	Gasket
15	125-7048	1	O-Ring	30	125-7594	2	Bolt
16	125-6978	1	Gasket	31	125-6953	1	Plug
17	125-7192	1	Gasket	32	125-7124	1	Sensor-Thermostat, CW
18	125-7212	1	Bolt	33	125-6979	1	Gasket
19	125-7214	3	Bolt	34	125-7176	1	Washer-Seal



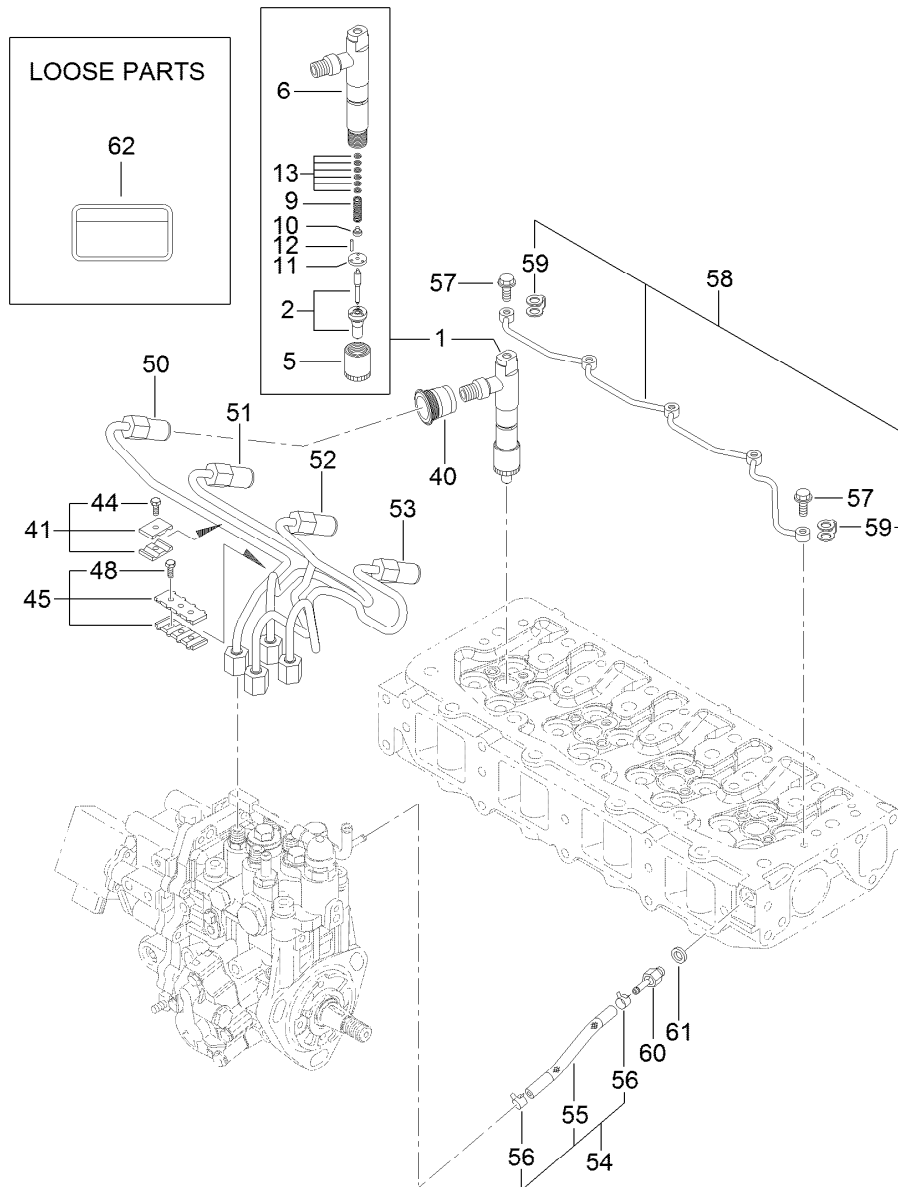
## Governor Assembly

<i>Ref.</i>	<i>Part Number</i>	<i>Qty.</i>	<i>Description</i>
2	125-7148	1	Plug
3	125-7149	1	Gasket
20	125-6993	1	Nut
23	125-7152	1	Sensor
24	125-7150	1	Gear
25	125-7176	1	Washer-Seal
26	125-7200	1	O-Ring
27	125-7208	1	Bolt
28	125-7209	10	Bolt
29	125-7215	3	Bolt



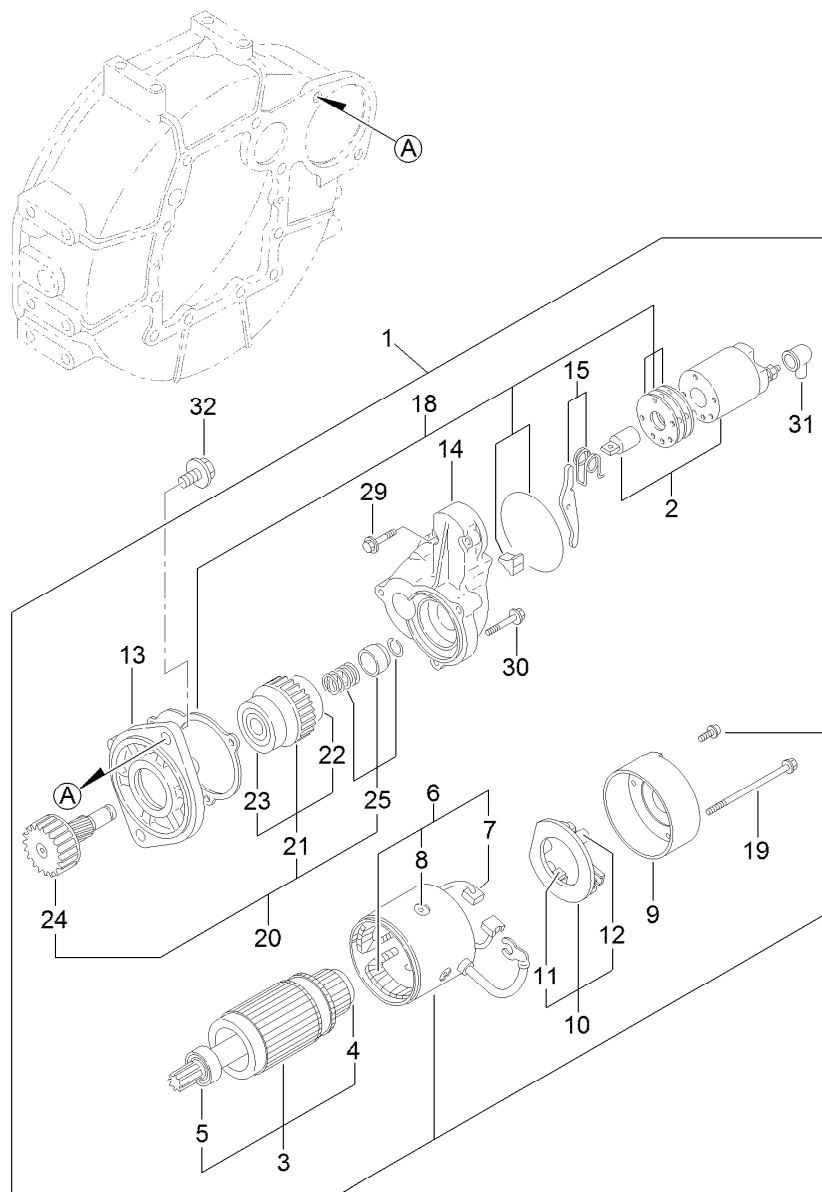
## Fuel Injection Pump Assembly (continued)

<i>Ref.</i>	<i>Part Number</i>	<i>Qty.</i>	<i>Description</i>	<i>Ref.</i>	<i>Part Number</i>	<i>Qty.</i>	<i>Description</i>
1	125-7246	1	Fie ASM	106	125-7176	1	Washer-Seal
10	125-6991	1	Cover	107	125-7591	1	Washer-Seal
11	125-6992	2	Bolt	108	125-7147	4	Bolt
12	125-6932	1	Key	111	125-7142	1	O-Ring
15	125-7135	1	Flange	112	125-7143	1	O-Ring
39	125-7156	1	Stopper	113	125-7176	2	Washer-Seal
40	125-7154	1	O-Ring	114	125-7179	1	Washer-Spring
41	125-7154	1	O-Ring	115	125-7181	2	Pin-Parallel
42	125-7092	4	Valve ASM	116	125-7183	2	Pin-Spring
51	125-7155	4	Spring	118	93-0400	1	O-Ring
59	125-7157	1	Plug	119	125-7201	1	O-Ring
60	125-6933	1	Plug	120	125-7202	1	O-Ring
61	125-7136	4	Gasket	121	125-7205	1	Bolt
62	125-7136	1	Gasket	123	125-7233	4	Bolt
63	125-7151	1	Plug	124	125-7236	1	Nut
64	125-7137	1	Lifter	127	125-7125	1	Harness ASM
65	125-7102	1	Timer Set	128	125-7126	1	Harness
66	125-7103	1	Timer ASM	129	125-7033	1	Cap
69	125-7145	1	O-Ring	130	125-7158	1	Joint
70	125-6934	1	Ring	131	125-7127	1	Bracket
71	125-6935	1	O-Ring	132	125-7139	1	Joint
72	125-7202	1	O-Ring	134	125-7141	1	Feed Pump ASM
73	125-7203	1	Ring-Back Up	135	125-7144	1	O-Ring
74	125-7138	1	Gasket	136	125-6945	1	Joint
75	125-6940	1	Spring	137	125-7176	1	Washer-Seal
76	125-6941	1	Cap	138	125-7178	1	Washer-Spring
78	125-6942	1	Solenoid Valve ASM	139	125-7207	1	Bolt
81	125-7146	1	Gasket	140	125-7235	1	Nut
101	125-7159	1	Piston	141	125-7238	1	Plug
102	125-7140	1	Spring	143	125-7032	1	Retainer
103	125-7160	1	Plug	144	125-7214	4	Bolt
105	125-7148	1	Plug				



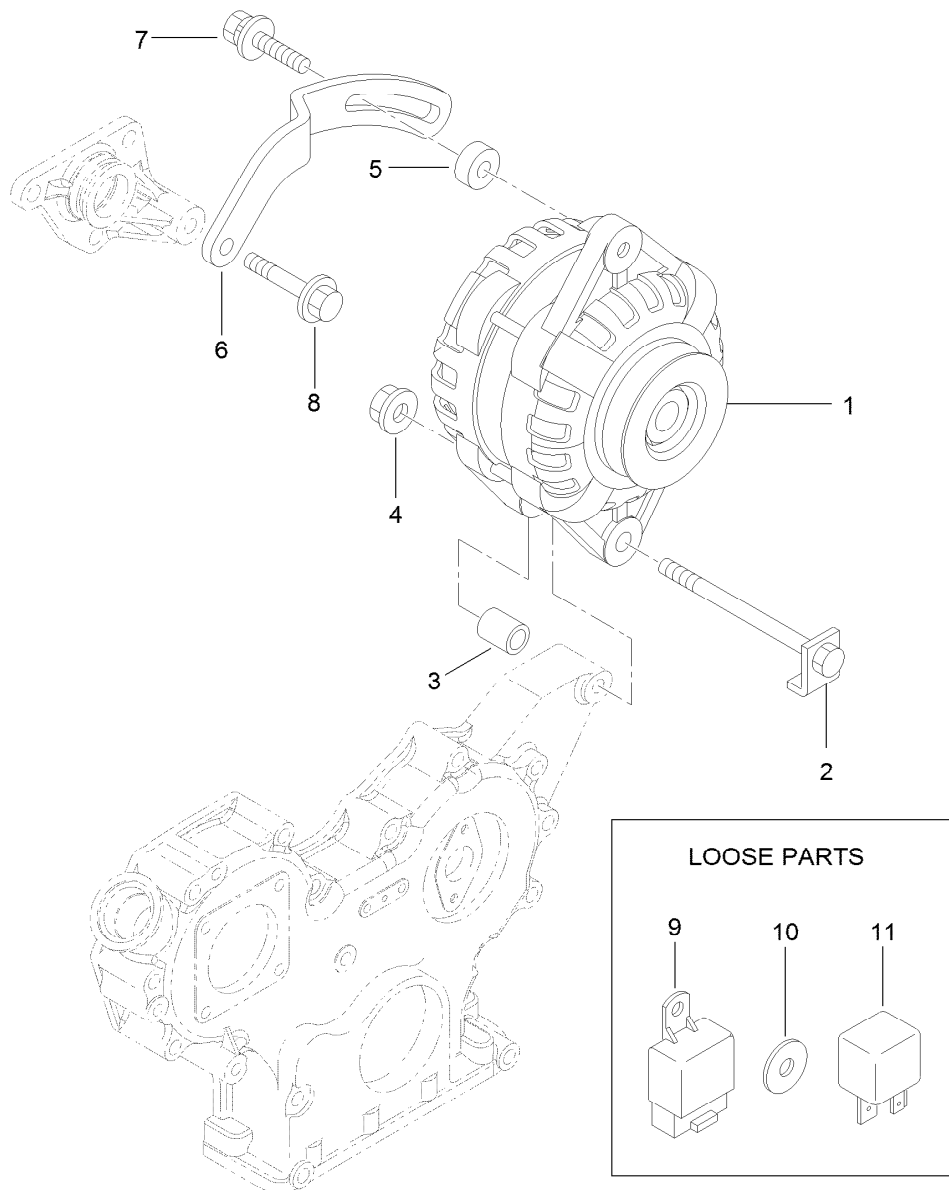
## Fuel Injection Valve Assembly

Ref.	Part Number	Qty.	Description	Ref.	Part Number	Qty.	Description
1	125-7245	4	Injection Valve ASM	50	125-7082	1	Injection Pipe ASM
2	125-7133	4	Nozzle ASM	51	125-7083	1	Injection Pipe ASM
5	125-6901	4	Nut	52	125-7084	1	Injection Pipe ASM
6	125-7080	4	Holder ASM	53	125-7085	1	Injection Pipe ASM
9	125-6902	4	Spring	54	125-6948	1	Pipe ASM
10	125-6903	4	Seat-Spring	55	125-6949	1	Pipe
11	125-6904	4	Plate	56	125-6970	2	Clip
12	125-6905	8	Pin	57	125-6966	5	Bolt-Joint, Pipe
13	125-6939	4	Shim Set	58	125-7081	1	Pipe ASM
40	125-6964	4	Seal	59	125-6967	5	Gasket
41	125-6907	2	Retainer	60	125-6968	1	Joint
44	125-7027	2	Bolt	61	125-7174	1	Washer-Seal
45	125-7097	1	Retainer	62	125-6900	1	Label-Caution, Fuel Oil
48	125-7027	2	Bolt				



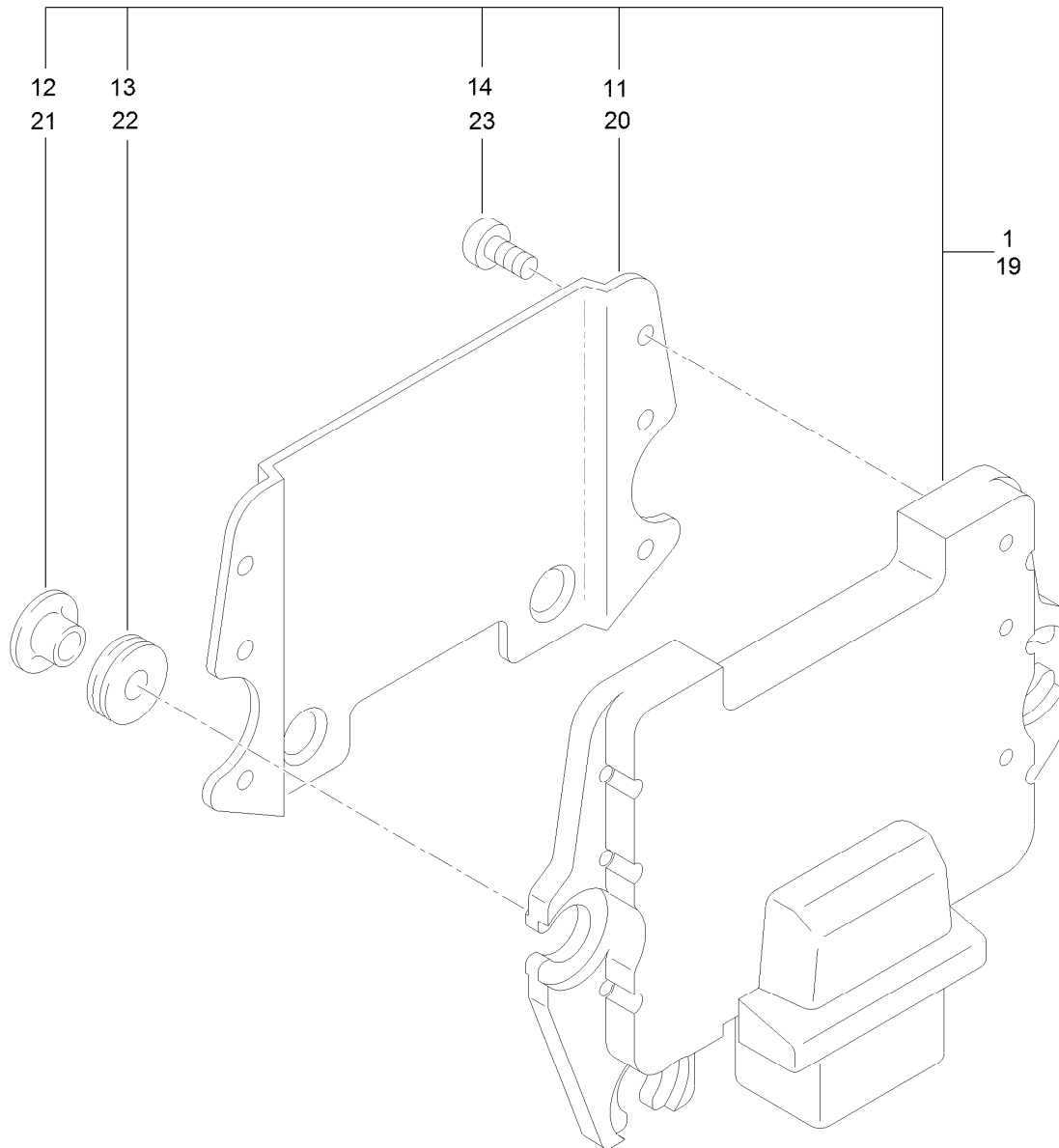
## Starting Motor Assembly

<i>Ref.</i>	<i>Part Number</i>	<i>Qty.</i>	<i>Description</i>	<i>Ref.</i>	<i>Part Number</i>	<i>Qty.</i>	<i>Description</i>
1	125-7003	1	Starter	15	125-7165	1	Lever Set
2	125-7004	1	Switch ASM	18	125-7037	1	Dust Cover ASM
3	125-7112	1	Armature ASM	19	125-7117	2	Bolt-Through
4	125-7252	1	Bearing-Ball	20	125-7166	1	Pinion ASM
5	125-7249	1	Bearing, Ball	21	125-7250	1	Clutch ASM
6	125-7113	1	Field Coil ASM	22	125-7251	1	Bearing-Ball
7	125-7114	2	Brush	23	125-7253	1	Bearing-Ball
8	125-7163	4	Screw	24	125-7167	1	Shaft
9	125-7115	1	Cover	25	125-7168	1	Stopper Set
10	125-7116	1	Brush Holder ASM	29	125-7210	2	Bolt
11	125-7114	2	Brush	30	125-7211	3	Bolt
12	125-7036	4	Spring	31	125-7169	1	Cover
13	125-7164	1	Case-Gear	32	125-7225	2	Bolt
14	125-7005	1	Housing				



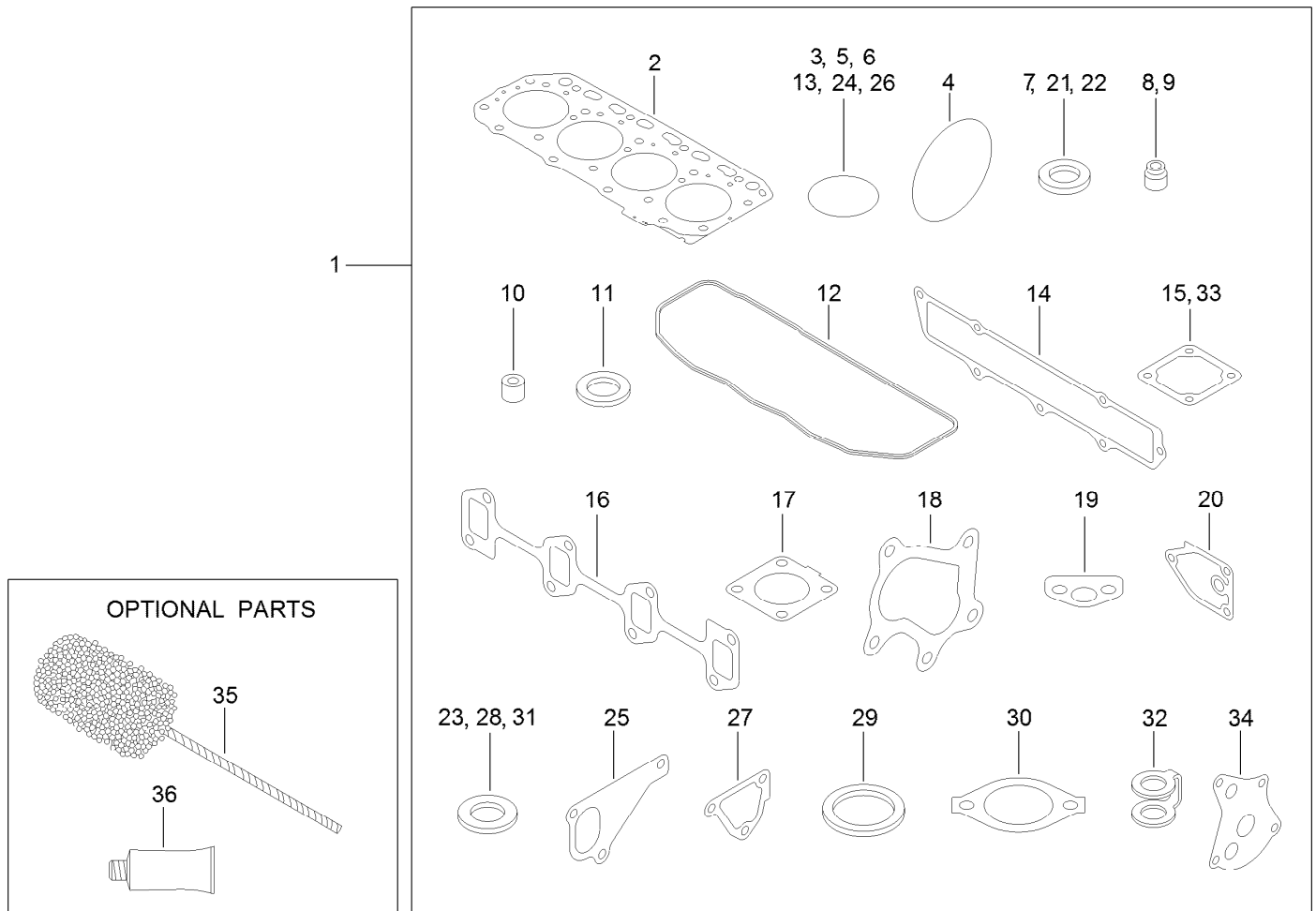
## Generator Assembly

<b>Ref.</b>	<b>Part Number</b>	<b>Qty.</b>	<b>Description</b>
1	125-7120	1	Alternator-12V
2	125-7121	1	Bolt-Stopper
3	125-7122	1	Piece-Distance
4	125-7230	1	Nut
5	125-6947	1	Spacer
6	125-7101	1	Adjuster-Belt
7	125-7134	1	Bolt
8	125-7219	1	Bolt
9	125-7173	2	Relay
10	125-7131	3	Washer
11	125-7132	2	Relay



## Electronic Control Unit Assembly

<i>Ref.</i>	<i>Part Number</i>	<i>Qty.</i>	<i>Description</i>
1	135-4281	1	Ecu
11	125-7129	1	Shield
12	125-7130	3	Collar
13	125-6908	3	Absorber
14	125-7187	6	Screw
19	125-7128	1	Ecu
20	125-7129	1	Shield
21	125-7130	3	Collar
22	125-6908	3	Absorber
23	125-7187	6	Screw



## Gasket Set

Ref.	Part Number	Qty.	Description	Ref.	Part Number	Qty.	Description
1	125-7243	1	Gasket Set	19	125-7022	1	Gasket
2	125-7049	1	Gasket-Head	20	125-7024	1	Gasket
3	125-6909	2	O-Ring	21	125-7174	7	Washer-Seal
4	125-6957	1	O-Ring	22	125-7175	2	Washer-Seal
5	125-7197	2	O-Ring	23	125-7193	2	Gasket
6	125-7199	1	O-Ring	24	125-7198	1	O-Ring
7	125-7177	1	Washer-Seal	25	125-7047	1	Gasket
8	125-6915	8	Seal-Stem, Valve	26	125-7048	1	O-Ring
9	125-6916	8	Seal-Stem, Valve	27	125-6978	1	Gasket
10	125-6921	4	Protector	28	125-7192	1	Gasket
11	125-6911	4	Seat-Valve	29	125-7026	1	Gasket
12	125-7060	1	Gasket	30	125-7110	1	Gasket
13	93-0418	7	O-Ring	31	125-6979	2	Gasket
14	125-7066	1	Gasket	32	125-6967	5	Gasket
15	125-7028	1	Gasket	33	125-7000	1	Gasket
16	125-7096	1	Gasket	34	125-7021	1	Gasket
17	125-7070	1	Gasket	35	125-7038	1	Hone
18	125-7071	1	Gasket	36	125-7248	1	Gasket-Liquid

# Attachments and Accessories

## For 30874TE Groundsmaster 4700-D Rotary Mower

<b>Product Name</b>	<b>Model/Part</b>
TÜV Kit - German Vehicle Serial Plate .....	02983
Operator Cooling Fan .....	03247
Switch Panel-Universal Sunshade.....	03248
Roller Scraper Kit.....	104-5168
Blade-High Lift .....	104-5183
Blade-Angle Sail .....	105-9810-03
Blade-Atomic .....	107-0235-03
Premium All Purpose Grease (Tube) .....	108-1190
27in Blade Service Pack (qty 7) .....	108-1464
Blade-Combo.....	108-9026-03
Deck Cover .....	111-4525
Sectional Roller Assembly .....	117-5121
Premium Synthetic Bio-Degradable Hydraulic Fluid (5 Gallon Pail) .....	119-2157
Premium Synthetic Bio-Degradable Hydraulic Fluid (55 Gallon Drum).....	119-2158
Deck Lock Kit, Groundsmaster 4500-D/4700-D Traction Unit .....	119-8641
Service Decal .....	127-6369
Roller Asm (UHMW) .....	131-7800
PX Hydraulic Fluid (5 Gal) .....	133-8086
PX Hydraulic Fluid (55 Gal).....	133-8087
Ballast Kit (27in C/U) .....	136-2881
Beacon Kit .....	138-2699
Sunshade Work Lights Kit.....	138-2700
Power Harness Kit (GM45XX/GM47XX/GM7XXX).....	138-2995
MVP Filter Kit.....	30089
Homologation Kit .....	30667
White Universal Sunshade .....	30669
Red Universal Sunshade .....	30671
27in Rotary Cutting Unit.....	30834
Leaf Mulching Kit .....	30836
Flow Divider Kit.....	30876
Cab Kit.....	30901
2 Post ROPS Extension Kit.....	31351
Flow Divider Kit.....	31527
ROPS Beacon Kit .....	31577
1000 Hour Mvp Kit-Tier IV.....	44967



**Count on it.**