



Mid-Size ProLine T-Bar Gear 15 HP with 44in Side Discharge Mower

Model No. 30326 - 240000001 and up.

Parts Catalog

Ordering Replacement Parts

To order replacement parts, please supply the part number, the quantity, and the description of each part desired.

Understanding Reference Numbers

Each Identified part in an illustration has a reference number. The reference number for a part also appears in the parts list, along with other information about the part.

This catalog uses two special reference number formats, one to indicate parts in a service assembly and another to indicate the quantity of a given part in an illustration.

Service Assembly Reference Numbers

Parts in service assemblies have reference numbers in the form a:b. The a represents the reference number of the entire service assembly and the b represents a sequential number unique to each part within the service assembly.

For example, a wheel assembly might be identified by reference number 6, the tire by 6:1, the valve by 6:2, and the wheel by 6:3. When you order the assembly identified by reference number 6, you receive all parts identified by reference numbers 6:1, 6:2, and 6:3. However, you may also order any part individually. Reference numbers of this type appear in illustrations and in part lists.

Reference Numbers Indicating Quantity

In an illustration, if a reference number indicates more than one part, the reference number has the form nX y. The n represents the quantity of the part, the X is the multiplication symbol, and the y represents the reference number.

For example, in an illustration, the reference number 2X 37 means that two of the parts identified by reference number 37 are indicated.

Contents

| Description | Page | Description | Page |
|--|----------|---|----------|
| Engine Installation Assembly | 3 | Valve and Camshaft Assembly Kawasaki | |
| Fuel Tank Assembly | 4 | FH430V-AS28 | 19 |
| Lower Control Assembly | 5 | Lubrication Equipment Assembly Kawasaki | |
| Transmission Drive Assembly | 6 | FH430V-AS28 | 20 |
| Wheel Drive and Brake Assembly | 7 | Cooling Equipment Assembly Kawasaki | |
| Upper Handle Assembly | 8 | FH430V-AS28 | 21 |
| Control Panel Assembly | 9 | Electrical Equipment Assembly Kawasaki | |
| Carrier Frame Assembly | 10 | FH430V-AS28 | 22 |
| Spindle, Pulley and Belt Assembly | 11 | Control Equipment Assembly Kawasaki FH430V- | |
| Deck Assembly No. 106-0617 | 12 | AS28 | 23 |
| Spindle Assembly No. 106-0786 | 13 | Carburetor Assembly Kawasaki FH430V-AS28 | 24 |
| Spindle Assembly No. 106-0784 | 14 | Air-Filter and Muffler Assembly Kawasaki | |
| Deck Assembly | 15 | FH430V-AS28 | 25 |
| Drive Belt and Tensioner Assembly | 16 | Fuel Tank/Fuel Valve Assembly Kawasaki | |
| Cylinder and Crankcase Assembly Kawasaki | | FH430V-AS28 | 26 |
| FH430V-AS28 | 17 | Starter Assembly Kawasaki FH430V-AS28 | 27 |
| Piston and Crankshaft Assembly Kawasaki | | Decal Assembly Kawasaki FH430V-AS28 | 28 |
| FH430V-AS28 | 18 | | |

Part Description Abbreviations

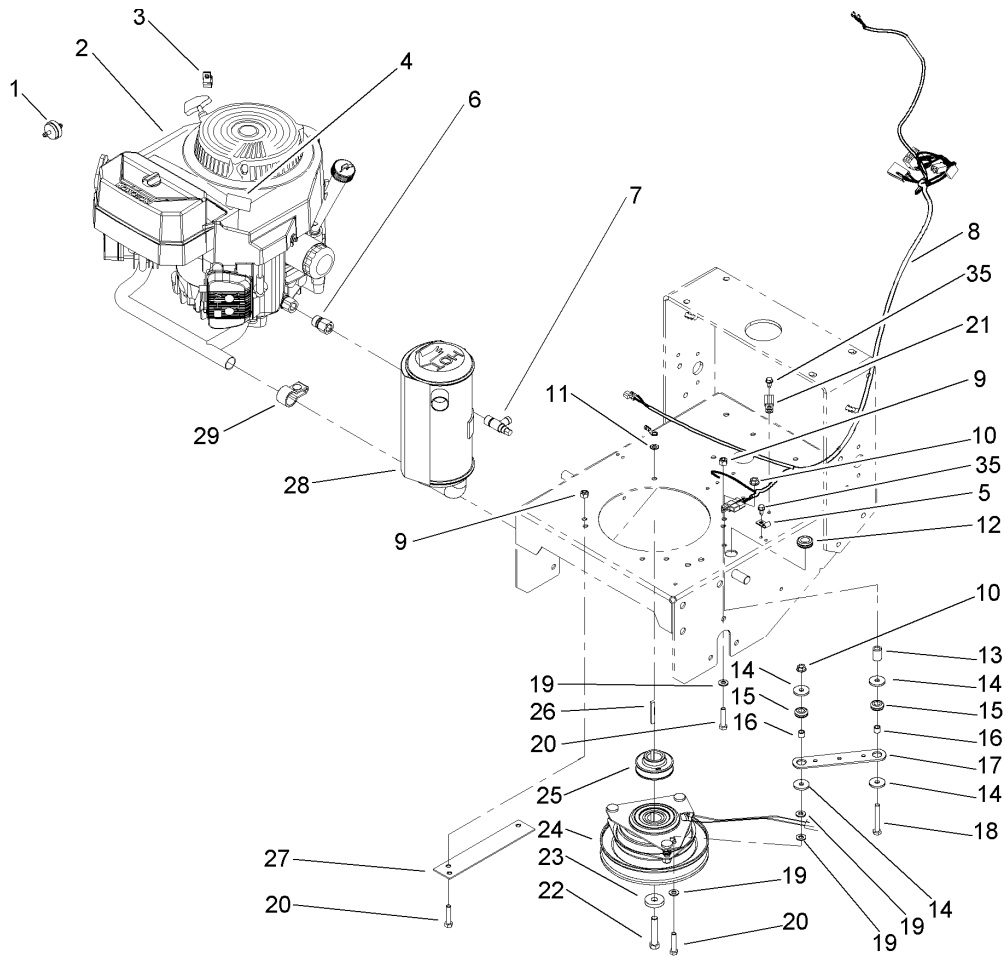
Part descriptions in this catalog may include the following abbreviations.

| | |
|--|------------------------------------|
| AR. as required | INC. incorporated |
| ASM. assembly | LH. left hand |
| CARR. carriage | NI. nylon insert |
| DEG. degrees | PPH. phillips pan head |
| FH. flat head | PTH. phillips truss head |
| GA. gauge | PTO. power take off |
| HF. hex flange | RH. right hand |
| HH. hex head | SFH. slotted fillister head |
| HHF. hex head flange | SHH. slotted hex head |
| HHFTF. hex head flange thread forming | SHWH. slotted hex washer head |
| HJ. hex jam | SPH. slotted pan head |
| HLH. hex lag head | SQH. square head |
| HOC. height-of-cut | SRH. slotted round head |
| HS. hex | STD. standard |
| HSBH. hex socket button head | TAP. self tapping |
| HSFH. hex socket flat head | TTH. torx truss head |
| HS. hex socket head | WH. wing head |
| HWH. hex washer head | |
| HWHTF. hex washer head thread forming | |
| HYD. hydraulic | |

PROTOTYPE

Footnotes

- | | |
|--|----------------------------------|
| <p>❶ Not illustrated</p> <p>❸ Obtain parts from your local Kawasaki dealer</p> | <p>❷ Not serviced separately</p> |
|--|----------------------------------|

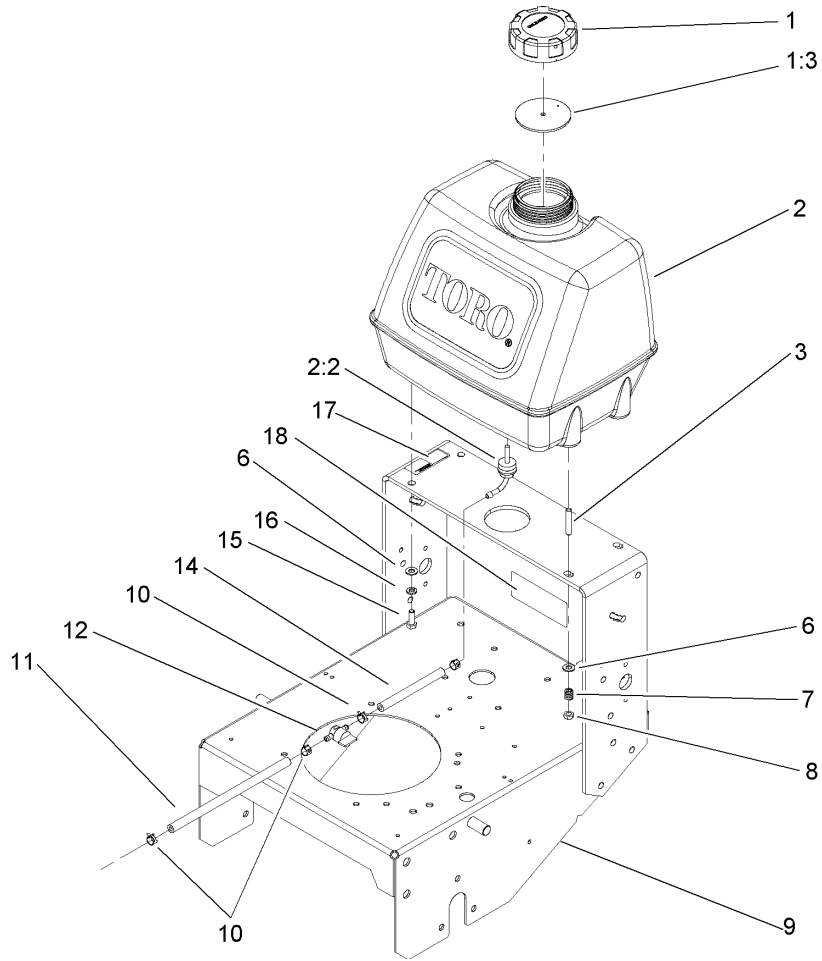


Engine Installation Assembly

| Ref | Part No. | Qty. | Description |
|-----|-------------|------|------------------------------|
| 1 | 56-6360 | 1 | Filter-Fuel |
| 2 | | 1 | Engine-Kawasaki, Fh430v-As28 |
| 3 | 2412-87 | 1 | Clamp-Cable |
| 4 | 106-0699 | 1 | Decal-Warning, Hot Surfaces |
| 5 | 2412-72 | 1 | Clip-Closed, Insulated |
| 6 | 103-1966 | 1 | Adapter |
| 7 | 103-1965 | 1 | Valve-Drain, Oil |
| 8 | 104-8137 | 1 | Harness-Wire |
| 9 | 3296-29 | 4 | Nut-Lock, NI |
| 10 | 32128-20 | 2 | Nut-HF |
| 11 | 3255-8 | 1 | Washer-Lock |
| 12 | 237-124 | 1 | Grommet |
| 13 | 104-6373 | 1 | Tube-Retainer |
| 14 | 1-613235 | 4 | Washer |
| 15 | 1-633630 | 2 | Grommet-Brake |
| 16 | 1-633545 | 2 | Spacer |
| 17 | 1-633543-03 | 1 | Strap-Clutch, Brake |
| 18 | 322-11 | 1 | Screw-HH |
| 19 | 3256-23 | 5 | Washer-Flat |
| 20 | 322-7 | 5 | Screw-HH |
| 21 | 2412-134 | 1 | R-Clamp |
| 22 | 3212-9 | 1 | Screw-HH |
| 23 | 112843 | 1 | Washer |
| 24 | 105-2635 | 1 | Clutch / Brake |

| Ref | Part No. | Qty. | Description |
|-----|------------|------|-----------------|
| 25 | 105-0827 | 1 | Pulley-Drive |
| 26 | 608006 | 1 | Key-Square |
| 27 | 94-5847-01 | 1 | Cover-Pulley |
| 28 | 100-6467 | 1 | Muffler |
| 29 | 103-5465 | 1 | Clamp-Muffler |
| 35 | 12-3270 | 2 | Screw |
| 99 | 103-1964 | 1 | Hose-Drain, Oil |

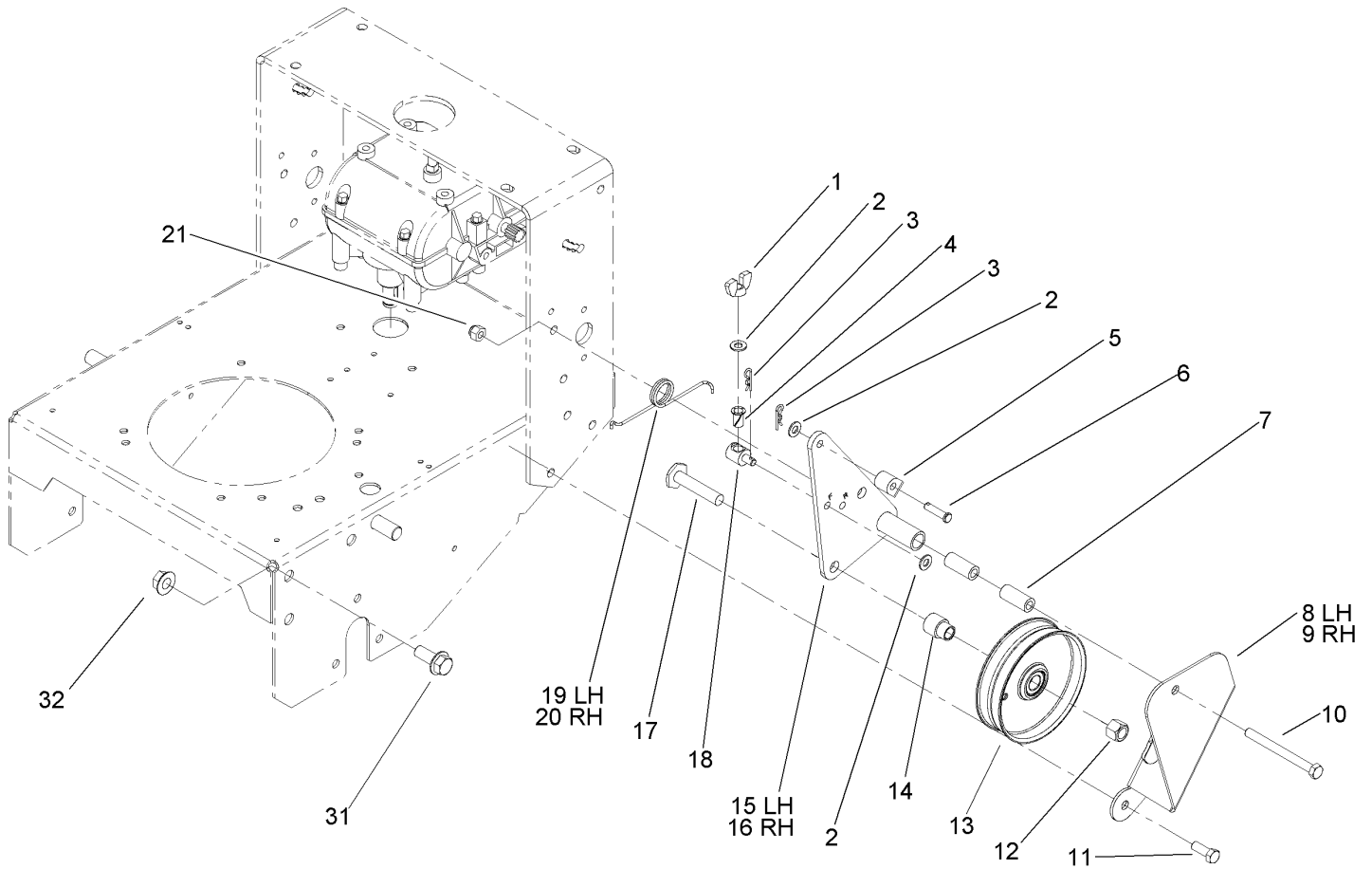
PROTOTYPE



Fuel Tank Assembly

| Ref | Part No. | Qty. | Description |
|-----|-------------|------|------------------------|
| 1 | 88-3980 | 1 | Gas Cap ASM |
| 1:3 | 88-4010 | 1 | Gasket-Cap, Gas |
| 2 | 106-0730 | 1 | Fuel Tank ASM |
| 2:2 | 103-2605 | 1 | Fitting-Fuel, Bulkhead |
| 3 | 104-8121 | 2 | Stud-Threaded |
| 6 | 3256-23 | 4 | Washer-Flat |
| 7 | 1-633349 | 2 | Spring-Tank, Fuel |
| 8 | 3296-47 | 2 | Nut-Lock, NI |
| 9 | 106-0546-01 | 1 | Gear Frame ASM |
| 10 | 2412-98 | 4 | Clamp |
| 11 | 47-2982 | 1 | Hose-Fuel |
| 12 | 1-603770 | 1 | Valve-Fuel |
| 14 | 47-2980 | 1 | Hose-Fuel |
| 15 | 322-4 | 2 | Screw-HH |
| 16 | 3253-4 | 2 | Washer-Lock |
| 17 | 95-2814 | 1 | Decal-Shut Off, Fuel |
| 18 | 98-0776 | 1 | Decal-Caution |

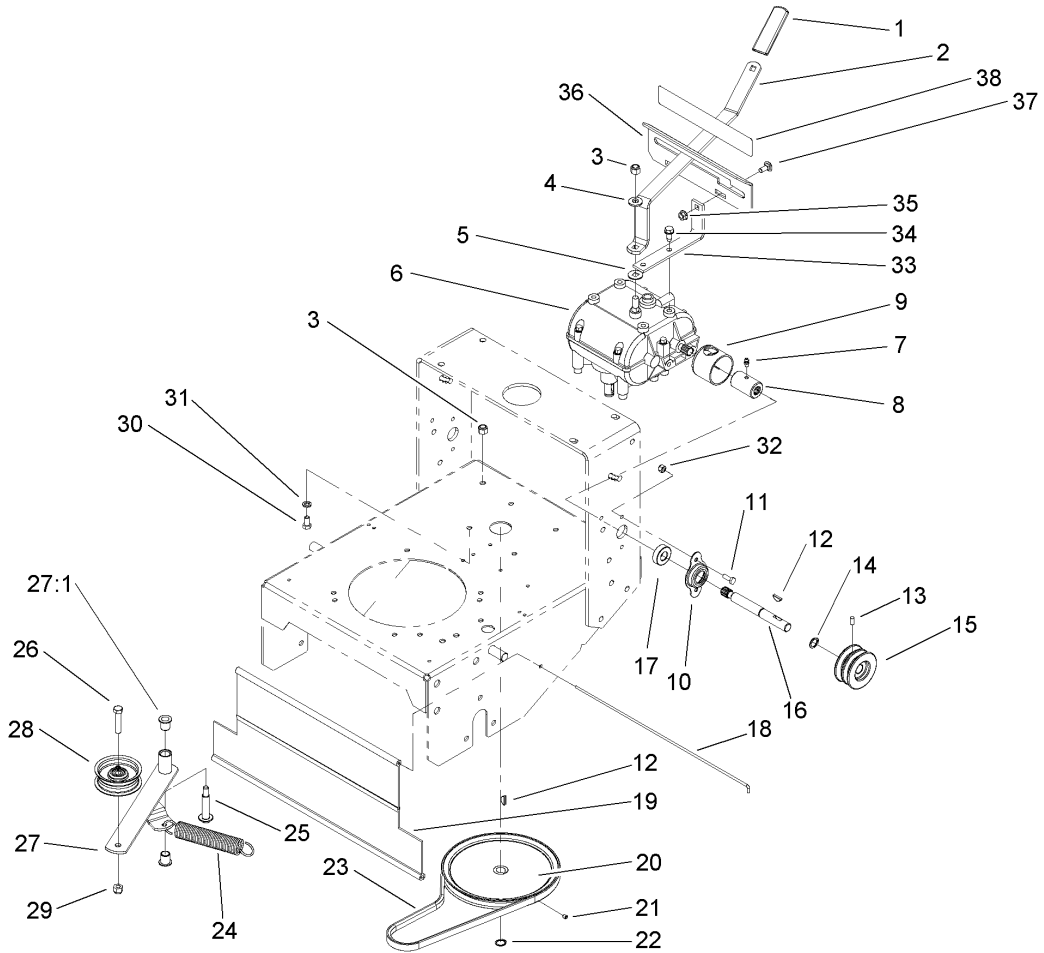
| | | | |
|---|--|--|--|
| <p style="font-size: 48px; opacity: 0.5;">PROTOTYPE</p> | | | |
|---|--|--|--|



Lower Control Assembly

| Ref | Part No. | Qty. | Description |
|-----|------------|------|---------------------|
| 1 | 32103-25 | 2 | Nut-Wing |
| 2 | 3256-23 | 6 | Washer-Flat |
| 3 | 3290-307 | 4 | Pin-Hair |
| 4 | 52-2890 | 2 | Bushing-Nylon |
| 5 | 74-0521 | 2 | Fitting-Rod |
| 6 | 283-6 | 2 | Pin-Clevis |
| 7 | 74-0040 | 4 | Spacer-Pivot, Idler |
| 8 | 67-6380-01 | 1 | Bracket-Support, LH |
| 9 | 67-6370-01 | 1 | Bracket-Support, RH |
| 10 | 323-16 | 2 | Screw-HH |
| 11 | 323-6 | 4 | Screw-HH |
| 12 | 3296-23 | 2 | Nut-Lock, NI |
| 13 | 95-2800 | 2 | Pulley-Idler |
| 14 | 95-2801 | 2 | Spacer-Pulley |
| 15 | 74-0220-01 | 1 | Bracket-Idler, LH |
| 16 | 74-0230-01 | 1 | Bracket-Idler, RH |
| 17 | 51-4450 | 2 | Screw-Leveler |
| 18 | 68-9690 | 2 | Fitting-Rod |
| 19 | 51-4380 | 1 | Spring-Torsion, LH |
| 20 | 51-4370 | 1 | Spring-Torsion, RH |
| 21 | 3296-39 | 6 | Nut-Lock, NI |
| 31 | 3234-32 | 6 | Screw-HHF |
| 32 | 32128-23 | 6 | Nut-HF |

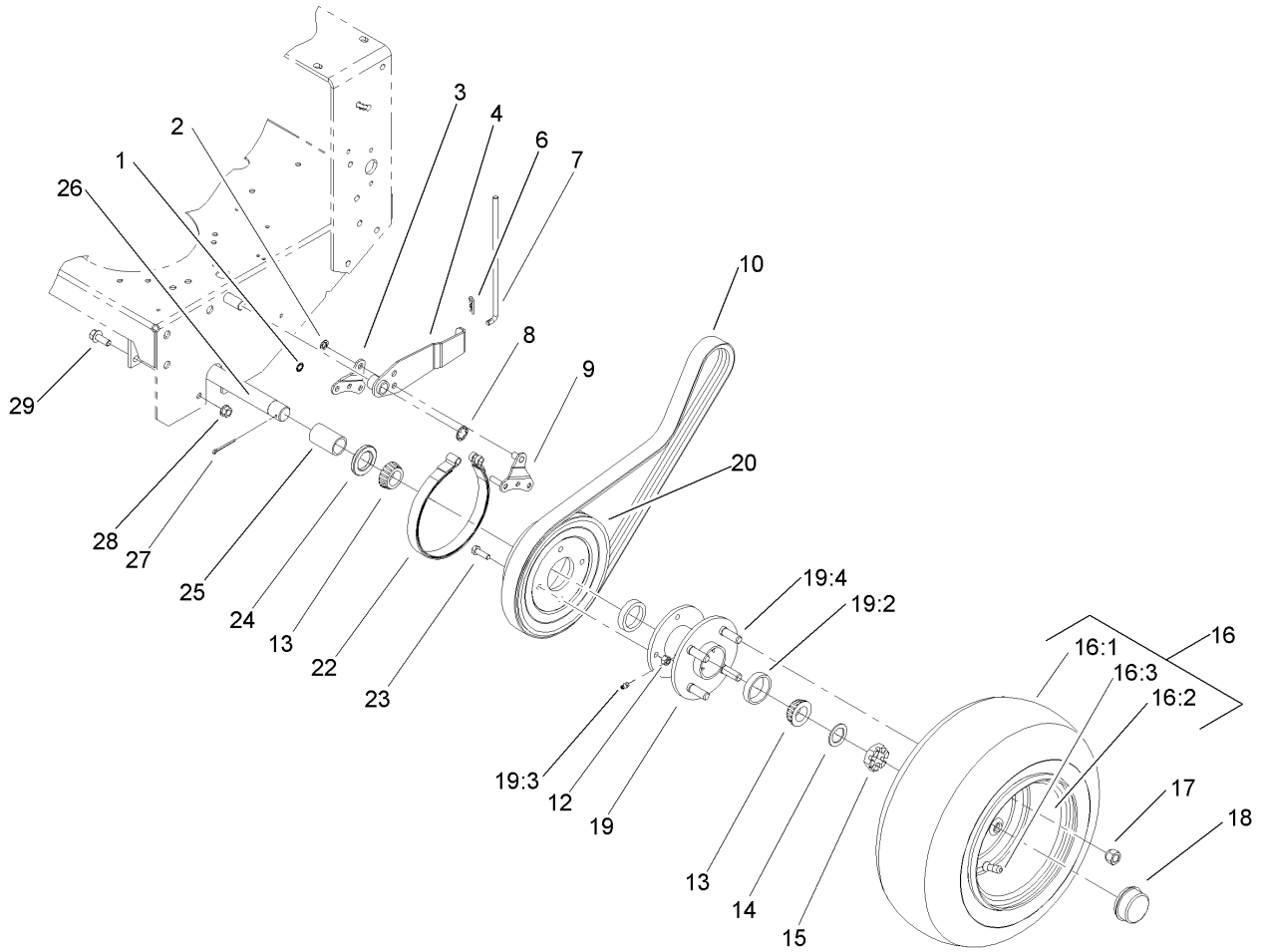
| | | | |
|--|--|--|--|
| <p style="font-size: 48px; opacity: 0.5; font-weight: normal;">PROTOTYPE</p> | | | |
|--|--|--|--|



Transmission Drive Assembly

| Ref | Part No. | Qty. | Description |
|-----|------------|------|---------------------|
| 1 | 47-1970 | 1 | Grip |
| 2 | 98-3274-03 | 1 | Lever-Shift |
| 3 | 3296-6 | 2 | Nut-Lock |
| 4 | 98-5975 | 1 | Washer-Belleville |
| 5 | 1-323379 | 1 | Washer |
| 6 | 1-323500 | 1 | Transmission |
| 7 | 302-5 | 2 | Fitting-Grease |
| 8 | 1-323680 | 2 | Coupler |
| 9 | 51-4220 | 2 | Guard-Coupler |
| 10 | 1-323254 | 2 | Flange-Output |
| 11 | 321-4 | 4 | Screw-HH |
| 12 | 3257-5 | 3 | Key-Woodruff |
| 13 | 3245-9 | 2 | Screw-Set |
| 14 | 32151-62 | 2 | Ring-Retaining |
| 15 | 105-2698 | 2 | Pulley-Transmission |
| 16 | 104-1102 | 2 | Shaft-Output |
| 17 | 1-323252 | 2 | Bearing-Shaft |
| 18 | 95-1529 | 1 | Rod-Shield |
| 19 | 95-1526 | 1 | Shield-Trailing |
| 20 | 105-5646 | 1 | Pulley-Driven |
| 21 | 3245-1 | 1 | Screw-Set, HSH |
| 22 | 32120-64 | 1 | Ring-Snap, External |
| 23 | 105-5668 | 1 | V-Belt |
| 24 | 68-2190 | 1 | Spring |

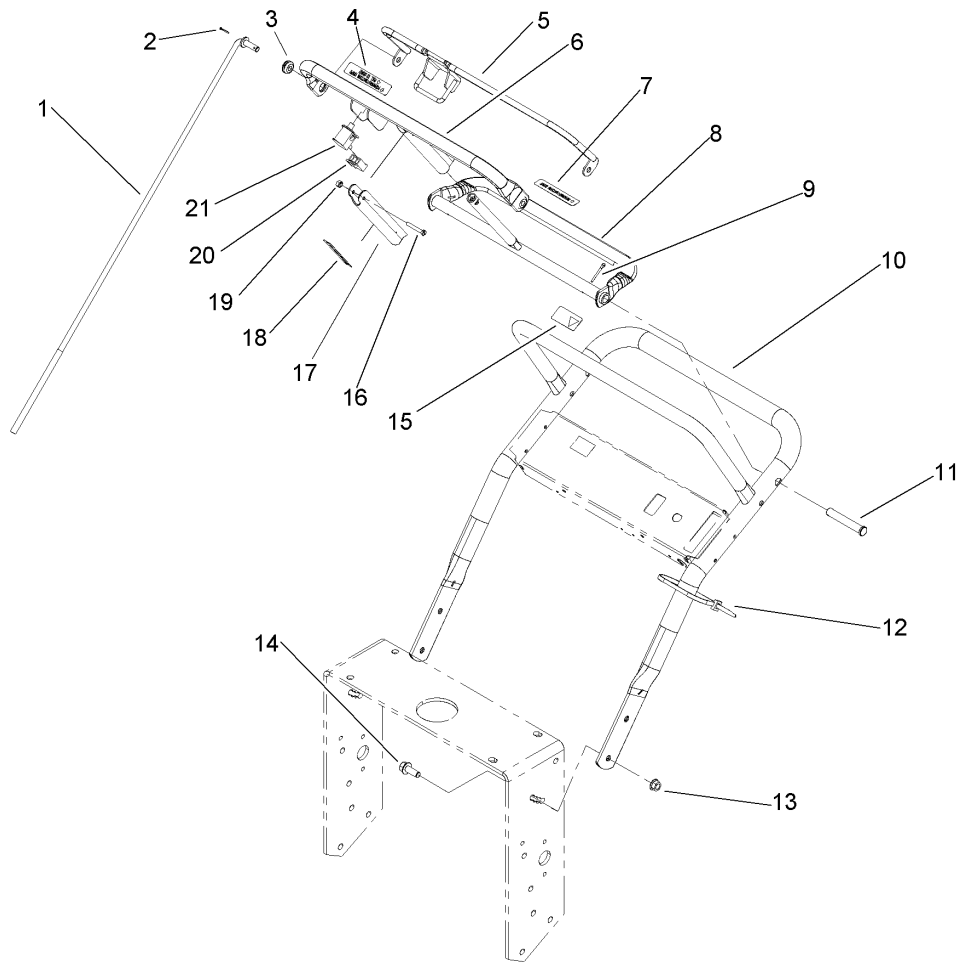
| Ref | Part No. | Qty. | Description |
|------|-------------|------|----------------------|
| 25 | 27-6230 | 1 | Bolt-Wheel |
| 26 | 323-9 | 1 | Screw-HH |
| 27 | 16-7509 | 1 | Lever-Idler |
| 27:1 | 256-155 | 2 | Bushing-Flange |
| 28 | 62-4540 | 1 | Pulley |
| 29 | 3296-39 | 1 | Nut-Lock, NI |
| 30 | 322-2 | 4 | Screw-HH |
| 31 | 3253-4 | 4 | Washer-Lock |
| 32 | 3296-42 | 4 | Nut-Lock, NI |
| 33 | 1-323389-03 | 2 | Bracket-Plate, Shift |
| 34 | 9264964 | 4 | Screw-Hwh, Thd Cut |
| 35 | 32128-20 | 2 | Nut-HF |
| 36 | 1-323387-03 | 1 | Plate-Shift |
| 37 | 3230-1 | 2 | Bolt-CARR |
| 38 | 98-3256 | 1 | Decal-Speed, Ground |



Wheel Drive and Brake Assembly

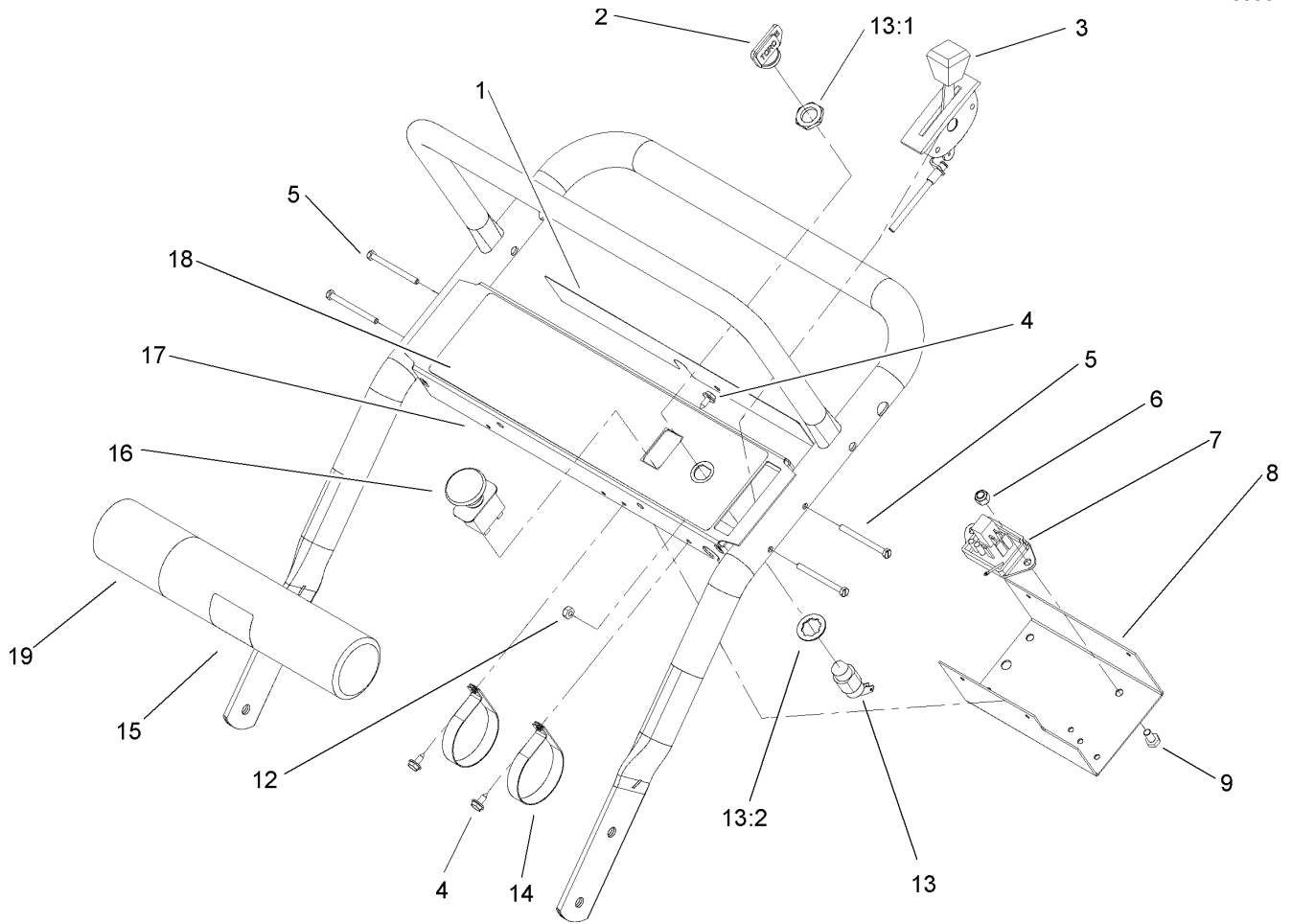
| Ref | Part No. | Qty. | Description |
|------|-------------|------|--------------------------|
| 1 | 32151-72 | 4 | Ring-Retaining |
| 2 | 32151-56 | 2 | Ring-Retaining, External |
| 3 | 106-8792 | 2 | Plate-Link, Brake |
| 4 | 106-8779-01 | 2 | Brake Arm ASM |
| 6 | 3290-307 | 2 | Pin-Hair |
| 7 | 51-4580 | 2 | Rod-Brake |
| 8 | 32151-40 | 2 | Ring-Retaining |
| 9 | 106-8773 | 2 | Brake Link ASM |
| 10 | 51-4290 | 2 | V-Belt |
| 12 | 3296-29 | 8 | Nut-Lock, NI |
| 13 | 254-94 | 4 | Bearing-Cone, Tapered |
| 14 | 1-523157 | 2 | Washer-Spacer |
| 15 | 1-809082 | 2 | Nut-SHH |
| 16 | 106-0892 | 2 | Wheel And Tire ASM |
| 16:1 | 104-6322 | 1 | Tire |
| 16:2 | 106-0893 | 1 | Wheel |
| 16:3 | 232-27 | 1 | Stem-Valve |
| 17 | 242-50 | 8 | Nut-Lug |
| 18 | 241-119 | 2 | Cap-Dust |
| 19 | 1-413333 | 2 | Hub/wheel ASM |
| 19:2 | 254-72 | 2 | Bearing-Cup, Tapered |
| 19:3 | 302-19 | 1 | Fitting-Grease |
| 19:4 | 1-633926 | 4 | Stud-Wheel |
| 20 | 106-5544 | 2 | Pulley-Wheel |

| Ref | Part No. | Qty. | Description |
|-----|-------------|------|--------------|
| 22 | 1-323262 | 2 | Band-Brake |
| 23 | 322-5 | 8 | Screw-HH |
| 24 | 1-543511 | 2 | Seal-Grease |
| 25 | 104-1197 | 2 | Spacer-Wheel |
| 26 | 104-1196-01 | 1 | Axle ASM |
| 27 | 1-806800 | 2 | Pin-Cotter |
| 28 | 32128-21 | 6 | Nut-HF |
| 29 | 3234-11 | 6 | Screw-HHF |



Upper Handle Assembly

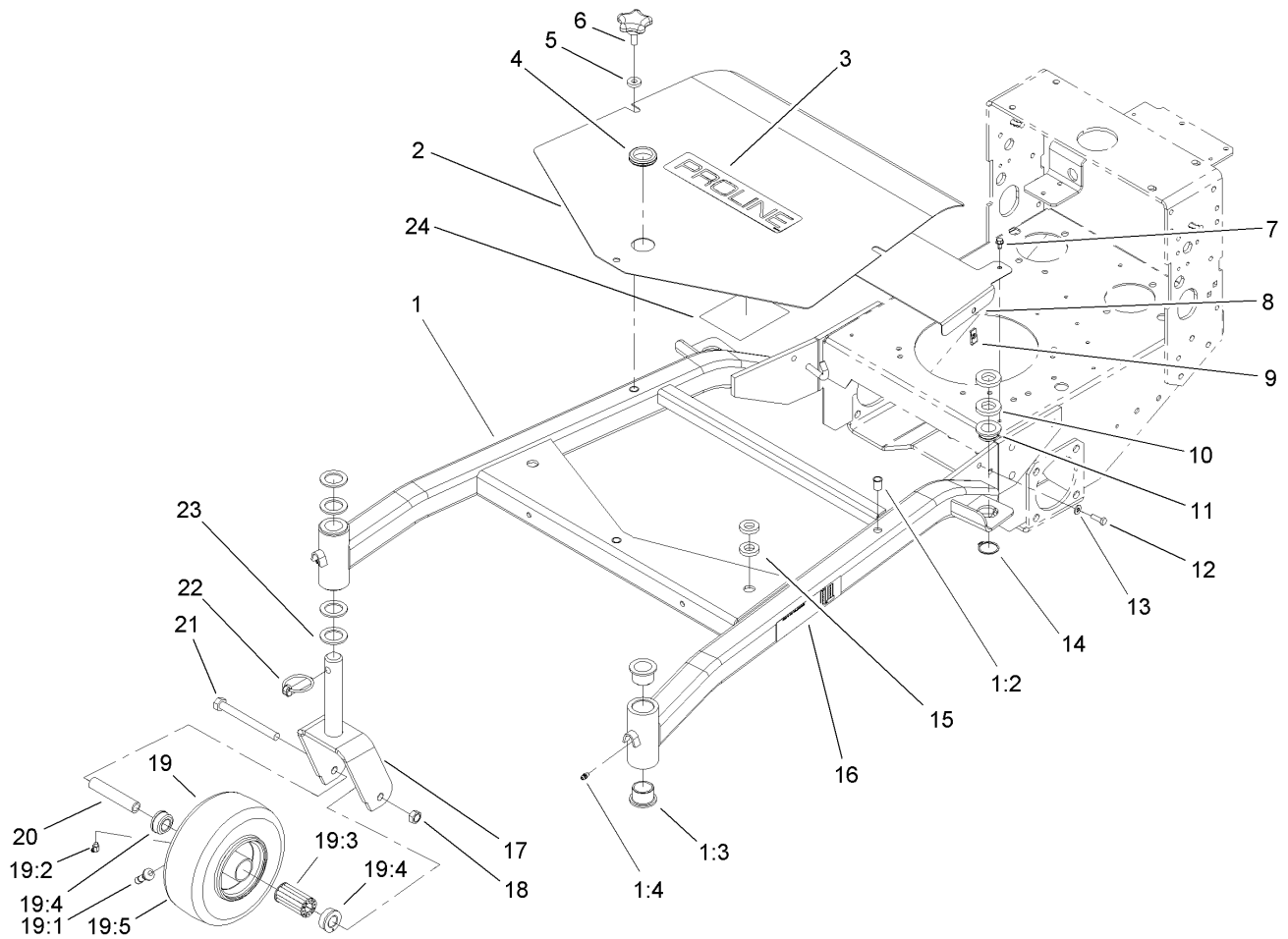
| Ref | Part No. | Qty. | Description |
|-----|-------------|------|-----------------------|
| 1 | 105-4677 | 2 | Rod-Control |
| 2 | 3272-4 | 2 | Pin-Cotter |
| 3 | 237-141 | 2 | Grommet-Rubber |
| 4 | 82-2290 | 1 | Decal |
| 5 | 82-7680-03 | 1 | Bail ASM |
| 6 | 82-7690-03 | 1 | Bar-Control |
| 7 | 82-2280 | 1 | Decal |
| 8 | 106-5477-03 | 1 | Control Pivot ASM |
| 9 | 3272-11 | 2 | Pin-Cotter |
| 10 | 105-3158-03 | 1 | Upper Handle ASM |
| 11 | 283-55 | 2 | Pin-Clevis |
| 12 | 3290-378 | 1 | Tie-Cable |
| 13 | 32128-21 | 4 | Nut-HF |
| 14 | 3234-11 | 4 | Screw-HHF |
| 15 | 98-4387 | 1 | Decal-Protection, Ear |
| 16 | 32105-1 | 1 | Screw-SHH |
| 17 | 51-4850-03 | 1 | Lever-Brake, Parking |
| 18 | 52-2010 | 1 | Decal-Lever, Parking |
| 19 | 3296-2 | 1 | Nut-Lock |
| 20 | 218-595 | 1 | Connector-Body |
| 21 | 82-2190 | 1 | Switch-Bail |



Control Panel Assembly

| Ref | Part No. | Qty. | Description |
|------|-------------|------|---------------------|
| 1 | 105-0884 | 1 | Decal-Danger |
| 2 | 63-8360 | 1 | Key-Ignition |
| 3 | 107-4101 | 1 | Cable-Throttle |
| 4 | 32104-76 | 4 | Screw |
| 5 | 32105-14 | 4 | Screw-SHH |
| 6 | 3296-42 | 1 | Nut-Lock, NI |
| 7 | 104-8141 | 1 | Module-Delay |
| 8 | 93-1187-03 | 1 | Panel-Bottom |
| 9 | 321-2 | 1 | Screw-HH |
| 12 | 3296-2 | 4 | Nut-Lock |
| 13 | 29-5560 | 1 | Switch-On/off |
| 13:1 | 218-461 | 1 | Nut-HH |
| 13:2 | 3254-5 | 1 | Washer-Tooth |
| 14 | 2412-120 | 2 | R-Clamp |
| 15 | 104-7050 | 1 | Housing-Manual |
| 16 | 104-8140 | 1 | Switch-PTO |
| 17 | 104-8177-03 | 1 | Panel-Control |
| 18 | 106-5499 | 1 | Decal-Control Panel |
| 19 | 104-7048 | 1 | Cap-Housing |

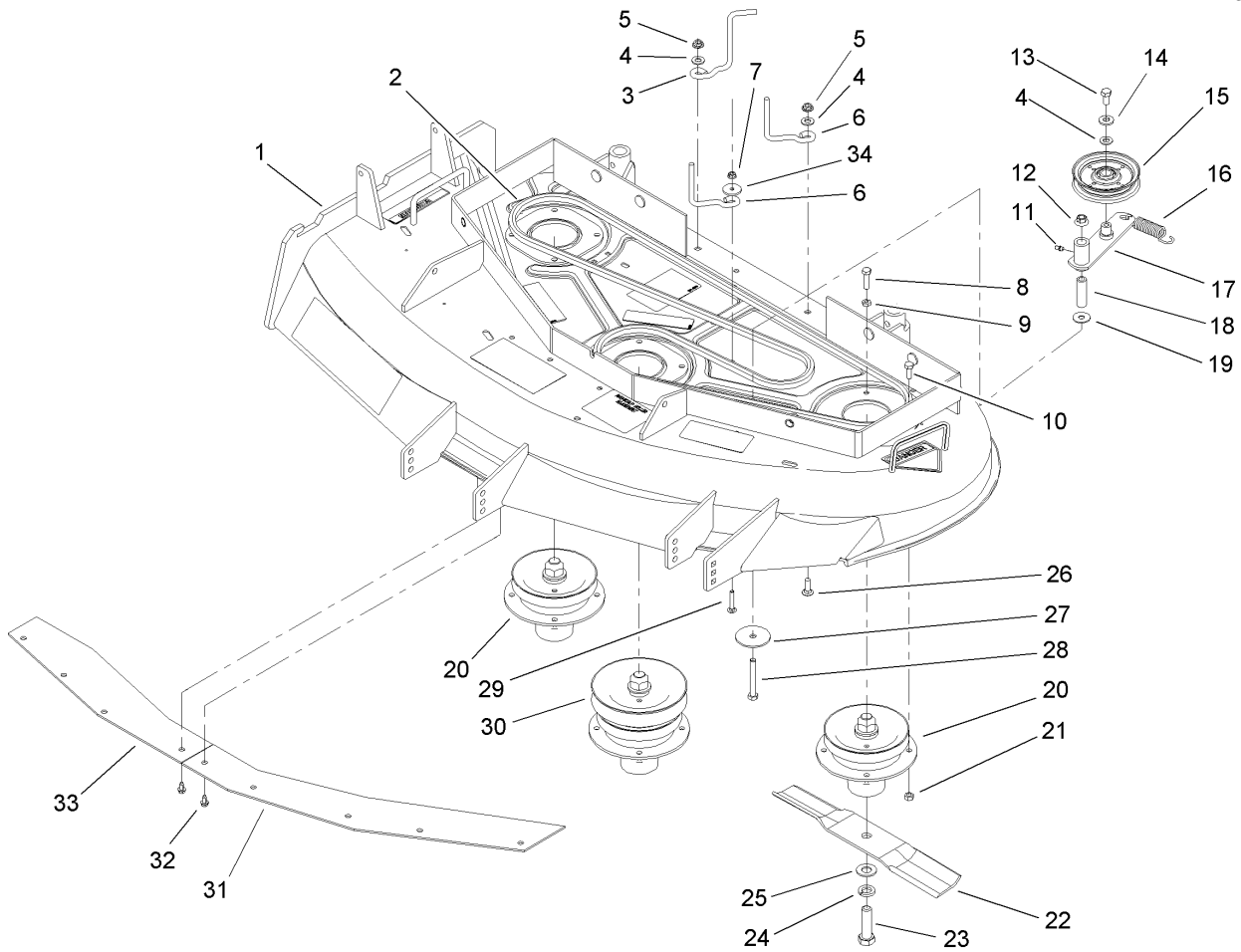
| | | | |
|--|--|--|--|
| <p style="font-size: 48px; opacity: 0.5; font-weight: normal;">PROTOTYPE</p> | | | |
|--|--|--|--|



Carrier Frame Assembly

| Ref | Part No. | Qty. | Description |
|------|-------------|------|----------------------|
| 1 | 106-0707 | 1 | Carrier Frame ASM |
| 1:2 | 32148-9 | 3 | Insert-Nut |
| 1:3 | 94-1291 | 4 | Bushing |
| 1:4 | 302-5 | 2 | Fitting-Grease |
| 2 | 106-0537-01 | 1 | Cover |
| 3 | 106-0719 | 1 | Decal |
| 4 | 240-3 | 1 | Grommet-Rubber |
| 5 | 106-0565 | 3 | Washer-Rubber |
| 6 | 106-0887 | 3 | Knob |
| 7 | 12-3270 | 2 | Screw |
| 8 | 105-9389-01 | 1 | Shield-Heat |
| 9 | 3290-199 | 2 | Nut-Speed |
| 10 | 104-1105 | 4 | Spacer-Support, Deck |
| 11 | 1-513336 | 2 | Bushing-Deck |
| 12 | 321-5 | 2 | Screw-HH |
| 13 | 3256-22 | 2 | Washer-Flat |
| 14 | 32120-33 | 2 | Ring-Retaining |
| 15 | 105-0842 | 4 | Spacer |
| 16 | 106-0635 | 2 | Decal-HOC |
| 17 | 105-3159-01 | 2 | Castor Fork ASM |
| 18 | 32153-5 | 2 | Nut-Lock, Side |
| 19 | 100-6451 | 2 | Castor Wheel ASM |
| 19:1 | 232-27 | 1 | Stem-Valve |
| 19:2 | 302-11 | 1 | Fitting-Lube, 45 DEG |

| Ref | Part No. | Qty. | Description |
|------|----------|------|----------------------------------|
| 19:3 | 83-4740 | 1 | Bearing |
| 19:4 | 62-5580 | 2 | Bearing-Outside |
| 19:5 | 100-6452 | 1 | Tire-Tubeless |
| 20 | 100-6453 | 2 | Bushing-Spanner |
| 21 | 325-19 | 2 | Screw-HH |
| 22 | 283-71 | 2 | Pin-Lynch |
| 23 | 3-6781 | 8 | Washer-Thrust |
| 24 | 106-5503 | 1 | Decal-Service, Hydro Tbar |
| 24 | 106-5505 | 1 | Decal-Service, Gear Tbar |
| 24 | 106-5511 | 1 | Decal-Service, Gear Pistol Grip |
| 24 | 106-5513 | 1 | Decal-Service, Hydro Pistol Grip |



Spindle, Pulley and Belt Assembly

| Ref | Part No. | Qty. | Description |
|-----|----------|------|---------------------|
| 1 | 106-0617 | 1 | Deck ASM |
| 2 | 27-1160 | 1 | V-Belt |
| 3 | 106-5488 | 1 | Guide-Belt |
| 4 | 3256-24 | 3 | Washer-Flat |
| 5 | 32128-13 | 2 | Nut-HF |
| 6 | 52-4780 | 2 | Rod-Belt |
| 7 | 32128-10 | 1 | Nut-Lock, HHF |
| 8 | 322-6 | 1 | Screw-HH |
| 9 | 3218-2 | 1 | Nut-Jam |
| 10 | 322-4 | 11 | Screw-HH |
| 11 | 302-19 | 1 | Fitting-Grease |
| 12 | 32128-19 | 1 | Nut-HF |
| 13 | 323-4 | 1 | Screw-HH |
| 14 | 98-5975 | 1 | Washer-Belleville |
| 15 | 65-5940 | 1 | Pulley-Idler |
| 16 | 54-2730 | 1 | Spring-Extension |
| 17 | 104-8110 | 1 | Idler Arm ASM |
| 18 | 104-8113 | 1 | Tube-Idler |
| 19 | 52-2860 | 1 | Washer |
| 20 | 106-0786 | 2 | Spindle Housing ASM |
| 21 | 32152-1 | 12 | Nut-Lock, Cone |
| 22 | 54-0010 | 3 | Blade |
| 23 | 51-4060 | 3 | Screw-Blade |
| 24 | 3253-8 | 3 | Washer-Lock |

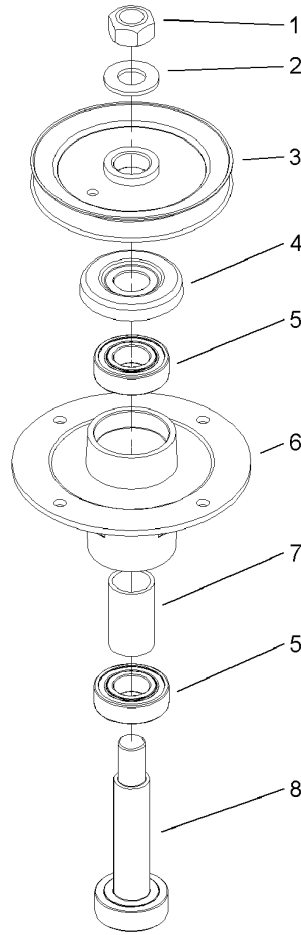
| Ref | Part No. | Qty. | Description |
|-----|-------------|------|-------------------------|
| 25 | 3256-27 | 3 | Washer-Flat |
| 26 | 3230-2 | 2 | Bolt-CARR |
| 27 | 20-9530 | 1 | Washer-End |
| 28 | 323-13 | 1 | Screw-HH |
| 29 | 3229-4 | 1 | Screw-CARR |
| 30 | 106-0784 | 1 | Spindle Housing ASM |
| 31 | 100-3258-03 | 1 | Plate-Blowout, LH |
| 32 | 12-3270 | 9 | Screw |
| 33 | 100-3257-03 | 1 | Plate-Blowout, RH |
| 34 | 1-503033 | 1 | Washer-Retainer, Pulley |



Deck Assembly No. 106-0617

| Ref | Part No. | Qty. | Description |
|-----|----------|------|---------------------|
| 1 | | 1 | 44in Deck ASM |
| 2 | 32148-10 | 2 | Insert-Threaded |
| 3 | 106-5532 | 1 | Decal-Scalp, Anti |
| 4 | 66-1340 | 1 | Decal-Danger |
| 5 | 106-0704 | 1 | Decal |
| 6 | 104-8569 | 1 | Decal-Warning |
| 7 | 104-8186 | 1 | Decal-Routing, Belt |
| 8 | 67-5360 | 3 | Decal-Danger |
| 9 | 68-8340 | 1 | Decal-Torque |
| 10 | 43-8480 | 1 | Decal-Danger |

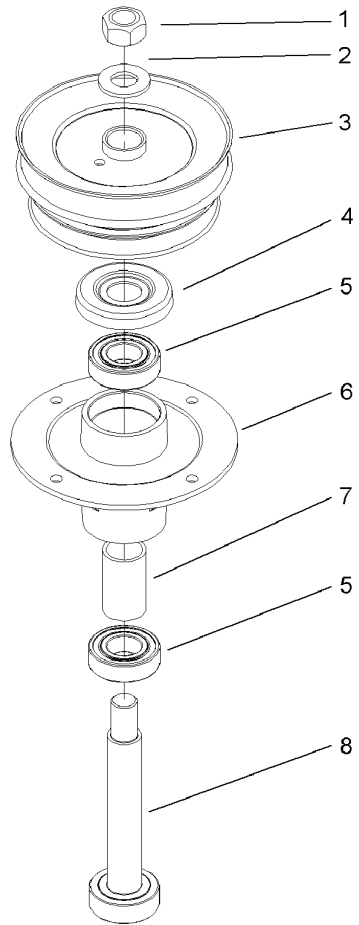
PROTOTYPE



Spindle Assembly No. 106-0786

| Ref | Part No. | Qty. | Description | | | | |
|-----|----------|------|-----------------|--|--|--|--|
| 1 | 3219-7 | 1 | Nut-Hex | | | | |
| 2 | 7-4150 | 1 | Washer | | | | |
| 3 | 104-1181 | 1 | Pulley ASM | | | | |
| 4 | 106-0873 | 1 | Shield-Bearing | | | | |
| 5 | 104-6325 | 2 | Bearing | | | | |
| 6 | 106-0818 | 1 | Housing-Spindle | | | | |
| 7 | 106-0794 | 1 | Spacer-Bearing | | | | |
| 8 | 106-0780 | 1 | Shaft-Spindle | | | | |

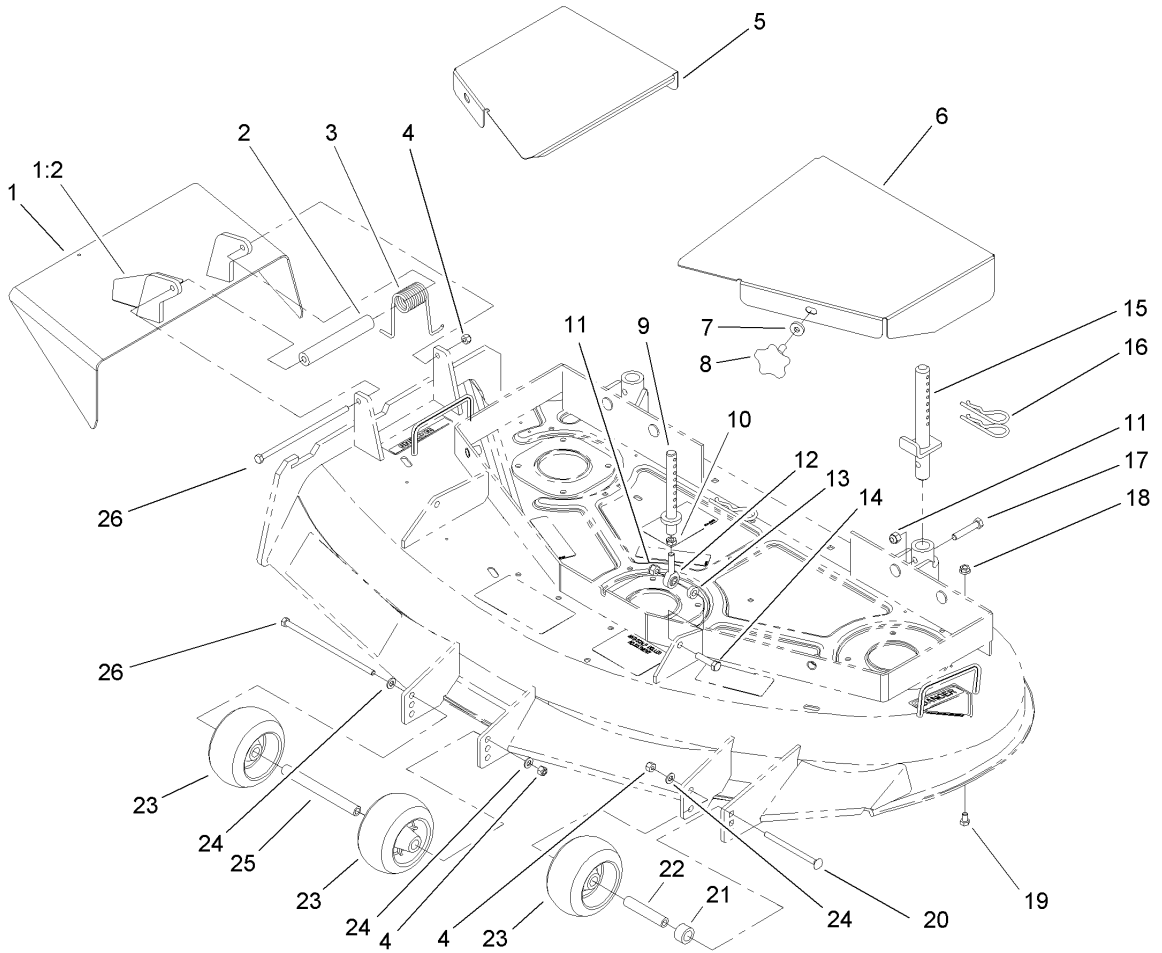
PROTOTYPE



Spindle Assembly No. 106-0784

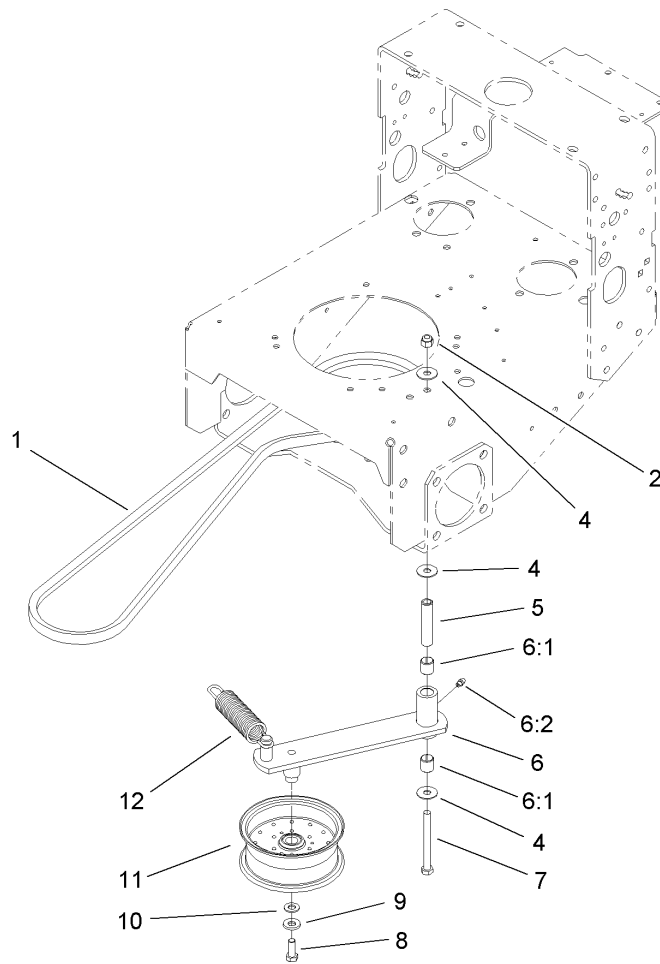
| Ref | Part No. | Qty. | Description | | | | |
|-----|----------|------|--------------------|--|--|--|--|
| 1 | 3219-7 | 1 | Nut-Hex | | | | |
| 2 | 7-4150 | 1 | Washer | | | | |
| 3 | 104-1116 | 1 | Pulley And Hub ASM | | | | |
| 4 | 106-0873 | 1 | Shield-Bearing | | | | |
| 5 | 104-6325 | 2 | Bearing | | | | |
| 6 | 106-0818 | 1 | Housing-Spindle | | | | |
| 7 | 106-0794 | 1 | Spacer-Bearing | | | | |
| 8 | 106-0779 | 1 | Shaft-Spindle | | | | |

PROTOTYPE



Deck Assembly

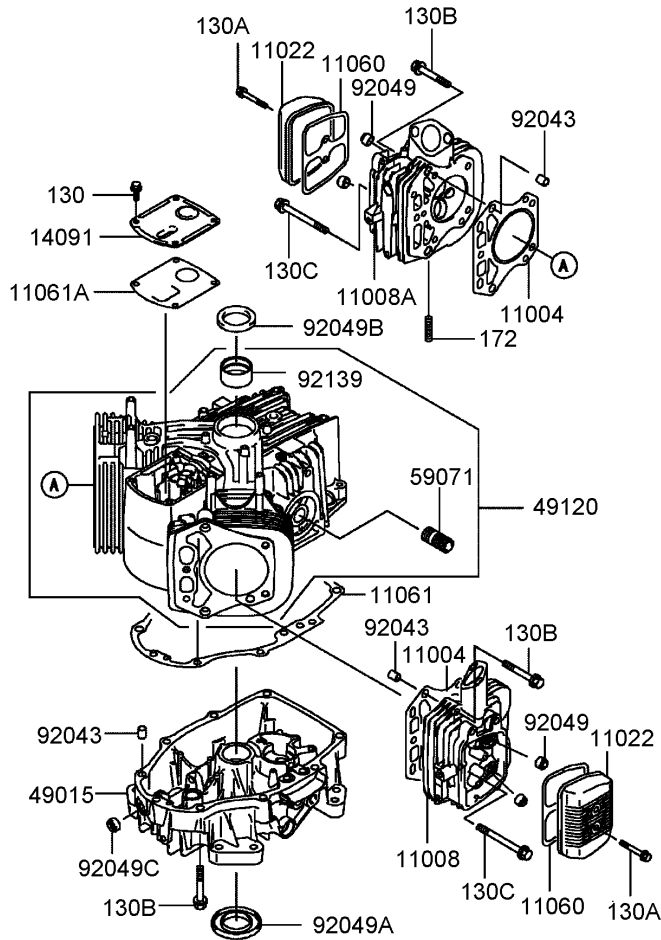
| Ref | Part No. | Qty. | Description | Ref | Part No. | Qty. | Description |
|-----|-------------|------|----------------|-----|----------|------|--------------|
| 1 | 105-4625 | 1 | Deflector ASM | 24 | 3256-23 | 3 | Washer-Flat |
| 1:2 | 93-1122 | 1 | Decal-Danger | 25 | 98-5967 | 1 | Spacer-Wheel |
| 2 | 105-4622 | 1 | Spacer | 26 | 322-50 | 2 | Screw-HH |
| 3 | 104-8554 | 1 | Spring-Torsion | | | | |
| 4 | 3296-29 | 3 | Nut-Lock, NI | | | | |
| 5 | 106-3363-01 | 1 | Cover-Belt, RH | | | | |
| 6 | 106-3362-01 | 1 | Cover-Belt, LH | | | | |
| 7 | 106-0565 | 2 | Washer-Rubber | | | | |
| 8 | 106-0887 | 2 | Knob | | | | |
| 9 | 106-0684 | 2 | Front Pin ASM | | | | |
| 10 | 3220-3 | 2 | Nut-Jam | | | | |
| 11 | 3296-39 | 4 | Nut-Lock, NI | | | | |
| 12 | 1-613204 | 2 | Balljoint | | | | |
| 13 | 104-1156 | 2 | Spacer | | | | |
| 14 | 323-8 | 2 | Screw-HH | | | | |
| 15 | 106-3365 | 2 | Rear Pin ASM | | | | |
| 16 | 3290-256 | 6 | Pin-Hair | | | | |
| 17 | 323-10 | 2 | Screw-HH | | | | |
| 18 | 32128-20 | 4 | Nut-HF | | | | |
| 19 | 322-1 | 4 | Screw-HH | | | | |
| 20 | 3230-30 | 1 | Screw-CARR | | | | |
| 21 | 106-0563 | 1 | Spacer-Wheel | | | | |
| 22 | 106-0545 | 1 | Bushing-Roller | | | | |
| 23 | 68-2730 | 3 | Wheel-Gage | | | | |



Drive Belt and Tensioner Assembly

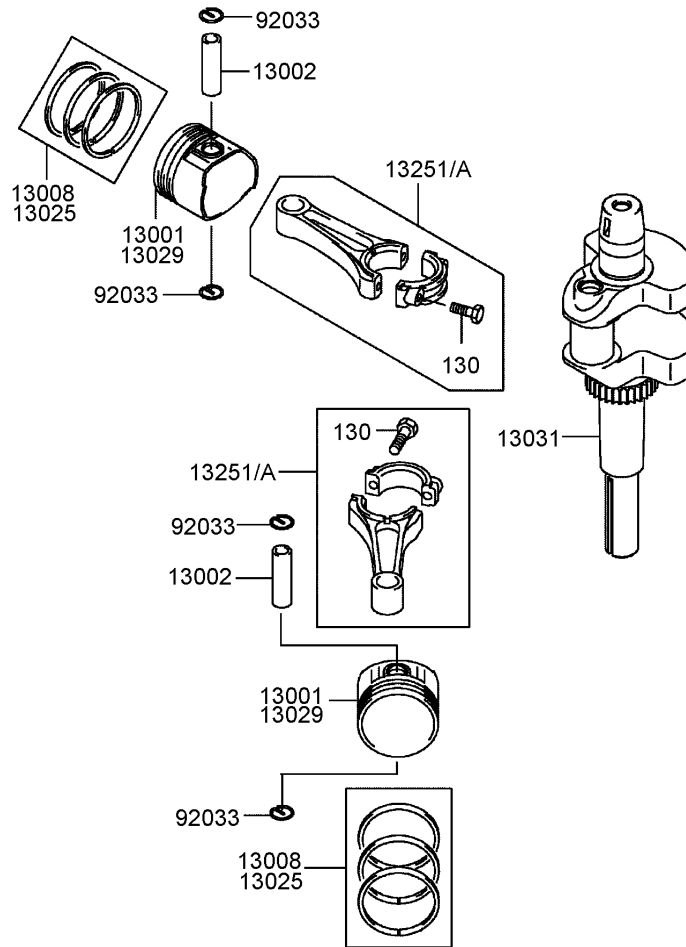
| Ref | Part No. | Qty. | Description | | | | |
|-----|----------|------|-------------------|--|--|--|--|
| 1 | 104-8120 | 1 | V-Belt, PTO | | | | |
| 2 | 3296-39 | 1 | Nut-Lock, NI | | | | |
| 4 | 52-2860 | 3 | Washer | | | | |
| 5 | 104-6377 | 1 | Tube-Idler | | | | |
| 6 | 106-0734 | 1 | Idler Arm ASM | | | | |
| 6:1 | 1-513034 | 2 | Sleeve-Bearing | | | | |
| 6:2 | 302-5 | 1 | Fitting-Grease | | | | |
| 7 | 323-42 | 1 | Screw-HH | | | | |
| 8 | 323-6 | 1 | Screw-HH | | | | |
| 9 | 98-5975 | 1 | Washer-Belleville | | | | |
| 10 | 3256-24 | 1 | Washer-Flat | | | | |
| 11 | 1-413099 | 1 | Pulley-Idler | | | | |
| 12 | 105-8443 | 1 | Spring-Extension | | | | |

PROTOTYPE



Cylinder and Crankcase Assembly Kawasaki FH430V-AS28

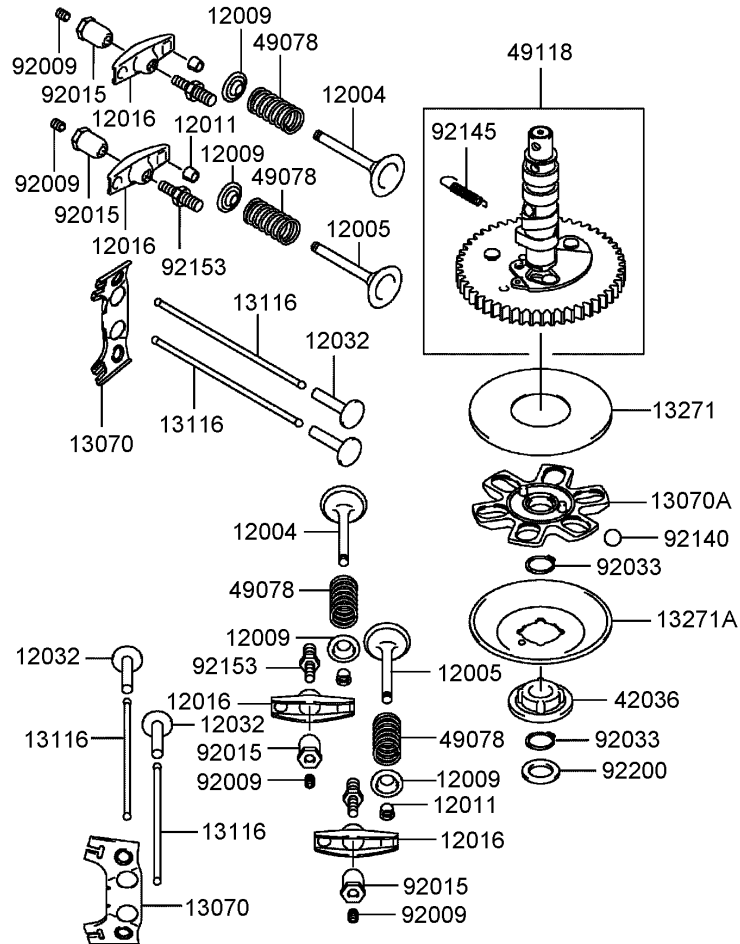
| Ref | Part No. | Qty. | Description | | | | |
|---------|------------|------|--------------------------|--|--|--|--|
| ⑤11004 | 11004-7008 | 2 | Gasket-Head | | | | |
| ⑤11008 | 11008-7021 | 1 | Head-Comp-Cylinder, #2 | | | | |
| ⑤11008A | 11008-7022 | 1 | Head-Comp-Cylinder, #1 | | | | |
| ⑤11022 | 11022-7003 | 2 | Case-Rocker | | | | |
| ⑤11060 | 11060-7001 | 2 | Gasket,rocker Case | | | | |
| ⑤11061 | 11061-7007 | 1 | Gasket-Cover, Crankcase | | | | |
| ⑤11061A | 11061-7008 | 1 | Gasket-Breather | | | | |
| ⑤14091 | 14091-7007 | 1 | Cover | | | | |
| ⑤49015 | 49015-7032 | 1 | Cover-Crankcase | | | | |
| ⑤49120 | 49120-7015 | 1 | Crankcase-Comp | | | | |
| ⑤59071 | 59071-2079 | 1 | Joint | | | | |
| ⑤92043 | 92043-7001 | 6 | Pin | | | | |
| ⑤92049 | 92049-7001 | 4 | Seal-Oil,rv2 6x11x10.2 | | | | |
| ⑤92049A | 92049-7015 | 1 | Seal-Oil,sd 35x62x8 L HS | | | | |
| ⑤92049B | 92049-7016 | 1 | Seal-Oil,sd 35x48x8 R HS | | | | |
| ⑤92049C | 92049-7019 | 1 | Seal-Oil,so 8x14x5 HS | | | | |
| ⑤92139 | 92139-7002 | 1 | Bushing | | | | |
| ⑤130 | 130B0612 | 4 | Bolt-Flanged | | | | |
| ⑤130A | 130B0640 | 4 | Bolt-Flanged | | | | |
| ⑤130B | 130T0850 | 17 | Bolt-Flanged | | | | |
| ⑤130C | 130T0875 | 2 | Bolt-Flanged | | | | |
| ⑤172 | 172G0818 | 4 | Bolt-Stud | | | | |



Piston and Crankshaft Assembly Kawasaki FH430V-AS28

| Ref | Part No. | Qty. | Description | | | | |
|---------|------------|------|------------------------------|--|--|--|--|
| ①13001 | 13001-7009 | 2 | Piston-Engine | | | | |
| ①13002 | 13002-7001 | 2 | Pin-Piston | | | | |
| ①13008 | 13008-7001 | 2 | Ring-Set-Piston | | | | |
| ①13025 | 13025-7003 | 1 | Ring-Set-Piston | | | | |
| ①13029 | 13029-7005 | 1 | Piston-Engine | | | | |
| ①13031 | 13031-7033 | 1 | Crankshaft-Comp | | | | |
| ①13251 | 13251-7007 | 2 | Connecting Rod ASM | | | | |
| ①13251A | 13251-7008 | 2 | Connecting Rod Asm, U/s=0.50 | | | | |
| ①92033 | 92033-7005 | 4 | Ring-Snap | | | | |
| ①130 | 130G0630 | 4 | Bolt-Flanged | | | | |

PROTOTYPE

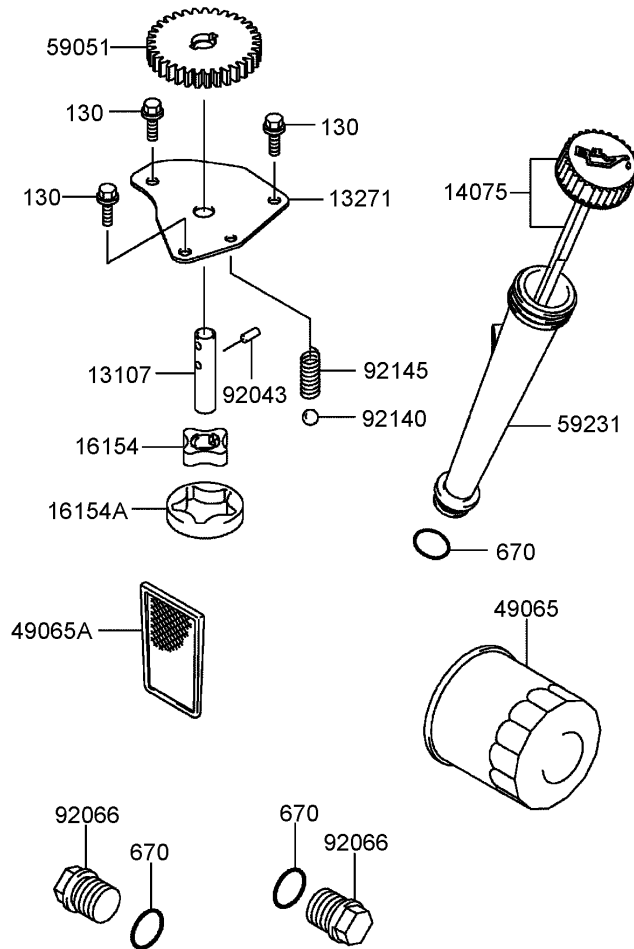


Valve and Camshaft Assembly Kawasaki FH430V-AS28

| Ref | Part No. | Qty. | Description |
|-----|----------|------|-----------------------|
| ① | 12004 | 2 | Valve-Intake |
| ① | 12005 | 2 | Valve-Exhaust |
| ④ | 12009 | 4 | Retainer-Valve Spring |
| ⑧ | 12011 | 8 | Collet |
| ④ | 12016 | 4 | Arm-Rocker |
| ④ | 12032 | 4 | Tappet |
| ② | 13070 | 2 | Guide |
| ① | 13070A | 1 | Guide |
| ④ | 13116 | 4 | Rod-Push |
| ① | 13271 | 1 | Plate |
| ① | 13271A | 1 | Plate,governor |
| ① | 42036 | 1 | Sleeve |
| ④ | 49078 | 4 | Spring-Engine Valve |
| ① | 49118 | 1 | Camshaft-Comp |
| ④ | 92009 | 4 | Screw |
| ④ | 92015 | 4 | Nut |
| ② | 92033 | 2 | Ring-Snap |
| ⑥ | 92140 | 6 | Ball |
| ① | 92145 | 1 | Spring |
| ④ | 92153 | 4 | Bolt |
| ① | 92200 | 1 | Washer |

| | | | |
|--|--|--|--|
| | | | |
|--|--|--|--|

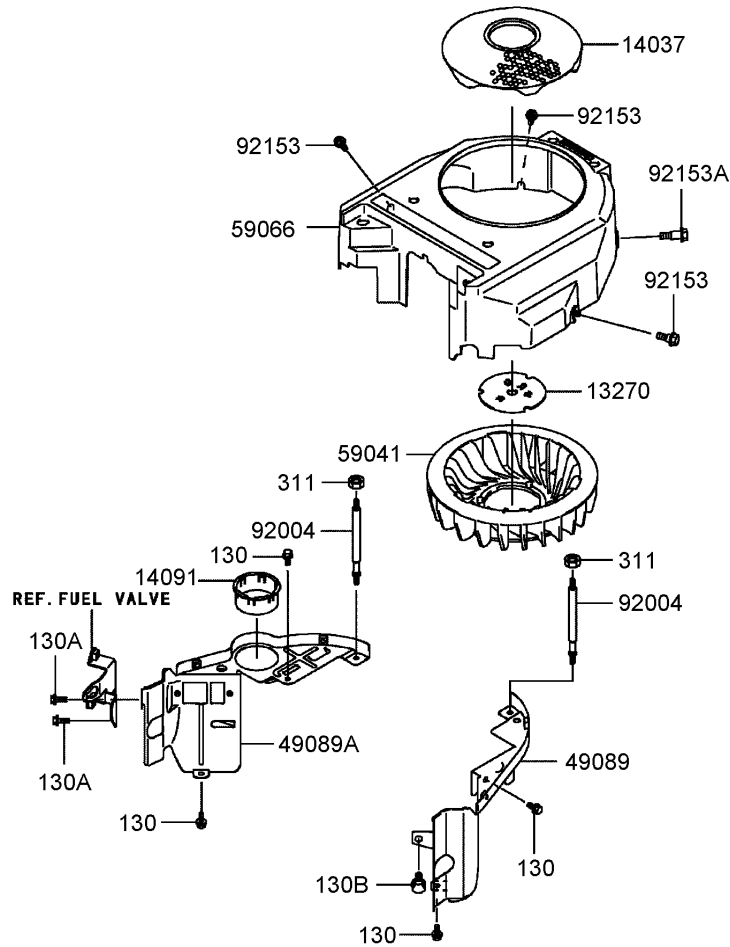
PROTOTYPE



Lubrication Equipment Assembly Kawasaki FH430V-AS28

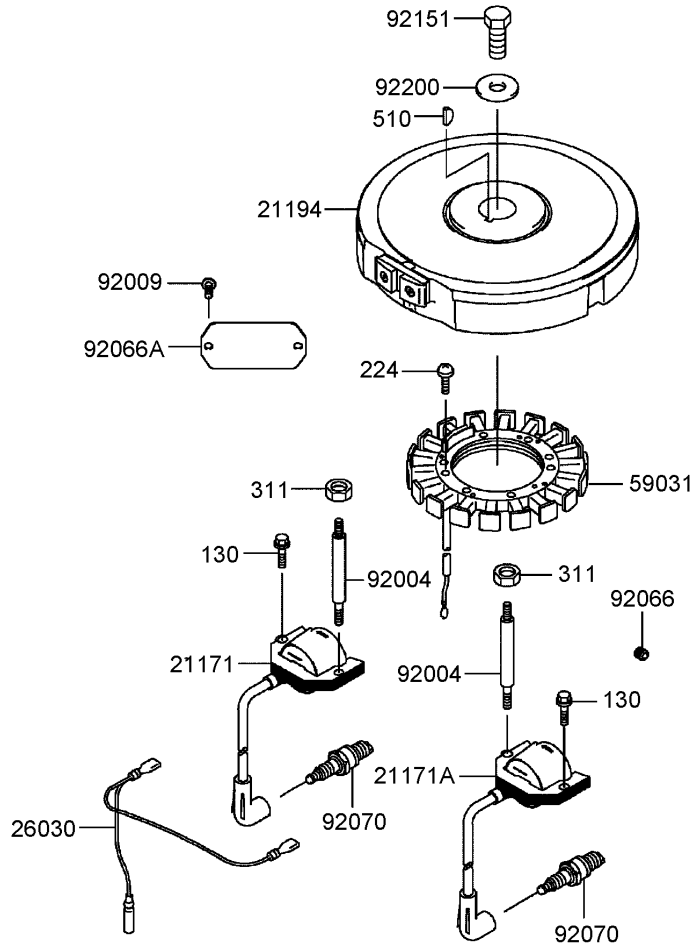
| Ref | Part No. | Qty. | Description | | | | |
|---------|------------|------|----------------|--|--|--|--|
| ⑤13107 | 13107-7009 | 1 | Shaft | | | | |
| ⑤13271 | 13271-7017 | 1 | Plate | | | | |
| ⑤14075 | 14075-7009 | 1 | Cap-Assy | | | | |
| ⑤16154 | 16154-2053 | 1 | Rotor-Pump,in | | | | |
| ⑤16154A | 16154-2054 | 1 | Rotor-Pump,out | | | | |
| ⑤49065 | 49065-2078 | 1 | Filter-Oil | | | | |
| ⑤49065A | 49065-7004 | 1 | Filter-Oil | | | | |
| ⑤59051 | 59051-7011 | 1 | Gear-Spur | | | | |
| ⑤59231 | 59231-7003 | 1 | Filler | | | | |
| ⑤92043 | 92043-7003 | 2 | Pin | | | | |
| ⑤92066 | 92066-7003 | 2 | Plug | | | | |
| ⑤92140 | 92140-7003 | 1 | Ball | | | | |
| ⑤92145 | 92145-7002 | 1 | Spring | | | | |
| ⑤130 | 130B0612 | 3 | Bolt-Flanged | | | | |
| ⑤670 | 670D2016 | 3 | O Ring,16mm | | | | |

PROTOTYPE



Cooling Equipment Assembly Kawasaki FH430V-AS28

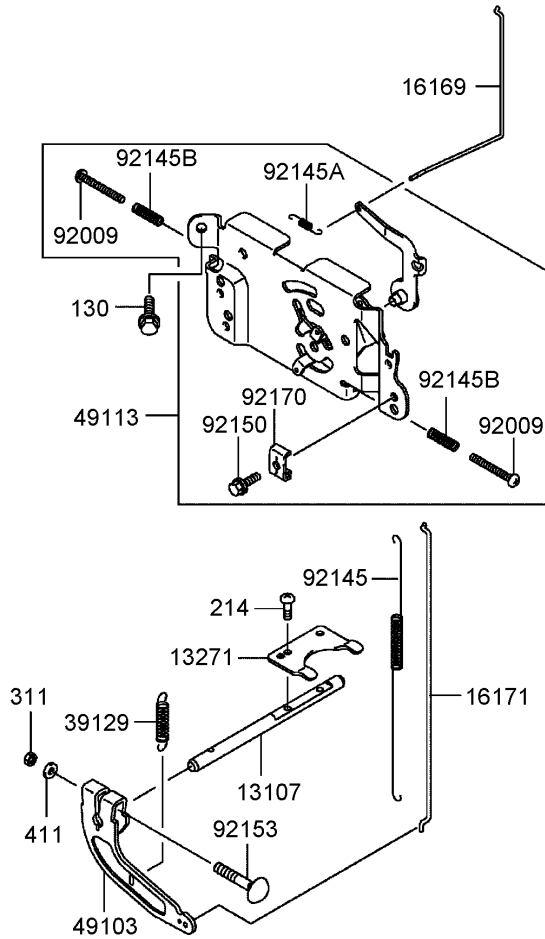
| Ref | Part No. | Qty. | Description | | | | |
|----------|---------------|------|---------------|--|--|--|--|
| ⑤ 13270 | 13270-7007 | 1 | Plate | | | | |
| ⑤ 14037 | 14037-7021-9H | 1 | Screen | | | | |
| ⑤ 14091 | 14091-7009 | 1 | Cover | | | | |
| ⑤ 49089 | 49089-7044 | 1 | Shroud-Engine | | | | |
| ⑤ 49089A | 49089-7045 | 1 | Shroud-Engine | | | | |
| ⑤ 59041 | 59041-7010 | 1 | Fan | | | | |
| ⑤ 59066 | 59066-7023 | 1 | Housing-Fan | | | | |
| ⑤ 92004 | 92004-7007 | 2 | Stud | | | | |
| ⑤ 92153 | 92153-7007 | 3 | Bolt | | | | |
| ⑤ 92153A | 92153-7008 | 1 | Bolt | | | | |
| ⑤ 130 | 130B0612 | 4 | Bolt-Flanged | | | | |
| ⑤ 130A | 130B0616 | 2 | Bolt-Flanged | | | | |
| ⑤ 130B | 130B0816 | 1 | Bolt-Flanged | | | | |
| ⑤ 311 | 311F0600 | 2 | Nut-Hex | | | | |



Electrical Equipment Assembly Kawasaki FH430V-AS28

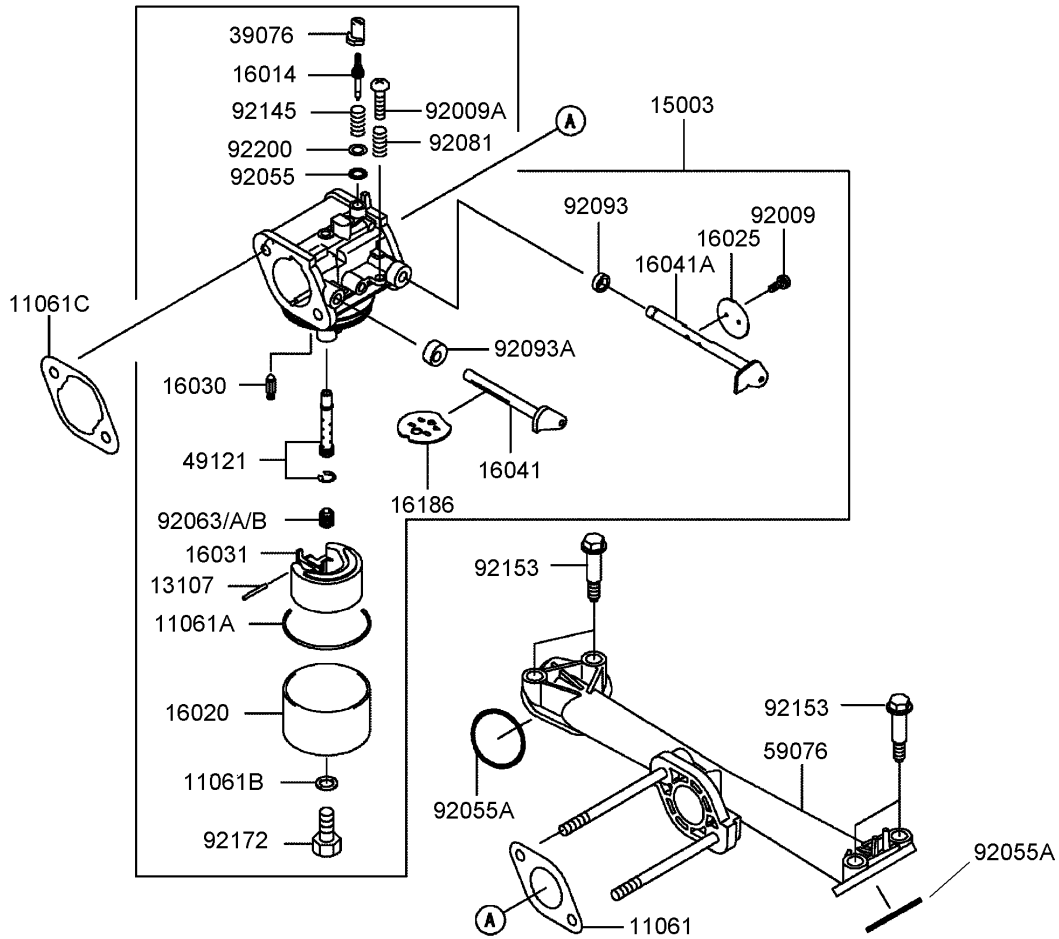
| Ref | Part No. | Qty. | Description |
|---------|------------|------|------------------------|
| ①21171 | 21171-7013 | 1 | Coil-Assy-Ignition |
| ①21171A | 21171-7014 | 1 | Ignition Coil ASM |
| ①21194 | 21194-7012 | 1 | Flywheel-Comp |
| ①26030 | 26030-7001 | 1 | Harness |
| ①59031 | 59031-7002 | 1 | Coil-Charging |
| ①92004 | 92004-7008 | 2 | Stud |
| ①92009 | 92009-2308 | 2 | Screw |
| ①92066 | 92066-7002 | 1 | Plug |
| ①92066A | 92066-7005 | 1 | Plug |
| ①92070 | 92070-7003 | 2 | Plug-Spark,rcj&y,solid |
| ①92151 | 92151-2097 | 1 | Bolt,12x30 |
| ①92200 | 92200-7002 | 1 | Washer |
| ①130 | 130B0620 | 2 | Bolt-Flanged |
| ①224 | 224B0520 | 4 | Screw-Pan-Wp-Cros |
| ①311 | 311F0600 | 2 | Nut-Hex |
| ①510 | 510A5100 | 1 | Key-Woodruff |

PROTOTYPE



Control Equipment Assembly Kawasaki FH430V-AS28

| Ref | Part No. | Qty. | Description | | | | |
|---------|------------|------|---------------------|--|--|--|--|
| ①13107 | 13107-7010 | 1 | Shaft | | | | |
| ①13271 | 13271-7018 | 1 | Plate | | | | |
| ①16169 | 16169-7012 | 1 | Link-Choke | | | | |
| ①16171 | 16171-7007 | 1 | Link | | | | |
| ①39129 | 39129-7003 | 1 | Spring-Governor | | | | |
| ①49103 | 49103-7004 | 1 | Arm-Governor | | | | |
| ①49113 | 49113-7027 | 1 | Panel-Control, Comp | | | | |
| ②92009 | 92009-7007 | 2 | Screw,4x35 | | | | |
| ①92145 | 92145-7003 | 1 | Spring | | | | |
| ①92145A | 92145-7004 | 1 | Spring | | | | |
| ②92145B | 92145-7005 | 2 | Spring | | | | |
| ①92150 | 92150-2182 | 1 | Bolt,5x18 | | | | |
| ①92153 | 92153-7005 | 1 | Bolt,6x35 | | | | |
| ①92170 | 92170-7001 | 1 | Clamp | | | | |
| ②130 | 130B0612 | 2 | Bolt-Flanged | | | | |
| ②214 | 214B0408 | 2 | Screw-Pan | | | | |
| ①311 | 311B0600 | 1 | Nut-Hex | | | | |
| ①411 | 411b0600 | 1 | Washer-Plain | | | | |

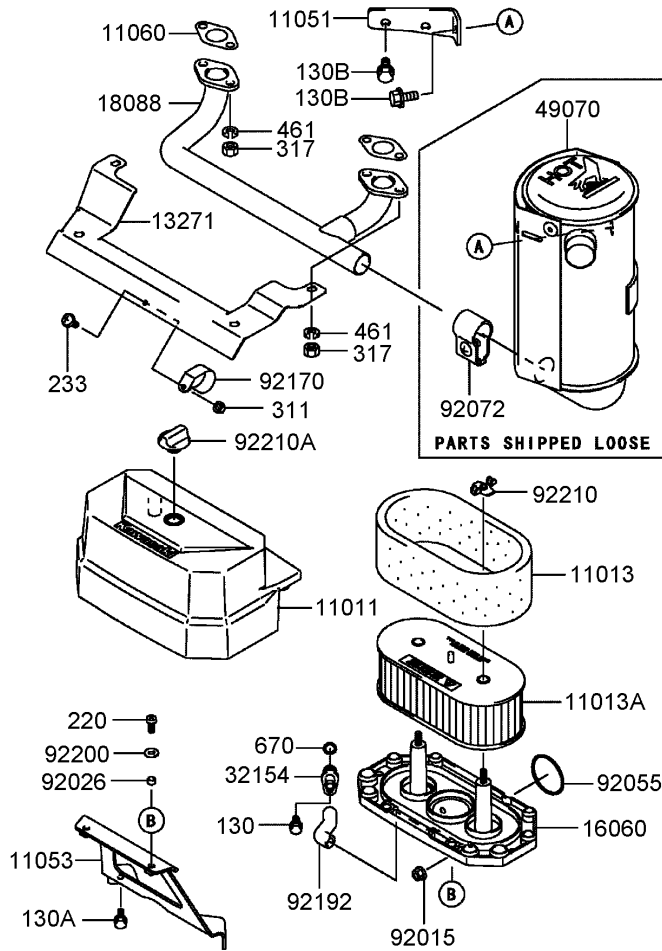


Carburetor Assembly Kawasaki FH430V-AS28

| Ref | Part No. | Qty. | Description |
|---------|------------|------|---------------------------|
| ①11061 | 11061-7004 | 1 | Gasket,insulator |
| ①11061A | 11061-7009 | 1 | Gasket,chamber |
| ①11061B | 11061-7010 | 1 | Gasket,screw |
| ①11061C | 11061-7018 | 1 | Gasket,air Cleaner |
| ①13107 | 13107-7018 | 1 | Shaft |
| ①15003 | 15003-7061 | 1 | Carburetor-ASM |
| ①16014 | 16014-7002 | 1 | Screw-Pilot |
| ①16020 | 16020-7003 | 1 | Chamber-Float |
| ①16025 | 16025-7006 | 1 | Valve-Throttle |
| ①16030 | 16030-7003 | 1 | Valve-Float |
| ①16031 | 16031-7002 | 1 | Float |
| ①16041 | 16041-7016 | 1 | Shaft-Carburetor,choke |
| ①16041A | 16041-7018 | 1 | Shaft-Carburetor,throttle |
| ①16186 | 16186-7002 | 1 | Choke Valve ASM |
| ①39076 | 39076-7001 | 1 | Limiter |
| ①49121 | 49121-7001 | 1 | Nozzle-Main |
| ①59076 | 59076-7005 | 1 | Manifold-Intake |
| ①92009 | 92009-2083 | 2 | Screw |
| ①92009A | 92009-2349 | 1 | Screw |
| ①92055 | 92055-2174 | 1 | Ring-O |
| ①92055A | 92055-7007 | 2 | Ring-O, Id=31 |
| ①92063 | 92063-7026 | 1 | Jet-Main, #88 |
| ①92063A | 92063-7028 | 1 | Jet-Main, #85 |
| ①92063B | 92063-7029 | 1 | Jet-Main, #82 |

| Ref | Part No. | Qty. | Description |
|---------|------------|------|-------------|
| ①92081 | 92081-2234 | 1 | Spring |
| ①92093 | 92093-2100 | 1 | Seal |
| ①92093A | 92093-7003 | 1 | Seal |
| ①92145 | 92145-7015 | 1 | Spring |
| ①92153 | 92153-7009 | 4 | Bolt |
| ①92172 | 92172-7002 | 1 | Screw |
| ①92200 | 92200-7014 | 1 | Washer |

PROTOTYPE

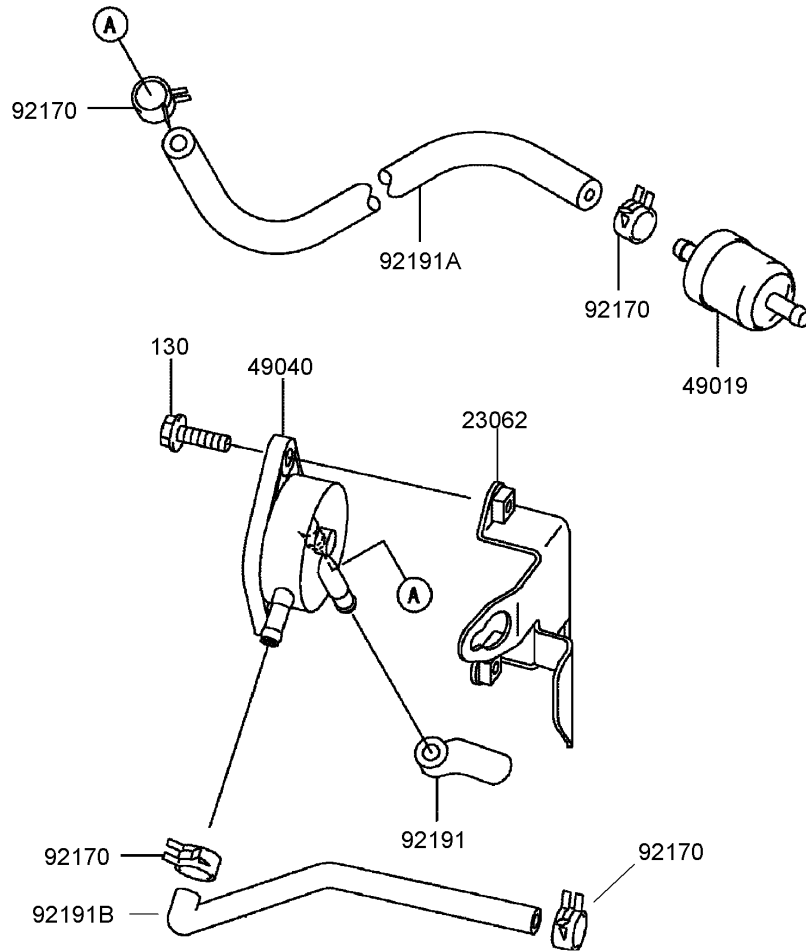


Air-Filter and Muffler Assembly Kawasaki FH430V-AS28

| Ref | Part No. | Qty. | Description |
|---------|---------------|------|---------------------|
| ⑤11011 | 11011-7035 | 1 | Case-Air Filter |
| ⑤11013 | 11013-7025 | 1 | Element-Filter, Air |
| ⑤11013A | 11013-7031 | 1 | Element-Filter, Air |
| ⑤11051 | 11051-7005-9H | 1 | Bracket |
| ⑤11053 | 11053-7022 | 1 | Bracket |
| ⑤11060 | 11060-7021 | 2 | Gasket,muffler |
| ⑤13271 | 13271-7022 | 1 | Plate |
| ⑤16060 | 16060-7016 | 1 | Pipe-Intake |
| ⑤18088 | 18088-7001 | 1 | Pipe-Exhaust |
| ⑤32154 | 32154-7006 | 1 | Pipe |
| ⑤49070 | 49070-7015 | 1 | Muffler-Comp |
| ⑤92015 | 92015-1193 | 2 | Nut |
| ⑤92026 | 92026-7001 | 2 | Spacer, 6.2x7.9x5 |
| ⑤92055 | 92055-7015 | 1 | O-Ring |
| ⑤92072 | 92072-7008 | 1 | Band |
| ⑤92170 | 92170-7002 | 1 | Clamp |
| ⑤92192 | 92192-7010 | 1 | Tube |
| ⑤92200 | 92200-2070 | 2 | Washer |
| ⑤92210 | 92210-7004 | 2 | Nut |
| ⑤92210A | 92210-7019 | 1 | Nut |
| ⑤130 | 130B0610 | 1 | Bolt-Flanged |
| ⑤130A | 130B0612 | 2 | Bolt-Flanged |
| ⑤130B | 130B0816 | 2 | Bolt-Flanged |

| Ref | Part No. | Qty. | Description |
|------|----------|------|-------------------|
| ⑤220 | 220B0614 | 2 | Screw-Pan (Cross) |
| ⑤233 | 233B0416 | 1 | Screw-Pan-Wp+- |
| ⑤311 | 311B0400 | 1 | Nut-Hex |
| ⑤317 | 317R0800 | 4 | Nut-Hex-Small |
| ⑤461 | 461F0800 | 4 | Washer-Spring |
| ⑤670 | 670B2010 | 1 | O-Ring |

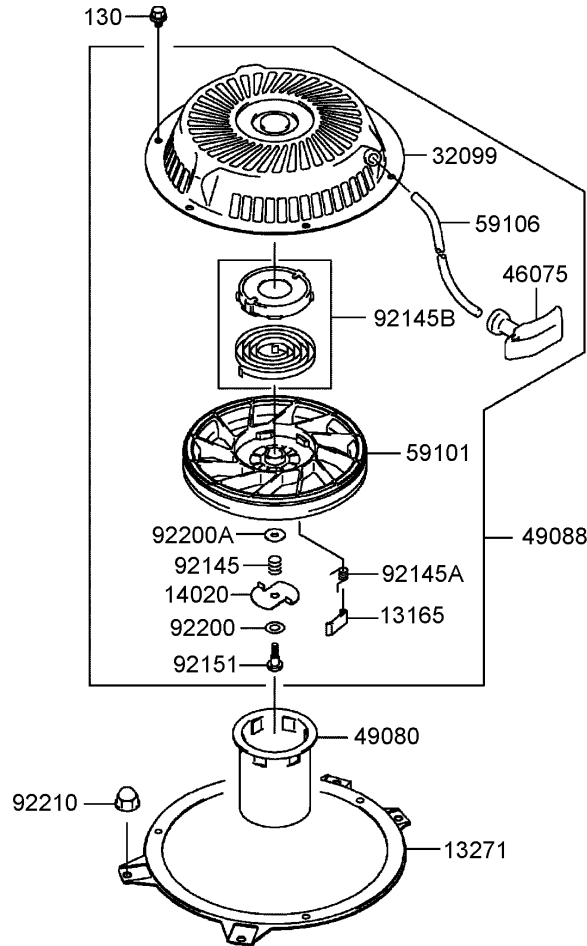
PROTOTYPE



Fuel Tank/Fuel Valve Assembly Kawasaki FH430V-AS28

| Ref | Part No. | Qty. | Description |
|---------|---------------|------|--------------------|
| ③23062 | 23062-7004-9H | 1 | Bracket-Comp |
| ③49019 | 49019-7001 | 1 | Filter-Fuel |
| ③49040 | 49040-7001 | 1 | Pump-Fuel |
| ③92170 | 92170-2088 | 4 | Clamp |
| ③92191 | 92191-7002 | 1 | Tube |
| ③92191A | 92191-7003 | 1 | Tube,6.35x12.7x160 |
| ③92191B | 92191-7004 | 1 | Tube |
| ③130 | 130B0620 | 2 | Bolt-Flanged |

PROTOTYPE



Starter Assembly Kawasaki FH430V-AS28

| Ref | Part No. | Qty. | Description | | | | |
|----------|---------------|------|----------------------|--|--|--|--|
| ③ 13165 | 13165-7001 | 2 | Pawl-Starter, Recoil | | | | |
| ③ 13271 | 13271-7003-9H | 1 | Plate | | | | |
| ③ 14020 | 14020-7001 | 1 | Retainer | | | | |
| ③ 32099 | 32099-7002 | 1 | Case-Starter, Recoil | | | | |
| ③ 46075 | 46075-7001 | 1 | Grip-Recoil, Starter | | | | |
| ③ 49080 | 49080-7001 | 1 | Pulley-Starting | | | | |
| ③ 49088 | 49088-7013 | 1 | Starter-Recoil | | | | |
| ③ 59101 | 59101-7001 | 1 | Reel-Recoil | | | | |
| ③ 59106 | 59106-7001 | 1 | Rope | | | | |
| ③ 92145 | 92145-7006 | 1 | Spring | | | | |
| ③ 92145A | 92145-7007 | 2 | Spring | | | | |
| ③ 92145B | 92145-7008 | 1 | Spring | | | | |
| ③ 92151 | 92151-7008 | 1 | Bolt | | | | |
| ③ 92200 | 92200-7004 | 1 | Washer | | | | |
| ③ 92200A | 92200-7005 | 1 | Washer | | | | |
| ③ 92210 | 92210-0003 | 4 | Nut | | | | |
| ③ 130 | 130B0608 | 3 | Bolt-Flanged | | | | |



56033

56070



56080



56080A



**Decal Assembly
Kawasaki FH430V-AS28**

| Ref | Part No. | Qty. | Description | | | | |
|---------|------------|------|---------------|--|--|--|--|
| ⑤56033 | 56033-7001 | 1 | Label-Manual | | | | |
| ⑤56070 | 56070-7001 | 1 | Label-Warning | | | | |
| ⑤56080 | 56080-2077 | 1 | Label-Brand | | | | |
| ⑤56080A | 56080-7024 | 1 | Label-Brand | | | | |

PROTOTYPE

NOTES

PROTOTYPE

NOTES

PROTOTYPE

NOTES

PROTOTYPE



PROTOTYPE