



**Count on it.**

**Parts Catalog**

**e-Dingo® 500**  
**Compact Tool Carrier**

22218G—411800000

# Ordering Replacement Parts

To order replacement parts, please supply the part number, the quantity, and the description of each part desired.

## Understanding Reference Numbers

Each identified part in an illustration has a reference number. The reference number for a part also appears in the parts list, along with other information about the part.

This catalog uses two special reference number formats, one to indicate parts in a service assembly and another to indicate the quantity of a given part in an illustration.

## Service Assembly Reference Numbers

Parts in service assemblies have reference numbers in the form a:b. The a represents the reference number of the entire service assembly and the b represents a sequential number unique to each part within the service assembly.

For example, a wheel assembly might be identified by reference number 6, the tire by 6:1, the valve by 6:2, and the wheel by 6:3. When you order the assembly identified by reference number 6, you receive all parts identified by reference numbers 6:1, 6:2, and 6:3. However, you may also order any part individually. Reference numbers of this type appear in illustration and in parts lists.

## Reference Numbers Indicating Quantity

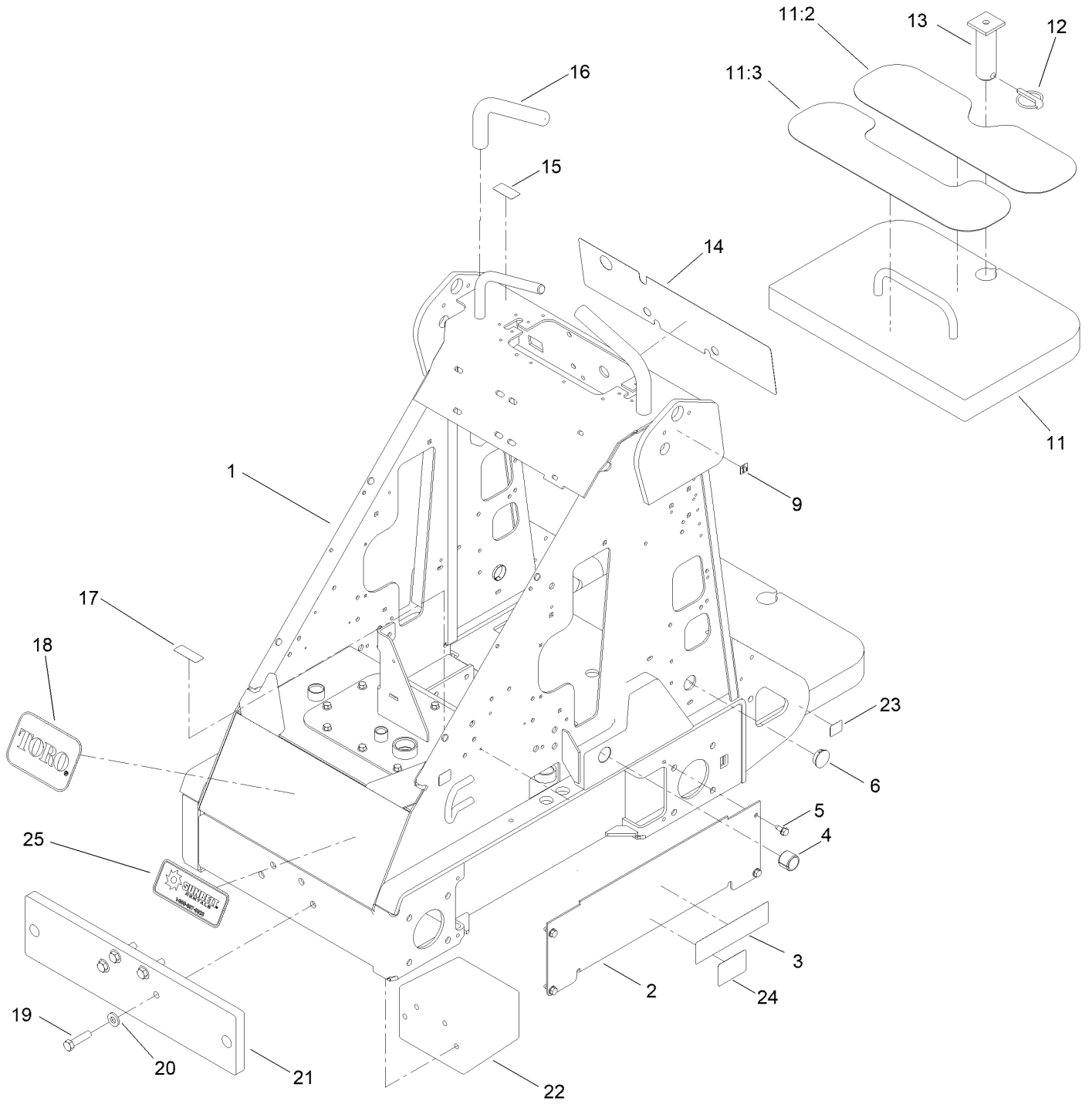
In an illustration, if a reference number indicates more than one part, the reference number has the form nX y. The n represents the quantity of the part, the X is the multiplication symbol, and the y represents the reference number.

For example, in an illustration, the reference number 2X 37 means that two of the parts identified by reference number 37 are indicated.

# Contents

Frame Assembly . . . . .	4
Hood Assembly . . . . .	6
Thigh Support Assembly . . . . .	8
Wheel Assembly . . . . .	10
Hydraulic Motor Assembly No. 99-3052 . . . . .	12
Brake Assembly . . . . .	14
Motor Mount Assembly . . . . .	16
Hydraulic Pump Assembly No. 139-7665 . . . . .	18
Bulkhead Hydraulic Assembly . . . . .	20
Auxiliary Valve Lever Assembly . . . . .	22
Auxiliary Hydraulic Valve Assembly . . . . .	24
Auxiliary Hydraulic Valve Assembly No. 99-3077 . . . . .	26
Hydraulic Valve Assembly . . . . .	28
Counterbalance Valve Assembly No. 99-3040 . . . . .	30
Hydraulic Cylinder Assembly . . . . .	32
Hydraulic Cylinder Assembly No. 139-7706 . . . . .	34
Crossover Relief Valve Assembly . . . . .	36
Loader and Quick Attach Assembly . . . . .	38
Left and Right Side Battery Assembly . . . . .	40
Controller Assembly . . . . .	42
Main Battery and Enclosure Assembly . . . . .	44
Wire Harness Assembly . . . . .	46
Main Wire Harness Assembly No. 139-0493 . . . . .	48
Battery Cable Assembly . . . . .	50
Fan Assembly . . . . .	52
Charger and Miscellaneous Parts Assembly . . . . .	54
1200 Watt Lithium Battery Charger Assembly . . . . .	56
Attachments and Accessories . . . . .	57

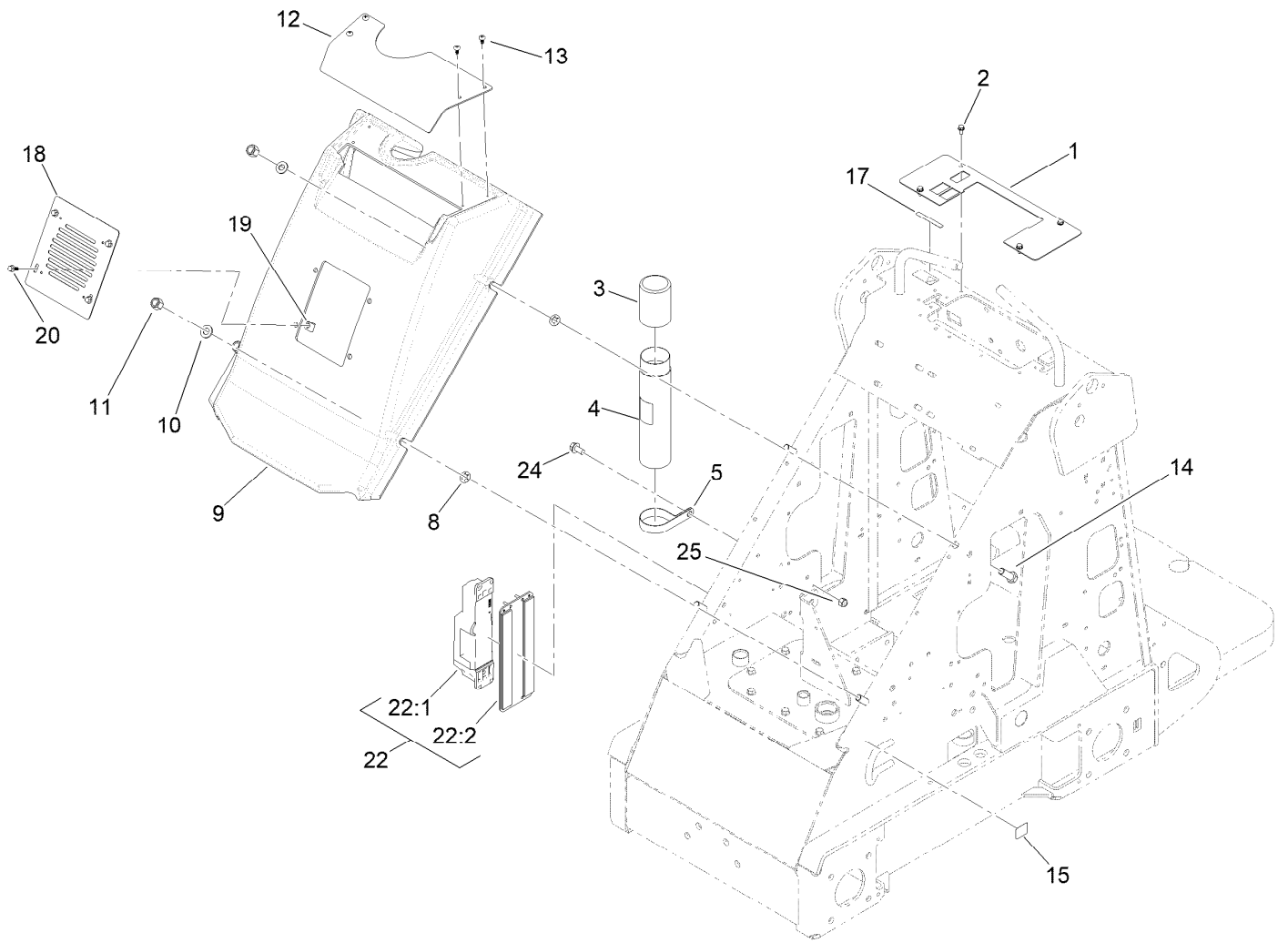
# Frame Assembly



## Frame Assembly (continued)

<i>Ref.</i>	<i>Part Number</i>	<i>Qty.</i>	<i>Description</i>	<i>Ref.</i>	<i>Part Number</i>	<i>Qty.</i>	<i>Description</i>
1	139-7681-07	1	Frame ASM [500-164]	15	98-4387	1	Decal-Protection, Ear
2	106-8178-07	2	Cover-Hose	16	98-4845	2	Grip-Cushion
3	105-8429	2	Decal	17	93-6686	1	Decal-Oil, HYD
4	98-4871	2	Bushing-Tension	18	62-5550	1	Decal
5	32144-70	8	Screw-HWHTF	19	01-182-0816	4	Bolt-HH
6	94-1402	2	Plug-Hole	20	HDW01729	4	Washer,1/2,F436 Hard,F/W,YZN
9	93-9084	2	Decal-Point, Lift	21	138-9905-03	1	Weight-Counter
11	112-4947	1	Counterweight ASM	22	139-7704	1	Weight-Front, Counter
11:2	98-9947	1	Tread-Foot	23	132-9051	2	Decal-Tiedown
11:3	112-4948	1	Tread	24	139-7709	2	Decal-Water Level
12	99-9978	1	Pin-Lynch	25	139-7726	1	Decal-Rs8Hs3X7
13	99-8638	1	Pin				
14	139-7660	1	Decal-Control Panel				

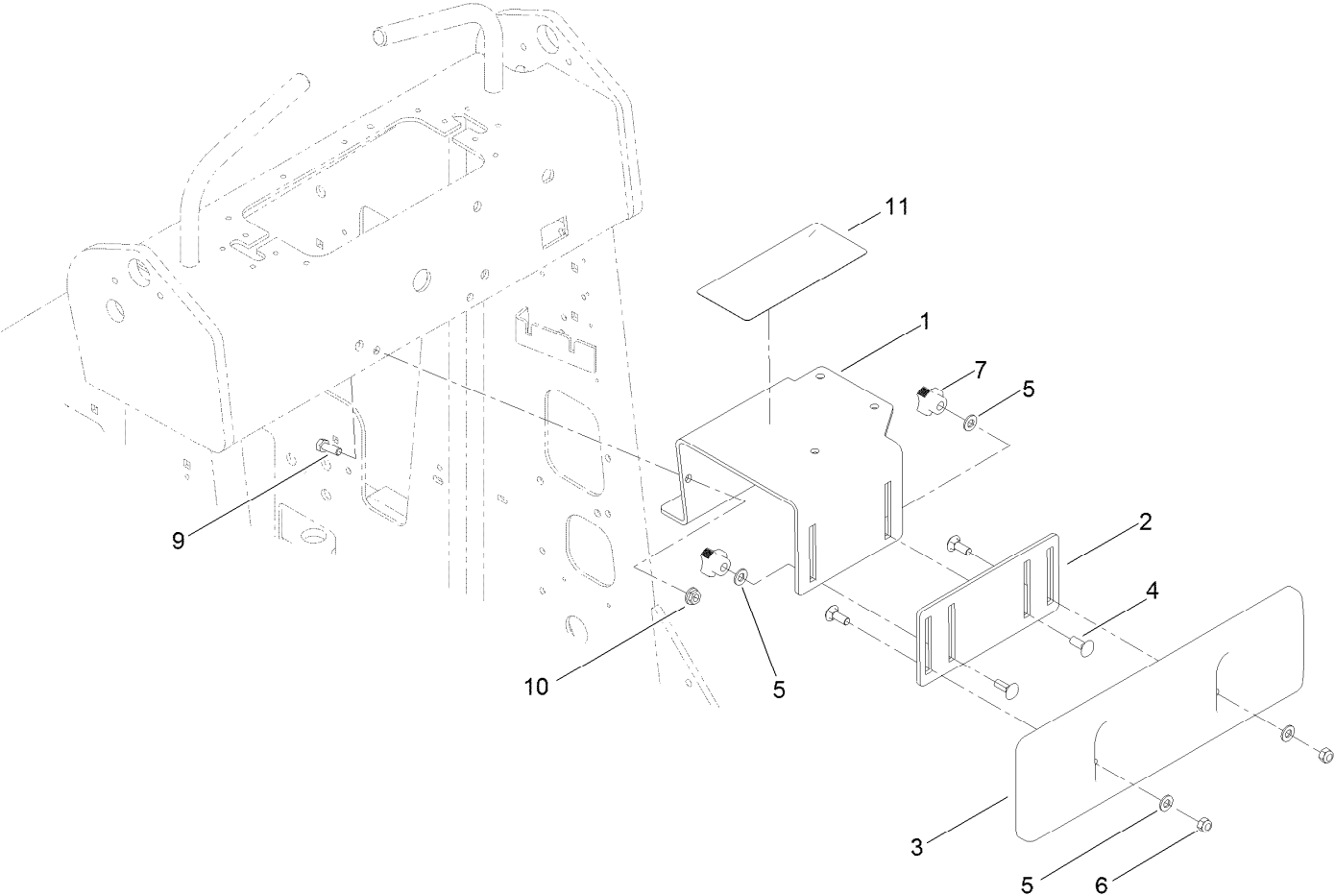
# Hood Assembly



## Hood Assembly (continued)

<i>Ref.</i>	<i>Part Number</i>	<i>Qty.</i>	<i>Description</i>	<i>Ref.</i>	<i>Part Number</i>	<i>Qty.</i>	<i>Description</i>
1	139-7661-03	1	Plate-Cover	14	325-6	4	Screw-HH
2	32144-4	4	Screw-HWH	15	132-9051	2	Decal-Tiedown
3	104-7048	1	Cap-Housing	17	133-8061	1	Decal-Warning
4	104-7050	1	Tube-Manual	18	138-9911-03	1	Cover - Fan
5	2412-133	1	Clamp-R	19	609900	4	Nut-Speed
8	126-2916	4	Nut-Push	20	99-6810	4	Screw-HHF
9	138-9908	1	Hood-Edingo	22	140-7679	1	M4 Kit ASM
10	106-9888	4	Washer-Flat	22:1	140-7676	1	M4, Ztr
11	3296-23	4	Nut-Lock, NI	22:2	140-7678	1	M4 Mounting Bracket Kit
12	138-9903-03	1	Hood-Top, Edingo	24	3234-1	1	Screw-HHF
13	105-6968	4	Screw-Seat, Switch	25	3296-39	1	Nut-Lock, NI

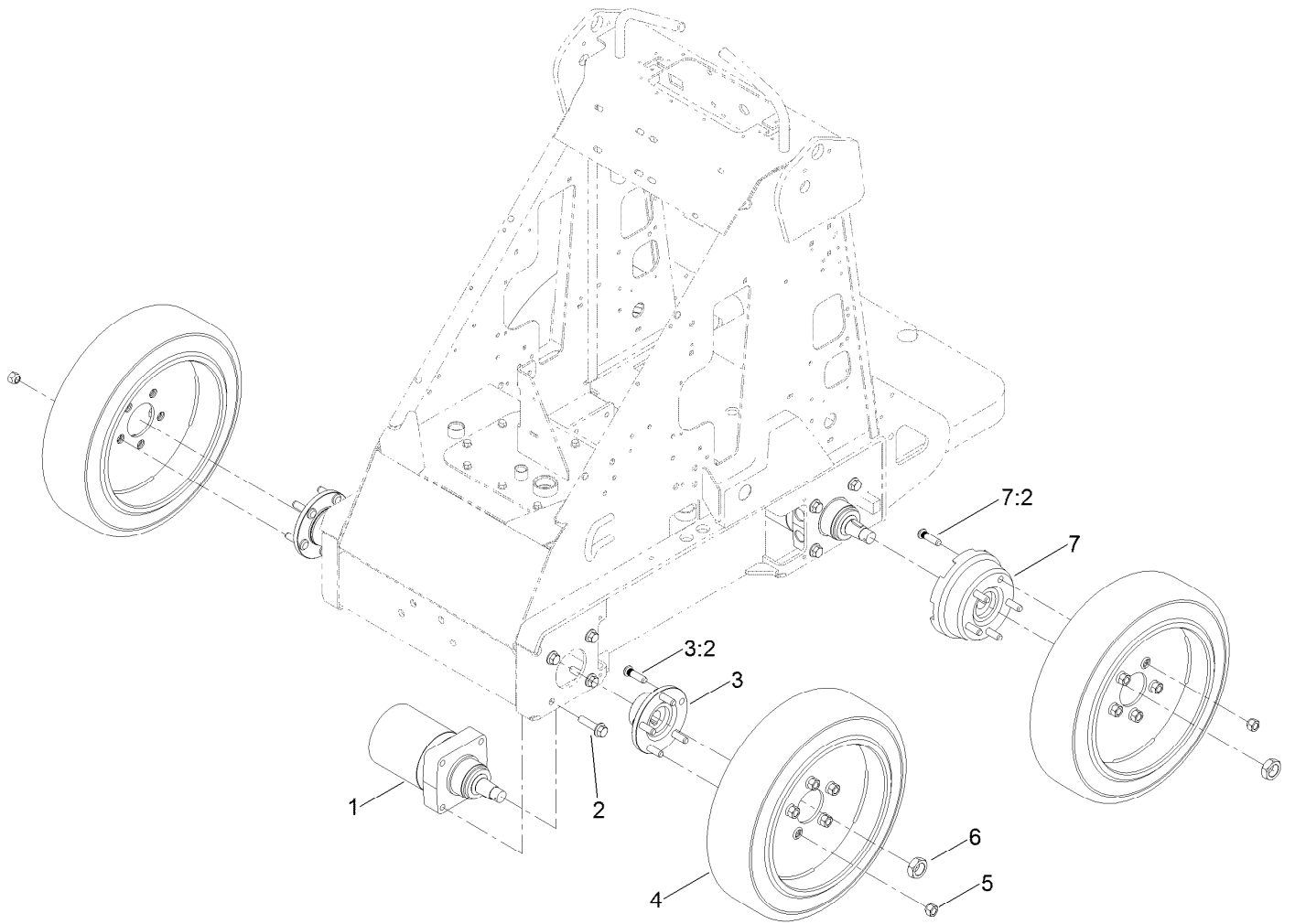
# Thigh Support Assembly



## Thigh Support Assembly (continued)

<i>Ref.</i>	<i>Part Number</i>	<i>Qty.</i>	<i>Description</i>	<i>Ref.</i>	<i>Part Number</i>	<i>Qty.</i>	<i>Description</i>
1	117-1812-03	1	Bracket-Thigh, Support	6	3296-72	2	Nut-Lock, NI
2	105-0337-03	1	Plate-Adjusting	7	104-6156	2	Knob-Adjustment
3	105-0333	1	Support-Thigh	9	322-4	2	Screw-HH
4	3230-16	4	Screw-CARR	10	32128-20	2	Nut-HF
5	3256-70	4	Washer-Flat	11	139-7717	1	Decal-Service

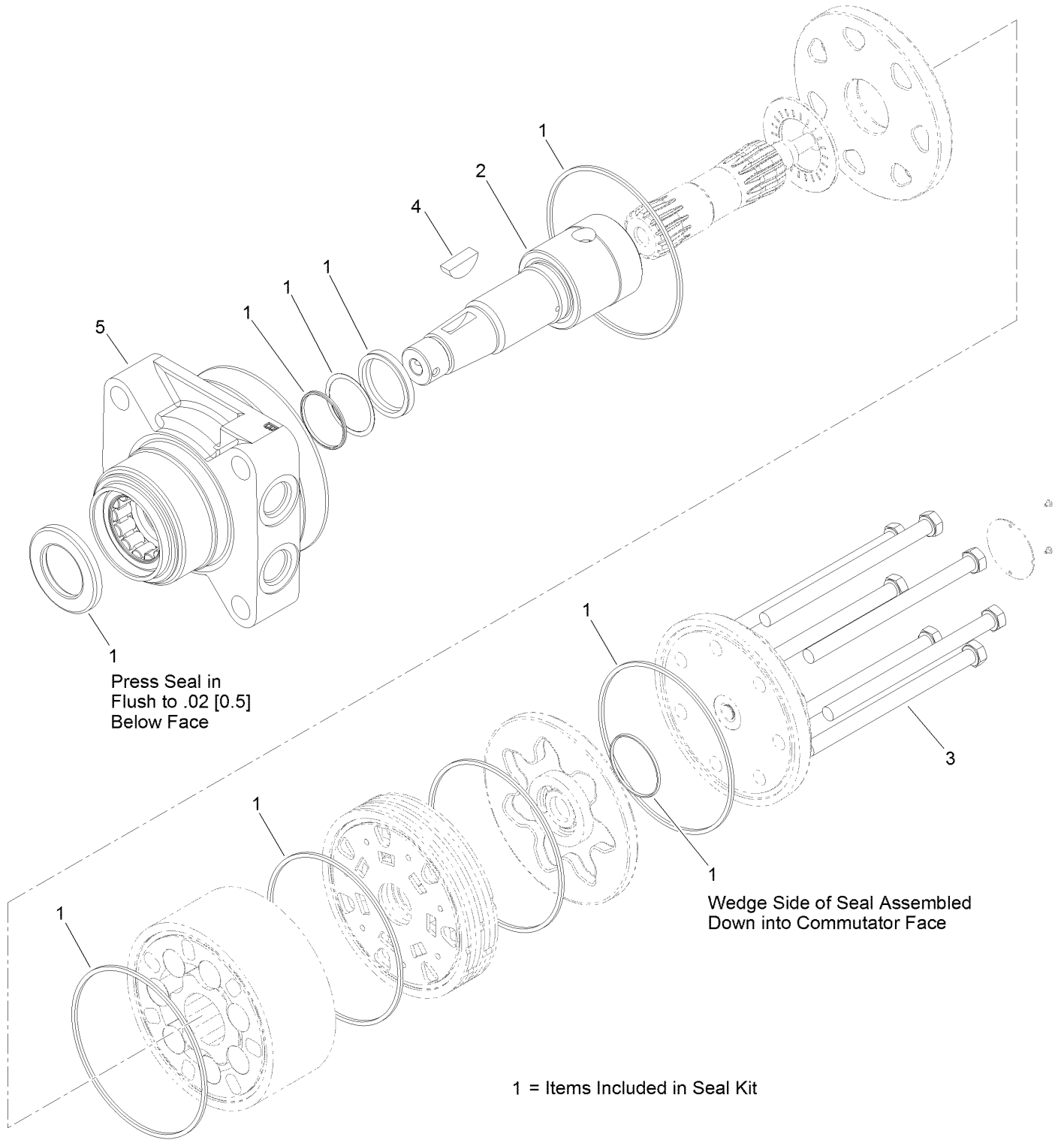
# Wheel Assembly



## Wheel Assembly (continued)

<i>Ref.</i>	<i>Part Number</i>	<i>Qty.</i>	<i>Description</i>	<i>Ref.</i>	<i>Part Number</i>	<i>Qty.</i>	<i>Description</i>
1	99-3052	4	HYD Motor ASM	5	242-50	20	Nut-Lug
2	3234-27	16	Screw-HHF	6	106-8159	4	Nut-Hex Jam Lck
3	99-3064	2	Hub ASM	7	105-4056	2	Wheel Hub ASM
3:2	10-6830	5	Stud-Type, Drive	7:2	10-6830	5	Stud-Type, Drive
4	139-7714	4	Tire-Solid				

# Hydraulic Motor Assembly No. 99-3052

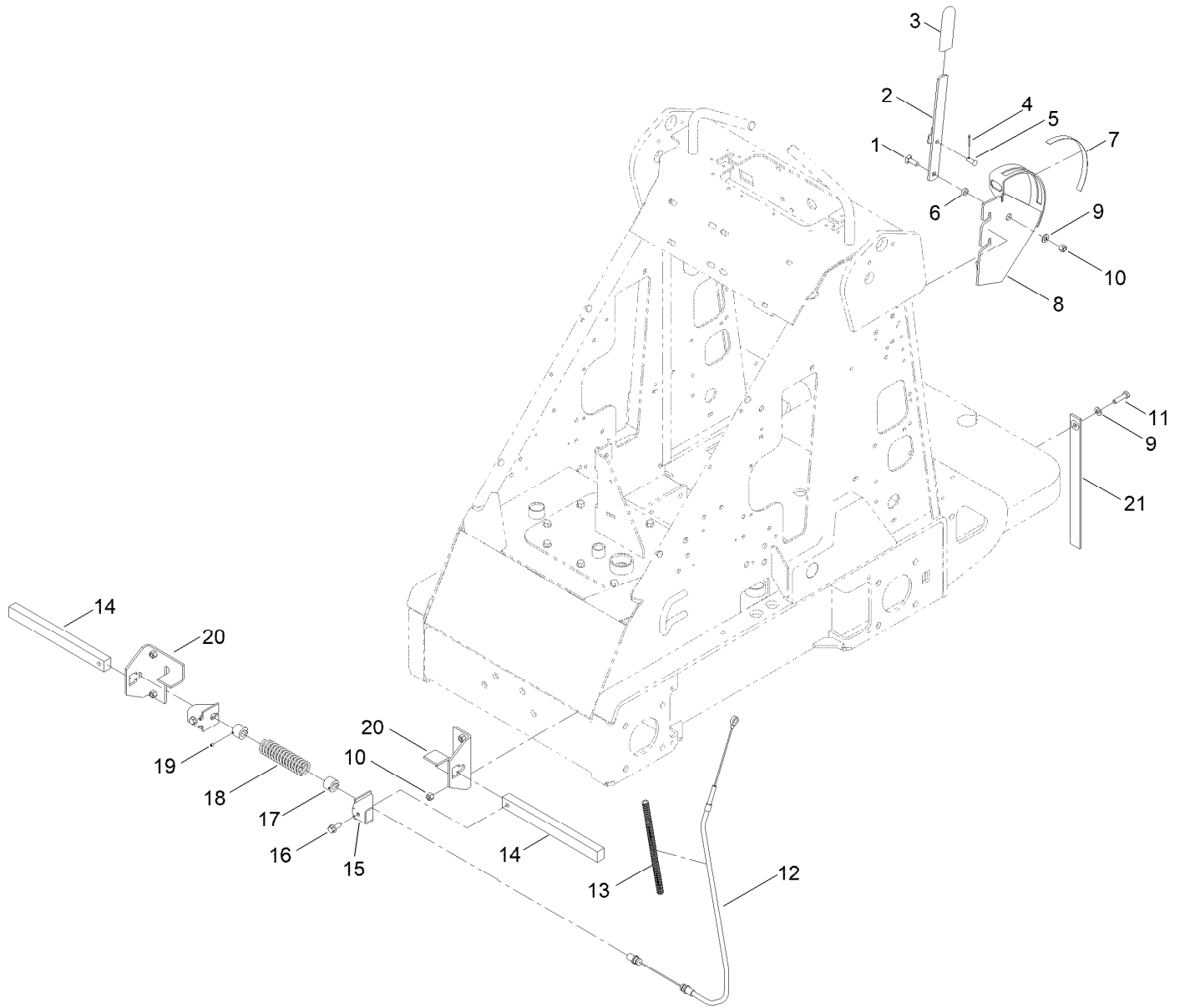


# Hydraulic Motor Assembly No. 99-3052 (continued)

<i>Ref.</i>	<i>Part Number</i>	<i>Qty.</i>	<i>Description</i>
1	100-6131	1	Seal Kit
2	99-3090	1	Shaft-Coupling
3	99-3091	7	Screw-Cap, HH

<i>Ref.</i>	<i>Part Number</i>	<i>Qty.</i>	<i>Description</i>
4	3257-42	1	Key-Woodruff
5	120-5392	1	Motor Housing ASM

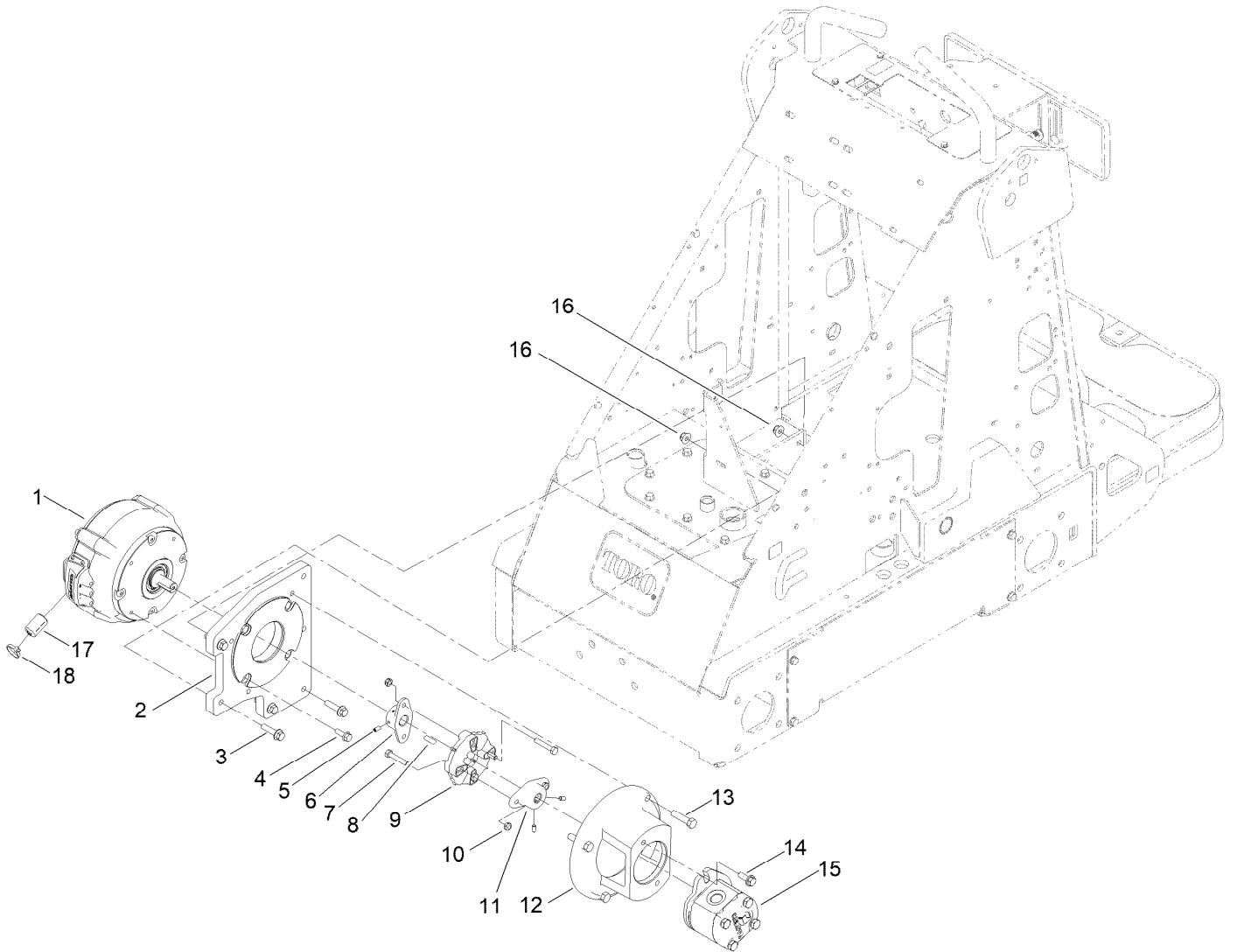
# Brake Assembly



## Brake Assembly (continued)

<i>Ref.</i>	<i>Part Number</i>	<i>Qty.</i>	<i>Description</i>	<i>Ref.</i>	<i>Part Number</i>	<i>Qty.</i>	<i>Description</i>
1	3230-22	1	Screw-CARR	12	100-1679	1	Cable
2	100-1684-03	1	Lever-Brake	13	100-4697	1	Tube-Convolutd
3	62-9130	1	Grip-Handle	14	100-1674-0P	2	Bar-Brake
4	3272-6	1	Pin-Cotter	15	100-1677-03	2	Bracket-Cable
5	283-62	1	Pin-Clevis	16	100-1668	2	Screw-HHF
6	100-1683	1	Hub-Lever	17	100-6274	2	Tube-Guide
7	139-7707	1	Decal-Parking Brake	18	100-1678-03	1	Spring
8	105-8414-03	1	Plate-Brake	19	3245-20	2	Screw-Set
9	3256-23	5	Washer-Plain	20	100-1676-03	2	Bracket-Brake
10	3296-29	5	Nut-Lock, NI	21	139-7731	1	Strap, Static
11	322-6	4	Screw-HH				

# Motor Mount Assembly



## Motor Mount Assembly (continued)

<i>Ref.</i>	<i>Part Number</i>	<i>Qty.</i>	<i>Description</i>	<i>Ref.</i>	<i>Part Number</i>	<i>Qty.</i>	<i>Description</i>
1	138-8926	1	Motor/Gen	9	119-0652	1	Coupler-Rubber
1:1	138-8941	1	Kit-Encoder, Mtr/Gen <sup>†</sup>	10	3296-47	4	Nut-Lock,NI
1:2	138-8942	1	Kit-Terminal Cover <sup>†</sup>	11	98-4701	1	Hub-Pump
2	139-0454-0P	1	Plate-Adapter, Motor	12	98-2751-0P	1	Mount-Pump
3	114-4681	4	Screw-HHF	13	324-7	4	Screw-HH
4	33104-025	4	Screw-HHF	14	66-9300	2	Screw-HHF
5	3245-9	4	Screw-Set, HSH	15	139-7665	1	Pump-Hydraulic
6	139-7664	1	Hub-Pump	16	104-8301	4	Nut-HF, NI
7	322-9	4	Screw-HH	17	139-7720	1	Ferrite, Snap-On
8	104-3097	1	Key-Square	18	3290-378	1	Tie-Cable

<sup>†</sup> Not illustrated

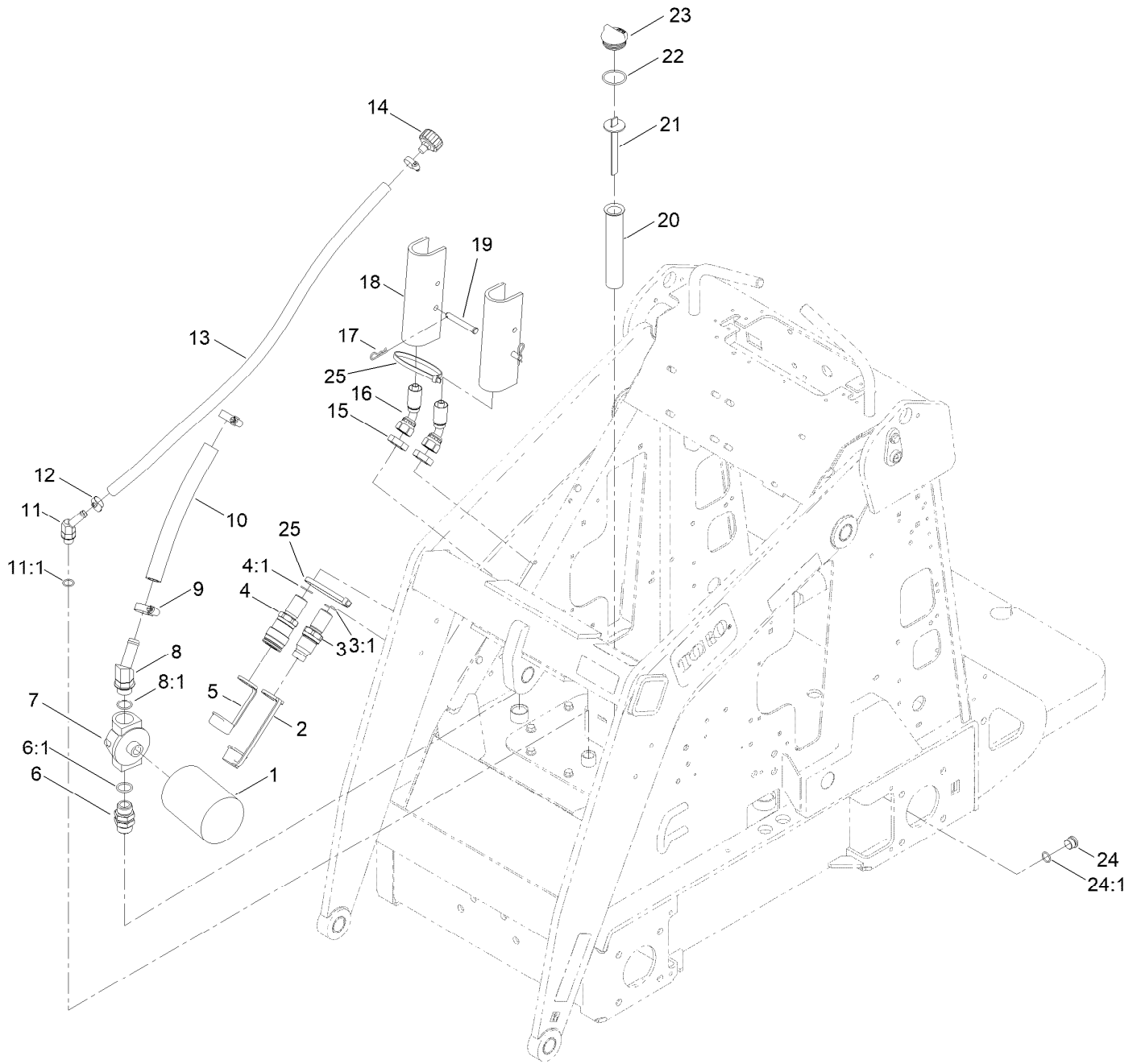


# Hydraulic Pump Assembly No. 139-7665 (continued)

<i>Ref.</i>	<i>Part Number</i>	<i>Qty.</i>	<i>Description</i>
1	139-7705	1	Kit-Seal <sup>1</sup>

<sup>1</sup> Not illustrated

# Bulkhead Hydraulic Assembly

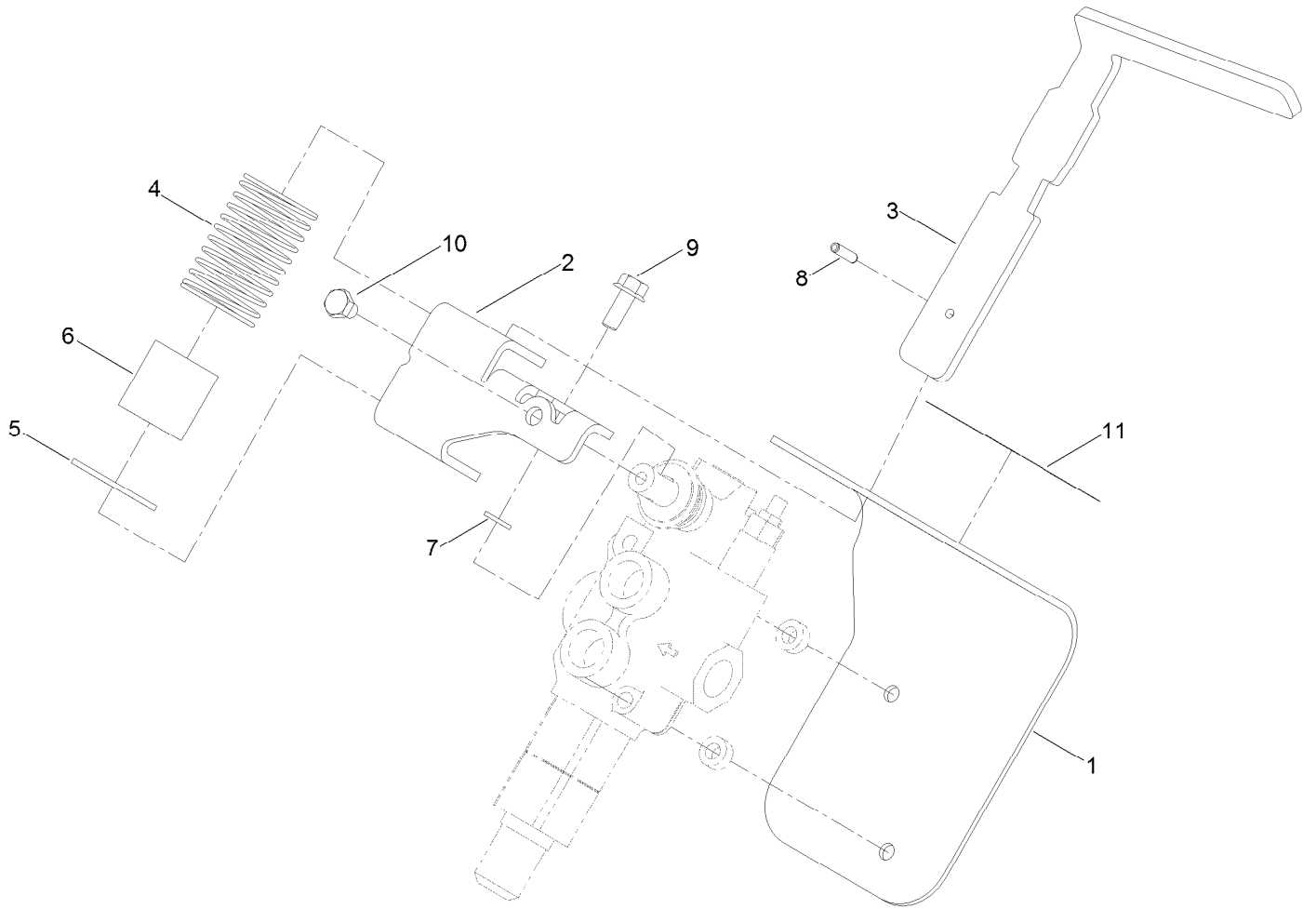


## Bulkhead Hydraulic Assembly (continued)

<i>Ref.</i>	<i>Part Number</i>	<i>Qty.</i>	<i>Description</i>	<i>Ref.</i>	<i>Part Number</i>	<i>Qty.</i>	<i>Description</i>
1	54-0110	1	Filter-Oil, Transmission	12	2412-36	2	Clamp-Hose
2	100-8815	1	Cap-Dust, Nipple	13	98-2708	1	Hose-Vent
3	105-8395	1	Bulkhead Nipple ASM	14	68-6150	1	Breather
3:1	237-65	1	O-Ring	15	340-74	2	Nut-Lock, Bulkhead
3:2	100-6120	1	Seal Kit <sup>1</sup>	16	100-8817	2	Hose-HYD
4	105-8394	1	Bulkhead Coupler ASM	17	3290-467	2	Pin-Hair
4:1	237-65	1	O-Ring	18	98-4675-07	2	Lock-Cylinder, Loader [500-164]
5	100-8816	1	Cap-Dust, Coupler	19	283-52	2	Pin-Clevis
6	98-9906	1	Fitting-Thread, Straight	20	61-2790	1	Filter-Screen
6:1	237-81	2	O-Ring	21	100-2097	1	Dipstick-Oil
7	92-5821	1	Head-Filter	22	237-101	1	O-Ring
8	354-127	1	Fitting-Elbow45	23	93-7498	1	Plug-Plastic
8:1	237-81	1	O-Ring	24	353-988	1	Plug-Hex
9	2412-129	2	Clamp-Hose	24:1	237-79	1	O-Ring
10	98-4745	1	Hose-HYD, Suction, Hi	25	3334-945	2	Tie-Cable
11	354-126	1	Fitting-Elbow, 45				
11:1	237-79	1	O-Ring				

<sup>1</sup> Not illustrated

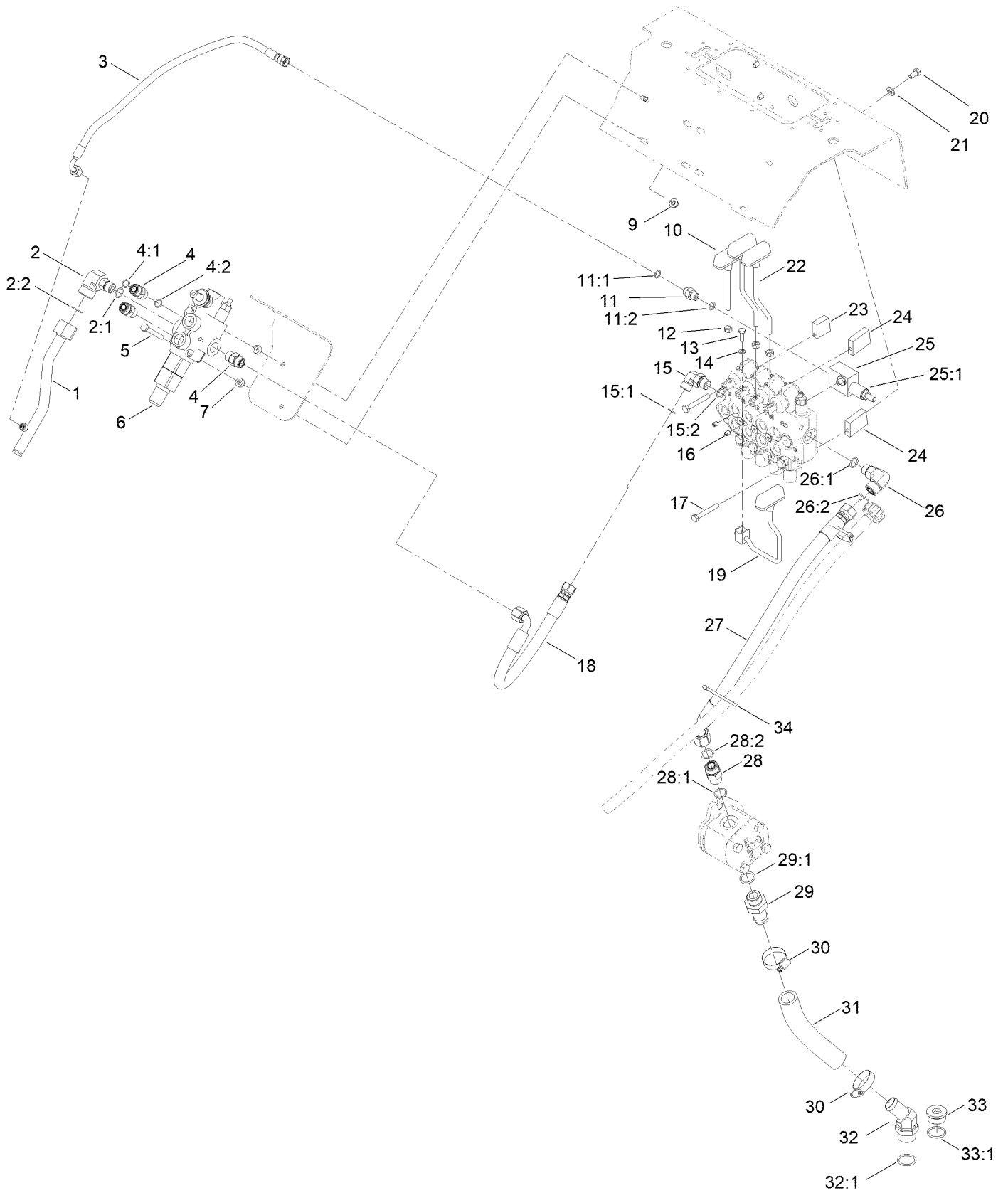
# Auxiliary Valve Lever Assembly



## Auxiliary Valve Lever Assembly (continued)

<i>Ref.</i>	<i>Part Number</i>	<i>Qty.</i>	<i>Description</i>	<i>Ref.</i>	<i>Part Number</i>	<i>Qty.</i>	<i>Description</i>
1	110-0121-03	1	Bracket-Auxiliary	7	3253-4	1	Washer-Lock
2	114-1263-03	1	Mount-Lever, Auxiliary	8	32121-3	1	Pin-Spring
3	110-0123-03	1	Handle-Lever, Aux	9	33104-020	1	Screw-HHF
4	110-0124	1	Spring	10	33114-010	1	Screw-HH
5	110-0125	1	Retainer-Spring, Auxiliary	11	108-4723	1	Decal-Auxiliary, CE
6	110-0160	1	Tube-Spring				

# Auxiliary Hydraulic Valve Assembly

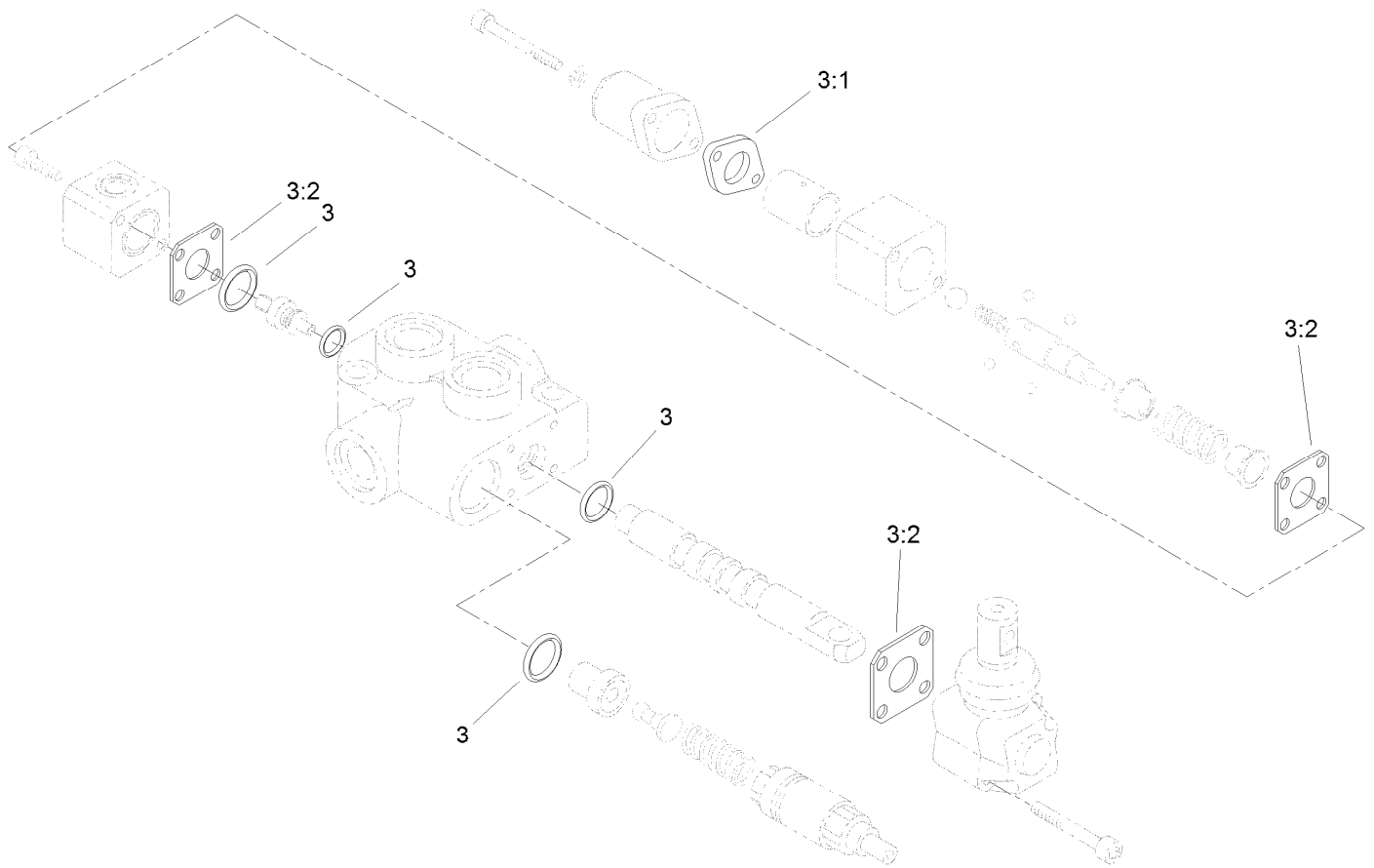


## Auxiliary Hydraulic Valve Assembly (continued)

<i>Ref.</i>	<i>Part Number</i>	<i>Qty.</i>	<i>Description</i>	<i>Ref.</i>	<i>Part Number</i>	<i>Qty.</i>	<i>Description</i>
1	139-0531	1	Hydraulic Tube ASM	19	106-8165	1	Lever-Control
2	92-5696	1	Fitting-Elbow, 90 DEG	20	322-2	3	Screw-HH
2:1	237-58	1	O-Ring	21	33094-00	3	Washer-Plain
2:2	237-79	1	O-Ring	22	104-5733	2	Lever-Drive
3	144-7463	1	Hose ASM-HYD	23	105-7870	1	Spacer-Upper V
4	340-4	3	Fitting-Straight	24	108-4728	2	Spacer V
4:1	237-30	1	O-Ring	25	105-7882	1	Relief Valve ASM
4:2	237-79	1	O-Ring	25:1	105-8358	1	Cartridge-Valve, Relief
5	322-12	2	Screw-HH	25:2	105-8357	1	Seal Kit <sup>1</sup>
6	99-3077	1	Valve-HYD, Auxiliary	26	340-153	1	Fitting-Elbow, 90 DEG
7	100-2085	2	Spacer	26:1	237-79	1	O-Ring
9	104-8300	2	Nut-HF, NI	26:2	237-151	1	O-Ring
10	105-7881	1	Lever-Cylinder	27	139-0522	1	HYD Hose ASM
11	340-1	1	Fitting-Straight	28	340-7	1	Fitting-Straight
11:1	237-21	1	O-Ring	28:1	237-65	1	O-Ring
11:2	237-42	1	O-Ring	28:2	237-80	1	O-Ring
12	33014-00	3	Nut-Hex	29	99-3017	1	Fitting
13	321-5	1	Screw-HH	29:1	237-81	1	O-Ring
14	3253-3	1	Washer-Lock	30	2412-111	2	Clamp-Hose, W/Liner
15	340-98	1	Fitting-Elbow, 90 DEG	31	137-0078	1	Hose
15:1	237-79	1	O-Ring	32	131-9612	1	Fitting-Elbow-45
15:2	237-30	1	O-Ring	32:1	237-146	1	O-Ring
16	105-4068	3	Screw-Set,Cphs	33	105-3921	1	Fitting-Plug
17	322-11	3	Screw-HH	33:1	237-146	1	O-Ring
18	139-0537	1	HYD Hose ASM	34	3290-378	2	Tie-Cable

<sup>1</sup> Not illustrated

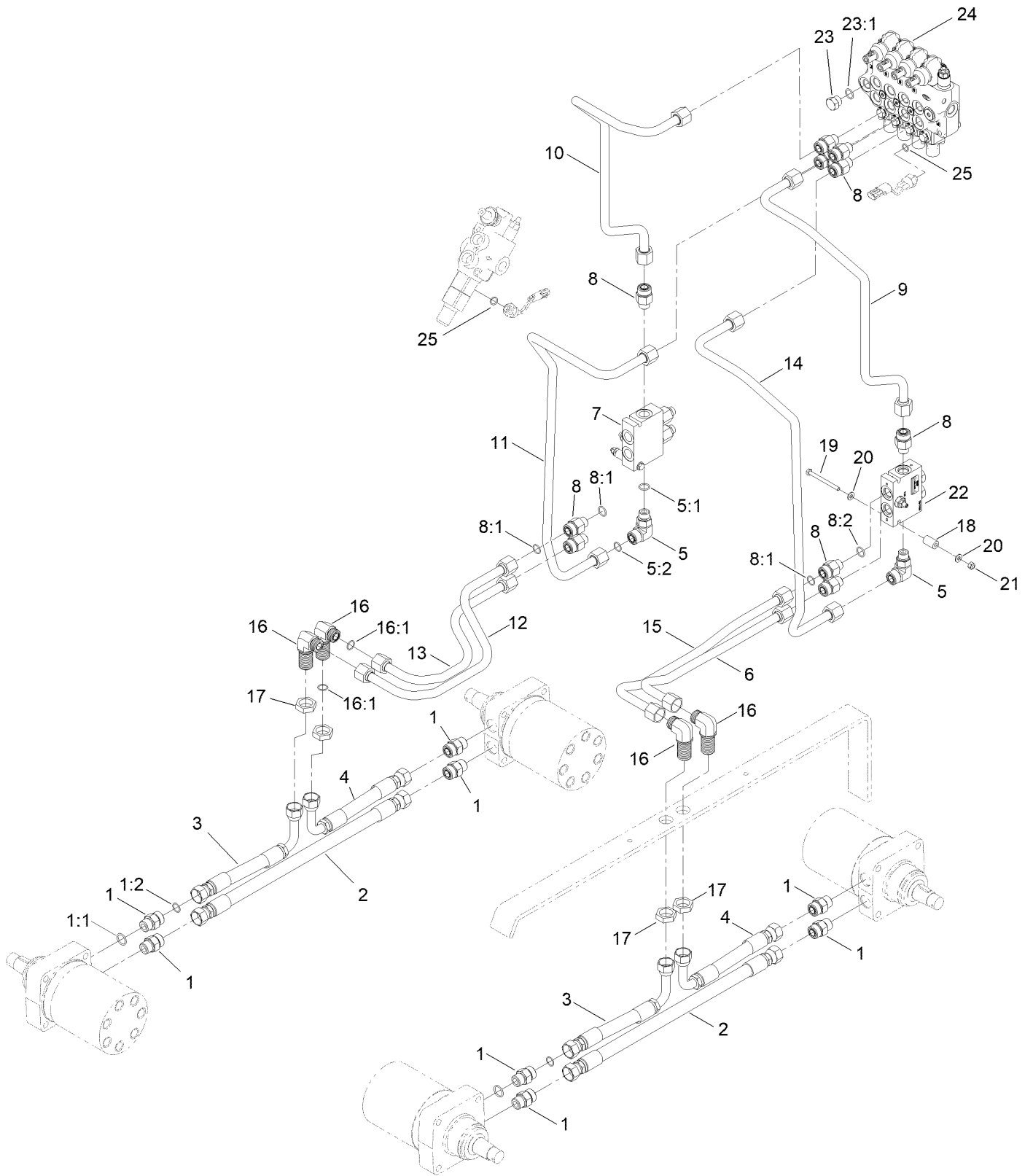
# Auxiliary Hydraulic Valve Assembly No. 99-3077



# Auxiliary Hydraulic Valve Assembly No. 99-3077 (continued)

<i>Ref.</i>	<i>Part Number</i>	<i>Qty.</i>	<i>Description</i>
3	99-4390	1	Seal Kit
3:1	99-3074	4	Gasket
3:2	99-3075	8	Gasket

# Hydraulic Valve Assembly

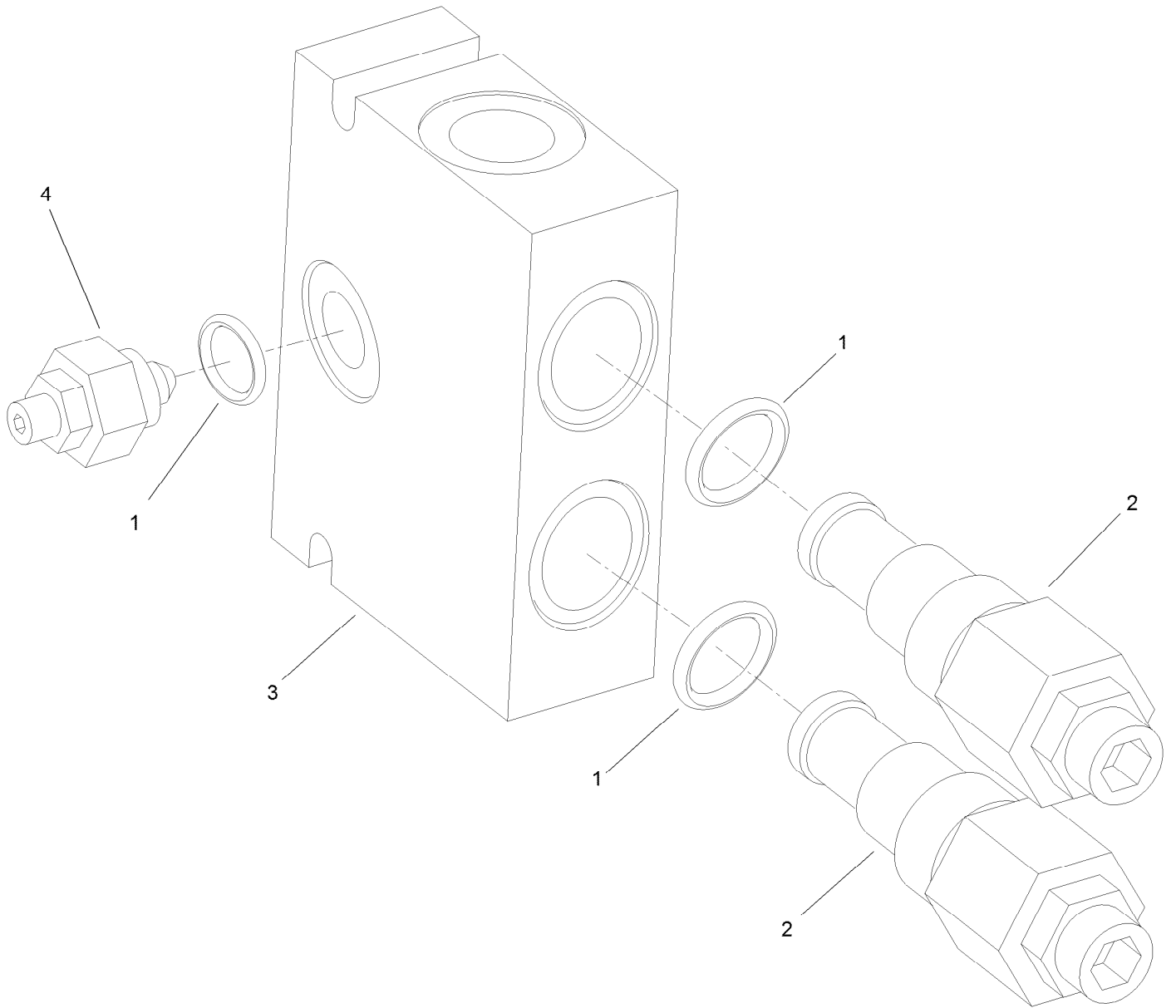


## Hydraulic Valve Assembly (continued)

<i>Ref.</i>	<i>Part Number</i>	<i>Qty.</i>	<i>Description</i>	<i>Ref.</i>	<i>Part Number</i>	<i>Qty.</i>	<i>Description</i>
1	340-7	8	Fitting-Straight	12	99-3025	1	Tube-HYD
1:1	237-65	1	O-Ring	13	99-3028	1	Tube-HYD
1:2	237-80	1	O-Ring	14	108-9725	1	Tube-HYD
2	99-3012	2	Hose-HYD	15	99-3026	1	Tube-HYD
3	99-3010	2	Hose-HYD	16	340-72	4	Fitting-Bulkhead, 90 DEG
4	99-3011	2	Hose-HYD	16:1	237-65	2	O-Ring
5	340-153	2	Fitting-Elbow, 90 DEG	17	340-74	4	Nut-Lock, Bulkhead
5:1	237-79	1	O-Ring	18	99-3057	2	Spacer-Valve
5:2	237-151	1	O-Ring	19	321-23	2	Screw-HH
6	99-3022	1	Tube-HYD	20	3256-22	4	Washer-Flat
7	99-3040	1	HYD Counterbalance Valve ASM	21	3296-42	2	Nut-Lock, NI
8	340-155	10	Fitting-Straight	22	139-7696	1	Manifold-Hydraulic
8:1	237-79	1	O-Ring	22:1	139-7701	1	Seal-Kit, Needle Valve <sup>l</sup>
8:2	237-151	1	O-Ring	22:2	139-7702	2	Seal-Kit, Plug <sup>l</sup>
9	108-9729	1	Tube-HYD	23	353-550	1	Plug-HYD, HH
10	108-9727	1	Tube-HYD	23:1	237-79	1	O-Ring
11	108-9726	1	Tube-HYD	24	139-7697	1	Valve-Hydraulic, 4-Spool
				25	237-42	5	O-Ring

<sup>l</sup> Not illustrated

# Counterbalance Valve Assembly No. 99-3040

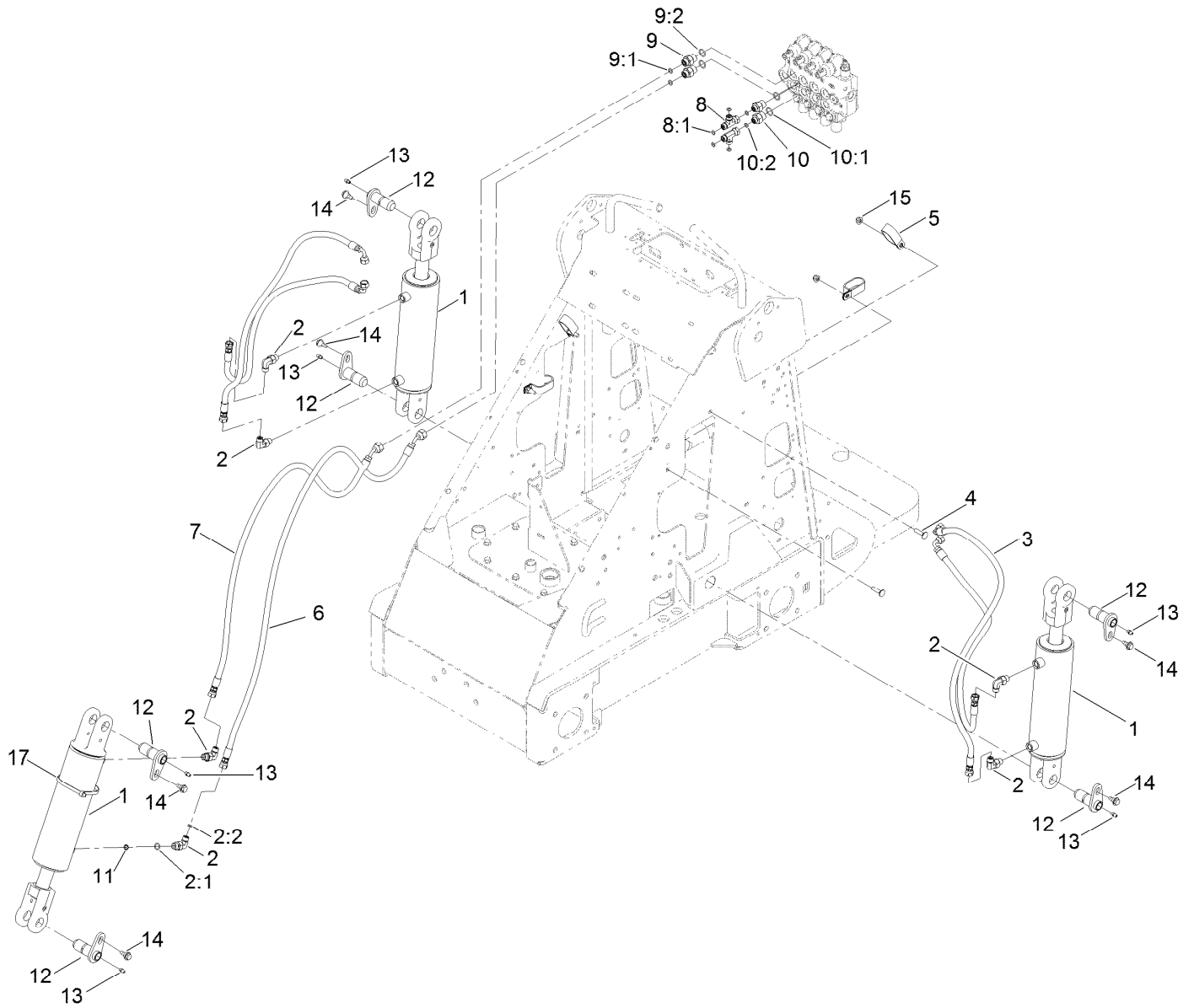


# Counterbalance Valve Assembly No. 99-3040 (continued)

<i>Ref.</i>	<i>Part Number</i>	<i>Qty.</i>	<i>Description</i>
1	105-4099	1	Seal Kit
2	99-3271	2	Valve-Cartridge

<i>Ref.</i>	<i>Part Number</i>	<i>Qty.</i>	<i>Description</i>
3	100-8864	1	Manifold ASM
4	100-8865	1	Needle Valve ASM

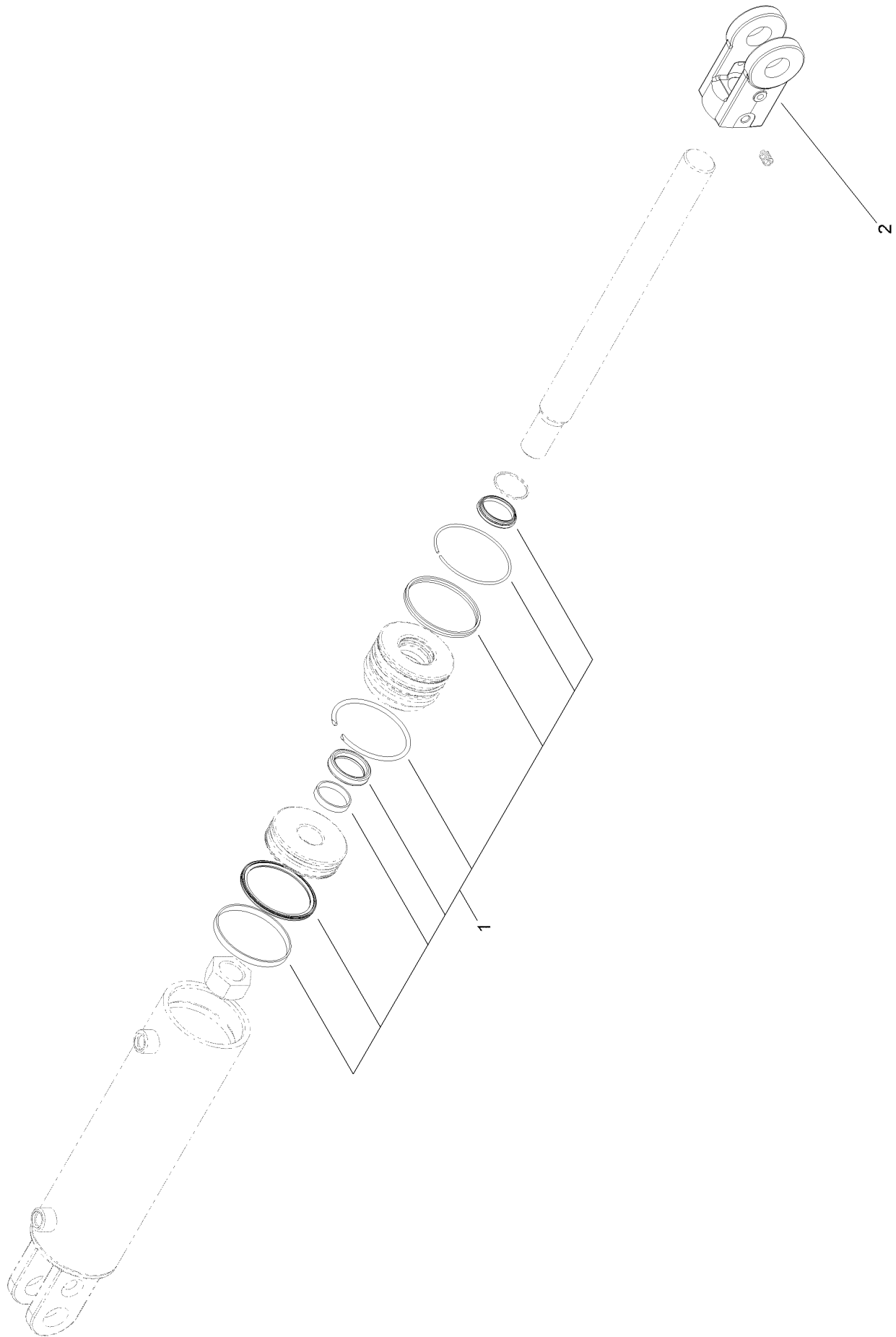
# Hydraulic Cylinder Assembly



## Hydraulic Cylinder Assembly (continued)

<i>Ref.</i>	<i>Part Number</i>	<i>Qty.</i>	<i>Description</i>	<i>Ref.</i>	<i>Part Number</i>	<i>Qty.</i>	<i>Description</i>
1	139-7706	3	Cylinder-Hydraulic	9:1	237-22	1	O-Ring
2	340-82	6	Fitting-Elbow, 90 DEG	9:2	237-79	1	O-Ring
2:1	237-42	1	O-Ring	10	340-133	2	Fitting-STR
2:2	237-21	1	O-Ring	10:1	237-79	1	O-Ring
3	98-4725	4	Hose-HYD	10:2	237-21	1	O-Ring
4	3230-3	4	Screw-CARR	11	108-4714	1	Orifice-Port Insert, One Way
5	2412-137	4	Clamp-R, Double	12	112-2609	6	Pin-Pivot
6	98-4726	1	Hose-HYD	13	302-5	6	Fitting-Grease
7	98-4727	1	Hose-HYD	14	99-5105	6	Screw-Shoulder
8	340-151	2	Fitting-Tee	15	104-8300	4	Nut-HF, NI
8:1	237-21	2	O-Ring	17	3334-945	3	Tie-Cable
9	340-3	2	Fitting-Straight				

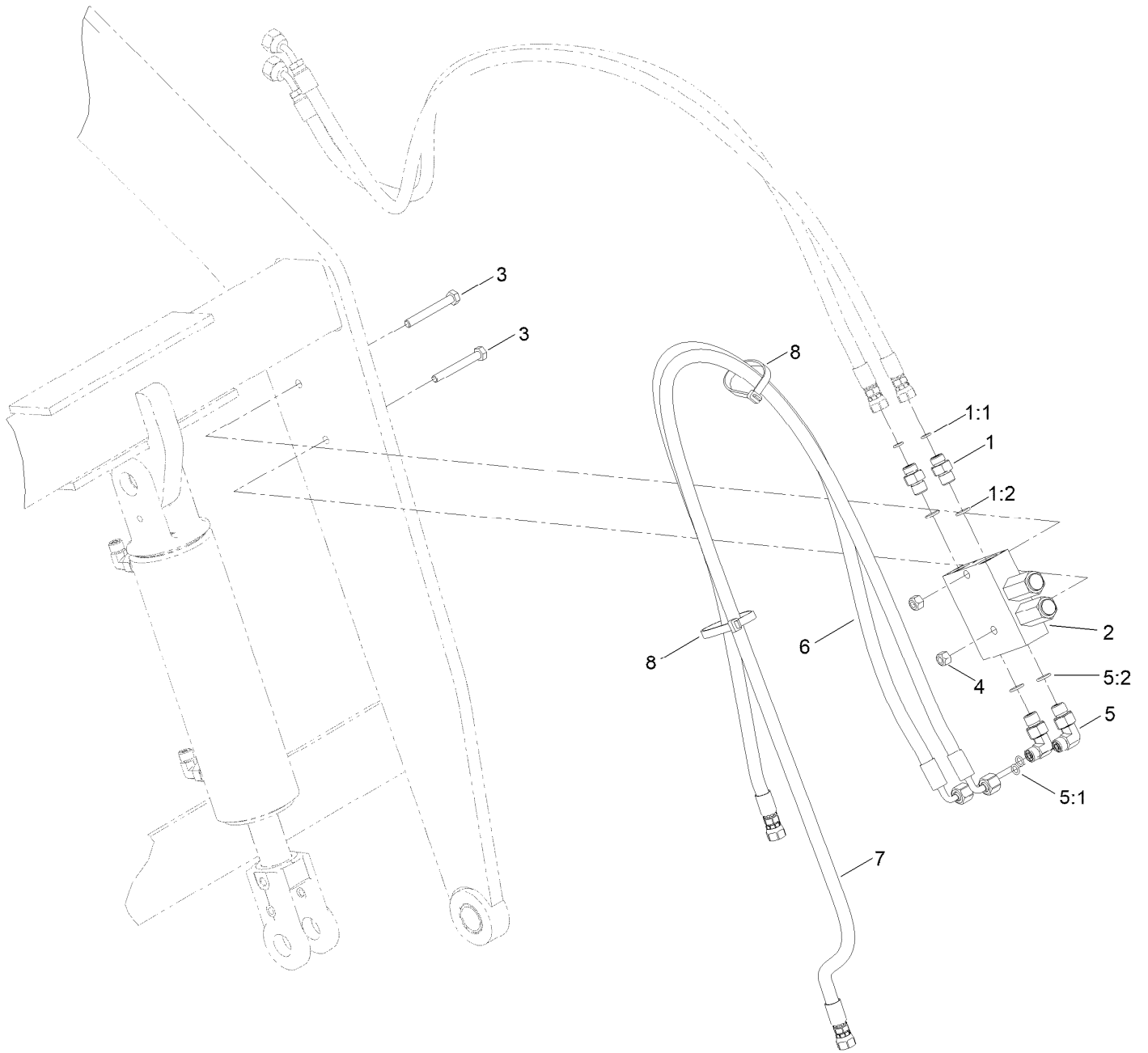
# Hydraulic Cylinder Assembly No. 139-7706



# Hydraulic Cylinder Assembly No. 139-7706 (continued)

<i>Ref.</i>	<i>Part Number</i>	<i>Qty.</i>	<i>Description</i>
1	139-7713	1	Seal Kit
2	163-8918	1	Rod-Clevis

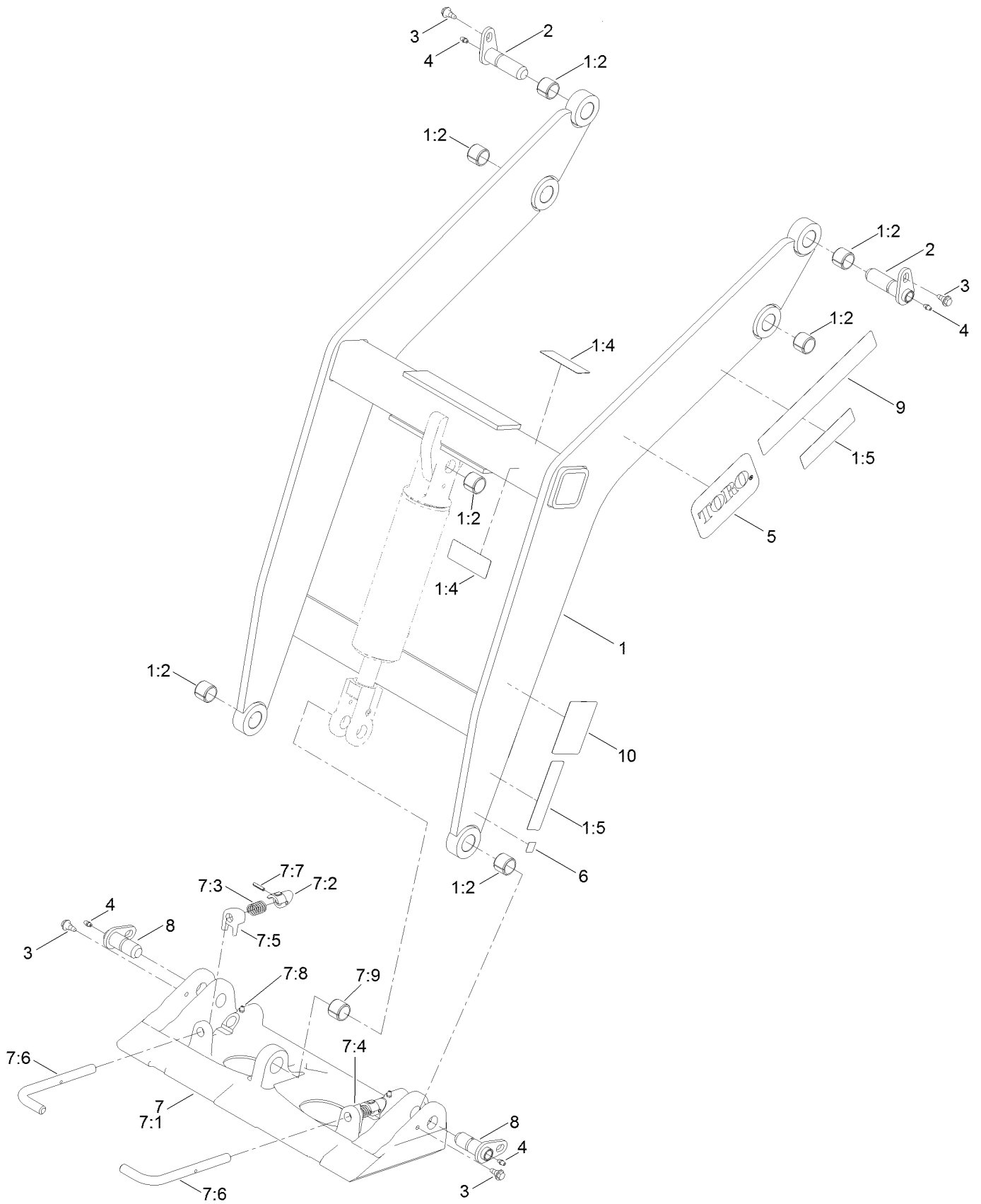
# Crossover Relief Valve Assembly



## Crossover Relief Valve Assembly (continued)

<i>Ref.</i>	<i>Part Number</i>	<i>Qty.</i>	<i>Description</i>	<i>Ref.</i>	<i>Part Number</i>	<i>Qty.</i>	<i>Description</i>
1	340-1	2	Fitting-Straight	5	340-82	2	Fitting-Elbow, 90 DEG
1:1	237-21	1	O-Ring	5:1	237-42	1	O-Ring
1:2	237-42	1	O-Ring	5:2	237-21	1	O-Ring
2	138-9944	1	Valve-Relief, Crossover	6	99-4361	1	Hose-ASM
3	322-12	2	Screw-HH	7	99-4362	1	Hose-ASM
4	3296-29	2	Nut-Lock, NI	8	3334-945	2	Tie-Cable

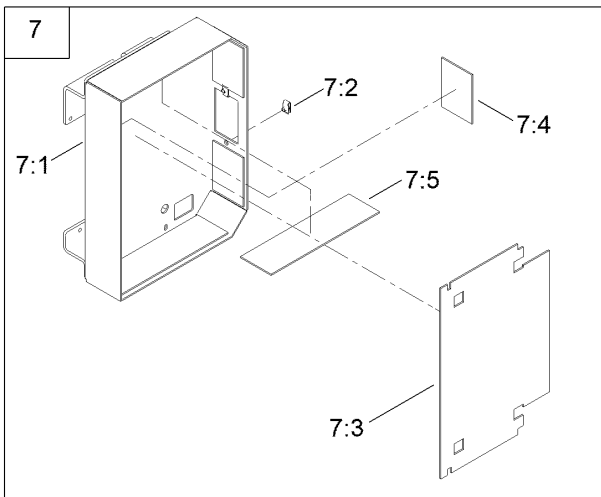
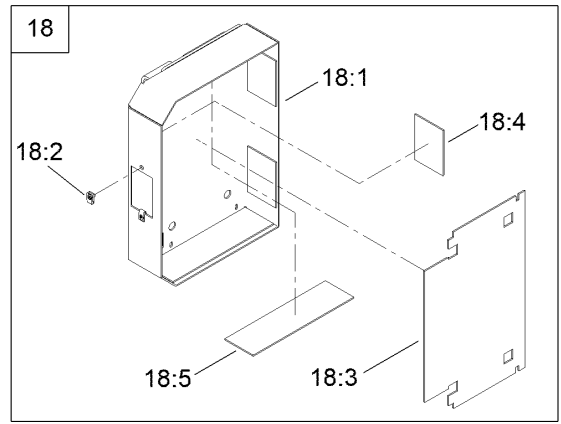
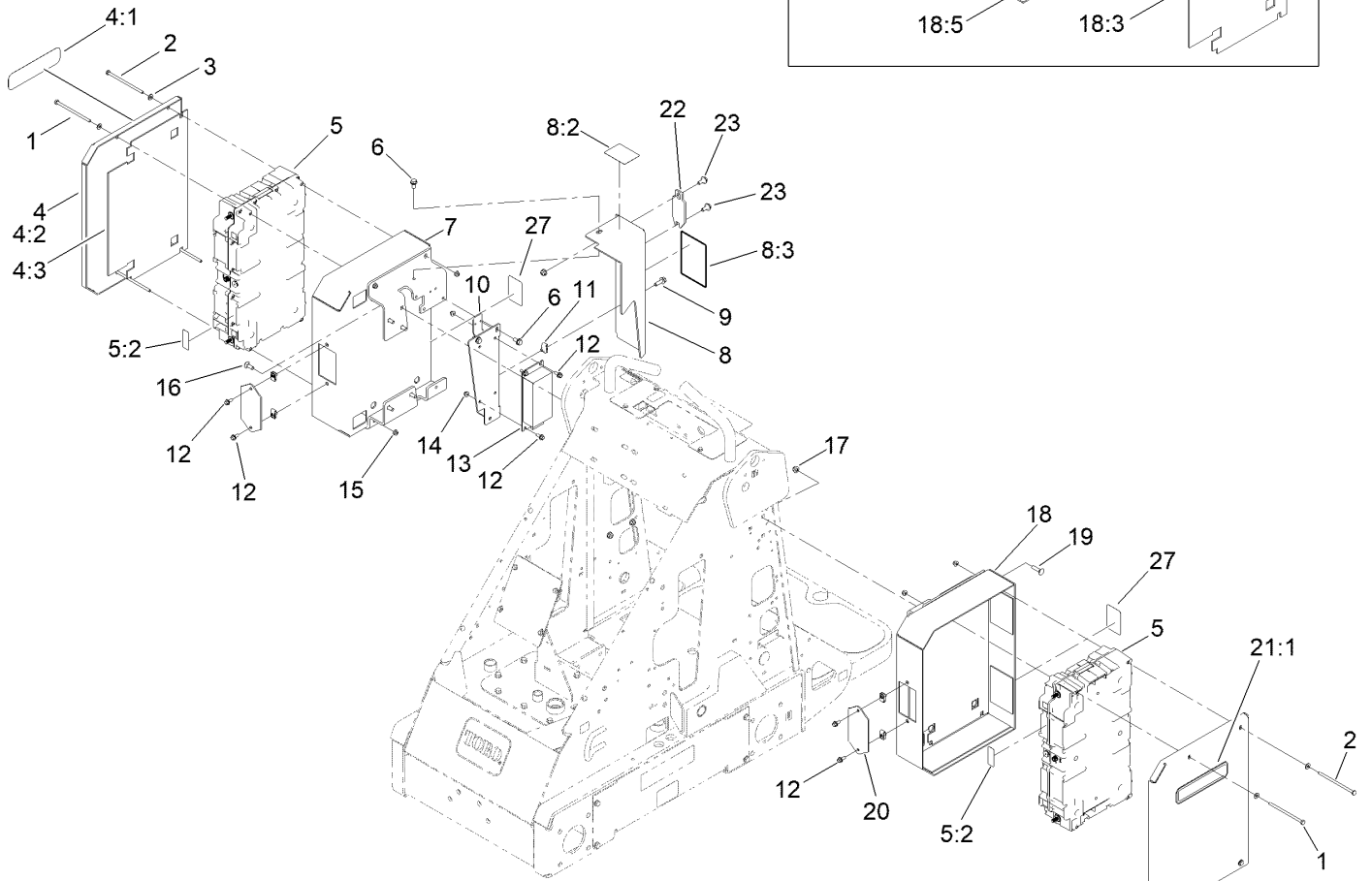
# Loader and Quick Attach Assembly



## Loader and Quick Attach Assembly (continued)

<i>Ref.</i>	<i>Part Number</i>	<i>Qty.</i>	<i>Description</i>	<i>Ref.</i>	<i>Part Number</i>	<i>Qty.</i>	<i>Description</i>
1	106-8155	1	Loader ASM	7:2	105-0246	2	Cam
1:2	98-4871	7	Bushing-Tension	7:3	98-4694	2	Spring-Compression
1:4	130-2837	2	Decal-Warning, No Rider	7:4	104-5909	1	Stop-RH
1:5	130-2836	4	Decal-Warning, Crushing	7:5	104-5903	1	Stop-LH
2	120-5363	2	Pin-Pivot	7:6	132-8419	2	Pin-Locking
3	99-5105	4	Screw-Shoulder	7:7	3285-1	2	Pin-Grooved
4	302-5	4	Fitting-Grease	7:8	302-5	2	Fitting-Grease
5	93-7340	2	Decal	7:9	98-4871	1	Bushing-Tension
6	93-9084	2	Decal-Point, Lift	8	112-2609	2	Pin-Pivot
7	132-8418	1	Quick Attach ASM	9	139-7658	2	Decal- E-Dingo
7:1	130-7708-03	1	Mount-Qtach	10	139-7708	2	Decal-Warning, Bucket

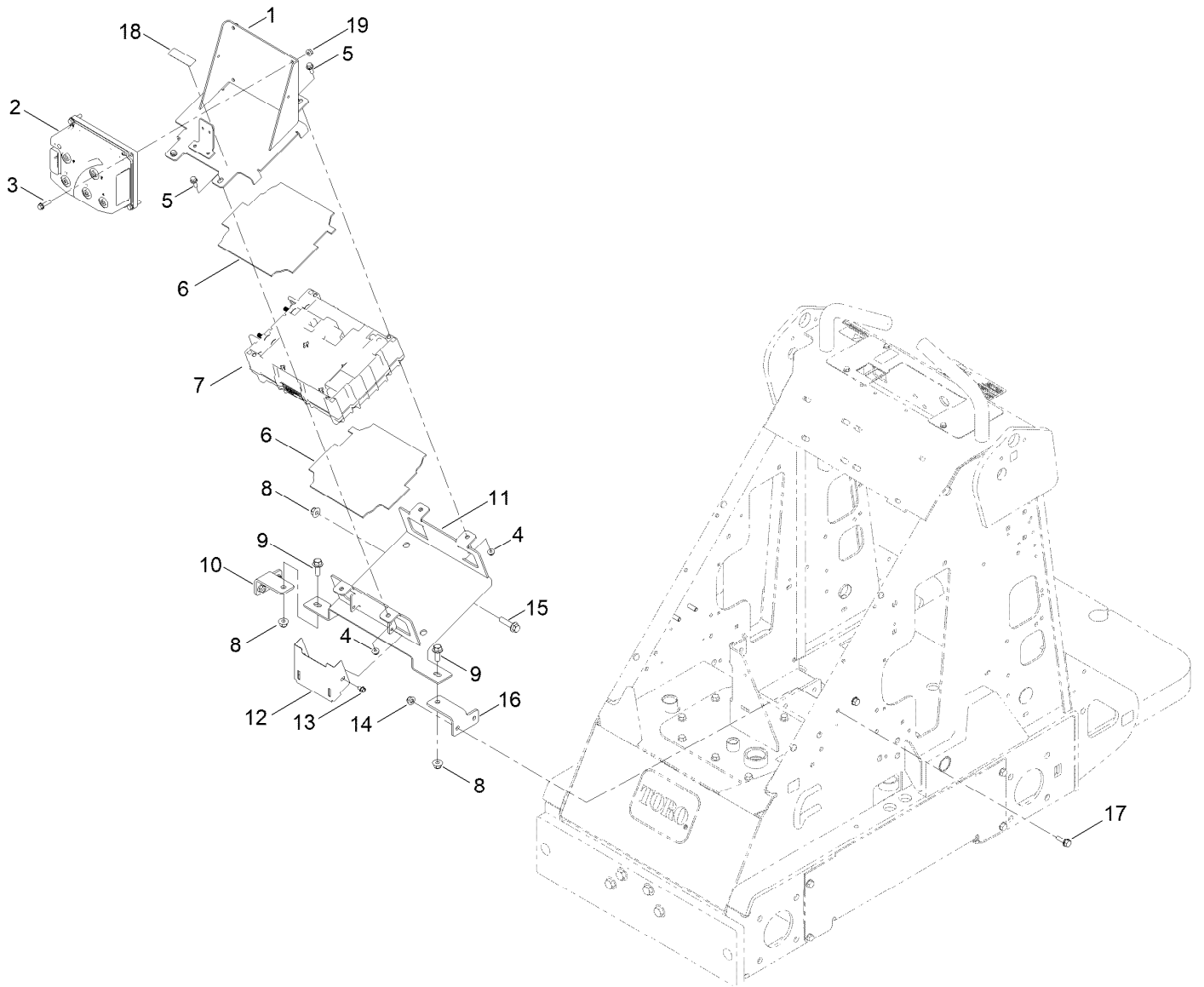
# Left and Right Side Battery Assembly



## Left and Right Side Battery Assembly (continued)

<i>Ref.</i>	<i>Part Number</i>	<i>Qty.</i>	<i>Description</i>	<i>Ref.</i>	<i>Part Number</i>	<i>Qty.</i>	<i>Description</i>
1	139-0544	2	Screw-HH	12	99-6810	8	Screw-HHF
2	321-36	6	Screw-HH	13	137-7952	1	Converter-DC-DC
3	120-9679	8	Washer-Flat	14	104-7201	4	Nut-HF, NI
4	139-7686	1	Cover-Battery ASM	15	119-4040	8	Nut-HF, NI
4:1	139-7659	1	Decal - Lithium	16	3230-16	8	Screw-CARR
4:2	137-4666-06	1	Cover-Battery	17	104-8300	11	Nut-HF, NI
4:3	139-7651	1	Foam-Battery, Saddlebag	18	139-7672	1	Mount-Battery ASM
5	139-8343	2	Battery Service ASM	18:1	139-7670-06	1	Mount-Battery, LH
5:2	137-9712	1	Decal-Safety	18:2	107069	2	Clip
6	32144-14	4	Screw-HWHTF	18:3	139-7651	1	Foam-Battery, Saddlebag
7	139-7671	1	Mount-Battery ASM	18:4	139-7652	4	Foam-Battery, Saddlebag
7:1	139-7669-06	1	Mount-Battery, RH	18:5	139-7653	2	Foam-Battery, Saddlebag
7:2	107069	2	Clip	19	3230-3	2	Screw-CARR
7:3	139-7651	1	Foam-Battery, Saddlebag	20	139-0538-06	2	Plate, Terminal
7:4	139-7652	4	Foam-Battery, Saddlebag	21	139-7687	1	Cover-Battery ASM
7:5	139-7653	2	Foam-Battery, Saddlebag	21:1	139-7659	1	Decal - Lithium
8	139-7723	1	Cover ASM, Rear	21:2	137-4666-06	1	Cover-Battery
8:2	139-7721	1	Decal-Charger, Warning	21:3	139-7651	1	Foam-Battery, Saddlebag
8:3	139-7738	1	Decal-Charging Port	22	139-7724-03	1	Cover, Charger Port
9	3234-29	1	Screw-HHF	23	19-1470	2	Screw-Shoulder
10	139-0547-03	1	Bracket-Mount, Converter	27	100-4627	2	Reflector
11	94-2413	2	Nut-U				

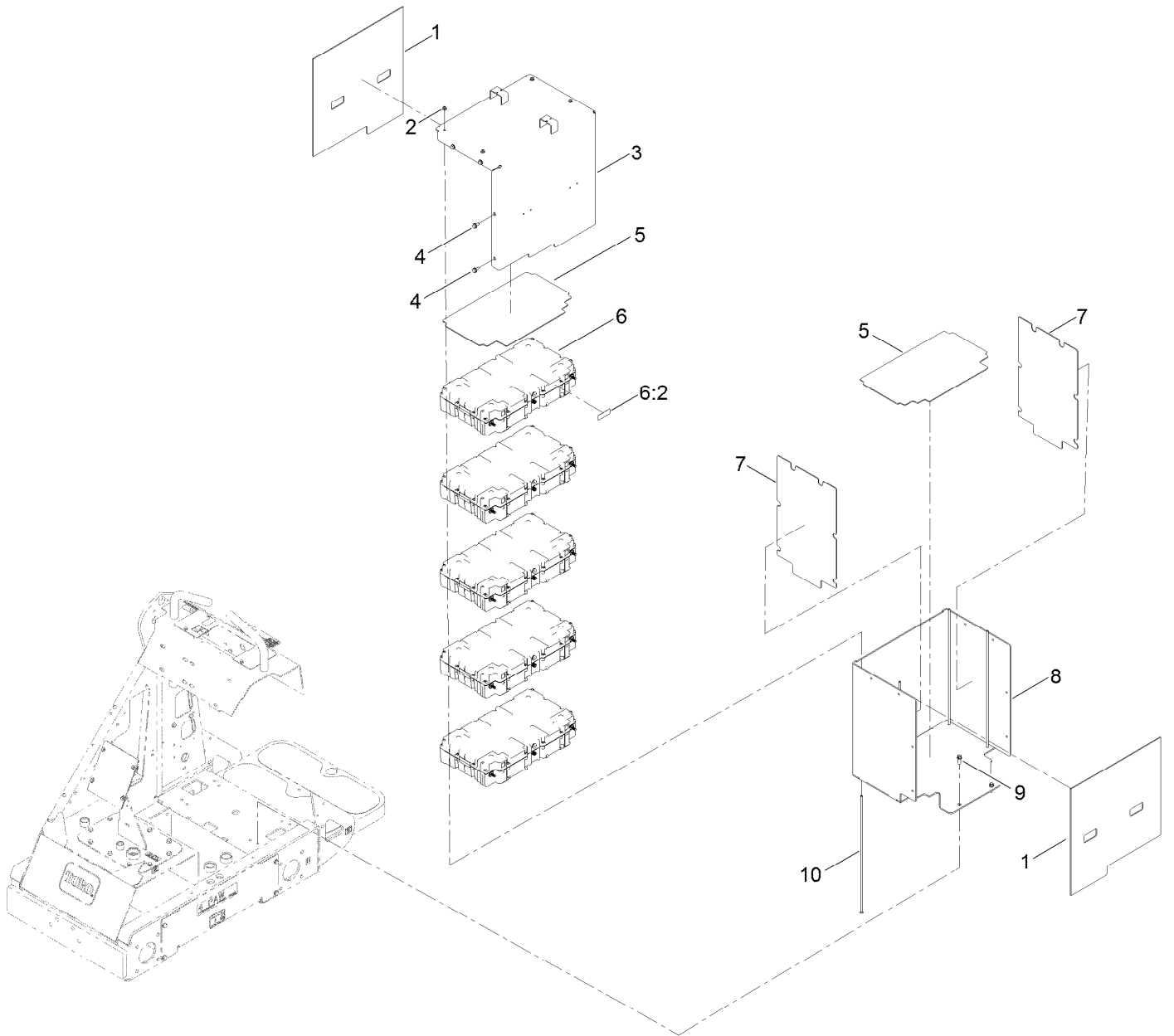
# Controller Assembly



## Controller Assembly (continued)

<i>Ref.</i>	<i>Part Number</i>	<i>Qty.</i>	<i>Description</i>	<i>Ref.</i>	<i>Part Number</i>	<i>Qty.</i>	<i>Description</i>
1	139-7667-0P	1	Mount-Controller	11	139-0527-0P	1	Mount-Bms
2	138-8963	1	Inverter/Controller-48V,175Arms	12	144-7142-0P	1	Adapter,Mega Fuse
3	120-4654	4	Screw-HHF	13	137-4795	2	Screw
4	104-7201	4	Nut-HF, NI	14	104-8300	4	Nut-HF, NI
5	3234-4	4	Screw-HHF	15	114-4681	1	Screw-HHF
6	139-7673	2	Foam-Battery, Bms	16	139-0525-0P	1	Bracket-Mount, Frame (LH)
7	137-9651	1	Controller	17	3234-29	4	Screw-HHF
8	104-8301	3	Nut-HF, NI	18	139-7718	1	Decal-Quick Disconnect
9	3234-42	2	Screw-HHF	19	119-4040	4	Nut-HF, NI
10	139-0524-0P	1	Bracket-Mount, Frame (RH)				

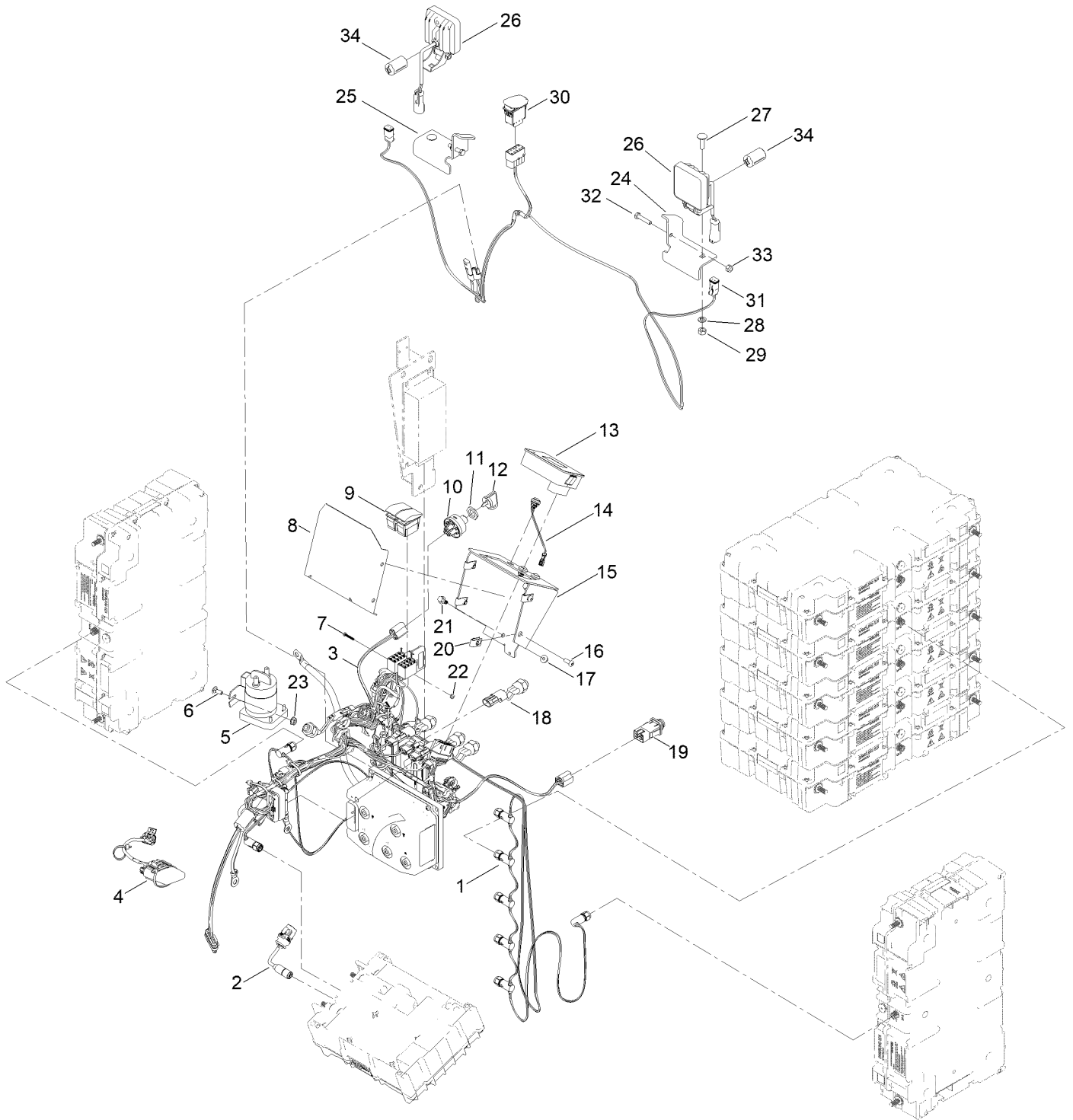
# Main Battery and Enclosure Assembly



## Main Battery and Enclosure Assembly (continued)

<i>Ref.</i>	<i>Part Number</i>	<i>Qty.</i>	<i>Description</i>	<i>Ref.</i>	<i>Part Number</i>	<i>Qty.</i>	<i>Description</i>
1	139-7654	2	Foam-Battery, Main	6:2	137-9712	1	Decal-Safety
2	119-4040	4	Nut-HF, NI	7	139-7655	2	Foam-Battery, Main
3	139-7683-03	1	Cover Battery	8	139-0526-03	1	Enclosure-Battery
4	32144-14	8	Screw-HWHTF	9	95-1726	4	Screw-Taptite
5	139-7656	2	Foam-Battery, Main	10	139-7668	4	Screw-CARR
6	139-8343	5	Battery Service ASM				

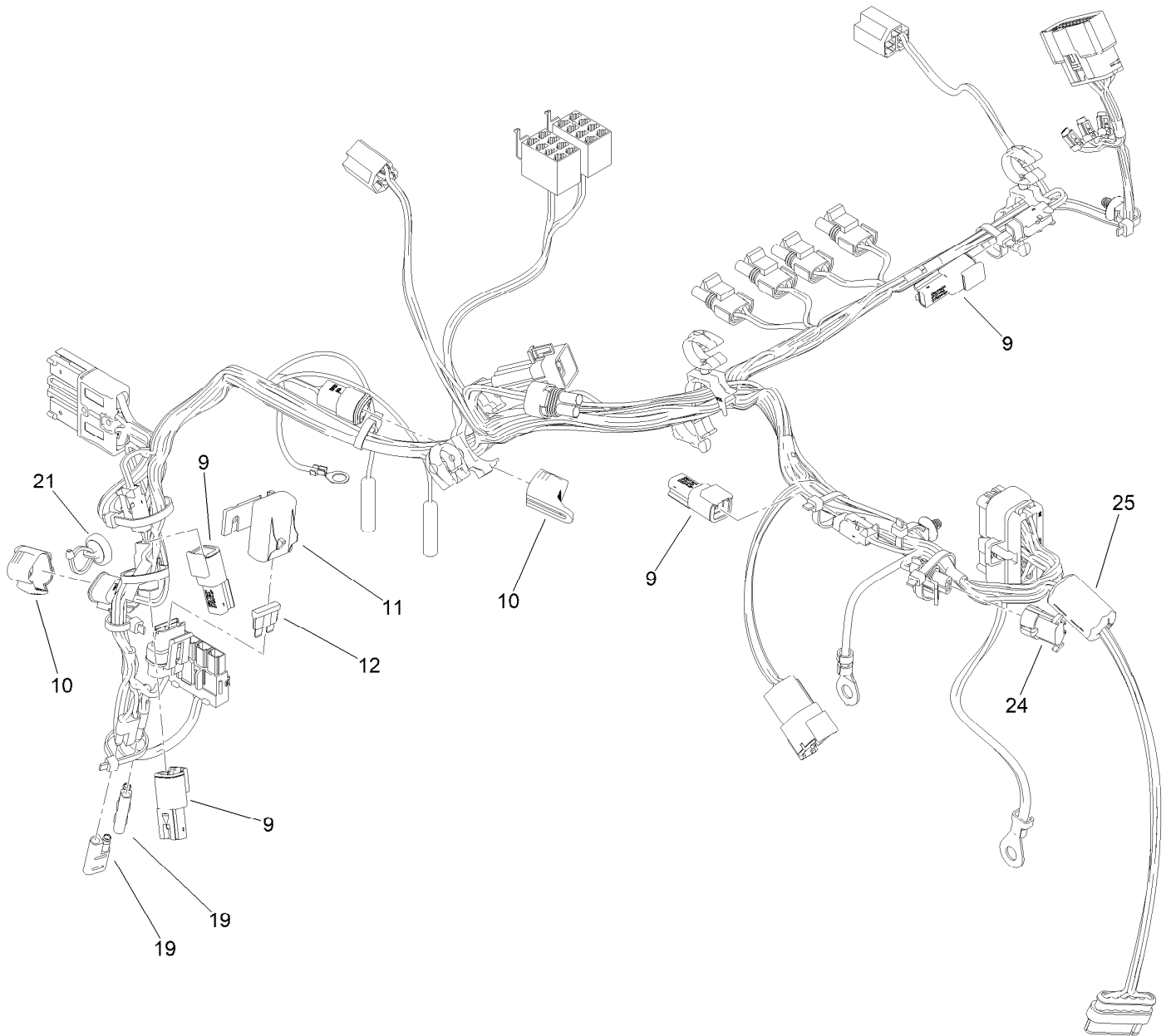
# Wire Harness Assembly



## Wire Harness Assembly (continued)

<i>Ref.</i>	<i>Part Number</i>	<i>Qty.</i>	<i>Description</i>	<i>Ref.</i>	<i>Part Number</i>	<i>Qty.</i>	<i>Description</i>
1	144-2561	1	Harness-Wire, Samsung Interface	17	104-7201	2	Nut-HF, NI
2	122-1335	1	Harness-Wire, Interface(System)	18	72-4320	5	Switch-Ball
3	139-0493	1	Harness-Wire, Main	19	100-1268	1	Switch-Plunger
4	119-4330	1	Isolated Can Module ASM	20	107069	4	Clip
5	104-7136	1	Contactora-Trombetta	21	99-6810	2	Screw-HHF
6	3229-11	2	Screw-CARR	22	3296-9	2	Nut-Hex
7	363-6528	2	Screw	23	32128-33	2	Nut-HF
8	139-0546-03	1	Cover-Display	24	139-7675-03	1	Bracket - Light [black]
9	127-5999	2	Switch-Rocker, Off-None-On	25	139-7676-03	1	Bracket - Light [black]
10	139-7716	1	Switch-Key, Spst	26	140-6990	2	Light-Work, LED
11	101884	1	Nut	27	3230-28	2	Screw-CARR
12	63-8360	2	Key-Ignition	28	3253-33	2	Washer-Lock
13	122-1201	1	Module-Display	29	3217-6	2	Nut-Hex
14	136-9678	3	Switch-Pushbutton	30	112-9421	1	Switch
15	139-0545-03	1	Mount-Display	31	138-9901	1	Harness-Wire, Light Kit
16	3274-31	4	Screw-HSBH	32	321-8	2	Screw-HH
				33	3296-73	2	Nut-Lock, NI
				34	139-7720	2	Ferrite, Snap-On

# Main Wire Harness Assembly No. 139-0493

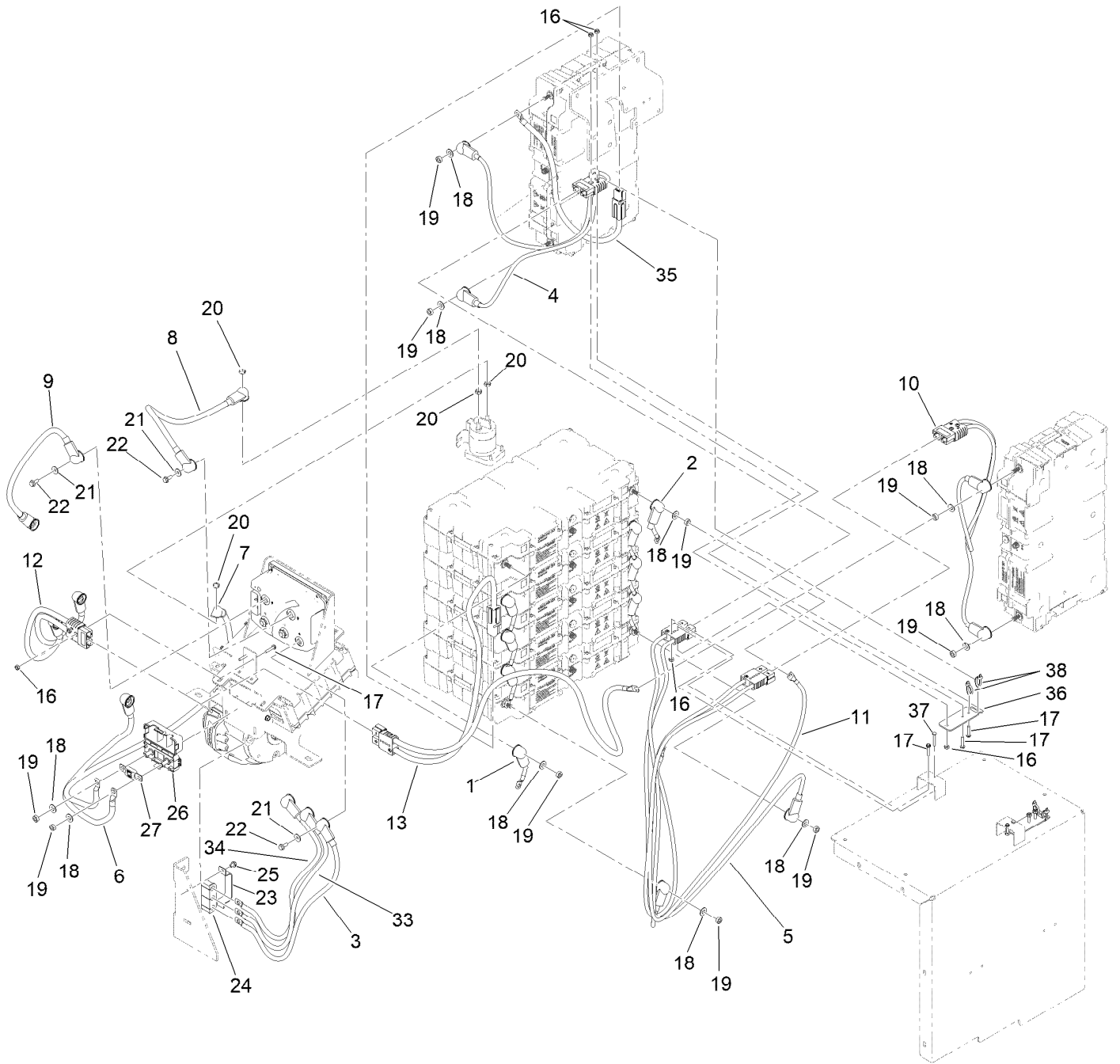


# Main Wire Harness Assembly No. 139-0493 (continued)

<i>Ref.</i>	<i>Part Number</i>	<i>Qty.</i>	<i>Description</i>
9	32180-282	4	Conn, Res, 120 Ohm
10	32180-089	2	Cap-Plug, 3 Way
11	32180-019	1	Cover-Fuse, Single
12	117-4725	1	Fuse-Blade, 15A

<i>Ref.</i>	<i>Part Number</i>	<i>Qty.</i>	<i>Description</i>
19	116-0053	2	Cap-Plug
21	32180-139	1	Mount-Tie Wrap, Magnetic
24	32180-056	1	Cap
25	139-7720	1	Ferrite, Snap-On

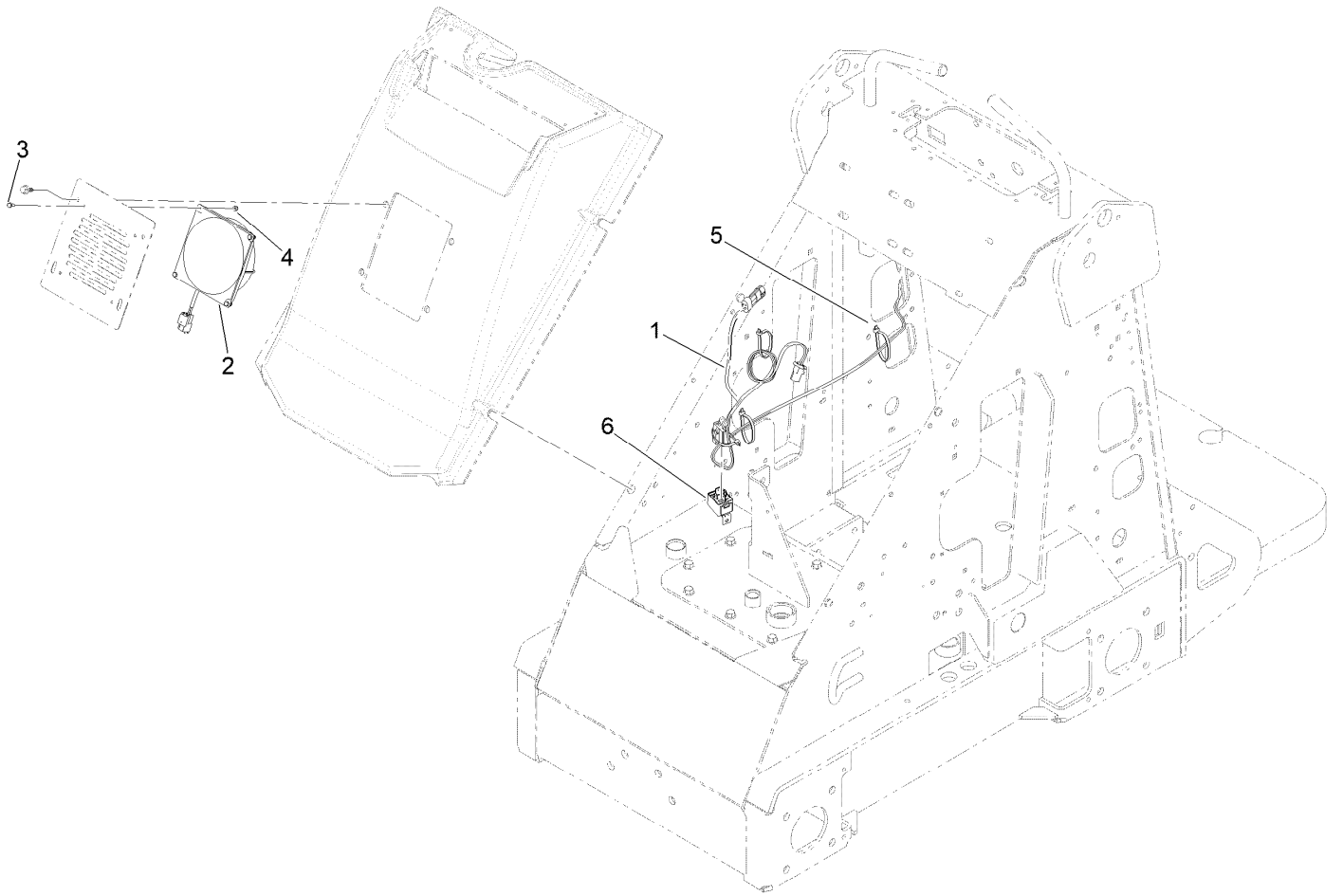
# Battery Cable Assembly



## Battery Cable Assembly (continued)

<i>Ref.</i>	<i>Part Number</i>	<i>Qty.</i>	<i>Description</i>	<i>Ref.</i>	<i>Part Number</i>	<i>Qty.</i>	<i>Description</i>
1	122-1513	4	Cable-Battery,Positive ASM	18	107-0279	20	Washer
2	122-1514	4	Cable-Battery,Negative ASM	19	137-8088	20	Nut-Hex
3	139-0502	1	Cable-Battery, Rd ASM	20	139-2580	4	Nut-HJ
4	139-0503	1	Cable-Battery, Rd/Bk ASM	21	135-6273	5	Washer
5	144-7135	1	Cable-Battery, Rd/Bk ASM	22	114-8414	5	Screw-HHF
6	139-7732	1	Cable-Battery, Rd ASM	23	139-7678-07	1	Retainer-Isolator
7	139-7733	1	Cable-Battery, Rd ASM	24	131-8420	1	Isolator-Clamp
8	139-7734	1	Cable-Battery, Rd ASM	25	137-4795	1	Screw
9	139-7735	1	Cable-Battery, Bk ASM	26	114-3318	1	Holder-Fuse, Mega
10	139-0510	1	Cable-Battery, Rd/Bk ASM	27	139-7719	1	Fuse-200 Amp
11	144-7134	1	Cable-Battery, Rd/Bk ASM	33	139-7728	1	Cable-Battery, Rd ASM
12	139-7736	1	Cable-Battery, Rd/Bk ASM	34	139-7729	1	Cable-Battery, Rd ASM
13	144-7136	1	Cable-Battery, Rd/Bk ASM	35	144-7137	1	Cable-Battery, Rd ASM
16	3296-2	10	Nut-Lock, NI	36	145-4710	2	Bracket-Connector
17	131-6456	8	Screw-HWH	37	3290-360	2	Screw-HH
				38	3290-379	4	Tie-Cable

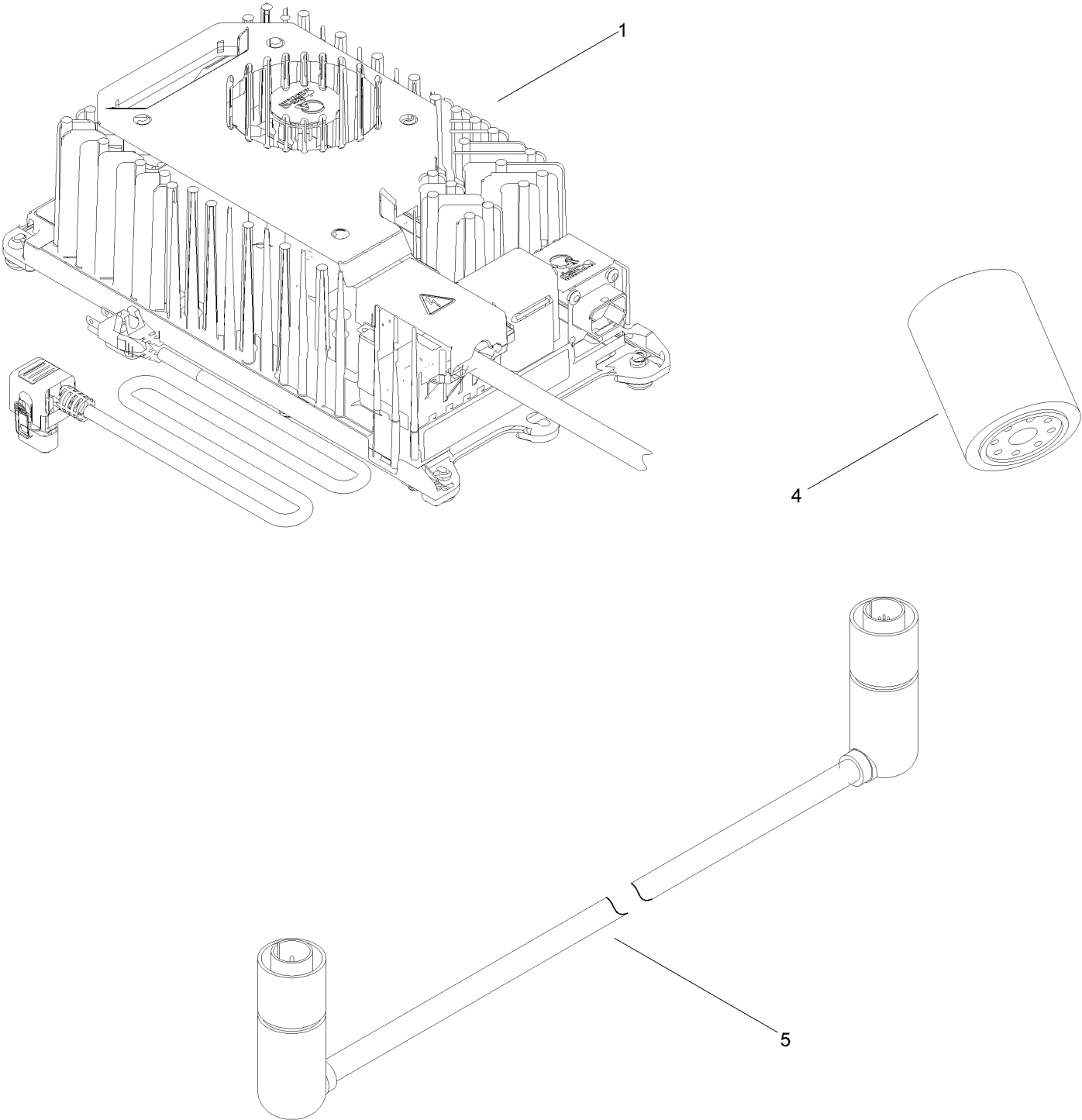
# Fan Assembly



## Fan Assembly (continued)

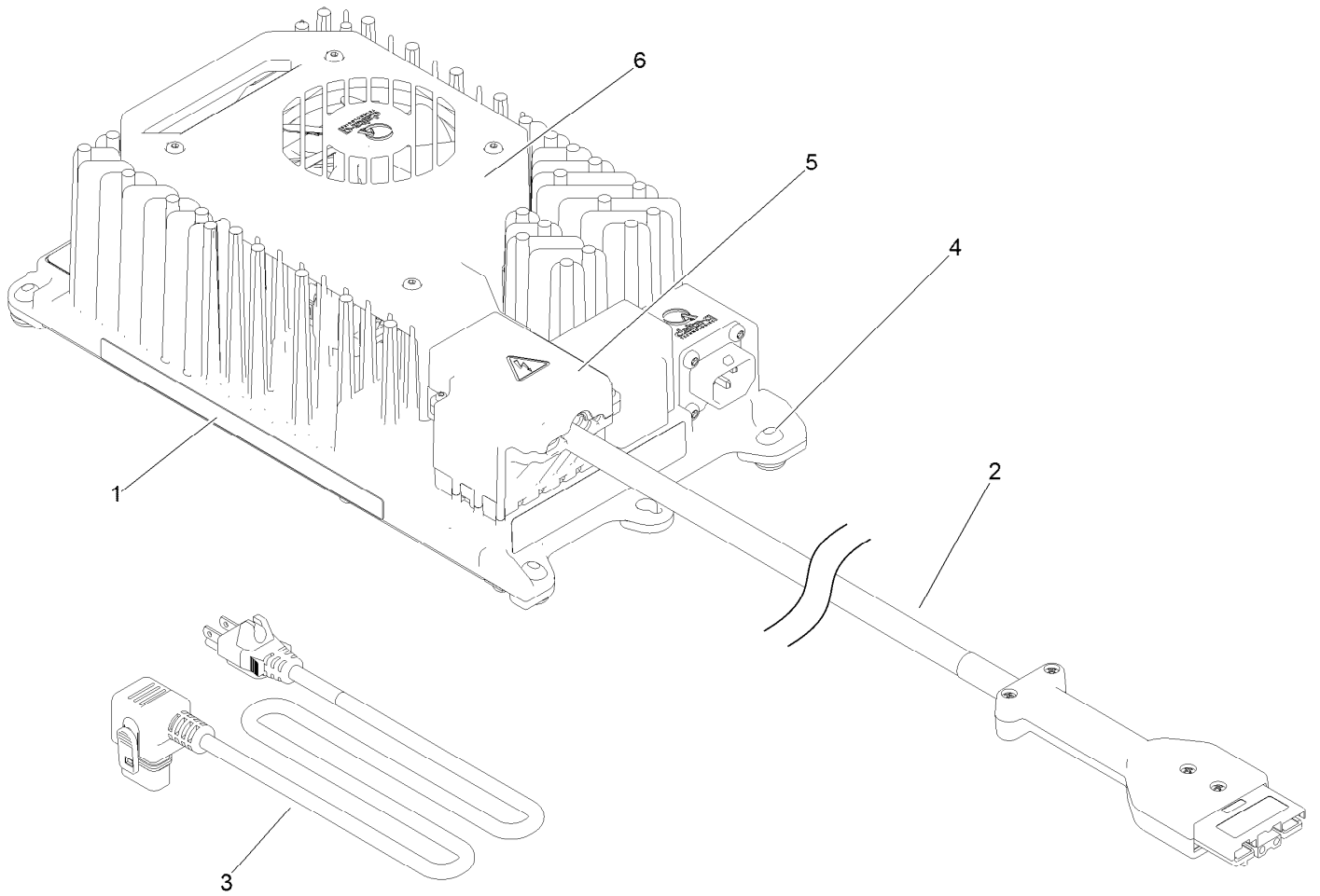
<i>Ref.</i>	<i>Part Number</i>	<i>Qty.</i>	<i>Description</i>	<i>Ref.</i>	<i>Part Number</i>	<i>Qty.</i>	<i>Description</i>
1	122-2263	1	Harness-Wire, Kit	4	140-3749	4	Nut-Lock Rohs
2	116-7047	1	Fan-Electric	5	3290-378	4	Tie-Cable
3	60-6500	4	Screw-HH	6	122-2401	1	Relay, 48V Coil, 50A At 48V

# Charger and Miscellaneous Parts Assembly



# Charger and Miscellaneous Parts Assembly (continued)

<i>Ref.</i>	<i>Part Number</i>	<i>Qty.</i>	<i>Description</i>
1	137-9682	1	Charger-1200W
4	54-0110	1	Filter-Oil, Transmission
5	122-1947	1	Harness-Wire, Samsung Service, M/S



## 1200 Watt Lithium Battery Charger Assembly

Ref.	Part Number	Qty.	Description
1	137-9713	1	Decal-Charger
2	137-9715	1	Cord-DC W/Can Bus
3	137-7983	1	Cord-AC, 120V
3	107-0383	1	Powercord-AC, U.K. <sup>l n</sup>
3	107-0382	1	Powercord-AC, Europe <sup>l n</sup>
4	137-7984	1	Handle And Feet Kit
5	144-2569	1	Cover-Plastic, DC Power
6	139-8423	1	Fan-W/Handle

<sup>l</sup> Not illustrated

<sup>n</sup> Optional Equipment

# Attachments and Accessories

## For 22218G — e-Dingo 500 Compact Tool Carrier

<b>Product Name</b>	<b>Model/Part</b>
Adjustable Forks .....	22341
4 Cubic Foot Standard Bucket .....	22409
Loose Materials Bucket .....	22410
48in Hydraulic Blade .....	22414
Tree Forks .....	22438
4-in-1 Bucket .....	22478
Narrow Bucket .....	22520
Grapple Rake .....	22521
Floor Scraper .....	22670
Universal Swivel Auger Head .....	22806
6in Full-Flight Auger Bit .....	22820
9in Full-Flight Auger Bit .....	22821
12in Full-Flight Auger Bit .....	22822
Concrete Breaker .....	23135
Leveler .....	23165

**Notes:**

**Notes:**



**Count on it.**