



Count on it.

Parts Catalog

e-Dingo® 500
Compact Tool Carrier

22218G—410000000

Ordering Replacement Parts

To order replacement parts, please supply the part number, the quantity, and the description of each part desired.

Understanding Reference Numbers

Each identified part in an illustration has a reference number. The reference number for a part also appears in the parts list, along with other information about the part.

This catalog uses two special reference number formats, one to indicate parts in a service assembly and another to indicate the quantity of a given part in an illustration.

Service Assembly Reference Numbers

Parts in service assemblies have reference numbers in the form a:b. The a represents the reference number of the entire service assembly and the b represents a sequential number unique to each part within the service assembly.

For example, a wheel assembly might be identified by reference number 6, the tire by 6:1, the valve by 6:2, and the wheel by 6:3. When you order the assembly identified by reference number 6, you receive all parts identified by reference numbers 6:1, 6:2, and 6:3. However, you may also order any part individually. Reference numbers of this type appear in illustration and in parts lists.

Reference Numbers Indicating Quantity

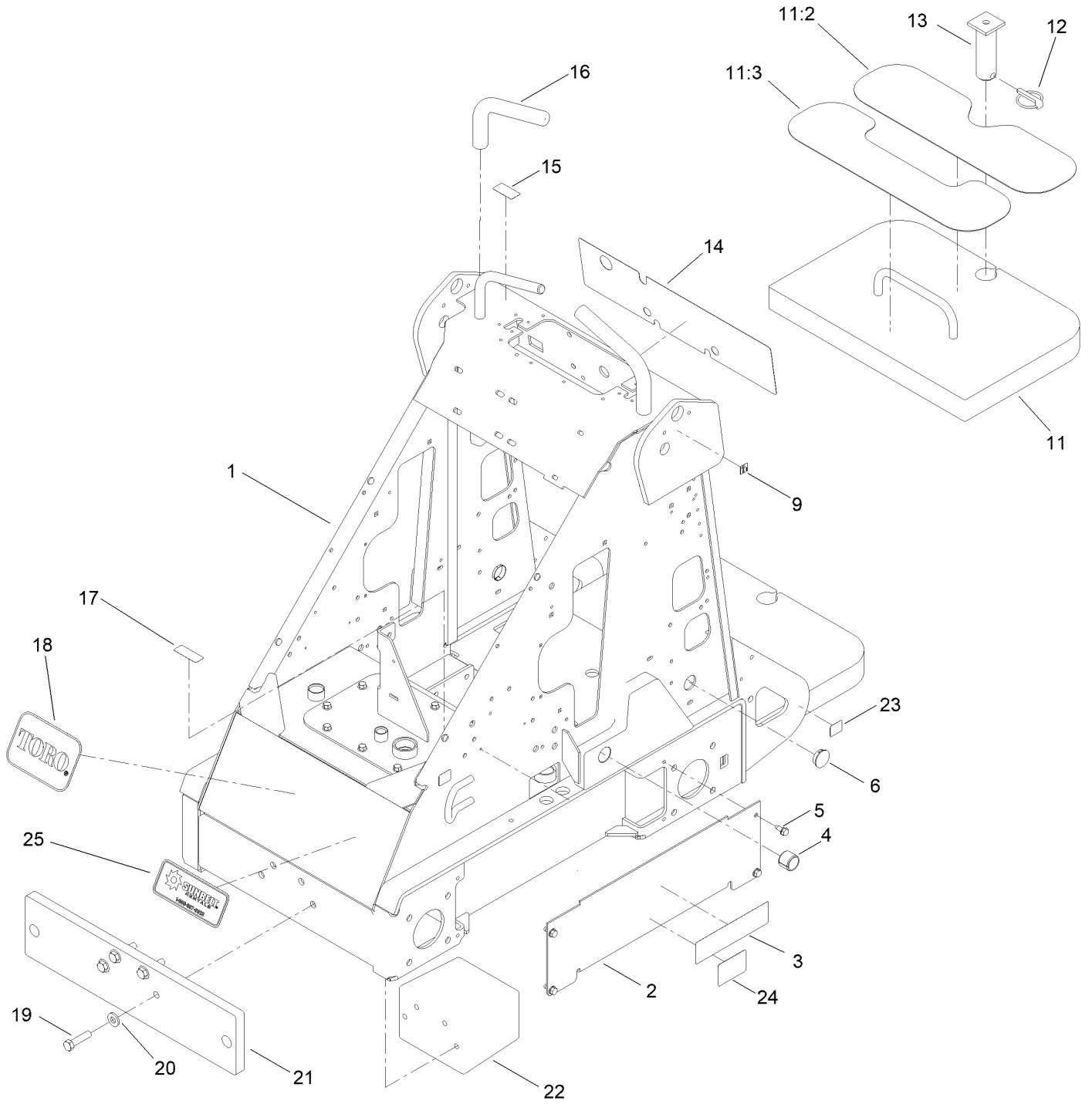
In an illustration, if a reference number indicates more than one part, the reference number has the form nX y. The n represents the quantity of the part, the X is the multiplication symbol, and the y represents the reference number.

For example, in an illustration, the reference number 2X 37 means that two of the parts identified by reference number 37 are indicated.

Contents

Frame Assembly	4
Hood Assembly	6
Thigh Support Assembly	8
Wheel Assembly	10
Hydraulic Motor Assembly No. 99-3052	12
Brake Assembly	14
Motor Mount Assembly	16
Hydraulic Pump Assembly No. 139-7665	18
Bulkhead Hydraulic Assembly	20
Auxiliary Valve Lever Assembly	22
Auxiliary Hydraulic Valve Assembly	24
Auxiliary Hydraulic Valve Assembly No. 99-3077	26
4-Spool Hydraulic Valve Assembly	28
Counterbalance Valve Assembly No. 99-3040	30
Hydraulic Cylinder Assembly	32
Hydraulic Cylinder Assembly No. 139-7706	34
Crossover Relief Valve Assembly	36
Loader and Quick Attach Assembly	38
Left and Right Side Battery Assembly	40
Controller Assembly	42
Main Battery and Enclosure Assembly	44
Wire Harness Assembly	46
Main Wire Harness Assembly No. 139-0493	48
Battery Cable Assembly	50
Fan Assembly	52
Charger and Miscellaneous Parts Assembly	54
1200 Watt Lithium Battery Charger Assembly	56
Attachments and Accessories	57

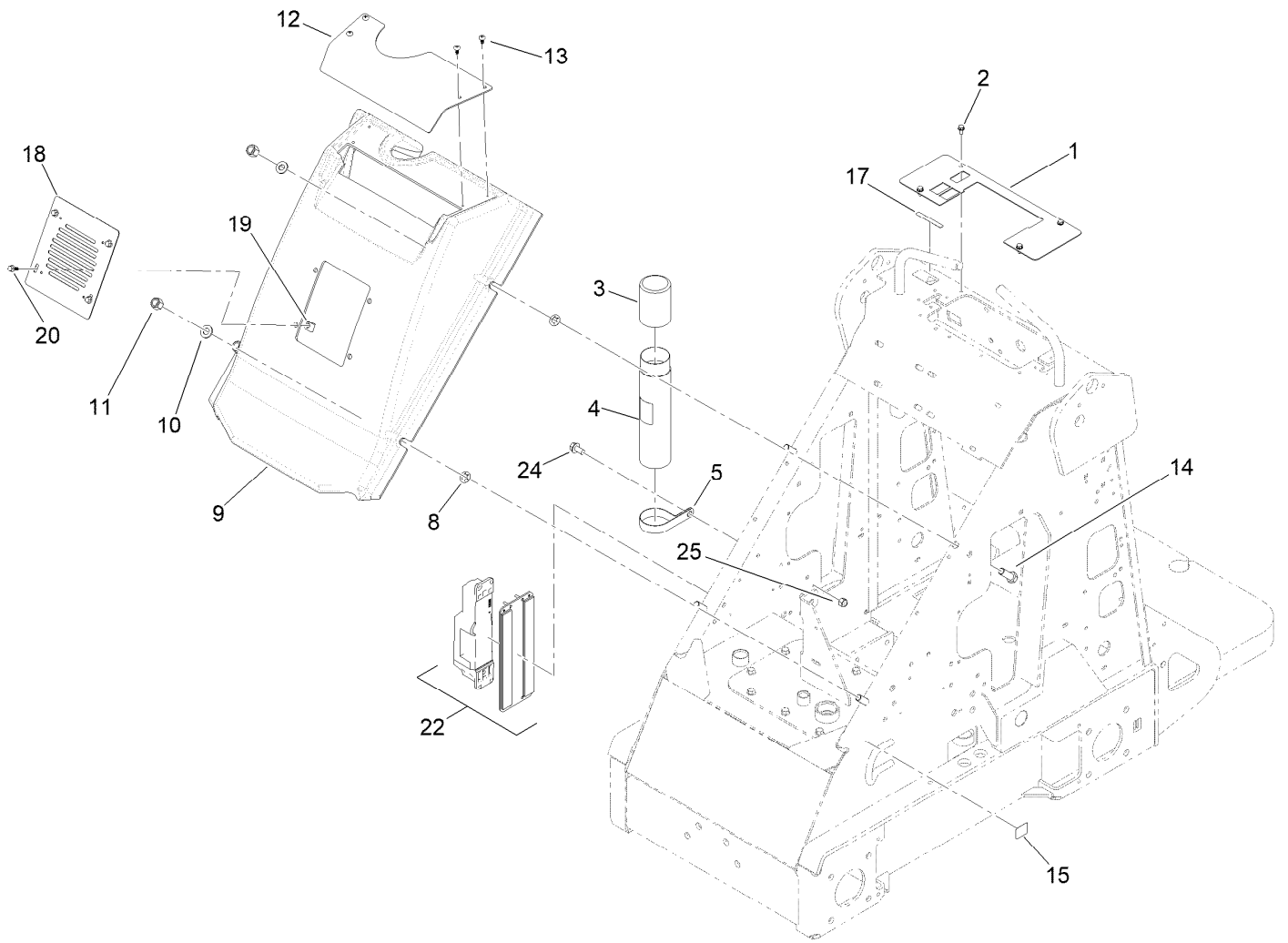
Frame Assembly



Frame Assembly (continued)

<i>Ref.</i>	<i>Part Number</i>	<i>Qty.</i>	<i>Description</i>	<i>Ref.</i>	<i>Part Number</i>	<i>Qty.</i>	<i>Description</i>
1	139-7681-07	1	Frame ASM [500-164]	15	98-4387	1	Decal-Protection, Ear
2	106-8178-07	2	Cover-Hose	16	98-4845	2	Grip-Cushion
3	105-8429	2	Decal	17	93-6686	1	Decal-Oil, HYD
4	98-4871	2	Bushing-Tension	18	62-5550	1	Decal
5	32144-70	8	Screw-HWHTF	19	01-182-0816	4	Bolt-HH
6	94-1402	2	Plug-Hole	20	HDW01729	4	Washer,1/2,F436 Hard,F/W,YZN
9	93-9084	2	Decal-Point, Lift	21	138-9905-03	1	Weight-Counter
11	112-4947	1	Counterweight ASM	22	139-7704	1	Weight-Front, Counter
11:2	98-9947	1	Tread-Foot	23	132-9051	2	Decal-Tiedown
11:3	112-4948	1	Tread	24	139-7709	2	Decal-Water Level
12	99-9978	1	Pin-Lynch	25	139-7726	1	Decal-Rs8Hs3X7
13	99-8638	1	Pin				
14	139-7660	1	Decal-Control Panel				

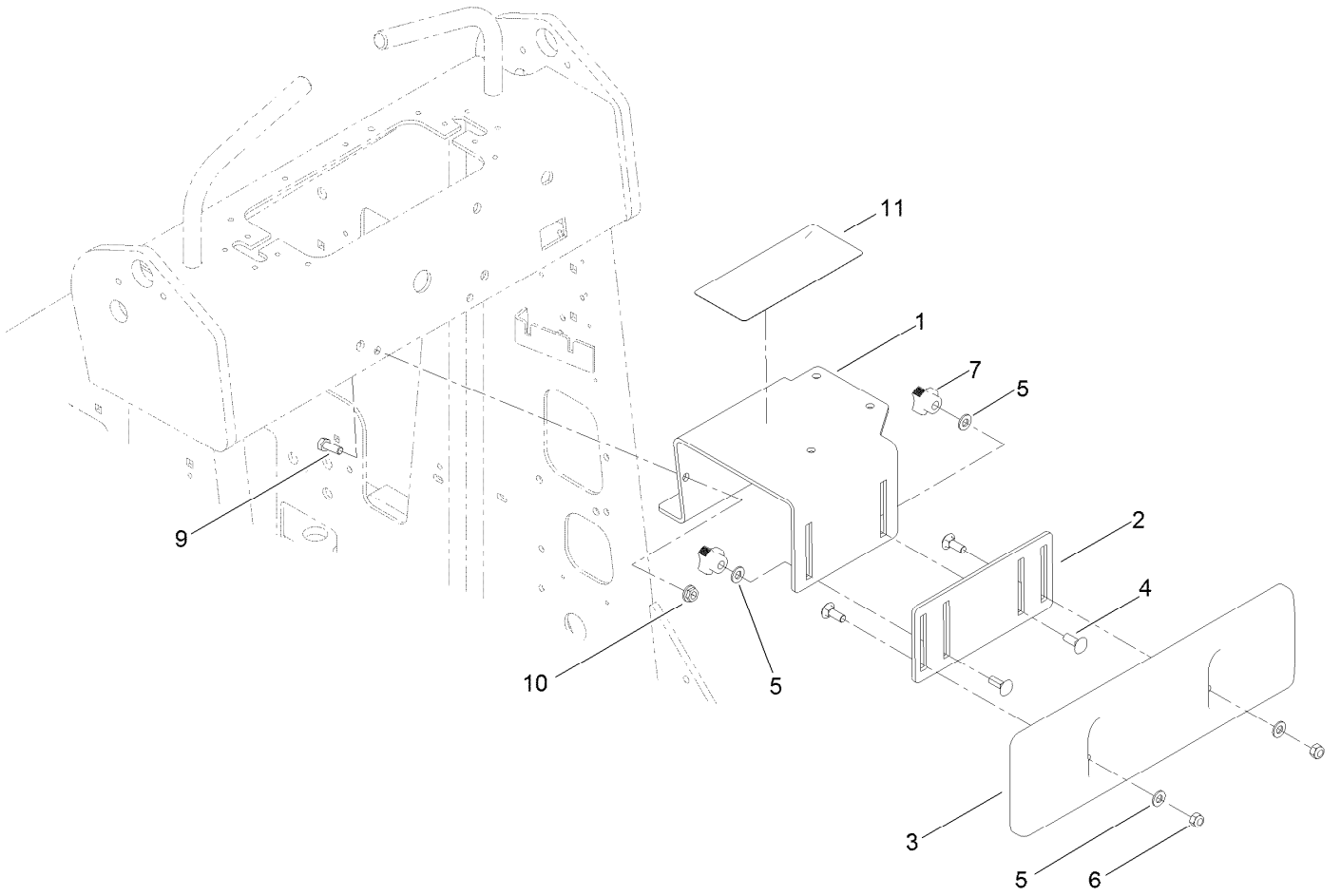
Hood Assembly



Hood Assembly (continued)

<i>Ref.</i>	<i>Part Number</i>	<i>Qty.</i>	<i>Description</i>	<i>Ref.</i>	<i>Part Number</i>	<i>Qty.</i>	<i>Description</i>
1	139-7661-03	1	Plate-Cover	13	105-6968	4	Screw-Seat, Switch
2	32144-4	4	Screw-HWH	14	325-6	4	Screw-HH
3	104-7048	1	Cap-Housing	15	132-9051	2	Decal-Tiedown
4	104-7050	1	Tube-Manual	17	133-8061	1	Decal-Warning
5	2412-133	1	Clamp-R	18	138-9911-03	1	Cover - Fan
8	126-2916	4	Nut-Push	19	609900	4	Nut-Speed
9	138-9908	1	Hood-Edingo	20	99-6810	4	Screw-HHF
10	106-9888	4	Washer-Flat	22	140-7679	1	M4 Kit ASM
11	3296-23	4	Nut-Lock, NI	24	3234-1	1	Screw-HHF
12	138-9903-03	1	Hood-Top, Edingo	25	3296-39	1	Nut-Lock, NI

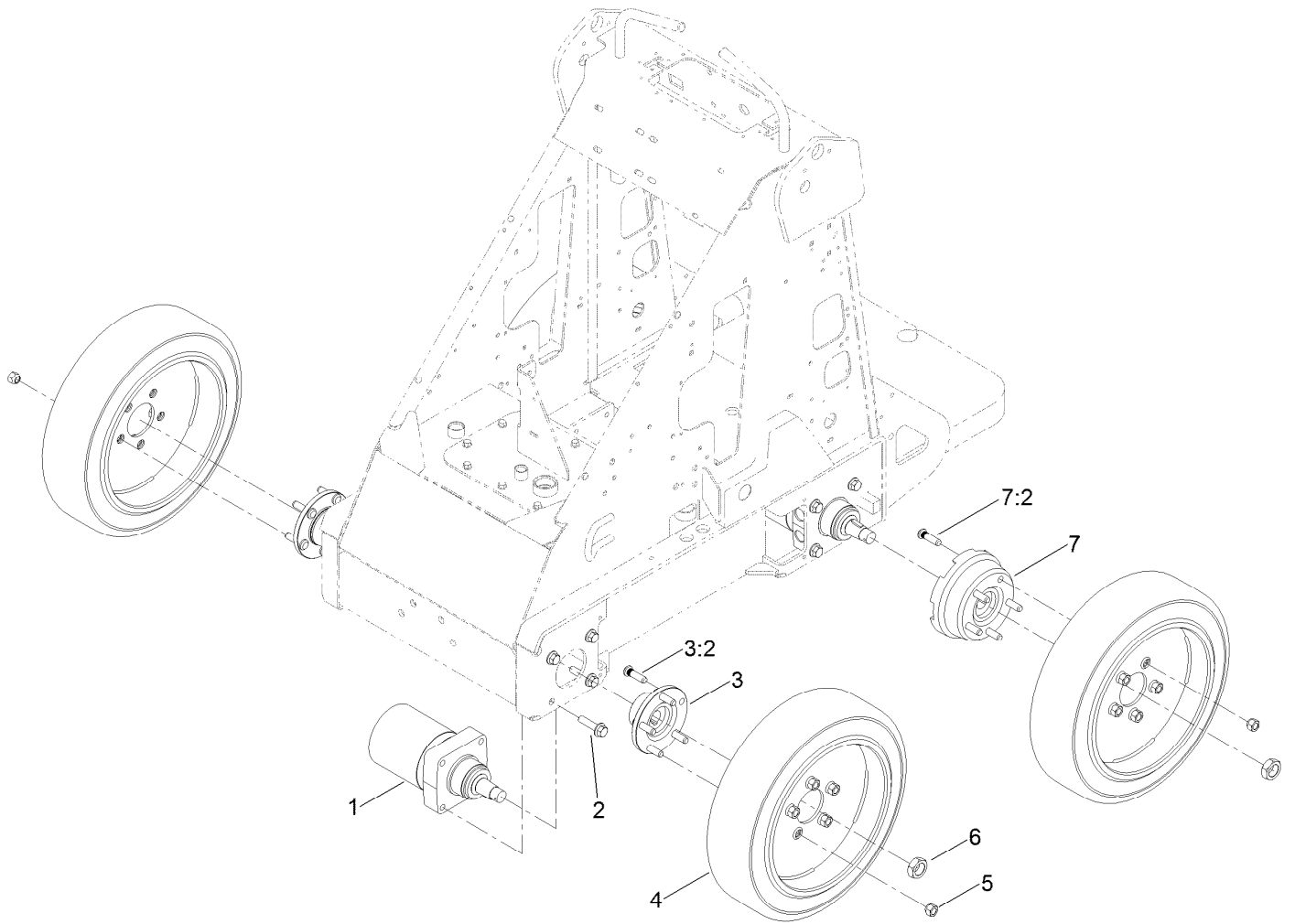
Thigh Support Assembly



Thigh Support Assembly (continued)

<i>Ref.</i>	<i>Part Number</i>	<i>Qty.</i>	<i>Description</i>	<i>Ref.</i>	<i>Part Number</i>	<i>Qty.</i>	<i>Description</i>
1	117-1812-03	1	Bracket-Thigh, Support	6	3296-72	2	Nut-Lock, NI
2	105-0337-03	1	Plate-Adjusting	7	104-6156	2	Knob-Adjustment
3	105-0333	1	Support-Thigh	9	322-4	2	Screw-HH
4	3230-16	4	Screw-CARR	10	32128-20	2	Nut-HF
5	3256-70	4	Washer-Flat	11	139-7717	1	Decal-Service

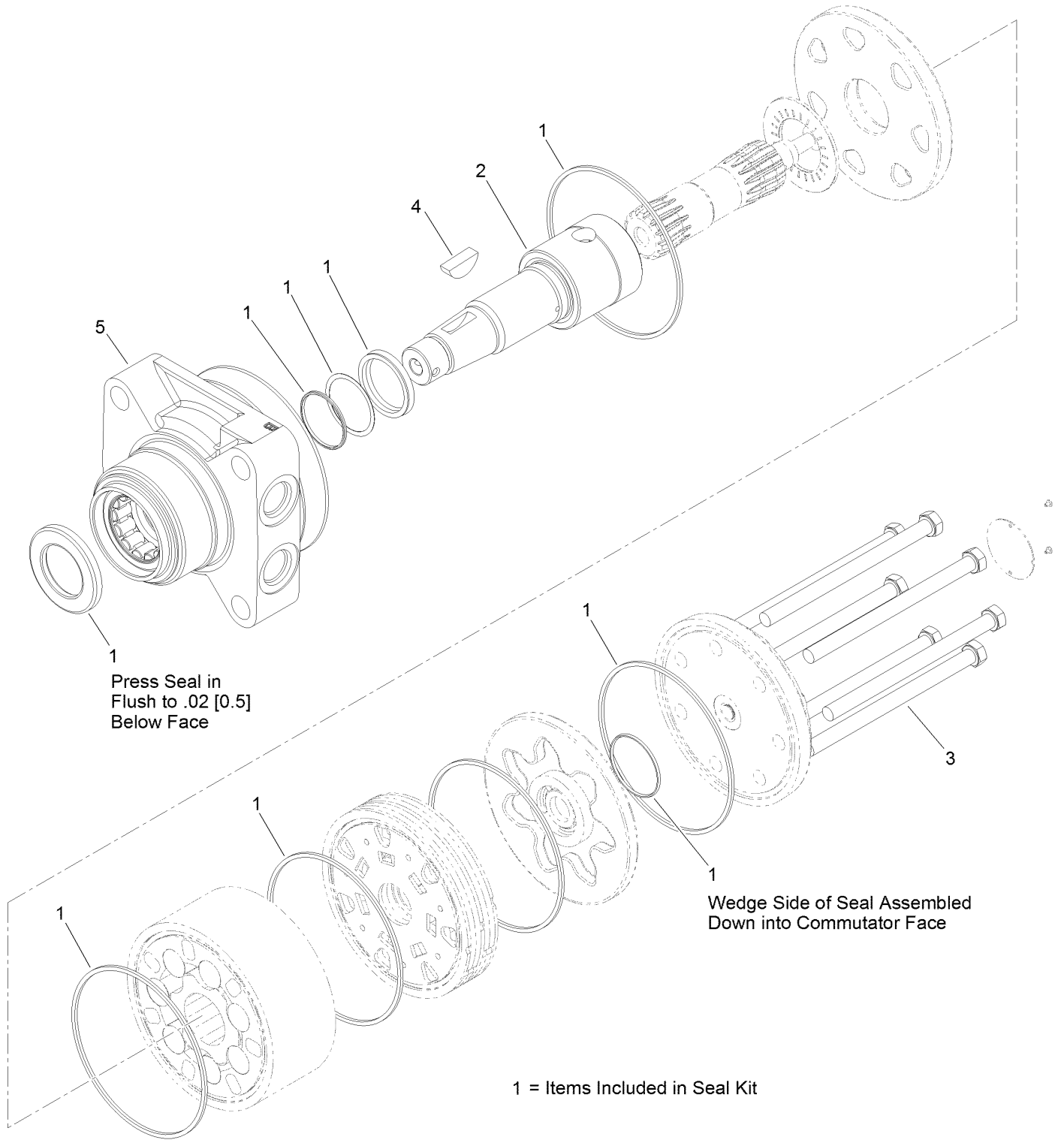
Wheel Assembly



Wheel Assembly (continued)

<i>Ref.</i>	<i>Part Number</i>	<i>Qty.</i>	<i>Description</i>	<i>Ref.</i>	<i>Part Number</i>	<i>Qty.</i>	<i>Description</i>
1	99-3052	4	HYD Motor ASM	5	242-50	20	Nut-Lug
2	3234-27	16	Screw-HHF	6	106-8159	4	Nut-Hex Jam Lck
3	99-3064	2	Hub ASM	7	105-4056	2	Wheel Hub ASM
3:2	10-6830	5	Stud-Type, Drive	7:2	10-6830	5	Stud-Type, Drive
4	139-7714	4	Tire-Solid				

Hydraulic Motor Assembly No. 99-3052



Press Seal in
Flush to .02 [0.5]
Below Face

Wedge Side of Seal Assembled
Down into Commutator Face

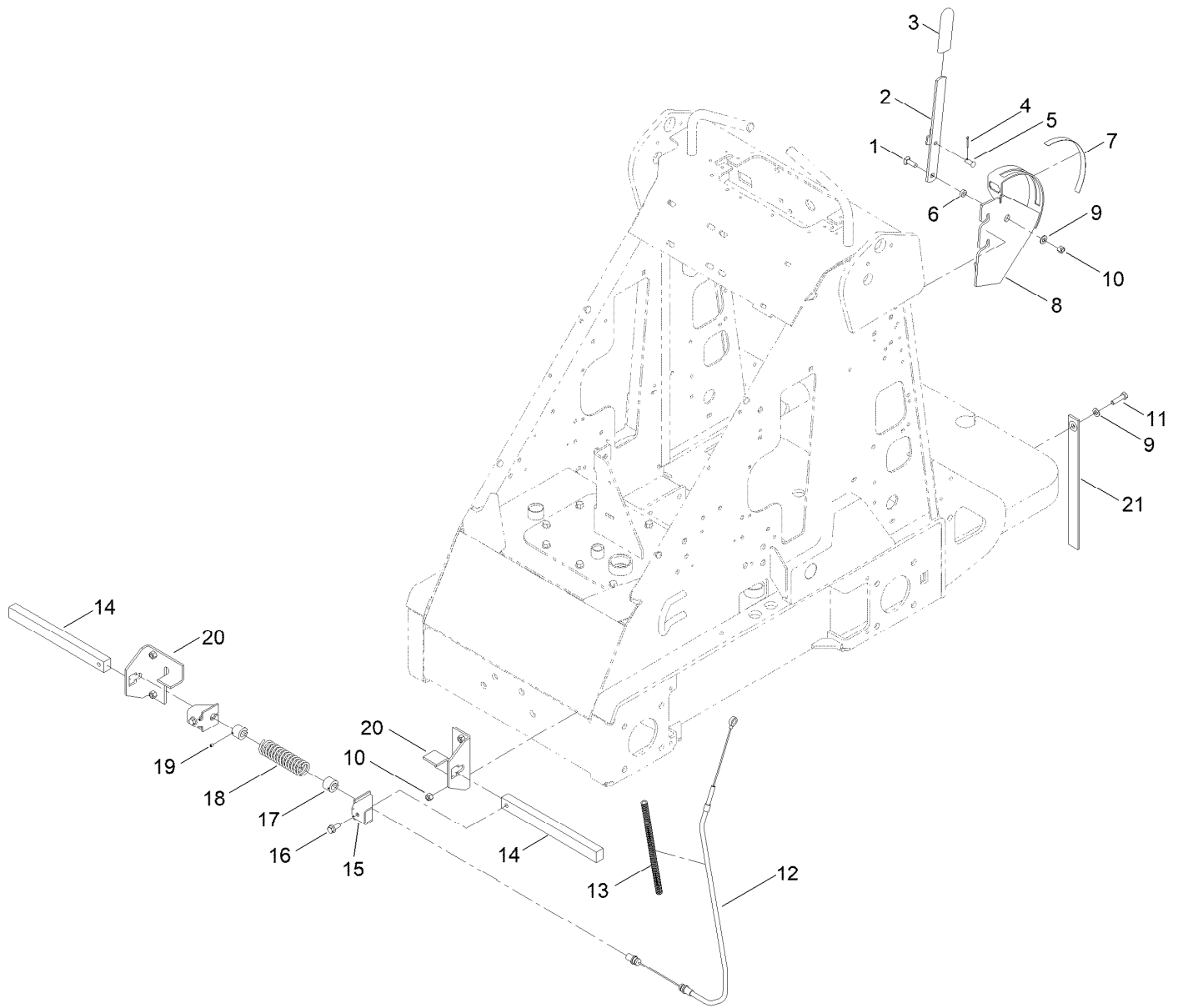
1 = Items Included in Seal Kit

Hydraulic Motor Assembly No. 99-3052 (continued)

<i>Ref.</i>	<i>Part Number</i>	<i>Qty.</i>	<i>Description</i>
1	100-6131	1	Seal Kit
2	99-3090	1	Shaft-Coupling
3	99-3091	7	Screw-Cap, HH

<i>Ref.</i>	<i>Part Number</i>	<i>Qty.</i>	<i>Description</i>
4	3257-42	1	Key-Woodruff
5	120-5392	1	Motor Housing ASM

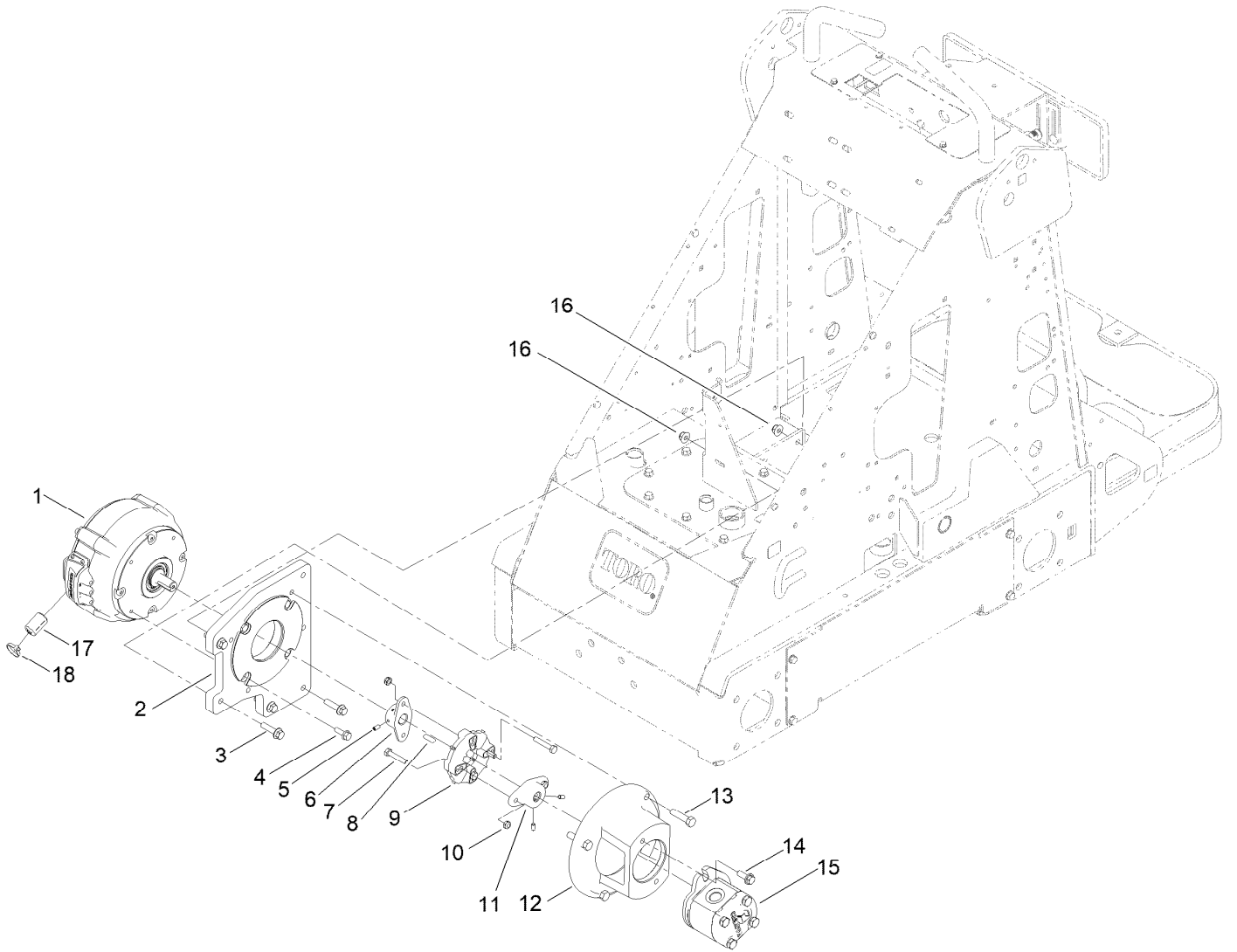
Brake Assembly



Brake Assembly (continued)

<i>Ref.</i>	<i>Part Number</i>	<i>Qty.</i>	<i>Description</i>	<i>Ref.</i>	<i>Part Number</i>	<i>Qty.</i>	<i>Description</i>
1	3230-22	1	Screw-CARR	12	100-1679	1	Cable
2	100-1684-03	1	Lever-Brake	13	100-4697	1	Tube-Convolutd
3	62-9130	1	Grip-Handle	14	100-1674-0P	2	Bar-Brake
4	3272-6	1	Pin-Cotter	15	100-1677-03	2	Bracket-Cable
5	283-62	1	Pin-Clevis	16	100-1668	2	Screw-HHF
6	100-1683	1	Hub-Lever	17	100-6274	2	Tube-Guide
7	139-7707	1	Decal-Parking Brake	18	100-1678-03	1	Spring
8	105-8414-03	1	Plate-Brake	19	3245-20	2	Screw-Set
9	3256-23	5	Washer-Plain	20	100-1676-03	2	Bracket-Brake
10	3296-29	5	Nut-Lock, NI	21	139-7731	1	Strap, Static
11	322-6	4	Screw-HH				

Motor Mount Assembly



Motor Mount Assembly (continued)

<i>Ref.</i>	<i>Part Number</i>	<i>Qty.</i>	<i>Description</i>	<i>Ref.</i>	<i>Part Number</i>	<i>Qty.</i>	<i>Description</i>
1	138-8926	1	Motor/Gen	9	119-0652	1	Coupler-Rubber
1:1	138-8941	1	Kit-Encoder, Mtr/Gen [†]	10	3296-47	4	Nut-Lock,NI
1:2	138-8942	1	Kit-Terminal Cover [†]	11	98-4701	1	Hub-Pump
2	139-0454-0P	1	Plate-Adapter, Motor	12	98-2751-0P	1	Mount-Pump
3	114-4681	4	Screw-HHF	13	324-7	4	Screw-HH
4	33104-025	4	Screw-HHF	14	66-9300	2	Screw-HHF
5	3245-9	4	Screw-Set, HSH	15	139-7665	1	Pump-Hydraulic
6	139-7664	1	Hub-Pump	16	104-8301	4	Nut-HF, NI
7	322-9	4	Screw-HH	17	139-7720	1	Ferrite, Snap-On
8	104-3097	1	Key-Square	18	3290-378	1	Tie-Cable

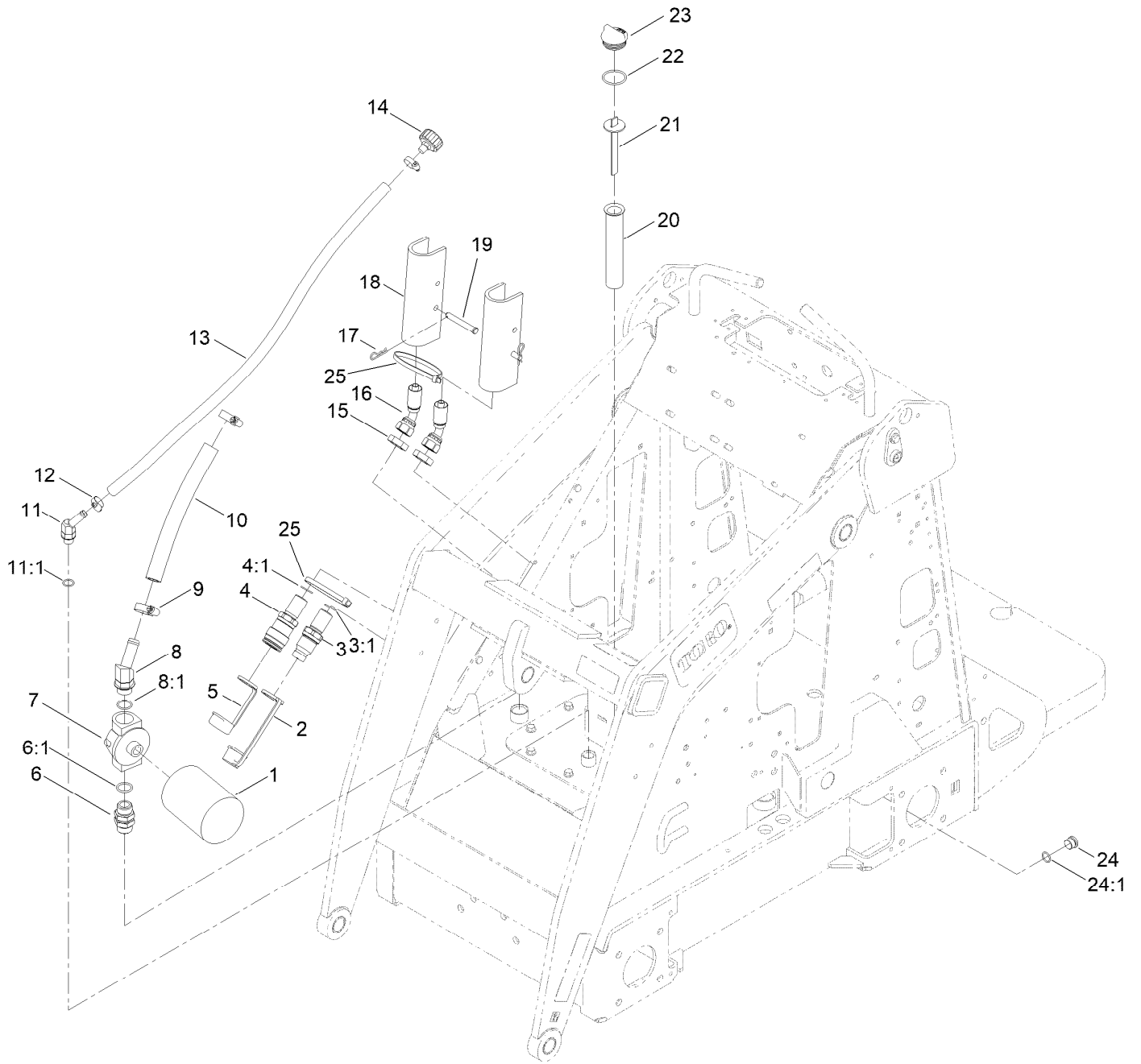
[†] Not illustrated

Hydraulic Pump Assembly No. 139-7665 (continued)

<i>Ref.</i>	<i>Part Number</i>	<i>Qty.</i>	<i>Description</i>
1	139-7705	1	Kit-Seal ¹

¹ Not illustrated

Bulkhead Hydraulic Assembly

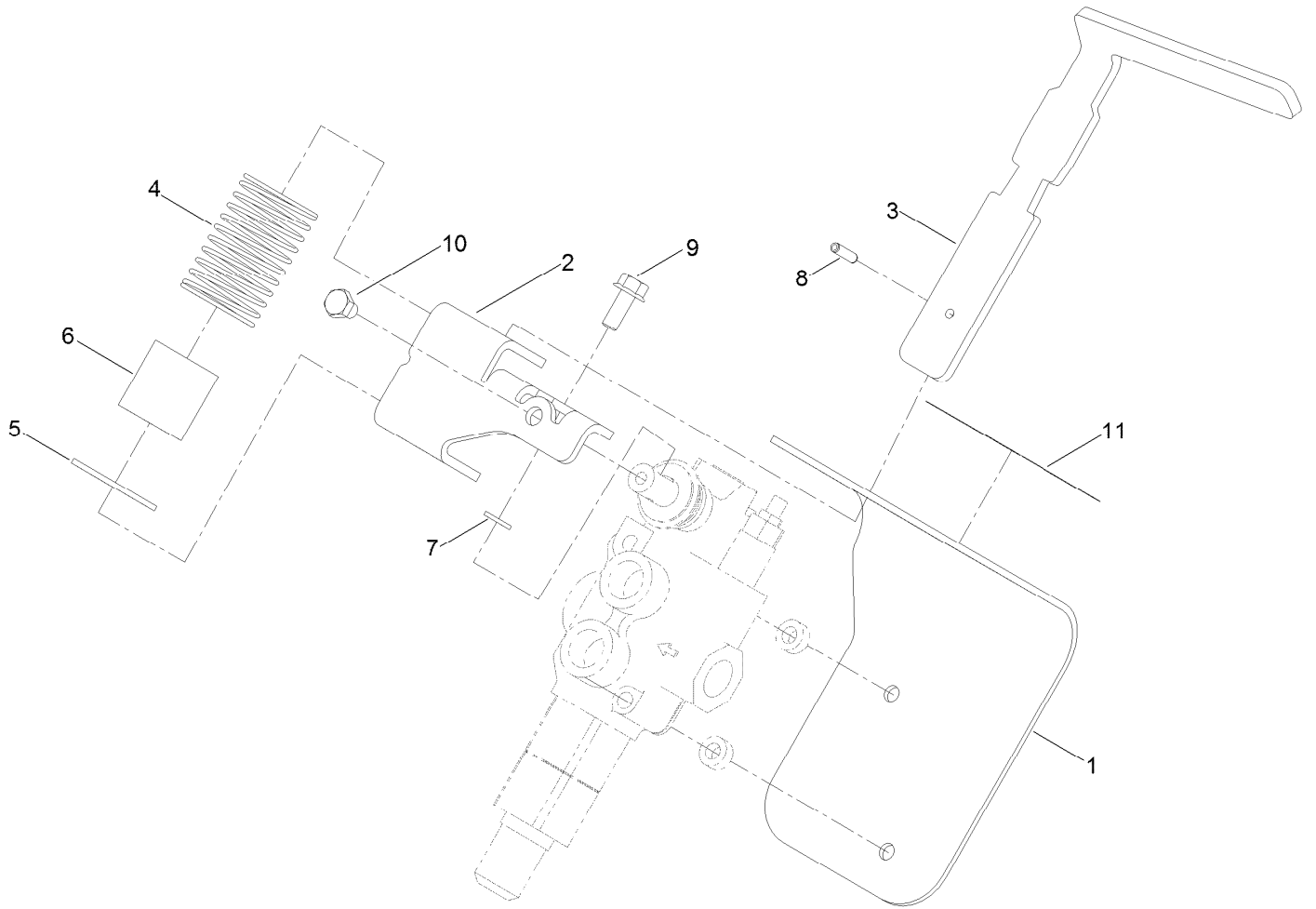


Bulkhead Hydraulic Assembly (continued)

<i>Ref.</i>	<i>Part Number</i>	<i>Qty.</i>	<i>Description</i>	<i>Ref.</i>	<i>Part Number</i>	<i>Qty.</i>	<i>Description</i>
1	54-0110	1	Filter-Oil, Transmission	12	2412-36	2	Clamp-Hose
2	100-8815	1	Cap-Dust, Nipple	13	98-2708	1	Hose-Vent
3	105-8395	1	Bulkhead Nipple ASM	14	68-6150	1	Breather
3:1	237-65	1	O-Ring	15	340-74	2	Nut-Lock, Bulkhead
3:2	100-6120	1	Seal Kit ¹	16	100-8817	2	Hose-HYD
4	105-8394	1	Bulkhead Coupler ASM	17	3290-467	2	Pin-Hair
4:1	237-65	1	O-Ring	18	98-4675-07	2	Lock-Cylinder, Loader [500-164]
5	100-8816	1	Cap-Dust, Coupler	19	283-52	2	Pin-Clevis
6	98-9906	1	Fitting-Thread, Straight	20	61-2790	1	Filter-Screen
6:1	237-81	2	O-Ring	21	100-2097	1	Dipstick-Oil
7	92-5821	1	Head-Filter	22	237-101	1	O-Ring
8	354-127	1	Fitting-Elbow45	23	93-7498	1	Plug-Plastic
8:1	237-81	1	O-Ring	24	353-988	1	Plug-Hex
9	2412-129	2	Clamp-Hose	24:1	237-79	1	O-Ring
10	98-4745	1	Hose-HYD, Suction, Hi	25	3334-945	2	Tie-Cable
11	354-126	1	Fitting-Elbow, 45				
11:1	237-79	1	O-Ring				

¹ Not illustrated

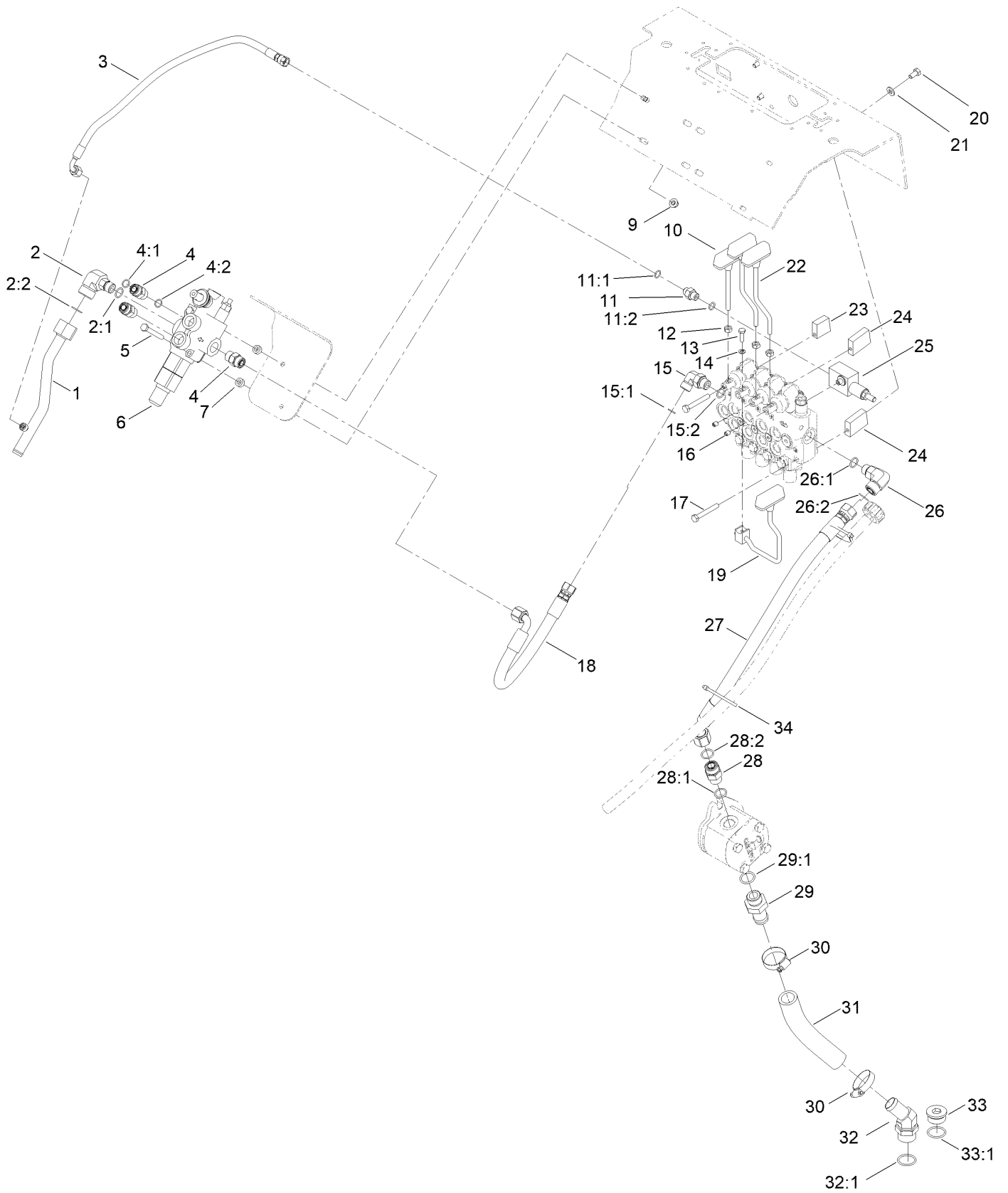
Auxiliary Valve Lever Assembly



Auxiliary Valve Lever Assembly (continued)

<i>Ref.</i>	<i>Part Number</i>	<i>Qty.</i>	<i>Description</i>	<i>Ref.</i>	<i>Part Number</i>	<i>Qty.</i>	<i>Description</i>
1	110-0121-03	1	Bracket-Auxiliary	7	3253-4	1	Washer-Lock
2	114-1263-03	1	Mount-Lever, Auxiliary	8	32121-3	1	Pin-Spring
3	110-0123-03	1	Handle-Lever, Aux	9	33104-020	1	Screw-HHF
4	110-0124	1	Spring	10	33114-010	1	Screw-HH
5	110-0125	1	Retainer-Spring, Auxiliary	11	108-4723	1	Decal-Auxiliary, CE
6	110-0160	1	Tube-Spring				

Auxiliary Hydraulic Valve Assembly

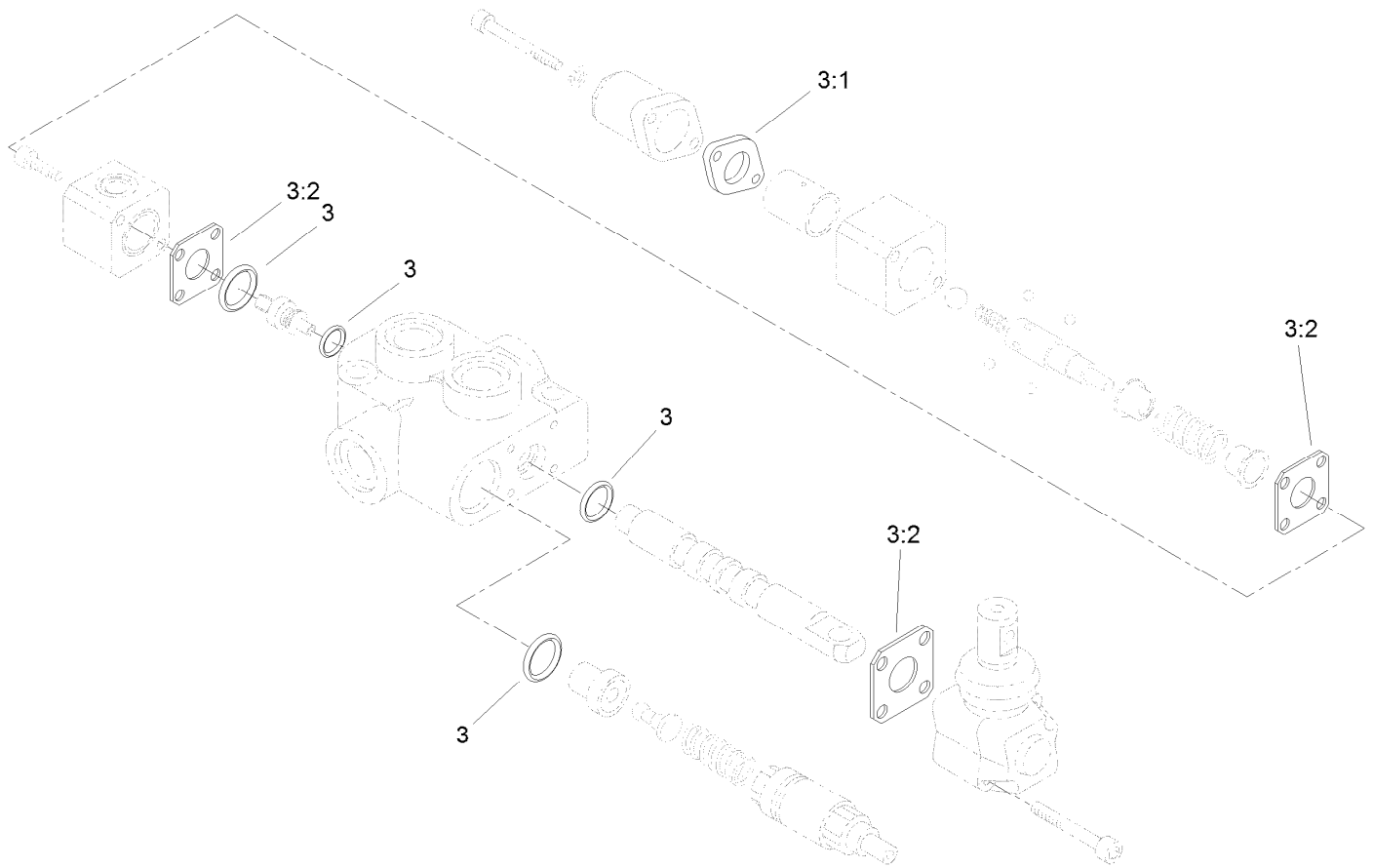


Auxiliary Hydraulic Valve Assembly (continued)

<i>Ref.</i>	<i>Part Number</i>	<i>Qty.</i>	<i>Description</i>	<i>Ref.</i>	<i>Part Number</i>	<i>Qty.</i>	<i>Description</i>
1	139-0531	1	Hydraulic Tube ASM	19	106-8165	1	Lever-Control
2	92-5696	1	Fitting-Elbow, 90 DEG	20	322-2	3	Screw-HH
2:1	237-58	1	O-Ring	21	33094-00	3	Washer-Plain
2:2	237-79	1	O-Ring	22	104-5733	2	Lever-Drive
3	144-7463	1	Hose ASM-HYD	23	105-7870	1	Spacer-Upper V
4	340-4	3	Fitting-Straight	24	108-4728	2	Spacer V
4:1	237-30	1	O-Ring	25	105-7882	1	Relief Valve ASM
4:2	237-79	1	O-Ring	25:1	105-8358	1	Cartridge-Valve, Relief [†]
5	322-12	2	Screw-HH	25:2	105-8357	1	Seal Kit [†]
6	99-3077	1	Valve-HYD, Auxiliary	26	340-153	1	Fitting-Elbow, 90 DEG
7	100-2085	2	Spacer	26:1	237-79	1	O-Ring
9	104-8300	2	Nut-HF, NI	26:2	237-151	1	O-Ring
10	105-7881	1	Lever-Cylinder	27	139-0522	1	HYD Hose ASM
11	340-1	1	Fitting-Straight	28	340-7	1	Fitting-Straight
11:1	237-21	1	O-Ring	28:1	237-65	1	O-Ring
11:2	237-42	1	O-Ring	28:2	237-80	1	O-Ring
12	33014-00	3	Nut-Hex	29	99-3017	1	Fitting
13	321-5	1	Screw-HH	29:1	237-81	1	O-Ring
14	3253-3	1	Washer-Lock	30	2412-111	2	Clamp-Hose, W/Liner
15	340-98	1	Fitting-Elbow, 90 DEG	31	137-0078	1	Hose
15:1	237-79	1	O-Ring	32	131-9612	1	Fitting-Elbow-45
15:2	237-30	1	O-Ring	32:1	237-146	1	O-Ring
16	105-4068	3	Screw-Set,Cphs	33	105-3921	1	Fitting-Plug
17	322-11	3	Screw-HH	33:1	237-146	1	O-Ring
18	139-0537	1	HYD Hose ASM	34	3290-378	2	Tie-Cable

[†] Not illustrated

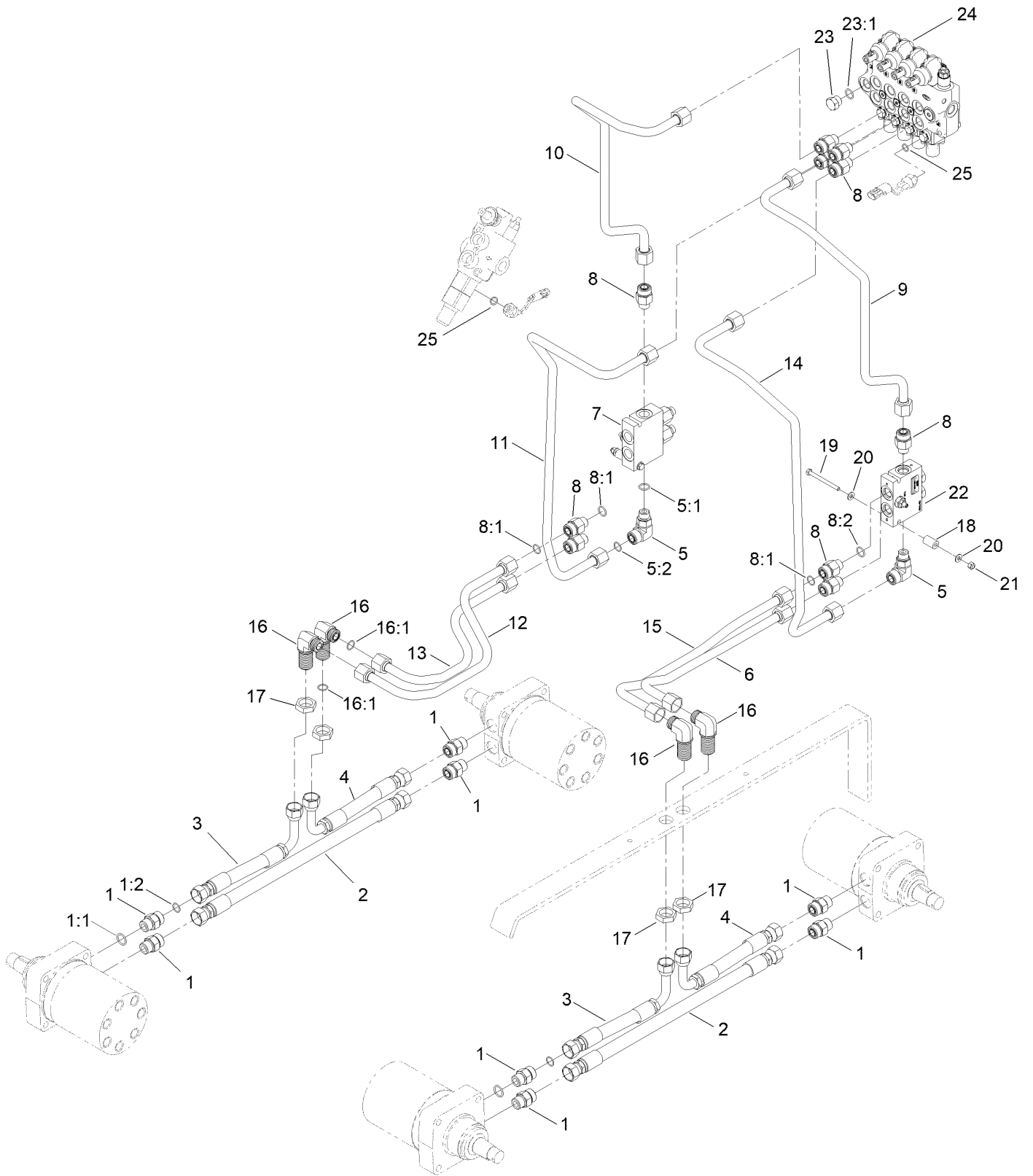
Auxiliary Hydraulic Valve Assembly No. 99-3077



Auxiliary Hydraulic Valve Assembly No. 99-3077 (continued)

<i>Ref.</i>	<i>Part Number</i>	<i>Qty.</i>	<i>Description</i>
3	99-4390	1	Seal Kit
3:1	99-3074	4	Gasket
3:2	99-3075	8	Gasket

4-Spool Hydraulic Valve Assembly

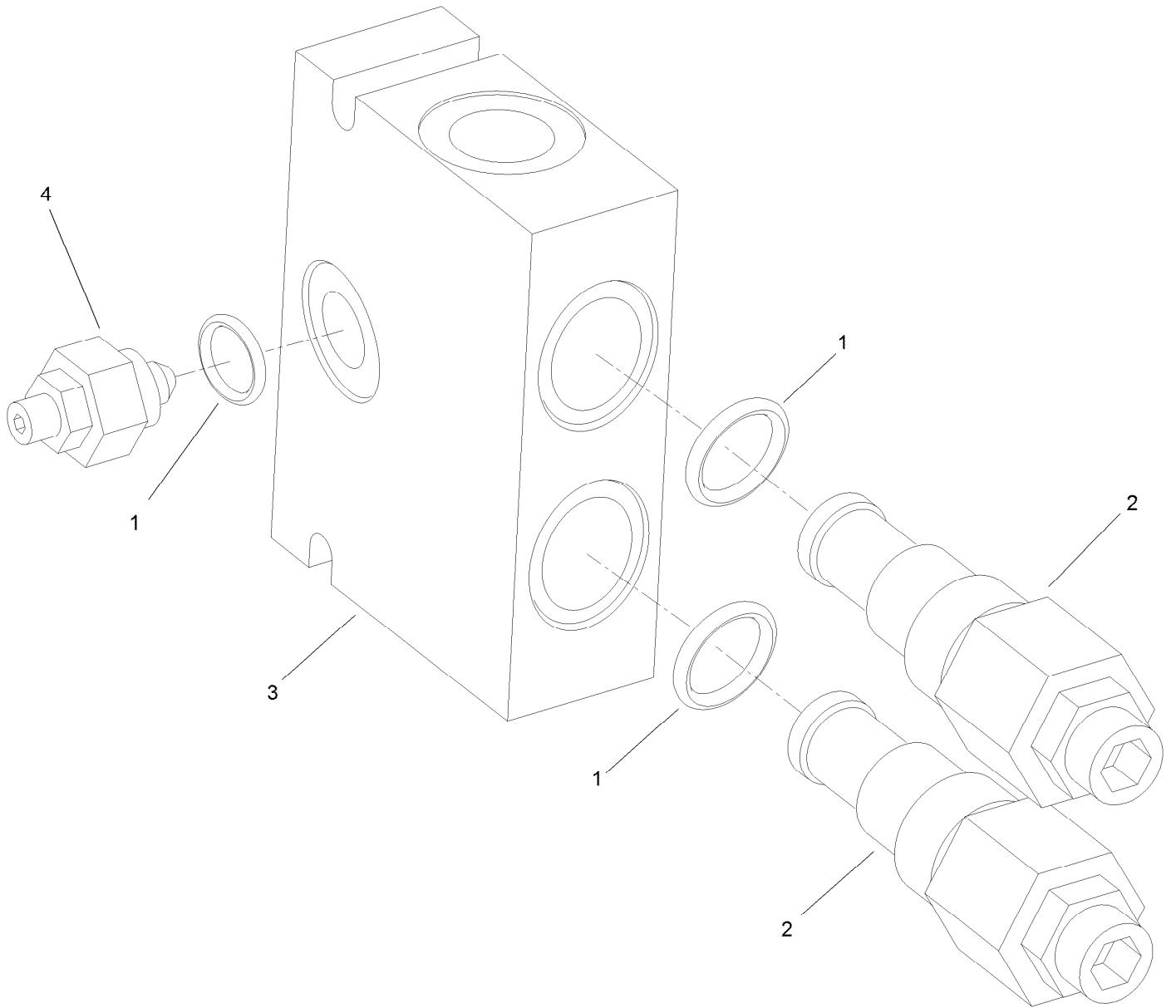


4-Spool Hydraulic Valve Assembly (continued)

<i>Ref.</i>	<i>Part Number</i>	<i>Qty.</i>	<i>Description</i>	<i>Ref.</i>	<i>Part Number</i>	<i>Qty.</i>	<i>Description</i>
1	340-7	8	Fitting-Straight	12	99-3025	1	Tube-HYD
1:1	237-65	1	O-Ring	13	99-3028	1	Tube-HYD
1:2	237-80	1	O-Ring	14	108-9725	1	Tube-HYD
2	99-3012	2	Hose-HYD	15	99-3026	1	Tube-HYD
3	99-3010	2	Hose-HYD	16	340-72	4	Fitting-Bulkhead, 90 DEG
4	99-3011	2	Hose-HYD	16:1	237-65	2	O-Ring
5	340-153	2	Fitting-Elbow, 90 DEG	17	340-74	4	Nut-Lock, Bulkhead
5:1	237-79	1	O-Ring	18	99-3057	2	Spacer-Valve
5:2	237-151	1	O-Ring	19	321-23	2	Screw-HH
6	99-3022	1	Tube-HYD	20	3256-22	4	Washer-Flat
7	99-3040	1	HYD Counterbalance Valve ASM	21	3296-42	2	Nut-Lock, NI
8	340-155	10	Fitting-Straight	22	139-7696	1	Manifold-Hydraulic
8:1	237-79	1	O-Ring	22:1	139-7701	1	Seal-Kit, Needle Valve ^l
8:2	237-151	1	O-Ring	22:2	139-7702	2	Seal-Kit, Plug ^l
9	108-9729	1	Tube-HYD	23	353-550	1	Plug-HYD, HH
10	108-9727	1	Tube-HYD	23:1	237-79	1	O-Ring
11	108-9726	1	Tube-HYD	24	139-7697	1	Valve-Hydraulic, 4-Spool
				25	237-42	5	O-Ring

^l Not illustrated

Counterbalance Valve Assembly No. 99-3040

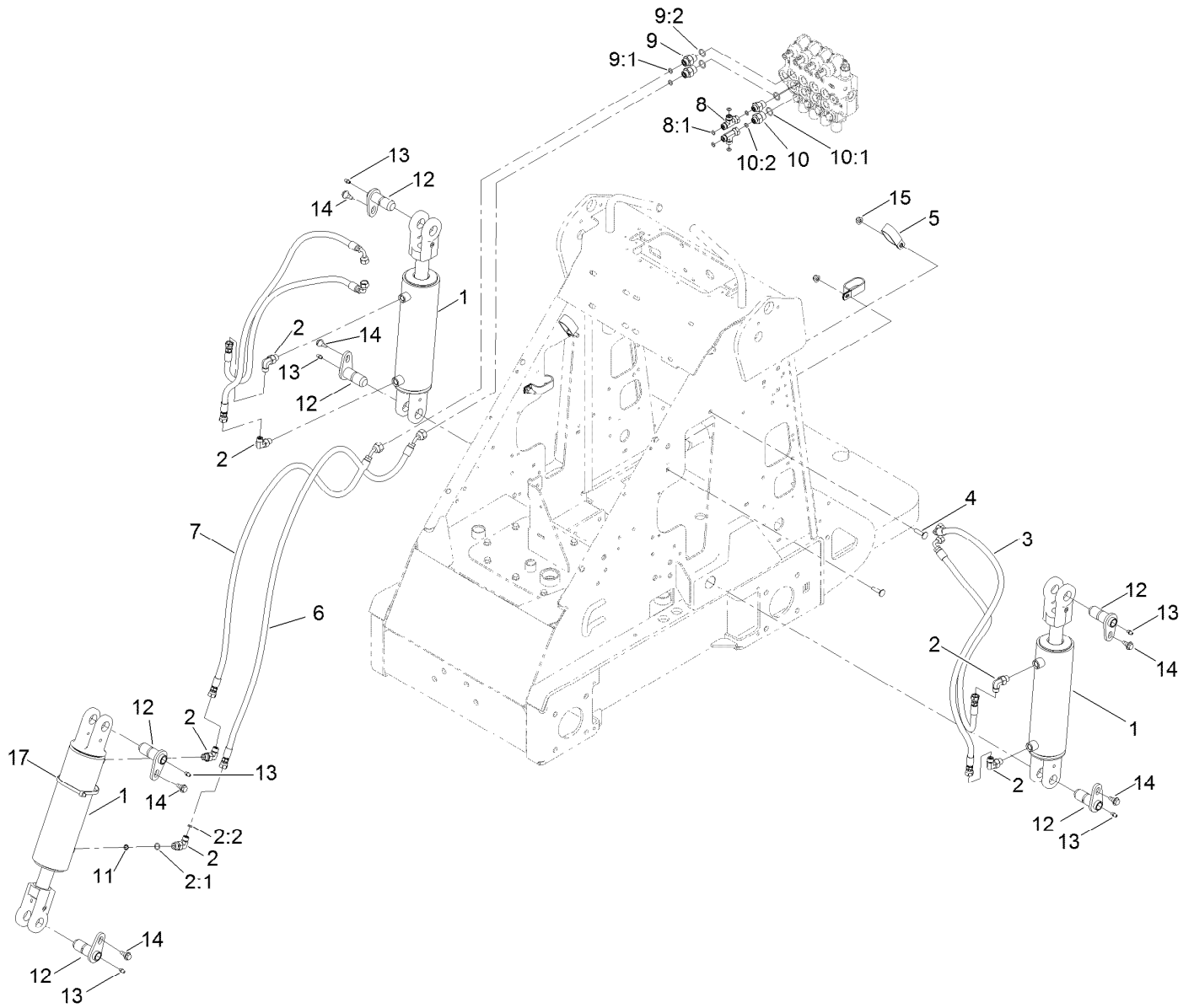


Counterbalance Valve Assembly No. 99-3040 (continued)

<i>Ref.</i>	<i>Part Number</i>	<i>Qty.</i>	<i>Description</i>
1	105-4099	1	Seal Kit
2	99-3271	2	Valve-Cartridge

<i>Ref.</i>	<i>Part Number</i>	<i>Qty.</i>	<i>Description</i>
3	100-8864	1	Manifold ASM
4	100-8865	1	Needle Valve ASM

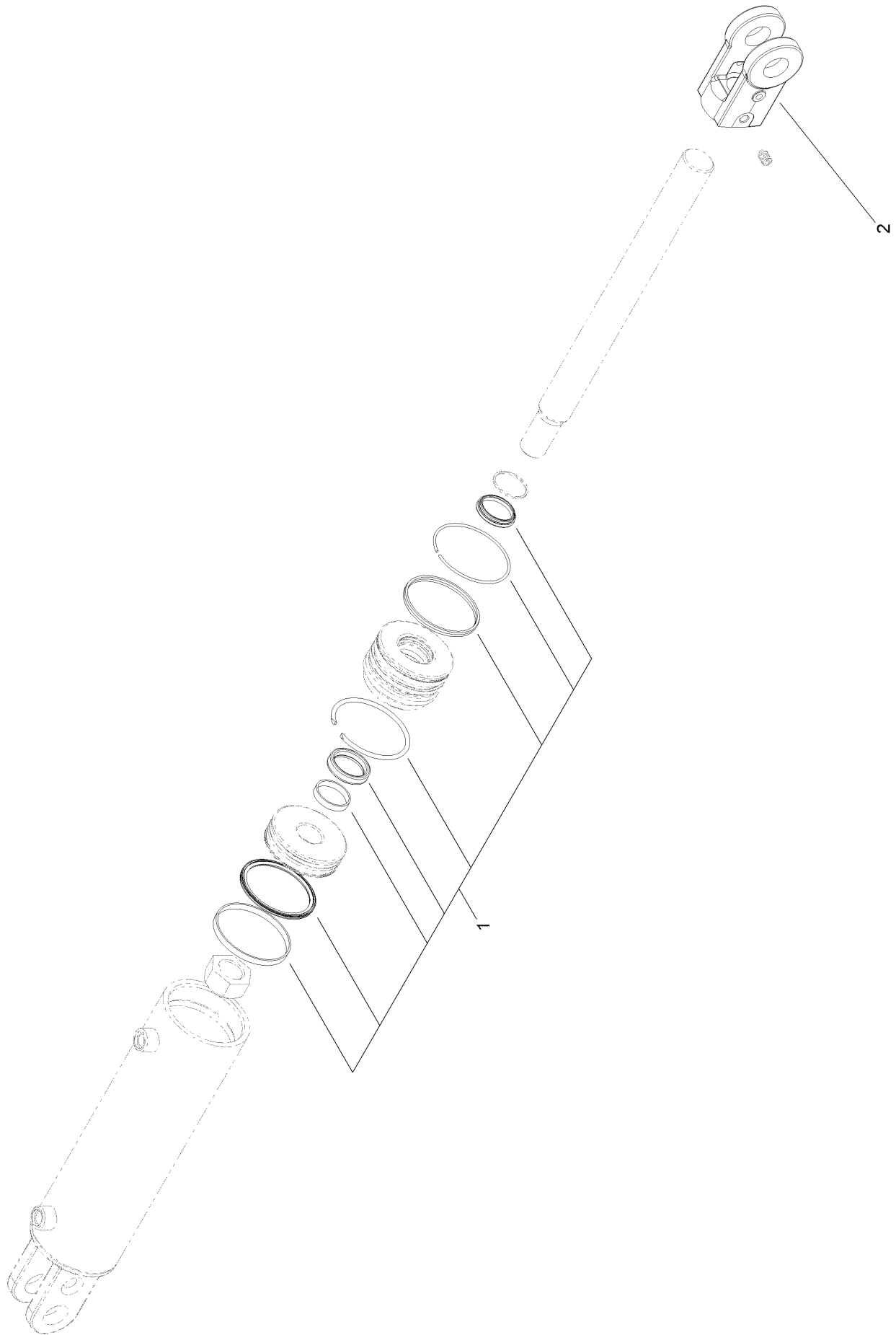
Hydraulic Cylinder Assembly



Hydraulic Cylinder Assembly (continued)

<i>Ref.</i>	<i>Part Number</i>	<i>Qty.</i>	<i>Description</i>	<i>Ref.</i>	<i>Part Number</i>	<i>Qty.</i>	<i>Description</i>
1	139-7706	3	Cylinder-Hydraulic	9:1	237-22	1	O-Ring
2	340-82	6	Fitting-Elbow, 90 DEG	9:2	237-79	1	O-Ring
2:1	237-42	1	O-Ring	10	340-133	2	Fitting-STR
2:2	237-21	1	O-Ring	10:1	237-79	1	O-Ring
3	98-4725	4	Hose-HYD	10:2	237-21	1	O-Ring
4	3230-3	4	Screw-CARR	11	108-4714	1	Orifice-Port Insert, One Way
5	2412-137	4	Clamp-R, Double	12	112-2609	6	Pin-Pivot
6	98-4726	1	Hose-HYD	13	302-5	6	Fitting-Grease
7	98-4727	1	Hose-HYD	14	99-5105	6	Screw-Shoulder
8	340-151	2	Fitting-Tee	15	104-8300	4	Nut-HF, NI
8:1	237-21	2	O-Ring	17	3334-945	3	Tie-Cable
9	340-3	2	Fitting-Straight				

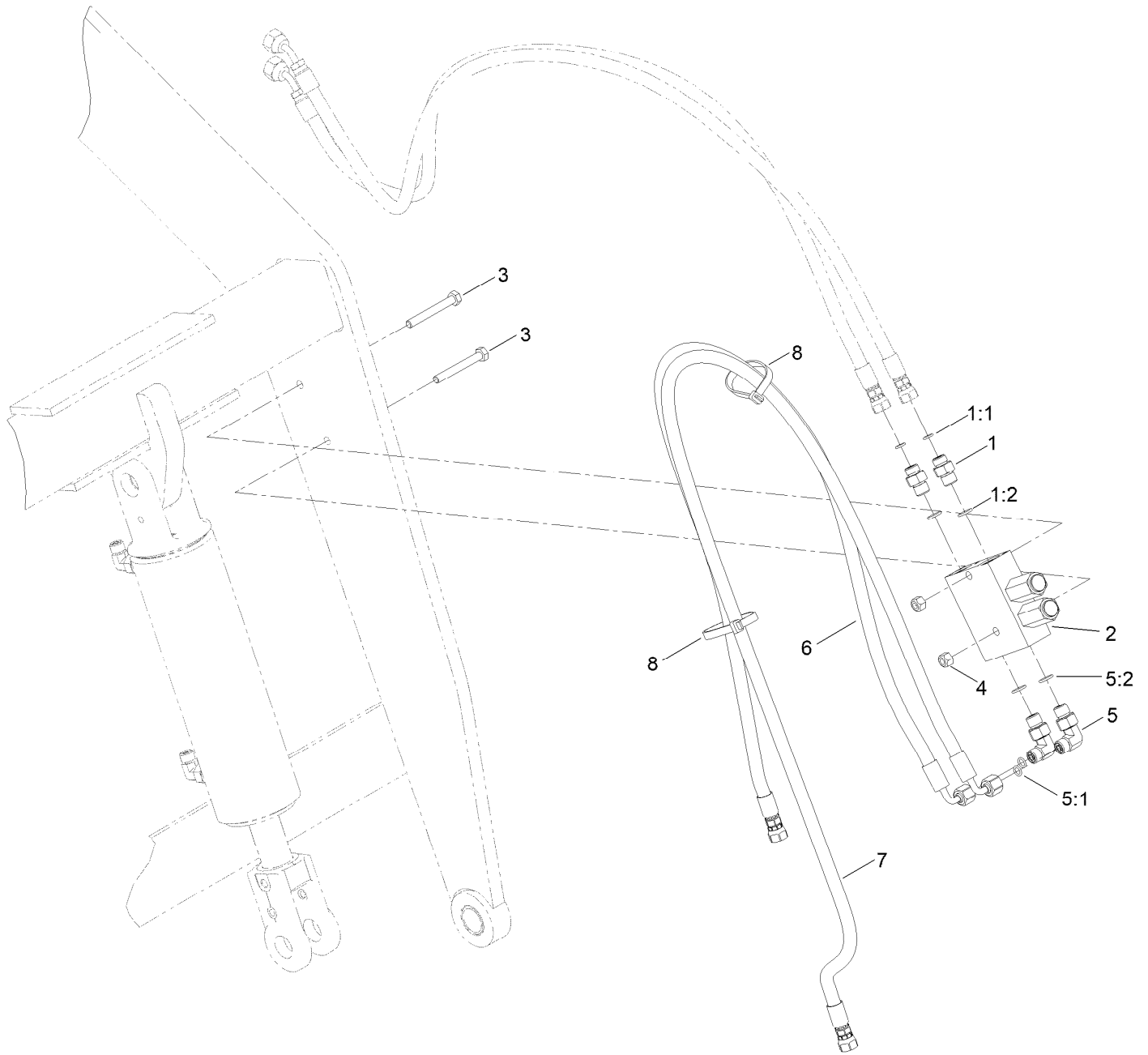
Hydraulic Cylinder Assembly No. 139-7706



Hydraulic Cylinder Assembly No. 139-7706 (continued)

<i>Ref.</i>	<i>Part Number</i>	<i>Qty.</i>	<i>Description</i>
1	139-7713	1	Seal Kit
2	163-8918	1	Rod-Clevis

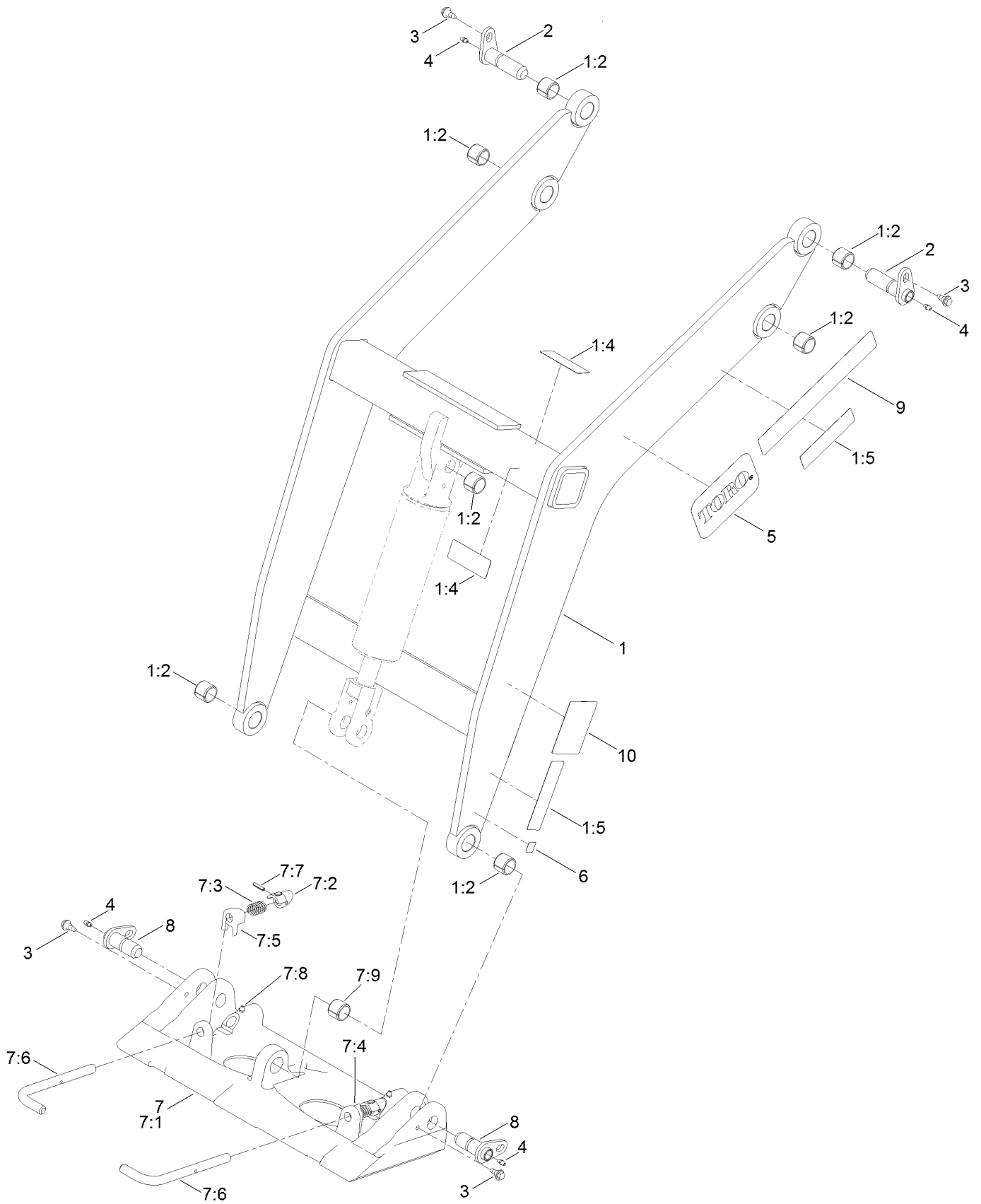
Crossover Relief Valve Assembly



Crossover Relief Valve Assembly (continued)

<i>Ref.</i>	<i>Part Number</i>	<i>Qty.</i>	<i>Description</i>	<i>Ref.</i>	<i>Part Number</i>	<i>Qty.</i>	<i>Description</i>
1	340-1	2	Fitting-Straight	5	340-82	2	Fitting-Elbow, 90 DEG
1:1	237-21	1	O-Ring	5:1	237-42	1	O-Ring
1:2	237-42	1	O-Ring	5:2	237-21	1	O-Ring
2	138-9944	1	Valve-Relief, Crossover	6	99-4361	1	Hose-ASM
3	322-12	2	Screw-HH	7	99-4362	1	Hose-ASM
4	3296-29	2	Nut-Lock, NI	8	3334-945	2	Tie-Cable

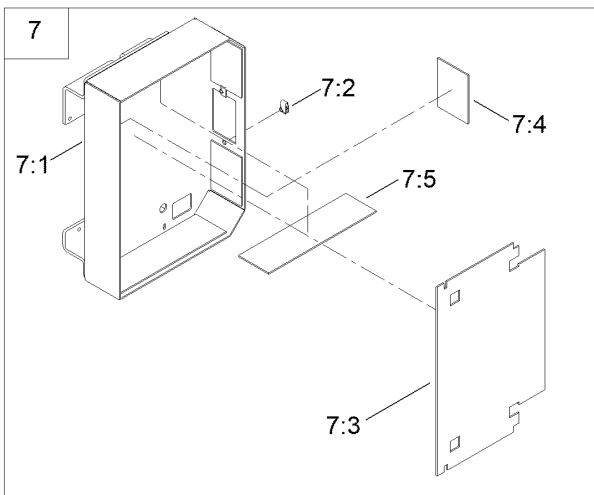
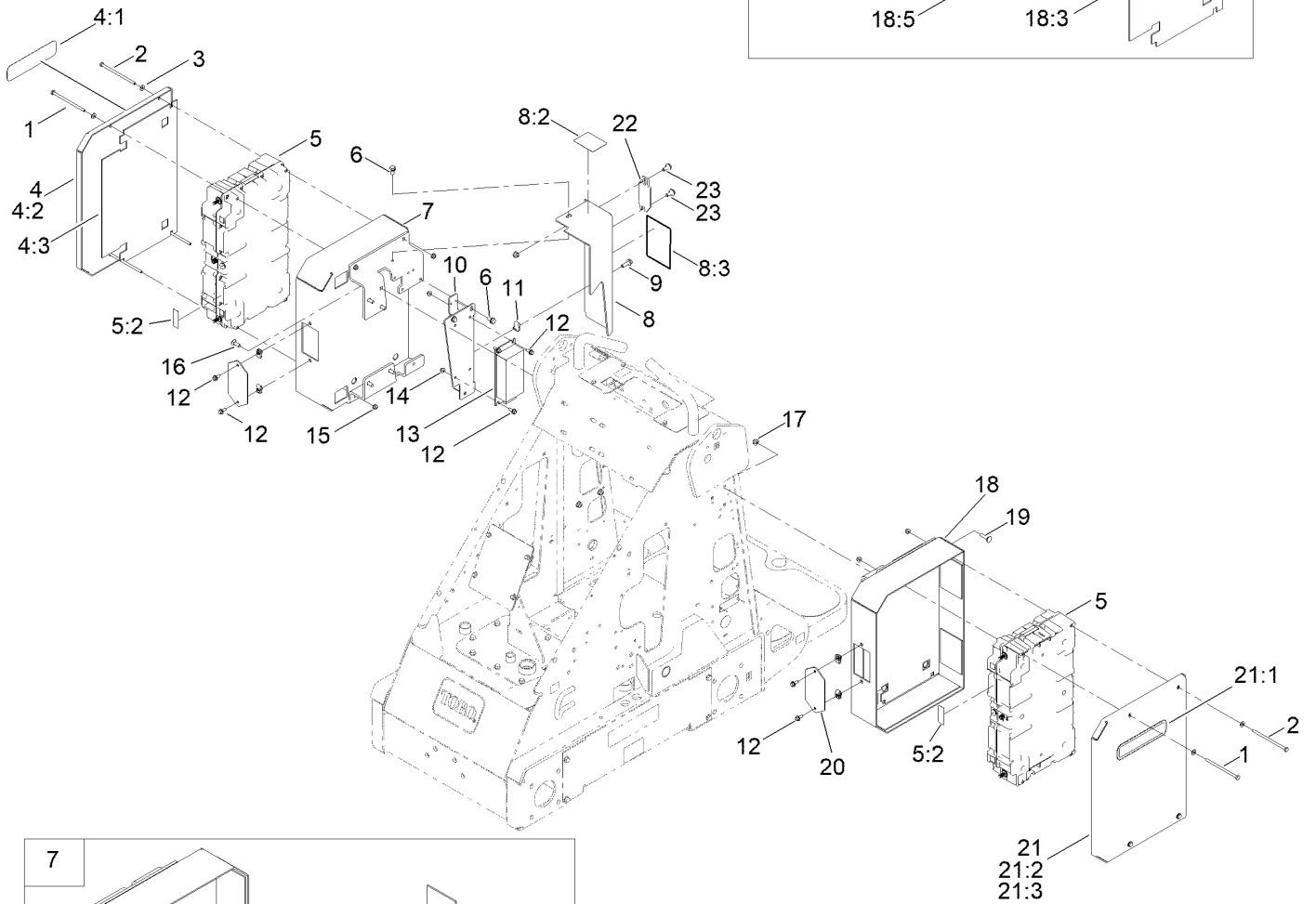
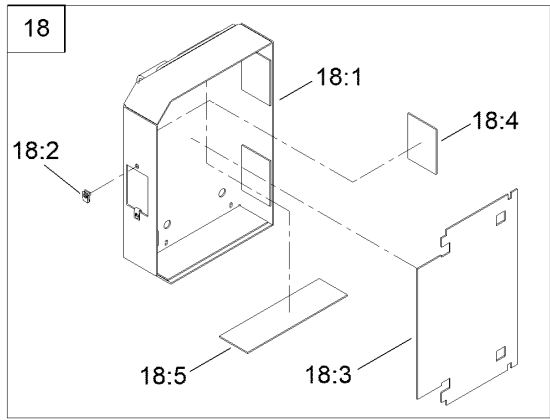
Loader and Quick Attach Assembly



Loader and Quick Attach Assembly (continued)

<i>Ref.</i>	<i>Part Number</i>	<i>Qty.</i>	<i>Description</i>	<i>Ref.</i>	<i>Part Number</i>	<i>Qty.</i>	<i>Description</i>
1	106-8155	1	Loader ASM	7:2	105-0246	2	Cam
1:2	98-4871	7	Bushing-Tension	7:3	98-4694	2	Spring-Compression
1:4	130-2837	2	Decal-Warning, No Rider	7:4	104-5909	1	Stop-RH
1:5	130-2836	4	Decal-Warning, Crushing	7:5	104-5903	1	Stop-LH
2	120-5363	2	Pin-Pivot	7:6	132-8419	2	Pin-Locking
3	99-5105	4	Screw-Shoulder	7:7	3285-1	2	Pin-Grooved
4	302-5	4	Fitting-Grease	7:8	302-5	2	Fitting-Grease
5	93-7340	2	Decal	7:9	98-4871	1	Bushing-Tension
6	93-9084	2	Decal-Point, Lift	8	112-2609	2	Pin-Pivot
7	132-8418	1	Quick Attach ASM	9	139-7658	2	Decal- E-Dingo
7:1	130-7708-03	1	Mount-Qtach	10	139-7708	2	Decal-Warning, Bucket

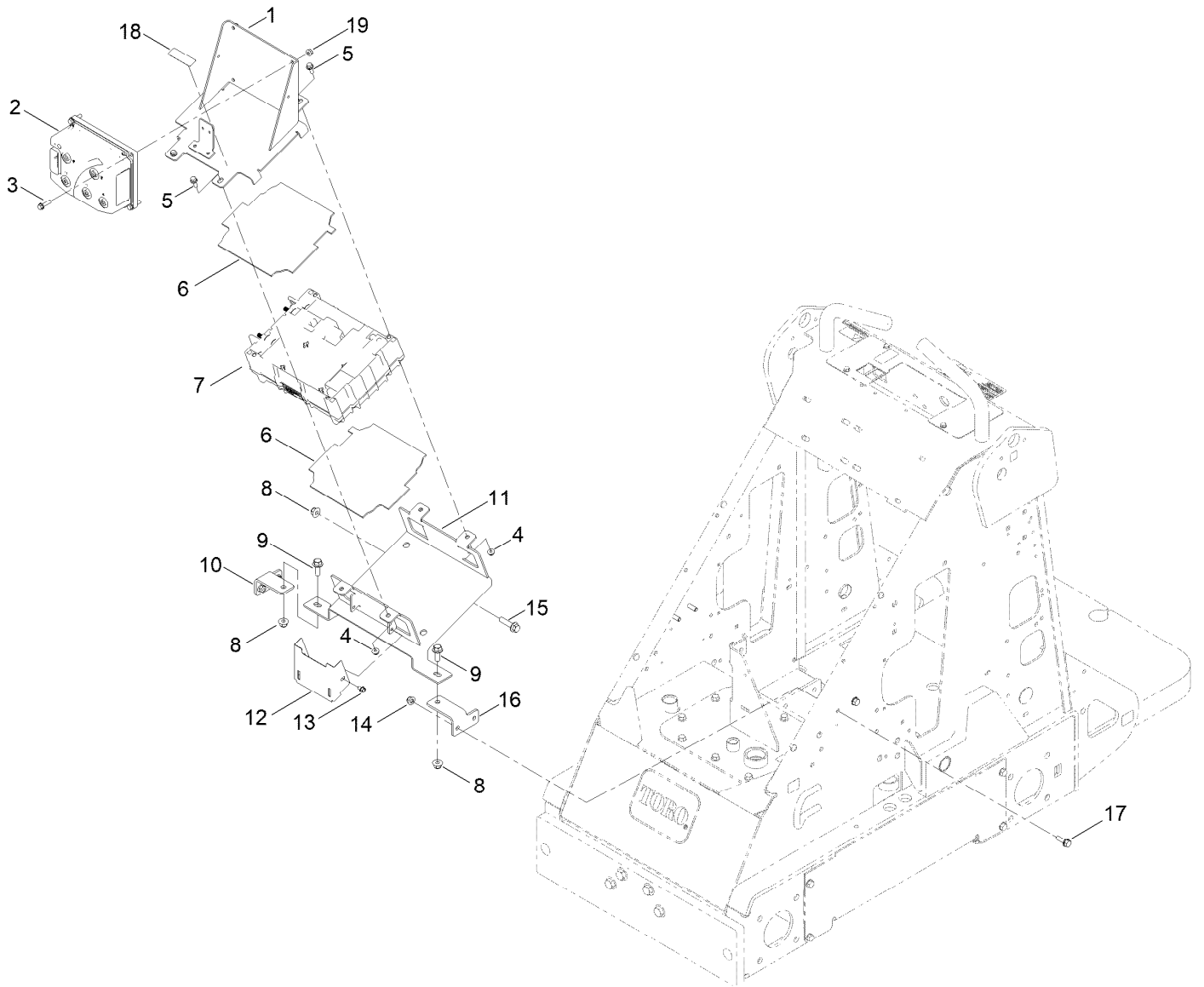
Left and Right Side Battery Assembly



Left and Right Side Battery Assembly (continued)

<i>Ref.</i>	<i>Part Number</i>	<i>Qty.</i>	<i>Description</i>	<i>Ref.</i>	<i>Part Number</i>	<i>Qty.</i>	<i>Description</i>
1	139-0544	2	Screw-HH	11	94-2413	2	Nut-U
2	321-36	6	Screw-HH	12	99-6810	8	Screw-HHF
3	120-9679	8	Washer-Flat	13	137-7952	1	Converter-DC-DC
4	139-7686	1	Cover-Battery ASM	14	104-7201	4	Nut-HF, NI
4:1	139-7659	1	Decal - Lithium	15	119-4040	8	Nut-HF, NI
4:2	137-4666-06	1	Cover-Battery	16	3230-16	8	Screw-CARR
4:3	139-7651	1	Foam-Battery, Saddlebag	17	104-8300	11	Nut-HF, NI
5	139-8343	2	Battery Service ASM	18	139-7672	1	Mount-Battery ASM
5:2	137-9712	1	Decal-Safety	18:1	139-7670-06	1	Mount-Battery, LH
6	32144-14	4	Screw-HWHTF	18:2	107069	2	Clip
7	139-7671	1	Mount-Battery ASM	18:3	139-7651	1	Foam-Battery, Saddlebag
7:1	139-7669-06	1	Mount-Battery, RH	18:4	139-7652	4	Foam-Battery, Saddlebag
7:2	107069	2	Clip	18:5	139-7653	2	Foam-Battery, Saddlebag
7:3	139-7651	1	Foam-Battery, Saddlebag	19	3230-3	2	Screw-CARR
7:4	139-7652	4	Foam-Battery, Saddlebag	20	139-0538-06	2	Plate, Terminal
7:5	139-7653	2	Foam-Battery, Saddlebag	21	139-7687	1	Cover-Battery ASM
8	139-7723	1	Cover ASM, Rear	21:1	139-7659	1	Decal - Lithium
8:2	139-7721	1	Decal-Charger, Warning	21:2	137-4666-06	1	Cover-Battery
8:3	139-7738	1	Decal-Charging Port	21:3	139-7651	1	Foam-Battery, Saddlebag
9	3234-29	1	Screw-HHF	22	139-7724-03	1	Cover, Charger Port
10	139-0547-03	1	Bracket-Mount, Converter	23	19-1470	2	Screw-Shoulder

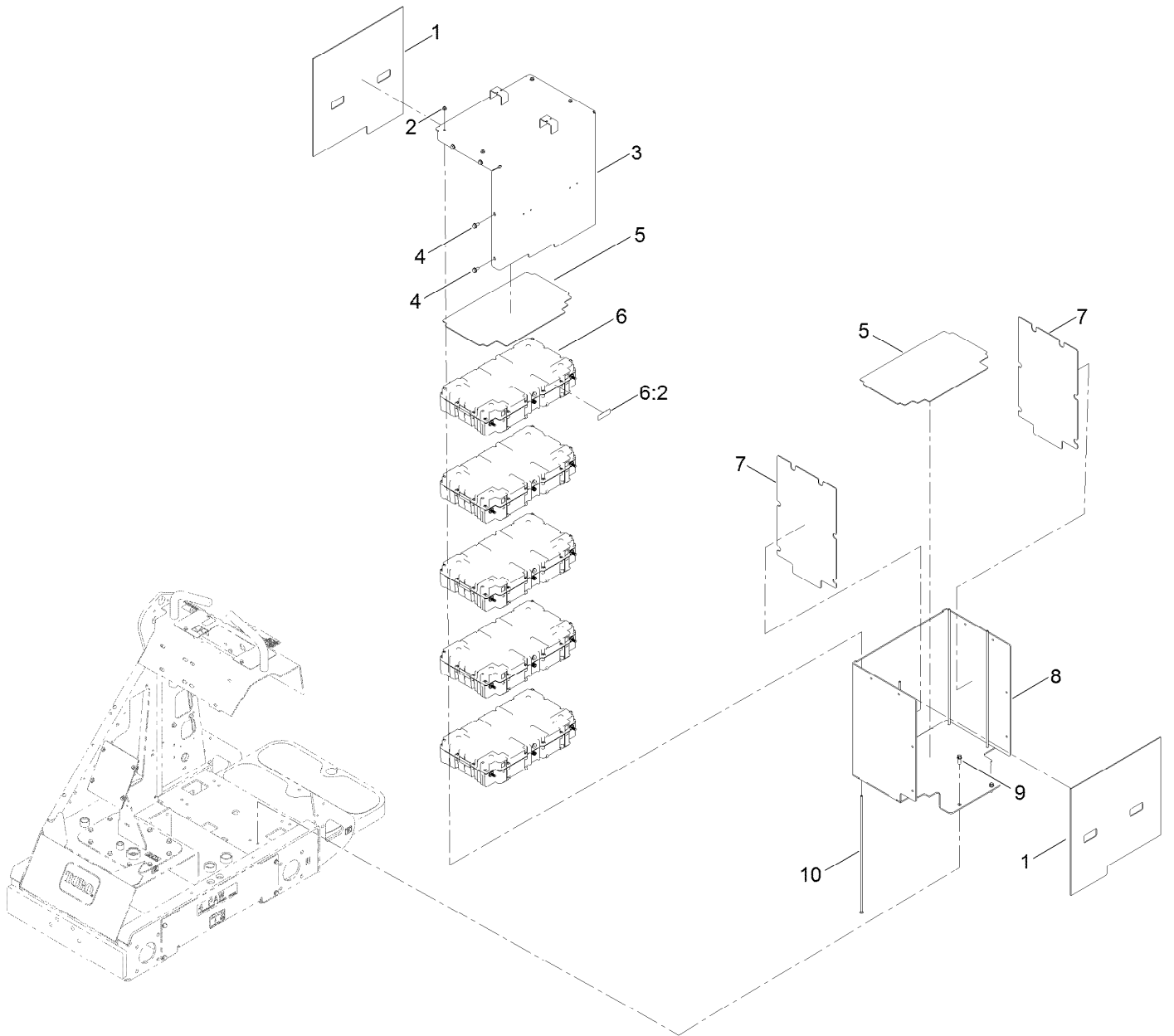
Controller Assembly



Controller Assembly (continued)

<i>Ref.</i>	<i>Part Number</i>	<i>Qty.</i>	<i>Description</i>	<i>Ref.</i>	<i>Part Number</i>	<i>Qty.</i>	<i>Description</i>
1	139-7667-0P	1	Mount-Controller	11	139-0527-0P	1	Mount-Bms
2	138-8963	1	Inverter/Controller-48V,175Arms	12	144-7142-0P	1	Adapter,Mega Fuse
3	120-4654	4	Screw-HHF	13	137-4795	2	Screw
4	104-7201	4	Nut-HF, NI	14	104-8300	4	Nut-HF, NI
5	3234-4	4	Screw-HHF	15	114-4681	1	Screw-HHF
6	139-7673	2	Foam-Battery, Bms	16	139-0525-0P	1	Bracket-Mount, Frame (LH)
7	137-9651	1	Controller	17	3234-29	4	Screw-HHF
8	104-8301	3	Nut-HF, NI	18	139-7718	1	Decal-Quick Disconnect
9	3234-42	2	Screw-HHF	19	119-4040	4	Nut-HF, NI
10	139-0524-0P	1	Bracket-Mount, Frame (RH)				

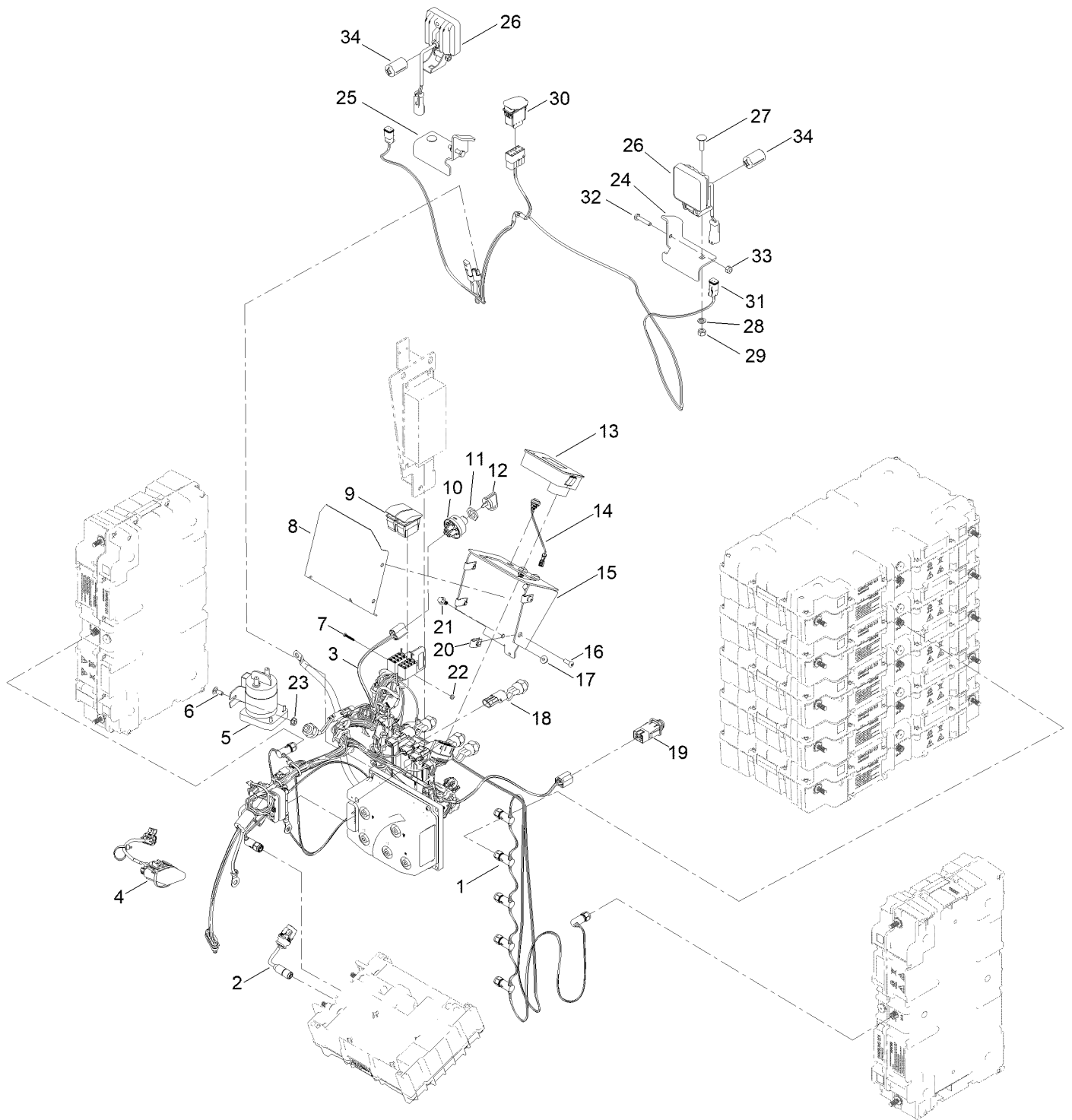
Main Battery and Enclosure Assembly



Main Battery and Enclosure Assembly (continued)

<i>Ref.</i>	<i>Part Number</i>	<i>Qty.</i>	<i>Description</i>	<i>Ref.</i>	<i>Part Number</i>	<i>Qty.</i>	<i>Description</i>
1	139-7654	2	Foam-Battery, Main	6:2	137-9712	1	Decal-Safety
2	119-4040	4	Nut-HF, NI	7	139-7655	2	Foam-Battery, Main
3	139-7683-03	1	Cover Battery	8	139-0526-03	1	Enclosure-Battery
4	32144-14	8	Screw-HWHTF	9	95-1726	4	Screw-Taptite
5	139-7656	2	Foam-Battery, Main	10	139-7668	4	Screw-CARR
6	139-8343	5	Battery Service ASM				

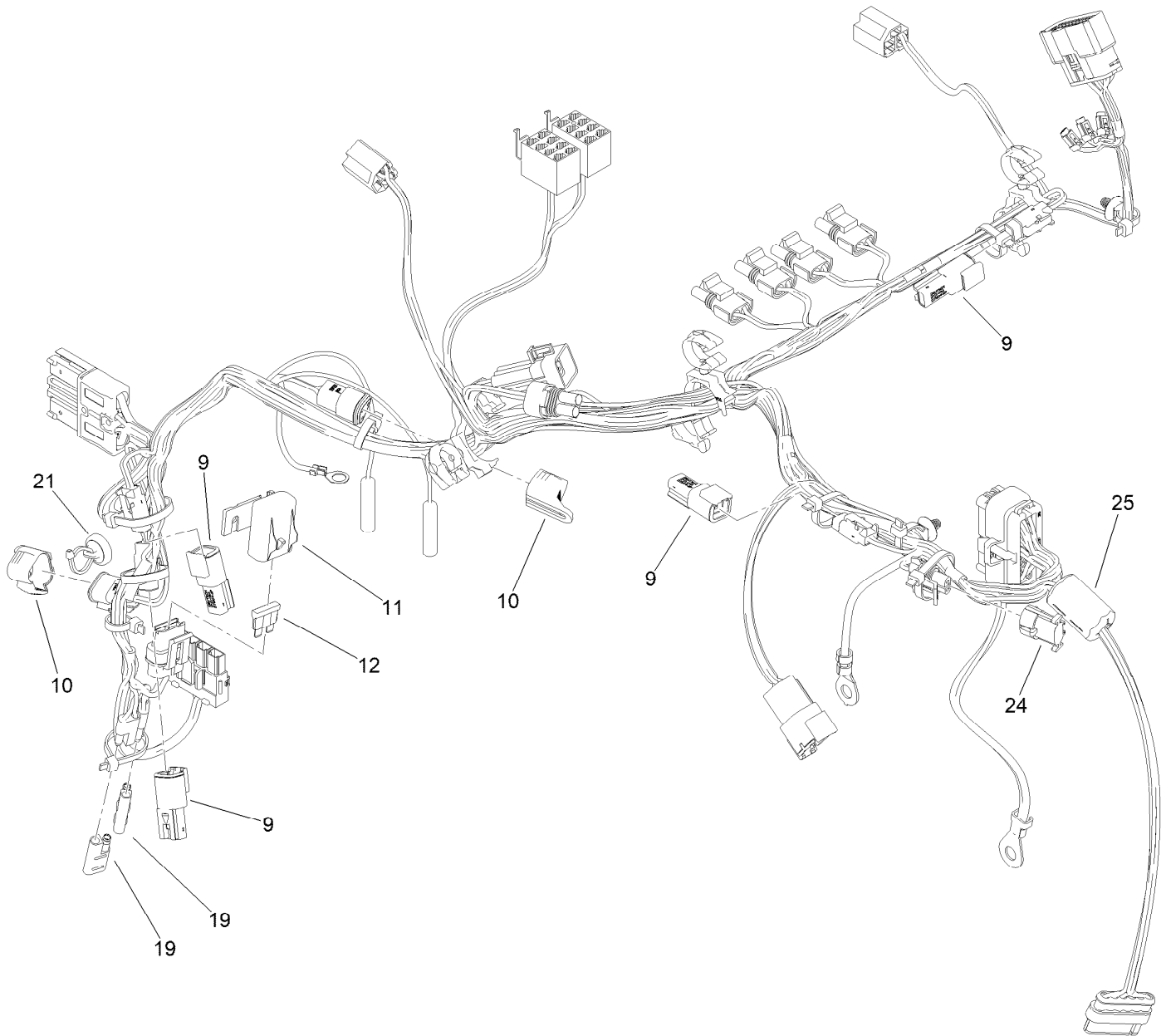
Wire Harness Assembly



Wire Harness Assembly (continued)

<i>Ref.</i>	<i>Part Number</i>	<i>Qty.</i>	<i>Description</i>	<i>Ref.</i>	<i>Part Number</i>	<i>Qty.</i>	<i>Description</i>
1	144-2561	1	Harness-Wire, Samsung Interface	17	104-7201	2	Nut-HF, NI
2	122-1335	1	Harness-Wire, Interface(System)	18	72-4320	5	Switch-Ball
3	139-0493	1	Harness-Wire, Main	19	100-1268	1	Switch-Plunger
4	119-4330	1	Isolated Can Module ASM	20	107069	4	Clip
5	104-7136	1	Contactora-Trombetta	21	99-6810	2	Screw-HHF
6	3229-11	2	Screw-CARR	22	3296-9	2	Nut-Hex
7	363-6528	2	Screw	23	32128-33	2	Nut-HF
8	139-0546-03	1	Cover-Display	24	139-7675-03	1	Bracket - Light [black]
9	127-5999	2	Switch-Rocker, Off-None-On	25	139-7676-03	1	Bracket - Light [black]
10	139-7716	1	Switch-Key, Spst	26	140-6990	2	Light-Work, LED
11	101884	1	Nut	27	3230-28	2	Screw-CARR
12	63-8360	2	Key-Ignition	28	3253-33	2	Washer-Lock
13	122-1201	1	Module-Display	29	3217-6	2	Nut-Hex
14	136-9678	3	Switch-Pushbutton	30	112-9421	1	Switch
15	139-0545-03	1	Mount-Display	31	138-9901	1	Harness-Wire, Light Kit
16	3274-31	4	Screw-HSBH	32	321-8	2	Screw-HH
				33	3296-73	2	Nut-Lock, NI
				34	139-7720	2	Ferrite, Snap-On

Main Wire Harness Assembly No. 139-0493

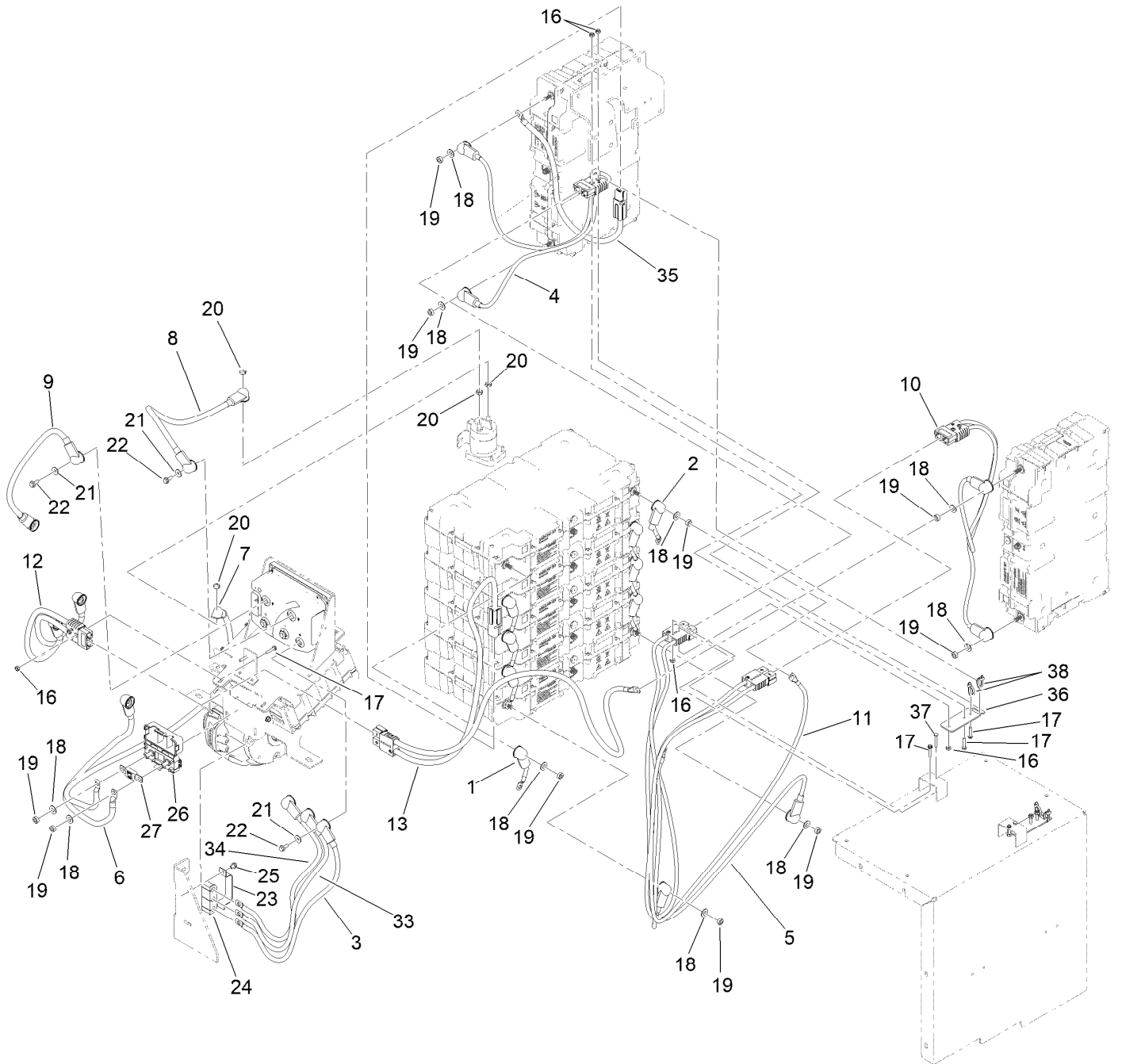


Main Wire Harness Assembly No. 139-0493 (continued)

<i>Ref.</i>	<i>Part Number</i>	<i>Qty.</i>	<i>Description</i>
9	32180-282	4	Conn, Res, 120 Ohm
10	32180-089	2	Cap-Plug, 3 Way
11	32180-019	1	Cover-Fuse, Single
12	117-4725	1	Fuse-Blade, 15A

<i>Ref.</i>	<i>Part Number</i>	<i>Qty.</i>	<i>Description</i>
19	116-0053	2	Cap-Plug
21	32180-139	1	Mount-Tie Wrap, Magnetic
24	32180-056	1	Cap
25	139-7720	1	Ferrite, Snap-On

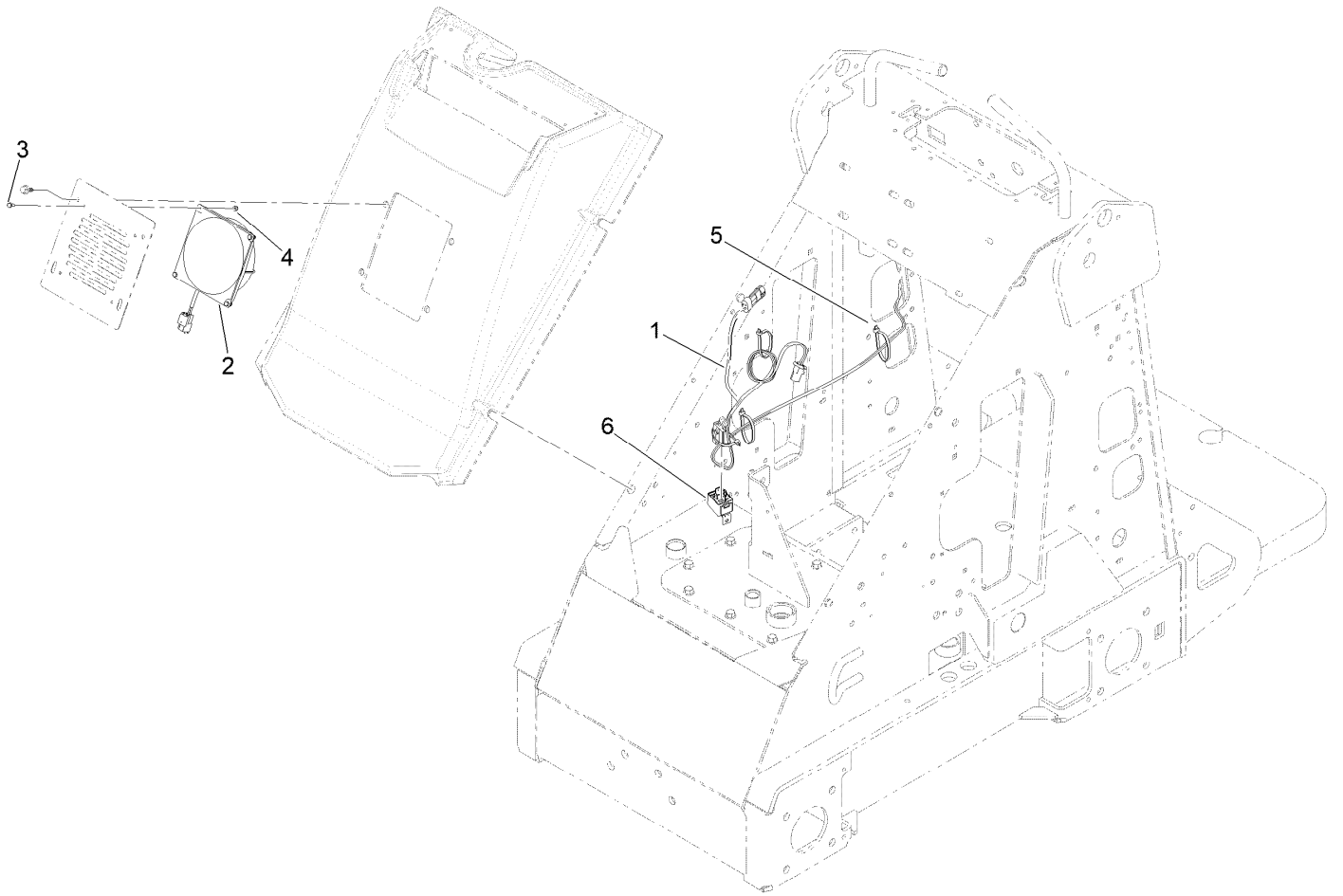
Battery Cable Assembly



Battery Cable Assembly (continued)

<i>Ref.</i>	<i>Part Number</i>	<i>Qty.</i>	<i>Description</i>	<i>Ref.</i>	<i>Part Number</i>	<i>Qty.</i>	<i>Description</i>
1	122-1513	4	Cable-Battery,Positive ASM	18	107-0279	20	Washer
2	122-1514	4	Cable-Battery,Negative ASM	19	137-8088	20	Nut-Hex
3	139-0502	1	Cable-Battery, Rd ASM	20	139-2580	4	Nut-HJ
4	139-0503	1	Cable-Battery, Rd/Bk ASM	21	135-6273	5	Washer
5	144-7135	1	Cable-Battery, Rd/Bk ASM	22	114-8414	5	Screw-HHF
6	139-7732	1	Cable-Battery, Rd ASM	23	139-7678-07	1	Retainer-Isolator
7	139-7733	1	Cable-Battery, Rd ASM	24	131-8420	1	Isolator-Clamp
8	139-7734	1	Cable-Battery, Rd ASM	25	137-4795	1	Screw
9	139-7735	1	Cable-Battery, Bk ASM	26	114-3318	1	Holder-Fuse, Mega
10	139-0510	1	Cable-Battery, Rd/Bk ASM	27	139-7719	1	Fuse-200 Amp
11	144-7134	1	Cable-Battery, Rd/Bk ASM	33	139-7728	1	Cable-Battery, Rd ASM
12	139-7736	1	Cable-Battery, Rd/Bk ASM	34	139-7729	1	Cable-Battery, Rd ASM
13	144-7136	1	Cable-Battery, Rd/Bk ASM	35	144-7137	1	Cable-Battery, Rd ASM
16	3296-2	10	Nut-Lock, NI	36	145-4710	2	Bracket-Connector
17	131-6456	8	Screw-HWH	37	3290-360	2	Screw-HH
				38	3290-379	4	Tie-Cable

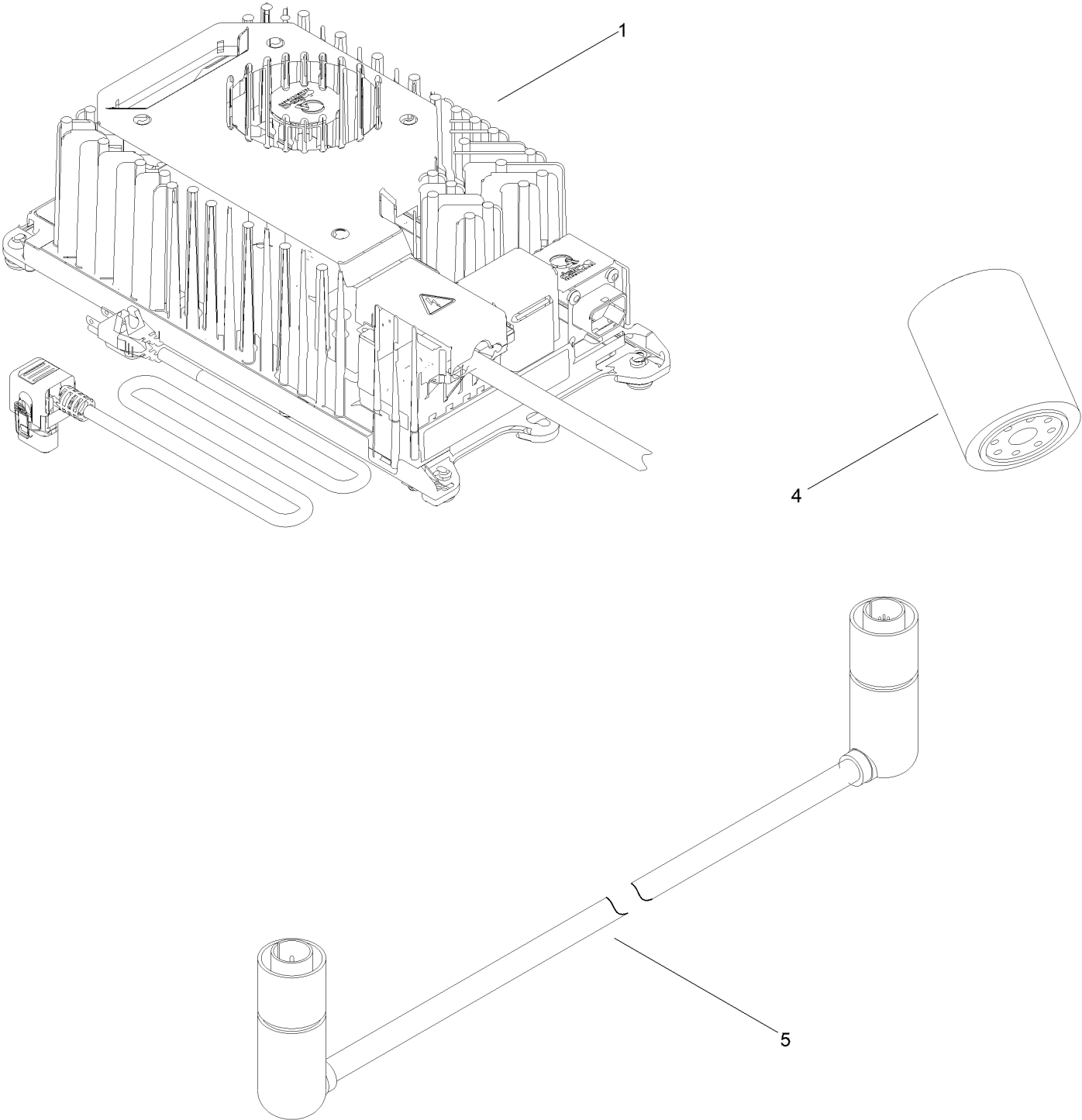
Fan Assembly



Fan Assembly (continued)

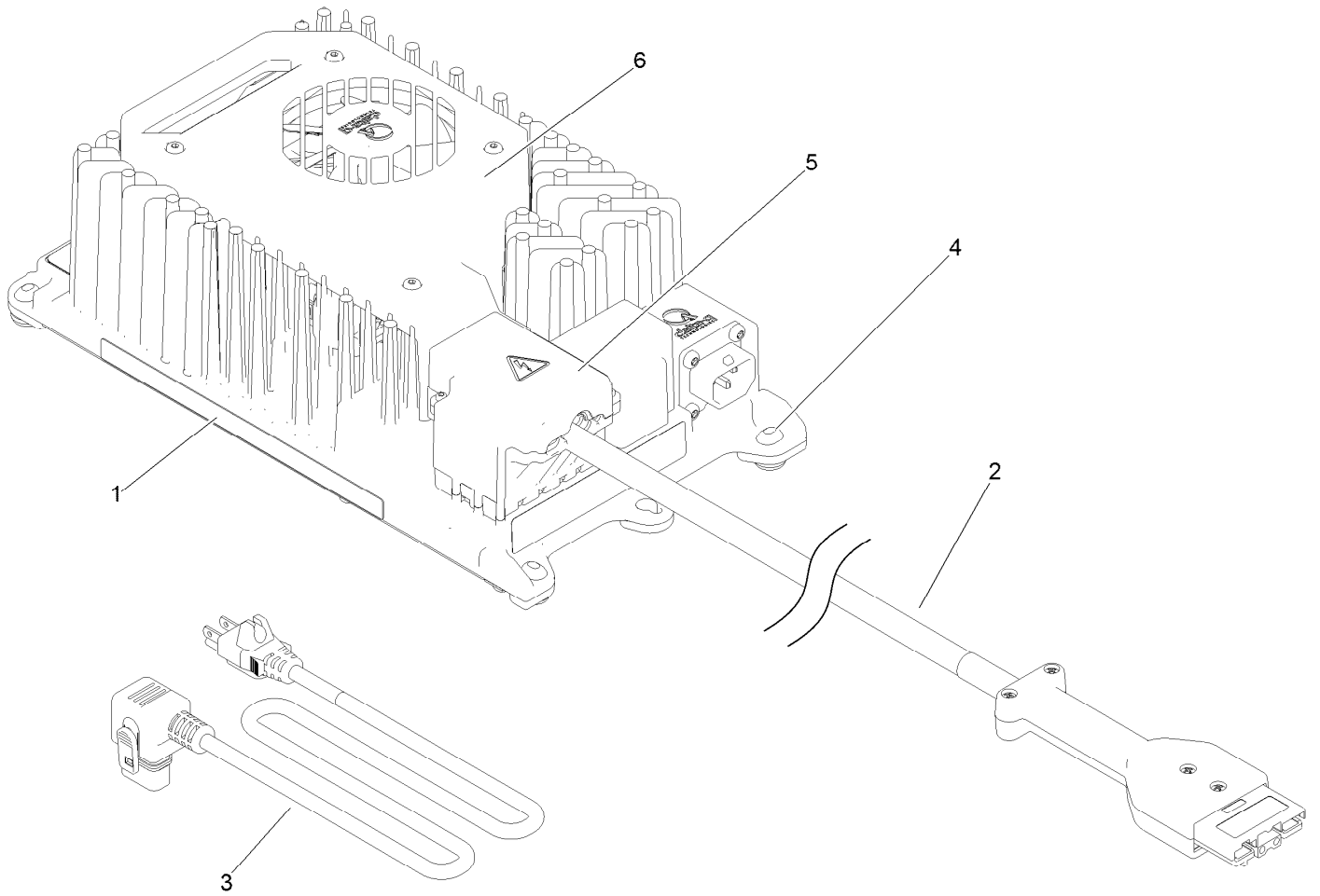
<i>Ref.</i>	<i>Part Number</i>	<i>Qty.</i>	<i>Description</i>	<i>Ref.</i>	<i>Part Number</i>	<i>Qty.</i>	<i>Description</i>
1	122-2263	1	Harness-Wire, Kit	4	140-3749	4	Nut-Lock Rohs
2	116-7047	1	Fan-Electric	5	3290-378	4	Tie-Cable
3	60-6500	4	Screw-HH	6	122-2401	1	Relay, 48V Coil, 50A At 48V

Charger and Miscellaneous Parts Assembly



Charger and Miscellaneous Parts Assembly (continued)

<i>Ref.</i>	<i>Part Number</i>	<i>Qty.</i>	<i>Description</i>
1	137-9682	1	Charger-1200W
4	54-0110	1	Filter-Oil, Transmission
5	122-1947	1	Harness-Wire, Samsung Service, M/S



1200 Watt Lithium Battery Charger Assembly

Ref.	Part Number	Qty.	Description
1	137-9713	1	Decal-Charger
2	137-9715	1	Cord-DC W/Can Bus
3	137-7983	1	Cord-AC, 120V
3	107-0383	1	Powercord-AC, U.K. ^{l n}
3	107-0382	1	Powercord-AC, Europe ^{l n}
4	137-7984	1	Handle And Feet Kit
5	144-2569	1	Cover-Plastic, DC Power
6	139-8423	1	Fan-W/Handle

^l Not illustrated

ⁿ Optional Equipment

Attachments and Accessories

For 22218G — e-Dingo 500 Compact Tool Carrier

Product Name	Model/Part
Adjustable Forks	22341
4 Cubic Foot Standard Bucket	22409
Loose Materials Bucket	22410
48in Hydraulic Blade	22414
Tree Forks	22438
4-in-1 Bucket	22478
Narrow Bucket	22520
Grapple Rake	22521
Floor Scraper	22670
Universal Swivel Auger Head	22806
6in Full-Flight Auger Bit	22820
9in Full-Flight Auger Bit	22821
12in Full-Flight Auger Bit.....	22822
Concrete Breaker	23135
Leveler	23165

Notes:

Notes:



Count on it.