



**Count on it.**

**Parts Catalog**

**Windshield Washer Fluid Kit,  
2015 and after Workman®  
GTX/HDX/MD/HD Series Utility  
Vehicle**

Model No. 130-5615



# Ordering Replacement Parts

To order replacement parts, please supply the part number, the quantity, and the description of each part desired.

## Understanding Reference Numbers

Each identified part in an illustration has a reference number. The reference number for a part also appears in the parts list, along with other information about the part.

This catalog uses two special reference number formats, one to indicate parts in a service assembly and another to indicate the quantity of a given part in an illustration.

## Service Assembly Reference Numbers

Parts in service assemblies have reference numbers in the form a:b. The a represents the reference number of the entire service assembly and the b represents a sequential number unique to each part within the service assembly.

For example, a wheel assembly might be identified by reference number 6, the tire by 6:1, the valve by 6:2, and the wheel by 6:3. When you order the assembly identified by reference number 6, you receive all parts identified by reference numbers 6:1, 6:2, and 6:3. However, you may also order any part individually. Reference numbers of this type appear in illustration and in parts lists.

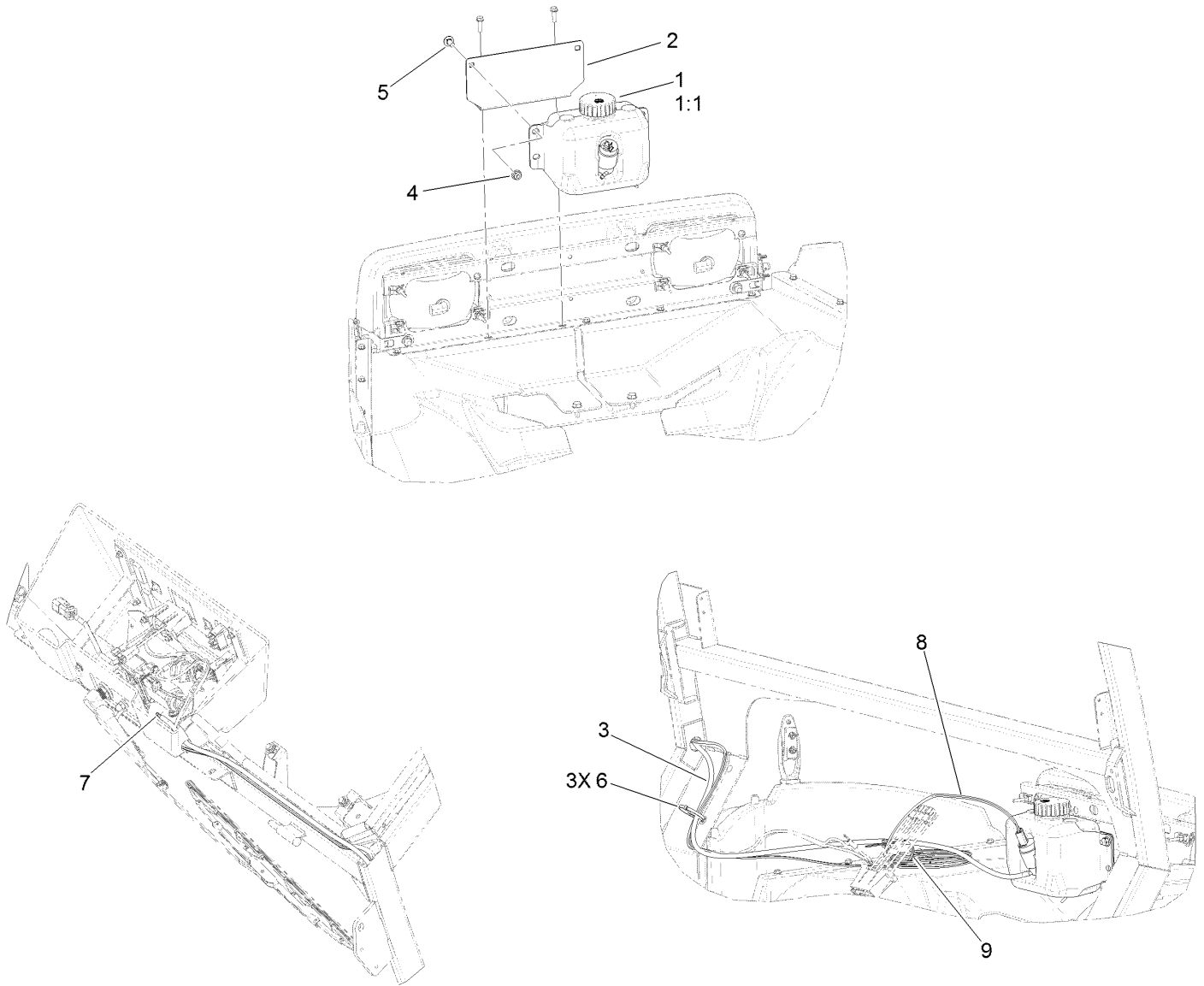
## Reference Numbers Indicating Quantity

In an illustration, if a reference number indicates more than one part, the reference number has the form nX y. The n represents the quantity of the part, the X is the multiplication symbol, and the y represents the reference number.

For example, in an illustration, the reference number 2X 37 means that two of the parts identified by reference number 37 are indicated.

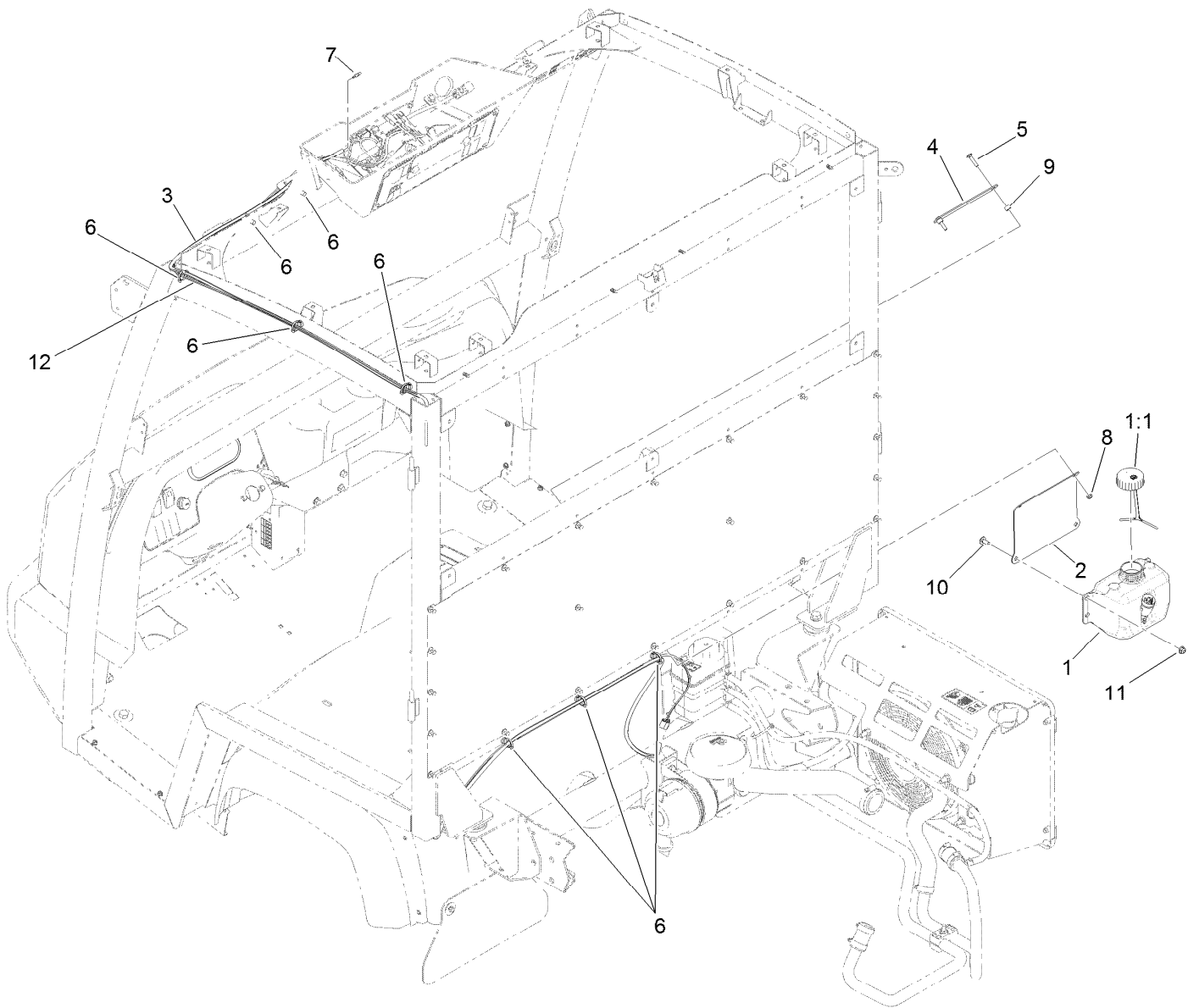
# Contents

Medium Duty Workman Windshield Washer Fluid Assembly No. 130-5615 ..... 4  
Heavy Duty Workman Windshield Washer Fluid Assembly No. 130-5615 ..... 5  
GTX Windshield Washer Fluid Assembly No. 130-5615 ..... 6



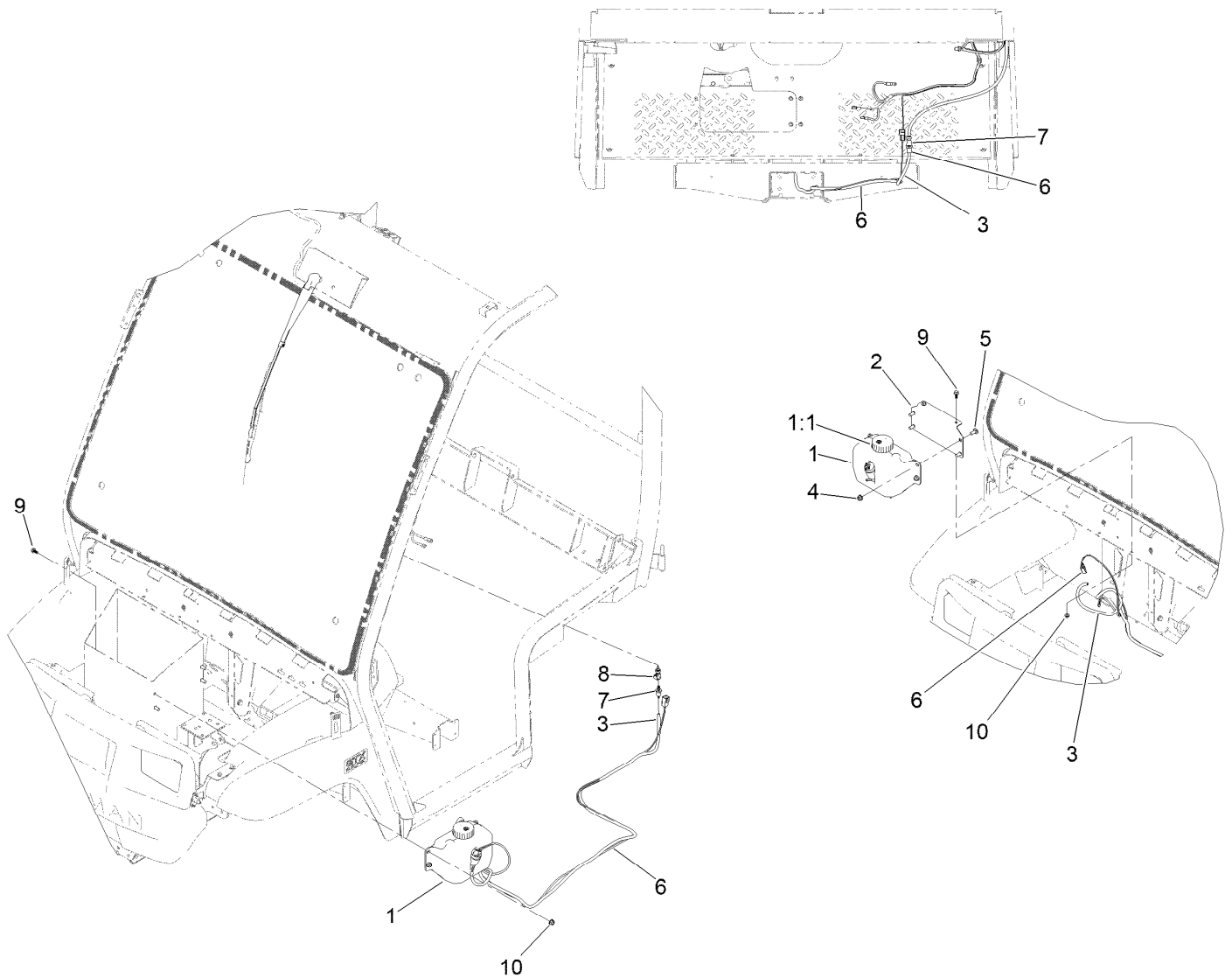
## Medium Duty Workman Windshield Washer Fluid Assembly No. 130-5615

<i>Ref.</i>	<i>Part Number</i>	<i>Qty.</i>	<i>Description</i>
1	125-5257	1	Tank-Fluid, Washer
1:1	125-5258	1	Lid-Tank, Washer Fluid
2	130-5618-03	1	Bracket-Mount, Washer Bottle
3	130-5616	1	Hose-Fluid, Washer
4	104-8300	2	Nut-HF, NI
5	3230-23	2	Bolt-CARR
6	32180-030	3	Clip-Tie
7	127-9905	1	Fitting-Hose, Barb
8	122-0348	1	Harness-Wire
9	3290-378	1	Tie-Cable



## Heavy Duty Workman Windshield Washer Fluid Assembly No. 130-5615

<i>Ref.</i>	<i>Part Number</i>	<i>Qty.</i>	<i>Description</i>
1	125-5257	1	Tank-Fluid, Washer
1:1	125-5258	1	Lid-Tank, Washer Fluid
2	130-5796-03	1	Bracket-Mount, Washer Bottle
3	130-5616	1	Hose-Fluid, Washer
4	130-5583	1	Strap-Mount, Manual
5	3229-3	2	Screw-CARR
6	32180-030	8	Clip-Tie
7	127-9905	1	Fitting-Hose, Barb
8	104-7201	2	Nut-HF, NI
9	98-4799	2	Spacer
10	3230-23	2	Bolt-CARR
11	104-8300	2	Nut-HF, NI
12	122-0348	1	Harness-Wire



## GTX Windshield Washer Fluid Assembly No. 130-5615

Ref.	Part Number	Qty.	Description
1	125-5257	1	Tank-Fluid, Washer
1:1	125-5258	1	Lid-Tank, Washer Fluid
2	133-0746-03	1	Bracket-Mount, Washer Bottle
3	130-5616	1	Hose-Fluid, Washer
4	104-8300	4	Nut-HF, NI
5	3230-23	4	Bolt-CARR
6	122-0731	1	Harness-Wire
7	130-5794	1	Fitting-Straight
8	130-5795	1	Fitting-Straight
9	99-6810	4	Screw-HHF
10	104-7201	4	Nut-HF, NI

**Notes:**



**Count on it.**