



Count on it.

Parts Catalog

132cm Z Master®

Revolution® Series Riding Mower

Model No. 18750TE—Serial No. 40000000 and Up



Ordering Replacement Parts

To order replacement parts, please supply the part number, the quantity, and the description of each part desired.

Understanding Reference Numbers

Each identified part in an illustration has a reference number. The reference number for a part also appears in the parts list, along with other information about the part.

This catalog uses two special reference number formats, one to indicate parts in a service assembly and another to indicate the quantity of a given part in an illustration.

Service Assembly Reference Numbers

Parts in service assemblies have reference numbers in the form a:b. The a represents the reference number of the entire service assembly and the b represents a sequential number unique to each part within the service assembly.

For example, a wheel assembly might be identified by reference number 6, the tire by 6:1, the valve by 6:2, and the wheel by 6:3. When you order the assembly identified by reference number 6, you receive all parts identified by reference numbers 6:1, 6:2, and 6:3. However, you may also order any part individually. Reference numbers of this type appear in illustration and in parts lists.

Reference Numbers Indicating Quantity

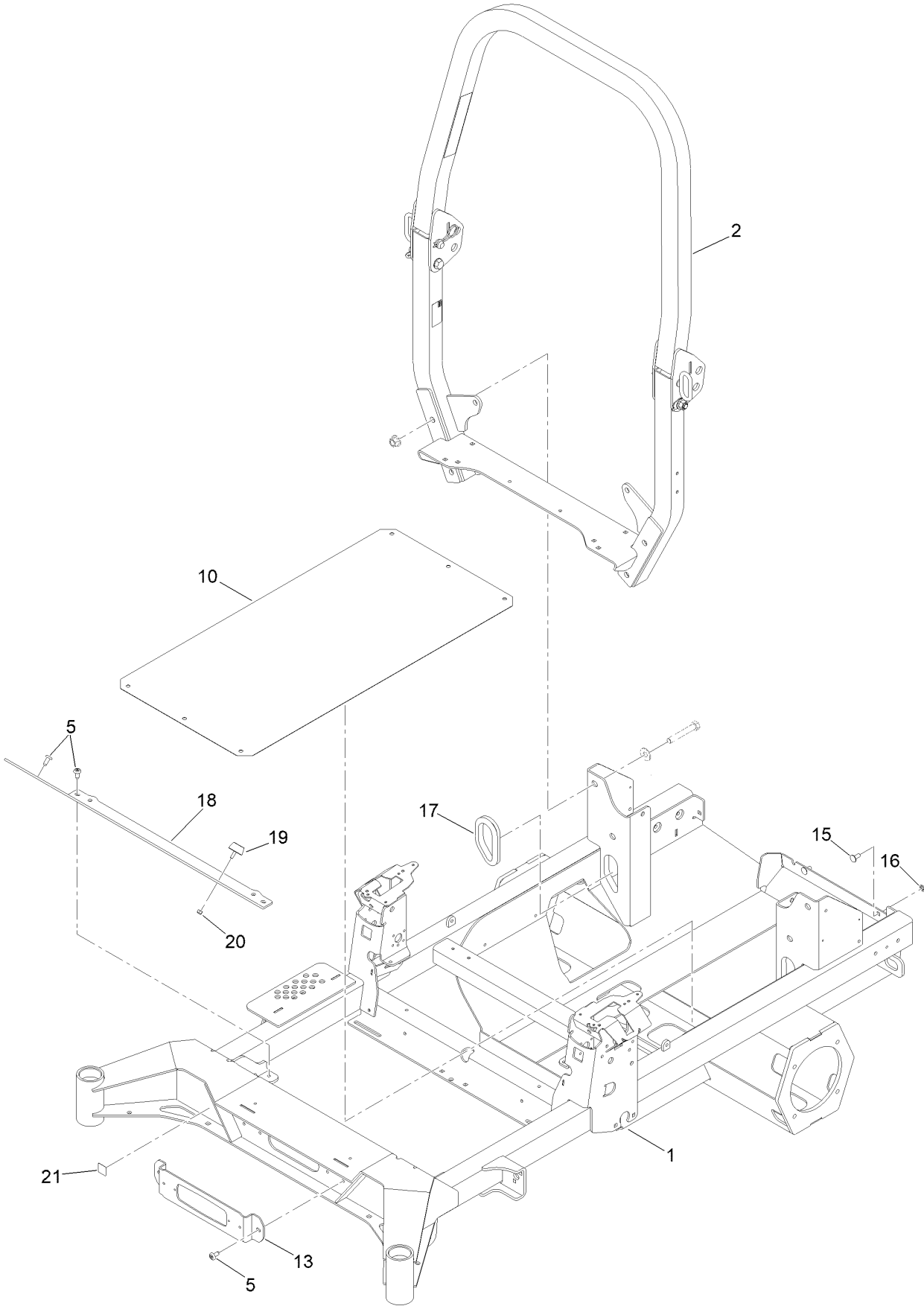
In an illustration, if a reference number indicates more than one part, the reference number has the form nX y. The n represents the quantity of the part, the X is the multiplication symbol, and the y represents the reference number.

For example, in an illustration, the reference number 2X 37 means that two of the parts identified by reference number 37 are indicated.

Contents

Main Frame Assembly	4
Roll-Over Protection System Assembly No. 161-3495	6
Drive Assembly	8
Guards Assembly	10
Battery Assembly	12
Battery Assembly No. 145-5320	14
Seat Mount Assembly	16
Motion Control and Parking Brake Assembly	18
Right Motion Control Assembly No. 145-1325	20
Left Motion Control Assembly No. 145-1326	22
Front Caster Wheel Assembly	24
Caster and Wheel Assembly	26
Rear Wheel Assembly	28
Electrical and Wire Harness Assembly	30
Wire Harness Assembly No. 144-2673	32
Deck Lift Assembly	34
Deck Strut Assembly No. 140-1179	36
Electrical Components Assembly	38
Seat Suspension Assembly	40
Seat Assembly No. 145-8421	42
Decal Assembly	44
Deck Assembly	46
Deck Decal Assembly No. 147-7826	48
Deflector Assembly No. 147-1642	50
Attachments and Accessories	52

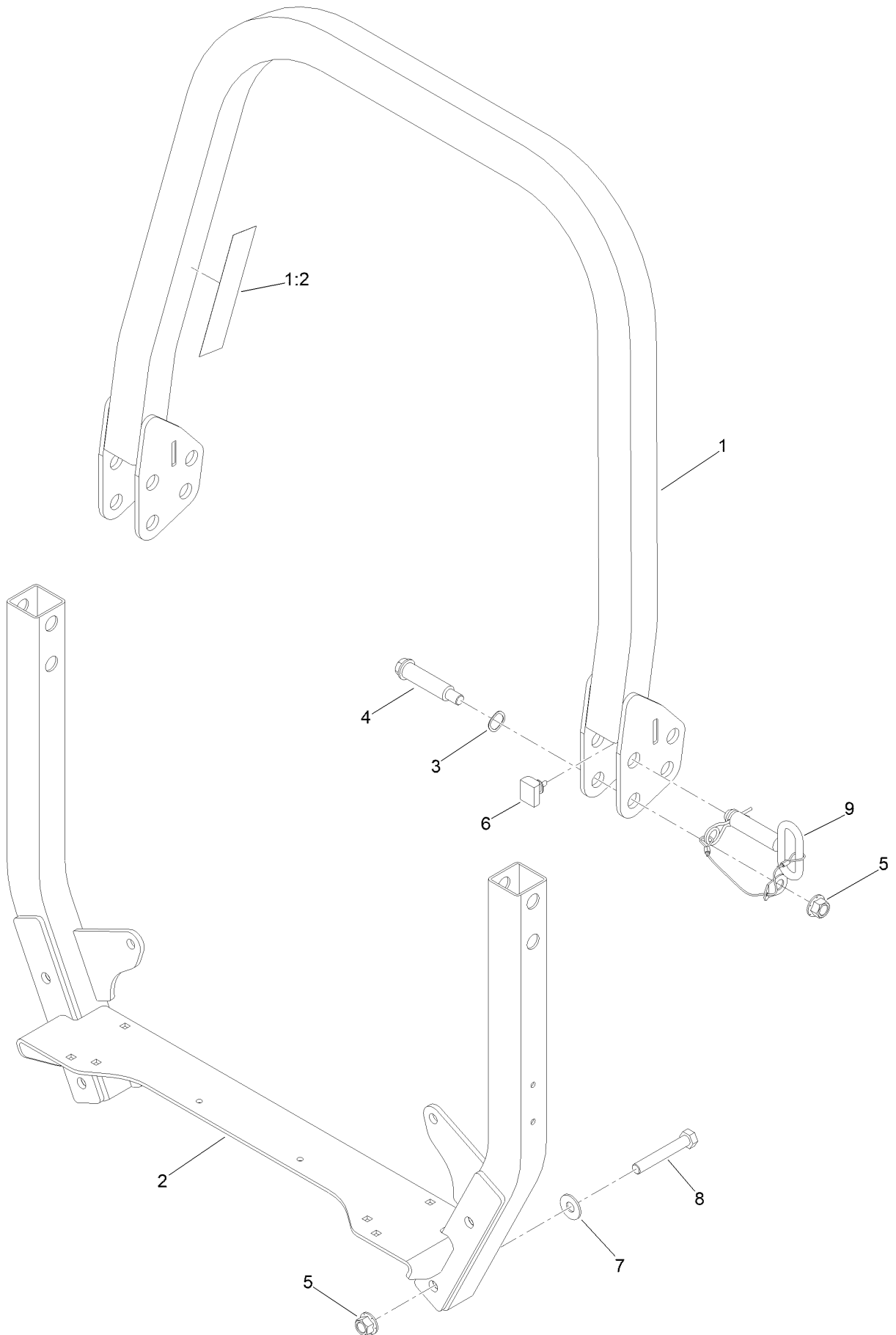
Main Frame Assembly



Main Frame Assembly (continued)

<i>Ref.</i>	<i>Part Number</i>	<i>Qty.</i>	<i>Description</i>	<i>Ref.</i>	<i>Part Number</i>	<i>Qty.</i>	<i>Description</i>
1	145-1307-01	1	Frame	16	117-2749	2	Nut-Push
2	161-3495	1	ROPS ASM	17	144-6568	2	Grommet-Rubber
5	138-9753	6	Screw	18	140-4997-01	1	Toeboard
10	147-7856-01	1	Plate-Skid	19	131-8834	2	Bumper
13	140-4994-01	1	Bracket-Light	20	3296-42	2	Nut-Lock, NI
15	3230-22	2	Screw-CARR	21	147-0290	1	Decal-Light, Warning

Roll-Over Protection System Assembly No. 161-3495

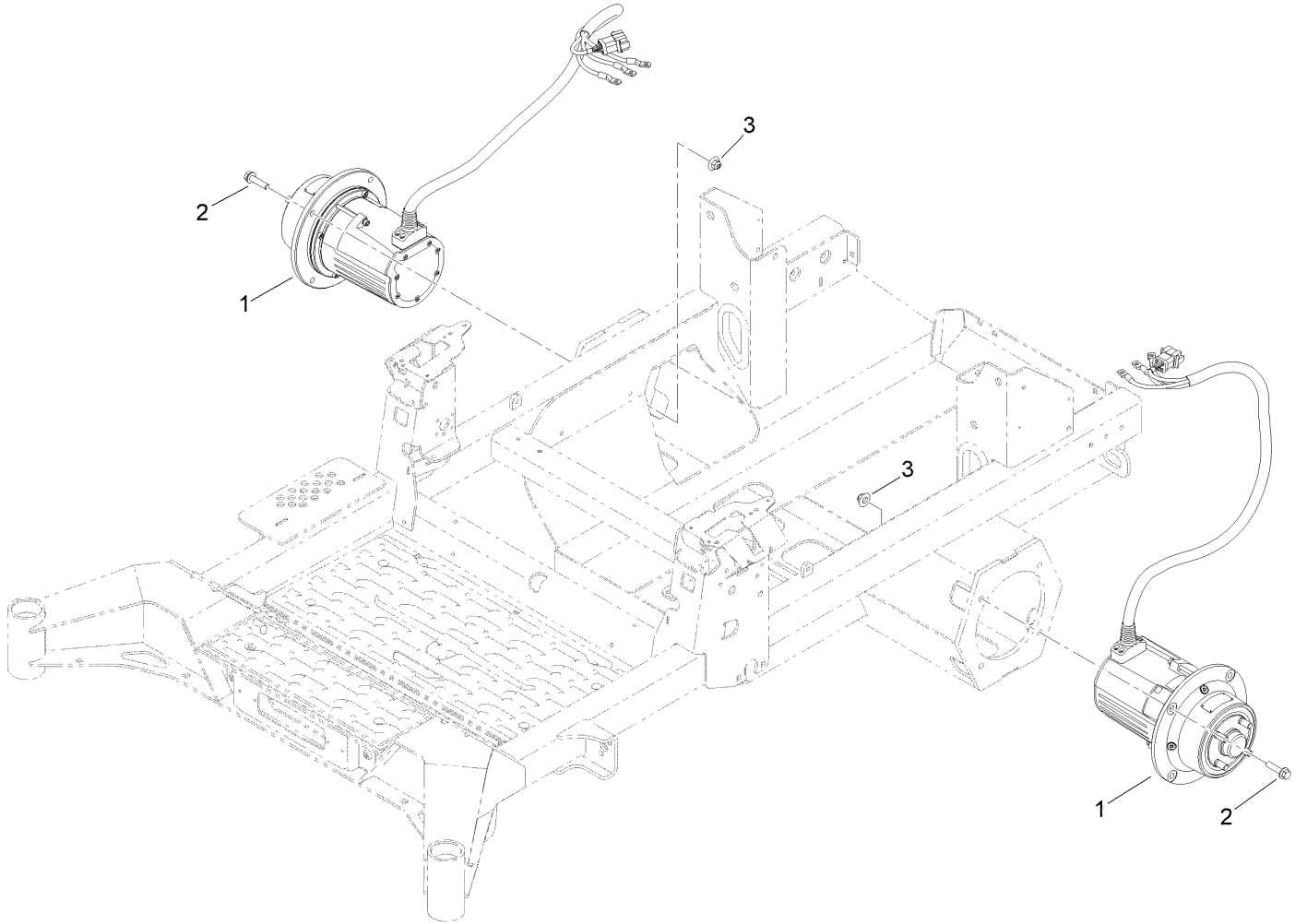


Roll-Over Protection System Assembly No. 161-3495 (continued)

<i>Ref.</i>	<i>Part Number</i>	<i>Qty.</i>	<i>Description</i>	<i>Ref.</i>	<i>Part Number</i>	<i>Qty.</i>	<i>Description</i>
1		1	Upper ROPS ASM ●	5	99-5107	6	Nut-HF Nylock
1:2	107-3069	1	Decal-Warning	6	109-5337	2	Bumper-ROPS
2		1	ROPS-Lower ●	7	109-9505	4	Washer-Spring
3	119-4164	2	Washer-Wave	8	325-13	4	Screw-HH
4	126-9209	2	Bolt-Shoulder	9	161-4477	2	ROPS Pin ASM

● Not serviced separately

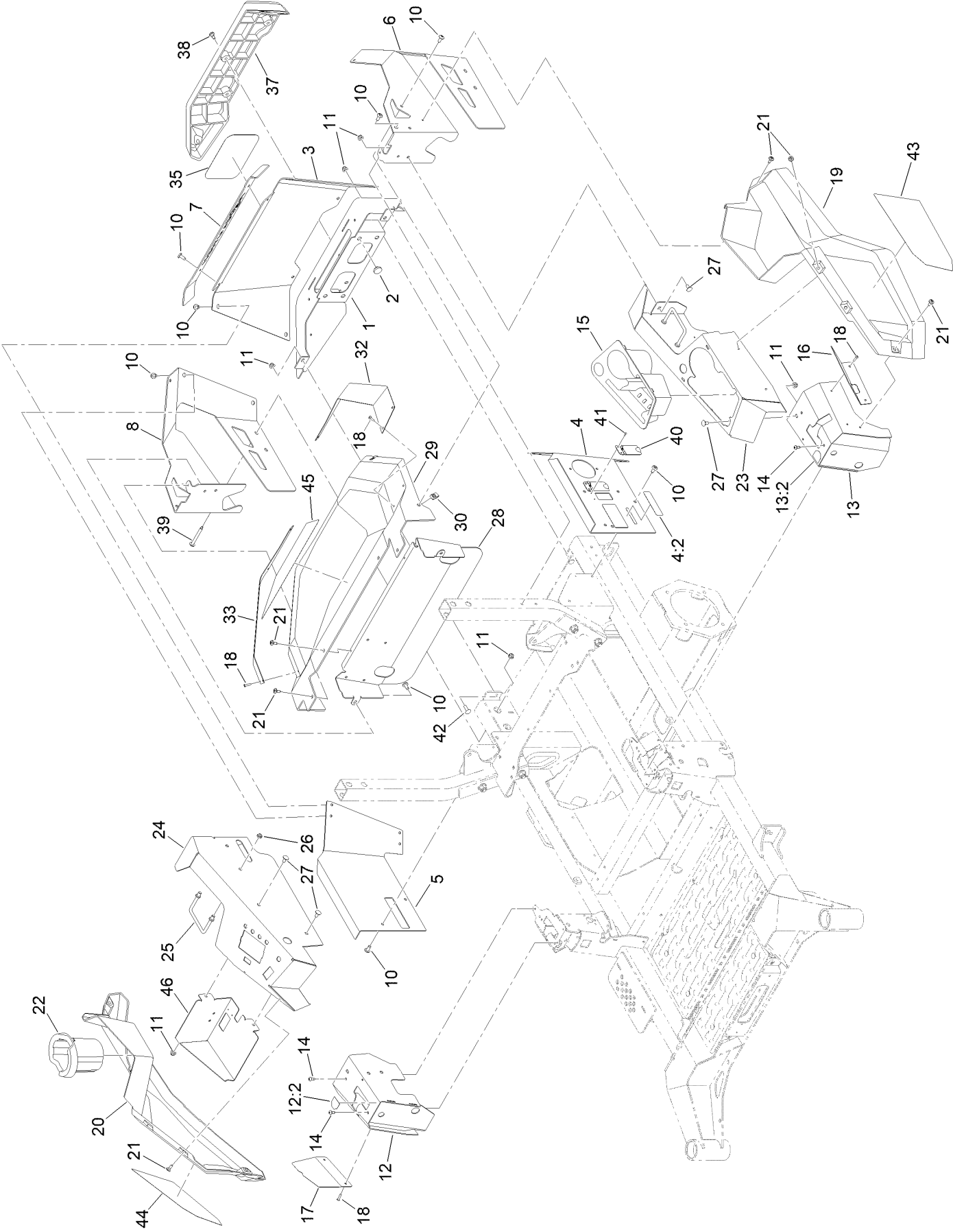
Drive Assembly



Drive Assembly (continued)

<i>Ref.</i>	<i>Part Number</i>	<i>Qty.</i>	<i>Description</i>
1	147-6261	1	Motor/Gearbox ASM
2	114-4681	8	Screw-HHF
3	109-6658	8	Nut-Flange, NI

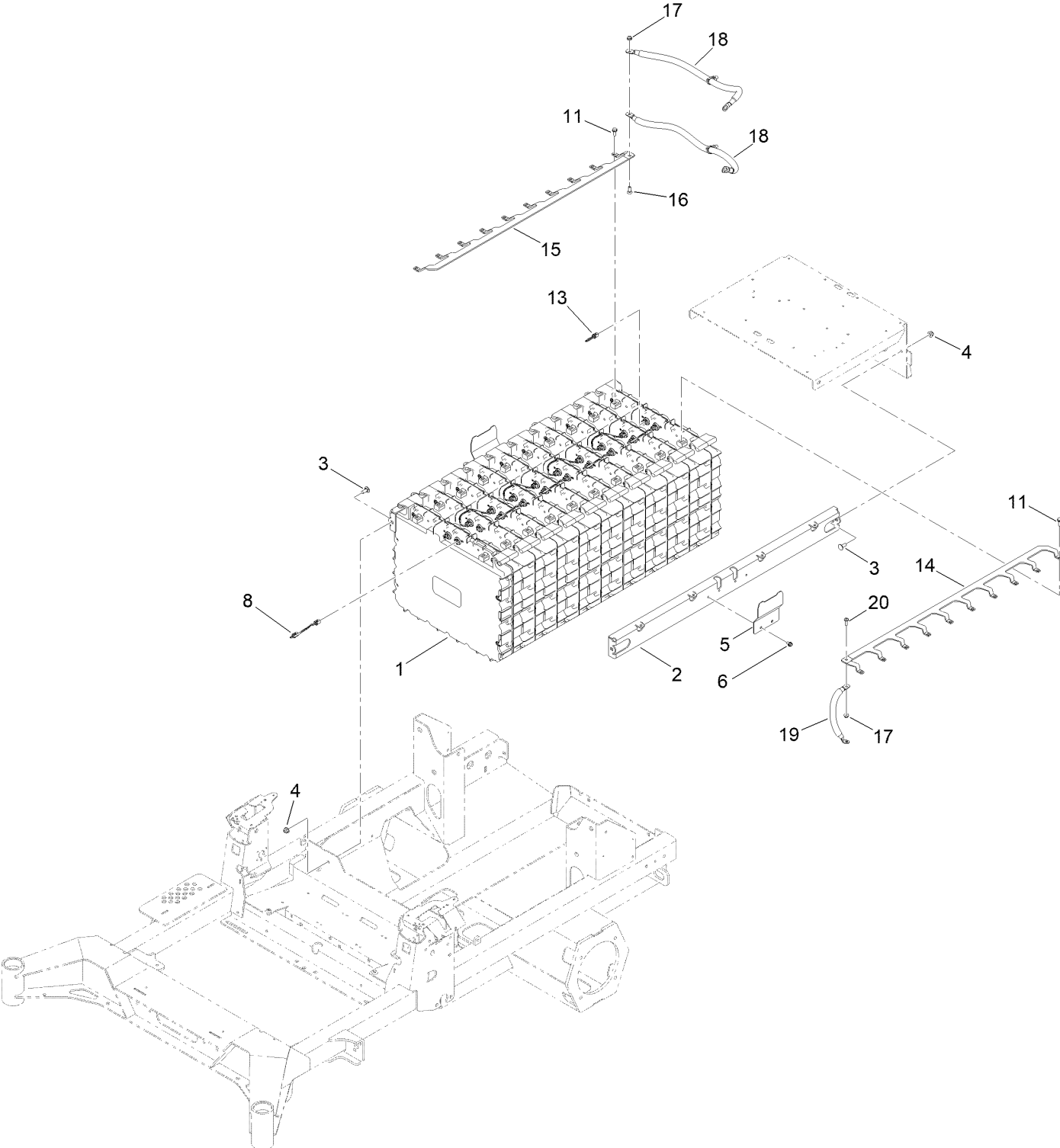
Guards Assembly



Guards Assembly (continued)

<i>Ref.</i>	<i>Part Number</i>	<i>Qty.</i>	<i>Description</i>	<i>Ref.</i>	<i>Part Number</i>	<i>Qty.</i>	<i>Description</i>
1	144-6621-01	1	Guard-Rear	22	140-8019	1	Cupholder-RH
2	135-0505	4	Bumper-Seat	23	145-1287-01	1	Console-LH
3	144-6608	1	Plate-Rear, Upper	24	147-7810-01	1	Console-RH
4	147-4637	1	LH Rear Guard ASM	25	144-2642	2	Rod-Support, Pod
4:2	144-7008	1	Decal-Service, Shut-Off	26	3296-59	4	Nut-Lock, NI
5	147-1608-03	1	Guard-Rear, RH	27	3230-18	6	Screw-CARR
6	144-6624-01	1	Guard-Rear, LH	28	147-1627-03	1	Plate-Cover, Component
7	145-5704-01	1	Guard-Rear, Top	29	145-1253	1	Cover-Rear
8	144-6612-01	1	Guard-Rear, RH	30	112-3306	4	Nut
10	138-9753	26	Screw	32	145-1254	1	Plate-Rear, LH
11	104-8300	14	Nut-HF, NI	33	145-1255	1	Plate-Rear, RH
12	145-1316	1	RH Cover ASM	35	145-1978	1	Decal-Logo, Silver
12:2	139-2394	1	Decal-Control Lever, RH	37	144-6622	1	Bumper-Rear
13	145-1319	1	LH Cover ASM	38	135-2015	5	Screw-Shoulder
13:2	139-2395	1	Decal-Control Lever, LH	39	126-6267	4	Screw-TTH
14	87-6620	4	Screw-Tph Thd Form	40	144-6628	2	Plate-Cover, Spring
15	140-7968	1	Cup Holder	41	923786	4	Rivet
16	140-7996-03	1	Plate-Cover, LH Front	42	3230-22	2	Screw-CARR
17	140-7998-03	1	Plate-Cover, RH Front	43	145-1974	1	Decal-Pod, LH
18	130-8451	12	Rivet-Trifold	44	145-1975	1	Decal-Pod, RH
19	144-2666	1	Side Pod, LH	45	147-7817	1	Decal-Hypercell
20	140-7980	1	Side Pod, RH	46	147-7781-01	1	Plate-Cover, Electrical
21	120-7950	12	Screw-Torx				

Battery Assembly

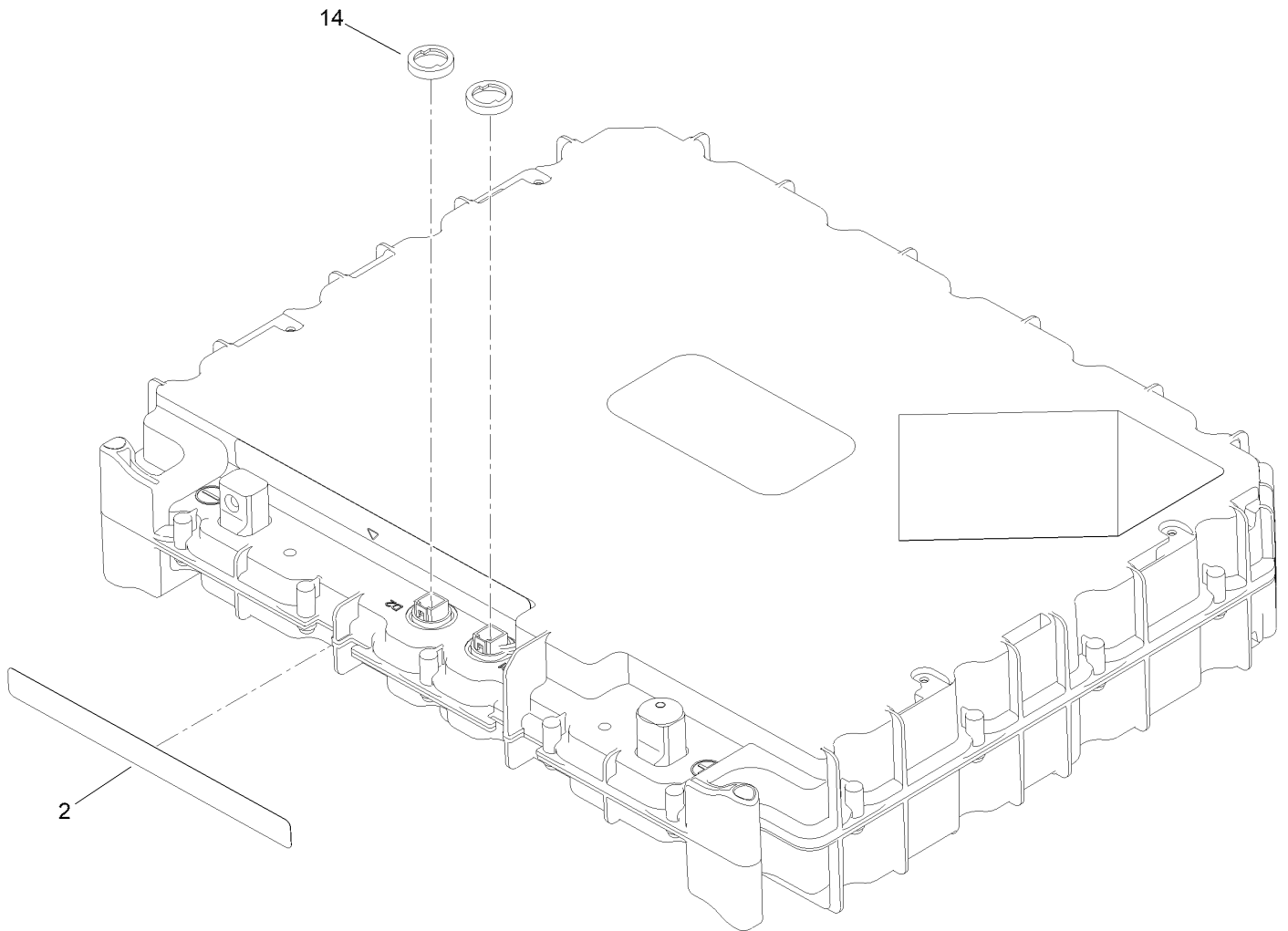


Battery Assembly (continued)

<i>Ref.</i>	<i>Part Number</i>	<i>Qty.</i>	<i>Description</i>	<i>Ref.</i>	<i>Part Number</i>	<i>Qty.</i>	<i>Description</i>
1	145-5320	10	Battery ASM	16	1-807512	1	Bolt-CARR
2	147-7809-03	2	Plate-Retainer	17	104-7201	2	Nut-HF, NI
3	3230-23	4	Bolt-CARR	18	147-4560	2	Cable-Battery, Rd ASM
4	104-8300	4	Nut-HF, NI	19	147-4570	1	Cable-Battery, Bk ASM
5	147-7773-03	2	Plate-Cover	20	138-0689	1	Screw-PH
6	99-8445	4	Screw-HWH	99	147-7790	1	Charger-Rc1200, 1200W ●
8	140-9565	9	Harness-Wire, Data Interface	99	147-7791	1	Adapter, AC, 250V/10A, EU To Uk ●
11	145-5783	20	Screw-Sems	99	147-7792	1	Adapter, AC, 250V/10A, EU To Australia ●
13	122-2323	1	Harness-Wire, Can Terminator	99:1	147-6297	1	Cord-AC, 120V ●
14	147-1666	1	Busbar-10, Bk	99:2	147-0227	1	Cable, DC-Hypercell ●
15	147-1632	1	Busbar-10, Rd				

● Not illustrated

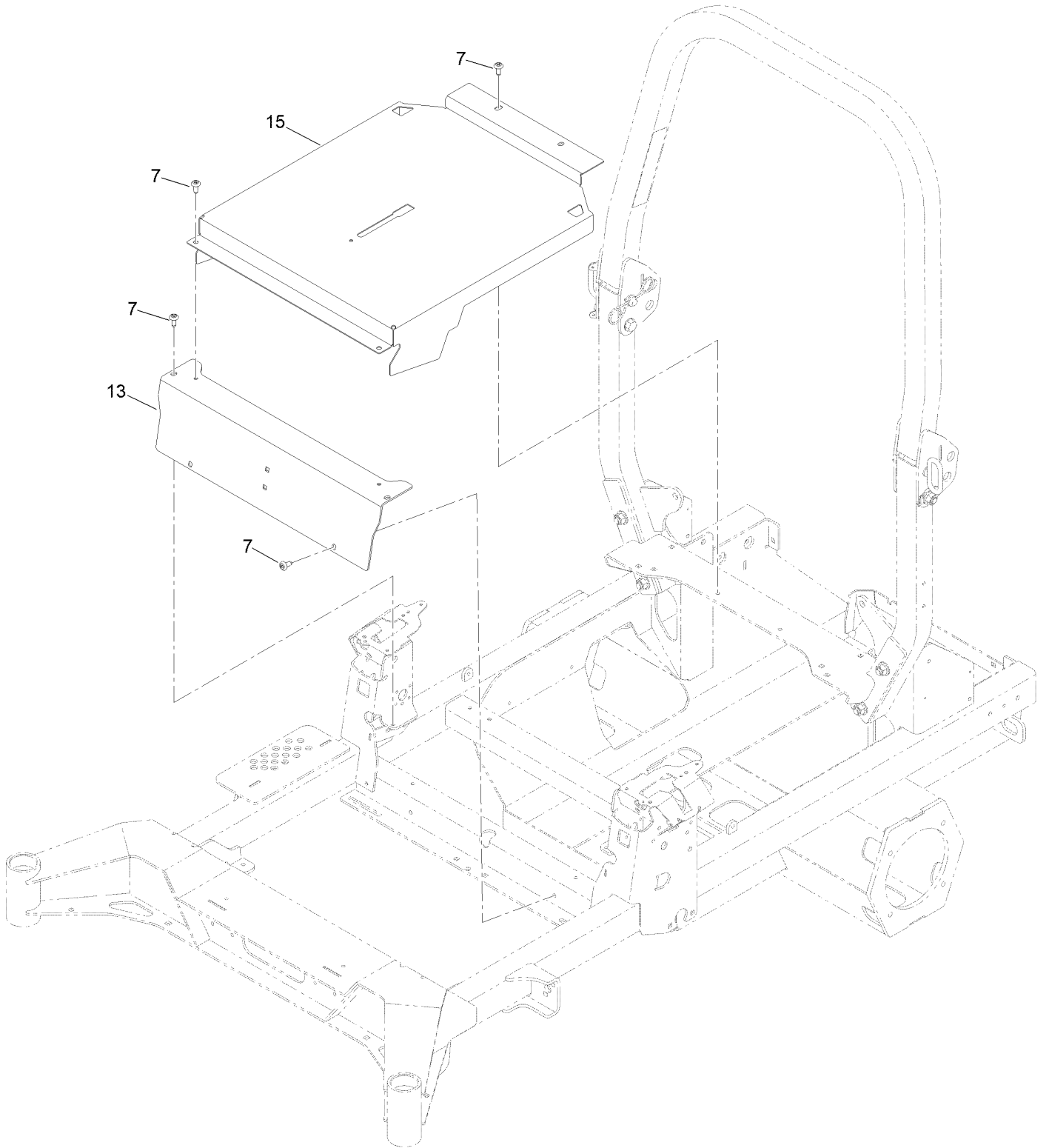
Battery Assembly No. 145-5320



Battery Assembly No. 145-5320 (continued)

<i>Ref.</i>	<i>Part Number</i>	<i>Qty.</i>	<i>Description</i>
2	145-5338	1	Decal-Warning, Battery
14	32180-466	2	Nut-Mounting, Jwpf Panel Lock

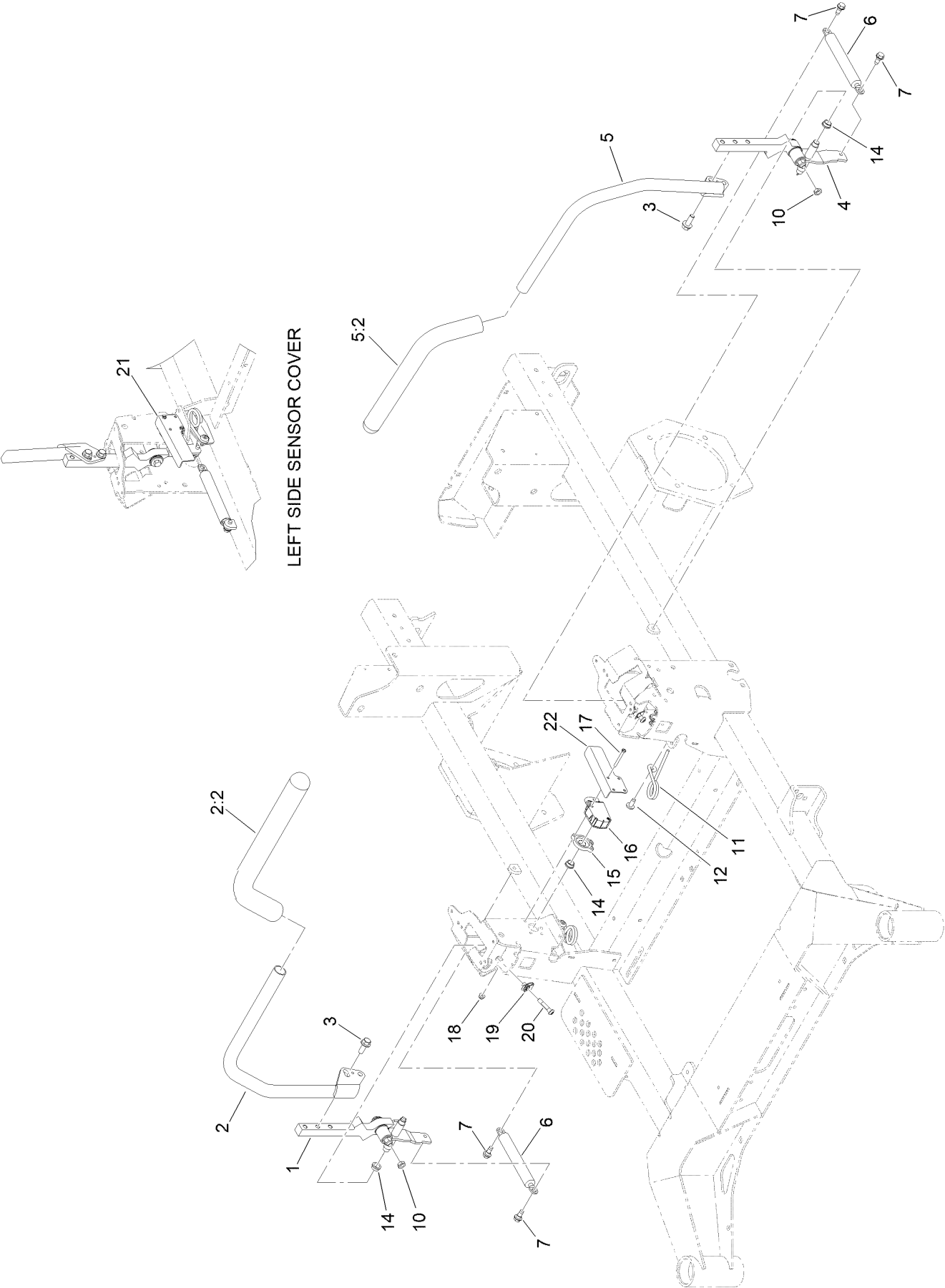
Seat Mount Assembly



Seat Mount Assembly (continued)

<i>Ref.</i>	<i>Part Number</i>	<i>Qty.</i>	<i>Description</i>
7	138-9753	8	Screw
13	147-7811-03	1	Plate-Shock, Front
15	147-7782-03	1	Plate-Cover, Batteries

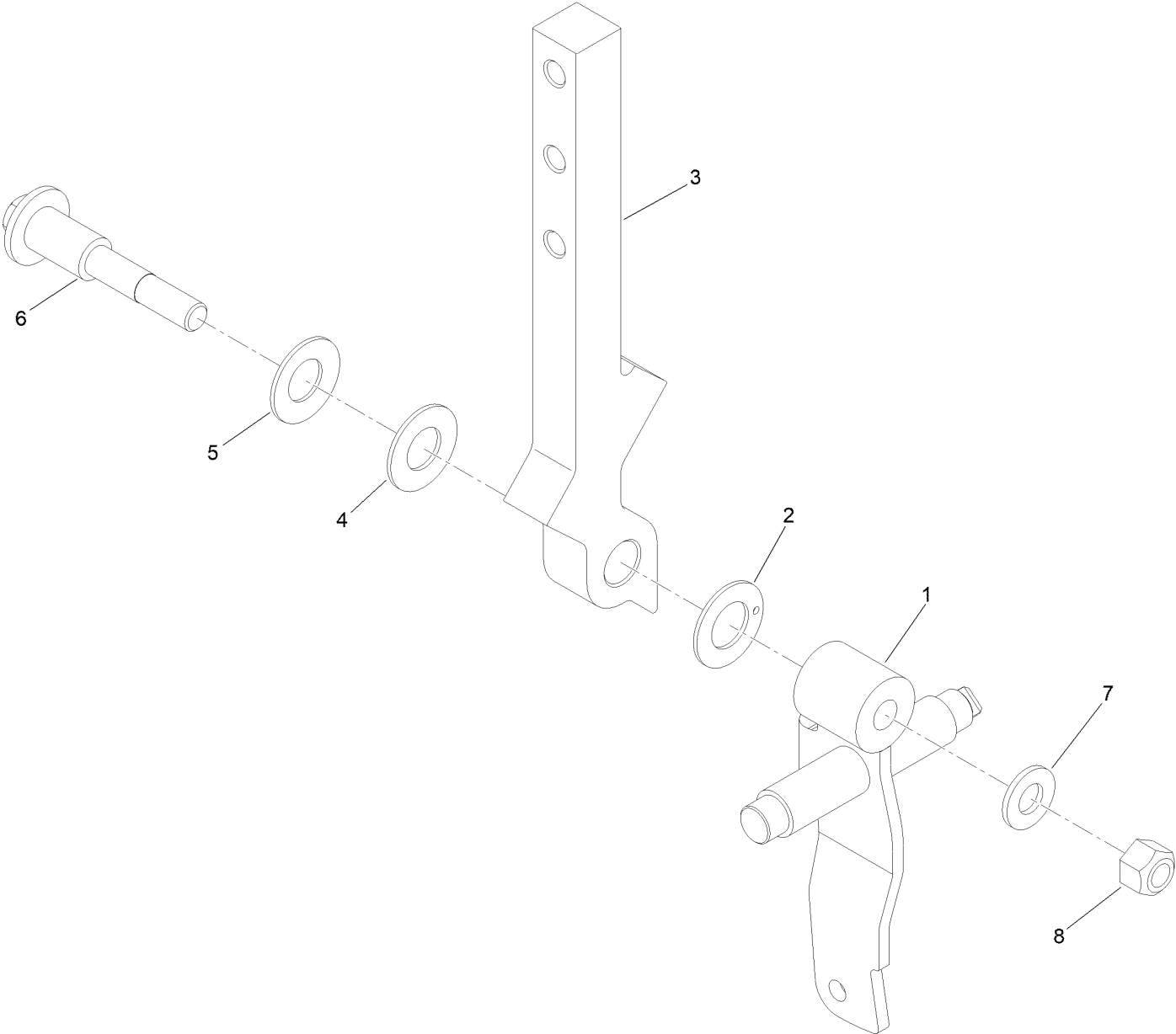
Motion Control and Parking Brake Assembly



Motion Control and Parking Brake Assembly (continued)

<i>Ref.</i>	<i>Part Number</i>	<i>Qty.</i>	<i>Description</i>	<i>Ref.</i>	<i>Part Number</i>	<i>Qty.</i>	<i>Description</i>
1	145-1325	1	RH Motion Control ASM	12	138-9753	2	Screw
2	147-2390	1	RH Handle ASM	14	256-156	4	Bushing-Flange
2:2	109-5668	1	Grip-Lever, Control	15	140-5028	2	Spacer-Sensor
3	3234-42	4	Screw-HHF	16	122-0917	2	Sensor-Position
4	145-1326	1	LH Motion Control ASM	17	3290-424	4	Screw-SHH
5	147-2391	1	LH Handle ASM	18	135-6342	4	Nut-Hex Flange
5:2	109-5668	1	Grip-Lever, Control	19	112-3306	2	Nut
6	142-6851	2	Damper	20	126-4299	2	Screw-HSBH
7	126-4424	4	Screw-Shoulder	21	147-7778-03	1	Plate-Cover, Sensor LH
10	3218-3	2	Nut-Jam	22	147-7779-03	1	Plate-Cover, Sensor RH
11	138-7539	2	Spring-Torsion				

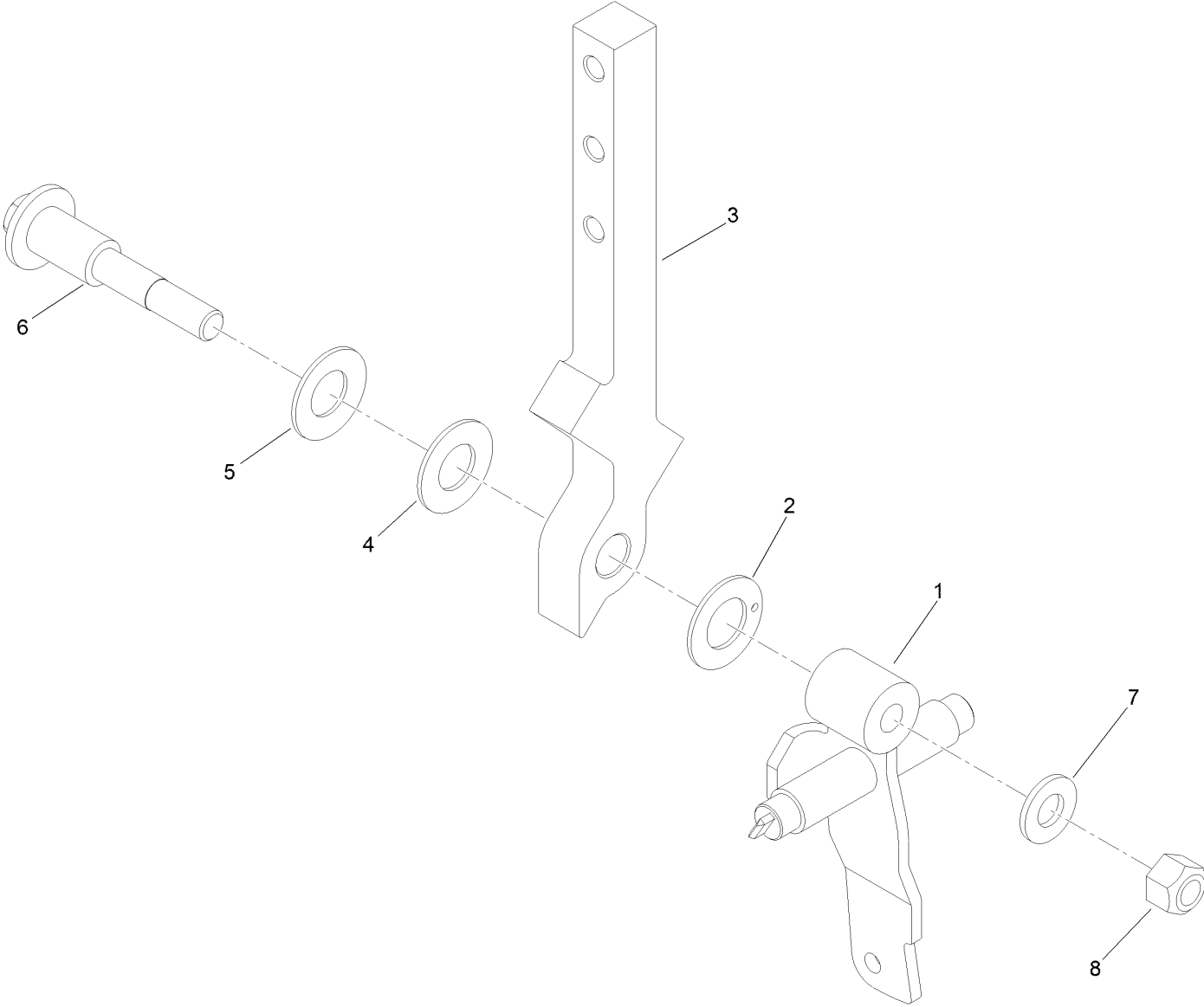
Right Motion Control Assembly No. 145-1325



Right Motion Control Assembly No. 145-1325 (continued)

<i>Ref.</i>	<i>Part Number</i>	<i>Qty.</i>	<i>Description</i>	<i>Ref.</i>	<i>Part Number</i>	<i>Qty.</i>	<i>Description</i>
1	145-1323	1	RH Ctrl Arm ASM	5	119-8925	1	Washer-Belleville
2	126-7296	1	Washer-Friction	6	117-1198	1	Bolt-Pivot
3	147-2389	1	Arm-Control	7	3256-24	1	Washer-Plain
4	117-1240	1	Washer	8	32152-2	1	Nut-Lock, Cone

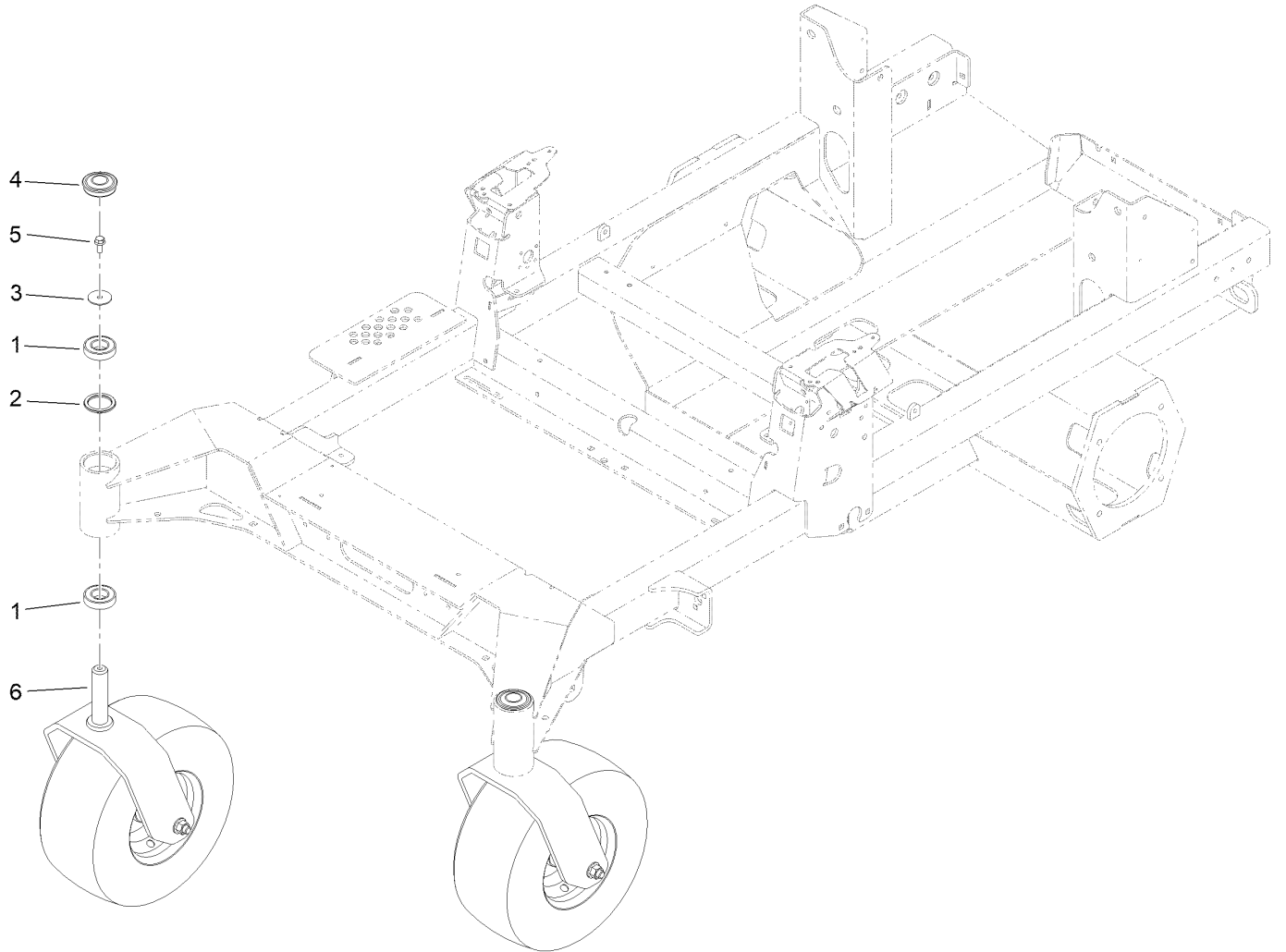
Left Motion Control Assembly No. 145-1326



Left Motion Control Assembly No. 145-1326 (continued)

<i>Ref.</i>	<i>Part Number</i>	<i>Qty.</i>	<i>Description</i>	<i>Ref.</i>	<i>Part Number</i>	<i>Qty.</i>	<i>Description</i>
1	145-1320	1	LH Ctrl Arm ASM	5	119-8925	1	Washer-Belleville
2	126-7296	1	Washer-Friction	6	117-1198	1	Bolt-Pivot
3	147-2389	1	Arm-Control	7	3256-24	1	Washer-Plain
4	117-1240	1	Washer	8	32152-2	1	Nut-Lock, Cone

Front Caster Wheel Assembly

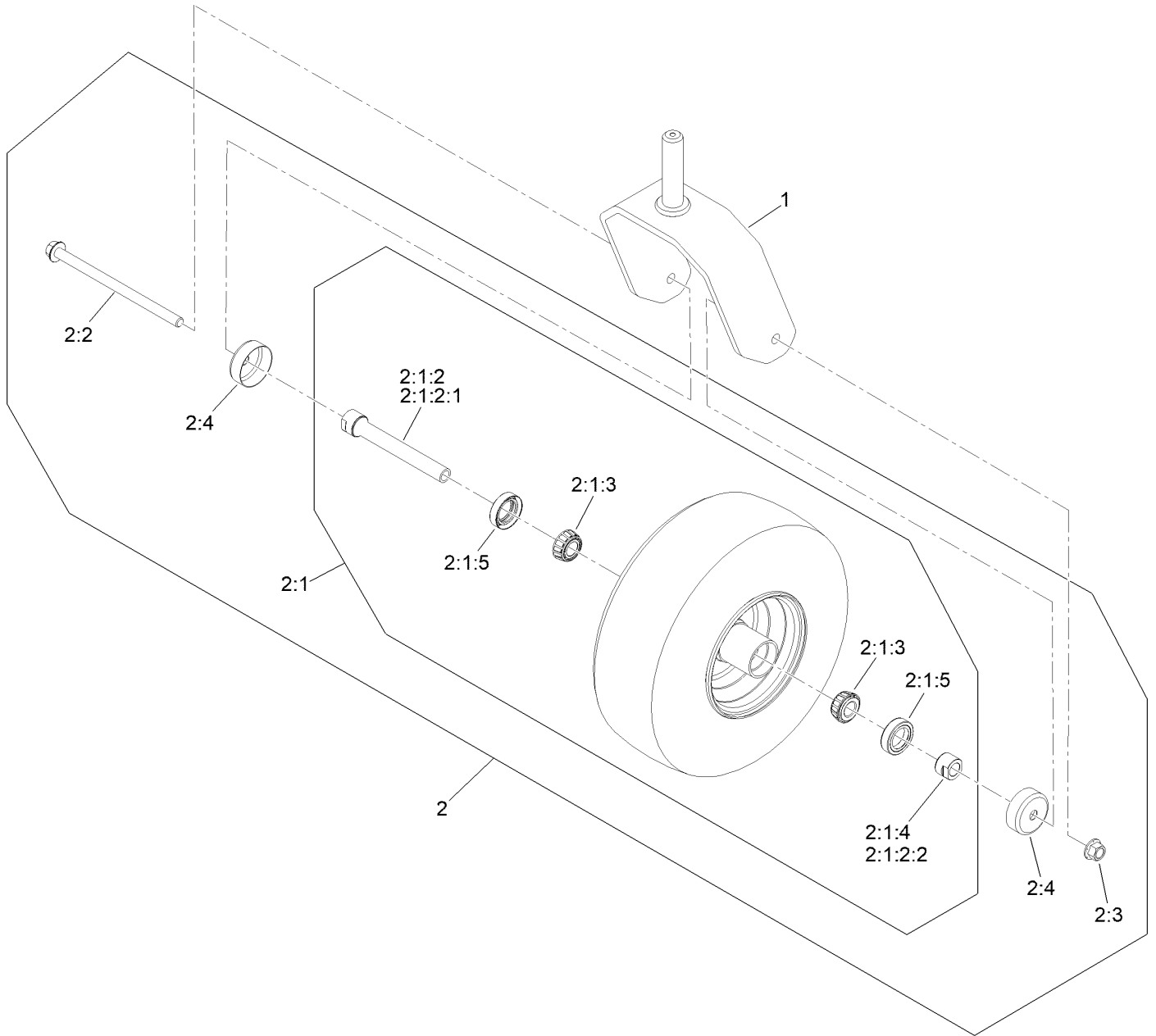


Front Caster Wheel Assembly (continued)

<i>Ref.</i>	<i>Part Number</i>	<i>Qty.</i>	<i>Description</i>	<i>Ref.</i>	<i>Part Number</i>	<i>Qty.</i>	<i>Description</i>
1	109-3678	4	Bearing-Ball	4	144-0375	2	Cap, Grease
2	145-3660	2	Spacer-Bearing	5	100-1668	2	Screw-HHF
3	3256-68	2	Washer-Flat	6		2	Front Caster W/ Fork ASM ●

● Not serviced separately

Caster and Wheel Assembly

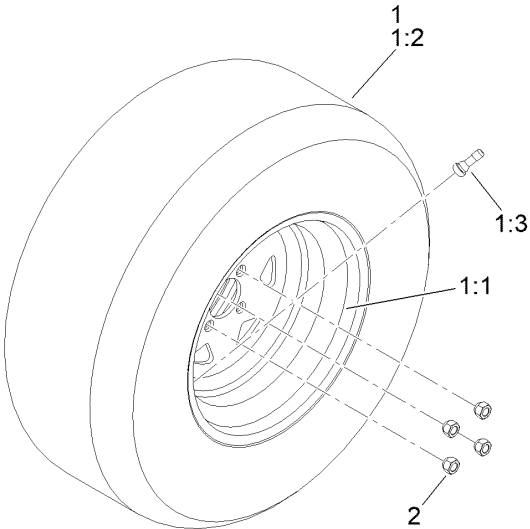
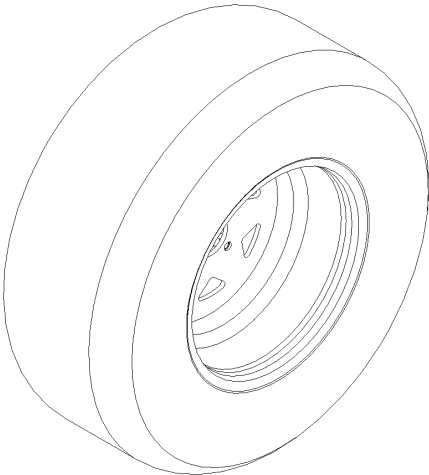


Caster and Wheel Assembly (continued)

<i>Ref.</i>	<i>Part Number</i>	<i>Qty.</i>	<i>Description</i>	<i>Ref.</i>	<i>Part Number</i>	<i>Qty.</i>	<i>Description</i>
1	142-7827-01	1	Fork-Caster	2:1:3	1-633585	2	Bearing-Cone, Taper
2	140-4896	1	Semi Pneumatic ASM	2:1:4	103-3051	1	Spacer-Nut
			13X6.50-6	2:1:5	103-0063	2	Seal-Caster
2:1		1	Wheel And Bearings ASM ●	2:2	126-5389	1	Screw-HHF
2:1:2	126-7796	1	Caster Axle ASM	2:3	99-5107	1	Nut-HF Nylock
2:1:2:1	126-5220	1	Axle-Caster	2:4	103-2768	2	Guard-Seal
2:1:2:2	103-3051	1	Spacer-Nut				

● Not serviced separately

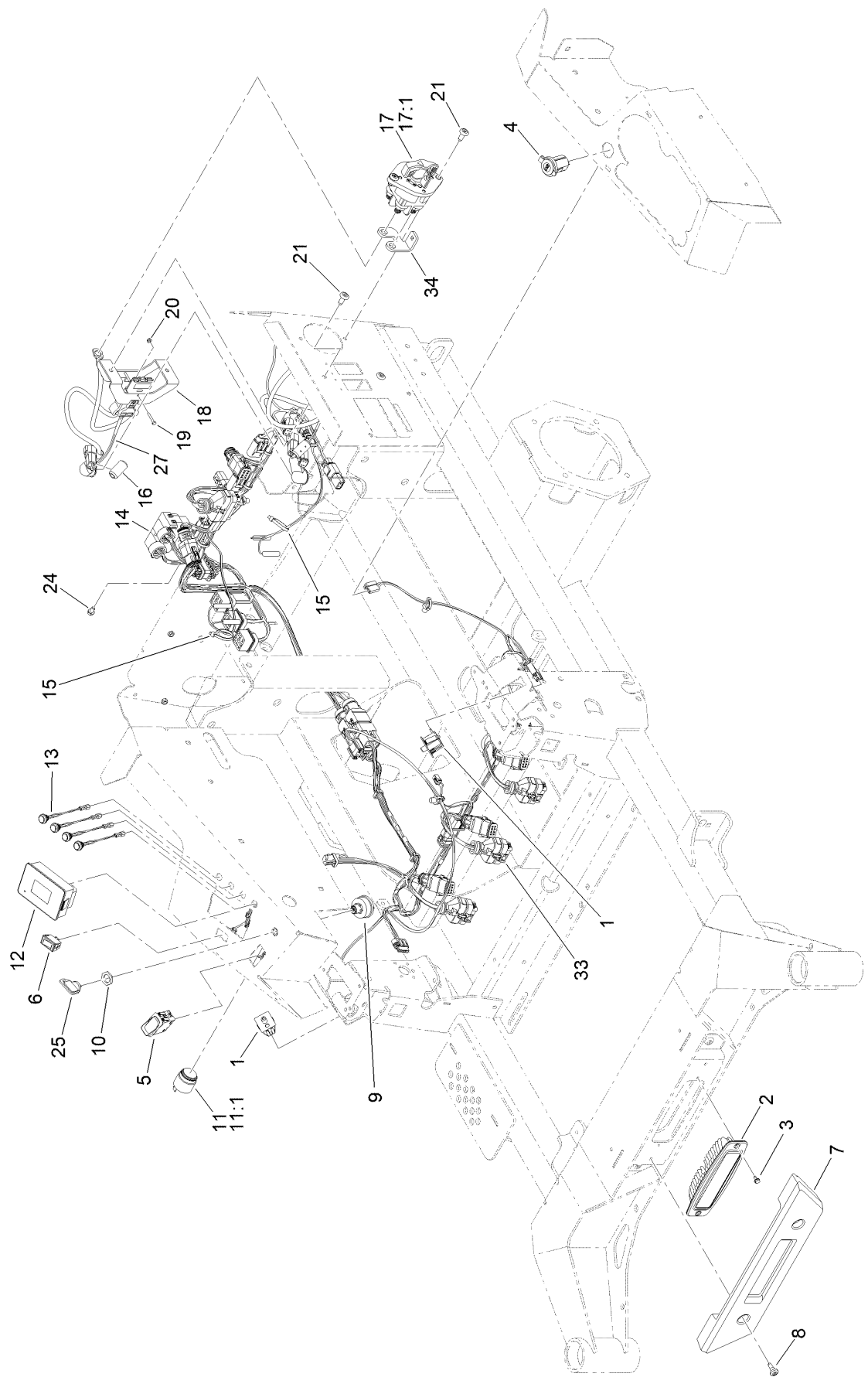
Rear Wheel Assembly



Rear Wheel Assembly (continued)

<i>Ref.</i>	<i>Part Number</i>	<i>Qty.</i>	<i>Description</i>	<i>Ref.</i>	<i>Part Number</i>	<i>Qty.</i>	<i>Description</i>
1	144-6632	2	Wheel And Tire ASM	1:3	232-27	1	Stem-Valve
1:1	145-1259	1	Wheel	2	242-35	8	Nut-Wheel
1:2	140-7974	1	Tire				

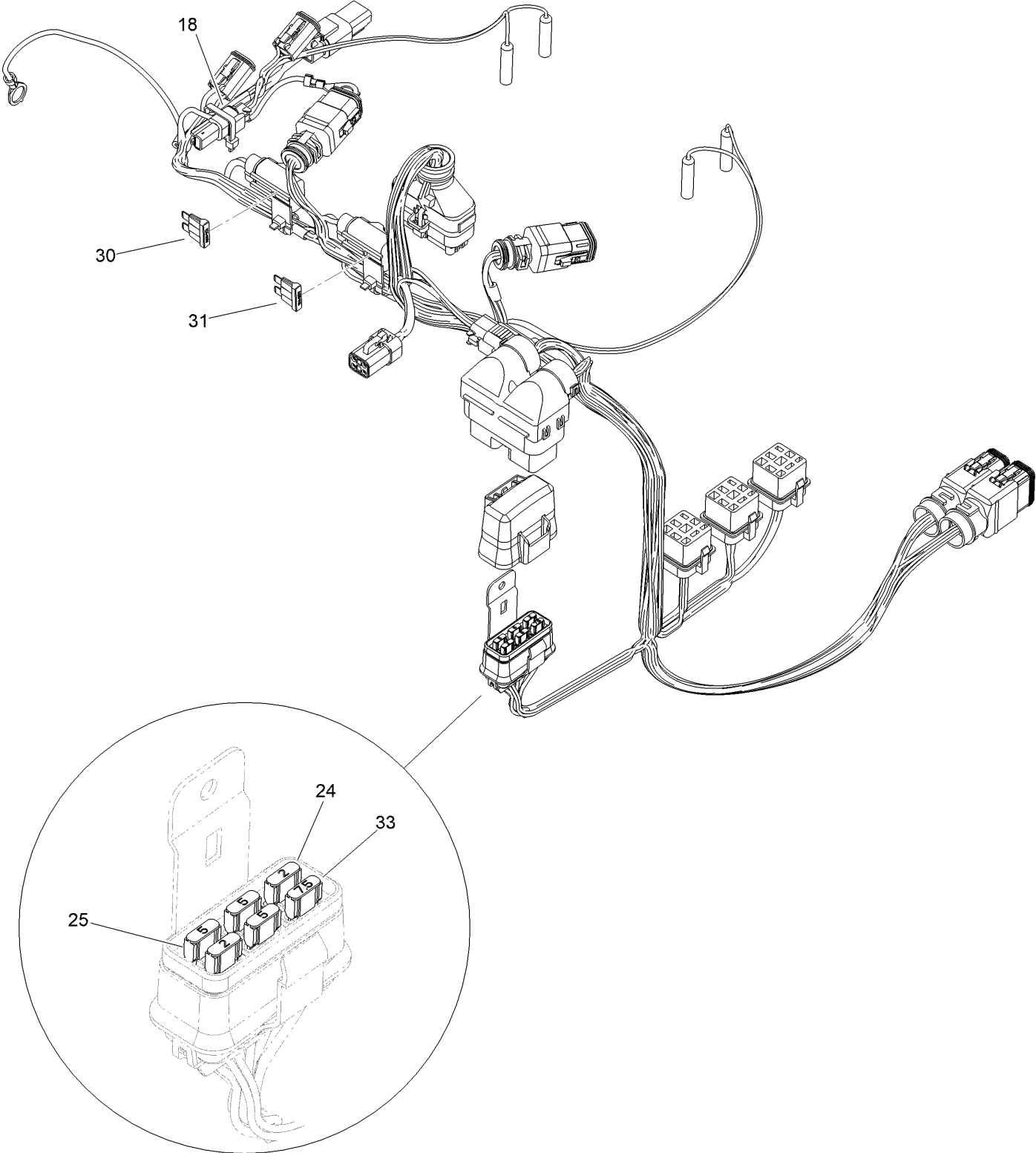
Electrical and Wire Harness Assembly



Electrical and Wire Harness Assembly (continued)

<i>Ref.</i>	<i>Part Number</i>	<i>Qty.</i>	<i>Description</i>	<i>Ref.</i>	<i>Part Number</i>	<i>Qty.</i>	<i>Description</i>
1	145-3520	2	Switch-Plunger, On-(On)	14	144-2673	1	Harness-Wire, Main
2	139-8089	1	Light - Flush Mount	15	3290-378	2	Tie-Cable
3	104-2065	2	Screw-HWH	16	139-7720	1	Ferrite, Snap-On
4	140-7955	1	Port-Power, USB	17	122-0603	1	Switch-Disconnect
5	139-6368	1	Switch-Rocker, On-None-On	17:1	33006-00	1	Nut-HF
6	92-8875	1	Switch-Rocker	18	145-3597-03	1	Bracket-Charger, Dual
7	140-4993	1	Bumper-Front	19	32105-9	1	Screw-HH
8	135-2015	2	Screw-Shoulder	20	3296-9	1	Nut-Hex
9	139-7716	1	Switch-Key, Spst	21	138-9753	4	Screw
10	101884	1	Nut	24	99-8445	1	Screw-HWH
11	80-9330	1	Audio Alarm ASM	25	63-8360	1	Key-Ignition
11:1	104-5107	1	Nut-Plastic, Knurled	27	145-4800	1	Harness-Wire, Charger Port
12	122-1201	1	Module-Display	33	145-4807	1	Harness-Wire, Deck
13	136-9678	4	Switch-Pushbutton	34	147-0370	1	Busbar-2, Switch

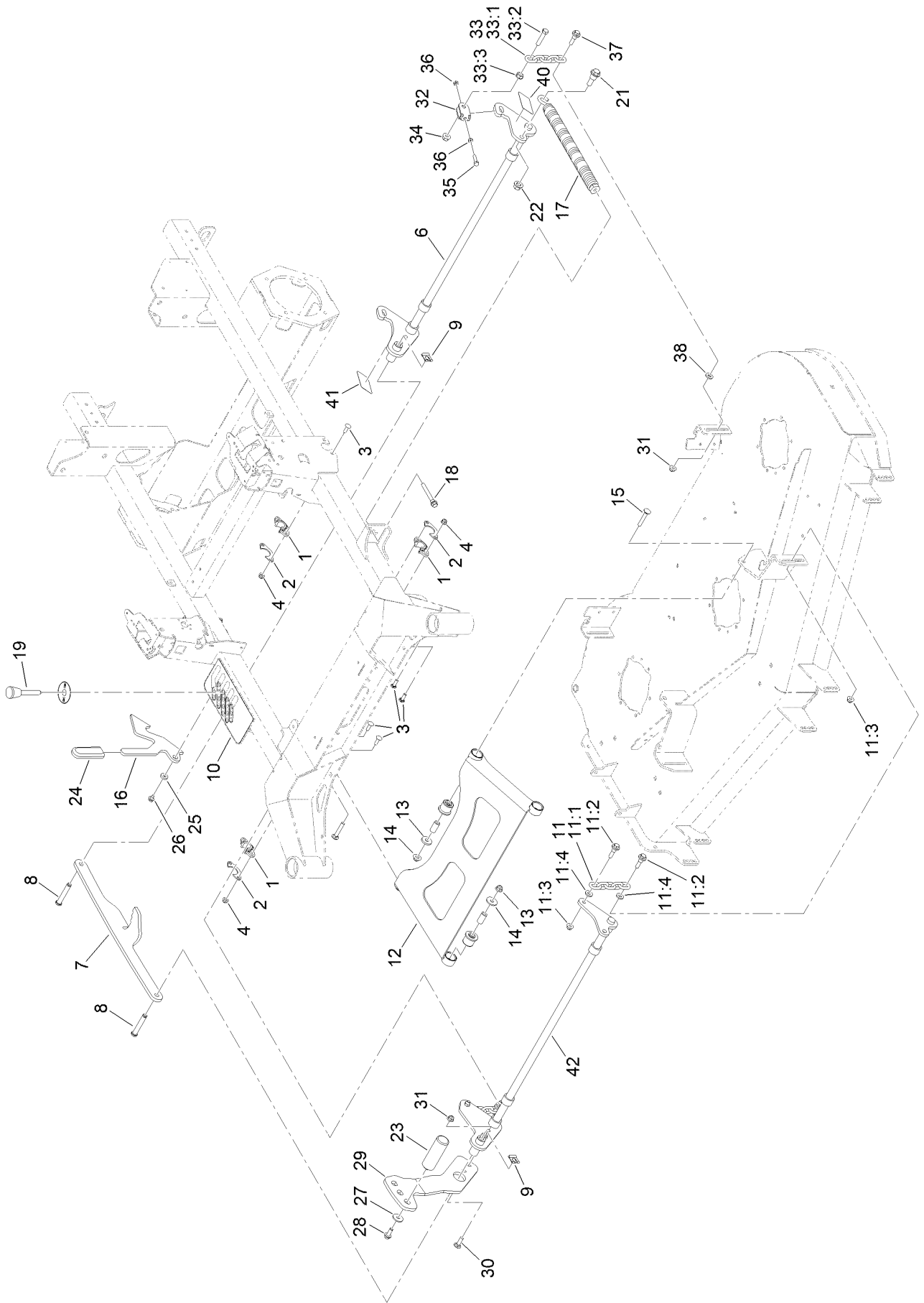
Wire Harness Assembly No. 144-2673



Wire Harness Assembly No. 144-2673 (continued)

<i>Ref.</i>	<i>Part Number</i>	<i>Qty.</i>	<i>Description</i>	<i>Ref.</i>	<i>Part Number</i>	<i>Qty.</i>	<i>Description</i>
18	32180-282	1	Conn, Res, 120 Ohm	30	117-4724	1	Fuse-Blade, 10A
24	121-8861	2	Fuse-Mini Blade, 2 Amp	31	117-4725	1	Fuse-Blade, 15A
25	121-8864	3	Fuse-Mini Blade, 5 Amp	33	121-8865	1	Fuse-Mini Blade, 7.5 Amp

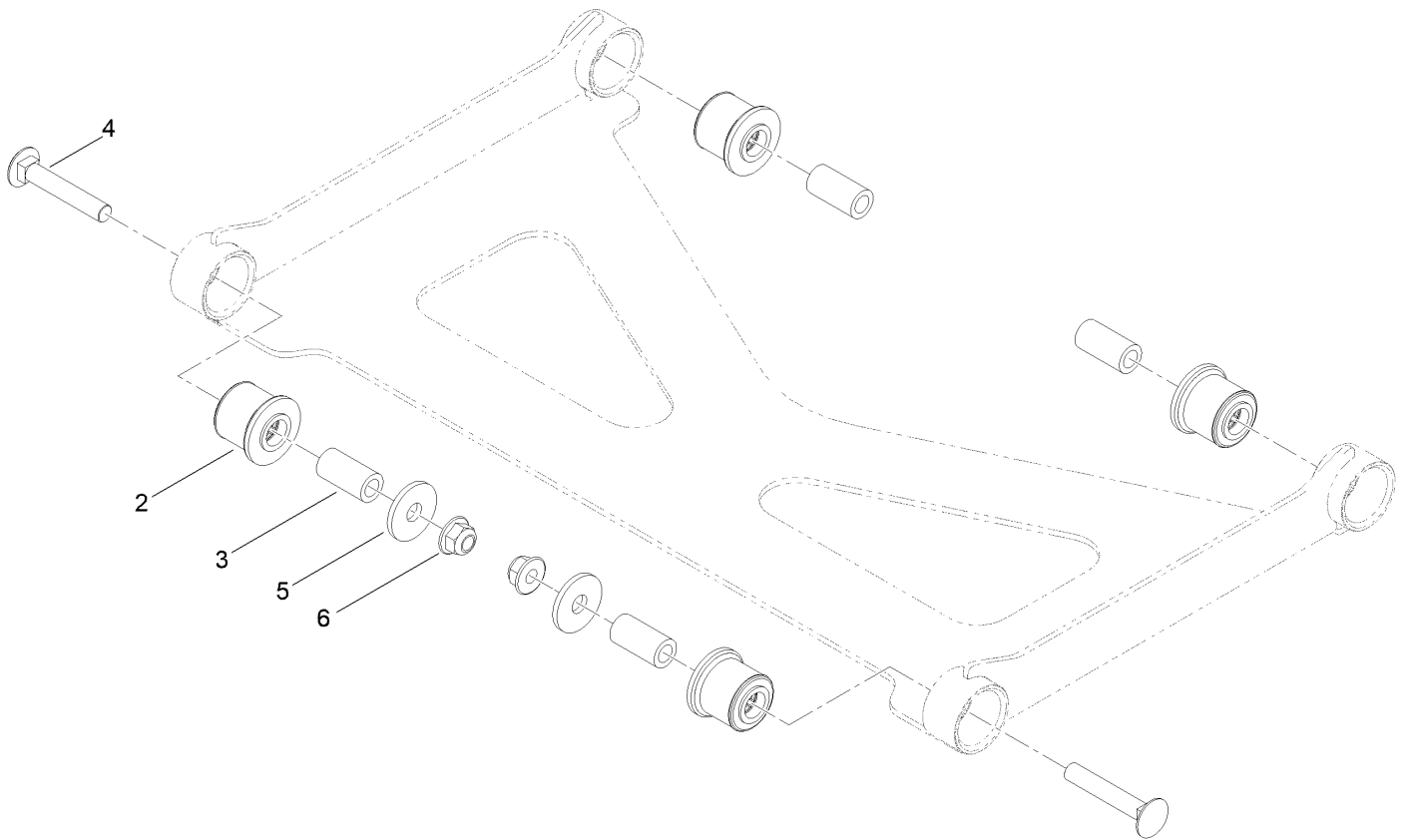
Deck Lift Assembly



Deck Lift Assembly (continued)

<i>Ref.</i>	<i>Part Number</i>	<i>Qty.</i>	<i>Description</i>	<i>Ref.</i>	<i>Part Number</i>	<i>Qty.</i>	<i>Description</i>
1	139-5872	4	Bearing-Flange	22	99-5107	1	Nut-HF Nylock
2	116-2887	4	Gusset-Lift, Deck	23	140-4959	1	Pedal-Foot Lift
3	3230-22	8	Screw-CARR	24	132-4749	1	Grip-Lever
4	104-8300	8	Nut-HF, NI	25	104-7658	1	Spacer
6	145-1951-03	1	Adj Deck Lift Shaft ASM	26	9266934	1	Screw
7	126-4639-03	1	Link-HOC	27	2844	1	Washer
8	126-9181	2	Pin-Clevis	28	3234-42	1	Screw-HHF
9	138-8491	2	Clip-Pin	29	144-2699-03	1	Arm-Deck Lift
10	140-4927	1	Decal-HOC, MM	30	3231-25	2	Bolt-CARR
11	126-8877	2	Deck Chain ASM	31	104-8301	4	Nut-HF, NI
11:1	1-633447	1	Chain-Lift, Deck	32	109-9066	2	Yoke-Adjust, Deck
11:2	130-0742	2	Bolt-Shoulder	33	116-0756	2	Deck Lift Chain ASM
11:3	104-8301	2	Nut-HF, NI	33:1	1-633447	1	Chain-Lift, Deck
11:4	43-0940	2	Spacer	33:2	109-9065	1	Screw-HH
12	140-1179	1	Deck Strut W/ Bushings ASM	33:3	32128-37	1	Nut-HF
13	1-373034	2	Washer	34	114-8417	2	Nut-HF, NI
14	109-6658	2	Nut-Flange, NI	35	322-47	2	Screw-HH
15	3231-7	2	Screw-CARR	36	3218-2	4	Nut-Hex Jam
16	140-1249	1	Plate-Transport Lock	37	130-0742	2	Bolt-Shoulder
17	116-0886	1	Spring-Extension	38	43-0940	2	Spacer
18	92-7674	1	Bolt-Shoulder	40	145-1972	1	Decal-Rake, LH
19	126-5401	1	Pin-HOC	41	145-1973	1	Decal-Rake, RH
21	116-0780	1	Screw-Shoulder, HHF	42	140-4975-03	1	Shaft-Lift, Deck

Deck Strut Assembly No. 140-1179

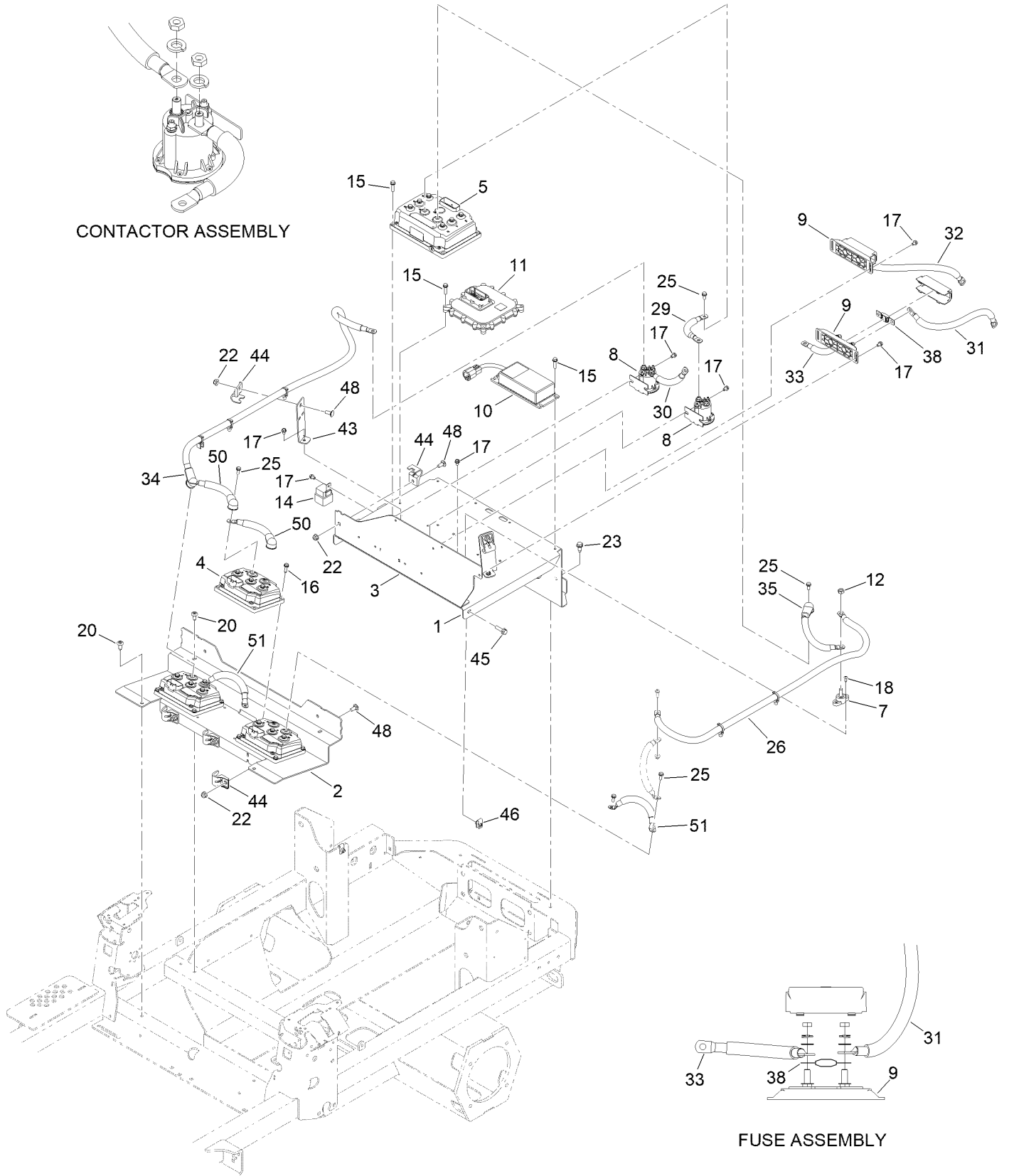


Deck Strut Assembly No. 140-1179 (continued)

<i>Ref.</i>	<i>Part Number</i>	<i>Qty.</i>	<i>Description</i>	<i>Ref.</i>	<i>Part Number</i>	<i>Qty.</i>	<i>Description</i>
2	126-8360	4	Bushing-Rubber, Suspension	4	3231-7	2	Screw-CARR
3	108-6544	4	Spacer	5	2844	2	Washer
				6	104-8301	2	Nut-HF, NI

Electrical Components Assembly

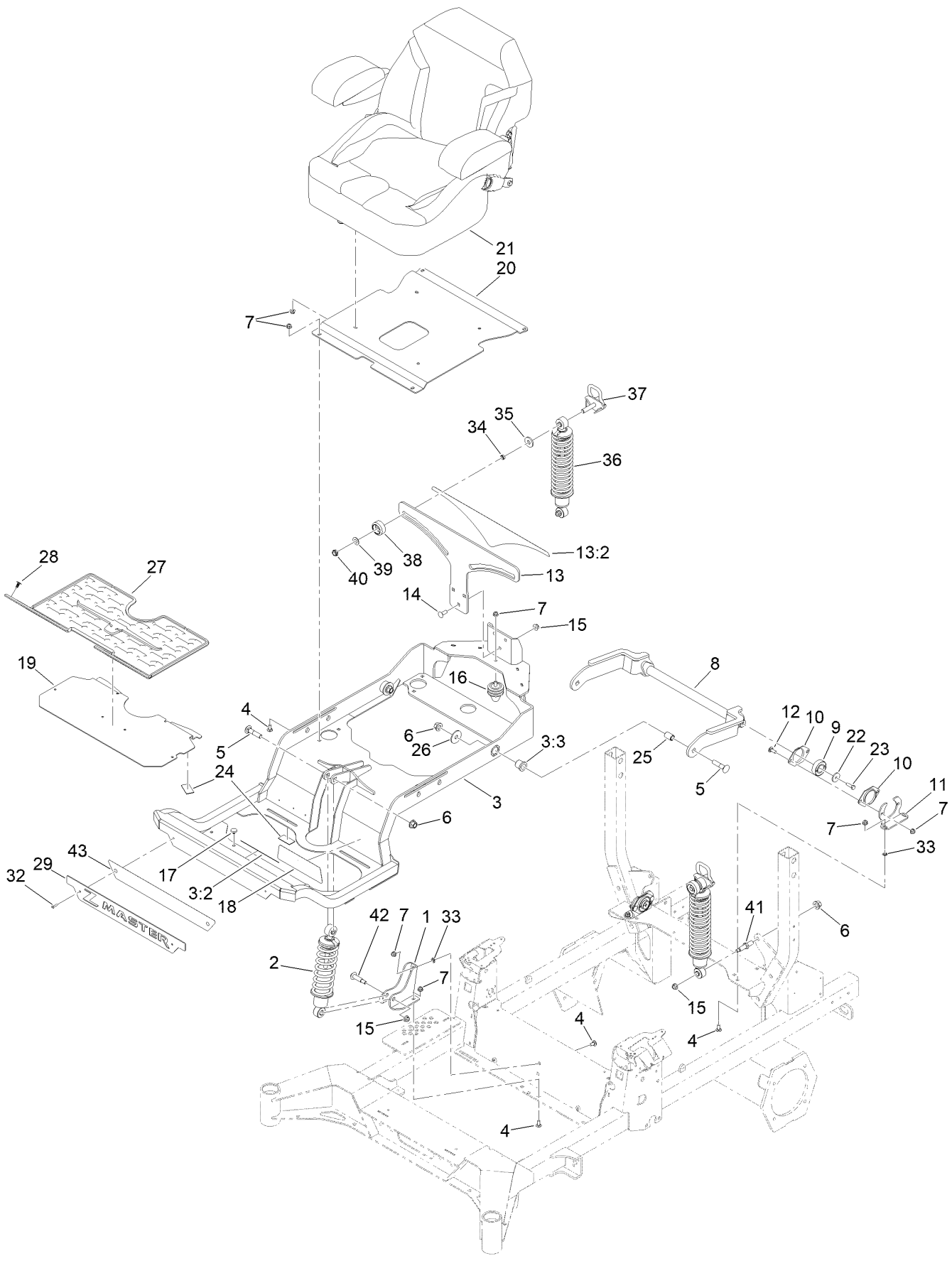
CONTACTOR ASSEMBLY



Electrical Components Assembly (continued)

<i>Ref.</i>	<i>Part Number</i>	<i>Qty.</i>	<i>Description</i>	<i>Ref.</i>	<i>Part Number</i>	<i>Qty.</i>	<i>Description</i>
1	147-1606-03	1	Bracket-Chassis	25	145-5782	23	Screw-Sems
2	147-1611-03	1	Plate-Controller, Deck	26	147-4567	1	Cable-Battery, Bk ASM
3	147-1607-03	1	Plate, Fuse-Mnt	29	147-4564	1	Cable-Battery, Rd ASM
4	145-7270	3	Inv/Ctrlr-48V	30	147-4563	1	Cable-Battery, Rd ASM
5	138-8984	1	Inv/Ctrlr-48V,Dual 94Arms	31	147-4561	1	Cable-Battery, Rd ASM
7	110-8823	1	Block-Junction	32	147-4562	1	Cable-Battery, Rd ASM
8	145-3542	2	Contacto-DC, 12V	33	147-4563	1	Cable-Battery, Rd ASM
9	145-4958	2	Holder-Fuse	34	147-4565	1	Cable-Battery, Rd ASM
10	144-6975	1	Converter DC-DC	35	147-4568	1	Cable-Battery, Bk ASM
11	127-2770	1	Controller	38	122-2561	2	Fuse-200A
12	3217-7	1	Nut-Hex	43	147-1610-03	2	Bracket-Cable
14	70-1480	3	Relay	44	145-6985	6	Mount-Cable
15	32144-86	12	Screw-HWHTF	45	3234-29	2	Screw-HHF
16	32144-44	12	Screw-HWH, Thread Roll	46	115-7721	2	Nut-Clip, U
17	99-8445	15	Screw-HWH	48	3230-23	6	Bolt-CARR
18	105-6849	2	Screw-Forming, Thread	50	147-0238	2	Cable-Battery, Rd ASM
20	138-9753	4	Screw	51	147-0239	2	Cable-Battery, Bk ASM
22	104-8300	6	Nut-HF, NI				
23	32144-70	2	Screw-HWHTF				

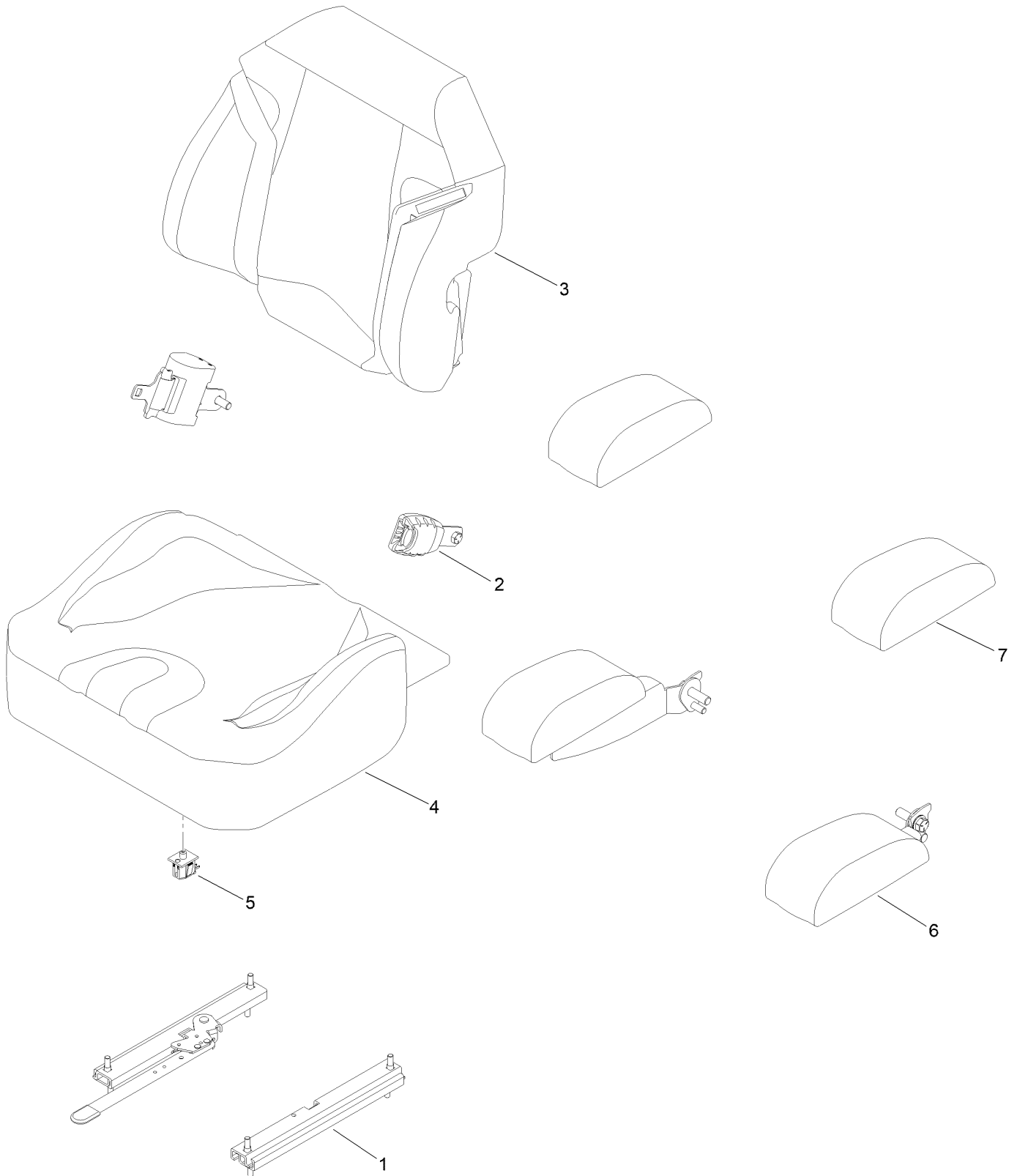
Seat Suspension Assembly



Seat Suspension Assembly (continued)

<i>Ref.</i>	<i>Part Number</i>	<i>Qty.</i>	<i>Description</i>	<i>Ref.</i>	<i>Part Number</i>	<i>Qty.</i>	<i>Description</i>
1	145-1925-03	1	Bracket-Shock, Front Lower	20	140-1197-03	1	Pan-Seat
2	136-9193	1	HD Shock/Spring ASM	21	145-8421	1	Standard Seat ASM
3	145-3667	1	Subframe ASM W/Decal	22	105-3048	2	Washer-Flat
3:2	145-3665	1	Decal-Danger	23	116-0648	2	Screw-HH, Thd Lock
3:3	127-6745	2	Bushing-Flange	24	130-0733	4	Pad-Rubber
4	3230-23	12	Bolt-CARR	25	127-6751	2	Spacer-Aluminum
5	127-6768	3	Screw-CARR	26	86-1990	2	Washer
6	99-5107	5	Nut-HF Nylock	27	144-0355	1	Floormat-Myride
7	104-8300	21	Nut-HF, NI	28	117-2382	2	Plug-Plastic
8	127-6754-03	1	Arm-Trailing	29	147-4956-03	1	Plate-Badge
9	1-653346	2	Bearing	32	130-8451	2	Rivet-Trifold
10	127-6743	4	Housing-Bearing, Flange	33	117-2749	6	Nut-Push
11	127-6759-03	2	Bracket-Bearing	34	133-5109	2	Bearing-Sleeve
12	3230-10	4	Bolt-CARR	35	131-4699	2	Washer-Plastic
13	144-2602	1	Bracket-Mounting	36	133-1815	2	Shock/Spring ASM
13:2	132-5067	1	Decal-Adjustment, Ride	37	136-9017	2	Cam Lock ASM
14	3231-22	3	Screw-CARR	38	136-5636	2	Knob-Lock, Cam
15	104-8301	6	Nut-HF, NI	39	3-6803	2	Washer-Adjusting
16	126-5491	1	Isolator	40	3296-45	2	Nut-Hex
17	1-513658	2	Bumper	41	133-4401	2	Bolt-Shoulder
18	144-0437	1	Decal-Myride	42	136-9028	1	Bolt-Shoulder, HWH
19	144-0381-01	1	Floorpan	43	147-4992	1	Decal-Backer Plate

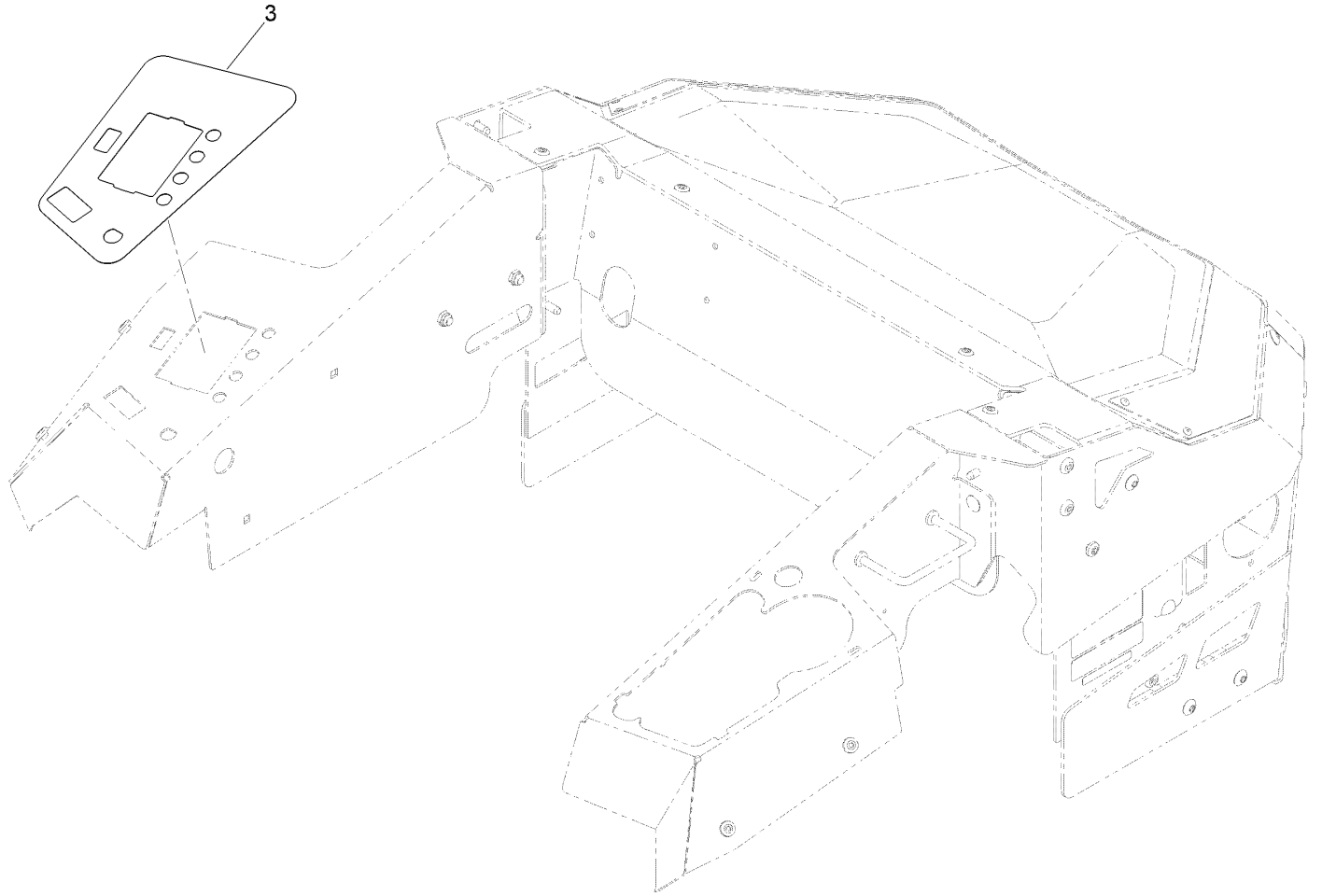
Seat Assembly No. 145-8421



Seat Assembly No. 145-8421 (continued)

<i>Ref.</i>	<i>Part Number</i>	<i>Qty.</i>	<i>Description</i>	<i>Ref.</i>	<i>Part Number</i>	<i>Qty.</i>	<i>Description</i>
1	147-7883	1	Seat Track Kit	5	147-7924	1	Switch-Seat
2	130-2854	1	Seat Belt Kit	6	147-7925	1	Arm Rest Kit
3	147-7922	1	Cover-Back, Seat	7	147-7926	1	Pads-Armrest W/ Hardware
4	147-7923	1	Cover-Bottom, Seat				

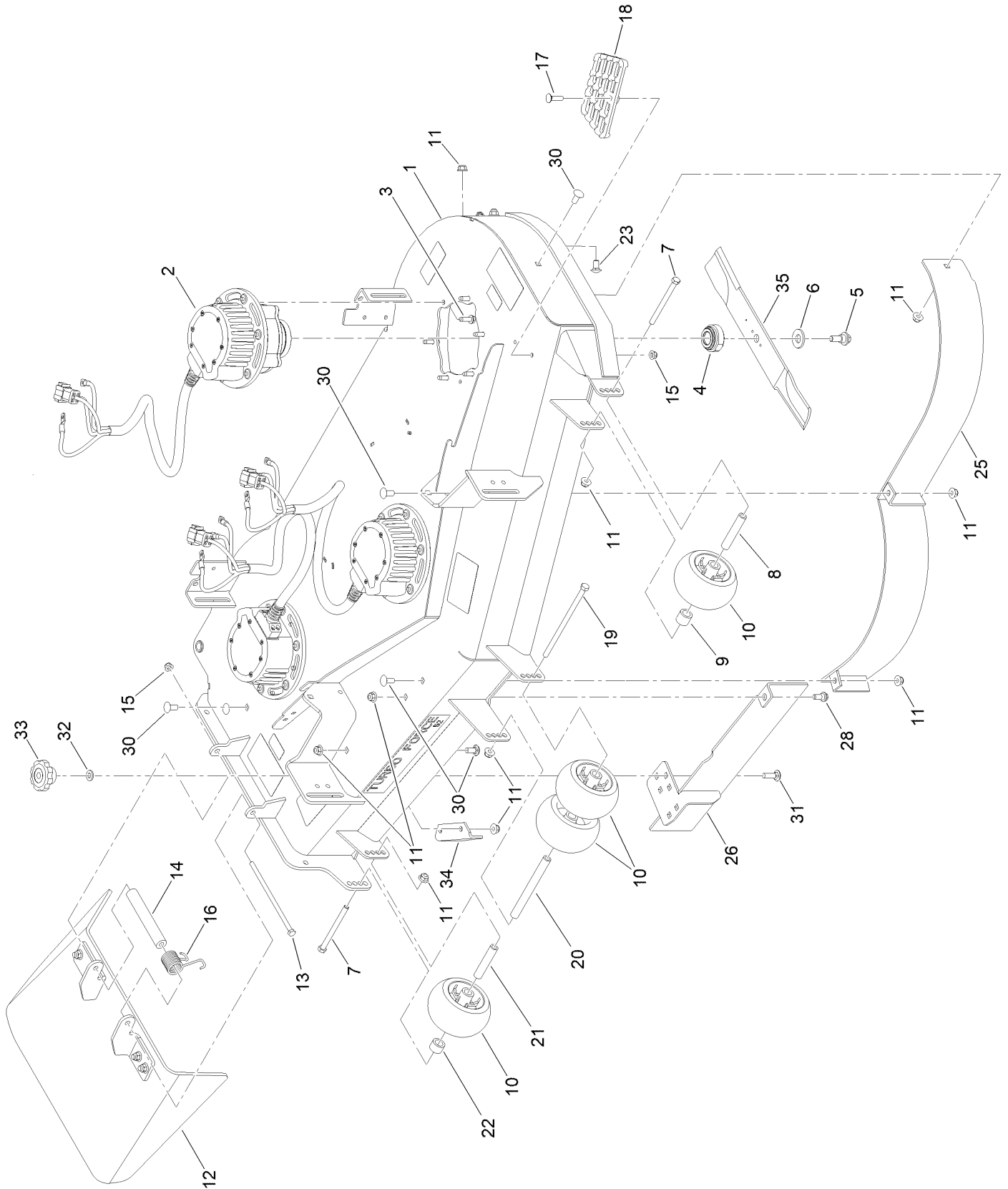
Decal Assembly



Decal Assembly (continued)

<i>Ref.</i>	<i>Part Number</i>	<i>Qty.</i>	<i>Description</i>
3	145-1946	1	Decal-Panel, Control

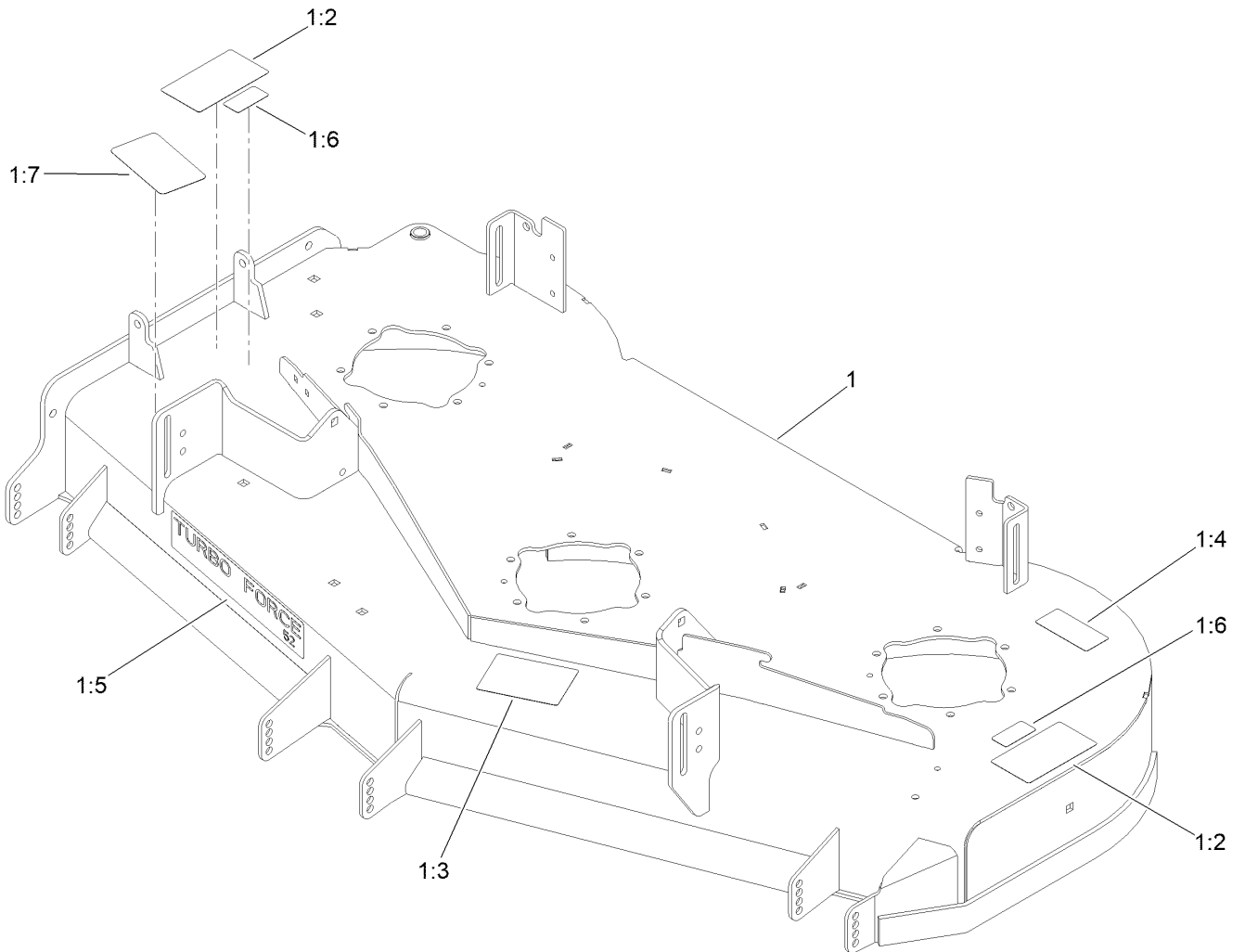
Deck Assembly



Deck Assembly (continued)

<i>Ref.</i>	<i>Part Number</i>	<i>Qty.</i>	<i>Description</i>	<i>Ref.</i>	<i>Part Number</i>	<i>Qty.</i>	<i>Description</i>
1	147-7826	1	Deck ASM-52In	17	3230-3	1	Screw-CARR
2	147-1689	1	Motor/Gen	18	126-4781-03	1	Step-Deck
3	701243	18	Screw-Thd Roll, HWH	19	108-5388	1	Screw-HH
4	145-3439	3	Retainer-Blade	20	98-5967	1	Spacer-Wheel
5	145-3499	3	Screw-Shoulder, HWH	21	133-2129	1	Tube-Shafting
6	125-1736	3	Washer-Belleville	22	133-2128	1	Tube-Spacer
7	323-23	2	Screw-HH	23	3231-21	3	Screw-CARR
8	98-7912	1	Tube-Spanner	25	115-7461-01	1	Baffle
9	98-7913	1	Tube-Spacer	26	145-3640-01	1	Baffle
10	1-603299	4	Roller-Scalp, Anti	28	94-7582	1	Bolt-Shoulder
11	104-8301	13	Nut-HF, NI	30	3231-27	6	Screw-CARR
12	147-1642	1	Rubber Deflector ASM	31	3231-25	1	Bolt-CARR
13	322-50	1	Screw-HH	32	100-4852	1	Washer-Hardened
14	105-4622	1	Spacer	33	109-1092	1	Knob
15	104-8300	2	Nut-HF, NI	34	107-8541-01	1	Baffle-Discharge
16	108-4052	1	Spring-Torsion	35	145-3504-03	3	Blade-18.0In, Med Sail

Deck Decal Assembly No. 147-7826

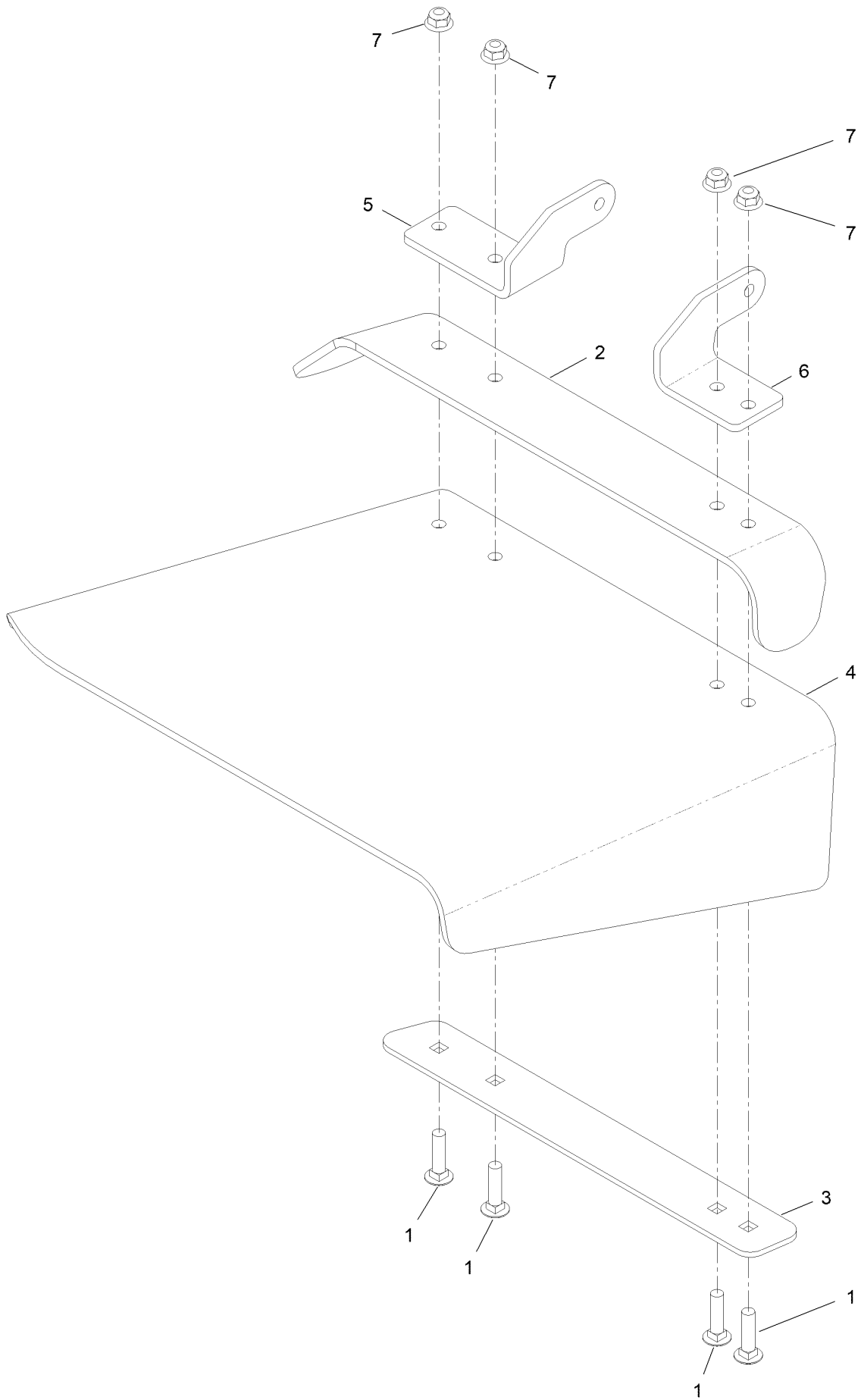


Deck Decal Assembly No. 147-7826 (continued)

<i>Ref.</i>	<i>Part Number</i>	<i>Qty.</i>	<i>Description</i>	<i>Ref.</i>	<i>Part Number</i>	<i>Qty.</i>	<i>Description</i>
1		1	Deck ASM W/Decals 52 ●	1:5	107-1618	1	Decal
1:2	117-3848	2	Decal-Danger	1:6	137-8127	2	Decal-No Spray
1:3	127-0326	1	Decal-Scalp, Anti	1:7	145-8411	1	Decal-Adjustable Baffle
1:4	147-0288	1	Decal-Danger				

● Not serviced separately

Deflector Assembly No. 147-1642



Deflector Assembly No. 147-1642 (continued)

<i>Ref.</i>	<i>Part Number</i>	<i>Qty.</i>	<i>Description</i>	<i>Ref.</i>	<i>Part Number</i>	<i>Qty.</i>	<i>Description</i>
1	3231-4	4	Screw-CARR	5	147-0386-01	1	Plate-Hinge, Rear
2	106-3246-01	1	Deflector	6	147-0387-01	1	Plate-Hinge, Front
3	106-3248-03	1	Strap-Discharge	7	104-8301	4	Nut-HF, NI
4	139-8114	1	Deflector-Deck, Rubber				

Attachments and Accessories

For 18750TE 132cm Z Master Revolution Series Riding Mower

Product Name	Model/Part
Anti-Scalp Kit (Trim Side).....	108-4140
Jack Kit.....	127-6666
Recycler Kit	139-6653
Trimmer Mount	144-2665
Jack Mount Kit	144-2676
Hardtop Sun Canopy	144-3719
Oil-Gear, Synthetic, Quart.....	144-6880
Blade-18.0in, Med Sail.....	145-3504-03
Blade-18.0in, Recycler	145-3507-03
Handle Extension Kit	145-3615
Wiring Harness Adapter Kit.....	147-1612

Notes:

Notes:

Notes:



Count on it.