



Groundsmaster[®] 225

Model No. 30230 - 240000001 and up.

Parts Catalog

Ordering Replacement Parts

To order replacement parts, please supply the part number, the quantity, and the description of each part desired.

Understanding Reference Numbers

Each identified part in an illustration has a reference number. The reference number for a part also appears in the parts list, along with other information about the part.

This catalog uses two special reference number formats, one to indicate parts in a service assembly and another to indicate the quantity of a given part in an illustration.

Service Assembly Reference Numbers

Parts in service assemblies have reference numbers in the form a:b. The a represents the reference number of the entire service assembly and the b represents a sequential number unique to each part within the service assembly.

For example, a wheel assembly might be identified by reference number 6, the tire by 6:1, the valve by 6:2, and the wheel by 6:3. When you order the assembly identified by reference number 6, you receive all parts identified by reference numbers 6:1, 6:2, and 6:3. However, you may also order any part individually. Reference numbers of this type appear in illustrations and in part lists.

Reference Numbers Indicating Quantity

In an illustration, if a reference number indicates more than one part, the reference number has the form nX y. The n represents the quantity of the part, the X is the multiplication symbol, and the y represents the reference number.

For example, in an illustration, the reference number 2X 37 means that two of the parts identified by reference number 37 are indicated.

Part Description Abbreviations

Part descriptions in this catalog may include the following abbreviations.

AR. as required	HYD. hydraulic
ASM. assembly	INC. incorporated
CARR. carriage	LH. left hand
DEG. degrees	NI. nylon insert
FH. flat head	PPH. phillips pan head
GA. gauge	PTH. phillips truss head
HF. hex flange	PTO. power take off
HH. hex head	RH. right hand
HHF. hex head flange	SFH. slotted fillister head
HHFTF. hex head flange thread forming	SHH. slotted hex head
HJ. hex jam	SHWH. slotted hex washer head
HLH. hex lag head	SPH. slotted pan head
HOC. height-of-cut	SQH. square head
HS. hex	SRH. slotted round head
HSBH. hex socket button head	STD. standard
HSFH. hex socket flat head	TAP. self tapping
HS. hex socket head	TTH. torx truss head
HWH. hex washer head	WH. wing head
HWHTF. hex washer head thread forming	

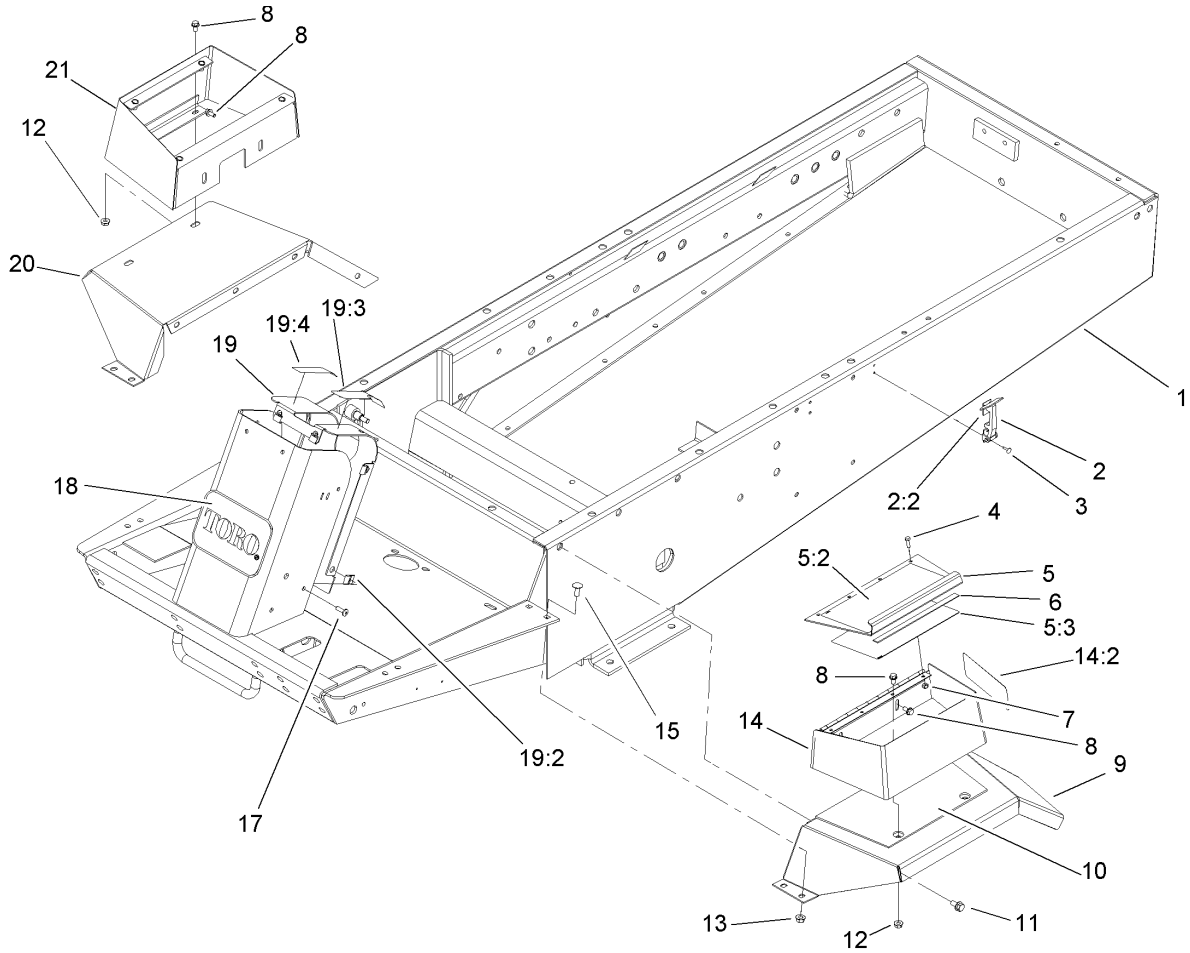
Footnotes

- ❶ Not illustrated
- ❷ Not serviced separately

Contents

Description	Page	Description	Page
Frame and Fender Assembly 3	Differential Carrier Assembly No. 92-4909 29
Frame Assembly No. 107-2913 4	Brake Assembly 30
Control Panel Assembly 5	Hood Assembly 31
Power Steering Assembly 6	Brake Pedal Assembly 32
Power Steering Unit Assembly No. 92-7308 7	Front Axle Assembly 33
Traction Pedal Assembly 8	Throttle and Lift Lever Assembly 34
Battery and Engine Mount Assembly 9	Cylinder Assembly 35
PTO and Shaft Assembly 10	Crankshaft Assembly 36
Hydraulic Cylinder and Lift Valve Assembly 12	Cylinder Head Assembly 37
Lift Valve Assembly No. 63-7960 13	Intake and Exhaust Assembly 38
Radiator Assembly 14	Carburetor Assembly 39
Fuel Tank Assembly 15	Rocker Arm Assembly 40
Transmission Assembly 16	Oil Pan and Dipstick Assembly 41
Transmission Assembly No. 92-5513 17	Cover Assembly 42
Transmission Interlock Assembly 19	Gears and Housing Assembly 43
Seat Frame Assembly 20	Water Pump and Fan Assembly 44
Air Cleaner Component Assembly 21	Governor Assembly 45
Air Cleaner Assembly No. 27-7100 22	Alternator and Starter Assembly 46
Rear Axle Assembly 23	Gasket Set and Valve Overhaul Kit 47
Axle Assembly 24	Carburetor Kit 48
Steering Cylinder Assembly No. 76-2070 25		
Engine Installation Assembly 26		
Electric Clutch / Brake Assembly No. 100-6565 27		
Differential Assembly 28		

PROTOTYPE

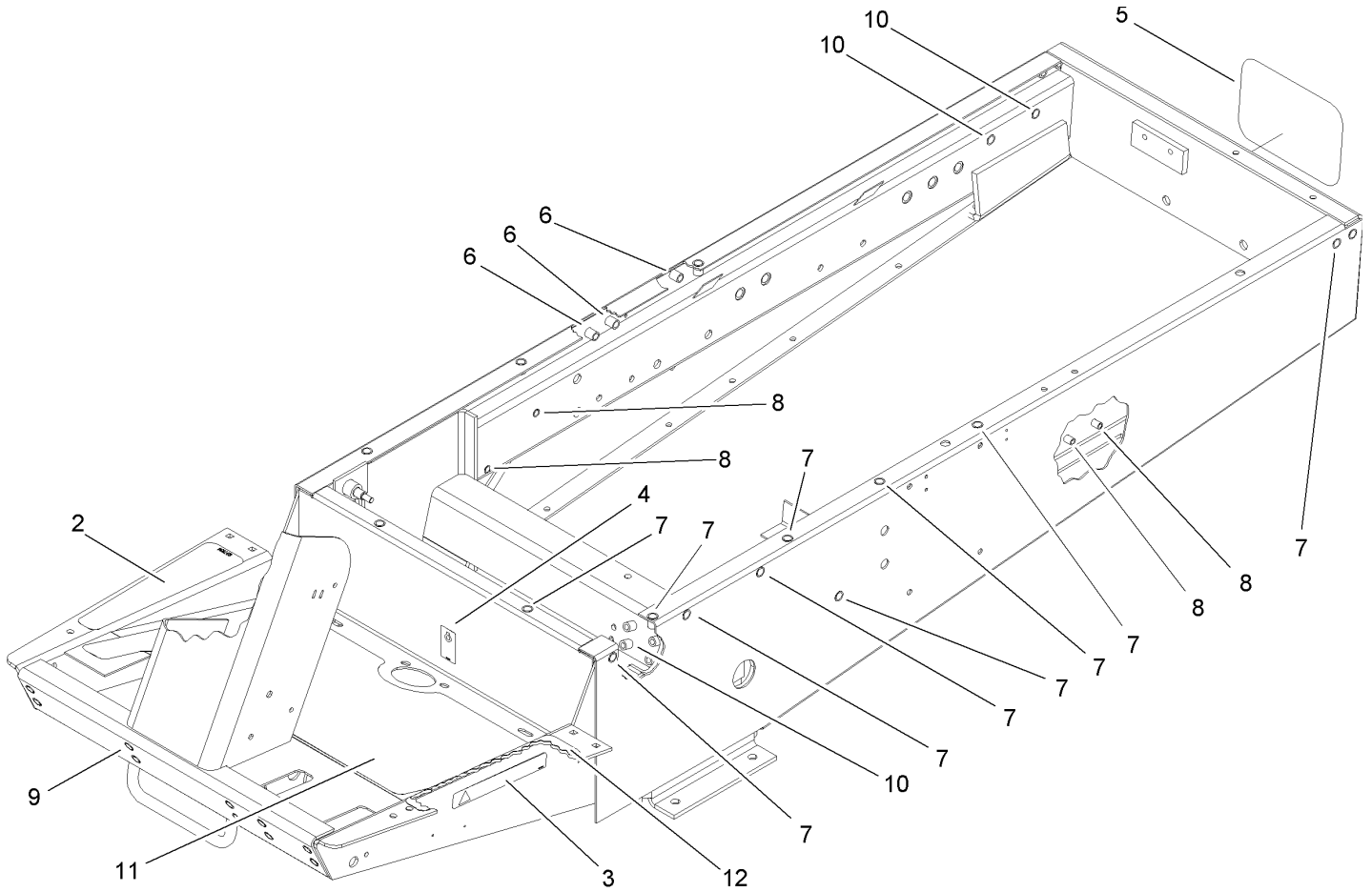


Frame and Fender Assembly

Ref	Part No.	Qty.	Description
1	107-2913	1	Frame ASM
2	59-9740	1	Flex Draw Latch ASM
2:2	249-40	1	Keeper
3	3290-271	4	Rivet-Pop
4	3290-359	4	Screw-HWH
5	106-8066	1	Tool Box Cover ASM
5:2	92-5774	1	Decal-Danger
5:3	106-8065	1	Decal-Service
6	66-3050	1	Latch-Box, Tool
7	3296-12	4	Nut-Lock
8	3234-13	8	Screw-HHF
9	63-7310-01	1	Fender-LH
10	76-4790	1	Pad-Rubber
11	3234-14	8	Screw-HHF
12	32128-33	4	Nut-HF
13	32128-20	4	Nut-HF
14	92-6501	1	Tool Box ASM
14:2	93-7822	1	Decal-Refueling
15	3230-23	4	Screw-CARR
17	3250-32	6	Screw-PPH
18	104-3989	1	Decal
19	105-7180	1	Tower Panel ASM
19:2	105-7170	6	Nut-Retainer
19:3	105-7179	1	Decal-Brake, Parking

Ref	Part No.	Qty.	Description
19:4	82-8940	1	Decal-Steering, Tilt
20	63-7300-01	1	Fender-RH
21	63-8050	1	Box-Control

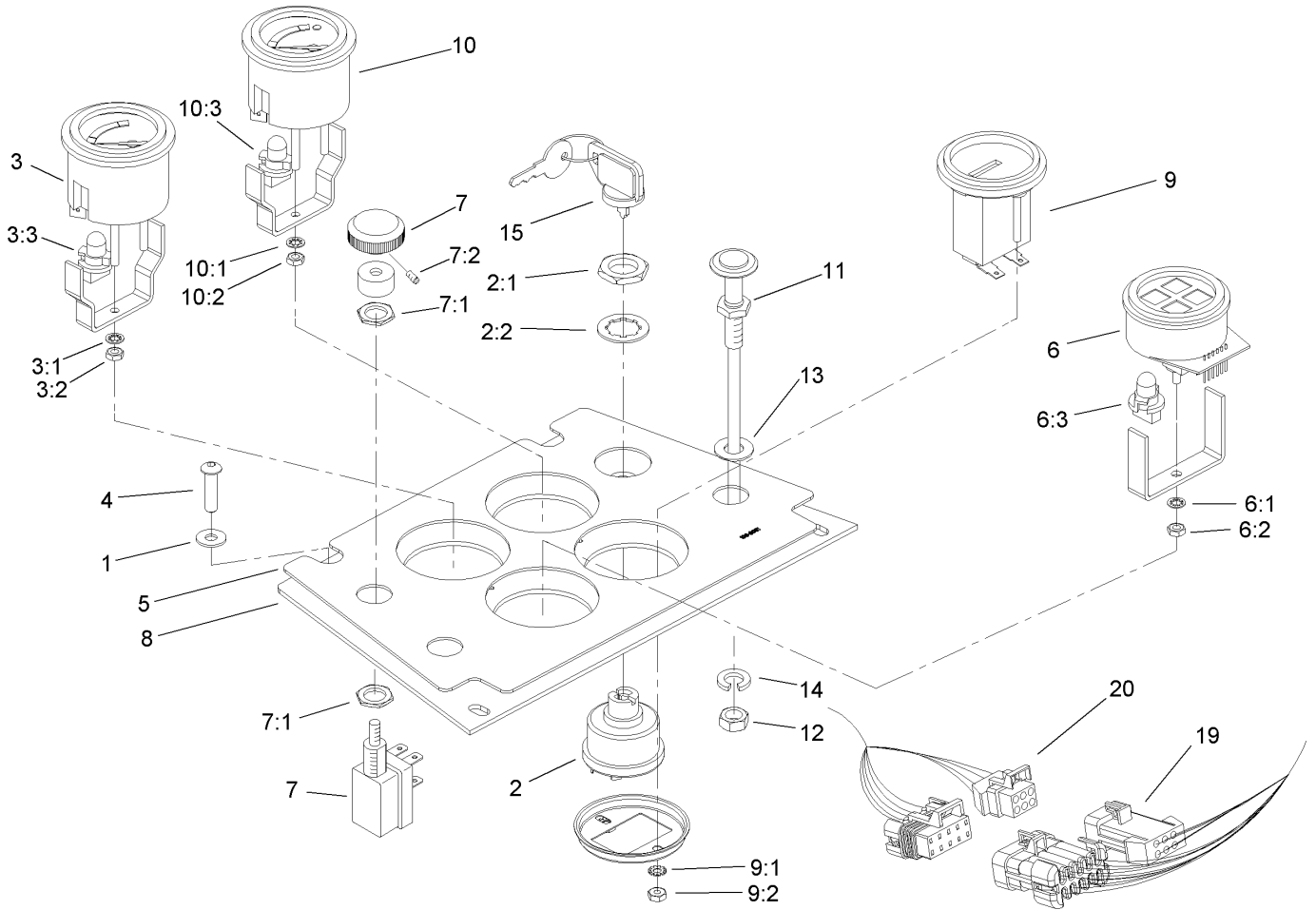
PROTOTYPE



Frame Assembly No. 107-2913

Ref	Part No.	Qty.	Description
2	93-7834	1	Decal-Footrest, RH
3	93-7830	2	Decal-Torque
4	93-6686	1	Decal-Oil, HYD
5	62-7400	1	Decal
6	32148-9	3	Insert-Nut
7	32148-7	22	Insert-Nut
8	32148-11	4	Insert-Threaded
9	32148-10	10	Insert-Threaded
10	32148-8	6	Insert-Threaded
11	105-7160	1	Pad-Floor
12	66-3200	1	Tread-Footrest, LH

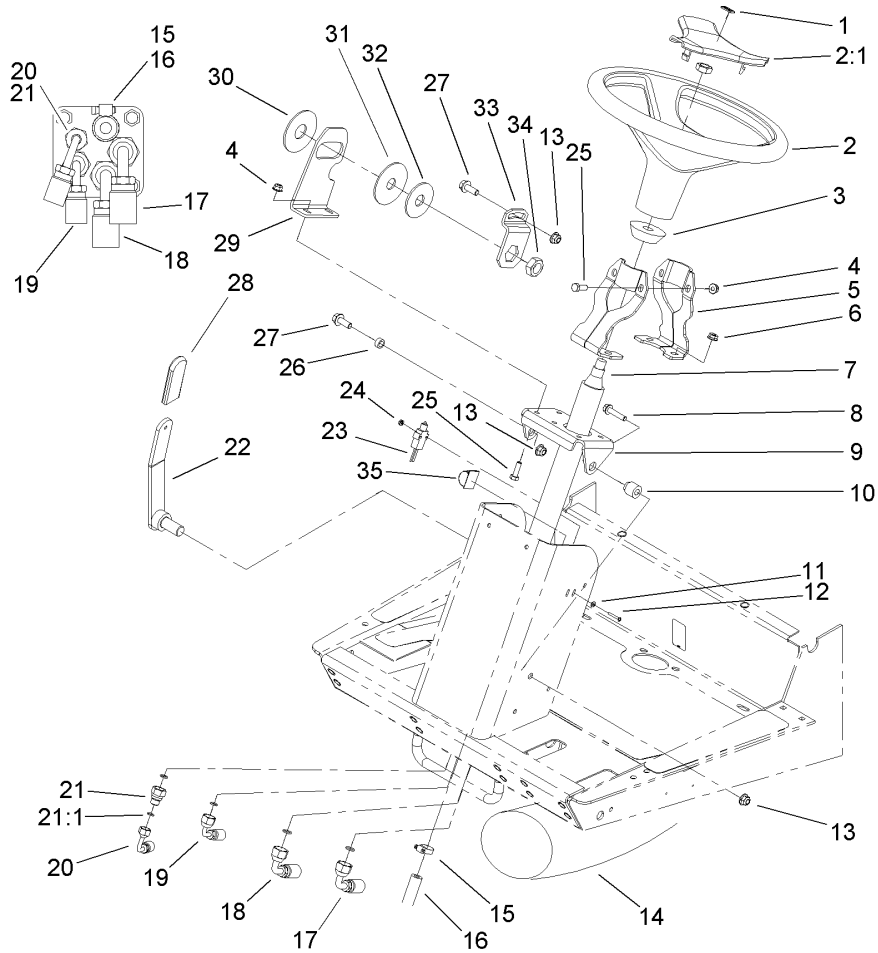
<p style="font-size: 48px; opacity: 0.5; letter-spacing: 10px;">PROTOTYPE</p>			
---	--	--	--



Control Panel Assembly

Ref	Part No.	Qty.	Description
1	3256-1	4	Washer-Flat
2	104-2541	1	Switch-Key
2:1	218-461	1	Nut-HH
2:2	3254-5	1	Washer-Tooth
3	105-2540	1	Gauge-Temp, Gas
3:1	3254-1	3	Washer-Lock, Int
3:2	3217-27	3	Nut-Hex
3:3	105-9265	1	Bulb And Lamp ASM
4	3274-65	4	Screw-HSBH
5	106-8091	1	Decal-Panel
6	98-9306	1	Light-Warning
6:1	3254-1	1	Washer-Lock, Int
6:2	3217-27	1	Nut-Hex
6:3	105-9264	4	Bulb And Lamp ASM
7	95-6309	1	Switch-PTO
7:1	3218-19	2	Nut-HJ
7:2	3298-8	1	Screw-Set
8	105-4279-03	1	Panel-Control
9	66-2950	1	Gauge-Hourmeter
9:1	3255-20	2	Washer-Lock
9:2	3217-25	2	Nut-Hex
10	98-9339	1	Gauge-Fuel
10:1	3254-1	3	Washer-Lock, Int
10:2	3217-27	3	Nut-Hex

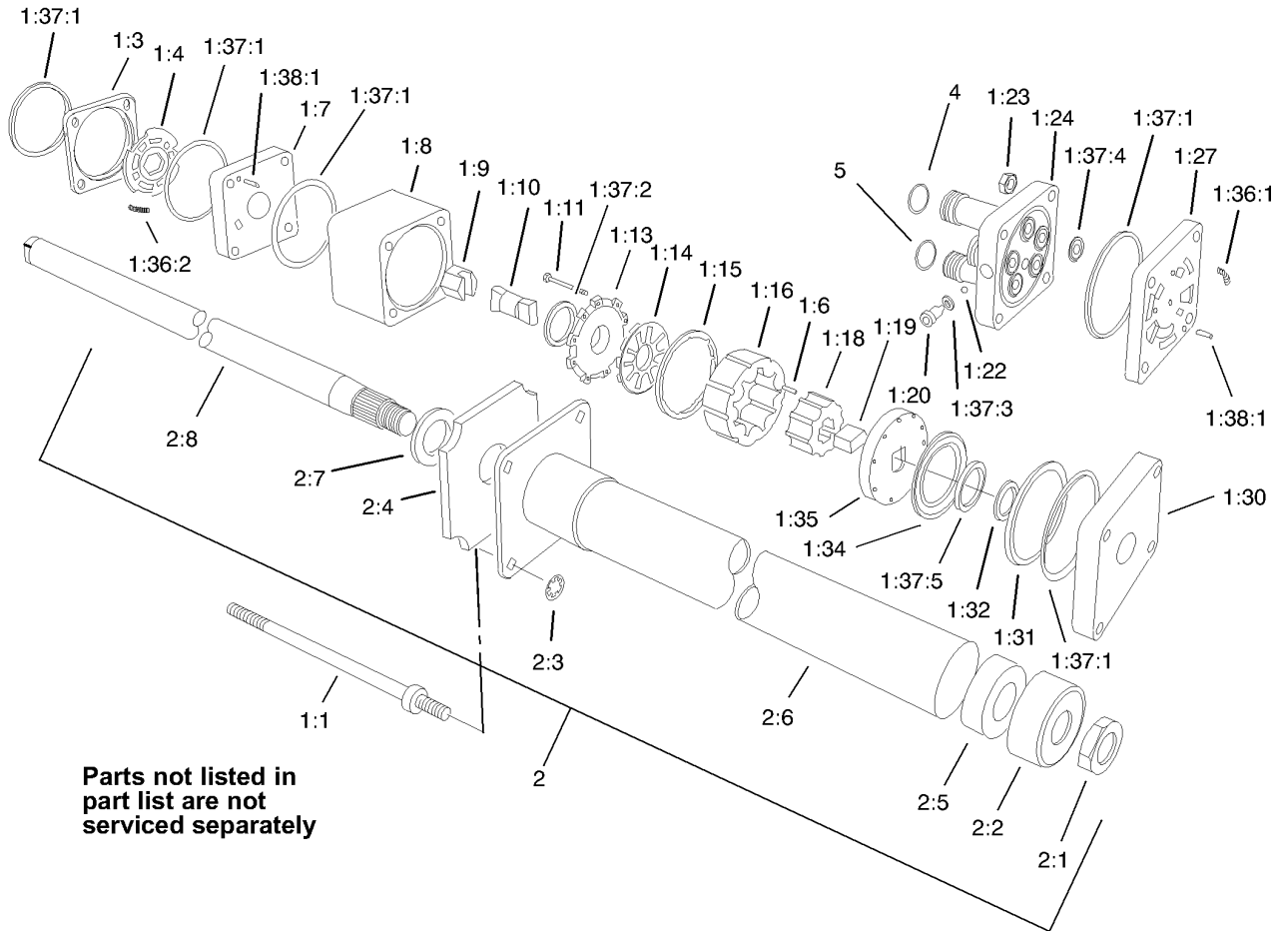
Ref	Part No.	Qty.	Description
10:3	105-9265	1	Bulb And Lamp ASM
11	94-9425	1	Choke Control ASM
12	3220-3	1	Nut-Jam
13	3256-24	1	Washer-Flat
14	3253-21	1	Washer-Lock
15	63-8360	1	Key-Ignition
19	105-2529	1	Harness-Wire, Main
20	105-0024	1	Harness-Wire, Gauges



Power Steering Assembly

Ref	Part No.	Qty.	Description
1	98-1459	1	Decal
2	98-1471	1	Wheel-Steering
2:1	98-1468	1	Cover-Wheel, Steering
3	93-5429	1	Collar-Foam
4	104-8300	4	Nut-Flange, NI
5	105-7191-03	2	Support-Column
6	32128-16	4	Nut-HHF
7	92-7308	1	Power Steering Unit ASM
8	3234-18	1	Screw-HHF
9	105-7155-03	1	Bracket-Pivot
10	105-7166	1	Spacer
11	3256-53	2	Washer-Flat
12	3250-35	2	Screw-PPH
13	104-8301	3	Nut-Flange, NI
14	44-8530	1	Protector-Sleeve
15	2412-36	1	Clamp-Hose
16	66-8140	1	Hose-Hydraulic
17	105-7174	1	HYD Hose ASM
18	105-7173	1	HYD Hose ASM
19	105-7176	1	HYD Hose ASM
20	105-7175	1	HYD Hose ASM
21	340-145	1	Fitting-Reducer
21:1	237-21	1	O-Ring
22	93-1353-03	1	Lever-Steering, Tilt

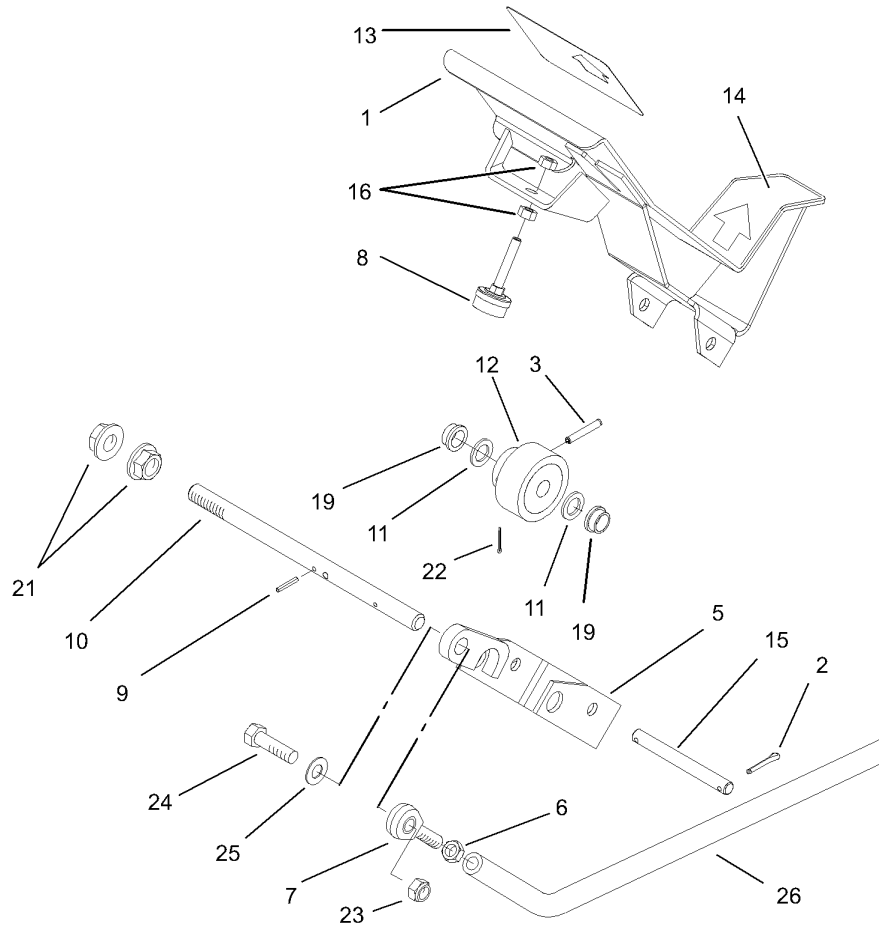
Ref	Part No.	Qty.	Description
23	99-3410	1	Switch
24	32149-6	2	Nut-Keps
25	322-5	4	Screw-HH
26	80-2960	1	Spacer-Tower
27	3234-42	2	Screw-HHF
28	21-1880	1	Grip-Handle
29	105-7181-03	1	Plate-Pivot
30	31-0390	1	Disc-Friction
31	82-9010	1	Disc-Friction
32	80-2930	1	Washer-Flat
33	80-2880	1	Bracket-Tilt
34	3218-7	1	Nut-Jam
35	105-7188	2	Clamp-Adhesive Backed



Power Steering Unit Assembly No. 92-7308

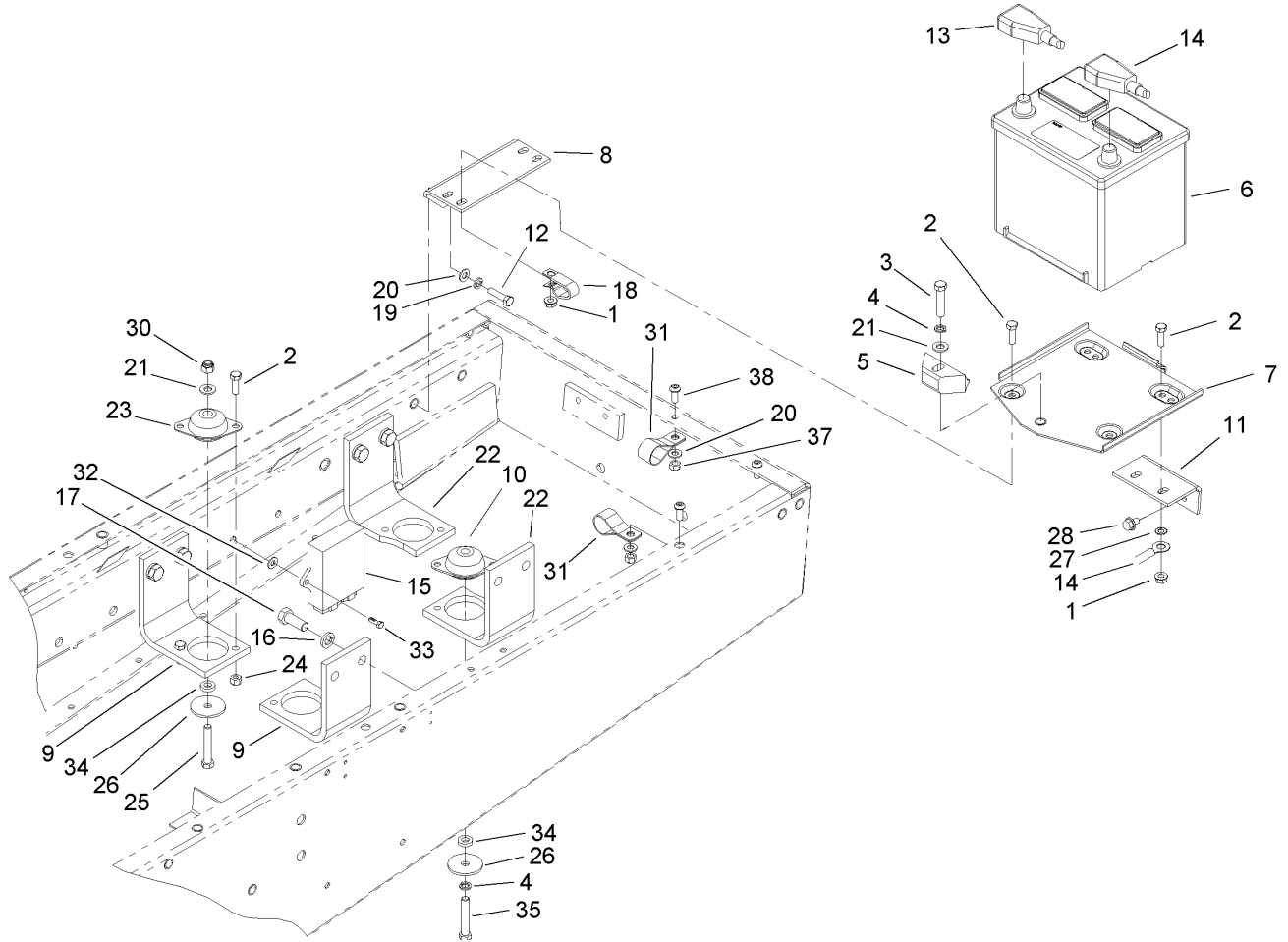
Ref	Part No.	Qty.	Description
1:1	92-7310	4	Bolt-Special
1:3		1	Ring-Valve
1:4		1	Plate-Valve
1:6		9	Pin-Alignment
1:7		1	Manifold-Isolation
1:8		1	Ring-Metering
1:9		1	Hex Drive ASM
1:10		1	Link-Drive
1:11		11	Screw-HSH
1:13		1	Cover-Commutator
1:14		1	Commutator
1:15		1	Ring-Commutator
1:16		1	Stator
1:18		1	Rotor
1:19		1	Spacer-Link, Drive
1:20		1	Plug
1:22		1	Ball
1:23		4	Nut-Hex
1:24		1	Cover-Port
1:27		1	Manifold-Port
1:30		1	Plate-Cover, Upper
1:31		1	Spacer-Bearing, Thrust
1:32		1	Spacer-Seal
1:34		1	Bearing-Thrust
1:35		1	Plate-Drive

Ref	Part No.	Qty.	Description
1:36	66-9970	1	Spring Kit
1:36:1		3	Spring
1:36:2		3	Spring
1:37	66-9980	1	Seal Kit
1:37:1		5	Ring-Seal
1:37:2		1	Seal-Commutator
1:37:3		1	O-Ring
1:37:4		5	O-Ring
1:37:5		1	Seal-Face
1:38	66-9990	1	Needle Roller Kit
1:38:1		9	Pin-Alignment
2	92-7314	1	Column ASM
2:1	3220-6	1	Nut-Jam
2:2	92-7315	1	Seal-Upper
2:3	92-7316	4	Nut-Push On
2:4	92-7317	1	Seal-Foam, Upper Cover
2:5		1	Bearing
2:6		1	Cover-Upper
2:7		1	Washer-Retaining
2:8		1	Shaft-Input
4	237-30	2	O-Ring
5	237-22	2	O-Ring



Traction Pedal Assembly

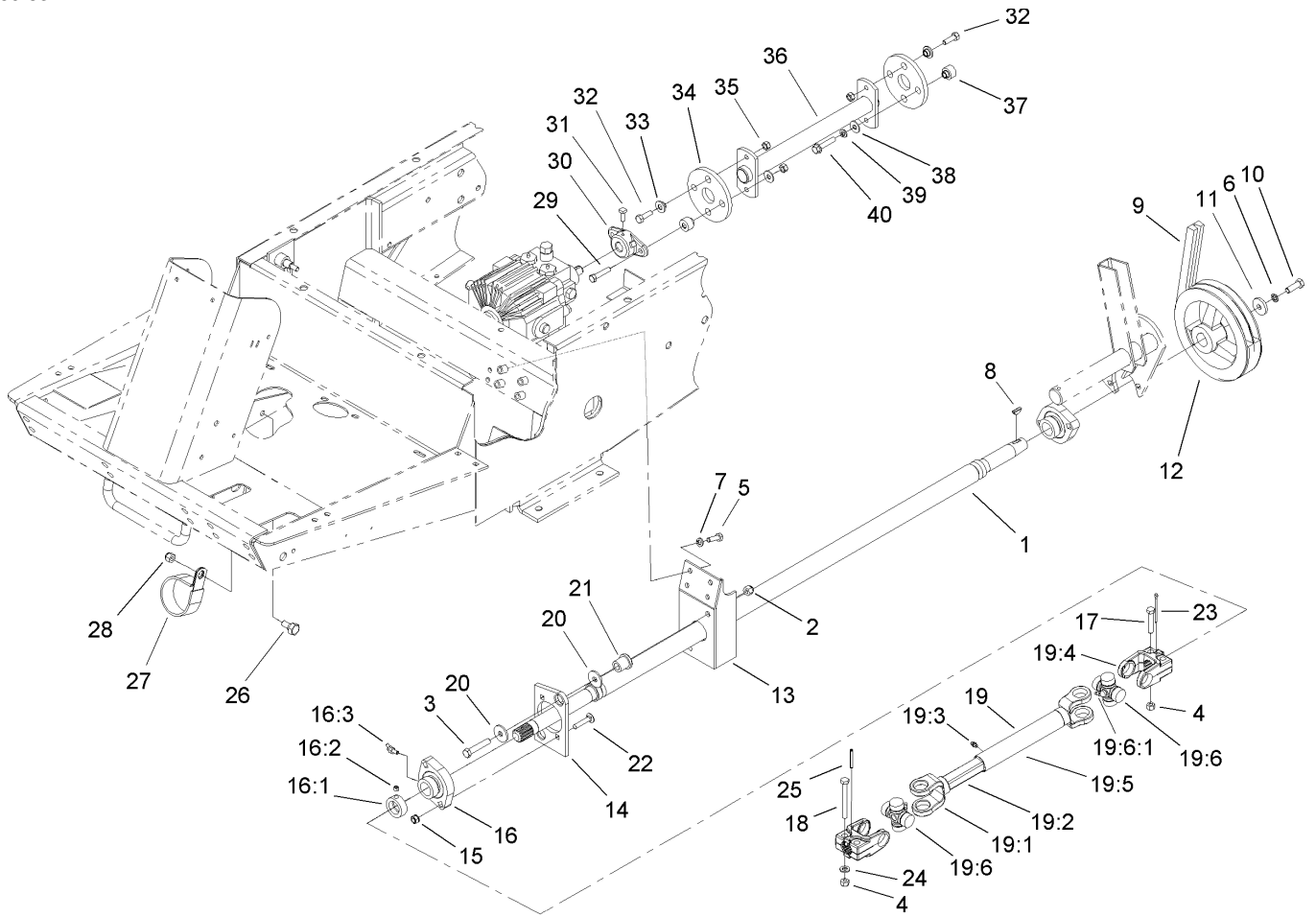
Ref	Part No.	Qty.	Description
1	105-7150-03	1	Pedal ASM
2	3272-10	2	Pin-Cotter
3	32121-6	1	Pin-Roll
5	92-8854-03	1	Bracket-Pivot
6	3220-3	1	Nut-Jam
7	2411-36	1	Bearing-End, Rod
8	32141-36	1	Screw-Adjustment, Level
9	32121-50	1	Pin-Spring
10	92-5534	1	Shaft-Pedal, Traction
11	5-7570	2	Washer-Flat
12	28-5220	1	Friction Wheel ASM
13	94-3307	1	Pad-Pedal, Traction
14	94-3308	1	Pad-Pedal, Traction
15	92-5537	1	Pin-Pedal, Traction
16	3217-6	2	Nut-Hex
19	256-156	2	Bushing-Flange
21	32128-56	2	Nut-HF
22	3272-6	1	Pin-Cotter
23	3296-39	1	Nut-Lock, NI
24	323-29	1	Screw-HH
25	3256-24	1	Washer-Flat
26	63-6410-03	1	Tube-Pump, Control



Battery and Engine Mount Assembly

Ref	Part No.	Qty.	Description
1	32128-20	3	Nut-HF
2	322-5	11	Screw-HH
3	323-9	1	Screw-HH
4	3253-21	2	Washer-Lock
5	66-2490	1	Retainer-Battery
6	106-5187	1	Battery
7	94-7343	1	Battery Base ASM
8	95-1592-03	1	Bracket-Base, Battery
9	95-6270-03	2	Bracket-Mount, Engine
10	63-7141	1	Mount-Shock, Engine
11	95-1599-03	1	Bracket-Base, Battery
12	322-6	2	Screw-HH
13	105-1223	1	Cable-Positive
14	63-7340	1	Cable-Battery, Negative
15	99-9262	1	Module-Ignition
16	3253-7	8	Washer-Lock
17	3213-2	8	Screw-HH
18	92-5753	1	Clamp-Hose
19	3253-4	2	Washer-Lock
20	3256-23	4	Washer-Flat
21	3256-24	4	Washer-Flat
22	95-6272-03	2	Bracket-Engine Mount
23	63-7140	3	Mount-Shock, Engine
24	3296-29	8	Nut-Lock, NI

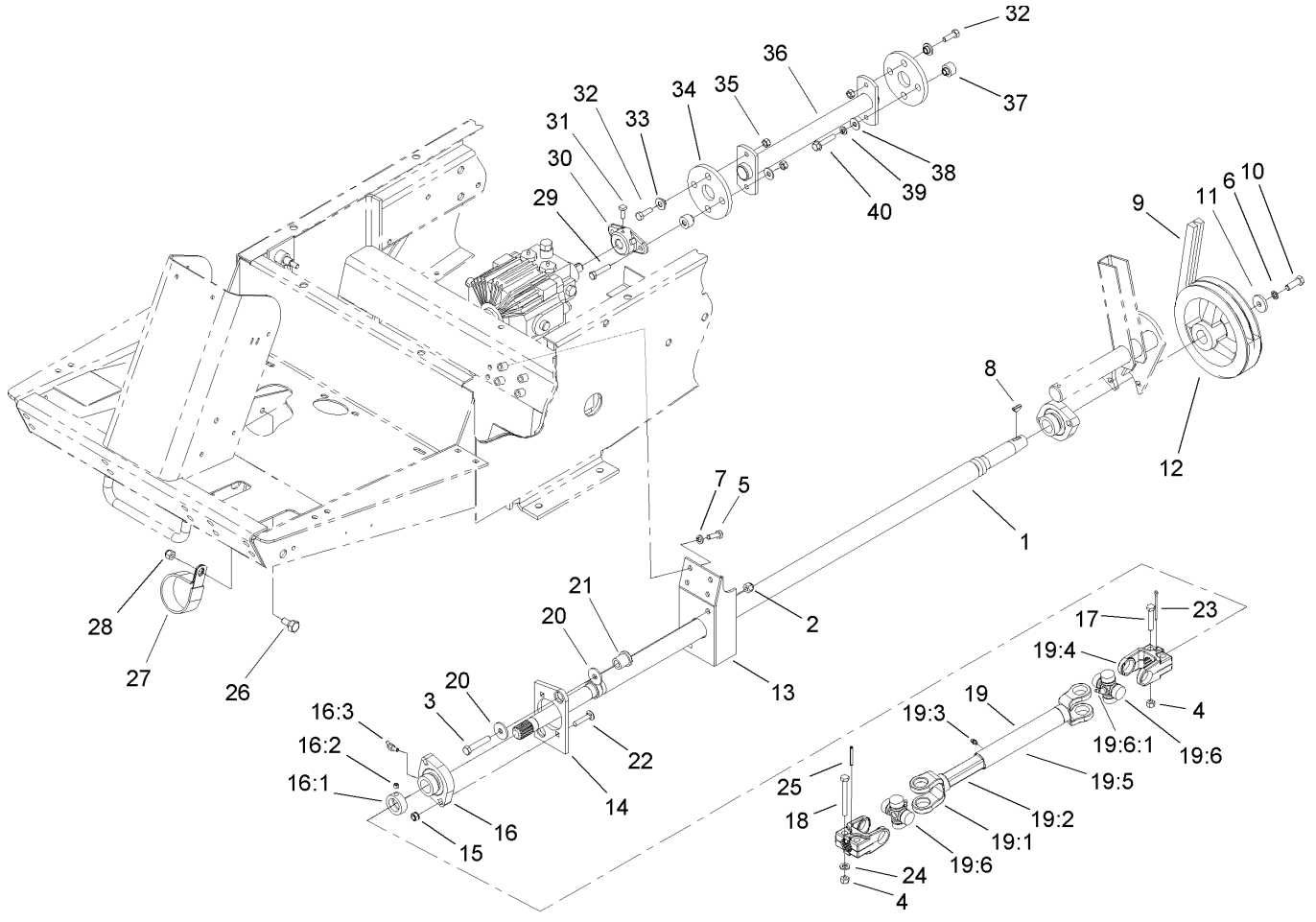
Ref	Part No.	Qty.	Description
25	323-11	3	Screw-HH
26	63-7400	4	Washer-Rebound
27	3255-8	1	Washer-Lock
28	3234-30	2	Screw-HHF
30	3296-39	3	Nut-Lock, NI
31	98-3883	2	Clamp-Wire
32	3256-22	2	Washer-Flat
33	3274-8	2	Screw-HSH
34	80-7730	4	Spacer
35	323-10	1	Screw-HH
37	33024-00	2	Nut-Lock
38	3274-96	2	Screw



PTO and Shaft Assembly

Ref	Part No.	Qty.	Description
1	92-8855-03	1	Shaft-PTO
2	3296-39	2	Nut-Lock, NI
3	323-10	2	Screw-HH
4	3296-29	5	Nut-Lock, NI
5	322-5	4	Screw-HH
6	3253-21	1	Washer-Lock
7	3253-4	4	Washer-Lock
8	3257-5	1	Key-Woodruff
9	63-6240	1	V-Belt, PTO
10	323-18	1	Screw-HH
11	29-4730	1	Washer-Flat
12	94-7422-03	1	Pulley-PTO
13	92-8751-03	1	Bracket-Bearing, PTO
14	84-7580	1	Plate-Support, Bushing
15	32149-1	2	Nut
16	92-8799	2	Bearing-Flange
16:1	251-77	1	Lockcollar-Bearing
16:2	3246-1	1	Screw-Set
16:3	302-40	1	Fitting-Grease
17	322-9	4	Screw-HH
18	322-14	1	Screw-HH
19	54-7950	1	PTO Drive Shaft ASM
19:1	54-9040	1	Yoke-End
19:2	54-9050	1	Shaft-Slip Yoke

Ref	Part No.	Qty.	Description
19:3	302-58	1	Fitting-Grease
19:4	54-9090	1	Yoke-End
19:5	54-9170-01	1	Tube-Yoke, Slip
19:6	54-9180	2	U-Joint Kit
19:6:1	62-3820	1	Fitting-Grease
20	63-8410	4	Washer
21	63-9750	2	Mount
22	3230-4	2	Screw-CARR
23	3272-15	1	Pin-Cotter
24	3256-23	1	Washer-Flat
25	32121-34	1	Pin-Roll
26	46-3380	1	Bolt-Shoulder
27	2412-102	1	R-Clamp
28	3296-39	1	Nut-Lock, NI
29	3210-8	2	Screw-HH
30	27-4370	1	Hub-Pump
31	3241-6	2	Screw-SQH
32	3210-5	4	Screw-HH
33	27-6600	4	Spacer-Coupling
34	44-2230	2	Coupling-Rubber
35	32152-5	6	Nut-Conelock
36	94-9400-03	1	Driveshaft
37	27-6590	4	Spacer-Coupling, Rubber
38	3256-71	4	Washer-Flat

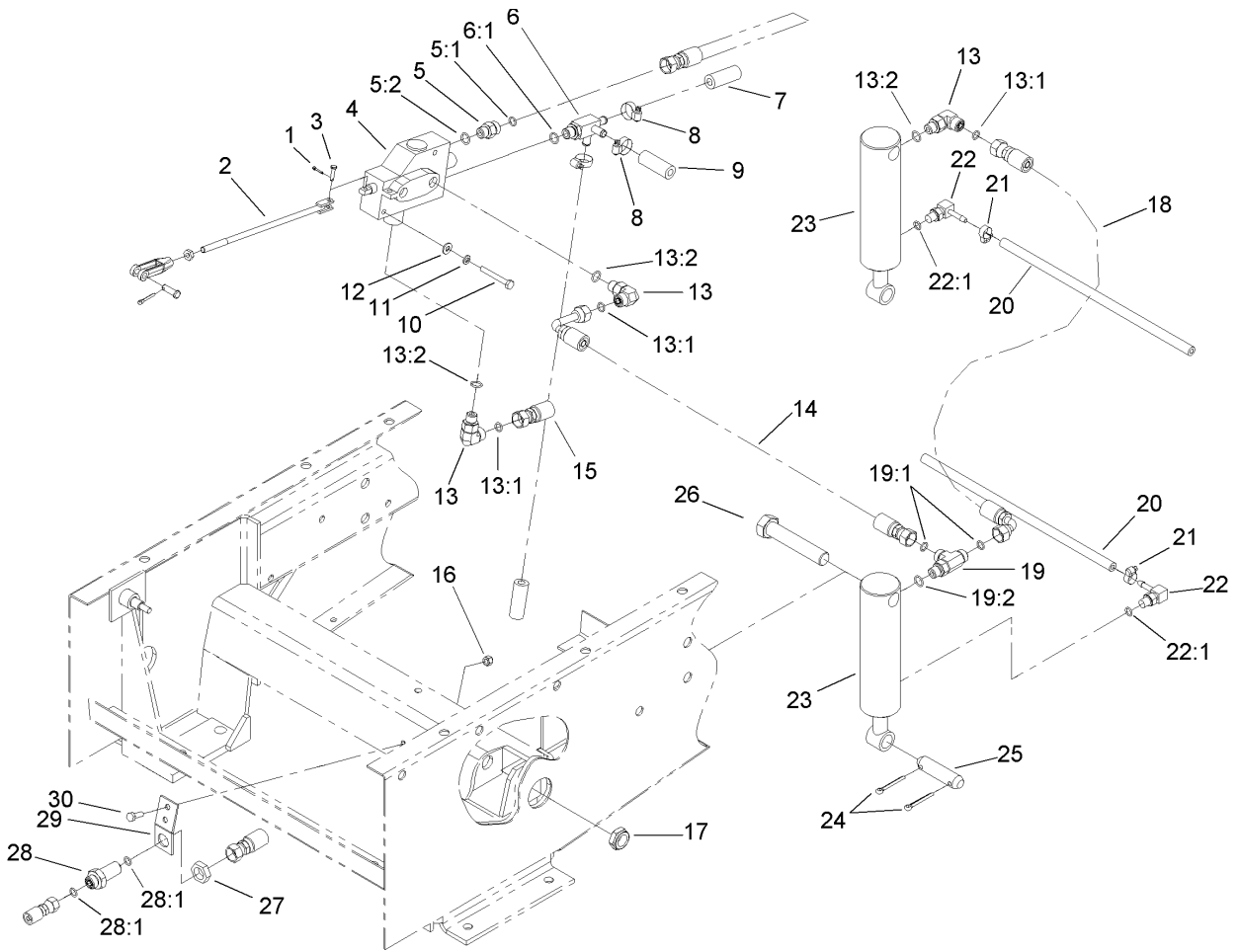


PTO and Shaft Assembly (continued)

Ref	Part No.	Qty.	Description
39	42-9850	2	Washer-Lock, Spring
40	33104-040	2	Screw-HHF

--	--	--	--

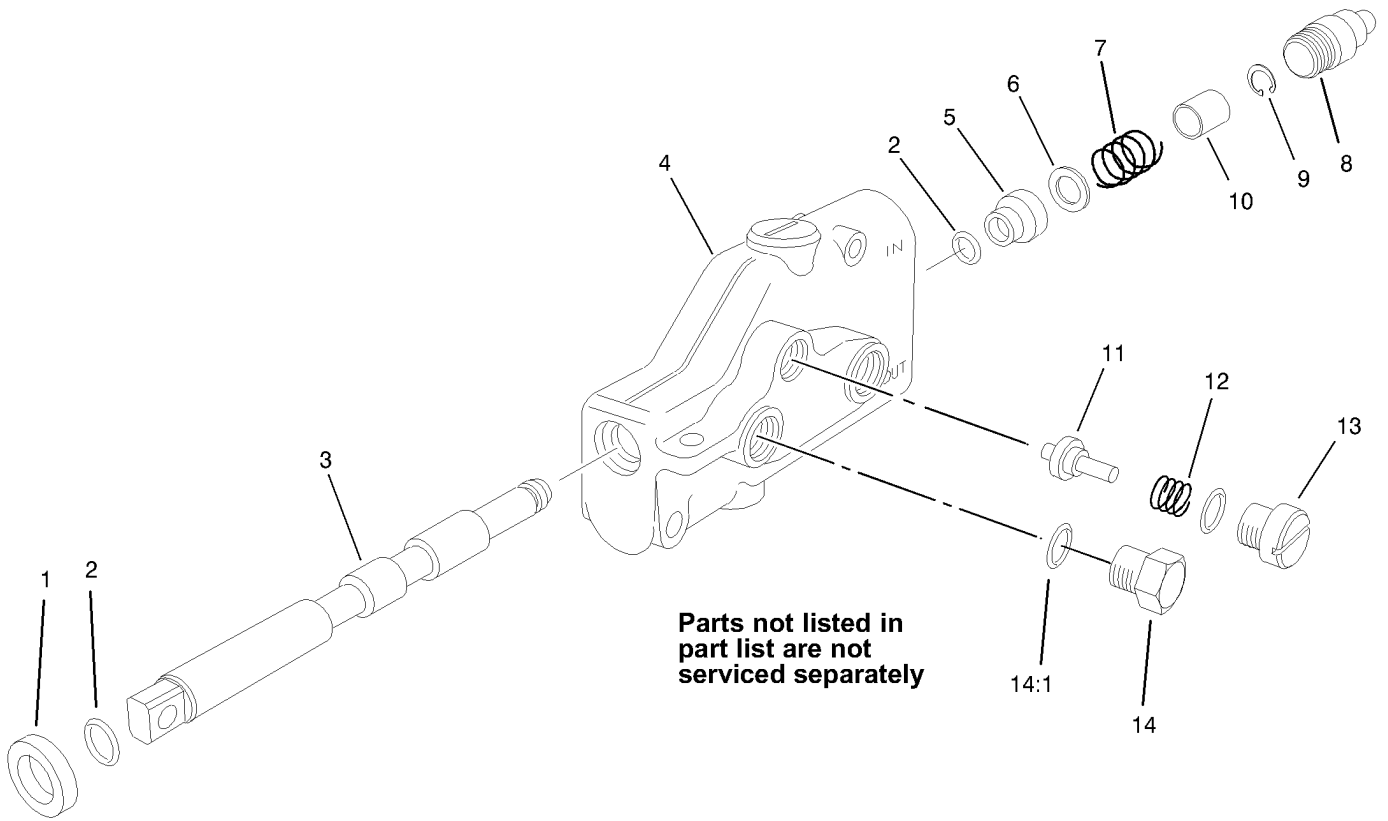
PROTOTYPE



Hydraulic Cylinder and Lift Valve Assembly

Ref	Part No.	Qty.	Description
1	3272-5	1	Pin-Cotter
2	76-4830-03	1	Valve Rod ASM
3	283-16	1	Pin-Clevis
4	63-7960	1	Valve-Lift
5	340-2	1	Fitting-Hyd, Straight
5:1	237-22	1	O-Ring
5:2	237-42	1	O-Ring
6	66-3130	1	Fitting-Special
6:1	237-42	1	O-Ring
7	66-8500	1	Hydraulic Hose ASM
8	2412-36	2	Clamp-Hose
9	66-8150	1	Hose-Hydraulic
10	321-11	2	Screw-HH
11	3253-3	2	Washer-Lock
12	3256-22	2	Washer-Flat
13	340-77	3	Fitting-Hyd, 90 DEG
13:1	237-22	1	O-Ring
13:2	237-42	1	O-Ring
14	66-8640	1	Hydraulic Hose ASM
15	66-8180	1	Hydraulic Hose ASM
16	3296-42	2	Nut-Lock, NI
17	3296-15	2	Nut-Lock, NI
18	66-8190	1	Hydraulic Hose ASM
19	340-86	1	Fitting-Hyd, Tee

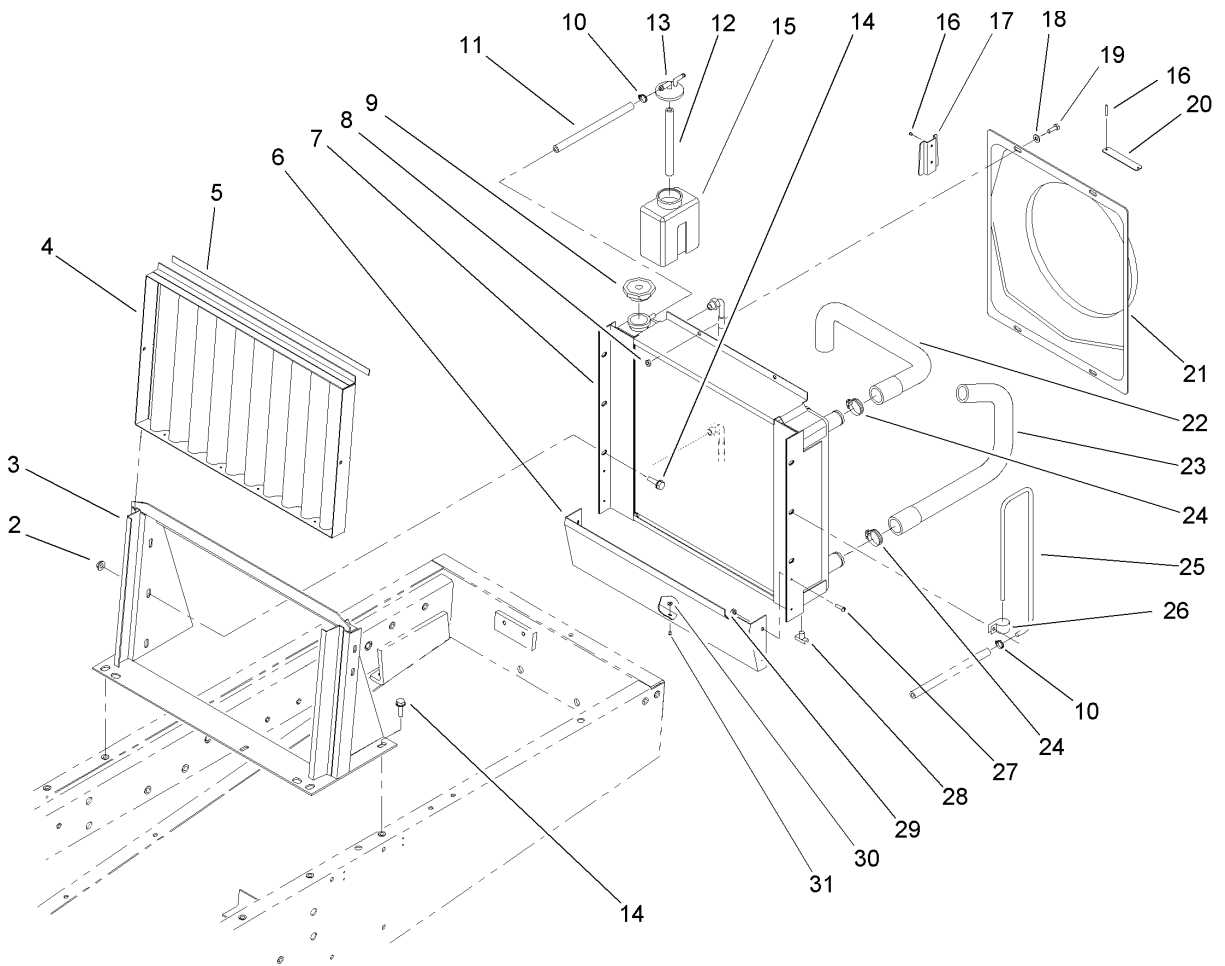
Ref	Part No.	Qty.	Description
19:1	237-22	2	O-Ring
19:2	237-42	1	O-Ring
20	92-5082	2	Hose-Hydraulic
21	2412-108	2	Clamp-Worm
22	304-99	2	Stem-Hose
22:1	237-78	1	O-Ring
23	63-6630	2	Cylinder-Hydraulic
24	3272-23	4	Pin-Cotter
25	27-4240	2	Pin-Cylinder
26	3216-3	2	Screw-HH
27	340-70	1	Nut-Lock
28	340-71	1	Fitting-Straight, Bulkhead
28:1	237-22	2	O-Ring
29	63-7410	1	Bracket-Bulkhead
30	321-4	2	Screw-HH



Lift Valve Assembly No. 63-7960

Ref	Part No.	Qty.	Description
1	58-6320	1	Wiper
2	58-6450	2	O-Ring
3		1	Spool
4		1	Body
5	58-6400	1	Bushing
6	65-2770	1	Washer
7	65-2950	1	Spring
8	58-6420	1	Cap
9	58-6460	1	Ring-Retaining
10	65-2740	1	Spacer
11	65-2750	1	Plunger
12	65-2760	1	Spring
13	65-2930	1	Plug ASM
14	353-508	1	Plug
14:1	237-42	1	O-Ring

PROTOTYPE

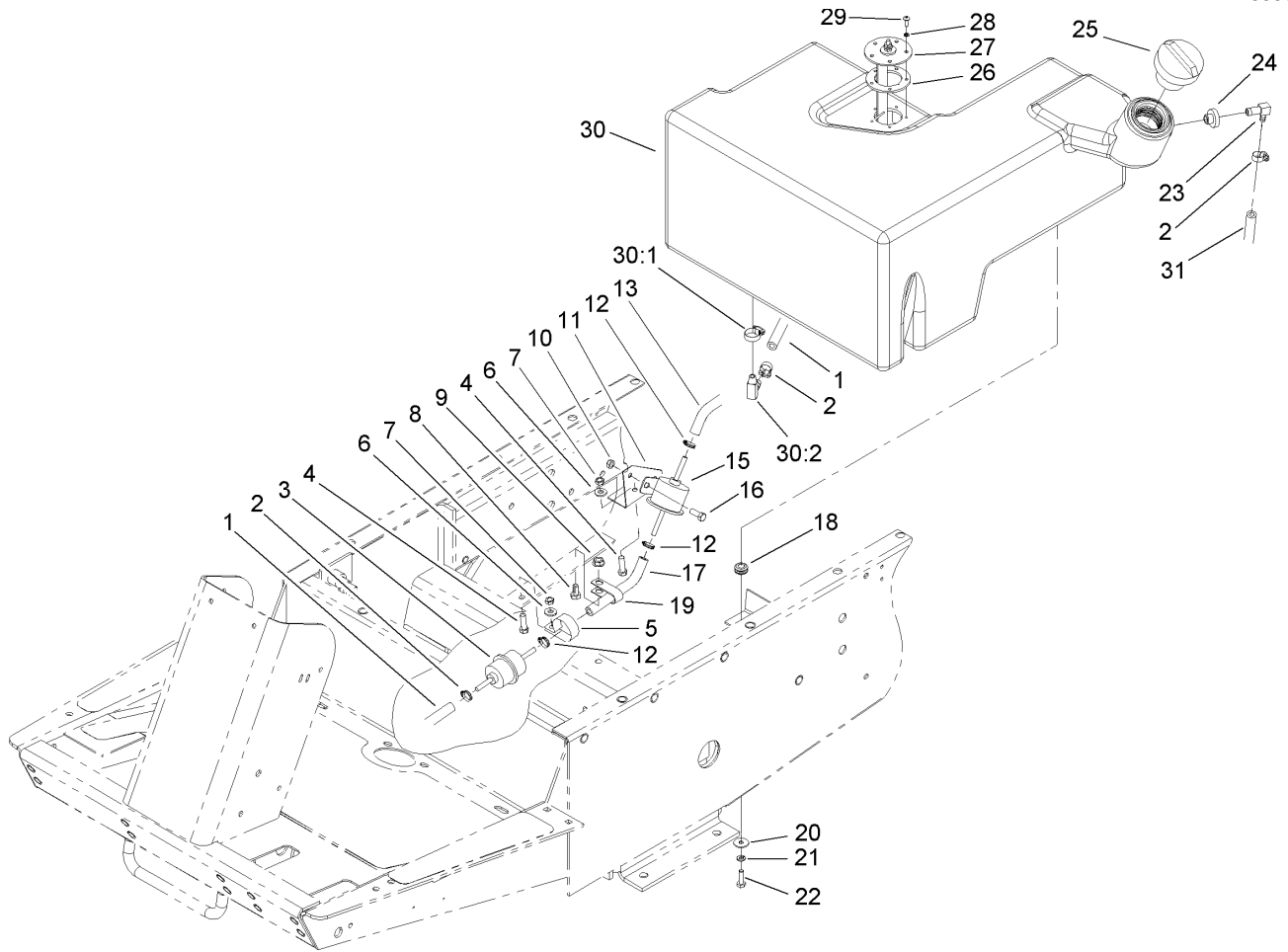


Radiator Assembly

Ref	Part No.	Qty.	Description
2	32128-20	6	Nut-HF
3	92-5757-03	1	Support-Radiator
4	63-7700-03	1	Grill-Front
5	63-7710	1	Strip-Magnetic
6	63-6440-03	1	Shield-Radiator, Bottom
7	63-6150	1	Radiator ASM
8	3296-42	4	Nut-Lock, NI
9	66-3240	1	Cap-Radiator
10	2412-108	2	Clamp-Worm
11	93-2042	1	Hose-Fuel
12	96-1215	1	Hose-Fuel
13	99-9171	1	Cap-Surge,tank
14	3234-5	8	Screw
15	99-9154	1	Tank-Reserve
16	3290-55	4	Rivet-Pop
17	94-7337	1	Bracket-Bottle, Overflow
18	3256-22	4	Washer-Flat
19	321-4	4	Screw-HH
20	76-8750	1	Plate-Warning
21	94-6750	1	Shroud-Fan
22	94-6756	1	Hose-Radiator
23	94-7421	1	Hose-Radiator, Lower
24	2412-34	4	Clamp-Hose
25	71-1540	1	Tube-Vent

Ref	Part No.	Qty.	Description
26	2412-103	2	Clamp
27	3249-3	2	Screw
28	304-46	1	Draincock
29	3217-29	2	Nut-Hex
30	3269-10	3	Washer-Back
31	3269-13	3	Rivet-Pop

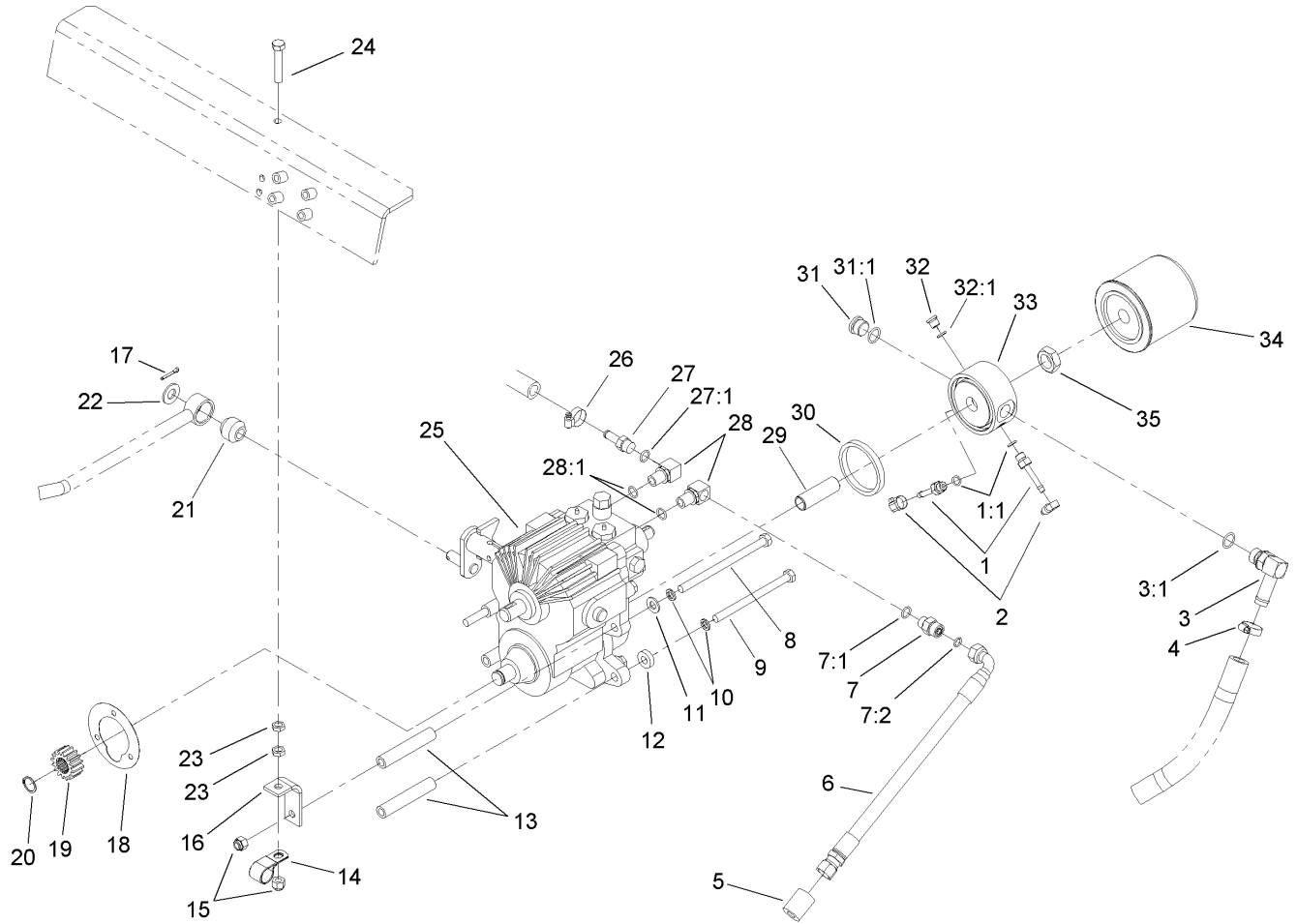
PROTOTYPE



Fuel Tank Assembly

Ref	Part No.	Qty.	Description
1	63-7627	1	Hose-Fuel
2	2412-108	3	Clamp-Worm
3	99-9193	1	Filter-Fuel
4	321-6	2	Screw-HH
5	2412-147	1	Clamp
6	3256-22	2	Washer-Flat
7	3296-42	2	Nut-Lock, NI
8	322-5	1	Screw-HH
9	32128-20	1	Nut-HF
10	32128-14	2	Nut-HF
11	95-0655	1	Bracket-Fuel Pump
12	2412-98	3	Clamp
13	94-7420	1	Hose-Fuel
15	99-9196	1	Pump-Fuel
16	321-4	2	Screw-HH
17	95-6269	1	Hose-Fuel
18	237-136	3	Grommet
19	94-6821	1	Clamp-Wire
20	3256-67	3	Washer-Flat
21	3253-3	3	Washer-Lock
22	321-5	3	Screw-HH
23	94-6765	1	Fitting-90 Deg, Barbed
24	46-6560	1	Bushing
25	93-7170	1	Cap-Fuel

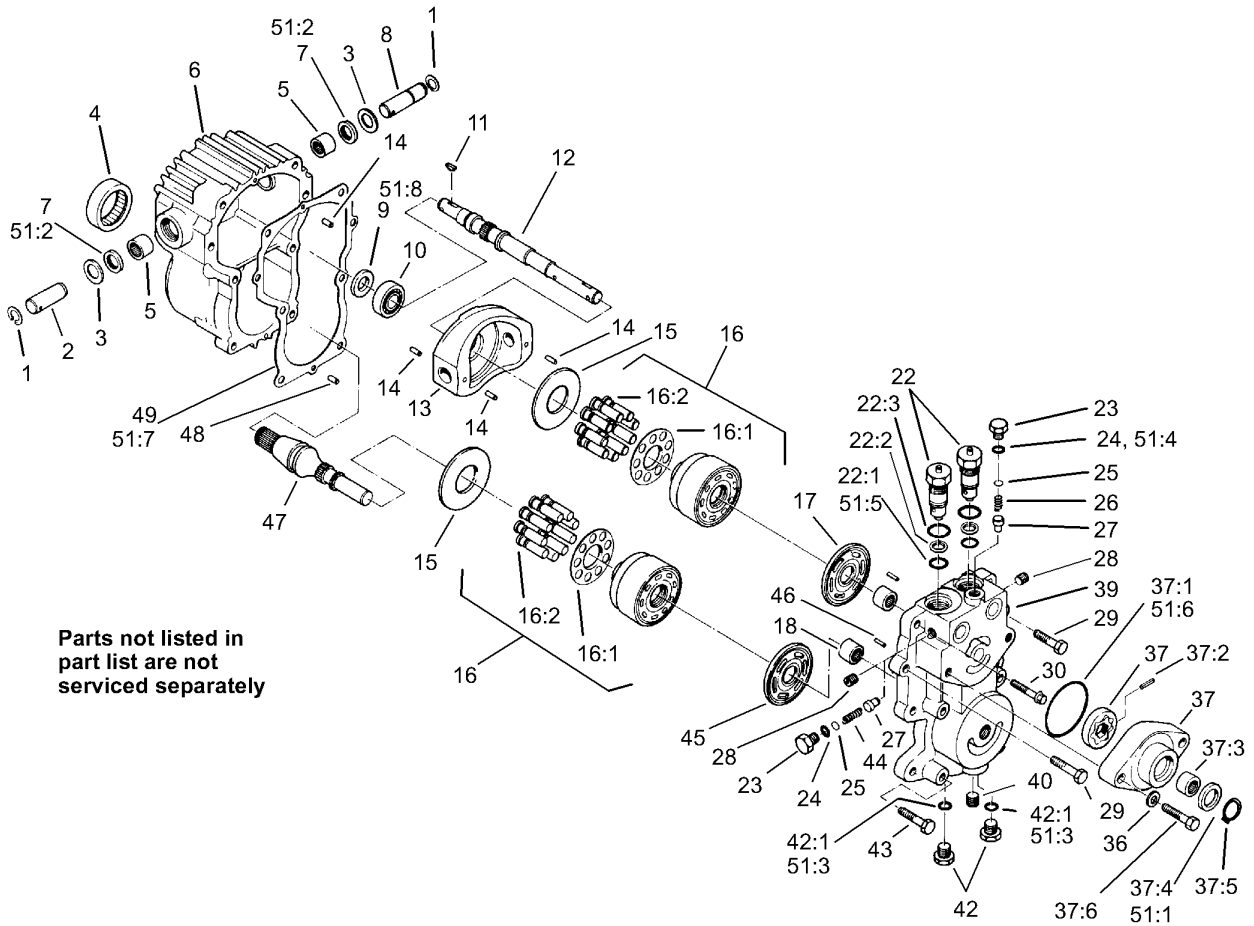
Ref	Part No.	Qty.	Description
26	62-7650	1	Gasket
27	63-7640	1	Sender-Fuel
28	3253-15	5	Washer-Lock
29	32122-24	5	Screw-Pth
30	98-5002	1	Tank-Fuel
30:1	2412-36	1	Clamp-Hose
30:2	353-536	1	Fitting-Elbow, 90 DEG
31	94-1349	1	Hose-Fuel



Transmission Assembly

Ref	Part No.	Qty.	Description
1	92-5512	2	Fitting-Hose, Barbed
1:1	237-78	1	O-Ring
2	2412-108	2	Clamp-Worm
3	92-5086	1	Fitting-Elbow-90
3:1	237-79	1	O-Ring
4	2412-34	1	Clamp-Hose
5	38-3400	1	Guard-Rubber
6	66-8490	1	HYD Hose ASM
7	82-8530	1	Fitting-Straight
7:1	237-42	1	O-Ring
7:2	237-22	1	O-Ring
8	27-9620	1	Screw-HH
9	323-39	3	Screw-HH
10	3253-21	4	Washer-Lock
11	3256-24	1	Washer-Flat
12	5-0652	1	Spacer
13	27-3680	4	Spacer-Mounting
14	2412-4	1	Clamp
15	3296-39	2	Nut-Lock, NI
16	63-7170	1	Anchor-Transmission
17	3272-10	1	Pin-Cotter
18	27-3690	1	Gasket-Transmission
19	86-7220	1	Gear-Pinion
20	32120-72	1	Ring-Snap

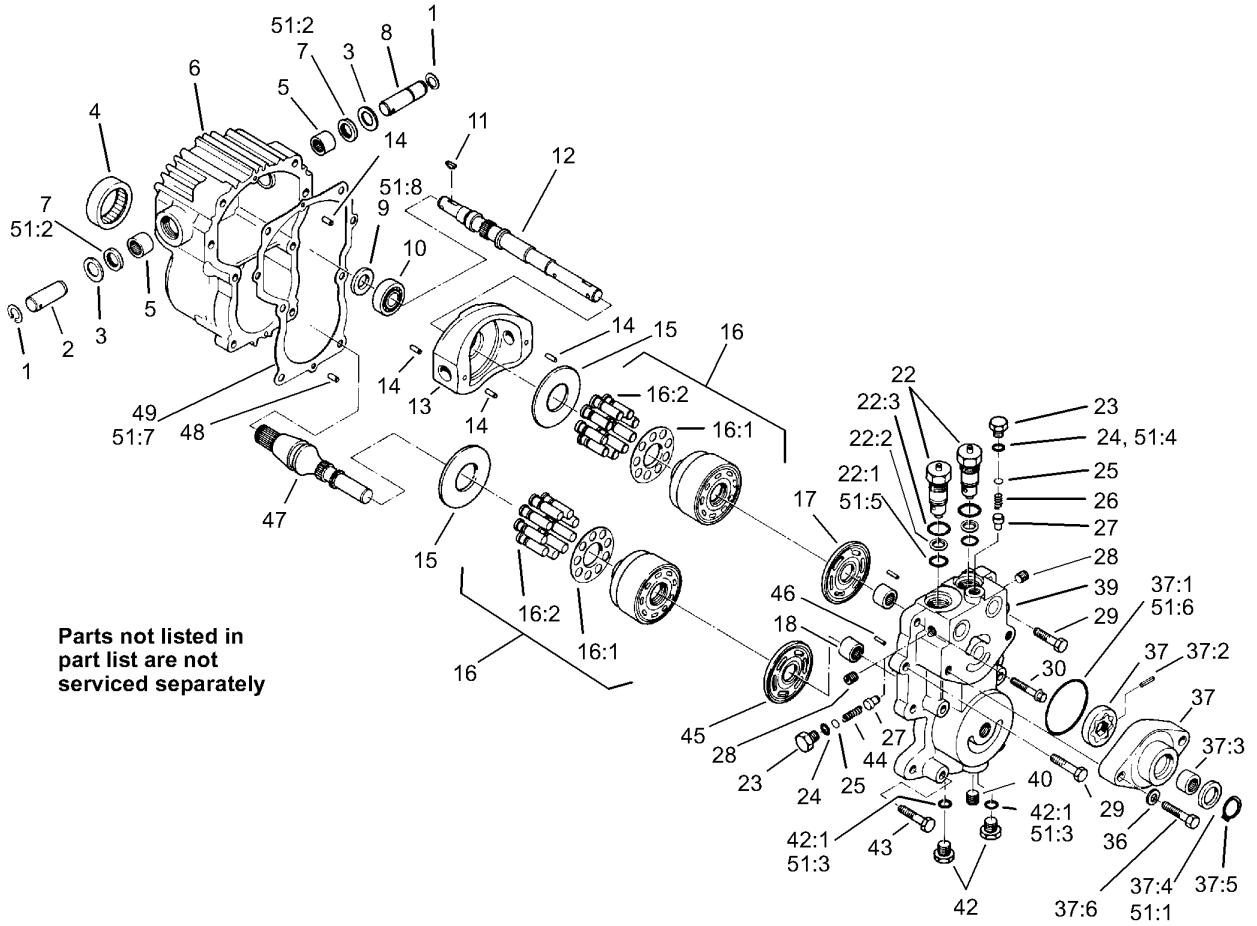
Ref	Part No.	Qty.	Description
21	23-2270	1	Bushing-Rubber
22	3256-26	1	Washer-Flat
23	3218-3	2	Nut-Jam
24	911424	1	Screw-HH
25	92-5513	1	Transmission
26	2412-36	1	Clamp-Hose
27	353-979	1	Fitting-Barbed, Straight
27:1	237-42	1	O-Ring
28	66-3110	2	Fitting-Hyd, 90 DEG
28:1	237-42	1	O-Ring
29	92-5076	1	Adapter-Filter
30	92-5087	1	Seal-Filter Adaptor
31	353-988	1	Plug-Hex, Hollow
31:1	237-79	1	O-Ring
32	353-990	1	Plug
32:1	237-78	1	O-Ring
33	92-5085	1	Union-Filter
34	23-2300	1	Filter-Oil, Transmission
35	3220-7	1	Nut-Jam



Transmission Assembly No. 92-5513

Ref	Part No.	Qty.	Description
1	32151-46	2	Ring-Retaining
2	25-2500	1	Shaft-Trunnion
3	25-2510	2	Washer-Flat
4	28-3300	1	Bearing-Roller
5	252-82	2	Bearing-Needle
6	92-5709	1	Housing-Transmission
7	25-3210	2	Seal-Lip
8	28-3670	1	Shaft-Trunnion
9	93-4133	1	Seal-Lip
10	28-3650	1	Bearing-Ball
11	3257-5	2	Key-Woodruff
12	28-3640	1	Shaft-Pump
13	49-7820	1	Swashplate-Variable
14	32121-91	3	Pin-Spring
15	25-2380	2	Plate-Thrust
16	48-1800	2	Cylinder Block Kit
16:1		1	Retainer-Slipper
16:2		9	Piston ASM
17	46-7320	1	Plate-Valve, Pump
18	25-3300	2	Bearing-Needle
22	49-7830	2	Check Valve Kit
22:1	28-3590	2	O-Ring
22:2	28-3580	2	Ring-Back Up
22:3	28-3570	2	O-Ring

Ref	Part No.	Qty.	Description
23	25-2460	2	Plug-HH
24	28-3400	2	O-Ring
25	25-2470	1	Pack-Shim
26	46-7310	1	Spring
27	83-7260	2	Cone-Relief, Charge
28	285-17	4	Plug-Pipe
29	323-8	2	Screw-HH
30	28-3530	2	Capscrew
36	28-3450	2	Washer
37	38-2670	1	Charge Pump Kit
37:1	28-3520	1	O-Ring
37:2	38-2680	1	Pin
37:3	28-3480	1	Bearing
37:4	94-2975	1	Seal-Shaft
37:5	94-2976	1	Ring-Retaining
37:6	324-23	2	Screw-HH
39	92-5716	1	Section-Center
40	92-5717	1	Plug-Pipe
42	28-3440	2	Plug-Threaded
42:1	75-0240	1	O-Ring
43	323-10	4	Screw-HH
44	25-2480	1	Spring-Valve
45	28-3380	1	Plate-Valve, Motor
46	25-2430	2	Pin-Dowel

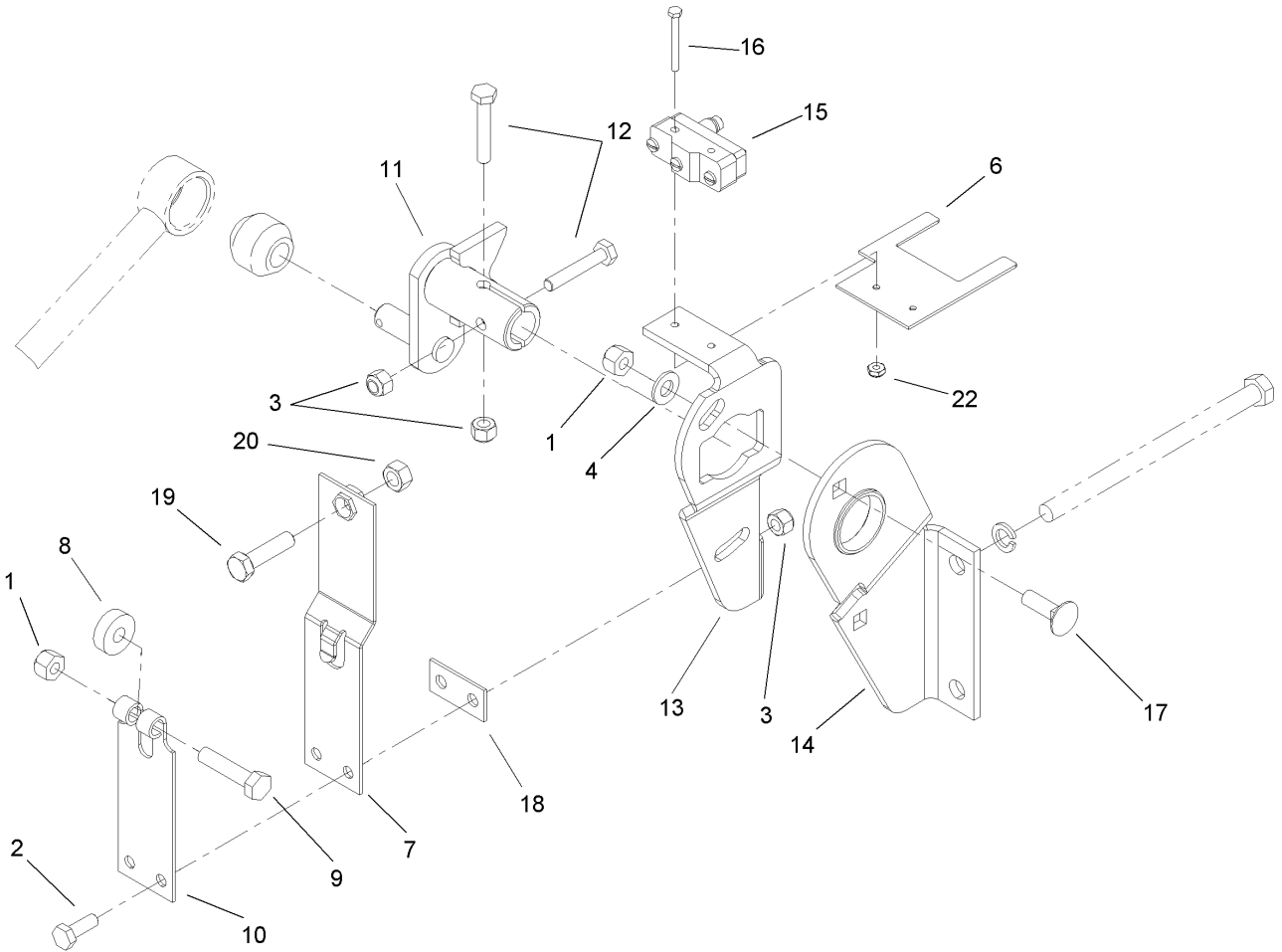


Transmission Assembly No. 92-5513 (continued)

Ref	Part No.	Qty.	Description
47	49-8200	1	Shaft-Motor
48	353-599	2	Pin-Dowel
49	28-3340	1	Gasket
51	106-4384	1	Seal Kit (15 Series)
51:1	94-2975	2	Seal-Shaft
51:2	25-3210	2	Seal-Lip
51:3	75-0240	2	O-Ring
51:4	28-3400	2	O-Ring
51:5	28-3590	2	O-Ring
51:6	28-3520	1	O-Ring
51:7	28-3340	1	Gasket
51:8	93-4133	1	Seal-Lip

--	--	--	--

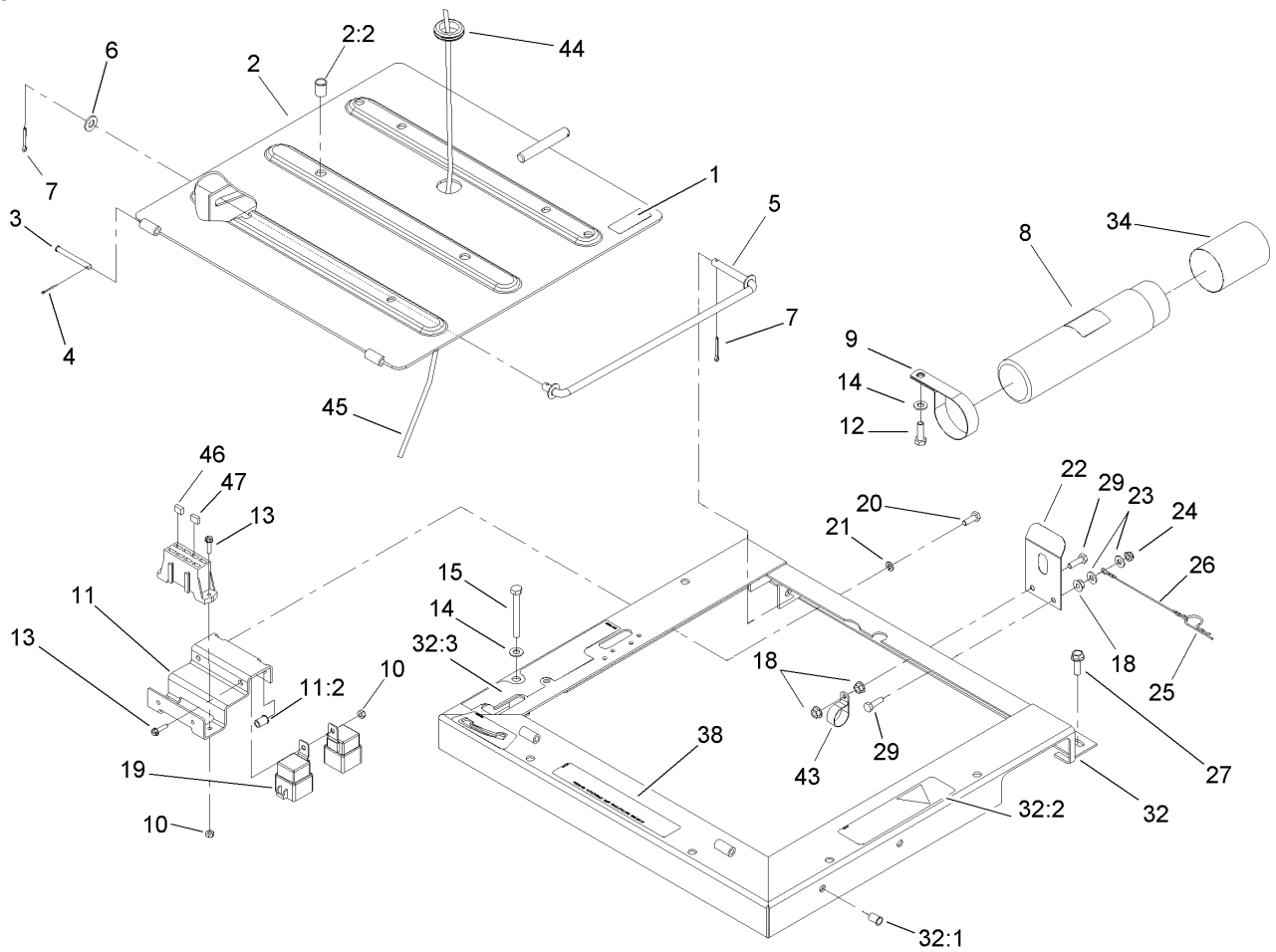
PROTOTYPE



Transmission Interlock Assembly

Ref	Part No.	Qty.	Description
1	3296-29	3	Nut-Lock, NI
2	321-4	2	Screw-HH
3	3296-42	4	Nut-Lock, NI
4	3256-23	2	Washer-Flat
6	46-8810	1	Stop-Leaf Spring
7	29-6170	1	Extended Leaf Spring ASM
8	251-259	1	Bearing-Ball
9	322-17	1	Screw-HH
10	29-6150	1	Spring-Leaf
11	29-9790-03	1	Pump Lever ASM
12	321-9	2	Screw-HH
13	52-9070	1	Plate-Pump
14	52-8890-03	1	Mounting Bracket ASM
15	29-6163	1	Switch-Micro
16	32105-21	2	Screw-HH
17	3230-2	2	Bolt-CARR
18	51-3150	1	Shim-Spring Arm
19	3210-7	1	Screw-HH
20	3219-2	1	Nut-Hex
22	3296-9	2	Nut-Lock, NI

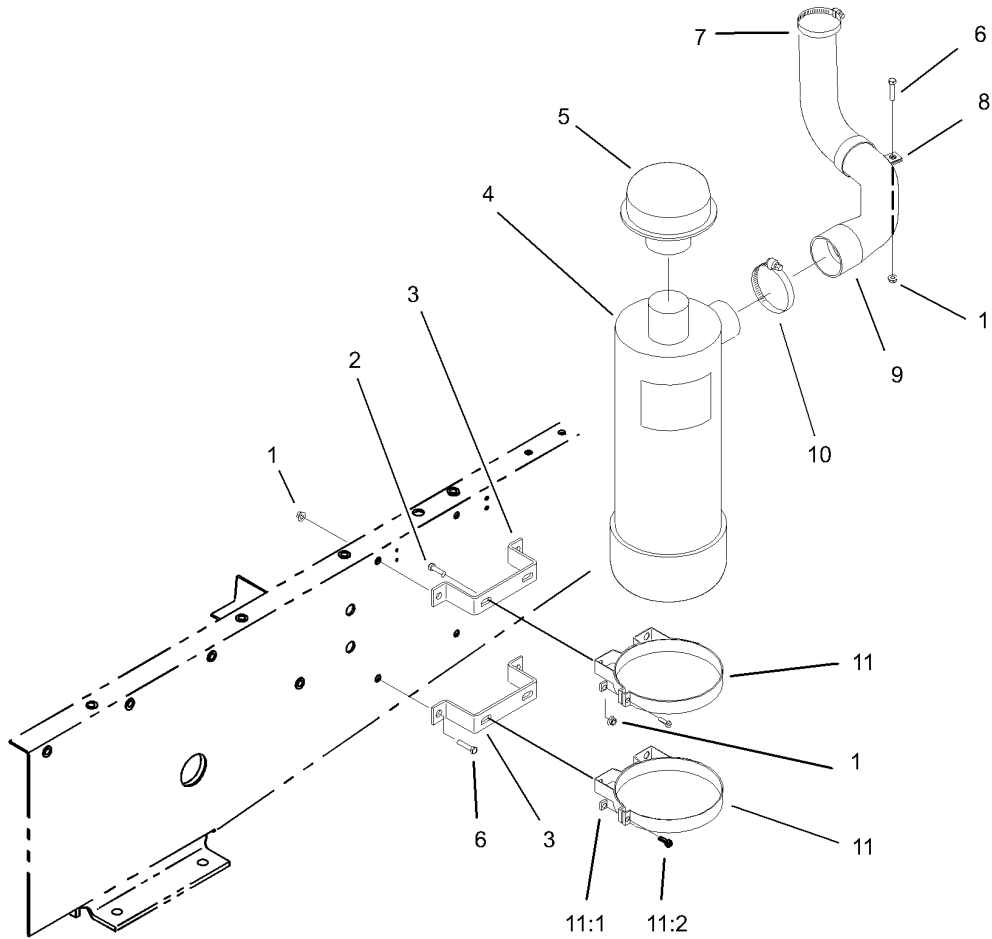
<p style="font-size: 48px; opacity: 0.5; font-weight: normal;">PROTOTYPE</p>			
--	--	--	--



Seat Frame Assembly

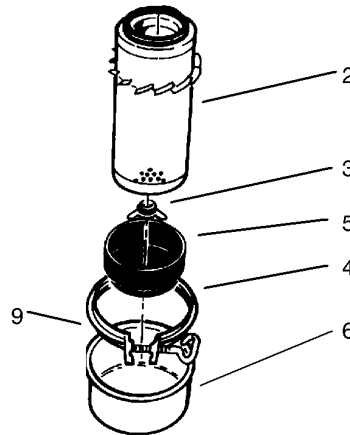
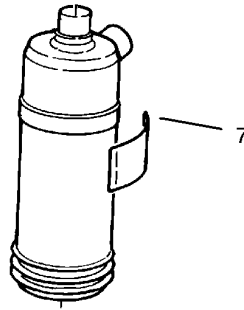
Ref	Part No.	Qty.	Description
1	71-3730	1	Decal-Gas
2	92-5759	1	Plate-Seat
2:2	32148-9	2	Insert-Nut
3	283-49	2	Pin-Clevis
4	3272-4	2	Pin-Cotter
5	66-2800-03	1	Rod-Support
6	3256-24	1	Washer-Flat
7	3272-11	2	Pin-Cotter
8	104-7050	1	Housing-Manual
9	2412-133	2	R-Clamp
10	3296-12	4	Nut-Lock
11	105-0036	1	Fuse Block Bracket ASM
11:2	32148-6	2	Insert-Nut
12	322-5	2	Screw-HH
13	32105-13	4	Screw-SHH
14	3256-23	8	Washer-Flat
15	322-13	6	Screw-HH
18	32128-33	3	Nut-HF
19	70-1480	4	Relay
20	321-4	2	Screw-HH
21	3253-3	2	Washer-Lock
22	66-2630	1	Latch-Seat
23	3256-22	2	Washer-Flat
24	3296-56	1	Nut-Lock, NI

Ref	Part No.	Qty.	Description
25	3290-255	1	Pin-Cotter, Hair
26	28-8070	1	Lanyard
27	3234-17	2	Screw-HHF
29	321-5	2	Screw-HH
32	92-8877	1	Seat Frame ASM
32:1	32148-6	4	Insert-Nut
32:2	67-1710	1	Decal-Warning
32:3	93-7833	1	Decal-Throttle And Lift Control
34	104-7048	1	Cap-Housing
38	105-9584	1	Decal-Starting Instructions
43	2412-106	2	Clamp-R
44	240-5	1	Grommet
45	105-0025	1	Harness-Wire, Seat
46	218-581	1	Fuse-15 Amp, 32 Volt
47	218-574	2	Fuse 7.5 Amp (Blade Style)



Air Cleaner Component Assembly

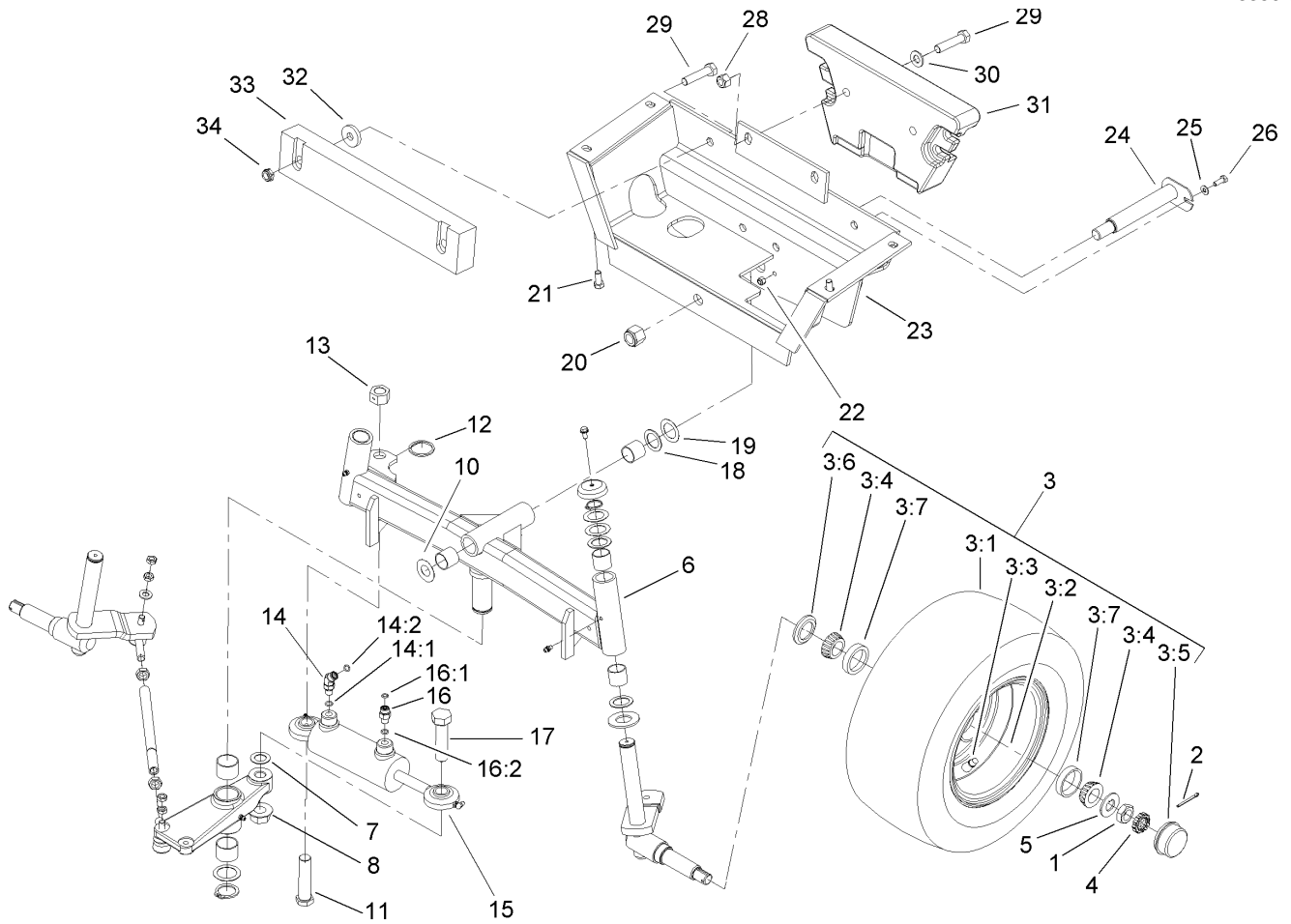
Ref	Part No.	Qty.	Description
1	32128-20	9	Nut-HF
2	322-3	4	Screw-HH
3	66-2451-03	2	Bracket-Air Cleaner
4	27-7100	1	Air Cleaner ASM
5	27-7180	1	Cap ASM
6	322-5	5	Screw-HH
7	2412-92	1	Clamp-Hose
8	2412-107	1	Clamp-R
9	95-1593	1	Air Cleaner Hose ASM
10	2412-42	1	Clamp-Hose
11	27-7170	2	Mounting Band ASM
11:1	32107-11	2	Nut-Square
11:2	3258-19	2	Screw



Air Cleaner Assembly No. 27-7100

Ref	Part No.	Qty.	Description				
2	27-7110	1	Element ASM				
3	27-7120	1	Nut And Gasket ASM				
4	27-7130	1	Clamp ASM				
5	27-7140	1	Skirt-Baffle				
6	27-7150	1	A/c Cup ASM				
7	27-7160	1	Decal-Installation				
9	80-3330	1	Gasket				

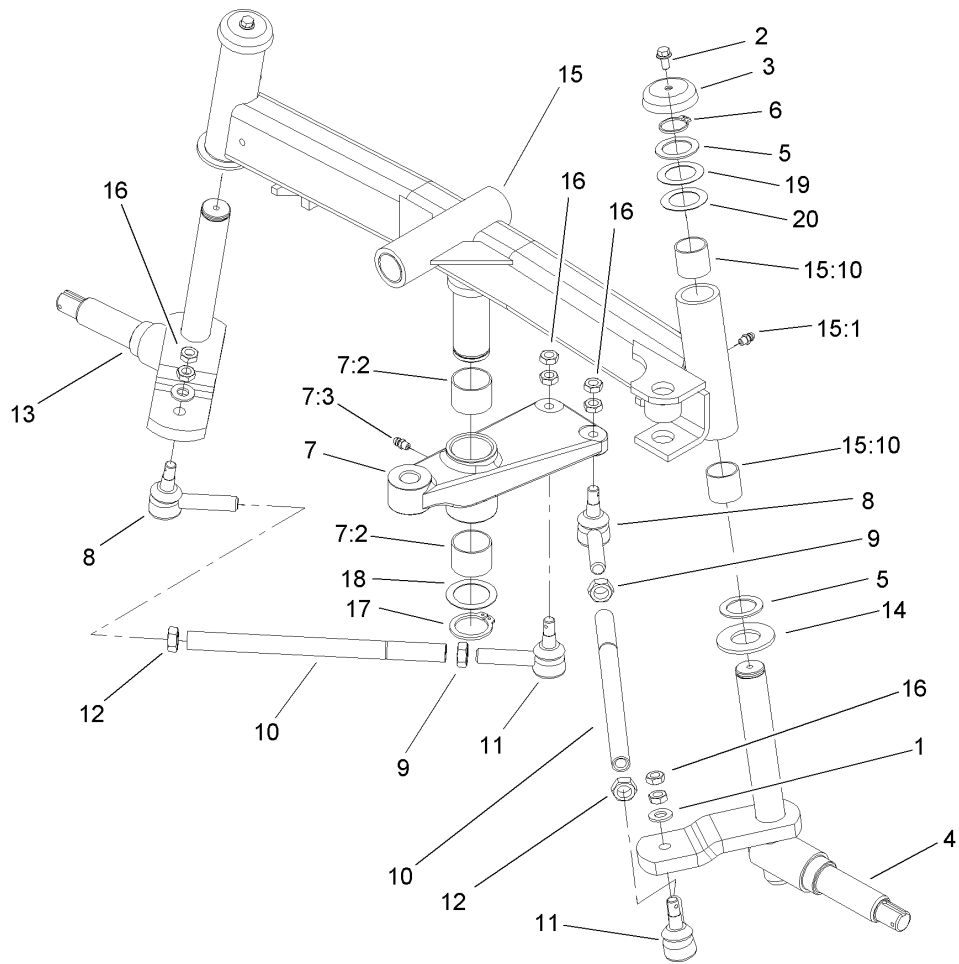
PROTOTYPE



Rear Axle Assembly

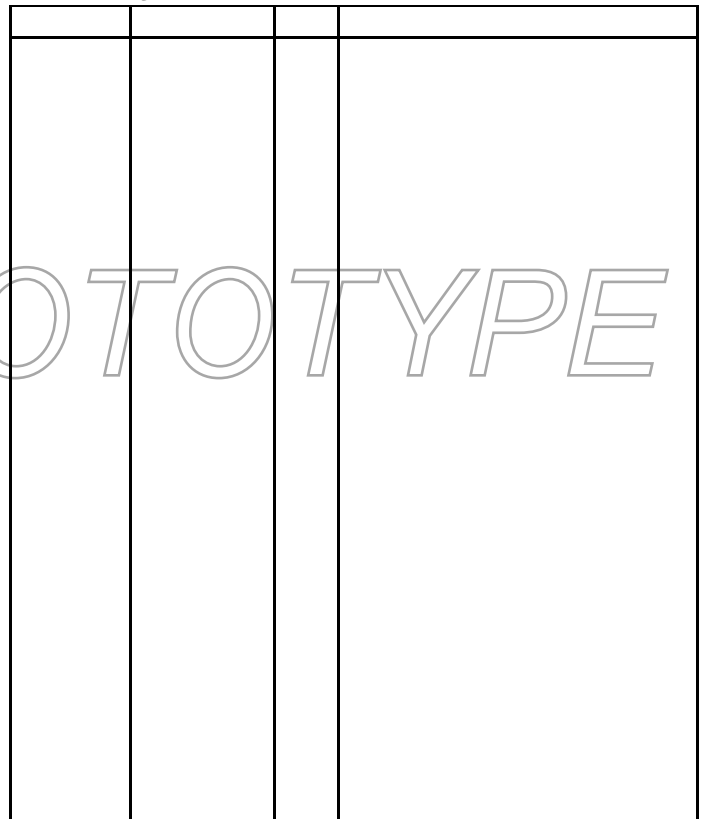
Ref	Part No.	Qty.	Description
1	3220-7	2	Nut-Jam
2	3272-13	2	Pin-Cotter
3		2	Tire And Wheel ASM
3:1	231-105	1	Tire-Rib
3:2	217-118	1	Wheel-8"
3:3	232-35	1	Valve Stem And Cap ASM
3:4	254-72	2	Bearing-Cup, Tapered
3:5	241-119	1	Cap-Dust
3:6	253-129	1	Seal
3:7	254-94	2	Bearing-Cone, Taper
4	93-0307	2	Nut-Lock, Retainer
5	93-0309	2	Washer-Tab
6		1	Rear Axle ASM
7	67-9410	1	Washer
8	32128-45	1	Locknut-Flange
10	71-4540	1	Washer-Thrust
11	67-7300	1	Screw-HH
12	67-7250	1	Spacer-Ring
13	32153-6	1	Locknut
14	340-103	1	Fitting-Hyd, 45 DEG
14:1	237-78	1	O-Ring
14:2	237-21	1	O-Ring
15	76-2070	1	Cylinder-Steering
16	340-92	1	Fitting-Hyd, Straight

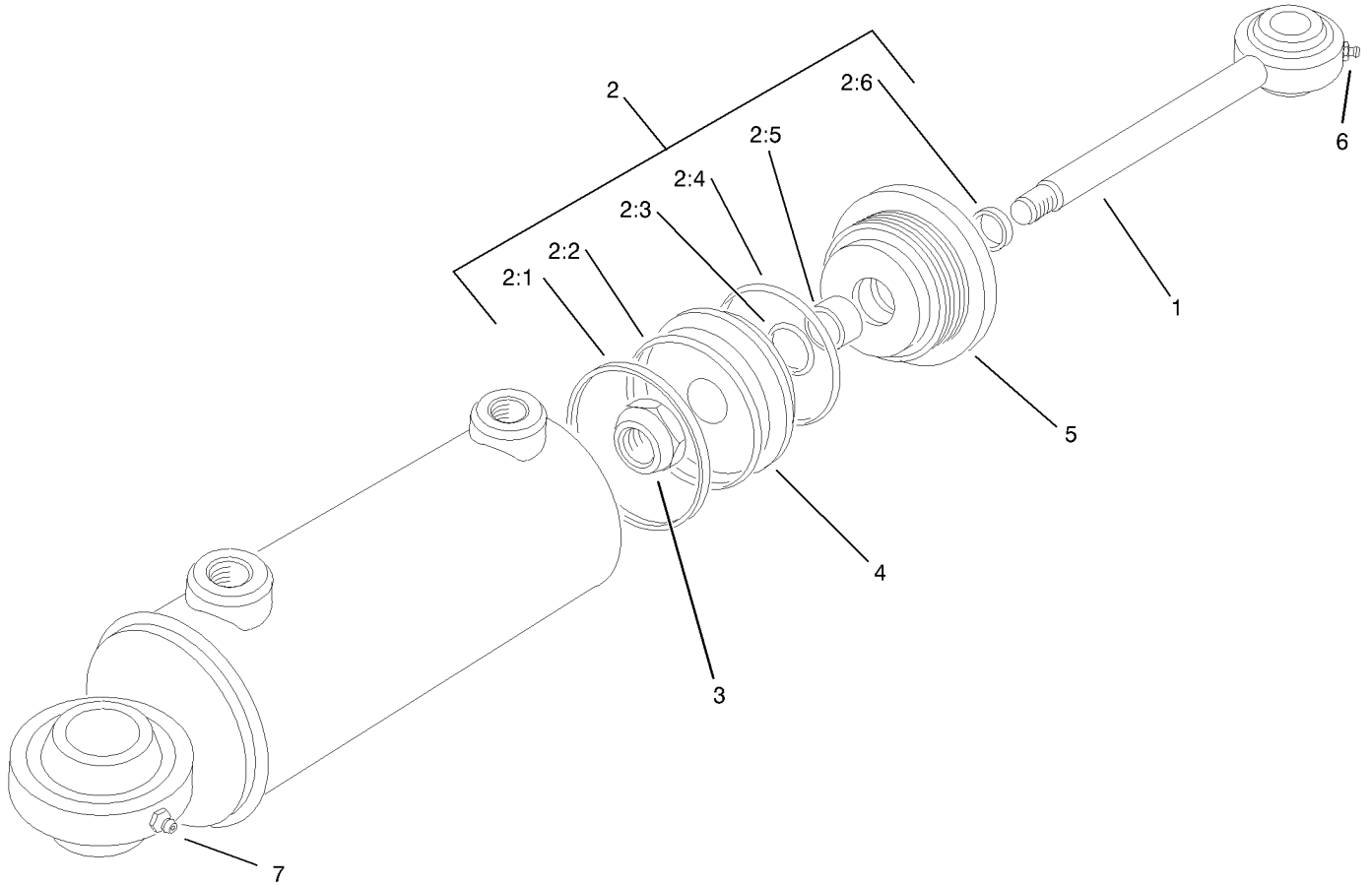
Ref	Part No.	Qty.	Description
16:1	237-78	1	O-Ring
16:2	237-21	1	O-Ring
17	328-25	1	Screw-HH
18	10-8110	1	Washer-Thrust
19	56-2460	1	Washer-Flat
20	3296-51	1	Nut-Lock, NI
21	3234-25	4	Bolt-HF
22	3296-42	1	Nut-Lock, NI
23	63-6430-03	1	Frame-Rear
24	63-6770-03	1	Pin-Masked
25	3256-22	1	Washer-Flat
26	321-4	1	Screw-HH
28	3296-25	2	Nut-Lock, NI
29	325-9	4	Screw-HH
30	3256-26	2	Washer-Flat
31	24-5790-01	1	Weight-Rear
32	70-8040	2	Washer
33	92-8762-03	1	Weight-20 Lb
34	3296-45	2	Nut-Lock, NI



Axle Assembly

Ref	Part No.	Qty.	Description
1	3256-24	2	Washer-Flat
2	3234-13	2	Screw-HHF
3	66-2990	2	Cap-Spindle
4	93-3196	1	RH Spindle ASM
5	10-8110	4	Washer-Thrust
6	32151-36	2	Ring-Retaining
7	100-6598	1	Steering Pivot ASM
7:2	76-2970	2	Bushing-Straight
7:3	302-5	1	Fitting-Grease
8	21-0151	2	LH Ball Joint ASM
9	3220-12	2	Nut-Hj, LH Thread
10	63-6880	2	Tie Rod-Steering
11	21-0141	2	RH Ball Joint ASM
12	3220-5	2	Nut-Jam
13	93-3195	1	LH Spindle ASM
14	256-121	2	Washer-Thrust
15	76-3000	1	Axle-Rear
15:1	302-5	3	Fitting-Grease
15:10	67-1750	6	Bushing
16	3220-3	8	Nut-Jam
17	32151-77	1	Ring-Retaining, Ext
18	76-2980	1	Washer-Thrust
19	56-2460	2	Washer-Flat
20	5-1226	2	Washer

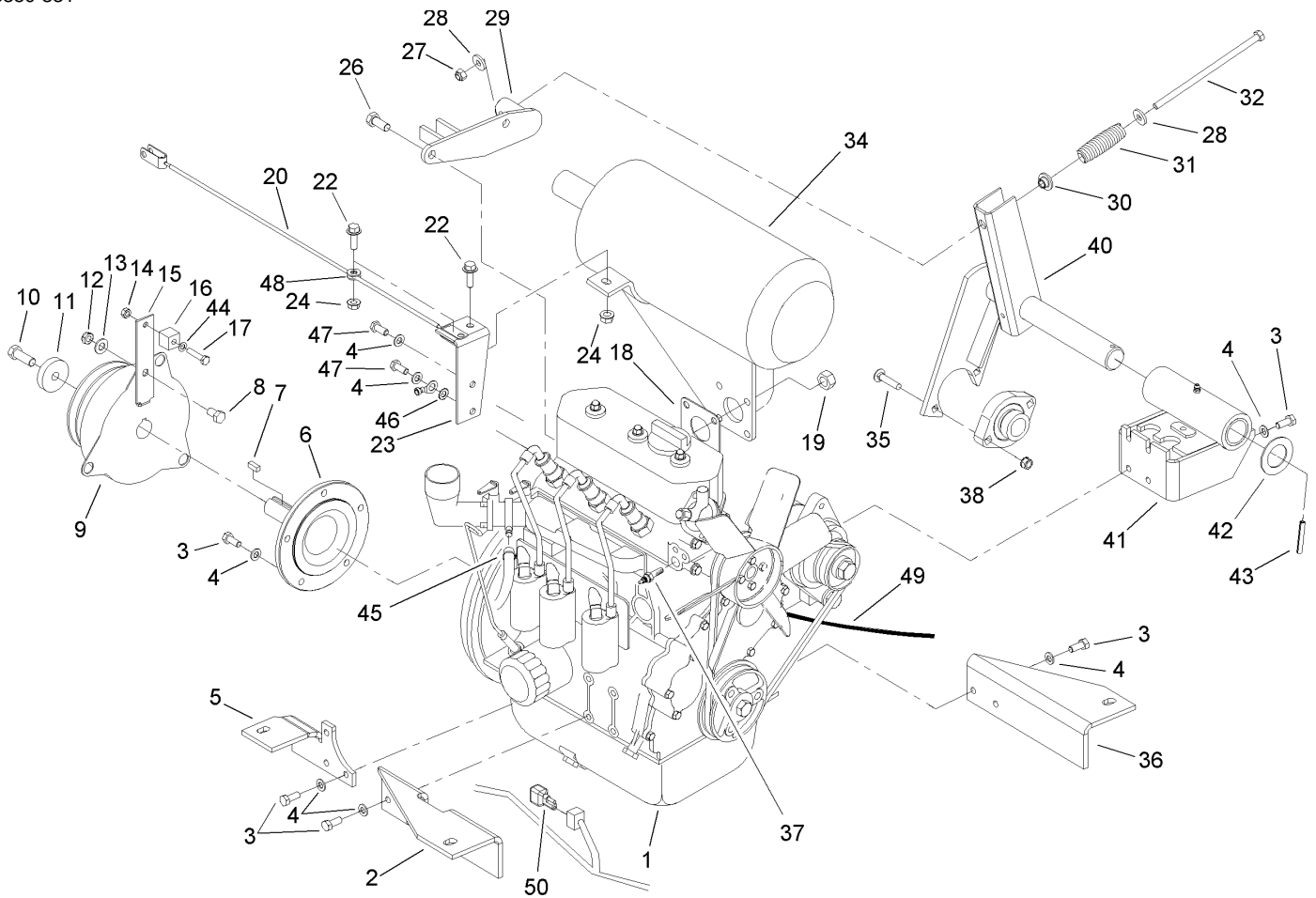




Steering Cylinder Assembly No. 76-2070

Ref	Part No.	Qty.	Description				
1		1	Rod-Piston				
2	76-2090	1	Seal Kit				
2:1		1	Seal				
2:2		1	O-Ring				
2:3		1	O-Ring				
2:4		1	O-Ring				
2:5		1	U-Cup				
2:6		1	Wiper				
3		1	Nut-Lock				
4		1	Piston				
5		1	Gland				
6	302-40	1	Fitting-Grease				
7	302-5	1	Fitting-Grease				

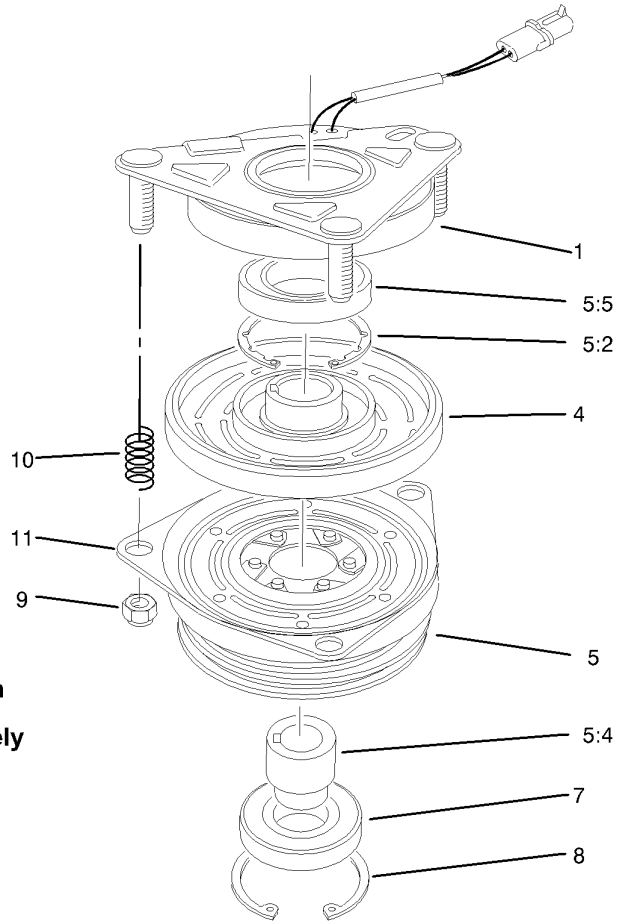
PROTOTYPE



Engine Installation Assembly

Ref	Part No.	Qty.	Description
1	99-8440	1	Engine-Briggs Diahatsu Dm950g
2	95-3300-03	1	Bracket-Engine, Rf
3	66-3160	16	Screw-Cap
4	33094-00	18	Washer-Flat
5	94-7416-03	1	Bracket-Mount, Engine
6	94-7430	1	Shaft-Stub
7	18-6430	1	Key-Square
8	323-34	1	Screw-HH
9	100-6565	1	Electric Clutch/brake ASM
10	3212-5	1	Screw-HH
11	105-3698	1	Spacer
12	3296-59	1	Nut-Lock, NI
13	3256-24	2	Washer-Flat
14	32153-4	1	Locknut
15	94-7438	1	Lever-Clutch Anchor
16	95-6328	1	Bumper-Electric Clutch
17	321-8	1	Screw-HH
18	99-9179	1	Gasket-Exhaust
19	99-9176	4	Nut-Hex
20	66-2870	1	Cable-Hood Stop
22	3234-29	2	Screw-HHF
23	94-7433-03	1	Bracket-Muffler
24	32128-20	2	Nut-HF
26	43-0090	2	Screw-HH

Ref	Part No.	Qty.	Description
27	3296-29	1	Nut-Lock, NI
28	4-2390	2	Washer-Flat
29	107-2911-03	1	Mount Bracket ASM
30	27-6600	1	Spacer-Coupling
31	21-0400-01	1	Spring-Compression
32	94-7431	1	Bolt-HH
34	94-6412	1	Muffler-Exhaust
35	3230-4	2	Screw-CARR
36	95-3097-03	1	Bracket-Engine, Lf
37	94-7621	1	Sender-Temperature
38	32149-1	2	Nut
40	106-4381-03	1	PTO Tension Shaft ASM
41	94-7344	1	Pivot Plate ASM
42	3-4324	1	Washer-Flat
43	32121-32	1	Pin-Roll
44	3256-60	1	Washer-Flat
45	2412-98	1	Clamp
46	3255-8	1	Washer-Lock
47	33114-020	2	Screw-HH
48	3256-23	2	Washer-Flat
49	99-3441	1	Harness-Wire, Fusible Link
50	100-4918	3	Diode

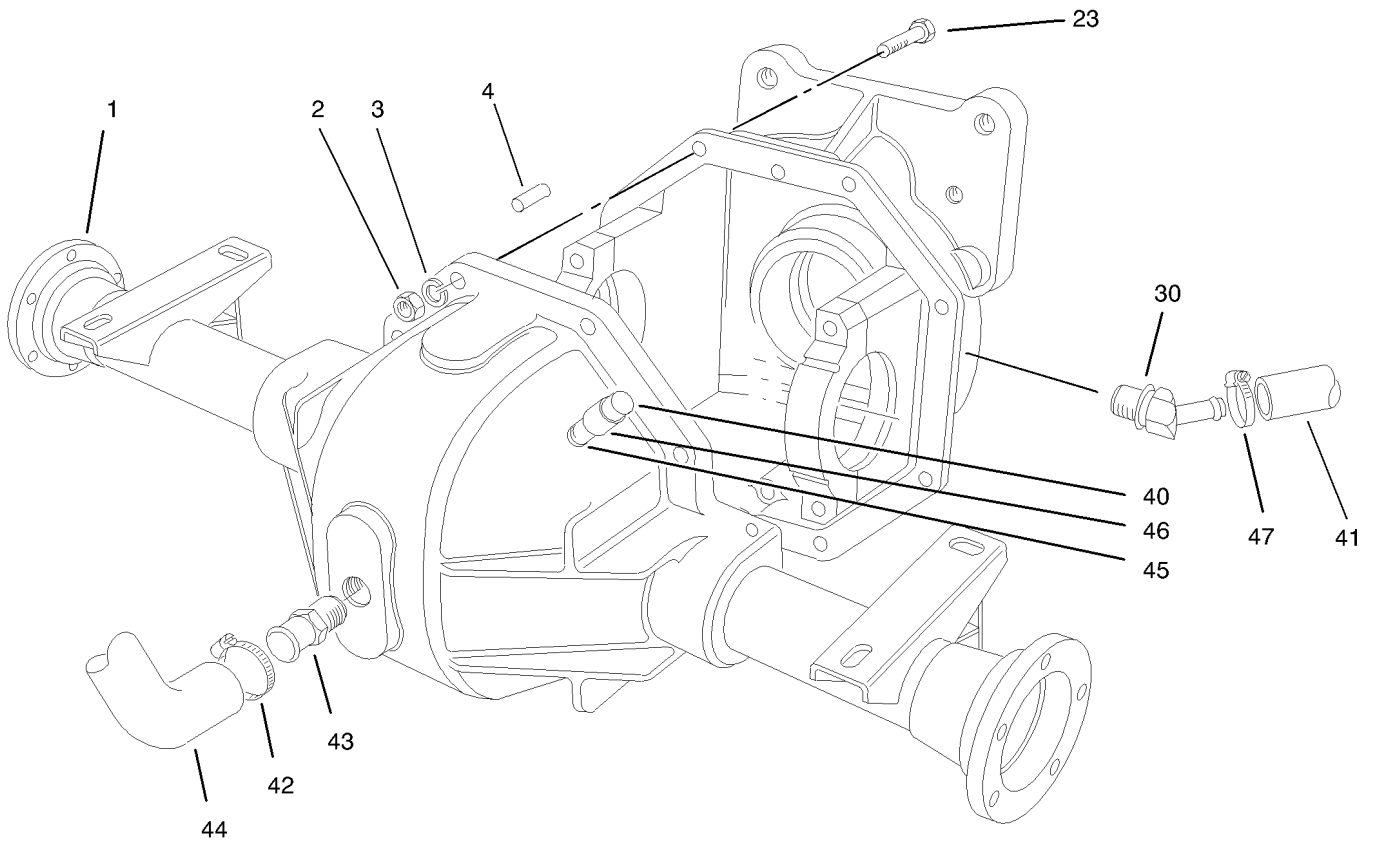


Parts not listed in part list are not serviced separately

Electric Clutch / Brake Assembly No. 100-6565

Ref	Part No.	Qty.	Description
1	100-6563	1	Field And Rotor
1 2 2		1	Bearing-Field
1 2 3		1	Ring-Retaining
1 2 4		1	Field Coil ASM
5	67-7070	1	Armature And Pulley ASM
5:2	67-7060	1	Ring-Retaining
5:4	67-7080	1	Sleeve-Bearing, Armature
5:5	67-7090	1	Bearing-Armature
1 2 6		1	Collar-Bearing
7	67-7090	1	Bearing-Armature
8	67-7060	1	Ring-Retaining
9	3296-6	3	Nut-Lock, NI
10	44-8320	3	Spring
11	67-7100	1	Plate-Brake

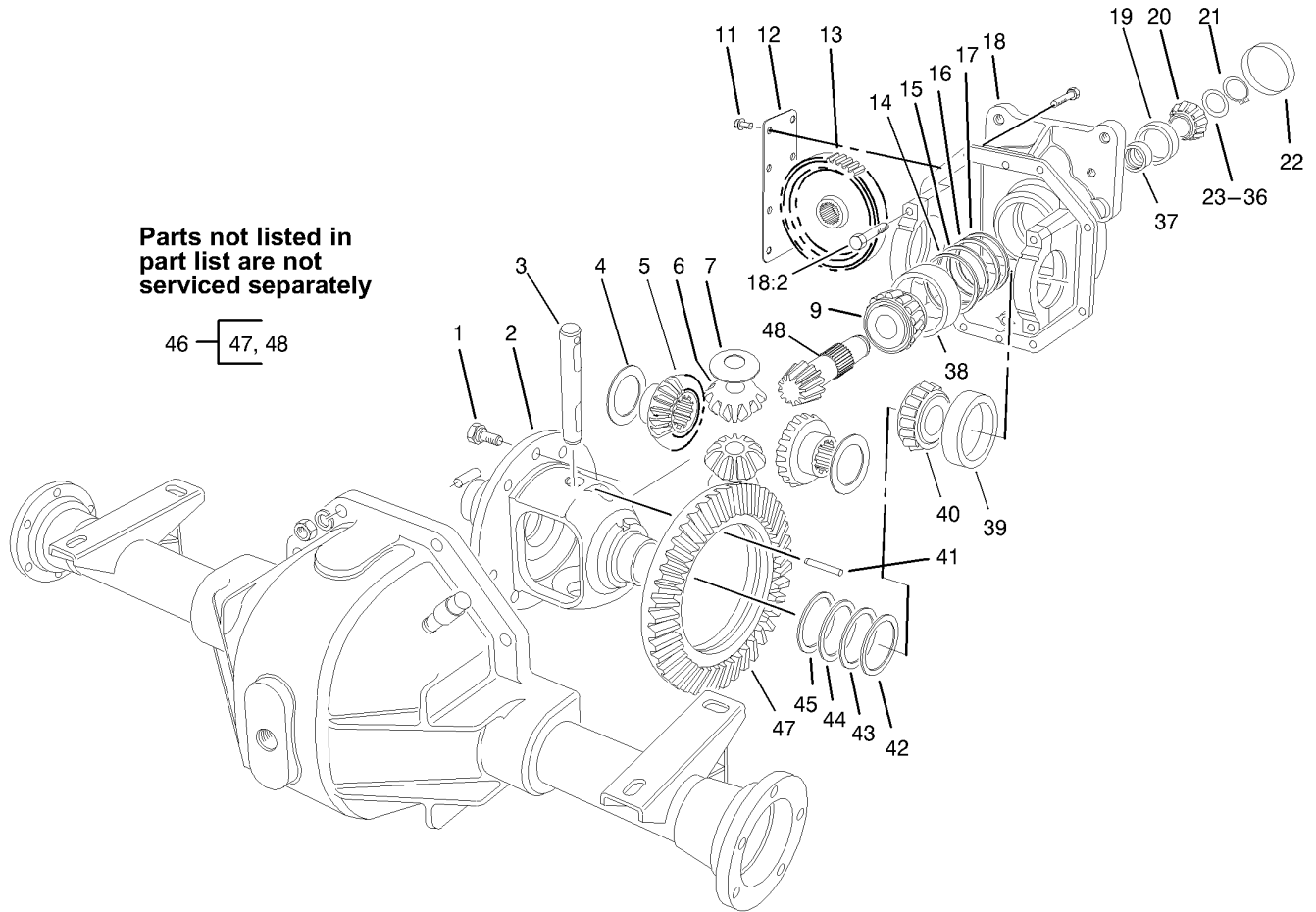
PROTOTYPE



Differential Assembly

Ref	Part No.	Qty.	Description
1	63-8090-03	1	Lower Housing ASM
2	3219-2	8	Nut-Hex
3	3255-8	8	Washer-Lock
4	21-8270	2	Pin-Dowel
23	3210-7	8	Screw-HH
30	92-5088	1	Fitting-Elbow-45
40	72-9420	1	Vent
41	92-5083	1	Hose-Hydraulic
42	2412-34	2	Clamp-Hose
43	354-71	1	Fitting-Hyd, Barbed
44	77-0550	1	Hose-Fill, Differential
45	289-6	1	Nipple-Pipe
46	2810-1	1	Coupling-Pipe
47	2412-119	1	Clamp-Worm

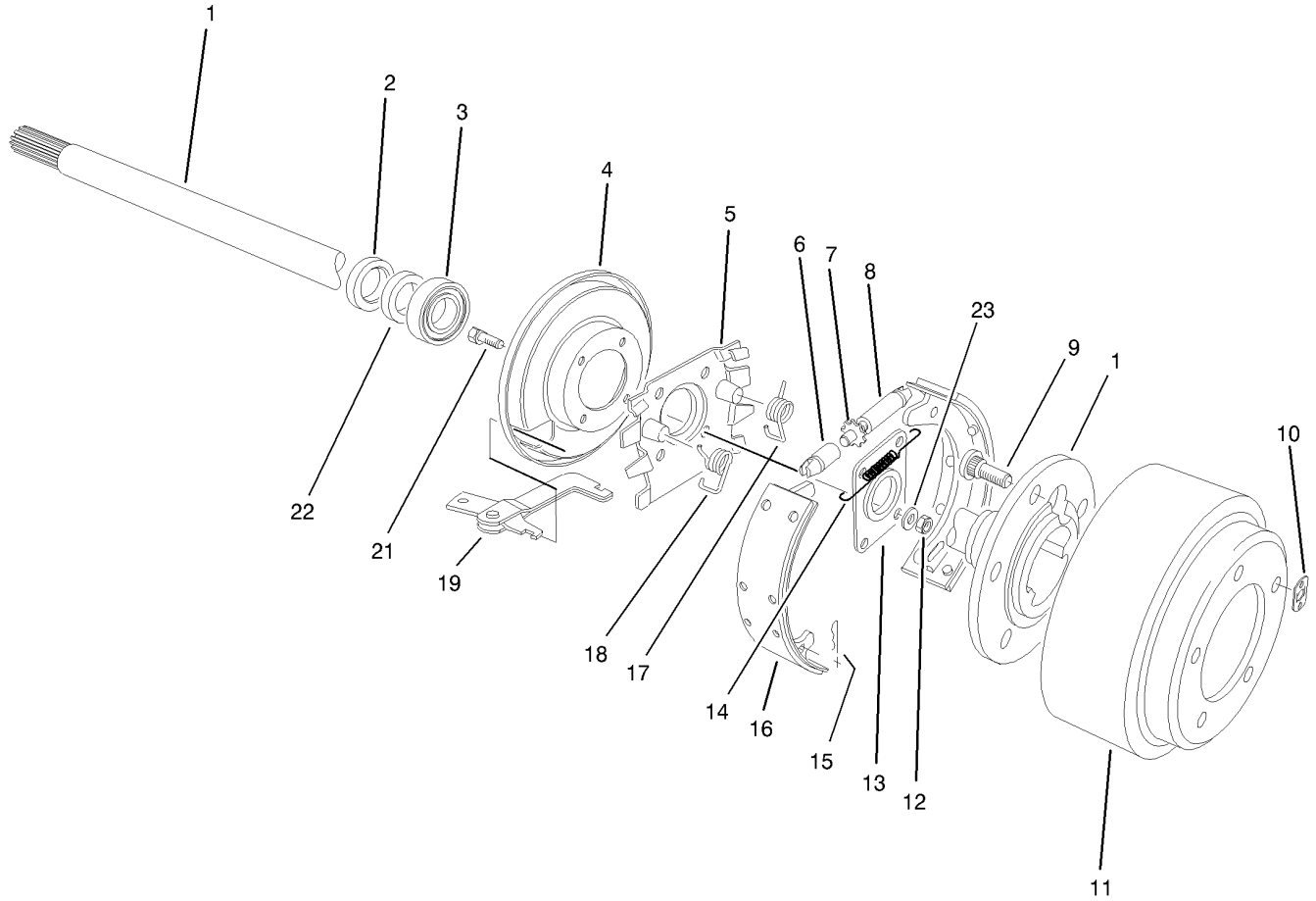
<p style="font-size: 48px; opacity: 0.5; letter-spacing: 10px;">PROTOTYPE</p>			
---	--	--	--



Differential Carrier Assembly No. 92-4909

Ref	Part No.	Qty.	Description
1	21-7770	5	Screw-Gear, Drive
2	21-7670	1	Case-Differential
3	21-7700	1	Shaft-Mate, Pinion
4	21-7720	2	Washer-Thrust
5	24-8790	2	Gear-Differential
6	21-7690	2	Pinion-Differential
7	21-7730	2	Washer-Thrust, Pinion
9	43-6760	1	Bearing-Roller, Cone-Taper
11	12-5450	8	Screw
12	21-7830	1	Cover-Gear
13	86-7230	1	Gear-Input, Transmission
14	43-6710	1	Shim
15	43-6711	1	Shim
16	43-6712	1	Shim
17	43-6713	1	Shim
18	86-7930	1	Upper Housing ASM
18:2	92-1773	4	Screw-HHF
19	254-90	1	Bearing-Cup
20	254-91	1	Cone-Bearing
21	43-6550	1	Ring-Snap
22	21-7850	1	Cup Plug
23	46-2210	1	Shim-Front Bearing
24	46-2211	1	Shim-Front Bearing, .033
25	46-2212	1	Shim-Front Bearing, .035

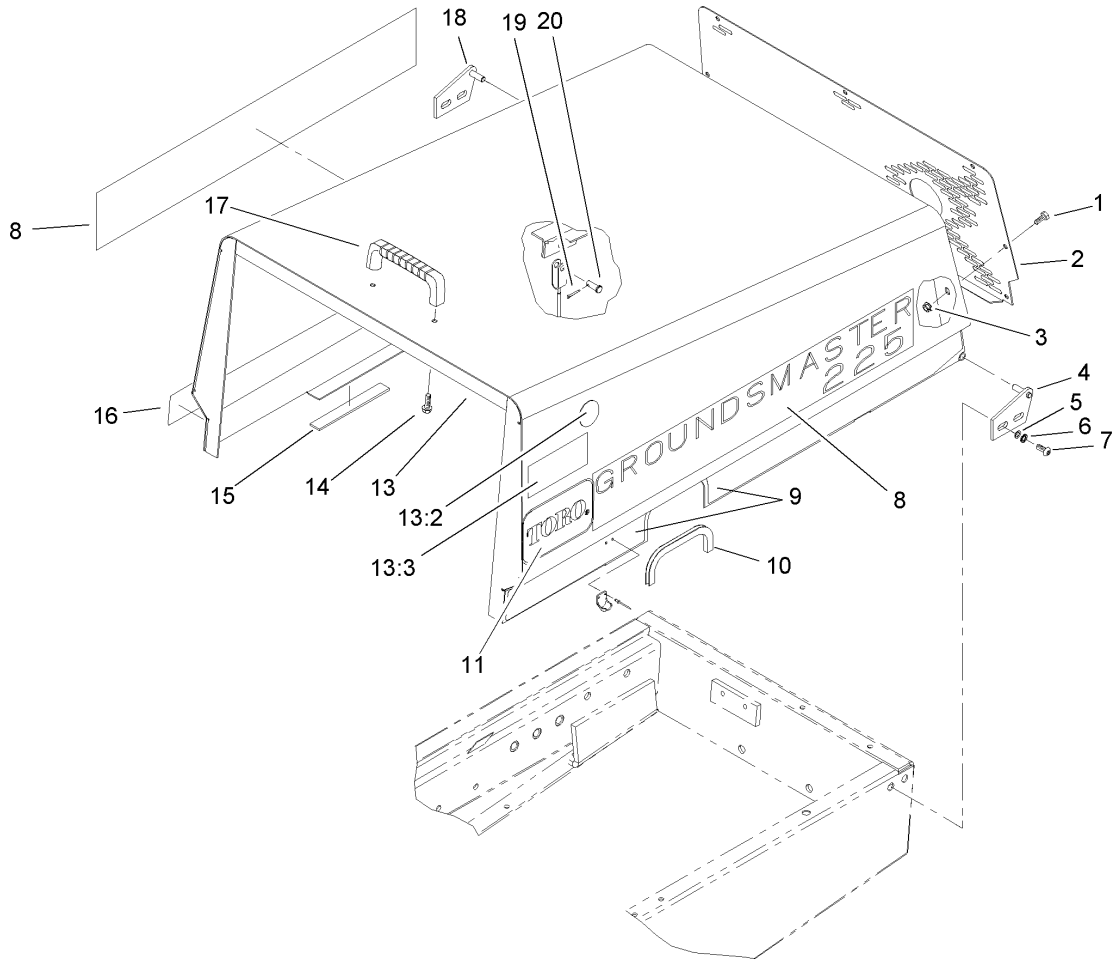
Ref	Part No.	Qty.	Description
26	46-2213	1	Shim-Front Bearing, .037
27	46-2214	1	Shim-Front Bearing, .039
28	46-2215	1	Shim-Front Bearing, .041
29	46-2216	1	Shim-Front Bearing, .043
30	46-2220	1	Shim-Front Bearing, .045
31	46-2221	1	Shim-Front Bearing, .047
32	46-2222	1	Shim-Front Bearing, .049
33	46-2223	1	Shim-Front Bearing, .051
34	46-2224	1	Shim-Front Bearing, .053
35	46-2225	1	Shim-Front Bearing, .055
36	46-2226	1	Shim-Front Bearing, .057
37	21-8020	1	Spacer-Bearing
38	43-6750	1	Bearing-Taper, Cup
39	254-66	2	Cup-Bearing, Roller
40	254-65	2	Cone-Bearing, Roller
41	32121-15	1	Pin-Roll
42	21-8090	1	Shim-Bearing, Diff. (.003)
43	21-8100	1	Shim-Bearing, Diff. (.005)
44	21-8110	1	Shim-Bearing, Diff. (.010)
45	21-8120	1	Shim-Bearing, Diff. (.030)
46	92-4848	1	Gear And Pinion ASM
●47		1	Gear-Ring
●48		1	Pinion



Brake Assembly

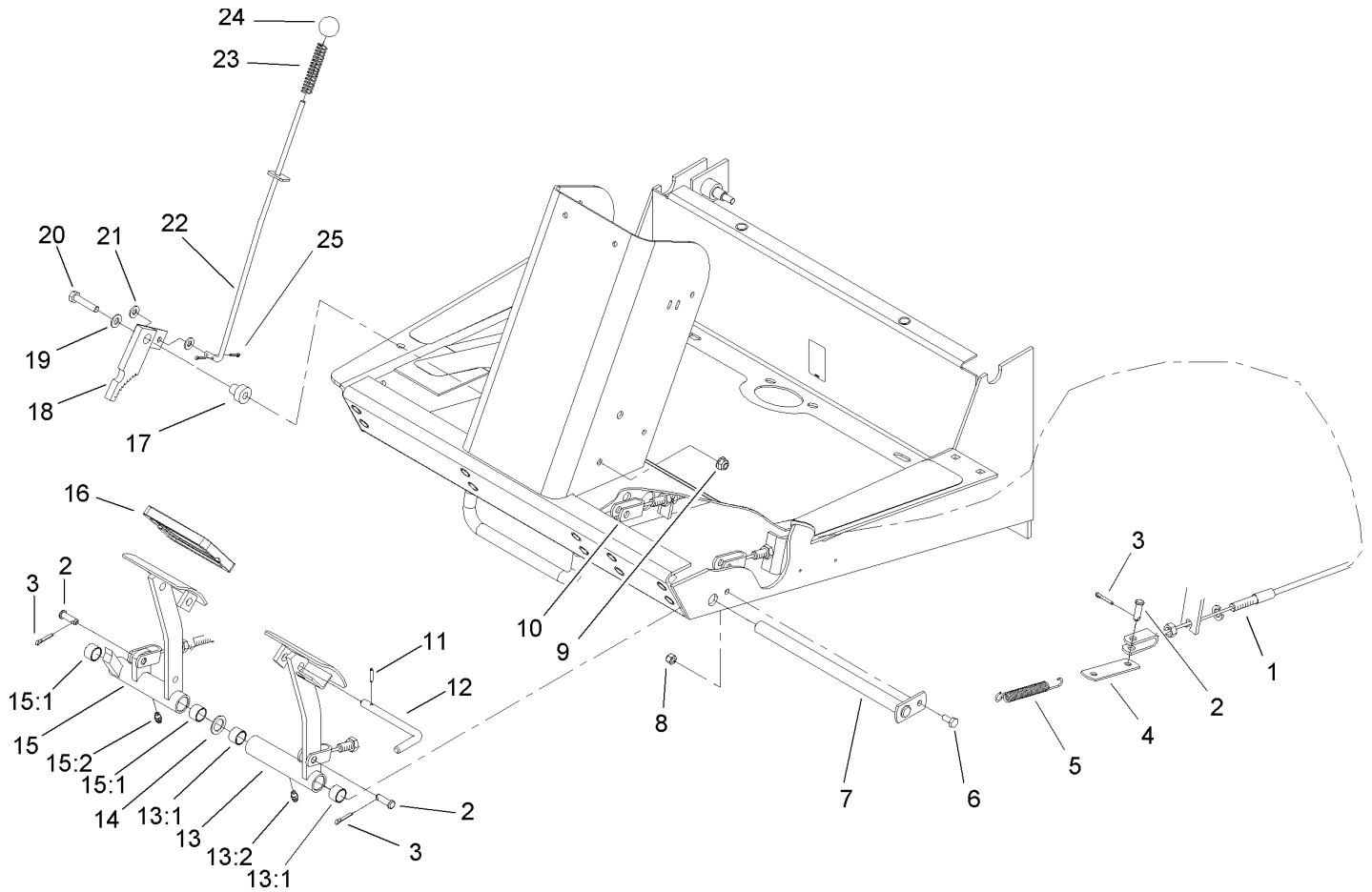
Ref	Part No.	Qty.	Description
① 1	27-6851	1	Shaft-Flanged Axle, RH
1	27-6861	1	Shaft-Flanged Axle, LH
2	92-1774	2	Seal-Oil
3	21-8180	2	Bearing ASM
4	21-9450	2	Shield-Dust
5	43-6810	2	Spider-Torque
6	21-9390	2	Socket-Screw, Adjusting
7	21-9370	2	Screw-Adjusting
8	21-9380	2	Nut-Pivot
9	242-34	10	Stud-Drive
10	21-8360	2	Locknut
11	28-0680	2	Drum-Brake
12	94-6935	8	Locknut
13	28-0670	2	Seal-Grease
14	21-9440	2	Spring-Screw, Adjusting
15	21-9460	4	Retainer-Lever, Brake
16	84-8600	1	Set-Shoes, Lined
17	21-9430	2	Spring-Return, RH
18	21-9420	2	Spring-Return, LH
19	24-9180	2	Strut And Lever ASM
21	94-6934	8	Screw-Hh, Brake
22	24-8840	2	Ring-Retaining, Wheel Bearing
23	94-6936	8	Washer-Hardened
① 24	92-8775	1	Liquid Gasket Kit

<p style="font-size: 48px; opacity: 0.5;">PROTOTYPE</p>			
---	--	--	--



Hood Assembly

Ref	Part No.	Qty.	Description
1	321-3	7	Screw-HH
2	63-7030-03	1	Screen-Hood Rear
3	32128-33	7	Nut-HF
4	63-6900-01	1	LH Hood Hinge Plate ASM
5	3256-23	4	Washer-Flat
6	3253-4	4	Washer-Lock
7	322-5	4	Screw-HH
8	106-4398	2	Decal
9	93-3193	1	Decal-Hood, LH
10	66-8110	1	Trim-Hood
11	62-7400	2	Decal
13	100-6571	1	Hood ASM
13:2	98-9314	1	Grommet
13:3	106-6754	1	Decal-Danger
14	46-8091	2	Screw-HWH
15	82-8950	2	Foam
16	93-3192	1	Decal-Hood, RH
17	65-5100	1	Handle-Door
18	63-6890-01	1	RH Hood Hinge Plate ASM
19	3272-10	1	Pin-Cotter
20	283-58	1	Pin-Clevis

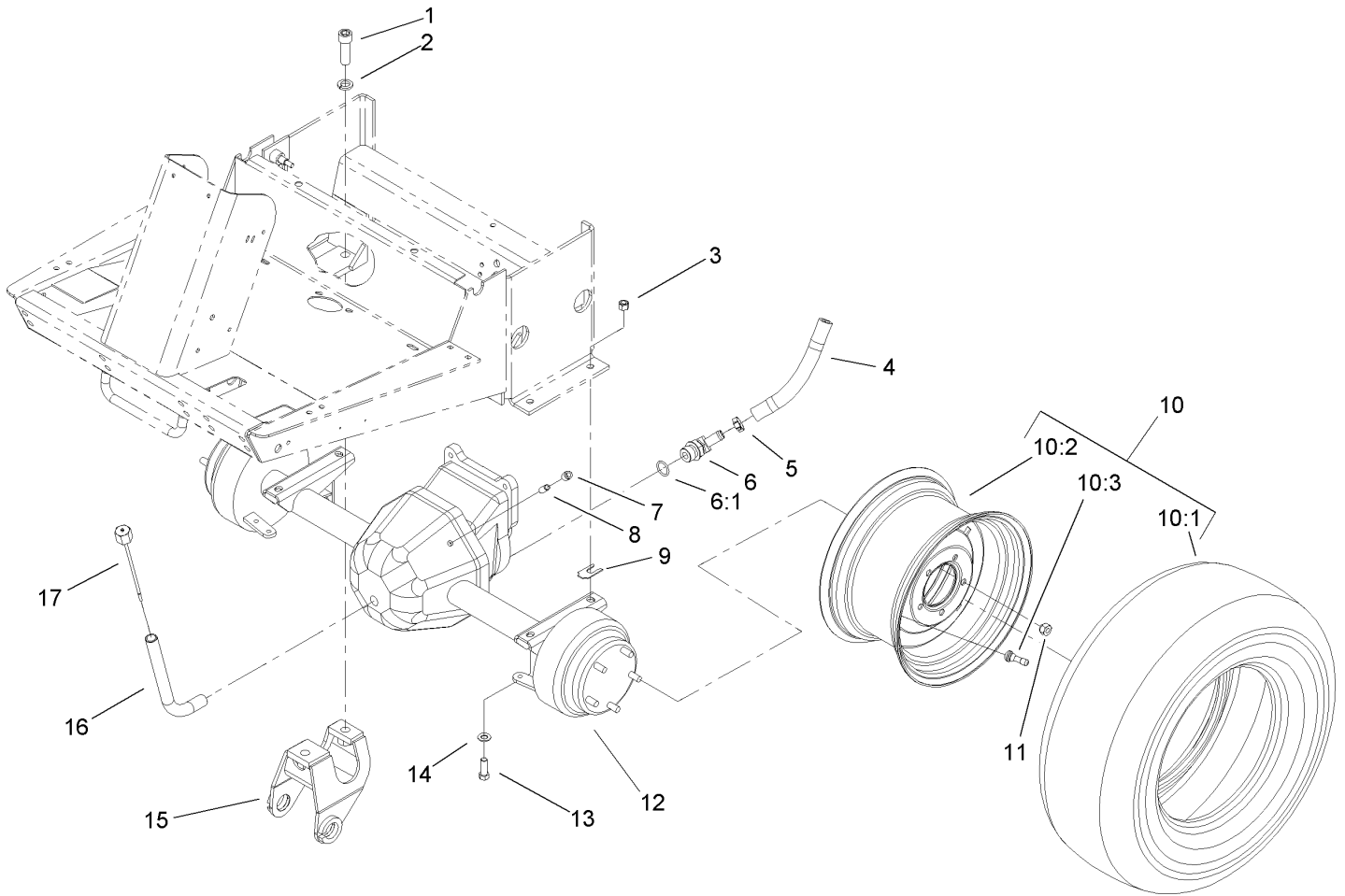


Brake Pedal Assembly

Ref	Part No.	Qty.	Description
1	63-7731	1	Cable-Brake
2	283-58	4	Pin-Clevis
3	3272-10	4	Pin-Cotter
4	63-6750	2	Link-Cable, Brake
5	3-7243	2	Spring-Extension
6	321-3	1	Screw-HH
7	63-6210-03	1	Pin-Brake
8	3296-42	1	Nut-Lock, NI
9	104-8300	1	Nut-Flange, NI
10	63-7730	1	Cable-Brake
11	32121-50	1	Pin-Spring
12	63-7880	1	Pin-Latch, Brake
13	63-6180	1	Pedal-Brake, LH
13:1	256-42	2	Bushing
13:2	302-5	1	Fitting-Grease
14	3256-69	2	Washer-Flat
15	63-6190	1	Pedal-Brake, RH
15:1	256-42	2	Bushing
15:2	302-5	1	Fitting-Grease
16	93-8742	2	Footpad-Brake
17	105-7156	1	Spacer
18	63-7900-03	1	Rack ASM
19	3256-23	1	Washer-Flat
20	322-7	1	Screw-HH

Ref	Part No.	Qty.	Description
21	3256-22	2	Washer-Flat
22	105-7168	1	Rod ASM
23	71-8310	1	Spring-Compression
24	233-17	1	Knob
25	3272-5	2	Pin-Cotter

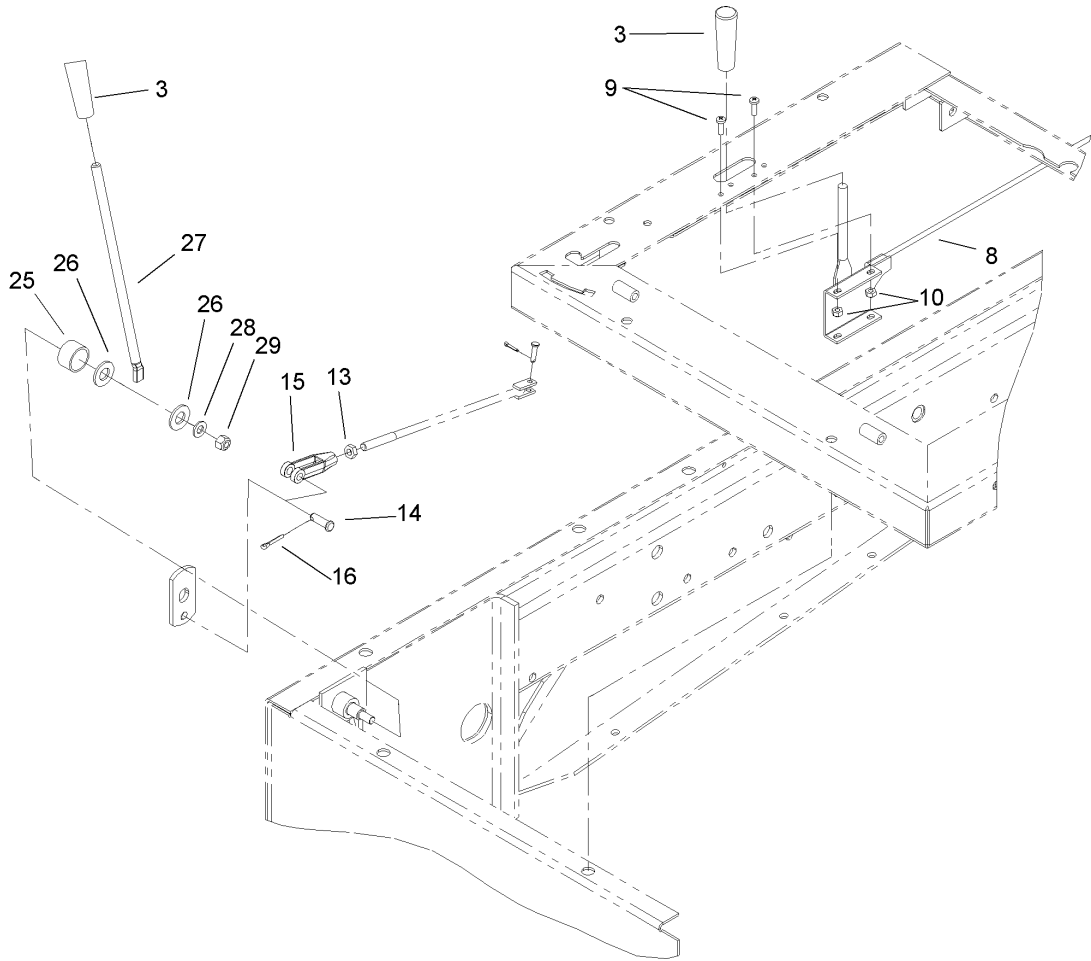
PROTOTYPE



Front Axle Assembly

Ref	Part No.	Qty.	Description
1	3273-38	4	Screw-HSH
2	3253-8	4	Washer-Lock
3	3296-48	4	Nut-Lock, NI
4	92-5083	1	Hose-Hydraulic
5	2412-34	1	Clamp-Hose
6	92-5088	1	Fitting-Elbow-45
6:1	237-81	1	O-Ring
7	2810-1	1	Coupling-Pipe
8	289-6	1	Nipple-Pipe
9	42-6080	1	Shim-Axle
10		2	Wheel And Tire ASM
10:1	95-3348	1	Tire
10:2	217-117	1	Wheel
10:3	232-27	1	Stem-Valve
11	23-7270	10	Nut-Wheel
12	86-9640-03	1	Front Axle ASM
13	324-5	4	Screw-HH
14	3256-25	4	Washer-Flat
15	98-2328-03	2	Bracket-Carrier
16	105-7169	1	Tube-Oil Fill
17	105-7172	1	Dipstick ASM

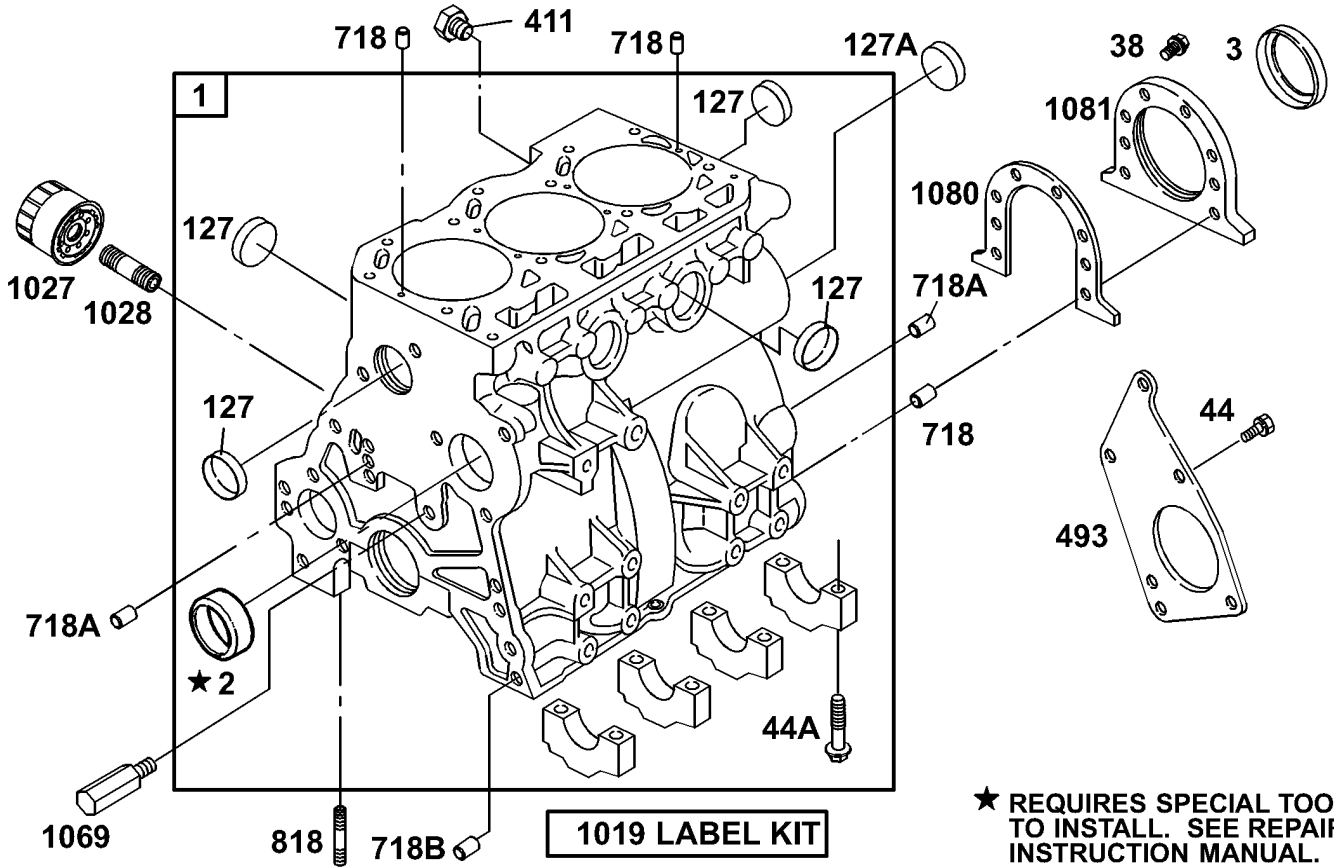
<p style="font-size: 48px; opacity: 0.5;">PROTOTYPE</p>			
---	--	--	--



Throttle and Lift Lever Assembly

Ref	Part No.	Qty.	Description
3	233-39	2	Knob-Control
8	107-2907	1	Throttle Control ASM
9	3290-500	2	Screw-PPH
10	3296-2	2	Nut-Lock
13	3220-2	1	Nut
14	283-58	1	Pin-Clevis
15	282-27	1	Clevis-Adj
16	3272-10	1	Pin-Cotter
25	70-7530	1	Spring-Compression
26	3256-26	2	Washer-Flat
27	66-2720-03	1	Valve Lever ASM
28	3256-23	1	Washer-Flat
29	3296-29	1	Nut-Lock, NI

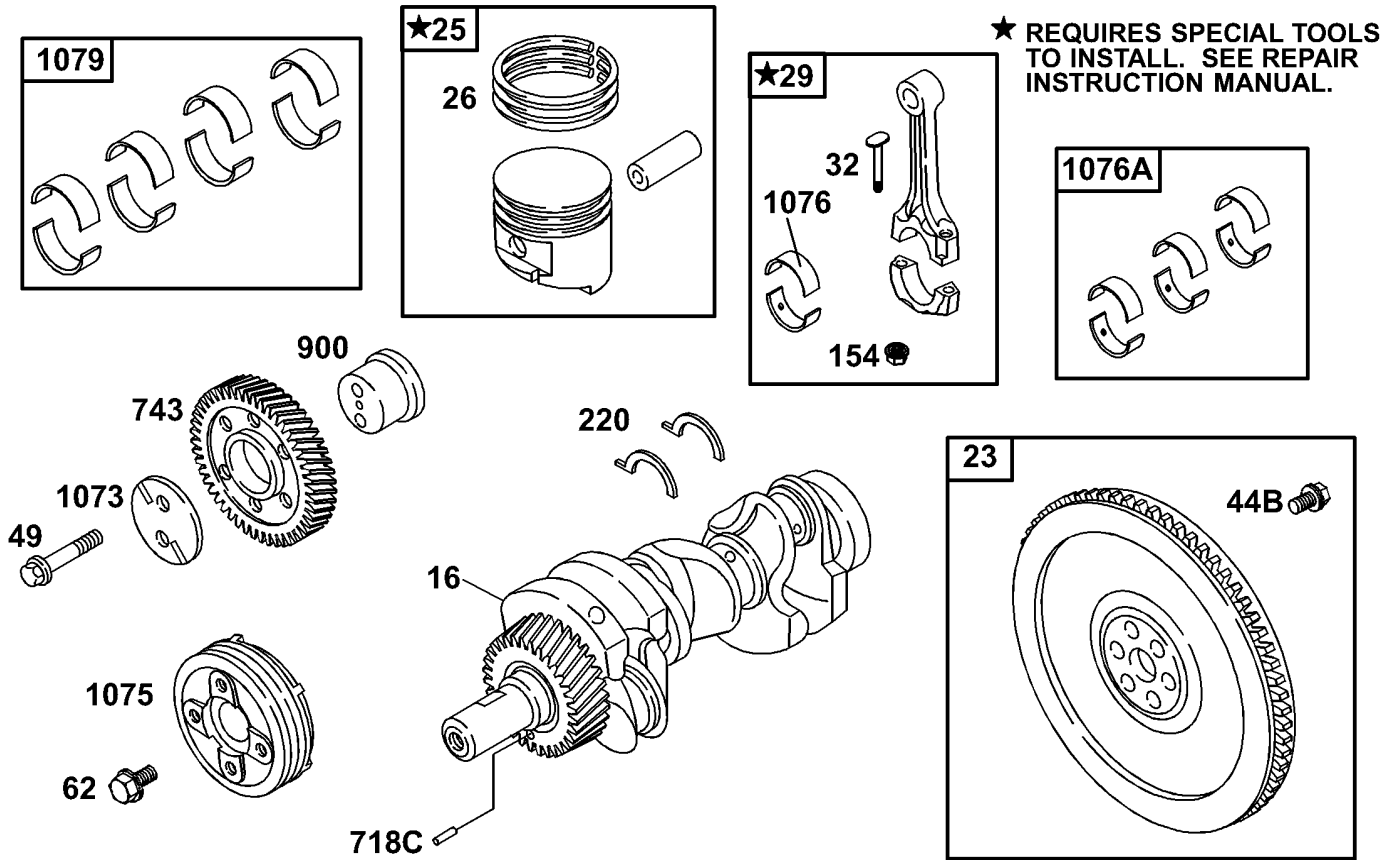
<p style="font-size: 48px; opacity: 0.5; font-weight: normal;">PROTOTYPE</p>			
--	--	--	--



Cylinder Assembly

Ref	Part No.	Qty.	Description
1	99-9251	1	Cylinder ASM
1019	99-9015	1	Label Kit
1027	99-9017	1	Filter-Oil
1027	99-9016	1	Filter-Oil (Optional)
1028	99-9018	1	Adapter-Filter, Oil
1058	99-9019	1	Manual-Owners, Engine
1069	99-9020	1	Nozzle-Oil
1080	99-9021	1	Gasket-Retainer
1081	99-9022	1	Retainer-Seal
127	99-9008	7	Plug-Welch
127A	99-9009	1	Plug-Welch
2	99-9002	1	Bushing
3	99-9003	1	Seal-Oil
38	99-9004	6	Screw-Hex
411	99-9010	1	Plug-Welch
44	99-9005	3	Screw-Hex
44A	99-9006	8	Screw-Hex
493	99-9011	1	Bracket-Mounting
718	99-9012	4	Pin-Locating
718A	99-9013	3	Pin-Locating
718B	99-9014	2	Pin-Locating
818	99-9007	2	Stud-Metric

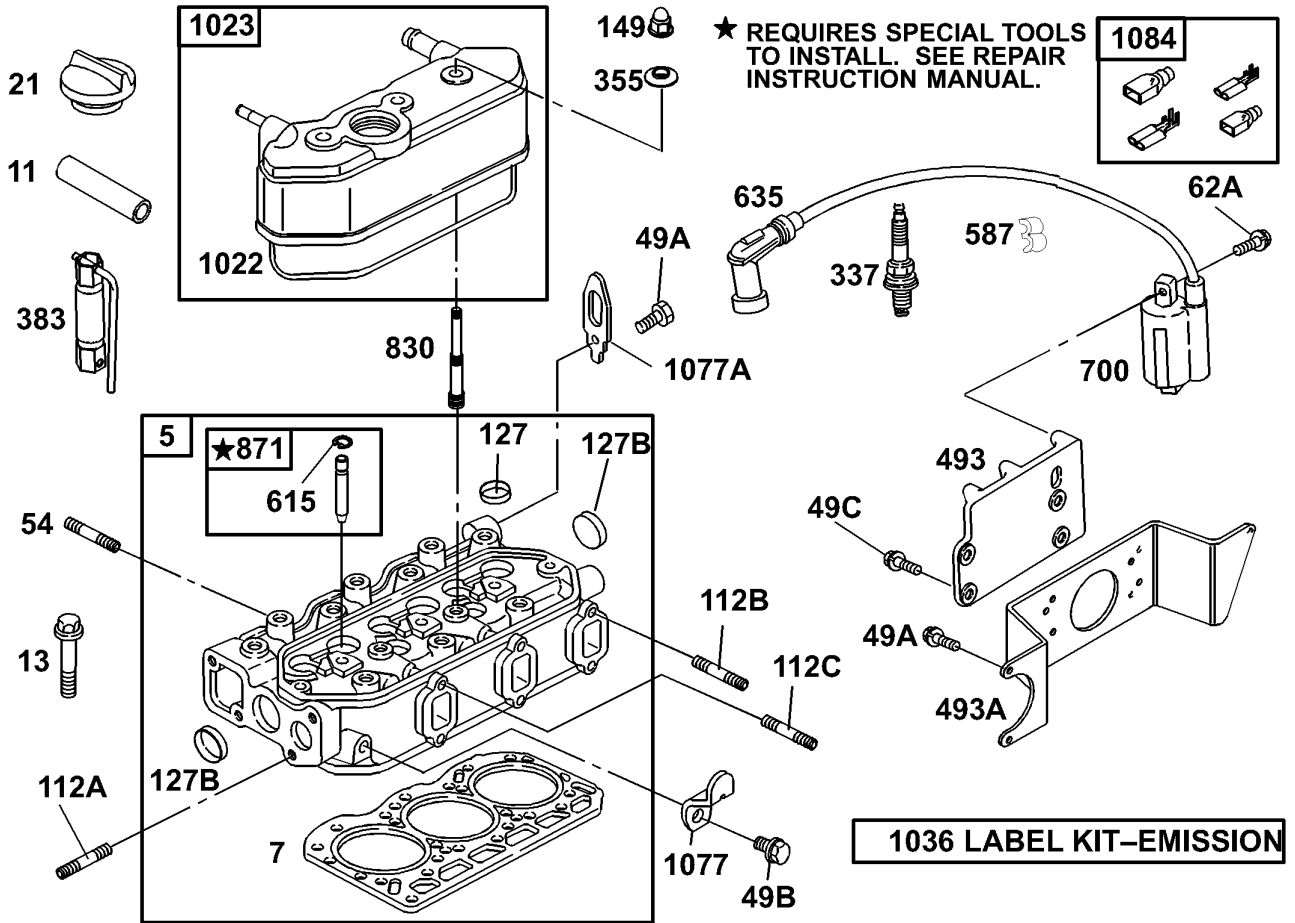
PROTOTYPE			
-----------	--	--	--



Crankshaft Assembly

Ref	Part No.	Qty.	Description
1073	99-9040	1	Plate-Gear, Idler
1075	99-9041	1	Pulley-Crankshaft
1076	99-9042	3	Bearing-Rod
1076A	99-9043	3	Rod Bearing Set
1076A	99-9044	3	Rod Bearing Set (.010 Undersize)
1079	99-9045	4	Bearing Set (Main)set Of 8
1079	99-9046	4	Bearing Set (.010 Undersize)
154	99-9034	6	Nut-Hex
16	99-9252	1	Crankshaft
220	99-9035	1	Washer-Thrust
220	99-9036	1	Washer-Thrust, .005 Oversize
23	99-9024	1	Flywheel
25	99-9025	3	Piston ASM (Standard)
25	99-9026	3	Piston ASM (.010 Over)
26	99-9028	3	Ring Set (.010 Over)
26	99-9027	3	Ring Set (Standard)
29	99-9029	3	Rod-Connecting
32	99-9030	6	Screw-Rod, Connecting
44B	99-9031	6	Screw-Hex
49	99-9032	2	Screw-Hex
62	99-9033	1	Screw-Hex
718C	99-9037	1	Pin-Locating
743	99-9609	1	Gear-Drive
900	99-9039	1	Shaft-Gear

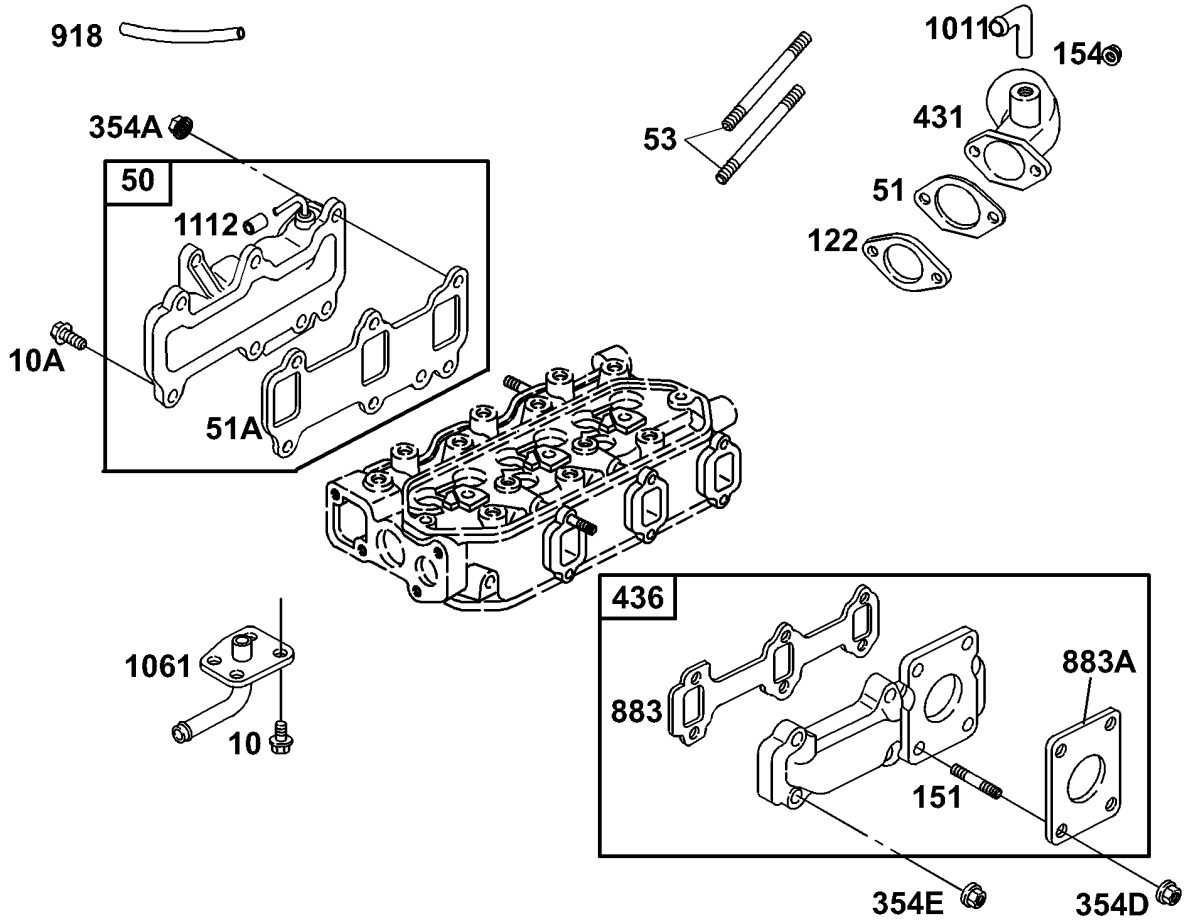
PROTOTYPE			
-----------	--	--	--



Cylinder Head Assembly

Ref	Part No.	Qty.	Description
1022	99-9073	1	Gasket-Cover, Rocker
1023	99-9074	1	Cover-Rocker
1036	99-9075	1	Emission Label Kit
1077	99-9076	1	Bracket-Lifting
1077A	99-9077	1	Bracket-Lifting
1084	99-9078	1	Connector
11	99-9049	1	Tube-Breather
112A	99-9057	2	Stud-Metric
112B	99-9058	5	Stud-Metric
112C	99-9059	1	Stud-Metric
127	99-9008	2	Plug-Welch
127B	99-9060	2	Plug-Welch
13	99-9255	14	Screw-Hex
149	99-9061	3	Nut-Hex, Metric
21	99-9052	1	Cap-Fill, Oil
337	77-7330	3	Plug-Spark
355	99-9063	3	Washer-Seal
383	99-9064	1	Wrench-Plug, Spark
493	99-9065	1	Bracket-Mounting
493A	99-9220	1	Bracket-Support
49A	99-9256	3	Screw-Hex
49B	99-9054	2	Screw-Hex
49C	99-9202	4	Screw-Hex
5	99-9253	1	Head-Cylinder

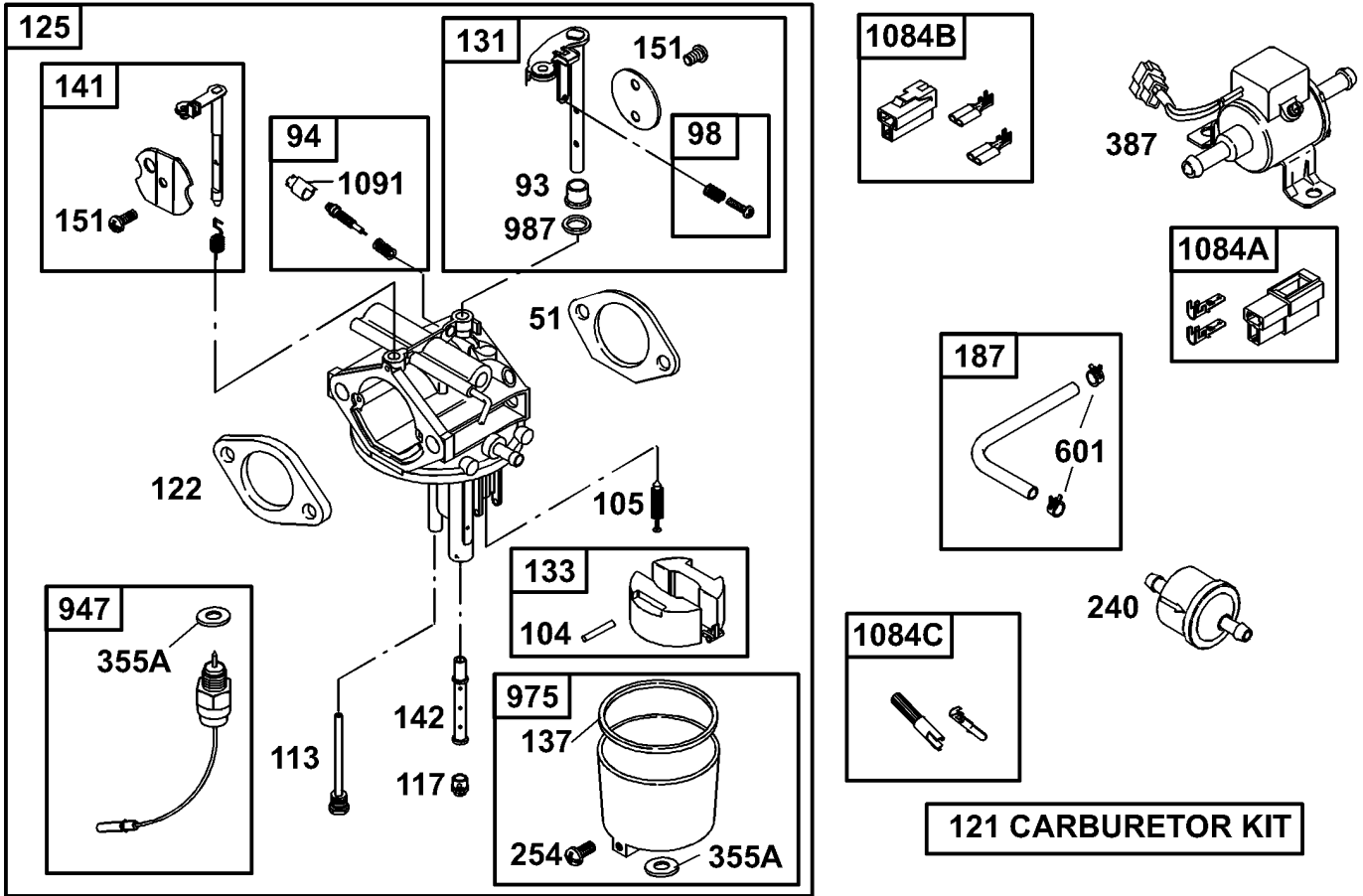
Ref	Part No.	Qty.	Description
54	99-9055	2	Stud-Metric
587	99-9066	2	Clip-Wire
615	99-9067	6	Retainer
62A	99-9056	6	Screw-Hex
635	99-9068	3	Boot-Plug, Spark
7	99-9254	1	Gasket-Head, Cylinder
700	99-9069	3	Coil-Ignition
830	99-9101	3	Stud-Arm, Rocker
871	99-9070	6	Bushing-Guide



Intake and Exhaust Assembly

Ref	Part No.	Qty.	Description
10	99-9004	4	Screw-Hex
1011	99-9198	1	Tube-Vent
1061	99-9180	1	Cover-Outlet
10A	99-9111	4	Screw-Hex
1112	99-9223	1	Plug-Vent
122	99-9184	1	Spacer-Carburator
151	99-9174	4	Stud-Exhaust Manifold
154	99-9186	2	Nut-Hex, Metric
354A	99-9114	2	Nut-Hex, Metric
354D	99-9176	4	Nut-Hex
354E	99-9175	6	Nut-Hex, Metric
431	99-9257	1	Elbow-Intake
436	99-9177	1	Manifold-Exhaust
50	99-9172	1	Manifold-Intake
51	99-9182	1	Gasket-Intake
51A	99-9173	1	Gasket-Intake
53	99-9183	2	Stud-Carb. Mounting
883	99-9178	1	Gasket-Exhaust
883A	99-9179	1	Gasket-Exhaust
918	99-9222	1	Hose-Vaccum

<p style="font-size: 48px; opacity: 0.5; transform: rotate(-1deg);">PROTOTYPE</p>			
---	--	--	--

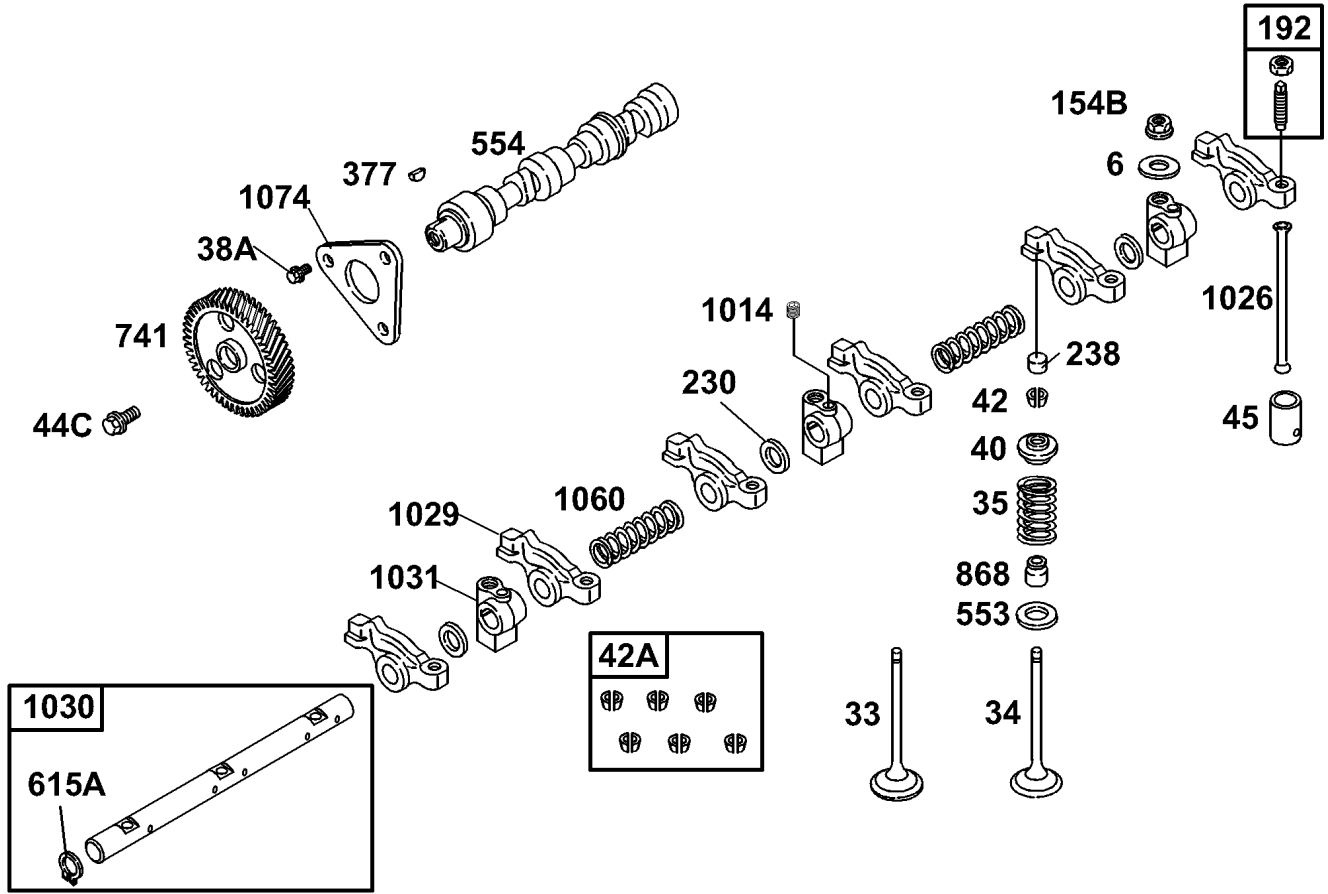


Carburetor Assembly

Ref	Part No.	Qty.	Description
104	99-9226	1	Pin-Float Hinge
105	99-9227	1	Valve-Needle
1084A	99-9199	1	Connector
1084B	99-9213	1	Connector
1084C	99-9245	1	Connector
1091	99-9246	1	Cap-Limiter
113	99-9228	1	Tube-Jet
117	99-9230	1	Jet-Main (High Altitude)
117	99-9229	1	Jet-Main
121	99-9231	1	Carbuertor Kit
122	99-9184	1	Spacer-Carburator
125	99-9185	1	Carburetor
131	99-9232	1	Shaft-Throttle
133	99-9233	1	Float-Carburetor
137	99-9234	1	Gasket-Float Bowl
141	99-9235	1	Shaft-Choke
142	99-9236	1	Nozzle-Carburetor
151	99-9237	1	Screw-Cross/slotted
187	99-9238	1	Line-Fuel
240	99-9193	1	Filter-Fuel
254	99-9239	1	Drain-Carb. Bowl
355A	99-9240	1	Washer-Seal
387	99-9196	1	Pump-Fuel
51	99-9182	1	Gasket-Intake

Ref	Part No.	Qty.	Description
601	99-9242	1	Clamp-Hose
94	99-9224	1	Valve-Idle Adj.
947	99-9243	1	Solenoid-Fuel
975	99-9244	1	Bowl-Float
98	99-9225	1	Screw-Idle Speed

PROTOTYPE

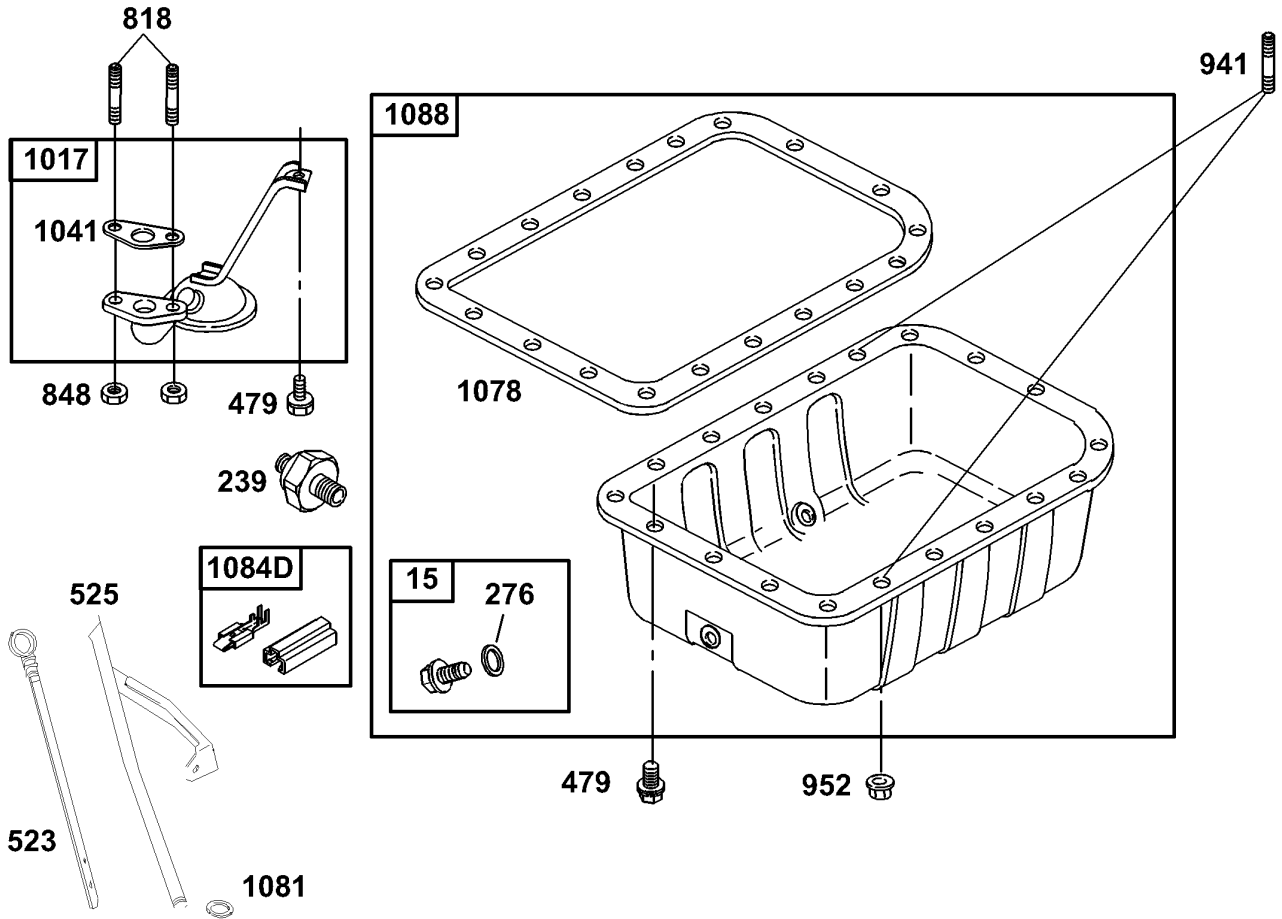


Rocker Arm Assembly

Ref	Part No.	Qty.	Description
1014	99-9090	3	Screw-Metric
1026	99-9103	6	Rod-Push
1029	99-9104	6	Arm-Rocker
1030	99-9106	1	Shaft-Arm, Rocker
1031	99-9107	3	Support-Arm, Rocker
1060	99-9108	2	Spring-Shaft, Rocker
1074	99-9109	1	Retainer-Camshaft
154B	99-9091	3	Nut-Hex, Metric
192	99-9092	6	Adjuster-Arm, Rocker
230	99-9093	3	Washer-Spacer
238	99-9094	6	Cap-Valve
33	99-9080	3	Valve-Exhaust
34	99-9081	3	Valve-Exhaust
35	99-9082	6	Spring-Valve
377	99-9095	1	Key-Woodruff
38A	99-9083	3	Screw-Hex
40	99-9084	6	Retainer-Valve
42	99-9086	1	Keeper-Valve
42A	99-9087	6	Keeper-Valve (Set Of Six)
44C	99-9085	1	Screw-Metric
45	99-9088	6	Tappet-Valve
553	99-9096	6	Seat-Spring, Valve
554	99-9097	1	Shaft-Cam
6	99-9079	3	Washer-Flat

Ref	Part No.	Qty.	Description
615A	99-9099	2	Retainer
741	99-9641	1	Gear-Cam
868	99-9102	6	Seal-Valve

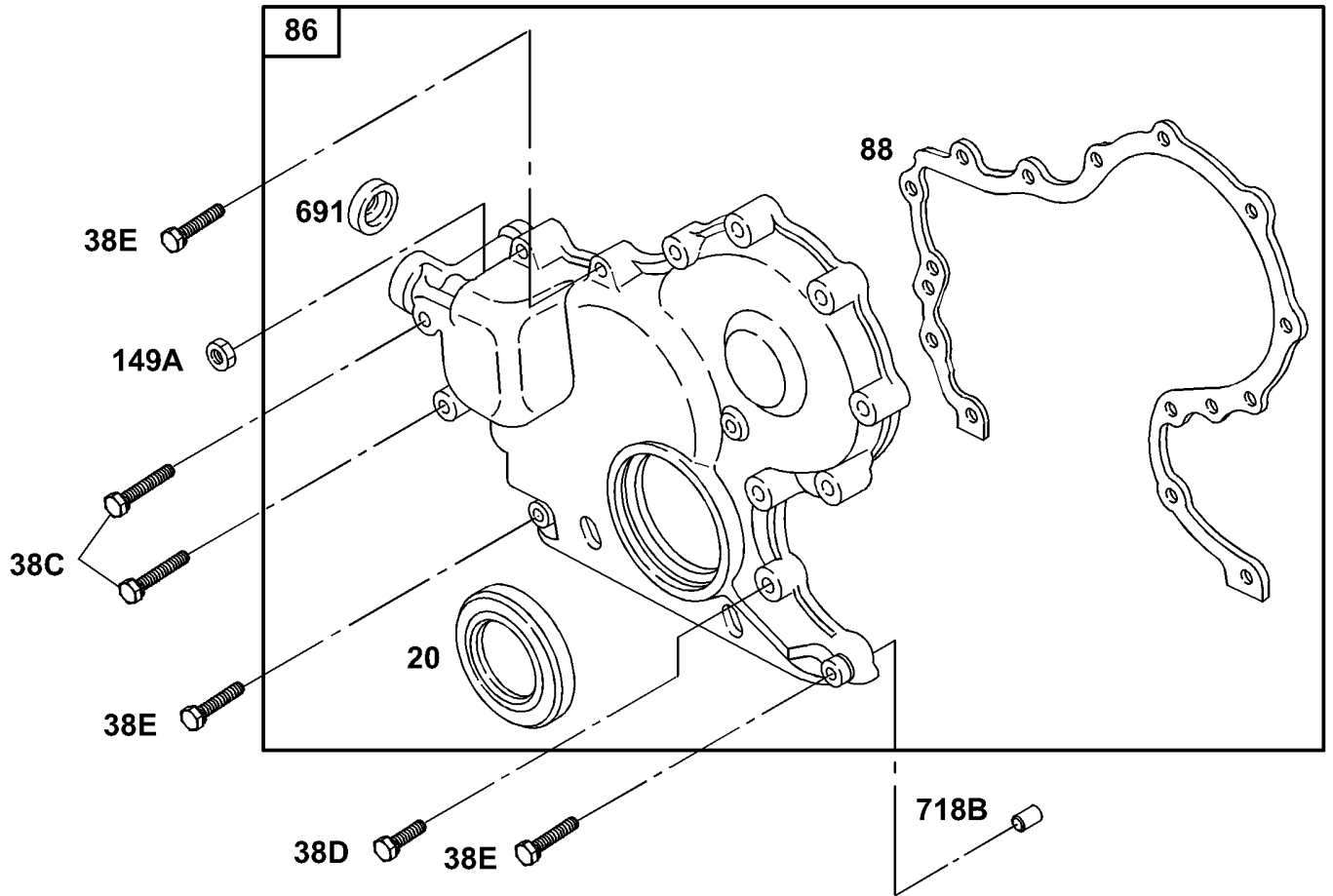
PROTOTYPE



Oil Pan and Dipstick Assembly

Ref	Part No.	Qty.	Description
1017	99-9116	1	Screen-Pump, Oil
1041	99-9120	1	Gasket-Strainer, Oil
1078	99-9121	1	Gasket-Pan, Oil
1081	99-9265	1	O-Ring (Dipstick)
1084D	99-9124	1	Connector
1088	99-9241	1	Pan-Oil
15	99-9247	2	Plug-Drain, Oil
239	99-9115	1	Switch-Pressure, Oil
276	99-9249	2	Washer-Seal
479	99-9111	18	Screw-Hex
523	99-9259	1	Dipstick
525	99-9260	1	Tube-Dipstick
818	99-9007	2	Stud-Metric
848	99-9113	2	Nut-Hex, Metric
941	99-9112	2	Stud-Metric
952	99-9114	2	Nut-Hex, Metric

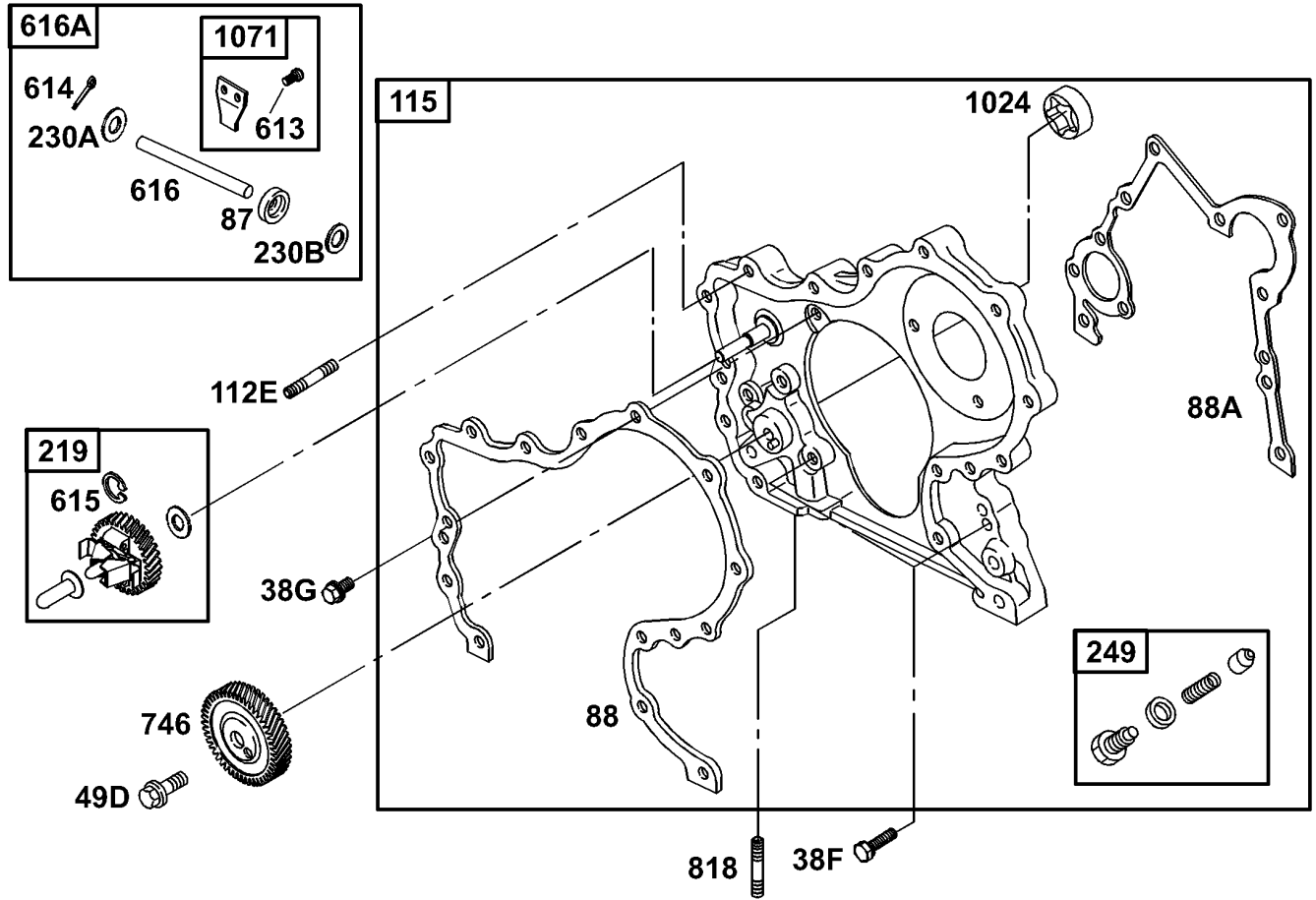
<p style="font-size: 48px; opacity: 0.5;">PROTOTYPE</p>			
---	--	--	--



Cover Assembly

Ref	Part No.	Qty.	Description
149A	99-9114	2	Nut-Hex, Metric
20	99-9126	1	Seal-Oil
38C	99-9127	2	Screw-Hex
38D	99-9128	6	Screw-Hex
38E	99-9129	3	Screw-Hex
691	99-9131	1	Seal-Shaft, Governor
718B	99-9014	2	Pin-Locating
86	99-9130	1	Gear Cover ASM
88	99-9132	1	Gasket-Cover

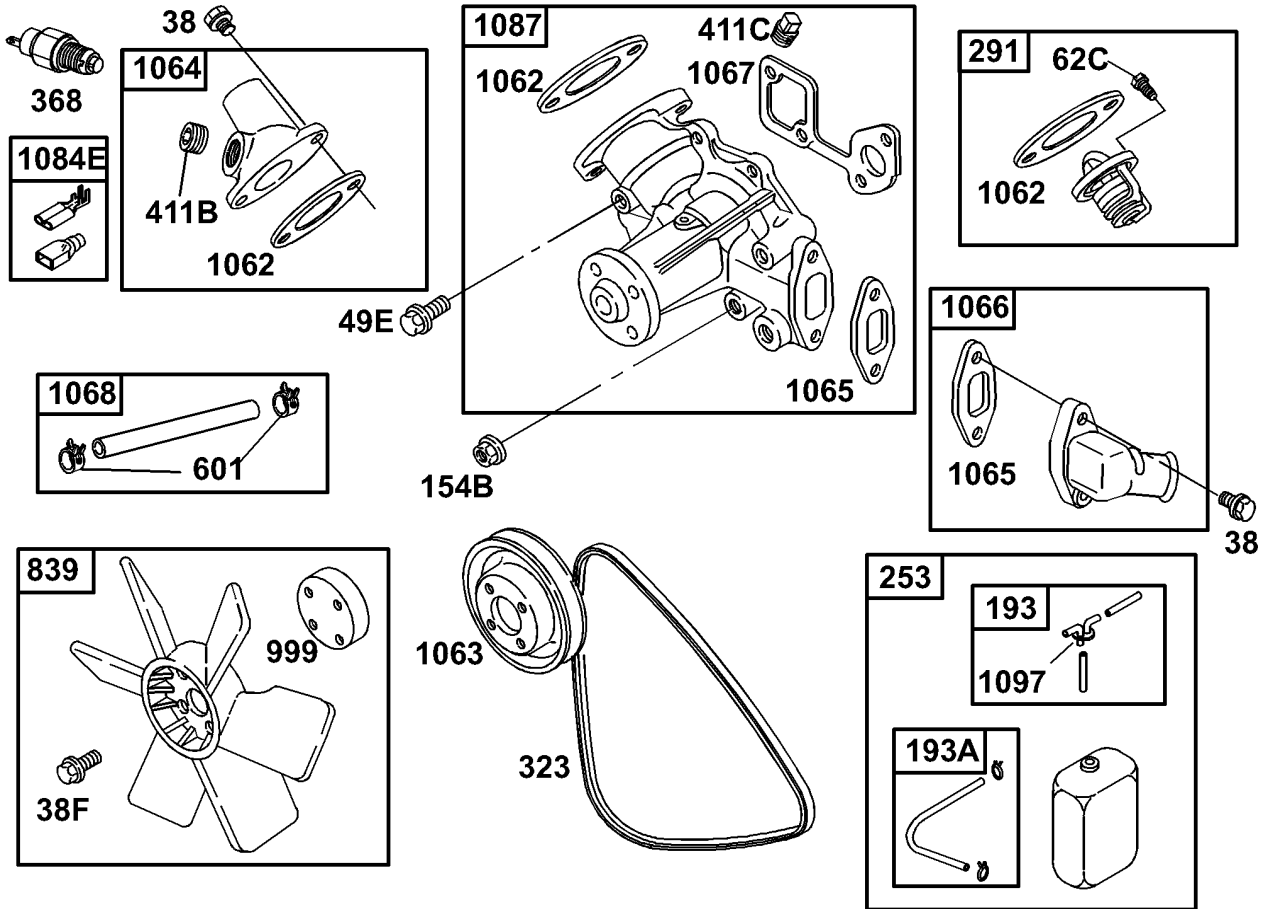
PROTOTYPE



Gears and Housing Assembly

Ref	Part No.	Qty.	Description
1071	99-9149	1	Paddle-Governor
112E	99-9137	2	Stud-Metric
115	99-9138	1	Housing-Gear
219	99-9261	1	Gear-Governor
230A	99-9140	1	Washer-Spacer
230B	99-9141	1	Washer-Spacer
249	99-9142	1	Valve-Relief, Oil
38F	99-9133	4	Screw-Hex
38G	99-9134	1	Screw-Hex
49D	99-9135	1	Screw-Hex
613	99-9143	2	Screw-Hex, Torx
614	99-9053	1	Pin-Cotter
615	99-9145	1	Retainer
616	99-9146	1	Crank-Governor
616A	99-9147	1	Crank-Governor
746	99-9656	1	Gear-Drive
818	99-9007	2	Stud-Metric
87	99-9131	1	Seal-Shaft, Governor
88	99-9132	1	Gasket-Cover
88A	99-9136	1	Gasket-Cover, Gear

<p style="font-size: 48px; opacity: 0.5;">PROTOTYPE</p>			
---	--	--	--

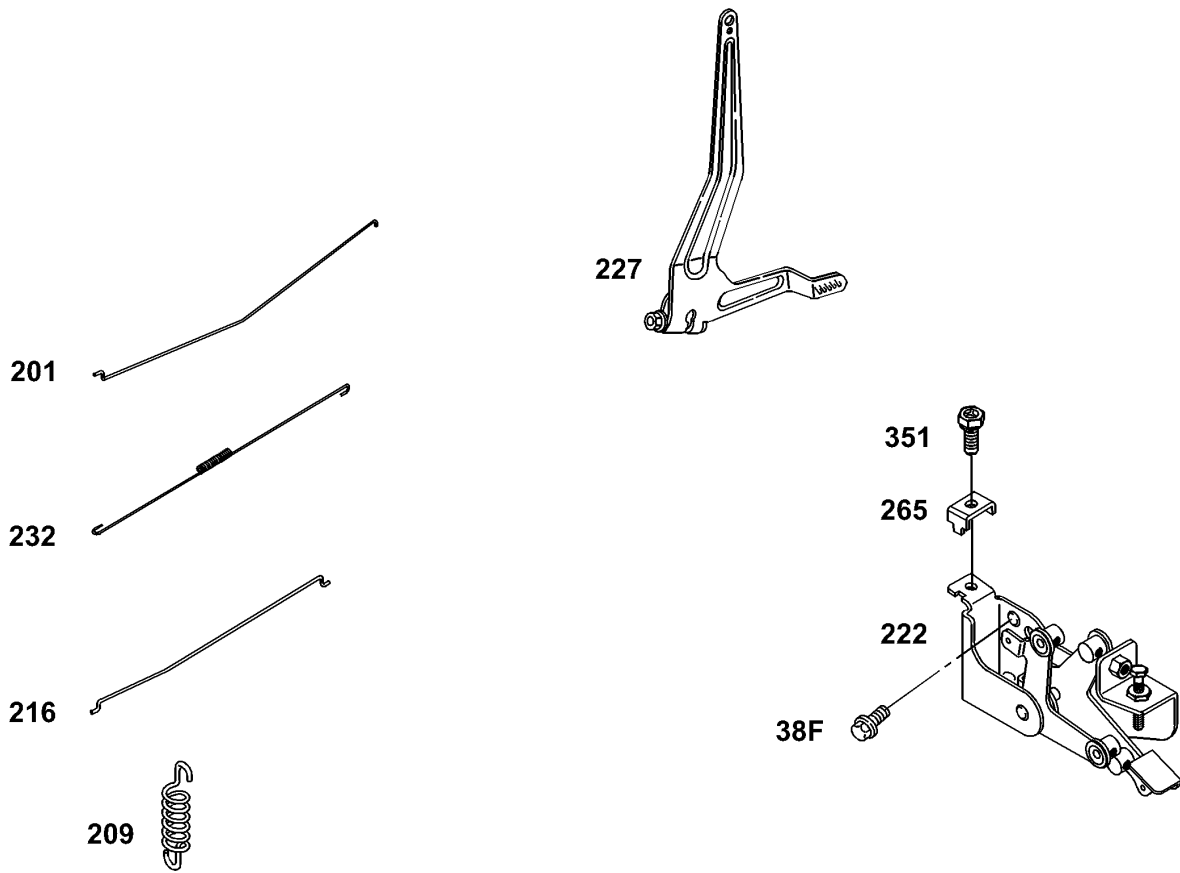


Water Pump and Fan Assembly

Ref	Part No.	Qty.	Description
1062	99-9163	1	Gasket-Outlet
1063	99-9164	1	Pulley-Pump
1064	99-9165	1	Housing-Outlet
1065	99-9166	1	Gasket-Housing, Inlet
1066	99-9167	1	Housing-Inlet
1067	99-9168	1	Gasket-Pump, Water
1068	99-9169	1	Hose Clamp ASM
1084E	99-9098	1	Connector
1087	99-9170	1	Pump-Water
1097	99-9171	1	Cap-Surge, tank
154B	99-9153	1	Nut-Hex, Metric
193	99-9071	1	Hose-Tank, Reserve
193A	99-9072	1	Hose-Tank, Reserve
253	99-9154	1	Tank-Reserve
291	99-9155	1	Thermostat
323	99-9156	1	Belt-V
368	99-9157	1	Switch-Temperature, Water
38	99-9004	4	Screw-Hex
38F	99-9133	4	Screw-Hex
411B	99-9158	1	Plug
411C	99-9159	1	Plug
49E	99-9151	2	Screw-Hex
601	99-9160	2	Clamp-Hose
62C	99-9152	1	Screw-Metric

Ref	Part No.	Qty.	Description
839	99-9162	1	Fan-Radiator
999	99-9161	1	Spacer

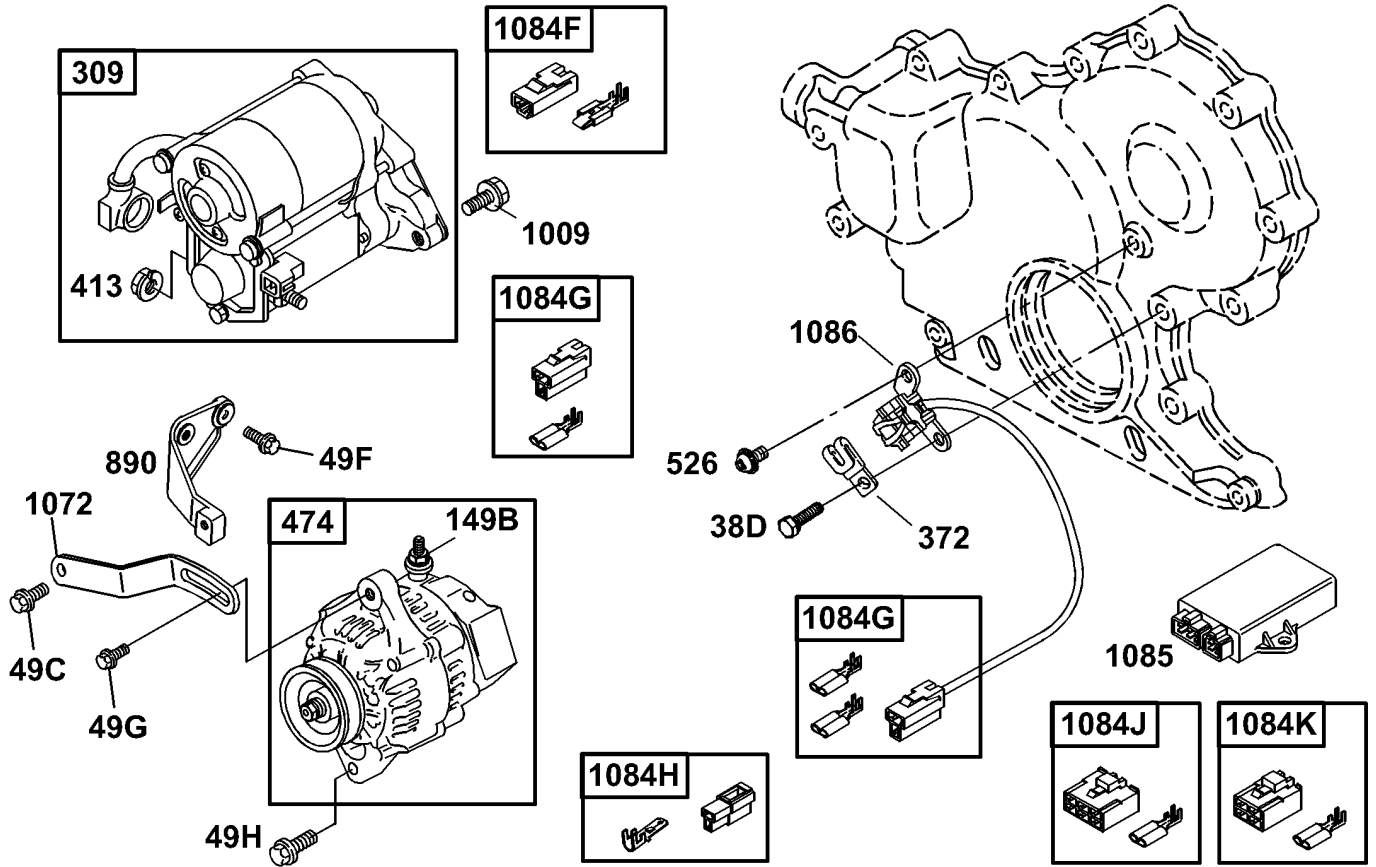
PROTOTYPE



Governor Assembly

Ref	Part No.	Qty.	Description
201	99-9187	1	Link-Governor, Mech.
209	99-9188	1	Spring-Governor
216	99-9189	1	Link-Choke
222	99-9190	1	Bracket-Control
227	99-9191	1	Lever-Governor
232	99-9192	1	Spring-Link
265	99-9194	1	Clamp-Casing
351	99-9195	1	Screw-Phillips, Hex
38F	99-9181	2	Screw-Hex

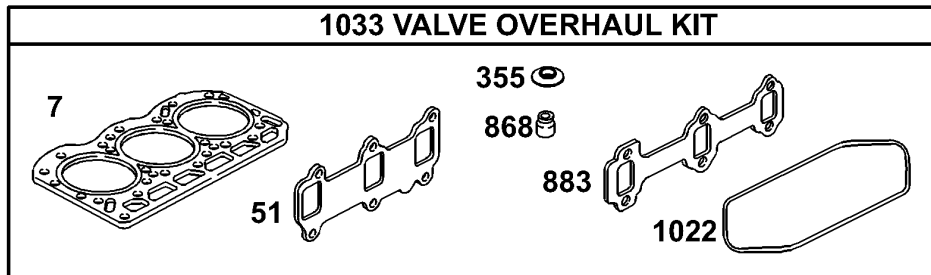
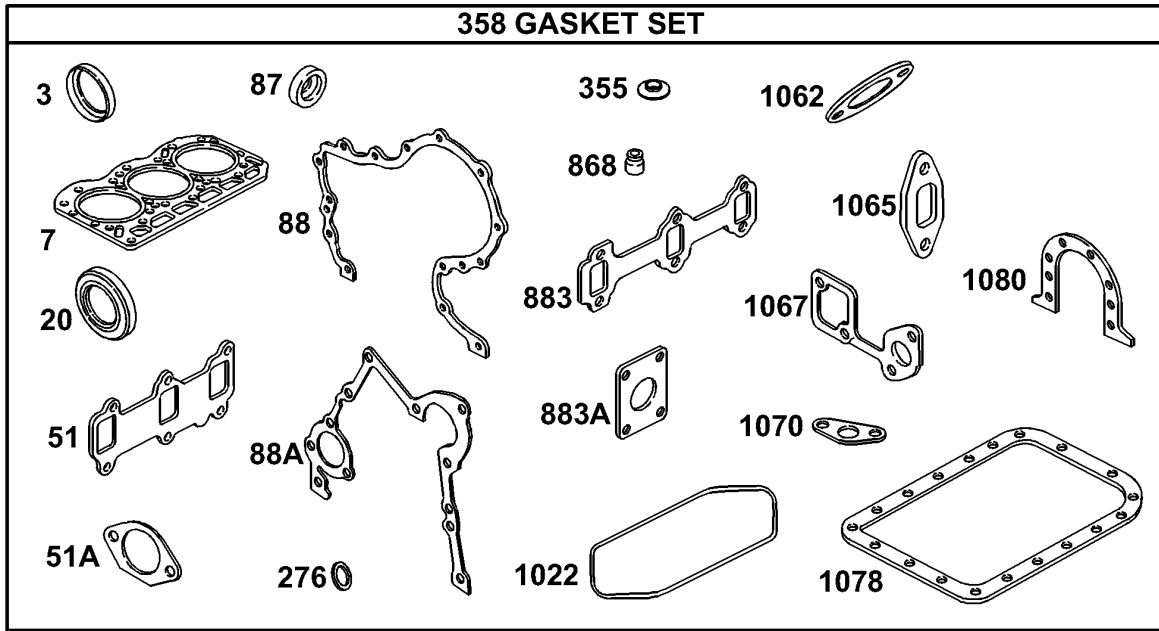
PROTOTYPE



Alternator and Starter Assembly

Ref	Part No.	Qty.	Description
1009	99-9201	2	Screw-Hex
1072	99-9212	1	Bracket-Adjusting
1084F	99-9144	1	Connector
1084G	99-9213	1	Connector
1084H	99-9199	1	Connector
1084J	99-9214	1	Connector
1084K	99-9215	1	Connector
1085	99-9262	1	Module-Ignition
1086	99-9217	1	Trigger-Ignition
149B	99-9114	1	Nut-Hex, Metric
309	99-9207	1	Motor-Starter
372	99-9208	1	Clamp
38D	99-9128	1	Screw-Hex
413	99-9206	1	Nut-Hex, Metric
474	99-9209	1	Alternator
49C	99-9202	1	Screw-Hex
49F	99-9203	2	Screw-8mm Hex
49G	99-9105	1	Screw-Hex
49H	99-9205	1	Screw-Hex, Metric
526	99-9210	1	Screw-Phillips
890	99-9211	1	Bracket-Support

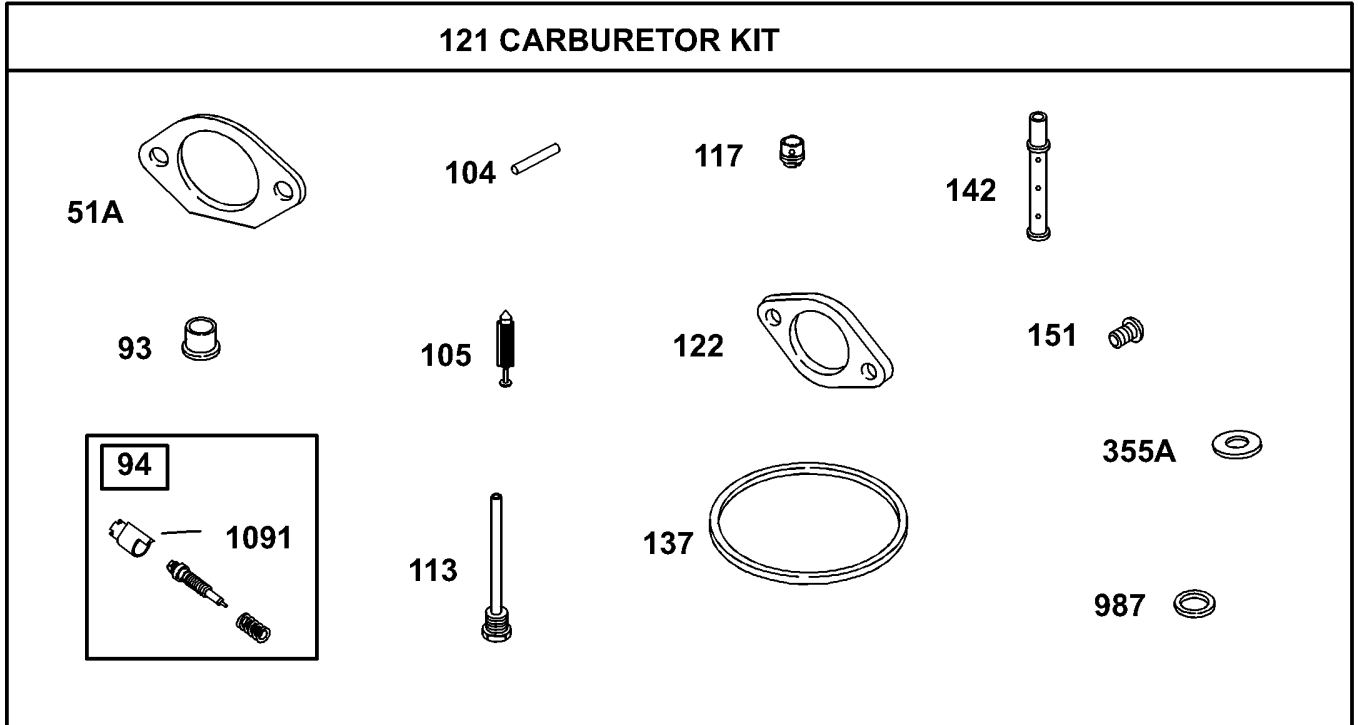
<p style="font-size: 48px; opacity: 0.5;">PROTOTYPE</p>			
---	--	--	--



Gasket Set and Valve Overhaul Kit

Ref	Part No.	Qty.	Description
1022	99-9073	1	Gasket-Cover, Rocker
1033	99-9264	1	Valve Overhaul Kit
1062	99-9163	1	Gasket-Outlet
1065	99-9166	1	Gasket-Housing, Inlet
1067	99-9168	1	Gasket-Pump, Water
1070	99-9120	1	Gasket-Strainer, Oil
1078	99-9121	1	Gasket-Pan, Oil
1080	99-9021	1	Gasket-Retainer
20	99-9126	1	Seal-Oil
276	99-9117	2	Washer-Seal (12mm)
276	99-9249	2	Washer-Seal
3	99-9003	1	Seal-Oil
355	99-9063	1	Washer-Seal
358	99-9263	1	Gasket Set
51	99-9173	1	Gasket-Intake
51A	99-9182	1	Gasket-Intake
7	99-9254	1	Gasket-Head, Cylinder
868	99-9102	1	Seal-Valve
87	99-9131	1	Seal-Shaft, Governor
88	99-9132	1	Gasket-Cover
883	99-9178	1	Gasket-Exhaust
883A	99-9179	1	Gasket-Exhaust
88A	99-9136	1	Gasket-Cover, Gear

<p style="font-size: 48px; opacity: 0.5;">PROTOTYPE</p>			
---	--	--	--



Carburetor Kit

Ref	Part No.	Qty.	Description
104	99-9226	1	Pin-Float Hinge
105	99-9227	1	Valve-Needle
1091	99-9246	1	Cap-Limiter
113	99-9228	1	Tube-Jet
117	99-9229	1	Jet-Main
121	99-9231	1	Carbuertor Kit
122	99-9184	1	Spacer-Carburator
137	99-9234	1	Gasket-Float Bowl
142	99-9236	1	Nozzle-Carburetor
151	99-9237	1	Screw-Cross/slotted
355A	99-9240	1	Washer-Seal
51A	99-9182	1	Gasket-Intake
94	99-9224	1	Valve-Idle Adj.

NOTES

PROTOTYPE

NOTES

PROTOTYPE

NOTES

PROTOTYPE



PROTOTYPE