



**Count on it.**

**Parts Catalog**

**Greensmaster® eTriFlex 3360**

**Traction Unit with GeoLink® Mow**

Model No. 04580AA—Serial No. 420000000 and Up



# Ordering Replacement Parts

To order replacement parts, please supply the part number, the quantity, and the description of each part desired.

## Understanding Reference Numbers

Each identified part in an illustration has a reference number. The reference number for a part also appears in the parts list, along with other information about the part.

This catalog uses two special reference number formats, one to indicate parts in a service assembly and another to indicate the quantity of a given part in an illustration.

## Service Assembly Reference Numbers

Parts in service assemblies have reference numbers in the form a:b. The a represents the reference number of the entire service assembly and the b represents a sequential number unique to each part within the service assembly.

For example, a wheel assembly might be identified by reference number 6, the tire by 6:1, the valve by 6:2, and the wheel by 6:3. When you order the assembly identified by reference number 6, you receive all parts identified by reference numbers 6:1, 6:2, and 6:3. However, you may also order any part individually. Reference numbers of this type appear in illustration and in parts lists.

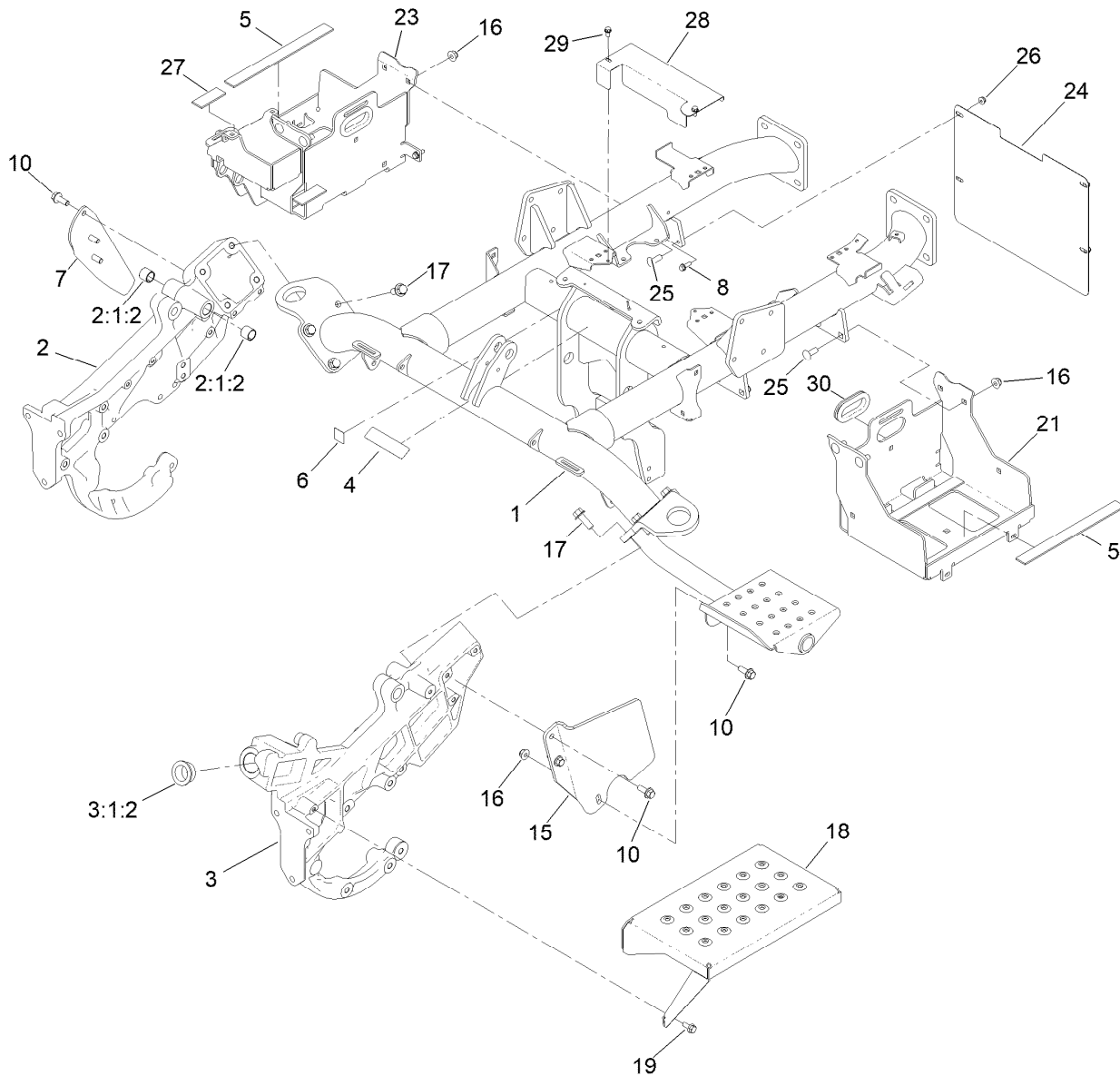
## Reference Numbers Indicating Quantity

In an illustration, if a reference number indicates more than one part, the reference number has the form nX y. The n represents the quantity of the part, the X is the multiplication symbol, and the y represents the reference number.

For example, in an illustration, the reference number 2X 37 means that two of the parts identified by reference number 37 are indicated.

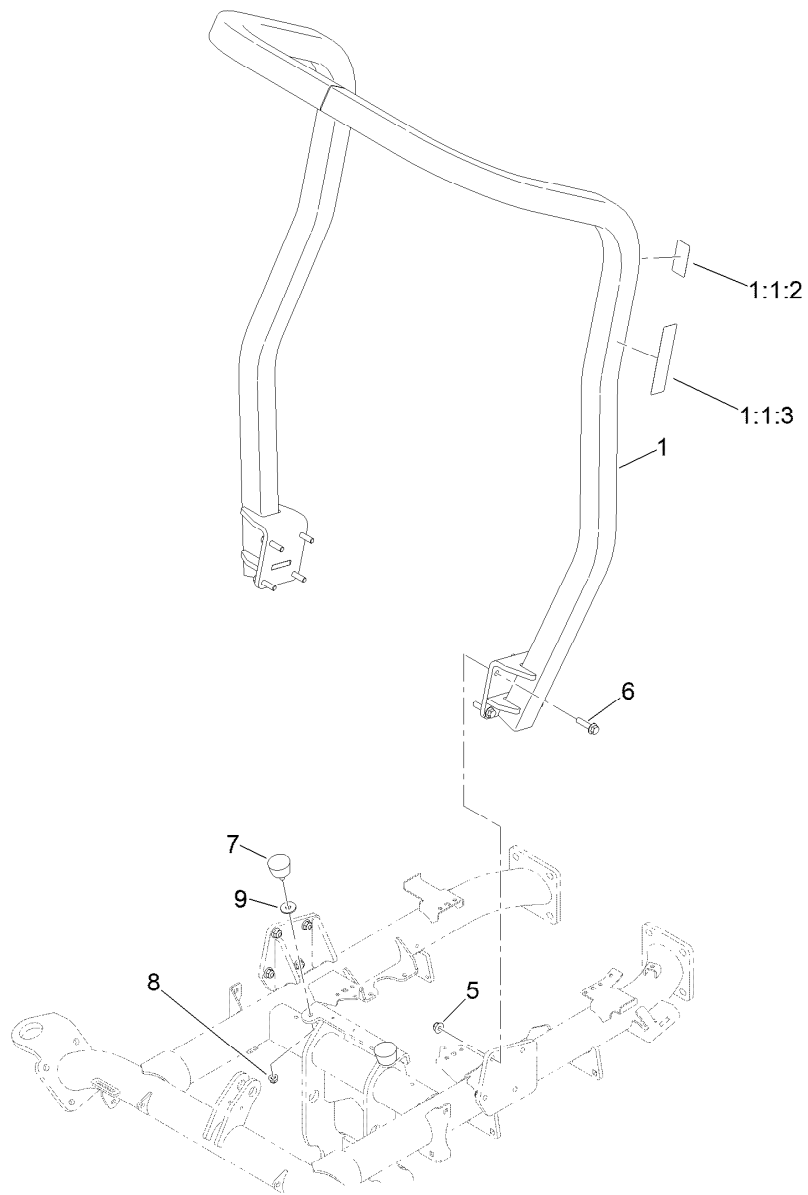
# Contents

Frame Assembly	4
ROPS Assembly	5
Platform Assembly	6
Traction Pedal Assembly	7
Brake Pedal Assembly	8
Brake Actuator Assembly	9
Brake Rod Assembly No. 147-6168	10
Steering Assembly	11
Wheel and Tire Assembly	12
Wheel Spindle Assembly No. 119-4490	13
Console Assembly	14
Joystick Bracket Assembly No. 120-5280	15
Seat Plate Assembly	16
Seat Assembly No. 139-2680	17
Engine Assembly	18
Generator/Controller Assembly No. 127-2580	20
Generator Assembly No. 127-2579	22
Generator Service Assembly No. 127-2578	24
Traction Assembly	26
RH Wheel Motor Assembly No. 139-8565	27
Gearbox Assembly No. 127-1529	28
LH Wheel Motor Assembly No. 139-8567	29
Lift Assembly	30
Suspension, Reel Motor and Basket Assembly	31
Motor Assembly No. 144-6666	32
Geolink Suspension Assembly No 1	33
Geolink Suspension Assembly No 2	34
Suspension Pin Position Assembly	35
Bumper Assembly	36
Fuel Tank and Hood Assembly	37
Electrical Assembly	38
Wire Harness Assembly No. 122-2701	40
Controller Assembly	41
Battery Assembly	42
Sonar and Radar Assembly	44
Attachments and Accessories	45



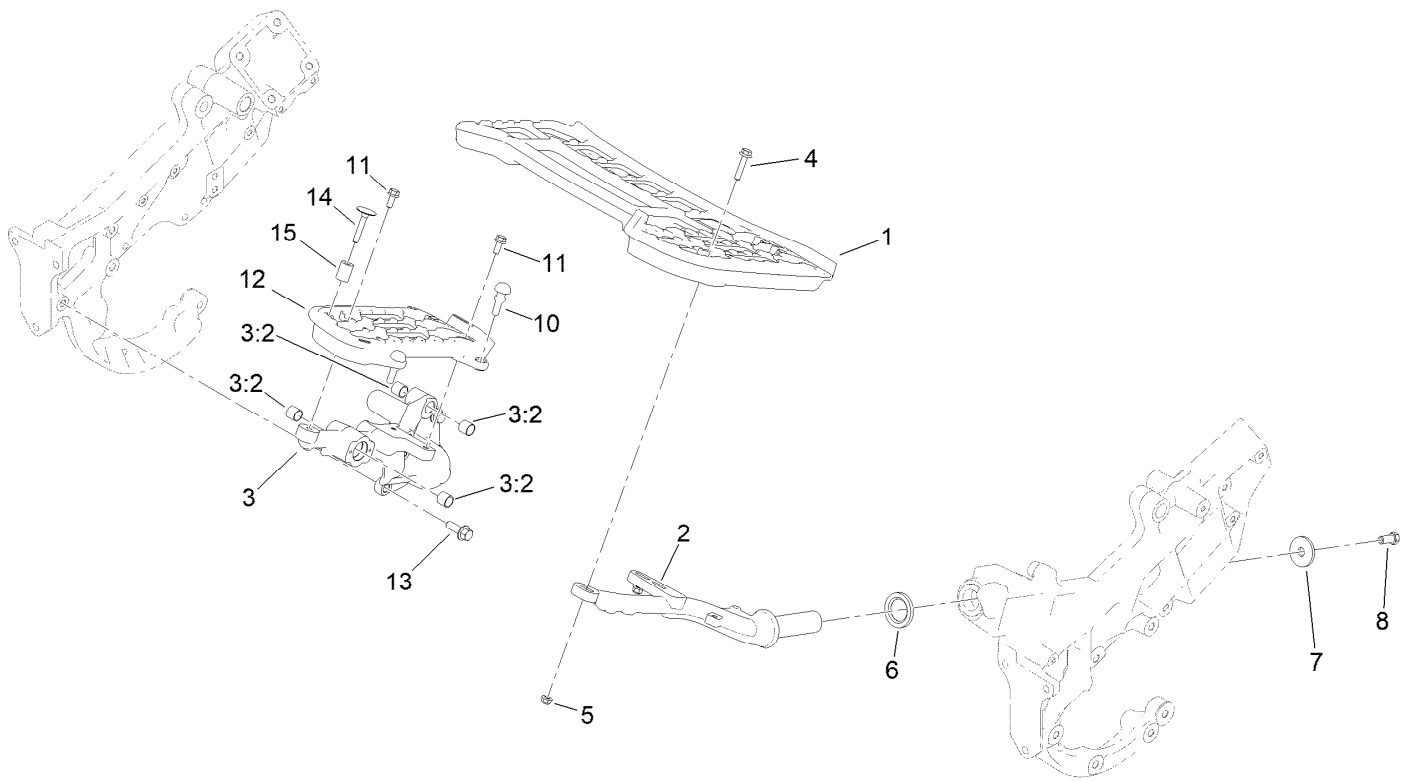
## Frame Assembly

<i>Ref.</i>	<i>Part Number</i>	<i>Qty.</i>	<i>Description</i>	<i>Ref.</i>	<i>Part Number</i>	<i>Qty.</i>	<i>Description</i>
1	139-8585SP	1	Frame ASM	17	117-9035	8	Screw-HHF
2	139-8318	1	Side Casting, RH	18	132-9994-01	1	Step
2:1:2	94-9609	2	Bushing-Straight	19	3234-47	4	Screw-HHF
3	139-8319	1	Side Casting, LH	21	137-7972-01	1	Tray-Battery
3:1:2	60-0080	2	Bushing	23	137-7797-01	1	Tray-Battery, RH
4	133-8062	1	Decal-Spark Arrestor	24	147-6173-03	1	Shield-Heat
5	133-5782	4	Strip-Foam	25	3231-22	8	Screw-CARR
6	138-9470	1	Decal-Markings, CE-Uk	26	104-7201	6	Nut-HF, NI
7	133-0062-01	1	Bracket-Jack	27	133-0081	2	Strip-Foam
8	115-5103	6	Screw-HHF	28	145-6674-03	1	Cover-Pulley, Imu
10	3234-42	6	Screw-HHF	29	32144-4	2	Screw-HWH
15	133-0004-01	1	Bracket-Step	30	240-12	2	Grommet-Rubber
16	104-8301	9	Nut-HF, NI				



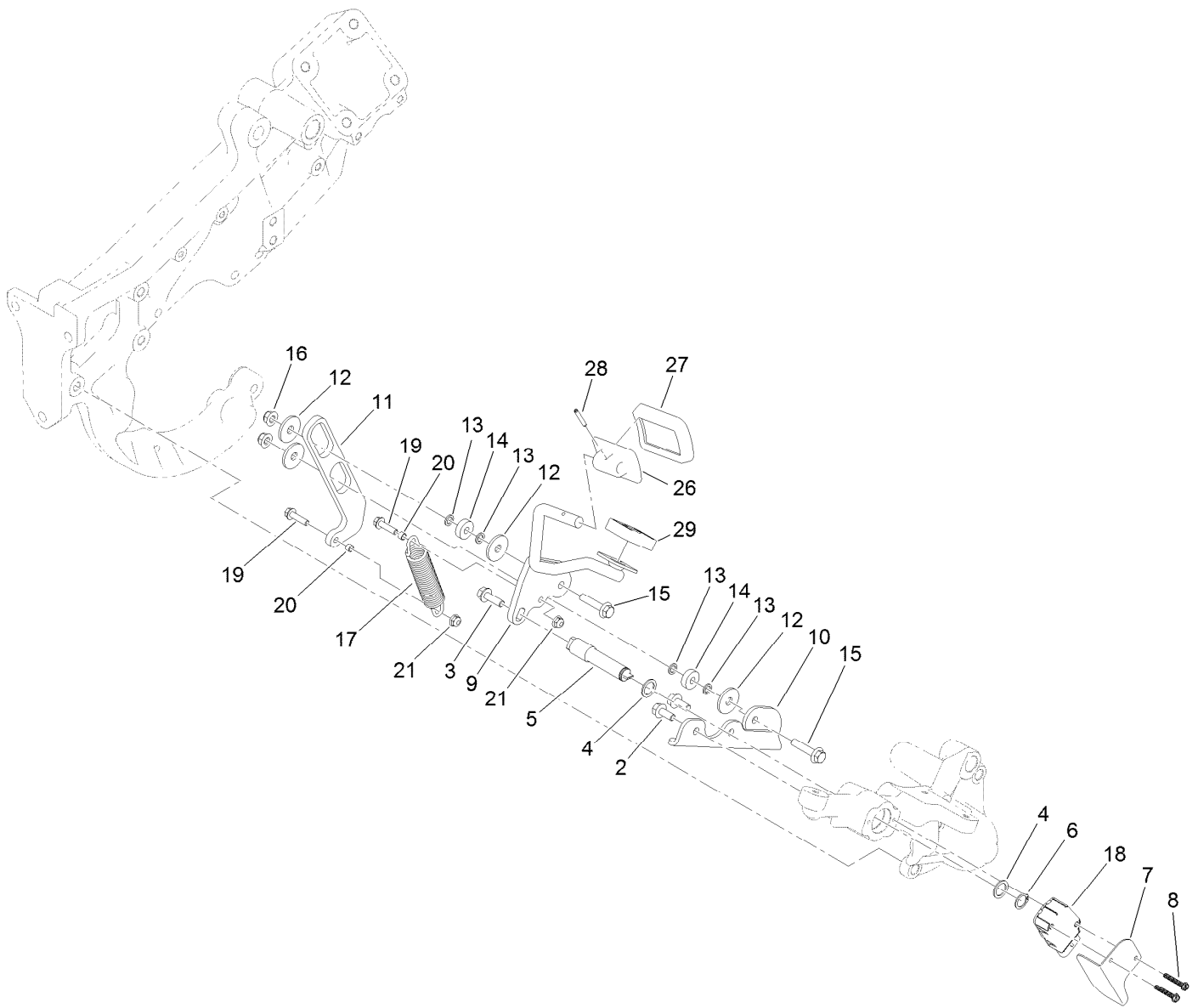
## ROPS Assembly

<i>Ref.</i>	<i>Part Number</i>	<i>Qty.</i>	<i>Description</i>
1	139-8311	1	ROPS ASM
1:1:2	115-8199	1	Decal-ROPS
1:1:3	115-8226	1	Decal-ROPS
5	104-8301	8	Nut-HF, NI
6	137-7951	8	Screw-HHF
7	68-3270	2	Bumper-Rubber
8	104-8300	2	Nut-HF, NI
9	52-2861	2	Washer



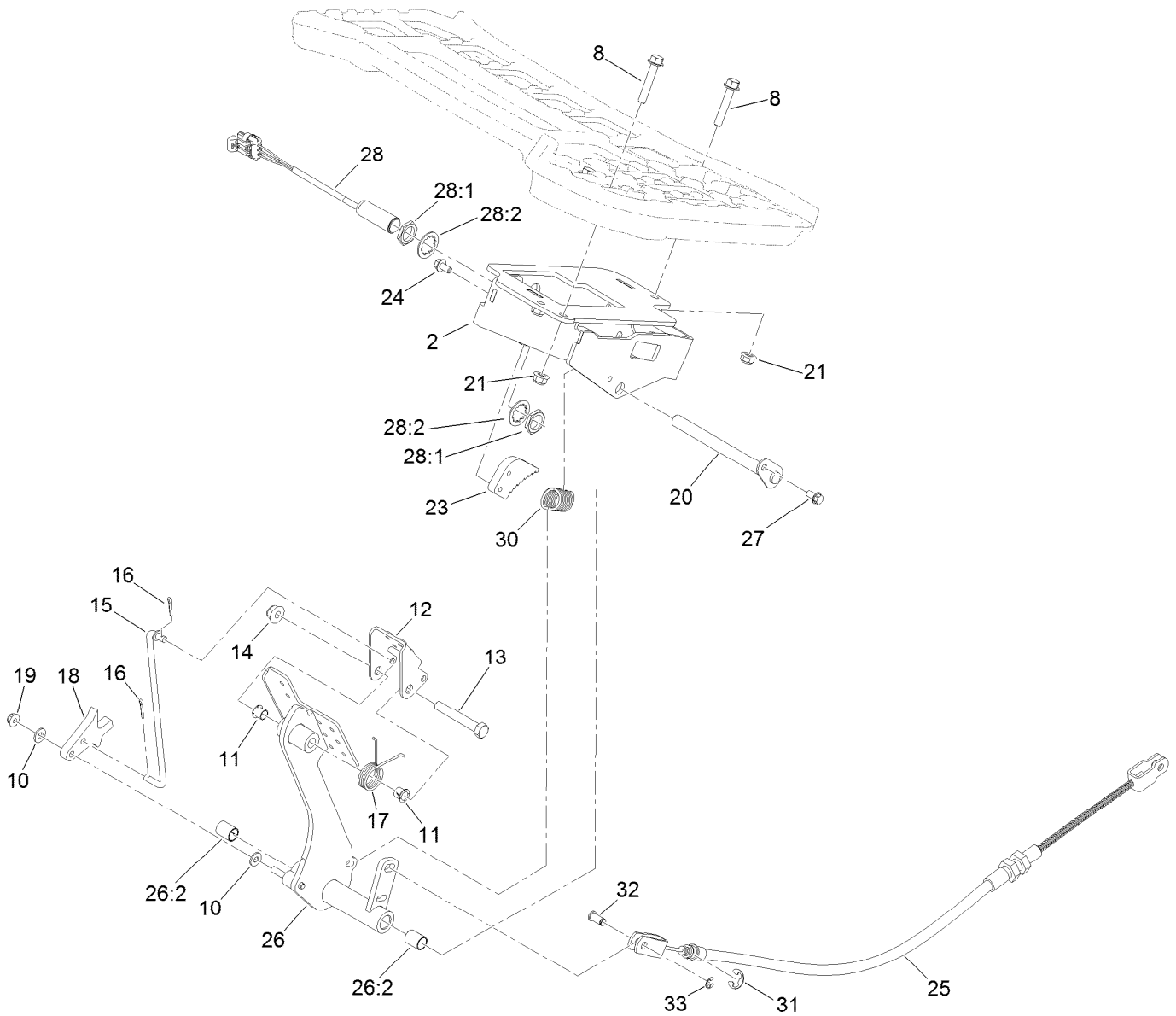
## Platform Assembly

Ref.	Part Number	Qty.	Description
1	137-7768	1	Platform-LH
2	139-8575-01	1	Support-Platform, LH (Mach)
3	132-9895	1	Support-Platform, RH
3:2	256-311	4	Bushing
4	115-1794	3	Screw-HHF
5	104-8300	3	Nut-HF, NI
6	94-8946	1	Washer-Thrust
7	84-1560	1	Washer-Thrust
8	324-4	1	Screw-HH
10	117-9072	2	Bumper-Rubber
11	3234-47	3	Screw-HHF
12	117-9008	1	Platform-RH
13	117-9035	3	Screw-HHF
14	115-8240	1	Screw-Elevator
15	119-0718	1	Spacer



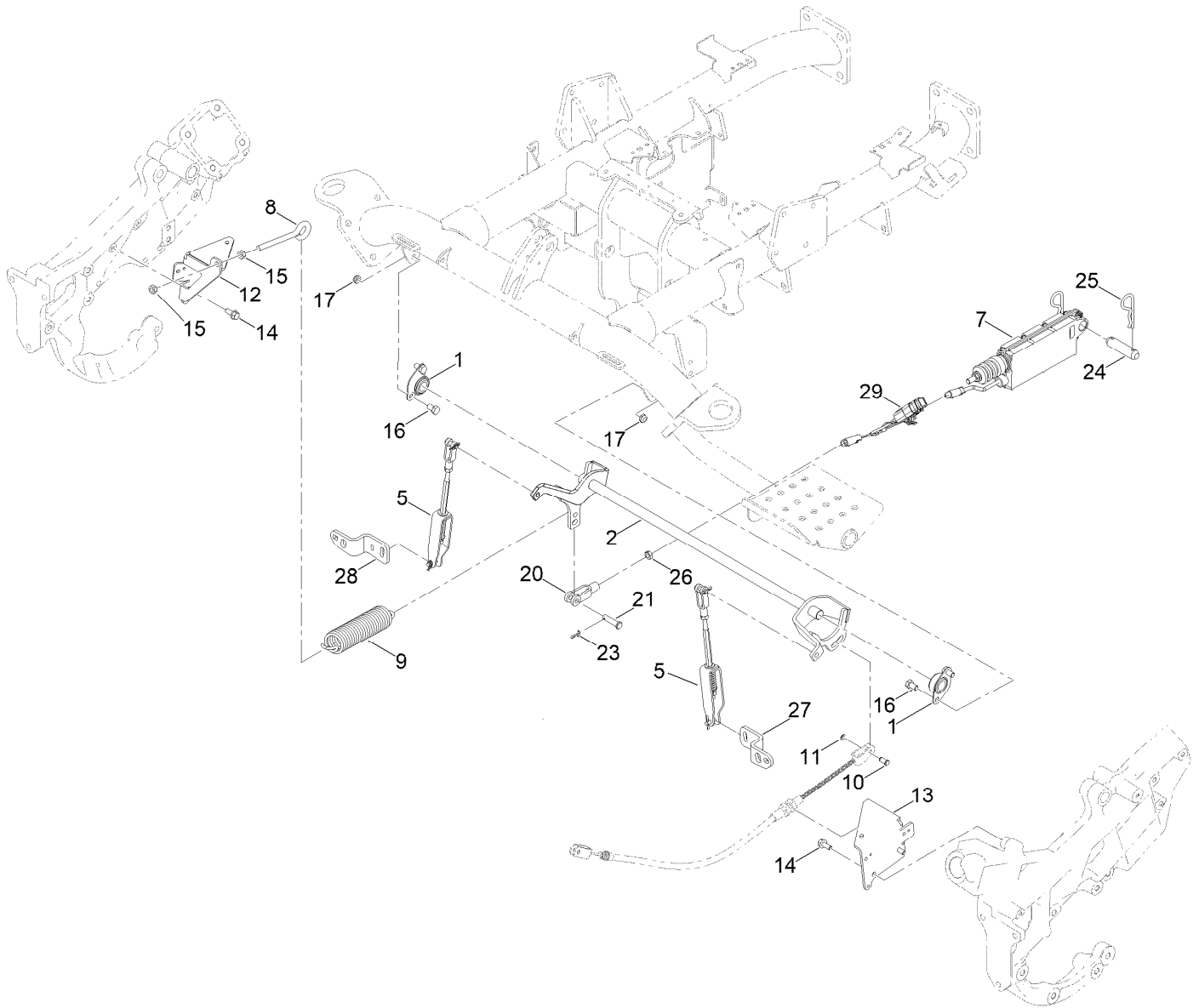
## Traction Pedal Assembly

<i>Ref.</i>	<i>Part Number</i>	<i>Qty.</i>	<i>Description</i>	<i>Ref.</i>	<i>Part Number</i>	<i>Qty.</i>	<i>Description</i>
2	98-9940	2	Screw-HHF	14	251-259	2	Bearing-Ball
3	115-5142	1	Screw-HHF, Patch	15	115-1794	2	Screw-HHF
4	7-3590	2	Washer	16	104-8300	2	Nut-HF, NI
5	132-9852	1	Shaft-Pedal	17	137-7944	1	Spring-Extension
6	32151-62	1	Ring-Retaining	18	122-0917	1	Sensor-Position
7	121-7035	1	Shield-Sensor	19	120-4654	2	Screw-HHF
8	692501	2	Screw-SHWH	20	121-2015	2	Spacer
9	137-7814-01	1	Rod-Traction	21	104-7201	2	Nut-HF, NI
10	137-7811-01	1	Bracket-Control, Motion	26	117-9507	1	Pedal-Accelerator
11	145-1063	1	Link-Connecting	27	74-9100	1	Pad-Pedal, Forward
12	107675	4	Washer	28	32121-45	1	Pin-Spring
13	75-5470	4	Spacer-Bearing	29	74-9110	1	Pad-Pedal, Reverse



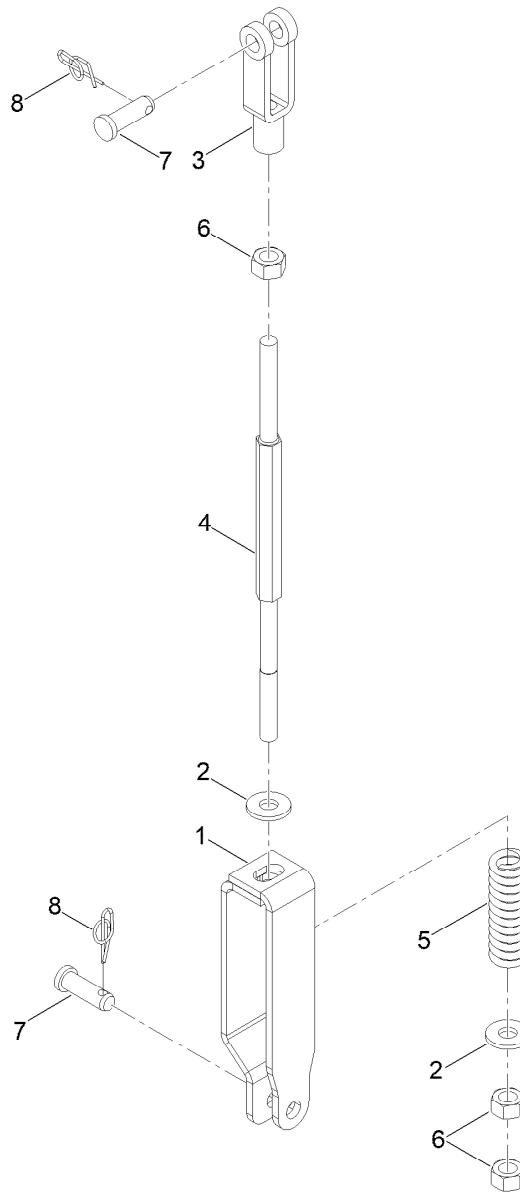
## Brake Pedal Assembly

Ref.	Part Number	Qty.	Description	Ref.	Part Number	Qty.	Description
2	132-9890-03	1	Support-Pedal	23	99-7214	1	Pawl-Brake
8	94-5780	3	Screw-HWH	24	119-1065	2	Screw-Lock, HF
10	3256-22	2	Washer-Flat	25	137-7770	1	Cable-Brake
11	52-2891	2	Bushing-Flanged, Nylon	26	137-8109	1	Brake Pedal ASM
12	99-7963-03	1	Pedal-Park	26:2	133-0090	2	Bushing-Split
13	323-12	1	Screw-HH	27	32144-4	1	Screw-HWH
14	104-8301	1	Nut-HF, NI	28	115-5300	1	Proximity Switch ASM
15	115-0129	1	Rod-Pawl, Brake	28:1	117-3207	2	Nut-Hex
16	3272-6	2	Pin-Cotter	28:2	117-3208	2	Washer-Lock, Internal Tooth
17	99-7140	1	Spring-Torsion	30	136-7316	1	Spring-Extension
18	117-0238	1	Detent	31	32120-47	1	Ring-Retaining, External
19	104-7201	1	Nut-HF, NI	32	109-6887	1	Pin-Clevis
20	147-3599	1	Pivot-Pedal	33	701197	1	E-Ring
21	104-8300	3	Nut-HF, NI				



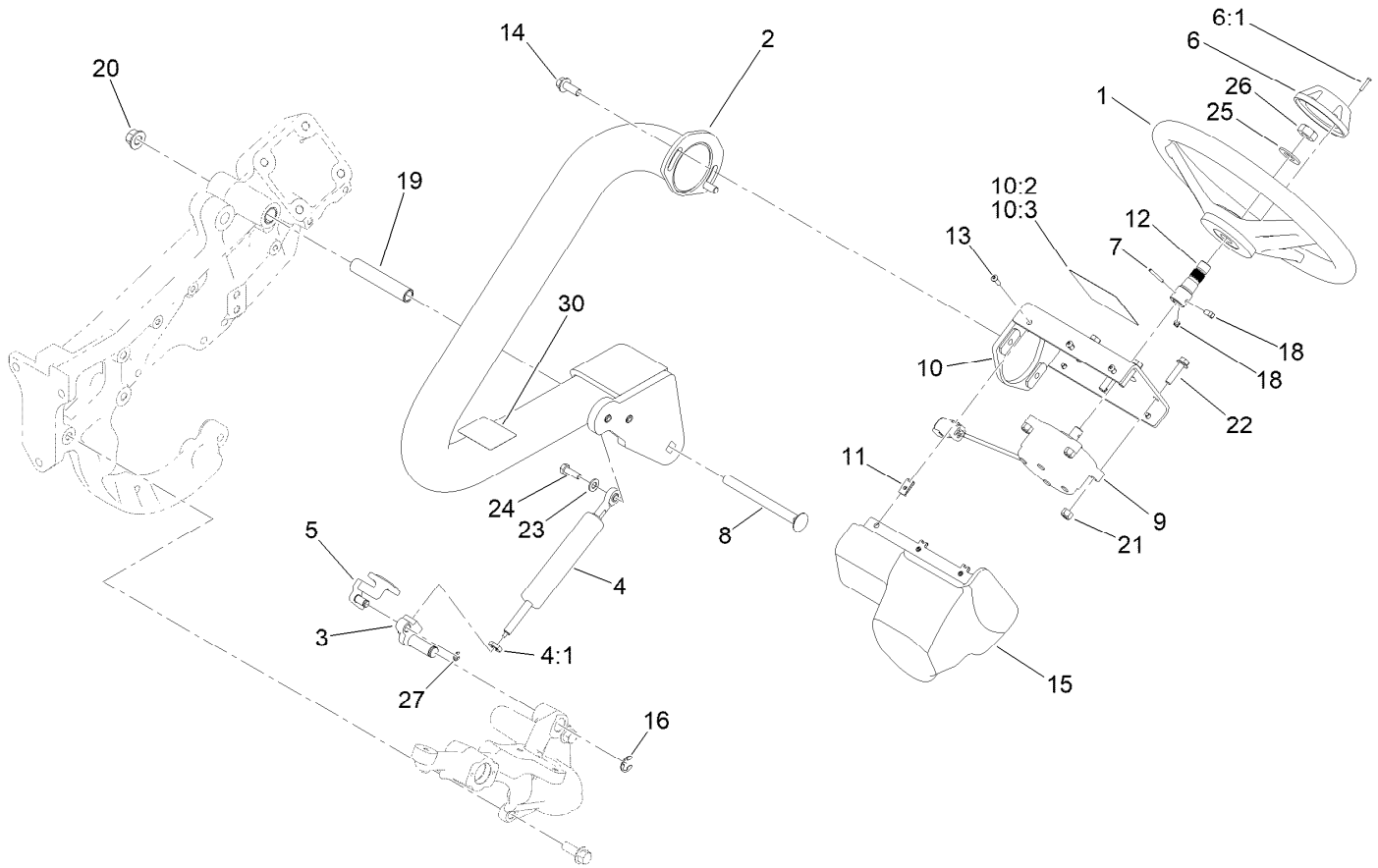
## Brake Actuator Assembly

Ref.	Part Number	Qty.	Description	Ref.	Part Number	Qty.	Description
1	1-633102	2	Bearing-Flange, Side	16	323-34	4	Screw-HH
2	147-9092-03	1	Cross Shaft-Brake	17	3296-59	4	Nut-Lock, NI
5	147-6168	2	Brake Rod ASM	20	1-633131	1	Yoke-Linkage, Brake
7	163-8751	1	Actuator-Brake	21	283-10	1	Pin-Clevis
8	137-8026	1	Bolt-Eye	23	3272-10	1	Pin-Cotter
9	147-6167	1	Spring-Extension	24	27-4240	1	Pin-Cylinder
10	109-6887	1	Pin-Clevis	25	3290-256	2	Pin-Hair
11	701197	1	E-Ring	26	3220-3	1	Nut-HJ
12	137-7790-03	1	Bracket-Spring	27	147-9087	1	Lever-Brake, LH
13	137-7769-03	1	Bracket-Cable	28	147-9088	1	Lever-Brake, RH
14	98-9940	4	Screw-HHF	29	122-4210	1	Harness-Jumper
15	3217-7	2	Nut-Hex				



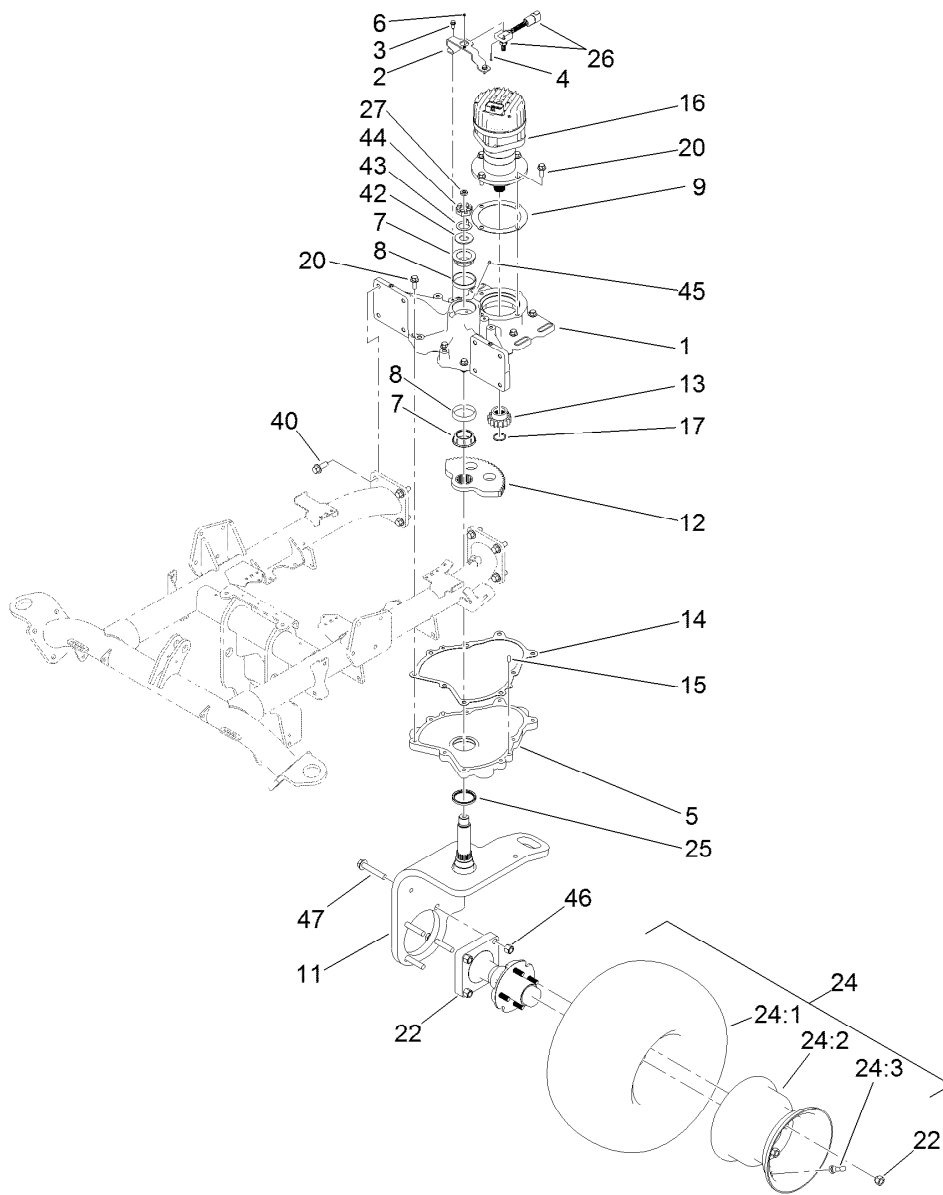
## Brake Rod Assembly No. 147-6168

<i>Ref.</i>	<i>Part Number</i>	<i>Qty.</i>	<i>Description</i>
1	137-2180	1	Brake Clevis ASM
2	120-9646	2	Washer-Flat
3	282-2	1	Yoke
4	137-8056	1	Rod-Brake
5	147-6166	1	Spring-Compression
6	3219-2	3	Nut-Hex
7	283-1	2	Pin-Clevis
8	116-6639	2	Pin-Cotter, Locking



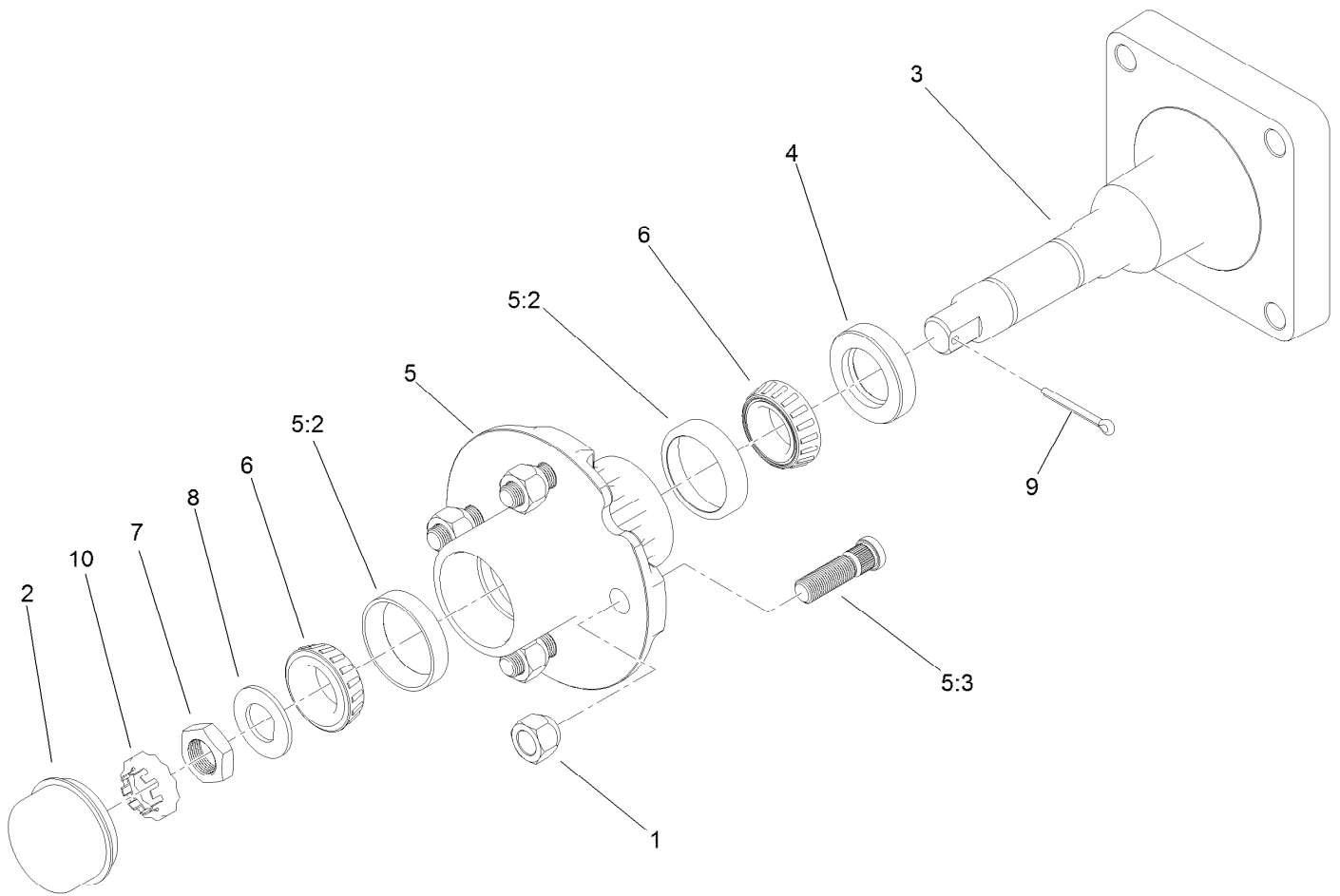
## Steering Assembly

Ref.	Part Number	Qty.	Description	Ref.	Part Number	Qty.	Description
1	145-0051	1	Steering Wheel	13	3274-39	6	Screw-HSBH
2	145-0093-01	1	Arm-Steering	14	3234-42	2	Screw-HHF
3	133-8996	1	Lever-Pivot	15	119-9300	1	Cover-Valve, Steering
4	133-9036	1	Cylinder-Gas	16	32120-19	1	E-Ring
4:1	112-8617	1	Nut-Hex	18	126-3824	2	Screw-Set, SQH
5	138-6456	1	Lever (Mach)	19	117-9002	1	Spacer
6	68-5140	1	Cap-Wheel, Steering	20	99-5107	1	Nut-HF Nylock
6:1	32144-21	1	Screw	21	3296-29	4	Nut-Lock, NI
7	933156	1	Pin-Roll	22	119-4036	4	Screw-HHF
8	140-7029	1	Screw-CARR	23	3256-23	1	Washer-Plain
9	132-9935	1	Steering Unit	24	322-5	1	Screw-HH
10	137-8092	1	Steering Mount ASM	25	3256-27	1	Washer-Flat
10:2	139-8320	1	Decal-Danger	26	3296-33	1	Nut-Lock, NI
10:3	139-8321	1	Decal-Danger, CE	27	701197	1	E-Ring
11	3290-277	6	Nut-Speed	30	119-9346	1	Decal-Arm, Steering
12	136-4262	1	Shaft-Adapter, Steering				



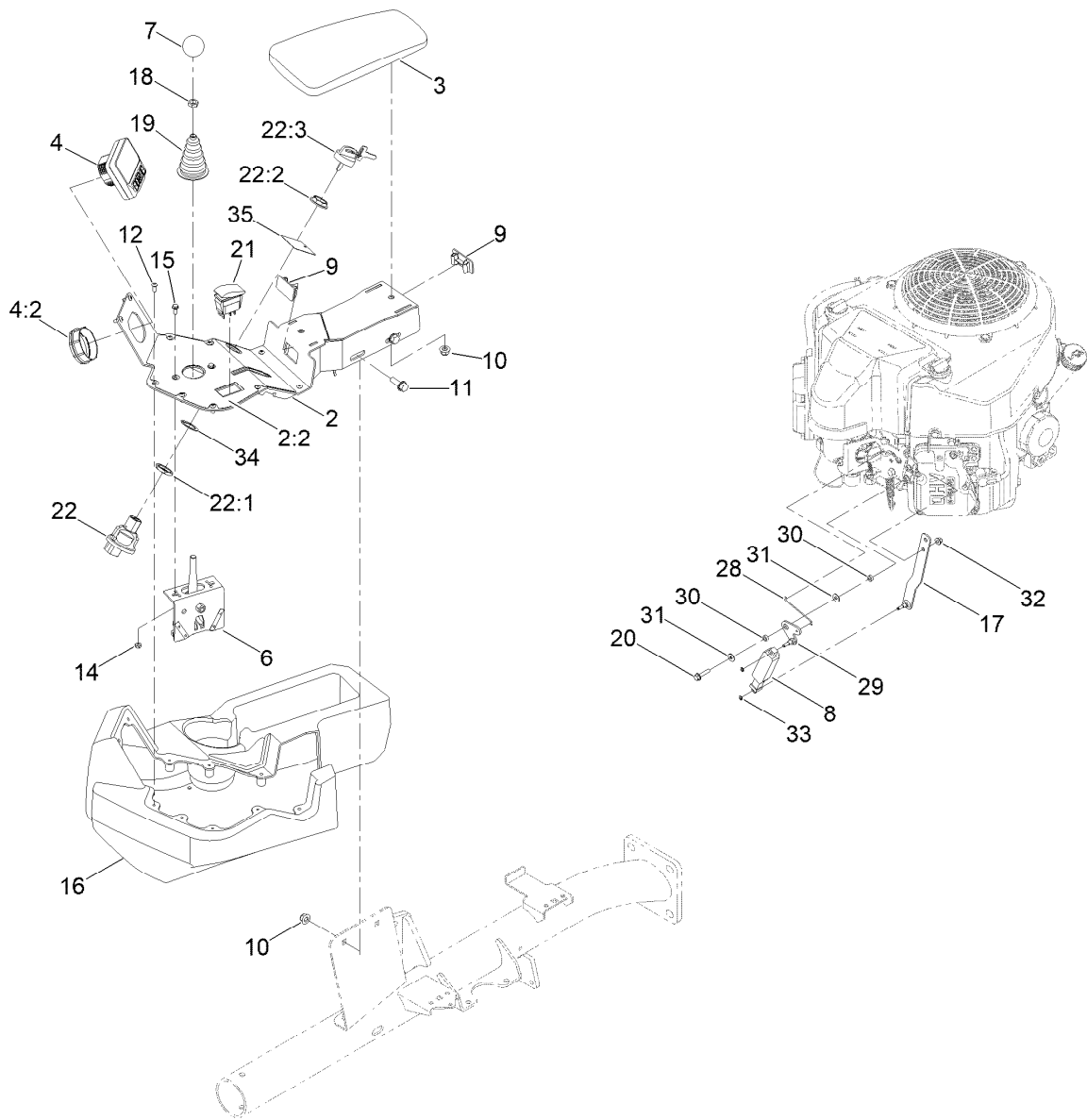
## Wheel and Tire Assembly

Ref.	Part Number	Qty.	Description	Ref.	Part Number	Qty.	Description
1	139-8314	1	Housing-Steering	22	119-4490	1	Wheel Spindle ASM
2	137-7868-03	1	Bracket-Sensor, Steering	24	117-9033	1	Wheel And Tire ASM
3	32144-10	2	Screw-HWH	24:1	120-2783	1	Tire
4	3290-313	2	Screw-SPH	24:2	217-60	1	Rim
5	137-8166-03	1	Housing	24:3	232-27	1	Stem-Valve
6	3296-52	2	Nut-Lock, NI	25	108-7019	1	Seal-Shaft
7	107-7589	2	Cone-Bearing (W/ Seal)	26	122-0914	1	Sensor-Rotary, Body/Magnet Matched Set
8	107-7590	2	Cup-Bearing	27	112-8617	1	Nut-Hex
9	133-0347	1	Gasket	40	117-9035	8	Screw-HHF
11	139-8313	1	Fork-Caster	42	137-8171	1	Washer
12	137-8170	1	Gear-Spur, 64T	43	137-7943	1	Washer-Tang
13	133-0346	1	Pinion-16T	44	137-7942	1	Nut-Castle
14	133-0348	1	Gasket	45	302-59	1	Plug-EXT Hex Spl
15	136-2667	2	Pin-Dowel	46	3296-23	4	Nut-Lock, NI
16	133-0349	1	Steering Unit ASM	47	3234-40	4	Screw-HF
17	32120-2	1	Ring-Retaining				
20	3234-42	13	Screw-HHF				



## Wheel Spindle Assembly No. 119-4490

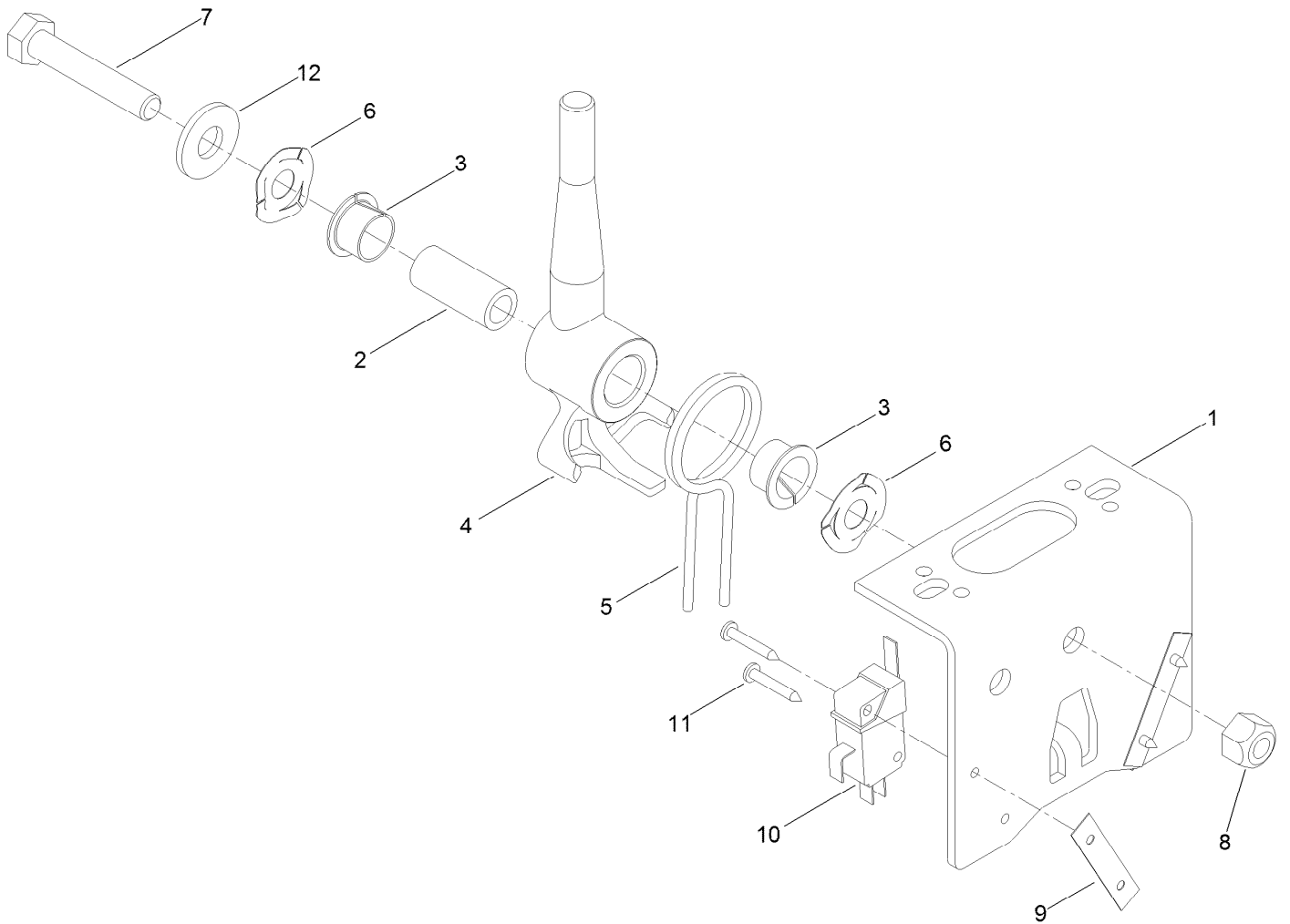
<i>Ref.</i>	<i>Part Number</i>	<i>Qty.</i>	<i>Description</i>
1	139-2564	4	Nut-Lug
2	241-119	1	Cap-Dust
3	112-7173	1	Spindle
4	112-1690	1	Seal-Oil
5	117-9093	1	Hub ASM
5:2	254-72	2	Bearing-Cup, Tapered
5:3	114-3918	4	Stud-Wheel
6	254-92	2	Cone-Bearing, Outer
7	117-8260	1	Nut
8	117-8259	1	Washer-Spindle
9	3272-18	1	Pin-Cotter
10	93-0307	1	Nut-Lock, Retainer



## Console Assembly

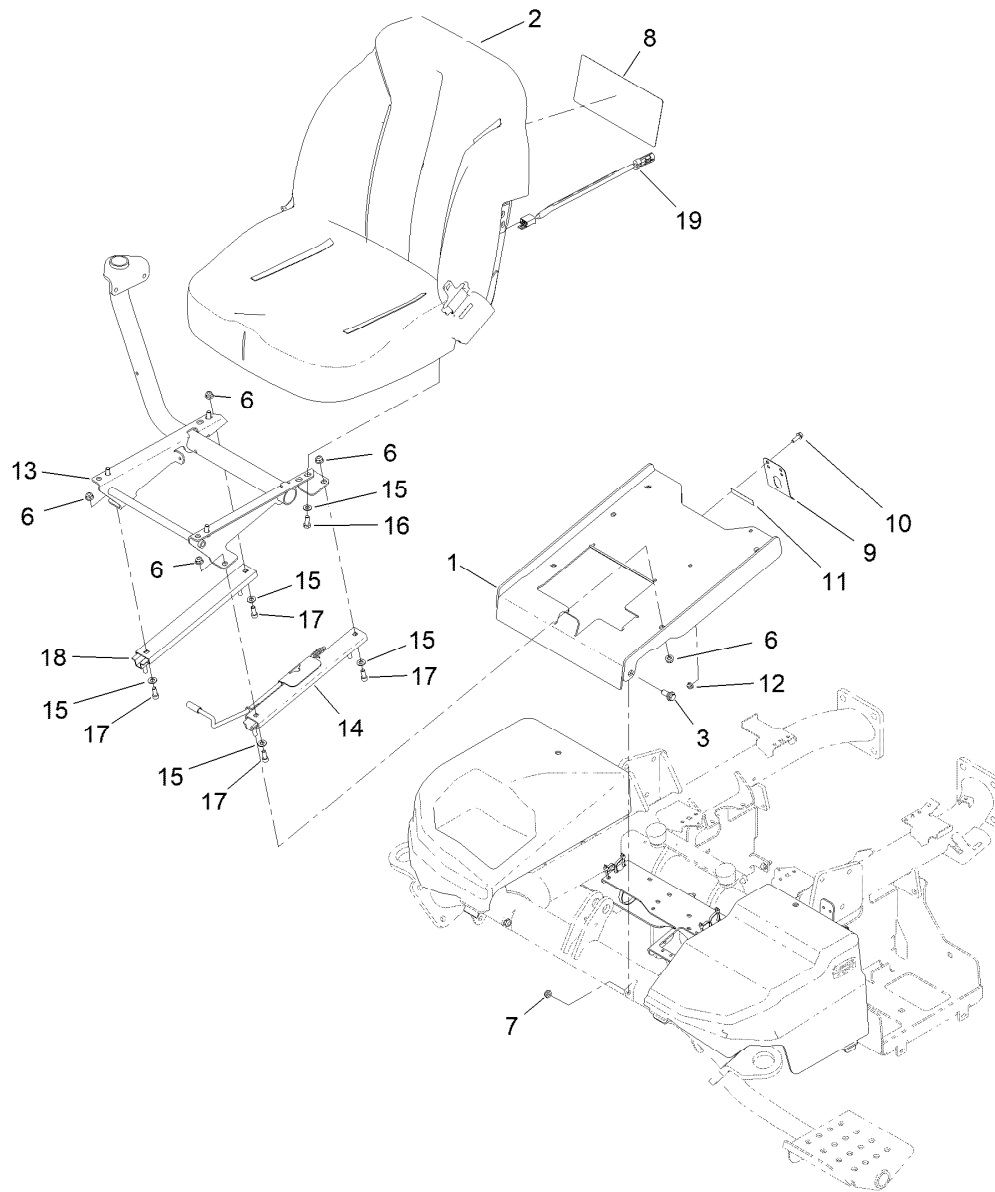
Ref.	Part Number	Qty.	Description
2	137-8094	1	Console ASM
2:2	137-8058	1	Decal-Console
3	108-7602	1	Rest-Arm
4	161-1700	1	Display-LCD
4:2	161-1723	1	Nut-Display
6	120-5280	1	Bracket-Joystick
7	120-9752	1	Knob-Round, Yellow
8	145-1377	1	Actuator-Choke
9	99-7420	2	Plug-Hole
10	104-8300	4	Nut-HF, NI
11	3234-29	2	Screw-HHF
12	115-9830	10	Screw-HSBH
14	3296-12	2	Nut-Lock, NI
15	3290-321	2	Screw-HWH
16	132-9955	1	Cover-Console
17	145-6662	1	Choke Brkt ASM

Ref.	Part Number	Qty.	Description
18	3218-3	1	Nut-Jam
19	93-5961	1	Boot-Lever
20	121-9884	1	Screw-Hfh
21	112-3530	1	Switch-Rocker, On-On-On
22	161-4693	1	Switch-Ignition
22:1	121-5160	1	Nut-Hex
22:2	122-2704	1	Nut-Face, M22 (Plastic)
22:3	121-5162	1	Set-Key, Ignition
28	145-6643	1	Wire-Choke
29	145-6663	1	Choke Pivot ASM
30	115-7291	2	Spacer-Latch, Brake
31	3256-49	2	Washer-Plain
32	120-4580	1	Nut-HF
33	145-0341	2	Ring,Retaining
34	120-2036	1	Washer-Switch
35	147-6176	1	Decal-Key Switch



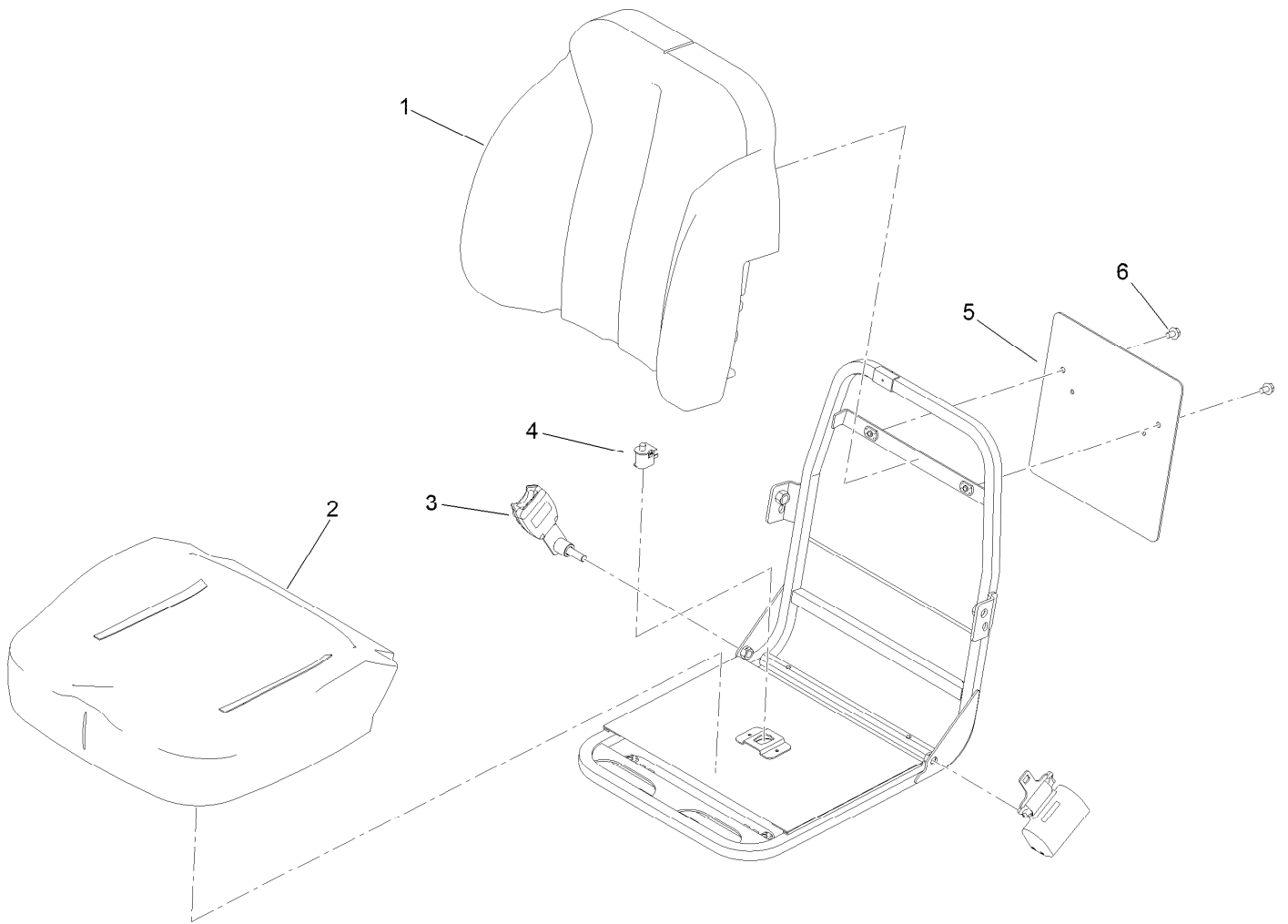
## Joystick Bracket Assembly No. 120-5280

<i>Ref.</i>	<i>Part Number</i>	<i>Qty.</i>	<i>Description</i>
1	115-5357-03	1	Bracket-Joystick
2	106-4192	1	Spacer
3	93-5547	2	Bushing-Nylon
4	119-3540	1	Hub-Pivot, Joystick
5	105-8289	1	Spring-Torsion
6	106-4193	2	Washer-Finger, Spring
7	322-9	1	Screw-HH
8	3296-29	1	Nut-Lock, NI
9	3290-354	2	Nut-Speed
10	108-6496	2	Switch (W/Boot)
11	95-3003	4	Screw-PPHTF
12	3256-3	1	Washer-Flat



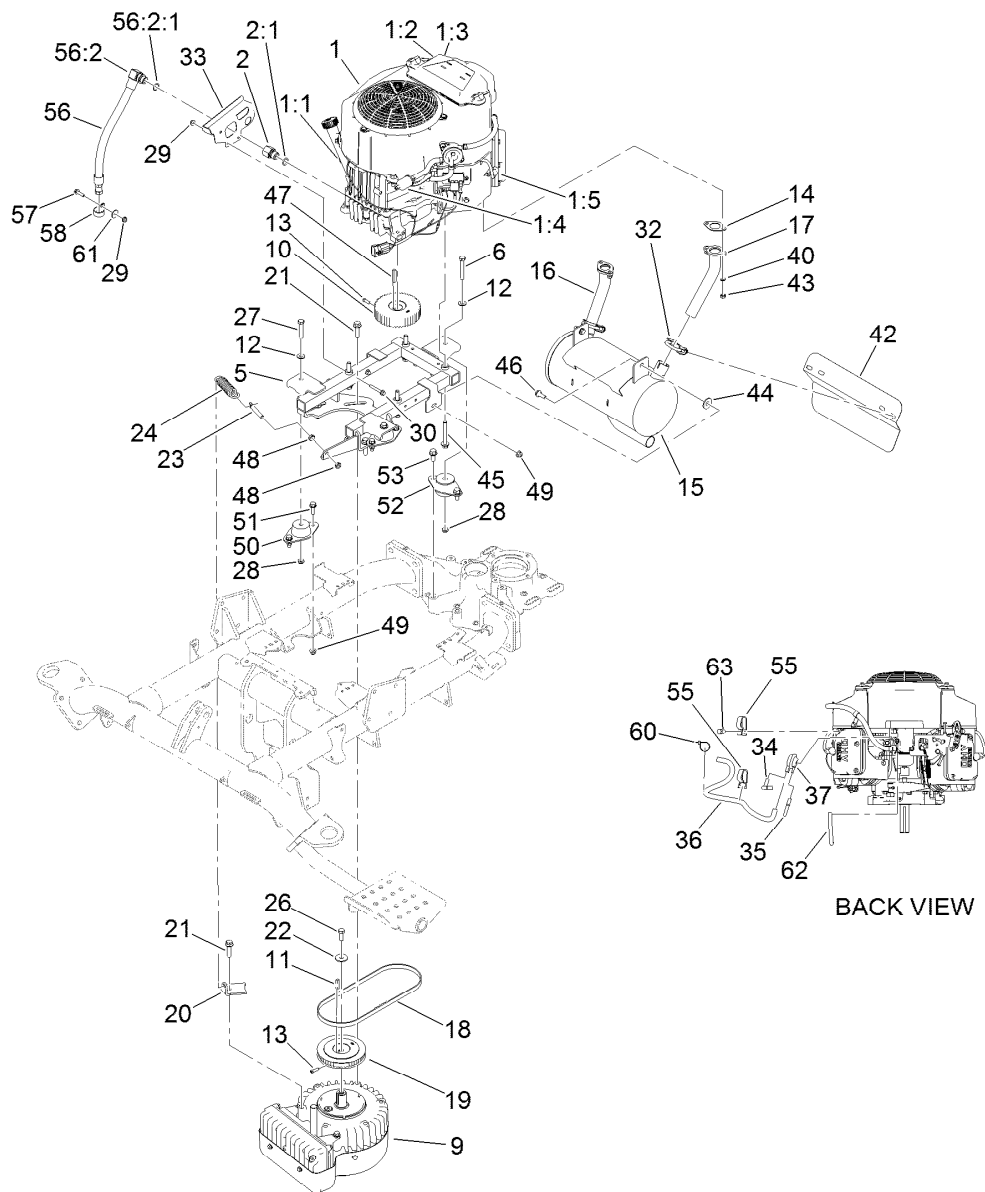
## Seat Plate Assembly

<i>Ref.</i>	<i>Part Number</i>	<i>Qty.</i>	<i>Description</i>	<i>Ref.</i>	<i>Part Number</i>	<i>Qty.</i>	<i>Description</i>
1	139-8552-03	1	Plate-Seat	12	104-7201	2	Nut-HF, NI
2	139-2680	1	Seat ASM	13	139-6453-03	1	Mount-Console
3	94-7582	2	Bolt-Shoulder	14	133-8896	1	Seat Adjuster Lever ASM
6	104-8300	8	Nut-HF, NI	15	3256-23	8	Washer-Plain
7	3296-59	2	Nut-Lock, NI	16	322-3	4	Screw-HH
8	137-8132	1	Decal-Service	17	3274-10	4	Screw-HSH
9	139-8557	1	Latch-Seat	18	92-8990	1	Adjuster-Seat, Non-Locking
10	115-5103	2	Screw-HHF	19	108-8657	1	Harness-Wire, Seat
11	120-5753	1	Strip-Foam				



## Seat Assembly No. 139-2680

<i>Ref.</i>	<i>Part Number</i>	<i>Qty.</i>	<i>Description</i>
1	145-0083	1	Cover-Seat, Back
2	145-0084	1	Cover-Seat, Bottom
3	139-2707	1	Seat Belt Kit
4	82-2190	1	Switch-Bail
5	139-2701	1	Plate-Decal
6	3234-30	2	Screw-HHF

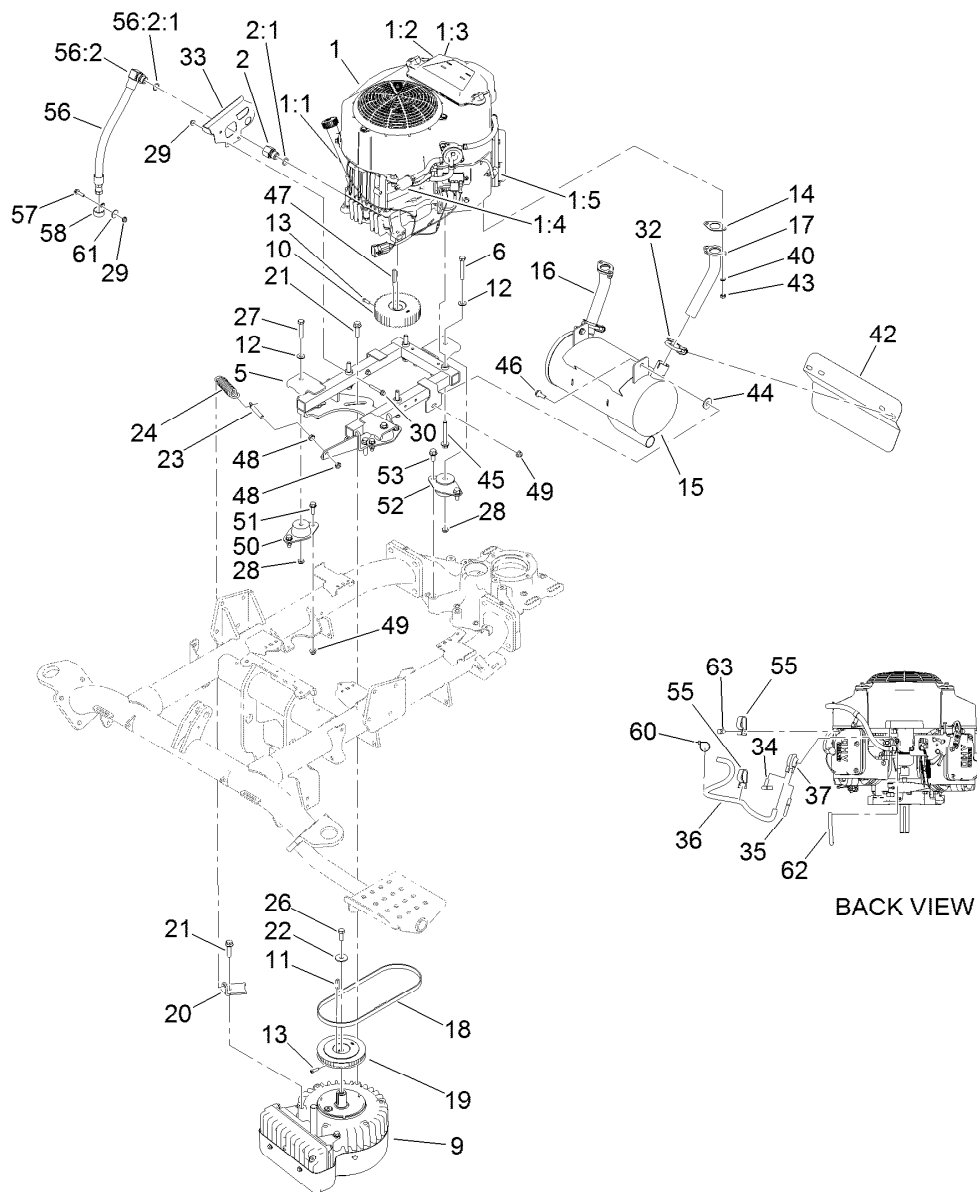


## Engine Assembly

Ref.	Part Number	Qty.	Description	Ref.	Part Number	Qty.	Description
1		1	Engine-Kawasaki, Fs481V-S34 ●■	16	133-5750	1	Pipe-Exhaust, LH
1:1	119-5852	1	Filter-Oil	17	133-5751	1	Pipe-Exhaust, RH
1:2	120-7447	1	Filter-Air, Foam	18	137-7828	1	Belt-Timing
1:3	120-7448	1	Filter-Air, Paper	19	137-8131	1	Pulley ASM
1:4	121-4570	1	Filter-Fuel	20	133-5737	1	Bracket-Spring
1:5	92-2153	1	Plug-Spark	21	114-4681	5	Screw-HHF
2	139-8416	1	Fitting-Straight	22	63-8410	1	Washer
2:1	237-69	1	O-Ring	23	133-0332	1	Pin-Adjustment, Generator
5	133-5797-03	1	Frame-Engine	24	133-5738	1	Spring-Extension
6	323-12	1	Screw-HH	26	3211-4	1	Screw-HH
9	127-2580	1	Generator/Controller ASM	27	323-10	2	Screw-HH
10	137-8128	1	Pulley-Belt	28	3296-59	3	Nut-Lock, NI
11	5-0698	1	Key	29	104-7201	3	Nut-HF, NI
12	3256-24	3	Washer-Plain	30	32105-18	2	Screw-HHF
13	3241-6	4	Screw-SQH	32	104-4090	2	Clamp-Muffler
14	1-653313	2	Gasket-Exhaust	33	132-9908	1	Shield-Drip
15	133-5745	1	Muffler	34	119-8502	1	Hose-Vent, Formed
				35	119-8501	1	Hose-Vent, Formed

● Not serviced separately

■ Obtain parts from [www.kawpower.com](http://www.kawpower.com)



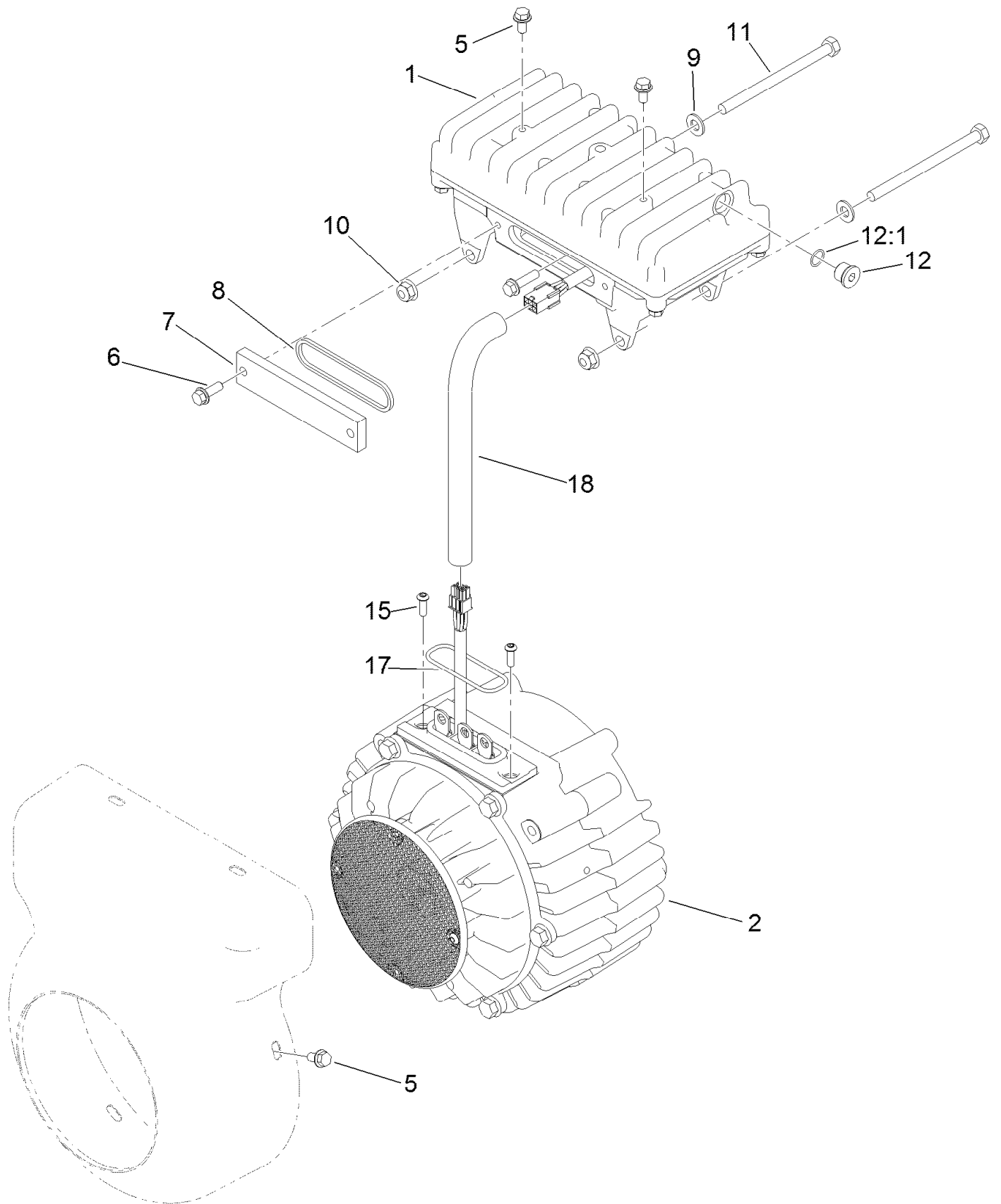
## Engine Assembly (continued)

Ref.	Part Number	Qty.	Description	Ref.	Part Number	Qty.	Description
36	110-5701	1	Hose-Fuel	52	131-1821	1	Mount-Engine
37	116-2232	1	Valve-Control, Vacuum	53	3234-25	2	Screw-HHF
40	114-3550	4	Washer-Lock	55	92-5753	2	Clamp-Hose
42	147-6172-03	1	Shield-Exhaust, Rear	56	137-7864	1	Drain Hose ASM
43	114-3549	4	Nut	56:2		1	Plug-HH ●
44	3290-465	2	Washer-Belleville	56:2:1	237-42	1	O-Ring
45	132-9947	4	Screw-Hfh	57	120-4654	1	Screw-HHF
46	27-0410	2	Screw-Shoulder	58	2412-106	1	Clamp-R
47	67-7490	1	Key-Square	60	3290-379	1	Tie-Cable
48	3220-3	2	Nut-HJ	61	3256-67	1	Washer
49	104-8300	6	Nut-HF, NI	62	139-8415	1	Tubing-Convolved, Slit
50	121-9076	2	Mount-Engine	63	33114-016	1	Screw-HH
51	3234-29	4	Screw-HHF				

● Not serviced separately

■ Obtain parts from [www.kawpower.com](http://www.kawpower.com)

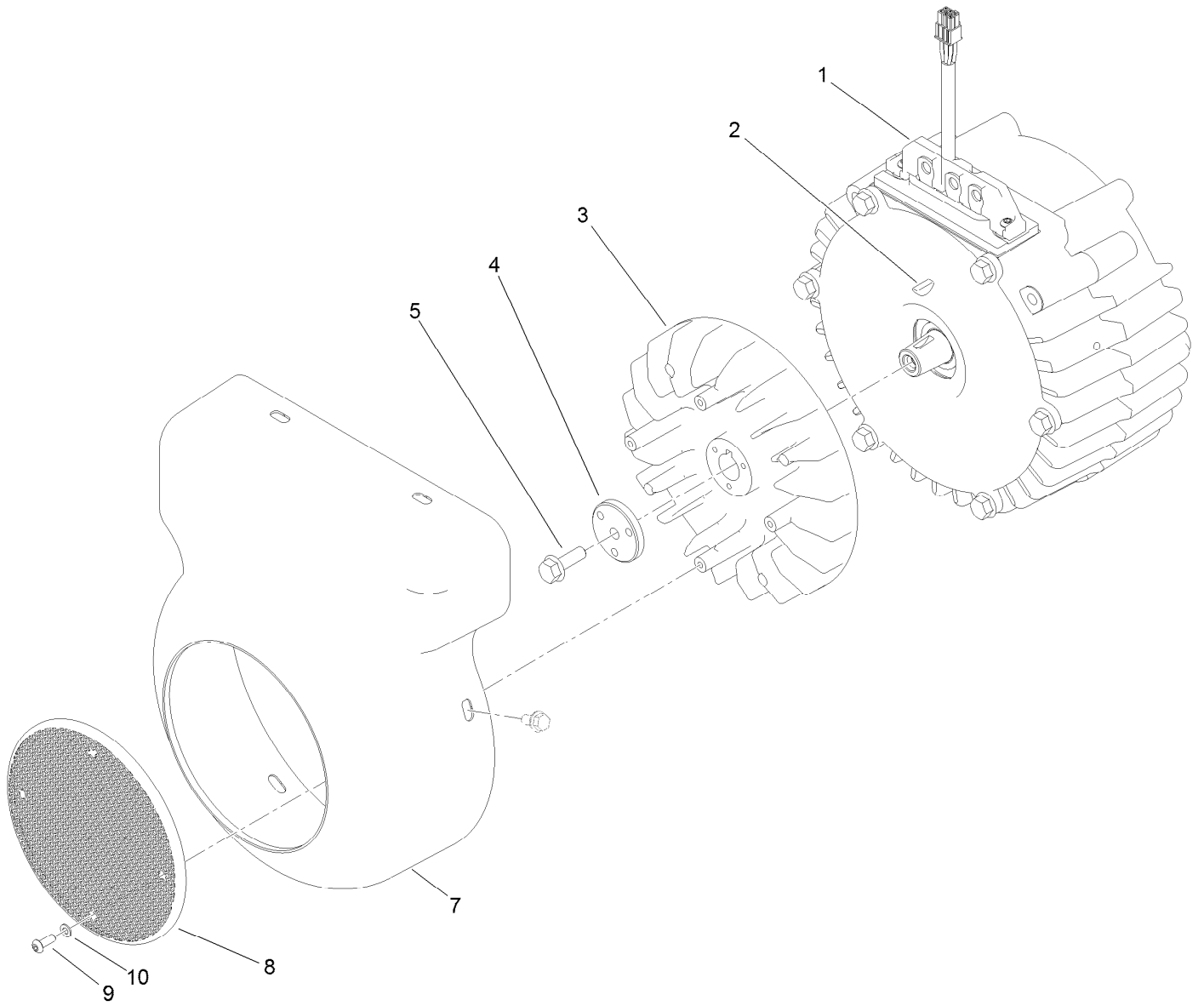
# Generator/Controller Assembly No. 127-2580



# Generator/Controller Assembly No. 127-2580 (continued)

<i>Ref.</i>	<i>Part Number</i>	<i>Qty.</i>	<i>Description</i>	<i>Ref.</i>	<i>Part Number</i>	<i>Qty.</i>	<i>Description</i>
1	117-8181	1	Controller ASM	11	322-38	2	Screw-HH
2	127-2579	1	Generator ASM	12	353-989	1	Plug-Hex, Hollow
5	119-1065	6	Screw-Lock, HF	12:1	237-42	1	O-Ring
6	119-1138	2	Screw-HHF, Patch	15	119-7568	2	Screw-HSBH
7	120-4511	1	Cover-Access	17	117-8176	1	O-Ring
8	120-4513	1	Gasket-Cover, Access	18	127-2747	1	Sleeve-Harness, Expandable
9	3256-23	2	Washer-Plain				
10	104-8300	2	Nut-HF, NI				

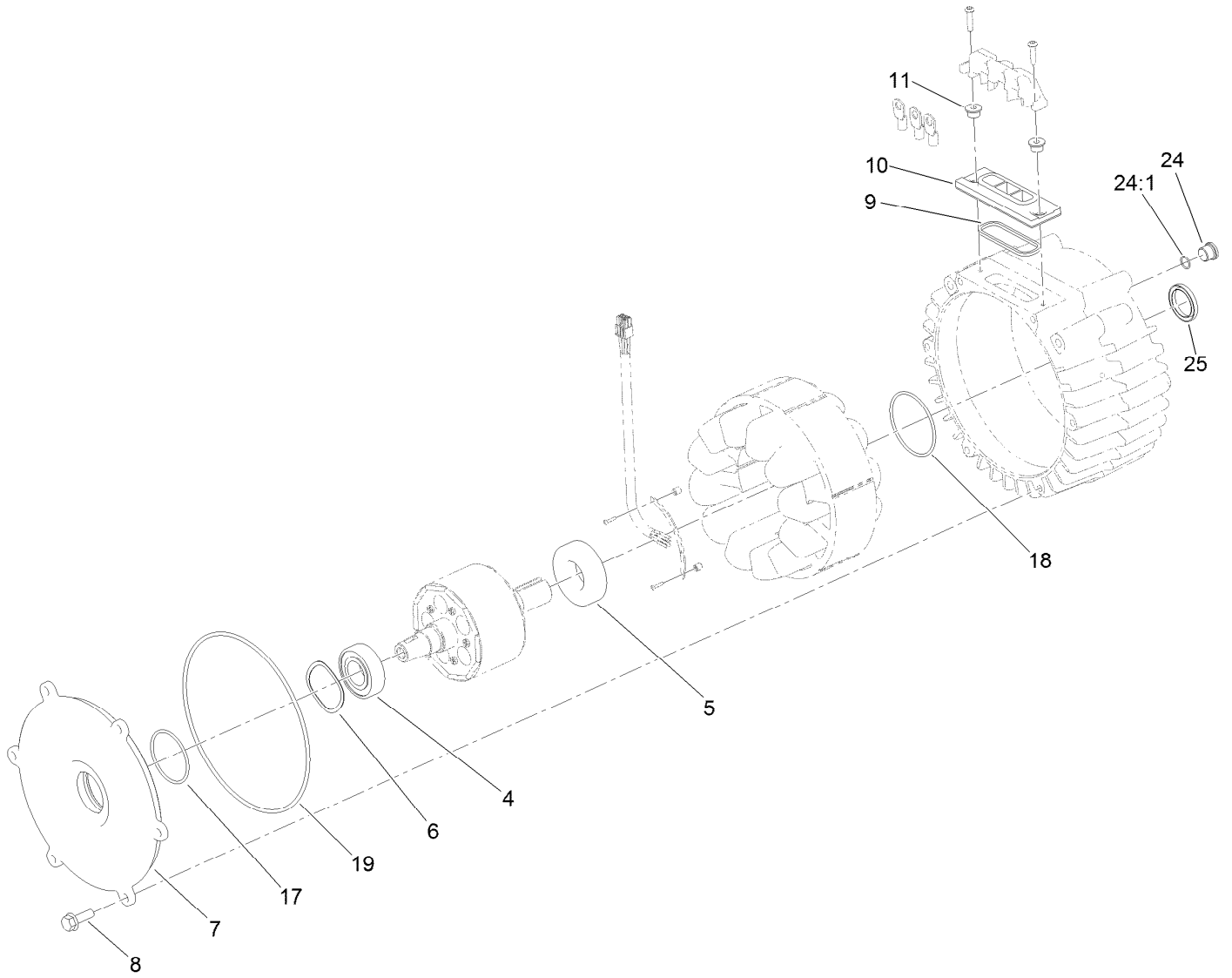
# Generator Assembly No. 127-2579



## Generator Assembly No. 127-2579 (continued)

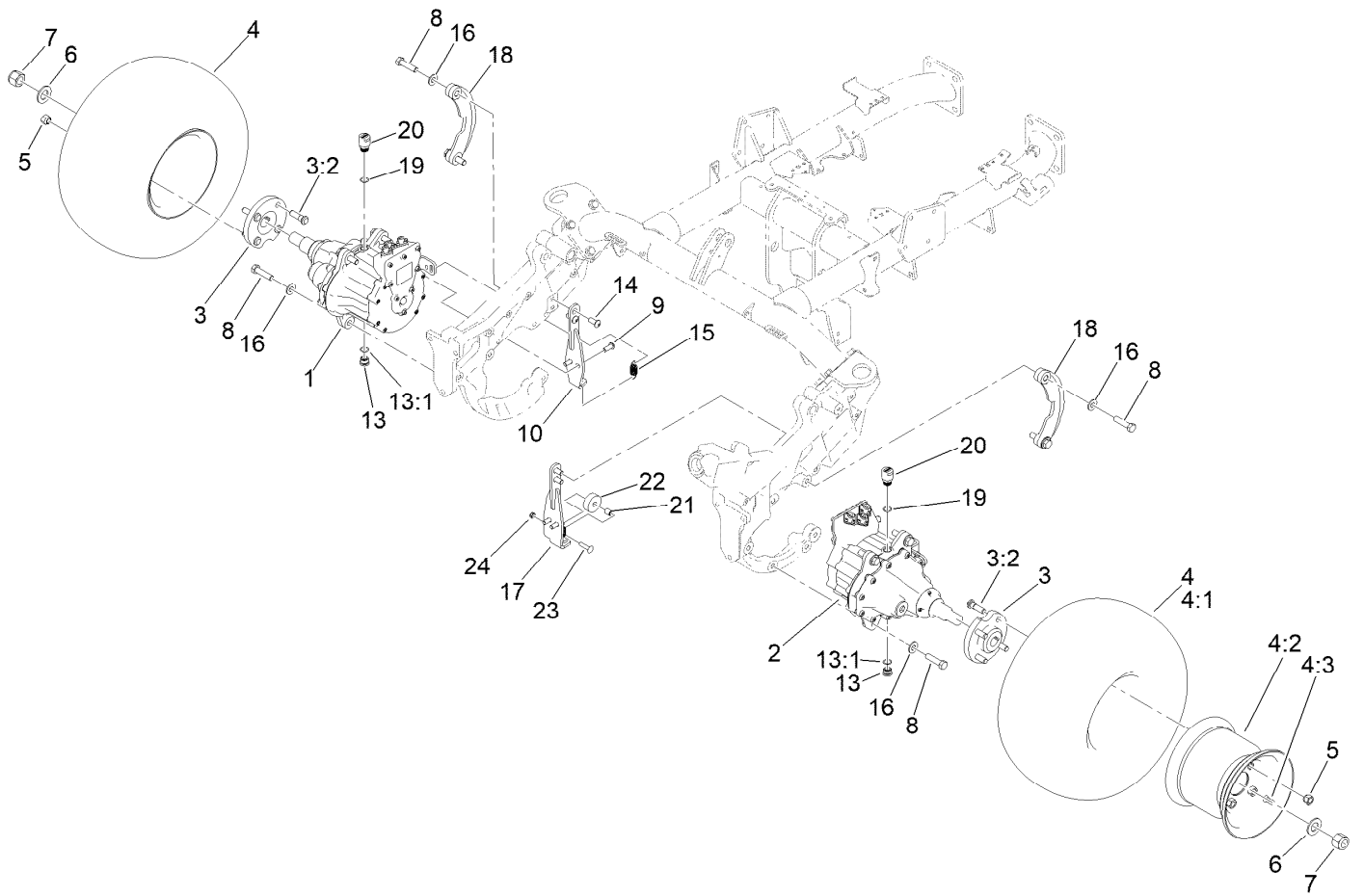
<i>Ref.</i>	<i>Part Number</i>	<i>Qty.</i>	<i>Description</i>	<i>Ref.</i>	<i>Part Number</i>	<i>Qty.</i>	<i>Description</i>
1	127-2578	1	Generator Service ASM	7	121-7082	1	Cover-Generator
2	112-5193	1	Key-Woodruff	8	120-4582	1	Screen-Fan
3	117-8184	1	Fan-Generator	9	120-4564	4	Screw-BHCS
4	112-9604	1	Collar	10	120-4563	4	Washer-Flat
5	33104-025	1	Screw-HHF				

# Generator Service Assembly No. 127-2578



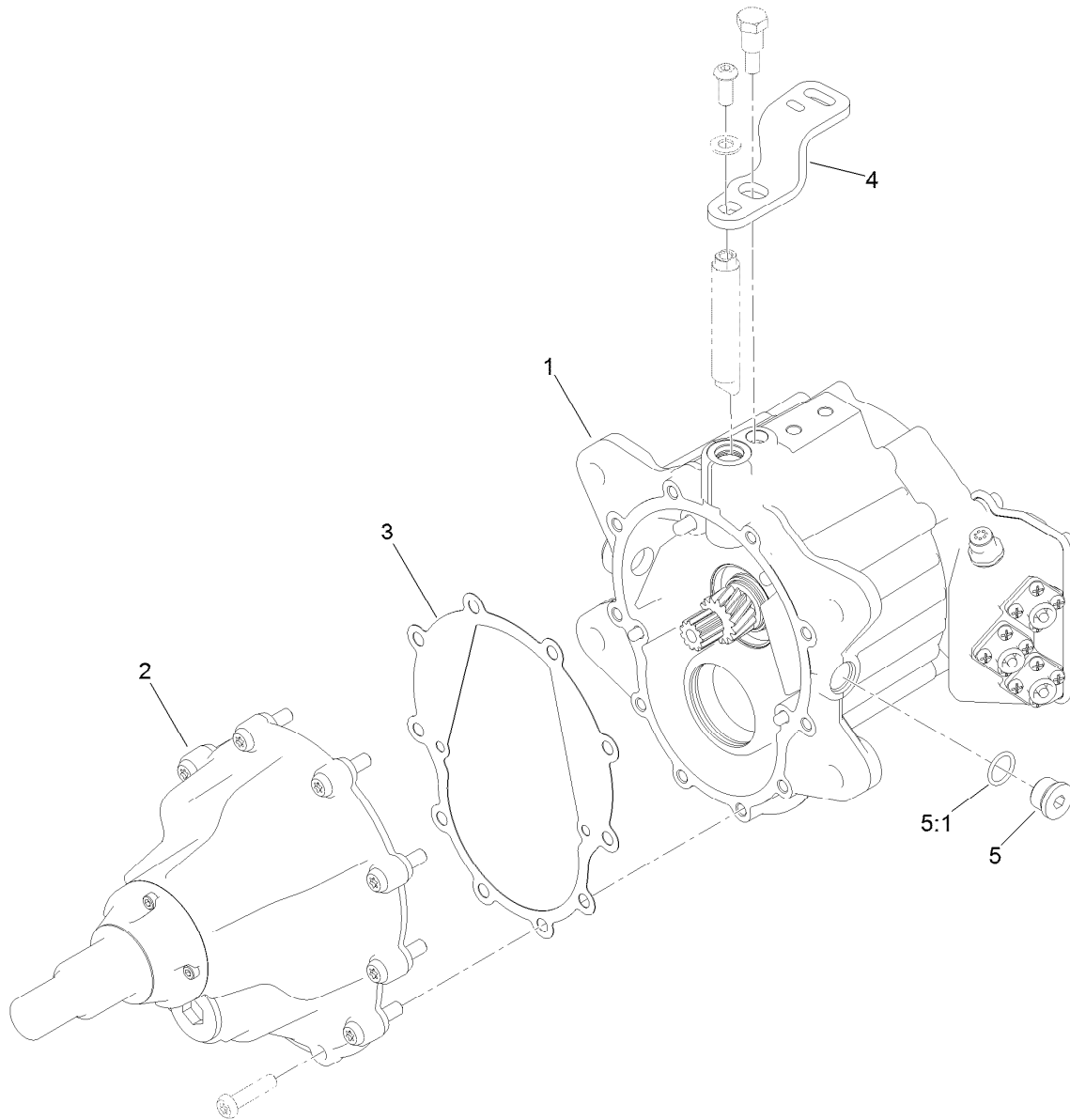
# Generator Service Assembly No. 127-2578 (continued)

<i>Ref.</i>	<i>Part Number</i>	<i>Qty.</i>	<i>Description</i>	<i>Ref.</i>	<i>Part Number</i>	<i>Qty.</i>	<i>Description</i>
4	120-4621	1	Bearing	11	117-4501	2	Spacer-Shoulder
5	120-4622	1	Bearing	17	107-3244	1	O-Ring
6	117-8148	1	Washer-Wave	18	117-8177	1	O-Ring
7	117-4514	1	Cover-Generator	19	112-5199	1	O-Ring
8	33104-025	6	Screw-HHF	24	353-989	1	Plug-Hex, Hollow
9	120-4518	1	Gasket-Isolator	24:1	237-42	1	O-Ring
10	112-5155	1	Isolator-Thermal	25	125-1509	1	Seal



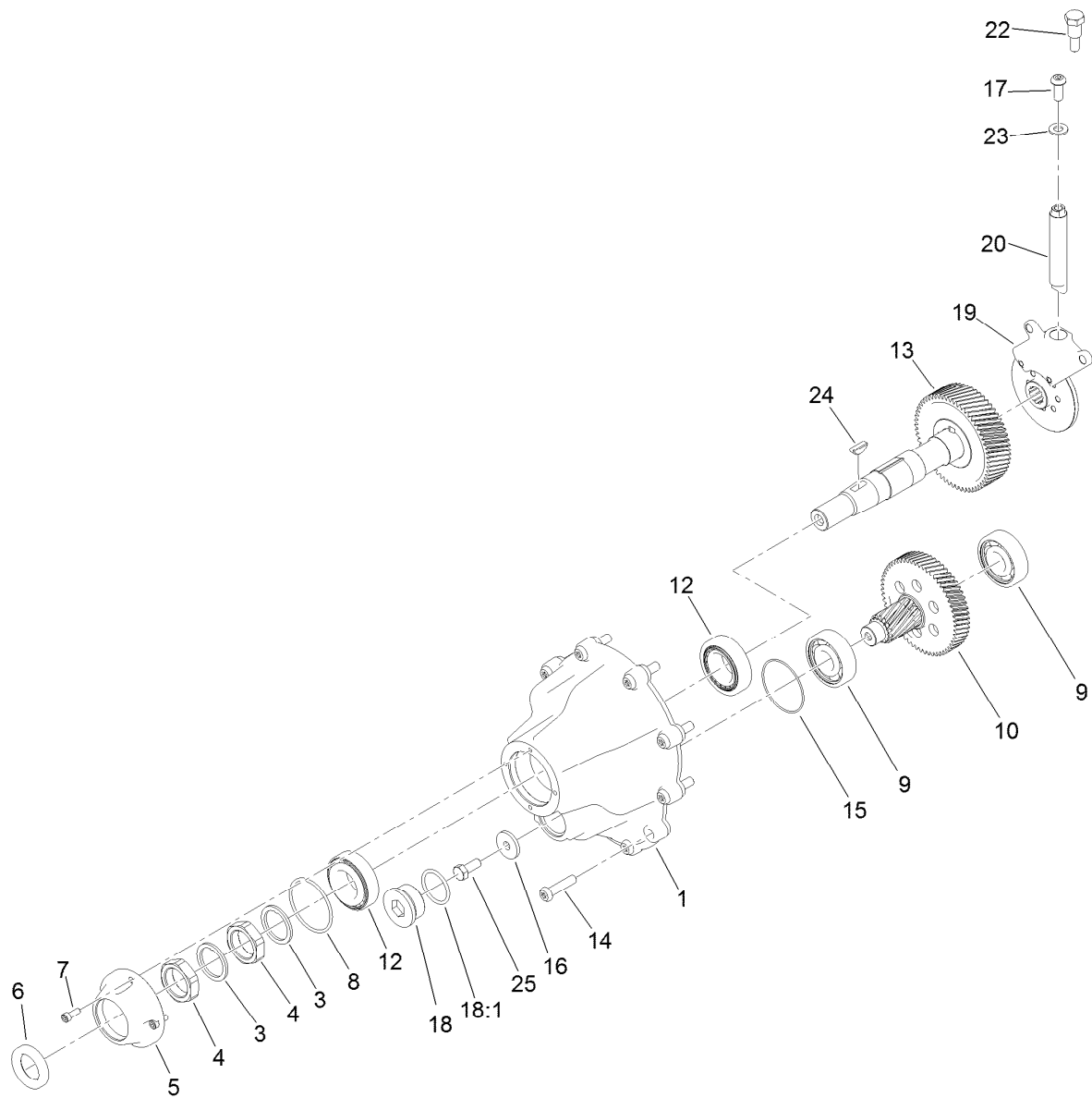
## Traction Assembly

Ref.	Part Number	Qty.	Description	Ref.	Part Number	Qty.	Description
1	139-8565SP	1	RH Wheel Motor ASM	13	133-7659	2	Plug ASM W/Magnet
2	139-8567SP	1	LH Wheel Motor ASM	13:1	237-79	1	O-Ring
3	140-6228	2	Hub ASM-Wheel	14	3274-105	4	Screw-HSBH
3:2	10-6830	4	Stud-Type, Drive	15	136-7153	2	Spring-Extension
4	117-9030	2	Wheel And Tire ASM	16	87-7270	12	Washer-Thrust
4:1	120-2783	1	Tire	17	147-3601	1	LH Gusset
4:2	117-9032	1	Rim	18	132-9996-01	2	Link-Support
4:3	232-27	1	Stem-Valve	19	237-79	2	O-Ring
5	139-2564	8	Nut-Lug	20	139-8576	2	Valve-Breather
6	AU496-11094	2	Washer-Flat	21	88-7450	1	Spacer-Lever, Control
7	137-7973	2	Nut-Hex	22	139-8346	1	Roller
8	325-8	12	Screw-HH	23	112-6950	1	Screw-CARR
9	3274-94	4	Screw-HSBH	24	3296-47	1	Nut-Lock,NI
10	147-3600	1	RH Gusset				



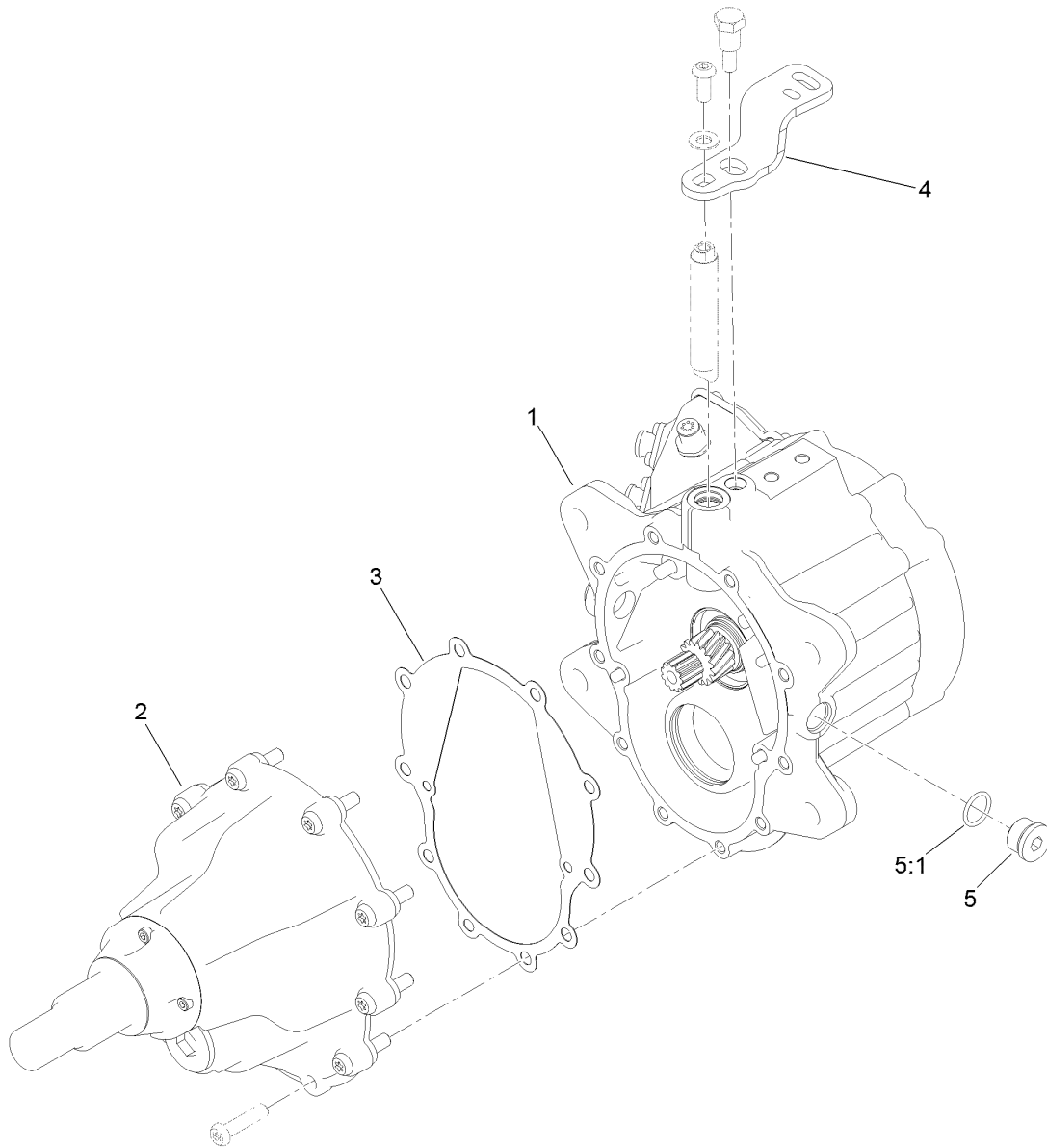
## RH Wheel Motor Assembly No. 139-8565

<i>Ref.</i>	<i>Part Number</i>	<i>Qty.</i>	<i>Description</i>
1	139-8566SP	1	RH Motor ASM
2	127-1529	1	Gear Box ASM
3	121-9254	1	Gasket-Gearbox
4	132-9873	1	Lever-Brake, RH
5	353-988	2	Plug-Hex
5:1	237-79	1	O-Ring



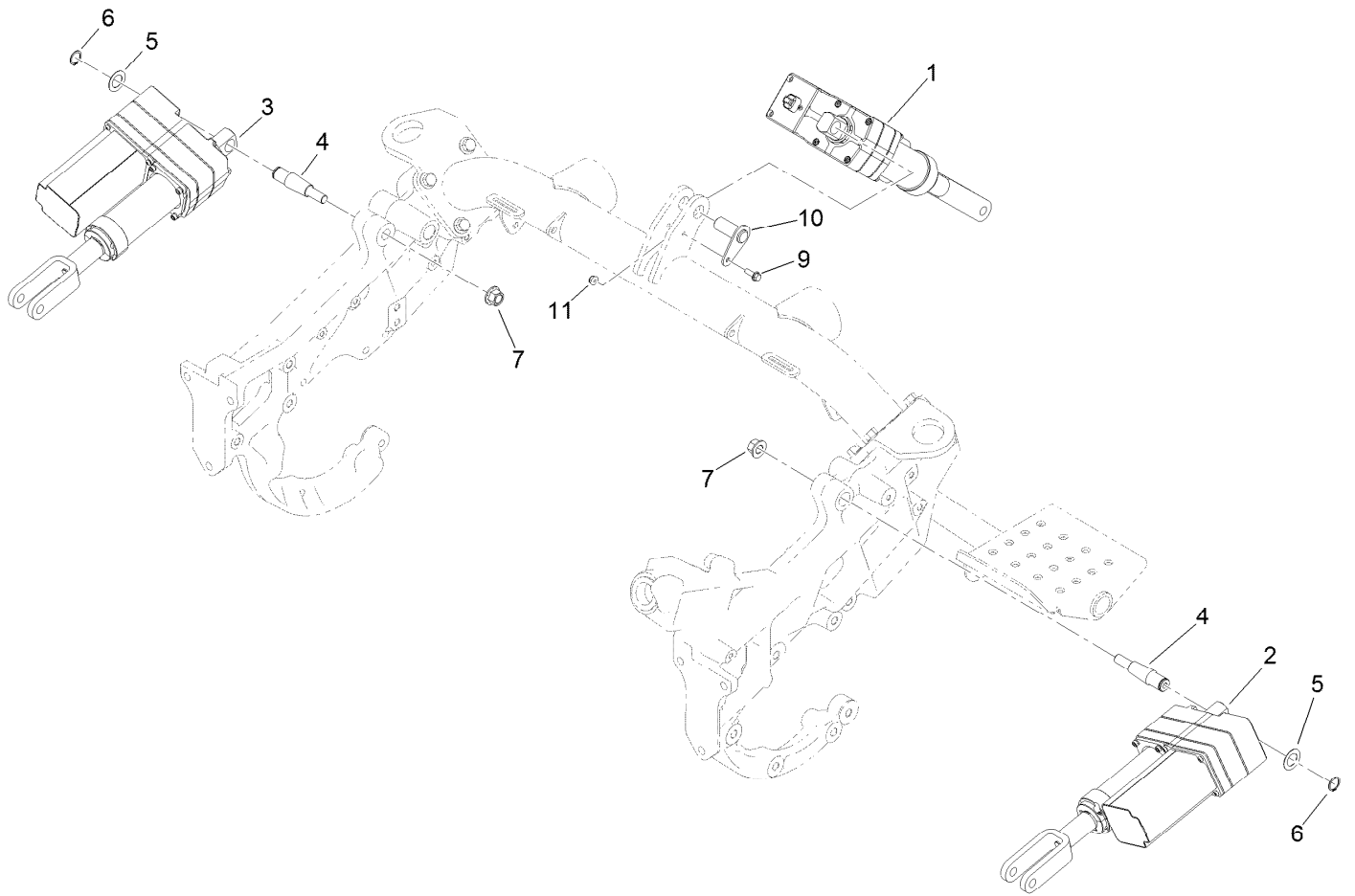
## Gearbox Assembly No. 127-1529

<i>Ref.</i>	<i>Part Number</i>	<i>Qty.</i>	<i>Description</i>	<i>Ref.</i>	<i>Part Number</i>	<i>Qty.</i>	<i>Description</i>
1	127-1559	1	Cover-Motor, Axle	15	121-9273	1	O-Ring
3	121-5235	2	Washer-Special	16	132-9927	1	Washer-Flat
4	121-9263	2	Nut-Jam	17	3274-96	1	Screw-HSBH
5	127-1561	1	Cover-Nose, Axle	18	105-3921	1	Fitting-Plug
6	137-7857	1	Seal-Shaft	18:1	237-146	1	O-Ring
7	112-5181	4	Screw -HSH	19	132-9974	1	Brake ASM
8	108-9919	1	O-Ring	20	121-9247	1	Shaft-Brake
9	121-9266	2	Bearing-Ball	22	121-9250	1	Pin-Lever, Stop
10	132-9978	1	Countershaft Gear ASM	23	120-9683	1	Washer-Plain
12	121-9256	2	Bearing-Taper	24	132-9904	1	Key-Woodruff #91
13	132-9841	1	Shaft ASM	25	137-7767	1	Screw-HH
14	127-1519	10	Screw-BHCS				



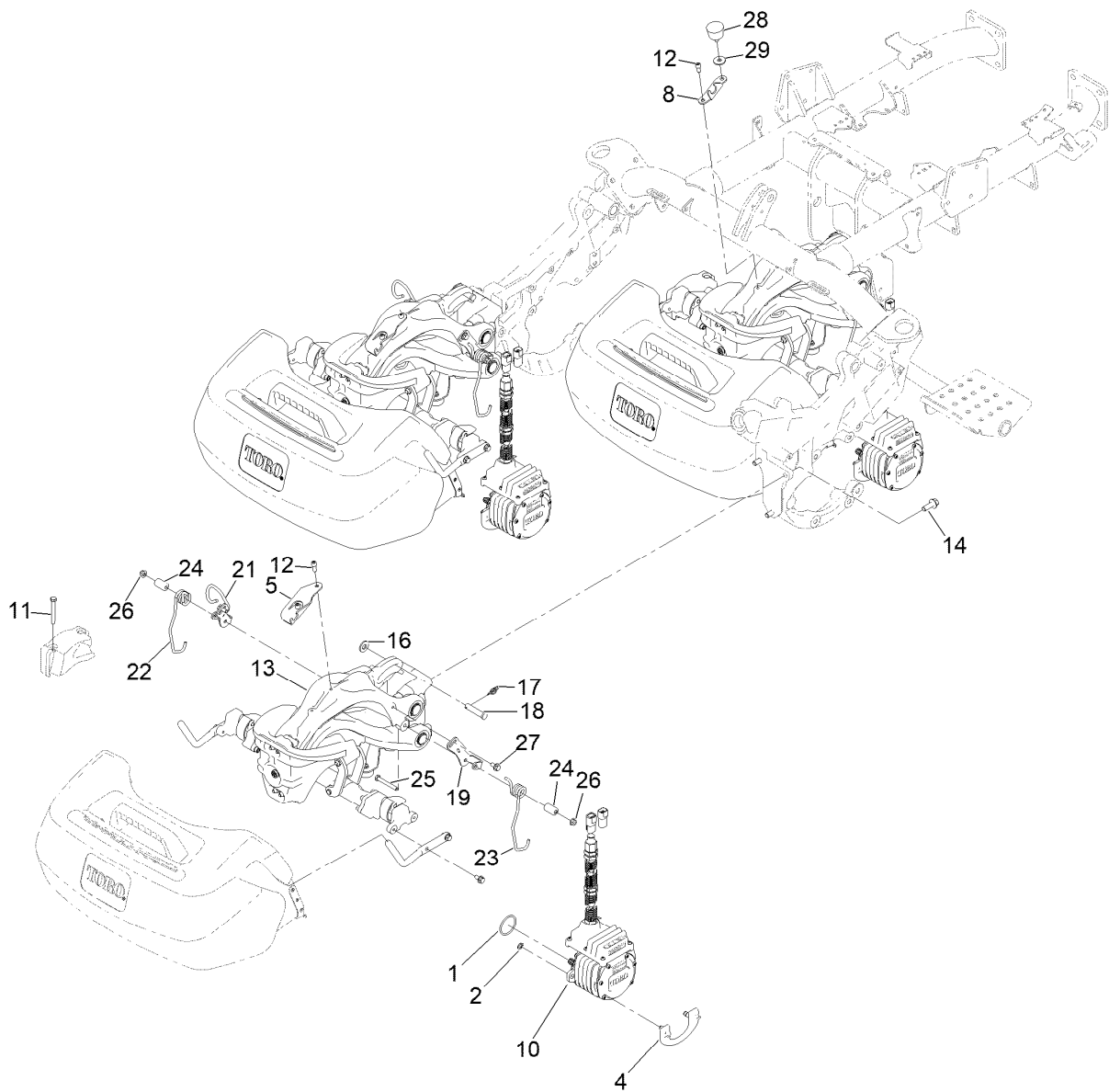
## LH Wheel Motor Assembly No. 139-8567

<i>Ref.</i>	<i>Part Number</i>	<i>Qty.</i>	<i>Description</i>
1	139-8568SP	1	LH Motor ASM
2	127-1529	1	Gear Box ASM
3	121-9254	1	Gasket-Gearbox
4	132-9874	1	Lever-Brake, LH
5	353-988	2	Plug-Hex
5:1	237-79	1	O-Ring



## Lift Assembly

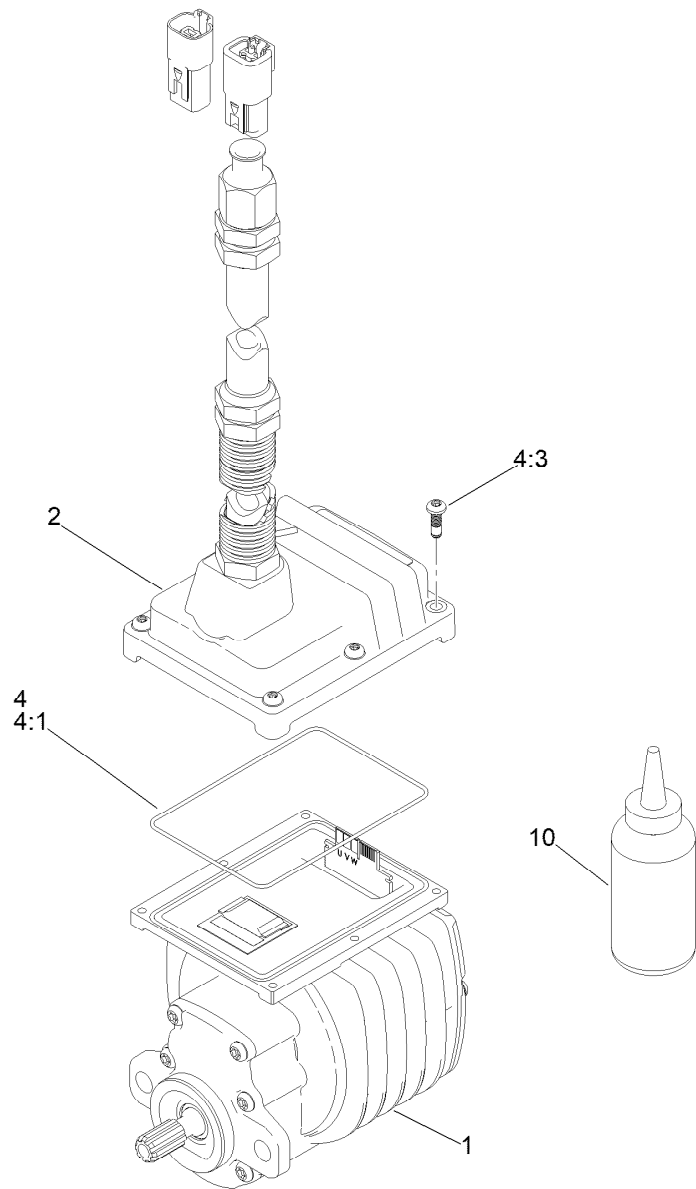
<b>Ref.</b>	<b>Part Number</b>	<b>Qty.</b>	<b>Description</b>
1	161-4674	1	Actuator-Lift, 1
2	161-4675	1	Actuator-Lift, 2
3	161-4676	1	Actuator-Lift, 3
4	136-2691	2	Pin-Tapered
5	9202574	2	Washer-Flat
6	32120-72	2	Ring-Snap
7	99-5107	2	Nut-HF Nylock
9	115-5103	1	Screw-HHF
10	137-7766	1	Pin ASM
11	104-7201	1	Nut-HF, NI



## Suspension, Reel Motor and Basket Assembly

Ref.	Part Number	Qty.	Description
1	115-3298	3	O-Ring
2	133-8926	6	Ring-Retaining (Metric)
4	115-5389	3	Cam-Mount, Motor
5	119-7487	2	Bracket-Clamp, Hose
8	119-7540	1	Bracket-Hose, Rear
10	144-6666	3	Rem/Inv ASM, 5In Grn
11	322-13	6	Screw-HH
12	100-2401	5	Screw-HSH
13	161-4690	3	Geolink Suspension ASM
14	117-9035	9	Screw-HHF
16	29-8910	3	Washer
17	112-1491	3	Pin-Cotter

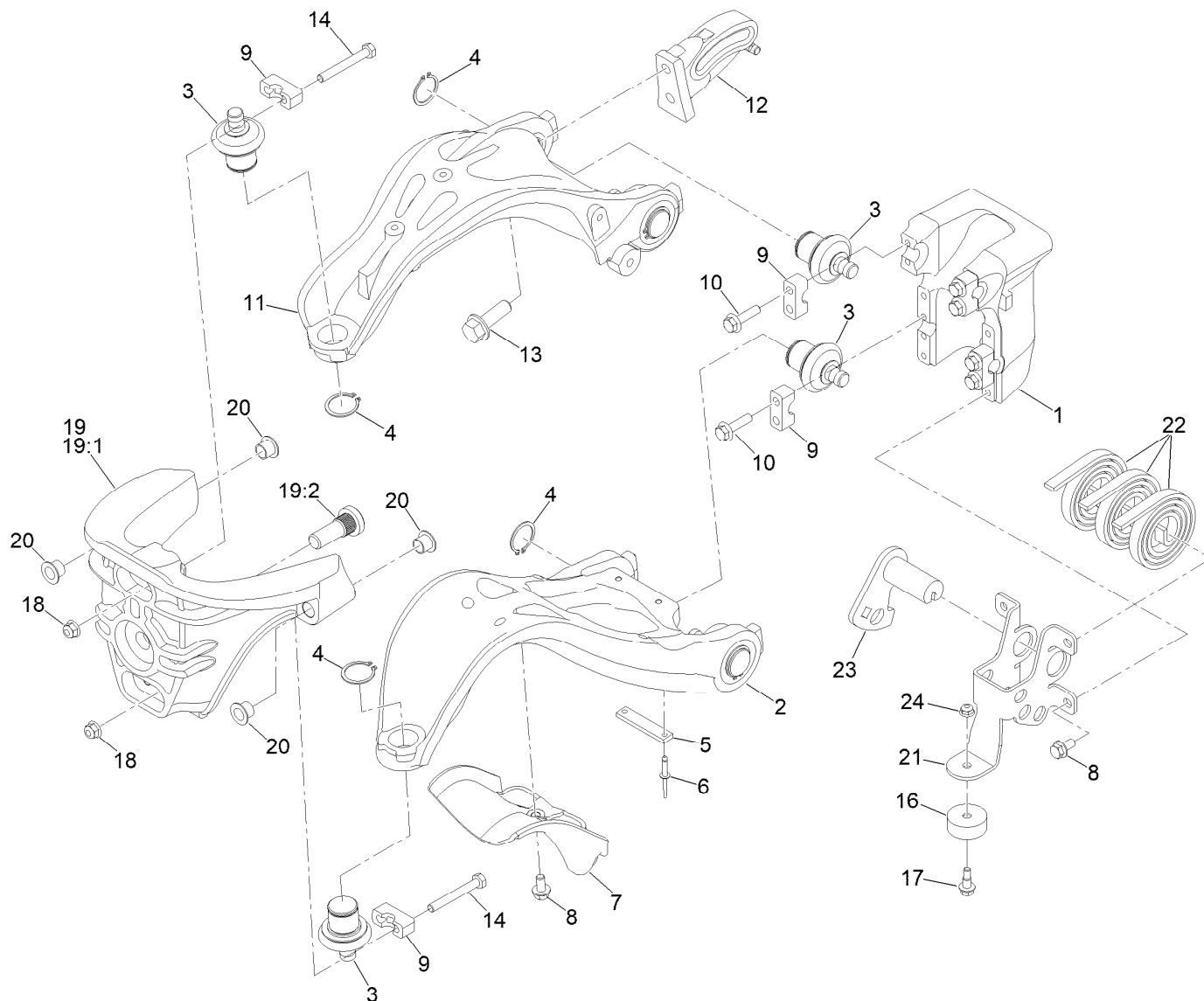
Ref.	Part Number	Qty.	Description
18	92-2739	3	Pin-Clevis
19	133-8998	3	Retainer-Spring, LH
21	133-9025	3	Bracket ASM
22	117-6826	2	Spring-Stabilizer, RH
23	117-6827	2	Spring-Stabilizer, LH
24	117-6825	6	Spacer
25	322-12	6	Screw-HH
26	104-8300	6	Nut-HF, NI
27	114-7728	6	Screw-HHF, Patch
28	68-3270	1	Bumper-Rubber
29	52-2861	1	Washer



## Motor Assembly No. 144-6666

Ref.	Part Number	Qty.	Description
1	161-0344	1	Rem-5In Greens
2	161-0345	1	Inverter-5In Greens
4	144-6731	1	Controller And Motor Service Kit
4:1	144-6738	1	O-Ring-Formed, Controller
4:2	144-6723	1	Desiccant-Silica Gel, 1/2 Gram ●
4:3	144-6692	6	Screw-Tph
4:4	161-0309	1	Grease-Dielectric ●
7	139-8597	1	Seal-Oil ●
10	136-8595	1	Grease-Synthetic
99	161-3623	1	5In Greens Cover/Shaft Kit ●

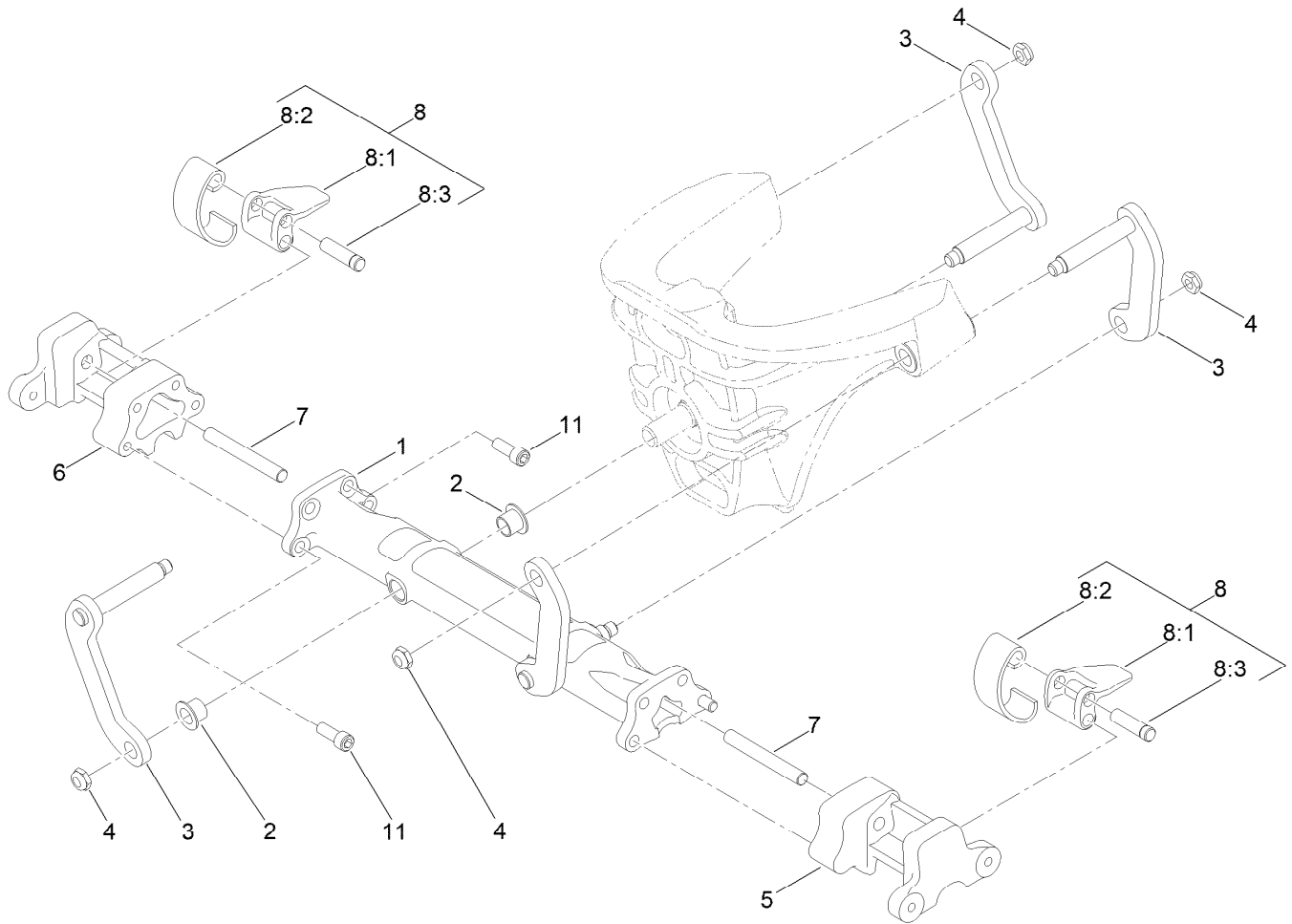
● Not illustrated



## Geolink Suspension Assembly No 1

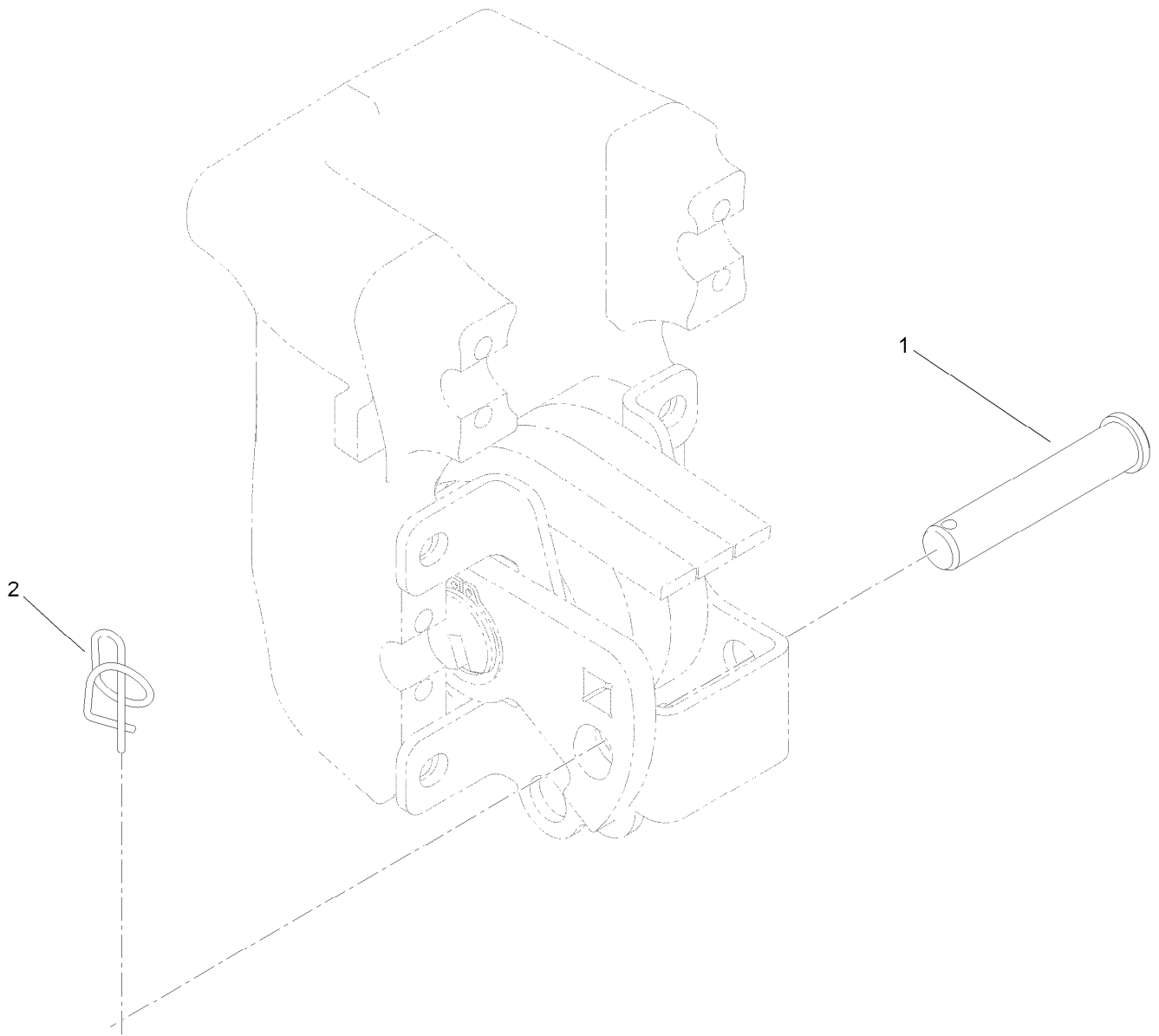
Ref.	Part Number	Qty.	Description
1	117-9480	1	Mount-Pivot, A-Arms
2	117-6656	1	A-Arm, Lower
3	161-4732	6	Balljoint
4	120-3225	6	Ring-Retaining, EXT
5	117-6674	1	Plate-Striker
6	3269-28	2	Rivet-Pop
7	117-6755	1	Stop-Steering
8	114-7728	5	Screw-HHF, Patch
9	112-5647	6	Clamp
10	132-3837	8	Screw-HHF
11	139-6452	1	A-Arm, Upper
12	139-8407	1	Plate-Lift
13	100-6116	2	Screw-HHF

Ref.	Part Number	Qty.	Description
14	132-3838	4	Screw-HH
16	133-0308	1	Bumper-Rubber
17	133-0315	1	Screw-Shoulder, HF
18	161-4706	4	Nut-Flange,Nylock
19	161-4700	1	Steering Head ASM
19:1	117-6621	1	Head-Steering
19:2	133-9008	1	Stud-Press
20	125-5239	4	Bushing-Flange
21	140-5232	1	C-Balance Mount
22	114-9306	3	Spring
23	140-5234	1	Tensioner
24	104-7201	1	Nut-HF, NI



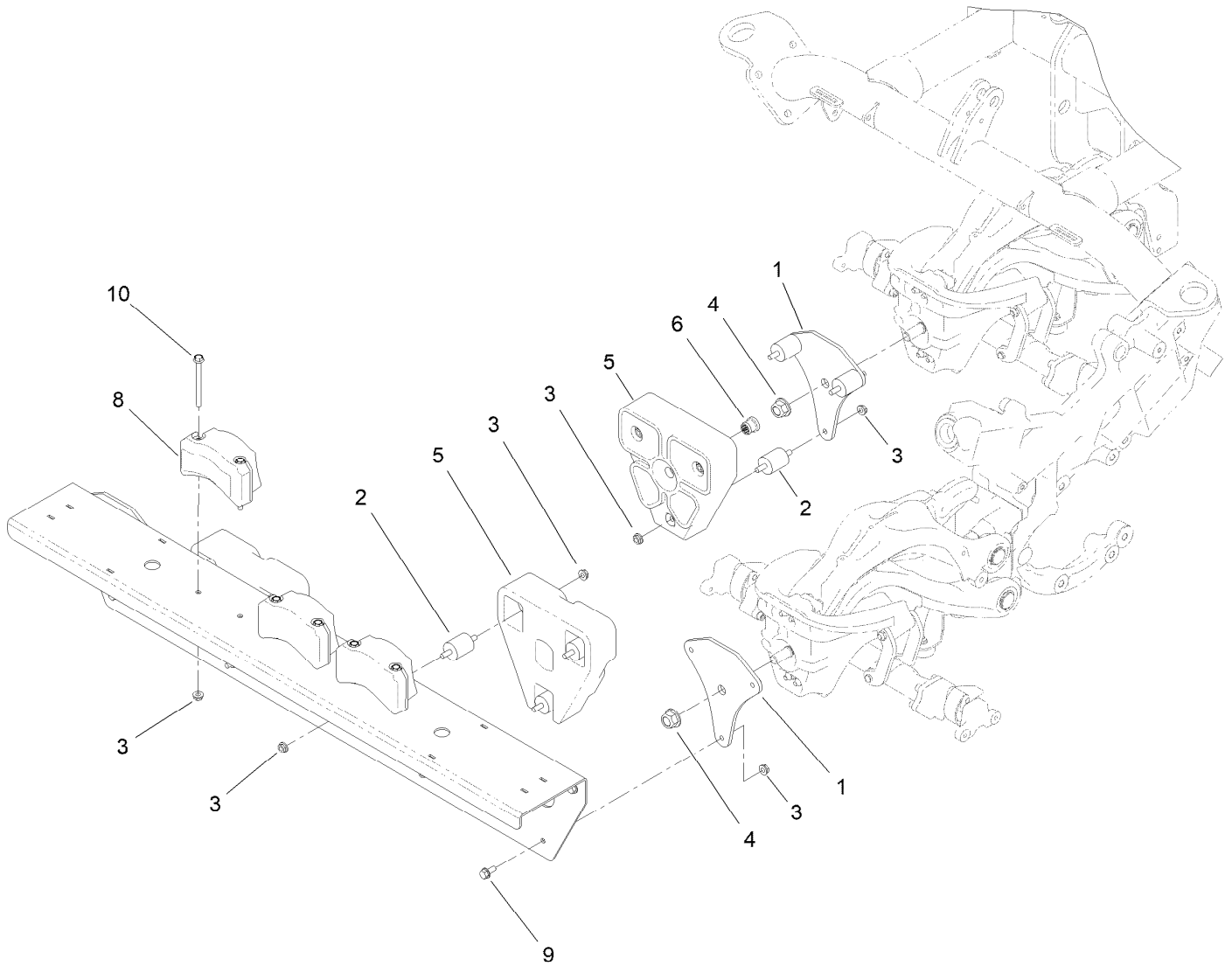
## Geolink Suspension Assembly No 2

Ref.	Part Number	Qty.	Description
1	120-3217	1	Crossarm
2	125-5239	4	Bushing-Flange
3	117-6654	4	Link
4	3296-59	4	Nut-Lock, NI
5	117-9482	1	Mount-Cross Arm, LH
6	117-9492	1	Mount-Cross Arm, RH
7	114-8051	2	Pin-Pivot
8	161-4736	2	Clamp-Crossarm
8:1	114-8047	1	Lever
8:2	114-8048	1	Spring
8:3	114-8049	1	Pin-Pivot
11	120-3227	8	Screw-HSH



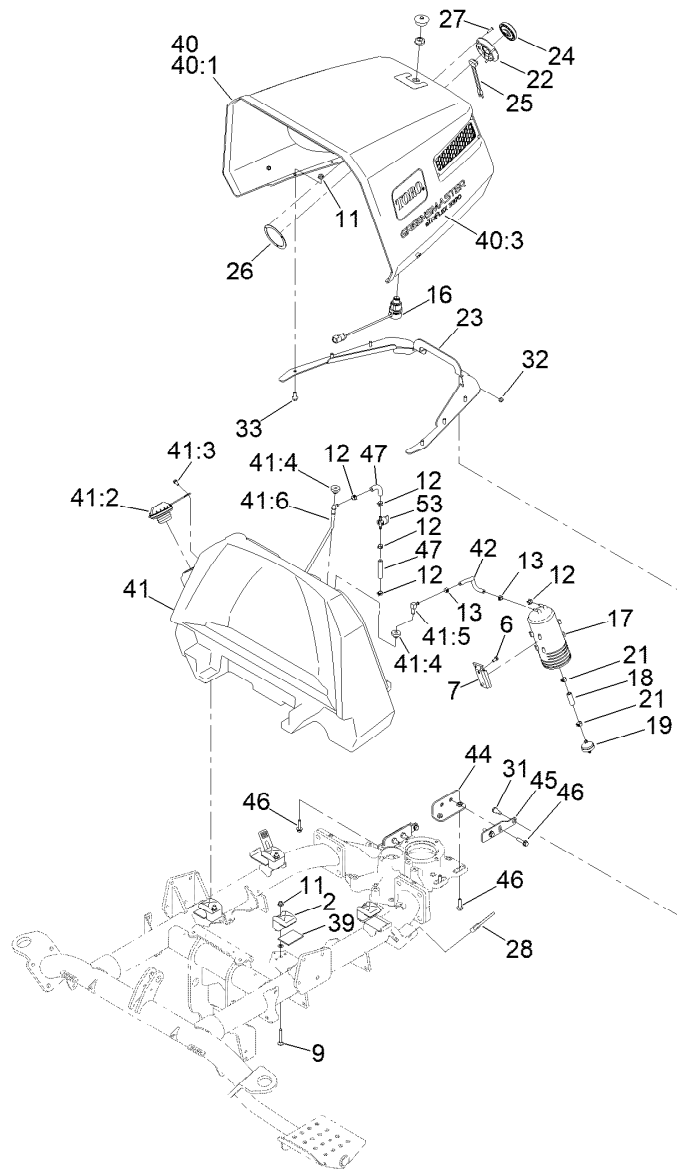
## Suspension Pin Position Assembly

<i>Ref.</i>	<i>Part Number</i>	<i>Qty.</i>	<i>Description</i>
1	100-6541	3	Pin-Clevis
2	112-1491	3	Pin-Cotter



## Bumper Assembly

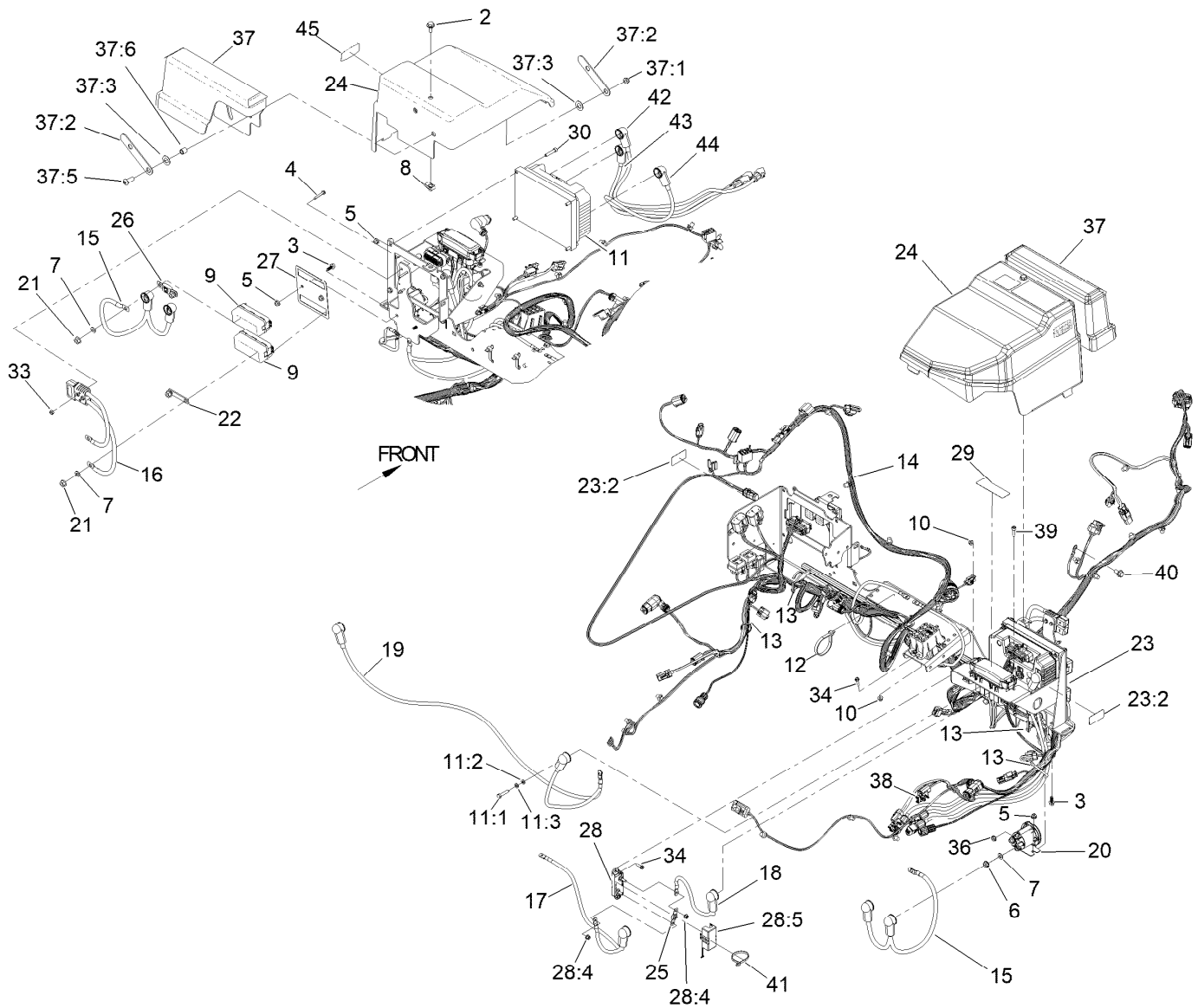
<i>Ref.</i>	<i>Part Number</i>	<i>Qty.</i>	<i>Description</i>
1	133-9009-03	3	Plate-Mount
2	133-8982	9	Mount-Sandwich
3	32128-20	30	Nut-HF
4	133-9681	3	Nut-HF
5	133-9011-03	3	Dampener-Mass, Tuned
6	131-1836	3	Grommet
8	117-6774-03	3	Weight-Electric
9	3234-5	6	Screw-HHF
10	147-5202	6	Screw-HH



## Fuel Tank and Hood Assembly

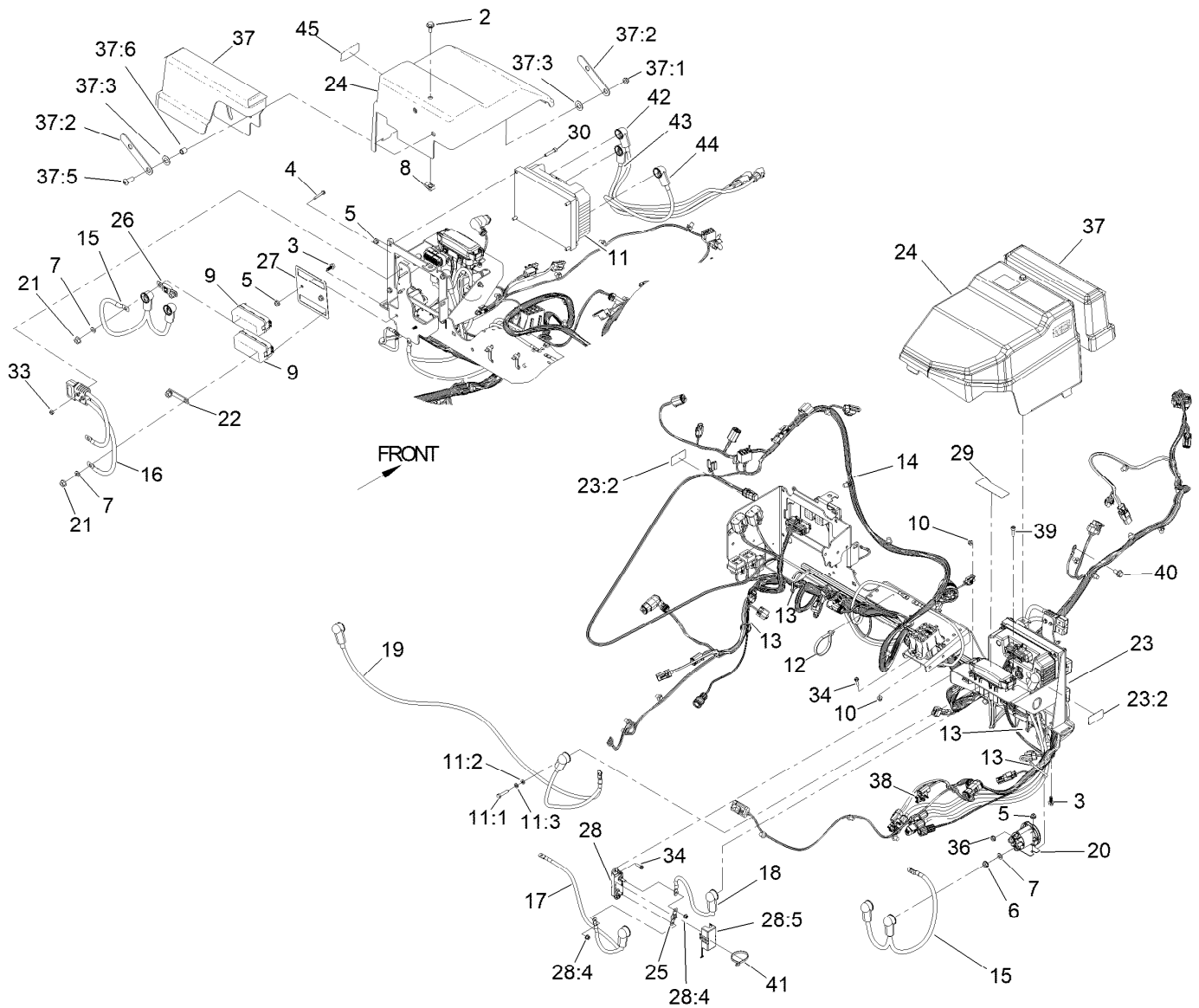
Ref.	Part Number	Qty.	Description	Ref.	Part Number	Qty.	Description
2	107-4543	4	Clamp	31	115-1958	2	Bolt-Shoulder
6	32144-4	2	Screw-HWH	32	99-6007	2	Nut-Lock, NI
7	114-0292	1	Bracket-Canister, Carbon	33	3234-47	6	Screw-HHF
9	3230-6	4	Bolt-CARR	39	136-4259	4	Foam-Strip, Tank
11	104-8300	10	Nut-HF, NI	40	145-6692	1	Geolink Hood ASM
12	2412-98	5	Clamp-Hose	40:1		1	Geolink Hood ASM ●
13	2412-146	2	Clamp-Hose	40:3	137-7827	2	Decal
16	145-0336	1	Switch, E-Stop	41	137-8108	1	Fuel Tank ASM
17	117-1221	1	Canister-Carbon, 800Cc	41:2	117-1722	1	Cap-Fuel
18	106-5317	1	Hose-Fuel	41:3	32144-4	1	Screw-HWH
19	115-7854	1	Filter-Fuel, Inline	41:4	46-6560	2	Bushing
21	92-2379	2	Clamp-Hose	41:5	116-2288	1	Fitting-Elbow, 90 DEG
22	122-3901	1	Mount, Light, Marker	41:6	132-9905	1	Pipe-Stand
23	161-4727-03	1	Brkt-Shroud Hinge	42	51-3210	1	Hose-Fuel
24	122-3902	1	Light, Marker, Amber, 24V	44	137-2242-03	2	Bracket-Hood
25	122-3903	1	Wire, Pigtail, Light	45	137-7914	2	Bracket-Hood
26	145-6688	1	Plate-Back, Light	46	119-4036	8	Screw-HHF
27	130-8451	3	Rivet-Trifold	47	109-0304	2	Hose-Fuel
28	131-8402	2	Strap-Down, Hold	53	1-603770	1	Valve-Fuel

● Not serviced separately



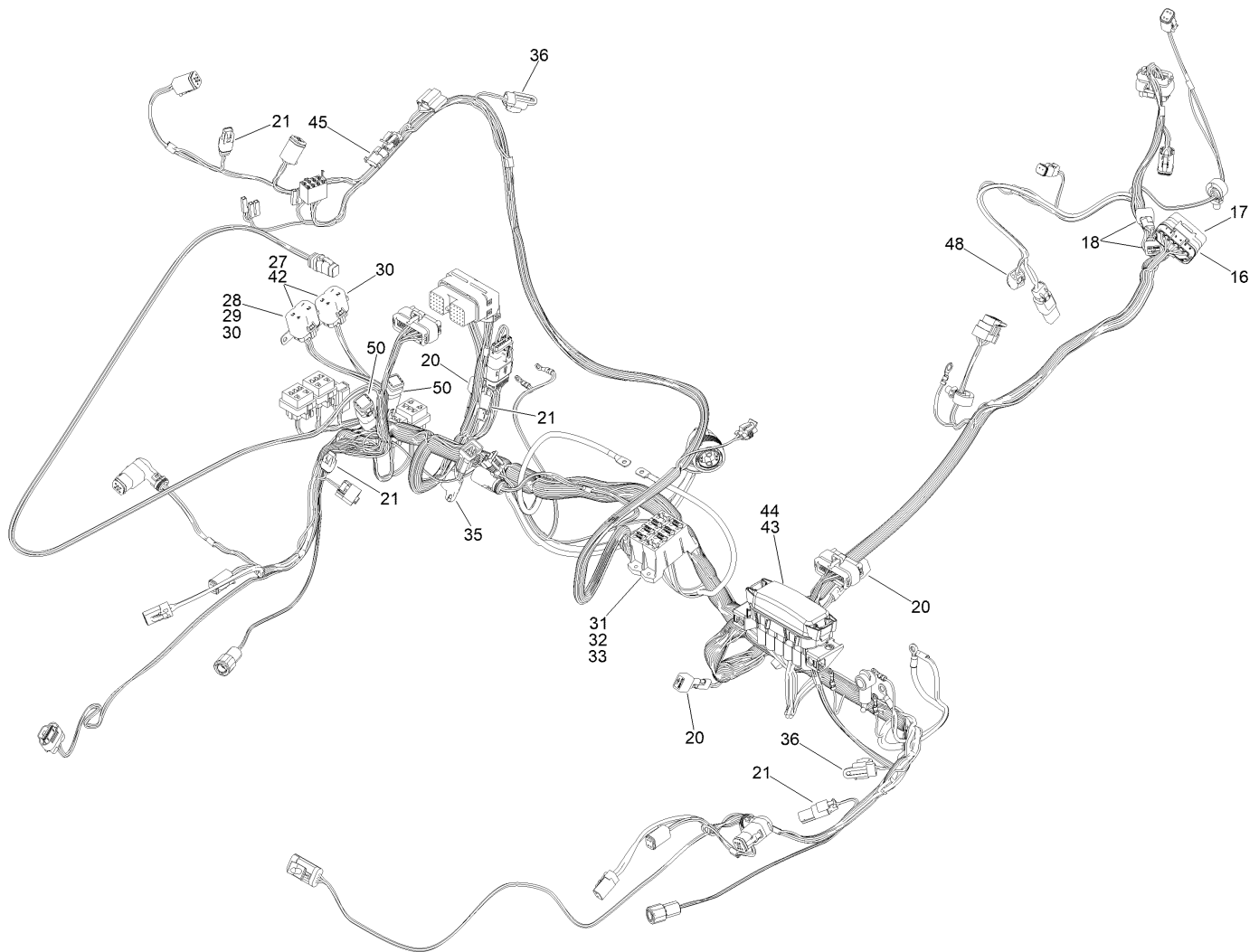
## Electrical Assembly

Ref.	Part Number	Qty.	Description	Ref.	Part Number	Qty.	Description
2	19-1470	1	Screw-Shoulder	19	122-1115	1	Cable-Battery, Negative
3	99-6810	6	Screw-HHF	20	122-1274	2	Contactora-DC, 48V
4	100-4352	2	Screw-HWH	21	127-2371	4	Nut-HF
5	104-7201	10	Nut-HF, NI	22	132-9815	1	Strap-Jumper
6	107-0380	4	Nut-HF	23	145-1436	1	Bracket ASM
7	107-0394	8	Washer-Flat	23:2	137-8127	2	Decal-No Spray
8	112-3306	1	Nut	24	147-3084	1	Cover-LH
9	114-3318	2	Holder-Fuse, Mega	25	122-3646	1	Fuse-80A
10	120-4578	6	Nut-HF	26	137-7722	1	Fuse-150 Amp
11	120-4780	1	Controller-Motor, Traction	27	145-1439	1	Bracket-Fuses
11:1	33113-030	5	Screw-HH	28	137-7861	1	Fuse Block ASM
11:2	33093-00	5	Washer-Flat	28:4	120-4580	2	Nut-HF
11:3	43-5930	5	Washer-Lock, Spring	28:5	137-7863	1	Cover-Fuse
12	3334-945	3	Tie-Cable	29	137-8037	1	Decal-Fuses, Cutting Unit
13	3290-379	4	Tie-Cable	30	3274-51	4	Screw-HSH
14	122-2701	1	Harness-Wire, Caravella, Hybrid Main	33	3296-2	2	Nut-Lock, NI
15	122-1695	1	Cable-Battery, Positive	34	32105-13	6	Screw-HWH
16	122-1698	1	Cable-Battery, Pos And Neg	36	32149-8	4	Nut-Keys
17	122-1108	1	Cable-Battery, Positive	37	145-4587	1	Charge Port Cover Kit
18	122-1112	1	Cable-Battery, Positive	37:1	121-4600	2	Nut-Hex
				37:2	145-4563	2	Bar-Pivot



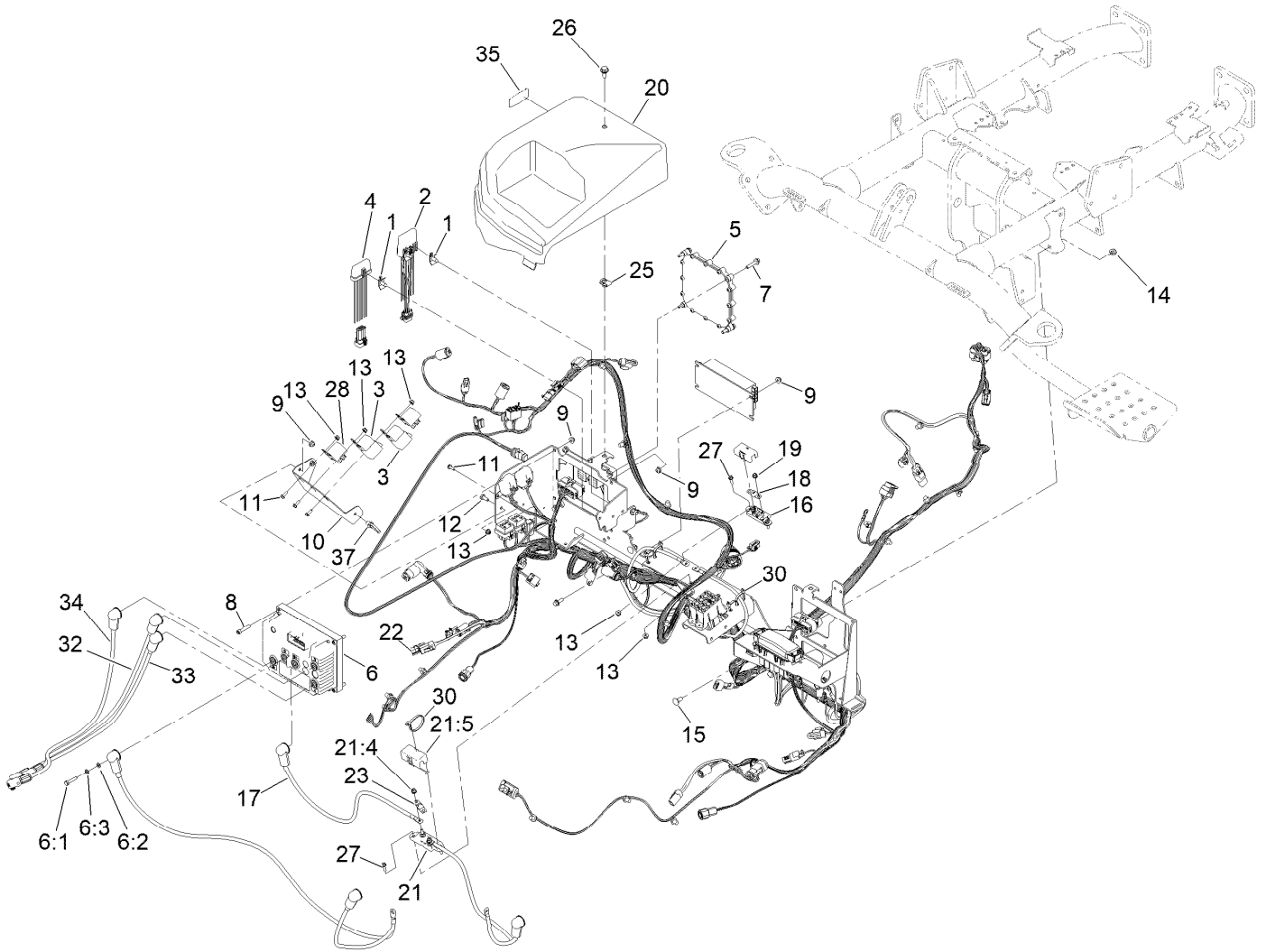
## Electrical Assembly (continued)

<i>Ref.</i>	<i>Part Number</i>	<i>Qty.</i>	<i>Description</i>	<i>Ref.</i>	<i>Part Number</i>	<i>Qty.</i>	<i>Description</i>
37:3	110-4068	4	Washer-Plastic	41	3290-378	1	Tie-Cable
37:5	3274-94	2	Screw-HSBH	42	122-1611	1	Cable-Battery, Positive
37:6	103-1166	2	Spacer-Tube, Pump Link	43	122-1612	1	Cable-Battery, Positive
38	32180-103	2	Clip-Connector	44	122-1613	1	Cable-Battery, Positive
39	52-6290	2	Screw-HSH	45	119-7580	1	Decal-Smart, Energy
40	33104-016	1	Screw-HHF				



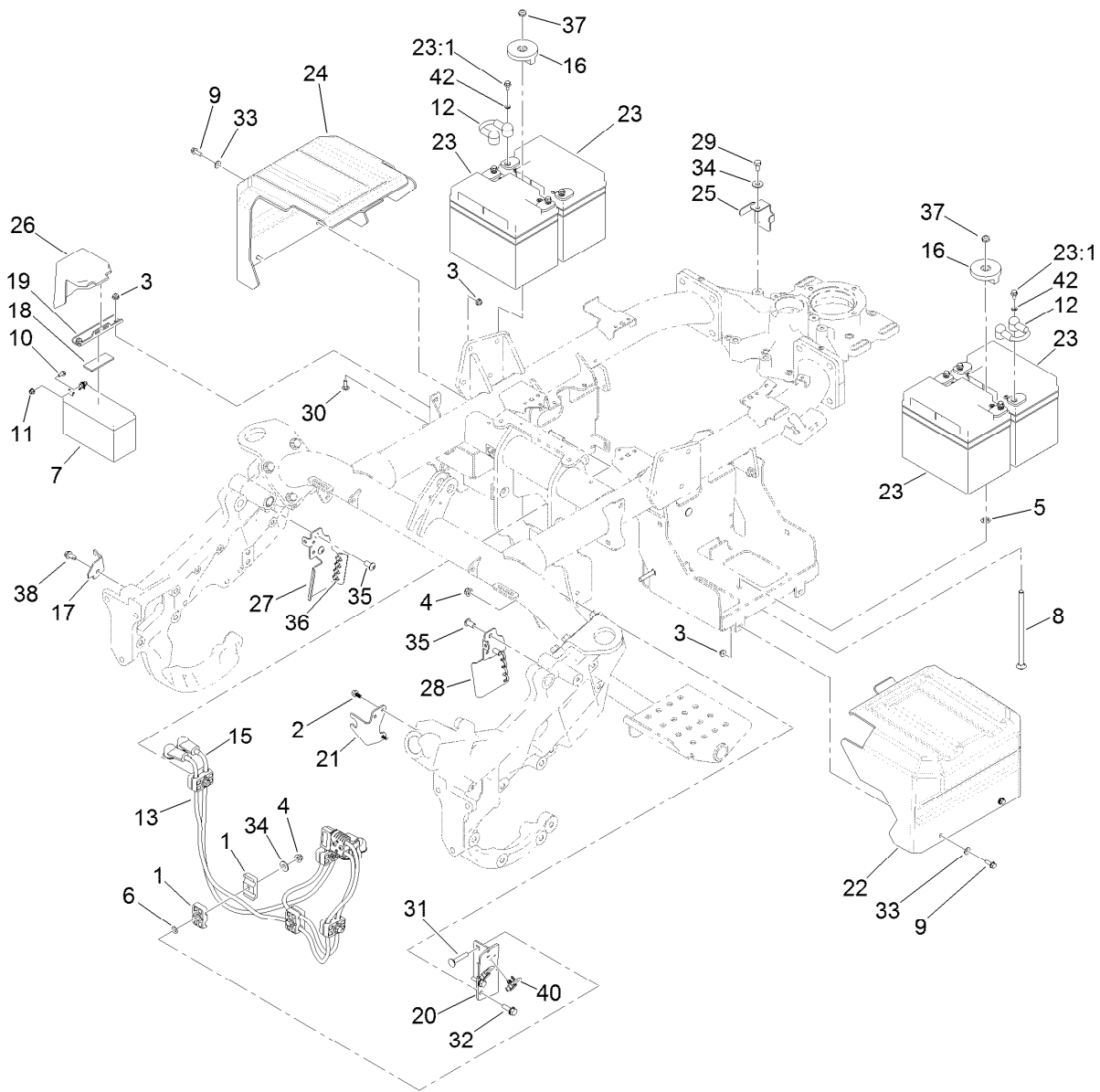
## Wire Harness Assembly No. 122-2701

<i>Ref.</i>	<i>Part Number</i>	<i>Qty.</i>	<i>Description</i>	<i>Ref.</i>	<i>Part Number</i>	<i>Qty.</i>	<i>Description</i>
16	32180-176	1	Cover-Block, Fuse	32	117-4724	4	Fuse-Blade, 10A
17	126-6157	2	Relay-Micro 280, Spdt	33	117-4728	1	Fuse-Blade, 30A
18	103-3895	2	Diode	35	32180-156	1	Cap-Plug, 6 Way
20	100-4918	3	Diode	36	32180-089	2	Cap-Plug, 3 Way
21	32180-282	4	Conn, Res, 120 Ohm	42	32180-179	2	Cover-Bussman
27	121-8861	2	Fuse-Mini Blade, 2 Amp	43	32180-146	1	Cover-Fuse
28	121-8865	1	Fuse-Mini Blade, 7.5 Amp	44	122-0255	3	Fuse-Maxi, 35 Amp-58V
29	121-8866	1	Fuse-Mini Blade, 10 Amp	45	32180-056	1	Cap
30	121-8867	2	Fuse-Mini Blade, 15 Amp	48	32180-260	1	Cap-Deutsch, Dust, 4 Way
31	117-4722	1	Fuse-Blade, 5A	50	122-1131	2	Conn, Capacitor-Sealed



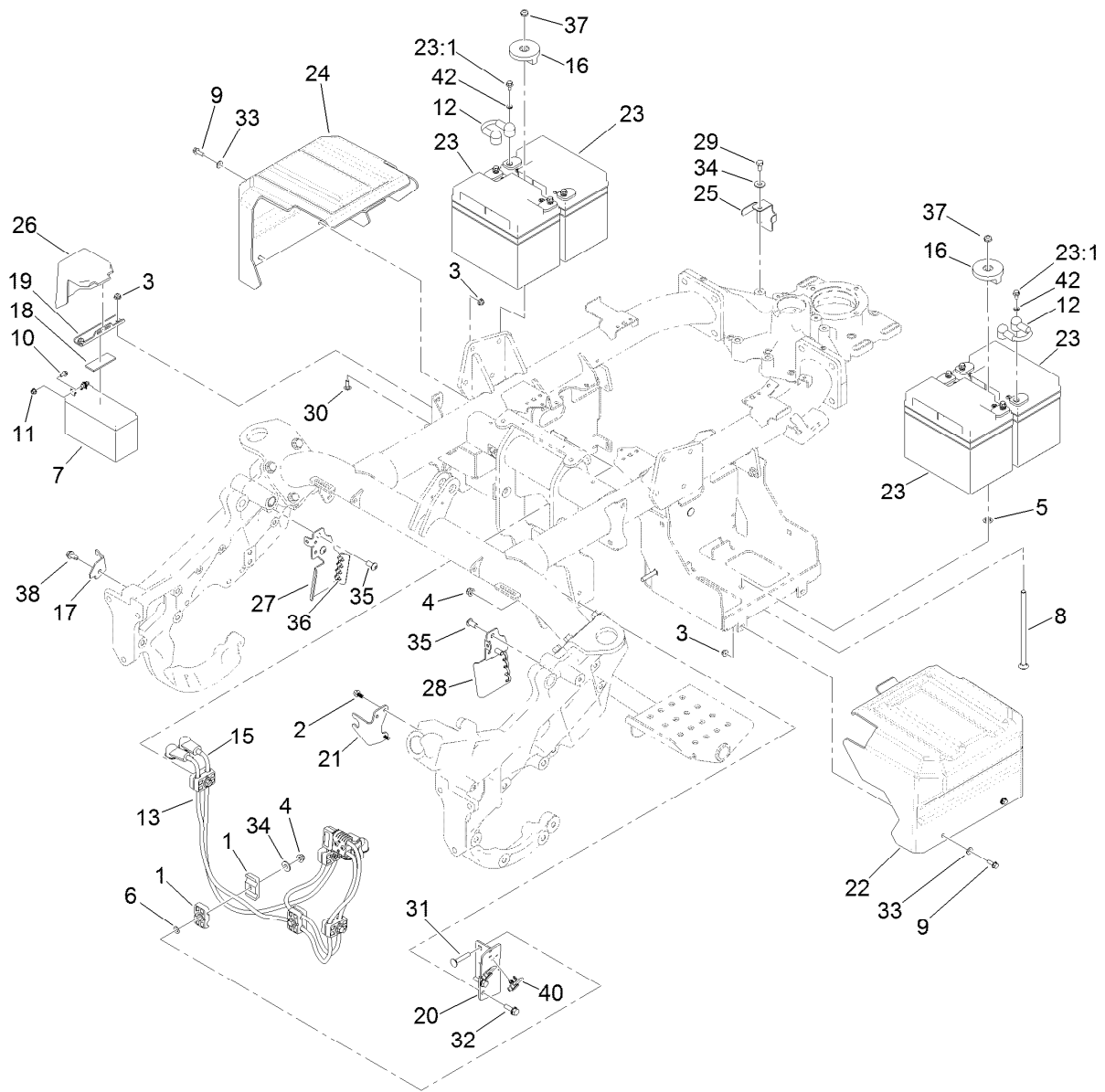
## Controller Assembly

Ref.	Part Number	Qty.	Description	Ref.	Part Number	Qty.	Description
1	32180-011	3	Clip-Connector	17	122-1110	1	Cable-Battery, Positive
2	119-4330	1	Isolated Can Module ASM	18	137-7708	1	Fuse-100 Amp
3	99-7430	4	Relay-Mini	19	120-4580	2	Nut-HF
4	112-9630	1	Module-Reel, I.D.	20	133-0095	1	Cover-RH
5	127-2770	1	Controller	21	137-7861	1	Fuse Block ASM
6	120-4780	1	Controller-Motor, Traction	21:4	120-4580	2	Nut-HF
6:1	33113-030	5	Screw-HH	21:5	137-7863	1	Cover-Fuse
6:2	33093-00	5	Washer-Flat	22	32180-103	2	Clip-Connector
6:3	43-5930	5	Washer-Lock, Spring	23	122-3646	1	Fuse-80A
7	127-8639	4	Screw-HHF	25	112-3306	1	Nut
8	3274-51	4	Screw-HSH	26	19-1470	1	Screw-Shoulder
9	104-7201	10	Nut-HF, NI	27	32105-13	4	Screw-HWH
10	147-3088-0P	1	Bracket-Component	28	122-3199	1	Relay - Dg57CM
11	32105-23	8	Screw	30	3290-378	5	Tie-Cable
12	321-3	2	Screw-HH	32	122-1614	1	Cable-Battery, Positive ASM
13	120-4578	12	Nut-HF	33	122-1615	1	Cable-Battery, Positive ASM
14	104-8300	4	Nut-HF, NI	34	122-1616	1	Cable-Battery, Positive ASM
15	3230-1	4	Bolt-CARR	35	119-7580	1	Decal-Smart, Energy
16	132-9796	1	Fuse-Holder, Midi Fuse	37	32180-030	1	Clip-Tie



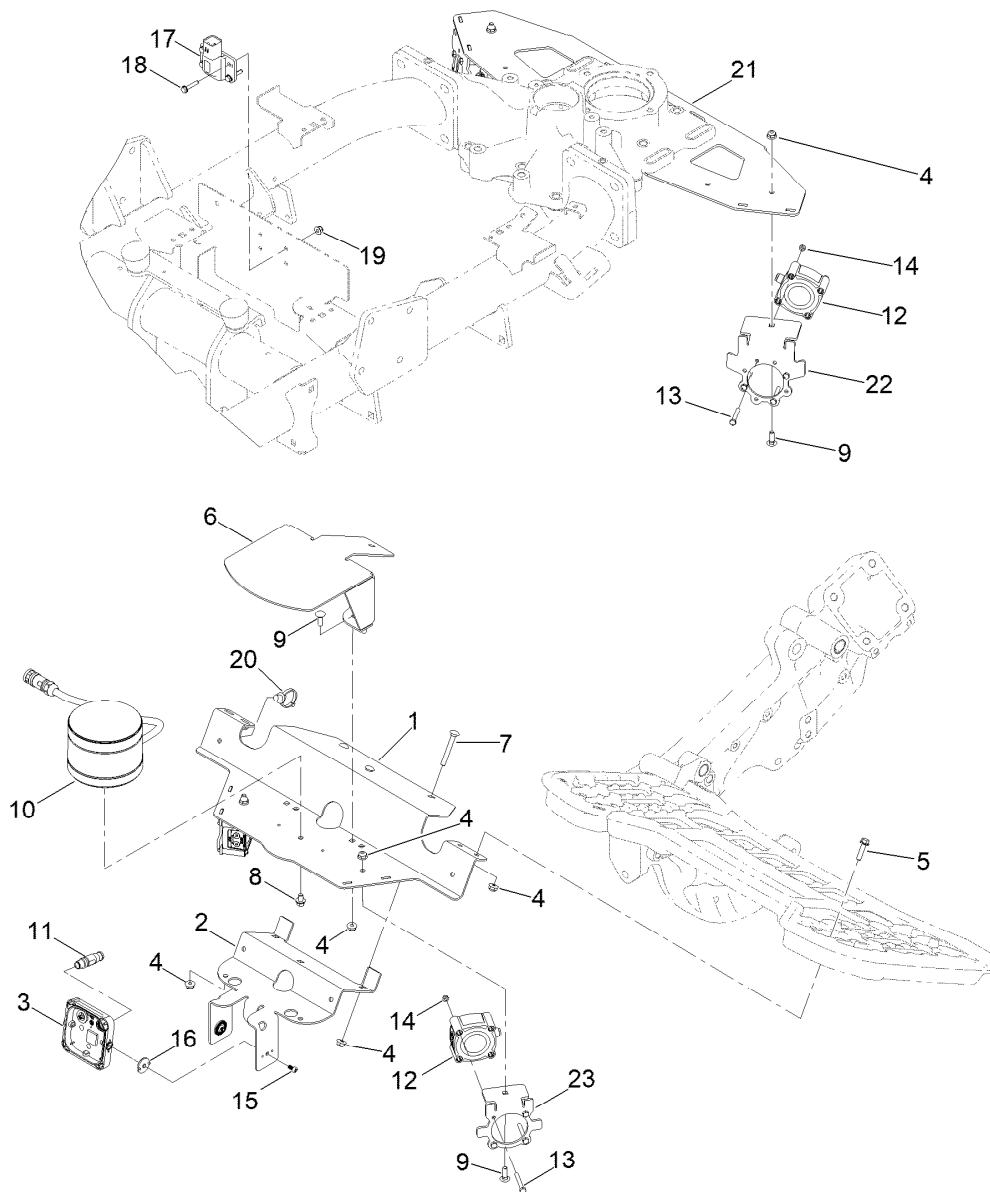
## Battery Assembly

Ref.	Part Number	Qty.	Description	Ref.	Part Number	Qty.	Description
1	56-7976	10	Clamp-Tube	21	136-2697	1	Bracket-Hose
2	99-6810	2	Screw-HHF	22	137-7711	1	Cover-Battery
3	104-7201	6	Nut-HF, NI	23	137-7734	4	Battery-Wet, 12V 33Ah, Sealed
4	104-8300	7	Nut-HF, NI	23:1	33113-012	2	Screw-HH
5	107-3154	2	Nut-Push	24	137-7849	1	Cover-Battery, RH
6	109-5667	5	Nut-Push	25	137-7859	1	Bracket-Harness
7	112-9621	1	Battery-Wet, 12V 9Ah, Sealed W/Hrdwr	26	137-7867	1	Cover-Battery
8	117-1399	2	Bolt-Carriage	27	137-7905-01	1	Bracket-Harness, RH
9	32105-15	4	Screw-HWH	28	137-7906-01	1	Bracket-Harness, LH
10	120-4579	2	Screw-HHF	29	3210-2	1	Screw-HH
11	120-4580	2	Nut-HF	30	3229-1	2	Screw-CARR
12	122-1105	2	Positive Battery Cable ASM	31	3230-5	5	Bolt-CARR
13	122-1113	1	Positive And Negative Battery Cable ASM	32	3234-29	2	Screw-HHF
15	122-1381	1	Positive Battery Cable ASM	33	3256-1	4	Washer-Flat
16	127-2393	2	Hold Down-Battery	34	3256-3	6	Washer-Flat
17	139-8409	1	Brkt-Hose	35	3274-80	4	Screw-HH
18	133-0081	1	Strip-Foam	36	3290-378	8	Tie-Cable
19	133-0082	1	Channel-Clamp, Battery	37	3296-59	2	Nut-Lock, NI
20	133-0083-03	1	Bracket-Hose, Rear	38	32104-32	1	Screw-HWH



## Battery Assembly (continued)

<i>Ref.</i>	<i>Part Number</i>	<i>Qty.</i>	<i>Description</i>
40	32180-103	2	Clip-Connector
42	43-5930	8	Washer-Lock, Spring



## Sonar and Radar Assembly

<i>Ref.</i>	<i>Part Number</i>	<i>Qty.</i>	<i>Description</i>	<i>Ref.</i>	<i>Part Number</i>	<i>Qty.</i>	<i>Description</i>
1	145-0324-03	1	Plate-Sonar, Front	13	135-4328	16	Bolt-M5X0.8Mm X 40 MM Long
2	145-6634-03	1	Support-Front, Lower	14	87-5140	16	Nut-Lock
3	145-6405	1	Radar	15	121-4155	2	Screw-PPH
4	104-7201	15	Nut-HF, NI	16	145-0342	2	Spacer-Radar, Anti-Rotate
5	120-4654	4	Screw-HHF	17	145-6507	1	Sensor-Imu
6	147-6180-03	1	Bracket-Upper	18	117-1701	4	Screw-HWHTF
7	3230-33	3	Screw-CARR	19	120-4578	4	Nut-HF
8	3234-26	1	Screw-HHF	20	32180-030	1	Clip-Tie
9	3229-1	8	Screw-CARR	21	145-0322-03	1	Plate-Sonar, Rear
10	145-0204	1	Lidar	22	145-0323-03	2	Sonar-Bracket, Rear
11	122-3451	1	Cable Assy, Acs Nova 2.1, Radar Plug	23	145-0325-03	2	Sonar-Bracket, Front
12	145-6687	4	Sonar				

# Attachments and Accessories

## For 04580AA — Greensmaster eTriFlex 3360 Traction Unit with GeoLink Mow

<b>Product Name</b>	<b>Model/Part</b>
Oil Filter .....	119-5852
Spark Plug .....	92-2153
8-Blade DPA Reel Mower .....	04651
11-Blade DPA Reel Mower .....	04653
14-Blade DPA Reel Mower .....	04655
8-Blade TRIFLEX FWY Cutting Unit .....	04657
11 Blade Triflex FWY Cutting Unit.....	04658
Dethatching Unit .....	04720
Spark Arrestor, 1.25 I.D. ....	137-8098
Semi-Gloss Black Spray Paint .....	361-9
3WD Kit, Electric Triflex .....	04503
Universal Greensmaster Triplex Light.....	04555
Anti-Bobbing Kit.....	04716
Premium Seat.....	04729
Wireless Hourmeter .....	115-4754
Premium Armrest Kit.....	119-7105
Weight Kit .....	119-7129
Armrest Kit.....	121-3660
Hi-Back Seat Cover .....	133-1308
Rear Light Kit.....	137-7945
Front Light Mount Kit, TriFlex/eTriFlex .....	137-7947
Bag Kit .....	137-8130
Kit-Fuses .....	139-8482
Wheel-Assembly.....	144-3664
Tire - 20 X 10.00-8, 4ply.....	144-3665
Height-of-Cut Bar.....	94-9010
Air Filter Element .....	120-7447
Filter-Air, Paper.....	120-7448
Fuel Filter.....	121-4570
Turf Evaluator .....	04399
400 Hour MVP Kit .....	44971
Paint-Black Bottle .....	112-0176
Paint-Red Bottle .....	112-0178
Toro Red 12oz Aerosol Can .....	361-10

**Notes:**

**Notes:**



**Count on it.**