



Count on it.

Parts Catalog

**Titan® 54in Zero Turn
Riding Mower**

Model No. 76502—Serial No. 40000000 and Up



Ordering Replacement Parts

To order replacement parts, please supply the part number, the quantity, and the description of each part desired.

Understanding Reference Numbers

Each identified part in an illustration has a reference number. The reference number for a part also appears in the parts list, along with other information about the part.

This catalog uses two special reference number formats, one to indicate parts in a service assembly and another to indicate the quantity of a given part in an illustration.

Service Assembly Reference Numbers

Parts in service assemblies have reference numbers in the form a:b. The a represents the reference number of the entire service assembly and the b represents a sequential number unique to each part within the service assembly.

For example, a wheel assembly might be identified by reference number 6, the tire by 6:1, the valve by 6:2, and the wheel by 6:3. When you order the assembly identified by reference number 6, you receive all parts identified by reference numbers 6:1, 6:2, and 6:3. However, you may also order any part individually. Reference numbers of this type appear in illustration and in parts lists.

Reference Numbers Indicating Quantity

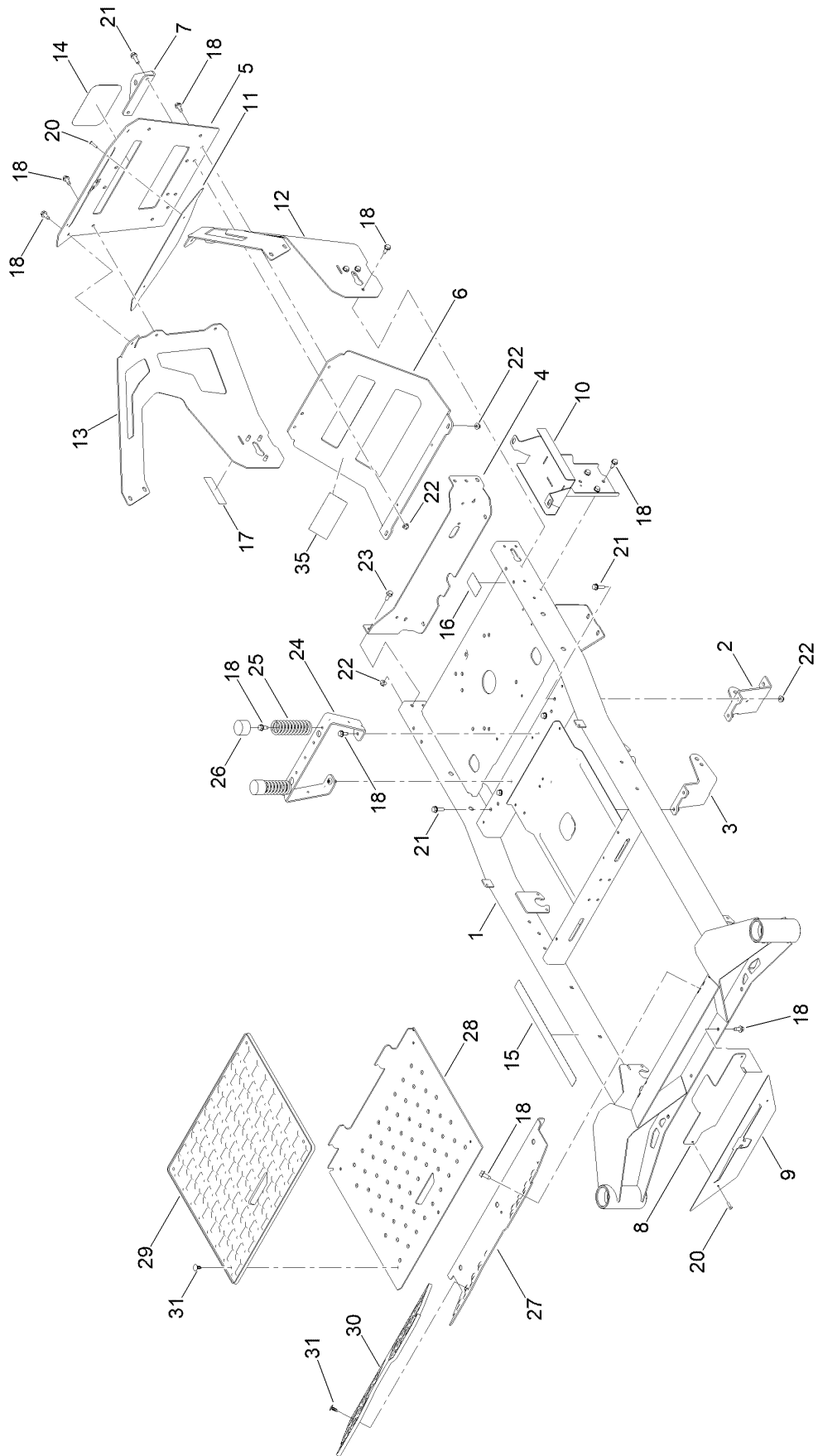
In an illustration, if a reference number indicates more than one part, the reference number has the form nX y. The n represents the quantity of the part, the X is the multiplication symbol, and the y represents the reference number.

For example, in an illustration, the reference number 2X 37 means that two of the parts identified by reference number 37 are indicated.

Contents

Frame Assembly	4
Deck Lift Assembly	6
Caster Fork and Wheel Assembly	8
Hydraulic Drive Assembly	10
LH Hydro Transmission Assembly No. 147-2860	12
RH Hydro Transmission Assembly No. 147-2861	14
Parking Brake Assembly	16
Rear Wheel Assembly	18
Seat Mounting Assembly	20
Motion Control Assembly	22
Engine and Muffler Assembly	24
Fuel Tank Assembly	26
Fuel Tank Assembly No. 161-6589	28
Electrical Assembly	30
54 Inch Deck Assembly	32
Deck Decal Assembly No. 147-8750	34
Clutch Assembly	36
Attachments and Accessories	38

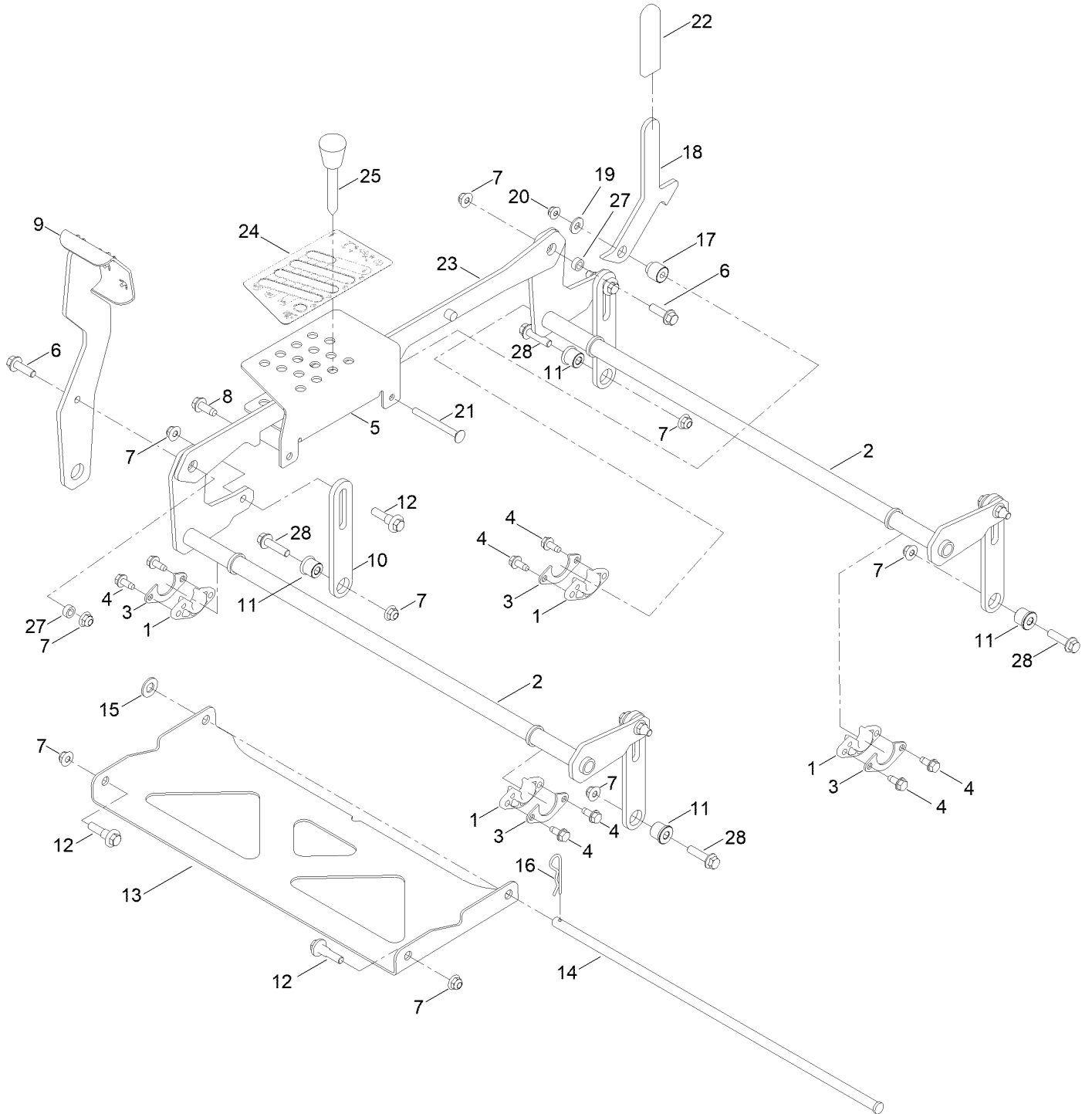
Frame Assembly



Frame Assembly (continued)

<i>Ref.</i>	<i>Part Number</i>	<i>Qty.</i>	<i>Description</i>	<i>Ref.</i>	<i>Part Number</i>	<i>Qty.</i>	<i>Description</i>
1	161-6608	1	Service ASM-Frame, Titan	17	142-5864	1	Decal-Spark Arrester
2	161-6506-01	1	Mount-Drive, LH	18	32144-70	25	Screw-HWHTF
3	161-6507-01	1	Mount-Drive, RH	20	130-8451	4	Rivet-Trifold
4	163-3137-03	1	Plate-Mount, Rear	21	139-2596	6	Screw-HHF
5	147-2998-03	1	Guard-Engine	22	119-4041	12	Nut-HF
6	163-6003-03	1	Guard-Muffler	23	139-2598	4	Screw-HHF
7	117-1232-03	1	Bracket-Hitch	24	145-6316-01	1	Support-Seat
8	147-2878-01	1	Plate-Backer	25	138-2548	2	Spring-Compression
9	147-2879-03	1	Logo-Plate-Front	26	701178	2	Cap-Protector
10	145-6283-01	1	Wa-Battery Mount	27	145-6369-01	1	Pan-Floor
11	147-2999-01	1	Plate-Backer	28	145-6370-01	1	Pan-Floor
12	147-2996-01	1	Guard-Engine LH	29	147-7609	1	Floor Mat
13	147-2997-01	1	Guard-Engine-RH	30	147-7611	1	Floor Mat - Titan
14	99-4693	1	Decal	31	117-2382	8	Plug-Plastic
15	144-5288	1	Decal-Warning	35	161-6260	1	Tape-Heat
16	161-6207	1	Decal-Bypass				

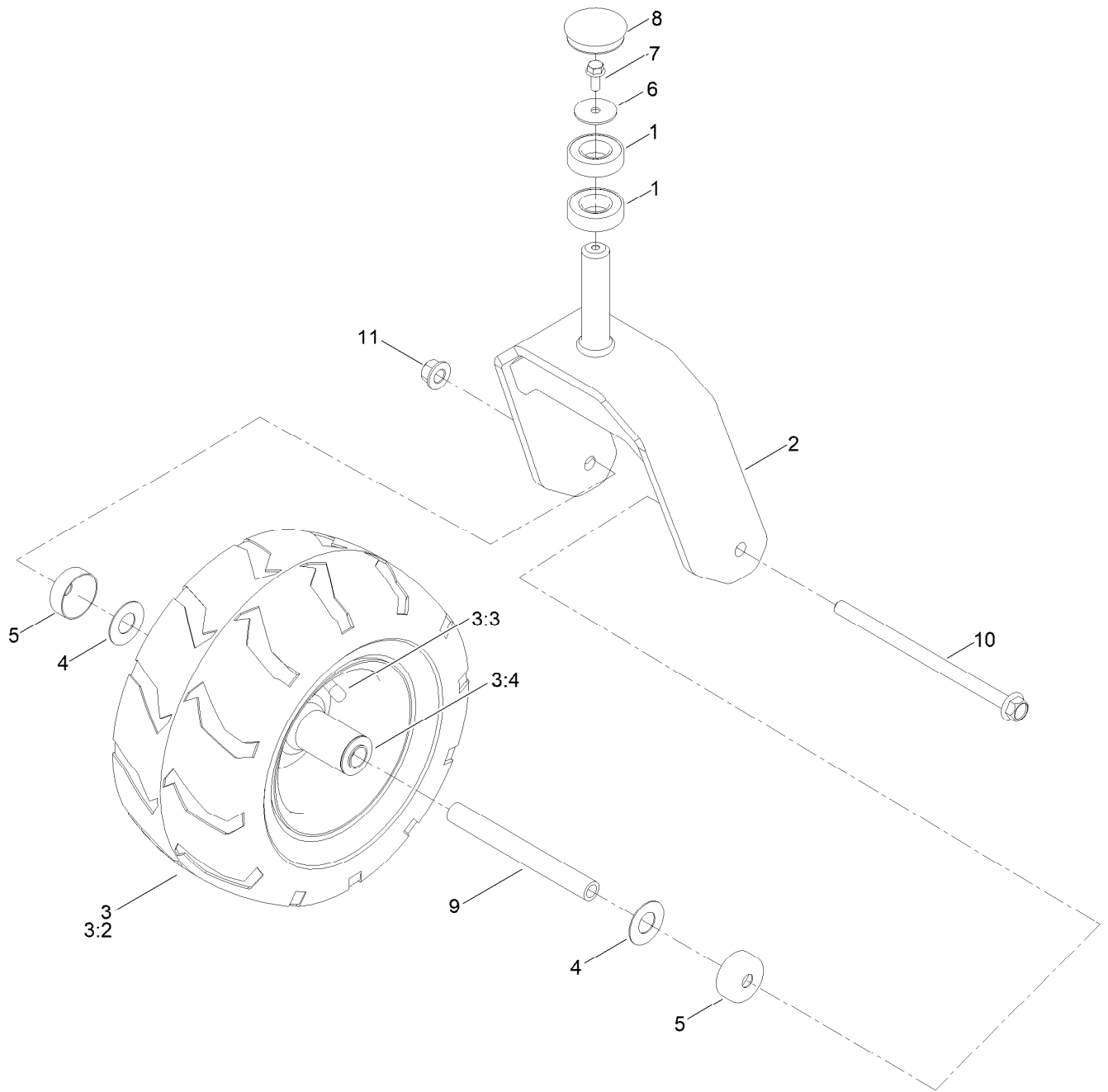
Deck Lift Assembly



Deck Lift Assembly (continued)

<i>Ref.</i>	<i>Part Number</i>	<i>Qty.</i>	<i>Description</i>	<i>Ref.</i>	<i>Part Number</i>	<i>Qty.</i>	<i>Description</i>
1	139-5872	4	Bearing-Flange	15	139-2611	1	Washer-Flat
2	161-4632-01	2	Pivot ASM-Decklift [red]	16	139-2562	1	Pin-Hair
3	138-7204	4	Gusset-Deck Lift	17	145-6282	1	Spacer-Stepped
4	32144-70	8	Screw-HWHTF	18	145-6279	1	Plate-Transport Lock
5	145-6260-01	1	Bracket-HOC	19	137-3082	1	Washer-Plain
6	119-4061	2	Screw-HHF	20	119-4041	1	Nut-HF
7	119-4042	12	Nut-HF, NI	21	138-0741	1	Screw-CARR
8	139-2428	1	Screw-HWH	22	140-0413	1	Grip-Handle
9	145-6278-01	1	Pedal ASM [red]	23	145-6262-01	1	Link ASM-HOC [red]
10	161-4635-01	4	Link-HOC	24	147-2867	1	Decal-HOC
11	138-7207	4	Spacer-Hub, Blower	25	140-2146	1	HOC Pin ASM
12	130-0742	6	Bolt-Shoulder	27	140-2093	2	Spacer
13	145-6248-03	1	Pan-Deck Pivot	28	614672	4	Screw-Shoulder, HWH
14	145-6288	1	Pin-Deck				

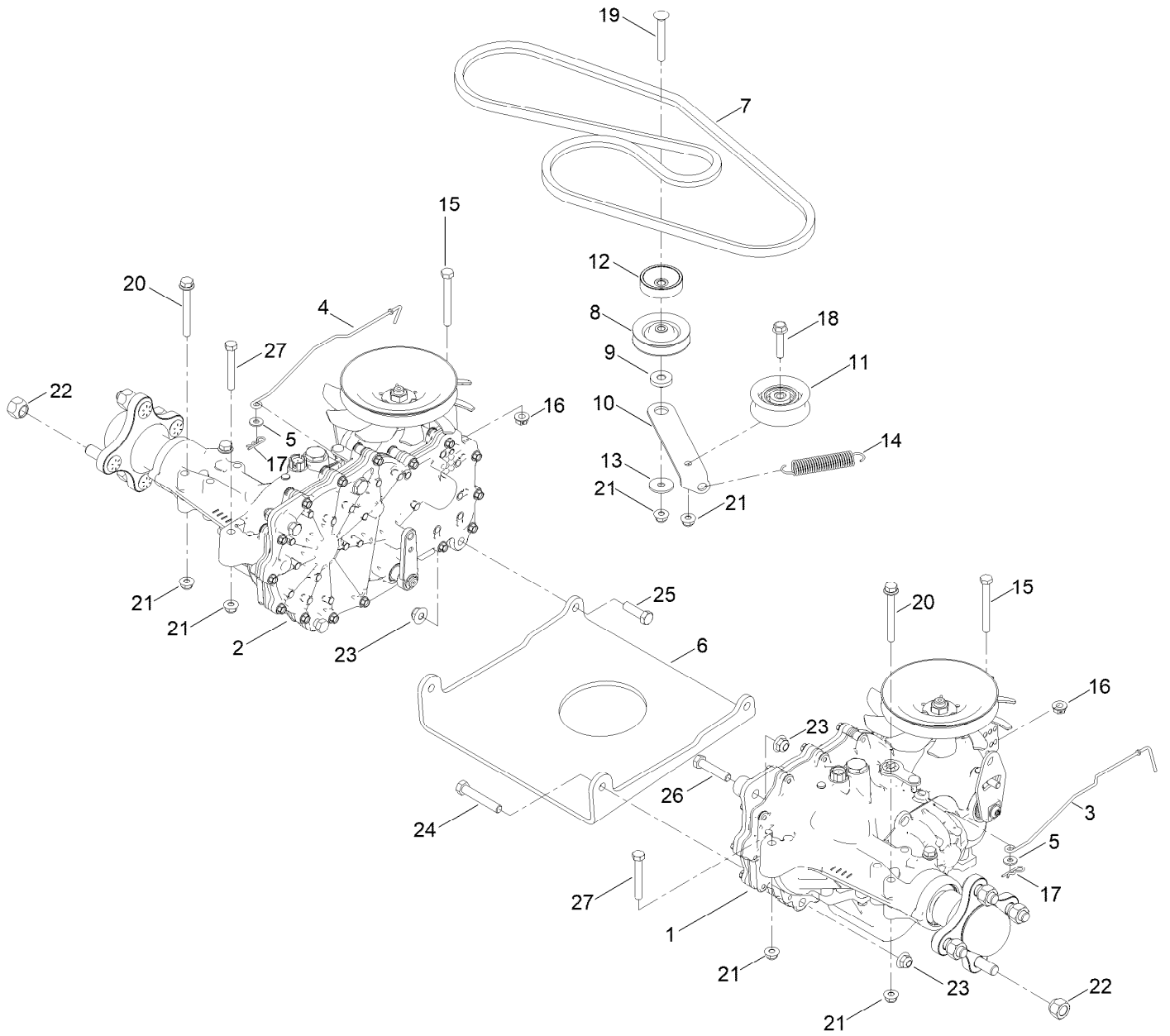
Caster Fork and Wheel Assembly



Caster Fork and Wheel Assembly (continued)

<i>Ref.</i>	<i>Part Number</i>	<i>Qty.</i>	<i>Description</i>	<i>Ref.</i>	<i>Part Number</i>	<i>Qty.</i>	<i>Description</i>
1	109-3678	4	Bearing-Ball	5	138-7208	4	Guard-Seal
2	145-6375-01	2	Castor Fork [red]	6	115-1151	2	Washer-Flat
3	147-7647	2	Tire And Wheel ASM	7	100-1668	2	Screw-HHF
3:2	147-7648	1	Tire 13X6.5-6, Treaded	8	144-0375	2	Cap, Grease
3:3	232-27	1	Stem-Valve	9	133-4487	2	Spanner-Wheel
3:4	147-7652	2	Bearing	10	147-2939	2	Screw-HHF
4	136-5590	4	Washer	11	139-1689	2	Nut-HF

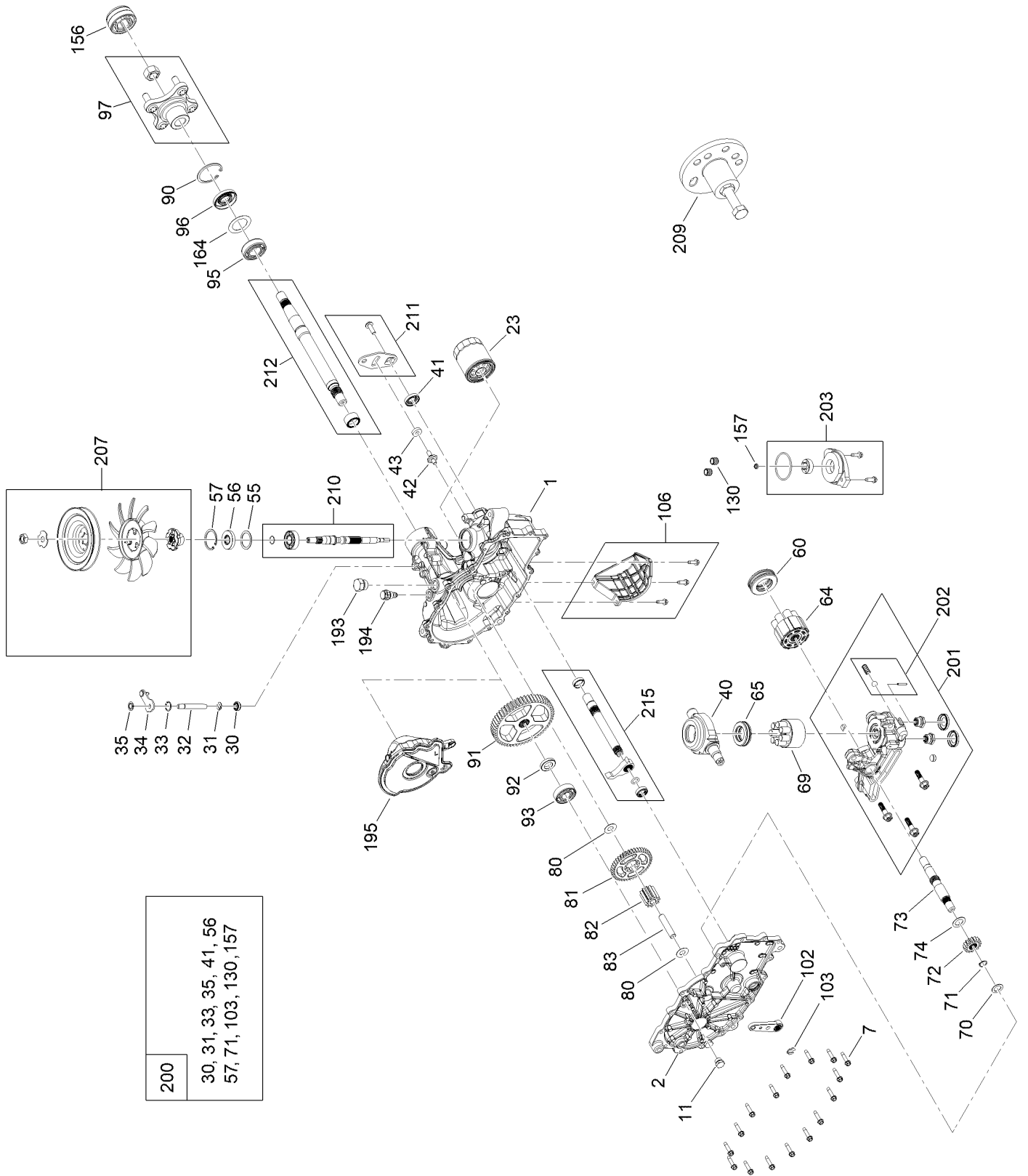
Hydraulic Drive Assembly



Hydraulic Drive Assembly (continued)

<i>Ref.</i>	<i>Part Number</i>	<i>Qty.</i>	<i>Description</i>	<i>Ref.</i>	<i>Part Number</i>	<i>Qty.</i>	<i>Description</i>
1	147-2860	1	LH Hydro Transmission ASM	14	137-7040	1	Spring-Return, Pedal
2	147-2861	1	RH Hydro Transmission ASM	15	145-6388	2	Screw-HH Spcl
3	147-2987	1	Rod-Bypass, LH	16	139-2574	2	Nut-HF
4	147-2986	1	Rod-Bypass, RH	17	3290-307	2	Pin-Cotter
5	119-8952	2	Washer-Spcl	18	115-1794	1	Screw-HHF
6	161-9754-03	1	Plate-Hydro	19	3230-8	1	Screw-CARR
7	145-6363	1	V-Belt (A Sec 66.30 EI)	20	138-7590	4	Screw-HHF
8	68-0030	1	Idler	21	119-4041	8	Nut-HF
9	138-7277	1	Spacer-Arm, Idler	22	139-2564	8	Nut-Lug
10	147-2925	1	Arm-Idler	23	119-4042	6	Nut-HF, NI
11	138-7597	1	Pulley-Idler, Flat	24	323-11	2	Screw-HH
12	138-9809	1	Spacer	25	323-7	2	Screw-HH
13	5-4460	1	Washer-Pivot	26	323-9	2	Screw-HH
				27	322-11	2	Screw-HH

LH Hydro Transmission Assembly No. 147-2860



LH Hydro Transmission Assembly No. 147-2860 (continued)

<i>Ref.</i>	<i>Part Number</i>	<i>Qty.</i>	<i>Description</i>	<i>Ref.</i>	<i>Part Number</i>	<i>Qty.</i>	<i>Description</i>
1	140-8345	1	RH Main Housing Kit	83	104-5329	1	Pin-Jackshaft
2	140-8349	1	RH Side Cover Kit	90	104-2169	1	Ring-Retaining
7	117-5359	16	Screw-HHF	91	114-1694	1	Gear-54T
11	135-1140	1	Plug-Straight	92	120-7975	1	Spacer
23	109-3321	1	Element-Oil Filter, HYD	93	135-1361	1	Bearing-Ball
30	139-7497	1	Seal-Lip	95	130-8477	1	Bearing-Ball
31	106-8677	1	Ring-Retaining, External	96	104-2144	1	Seal
32	114-1685	1	Rod-Bypass	97	109-5939	1	Hub Kit
33	106-8679	1	Ring-Retaining, Internal	102	125-0021	1	Handle-Brake
34	112-9852	1	Arm-Bypass	103	131-0906	1	Ring-Retaining, EXT
35	106-8681	1	Ring-Retaining, External	106	139-7499	1	Filter Guard Kit
40	104-5304	1	Swashplate-Trunnion	130	126-3251	2	Tube-Charge
41	104-5313	1	Seal-Lip	156	115-5057	1	Cover-Nut, Axle
42	104-2116	1	Stud	157	126-1930	1	Gerotor Seal Kit
43	112-9853	1	Puck-Friction	164	121-5745	1	Spacer
55	104-5308	1	Spacer	193	140-8343	1	Plug
56	104-5310	1	Seal-Lip	194	140-8356	1	Breather Fitting ASM
57	104-5309	1	Ring-Retaining	195	140-8357	1	RH Internal Expansion Tank ASM
60	112-4154	1	Bearing-Thrust	200	140-8351	1	Seal Kit
64	139-4074	1	Cylinder Block ASM Kit	201	147-2906	1	Kit, Center Section, LH Charge
65	94-6922	1	Bearing-Thrust	202	114-8464	1	Charge Relief Kit
69	110-8561	1	Pump Block ASM	203	114-8465	1	Charge Kit
70	104-5339	1	Washer-Flat	207	135-7343	1	Fan And Pulley Kit
71	104-5340	1	Ring-Retaining	209	114-8467	1	Puller-Hub, 4 Bolt
72	114-1690	1	Gear-14T	210	139-7502	1	Input Shaft Kit
73	114-1691	1	Shaft-Motor	211	117-5362	1	Control Arm Kit
74	104-5360	1	Washer	212	114-8470	1	Axle Shaft Kit
80	94-1933	2	Washer	215	140-8352	1	Inboard Kit
81	114-1692	1	Gear-45T				
82	114-1693	1	Gear-11T				

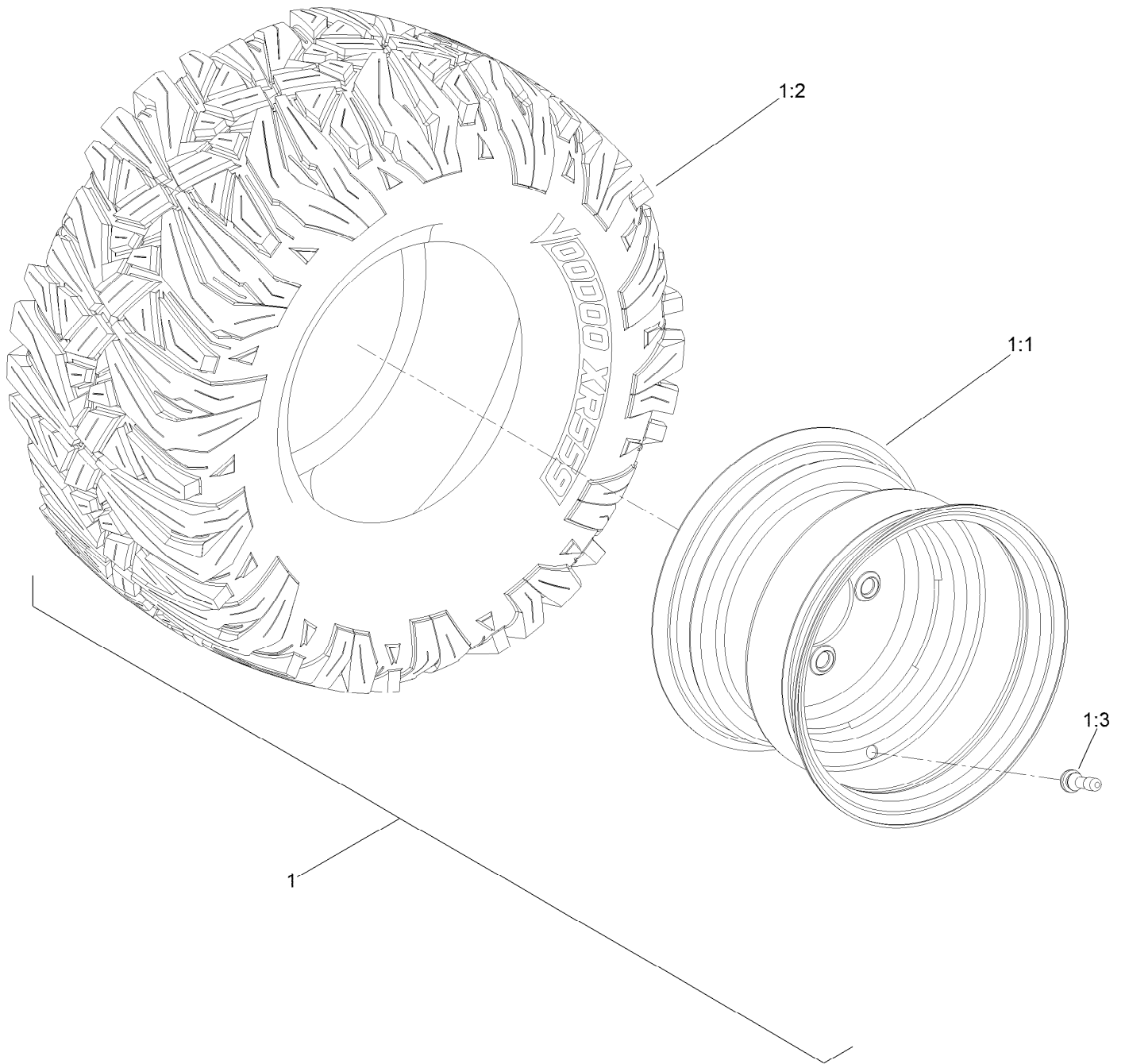
RH Hydro Transmission Assembly No. 147-2861 (continued)

<i>Ref.</i>	<i>Part Number</i>	<i>Qty.</i>	<i>Description</i>	<i>Ref.</i>	<i>Part Number</i>	<i>Qty.</i>	<i>Description</i>
1	140-8347	1	LH Main Housing Kit	83	104-5329	1	Pin-Jackshaft
2	140-8350	1	LH Side Cover Kit	90	104-2169	1	Ring-Retaining
7	117-5359	16	Screw-HHF	91	114-1694	1	Gear-54T
11	135-1140	1	Plug-Straight	92	120-7975	1	Spacer
23	109-3321	1	Element-Oil Filter, HYD	93	135-1361	1	Bearing-Ball
30	139-7497	1	Seal-Lip	95	130-8477	1	Bearing-Ball
31	106-8677	1	Ring-Retaining, External	96	104-2144	1	Seal
32	114-1685	1	Rod-Bypass	97	109-5939	1	Hub Kit
33	106-8679	1	Ring-Retaining, Internal	102	125-0021	1	Handle-Brake
34	107-2490	1	Arm-Bypass	103	131-0906	1	Ring-Retaining, EXT
35	106-8681	1	Ring-Retaining, External	106	139-7498	1	Filter Guard Kit
40	104-5304	1	Swashplate-Trunnion	130	126-3251	2	Tube-Charge
41	104-5313	1	Seal-Lip	156	115-5057	1	Cover-Nut, Axle
42	104-2116	1	Stud	157	126-1930	1	Gerotor Seal Kit
43	112-9853	1	Puck-Friction	164	121-5745	1	Spacer
55	104-5308	1	Spacer	193	140-8343	1	Plug
56	104-5310	1	Seal-Lip	194	140-8356	1	Breather Fitting ASM
57	104-5309	1	Ring-Retaining	195	140-8358	1	LH Internal Expansion Tank ASM
60	112-4154	1	Bearing-Thrust	200	140-8351	1	Seal Kit
64	139-4074	1	Cylinder Block ASM Kit	201	147-2907	1	Kit, Center Section, RH Charge
65	94-6922	1	Bearing-Thrust	202	114-8464	1	Charge Relief Kit
69	110-8561	1	Pump Block ASM	203	114-8465	1	Charge Kit
70	104-5339	1	Washer-Flat	207	135-7343	1	Fan And Pulley Kit
71	104-5340	1	Ring-Retaining	209	114-8467	1	Puller-Hub, 4 Bolt
72	114-1690	1	Gear-14T	210	139-7502	1	Input Shaft Kit
73	114-1691	1	Shaft-Motor	211	117-5362	1	Control Arm Kit
74	104-5360	1	Washer	212	114-8470	1	Axle Shaft Kit
80	94-1933	2	Washer	215	140-8353	1	Inboard Kit
81	114-1692	1	Gear-45T				
82	114-1693	1	Gear-11T				

Parking Brake Assembly (continued)

<i>Ref.</i>	<i>Part Number</i>	<i>Qty.</i>	<i>Description</i>	<i>Ref.</i>	<i>Part Number</i>	<i>Qty.</i>	<i>Description</i>
1	161-6420	2	Bellcrank	8	144-1815	1	Clip-Rod, RH (7R, 1/4In)
2	145-6364	2	Bolt-Shoulder	9	145-0408	1	Rod-Brake LH
3	145-4607	1	Link-Brake, LH	10	145-0407	1	Rod-Brake, RH
4	145-6238	1	Link-Brake, RH	11	138-7252	4	Spring-Compression
5	119-8952	8	Washer-Spcl	12	119-4040	2	Nut-HF, NI
6	119-1414	2	Pin-Cotter, Locking	13	161-6635	2	Mount-Pivot
7	144-1816	1	Clip-Rod, LH (7L, 1/4In)	14	137-3083	2	Pin-Hair

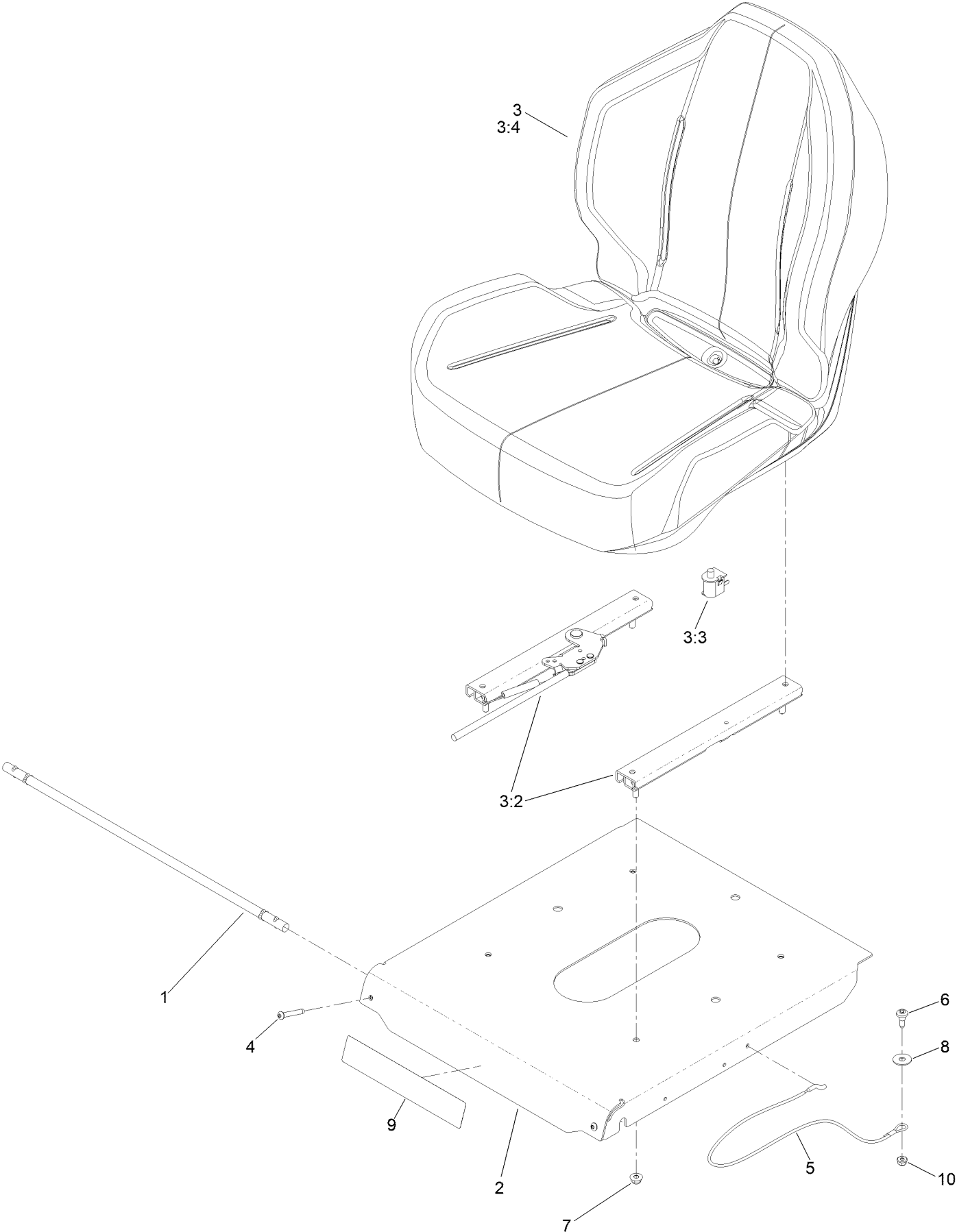
Rear Wheel Assembly



Rear Wheel Assembly (continued)

<i>Ref.</i>	<i>Part Number</i>	<i>Qty.</i>	<i>Description</i>	<i>Ref.</i>	<i>Part Number</i>	<i>Qty.</i>	<i>Description</i>
1	145-6393	2	Tire ASM-22X11-10 Nos2.4	1:2	147-5177	1	Tire
1:1	147-5178	1	Rim	1:3	232-27	1	Stem-Valve

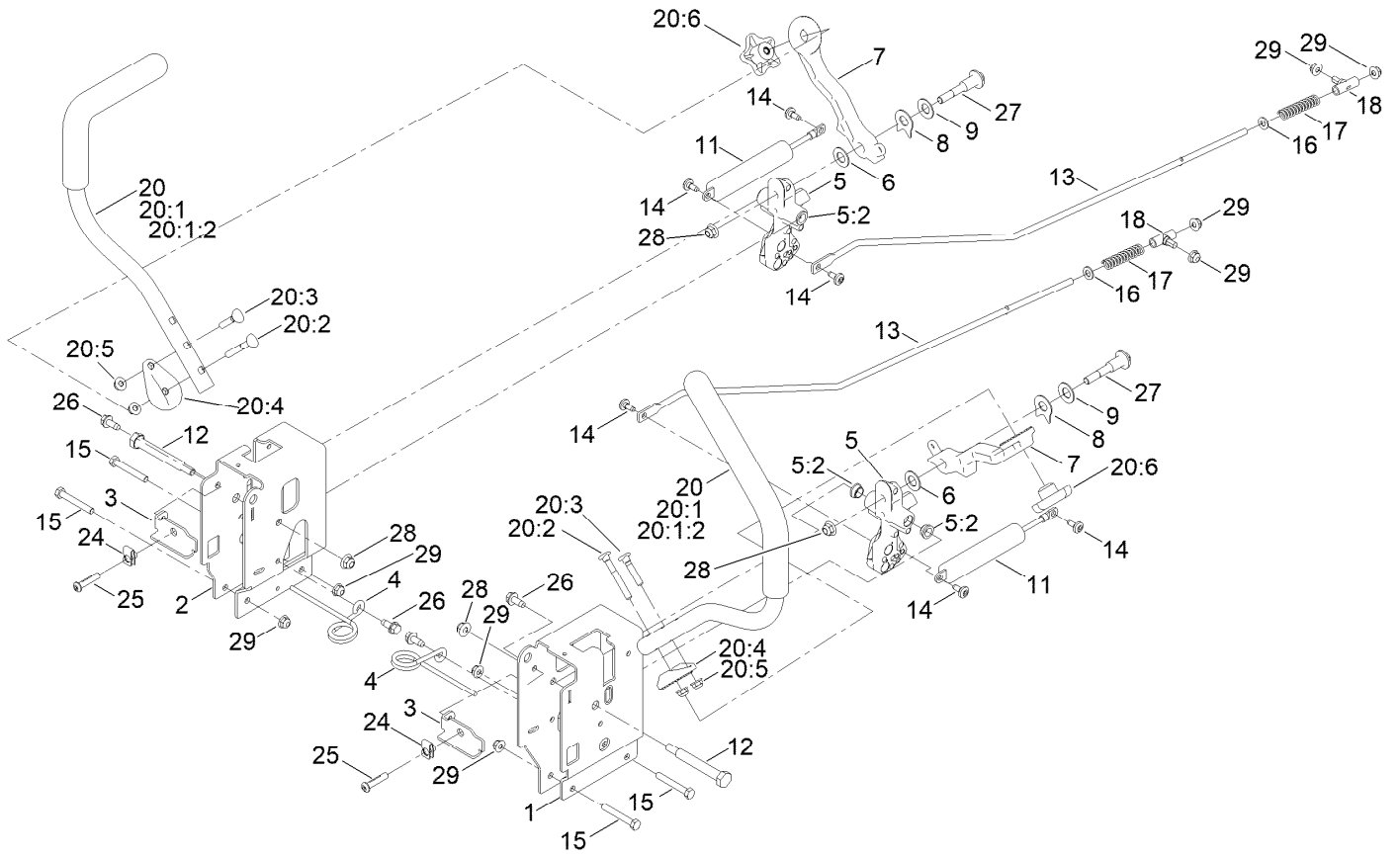
Seat Mounting Assembly



Seat Mounting Assembly (continued)

<i>Ref.</i>	<i>Part Number</i>	<i>Qty.</i>	<i>Description</i>	<i>Ref.</i>	<i>Part Number</i>	<i>Qty.</i>	<i>Description</i>
1	147-5169	1	Rod-Pivot	5	161-4452	1	Cable-Lanyard, 26.75In
2	147-3011-03	1	Pan-Seat	6	135-2015	1	Screw-Shoulder
3	163-6012	1	Seat ASM - Milsco Cs180D	7	119-4041	4	Nut-HF
3:2	161-4566	1	Kit-Adjuster	8	147-5287	1	Washer-Flat
3:3	82-2190	1	Switch-Bail	9	147-7565	1	Decal-Titan
3:4	163-6015	1	Cover-Seat	10	119-4040	1	Nut-HF, NI
4	147-5175	2	Screw-Tbh,Thd Roll				

Motion Control Assembly

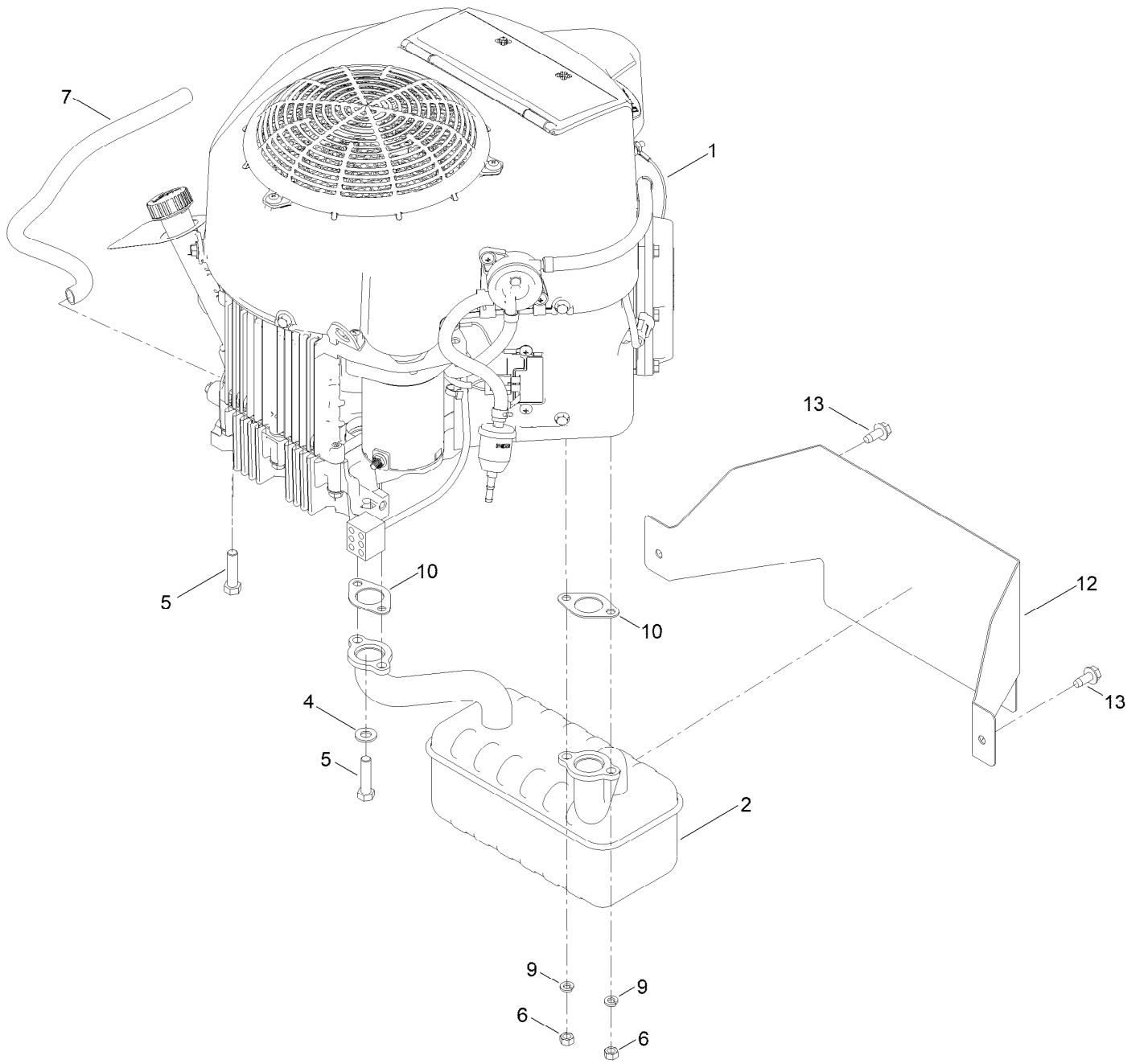


Motion Control Assembly (continued)

<i>Ref.</i>	<i>Part Number</i>	<i>Qty.</i>	<i>Description</i>	<i>Ref.</i>	<i>Part Number</i>	<i>Qty.</i>	<i>Description</i>
1	145-4615-03	1	Control Box - LH G7	17	138-7252	2	Spring-Compression
2	145-4647-03	1	Control Box - RH G7	18	138-7218	2	Mount-Rod, Hydro
3	163-3189	2	Adjustment Plate-Control Box	20	161-6523	2	Handle-Control, ASM
4	145-6253	2	Spring-Torsion	20:1		1	Handle-Control, ●
5	145-4648	2	Pivot Arm ASM	20:1:2	147-3029	1	Grip
5:2	256-156	2	Bushing-Flange	20:2	145-6366	1	Screw-Handle
6	120-2273	2	Washer-Flat	20:3	137-3008	1	Screw-Handle
7	147-5191-05	2	Arm-Control, 32 Teeth	20:4	147-5192-05	1	Disc-Adjustment Handle, 32 Teeth
8	142-8478	2	Spacer, Anti-Rotation	20:5	138-8401	2	Nut-HF
9	119-8925	2	Washer-Belleville	20:6	117-5976	1	Knob-Handle
11	161-6514	2	Damper - Non Cavitating	24	112-3306	2	Nut
12	115-5099	2	Bolt-Pivot	25	126-4299	2	Screw-HSBH
13	161-9725	2	Rod-Hydro	26	32144-70	4	Screw-HWHTF
14	120-7950	6	Screw-Torx	27	117-1198	2	Bolt-Pivot
15	322-11	4	Screw-HH	28	119-4042	4	Nut-HF, NI
16	120-9683	2	Washer-Plain	29	119-4041	8	Nut-HF

● Not serviced separately

Engine and Muffler Assembly



Engine and Muffler Assembly (continued)

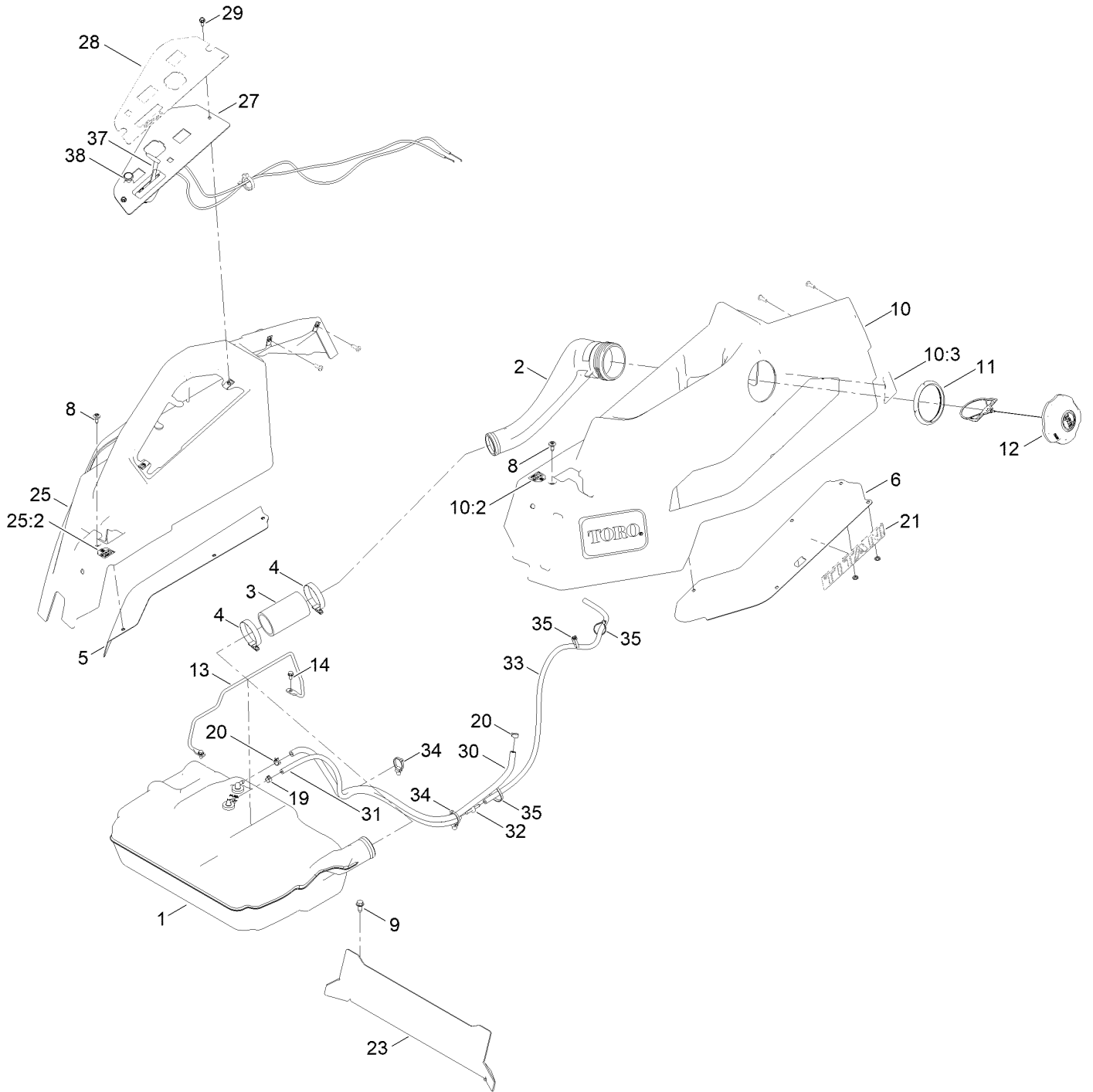
<i>Ref.</i>	<i>Part Number</i>	<i>Qty.</i>	<i>Description</i>	<i>Ref.</i>	<i>Part Number</i>	<i>Qty.</i>	<i>Description</i>
1		1	Engine-Kawasaki Fr691 ■▲	5	323-50	4	Bolt-HH
1:1	119-5852	1	Filter-Oil ●	6	114-3549	4	Nut
1:2	142-6949	1	Filter-Fuel ●	7	106-7022	1	Tube-Drain, Oil
1:3	92-2153	2	Plug-Spark ●	9	114-3550	4	Washer-Lock
1:4	120-7448	1	Filter-Air, Paper ●	10	1-653313	2	Gasket-Exhaust
2	139-5867	1	Muffler	12	161-6221-03	1	Heat Shield-Muffler
4	3256-24	3	Washer-Plain	13	32144-70	2	Screw-HWHTF

● Not illustrated

▲ Obtain parts from www.kawpower.com

■ Not serviced separately

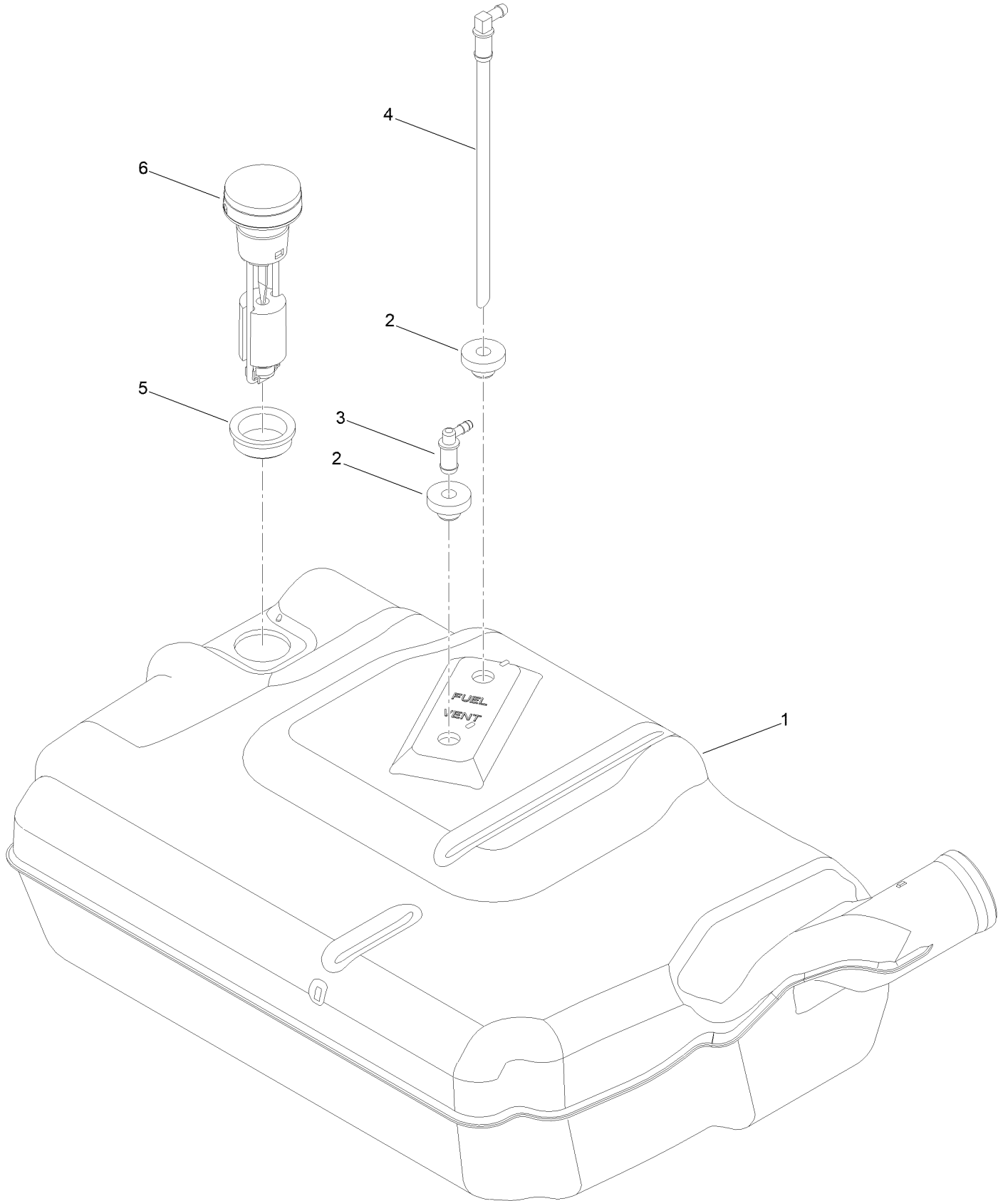
Fuel Tank Assembly



Fuel Tank Assembly (continued)

<i>Ref.</i>	<i>Part Number</i>	<i>Qty.</i>	<i>Description</i>	<i>Ref.</i>	<i>Part Number</i>	<i>Qty.</i>	<i>Description</i>
1	161-6589	1	Tank-Fuel, ASM	20	2412-98	2	Clamp-Hose
2	147-2852	1	Neck-Filler, Fuel	21	147-7566	2	Decal-Titan
3	145-4698	1	Hose-Filler, Fuel	23	147-5170-03	1	Plate-Kick
4	2412-130	2	Clamp-Hose	25	147-8742	1	Pod ASM - RH W/Decals
5	147-2973-01	1	Cast-Tube, RH	25:2	139-2394	1	Decal-Control Lever, RH
6	147-2972-01	1	Cast-Tube, LH	27	147-2990-03	1	Panel-Control
8	120-7950	10	Screw-Torx	28	147-7571	1	Decal - Control Panel
9	32144-70	6	Screw-HWHTF	29	49-2040	1	Screw-HWHTF
10	147-8741	1	Pod ASM - LH W/Decals	30	109-0275	1	Hose-Fuel
10:2	139-2395	1	Decal-Control Lever, LH	31	121-0780	1	Hose-Fuel
10:3	147-2399	1	Decal-Fuel Fill	32	144-1983	1	Adapter Orifice
11	147-7712	1	Ring-Retaining	33	108-6344	1	Hose-Fuel
12	163-5914	1	Cap Fuel, Ratcheting	34	32180-030	2	Clip-Tie
13	147-5176	1	Rod-Hold Down	35	614249	4	Tie-Cable
14	32144-4	2	Screw-HWH	37	147-7697	1	Cable-Throttle
19	2412-80	1	Clamp-Hose	38	147-2902	1	Cable-Choke

Fuel Tank Assembly No. 161-6589

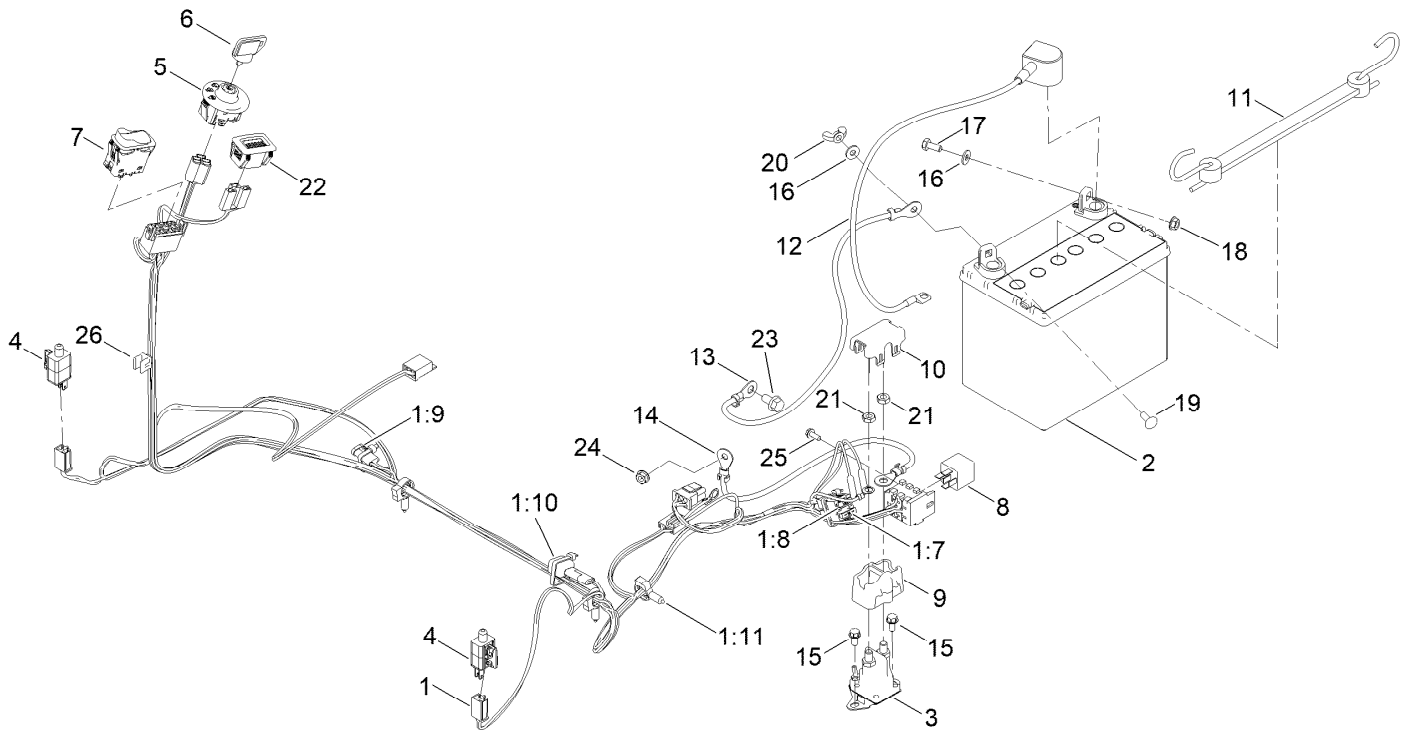


Fuel Tank Assembly No. 161-6589 (continued)

<i>Ref.</i>	<i>Part Number</i>	<i>Qty.</i>	<i>Description</i>	<i>Ref.</i>	<i>Part Number</i>	<i>Qty.</i>	<i>Description</i>
1		1	Tank-Fuel ●	4	147-2934	1	Fitting-Pickup, Fuel
2	46-6560	2	Bushing	5	133-9269	1	Grommet-Fuel
3	161-6609	1	Fitting-Elbow 90	6	147-5166	1	Remote Gauge ASM

● Not serviced separately

Electrical Assembly



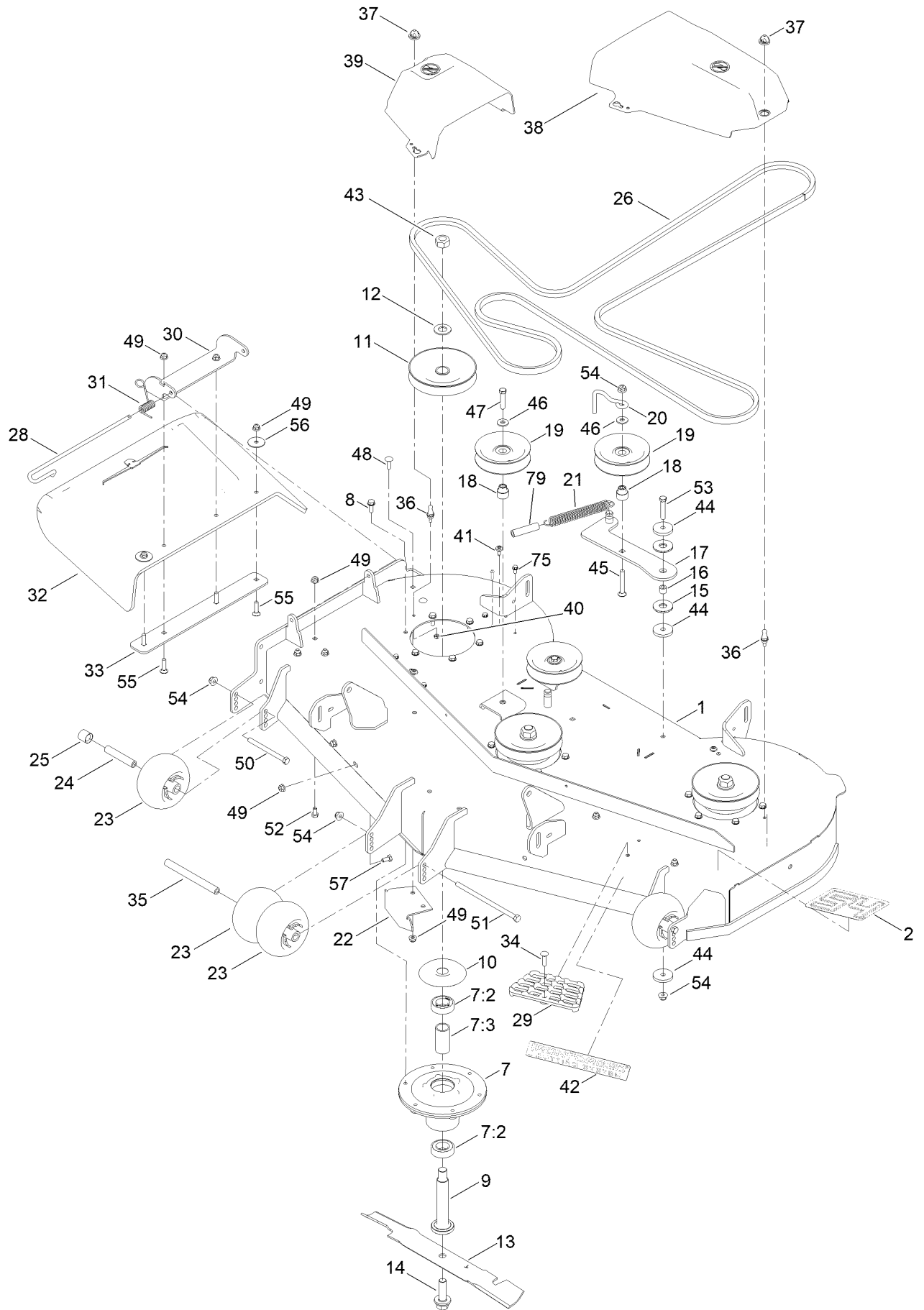
Electrical Assembly (continued)

<i>Ref.</i>	<i>Part Number</i>	<i>Qty.</i>	<i>Description</i>	<i>Ref.</i>	<i>Part Number</i>	<i>Qty.</i>	<i>Description</i>
1	145-6382	1	Harness-Wire, Main	11	104-2466	1	Holddown-Battery
1:7	109355	1	Fuse-Blade, 15 Amp	12	147-2941	1	Cable-Battery,Red
1:8	109102	1	Fuse-Blade, 25 Amp	13	119-8899	1	Cable-Battery, Black
1:9	32160-029	1	Connector-Molded, 1F,1M	14	121-0711	1	Cable-Battery, Positive
1:10	100-4918	1	Diode	15	32144-4	2	Screw-HWH
1:11	32180-047	3	Clip-Tubing, Harness	16	119-8952	2	Washer-Spcl
2		1	Battery- Wet, 12V, 300 CCA ●■	17	137-3041	1	Screw-HH
3	117-1197	1	Solenoid	18	139-2575	1	Nut-HF
4	110-6765	2	Switch	19	137-3053	1	Screw-CARR
5	137-4100	1	Switch-Ignition	20	32103-22	1	Nut-Wing
6	63-8360	1	Key-Ignition	21	139-2580	2	Nut-HJ
7	139-6368	1	Switch-Rocker, On-None-On	22	139-6404	1	Hour Meter
8	1-643275	1	Relay	23	33104-016	1	Screw-HHF
9	140-2080	1	Cover-Solenoid	24	32128-33	1	Nut-HF
10	140-2081	1	Cap-Solenoid	25	139-1713	1	Screw-Thd Roll
				26	32180-082	1	Clip-Edge W/Tie, Perpendicular

● Obtain locally.

■ Not serviced separately

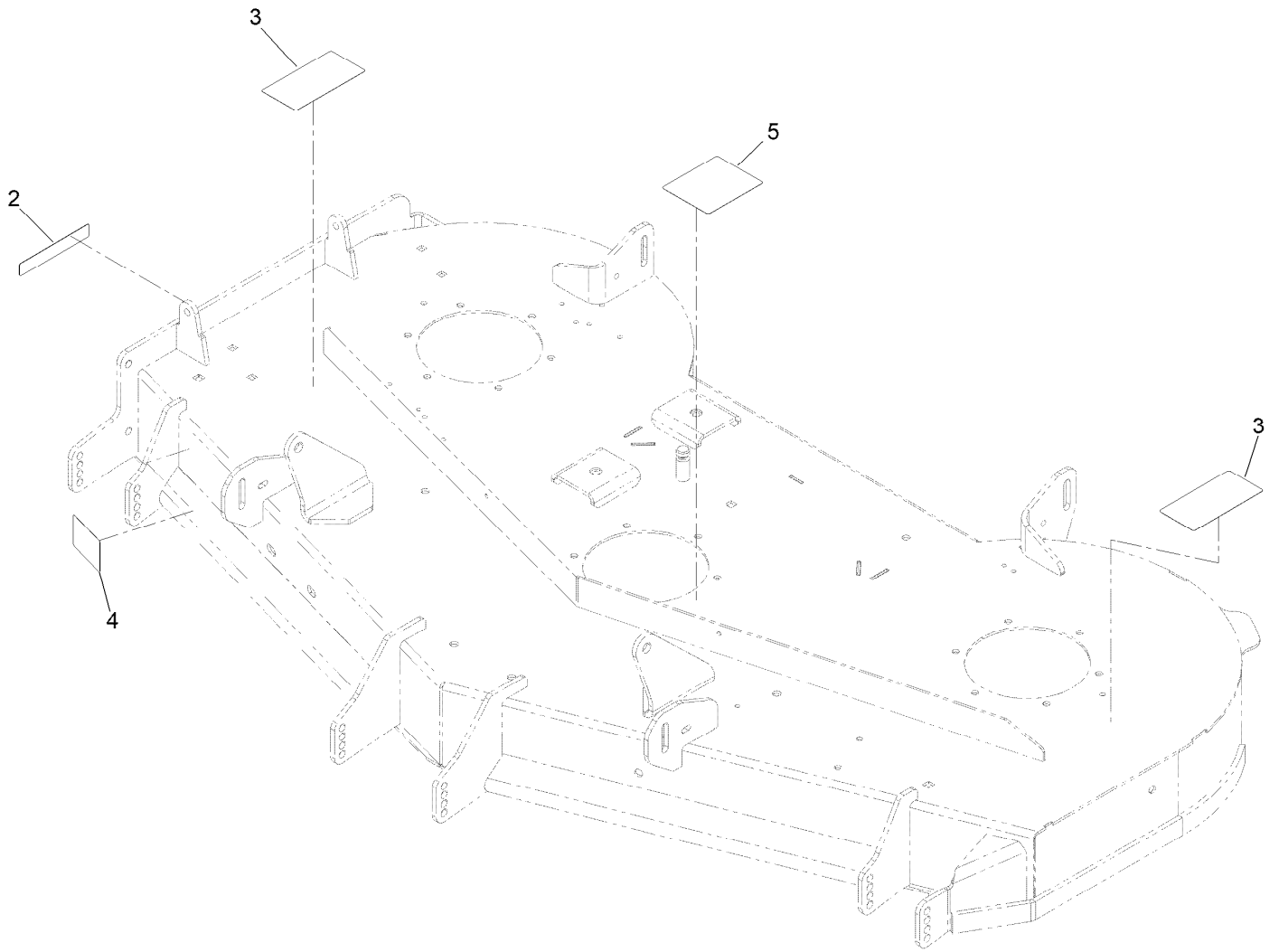
54 Inch Deck Assembly



54 Inch Deck Assembly (continued)

<i>Ref.</i>	<i>Part Number</i>	<i>Qty.</i>	<i>Description</i>	<i>Ref.</i>	<i>Part Number</i>	<i>Qty.</i>	<i>Description</i>
1	147-8750	1	54 In Deck & Decal ASM	32	147-3015	1	Deflector - Molded
2	147-7569	1	Decal - Deck 54	33	115-5048-03	1	Plate-Deflector
7	139-2357	3	Spindle ASM	34	139-1702	1	Bolt-Carriage
7:2	116-0720	2	Bearing-Ball	35	98-5967	1	Spacer-Wheel
7:3	138-7220	1	Spacer-Bearing	36	147-2872	2	Stud-Ball
8	32144-41	18	Screw-Taptite	37	147-2871	2	Grommet-Ball
9	115-2642	3	Shaft-Spindle	38	147-2854	1	Cover-Belt, LH
10	138-7221	3	Shield-Bearing	39	147-2853	1	Cover-Belt, RH
11	139-7455	3	Pulley	40	115-7373	2	Nut-Lock
12	7-4150	3	Washer	41	120-7950	4	Screw-Torx
13	115-9650-03	3	Blade-Hi Flo	42	147-7567	1	Decal - Iron Forged
14	145-0412	3	Screw-Blade	43	3219-7	3	Nut-Hex
15	114-0463	2	Washer-Friction, Composite	44	110-9981	3	Washer-Plain
16	138-7225	1	Spacer	45	3231-31	1	Screw-CARR
17	145-7038	1	Idler Arm ASM	46	80-6990	3	Washer-Hardened
18	138-7227	3	Bushing-Idler	47	323-9	2	Screw-HH
19	132-4718	3	Pulley-Idler, Flat	48	3230-22	2	Screw-CARR
20	136-5615	1	Guide-Belt, Idler	49	119-4041	14	Nut-HF
21	138-7228	1	Spring-Extension	50	323-23	2	Screw-HH
22	115-9653-03	1	Baffle-Cutoff	51	108-5388	1	Screw-HH
23	1-603299	4	Roller-Scalp, Anti	52	322-2	5	Screw-HH
24	138-7229	2	Tube-Spanner	53	323-10	1	Screw-HH
25	104-0892	2	Spacer-Axle, Rear	54	119-4042	5	Nut-HF, NI
26	147-2913	1	V-Belt (B Sec 174.25 EI)	55	3230-3	4	Screw-CARR
28	138-7231	1	Pin-Chute	56	3256-68	2	Washer-Flat
29	126-4781-03	1	Step-Deck	57	139-2585	2	Screw-HH
30	114-1648-03	1	Bracket-Deflector, Upper	75	32144-4	4	Screw-HWH
31	138-7232	1	Spring-Torsion	79	99-7375	1	Hose-Breather

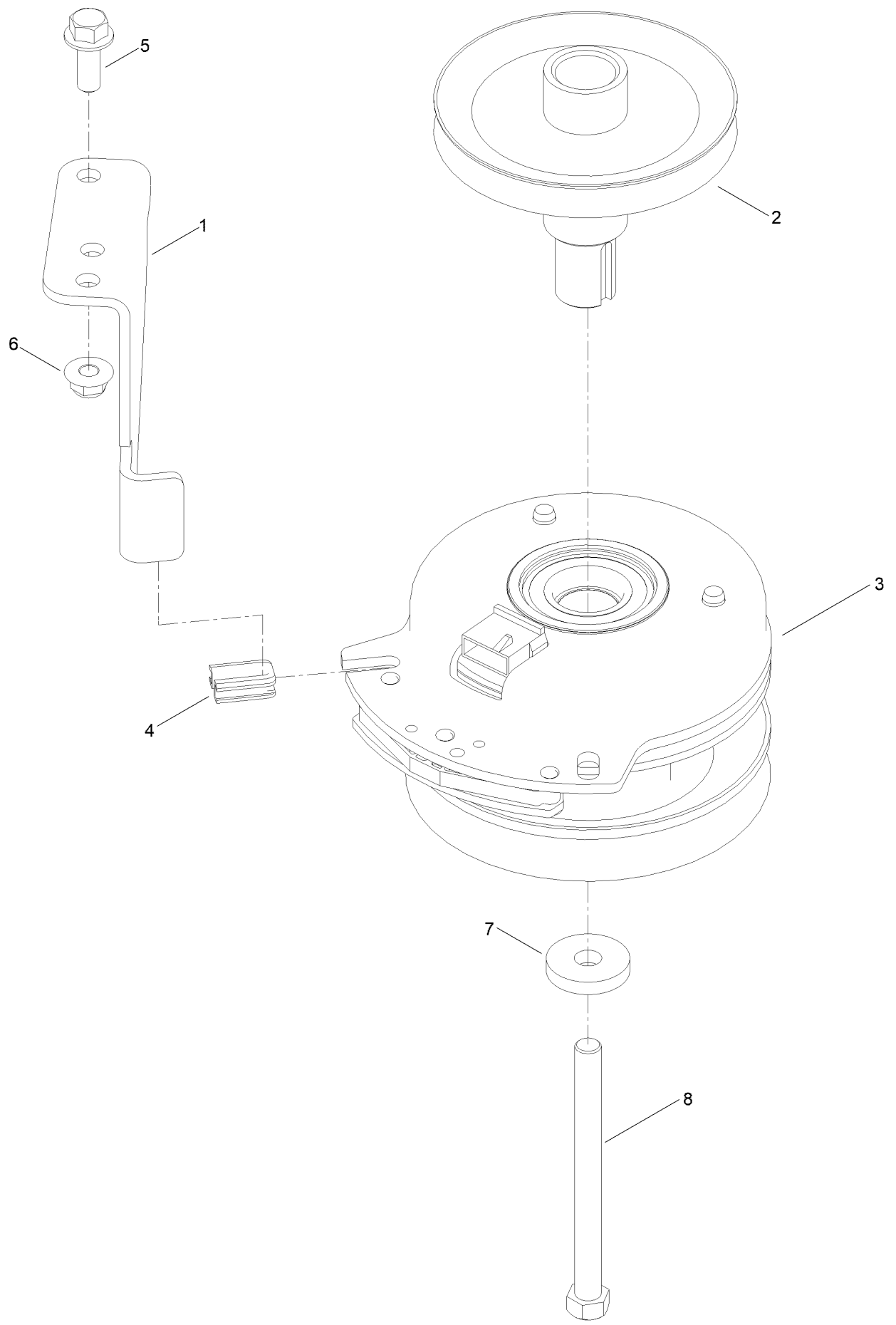
Deck Decal Assembly No. 147-8750



Deck Decal Assembly No. 147-8750 (continued)

<i>Ref.</i>	<i>Part Number</i>	<i>Qty.</i>	<i>Description</i>	<i>Ref.</i>	<i>Part Number</i>	<i>Qty.</i>	<i>Description</i>
2	130-0731	1	Decal-Danger	4	130-0765	1	Decal-Scalp, Anti
3	132-0872	2	Decal-Danger, Deck	5	117-1194	1	Decal-Routing, Belt

Clutch Assembly



Clutch Assembly (continued)

<i>Ref.</i>	<i>Part Number</i>	<i>Qty.</i>	<i>Description</i>	<i>Ref.</i>	<i>Part Number</i>	<i>Qty.</i>	<i>Description</i>
1	137-7000	1	Stop-Clutch (Wide)	5	3234-42	1	Screw-HHF
2	138-9831	1	Pulley-Engine	6	119-4042	1	Nut-HF, NI
3	127-3410	1	Clutch-PTO	7	112843	1	Washer
4	120-2217	1	Isolator-Clutch	8	3212-19	1	Screw-HH

Attachments and Accessories

For 76502 — Titan 54in Zero Turn Riding Mower

Product Name	Model/Part
Hypr-Oil 500 (quart)	114-4713
Jack Kit	127-6666
Fuel Stabilizer .05 oz	130-2393
4-Cycle Fuel, Snow And Lawn 32oz Can	131-3823
Toro Premium Fuel Treatment 12oz Bottle	131-6572
Oil-30/10W-30 Synthetic (Quart).....	138-6053
HD Bagger Cover Kit	140-5036
Leaf Bagging Enhancement Kit	140-5122
Hydro Service Kit	144-5347
Flat Free Caster Wheel Kit.....	145-0489
Led Light Kit.....	147-8757
Mount, Jack Titan	147-8824
54in Recycler Kit.....	148-1280
48/54/60 Striping Kit	148-1367
Assist Bar Kit	161-4450
Kit-Arm Rest	161-4567
10W30 4-Cycle Engine Oil (32oz Bottle).....	38280
Toro 4-Cycle SAE 30 Oil (32oz Bottle)	38903
Toro Deluxe Rider Cover.....	490-7319
Powered Bagger, Titan Models ROHS.....	79348
ROPS Kit	79487
Slope Sensor Kit.....	79489

Notes:



Count on it.