



**Count on it.**

**Parts Catalog**

**GrandStand® Multi Force® Mower  
With 60in TURBO FORCE® Cutting Unit and  
Low Flow Hydraulics**

Model No. 72524—Serial No. 42000000 and Up



# Ordering Replacement Parts

To order replacement parts, please supply the part number, the quantity, and the description of each part desired.

## Understanding Reference Numbers

Each identified part in an illustration has a reference number. The reference number for a part also appears in the parts list, along with other information about the part.

This catalog uses two special reference number formats, one to indicate parts in a service assembly and another to indicate the quantity of a given part in an illustration.

## Service Assembly Reference Numbers

Parts in service assemblies have reference numbers in the form a:b. The a represents the reference number of the entire service assembly and the b represents a sequential number unique to each part within the service assembly.

For example, a wheel assembly might be identified by reference number 6, the tire by 6:1, the valve by 6:2, and the wheel by 6:3. When you order the assembly identified by reference number 6, you receive all parts identified by reference numbers 6:1, 6:2, and 6:3. However, you may also order any part individually. Reference numbers of this type appear in illustration and in parts lists.

## Reference Numbers Indicating Quantity

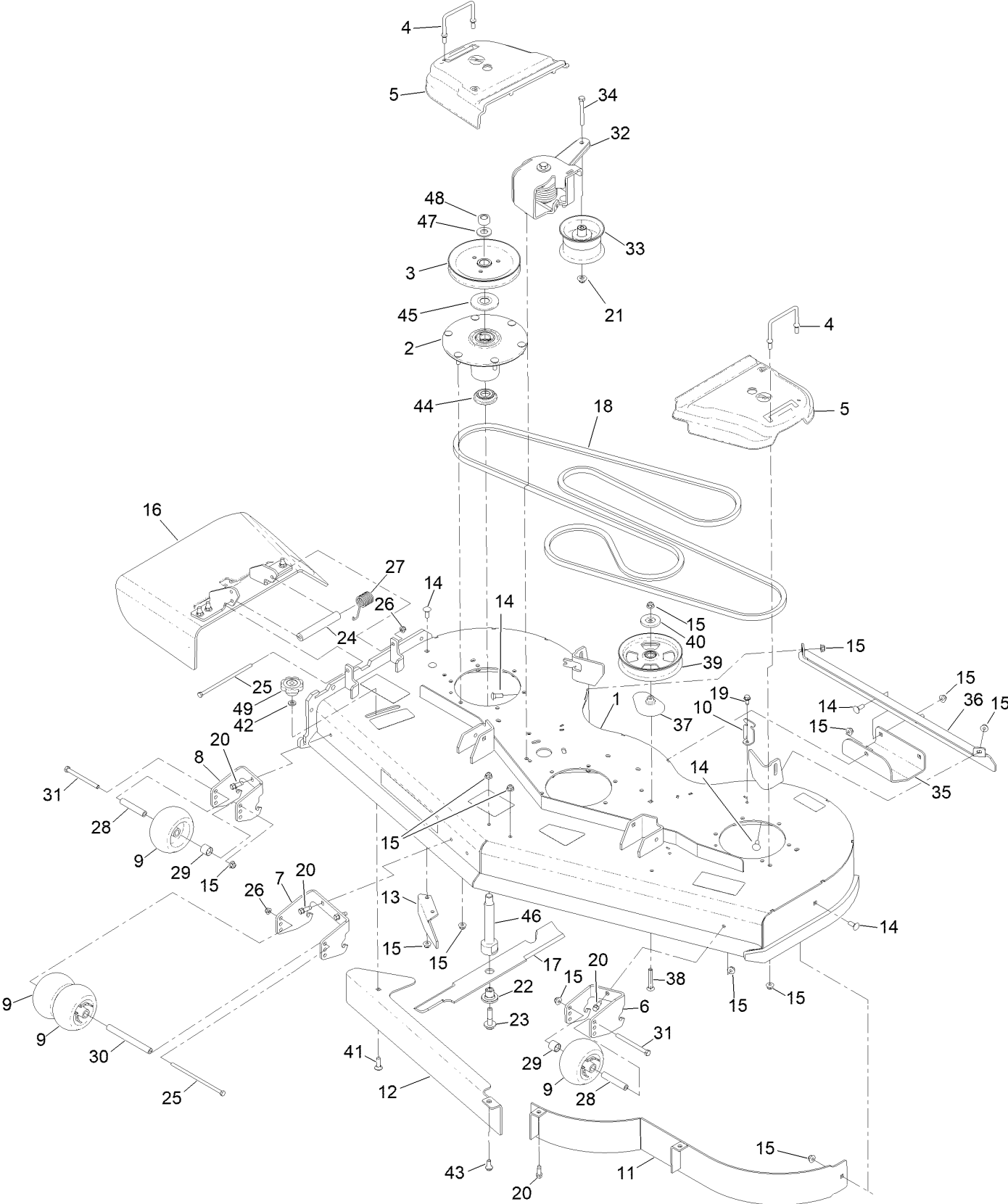
In an illustration, if a reference number indicates more than one part, the reference number has the form nX y. The n represents the quantity of the part, the X is the multiplication symbol, and the y represents the reference number.

For example, in an illustration, the reference number 2X 37 means that two of the parts identified by reference number 37 are indicated.

# Contents

60 Inch Deck Assembly .....	4
Deck Decal Assembly No. 139-8101 .....	6
Spindle Assembly No. 137-9780 .....	8
Deflector Assembly No. 163-4031 .....	10
Ground Drive Assembly .....	12
LH Transmission Assembly No. 161-6674 .....	14
RH Transmission Assembly No. 138-5839 .....	16
Overflow Hose Assembly .....	18
Motion Control Assembly .....	20
Control Handle Assembly No. 132-5157 .....	22
Control Handle Assembly No. 132-5158 .....	24
Parking Brake Assembly .....	26
Deck Lift Assembly .....	28
HOC Lever Assembly No. 161-6735 .....	30
HOC Link Assembly No. 130-6615 .....	32
Frame Assembly .....	34
Wheel and Bearing Assembly .....	36
Platform Assembly .....	38
Engine Assembly .....	40
Fuel Tank Assembly .....	42
Electrical Assembly .....	44
Low Flow Hydraulics Assembly .....	46
Low Flow Manifold Assembly .....	48
Low Flow Controller Kit Assembly .....	50
Attachments and Accessories .....	52

# 60 Inch Deck Assembly



## 60 Inch Deck Assembly (continued)

<i>Ref.</i>	<i>Part Number</i>	<i>Qty.</i>	<i>Description</i>	<i>Ref.</i>	<i>Part Number</i>	<i>Qty.</i>	<i>Description</i>
1	139-8101	1	60 Deck ASM	26	104-8300	2	Nut-HF, NI
2	137-9780	3	Spindle ASM	27	108-4052	1	Spring-Torsion
3	138-6059	3	Sheave-Drive, Blade	28	98-7912	2	Tube-Spanner
4	109-6982	4	Wireform-Cover	29	104-0892	2	Spacer-Axle, Rear
5	109-6936	2	Cover-Belt, LH	30	98-5967	1	Spacer-Wheel
6	114-5204-01	1	Bracket-Wheel, LH	31	323-23	2	Screw-HH
7	114-5208-01	1	Bracket-Wheel, Center	32	145-3450	1	Gs Torsion Idler ASM li
8	114-5213-01	1	Bracket-Wheel, RH	33	127-1971	1	Pulley-Idler
9	1-603299	4	Roller-Scalp, Anti	34	323-20	1	Screw-HH
10	117-5758-05	3	Bracket-Cover	35	114-1908-01	1	Skid
11	117-9701-01	1	Baffle ASM	36	130-6647-01	1	Bracket-Skid
12	139-8106-01	1	Plate-Baffle, Formed [red]	37	109-2872	1	Spacer-Pulley
13	130-6594-01	1	Baffle-Discharge	38	3231-44	1	Screw-CARR
14	3231-2	8	Bolt-CARR	39	136-5404	1	Pulley-Idler, Flat
15	104-8301	47	Nut-HF, NI	40	132-5153	1	Shield-Dust
16	163-4031	1	Rubber Deflector ASM	41	3231-25	1	Bolt-CARR
17	140-1240	3	Blade	42	100-4852	1	Washer-Hardened
18	145-3483	1	Gs 60 Deck Belt-V	43	94-7582	1	Bolt-Shoulder
19	32144-70	3	Screw-HWHTF	44	137-9784	3	Guard-Bottom
20	92-1624	6	Screw-HWH Thd Form	45	103-1330	3	Guard-Bearing, Top
21	109-6658	1	Nut-Flange, NI	46	138-6045	3	Shaft-Spindle
22	137-9787	3	Bushing-Hex	47	103-2802	3	Washer
23	109-9220	3	Screw-Sems	48	116-7306	3	Nut-Hex
24	105-4622	1	Spacer	49	109-1092	1	Knob
25	322-50	2	Screw-HH				

# Deck Decal Assembly No. 139-8101



## Deck Decal Assembly No. 139-8101 (continued)

<i>Ref.</i>	<i>Part Number</i>	<i>Qty.</i>	<i>Description</i>	<i>Ref.</i>	<i>Part Number</i>	<i>Qty.</i>	<i>Description</i>
2	161-6620	2	Decal-Danger, Deck	5	131-3507	1	Decal-Belt, Tension (CE)
3	107-1619	1	Decal	6	138-1147	1	Decal - Baffle Adjustment
4	116-8283	1	Decal-Torque, Bolt	7	112-3858	1	Decal-Scalp, Anti

# Spindle Assembly No. 137-9780

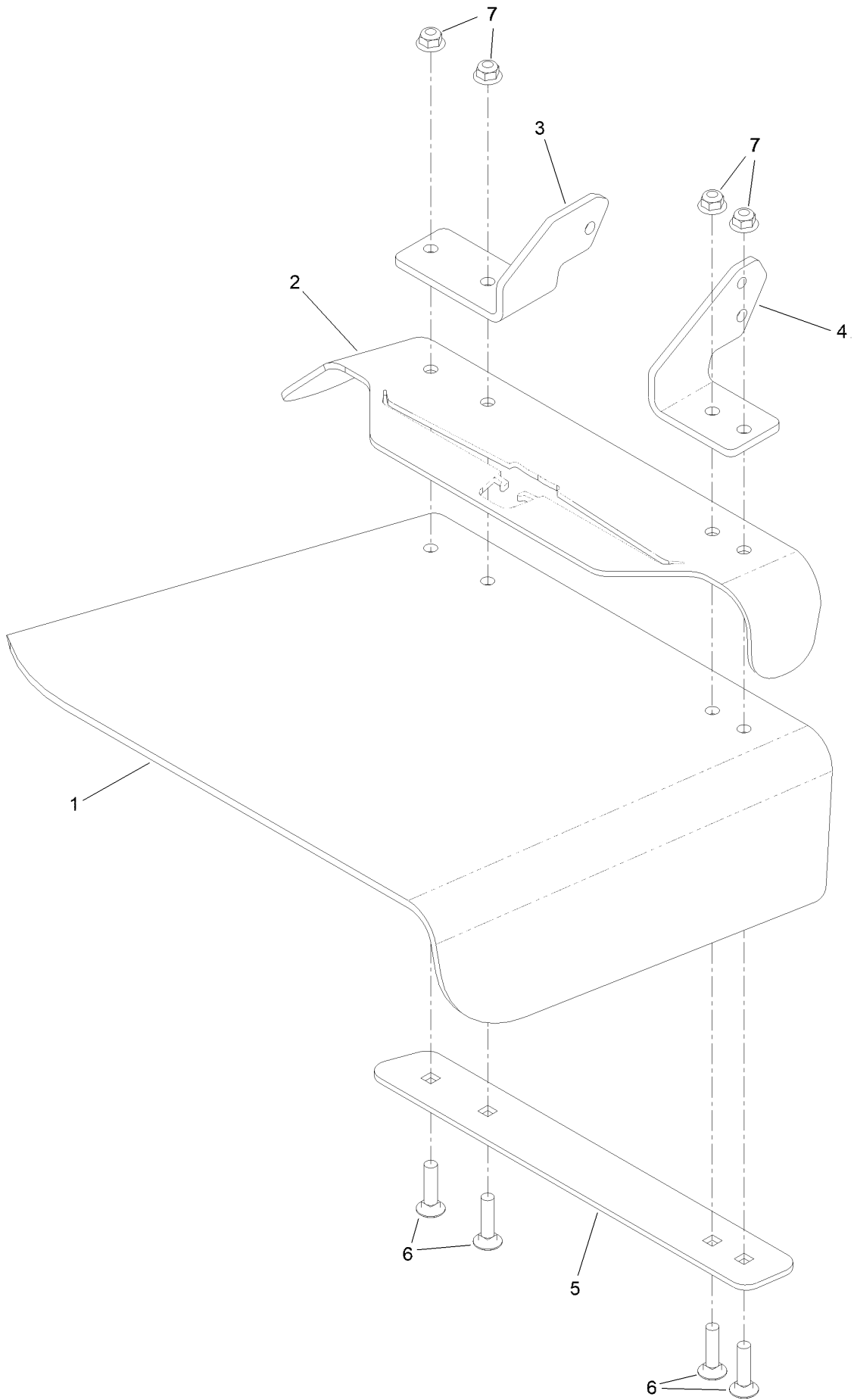




## Spindle Assembly No. 137-9780 (continued)

<i>Ref.</i>	<i>Part Number</i>	<i>Qty.</i>	<i>Description</i>
2	116-0720	2	Bearing-Ball
3	138-6042	1	Spacer-Bearing

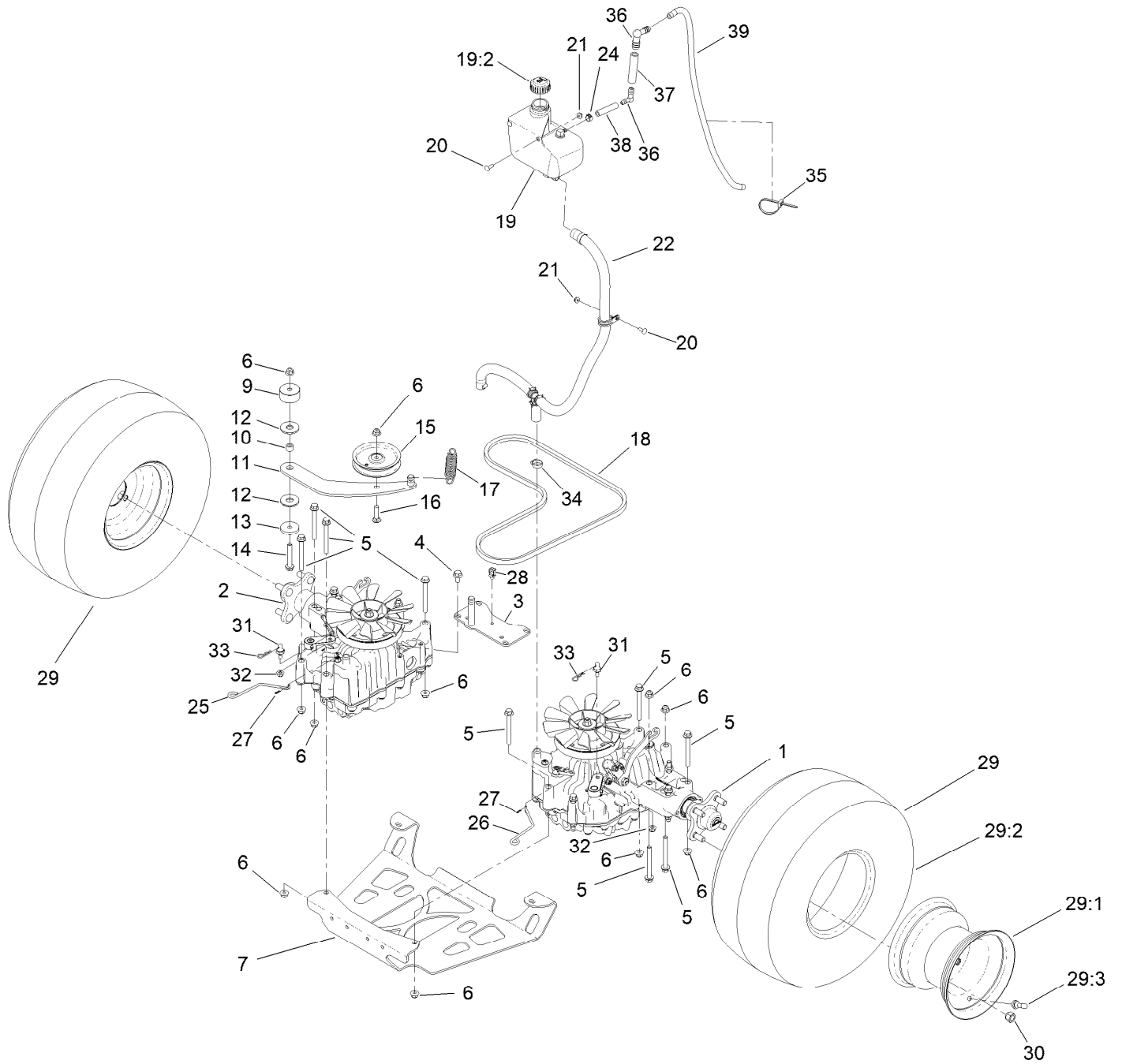
# Deflector Assembly No. 163-4031



## Deflector Assembly No. 163-4031 (continued)

<i>Ref.</i>	<i>Part Number</i>	<i>Qty.</i>	<i>Description</i>	<i>Ref.</i>	<i>Part Number</i>	<i>Qty.</i>	<i>Description</i>
1	110-0759	1	Deflector-Rubber	5	106-3248-03	1	Strap-Discharge
2	161-9815-01	1	Plate-Deflector Mount	6	3231-5	4	Screw-CARR
3	108-4059-01	1	Plate-Hinge, Rear	7	104-8301	4	Nut-HF, NI
4	106-3253-01	1	Plate-Hinge, Front				

# Ground Drive Assembly



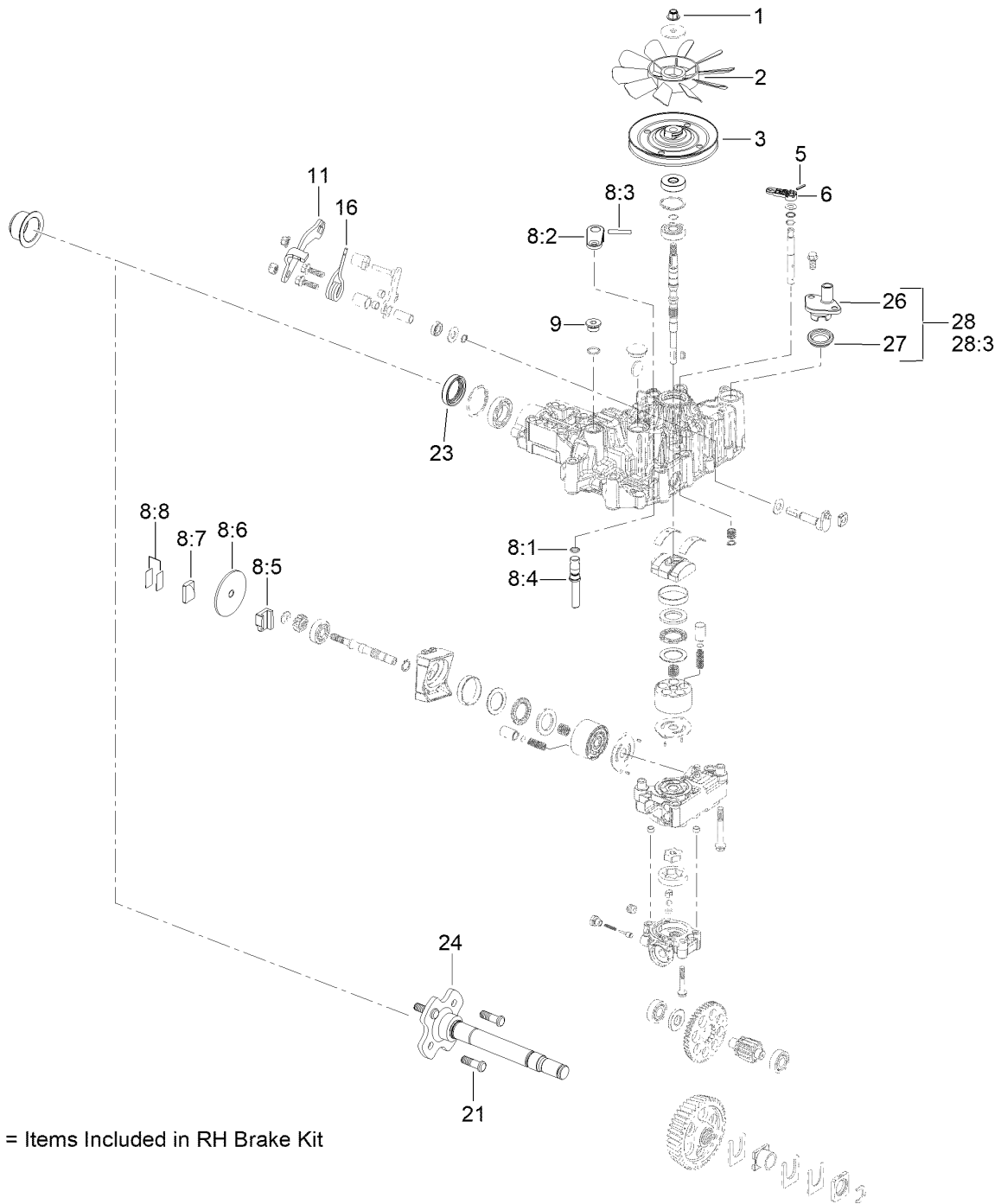
## Ground Drive Assembly (continued)

<i>Ref.</i>	<i>Part Number</i>	<i>Qty.</i>	<i>Description</i>	<i>Ref.</i>	<i>Part Number</i>	<i>Qty.</i>	<i>Description</i>
1	161-6674	1	LH Accy Transmission	21	104-7201	3	Nut-HF, NI
2	138-5839	1	RH Transmission ASM	22		1	Gs Overflow Hose ASM ■
3	131-1131-05	1	Transaxle Support ASM [blk-Txt]	24	92-2379	1	Clamp-Hose
4	93-2569	4	Screw-HHF	25	131-7469	1	Rod-Bypass, RH
5	116-4701	16	Screw-HHF	26	131-7470	1	Rod-Bypass, LH
6	104-8301	18	Nut-HF, NI	27	108-2992	2	Pin-Hair
7	138-1108-05	1	Skid Plate	28	32180-030	1	Clip-Tie
9	117-5351	1	Spacer	29	140-1886	2	Wheel And Tire ASM
10	1-413088	1	Bushing-Lever, Lift	29:1	140-1887	1	Rim-8 Inch Black
11	131-1175	1	Arm-Idler	29:2	120-6466	1	Tire
12	114-0463	2	Washer-Friction, Composite	29:3	232-27	1	Stem-Valve
13	110-9981	1	Washer-Plain	30	139-2564	8	Nut-Lug
14	3234-39	1	Screw-HHF	31	132-7584	2	Spacer-Hex
15	93-1622	1	Pulley-Idler	32	104-8300	2	Nut-HF, NI
16	3231-4	1	Screw-CARR	33	3290-250	2	Pin-Cotter
17	138-1104	1	Spring-Extension	34	2412-129	2	Clamp-Hose
18	131-1124	1	Belt-V	35	3290-378	1	Tie-Cable
19	132-1135	1	Tank-HYD	36	136-1290	2	Fitting-Elbow 90
19:2	133-8677	1	Cap-Vented	37	83-2080	1	Hose-Valve, Tank
19:5	140-9463	1	Strainer-Neck, Removable ●	38	133-0223	1	Hose-Fuel
20	3229-25	3	Screw-CARR	39	110-3257	1	Hose-Fuel

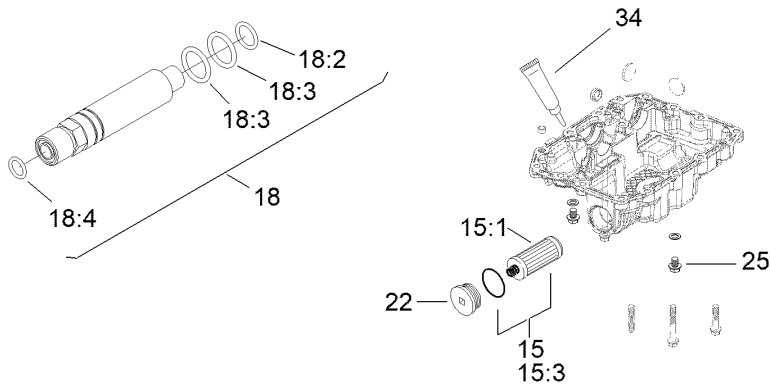
● Not illustrated

■ Not serviced separately

# LH Transmission Assembly No. 161-6674



8 = Items Included in RH Brake Kit



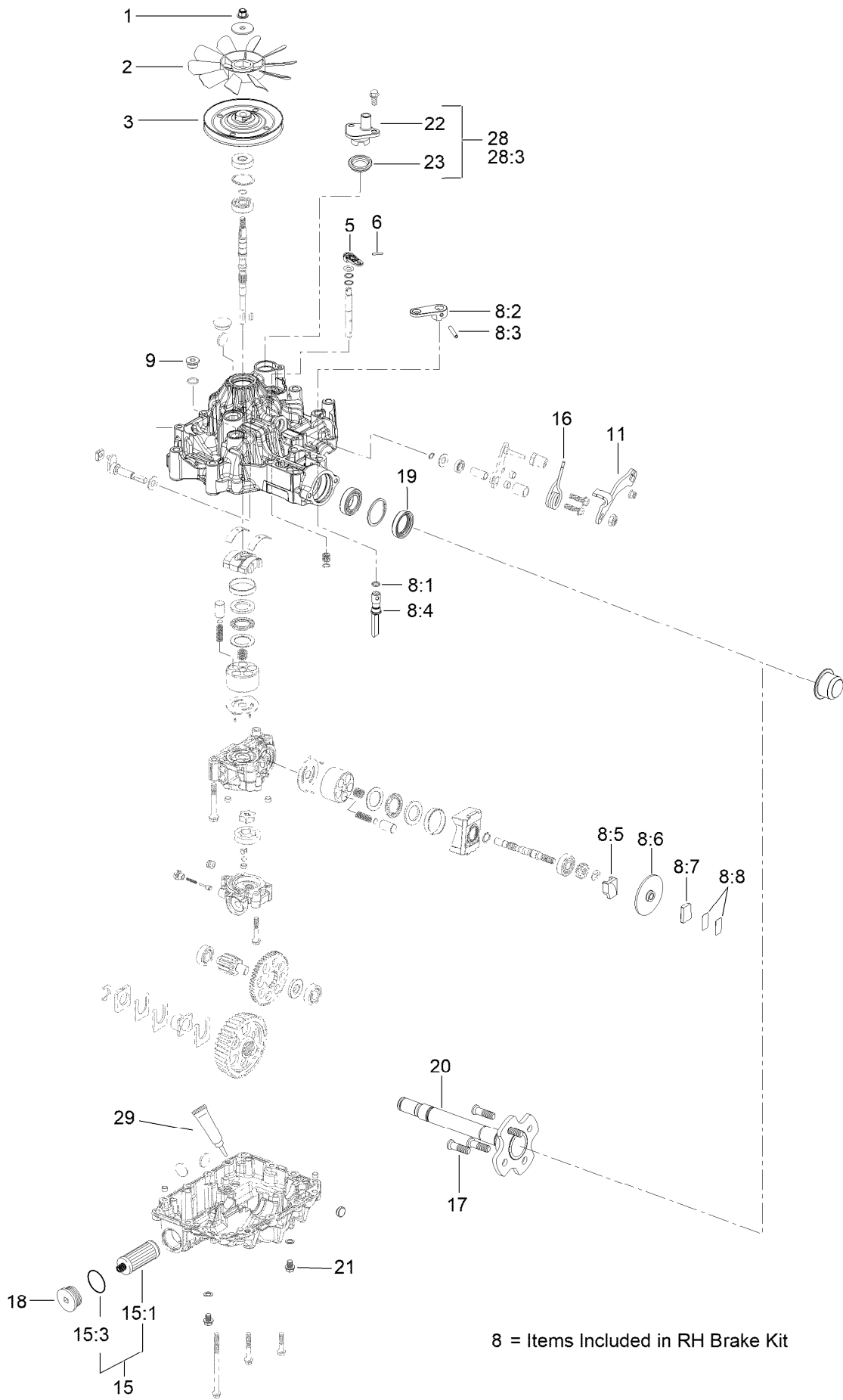
# LH Transmission Assembly No. 161-6674 (continued)

<i>Ref.</i>	<i>Part Number</i>	<i>Qty.</i>	<i>Description</i>	<i>Ref.</i>	<i>Part Number</i>	<i>Qty.</i>	<i>Description</i>
1	132-4737	1	Nut-Lock	16	137-4109	1	Spring-Torsion
2	132-4738	1	Fan	17	147-0371	1	Aux HYD Kit ●
3	132-4739	1	Pulley	18	161-6754	1	#6 Aux HYD Kit
5	104-3265	1	Pin	18:2	147-0372	1	O-Ring 6.1
6	132-4700	1	Lever-Bypass	18:3	147-0373	2	O-Ring
8	133-1468	1	Brake Kit,Left	18:4	237-22	1	O-Ring
8:1		1	O-Ring ■	21	137-9509	4	Stud-Wheel
8:2		1	Brake Arm ■	22	138-4613	1	Cap-Oil Filter
8:3		1	Roll Pin ■	23	139-5587	1	Seal-Axle, Ua
8:4		1	Brake Shaft ■	24	163-7372	1	Kit-Axle ASM
8:5		1	Brake Actuator ■	25	139-5589	2	Drain Bolt
8:6		1	Brake Disc ■	26	139-5590	1	Expansion Fitting
8:7		1	Brake Shoe ■	27	139-5591	1	Grommet Seal, Expansion Fitting
8:8		1	Shim Kit ■	28	139-7871	1	Expansion Fitting - W/ Seal
9	132-4735	1	Cap-Oil	28:3		1	M8*20 Flange Bolt ■
11	136-5401	1	Lever-Control, RH	31	147-0374	1	O-Ring (Orfs) ●
15	144-3842	1	2 Transmission Filter Kit	34	163-4196	1	Kit-Seal, Hydro
15:1		2	Filter (1A6370-26450) ■				
15:3		4	Sealing Washer ■				

● Not illustrated

■ Not serviced separately

# RH Transmission Assembly No. 138-5839





# RH Transmission Assembly No. 138-5839 (continued)

<i>Ref.</i>	<i>Part Number</i>	<i>Qty.</i>	<i>Description</i>	<i>Ref.</i>	<i>Part Number</i>	<i>Qty.</i>	<i>Description</i>
1	132-4737	1	Nut-Lock	15	144-3842	1	2 Transmission Filter Kit
2	132-4738	1	Fan	15:1		2	Filter (1A6370-26450) ●
3	132-4739	1	Pulley	15:3		4	Sealing Washer ●
5	104-3265	1	Pin	16	137-4109	1	Spring-Torsion
6	132-4700	1	Lever-Bypass	17	137-9509	4	Stud-Wheel
8	133-1462	1	RH Brake Kit	18	138-4613	1	Cap-Oil Filter
8:1		1	O-Ring ●	19	139-5587	1	Seal-Axle, Ua
8:2		1	Arm-Brake ●	20	163-7372	1	Kit-Axle ASM
8:3		1	Pin-Roll ●	21	139-5589	2	Drain Bolt
8:4		1	Shaft-Brake ●	22	139-5590	1	Expansion Fitting
8:5		1	Actuator-Brake ●	23	139-5591	1	Grommet Seal, Expansion Fitting
8:6		1	Disc-Brake ●				
8:7		1	Shoe-Brake ●	28	139-7871	1	Expansion Fitting - W/ Seal
8:8		1	Shim Kit ●	28:3		1	M8*20 Flange Bolt ●
9	132-4735	1	Cap-Oil	29	163-4195	1	Kit-Seal, Hydro
11	136-5401	1	Lever-Control, RH				

● Not serviced separately

# Overflow Hose Assembly



## Overflow Hose Assembly (continued)

<i>Ref.</i>	<i>Part Number</i>	<i>Qty.</i>	<i>Description</i>	<i>Ref.</i>	<i>Part Number</i>	<i>Qty.</i>	<i>Description</i>
1	145-3444	1	Hose-Hydraulic	4	147-0201	1	R-Clamp
2	139-4055	1	Fitting Tee	5	147-0204	1	Hydraulic Hose
3	147-0202	1	Hydraulic Hose	6	145-3599	4	Hose Clamp

# Motion Control Assembly



## Motion Control Assembly (continued)

<i>Ref.</i>	<i>Part Number</i>	<i>Qty.</i>	<i>Description</i>	<i>Ref.</i>	<i>Part Number</i>	<i>Qty.</i>	<i>Description</i>
1	132-5157	1	LH Control Handle ASM	9:5	1-603807	1	Spring-Return, Neutral
2	132-5158	1	RH Control Handle ASM	10	138-4620	1	RH Control Rod ASM
3	119-0222	2	Grip	10:1	138-4647	1	Ball Joint-LH
4	103-9928	2	Bearing	10:2	138-4648	1	Ball Joint-RH
5	120-3288	1	Tab-Pivot, LH	10:4	3219-3	1	Nut-Hex
6	3229-1	4	Screw-CARR	11	3231-28	2	Screw-CARR
7	104-7201	6	Nut-HF, NI	12	104-8301	4	Nut-HF, NI
8	120-3287	1	Tab-Pivot, RH	13	3256-24	2	Washer-Plain
9	138-4619	1	LH Control Rod ASM	14	132-7538	1	Bracket-Adjustment, Speed
9:1	138-4647	1	Ball Joint-LH	15	126-1499	2	Cam
9:2	138-4648	1	Ball Joint-RH	16	323-7	2	Screw-HH
9:4	3219-3	1	Nut-Hex				

# Control Handle Assembly No. 132-5157



## Control Handle Assembly No. 132-5157 (continued)

<i>Ref.</i>	<i>Part Number</i>	<i>Qty.</i>	<i>Description</i>
2	131-3562	1	Bearing-Sleeve
4	323-10	1	Screw-HH
5	104-8301	1	Nut-HF, NI
6	110-7191	2	Washer-Thrust

<i>Ref.</i>	<i>Part Number</i>	<i>Qty.</i>	<i>Description</i>
7	116-2670	1	Screw-Shoulder
8	104-8300	1	Nut-HF, NI
9	132-5146	1	Spring-Extension

# Control Handle Assembly No. 132-5158





## Control Handle Assembly No. 132-5158 (continued)

<i>Ref.</i>	<i>Part Number</i>	<i>Qty.</i>	<i>Description</i>	<i>Ref.</i>	<i>Part Number</i>	<i>Qty.</i>	<i>Description</i>
3	104-8301	1	Nut-HF, NI	7	104-8300	1	Nut-HF, NI
4	323-10	1	Screw-HH	8	131-3562	1	Bearing-Sleeve
5	110-7191	2	Washer-Thrust	9	132-5146	1	Spring-Extension
6	116-2670	1	Screw-Shoulder				

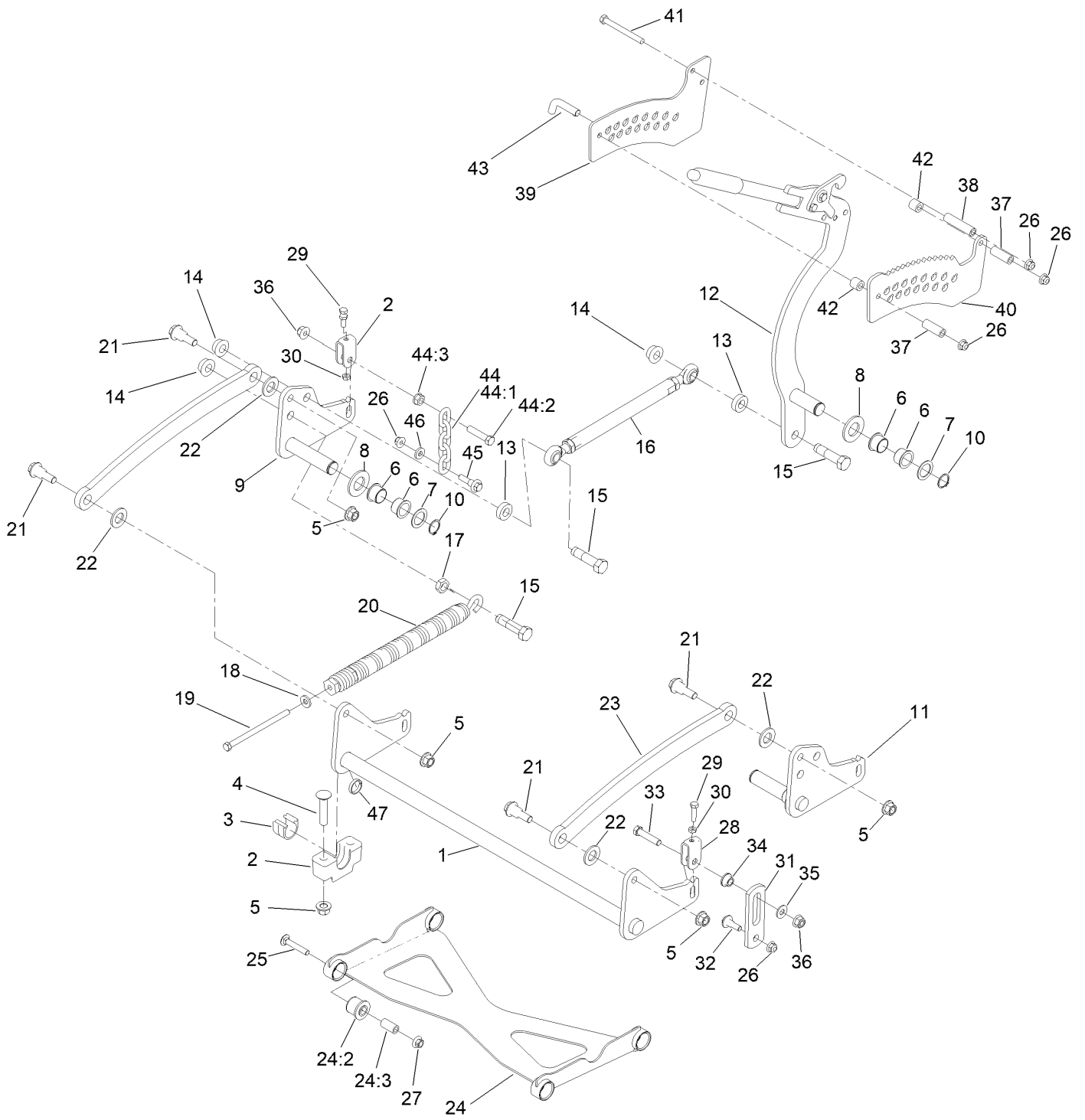
# Parking Brake Assembly



## Parking Brake Assembly (continued)

<i>Ref.</i>	<i>Part Number</i>	<i>Qty.</i>	<i>Description</i>	<i>Ref.</i>	<i>Part Number</i>	<i>Qty.</i>	<i>Description</i>
1	132-5170	1	Brake Handle ASM	7	32144-4	2	Screw-HWH
2	3230-23	5	Bolt-CARR	8	132-1187	1	Clamp-Cable
3	104-8300	6	Nut-HF, NI	9	132-7582	1	Mount-Cable, Brake
4	132-5168	1	RH Brake Caliper ASM	10	1-633268	1	Grip-Lever
5	132-5169	1	LH Brake Caliper ASM	11	131-1195	2	Cable-Brake
6	104-8301	2	Nut-HF, NI				

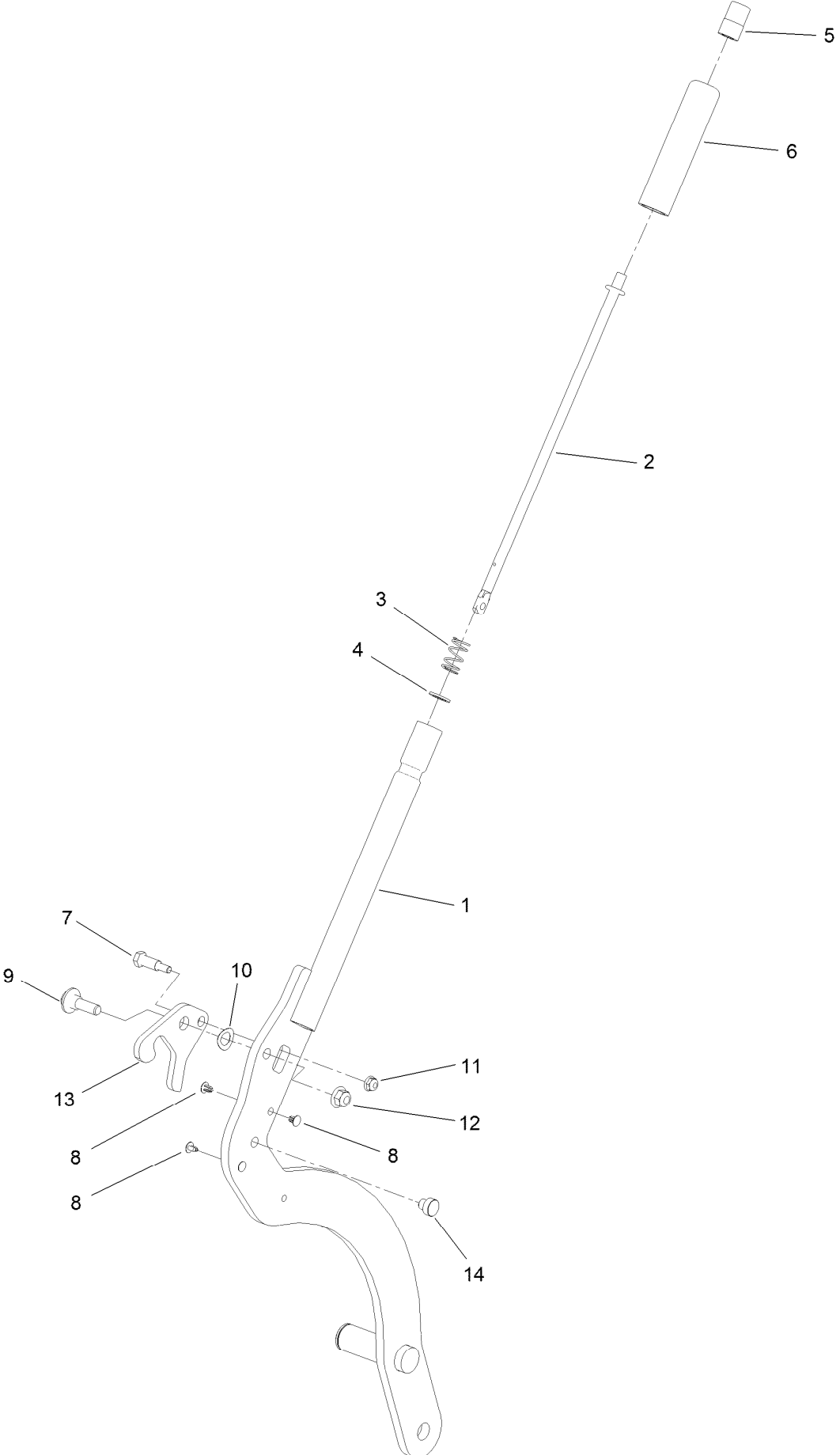
# Deck Lift Assembly



## Deck Lift Assembly (continued)

<i>Ref.</i>	<i>Part Number</i>	<i>Qty.</i>	<i>Description</i>	<i>Ref.</i>	<i>Part Number</i>	<i>Qty.</i>	<i>Description</i>
1	120-8405-01	1	Shaft-Cross, Front	25	3231-7	4	Screw-CARR
2	109-9409	2	Support-Bearing, Cross Shaft (Front)	26	104-8301	7	Nut-HF, NI
3	109-9410	2	Bearing-Cross Shaft, Front	27	32128-19	4	Nut-HF Lock, Large Flg
4	116-1700	4	Bolt-CARR	28	109-9066	4	Yoke-Adjust, Deck
5	99-5107	8	Nut-HF Nylock	29	322-47	4	Screw-HH
6	127-0369	6	Bushing	30	3218-2	8	Nut-Hex Jam
7	10-8110	3	Washer-Thrust	31	130-6589	2	Link-Lift
8	3256-62	3	Washer-Flat	32	109-9840	2	Screw-Shoulder, HHF
9	127-0616-01	1	Arm-Lift, Rear (RH)	33	109-9065	2	Screw-HH
10	32151-29	3	Ring-Retaining	34	116-2428	2	Bushing-Flanged
11	127-0615-01	1	Arm-Lift, Rear (LH)	35	3256-4	2	Washer-Flat
12	161-6735	1	HOC Lever ASM	36	3296-48	4	Nut-Hex
13	119-6223	2	Washer	37	95-6448	2	Spacer
14	138-4932	3	Nut-Hex Flg	38	138-1111	1	Spacer
15	138-4931	3	Screw-Lock	39	132-7581	1	HOC Plate And Decal ASM
16	130-6615	1	HOC Link ASM	40	138-4887	1	Plate-HOC, Inner
17	3218-6	1	Nut-Jam	41	116-4701	3	Screw-HHF
18	98-5975	1	Washer-Belleville	42	121-1760	2	Spacer
19	323-58	1	Bolt-TAP, HH	43	116-5584	1	Pin-HOC
20	116-0886	1	Spring-Extension	44	116-0756	2	Deck Lift Chain ASM
21	116-0780	4	Screw-Shoulder, HHF	44:1	1-633447	1	Chain-Lift, Deck
22	3256-28	4	Washer-Flat	44:2	109-9065	1	Screw-HH
23	127-1948-03	2	Link-Lift	44:3	32128-37	1	Nut-HF
24	137-4129	1	Deck Strut ASM	45	130-0742	2	Bolt-Shoulder
24:2	137-4108	4	Bushing-Rubber	46	43-0940	2	Spacer
24:3	108-6544	4	Spacer	47	133-1431	1	Spacer-Split

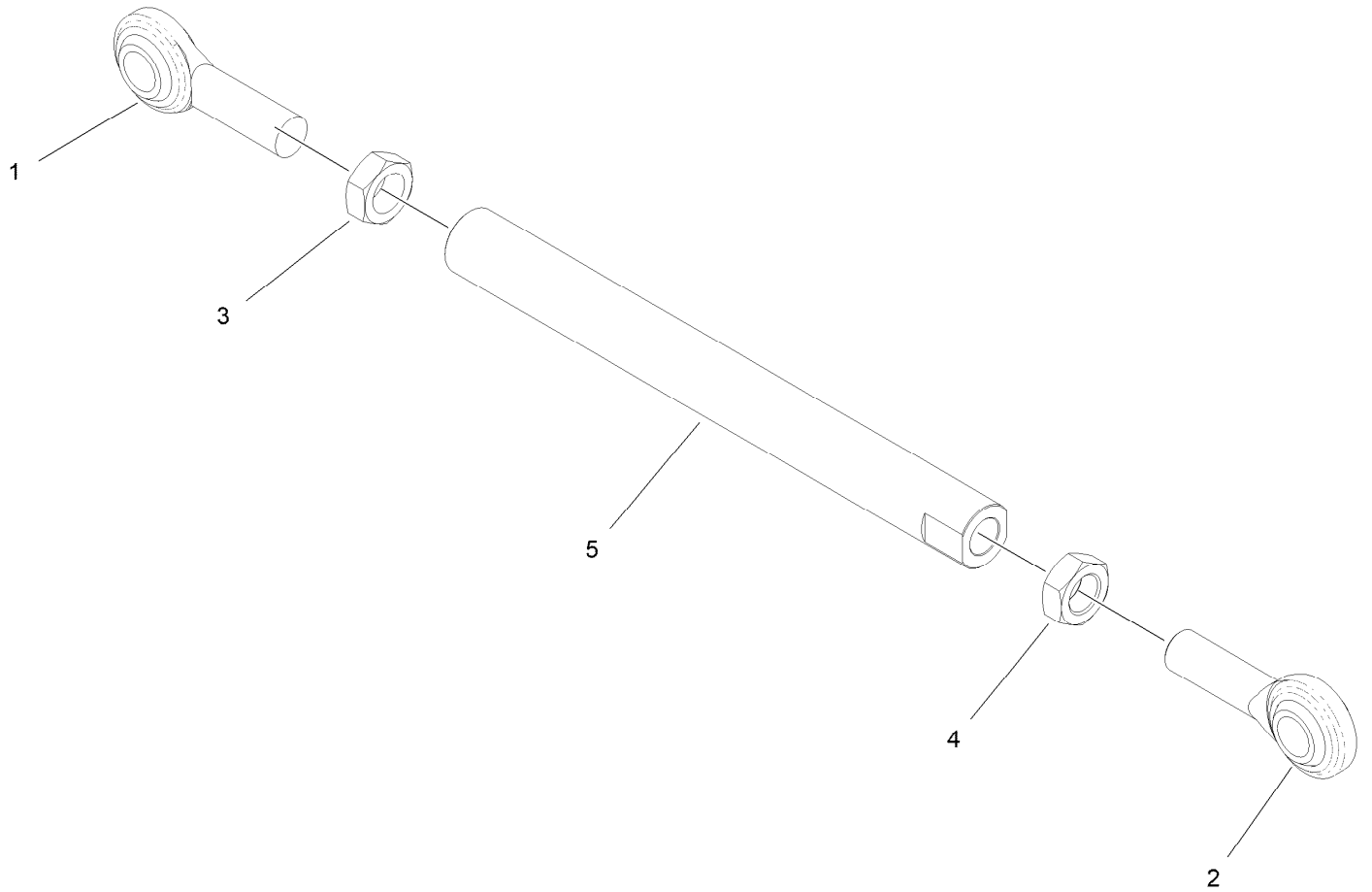
# HOC Lever Assembly No. 161-6735



## HOC Lever Assembly No. 161-6735 (continued)

<i>Ref.</i>	<i>Part Number</i>	<i>Qty.</i>	<i>Description</i>	<i>Ref.</i>	<i>Part Number</i>	<i>Qty.</i>	<i>Description</i>
1	161-6736-01	1	Lift Lever ASM [red]	8	103-1363	4	Rivet
2	136-0530	1	Rod-Latch, Release	9	614672	1	Screw-Shoulder, HWH
3	114-8187	1	Spring-Compression	10	110-8982	1	Washer-Spring
4	114-1207	1	Washer-Special	11	104-7201	1	Nut-HF, NI
5	115-2750	1	Knob	12	104-8301	1	Nut-HF, NI
6	115-3592	1	Grip	13	138-4888	1	Latch-HOC
7	119-2309	1	Bolt-Shldr,HH	14	138-4863	1	Plug-Wear

# HOC Link Assembly No. 130-6615



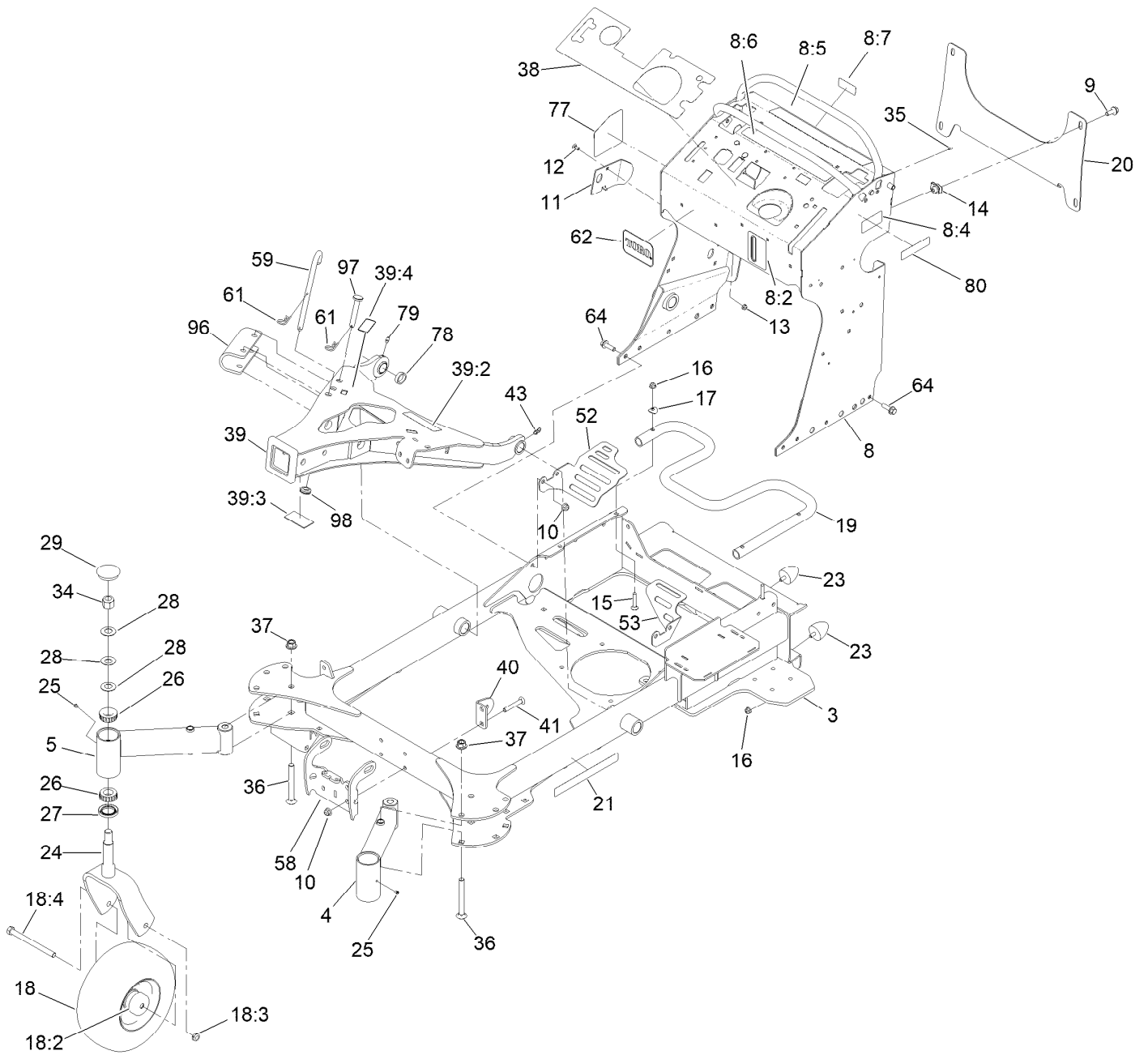


# HOC Link Assembly No. 130-6615 (continued)

<i>Ref.</i>	<i>Part Number</i>	<i>Qty.</i>	<i>Description</i>
1	1-633029	1	Balljoint-Spherical
2	117-5291	1	Balljoint-Spherical
3	3220-6	1	Nut-Jam

<i>Ref.</i>	<i>Part Number</i>	<i>Qty.</i>	<i>Description</i>
4	117-5293	1	Nut-Jam
5	130-6614	1	Link-Height Of Cut

# Frame Assembly



## Frame Assembly (continued)

<i>Ref.</i>	<i>Part Number</i>	<i>Qty.</i>	<i>Description</i>	<i>Ref.</i>	<i>Part Number</i>	<i>Qty.</i>	<i>Description</i>
3	131-1510-01	1	Frame	27	116-5647	2	Seal-Grease
4	131-1521-01	1	Tube-Castor, Short	28	1-633508	6	Washer-Bellville
5	131-1522-01	1	Tube-Castor, Long	29	103-4882	2	Cap-Grease
8	140-4283	1	Tower Decal ASM	34	3296-51	2	Nut-Lock, NI
8:2	147-7921	1	Decal-Oil Level	35	3290-271	2	Rivet-Pop
8:4	116-8775	1	Decal-Fill, Fuel	36	3233-7	4	Screw-CARR
8:5	139-2878	1	Decal-Warning	37	99-5107	4	Nut-HF Nylock
8:6	131-3526	1	Decal-Controls	38	140-4260	1	Decal, Multi-Force
8:7	147-0212	1	Decal - Fuse	39	163-4091	1	A-Frame Decal ASM
9	3234-42	4	Screw-HHF	39:2	115-4855	1	Decal-Caution
10	119-4042	12	Nut-HF, NI	39:3	130-0733	1	Pad-Rubber
11	131-7455	1	Plate-Striker	39:4	145-4729	1	Decal - Cylinder Lock
12	3229-11	1	Screw-CARR	40	127-0649-01	2	Bracket-Cylinder
13	104-7201	1	Nut-HF, NI	41	3231-44	4	Screw-CARR
14	105-4886	4	Nut-Tinnerman	43	302-40	1	Fitting-Grease, 90 DEG
15	3230-5	3	Bolt-CARR	52	132-7578-01	1	Guard-Fan, RH
16	119-4041	7	Nut-HF	53	132-7598-01	1	Guard-Fan, LH
17	107-3844	3	Washer	58	133-5320-01	1	Bracket-Lock
18	140-5485	2	Mf Wheel Tire Bearing ASM	59	163-4041	1	Pin-Hitch
18:2	103-2768	2	Guard-Seal	61	92-2762	2	Pin-Hair
18:3	3296-45	1	Nut-Hex	62	126-5060	1	Decal-Logo, Toro
18:4	325-20	1	Screw-HH	64	119-4061	8	Screw-HHF
19	132-5161-01	1	Tube-Mount, Fuel Tank	77	133-4648	1	Decal Service-Multiforce
20	132-1145-05	1	Brackct-Cross	78	116-6758	1	Spacer
21	117-3591	2	Decal-Commercial	79	302-5	1	Fitting-Grease
23	114-1926	4	Bumper-Rubber	80	133-8062	1	Decal-Spark Arrestor
24	147-6343-01	2	Caster Fork ASM [red]	96	163-4039-01	1	Plate-Cylinder Lock
25	1-811010	2	Plug	97	163-4040	1	Pin-Clevis
26	1-543509	4	Bearing-Roller, Tapered	98	1-543296	2	Grommet

# Wheel and Bearing Assembly



## Wheel and Bearing Assembly (continued)

<i>Ref.</i>	<i>Part Number</i>	<i>Qty.</i>	<i>Description</i>	<i>Ref.</i>	<i>Part Number</i>	<i>Qty.</i>	<i>Description</i>
1	1-633585	2	Bearing-Cone, Taper	4	126-5359	1	Caster Axle ASM
2	103-0063	2	Seal-Caster	5	140-5483	1	Mf Wheel And Tire ASM
3	103-3051	1	Spacer-Nut				

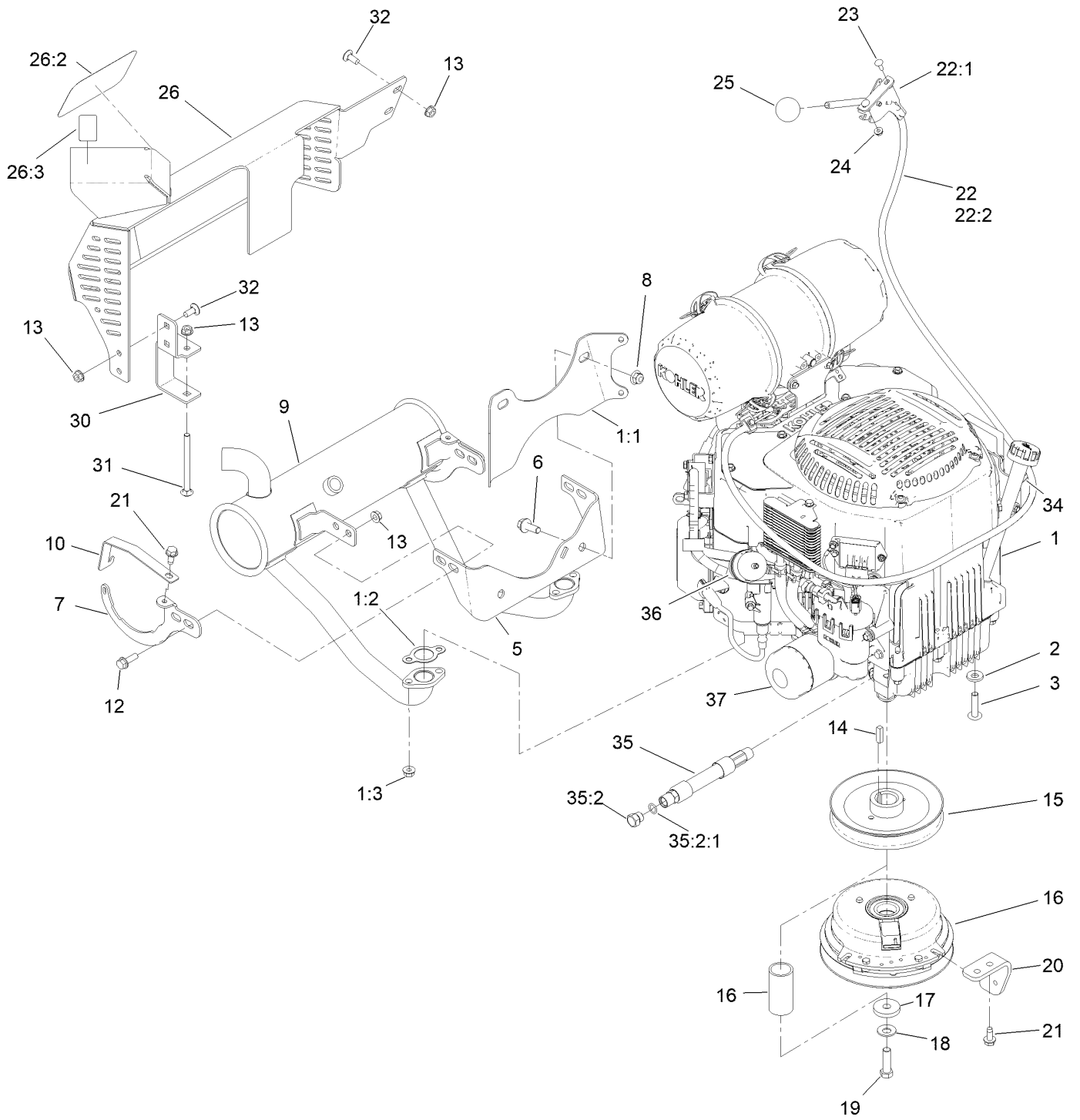
# Platform Assembly



## Platform Assembly (continued)

<i>Ref.</i>	<i>Part Number</i>	<i>Qty.</i>	<i>Description</i>	<i>Ref.</i>	<i>Part Number</i>	<i>Qty.</i>	<i>Description</i>
1	120-8499-05	1	Hinge-Pad	14	3231-2	2	Bolt-CARR
2	117-9739	1	Pad-Cushion	15	3231-27	2	Screw-CARR
3	3256-23	4	Washer-Plain	16	163-3498-01SP	1	Platform ASM
4	121-7999	4	Screw-HH, Patch	17	126-7157	1	Mat-Platform
5	114-0463	4	Washer-Friction, Composite	18	3345-771	1	Shield Clamp Kit
6	133-1426	2	Knob	19	32144-70	2	Screw-HWHTF
7	116-2886	2	Slide-Bushing	20	119-8650	1	Pin-Latch
8	3253-4	2	Washer-Lock	21	114-5348	1	Spring
9	137-4808	2	Nut-Acorn	22	1-603175	1	Knob-Ball
10	111044	4	Spacer	23	132-7583	2	Bushing-Flanged
11	114-1915-01	2	Link-Pad	24	104-8301	2	Nut-HF, NI
12	3256-4	6	Washer-Flat	25	323-45	2	Screw-HH
13	3296-59	4	Nut-Lock, NI				

# Engine Assembly





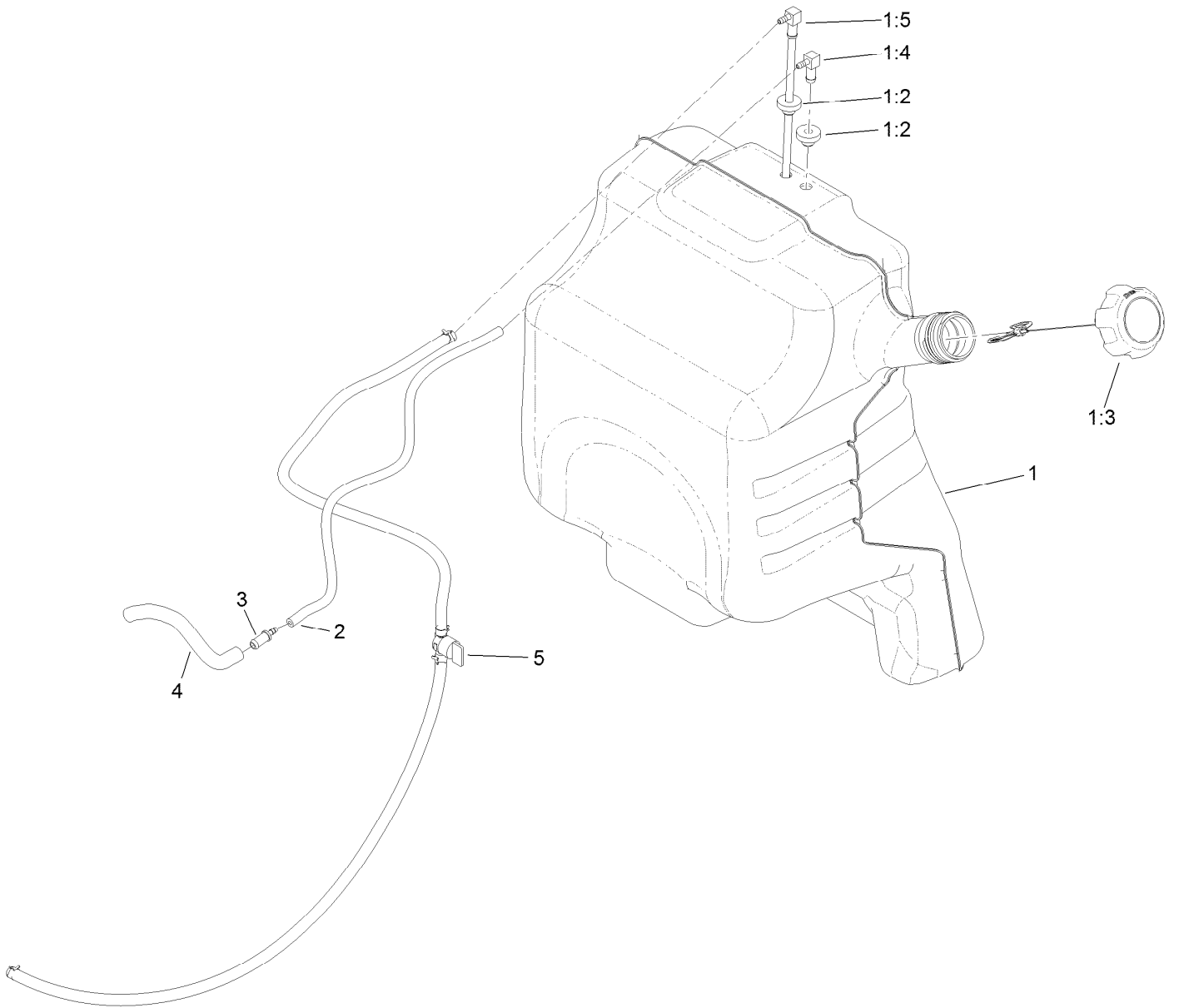
## Engine Assembly (continued)

<i>Ref.</i>	<i>Part Number</i>	<i>Qty.</i>	<i>Description</i>	<i>Ref.</i>	<i>Part Number</i>	<i>Qty.</i>	<i>Description</i>
1		1	Engine-Kohler, Ecv749 ●■	20	131-3586-05	1	Stop-Clutch
1:1	131-7400	1	Bracket-Muffler	21	32144-70	4	Screw-HWHTF
1:2	110-6697	2	Gasket-Exhaust	22	147-1664	1	Throttle ASM
1:3	68-9400	4	Nut-Flange	22:1	145-6187	1	Lever-Control
2	98-5975	4	Washer-Belleville	22:2	147-1674	1	Cable-Throttle
3	126-0983	4	Screw-BHTF	23	1-807533	2	Bolt-CARR
5	132-1168	1	Bracket-Muffler	24	32128-17	2	Nut-Lock, Flange
6	3234-42	2	Screw-HHF	25	1-603175	1	Knob-Ball
7	133-4613	2	Support-Muffler	26	163-4101	1	Muffler Guard ASM
8	119-4042	2	Nut-HF, NI	26:2	94-2579	1	Decal
9	133-4634	1	Muffler-Kohler	26:3	127-0392	1	Decal-Hot Surface
10	133-4639	2	Bracket-Muffler, Koh	30	131-3530-05	1	Bracket-Mounting, Guard
12	3234-17	4	Screw-HHF	31	106-9758	1	Screw-CARR
13	32128-25	9	Nut-HF	32	3230-23	4	Bolt-CARR
14	1-807259	1	Key	34	3290-378	1	Tie-Cable
15	120-8498	1	Pulley	35	133-4657	1	Hose ASM
16	131-1100	1	Clutch	35:2	353-508	1	Plug-HH
17	1-543610	1	Washer-Flat	35:2:1	237-42	1	O-Ring
18	1-603610	1	Washer-Spring	36	94-9695	1	Filter-Fuel
19	3212-6	1	Screw-HH	37	98020	1	Filter-Oil

● Not serviced separately

■ Obtain parts from [www.kohlerplus.com](http://www.kohlerplus.com)

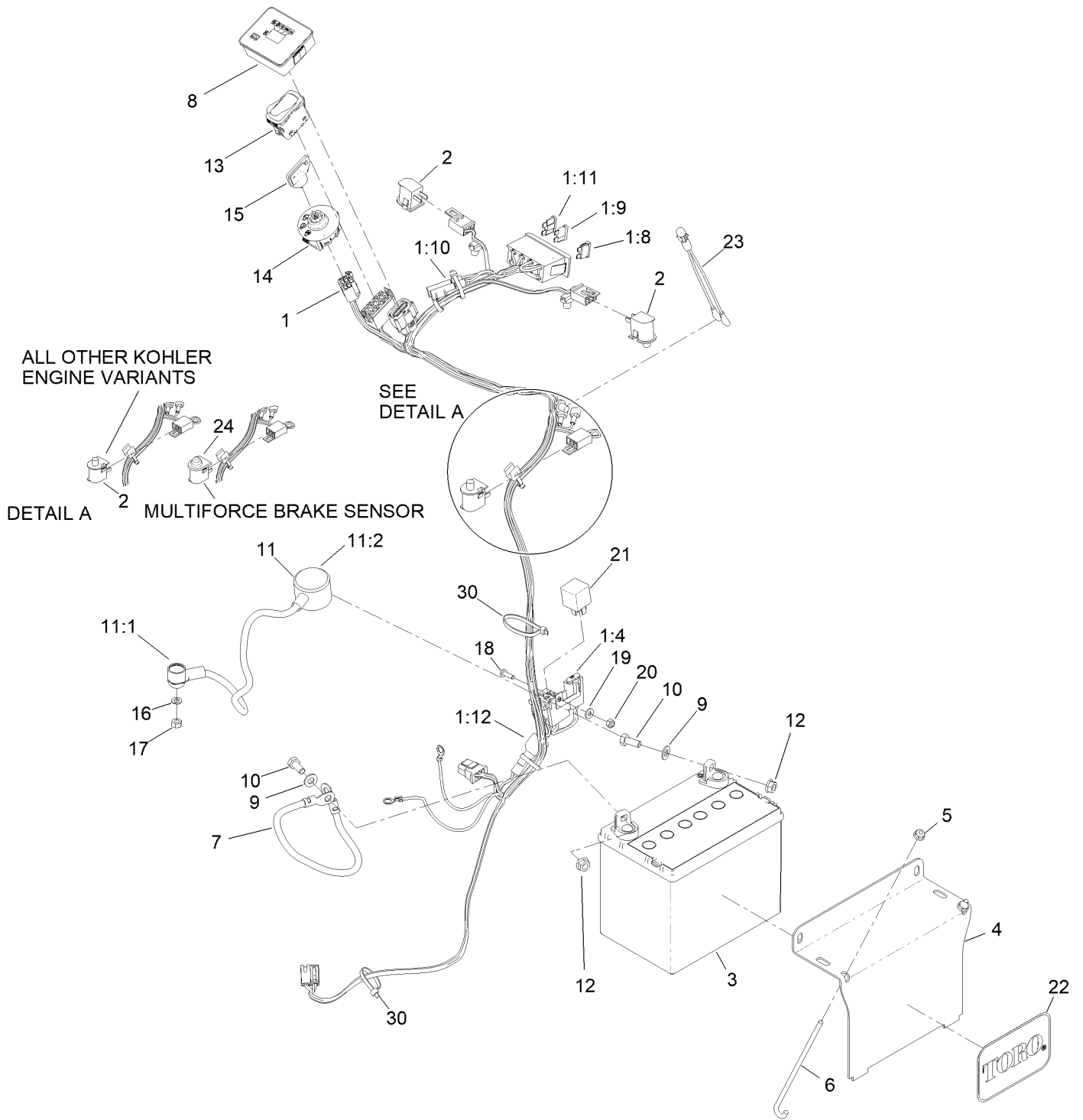
# Fuel Tank Assembly



## Fuel Tank Assembly (continued)

<i>Ref.</i>	<i>Part Number</i>	<i>Qty.</i>	<i>Description</i>	<i>Ref.</i>	<i>Part Number</i>	<i>Qty.</i>	<i>Description</i>
1	132-7560	1	Fuel Tank ASM	2	110-8255	1	Hose-Fuel
1:2	46-6560	2	Bushing	3	98-2952	1	Fitting-Straight
1:3	137-4127	1	Cap-Fuel	4	132-7576	1	Hose-Fuel
1:4	104-5228	1	Fitting-Elbow, 90 DEG	5	132-7545	1	Fuel Line ASM
1:5	145-6195	1	ASM, Tube-Fuel				

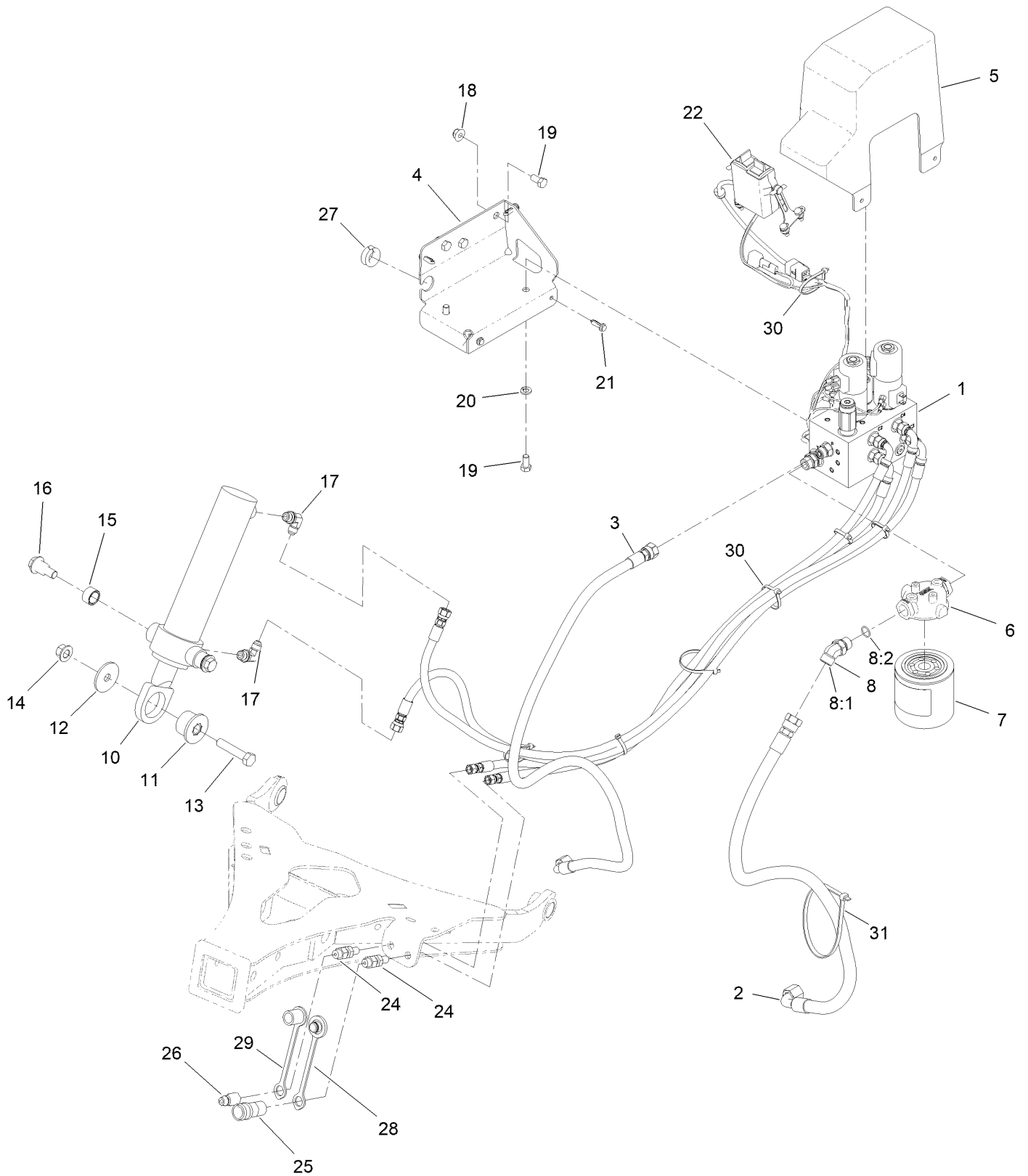
# Electrical Assembly



## Electrical Assembly (continued)

<i>Ref.</i>	<i>Part Number</i>	<i>Qty.</i>	<i>Description</i>	<i>Ref.</i>	<i>Part Number</i>	<i>Qty.</i>	<i>Description</i>
1	147-7942	1	Harness-Wire, Grandstand	11:1	1-543393	1	Insulator-Solenoid
1:4	109101	1	Fuse-Blade, 20 Amp	11:2	109-2407	1	Insulator-Battery
1:8	109355	2	Fuse-Blade, 15 Amp	12	109-5715	2	Nut-HHF, Smooth
1:9	218-578	1	Fuse-Blade, 10 Amp	13	139-6367	1	Switch-Rocker, (On)-On-Off
1:10	116-0053	2	Cap-Plug	14	137-4101	1	Switch-Ignition
1:11	110928	1	Fuse-Blade, 5 Amp	15	63-8360	1	Key-Ignition
1:12	103-3895	1	Diode	16	3253-3	1	Washer-Lock
2	82-2190	2	Switch-Bail	17	3217-5	1	Nut-Hex
3	104-8162	1	Battery	18	3290-500	1	Screw-PPH
4	130-6635-01	1	Bracket-Hold Down, Battery	19	3256-14	1	Washer-Flat
5	104-7201	2	Nut-HF, NI	20	3296-2	1	Nut-Lock, NI
6	1-633651	2	Bolt-Holddown	21	1-643275	1	Relay
7	112-7063	1	Cable-Battery, Black	22	67-1300	1	Decal
8	140-1884	1	Module-Meter, Hour	23	1-643267	1	Indicator-LED, Red
9	3256-23	2	Washer-Plain	24	133-4654	1	Switch-Plunger
10	322-3	2	Screw-HH	30	3290-378	2	Tie-Cable
11	115-3864	1	Cable-Battery, Positive				

# Low Flow Hydraulics Assembly

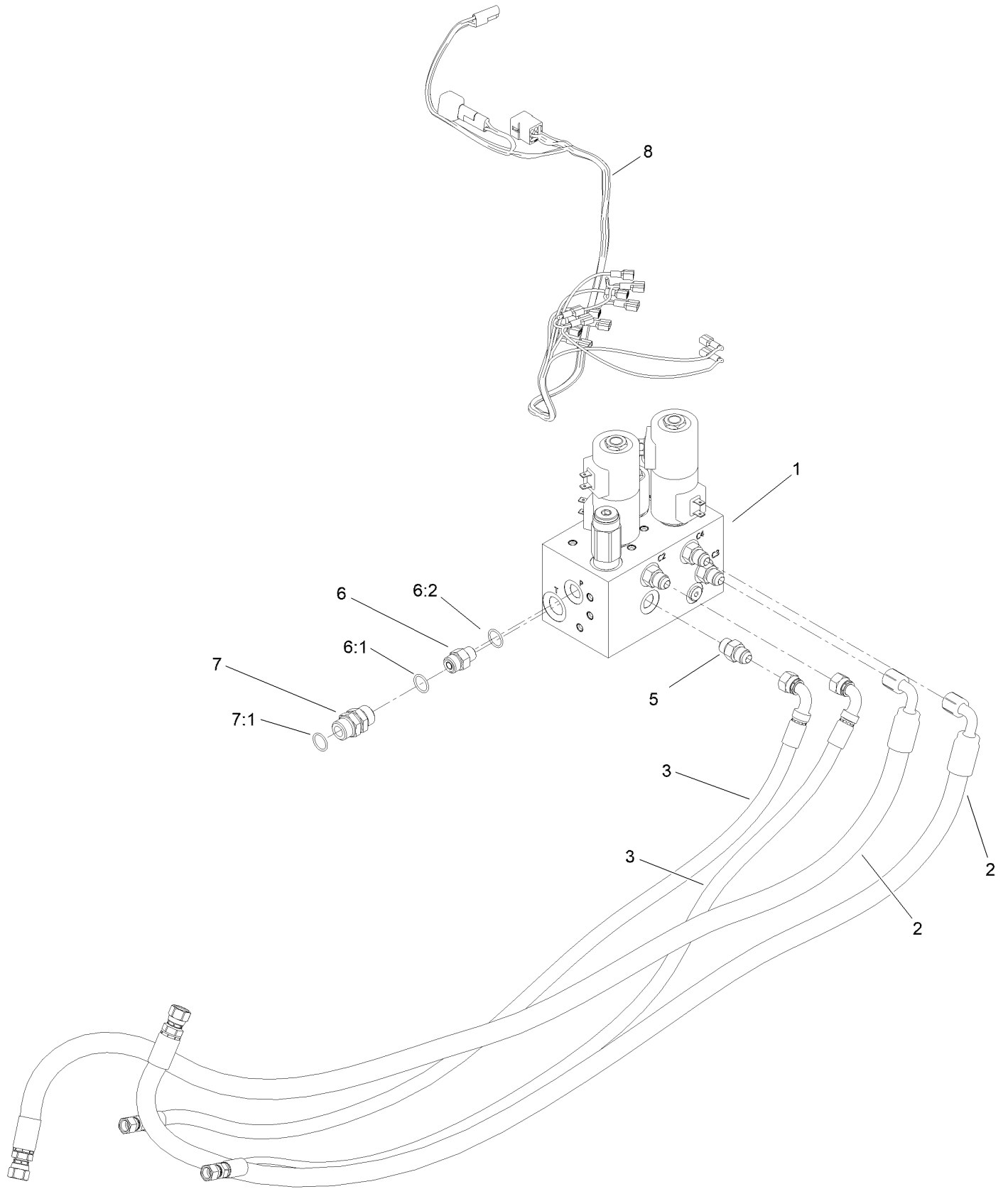


## Low Flow Hydraulics Assembly (continued)

<i>Ref.</i>	<i>Part Number</i>	<i>Qty.</i>	<i>Description</i>	<i>Ref.</i>	<i>Part Number</i>	<i>Qty.</i>	<i>Description</i>
1		1	Low Flow Manifold ASM ●	18	104-8301	3	Nut-HF, NI
2	161-6689	1	Hose ASM-HYD	19	323-4	5	Screw-HH
3	161-6688	1	Hose ASM-HYD	20	3253-21	2	Washer-Lock
4	HYD13942-05	1	Bracket-HYD Manifold	21	HDW17303	4	Tuflok Rivet
5	HYD13941	1	Cover,Manifold,Grandstand	22		1	Controler Kit, Mf Low Flow ●
6	HYD14087	1	Grandstand,Head,Filter,-08ORB	24	HYD13159	2	Fitting,Bulkhead,1/4MJIC X 1/4MNPT
7	HYD14155	1	Filter,Winter,Spin-On,Grandstand	25	HYD13160	1	Fitting,Quick Connect,Female,1/4FNPT
8	340-101	1	Fitting-HYD, 45 DEG	26	HYD13161	1	Fitting,Quick Connect,Male,1/4FNPT
8:1	237-30	1	O-Ring	27	TGS05834	1	Grommet,3/4ID X 1OD X 1/4Groove, TGS
8:2	237-79	1	O-Ring	28	353-984	1	Plug-Dust
10	HYD13944	1	Cylinder,Lift,2X8	29	353-985	1	Cap-Dust
11	MSC13350	1	Bushing Assy,Lift Cylinder,Grandstand	30	3290-378	7	Tie-Cable
12	55-7960	1	Washer-Large	31	1-809066	1	Cable Tie-Plastic
13	325-10	1	Screw-HH				
14	99-5107	1	Nut-HF Nylock				
15	HDW13948	2	Bushing,.75X.75				
16	HDW13947	2	Bolt,Shoulder,Pivot				
17	HYD13925	2	Fitting,90,6-MORB X 6-M37JIC				

● Not serviced separately

# Low Flow Manifold Assembly

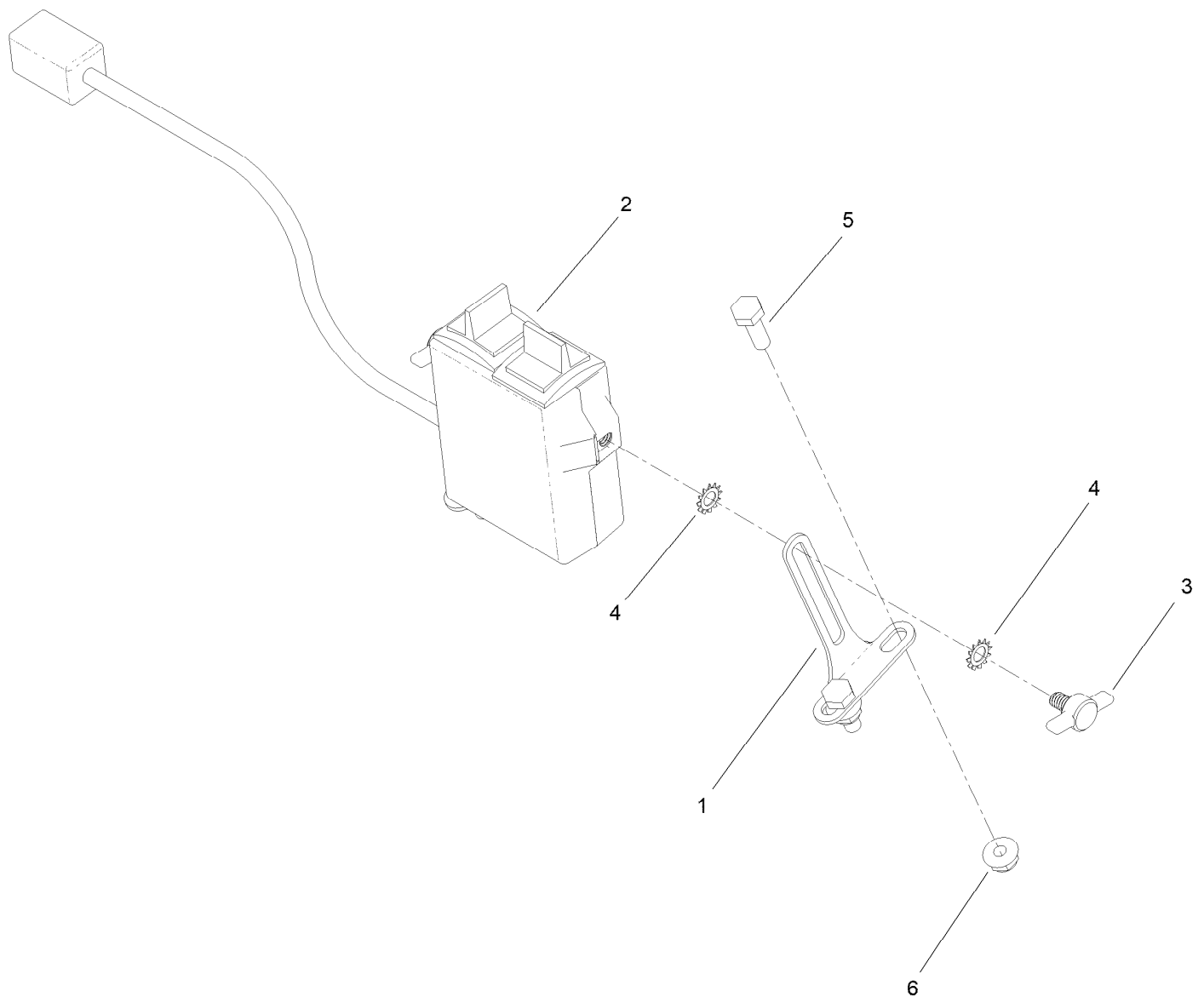




## Low Flow Manifold Assembly (continued)

<i>Ref.</i>	<i>Part Number</i>	<i>Qty.</i>	<i>Description</i>	<i>Ref.</i>	<i>Part Number</i>	<i>Qty.</i>	<i>Description</i>
1	147-0211	1	Manifold, Gs Low Flow	6:1	237-22	1	O-Ring
2	HYD13940	2	Hose,3/8FJIC X 3/8FJIC90 X 50	6:2	237-42	1	O-Ring
3	HYD13939	2	Hose,1/4FJIC X 3/8FJIC90 X 37	7	95-3209	1	Fitting-Thread, Straight
5	HYD13932	4	Fitting-Straight	7:1	237-79	2	O-Ring
6	340-2	1	Fitting-Straight	8	MSC13819	1	Control Harness, Grandstand

# Low Flow Controller Kit Assembly



## Low Flow Controller Kit Assembly (continued)

<i>Ref.</i>	<i>Part Number</i>	<i>Qty.</i>	<i>Description</i>	<i>Ref.</i>	<i>Part Number</i>	<i>Qty.</i>	<i>Description</i>
1	MSC13707	2	Bracket,Lg,ATV/UTV CB	4	HDW13711	4	Star Washer 1/4,ATV CB
2	STB13903	1	Control,Switch Box,Grandstand	5	321-4	4	Screw-HH
3	HDW13714	2	Thumb Screw,1/4-20 X 7/16,ATV CB	6	104-7201	4	Nut-HF, NI

# Attachments and Accessories

## For 72524 — GrandStand Multi Force Mower With 60in TURBO FORCE Cutting Unit and Low Flow Hydraulics

Product Name	Model/Part
Air Cleaner Filter.....	100-4556
Filter Air Safety.....	103-1326
Hypr-Oil 500 (quart).....	114-4713
Hypr-Oil 500 (gallon).....	114-4714
Hypr-Oil 500-5 (5 gallon).....	114-4715
Harness Wire Splitter.....	121-5988
Spark Plug.....	130-8380
Fuel Filter.....	130-8381
Toro Premium Fuel Treatment 12oz Bottle.....	131-6572
Speed Setting Tool.....	132-7595
Roller Striper Kit.....	133-1436
Light Kit.....	133-1437
Electric Accessory Port.....	133-1438
HOC Set Blocks.....	133-1439
Trimmer Rack.....	133-1441
Hydro Oil Change Kit.....	133-1457
Strobe Light Kit.....	133-1495
5 Gallon Bucket.....	133-2533
Wheel Weight Kit.....	133-5386
Quick-Attach-Male.....	136-0513
Hydraulic Cap Lock Kit.....	136-5420
Case Drain Kit.....	136-7436
Multiforce EC Float Kit.....	136-8350
Broom Rubber Flap Kit.....	137-3920
Bagger Enhancement Kit.....	139-1529
Recycler Kit.....	139-6655
18x8.5n10 X-Tweel Turf.....	139-7890
Blade-20.5 High Flow.....	140-1240
Blade-20.50 Atomic.....	140-1241
Snow Tire Kit.....	140-4310
Pneumatic Castor Wheel Kit.....	140-4311
Blade-20.50 Medium Flow.....	140-4853
Blade-20.50, Low Flow.....	140-4854
Blade-20.50 Recycler.....	140-4855
6 Pack-Blade, 20.5 High Flow.....	140-4877
6 Pack-Blade, 20.5 Med Flow.....	140-4878
6 Pack-Blade, 20.5 Low Flow.....	140-4879
6 Pack-Blade, 20.5 Atomic.....	140-4880
6 Pack-Blade, 20.5 Recycler.....	140-4881
2 Transmission Filter Kit.....	144-3842
Blade-20.50 High Flow.....	147-6252
6 Pack-Blade, 20.50 High Flow.....	147-6256
Kit-pneumatic Caster Tire.....	161-3470
Kit-semi Pneu Caster Tire.....	161-3471
Service Stand ASM.....	163-7340

## Attachments and Accessories (continued)

Soft Bag (3 Bushel).....	30104
10W30 4-Cycle Engine Oil (32oz Bottle).....	38280
Toro 4-Cycle SAE 30 Oil (32oz Bottle) .....	38903
Twin Bagger Kit.....	78524
Blower Drive 60-in .....	78527
Pro Force Blower .....	78593
Grandstand Multi Force Broom.....	78596
Grandstand Multi Force Mulch Force .....	78597
Grandstand Multi Force High-Flow Kit .....	78601
Dethatcher, 46in Multi Force .....	78690
Dethatcher Mount .....	78691
Aerator, 38in Multi Force.....	78694
Aerator Mount, Multi Force .....	78695
Leaf Plow Without Mount.....	78697
Leaf Plow Mount Only, Multi-Force .....	78698
Spark Arrestor .....	98-9099
Filter-Oil.....	98020
Kit-Snow Deflector, HTX.....	MSC04587C
Straight Blade, ATV Plow Shoe Kit.....	MSC13040
Blade Extension Kit,6in,stb .....	MSC13850B
Grandstand Side Plow Kit.....	MSC13960
Kit-Plow Side,4'0"STB,Grandstand.....	MSC14780
Blade Crate (Snowplow), ATV Poly S .....	STB13567B
Blade Crate (snowplow),4-0,atv Poly S.....	STB13759B
Urethane Edge Kit .....	STB13801

**Notes:**

**Notes:**



**Count on it.**