



**Count on it.**

**Parts Catalog**

**72in Side Discharge Rotary  
Mower**

**Groundsmaster® 3200 or 3300 Series  
Traction Unit**

**Model No. 31972—Serial No. 420000000 and Up**



# Ordering Replacement Parts

To order replacement parts, please supply the part number, the quantity, and the description of each part desired.

## Understanding Reference Numbers

Each identified part in an illustration has a reference number. The reference number for a part also appears in the parts list, along with other information about the part.

This catalog uses two special reference number formats, one to indicate parts in a service assembly and another to indicate the quantity of a given part in an illustration.

## Service Assembly Reference Numbers

Parts in service assemblies have reference numbers in the form a:b. The a represents the reference number of the entire service assembly and the b represents a sequential number unique to each part within the service assembly.

For example, a wheel assembly might be identified by reference number 6, the tire by 6:1, the valve by 6:2, and the wheel by 6:3. When you order the assembly identified by reference number 6, you receive all parts identified by reference numbers 6:1, 6:2, and 6:3. However, you may also order any part individually. Reference numbers of this type appear in illustration and in parts lists.

## Reference Numbers Indicating Quantity

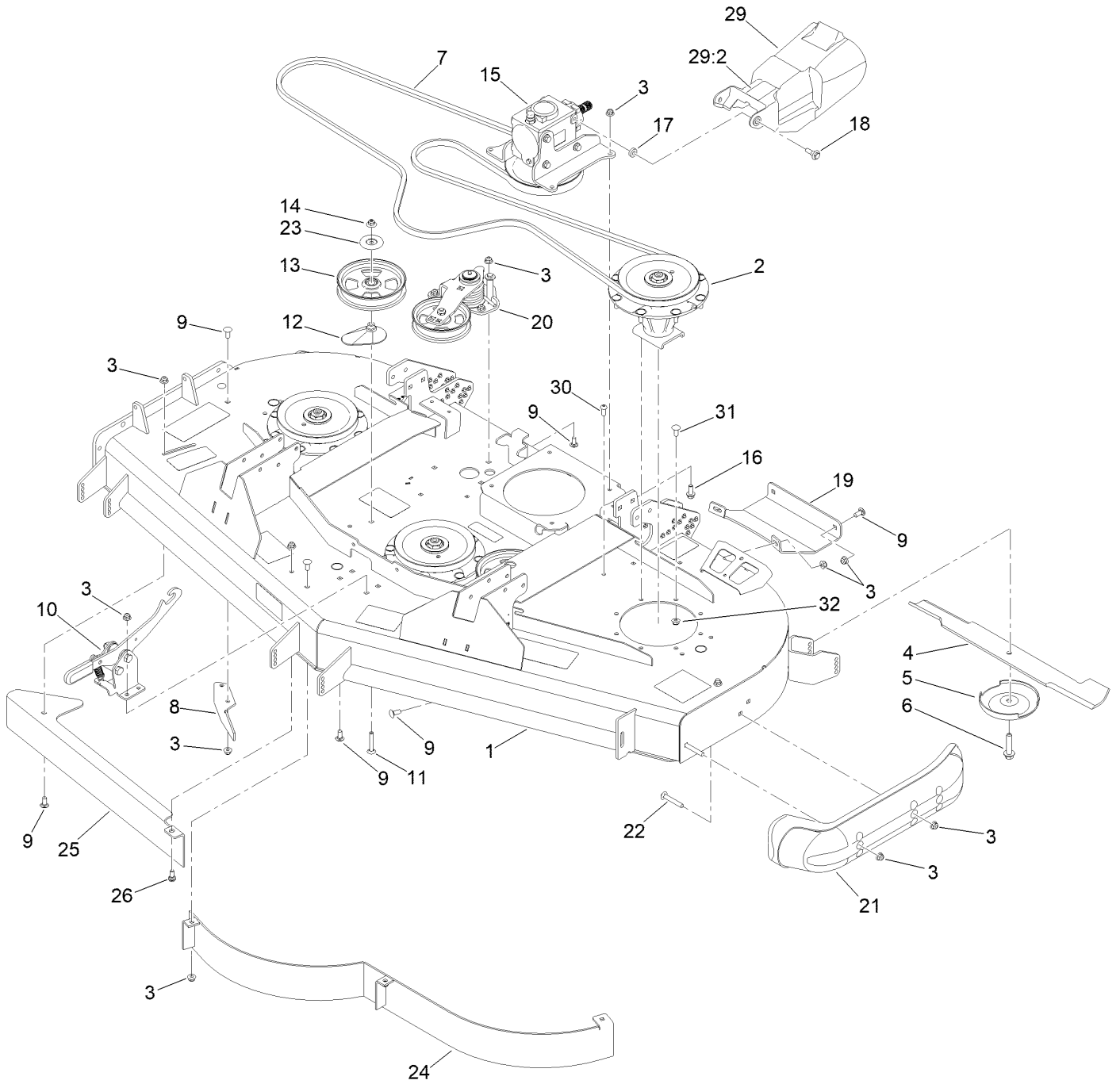
In an illustration, if a reference number indicates more than one part, the reference number has the form nX y. The n represents the quantity of the part, the X is the multiplication symbol, and the y represents the reference number.

For example, in an illustration, the reference number 2X 37 means that two of the parts identified by reference number 37 are indicated.

# Contents

Deck Assembly .....	4
Deck Decal Assembly No. 138-4511SP .....	6
Spindle Assembly No. 138-4514 .....	8
Latch Assembly No. 147-0070 .....	10
Gearbox Assembly .....	12
Gearbox Assembly No. 145-5990 .....	14
Tensioner Assembly No. 138-0266 .....	16
Belt Cover, Caster Arm and Wheel Assembly .....	18
Deflector Assembly No. 163-4544 .....	20
Wheel Assembly No. 137-5529 .....	22

# Deck Assembly

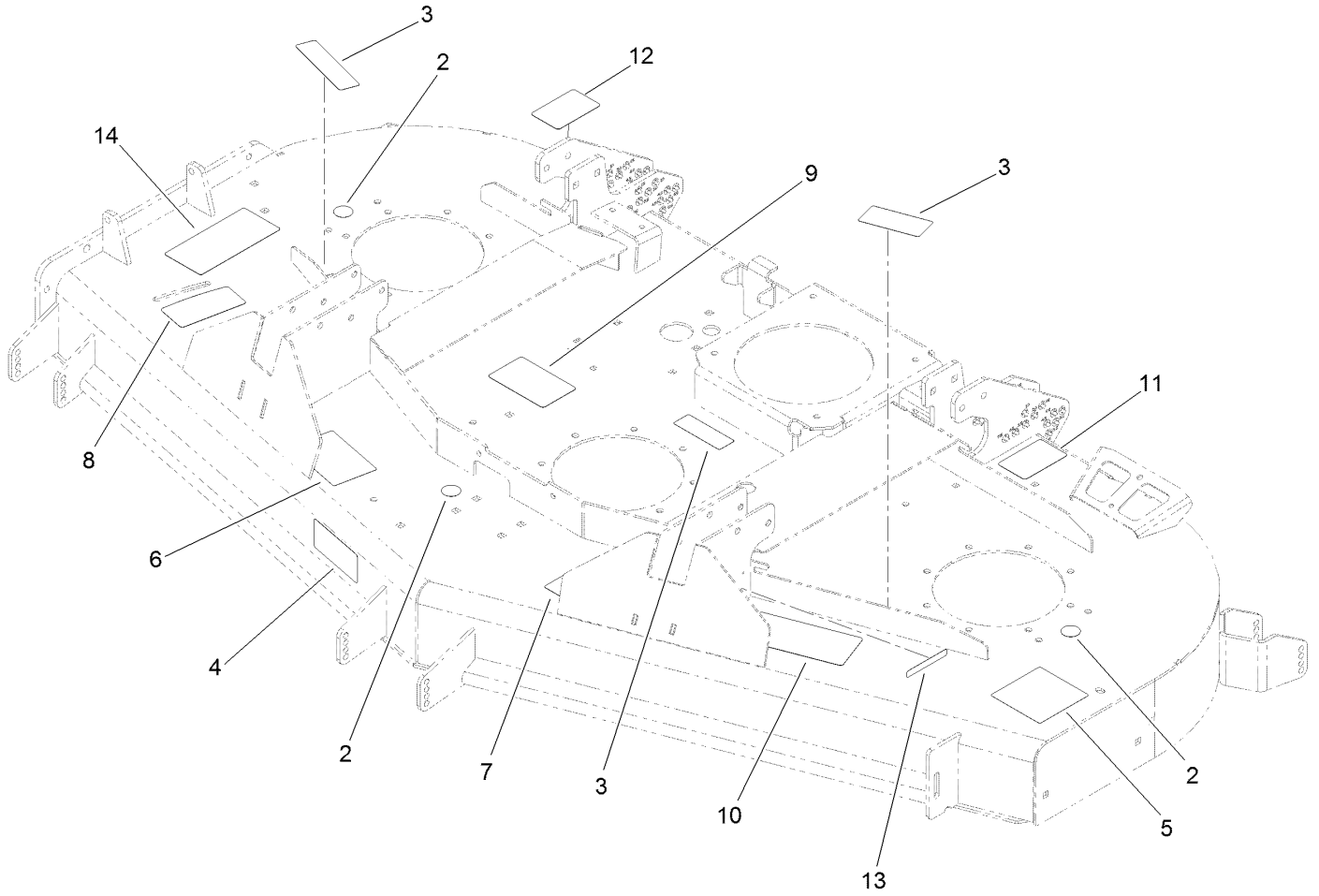


## Deck Assembly (continued)

<i>Ref.</i>	<i>Part Number</i>	<i>Qty.</i>	<i>Description</i>	<i>Ref.</i>	<i>Part Number</i>	<i>Qty.</i>	<i>Description</i>
1	138-4511SP	1	Deck W/Decals 72Sd	18	109-9840	2	Screw-Shoulder, HHF
2	138-4514	3	Spindle ASM	19	137-2560-0P	1	Plate-Skid
3	104-8301	50	Nut-HF, NI	20	138-0266	1	Tensioner ASM
4	110-0622-03	3	Blade-Rotary, High Flow	21	112-1479	1	Skid-Bumper, Deck
5	72-9361	3	Cup-Scalp, Anti	22	3231-44	2	Screw-CARR
6	92-5816	3	Bolt-Blade	23	126-8043	2	Shield-Dust
7	126-2538	1	Belt-Drive, Deck	24	138-7328-0P	1	Baffle ASM [welded] [primed]
8	106-3216-0P	1	Baffle-Discharge	25	138-6051-0P	1	Plate-Baffle
9	3231-27	18	Screw-CARR	26	94-7582	1	Bolt-Shoulder
10	147-0070	1	Latch ASM	29	139-6301	1	PTO Guard W/Decals
11	3231-40	2	Bolt-CARR	29:2	139-6303	1	Decal-Danger, Entanglement
12	109-2872	2	Spacer-Pulley	30	3274-80	1	Screw-HH
13	136-5404	2	Pulley-Idler, Flat	31	3230-10	4	Bolt-CARR
14	109-6658	2	Nut-Flange, NI	32	104-8300	4	Nut-HF, NI
15		1	Gearbox ASM ●				
16	3231-22	4	Screw-CARR				
17	5-0652	2	Spacer				

● Not serviced separately

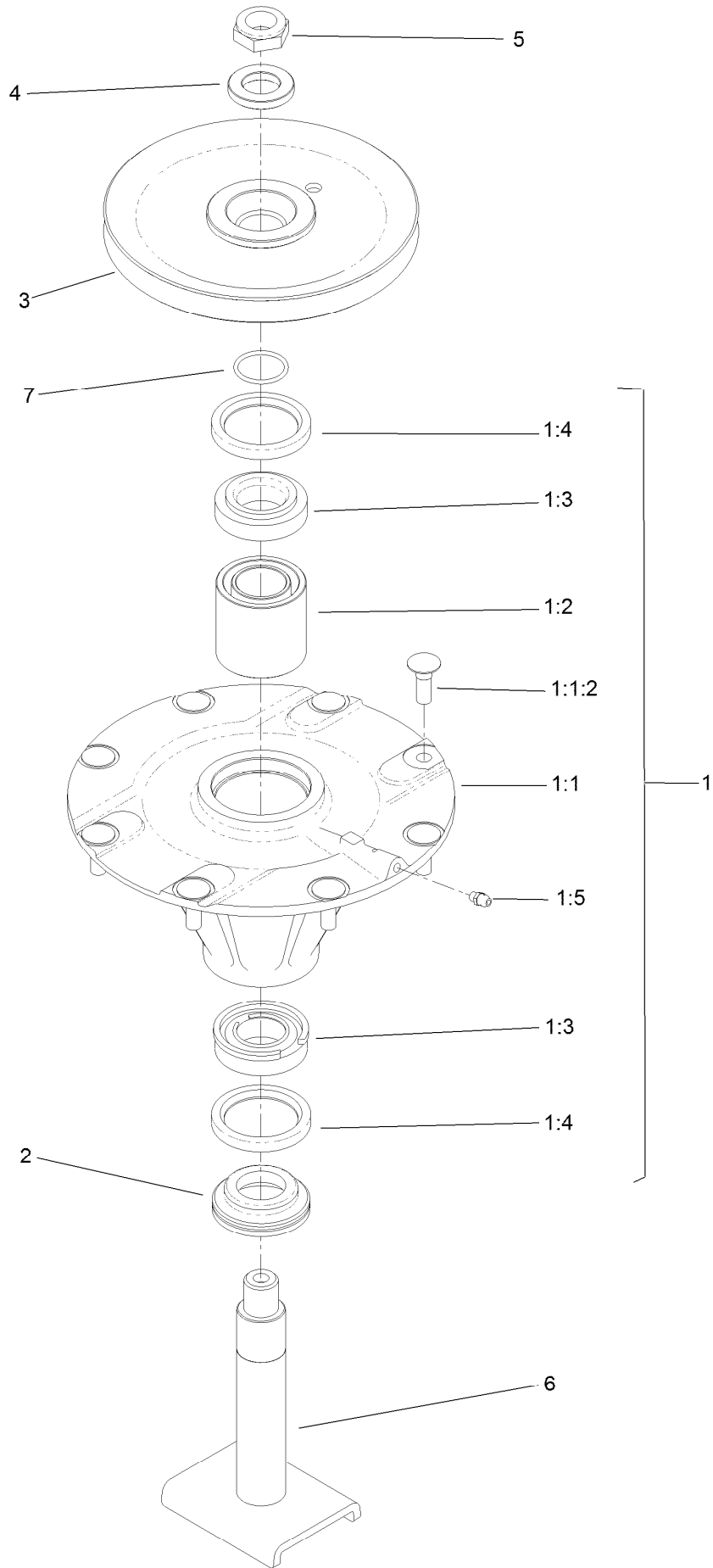
# Deck Decal Assembly No. 138-4511SP



## Deck Decal Assembly No. 138-4511SP (continued)

<i>Ref.</i>	<i>Part Number</i>	<i>Qty.</i>	<i>Description</i>	<i>Ref.</i>	<i>Part Number</i>	<i>Qty.</i>	<i>Description</i>
2	58-6520	3	Decal-Grease	9	138-7359	1	Decal-Routing, Belt
3	117-4979	3	Decal-Warning	10	137-5949	1	Decal-HOC
4	93-7818	1	Decal-Torque, Blade Bolt	11	137-5947	1	Decal-HOC, LH
5	120-6604	1	Decal-Danger	12	137-5948	1	Decal-HOC, RH
6	57-0280	1	Decal	13	133-8061	1	Decal-Warning
7	127-0326	1	Decal-Scalp, Anti	14	140-3073	1	Decal-Danger, CE
8	131-1180	1	Decal-Adjustment, Baffle				

# Spindle Assembly No. 138-4514

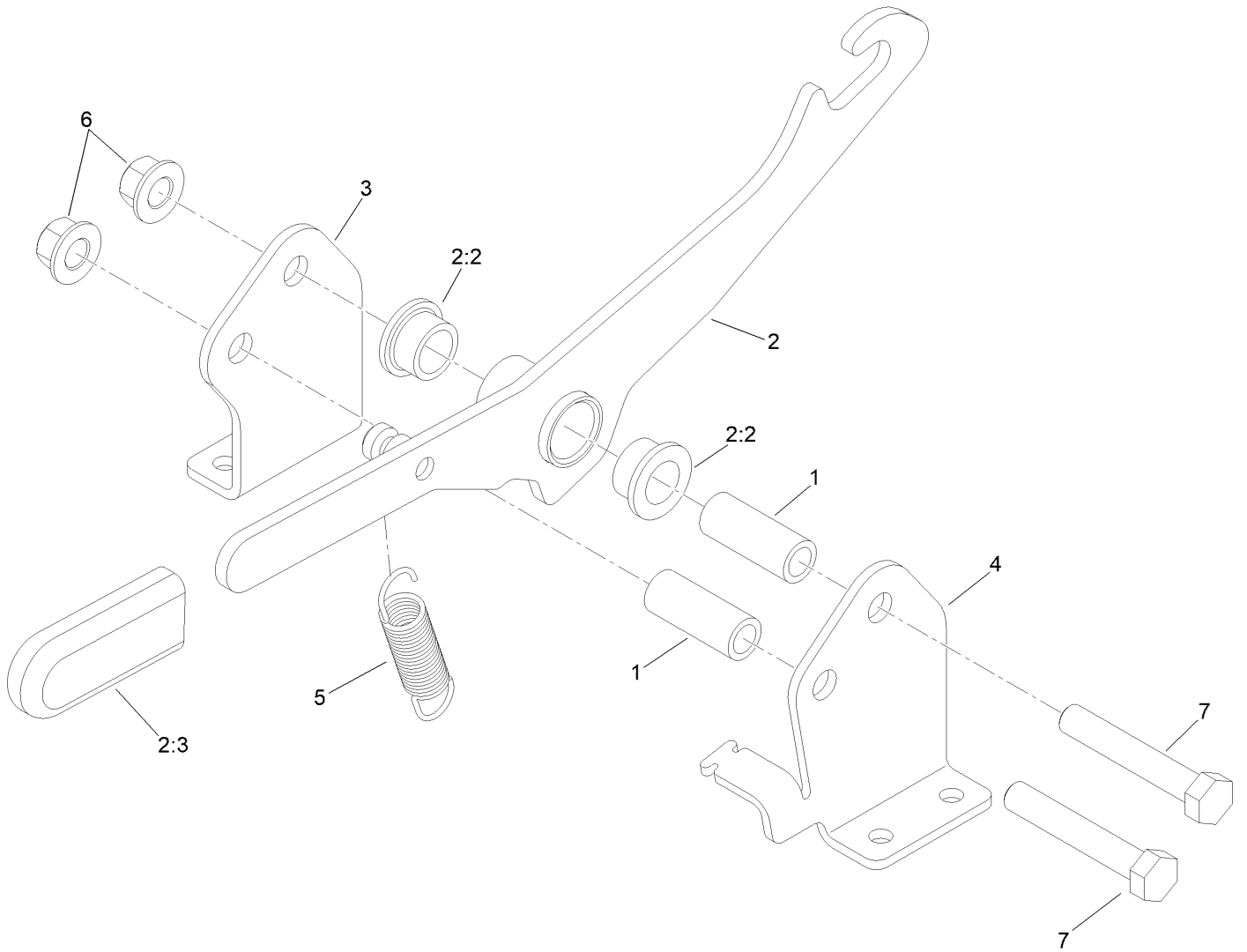


## Spindle Assembly No. 138-4514 (continued)

<i>Ref.</i>	<i>Part Number</i>	<i>Qty.</i>	<i>Description</i>	<i>Ref.</i>	<i>Part Number</i>	<i>Qty.</i>	<i>Description</i>
1	139-6338	1	Spindle Housing ASM	2	138-6416	1	Spacer-Spindle, Shaft
1:1		1	Spindle ASM ●	3	138-4523	1	Pulley
1:1:2	114-8195	8	Bolt-Neck, Ribbed	4	120-5576	1	Washer-Hardened
1:2	108-1954	1	Bearing Spacer Set	5	3296-60	1	Nut-Lock, NI
1:3	110-8297	1	Bearing ASM	6	139-1042	1	Spindle-Shaft
1:4	253-154	2	Seal-Oil	7	106-7159	1	O-Ring
1:5	302-5	1	Fitting-Grease				

● Not serviced separately

# Latch Assembly No. 147-0070

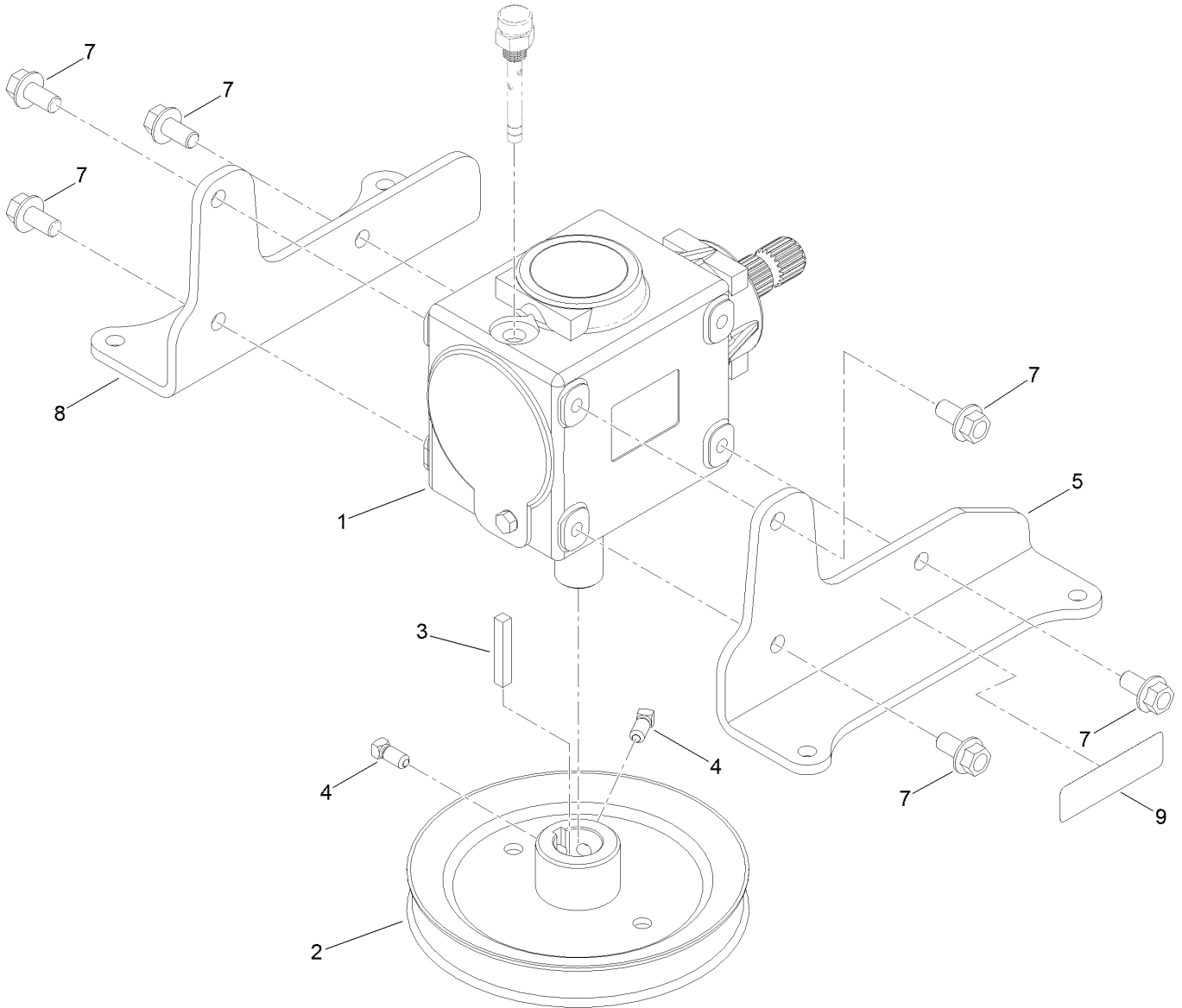


## Latch Assembly No. 147-0070 (continued)

<i>Ref.</i>	<i>Part Number</i>	<i>Qty.</i>	<i>Description</i>
1	117-0380	2	Spacer
2	147-0066	1	Latch Arm ASM
2:2	93-2877	2	Bushing
2:3	119-1846	1	Grip
3	139-0889	1	Bracket-Latch, Mount (RH)

<i>Ref.</i>	<i>Part Number</i>	<i>Qty.</i>	<i>Description</i>
4	139-0887	1	Bracket-Latch, Mount (LH)
5	130-9645	1	Spring-Extension
6	99-5107	2	Nut-HF Nylock
7	325-12	2	Screw-HH

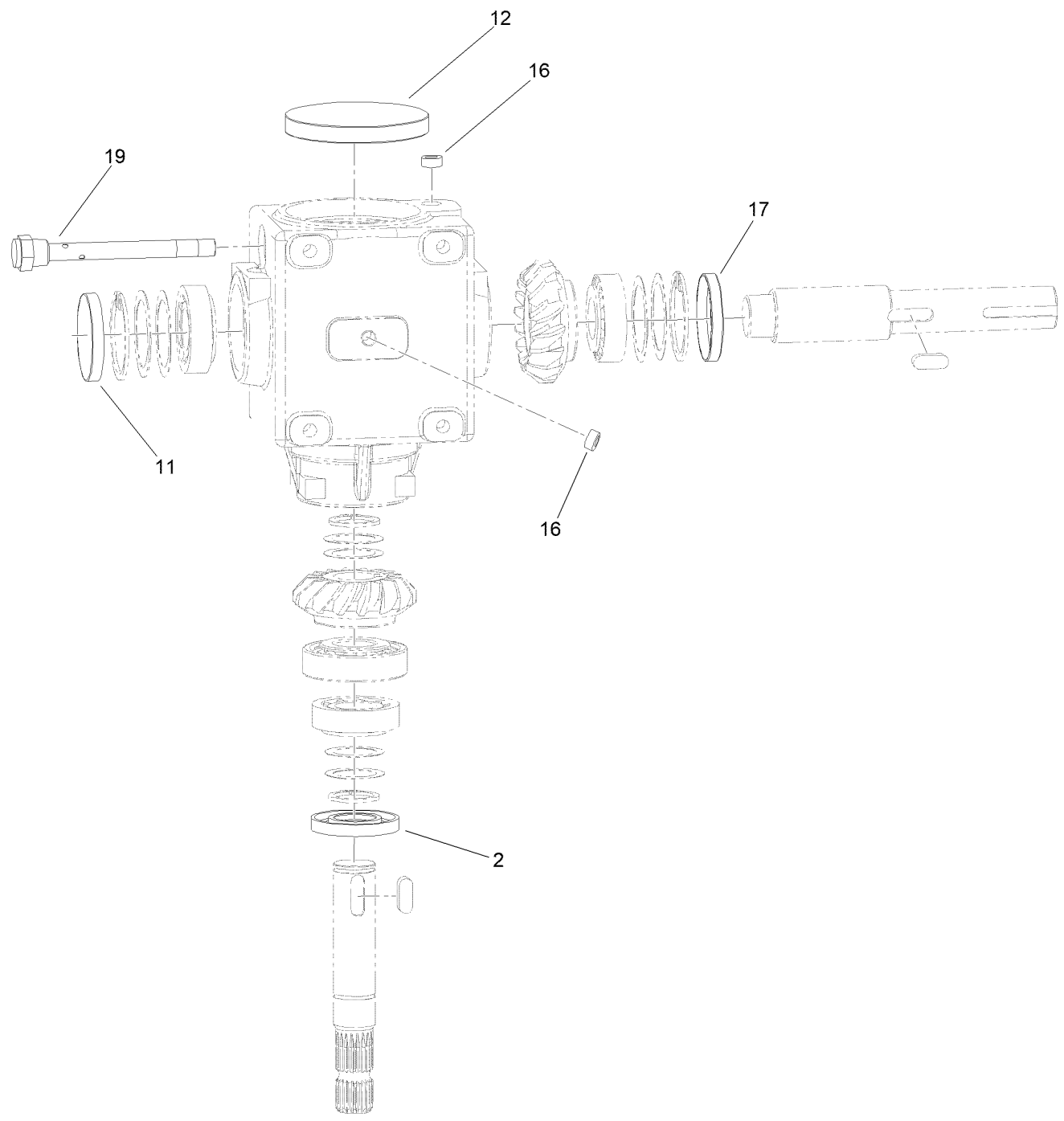
# Gearbox Assembly



## Gearbox Assembly (continued)

<i>Ref.</i>	<i>Part Number</i>	<i>Qty.</i>	<i>Description</i>	<i>Ref.</i>	<i>Part Number</i>	<i>Qty.</i>	<i>Description</i>
1	145-5990	1	Gearbox	5	144-0494-03	1	Bracket-Gearbox, LH
2	138-0263	1	Pulley	7	139-6300	6	Screw-HHF, Patch
3	94-2425	1	Key-Square	8	144-0495-03	1	Bracket-Gearbox, RH
4	1-803022	2	Screw-Set	9	93-6697	1	Decal-Lube

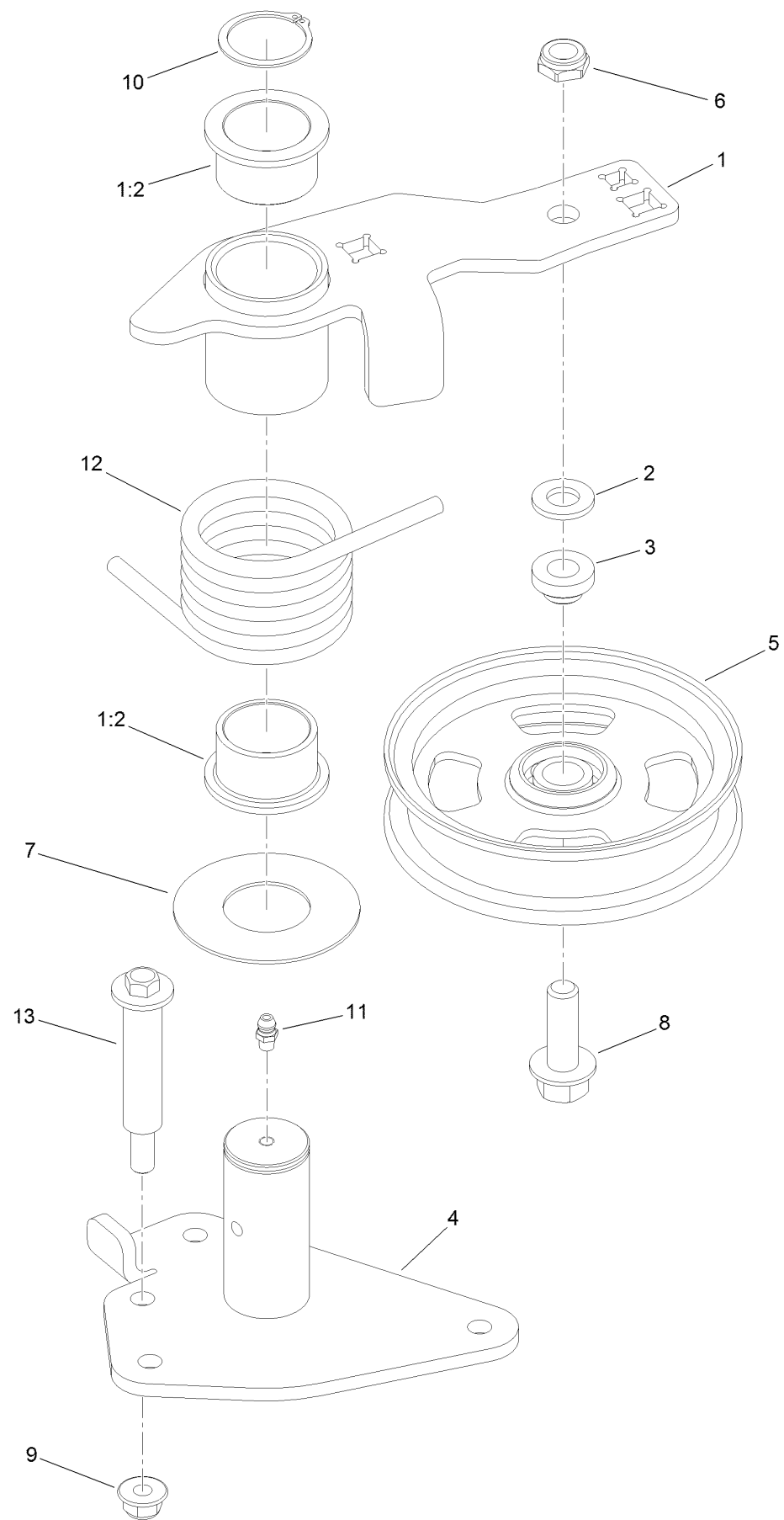
# Gearbox Assembly No. 145-5990



## Gearbox Assembly No. 145-5990 (continued)

<i>Ref.</i>	<i>Part Number</i>	<i>Qty.</i>	<i>Description</i>	<i>Ref.</i>	<i>Part Number</i>	<i>Qty.</i>	<i>Description</i>
2	140-7133	1	Seal-Oil	16	140-7132	3	Plug
11	140-7129	1	Plug-Cap	17	145-5989	1	Seal-Oil
12	140-7131	1	Plug-Cap	19	140-7130	1	Dipstick

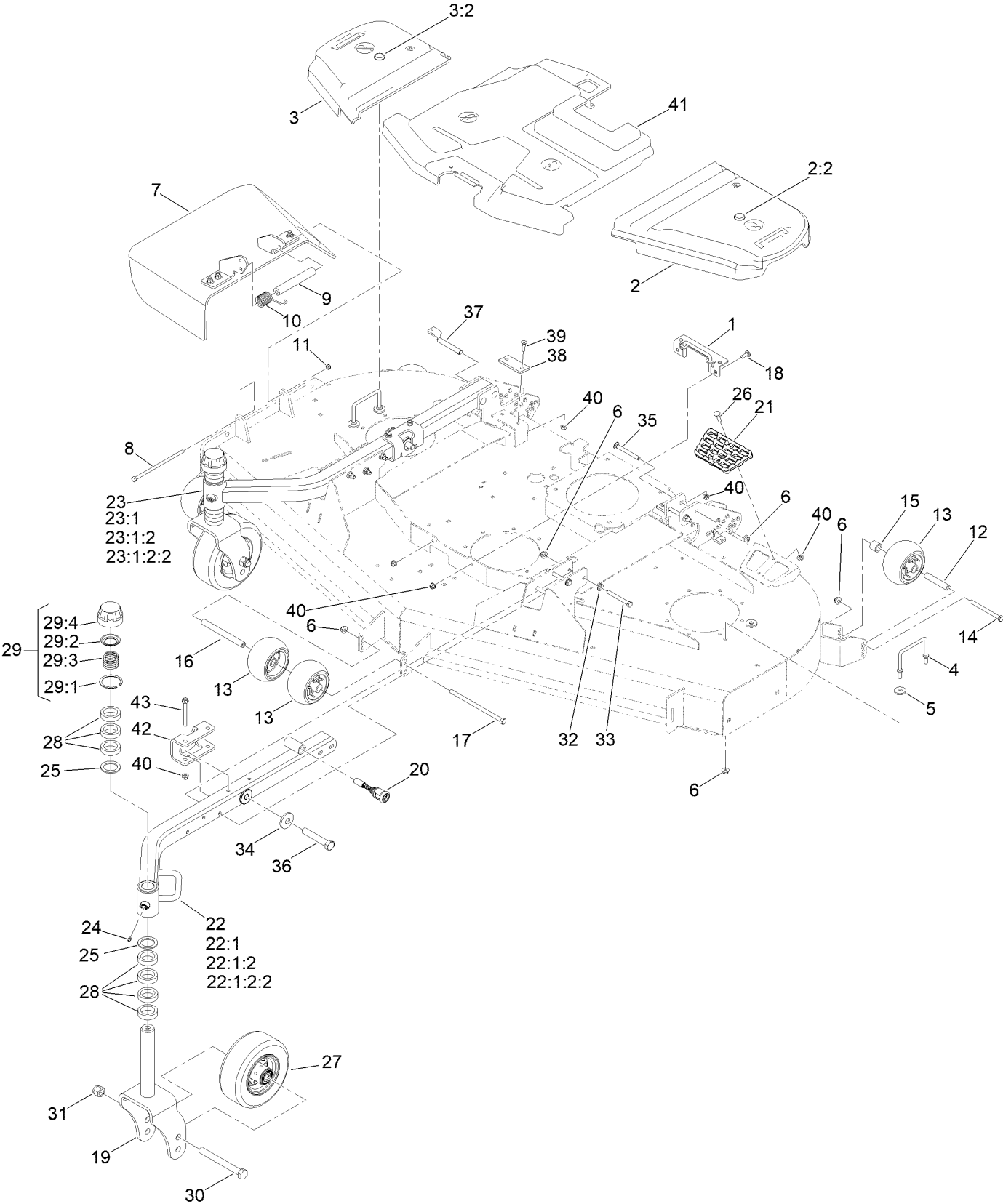
# Tensioner Assembly No. 138-0266



## Tensioner Assembly No. 138-0266 (continued)

<i>Ref.</i>	<i>Part Number</i>	<i>Qty.</i>	<i>Description</i>	<i>Ref.</i>	<i>Part Number</i>	<i>Qty.</i>	<i>Description</i>
1	144-0503	1	High Idler Arm ASM	7	108-1926	1	Washer
1:2	93-4510	2	Bushing-Caster	8	100-6116	1	Screw-HHF
2	106-9888	1	Washer-Flat	9	104-8301	1	Nut-HF, NI
3	108-1924	1	Spacer-Idler	10	32120-84	1	Ring-Snap, External
4	139-0903	1	Pivot-Idler	11	302-5	1	Fitting-Grease
5	136-5405	1	Pulley-Idler, Flat	12	112-7395	1	Spring-Torsion
6	3296-45	1	Nut-Hex	13	112-3977	1	Bolt-Shoulder

# Belt Cover, Caster Arm and Wheel Assembly

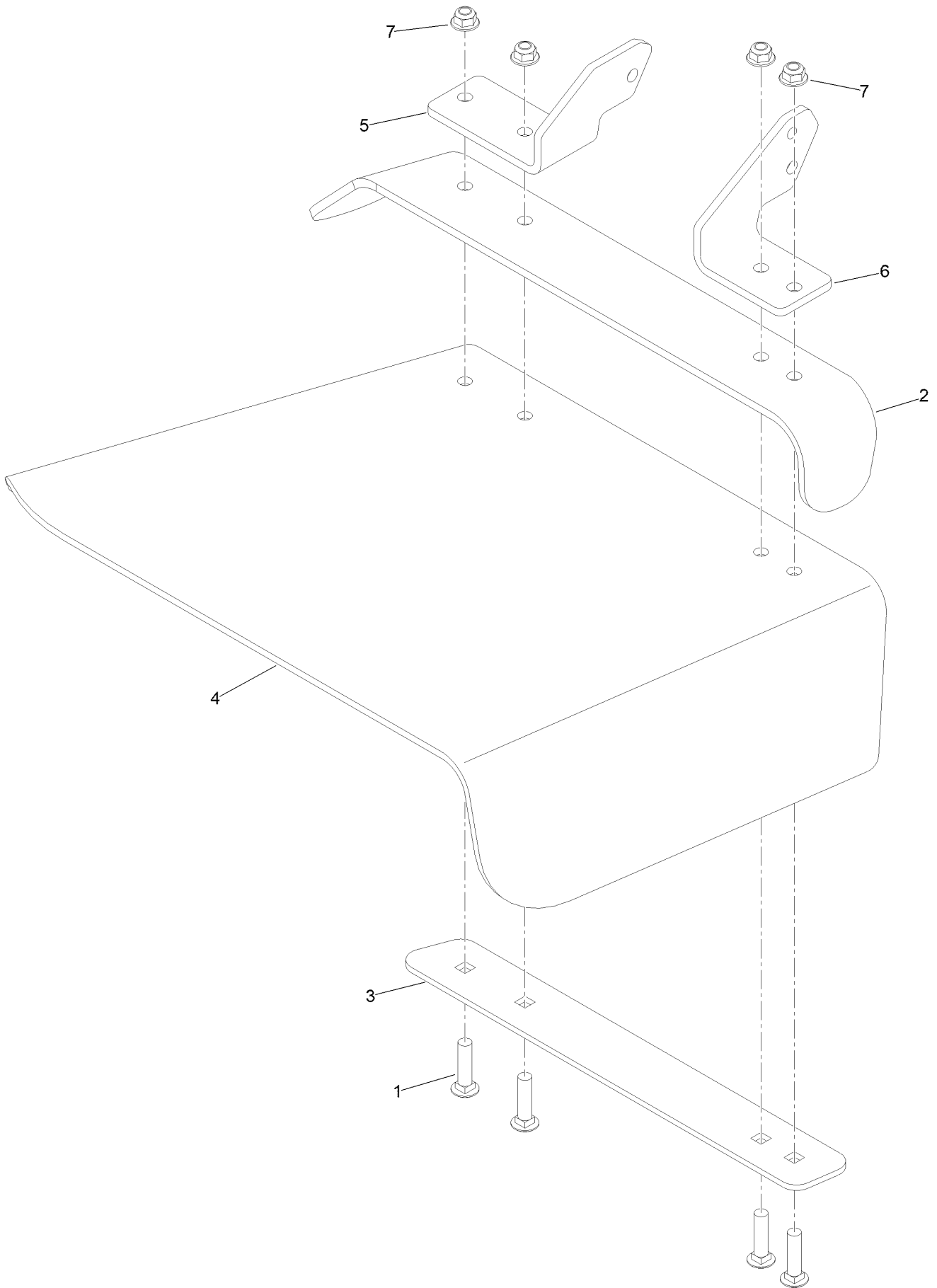


## Belt Cover, Caster Arm and Wheel Assembly (continued)

<i>Ref.</i>	<i>Part Number</i>	<i>Qty.</i>	<i>Description</i>	<i>Ref.</i>	<i>Part Number</i>	<i>Qty.</i>	<i>Description</i>
1	139-0932	1	Bracket-Cover, Belt	23:1		1	Arm-Caster, RH ●
2	117-7816	1	LH Belt Cover ASM	23:1:2		1	Hub ASM ●
2:2	117-3824	1	Plug-Plastic	23:1:2:2	69-6470	2	Bushing-Caster
3	117-7815	1	RH Belt Cover ASM	24	302-5	2	Fitting-Grease
3:2	117-3824	1	Plug-Plastic	25	69-6860	4	Washer-Thrust
4	109-6982	2	Wireform-Cover	26	3230-3	1	Screw-CARR
5	1-373034	4	Washer	27	137-5529	2	Wheel ASM
6	104-8301	18	Nut-HF, NI	28	69-1510	14	Spacer
7	163-4544	1	Rubber Deflector ASM	29	92-9727	2	HOC Cap ASM
8	322-50	1	Screw-HH	29:1	92-5581	1	Ring-Rtng, Snap, Int, Flat
9	105-4622	1	Spacer	29:2	92-5583	1	Washer-Cap
10	108-4052	1	Spring-Torsion	29:3	92-9726	1	Spring-Compression
11	3296-47	1	Nut-Lock, NI	29:4	92-8861	1	Cap-HOC
12	98-7912	3	Tube-Spanner	30	327-24	2	Screw-HH
13	1-603299	5	Roller-Scalp, Anti	31	3296-53	2	Nut-Lock, NI
14	323-23	3	Screw-HH	32	3256-24	6	Washer-Plain
15	98-7913	3	Tube-Spacer	33	323-20	6	Screw-HH
16	98-5967	1	Spacer-Wheel	34	103-0865	2	Washer-Blade Bolt, Heavy
17	108-5388	1	Screw-HH	35	3231-11	4	Screw-CARR
18	3230-10	2	Bolt-CARR	36	139-6203	2	Screw-HH
19	140-6304-01	2	Caster Fork ASM	37	140-3064	2	Pin-HOC ASM
20	139-6345	1	Spring-Pin	38	138-4452	2	Pad-Stop, Deck
21	126-4781	1	Step-Deck	39	133-4543	4	Screw
22	145-5905-01	1	Arm-Caster, LH	40	104-8300	11	Nut-HF, NI
22:1		1	Arm-Caster, LH ●	41	138-7373	1	Cover-Belt, Center
22:1:2		1	Hub ASM ●	42	144-4048-01	2	Channel-Deck Mount
22:1:2:2	69-6470	2	Bushing-Caster	43	126-4687	4	Screw-HHF
23	145-5906-01	1	Arm-Caster, RH				

● Not serviced separately

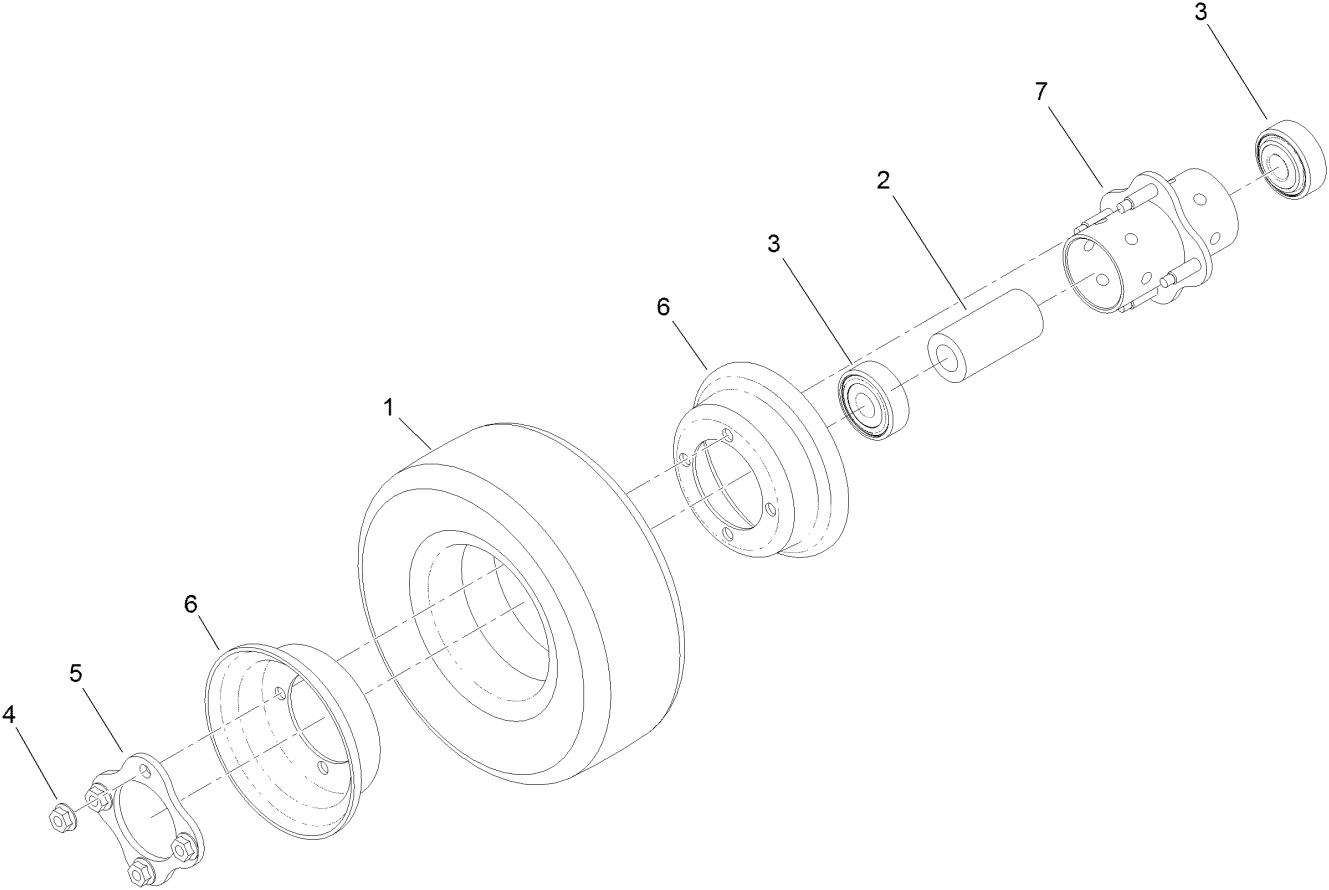
# Deflector Assembly No. 163-4544



## Deflector Assembly No. 163-4544 (continued)

<i>Ref.</i>	<i>Part Number</i>	<i>Qty.</i>	<i>Description</i>	<i>Ref.</i>	<i>Part Number</i>	<i>Qty.</i>	<i>Description</i>
1	3231-5	4	Screw-CARR	5	108-4059-01	1	Plate-Hinge, Rear
2	106-3246-01	1	Deflector	6	106-3253-01	1	Plate-Hinge, Front
3	106-3248-03	1	Strap-Discharge	7	104-8301	4	Nut-HF, NI
4	161-3464	1	Deflector-Deck, Rubber				

# Wheel Assembly No. 137-5529



## Wheel Assembly No. 137-5529 (continued)

<i>Ref.</i>	<i>Part Number</i>	<i>Qty.</i>	<i>Description</i>
1	136-4424	1	Tire-Pneumatic, Semi
2	93-4241	1	Spacer-Bearing, Inner
3	120-3366	2	Bearing
4	32128-16	4	Nut-HHF

<i>Ref.</i>	<i>Part Number</i>	<i>Qty.</i>	<i>Description</i>
5	93-4242	1	Plate
6	137-5552	2	Rim-Wheel, Half
7	93-5980	1	Hub



**Count on it.**