



Count on it.

Parts Catalog

**Groundsmaster® 3300
All-Wheel Drive Traction Unit**

Model No. 31902A—Serial No. 42000000 and Up



Ordering Replacement Parts

To order replacement parts, please supply the part number, the quantity, and the description of each part desired.

Understanding Reference Numbers

Each identified part in an illustration has a reference number. The reference number for a part also appears in the parts list, along with other information about the part.

This catalog uses two special reference number formats, one to indicate parts in a service assembly and another to indicate the quantity of a given part in an illustration.

Service Assembly Reference Numbers

Parts in service assemblies have reference numbers in the form a:b. The a represents the reference number of the entire service assembly and the b represents a sequential number unique to each part within the service assembly.

For example, a wheel assembly might be identified by reference number 6, the tire by 6:1, the valve by 6:2, and the wheel by 6:3. When you order the assembly identified by reference number 6, you receive all parts identified by reference numbers 6:1, 6:2, and 6:3. However, you may also order any part individually. Reference numbers of this type appear in illustration and in parts lists.

Reference Numbers Indicating Quantity

In an illustration, if a reference number indicates more than one part, the reference number has the form nX y. The n represents the quantity of the part, the X is the multiplication symbol, and the y represents the reference number.

For example, in an illustration, the reference number 2X 37 means that two of the parts identified by reference number 37 are indicated.

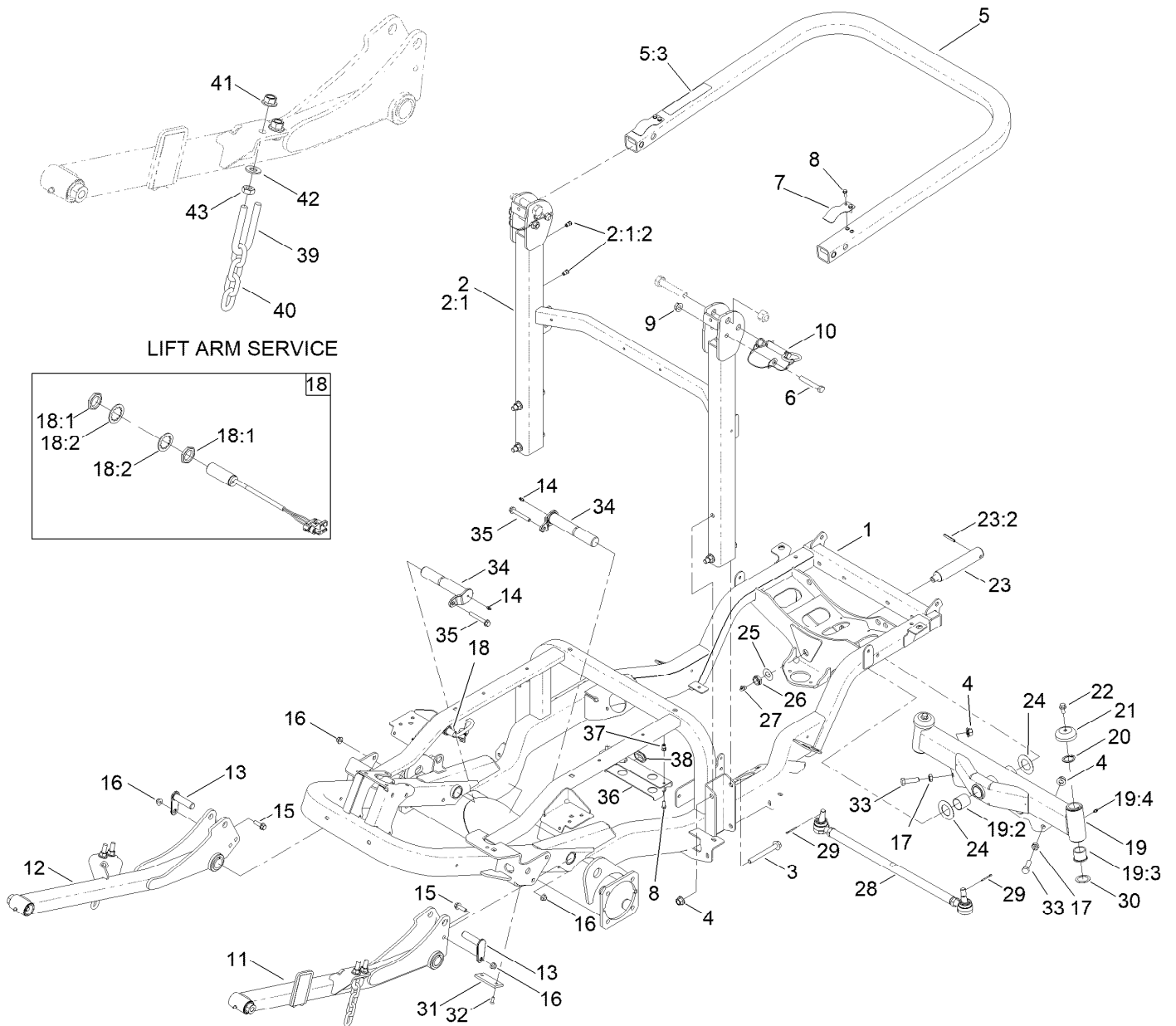
Contents

Frame and Roll-Over Protection System Assembly	6
LH Lift Arm Assembly No. 144-3943	8
RH Lift Arm Assembly No. 144-3942	10
Tie Rod Assembly No. 144-3900	12
Rear Bumper Assembly	13
Brake Assembly	14
Left Hand Brake Assembly No. 120-0235	16
Right Hand Brake Assembly No. 120-0233	17
Hydraulic Drive Assembly	18
Hydraulic Motor Assembly No. 138-0303	19
Hydraulic Motor Assembly No. 138-0304	20
Hydraulic Motor Assembly No. 137-2478	21
Hydraulic Motor Assembly No. 137-2458	22
Steering/Lift Manifold Assembly No. 145-6080	23
Engine Mount Assembly	25
Exhaust and Air Cleaner Assembly	27
Air Cleaner Assembly No. 136-4481	28
Radiator/Oil Cooler Assembly	29
Fuel System Assembly	30
Fuel Tank Assembly No. 138-0291	32
Hydraulic Tank Assembly No. 138-4418	33
Platform, Steering and Console Assembly	34
Steering Column Assembly No. 139-0857	36
Pedal Assembly	37
Control Console Assembly	39
Hood Assembly	40
Pump, Driveshaft and Clutch Assembly	41
Pump Assembly No. 145-5940	42
Driveshaft Assembly No. 163-1700SP	43
Hydraulic Assembly	44
Gear Pump Assembly No. 147-5115	47
Hydraulic Cylinder No. 139-0854	48
Steering Valve Assembly No. 114-8119	49
Steering Cylinder Assembly No. 139-6277	50
Hydraulic Traction Assembly	52
Electrical Assembly	54
Main Wire Harness Assembly No. 122-2517	56
Miscellaneous Parts Assembly	58
Cylinder Block Assembly	60
Gear Housing Assembly	62
Flywheel Housing and Oil Sump Assembly	64
Cylinder Head and Cover Assembly	66
Suction Manifold Assembly	68
Exhaust Manifold Assembly	70
Diesel Particulate Filter Assembly	72
Camshaft and Driving Gear Assembly	74
Crankshaft and Piston Assembly	76
Lubrication and Oil System Assembly	78
Cooling Water System Assembly	80
Fuel Supply Pump Assembly	82
Fuel Injection Valve Assembly	84
Fuel Filter Assembly	86
Starting Motor Assembly	88
Generator Assembly	90

Contents (continued)

Electronic Control Unit Assembly..... 92
Electric Parts Assembly..... 94
Accessory Assembly 96
Gasket Set..... 98
Attachments and Accessories 100

Frame and Roll-Over Protection System Assembly

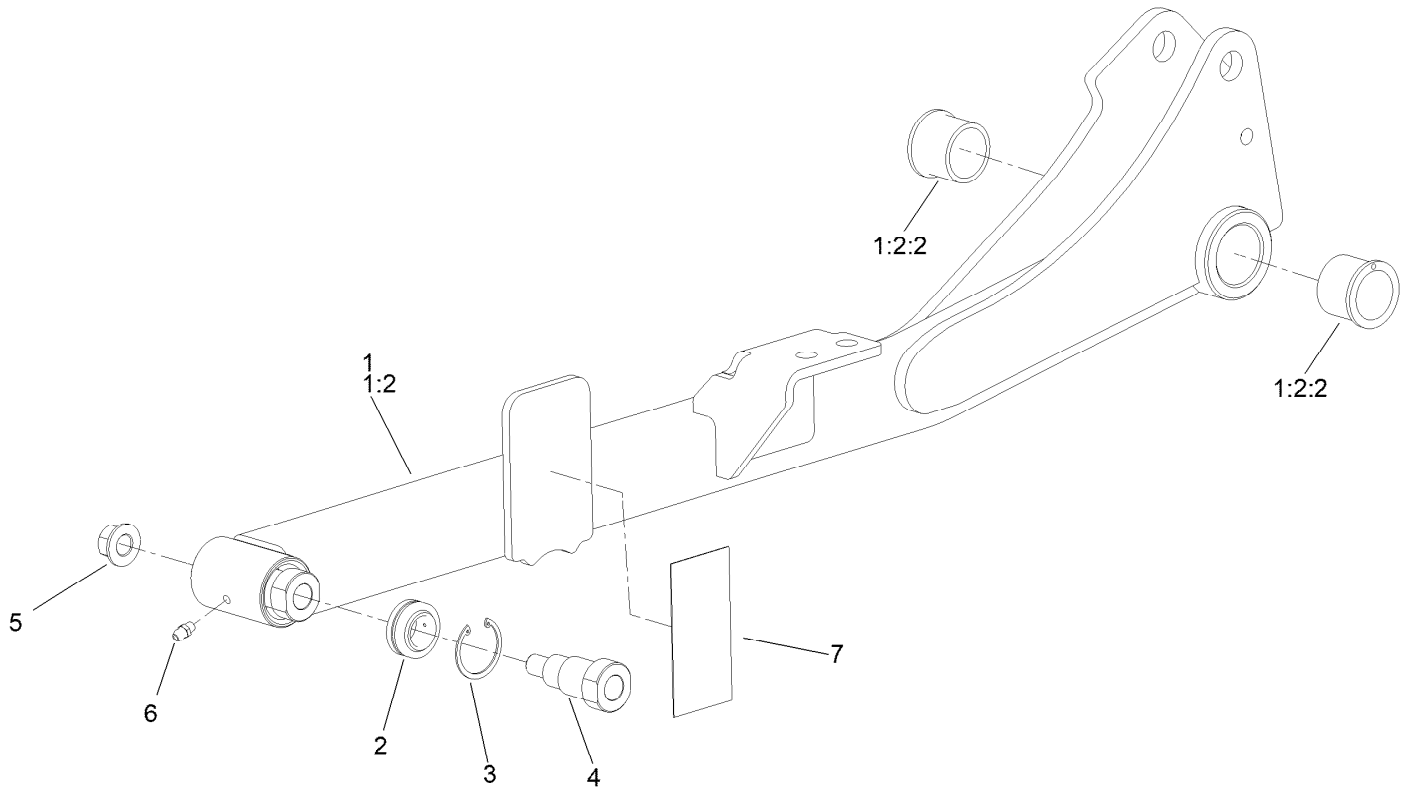


Frame and Roll-Over Protection System Assembly (continued)

<i>Ref.</i>	<i>Part Number</i>	<i>Qty.</i>	<i>Description</i>	<i>Ref.</i>	<i>Part Number</i>	<i>Qty.</i>	<i>Description</i>
1	145-6050SP	1	Frame ASM	19:4	302-5	2	Fitting-Grease
2	139-6254SP	1	ROPS ASM, Lower	20	32151-77	2	Ring-Retaining, External
2:1		1	Lower ROPS ASM ●	21	69-8890	2	Cap-Spindle
2:1:2	138-2758	4	Nut-Clinch,Hex	22	3234-1	2	Screw-HHF
3	117-3176	4	Screw-HHF	23	140-6101	1	Pin ASM-Axle Pivot
4	139-1689	6	Nut-HF	23:2	32121-32	1	Pin-Roll
5	138-7470	1	ROPS ASM, Upper	24	99-8432	2	Washer-Thrust
5:3	108-2073	1	Decal-Warning	25	71-4540	1	Washer-Thrust
6	325-13	2	Screw-HH	26	3296-15	1	Nut-Lock, NI
7	110-5696	2	Spring-Leaf	27	302-33	1	Fitting-Grease
8	32105-15	6	Screw-HWH	28	144-3900	1	Tie Rod ASM
9	32128-23	2	Nut-HF	29	3272-12	2	Pin-Cotter
10	161-4477	2	ROPS Pin ASM	30	76-2980	2	Washer-Thrust
11	144-3943	1	Lift Arm ASM. LH	31	138-4452	2	Pad-Stop, Deck
12	144-3942	1	Lift Arm ASM. RH	32	3289-4	4	Screw-FH
13	138-7489	2	Pin (Machined)	33	325-7	2	Screw-HH
14	302-40	2	Fitting-Grease, 90 DEG	34	138-4593	2	Pin
15	119-4061	2	Screw-HHF	35	133-9682	2	Screw-Hfh
16	119-4042	4	Nut-HF, NI	36	147-0045-0P	1	Channel-Harness Retainer
17	3218-5	2	Nut-Jam	37	138-2758	2	Nut-Clinch,Hex
18	115-5300	1	Proximity Switch ASM	38	240-5	1	Grommet
18:1	117-3207	2	Nut-Hex	39	104-0108	2	U-Bolt
18:2	117-3208	2	Washer-Lock, Internal Tooth	40	95-6231	2	Chain-HOC
19	161-2404	1	Axle ASM	41	139-1689	4	Nut-HF
19:2	99-6964	2	Bushing-Axle	42	3256-26	4	Washer-Flat
19:3	104-0015	4	Bushing-Flange	43	3218-5	4	Nut-Jam

● Not serviced separately

LH Lift Arm Assembly No. 144-3943

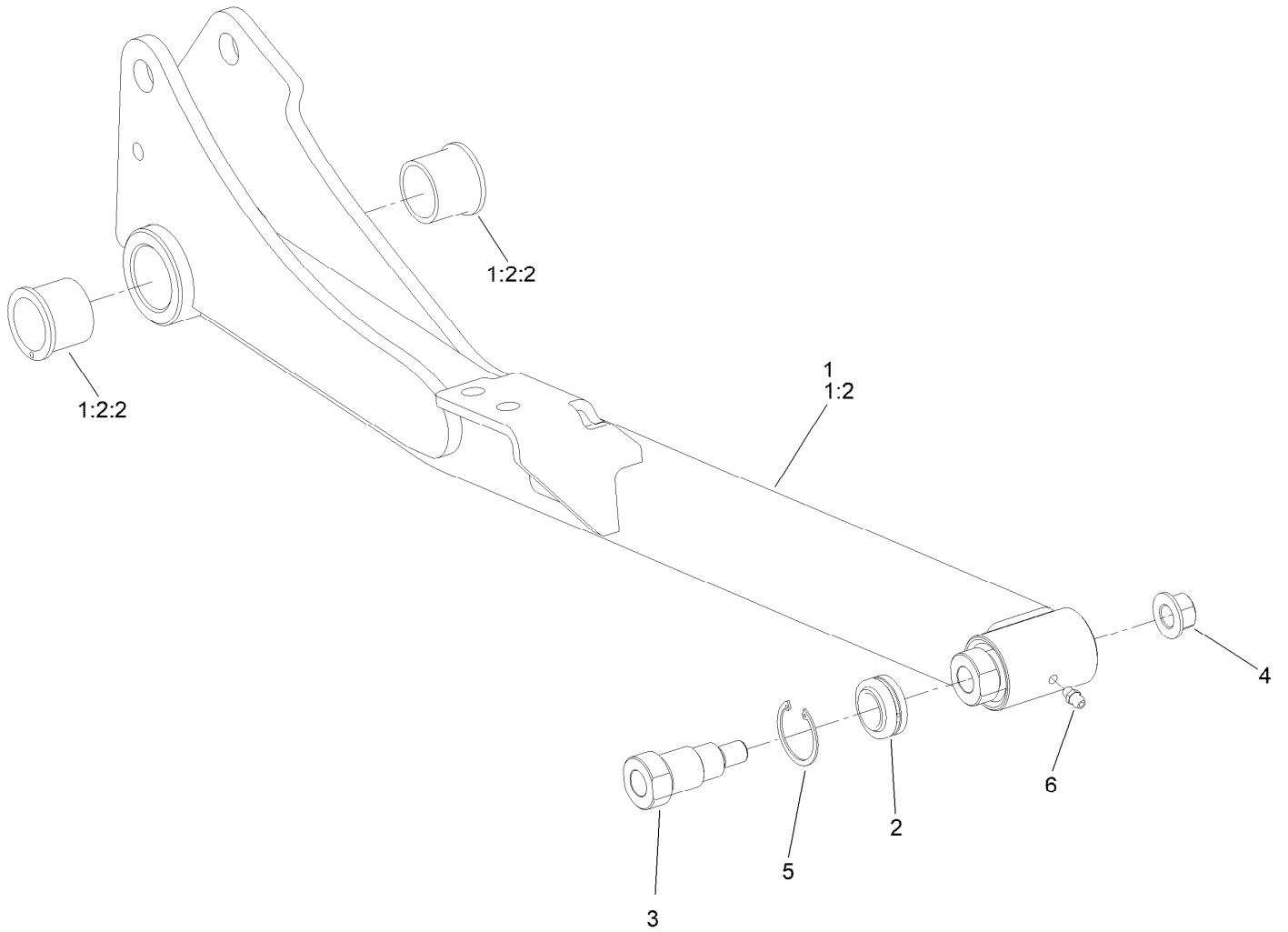


LH Lift Arm Assembly No. 144-3943 (continued)

<i>Ref.</i>	<i>Part Number</i>	<i>Qty.</i>	<i>Description</i>	<i>Ref.</i>	<i>Part Number</i>	<i>Qty.</i>	<i>Description</i>
1		1	Lift Arm ASM, LH ●	4	139-0910	1	Bolt-Shoulder
1:2		1	Hub-ASM ●	5	139-1689	1	Nut-HF
1:2:2	104-0015	2	Bushing-Flange	6	302-5	1	Fitting-Grease
2	105-7441	1	Bearing-Spherical	7	139-0948	1	Pad-Ride, Pin
3	32151-34	1	Ring-Retaining				

● Not serviced separately

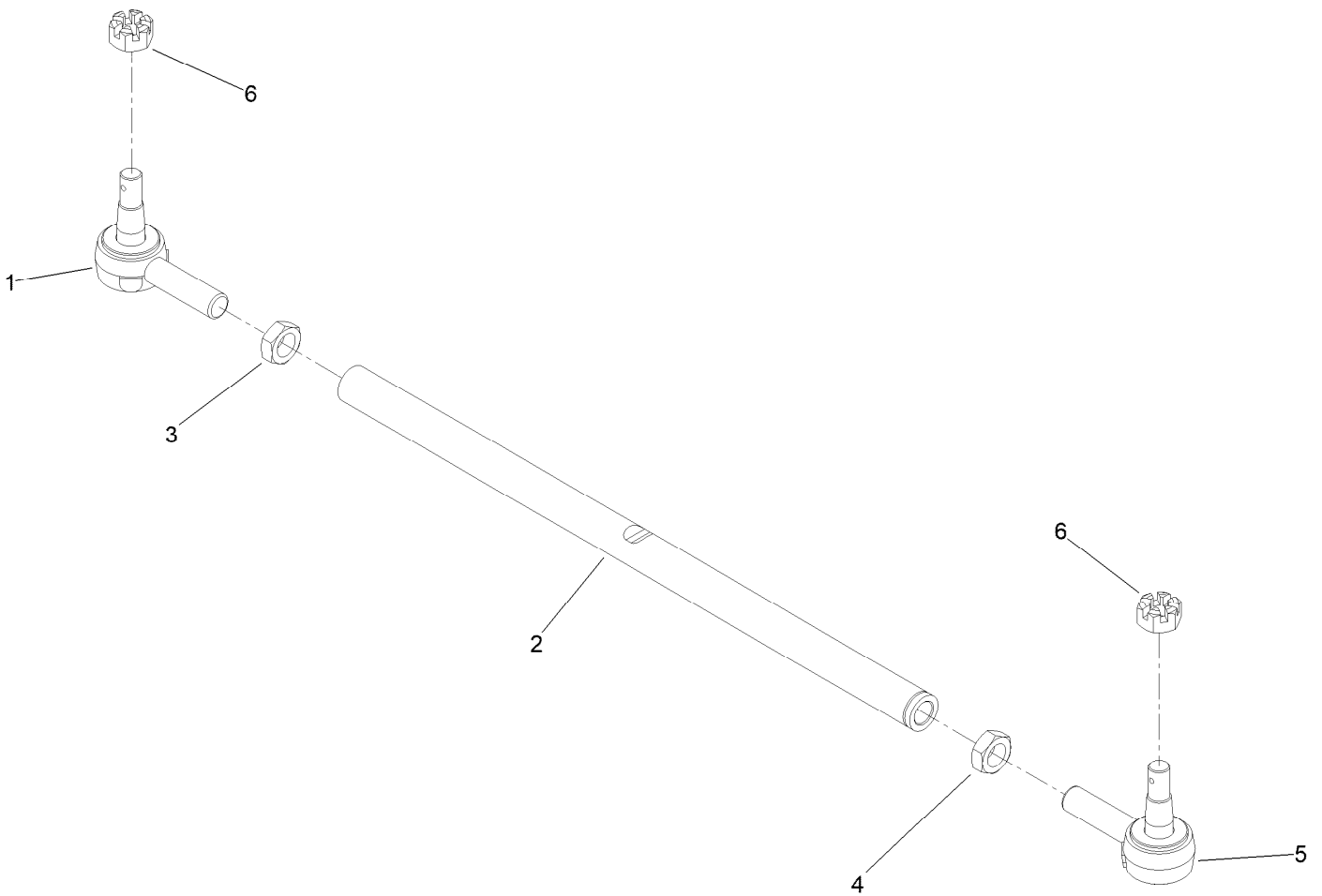
RH Lift Arm Assembly No. 144-3942



RH Lift Arm Assembly No. 144-3942 (continued)

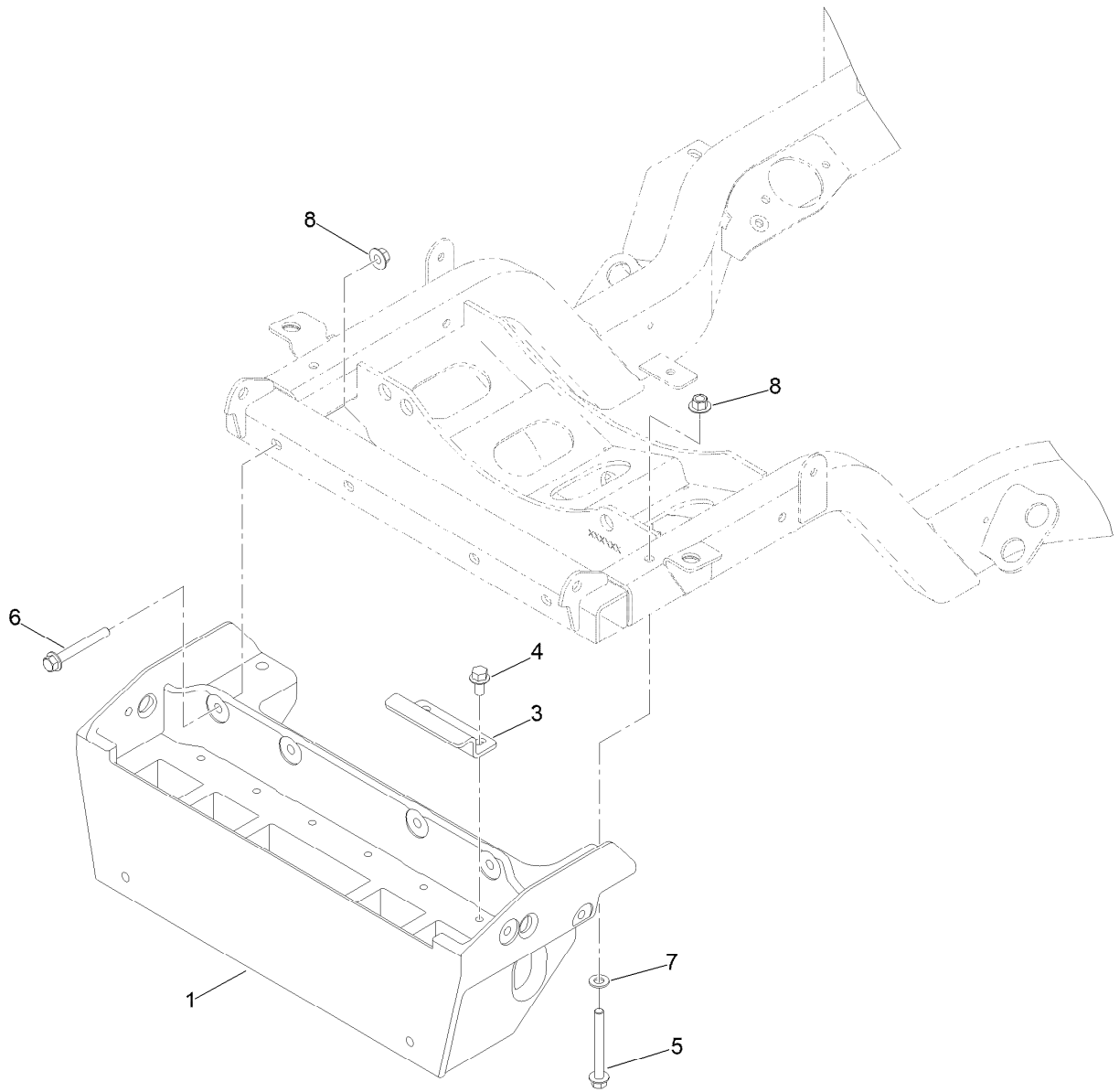
<i>Ref.</i>	<i>Part Number</i>	<i>Qty.</i>	<i>Description</i>	<i>Ref.</i>	<i>Part Number</i>	<i>Qty.</i>	<i>Description</i>
1		1	Lift Arm ASM, RH ●	3	139-0910	1	Bolt-Shoulder
1:2		1	Hub-ASM ●	4	139-1689	1	Nut-HF
1:2:2	104-0015	2	Bushing-Flange	5	32151-34	1	Ring-Retaining
2	105-7441	1	Bearing-Spherical	6	302-5	1	Fitting-Grease

● Not serviced separately



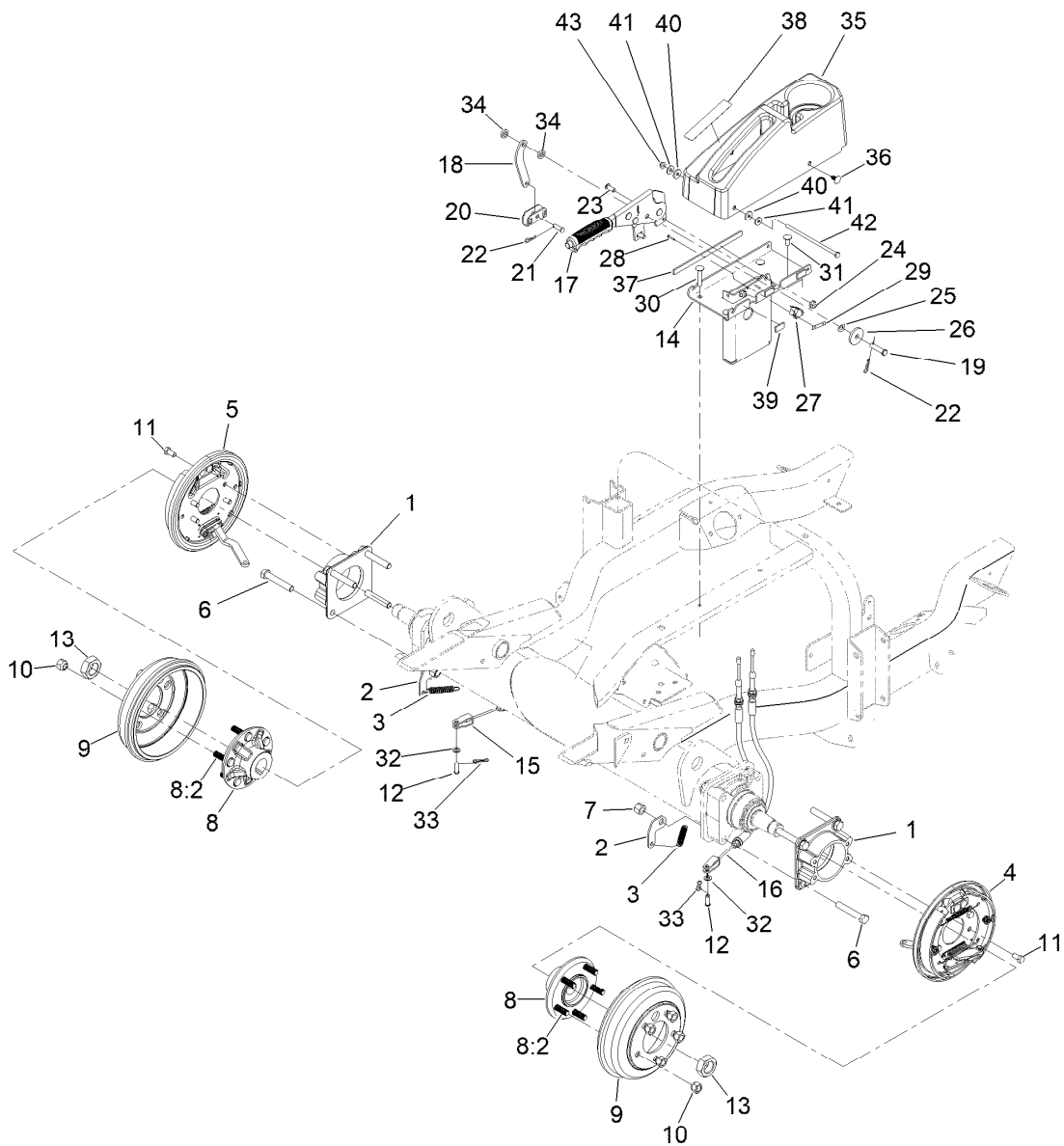
Tie Rod Assembly No. 144-3900

<i>Ref.</i>	<i>Part Number</i>	<i>Qty.</i>	<i>Description</i>
1	144-3901	1	Tie Rod End
2	133-6463	1	Tie-Rod
3	84-5300	1	Nut-Jam
4	110-5337	1	Nut-Jam
5	144-3902	1	Tie Rod End
6	140-6135	2	Nut-Hex, Slotted



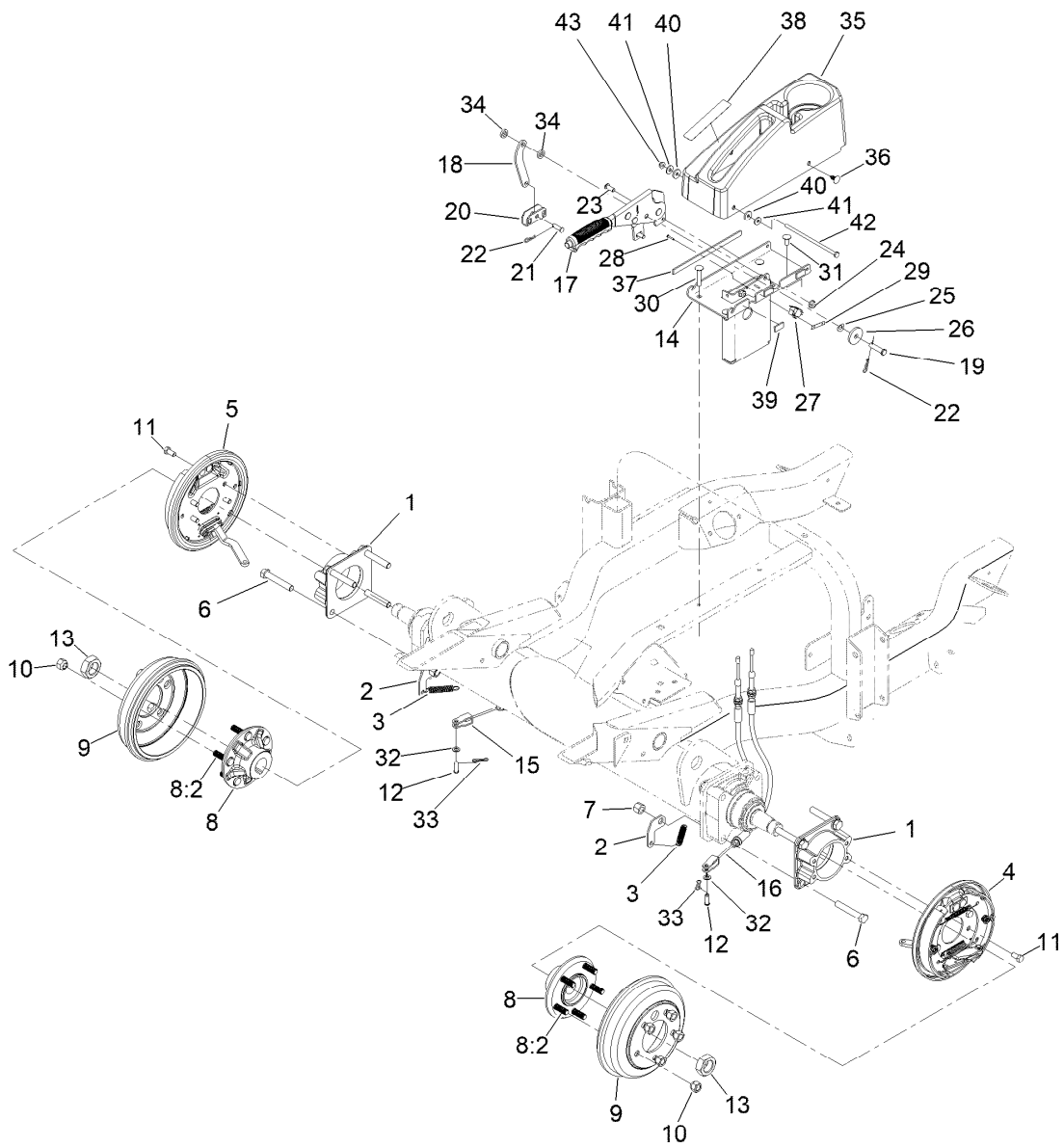
Rear Bumper Assembly

<i>Ref.</i>	<i>Part Number</i>	<i>Qty.</i>	<i>Description</i>
1	147-3589SP	1	Bumper-Rear
3	161-8910	3	Bracket-Weight Retainer
4	3234-1	6	Screw-HHF
5	3234-41	2	Screw-HHF
6	139-2429	4	Screw-HHF
7	3256-24	2	Washer-Plain
8	32128-43	6	Nut-Flange



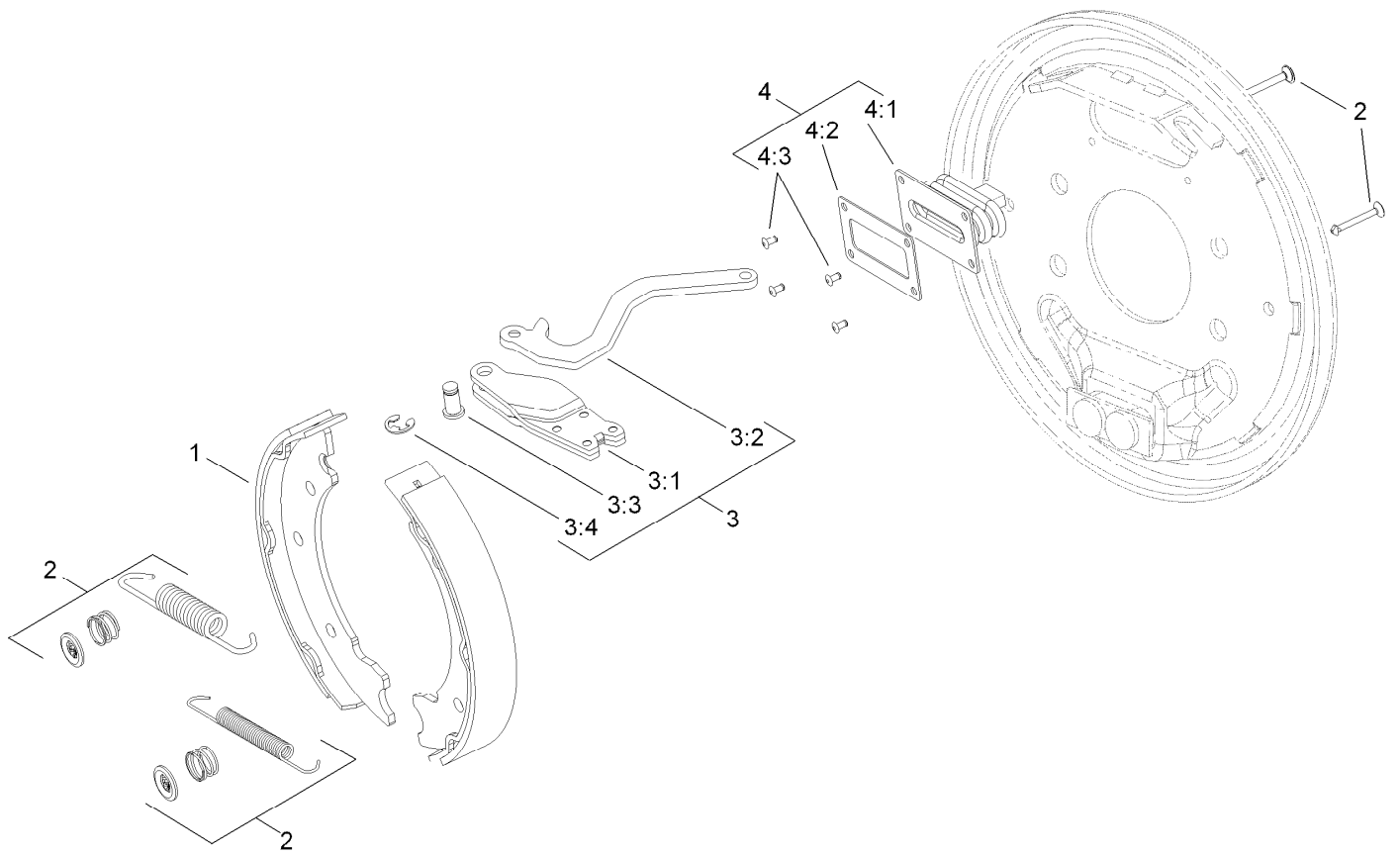
Brake Assembly

Ref.	Part Number	Qty.	Description	Ref.	Part Number	Qty.	Description
1	147-3594	2	Adapter-Brake	21	1-808280	1	Pin-Clevis
2	138-4499	2	Clip-Spring	22	1-806003	2	Pin-Cotter
3	137-2591	2	Spring-Extension	23	3274-55	2	Screw-HSBH
4	120-0235	1	LH Brake ASM	24	119-4041	6	Nut-HF
5	120-0233	1	RH Brake ASM	25	121-4605	1	Washer-Spring
6	325-12	8	Screw-HH	26	131-8496	1	Washer-Plain
7	3296-23	8	Nut-Lock, NI	27	108-6496	1	Switch (W/Boot)
8	137-2470	2	Hub ASM	28	95-3003	2	Screw-PPHTF
8:2	114-3918	5	Stud-Wheel	29	3290-354	1	Nut-Speed
9	114-8864	2	Drum-Brake	30	116-0629	2	Screw-CARR
10	139-2564	10	Nut-Lug	31	137-3061	2	Bolt-CARR
11	323-4	8	Screw-HH	32	3256-74	2	Washer-Flat
12	283-58	2	Pin-Clevis	33	119-1415	2	Pin-Cotter, Locking
13	107-9319	2	Nut-Hex	34	3-3287	2	Spacer
14	147-0064-0P	1	Mount-Brake, Parking	35	138-7475	1	Cover-Brake, Parking
15	137-2640	1	Cable-Brake, Adjustable RH	36	117-2382	2	Plug-Plastic
16	137-2641	1	Cable-Brake, Adjustable LH	37	132-7282	1	Strip-Foam
17	131-8320	1	Lever-Brake, Park	38	139-6224	1	Decal-Brake, Parking
18	144-0516	1	Link-Park, Brake	39	115-5417	3	Strip-Foam
19	283-10	1	Pin-Clevis	40	144-0499	2	Washer-Epdm
20	87-3480	1	Bracket-Equalizer, Cable	41	3256-78	2	Washer-Flat



Brake Assembly (continued)

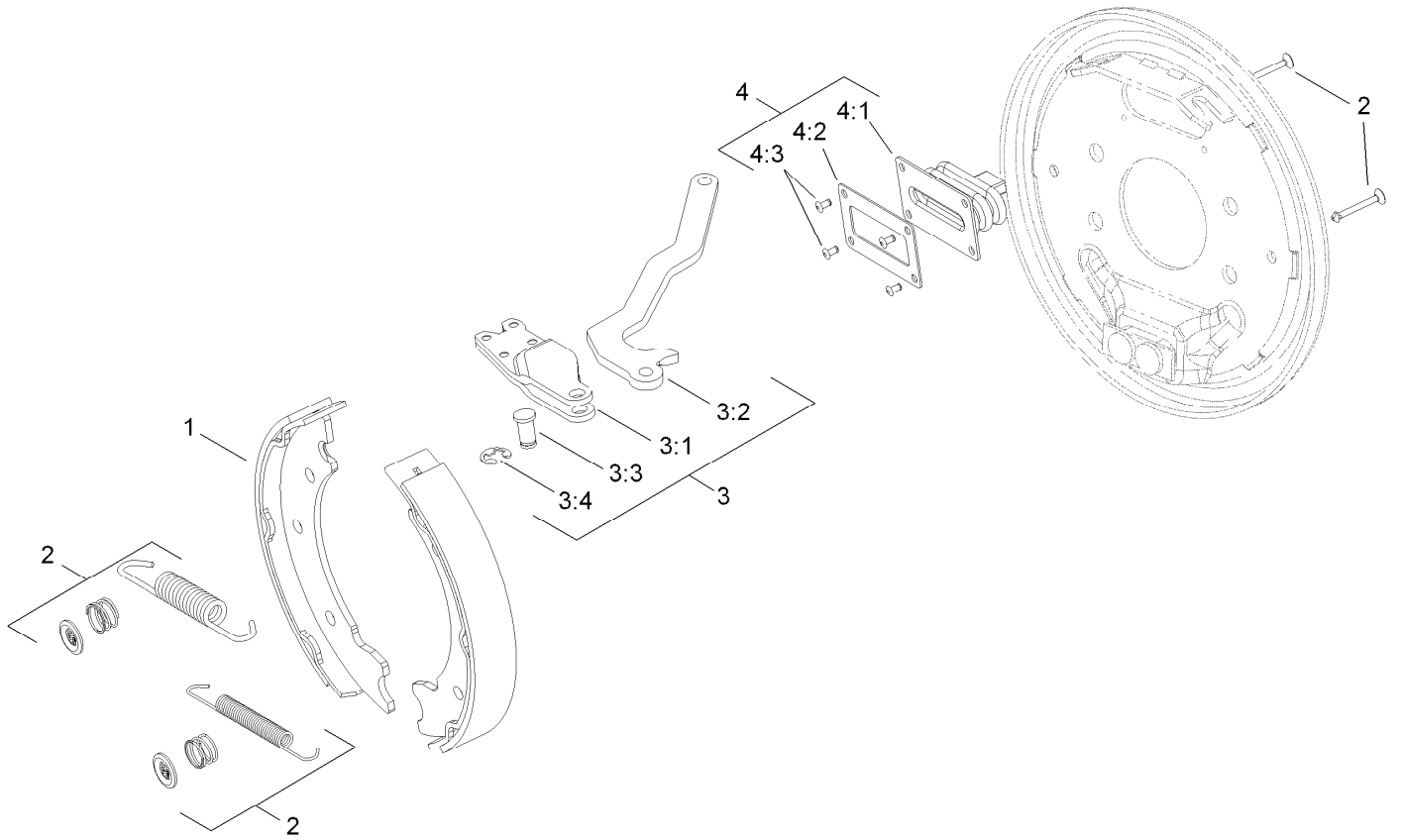
<i>Ref.</i>	<i>Part Number</i>	<i>Qty.</i>	<i>Description</i>
42	321-21	1	Screw-HH
43	104-7201	1	Nut-HF, NI



Left Hand Brake Assembly No. 120-0235

Ref.	Part Number	Qty.	Description
1	139-5950	1	Brake Shoe Kit
2	108-6983	1	Brake Hardware Kit
3	120-0236	1	LH Actuator Kit
3:1		1	Housing ●
3:2		1	Lever-LH ●
3:3		1	Pin-Pivot ●
3:4		1	E-Ring ●
4	110-8885	1	Dust Boot Kit
4:1		1	Boot ●
4:2		1	Plate-Back Up ●
4:3		2	Rivet ●

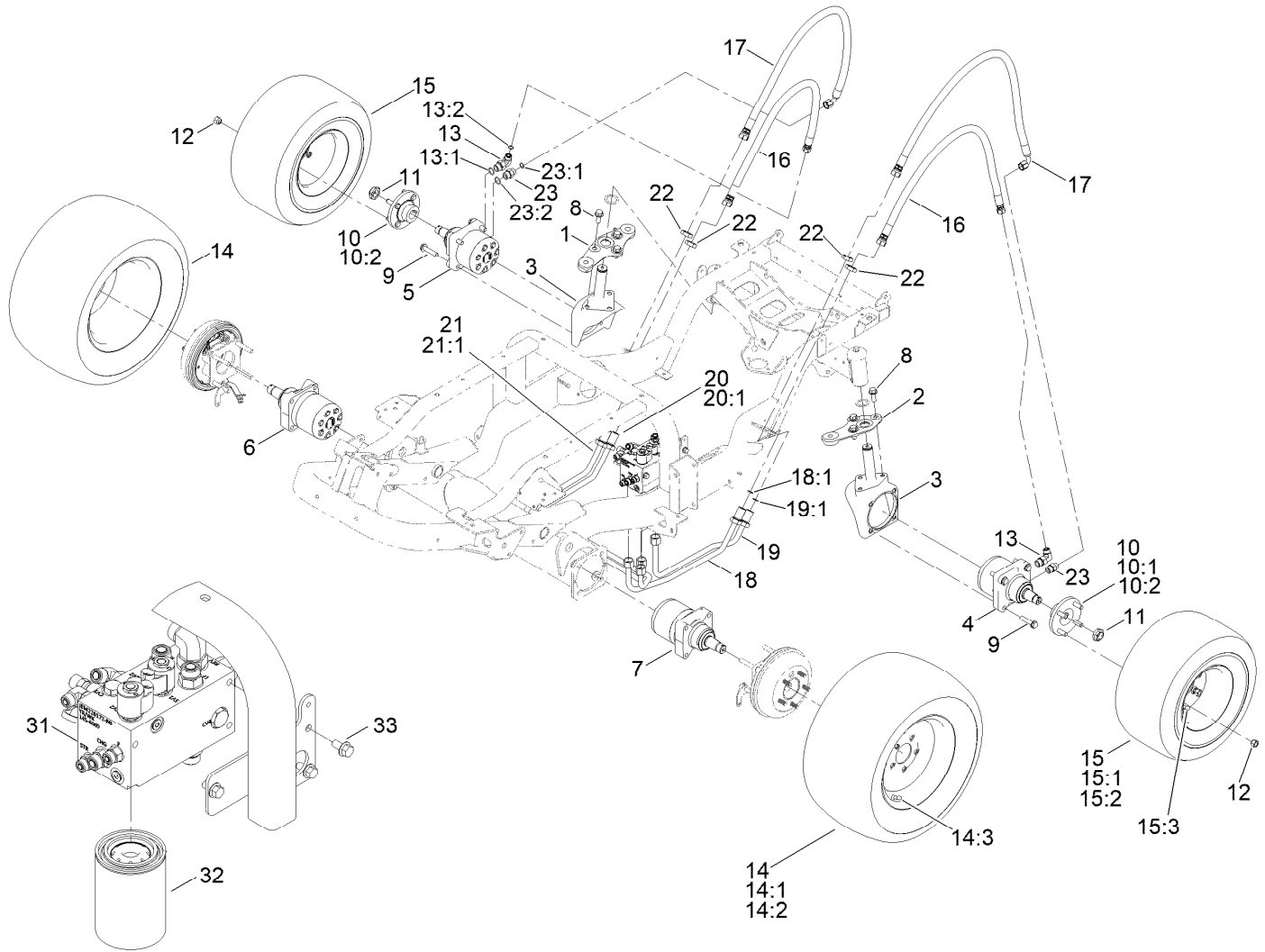
● Not serviced separately



Right Hand Brake Assembly No. 120-0233

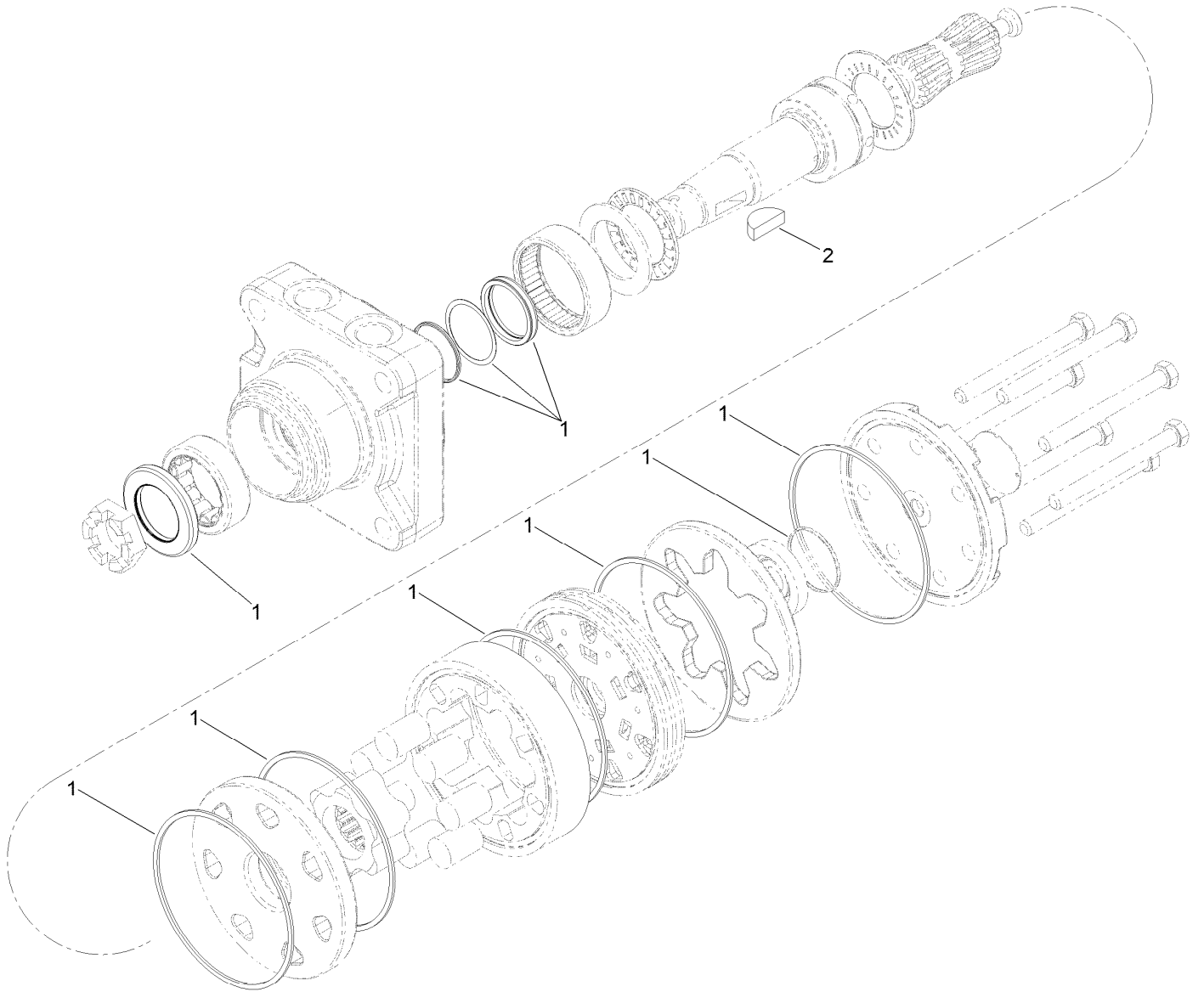
Ref.	Part Number	Qty.	Description
1	139-5950	1	Brake Shoe Kit
2	108-6983	1	Brake Hardware Kit
3	120-0234	1	RH Actuator Kit
3:1		1	Housing ●
3:2		1	Lever-RH ●
3:3		1	Pin-Pivot ●
3:4		1	E-Ring ●
4	110-8885	1	Dust Boot Kit
4:1		1	Boot ●
4:2		1	Plate-Back Up ●
4:3		2	Rivet ●

● Not serviced separately



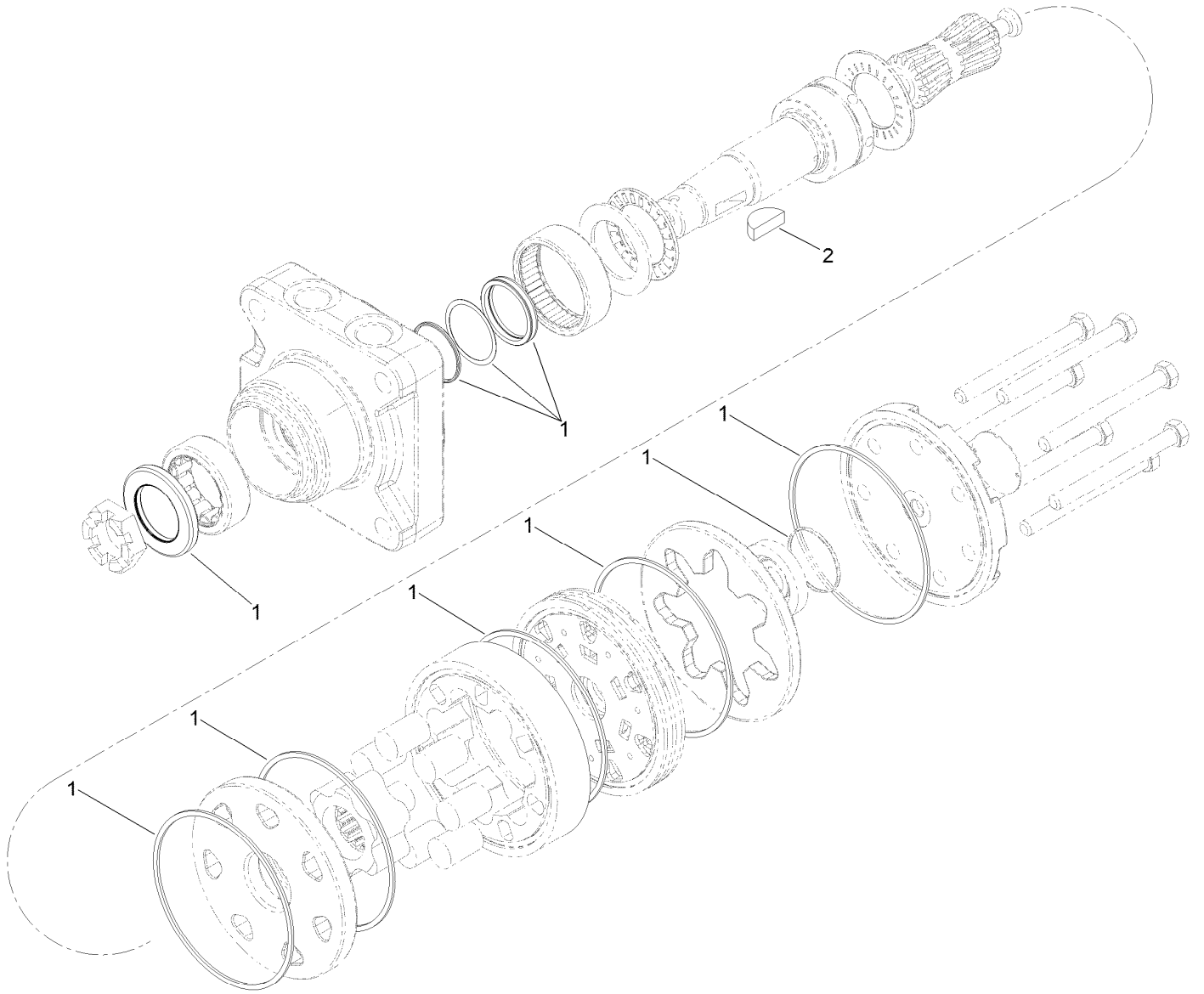
Hydraulic Drive Assembly

Ref.	Part Number	Qty.	Description	Ref.	Part Number	Qty.	Description
1	140-3142	1	Link-Drag, RH	15	137-2592	2	Wheel ASM
2	140-3144	1	Link-Drag, LH	15:1	137-2596	1	Tire
3	161-5128	2	Housing-Motor	15:2	137-2597	1	Rim
4	138-0303	1	Motor-Hydraulic, CCW	15:3	232-27	1	Stem-Valve
5	138-0304	1	Motor-Hydraulic, CW	16	144-3929	2	Hose ASM, Hydraulic
6	137-2478	1	Motor-Hydraulic, CW	17	144-3928	2	Hose ASM, Hydraulic
7	137-2458	1	Motor-Hydraulic, CCW	18	138-0334	1	Hydraulic Tube ASM
8	3234-38	6	Screw-HHF	18:1	237-65	1	O-Ring
9	3234-46	8	Screw-HHF	19	138-0335	1	Hydraulic Tube ASM
10	18-3209	2	Wheel Hub/Stud ASM	19:1	237-65	1	O-Ring
10:1	10-6870-03	1	Hub-Wheel	20	145-6069	1	Hydraulic Tube ASM
10:2	10-6830	4	Stud-Type, Drive	20:1	237-65	1	O-Ring
11	116-1399	2	Locknut	21	145-6071	1	Hydraulic Tube ASM
12	139-2564	8	Nut-Lug	21:1	237-65	1	O-Ring
13	340-105	2	Fitting-Elbow, 90 DEG	22	340-74	4	Nut-Lock, Bulkhead
13:1	237-80	1	O-Ring	23	340-6	2	Fitting-Straight
13:2	237-30	1	O-Ring	23:1	237-30	1	O-Ring
14	137-2590	2	Wheel ASM	23:2	237-80	1	O-Ring
14:1	137-2594	1	Tire	31	145-6080	1	Manifold Steering/Lift-4Wd
14:2	137-2595	1	Rim	32	86-3010	1	Filter-Oil
14:3	232-27	1	Stem-Valve	33	3234-1	3	Screw-HHF



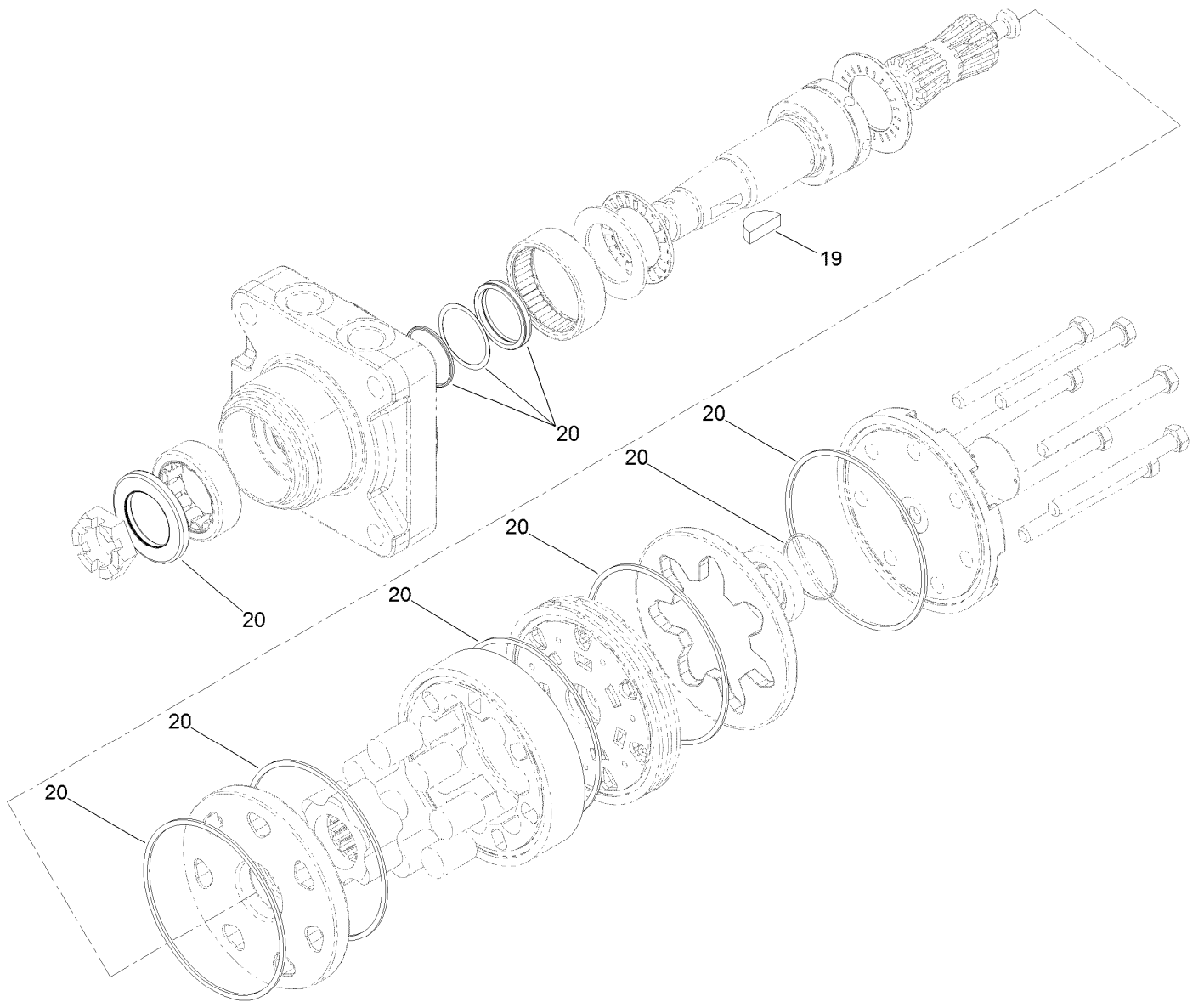
Hydraulic Motor Assembly No. 138-0303

<i>Ref.</i>	<i>Part Number</i>	<i>Qty.</i>	<i>Description</i>
1	110-8897	1	Seal Kit
2	3257-42	1	Key-Woodruff



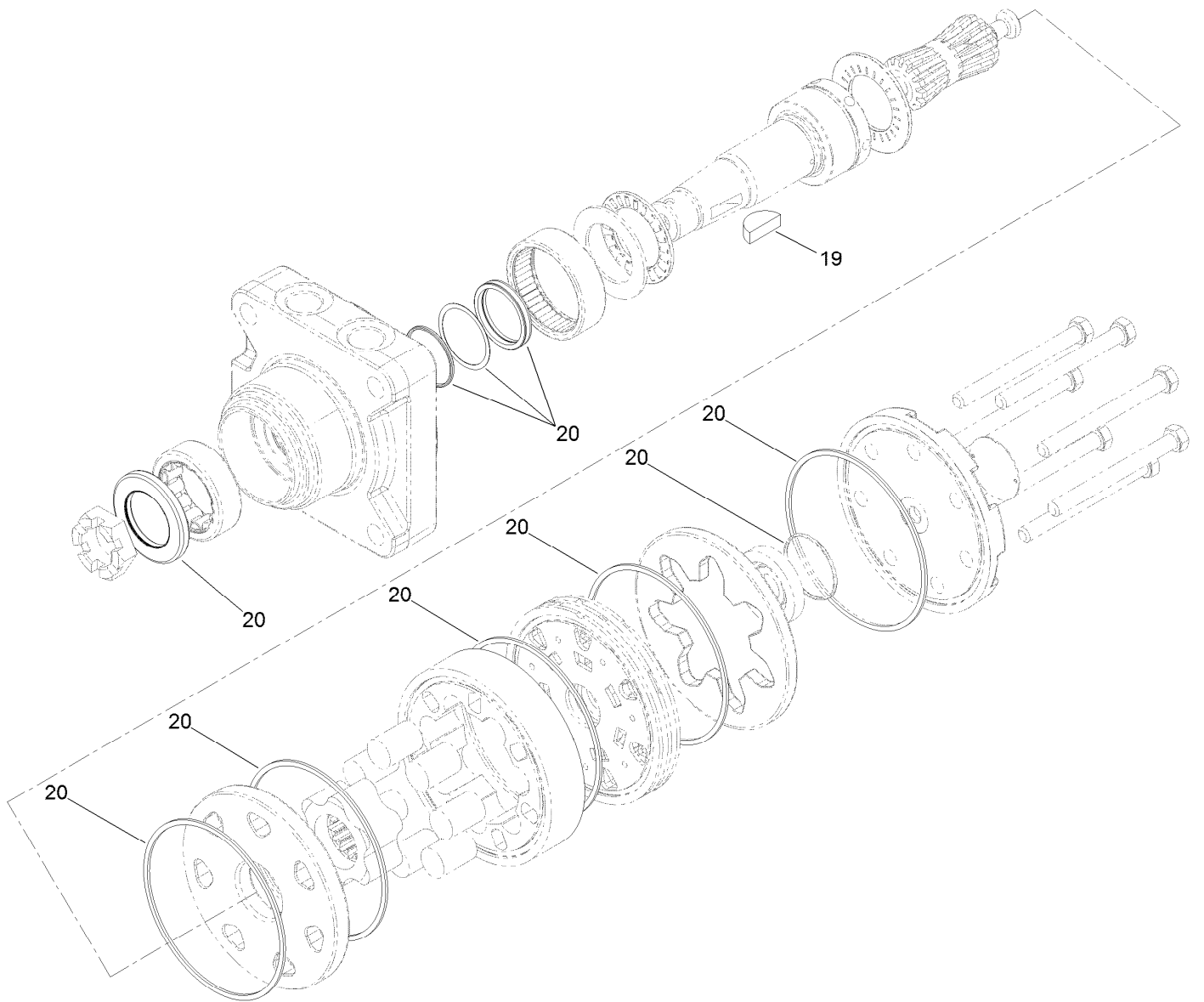
Hydraulic Motor Assembly No. 138-0304

<i>Ref.</i>	<i>Part Number</i>	<i>Qty.</i>	<i>Description</i>
1	110-8897	1	Seal Kit
2	3257-42	1	Key-Woodruff



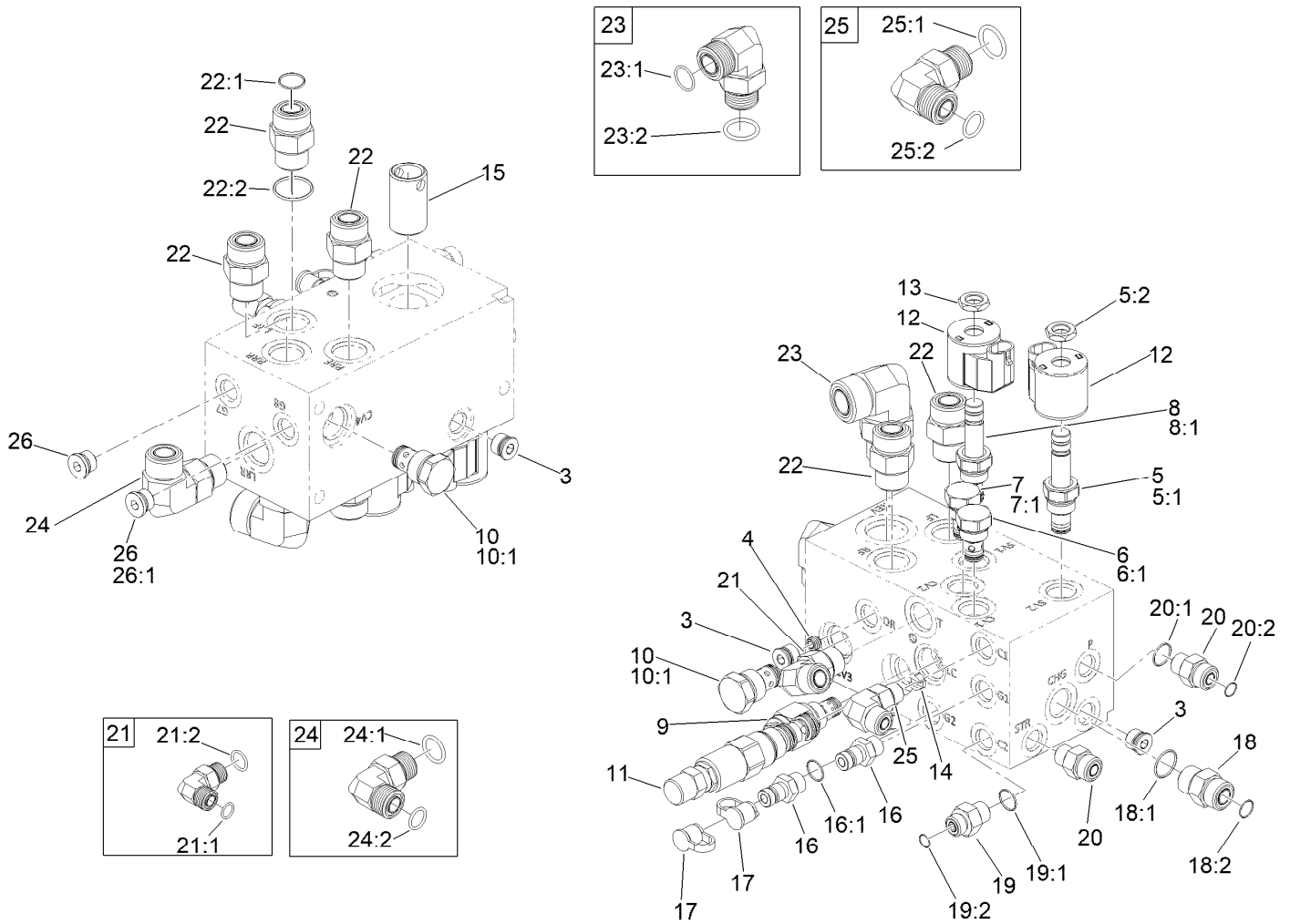
Hydraulic Motor Assembly No. 137-2478

<i>Ref.</i>	<i>Part Number</i>	<i>Qty.</i>	<i>Description</i>
19	3257-42	1	Key-Woodruff
20	110-8896	1	Seal Kit



Hydraulic Motor Assembly No. 137-2458

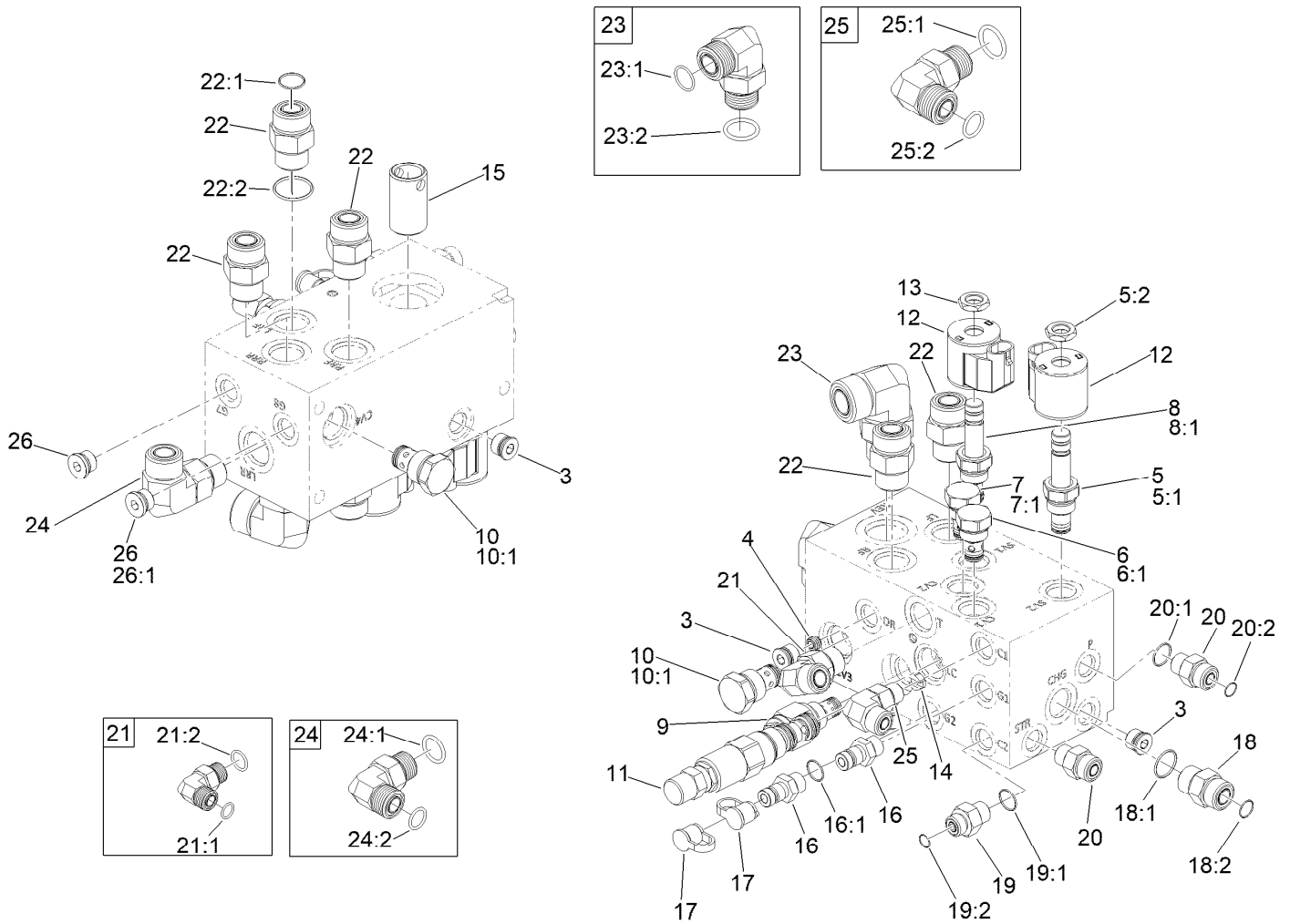
<i>Ref.</i>	<i>Part Number</i>	<i>Qty.</i>	<i>Description</i>
19	3257-42	1	Key-Woodruff
20	110-8896	1	Seal Kit



Steering/Lift Manifold Assembly No. 145-6080

Ref.	Part Number	Qty.	Description	Ref.	Part Number	Qty.	Description
3	112-9213	3	Plug	14	139-6296	1	Orifice-Check 0.100 DIA
4	110-8883	1	Plug-Orifice (0.040)	15	139-6297	1	Nipple-Filter
5	112-9206	1	Solenoid Valve ASM	16	59-7410	2	Fitting-Diagnostic
5:1	105-9156	1	Seal Kit	16:1	237-42	1	O-Ring
5:2	110-2634	1	Nut-Coil	17	354-79	2	Cap-Dust
6	114-2873	1	Check Valve ASM	18	340-4	1	Fitting-Straight
6:1	105-9156	1	Seal Kit	18:1	237-30	1	O-Ring
7	139-1213	1	Valve-Check	18:2	237-79	1	O-Ring
7:1	105-9156	1	Seal Kit	19	340-1	1	Fitting-Straight
8	120-6562	1	Valve-Solenoid	19:1	237-21	1	O-Ring
8:1	105-9156	1	Seal Kit	19:2	237-42	1	O-Ring
9	139-6298	1	Valve-Relief (Bi-Directional)	20	340-2	2	Fitting-Straight
10	110-8881	2	Valve-Check	20:1	237-22	1	O-Ring
10:1	105-9159	1	Seal Kit ●	20:2	237-42	1	O-Ring
11	144-0501	1	Valve-Logic, 220 PSI (Adjustable)	21	340-98	1	Fitting-Elbow, 90 DEG
12	110-0497	2	Coil-Solenoid	21:1	237-79	1	O-Ring
13	110-2634	2	Nut-Coil	21:2	237-30	1	O-Ring
				22	340-7	5	Fitting-Straight

● Not illustrated

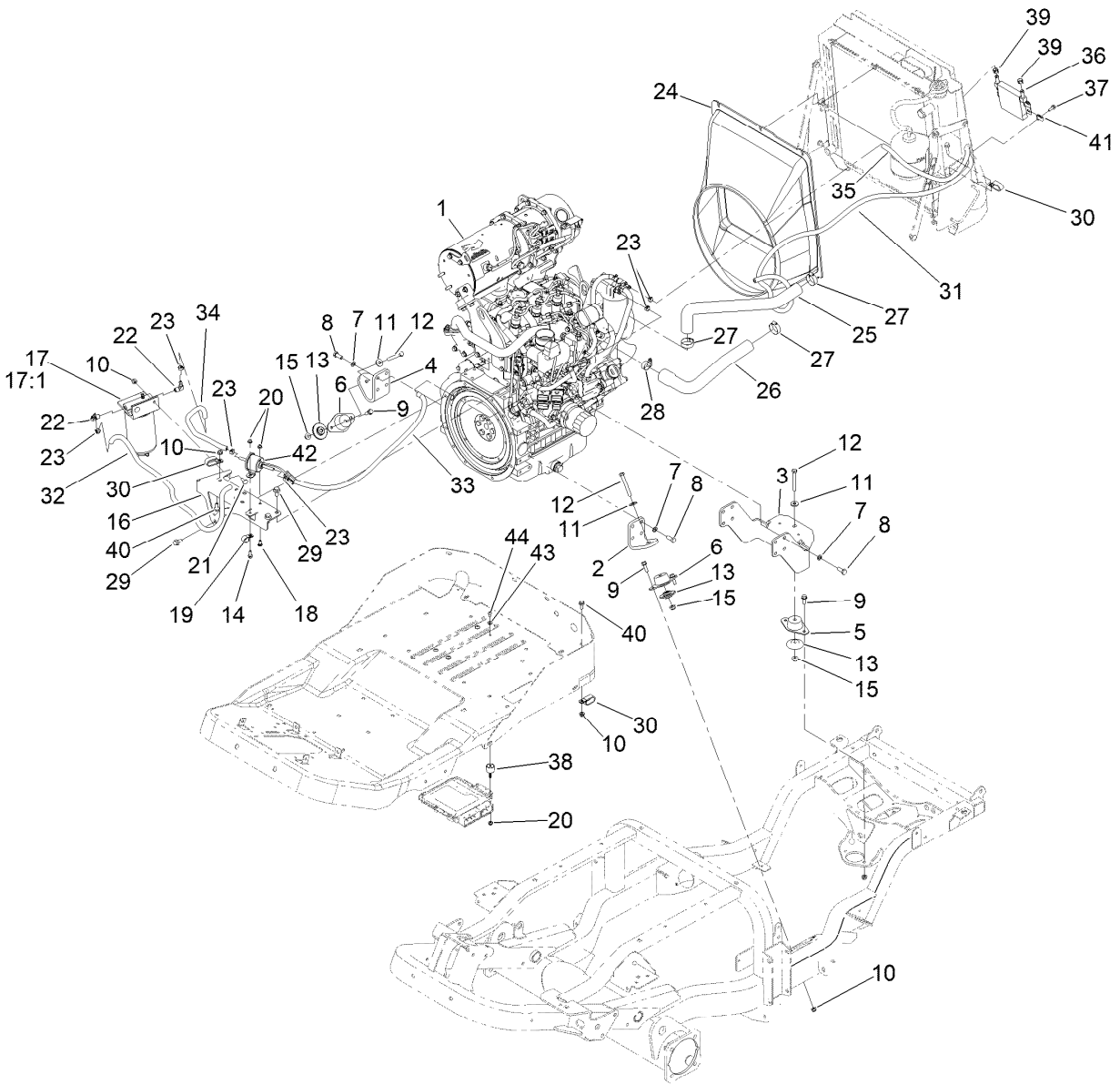


Steering/Lift Manifold Assembly No. 145-6080 (continued)

Ref.	Part Number	Qty.	Description
22:1	237-65	1	O-Ring
22:2	237-80	1	O-Ring
23	340-142	1	Fitting-Elbow, 90 DEG
23:1	237-58	1	O-Ring
23:2	237-81	1	O-Ring
24	340-17	1	Fitting-Elbow, 90 DEG
24:1	237-65	1	O-Ring

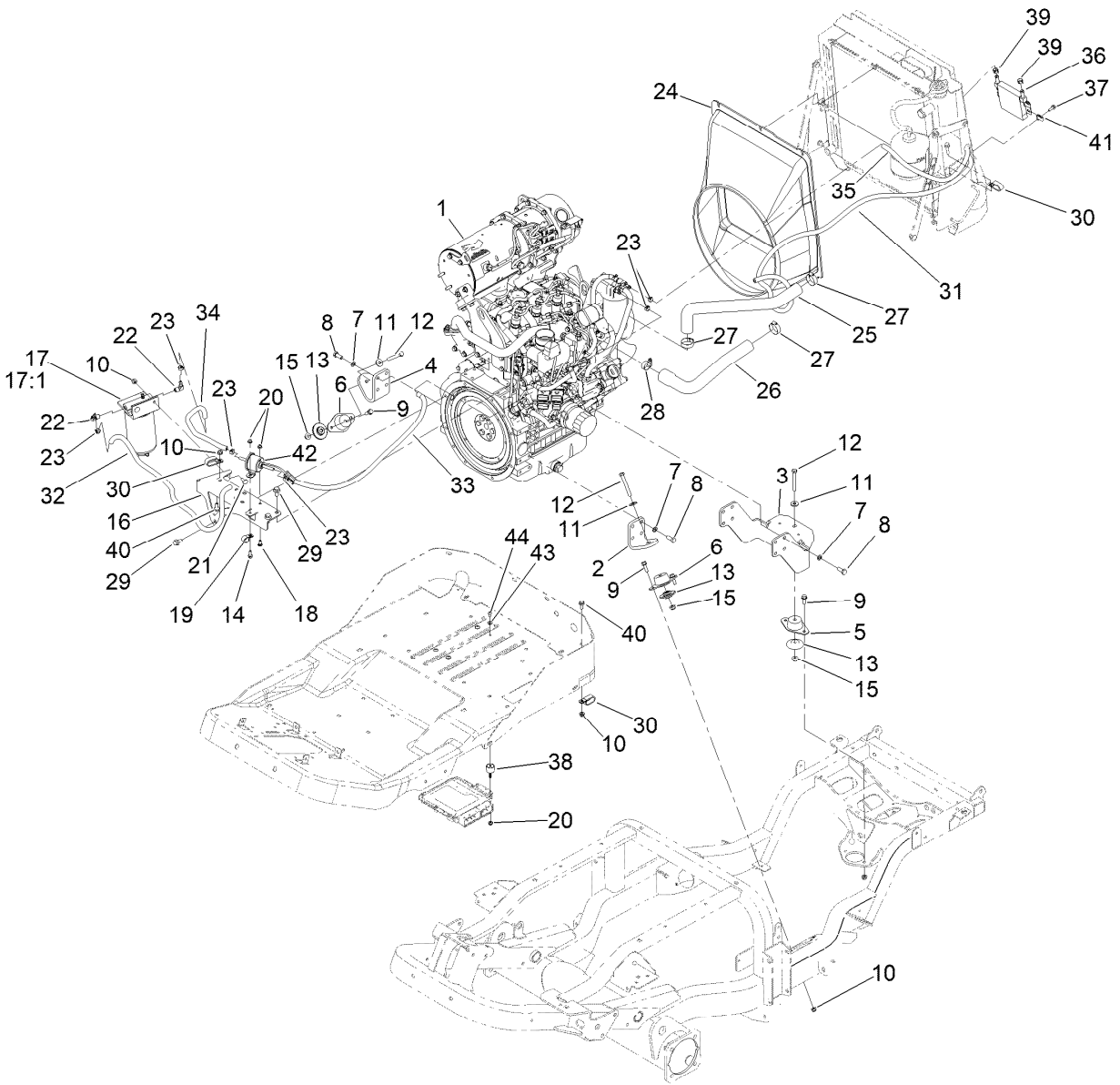
Ref.	Part Number	Qty.	Description
24:2	237-80	1	O-Ring
25	340-77	1	Fitting-Elbow, 90 DEG
25:1	237-22	1	O-Ring
25:2	237-42	1	O-Ring
26	353-989	2	Plug-Hex, Hollow
26:1	237-42	1	O-Ring

● Not illustrated



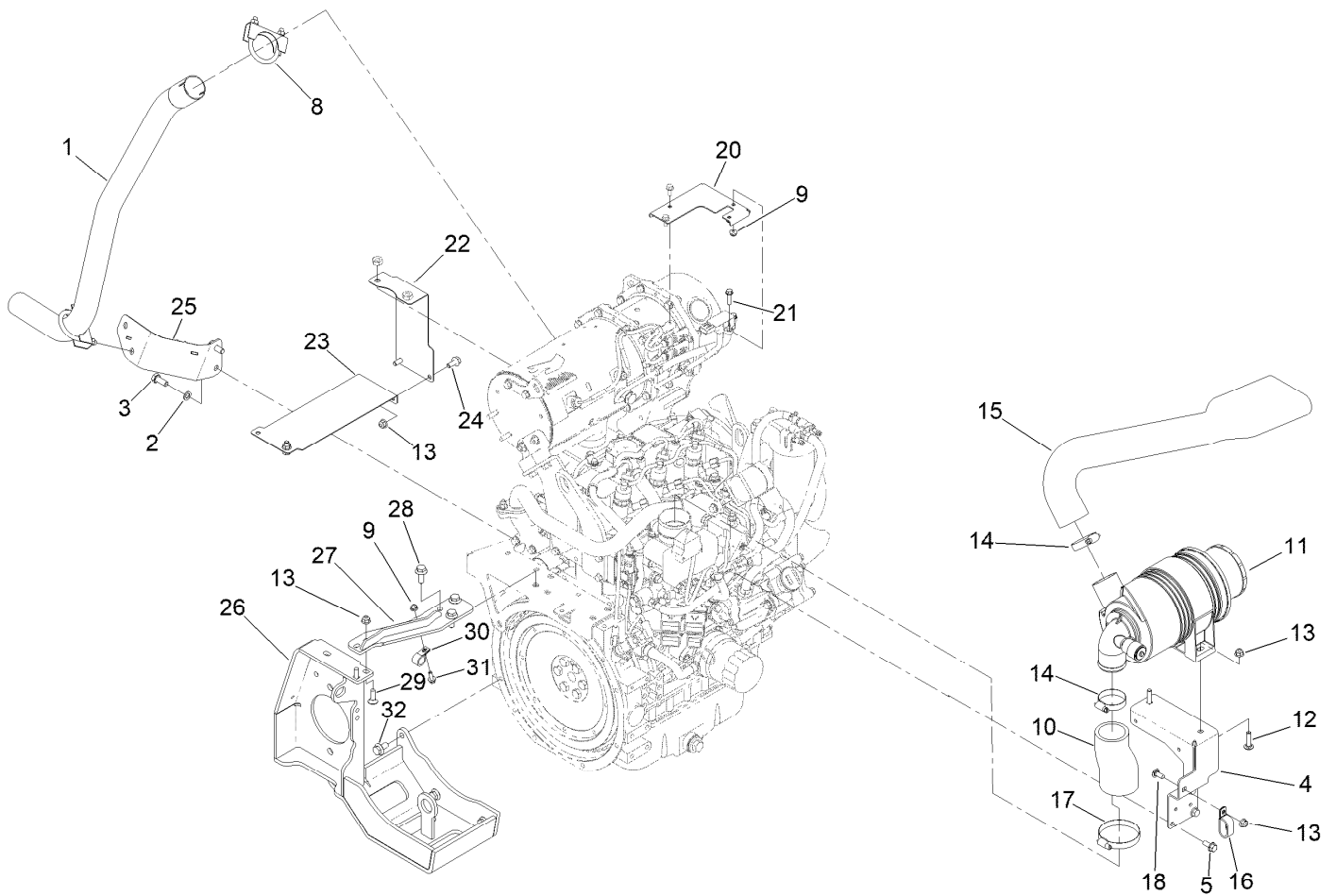
Engine Mount Assembly

Ref.	Part Number	Qty.	Description	Ref.	Part Number	Qty.	Description
1	139-6183	1	Engine-Yanmar 3Tnv88C-Dtr6	20	104-7201	6	Nut-HF, NI
2	138-0409-0P	1	Mount-Engine, LH Front	21	3230-10	2	Bolt-CARR
3	138-0410-0P	1	Mount-Engine, Rear 37HP	22	353-781	2	Fitting-HYD, 90
4	138-0408-0P	1	Mount-Engine, RH Front	23	92-2379	6	Clamp-Hose
5	120-6274	1	Mount-Engine	24	138-0419	1	Shroud-Fan
6	139-0856	2	Mount-Engine	25	138-0429	1	Hose-Radiator, Upper
7	48-9590	14	Washer-Lock	26	138-0430	1	Hose-Radiator, Lower
8	33115-025	14	Screw-HH	27	2412-34	3	Clamp-Hose
9	3234-29	6	Screw-HHF	28	2412-3	1	Clamp-Hose
10	119-4041	10	Nut-HF	29	33105-020	3	Screw-HHF
11	80-6990	3	Washer-Hardened	30	120-1959	3	Clamp
12	323-14	3	Screw-HH	31	139-6255	1	Hose-Fuel
13	138-6462	3	Support-Isolator	32	126-1805	1	Hose-Fuel
14	120-9678	1	Screw-HHF	33	110-3257	1	Hose-Fuel
15	119-4042	3	Nut-HF, NI	34	110-4101	1	Hose-Fuel
16	144-4098-0P	1	Bracket-Filter Mount	35	139-6276	1	Hose-Fuel
17	125-2914	1	Filter-Separator	36	116-7205	1	Cooler
17:1	125-2915	1	Filter-Fuel/Water Separator	37	3234-4	4	Screw-HHF
18	1-807512	1	Bolt-CARR	38	139-6176	4	Mount-ISO
19	2412-87	1	Clamp-Cable	39	103-1988	2	Clamp-Hose
				40	3234-47	2	Screw-HHF



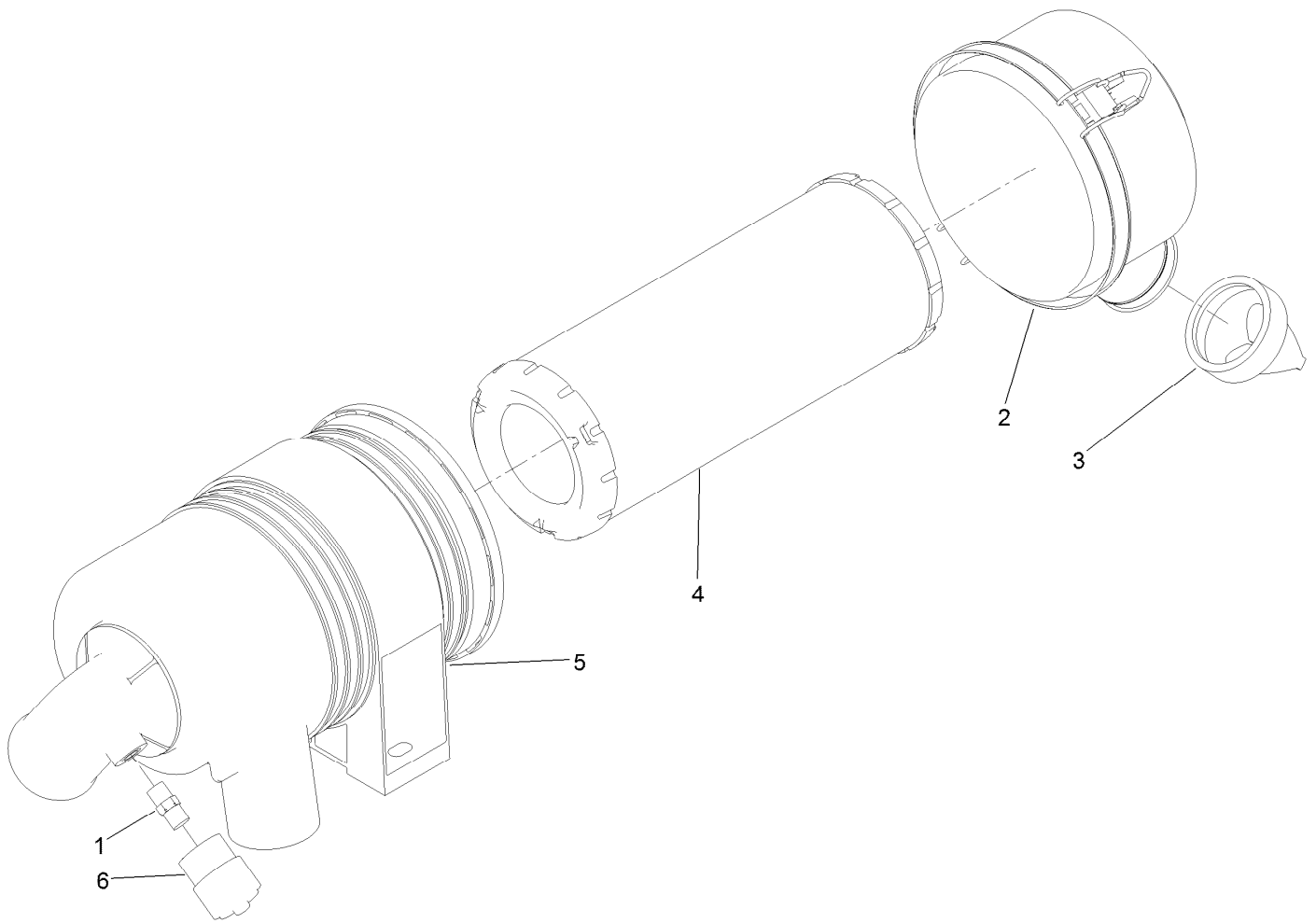
Engine Mount Assembly (continued)

<i>Ref.</i>	<i>Part Number</i>	<i>Qty.</i>	<i>Description</i>	<i>Ref.</i>	<i>Part Number</i>	<i>Qty.</i>	<i>Description</i>
41	107069	4	Clip	43	3256-1	4	Washer-Flat
42	121-5613	1	Pump-Fuel, Electric	44	135-6367	4	Screw-HSBH



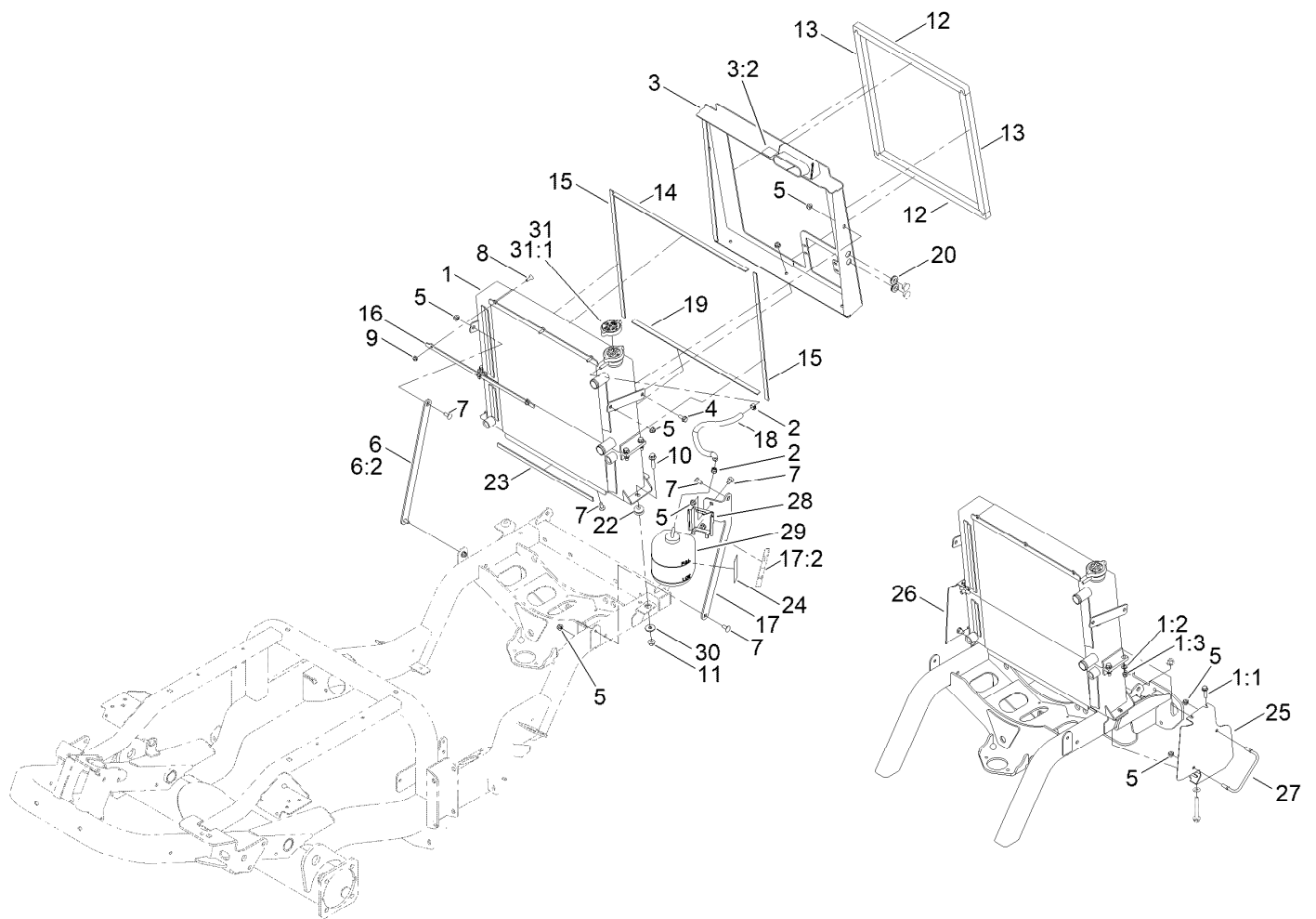
Exhaust and Air Cleaner Assembly

<i>Ref.</i>	<i>Part Number</i>	<i>Qty.</i>	<i>Description</i>	<i>Ref.</i>	<i>Part Number</i>	<i>Qty.</i>	<i>Description</i>
1	144-0569	1	Pipe-Exhaust	18	137-3061	1	Bolt-CARR
2	48-9590	2	Washer-Lock	20	139-6181-0P	1	Bracket-Sensor, Dpf
3	33115-025	2	Screw-HH	21	120-4654	2	Screw-HHF
4	138-0432-0P	1	Bracket-Air Filter [primed]	22	139-6185	1	Bracket-Heat Shield, Rear
5	33104-020	3	Screw-HHF	23	139-6184	1	Bracket-Heat Shield, Lower
8	18-2130	2	Clamp	24	3234-47	3	Screw-HHF
9	104-7201	3	Nut-HF, NI	25	144-0572-03	1	Support-Tailpipe
10	137-5809	1	Hose-Cleaner, Air	26	145-6016-0P	1	Bracket-Pump Mount
11	136-4481	1	Air Cleaner ASM	27	145-5955-0P	1	Bracket-Pump
12	3230-29	2	Screw-CARR	28	33105-025	3	Screw-HHF
13	119-4041	8	Nut-HF	29	3230-2	2	Bolt-CARR
14	2412-130	2	Clamp-Hose	30	2412-87	1	Clamp-Cable
15	138-4455	1	Hose-Intake	31	120-9678	1	Screw-HHF
16	120-1959	1	Clamp	32	33105-020	3	Screw-HHF
17	2412-53	1	Clamp-Drive, Worm				



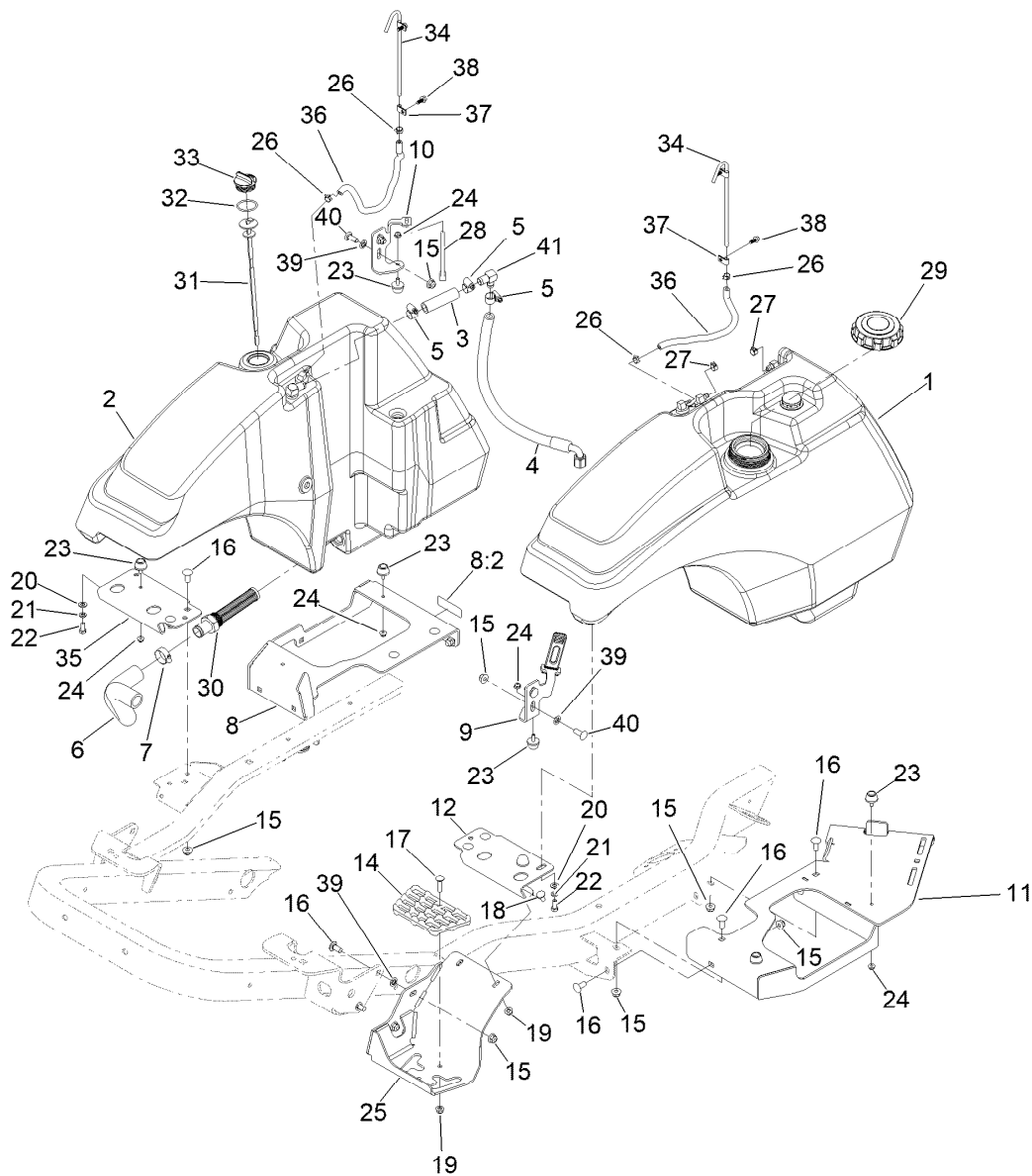
Air Cleaner Assembly No. 136-4481

<i>Ref.</i>	<i>Part Number</i>	<i>Qty.</i>	<i>Description</i>
1	94-1416	1	Adapter-Indicator
2	98-9771	1	Cover ASM
3	94-1414	1	Valve-Vacuator
4	108-3810	1	Filter-Air
5	98-4525	1	Bracket-Cleaner, Air
6	93-9164	1	Indicator-Mini



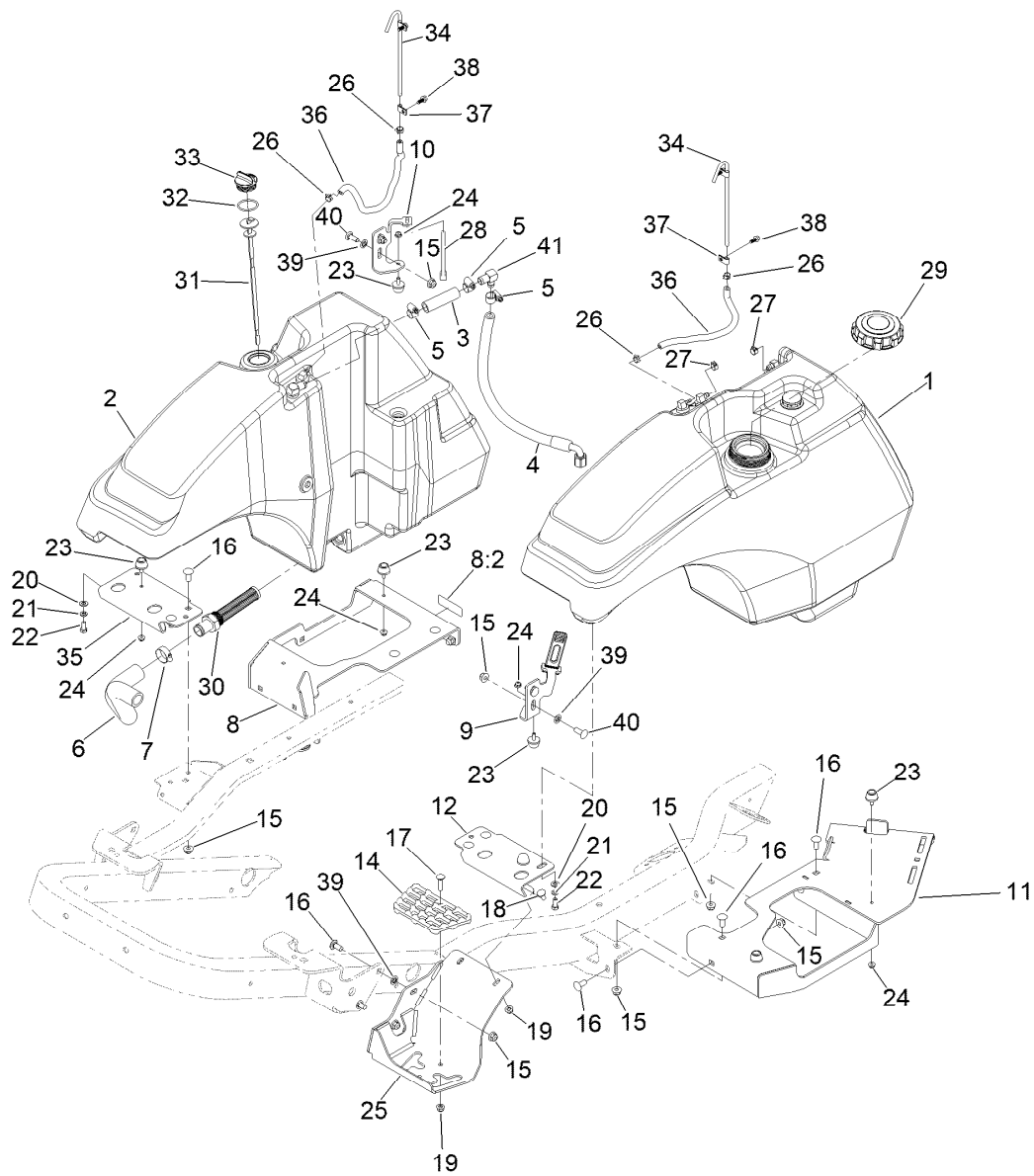
Radiator/Oil Cooler Assembly

<i>Ref.</i>	<i>Part Number</i>	<i>Qty.</i>	<i>Description</i>	<i>Ref.</i>	<i>Part Number</i>	<i>Qty.</i>	<i>Description</i>
1	147-0062	1	Radiator/Oil Cooler ASM	15	138-4454	2	Foam-Radiator, Side
1:1	119-4036	4	Screw-HHF	16	138-4461-0P	1	Bracket-Shroud Retainer
1:2	3256-23	4	Washer-Plain	17	139-6230	1	Bracket-Bottle Mount
1:3	137-3093	4	Nut-Hex	17:2	93-7272	1	Decal-Warning
2	92-2379	2	Clamp-Hose	18	106-1126	1	Hose-Fuel
3	139-6232	1	Shroud-Cooler ASM	19	108-1393	1	Strip-Foam
3:2	115-8155	1	Decal-Warning	20	MSC14544	2	Grommet
4	3234-47	2	Screw-HHF	22	63-9750	2	Mount
5	119-4041	15	Nut-HF	23	130-9182	1	Foam-Radiator, Short
6	139-6229	1	Strap-Cooler	24	144-0472	1	Decal-Coolant Level
6:2	93-7272	1	Decal-Warning	25	163-1701-03	1	Bracket-Cooler Shroud LH
7	137-3061	9	Bolt-CARR	26	163-1702-03	1	Bracket-Cooler Shroud RH
8	1-807512	3	Bolt-CARR	27	144-3905	2	Guide-Hose
9	104-7201	3	Nut-HF, NI	28	140-7165	1	Bracket-Tank
10	114-4681	2	Screw-HHF	29	140-7185RT01	1	Tank ASM
11	119-4042	2	Nut-HF, NI	30	52-2861	2	Washer
12	138-4410	2	Seal-Foam	31	117-5138	1	Cap-Radiator
13	138-4411	2	Seal-Foam	31:1	117-3276	1	Decal-Danger
14	138-4453	1	Foam-Radiator				



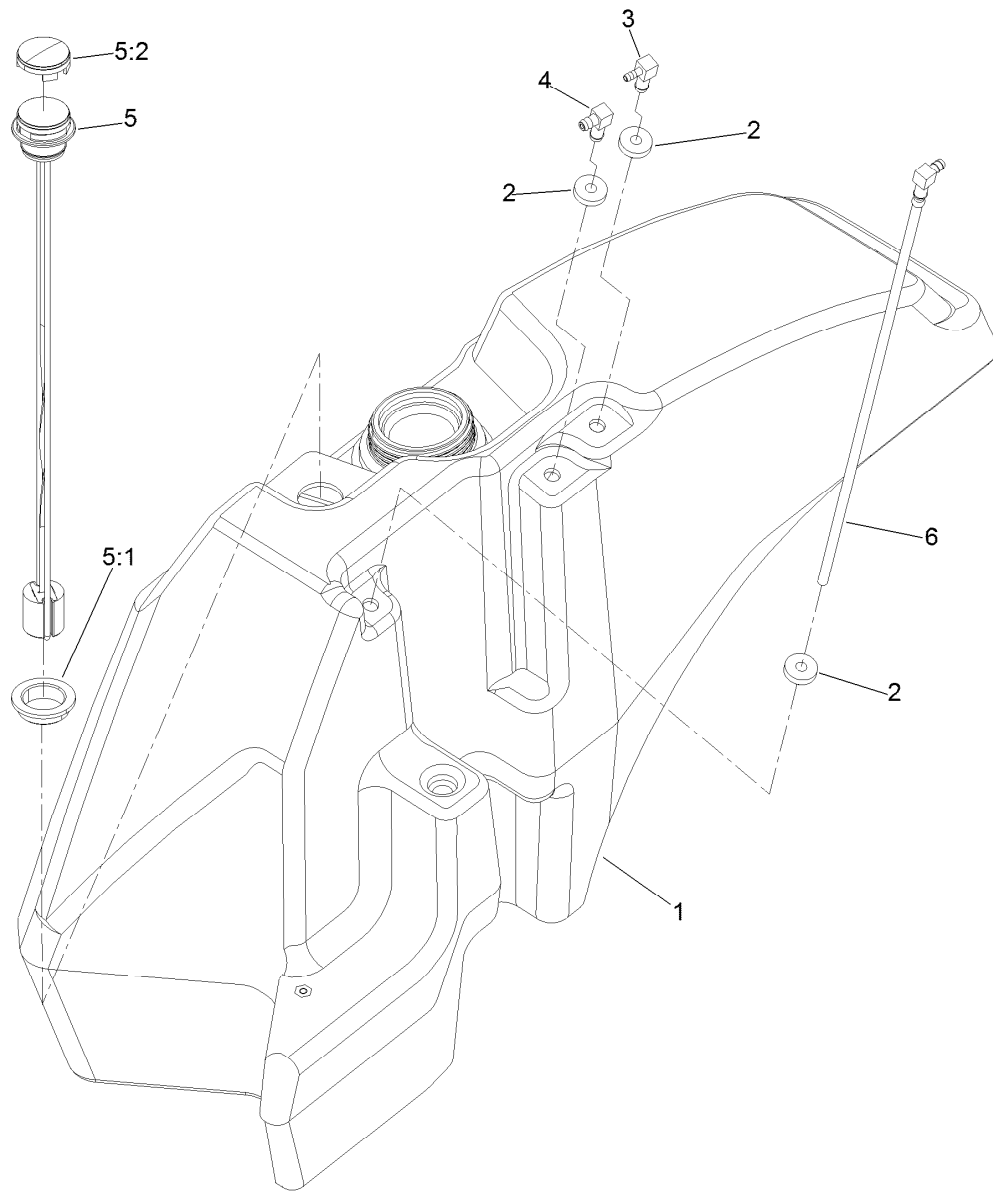
Fuel System Assembly

Ref.	Part Number	Qty.	Description	Ref.	Part Number	Qty.	Description
1	138-0291	1	Fuel Tank	19	119-4041	3	Nut-HF
2	138-4418	1	Hydraulics Tank ASM	20	3256-23	2	Washer-Plain
3	114-4920	1	Hose	21	3253-4	2	Washer-Lock
4	145-5933	1	Hose ASM-Hydraulic	22	322-3	2	Screw-HH
5	2412-119	3	Clamp-Hose	23	109-2365	8	Bumper-Rubber
6	138-7361	1	Hose-Suction	24	104-7201	8	Nut-HF, NI
7	2412-34	1	Clamp-Hose	25	139-0927-01	1	Bracket-Mount, Step
8	145-6099	1	Tank Support-Hydraulic	26	2412-98	4	Clamp-Hose
8:2	127-0392	1	Decal-Hot Surface	27	92-2379	2	Clamp-Hose
9	138-0441-03	1	Bracket-Tank Hold Down, LH	28	131-8402	2	Strap-Down, Hold
10	138-7315-03	1	Bracket-Tank Hold Down, RH	29	125-9171	1	Cap-Fuel
11	145-6031	1	Tank And Battery Tray ASM	30	138-7499	1	Fitting-Strainer
12	138-7365-03	1	Bracket-Tank Mount, Front LH	31	138-7388	1	Dipstick
14	126-4781	1	Step-Deck	32	94-8166	1	O-Ring
15	119-4042	19	Nut-HF, NI	33	93-7498	1	Plug-Plastic
16	3231-27	15	Screw-CARR	34	139-6252	2	Tube-Vent
17	3230-3	1	Screw-CARR	35	139-0940-03	1	Bracket-Tank Mount, Front RH
18	137-3061	2	Bolt-CARR	36	139-6253	2	Hose-Fuel
				37	2412-72	4	Clip-Closed, Insulated
				38	99-6810	4	Screw-HHF



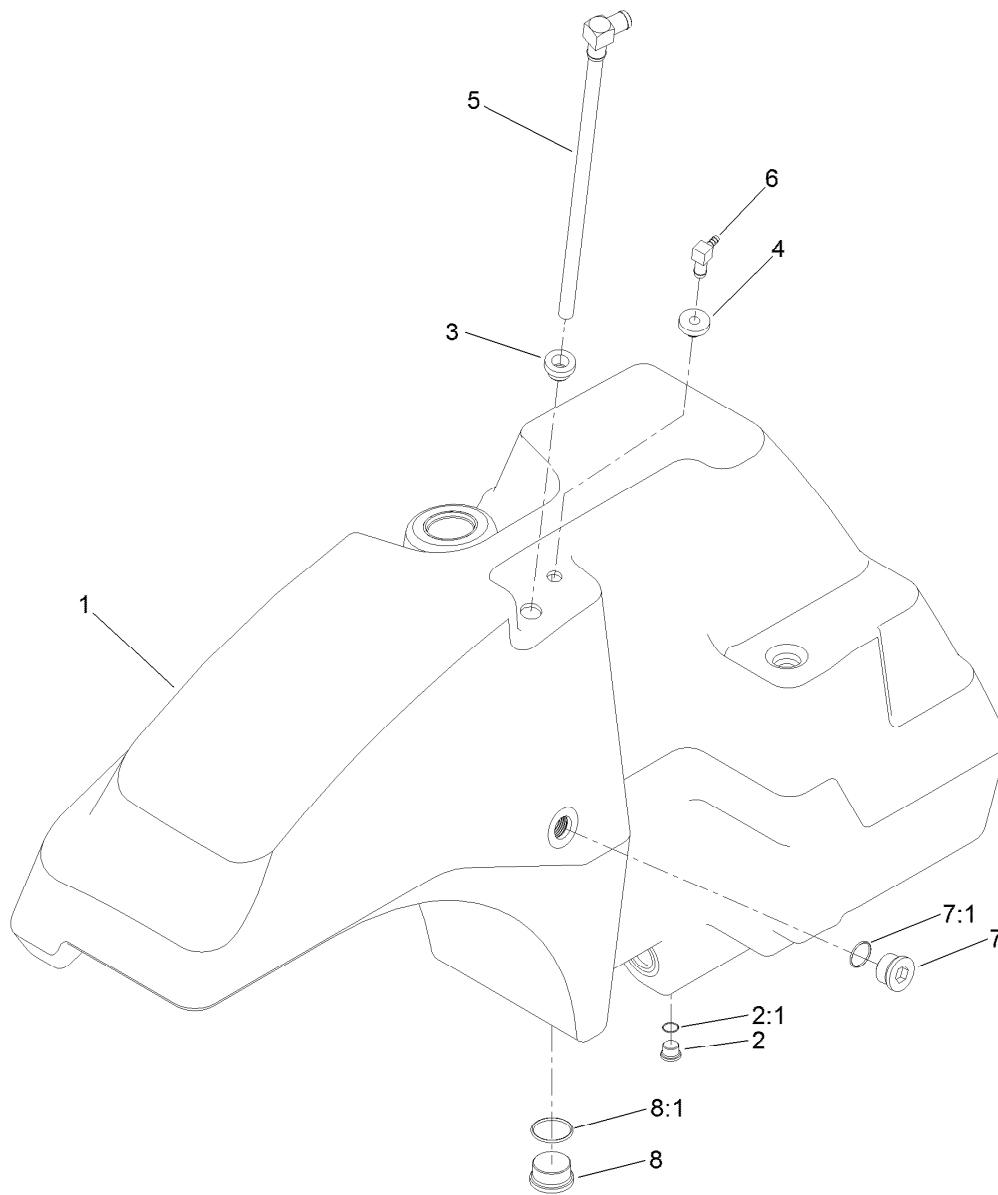
Fuel System Assembly (continued)

<i>Ref.</i>	<i>Part Number</i>	<i>Qty.</i>	<i>Description</i>	<i>Ref.</i>	<i>Part Number</i>	<i>Qty.</i>	<i>Description</i>
39	107-3154	6	Nut-Push	40	3231-22	4	Screw-CARR
				41	117-0943	1	Fitting-Elbow



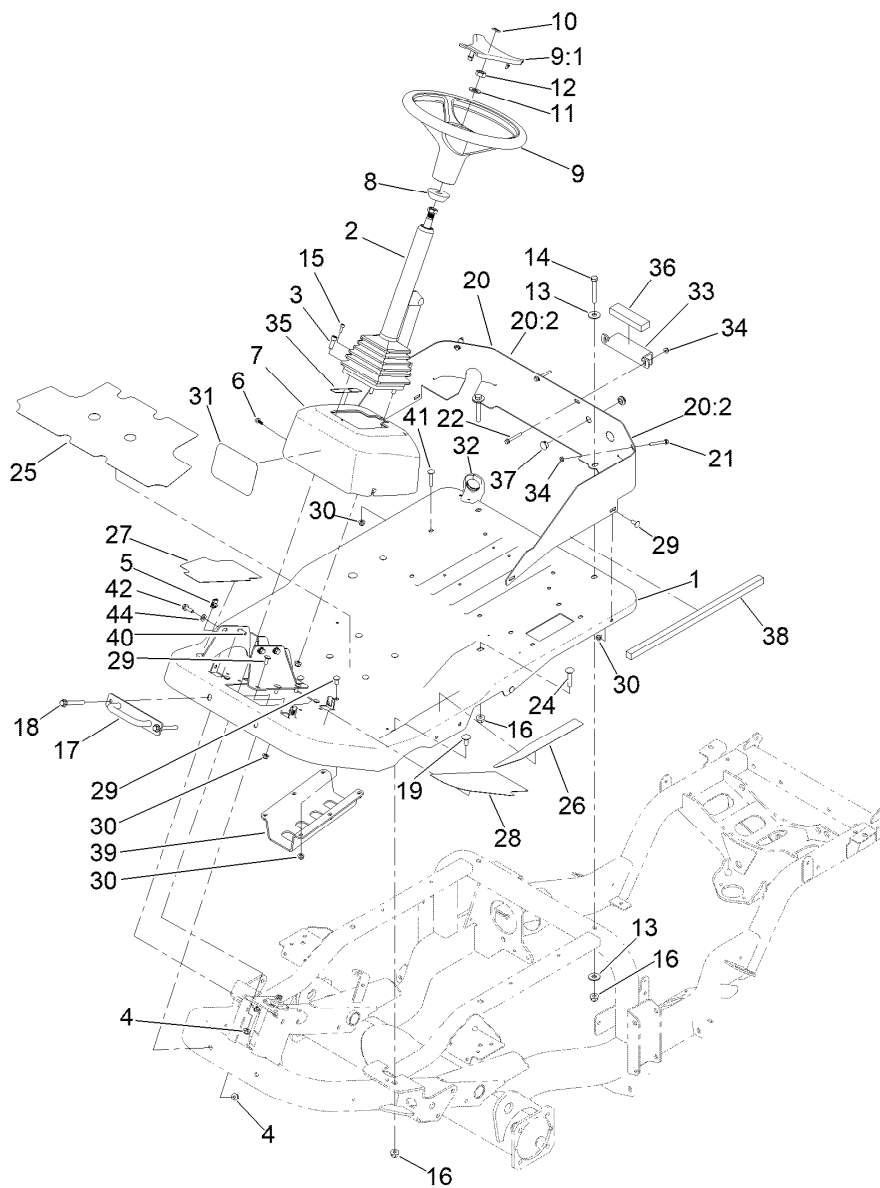
Fuel Tank Assembly No. 138-0291

<i>Ref.</i>	<i>Part Number</i>	<i>Qty.</i>	<i>Description</i>
1	138-7385	1	Fuel Tank W/Inserts ASM
2	46-6560	3	Bushing
3	104-5228	1	Fitting-Elbow, 90 DEG
4	46-6550	1	Fitting-Elbow, 90 DEG
5	139-0872	1	Gauge-Fuel
5:1	119-0508	1	Seal
5:2	117-8404	1	Dial-Gauge
6	138-7389	1	Pipe-Stand



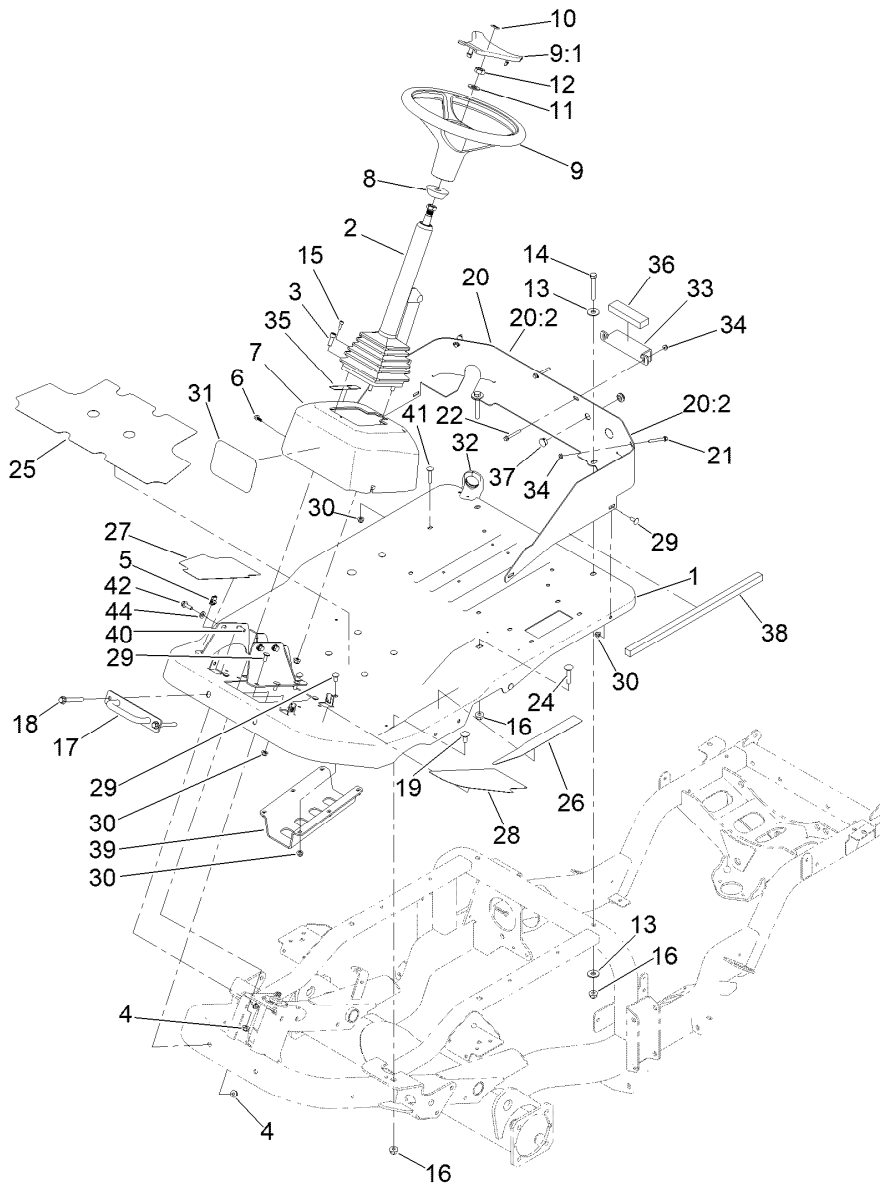
Hydraulic Tank Assembly No. 138-4418

Ref.	Part Number	Qty.	Description
1	138-7386	1	Tank-Hydraulic W/Inserts
2	353-989	1	Plug-Hex, Hollow
2:1	237-42	1	O-Ring
3	104-0790	1	Bushing
4	46-6560	1	Bushing
5	138-7384	1	Tube-Drop
6	104-5228	1	Fitting-Elbow, 90 DEG
7	139-6333	1	Fitting-Plug
7:1	237-81	1	O-Ring
8	105-3921	1	Fitting-Plug
8:1	237-146	1	O-Ring



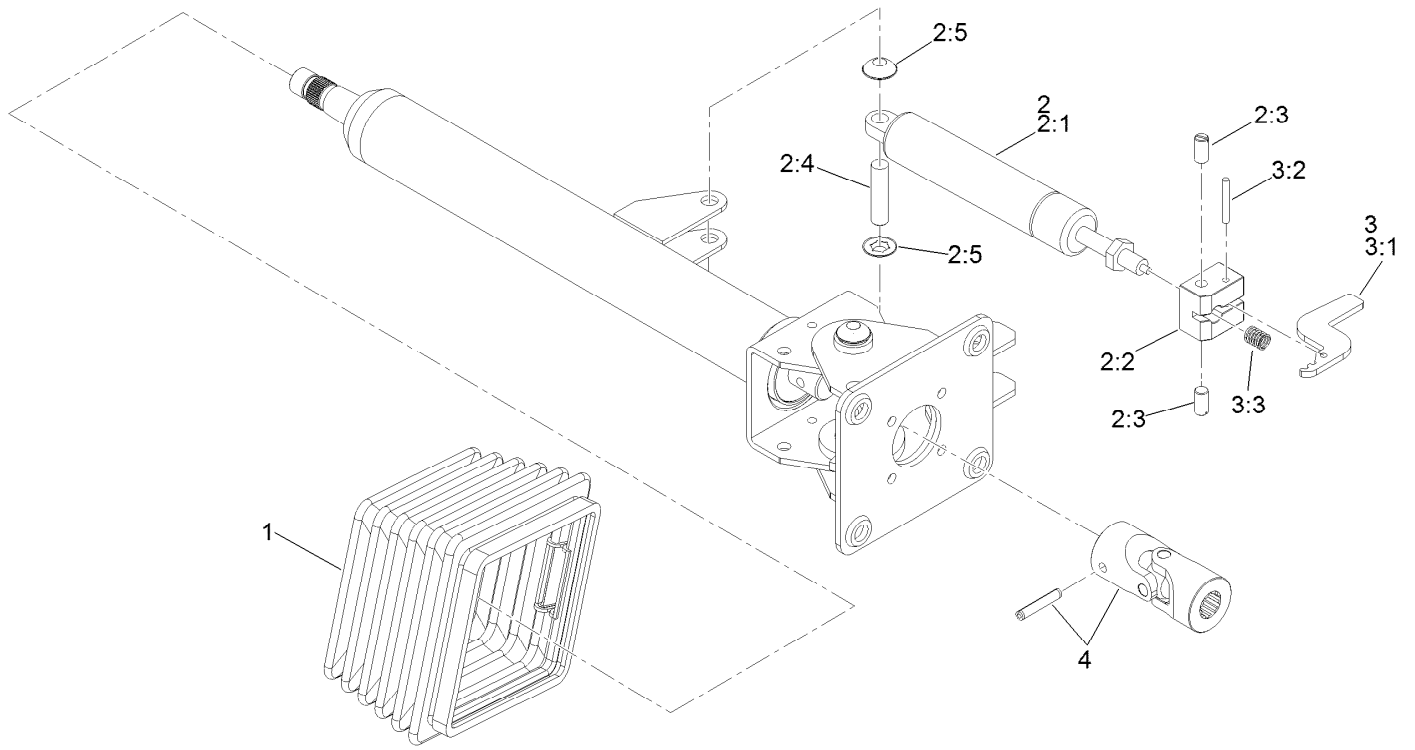
Platform, Steering and Console Assembly

Ref.	Part Number	Qty.	Description	Ref.	Part Number	Qty.	Description
1	144-4030SP	1	Platform-Stamped	20:2	132-1316	2	Decal-Danger, Belt
2	139-0857	1	Column-Steering, Tilt	21	125-4287	2	Screw-HHF
3	3274-7	4	Screw-HSH	22	3234-34	2	Screw-HHF
4	119-4042	6	Nut-HF, NI	24	3232-5	2	Screw-CARR
5	107069	4	Clip	25	144-4029	1	Tread-Foot, Main
6	99-6810	4	Screw-HHF	26	139-0859	1	Tread-Foot, Side
7	138-7494	1	Cover-Steering	27	139-0885	1	Tread-Foot, Front RH
8	93-5429	1	Collar-Foam	28	139-0886	1	Tread-Foot, Front LH
9	98-1471	1	Wheel-Steering	29	137-3061	15	Bolt-CARR
9:1	98-1468	1	Cover-Wheel, Steering	30	119-4041	21	Nut-HF
10	98-1459	1	Decal	31	105-1217	1	Decal
11	3256-27	1	Washer-Flat	32	144-0473	1	Plug-Harness, Firewall
12	3296-33	1	Nut-Lock, NI	33	139-2166-0P	1	Bracket-Hood Support
13	3256-40	4	Washer-Flat	34	104-7201	4	Nut-HF, NI
14	324-12	2	Screw-HH	35	140-1460	1	Decal-Traction Pedal
15	105-2409	4	Screw-HSH	36	139-6202	1	Foam-Strip
16	114-8417	6	Nut-HF, NI	37	130-8439	1	Plug-Dome
17	138-0288	1	Bracket-Down, Tie	38	139-6207	1	Foam-Strip
18	3234-41	2	Screw-HHF	39	144-3954-03	1	Guard-Tubes, Hydraulic
19	3232-1	2	Screw-CARR	40	145-5983-0P	1	Bracket-Mount, Steering
20	144-0528	1	Plate-Firewall, Lower	41	116-0629	2	Screw-CARR



Platform, Steering and Console Assembly (continued)

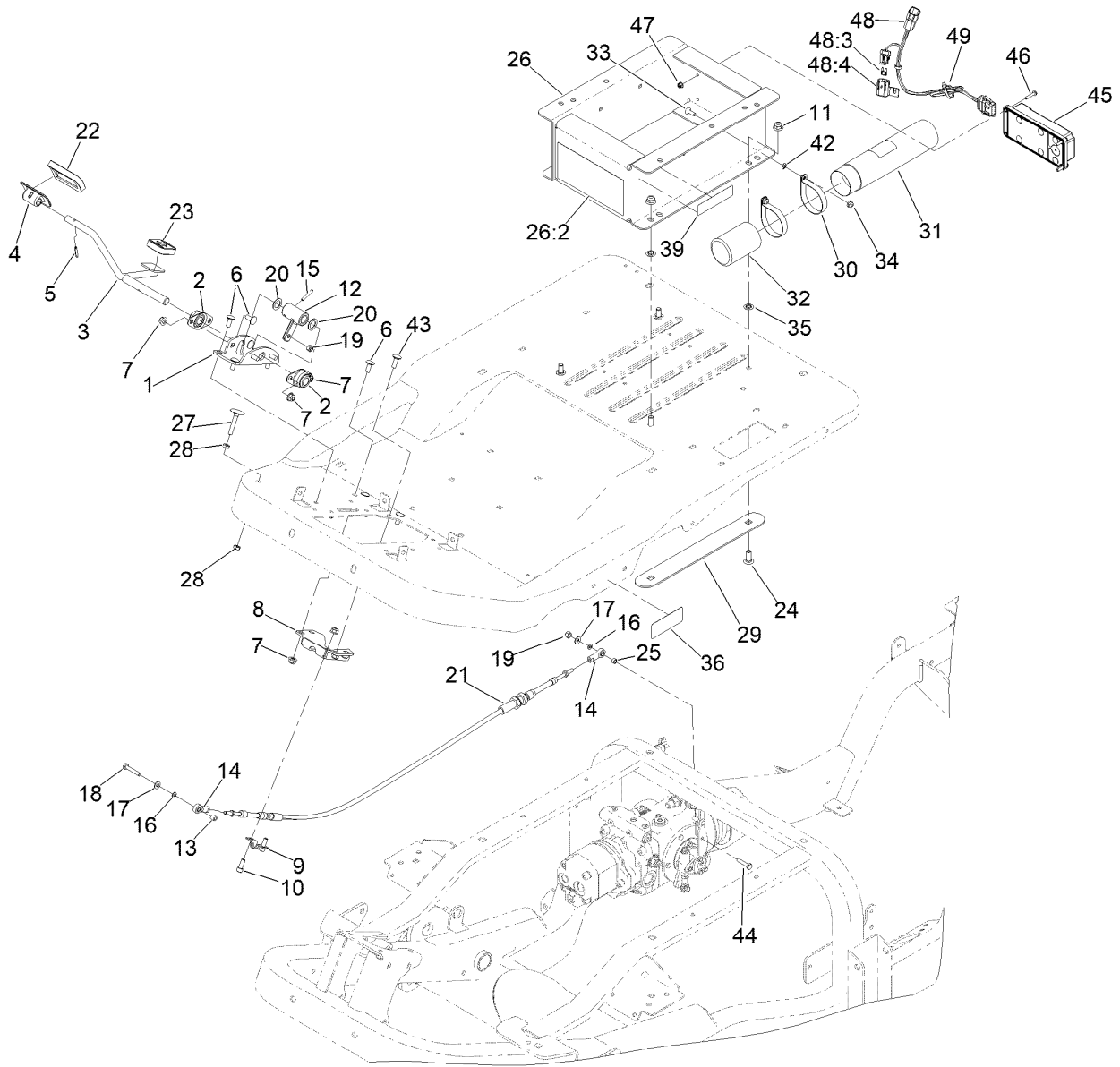
<i>Ref.</i>	<i>Part Number</i>	<i>Qty.</i>	<i>Description</i>
42	3234-29	4	Screw-HHF
44	3256-38	4	Washer-Flat



Steering Column Assembly No. 139-0857

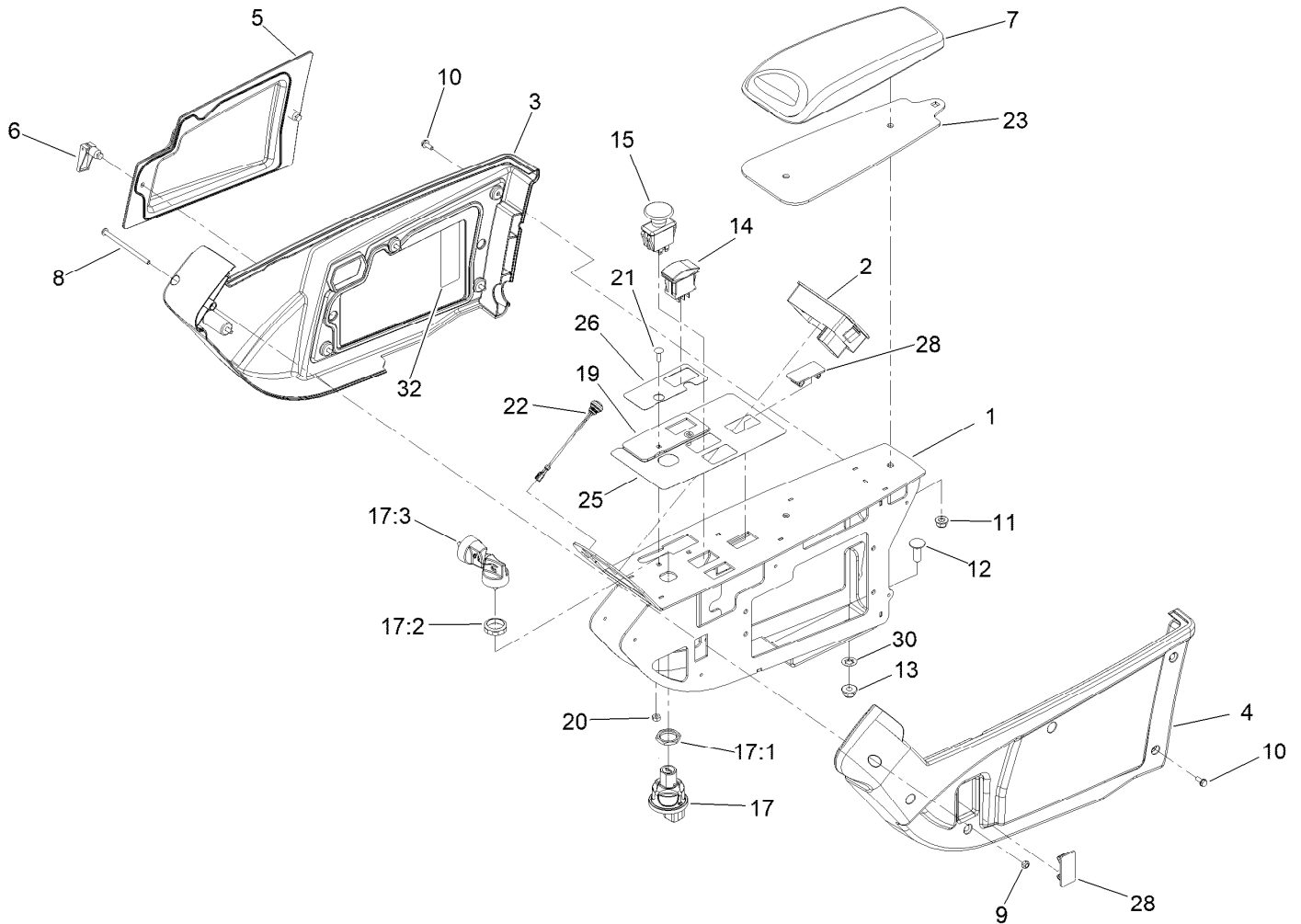
Ref.	Part Number	Qty.	Description
1	110-6462	1	Bellows-Rubber
2	110-6463	1	Cylinder Service Kit
2:1		1	Cylinder-Gas ●
2:2		1	Block-Pedal ●
2:3		2	Bolt ●
2:4		1	Pin ●
2:5		2	Washer-Lock ●
3	136-4385	1	Pedal Service Kit
3:1		1	Pedal ●
3:2		1	Pin ●
3:3		1	Spring ●
4	120-6256	1	Universal Joint Kit

● Not serviced separately



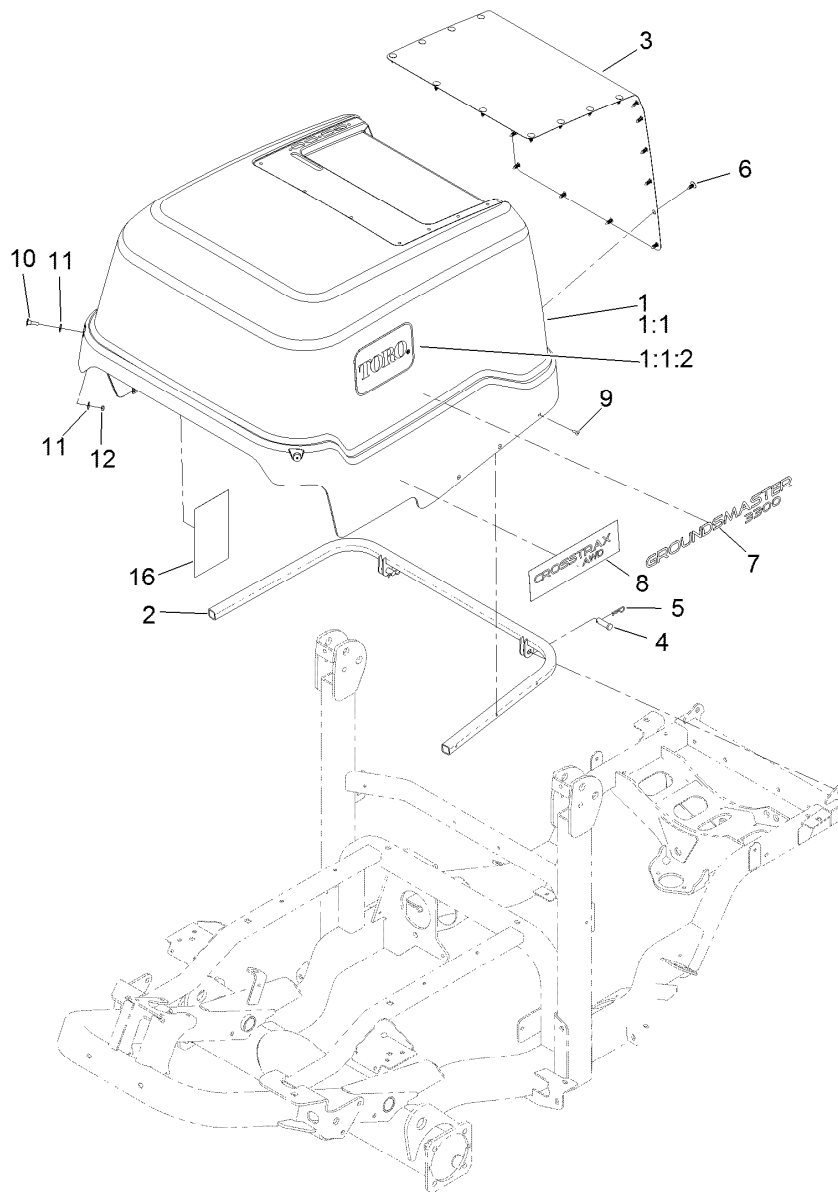
Pedal Assembly (continued)

<i>Ref.</i>	<i>Part Number</i>	<i>Qty.</i>	<i>Description</i>	<i>Ref.</i>	<i>Part Number</i>	<i>Qty.</i>	<i>Description</i>
46	131-6456	4	Screw-HWH	48:3	121-8861	1	Fuse-Mini Blade, 2 Amp
47	120-4578	4	Nut-HF	48:4	32180-101	1	Cover-Fuse, Single
48	122-2160	1	Harness-Wire	49	3290-378	1	Tie-Cable



Control Console Assembly

<i>Ref.</i>	<i>Part Number</i>	<i>Qty.</i>	<i>Description</i>	<i>Ref.</i>	<i>Part Number</i>	<i>Qty.</i>	<i>Description</i>
1	133-6406-03	1	Panel	15	93-9999	1	Switch-PTO
2	132-9751	1	Tdm 2001	17	121-5159	1	Switch-Ignition
3	108-7605	1	Cover-RH	17:1	121-5160	1	Nut-Hex
4	108-7604	1	Cover-LH	17:2	122-2704	1	Nut-Face, M22 (Plastic)
5	108-7616	1	Panel-Access	17:3	121-5162	1	Set-Key, Ignition
6	74-5950	2	Latch-Swell	19	137-2511	1	Cover-Throttle, Switch
7	131-9637	1	Armrest-Quick Find	20	3296-2	2	Nut-Lock, NI
8	3250-22	1	Screw-PPH	21	1-807533	2	Bolt-CARR
9	3296-12	1	Nut-Lock, NI	22	136-9678	1	Switch-Pushbutton
10	32144-112	10	Screw-HWH	23	138-4548-03	1	Plate-Spacer, Console Pad
11	119-4041	2	Nut-HF	25	138-7471	1	Decal-Console
12	3231-22	2	Screw-CARR	26	138-7472	1	Decal-Throttle
13	119-4042	2	Nut-HF, NI	28	99-7420	2	Plug-Hole
14	100-1535	2	Switch-Rocker, (On)-Off-(On)	30	107-3154	2	Nut-Push
				32	140-3126	1	Decal-Fuse

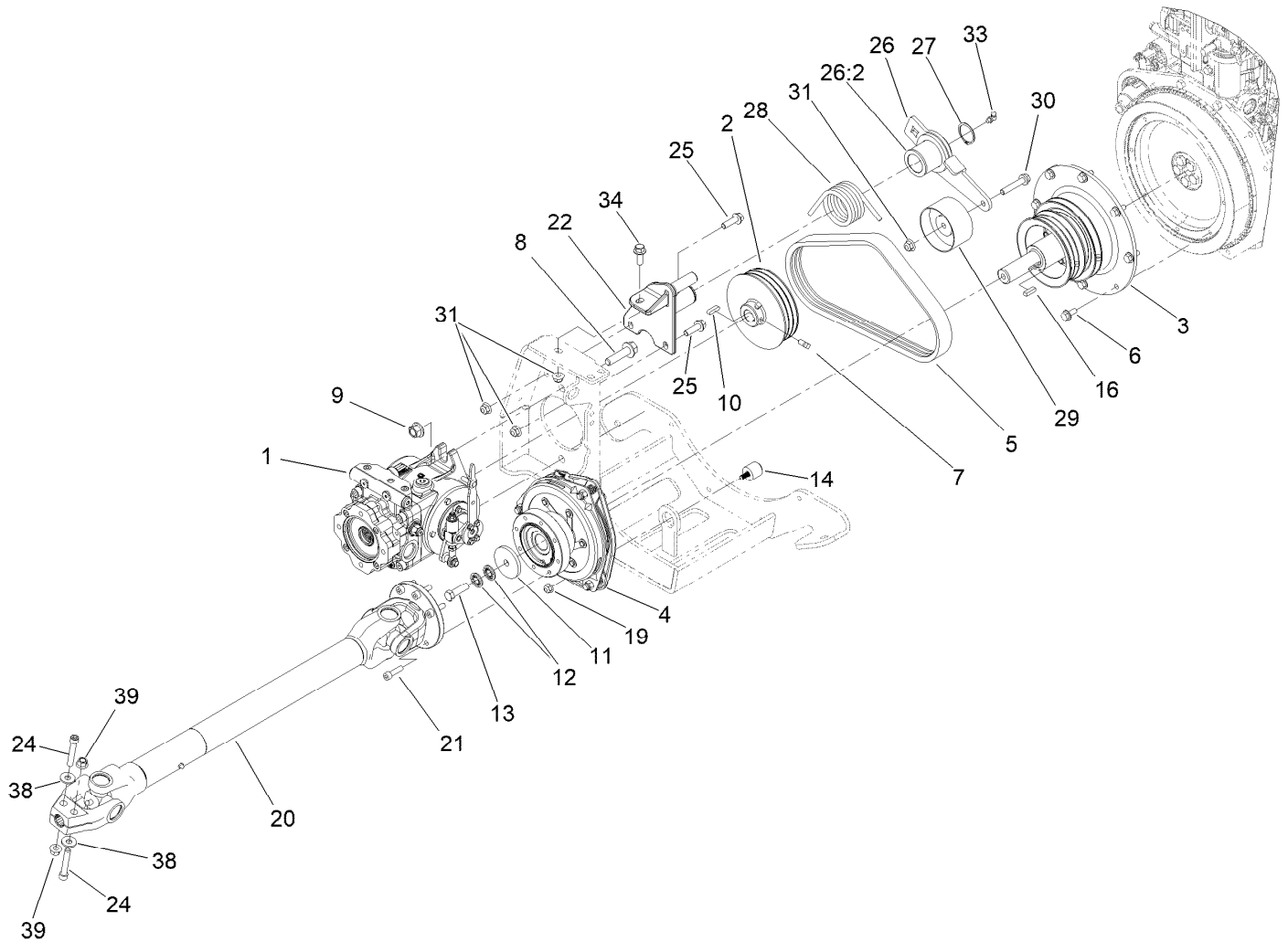


Hood Assembly

Ref.	Part Number	Qty.	Description	Ref.	Part Number	Qty.	Description
1	138-7330SP	1	Hood	5	3290-467	2	Pin-Hair
1:1		1	Hood ASM ■	6	117-2382	24	Plug-Plastic
1:1:2	62-7400	2	Decal-Toro Logo	7	139-6152	2	Decal-Identification
1:2	139-6225	1	Tape-Heat, Hood Front ●	8	110-8859	2	Decal
1:3	139-6226	1	Tape-Heat, Hood Rear ●	9	114439	10	Rivet-Blind
1:4	139-6227	1	Tape-Heat, Hood Side ●	10	139-0855	2	Screw-Countersunk, Oval
2	138-7331-03	1	Support-Hood	11	3256-2	4	Washer-Flat
3	138-7474-03	1	Screen-Cooler	12	3296-56	2	Nut-Lock, NI
4	283-68	2	Pin-Clevis	16	139-6218	1	Decal-Service, Gm3300

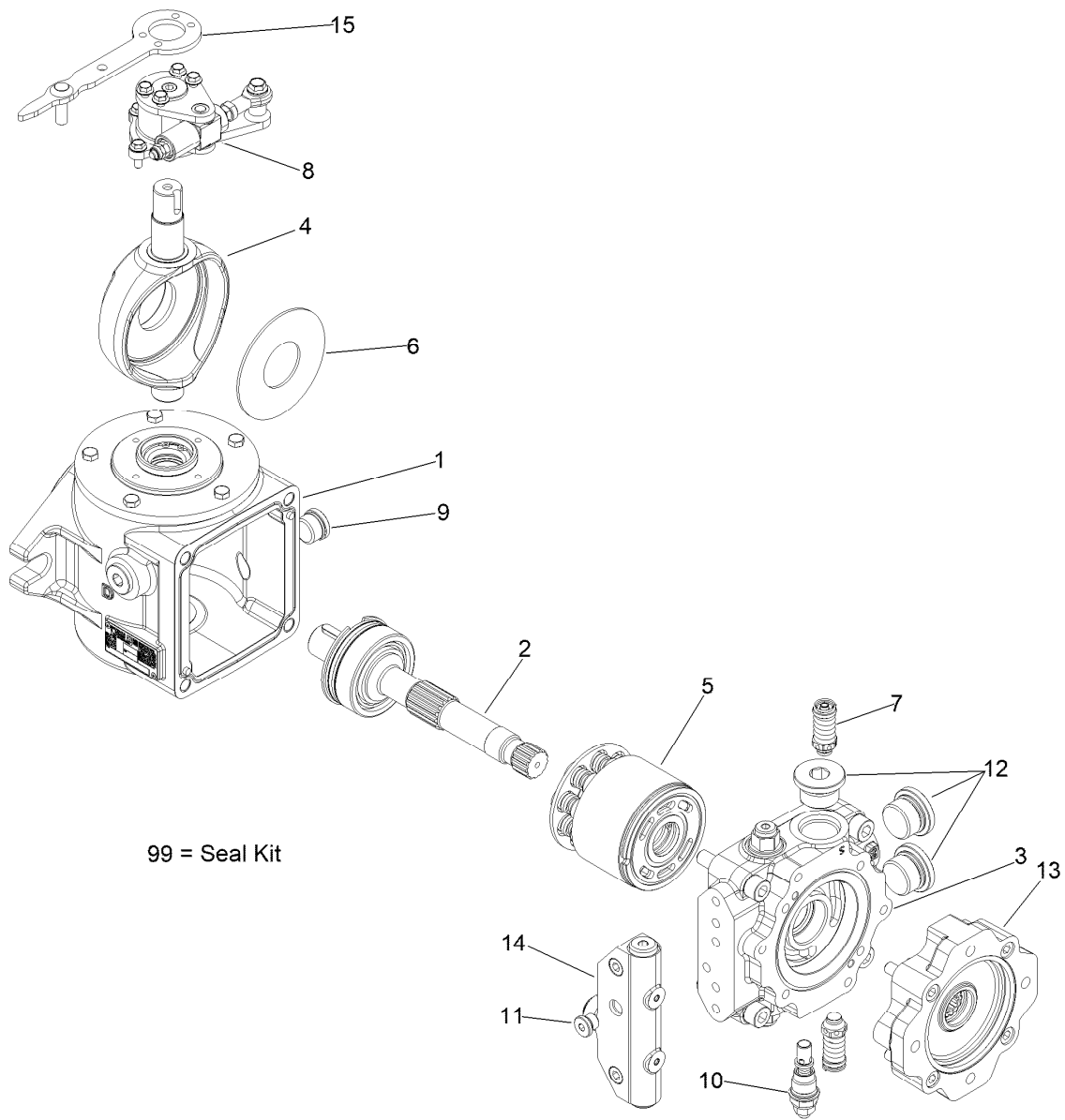
● Not illustrated

■ Not serviced separately



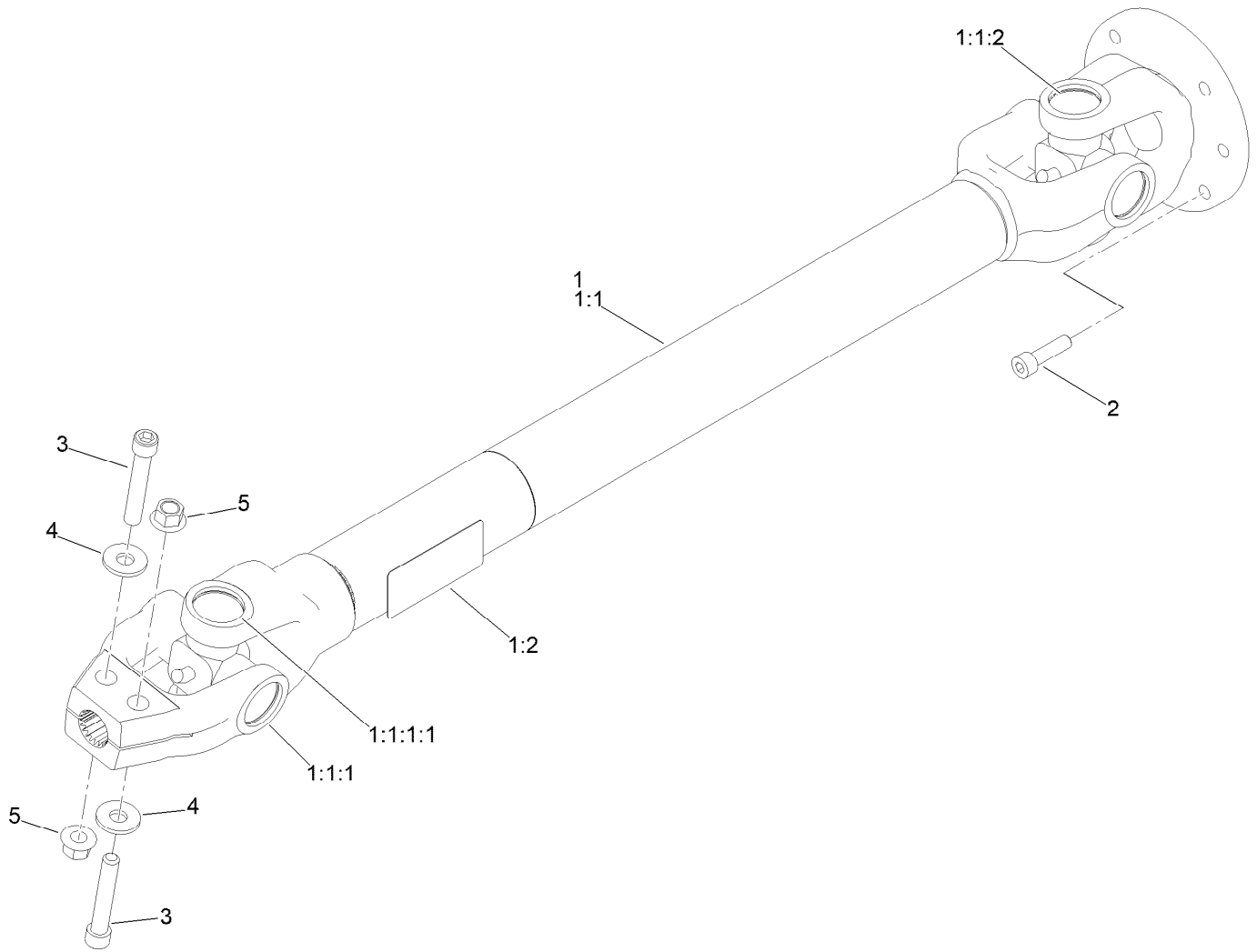
Pump, Driveshaft and Clutch Assembly

Ref.	Part Number	Qty.	Description	Ref.	Part Number	Qty.	Description
1	145-5940	1	Pump-Bondioli	20	163-1700SP	1	Driveshaft
2	145-6044	1	Pulley-3/3V	21	144-0452	6	Screw-HSH, Patch
3	147-0050	1	Stubshaft-3/3V	22	140-6200	1	Idler Pivot (Mach)
4	145-5987	1	Clutch-Gt5 W/Integral Con	24	131-8591	2	Screw-HSH
5	139-6259	1	Belt-3/3V	25	119-4061	2	Screw-HHF
6	138-0690	8	Screw-HHF,Patch	26	140-6179	1	Idler Arm ASM
7	1-803022	2	Screw-Set	26:2	93-4510	2	Bushing-Caster
8	133-0041	2	Screw-HF	27	32120-84	1	Ring-Snap, External
9	139-1689	2	Nut-HF	28	140-3102	1	Spring-Torsion
10	94-3645	1	Key	29	144-3904	1	Pulley-Tensioner
11	139-6238	1	Washer	30	108-3742	1	Screw-HHF
12	1-603610	2	Washer-Spring	31	119-4042	4	Nut-HF, NI
13	109-9761	1	Screw-HH	33	302-40	1	Fitting-Grease, 90 DEG
14	147-0060	1	Bumper	34	3234-42	1	Screw-HHF
16	10-7070	1	Key-Square	38	80-6990	2	Washer-Hardened
19	119-4041	2	Nut-HF	39	32128-36	2	Nut-HF



Pump Assembly No. 145-5940

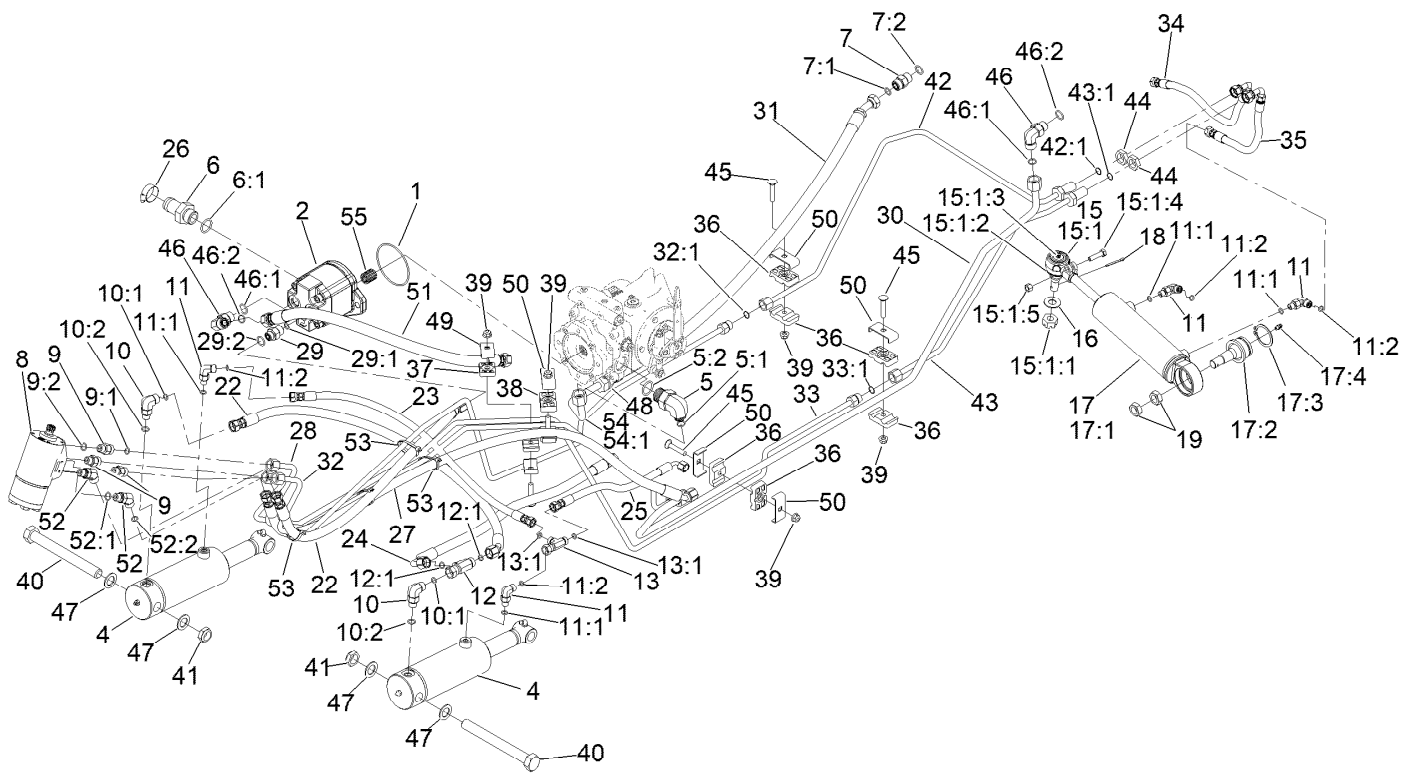
<i>Ref.</i>	<i>Part Number</i>	<i>Qty.</i>	<i>Description</i>	<i>Ref.</i>	<i>Part Number</i>	<i>Qty.</i>	<i>Description</i>
1	147-0161	1	Housing-Pump	9	147-0169	1	Cap-Seal
2	147-0162	1	Shaft ASM	10	147-0170	1	Valve-Relief 10-15 Bar
3	147-0163	1	Valve Body	11	147-0171	1	Plug, 7/16-20 Unf
4	147-0164	1	Plate-Swash	12	147-0172	1	Plug, 1-1/16-12 Unf
5	147-0165	1	Rotating ASM	13	147-0173	1	Endcap-Pump
6	147-0166	1	Plate-Swash, Insert	14	147-0174	1	Exchange Valve ASM
7	147-0167	1	Valve, 250 Bar	15	147-0175	1	Lever-Control
8	147-0168	1	Spring Return ASM	99	147-0176	1	Seal Kit



Driveshaft Assembly No. 163-1700SP

Ref.	Part Number	Qty.	Description
1		1	Driveshaft ASM ●
1:1		1	Shaft-Drive ●
1:1:1	144-0519	1	Yoke-Splined W/Cross Joint
1:1:1:1	144-0550	1	Bearing-Cross Joint
1:1:2	144-0550	1	Bearing-Cross Joint
1:2	139-6304	1	Decal-Danger, Entanglement
2	144-0452	6	Screw-HSH, Patch
3	131-8591	2	Screw-HSH
4	80-6990	2	Washer-Hardened
5	32128-36	2	Nut-HF

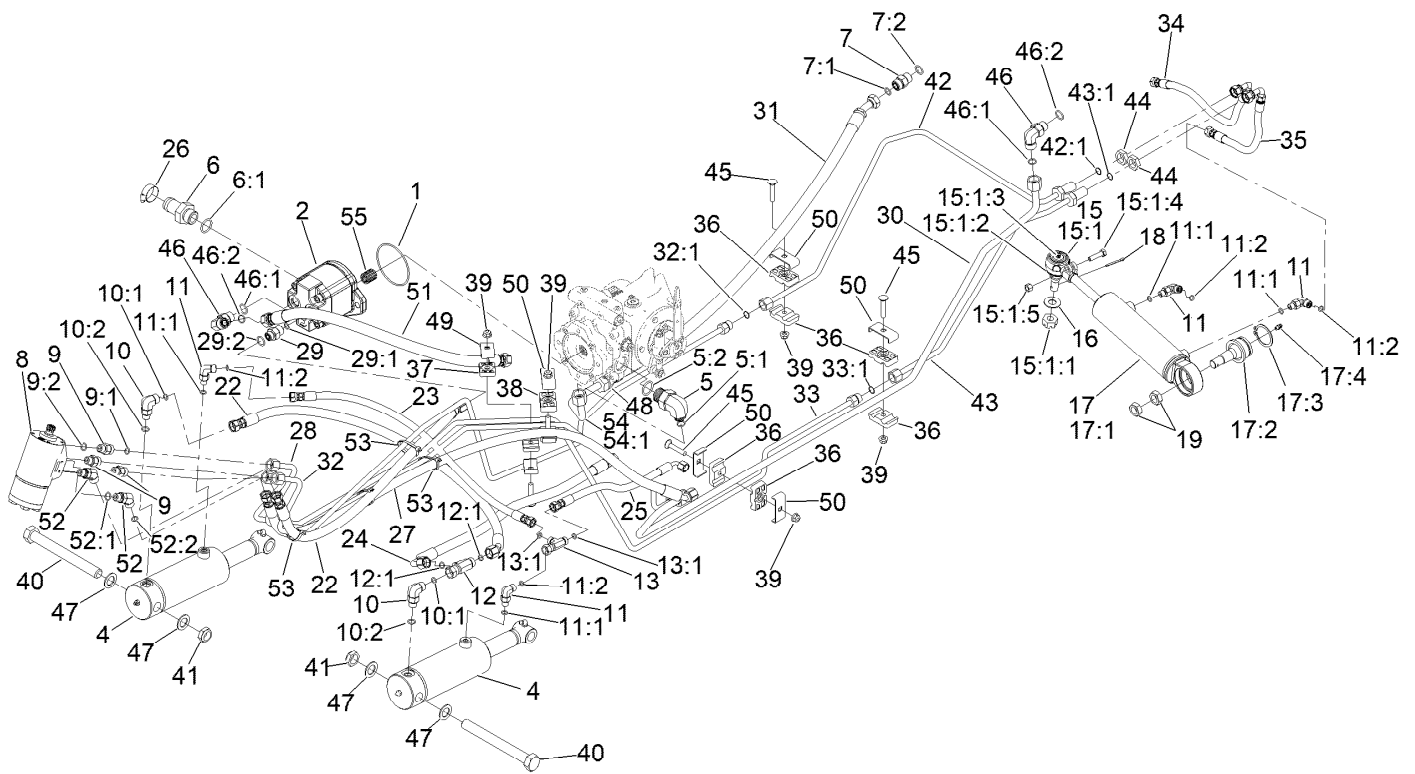
● Not serviced separately



Hydraulic Assembly

Ref.	Part Number	Qty.	Description	Ref.	Part Number	Qty.	Description
1	237-161	1	O-Ring	11	340-132	4	Fitting-Elbow, 90 DEG
2	147-5115	1	Pump-Gear	11:1	237-78	1	O-Ring
4	139-0854	2	Cylinder-Hydraulic	11:2	237-21	1	O-Ring
5	340-131	1	Fitting-HYD, 90 DEG	12	340-115	1	Fitting-Tee
5:1	237-30	1	O-Ring	12:1	237-22	2	O-Ring
5:2	237-81	1	O-Ring	13	340-151	1	Fitting-Tee
6	99-3017	1	Fitting	13:1	237-21	2	O-Ring
6:1	237-81	1	O-Ring	15	106-6895-03	1	Ball Joint ASM
7	340-4	1	Fitting-Straight	15:1		1	Joint-Ball ●
7:1	237-30	1	O-Ring	15:1:1	32136-13	1	Nut-SHH
7:2	237-79	1	O-Ring	15:1:2	106-6896	1	Seal
8	114-8119	1	Steering Valve ASM	15:1:3	302-5	1	Fitting-Grease
9	340-2	3	Fitting-Straight	15:1:4	3210-7	1	Screw-HH
9:1	237-22	1	O-Ring	15:1:5	32152-5	1	Nut-Hex
9:2	237-42	1	O-Ring	16	69-8980	1	Washer
10	340-77	2	Fitting-Elbow, 90 DEG	17		1	Steering Cylinder ASM ●
10:1	237-22	1	O-Ring	17:1	139-6277	1	Steering Cylinder
10:2	237-42	1	O-Ring	17:2	106-6774	1	Joint-Ball

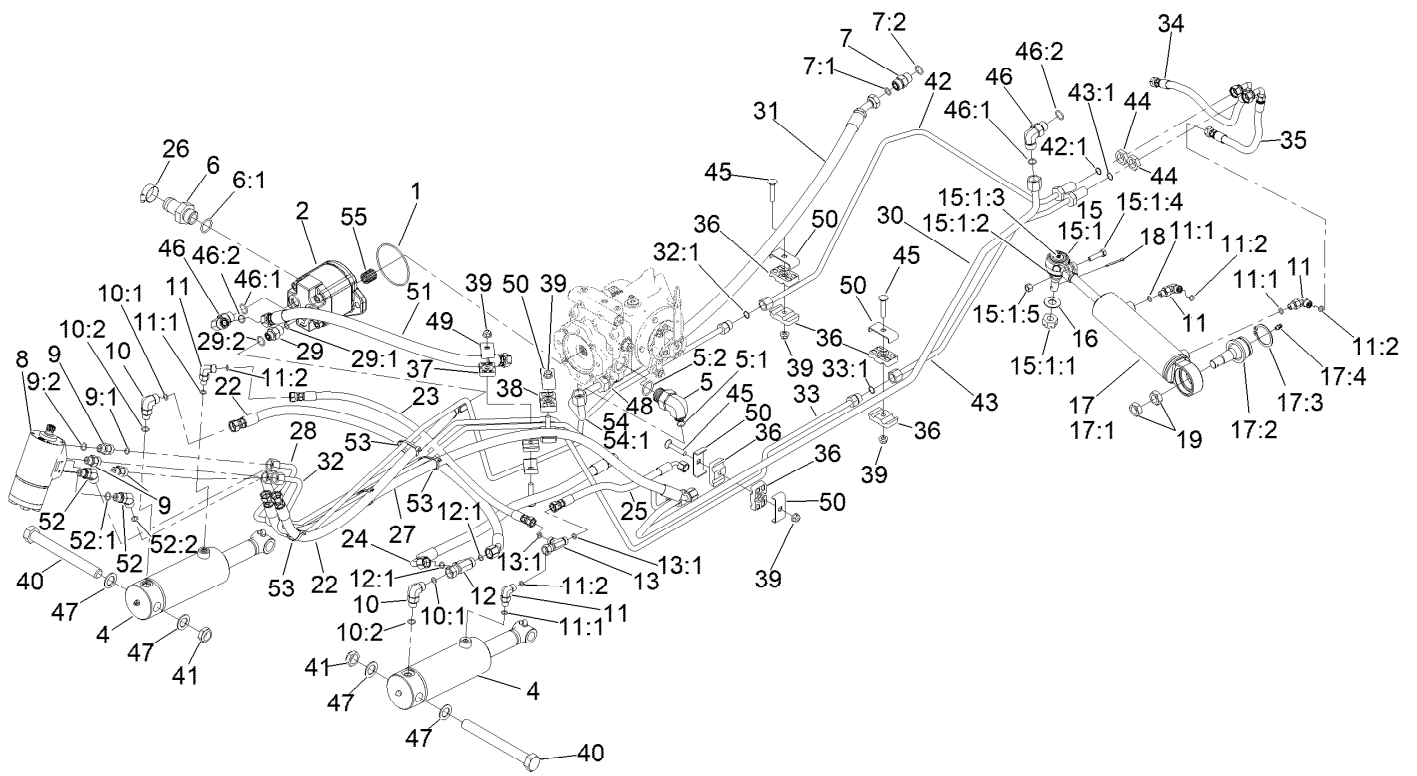
● Not serviced separately



Hydraulic Assembly (continued)

<i>Ref.</i>	<i>Part Number</i>	<i>Qty.</i>	<i>Description</i>	<i>Ref.</i>	<i>Part Number</i>	<i>Qty.</i>	<i>Description</i>
17:3	32151-104	1	Ring-Retaining, External	32:1	237-22	1	O-Ring
17:4	302-5	1	Fitting-Grease	33	145-5930	1	Hydraulic Tube ASM
18	3272-12	1	Pin-Cotter	33:1	237-22	1	O-Ring
19	3220-6	2	Nut-Jam	34	115-0383	1	Hose ASM
22	137-5844	2	Hose ASM	35	137-2584	1	Hose ASM
22	137-5844RT03	1	Hose ASM	36	56-7972	6	Clamp-Tube
23	137-5845	1	Hose ASM	37	56-7973	2	Clamp-Tube
24	137-5846	1	Hose ASM	38	56-7970	2	Clamp-Tube
25	137-5847	1	Hose ASM	39	119-4041	5	Nut-HF
26	2412-34	1	Clamp-Hose	40	328-23	2	Screw-HH
27	140-3097	1	Hose ASM	41	HDW02059	2	Nut-Hex
28	138-0331	1	Hydraulic Tube ASM	42	138-0343	1	Hydraulic Tube ASM
29	340-3	1	Fitting-Straight	42:1	237-22	1	O-Ring
29:1	237-22	1	O-Ring	43	138-0344	1	Hydraulic Tube ASM
29:2	237-79	1	O-Ring	43:1	237-22	1	O-Ring
30	138-7448	1	Hydraulic Tube ASM	44	340-70	2	Nut-Lock
31	145-5934	1	Hose ASM-Hydraulic	45	3230-5	5	Bolt-CARR
32	145-5959	1	Hydraulic Tube ASM	46	340-98	2	Fitting-Elbow, 90 DEG

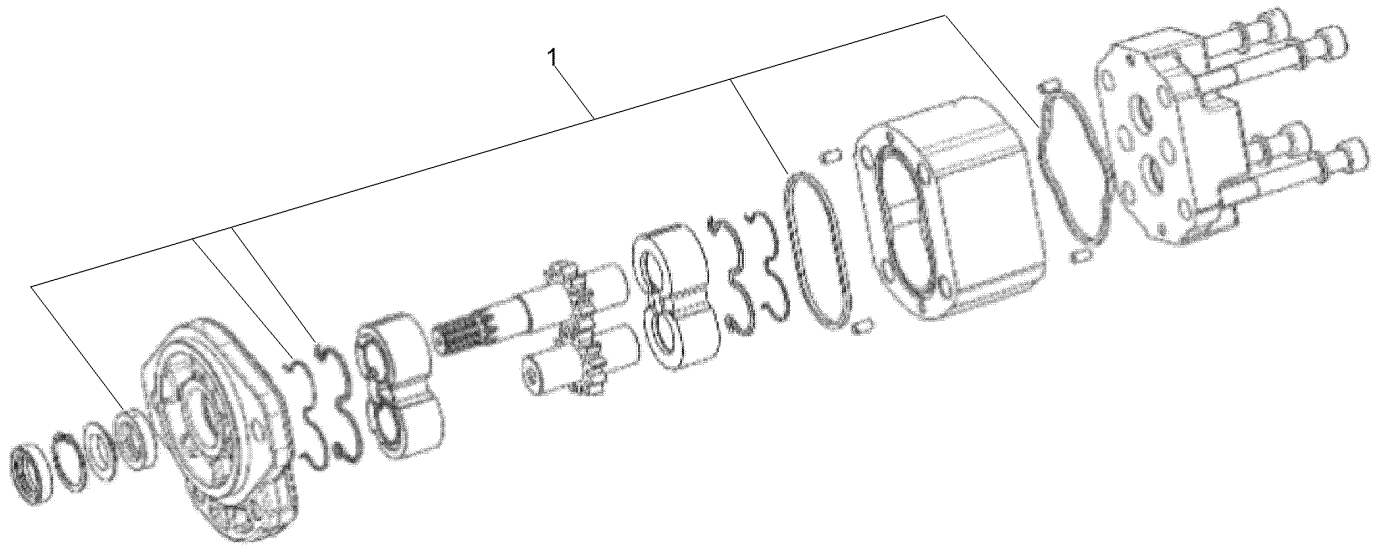
● Not serviced separately



Hydraulic Assembly (continued)

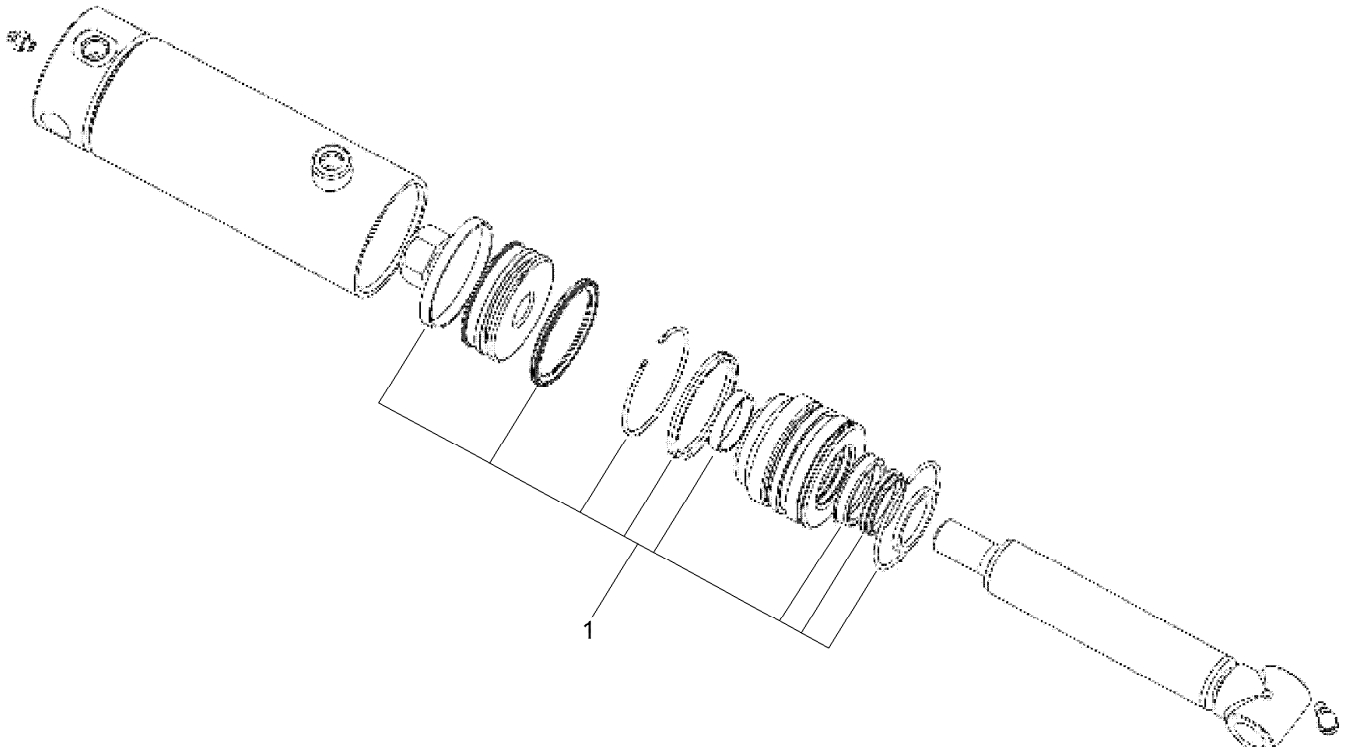
<i>Ref.</i>	<i>Part Number</i>	<i>Qty.</i>	<i>Description</i>	<i>Ref.</i>	<i>Part Number</i>	<i>Qty.</i>	<i>Description</i>
46:1	237-79	1	O-Ring	52	340-87	2	Fitting-Elbow, 45 DEG
46:2	237-30	1	O-Ring	52:1	237-22	1	O-Ring
47	126-7888	4	Washer-Nylon	52:2	237-42	1	O-Ring
48	340-127	1	Nut-Bulkhead	53	3290-378	4	Tie-Cable
49	119-1418	2	Plate-Clamp, Short	54	145-5945	1	Hydraulic Tube ASM
50	119-1419	6	Plate-Clamp	54:1	237-30	1	O-Ring
51	145-5931	1	Hose ASM-Hydraulic	55	147-0196	1	Coupler-Pump, Bondioli

● Not serviced separately



Gear Pump Assembly No. 147-5115

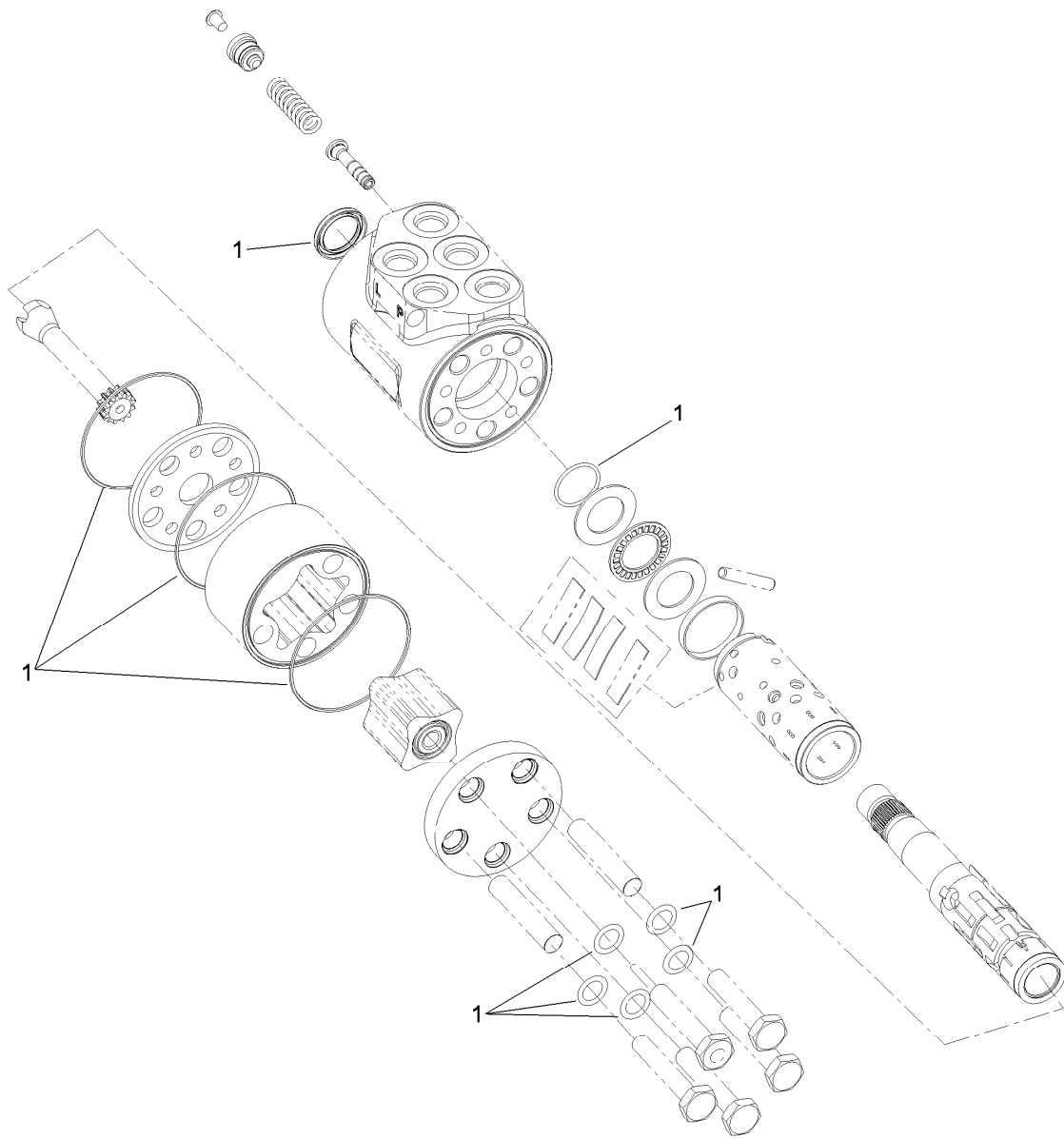
<i>Ref.</i>	<i>Part Number</i>	<i>Qty.</i>	<i>Description</i>
1	145-2794	1	Seal Kit



Hydraulic Cylinder No. 139-0854

<i>Ref.</i>	<i>Part Number</i>	<i>Qty.</i>	<i>Description</i>
1	140-3110	1	Kit-Seal ●

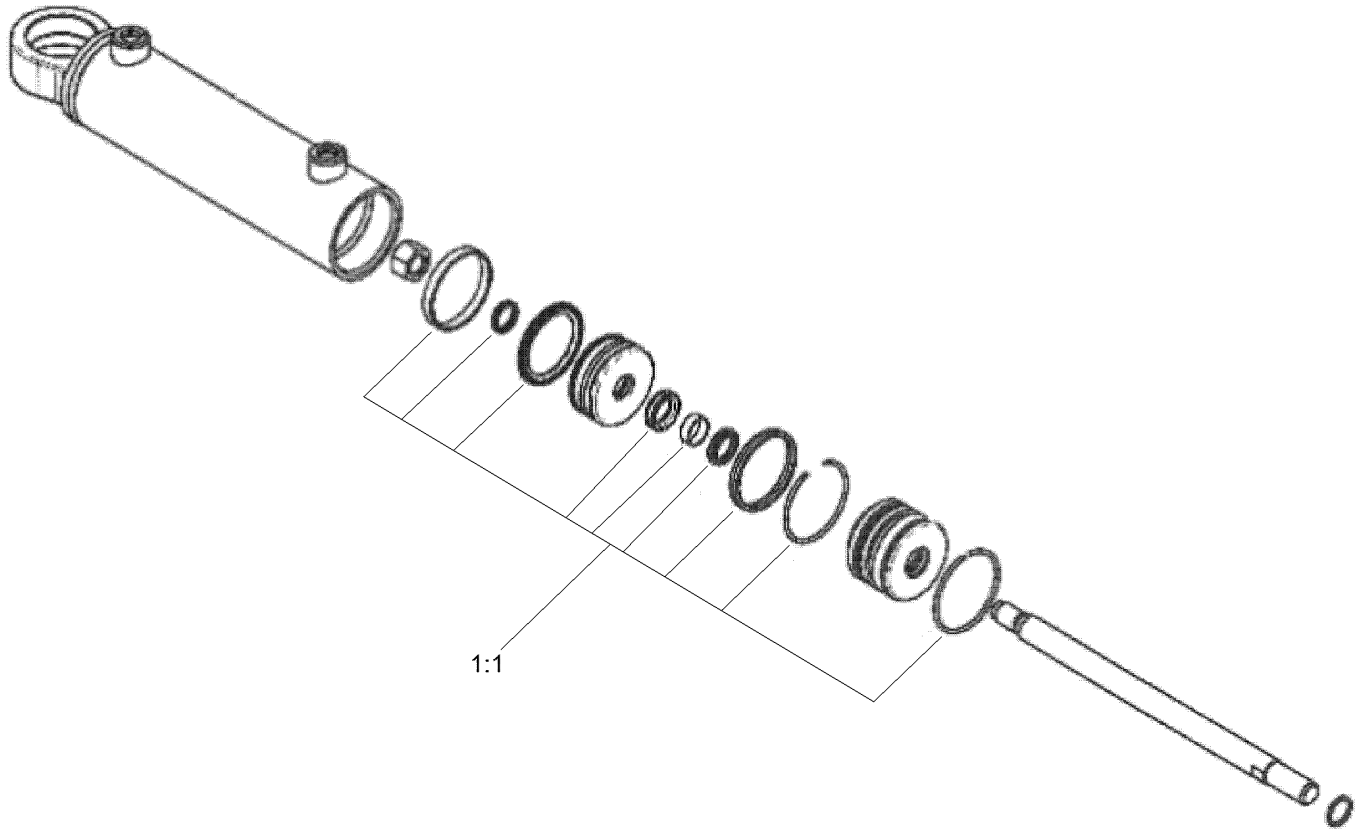
● Not illustrated



Steering Valve Assembly No. 114-8119

<i>Ref.</i>	<i>Part Number</i>	<i>Qty.</i>	<i>Description</i>
1	106-6716	1	Seal Kit

Steering Cylinder Assembly No. 139-6277

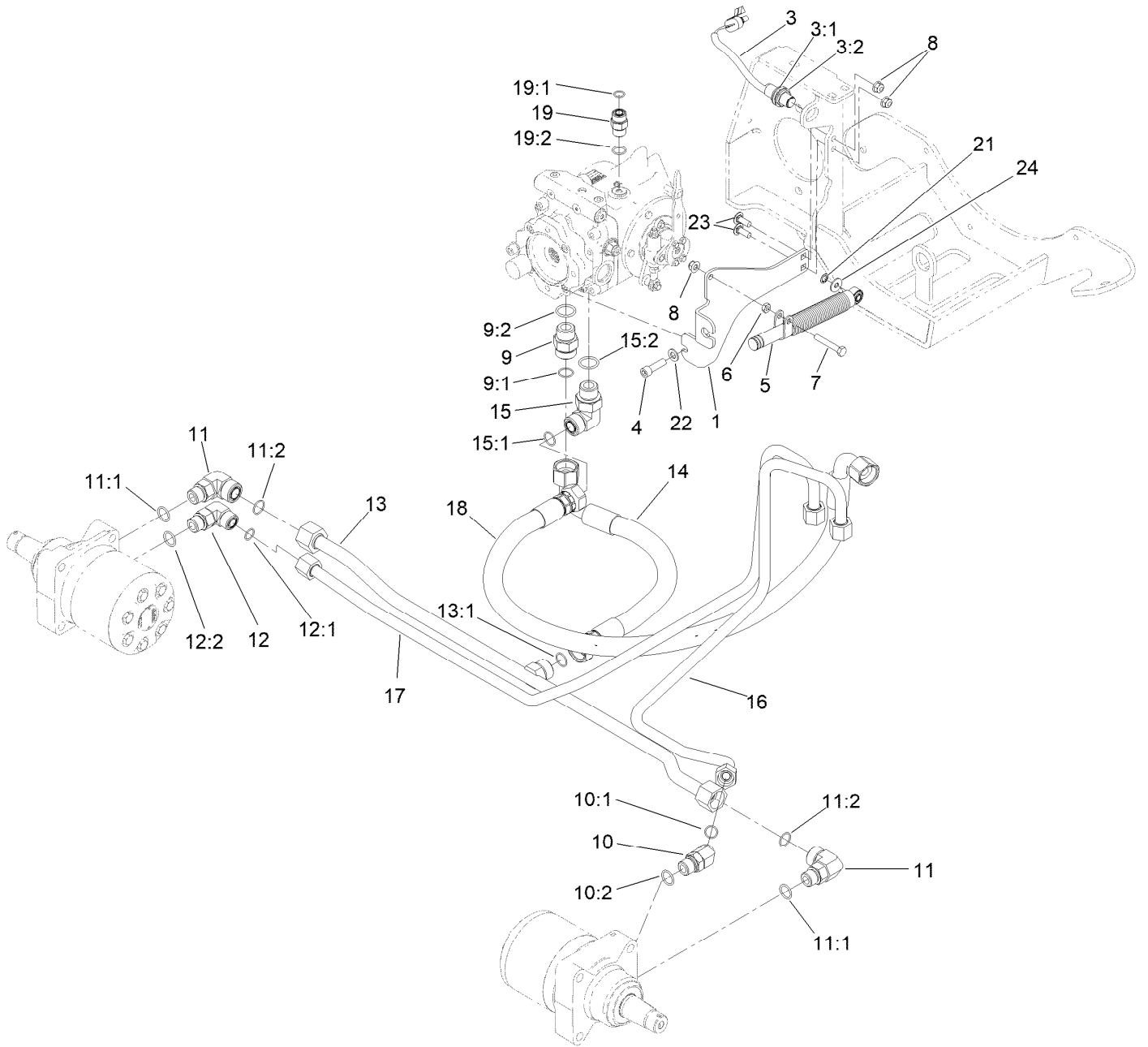


Steering Cylinder Assembly No. 139-6277 (continued)

<i>Ref.</i>	<i>Part Number</i>	<i>Qty.</i>	<i>Description</i>
1:1	131-7756	1	Cylinder Seal Kit ●

● Not illustrated

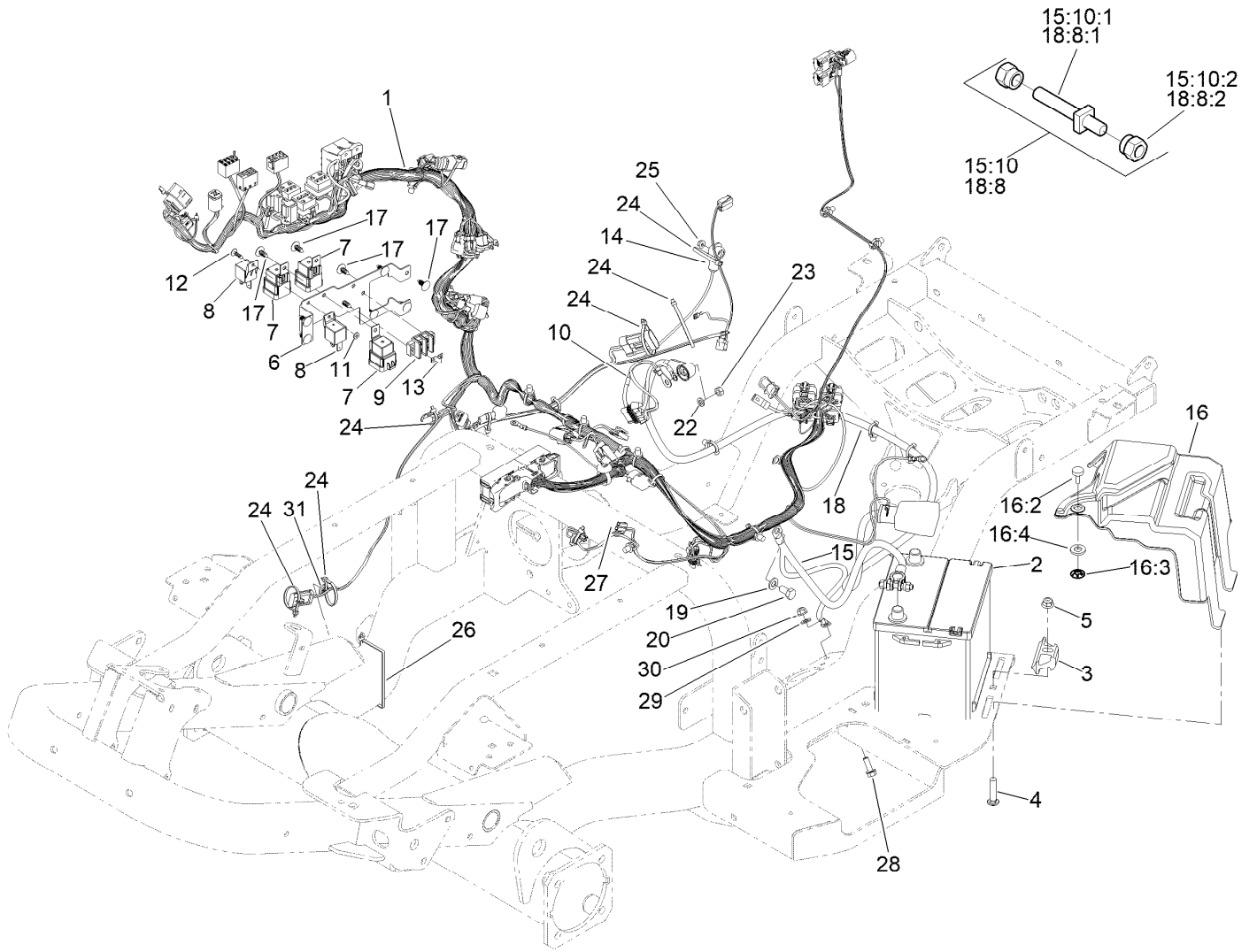
Hydraulic Traction Assembly



Hydraulic Traction Assembly (continued)

<i>Ref.</i>	<i>Part Number</i>	<i>Qty.</i>	<i>Description</i>	<i>Ref.</i>	<i>Part Number</i>	<i>Qty.</i>	<i>Description</i>
1	145-6065-0P	1	Plate-Cable Mount	12:1	237-65	1	O-Ring
3	115-5300	1	Proximity Switch ASM	12:2	237-80	1	O-Ring
3:1	117-3207	2	Nut-Hex	13	138-0340	1	Hydraulic Tube ASM
3:2	117-3208	2	Washer-Lock, Internal Tooth	13:1	237-58	1	O-Ring
4	ST80801	2	Screw-HSH	14	145-5928	1	Hose ASM-Hydraulic
5	140-6248	1	Damper	15	340-142	1	Fitting-Elbow, 90 DEG
6	3218-2	1	Nut-Hex Jam	15:1	237-58	1	O-Ring
7	322-10	1	Screw-HH	15:2	237-81	1	O-Ring
8	119-4041	3	Nut-HF	16	145-5929	1	Hydraulic Tube ASM
9	340-9	1	Fitting-STR	17	145-5923	1	Hydraulic Tube ASM
9:1	237-58	1	O-Ring	18	145-5927	1	Hose ASM-Hydraulic
9:2	237-81	1	O-Ring	19	340-4	1	Fitting-Straight
10	340-14	1	Fitting-HYD, 45 DEG	19:1	237-30	1	O-Ring
10:1	237-65	1	O-Ring	19:2	237-79	1	O-Ring
10:2	237-80	1	O-Ring	21	32151-72	1	Ring-Retaining
11	340-16	2	Fitting-HYD, 90 DEG	22	107-1413	2	Washer-Hardened
11:1	237-80	1	O-Ring	23	3230-10	2	Bolt-CARR
11:2	237-58	1	O-Ring	24	HDW14535	1	Flat Washer, 5/16 Nom,ST/ST,18-8
12	340-17	1	Fitting-Elbow, 90 DEG				

Electrical Assembly



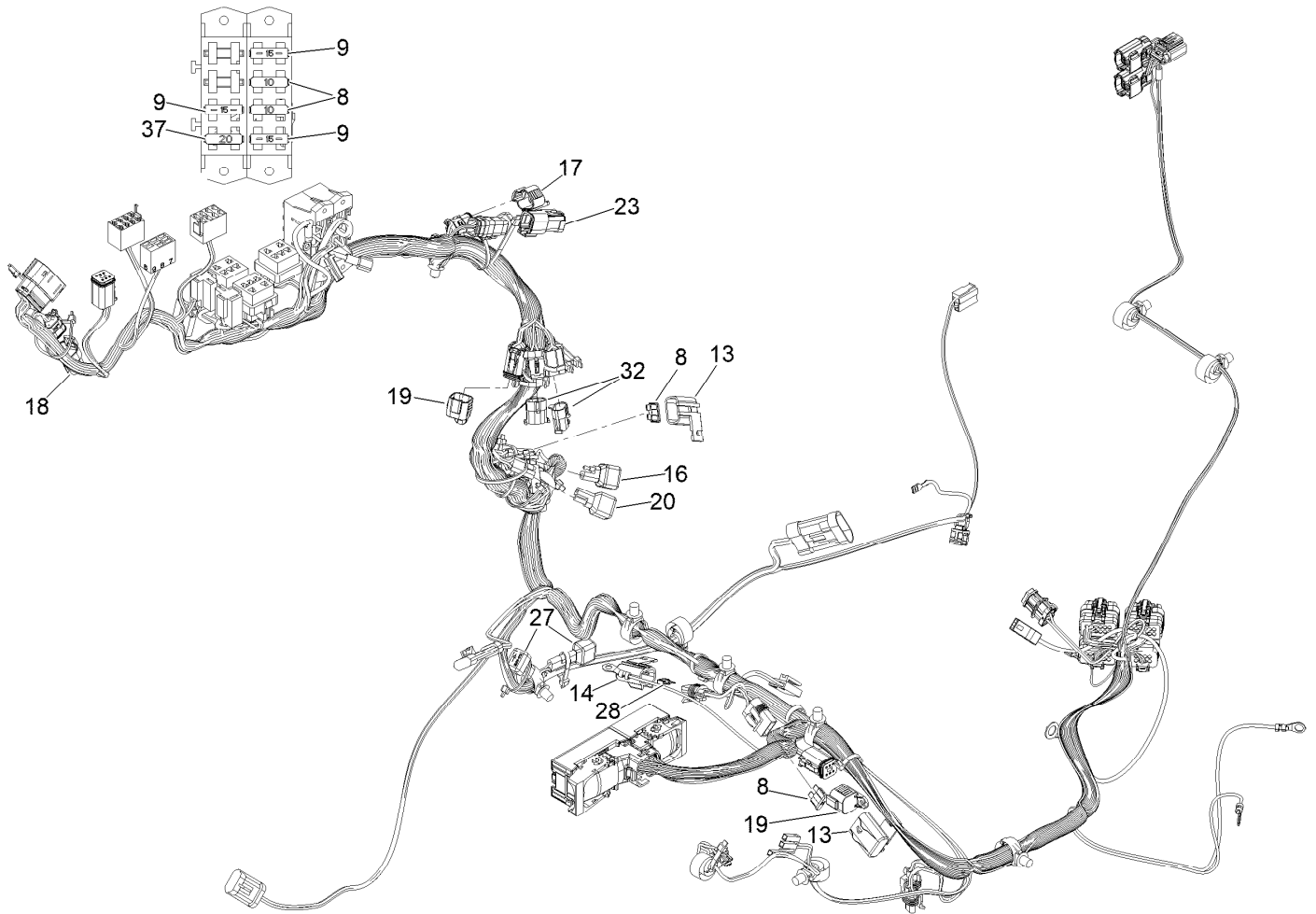
Electrical Assembly (continued)

<i>Ref.</i>	<i>Part Number</i>	<i>Qty.</i>	<i>Description</i>	<i>Ref.</i>	<i>Part Number</i>	<i>Qty.</i>	<i>Description</i>
1	122-2517	1	Harness-Wire, Main	16:2	140-9033	1	Knob-Stud
2		1	Battery - Wet, 12V, 540 CCA ■▲	16:3	32115-15	1	Nut-Push
3	138-6335	1	Retainer-Battery	16:4	3256-22	1	Washer-Flat
4	3231-29	1	Screw-CARR	17	117-2382	10	Plug-Plastic
5	119-4042	1	Nut-HF, NI	18	122-1275	1	Cable-Battery, Positive ASM
6	138-7467-0P	1	Bracket-Electrical	18:1	32180-115	1	Panduit, Cable Tie ●
7	99-7430	3	Relay-Mini	18:8		1	Bolt ASM ●▲
8	99-7435	2	Relay	18:8:1	32180-107	1	Bolt-Clamp, Battery
9	42862	1	Block-Terminal, Ground	18:8:2	32180-108	2	Nut-Hex Shoulder
10	99-3441	1	Harness-Wire, Fusible Link	19	33095-00	1	Washer-Flat
11	3256-21	1	Washer-Flat	20	33115-020	1	Screw-HH
12	125-8067	1	Plug-Plastic	22	3253-4	1	Washer-Lock
13	42863	1	Strip-Jumper	23	33014-00	1	Nut-Hex
14	100-5552	1	Harness-Wire	24	3290-378	6	Tie-Cable
15	122-1276	1	Cable-Battery, Negative ASM	25	33003-00	1	Nut-HF
15:10		1	Bolt ASM ●▲	26	3290-379	1	Tie-Cable
15:10:1	32180-107	1	Bolt-Clamp, Battery	27	32180-149	1	Tie-Button Head
15:10:2	32180-108	2	Nut-Hex Shoulder	28	3234-29	1	Screw-HHF
16	140-9010	1	Battery Cover ASM	29	120-9683	1	Washer-Plain
				30	119-4041	1	Nut-HF
				31	32180-139	1	Mount-Tie Wrap, Magnetic

● Not illustrated
▲ Not serviced separately

■ Obtain locally.

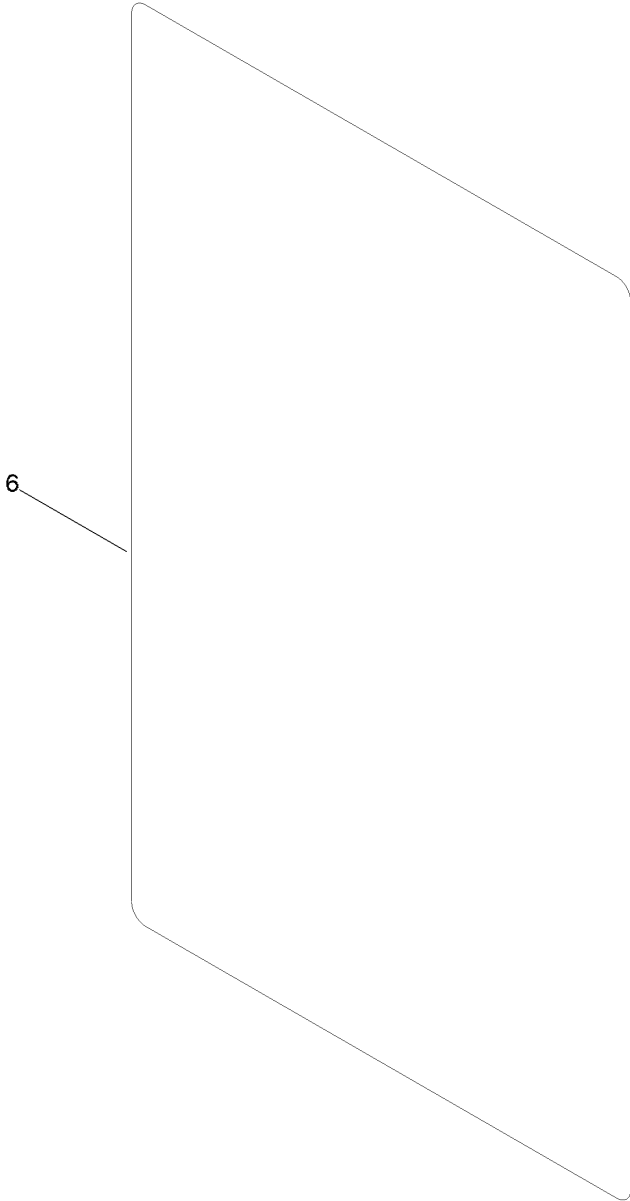
Main Wire Harness Assembly No. 122-2517



Main Wire Harness Assembly No. 122-2517 (continued)

<i>Ref.</i>	<i>Part Number</i>	<i>Qty.</i>	<i>Description</i>	<i>Ref.</i>	<i>Part Number</i>	<i>Qty.</i>	<i>Description</i>
8	218-578	4	Fuse-Blade, 10 Amp	19	32180-156	2	Cap-Plug, 6 Way
9	109355	3	Fuse-Blade, 15 Amp	20	104-4022	1	Resistor-75 Ohm
13	32180-019	2	Cover-Fuse, Single	23	32160-359	1	Connector (6M)
14	32180-101	1	Cover-Fuse, Single	27	100-4918	2	Diode
16	108-9493	1	Diode-Tvs	28	121-8866	1	Fuse-Mini Blade, 10 Amp
17	32180-089	1	Cap-Plug, 3 Way	32	32180-056	2	Cap
18	32180-043	1	Resistor-120 Ohm	37	109101	1	Fuse-Blade, 20 Amp

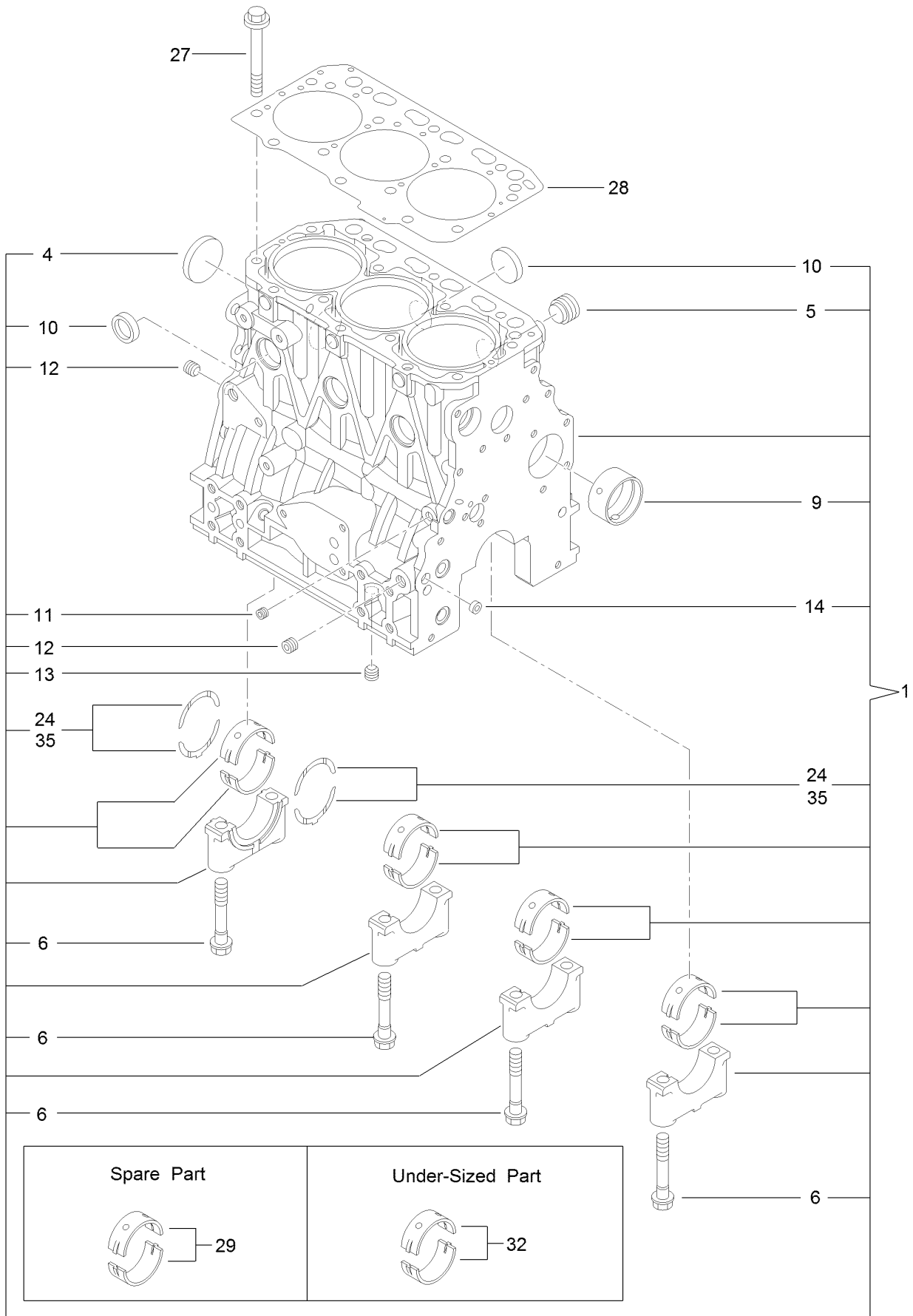
Miscellaneous Parts Assembly



Miscellaneous Parts Assembly (continued)

<i>Ref.</i>	<i>Part Number</i>	<i>Qty.</i>	<i>Description</i>
6	144-3952	1	Decal-Slope

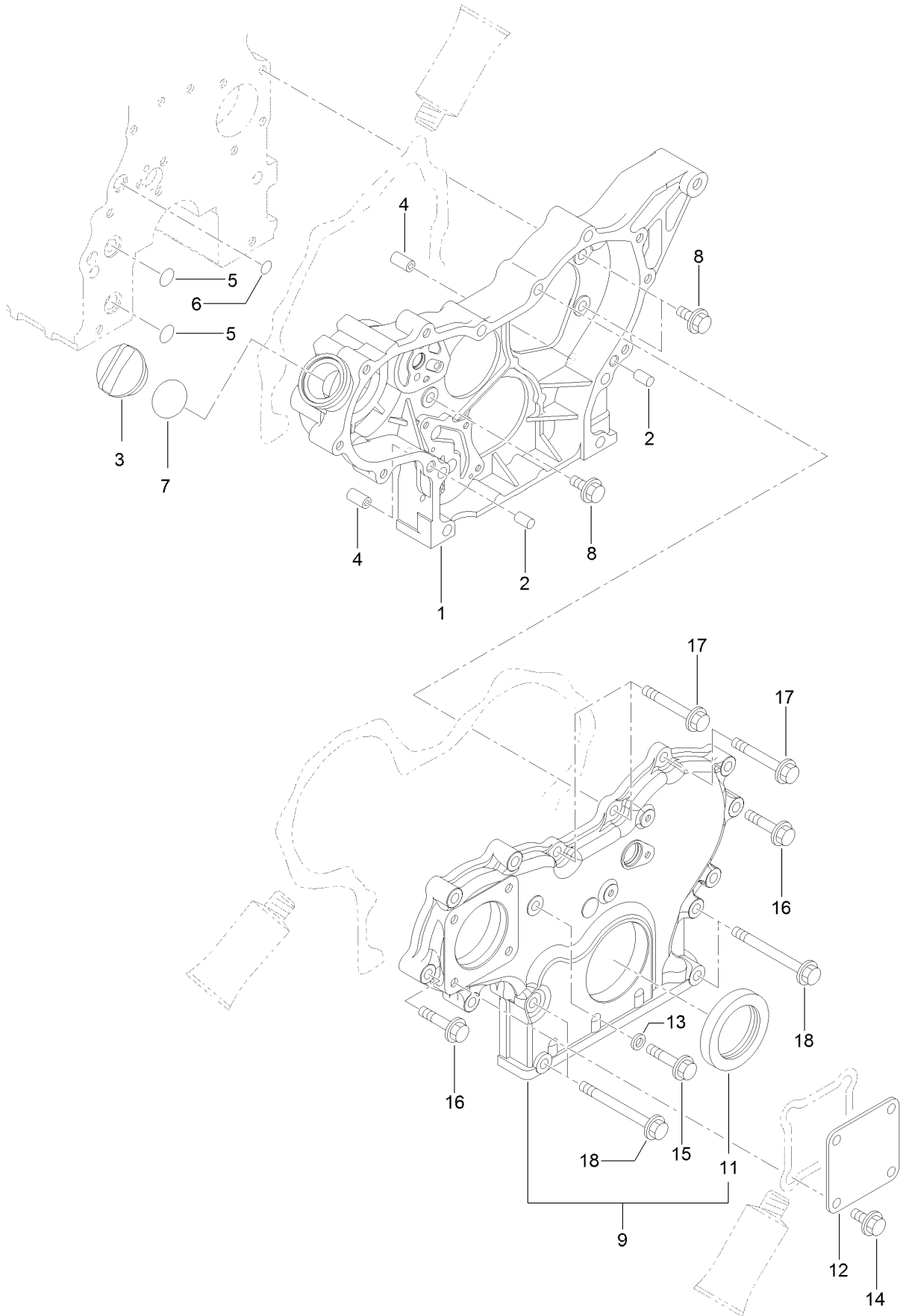
Cylinder Block Assembly



Cylinder Block Assembly (continued)

<i>Ref.</i>	<i>Part Number</i>	<i>Qty.</i>	<i>Description</i>	<i>Ref.</i>	<i>Part Number</i>	<i>Qty.</i>	<i>Description</i>
1	127-4717	1	Cylinder Block ASM	13	125-6973	1	Plug
4	125-6980	1	Plug	14	125-7237	1	Plug
5	125-7170	1	Plug	24	125-7010	2	Metal-Thrust
6	125-7007	8	Bolt	27	125-7006	14	Bolt
9	125-7108	1	Bushing	28	127-4716	1	Head Gasket ASM
10	140-7182	6	Plug 30	29	125-6981	4	Metal-Main
11	125-6969	1	Plug	32	125-7009	4	Metal-Main (0.25)
12	125-6973	2	Plug	35	125-7011	1	Metal-Thrust (0.25)

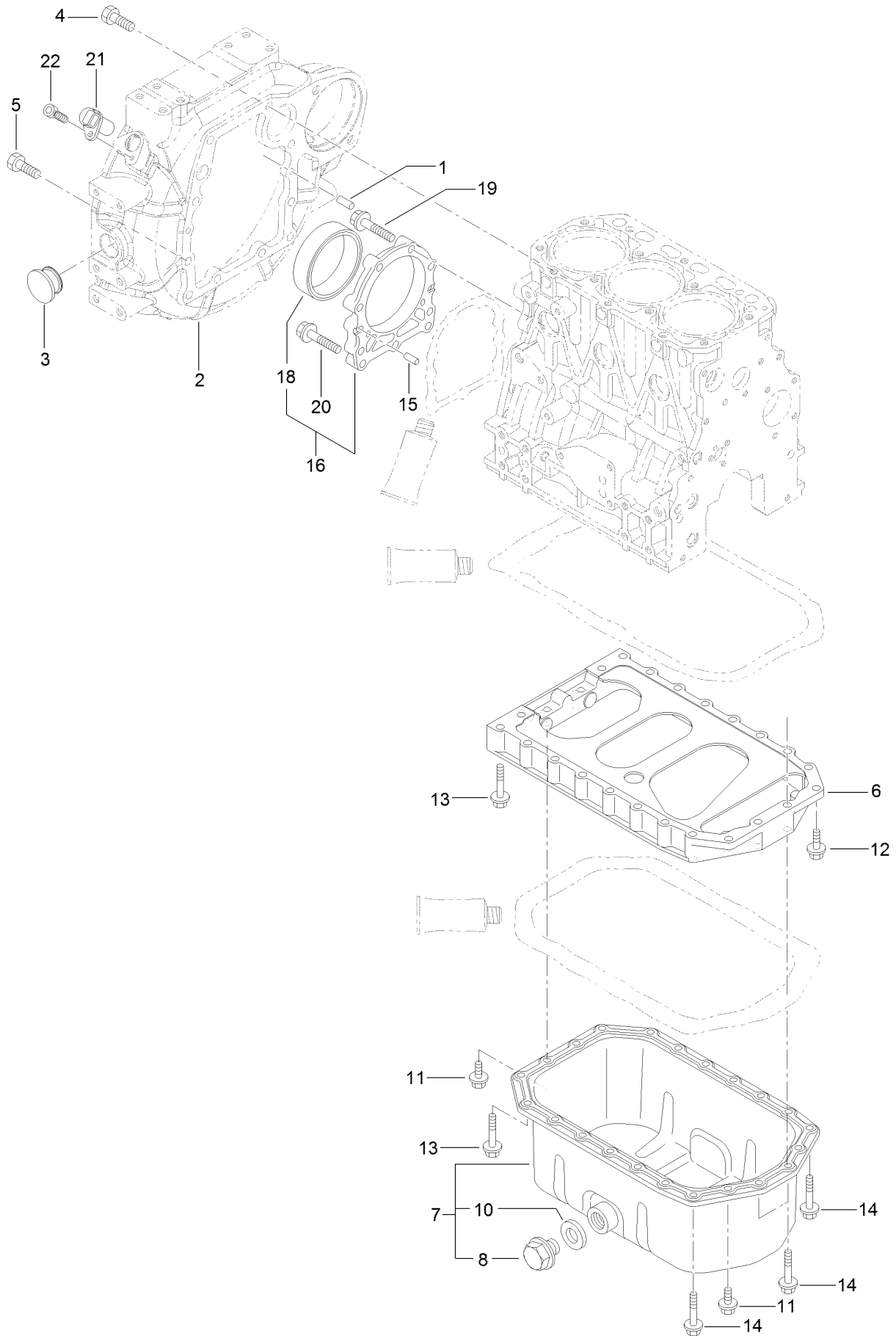
Gear Housing Assembly



Gear Housing Assembly (continued)

<i>Ref.</i>	<i>Part Number</i>	<i>Qty.</i>	<i>Description</i>	<i>Ref.</i>	<i>Part Number</i>	<i>Qty.</i>	<i>Description</i>
1	127-3023	1	Case-Gear	11	125-6944	1	Seal-Oil
2	125-6995	2	Pin	12	125-6977	1	Cover
3	125-6972	1	Cover-Filler	13	125-7174	1	Washer-Seal
4	125-7107	2	Pipe	14	125-7214	4	Bolt
5	125-6909	2	O-Ring	15	125-7217	1	Bolt
6	127-2973	1	O-Ring	16	125-7218	7	Bolt
7	125-7197	1	O-Ring	17	125-7222	3	Bolt
8	125-7214	3	Bolt	18	125-7224	4	Bolt
9	127-3024	1	Gearcase Cover ASM				

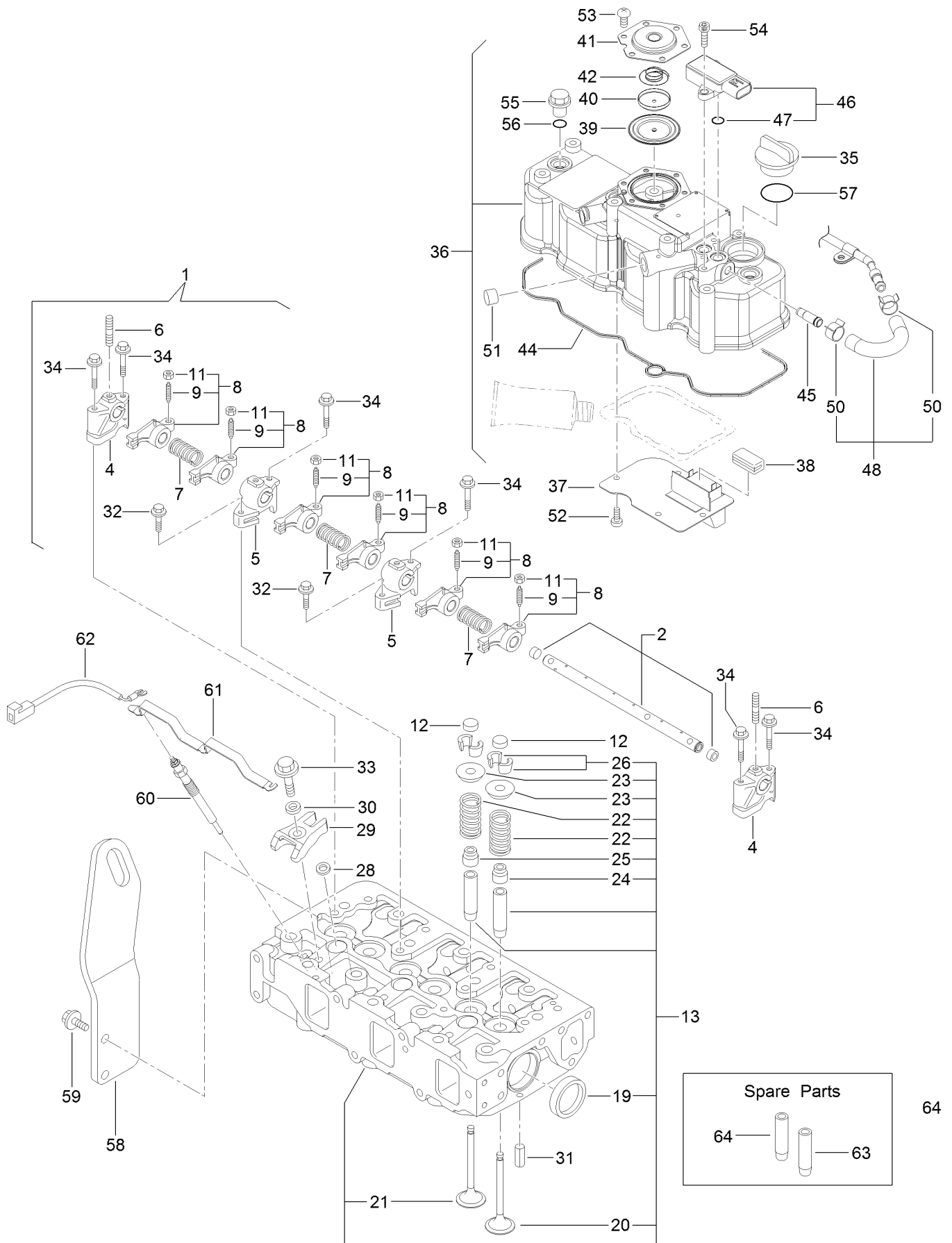
Flywheel Housing and Oil Sump Assembly



Flywheel Housing and Oil Sump Assembly (continued)

<i>Ref.</i>	<i>Part Number</i>	<i>Qty.</i>	<i>Description</i>	<i>Ref.</i>	<i>Part Number</i>	<i>Qty.</i>	<i>Description</i>
1	125-6995	2	Pin	12	125-7215	2	Bolt
2	127-3025	1	Housing-Flywheel	13	125-7219	16	Bolt
3	125-6910	1	Cap	14	125-7220	4	Bolt
4	125-7226	6	Bolt	15	125-6995	2	Pin
5	125-7227	4	Bolt	16	140-7173	1	Oil Seal Case ASM
6	127-3756	1	Spacer	18	140-7174	1	Seal-Oil
7	135-4010	1	Oil Pan ASM	19	125-7045	6	Bolt
8	125-6912	1	Plug-Drain	20	125-7217	3	Bolt
10	125-7177	1	Washer-Seal	21	127-3062	1	Sensor-Rev, Flywheel
11	125-7214	4	Bolt	22	127-3184	1	Bolt

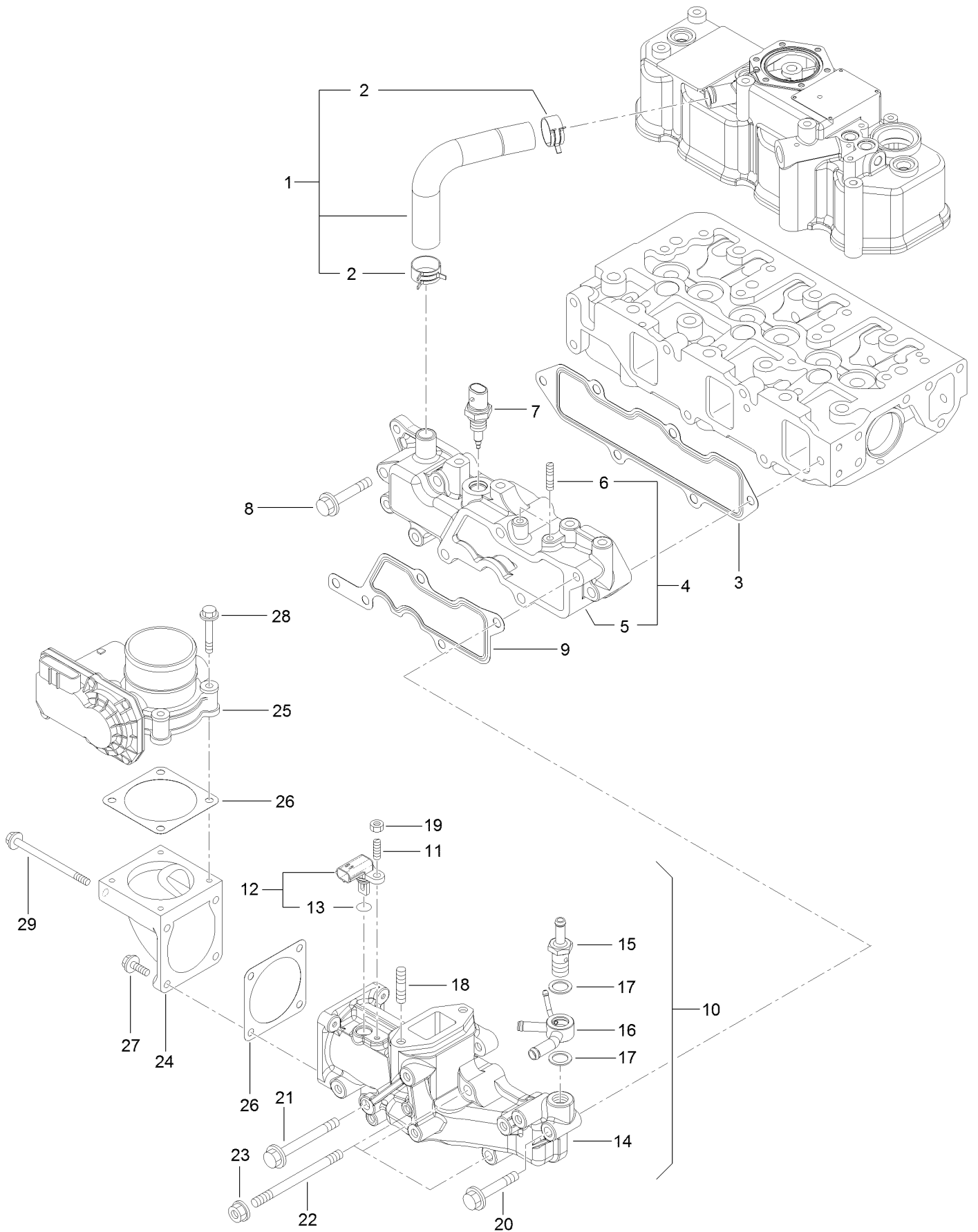
Cylinder Head and Cover Assembly



Cylinder Head and Cover Assembly (continued)

<i>Ref.</i>	<i>Part Number</i>	<i>Qty.</i>	<i>Description</i>	<i>Ref.</i>	<i>Part Number</i>	<i>Qty.</i>	<i>Description</i>
1	127-3757	1	Shaft ASM	37	127-2988	1	Plate
2	127-3758	1	Shaft	38	125-7012	1	Baffle
4	127-2974	2	Support	39	125-6959	1	Diaphragm
5	127-2975	2	Support	40	125-6960	1	Plate
6	135-4012	3	Bolt,Stud	41	125-6961	1	Plate-Breather
7	127-2995	3	Spring	42	125-6962	1	Spring-Diaphragm
8	127-2989	6	Arm-Rocker	44	127-3762	1	Gasket-Cover, Cylinder Head
9	125-7013	6	Screw-Adjust, Valve				
11	125-7014	6	Nut	45	127-3026	1	Joint
12	127-2996	6	Cap-Valve	46	127-3029	1	Sensor-Pressure
13	139-6014	1	Cylinder Head ASM	47	127-3032	2	O Ring-Sensor, Pressure
19	125-7240	2	Plug	48	127-3040	1	Hose ASM
20	127-2990	3	Valve	50	127-3041	2	Clip-Hose
21	127-4710	3	Valve	51	125-6913	1	Plug
22	127-3012	6	Spring	52	125-7186	4	Screw
23	127-3013	6	Retainer-Spring	53	125-7186	6	Screw
24	127-2986	3	Seal-Stem, Valve	54	127-3184	2	Bolt
25	127-3027	3	Seal-Stem, Valve	55	125-6974	3	Knob
26	127-3186	6	Pin-Cotter	56	138-7829	3	O-Ring
28	127-3021	3	Gasket-Injector	57	125-7197	1	O-Ring
29	127-3028	3	Retainer-Injector	58	127-4718	1	Lifter-Engine
30	127-2980	3	Washer-Injector	59	125-7595	2	Bolt
31	125-7184	2	Pin-Spring	60	127-2991	3	Plug-Glow
32	125-7215	2	Bolt	61	127-3768	1	Connector-Plug, Glow
33	125-7217	3	Bolt	62	131-2704	1	Harness-Wire
34	125-7220	6	Bolt	63	127-2979	3	Guide
35	125-6972	1	Cover-Filler	64	127-2997	3	Guide-Valve
36	127-4719	1	Cylinder Head Cover ASM				

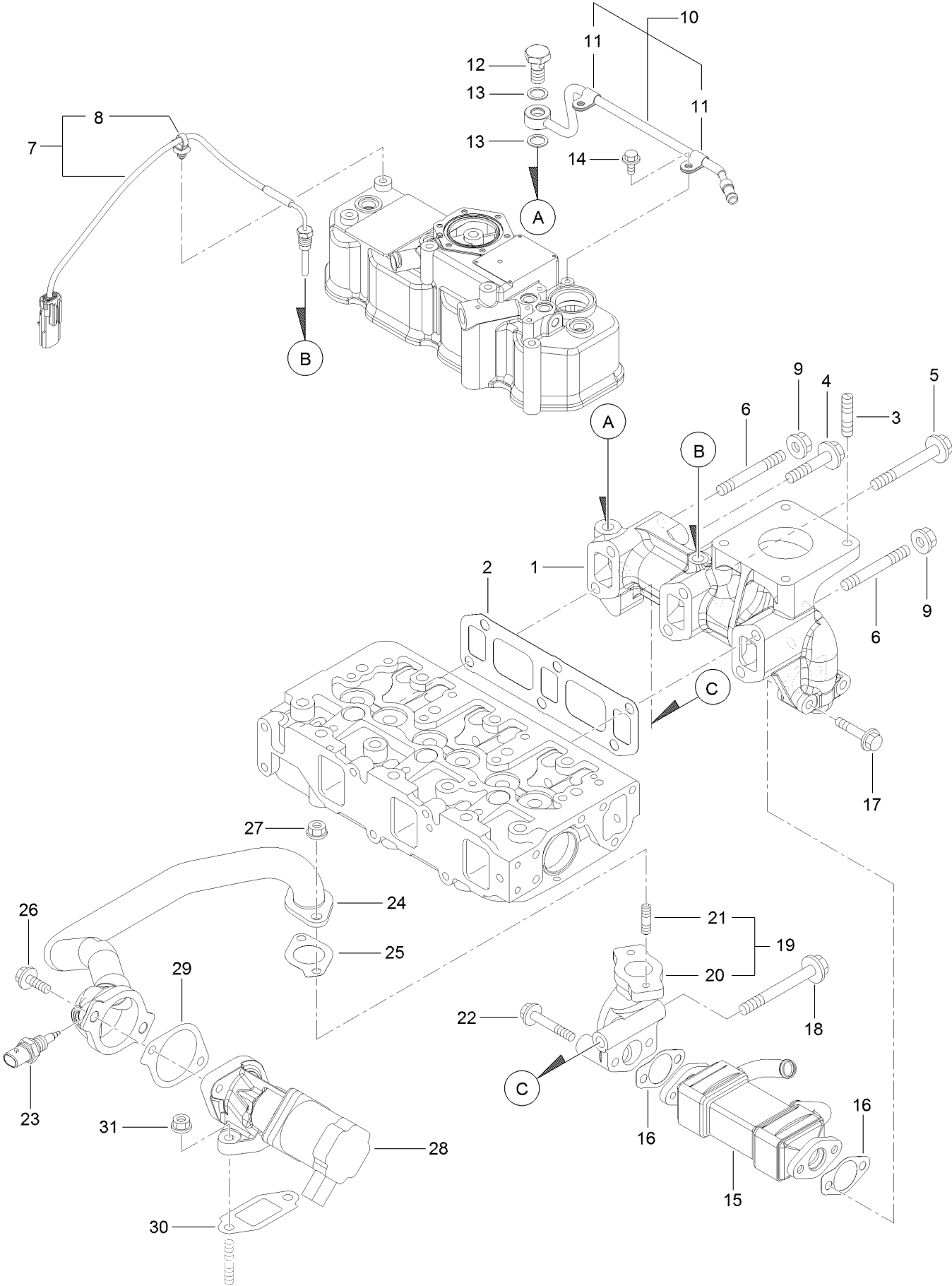
Suction Manifold Assembly



Suction Manifold Assembly (continued)

<i>Ref.</i>	<i>Part Number</i>	<i>Qty.</i>	<i>Description</i>	<i>Ref.</i>	<i>Part Number</i>	<i>Qty.</i>	<i>Description</i>
1	127-4704	1	Pipe	16	127-3081	1	Joint-Hose
2	125-7040	2	Clip-Hose	17	127-3166	2	Washer-Seal
3	127-3769	1	Gasket-Manifold, Intake	18	127-3181	2	Stud
4	127-4722	1	Intake Manifold ASM	19	127-4775	1	Nut
5	127-4721	1	Manifold-Intake	20	125-7220	1	Bolt
6	127-3180	2	Stud	21	127-3178	1	Bolt
7	137-5167	1	Sensor-Temperature, Air	22	127-3182	3	Stud
8	125-7220	3	Bolt	23	125-7229	3	Nut
9	127-3034	1	Gasket-Collector	24	127-3035	1	Bend-Inlet
10	127-4725	1	Intake Collector ASM	25	127-3036	1	Body-Throttle
11	127-4701	1	Stud	26	127-3037	2	Gasket-Throttle
12	127-3030	1	Sensor-Temp, Air	27	125-7209	2	Bolt
13	127-3033	1	O-Ring	28	125-7211	4	Bolt
14	127-4724	1	Collector-Intake	29	127-3177	2	Bolt
15	127-3080	1	Joint-Hose				

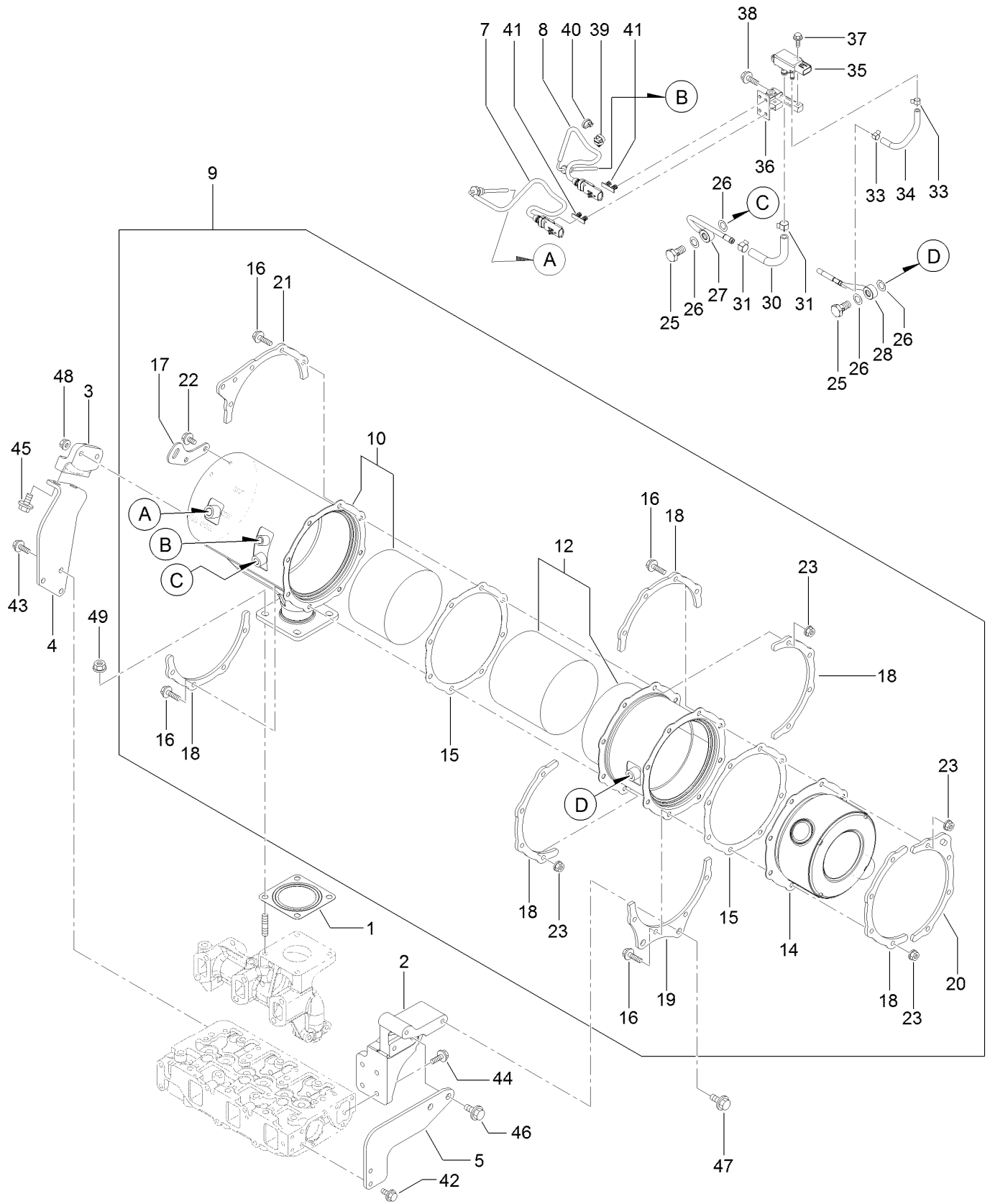
Exhaust Manifold Assembly



Exhaust Manifold Assembly (continued)

<i>Ref.</i>	<i>Part Number</i>	<i>Qty.</i>	<i>Description</i>	<i>Ref.</i>	<i>Part Number</i>	<i>Qty.</i>	<i>Description</i>
1	127-4726	1	Manifold-Exhaust	17	133-6715	2	Bolt
2	127-3775	1	Gasket-Manifold, Exhaust	18	127-3022	1	Bolt-Flange
3	127-2984	4	Stud	19	127-3048	1	E G R Pipe ASM
4	135-4013	1	Bolt	20	127-3049	1	Pipe-Out, E G R
5	135-4014	3	Bolt	21	125-7043	2	Stud
6	127-4756	2	Stud	22	125-7220	2	Bolt
7	127-4729	1	Sensor-Temp, Exhaust	23	137-5168	1	Sensor-Gas Temp, E G R
8	127-3087	1	Band-Clip	24	127-3780	1	E G R Pipe ASM
9	125-7230	2	Nut	25	127-3016	1	Gasket
10	127-3038	1	Exhaust Pipe ASM	26	125-7215	2	Bolt
11	127-3173	2	Clamp	27	125-7229	2	Nut
12	127-3039	1	Bolt-Joint, Pipe	28	127-3781	1	Valve-E G R
13	127-3174	2	Gasket	29	127-3050	1	Gasket-Intake Valve, E G R
14	125-7206	2	Bolt	30	127-3051	1	Gasket-Out Valve, E G R
15	127-3042	1	Cooler-E G R	31	125-7229	2	Nut
16	127-3043	2	Gasket-Cooler, E G R				

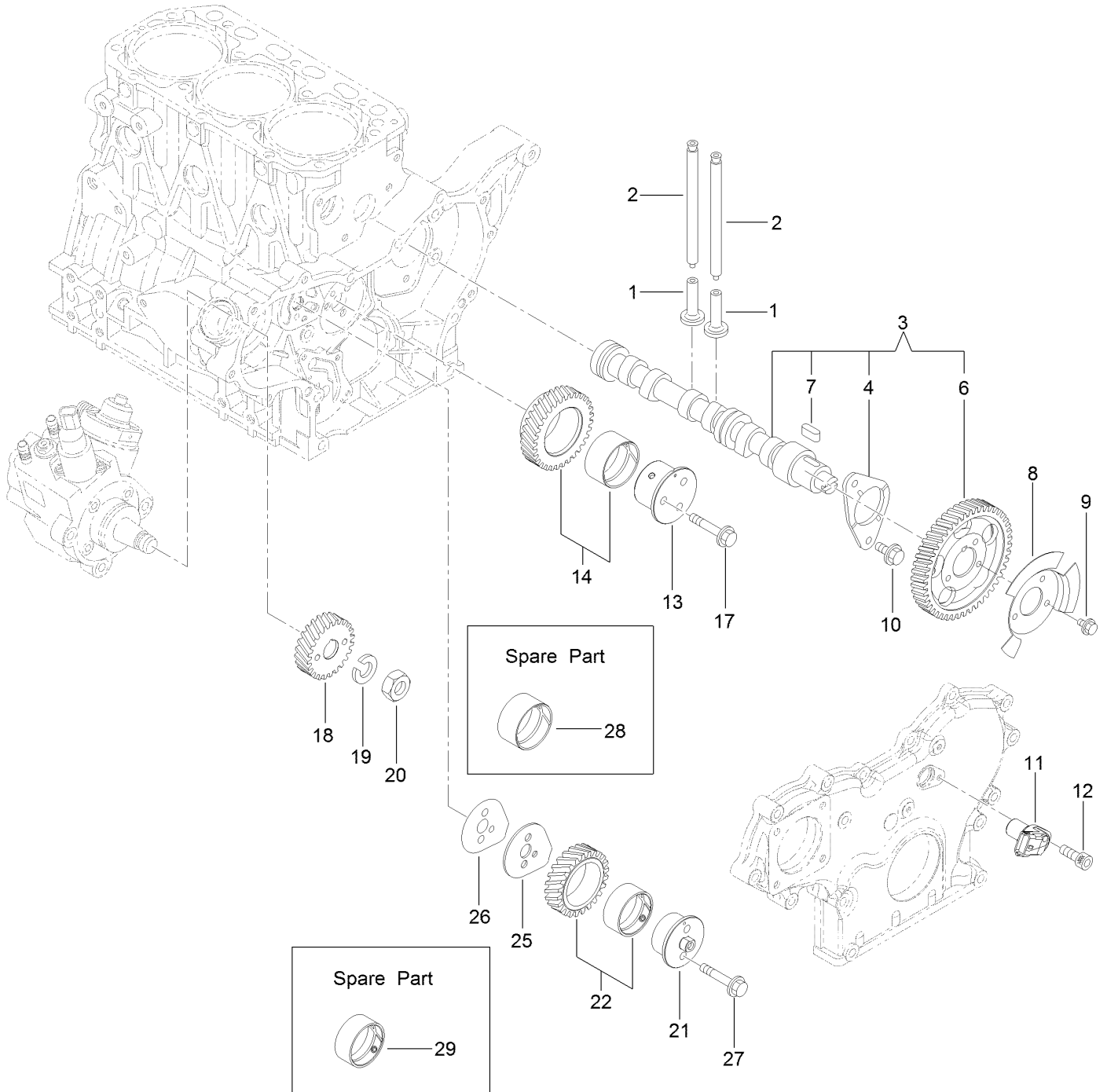
Diesel Particulate Filter Assembly



Diesel Particulate Filter Assembly (continued)

<i>Ref.</i>	<i>Part Number</i>	<i>Qty.</i>	<i>Description</i>	<i>Ref.</i>	<i>Part Number</i>	<i>Qty.</i>	<i>Description</i>
1	127-2987	1	Gasket-Silencer	27	127-4744	1	Sensor Pipe ASM
2	127-4738	1	Stay-D P F	28	127-4745	1	Sensor Pipe ASM
3	127-4739	1	Stay-D P F	30	140-7175	1	Hose-Pressure
4	127-4740	1	Stay-D P F	31	127-3057	2	Clip-Hose
5	127-4741	1	Stay-D P F	33	127-3058	2	Clip-Hose
7	127-4764	1	Sensor-Temp, Exhaust	34	138-8257	1	Exhaust Press Hose ASM
8	127-3112	1	Sensor-Temp, Exhaust	35	127-3060	1	Sensor-Pressure
9	127-4759	1	D P F ASM	36	127-4750	1	Bracket-Sensor
10	127-4732	1	Case-D O C	37	125-7208	2	Bolt
12	127-4734	1	Case-Filter, Soot	38	125-7595	2	Bolt
14	127-3786	1	Silencer-D P F	39	127-3087	1	Band-Clip
15	127-3787	2	Gasket-D P F	40	127-3124	1	Band
16	127-3055	16	Bolt	41	127-3088	2	Clip-Connector
17	127-3788	1	Lifter-D P F	42	125-7214	2	Bolt
18	127-3789	5	Stiffener-D P F, A	43	125-7214	3	Bolt
19	127-4735	1	Stiffener-D P F, B	44	125-7595	4	Bolt
20	127-3792	1	Stiffener-D P F, C	45	127-3179	2	Bolt
21	127-4736	1	Stiffener-D P F, C	46	127-3179	2	Bolt
22	125-7213	2	Bolt	47	127-3179	2	Bolt
23	125-7229	16	Nut	48	125-7229	2	Nut
25	127-3039	2	Bolt-Joint, Pipe	49	125-7230	4	Nut
26	127-3056	4	Gasket-Sensor				

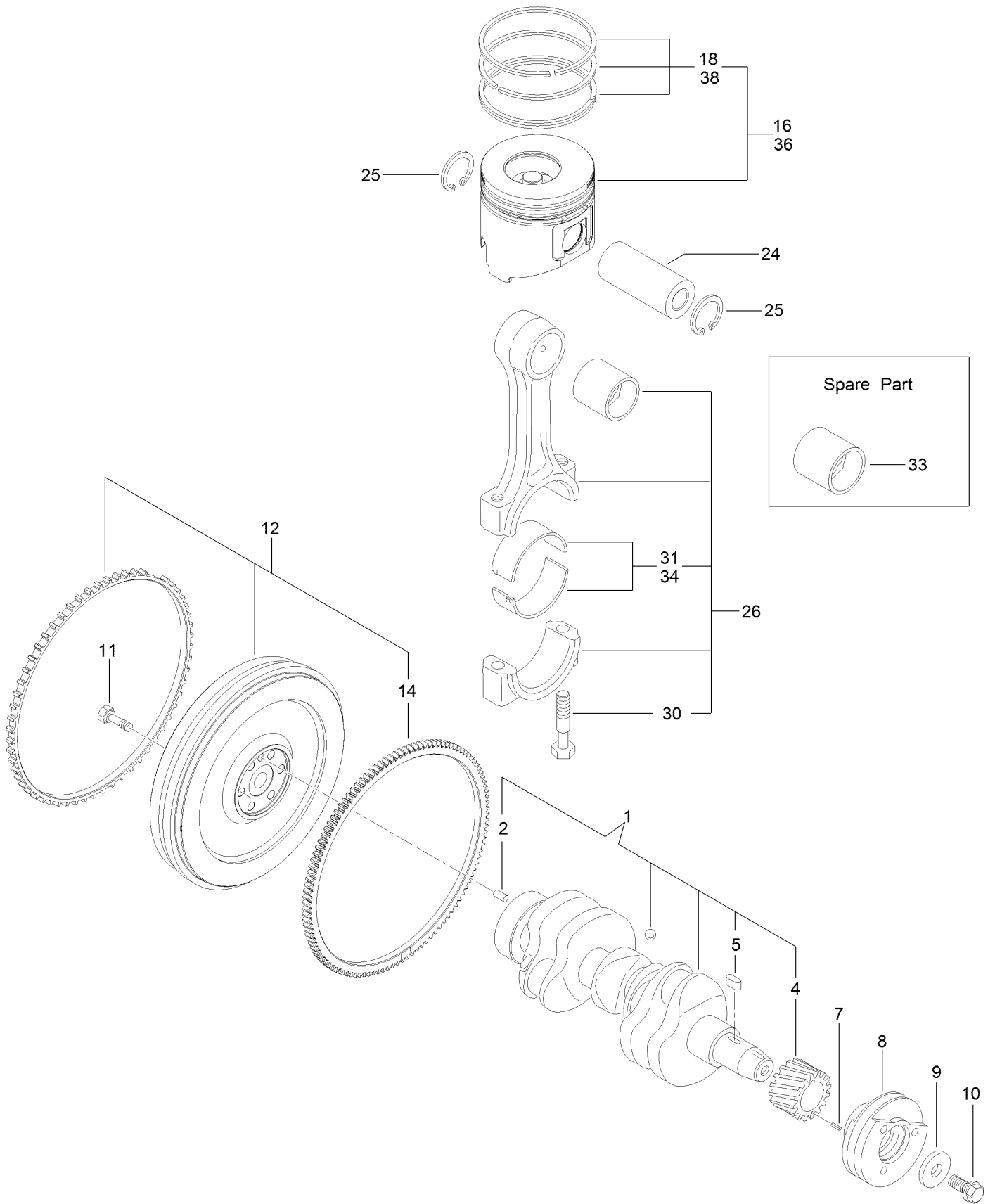
Camshaft and Driving Gear Assembly



Camshaft and Driving Gear Assembly (continued)

<i>Ref.</i>	<i>Part Number</i>	<i>Qty.</i>	<i>Description</i>	<i>Ref.</i>	<i>Part Number</i>	<i>Qty.</i>	<i>Description</i>
1	125-7016	6	Tappet	14	127-3066	1	Idle Gear A ASM
2	125-7017	6	Rod-Push	17	125-7219	3	Bolt
3	127-3797	1	Camshaft ASM	18	127-3070	1	Gear-Pump, Supply
4	125-7008	1	Metal-Thrust	19	127-3167	1	Washer-Spring
6	127-3052	1	Gear-Camshaft	20	127-3185	1	Nut-Lock
7	125-7185	1	Key	21	127-3064	1	Shaft-Idle, Gear B
8	127-3053	1	Pulser-Camshaft	22	127-3067	1	Idle Gear B ASM
9	125-7205	3	Bolt	25	127-3068	1	Plate-Idle, Shaft
10	125-7213	2	Bolt	26	127-3069	1	Gasket-Idle, Shaft B
11	127-3054	1	Sensor-Rev, Gear	27	125-7218	2	Bolt
12	127-3184	1	Bolt	28	125-6926	1	Bush
13	127-3063	1	Shaft-Idle, Gear A	29	127-3065	1	Bushing

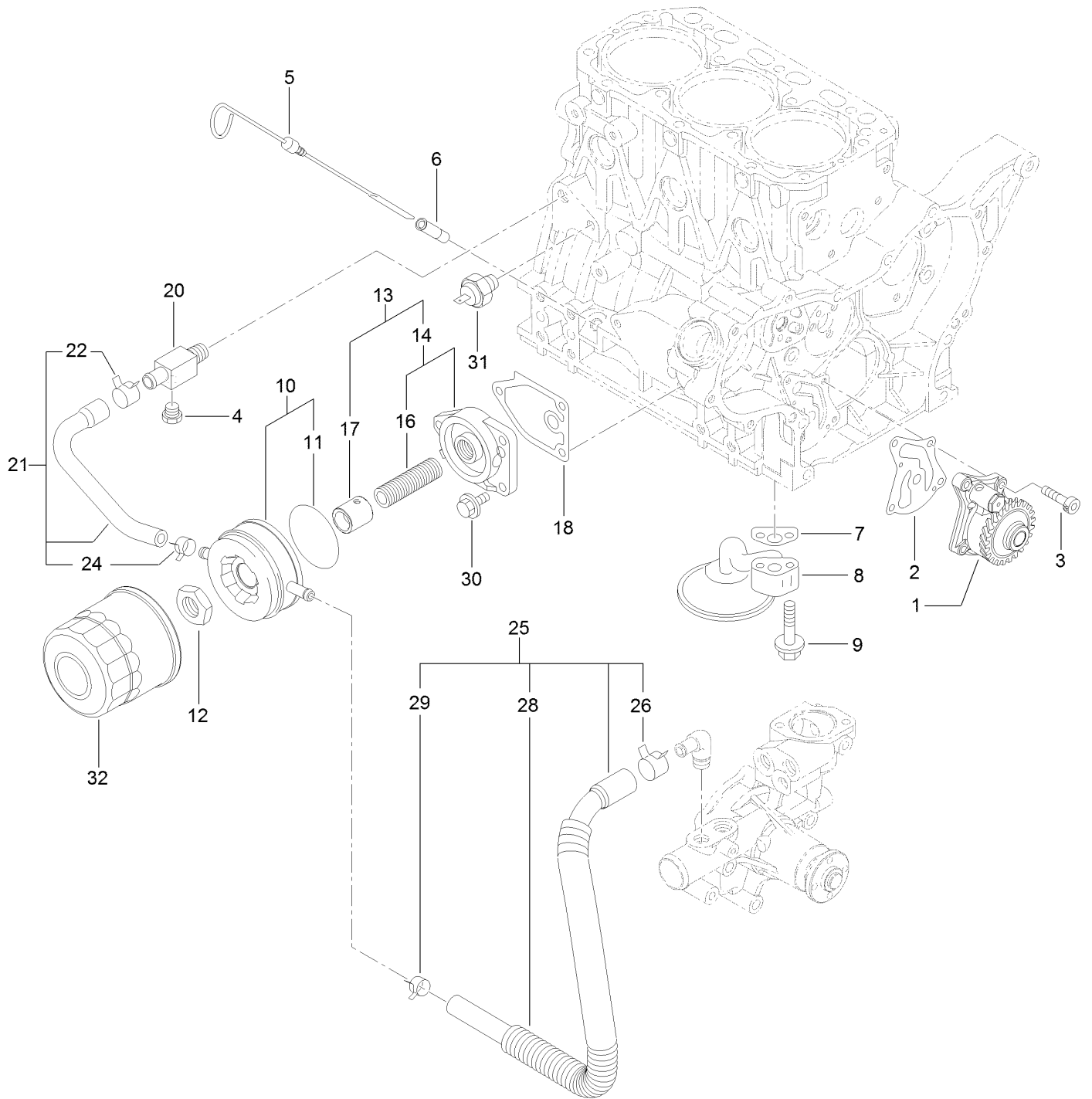
Crankshaft and Piston Assembly



Crankshaft and Piston Assembly (continued)

<i>Ref.</i>	<i>Part Number</i>	<i>Qty.</i>	<i>Description</i>	<i>Ref.</i>	<i>Part Number</i>	<i>Qty.</i>	<i>Description</i>
1	127-3800	1	Crankshaft ASM	16	127-4766	3	Piston ASM
2	125-6995	1	Pin	18	127-4751	3	Piston Ring ASM
4	125-6937	1	Gear	24	125-7030	3	Pin
5	125-7185	1	Key	25	125-7180	6	Ring
7	125-7182	1	Pin-Spring	26	125-7242	3	Connecting Rod ASM
8	127-3801	1	Pulley-V	30	125-6955	6	Bolt
9	125-7109	1	Washer	31	125-7018	3	Pin-Crank
10	125-6956	1	Bolt	33	125-6997	3	Pin-Piston
11	125-6951	6	Bolt	34	125-7019	3	Pin-Crank (.25)
12	127-3802	1	Flywheel ASM	36	127-4767	3	Piston ASM (0.25 O S)
14	125-6943	1	Gear	38	127-4752	3	Ring Set (0.25 O S)

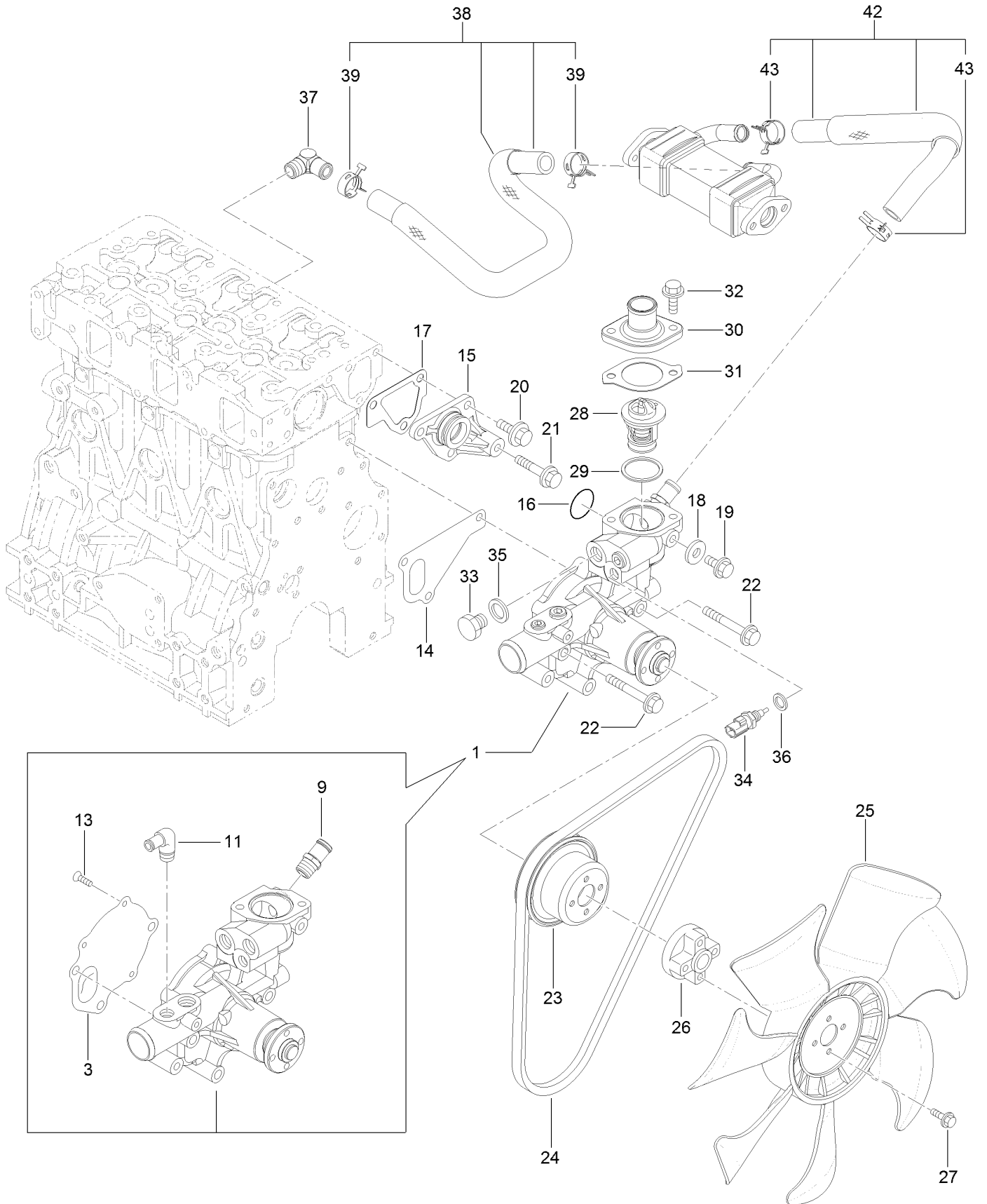
Lubrication and Oil System Assembly



Lubrication and Oil System Assembly (continued)

<i>Ref.</i>	<i>Part Number</i>	<i>Qty.</i>	<i>Description</i>	<i>Ref.</i>	<i>Part Number</i>	<i>Qty.</i>	<i>Description</i>
1	127-4753	1	Oil Pump ASM	16	125-7042	1	Stud
2	127-3004	1	Gasket	17	135-4022	1	Collar-Cooler, Oil
3	125-7232	4	Bolt	18	125-7024	1	Gasket
4	125-7171	1	Plug-Drain	20	125-6990	1	Joint
5	140-7168	1	Dipstick-Oil	21	125-7078	1	Pipe ASM
6	125-6954	1	Guide-Dipstick	22	125-7162	1	Clip
7	125-7022	1	Gasket	24	125-7191	1	Clamp-Hose
8	135-4017	1	Oil Inlet Pipe ASM	25	127-3804	1	Pipe ASM
9	125-7217	2	Bolt	26	125-7162	1	Clip
10	135-4018	1	Oil Cooler ASM	28	127-3805	1	Tube
11	135-4019	1	Packing-Oil Cooler	29	125-7191	1	Clamp-Hose
12	135-4020	1	Nut	30	125-7595	3	Bolt
13	135-4021	1	Lo Filter Bracket ASM	31	125-6918	1	Switch-Oil
14	140-7169	1	Filter Bracket ASM	32	125-7025	1	Filter-Engine, Oil

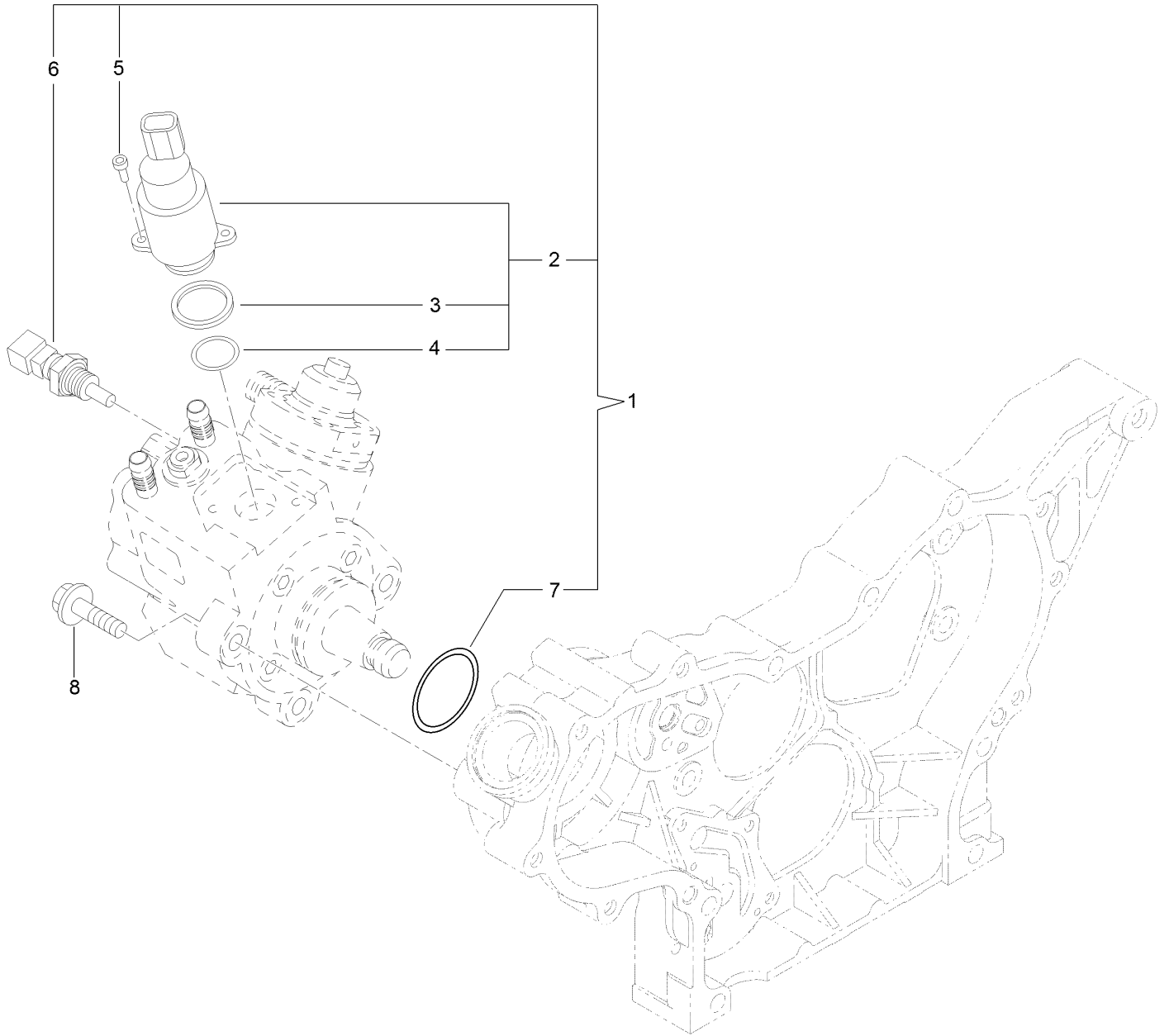
Cooling Water System Assembly



Cooling Water System Assembly (continued)

<i>Ref.</i>	<i>Part Number</i>	<i>Qty.</i>	<i>Description</i>	<i>Ref.</i>	<i>Part Number</i>	<i>Qty.</i>	<i>Description</i>
1	140-7176	1	CW Pump ASM	26	127-3810	1	Spacer
3	125-6998	1	Gasket	27	125-7209	4	Bolt
9	127-3017	1	Joint	28	125-7029	1	Thermostat
11	125-7001	1	Elbow	29	125-7026	1	Gasket
13	140-7170	3	Screw-Flat	30	140-7171	1	Cover-Thermostat
14	125-7047	1	Gasket	31	125-7110	1	Gasket
15	125-6986	1	Joint	32	125-7594	2	Bolt
16	125-7048	1	O-Ring	33	125-6953	1	Plug
17	125-6978	1	Gasket	34	125-7124	1	Sensor-Thermostat, CW
18	125-7192	1	Gasket	35	125-6979	1	Gasket
19	125-7212	1	Bolt	36	125-7176	1	Washer-Seal
20	125-7214	3	Bolt	37	127-4705	1	Elbow
21	125-7219	1	Bolt	38	127-4757	1	E G R-C Pipe ASM
22	125-7222	3	Bolt	39	127-3020	2	Clip-Hose
23	127-4712	1	V-Pulley	42	127-3811	1	CW Pipe ASM
24	127-4771	1	V-Belt	43	127-3020	2	Clip-Hose
25	127-4702	1	Fan				

Fuel Supply Pump Assembly

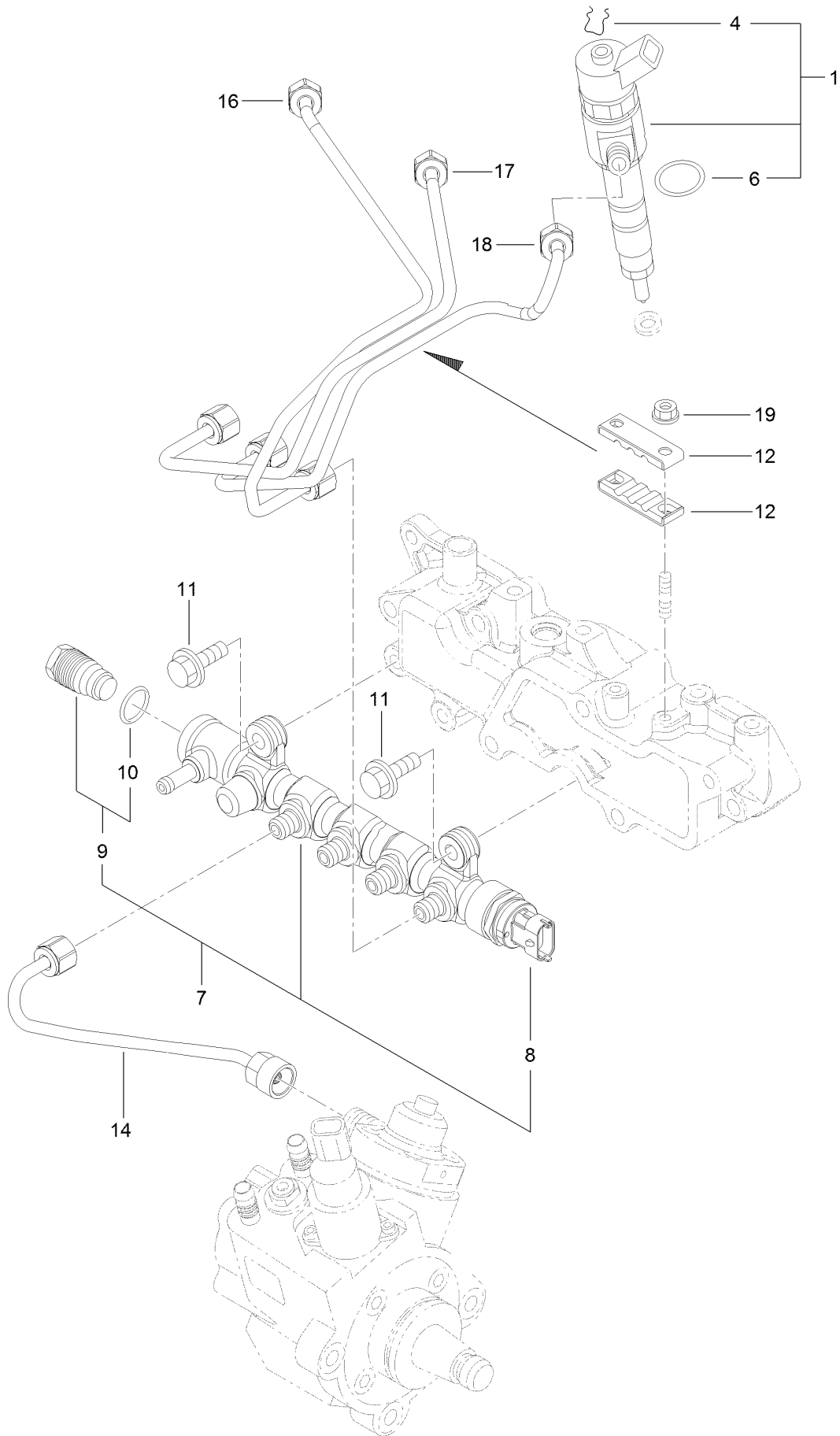


Fuel Supply Pump Assembly (continued)

<i>Ref.</i>	<i>Part Number</i>	<i>Qty.</i>	<i>Description</i>
1	140-7178	1	Fuel Pump ASM
2	131-2103	1	Valve ASM
3	131-2105	1	Ring-Sealing
4	131-2106	1	O-Ring

<i>Ref.</i>	<i>Part Number</i>	<i>Qty.</i>	<i>Description</i>
5	131-2107	2	Bolt
6	131-2108	1	Sensor-Temperature
7	127-3074	1	O-Ring
8	125-7216	3	Bolt

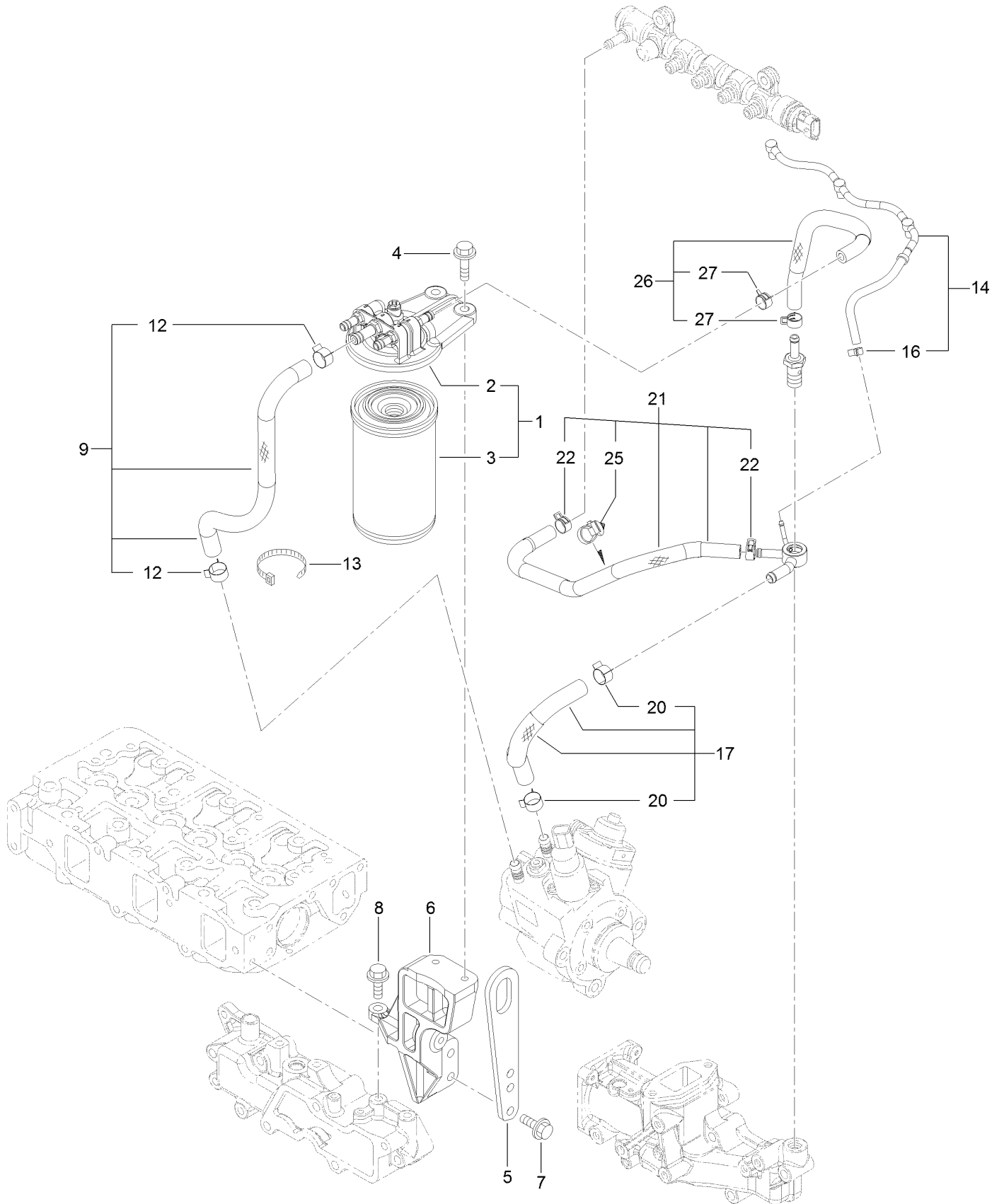
Fuel Injection Valve Assembly



Fuel Injection Valve Assembly (continued)

<i>Ref.</i>	<i>Part Number</i>	<i>Qty.</i>	<i>Description</i>	<i>Ref.</i>	<i>Part Number</i>	<i>Qty.</i>	<i>Description</i>
1	127-4754	3	Injector ASM	11	125-7215	2	Bolt
4	130-7430	3	Ring-Retaining	12	127-3813	2	Retainer
6	137-5173	3	O-Ring	14	127-3082	1	Rail In Pipe ASM
7	127-3812	1	Rail ASM	16	127-3814	1	Injection Pipe ASM
8	131-2709	1	Sensor-Pressure, Rail	17	127-3083	1	Injection Pipe ASM
9	131-2710	1	Valve ASM	18	127-3084	1	Injection Pipe ASM
10	130-7433	1	O-Ring	19	125-7231	2	Nut

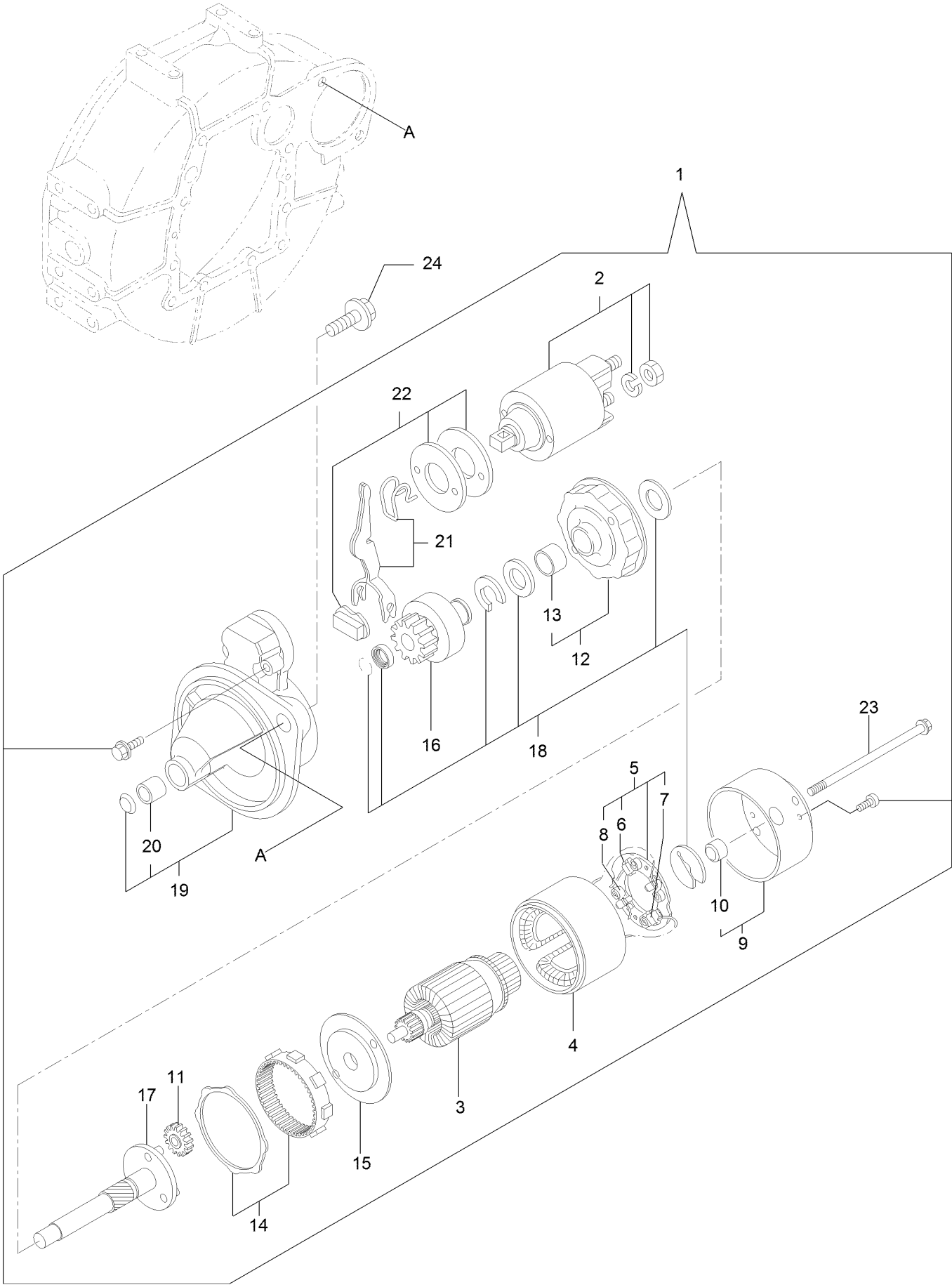
Fuel Filter Assembly



Fuel Filter Assembly (continued)

<i>Ref.</i>	<i>Part Number</i>	<i>Qty.</i>	<i>Description</i>	<i>Ref.</i>	<i>Part Number</i>	<i>Qty.</i>	<i>Description</i>
1	139-4535	1	Filter ASM	13	127-2981	1	Band
2	127-3076	1	Fuel/Oil Filter Bracket ASM	14	135-4023	1	Fuel/Oil Return Pipe ASM
3	139-6017	1	Filter-Fuel	16	127-3172	1	Clamp-Hose
4	125-7216	2	Bolt	17	127-3078	1	Fuel Pipe ASM
5	125-7111	1	Lifter	20	125-7191	2	Clamp-Hose
6	127-3815	1	Filter Bracket ASM	21	127-3817	1	Fuel Pipe ASM
7	125-7215	2	Bolt	22	127-2950	2	Clip-Hose
8	125-7215	1	Bolt	25	127-3087	1	Band-Clip
9	127-3077	1	Fuel Pipe ASM	26	127-3079	1	Fuel Pipe ASM
12	125-7191	2	Clamp-Hose	27	127-2950	2	Clip-Hose

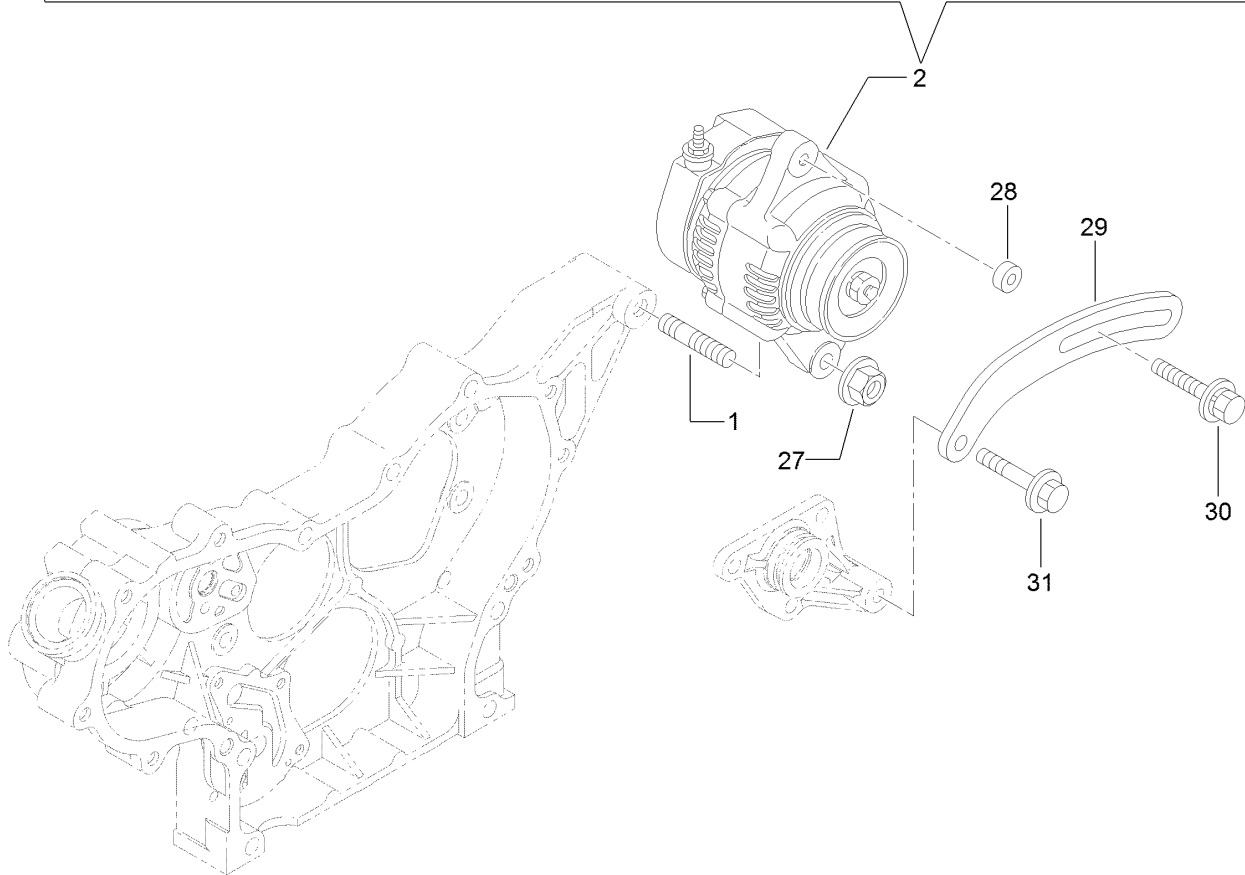
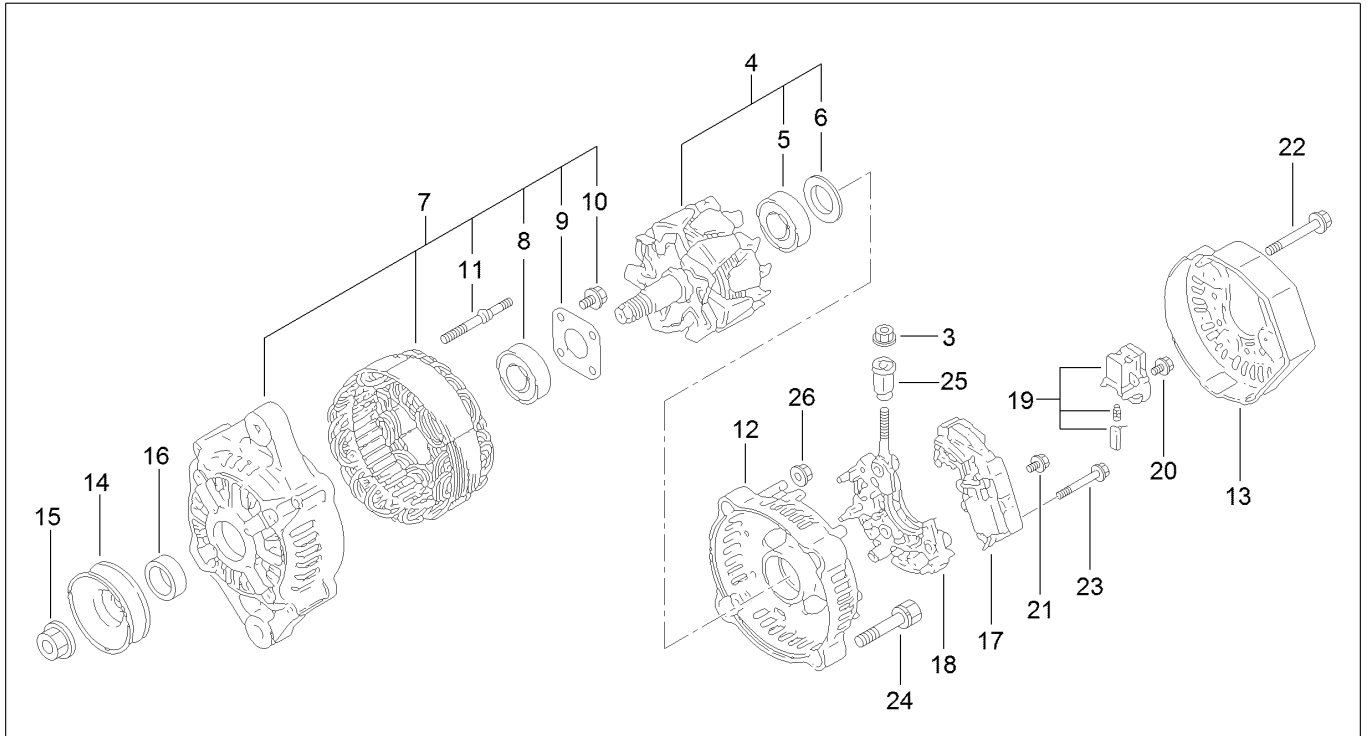
Starting Motor Assembly



Starting Motor Assembly (continued)

<i>Ref.</i>	<i>Part Number</i>	<i>Qty.</i>	<i>Description</i>	<i>Ref.</i>	<i>Part Number</i>	<i>Qty.</i>	<i>Description</i>
1	127-3818	1	Starter ASM	13	127-3830	1	Bracket
2	127-3819	1	Switch ASM	14	127-3831	1	Gear
3	127-3820	1	Armature ASM	15	127-3832	1	Bracket
4	127-3821	1	Yoke ASM	16	127-3833	1	Pinion ASM
5	127-3822	1	Brush Holder ASM	17	127-3834	1	Shaft
6	127-3823	2	Brush	18	127-3835	1	Washer Set
7	127-3824	1	Brush Set	19	127-3836	1	Case ASM
8	127-3825	4	Spring	20	127-3837	1	Metal-Starter
9	127-3826	1	Cover ASM	21	127-3838	1	Lever Set
10	127-3827	1	Metal	22	127-3839	1	Dust Cover ASM
11	127-3828	3	Gear	23	135-4024	2	Bolt-Through
12	127-3829	1	Bracket	24	125-7225	2	Bolt

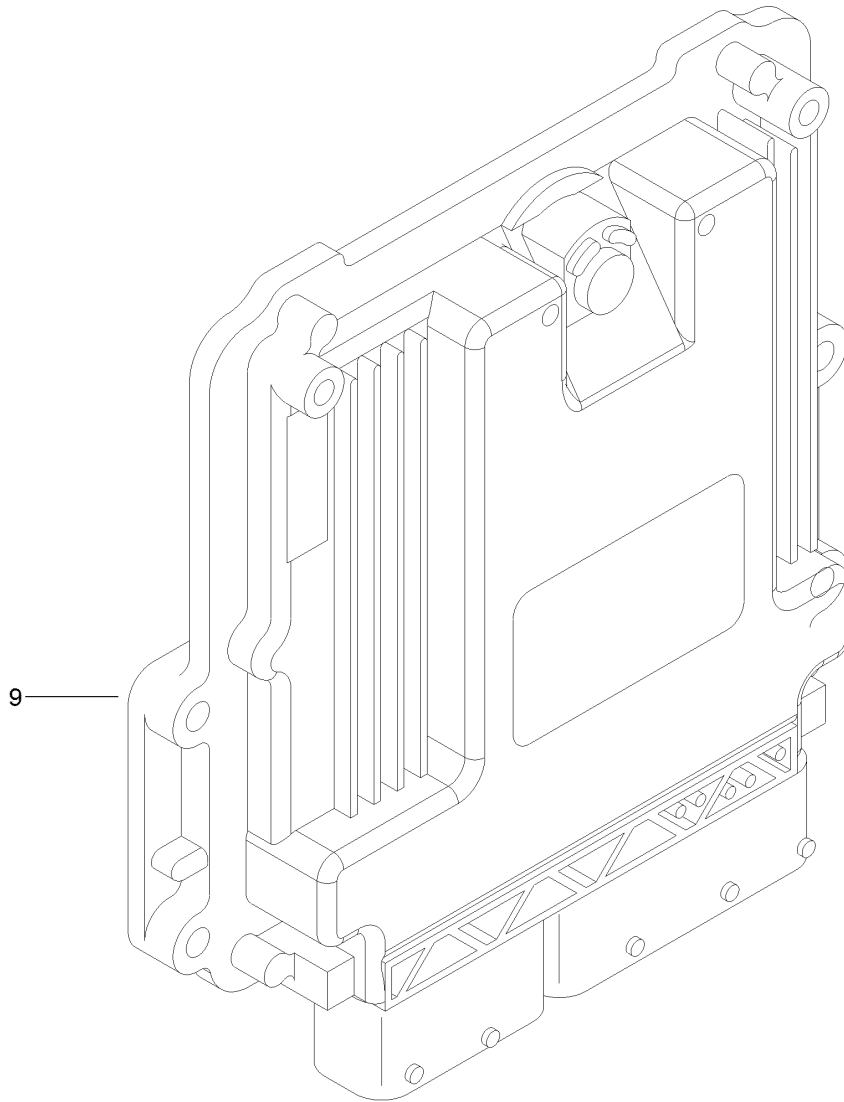
Generator Assembly



Generator Assembly (continued)

<i>Ref.</i>	<i>Part Number</i>	<i>Qty.</i>	<i>Description</i>	<i>Ref.</i>	<i>Part Number</i>	<i>Qty.</i>	<i>Description</i>
1	127-3011	1	Stud	17	135-4026	1	Regulator ASM
2	139-6018	1	Generator	18	127-3848	1	Holder
3	127-3190	1	Nut	19	127-2993	1	Holder
4	127-3843	1	Rotor ASM	20	127-2965	6	Screw
5	127-2983	1	Bearing-Ball	21	127-2966	1	Screw
6	127-2962	1	Cover	22	127-2967	3	Bolt
7	135-4025	1	Frame ASM	23	127-2968	2	Screw
8	127-2958	1	Bearing-Ball	24	127-2969	2	Bolt
9	127-2959	1	Plate-Retainer	25	127-2970	1	Bushing-Insulation
10	127-2960	4	Screw	26	127-2971	2	Nut
11	127-2961	2	Stud	27	125-7230	1	Nut
12	127-3845	1	Frame	28	125-6947	1	Spacer
13	127-3846	1	Cover	29	127-2977	1	Adjuster
14	127-2954	1	Pulley	30	135-4027	1	Bolt-Adjust
15	127-2955	1	Nut	31	125-7219	1	Bolt
16	127-2957	1	Collar				

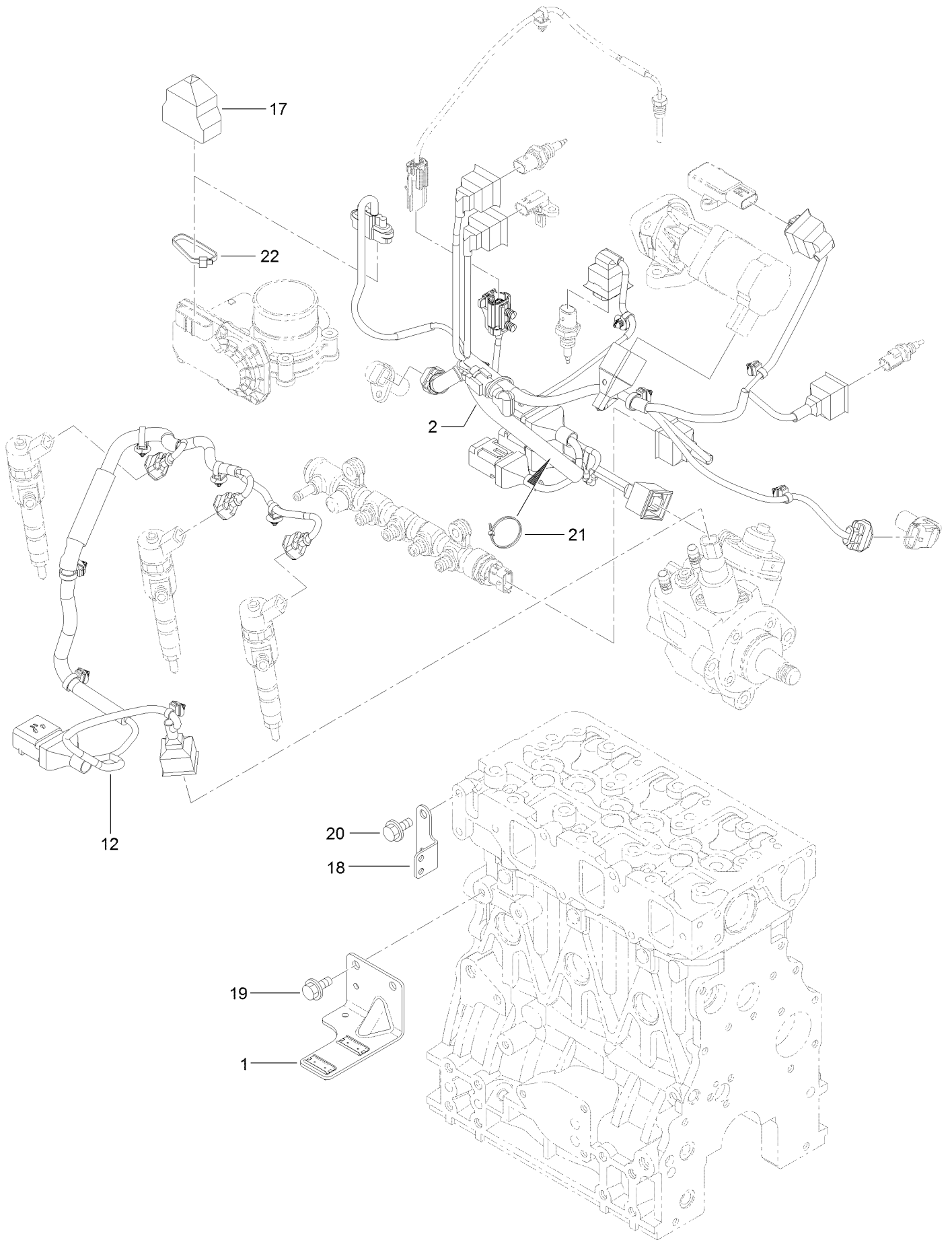
Electronic Control Unit Assembly



Electronic Control Unit Assembly (continued)

<i>Ref.</i>	<i>Part Number</i>	<i>Qty.</i>	<i>Description</i>
9	121-5592	1	Electronic Control Unit

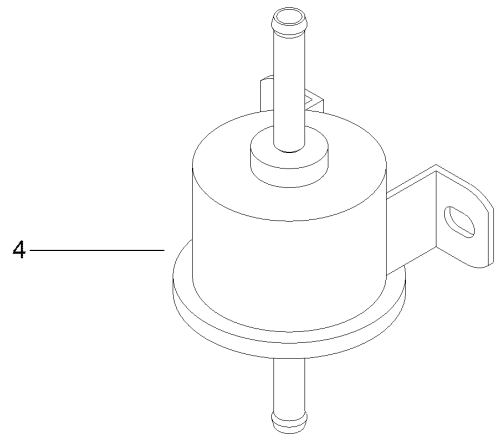
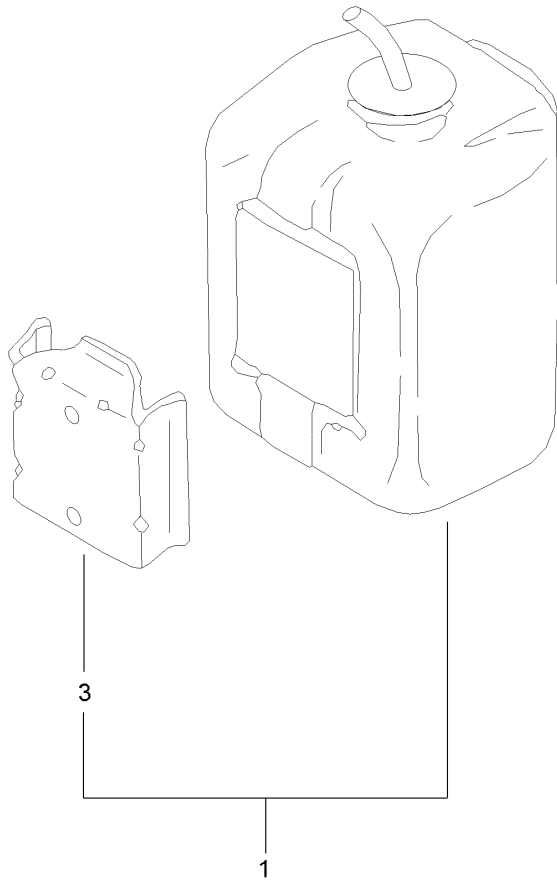
Electric Parts Assembly



Electric Parts Assembly (continued)

<i>Ref.</i>	<i>Part Number</i>	<i>Qty.</i>	<i>Description</i>	<i>Ref.</i>	<i>Part Number</i>	<i>Qty.</i>	<i>Description</i>
1	130-7436	1	Bracket-Connector	19	125-7213	2	Bolt
2	135-4029	1	Harness	20	125-7212	2	Bolt
12	130-7438	1	Harness	21	127-3187	1	Band
17	131-2713	1	Boot-Cap	22	127-3188	1	Band
18	127-3090	1	Bracket-Harness				

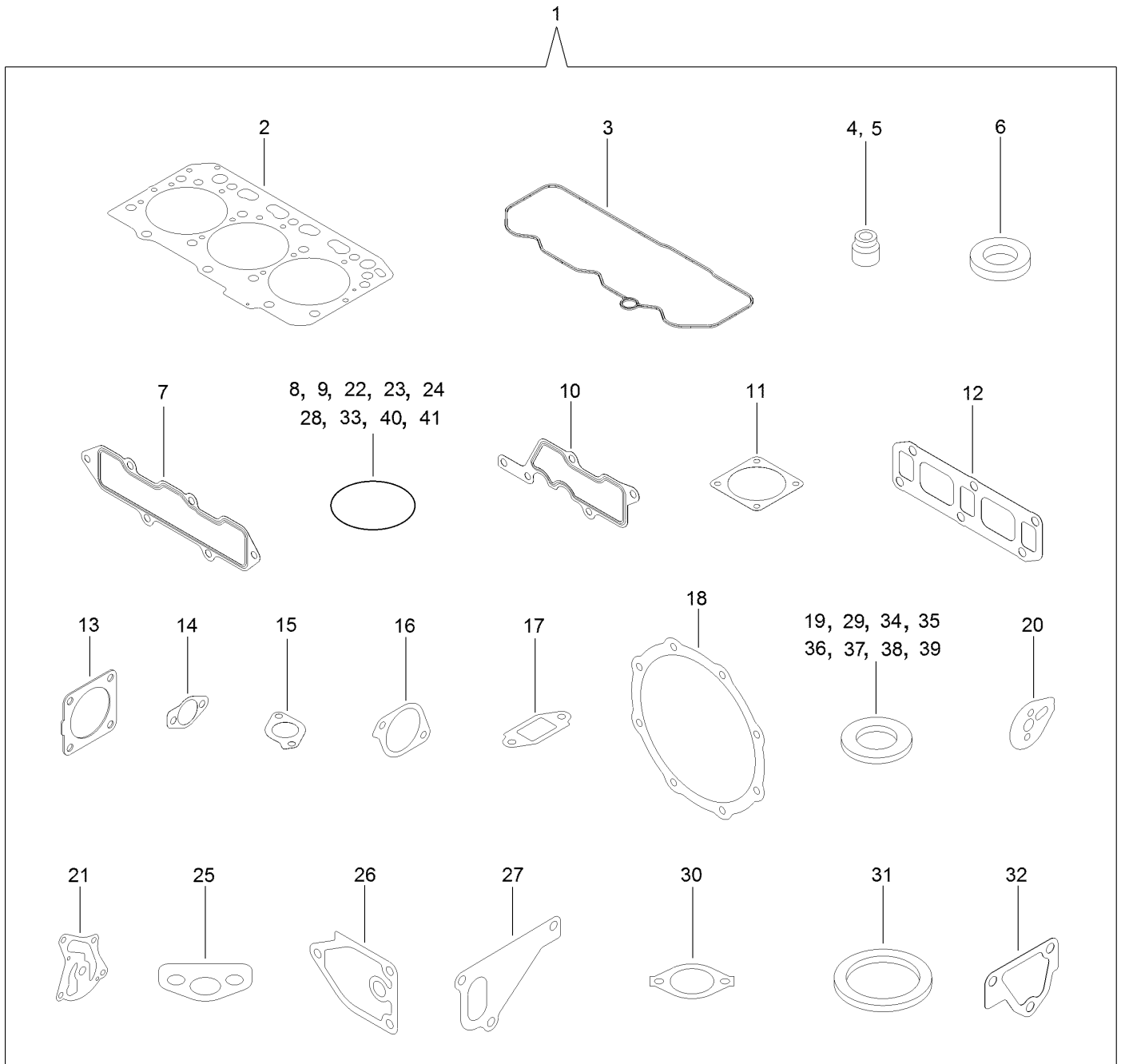
Accessory Assembly



Accessory Assembly (continued)

<i>Ref.</i>	<i>Part Number</i>	<i>Qty.</i>	<i>Description</i>
1	140-7185	1	Tank ASM
3	140-7165	1	Bracket-Tank
4	121-5613	1	Pump-Fuel, Electric

Gasket Set



Gasket Set (continued)

<i>Ref.</i>	<i>Part Number</i>	<i>Qty.</i>	<i>Description</i>	<i>Ref.</i>	<i>Part Number</i>	<i>Qty.</i>	<i>Description</i>
1	130-7440	1	Packing (Gasket Set)	21	127-3004	1	Gasket
2	127-4716	1	Head Gasket ASM	22	125-6909	2	O-Ring
3	127-3762	1	Gasket-Cover, Cylinder Head	23	127-2973	1	O-Ring
4	127-2986	3	Seal-Stem, Valve	24	125-7075	1	O-Ring
5	127-3027	3	Seal-Stem, Valve	25	125-7022	1	Gasket
6	127-3021	3	Gasket-Injector	26	125-7024	1	Gasket
7	127-3769	1	Gasket-Manifold, Intake	27	125-7047	1	Gasket
8	127-3032	2	O Ring-Sensor, Pressure	28	125-7048	1	O-Ring
9	127-3033	1	O-Ring	29	125-6979	1	Gasket
10	127-3034	1	Gasket-Collector	30	125-7110	1	Gasket
11	127-3037	2	Gasket-Throttle	31	125-7026	1	Gasket
12	127-3775	1	Gasket-Manifold, Exhaust	32	125-6978	1	Gasket
13	127-2987	1	Gasket-Silencer	33	127-3074	1	O-Ring
14	127-3043	2	Gasket-Cooler, E G R	34	125-7174	1	Washer-Seal
15	127-3016	1	Gasket	35	125-7176	1	Washer-Seal
16	127-3050	1	Gasket-Intake Valve, E G R	36	127-3166	2	Washer-Seal
17	127-3051	1	Gasket-Out Valve, E G R	37	125-7177	1	Washer-Seal
18	127-3787	2	Gasket-D P F	38	125-7192	1	Gasket
19	127-3056	4	Gasket-Sensor	39	127-3174	2	Gasket
20	127-3069	1	Gasket-Idle, Shaft B	40	138-7829	3	O-Ring
				41	125-7197	2	O-Ring

Attachments and Accessories

For 31902A — Groundsmaster 3300 All-Wheel Drive Traction Unit

Product Name	Model/Part
Operator Cooling Fan	03247
Switch Panel-Universal Sunshade.....	03248
White Universal Sunshade	30669
Blade Crate (Snowplow), ATV Poly S	STB13567B
Red Universal Sunshade	30671
Slope Sensor Kit.....	31952
CE Kit, Groundsmaster 3200 or 3300 Series Traction Unit.....	31953
CE Kit, Groundsmaster 3200 or 3300 Series 60in Side Discharge Rotary Mower.....	31957
CE Kit, Groundsmaster 3200 or 3300 Series 72in Side Discharge Rotary Mower.....	31958
42 Pound Weight	114-4096
CE Kit, Groundsmaster 3200 or 3300 Series 60in Rear Discharge Rotary Mower	31959
CE Kit, Groundsmaster 3200 or 3300 Series 72in Rear Discharge Rotary Mower	31960
Auxiliary HYD Kit	31966
60in SD Deck.....	31970
60in RD Deck.....	31971
72in SD Deck.....	31972
72in RD Deck.....	31973
60in RD Deck, T2	31974
72in RD Deck, T2	31975
Recycler Kit 60in/152cm SD	31976
Recycler Kit, 60In/152cm RD.....	31977
Recycler Kit, 72In/183cm SD	31978
Recycler Kit, 72In/183cm RD.....	31979
Seat Assembly-Standard.....	32301
Seat Assembly-Mechanical Suspension.....	32302
Air Ride Seat Kit	32303
Storage Box Kit.....	31983
USB Charging Kit.....	31984
Recycler Kit 60in/152cm Rd T2.....	31985
Recycler Kit 72in/183cm Rd T2.....	31986
Cab-Winter, GM3000 Series.....	31990
Road Light Kit (North America)	31991
Road Light Kit (EU).....	31992
Accessory Control Kit	31994
Led Beacon Kit	31996
Led Work-light Kit (GM3200/3300, Rops)	31997
15-Pound Cast Weight.....	112-7059-01
Beacon Kit	138-2699
Work Lights Kit, Groundsmaster and Reelmaster Traction Units with Universal Sunshade.....	140-1554
Storage Bag Kit.....	139-2020
SMV Kit.....	139-2339
Wrench-Caster Cap/Latch	138-6367
Filter-Air	108-3810
Filter-Fuel	139-6017
Fuel/Water Separator Filter.....	125-2915
Transmission Oil Filter	86-3010

Attachments and Accessories (continued)

Engine Oil Filter	125-7025
Hydraulic Hose Kit	31999
Power Harness Kit	140-1559
Weight Kit	144-0480
Plate-Weight, 25 LBS	144-0484
Paint-Red Pen	112-0177
Seat Cover (with Arm Rest)	117-0095
Blade Kit, Std (24.5) 3pk	144-3911
Blade Kit, Med Flow (20.5) 3pk	144-3912
PX Hydraulic Fluid (5 Gal)	133-8086
PX Hydraulic Fluid (55 Gal).....	133-8087
Blade Kit, High Flow (20.5) 3pk.....	144-3913
Paint-Black Bottle	112-0176
Paint-Red Bottle	112-0178
Blade Kit, Atomic (20.5) 3pk	144-3914
Toro Red 12oz Aerosol Can	361-10
Semi-Gloss Black Spray Paint	361-9
Blade Kit, Low Flow (24.5) 3pk	144-3915
Blade Kit, Recycling (24.5) 3pk.....	144-3916
Blade Kit, Low Flow (20.5) 3pk	144-3917
Blade Kit, Recycling (20.5) 3pk.....	144-3918
Blade Kit, 24.50 Low Flow 3pk.....	144-3962
Blade Kit, 24.50 Recycler 3pk.....	144-3963
Blade Kit, 20.50 Low Flow 3pk.....	144-3964
Blade Kit, 20.50 Recycler 3pk.....	144-3965
Blade Kit, 24.50 Atomic 3pk.....	144-3966
Blade Kit, 20.50 Atomic 3pk.....	144-3967
Hose Replacement Kit, Groundsmaster 3200 or 3300 Series Traction Unit.....	144-3960
Boss PLOW, 5ft Straight Blade	MSC23345
Universal Wireless Hourmeter Kit.....	144-2436

Notes:

Notes:



Count on it.