



**Count on it.**

**Parts Catalog**

**Groundsmaster® 3310**  
**All-Wheel Drive Traction Unit**

Model No. 31903A—Serial No. 420300000 and Up



# Ordering Replacement Parts

To order replacement parts, please supply the part number, the quantity, and the description of each part desired.

## Understanding Reference Numbers

Each identified part in an illustration has a reference number. The reference number for a part also appears in the parts list, along with other information about the part.

This catalog uses two special reference number formats, one to indicate parts in a service assembly and another to indicate the quantity of a given part in an illustration.

## Service Assembly Reference Numbers

Parts in service assemblies have reference numbers in the form a:b. The a represents the reference number of the entire service assembly and the b represents a sequential number unique to each part within the service assembly.

For example, a wheel assembly might be identified by reference number 6, the tire by 6:1, the valve by 6:2, and the wheel by 6:3. When you order the assembly identified by reference number 6, you receive all parts identified by reference numbers 6:1, 6:2, and 6:3. However, you may also order any part individually. Reference numbers of this type appear in illustration and in parts lists.

## Reference Numbers Indicating Quantity

In an illustration, if a reference number indicates more than one part, the reference number has the form nX y. The n represents the quantity of the part, the X is the multiplication symbol, and the y represents the reference number.

For example, in an illustration, the reference number 2X 37 means that two of the parts identified by reference number 37 are indicated.

# Contents

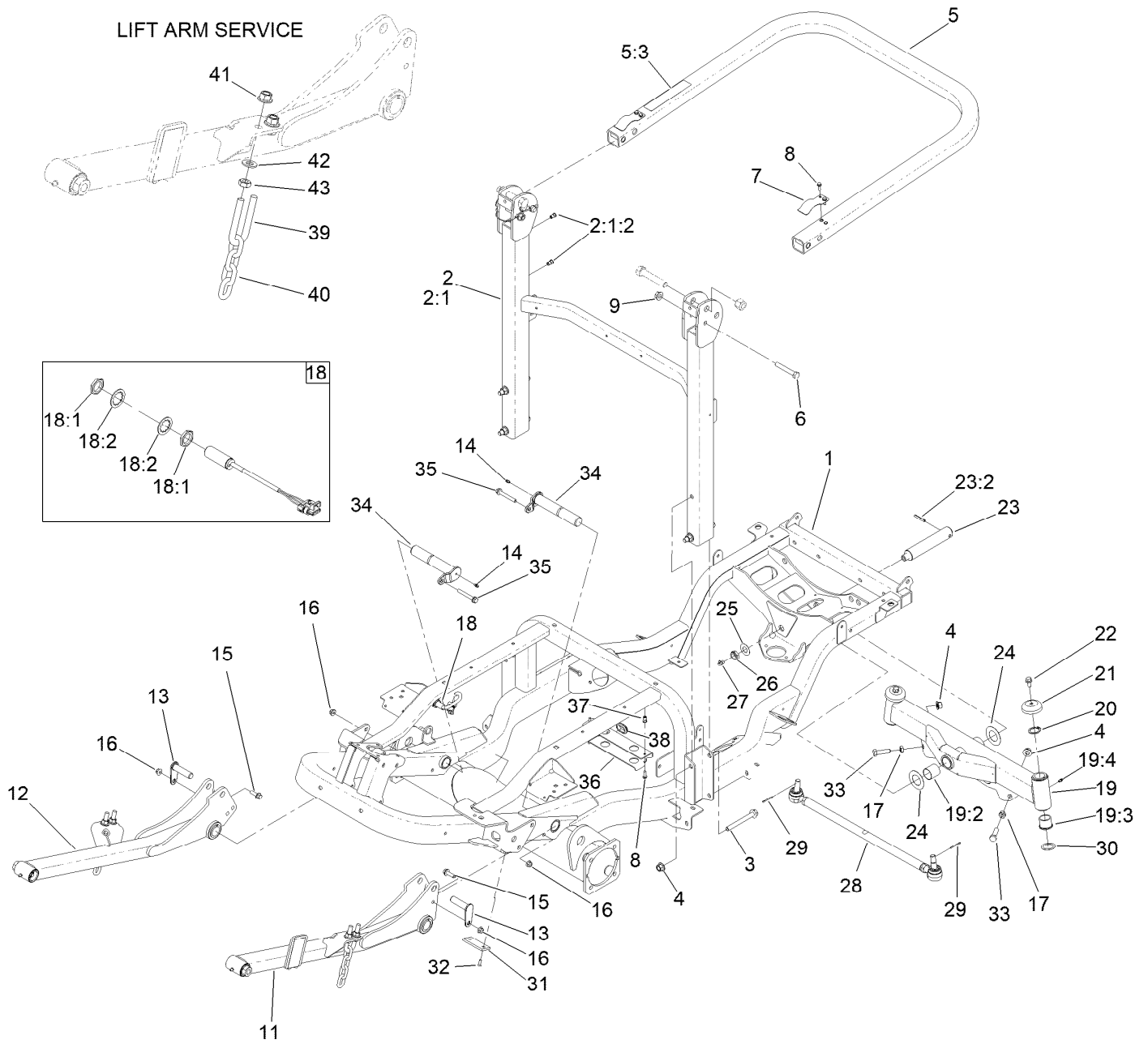
Frame and Roll-Over Protection System Assembly	6
LH Lift Arm Assembly No. 144-3943	8
RH Lift Arm Assembly No. 144-3942	10
Tie Rod Assembly No. 144-3900	12
Brake Assembly	14
Left Hand Brake Assembly No. 120-0235	16
Right Hand Brake Assembly No. 120-0233	17
Hydraulic Drive Assembly	18
Hydraulic Motor Assembly No. 137-2478	19
Hydraulic Motor Assembly No. 137-2458	20
Hydraulic Motor Assembly No. 137-2459	21
Hydraulic Motor Assembly No. 137-2479	22
Steering/Lift Manifold Assembly No. 145-6080	23
Engine Mount Assembly	25
Exhaust and Air Cleaner Assembly	27
Air Cleaner Assembly No. 136-4481	28
Radiator and Cooler Assembly	30
Fuel System Assembly	31
Fuel Tank Assembly No. 138-0291	32
Hydraulic Tank Assembly No. 138-4418	33
Platform, Steering and Console Assembly	34
Steering Column Assembly No. 139-0857	35
Pedal Assembly	36
Control Console Assembly	38
Hood Assembly	39
Pump, Driveshaft and Clutch Assembly	40
Pump Assembly No. 145-5940	41
Driveshaft Assembly No. 163-1700SP	42
Hydraulic Assembly	44
Gear Pump Assembly No. 147-5115	46
Hydraulic Cylinder No. 139-0854	47
Steering Valve Assembly No. 114-8119	48
Steering Cylinder Assembly No. 139-6277	50
Hydraulic Traction Assembly	52
Electrical Assembly	54
Main Wire Harness Assembly No. 122-2517	56
Miscellaneous Parts Assembly	58
Seat, Firewall and Step Mount Assembly	60
Air Ride Suspension Seat Assembly No. 161-0807	62
Compressor and Belt Assembly	64
Bumper and Weight Assembly	66
Washer Fluid Tank Assembly No. 140-6665	68
Frame, Mount and Seals Assembly	70
Interior Foam and Carpet Assembly	72
Cab Mirrors Assembly	74
Decal Assembly	76
Door Assembly	78
LH Door Assembly	80
RH Door Assembly	82
Front and Rear Glass Assembly	84
Window Wiper System Assembly	86
Window Wiper Assembly	88
Window Wiper Hose Assembly	90
Heater Assembly	92

# Contents (continued)

HVAC Assembly No. 163-0361 .....	94
Roof, Air Filter and Condenser Assembly .....	96
Heat Hose Assembly .....	98
Electrical Component Assembly .....	100
Floor Sound Reduction Assembly .....	102
Cab Sound Reduction Assembly .....	104
Floormat Assembly .....	106
Fuse Assembly .....	108
Frame, Mount and Seals Assembly .....	110
Interior Foam and Carpet Assembly .....	112
Window Wiper System and Fuel Vent Assembly .....	114
Heat/AC Hose Assembly .....	116
Miscellaneous Heat/AC Parts Assembly .....	118
Sound Reduction Assembly .....	120
Cylinder Block Assembly .....	122
Gear Housing Assembly .....	124
Flywheel Housing and Oil Sump Assembly .....	126
Cylinder Head and Cover Assembly .....	128
Suction Manifold Assembly .....	130
Exhaust Manifold Assembly .....	132
Diesel Particulate Filter Assembly .....	134
Camshaft and Driving Gear Assembly .....	136
Crankshaft and Piston Assembly .....	138
Lubrication and Oil System Assembly .....	140
Cooling Water System Assembly .....	142
Fuel Supply Pump Assembly .....	144
Fuel Injection Valve Assembly .....	146
Fuel Filter Assembly .....	148
Starting Motor Assembly .....	150
Generator Assembly .....	152
Electronic Control Unit Assembly .....	154
Electric Parts Assembly .....	156
Accessory Assembly .....	158
Gasket Set .....	160
Attachments and Accessories .....	162



# Frame and Roll-Over Protection System Assembly

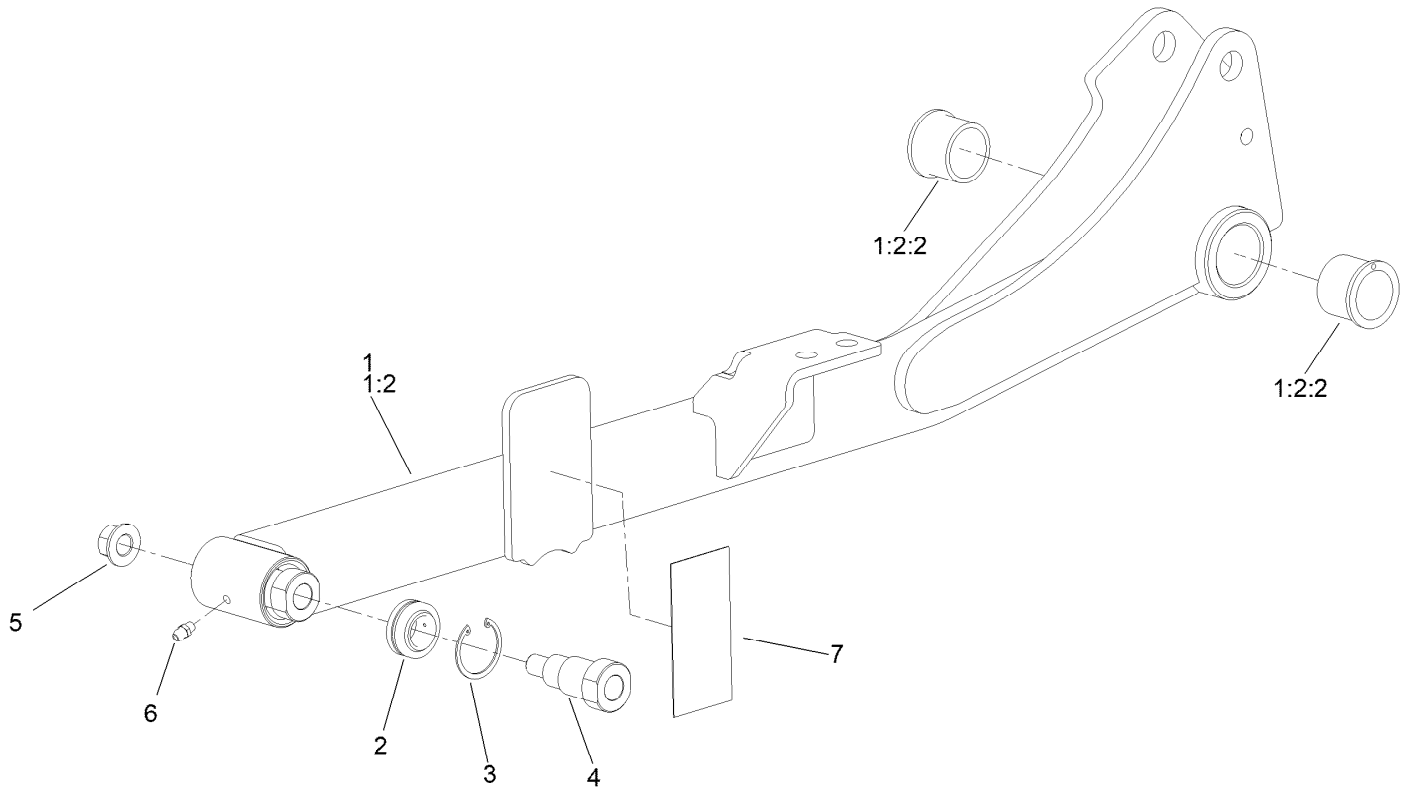


# Frame and Roll-Over Protection System Assembly (continued)

<i>Ref.</i>	<i>Part Number</i>	<i>Qty.</i>	<i>Description</i>	<i>Ref.</i>	<i>Part Number</i>	<i>Qty.</i>	<i>Description</i>
1	145-6050SP	1	Frame ASM	19:4	302-5	2	Fitting-Grease
2	139-6254SP	1	ROPS ASM, Lower	20	32151-77	2	Ring-Retaining, External
2:1		1	Lower ROPS ASM ●	21	69-8890	2	Cap-Spindle
2:1:2	138-2758	4	Nut-Clinch,Hex	22	3234-1	2	Screw-HHF
3	117-3176	4	Screw-HHF	23	140-6101	1	Pin ASM-Axle Pivot
4	139-1689	6	Nut-HF	23:2	32121-32	1	Pin-Roll
5	138-7470	1	ROPS ASM, Upper	24	99-8432	2	Washer-Thrust
5:3	108-2073	1	Decal-Warning	25	71-4540	1	Washer-Thrust
6	325-13	2	Screw-HH	26	3296-15	1	Nut-Lock, NI
7	110-5696	2	Spring-Leaf	27	302-33	1	Fitting-Grease
8	32105-15	6	Screw-HWH	28	144-3900	1	Tie Rod ASM
9	32128-23	2	Nut-HF	29	3272-12	2	Pin-Cotter
11	144-3943	1	Lift Arm ASM. LH	30	76-2980	2	Washer-Thrust
12	144-3942	1	Lift Arm ASM. RH	31	138-4452	2	Pad-Stop, Deck
13	138-7489	2	Pin (Machined)	32	3289-4	4	Screw-FH
14	302-40	2	Fitting-Grease, 90 DEG	33	325-7	2	Screw-HH
15	119-4061	2	Screw-HHF	34	138-4593	2	Pin
16	119-4042	4	Nut-HF, NI	35	133-9682	2	Screw-Hfh
17	3218-5	2	Nut-Jam	36	147-0045-0P	1	Channel-Harness Retainer
18	115-5300	1	Sensor, Proximity Sensor ASM	37	138-2758	2	Nut-Clinch,Hex
18:1	117-3207	2	Nut-Hex	38	240-5	1	Grommet
18:2	117-3208	2	Washer-Lock, Internal Tooth	39	104-0108	2	U-Bolt
19	161-2404	1	Axle ASM	40	95-6231	2	Chain-HOC
19:2	99-6964	2	Bushing-Axle	41	139-1689	4	Nut-HF
19:3	104-0015	4	Bushing-Flange	42	3256-26	4	Washer-Flat
				43	3218-5	4	Nut-Jam

● Not serviced separately

# LH Lift Arm Assembly No. 144-3943

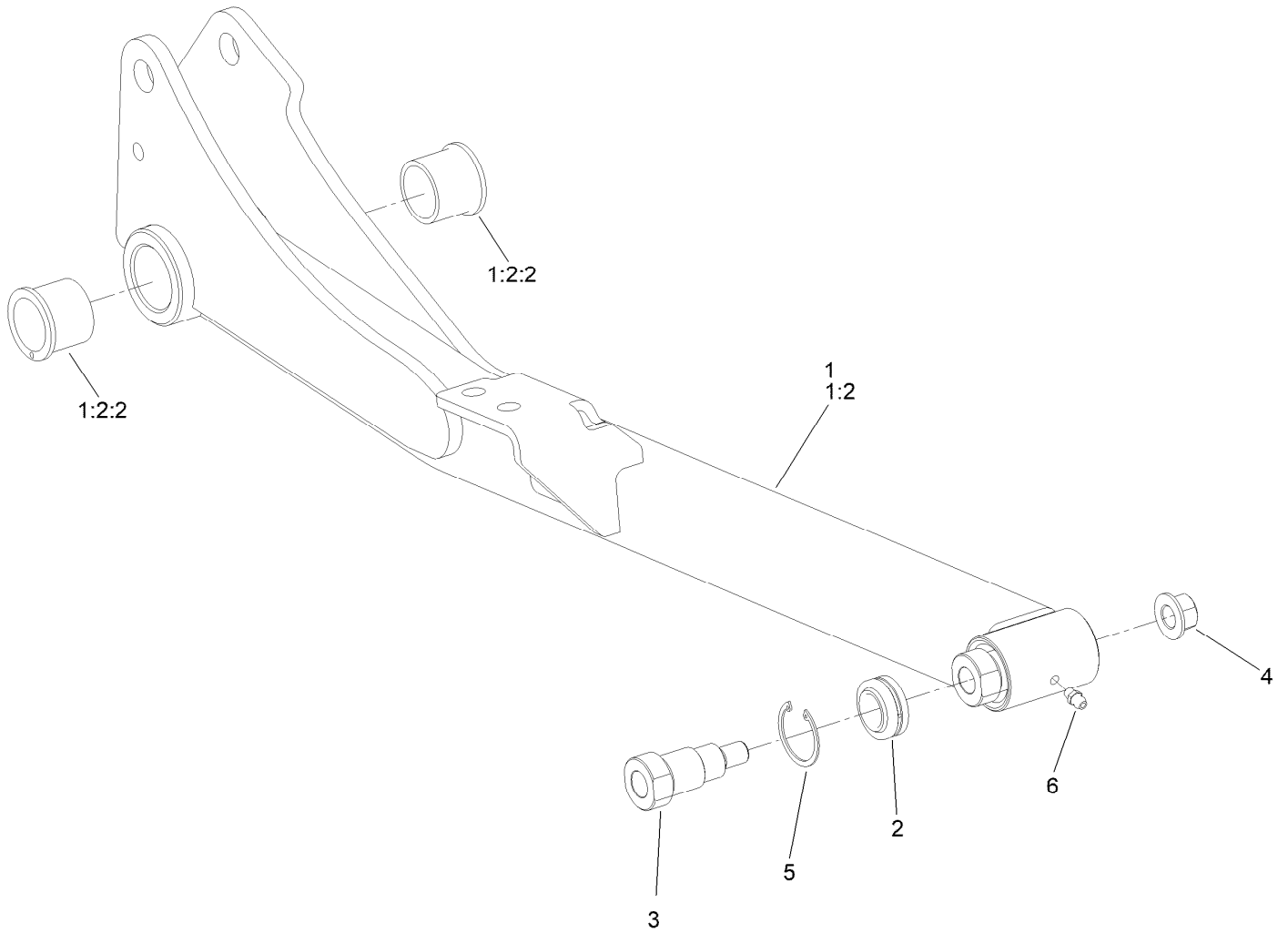


# LH Lift Arm Assembly No. 144-3943 (continued)

<i>Ref.</i>	<i>Part Number</i>	<i>Qty.</i>	<i>Description</i>	<i>Ref.</i>	<i>Part Number</i>	<i>Qty.</i>	<i>Description</i>
1		1	Lift Arm ASM, LH ●	4	139-0910	1	Bolt-Shoulder
1:2		1	Hub-ASM ●	5	139-1689	1	Nut-HF
1:2:2	104-0015	2	Bushing-Flange	6	302-5	1	Fitting-Grease
2	105-7441	1	Bearing-Spherical	7	139-0948	1	Pad-Ride, Pin
3	32151-34	1	Ring-Retaining				

● Not serviced separately

# RH Lift Arm Assembly No. 144-3942

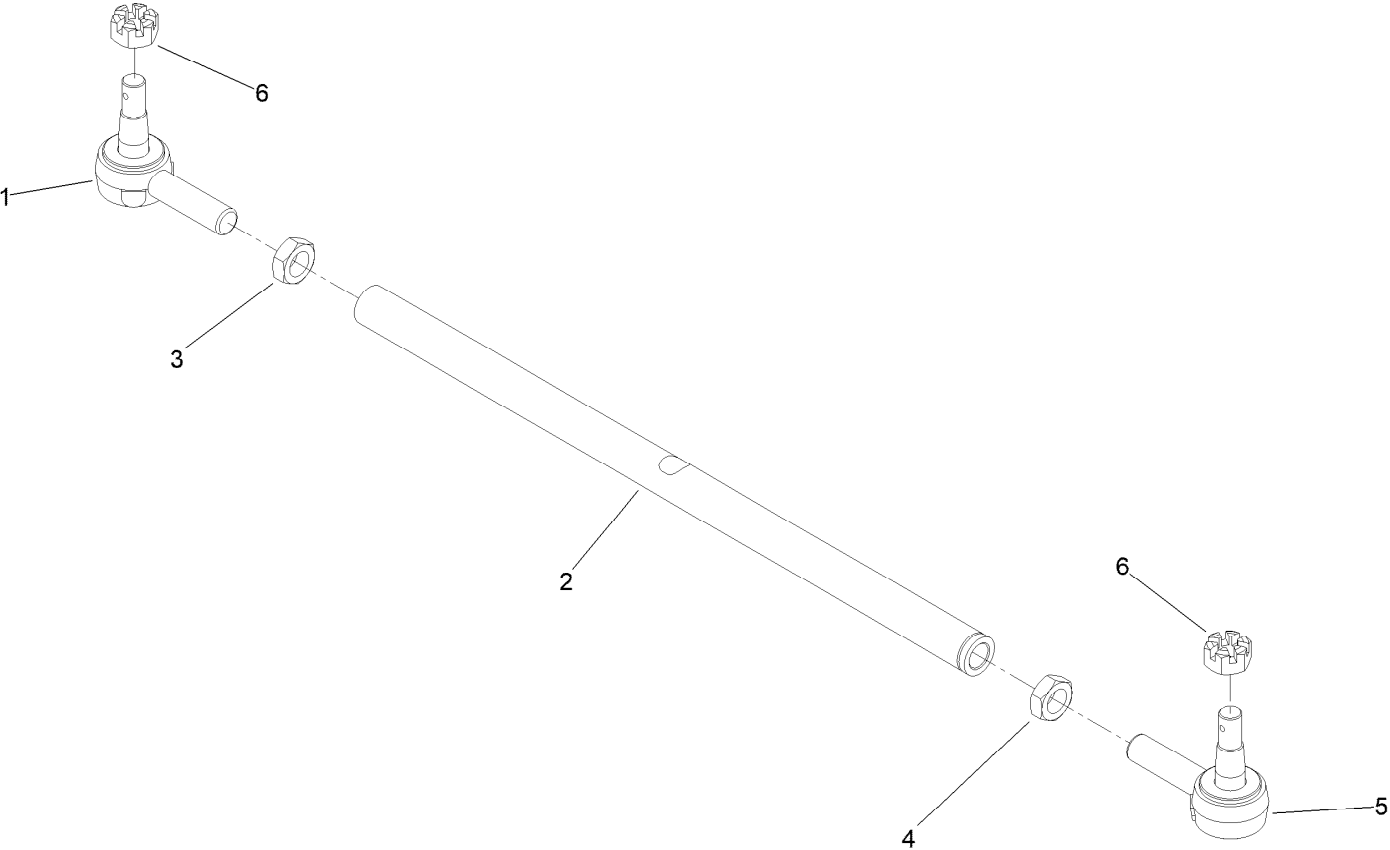


# RH Lift Arm Assembly No. 144-3942 (continued)

<i>Ref.</i>	<i>Part Number</i>	<i>Qty.</i>	<i>Description</i>	<i>Ref.</i>	<i>Part Number</i>	<i>Qty.</i>	<i>Description</i>
1		1	Lift Arm ASM, RH ●	3	139-0910	1	Bolt-Shoulder
1:2		1	Hub-ASM ●	4	139-1689	1	Nut-HF
1:2:2	104-0015	2	Bushing-Flange	5	32151-34	1	Ring-Retaining
2	105-7441	1	Bearing-Spherical	6	302-5	1	Fitting-Grease

● Not serviced separately

# Tie Rod Assembly No. 144-3900

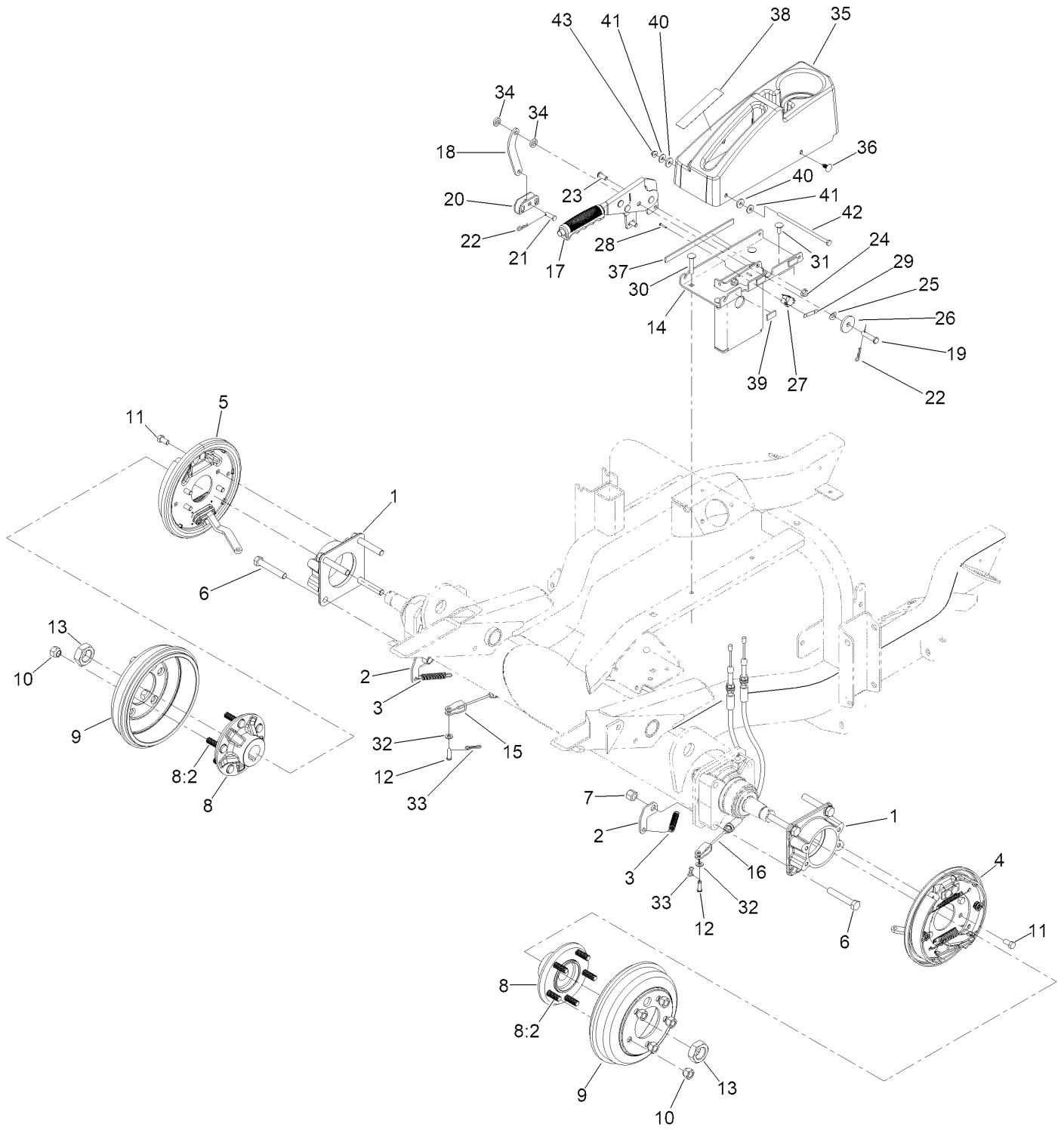


## Tie Rod Assembly No. 144-3900 (continued)

<i>Ref.</i>	<i>Part Number</i>	<i>Qty.</i>	<i>Description</i>
1	144-3901	1	End-Rod, Tie
2	133-6463	1	Tie-Rod
3	84-5300	1	Nut-Jam

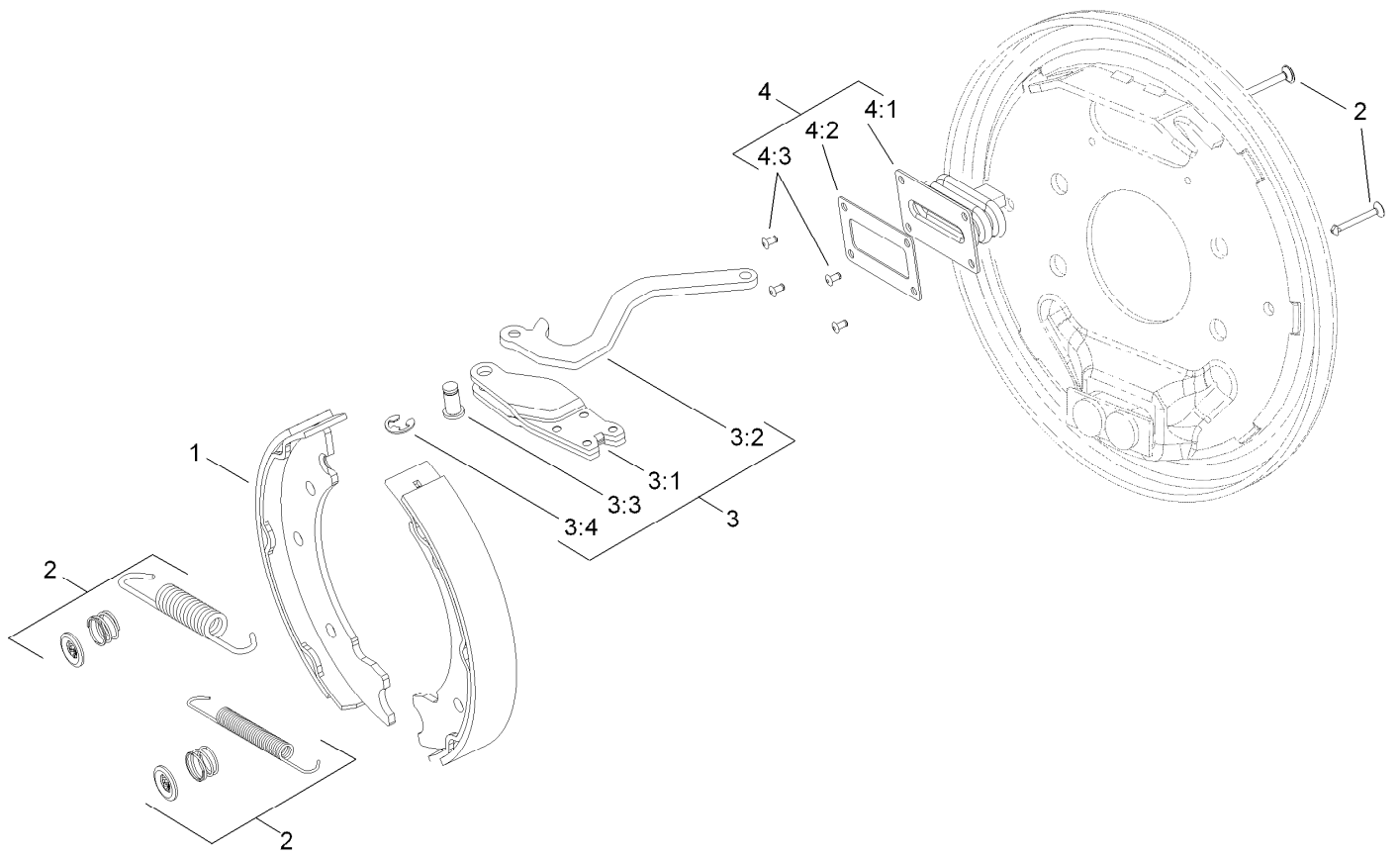
<i>Ref.</i>	<i>Part Number</i>	<i>Qty.</i>	<i>Description</i>
4	110-5337	1	Nut-Jam
5	144-3902	1	End-Rod, Tie
6	140-6135	2	Nut-Hex, Slotted

# Brake Assembly



## Brake Assembly (continued)

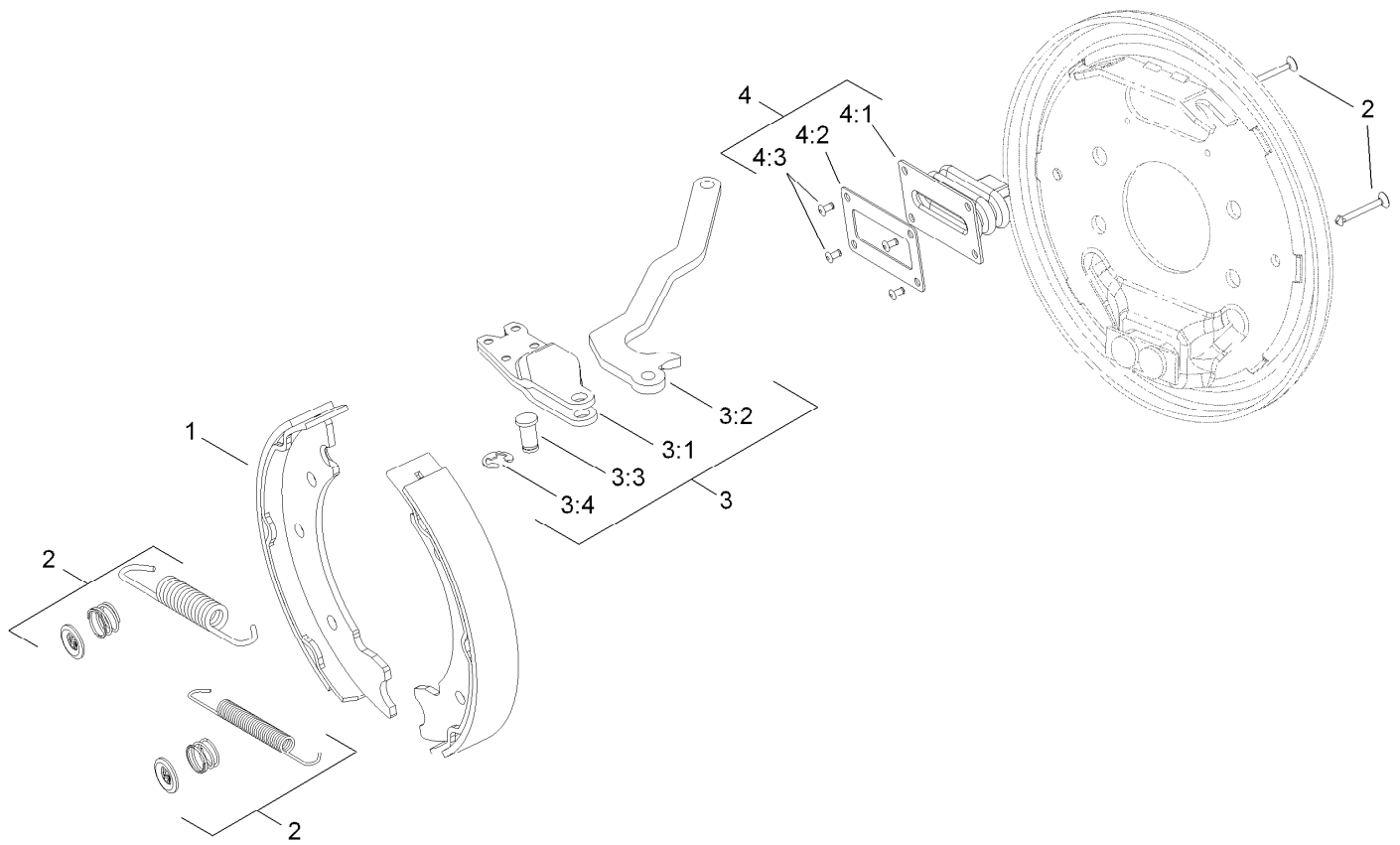
<i>Ref.</i>	<i>Part Number</i>	<i>Qty.</i>	<i>Description</i>	<i>Ref.</i>	<i>Part Number</i>	<i>Qty.</i>	<i>Description</i>
1	147-3594	2	Adapter-Brake	22	1-806003	2	Pin-Cotter
2	138-4499	2	Clip-Spring	23	3274-55	2	Screw-HSBH
3	137-2591	2	Spring-Extension	24	119-4041	6	Nut-HF
4	120-0235	1	LH Brake ASM	25	121-4605	1	Washer-Spring
5	120-0233	1	RH Brake ASM	26	131-8496	1	Washer-Plain
6	325-12	8	Screw-HH	27	108-6496	1	Switch (W/Boot)
7	3296-23	8	Nut-Lock, NI	28	95-3003	2	Screw-PPHTF
8	137-2470	2	Hub ASM	29	3290-354	1	Nut-Speed
8:2	114-3918	5	Stud-Wheel	30	116-0629	2	Screw-CARR
9	114-8864	2	Drum-Brake	31	137-3061	2	Bolt-CARR
10	139-2564	10	Nut-Lug	32	3256-74	2	Washer-Flat
11	323-4	8	Screw-HH	33	119-1415	2	Pin-Cotter, Locking
12	283-58	2	Pin-Clevis	34	3-3287	2	Spacer
13	107-9319	2	Nut-Hex	35	138-7475	1	Cover-Brake, Parking
14	147-0064-0P	1	Mount-Brake, Parking	36	117-2382	2	Plug-Plastic
15	137-2640	1	Cable-Brake, Adjustable RH	37	132-7282	1	Strip-Foam
16	137-2641	1	Cable-Brake, Adjustable LH	38	139-6224	1	Decal-Brake, Parking
17	131-8320	1	Lever-Brake, Park	39	115-5417	3	Strip-Foam
18	144-0516	1	Link-Park, Brake	40	144-0499	2	Washer-Epdm
19	283-10	1	Pin-Clevis	41	3256-78	2	Washer-Flat
20	87-3480	1	Bracket-Equalizer, Cable	42	321-21	1	Screw-HH
21	1-808280	1	Pin-Clevis	43	104-7201	1	Nut-HF, NI



## Left Hand Brake Assembly No. 120-0235

Ref.	Part Number	Qty.	Description
1	139-5950	1	Brake Shoe Kit
2	108-6983	1	Brake Hardware Kit
3	120-0236	1	LH Actuator Kit
3:1		1	Housing ●
3:2		1	Lever-LH ●
3:3		1	Pin-Pivot ●
3:4		1	E-Ring ●
4	110-8885	1	Dust Boot Kit
4:1		1	Boot ●
4:2		1	Plate-Back Up ●
4:3		2	Rivet ●

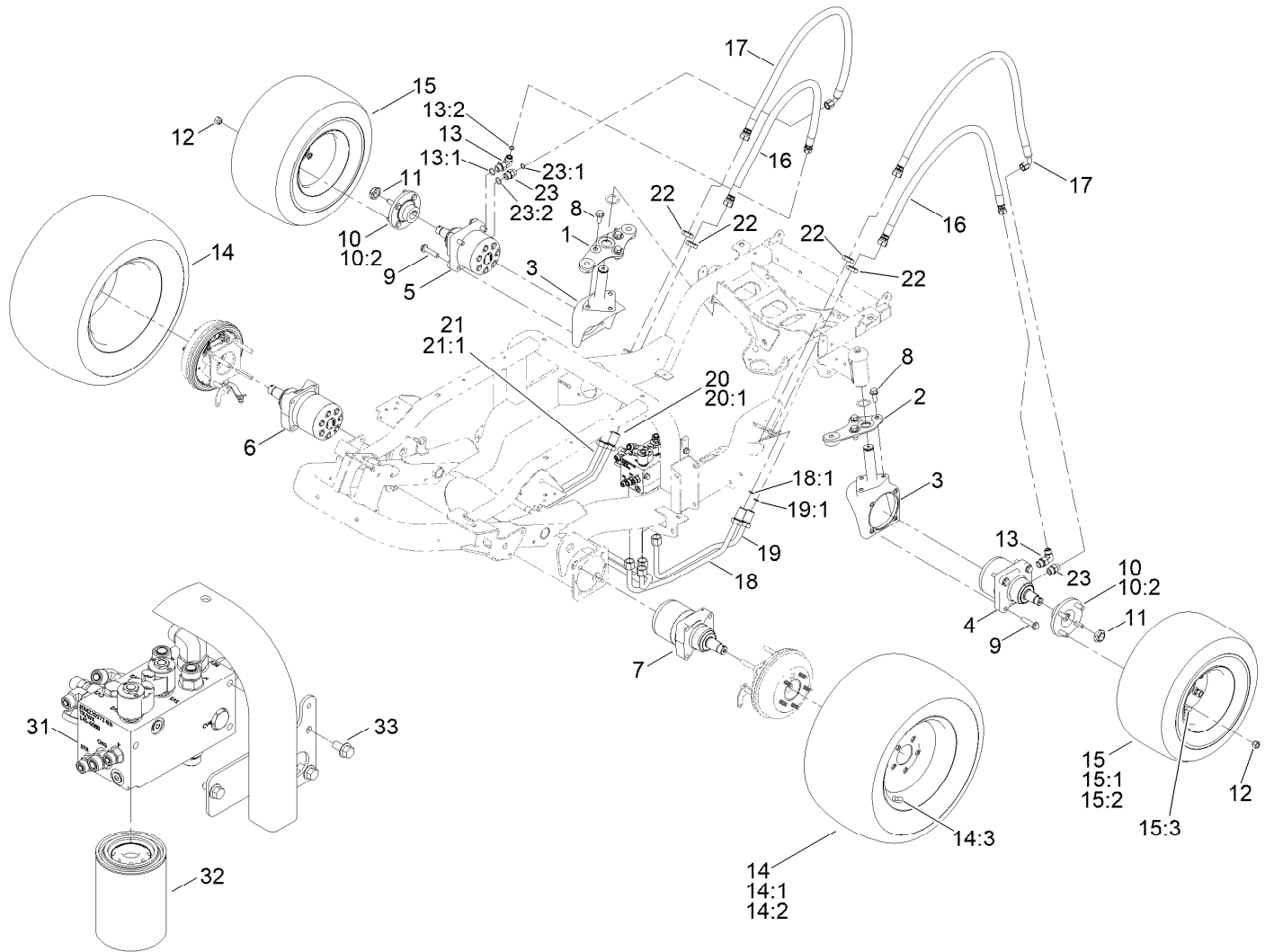
● Not serviced separately



## Right Hand Brake Assembly No. 120-0233

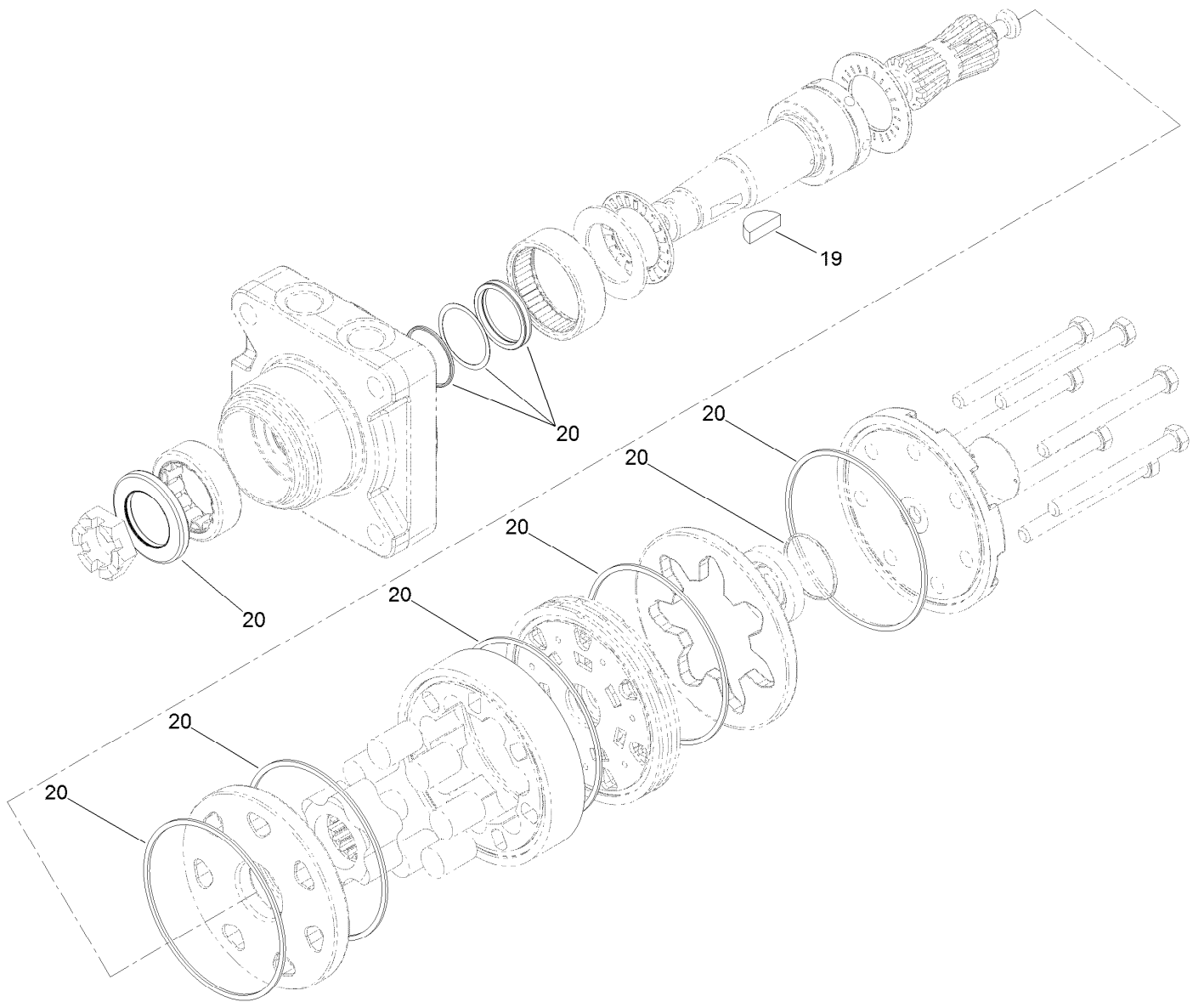
Ref.	Part Number	Qty.	Description
1	139-5950	1	Brake Shoe Kit
2	108-6983	1	Brake Hardware Kit
3	120-0234	1	RH Actuator Kit
3:1		1	Housing ●
3:2		1	Lever-RH ●
3:3		1	Pin-Pivot ●
3:4		1	E-Ring ●
4	110-8885	1	Dust Boot Kit
4:1		1	Boot ●
4:2		1	Plate-Back Up ●
4:3		2	Rivet ●

● Not serviced separately



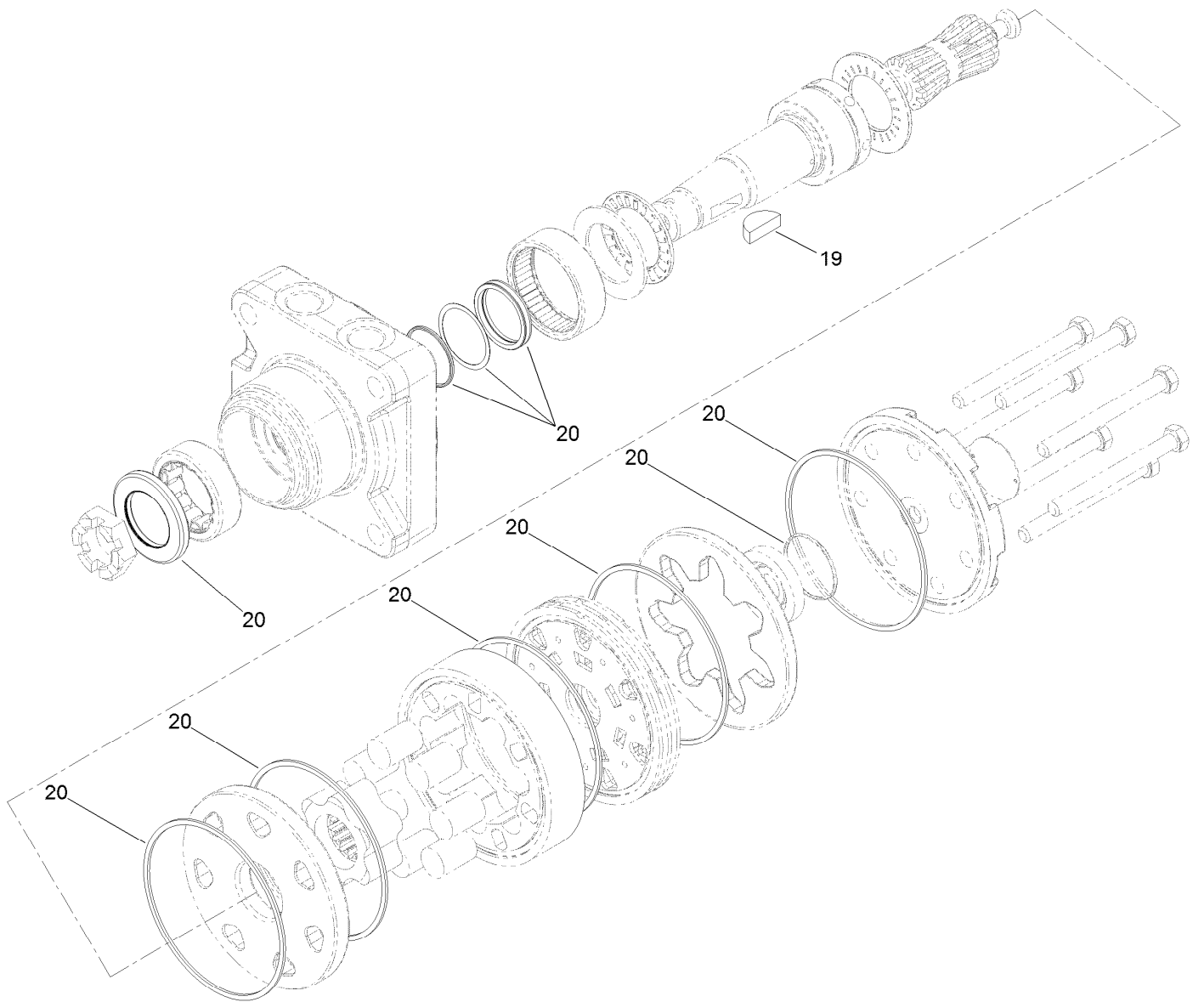
## Hydraulic Drive Assembly

Ref.	Part Number	Qty.	Description	Ref.	Part Number	Qty.	Description
1	140-3142	1	Link-Drag, RH	15:1	137-2596	1	Tire
2	140-3144	1	Link-Drag, LH	15:2	137-2597	1	Rim
3	161-5128	2	Housing-Motor	15:3	232-27	1	Stem-Valve
4	137-2458	1	Motor-Hydraulic, CCW	16	144-3929	2	Hose ASM, Hydraulic
5	137-2478	1	Motor-Hydraulic, CW	17	144-3928	2	Hose ASM, Hydraulic
6	137-2479	1	Motor-Hydraulic, CW	18	138-0334	1	Hydraulic Tube ASM
7	137-2459	1	Motor-Hydraulic, CCW	18:1	237-65	1	O-Ring
8	3234-38	6	Screw-HHF	19	138-0335	1	Hydraulic Tube ASM
9	3234-46	8	Screw-HHF	19:1	237-65	1	O-Ring
10	147-0098	2	Hub ASM	20	145-6069	1	Hydraulic Tube ASM
10:2	147-0130	4	Stud-Wheel	20:1	237-65	1	O-Ring
11	107-9319	2	Nut-Hex	21	145-6071	1	Hydraulic Tube ASM
12	139-2564	8	Nut-Lug	21:1	237-65	1	O-Ring
13	340-105	2	Fitting-Elbow, 90 DEG	22	340-74	4	Nut-Lock, Bulkhead
13:1	237-80	1	O-Ring	23	340-6	2	Fitting-Straight
13:2	237-30	1	O-Ring	23:1	237-30	1	O-Ring
14	137-2590	2	Wheel ASM	23:2	237-80	1	O-Ring
14:1	137-2594	1	Tire	31	145-6080	1	Manifold Steering/Lift-4Wd
14:2	137-2595	1	Rim	32	86-3010	1	Filter-Oil
14:3	232-27	1	Stem-Valve	33	3234-1	3	Screw-HHF
15	137-2592	2	Wheel ASM				



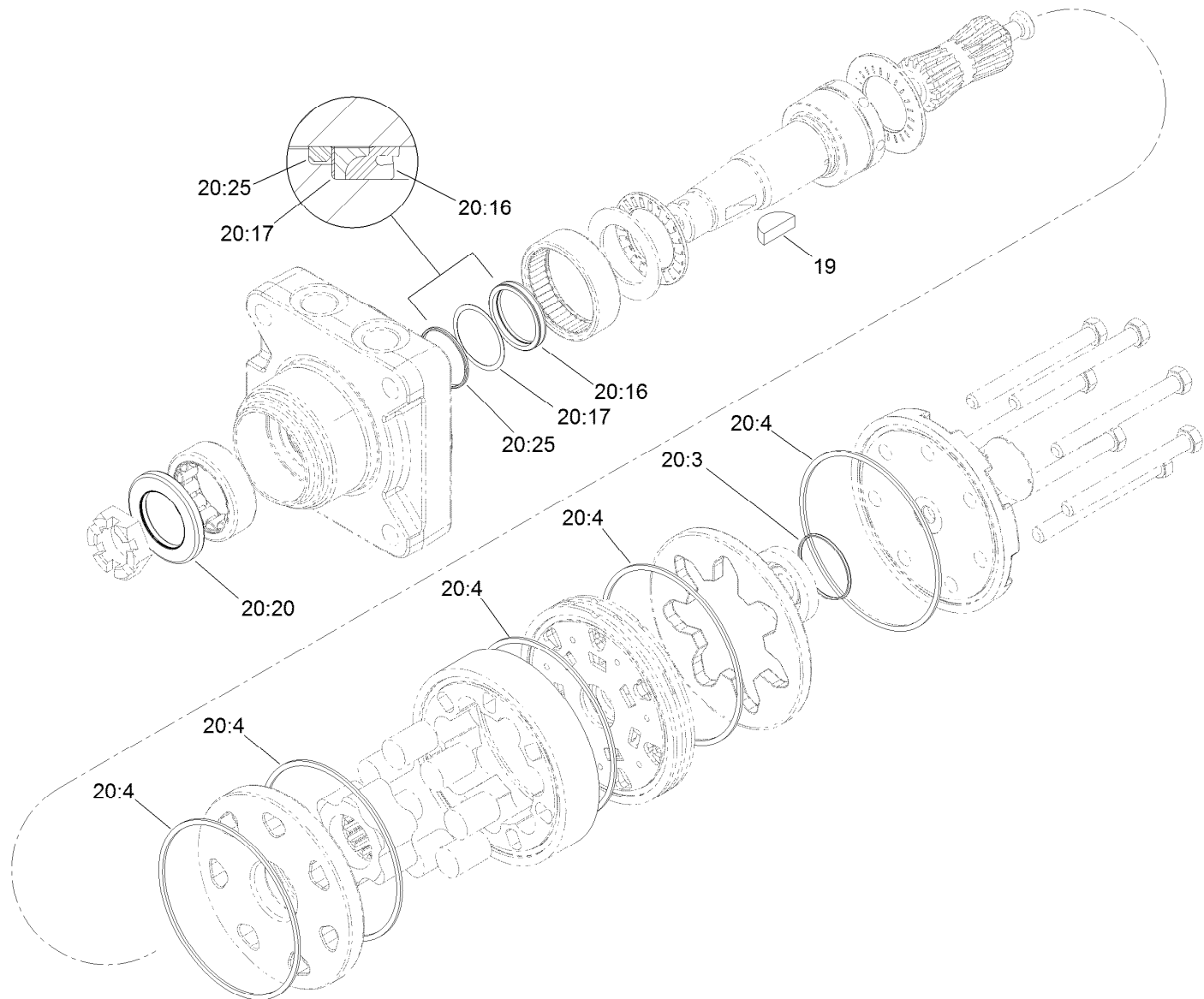
## Hydraulic Motor Assembly No. 137-2478

<i>Ref.</i>	<i>Part Number</i>	<i>Qty.</i>	<i>Description</i>
19	3257-42	1	Key-Woodruff
20	110-8896	1	Seal Kit



## Hydraulic Motor Assembly No. 137-2458

<i>Ref.</i>	<i>Part Number</i>	<i>Qty.</i>	<i>Description</i>
19	3257-42	1	Key-Woodruff
20	110-8896	1	Seal Kit

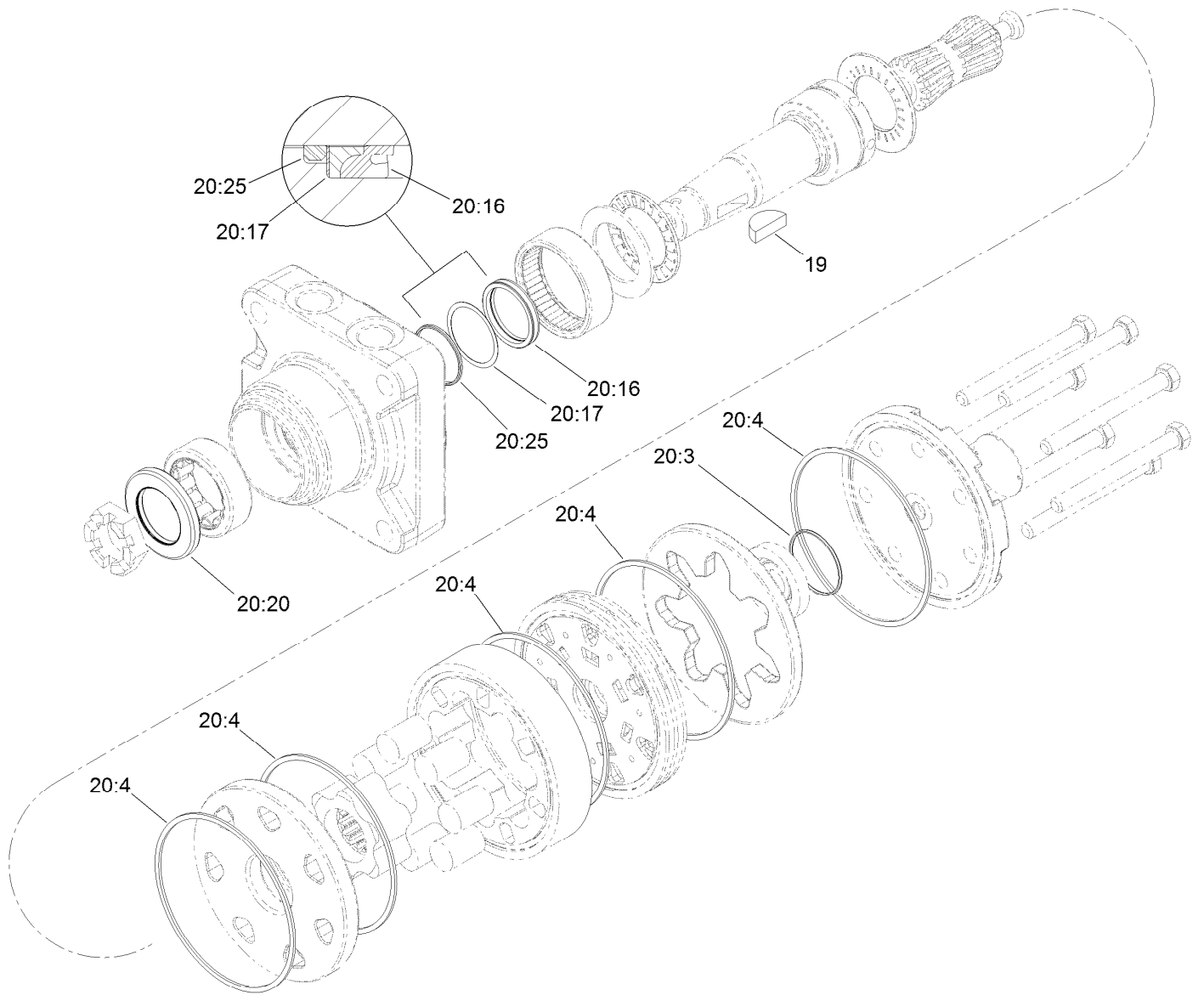


## Hydraulic Motor Assembly No. 137-2459

<i>Ref.</i>	<i>Part Number</i>	<i>Qty.</i>	<i>Description</i>
19	3257-42	1	Key-Woodruff
20	110-8896	1	Seal Kit ●
20:3		1	Seal-Commutator, Vespel ■
20:4		6	Seal-Body, Buna ■
20:16		1	Seal-Shaft ■
20:17		1	Washer-Back Up ■
20:20		1	Seal-Dirt/Water ■
20:25		1	Ring-Back Up ■

● Not illustrated

■ Not serviced separately



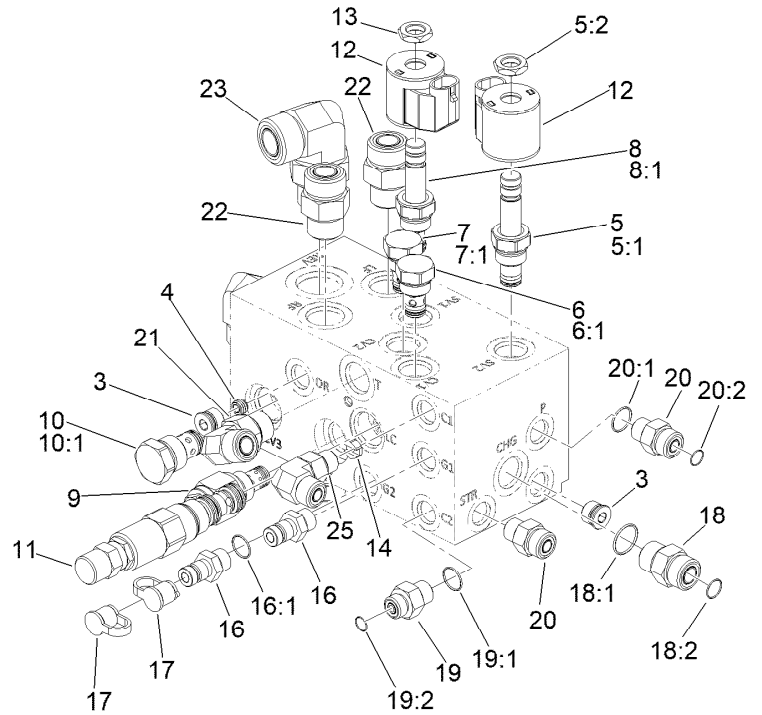
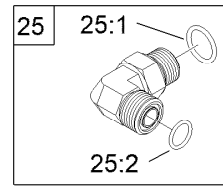
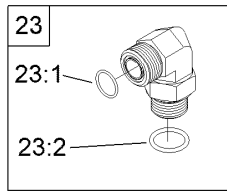
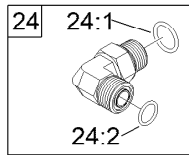
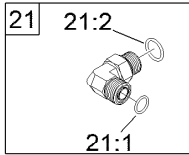
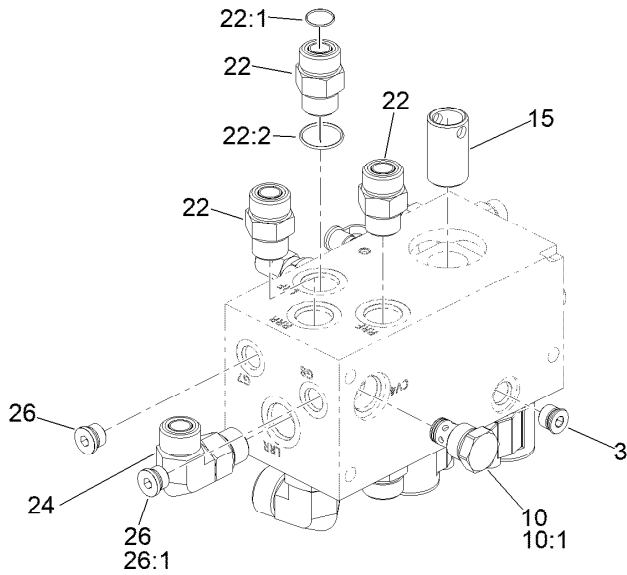
## Hydraulic Motor Assembly No. 137-2479

<i>Ref.</i>	<i>Part Number</i>	<i>Qty.</i>	<i>Description</i>
19	3257-42	1	Key-Woodruff
20	110-8896	1	Seal Kit ●
20:3		1	Seal-Commutator, Vespel ■
20:4		6	Seal-Body, Buna ■
20:16		1	Seal-Shaft ■
20:17		1	Washer-Back Up ■
20:20		1	Seal-Dirt/Water ■
20:25		1	Ring-Back Up ■

● Not illustrated

■ Not serviced separately



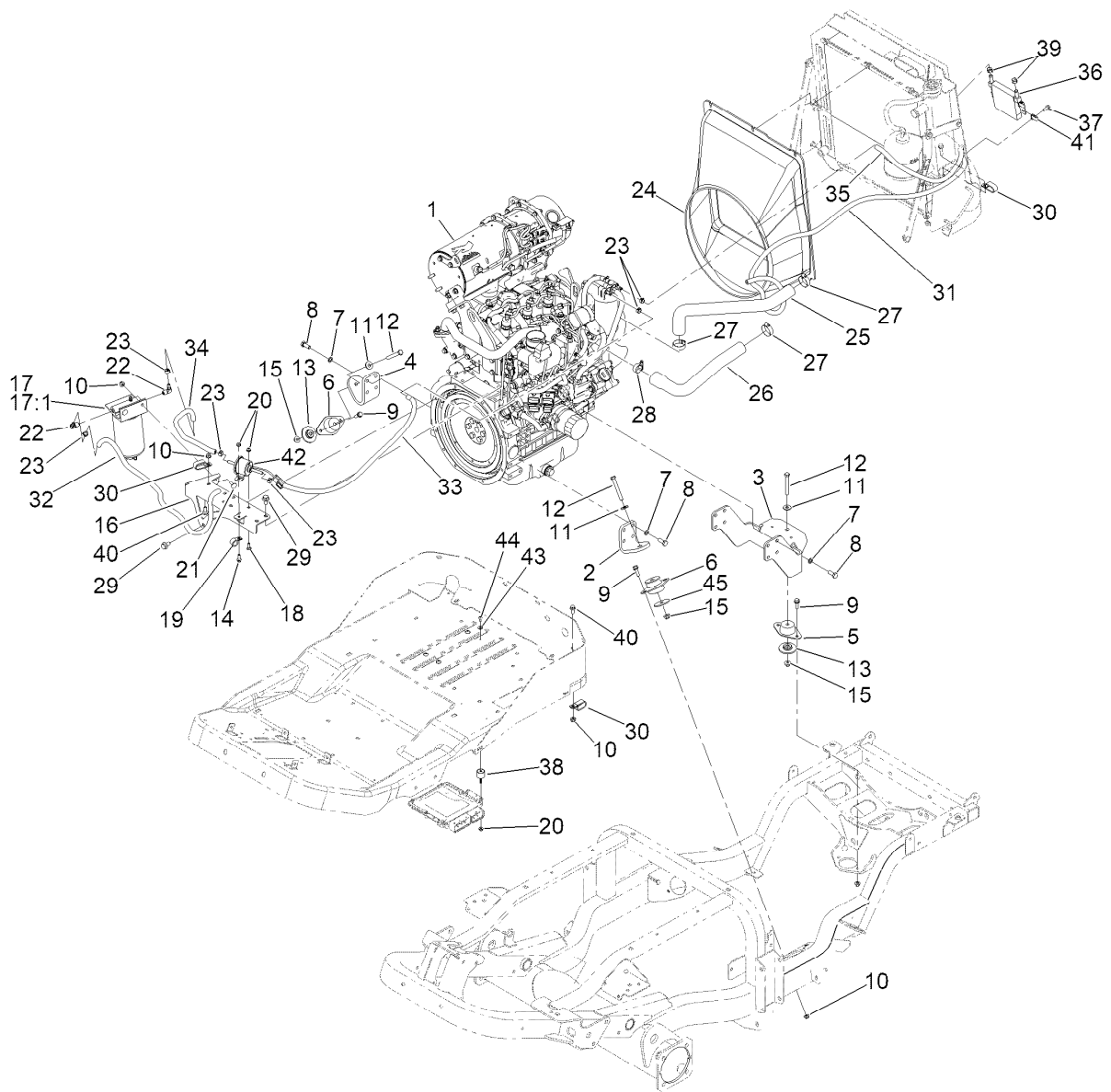


## Steering/Lift Manifold Assembly No. 145-6080 (continued)

Ref.	Part Number	Qty.	Description
22:1	237-65	1	O-Ring
22:2	237-80	1	O-Ring
23	340-142	1	Fitting-Elbow, 90 DEG
23:1	237-58	1	O-Ring
23:2	237-81	1	O-Ring
24	340-17	1	Fitting-Elbow, 90 DEG
24:1	237-65	1	O-Ring

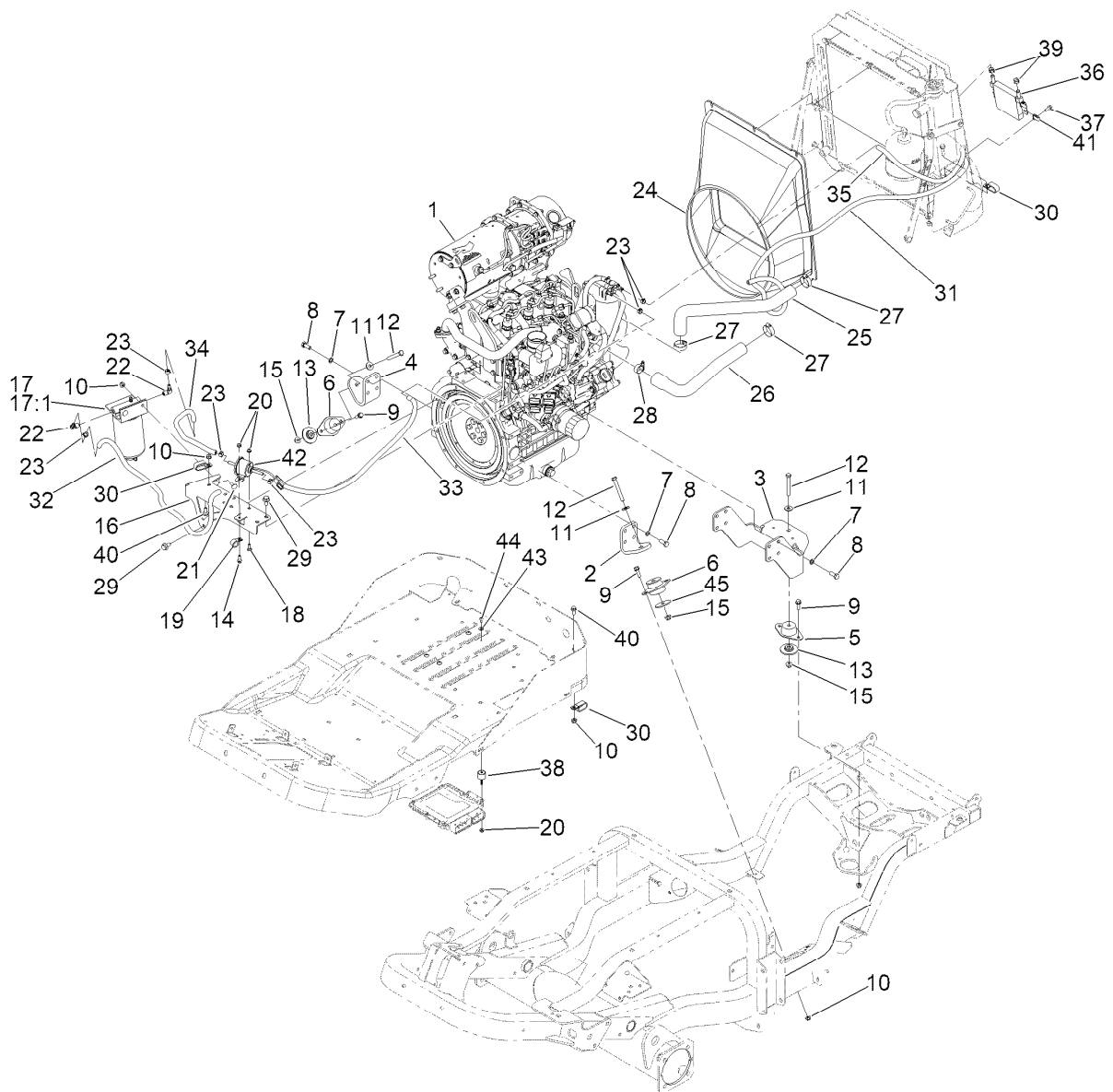
Ref.	Part Number	Qty.	Description
24:2	237-80	1	O-Ring
25	340-77	1	Fitting-Elbow, 90 DEG
25:1	237-22	1	O-Ring
25:2	237-42	1	O-Ring
26	353-989	2	Plug-Hex, Hollow
26:1	237-42	1	O-Ring

● Not illustrated



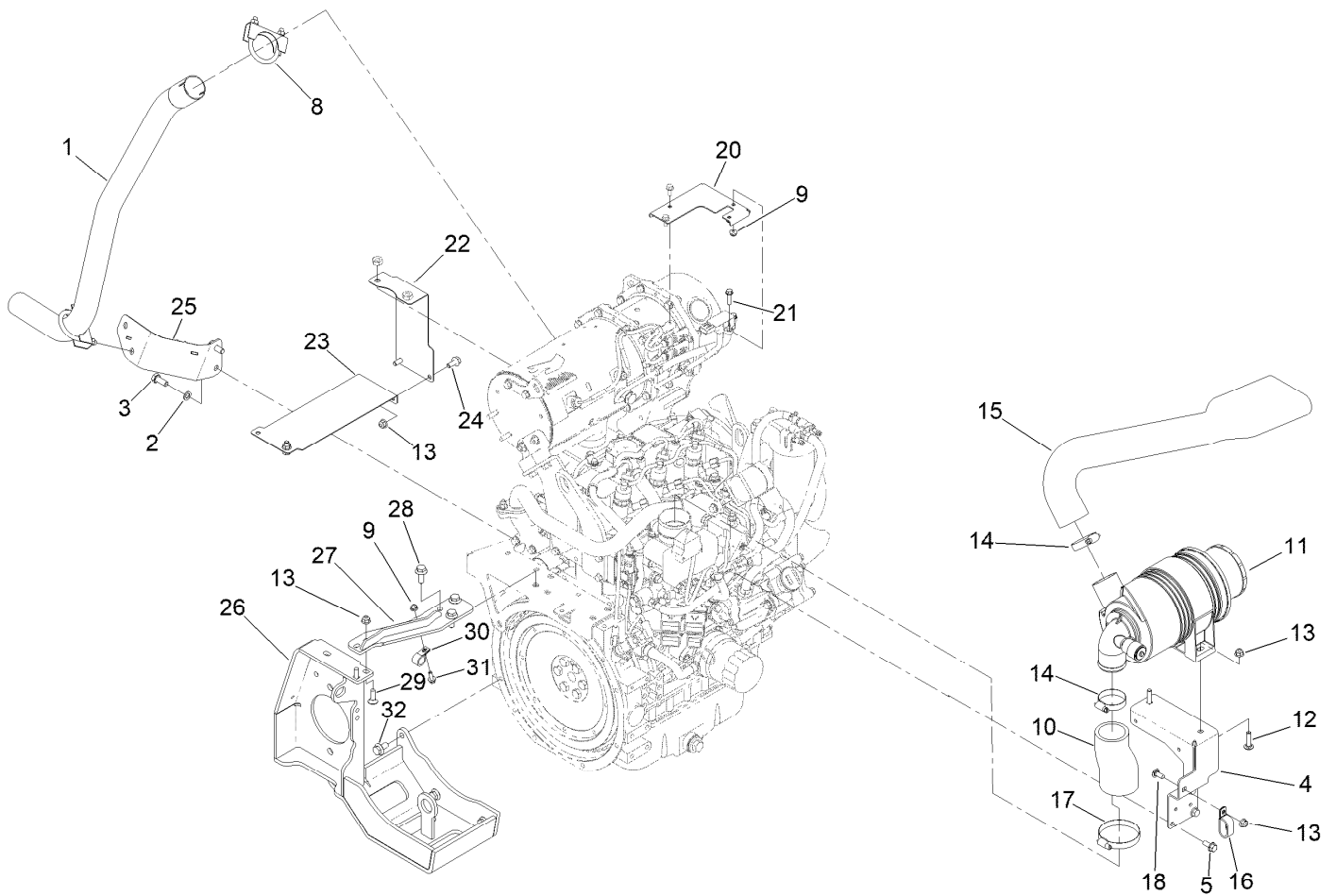
## Engine Mount Assembly

Ref.	Part Number	Qty.	Description	Ref.	Part Number	Qty.	Description
1	163-1883	1	Engine-Yanmar, 3Tnv88C-Dtr6	20	104-7201	6	Nut-HF, NI
2	138-0409-0P	1	Mount-Engine, LH Front	21	3230-10	2	Bolt-CARR
3	138-0410-0P	1	Mount-Engine, Rear 37HP	22	353-781	2	Fitting-HYD, 90
4	138-0408-0P	1	Mount-Engine, RH Front	23	92-2379	6	Clamp-Hose
5	120-6274	1	Mount-Engine	24	138-0419	1	Shroud-Fan
6	130-2486	2	Mount	25	138-0429	1	Hose-Radiator, Upper
7	48-9590	14	Washer-Lock	26	138-0430	1	Hose-Radiator, Lower
8	33115-025	14	Screw-HH	27	2412-34	3	Clamp-Hose
9	3234-29	6	Screw-HHF	28	2412-3	1	Clamp-Hose
10	119-4041	10	Nut-HF	29	33105-020	1	Screw-HHF
11	80-6990	3	Washer-Hardened	30	120-1959	3	Clamp
12	323-14	3	Screw-HH	31	139-6255	1	Hose-Fuel
13	138-6462	1	Support-Isolator	32	126-1805	1	Hose-Fuel
14	120-9678	1	Screw-HHF	33	110-3257	1	Hose-Fuel
15	119-4042	3	Nut-HF, NI	34	110-4101	1	Hose-Fuel
16	144-4098-0P	1	Bracket-Filter Mount	35	139-6276	1	Hose-Fuel
17	125-2914	1	Filter-Separator	36	116-7205	1	Cooler
17:1	125-2915	1	Filter-Fuel/Water Separator	37	3234-4	4	Screw-HHF
18	1-807512	1	Bolt-CARR	38	139-6176	4	Mount-ISO
19	2412-87	1	Clamp-Cable	39	103-1988	2	Clamp-Hose
				40	3234-47	2	Screw-HHF



## Engine Mount Assembly (continued)

<i>Ref.</i>	<i>Part Number</i>	<i>Qty.</i>	<i>Description</i>	<i>Ref.</i>	<i>Part Number</i>	<i>Qty.</i>	<i>Description</i>
41	107069	4	Clip	44	135-6367	4	Screw-HSBH
42	121-5613	1	Pump-Fuel, Electric	45	83-1040	2	Washer-Flat
43	3256-1	4	Washer-Flat				

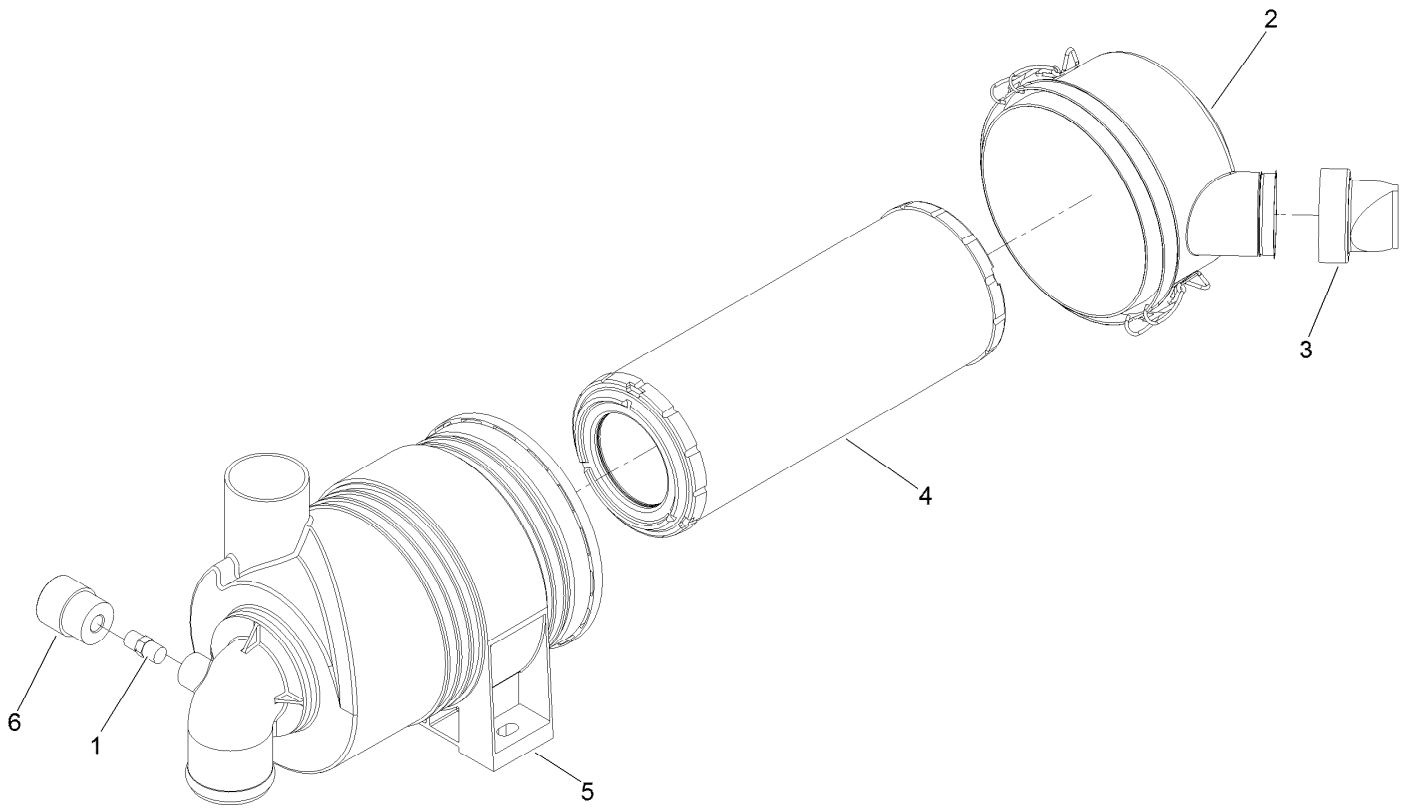


## Exhaust and Air Cleaner Assembly

Ref.	Part Number	Qty.	Description
1	144-0569	1	Pipe-Exhaust
2	48-9590	2	Washer-Lock
3	33115-025	2	Screw-HH
4	138-0432-0P	1	Bracket-Air Filter [primed]
5	33104-020	3	Screw-HHF
8	18-2130	2	Clamp
9	104-7201	3	Nut-HF, NI
10	137-5809	1	Hose-Cleaner, Air
11	136-4481	1	Air Cleaner ASM
12	3230-29	2	Screw-CARR
13	119-4041	8	Nut-HF
14	2412-130	2	Clamp-Hose
15	138-4455	1	Hose-Intake
16	120-1959	1	Clamp
17	2412-53	1	Clamp-Drive, Worm

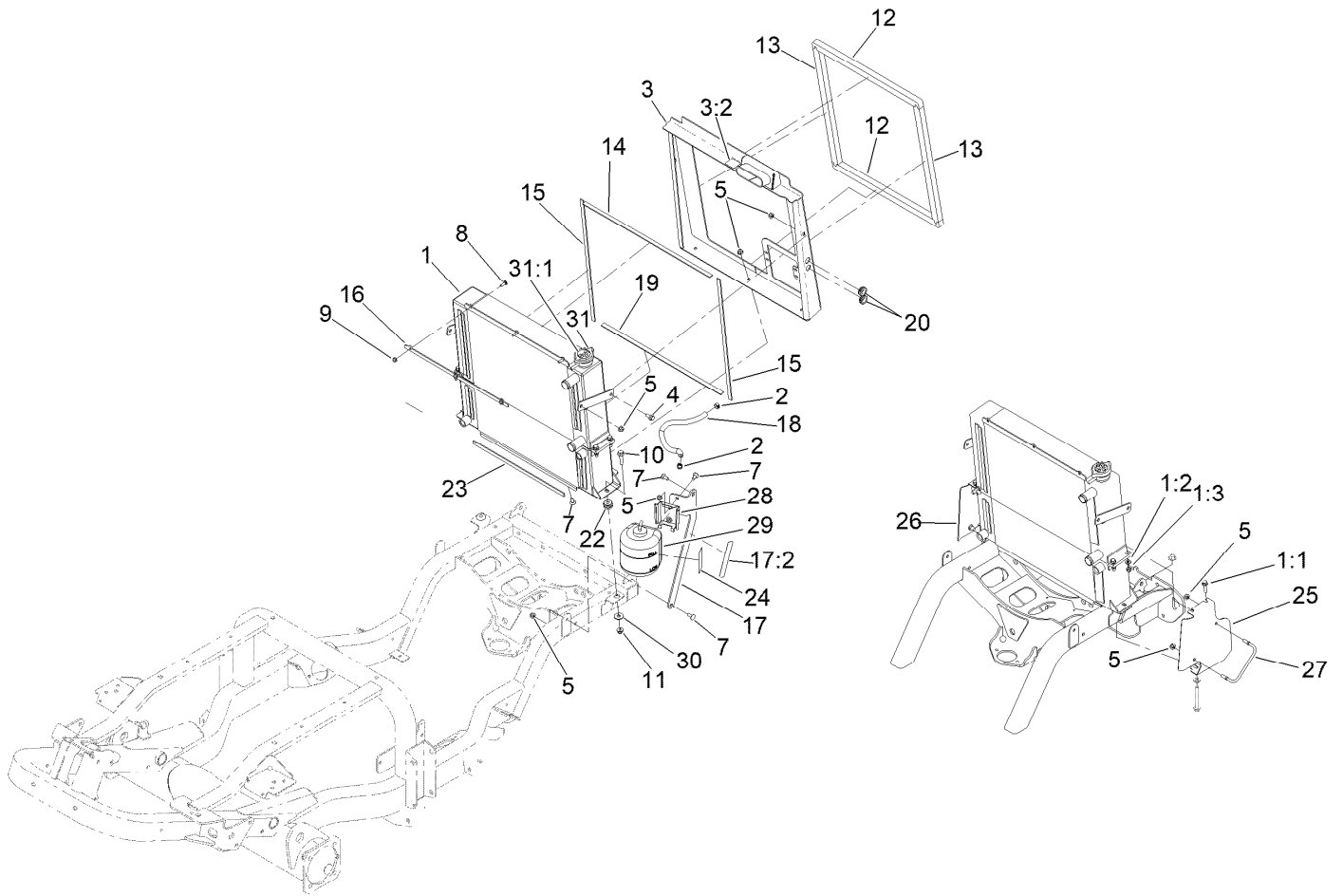
Ref.	Part Number	Qty.	Description
18	137-3061	1	Bolt-CARR
20	139-6181-0P	1	Bracket-Sensor, Dpf
21	120-4654	2	Screw-HHF
22	139-6185	1	Bracket-Heat Shield, Rear
23	139-6184	1	Bracket-Heat Shield, Lower
24	3234-47	3	Screw-HHF
25	144-0572-03	1	Support-Tailpipe
26	145-6016-0P	1	Bracket-Pump Mount
27	145-5955-0P	1	Bracket-Pump
28	33105-025	3	Screw-HHF
29	3230-2	2	Bolt-CARR
30	2412-87	1	Clamp-Cable
31	120-9678	1	Screw-HHF
32	33105-020	3	Screw-HHF

# Air Cleaner Assembly No. 136-4481



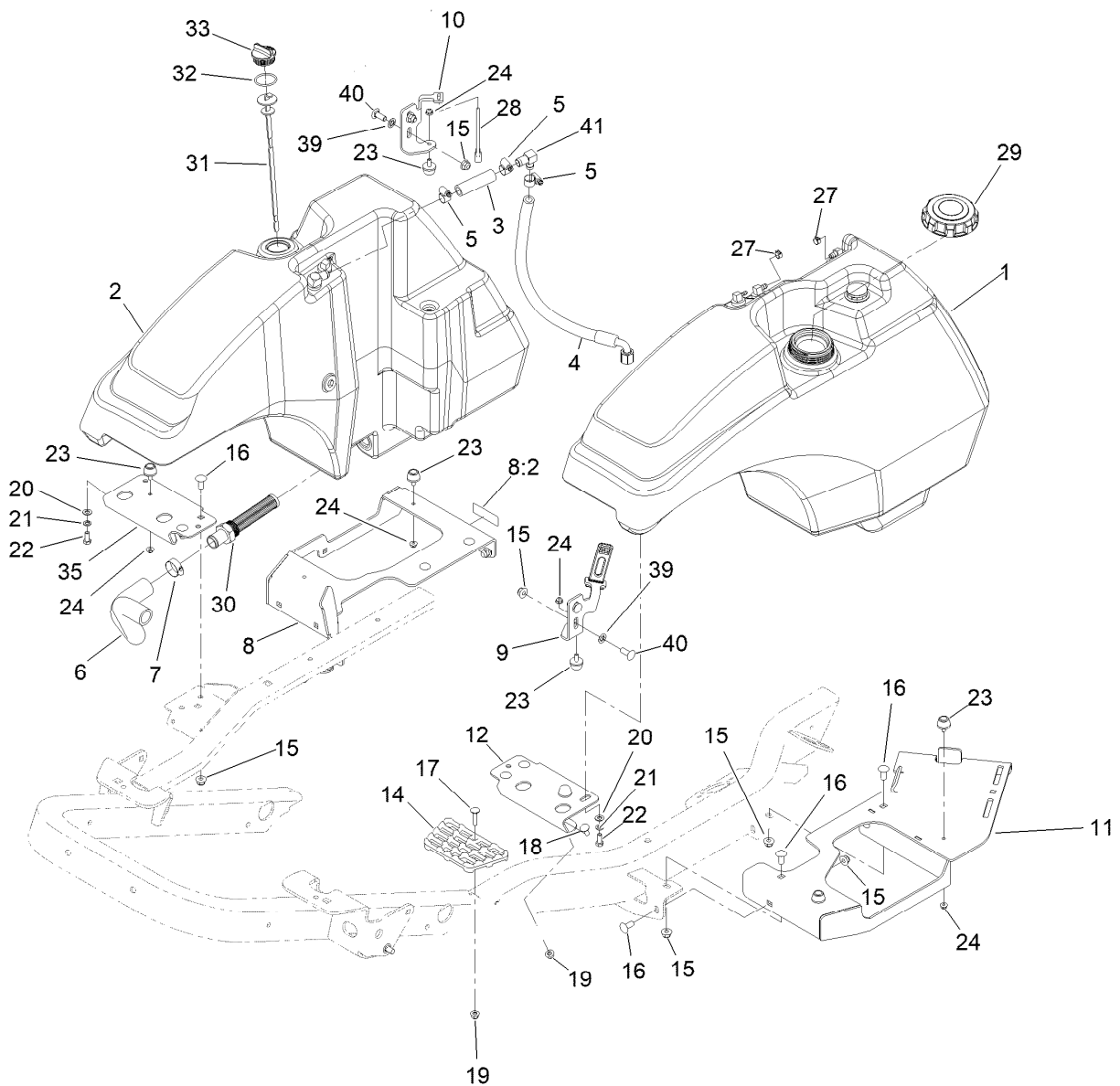
## Air Cleaner Assembly No. 136-4481 (continued)

<i>Ref.</i>	<i>Part Number</i>	<i>Qty.</i>	<i>Description</i>	<i>Ref.</i>	<i>Part Number</i>	<i>Qty.</i>	<i>Description</i>
1	94-1416	1	Adapter-Indicator	4	108-3810	1	Filter-Air
2	98-9771	1	Cover ASM	5	98-4525	1	Bracket-Cleaner, Air
3	94-1414	1	Valve-Vacuator	6	93-9164	1	Indicator-Mini



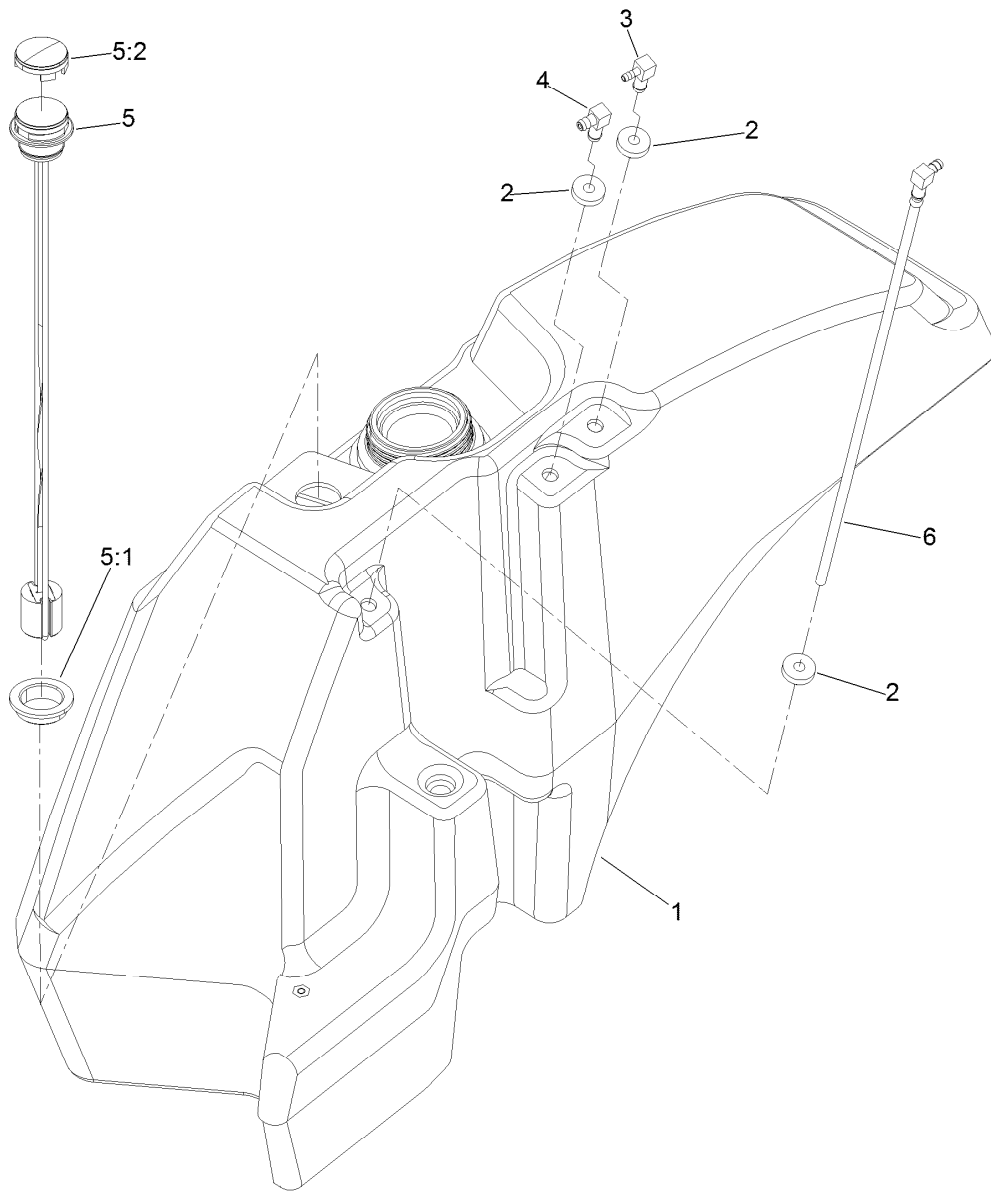
## Radiator and Cooler Assembly

<i>Ref.</i>	<i>Part Number</i>	<i>Qty.</i>	<i>Description</i>	<i>Ref.</i>	<i>Part Number</i>	<i>Qty.</i>	<i>Description</i>
1	147-0062	1	Radiator/Oil Cooler ASM	16	138-4461-0P	1	Bracket-Shroud Retainer
1:1	119-4036	4	Screw-HHF	17	139-6230	1	Bracket-Bottle Mount
1:2	3256-23	4	Washer-Plain	17:2	93-7272	1	Decal-Warning
1:3	137-3093	4	Nut-Hex	18	106-1126	1	Hose-Fuel
2	92-2379	2	Clamp-Hose	19	108-1393	1	Strip-Foam
3	139-6232	1	Shroud-Cooler ASM	20	MSC14544	2	Grommet
3:2	115-8155	1	Decal-Warning	22	63-9750	2	Mount
4	3234-47	2	Screw-HHF	23	130-9182	1	Foam-Radiator, Short
5	119-4041	15	Nut-HF	24	144-0472	1	Decal-Coolant Level
7	137-3061	9	Bolt-CARR	25	163-1701-03	1	Bracket-Cooler Shroud LH
8	1-807512	3	Bolt-CARR	26	163-1702-03	1	Bracket-Cooler Shroud RH
9	104-7201	3	Nut-HF, NI	27	144-3905	2	Guide-Hose
10	114-4681	2	Screw-HHF	28	140-7165	1	Bracket-Tank
11	119-4042	2	Nut-HF, NI	29	140-7185RT01	1	Tank ASM
12	138-4410	2	Seal-Foam	30	52-2861	2	Washer
13	138-4411	2	Seal-Foam	31	117-5138	1	Cap-Radiator
14	138-4453	1	Foam-Radiator	31:1	117-3276	1	Decal-Danger
15	138-4454	2	Foam-Radiator, Side				



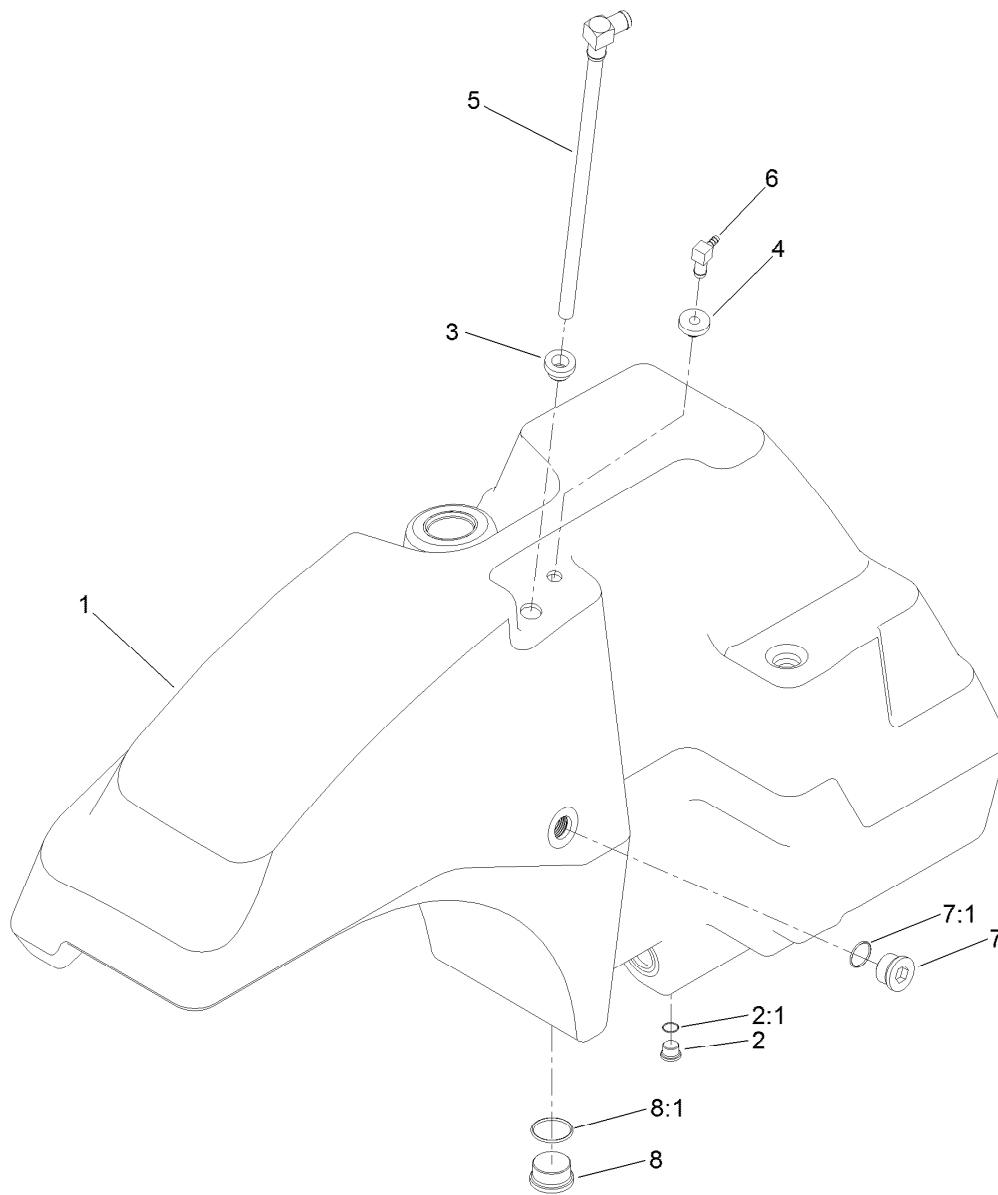
## Fuel System Assembly

Ref.	Part Number	Qty.	Description	Ref.	Part Number	Qty.	Description
1	138-0291	1	Fuel Tank	18	137-3061	2	Bolt-CARR
2	138-4418	1	Hydraulics Tank ASM	19	119-4041	3	Nut-HF
3	114-4920	1	Hose	20	3256-23	2	Washer-Plain
4	145-5933	1	Hose ASM-Hydraulic	21	3253-4	2	Washer-Lock
5	2412-119	3	Clamp-Hose	22	322-3	2	Screw-HH
6	138-7361	1	Hose-Suction	23	109-2365	8	Bumper-Rubber
7	2412-34	1	Clamp-Hose	24	104-7201	8	Nut-HF, NI
8	145-6099	1	Tank Support-Hydraulic	27	92-2379	2	Clamp-Hose
8:2	127-0392	1	Decal-Hot Surface	28	131-8402	2	Strap-Down, Hold
9	138-0441-03	1	Bracket-Tank Hold Down, LH	29	125-9171	1	Cap-Fuel
10	138-7315-03	1	Bracket-Tank Hold Down, RH	30	138-7499	1	Fitting-Strainer
11	145-6031	1	Tank And Battery Tray ASM	31	138-7388	1	Dipstick
12	138-7365-03	1	Bracket-Tank Mount, Front LH	32	94-8166	1	O-Ring
14	126-4781	1	Step-Deck	33	93-7498	1	Plug-Plastic
15	119-4042	19	Nut-HF, NI	35	139-0940-03	1	Bracket-Tank Mount, Front RH
16	3231-27	15	Screw-CARR	39	107-3154	6	Nut-Push
17	3230-3	1	Screw-CARR	40	3231-22	4	Screw-CARR
				41	117-0943	1	Fitting-Elbow



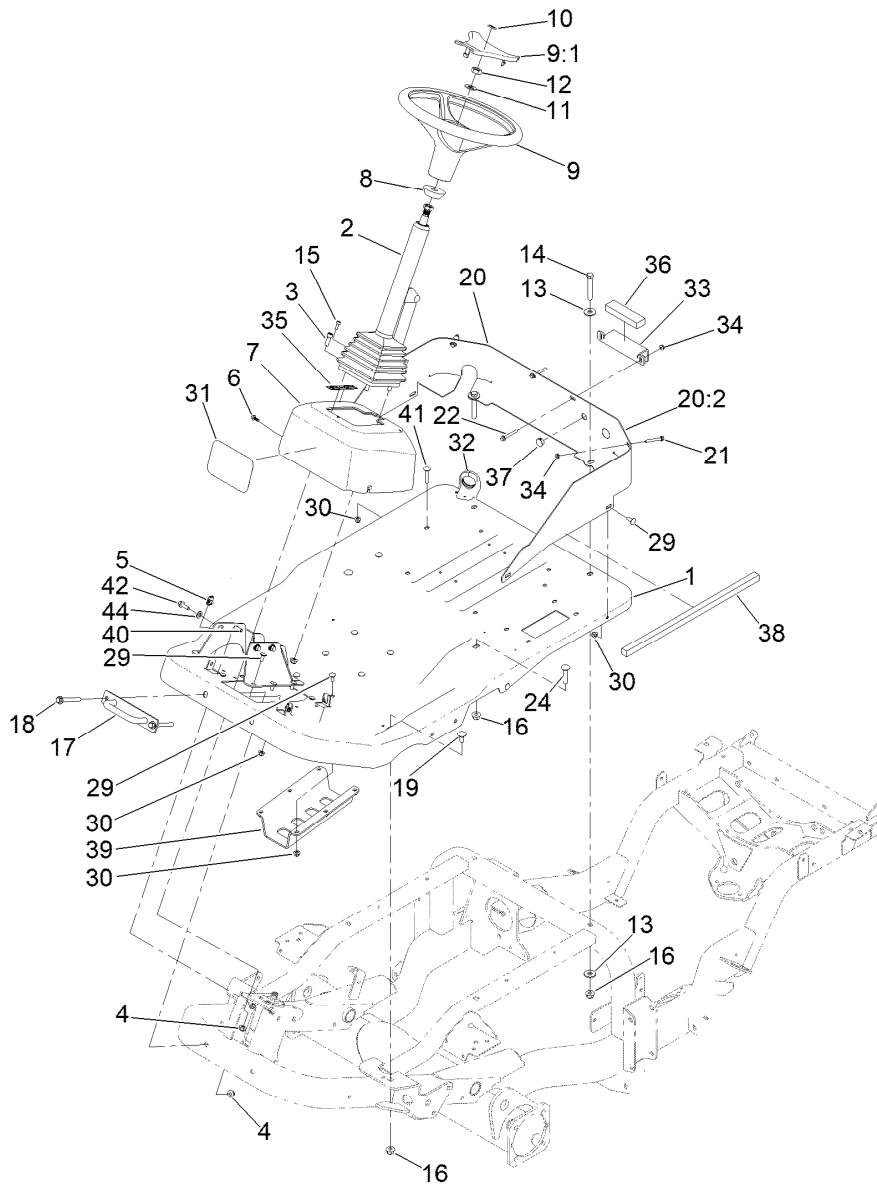
## Fuel Tank Assembly No. 138-0291

<i>Ref.</i>	<i>Part Number</i>	<i>Qty.</i>	<i>Description</i>
1	138-7385	1	Fuel Tank W/Inserts ASM
2	46-6560	3	Bushing
3	104-5228	1	Fitting-Elbow, 90 DEG
4	46-6550	1	Fitting-Elbow, 90 DEG
5	139-0872	1	Gauge-Fuel
5:1	119-0508	1	Seal
5:2	117-8404	1	Dial-Gauge
6	138-7389	1	Pipe-Stand



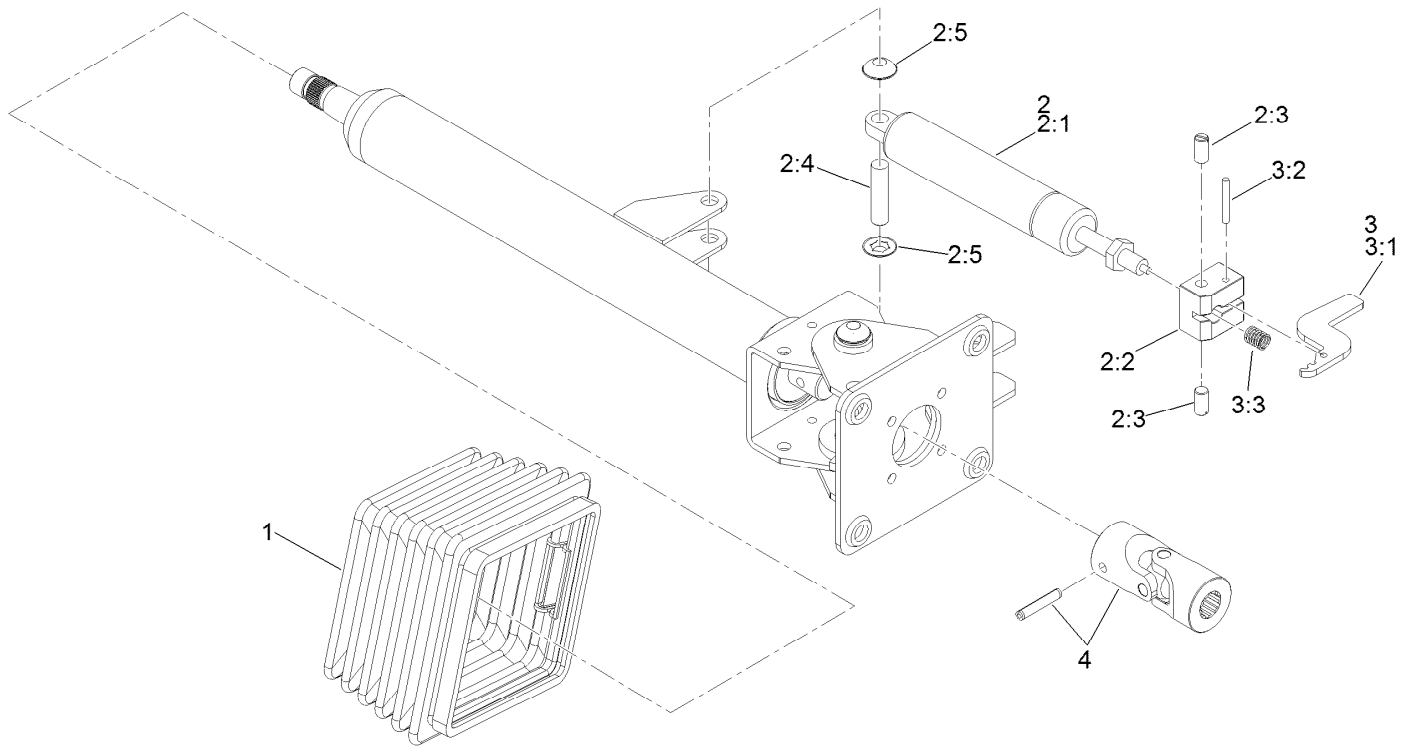
## Hydraulic Tank Assembly No. 138-4418

Ref.	Part Number	Qty.	Description
1	138-7386	1	Tank-Hydraulic W/Inserts
2	353-989	1	Plug-Hex, Hollow
2:1	237-42	1	O-Ring
3	104-0790	1	Bushing
4	46-6560	1	Bushing
5	138-7384	1	Tube-Drop
6	104-5228	1	Fitting-Elbow, 90 DEG
7	139-6333	1	Fitting-Plug
7:1	237-81	1	O-Ring
8	105-3921	1	Fitting-Plug
8:1	237-146	1	O-Ring



## Platform, Steering and Console Assembly

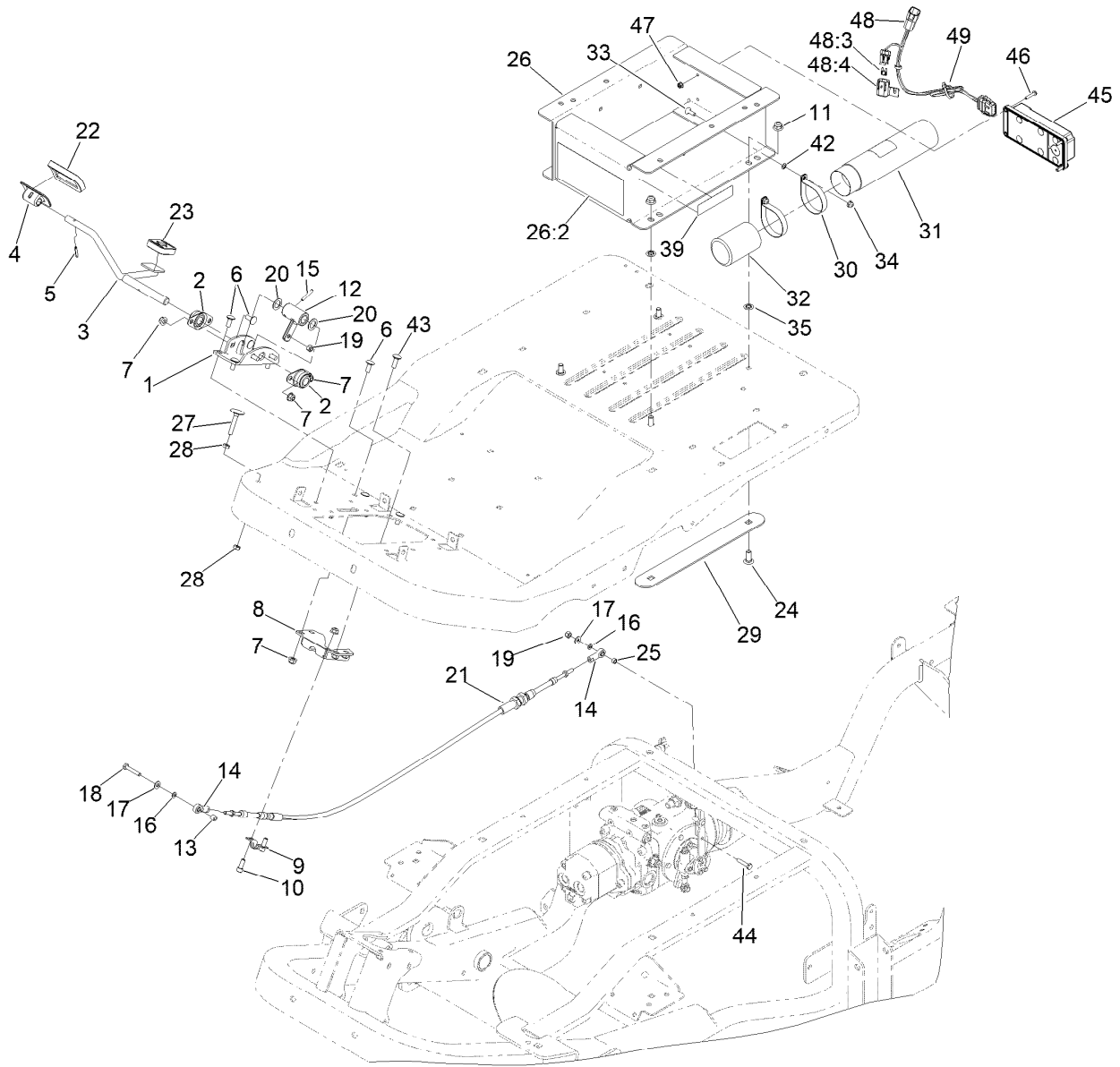
Ref.	Part Number	Qty.	Description	Ref.	Part Number	Qty.	Description
1	144-4030SP	1	Platform-Stamped	20	144-0528	1	Plate-Firewall, Lower
2	139-0857	1	Column-Steering, Tilt	20:2	132-1316	2	Decal-Danger, Belt
3	3274-7	4	Screw-HSH	21	125-4287	2	Screw-HHF
4	119-4042	6	Nut-HF, NI	22	3234-34	2	Screw-HHF
5	107069	4	Clip	24	3232-5	2	Screw-CARR
6	99-6810	4	Screw-HHF	29	137-3061	15	Bolt-CARR
7	138-7494	1	Cover-Steering	30	119-4041	21	Nut-HF
8	93-5429	1	Collar-Foam	31	105-1217	1	Decal
9	98-1471	1	Wheel-Steering	32	144-0473	1	Plug-Harness, Firewall
9:1	98-1468	1	Cover-Wheel, Steering	33	139-2166-0P	1	Bracket-Hood Support
10	98-1459	1	Decal	34	104-7201	4	Nut-HF, NI
11	3256-27	1	Washer-Flat	35	140-1460	1	Decal-Traction Pedal
12	3296-33	1	Nut-Lock, NI	36	139-6202	1	Foam-Strip
13	3256-40	4	Washer-Flat	37	130-8439	1	Plug-Dome
14	324-12	2	Screw-HH	38	139-6207	1	Foam-Strip
15	105-2409	4	Screw-HSH	39	144-3954-03	1	Guard-Tubes, Hydraulic
16	114-8417	6	Nut-HF, NI	40	145-5983-0P	1	Bracket-Mount, Steering
17	138-0288	1	Bracket-Down, Tie	41	116-0629	2	Screw-CARR
18	3234-41	2	Screw-HHF	42	3234-29	4	Screw-HHF
19	3232-1	2	Screw-CARR	44	3256-38	4	Washer-Flat



## Steering Column Assembly No. 139-0857

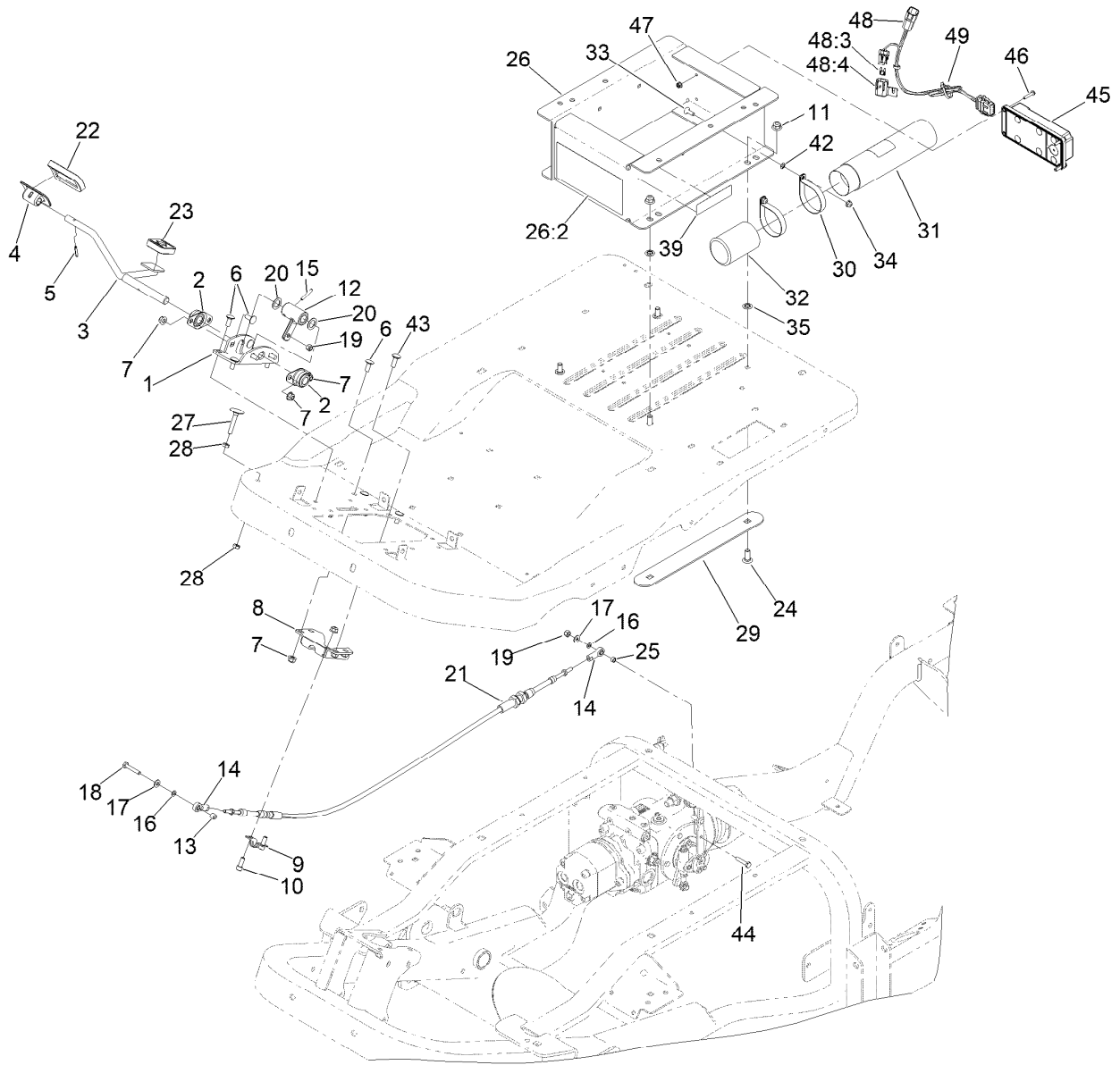
Ref.	Part Number	Qty.	Description
1	110-6462	1	Bellows-Rubber
2	110-6463	1	Cylinder Service Kit
2:1		1	Cylinder-Gas ●
2:2		1	Block-Pedal ●
2:3		2	Bolt ●
2:4		1	Pin ●
2:5		2	Washer-Lock ●
3	136-4385	1	Pedal Service Kit
3:1		1	Pedal ●
3:2		1	Pin ●
3:3		1	Spring ●
4	120-6256	1	Universal Joint Kit

● Not serviced separately



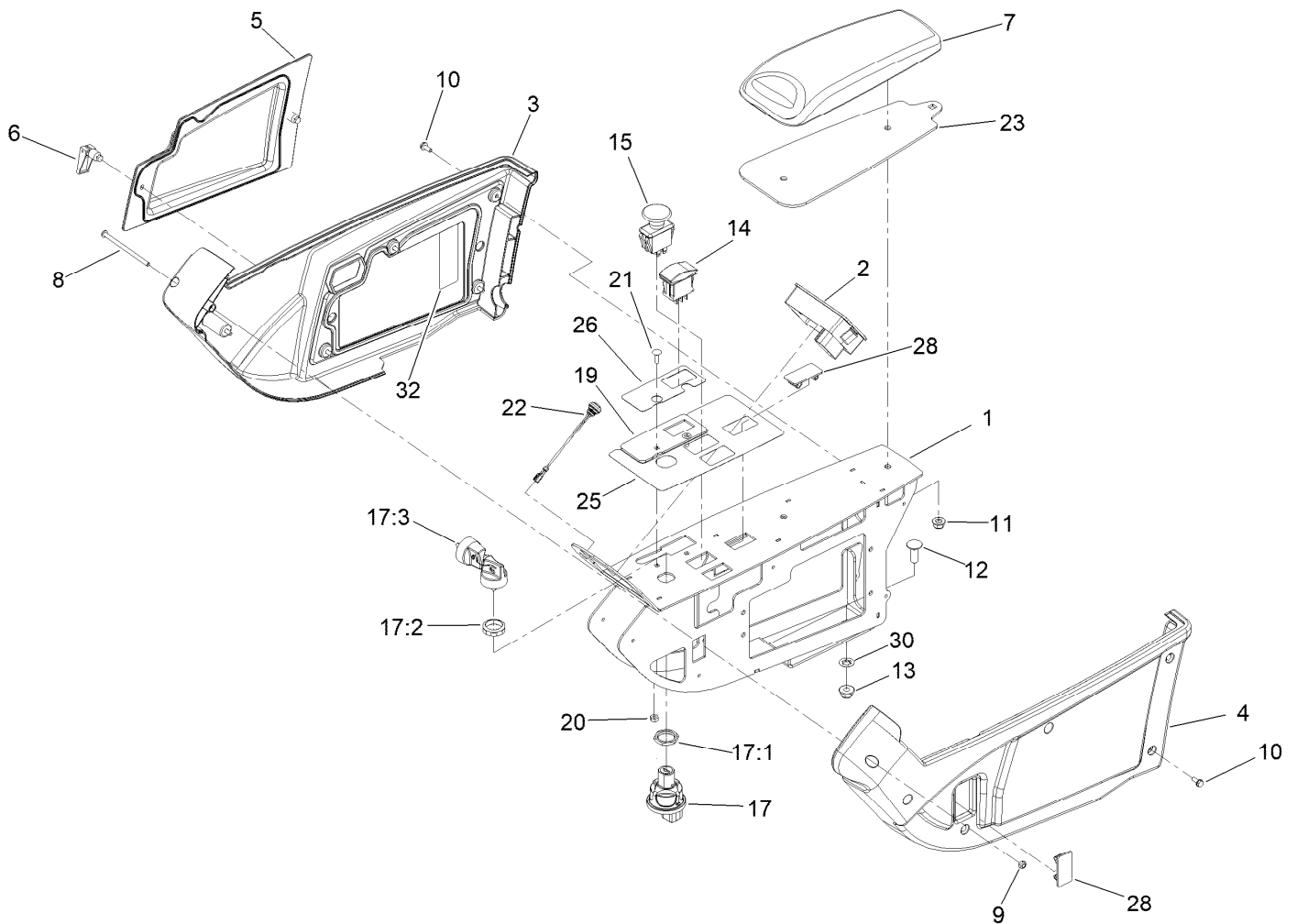
## Pedal Assembly

Ref.	Part Number	Qty.	Description	Ref.	Part Number	Qty.	Description
1	138-7477-01	1	Bracket-Pedal, Traction	22	74-9100	1	Pad-Pedal, Forward
2	256-236	2	Bearing-Mount, Flange	23	74-9110	1	Pad-Pedal, Reverse
3	138-4594	1	Pedal-Traction	24	3231-22	4	Screw-CARR
4	117-9507	1	Pedal-Accelerator	25	130-9691	1	Spacer
5	32121-45	1	Pin-Spring	26	139-6221	1	Seat Box ASM
6	137-3061	11	Bolt-CARR	26:2	163-1839	1	Decal-Warning
7	119-4041	14	Nut-HF	27	115-8240	1	Screw-Elevator
8	138-7446-01	1	Bracket-Cable, Traction	28	3218-2	2	Nut-Hex Jam
9	93-2092	1	Clamp-Cable	29	138-7422-0P	2	Strip-Seat Mount
10	3274-10	2	Screw-HSH	30	107-1865	2	R-Clamp
11	119-4042	4	Nut-HF, NI	31	104-7050	1	Tube-Manual
12	117-5199	1	Hub-Pedal, Traction	32	104-7048	1	Cap-Housing
13	66-8010	1	Spacer	33	1-807512	2	Bolt-CARR
14	2411-41	2	Rod End-Ball Joint	34	104-7201	2	Nut-HF, NI
15	32121-6	1	Pin-Roll, Slotted	35	107-3154	4	Nut-Push
16	33093-00	2	Washer-Flat	39	133-8062	1	Decal-Spark Arrestor
17	3256-22	2	Washer-Flat	42	32115-15	2	Nut-Push
18	321-9	1	Screw-HH	43	3230-10	1	Bolt-CARR
19	3296-42	2	Nut-Lock, NI	44	321-8	1	Screw-HH
20	137-2601	2	Washer	45	161-9001	1	Gateway-Telematics
21	145-6040	1	Cable-ASM, Traction	46	131-6456	4	Screw-HWH



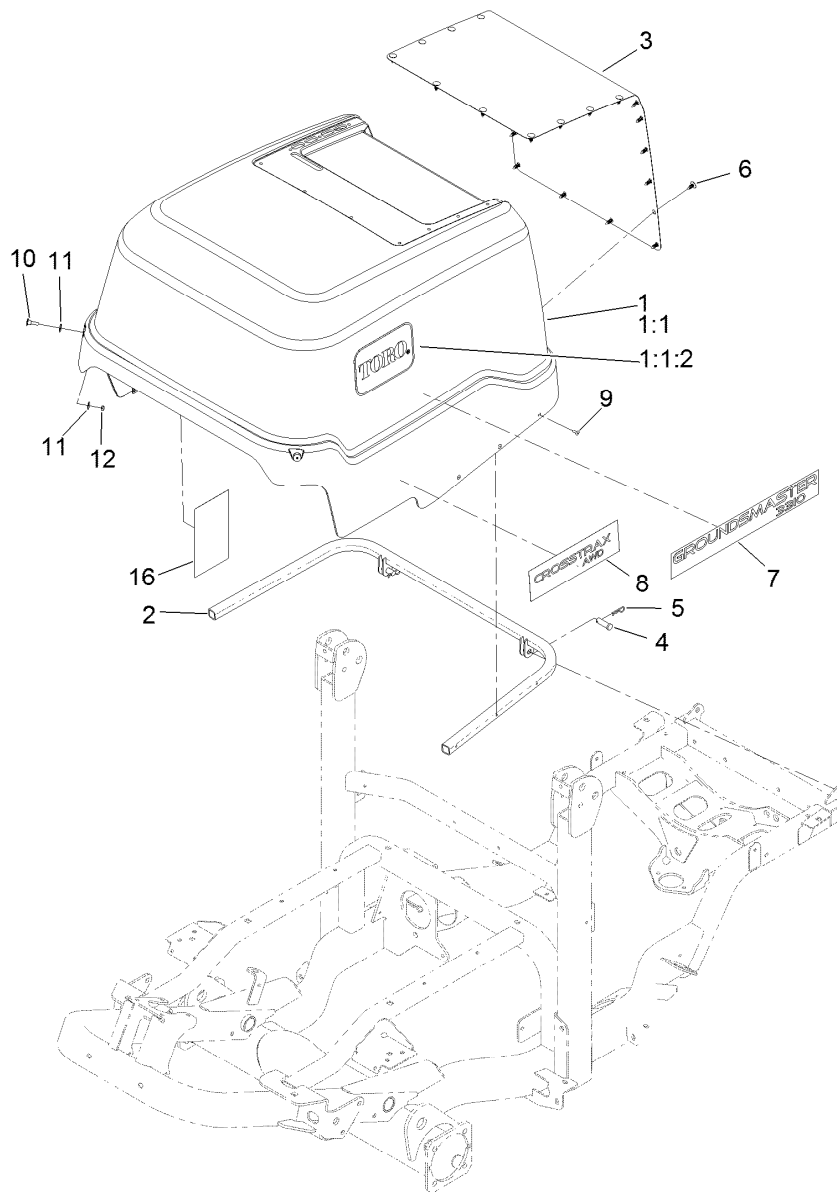
## Pedal Assembly (continued)

<i>Ref.</i>	<i>Part Number</i>	<i>Qty.</i>	<i>Description</i>	<i>Ref.</i>	<i>Part Number</i>	<i>Qty.</i>	<i>Description</i>
47	120-4578	4	Nut-HF	48:4	32180-101	1	Cover-Fuse, Single
48	122-2160	1	Harness-Wire	49	3290-378	1	Tie-Cable
48:3	121-8861	1	Fuse-Mini Blade, 2 Amp				



## Control Console Assembly

<i>Ref.</i>	<i>Part Number</i>	<i>Qty.</i>	<i>Description</i>	<i>Ref.</i>	<i>Part Number</i>	<i>Qty.</i>	<i>Description</i>
1	133-6406-03	1	Panel	15	93-9999	1	Switch-PTO
2	132-9751	1	Tdm 2001	17	121-5159	1	Switch-Ignition
3	108-7605	1	Cover-RH	17:1	121-5160	1	Nut-Hex
4	108-7604	1	Cover-LH	17:2	122-2704	1	Nut-Face, M22 (Plastic)
5	108-7616	1	Panel-Access	17:3	121-5162	1	Set-Key, Ignition
6	74-5950	2	Latch-Swell	19	137-2511	1	Cover-Throttle, Switch
7	131-9637	1	Armrest-Quick Find	20	3296-2	2	Nut-Lock, NI
8	3250-22	1	Screw-PPH	21	1-807533	2	Bolt-CARR
9	3296-12	1	Nut-Lock, NI	22	136-9678	1	Cable Assy-Pushbutton
10	32144-112	10	Screw-HWH	23	138-4548-03	1	Plate-Spacer, Console Pad
11	119-4041	2	Nut-HF	25	138-7471	1	Decal-Console
12	3231-22	2	Screw-CARR	26	138-7472	1	Decal-Throttle
13	119-4042	2	Nut-HF, NI	28	99-7420	2	Plug-Hole
14	100-1535	2	Switch-Rocker, (On)-Off-(On)	30	107-3154	2	Nut-Push
				32	140-3126	1	Decal-Fuse

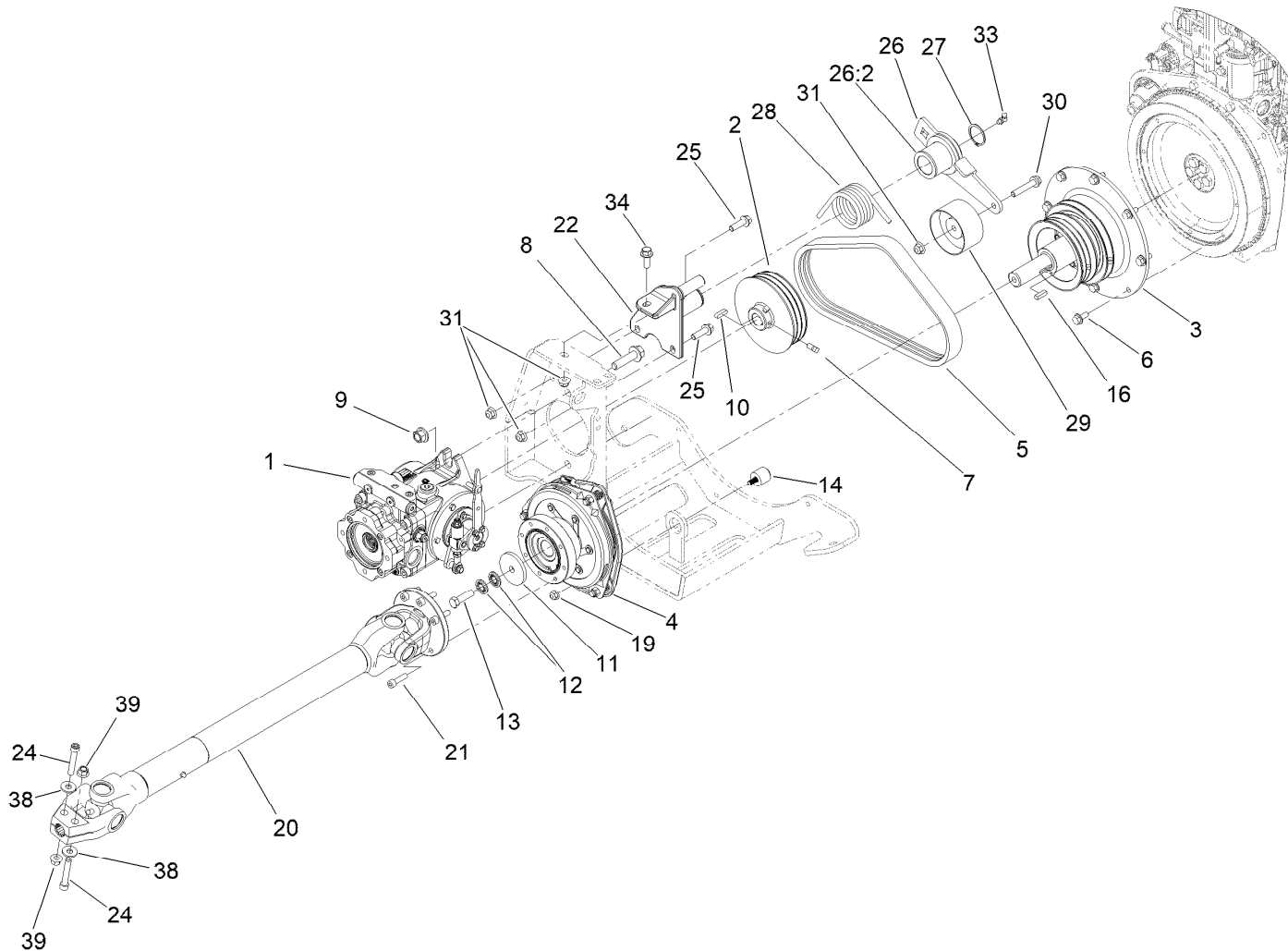


## Hood Assembly

Ref.	Part Number	Qty.	Description	Ref.	Part Number	Qty.	Description
1	138-7330SP	1	Hood	5	3290-467	2	Pin-Hair
1:1		1	Hood ASM ■	6	117-2382	24	Plug-Plastic
1:1:2	62-7400	2	Decal-Toro Logo	7	139-6153	2	Decal-Identification
1:2	139-6225	1	Tape-Heat, Hood Front ●	8	110-8859	2	Decal
1:3	139-6226	1	Tape-Heat, Hood Rear ●	9	114439	10	Rivet-Blind
1:4	139-6227	1	Tape-Heat, Hood Side ●	10	139-0855	2	Screw-Countersunk, Oval
2	138-7331-03	1	Support-Hood	11	3256-2	4	Washer-Flat
3	138-7474-03	1	Screen-Cooler	12	3296-56	2	Nut-Lock, NI
4	283-68	2	Pin-Clevis	16	139-6218	1	Decal-Service, Gm3300

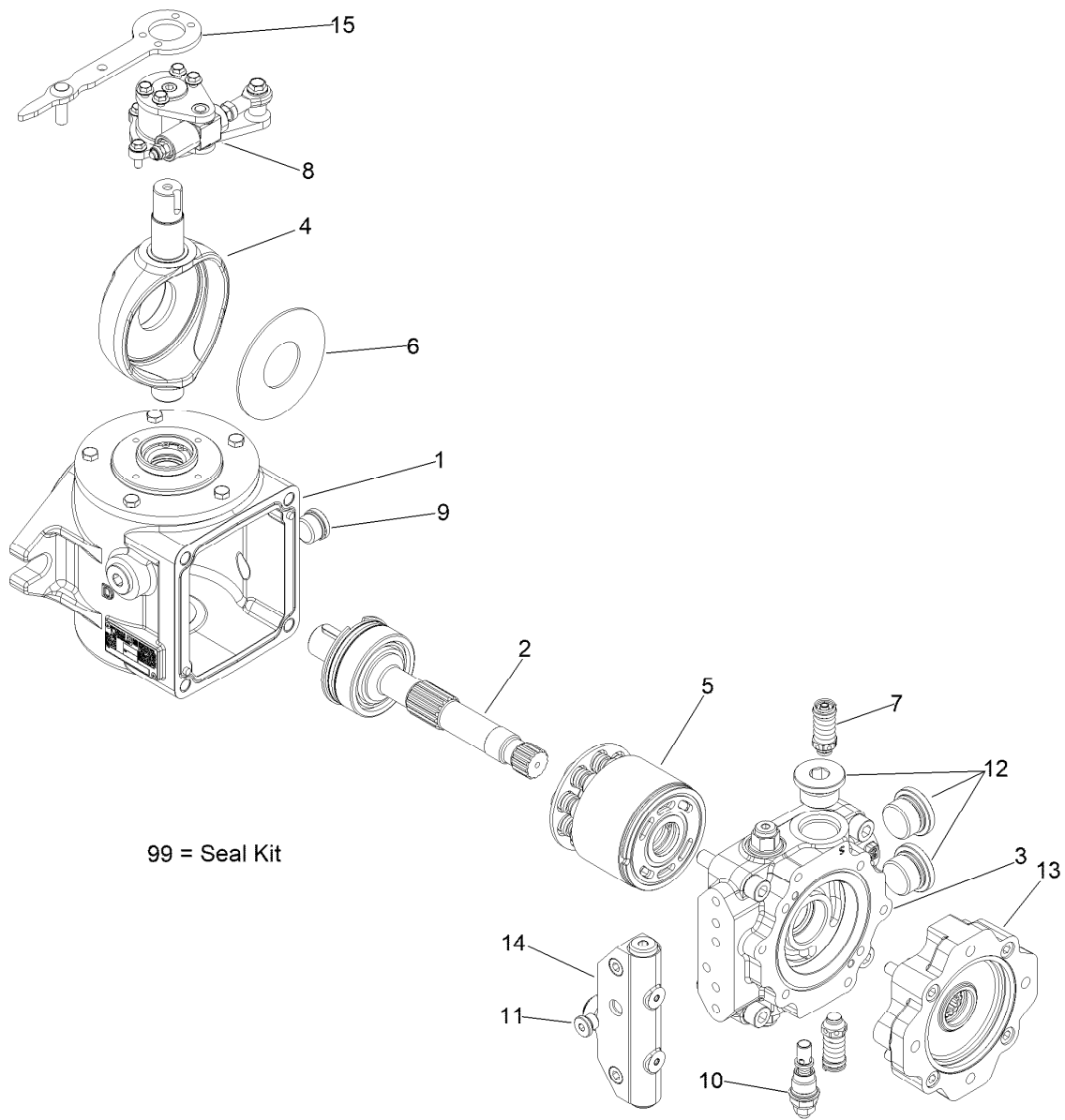
● Not illustrated

■ Not serviced separately



## Pump, Driveshaft and Clutch Assembly

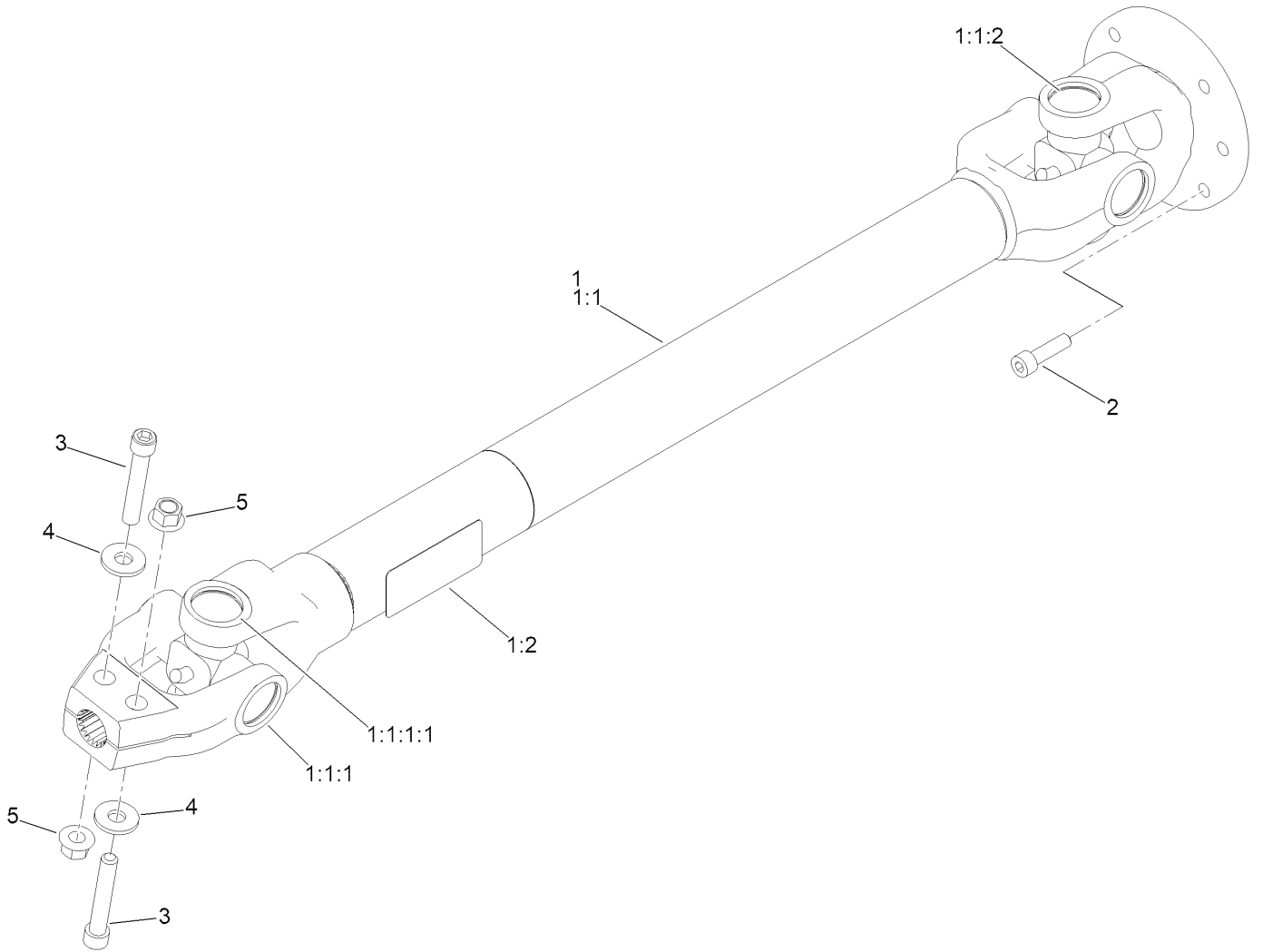
Ref.	Part Number	Qty.	Description	Ref.	Part Number	Qty.	Description
1	145-5940	1	Pump-Bondioli	20	163-1700SP	1	Driveshaft
2	145-6044	1	Pulley-3/3V	21	144-0452	6	Screw-HSH, Patch
3	147-0050	1	Stubshaft-3/3V	22	140-6200	1	Idler Pivot (Mach)
4	145-5987	1	Clutch-Gt5 W/Integral Con	24	131-8591	2	Screw-HSH
5	139-6259	1	Belt-3/3V	25	119-4061	2	Screw-HHF
6	138-0690	8	Screw-HHF,Patch	26	140-6179	1	Idler Arm ASM
7	1-803022	2	Screw-Set	26:2	93-4510	2	Bushing-Caster
8	133-0041	2	Screw-HF	27	32120-84	1	Ring-Snap, External
9	139-1689	2	Nut-HF	28	140-3102	1	Spring-Torsion
10	94-3645	1	Key	29	144-3904	1	Pulley-Tensioner
11	139-6238	1	Washer	30	108-3742	1	Screw-HHF
12	1-603610	2	Washer-Spring	31	119-4042	4	Nut-HF, NI
13	109-9761	1	Screw-HH	33	302-40	1	Fitting-Grease, 90 DEG
14	147-0060	1	Bumper	34	3234-42	1	Screw-HHF
16	10-7070	1	Key-Square	38	80-6990	2	Washer-Hardened
19	119-4041	2	Nut-HF	39	32128-36	2	Nut-HF



## Pump Assembly No. 145-5940

<i>Ref.</i>	<i>Part Number</i>	<i>Qty.</i>	<i>Description</i>	<i>Ref.</i>	<i>Part Number</i>	<i>Qty.</i>	<i>Description</i>
1	147-0161	1	Housing-Pump	9	147-0169	1	Cap-Seal
2	147-0162	1	Shaft ASM	10	147-0170	1	Valve-Relief 10-15 Bar
3	147-0163	1	Valve Body	11	147-0171	1	Plug, 7/16-20 Unf
4	147-0164	1	Plate-Swash	12	147-0172	1	Plug, 1-1/16-12 Unf
5	147-0165	1	Rotating ASM	13	147-0173	1	Endcap-Pump
6	147-0166	1	Plate-Swash, Insert	14	147-0174	1	Exchange Valve ASM
7	147-0167	1	Valve, 250 Bar	15	147-0175	1	Lever-Control
8	147-0168	1	Spring Return ASM	99	147-0176	1	Seal Kit

# Driveshaft Assembly No. 163-1700SP

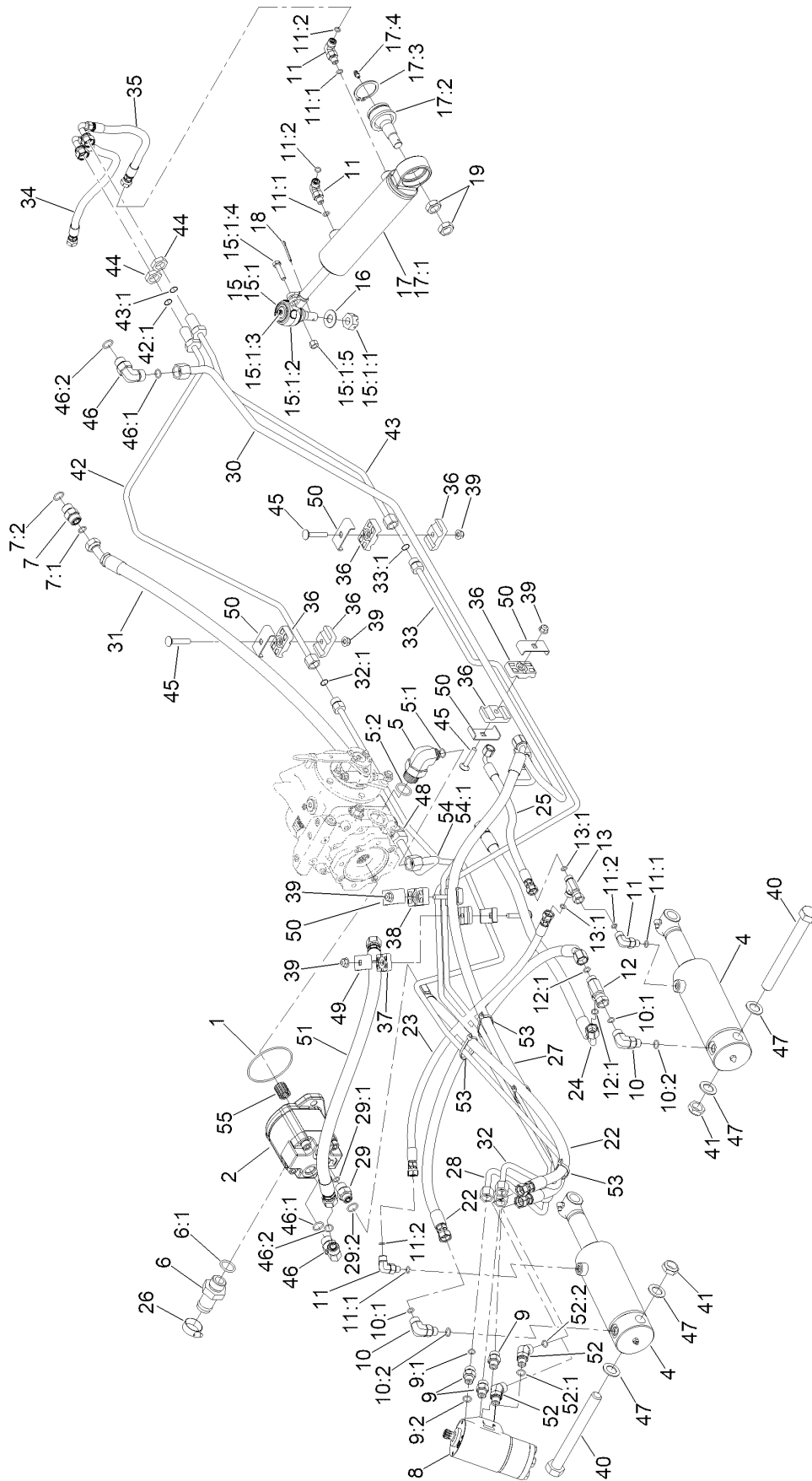


## Driveshaft Assembly No. 163-1700SP (continued)

<i>Ref.</i>	<i>Part Number</i>	<i>Qty.</i>	<i>Description</i>	<i>Ref.</i>	<i>Part Number</i>	<i>Qty.</i>	<i>Description</i>
1		1	Driveshaft ASM ●	2	144-0452	6	Screw-HSH, Patch
1:1		1	Shaft-Drive ●	3	131-8591	2	Screw-HSH
1:1:1	144-0519	1	Yoke-Splined W/Cross Joint	4	80-6990	2	Washer-Hardened
1:1:1:1	144-0550	1	Bearing-Cross Joint	5	32128-36	2	Nut-HF
1:1:2	144-0550	1	Bearing-Cross Joint				
1:2	139-6304	1	Decal-Danger, Entanglement				

● Not serviced separately

# Hydraulic Assembly

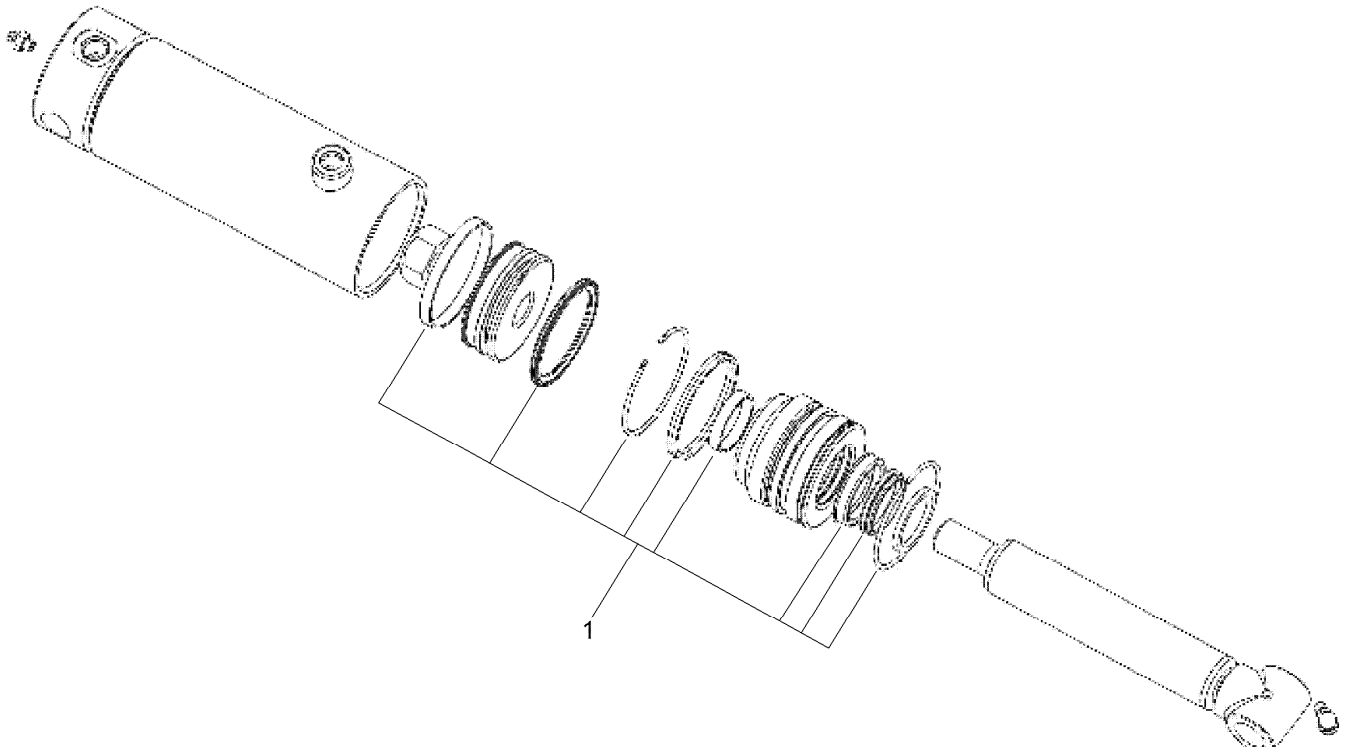


## Hydraulic Assembly (continued)

<i>Ref.</i>	<i>Part Number</i>	<i>Qty.</i>	<i>Description</i>	<i>Ref.</i>	<i>Part Number</i>	<i>Qty.</i>	<i>Description</i>
1	237-161	1	O-Ring	24	137-5846	1	Hose ASM
2	147-5115	1	Pump-Gear	25	137-5847	1	Hose ASM
4	139-0854	2	Cylinder-Hydraulic	26	2412-34	1	Clamp-Hose
5	340-131	1	Fitting-HYD, 90 DEG	27	140-3097	1	Hose ASM
5:1	237-30	1	O-Ring	28	138-0331	1	Hydraulic Tube ASM
5:2	237-81	1	O-Ring	29	340-3	1	Fitting-Straight
6	99-3017	1	Fitting	29:1	237-22	1	O-Ring
6:1	237-81	1	O-Ring	29:2	237-79	1	O-Ring
7	340-4	1	Fitting-Straight	30	138-7448	1	Hydraulic Tube ASM
7:1	237-30	1	O-Ring	31	145-5934	1	Hose ASM-Hydraulic
7:2	237-79	1	O-Ring	32	145-5959	1	Hydraulic Tube ASM
8	114-8119	1	Steering Valve ASM	32:1	237-22	1	O-Ring
9	340-2	3	Fitting-Straight	33	145-5930	1	Hydraulic Tube ASM
9:1	237-22	1	O-Ring	33:1	237-22	1	O-Ring
9:2	237-42	1	O-Ring	34	115-0383	1	Hose ASM
10	340-77	2	Fitting-Elbow, 90 DEG	35	137-2584	1	Hose ASM
10:1	237-22	1	O-Ring	36	56-7972	6	Clamp-Tube
10:2	237-42	1	O-Ring	37	56-7973	2	Clamp-Tube
11	340-132	4	Fitting-Elbow, 90 DEG	38	56-7970	2	Clamp-Tube
11:1	237-78	1	O-Ring	39	119-4041	5	Nut-HF
11:2	237-21	1	O-Ring	40	328-23	2	Screw-HH
12	340-115	1	Fitting-Tee	41	HDW02059	2	Nut-Hex
12:1	237-22	2	O-Ring	42	138-0343	1	Hydraulic Tube ASM
13	340-151	1	Fitting-Tee	42:1	237-22	1	O-Ring
13:1	237-21	2	O-Ring	43	138-0344	1	Hydraulic Tube ASM
15	106-6895-03	1	Ball Joint ASM	43:1	237-22	1	O-Ring
15:1		1	Joint-Ball ●	44	340-70	2	Nut-Lock
15:1:1	32136-13	1	Nut-SHH	45	3230-5	5	Bolt-CARR
15:1:2	106-6896	1	Seal	46	340-98	2	Fitting-Elbow, 90 DEG
15:1:3	302-5	1	Fitting-Grease	46:1	237-79	1	O-Ring
15:1:4	3210-7	1	Screw-HH	46:2	237-30	1	O-Ring
15:1:5	32152-5	1	Nut-Hex	47	126-7888	4	Washer-Nylon
16	69-8980	1	Washer	48	340-127	1	Nut-Bulkhead
17		1	Steering Cylinder ASM ●	49	119-1418	2	Plate-Clamp, Short
17:1	139-6277	1	Steering Cylinder	50	119-1419	6	Plate-Clamp
17:2	106-6774	1	Joint-Ball	51	145-5931	1	Hose ASM-Hydraulic
17:3	32151-104	1	Ring-Retaining, External	52	340-87	2	Fitting-Elbow, 45 DEG
17:4	302-5	1	Fitting-Grease	52:1	237-22	1	O-Ring
18	3272-12	1	Pin-Cotter	52:2	237-42	1	O-Ring
19	3220-6	2	Nut-Jam	53	3290-378	4	Tie-Cable
22	137-5844	2	Hose ASM	54	145-5945	1	Hydraulic Tube ASM
22	137-5844RT03	1	Hose ASM	54:1	237-30	1	O-Ring
23	137-5845	1	Hose ASM	55	147-0196	1	Coupler-Pump, Bondioli

● Not serviced separately



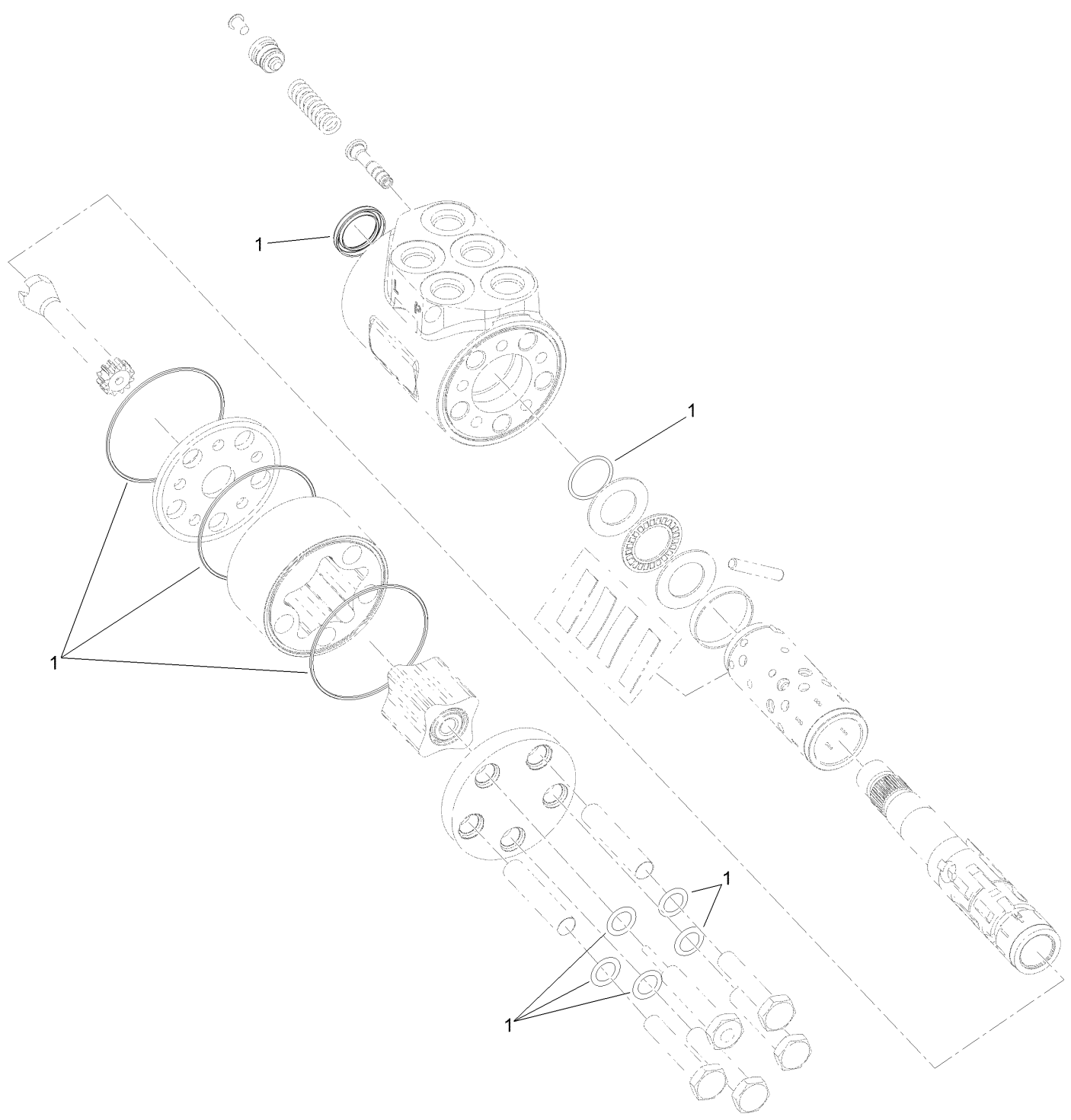


## Hydraulic Cylinder No. 139-0854

<i>Ref.</i>	<i>Part Number</i>	<i>Qty.</i>	<i>Description</i>
1	140-3110	1	Kit-Seal ●

● Not illustrated

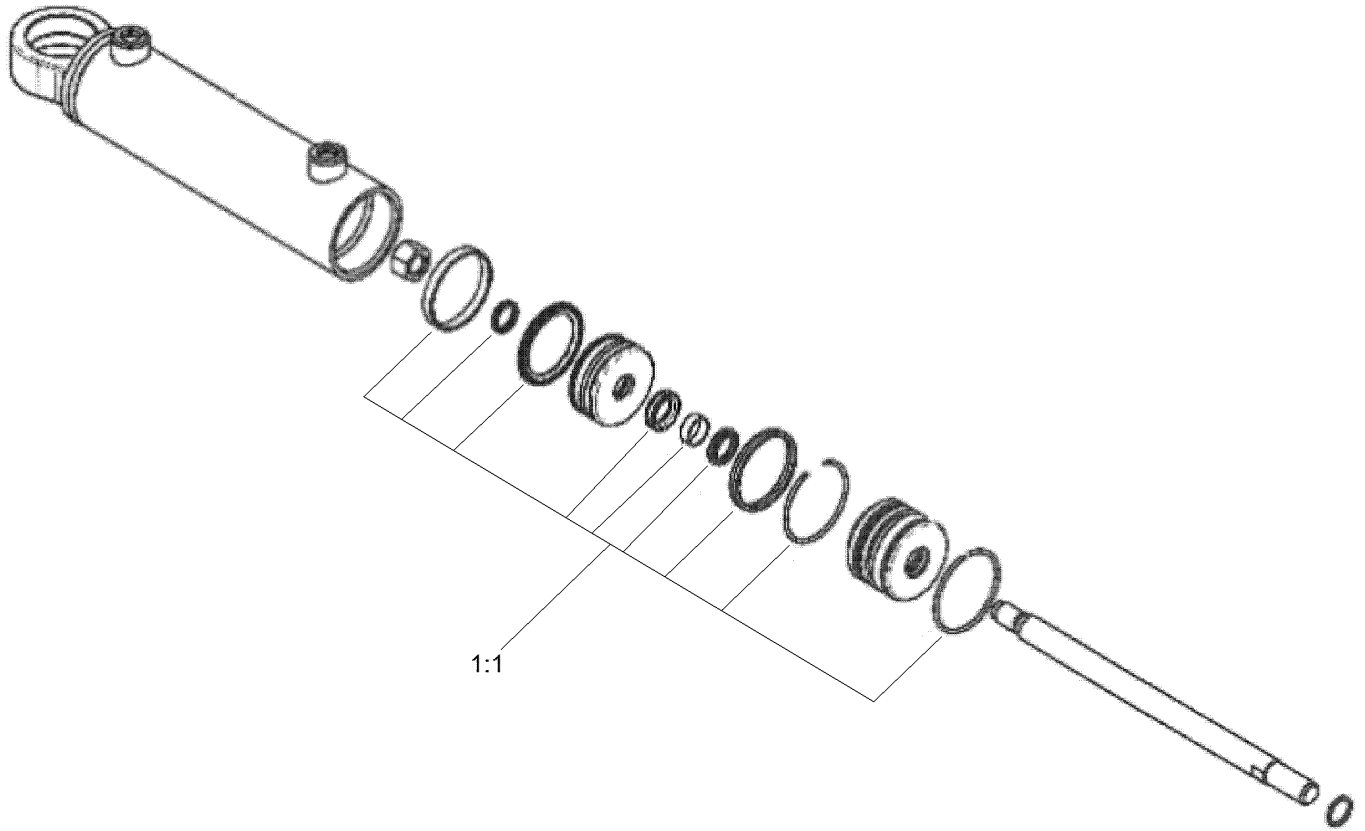
# Steering Valve Assembly No. 114-8119



# Steering Valve Assembly No. 114-8119 (continued)

<i>Ref.</i>	<i>Part Number</i>	<i>Qty.</i>	<i>Description</i>
1	106-6716	1	Seal Kit

# Steering Cylinder Assembly No. 139-6277

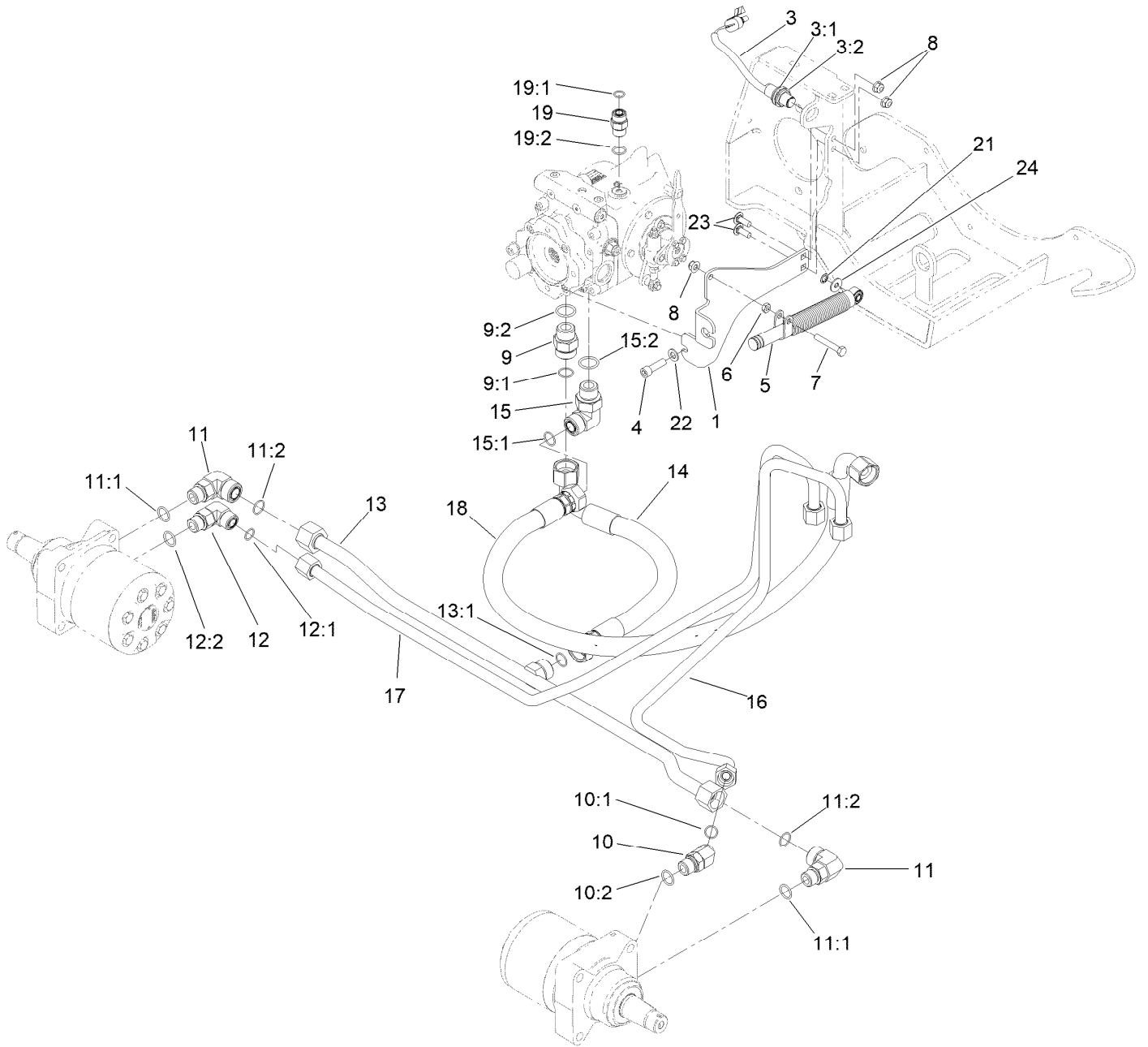


# Steering Cylinder Assembly No. 139-6277 (continued)

<i>Ref.</i>	<i>Part Number</i>	<i>Qty.</i>	<i>Description</i>
1:1	131-7756	1	Cylinder Seal Kit ●

● Not illustrated

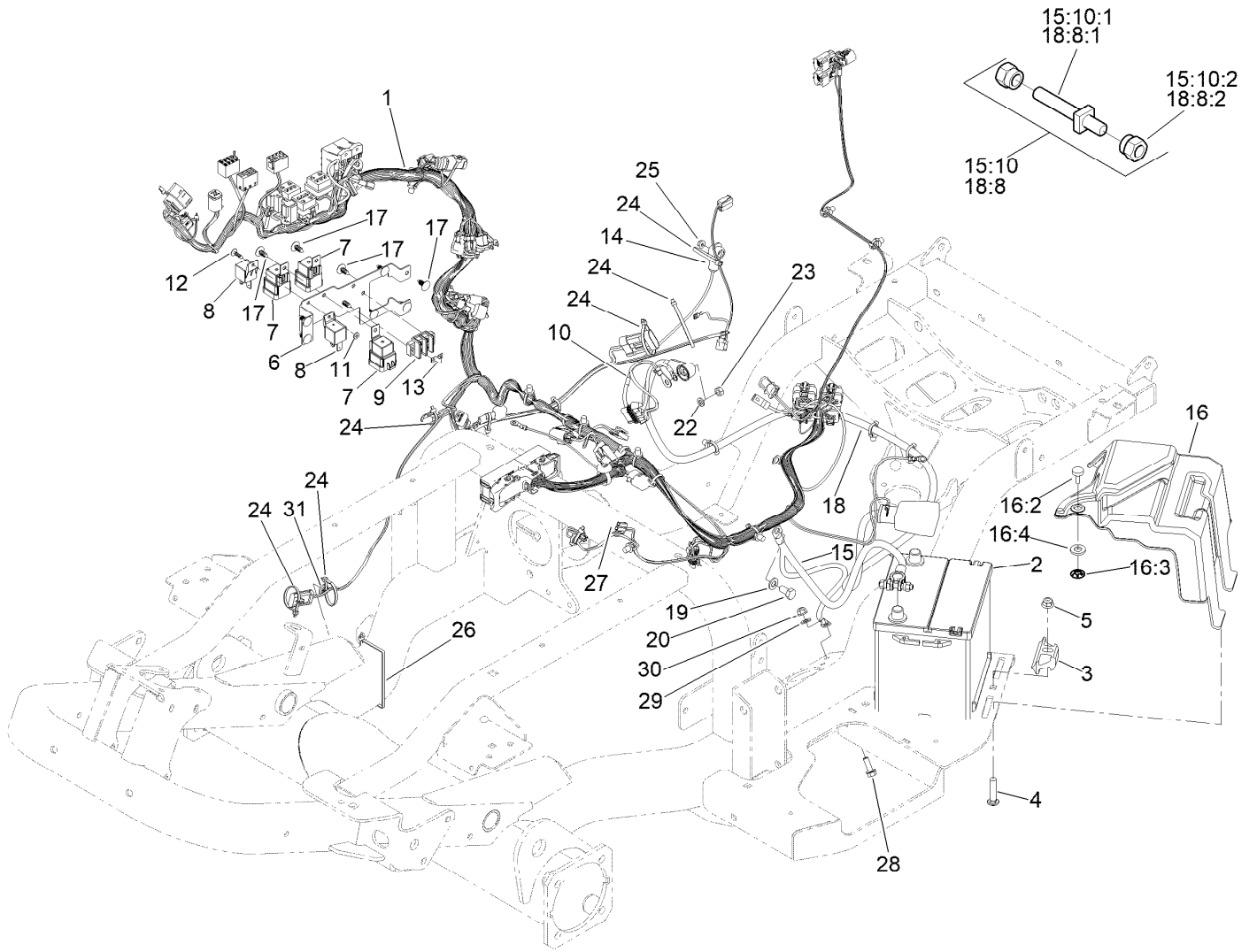
# Hydraulic Traction Assembly



## Hydraulic Traction Assembly (continued)

<i>Ref.</i>	<i>Part Number</i>	<i>Qty.</i>	<i>Description</i>	<i>Ref.</i>	<i>Part Number</i>	<i>Qty.</i>	<i>Description</i>
1	145-6065-0P	1	Plate-Cable Mount	12:1	237-65	1	O-Ring
3	115-5300	1	Sensor, Proximity Sensor ASM	12:2	237-80	1	O-Ring
3:1	117-3207	2	Nut-Hex	13	138-0340	1	Hydraulic Tube ASM
3:2	117-3208	2	Washer-Lock, Internal Tooth	13:1	237-58	1	O-Ring
4	ST80801	2	Screw-HSH	14	145-5928	1	Hose ASM-Hydraulic
5	140-6248	1	Damper	15	340-142	1	Fitting-Elbow, 90 DEG
6	3218-2	1	Nut-Hex Jam	15:1	237-58	1	O-Ring
7	322-10	1	Screw-HH	15:2	237-81	1	O-Ring
8	119-4041	3	Nut-HF	16	145-5929	1	Hydraulic Tube ASM
9	340-9	1	Fitting-STR	17	145-5923	1	Hydraulic Tube ASM
9:1	237-58	1	O-Ring	18	145-5927	1	Hose ASM-Hydraulic
9:2	237-81	1	O-Ring	19	340-4	1	Fitting-Straight
10	340-14	1	Fitting-HYD, 45 DEG	19:1	237-30	1	O-Ring
10:1	237-65	1	O-Ring	19:2	237-79	1	O-Ring
10:2	237-80	1	O-Ring	21	32151-72	1	Ring-Retaining
11	340-16	2	Fitting-HYD, 90 DEG	22	107-1413	2	Washer-Hardened
11:1	237-80	1	O-Ring	23	3230-10	2	Bolt-CARR
11:2	237-58	1	O-Ring	24	HDW14535	1	Flat Washer, 5/16 Nom,ST/ST,18-8
12	340-17	1	Fitting-Elbow, 90 DEG				

# Electrical Assembly



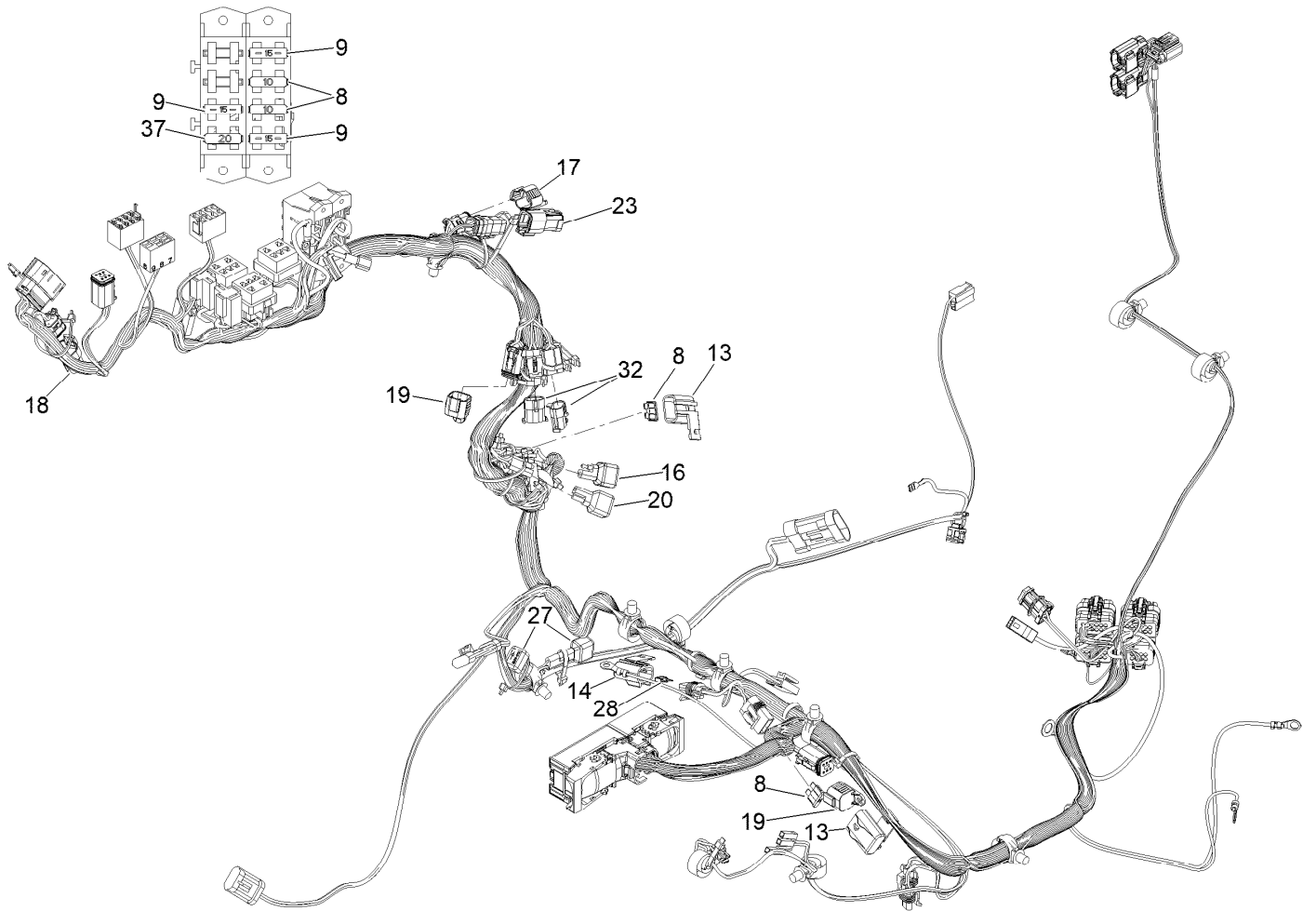
## Electrical Assembly (continued)

<i>Ref.</i>	<i>Part Number</i>	<i>Qty.</i>	<i>Description</i>	<i>Ref.</i>	<i>Part Number</i>	<i>Qty.</i>	<i>Description</i>
1	122-2517	1	Harness-Wire, Main	16:2	140-9033	1	Knob-Stud
2		1	Battery - Wet, 12V, 540 CCA ■▲	16:3	32115-15	1	Nut-Push
3	138-6335	1	Retainer-Battery	16:4	3256-22	1	Washer-Flat
4	3231-29	1	Screw-CARR	17	117-2382	10	Plug-Plastic
5	119-4042	1	Nut-HF, NI	18	122-1275	1	Cable-Battery, Positive ASM
6	138-7467-0P	1	Bracket-Electrical	18:1	32180-115	1	Panduit, Cable Tie ●
7	99-7430	3	Relay-Mini	18:8		1	Bolt ASM ●▲
8	99-7435	2	Relay	18:8:1	32180-107	1	Bolt-Clamp, Battery
9	42862	1	Block-Terminal, Ground	18:8:2	32180-108	2	Nut-Hex Shoulder
10	99-3441	1	Harness-Wire, Fusible Link	19	33095-00	1	Washer-Flat
11	3256-21	1	Washer-Flat	20	33115-020	1	Screw-HH
12	125-8067	1	Plug-Plastic	22	3253-4	1	Washer-Lock
13	42863	1	Strip-Jumper	23	33014-00	1	Nut-Hex
14	100-5552	1	Harness-Wire	24	3290-378	6	Tie-Cable
15	122-1276	1	Cable-Battery, Negative ASM	25	33003-00	1	Nut-HF
15:10		1	Bolt ASM ●▲	26	3290-379	1	Tie-Cable
15:10:1	32180-107	1	Bolt-Clamp, Battery	27	32180-149	1	Tie-Button Head
15:10:2	32180-108	2	Nut-Hex Shoulder	28	3234-29	1	Screw-HHF
16	140-9010	1	Battery Cover ASM	29	120-9683	1	Washer-Plain
				30	119-4041	1	Nut-HF
				31	32180-139	1	Mount-Tie Wrap, Magnetic

● Not illustrated  
▲ Not serviced separately

■ Obtain locally.

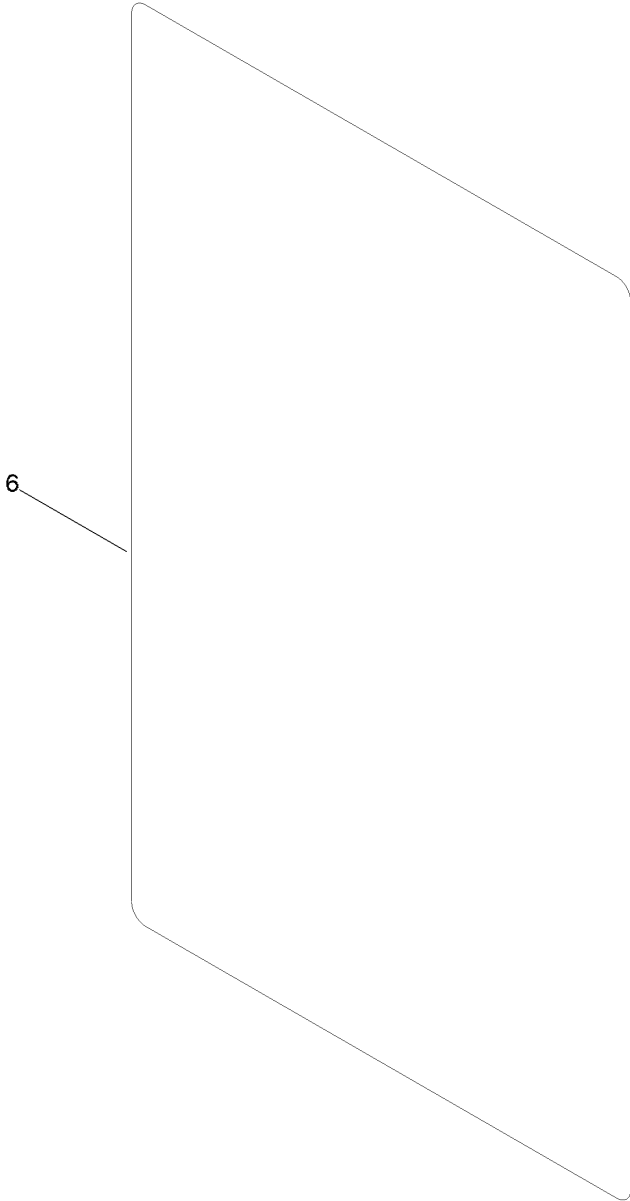
# Main Wire Harness Assembly No. 122-2517



## Main Wire Harness Assembly No. 122-2517 (continued)

<i>Ref.</i>	<i>Part Number</i>	<i>Qty.</i>	<i>Description</i>	<i>Ref.</i>	<i>Part Number</i>	<i>Qty.</i>	<i>Description</i>
8	218-578	4	Fuse-Blade, 10 Amp	19	32180-156	2	Cap-Plug, 6 Way
9	109355	3	Fuse-Blade, 15 Amp	20	104-4022	1	Resistor-75 Ohm
13	32180-019	2	Cover-Fuse, Single	23	32160-359	1	Connector (6M)
14	32180-101	1	Cover-Fuse, Single	27	100-4918	2	Diode
16	108-9493	1	Diode-Tvs	28	121-8866	1	Fuse-Mini Blade, 10 Amp
17	32180-089	1	Cap-Plug, 3 Way	32	32180-056	2	Cap
18	32180-043	1	Resistor-120 Ohm	37	109101	1	Fuse-Blade, 20 Amp

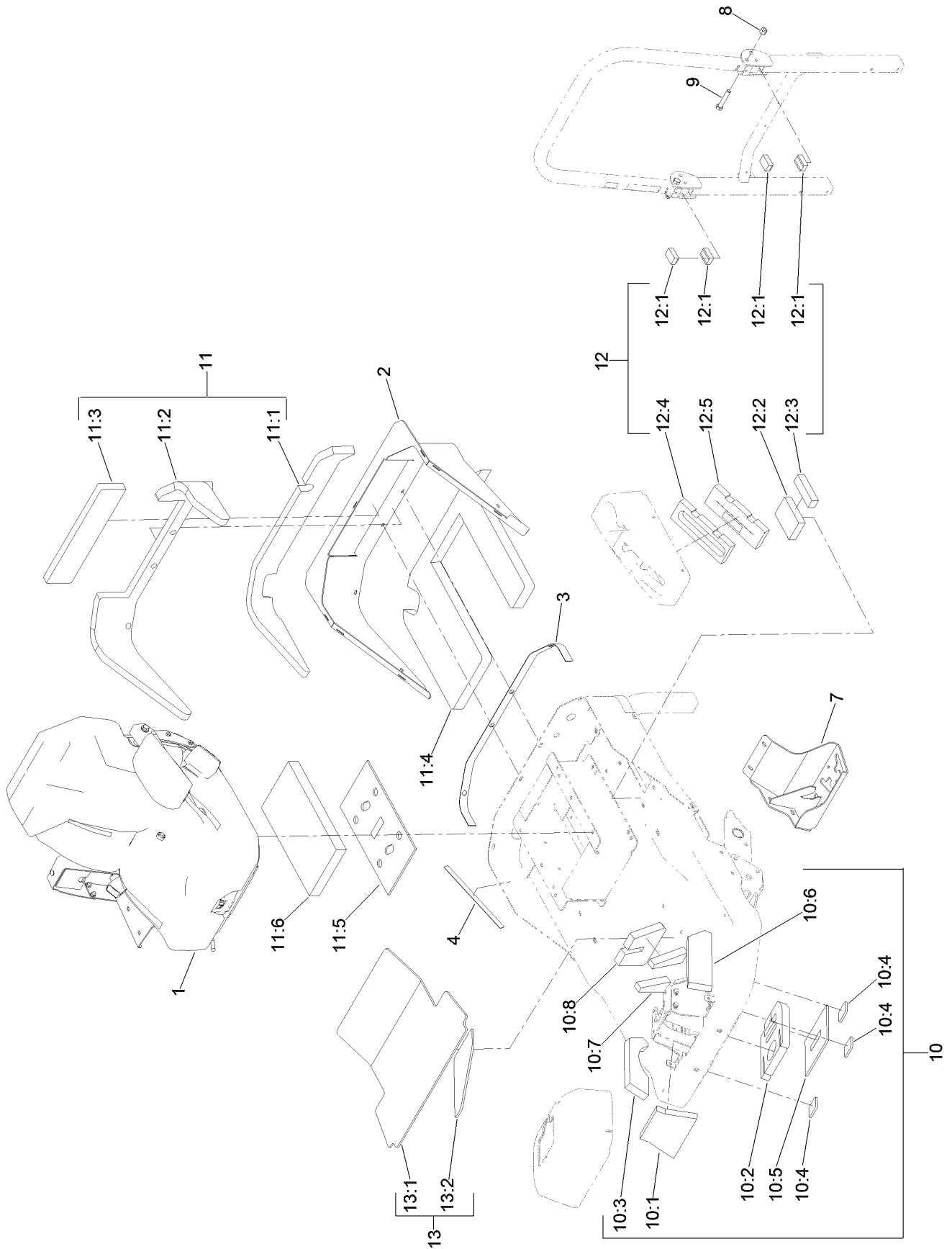
# Miscellaneous Parts Assembly



## Miscellaneous Parts Assembly (continued)

<i>Ref.</i>	<i>Part Number</i>	<i>Qty.</i>	<i>Description</i>
6	144-3952	1	Decal-Slope

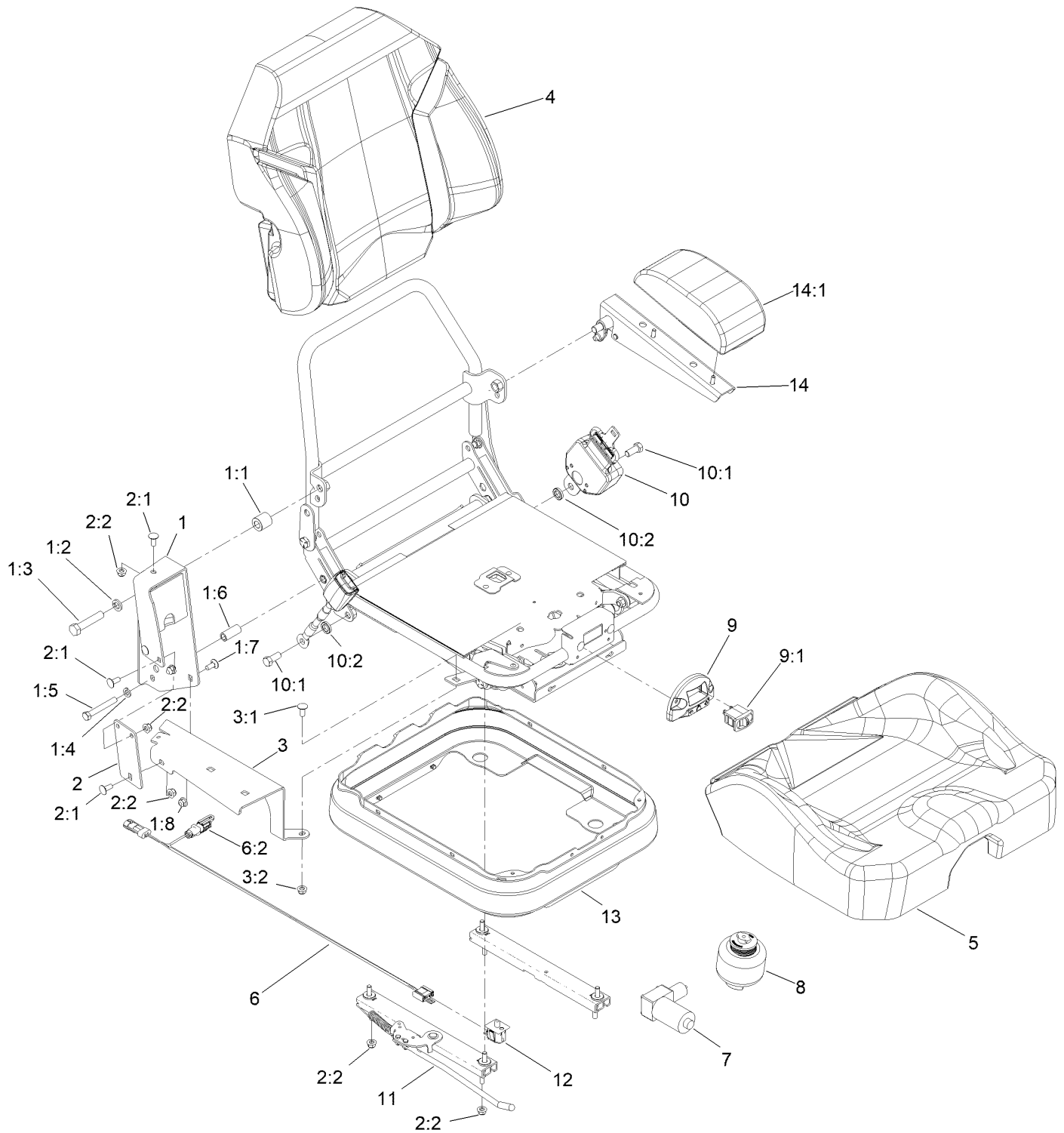
# Seat, Firewall and Step Mount Assembly



## Seat, Firewall and Step Mount Assembly (continued)

<i>Ref.</i>	<i>Part Number</i>	<i>Qty.</i>	<i>Description</i>	<i>Ref.</i>	<i>Part Number</i>	<i>Qty.</i>	<i>Description</i>
1	161-0807	1	Seat ASM-Air Ride	11	144-0525	1	Kit-Foam, Sound Reduction
2	139-2035-03	1	Firewall-Upper	11:1	140-6891	1	Panel-Firewall, Sound
3	139-2039	1	Seal-Foam, Firewall	11:2	140-6892	1	Panel-Firewall, Sound
4	139-2040	2	Seal-Foam, Side	11:3	140-6893	1	Tile-Firewall, Sound
7	139-2030-03	1	Mount-Step	11:4	140-6896	1	Floor-Pad
8	3296-51	2	Nut-Lock, NI	11:5	140-6724	1	Pad-Seat Base, Sound
9	328-7	2	Screw-HH	11:6	140-6725	1	Pad-Seat Base, Sound
10	144-4028	1	Kit-Foam, Sound Reduction	12	144-0526	1	Kit-Foam, Sound Reduction
10:1	144-3640	1	Steer-Plug Front	12:1	140-6897	4	Plug-ROPS
10:2	144-3224	1	Steer-Plug	12:2	140-6898	1	Brake-Plug
10:3	144-3639	1	Steer-Plug Right	12:3	140-6899	1	Brake-Plug
10:4	144-3227	3	Steering-Pad	12:4	144-3221	1	Brake-Plug
10:5	144-3228	1	Steering-Pad	12:5	144-3222	1	Brake-Plug
10:6	144-3638	1	Steer-Plug Left	13	144-0527	1	Kit-Foam, Sound Reduction
10:7	144-3641	2	Steer-Plug	13:1	144-3233	1	Floor-Pad, Center
10:8	144-3637	1	Steer-Plug Bottom	13:2	144-3234	1	Floor-Pad, Corner

# Air Ride Suspension Seat Assembly No. 161-0807

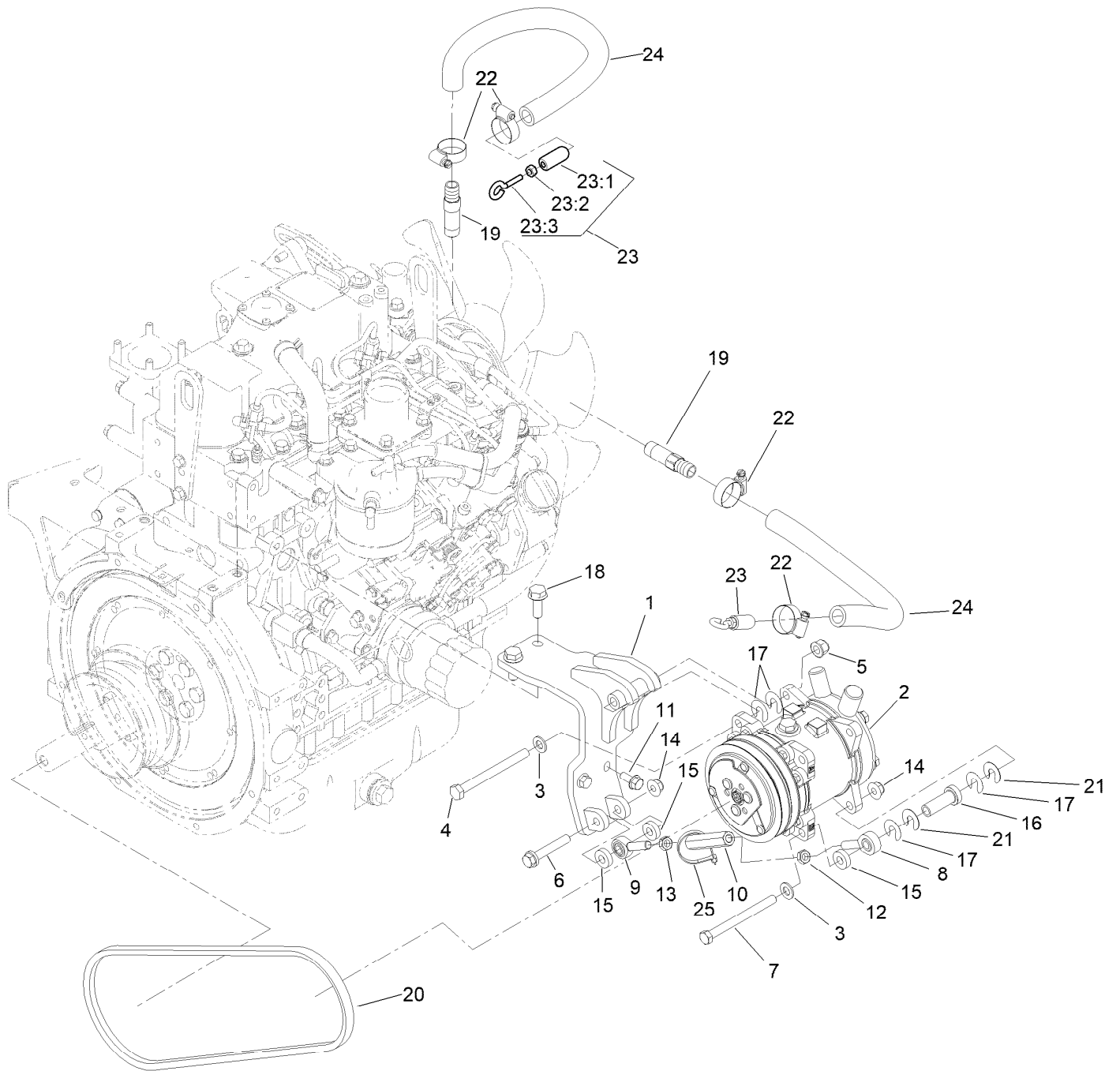


# Air Ride Suspension Seat Assembly No. 161-0807 (continued)

<i>Ref.</i>	<i>Part Number</i>	<i>Qty.</i>	<i>Description</i>	<i>Ref.</i>	<i>Part Number</i>	<i>Qty.</i>	<i>Description</i>
1	140-7112	1	Upper Console Mount Kit	5	125-3111	1	Cover-Cushion
1:1	140-7113	1	Spacer	6	122-2735	1	Harness-Wire, Seat
1:2	3253-7	1	Washer-Lock	6:2	32180-091	1	Cap-Dust, 2 Way
1:3	325-10	1	Screw-HH	7	140-7120	1	Air Compressor Kit
1:4	3253-21	1	Washer-Lock	8	140-7121	1	Air Bag Kit
1:5	323-13	1	Screw-HH	9	140-7122	1	Air Valve Kit
1:6	140-7114	1	Spacer	9:1	126-2747	1	Valve-Air Adjust
1:7	137-3061	2	Bolt-CARR	10	140-7116	1	Seat Belt Kit
1:8	119-4041	2	Nut-HF	10:1	3212-4	2	Screw-HH
2	140-7103	1	Bracket Kit	10:2	140-7108	2	Spacer
2:1	137-3061	4	Bolt-CARR	11	144-0458	1	Track Kit
2:2	119-4041	8	Nut-HF	12	145-3520	1	Switch-Plunger, On-(On)
3	140-7115	1	Lower Console Mount Kit	13	126-8559	1	Bellows-Seat
3:1	137-3061	1	Bolt-CARR	14	140-7110	1	Armrest-Deluxe, With Pad
3:2	119-4041	1	Nut-HF	14:1	140-7111	1	Pad-Armrest
4	125-3112	1	Cover-Back	99	140-7119	1	Harness-Air Ride ●

● Not illustrated

# Compressor and Belt Assembly

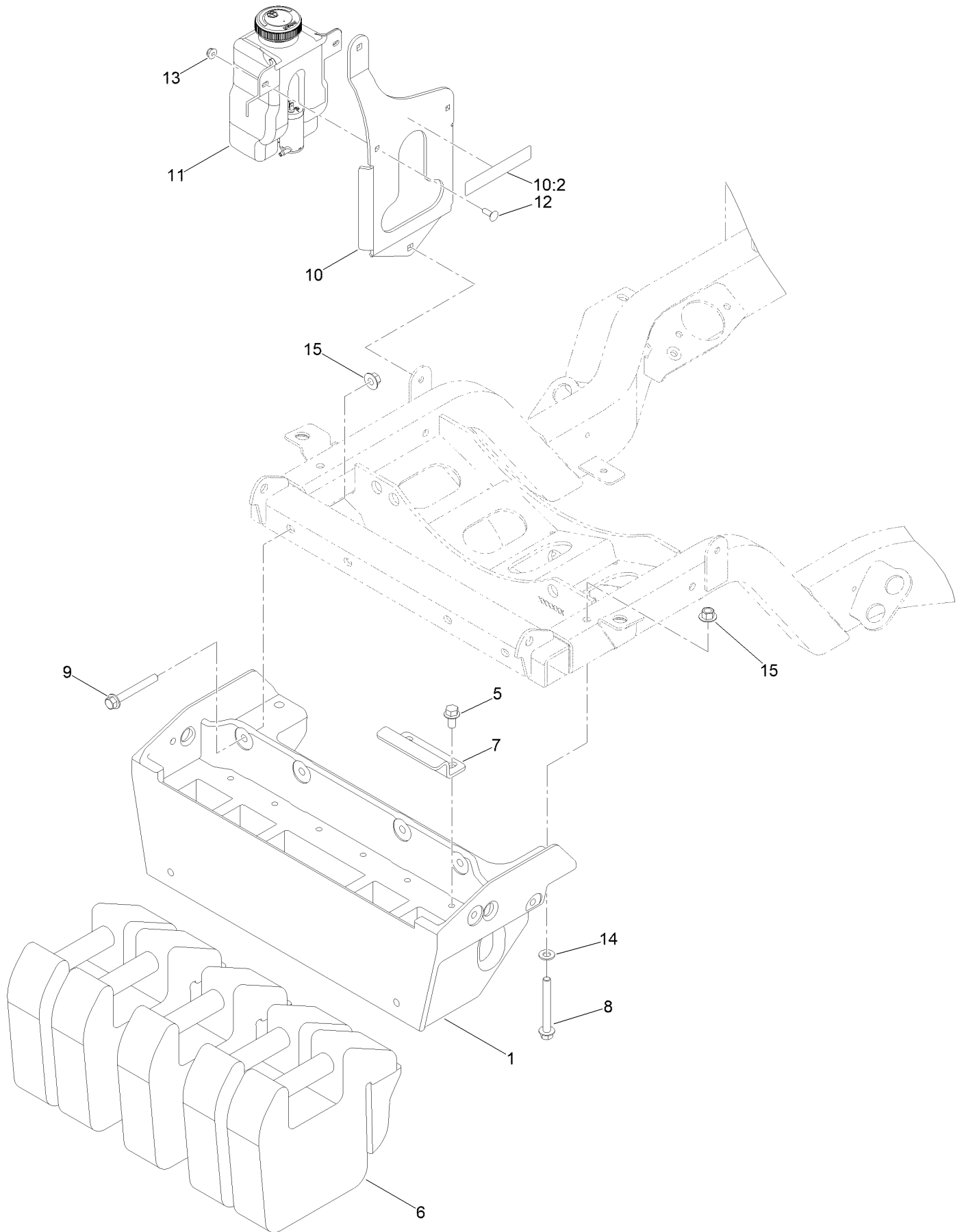


## Compressor and Belt Assembly (continued)

<i>Ref.</i>	<i>Part Number</i>	<i>Qty.</i>	<i>Description</i>	<i>Ref.</i>	<i>Part Number</i>	<i>Qty.</i>	<i>Description</i>
1	138-7435-0P	1	Bracket-Compressor Mount [prime	15	5-0652	3	Spacer
2	119-0103	1	Compressor	16	139-0873	1	Spacer
3	33095-00	2	Washer-Flat	17	119-7734	10	Shim
4	33115-110	1	Screw-HH	18	33105-030	2	Screw-HHF
5	103-9511	1	Nut-Flg	19	139-2236	2	Fitting-STR Spcl
6	100-2592	1	Screw-HHF	20	106-4498	1	Belt-V
7	119-0723	1	Screw-HH, Lock	21	139-6205	4	Shim
8	1-613204	1	Balljoint	22	2412-119	4	Clamp-Hose
9	125-4389	1	Bearing-End, Rod	23		2	Plug-Hose, ASM ●
10	136-7390	1	Turnbuckle	23:1	139-1904	1	Plug-Hose
11	33104-020	2	Screw-HHF	23:2	3217-5	1	Nut-Hex
12	3220-3	1	Nut-HJ	23:3	71-2870	1	Bolt-Eye
13	3220-16	1	Nut-Hex Jam, LH	24	140-6560	2	Hose-Heater, 5/8
14	119-4042	2	Nut-HF, NI	25	3290-378	1	Tie-Cable

● Not serviced separately

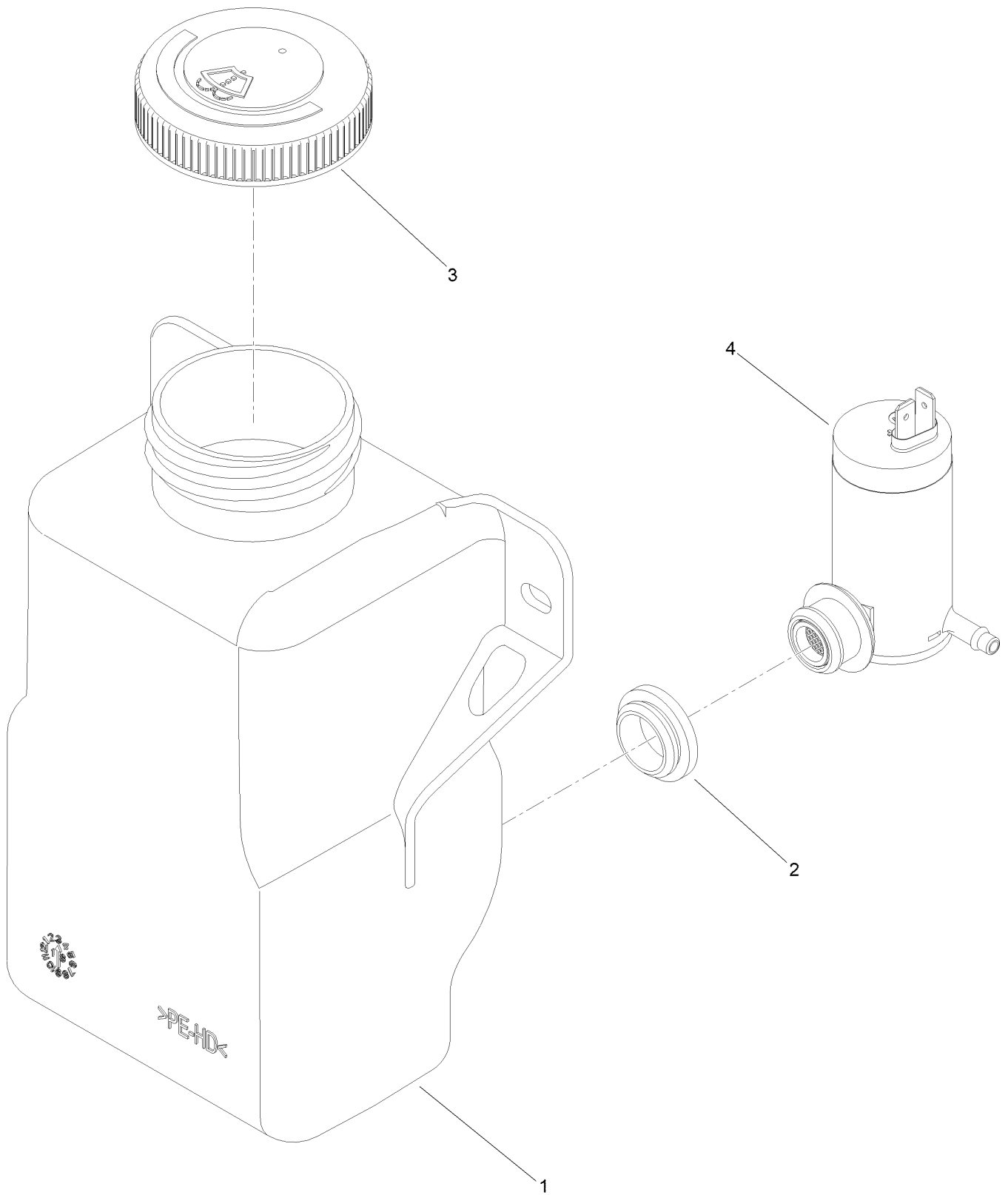
# Bumper and Weight Assembly



## Bumper and Weight Assembly (continued)

<i>Ref.</i>	<i>Part Number</i>	<i>Qty.</i>	<i>Description</i>	<i>Ref.</i>	<i>Part Number</i>	<i>Qty.</i>	<i>Description</i>
1	147-3589SP	1	Bumper-Rear	10:2	93-7272	1	Decal-Warning
5	3234-1	6	Screw-HHF	11	140-6665	1	Tank-Fluid, Washer (1.1L)
6	114-4096	5	Weight	12	3229-1	2	Screw-CARR
7	161-8910	3	Bracket-Weight Retainer	13	104-7201	2	Nut-HF, NI
8	3234-41	2	Screw-HHF	14	3256-24	2	Washer-Plain
9	139-2429	4	Screw-HHF	15	32128-43	6	Nut-Flange
10	144-3252	1	Mount-Washer				

# Washer Fluid Tank Assembly No. 140-6665

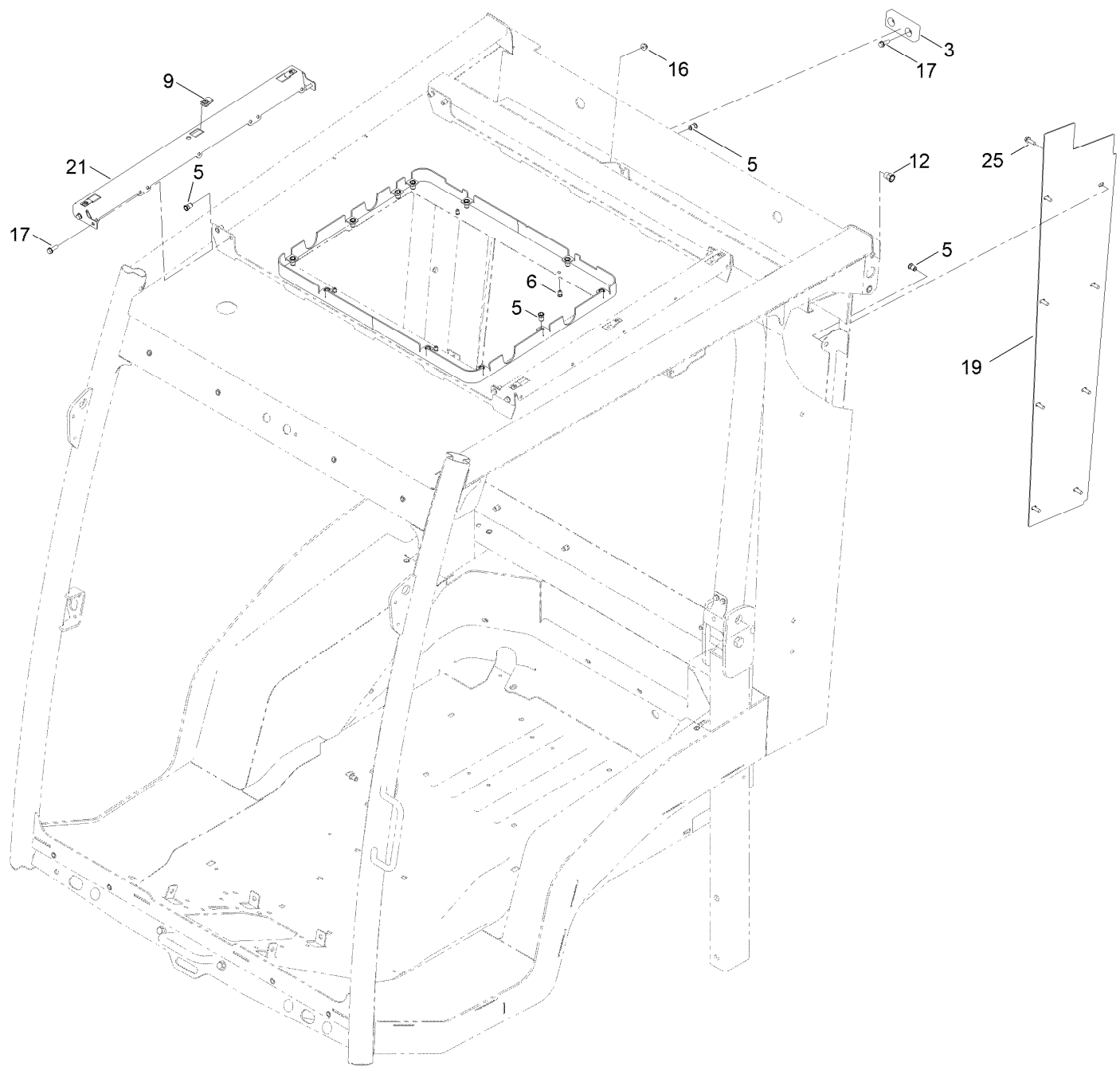


# Washer Fluid Tank Assembly No. 140-6665 (continued)

<i>Ref.</i>	<i>Part Number</i>	<i>Qty.</i>	<i>Description</i>
1	140-6666	1	Tank
2	140-6667	1	Grommet

<i>Ref.</i>	<i>Part Number</i>	<i>Qty.</i>	<i>Description</i>
3	140-6669	1	Cap-Washer
4	140-6668	1	Pump-Washer

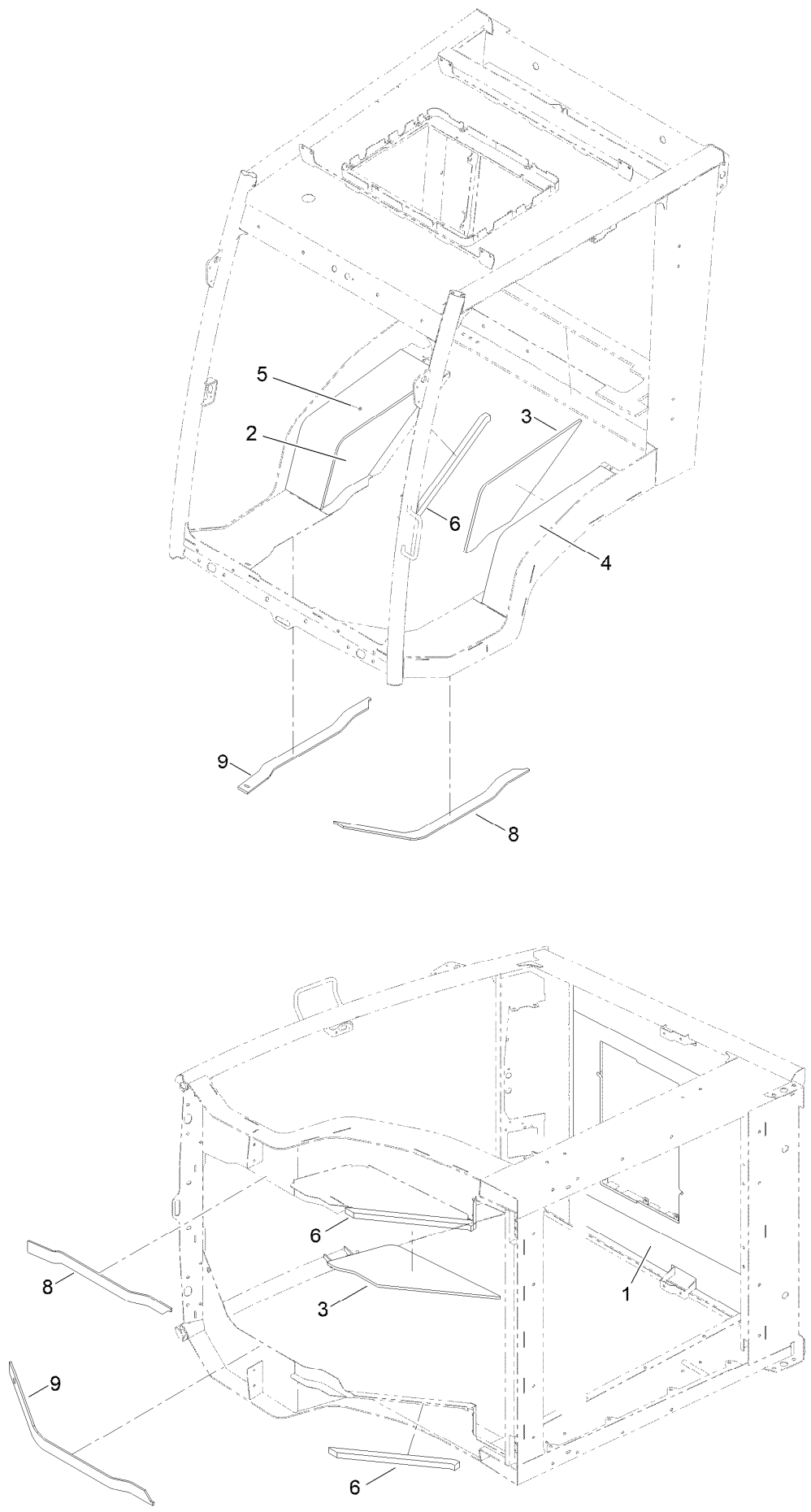
# Frame, Mount and Seals Assembly



## Frame, Mount and Seals Assembly (continued)

<i>Ref.</i>	<i>Part Number</i>	<i>Qty.</i>	<i>Description</i>	<i>Ref.</i>	<i>Part Number</i>	<i>Qty.</i>	<i>Description</i>
3	86-5350	4	Bumper-Rubber	16	104-7201	8	Nut-HF, NI
5	138-2760	69	Nut-Clinch, Hex	17	32105-15	16	Screw-HWH
6	137-1225	4	Nut-Clinch,Hex	19	137-1167-03	2	Cover-Post, Rear
9	107069	6	Clip	21	139-2158-03	2	Bracket-Mount, Roof
12	138-2899	4	Nut-Clinch	25	32105-15	16	Screw-HWH

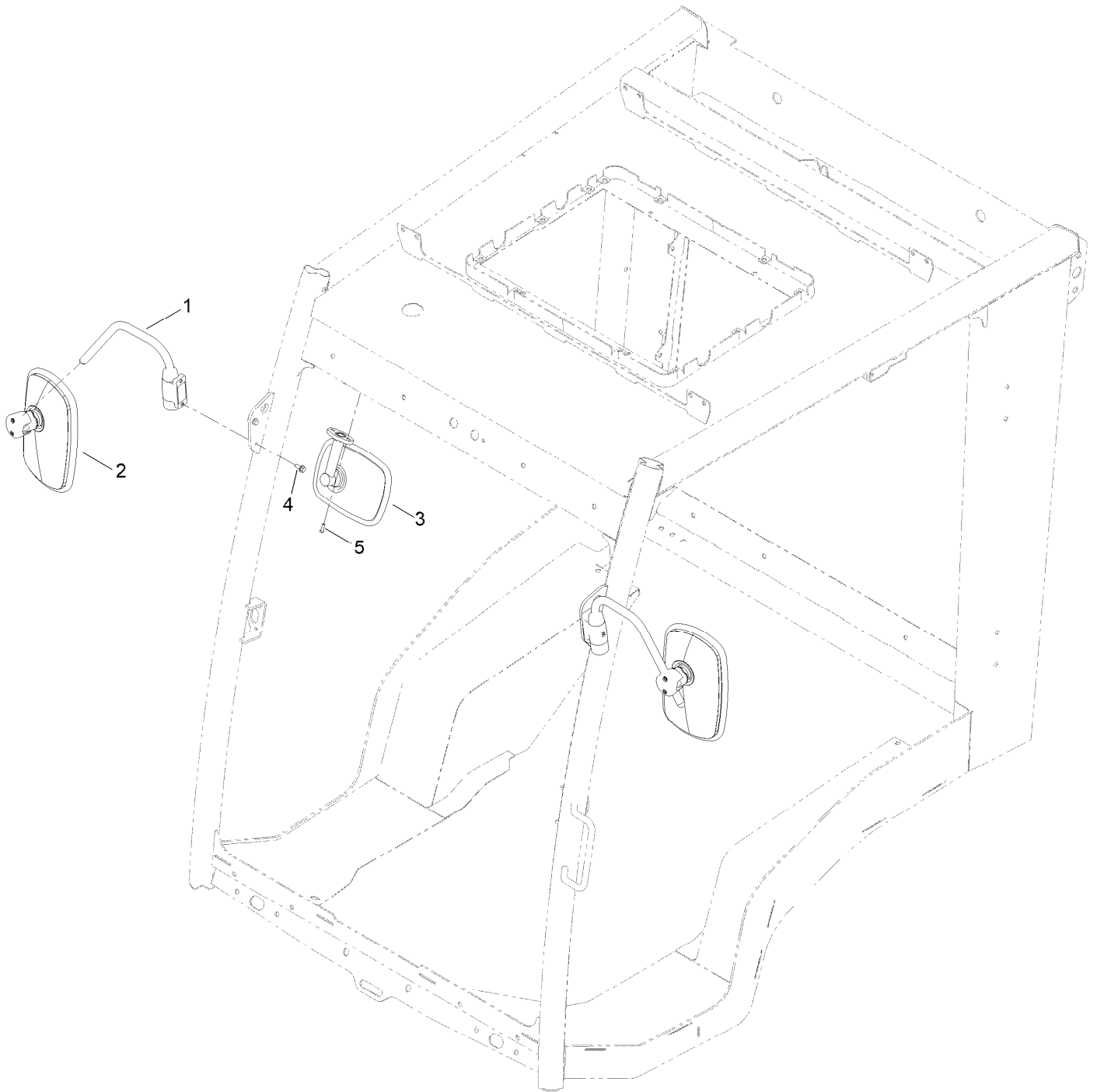
# Interior Foam and Carpet Assembly



## Interior Foam and Carpet Assembly (continued)

<i>Ref.</i>	<i>Part Number</i>	<i>Qty.</i>	<i>Description</i>	<i>Ref.</i>	<i>Part Number</i>	<i>Qty.</i>	<i>Description</i>
1	163-0369	1	Foam-Interior Roof	5	163-0342	1	Carpet-Interior, Tank RH
2	163-0340	1	Carpet-Interior, Side RH	6	139-2003	2	Seal-Foam, Side
3	163-0339	1	Carpet-Interior, Side LH	8	139-2004	1	Seal-Foam, LH
4	163-0341	1	Carpet-Interior, Tank LH	9	139-2005	1	Seal-Foam, RH

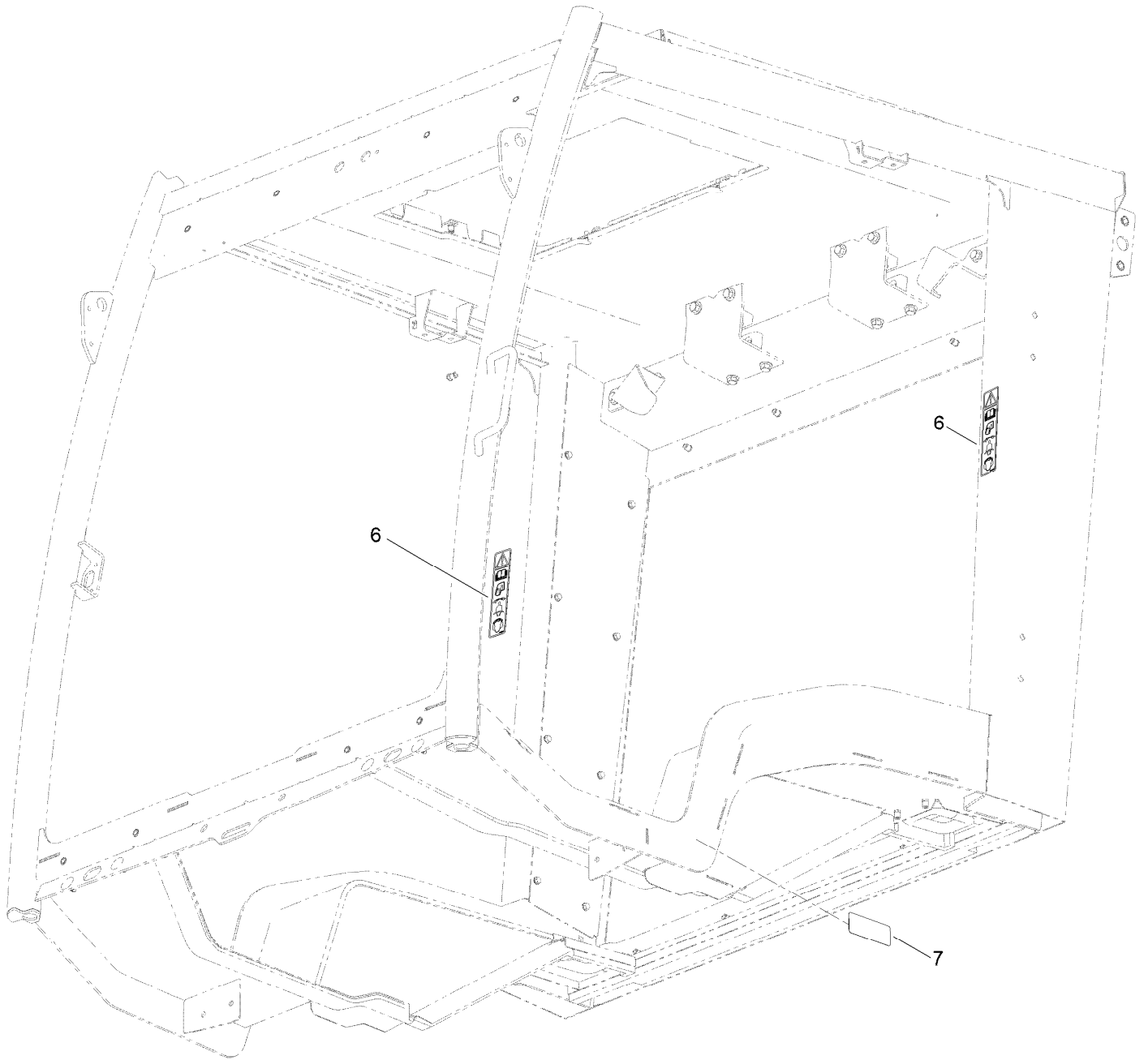
# Cab Mirrors Assembly



## Cab Mirrors Assembly (continued)

<i>Ref.</i>	<i>Part Number</i>	<i>Qty.</i>	<i>Description</i>	<i>Ref.</i>	<i>Part Number</i>	<i>Qty.</i>	<i>Description</i>
1	121-8275	2	Arm-Mirror, Side	4	33103-016	4	Screw-HHF
2	121-8341	2	Side Mirror ASM	5	32144-32	2	Screw-PPH
3	121-8343	1	Interior Mirror ASM				

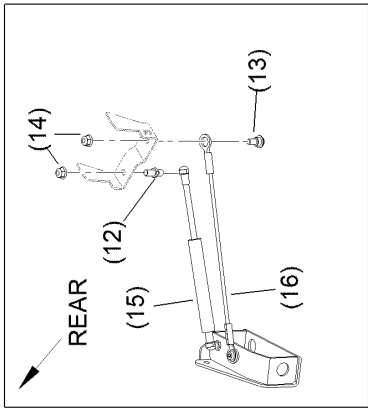
# Decal Assembly



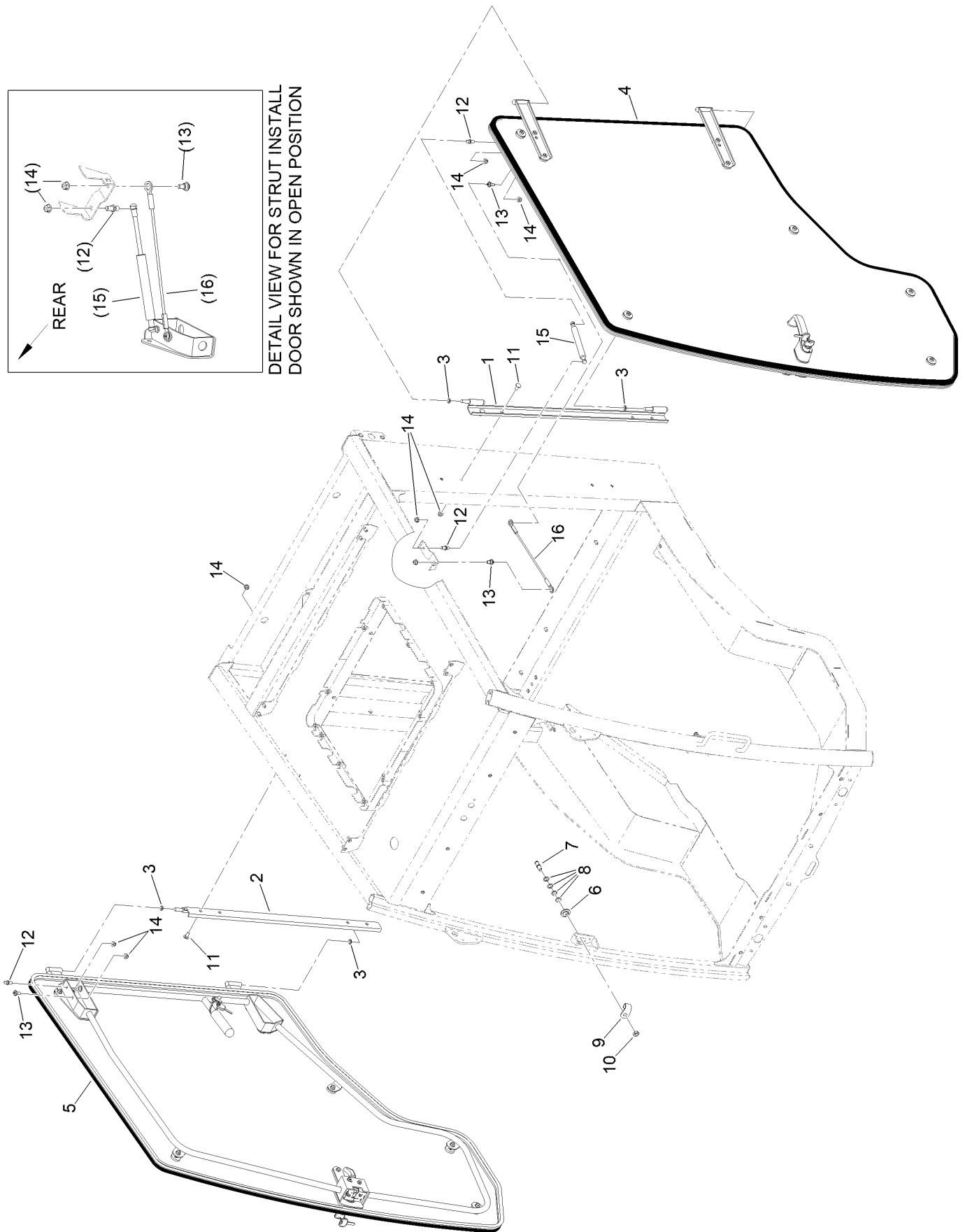
## Decal Assembly (continued)

<i>Ref.</i>	<i>Part Number</i>	<i>Qty.</i>	<i>Description</i>
6	130-0594	2	Decal-Warning
7	106-9206	2	Decal-Torque, Wheel

# Door Assembly



DETAIL VIEW FOR STRUT INSTALL  
DOOR SHOWN IN OPEN POSITION



## Door Assembly (continued)

<i>Ref.</i>	<i>Part Number</i>	<i>Qty.</i>	<i>Description</i>	<i>Ref.</i>	<i>Part Number</i>	<i>Qty.</i>	<i>Description</i>
1	138-2944-03	1	Mount-Door, LH	9	121-8393	2	Guard-Striker
2	138-2945-03	1	Mount-Door, RH	10	140-4431	2	Nut-Hex, Jam
3	121-8441	4	Washer-Spacer	11	137-3061	8	Bolt-CARR
4		1	LH Door ASM ●	12	98-3104	4	Stud-Ball
5		1	RH Door ASM ●	13	120-9471	4	Bolt-Shoulder
6	125-9992	2	Adjuster-Stud	14	119-4041	16	Nut-HF
7	140-4422	2	Striker-Stud	15	144-3517	2	Spring-Gas, Door
8	73-0040	8	Washer-Thrust	16	140-1636	2	Lanyard-Coated

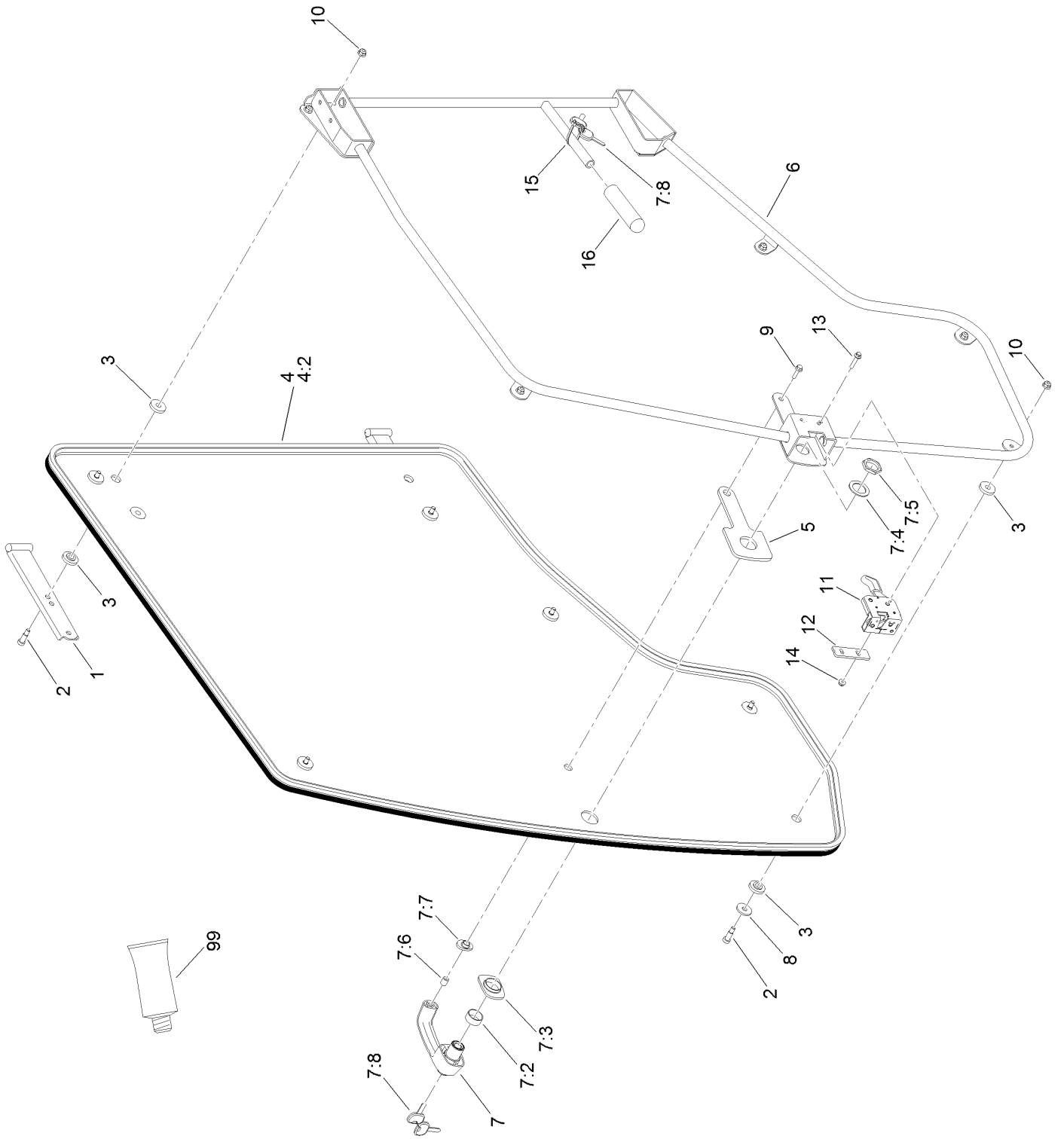
● Not serviced separately



## LH Door Assembly (continued)

<i>Ref.</i>	<i>Part Number</i>	<i>Qty.</i>	<i>Description</i>	<i>Ref.</i>	<i>Part Number</i>	<i>Qty.</i>	<i>Description</i>
1	132-3622-03	2	Hinge-Door, LH	7:6	121-8627	1	Cylinder-Mounting, End
2	125-9520	9	Screw-Shoulder, HSH	7:7	121-8323	1	Grommet-Mounting, Small
3	125-9982	18	Bushing-Flange	7:8	125-9531	1	Key-Set
4	137-1207	1	LH Glass Door ASM	8	125-9676	5	Washer-Backup
4:2	137-1205	1	Trim-Seal, Door	9	33103-025	1	Screw-HHF
5	121-8331	1	Gasket-Handle	10	119-4041	9	Nut-HF
6	140-6552-03	1	Frame-Door, LH	11	121-8391	1	Latch-LH
7	121-8630	1	Handle ASM	12	121-8395	1	Plate-Support, Latch
7:2	121-8628	1	Cylinder-Mounting, Key	13	3234-21	2	Screw-HHF
7:3	121-8322	1	Grommet-Mounting, Large	14	104-7201	2	Nut-HF, NI
7:4	121-8327	1	Washer	15	3290-378	1	Tie-Cable
7:5	121-8328	1	Nut				

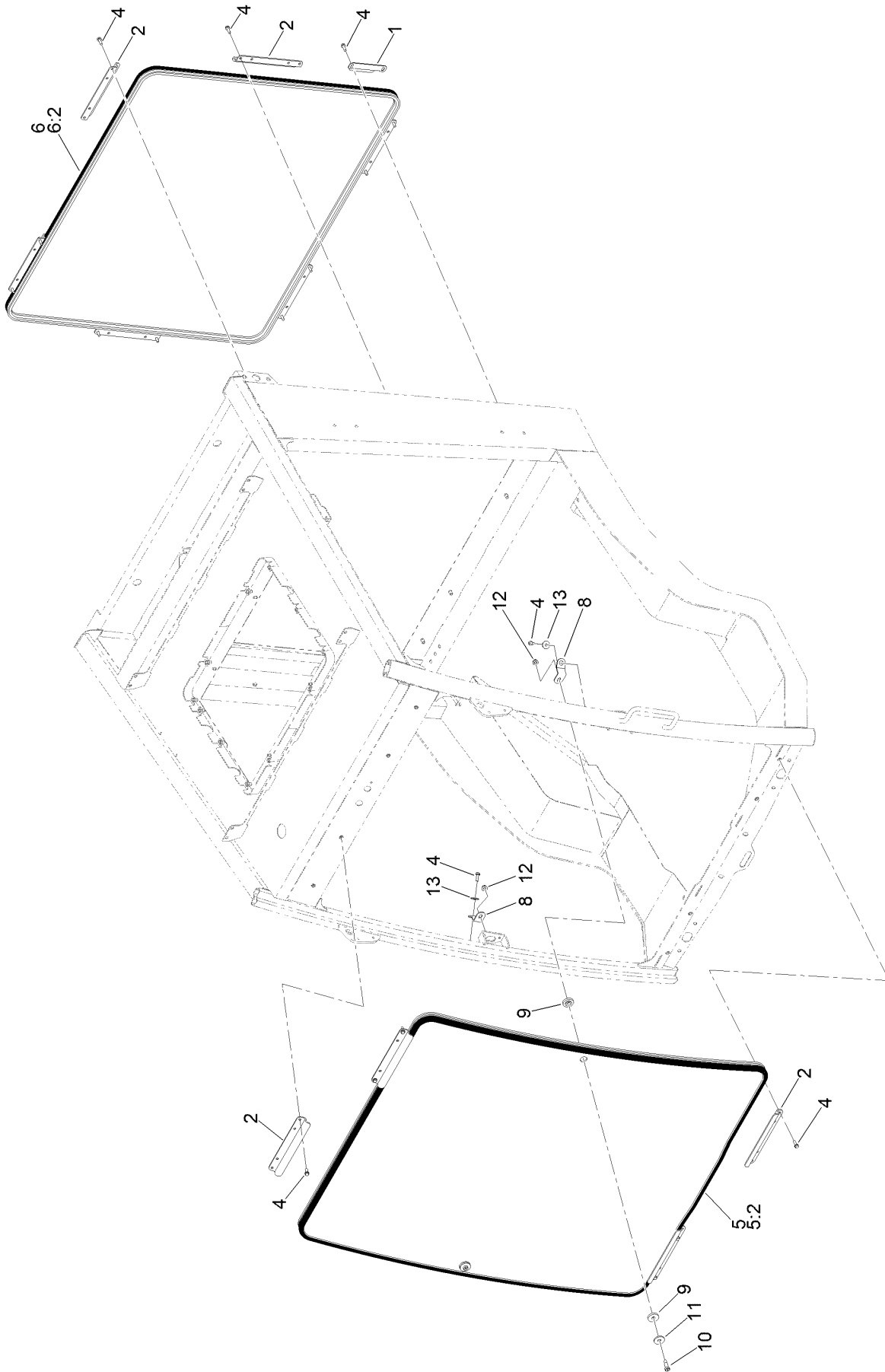
# RH Door Assembly



## RH Door Assembly (continued)

<i>Ref.</i>	<i>Part Number</i>	<i>Qty.</i>	<i>Description</i>	<i>Ref.</i>	<i>Part Number</i>	<i>Qty.</i>	<i>Description</i>
1	132-3636-03	2	Hinge-Door, RH	7:7	121-8323	1	Grommet-Mounting, Small
2	125-9520	9	Screw-Shoulder, HSH	7:8	125-9531	1	Key-Set
3	125-9982	18	Bushing-Flange	8	125-9676	5	Washer-Backup
4	137-1208	1	RH Glass Door ASM	9	33103-025	1	Screw-HHF
4:2	137-1205	1	Trim-Seal, Door	10	119-4041	9	Nut-HF
5	121-8331	1	Gasket-Handle	11	121-8390	1	Latch-RH
6	140-6553-03	1	Frame-Door, RH	12	121-8395	1	Plate-Support, Latch
7	121-8630	1	Handle ASM	13	3234-21	2	Screw-HHF
7:2	121-8628	1	Cylinder-Mounting, Key	14	104-7201	2	Nut-HF, NI
7:3	121-8322	1	Grommet-Mounting, Large	15	3290-378	1	Tie-Cable
7:4	121-8327	1	Washer	16	110-1037	1	Grip-Handle
7:5	121-8328	1	Nut	99	505-42	1	Adhesive-Loctite
7:6	121-8627	1	Cylinder-Mounting, End				

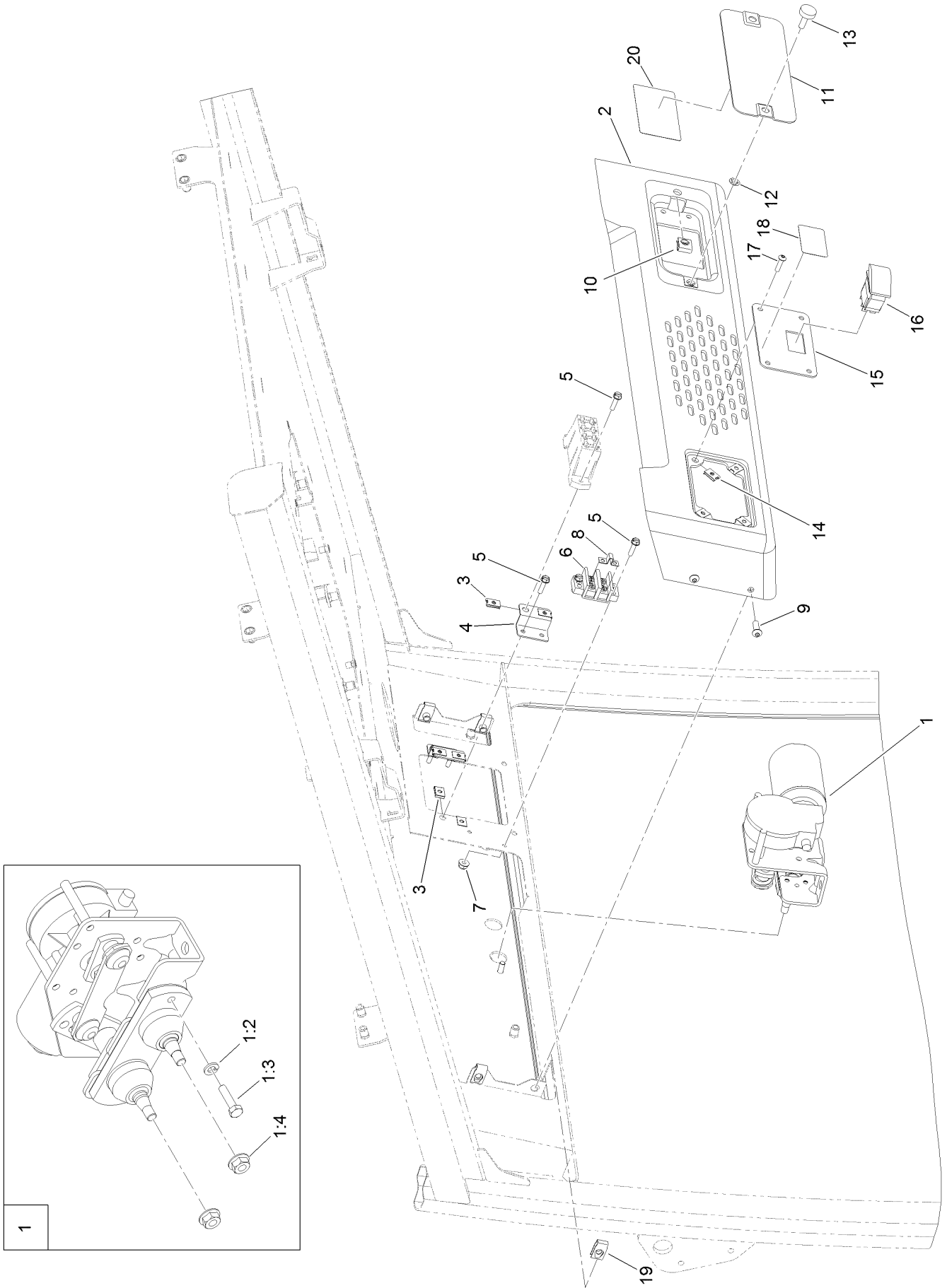
# Front and Rear Glass Assembly



## Front and Rear Glass Assembly (continued)

<i>Ref.</i>	<i>Part Number</i>	<i>Qty.</i>	<i>Description</i>	<i>Ref.</i>	<i>Part Number</i>	<i>Qty.</i>	<i>Description</i>
1	140-6575-03	2	Bracket-Cover	8	140-4432	2	Bracket-Mount, Window
2	139-2313-03	10	Bracket-Retainer	9	125-9982	4	Bushing-Flange
4	32105-15	26	Screw-HWH	10	125-9520	2	Screw-Shoulder, HSH
5	137-1209	1	Glass Windshield ASM	11	125-9676	2	Washer-Backup
5:2	139-2263	1	Trim-Seal, Windshield	12	119-4041	2	Nut-HF
6	139-1971	1	Rear Window ASM	13	3256-67	2	Washer
6:2	138-2895	1	Trim-Glass.Rear				

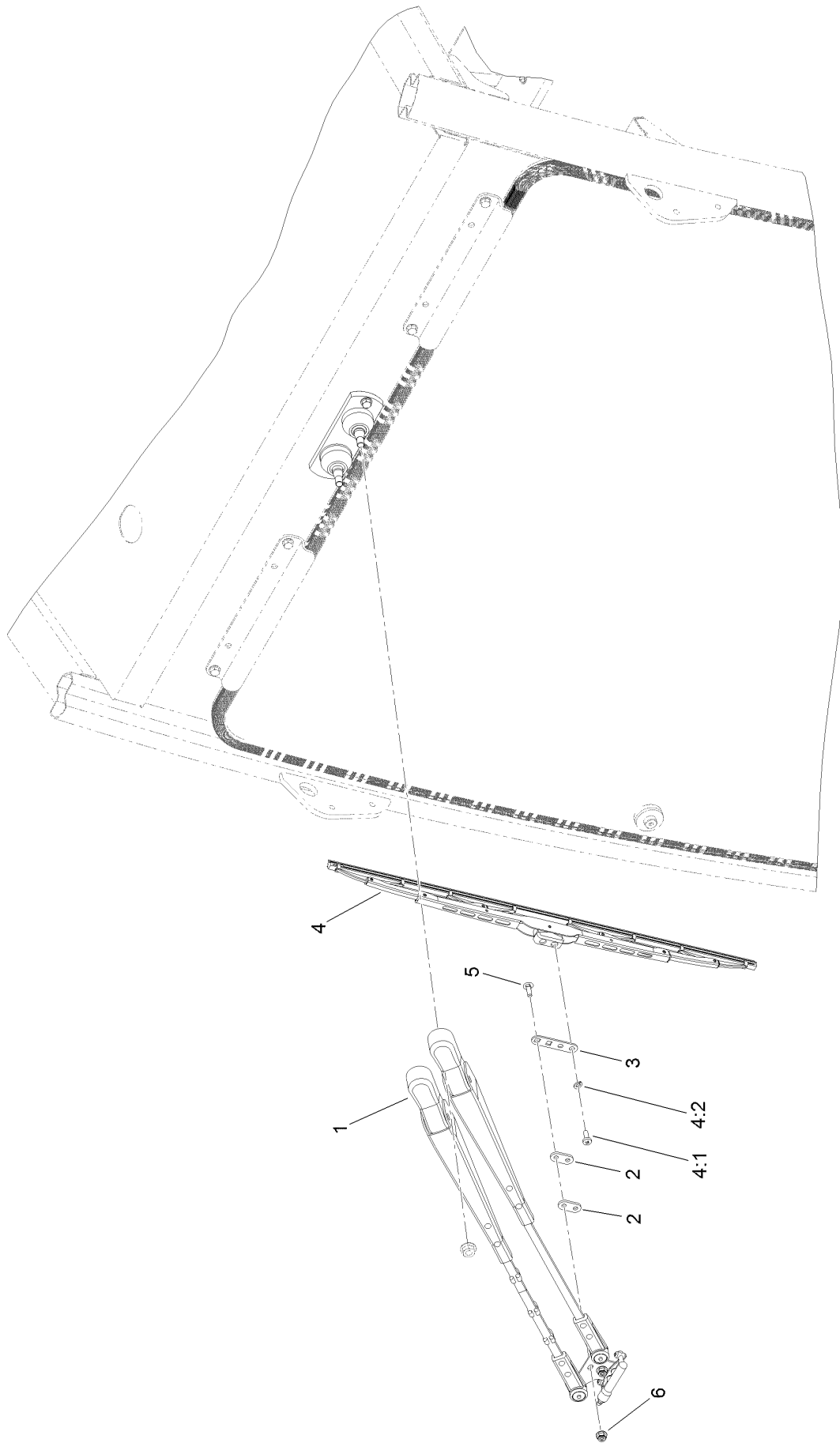
# Window Wiper System Assembly



## Window Wiper System Assembly (continued)

<i>Ref.</i>	<i>Part Number</i>	<i>Qty.</i>	<i>Description</i>	<i>Ref.</i>	<i>Part Number</i>	<i>Qty.</i>	<i>Description</i>
1	125-7452	1	Wiper Motor ASM	10	609900	2	Nut-Speed
1:2	3253-3	1	Washer-Lock	11	125-9603-03	1	Plate-Cover, Fuse
1:3	33113-025	1	Screw-HH	12	32115-15	4	Nut-Push
1:4	112-2844	2	Nut-HF	13	125-7438	2	Knob-Screw, Thumb
2	138-2764	1	Cover-Wiper	14	163-0363	4	Nut-U-Clip Speed Retainer
3	107-1013	6	Nut-Speed	15	139-2048-03	1	Plate-Mount, Switch
4	138-2822	2	Bracket-Fuse Block	16	119-8355	1	Switch-Rocker
5	32105-13	8	Screw-HWH	17	104-2408	4	Screw-HSBH
6	42862	1	Block-Terminal, Ground	18	125-9688	1	Decal-Washer
7	120-4578	2	Nut-HF	19	107069	4	Clip
8	42863	1	Strip-Jumper	20	140-6632	1	Decal-Fuse Panel
9	3274-69	4	Screw-HSBH				

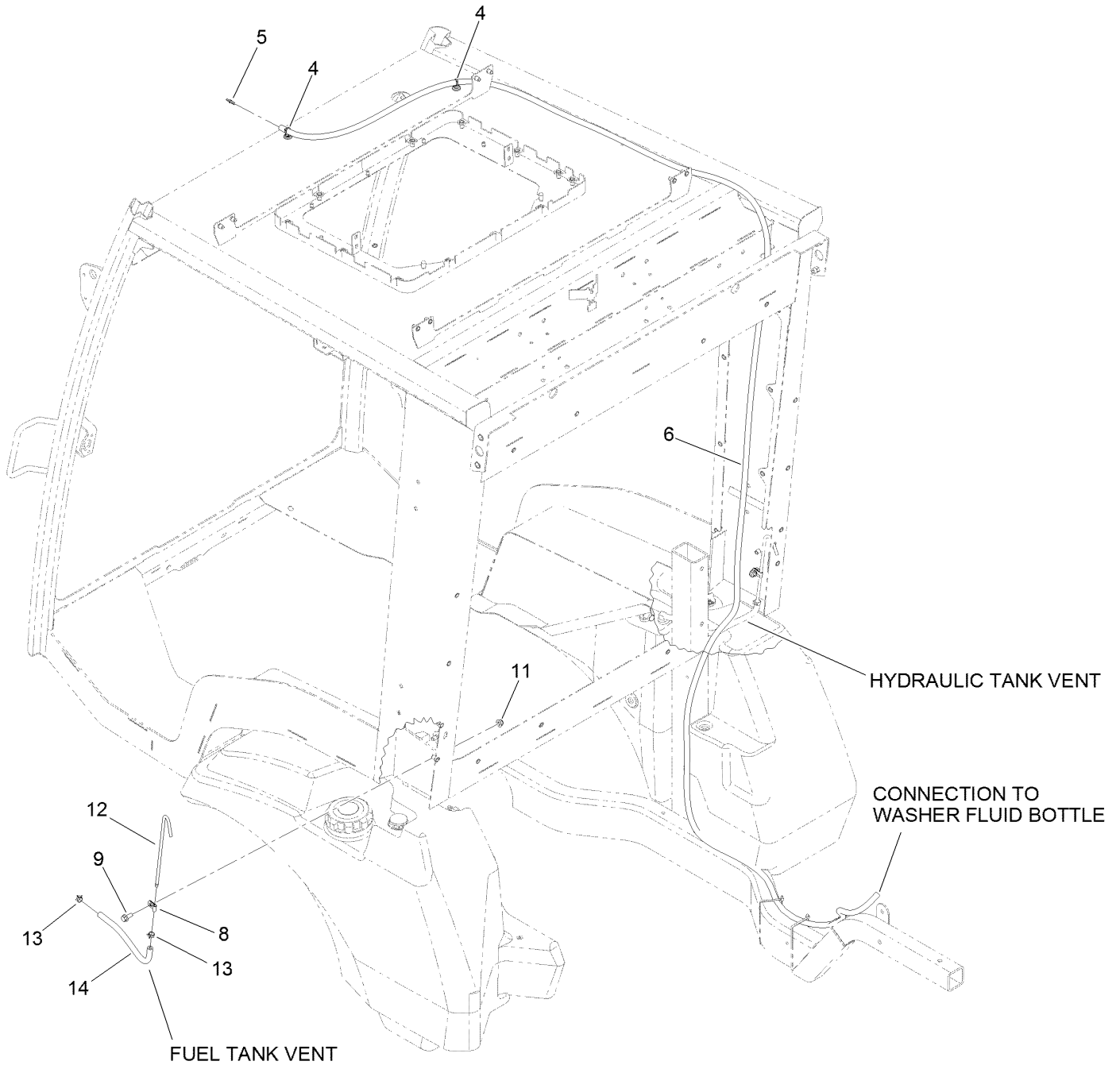
# Window Wiper Assembly



## Window Wiper Assembly (continued)

<i>Ref.</i>	<i>Part Number</i>	<i>Qty.</i>	<i>Description</i>	<i>Ref.</i>	<i>Part Number</i>	<i>Qty.</i>	<i>Description</i>
1	137-1114	1	Arm-Wiper	4:1	47-2830	2	Screw
2	139-2250	2	Mount-Wiper, Spacer	4:2	43-5920	2	Washer-Lock, Spring
3	140-6556	1	Mount-Wiper	5	3229-20	2	Screw-CARR
4	137-1127	1	Blade-Wiper	6	138-0719	2	Nut-HF

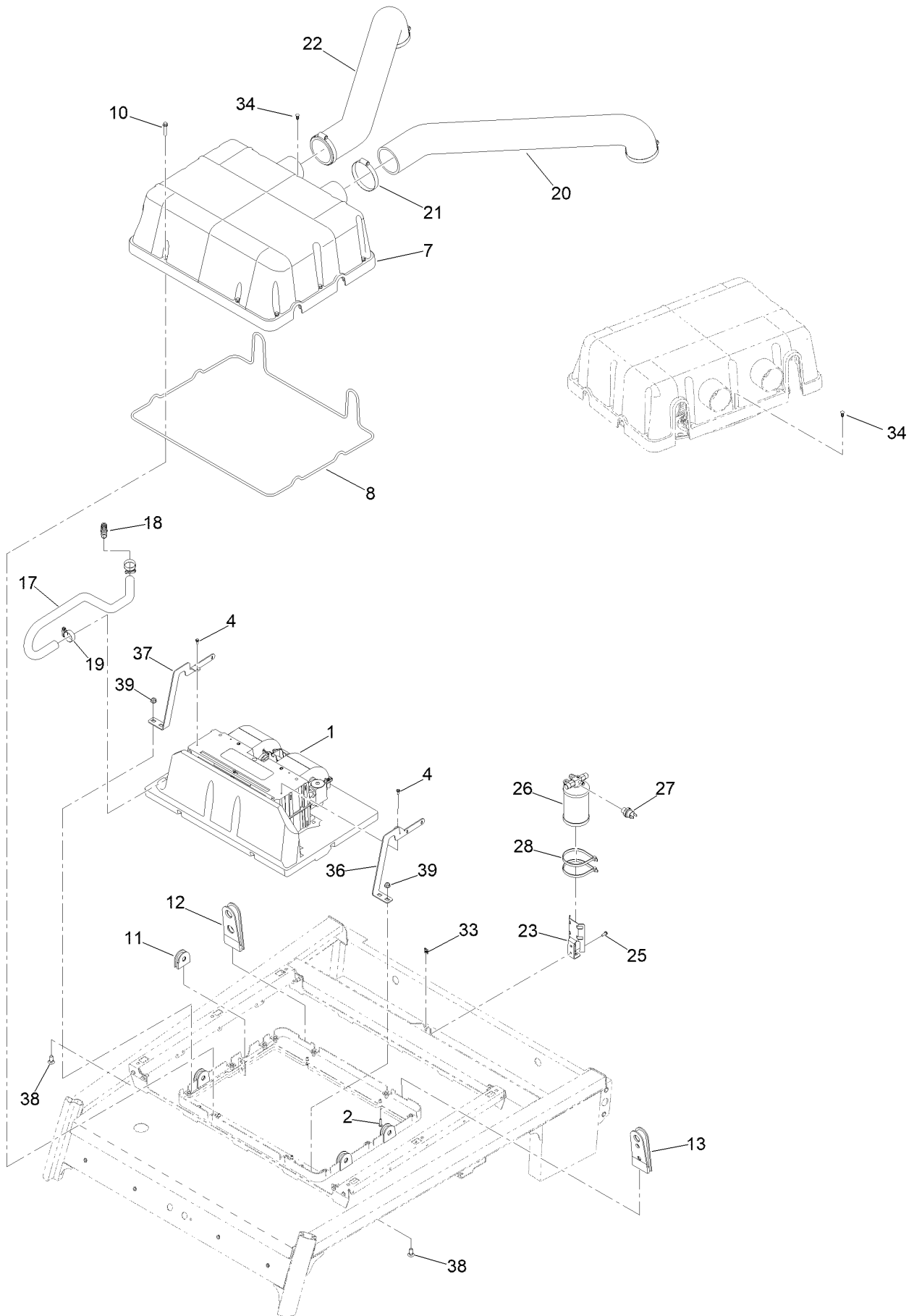
# Window Wiper Hose Assembly



## Window Wiper Hose Assembly (continued)

<i>Ref.</i>	<i>Part Number</i>	<i>Qty.</i>	<i>Description</i>	<i>Ref.</i>	<i>Part Number</i>	<i>Qty.</i>	<i>Description</i>
4	32180-139	2	Mount-Tie Wrap, Magnetic	11	119-4041	2	Nut-HF
5	127-9905	1	Fitting-Hose, Barb	12	139-6252	2	Tube-Vent
6	139-2175	1	Hose-Washer Fluid	13	2412-98	2	Clamp-Hose
8	2412-103	2	Clamp	14	139-6253	2	Hose-Fuel
9	3234-47	2	Screw-HHF				

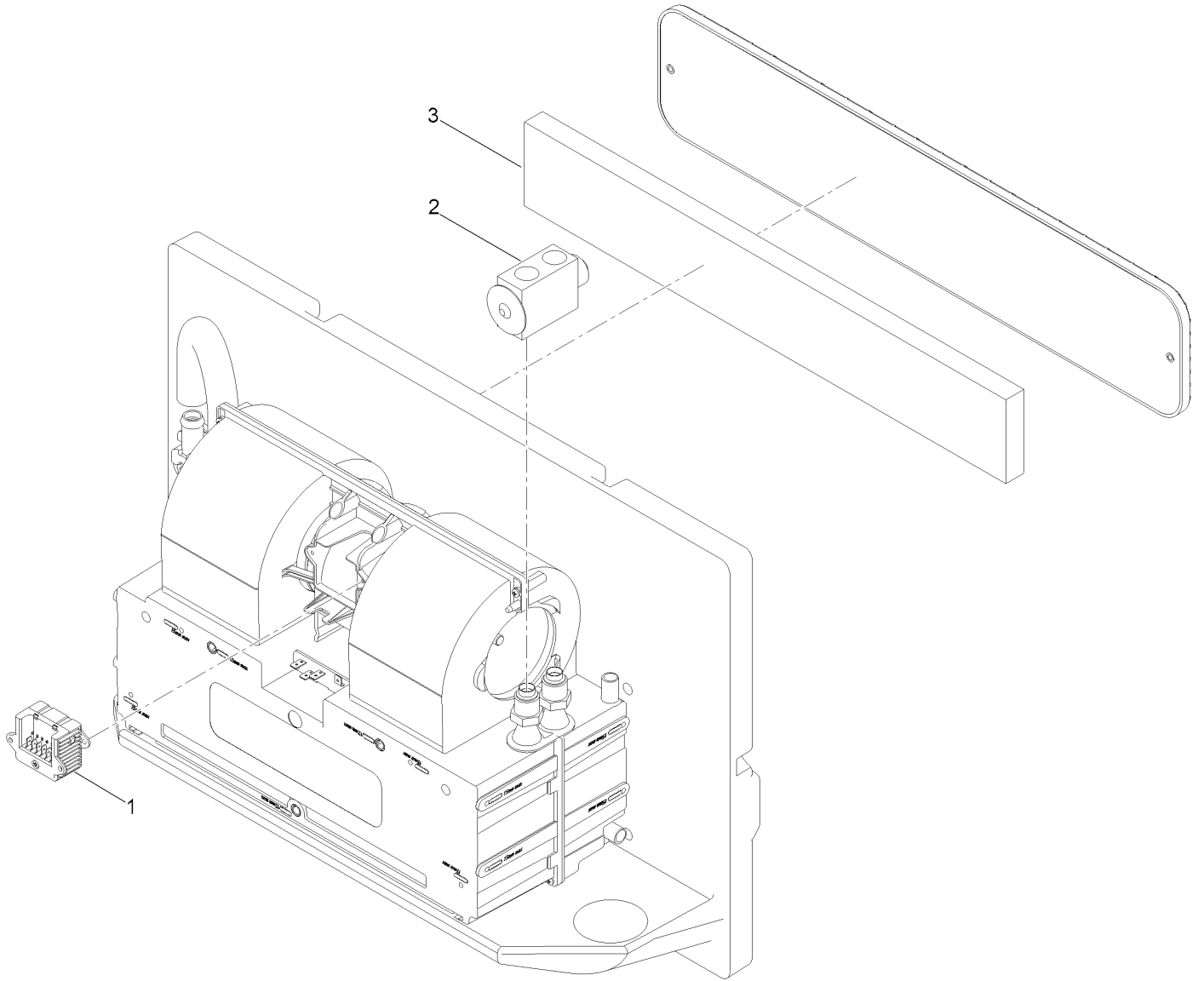
# Heater Assembly



## Heater Assembly (continued)

<i>Ref.</i>	<i>Part Number</i>	<i>Qty.</i>	<i>Description</i>	<i>Ref.</i>	<i>Part Number</i>	<i>Qty.</i>	<i>Description</i>
1	163-0361	1	Hvac ASM	21	2412-110	4	Clamp-Band/Screw
2	3250-27	4	Screw-PPH	22	139-1929	1	Hose-Intake, RH
4	117-5036	6	Screw-Plastic, HWH	23	138-2790	1	Bracket-Mount, Drier
7	138-2827	1	Cover-A/C	25	32105-23	2	Screw
8	138-2831	1	Seal-Cord, Foam	26	130-5999	1	Drier-Receiver
10	131-5927	11	Screw-HHF	27	119-4501	1	Switch-Function, Dual
11	140-6566	4	Plug - A/C Drain Line	28	3334-945	2	Tie-Cable
12	138-2816	1	Plug-Lines, Heat	33	163-0363	2	Nut-U-Clip Speed Retainer
13	140-1624	1	Plug-A/C Lines	34	114-4899	1	Rivet-Push
17	163-0405	1	Heater-Hose, Formed	36	163-0373-0P	1	Brkt-Support, Left
18	131-3373	1	Fitting-STR	37	163-0374-0P	1	Brkt-Support, Right
19	2412-129	2	Clamp-Hose	38	3230-1	4	Bolt-CARR
20	139-1928	1	Hose-Intake, LH	39	119-4041	4	Nut-HF

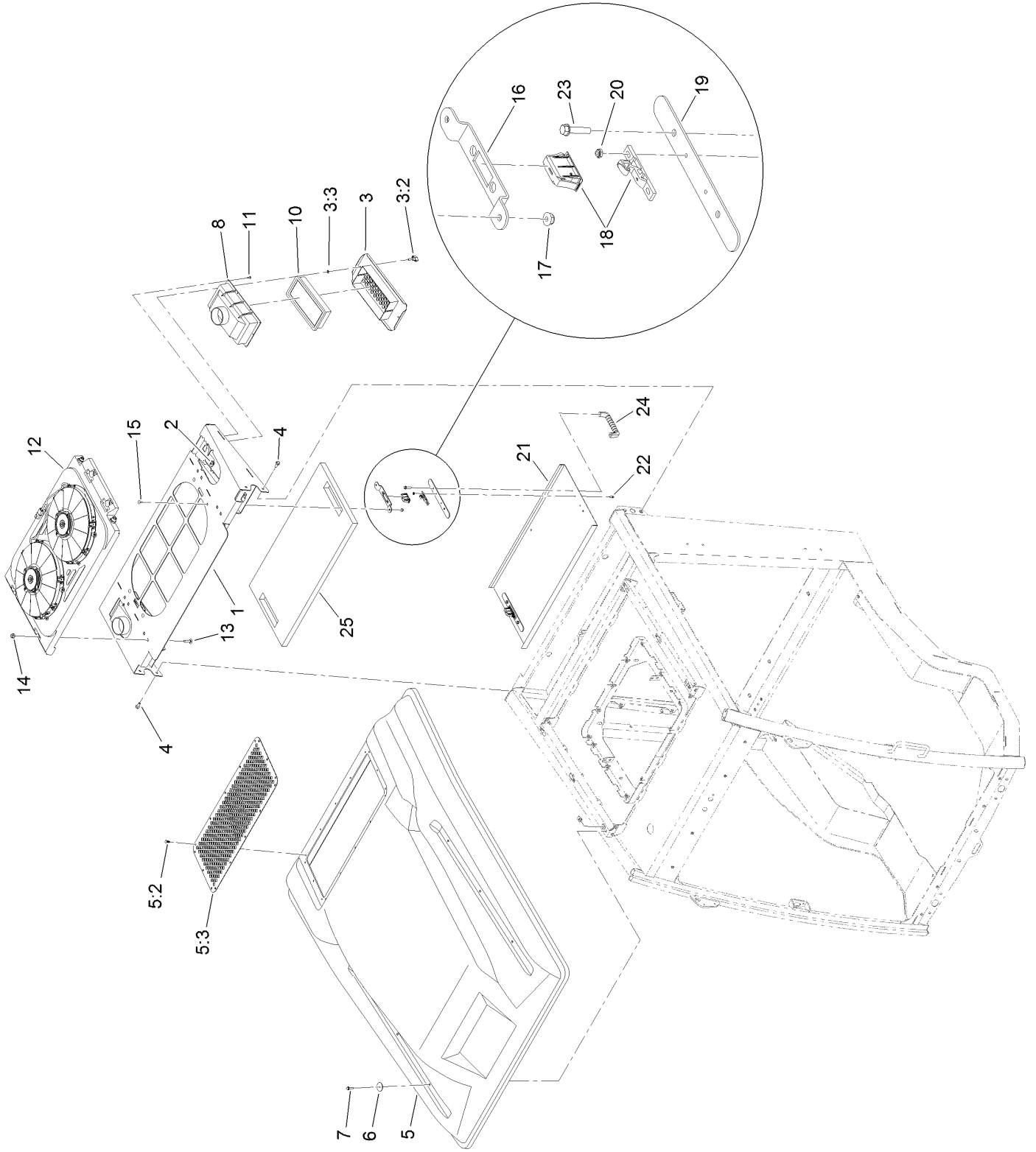
# HVAC Assembly No. 163-0361



## HVAC Assembly No. 163-0361 (continued)

<i>Ref.</i>	<i>Part Number</i>	<i>Qty.</i>	<i>Description</i>
1	138-2967	1	Thermostat-Resistor
2	164-3404	1	Expansion Valve
3	164-3414	1	Filter-Air, Cabin

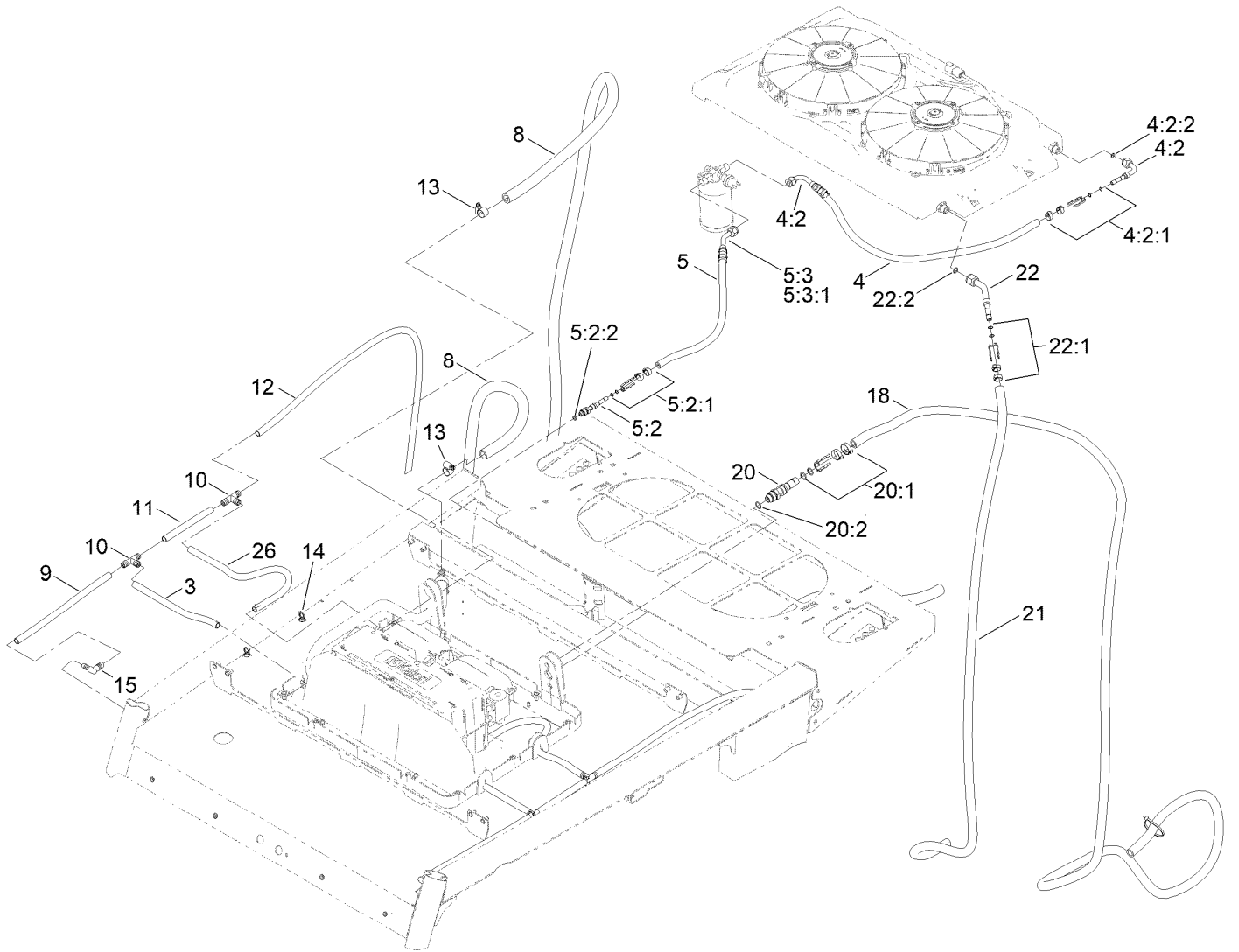
# Roof, Air Filter and Condenser Assembly



## Roof, Air Filter and Condenser Assembly (continued)

<i>Ref.</i>	<i>Part Number</i>	<i>Qty.</i>	<i>Description</i>	<i>Ref.</i>	<i>Part Number</i>	<i>Qty.</i>	<i>Description</i>
1	139-1958-03	1	Wing-Rear	12	138-2907	1	Condenser
2	107069	4	Clip	13	3231-28	4	Screw-CARR
3	137-1397	2	Filter Cover ASM	14	119-4042	4	Nut-HF, NI
3:2	126-5846	2	Knob-T	15	3229-11	4	Screw-CARR
3:3	32115-15	2	Nut-Push	16	138-2742	2	Mount-Latch
4	3234-47	4	Screw-HHF	17	104-7201	4	Nut-HF, NI
5	139-1898	1	Roof ASM	18	130-0643	2	Latch-Push To Close
5:2	138-2714-03	1	Screen-Roof	19	138-2744-03	2	Plate-Backing
5:3	114-4899	16	Rivet-Push	20	3296-54	4	Nut-Lock
6	136-7176	6	Washer-Fender	21	139-1923-03	1	Pre-Filter, Screen
7	120-4654	6	Screw-HHF	22	112-3169	4	Screw-HHF, Serrated
8	137-1281	2	Box-Intake, Air	23	137-3101	4	Screw-Plastic, HWH
10	121-8457	2	Filter-Air	24	65-5100	2	Handle-Door
11	3290-55	20	Rivet-Pop	25	139-1922	1	Filter-Pre-Scren

# Heat Hose Assembly

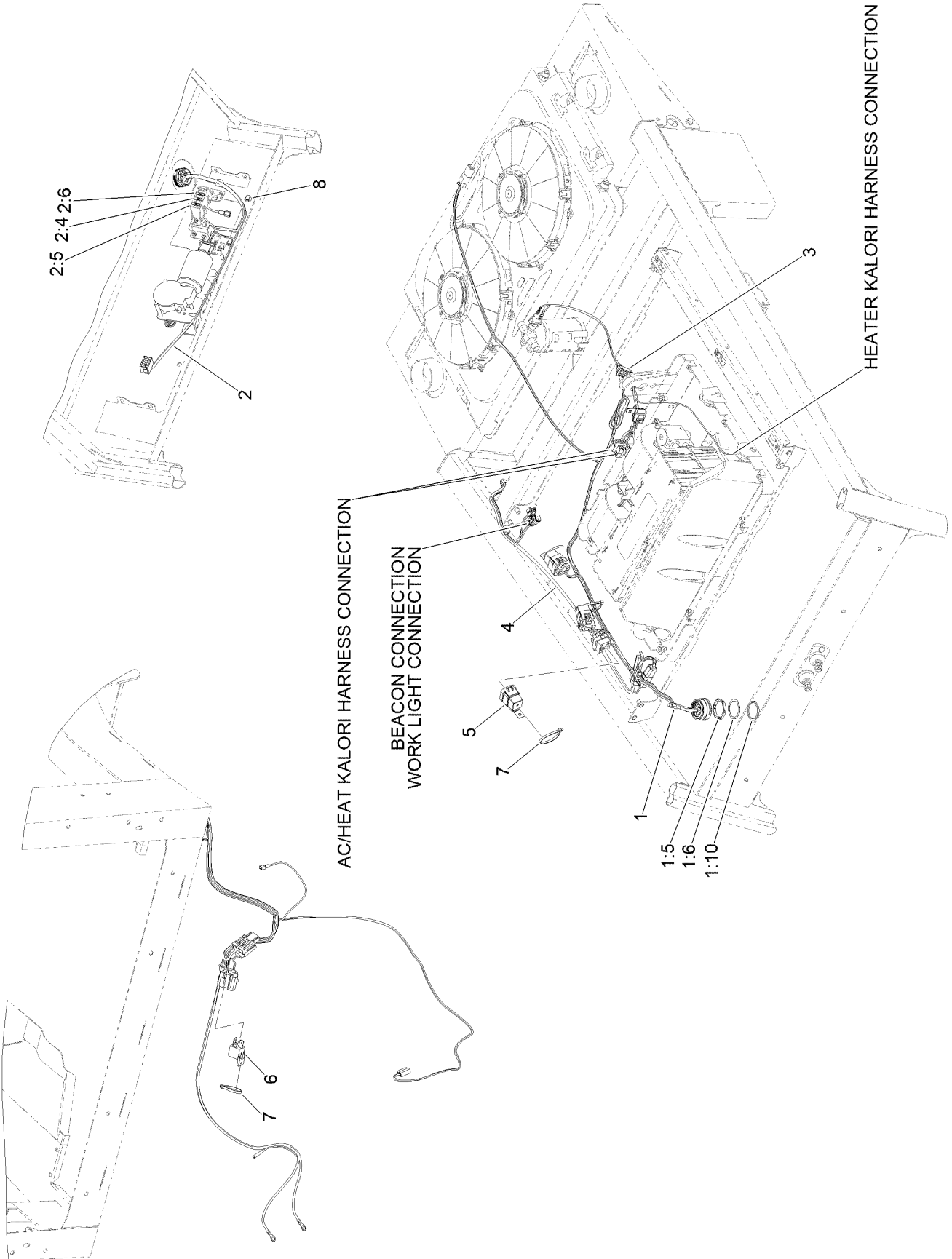


## Heat Hose Assembly (continued)

<i>Ref.</i>	<i>Part Number</i>	<i>Qty.</i>	<i>Description</i>	<i>Ref.</i>	<i>Part Number</i>	<i>Qty.</i>	<i>Description</i>
3	140-6573	2	Hose-Drain	12	139-1995	2	Hose-Drain
4	139-1983	1	Hose ASM-AC	13	2412-119	2	Clamp-Hose
4:2	130-5751	2	Fitting-Female, 90 DEG	14	32180-139	4	Mount-Tie Wrap, Magnetic
4:2:1	130-5772	1	Fitting Kit	15	139-2178	2	Fitting-Elbow 90
4:2:2	117-2778	1	O-Ring	18	139-1991	1	Hose-Refigerant
5	139-1984	1	Hose ASM-AC, Drier	20	130-5944	1	Fitting-Male, Straight
5:2	138-2963	1	Fitting-Straight, Male	20:1	130-5775	1	Fitting Kit
5:2:1	130-5772	1	Fitting Kit	20:2	117-2780	1	O-Ring
5:2:2	117-2778	1	O-Ring	21	139-1992	1	Hose-Refigerant
5:3	139-2251	1	Ftg-45 DEG, Female	22	139-2252	1	Ftg-45 DEG, Female
5:3:1	130-5772	1	Fitting Kit	22:1	130-5773	1	Fitting Kit
8	139-1987	2	Hose-Heater, 5/8	22:2	117-2779	1	O-Ring
9	139-1993	2	Hose-Drain	24	130-8304	4	Tape-Refrigeration ●
10	138-2751	4	Fitting-Tee, Barb	26	138-2705	2	Tube-Clear, 17 Inch
11	139-1994	2	Hose-Drain				

● Not illustrated

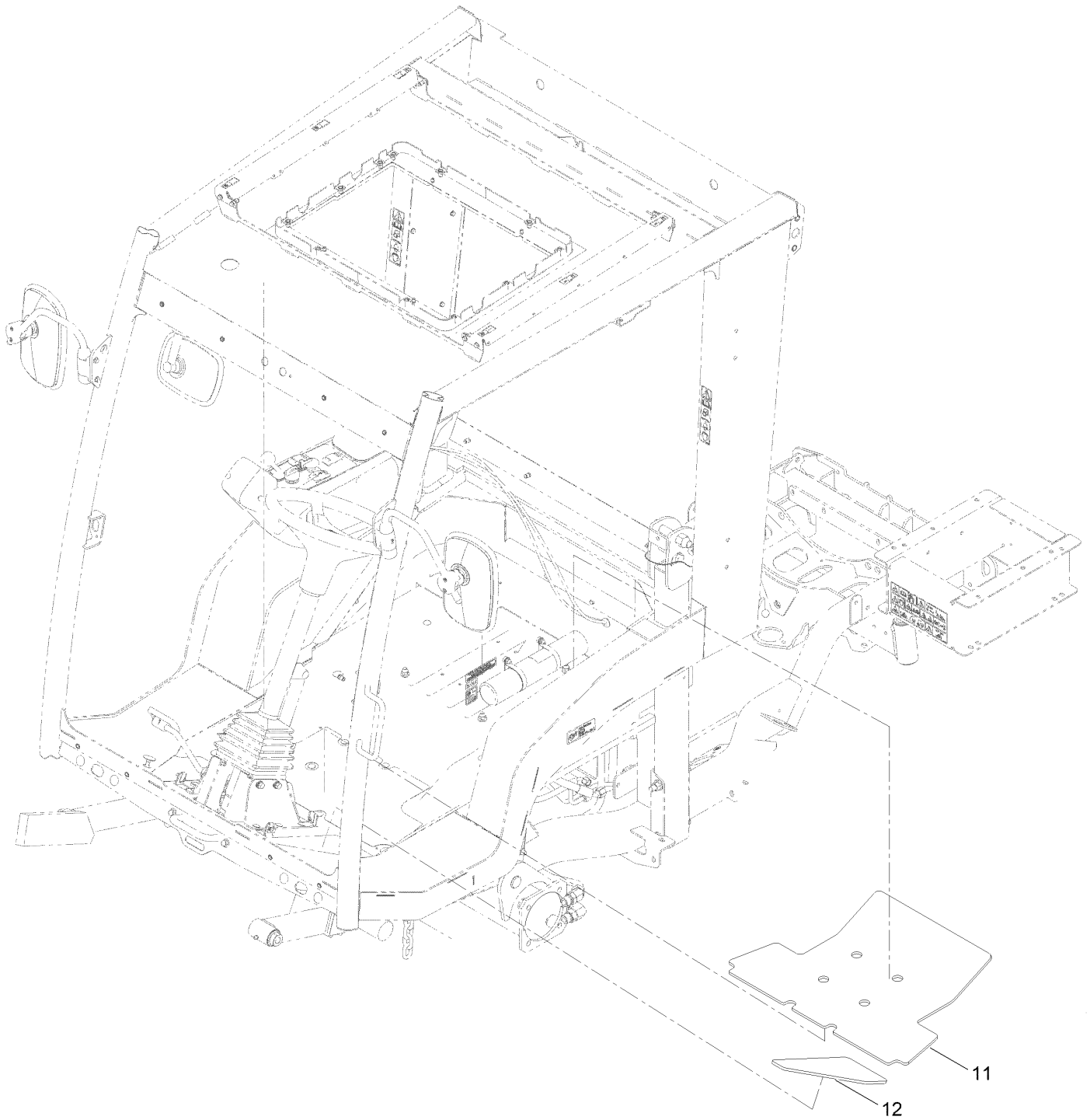
# Electrical Component Assembly



## Electrical Component Assembly (continued)

<i>Ref.</i>	<i>Part Number</i>	<i>Qty.</i>	<i>Description</i>	<i>Ref.</i>	<i>Part Number</i>	<i>Qty.</i>	<i>Description</i>
1	122-1245	1	Harness-Wire, A/C Roof	2:6	99-6124	1	Fuse-40 Amp
1:5	32180-135	1	Nut-Connector	3	122-4462	1	Harness-Wire, Adapter
1:6	32180-143	1	Washer-Lock	4	122-1435	1	Harness-Wire, Cab Power
1:10	161-7851	1	Gasket-Receptacle	5	99-7430	3	Relay-Mini
2	122-1660	1	Harness-Wire, A/C Panel	6	99-7435	1	Relay
2:4	109101	1	Fuse-Blade, 20 Amp	7	3290-378	6	Tie-Cable
2:5	109102	1	Fuse-Blade, 25 Amp	8	32180-030	2	Clip-Tie

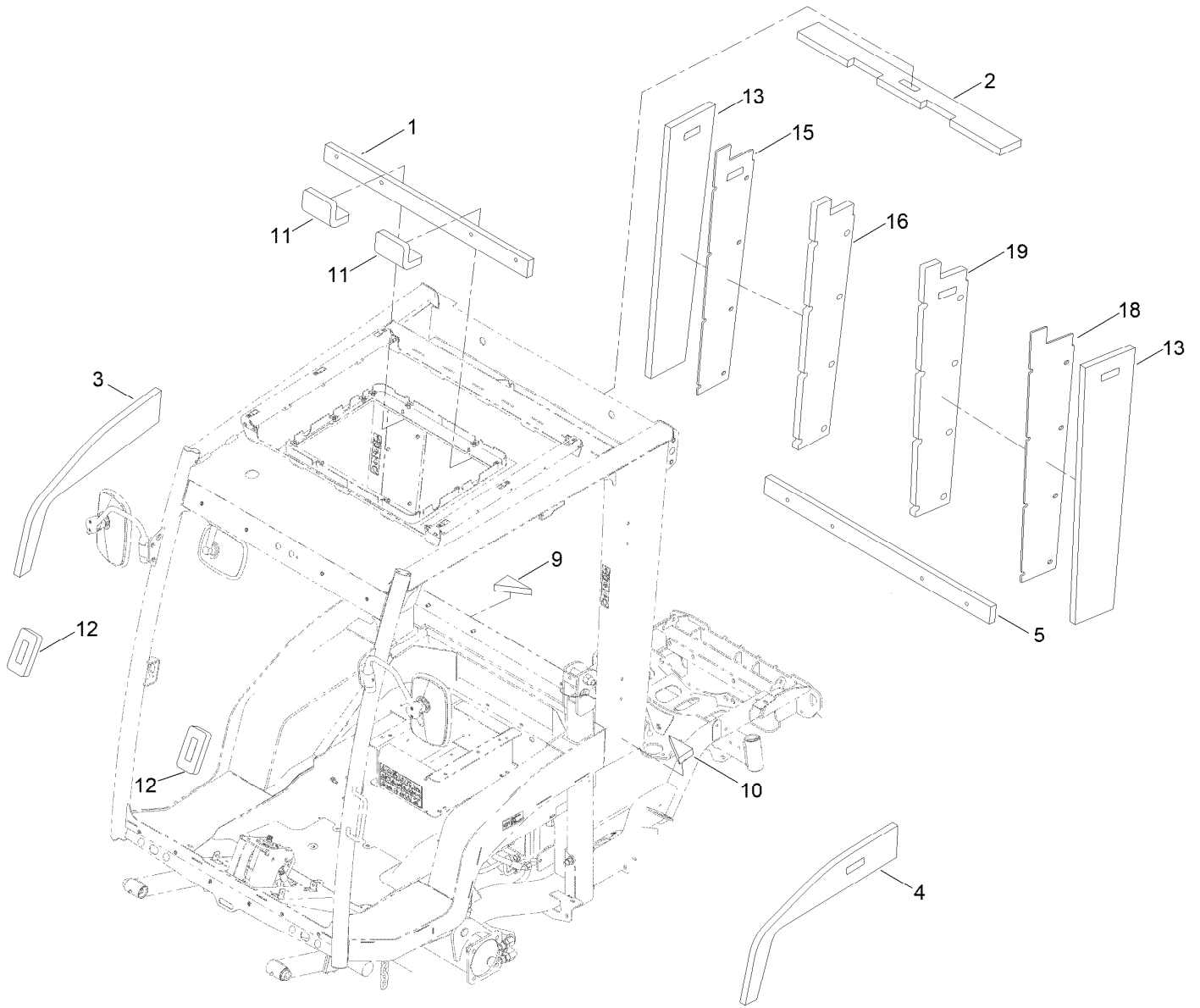
# Floor Sound Reduction Assembly



## Floor Sound Reduction Assembly (continued)

<i>Ref.</i>	<i>Part Number</i>	<i>Qty.</i>	<i>Description</i>
11	144-3233	1	Floor-Pad, Center
12	144-3234	1	Floor-Pad, Corner

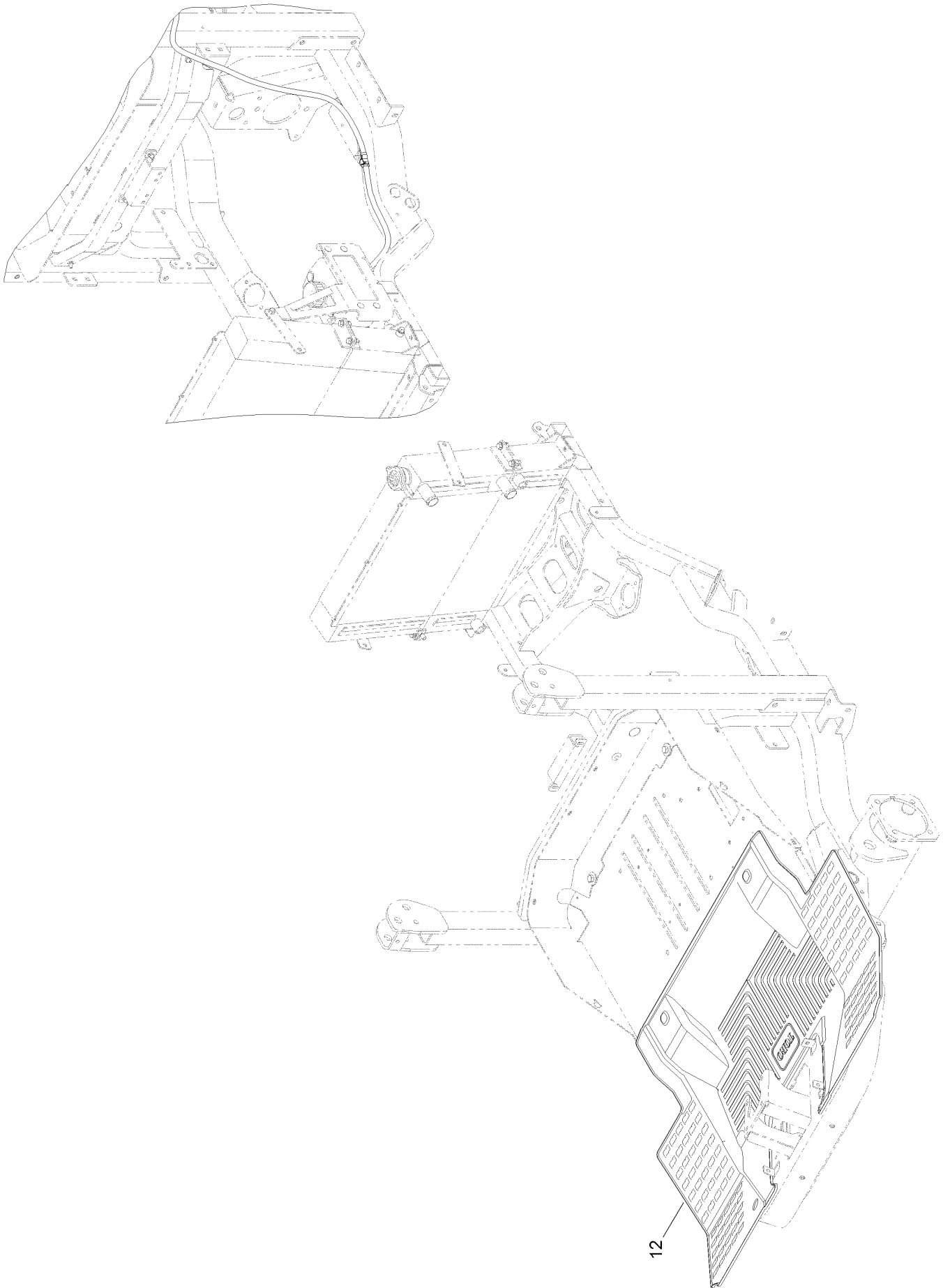
# Cab Sound Reduction Assembly



## Cab Sound Reduction Assembly (continued)

<i>Ref.</i>	<i>Part Number</i>	<i>Qty.</i>	<i>Description</i>	<i>Ref.</i>	<i>Part Number</i>	<i>Qty.</i>	<i>Description</i>
1	140-6886	1	Rear-Window	12	144-3238	2	Dash-Pad
2	140-6887	1	Rear-Ceiling	13	140-6884	2	Pillar-Pad, Rear
3	140-6888	1	Side-Door, RH	15	140-6737	1	Panel-Sound Dampening, RH
4	140-6889	1	Side-Door, LH	16	144-3235	1	Pillar-Pad, Rear RH
5	140-6890	1	Rear-Window	18	140-6738	1	Panel-Sound, Dampening LH
9	140-6894	1	Tile-Corner, RH	19	144-3236	1	Pillar-Pad, Rear LH
10	140-6895	1	Tile-Corner, LH				
11	144-3237	2	ROPS-Pad				

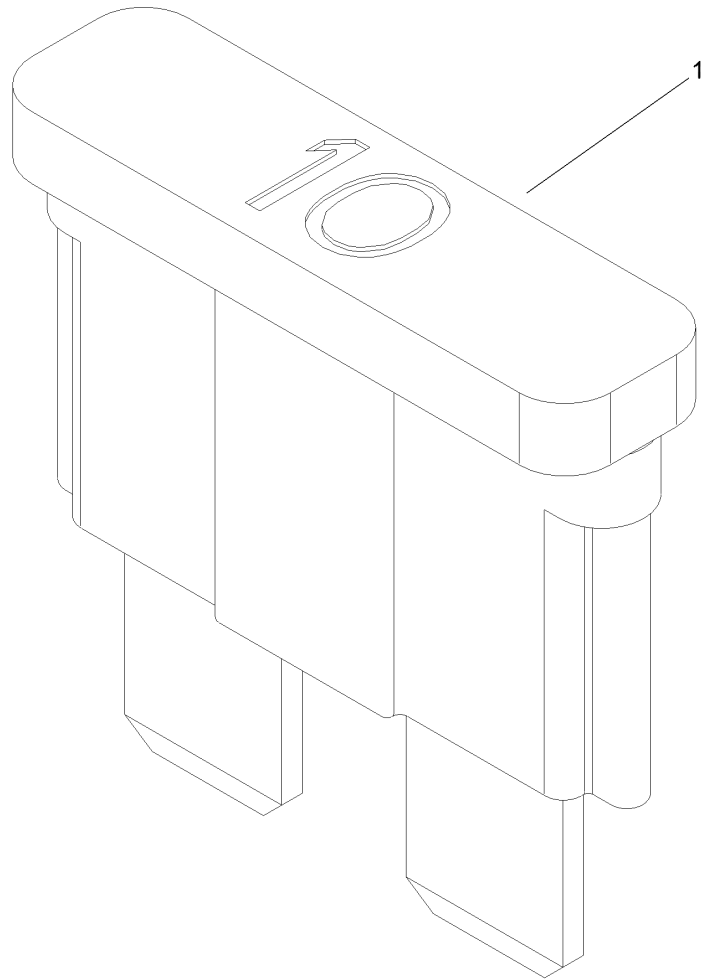
# Floormat Assembly



## Floormat Assembly (continued)

<i>Ref.</i>	<i>Part Number</i>	<i>Qty.</i>	<i>Description</i>
12	139-2026	1	Floormat-Platform

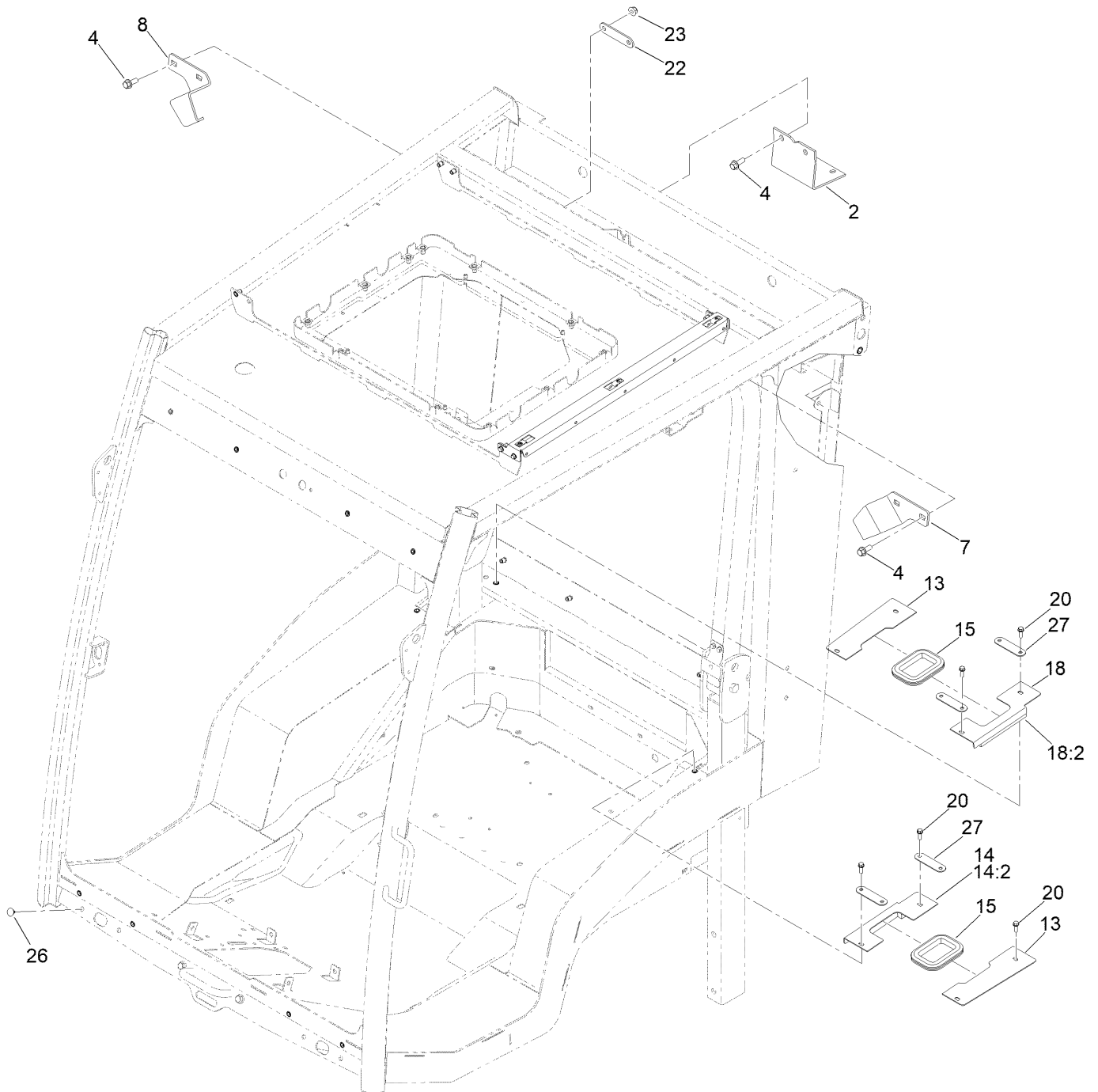
# Fuse Assembly



## Fuse Assembly (continued)

<i>Ref.</i>	<i>Part Number</i>	<i>Qty.</i>	<i>Description</i>
1	218-578	1	Fuse-Blade, 10 Amp

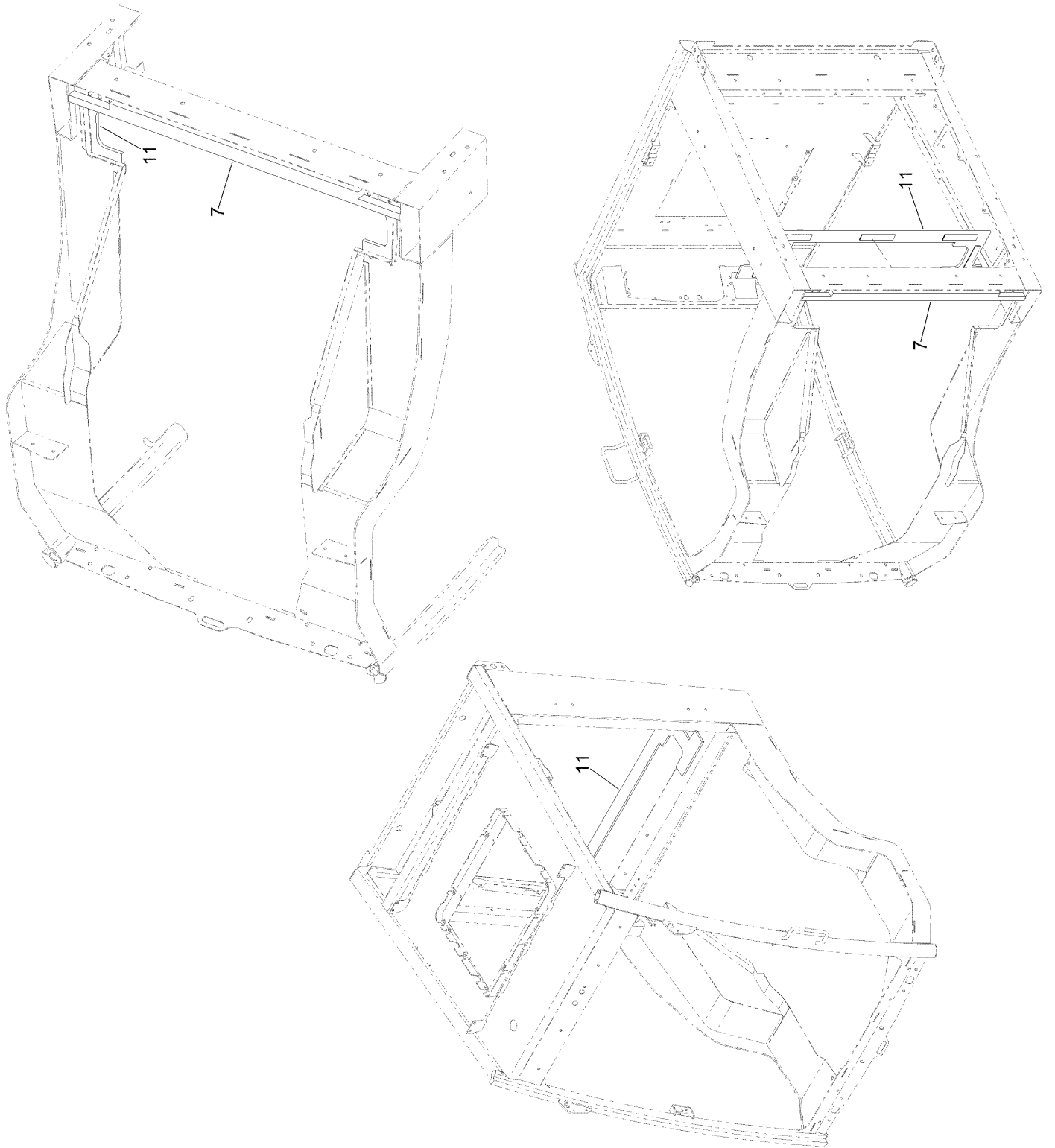
# Frame, Mount and Seals Assembly



## Frame, Mount and Seals Assembly (continued)

<i>Ref.</i>	<i>Part Number</i>	<i>Qty.</i>	<i>Description</i>	<i>Ref.</i>	<i>Part Number</i>	<i>Qty.</i>	<i>Description</i>
2	139-2043-03	2	Mount-ROPS	18	140-6542	1	RH Cover ASM
4	3234-42	12	Screw-HHF	18:2	139-2000	1	Seal-Foam
7	139-2172-03	1	Stop-ROPS, LH	20	32105-15	8	Screw-HWH
8	139-2174-03	1	Stop-ROPS, RH	22	139-2170	6	Brace-ROPS
13	140-6537-03	2	Cover-Retainer, Seal	23	119-4042	12	Nut-HF, NI
14	140-6541	1	LH Cover ASM	26	140-4433	4	Rivet-Push
14:2	139-2000	1	Seal-Foam	27	140-6540	4	Retainer-Cover
15	139-1959	2	Seal-Rollbar				

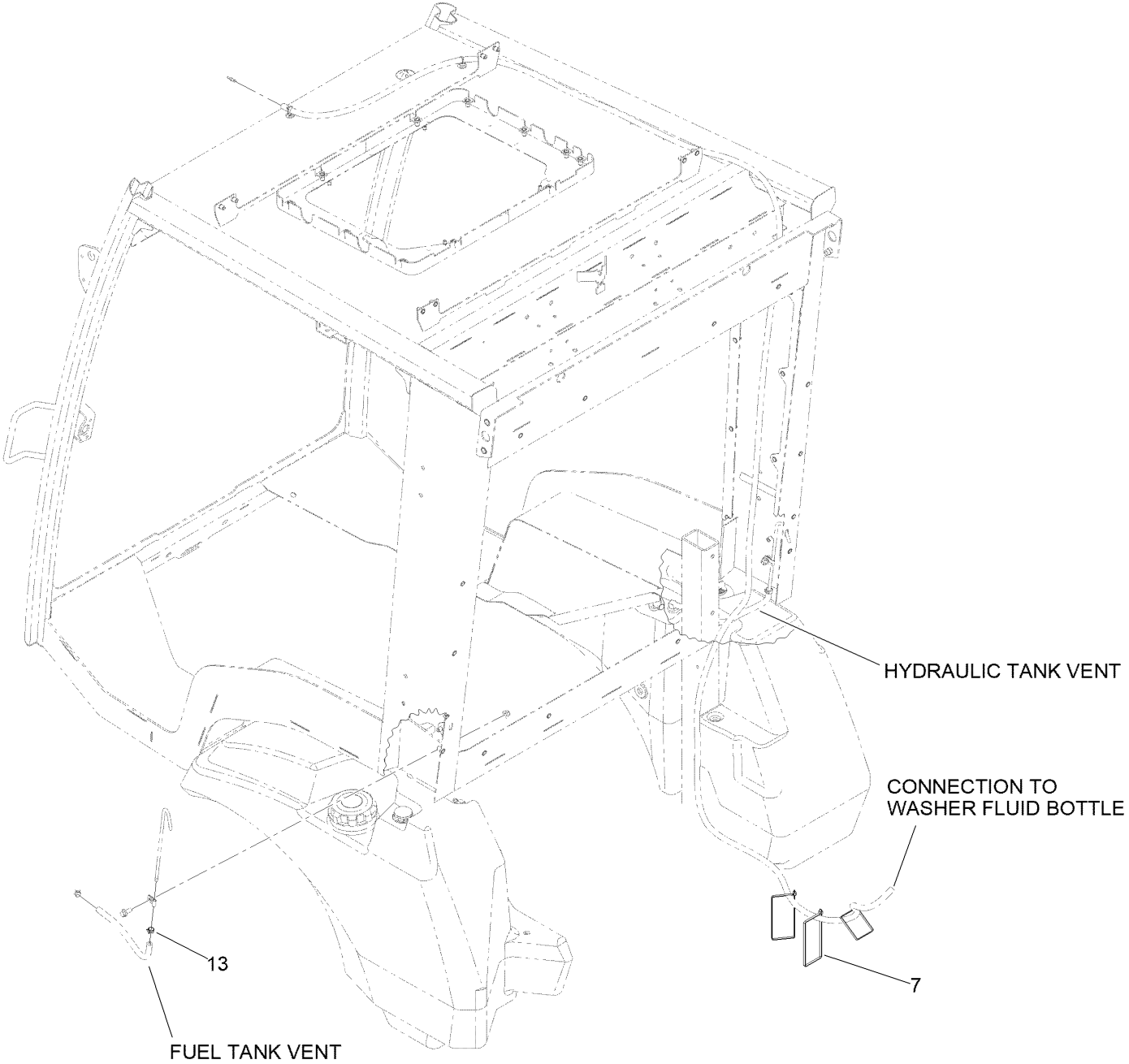
# Interior Foam and Carpet Assembly



# Interior Foam and Carpet Assembly (continued)

<i>Ref.</i>	<i>Part Number</i>	<i>Qty.</i>	<i>Description</i>
7	139-1999	1	Seal-Foam, Rear Shelf
11	163-0337	1	Rear-Panel, Foam

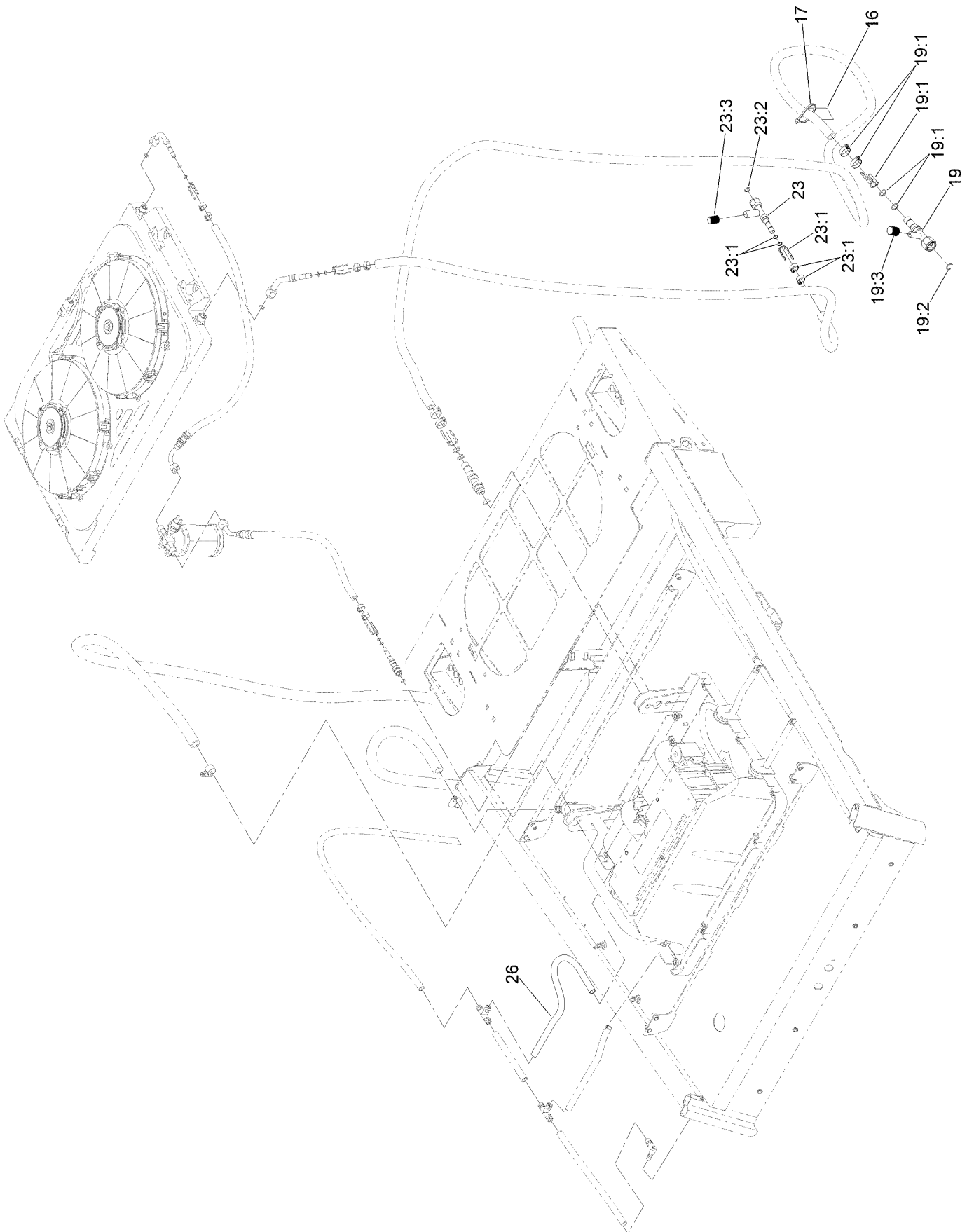
# Window Wiper System and Fuel Vent Assembly



# Window Wiper System and Fuel Vent Assembly (continued)

<i>Ref.</i>	<i>Part Number</i>	<i>Qty.</i>	<i>Description</i>
7	3290-379	3	Tie-Cable
13	2412-98	2	Clamp-Hose

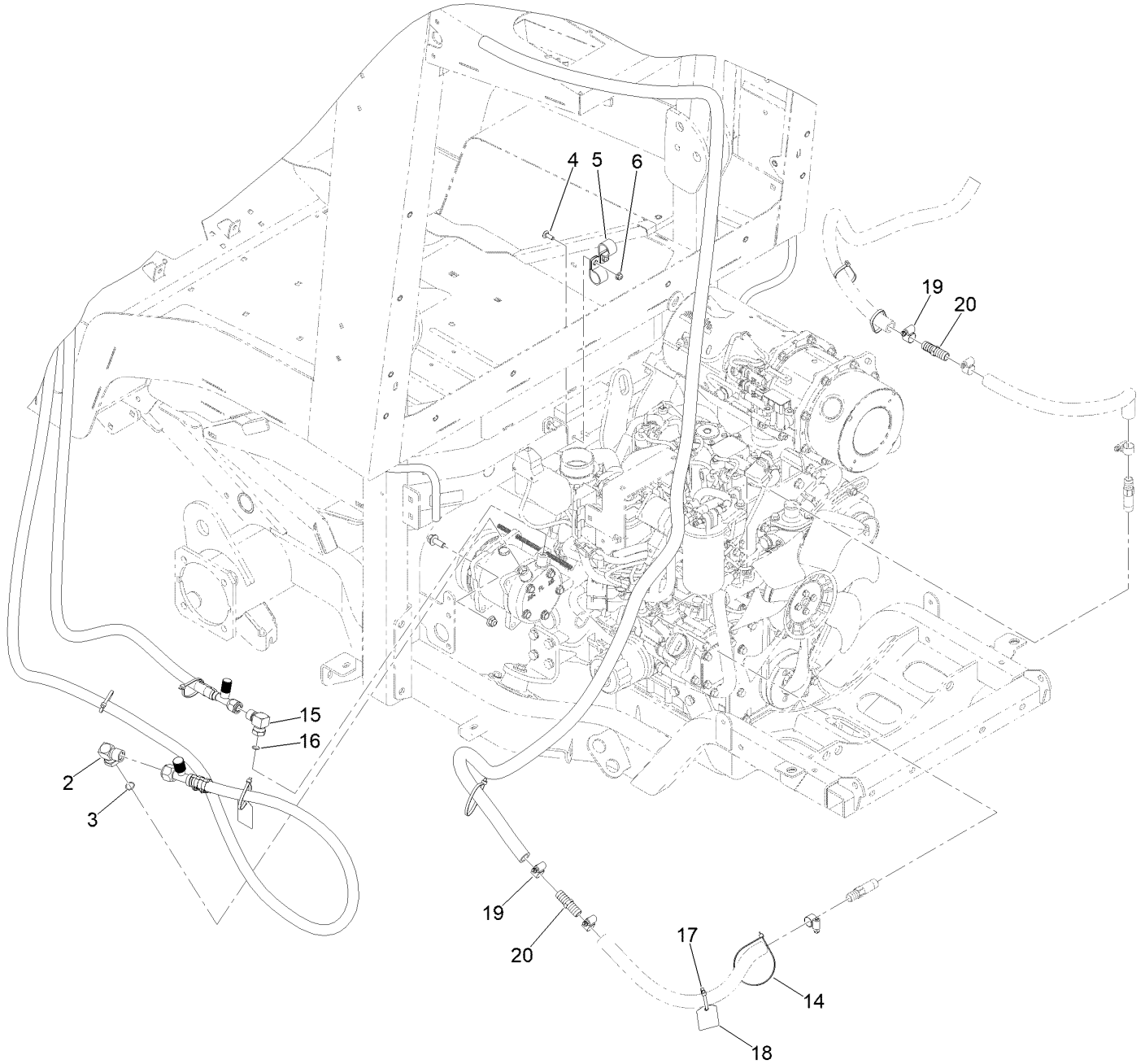
# Heat/AC Hose Assembly



## Heat/AC Hose Assembly (continued)

<i>Ref.</i>	<i>Part Number</i>	<i>Qty.</i>	<i>Description</i>	<i>Ref.</i>	<i>Part Number</i>	<i>Qty.</i>	<i>Description</i>
16	161-4907	1	Tag-Hang, Oil Refrigerant	23	130-5757	1	Fitting-Straight, Female
17	3290-378	1	Tie-Cable	23:1	130-5773	1	Fitting Kit
19	130-5755	1	Fitting-Female, Straight	23:2	117-2779	1	O-Ring
19:1	130-5775	1	Fitting Kit	23:3	117-2783	1	Cap-Side, High
19:2	117-2780	1	O-Ring	26	138-2705	2	Tube-Clear, 17 Inch
19:3	117-2784	1	Cap-Side, Low				

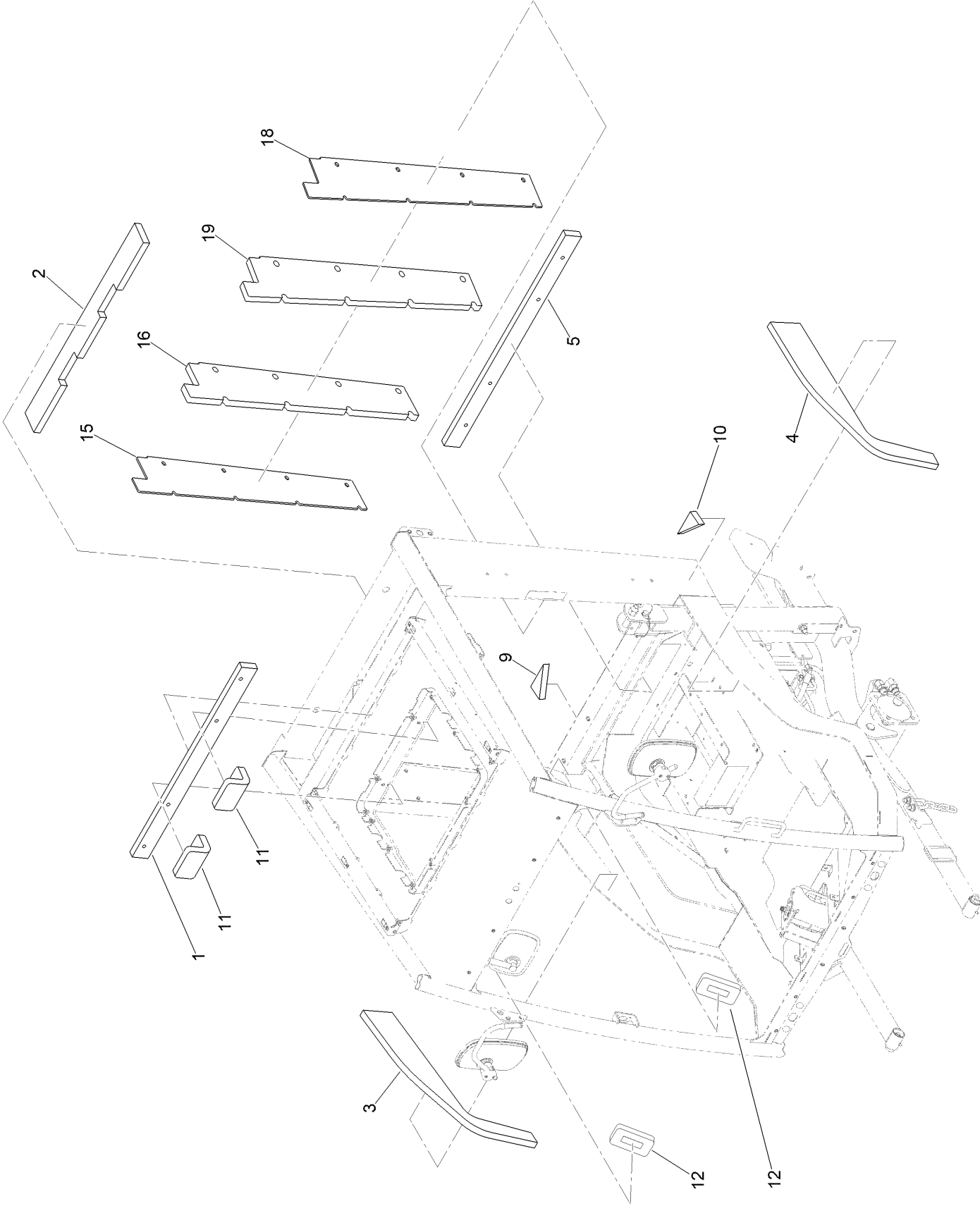
# Miscellaneous Heat/AC Parts Assembly



## Miscellaneous Heat/AC Parts Assembly (continued)

<i>Ref.</i>	<i>Part Number</i>	<i>Qty.</i>	<i>Description</i>	<i>Ref.</i>	<i>Part Number</i>	<i>Qty.</i>	<i>Description</i>
2	119-0128	1	Fitting-Elbow, 90 DEG	15	119-0129	1	Fitting-Elbow, 90 DEG
3	117-2780	1	O-Ring	16	117-2779	1	O-Ring
4	1-807512	2	Bolt-CARR	17	3290-378	1	Tie-Cable
5	2412-39	2	Clamp-R	18	140-4413	1	Tag-Hang, Coolant
6	104-7201	2	Nut-HF, NI	19	2412-119	2	Clamp-Hose
14	3290-379	6	Tie-Cable	20	131-3373	2	Fitting-STR

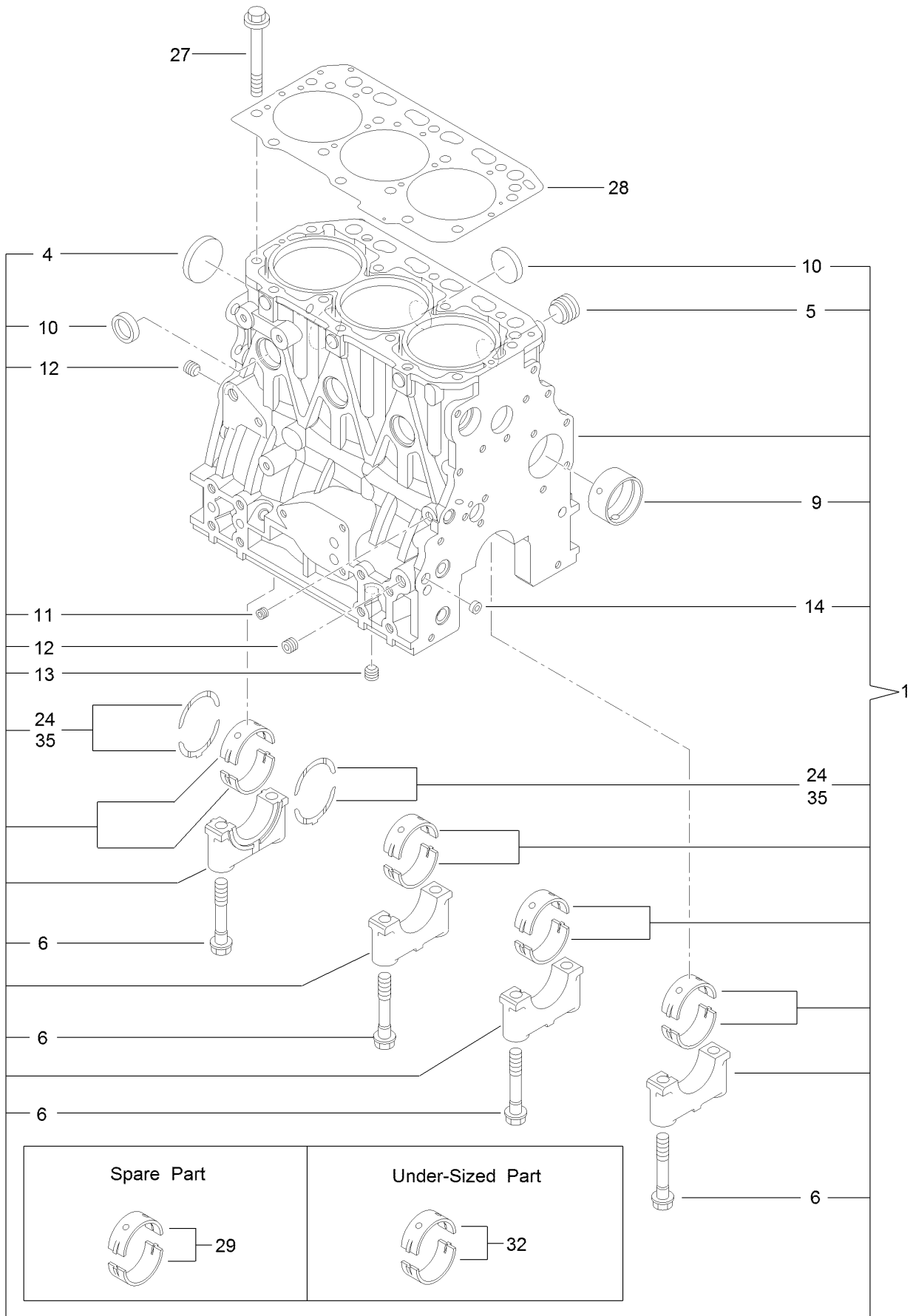
# Sound Reduction Assembly



## Sound Reduction Assembly (continued)

<i>Ref.</i>	<i>Part Number</i>	<i>Qty.</i>	<i>Description</i>	<i>Ref.</i>	<i>Part Number</i>	<i>Qty.</i>	<i>Description</i>
1	140-6886	1	Rear-Window	12	144-3238	2	Dash-Pad
2	140-6887	1	Rear-Ceiling	15	140-6737	1	Panel-Sound Dampening, RH
3	140-6888	1	Side-Door, RH	16	144-3235	1	Pillar-Pad, Rear RH
4	140-6889	1	Side-Door, LH	18	140-6738	1	Panel-Sound, Dampening LH
5	140-6890	1	Rear-Window	19	144-3236	1	Pillar-Pad, Rear LH
9	140-6894	1	Tile-Corner, RH				
10	140-6895	1	Tile-Corner, LH				
11	144-3237	2	ROPS-Pad				

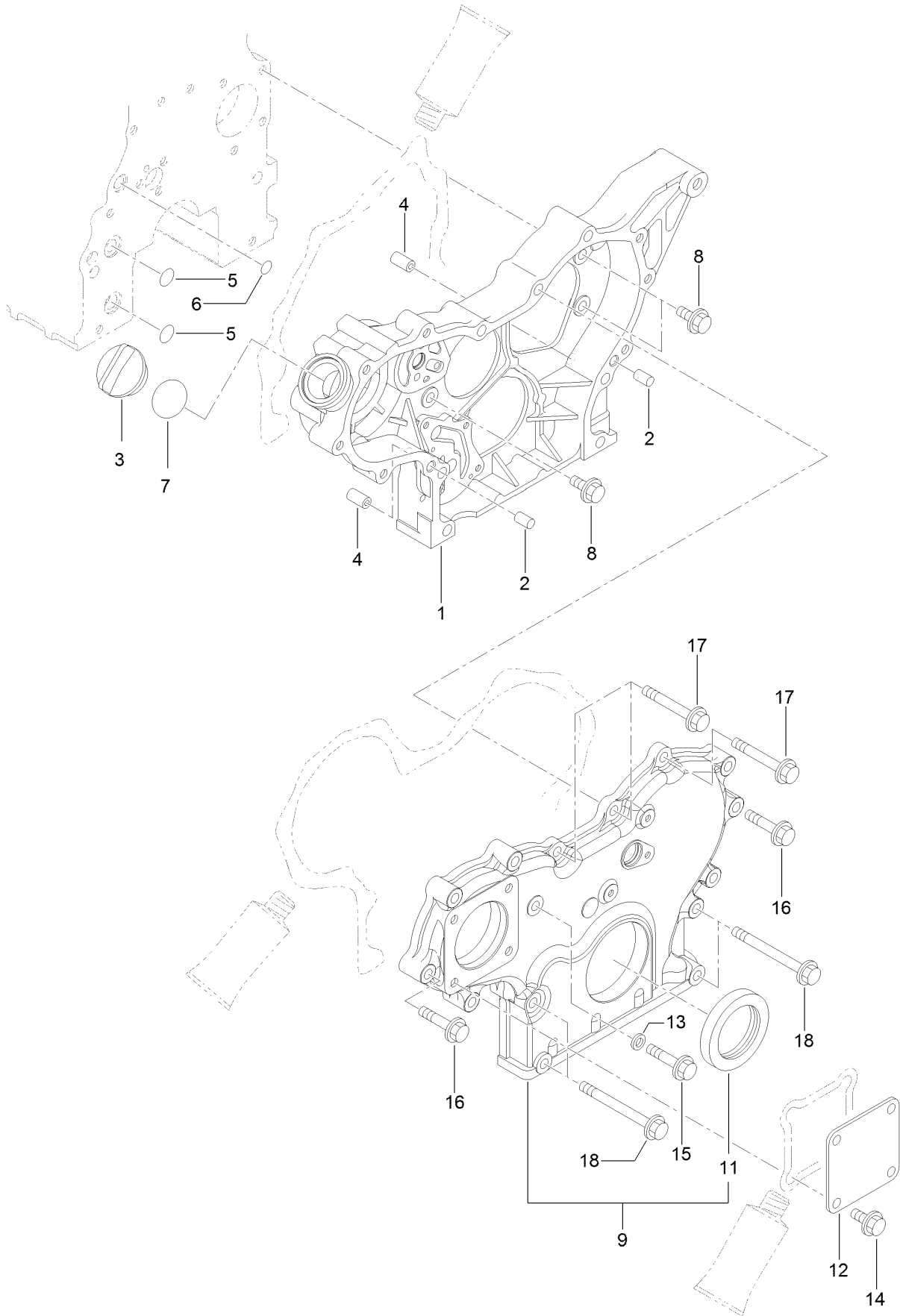
# Cylinder Block Assembly



## Cylinder Block Assembly (continued)

<i>Ref.</i>	<i>Part Number</i>	<i>Qty.</i>	<i>Description</i>	<i>Ref.</i>	<i>Part Number</i>	<i>Qty.</i>	<i>Description</i>
1	127-4717	1	Cylinder Block ASM	13	125-6973	1	Plug
4	125-6980	1	Plug	14	125-7237	1	Plug
5	125-7170	1	Plug	24	125-7010	2	Metal-Thrust
6	125-7007	8	Bolt	27	125-7006	14	Bolt
9	125-7108	1	Bushing	28	127-4716	1	Head Gasket ASM
10	140-7182	6	Plug 30	29	125-6981	4	Metal-Main
11	125-6969	1	Plug	32	125-7009	4	Metal-Main (0.25)
12	125-6973	2	Plug	35	125-7011	1	Metal-Thrust (0.25)

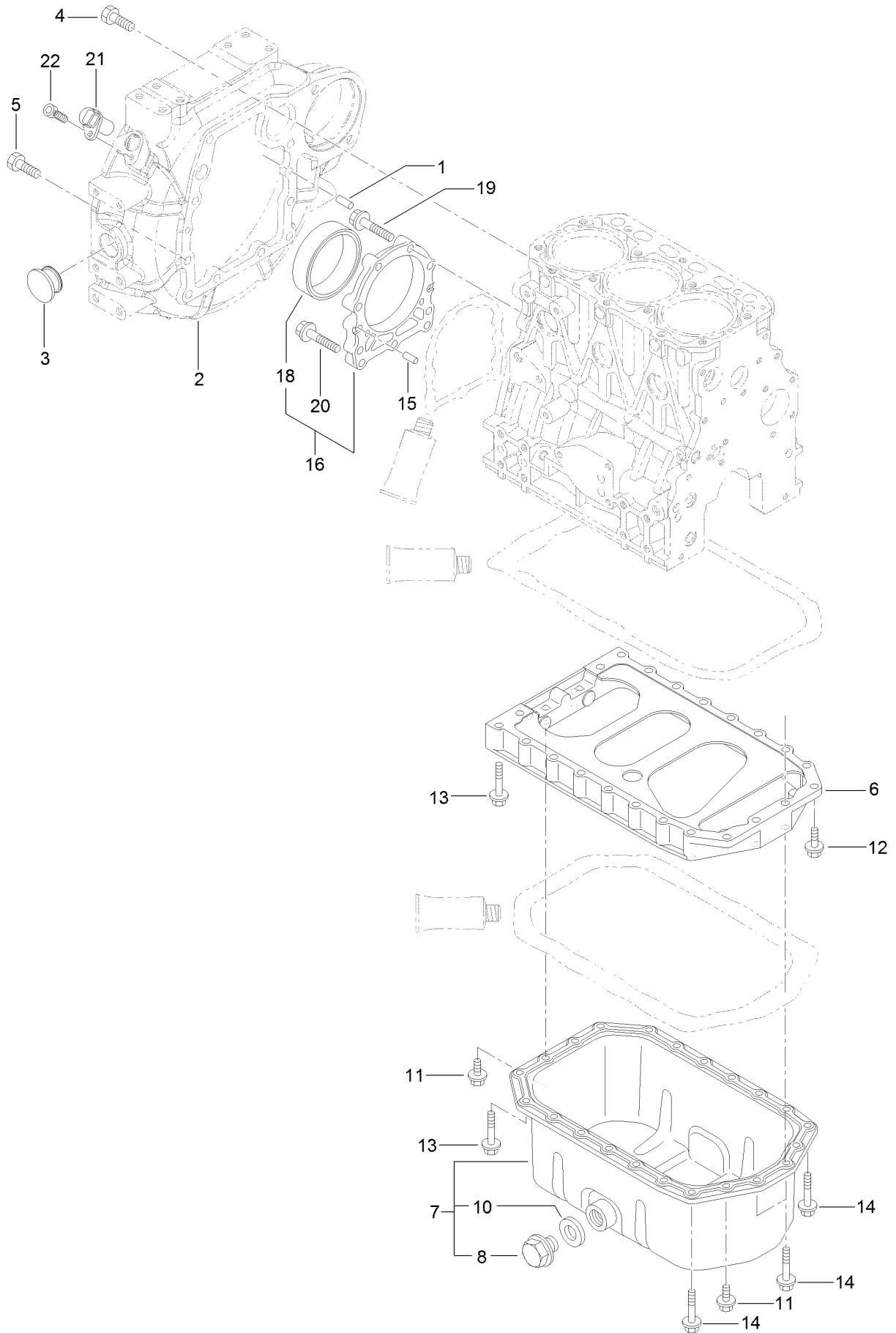
# Gear Housing Assembly



## Gear Housing Assembly (continued)

<i>Ref.</i>	<i>Part Number</i>	<i>Qty.</i>	<i>Description</i>	<i>Ref.</i>	<i>Part Number</i>	<i>Qty.</i>	<i>Description</i>
1	127-3023	1	Case-Gear	11	125-6944	1	Seal-Oil
2	125-6995	2	Pin	12	125-6977	1	Cover
3	125-6972	1	Cover-Filler	13	125-7174	1	Washer-Seal
4	125-7107	2	Pipe	14	125-7214	4	Bolt
5	125-6909	2	O-Ring	15	125-7217	1	Bolt
6	127-2973	1	O-Ring	16	125-7218	7	Bolt
7	125-7197	1	O-Ring	17	125-7222	3	Bolt
8	125-7214	3	Bolt	18	125-7224	4	Bolt
9	127-3024	1	Gearcase Cover ASM				

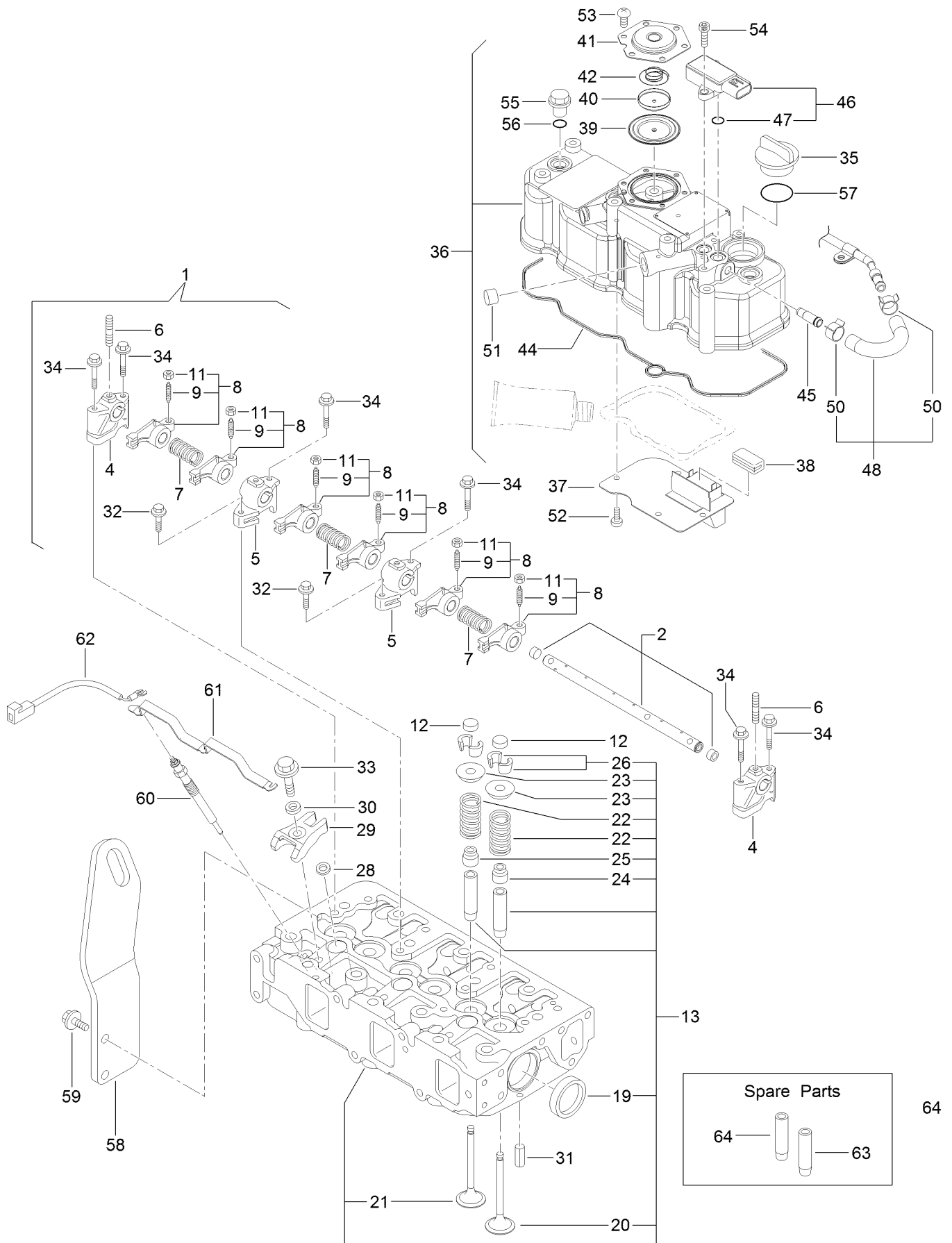
# Flywheel Housing and Oil Sump Assembly



## Flywheel Housing and Oil Sump Assembly (continued)

<i>Ref.</i>	<i>Part Number</i>	<i>Qty.</i>	<i>Description</i>	<i>Ref.</i>	<i>Part Number</i>	<i>Qty.</i>	<i>Description</i>
1	125-6995	2	Pin	12	125-7215	2	Bolt
2	127-3025	1	Housing-Flywheel	13	125-7219	16	Bolt
3	125-6910	1	Cap	14	125-7220	4	Bolt
4	125-7226	6	Bolt	15	125-6995	2	Pin
5	125-7227	4	Bolt	16	140-7173	1	Oil Seal Case ASM
6	127-3756	1	Spacer	18	140-7174	1	Seal-Oil
7	135-4010	1	Oil Pan ASM	19	125-7045	6	Bolt
8	125-6912	1	Plug-Drain	20	125-7217	3	Bolt
10	125-7177	1	Washer-Seal	21	127-3062	1	Sensor-Rev, Flywheel
11	125-7214	4	Bolt	22	127-3184	1	Bolt

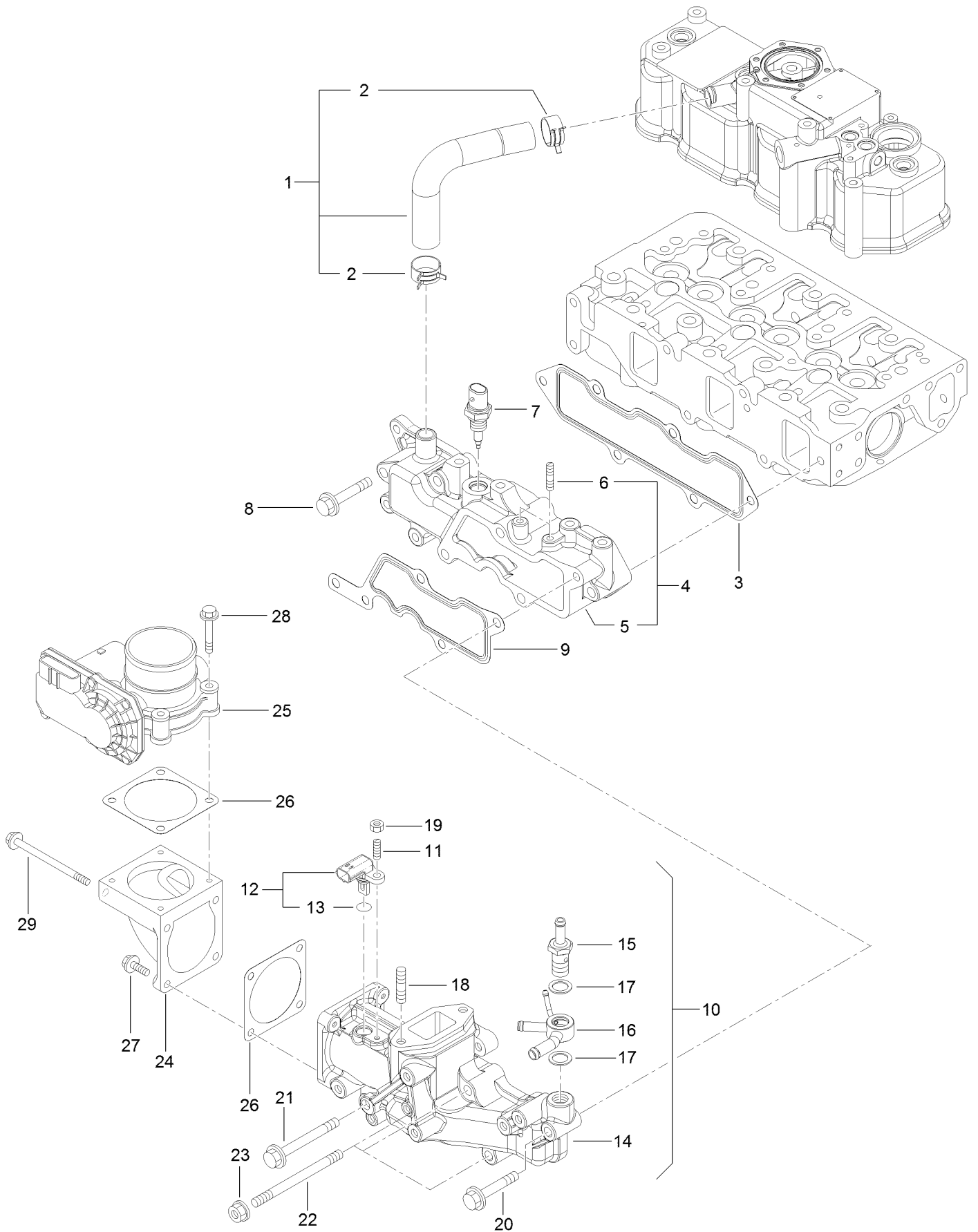
# Cylinder Head and Cover Assembly



## Cylinder Head and Cover Assembly (continued)

<i>Ref.</i>	<i>Part Number</i>	<i>Qty.</i>	<i>Description</i>	<i>Ref.</i>	<i>Part Number</i>	<i>Qty.</i>	<i>Description</i>
1	127-3757	1	Shaft ASM	37	127-2988	1	Plate
2	127-3758	1	Shaft	38	125-7012	1	Baffle
4	127-2974	2	Support	39	125-6959	1	Diaphragm
5	127-2975	2	Support	40	125-6960	1	Plate
6	135-4012	3	Bolt,Stud	41	125-6961	1	Plate-Breather
7	127-2995	3	Spring	42	125-6962	1	Spring-Diaphragm
8	127-2989	6	Arm-Rocker	44	127-3762	1	Gasket-Cover, Cylinder Head
9	125-7013	6	Screw-Adjust, Valve				
11	125-7014	6	Nut	45	127-3026	1	Joint
12	127-2996	6	Cap-Valve	46	127-3029	1	Sensor-Pressure
13	139-6014	1	Cylinder Head ASM	47	127-3032	2	O Ring-Sensor, Pressure
19	125-7240	2	Plug	48	127-3040	1	Hose ASM
20	127-2990	3	Valve	50	127-3041	2	Clip-Hose
21	127-4710	3	Valve	51	125-6913	1	Plug
22	127-3012	6	Spring	52	125-7186	4	Screw
23	127-3013	6	Retainer-Spring	53	125-7186	6	Screw
24	127-2986	3	Seal-Stem, Valve	54	127-3184	2	Bolt
25	127-3027	3	Seal-Stem, Valve	55	125-6974	3	Knob
26	127-3186	6	Pin-Cotter	56	138-7829	3	O-Ring
28	127-3021	3	Gasket-Injector	57	125-7197	1	O-Ring
29	127-3028	3	Retainer-Injector	58	127-4718	1	Lifter-Engine
30	127-2980	3	Washer-Injector	59	125-7595	2	Bolt
31	125-7184	2	Pin-Spring	60	127-2991	3	Plug-Glow
32	125-7215	2	Bolt	61	127-3768	1	Connector-Plug, Glow
33	125-7217	3	Bolt	62	131-2704	1	Harness-Wire
34	125-7220	6	Bolt	63	127-2979	3	Guide
35	125-6972	1	Cover-Filler	64	127-2997	3	Guide-Valve
36	127-4719	1	Cylinder Head Cover ASM				

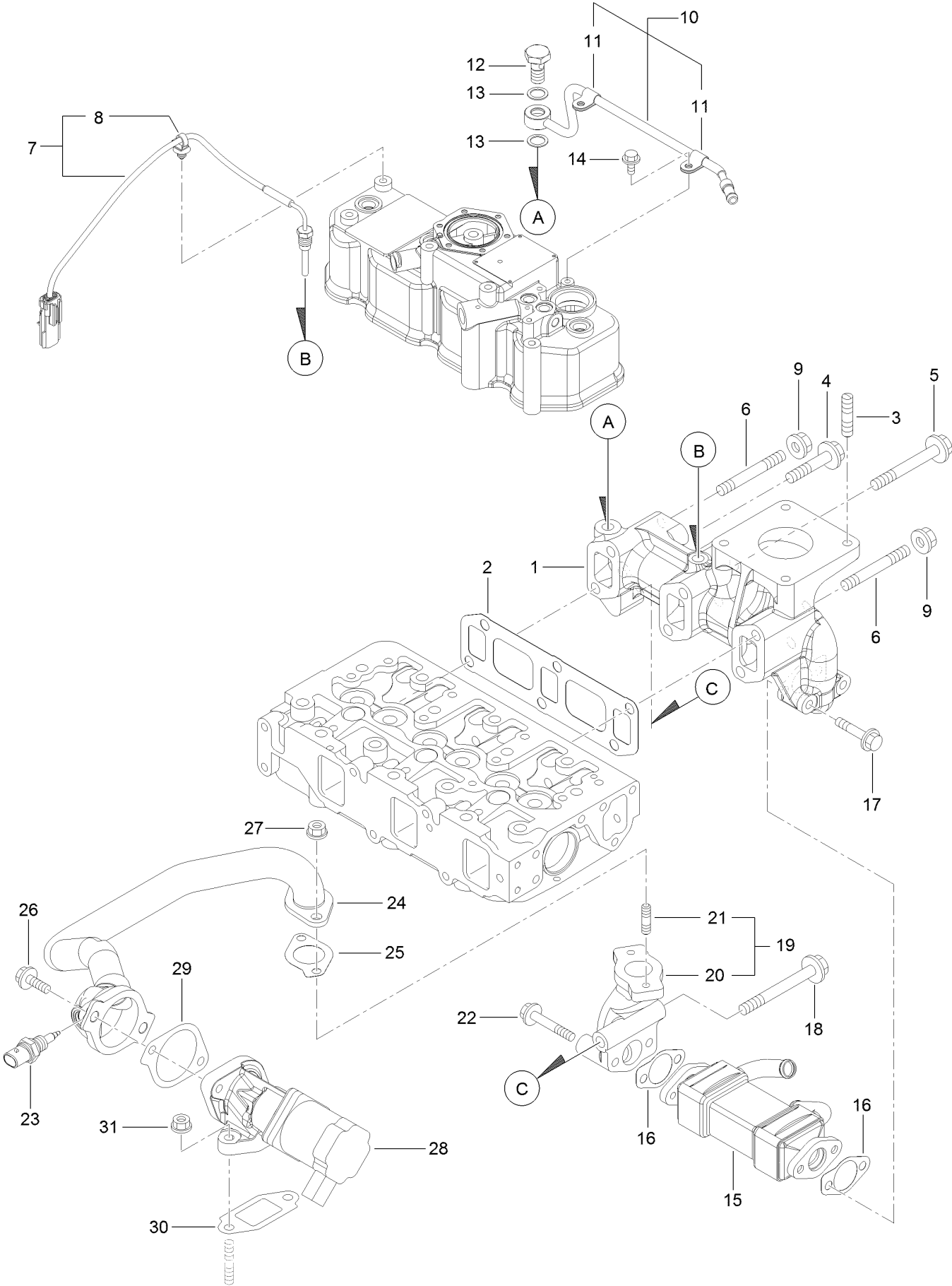
# Suction Manifold Assembly



## Suction Manifold Assembly (continued)

<i>Ref.</i>	<i>Part Number</i>	<i>Qty.</i>	<i>Description</i>	<i>Ref.</i>	<i>Part Number</i>	<i>Qty.</i>	<i>Description</i>
1	127-4704	1	Pipe	16	127-3081	1	Joint-Hose
2	125-7040	2	Clip-Hose	17	127-3166	2	Washer-Seal
3	127-3769	1	Gasket-Manifold, Intake	18	127-3181	2	Stud
4	127-4722	1	Intake Manifold ASM	19	127-4775	1	Nut
5	127-4721	1	Manifold-Intake	20	125-7220	1	Bolt
6	127-3180	2	Stud	21	127-3178	1	Bolt
7	137-5167	1	Sensor-Temperature, Air	22	127-3182	3	Stud
8	125-7220	3	Bolt	23	125-7229	3	Nut
9	127-3034	1	Gasket-Collector	24	127-3035	1	Bend-Inlet
10	127-4725	1	Intake Collector ASM	25	127-3036	1	Body-Throttle
11	127-4701	1	Stud	26	127-3037	2	Gasket-Throttle
12	127-3030	1	Sensor-Temp, Air	27	125-7209	2	Bolt
13	127-3033	1	O-Ring	28	125-7211	4	Bolt
14	127-4724	1	Collector-Intake	29	127-3177	2	Bolt
15	127-3080	1	Joint-Hose				

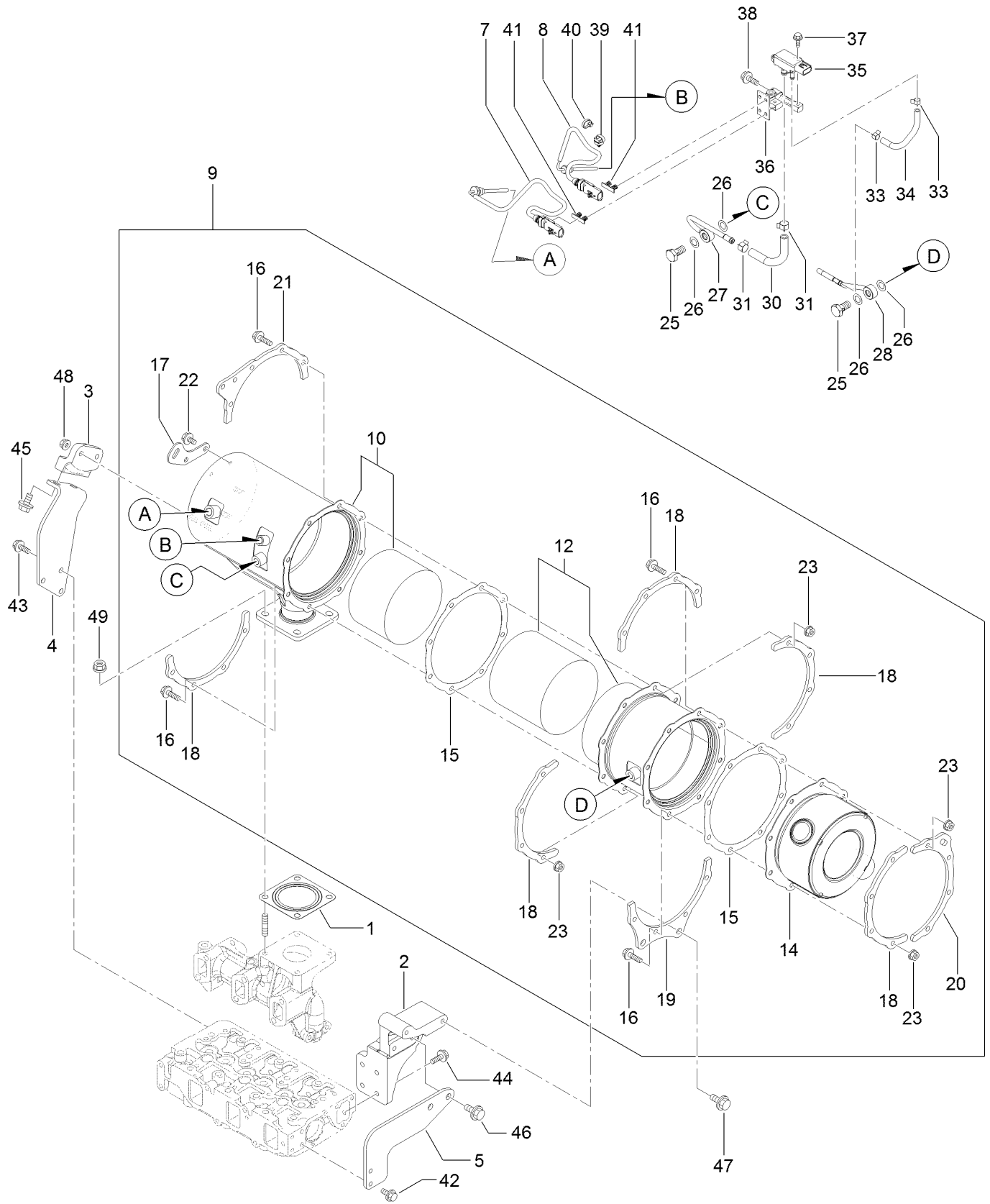
# Exhaust Manifold Assembly



## Exhaust Manifold Assembly (continued)

<i>Ref.</i>	<i>Part Number</i>	<i>Qty.</i>	<i>Description</i>	<i>Ref.</i>	<i>Part Number</i>	<i>Qty.</i>	<i>Description</i>
1	127-4726	1	Manifold-Exhaust	17	133-6715	2	Bolt
2	127-3775	1	Gasket-Manifold, Exhaust	18	127-3022	1	Bolt-Flange
3	127-2984	4	Stud	19	127-3048	1	E G R Pipe ASM
4	135-4013	1	Bolt	20	127-3049	1	Pipe-Out, E G R
5	135-4014	3	Bolt	21	125-7043	2	Stud
6	127-4756	2	Stud	22	125-7220	2	Bolt
7	127-4729	1	Sensor-Temp, Exhaust	23	137-5168	1	Sensor-Gas Temp, E G R
8	127-3087	1	Band-Clip	24	127-3780	1	E G R Pipe ASM
9	125-7230	2	Nut	25	127-3016	1	Gasket
10	127-3038	1	Exhaust Pipe ASM	26	125-7215	2	Bolt
11	127-3173	2	Clamp	27	125-7229	2	Nut
12	127-3039	1	Bolt-Joint, Pipe	28	127-3781	1	Valve-E G R
13	127-3174	2	Gasket	29	127-3050	1	Gasket-Intake Valve, E G R
14	125-7206	2	Bolt	30	127-3051	1	Gasket-Out Valve, E G R
15	127-3042	1	Cooler-E G R	31	125-7229	2	Nut
16	127-3043	2	Gasket-Cooler, E G R				

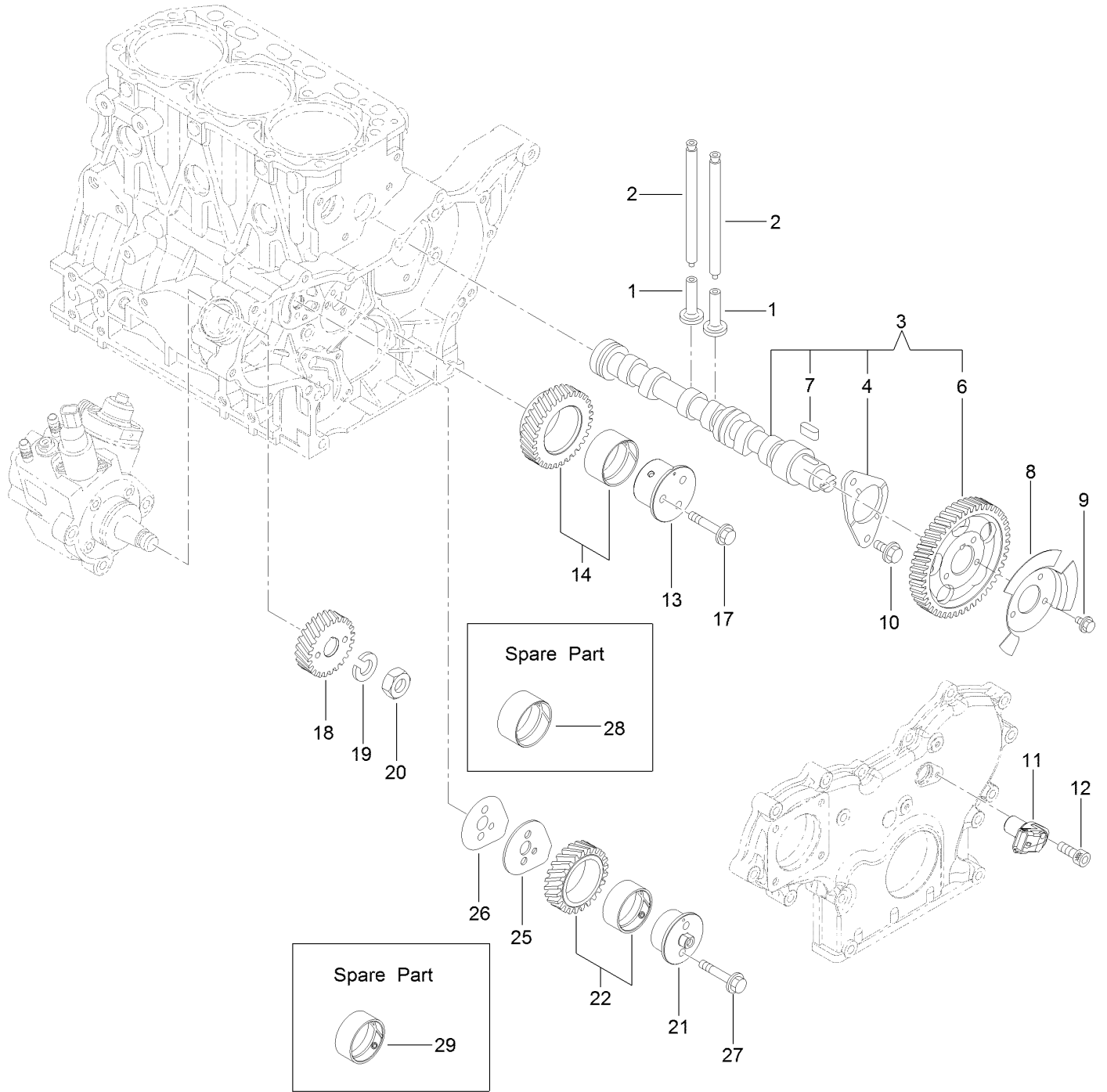
# Diesel Particulate Filter Assembly



## Diesel Particulate Filter Assembly (continued)

<i>Ref.</i>	<i>Part Number</i>	<i>Qty.</i>	<i>Description</i>	<i>Ref.</i>	<i>Part Number</i>	<i>Qty.</i>	<i>Description</i>
1	127-2987	1	Gasket-Silencer	27	127-4744	1	Sensor Pipe ASM
2	127-4738	1	Stay-D P F	28	127-4745	1	Sensor Pipe ASM
3	127-4739	1	Stay-D P F	30	140-7175	1	Hose-Pressure
4	127-4740	1	Stay-D P F	31	127-3057	2	Clip-Hose
5	127-4741	1	Stay-D P F	33	127-3058	2	Clip-Hose
7	127-4764	1	Sensor-Temp, Exhaust	34	138-8257	1	Exhaust Press Hose ASM
8	127-3112	1	Sensor-Temp, Exhaust	35	127-3060	1	Sensor-Pressure
9	127-4759	1	D P F ASM	36	127-4750	1	Bracket-Sensor
10	127-4732	1	Case-D O C	37	125-7208	2	Bolt
12	127-4734	1	Case-Filter, Soot	38	125-7595	2	Bolt
14	127-3786	1	Silencer-D P F	39	127-3087	1	Band-Clip
15	127-3787	2	Gasket-D P F	40	127-3124	1	Band
16	127-3055	16	Bolt	41	127-3088	2	Clip-Connector
17	127-3788	1	Lifter-D P F	42	125-7214	2	Bolt
18	127-3789	5	Stiffener-D P F, A	43	125-7214	3	Bolt
19	127-4735	1	Stiffener-D P F, B	44	125-7595	4	Bolt
20	127-3792	1	Stiffener-D P F, C	45	127-3179	2	Bolt
21	127-4736	1	Stiffener-D P F, C	46	127-3179	2	Bolt
22	125-7213	2	Bolt	47	127-3179	2	Bolt
23	125-7229	16	Nut	48	125-7229	2	Nut
25	127-3039	2	Bolt-Joint, Pipe	49	125-7230	4	Nut
26	127-3056	4	Gasket-Sensor				

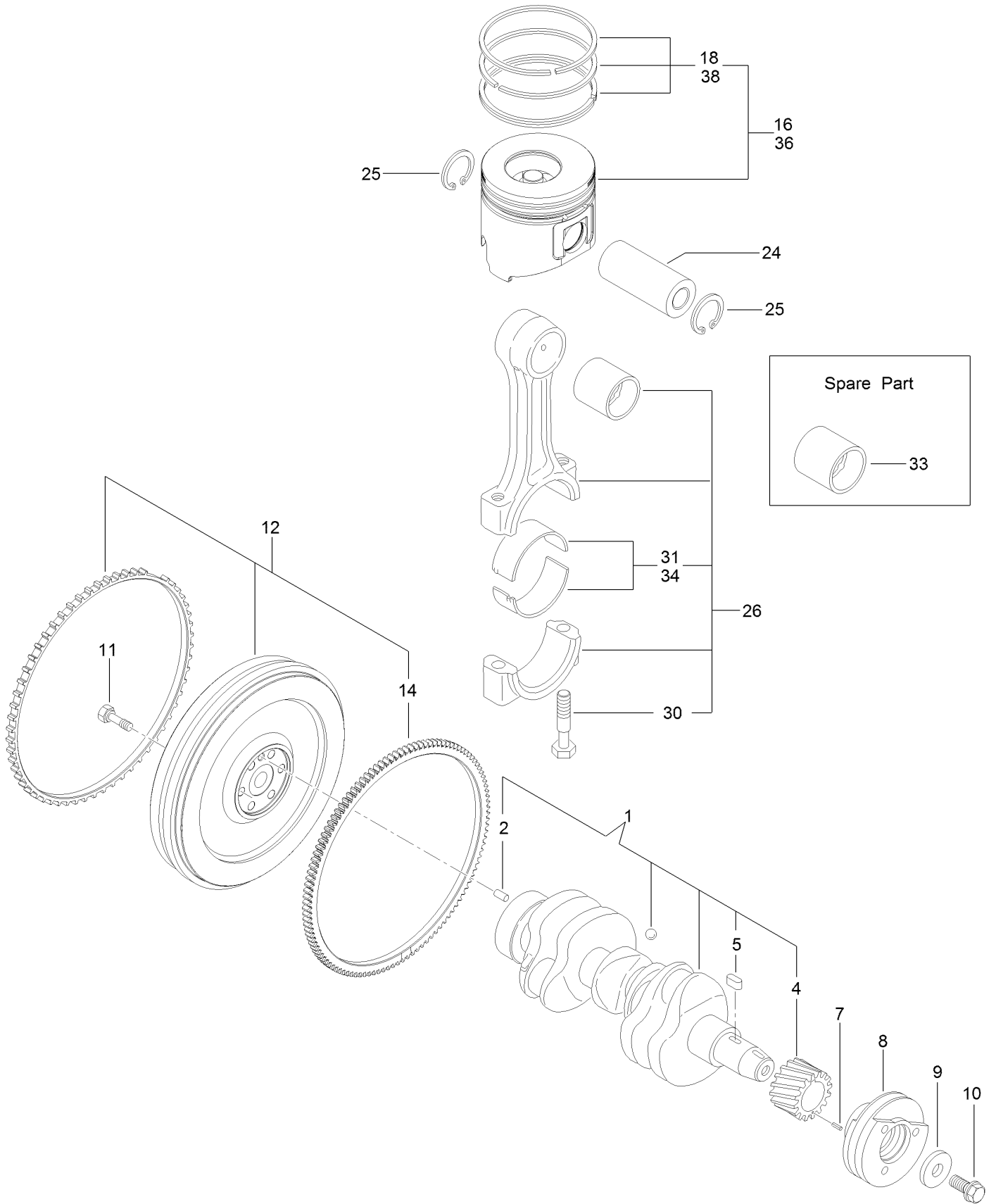
# Camshaft and Driving Gear Assembly



## Camshaft and Driving Gear Assembly (continued)

<i>Ref.</i>	<i>Part Number</i>	<i>Qty.</i>	<i>Description</i>	<i>Ref.</i>	<i>Part Number</i>	<i>Qty.</i>	<i>Description</i>
1	125-7016	6	Tappet	14	127-3066	1	Idle Gear A ASM
2	125-7017	6	Rod-Push	17	125-7219	3	Bolt
3	127-3797	1	Camshaft ASM	18	127-3070	1	Gear-Pump, Supply
4	125-7008	1	Metal-Thrust	19	127-3167	1	Washer-Spring
6	127-3052	1	Gear-Camshaft	20	127-3185	1	Nut-Lock
7	125-7185	1	Key	21	127-3064	1	Shaft-Idle, Gear B
8	127-3053	1	Pulser-Camshaft	22	127-3067	1	Idle Gear B ASM
9	125-7205	3	Bolt	25	127-3068	1	Plate-Idle, Shaft
10	125-7213	2	Bolt	26	127-3069	1	Gasket-Idle, Shaft B
11	127-3054	1	Sensor-Rev, Gear	27	125-7218	2	Bolt
12	127-3184	1	Bolt	28	125-6926	1	Bush
13	127-3063	1	Shaft-Idle, Gear A	29	127-3065	1	Bushing

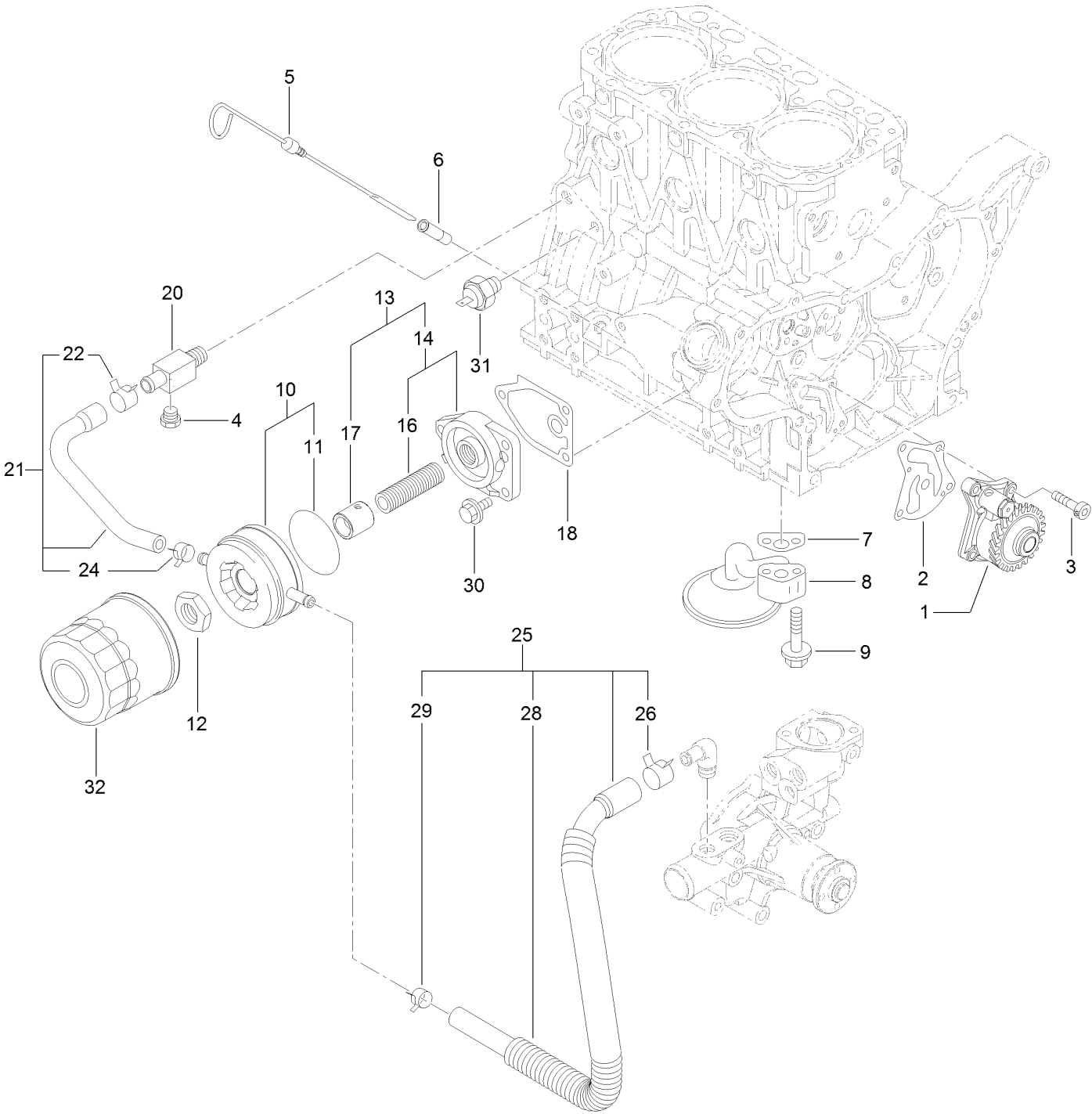
# Crankshaft and Piston Assembly



## Crankshaft and Piston Assembly (continued)

<i>Ref.</i>	<i>Part Number</i>	<i>Qty.</i>	<i>Description</i>	<i>Ref.</i>	<i>Part Number</i>	<i>Qty.</i>	<i>Description</i>
1	127-3800	1	Crankshaft ASM	16	127-4766	3	Piston ASM
2	125-6995	1	Pin	18	127-4751	3	Piston Ring ASM
4	125-6937	1	Gear	24	125-7030	3	Pin
5	125-7185	1	Key	25	125-7180	6	Ring
7	125-7182	1	Pin-Spring	26	125-7242	3	Connecting Rod ASM
8	127-3801	1	Pulley-V	30	125-6955	6	Bolt
9	125-7109	1	Washer	31	125-7018	3	Pin-Crank
10	125-6956	1	Bolt	33	125-6997	3	Pin-Piston
11	125-6951	6	Bolt	34	125-7019	3	Pin-Crank (.25)
12	127-3802	1	Flywheel ASM	36	127-4767	3	Piston ASM (0.25 O S)
14	125-6943	1	Gear	38	127-4752	3	Ring Set (0.25 O S)

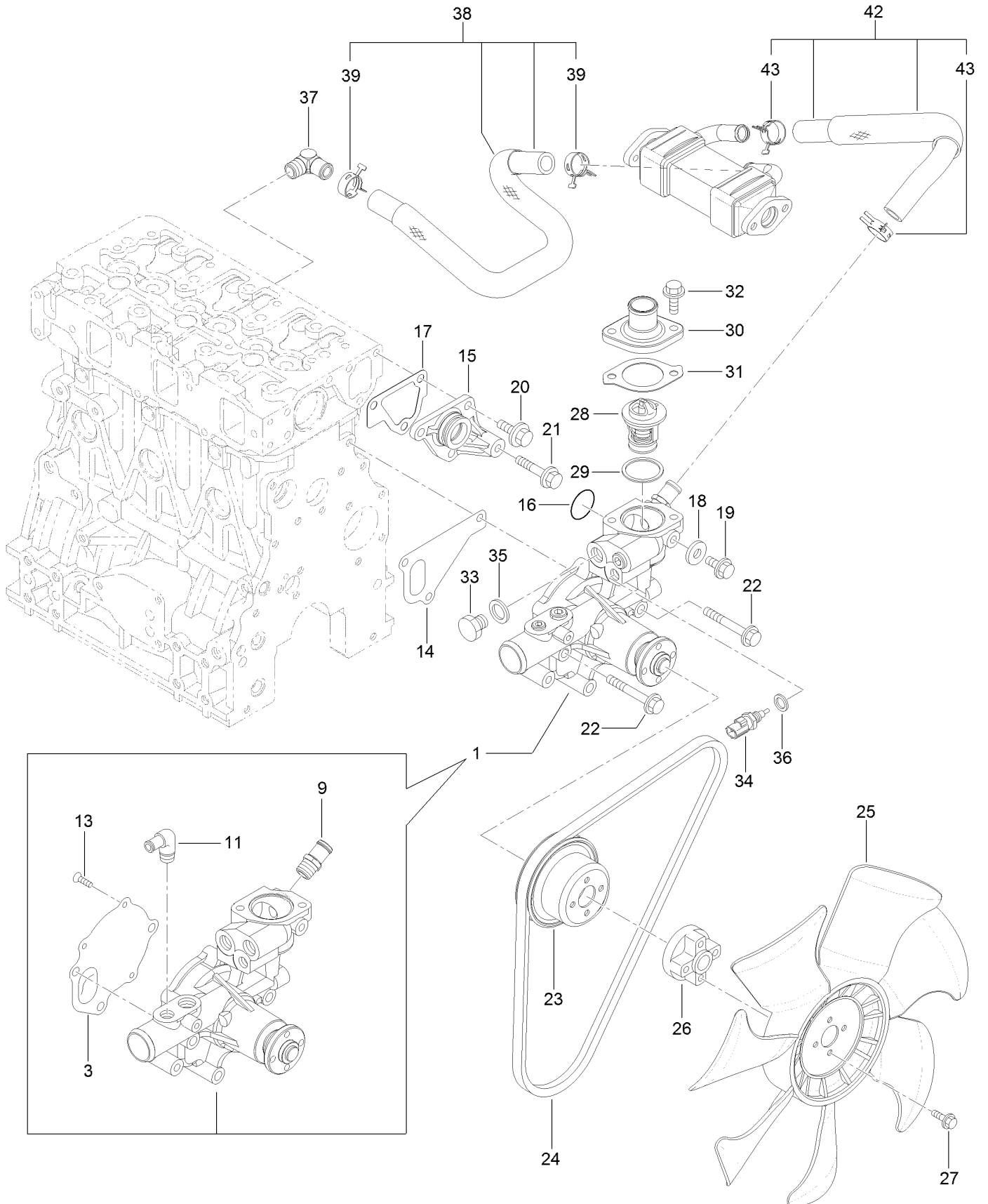
# Lubrication and Oil System Assembly



## Lubrication and Oil System Assembly (continued)

<i>Ref.</i>	<i>Part Number</i>	<i>Qty.</i>	<i>Description</i>	<i>Ref.</i>	<i>Part Number</i>	<i>Qty.</i>	<i>Description</i>
1	127-4753	1	Oil Pump ASM	16	125-7042	1	Stud
2	127-3004	1	Gasket	17	135-4022	1	Collar-Cooler, Oil
3	125-7232	4	Bolt	18	125-7024	1	Gasket
4	125-7171	1	Plug-Drain	20	125-6990	1	Joint
5	140-7168	1	Dipstick-Oil	21	125-7078	1	Pipe ASM
6	125-6954	1	Guide-Dipstick	22	125-7162	1	Clip
7	125-7022	1	Gasket	24	125-7191	1	Clamp-Hose
8	135-4017	1	Oil Inlet Pipe ASM	25	127-3804	1	Pipe ASM
9	125-7217	2	Bolt	26	125-7162	1	Clip
10	135-4018	1	Oil Cooler ASM	28	127-3805	1	Tube
11	135-4019	1	Packing-Oil Cooler	29	125-7191	1	Clamp-Hose
12	135-4020	1	Nut	30	125-7595	3	Bolt
13	135-4021	1	Lo Filter Bracket ASM	31	125-6918	1	Switch-Oil
14	140-7169	1	Filter Bracket ASM	32	125-7025	1	Filter-Engine, Oil

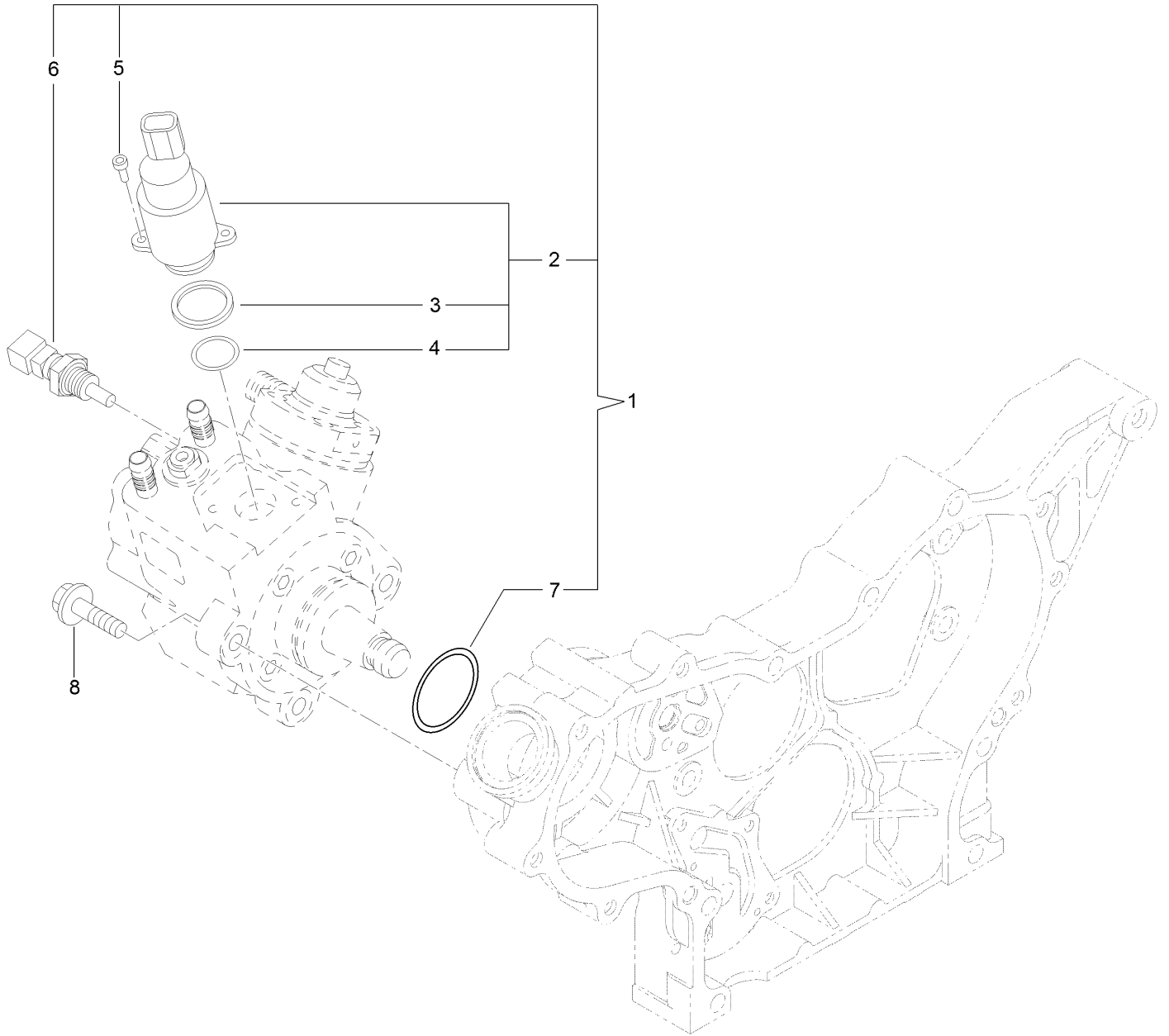
# Cooling Water System Assembly



## Cooling Water System Assembly (continued)

<i>Ref.</i>	<i>Part Number</i>	<i>Qty.</i>	<i>Description</i>	<i>Ref.</i>	<i>Part Number</i>	<i>Qty.</i>	<i>Description</i>
1	140-7176	1	CW Pump ASM	26	127-3810	1	Spacer
3	125-6998	1	Gasket	27	125-7209	4	Bolt
9	127-3017	1	Joint	28	125-7029	1	Thermostat
11	125-7001	1	Elbow	29	125-7026	1	Gasket
13	140-7170	3	Screw-Flat	30	140-7171	1	Cover-Thermostat
14	125-7047	1	Gasket	31	125-7110	1	Gasket
15	125-6986	1	Joint	32	125-7594	2	Bolt
16	125-7048	1	O-Ring	33	125-6953	1	Plug
17	125-6978	1	Gasket	34	125-7124	1	Sensor-Thermostat, CW
18	125-7192	1	Gasket	35	125-6979	1	Gasket
19	125-7212	1	Bolt	36	125-7176	1	Washer-Seal
20	125-7214	3	Bolt	37	127-4705	1	Elbow
21	125-7219	1	Bolt	38	127-4757	1	E G R-C Pipe ASM
22	125-7222	3	Bolt	39	127-3020	2	Clip-Hose
23	127-4712	1	V-Pulley	42	127-3811	1	CW Pipe ASM
24	127-4771	1	V-Belt	43	127-3020	2	Clip-Hose
25	127-4702	1	Fan				

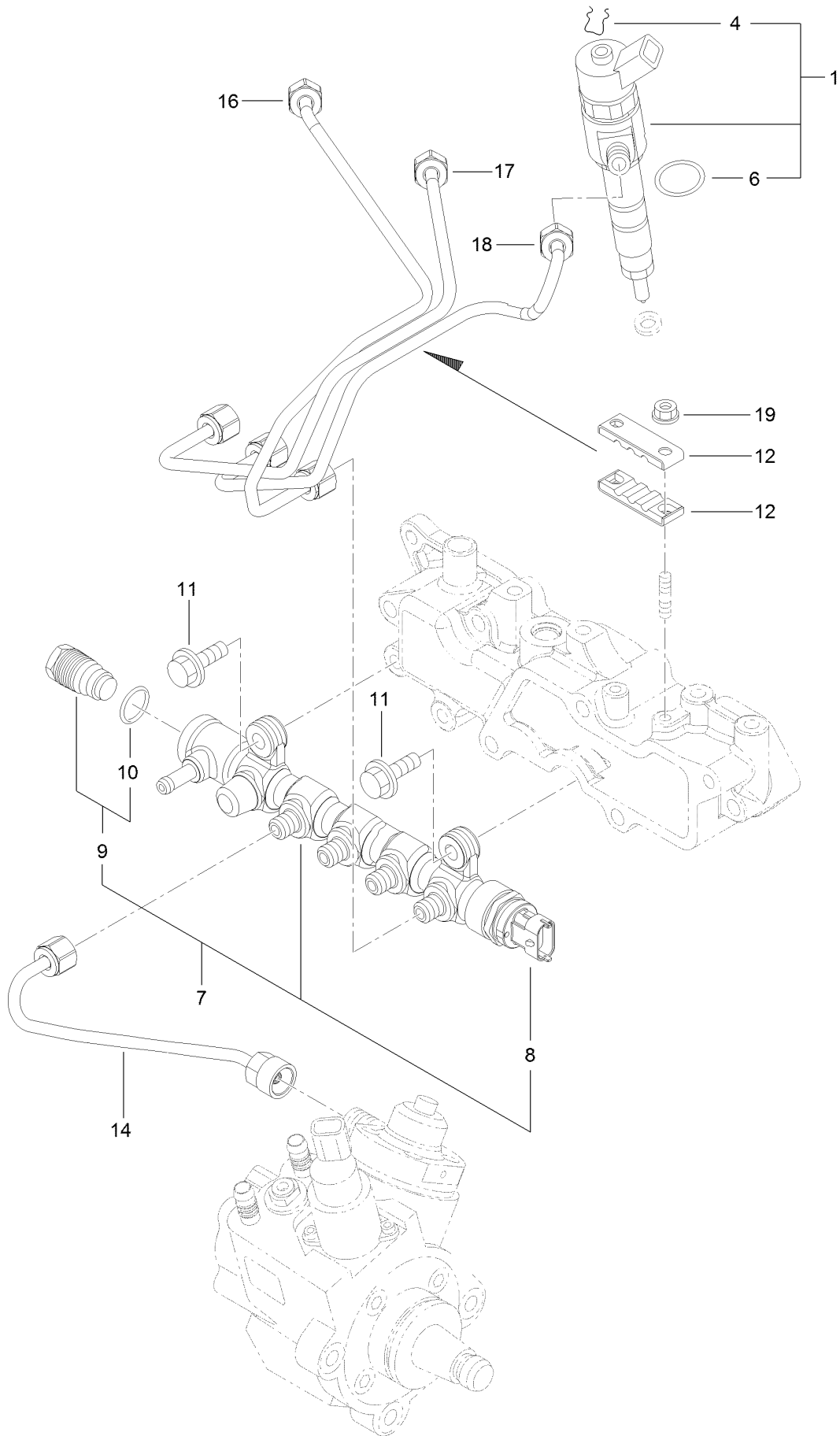
# Fuel Supply Pump Assembly



## Fuel Supply Pump Assembly (continued)

<i>Ref.</i>	<i>Part Number</i>	<i>Qty.</i>	<i>Description</i>	<i>Ref.</i>	<i>Part Number</i>	<i>Qty.</i>	<i>Description</i>
1	140-7178	1	Fuel Pump ASM	5	131-2107	2	Bolt
2	131-2103	1	Valve ASM	6	131-2108	1	Sensor-Temperature
3	131-2105	1	Ring-Sealing	7	127-3074	1	O-Ring
4	131-2106	1	O-Ring	8	125-7216	3	Bolt

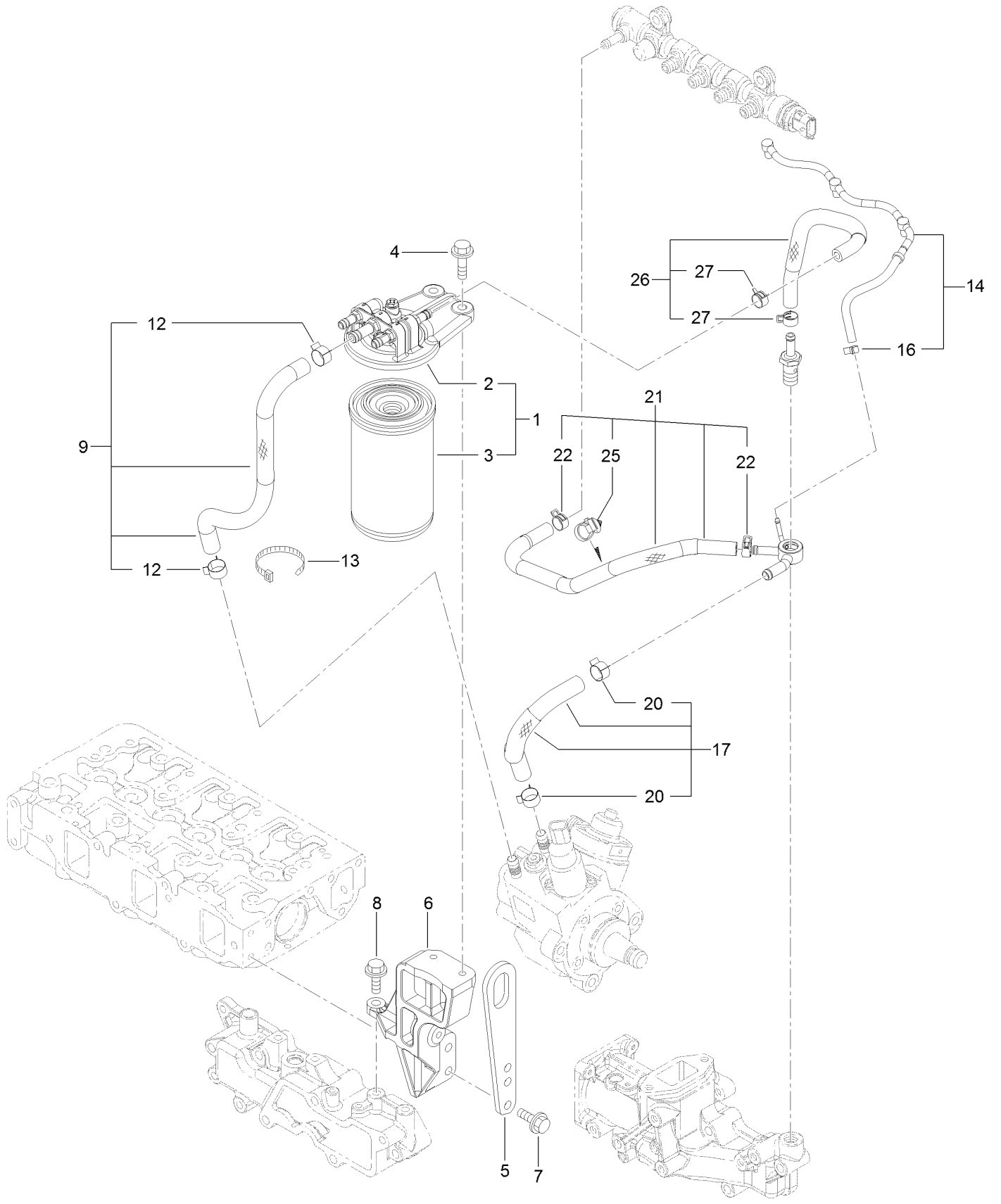
# Fuel Injection Valve Assembly



## Fuel Injection Valve Assembly (continued)

<i>Ref.</i>	<i>Part Number</i>	<i>Qty.</i>	<i>Description</i>	<i>Ref.</i>	<i>Part Number</i>	<i>Qty.</i>	<i>Description</i>
1	127-4754	3	Injector ASM	11	125-7215	2	Bolt
4	130-7430	3	Ring-Retaining	12	127-3813	2	Retainer
6	137-5173	3	O-Ring	14	127-3082	1	Rail In Pipe ASM
7	127-3812	1	Rail ASM	16	127-3814	1	Injection Pipe ASM
8	131-2709	1	Sensor-Pressure, Rail	17	127-3083	1	Injection Pipe ASM
9	131-2710	1	Valve ASM	18	127-3084	1	Injection Pipe ASM
10	130-7433	1	O-Ring	19	125-7231	2	Nut

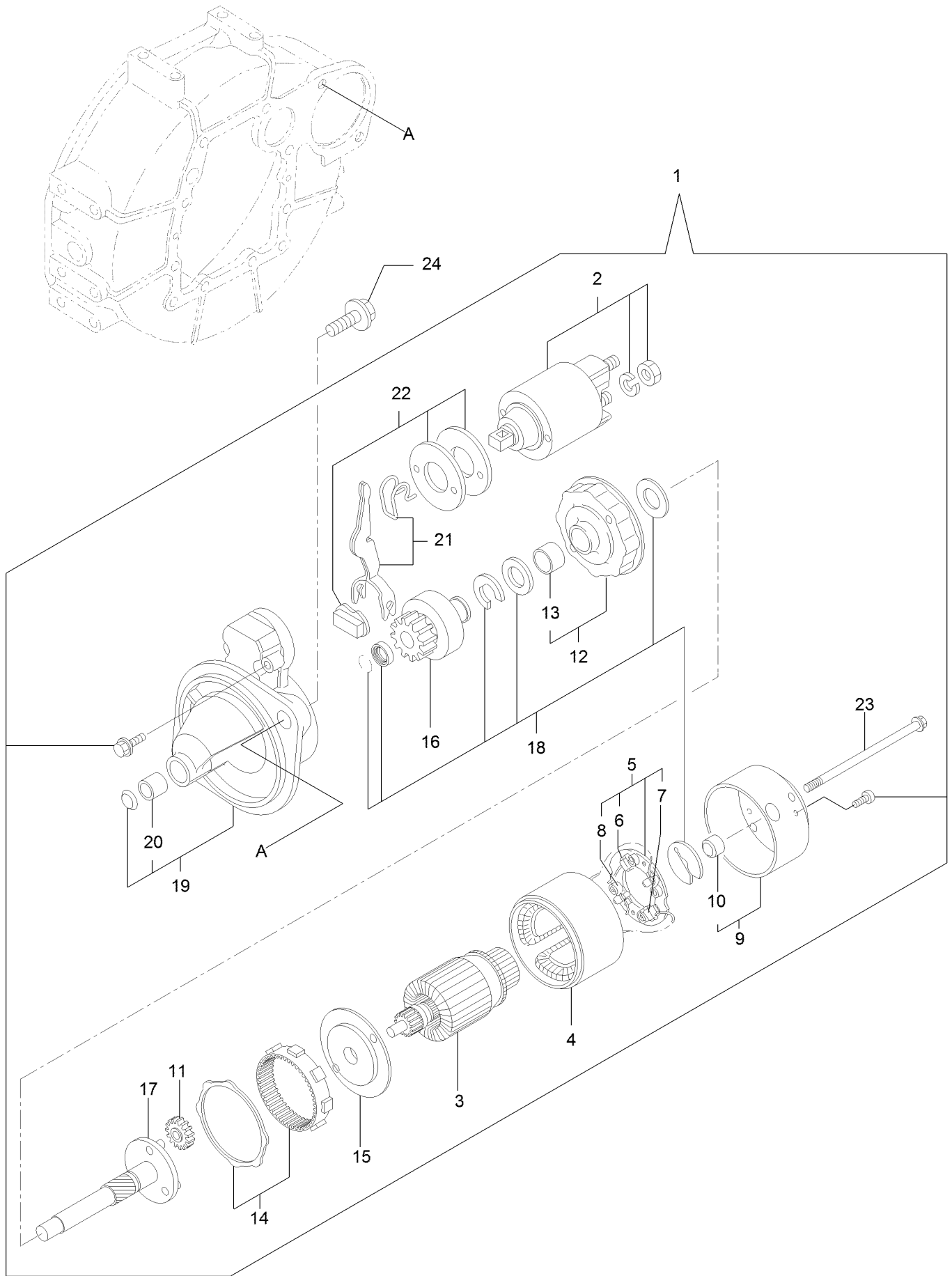
# Fuel Filter Assembly



## Fuel Filter Assembly (continued)

<i>Ref.</i>	<i>Part Number</i>	<i>Qty.</i>	<i>Description</i>	<i>Ref.</i>	<i>Part Number</i>	<i>Qty.</i>	<i>Description</i>
1	139-4535	1	Filter ASM	13	127-2981	1	Band
2	127-3076	1	Fuel/Oil Filter Bracket ASM	14	135-4023	1	Fuel/Oil Return Pipe ASM
3	139-6017	1	Filter-Fuel	16	127-3172	1	Clamp-Hose
4	125-7216	2	Bolt	17	127-3078	1	Fuel Pipe ASM
5	125-7111	1	Lifter	20	125-7191	2	Clamp-Hose
6	127-3815	1	Filter Bracket ASM	21	127-3817	1	Fuel Pipe ASM
7	125-7215	2	Bolt	22	127-2950	2	Clip-Hose
8	125-7215	1	Bolt	25	127-3087	1	Band-Clip
9	127-3077	1	Fuel Pipe ASM	26	127-3079	1	Fuel Pipe ASM
12	125-7191	2	Clamp-Hose	27	127-2950	2	Clip-Hose

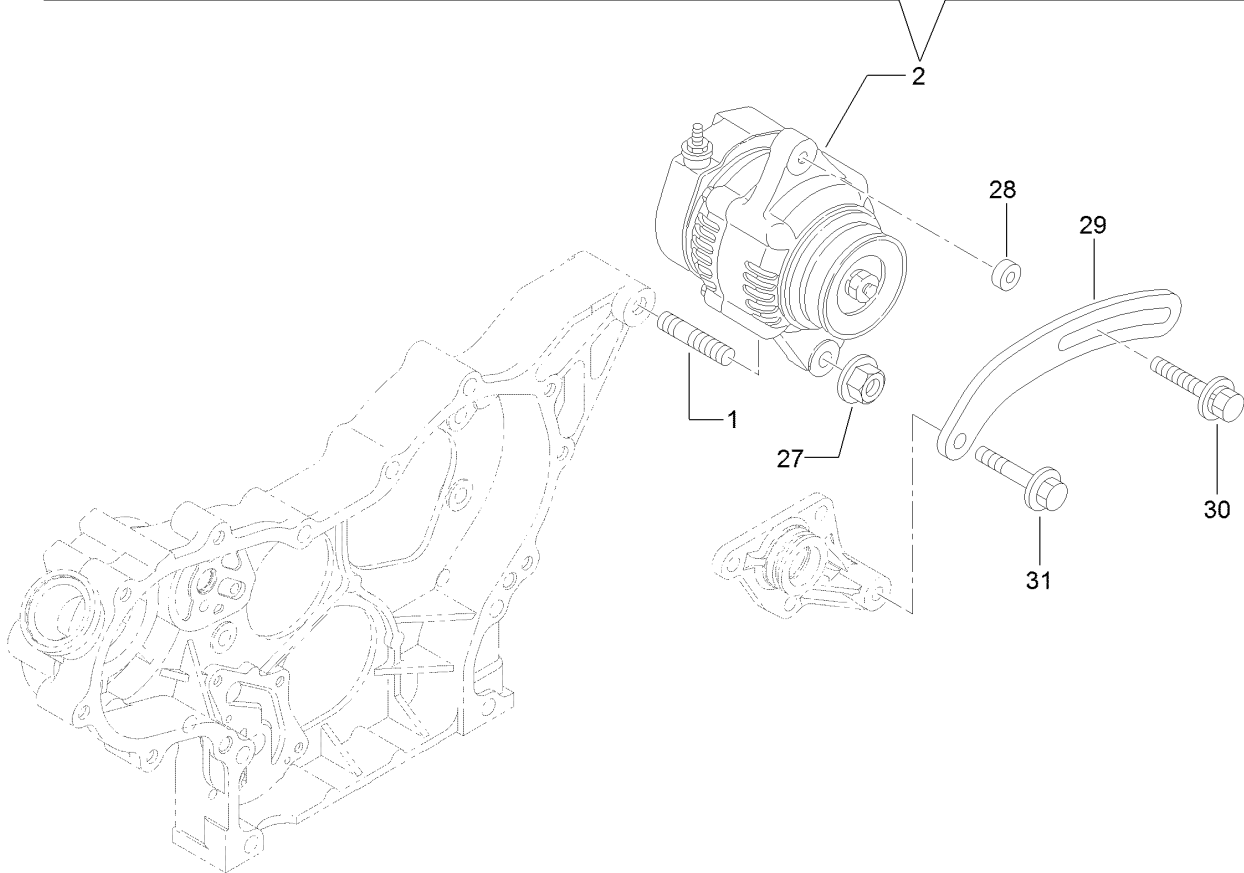
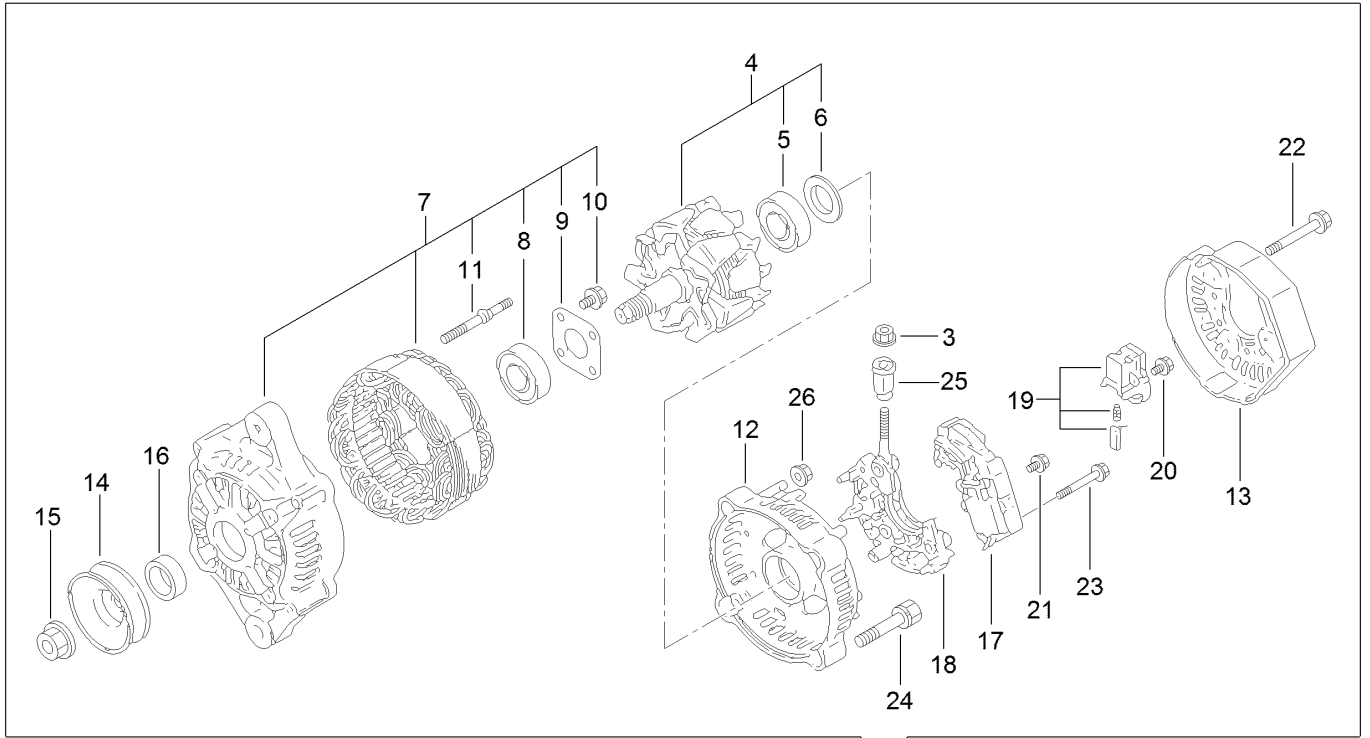
# Starting Motor Assembly



## Starting Motor Assembly (continued)

<i>Ref.</i>	<i>Part Number</i>	<i>Qty.</i>	<i>Description</i>	<i>Ref.</i>	<i>Part Number</i>	<i>Qty.</i>	<i>Description</i>
1	127-3818	1	Starter ASM	13	127-3830	1	Bracket
2	127-3819	1	Switch ASM	14	127-3831	1	Gear
3	127-3820	1	Armature ASM	15	127-3832	1	Bracket
4	127-3821	1	Yoke ASM	16	127-3833	1	Pinion ASM
5	127-3822	1	Brush Holder ASM	17	127-3834	1	Shaft
6	127-3823	2	Brush	18	127-3835	1	Washer Set
7	127-3824	1	Brush Set	19	127-3836	1	Case ASM
8	127-3825	4	Spring	20	127-3837	1	Metal-Starter
9	127-3826	1	Cover ASM	21	127-3838	1	Lever Set
10	127-3827	1	Metal	22	127-3839	1	Dust Cover ASM
11	127-3828	3	Gear	23	135-4024	2	Bolt-Through
12	127-3829	1	Bracket	24	125-7225	2	Bolt

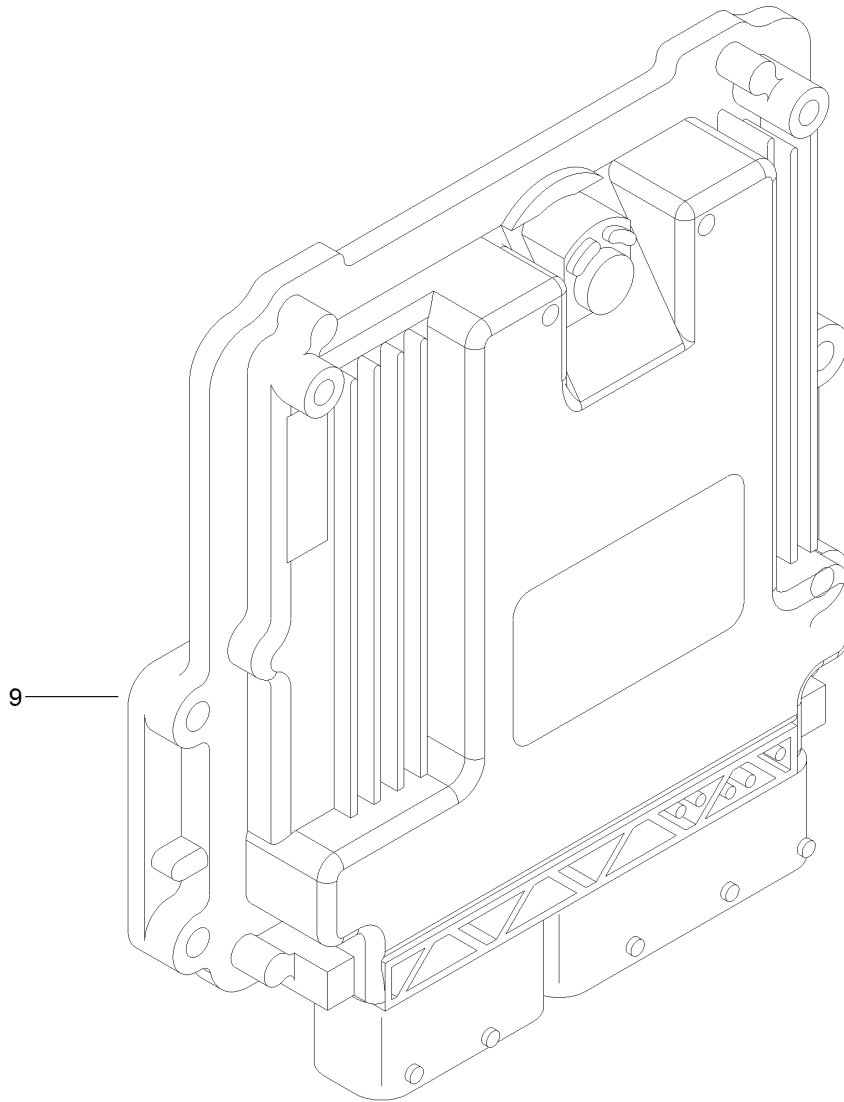
# Generator Assembly



## Generator Assembly (continued)

<i>Ref.</i>	<i>Part Number</i>	<i>Qty.</i>	<i>Description</i>	<i>Ref.</i>	<i>Part Number</i>	<i>Qty.</i>	<i>Description</i>
1	127-3011	1	Stud	17	135-4026	1	Regulator ASM
2	139-6018	1	Generator	18	127-3848	1	Holder
3	127-3190	1	Nut	19	127-2993	1	Holder
4	127-3843	1	Rotor ASM	20	127-2965	6	Screw
5	127-2983	1	Bearing-Ball	21	127-2966	1	Screw
6	127-2962	1	Cover	22	127-2967	3	Bolt
7	135-4025	1	Frame ASM	23	127-2968	2	Screw
8	127-2958	1	Bearing-Ball	24	127-2969	2	Bolt
9	127-2959	1	Plate-Retainer	25	127-2970	1	Bushing-Insulation
10	127-2960	4	Screw	26	127-2971	2	Nut
11	127-2961	2	Stud	27	125-7230	1	Nut
12	127-3845	1	Frame	28	125-6947	1	Spacer
13	127-3846	1	Cover	29	127-2977	1	Adjuster
14	127-2954	1	Pulley	30	135-4027	1	Bolt-Adjust
15	127-2955	1	Nut	31	125-7219	1	Bolt
16	127-2957	1	Collar				

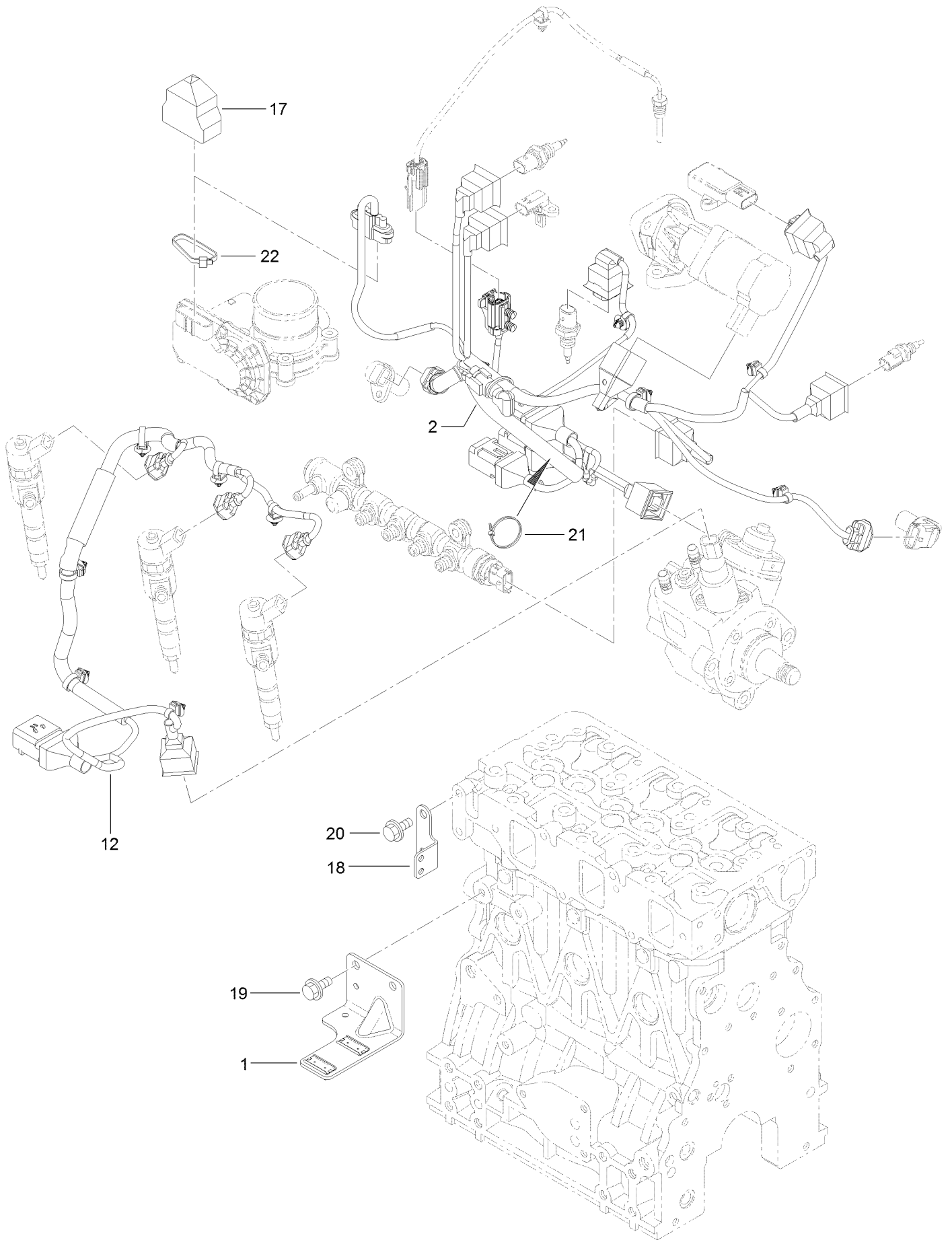
# Electronic Control Unit Assembly



# Electronic Control Unit Assembly (continued)

<i>Ref.</i>	<i>Part Number</i>	<i>Qty.</i>	<i>Description</i>
9	121-5592	1	Electronic Control Unit

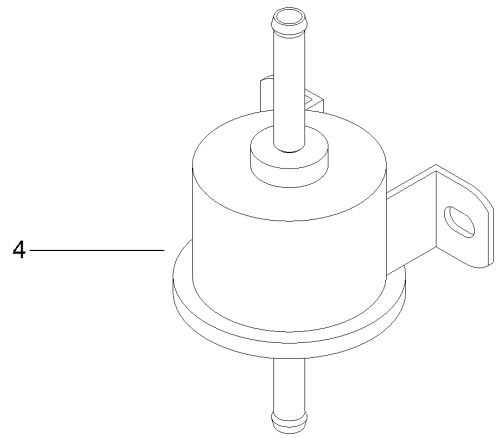
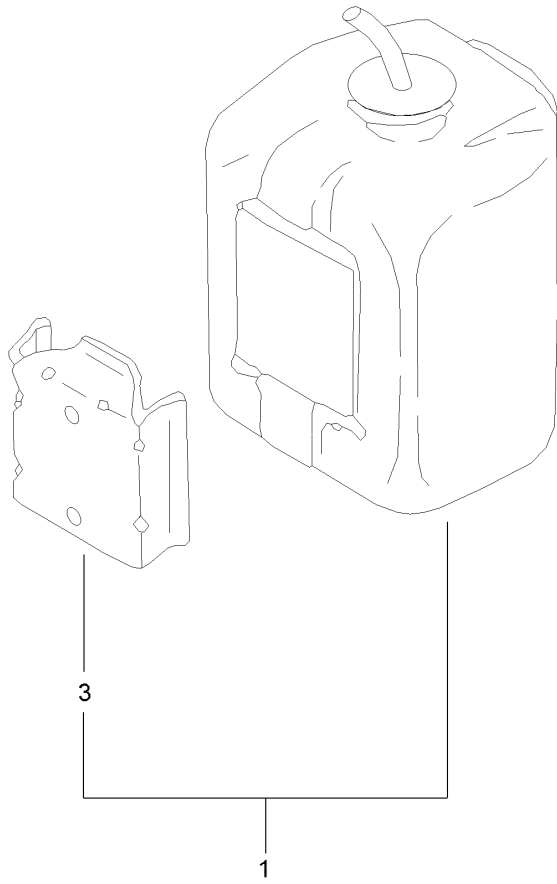
# Electric Parts Assembly



## Electric Parts Assembly (continued)

<i>Ref.</i>	<i>Part Number</i>	<i>Qty.</i>	<i>Description</i>	<i>Ref.</i>	<i>Part Number</i>	<i>Qty.</i>	<i>Description</i>
1	130-7436	1	Bracket-Connector	19	125-7213	2	Bolt
2	135-4029	1	Harness	20	125-7212	2	Bolt
12	130-7438	1	Harness	21	127-3187	1	Band
17	131-2713	1	Boot-Cap	22	127-3188	1	Band
18	127-3090	1	Bracket-Harness				

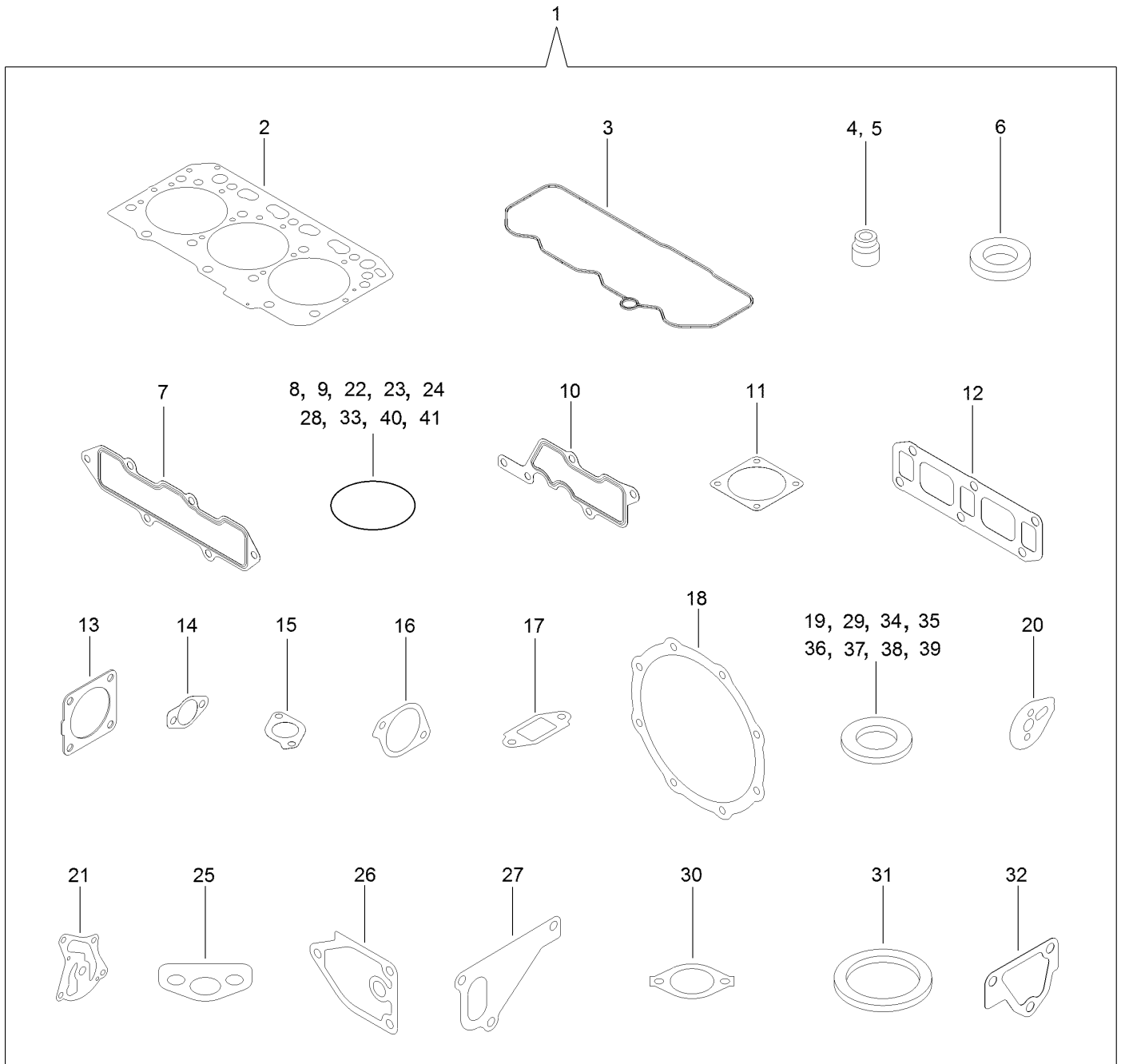
# Accessory Assembly



## Accessory Assembly (continued)

<i>Ref.</i>	<i>Part Number</i>	<i>Qty.</i>	<i>Description</i>
1	140-7185	1	Tank ASM
3	140-7165	1	Bracket-Tank
4	121-5613	1	Pump-Fuel, Electric

# Gasket Set



## Gasket Set (continued)

<i>Ref.</i>	<i>Part Number</i>	<i>Qty.</i>	<i>Description</i>	<i>Ref.</i>	<i>Part Number</i>	<i>Qty.</i>	<i>Description</i>
1	130-7440	1	Packing (Gasket Set)	21	127-3004	1	Gasket
2	127-4716	1	Head Gasket ASM	22	125-6909	2	O-Ring
3	127-3762	1	Gasket-Cover, Cylinder Head	23	127-2973	1	O-Ring
4	127-2986	3	Seal-Stem, Valve	24	125-7075	1	O-Ring
5	127-3027	3	Seal-Stem, Valve	25	125-7022	1	Gasket
6	127-3021	3	Gasket-Injector	26	125-7024	1	Gasket
7	127-3769	1	Gasket-Manifold, Intake	27	125-7047	1	Gasket
8	127-3032	2	O Ring-Sensor, Pressure	28	125-7048	1	O-Ring
9	127-3033	1	O-Ring	29	125-6979	1	Gasket
10	127-3034	1	Gasket-Collector	30	125-7110	1	Gasket
11	127-3037	2	Gasket-Throttle	31	125-7026	1	Gasket
12	127-3775	1	Gasket-Manifold, Exhaust	32	125-6978	1	Gasket
13	127-2987	1	Gasket-Silencer	33	127-3074	1	O-Ring
14	127-3043	2	Gasket-Cooler, E G R	34	125-7174	1	Washer-Seal
15	127-3016	1	Gasket	35	125-7176	1	Washer-Seal
16	127-3050	1	Gasket-Intake Valve, E G R	36	127-3166	2	Washer-Seal
17	127-3051	1	Gasket-Out Valve, E G R	37	125-7177	1	Washer-Seal
18	127-3787	2	Gasket-D P F	38	125-7192	1	Gasket
19	127-3056	4	Gasket-Sensor	39	127-3174	2	Gasket
20	127-3069	1	Gasket-Idle, Shaft B	40	138-7829	3	O-Ring
				41	125-7197	2	O-Ring

# Attachments and Accessories

## For 31903A — Groundsmaster 3310 All-Wheel Drive Traction Unit

<b>Product Name</b>	<b>Model/Part</b>
Exterior Mirror Kit.....	130-5448
Interior Mirror Kit.....	130-5449
Slope Sensor Kit.....	31952
CE Kit, Groundsmaster 3200 or 3300 Series Traction Unit.....	31953
CE Kit, Groundsmaster 3200 or 3300 Series 60in Side Discharge Rotary Mower.....	31957
CE Kit, Groundsmaster 3200 or 3300 Series 72in Side Discharge Rotary Mower.....	31958
CE Kit, Groundsmaster 3200 or 3300 Series 60in Rear Discharge Rotary Mower.....	31959
CE Kit, Groundsmaster 3200 or 3300 Series 72in Rear Discharge Rotary Mower.....	31960
Auxiliary HYD Kit.....	31966
60in SD Deck.....	31970
60in RD Deck.....	31971
72in SD Deck.....	31972
72in RD Deck.....	31973
60in RD Deck, T2.....	31974
72in RD Deck, T2.....	31975
Recycler Kit 60in/152cm SD.....	31976
Recycler Kit, 60In/152cm RD.....	31977
Recycler Kit, 72In/183cm SD.....	31978
Recycler Kit, 72In/183cm RD.....	31979
Seat Assembly-Standard.....	32301
Seat Assembly-Mechanical Suspension.....	32302
Air Ride Seat Kit.....	32303
Storage Box Kit.....	31983
USB Charging Kit.....	31984
Recycler Kit 60in/152cm Rd T2.....	31985
Recycler Kit 72in/183cm Rd T2.....	31986
Road Light Kit (North America).....	31991
Road Light Kit (EU).....	31992
LED Work Light Kit.....	31993
Accessory Control Kit.....	31994
Led Beacon Kit.....	31996
15-Pound Cast Weight.....	112-7059-01
42 Pound Weight.....	114-4096
Storage Bag Kit.....	139-2020
SMV Kit.....	139-2339
Wrench-Caster Cap/Latch.....	138-6367
Filter-Air.....	108-3810
Filter-Fuel.....	139-6017
Fuel/Water Separator Filter.....	125-2915
Transmission Oil Filter.....	86-3010
Engine Oil Filter.....	125-7025
Hydraulic Hose Kit.....	31999
Power Harness Kit.....	140-1559
Weight Kit.....	144-0480
Plate-Weight, 25 LBS.....	144-0484
Paint-Red Pen.....	112-0177

## Attachments and Accessories (continued)

Seat Cover (with Arm Rest) .....	117-0095
Blade Kit, Std (24.5) 3pk .....	144-3911
Blade Kit, Med Flow (20.5) 3pk .....	144-3912
Paint-Black Bottle .....	112-0176
Paint-Red Bottle .....	112-0178
Blade Kit, High Flow (20.5) 3pk.....	144-3913
Toro Red 12oz Aerosol Can .....	361-10
Semi-Gloss Black Spray Paint .....	361-9
Blade Kit, Atomic (20.5) 3pk .....	144-3914
PX Hydraulic Fluid (5 Gal) .....	133-8086
Blade Kit, Low Flow (24.5) 3pk .....	144-3915
PX Hydraulic Fluid (55 Gal).....	133-8087
Blade Kit, Recycling (24.5) 3pk.....	144-3916
Blade Kit, Low Flow (20.5) 3pk .....	144-3917
Blade Kit, Recycling (20.5) 3pk.....	144-3918
Blade Kit, 24.50 Low Flow 3pk.....	144-3962
Blade Kit, 24.50 Recycler 3pk.....	144-3963
Blade Kit, 20.50 Low Flow 3pk.....	144-3964
Blade Kit, 20.50 Recycler 3pk.....	144-3965
Blade Kit, 24.50 Atomic 3pk.....	144-3966
Blade Kit, 20.50 Atomic 3pk.....	144-3967
Hose Replacement Kit, Groundsmaster 3200 or 3300 Series Traction Unit.....	144-3960
Boss Plow, 5ft Straight Blade .....	MSC23345
Blade Crate (Snowplow), ATV Poly S .....	STB13567B
Universal Wireless Hourmeter Kit .....	144-2436



**Count on it.**