



**Count on it.**

**Parts Catalog**

**11-Blade EdgeSeries™ DPA  
Cutting Unit**

**Greensmaster® 3150 or 3250-D Series  
Traction Unit**

**Model No. 04654—Serial No. 420240000 and Up**



# Ordering Replacement Parts

To order replacement parts, please supply the part number, the quantity, and the description of each part desired.

## Understanding Reference Numbers

Each identified part in an illustration has a reference number. The reference number for a part also appears in the parts list, along with other information about the part.

This catalog uses two special reference number formats, one to indicate parts in a service assembly and another to indicate the quantity of a given part in an illustration.

## Service Assembly Reference Numbers

Parts in service assemblies have reference numbers in the form a:b. The a represents the reference number of the entire service assembly and the b represents a sequential number unique to each part within the service assembly.

For example, a wheel assembly might be identified by reference number 6, the tire by 6:1, the valve by 6:2, and the wheel by 6:3. When you order the assembly identified by reference number 6, you receive all parts identified by reference numbers 6:1, 6:2, and 6:3. However, you may also order any part individually. Reference numbers of this type appear in illustration and in parts lists.

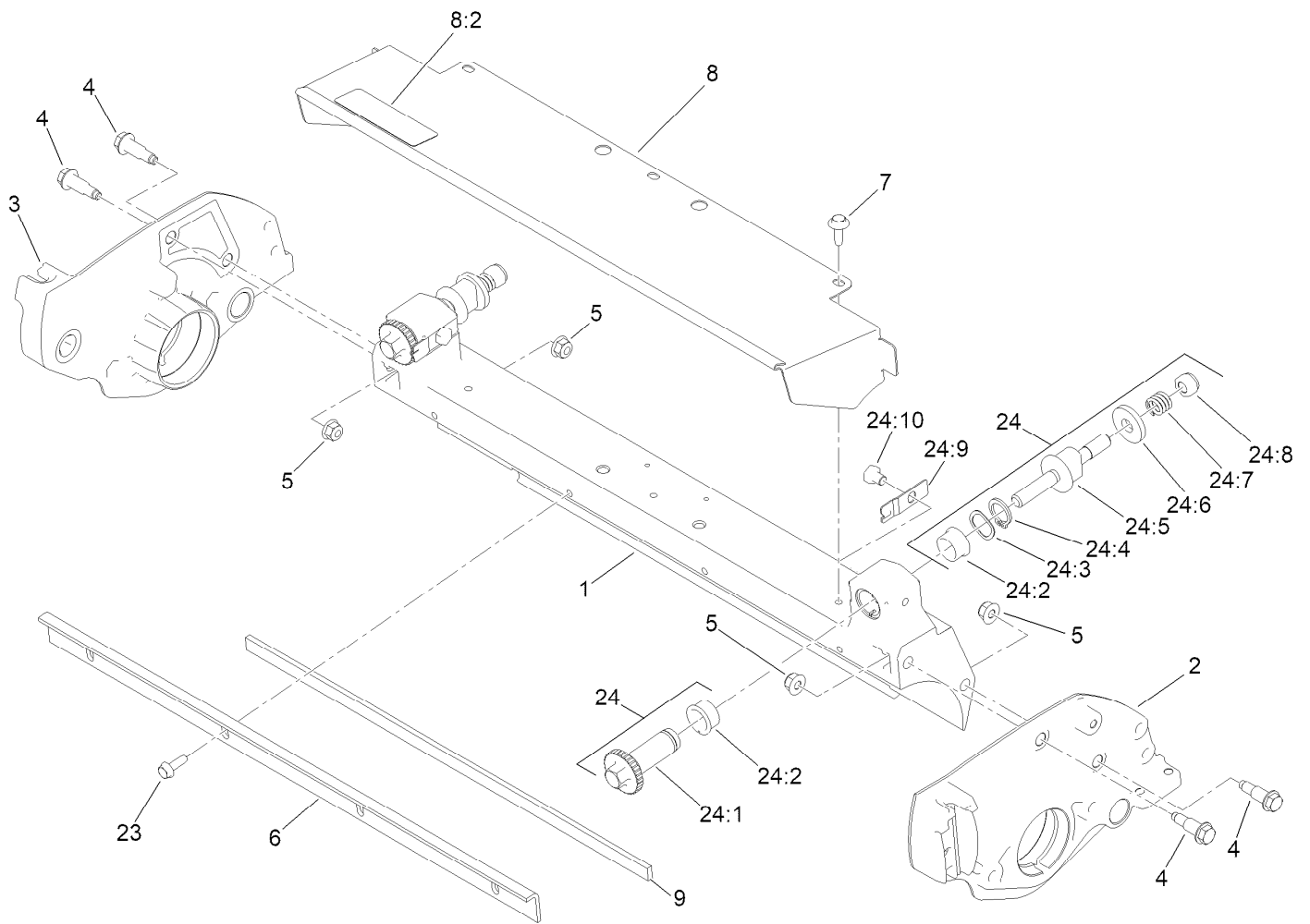
## Reference Numbers Indicating Quantity

In an illustration, if a reference number indicates more than one part, the reference number has the form nX y. The n represents the quantity of the part, the X is the multiplication symbol, and the y represents the reference number.

For example, in an illustration, the reference number 2X 37 means that two of the parts identified by reference number 37 are indicated.

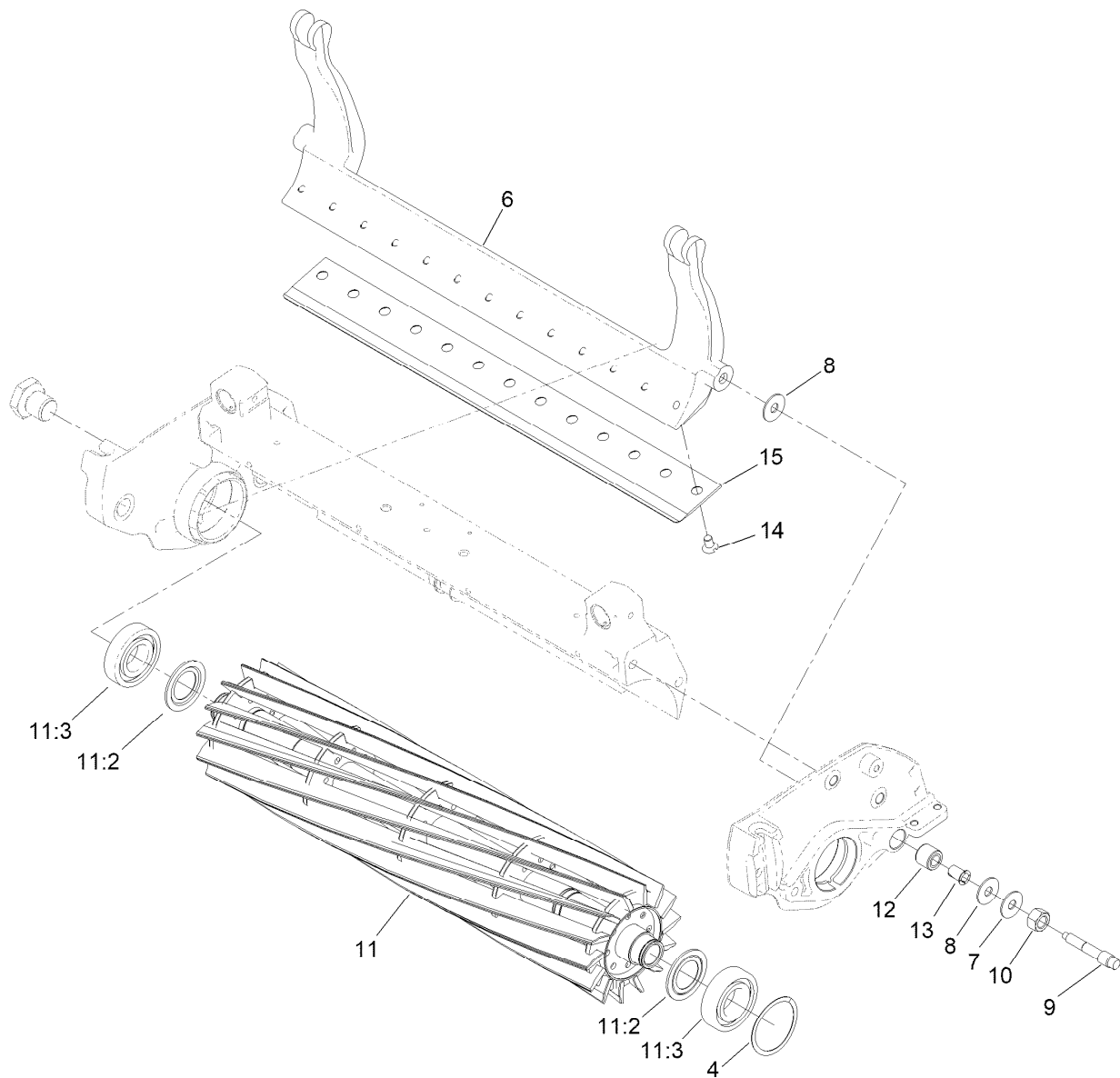
# Contents

Frame Assembly.....	4
Reel Assembly.....	5
Roller Assembly.....	6
Rear Full Roller Kit Assembly No. 140-5560.....	7
Drive Assembly.....	8
Optional Front Roller Assemblies.....	9
Attachments and Accessories.....	11



## Frame Assembly

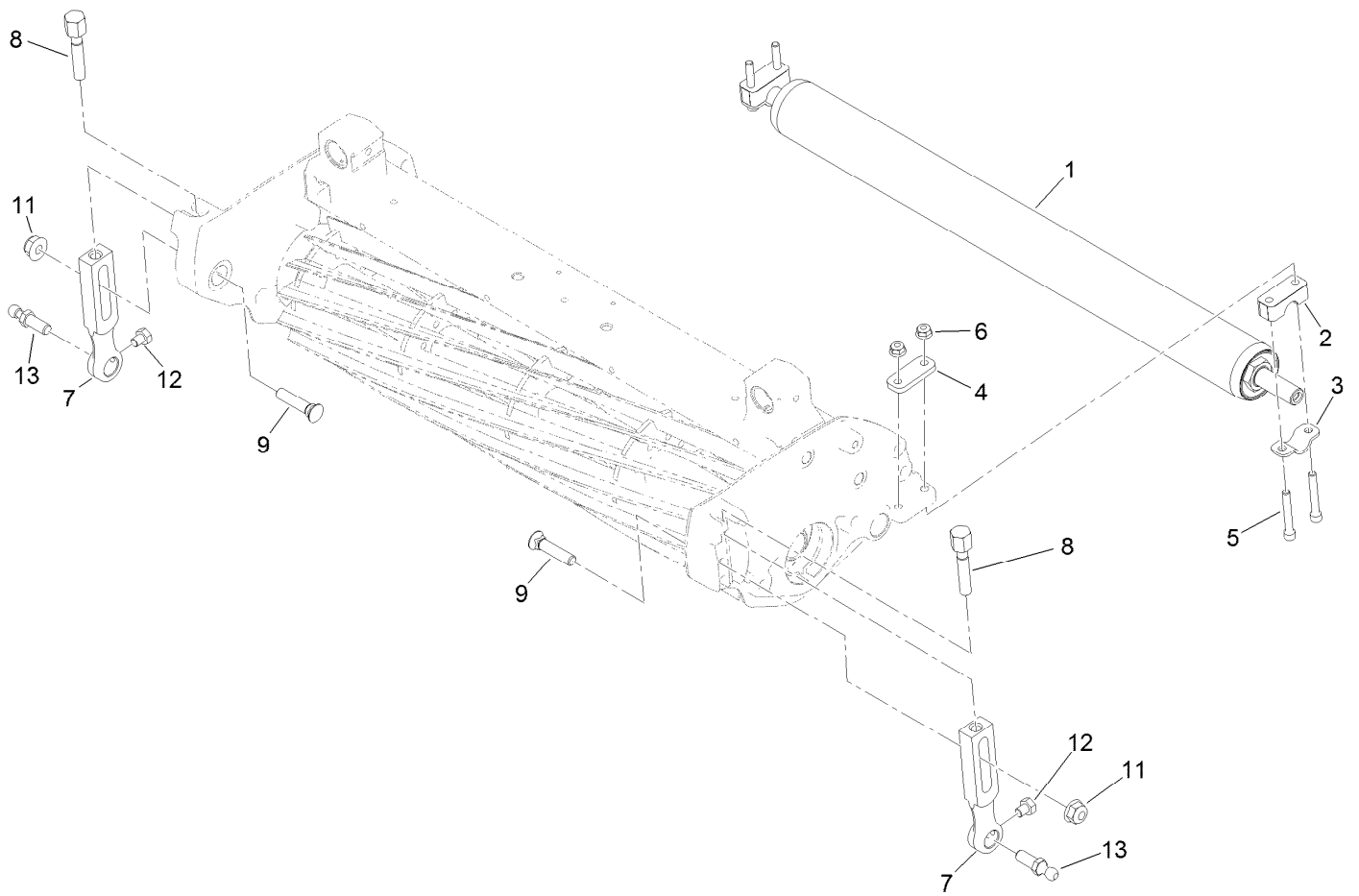
<i>Ref.</i>	<i>Part Number</i>	<i>Qty.</i>	<i>Description</i>	<i>Ref.</i>	<i>Part Number</i>	<i>Qty.</i>	<i>Description</i>
1	119-9303	1	Crossmember	24	121-2637	1	DPA Rebuild Kit
2	147-0845	1	Sideplate ASM,GR Cu LH	24:1	106-5363	2	Shaft-Adjuster
3	147-0847	1	Sideplate ASM,GR Cu RH	24:2	106-5344	4	Bushing-Flange, Keyed
4	115-7042	4	Bolt-Shoulder, Flange	24:3	119-4164	2	Washer-Wave
5	119-4041	4	Nut-HF	24:4	32120-93	2	Ring-Retaining
6	115-3303-03	1	Bar-Cutoff	24:5	137-6130	2	Screw-Adjuster, Bedbar
7	119-4012	3	Screw-HWHTF	24:6	119-4155	2	Washer-Hardened
8	119-4095	1	Grass Shield ASM	24:7	119-4156	2	Spring-Compression
8:2	137-9706	1	Decal-Warning	24:8	119-4039	2	Nut-Hex
9	106-2619	1	Strip-Seal	24:9	99-2097	2	Detent
23	131-6150	4	Screw-HWHTF	24:10	119-4067	2	Screw-HH



## Reel Assembly

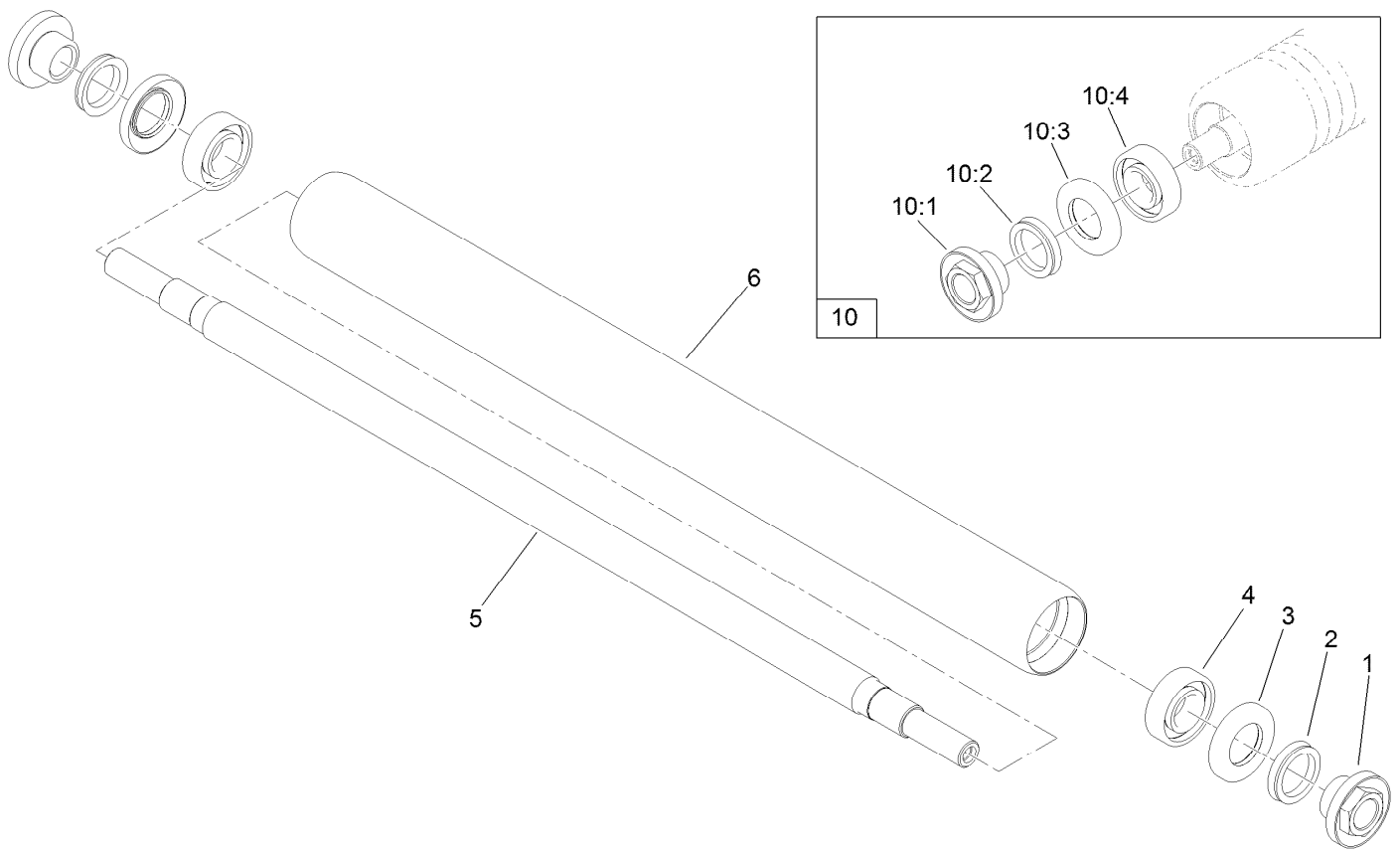
Ref.	Part Number	Qty.	Description	Ref.	Part Number	Qty.	Description
4	115-5258	1	Spring-Wire, Flat	15	108-4302	1	Bedknife-Tournament, Extended (GR21) ●
6	106-2648-01	1	Bedbar	15	108-4303	1	Bedknife-Microcut, Extended (GR21) ●
7	119-4150	2	Washer-Flat	15	115-1880	1	Bedknife-Edgemax Microcut (GR21)
8	52-2900	4	Washer-Plastic	15	115-1881	1	Bedknife-Edgemax Tournament (GR21) ●
9	117-9493	2	Bolt-Bedbar	15	137-6092	1	Bedknife-Edgemax Fairway (GR21) ●
10	140-9234	2	Nut-Hex Lock	15	137-6097	1	Bedknife-Fairway (GR21) ●
11	137-8511	1	21 Inch 8 Blade Low Drag Edge Series+ Reel ASM ●	15	93-4262	1	Bedknife-Microcut (GR21) ●
11	137-8512	1	21 Inch 11 Blade Low Drag Edge Series+ Reel ASM	15	93-4263	1	Bedknife-Tournament Cut (GR21) ●
11	137-8513	1	21 Inch 14 Blade Low Drag Edge Series+ Reel ASM ●	15	93-4264	1	Bedknife-Low Cut (GR21) ●
11:2	115-3299	2	Seal-Flocked	15	94-6392	1	Bedknife-Highcut (GR21) ●
11:3	140-5510	2	Bearing-Sealed, Stainless				
12	119-4153	2	Rubber Bushing ASM				
13	52-2890	2	Bushing-Nylon				
14	119-4151	13	Screw-Bedknife				

● Optional Equipment



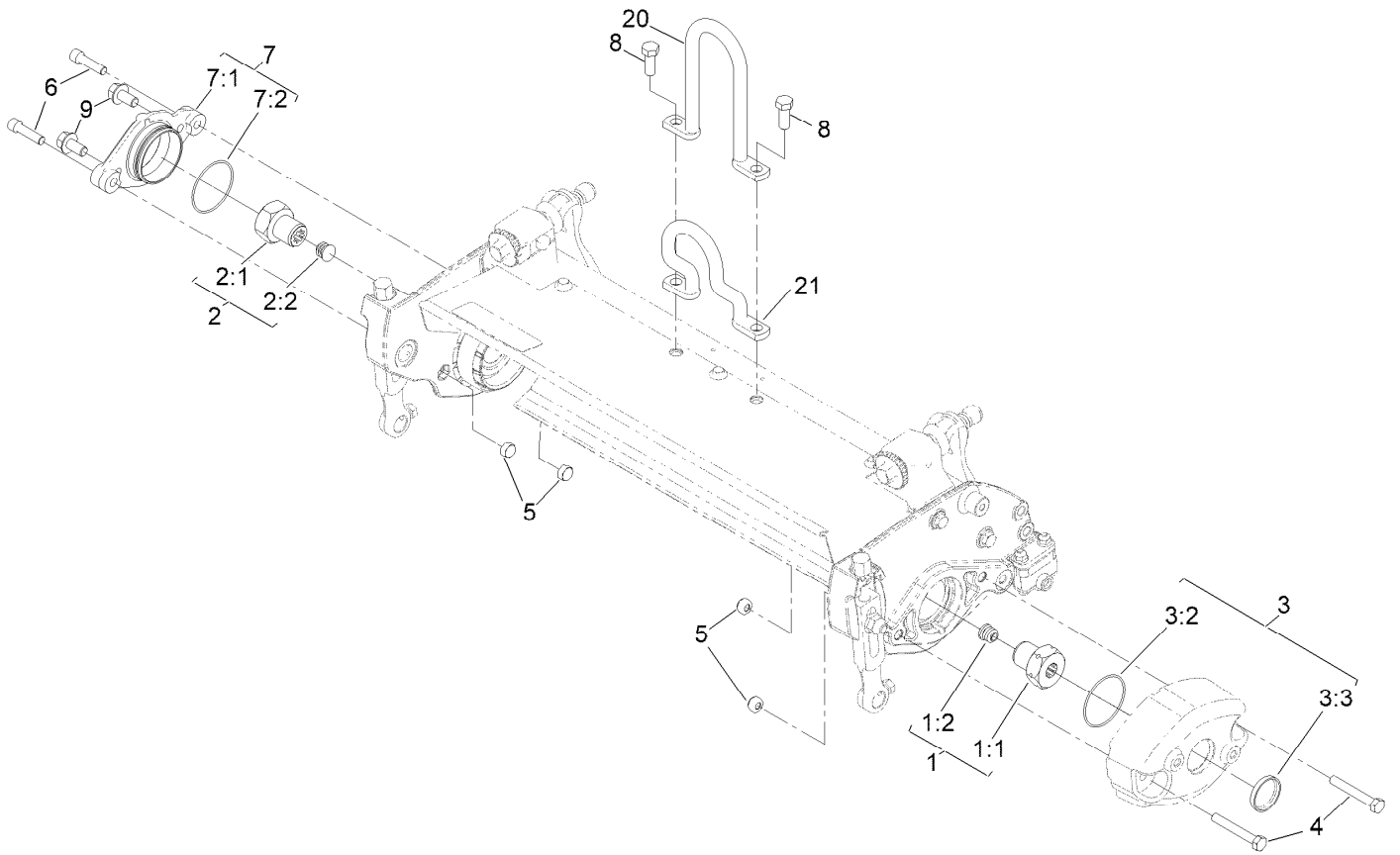
## Roller Assembly

<i>Ref.</i>	<i>Part Number</i>	<i>Qty.</i>	<i>Description</i>
1	140-5560	1	GR21 Steel Rear Roller ASM (2.0In)
2	119-4166	2	Spacer-Height, Roller
3	119-4157	2	Retainer-Shaft
4	119-4165	2	Shim-Height, Roller
5	119-4035	4	Screw-HSH
6	119-4040	4	Nut-HF, NI
7	140-5691	2	Bracket-GR Front HOC
8	110-7352	2	Screw-HOC
9	99-3773	2	Bolt-Plow
11	133-7570	2	Nut-Flange, NI
12	119-4067	2	Screw-HH
13	94-2958	2	Stud-Ball



## Rear Full Roller Kit Assembly No. 140-5560

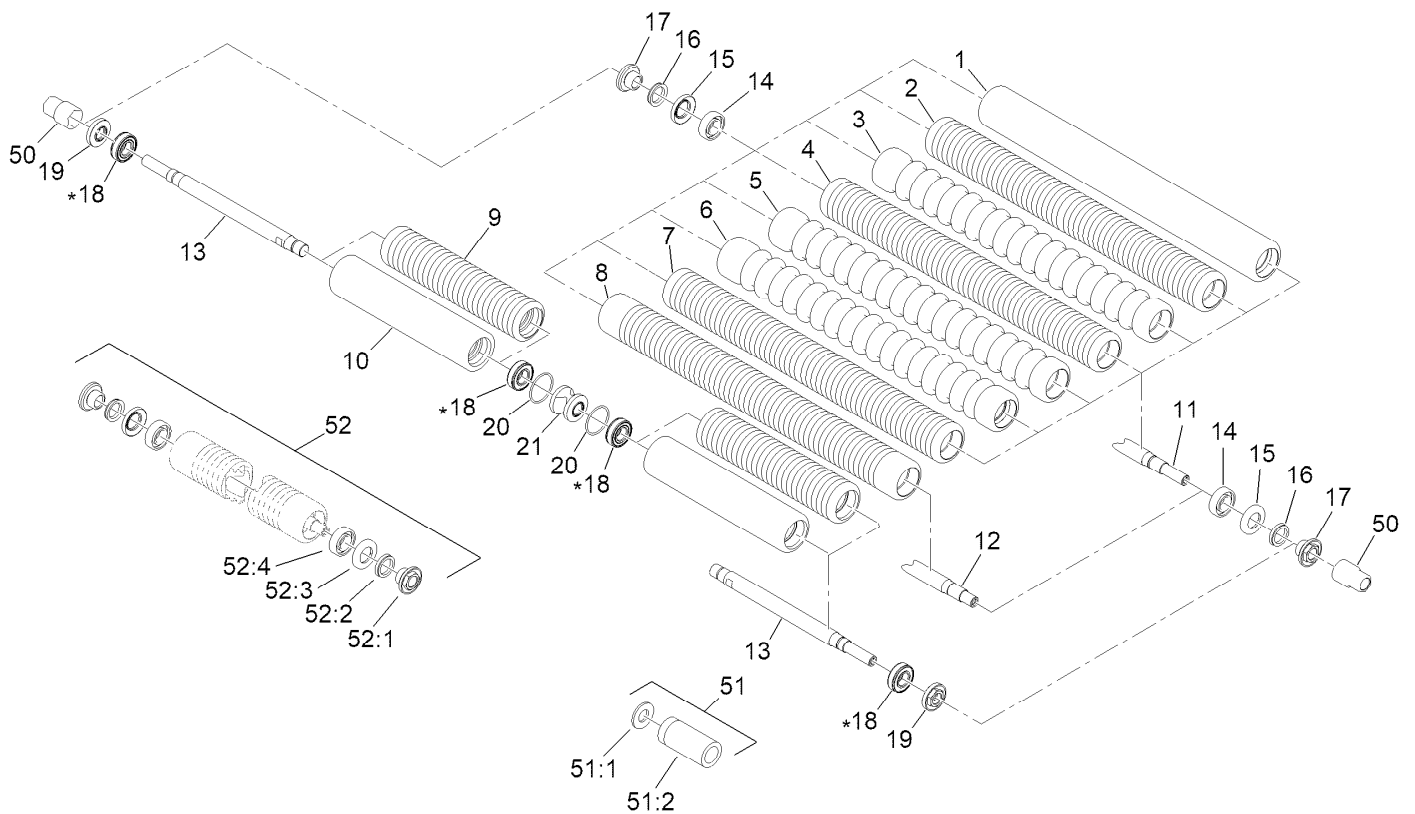
<i>Ref.</i>	<i>Part Number</i>	<i>Qty.</i>	<i>Description</i>
1	147-0701	2	Nut-Lock, Bearing
2	106-6942	2	V-Ring
3	106-6941	2	Seal
4	251-347	2	Bearing-Ball
5	147-1347	1	Shaft-Roller (21In)
6	140-5541	1	Tube Roller 2.0In DIA X 22.15In
10	140-5552	1	GR Roller Rebuild Kit
10:1	147-0701	2	Nut-Lock, Bearing
10:2	106-6942	2	V-Ring
10:3	106-6941	2	Seal
10:4	251-347	2	Bearing-Ball



## Drive Assembly

Ref.	Part Number	Qty.	Description	Ref.	Part Number	Qty.	Description
1	120-3221	1	LH Reel Nut ASM	5	119-4038	4	Nut-Hex
1:1		1	Nut-Reel, Splined (LH) ●	6	3274-18	2	Screw-HSH
1:2	120-3220	1	Plug-Plastic	7	117-9095	1	Motor Adaptor ASM
2	120-3222	1	RH Reel Nut ASM	7:1		1	Adaptor-Motor ●
2:1		1	Nut-Reel, Splined (RH) ●	7:2	360-0398	1	O-Ring
2:2	120-3220	1	Plug-Plastic	8	323-6	2	Screw-HH
3	115-3340	1	Weight ASM, GR	9	110-1718	2	Screw-HHSF, Patch
3:2	360-0398	1	O-Ring	20	105-5740	1	Hook-Lift (GR30/31X0)
3:3	121-4609	1	Plug-Expansion	21	110-2397	1	Hook-Lift, Offset (1.25 Inch, GR3250)
4	322-11	2	Screw-HH				

● Not serviced separately



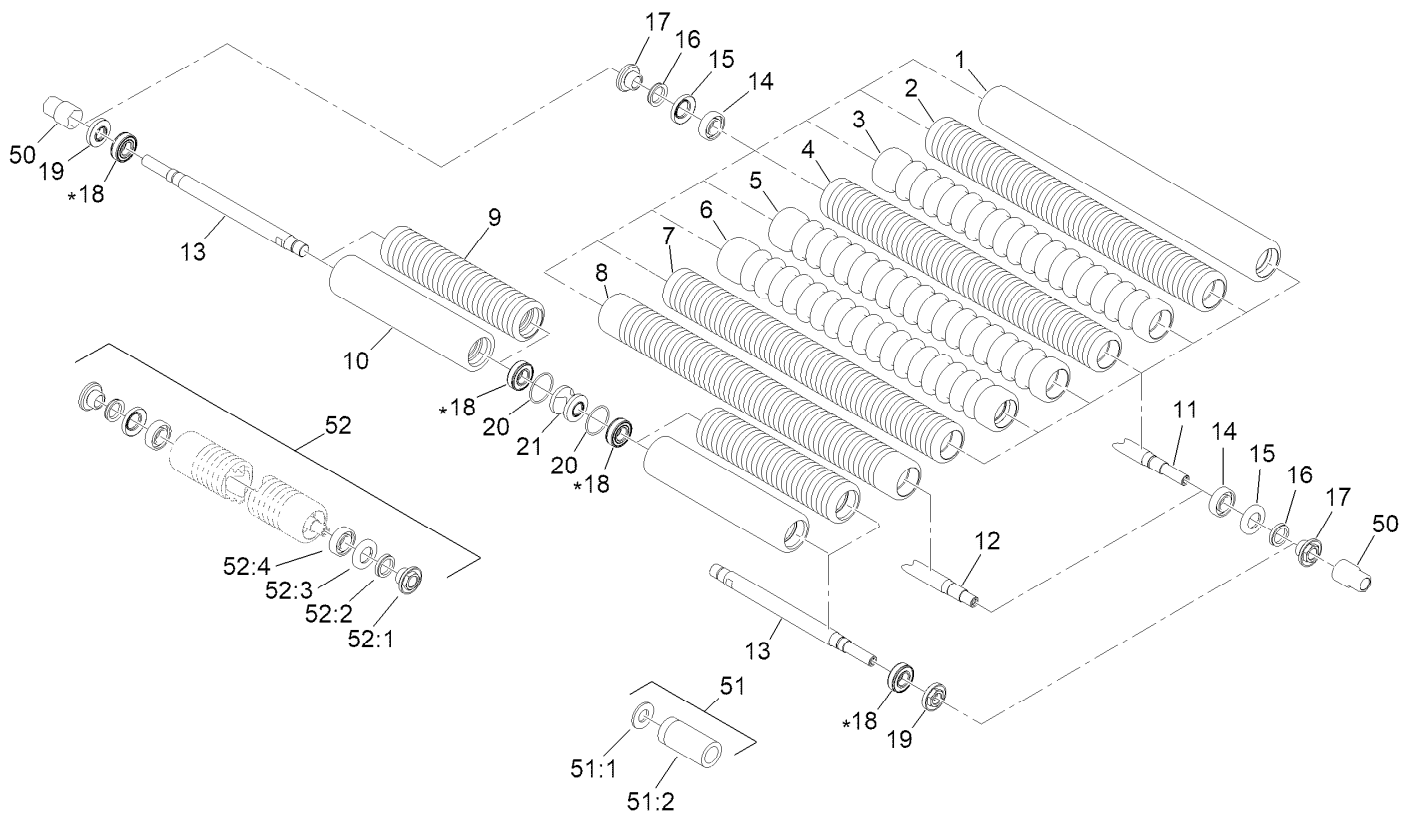
\*Red seal on bearing (item 18) faces towards outside of roller tube

## Optional Front Roller Assemblies

Ref.	Part Number	Qty.	Description	Ref.	Part Number	Qty.	Description
1	04257	1	GR21 Full Front Roller (2.5 DIA)	9	147-1163	1	GR21 Split Narrow Wiehle Roller ASM ▲
2	04267	1	GR21 Paspalum Wiehle Roller ASM	10	04088	1	GR21 Split Full Front Roller ASM
3	04256	1	GR21 Wide Wiehle Roller (.93 Spacing)	10	147-1186	1	GR21 Split Full Front Roller ASM ■
4	04255	1	GR21 Narrow Wiehle Roller (.200 Spacing)	11	147-1347	1	Shaft-Roller (21In)
5	107-3514	1	GR21 Steel Wide Roller ASM	12	120-5404	1	Shaft-Roller
6	147-1215	1	GR21 Hhoc Wide Wiehle Roller ASM (Steel)	13	147-1346	2	Shaft-Roller (21In, Split)(LD)
7	107-3510	1	GR21 Steel Narrow Wiehle Roller ASM	14	251-347	1	Bearing-Ball
8	04258	1	GR21 Long Narrow Wiehle Roller	15	106-6941	2	Seal
9	04081	1	GR21 Split Narrow Wiehle Roller ASM	16	106-6942	2	V-Ring
				17	147-0701	1	Nut-Lock, Bearing
				18	147-1500	4	Bearing-Ball
				19	147-0702	2	Nut-Bearing Lock
				20	117-9066	2	O-Ring
				21	117-9077	1	Sleeve-Roller
				50	147-1132	2	Tool-Drive, Roller Nut ●

● Optional Service Tool  
▲ Service Roller for 04081

■ Service Roller for 04088



\*Red seal on bearing (item 18) faces towards outside of roller tube

## Optional Front Roller Assemblies (continued)

Ref.	Part Number	Qty.	Description	Ref.	Part Number	Qty.	Description
51	140-5553	2	GR Roller Rebuild Tool Kit ●	52:1	147-0701	2	Nut-Lock, Bearing
51:1	107-8133	1	Washer-Flat	52:2	106-6942	2	V-Ring
51:2	115-0853	1	Tool-Bearing/Outer Seal	52:3	106-6941	2	Seal
52	140-5552	2	GR Roller Rebuild Kit	52:4	251-347	2	Bearing-Ball

● Optional Service Tool  
▲ Service Roller for 04081

■ Service Roller for 04088

# Attachments and Accessories

## For 04654 — 11-Blade EdgeSeries DPA Cutting Unit Greensmaster 3150 or 3250-D Series Traction Unit

Product Name	Model/Part
GR21 Split Narrow Wiehle Roller ASM .....	04081
GR21 Split Full Front Roller ASM .....	04088
Narrow Wiehle Roller (Qty 1) .....	04255
Wide Wiehle Roller (Qty 1) .....	04256
Front Full Smooth Roller (Qty 1) .....	04257
Extended Narrow Wiehle Roller (Qty 1) .....	04258
Paspalum Wiehle Roller (Qty 1).....	04267
21in Soft Grooming Brush.....	04270
21in Stiff Grooming Brush.....	04271
Turf Evaluator .....	04399
Steel Roller (Qty 1) .....	04628
Dampening Roller Kit.....	04629
Rear Roller Scraper Kit (Set of 3).....	04646
Universal Groomer Drive Kit .....	04648
Rear Roller Brush, Greensmaster 3250-D, TriFlex 3300, and 3400 Series DPA Cutting Units with Universal Groomer .....	04650
21in Twin Tip Groomer Reel .....	04802
Pull Link Kit for DPA Reel Mower Groomer, Greensmaster 3150.....	106-2643
Bedbar .....	106-2648-01
Steel Roller Asm .....	107-3509
Narrow Wiehle Steel Roller Asm.....	107-3510
Wide Wiehle Steel Roller Asm .....	107-3514
Roller Scraper Kit.....	107-9561
Bedknife-Tournament, Extended .....	108-4302
Bedknife-Microcut, Extended.....	108-4303
Pull Link Kit for DPA Reel Mower Groomer .....	112-9248
Bedknife-EDGEMAX, Microcut.....	115-1880
Bedknife-EDGEMAX, Tournament Cut .....	115-1881
Front Brush for Narrow Wiehle Roller (Qty 1) .....	115-7377
Front Brush for Wide Wiehle Roller (Qty 1) .....	115-7378
Front Brush for Full Roller (Qty 1) .....	115-7379
Front Comb for Narrow Wiehle Roller (Qty 1).....	115-7380
Front Comb for Wide Wiehle Roller (Qty 1) .....	115-7381
Front Comb for Full Roller (Qty 1) .....	115-7382
High Height-of-Cut Arms (Qty 1) .....	120-9600
Rear Roller Adjustment (Qty 1).....	120-9602
Rear Roller Scraper (Qty 1) .....	121-2260
MVP Kit-Cutting Unit Re-Build .....	121-2637
Front Scraper for Narrow Wiehle Roller (Qty 1).....	125-3503
Front Scraper for Wide Wiehle Roller (Qty 1) .....	125-3504
Front Scraper for Full Roller (Qty 1) .....	125-3505
Rear Roller Extension Kit (Set of 3).....	125-5180
Toro Reel Paper (10 Pack).....	125-5610
21in Soft Grooming Brush Kit.....	127-1547
21in Stiff Grooming Brush Kit.....	127-1548

## Attachments and Accessories (continued)

Angle Indicator.....	131-6828
Angle Indicator Mount.....	131-6829
RRB Adapter Kit .....	132-0723
Tool-Hand Tap 15/16-16 (GR DPA Reel).....	137-0926
Tool-Hand Tap 15/16-16, LH (GR DPA Reel) .....	137-0927
Bedknife-EDGEMAX .....	137-6092
Bedknife-Fairway.....	137-6097
21 Inch 8 Blade Low Drag Reel ASM (EdgeSeries+) .....	137-8511
21 Inch 11 Blade Low Drag Reel ASM (EdgeSeries+).....	137-8512
21 Inch 14 Blade Low Drag Reel ASM (EdgeSeries+).....	137-8513
8 Blade Heavy Duty Reel ASM .....	137-8517
Groomer Pull Link Kit, Serial Number 401500000 and After Greensmaster 3120 or Greensmaster 3150 Traction Unit .....	138-4976
Bedknife-EDGEMAX, Microcut Short .....	139-4320
Bedknife-EDGEMAX, Tournament Short .....	139-4321
Shim-TORO Reel (.002in) .....	140-5531
Rear Roller Brush Adapter Kit, Greensmaster 3000 Series DPA Cutting Units .....	140-5534
GR Roller Rebuild Kit.....	140-5552
Roller Rebuild Tool Kit, Greensmaster Cutting Units .....	140-5553
Full Rear Roller(2.0in Dia)(21in) .....	140-5560
Blade-GR Groomer, Twin Tip (0.032in).....	140-5580
Blade-GR Groomer, Helix (0.028in).....	140-5581
Blade-GR Groomer, Helix (0.015" in).....	140-5582
Tool-Drive, Roller Nut.....	147-1132
GR21 HHOC Wide Wiehle Roller ASM (Steel).....	147-1215
HD Full Front Roller Kit (GR21).....	147-1382
Cast Iron Wiehle Roller (Qty 1) .....	71-1550
Bedknife-Microcut.....	93-4262
Bedknife-Tournament Cut.....	93-4263
Bedknife-Low Cut .....	93-4264
Bedknife-Highcut .....	94-6392
Height-of-Cut Bar.....	94-9010
Bedbar-Aggressive .....	99-3794-0P

**Notes:**

**Notes:**

**Notes:**



**Count on it.**